



Australian Government

IP Australia

AUSTRALIAN OFFICIAL JOURNAL

OF

DESIGNS

Did you know a searchable version of this journal is now available online?

It's FREE and EASY to SEARCH.

Find it on our website (www.ipaustralia.gov.au)

by using the "Journals" link on the home page.

This Page Left Intentionally Blank

Contents

General Information & Notices

**Proceedings Under the Designs Act 1906 preserved as a result of the provisions of Chapter 12
Part 2 of the Designs Act 2003**

Extension of Period of Registration of Designs	3650
Registrations Ceased	3650
Subsequent Owners Registered	3650

Proceedings Under the Designs Act 2003

Applications Lapsed	3664
Applications Lodged	3654
Applications Withdrawn	3664
Certificate of Examination	3668
Extension of Period of Registration of Design	3665
Extension of Time Granted Under Section 137	3666
Names Registered - Alterations and Amendments	3667
Publication and Registration Proceedings	
Designs Registered 358975 to 359314.....	3669
Registrations Ceased	3665
Subsequent Owners Registered	3666

This Page Left Intentionally Blank

For information on the following please see our website www.ipaustralia.gov.au or contact our Customer Service Network on 1300651010

[Editorial enquiries](#)

[Contact information](#)

[Freedom of Information ACT](#)

[Professional Standards Board](#)

[Sales](#)

[Requests for Information under Section 194 \(c\)](#)

[Country Codes](#)

[Trade Mark and Designs Hearing Sessions](#)

[INID \(Internationally agreed Numbers for the Identification of Data\)](#)

“INID” NUMBERS in use on Australian Design Documents

“INID” is an acronym for “Internationally agreed Numbers for the Identification of Data”.

(10) Data concerning the registration/renewal

- (11) Serial number of the registration and/or number of the design document
- (12) Plain language designation of the kind of published document
- (19) Identification, using the two-letter code according to WIPO Standard ST.3, of the authority publishing or registering the industrial design

(20) Data concerning the application

- (21) Serial number of the application
- (22) Date of filing of the application
- (24) Date from which the industrial design right has effect

(30) Data relating to priority under the Paris Convention

- (31) Serial number assigned to the priority application
- (32) Date of filing of the priority application
- (33) Two-letter code, according to WIPO Standard ST.3, identifying the authority with which the priority application was made

(40) Date(s) of making information available to the public

- (45) Date of publication of the registered industrial design by printing or similar process, or making it available to the public by any other means

(50) Miscellaneous Information

- (51) International Classification for Industrial Designs (class and subclass of the Locarno Classification)
- (54) Designation of article(s) or product(s) covered by the industrial design or title of the industrial design
- (55) Reproduction of the industrial design (e.g., drawing, photograph) and explanations relating to the reproduction
- (56) List of prior art documents, if separate from descriptive text
- (57) Description of characteristic features of the industrial design including indication of colours

(60) References to other legally related application(s) and registration(s)

- (62) Serial number(s) and, if available, filing date(s) of application(s), registration(s) or document(s) related by division
- (66) Serial number(s) of the application, or the registration, of the design(s) which is (are) a variant(s) of the present one

(70) Identification of parties concerned with the application or registration

- (71) Name(s) and address(es) of the applicant(s)
- (72) Name(s) of the creator(s) if known to be such
- (74) Name(s) and address(es) of the representative(s)

This Page Left Intentionally Blank

Nil notices for this journal issue.

Proceedings under the Designs Act 1906 preserved as a result of the provisions of Chapter 12 Part 2 of the Designs Act 2003.

This Page Left Intentionally Blank

Applications Lapsed

There were no Applications Lapsed under this section

Extension of Period of Registration of Designs

1st Period (Section 27A(8))

2nd Period (Section 27A(12))

3rd Period (Section 27A(13))

151850	151851	151987
154818	155161	155162
155163	155228	155238
155397	155582	155783
155784	155799	155903
156030	156232	156272
156375	156389	156465
156466	156534	156744
156745	156786	156787
156788	156910	157601
158073		

Subsequent Owners Registered

(The name in parentheses is that of the subsequent owner)

140153	(Microsoft Mobile OY) Nokia Mobile Phones Ltd
142670	(Microsoft Mobile OY) Nokia Corporation
144954	(Microsoft Mobile OY) Nokia Mobile Phones Ltd.
147892	(Microsoft Mobile OY) Nokia Corporation
151530	(Microsoft Mobile OY) Nokia Corporation
149338	(Microsoft Mobile OY) Nokia Corporation
149337	(Microsoft Mobile OY) Nokia Corporation
154480	(Microsoft Mobile OY) Nokia Corporation
155292	(Microsoft Mobile OY) Nokia Corporation

Registrations Ceased

Note: Some of the following Registrations may have been previously advertised as ceased. In this instance, the previous advertisement still prevails.

136297	136410	137198
137388	137426	137427
137428	137537	137550
137602	137640	137641
137739	137961	137994
137995	137999	138049
138050	138072	138098
138139	138678	138679
138680	138681	138682
138683	139264	139265
139266	139858	140387
140388	140469	141144
141328	141329	141975
141976	141977	142027
142243	142310	142311
142492	142493	142494
142877	151643	152507
152582	152583	152584
152600	152644	152645
152740	152742	152743
152878	153367	153575
153613	153952	154015
154149	154560	155291
155354	155355	156203

This Page Left Intentionally Blank

Proceedings under the Designs Act 2003.

This Page Left Intentionally Blank

Applications Lodged

Lodgement information is in the following order: **Applicant's Name**; International Classification, Name of Product, Lodgement Date and **Design Number**. If the applicant claims an earlier priority date under an International Convention, the Convention Country and the associated filing date are shown in parentheses before the Lodgement Date. Divisional information will also appear in parentheses before the Lodgement Date.

Alpha Primitus, Inc; 16-06, Pair of temple arms for an eyeglass frame with mount, (US, 06 Jun 2014) 20 Nov 2014	15924/2014	ALSTOM Transport Technologies; 12-03, Seating with handrails for a rail vehicle, (Divisional of 14679/2014) 28 Nov 2014	16221/2014
Ansell Limited; 02-06, Textured glove, (US, 28 Aug 2014) 03 Dec 2014	16277/2014	ALSTOM Transport Technologies; 12-03, Seating with handrails for a rail vehicle, (EM, 13 Mar 2014) (Divisional of 14679/2014) 28 Nov 2014	16219/2014
Anzpac Services (Australia) Pty Limited; 09-03NES, A box, 25 Nov 2014	16040/2014	ALSTOM Transport Technologies; 12-03, Seating with handrails for a rail vehicle, (EM, 13 Mar 2014) (Divisional of 14679/2014) 28 Nov 2014	16220/2014
Apple Inc.; 14-02, Display screen, (US, 30 May 2014) 24 Nov 2014	16022/2014	ANZAC DAY COMMEMORATION COMMITTEE (QUEENSLAND) INC; 11-03, Badge, 25 Nov 2014	16042/2014
Apple Inc.; 14-02, Display screen, (US, 01 Jun 2014) 24 Nov 2014	16024/2014	ANZAC DAY COMMEMORATION COMMITTEE (QUEENSLAND) INC; 11-03, Badge, 25 Nov 2014	16043/2014
Apple Inc.; 14-02, Display screen, (US, 30 May 2014) 24 Nov 2014	16023/2014	Barak, Alexander Baguma; 08-05P, Credit card tool knife scissors swivel, 27 Nov 2014	16172/2014
Attwood Products LLC;Sunkari, Hari; 23-04, Vent housing, (US, 09 Jun 2014) 03 Dec 2014	16281/2014	BIANCA VESSEL MANAGEMENT PTY. LTD.; 12-06NES, A floating vessel gangway, 21 Nov 2014	15976/2014
Atwood Mobile Products LLC;Sunkara, Hari; 23-04, Vent housing, (US, 09 Jun 2014) 03 Dec 2014	16280/2014	BIANCA VESSEL MANAGEMENT PTY. LTD.; 12-06NES, A floating wharf brow, 21 Nov 2014	15977/2014
ADINK; 07-06A, Stubby Holder- 3 Velcro attached arched pieces, (KR, 10 Jul 2014) 03 Dec 2014	16285/2014	BLP International Inc.; 23-02A, Dispenser, (CA, 03 Nov 2014) 26 Nov 2014	16129/2014
AL-KO International Pty Ltd; 12-10, Adjustable stabiliser leg, 24 Nov 2014	16028/2014	BLP International Inc.; 08-08G, Hook, (CA, 03 Nov 2014) 26 Nov 2014	16128/2014
ALSTOM Transport Technologies; 06-01D, Seating for a rail vehicle, (EM, 13 Mar 2014) (Divisional of 14680/2014) 02 Dec 2014	16259/2014	BRIDGESTONE CORPORATION; 12-15A, Tyre, (JP, 02 Jun 2014) 24 Nov 2014	16010/2014
ALSTOM Transport Technologies; 06-01D, Seating for a rail vehicle, (EM, 13 Mar 2014) (Divisional of 14680/2014) 02 Dec 2014	16260/2014	Chanel Limited; 11-01A, Jewellery, (GB, 28 May 2014) 26 Nov 2014	16115/2014
ALSTOM Transport Technologies; 06-01D, Seating for a rail vehicle, (EM, 13 Mar 2014) (Divisional of 14680/2014) 02 Dec 2014	16258/2014	Chanel Limited; 11-01A, Ring, (GB, 28 May 2014) 26 Nov 2014	16117/2014
ALSTOM Transport Technologies; 12-03, Hand rails for rail vehicle, (EM, 13 Mar 2014) (Divisional of 14672/2014) 28 Nov 2014	16218/2014	Color Image Apparel, Inc.; 02-02C, Exercise garments with integrated legwarmers, (US, 30 May 2014) 24 Nov 2014	15998/2014
ALSTOM Transport Technologies; 12-03, Seating with handrails for a rail vehicle, (Divisional of 14679/2014) 28 Nov 2014	16222/2014	Cook Medical Technologies LLC; 24-02, Tubing clips, (US, 27 Jun 2014) 21 Nov 2014	15988/2014

Coolacup Pty Ltd; 07-06A, Holder for a beverage container, 04 Dec 2014	16293/2014	DESIGNERSCOPE LIMITED; 06-06C, A foot, (NZ, 28 Mar 2014) (Divisional of 14931/2014) 26 Nov 2014	16119/2014
Covidien; 24-02, A medical device supporting apparatus, (US, 30 Sep 2014) 28 Nov 2014	16183/2014	DNA Genotek Inc.; 24-01, Sample collection device with caps and tube, (US, 27 May 2014) 25 Nov 2014	16092/2014
Covidien; 24-02, A medical device supporting apparatus, (US, 30 Sep 2014) 28 Nov 2014	16185/2014	Estwing Manufacturing Co., Inc.; 08-02, Hammer, (US, 05 Jun 2014) 05 Dec 2014	16337/2014
Cramer, Denver;Faulkner, Liely; 07-01C, Drinking vessel, 26 Nov 2014	16134/2014	Ethicon Endo-Surgery, Inc.; 24-01, Ultrasonic surgical instrument having a blade, (US, 03 Jun 2014) 25 Nov 2014	16093/2014
CASH GROUP PTY. LTD.; 02-01NES, Active sports and lingerie wear, 03 Dec 2014	16270/2014	Euro-Pro Operating LLC; 15-05, Hand tool, (US, 20 Jun 2014) 03 Dec 2014	16283/2014
CLIPSO ELECTRICAL PTY LTD; 13-03D, electrical light switch, 27 Nov 2014	16163/2014	Euro-Pro Operating LLC; 15-05, Hand tool, (US, 03 Jun 2014) 02 Dec 2014	16266/2014
COFFEE ONE COFFE SYSTEM PTE. LTD.; 09-05, Coffee pad / coffee pod, (EP, 30 May 2014) 28 Nov 2014	16199/2014	EVOLVE LIFEWARES PTY LIMITED; 23-02A, Utensils cup for bathroom, 25 Nov 2014	16102/2014
COFFEE ONE COFFEE SYSTEM PTE. LTD.; 09-05, Coffee pad / coffee pod, (EP, 30 May 2014) 28 Nov 2014	16188/2014	EVOLVE LIFEWARES PTY LIMITED; 23-02A, Bathroom double corner basket, 25 Nov 2014	16098/2014
Davanti Tyres Limited; 12-15B, Tyre tread, (EM, 16 Jul 2014) 21 Nov 2014	15985/2014	EVOLVE LIFEWARES PTY LIMITED; 23-02A, Shower caddy, 25 Nov 2014	16096/2014
Davanti Tyres Limited; 12-15B, Tyre tread, (EM, 22 Aug 2014) 21 Nov 2014	15987/2014	EVOLVE LIFEWARES PTY LIMITED; 23-02A, Large bathroom shelf, 25 Nov 2014	16097/2014
Deere & Company; 12-09, Frontloader, (EM, 23 Jun 2014) 02 Dec 2014	16265/2014	EVOLVE LIFEWARES PTY LIMITED; 28-03B, Hair straightener holder, 25 Nov 2014	16103/2014
Djakovic, Mira; 09-06, Child walking strap, 04 Dec 2014	16288/2014	EVOLVE LIFEWARES PTY LIMITED; 06-07, Vanity mirror for bathroom. suction, 25 Nov 2014	16101/2014
Domo Vision AG; 07-02L, Coffee machine, (WO, 03 Jul 2014) 02 Dec 2014	16257/2014	EVOLVE LIFEWARES PTY LIMITED; 23-02A, Dental station for bathroom, 25 Nov 2014	16099/2014
DESIGNERSCOPE LIMITED; 06-06C, A foot, (NZ, 28 Mar 2014) (Divisional of 14931/2014) 27 Nov 2014	16144/2014	EVOLVE LIFEWARES PTY LIMITED; 23-02A, Soap dish, 25 Nov 2014	16094/2014
DESIGNERSCOPE LIMITED; 06-06C, A foot, (NZ, 28 Mar 2014) (Divisional of 14931/2014) 27 Nov 2014	16147/2014	EVOLVE LIFEWARES PTY LIMITED; 23-02A, Bath shelf - medium size, 25 Nov 2014	16095/2014
DESIGNERSCOPE LIMITED; 06-06C, A foot, (NZ, 28 Mar 2014) (Divisional of 14931/2014) 27 Nov 2014	16145/2014	EVOLVE LIFEWARES PTY LIMITED; 23-02A, Corner basket for bathroom, 25 Nov 2014	16100/2014
DESIGNERSCOPE LIMITED; 06-06C, A foot, (NZ, 28 Mar 2014) (Divisional of 14931/2014) 27 Nov 2014	16146/2014	Faulkner, Liely;Cramer, Denver; 07-01C, Drinking vessel, 26 Nov 2014	16134/2014
DESIGNERSCOPE LIMITED; 08-05NES, A tool, (NZ, 28 Mar 2014) (Divisional of 14933/2014) 25 Nov 2014	16041/2014	Ferguson, Paul David; 20-02E, Heart confectionery display stand, 24 Nov 2014	16000/2014
DESIGNERSCOPE LIMITED; 06-06C, A foot, (NZ, 28 Mar 2014) (Divisional of 14931/2014) 26 Nov 2014	16118/2014	Ferguson, Paul David; 20-02NES, Interchangeable confectionery table top display, 24 Nov 2014	16016/2014

Ferguson, Paul David; 20-02E, Interchangeable table top confectionary display, 24 Nov 2014	16015/2014	Forever New Clothing Pty Ltd; 02-02C, Article of clothing, (Divisional of 11702/2014) 28 Nov 2014	16191/2014
Ferguson, Paul David; 20-02E, Swan confectionery display stand, 24 Nov 2014	16008/2014	Forever New Clothing Pty Ltd; 02-02NES, Article of clothing, (Divisional of 11702/2014) 28 Nov 2014	16210/2014
Ferguson, Paul David; 20-02E, Animal confectionery display stand, 22 Nov 2014	15997/2014	Forever New Clothing Pty Ltd; 02-02NES, Article of clothing, (Divisional of 11702/2014) 28 Nov 2014	16211/2014
Feutrill, Reon Steven; 13-03D, Residential and commercial light/ power switches, 02 Dec 2014	16254/2014	Forever New Clothing Pty Ltd; 02-02C, Article of clothing, (Divisional of 11702/2014) 28 Nov 2014	16192/2014
Feutrill, Reon Steven; 13-03D, Residential and commercial light/ power switches, 02 Dec 2014	16255/2014	Forever New Clothing Pty Ltd; 02-02C, Article of clothing, (Divisional of 11702/2014) 28 Nov 2014	16189/2014
Feutrill, Reon Steven; 13-03D, Residential and commercial light/ power switches, 02 Dec 2014	16256/2014	Forever New Clothing Pty Ltd; 02-02NES, Article of clothing, (Divisional of 11702/2014) 28 Nov 2014	16212/2014
Fitson Singapore PTE Ltd; 07-01E, Feeding bottle, (SG, 27 May 2014) 26 Nov 2014	16105/2014	Forever New Clothing Pty Ltd; 02-02NES, Article of clothing, (Divisional of 11702/2014) 28 Nov 2014	16213/2014
Ford Global Technologies, LLC; 12-08, Vehicle, (CN, 01 Jul 2014) 26 Nov 2014	16120/2014	Forever New Clothing Pty Ltd; 02-02C, Article of clothing, (Divisional of 11702/2014) 28 Nov 2014	16190/2014
Ford Global Technologies, LLC; 12-08, Vehicle, (CN, 01 Jul 2014) 26 Nov 2014	16127/2014	Forever New Clothing Pty Ltd; 02-02C, Article of clothing, (Divisional of 11000/2014) 25 Nov 2014	16065/2014
Forever New Clothing Pty Ltd; 02-02C, Article of clothing, 01 Dec 2014	16243/2014	Forever New Clothing Pty Ltd; 02-02NES, Article of clothing, (Divisional of 11000/2014) 25 Nov 2014	16066/2014
Forever New Clothing Pty Ltd; 02-02C, Article of clothing, (Divisional of 11702/2014) 28 Nov 2014	16193/2014	Forever New Clothing Pty Ltd; 02-02C, Article of clothing, (Divisional of 11000/2014) 25 Nov 2014	16051/2014
Forever New Clothing Pty Ltd; 03-01B, Accessory item, 01 Dec 2014	16236/2014	Forever New Clothing Pty Ltd; 02-02C, Article of clothing, (Divisional of 11000/2014) 25 Nov 2014	16052/2014
Forever New Clothing Pty Ltd; 02-02NES, Article of clothing, (Divisional of 11702/2014) 28 Nov 2014	16214/2014	Forever New Clothing Pty Ltd; 02-02C, Article of clothing, (Divisional of 11000/2014) 25 Nov 2014	16044/2014
Forever New Clothing Pty Ltd; 02-02NES, Article of clothing, (Divisional of 11702/2014) 28 Nov 2014	16215/2014	Forever New Clothing Pty Ltd; 02-02NES, Article of clothing, (Divisional of 11000/2014) 25 Nov 2014	16063/2014
Forever New Clothing Pty Ltd; 02-02NES, Article of clothing, (Divisional of 11702/2014) 28 Nov 2014	16208/2014	Forever New Clothing Pty Ltd; 02-02C, Article of clothing, (Divisional of 11000/2014) 25 Nov 2014	16064/2014
Forever New Clothing Pty Ltd; 02-02NES, Article of clothing, (Divisional of 11702/2014) 28 Nov 2014	16209/2014	Forever New Clothing Pty Ltd; 02-02NES, Article of clothing, (Divisional of 11000/2014) 25 Nov 2014	16049/2014
Forever New Clothing Pty Ltd; 02-02NES, Article of clothing, (Divisional of 11702/2014) 28 Nov 2014	16206/2014	Forever New Clothing Pty Ltd; 02-02C, Article of clothing, (Divisional of 11000/2014) 25 Nov 2014	16058/2014
Forever New Clothing Pty Ltd; 02-02NES, Article of clothing, (Divisional of 11702/2014) 28 Nov 2014	16216/2014	Forever New Clothing Pty Ltd; 02-02C, Article of clothing, (Divisional of 11000/2014) 25 Nov 2014	16050/2014
Forever New Clothing Pty Ltd; 02-02NES, Article of clothing, (Divisional of 11702/2014) 28 Nov 2014	16207/2014		

Forever New Clothing Pty Ltd; 02-02C, Article of clothing, (Divisional of 11000/2014) 25 Nov 2014	16075/2014	Honda Motor Co., Ltd.; 12-16B, Side cover for motorcycle, (JP, 09 Jun 2014) 25 Nov 2014	16089/2014
Forever New Clothing Pty Ltd; 02-02C, Article of clothing, (Divisional of 11000/2014) 25 Nov 2014	16073/2014	Hoolin Research Company Limited; 26-05E, LED lamp, (TW, 30 Jun 2014) 05 Dec 2014	16343/2014
Forever New Clothing Pty Ltd; 02-02C, Article of clothing, (Divisional of 11000/2014) 25 Nov 2014	16071/2014	Hopkins Manufacturing Corporation; 09-05, Packaged automotive air freshener, (US, 30 Jun 2014) 25 Nov 2014	16032/2014
Forever New Clothing Pty Ltd; 02-02C, Article of clothing, (Divisional of 11000/2014) 25 Nov 2014	16070/2014	Hopkins Manufacturing Corporation; 09-05, Packaged automotive air freshener, (US, 30 Jun 2014) 25 Nov 2014	16033/2014
Funtastic Limited; 07-02NES, A cooking vessel, 01 Dec 2014	16237/2014	Hussain, Arsil Nayyar; 14-01, Headset with LED emblem, 24 Nov 2014	16007/2014
Funtastic Limited; 07-02NES, A cooking vessel, 01 Dec 2014	16238/2014	Hussain, Arsil Nayyar; 08-08NES, Holder for hardware device, 24 Nov 2014	16009/2014
Goodwin, Tracey;Luppi, Alana; 02-99, Modesty garment, 05 Dec 2014	16342/2014	HENDON SEMICONDUCTORS PTY LTD; 13-03NES, A housing unit for a photocell, 21 Nov 2014	15983/2014
Groundwater, Lisa;Groundwater, Ian; 22-05, Soft plastic fishing lure, 24 Nov 2014	15999/2014	I & S Larard Pty Ltd; 25-04, Ladder clamp, 21 Nov 2014	15978/2014
Groundwater, Ian;Groundwater, Lisa; 22-05, Soft plastic fishing lure, 24 Nov 2014	15999/2014	Illinois Tool Works Inc.; 09-03K, Merchandising container, (Divisional of 14640/2014) 24 Nov 2014	16027/2014
GD Midea Air-Conditioning Equipment Co., Ltd.; 14-04, Animated graphical user interface, 24 Nov 2014	16021/2014	Illinois Tool Works Inc.; 09-03K, Merchandising container, (Divisional of 14642/2014) 24 Nov 2014	16025/2014
Hawthorne, Sydney; 08-05NES, A device for tensioning a strap, 21 Nov 2014	15993/2014	Interbloc Limited; 25-01NES, Retractable roof, 05 Dec 2014	16333/2014
Hayward, Melinda Gaye; 06-13C, Towel, 02 Dec 2014	16269/2014	Interbloc Limited; 25-01NES, Retractable roof, 05 Dec 2014	16334/2014
Hebe Company Ltd; 12-15F, Vehicle traction mat, 25 Nov 2014	16069/2014	ING Source, Inc.; 24-04, Compression knee sleeve, (US, 04 Jun 2014) 04 Dec 2014	16311/2014
Heindl, Richard; 25-01NES, Sheet pile connector, (EM, 02 Jun 2014) 02 Dec 2014	16268/2014	IVR Group Pty Ltd; 23-04, Vent, 26 Nov 2014	16110/2014
Hendon Semiconductors Pty Ltd; 13-03NES, A base mount for a photocell housing unit, 21 Nov 2014	15984/2014	Janome Sewing Machine Company Limited; 15-06, Sewing machine, (JP, 03 Jun 2014) 28 Nov 2014	16180/2014
Hollister Incorporated; 09-05, Catheter package, (US, 04 Jun 2014) 03 Dec 2014	16276/2014	Jemella Group Limited; 28-03B, Hair styling apparatus, (EM, 20 Aug 2014) 03 Dec 2014	16282/2014
Honda Motor Co., Ltd.; 12-11, Motorcycle, (JP, 02 Jun 2014) 25 Nov 2014	16090/2014	Jiangsu Midea Chunhua Electric Appliance Co., Ltd.; 15-05, Cleaner, (CN, 16 Sep 2014) 03 Dec 2014	16271/2014
Honda Motor Co., Ltd.; 12-08, Automobile, (JP, 30 May 2014) 25 Nov 2014	16055/2014	Jiangsu Midea Chunhua Electric Appliance Co., Ltd.; 15-05, Cleaner, (CN, 16 Sep 2014) 03 Dec 2014	16272/2014
Honda Motor Co., Ltd.; 12-08, Automobile, (JP, 30 May 2014) 25 Nov 2014	16056/2014	Kairos Watches Limited; 10-02, 13-02, Watch batteries, (WO, 28 Jul 2014) 04 Dec 2014	16318/2014
Honda Motor Co., Ltd.; 12-16B, Front side cowl for motorcycle, (JP, 02 Jun 2014) 25 Nov 2014	16091/2014		

Kairos Watches Limited; 10-02, Wrist watch bands, (WO, 01 Sep 2014) 04 Dec 2014	16319/2014	Lego A/S; 21-01E, Toy building block, (EM, 04 Jun 2014) 04 Dec 2014	16290/2014
Kairos Watches Limited; 10-02, Wrist watch band, (WO, 25 Jun 2014) 04 Dec 2014	16316/2014	Lego A/S; 21-01E, Toy building block, (EM, 04 Jun 2014) 04 Dec 2014	16291/2014
Kairos Watches Limited; 10-02, Wrist watch band, (WO, 21 Jul 2014) 04 Dec 2014	16317/2014	Lego A/S; 21-01E, Toy building block, (EM, 04 Jun 2014) 04 Dec 2014	16292/2014
Karsten Manufacturing Corporation; 21-02C, Golf club head, (US, 28 May 2014) 26 Nov 2014	16113/2014	Lexmark International, Inc.; 14-02, Laser printer toner cartridge, (US, 27 May 2014) 21 Nov 2014	15994/2014
Kenford Industrial Company Ltd.; 28-03B, Hair styling device, (HK, 24 Jun 2014) 28 Nov 2014	16177/2014	Lexmark International, Inc.; 14-02, Laser printer toner cartridge, (US, 27 May 2014) 21 Nov 2014	15995/2014
Keystone Retaining Wall Systems LLC; 25-01E, A landscaping block, (US, 11 Jun 2014) 26 Nov 2014	16106/2014	Loadhog Limited; 09-04, Attached lid container, (EM, 04 Jun 2014) 28 Nov 2014	16217/2014
Keystone Retaining Wall Systems LLC; 25-01E, A landscaping block, (US, 11 Jun 2014) 26 Nov 2014	16108/2014	Lorna Jane Pty Ltd; 02-02C, Clothing, 04 Dec 2014	16338/2014
Keystone Retaining Wall Systems LLC; 25-01E, A landscaping block, (US, 11 Jun 2014) 26 Nov 2014	16109/2014	Lorna Jane Pty Ltd; 03-01A, Bag, 03 Dec 2014	16286/2014
Keystone Retaining Wall Systems LLC; 25-01E, A landscaping block, (US, 11 Jun 2014) 26 Nov 2014	16107/2014	Louboutin, Christian; 09-01G, Cosmetic container, (EM, 03 Jun 2014) 27 Nov 2014	16155/2014
Keystone Retaining Wall Systems LLC; 25-01E, A landscaping block, (US, 11 Jun 2014) 26 Nov 2014	16107/2014	Louboutin, Christian; 09-01G, Cosmetic container, (EM, 03 Jun 2014) 27 Nov 2014	16156/2014
Kim Meller Imports Pty Ltd; 02-04NES, Shoe, 04 Dec 2014	16308/2014	Louboutin, Christian; 09-01G, Cosmetic container, (EM, 03 Jun 2014) 27 Nov 2014	16154/2014
King Furniture Australia Pty Ltd; 26-05B, A lamp, 24 Nov 2014	16014/2014	Lumenpulse Lighting Inc.; 26-05A, Linear light fixture and block-out structure, (US, 27 May 2014) 27 Nov 2014	16162/2014
Klean Kanteen, Inc.; 09-07C, Closure/cap assembly for a bottle, (US, 19 Jun 2014) 27 Nov 2014	16169/2014	Luppi, Alana;Goodwin, Tracey; 02-99, Modesty garment, 05 Dec 2014	16342/2014
Klean Kanteen, Inc.; 07-01F, Bottle and closure/cap assembly, (US, 19 Jun 2014) 27 Nov 2014	16166/2014	LG Electronics Inc.; 07-02B, Microwave oven, 01 Dec 2014	16246/2014
Koninklijke Philips N.V.; 07-02N, Rice cooker, (EM, 26 May 2014) 25 Nov 2014	16057/2014	Manson, Matthew William; 22-05, Fish hook, 01 Dec 2014	16234/2014
Koninklijke Philips N.V.; 07-05A, Steam generator for iron, (CN, 26 May 2014) 25 Nov 2014	16054/2014	Mark One Lifestyle, Inc.; 14-02, Display screen with graphical user interface, (US, 27 May 2014) 26 Nov 2014	16136/2014
Koninklijke Philips N.V.; 07-05A, Iron with steam generator, (CN, 26 May 2014) 25 Nov 2014	16068/2014	Mark One Lifestyle, Inc.; 07-01C, Vessel, (US, 27 May 2014) 27 Nov 2014	16143/2014
Laruffa, Scott Fulvio; 06-01NES, Support platform for a bathtub, 30 Nov 2014	16225/2014	Mark One Lifestyle, Inc.; 14-02, Display screen with graphical user interface, (US, 27 May 2014) 27 Nov 2014	16141/2014
Lee, Chang Jo; 21-01C, Quadcopter frame, 29 Nov 2014	16224/2014	Mark One Lifestyle, Inc.; 14-02, Display screen with graphical user interface, (US, 27 May 2014) 27 Nov 2014	16142/2014
Lego A/S; 21-01E, Toy building block, (EM, 04 Jun 2014) 04 Dec 2014	16289/2014	Mark One Lifestyle, Inc.; 14-02, Display screen with graphical user interface, (US, 27 May 2014) 27 Nov 2014	16140/2014

Mark One Lifestyle, Inc.; 07-01C, Vessel, (US, 27 May 2014) 27 Nov 2014	16157/2014	MARICAP OY; 09-09, Waste inlet, (EM, 03 Jun 2014) 28 Nov 2014	16184/2014
Mark One Lifestyle, Inc.; 07-01C, Vessel, (US, 27 May 2014) 27 Nov 2014	16153/2014	Nikles Tec Italia S.r.l.; 23-02B, Shower head, (IT, 15 Oct 2014) 21 Nov 2014	15986/2014
Mark One Lifestyle, Inc.; 14-02, Display screen with graphical user interface, (US, 27 May 2014) 27 Nov 2014	16139/2014	Ningbo Yusing Optoelectronic Technology Co., Ltd.; 26-04, Light bulb, (CN, 24 Oct 2014) 05 Dec 2014	16329/2014
Mark One Lifestyle, Inc.; 14-02, Display screen with graphical user interface, (US, 27 May 2014) 27 Nov 2014	16164/2014	Ningbo Yusing Optoelectronic Technology Co., Ltd.; 26-05B, Light, (CN, 28 Oct 2014) 05 Dec 2014	16331/2014
Mark One Lifestyle, Inc.; 14-02, Display screen with graphical interface, (US, 27 May 2014) 27 Nov 2014	16165/2014	Ningbo Yusing Optoelectronic Technology Co., Ltd.; 26-05B, Light, (CN, 24 Oct 2014) 05 Dec 2014	16330/2014
Mark One Lifestyle, Inc.; 14-02, Display screen with graphical user interface, (US, 27 May 2014) 26 Nov 2014	16135/2014	Ningbo Yusing Optoelectronic Technology Co., Ltd.; 26-05C, Light, (CN, 28 Oct 2014) 05 Dec 2014	16332/2014
Mark One Lifestyle, Inc.; 14-02, Display screen with graphical user interface, (US, 27 May 2014) 26 Nov 2014	16137/2014	Ningbo Yusing Optoelectronic Technology Co., Ltd.; 26-04, Light bulb, (CN, 23 Oct 2014) 05 Dec 2014	16325/2014
Mark One Lifestyle, Inc.; 14-02, Display screen with graphical user interface, (US, 27 May 2014) 26 Nov 2014	16138/2014	Ningbo Yusing Optoelectronic Technology Co., Ltd.; 26-04, Light bulb, (CN, 23 Oct 2014) 05 Dec 2014	16324/2014
Mark One Lifestyle, Inc.; 07-01C, Vessel, (US, 27 May 2014) 27 Nov 2014	16160/2014	Nintendo Co., Ltd.; 14-02, Computer casing, (JP, 26 Aug 2014) 24 Nov 2014	16004/2014
Mark One Lifestyle, Inc.; 14-02, Display screen with graphical user interface, (US, 27 May 2014) 26 Nov 2014	16132/2014	Nintendo Co., Ltd.; 14-02, Computer casing, (JP, 26 Aug 2014) 24 Nov 2014	16006/2014
Martello, Jason Antonio; 07-02K, Kettle, 04 Dec 2014	16320/2014	Nintendo Co., Ltd.; 14-02, Computer casing, (JP, 26 Aug 2014) 24 Nov 2014	16005/2014
Martor KG; 08-03, Safety cutter, (EM, 26 May 2014) 21 Nov 2014	15989/2014	Nintendo Co., Ltd.; 14-02, Portable computer, (JP, 26 Aug 2014) 24 Nov 2014	16002/2014
McConnell, John Gavin; 24-04, A finger joint brace, 26 Nov 2014	16114/2014	Nintendo Co., Ltd.; 14-02, Computer casing, (JP, 26 Aug 2014) 24 Nov 2014	16003/2014
MediaShop Holding GmbH; 07-05E, Window cleaning apparatus, (EM, 27 May 2014) 20 Nov 2014	15923/2014	Nintendo Co., Ltd.; 14-02, Portable computer, (JP, 26 Aug 2014) 24 Nov 2014	16001/2014
Moller, Paul Gerard; 10-06, Tactile directional bar with 16 point star design, 27 Nov 2014	16149/2014	Nurrish, Barry Arthur; 02-03, A textile sunshield fixed onto a sweat/ headband, (NZ, 17 Nov 2014) 30 Nov 2014	16226/2014
Moller, Paul Gerard; 29-02, Tactile indicator stud with a 16 point star design, 27 Nov 2014	16159/2014	NGTS S.A.; 12-16K, Roof boxes, (EM, 21 Aug 2014) 01 Dec 2014	16250/2014
Mort Bay Traders Pty Ltd; 13-03D, A multi-socket powerboard, 02 Dec 2014	16264/2014	NUC Electronics Co., Ltd.; 31-00, Mixer, (KR, 02 Jun 2014) 27 Nov 2014	16151/2014
Mort Bay Traders Pty Ltd; 13-03D, A compact powerboard, 05 Dec 2014	16339/2014		

NUC Electronics Co., Ltd.; 31-00, Electrical appliance for food fermentation, (KR, 02 Jun 2014) 27 Nov 2014	16152/2014	Red Bull GmbH; 07-07A, Beverage cooler, (EM, 05 Aug 2014) 01 Dec 2014	16247/2014
Orora Limited; 09-03F, Carton and blanks therefor, 26 Nov 2014	16130/2014	Red Bull GmbH; 07-07A, Beverage cooler, (EM, 05 Aug 2014) 01 Dec 2014	16252/2014
Orora Limited; 09-03NES, Carton and blanks therefor, 28 Nov 2014	16181/2014	Red Bull GmbH; 07-07A, Beverage cooler, (EM, 05 Aug 2014) 01 Dec 2014	16245/2014
Outsourcerglobal Pty Limited; 32-02, New innovative e-commerce global gateway, 02 Dec 2014	16262/2014	ResMed Limited; 14-04, Display screen or graphical user interface, or portion thereof, with animated images and/or icon(s), (US, 30 May 2014) 27 Nov 2014	16182/2014
Owens-Brockway Glass Container Inc.; 09-01H, Bottle, (US, 06 Jun 2014) 05 Dec 2014	16344/2014	ResMed Limited; 24-02, Patient interface and/or components thereof, (Divisional of 15127/2014) 03 Dec 2014	16294/2014
Pentair Water Solutions Pty Limited; 23-01A, Restraint fittings for PE pipe, 21 Nov 2014	15991/2014	ResMed Limited; 24-01, Air delivery tube and/or components thereof, (Divisional of 14736/2014) 21 Nov 2014	15992/2014
Pi-Design AG; 31-00, An electric juicer, (WO, 16 Jun 2014) 25 Nov 2014	16038/2014	ResMed Limited; 24-01, Air delivery tube, 17 Sep 2014	15990/2014
Pi-Design AG; 31-00, An electric juicer, (WO, 16 Jun 2014) 25 Nov 2014	16039/2014	Roccon, Renny; 06-13B, A three-dimensional character cover, 04 Dec 2014	16287/2014
Powersource Global Pty Ltd; 07-07A, Mobile cooler and adjustable cricket stump handle, 04 Dec 2014	16310/2014	Roxtec AB; 08-08D, 08-05M, Part of welding fixture, (EP, 10 Jun 2014) 04 Dec 2014	16314/2014
Price, Barry; 02-04NES, Footwear, 05 Dec 2014	16349/2014	Roxtec AB; 08-08D, 08-05M, Welding fixture, (EP, 10 Jun 2014) 04 Dec 2014	16313/2014
Price, Barry; 02-04NES, Footwear, 05 Dec 2014	16347/2014	Roxtec AB; 08-08D, 08-05M, Welding fixture, (EP, 10 Jun 2014) 04 Dec 2014	16312/2014
Price, Barry; 02-04NES, Footwear, 05 Dec 2014	16348/2014	S. C. Johnson & Son, Inc.; 26-01, Holder for a dispenser element and candle, (US, 29 May 2014) 28 Nov 2014	16173/2014
PC Locs Pty Ltd; 06-04B, Wall cabinet for storing and charging laptops, 26 Nov 2014	16116/2014	S. C. Johnson & Son, Inc.; 26-01, Refill holder for a candle dispenser, (US, 29 May 2014) 28 Nov 2014	16174/2014
Ratu, Tania; 25-03, Dwelling, 19 Nov 2014	15893/2014	Scott Cutters Limited; 08-05K, A plastering tool, (EP, 27 May 2014) 27 Nov 2014	16150/2014
Ratu, Tania; 25-03, Dwelling, 19 Nov 2014	15892/2014	Scott Health & Safety Limited; 29-02, A self-contained breathing apparatus back frame, (EM, 28 May 2014) 24 Nov 2014	16013/2014
Red Bull GmbH; 07-07A, Beverage cooler, (EM, 05 Aug 2014) 01 Dec 2014	16248/2014	Seafolly Pty Ltd; 02-02A, Swimwear, 21 Jul 2014	16232/2014
Red Bull GmbH; 07-07A, Beverage cooler, (EM, 05 Aug 2014) 01 Dec 2014	16251/2014	Seafolly Pty Ltd; 02-02A, Swimwear, 21 Jul 2014	16233/2014
Red Bull GmbH; 07-07A, Beverage cooler, (EM, 05 Aug 2014) 01 Dec 2014	16227/2014	Seafolly Pty Ltd; 02-02A, Swimwear, 21 Jul 2014	16230/2014
Red Bull GmbH; 07-07A, Beverage cooler, (EM, 05 Aug 2014) 01 Dec 2014	16249/2014	Seafolly Pty Ltd; 02-02A, Swimwear, 21 Jul 2014	16231/2014

Seafolly Pty Ltd; 02-02A, Swimwear, 21 Jul 2014	16228/2014	Stanley 3 Pty Ltd; 02-02NES, A garment, 28 Nov 2014	16175/2014
Seafolly Pty Ltd; 02-02A, Swimwear, 21 Jul 2014	16229/2014	Stride Tool, Inc.; 14-02, Display screen, (US, 03 Jun 2014) 03 Dec 2014	16284/2014
Sentry Medical Pty Ltd; 24-01, Medical tray, 01 Dec 2014	16244/2014	Sunkara, Hari;Atwood Mobile Products LLC; 23-04, Vent housing, (US, 09 Jun 2014) 03 Dec 2014	16280/2014
Sentry Medical Pty Ltd; 06-13B, Surgical drape, 27 Nov 2014	16161/2014	Sunkari, Hari;Attwood Products LLC; 23-04, Vent housing, (US, 09 Jun 2014) 03 Dec 2014	16281/2014
Sharp Kabushiki Kaisha; 14-03B, Television, (JP, 04 Jun 2014) 24 Nov 2014	16011/2014	SANDVIK MINING AND CONSTRUCTION OY; 14-04, Display screen with graphical features, (EM, 25 Jun 2014) 04 Dec 2014	16301/2014
Simol S.P.A.; 12-16NES, A vehicle accessory, (EM, 30 May 2014) 26 Nov 2014	16111/2014	Taizhou Beswell Machinery Co., Ltd.; 08-05P, An air impact wrench, (EM, 31 Oct 2014) 03 Dec 2014	16278/2014
Simol S.P.A.; 12-16NES, A vehicle accessory, (EM, 30 May 2014) 26 Nov 2014	16112/2014	Targus Group International, Inc.; 03-01A, Electronic device case, 03 Dec 2014	16274/2014
Sipolis, Julia; 32-03, Tunic uniform, business cards/flyers, 21 Nov 2014	15996/2014	Targus Group International, Inc.; 03-01A, Electronic device case, 03 Dec 2014	16275/2014
Skilltrack Pty Ltd; 25-01C, Roof safety mesh, 01 Dec 2014	16273/2014	The Gillette Company; 28-03A, Razor, (US, 13 Jun 2014) 05 Dec 2014	16336/2014
Sleep Innovations Pty Ltd; 24-02, Outer part for a device for treating sleep apnoea, 05 Dec 2014	16340/2014	The Gillette Company; 28-03A, Razor cartridge, (US, 13 Jun 2014) 05 Dec 2014	16335/2014
Sleep Innovations Pty Ltd; 24-02, Device for treating sleep apnoea, 05 Dec 2014	16341/2014	The Procter & Gamble Company; 23-01G, Filter bag, (US, 06 Jun 2014) 27 Nov 2014	16168/2014
Smeg S.p.A.; 07-02C, Cooking Hob, (EM, 04 Apr 2014) (Divisional of 15038/2014) 24 Nov 2014	16018/2014	The Procter & Gamble Company; 23-01G, Filter bag, (US, 06 Jun 2014) 27 Nov 2014	16167/2014
Smeg S.p.A.; 07-02C, Cooking hob, (EM, 04 Apr 2014) (Divisional of 15038/2014) 24 Nov 2014	16020/2014	The Stanley Works Israel Ltd.; 03-01D, Tool box, (EM, 01 Aug 2014) 04 Dec 2014	16315/2014
Smeg S.p.A.; 07-02C, Cooking hob, (EM, 04 Apr 2014) (Divisional of 15038/2014) 24 Nov 2014	16019/2014	The Yokohama Rubber Co., Ltd.; 12-15C, Automobile tire, (JP, 29 May 2014) 28 Nov 2014	16178/2014
Snappyscreen, Inc.; 28-03NES, Fluid cartridge having connector, 26 Nov 2014	16126/2014	Thompson, Stewart Lachlan; 23-01F, Fuel tank, 26 Nov 2014	16104/2014
Societe des Produits Nestle S.A.; 07-02L, A coffee machine, (CH, 11 Jun 2014) 03 Dec 2014	16279/2014	Tindal-Davies, G;Tindal-Davies, J; 07-02E, Outdoor oven; bbq, 26 Nov 2014	16131/2014
Source Enterprises Pty Ltd Trading as Covers My; 07-99NES, Icy pole cover 2 . It covers a icy pole/ ice pop, 04 Dec 2014	16322/2014	Tindal-Davies, J;Tindal-Davies, G; 07-02E, Outdoor oven; bbq, 26 Nov 2014	16131/2014
Source Enterprises Pty Ltd Trading as Covers My; 07-99NES, Icy pole cover. It covers a icy pole/ ice Pop, 05 Dec 2014	16350/2014	Toto Ltd.; 23-02C, Toilet seat, (US, 30 May 2014) 28 Nov 2014	16179/2014
Source Enterprises Pty Ltd Trading as Covers My; 07-99NES, Icy pole cover 1. It covers a icy pole/ ice pop, 04 Dec 2014	16321/2014	Toto Ltd.; 23-02C, Toilet seat, (US, 30 May 2014) 28 Nov 2014	16186/2014

Trends UK Limited; 15-01, Engine block, (EP, 29 Sep 2014) 05 Dec 2014	16346/2014	Wheel Pros, LLC; 12-16A, Wheel, (US, 13 Nov 2014) 04 Dec 2014	16307/2014
Umesh, Sidarth; 07-07NES, Receptacles carrier, 02 Dec 2014	16261/2014	Wheel Pros, LLC; 12-16A, Wheel, (US, 05 Oct 2014) 04 Dec 2014	16305/2014
Under The Weather, LLC; 21-04, Personal enclosure, 04 Dec 2014	16309/2014	Wheel Pros, LLC; 12-16A, Wheel, (US, 13 Nov 2014) 04 Dec 2014	16302/2014
Uni-Charm Corporation; 02-01B, Disposable diaper, (JP, 27 May 2014) 24 Nov 2014	16026/2014	Wheel Pros, LLC; 12-16A, Wheel, (US, 05 Oct 2014) 04 Dec 2014	16306/2014
Victor Equipment Company; 08-05M, Heavy duty contact tip, (US, 30 May 2014) 01 Dec 2014	16239/2014	Wheel Pros, LLC; 12-16A, Wheel, (US, 13 Nov 2014) 04 Dec 2014	16303/2014
Victor Equipment Company; 08-05M, Heavy duty contact tip, (US, 30 May 2014) 28 Nov 2014	16187/2014	Wheel Pros, LLC; 12-16A, Wheel, (US, 05 Oct 2014) 04 Dec 2014	16304/2014
Visy R & D Pty Ltd; 09-01B, Container, 27 Nov 2014	16171/2014	White, Richard; 11-02B, A garden bed, 01 Dec 2014	16253/2014
Vorwerk & Co. Interholding GmbH; 09-03M, Package for a data medium, (EM, 10 Mar 2014) (Divisional of 14254/2014) 17 Nov 2014	16035/2014	Wm. Wrigley Jr. Company; 09-01NES, Container, (CN, 21 May 2014) 21 Nov 2014	15981/2014
Vorwerk & Co. Interholding GmbH; 09-03M, Package for a data medium, (EM, 10 Mar 2014) (Divisional of 14254/2014) 17 Nov 2014	16036/2014	Wood, Peter; 08-05NES, Grooming tool for sporting surface, 24 Nov 2014	16030/2014
Vorwerk & Co. Interholding GmbH; 14-02, Data medium, (EM, 10 Mar 2014) (Divisional of 14254/2014) 17 Nov 2014	16037/2014	Wood, Peter; 08-05A, Grooming tool for sporting surface, 24 Nov 2014	16029/2014
Warn Industries, Inc.; 12-05, Winch, (US, 20 Aug 2014) 25 Nov 2014	16031/2014	Zenith Interiors Pty Ltd; 06-06E, Furniture, 27 Nov 2014	16170/2014
Warn Industries, Inc.; 14-03NES, 12-05, Winch remote control, (US, 22 Aug 2014) 25 Nov 2014	16034/2014	ZheJiang JinBang Sports Equipment Co., Ltd.; 21-01F, Toddler scooter, 05 Dec 2014	16345/2014
Waters, Michael; 02-03, Lighted beanie, (US, 23 May 2014) 24 Nov 2014	16012/2014	Zovko, Linda L.;Zovko, Stanley; 11-02B, Planter box & adapting adjustable weather roof kit, 27 Nov 2014	16158/2014
Wheel Pros, LLC; 12-16A, Wheel, (US, 05 Oct 2014) 04 Dec 2014	16300/2014	Zovko, Stanley;Zovko, Linda L.; 11-02B, Planter box & adapting adjustable weather roof kit, 27 Nov 2014	16158/2014
Wheel Pros, LLC; 12-16A, Wheel, (US, 05 Oct 2014) 04 Dec 2014	16295/2014	3M Innovative Properties Company; 08-03, Utility knife, (US, 30 May 2014) 28 Nov 2014	16176/2014
Wheel Pros, LLC; 12-16A, Wheel, (US, 05 Oct 2014) 04 Dec 2014	16297/2014	3M Innovative Properties Company; 29-02, Respirator mask having a face seal flexing region, (US, 22 May 2014) 21 Nov 2014	15975/2014
Wheel Pros, LLC; 12-16A, Wheel, (US, 05 Oct 2014) 04 Dec 2014	16296/2014	3M Innovative Properties Company; 02-03, Helmet bracket, (US, 30 May 2014) 26 Nov 2014	16122/2014
Wheel Pros, LLC; 12-16A, Wheel, (US, 05 Oct 2014) 04 Dec 2014	16298/2014	3M Innovative Properties Company; 02-03, Helmet bracket having a connector end, (US, 30 May 2014) 26 Nov 2014	16123/2014
Wheel Pros, LLC; 12-16A, Wheel, (US, 05 Oct 2014) 04 Dec 2014	16299/2014		

3M Innovative Properties Company; **16121/2014**
 08-03, Utility knife, (US, 30 May 2014) 26
 Nov 2014

3M Innovative Properties Company; **16125/2014**
 08-03, Utility knife, (US, 30 May 2014) 26
 Nov 2014

3M Innovative Properties Company; **16124/2014**
 02-03, Helmet bracket having a connector
 end, (US, 30 May 2014) 26 Nov 2014

Applications Withdrawn

14950 / 2014 (08-09)	15164 / 2014 (25-01G)
15166 / 2014 (25-01G)	15546 / 2014 (08-05NES)

Applications Lapsed

11654 / 2014 (14-02)	11669 / 2014 (02-05)
12498 / 2014 (06-09)	12652 / 2014 (07-07NES)
13643 / 2014 (02-02NES)	14474 / 2014 (19-02)
14632 / 2014 (32-02)	14646 / 2014 (11-02F)
14647 / 2014 (32-03)	14734 / 2014 (03-01NES)

Extension of Period of Registration of Designs

327160	327161	327162
328285	328286	328538
328710	328711	329016
329058	329059	329060
329061	329062	329063
329064	329065	329066
329067	329068	329069
329070	329071	329072
329073	329074	329075
329076	329077	329102
329103	329139	329146
329147	329148	329149
329151	329152	329153
329158	329161	329174
329176	329177	329180
329181	329183	329211
329216	329219	329220
329253	329254	329255
329256	329257	329295
329337	329338	329339
329362	329448	329474
329483	329484	329511
329533	329570	329605
329606	329614	329629
329653	329655	329675
329698	329789	329790
329914	329942	330284
332069	332138	332139

Registrations Ceased

300917	300918	300919
300920	301492	301594
301595	301596	301597
301598	301609	301610
301612	301617	301618
301619	301620	301645
301646	301647	301648
301649	301650	301651
301652	301653	301654
301655	301656	301657
301658	301734	301735
301736	301737	301738
301739	301740	301741
301742	301745	301746
301762	301763	301772
301796	301809	301835
301876	301878	301879
301880	301882	301883
301884	301888	301889

301890	301891	301892
301894	301895	301896
301929	301930	301936
301937	301938	301939
301940	301941	301942
301943	301944	301945
302201	302257	302258
302259	302260	302261
302262	302263	302265
302267	302268	302269
302270	302271	302306
302376	302377	302378
302379	302380	302494
302495	302551	302552
302553	302554	302555
302556	302563	302564
302565	302566	302567
302568	302569	302570
302571	302572	302573
302574	302761	302762
302763	302764	302765
302766	302804	302859
302864	302865	303259
303260	303261	303616
304159	304160	304717
306246	306247	306248
306249	306250	306251
306252	306253	306536
326090	326122	326123
326124	326125	326135
326189	326197	326219
326220	326236	326237
326239	326240	326241
326242	326246	326247
326248	326254	326258
326264	326302	326304
326305	326308	326311
326312	326313	326319
326330	326331	326334
326335	326345	326367
326370	326371	326387
326388	326394	326401
326402	326420	326422
326423	326424	326428
326429	326440	326441
326442	326446	326447
326448	326449	326450
326451	326464	326465
326477	326478	326479
326505	326548	326644
326645	326688	326722
326723	326724	326725
326792	326793	326809
326810	326940	327008

327048 327049 327235
 327637 327662 329007
 329234 329696 329697
 351323 355370

Extensions of time granted under Section 137

Applications lodged under section 137 for extension of time have been granted.

320688 **Nicola Gail Junkeer**
 14803/2013 **Derlot Pty Limited**
 14804/2013 **Derlot Pty Limited**
 13106/2014 **Shauna Zoutenbier**
 13107/2014 **Shauna Zoutenbier**
 13108/2014 **Shauna Zoutenbier**
 359158 **IQ Kids & Furniture Pty Ltd**
 359159 **IQ Kids & Furniture Pty Ltd**
 359316 **Linda L Zovko**
 359317 **Linda L Zovko**
 359318 **ResMed Limited**
 358292 **Teva UK Limited**
 359327 **ResMed Limited**
 359420 **Vorwerk & Co. Interholding GmbH**
 16036/2014 **Vorwerk & Co. Interholding GmbH**
 16037/2014 **Vorwerk & Co. Interholding GmbH**

Subsequent Owners Registered

(The name in parentheses is that of the subsequent owner)

343579 (**Husqvarna AB**) Husqvarna Consumer Outdoor Products N.A. Inc.
 345177 (**Husqvarna AB**) Husqvarna Consumer Outdoor Products N.A. Inc.
 352946 (**Securistyle Group Holdings Limited**) Securistyle Limited
 352947 (**Securistyle Group Holdings Limited**) Securistyle Limited
 352948 (**Securistyle Group Holdings Limited**) Securistyle Limited
 352946 (**ASSA ABLOY LIMITED**) Securistyle Group Holdings Limited
 352948 (**ASSA ABLOY LIMITED**) Securistyle Group Holdings Limited
 352947 (**ASSA ABLOY LIMITED**) Securistyle Group Holdings Limited
 304301 (**Microsoft Mobile OY**) Nokia Corporation
 305781 (**Microsoft Mobile OY**) Nokia Corporation
 308771 (**Microsoft Mobile OY**) Nokia Corporation
 309844 (**Microsoft Mobile OY**) Nokia Corporation
 311493 (**Microsoft Mobile OY**) Nokia Corporation
 313082 (**Microsoft Mobile OY**) Nokia Corporation
 311067 (**Microsoft Mobile OY**) Nokia Corporation

313777 (**Microsoft Mobile OY**) Nokia Corporation
 313778 (**Microsoft Mobile OY**) Nokia Corporation
 313753 (**Microsoft Mobile OY**) Nokia Corporation
 313835 (**Microsoft Mobile OY**) Nokia Corporation
 313834 (**Microsoft Mobile OY**) Nokia Corporation
 314418 (**Microsoft Mobile OY**) Nokia Corporation
 314417 (**Microsoft Mobile OY**) Nokia Corporation
 315521 (**Microsoft Mobile OY**) Nokia Corporation
 316740 (**Microsoft Mobile OY**) Nokia Corporation
 316743 (**Microsoft Mobile OY**) Nokia Corporation
 315520 (**Microsoft Mobile OY**) Nokia Corporation
 316742 (**Microsoft Mobile OY**) Nokia Corporation
 316149 (**Microsoft Mobile OY**) Nokia Corporation
 316148 (**Microsoft Mobile OY**) Nokia Corporation
 316346 (**Microsoft Mobile OY**) Nokia Corporation
 316074 (**Microsoft Mobile OY**) Nokia Corporation
 316072 (**Microsoft Mobile OY**) Nokia Corporation
 316347 (**Microsoft Mobile OY**) Nokia Corporation
 317613 (**Microsoft Mobile OY**) Nokia Corporation of Keilalahdentie 4
 317486 (**Microsoft Mobile OY**) Nokia Corporation
 317615 (**Microsoft Mobile OY**) Nokia Corporation
 318310 (**Microsoft Mobile OY**) Nokia Corporation
 318803 (**Microsoft Mobile OY**) Nokia Corporation
 318804 (**Microsoft Mobile OY**) Nokia Corporation
 318971 (**Microsoft Mobile OY**) Nokia Corporation
 318970 (**Microsoft Mobile OY**) Nokia Corporation
 318956 (**Microsoft Mobile OY**) Nokia Corporation
 318957 (**Microsoft Mobile OY**) Nokia Corporation
 318973 (**Microsoft Mobile OY**) Nokia Corporation
 318974 (**Microsoft Mobile OY**) Nokia Corporation
 318955 (**Microsoft Mobile OY**) Nokia Corporation
 318975 (**Microsoft Mobile OY**) Nokia Corporation
 318954 (**Microsoft Mobile OY**) Nokia Corporation
 319820 (**Microsoft Mobile OY**) Nokia Corporation
 319821 (**Microsoft Mobile OY**) Nokia Corporation
 319823 (**Microsoft Mobile OY**) Nokia Corporation
 321094 (**Microsoft Mobile OY**) Nokia Corporation
 320214 (**Microsoft Mobile OY**) Nokia Corporation
 321093 (**Microsoft Mobile OY**) Nokia Corporation
 321095 (**Microsoft Mobile OY**) Nokia Corporation
 321108 (**Microsoft Mobile OY**) Nokia Corporation
 322029 (**Microsoft Mobile OY**) Nokia Corporation
 322249 (**Microsoft Mobile OY**) Nokia Corporation
 322027 (**Microsoft Mobile OY**) Nokia Corporation
 322247 (**Microsoft Mobile OY**) Nokia Corporation
 321701 (**Microsoft Mobile OY**) Nokia Corporation
 321702 (**Microsoft Mobile OY**) Nokia Corporation
 321700 (**Microsoft Mobile OY**) Nokia Corporation
 323399 (**Microsoft Mobile OY**) Nokia Corporation
 321176 (**Microsoft Mobile OY**) Nokia Corporation
 321177 (**Microsoft Mobile OY**) Nokia Corporation
 321175 (**Microsoft Mobile OY**) Nokia Corporation
 322246 (**Microsoft Mobile OY**) Nokia Corporation
 322248 (**Microsoft Mobile OY**) Nokia Corporation
 322243 (**Microsoft Mobile OY**) Nokia Corporation
 321956 (**Microsoft Mobile OY**) Nokia Corporation
 321174 (**Microsoft Mobile OY**) Nokia Corporation
 321178 (**Microsoft Mobile OY**) Nokia Corporation
 321179 (**Microsoft Mobile OY**) Nokia Corporation
 321180 (**Microsoft Mobile OY**) Nokia Corporation
 321969 (**Microsoft Mobile OY**) Nokia Corporation
 321968 (**Microsoft Mobile OY**) Nokia Corporation
 322054 (**Microsoft Mobile OY**) Nokia Corporation
 322025 (**Microsoft Mobile OY**) Nokia Corporation
 322031 (**Microsoft Mobile OY**) Nokia Corporation

- 321938 (**Microsoft Mobile OY**) Nokia Corporation
- 321939 (**Microsoft Mobile OY**) Nokia Corporation
- 322035 (**Microsoft Mobile OY**) Nokia Corporation
- 322036 (**Microsoft Mobile OY**) Nokia Corporation
- 323678 (**Microsoft Mobile OY**) Nokia Corporation
- 322301 (**Microsoft Mobile OY**) Nokia Corporation
- 321955 (**Microsoft Mobile OY**) Nokia Corporation
- 323714 (**Microsoft Mobile OY**) Nokia Corporation
- 323725 (**Microsoft Mobile OY**) Nokia Corporation
- 322061 (**Microsoft Mobile OY**) Nokia Corporation
- 322052 (**Microsoft Mobile OY**) Nokia Corporation
- 322028 (**Microsoft Mobile OY**) Nokia Corporation
- 322245 (**Microsoft Mobile OY**) Nokia Corporation
- 321949 (**Microsoft Mobile OY**) Nokia Corporation
- 322030 (**Microsoft Mobile OY**) Nokia Corporation
- 322299 (**Microsoft Mobile OY**) Nokia Corporation
- 322060 (**Microsoft Mobile OY**) Nokia Corporation
- 321954 (**Microsoft Mobile OY**) Nokia Corporation
- 322115 (**Microsoft Mobile OY**) Nokia Corporation
- 322116 (**Microsoft Mobile OY**) Nokia Corporation
- 322117 (**Microsoft Mobile OY**) Nokia Corporation
- 322133 (**Microsoft Mobile OY**) Nokia Corporation
- 322134 (**Microsoft Mobile OY**) Nokia Corporation
- 322063 (**Microsoft Mobile OY**) Nokia Corporation

Names Registered - Alterations and Amendments

(The name in parentheses is that of the subsequent applicant)

- 356057 (**Inventory Technologies Limited**) CLEVER
MEDKITS LIMITED

Certificate(s) of Examination

Examination of the following Design Registration(s) has been completed. Infringement proceedings may now be commenced.

332820	06-03A	27/11/2014
334570	02-02C	04/12/2014
337782	23-01H	27/11/2014
354119	15-04	04/12/2014
354120	15-04	04/12/2014
354121	15-04	04/12/2014
356253	09-01A	27/11/2014
356331	07-01NES	28/11/2014
356545	14-02	02/12/2014
356779	15-03C	26/11/2014
356814	15-03C	26/11/2014
357215	21-01E	05/12/2014
357317	26-05C	08/12/2014
357339	05-05A	25/11/2014
357340	05-05NES	25/11/2014
357460	03-01NES	26/11/2014
357479	15-05	26/11/2014
357541	08-09	25/11/2014
357543	08-09	25/11/2014
357748	13-03D	26/11/2014
357806	24-01	28/11/2014
357832	24-01	28/11/2014
357852	09-01A	03/12/2014
357859	24-01	28/11/2014
357860	28-03NES	03/12/2014
357862	28-03NES	03/12/2014
357968	09-03M	26/11/2014
358223	07-07NES	27/11/2014
358269	05-05B	27/11/2014
358270	05-05D	27/11/2014
358297	05-05C	27/11/2014
358329	23-01K	27/11/2014
358350	09-03M	03/12/2014
358359	02-02B	02/12/2014
358360	02-02B	02/12/2014
358376	12-14	26/11/2014
358377	28-01	26/11/2014
358392	24-01	03/12/2014
358393	24-01	03/12/2014
358394	24-01	03/12/2014
358408	02-07A	28/11/2014
358809	14-03A	27/11/2014
359081	05-05A	09/12/2014
359083	05-05A	09/12/2014

Publication and Registration Proceedings

Designs Registered

This section provides a concordance between design number and registration number of Designs covered in this journal. It also shows the main class and registration date.

This section covers Registration numbers 358975 to 359314 .

The registration number shown below should be used in all future correspondence.

Design Number	Registration Number	International Classification Code (IDC)	Registration Date	Design Number	Registration Number	International Classification Code (IDC)	Registration Date
11000/2014	359171	02-02C	03/12/2014	15191/2014	359145	24-02	03/12/2014
11524/2014	359153	07-07B	03/12/2014	15194/2014	359146	24-02	03/12/2014
11525/2014	359161	07-07B	03/12/2014	15198/2014	359147	24-02	03/12/2014
11702/2014	359172	02-02C	03/12/2014	15199/2014	359148	28-03NES	03/12/2014
12103/2014	359089	02-02C	28/11/2014	15248/2014	359149	02-01B	03/12/2014
12248/2014	359054	20-02NES	27/11/2014	15251/2014	359097	08-03	01/12/2014
12476/2014	359154	08-08L	03/12/2014	15257/2014	359221	09-03F	05/12/2014
12613/2014	359155	06-01F	03/12/2014	15288/2014	359018	08-05K	26/11/2014
12614/2014	359156	06-01F	03/12/2014	15292/2014	359211	09-01D	04/12/2014
12615/2014	359157	06-06G	03/12/2014	15318/2014	359280	24-01	08/12/2014
12923/2014	359162	08-08B	03/12/2014	15327/2014	359150	09-05	03/12/2014
12967/2014	359220	15-03NES	05/12/2014	15337/2014	359222	23-01K	05/12/2014
13116/2014	359158	06-02	03/12/2014	15434/2014	359067	24-01	28/11/2014
13117/2014	359159	06-02	03/12/2014	15447/2014	359151	09-03M	03/12/2014
13247/2014	359009	13-99	26/11/2014	15449/2014	359098	09-08	01/12/2014
13248/2014	359010	21-04	26/11/2014	15480/2014	359090	02-02NES	28/11/2014
13249/2014	359011	26-02	26/11/2014	15481/2014	359091	02-02NES	28/11/2014
13598/2014	359095	12-05	01/12/2014	15507/2014	358980	02-02A	25/11/2014
14019/2014	359160	12-08	03/12/2014	15512/2014	359176	06-10	03/12/2014
14588/2014	359014	09-07B	26/11/2014	15513/2014	359003	02-02A	26/11/2014
14614/2014	358975	06-13B	25/11/2014	15514/2014	359177	06-10	03/12/2014
14638/2014	358976	09-03NES	25/11/2014	15515/2014	359178	06-10	03/12/2014
14640/2014	359015	09-03K	26/11/2014	15518/2014	359179	06-10	03/12/2014
14642/2014	359016	09-03K	26/11/2014	15521/2014	359099	09-01NES	01/12/2014
14672/2014	359140	12-03	03/12/2014	15531/2014	359180	13-03D	03/12/2014
14673/2014	359173	06-01D	03/12/2014	15585/2014	359055	09-03F	27/11/2014
14679/2014	359141	06-01D	03/12/2014	15660/2014	359056	03-01A	27/11/2014
14700/2014	359142	12-02	03/12/2014	15663/2014	359281	08-08C	08/12/2014
14735/2014	359012	03-01NES	26/11/2014	15664/2014	359057	08-08C	27/11/2014
14736/2014	359017	24-01	26/11/2014	15681/2014	359212	11-01C	04/12/2014
14767/2014	359143	12-15B	03/12/2014	15683/2014	359053	09-01NES	27/11/2014
14811/2014	359115	19-99	01/12/2014	15710/2014	359068	09-07A	28/11/2014
14931/2014	359144	06-06C	03/12/2014	15711/2014	359069	09-01K	28/11/2014
14933/2014	359174	08-05NES	03/12/2014	15720/2014	359152	08-09	03/12/2014
14997/2014	359096	14-03NES	01/12/2014	15721/2014	359070	12-16A	28/11/2014
15016/2014	359205	14-03A	04/12/2014	15724/2014	359019	06-06G	26/11/2014
15017/2014	359206	14-03A	04/12/2014	15725/2014	359020	06-01F	26/11/2014
15019/2014	359207	14-03A	04/12/2014	15726/2014	359021	06-06G	26/11/2014
15038/2014	358977	07-02A	25/11/2014	15728/2014	359282	07-01E	08/12/2014
15059/2014	359208	25-02C	04/12/2014	15740/2014	358981	07-02E	25/11/2014
15068/2014	358978	08-08NES	25/11/2014	15741/2014	358985	25-01A	25/11/2014
15069/2014	359209	14-03B	04/12/2014	15742/2014	358986	07-05A	25/11/2014
15081/2014	358984	03-01NES	25/11/2014	15743/2014	358987	07-01C	25/11/2014
15092/2014	359064	08-08G	28/11/2014	15746/2014	358988	07-01B	25/11/2014
15093/2014	358979	08-08G	25/11/2014	15749/2014	358989	07-02N	25/11/2014
15094/2014	359065	08-08G	28/11/2014	15750/2014	358990	02-06	25/11/2014
15109/2014	359066	26-05D	28/11/2014	15751/2014	358991	09-01G	25/11/2014
15118/2014	359013	09-07C	26/11/2014	15752/2014	358992	04-02	25/11/2014
15126/2014	359175	23-01F	03/12/2014	15753/2014	358993	04-02	25/11/2014
15130/2014	359210	07-02N	04/12/2014	15754/2014	358994	02-03	25/11/2014

Publication and Registration Proceedings - Designs Registered cont'd

Design Number	Registration Number	International Classification Code (IDC)	Registration Date	Design Number	Registration Number	International Classification Code (IDC)	Registration Date
15755/2014	358995	02-07C	25/11/2014	15832/2014	359047	12-16A	27/11/2014
15761/2014	359092	24-01	28/11/2014	15833/2014	359048	15-03B	27/11/2014
15762/2014	359093	24-01	28/11/2014	15834/2014	359049	25-01B	27/11/2014
15763/2014	359094	24-01	28/11/2014	15835/2014	359050	15-03B	27/11/2014
15764/2014	358996	11-02NES	25/11/2014	15836/2014	359051	15-03B	27/11/2014
15766/2014	359004	02-04A	26/11/2014	15837/2014	359052	05-05A	27/11/2014
15767/2014	358997	16-06	25/11/2014	15841/2014	359163	14-02	03/12/2014
15768/2014	358998	06-03A	25/11/2014	15842/2014	359164	14-02	03/12/2014
15769/2014	358999	06-02	25/11/2014	15843/2014	359073	25-01K	28/11/2014
15770/2014	359000	06-06F	25/11/2014	15845/2014	359058	06-04NES	27/11/2014
15771/2014	359001	06-04NES	25/11/2014	15846/2014	359059	06-04NES	27/11/2014
15772/2014	359002	06-06F	25/11/2014	15847/2014	359060	06-04NES	27/11/2014
15773/2014	359071	26-04	28/11/2014	15848/2014	359061	06-04NES	27/11/2014
15775/2014	359022	08-99	26/11/2014	15850/2014	359062	06-01F	27/11/2014
15776/2014	359182	08-99	04/12/2014	15851/2014	359063	06-01F	27/11/2014
15778/2014	359072	07-01F	28/11/2014	15852/2014	359074	09-01D	28/11/2014
15779/2014	359100	07-01F	01/12/2014	15853/2014	359075	12-10	28/11/2014
15781/2014	359005	14-02	26/11/2014	15856/2014	359076	31-00	28/11/2014
15783/2014	359006	15-05	26/11/2014	15857/2014	359077	31-00	28/11/2014
15785/2014	359007	14-01	26/11/2014	15860/2014	358982	31-00	25/11/2014
15788/2014	359008	07-02K	26/11/2014	15861/2014	358983	31-00	25/11/2014
15789/2014	359023	21-02C	26/11/2014	15862/2014	359078	05-05B	28/11/2014
15790/2014	359034	05-05A	27/11/2014	15864/2014	359079	31-00	28/11/2014
15791/2014	359024	07-04	26/11/2014	15865/2014	359080	31-00	28/11/2014
15793/2014	359025	07-04	26/11/2014	15866/2014	359081	05-05A	28/11/2014
15794/2014	359026	25-01K	26/11/2014	15870/2014	359082	05-05D	28/11/2014
15795/2014	359213	25-03	04/12/2014	15875/2014	359107	09-08	01/12/2014
15799/2014	359035	06-03C	27/11/2014	15876/2014	359084	12-06NES	28/11/2014
15803/2014	359027	12-16NES	26/11/2014	15877/2014	359085	13-03D	28/11/2014
15804/2014	359036	09-05	27/11/2014	15878/2014	359086	13-03D	28/11/2014
15805/2014	359037	09-05	27/11/2014	15879/2014	359087	13-03D	28/11/2014
15806/2014	359038	09-05	27/11/2014	15880/2014	359083	05-05A	28/11/2014
15807/2014	359101	09-05	01/12/2014	15881/2014	359217	29-02	04/12/2014
15809/2014	359039	09-05	27/11/2014	15882/2014	359218	29-02	04/12/2014
15810/2014	359102	09-05	01/12/2014	15883/2014	359088	05-05NES	28/11/2014
15811/2014	359214	07-02B	04/12/2014	15885/2014	359219	07-01NES	04/12/2014
15812/2014	359215	07-02B	04/12/2014	15886/2014	359165	07-01NES	03/12/2014
15814/2014	359040	24-02	27/11/2014	15887/2014	359166	24-04	03/12/2014
15815/2014	359103	24-02	01/12/2014	15888/2014	359108	24-04	01/12/2014
15816/2014	359041	24-02	27/11/2014	15889/2014	359109	24-04	01/12/2014
15817/2014	359042	24-02	27/11/2014	15891/2014	359167	24-04	03/12/2014
15818/2014	359104	15-99	01/12/2014	15894/2014	359125	08-08L	02/12/2014
15819/2014	359028	06-04NES	26/11/2014	15895/2014	359126	08-08L	02/12/2014
15820/2014	359216	24-02	04/12/2014	15896/2014	359110	12-16NES	01/12/2014
15821/2014	359029	06-04F	26/11/2014	15897/2014	359111	23-04	01/12/2014
15822/2014	359030	06-04F	26/11/2014	15899/2014	359168	23-04	03/12/2014
15823/2014	359031	06-04E	26/11/2014	15905/2014	359169	14-01	03/12/2014
15824/2014	359181	06-03A	03/12/2014	15913/2014	359170	26-05D	03/12/2014
15825/2014	359032	06-01F	26/11/2014	15922/2014	359183	07-05E	04/12/2014
15826/2014	359105	24-02	01/12/2014	15923/2014	359184	07-05E	04/12/2014
15827/2014	359043	24-02	27/11/2014	15924/2014	359185	16-06	04/12/2014
15828/2014	359044	24-02	27/11/2014	15938/2014	359186	23-02A	04/12/2014
15829/2014	359106	24-02	01/12/2014	15942/2014	359187	12-12	04/12/2014
15830/2014	359045	12-16NES	27/11/2014	15943/2014	359188	12-12	04/12/2014
15831/2014	359046	12-16A	27/11/2014	15944/2014	359189	09-03M	04/12/2014

Publication and Registration Proceedings - Designs Registered cont'd

Design Number	Registration Number	International Classification Code (IDC)	Registration Date	Design Number	Registration Number	International Classification Code (IDC)	Registration Date
15946/2014	359190	09-07A	04/12/2014	16046/2014	359232	02-02NES	05/12/2014
15947/2014	359112	09-07A	01/12/2014	16047/2014	359233	02-02NES	05/12/2014
15949/2014	359116	02-02C	01/12/2014	16048/2014	359234	02-02B	05/12/2014
15950/2014	359117	07-01F	01/12/2014	16049/2014	359235	02-02NES	05/12/2014
15952/2014	359118	02-02C	01/12/2014	16050/2014	359236	02-02C	05/12/2014
15953/2014	359119	02-02C	01/12/2014	16051/2014	359237	02-02C	05/12/2014
15954/2014	359120	02-02C	01/12/2014	16052/2014	359238	02-02C	05/12/2014
15955/2014	359113	02-02C	01/12/2014	16053/2014	359239	02-02C	05/12/2014
15956/2014	359121	08-02	01/12/2014	16054/2014	359265	07-05A	08/12/2014
15958/2014	359191	09-05	04/12/2014	16055/2014	359240	12-08	08/12/2014
15961/2014	359122	29-02	01/12/2014	16056/2014	359241	12-08	08/12/2014
15962/2014	359123	29-02	01/12/2014	16057/2014	359242	07-02N	08/12/2014
15963/2014	359124	29-02	01/12/2014	16058/2014	359243	02-02C	08/12/2014
15964/2014	359127	29-02	02/12/2014	16059/2014	359244	02-02NES	08/12/2014
15965/2014	359128	29-02	02/12/2014	16060/2014	359245	02-02NES	08/12/2014
15966/2014	359129	29-02	02/12/2014	16061/2014	359246	02-02NES	08/12/2014
15968/2014	359130	29-02	02/12/2014	16062/2014	359247	02-02NES	08/12/2014
15969/2014	359131	29-02	02/12/2014	16063/2014	359248	02-02NES	08/12/2014
15970/2014	359132	29-02	02/12/2014	16064/2014	359249	02-02C	08/12/2014
15971/2014	359133	29-02	02/12/2014	16065/2014	359250	02-02C	08/12/2014
15972/2014	359134	29-02	02/12/2014	16066/2014	359251	02-02NES	08/12/2014
15973/2014	359135	29-02	02/12/2014	16067/2014	359252	02-02C	08/12/2014
15974/2014	359136	29-02	02/12/2014	16068/2014	359253	07-05A	08/12/2014
15975/2014	359137	29-02	02/12/2014	16069/2014	359254	12-15F	08/12/2014
15976/2014	359192	12-06NES	04/12/2014	16070/2014	359266	02-02C	08/12/2014
15978/2014	359193	25-04	04/12/2014	16071/2014	359255	02-02C	08/12/2014
15979/2014	359138	09-01NES	02/12/2014	16072/2014	359256	02-02C	08/12/2014
15980/2014	359139	09-07C	02/12/2014	16073/2014	359257	02-02C	08/12/2014
15985/2014	359194	12-15B	04/12/2014	16074/2014	359258	02-02C	08/12/2014
15986/2014	359195	23-02B	04/12/2014	16075/2014	359259	02-02C	08/12/2014
15987/2014	359196	12-15B	04/12/2014	16076/2014	359267	02-02C	08/12/2014
15990/2014	359033	24-01	26/11/2014	16077/2014	359268	02-02C	08/12/2014
15993/2014	359197	08-05NES	04/12/2014	16078/2014	359269	02-02C	08/12/2014
16007/2014	359198	14-01	04/12/2014	16079/2014	359270	02-02C	08/12/2014
16012/2014	359199	02-03	04/12/2014	16080/2014	359271	02-02C	08/12/2014
16013/2014	359200	29-02	04/12/2014	16081/2014	359272	02-02C	08/12/2014
16014/2014	359201	26-05B	04/12/2014	16082/2014	359273	02-02C	08/12/2014
16018/2014	359202	07-02C	04/12/2014	16083/2014	359274	02-02C	08/12/2014
16019/2014	359203	07-02C	04/12/2014	16084/2014	359275	02-02C	08/12/2014
16022/2014	359204	14-02	04/12/2014	16085/2014	359276	02-02C	08/12/2014
16023/2014	359223	14-02	05/12/2014	16086/2014	359277	02-02C	08/12/2014
16024/2014	359224	14-02	05/12/2014	16087/2014	359278	02-02C	08/12/2014
16028/2014	359260	12-10	08/12/2014	16088/2014	359279	02-02C	08/12/2014
16029/2014	359261	08-05A	08/12/2014	16089/2014	359284	12-16B	08/12/2014
16030/2014	359262	08-05NES	08/12/2014	16090/2014	359285	12-11	08/12/2014
16031/2014	359263	12-05	08/12/2014	16091/2014	359286	12-16B	08/12/2014
16032/2014	359264	09-05	08/12/2014	16092/2014	359287	24-01	08/12/2014
16033/2014	359283	09-05	08/12/2014	16104/2014	359295	23-01F	09/12/2014
16038/2014	359225	31-00	05/12/2014	16106/2014	359296	25-01E	09/12/2014
16039/2014	359226	31-00	05/12/2014	16107/2014	359297	25-01E	09/12/2014
16041/2014	359227	08-05NES	05/12/2014	16108/2014	359298	25-01E	09/12/2014
16042/2014	359228	11-03	05/12/2014	16109/2014	359299	25-01E	09/12/2014
16043/2014	359229	11-03	05/12/2014	16121/2014	359288	08-03	08/12/2014
16044/2014	359230	02-02C	05/12/2014	16122/2014	359289	02-03	08/12/2014
16045/2014	359231	02-02C	05/12/2014	16123/2014	359290	02-03	08/12/2014

Publication and Registration Proceedings - Designs Registered cont'd

Design Number	Registration Number	International Classification Code (IDC)	Registration Date	Design Number	Registration Number	International Classification Code (IDC)	Registration Date
16124/2014	359291	02-03	08/12/2014	16137/2014	359306	14-02	09/12/2014
16125/2014	359292	08-03	08/12/2014	16138/2014	359307	14-02	09/12/2014
16126/2014	359114	28-03NES	01/12/2014	16139/2014	359308	14-02	09/12/2014
16128/2014	359293	08-08G	08/12/2014	16140/2014	359309	14-02	09/12/2014
16129/2014	359294	23-02A	08/12/2014	16141/2014	359310	14-02	09/12/2014
16130/2014	359300	09-03F	09/12/2014	16142/2014	359311	14-02	09/12/2014
16132/2014	359301	14-02	09/12/2014	16143/2014	359312	07-01C	09/12/2014
16133/2014	359302	14-02	09/12/2014	16144/2014	359313	06-06C	09/12/2014
16134/2014	359303	07-01C	09/12/2014	16145/2014	359314	06-06C	09/12/2014
16135/2014	359304	14-02	09/12/2014				
16136/2014	359305	14-02	09/12/2014				

Publication and Registration Proceedings

Class Listing of Designs Published or Registered

The following section shows an International Classification Code listing of the Registered or Published Designs covered in this supplement.

Classification	Registration Number	Design Number	Classification	Registration Number	Design Number
02-01B	359149	15248/2014	02-03	359199	16012/2014
02-02A	358980	15507/2014	02-03	359289	16122/2014
02-02A	359003	15513/2014	02-03	359290	16123/2014
02-02B	359234	16048/2014	02-03	359291	16124/2014
02-02C	359089	12103/2014	02-04A	359004	15766/2014
02-02C	359113	15955/2014	02-06	358990	15750/2014
02-02C	359116	15949/2014	02-07C	358995	15755/2014
02-02C	359118	15952/2014	03-01A	359056	15660/2014
02-02C	359119	15953/2014	03-01NES	358984	15081/2014
02-02C	359120	15954/2014	03-01NES	359012	14735/2014
02-02C	359171	11000/2014	04-02	358992	15752/2014
02-02C	359172	11702/2014	04-02	358993	15753/2014
02-02C	359230	16044/2014	05-05A	359034	15790/2014
02-02C	359231	16045/2014	05-05A	359052	15837/2014
02-02C	359236	16050/2014	05-05A	359081	15866/2014
02-02C	359237	16051/2014	05-05A	359083	15880/2014
02-02C	359238	16052/2014	05-05B	359078	15862/2014
02-02C	359239	16053/2014	05-05D	359082	15870/2014
02-02C	359243	16058/2014	05-05NES	359022	15775/2014
02-02C	359249	16064/2014	05-05NES	359088	15883/2014
02-02C	359250	16065/2014	05-05NES	359182	15776/2014
02-02C	359252	16067/2014	06-01D	359141	14679/2014
02-02C	359255	16071/2014	06-01D	359173	14673/2014
02-02C	359256	16072/2014	06-01F	359020	15725/2014
02-02C	359257	16073/2014	06-01F	359032	15825/2014
02-02C	359258	16074/2014	06-01F	359062	15850/2014
02-02C	359259	16075/2014	06-01F	359063	15851/2014
02-02C	359266	16070/2014	06-01F	359155	12613/2014
02-02C	359267	16076/2014	06-01F	359156	12614/2014
02-02C	359268	16077/2014	06-02	358999	15769/2014
02-02C	359269	16078/2014	06-02	359158	13116/2014
02-02C	359270	16079/2014	06-02	359159	13117/2014
02-02C	359271	16080/2014	06-03A	358998	15768/2014
02-02C	359272	16081/2014	06-03A	359181	15824/2014
02-02C	359273	16082/2014	06-03C	359035	15799/2014
02-02C	359274	16083/2014	06-03NES	359010	13248/2014
02-02C	359275	16084/2014	06-04E	359031	15823/2014
02-02C	359276	16085/2014	06-04F	359029	15821/2014
02-02C	359277	16086/2014	06-04F	359030	15822/2014
02-02C	359278	16087/2014	06-04NES	359001	15771/2014
02-02C	359279	16088/2014	06-04NES	359028	15819/2014
02-02NES	359090	15480/2014	06-04NES	359058	15845/2014
02-02NES	359091	15481/2014	06-04NES	359059	15846/2014
02-02NES	359232	16046/2014	06-04NES	359060	15847/2014
02-02NES	359233	16047/2014	06-04NES	359061	15848/2014
02-02NES	359235	16049/2014	06-06C	359144	14931/2014
02-02NES	359244	16059/2014	06-06C	359313	16144/2014
02-02NES	359245	16060/2014	06-06C	359314	16145/2014
02-02NES	359246	16061/2014	06-06F	359000	15770/2014
02-02NES	359247	16062/2014	06-06F	359002	15772/2014
02-02NES	359248	16063/2014	06-06G	359019	15724/2014
02-02NES	359251	16066/2014	06-06G	359021	15726/2014
02-03	358994	15754/2014	06-06G	359157	12615/2014

Registration Proceedings - Class Listing of Designs Published or Registered cont'd

Classification	Registration Number	Design Number	Classification	Registration Number	Design Number
06-10	359176	15512/2014	08-08NES	358978	15068/2014
06-10	359177	15514/2014	08-09	359152	15720/2014
06-10	359178	15515/2014	08-99	359022	15775/2014
06-10	359179	15518/2014	08-99	359182	15776/2014
06-13B	358975	14614/2014	09-01D	359074	15852/2014
07-01B	358988	15746/2014	09-01D	359211	15292/2014
07-01C	358987	15743/2014	09-01G	358991	15751/2014
07-01C	359303	16134/2014	09-01K	359069	15711/2014
07-01C	359312	16143/2014	09-01NES	359053	15683/2014
07-01E	359282	15728/2014	09-01NES	359099	15521/2014
07-01F	359072	15778/2014	09-01NES	359138	15979/2014
07-01F	359100	15779/2014	09-03F	359055	15585/2014
07-01F	359117	15950/2014	09-03F	359221	15257/2014
07-01NES	359165	15886/2014	09-03F	359300	16130/2014
07-01NES	359219	15885/2014	09-03K	359015	14640/2014
07-02A	358977	15038/2014	09-03K	359016	14642/2014
07-02B	359214	15811/2014	09-03M	359151	15447/2014
07-02B	359215	15812/2014	09-03M	359189	15944/2014
07-02C	359202	16018/2014	09-03NES	358976	14638/2014
07-02C	359203	16019/2014	09-05	359036	15804/2014
07-02E	358981	15740/2014	09-05	359037	15805/2014
07-02K	359008	15788/2014	09-05	359038	15806/2014
07-02N	358989	15749/2014	09-05	359039	15809/2014
07-02N	359210	15130/2014	09-05	359101	15807/2014
07-02N	359242	16057/2014	09-05	359102	15810/2014
07-03	359097	15251/2014	09-05	359150	15327/2014
07-04	359024	15791/2014	09-05	359191	15958/2014
07-04	359025	15793/2014	09-05	359264	16032/2014
07-05A	358986	15742/2014	09-05	359283	16033/2014
07-05A	359253	16068/2014	09-07A	359068	15710/2014
07-05A	359265	16054/2014	09-07A	359112	15947/2014
07-05E	359183	15922/2014	09-07A	359190	15946/2014
07-05E	359184	15923/2014	09-07B	359014	14588/2014
07-07B	359153	11524/2014	09-07C	359013	15118/2014
07-07B	359161	11525/2014	09-07C	359139	15980/2014
07-99NES	359065	15094/2014	09-08	359098	15449/2014
08-02	359121	15956/2014	09-08	359107	15875/2014
08-03	359097	15251/2014	11-01C	359212	15681/2014
08-03	359288	16121/2014	11-01E	359212	15681/2014
08-03	359292	16125/2014	11-02NES	358996	15764/2014
08-05A	359261	16029/2014	11-03	359228	16042/2014
08-05K	359018	15288/2014	11-03	359229	16043/2014
08-05NES	359174	14933/2014	12-02	359142	14700/2014
08-05NES	359197	15993/2014	12-03	359140	14672/2014
08-05NES	359227	16041/2014	12-05	359095	13598/2014
08-05NES	359262	16030/2014	12-05	359263	16031/2014
08-08B	359162	12923/2014	12-06NES	359084	15876/2014
08-08C	359057	15664/2014	12-06NES	359192	15976/2014
08-08C	359281	15663/2014	12-08	359160	14019/2014
08-08G	358979	15093/2014	12-08	359240	16055/2014
08-08G	359064	15092/2014	12-08	359241	16056/2014
08-08G	359065	15094/2014	12-10	359075	15853/2014
08-08G	359293	16128/2014	12-10	359260	16028/2014
08-08L	359125	15894/2014	12-11	359285	16090/2014
08-08L	359126	15895/2014	12-12	359187	15942/2014
08-08L	359154	12476/2014	12-12	359188	15943/2014

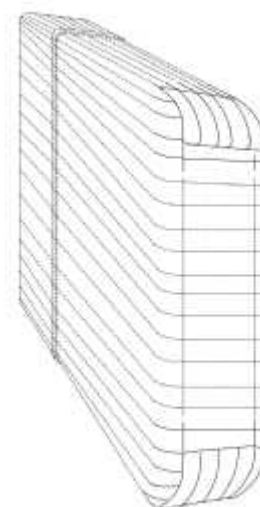
Registration Proceedings - Class Listing of Designs Published or Registered cont'd

Classification	Registration Number	Design Number	Classification	Registration Number	Design Number
12-15B	359143	14767/2014	21-02D	359084	15876/2014
12-15B	359194	15985/2014	21-04	359010	13248/2014
12-15B	359196	15987/2014	23-01F	359175	15126/2014
12-15F	359027	15803/2014	23-01F	359295	16104/2014
12-15F	359254	16069/2014	23-01K	359222	15337/2014
12-16A	359046	15831/2014	23-02A	359186	15938/2014
12-16A	359047	15832/2014	23-02A	359294	16129/2014
12-16A	359070	15721/2014	23-02B	359195	15986/2014
12-16B	359284	16089/2014	23-04	359111	15897/2014
12-16B	359286	16091/2014	23-04	359168	15899/2014
12-16NES	359027	15803/2014	24-01	359017	14736/2014
12-16NES	359045	15830/2014	24-01	359033	15990/2014
12-16NES	359110	15896/2014	24-01	359067	15434/2014
12-16NES	359173	14673/2014	24-01	359092	15761/2014
13-03D	359085	15877/2014	24-01	359093	15762/2014
13-03D	359086	15878/2014	24-01	359094	15763/2014
13-03D	359087	15879/2014	24-01	359280	15318/2014
13-03D	359180	15531/2014	24-01	359287	16092/2014
13-99	359009	13247/2014	24-02	359040	15814/2014
14-01	359007	15785/2014	24-02	359041	15816/2014
14-01	359169	15905/2014	24-02	359042	15817/2014
14-01	359198	16007/2014	24-02	359043	15827/2014
14-02	359005	15781/2014	24-02	359044	15828/2014
14-02	359035	15799/2014	24-02	359103	15815/2014
14-02	359163	15841/2014	24-02	359105	15826/2014
14-02	359164	15842/2014	24-02	359106	15829/2014
14-02	359204	16022/2014	24-02	359145	15191/2014
14-02	359223	16023/2014	24-02	359146	15194/2014
14-02	359224	16024/2014	24-02	359147	15198/2014
14-02	359301	16132/2014	24-02	359216	15820/2014
14-02	359302	16133/2014	24-04	359108	15888/2014
14-02	359304	16135/2014	24-04	359109	15889/2014
14-02	359305	16136/2014	24-04	359166	15887/2014
14-02	359306	16137/2014	24-04	359167	15891/2014
14-02	359307	16138/2014	25-01A	358985	15741/2014
14-02	359308	16139/2014	25-01B	359049	15834/2014
14-02	359309	16140/2014	25-01E	359296	16106/2014
14-02	359310	16141/2014	25-01E	359297	16107/2014
14-02	359311	16142/2014	25-01E	359298	16108/2014
14-03A	359012	14735/2014	25-01E	359299	16109/2014
14-03A	359205	15016/2014	25-01K	359026	15794/2014
14-03A	359206	15017/2014	25-01K	359073	15843/2014
14-03A	359207	15019/2014	25-02C	359141	14679/2014
14-03B	359209	15069/2014	25-02C	359208	15059/2014
14-03NES	359096	14997/2014	25-03	359213	15795/2014
15-03B	359048	15833/2014	25-04	359193	15978/2014
15-03B	359050	15835/2014	26-02	359011	13249/2014
15-03B	359051	15836/2014	26-04	359071	15773/2014
15-03NES	359220	12967/2014	26-05B	359201	16014/2014
15-05	359006	15783/2014	26-05D	359066	15109/2014
15-99	359104	15818/2014	26-05D	359170	15913/2014
16-06	358997	15767/2014	28-03NES	359114	16126/2014
16-06	359185	15924/2014	28-03NES	359148	15199/2014
19-99	359115	14811/2014	29-02	359122	15961/2014
20-02NES	359054	12248/2014	29-02	359123	15962/2014
21-02C	359023	15789/2014	29-02	359124	15963/2014

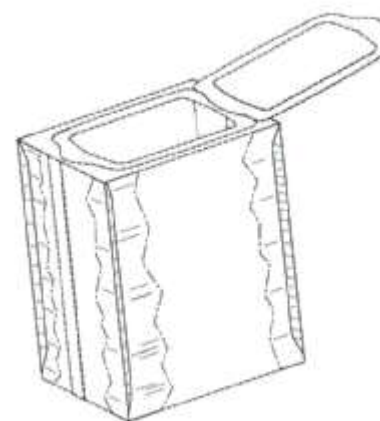
Registration Proceedings - Class Listing of Designs Published or Registered cont'd

Classification	Registration Number	Design Number	Classification	Registration Number	Design Number
29-02	359127	15964/2014	29-02	359217	15881/2014
29-02	359128	15965/2014	29-02	359218	15882/2014
29-02	359129	15966/2014	31-00	358982	15860/2014
29-02	359130	15968/2014	31-00	358983	15861/2014
29-02	359131	15969/2014	31-00	359076	15856/2014
29-02	359132	15970/2014	31-00	359077	15857/2014
29-02	359133	15971/2014	31-00	359079	15864/2014
29-02	359134	15972/2014	31-00	359080	15865/2014
29-02	359135	15973/2014	31-00	359225	16038/2014
29-02	359136	15974/2014	31-00	359226	16039/2014
29-02	359137	15975/2014			
29-02	359200	16013/2014			

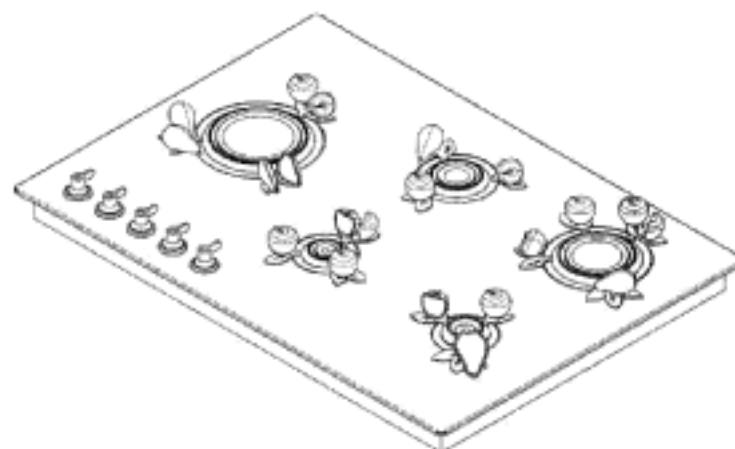
- (21) Design Number: **14614/2014**
(22) Date of Filing Application: **11 September 2014**
(24) Date from which industrial property rights may have effect: **11 September 2014**
(54) Product in respect of which the design is registered: **A bedspread for a caravan mattress**
(51) International Design Classification: **06-13B**
(74) Name(s) of Attorney(s):
(71) Name(s) and Address(s) of Applicant(s):
Nadia Genevieve Armstrong
9 Burgess St Hawthorn East VIC 3123 Australia
John Sullivan
435 Robinsons Rd Langwarrin VIC 3910 Australia
(72) Name(s) of Designer(s): **Nadia Genevieve Armstrong and Silvia Scodellaro and John Sullivan**
(45) Registration Date: **25 November 2014**
(56) Related Art Documents: **Not Applicable**
(57) Statement of Newness and Distinctiveness: **The newness and distinctiveness of this design is due to the shape of the bottom bedspread corners, shown in the continuous lines in the accompanying representations. This shape is designed to exclusively fit a caravan queen/double mattress. The broken lines are not part of the design and are to be disregarded when considering the overall impression of the design. The continuous lines show the distinctiveness of the rounded corner bedspread.**



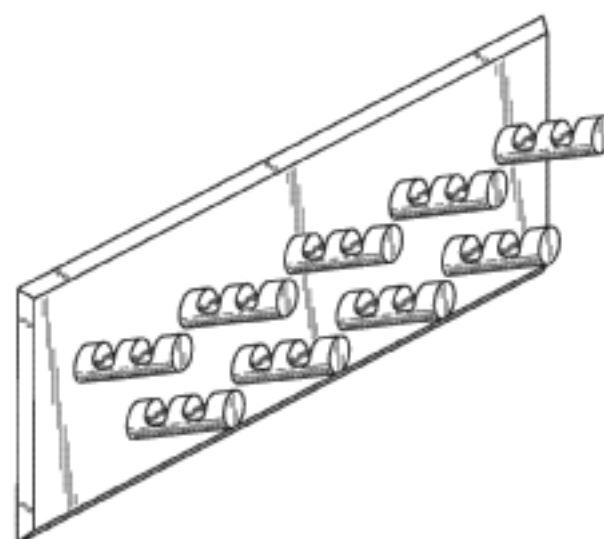
- (21) Design Number: **14638/2014**
(22) Date of Filing Application: **12 September 2014**
(24) Date from which industrial property rights may have effect: **12 September 2014**
(54) Product in respect of which the design is registered: **Package**
(51) International Design Classification: **09-03NES**
(74) Name(s) of Attorney(s): **Griffith Hack**
(71) Name(s) and Address(s) of Applicant(s):
CLEAR LAM PACKAGING, INC.
1950 Pratt Boulevard Elk Grove Village Illinois 60007 United States of America
(72) Name(s) of Designer(s): **James J Sanfilippo and Milorad Radenovic and John E Sanfilippo and Francisco Javier Soria**
(45) Registration Date: **25 November 2014**
(30) Convention priority data:
(31) Number (32) Date (33) Country
29/484,846 13 Mar 2014 UNITED STATES OF AMERICA
(56) Related Art Documents: **Not Applicable**
(57) Statement of Newness and Distinctiveness: **Newness and distinctiveness resides in the visual features, including shape and configuration, of a PACKAGE THAT IS OF INDEFINITE WIDTH AND DEPTH as shown in solid outline in the accompanying drawings. It should be understood that the jagged lines indicate the indefinite width and depth. In addition, when comparing to another design, no regard is to be had to those features shown in dotted outline in the accompanying drawings, which features are provided for illustrative purposes only.**



(21) Design Number: **15038/2014**
(22) Date of Filing Application: **01 October 2014**
(24) Date from which industrial property rights may have effect: **01 October 2014**
(54) Product in respect of which the design is registered: **Cooking hob**
(51) International Design Classification: **07-02A**
(74) Name(s) of Attorney(s): **Davies Collison Cave**
(71) Name(s) and Address(s) of Applicant(s):
Smeg S.p.A.
Via Leonardo Da Vinci, 4 I-42016 Guastalla (RE) Italy
(72) Name(s) of Designer(s): **Vittorio Bertazzoni and Carlo Zambruni**
(45) Registration Date: **25 November 2014**
(30) Convention priority data:
(31) Number (32) Date (33) Country
**002440826 04 Apr 2014 OFFICE FOR HARMONISATION IN
THE INTERNAL MARKET (OHIM)**
(56) Related Art Documents: **Not Applicable**
(57) Statement of Newness and Distinctiveness: **Newness and distinctiveness
is claimed in the visual features shown in the representations.**



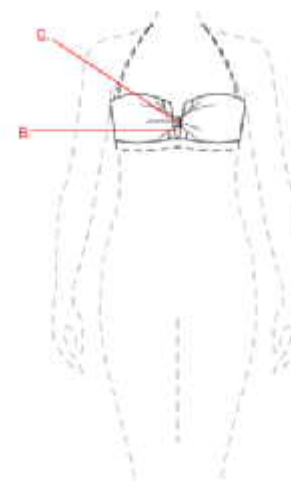
(21) Design Number: **15068/2014**
(22) Date of Filing Application: **02 October 2014**
(24) Date from which industrial property rights may have effect: **02 October 2014**
(54) Product in respect of which the design is registered: **Holder**
(51) International Design Classification: **08-08NES**
(74) Name(s) of Attorney(s): **Davies Collison Cave**
(71) Name(s) and Address(s) of Applicant(s):
3M Innovative Properties Company
3M Center Saint Paul Minnesota 55133-3427 United States of America
(72) Name(s) of Designer(s): **Angela Lilun Pan**
(45) Registration Date: **25 November 2014**
(30) Convention priority data:
(31) Number (32) Date (33) Country
29/486977 04 Apr 2014 UNITED STATES OF AMERICA
(56) Related Art Documents: **Not Applicable**
(57) Statement of Newness and Distinctiveness: **Newness and distinctiveness is
claimed in the visual features shown in solid lines in the representations.**



(21) Design Number: **15093/2014**
(22) Date of Filing Application: **03 October 2014**
(24) Date from which industrial property rights may have effect: **03 October 2014**
(54) Product in respect of which the design is registered: **Hook**
(51) International Design Classification: **08-08G**
(74) Name(s) of Attorney(s): **Davies Collison Cave**
(71) Name(s) and Address(s) of Applicant(s):
3M Innovative Properties Company
3M Center Saint Paul Minnesota 55133-3427 United States of America
(72) Name(s) of Designer(s): **Angela Lilun Pan**
(45) Registration Date: **25 November 2014**
(30) Convention priority data:
(31) Number (32) Date (33) Country
29/487052 04 Apr 2014 UNITED STATES OF AMERICA
(56) Related Art Documents: **Not Applicable**
(57) Statement of Newness and Distinctiveness: **Newness and distinctiveness is claimed in the visual features shown in solid lines in the representations.**



(21) Design Number: **15507/2014**
(22) Date of Filing Application: **31 October 2014**
(24) Date from which industrial property rights may have effect: **31 October 2014**
(54) Product in respect of which the design is registered: **Swimwear garment**
(51) International Design Classification: **02-02A**
(74) Name(s) of Attorney(s): **Thomson Geer**
(71) Name(s) and Address(s) of Applicant(s):
JETS Swimwear Pty Ltd
8-18 Bowden St Alexandria NSW 2015 Australia
(72) Name(s) of Designer(s): **Jessika Allen**
(45) Registration Date: **25 November 2014**
(56) Related Art Documents: **Not Applicable**
(57) Statement of Newness and Distinctiveness: **Newness and distinctiveness is claimed in the shape and/or configuration of the bust design in the accompanying representations when used in a swimwear garment as a bra, or as part of a one piece costume or a singlet. The section marked "C" is bead hardware. The section marked "B" is a cut out panel. In considering the newness and distinctiveness the feature marked "A", being a clasp, is to be disregarded. The bottom edge of the bust design, halter neck straps and the outline of the wearer, shown in broken lines, forms no part of the design.**



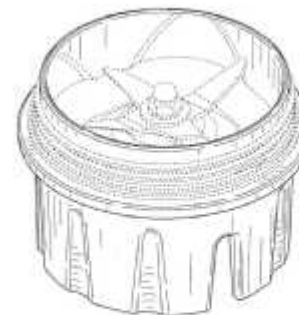
(21) Design Number: **15740/2014**
(22) Date of Filing Application: **11 November 2014**
(24) Date from which industrial property rights may have effect: **11 November 2014**
(54) Product in respect of which the design is registered: **Barbecue grill**
(51) International Design Classification: **07-02E**
(74) Name(s) of Attorney(s): **Collison & Co**
(71) Name(s) and Address(s) of Applicant(s):
Hui-Feng Yang
19F.-1, No.159, Sec. 1, Chung-Kang Rd. West Dist. Taichung City Taiwan
(72) Name(s) of Designer(s): **Hui-Feng Yang**
(45) Registration Date: **25 November 2014**
(56) Related Art Documents: **Not Applicable**
(57) Statement of Newness and Distinctiveness: **Nil**



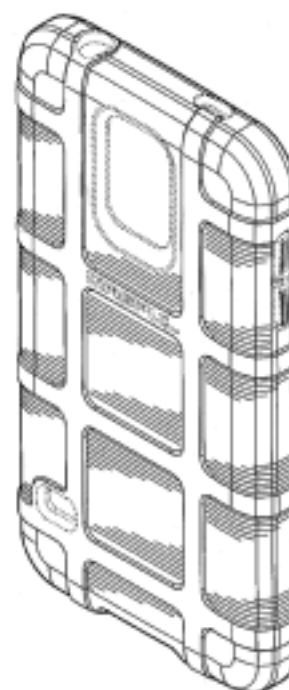
(21) Design Number: **15860/2014**
(22) Date of Filing Application: **18 November 2014**
(24) Date from which industrial property rights may have effect: **15 September 2014**
(54) Product in respect of which the design is registered: **A container of a blending system**
(51) International Design Classification: **31-00**
(74) Name(s) of Attorney(s): **PETER MAXWELL & ASSOCIATES**
(71) Name(s) and Address(s) of Applicant(s):
Vita-Mix Corporation
8615 Usher Road Olmsted Township Ohio 44138 United States of America
(72) Name(s) of Designer(s): **Phonesacksith Guy Kettavong and Jack Warren Gee II and Kolman Juhasz and Eugene J Kozlowski and David A Kanning and Michael Patrick Arnett and Richard Joseph Lash**
(45) Registration Date: **25 November 2014**
(30) Convention priority data:
(31) Number (32) Date (33) Country
29/485,013 14 Mar 2014 UNITED STATES OF AMERICA
(62) Divisional of: **358950**
(56) Related Art Documents: **Not Applicable**
(57) Statement of Newness and Distinctiveness: **Newness and distinctiveness is claimed in the shape and/or configuration of a CONTAINER OF A BLENDING SYSTEM shown in solid lines. The broken lines in the figures are included for the purpose of illustrating portions of the blending system that form no part of the claimed design.**



- (21) Design Number: **15861/2014**
(22) Date of Filing Application: **18 November 2014**
(24) Date from which industrial property rights may have effect: **15 September 2014**
(54) Product in respect of which the design is registered: **A cutter housing of a blending system**
(51) International Design Classification: **31-00**
(74) Name(s) of Attorney(s): **PETER MAXWELL & ASSOCIATES**
(71) Name(s) and Address(s) of Applicant(s):
Vita-Mix Corporation
8615 Usher Road Olmsted Township Ohio 44138 United States of America
(72) Name(s) of Designer(s): **Phonesacksith Guy Kettavong and Jack Warren Gee II and Kolman Juhasz and Eugene J Kozlowski and David A Kanning and Michael Patrick Arnett and Richard Joseph Lash**
(45) Registration Date: **25 November 2014**
(30) Convention priority data:
(31) Number (32) Date (33) Country
29/485,013 14 Mar 2014 UNITED STATES OF AMERICA
(62) Divisional of: **358950**
(56) Related Art Documents: **Not Applicable**
(57) Statement of Newness and Distinctiveness: **Newness and distinctiveness is claimed in the shape and/or configuration of a CUTTER HOUSING OF A BLENDING SYSTEM shown in solid lines. The broken lines in the figures are included for the purpose of illustrating portions of the blending system that form no part of the claimed design.**



- (21) Design Number: **15081/2014**
(22) Date of Filing Application: **03 October 2014**
(24) Date from which industrial property rights may have effect: **03 October 2014**
(54) Product in respect of which the design is registered: **Case for a smart phone**
(51) International Design Classification: **03-01NES**
(74) Name(s) of Attorney(s): **Davies Collison Cave**
(71) Name(s) and Address(s) of Applicant(s):
Magpul Industries Corporation
400 Young Court Unit 1 Erie Colorado 80516 United States of America
(72) Name(s) of Designer(s): **Grady Barfoot and Richard Fitzpatrick and Michael T. Mayberry**
(45) Registration Date: **25 November 2014**
(30) Convention priority data:
(31) Number (32) Date (33) Country
29/491411 21 May 2014 UNITED STATES OF AMERICA
(56) Related Art Documents: **Not Applicable**
(57) Statement of Newness and Distinctiveness: **Newness and distinctiveness is claimed in the visual features shown in solid lines in the representations. The smart phone shown for reference purposes in Figures 3 and 5 does not form part of the design.**



(21) Design Number: **15741/2014**
(22) Date of Filing Application: **11 November 2014**
(24) Date from which industrial property rights may have effect: **11 November 2014**
(54) Product in respect of which the design is registered: **Modular building block**
(51) International Design Classification: **25-01A**
(74) Name(s) of Attorney(s): **PHILLIPS ORMONDE FITZPATRICK**
(71) Name(s) and Address(s) of Applicant(s):

Anchor Wall Systems, Inc.
5959 Baker Road Suite 390 Minnetonka Minnesota 55345-5996 United States of America

(72) Name(s) of Designer(s): **Jay J Johnson and Robert Brian Burnquist and Steven Paul Bennett**

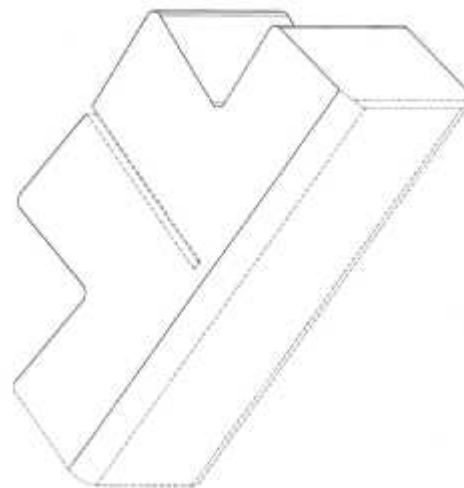
(45) Registration Date: **25 November 2014**

(30) Convention priority data:

(31) Number	(32) Date	(33) Country
29/490,760	13 May 2014	UNITED STATES OF AMERICA

(56) Related Art Documents: **Not Applicable**

(57) Statement of Newness and Distinctiveness: **Those features of the modular building block depicted in the representations that are new and distinctive are the shape and/or configuration. The features shown in broken lines are not part of the design and are to be disregarded when considering the overall impression of the design.**



(21) Design Number: **15742/2014**
(22) Date of Filing Application: **11 November 2014**
(24) Date from which industrial property rights may have effect: **11 November 2014**
(54) Product in respect of which the design is registered: **Steam generator**
(51) International Design Classification: **07-05A**
(74) Name(s) of Attorney(s): **SPRUSON & FERGUSON**
(71) Name(s) and Address(s) of Applicant(s):

CALOR
112 Chemin du Moulin Carron ECULLY 69130 France

(72) Name(s) of Designer(s): **Dick Powell**

(45) Registration Date: **25 November 2014**

(30) Convention priority data:

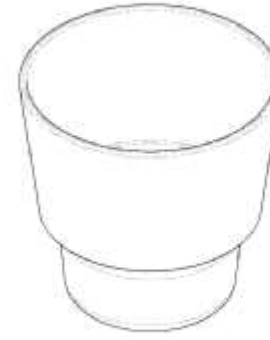
(31) Number	(32) Date	(33) Country
002472761-0001	28 May 2014	OFFICE FOR HARMONISATION IN THE INTERNAL MARKET (OHIM)

(56) Related Art Documents: **Not Applicable**

(57) Statement of Newness and Distinctiveness: **Newness and distinctiveness is claimed in the features of shape and/or configuration of a steam generator as illustrated in the accompanying representations.**



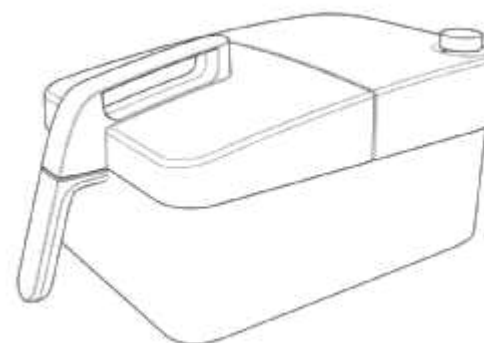
(21) Design Number: **15743/2014**
(22) Date of Filing Application: **11 November 2014**
(24) Date from which industrial property rights may have effect: **11 November 2014**
(54) Product in respect of which the design is registered: **Beer glass**
(51) International Design Classification: **07-01C**
(74) Name(s) of Attorney(s): **Franke Hyland**
(71) Name(s) and Address(s) of Applicant(s):
Lion Beer Spirits & Wine Pty Ltd
L7 68 York St Sydney NSW 2000 Australia
(72) Name(s) of Designer(s): **Leanne Misener**
(45) Registration Date: **25 November 2014**
(56) Related Art Documents: **Not Applicable**
(57) Statement of Newness and Distinctiveness: **Nil**



(21) Design Number: **15746/2014**
(22) Date of Filing Application: **11 November 2014**
(24) Date from which industrial property rights may have effect: **11 November 2014**
(54) Product in respect of which the design is registered: **Nut bowl**
(51) International Design Classification: **07-01B**
(74) Name(s) of Attorney(s): **Franke Hyland**
(71) Name(s) and Address(s) of Applicant(s):
Lion Beer, Spirits & Wine Pty Ltd
L7 68 York St Sydney NSW 2000 Australia
(72) Name(s) of Designer(s): **Leanne Misener**
(45) Registration Date: **25 November 2014**
(56) Related Art Documents: **Not Applicable**
(57) Statement of Newness and Distinctiveness: **Nil**



- (21) Design Number: **15749/2014**
(22) Date of Filing Application: **11 November 2014**
(24) Date from which industrial property rights may have effect: **11 November 2014**
(54) Product in respect of which the design is registered: **Fryer**
(51) International Design Classification: **07-02N**
(74) Name(s) of Attorney(s): **FB Rice**
(71) Name(s) and Address(s) of Applicant(s):
Koninklijke Philips N.V.
High Tech Campus 5 5656 AE Eindhoven The Netherlands
(72) Name(s) of Designer(s): **Paula Andrea Allende Fritsch and Frank Verbrugge**
(45) Registration Date: **25 November 2014**
(30) Convention priority data:
(31) Number (32) Date (33) Country
002463604-0001 14 May 2014 OFFICE FOR HARMONISATION IN THE INTERNAL MARKET (OHIM)
(56) Related Art Documents: **Not Applicable**
(57) Statement of Newness and Distinctiveness: **Newness and distinctiveness reside in the features of shape and configuration of the design as shown in the representations.**



- (21) Design Number: **15750/2014**
(22) Date of Filing Application: **11 November 2014**
(24) Date from which industrial property rights may have effect: **11 November 2014**
(54) Product in respect of which the design is registered: **Glove hand protector**
(51) International Design Classification: **02-06**
(74) Name(s) of Attorney(s):
(71) Name(s) and Address(s) of Applicant(s):
C H Chang Holdings Pty Ltd
83 Boulder Rd Malaga WA 6090 Australia
(72) Name(s) of Designer(s): **Gary Chang**
(45) Registration Date: **25 November 2014**
(56) Related Art Documents: **Not Applicable**
(57) Statement of Newness and Distinctiveness: **Newness and distinctiveness resides in the shape and/or configuration and/or ornamentation of the ridges and textured pattern on the palm and phalanges shown on the palm surfaces of the glove. The features shown in black and white lines of the cuff and back of glove are not part of the design and are to be disregarded when considering the overall impression of the design.**



(21) Design Number: **15751/2014**
(22) Date of Filing Application: **11 November 2014**
(24) Date from which industrial property rights may have effect: **11 November 2014**
(54) Product in respect of which the design is registered: **Fragrance bottle**
(51) International Design Classification: **09-01G**
(74) Name(s) of Attorney(s): **PHILLIPS ORMONDE FITZPATRICK**
(71) Name(s) and Address(s) of Applicant(s):

ELC Management LLC
155 Pinelawn Road Suite 345 South Melville New York 11747 United States of America

(72) Name(s) of Designer(s): **Jesse Chertoff**

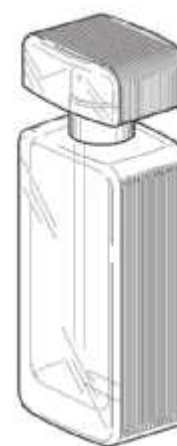
(45) Registration Date: **25 November 2014**

(30) Convention priority data:

(31) Number	(32) Date	(33) Country
29/490,925	15 May 2014	UNITED STATES OF AMERICA

(56) Related Art Documents: **Not Applicable**

(57) Statement of Newness and Distinctiveness: **Those features of the fragrance bottle depicted in the representations that are new and distinctive are the shape and/or configuration. The discontinuous lines shown in Figs. 1, 2 and 5, and the area within the discontinuous lines shown in Fig. 5, form no part of the design and are to be disregarded when considering the overall impression of the design.**



(21) Design Number: **15752/2014**
(22) Date of Filing Application: **11 November 2014**
(24) Date from which industrial property rights may have effect: **11 November 2014**
(54) Product in respect of which the design is registered: **An interdental brush**
(51) International Design Classification: **04-02**
(74) Name(s) of Attorney(s): **SPRUSON & FERGUSON**
(71) Name(s) and Address(s) of Applicant(s):

Erskine Products Pty Ltd
5/224 Headland Rd North Curl Curl NSW 2099 Australia

(72) Name(s) of Designer(s): **Craig Mathew Erskine-Smith**

(45) Registration Date: **25 November 2014**

(56) Related Art Documents: **Not Applicable**

(57) Statement of Newness and Distinctiveness: **Newness and distinctiveness is claimed in the features of shape and/or configuration of a body of an interdental brush as illustrated in the accompanying representations, the brush portion is to be disregarded.**



- (21) Design Number: **15753/2014**
(22) Date of Filing Application: **11 November 2014**
(24) Date from which industrial property rights may have effect: **11 November 2014**
(54) Product in respect of which the design is registered: **An interdental brush**
(51) International Design Classification: **04-02**
(74) Name(s) of Attorney(s): **SPRUSON & FERGUSON**
(71) Name(s) and Address(s) of Applicant(s):
Erskine Products Pty Ltd
5/224 Headland Rd North Curl Curl NSW 2099 Australia
(72) Name(s) of Designer(s): **Craig Mathew Erskine-Smith**
(45) Registration Date: **25 November 2014**
(56) Related Art Documents: **Not Applicable**
(57) Statement of Newness and Distinctiveness: **Newness and distinctiveness is claimed in the features of shape and/or configuration of a body of an interdental brush as illustrated in the accompanying representations, the brush portion is to be disregarded.**



- (21) Design Number: **15754/2014**
(22) Date of Filing Application: **11 November 2014**
(24) Date from which industrial property rights may have effect: **11 November 2014**
(54) Product in respect of which the design is registered: **Helmet including a strap retainer**
(51) International Design Classification: **02-03**
(74) Name(s) of Attorney(s):
(71) Name(s) and Address(s) of Applicant(s):
Custom Helmet Company Pty Ltd
U306/2-10 Mount St North Sydney NSW 2060 Australia
(72) Name(s) of Designer(s): **Timothy Ross Armstrong and Oliver Kratzer**
(45) Registration Date: **25 November 2014**
(56) Related Art Documents: **Not Applicable**
(57) Statement of Newness and Distinctiveness: **Newness and Distinctiveness resides in the overall shape and configuration of a strap retainer having a substantially ace of spades shaped body for attachment with a helmet as shown in the representations.**



- (21) Design Number: **15755/2014**
(22) Date of Filing Application: **11 November 2014**
(24) Date from which industrial property rights may have effect: **11 November 2014**
(54) Product in respect of which the design is registered: **Strap retainer for a helmet**
(51) International Design Classification: **02-07C**
(74) Name(s) of Attorney(s):
(71) Name(s) and Address(s) of Applicant(s):
Custom Helmet Company Pty Ltd
U306/2-10 Mount St North Sydney NSW 2060 Australia
(72) Name(s) of Designer(s): **Timothy Ross Armstrong and Oliver Kratzer**
(45) Registration Date: **25 November 2014**
(56) Related Art Documents: **Not Applicable**
(57) Statement of Newness and Distinctiveness: **Newness and Distinctiveness resides in the overall shape and configuration of a strap retainer as shown in solid lines in the representations.**



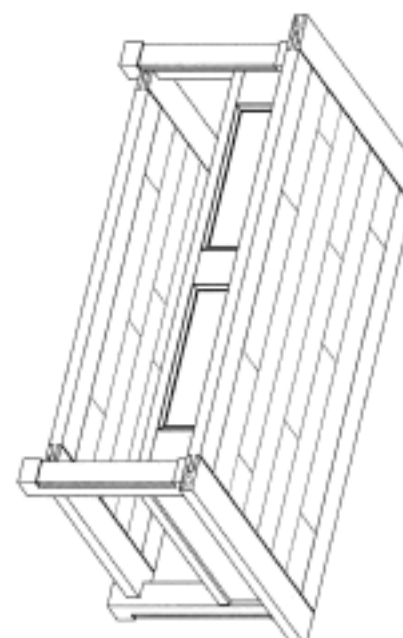
- (21) Design Number: **15764/2014**
(22) Date of Filing Application: **12 November 2014**
(24) Date from which industrial property rights may have effect: **12 November 2014**
(54) Product in respect of which the design is registered: **A decoration**
(51) International Design Classification: **11-02NES**
(74) Name(s) of Attorney(s):
(71) Name(s) and Address(s) of Applicant(s):
Magic Fairy House Company Limited
20B Calcutta Street Khandallah Wellington 6035 New Zealand
(72) Name(s) of Designer(s): **Laura Fair**
(45) Registration Date: **25 November 2014**
(30) Convention priority data:
(31) Number (32) Date (33) Country
418830 12 May 2014 NEW ZEALAND
(56) Related Art Documents: **Not Applicable**
(57) Statement of Newness and Distinctiveness: **Nil**



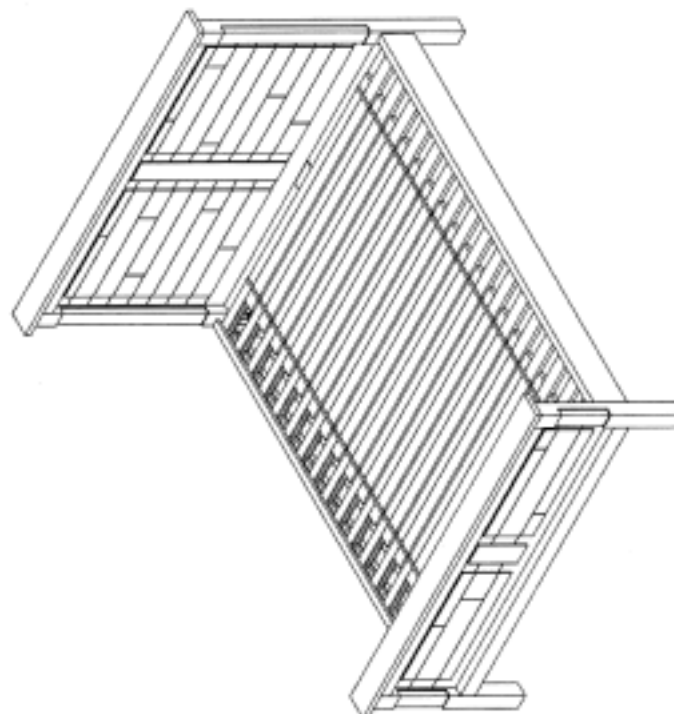
- (21) Design Number: **15767/2014**
(22) Date of Filing Application: **08 November 2014**
(24) Date from which industrial property rights may have effect: **08 November 2014**
(54) Product in respect of which the design is registered: **Consumer assemblable spectacles frame**
(51) International Design Classification: **16-06**
(74) Name(s) of Attorney(s): **WALLINGTON-DUMMER**
(71) Name(s) and Address(s) of Applicant(s):
Dresden Optics Pty Ltd
PO BOX 20 Camperdown NSW 1450 Australia
(72) Name(s) of Designer(s): **Michael Paul Thorogood**
(45) Registration Date: **25 November 2014**
(56) Related Art Documents: **Not Applicable**
(57) Statement of Newness and Distinctiveness: **Novelty is claimed in the shape and/or configuration of a spectacles frame with consumer assemblable and interchangeable side arms and lenses. The side arms may be of various lengths.**



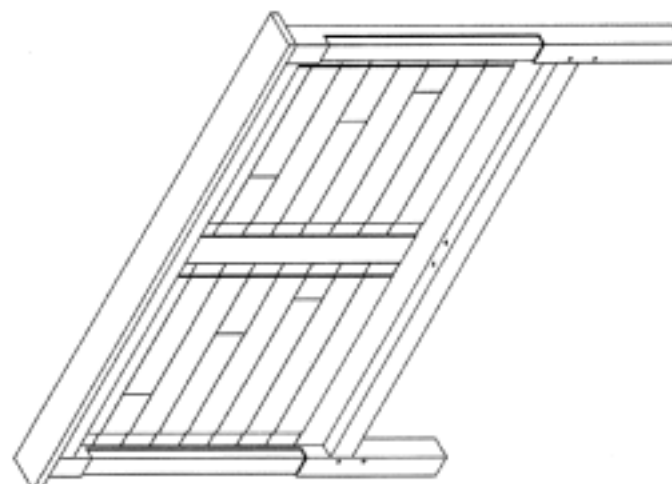
- (21) Design Number: **15768/2014**
(22) Date of Filing Application: **11 November 2014**
(24) Date from which industrial property rights may have effect: **11 November 2014**
(54) Product in respect of which the design is registered: **A coffee table**
(51) International Design Classification: **06-03A**
(74) Name(s) of Attorney(s):
(71) Name(s) and Address(s) of Applicant(s):
Ian James Burden
17 Excalibur Ct Sovereign Islands QLD 4216 Australia
(72) Name(s) of Designer(s): **Ian James Burden**
(45) Registration Date: **25 November 2014**
(56) Related Art Documents: **Not Applicable**
(57) Statement of Newness and Distinctiveness: **The design relates to a coffee table and the novelty resides in the features of shape and configuration of the article as shown in the accompanying representations.**



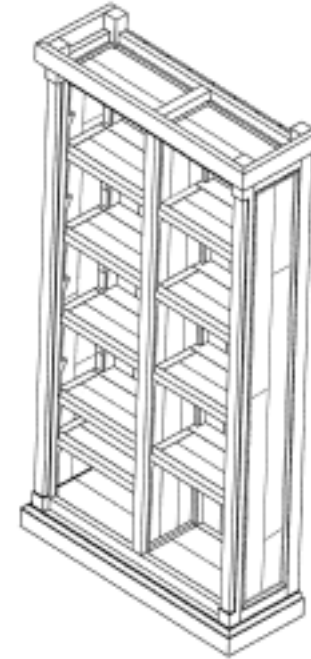
- (21) Design Number: **15769/2014**
(22) Date of Filing Application: **11 November 2014**
(24) Date from which industrial property rights may have effect: **11 November 2014**
(54) Product in respect of which the design is registered: **A bed frame**
(51) International Design Classification: **06-02**
(74) Name(s) of Attorney(s):
(71) Name(s) and Address(s) of Applicant(s):
Ian James Burden
17 Excalibur Ct Sovereign Islands QLD 4216 Australia
(72) Name(s) of Designer(s): **Ian James Burden**
(45) Registration Date: **25 November 2014**
(56) Related Art Documents: **Not Applicable**
(57) Statement of Newness and Distinctiveness: **The design relates to a bed frame and the novelty resides in the features of shape and configuration of the article as shown in the accompanying representations.**



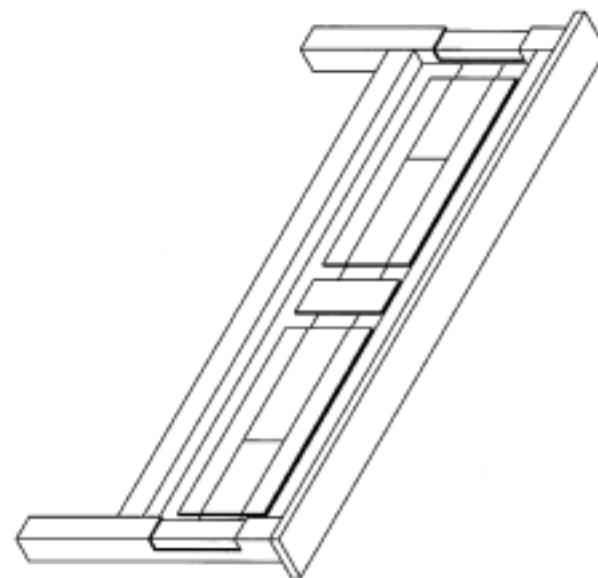
- (21) Design Number: **15770/2014**
(22) Date of Filing Application: **11 November 2014**
(24) Date from which industrial property rights may have effect: **11 November 2014**
(54) Product in respect of which the design is registered: **A head board**
(51) International Design Classification: **06-06F**
(74) Name(s) of Attorney(s):
(71) Name(s) and Address(s) of Applicant(s):
Ian James Burden
17 Excalibur Ct Sovereign Islands QLD 4216 Australia
(72) Name(s) of Designer(s): **Ian James Burden**
(45) Registration Date: **25 November 2014**
(56) Related Art Documents: **Not Applicable**
(57) Statement of Newness and Distinctiveness: **The design relates to a head board and the novelty resides in the features of shape and configuration of the article as shown in the accompanying representations.**



- (21) Design Number: **15771/2014**
(22) Date of Filing Application: **11 November 2014**
(24) Date from which industrial property rights may have effect: **11 November 2014**
(54) Product in respect of which the design is registered: **A bookcase**
(51) International Design Classification: **06-04NES**
(74) Name(s) of Attorney(s):
(71) Name(s) and Address(s) of Applicant(s):
Ian James Burden
17 Excalibur Ct Sovereign Islands QLD 4216 Australia
(72) Name(s) of Designer(s): **Ian James Burden**
(45) Registration Date: **25 November 2014**
(56) Related Art Documents: **Not Applicable**
(57) Statement of Newness and Distinctiveness: **The design relates to a bookcase and the novelty resides in the features of shape and configuration of the article as shown in the accompanying representations.**



- (21) Design Number: **15772/2014**
(22) Date of Filing Application: **11 November 2014**
(24) Date from which industrial property rights may have effect: **11 November 2014**
(54) Product in respect of which the design is registered: **A foot board**
(51) International Design Classification: **06-06F**
(74) Name(s) of Attorney(s):
(71) Name(s) and Address(s) of Applicant(s):
Ian James Burden
17 Excalibur Ct Sovereign Islands QLD 4216 Australia
(72) Name(s) of Designer(s): **Ian James Burden**
(45) Registration Date: **25 November 2014**
(56) Related Art Documents: **Not Applicable**
(57) Statement of Newness and Distinctiveness: **The design relates to a foot board and the novelty resides in the features of shape and configuration of the article as shown in the accompanying representations.**



(21) Design Number: **15513/2014**
(22) Date of Filing Application: **31 October 2014**
(24) Date from which industrial property rights may have effect: **31 October 2014**
(54) Product in respect of which the design is registered: **Swimwear garment**
(51) International Design Classification: **02-02A**
(74) Name(s) of Attorney(s): **Thomson Geer**
(71) Name(s) and Address(s) of Applicant(s):

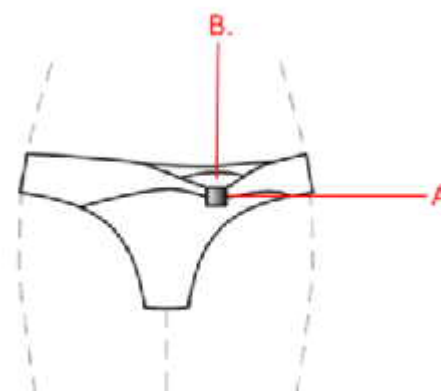
JETS Swimwear Pty Ltd
8-18 Bowden St Alexandria NSW 2015 Australia

(72) Name(s) of Designer(s): **Jessika Allen**

(45) Registration Date: **26 November 2014**

(56) Related Art Documents: **Not Applicable**

(57) Statement of Newness and Distinctiveness: **Newness and distinctiveness is claimed in the shape and/or configuration of the garment as depicted in the accompanying representations. The feature marked "A" is bead hardware. Representation 1 shows the garment as it appears when the garment is worn, in front view and back view. Representation 2 shows another view of the garment when the feature marked A is lifted away from the wearer's body, in front view and back view. The section marked B shows a hole or cut out section in the garment. In both representations, the outline of the wearer, shown in broken lines, forms no part of the design.**



(21) Design Number: **15766/2014**
(22) Date of Filing Application: **12 November 2014**
(24) Date from which industrial property rights may have effect: **12 November 2014**
(54) Product in respect of which the design is registered: **Footwear plate**
(51) International Design Classification: **02-04A**
(74) Name(s) of Attorney(s): **SPRUSON & FERGUSON**
(71) Name(s) and Address(s) of Applicant(s):

Ariat International, Inc.
3242 Whipple Road Union City California 94587 United States of America

(72) Name(s) of Designer(s): **Marco Grott and Calvin Myron Buck IV**

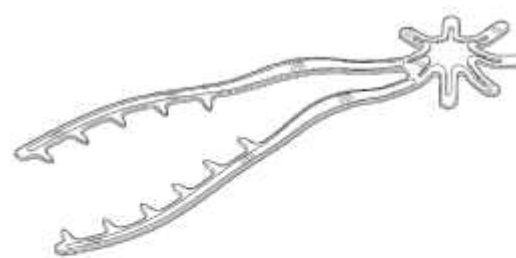
(45) Registration Date: **26 November 2014**

(30) Convention priority data:

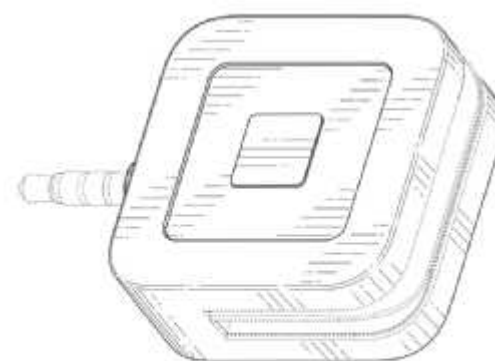
(31) Number	(32) Date	(33) Country
29/490820	13 May 2014	UNITED STATES OF AMERICA

(56) Related Art Documents: **Not Applicable**

(57) Statement of Newness and Distinctiveness: **Newness and distinctiveness is claimed in the features of shape and/or configuration of a footwear plate as illustrated in the accompanying representations.**

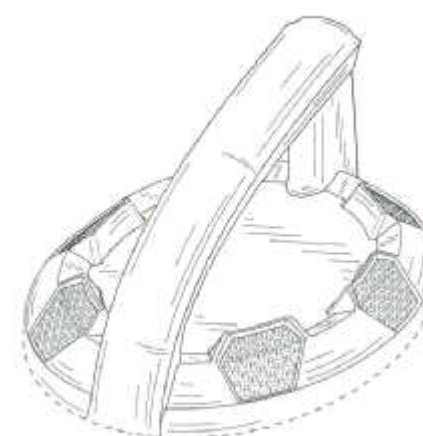


(21) Design Number: **15781/2014**
(22) Date of Filing Application: **12 November 2014**
(24) Date from which industrial property rights may have effect: **12 November 2014**
(54) Product in respect of which the design is registered: **Card reader**
(51) International Design Classification: **14-02**
(74) Name(s) of Attorney(s):
(71) Name(s) and Address(s) of Applicant(s):
Square Inc
1455 Market Street, Suite 600 San Francisco CA 94103 United States of America



(72) Name(s) of Designer(s): **Thomas Templeton and Trent Weber**
(45) Registration Date: **26 November 2014**
(30) Convention priority data:
(31) Number (32) Date (33) Country
29/491,147 16 May 2014 UNITED STATES OF AMERICA
(56) Related Art Documents: **Not Applicable**
(57) Statement of Newness and Distinctiveness: **Newness and distinctiveness reside in the features of shape and/or configuration of the product as shown in the representations; the features indicated with broken lines are to be disregarded.**

(21) Design Number: **15783/2014**
(22) Date of Filing Application: **13 November 2014**
(24) Date from which industrial property rights may have effect: **13 November 2014**
(54) Product in respect of which the design is registered: **Handle for a vacuum cleaner tank**
(51) International Design Classification: **15-05**
(74) Name(s) of Attorney(s): **Griffith Hack**
(71) Name(s) and Address(s) of Applicant(s):
BISSELL Homecare, Inc
2345 Walker Avenue N.W. Grand Rapids Michigan 49544 United States of America



(72) Name(s) of Designer(s): **Drew A Johnson**
(45) Registration Date: **26 November 2014**
(30) Convention priority data:
(31) Number (32) Date (33) Country
29/491,704 23 May 2014 UNITED STATES OF AMERICA
(56) Related Art Documents: **Not Applicable**
(57) Statement of Newness and Distinctiveness: **Newness and Distinctiveness resides in the visual features, including the shape and configuration of those parts of the product shown by means of solid lines in the attached representations. Those parts shown by dashed lines been included for illustrative purposes only.**

(21) Design Number: **15785/2014**
(22) Date of Filing Application: **13 November 2014**
(24) Date from which industrial property rights may have effect: **13 November 2014**
(54) Product in respect of which the design is registered: **Audio listening system**
(51) International Design Classification: **14-01**
(74) Name(s) of Attorney(s): **SPRUSON & FERGUSON**
(71) Name(s) and Address(s) of Applicant(s):

Beats Electronics, LLC
8600 Hayden Place Culver City California 90232 United States of America

(72) Name(s) of Designer(s): **Robert Brunner and Christopher Kuh and Achille Biteau**

(45) Registration Date: **26 November 2014**

(30) Convention priority data:

(31) Number	(32) Date	(33) Country
29/490932	15 Mar 2014	UNITED STATES OF AMERICA

(56) Related Art Documents: **Not Applicable**

(57) Statement of Newness and Distinctiveness: **Newness and distinctiveness is claimed in those features of shape and/or configuration of an audio listening system illustrated in continuous lines in the accompanying representations.**



(21) Design Number: **15788/2014**
(22) Date of Filing Application: **13 November 2014**
(24) Date from which industrial property rights may have effect: **13 November 2014**
(54) Product in respect of which the design is registered: **Kettle**
(51) International Design Classification: **07-02K**
(74) Name(s) of Attorney(s): **Armour IP**
(71) Name(s) and Address(s) of Applicant(s):

Morphy Richards Limited
Adwick Park Manvers Rotherham South Yorkshire S63 5AB United Kingdom

(72) Name(s) of Designer(s): **Ross Eaves and Glyn Hauser and Grant Geeson and Mike James**

(45) Registration Date: **26 November 2014**

(30) Convention priority data:

(31) Number	(32) Date	(33) Country
EM002500538-00110	Jul 2014	OFFICE FOR HARMONISATION IN THE INTERNAL MARKET (OHIM)

(56) Related Art Documents: **Not Applicable**

(57) Statement of Newness and Distinctiveness: **Nil**



- (21) Design Number: **13247/2014**
(22) Date of Filing Application: **03 July 2014**
(24) Date from which industrial property rights may have effect: **03 July 2014**
(54) Product in respect of which the design is registered: **Solar panel**
(51) International Design Classification: **13-99**
(74) Name(s) of Attorney(s):
(71) Name(s) and Address(s) of Applicant(s):
DOBLE AUSTRALIA PTY. LTD.
1103 The Element Coolum Beach QLD 4573 Australia
(72) Name(s) of Designer(s): **Simon Doble and Colm Marum**
(45) Registration Date: **26 November 2014**
(56) Related Art Documents: **Not Applicable**
(57) Statement of Newness and Distinctiveness: **A solar panel frame uniquely designed to fit onto the spigot of a tent pole. Utilising different angle's to fix frame to spigot and other positioning facilities.**



- (21) Design Number: **13248/2014**
(22) Date of Filing Application: **03 July 2014**
(24) Date from which industrial property rights may have effect: **03 July 2014**
(54) Product in respect of which the design is registered: **Tent pole table**
(51) International Design Classification: **21-04, 06-03NES**
(74) Name(s) of Attorney(s):
(71) Name(s) and Address(s) of Applicant(s):
DOBLE AUSTRALIA PTY. LTD.
1103 The Element Coolum Beach QLD 4573 Australia
(72) Name(s) of Designer(s): **Simon Doble and Colm Marum**
(45) Registration Date: **26 November 2014**
(56) Related Art Documents: **Not Applicable**
(57) Statement of Newness and Distinctiveness: **Uniquely designed small table that attaches to a tent pole and can hold different objects like rubbish bags, glasses and also hold your electronic device as it is charged by you other Doble products.**



- (21) Design Number: **13249/2014**
(22) Date of Filing Application: **03 July 2014**
(24) Date from which industrial property rights may have effect: **03 July 2014**
(54) Product in respect of which the design is registered: **Portable rechargeable light**
(51) International Design Classification: **26-02**
(74) Name(s) of Attorney(s):
(71) Name(s) and Address(s) of Applicant(s):
DOBLE AUSTRALIA PTY. LTD.
1103 The Element Coolum Beach QLD 4573 Australia
(72) Name(s) of Designer(s): **Simon Doble and Colm Marum**
(45) Registration Date: **26 November 2014**
(56) Related Art Documents: **Not Applicable**
(57) Statement of Newness and Distinctiveness: **Uniquely designed stainless steel portable light with integrated power source and recharge abilities. Ability to have multiple points of attachment to different surfaces and equipment.**



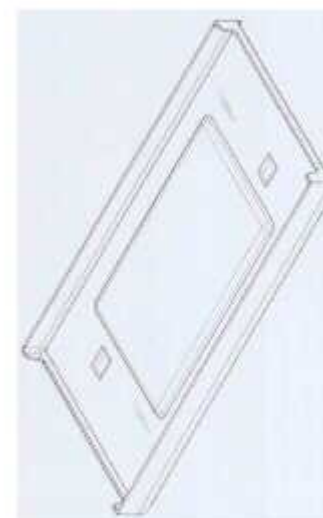
- (21) Design Number: **14735/2014**
(22) Date of Filing Application: **17 September 2014**
(24) Date from which industrial property rights may have effect: **17 September 2014**
(54) Product in respect of which the design is registered: **Phone case**
(51) International Design Classification: **03-01NES, 14-03A**
(74) Name(s) of Attorney(s): **Davies Collison Cave**
(71) Name(s) and Address(s) of Applicant(s):
Magpul Industries Corporation
PO BOX 17697 Boulder Colorado 80308 United States of America
(72) Name(s) of Designer(s): **Grady Barfoot and Richard Fitzpatrick and Michael T. Mayberry**
(45) Registration Date: **26 November 2014**
(30) Convention priority data:
(31) Number (32) Date (33) Country
29/485,779 21 Mar 2014 UNITED STATES OF AMERICA
(56) Related Art Documents: **Not Applicable**
(57) Statement of Newness and Distinctiveness: **Newness and distinctiveness is claimed in the visual features shown in solid lines in the representations.**



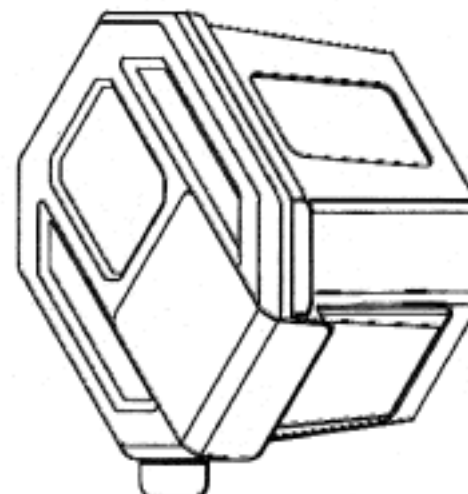
- (21) Design Number: **15118/2014**
(22) Date of Filing Application: **06 October 2014**
(24) Date from which industrial property rights may have effect: **06 October 2014**
(54) Product in respect of which the design is registered: **A tamper evident seal**
(51) International Design Classification: **09-07C**
(74) Name(s) of Attorney(s):
(71) Name(s) and Address(s) of Applicant(s):
APS Innovations Pty Ltd
41/756 Burwood Hwy Ferntree Gully VIC 3156 Australia
(72) Name(s) of Designer(s): **Callum MacLeod and Toby Hartley**
(45) Registration Date: **26 November 2014**
(56) Related Art Documents: **Not Applicable**
(57) Statement of Newness and Distinctiveness: **Newness and distinctiveness resides in the shape and configuration of the tamper proof seal as depicted in the representations.**



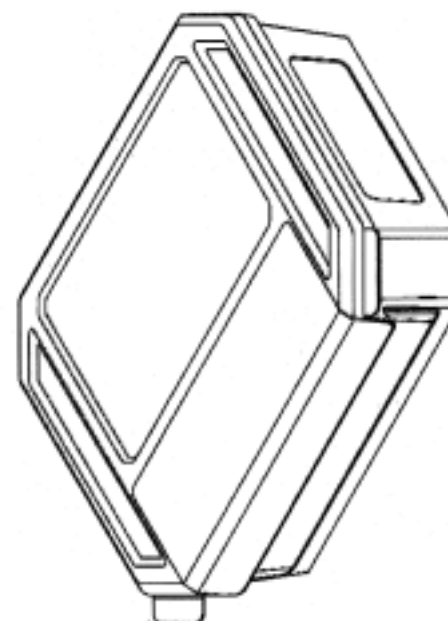
- (21) Design Number: **14588/2014**
(22) Date of Filing Application: **11 September 2014**
(24) Date from which industrial property rights may have effect: **11 September 2014**
(54) Product in respect of which the design is registered: **Container lid**
(51) International Design Classification: **09-07B**
(74) Name(s) of Attorney(s): **E F Wellington & Co**
(71) Name(s) and Address(s) of Applicant(s):
Duke Manufacturing Co.
2305 North Broadway St. Louis Missouri 63102 United States of America
(72) Name(s) of Designer(s): **James W Bigott**
(45) Registration Date: **26 November 2014**
(30) Convention priority data:
(31) Number (32) Date (33) Country
29/485060 14 Mar 2014 UNITED STATES OF AMERICA
(56) Related Art Documents: **Not Applicable**
(57) Statement of Newness and Distinctiveness: **The newness and distinctiveness of the design resides in the shape and/or configuration of the container lid shown in the representations. The features shown in broken lines are for illustrative purposes only and do not form part of the design.**



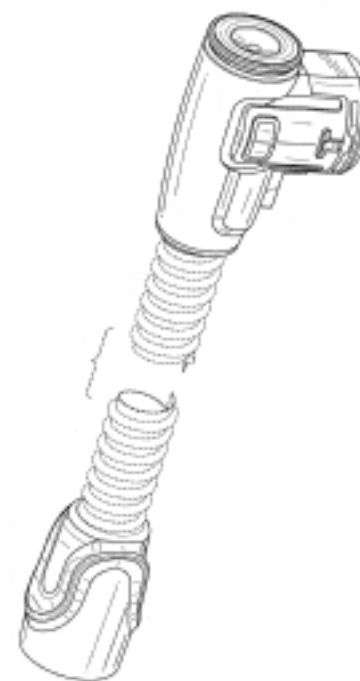
- (21) Design Number: **14640/2014**
(22) Date of Filing Application: **12 September 2014**
(24) Date from which industrial property rights may have effect: **12 September 2014**
(54) Product in respect of which the design is registered: **Merchandising container**
(51) International Design Classification: **09-03K**
(74) Name(s) of Attorney(s): **Davies Collison Cave**
(71) Name(s) and Address(s) of Applicant(s):
Illinois Tool Works Inc.
155 Harlem Ave Glenview IL 60025-4075 United States of America
(72) Name(s) of Designer(s): **Des Ebejer and David J. Granger and Greg Wala and Brad Stebbing**
(45) Registration Date: **26 November 2014**
(56) Related Art Documents: **Not Applicable**
(57) Statement of Newness and Distinctiveness: **Newness and distinctiveness is claimed in the visual features of shape and configuration of a merchandising container formed with an outer frame and an inner transparent container as shown in the drawings.**



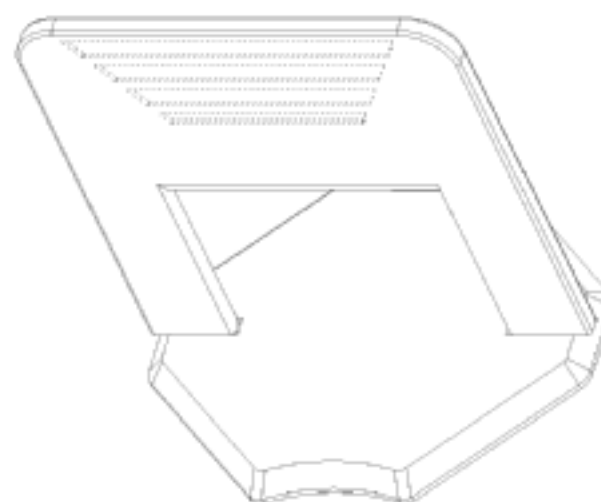
- (21) Design Number: **14642/2014**
(22) Date of Filing Application: **12 September 2014**
(24) Date from which industrial property rights may have effect: **12 September 2014**
(54) Product in respect of which the design is registered: **Merchandising container**
(51) International Design Classification: **09-03K**
(74) Name(s) of Attorney(s): **Davies Collison Cave**
(71) Name(s) and Address(s) of Applicant(s):
Illinois Tool Works Inc.
155 Harlem Ave Glenview IL 60025-4075 United States of America
(72) Name(s) of Designer(s): **Des Ebejer and David J. Granger and Greg Wala and Brad Stebbing**
(45) Registration Date: **26 November 2014**
(56) Related Art Documents: **Not Applicable**
(57) Statement of Newness and Distinctiveness: **Newness and distinctiveness is claimed in the visual features of shape and configuration of a merchandising container formed with an outer frame and an inner transparent container as shown in the drawings.**



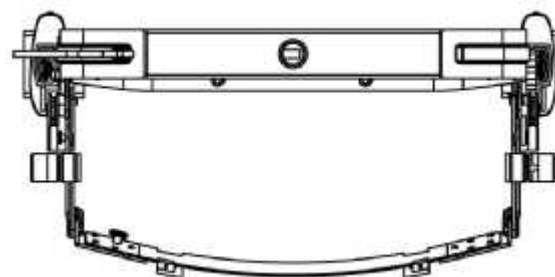
- (21) Design Number: **14736/2014**
(22) Date of Filing Application: **17 September 2014**
(24) Date from which industrial property rights may have effect: **17 September 2014**
(54) Product in respect of which the design is registered: **Air delivery tube**
(51) International Design Classification: **24-01**
(74) Name(s) of Attorney(s): **Halfords IP**
(71) Name(s) and Address(s) of Applicant(s):
ResMed Limited
1 Elizabeth Macarthur Dr Bella Vista NSW 2153 Australia
(72) Name(s) of Designer(s): **Justin John Formica and Saad Nasr and Joseph Samuel Ormrod and Ernie Wei-Chih Tsai**
(45) Registration Date: **26 November 2014**
(30) Convention priority data:
(31) Number (32) Date (33) Country
29/485313 18 Mar 2014 UNITED STATES OF AMERICA
(56) Related Art Documents: **Not Applicable**
(57) Statement of Newness and Distinctiveness: **Nil**



- (21) Design Number: **15288/2014**
(22) Date of Filing Application: **17 October 2014**
(24) Date from which industrial property rights may have effect: **17 October 2014**
(54) Product in respect of which the design is registered: **Tile spacer**
(51) International Design Classification: **08-05K**
(74) Name(s) of Attorney(s): **Davies Collison Cave**
(71) Name(s) and Address(s) of Applicant(s):
Darth Industries Pty Ltd
SE70 L12 269 Wickham St Fortitude Valley QLD 4006 Australia
(72) Name(s) of Designer(s): **Jorge Pereira and Damon Hoole**
(45) Registration Date: **26 November 2014**
(56) Related Art Documents: **Not Applicable**
(57) Statement of Newness and Distinctiveness: **Newness and distinctiveness is claimed in the visual features shown in solid lines in the representations. In considering the extent of the design rights, the broken lines shown in the representations are for illustrative purposes only and do not form part of the design.**



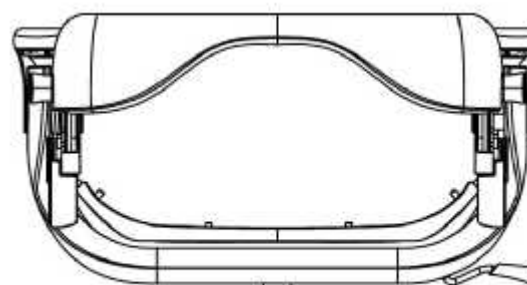
- (21) Design Number: **15724/2014**
(22) Date of Filing Application: **10 November 2014**
(24) Date from which industrial property rights may have effect: **10 November 2014**
(54) Product in respect of which the design is registered: **A support cradle for a chair**
(51) International Design Classification: **06-06G**
(74) Name(s) of Attorney(s): **Pegasus IP**
(71) Name(s) and Address(s) of Applicant(s):
Smart Motion Ergonomics Ltd.
1-7, 18th Floor Metro Loft 38 Kwai Hei St. Kwai Chung New Territories
Hong Kong
(72) Name(s) of Designer(s): **Anton Whiley**
(45) Registration Date: **26 November 2014**
(56) Related Art Documents: **Not Applicable**
(57) Statement of Newness and Distinctiveness: **The newness and distinctiveness resides in the features of shape and/or configuration of the product shown in the reps.**



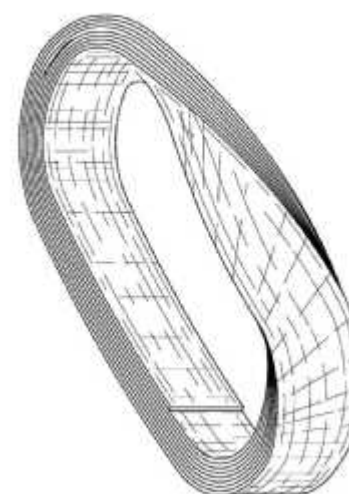
- (21) Design Number: **15725/2014**
(22) Date of Filing Application: **10 November 2014**
(24) Date from which industrial property rights may have effect: **10 November 2014**
(54) Product in respect of which the design is registered: **A chair**
(51) International Design Classification: **06-01F**
(74) Name(s) of Attorney(s): **Pegasus IP**
(71) Name(s) and Address(s) of Applicant(s):
Smart Motion Ergonomics Ltd.
1-7, 18th Floor Metro Loft 38 Kwai Hei St. Kwai Chung New Territories
Hong Kong
(72) Name(s) of Designer(s): **Anton Whiley**
(45) Registration Date: **26 November 2014**
(56) Related Art Documents: **Not Applicable**
(57) Statement of Newness and Distinctiveness: **The newness and distinctiveness resides in the features of shape and/or configuration of the product shown in the reps.**



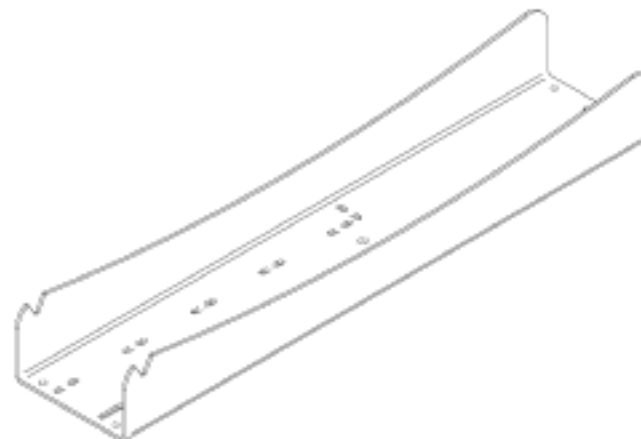
- (21) Design Number: **15726/2014**
(22) Date of Filing Application: **10 November 2014**
(24) Date from which industrial property rights may have effect: **10 November 2014**
(54) Product in respect of which the design is registered: **A support cradle for a chair**
(51) International Design Classification: **06-06G**
(74) Name(s) of Attorney(s): **Pegasus IP**
(71) Name(s) and Address(s) of Applicant(s):
Smart Motion Ergonomics Ltd.
1-7, 18th Floor Metro Loft 38 Kwai Hei St. Kwai Chung New Territories
Hong Kong
(72) Name(s) of Designer(s): **Anton Whiley**
(45) Registration Date: **26 November 2014**
(56) Related Art Documents: **Not Applicable**
(57) Statement of Newness and Distinctiveness: **The newness and distinctiveness resides in the features of shape and/or configuration of the product shown in the reps.**



- (21) Design Number: **15775/2014**
(22) Date of Filing Application: **12 November 2014**
(24) Date from which industrial property rights may have effect: **12 November 2014**
(54) Product in respect of which the design is registered: **Fabric chain link**
(51) International Design Classification: **08-99, 05-05NES**
(74) Name(s) of Attorney(s): **PHILLIPS ORMONDE FITZPATRICK**
(71) Name(s) and Address(s) of Applicant(s):
DSM IP Assets B.V.
Het Overloon 1 6411 TE Heerlen The Netherlands
(72) Name(s) of Designer(s): **Rigobert Bosman and Dietrich Wienke and Roelof Marissen**
(45) Registration Date: **26 November 2014**
(30) Convention priority data:
(31) Number (32) Date (33) Country
29/493,558 11 Jun 2014 UNITED STATES OF AMERICA
(56) Related Art Documents: **Not Applicable**
(57) Statement of Newness and Distinctiveness: **Newness and distinctiveness resides in the shape and/or configuration a fabric chain link, in particular the chain link having a plurality of convolutions formed by a strip made of a fabric material, the strip having a longitudinal axis, and each convolution of the strip having a twist along the longitudinal axis of said strip, the twist being an odd multiple of 180 degrees.**



(21) Design Number: **15789/2014**
(22) Date of Filing Application: **13 November 2014**
(24) Date from which industrial property rights may have effect: **13 November 2014**
(54) Product in respect of which the design is registered: **Golf putting guide**
(51) International Design Classification: **21-02C**
(74) Name(s) of Attorney(s): **PIZZEYS**
(71) Name(s) and Address(s) of Applicant(s):
Point-N-Putt Pty Ltd
PO BOX 9088 Deakin ACT 2614 Australia
(72) Name(s) of Designer(s): **Paul Joseph Donaghue**
(45) Registration Date: **26 November 2014**
(56) Related Art Documents: **Not Applicable**
(57) Statement of Newness and Distinctiveness: **Nil**



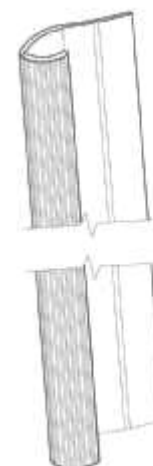
(21) Design Number: **15791/2014**
(22) Date of Filing Application: **13 November 2014**
(24) Date from which industrial property rights may have effect: **13 November 2014**
(54) Product in respect of which the design is registered: **Lid for a food or liquid shaker**
(51) International Design Classification: **07-04**
(74) Name(s) of Attorney(s): **PHILLIPS ORMONDE FITZPATRICK**
(71) Name(s) and Address(s) of Applicant(s):
Dart Industries Inc.
14901 S. Orange Blossom Trail Orlando Florida 32837 United States of America
(72) Name(s) of Designer(s): **Judicael Cornu and Barbara R M Huet and Dimitri M C J Backaert and Kris Schoukens and Antoon Keymeulen and Robijn Dufloo and Olivier B Perrin**
(45) Registration Date: **26 November 2014**
(30) Convention priority data:
(31) Number (32) Date (33) Country
29/493,694 12 Jun 2014 UNITED STATES OF AMERICA
(56) Related Art Documents: **Not Applicable**
(57) Statement of Newness and Distinctiveness: **Nil**



(21) Design Number: **15793/2014**
(22) Date of Filing Application: **13 November 2014**
(24) Date from which industrial property rights may have effect: **13 November 2014**
(54) Product in respect of which the design is registered: **Food or liquid shaker**
(51) International Design Classification: **07-04**
(74) Name(s) of Attorney(s): **PHILLIPS ORMONDE FITZPATRICK**
(71) Name(s) and Address(s) of Applicant(s):
Dart Industries Inc.
14901 S. Orange Blossom Trail Orlando Florida 32837 United States of America
(72) Name(s) of Designer(s): **Judicael Cornu and Barbara R M Huet and Dimitri M C J Backaert and Kris Schoukens and Antoon Keymeulen and Robijn Dufloo and Olivier B Perrin**
(45) Registration Date: **26 November 2014**
(30) Convention priority data:
(31) Number (32) Date (33) Country
29/493,694 12 Jun 2014 UNITED STATES OF AMERICA
(56) Related Art Documents: **Not Applicable**
(57) Statement of Newness and Distinctiveness: **Nil**



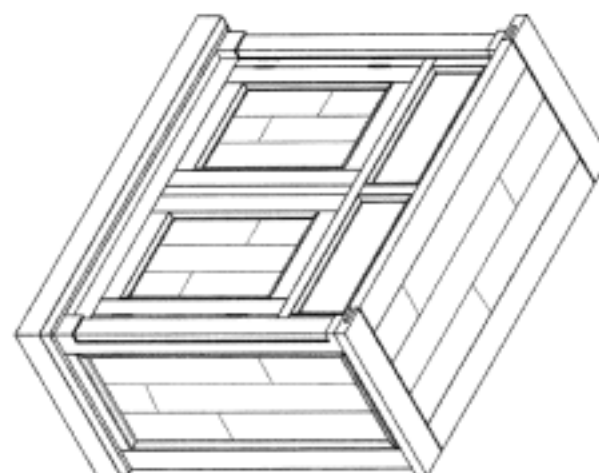
(21) Design Number: **15794/2014**
(22) Date of Filing Application: **13 November 2014**
(24) Date from which industrial property rights may have effect: **13 November 2014**
(54) Product in respect of which the design is registered: **Garage door seal**
(51) International Design Classification: **25-01K**
(74) Name(s) of Attorney(s): **PHILLIPS ORMONDE FITZPATRICK**
(71) Name(s) and Address(s) of Applicant(s):
Stramit Corporation Pty Limited
L11 Tower B Zenith Centre 821 Pacific Hwy Chatswood NSW 2067 Australia
(72) Name(s) of Designer(s): **Darren Cross**
(45) Registration Date: **26 November 2014**
(56) Related Art Documents: **Not Applicable**
(57) Statement of Newness and Distinctiveness: **Newness and distinctiveness resides in the features of shape and/or configuration of a garage door seal of indefinite length as shown in the accompanying representations.**



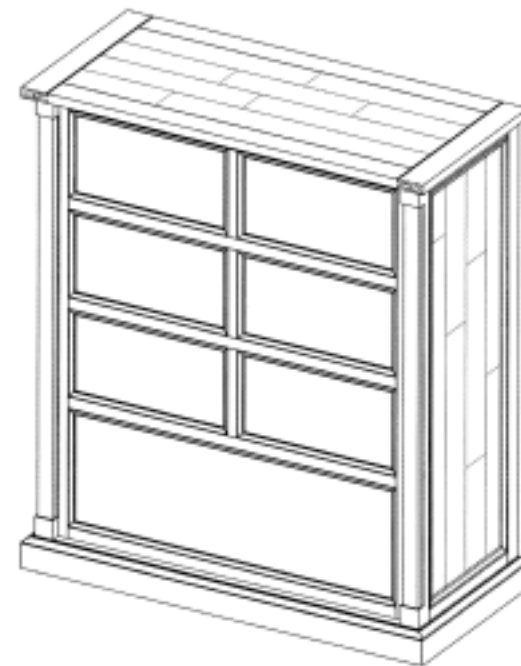
- (21) Design Number: **15803/2014**
(22) Date of Filing Application: **13 November 2014**
(24) Date from which industrial property rights may have effect: **13 November 2014**
(54) Product in respect of which the design is registered: **Antiskid plate**
(51) International Design Classification: **12-16NES, 12-15F**
(74) Name(s) of Attorney(s): **A.P.T. Patent and Trade Mark Attorneys**
(71) Name(s) and Address(s) of Applicant(s):
Ningbo Together Trading Co., Ltd.
Room 2601-1 HongAn Building No. 258 DieYuan Road, ShouNan Street
YinZhou District NingBo City ZheJiang Province, 315100 China
(72) Name(s) of Designer(s): **Qianqian Wang**
(45) Registration Date: **26 November 2014**
(56) Related Art Documents: **Not Applicable**
(57) Statement of Newness and Distinctiveness: **Nil**



- (21) Design Number: **15819/2014**
(22) Date of Filing Application: **13 November 2014**
(24) Date from which industrial property rights may have effect: **13 November 2014**
(54) Product in respect of which the design is registered: **A cabinet**
(51) International Design Classification: **06-04NES**
(74) Name(s) of Attorney(s):
(71) Name(s) and Address(s) of Applicant(s):
Ian James Burden
17 Excalibur Ct Sovereign Islands QLD 4216 Australia
(72) Name(s) of Designer(s): **Ian James Burden**
(45) Registration Date: **26 November 2014**
(56) Related Art Documents: **Not Applicable**
(57) Statement of Newness and Distinctiveness: **The design relates to a cabinet and the novelty resides in the features of shape and configuration of the article as shown in the accompanying representations.**



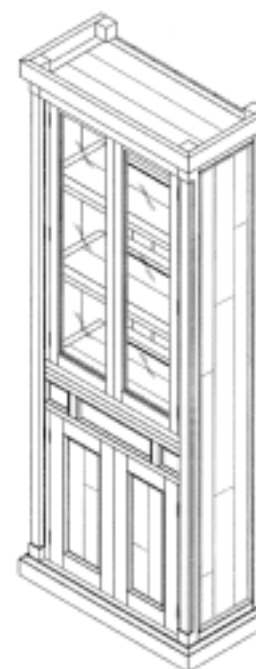
- (21) Design Number: **15821/2014**
(22) Date of Filing Application: **13 November 2014**
(24) Date from which industrial property rights may have effect: **13 November 2014**
(54) Product in respect of which the design is registered: **A chest of drawers**
(51) International Design Classification: **06-04F**
(74) Name(s) of Attorney(s):
(71) Name(s) and Address(s) of Applicant(s):
Ian James Burden
17 Excalibur Ct Sovereign Islands QLD 4216 Australia
(72) Name(s) of Designer(s): **Ian James Burden**
(45) Registration Date: **26 November 2014**
(56) Related Art Documents: **Not Applicable**
(57) Statement of Newness and Distinctiveness: **The design relates to a chest of drawers and the novelty resides in the features of shape and configuration of the article as shown in the accompanying representations.**



- (21) Design Number: **15822/2014**
(22) Date of Filing Application: **13 November 2014**
(24) Date from which industrial property rights may have effect: **13 November 2014**
(54) Product in respect of which the design is registered: **A bedside cabinet**
(51) International Design Classification: **06-04F**
(74) Name(s) of Attorney(s):
(71) Name(s) and Address(s) of Applicant(s):
Ian James Burden
17 Excalibur Ct Sovereign Islands QLD 4216 Australia
(72) Name(s) of Designer(s): **Ian James Burden**
(45) Registration Date: **26 November 2014**
(56) Related Art Documents: **Not Applicable**
(57) Statement of Newness and Distinctiveness: **The design relates to a bedside cabinet and the novelty resides in the features of shape and configuration of the article as shown in the accompanying representations.**



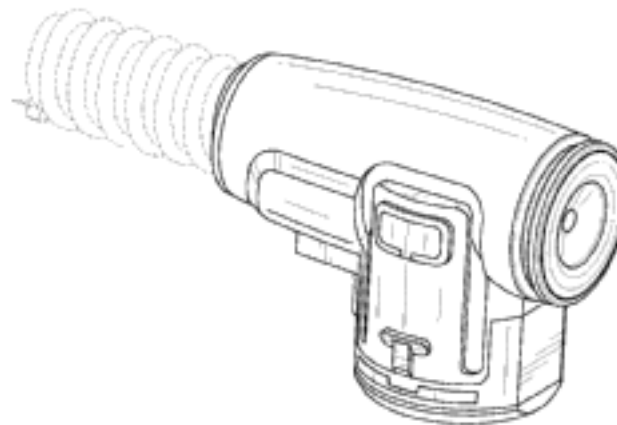
- (21) Design Number: **15823/2014**
(22) Date of Filing Application: **13 November 2014**
(24) Date from which industrial property rights may have effect: **13 November 2014**
(54) Product in respect of which the design is registered: **A buffet and hutch cabinet**
(51) International Design Classification: **06-04E**
(74) Name(s) of Attorney(s):
(71) Name(s) and Address(s) of Applicant(s):
Ian James Burden
17 Excalibur Ct Sovereign Islands QLD 4216 Australia
(72) Name(s) of Designer(s): **Ian James Burden**
(45) Registration Date: **26 November 2014**
(56) Related Art Documents: **Not Applicable**
(57) Statement of Newness and Distinctiveness: **The design relates to a buffet and hutch cabinet and the novelty resides in the features of shape and configuration of the article as shown in the accompanying representations.**



- (21) Design Number: **15825/2014**
(22) Date of Filing Application: **13 November 2014**
(24) Date from which industrial property rights may have effect: **13 November 2014**
(54) Product in respect of which the design is registered: **A chair**
(51) International Design Classification: **06-01F**
(74) Name(s) of Attorney(s):
(71) Name(s) and Address(s) of Applicant(s):
Ian James Burden
17 Excalibur Ct Sovereign Islands QLD 4216 Australia
(72) Name(s) of Designer(s): **Ian James Burden**
(45) Registration Date: **26 November 2014**
(56) Related Art Documents: **Not Applicable**
(57) Statement of Newness and Distinctiveness: **The design relates to a chair and the novelty resides in the features of shape and configuration of the article as shown in the accompanying representations.**



- (21) Design Number: **15990/2014**
(22) Date of Filing Application: **17 September 2014**
(24) Date from which industrial property rights may have effect: **17 September 2014**
(54) Product in respect of which the design is registered: **Air delivery tube**
(51) International Design Classification: **24-01**
(74) Name(s) of Attorney(s): **Halfords IP**
(71) Name(s) and Address(s) of Applicant(s):
ResMed Limited
1 Elizabeth Macarthur Dr Bella Vista NSW 2153 Australia
(72) Name(s) of Designer(s): **Justin John Formica and Saad Nasr and Joseph Samuel Ormrod and Ernie Wei-Chih Tsai**
(45) Registration Date: **26 November 2014**
(56) Related Art Documents: **Not Applicable**
(57) Statement of Newness and Distinctiveness: **Nil**



- (21) Design Number: **15790/2014**
(22) Date of Filing Application: **13 November 2014**
(24) Date from which industrial property rights may have effect: **13 November 2014**
(54) Product in respect of which the design is registered: **A textile print**
(51) International Design Classification: **05-05A**
(74) Name(s) of Attorney(s):
(71) Name(s) and Address(s) of Applicant(s):
AUSTRALIAN FASHION LABELS PTY LTD
106 Currie St Adelaide SA 5000 Australia
(72) Name(s) of Designer(s): **Amy Hicks and Zoey Vink**
(45) Registration Date: **27 November 2014**
(56) Related Art Documents: **Not Applicable**
(57) Statement of Newness and Distinctiveness: **Newness and distinctiveness resides in the features of pattern and ornamentation of a textile print as shown in the accompanying representations. In considering the scope of monopoly, no regard is to be had to colour and the scope of monopoly is not restricted to the particular colour or colours depicted in the accompanying representations.**



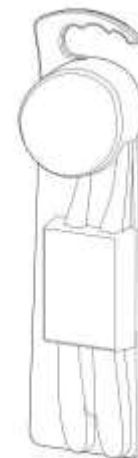
(21) Design Number: **15799/2014**
(22) Date of Filing Application: **13 November 2014**
(24) Date from which industrial property rights may have effect: **02 September 2014**
(54) Product in respect of which the design is registered: **Computer terminal**
(51) International Design Classification: **06-03C, 14-02**
(74) Name(s) of Attorney(s): **Marks & Clerk Australia**
(71) Name(s) and Address(s) of Applicant(s):
Thales Air Systems SAS
3 avenue Charles Lindbergh Rungis 94150 France
(72) Name(s) of Designer(s): **Sylvain Moos and Areski Hadjaz and Yann Le Bars and Cyril Layes**
(45) Registration Date: **27 November 2014**
(30) Convention priority data:
(31) Number (32) Date (33) Country
002416016-0001 03 Mar 2014 OFFICE FOR HARMONISATION IN THE INTERNAL MARKET (OHIM)
(62) Divisional of: **358785**
(56) Related Art Documents: **Not Applicable**
(57) Statement of Newness and Distinctiveness: **Newness and distinctiveness resides in the features of shape and configuration of a computer terminal as shown in the accompanying representations.**



(21) Design Number: **15804/2014**
(22) Date of Filing Application: **14 November 2014**
(24) Date from which industrial property rights may have effect: **14 November 2014**
(54) Product in respect of which the design is registered: **Oral care implement package**
(51) International Design Classification: **09-05**
(74) Name(s) of Attorney(s): **FB Rice**
(71) Name(s) and Address(s) of Applicant(s):
Colgate-Palmolive Company
300 Park Avenue New York New York 10022 United States of America
(72) Name(s) of Designer(s): **Robert Moskovich and Wenjin Xi and Yanmei Ji and Jifen Yang and Yuanqiang Fang and David Kyung Min Lee**
(45) Registration Date: **27 November 2014**
(30) Convention priority data:
(31) Number (32) Date (33) Country
29/493761 12 Jun 2014 UNITED STATES OF AMERICA
(56) Related Art Documents: **Not Applicable**
(57) Statement of Newness and Distinctiveness: **Newness and distinctiveness reside in the features of shape and configuration of the design as shown in the representations.**



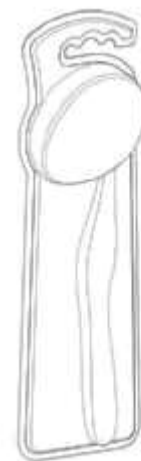
(21) Design Number: **15805/2014**
(22) Date of Filing Application: **14 November 2014**
(24) Date from which industrial property rights may have effect: **14 November 2014**
(54) Product in respect of which the design is registered: **Oral care implement package**
(51) International Design Classification: **09-05**
(74) Name(s) of Attorney(s): **FB Rice**
(71) Name(s) and Address(s) of Applicant(s):
Colgate-Palmolive Company
300 Park Avenue New York New York 10022 United States of America
(72) Name(s) of Designer(s): **Robert Moskovich and Wenjin Xi and Yanmei Ji and Jifen Yang and Yuanqiang Fang and David Kyung Min Lee**
(45) Registration Date: **27 November 2014**
(30) Convention priority data:
(31) Number (32) Date (33) Country
29/493762 12 Jun 2014 UNITED STATES OF AMERICA
(56) Related Art Documents: **Not Applicable**
(57) Statement of Newness and Distinctiveness: **Newness and distinctiveness reside in the features of shape and configuration of the design as shown in the representations.**



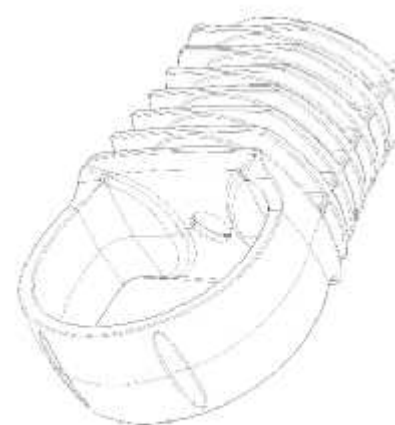
(21) Design Number: **15806/2014**
(22) Date of Filing Application: **14 November 2014**
(24) Date from which industrial property rights may have effect: **14 November 2014**
(54) Product in respect of which the design is registered: **Oral care implement package**
(51) International Design Classification: **09-05**
(74) Name(s) of Attorney(s): **FB Rice**
(71) Name(s) and Address(s) of Applicant(s):
Colgate-Palmolive Company
300 Park Avenue New York New York 10022 United States of America
(72) Name(s) of Designer(s): **Robert Moskovich and Wenjin Xi and Yanmei Ji and Jifen Yang and Yuanqiang Fang and David Kyung Min Lee**
(45) Registration Date: **27 November 2014**
(30) Convention priority data:
(31) Number (32) Date (33) Country
29/493761 12 Jun 2014 UNITED STATES OF AMERICA
(56) Related Art Documents: **Not Applicable**
(57) Statement of Newness and Distinctiveness: **Newness and distinctiveness reside in the features of shape and configuration of the design shown in solid lines in the representations excluding those features shown in broken lines.**



(21) Design Number: **15809/2014**
(22) Date of Filing Application: **14 November 2014**
(24) Date from which industrial property rights may have effect: **14 November 2014**
(54) Product in respect of which the design is registered: **Oral care implement package**
(51) International Design Classification: **09-05**
(74) Name(s) of Attorney(s): **FB Rice**
(71) Name(s) and Address(s) of Applicant(s):
Colgate-Palmolive Company
300 Park Avenue New York NY 10022 United States of America
(72) Name(s) of Designer(s): **Robert Moskovich and Wenjin Xi and Yanmei Ji and Jifen Yang and Yuanqiang Fang and David Kyung Min Lee**
(45) Registration Date: **27 November 2014**
(30) Convention priority data:
(31) Number (32) Date (33) Country
29/493759 12 Jun 2014 UNITED STATES OF AMERICA
(56) Related Art Documents: **Not Applicable**
(57) Statement of Newness and Distinctiveness: **Newness and distinctiveness reside in the features of shape and configuration of the design as shown in the representations.**



(21) Design Number: **15814/2014**
(22) Date of Filing Application: **14 November 2014**
(24) Date from which industrial property rights may have effect: **03 September 2014**
(54) Product in respect of which the design is registered: **Cap for a medicament injection device**
(51) International Design Classification: **24-02**
(74) Name(s) of Attorney(s): **WATERMARK PATENT AND TRADE MARKS ATTORNEYS**
(71) Name(s) and Address(s) of Applicant(s):
Sanofi
54 rue La Boetie Paris 75008 France
Regeneron Pharmaceuticals, Inc.
777 Old Saw Mill River Road Tarrytown NY, 10591 United States of America
(72) Name(s) of Designer(s): **Jochen Ratjen and Katja Wessel**
(45) Registration Date: **27 November 2014**
(30) Convention priority data:
(31) Number (32) Date (33) Country
002416487 03 Mar 2014 EUROPEAN PATENT OFFICE (EPO)
(62) Divisional of: **358814**
(56) Related Art Documents: **Not Applicable**
(57) Statement of Newness and Distinctiveness: **Newness and Distinctiveness is claimed in the shape and configuration of a cap of a medicament injection device as shown in the accompanying representations.**



- (21) Design Number: **15816/2014**
(22) Date of Filing Application: **14 November 2014**
(24) Date from which industrial property rights may have effect: **03 September 2014**
(54) Product in respect of which the design is registered: **Medicament injection device without cap**
(51) International Design Classification: **24-02**
(74) Name(s) of Attorney(s): **WATERMARK PATENT AND TRADE MARKS ATTORNEYS**
(71) Name(s) and Address(s) of Applicant(s):
Sanofi
54 rue La Boetie Paris 75008 France
Regeneron Pharmaceuticals, Inc.
777 Old Saw Mill River Road Tarrytown NY, 10591 United States of America
(72) Name(s) of Designer(s): **Jochen Ratjen and Katja Wessel**
(45) Registration Date: **27 November 2014**
(30) Convention priority data:
(31) Number (32) Date (33) Country
002416487 03 Mar 2014 EUROPEAN PATENT OFFICE (EPO)
(62) Divisional of: **358812**
(56) Related Art Documents: **Not Applicable**
(57) Statement of Newness and Distinctiveness: **Newness and Distinctiveness is claimed in the pattern and ornamentation of an injection device without a cap and with the needle guard in the extended position as shown in the accompanying representations.**



- (21) Design Number: **15817/2014**
(22) Date of Filing Application: **14 November 2014**
(24) Date from which industrial property rights may have effect: **03 September 2014**
(54) Product in respect of which the design is registered: **Medicament injection device without cap**
(51) International Design Classification: **24-02**
(74) Name(s) of Attorney(s): **WATERMARK PATENT AND TRADE MARKS ATTORNEYS**
(71) Name(s) and Address(s) of Applicant(s):
Sanofi
54 rue La Boetie Paris 75008 France
Regeneron Pharmaceuticals, Inc.
777 Old Saw Mill River Road Tarrytown NY, 10591 United States of America
(72) Name(s) of Designer(s): **Jochen Ratjen and Katja Wessel**
(45) Registration Date: **27 November 2014**
(30) Convention priority data:
(31) Number (32) Date (33) Country
002416487 03 Mar 2014 EUROPEAN PATENT OFFICE (EPO)
(62) Divisional of: **358813**
(56) Related Art Documents: **Not Applicable**
(57) Statement of Newness and Distinctiveness: **Newness and Distinctiveness is claimed in the pattern and ornamentation of an injection device without cap and with the needle guard in the extended position as shown in the accompanying representations.**



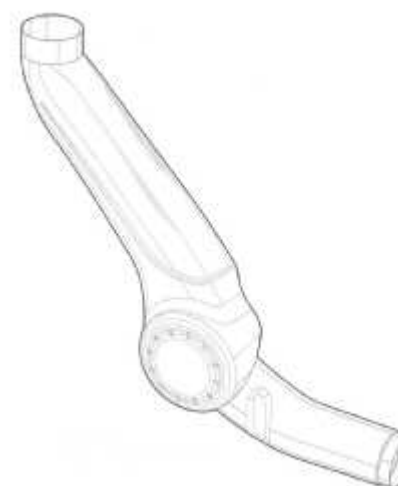
(21) Design Number: **15827/2014**
(22) Date of Filing Application: **14 November 2014**
(24) Date from which industrial property rights may have effect: **03 September 2014**
(54) Product in respect of which the design is registered: **Medicament injection device with cap**
(51) International Design Classification: **24-02**
(74) Name(s) of Attorney(s): **WATERMARK PATENT AND TRADE MARKS ATTORNEYS**
(71) Name(s) and Address(s) of Applicant(s):
Sanofi
54 rue La Boetie Paris 75008 France
Regeneron Pharmaceuticals, Inc.
777 Old Saw Mill River Road Tarrytown NY, 10591 United States of America
(72) Name(s) of Designer(s): **Jochen Ratjen and Katja Wessel**
(45) Registration Date: **27 November 2014**
(30) Convention priority data:
(31) Number (32) Date (33) Country
002416487 03 Mar 2014 EUROPEAN PATENT OFFICE (EPO)
(62) Divisional of: **358816**
(56) Related Art Documents: **Not Applicable**
(57) Statement of Newness and Distinctiveness: **Newness and Distinctiveness is claimed in the pattern and ornamentation including colouration substantially similar to Pantone 1375C of an injection device with cap as shown in the accompanying representations.**



(21) Design Number: **15828/2014**
(22) Date of Filing Application: **14 November 2014**
(24) Date from which industrial property rights may have effect: **03 September 2014**
(54) Product in respect of which the design is registered: **Medicament injection device with cap**
(51) International Design Classification: **24-02**
(74) Name(s) of Attorney(s): **WATERMARK PATENT AND TRADE MARKS ATTORNEYS**
(71) Name(s) and Address(s) of Applicant(s):
Sanofi
54 rue La Boetie Paris 75008 France
Regeneron Pharmaceuticals, Inc.
777 Old Saw Mill River Road Tarrytown NY, 10591 United States of America
(72) Name(s) of Designer(s): **Jochen Ratjen and Katja Wessel**
(45) Registration Date: **27 November 2014**
(30) Convention priority data:
(31) Number (32) Date (33) Country
002416487 03 Mar 2014 EUROPEAN PATENT OFFICE (EPO)
(62) Divisional of: **358815**
(56) Related Art Documents: **Not Applicable**
(57) Statement of Newness and Distinctiveness: **Newness and Distinctiveness is claimed in the pattern and ornamentation including colouration substantially similar to Pantone 1655C of an injection device with a cap as shown in the accompanying representations.**

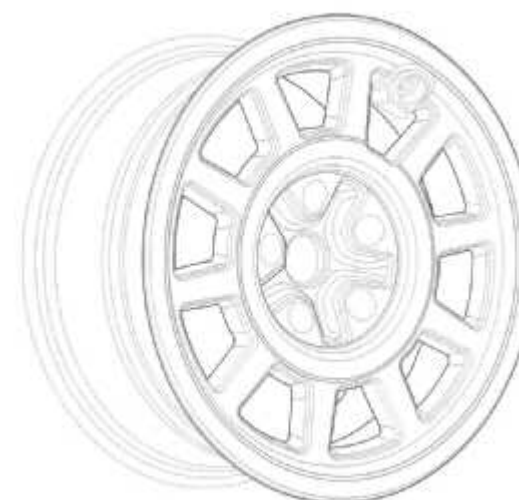


(21) Design Number: **15830/2014**
(22) Date of Filing Application: **14 November 2014**
(24) Date from which industrial property rights may have effect: **14 November 2014**
(54) Product in respect of which the design is registered: **Snorkel**
(51) International Design Classification: **12-16NES**
(74) Name(s) of Attorney(s): **Fisher Adams Kelly Pty Ltd**
(71) Name(s) and Address(s) of Applicant(s):
StreetCar ORV LLC
1164 Ladd Road Commerce Township Michigan, 48390 United States of America



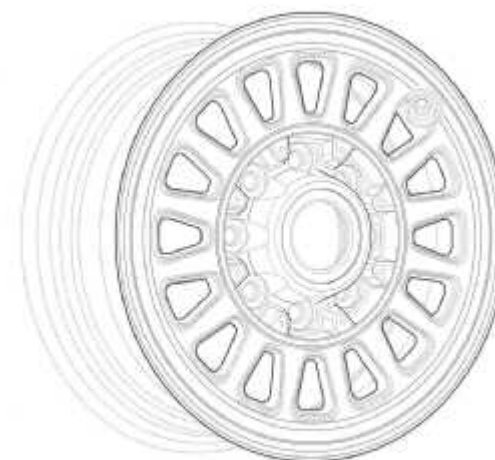
(72) Name(s) of Designer(s): **David Harriton and Mark Stouffer**
(45) Registration Date: **27 November 2014**
(30) Convention priority data:
(31) Number (32) Date (33) Country
29/496061 09 Jul 2014 UNITED STATES OF AMERICA
(56) Related Art Documents: **Not Applicable**
(57) Statement of Newness and Distinctiveness: **The newness and distinctiveness of the design resides in the shape and/or configuration of the SNORKEL shown in the representations. When assessing the newness and distinctiveness of the design, features shown in broken lines are to be disregarded.**

(21) Design Number: **15831/2014**
(22) Date of Filing Application: **14 November 2014**
(24) Date from which industrial property rights may have effect: **14 November 2014**
(54) Product in respect of which the design is registered: **Wheel**
(51) International Design Classification: **12-16A**
(74) Name(s) of Attorney(s): **Fisher Adams Kelly Pty Ltd**
(71) Name(s) and Address(s) of Applicant(s):
StreetCar ORV LLC
1164 Ladd Road Commerce Township Michigan, 48390 United States of America



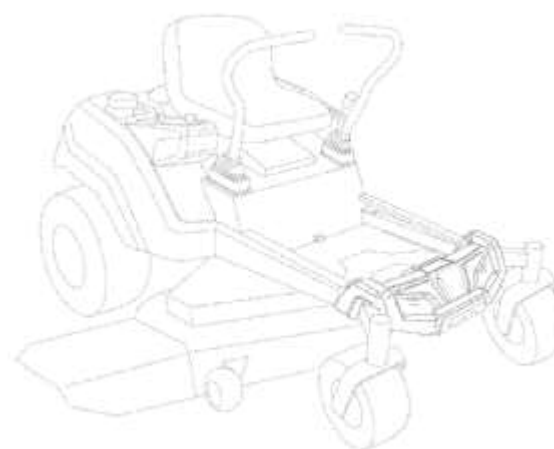
(72) Name(s) of Designer(s): **David Harriton and Mark Stouffer**
(45) Registration Date: **27 November 2014**
(30) Convention priority data:
(31) Number (32) Date (33) Country
29/501166 02 Sep 2014 UNITED STATES OF AMERICA
(56) Related Art Documents: **Not Applicable**
(57) Statement of Newness and Distinctiveness: **The newness and distinctiveness of the design resides in the shape and/or configuration of the WHEEL shown in the representations. When assessing the newness and distinctiveness of the design, features shown in broken lines are to be disregarded.**

(21) Design Number: **15832/2014**
(22) Date of Filing Application: **14 November 2014**
(24) Date from which industrial property rights may have effect: **14 November 2014**
(54) Product in respect of which the design is registered: **Wheel**
(51) International Design Classification: **12-16A**
(74) Name(s) of Attorney(s): **Fisher Adams Kelly Pty Ltd**
(71) Name(s) and Address(s) of Applicant(s):
StreetCar ORV LLC
1164 Ladd Road Commerce Township Michigan, 48390 United States of America



(72) Name(s) of Designer(s): **David Harriton and Mark Stouffer**
(45) Registration Date: **27 November 2014**
(30) Convention priority data:
(31) Number (32) Date (33) Country
29/501168 02 Sep 2014 UNITED STATES OF AMERICA
(56) Related Art Documents: **Not Applicable**
(57) Statement of Newness and Distinctiveness: **The newness and distinctiveness of the design resides in the shape and/or configuration of the WHEEL shown in the representations. When assessing the newness and distinctiveness of the design, features shown in broken lines are to be disregarded.**

(21) Design Number: **15833/2014**
(22) Date of Filing Application: **14 November 2014**
(24) Date from which industrial property rights may have effect: **14 November 2014**
(54) Product in respect of which the design is registered: **Ride-on mower**
(51) International Design Classification: **15-03B**
(74) Name(s) of Attorney(s): **SPRUSON & FERGUSON**
(71) Name(s) and Address(s) of Applicant(s):
Husqvarna AB
Drottninggatan 2, Huskvarna 561 82 Sweden

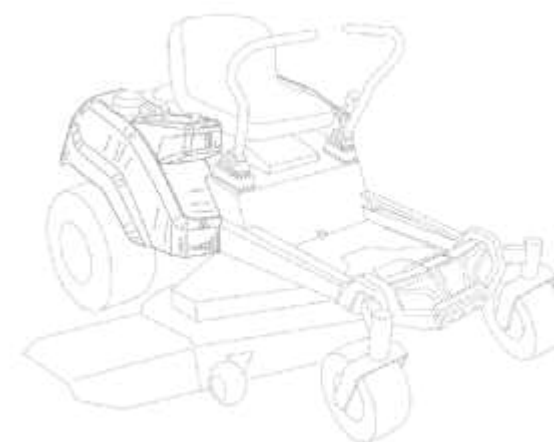


(72) Name(s) of Designer(s): **Tiawaun Phillips and Jeremy Hansen and Eric Tse and Jerry Sandy and Sean Dwyer**
(45) Registration Date: **27 November 2014**
(30) Convention priority data:
(31) Number (32) Date (33) Country
29/492451 30 May 2014 UNITED STATES OF AMERICA
(56) Related Art Documents: **Not Applicable**
(57) Statement of Newness and Distinctiveness: **Newness and distinctiveness is claimed in those features of shape and/or configuration of the front panel of a ride-on mower illustrated in continuous lines in the accompanying representations.**

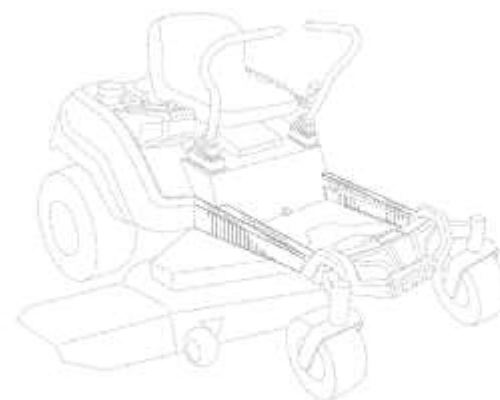
- (21) Design Number: **15834/2014**
(22) Date of Filing Application: **14 November 2014**
(24) Date from which industrial property rights may have effect: **14 November 2014**
(54) Product in respect of which the design is registered: **Grout tube**
(51) International Design Classification: **25-01B**
(74) Name(s) of Attorney(s): **Leonard D Samuel**
(71) Name(s) and Address(s) of Applicant(s):
Retail & Commercial Properties Pty Ltd
37 Bordeaux St Doncaster VIC 3108 Australia
(72) Name(s) of Designer(s): **Leonard Samuel**
(45) Registration Date: **27 November 2014**
(56) Related Art Documents: **Not Applicable**
(57) Statement of Newness and Distinctiveness: **The newness and distinctiveness of the design resides in the oval shape of a grout tube of indefinite length as shown in the accompanying representations.**



- (21) Design Number: **15835/2014**
(22) Date of Filing Application: **14 November 2014**
(24) Date from which industrial property rights may have effect: **14 November 2014**
(54) Product in respect of which the design is registered: **Ride-on mower**
(51) International Design Classification: **15-03B**
(74) Name(s) of Attorney(s): **SPRUSON & FERGUSON**
(71) Name(s) and Address(s) of Applicant(s):
Husqvarna AB
Drottningatan 2, Huskvarna 561 82 Sweden
(72) Name(s) of Designer(s): **Tiawaun Phillips and Jeremy Hansen and Eric Tse and Jerry Sandy and Sean Dwyer**
(45) Registration Date: **27 November 2014**
(30) Convention priority data:
(31) Number (32) Date (33) Country
29/492454 30 May 2014 UNITED STATES OF AMERICA
(56) Related Art Documents: **Not Applicable**
(57) Statement of Newness and Distinctiveness: **Newness and distinctiveness is claimed in those features of shape and/or configuration of the side consoles of a ride-on mower illustrated in continuous lines in the accompanying representations.**



- (21) Design Number: **15836/2014**
(22) Date of Filing Application: **14 November 2014**
(24) Date from which industrial property rights may have effect: **14 November 2014**
(54) Product in respect of which the design is registered: **Ride-on mower**
(51) International Design Classification: **15-03B**
(74) Name(s) of Attorney(s): **SPRUSON & FERGUSON**
(71) Name(s) and Address(s) of Applicant(s):
Husqvarna AB
Drottninggatan 2, Huskvarna 561 82 Sweden
(72) Name(s) of Designer(s): **Duncan K Burns Jr and Eric Tse and Jerry Sandy and Sean Dwyer**
(45) Registration Date: **27 November 2014**
(30) Convention priority data:
(31) Number (32) Date (33) Country
29/492457 30 May 2014 UNITED STATES OF AMERICA
(56) Related Art Documents: **Not Applicable**
(57) Statement of Newness and Distinctiveness: **Newness and distinctiveness is claimed in those features of shape and/or configuration of the side panels of a ride-on mower illustrated in continuous lines in the accompanying representations.**



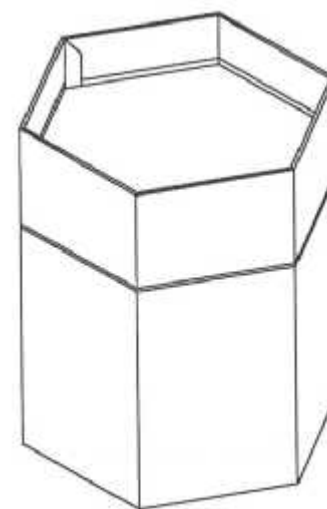
- (21) Design Number: **15837/2014**
(22) Date of Filing Application: **14 November 2014**
(24) Date from which industrial property rights may have effect: **14 November 2014**
(54) Product in respect of which the design is registered: **A textile print**
(51) International Design Classification: **05-05A**
(74) Name(s) of Attorney(s):
(71) Name(s) and Address(s) of Applicant(s):
AUSTRALIAN FASHION LABELS PTY LTD
106 Currie St Adelaide SA 5000 Australia
(72) Name(s) of Designer(s): **Carmen Dugan and Cyd Beard**
(45) Registration Date: **27 November 2014**
(56) Related Art Documents: **Not Applicable**
(57) Statement of Newness and Distinctiveness: **Newness and distinctiveness resides in the features of pattern and ornamentation of a textile print as shown in the accompanying representations. In considering the scope of monopoly, no regard is to be had to colour and the scope of monopoly is not restricted to the particular colour or colours depicted in the accompanying representations.**



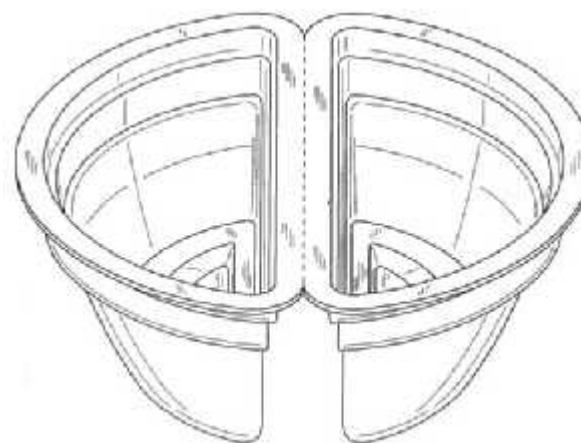
(21) Design Number: **15683/2014**
(22) Date of Filing Application: **06 November 2014**
(24) Date from which industrial property rights may have effect: **06 November 2014**
(54) Product in respect of which the design is registered: **A glass bottle**
(51) International Design Classification: **09-01NES**
(74) Name(s) of Attorney(s): **Adams Pluck**
(71) Name(s) and Address(s) of Applicant(s):
Peppermint Grove Australia Pty Limited
Se2 20 Bungan St Monavale NSW 2103 Australia
(72) Name(s) of Designer(s): **Xia Xianyue**
(45) Registration Date: **27 November 2014**
(56) Related Art Documents: **Not Applicable**
(57) Statement of Newness and Distinctiveness: **Nil**



(21) Design Number: **12248/2014**
(22) Date of Filing Application: **12 May 2014**
(24) Date from which industrial property rights may have effect: **12 May 2014**
(54) Product in respect of which the design is registered: **Item display case and blank therefor**
(51) International Design Classification: **20-02NES**
(74) Name(s) of Attorney(s): **PHILLIPS ORMONDE FITZPATRICK**
(71) Name(s) and Address(s) of Applicant(s):
passot Co., Ltd
Round-Cross Akasaka Bldg. 6F 2-10-9 Akasaka Minato-ku Tokyo
107-0052 Japan
(72) Name(s) of Designer(s): **Johannes Martinez Hol**
(45) Registration Date: **27 November 2014**
(56) Related Art Documents: **Not Applicable**
(57) Statement of Newness and Distinctiveness: **Nil**



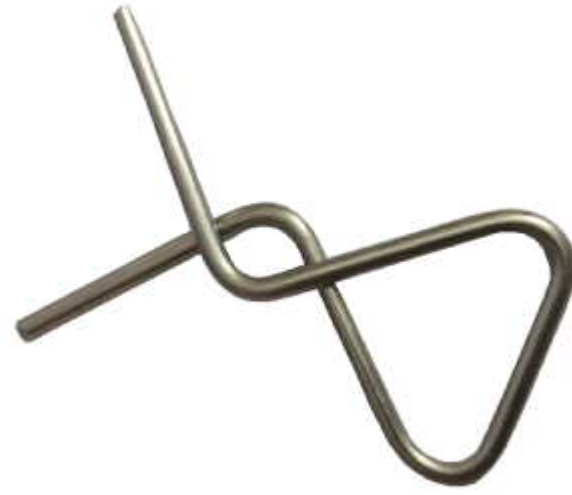
(21) Design Number: **15585/2014**
(22) Date of Filing Application: **04 November 2014**
(24) Date from which industrial property rights may have effect: **21 August 2014**
(54) Product in respect of which the design is registered: **Tray**
(51) International Design Classification: **09-03F**
(74) Name(s) of Attorney(s): **Baker & McKenzie**
(71) Name(s) and Address(s) of Applicant(s):
Mars, Incorporated
6885 Elm Street McLean VA 22101 United States of America
(72) Name(s) of Designer(s): **Jonathan Lee McSweeney and Jonathan Christopher Smith**
(45) Registration Date: **27 November 2014**
(30) Convention priority data:
(31) Number (32) Date (33) Country
29/463739 21 Feb 2014 UNITED STATES OF AMERICA
(62) Divisional of: **358609**
(56) Related Art Documents: **Not Applicable**
(57) Statement of Newness and Distinctiveness: **Nil**



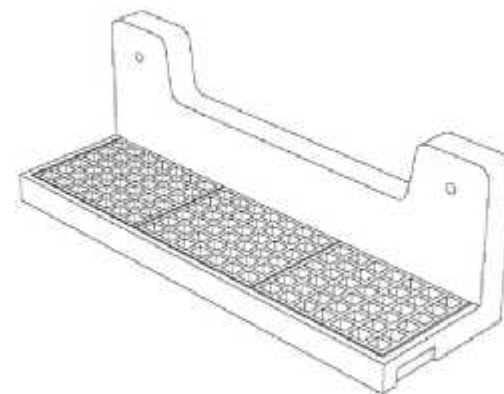
(21) Design Number: **15660/2014**
(22) Date of Filing Application: **06 November 2014**
(24) Date from which industrial property rights may have effect: **06 November 2014**
(54) Product in respect of which the design is registered: **Bag**
(51) International Design Classification: **03-01A**
(74) Name(s) of Attorney(s): **K&L Gates**
(71) Name(s) and Address(s) of Applicant(s):
Lorna Jane Pty Ltd
PO BOX 1105 Eagle Farm QLD 4009 Australia
(72) Name(s) of Designer(s): **Lorna Jane Clarkson**
(45) Registration Date: **27 November 2014**
(56) Related Art Documents: **Not Applicable**
(57) Statement of Newness and Distinctiveness: **Nil**



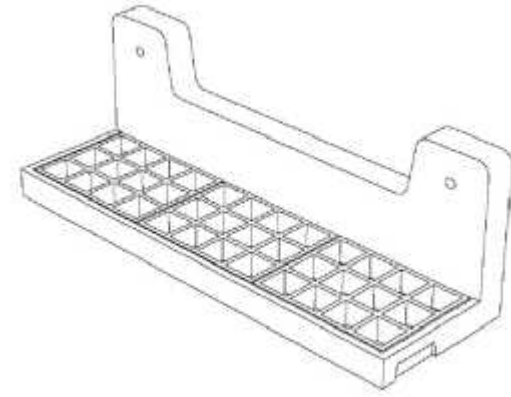
- (21) Design Number: **15664/2014**
(22) Date of Filing Application: **06 November 2014**
(24) Date from which industrial property rights may have effect: **06 November 2014**
(54) Product in respect of which the design is registered: **Clip**
(51) International Design Classification: **08-08C**
(74) Name(s) of Attorney(s):
(71) Name(s) and Address(s) of Applicant(s):
Crothead Pty Ltd
255 Aumuller St Westcourt QLD 4870 Australia
(72) Name(s) of Designer(s): **Dennis Victor Pryor**
(45) Registration Date: **27 November 2014**
(56) Related Art Documents: **Not Applicable**
(57) Statement of Newness and Distinctiveness: **Newness and distinctiveness is claimed in the features of shape and/or configuration of the clip as represented in the accompanying images.**



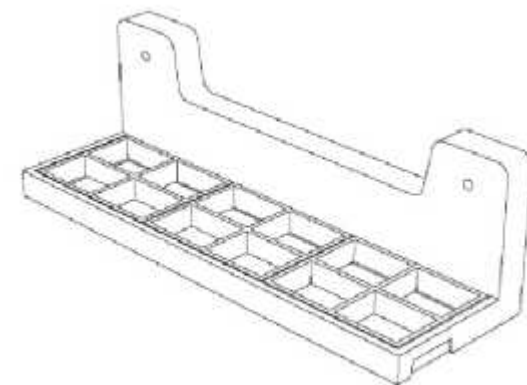
- (21) Design Number: **15845/2014**
(22) Date of Filing Application: **17 November 2014**
(24) Date from which industrial property rights may have effect: **17 November 2014**
(54) Product in respect of which the design is registered: **Tool rack**
(51) International Design Classification: **06-04NES**
(74) Name(s) of Attorney(s): **Armour IP**
(71) Name(s) and Address(s) of Applicant(s):
Stephen John Richards
47 Conochie Cres Manning WA 6152 Australia
Angelica Theodora Maria Richards
47 Conochie Cres Manning WA 6152 Australia
(72) Name(s) of Designer(s): **Stephen John Richards and Angelica Theodora Maria Richards**
(45) Registration Date: **27 November 2014**
(56) Related Art Documents: **Not Applicable**
(57) Statement of Newness and Distinctiveness: **Nil**



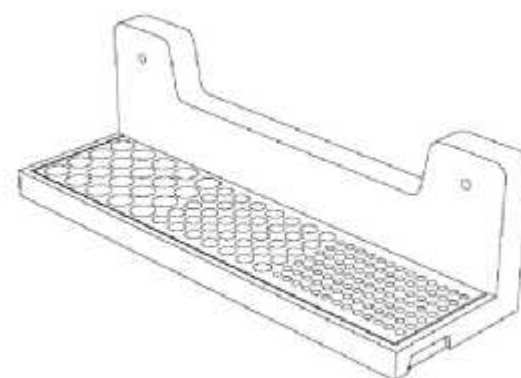
- (21) Design Number: **15846/2014**
(22) Date of Filing Application: **17 November 2014**
(24) Date from which industrial property rights may have effect: **17 November 2014**
(54) Product in respect of which the design is registered: **Tool rack**
(51) International Design Classification: **06-04NES**
(74) Name(s) of Attorney(s): **Armour IP**
(71) Name(s) and Address(s) of Applicant(s):
Stephen John Richards
47 Conochie Cres Manning WA 6152 Australia
Angelica Theodora Maria Richards
47 Conochie Cres Manning WA 6152 Australia
(72) Name(s) of Designer(s): **Stephen John Richards and Angelica Theodora Maria Richards**
(45) Registration Date: **27 November 2014**
(56) Related Art Documents: **Not Applicable**
(57) Statement of Newness and Distinctiveness: **Nil**



- (21) Design Number: **15847/2014**
(22) Date of Filing Application: **17 November 2014**
(24) Date from which industrial property rights may have effect: **17 November 2014**
(54) Product in respect of which the design is registered: **Tool rack**
(51) International Design Classification: **06-04NES**
(74) Name(s) of Attorney(s): **Armour IP**
(71) Name(s) and Address(s) of Applicant(s):
Stephen John Richards
47 Conochie Cres Manning WA 6152 Australia
Angelica Theodora Maria Richards
47 Conochie Cres Manning WA 6152 Australia
(72) Name(s) of Designer(s): **Stephen John Richards and Angelica Theodora Maria Richards**
(45) Registration Date: **27 November 2014**
(56) Related Art Documents: **Not Applicable**
(57) Statement of Newness and Distinctiveness: **Nil**



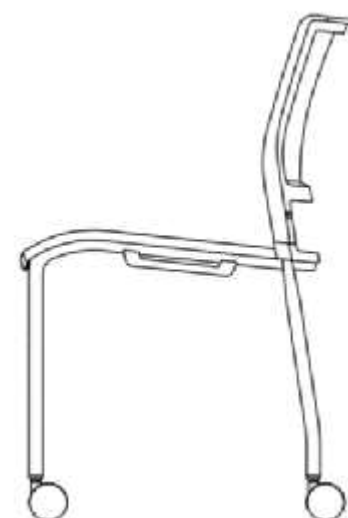
- (21) Design Number: **15848/2014**
(22) Date of Filing Application: **17 November 2014**
(24) Date from which industrial property rights may have effect: **17 November 2014**
(54) Product in respect of which the design is registered: **Tool rack**
(51) International Design Classification: **06-04NES**
(74) Name(s) of Attorney(s): **Armour IP**
(71) Name(s) and Address(s) of Applicant(s):
Stephen John Richards
47 Conochie Cres Manning WA 6152 Australia
Angelica Theodora Maria Richards
47 Conochie Cres Manning WA 6152 Australia
(72) Name(s) of Designer(s): **Stephen John Richards and Angelica Theodora Maria Richards**
(45) Registration Date: **27 November 2014**
(56) Related Art Documents: **Not Applicable**
(57) Statement of Newness and Distinctiveness: **Nil**



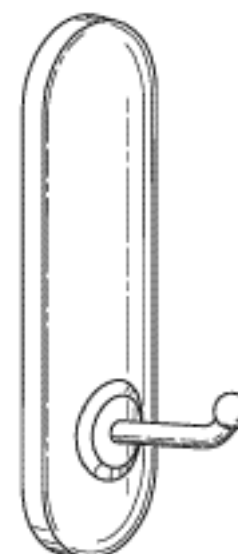
- (21) Design Number: **15850/2014**
(22) Date of Filing Application: **17 November 2014**
(24) Date from which industrial property rights may have effect: **17 November 2014**
(54) Product in respect of which the design is registered: **Chair**
(51) International Design Classification: **06-01F**
(74) Name(s) of Attorney(s): **Houlihan2**
(71) Name(s) and Address(s) of Applicant(s):
AICHI CO., LTD.
27-25 Tsutsui 3-chome Higashi-ku Nagoya-shi Aichi-ken 461-0003 Japan
(72) Name(s) of Designer(s): **Taku Kumazawa**
(45) Registration Date: **27 November 2014**
(30) Convention priority data:
(31) Number (32) Date (33) Country
2014-011112 26 May 2014 JAPAN
(56) Related Art Documents: **Not Applicable**
(57) Statement of Newness and Distinctiveness: **Newness and distinctiveness reside in the shape and/or configuration of a CHAIR as illustrated in the accompanying representations.**



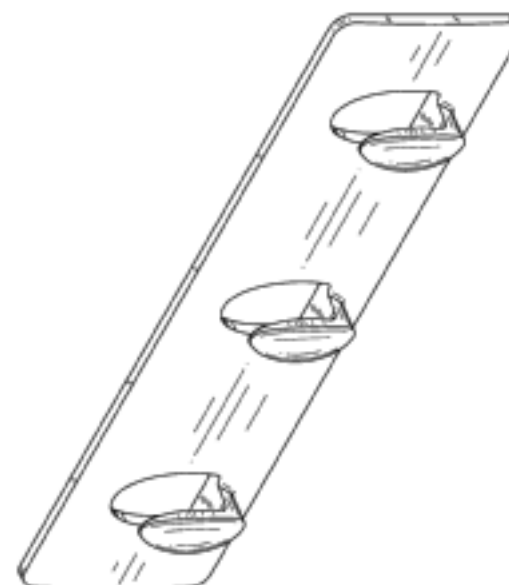
(21) Design Number: **15851/2014**
(22) Date of Filing Application: **17 November 2014**
(24) Date from which industrial property rights may have effect: **17 November 2014**
(54) Product in respect of which the design is registered: **Chair**
(51) International Design Classification: **06-01F**
(74) Name(s) of Attorney(s): **Houlihan2**
(71) Name(s) and Address(s) of Applicant(s):
AICHI CO., LTD.
27-25 Tsutsui 3-chome Higashi-ku Nagoya-shi Aichi-ken 461-0003 Japan
(72) Name(s) of Designer(s): **Taku Kumazawa**
(45) Registration Date: **27 November 2014**
(30) Convention priority data:
(31) Number (32) Date (33) Country
2014-011113 26 May 2014 JAPAN
(56) Related Art Documents: **Not Applicable**
(57) Statement of Newness and Distinctiveness: **Newness and distinctiveness reside in the shape and/or configuration of a CHAIR as illustrated in the accompanying representations.**



(21) Design Number: **15092/2014**
(22) Date of Filing Application: **03 October 2014**
(24) Date from which industrial property rights may have effect: **03 October 2014**
(54) Product in respect of which the design is registered: **Hook**
(51) International Design Classification: **08-08G**
(74) Name(s) of Attorney(s): **Davies Collison Cave**
(71) Name(s) and Address(s) of Applicant(s):
3M Innovative Properties Company
3M Center Saint Paul Minnesota 55133-3427 United States of America
(72) Name(s) of Designer(s): **Angela Lilun Pan**
(45) Registration Date: **28 November 2014**
(30) Convention priority data:
(31) Number (32) Date (33) Country
29/487018 04 Apr 2014 UNITED STATES OF AMERICA
(56) Related Art Documents: **Not Applicable**
(57) Statement of Newness and Distinctiveness: **Newness and distinctiveness is claimed in the visual features shown in solid lines in the representations.**



(21) Design Number: **15094/2014**
(22) Date of Filing Application: **03 October 2014**
(24) Date from which industrial property rights may have effect: **03 October 2014**
(54) Product in respect of which the design is registered: **Holder**
(51) International Design Classification: **08-08G, 07-99NES**
(74) Name(s) of Attorney(s): **Davies Collison Cave**
(71) Name(s) and Address(s) of Applicant(s):
3M Innovative Properties Company
3M Center Saint Paul Minnesota 55133-3427 United States of America
(72) Name(s) of Designer(s): **Angela Lilun Pan and Craig Donald Thompson**
(45) Registration Date: **28 November 2014**
(30) Convention priority data:
(31) Number (32) Date (33) Country
29/486989 04 Apr 2014 UNITED STATES OF AMERICA
(56) Related Art Documents: **Not Applicable**
(57) Statement of Newness and Distinctiveness: **Newness and distinctiveness is claimed in the visual features shown in solid lines in the representations.**



(21) Design Number: **15109/2014**
(22) Date of Filing Application: **05 October 2014**
(24) Date from which industrial property rights may have effect: **05 October 2014**
(54) Product in respect of which the design is registered: **A base for a light shade**
(51) International Design Classification: **26-05D**
(74) Name(s) of Attorney(s):
(71) Name(s) and Address(s) of Applicant(s):
Darren George Mackay
62-64 Main St Upwey VIC 3158 Australia
(72) Name(s) of Designer(s): **David Lugton**
(45) Registration Date: **28 November 2014**
(56) Related Art Documents: **Not Applicable**
(57) Statement of Newness and Distinctiveness: **The newness and distinctiveness of the design resides in the floor of the base which has spokes connecting the inner rim (in which the tealight candle or LED tealight sits) to the outer rim (on which the outer shroud sits). The spokes allow the air to be drawn from under the base as the candle burns creating airflow upward and deflecting heat from the shroud.**



(21) Design Number: **15434/2014**
(22) Date of Filing Application: **28 October 2014**
(24) Date from which industrial property rights may have effect: **28 October 2014**
(54) Product in respect of which the design is registered: **Electric pill crusher plate**
(51) International Design Classification: **24-01**
(74) Name(s) of Attorney(s):
(71) Name(s) and Address(s) of Applicant(s):

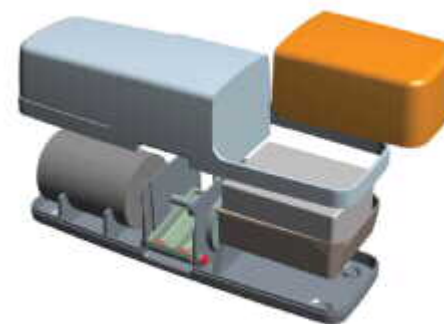
E Motion Pty Ltd
5 George St Hindmarsh SA 5007 Australia

(72) Name(s) of Designer(s): **Alexander Neill**

(45) Registration Date: **28 November 2014**

(56) Related Art Documents: **Not Applicable**

(57) Statement of Newness and Distinctiveness: **The newness and distinctiveness of this design lies in the shape, size and surface texture of the pill crusher plate/tongue allowing the pills to be crushed well . Also the newness and distinctiveness of the outer casing shape, size and surface texture allows the design to be light portable and easy to pick up.**



(21) Design Number: **15710/2014**
(22) Date of Filing Application: **07 November 2014**
(24) Date from which industrial property rights may have effect: **07 November 2014**
(54) Product in respect of which the design is registered: **Cap**
(51) International Design Classification: **09-07A**
(74) Name(s) of Attorney(s): **Shelston IP**
(71) Name(s) and Address(s) of Applicant(s):

Reckitt Benckiser (Brands) Limited
103-105 Bath Road Slough Berkshire SL1 3UH United Kingdom

(72) Name(s) of Designer(s): **Randy Bos and Arnoldus Johannus Claassen**

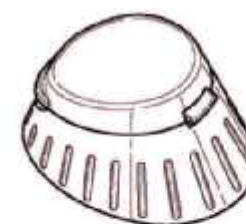
(45) Registration Date: **28 November 2014**

(30) Convention priority data:

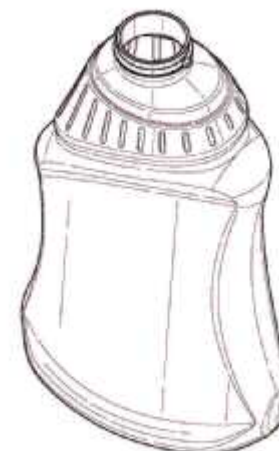
(31) Number	(32) Date	(33) Country
002480905-0001	12 Jun 2014	OFFICE FOR HARMONISATION IN THE INTERNAL MARKET (OHIM)

(56) Related Art Documents: **Not Applicable**

(57) Statement of Newness and Distinctiveness: **Nil**



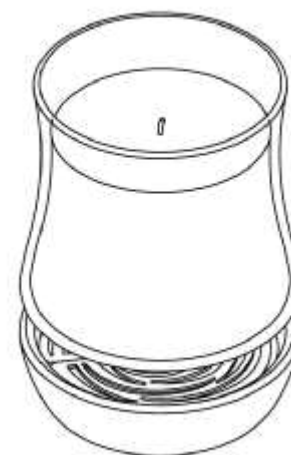
(21) Design Number: **15711/2014**
(22) Date of Filing Application: **07 November 2014**
(24) Date from which industrial property rights may have effect: **07 November 2014**
(54) Product in respect of which the design is registered: **Bottle without cap**
(51) International Design Classification: **09-01K**
(74) Name(s) of Attorney(s): **Shelston IP**
(71) Name(s) and Address(s) of Applicant(s):
Reckitt Benckiser (Brands) Limited
103-105 Bath Road Slough Berkshire SL1 3UH United Kingdom
(72) Name(s) of Designer(s): **Randy Bos and Arnoldus Johannus Claassen**
(45) Registration Date: **28 November 2014**
(30) Convention priority data:
(31) Number (32) Date (33) Country
002480905-0002 12 Jun 2014 OFFICE FOR HARMONISATION IN
THE INTERNAL MARKET (OHIM)
(56) Related Art Documents: **Not Applicable**
(57) Statement of Newness and Distinctiveness: **Nil**



(21) Design Number: **15721/2014**
(22) Date of Filing Application: **10 November 2014**
(24) Date from which industrial property rights may have effect: **10 November 2014**
(54) Product in respect of which the design is registered: **Wheel for vehicle**
(51) International Design Classification: **12-16A**
(74) Name(s) of Attorney(s): **SPRUSON & FERGUSON**
(71) Name(s) and Address(s) of Applicant(s):
Daimler AG
Mercedesstrasse 137 Stuttgart D-70327 Germany
(72) Name(s) of Designer(s): **Bernhard Hans and Markus Wachter**
(45) Registration Date: **28 November 2014**
(30) Convention priority data:
(31) Number (32) Date (33) Country
002512251-0003 31 Jul 2014 OFFICE FOR HARMONISATION IN
THE INTERNAL MARKET (OHIM)
(56) Related Art Documents: **Not Applicable**
(57) Statement of Newness and Distinctiveness: **Newness and distinctiveness is claimed in the features of shape and/or configuration of a wheel for vehicle as illustrated in the accompanying representations.**



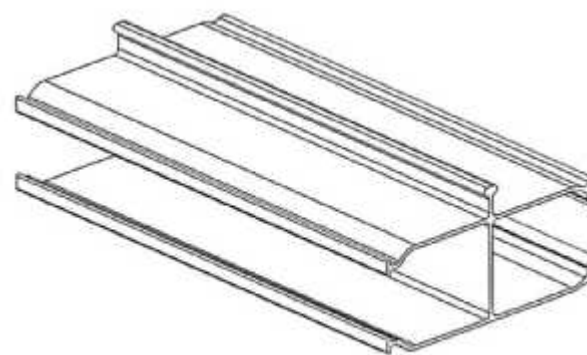
(21) Design Number: **15773/2014**
(22) Date of Filing Application: **12 November 2014**
(24) Date from which industrial property rights may have effect: **12 November 2014**
(54) Product in respect of which the design is registered: **Candle**
(51) International Design Classification: **26-04**
(74) Name(s) of Attorney(s): **Shelston IP**
(71) Name(s) and Address(s) of Applicant(s):
Reckitt Benckiser (Brands) Limited
103-105 Bath Road Slough Berkshire SL1 3UH United Kingdom
(72) Name(s) of Designer(s): **David Sanders**
(45) Registration Date: **28 November 2014**
(30) Convention priority data:
(31) Number (32) Date (33) Country
002575944-0001 11 Nov 2014 OFFICE FOR HARMONISATION IN
THE INTERNAL MARKET (OHIM)
(56) Related Art Documents: **Not Applicable**
(57) Statement of Newness and Distinctiveness: **Nil**



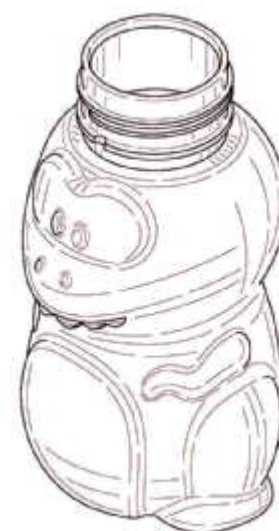
(21) Design Number: **15778/2014**
(22) Date of Filing Application: **12 November 2014**
(24) Date from which industrial property rights may have effect: **12 November 2014**
(54) Product in respect of which the design is registered: **Bottle**
(51) International Design Classification: **07-01F**
(74) Name(s) of Attorney(s): **Pizzeys**
(71) Name(s) and Address(s) of Applicant(s):
Karim Rashid
417 W 53rd Street New York NY 10019 United States of America
Derrick Paul Lawrence
105 Logwood Street South Burlington VT 05403 United States of
America
Brian D Schumacher
652 Columbia Drive Lima OH 45805 United States of America
(72) Name(s) of Designer(s): **Karim Rashid and Derrick Paul Lawrence and**
Brian D Schumacher
(45) Registration Date: **28 November 2014**
(30) Convention priority data:
(31) Number (32) Date (33) Country
29/492,757 03 Jun 2014 UNITED STATES OF AMERICA
(56) Related Art Documents: **Not Applicable**
(57) Statement of Newness and Distinctiveness: **Nil**



- (21) Design Number: **15843/2014**
(22) Date of Filing Application: **17 November 2014**
(24) Date from which industrial property rights may have effect: **17 November 2014**
(54) Product in respect of which the design is registered: **Sheet pile**
(51) International Design Classification: **25-01K**
(74) Name(s) of Attorney(s): **Anderson Taylor & Associates**
(71) Name(s) and Address(s) of Applicant(s):
Nugent Developments Pty Ltd
16 Fitzroy St Surry Hills NSW 2010 Australia
(72) Name(s) of Designer(s): **Luke Anthony Jarvie**
(45) Registration Date: **28 November 2014**
(56) Related Art Documents: **Not Applicable**
(57) Statement of Newness and Distinctiveness: **The newness and distinctiveness of the design resides in the cross-sectional shape and configuration of a sheet pile of indeterminate length and constant cross-section.**



- (21) Design Number: **15852/2014**
(22) Date of Filing Application: **17 November 2014**
(24) Date from which industrial property rights may have effect: **17 November 2014**
(54) Product in respect of which the design is registered: **Bottle with dinosaur shape**
(51) International Design Classification: **09-01D**
(74) Name(s) of Attorney(s): **PHILLIPS ORMONDE FITZPATRICK**
(71) Name(s) and Address(s) of Applicant(s):
Dart Industries Inc.
14901 S. Orange Blossom Trail Orlando Florida 32837 United States of America
(72) Name(s) of Designer(s): **Sara L Delgado Carmona**
(45) Registration Date: **28 November 2014**
(30) Convention priority data:
(31) Number (32) Date (33) Country
29/498,107 31 Jul 2014 UNITED STATES OF AMERICA
(56) Related Art Documents: **Not Applicable**
(57) Statement of Newness and Distinctiveness: **Nil**



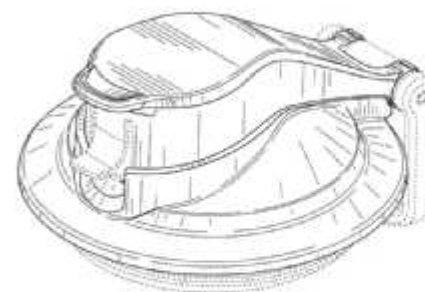
- (21) Design Number: **15853/2014**
(22) Date of Filing Application: **17 November 2014**
(24) Date from which industrial property rights may have effect: **17 November 2014**
(54) Product in respect of which the design is registered: **Trailer cage**
(51) International Design Classification: **12-10**
(74) Name(s) of Attorney(s):
(71) Name(s) and Address(s) of Applicant(s):
Reginald Leigh Faulkner
PO BOX 490 Gosnells WA 6990 Australia
(72) Name(s) of Designer(s): **Reginald Leigh Faulkner**
(45) Registration Date: **28 November 2014**
(56) Related Art Documents: **Not Applicable**
(57) Statement of Newness and Distinctiveness: **Distinctive in its configuration.**



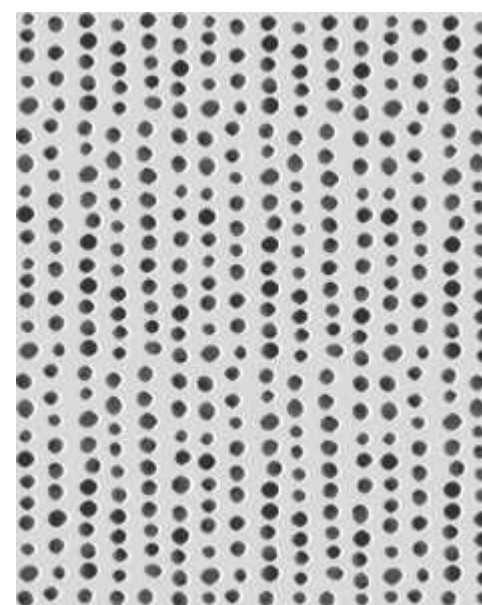
- (21) Design Number: **15856/2014**
(22) Date of Filing Application: **18 November 2014**
(24) Date from which industrial property rights may have effect: **15 September 2014**
(54) Product in respect of which the design is registered: **A base of a blending system**
(51) International Design Classification: **31-00**
(74) Name(s) of Attorney(s): **PETER MAXWELL & ASSOCIATES**
(71) Name(s) and Address(s) of Applicant(s):
Vita-Mix Corporation
8615 Usher Road Olmsted Township Ohio 44138 United States of America
(72) Name(s) of Designer(s): **Phonesacksith Guy Kettavong and Jack Warren Gee II and Kolman Juhasz and Eugene J Kozlowski and David A Kanning and Michael Patrick Arnett and Richard Joseph Lash**
(45) Registration Date: **28 November 2014**
(30) Convention priority data:
(31) Number (32) Date (33) Country
29/485,013 14 Mar 2014 UNITED STATES OF AMERICA
(62) Divisional of: **358950**
(56) Related Art Documents: **Not Applicable**
(57) Statement of Newness and Distinctiveness: **Newness and distinctiveness is claimed in the shape and/or configuration of a BASE OF A BLENDING SYSTEM shown in solid lines. The broken lines in the figures are included for the purpose of illustrating portions of the blending system that form no part of the claimed design.**



- (21) Design Number: **15857/2014**
(22) Date of Filing Application: **18 November 2014**
(24) Date from which industrial property rights may have effect: **15 September 2014**
(54) Product in respect of which the design is registered: **A cover of a blending system**
(51) International Design Classification: **31-00**
(74) Name(s) of Attorney(s): **PETER MAXWELL & ASSOCIATES**
(71) Name(s) and Address(s) of Applicant(s):
Vita-Mix Corporation
8615 Usher Road Olmsted Township Ohio 44138 United States of America
(72) Name(s) of Designer(s): **Phonesacksith Guy Kettavong and Jack Warren Gee II and Kolman Juhasz and Eugene J Kozlowski and David A Kanning and Michael Patrick Arnett and Richard Joseph Lash**
(45) Registration Date: **28 November 2014**
(30) Convention priority data:
(31) Number (32) Date (33) Country
29/485,013 14 Mar 2014 UNITED STATES OF AMERICA
(62) Divisional of: **358950**
(56) Related Art Documents: **Not Applicable**
(57) Statement of Newness and Distinctiveness: **Newness and distinctiveness is claimed in the shape and/or configuration of a COVER OF A BLENDING SYSTEM shown in solid lines. The broken lines in the figures are included for the purpose of illustrating portions of the blending system that form no part of the claimed design.**



- (21) Design Number: **15862/2014**
(22) Date of Filing Application: **18 November 2014**
(24) Date from which industrial property rights may have effect: **18 November 2014**
(54) Product in respect of which the design is registered: **A textile print**
(51) International Design Classification: **05-05B**
(74) Name(s) of Attorney(s):
(71) Name(s) and Address(s) of Applicant(s):
AUSTRALIAN FASHION LABELS PTY LTD
106 Currie St Adelaide SA 5000 Australia
(72) Name(s) of Designer(s): **Carmen Dugan and Cyd Beard**
(45) Registration Date: **28 November 2014**
(56) Related Art Documents: **Not Applicable**
(57) Statement of Newness and Distinctiveness: **Newness and distinctiveness resides in the features of pattern and ornamentation of a textile print as shown in the accompanying representations. In considering the scope of monopoly, no regard is to be had to colour and the scope of monopoly is not restricted to the particular colour or colours depicted in the accompanying representations.**



(21) Design Number: **15864/2014**
(22) Date of Filing Application: **18 November 2014**
(24) Date from which industrial property rights may have effect: **15 September 2014**
(54) Product in respect of which the design is registered: **A handle of a blending system**
(51) International Design Classification: **31-00**
(74) Name(s) of Attorney(s): **PETER MAXWELL & ASSOCIATES**
(71) Name(s) and Address(s) of Applicant(s):
Vita-Mix Corporation
8615 Usher Road Olmsted Township Ohio 44138 United States of America
(72) Name(s) of Designer(s): **Phonesacksith Guy Kettavong and Jack Warren Gee II and Kolman Juhasz and Eugene J Kozlowski and David A Kanning and Michael Patrick Arnett and Richard Joseph Lash**
(45) Registration Date: **28 November 2014**
(30) Convention priority data:
(31) Number (32) Date (33) Country
29/485,013 14 Mar 2014 UNITED STATES OF AMERICA
(62) Divisional of: **358950**
(56) Related Art Documents: **Not Applicable**
(57) Statement of Newness and Distinctiveness: **Newness and distinctiveness is claimed in the shape and/or configuration of a HANDLE OF A BLENDING SYSTEM shown in solid lines. The broken lines in the figures are included for the purpose of illustrating portions of the blending system that form no part of the claimed design.**



(21) Design Number: **15865/2014**
(22) Date of Filing Application: **18 November 2014**
(24) Date from which industrial property rights may have effect: **15 September 2014**
(54) Product in respect of which the design is registered: **A control knob of a blending system**
(51) International Design Classification: **31-00**
(74) Name(s) of Attorney(s): **PETER MAXWELL & ASSOCIATES**
(71) Name(s) and Address(s) of Applicant(s):
Vita-Mix Corporation
8615 Usher Road Olmsted Township Ohio 44138 United States of America
(72) Name(s) of Designer(s): **Phonesacksith Guy Kettavong and Jack Warren Gee II and Kolman Juhasz and Eugene J Kozlowski and David A Kanning and Michael Patrick Arnett and Richard Joseph Lash**
(45) Registration Date: **28 November 2014**
(30) Convention priority data:
(31) Number (32) Date (33) Country
29/485,013 14 Mar 2014 UNITED STATES OF AMERICA
(62) Divisional of: **358950**
(56) Related Art Documents: **Not Applicable**
(57) Statement of Newness and Distinctiveness: **Newness and distinctiveness is claimed in the shape and/or configuration of a CONTROL KNOB OF A BLENDING SYSTEM shown in solid lines. The broken lines in the figures are included for the purpose of illustrating portions of the blending system that form no part of the claimed design.**



- (21) Design Number: **15866/2014**
(22) Date of Filing Application: **18 November 2014**
(24) Date from which industrial property rights may have effect: **18 November 2014**
(54) Product in respect of which the design is registered: **A textile print**
(51) International Design Classification: **05-05A**
(74) Name(s) of Attorney(s):
(71) Name(s) and Address(s) of Applicant(s):
AUSTRALIAN FASHION LABELS PTY LTD
106 Currie St Adelaide SA 5000 Australia
(72) Name(s) of Designer(s): **Siham Elmawey and Hayley Dawson**
(45) Registration Date: **28 November 2014**
(56) Related Art Documents: **Not Applicable**
(57) Statement of Newness and Distinctiveness: **Newness and distinctiveness resides in the features of pattern and ornamentation of a textile print as shown in the accompanying representations. In considering the scope of monopoly, no regard is to be had to colour and the scope of monopoly is not restricted to the particular colour or colours depicted in the accompanying representations.**



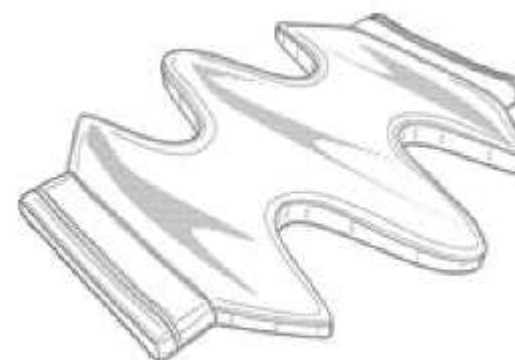
- (21) Design Number: **15870/2014**
(22) Date of Filing Application: **18 November 2014**
(24) Date from which industrial property rights may have effect: **18 November 2014**
(54) Product in respect of which the design is registered: **A textile print**
(51) International Design Classification: **05-05D**
(74) Name(s) of Attorney(s):
(71) Name(s) and Address(s) of Applicant(s):
AUSTRALIAN FASHION LABELS PTY LTD
106 Currie St Adelaide SA 5000 Australia
(72) Name(s) of Designer(s): **Siham Elmawey and Hayley Dawson**
(45) Registration Date: **28 November 2014**
(56) Related Art Documents: **Not Applicable**
(57) Statement of Newness and Distinctiveness: **Newness and distinctiveness resides in the features of pattern and ornamentation of a textile print as shown in the accompanying representations. In considering the scope of monopoly, no regard is to be had to colour and the scope of monopoly is not restricted to the particular colour or colours depicted in the accompanying representations.**



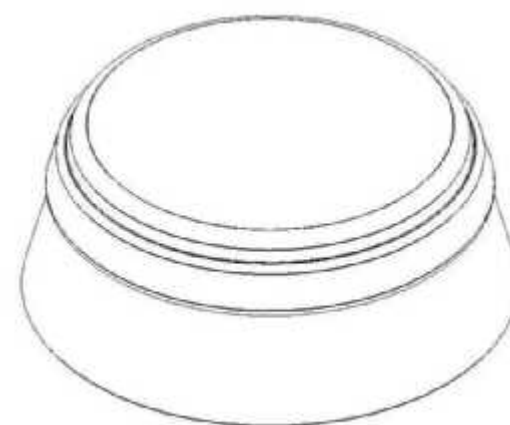
- (21) Design Number: **15880/2014**
(22) Date of Filing Application: **18 November 2014**
(24) Date from which industrial property rights may have effect: **18 November 2014**
(54) Product in respect of which the design is registered: **A textile print**
(51) International Design Classification: **05-05A**
(74) Name(s) of Attorney(s):
(71) Name(s) and Address(s) of Applicant(s):
AUSTRALIAN FASHION LABELS PTY LTD
106 Currie St Adelaide SA 5000 Australia
(72) Name(s) of Designer(s): **Kate Anderson and Hannah Virgo-Colbey**
(45) Registration Date: **28 November 2014**
(56) Related Art Documents: **Not Applicable**
(57) Statement of Newness and Distinctiveness: **Newness and distinctiveness resides in the features of pattern and ornamentation of a textile print as shown in the accompanying representations. In considering the scope of monopoly, no regard is to be had to colour and the scope of monopoly is not restricted to the particular colour or colours depicted in the accompanying representations.**



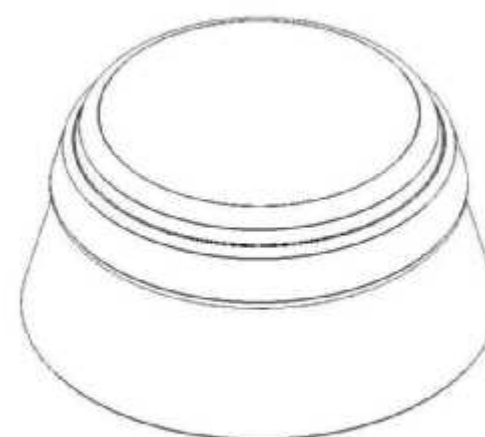
- (21) Design Number: **15876/2014**
(22) Date of Filing Application: **18 November 2014**
(24) Date from which industrial property rights may have effect: **18 November 2014**
(54) Product in respect of which the design is registered: **Dock**
(51) International Design Classification: **12-06NES, 21-02D**
(74) Name(s) of Attorney(s): **Callinans**
(71) Name(s) and Address(s) of Applicant(s):
Wibit Sports GmbH
Am Gut Baarking 15 Bocholt 46395 Germany
(72) Name(s) of Designer(s): **Romann Rademacher and Robert Cirjak**
(45) Registration Date: **28 November 2014**
(30) Convention priority data:
(31) Number (32) Date (33) Country
0002469585-0002 23 May 2014 OFFICE FOR HARMONISATION IN THE INTERNAL MARKET (OHIM)
(56) Related Art Documents: **Not Applicable**
(57) Statement of Newness and Distinctiveness: **Newness and distinctiveness resides in the features of shape and/or configuration as applied to a Dock as shown in the accompanying representations.**



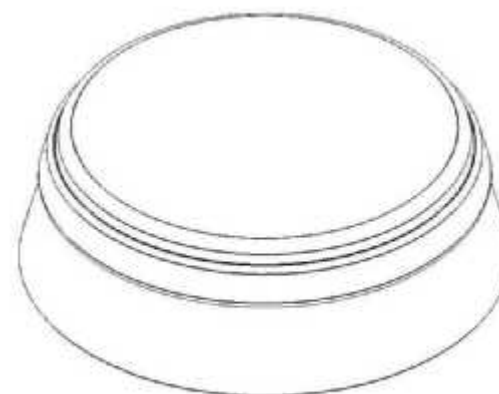
(21) Design Number: **15877/2014**
(22) Date of Filing Application: **18 November 2014**
(24) Date from which industrial property rights may have effect: **18 November 2014**
(54) Product in respect of which the design is registered: **Dimmer knob**
(51) International Design Classification: **13-03D**
(74) Name(s) of Attorney(s): **PHILLIPS ORMONDE FITZPATRICK**
(71) Name(s) and Address(s) of Applicant(s):
Gerard Lighting Pty Ltd
142-144 Fullarton Rd Rose Park SA 5067 Australia
(72) Name(s) of Designer(s): **Max Dickson and Tony Kearney and Jason Gerard**
(45) Registration Date: **28 November 2014**
(56) Related Art Documents: **Not Applicable**
(57) Statement of Newness and Distinctiveness: **Newness and distinctiveness resides in the shape and configuration of a knob as shown in the accompanying drawings. In considering the scope of monopoly, no regard is to be had of the features indicated in dotted lines.**



(21) Design Number: **15878/2014**
(22) Date of Filing Application: **18 November 2014**
(24) Date from which industrial property rights may have effect: **18 November 2014**
(54) Product in respect of which the design is registered: **Dimmer knob**
(51) International Design Classification: **13-03D**
(74) Name(s) of Attorney(s): **PHILLIPS ORMONDE FITZPATRICK**
(71) Name(s) and Address(s) of Applicant(s):
Gerard Lighting Pty Ltd
142-144 Fullarton Rd Rose Park SA 5067 Australia
(72) Name(s) of Designer(s): **Tony Kearney and Max Dickson and Jason Gerard**
(45) Registration Date: **28 November 2014**
(56) Related Art Documents: **Not Applicable**
(57) Statement of Newness and Distinctiveness: **Newness and distinctiveness resides in the shape and configuration of a knob as shown in the accompanying drawings. In considering the scope of monopoly, no regard is to be had of the features indicated in dotted lines.**



- (21) Design Number: **15879/2014**
(22) Date of Filing Application: **18 November 2014**
(24) Date from which industrial property rights may have effect: **18 November 2014**
(54) Product in respect of which the design is registered: **Dimmer knob**
(51) International Design Classification: **13-03D**
(74) Name(s) of Attorney(s): **PHILLIPS ORMONDE FITZPATRICK**
(71) Name(s) and Address(s) of Applicant(s):
Gerard Lighting Pty Ltd
142-144 Fullarton Rd Rose Park SA 5067 Australia
(72) Name(s) of Designer(s): **Max Dickson and Tony Kearney and Jason Gerard**
(45) Registration Date: **28 November 2014**
(56) Related Art Documents: **Not Applicable**
(57) Statement of Newness and Distinctiveness: **Newness and distinctiveness resides in the shape and configuration of a knob as shown in the accompanying drawings. In considering the scope of monopoly, no regard is to be had of the features indicated in dotted lines.**



- (21) Design Number: **15883/2014**
(22) Date of Filing Application: **18 November 2014**
(24) Date from which industrial property rights may have effect: **18 November 2014**
(54) Product in respect of which the design is registered: **A textile print**
(51) International Design Classification: **05-05NES**
(74) Name(s) of Attorney(s):
(71) Name(s) and Address(s) of Applicant(s):
AUSTRALIAN FASHION LABELS PTY LTD
106 Currie St Adelaide SA 5000 Australia
(72) Name(s) of Designer(s): **Kate Anderson and Hannah Virgo-Colbey**
(45) Registration Date: **28 November 2014**
(56) Related Art Documents: **Not Applicable**
(57) Statement of Newness and Distinctiveness: **Newness and distinctiveness resides in the features of pattern and ornamentation of a textile print as shown in the accompanying representations. In considering the scope of monopoly, no regard is to be had to colour and the scope of monopoly is not restricted to the particular colour or colours depicted in the accompanying representations.**



- (21) Design Number: **12103/2014**
(22) Date of Filing Application: **30 April 2014**
(24) Date from which industrial property rights may have effect: **30 April 2014**
(54) Product in respect of which the design is registered: **A pair of pants**
(51) International Design Classification: **02-02C**
(74) Name(s) of Attorney(s): **K&L Gates**
(71) Name(s) and Address(s) of Applicant(s):
Fifty-Fourth Rischell Pty Ltd
29 Simmons St South Yarra VIC 3141 Australia
(72) Name(s) of Designer(s): **Ty Henschke**
(45) Registration Date: **28 November 2014**
(56) Related Art Documents: **Not Applicable**
(57) Statement of Newness and Distinctiveness: **The words CALIBRE, EST, 1989, FINEST ITALIAN CLOTH and SLIM FIT as shown in the accompanying representations are not claimed as visual features of the design**



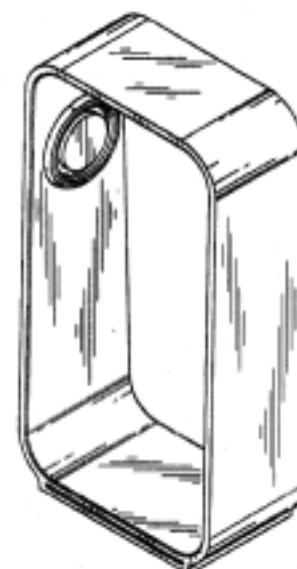
- (21) Design Number: **15480/2014**
(22) Date of Filing Application: **30 April 2014**
(24) Date from which industrial property rights may have effect: **30 April 2014**
(54) Product in respect of which the design is registered: **A shirt**
(51) International Design Classification: **02-02NES**
(74) Name(s) of Attorney(s): **K&L Gates**
(71) Name(s) and Address(s) of Applicant(s):
Fifty-Fourth Rischell Pty Ltd
29 Simmons St South Yarra VIC 3141 Australia
(72) Name(s) of Designer(s): **Ty Henschke**
(45) Registration Date: **28 November 2014**
(56) Related Art Documents: **Not Applicable**
(57) Statement of Newness and Distinctiveness: **The word CALIBRE and the embroidered letter "C" as shown in the accompanying representations are not claimed as visual features of the design.**



- (21) Design Number: **15481/2014**
(22) Date of Filing Application: **30 April 2014**
(24) Date from which industrial property rights may have effect: **30 April 2014**
(54) Product in respect of which the design is registered: **A polo shirt**
(51) International Design Classification: **02-02NES**
(74) Name(s) of Attorney(s): **K&L Gates**
(71) Name(s) and Address(s) of Applicant(s):
Fifty-Fourth Rischell Pty Ltd
29 Simmons St South Yarra VIC 3141 Australia
(72) Name(s) of Designer(s): **Ty Henschke**
(45) Registration Date: **28 November 2014**
(56) Related Art Documents: **Not Applicable**
(57) Statement of Newness and Distinctiveness: **The embroidered letter "C" and numbers "89" as shown in the accompanying representations are not claimed as visual features of the design.**



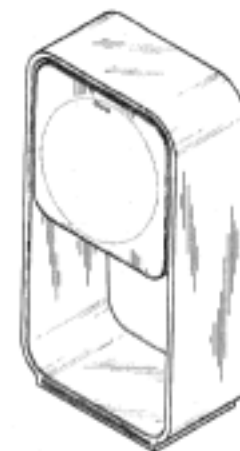
- (21) Design Number: **15761/2014**
(22) Date of Filing Application: **20 August 2014**
(24) Date from which industrial property rights may have effect: **21 May 2014**
(54) Product in respect of which the design is registered: **Sleep information detection module stand**
(51) International Design Classification: **24-01**
(74) Name(s) of Attorney(s): **Halfords IP**
(71) Name(s) and Address(s) of Applicant(s):
ResMed Limited
1 Elizabeth Macarthur Dr Bella Vista NSW 2153 Australia
(72) Name(s) of Designer(s): **Mathew Bates and Lukas Fuchs and Keiran Conway and Stephen McMahon and Dominic Southgate and Buvenesh Balaji Ramachandran and Ganesh Kumar Sukumar**
(45) Registration Date: **28 November 2014**
(30) Convention priority data:
(31) Number (32) Date (33) Country
29/490436 09 May 2014 UNITED STATES OF AMERICA
(62) Divisional of: **357121**
(56) Related Art Documents: **Not Applicable**
(57) Statement of Newness and Distinctiveness: **Nil**



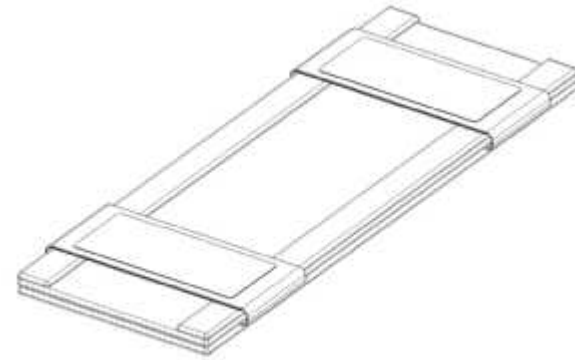
(21) Design Number: **15762/2014**
(22) Date of Filing Application: **20 August 2014**
(24) Date from which industrial property rights may have effect: **21 May 2014**
(54) Product in respect of which the design is registered: **Apparatus for sleep information detection**
(51) International Design Classification: **24-01**
(74) Name(s) of Attorney(s): **Halfords IP**
(71) Name(s) and Address(s) of Applicant(s):
ResMed Limited
1 Elizabeth Macarthur Dr Bella Vista NSW 2153 Australia
(72) Name(s) of Designer(s): **Mathew Bates and Lukas Fuchs and Keiran Conway and Stephen McMahon and Dominic Southgate and Buvenesh Balaji Ramachandran and Ganesh Kumar Sukumar**
(45) Registration Date: **28 November 2014**
(30) Convention priority data:
(31) Number (32) Date (33) Country
29/490436 09 May 2014 UNITED STATES OF AMERICA
(62) Divisional of: **357121**
(56) Related Art Documents: **Not Applicable**
(57) Statement of Newness and Distinctiveness: **Nil**



(21) Design Number: **15763/2014**
(22) Date of Filing Application: **20 August 2014**
(24) Date from which industrial property rights may have effect: **21 May 2014**
(54) Product in respect of which the design is registered: **Apparatus for sleep information detection**
(51) International Design Classification: **24-01**
(74) Name(s) of Attorney(s): **Halfords IP**
(71) Name(s) and Address(s) of Applicant(s):
ResMed Limited
1 Elizabeth Macarthur Dr Bella Vista NSW 2153 Australia
(72) Name(s) of Designer(s): **Mathew Bates and Lukas Fuchs and Keiran Conway and Stephen McMahon and Dominic Southgate and Buvenesh Balaji Ramachandran and Ganesh Kumar Sukumar**
(45) Registration Date: **28 November 2014**
(30) Convention priority data:
(31) Number (32) Date (33) Country
29/490436 09 May 2014 UNITED STATES OF AMERICA
(62) Divisional of: **357121**
(56) Related Art Documents: **Not Applicable**
(57) Statement of Newness and Distinctiveness: **Nil**



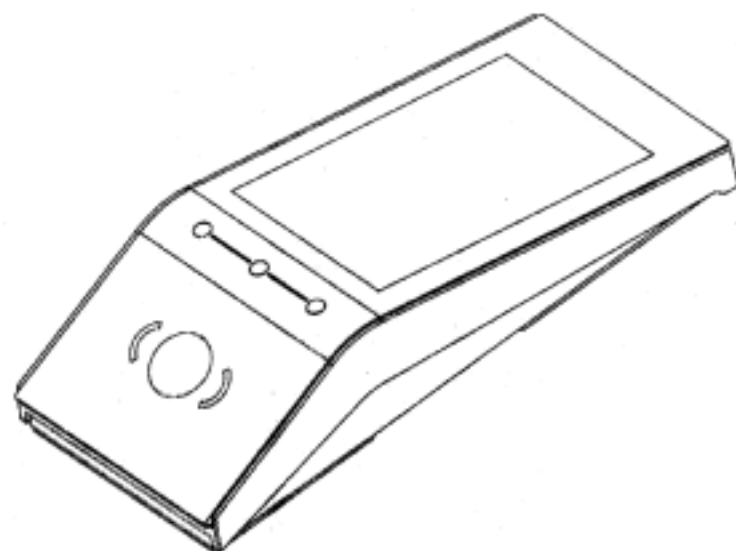
- (21) Design Number: **13598/2014**
(22) Date of Filing Application: **23 July 2014**
(24) Date from which industrial property rights may have effect: **23 July 2014**
(54) Product in respect of which the design is registered: **Load restraint locator**
(51) International Design Classification: **12-05**
(74) Name(s) of Attorney(s): **Armour IP**
(71) Name(s) and Address(s) of Applicant(s):
Snake Products Pty Ltd
PO BOX 187 Scarborough WA 6922 Australia
(72) Name(s) of Designer(s): **Lee C J Pascu**
(45) Registration Date: **01 December 2014**
(56) Related Art Documents: **Not Applicable**
(57) Statement of Newness and Distinctiveness: **Nil**



- (21) Design Number: **14997/2014**
(22) Date of Filing Application: **30 September 2014**
(24) Date from which industrial property rights may have effect: **30 September 2014**
(54) Product in respect of which the design is registered: **Operating panel**
(51) International Design Classification: **14-03NES**
(74) Name(s) of Attorney(s): **WATERMARK PATENT AND TRADE MARKS ATTORNEYS**
(71) Name(s) and Address(s) of Applicant(s):
Inventio AG
Postfach Hergiswil 6052 Switzerland
(72) Name(s) of Designer(s): **Paul Friedli**
(45) Registration Date: **01 December 2014**
(30) Convention priority data:

(31) Number	(32) Date	(33) Country
140651	01 Apr 2014	SWITZERLAND

(56) Related Art Documents: **Not Applicable**
(57) Statement of Newness and Distinctiveness: **Newness and distinctiveness resides in the shape and configuration and/or pattern and ornamentation of the operating panel, the remainder of the operating panel shown in dashed outline forms no part of the design and should be disregarded when considering the scope of monopoly of the design.**

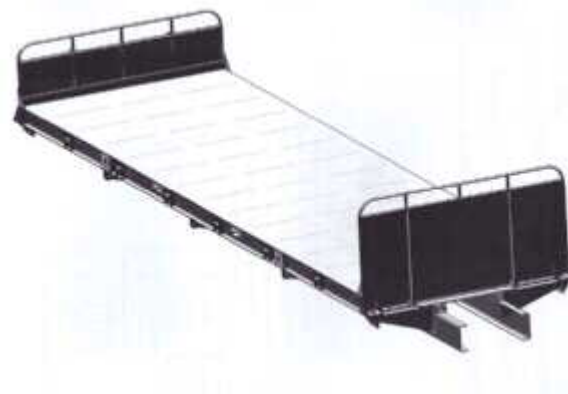


(21) Design Number: **15251/2014**
(22) Date of Filing Application: **15 October 2014**
(24) Date from which industrial property rights may have effect: **15 October 2014**
(54) Product in respect of which the design is registered: **Cutlery handle**
(51) International Design Classification: **08-03, 07-03**
(74) Name(s) of Attorney(s): **Davies Collison Cave**
(71) Name(s) and Address(s) of Applicant(s):
Yoshida Metal Industry Co., Ltd.
2078-3 Yoshida Nishi-ohata Tsubame-she Niigata 959-0221 Japan

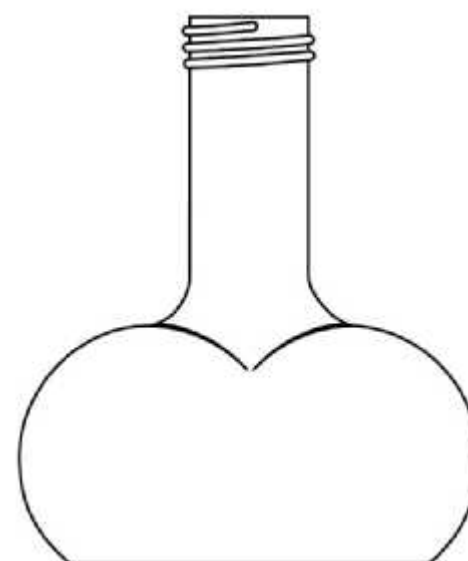


(72) Name(s) of Designer(s): **Komin Yamada**
(45) Registration Date: **01 December 2014**
(30) Convention priority data:
(31) Number (32) Date (33) Country
2014-008304 16 Apr 2014 JAPAN
(56) Related Art Documents: **Not Applicable**
(57) Statement of Newness and Distinctiveness: **Newness and distinctiveness is claimed in the visual features shown in solid lines in the representations. The broken lines depicting an exemplary cutlery element as mounted thereto as environmental structure for illustrative purposes only and form no part of the claimed design. The dashed lines demarcate the claimed handle part of the one-piece cutlery from the non-claimed part in broken lines.**

(21) Design Number: **15449/2014**
(22) Date of Filing Application: **29 October 2014**
(24) Date from which industrial property rights may have effect: **29 October 2014**
(54) Product in respect of which the design is registered: **Pallet**
(51) International Design Classification: **09-08**
(74) Name(s) of Attorney(s):
(71) Name(s) and Address(s) of Applicant(s):
Royal Transport NSW Pty Ltd
6 Assunta St Rooty Hill NSW 2776 Australia
(72) Name(s) of Designer(s): **Nand Kishor and John Wilson and Mario Larocca**
(45) Registration Date: **01 December 2014**
(56) Related Art Documents: **Not Applicable**
(57) Statement of Newness and Distinctiveness: **10 Ton High Productivity Pallet for use with trucks configured with universal mount outriggers.**



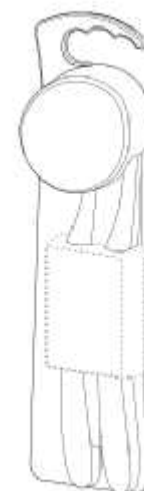
(21) Design Number: **15521/2014**
(22) Date of Filing Application: **31 October 2014**
(24) Date from which industrial property rights may have effect: **31 October 2014**
(54) Product in respect of which the design is registered: **A bottle**
(51) International Design Classification: **09-01NES**
(74) Name(s) of Attorney(s): **Cullens Patent and Trade Mark Attorneys**
(71) Name(s) and Address(s) of Applicant(s):
John Anthony Arie Kreuger
c/o - 15 Patrick St Aitkenvale QLD 4814 Australia
(72) Name(s) of Designer(s): **John Anthony Arie Kreuger**
(45) Registration Date: **01 December 2014**
(56) Related Art Documents: **Not Applicable**
(57) Statement of Newness and Distinctiveness: **Nil**



(21) Design Number: **15779/2014**
(22) Date of Filing Application: **12 November 2014**
(24) Date from which industrial property rights may have effect: **12 November 2014**
(54) Product in respect of which the design is registered: **Bottle**
(51) International Design Classification: **07-01F**
(74) Name(s) of Attorney(s): **Pizzeys**
(71) Name(s) and Address(s) of Applicant(s):
Karim Rashid
417 W 53rd Street New York NY 10019 United States of America
Derrick Paul Lawrence
105 Logwood Street South Burlington VT 05403 United States of America
Brian D Schumacher
652 Columbia Drive Lima OH 45805 United States of America
(72) Name(s) of Designer(s): **Karim Rashid and Derrick Paul Lawrence and Brian D Schumacher**
(45) Registration Date: **01 December 2014**
(30) Convention priority data:
(31) Number (32) Date (33) Country
29/492,759 03 Jun 2014 UNITED STATES OF AMERICA
(56) Related Art Documents: **Not Applicable**
(57) Statement of Newness and Distinctiveness: **Nil**



(21) Design Number: **15807/2014**
(22) Date of Filing Application: **14 November 2014**
(24) Date from which industrial property rights may have effect: **14 November 2014**
(54) Product in respect of which the design is registered: **Oral care implement package**
(51) International Design Classification: **09-05**
(74) Name(s) of Attorney(s): **FB Rice**
(71) Name(s) and Address(s) of Applicant(s):
Colgate-Palmolive Company
300 Park Avenue New York New York 10022 United States of America
(72) Name(s) of Designer(s): **Robert Moskovich and Wenjin Xi and Yanmei Ji and Jifen Yang and Yuanqiang Fang and David Kyung Min Lee**
(45) Registration Date: **01 December 2014**
(30) Convention priority data:
(31) Number (32) Date (33) Country
29/493762 12 Jun 2014 UNITED STATES OF AMERICA
(56) Related Art Documents: **Not Applicable**
(57) Statement of Newness and Distinctiveness: **Newness and distinctiveness reside in the features of shape and configuration of the design shown in solid lines in the representations excluding those features shown in broken lines.**



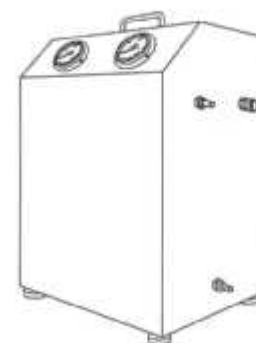
(21) Design Number: **15810/2014**
(22) Date of Filing Application: **14 November 2014**
(24) Date from which industrial property rights may have effect: **14 November 2014**
(54) Product in respect of which the design is registered: **Oral care implement package**
(51) International Design Classification: **09-05**
(74) Name(s) of Attorney(s): **FB Rice**
(71) Name(s) and Address(s) of Applicant(s):
Colgate-Palmolive Company
300 Park Avenue New York NY 10022 United States of America
(72) Name(s) of Designer(s): **Robert Moskovich and Wenjin Xi and Yanmei Ji and Jifen Yang and Yuanqiang Fang and David Kyung Min Lee**
(45) Registration Date: **01 December 2014**
(30) Convention priority data:
(31) Number (32) Date (33) Country
29/493759 12 Jun 2014 UNITED STATES OF AMERICA
(56) Related Art Documents: **Not Applicable**
(57) Statement of Newness and Distinctiveness: **Newness and distinctiveness reside in the features of shape and configuration of the design shown in solid lines in the representations excluding those features shown in broken lines.**



- (21) Design Number: **15815/2014**
(22) Date of Filing Application: **14 November 2014**
(24) Date from which industrial property rights may have effect: **03 September 2014**
(54) Product in respect of which the design is registered: **Medicament injection device with cap**
(51) International Design Classification: **24-02**
(74) Name(s) of Attorney(s): **WATERMARK PATENT AND TRADE MARKS ATTORNEYS**
(71) Name(s) and Address(s) of Applicant(s):
Sanofi
54 rue La Boetie Paris 75008 France
Regeneron Pharmaceuticals, Inc.
777 Old Saw Mill River Road Tarrytown NY, 10591 United States of America
(72) Name(s) of Designer(s): **Jochen Ratjen and Katja Wessel**
(45) Registration Date: **01 December 2014**
(30) Convention priority data:
(31) Number (32) Date (33) Country
002416487 03 Mar 2014 EUROPEAN PATENT OFFICE (EPO)
(62) Divisional of: **358812**
(56) Related Art Documents: **Not Applicable**
(57) Statement of Newness and Distinctiveness: **Newness and Distinctiveness is claimed in the pattern and ornamentation of an injection device with a cap as shown in the accompanying representations.**



- (21) Design Number: **15818/2014**
(22) Date of Filing Application: **14 November 2014**
(24) Date from which industrial property rights may have effect: **14 November 2014**
(54) Product in respect of which the design is registered: **Container for vapor-liquid separator**
(51) International Design Classification: **15-99**
(74) Name(s) of Attorney(s): **PHILLIPS ORMONDE FITZPATRICK**
(71) Name(s) and Address(s) of Applicant(s):
Taiei Sangyo, Co., Ltd.
305 Kamojima Kamojima-cho Yoshinogawa-shi Tokushima Japan
(72) Name(s) of Designer(s): **Hiroyasu Kawamata**
(45) Registration Date: **01 December 2014**
(30) Convention priority data:
(31) Number (32) Date (33) Country
2014-010816 21 May 2014 JAPAN
(56) Related Art Documents: **Not Applicable**
(57) Statement of Newness and Distinctiveness: **Those features of the vapor-liquid separator depicted in the representations that are new and distinctive are the shape and/or configuration.**



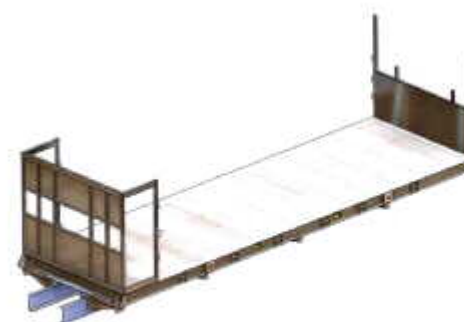
(21) Design Number: **15826/2014**
(22) Date of Filing Application: **14 November 2014**
(24) Date from which industrial property rights may have effect: **03 September 2014**
(54) Product in respect of which the design is registered: **Medicament injection device**
(51) International Design Classification: **24-02**
(74) Name(s) of Attorney(s): **WATERMARK PATENT AND TRADE MARKS ATTORNEYS**
(71) Name(s) and Address(s) of Applicant(s):
Sanofi
54 rue La Boetie Paris 75008 France
Regeneron Pharmaceuticals, Inc.
777 Old Saw Mill River Road Tarrytown NY, 10591 United States of America
(72) Name(s) of Designer(s): **Jochen Ratjen and Katja Wessel**
(45) Registration Date: **01 December 2014**
(30) Convention priority data:
(31) Number (32) Date (33) Country
002416487 03 Mar 2014 EUROPEAN PATENT OFFICE (EPO)
(62) Divisional of: **358816**
(56) Related Art Documents: **Not Applicable**
(57) Statement of Newness and Distinctiveness: **Newness and Distinctiveness is claimed in the shape and configuration, pattern and ornamentation including colouration substantially similar to Pantone 120C of an injection device with the needle guard extended as shown in the accompanying representations. In considering scope, no regard is to be had to the features shown in dotted outline.**



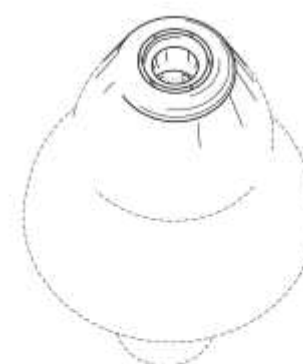
(21) Design Number: **15829/2014**
(22) Date of Filing Application: **14 November 2014**
(24) Date from which industrial property rights may have effect: **14 November 2014**
(54) Product in respect of which the design is registered: **Medicament injection device**
(51) International Design Classification: **24-02**
(74) Name(s) of Attorney(s): **WATERMARK PATENT AND TRADE MARKS ATTORNEYS**
(71) Name(s) and Address(s) of Applicant(s):
Sanofi
54 rue La Boetie Paris 75008 France
Regeneron Pharmaceuticals, Inc.
777 Old Saw Mill River Road Tarrytown NY, 10591 United States of America
(72) Name(s) of Designer(s): **Jochen Ratjen and Katja Wessel**
(45) Registration Date: **01 December 2014**
(30) Convention priority data:
(31) Number (32) Date (33) Country
002416487 03 Mar 2014 EUROPEAN PATENT OFFICE (EPO)
(56) Related Art Documents: **Not Applicable**
(57) Statement of Newness and Distinctiveness: **Newness and Distinctiveness is claimed in the pattern and ornamentation including colouration substantially similar to Pantone 1655C and/or Pantone 120C of an injection device with needle guard extended as shown in the accompanying representations.**



- (21) Design Number: **15875/2014**
(22) Date of Filing Application: **18 November 2014**
(24) Date from which industrial property rights may have effect: **18 November 2014**
(54) Product in respect of which the design is registered: **Pallet**
(51) International Design Classification: **09-08**
(74) Name(s) of Attorney(s):
(71) Name(s) and Address(s) of Applicant(s):
Royal Transport NSW Pty Ltd
6 Assunta St Rooty Hill NSW 2766 Australia
(72) Name(s) of Designer(s): **Nand Kishor and John Wilson and Mario Larocca**
(45) Registration Date: **01 December 2014**
(56) Related Art Documents: **Not Applicable**
(57) Statement of Newness and Distinctiveness: **High Productivity 10 Ton Pallet for rapid loading and unloading of trucks configured with universal mounting outriggers.**



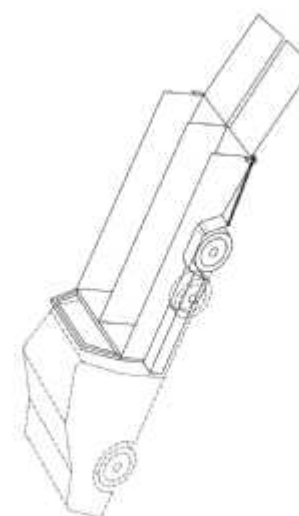
- (21) Design Number: **15888/2014**
(22) Date of Filing Application: **19 November 2014**
(24) Date from which industrial property rights may have effect: **19 November 2014**
(54) Product in respect of which the design is registered: **Earplug**
(51) International Design Classification: **24-04**
(74) Name(s) of Attorney(s): **Freehills Patent Attorneys**
(71) Name(s) and Address(s) of Applicant(s):
3M Innovative Properties Company
3M Center Post Office Box 33427 Saint Paul Minnesota 55133-3427
United States of America
(72) Name(s) of Designer(s): **Jeffrey Lee Hamer and Kenneth Foster Teeters and Ravi Thomas**
(45) Registration Date: **01 December 2014**
(30) Convention priority data:
(31) Number (32) Date (33) Country
29/491294 20 May 2014 UNITED STATES OF AMERICA
(56) Related Art Documents: **Not Applicable**
(57) Statement of Newness and Distinctiveness: **Newness and distinctiveness resides in the shape and configuration of features of the earplug as shown in solid outlines in the accompanying representations.**



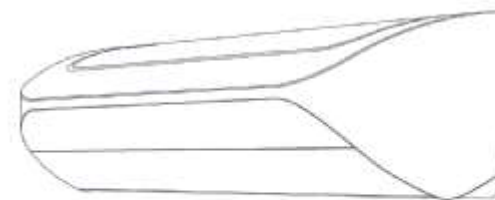
- (21) Design Number: **15889/2014**
(22) Date of Filing Application: **19 November 2014**
(24) Date from which industrial property rights may have effect: **19 November 2014**
(54) Product in respect of which the design is registered: **Earplug**
(51) International Design Classification: **24-04**
(74) Name(s) of Attorney(s): **Freehills Patent Attorneys**
(71) Name(s) and Address(s) of Applicant(s):
3M Innovative Properties Company
3M Center Post Office Box 33427 Saint Paul Minnesota 55133-3427
United States of America
(72) Name(s) of Designer(s): **Jeffrey Lee Hamer and Kenneth Foster Teeters**
and Ravi Thomas
(45) Registration Date: **01 December 2014**
(30) Convention priority data:
(31) Number (32) Date (33) Country
29/491296 20 May 2014 UNITED STATES OF AMERICA
(56) Related Art Documents: **Not Applicable**
(57) Statement of Newness and Distinctiveness: **Newness and distinctiveness**
resides in the shape and configuration of features of the earplug as
shown in solid outlines in the accompanying representations.



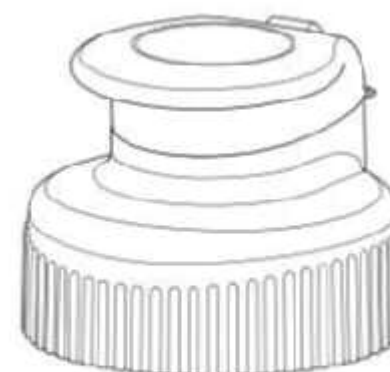
- (21) Design Number: **15896/2014**
(22) Date of Filing Application: **19 November 2014**
(24) Date from which industrial property rights may have effect: **19 November 2014**
(54) Product in respect of which the design is registered: **Vehicle tray for trolley**
collection
(51) International Design Classification: **12-16NES**
(74) Name(s) of Attorney(s): **Sandercock & Cowie**
(71) Name(s) and Address(s) of Applicant(s):
Capital Special Vehicles Pty. Ltd.
12 Capital Dr Dandenong VIC 3175 Australia
(72) Name(s) of Designer(s): **Robert Thomas De Vries**
(45) Registration Date: **01 December 2014**
(56) Related Art Documents: **Not Applicable**
(57) Statement of Newness and Distinctiveness: **Newness and Distinctiveness**
reside in the shape and configuration of the tray with an inclined floor at
its rear as shown in the accompanying representations.



(21) Design Number: **15897/2014**
(22) Date of Filing Application: **19 November 2014**
(24) Date from which industrial property rights may have effect: **19 November 2014**
(54) Product in respect of which the design is registered: **Air conditioner**
(51) International Design Classification: **23-04**
(74) Name(s) of Attorney(s): **IP Gateway Patent & Trademark Attorneys Pty Ltd**
(71) Name(s) and Address(s) of Applicant(s):
Samsung Electronics Co., Ltd.
129 Samsung-ro Yeongtong-gu Suwon-si Gyeonggi-do 443-742 Republic of Korea
(72) Name(s) of Designer(s): **Hirohisa Miyazaki and Hee Jae Jeong and Jin Sook Park**
(45) Registration Date: **01 December 2014**
(30) Convention priority data:
(31) Number (32) Date (33) Country
30-2014-0025353 22 May 2014 REPUBLIC OF KOREA
(56) Related Art Documents: **Not Applicable**
(57) Statement of Newness and Distinctiveness: **Newness and distinctiveness resides in the visual features of shape and/or configuration of an air conditioner as shown in solid lines in the accompanying representations.**



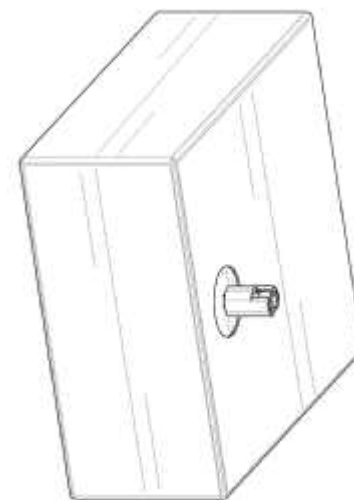
(21) Design Number: **15947/2014**
(22) Date of Filing Application: **20 November 2014**
(24) Date from which industrial property rights may have effect: **20 November 2014**
(54) Product in respect of which the design is registered: **Closure**
(51) International Design Classification: **09-07A**
(74) Name(s) of Attorney(s): **FB Rice**
(71) Name(s) and Address(s) of Applicant(s):
Colgate-Palmolive Company
300 Park Avenue New York NY 10022 United States of America
(72) Name(s) of Designer(s): **Michael Paul Robinson and Brian Glenn Worthington**
(45) Registration Date: **01 December 2014**
(30) Convention priority data:
(31) Number (32) Date (33) Country
29/494026 17 Jun 2014 UNITED STATES OF AMERICA
(56) Related Art Documents: **Not Applicable**
(57) Statement of Newness and Distinctiveness: **Newness and distinctiveness reside in the features of shape and configuration of the design as shown in the representations.**



- (21) Design Number: **15955/2014**
(22) Date of Filing Application: **20 November 2014**
(24) Date from which industrial property rights may have effect: **20 November 2014**
(54) Product in respect of which the design is registered: **A garment**
(51) International Design Classification: **02-02C**
(74) Name(s) of Attorney(s): **SPRUSON & FERGUSON**
(71) Name(s) and Address(s) of Applicant(s):
Julie Wyatt
2/53 Montgomery St Kogarah NSW 2217 Australia
Neville Wyatt
2/53 Montgomery St Kogarah NSW 2217 Australia
Ashleigh Nicholls
2/53 Montgomery St Kogarah NSW 2217 Australia
(72) Name(s) of Designer(s): **Ashleigh Nicholls**
(45) Registration Date: **01 December 2014**
(56) Related Art Documents: **Not Applicable**
(57) Statement of Newness and Distinctiveness: **Newness and distinctiveness is claimed in the features of pattern and/or ornamentation of a garment as illustrated in the accompanying representations, wherein the grey scale is representative of all colourways.**



- (21) Design Number: **16126/2014**
(22) Date of Filing Application: **26 November 2014**
(24) Date from which industrial property rights may have effect: **26 November 2014**
(54) Product in respect of which the design is registered: **Fluid cartridge having connector**
(51) International Design Classification: **28-03NES**
(74) Name(s) of Attorney(s): **PHILLIPS ORMONDE FITZPATRICK**
(71) Name(s) and Address(s) of Applicant(s):
Snappyscreen, Inc.
17 Milford Drive Locust Valley New York, 11560 United States of America
(72) Name(s) of Designer(s): **Kristen McClellan and Erkan Riza and Aslan Leo Riza**
(45) Registration Date: **01 December 2014**
(56) Related Art Documents: **Not Applicable**
(57) Statement of Newness and Distinctiveness: **Nil**



- (21) Design Number: **14811/2014**
(22) Date of Filing Application: **20 September 2014**
(24) Date from which industrial property rights may have effect: **20 September 2014**
(54) Product in respect of which the design is registered: **Template**
(51) International Design Classification: **19-99**
(74) Name(s) of Attorney(s):
(71) Name(s) and Address(s) of Applicant(s):

Paul Hopkins
PO BOX 5461 Stafford Heights QLD 4053 Australia

- (72) Name(s) of Designer(s): **Paul Hopkins**
(45) Registration Date: **01 December 2014**
(56) Related Art Documents: **Not Applicable**
(57) Statement of Newness and Distinctiveness: **This template is a guide for the placement of badges, embellishments and flashes on Australian Defence Force uniforms. The newness and distinctiveness of the design resides in the shapes of the badges, embellishments and flashes marked on the template; a centre line down the middle and offset lines indicating the required distance.**



- (21) Design Number: **15949/2014**
(22) Date of Filing Application: **20 November 2014**
(24) Date from which industrial property rights may have effect: **20 November 2014**
(54) Product in respect of which the design is registered: **A garment**
(51) International Design Classification: **02-02C**
(74) Name(s) of Attorney(s): **SPRUSON & FERGUSON**
(71) Name(s) and Address(s) of Applicant(s):

Julie Wyatt
2/53 Montgomery St Kogarah NSW 2217 Australia

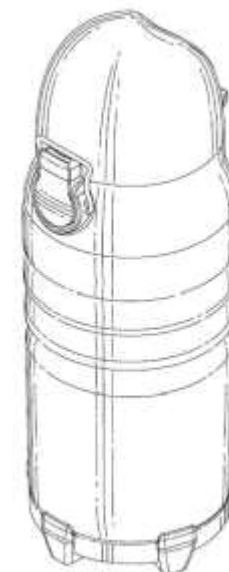
Neville Wyatt
2/53 Montgomery St Kogarah NSW 2217 Australia

Ashleigh Nicholls
2/53 Montgomery St Kogarah NSW 2217 Australia

- (72) Name(s) of Designer(s): **Ashleigh Nicholls**
(45) Registration Date: **01 December 2014**
(56) Related Art Documents: **Not Applicable**
(57) Statement of Newness and Distinctiveness: **Newness and distinctiveness is claimed in the features of pattern and/or ornamentation of a garment as illustrated in the accompanying representations, wherein the grey scale is representative of all colourways.**



(21) Design Number: **15950/2014**
(22) Date of Filing Application: **20 November 2014**
(24) Date from which industrial property rights may have effect: **20 November 2014**
(54) Product in respect of which the design is registered: **Bottle**
(51) International Design Classification: **07-01F**
(74) Name(s) of Attorney(s): **WATERMARK PATENT AND TRADE MARKS ATTORNEYS**
(71) Name(s) and Address(s) of Applicant(s):
PlanetBox, LLC
30 Castro Avenue San Rafael CA 94901 United States of America
(72) Name(s) of Designer(s): **Robert H J Miros and Brittany V Ballard and Jeffrey William Servaites and Maximiliano Goldschwartz**
(45) Registration Date: **01 December 2014**
(30) Convention priority data:
(31) Number (32) Date (33) Country
29/491,383 20 May 2014 UNITED STATES OF AMERICA
(56) Related Art Documents: **Not Applicable**
(57) Statement of Newness and Distinctiveness: **Nil**



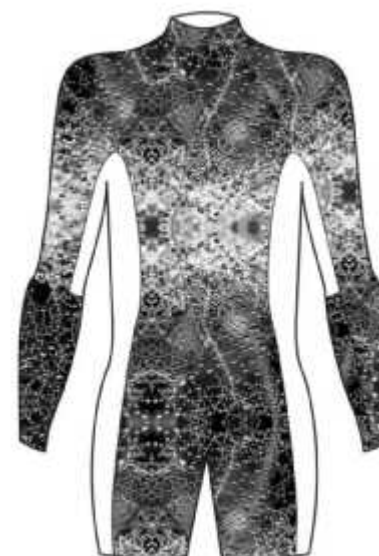
(21) Design Number: **15952/2014**
(22) Date of Filing Application: **20 November 2014**
(24) Date from which industrial property rights may have effect: **20 November 2014**
(54) Product in respect of which the design is registered: **A garment**
(51) International Design Classification: **02-02C**
(74) Name(s) of Attorney(s): **SPRUSON & FERGUSON**
(71) Name(s) and Address(s) of Applicant(s):
Julie Wyatt
2/53 Montgomery St Kogarah NSW 2217 Australia
Neville Wyatt
2/53 Montgomery St Kogarah NSW 2217 Australia
Ashleigh Nicholls
2/53 Montgomery St Kogarah NSW 2217 Australia
(72) Name(s) of Designer(s): **Ashleigh Nicholls**
(45) Registration Date: **01 December 2014**
(56) Related Art Documents: **Not Applicable**
(57) Statement of Newness and Distinctiveness: **Newness and distinctiveness is claimed in the features of pattern and/or ornamentation of a garment as illustrated in the accompanying representations, wherein the grey scale is representative of all colourways.**



- (21) Design Number: **15953/2014**
(22) Date of Filing Application: **20 November 2014**
(24) Date from which industrial property rights may have effect: **20 November 2014**
(54) Product in respect of which the design is registered: **A garment**
(51) International Design Classification: **02-02C**
(74) Name(s) of Attorney(s): **SPRUSON & FERGUSON**
(71) Name(s) and Address(s) of Applicant(s):
Julie Wyatt
2/53 Montgomery St Kogarah NSW 2217 Australia
Neville Wyatt
2/53 Montgomery St Kogarah NSW 2217 Australia
Ashleigh Nicholls
2/53 Montgomery St Kogarah NSW 2217 Australia
(72) Name(s) of Designer(s): **Ashleigh Nicholls**
(45) Registration Date: **01 December 2014**
(56) Related Art Documents: **Not Applicable**
(57) Statement of Newness and Distinctiveness: **Newness and distinctiveness is claimed in the features of pattern and/or ornamentation of a garment as illustrated in the accompanying representations, wherein the grey scale is representative of all colourways.**



- (21) Design Number: **15954/2014**
(22) Date of Filing Application: **20 November 2014**
(24) Date from which industrial property rights may have effect: **20 November 2014**
(54) Product in respect of which the design is registered: **A garment**
(51) International Design Classification: **02-02C**
(74) Name(s) of Attorney(s): **SPRUSON & FERGUSON**
(71) Name(s) and Address(s) of Applicant(s):
Julie Wyatt
2/53 Montgomery St Kogarah NSW 2217 Australia
Neville Wyatt
2/53 Montgomery St Kogarah NSW 2217 Australia
Ashleigh Nicholls
2/53 Montgomery St Kogarah NSW 2217 Australia
(72) Name(s) of Designer(s): **Ashleigh Nicholls**
(45) Registration Date: **01 December 2014**
(56) Related Art Documents: **Not Applicable**
(57) Statement of Newness and Distinctiveness: **Newness and distinctiveness is claimed in the features of pattern and/or ornamentation of a garment as illustrated in the accompanying representations, wherein the grey scale is representative of all colourways.**



- (21) Design Number: **15956/2014**
(22) Date of Filing Application: **20 November 2014**
(24) Date from which industrial property rights may have effect: **20 November 2014**
(54) Product in respect of which the design is registered: **Petrol jackhammer**
(51) International Design Classification: **08-02**
(74) Name(s) of Attorney(s):
(71) Name(s) and Address(s) of Applicant(s):
Christie Engineering Pty Ltd
123 Delaware Rd Horsley Park NSW 2175 Australia
(72) Name(s) of Designer(s): **Peter Christie**
(45) Registration Date: **01 December 2014**
(56) Related Art Documents: **Not Applicable**
(57) Statement of Newness and Distinctiveness: **Petrol powered light weight jackhammer breaker.**



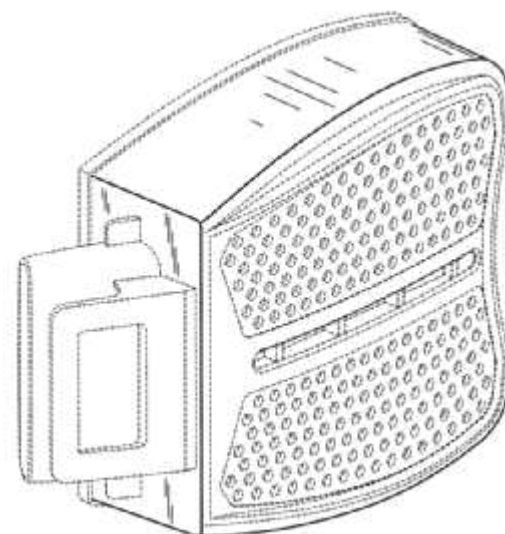
- (21) Design Number: **15961/2014**
(22) Date of Filing Application: **21 November 2014**
(24) Date from which industrial property rights may have effect: **21 November 2014**
(54) Product in respect of which the design is registered: **Respirator cartridge having a slot**
(51) International Design Classification: **29-02**
(74) Name(s) of Attorney(s): **Freehills Patent Attorneys**
(71) Name(s) and Address(s) of Applicant(s):
3M Innovative Properties Company
3M Center Post Office Box 33427 Saint Paul Minnesota 55133-3427
United States of America
(72) Name(s) of Designer(s): **David Michael Blomberg and Gary Edward Dwyer and Carl Woodward Raines III and Charlie Wood and Mark William Schulz**
(45) Registration Date: **01 December 2014**
(30) Convention priority data:
(31) Number (32) Date (33) Country
29/491529 22 May 2014 UNITED STATES OF AMERICA
(56) Related Art Documents: **Not Applicable**
(57) Statement of Newness and Distinctiveness: **Newness and distinctiveness resides in the features of shape and/or configuration of the respirator cartridge as shown in solid outline in the accompanying drawings.**



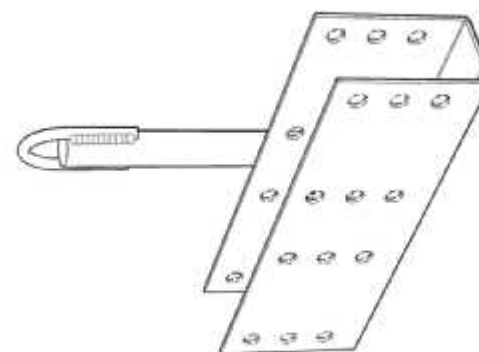
- (21) Design Number: **15962/2014**
(22) Date of Filing Application: **21 November 2014**
(24) Date from which industrial property rights may have effect: **21 November 2014**
(54) Product in respect of which the design is registered: **Respirator cartridge having a hole pattern**
(51) International Design Classification: **29-02**
(74) Name(s) of Attorney(s): **Freehills Patent Attorneys**
(71) Name(s) and Address(s) of Applicant(s):
3M Innovative Properties Company
3M Center Post Office Box 33427 Saint Paul Minnesota 55133-3427
United States of America
(72) Name(s) of Designer(s): **David Michael Blomberg and Gary Edward Dwyer and Carl Woodward Raines III and Michael James Svendsen and Mark William Schulz and Charlie Wood**
(45) Registration Date: **01 December 2014**
(30) Convention priority data:
(31) Number (32) Date (33) Country
29/491530 22 May 2014 UNITED STATES OF AMERICA
(56) Related Art Documents: **Not Applicable**
(57) Statement of Newness and Distinctiveness: **Newness and distinctiveness resides in the features of shape and/or configuration of the respirator cartridge as shown in solid outline in the accompanying drawings.**



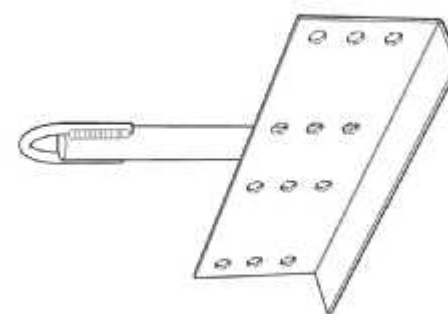
- (21) Design Number: **15963/2014**
(22) Date of Filing Application: **21 November 2014**
(24) Date from which industrial property rights may have effect: **21 November 2014**
(54) Product in respect of which the design is registered: **Respirator cartridge**
(51) International Design Classification: **29-02**
(74) Name(s) of Attorney(s): **Freehills Patent Attorneys**
(71) Name(s) and Address(s) of Applicant(s):
3M Innovative Properties Company
3M Center Post Office Box 33427 Saint Paul Minnesota 55133-3427
United States of America
(72) Name(s) of Designer(s): **David Michael Blomberg and Gary Edward Dwyer and Pierre Legare and Mark William Schulz**
(45) Registration Date: **01 December 2014**
(30) Convention priority data:
(31) Number (32) Date (33) Country
29/491531 22 May 2014 UNITED STATES OF AMERICA
(56) Related Art Documents: **Not Applicable**
(57) Statement of Newness and Distinctiveness: **Newness and distinctiveness resides in the features of shape and/or configuration of the respirator cartridge as shown in solid outline in the accompanying drawings.**



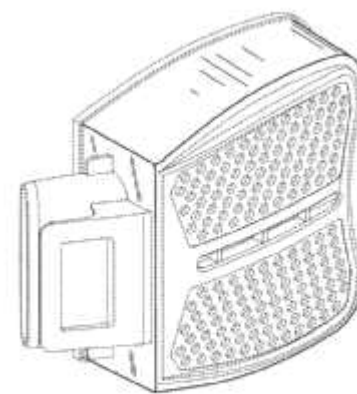
- (21) Design Number: **15894/2014**
(22) Date of Filing Application: **19 November 2014**
(24) Date from which industrial property rights may have effect: **19 November 2014**
(54) Product in respect of which the design is registered: **Two-part roof safety anchor**
(51) International Design Classification: **08-08L**
(74) Name(s) of Attorney(s): **Freehills Patent Attorneys**
(71) Name(s) and Address(s) of Applicant(s):
Roof Extenda Pty Ltd
PO BOX 373 Hastings VIC 3915 Australia
(72) Name(s) of Designer(s): **Corinne Dunkinson and Donald Arthur Dunkinson and Murray Dunkinson**
(45) Registration Date: **02 December 2014**
(56) Related Art Documents: **Not Applicable**
(57) Statement of Newness and Distinctiveness: **Newness and distinctiveness resides in the shape and configuration of the safety anchor as shown in solid lines in the representation.**



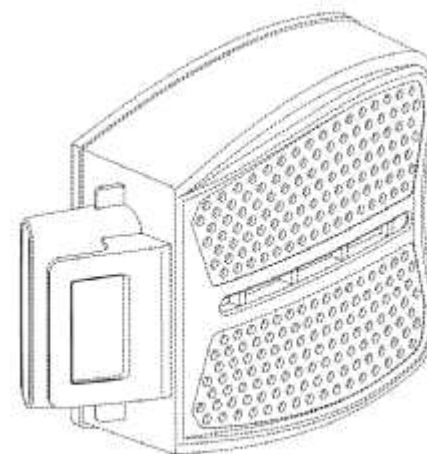
- (21) Design Number: **15895/2014**
(22) Date of Filing Application: **19 November 2014**
(24) Date from which industrial property rights may have effect: **19 November 2014**
(54) Product in respect of which the design is registered: **Roof safety anchor**
(51) International Design Classification: **08-08L**
(74) Name(s) of Attorney(s): **Freehills Patent Attorneys**
(71) Name(s) and Address(s) of Applicant(s):
Roof Extenda Pty Ltd
PO BOX 373 Hastings VIC 3915 Australia
(72) Name(s) of Designer(s): **Corinne Dunkinson and Donald Arthur Dunkinson and Murray Dunkinson**
(45) Registration Date: **02 December 2014**
(56) Related Art Documents: **Not Applicable**
(57) Statement of Newness and Distinctiveness: **Newness and distinctiveness resides in the shape and configuration of the safety anchor as shown in solid lines in the representation.**



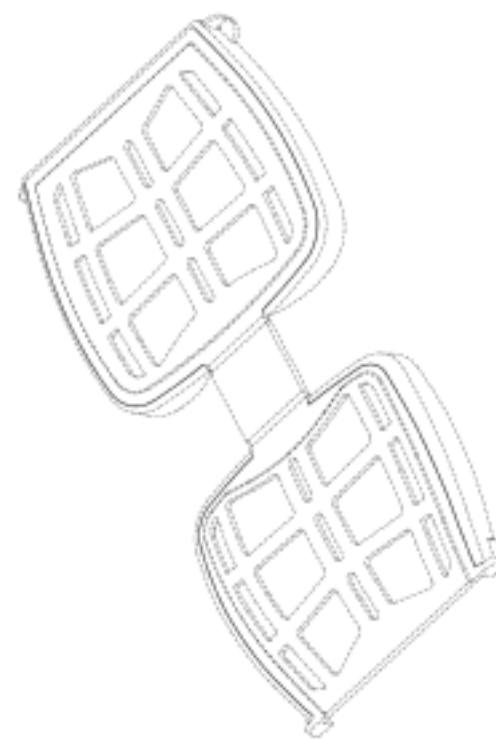
- (21) Design Number: **15964/2014**
(22) Date of Filing Application: **21 November 2014**
(24) Date from which industrial property rights may have effect: **21 November 2014**
(54) Product in respect of which the design is registered: **Respirator cartridge**
(51) International Design Classification: **29-02**
(74) Name(s) of Attorney(s): **Freehills Patent Attorneys**
(71) Name(s) and Address(s) of Applicant(s):
3M Innovative Properties Company
3M Center Post Office Box 33427 Saint Paul Minnesota 55133-3427
United States of America
(72) Name(s) of Designer(s): **Gary Edward Dwyer and Pierre Legare and Mark William Schulz**
(45) Registration Date: **02 December 2014**
(30) Convention priority data:
(31) Number (32) Date (33) Country
29/491532 22 May 2014 UNITED STATES OF AMERICA
(56) Related Art Documents: **Not Applicable**
(57) Statement of Newness and Distinctiveness: **Newness and distinctiveness resides in the features of shape and/or configuration of the respirator cartridge as shown in solid outline in the accompanying drawings.**



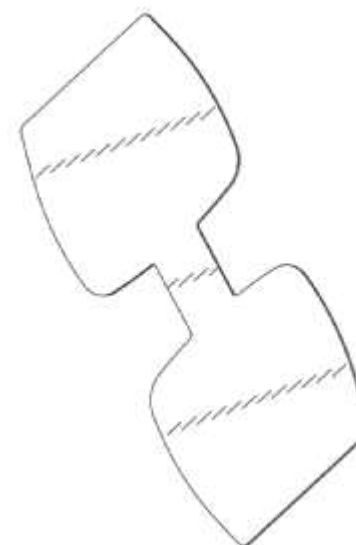
- (21) Design Number: **15965/2014**
(22) Date of Filing Application: **21 November 2014**
(24) Date from which industrial property rights may have effect: **21 November 2014**
(54) Product in respect of which the design is registered: **Respirator cartridge having an engagement latch**
(51) International Design Classification: **29-02**
(74) Name(s) of Attorney(s): **Freehills Patent Attorneys**
(71) Name(s) and Address(s) of Applicant(s):
3M Innovative Properties Company
3M Center Post Office Box 33427 Saint Paul Minnesota 55133-3427
United States of America
(72) Name(s) of Designer(s): **David Michael Blomberg and Michael James Svendsen**
(45) Registration Date: **02 December 2014**
(30) Convention priority data:
(31) Number (32) Date (33) Country
29/491533 22 May 2014 UNITED STATES OF AMERICA
(56) Related Art Documents: **Not Applicable**
(57) Statement of Newness and Distinctiveness: **Newness and distinctiveness resides in the features of shape and/or configuration of the respirator cartridge as shown in solid outline in the accompanying drawings.**



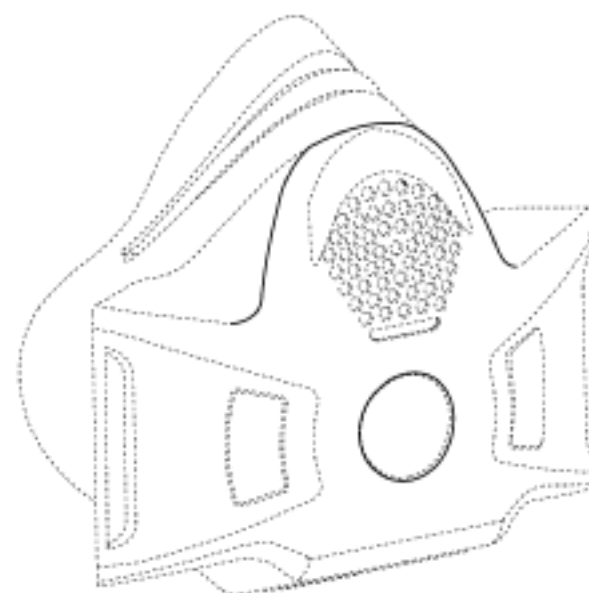
(21) Design Number: **15966/2014**
(22) Date of Filing Application: **21 November 2014**
(24) Date from which industrial property rights may have effect: **21 November 2014**
(54) Product in respect of which the design is registered: **Respirator filter retainer**
(51) International Design Classification: **29-02**
(74) Name(s) of Attorney(s): **Freehills Patent Attorneys**
(71) Name(s) and Address(s) of Applicant(s):
3M Innovative Properties Company
3M Center Post Office Box 33427 Saint Paul Minnesota 55133-3427
United States of America
(72) Name(s) of Designer(s): **Gary Edward Dwyer**
(45) Registration Date: **02 December 2014**
(30) Convention priority data:
(31) Number (32) Date (33) Country
29/491566 22 May 2014 UNITED STATES OF AMERICA
(56) Related Art Documents: **Not Applicable**
(57) Statement of Newness and Distinctiveness: **Newness and distinctiveness resides in the features of shape and/or configuration of the respirator filter retainer as shown in solid outline in the accompanying drawings.**



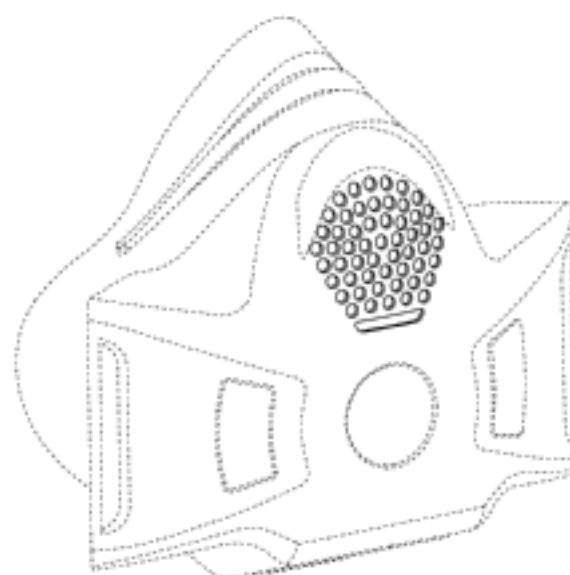
(21) Design Number: **15968/2014**
(22) Date of Filing Application: **21 November 2014**
(24) Date from which industrial property rights may have effect: **21 November 2014**
(54) Product in respect of which the design is registered: **Respirator filter**
(51) International Design Classification: **29-02**
(74) Name(s) of Attorney(s): **Freehills Patent Attorneys**
(71) Name(s) and Address(s) of Applicant(s):
3M Innovative Properties Company
3M Center Post Office Box 33427 Saint Paul Minnesota 55133-3427
United States of America
(72) Name(s) of Designer(s): **Gary Edward Dwyer**
(45) Registration Date: **02 December 2014**
(30) Convention priority data:
(31) Number (32) Date (33) Country
29/491577 22 May 2014 UNITED STATES OF AMERICA
(56) Related Art Documents: **Not Applicable**
(57) Statement of Newness and Distinctiveness: **Newness and distinctiveness resides in the features of shape and/or configuration of the respirator filter as shown in solid outline in the accompanying drawings.**



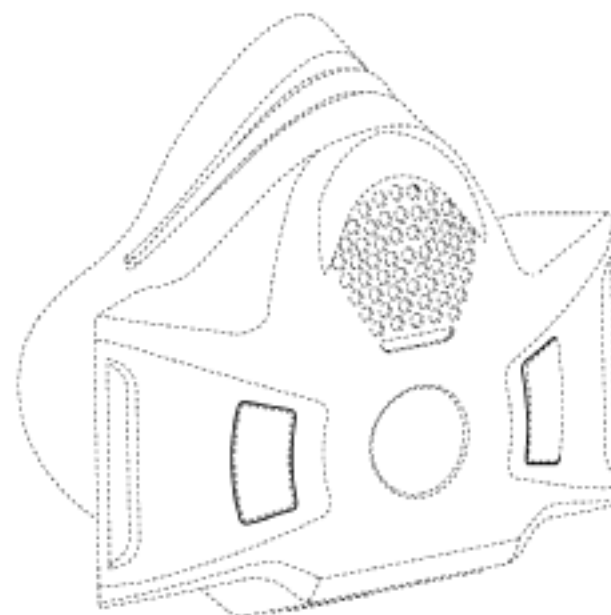
- (21) Design Number: **15969/2014**
(22) Date of Filing Application: **21 November 2014**
(24) Date from which industrial property rights may have effect: **21 November 2014**
(54) Product in respect of which the design is registered: **Respirator mask having a button**
(51) International Design Classification: **29-02**
(74) Name(s) of Attorney(s): **Freehills Patent Attorneys**
(71) Name(s) and Address(s) of Applicant(s):
3M Innovative Properties Company
3M Center Post Office Box 33427 Saint Paul Minnesota 55133-3427
United States of America
(72) Name(s) of Designer(s): **David Michael Blomberg and Kent Eugene Lageson and William Arthur Mittelstadt and Carl Woodward Raines III and Charlie Wood**
(45) Registration Date: **02 December 2014**
(30) Convention priority data:
(31) Number (32) Date (33) Country
29/491539 22 May 2014 UNITED STATES OF AMERICA
(56) Related Art Documents: **Not Applicable**
(57) Statement of Newness and Distinctiveness: **Newness and distinctiveness resides in the features of shape and/or configuration of the respirator mask as shown in solid outline in the accompanying drawings.**



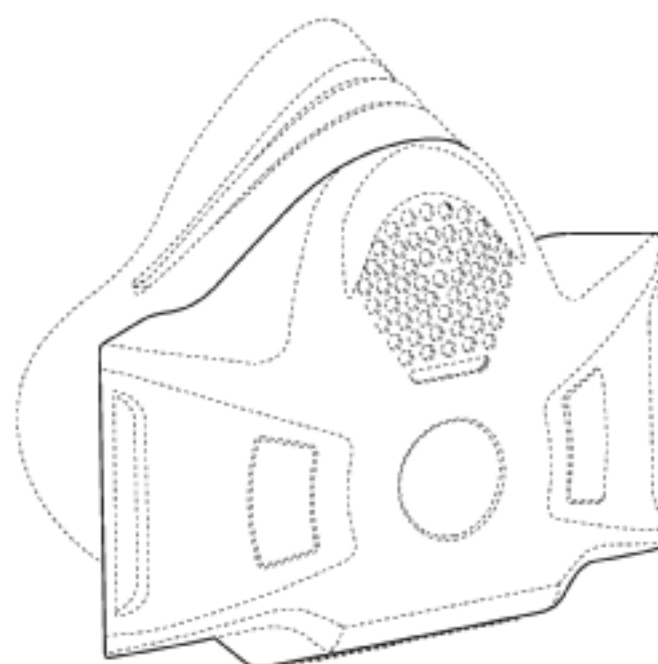
- (21) Design Number: **15970/2014**
(22) Date of Filing Application: **21 November 2014**
(24) Date from which industrial property rights may have effect: **21 November 2014**
(54) Product in respect of which the design is registered: **Respirator mask having a communication grill**
(51) International Design Classification: **29-02**
(74) Name(s) of Attorney(s): **Freehills Patent Attorneys**
(71) Name(s) and Address(s) of Applicant(s):
3M Innovative Properties Company
3M Center Post Office Box 33427 Saint Paul Minnesota 55133-3427
United States of America
(72) Name(s) of Designer(s): **David Michael Blomberg and Gary Edward Dwyer and Carl Woodward Raines III and Mark William Schulz**
(45) Registration Date: **02 December 2014**
(30) Convention priority data:
(31) Number (32) Date (33) Country
29/491540 22 May 2014 UNITED STATES OF AMERICA
(56) Related Art Documents: **Not Applicable**
(57) Statement of Newness and Distinctiveness: **Newness and distinctiveness resides in the features of shape and/or configuration of the respirator mask as shown in solid outline in the accompanying drawings.**



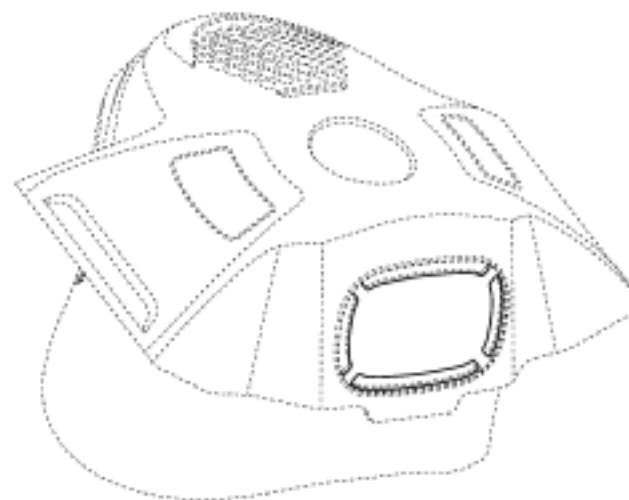
(21) Design Number: **15971/2014**
(22) Date of Filing Application: **21 November 2014**
(24) Date from which industrial property rights may have effect: **21 November 2014**
(54) Product in respect of which the design is registered: **Respirator mask having an engagement opening**
(51) International Design Classification: **29-02**
(74) Name(s) of Attorney(s): **Freehills Patent Attorneys**
(71) Name(s) and Address(s) of Applicant(s):
3M Innovative Properties Company
3M Center Post Office Box 33427 Saint Paul Minnesota 55133-3427
United States of America
(72) Name(s) of Designer(s): **David Michael Blomberg and Mark William Schulz**
(45) Registration Date: **02 December 2014**
(30) Convention priority data:
(31) Number (32) Date (33) Country
29/491541 22 May 2014 UNITED STATES OF AMERICA
(56) Related Art Documents: **Not Applicable**
(57) Statement of Newness and Distinctiveness: **Newness and distinctiveness resides in the features of shape and/or configuration of the respirator mask as shown in solid outline in the accompanying drawings.**



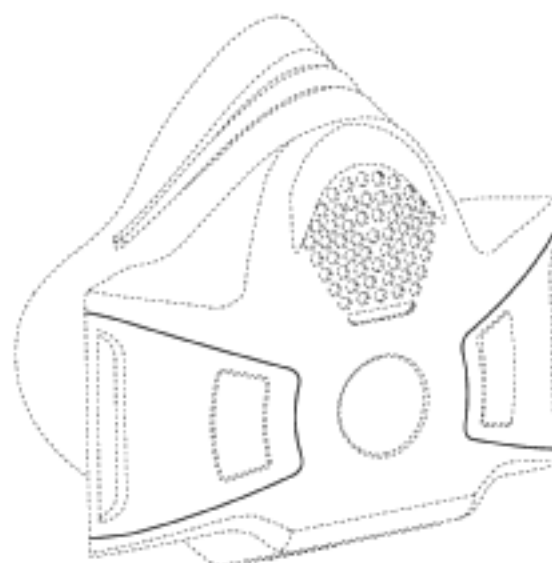
(21) Design Number: **15972/2014**
(22) Date of Filing Application: **21 November 2014**
(24) Date from which industrial property rights may have effect: **21 November 2014**
(54) Product in respect of which the design is registered: **Respirator mask**
(51) International Design Classification: **29-02**
(74) Name(s) of Attorney(s): **Freehills Patent Attorneys**
(71) Name(s) and Address(s) of Applicant(s):
3M Innovative Properties Company
3M Center Post Office Box 33427 Saint Paul Minnesota 55133-3427
United States of America
(72) Name(s) of Designer(s): **David Michael Blomberg and Mark William Schulz**
(45) Registration Date: **02 December 2014**
(30) Convention priority data:
(31) Number (32) Date (33) Country
29/491542 22 May 2014 UNITED STATES OF AMERICA
(56) Related Art Documents: **Not Applicable**
(57) Statement of Newness and Distinctiveness: **Newness and distinctiveness resides in the features of shape and/or configuration of the respirator mask as shown in solid outline in the accompanying drawings.**



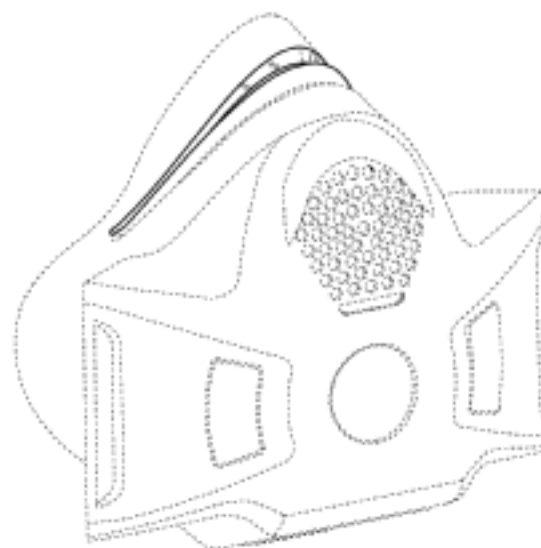
- (21) Design Number: **15973/2014**
(22) Date of Filing Application: **21 November 2014**
(24) Date from which industrial property rights may have effect: **21 November 2014**
(54) Product in respect of which the design is registered: **Respirator mask having an exhalation port**
(51) International Design Classification: **29-02**
(74) Name(s) of Attorney(s): **Freehills Patent Attorneys**
(71) Name(s) and Address(s) of Applicant(s):
3M Innovative Properties Company
3M Center Post Office Box 33427 Saint Paul Minnesota 55133-3427
United States of America
(72) Name(s) of Designer(s): **David Michael Blomberg and William Arthur Mittelstadt and Carl Woodward Raines III and Mark William Schulz**
(45) Registration Date: **02 December 2014**
(30) Convention priority data:
(31) Number (32) Date (33) Country
29/491544 22 May 2014 UNITED STATES OF AMERICA
(56) Related Art Documents: **Not Applicable**
(57) Statement of Newness and Distinctiveness: **Newness and distinctiveness resides in the features of shape and/or configuration of the respirator mask as shown in solid outline in the accompanying drawings.**



- (21) Design Number: **15974/2014**
(22) Date of Filing Application: **21 November 2014**
(24) Date from which industrial property rights may have effect: **21 November 2014**
(54) Product in respect of which the design is registered: **Respirator mask**
(51) International Design Classification: **29-02**
(74) Name(s) of Attorney(s): **Freehills Patent Attorneys**
(71) Name(s) and Address(s) of Applicant(s):
3M Innovative Properties Company
3M Center Post Office Box 33427 Saint Paul Minnesota 55133-3427
United States of America
(72) Name(s) of Designer(s): **David Michael Blomberg and Mark William Schulz**
(45) Registration Date: **02 December 2014**
(30) Convention priority data:
(31) Number (32) Date (33) Country
29/491545 22 May 2014 UNITED STATES OF AMERICA
(56) Related Art Documents: **Not Applicable**
(57) Statement of Newness and Distinctiveness: **Newness and distinctiveness resides in the features of shape and/or configuration of the respirator mask as shown in solid outline in the accompanying drawings.**



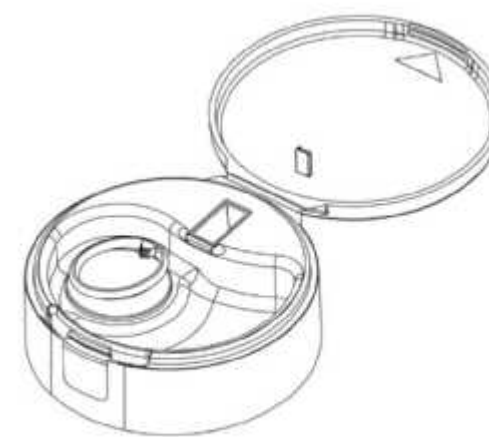
(21) Design Number: **15975/2014**
(22) Date of Filing Application: **21 November 2014**
(24) Date from which industrial property rights may have effect: **21 November 2014**
(54) Product in respect of which the design is registered: **Respirator mask having a face seal flexing region**
(51) International Design Classification: **29-02**
(74) Name(s) of Attorney(s): **Freehills Patent Attorneys**
(71) Name(s) and Address(s) of Applicant(s):
3M Innovative Properties Company
3M Center Post Office Box 33427 Saint Paul Minnesota 55133-3427
United States of America
(72) Name(s) of Designer(s): **William Arthur Mittelstadt and David Richard Stein and Charlie Wood**
(45) Registration Date: **02 December 2014**
(30) Convention priority data:
(31) Number (32) Date (33) Country
29/491546 22 May 2014 UNITED STATES OF AMERICA
(56) Related Art Documents: **Not Applicable**
(57) Statement of Newness and Distinctiveness: **Newness and distinctiveness resides in the features of shape and/or configuration of the respirator mask as shown in solid outline in the accompanying drawings.**



(21) Design Number: **15979/2014**
(22) Date of Filing Application: **21 November 2014**
(24) Date from which industrial property rights may have effect: **21 November 2014**
(54) Product in respect of which the design is registered: **Bottle body**
(51) International Design Classification: **09-01NES**
(74) Name(s) of Attorney(s): **SPRUSON & FERGUSON**
(71) Name(s) and Address(s) of Applicant(s):
Wm. Wrigley Jr. Company
1132 West Blackhawk Street Chicago Illinois 60642 United States of America
(72) Name(s) of Designer(s): **Monica Li**
(45) Registration Date: **02 December 2014**
(30) Convention priority data:
(31) Number (32) Date (33) Country
201430142224.7 21 May 2014 CHINA
(56) Related Art Documents: **Not Applicable**
(57) Statement of Newness and Distinctiveness: **Newness and distinctiveness is claimed in the features of shape and/or configuration of a bottle body as illustrated in the accompanying representations.**



(21) Design Number: **15980/2014**
(22) Date of Filing Application: **21 November 2014**
(24) Date from which industrial property rights may have effect: **21 November 2014**
(54) Product in respect of which the design is registered: **Lid for a bottle**
(51) International Design Classification: **09-07C**
(74) Name(s) of Attorney(s): **SPRUSON & FERGUSON**
(71) Name(s) and Address(s) of Applicant(s):



Wm. Wrigley Jr. Company
1132 West Blackhawk Street Chicago Illinois 60642 United States of America

(72) Name(s) of Designer(s): **Monica Li**
(45) Registration Date: **02 December 2014**
(30) Convention priority data:
(31) Number (32) Date (33) Country
201430142226.6 21 May 2014 CHINA
(56) Related Art Documents: **Not Applicable**
(57) Statement of Newness and Distinctiveness: **Newness and distinctiveness is claimed in the features of shape and/or configuration of a lid for a bottle as illustrated in the accompanying representations.**

(21) Design Number: **14672/2014**
(22) Date of Filing Application: **15 September 2014**
(24) Date from which industrial property rights may have effect: **15 September 2014**
(54) Product in respect of which the design is registered: **Hand rail for rail vehicle**
(51) International Design Classification: **12-03**
(74) Name(s) of Attorney(s): **PHILLIPS ORMONDE FITZPATRICK**
(71) Name(s) and Address(s) of Applicant(s):



ALSTOM Transport Technologies
3 av Andre Malraux LEVALLOIS PERRET 92300 France
(72) Name(s) of Designer(s): **Frederic Battle and Mathieu Pommier and Jerome Corbe**
(45) Registration Date: **03 December 2014**
(30) Convention priority data:
(31) Number (32) Date (33) Country
002424473-0001 13 Mar 2014 OFFICE FOR HARMONISATION IN THE INTERNAL MARKET (OHIM)

(56) Related Art Documents: **Not Applicable**
(57) Statement of Newness and Distinctiveness: **Nil**

(21) Design Number: **14679/2014**
(22) Date of Filing Application: **15 September 2014**
(24) Date from which industrial property rights may have effect: **15 September 2014**
(54) Product in respect of which the design is registered: **Seating with handrails for a rail vehicle**
(51) International Design Classification: **06-01D, 25-02C**
(74) Name(s) of Attorney(s): **PHILLIPS ORMONDE FITZPATRICK**
(71) Name(s) and Address(s) of Applicant(s):
ALSTOM Transport Technologies
3 av Andre Malraux LEVALLOIS PERRET 92300 France
(72) Name(s) of Designer(s): **Frederic Battle and Mathieu Pommier and Jerome Corbe**
(45) Registration Date: **03 December 2014**
(30) Convention priority data:
(31) Number (32) Date (33) Country
002424564-001 13 Mar 2014 OFFICE FOR HARMONISATION IN THE INTERNAL MARKET (OHIM)
(56) Related Art Documents: **Not Applicable**
(57) Statement of Newness and Distinctiveness: **Newness and distinctiveness resides in the shape and/or configuration of the seating with handrails for a rail vehicle shown in the representations.**



(21) Design Number: **14700/2014**
(22) Date of Filing Application: **16 September 2014**
(24) Date from which industrial property rights may have effect: **11 April 2014**
(54) Product in respect of which the design is registered: **Handle for a shopping cart**
(51) International Design Classification: **12-02**
(74) Name(s) of Attorney(s): **Griffith Hack**
(71) Name(s) and Address(s) of Applicant(s):
Bemis Manufacturing Company
300 Mill Street Sheboygan Falls Wisconsin 53085 United States of America
(72) Name(s) of Designer(s): **Richard Stauff and Gary Vande Berg and Roy Watson**
(45) Registration Date: **03 December 2014**
(62) Divisional of: **357491**
(56) Related Art Documents: **Not Applicable**
(57) Statement of Newness and Distinctiveness: **Newness and distinctiveness resides in the visual features, including the shape and configuration of the product as shown by means of solid lines in the accompanying representations.**



(21) Design Number: **14767/2014**
(22) Date of Filing Application: **18 September 2014**
(24) Date from which industrial property rights may have effect: **18 September 2014**
(54) Product in respect of which the design is registered: **Tire**
(51) International Design Classification: **12-15B**
(74) Name(s) of Attorney(s): **PHILLIPS ORMONDE FITZPATRICK**
(71) Name(s) and Address(s) of Applicant(s):

Cooper Tire & Rubber Company
701 Lima Avenue Findlay Ohio 45840 United States of America

(72) Name(s) of Designer(s): **Kitty F Chen**

(45) Registration Date: **03 December 2014**

(30) Convention priority data:

(31) Number	(32) Date	(33) Country
29/491,809	23 May 2014	UNITED STATES OF AMERICA

(56) Related Art Documents: **Not Applicable**

(57) Statement of Newness and Distinctiveness: **Those features of the tire depicted in the representations that are new and distinctive are the shape and/or configuration of the tread of the tire. The sidewall, inner bead, shoulder tread, and the peripheral boundary between the tire tread and the sidewall shown in broken line are not part of the design and are to be disregarded when considering the overall impression of the design.**



(21) Design Number: **14931/2014**
(22) Date of Filing Application: **26 September 2014**
(24) Date from which industrial property rights may have effect: **26 September 2014**
(54) Product in respect of which the design is registered: **A foot**
(51) International Design Classification: **06-06C**
(74) Name(s) of Attorney(s): **AJ Park**
(71) Name(s) and Address(s) of Applicant(s):

DESIGNERSCOPE LIMITED
BDO Spicers Level 10 Takapuna Towers Auckland 0622 New Zealand

(72) Name(s) of Designer(s): **Wim Jan De Bruin and Jamie Stewart Booth**

(45) Registration Date: **03 December 2014**

(30) Convention priority data:

(31) Number	(32) Date	(33) Country
418683	28 Mar 2014	NEW ZEALAND

(56) Related Art Documents: **Not Applicable**

(57) Statement of Newness and Distinctiveness: **Newness and distinctiveness resides in the features of shape and/or configuration of the foot as shown in the representations. No newness and distinctiveness resides in any features shown in broken (phantom) lines.**



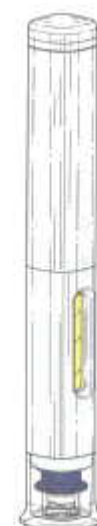
- (21) Design Number: **15191/2014**
(22) Date of Filing Application: **10 October 2014**
(24) Date from which industrial property rights may have effect: **10 October 2014**
(54) Product in respect of which the design is registered: **Autoinjector device**
(51) International Design Classification: **24-02**
(74) Name(s) of Attorney(s): **Shelston IP**
(71) Name(s) and Address(s) of Applicant(s):
Merck Sharp & Dohme Corp.
126 East Lincoln Avenue Rahway New Jersey, 07065-0907 United States of America
(72) Name(s) of Designer(s): **Greg Burkett and Shu Kuen Chang and Angie Kim and Jin Ko and Scott Mackie and Philip G Green and Sharad Gupta and Angela M Amend Kwasnik and Christin L O'Neill and Robert Stianchi and Witold Swiatek**
(45) Registration Date: **03 December 2014**
(30) Convention priority data:
(31) Number (32) Date (33) Country
29/487568 10 Apr 2014 UNITED STATES OF AMERICA
(56) Related Art Documents: **Not Applicable**
(57) Statement of Newness and Distinctiveness: **Nil**



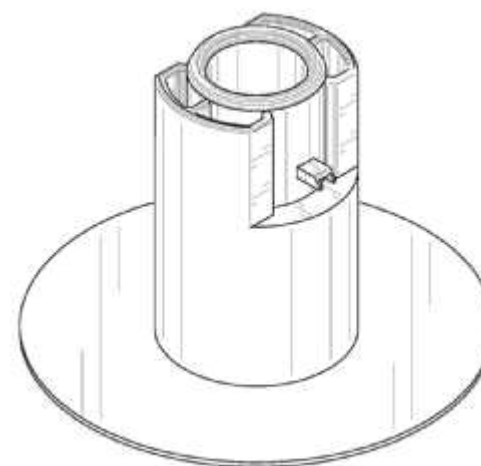
- (21) Design Number: **15194/2014**
(22) Date of Filing Application: **10 October 2014**
(24) Date from which industrial property rights may have effect: **10 October 2014**
(54) Product in respect of which the design is registered: **Autoinjector device**
(51) International Design Classification: **24-02**
(74) Name(s) of Attorney(s): **Shelston IP**
(71) Name(s) and Address(s) of Applicant(s):
Merck Sharp & Dohme Corp.
126 East Lincoln Avenue Rahway New Jersey, 07065-0907 United States of America
(72) Name(s) of Designer(s): **Greg Burkett and Shu Kuen Chang and Angie Kim and Jin Ko and Scott Mackie and Philip G Green and Sharad Gupta and Christin L O'Neill and Robert Stianchi and Witold Swiatek and Angela M Amend Kwasnik**
(45) Registration Date: **03 December 2014**
(30) Convention priority data:
(31) Number (32) Date (33) Country
29/487571 10 Apr 2014 UNITED STATES OF AMERICA
(56) Related Art Documents: **Not Applicable**
(57) Statement of Newness and Distinctiveness: **Nil**



(21) Design Number: **15198/2014**
(22) Date of Filing Application: **10 October 2014**
(24) Date from which industrial property rights may have effect: **10 October 2014**
(54) Product in respect of which the design is registered: **Autoinjector device**
(51) International Design Classification: **24-02**
(74) Name(s) of Attorney(s): **Shelston IP**
(71) Name(s) and Address(s) of Applicant(s):
Merck Sharp & Dohme Corp.
126 East Lincoln Avenue Rahway New Jersey, 07065-0907 United States of America
(72) Name(s) of Designer(s): **Greg Burkett and Shu Kuen Chang and Angie Kim and Jin Ko and Scott Mackie and Philip G Green and Sharad Gupta and Angela M Amend Kwasnik and Christin L O'Neill and Robert Stianchi and Witold Swiatek**
(45) Registration Date: **03 December 2014**
(30) Convention priority data:
(31) Number (32) Date (33) Country
29/487569 10 Apr 2014 UNITED STATES OF AMERICA
(56) Related Art Documents: **Not Applicable**
(57) Statement of Newness and Distinctiveness: **Nil**



(21) Design Number: **15199/2014**
(22) Date of Filing Application: **10 October 2014**
(24) Date from which industrial property rights may have effect: **10 October 2014**
(54) Product in respect of which the design is registered: **Fluid cartridge having connector**
(51) International Design Classification: **28-03NES**
(74) Name(s) of Attorney(s): **PHILLIPS ORMONDE FITZPATRICK**
(71) Name(s) and Address(s) of Applicant(s):
Snappyscreen, Inc.
17 Milford Drive Locust Valley New York, 11560 United States of America
(72) Name(s) of Designer(s): **Kristen McClellan and Erkan Riza and Aslan Leo Riza**
(45) Registration Date: **03 December 2014**
(30) Convention priority data:
(31) Number (32) Date (33) Country
29/487,969 14 Apr 2014 UNITED STATES OF AMERICA
(56) Related Art Documents: **Not Applicable**
(57) Statement of Newness and Distinctiveness: **Nil**



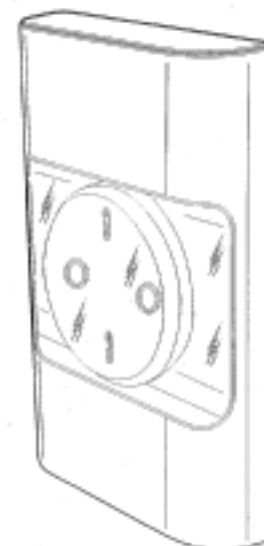
- (21) Design Number: **15248/2014**
(22) Date of Filing Application: **15 October 2014**
(24) Date from which industrial property rights may have effect: **15 October 2014**
(54) Product in respect of which the design is registered: **Womens underwear**
(51) International Design Classification: **02-01B**
(74) Name(s) of Attorney(s):
(71) Name(s) and Address(s) of Applicant(s):
Lisa Anne Link
16 Delta Ave Taroom TAS 7053 Australia
(72) Name(s) of Designer(s): **Lisa Anne Link**
(45) Registration Date: **03 December 2014**
(56) Related Art Documents: **Not Applicable**
(57) Statement of Newness and Distinctiveness: **Since their invention in 1935, Y-fronts have become a fixture in underwear drawers of men all around the world. Now almost 80 years later, THE VELVET AFFAIR invites you to take part in the next biggest thing in briefs by finally uniting the famous Y-front with its missing partner... The X-front! Hobart designer Lisa Link is eXcited to be launching her brand new underwear label called THE VELVET AFFAIR. Lisa has created comfy briefs for men and women made from soft and sustainable bamboo fabrics, all proudly made and designed within Australia. The womens brief has a distinct X-front design feature which Lisa would like to protect.**



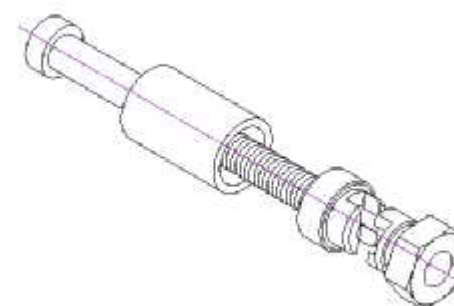
- (21) Design Number: **15327/2014**
(22) Date of Filing Application: **21 October 2014**
(24) Date from which industrial property rights may have effect: **21 October 2014**
(54) Product in respect of which the design is registered: **Alpaca lavender bag**
(51) International Design Classification: **09-05**
(74) Name(s) of Attorney(s):
(71) Name(s) and Address(s) of Applicant(s):
PRODUCT OF AUSTRALIA TRADE PTY. LTD.
3/104 Ford St IVANHOE VIC 3079 Australia
(72) Name(s) of Designer(s): **Maggie Chen**
(45) Registration Date: **03 December 2014**
(56) Related Art Documents: **Not Applicable**
(57) Statement of Newness and Distinctiveness: **Create a special pattern bag and hand make with baby Alpaca fur and fill in dried Australian Lavender.**



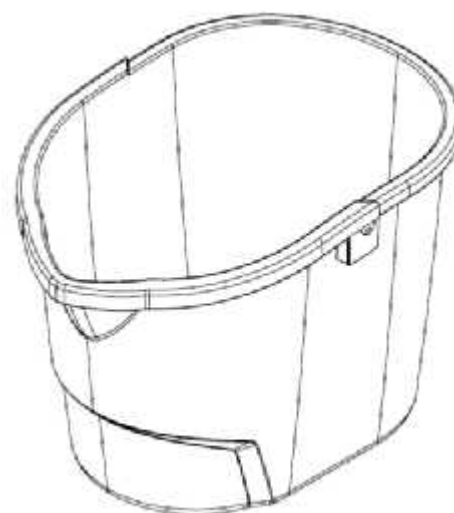
(21) Design Number: **15447/2014**
(22) Date of Filing Application: **29 October 2014**
(24) Date from which industrial property rights may have effect: **01 September 2014**
(54) Product in respect of which the design is registered: **Package for data medium**
(51) International Design Classification: **09-03M**
(74) Name(s) of Attorney(s): **PIZZEYS**
(71) Name(s) and Address(s) of Applicant(s):
Vorwerk & Co. Interholding GmbH
Muehlenweg 17-37 Wuppertal 42275 Germany
(72) Name(s) of Designer(s): **Michael Brandt and Uwe Kemker**
(45) Registration Date: **03 December 2014**
(30) Convention priority data:
(31) Number (32) Date (33) Country
001409536 23 Apr 2014 EUROPEAN PATENT OFFICE (EPO)
(62) Divisional of: **358507**
(56) Related Art Documents: **Not Applicable**
(57) Statement of Newness and Distinctiveness: **Nil**



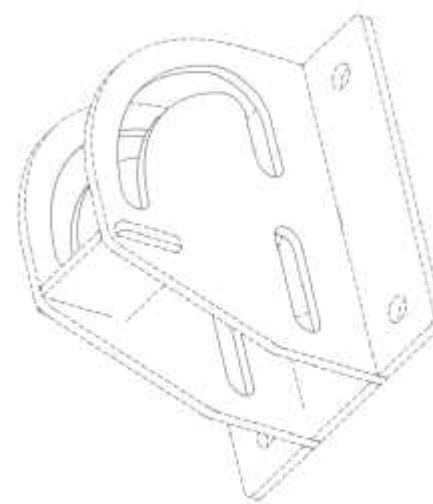
(21) Design Number: **15720/2014**
(22) Date of Filing Application: **10 November 2014**
(24) Date from which industrial property rights may have effect: **10 November 2014**
(54) Product in respect of which the design is registered: **Sliding door trolley**
(51) International Design Classification: **08-09**
(74) Name(s) of Attorney(s):
(71) Name(s) and Address(s) of Applicant(s):
D&K Home Security P/L
Fy 4/8 Jesmond Rd Croydon VIC 3136 Australia
(72) Name(s) of Designer(s): **David Machintosh**
(45) Registration Date: **03 December 2014**
(56) Related Art Documents: **Not Applicable**
(57) Statement of Newness and Distinctiveness: **Newness is claimed in the designs ability to allow height adjustment of the sliding door from the below the door trolley with the minimum of space required.**



- (21) Design Number: **11524/2014**
(22) Date of Filing Application: **28 March 2014**
(24) Date from which industrial property rights may have effect: **28 March 2014**
(54) Product in respect of which the design is registered: **Bucket**
(51) International Design Classification: **07-07B**
(74) Name(s) of Attorney(s): **Allens Patent & Trade Mark Attorneys**
(71) Name(s) and Address(s) of Applicant(s):
E.D. Oates Pty Ltd
13-21 Maygar Bvd Broadmeadows VIC 3047 Australia
(72) Name(s) of Designer(s): **Frankie Ngan**
(45) Registration Date: **03 December 2014**
(56) Related Art Documents: **Not Applicable**
(57) Statement of Newness and Distinctiveness: **Newness and distinctiveness resides in the visual features of shape and/or configuration of a bucket as illustrated in the accompanying representations.**



- (21) Design Number: **12476/2014**
(22) Date of Filing Application: **20 May 2014**
(24) Date from which industrial property rights may have effect: **20 May 2014**
(54) Product in respect of which the design is registered: **Bracket slots**
(51) International Design Classification: **08-08L**
(74) Name(s) of Attorney(s): **Wrays**
(71) Name(s) and Address(s) of Applicant(s):
Industrial Steps and Ladders Pty Ltd
42 Hogarth St Cannington WA 6107 Australia
(72) Name(s) of Designer(s): **James Leslie Mann**
(45) Registration Date: **03 December 2014**
(56) Related Art Documents: **Not Applicable**
(57) Statement of Newness and Distinctiveness: **Newness and distinctiveness is claimed in the features of shape and/or configuration of the bracket slots as shown in the accompanying representations. The features depicted by broken lines are for illustrative purposes only and form no part of the claimed design.**



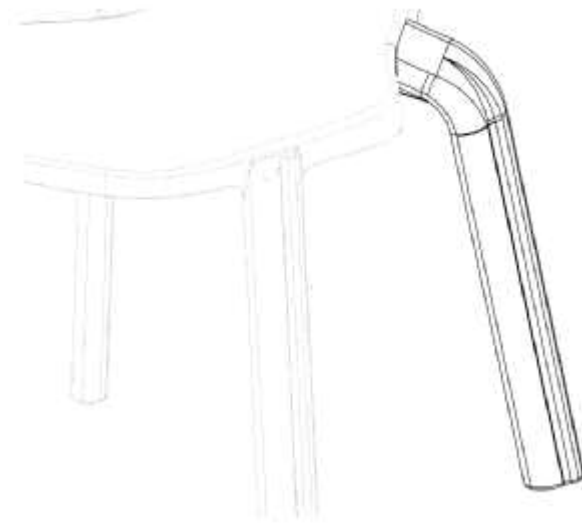
- (21) Design Number: **12613/2014**
(22) Date of Filing Application: **28 May 2014**
(24) Date from which industrial property rights may have effect: **28 May 2014**
(54) Product in respect of which the design is registered: **Chair**
(51) International Design Classification: **06-01F**
(74) Name(s) of Attorney(s): **Macpherson + Kelley**
(71) Name(s) and Address(s) of Applicant(s):
Woods Furniture Pty Ltd
564 Geelong Rd Brooklyn VIC 3012 Australia
(72) Name(s) of Designer(s): **Rod Massey**
(45) Registration Date: **03 December 2014**
(56) Related Art Documents: **Not Applicable**
(57) Statement of Newness and Distinctiveness: **Newness and distinctiveness resides in the features of shape and/or configuration of a chair as shown in the accompanying representations, in particular the shape and configuration of the rear legs of the chair.**



- (21) Design Number: **12614/2014**
(22) Date of Filing Application: **28 May 2014**
(24) Date from which industrial property rights may have effect: **28 May 2014**
(54) Product in respect of which the design is registered: **Chair**
(51) International Design Classification: **06-01F**
(74) Name(s) of Attorney(s): **Macpherson + Kelley**
(71) Name(s) and Address(s) of Applicant(s):
Woods Furniture Pty Ltd
564 Geelong Rd Brooklyn VIC 3012 Australia
(72) Name(s) of Designer(s): **Rod Massey**
(45) Registration Date: **03 December 2014**
(56) Related Art Documents: **Not Applicable**
(57) Statement of Newness and Distinctiveness: **Newness and distinctiveness resides in the features of shape, configuration and/or pattern of a chair as shown in the accompanying representations, in particular the shape and configuration of the rear legs of the chair.**



- (21) Design Number: **12615/2014**
(22) Date of Filing Application: **28 May 2014**
(24) Date from which industrial property rights may have effect: **28 May 2014**
(54) Product in respect of which the design is registered: **Chair leg**
(51) International Design Classification: **06-06G**
(74) Name(s) of Attorney(s): **Macpherson + Kelley**
(71) Name(s) and Address(s) of Applicant(s):
Woods Furniture Pty Ltd
564 Geelong Rd Brooklyn VIC 3012 Australia
(72) Name(s) of Designer(s): **Rod Massey**
(45) Registration Date: **03 December 2014**
(56) Related Art Documents: **Not Applicable**
(57) Statement of Newness and Distinctiveness: **Newness and distinctiveness resides in the features of shape and/or configuration of a chair leg as shown in the accompanying representations. The broken lines in the representations are included for the purpose of illustrating the context of the design and form no part of the design.**



- (21) Design Number: **13116/2014**
(22) Date of Filing Application: **26 June 2014**
(24) Date from which industrial property rights may have effect: **26 June 2014**
(54) Product in respect of which the design is registered: **Racing car bed**
(51) International Design Classification: **06-02**
(74) Name(s) of Attorney(s):
(71) Name(s) and Address(s) of Applicant(s):
IQ Kids & Furniture Pty Ltd
Unit 4 3-7 Rhur Street Dandenong South Victoria 3175 Australia
(72) Name(s) of Designer(s): **Andrew Stewart**
(45) Registration Date: **03 December 2014**
(56) Related Art Documents: **Not Applicable**
(57) Statement of Newness and Distinctiveness: **New Graphic Design of Car Bed.**



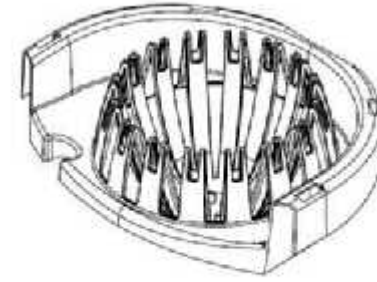
- (21) Design Number: **13117/2014**
(22) Date of Filing Application: **26 June 2014**
(24) Date from which industrial property rights may have effect: **26 June 2014**
(54) Product in respect of which the design is registered: **Racing car bed**
(51) International Design Classification: **06-02**
(74) Name(s) of Attorney(s):
(71) Name(s) and Address(s) of Applicant(s):
IQ Kids & Furniture Pty Ltd
Unit 4 3-7 Rhur Street Dandenong South Victoria 3175 Australia
(72) Name(s) of Designer(s): **Andrew Stewart**
(45) Registration Date: **03 December 2014**
(56) Related Art Documents: **Not Applicable**
(57) Statement of Newness and Distinctiveness: **New Graphic Design of Car Bed.**



- (21) Design Number: **14019/2014**
(22) Date of Filing Application: **14 August 2014**
(24) Date from which industrial property rights may have effect: **14 August 2014**
(54) Product in respect of which the design is registered: **Automobile**
(51) International Design Classification: **12-08**
(74) Name(s) of Attorney(s): **SPRUSON & FERGUSON**
(71) Name(s) and Address(s) of Applicant(s):
Toyota Jidosha Kabushiki Kaisha
1, Toyota-cho, Toyota-shi Aichi-ken, 471-8571 Japan
(72) Name(s) of Designer(s): **Stephan Jukt Rasmussen and Ian Richard Cartabiano and Katsuhiko Suzuki**
(45) Registration Date: **03 December 2014**
(56) Related Art Documents: **Not Applicable**
(57) Statement of Newness and Distinctiveness: **Newness and distinctiveness is claimed in the features of shape and/or configuration of an automobile as illustrated in the accompanying representations, apart from the Toyota emblems.**



- (21) Design Number: **11525/2014**
(22) Date of Filing Application: **28 March 2014**
(24) Date from which industrial property rights may have effect: **28 March 2014**
(54) Product in respect of which the design is registered: **Wringer**
(51) International Design Classification: **07-07B**
(74) Name(s) of Attorney(s): **Allens Patent & Trade Mark Attorneys**
(71) Name(s) and Address(s) of Applicant(s):
E.D. Oates Pty Ltd
13-21 Maygar Bvd Broadmeadows VIC 3047 Australia
(72) Name(s) of Designer(s): **Frankie Ngan**
(45) Registration Date: **03 December 2014**
(56) Related Art Documents: **Not Applicable**
(57) Statement of Newness and Distinctiveness: **Newness and distinctiveness resides in the visual features of shape and/or configuration of a wringer as illustrated in the accompanying representations.**



- (21) Design Number: **12923/2014**
(22) Date of Filing Application: **16 June 2014**
(24) Date from which industrial property rights may have effect: **16 June 2014**
(54) Product in respect of which the design is registered: **Spacer for a u-bolt or -clamp**
(51) International Design Classification: **08-08B**
(74) Name(s) of Attorney(s):
(71) Name(s) and Address(s) of Applicant(s):
Allan James Yeomans
60 Sunrise Bvd Surfers Paradise QLD 4217 Australia
(72) Name(s) of Designer(s): **Allan James Yeomans**
(45) Registration Date: **03 December 2014**
(56) Related Art Documents: **Not Applicable**
(57) Statement of Newness and Distinctiveness: **Newness and distinctiveness reside in the features of shape and configuration of a spacer for a U-bolt or -clamp as shown in the accompanying representations.**



(21) Design Number: **15841/2014**
(22) Date of Filing Application: **17 November 2014**
(24) Date from which industrial property rights may have effect: **17 November 2014**
(54) Product in respect of which the design is registered: **Robot**
(51) International Design Classification: **14-02**
(74) Name(s) of Attorney(s): **AJ Park**
(71) Name(s) and Address(s) of Applicant(s):
JIBO, INC.
10 Nouvelle Way, Suite 1108 Natick Massachusetts 01760 United States of America
(72) Name(s) of Designer(s): **Cynthia Breazeal and Fardad Faridi**
(45) Registration Date: **03 December 2014**
(30) Convention priority data:
(31) Number (32) Date (33) Country
29/491,780 23 May 2014 UNITED STATES OF AMERICA
(56) Related Art Documents: **Not Applicable**
(57) Statement of Newness and Distinctiveness: **Newness and distinctiveness reside in the features of shape and/or configuration of the robot all as shown in the representations. The features shown in broken lines are shown for illustrative purposes only and are to be disregarded when considering the overall impression of the design.**



(21) Design Number: **15842/2014**
(22) Date of Filing Application: **17 November 2014**
(24) Date from which industrial property rights may have effect: **17 November 2014**
(54) Product in respect of which the design is registered: **Robot**
(51) International Design Classification: **14-02**
(74) Name(s) of Attorney(s): **AJ Park**
(71) Name(s) and Address(s) of Applicant(s):
JIBO, INC.
10 Nouvelle Way, Suite 1108 Natick Massachusetts 01760 United States of America
(72) Name(s) of Designer(s): **Cynthia Breazeal and Fardad Faridi**
(45) Registration Date: **03 December 2014**
(30) Convention priority data:
(31) Number (32) Date (33) Country
29/491,780 23 May 2014 UNITED STATES OF AMERICA
(56) Related Art Documents: **Not Applicable**
(57) Statement of Newness and Distinctiveness: **Newness and distinctiveness reside in the features of shape and/or configuration of the robot all as shown in the representations. The features shown in broken lines are shown for illustrative purposes only and are to be disregarded when considering the overall impression of the design.**



(21) Design Number: **15886/2014**
(22) Date of Filing Application: **19 November 2014**
(24) Date from which industrial property rights may have effect: **11 September 2014**
(54) Product in respect of which the design is registered: **Container lid**
(51) International Design Classification: **07-01NES**
(74) Name(s) of Attorney(s): **E F Wellington & Co**
(71) Name(s) and Address(s) of Applicant(s):
Duke Manufacturing Co.
2305 North Broadway St. Louis Missouri 63102 United States of America

(72) Name(s) of Designer(s): **James W Bigott**

(45) Registration Date: **03 December 2014**

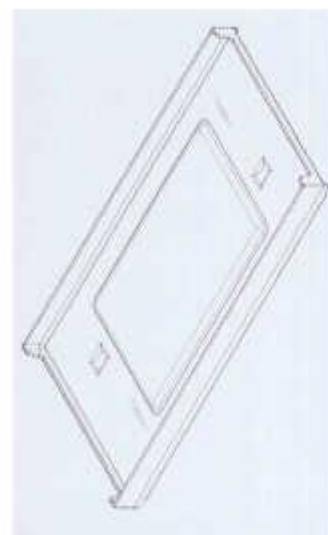
(30) Convention priority data:

(31) Number	(32) Date	(33) Country
29/485060	14 Mar 2014	UNITED STATES OF AMERICA

(62) Divisional of: **359014**

(56) Related Art Documents: **Not Applicable**

(57) Statement of Newness and Distinctiveness: **The newness and distinctiveness of the design resides in the shape and/or configuration of the CONTAINER LID shown in the representations. The features shown in broken lines are for illustrative purposes only and do not form part of the design.**



(21) Design Number: **15887/2014**
(22) Date of Filing Application: **19 November 2014**
(24) Date from which industrial property rights may have effect: **19 November 2014**
(54) Product in respect of which the design is registered: **Earplug**
(51) International Design Classification: **24-04**
(74) Name(s) of Attorney(s): **Freehills Patent Attorneys**
(71) Name(s) and Address(s) of Applicant(s):
3M Innovative Properties Company
3M Center Post Office Box 33427 Saint Paul Minnesota 55133-3427
United States of America

(72) Name(s) of Designer(s): **Jeffrey Lee Hamer and Kenneth Foster Teeters and Ravi Thomas**

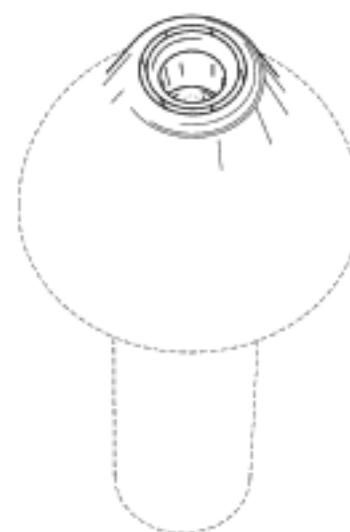
(45) Registration Date: **03 December 2014**

(30) Convention priority data:

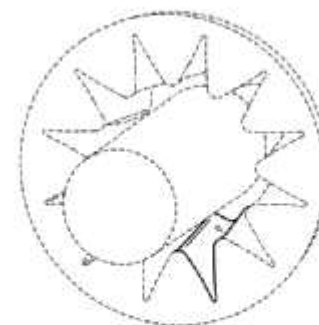
(31) Number	(32) Date	(33) Country
29/491291	20 May 2014	UNITED STATES OF AMERICA

(56) Related Art Documents: **Not Applicable**

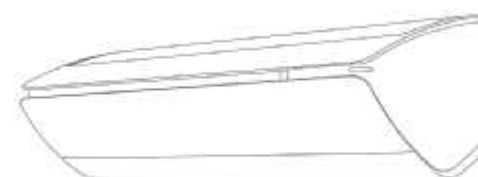
(57) Statement of Newness and Distinctiveness: **Newness and distinctiveness resides in the shape and configuration of features of the earplug as shown in solid outlines in the accompanying representations.**



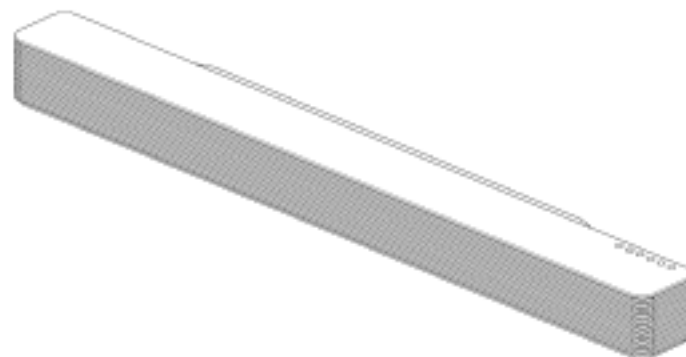
- (21) Design Number: **15891/2014**
(22) Date of Filing Application: **19 November 2014**
(24) Date from which industrial property rights may have effect: **19 November 2014**
(54) Product in respect of which the design is registered: **Earplug**
(51) International Design Classification: **24-04**
(74) Name(s) of Attorney(s): **Freehills Patent Attorneys**
(71) Name(s) and Address(s) of Applicant(s):
3M Innovative Properties Company
3M Center Post Office Box 33427 Saint Paul Minnesota 55133-3427
United States of America
(72) Name(s) of Designer(s): **Jeffrey Lee Hamer and Kenneth Foster Teeters**
and Ravi Thomas
(45) Registration Date: **03 December 2014**
(30) Convention priority data:
(31) Number (32) Date (33) Country
29/491298 20 May 2014 UNITED STATES OF AMERICA
(56) Related Art Documents: **Not Applicable**
(57) Statement of Newness and Distinctiveness: **Newness and distinctiveness**
resides in the shape and configuration of features of the earplug as
shown in solid outlines in the accompanying representations.



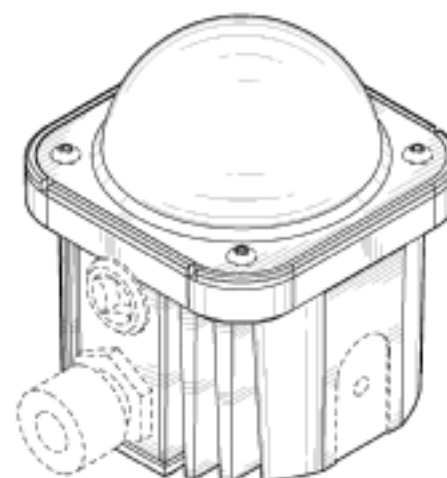
- (21) Design Number: **15899/2014**
(22) Date of Filing Application: **19 November 2014**
(24) Date from which industrial property rights may have effect: **19 November 2014**
(54) Product in respect of which the design is registered: **Air conditioner**
(51) International Design Classification: **23-04**
(74) Name(s) of Attorney(s): **IP Gateway Patent & Trademark Attorneys Pty**
Ltd
(71) Name(s) and Address(s) of Applicant(s):
Samsung Electronics Co., Ltd.
129 Samsung-ro Yeongtong-gu Suwon-si Gyeonggi-do 443-742 Republic
of Korea
(72) Name(s) of Designer(s): **Jin Sook Park**
(45) Registration Date: **03 December 2014**
(30) Convention priority data:
(31) Number (32) Date (33) Country
30-2014-0025355 22 May 2014 REPUBLIC OF KOREA
(56) Related Art Documents: **Not Applicable**
(57) Statement of Newness and Distinctiveness: **Newness and distinctiveness**
resides in the visual features of shape and/or configuration of
an air conditioner as shown in solid lines in the accompanying
representations.



(21) Design Number: **15905/2014**
(22) Date of Filing Application: **20 November 2014**
(24) Date from which industrial property rights may have effect: **20 November 2014**
(54) Product in respect of which the design is registered: **Speaker for television receivers**
(51) International Design Classification: **14-01**
(74) Name(s) of Attorney(s): **Allens Patent & Trade Mark Attorneys**
(71) Name(s) and Address(s) of Applicant(s):
LG Electronics Inc.
128 Yeoui-daero Yeongdeungpo-gu Seoul 150-721 Republic of Korea
(72) Name(s) of Designer(s): **Hee Su Yang and Seon Kyu Kim and Jun Ki Kim and He Won Kihl**
(45) Registration Date: **03 December 2014**
(30) Convention priority data:
(31) Number (32) Date (33) Country
30-2014-0031814 27 Jun 2014 REPUBLIC OF KOREA
(56) Related Art Documents: **Not Applicable**
(57) Statement of Newness and Distinctiveness: **Newness and distinctiveness resides in the visual features of shape and/or configuration of a speaker for television receivers as illustrated in the accompanying representations.**



(21) Design Number: **15913/2014**
(22) Date of Filing Application: **20 November 2014**
(24) Date from which industrial property rights may have effect: **20 November 2014**
(54) Product in respect of which the design is registered: **Light fixture**
(51) International Design Classification: **26-05D**
(74) Name(s) of Attorney(s): **SPRUSON & FERGUSON**
(71) Name(s) and Address(s) of Applicant(s):
Phoenix Products Company, Inc.
8711 West Port Avenue Milwaukee Wisconsin 53224 United States of America
(72) Name(s) of Designer(s): **Robert Kenneth Yasuji Fletcher and Alison Lee Pierce and Kenneth C Kuchler**
(45) Registration Date: **03 December 2014**
(30) Convention priority data:
(31) Number (32) Date (33) Country
29/506971 22 Oct 2014 UNITED STATES OF AMERICA
(56) Related Art Documents: **Not Applicable**
(57) Statement of Newness and Distinctiveness: **Newness and distinctiveness is claimed in those features of shape and/or configuration of a light fixture illustrated in continuous lines in the accompanying representations.**



- (21) Design Number: **11000/2014**
(22) Date of Filing Application: **03 March 2014**
(24) Date from which industrial property rights may have effect: **03 March 2014**
(54) Product in respect of which the design is registered: **Article of clothing**
(51) International Design Classification: **02-02C**
(74) Name(s) of Attorney(s): **Allens Patent & Trade Mark Attorneys**
(71) Name(s) and Address(s) of Applicant(s):
Forever New Clothing Pty Ltd
714-716 High St Kew East VIC 3102 Australia
(72) Name(s) of Designer(s): **Mantra Ahrendt**
(45) Registration Date: **03 December 2014**
(56) Related Art Documents: **Not Applicable**
(57) Statement of Newness and Distinctiveness: **Newness and distinctiveness resides in the visual features of shape, configuration, pattern and/or ornamentation of an article of clothing as shown in the accompanying representations.**



- (21) Design Number: **11702/2014**
(22) Date of Filing Application: **03 April 2014**
(24) Date from which industrial property rights may have effect: **03 April 2014**
(54) Product in respect of which the design is registered: **Article of clothing**
(51) International Design Classification: **02-02C**
(74) Name(s) of Attorney(s): **Allens Patent & Trade Mark Attorneys**
(71) Name(s) and Address(s) of Applicant(s):
Forever New Clothing Pty Ltd
714-716 High St Kew East VIC 3102 Australia
(72) Name(s) of Designer(s): **Octavia Miller**
(45) Registration Date: **03 December 2014**
(56) Related Art Documents: **Not Applicable**
(57) Statement of Newness and Distinctiveness: **Newness and distinctiveness resides in the visual features of shape, configuration, pattern and/or ornamentation of an article of clothing as shown in the accompanying representations.**



(21) Design Number: **14673/2014**
(22) Date of Filing Application: **15 September 2014**
(24) Date from which industrial property rights may have effect: **15 September 2014**
(54) Product in respect of which the design is registered: **Control panel with driver's seat**
(51) International Design Classification: **06-01D, 12-16NES**
(74) Name(s) of Attorney(s): **PHILLIPS ORMONDE FITZPATRICK**
(71) Name(s) and Address(s) of Applicant(s):
ALSTOM Transport Technologies
3 av Andre Malraux LEVALLOIS PERRET 92300 France
(72) Name(s) of Designer(s): **Frederic Battle and Mathieu Pommier and Jerome Corbe**
(45) Registration Date: **03 December 2014**
(30) Convention priority data:
(31) Number (32) Date (33) Country
002424457-0001 13 Mar 2014 OFFICE FOR HARMONISATION IN THE INTERNAL MARKET (OHIM)
(56) Related Art Documents: **Not Applicable**
(57) Statement of Newness and Distinctiveness: **Newness and distinctiveness resides in the shape and/or configuration of the control panel with driver's seat shown in the representation. The solid red line shown in the representation surrounds the design. Any features shown outside the solid red line are to be ignored.**



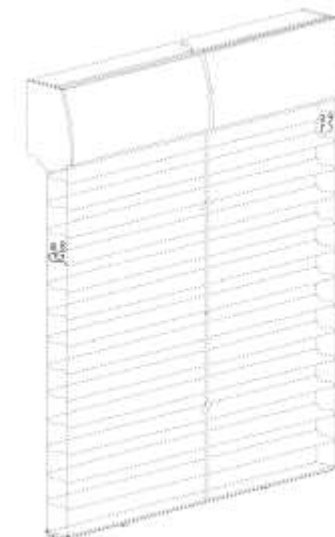
(21) Design Number: **14933/2014**
(22) Date of Filing Application: **26 September 2014**
(24) Date from which industrial property rights may have effect: **26 September 2014**
(54) Product in respect of which the design is registered: **A tool**
(51) International Design Classification: **08-05NES**
(74) Name(s) of Attorney(s): **AJ Park**
(71) Name(s) and Address(s) of Applicant(s):
DESIGNERSCOPE LIMITED
BDO Spicers Level 10 Takapuna Towers Auckland 0622 New Zealand
(72) Name(s) of Designer(s): **Wim Jan De Bruin and Jamie Stewart Booth**
(45) Registration Date: **03 December 2014**
(30) Convention priority data:
(31) Number (32) Date (33) Country
418682 28 Mar 2014 NEW ZEALAND
(56) Related Art Documents: **Not Applicable**
(57) Statement of Newness and Distinctiveness: **Newness and distinctiveness resides in the features of shape and/or configuration of the tool as shown in the representations. No newness and distinctiveness resides in any features shown in broken (phantom) lines.**



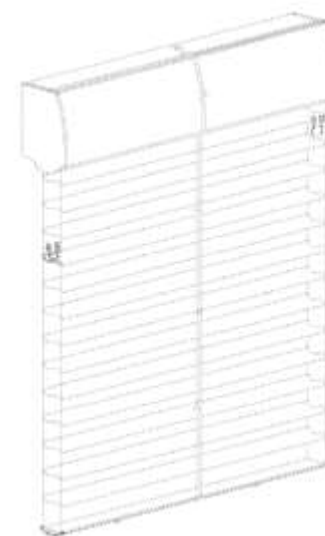
- (21) Design Number: **15126/2014**
(22) Date of Filing Application: **07 October 2014**
(24) Date from which industrial property rights may have effect: **07 October 2014**
(54) Product in respect of which the design is registered: **Fuel tank**
(51) International Design Classification: **23-01F**
(74) Name(s) of Attorney(s):
(71) Name(s) and Address(s) of Applicant(s):
Stewart Thompson
PO BOX 355 Tullamarine VIC 3043 Australia
(72) Name(s) of Designer(s): **Stewart Thompson and Paul Cooper**
(45) Registration Date: **03 December 2014**
(56) Related Art Documents: **Not Applicable**
(57) Statement of Newness and Distinctiveness: **Nil**



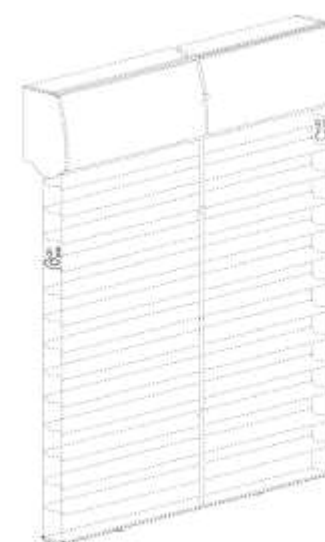
- (21) Design Number: **15512/2014**
(22) Date of Filing Application: **31 October 2014**
(24) Date from which industrial property rights may have effect: **31 October 2014**
(54) Product in respect of which the design is registered: **Covering for an architectural opening**
(51) International Design Classification: **06-10**
(74) Name(s) of Attorney(s): **Shelston IP**
(71) Name(s) and Address(s) of Applicant(s):
Hunter Douglas Inc.
1 Blue Hill Plaza Pearl River New York 10965 United States of America
(72) Name(s) of Designer(s): **Bonnie Earl and Kent A Smith**
(45) Registration Date: **03 December 2014**
(30) Convention priority data:
(31) Number (32) Date (33) Country
29/489766 02 May 2014 UNITED STATES OF AMERICA
(56) Related Art Documents: **Not Applicable**
(57) Statement of Newness and Distinctiveness: **Newness and distinctiveness reside in the features of pattern and/or ornamentation of the Covering for an Opening Having Vane with a Pattern as shown in the accompanying representations. The features of the covering shown in broken lines are provided for environmental purposes only and form no part of the design.**



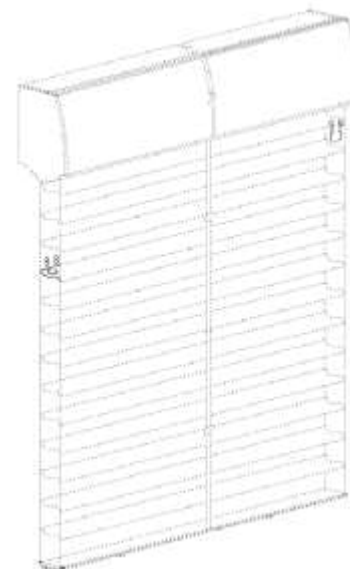
- (21) Design Number: **15514/2014**
(22) Date of Filing Application: **31 October 2014**
(24) Date from which industrial property rights may have effect: **31 October 2014**
(54) Product in respect of which the design is registered: **Covering for an architectural opening**
(51) International Design Classification: **06-10**
(74) Name(s) of Attorney(s): **Shelston IP**
(71) Name(s) and Address(s) of Applicant(s):
Hunter Douglas Inc.
1 Blue Hill Plaza Pearl River New York 10965 United States of America
(72) Name(s) of Designer(s): **Bonnie Earl and Kent A Smith**
(45) Registration Date: **03 December 2014**
(30) Convention priority data:
(31) Number (32) Date (33) Country
29/489772 02 May 2014 UNITED STATES OF AMERICA
(56) Related Art Documents: **Not Applicable**
(57) Statement of Newness and Distinctiveness: **Newness and distinctiveness reside in the features of pattern and/or ornamentation of the Covering for an Opening Having Vane with a Pattern as shown in the accompanying representations. The features of the covering shown in broken lines are provided for environmental purposes only and form no part of the design.**



- (21) Design Number: **15515/2014**
(22) Date of Filing Application: **31 October 2014**
(24) Date from which industrial property rights may have effect: **31 October 2014**
(54) Product in respect of which the design is registered: **Covering for an architectural opening**
(51) International Design Classification: **06-10**
(74) Name(s) of Attorney(s): **Shelston IP**
(71) Name(s) and Address(s) of Applicant(s):
Hunter Douglas Inc.
1 Blue Hill Plaza Pearl River New York 10965 United States of America
(72) Name(s) of Designer(s): **Bonnie Earl and Kent A Smith**
(45) Registration Date: **03 December 2014**
(30) Convention priority data:
(31) Number (32) Date (33) Country
29/489778 02 May 2014 UNITED STATES OF AMERICA
(56) Related Art Documents: **Not Applicable**
(57) Statement of Newness and Distinctiveness: **Newness and distinctiveness reside in the features of pattern and/or ornamentation of the Covering for an Opening Having Vane with a Pattern as shown in the accompanying representations. The features of the covering shown in broken lines are provided for environmental purposes only and form no part of the design.**



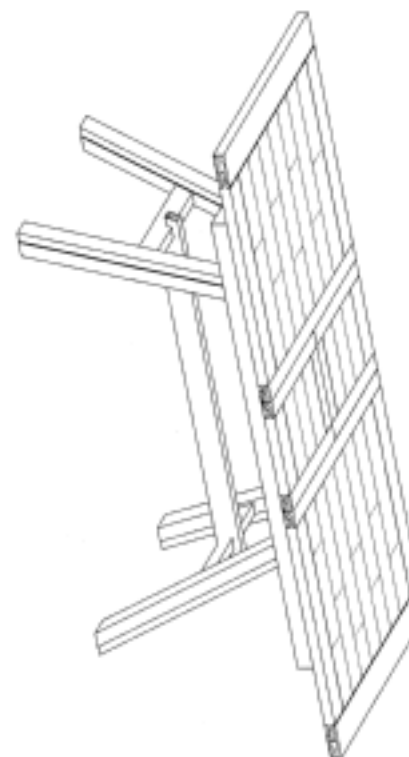
(21) Design Number: **15518/2014**
(22) Date of Filing Application: **31 October 2014**
(24) Date from which industrial property rights may have effect: **31 October 2014**
(54) Product in respect of which the design is registered: **Covering for an architectural opening**
(51) International Design Classification: **06-10**
(74) Name(s) of Attorney(s): **Shelston IP**
(71) Name(s) and Address(s) of Applicant(s):
Hunter Douglas Inc.
1 Blue Hill Plaza Pearl River New York 10965 United States of America
(72) Name(s) of Designer(s): **Bonnie Earl and Kent A Smith**
(45) Registration Date: **03 December 2014**
(30) Convention priority data:
(31) Number (32) Date (33) Country
29/489793 02 May 2014 UNITED STATES OF AMERICA
(56) Related Art Documents: **Not Applicable**
(57) Statement of Newness and Distinctiveness: **Newness and distinctiveness reside in the features of pattern and/or ornamentation of the Covering for an Opening Having Vane with a Pattern as shown in the accompanying representations. The features of the covering shown in broken lines are provided for environmental purposes only and form no part of the design.**



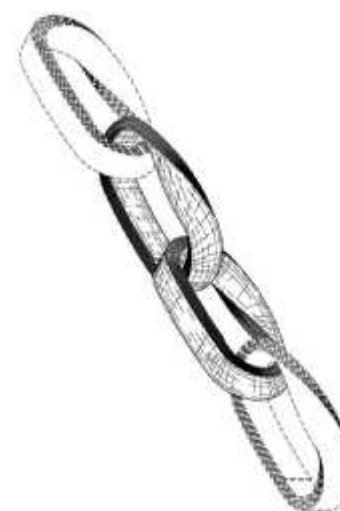
(21) Design Number: **15531/2014**
(22) Date of Filing Application: **02 November 2014**
(24) Date from which industrial property rights may have effect: **02 November 2014**
(54) Product in respect of which the design is registered: **Electrical wall switch**
(51) International Design Classification: **13-03D**
(74) Name(s) of Attorney(s):
(71) Name(s) and Address(s) of Applicant(s):
CLIPSO ELECTRICAL PTY LTD
12/172 Milperra Rd Revesby NSW 2212 Australia
(72) Name(s) of Designer(s): **Mazen Abdulkader**
(45) Registration Date: **03 December 2014**
(56) Related Art Documents: **Not Applicable**
(57) Statement of Newness and Distinctiveness: **Newness and distinctiveness resides in the visual features of the appearance and the side face of the dolly switch outer clip, no regard is to be had to the remaining spring and irregular shaped piece shown beneath the clip.**



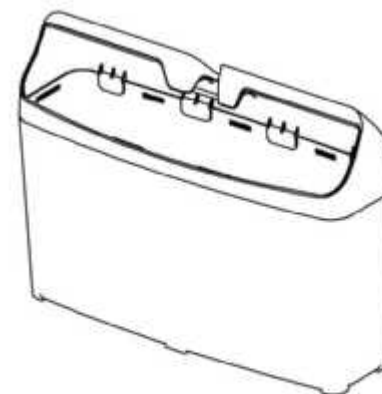
- (21) Design Number: **15824/2014**
(22) Date of Filing Application: **13 November 2014**
(24) Date from which industrial property rights may have effect: **13 November 2014**
(54) Product in respect of which the design is registered: **A table**
(51) International Design Classification: **06-03A**
(74) Name(s) of Attorney(s):
(71) Name(s) and Address(s) of Applicant(s):
Ian James Burden
17 Excalibur Ct Sovereign Islands QLD 4216 Australia
(72) Name(s) of Designer(s): **Ian James Burden**
(45) Registration Date: **03 December 2014**
(56) Related Art Documents: **Not Applicable**
(57) Statement of Newness and Distinctiveness: **The design relates to a table and the novelty resides in the features of shape and configuration of the article as shown in the accompanying representations.**



- (21) Design Number: **15776/2014**
(22) Date of Filing Application: **12 November 2014**
(24) Date from which industrial property rights may have effect: **12 November 2014**
(54) Product in respect of which the design is registered: **Chain of fabric links**
(51) International Design Classification: **08-99, 05-05NES**
(74) Name(s) of Attorney(s): **PHILLIPS ORMONDE FITZPATRICK**
(71) Name(s) and Address(s) of Applicant(s):
DSM IP Assets B.V.
Het Overloon 1 6411 TE Heerlen The Netherlands
(72) Name(s) of Designer(s): **Rigobert Bosman and Dietrich Wienke and Roelof Marissen**
(45) Registration Date: **04 December 2014**
(30) Convention priority data:
(31) Number (32) Date (33) Country
29/493,559 11 Jun 2014 UNITED STATES OF AMERICA
(56) Related Art Documents: **Not Applicable**
(57) Statement of Newness and Distinctiveness: **Newness and distinctiveness resides in the shape and/or configuration a fabric chain links, in particular the chain links having a plurality of convolutions formed by a strip made of a fabric material, the strip having a longitudinal axis, and each convolution of the strip having a twist along the longitudinal axis of said strip, the twist being an odd multiple of 180 degrees.**

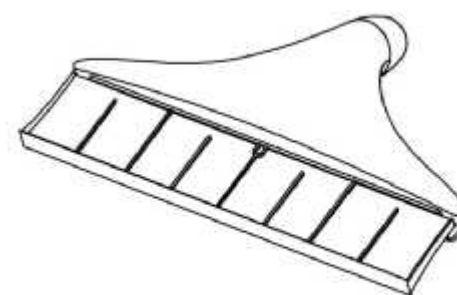


(21) Design Number: **15922/2014**
(22) Date of Filing Application: **20 November 2014**
(24) Date from which industrial property rights may have effect: **20 November 2014**
(54) Product in respect of which the design is registered: **Window cleaning apparatus**
(51) International Design Classification: **07-05E**
(74) Name(s) of Attorney(s): **PHILLIPS ORMONDE FITZPATRICK**
(71) Name(s) and Address(s) of Applicant(s):
MediaShop Holding GmbH
Schwarzottstrasse 2a Neunkirchen A-2620 Austria
(72) Name(s) of Designer(s): **Robert Loder**
(45) Registration Date: **04 December 2014**
(30) Convention priority data:
(31) Number (32) Date (33) Country
002471532-0004 27 May 2014 OFFICE FOR HARMONISATION IN THE INTERNAL MARKET (OHIM)



(56) Related Art Documents: **Not Applicable**
(57) Statement of Newness and Distinctiveness: **Those features of the window cleaning apparatus depicted in the representations that are new and distinctive are the shape and/or configuration.**

(21) Design Number: **15923/2014**
(22) Date of Filing Application: **20 November 2014**
(24) Date from which industrial property rights may have effect: **20 November 2014**
(54) Product in respect of which the design is registered: **Window cleaning apparatus**
(51) International Design Classification: **07-05E**
(74) Name(s) of Attorney(s): **PHILLIPS ORMONDE FITZPATRICK**
(71) Name(s) and Address(s) of Applicant(s):
MediaShop Holding GmbH
Schwarzottstrasse 2a Neunkirchen A-2620 Austria
(72) Name(s) of Designer(s): **Robert Loder**
(45) Registration Date: **04 December 2014**
(30) Convention priority data:
(31) Number (32) Date (33) Country
002471532-0002 27 May 2014 OFFICE FOR HARMONISATION IN THE INTERNAL MARKET (OHIM)

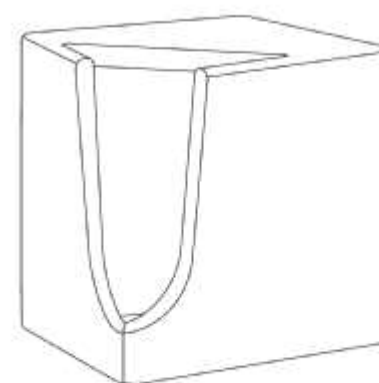


(56) Related Art Documents: **Not Applicable**
(57) Statement of Newness and Distinctiveness: **Those features of the window cleaning apparatus depicted in the representations that are new and distinctive are the shape and/or configuration.**

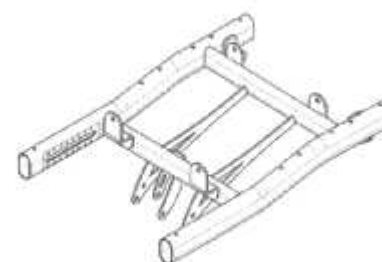
(21) Design Number: **15924/2014**
(22) Date of Filing Application: **20 November 2014**
(24) Date from which industrial property rights may have effect: **20 November 2014**
(54) Product in respect of which the design is registered: **Pair of temple arms for an eyeglass frame with mount**
(51) International Design Classification: **16-06**
(74) Name(s) of Attorney(s): **PHILLIPS ORMONDE FITZPATRICK**
(71) Name(s) and Address(s) of Applicant(s):
Alpha Primitus, Inc
50/F Bank of China Tower 1 Garden Road Central Hong Kong China
(72) Name(s) of Designer(s): **Patrick C Ho and Scott S Leathersich and Michael M Vacanti**
(45) Registration Date: **04 December 2014**
(30) Convention priority data:
(31) Number (32) Date (33) Country
29/493,240 06 Jun 2014 UNITED STATES OF AMERICA
(56) Related Art Documents: **Not Applicable**
(57) Statement of Newness and Distinctiveness: **Those features of the pair of temple arms for an eyeglass frame with mount depicted in the representations that are new and distinctive are the shape and/or configuration. The features shown in broken lines are not part of the design and are to be disregarded when considering the overall impression of the design.**



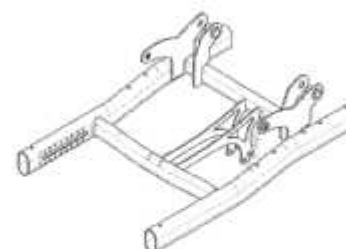
(21) Design Number: **15938/2014**
(22) Date of Filing Application: **20 November 2014**
(24) Date from which industrial property rights may have effect: **20 November 2014**
(54) Product in respect of which the design is registered: **Cube dispenser for folded towels**
(51) International Design Classification: **23-02A**
(74) Name(s) of Attorney(s): **SPRUSON & FERGUSON**
(71) Name(s) and Address(s) of Applicant(s):
Kimberly-Clark Worldwide, Inc.
2300 Winchester Road Neenah Wisconsin 54956 United States of America
(72) Name(s) of Designer(s): **Jonathan Green and Elise Gouveia and Joseph E Oberdorf and Tessa Souhoka**
(45) Registration Date: **04 December 2014**
(30) Convention priority data:
(31) Number (32) Date (33) Country
29/493068 05 Jun 2014 UNITED STATES OF AMERICA
(56) Related Art Documents: **Not Applicable**
(57) Statement of Newness and Distinctiveness: **Newness and distinctiveness is claimed in the features of shape and/or configuration of a cube dispenser for folded towels as illustrated in the accompanying representations.**



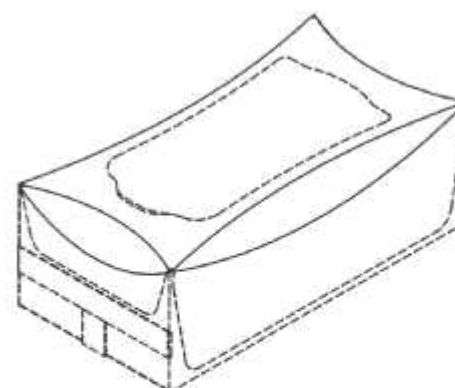
(21) Design Number: **15942/2014**
(22) Date of Filing Application: **20 November 2014**
(24) Date from which industrial property rights may have effect: **12 September 2014**
(54) Product in respect of which the design is registered: **Wheelchair frame element**
(51) International Design Classification: **12-12**
(74) Name(s) of Attorney(s): **Callinans**
(71) Name(s) and Address(s) of Applicant(s):
Invacare International Sarl
Route de Cite-Ouest 2 Gland 1196 Switzerland
(72) Name(s) of Designer(s): **Edward Dahlin and Mats Feldt and Susanne Ek and Ulf Johansson and Henrik Flink and Christopher Holmqvist**
(45) Registration Date: **04 December 2014**
(62) Divisional of: **358949**
(56) Related Art Documents: **Not Applicable**
(57) Statement of Newness and Distinctiveness: **Nil**



(21) Design Number: **15943/2014**
(22) Date of Filing Application: **20 November 2014**
(24) Date from which industrial property rights may have effect: **12 September 2014**
(54) Product in respect of which the design is registered: **Wheelchair frame element**
(51) International Design Classification: **12-12**
(74) Name(s) of Attorney(s): **Callinans**
(71) Name(s) and Address(s) of Applicant(s):
Invacare International Sarl
Route de Cite-Ouest 2 Gland 1196 Switzerland
(72) Name(s) of Designer(s): **Edward Dahlin and Mats Feldt and Susanne Ek and Ulf Johansson and Henrik Flink and Christopher Holmqvist**
(45) Registration Date: **04 December 2014**
(62) Divisional of: **358949**
(56) Related Art Documents: **Not Applicable**
(57) Statement of Newness and Distinctiveness: **Nil**



(21) Design Number: **15944/2014**
(22) Date of Filing Application: **20 November 2014**
(24) Date from which industrial property rights may have effect: **20 November 2014**
(54) Product in respect of which the design is registered: **Package**
(51) International Design Classification: **09-03M**
(74) Name(s) of Attorney(s): **Griffith Hack**
(71) Name(s) and Address(s) of Applicant(s):
CLEAR LAM PACKAGING, INC.
1950 Pratt Boulevard Elk Grove Village Illinois 60007 United States of America



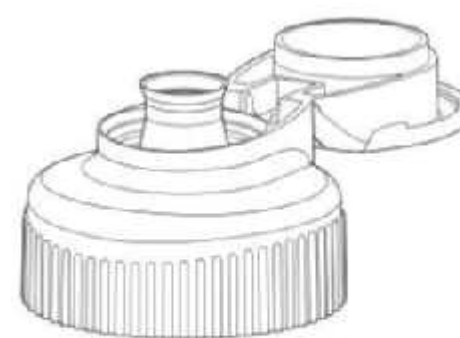
(72) Name(s) of Designer(s): **James J Sanfilippo and Milorad Radenovic**
(45) Registration Date: **04 December 2014**

(30) Convention priority data:
(31) Number (32) Date (33) Country
29/491,373 20 May 2014 UNITED STATES OF AMERICA

(56) Related Art Documents: **Not Applicable**

(57) Statement of Newness and Distinctiveness: **Newness and distinctiveness resides in the visual features, including shape and configuration, of a PACKAGE as shown in solid outline in the accompanying drawings. When determining whether the design is substantially similar in overall impression to another design, particular regard is to be had to the solid lines, and no regard is to be had to those features shown in dotted outline, which features are provided for illustrative purposes only.**

(21) Design Number: **15946/2014**
(22) Date of Filing Application: **20 November 2014**
(24) Date from which industrial property rights may have effect: **20 November 2014**
(54) Product in respect of which the design is registered: **Closure**
(51) International Design Classification: **09-07A**
(74) Name(s) of Attorney(s): **FB Rice**
(71) Name(s) and Address(s) of Applicant(s):
Colgate-Palmolive Company
300 Park Avenue New York NY 10022 United States of America



(72) Name(s) of Designer(s): **Michael Paul Robinson and Brian Glenn Worthington**

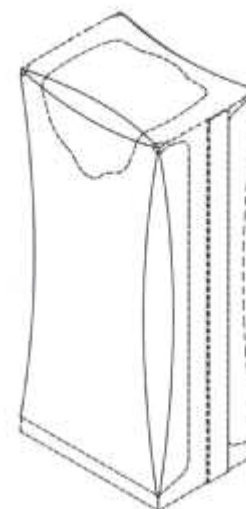
(45) Registration Date: **04 December 2014**

(30) Convention priority data:
(31) Number (32) Date (33) Country
29/494026 17 Jun 2014 UNITED STATES OF AMERICA

(56) Related Art Documents: **Not Applicable**

(57) Statement of Newness and Distinctiveness: **Newness and distinctiveness reside in the features of shape and configuration of the design as shown in the representations.**

(21) Design Number: **15958/2014**
(22) Date of Filing Application: **20 November 2014**
(24) Date from which industrial property rights may have effect: **20 November 2014**
(54) Product in respect of which the design is registered: **Package**
(51) International Design Classification: **09-05**
(74) Name(s) of Attorney(s): **Griffith Hack**
(71) Name(s) and Address(s) of Applicant(s):
CLEAR LAM PACKAGING, INC.
1950 Pratt Boulevard Elk Grove Village Illinois 60007 United States of America
(72) Name(s) of Designer(s): **James J Sanfilippo and Milorad Radenovic**
(45) Registration Date: **04 December 2014**
(30) Convention priority data:
(31) Number (32) Date (33) Country
29/492,413 30 May 2014 UNITED STATES OF AMERICA



(56) Related Art Documents: **Not Applicable**
(57) Statement of Newness and Distinctiveness: **Newness and distinctiveness resides in the visual features, including shape and configuration, of a PACKAGE as shown in solid outline in the accompanying drawings. When determining whether the design is substantially similar in overall impression to another design, particular regard is to be had to the solid lines, and no regard is to be had to those features shown in dotted outline, which features are provided for illustrative purposes only.**

(21) Design Number: **15976/2014**
(22) Date of Filing Application: **21 November 2014**
(24) Date from which industrial property rights may have effect: **21 November 2014**
(54) Product in respect of which the design is registered: **A floating vessel gangway**
(51) International Design Classification: **12-06NES**
(74) Name(s) of Attorney(s):
(71) Name(s) and Address(s) of Applicant(s):
BIANCA VESSEL MANAGEMENT PTY. LTD.
PO BOX 610 Port Douglas QLD 4877 Australia

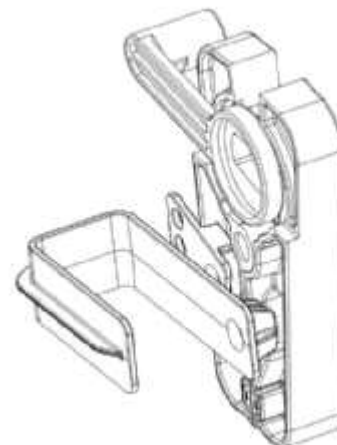


(72) Name(s) of Designer(s): **Peter Sayre**
(45) Registration Date: **04 December 2014**
(56) Related Art Documents: **Not Applicable**
(57) Statement of Newness and Distinctiveness: **Floating vessel gangway carbon fibre construction with kevlar deck. Distinctiveness and newness Vessel gangway has been manufactured light weight with floating capability whilst maintaining its strength which is a major feature for the operator. Deck arc for clearance with 2 sweeping rails.**

(21) Design Number: **15978/2014**
(22) Date of Filing Application: **21 November 2014**
(24) Date from which industrial property rights may have effect: **21 November 2014**
(54) Product in respect of which the design is registered: **Ladder clamp**
(51) International Design Classification: **25-04**
(74) Name(s) of Attorney(s): **Wynnes Patent & Trade Mark Attorneys**
(71) Name(s) and Address(s) of Applicant(s):

I & S Larard Pty Ltd
Bulimba U 4 27 Godwin St Bulimba QLD 4171 Australia

(72) Name(s) of Designer(s): **Ian Larard**
(45) Registration Date: **04 December 2014**
(56) Related Art Documents: **Not Applicable**
(57) Statement of Newness and Distinctiveness: **Newness and distinctiveness resides in the features of the shape and configuration of a ladder gutter clamp with a lever actuated cam clamp and having a pivoting U-shaped bracket as illustrated in the accompanying representations. Words and lettering on the design are to be disregarded.**



(21) Design Number: **15985/2014**
(22) Date of Filing Application: **21 November 2014**
(24) Date from which industrial property rights may have effect: **21 November 2014**
(54) Product in respect of which the design is registered: **Tyre tread**
(51) International Design Classification: **12-15B**
(74) Name(s) of Attorney(s): **Fisher Adams Kelly Pty Ltd**
(71) Name(s) and Address(s) of Applicant(s):

Davanti Tyres Limited
Unit 4 North Florida Road St Helens Reino Unido WA11 9UB United Kingdom

(72) Name(s) of Designer(s): **Sun Wen and Liu Jingjing and Zhang Yixing**
(45) Registration Date: **04 December 2014**
(30) Convention priority data:

(31) Number	(32) Date	(33) Country
002503458-0001	16 Jul 2014	OFFICE FOR HARMONISATION IN THE INTERNAL MARKET (OHIM)

(56) Related Art Documents: **Not Applicable**
(57) Statement of Newness and Distinctiveness: **The newness and distinctiveness of the design resides in the shape and/or configuration of the TYRE TREAD shown in the representations.**



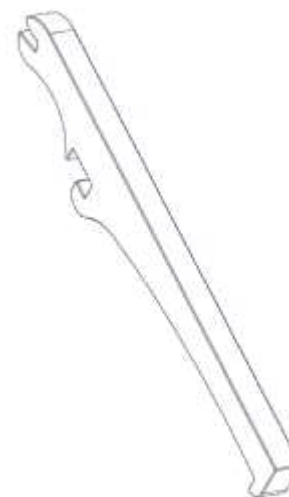
(21) Design Number: **15986/2014**
(22) Date of Filing Application: **21 November 2014**
(24) Date from which industrial property rights may have effect: **21 November 2014**
(54) Product in respect of which the design is registered: **Shower head**
(51) International Design Classification: **23-02B**
(74) Name(s) of Attorney(s): **PHILLIPS ORMONDE FITZPATRICK**
(71) Name(s) and Address(s) of Applicant(s):
Nikles Tec Italia S.r.l.
Via Alessandro Volta, 2 Carpenedolo Brescia I-25013 Italy
(72) Name(s) of Designer(s): **Gerhard Nikles**
(45) Registration Date: **04 December 2014**
(30) Convention priority data:
(31) Number (32) Date (33) Country
BS2014O000038 15 Oct 2014 ITALY
(56) Related Art Documents: **Not Applicable**
(57) Statement of Newness and Distinctiveness: **Nil**



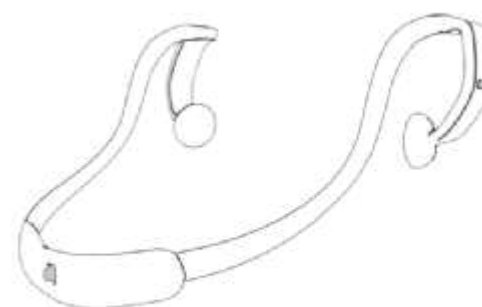
(21) Design Number: **15987/2014**
(22) Date of Filing Application: **21 November 2014**
(24) Date from which industrial property rights may have effect: **21 November 2014**
(54) Product in respect of which the design is registered: **Tyre tread**
(51) International Design Classification: **12-15B**
(74) Name(s) of Attorney(s): **Fisher Adams Kelly Pty Ltd**
(71) Name(s) and Address(s) of Applicant(s):
Davanti Tyres Limited
Unit 4 North Florida Road St Helens Merseyside Reino Unido WA11 9UB
United Kingdom
(72) Name(s) of Designer(s): **Zhao Mingming and Wang Xueyi and Ma Jingjing**
(45) Registration Date: **04 December 2014**
(30) Convention priority data:
(31) Number (32) Date (33) Country
002523894-0001 22 Aug 2014 OFFICE FOR HARMONISATION IN
THE INTERNAL MARKET (OHIM)
(56) Related Art Documents: **Not Applicable**
(57) Statement of Newness and Distinctiveness: **The newness and distinctiveness of the design resides in the shape and/or configuration of the TYRE TREAD shown in the representations.**



- (21) Design Number: **15993/2014**
(22) Date of Filing Application: **21 November 2014**
(24) Date from which industrial property rights may have effect: **21 November 2014**
(54) Product in respect of which the design is registered: **A device for tensioning a strap**
(51) International Design Classification: **08-05NES**
(74) Name(s) of Attorney(s): **IP Gateway Patent & Trademark Attorneys Pty Ltd**
(71) Name(s) and Address(s) of Applicant(s):
Sydney Hawthorne
PO BOX 7 Moffat Beach QLD 4551 Australia
(72) Name(s) of Designer(s): **Neil Conor**
(45) Registration Date: **04 December 2014**
(56) Related Art Documents: **Not Applicable**
(57) Statement of Newness and Distinctiveness: **Newness and distinctiveness resides in the overall shape and/or configuration of the device as shown in the accompanying representations.**



- (21) Design Number: **16007/2014**
(22) Date of Filing Application: **24 November 2014**
(24) Date from which industrial property rights may have effect: **24 November 2014**
(54) Product in respect of which the design is registered: **Headset with LED emblem**
(51) International Design Classification: **14-01**
(74) Name(s) of Attorney(s): **Wrays**
(71) Name(s) and Address(s) of Applicant(s):
Arsil Nayyar Hussain
86 The Parkway Stretton QLD 4116 Australia
(72) Name(s) of Designer(s): **Arsil Nayyar Hussain**
(45) Registration Date: **04 December 2014**
(56) Related Art Documents: **Not Applicable**
(57) Statement of Newness and Distinctiveness: **The design is applied to a behind-the-neck headset having a neck portion adapted to rest upon the neck of a user, and newness and distinctive resides in the features of shape, configuration, pattern and/or ornamentation of the arrangement of an LED emblem on the neck portion of the headset, as shown in the representations. Other features of the headset appearing in the representations are for illustrative purposes only and form no part of the claimed design.**



(21) Design Number: **16012/2014**
(22) Date of Filing Application: **24 November 2014**
(24) Date from which industrial property rights may have effect: **24 November 2014**
(54) Product in respect of which the design is registered: **Lighted beanie**
(51) International Design Classification: **02-03**
(74) Name(s) of Attorney(s): **SPRUSON & FERGUSON**
(71) Name(s) and Address(s) of Applicant(s):

Michael Waters
213 West Main Street, West Dundee Illinois, 60118 United States of America

(72) Name(s) of Designer(s): **Michael Waters**

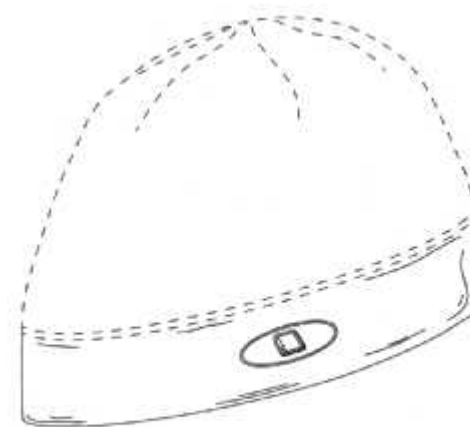
(45) Registration Date: **04 December 2014**

(30) Convention priority data:

(31) Number	(32) Date	(33) Country
29/491782	23 May 2014	UNITED STATES OF AMERICA

(56) Related Art Documents: **Not Applicable**

(57) Statement of Newness and Distinctiveness: **Newness and distinctiveness is claimed in those features of shape and/or configuration of a lighted beanie illustrated in continuous lines in the accompanying representations.**



(21) Design Number: **16013/2014**
(22) Date of Filing Application: **24 November 2014**
(24) Date from which industrial property rights may have effect: **24 November 2014**
(54) Product in respect of which the design is registered: **A self-contained breathing apparatus back frame**
(51) International Design Classification: **29-02**
(74) Name(s) of Attorney(s): **SPRUSON & FERGUSON**
(71) Name(s) and Address(s) of Applicant(s):

Scott Health & Safety Limited
Primbo Road, West Primbo, Skelmersdale Lancashire WN8 9RA United Kingdom

(72) Name(s) of Designer(s): **Kevin Dolan and Barry Lewin**

(45) Registration Date: **04 December 2014**

(30) Convention priority data:

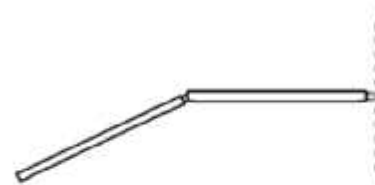
(31) Number	(32) Date	(33) Country
001413058-0001	28 May 2014	OFFICE FOR HARMONISATION IN THE INTERNAL MARKET (OHIM)

(56) Related Art Documents: **Not Applicable**

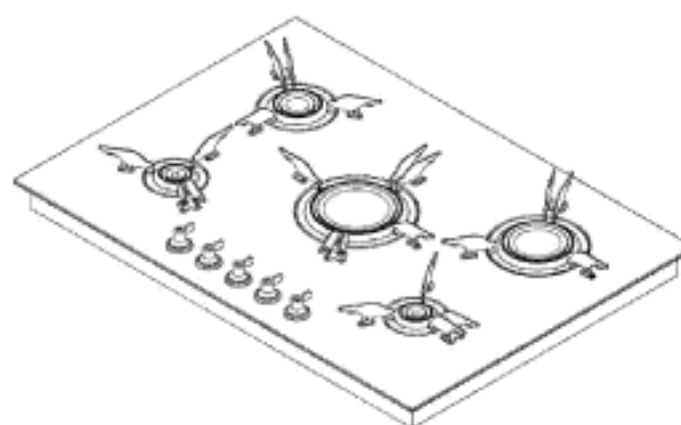
(57) Statement of Newness and Distinctiveness: **Newness and distinctiveness is claimed in the features of shape and/or configuration of a self-contained breathing apparatus back frame as illustrated in the accompanying representations.**



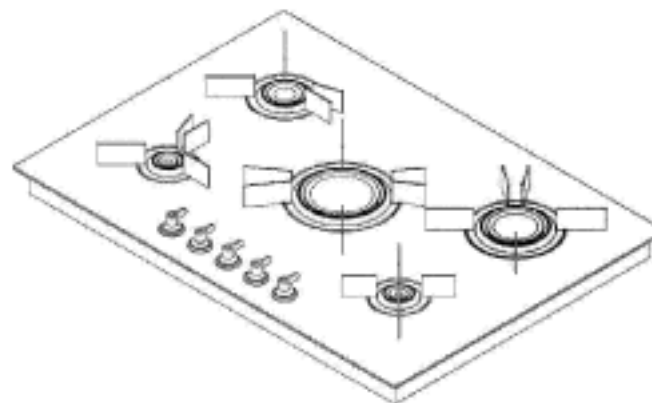
- (21) Design Number: **16014/2014**
(22) Date of Filing Application: **24 November 2014**
(24) Date from which industrial property rights may have effect: **24 November 2014**
(54) Product in respect of which the design is registered: **A lamp**
(51) International Design Classification: **26-05B**
(74) Name(s) of Attorney(s): **FB Rice**
(71) Name(s) and Address(s) of Applicant(s):
King Furniture Australia Pty Ltd
123 Turrella St Turrella NSW 2205 Australia
(72) Name(s) of Designer(s): **David King and John Levey and Tanya Rechberger and Ryan Lawson and Anastasie Panagopoulos**
(45) Registration Date: **04 December 2014**
(56) Related Art Documents: **Not Applicable**
(57) Statement of Newness and Distinctiveness: **Newness and distinctiveness reside in the features of the design shown in solid lines in the representations excluding those features shown in broken lines.**



- (21) Design Number: **16018/2014**
(22) Date of Filing Application: **24 November 2014**
(24) Date from which industrial property rights may have effect: **01 October 2014**
(54) Product in respect of which the design is registered: **Cooking Hob**
(51) International Design Classification: **07-02C**
(74) Name(s) of Attorney(s): **Davies Collison Cave**
(71) Name(s) and Address(s) of Applicant(s):
Smeg S.p.A.
Via Leonardo Da Vinci 4 Guastalla (RE) I-42016 Italy
(72) Name(s) of Designer(s): **Vittorio Bertazzoni and Carlo Zambruni**
(45) Registration Date: **04 December 2014**
(30) Convention priority data:
(31) Number (32) Date (33) Country
**002440826 04 Apr 2014 OFFICE FOR HARMONISATION IN
THE INTERNAL MARKET (OHIM)**
(62) Divisional of: **358977**
(56) Related Art Documents: **Not Applicable**
(57) Statement of Newness and Distinctiveness: **Newness and distinctiveness is claimed in the visual features shown in the representations.**



(21) Design Number: **16019/2014**
(22) Date of Filing Application: **24 November 2014**
(24) Date from which industrial property rights may have effect: **01 October 2014**
(54) Product in respect of which the design is registered: **Cooking hob**
(51) International Design Classification: **07-02C**
(74) Name(s) of Attorney(s): **Davies Collison Cave**
(71) Name(s) and Address(s) of Applicant(s):
Smeg S.p.A.
Via Leonardo Da Vinci 4 Guastalla (RE) I-42016 Italy
(72) Name(s) of Designer(s): **Vittorio Bertazzoni and Carlo Zambruni**
(45) Registration Date: **04 December 2014**
(30) Convention priority data:
(31) Number (32) Date (33) Country
**002440826 04 Apr 2014 OFFICE FOR HARMONISATION IN
THE INTERNAL MARKET (OHIM)**
(62) Divisional of: **358977**
(56) Related Art Documents: **Not Applicable**
(57) Statement of Newness and Distinctiveness: **Newness and distinctiveness
is claimed in the visual features shown in the representations.**



(21) Design Number: **16022/2014**
(22) Date of Filing Application: **24 November 2014**
(24) Date from which industrial property rights may have effect: **24 November 2014**
(54) Product in respect of which the design is registered: **Display screen**
(51) International Design Classification: **14-02**
(74) Name(s) of Attorney(s): **Freehills Patent Attorneys**
(71) Name(s) and Address(s) of Applicant(s):
Apple Inc.
1 Infinite Loop Cupertino California 95014 United States of America
(72) Name(s) of Designer(s): **Freddy Anzures and Richard Dellinger**
(45) Registration Date: **04 December 2014**
(30) Convention priority data:
(31) Number (32) Date (33) Country
29/492498 30 May 2014 UNITED STATES OF AMERICA
(56) Related Art Documents: **Not Applicable**
(57) Statement of Newness and Distinctiveness: **Newness and distinctiveness
is claimed in the features of pattern and/or ornamentation of a display
screen as shown in solid lines in the accompanying representation.**



- (21) Design Number: **15016/2014**
- (22) Date of Filing Application: **30 September 2014**
- (24) Date from which industrial property rights may have effect: **30 September 2014**
- (54) Product in respect of which the design is registered: **Display for electronic device**
- (51) International Design Classification: **14-03A**
- (74) Name(s) of Attorney(s): **Freehills Patent Attorneys**
- (71) Name(s) and Address(s) of Applicant(s):
Apple Inc.
1 Infinite Loop Cupertino California 95014 United States of America
- (72) Name(s) of Designer(s): **Jody Akana and Bartley K. Andre and Shota Aoyagi and Anthony Michael Ashcroft and Jeremy Bataillou and Daniel J. Coster and Daniele De Iulus and M. Evans Hankey and Julian Hoenig and Richard P. Howarth and Jonathan P. Ive and Duncan Robert Kerr and Scott A. Myers and David A. Pakula and Rasamy Phouthavong and Matthew Dean Rohrbach and Peter Russel-Clarke and Benjamin Andrew Shaffer and Ashutosh Y. Shukla and Mikael Silvanto and Christopher J. Stringer and Eugene Antony Whang and Rico Zorkendorfer**
- (45) Registration Date: **04 December 2014**
- (30) Convention priority data:
- | | | |
|------------------|--------------------|---------------------------------|
| (31) Number | (32) Date | (33) Country |
| 29/501776 | 08 Sep 2014 | UNITED STATES OF AMERICA |
- (56) Related Art Documents: **Not Applicable**
- (57) Statement of Newness and Distinctiveness: **Newness and distinctiveness resides in the features of shape and configuration shown in the solid outline in the accompanying representations.**



- (21) Design Number: **15017/2014**
- (22) Date of Filing Application: **30 September 2014**
- (24) Date from which industrial property rights may have effect: **30 September 2014**
- (54) Product in respect of which the design is registered: **Display for electronic device**
- (51) International Design Classification: **14-03A**
- (74) Name(s) of Attorney(s): **Freehills Patent Attorneys**
- (71) Name(s) and Address(s) of Applicant(s):
Apple Inc.
1 Infinite Loop Cupertino California 95014 United States of America
- (72) Name(s) of Designer(s): **Jody Akana and Bartley K. Andre and Shota Aoyagi and Anthony Michael Ashcroft and Jeremy Bataillou and Daniel J. Coster and Daniele De Iulus and M. Evans Hankey and Julian Hoenig and Richard P. Howarth and Jonathan P. Ive and Duncan Robert Kerr and Scott A. Myers and David A. Pakula and Rasamy Phouthavong and Matthew Dean Rohrbach and Peter Russel-Clarke and Benjamin Andrew Shaffer and Ashutosh Y. Shukla and Mikael Silvanto and Christopher J. Stringer and Eugene Antony Whang and Rico Zorkendorfer**
- (45) Registration Date: **04 December 2014**
- (30) Convention priority data:
- | | | |
|------------------|--------------------|---------------------------------|
| (31) Number | (32) Date | (33) Country |
| 29/501776 | 08 Sep 2014 | UNITED STATES OF AMERICA |
- (56) Related Art Documents: **Not Applicable**
- (57) Statement of Newness and Distinctiveness: **Newness and distinctiveness resides in the features of shape and configuration shown in the solid outline in the accompanying representations.**



- (21) Design Number: **15019/2014**
(22) Date of Filing Application: **30 September 2014**
(24) Date from which industrial property rights may have effect: **30 September 2014**
(54) Product in respect of which the design is registered: **Electronic device**
(51) International Design Classification: **14-03A**
(74) Name(s) of Attorney(s): **Freehills Patent Attorneys**
(71) Name(s) and Address(s) of Applicant(s):

Apple Inc.
1 Infinite Loop Cupertino California 95014 United States of America

- (72) Name(s) of Designer(s): **Jody Akana and Bartley K. Andre and Shota Aoyagi and Anthony Michael Ashcroft and Jeremy Bataillou and Daniel J. Coster and Daniele De Iulus and M. Evans Hankey and Julian Hoenig and Richard P. Howarth and Jonathan P. Ive and Duncan Robert Kerr and Scott A. Myers and David A. Pakula and Rasamy Phouthavong and Matthew Dean Rohrbach and Peter Russel-Clarke and Benjamin Andrew Shaffer and Ashutosh Y. Shukla and Mikael Silvano and Christopher J. Stringer and Eugene Antony Whang and Rico Zorkendorfer**

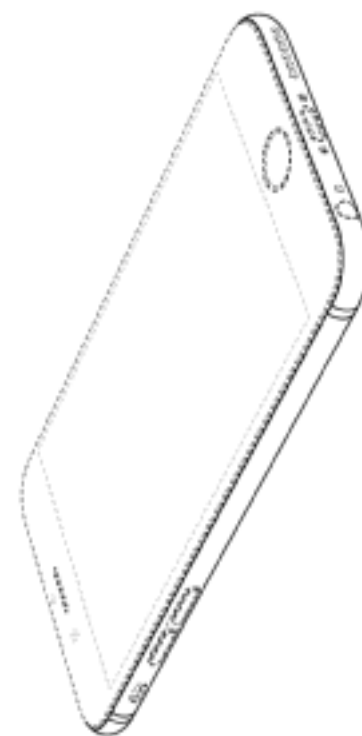
- (45) Registration Date: **04 December 2014**

- (30) Convention priority data:

(31) Number	(32) Date	(33) Country
29/489981	05 May 2014	UNITED STATES OF AMERICA

- (56) Related Art Documents: **Not Applicable**

- (57) Statement of Newness and Distinctiveness: **Newness and distinctiveness resides in the features shown in the solid outline in the accompanying representations.**



- (21) Design Number: **15059/2014**
(22) Date of Filing Application: **02 October 2014**
(24) Date from which industrial property rights may have effect: **02 October 2014**
(54) Product in respect of which the design is registered: **Barrier rail**
(51) International Design Classification: **25-02C**
(74) Name(s) of Attorney(s): **Actuate IP**
(71) Name(s) and Address(s) of Applicant(s):

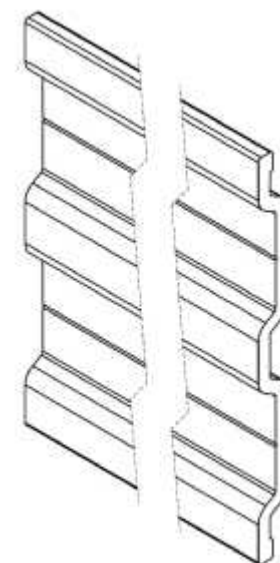
Moddex Group Pty Ltd
44 Kalman Dr Boronia VIC 3155 Australia

- (72) Name(s) of Designer(s): **Stephen Thrush and Dean Vos**

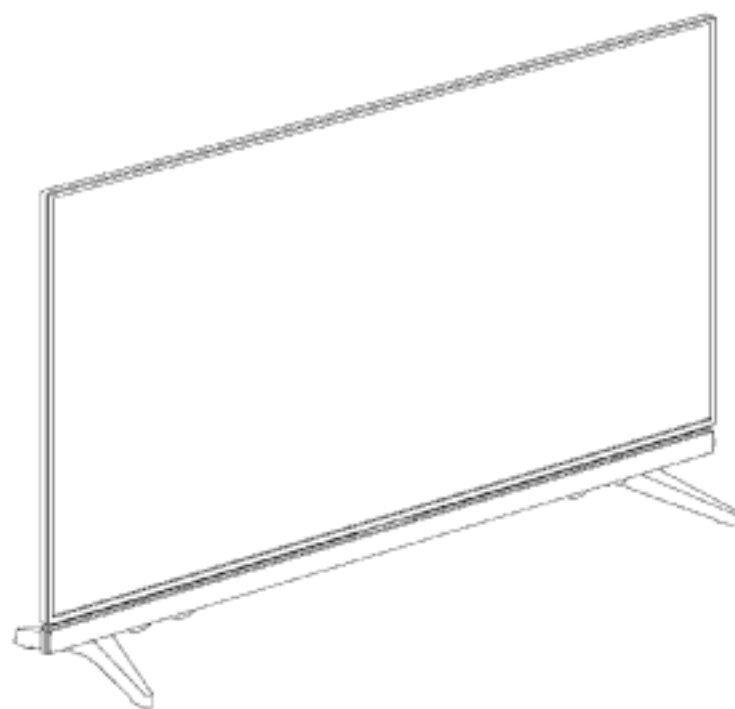
- (45) Registration Date: **04 December 2014**

- (56) Related Art Documents: **Not Applicable**

- (57) Statement of Newness and Distinctiveness: **Newness and distinctiveness is claimed in the features of shape and/or configuration of the barrier rail of indefinite length as illustrated in the accompanying representations.**



- (21) Design Number: **15069/2014**
(22) Date of Filing Application: **02 October 2014**
(24) Date from which industrial property rights may have effect: **02 October 2014**
(54) Product in respect of which the design is registered: **Television**
(51) International Design Classification: **14-03B**
(74) Name(s) of Attorney(s): **Davies Collison Cave**
(71) Name(s) and Address(s) of Applicant(s):
Sharp Kabushiki Kaisha
22-22 Nagaike-cho Abeno-ku Osaka 545-8522 Japan
(72) Name(s) of Designer(s): **Akihiko Hotta and Hiroshi Gomi and Keiichiro Aou and Daijiro Yamaguchi**
(45) Registration Date: **04 December 2014**
(30) Convention priority data:
(31) Number (32) Date (33) Country
2014-008386 17 Apr 2014 JAPAN
(56) Related Art Documents: **Not Applicable**
(57) Statement of Newness and Distinctiveness: **Newness and distinctiveness is claimed in the visual features shown in the representations. In considering the extent of the design rights, the features shown in the rear view of the screen are for illustrative purposes only and do not form part of the design.**



- (21) Design Number: **15130/2014**
(22) Date of Filing Application: **07 October 2014**
(24) Date from which industrial property rights may have effect: **07 October 2014**
(54) Product in respect of which the design is registered: **Pan**
(51) International Design Classification: **07-02N**
(74) Name(s) of Attorney(s): **PIPERS Melbourne**
(71) Name(s) and Address(s) of Applicant(s):
GENIUS GmbH
Im Dachstuck 8 Limburg 65549 Germany
(72) Name(s) of Designer(s): **Cedomir Repac**
(45) Registration Date: **04 December 2014**
(30) Convention priority data:
(31) Number (32) Date (33) Country
002448441-0001 16 Apr 2014 OFFICE FOR HARMONISATION IN THE INTERNAL MARKET (OHIM)
(56) Related Art Documents: **Not Applicable**
(57) Statement of Newness and Distinctiveness: **The design is to be applied to a Pan and the novelty resides in the features of shape and configuration of the Pan as shown in the accompanying representations.**



(21) Design Number: **15292/2014**

(22) Date of Filing Application: **18 October 2014**

(24) Date from which industrial property rights may have effect: **18 October 2014**

(54) Product in respect of which the design is registered: **A bottle**

(51) International Design Classification: **09-01D**

(74) Name(s) of Attorney(s):

(71) Name(s) and Address(s) of Applicant(s):

Joanna Revill

10 Raumati Road Remuera Auckland 1050 New Zealand

(72) Name(s) of Designer(s): **Joanna Revill**

(45) Registration Date: **04 December 2014**

(30) Convention priority data:

(31) Number	(32) Date	(33) Country
419195	19 Aug 2014	NEW ZEALAND

(56) Related Art Documents: **Not Applicable**

(57) Statement of Newness and Distinctiveness: **The novelty consists in the features of shape and configuration of the bottle as shown in the accompanying representations, excluding the cap which forms no part of the design.**



(21) Design Number: **15681/2014**

(22) Date of Filing Application: **06 November 2014**

(24) Date from which industrial property rights may have effect: **06 November 2014**

(54) Product in respect of which the design is registered: **Jewelry band**

(51) International Design Classification: **11-01C, 11-01E**

(74) Name(s) of Attorney(s): **Pizzeys**

(71) Name(s) and Address(s) of Applicant(s):

Alex and Ani, LLC

2000 Chapel Hill Blvd., Ste. 360 Cranston Rhode Island, 02920 United States of America

(72) Name(s) of Designer(s): **Carolyn A Rafaelian**

(45) Registration Date: **04 December 2014**

(30) Convention priority data:

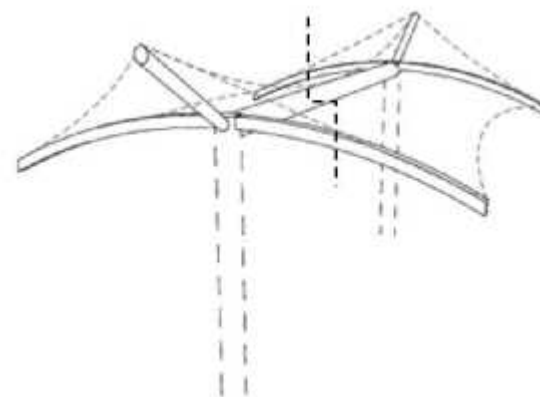
(31) Number	(32) Date	(33) Country
29/490112	06 May 2014	UNITED STATES OF AMERICA

(56) Related Art Documents: **Not Applicable**

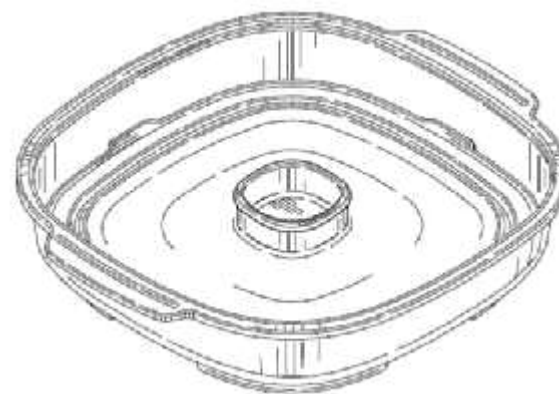
(57) Statement of Newness and Distinctiveness: **The newness and distinctiveness of the design resides in the shape and/or configuration or the pattern and/or ornamentation as shown in the accompanying representations. The broken lines shown in the representations are for illustrative purposes only and do not form part of the design.**



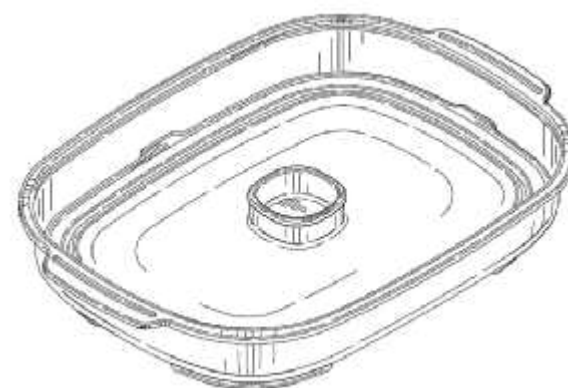
- (21) Design Number: **15795/2014**
(22) Date of Filing Application: **13 November 2014**
(24) Date from which industrial property rights may have effect: **13 November 2014**
(54) Product in respect of which the design is registered: **Support structure of a shade sail**
(51) International Design Classification: **25-03**
(74) Name(s) of Attorney(s): **Griffith Hack**
(71) Name(s) and Address(s) of Applicant(s):
Geoffrey Kenneth Ellis
8-10 Bourke St Cowra NSW 2794 Australia
(72) Name(s) of Designer(s): **Richard Ellis**
(45) Registration Date: **04 December 2014**
(56) Related Art Documents: **Not Applicable**
(57) Statement of Newness and Distinctiveness: **Newness and distinctiveness resides in the shape, configuration and spatial orientation of those parts shown by means of solid lines in the Figures. Those parts shown by dashed lines have been included for illustrative purposes and do not form part of the design. The zig-zag in Figs. 1, 2, 3, 5 and 6 indicate that the longitudinal member may be of any length. Figs. 5 and 6 have been included for illustrative purposes.**



- (21) Design Number: **15811/2014**
(22) Date of Filing Application: **14 November 2014**
(24) Date from which industrial property rights may have effect: **14 November 2014**
(54) Product in respect of which the design is registered: **Microwave grill**
(51) International Design Classification: **07-02B**
(74) Name(s) of Attorney(s): **PHILLIPS ORMONDE FITZPATRICK**
(71) Name(s) and Address(s) of Applicant(s):
Dart Industries Inc.
14901 S. Orange Blossom Trail Orlando Florida 32837 United States of America
(72) Name(s) of Designer(s): **Lucille P Seyers and Hector J Barea**
(45) Registration Date: **04 December 2014**
(30) Convention priority data:
(31) Number (32) Date (33) Country
29/491,463 21 May 2014 UNITED STATES OF AMERICA
(56) Related Art Documents: **Not Applicable**
(57) Statement of Newness and Distinctiveness: **Nil**



(21) Design Number: **15812/2014**
(22) Date of Filing Application: **14 November 2014**
(24) Date from which industrial property rights may have effect: **14 November 2014**
(54) Product in respect of which the design is registered: **Microwave grill**
(51) International Design Classification: **07-02B**
(74) Name(s) of Attorney(s): **PHILLIPS ORMONDE FITZPATRICK**
(71) Name(s) and Address(s) of Applicant(s):



Dart Industries Inc.
14901 S. Orange Blossom Trail Orlando Florida 32837 United States of America

(72) Name(s) of Designer(s): **Lucille P Seyers and Hector J Barea**
(45) Registration Date: **04 December 2014**
(30) Convention priority data:
(31) Number (32) Date (33) Country
29/491,463 21 May 2014 UNITED STATES OF AMERICA
(56) Related Art Documents: **Not Applicable**
(57) Statement of Newness and Distinctiveness: **Nil**

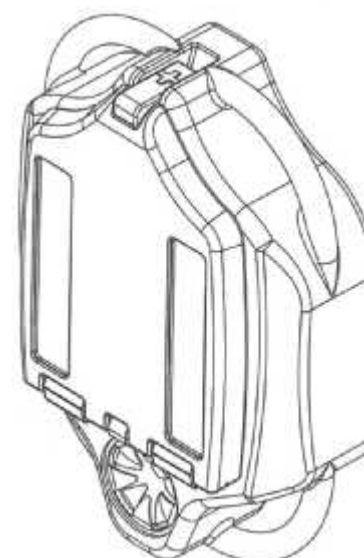
(21) Design Number: **15820/2014**
(22) Date of Filing Application: **14 November 2014**
(24) Date from which industrial property rights may have effect: **03 September 2014**
(54) Product in respect of which the design is registered: **Medicament injection device with cap**
(51) International Design Classification: **24-02**
(74) Name(s) of Attorney(s): **WATERMARK PATENT AND TRADE MARKS ATTORNEYS**
(71) Name(s) and Address(s) of Applicant(s):



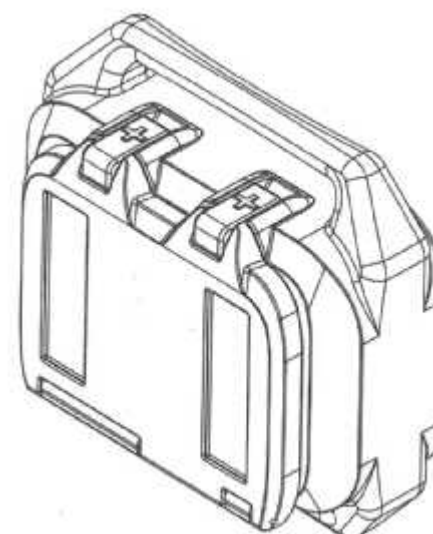
Sanofi
54 rue La Boetie Paris 75008 France
Regeneron Pharmaceuticals, Inc.
777 Old Saw Mill River Road Tarrytown NY, 10591 United States of America

(72) Name(s) of Designer(s): **Jochen Ratjen and Katja Wessel**
(45) Registration Date: **04 December 2014**
(30) Convention priority data:
(31) Number (32) Date (33) Country
002416487 03 Mar 2014 EUROPEAN PATENT OFFICE (EPO)
(62) Divisional of: **358813**
(56) Related Art Documents: **Not Applicable**
(57) Statement of Newness and Distinctiveness: **Newness and Distinctiveness is claimed in the shape and configuration, pattern and ornamentation including colouration substantially similar to Pantone 1375C of an injection device with cap as shown in the accompanying representations. In considering the scope, no regard is to be had to the portion of the design in dotted outline.**

- (21) Design Number: **15881/2014**
(22) Date of Filing Application: **18 November 2014**
(24) Date from which industrial property rights may have effect: **18 November 2014**
(54) Product in respect of which the design is registered: **Emergency floatation device**
(51) International Design Classification: **29-02**
(74) Name(s) of Attorney(s): **Baxter Patent Attorneys Pty Ltd**
(71) Name(s) and Address(s) of Applicant(s):
Scott William Smiles
150 Corindi Park Dr Corindi Beach NSW 2456 Australia
(72) Name(s) of Designer(s): **Scott William Smiles**
(45) Registration Date: **04 December 2014**
(56) Related Art Documents: **Not Applicable**
(57) Statement of Newness and Distinctiveness: **Newness and Distinctiveness are claimed in the features of shape and/or configuration of an emergency floatation device, as illustrated in the accompanying representations.**



- (21) Design Number: **15882/2014**
(22) Date of Filing Application: **18 November 2014**
(24) Date from which industrial property rights may have effect: **18 November 2014**
(54) Product in respect of which the design is registered: **Emergency floatation device**
(51) International Design Classification: **29-02**
(74) Name(s) of Attorney(s): **Baxter Patent Attorneys Pty Ltd**
(71) Name(s) and Address(s) of Applicant(s):
Scott William Smiles
150 Corindi Park Dr Corindi Beach NSW 2456 Australia
(72) Name(s) of Designer(s): **Scott William Smiles**
(45) Registration Date: **04 December 2014**
(56) Related Art Documents: **Not Applicable**
(57) Statement of Newness and Distinctiveness: **Newness and Distinctiveness are claimed in the features of shape and/or configuration of an emergency floatation device, as illustrated in the accompanying representations.**



(21) Design Number: **15885/2014**

(22) Date of Filing Application: **19 November 2014**

(24) Date from which industrial property rights may have effect: **11 September 2014**

(54) Product in respect of which the design is registered: **Container lid**

(51) International Design Classification: **07-01NES**

(74) Name(s) of Attorney(s): **E F Wellington & Co**

(71) Name(s) and Address(s) of Applicant(s):

Duke Manufacturing Co.

2305 North Broadway St. Louis Missouri 63102 United States of America

(72) Name(s) of Designer(s): **James W Bigott**

(45) Registration Date: **04 December 2014**

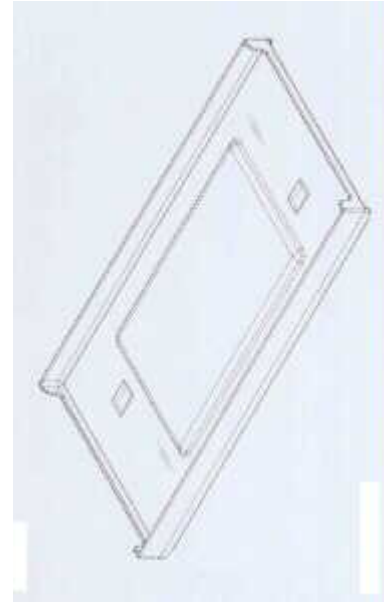
(30) Convention priority data:

(31) Number	(32) Date	(33) Country
29/485060	14 Mar 2014	UNITED STATES OF AMERICA

(62) Divisional of: **359014**

(56) Related Art Documents: **Not Applicable**

(57) Statement of Newness and Distinctiveness: **The newness and distinctiveness of the design resides in the shape and/or configuration of the CONTAINER LID shown in the representations. The features shown in broken lines are for illustrative purposes only and do not form part of the design.**



(21) Design Number: **12967/2014**

(22) Date of Filing Application: **18 June 2014**

(24) Date from which industrial property rights may have effect: **18 June 2014**

(54) Product in respect of which the design is registered: **Frame for agricultural equipment**

(51) International Design Classification: **15-03NES**

(74) Name(s) of Attorney(s):

(71) Name(s) and Address(s) of Applicant(s):

Allan James Yeomans

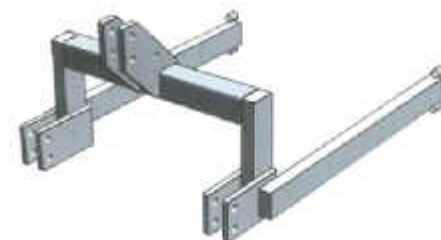
60 Sunrise Bvd Surfers Paradise QLD 4217 Australia

(72) Name(s) of Designer(s): **Allan James Yeomans**

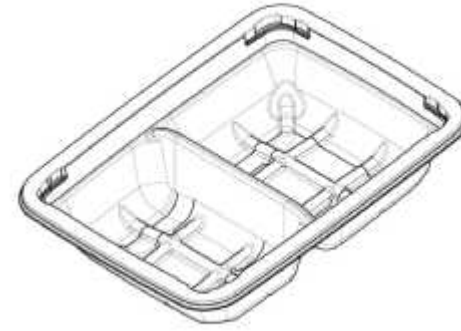
(45) Registration Date: **05 December 2014**

(56) Related Art Documents: **Not Applicable**

(57) Statement of Newness and Distinctiveness: **Newness and distinctiveness reside in the features of shape and configuration of a frame for agricultural equipment as shown in the accompanying representations.**



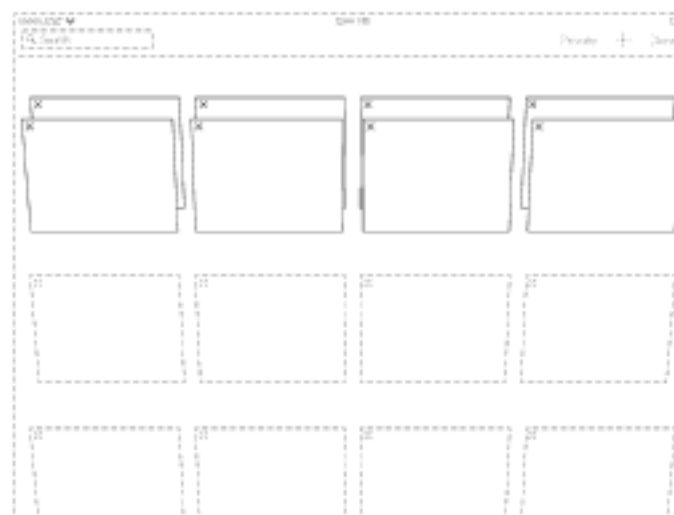
(21) Design Number: **15257/2014**
(22) Date of Filing Application: **15 October 2014**
(24) Date from which industrial property rights may have effect: **15 October 2014**
(54) Product in respect of which the design is registered: **Tray**
(51) International Design Classification: **09-03F**
(74) Name(s) of Attorney(s): **Davies Collison Cave**
(71) Name(s) and Address(s) of Applicant(s):
Cryovac Australia Pty Ltd
90 Keilor Park Dr Tullamarine VIC 3043 Australia
(72) Name(s) of Designer(s): **Prakashan Mavila**
(45) Registration Date: **05 December 2014**
(56) Related Art Documents: **Not Applicable**
(57) Statement of Newness and Distinctiveness: **Nil**



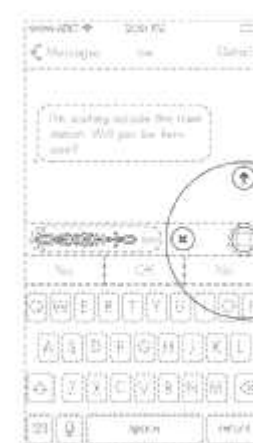
(21) Design Number: **15337/2014**
(22) Date of Filing Application: **22 October 2014**
(24) Date from which industrial property rights may have effect: **22 October 2014**
(54) Product in respect of which the design is registered: **A float valve**
(51) International Design Classification: **23-01K**
(74) Name(s) of Attorney(s): **AJ Park**
(71) Name(s) and Address(s) of Applicant(s):
Hansen Developments Limited
16 Union East Street Port Whangarei Whangarei 0110 New Zealand
(72) Name(s) of Designer(s): **Philip John Collins**
(45) Registration Date: **05 December 2014**
(30) Convention priority data:
(31) Number (32) Date (33) Country
418914 09 Jun 2014 NEW ZEALAND
(56) Related Art Documents: **Not Applicable**
(57) Statement of Newness and Distinctiveness: **The novelty claimed for A Float Valve resides in the features of shape and/or configuration all as shown in the representations.**



(21) Design Number: **16023/2014**
(22) Date of Filing Application: **24 November 2014**
(24) Date from which industrial property rights may have effect: **24 November 2014**
(54) Product in respect of which the design is registered: **Display screen**
(51) International Design Classification: **14-02**
(74) Name(s) of Attorney(s): **Freehills Patent Attorneys**
(71) Name(s) and Address(s) of Applicant(s):
Apple Inc.
1 Infinite Loop Cupertino California 95014 United States of America
(72) Name(s) of Designer(s): **Imran Chaudhri and Chanaka Karunamuni**
(45) Registration Date: **05 December 2014**
(30) Convention priority data:
(31) Number (32) Date (33) Country
29/492503 30 May 2014 UNITED STATES OF AMERICA
(56) Related Art Documents: **Not Applicable**
(57) Statement of Newness and Distinctiveness: **Newness and distinctiveness is claimed in the features of pattern and/or ornamentation of a display screen as shown in solid lines in the accompanying representation.**



(21) Design Number: **16024/2014**
(22) Date of Filing Application: **24 November 2014**
(24) Date from which industrial property rights may have effect: **24 November 2014**
(54) Product in respect of which the design is registered: **Display screen**
(51) International Design Classification: **14-02**
(74) Name(s) of Attorney(s): **Freehills Patent Attorneys**
(71) Name(s) and Address(s) of Applicant(s):
Apple Inc.
1 Infinite Loop Cupertino California 95014 United States of America
(72) Name(s) of Designer(s): **Richard Dellinger**
(45) Registration Date: **05 December 2014**
(30) Convention priority data:
(31) Number (32) Date (33) Country
29/492615 01 Jun 2014 UNITED STATES OF AMERICA
(56) Related Art Documents: **Not Applicable**
(57) Statement of Newness and Distinctiveness: **Newness and distinctiveness is claimed in the features of pattern and/or ornamentation of a display screen as shown in solid lines in the accompanying representation.**



(21) Design Number: **16038/2014**
(22) Date of Filing Application: **25 November 2014**
(24) Date from which industrial property rights may have effect: **25 November 2014**
(54) Product in respect of which the design is registered: **An electric juicer**
(51) International Design Classification: **31-00**
(74) Name(s) of Attorney(s): **Banki Haddock Fiora**
(71) Name(s) and Address(s) of Applicant(s):

Pi-Design AG
Kantonsstrasse 100 Triengen CH - 6234 Switzerland

(72) Name(s) of Designer(s): **Jorgen Bodum**

(45) Registration Date: **05 December 2014**

(30) Convention priority data:

(31) Number	(32) Date	(33) Country
DM/083 811	16 Jun 2014	WORLD INTELLECTUAL PROPERTY ORGANIZATION (WIPO)

(56) Related Art Documents: **Not Applicable**

(57) Statement of Newness and Distinctiveness: **The visual features of the electric juicer depicted in the representations that are new and distinctive are the shape and/or configuration.**



(21) Design Number: **16039/2014**
(22) Date of Filing Application: **25 November 2014**
(24) Date from which industrial property rights may have effect: **25 November 2014**
(54) Product in respect of which the design is registered: **An electric juicer**
(51) International Design Classification: **31-00**
(74) Name(s) of Attorney(s): **Banki Haddock Fiora**
(71) Name(s) and Address(s) of Applicant(s):

Pi-Design AG
Kantonsstrasse 100 Triengen CH - 6234 Switzerland

(72) Name(s) of Designer(s): **Jorgen Bodum**

(45) Registration Date: **05 December 2014**

(30) Convention priority data:

(31) Number	(32) Date	(33) Country
DM/083 811	16 Jun 2014	WORLD INTELLECTUAL PROPERTY ORGANIZATION (WIPO)

(56) Related Art Documents: **Not Applicable**

(57) Statement of Newness and Distinctiveness: **The visual features of the electric juicer depicted in the representations that are new and distinctive are the shape and/or configuration.**



(21) Design Number: **16041/2014**
(22) Date of Filing Application: **25 November 2014**
(24) Date from which industrial property rights may have effect: **26 September 2014**
(54) Product in respect of which the design is registered: **A tool**
(51) International Design Classification: **08-05NES**
(74) Name(s) of Attorney(s): **AJ Park**
(71) Name(s) and Address(s) of Applicant(s):
DESIGNERSCOPE LIMITED
BDO Spicers Level 10 Takapuna Towers Takapuna Auckland, 0622 New Zealand
(72) Name(s) of Designer(s): **Wim Jan De Bruin and Jamie Stewart Booth**
(45) Registration Date: **05 December 2014**
(30) Convention priority data:
(31) Number (32) Date (33) Country
418682 28 Mar 2014 NEW ZEALAND
(62) Divisional of: **359174**
(56) Related Art Documents: **Not Applicable**
(57) Statement of Newness and Distinctiveness: **Newness and distinctiveness resides in the features of shape and/or configuration of the tool as shown in the representations. No newness and distinctiveness resides in any features shown in broken (phantom) lines.**



(21) Design Number: **16042/2014**
(22) Date of Filing Application: **25 November 2014**
(24) Date from which industrial property rights may have effect: **25 November 2014**
(54) Product in respect of which the design is registered: **Badge**
(51) International Design Classification: **11-03**
(74) Name(s) of Attorney(s):
(71) Name(s) and Address(s) of Applicant(s):
ANZAC DAY COMMEMORATION COMMITTEE (QUEENSLAND) INC
PO BOX 3426 Stafford DC QLD 4053 Australia
(72) Name(s) of Designer(s): **Gregory Faux**
(45) Registration Date: **05 December 2014**
(56) Related Art Documents: **Not Applicable**
(57) Statement of Newness and Distinctiveness: **The newness and distinctiveness of the design resides in the shape and/or configuration of the AE2 as shown in the representation.**



- (21) Design Number: **16043/2014**
(22) Date of Filing Application: **25 November 2014**
(24) Date from which industrial property rights may have effect: **25 November 2014**
(54) Product in respect of which the design is registered: **Badge**
(51) International Design Classification: **11-03**
(74) Name(s) of Attorney(s):
(71) Name(s) and Address(s) of Applicant(s):
ANZAC DAY COMMEMORATION COMMITTEE (QUEENSLAND) INC
PO BOX 3426 Stafford DC QLD 4053 Australia
(72) Name(s) of Designer(s): **Gregory Faux**
(45) Registration Date: **05 December 2014**
(56) Related Art Documents: **Not Applicable**
(57) Statement of Newness and Distinctiveness: **The newness and distinctiveness of the design resides in the shape and/or configuration of the ANZAC Nurse as shown in the representation.**



- (21) Design Number: **16044/2014**
(22) Date of Filing Application: **25 November 2014**
(24) Date from which industrial property rights may have effect: **03 March 2014**
(54) Product in respect of which the design is registered: **Article of clothing**
(51) International Design Classification: **02-02C**
(74) Name(s) of Attorney(s): **Allens Patent & Trade Mark Attorneys**
(71) Name(s) and Address(s) of Applicant(s):
Forever New Clothing Pty Ltd
714-716 High St Kew East VIC 3102 Australia
(72) Name(s) of Designer(s): **Mantra Ahrendt**
(45) Registration Date: **05 December 2014**
(62) Divisional of: **359171**
(56) Related Art Documents: **Not Applicable**
(57) Statement of Newness and Distinctiveness: **Newness and distinctiveness resides in the visual features of shape, configuration, pattern and/or ornamentation of an article of clothing as shown in the accompanying representations.**



- (21) Design Number: **16045/2014**
(22) Date of Filing Application: **25 November 2014**
(24) Date from which industrial property rights may have effect: **03 March 2014**
(54) Product in respect of which the design is registered: **Article of clothing**
(51) International Design Classification: **02-02C**
(74) Name(s) of Attorney(s): **Allens Patent & Trade Mark Attorneys**
(71) Name(s) and Address(s) of Applicant(s):
Forever New Clothing Pty Ltd
714-716 High St Kew East VIC 3102 Australia
(72) Name(s) of Designer(s): **Octavia Miller**
(45) Registration Date: **05 December 2014**
(62) Divisional of: **359171**
(56) Related Art Documents: **Not Applicable**
(57) Statement of Newness and Distinctiveness: **Newness and distinctiveness resides in the visual features of shape, configuration, pattern and/or ornamentation of an article of clothing as shown in the accompanying representations.**



- (21) Design Number: **16046/2014**
(22) Date of Filing Application: **25 November 2014**
(24) Date from which industrial property rights may have effect: **03 March 2014**
(54) Product in respect of which the design is registered: **Article of clothing**
(51) International Design Classification: **02-02NES**
(74) Name(s) of Attorney(s): **Allens Patent & Trade Mark Attorneys**
(71) Name(s) and Address(s) of Applicant(s):
Forever New Clothing Pty Ltd
714-716 High St Kew East VIC 3102 Australia
(72) Name(s) of Designer(s): **Rhonda Moss**
(45) Registration Date: **05 December 2014**
(62) Divisional of: **359171**
(56) Related Art Documents: **Not Applicable**
(57) Statement of Newness and Distinctiveness: **Newness and distinctiveness resides in the visual features of shape, configuration, pattern and/or ornamentation of an article of clothing as shown in the accompanying representations.**



- (21) Design Number: **16047/2014**
(22) Date of Filing Application: **25 November 2014**
(24) Date from which industrial property rights may have effect: **03 March 2014**
(54) Product in respect of which the design is registered: **Article of clothing**
(51) International Design Classification: **02-02NES**
(74) Name(s) of Attorney(s): **Allens Patent & Trade Mark Attorneys**
(71) Name(s) and Address(s) of Applicant(s):
Forever New Clothing Pty Ltd
714-716 High St Kew East VIC 3102 Australia
(72) Name(s) of Designer(s): **Rhonda Moss**
(45) Registration Date: **05 December 2014**
(62) Divisional of: **359171**
(56) Related Art Documents: **Not Applicable**
(57) Statement of Newness and Distinctiveness: **Newness and distinctiveness resides in the visual features of shape, configuration, pattern and/or ornamentation of an article of clothing as shown in the accompanying representations.**



- (21) Design Number: **16048/2014**
(22) Date of Filing Application: **25 November 2014**
(24) Date from which industrial property rights may have effect: **03 March 2014**
(54) Product in respect of which the design is registered: **Article of clothing**
(51) International Design Classification: **02-02B**
(74) Name(s) of Attorney(s): **Allens Patent & Trade Mark Attorneys**
(71) Name(s) and Address(s) of Applicant(s):
Forever New Clothing Pty Ltd
714-716 High St Kew East VIC 3102 Australia
(72) Name(s) of Designer(s): **Rhonda Moss**
(45) Registration Date: **05 December 2014**
(62) Divisional of: **359171**
(56) Related Art Documents: **Not Applicable**
(57) Statement of Newness and Distinctiveness: **Newness and distinctiveness resides in the visual features of shape, configuration, pattern and/or ornamentation of an article of clothing as shown in the accompanying representation.**



- (21) Design Number: **16049/2014**
(22) Date of Filing Application: **25 November 2014**
(24) Date from which industrial property rights may have effect: **03 March 2014**
(54) Product in respect of which the design is registered: **Article of clothing**
(51) International Design Classification: **02-02NES**
(74) Name(s) of Attorney(s): **Allens Patent & Trade Mark Attorneys**
(71) Name(s) and Address(s) of Applicant(s):
Forever New Clothing Pty Ltd
714-716 High St Kew East VIC 3102 Australia
(72) Name(s) of Designer(s): **Rhonda Moss**
(45) Registration Date: **05 December 2014**
(62) Divisional of: **359171**
(56) Related Art Documents: **Not Applicable**
(57) Statement of Newness and Distinctiveness: **Newness and distinctiveness resides in the visual features of shape, configuration, pattern and/or ornamentation of an article of clothing as shown in the accompanying representations.**



- (21) Design Number: **16050/2014**
(22) Date of Filing Application: **25 November 2014**
(24) Date from which industrial property rights may have effect: **03 March 2014**
(54) Product in respect of which the design is registered: **Article of clothing**
(51) International Design Classification: **02-02C**
(74) Name(s) of Attorney(s): **Allens Patent & Trade Mark Attorneys**
(71) Name(s) and Address(s) of Applicant(s):
Forever New Clothing Pty Ltd
714-716 High St Kew East VIC 3102 Australia
(72) Name(s) of Designer(s): **Octavia Miller**
(45) Registration Date: **05 December 2014**
(62) Divisional of: **359171**
(56) Related Art Documents: **Not Applicable**
(57) Statement of Newness and Distinctiveness: **Newness and distinctiveness resides in the visual features of shape, configuration, pattern and/or ornamentation of an article of clothing as shown in the accompanying representations.**



- (21) Design Number: **16051/2014**
(22) Date of Filing Application: **25 November 2014**
(24) Date from which industrial property rights may have effect: **03 March 2014**
(54) Product in respect of which the design is registered: **Article of clothing**
(51) International Design Classification: **02-02C**
(74) Name(s) of Attorney(s): **Allens Patent & Trade Mark Attorneys**
(71) Name(s) and Address(s) of Applicant(s):
Forever New Clothing Pty Ltd
714-716 High St Kew East VIC 3102 Australia
(72) Name(s) of Designer(s): **Octavia Miller**
(45) Registration Date: **05 December 2014**
(62) Divisional of: **359171**
(56) Related Art Documents: **Not Applicable**
(57) Statement of Newness and Distinctiveness: **Newness and distinctiveness resides in the visual features of shape, configuration, pattern and/or ornamentation of an article of clothing as shown in the accompanying representations.**



- (21) Design Number: **16052/2014**
(22) Date of Filing Application: **25 November 2014**
(24) Date from which industrial property rights may have effect: **03 March 2014**
(54) Product in respect of which the design is registered: **Article of clothing**
(51) International Design Classification: **02-02C**
(74) Name(s) of Attorney(s): **Allens Patent & Trade Mark Attorneys**
(71) Name(s) and Address(s) of Applicant(s):
Forever New Clothing Pty Ltd
714-716 High St Kew East VIC 3102 Australia
(72) Name(s) of Designer(s): **Octavia Miller**
(45) Registration Date: **05 December 2014**
(62) Divisional of: **359171**
(56) Related Art Documents: **Not Applicable**
(57) Statement of Newness and Distinctiveness: **Newness and distinctiveness resides in the visual features of shape, configuration, pattern and/or ornamentation of an article of clothing as shown in the accompanying representations.**



- (21) Design Number: **16053/2014**
(22) Date of Filing Application: **25 November 2014**
(24) Date from which industrial property rights may have effect: **03 March 2014**
(54) Product in respect of which the design is registered: **Article of clothing**
(51) International Design Classification: **02-02C**
(74) Name(s) of Attorney(s): **Allens Patent & Trade Mark Attorneys**
(71) Name(s) and Address(s) of Applicant(s):
Forever New Clothing Pty Ltd
714-716 High St Kew East VIC 3102 Australia
(72) Name(s) of Designer(s): **Octavia Miller**
(45) Registration Date: **05 December 2014**
(62) Divisional of: **359171**
(56) Related Art Documents: **Not Applicable**
(57) Statement of Newness and Distinctiveness: **Newness and distinctiveness resides in the visual features of shape, configuration, pattern and/or ornamentation of an article of clothing as shown in the accompanying representations.**



- (21) Design Number: **16055/2014**
(22) Date of Filing Application: **25 November 2014**
(24) Date from which industrial property rights may have effect: **25 November 2014**
(54) Product in respect of which the design is registered: **Automobile**
(51) International Design Classification: **12-08**
(74) Name(s) of Attorney(s): **SPRUSON & FERGUSON**
(71) Name(s) and Address(s) of Applicant(s):
Honda Motor Co., Ltd.
1-1, Minami-Aoyama 2-chome, Minato-ku Tokyo, 107-8556 Japan
(72) Name(s) of Designer(s): **Masaru Hasegawa**
(45) Registration Date: **08 December 2014**
(30) Convention priority data:
(31) Number (32) Date (33) Country
2014-011707 30 May 2014 JAPAN
(56) Related Art Documents: **Not Applicable**
(57) Statement of Newness and Distinctiveness: **Newness and distinctiveness is claimed in the features of shape and/or configuration of an automobile as illustrated in the accompanying representations.**



(21) Design Number: **16056/2014**
(22) Date of Filing Application: **25 November 2014**
(24) Date from which industrial property rights may have effect: **25 November 2014**
(54) Product in respect of which the design is registered: **Automobile**
(51) International Design Classification: **12-08**
(74) Name(s) of Attorney(s): **SPRUSON & FERGUSON**
(71) Name(s) and Address(s) of Applicant(s):
Honda Motor Co., Ltd.
1-1, Minami-Aoyama 2-chome, Minato-ku Tokyo, 107-8556 Japan
(72) Name(s) of Designer(s): **Daisuke Toriyama**
(45) Registration Date: **08 December 2014**
(30) Convention priority data:
(31) Number (32) Date (33) Country
2014-011718 30 May 2014 JAPAN
(56) Related Art Documents: **Not Applicable**
(57) Statement of Newness and Distinctiveness: **Newness and distinctiveness is claimed in the features of shape and/or configuration of an automobile as illustrated in the accompanying representations.**



(21) Design Number: **16057/2014**
(22) Date of Filing Application: **25 November 2014**
(24) Date from which industrial property rights may have effect: **25 November 2014**
(54) Product in respect of which the design is registered: **Rice cooker**
(51) International Design Classification: **07-02N**
(74) Name(s) of Attorney(s): **FB Rice**
(71) Name(s) and Address(s) of Applicant(s):
Koninklijke Philips N.V.
High Tech Campus 5 5656 AE Eindhoven The Netherlands
(72) Name(s) of Designer(s): **Guo Ning Hu**
(45) Registration Date: **08 December 2014**
(30) Convention priority data:
(31) Number (32) Date (33) Country
002470419-0001 26 May 2014 OFFICE FOR HARMONISATION IN THE INTERNAL MARKET (OHIM)
(56) Related Art Documents: **Not Applicable**
(57) Statement of Newness and Distinctiveness: **Newness and distinctiveness reside in the features of shape and configuration of the design as shown in the representations.**



- (21) Design Number: **16058/2014**
(22) Date of Filing Application: **25 November 2014**
(24) Date from which industrial property rights may have effect: **03 March 2014**
(54) Product in respect of which the design is registered: **Article of clothing**
(51) International Design Classification: **02-02C**
(74) Name(s) of Attorney(s): **Allens Patent & Trade Mark Attorneys**
(71) Name(s) and Address(s) of Applicant(s):
Forever New Clothing Pty Ltd
714-716 High St Kew East VIC 3102 Australia
(72) Name(s) of Designer(s): **Octavia Miller**
(45) Registration Date: **08 December 2014**
(62) Divisional of: **359171**
(56) Related Art Documents: **Not Applicable**
(57) Statement of Newness and Distinctiveness: **Newness and distinctiveness resides in the visual features of shape, configuration, pattern and/or ornamentation of an article of clothing as shown in the accompanying representations.**



- (21) Design Number: **16059/2014**
(22) Date of Filing Application: **25 November 2014**
(24) Date from which industrial property rights may have effect: **03 March 2014**
(54) Product in respect of which the design is registered: **Article of clothing**
(51) International Design Classification: **02-02NES**
(74) Name(s) of Attorney(s): **Allens Patent & Trade Mark Attorneys**
(71) Name(s) and Address(s) of Applicant(s):
Forever New Clothing Pty Ltd
714-716 High St Kew East VIC 3102 Australia
(72) Name(s) of Designer(s): **Chloe Atkinson**
(45) Registration Date: **08 December 2014**
(62) Divisional of: **359171**
(56) Related Art Documents: **Not Applicable**
(57) Statement of Newness and Distinctiveness: **Newness and distinctiveness resides in the visual features of shape, configuration, pattern and/or ornamentation of an article of clothing as shown in the accompanying representations.**



- (21) Design Number: **16060/2014**
(22) Date of Filing Application: **25 November 2014**
(24) Date from which industrial property rights may have effect: **03 March 2014**
(54) Product in respect of which the design is registered: **Article of clothing**
(51) International Design Classification: **02-02NES**
(74) Name(s) of Attorney(s): **Allens Patent & Trade Mark Attorneys**
(71) Name(s) and Address(s) of Applicant(s):
Forever New Clothing Pty Ltd
714-716 High St Kew East VIC 3102 Australia
(72) Name(s) of Designer(s): **Chloe Atkinson**
(45) Registration Date: **08 December 2014**
(62) Divisional of: **359171**
(56) Related Art Documents: **Not Applicable**
(57) Statement of Newness and Distinctiveness: **Newness and distinctiveness resides in the visual features of shape, configuration, pattern and/or ornamentation of an article of clothing as shown in the accompanying representations.**



- (21) Design Number: **16061/2014**
(22) Date of Filing Application: **25 November 2014**
(24) Date from which industrial property rights may have effect: **03 March 2014**
(54) Product in respect of which the design is registered: **Article of clothing**
(51) International Design Classification: **02-02NES**
(74) Name(s) of Attorney(s): **Allens Patent & Trade Mark Attorneys**
(71) Name(s) and Address(s) of Applicant(s):
Forever New Clothing Pty Ltd
714-716 High St Kew East VIC 3102 Australia
(72) Name(s) of Designer(s): **Chloe Atkinson**
(45) Registration Date: **08 December 2014**
(62) Divisional of: **359171**
(56) Related Art Documents: **Not Applicable**
(57) Statement of Newness and Distinctiveness: **Newness and distinctiveness resides in the visual features of shape, configuration, pattern and/or ornamentation of an article of clothing as shown in the accompanying representations.**



- (21) Design Number: **16062/2014**
(22) Date of Filing Application: **25 November 2014**
(24) Date from which industrial property rights may have effect: **03 March 2014**
(54) Product in respect of which the design is registered: **Article of clothing**
(51) International Design Classification: **02-02NES**
(74) Name(s) of Attorney(s): **Allens Patent & Trade Mark Attorneys**
(71) Name(s) and Address(s) of Applicant(s):
Forever New Clothing Pty Ltd
714-716 High St Kew East VIC 3102 Australia
(72) Name(s) of Designer(s): **Chloe Atkinson**
(45) Registration Date: **08 December 2014**
(62) Divisional of: **359171**
(56) Related Art Documents: **Not Applicable**
(57) Statement of Newness and Distinctiveness: **Newness and distinctiveness resides in the visual features of shape, configuration, pattern and/or ornamentation of an article of clothing as shown in the accompanying representations.**



- (21) Design Number: **16063/2014**
(22) Date of Filing Application: **25 November 2014**
(24) Date from which industrial property rights may have effect: **03 March 2014**
(54) Product in respect of which the design is registered: **Article of clothing**
(51) International Design Classification: **02-02NES**
(74) Name(s) of Attorney(s): **Allens Patent & Trade Mark Attorneys**
(71) Name(s) and Address(s) of Applicant(s):
Forever New Clothing Pty Ltd
714-716 High St Kew East VIC 3102 Australia
(72) Name(s) of Designer(s): **Chloe Atkinson**
(45) Registration Date: **08 December 2014**
(62) Divisional of: **359171**
(56) Related Art Documents: **Not Applicable**
(57) Statement of Newness and Distinctiveness: **Newness and distinctiveness resides in the visual features of shape, configuration, pattern and/or ornamentation of an article of clothing as shown in the accompanying representations.**



- (21) Design Number: **16064/2014**
(22) Date of Filing Application: **25 November 2014**
(24) Date from which industrial property rights may have effect: **03 March 2014**
(54) Product in respect of which the design is registered: **Article of clothing**
(51) International Design Classification: **02-02C**
(74) Name(s) of Attorney(s): **Allens Patent & Trade Mark Attorneys**
(71) Name(s) and Address(s) of Applicant(s):
Forever New Clothing Pty Ltd
714-716 High St Kew East VIC 3102 Australia
(72) Name(s) of Designer(s): **Chloe Atkinson**
(45) Registration Date: **08 December 2014**
(62) Divisional of: **359171**
(56) Related Art Documents: **Not Applicable**
(57) Statement of Newness and Distinctiveness: **Newness and distinctiveness resides in the visual features of shape, configuration, pattern and/or ornamentation of an article of clothing as shown in the accompanying representations.**



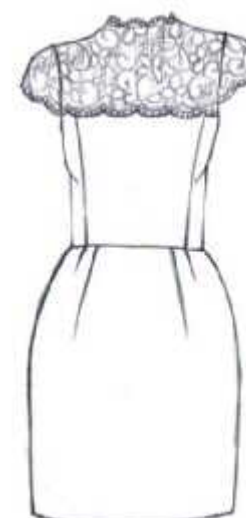
- (21) Design Number: **16065/2014**
(22) Date of Filing Application: **25 November 2014**
(24) Date from which industrial property rights may have effect: **03 March 2014**
(54) Product in respect of which the design is registered: **Article of clothing**
(51) International Design Classification: **02-02C**
(74) Name(s) of Attorney(s): **Allens Patent & Trade Mark Attorneys**
(71) Name(s) and Address(s) of Applicant(s):
Forever New Clothing Pty Ltd
714-716 High St Kew East VIC 3102 Australia
(72) Name(s) of Designer(s): **Chloe Atkinson**
(45) Registration Date: **08 December 2014**
(62) Divisional of: **359171**
(56) Related Art Documents: **Not Applicable**
(57) Statement of Newness and Distinctiveness: **Newness and distinctiveness resides in the visual features of shape, configuration, pattern and/or ornamentation of an article of clothing as shown in the accompanying representations.**



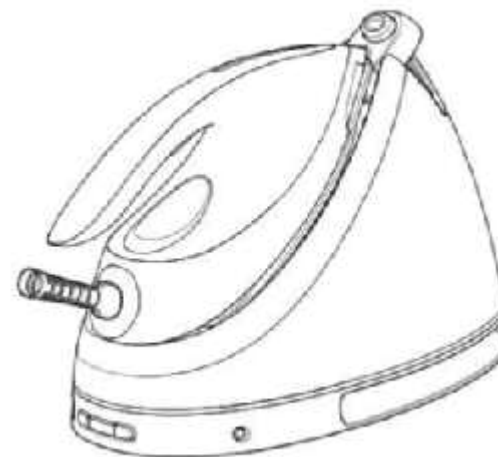
- (21) Design Number: **16066/2014**
(22) Date of Filing Application: **25 November 2014**
(24) Date from which industrial property rights may have effect: **03 March 2014**
(54) Product in respect of which the design is registered: **Article of clothing**
(51) International Design Classification: **02-02NES**
(74) Name(s) of Attorney(s): **Allens Patent & Trade Mark Attorneys**
(71) Name(s) and Address(s) of Applicant(s):
Forever New Clothing Pty Ltd
714-716 High St Kew East VIC 3102 Australia
(72) Name(s) of Designer(s): **Chloe Atkinson**
(45) Registration Date: **08 December 2014**
(62) Divisional of: **359171**
(56) Related Art Documents: **Not Applicable**
(57) Statement of Newness and Distinctiveness: **Newness and distinctiveness resides in the visual features of shape, configuration, pattern and/or ornamentation of an article of clothing as shown in the accompanying representations.**



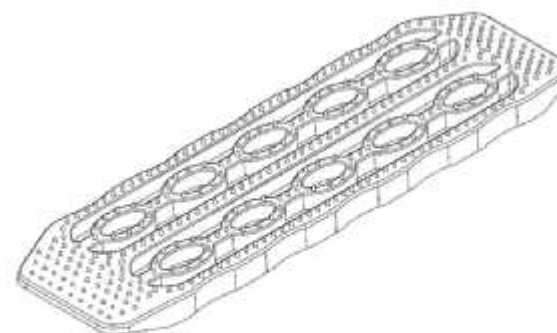
- (21) Design Number: **16067/2014**
(22) Date of Filing Application: **25 November 2014**
(24) Date from which industrial property rights may have effect: **03 March 2014**
(54) Product in respect of which the design is registered: **Article of clothing**
(51) International Design Classification: **02-02C**
(74) Name(s) of Attorney(s): **Allens Patent & Trade Mark Attorneys**
(71) Name(s) and Address(s) of Applicant(s):
Forever New Clothing Pty Ltd
714-716 High St Kew East VIC 3102 Australia
(72) Name(s) of Designer(s): **Karen Thai**
(45) Registration Date: **08 December 2014**
(62) Divisional of: **359171**
(56) Related Art Documents: **Not Applicable**
(57) Statement of Newness and Distinctiveness: **Newness and distinctiveness resides in the visual features of shape, configuration, pattern and/or ornamentation of an article of clothing as shown in the accompanying representations.**



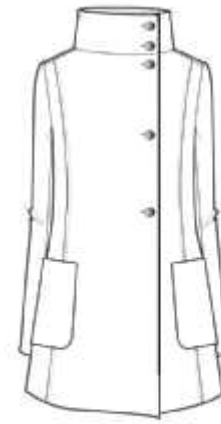
(21) Design Number: **16068/2014**
(22) Date of Filing Application: **25 November 2014**
(24) Date from which industrial property rights may have effect: **25 November 2014**
(54) Product in respect of which the design is registered: **Iron with steam generator**
(51) International Design Classification: **07-05A**
(74) Name(s) of Attorney(s): **FB Rice**
(71) Name(s) and Address(s) of Applicant(s):
Koninklijke Philips N.V.
High Tech Campus 5 5656 AE Eindhoven The Netherlands
(72) Name(s) of Designer(s): **Massimiliano La Rovere and Xue Xiao**
(45) Registration Date: **08 December 2014**
(30) Convention priority data:
(31) Number (32) Date (33) Country
201430148823.X 26 May 2014 CHINA
(56) Related Art Documents: **Not Applicable**
(57) Statement of Newness and Distinctiveness: **Newness and distinctiveness reside in the features of shape and configuration of the design as shown in the representations.**



(21) Design Number: **16069/2014**
(22) Date of Filing Application: **25 November 2014**
(24) Date from which industrial property rights may have effect: **25 November 2014**
(54) Product in respect of which the design is registered: **Vehicle traction mat**
(51) International Design Classification: **12-15F**
(74) Name(s) of Attorney(s): **WATERMARK PATENT AND TRADE MARKS ATTORNEYS**
(71) Name(s) and Address(s) of Applicant(s):
Hebe Company Ltd
No. 182, Sec. 1, Jinhua Road South Dist. Tainan City, 702 Taiwan
(72) Name(s) of Designer(s): **Chin-Fu Chang**
(45) Registration Date: **08 December 2014**
(56) Related Art Documents: **Not Applicable**
(57) Statement of Newness and Distinctiveness: **Nil**



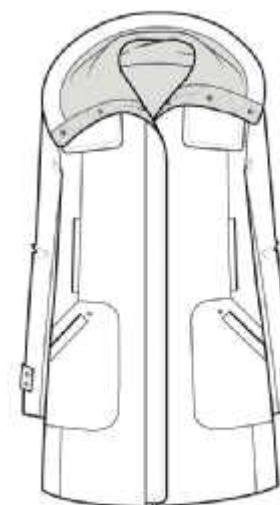
- (21) Design Number: **16071/2014**
(22) Date of Filing Application: **25 November 2014**
(24) Date from which industrial property rights may have effect: **03 March 2014**
(54) Product in respect of which the design is registered: **Article of clothing**
(51) International Design Classification: **02-02C**
(74) Name(s) of Attorney(s): **Allens Patent & Trade Mark Attorneys**
(71) Name(s) and Address(s) of Applicant(s):
Forever New Clothing Pty Ltd
714-716 High St Kew East VIC 3102 Australia
(72) Name(s) of Designer(s): **Alice Burrow**
(45) Registration Date: **08 December 2014**
(62) Divisional of: **359171**
(56) Related Art Documents: **Not Applicable**
(57) Statement of Newness and Distinctiveness: **Newness and distinctiveness resides in the visual features of shape, configuration, pattern and/or ornamentation of an article of clothing as shown in the accompanying representations.**



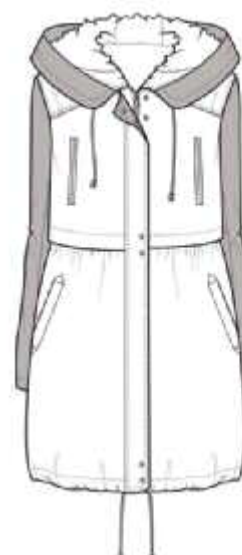
- (21) Design Number: **16072/2014**
(22) Date of Filing Application: **25 November 2014**
(24) Date from which industrial property rights may have effect: **03 March 2014**
(54) Product in respect of which the design is registered: **Article of clothing**
(51) International Design Classification: **02-02C**
(74) Name(s) of Attorney(s): **Allens Patent & Trade Mark Attorneys**
(71) Name(s) and Address(s) of Applicant(s):
Forever New Clothing Pty Ltd
714-716 High St Kew East VIC 3102 Australia
(72) Name(s) of Designer(s): **Alice Burrow**
(45) Registration Date: **08 December 2014**
(62) Divisional of: **359171**
(56) Related Art Documents: **Not Applicable**
(57) Statement of Newness and Distinctiveness: **Newness and distinctiveness resides in the visual features of shape, configuration, pattern and/or ornamentation of an article of clothing as shown in the accompanying representations.**



- (21) Design Number: **16073/2014**
(22) Date of Filing Application: **25 November 2014**
(24) Date from which industrial property rights may have effect: **03 March 2014**
(54) Product in respect of which the design is registered: **Article of clothing**
(51) International Design Classification: **02-02C**
(74) Name(s) of Attorney(s): **Allens Patent & Trade Mark Attorneys**
(71) Name(s) and Address(s) of Applicant(s):
Forever New Clothing Pty Ltd
714-716 High St Kew East VIC 3102 Australia
(72) Name(s) of Designer(s): **Alice Burrow**
(45) Registration Date: **08 December 2014**
(62) Divisional of: **359171**
(56) Related Art Documents: **Not Applicable**
(57) Statement of Newness and Distinctiveness: **Newness and distinctiveness resides in the visual features of shape, configuration, pattern and/or ornamentation of an article of clothing as shown in the accompanying representations.**



- (21) Design Number: **16074/2014**
(22) Date of Filing Application: **25 November 2014**
(24) Date from which industrial property rights may have effect: **03 March 2014**
(54) Product in respect of which the design is registered: **Article of clothing**
(51) International Design Classification: **02-02C**
(74) Name(s) of Attorney(s): **Allens Patent & Trade Mark Attorneys**
(71) Name(s) and Address(s) of Applicant(s):
Forever New Clothing Pty Ltd
714-716 High St Kew East VIC 3102 Australia
(72) Name(s) of Designer(s): **Alice Burrow**
(45) Registration Date: **08 December 2014**
(62) Divisional of: **359171**
(56) Related Art Documents: **Not Applicable**
(57) Statement of Newness and Distinctiveness: **Newness and distinctiveness resides in the visual features of shape, configuration, pattern and/or ornamentation of an article of clothing as shown in the accompanying representations.**



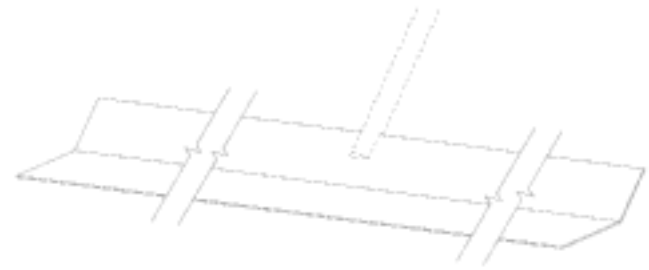
- (21) Design Number: **16075/2014**
(22) Date of Filing Application: **25 November 2014**
(24) Date from which industrial property rights may have effect: **03 March 2014**
(54) Product in respect of which the design is registered: **Article of clothing**
(51) International Design Classification: **02-02C**
(74) Name(s) of Attorney(s): **Allens Patent & Trade Mark Attorneys**
(71) Name(s) and Address(s) of Applicant(s):
Forever New Clothing Pty Ltd
714-716 High St Kew East VIC 3102 Australia
(72) Name(s) of Designer(s): **Alice Burrow**
(45) Registration Date: **08 December 2014**
(62) Divisional of: **359171**
(56) Related Art Documents: **Not Applicable**
(57) Statement of Newness and Distinctiveness: **Newness and distinctiveness resides in the visual features of shape, configuration, pattern and/or ornamentation of an article of clothing as shown in the accompanying representations.**



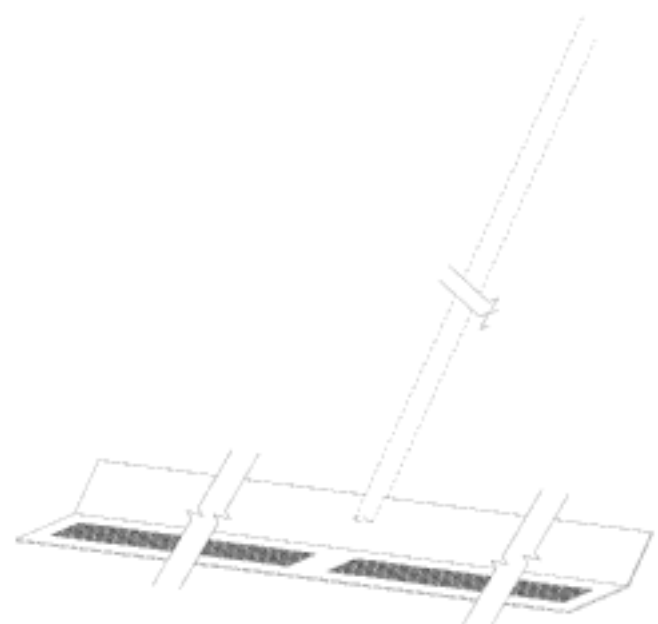
- (21) Design Number: **16028/2014**
(22) Date of Filing Application: **24 November 2014**
(24) Date from which industrial property rights may have effect: **24 November 2014**
(54) Product in respect of which the design is registered: **Adjustable stabiliser leg**
(51) International Design Classification: **12-10**
(74) Name(s) of Attorney(s): **Baxter Patent Attorneys Pty Ltd**
(71) Name(s) and Address(s) of Applicant(s):
AL-KO International Pty Ltd
67-91 Nathan Rd Dandenong South VIC 3175 Australia
(72) Name(s) of Designer(s): **Robert Funder and Jibu John**
(45) Registration Date: **08 December 2014**
(56) Related Art Documents: **Not Applicable**
(57) Statement of Newness and Distinctiveness: **Those features of the 'adjustable stabilising leg' depicted in the representations that are new and distinctive are the shape and/or configuration of the bracket marked "A". Hence when considering the overall impression of the design more emphasis is to be given to the top bracket marked "A".**



- (21) Design Number: **16029/2014**
(22) Date of Filing Application: **24 November 2014**
(24) Date from which industrial property rights may have effect: **24 November 2014**
(54) Product in respect of which the design is registered: **Grooming tool for sporting surface**
(51) International Design Classification: **08-05A**
(74) Name(s) of Attorney(s): **Adams Pluck**
(71) Name(s) and Address(s) of Applicant(s):
Peter Wood
178A Eastern Rd Wahroonga NSW 2076 Australia
(72) Name(s) of Designer(s): **Peter Wood**
(45) Registration Date: **08 December 2014**
(56) Related Art Documents: **Not Applicable**
(57) Statement of Newness and Distinctiveness: **Newness and distinctiveness resides in the shape and configuration of the grooming tool shown in the representations. The handle in dotted outline is shown for illustrative purposes only and forms no part of the design. The scoop has an indefinite longitudinal length.**



- (21) Design Number: **16030/2014**
(22) Date of Filing Application: **24 November 2014**
(24) Date from which industrial property rights may have effect: **24 November 2014**
(54) Product in respect of which the design is registered: **Grooming tool for sporting surface**
(51) International Design Classification: **08-05NES**
(74) Name(s) of Attorney(s): **Adams Pluck**
(71) Name(s) and Address(s) of Applicant(s):
Peter Wood
178A Eastern Rd Wahroonga NSW 2076 Australia
(72) Name(s) of Designer(s): **Peter Wood**
(45) Registration Date: **08 December 2014**
(56) Related Art Documents: **Not Applicable**
(57) Statement of Newness and Distinctiveness: **Newness and distinctiveness resides in the shape and configuration of the grooming tool shown in the representations. The handle in dotted outline is shown for illustrative purposes only and forms no part of the design. The scoop has an indefinite longitudinal length.**

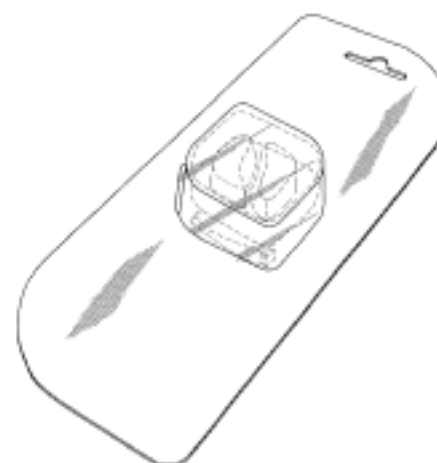


(21) Design Number: **16031/2014**
(22) Date of Filing Application: **25 November 2014**
(24) Date from which industrial property rights may have effect: **25 November 2014**
(54) Product in respect of which the design is registered: **Winch**
(51) International Design Classification: **12-05**
(74) Name(s) of Attorney(s): **Shelston IP**
(71) Name(s) and Address(s) of Applicant(s):
Warn Industries, Inc.
12900 SE Capps Rd. Clackamas Oregon 97015 United States of America
(72) Name(s) of Designer(s): **Darren G Fretz**
(45) Registration Date: **08 December 2014**
(30) Convention priority data:
(31) Number (32) Date (33) Country
29/500012 20 Aug 2014 UNITED STATES OF AMERICA



(56) Related Art Documents: **Not Applicable**
(57) Statement of Newness and Distinctiveness: **Newness and distinctiveness reside in the features of shape and/or configuration of a winch as shown in solid lines in the accompanying representations. Features shown in broken lines are included for illustrative purposes only and do not form part of the design.**

(21) Design Number: **16032/2014**
(22) Date of Filing Application: **25 November 2014**
(24) Date from which industrial property rights may have effect: **25 November 2014**
(54) Product in respect of which the design is registered: **Packaged automotive air freshener**
(51) International Design Classification: **09-05**
(74) Name(s) of Attorney(s): **SPRUSON & FERGUSON**
(71) Name(s) and Address(s) of Applicant(s):
Hopkins Manufacturing Corporation
428 Peyton Street P.O. Box 1157, Emporia Kansas 66801-1157 United States of America
(72) Name(s) of Designer(s): **Pieter Schouten**
(45) Registration Date: **08 December 2014**
(30) Convention priority data:
(31) Number (32) Date (33) Country
29/495338 30 Jun 2014 UNITED STATES OF AMERICA



(56) Related Art Documents: **Not Applicable**
(57) Statement of Newness and Distinctiveness: **Newness and distinctiveness is claimed in those features of shape and/or configuration of a packaged automotive air freshener illustrated in continuous lines in the accompanying representations.**

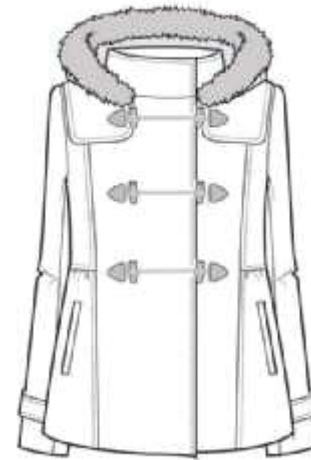
(21) Design Number: **16054/2014**
(22) Date of Filing Application: **25 November 2014**
(24) Date from which industrial property rights may have effect: **25 November 2014**
(54) Product in respect of which the design is registered: **Steam generator for iron**
(51) International Design Classification: **07-05A**
(74) Name(s) of Attorney(s): **FB Rice**
(71) Name(s) and Address(s) of Applicant(s):
Koninklijke Philips N.V.
High Tech Campus 5 5656 AE Eindhoven The Netherlands
(72) Name(s) of Designer(s): **Massimiliano La Rovere and Xue Xiao**
(45) Registration Date: **08 December 2014**
(30) Convention priority data:
(31) Number (32) Date (33) Country
201430148821.0 26 May 2014 CHINA
(56) Related Art Documents: **Not Applicable**
(57) Statement of Newness and Distinctiveness: **Newness and distinctiveness reside in the features of shape and configuration of the design as shown in the representations.**



(21) Design Number: **16070/2014**
(22) Date of Filing Application: **25 November 2014**
(24) Date from which industrial property rights may have effect: **03 March 2014**
(54) Product in respect of which the design is registered: **Article of clothing**
(51) International Design Classification: **02-02C**
(74) Name(s) of Attorney(s): **Allens Patent & Trade Mark Attorneys**
(71) Name(s) and Address(s) of Applicant(s):
Forever New Clothing Pty Ltd
714-716 High St Kew East VIC 3102 Australia
(72) Name(s) of Designer(s): **Karen Thai**
(45) Registration Date: **08 December 2014**
(62) Divisional of: **359171**
(56) Related Art Documents: **Not Applicable**
(57) Statement of Newness and Distinctiveness: **Newness and distinctiveness resides in the visual features of shape, configuration, pattern and/or ornamentation of an article of clothing as shown in the accompanying representations.**



- (21) Design Number: **16076/2014**
(22) Date of Filing Application: **25 November 2014**
(24) Date from which industrial property rights may have effect: **03 March 2014**
(54) Product in respect of which the design is registered: **Article of clothing**
(51) International Design Classification: **02-02C**
(74) Name(s) of Attorney(s): **Allens Patent & Trade Mark Attorneys**
(71) Name(s) and Address(s) of Applicant(s):
Forever New Clothing Pty Ltd
714-716 High St Kew East VIC 3102 Australia
(72) Name(s) of Designer(s): **Alice Burrow**
(45) Registration Date: **08 December 2014**
(62) Divisional of: **359171**
(56) Related Art Documents: **Not Applicable**
(57) Statement of Newness and Distinctiveness: **Newness and distinctiveness resides in the visual features of shape, configuration, pattern and/or ornamentation of an article of clothing as shown in the accompanying representations.**



- (21) Design Number: **16077/2014**
(22) Date of Filing Application: **25 November 2014**
(24) Date from which industrial property rights may have effect: **03 March 2014**
(54) Product in respect of which the design is registered: **Article of clothing**
(51) International Design Classification: **02-02C**
(74) Name(s) of Attorney(s): **Allens Patent & Trade Mark Attorneys**
(71) Name(s) and Address(s) of Applicant(s):
Forever New Clothing Pty Ltd
714-716 High St Kew East VIC 3102 Australia
(72) Name(s) of Designer(s): **Alice Burrow**
(45) Registration Date: **08 December 2014**
(62) Divisional of: **359171**
(56) Related Art Documents: **Not Applicable**
(57) Statement of Newness and Distinctiveness: **Newness and distinctiveness resides in the visual features of shape, configuration, pattern and/or ornamentation of an article of clothing as shown in the accompanying representations.**



- (21) Design Number: **16078/2014**
(22) Date of Filing Application: **25 November 2014**
(24) Date from which industrial property rights may have effect: **03 March 2014**
(54) Product in respect of which the design is registered: **Article of clothing**
(51) International Design Classification: **02-02C**
(74) Name(s) of Attorney(s): **Allens Patent & Trade Mark Attorneys**
(71) Name(s) and Address(s) of Applicant(s):
Forever New Clothing Pty Ltd
714-716 High St Kew East VIC 3102 Australia
(72) Name(s) of Designer(s): **Mantra Ahrendt**
(45) Registration Date: **08 December 2014**
(62) Divisional of: **359171**
(56) Related Art Documents: **Not Applicable**
(57) Statement of Newness and Distinctiveness: **Newness and distinctiveness resides in the visual features of shape, configuration, pattern and/or ornamentation of an article of clothing as shown in the accompanying representations.**



- (21) Design Number: **16079/2014**
(22) Date of Filing Application: **25 November 2014**
(24) Date from which industrial property rights may have effect: **03 March 2014**
(54) Product in respect of which the design is registered: **Article of clothing**
(51) International Design Classification: **02-02C**
(74) Name(s) of Attorney(s): **Allens Patent & Trade Mark Attorneys**
(71) Name(s) and Address(s) of Applicant(s):
Forever New Clothing Pty Ltd
714-716 High St Kew East VIC 3102 Australia
(72) Name(s) of Designer(s): **Mantra Ahrendt**
(45) Registration Date: **08 December 2014**
(62) Divisional of: **359171**
(56) Related Art Documents: **Not Applicable**
(57) Statement of Newness and Distinctiveness: **Newness and distinctiveness resides in the visual features of shape, configuration, pattern and/or ornamentation of an article of clothing as shown in the accompanying representations.**



- (21) Design Number: **16080/2014**
(22) Date of Filing Application: **25 November 2014**
(24) Date from which industrial property rights may have effect: **03 March 2014**
(54) Product in respect of which the design is registered: **Article of clothing**
(51) International Design Classification: **02-02C**
(74) Name(s) of Attorney(s): **Allens Patent & Trade Mark Attorneys**
(71) Name(s) and Address(s) of Applicant(s):
Forever New Clothing Pty Ltd
714-716 High St Kew East VIC 3102 Australia
(72) Name(s) of Designer(s): **Alice Burrow**
(45) Registration Date: **08 December 2014**
(62) Divisional of: **359171**
(56) Related Art Documents: **Not Applicable**
(57) Statement of Newness and Distinctiveness: **Newness and distinctiveness resides in the visual features of shape, configuration, pattern and/or ornamentation of an article of clothing as shown in the accompanying representations.**



- (21) Design Number: **16081/2014**
(22) Date of Filing Application: **25 November 2014**
(24) Date from which industrial property rights may have effect: **03 March 2014**
(54) Product in respect of which the design is registered: **Article of clothing**
(51) International Design Classification: **02-02C**
(74) Name(s) of Attorney(s): **Allens Patent & Trade Mark Attorneys**
(71) Name(s) and Address(s) of Applicant(s):
Forever New Clothing Pty Ltd
714-716 High St Kew East VIC 3102 Australia
(72) Name(s) of Designer(s): **Alice Burrow**
(45) Registration Date: **08 December 2014**
(62) Divisional of: **359171**
(56) Related Art Documents: **Not Applicable**
(57) Statement of Newness and Distinctiveness: **Newness and distinctiveness resides in the visual features of shape, configuration, pattern and/or ornamentation of an article of clothing as shown in the accompanying representations.**



- (21) Design Number: **16082/2014**
(22) Date of Filing Application: **25 November 2014**
(24) Date from which industrial property rights may have effect: **03 March 2014**
(54) Product in respect of which the design is registered: **Article of clothing**
(51) International Design Classification: **02-02C**
(74) Name(s) of Attorney(s): **Allens Patent & Trade Mark Attorneys**
(71) Name(s) and Address(s) of Applicant(s):
Forever New Clothing Pty Ltd
714-716 High St Kew East VIC 3102 Australia
(72) Name(s) of Designer(s): **Alice Burrow**
(45) Registration Date: **08 December 2014**
(62) Divisional of: **359171**
(56) Related Art Documents: **Not Applicable**
(57) Statement of Newness and Distinctiveness: **Newness and distinctiveness resides in the visual features of shape, configuration, pattern and/or ornamentation of an article of clothing as shown in the accompanying representations.**



- (21) Design Number: **16083/2014**
(22) Date of Filing Application: **25 November 2014**
(24) Date from which industrial property rights may have effect: **03 March 2014**
(54) Product in respect of which the design is registered: **Article of clothing**
(51) International Design Classification: **02-02C**
(74) Name(s) of Attorney(s): **Allens Patent & Trade Mark Attorneys**
(71) Name(s) and Address(s) of Applicant(s):
Forever New Clothing Pty Ltd
714-716 High St Kew East VIC 3102 Australia
(72) Name(s) of Designer(s): **Alice Burrow**
(45) Registration Date: **08 December 2014**
(62) Divisional of: **359171**
(56) Related Art Documents: **Not Applicable**
(57) Statement of Newness and Distinctiveness: **Newness and distinctiveness resides in the visual features of shape, configuration, pattern and/or ornamentation of an article of clothing as shown in the accompanying representations.**



- (21) Design Number: **16084/2014**
(22) Date of Filing Application: **25 November 2014**
(24) Date from which industrial property rights may have effect: **03 March 2014**
(54) Product in respect of which the design is registered: **Article of clothing**
(51) International Design Classification: **02-02C**
(74) Name(s) of Attorney(s): **Allens Patent & Trade Mark Attorneys**
(71) Name(s) and Address(s) of Applicant(s):
Forever New Clothing Pty Ltd
714-716 High St Kew East VIC 3102 Australia
(72) Name(s) of Designer(s): **Alice Burrow**
(45) Registration Date: **08 December 2014**
(62) Divisional of: **359171**
(56) Related Art Documents: **Not Applicable**
(57) Statement of Newness and Distinctiveness: **Newness and distinctiveness resides in the visual features of shape, configuration, pattern and/or ornamentation of an article of clothing as shown in the accompanying representations.**



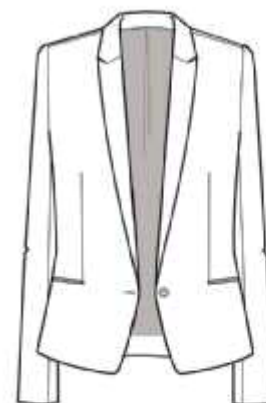
- (21) Design Number: **16085/2014**
(22) Date of Filing Application: **25 November 2014**
(24) Date from which industrial property rights may have effect: **03 March 2014**
(54) Product in respect of which the design is registered: **Article of clothing**
(51) International Design Classification: **02-02C**
(74) Name(s) of Attorney(s): **Allens Patent & Trade Mark Attorneys**
(71) Name(s) and Address(s) of Applicant(s):
Forever New Clothing Pty Ltd
714-716 High St Kew East VIC 3102 Australia
(72) Name(s) of Designer(s): **Alice Burrow**
(45) Registration Date: **08 December 2014**
(62) Divisional of: **359171**
(56) Related Art Documents: **Not Applicable**
(57) Statement of Newness and Distinctiveness: **Newness and distinctiveness resides in the visual features of shape, configuration, pattern and/or ornamentation of an article of clothing as shown in the accompanying representations.**



- (21) Design Number: **16086/2014**
(22) Date of Filing Application: **25 November 2014**
(24) Date from which industrial property rights may have effect: **03 March 2014**
(54) Product in respect of which the design is registered: **Article of clothing**
(51) International Design Classification: **02-02C**
(74) Name(s) of Attorney(s): **Allens Patent & Trade Mark Attorneys**
(71) Name(s) and Address(s) of Applicant(s):
Forever New Clothing Pty Ltd
714-716 High St Kew East VIC 3102 Australia
(72) Name(s) of Designer(s): **Alice Burrow**
(45) Registration Date: **08 December 2014**
(62) Divisional of: **359171**
(56) Related Art Documents: **Not Applicable**
(57) Statement of Newness and Distinctiveness: **Newness and distinctiveness resides in the visual features of shape, configuration, pattern and/or ornamentation of an article of clothing as shown in the accompanying representations.**



- (21) Design Number: **16087/2014**
(22) Date of Filing Application: **25 November 2014**
(24) Date from which industrial property rights may have effect: **03 March 2014**
(54) Product in respect of which the design is registered: **Article of clothing**
(51) International Design Classification: **02-02C**
(74) Name(s) of Attorney(s): **Allens Patent & Trade Mark Attorneys**
(71) Name(s) and Address(s) of Applicant(s):
Forever New Clothing Pty Ltd
714-716 High St Kew East VIC 3102 Australia
(72) Name(s) of Designer(s): **Mantra Ahrendt**
(45) Registration Date: **08 December 2014**
(62) Divisional of: **359171**
(56) Related Art Documents: **Not Applicable**
(57) Statement of Newness and Distinctiveness: **Newness and distinctiveness resides in the visual features of shape, configuration, pattern and/or ornamentation of an article of clothing as shown in the accompanying representations.**



- (21) Design Number: **16088/2014**
(22) Date of Filing Application: **25 November 2014**
(24) Date from which industrial property rights may have effect: **03 March 2014**
(54) Product in respect of which the design is registered: **Article of clothing**
(51) International Design Classification: **02-02C**
(74) Name(s) of Attorney(s): **Allens Patent & Trade Mark Attorneys**
(71) Name(s) and Address(s) of Applicant(s):
Forever New Clothing Pty Ltd
714-716 High St Kew East VIC 3102 Australia
(72) Name(s) of Designer(s): **Alice Burrow**
(45) Registration Date: **08 December 2014**
(62) Divisional of: **359171**
(56) Related Art Documents: **Not Applicable**
(57) Statement of Newness and Distinctiveness: **Newness and distinctiveness resides in the visual features of shape, configuration, pattern and/or ornamentation of an article of clothing as shown in the accompanying representations.**



- (21) Design Number: **15318/2014**
(22) Date of Filing Application: **21 October 2014**
(24) Date from which industrial property rights may have effect: **21 October 2014**
(54) Product in respect of which the design is registered: **Negative pressure wound therapy pump**
(51) International Design Classification: **24-01**
(74) Name(s) of Attorney(s): **Davies Collison Cave**
(71) Name(s) and Address(s) of Applicant(s):
Talley Group Limited
Abbey Park Industrial Estate Premier Way Romsey Hampshire SO51 9DQ United Kingdom
(72) Name(s) of Designer(s): **Chris Evans and Richard Taggerty and Felix Smith**
(45) Registration Date: **08 December 2014**
(30) Convention priority data:
(31) Number (32) Date (33) Country
001410781-0001 30 Apr 2014 OFFICE FOR HARMONISATION IN THE INTERNAL MARKET (OHIM)
(56) Related Art Documents: **Not Applicable**
(57) Statement of Newness and Distinctiveness: **Nil**



- (21) Design Number: **15663/2014**
(22) Date of Filing Application: **06 November 2014**
(24) Date from which industrial property rights may have effect: **06 November 2014**
(54) Product in respect of which the design is registered: **A clip**
(51) International Design Classification: **08-08C**
(74) Name(s) of Attorney(s):
(71) Name(s) and Address(s) of Applicant(s):
 Crothead Pty Ltd
 255 Aumuller St Westcourt QLD 4870 Australia
(72) Name(s) of Designer(s): **Dennis Victor Pryor**
(45) Registration Date: **08 December 2014**
(56) Related Art Documents: **Not Applicable**
(57) Statement of Newness and Distinctiveness: **Newness and distinctiveness is claimed in the features of shape and/or configuration of the clip which can be used for toothpaste as represented in the accompanying images.**



- (21) Design Number: **15728/2014**
(22) Date of Filing Application: **10 November 2014**
(24) Date from which industrial property rights may have effect: **10 November 2014**
(54) Product in respect of which the design is registered: **Baby bowl and straw**
(51) International Design Classification: **07-01E**
(74) Name(s) of Attorney(s):
(71) Name(s) and Address(s) of Applicant(s):
 B.Box for Kids Developments Pty Ltd
 73 Emo Rd Malvern East VIC 3145 Australia
(72) Name(s) of Designer(s): **Monique Filer and Dannielle Michaels**
(45) Registration Date: **08 December 2014**
(56) Related Art Documents: **Not Applicable**
(57) Statement of Newness and Distinctiveness: **A bowl with straw included, Unique tear drop shape designed for how children eat and drink. Designed primarily for use with soups, cereal, where kids like to eat and then drink the liquid. Molded easy grip handles for greater stability and user independence. Also includes lid for storage. Available in different sizes, for different ages and stages. Small size also comes with snack insert.**



(21) Design Number: **16033/2014**
(22) Date of Filing Application: **25 November 2014**
(24) Date from which industrial property rights may have effect: **25 November 2014**
(54) Product in respect of which the design is registered: **Packaged automotive air freshener**
(51) International Design Classification: **09-05**
(74) Name(s) of Attorney(s): **SPRUSON & FERGUSON**
(71) Name(s) and Address(s) of Applicant(s):
Hopkins Manufacturing Corporation
428 Peyton Street P.O. Box 1157, Emporia Kansas 66801-1157 United States of America
(72) Name(s) of Designer(s): **Pieter Schouten**
(45) Registration Date: **08 December 2014**
(30) Convention priority data:
(31) Number (32) Date (33) Country
29/495338 30 Jun 2014 UNITED STATES OF AMERICA
(56) Related Art Documents: **Not Applicable**
(57) Statement of Newness and Distinctiveness: **Newness and distinctiveness is claimed in those features of shape and/or configuration of a packaged automotive air freshener illustrated in continuous lines in the accompanying representations.**



(21) Design Number: **16089/2014**
(22) Date of Filing Application: **25 November 2014**
(24) Date from which industrial property rights may have effect: **25 November 2014**
(54) Product in respect of which the design is registered: **Side cover for motorcycle**
(51) International Design Classification: **12-16B**
(74) Name(s) of Attorney(s): **SPRUSON & FERGUSON**
(71) Name(s) and Address(s) of Applicant(s):
Honda Motor Co., Ltd.
1-1, Minami-Aoyama 2-chome, Minato-ku Tokyo, 107-8556 Japan
(72) Name(s) of Designer(s): **Kanae Fujitake and Yoshihiro Takanashi**
(45) Registration Date: **08 December 2014**
(30) Convention priority data:
(31) Number (32) Date (33) Country
2014-012401 09 Jun 2014 JAPAN
(56) Related Art Documents: **Not Applicable**
(57) Statement of Newness and Distinctiveness: **Newness and distinctiveness is claimed in the features of shape and/or configuration of a side cover for motorcycle as illustrated in the accompanying representations.**



(21) Design Number: **16090/2014**
(22) Date of Filing Application: **25 November 2014**
(24) Date from which industrial property rights may have effect: **25 November 2014**
(54) Product in respect of which the design is registered: **Motorcycle**
(51) International Design Classification: **12-11**
(74) Name(s) of Attorney(s): **SPRUSON & FERGUSON**
(71) Name(s) and Address(s) of Applicant(s):
Honda Motor Co., Ltd.
1-1, Minami-Aoyama 2-chome, Minato-ku, Tokyo 107-8556 Japan
(72) Name(s) of Designer(s): **Takeshi Futamata and Takashi Watanabe**
(45) Registration Date: **08 December 2014**
(30) Convention priority data:
(31) Number (32) Date (33) Country
2014-011853 02 Jun 2014 JAPAN
(56) Related Art Documents: **Not Applicable**
(57) Statement of Newness and Distinctiveness: **Newness and distinctiveness is claimed in the features of shape and/or configuration of a motorcycle as illustrated in the accompanying representations.**



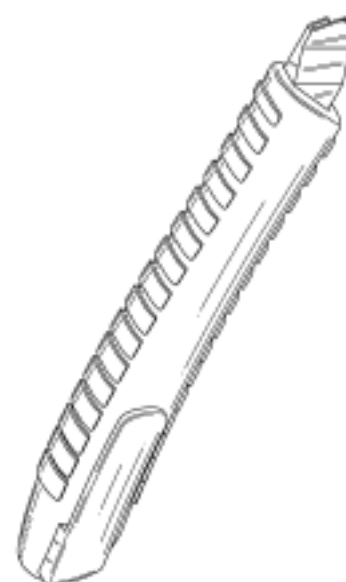
(21) Design Number: **16091/2014**
(22) Date of Filing Application: **25 November 2014**
(24) Date from which industrial property rights may have effect: **25 November 2014**
(54) Product in respect of which the design is registered: **Front side cowl for motorcycle**
(51) International Design Classification: **12-16B**
(74) Name(s) of Attorney(s): **SPRUSON & FERGUSON**
(71) Name(s) and Address(s) of Applicant(s):
Honda Motor Co., Ltd.
1-1, Minami-Aoyama 2-chome, Minato-ku, Tokyo 107-8556 Japan
(72) Name(s) of Designer(s): **Takeshi Futamata and Takashi Watanabe**
(45) Registration Date: **08 December 2014**
(30) Convention priority data:
(31) Number (32) Date (33) Country
2014-011854 02 Jun 2014 JAPAN
(56) Related Art Documents: **Not Applicable**
(57) Statement of Newness and Distinctiveness: **Newness and distinctiveness is claimed in the features of shape and/or configuration of a front side cowl for motorcycle as illustrated in the accompanying representations.**



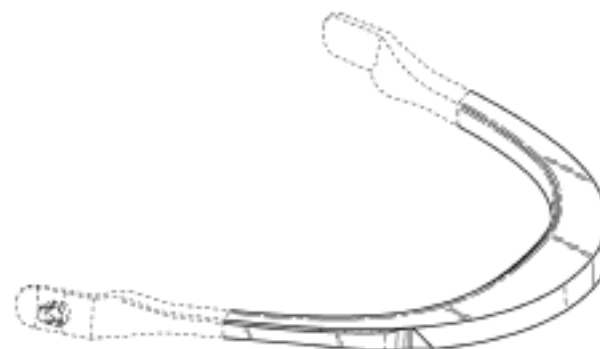
- (21) Design Number: **16092/2014**
(22) Date of Filing Application: **25 November 2014**
(24) Date from which industrial property rights may have effect: **25 November 2014**
(54) Product in respect of which the design is registered: **Sample collection device with caps and tube**
(51) International Design Classification: **24-01**
(74) Name(s) of Attorney(s): **WATERMARK PATENT AND TRADE MARKS ATTORNEYS**
(71) Name(s) and Address(s) of Applicant(s):
DNA Genotek Inc.
2 Beaverbrook Road Kanata Ontario, K2K 1L1 Canada
(72) Name(s) of Designer(s): **Adele Jackson and Maria Mercedes Acero and Evgueni Vladimirovitch Doukhanine and Carlos Alberto Merino Hernandez and H Chaim Birnboim and Jonathan D Liberty and Rafal Michal Iwasow**
(45) Registration Date: **08 December 2014**
(30) Convention priority data:
(31) Number (32) Date (33) Country
29/491,961 27 May 2014 UNITED STATES OF AMERICA
(56) Related Art Documents: **Not Applicable**
(57) Statement of Newness and Distinctiveness: **The newness and distinctiveness of the design resides in the shape and configuration of the sample collection device shown in the accompanying representations.**



- (21) Design Number: **16121/2014**
(22) Date of Filing Application: **26 November 2014**
(24) Date from which industrial property rights may have effect: **26 November 2014**
(54) Product in respect of which the design is registered: **Utility knife**
(51) International Design Classification: **08-03**
(74) Name(s) of Attorney(s): **Freehills Patent Attorneys**
(71) Name(s) and Address(s) of Applicant(s):
3M Innovative Properties Company
3M Center Post Office Box 33427 Saint Paul Minnesota 55133-3427
United States of America
(72) Name(s) of Designer(s): **Michitomo Kugimiya and Yasuyuki Daigo and Yo Suzuki**
(45) Registration Date: **08 December 2014**
(30) Convention priority data:
(31) Number (32) Date (33) Country
29/492348 30 May 2014 UNITED STATES OF AMERICA
(56) Related Art Documents: **Not Applicable**
(57) Statement of Newness and Distinctiveness: **Newness and distinctiveness resides in the features of shape and/or configuration of the utility knife as shown in solid outline in the accompanying drawings.**



(21) Design Number: **16122/2014**
(22) Date of Filing Application: **26 November 2014**
(24) Date from which industrial property rights may have effect: **26 November 2014**
(54) Product in respect of which the design is registered: **Helmet bracket**
(51) International Design Classification: **02-03**
(74) Name(s) of Attorney(s): **Freehills Patent Attorneys**
(71) Name(s) and Address(s) of Applicant(s):
3M Innovative Properties Company
3M Center Post Office Box 33427 Saint Paul Minnesota 55133-3427
United States of America
(72) Name(s) of Designer(s): **Bjorn Daniels and Mats Ulrik Sernfalt**
(45) Registration Date: **08 December 2014**
(30) Convention priority data:
(31) Number (32) Date (33) Country
29/492350 30 May 2014 UNITED STATES OF AMERICA
(56) Related Art Documents: **Not Applicable**
(57) Statement of Newness and Distinctiveness: **Newness and distinctiveness resides in the features of shape and/or configuration of the utility knife as shown in solid outline in the accompanying drawings.**



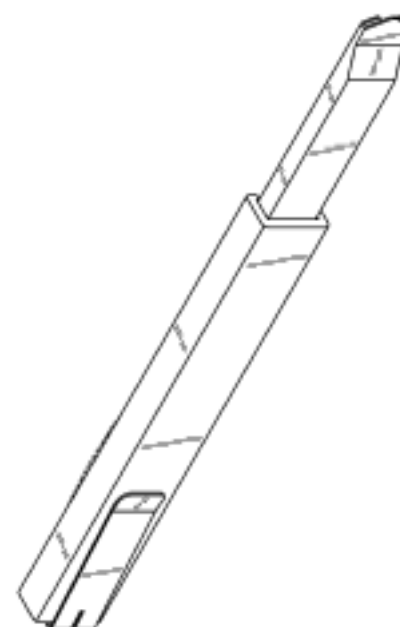
(21) Design Number: **16123/2014**
(22) Date of Filing Application: **26 November 2014**
(24) Date from which industrial property rights may have effect: **26 November 2014**
(54) Product in respect of which the design is registered: **Helmet bracket having a connector end**
(51) International Design Classification: **02-03**
(74) Name(s) of Attorney(s): **Freehills Patent Attorneys**
(71) Name(s) and Address(s) of Applicant(s):
3M Innovative Properties Company
3M Center Post Office Box 33427 Saint Paul Minnesota 55133-3427
United States of America
(72) Name(s) of Designer(s): **Bjorn Daniels and Mats Ulrik Sernfalt**
(45) Registration Date: **08 December 2014**
(30) Convention priority data:
(31) Number (32) Date (33) Country
29/492353 30 May 2014 UNITED STATES OF AMERICA
(56) Related Art Documents: **Not Applicable**
(57) Statement of Newness and Distinctiveness: **Newness and distinctiveness resides in the features of shape and/or configuration of the helmet bracket as shown in solid outline in the accompanying drawings.**



- (21) Design Number: **16124/2014**
(22) Date of Filing Application: **26 November 2014**
(24) Date from which industrial property rights may have effect: **26 November 2014**
(54) Product in respect of which the design is registered: **Helmet bracket having a connector end**
(51) International Design Classification: **02-03**
(74) Name(s) of Attorney(s): **Freehills Patent Attorneys**
(71) Name(s) and Address(s) of Applicant(s):
3M Innovative Properties Company
3M Center Post Office Box 33427 Saint Paul Minnesota 55133-3427
United States of America
(72) Name(s) of Designer(s): **Bjorn Daniels and Mats Ulrik Sernfalt**
(45) Registration Date: **08 December 2014**
(30) Convention priority data:
(31) Number (32) Date (33) Country
29/492357 30 May 2014 UNITED STATES OF AMERICA
(56) Related Art Documents: **Not Applicable**
(57) Statement of Newness and Distinctiveness: **Newness and distinctiveness resides in the features of shape and/or configuration of the helmet bracket as shown in solid outline in the accompanying drawings.**



- (21) Design Number: **16125/2014**
(22) Date of Filing Application: **26 November 2014**
(24) Date from which industrial property rights may have effect: **26 November 2014**
(54) Product in respect of which the design is registered: **Utility knife**
(51) International Design Classification: **08-03**
(74) Name(s) of Attorney(s): **Freehills Patent Attorneys**
(71) Name(s) and Address(s) of Applicant(s):
3M Innovative Properties Company
3M Center Post Office Box 33427 Saint Paul Minnesota 55133-3427
United States of America
(72) Name(s) of Designer(s): **Michitomo Kugimiya and Yasuyuki Daigo and Yo Suzuki**
(45) Registration Date: **08 December 2014**
(30) Convention priority data:
(31) Number (32) Date (33) Country
29/492351 30 May 2014 UNITED STATES OF AMERICA
(56) Related Art Documents: **Not Applicable**
(57) Statement of Newness and Distinctiveness: **Newness and distinctiveness resides in the features of shape and/or configuration of the utility knife as shown in solid outline in the accompanying drawings.**



(21) Design Number: **16128/2014**
(22) Date of Filing Application: **26 November 2014**
(24) Date from which industrial property rights may have effect: **26 November 2014**
(54) Product in respect of which the design is registered: **Hook**
(51) International Design Classification: **08-08G**
(74) Name(s) of Attorney(s): **Fisher Adams Kelly Pty Ltd**
(71) Name(s) and Address(s) of Applicant(s):

BLP International Inc.
201 Chrislea Rd Vaughan Ontario L4L 8N6 Canada

(72) Name(s) of Designer(s): **Michele Albo**

(45) Registration Date: **08 December 2014**

(30) Convention priority data:

(31) Number	(32) Date	(33) Country
159266	03 Nov 2014	CANADA

(56) Related Art Documents: **Not Applicable**

(57) Statement of Newness and Distinctiveness: **The newness and distinctiveness of the design resides in the shape and/or configuration of the HOOK shown in the representations.**



(21) Design Number: **16129/2014**
(22) Date of Filing Application: **26 November 2014**
(24) Date from which industrial property rights may have effect: **26 November 2014**
(54) Product in respect of which the design is registered: **Dispenser**
(51) International Design Classification: **23-02A**
(74) Name(s) of Attorney(s): **Fisher Adams Kelly Pty Ltd**
(71) Name(s) and Address(s) of Applicant(s):

BLP International Inc.
201 Chrislea Road Vaughan Ontario L4L 8N6 Canada

(72) Name(s) of Designer(s): **Michele Albo**

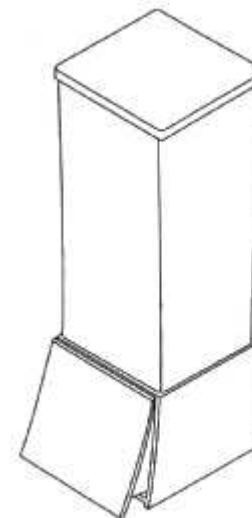
(45) Registration Date: **08 December 2014**

(30) Convention priority data:

(31) Number	(32) Date	(33) Country
159265	03 Nov 2014	CANADA

(56) Related Art Documents: **Not Applicable**

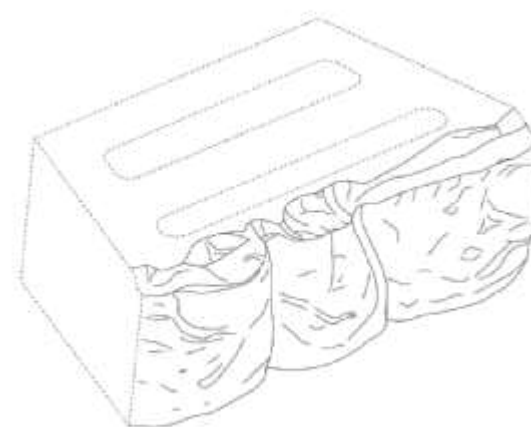
(57) Statement of Newness and Distinctiveness: **The newness and distinctiveness of the design resides in the shape and/or configuration of the DISPENSER shown in the representations.**



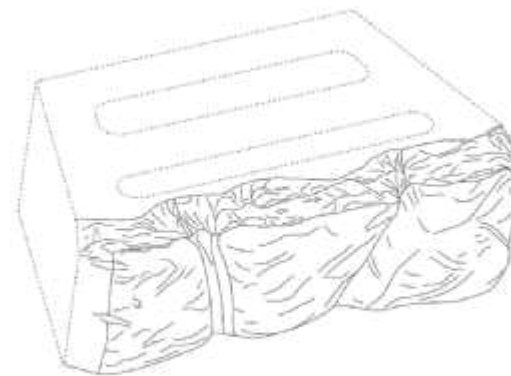
(21) Design Number: **16104/2014**
(22) Date of Filing Application: **26 November 2014**
(24) Date from which industrial property rights may have effect: **26 November 2014**
(54) Product in respect of which the design is registered: **Fuel tank**
(51) International Design Classification: **23-01F**
(74) Name(s) of Attorney(s):
(71) Name(s) and Address(s) of Applicant(s):
Stewart Lachlan Thompson
PO BOX 355 Tullamarine VIC 3043 Australia
(72) Name(s) of Designer(s): **Stewart Lachlan Thompson**
(45) Registration Date: **09 December 2014**
(56) Related Art Documents: **Not Applicable**
(57) Statement of Newness and Distinctiveness: **Replacement tank of the original larger in capacity.**



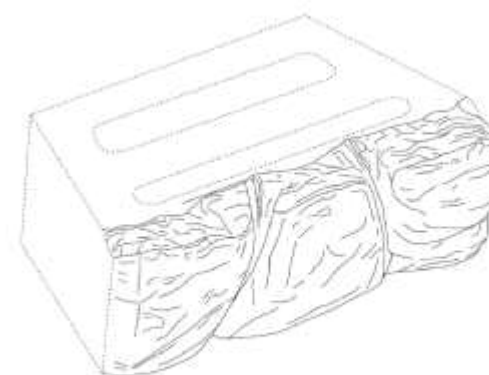
(21) Design Number: **16106/2014**
(22) Date of Filing Application: **26 November 2014**
(24) Date from which industrial property rights may have effect: **26 November 2014**
(54) Product in respect of which the design is registered: **A landscaping block**
(51) International Design Classification: **25-01E**
(74) Name(s) of Attorney(s): **SPRUSON & FERGUSON**
(71) Name(s) and Address(s) of Applicant(s):
Keystone Retaining Wall Systems LLC
9025 Centre Pointe Drive, Suite 400, West Chester Ohio 45069 United States of America
(72) Name(s) of Designer(s): **Robert A MacDonald and Thomas S Riccobene**
(45) Registration Date: **09 December 2014**
(30) Convention priority data:
(31) Number (32) Date (33) Country
29/493599 11 Jun 2014 UNITED STATES OF AMERICA
(56) Related Art Documents: **Not Applicable**
(57) Statement of Newness and Distinctiveness: **Newness and distinctiveness is claimed in the features of a surface of a landscaping block as illustrated in continuous lines in the accompanying representations.**



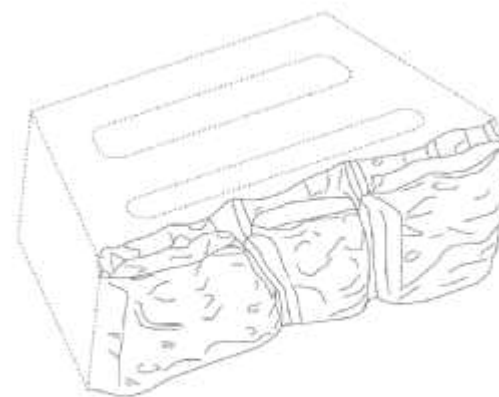
(21) Design Number: **16107/2014**
(22) Date of Filing Application: **26 November 2014**
(24) Date from which industrial property rights may have effect: **26 November 2014**
(54) Product in respect of which the design is registered: **A landscaping block**
(51) International Design Classification: **25-01E**
(74) Name(s) of Attorney(s): **SPRUSON & FERGUSON**
(71) Name(s) and Address(s) of Applicant(s):
Keystone Retaining Wall Systems LLC
9025 Centre Pointe Drive, Suite 400, West Chester Ohio 45069 United States of America
(72) Name(s) of Designer(s): **Robert A MacDonald and Thomas S Riccobene**
(45) Registration Date: **09 December 2014**
(30) Convention priority data:
(31) Number (32) Date (33) Country
29/493599 11 Jun 2014 UNITED STATES OF AMERICA
(56) Related Art Documents: **Not Applicable**
(57) Statement of Newness and Distinctiveness: **Newness and distinctiveness is claimed in the features of a surface of a landscaping block as illustrated in continuous lines in the accompanying representations.**



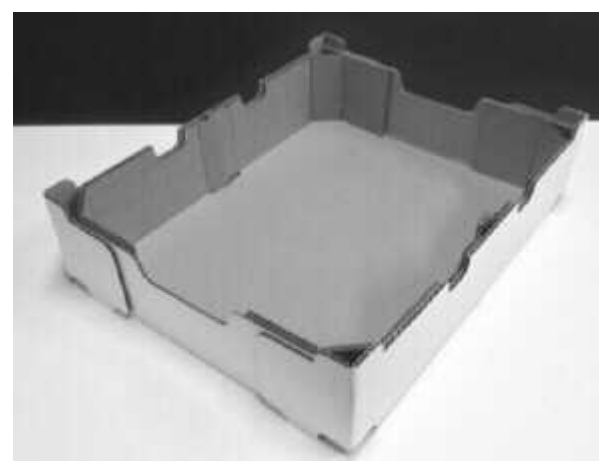
(21) Design Number: **16108/2014**
(22) Date of Filing Application: **26 November 2014**
(24) Date from which industrial property rights may have effect: **26 November 2014**
(54) Product in respect of which the design is registered: **A landscaping block**
(51) International Design Classification: **25-01E**
(74) Name(s) of Attorney(s): **SPRUSON & FERGUSON**
(71) Name(s) and Address(s) of Applicant(s):
Keystone Retaining Wall Systems LLC
9025 Centre Pointe Drive, Suite 400, West Chester Ohio 45069 United States of America
(72) Name(s) of Designer(s): **Robert A MacDonald and Thomas S Riccobene**
(45) Registration Date: **09 December 2014**
(30) Convention priority data:
(31) Number (32) Date (33) Country
29/493599 11 Jun 2014 UNITED STATES OF AMERICA
(56) Related Art Documents: **Not Applicable**
(57) Statement of Newness and Distinctiveness: **Newness and distinctiveness is claimed in the features of a surface of a landscaping block as illustrated in continuous lines in the accompanying representations.**



- (21) Design Number: **16109/2014**
(22) Date of Filing Application: **26 November 2014**
(24) Date from which industrial property rights may have effect: **26 November 2014**
(54) Product in respect of which the design is registered: **A landscaping block**
(51) International Design Classification: **25-01E**
(74) Name(s) of Attorney(s): **SPRUSON & FERGUSON**
(71) Name(s) and Address(s) of Applicant(s):
Keystone Retaining Wall Systems LLC
9025 Centre Pointe Drive, Suite 400, West Chester Ohio 45069 United States of America
(72) Name(s) of Designer(s): **Robert A MacDonald and Thomas S Riccobene**
(45) Registration Date: **09 December 2014**
(30) Convention priority data:
(31) Number (32) Date (33) Country
29/493599 11 Jun 2014 UNITED STATES OF AMERICA
(56) Related Art Documents: **Not Applicable**
(57) Statement of Newness and Distinctiveness: **Newness and distinctiveness is claimed in the features of a surface of a landscaping block as illustrated in continuous lines in the accompanying representations.**



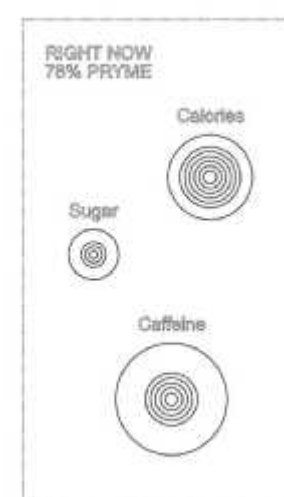
- (21) Design Number: **16130/2014**
(22) Date of Filing Application: **26 November 2014**
(24) Date from which industrial property rights may have effect: **26 November 2014**
(54) Product in respect of which the design is registered: **Carton and blanks therefor**
(51) International Design Classification: **09-03F**
(74) Name(s) of Attorney(s): **Cullens Patent and Trade Mark Attorneys**
(71) Name(s) and Address(s) of Applicant(s):
Orora Limited
109 Burwood Rd Hawthorn VIC 3122 Australia
(72) Name(s) of Designer(s): **George Ganzenmuller and David Carter**
(45) Registration Date: **09 December 2014**
(56) Related Art Documents: **Not Applicable**
(57) Statement of Newness and Distinctiveness: **Newness and distinctiveness resides in features of shape and configuration of the carton and blanks therefor as shown in the accompanying representations. The broken lines within the boundary of the blanks are lines of deformation that facilitate folding of the blank.**



- (21) Design Number: **16132/2014**
(22) Date of Filing Application: **26 November 2014**
(24) Date from which industrial property rights may have effect: **26 November 2014**
(54) Product in respect of which the design is registered: **Display screen with graphical user interface**
(51) International Design Classification: **14-02**
(74) Name(s) of Attorney(s): **PIZZEYS**
(71) Name(s) and Address(s) of Applicant(s):
Mark One Lifestyle, Inc.
599 3rd Street Unit 101 San Francisco CA 94107 United States of America
(72) Name(s) of Designer(s): **Justin Lee and Eunice Joung and Mark A Berman and Nicholas Barnes and Nikita Nangia and Noah Murphy-Reinhertz and Erik Kreider and Mirko Ihrig and Graham Humphreys**
(45) Registration Date: **09 December 2014**
(30) Convention priority data:
(31) Number (32) Date (33) Country
29/491,958 27 May 2014 UNITED STATES OF AMERICA
(56) Related Art Documents: **Not Applicable**
(57) Statement of Newness and Distinctiveness: **Nil**



- (21) Design Number: **16133/2014**
(22) Date of Filing Application: **26 November 2014**
(24) Date from which industrial property rights may have effect: **26 November 2014**
(54) Product in respect of which the design is registered: **Display screen with graphical user interface**
(51) International Design Classification: **14-02**
(74) Name(s) of Attorney(s): **PIZZEYS**
(71) Name(s) and Address(s) of Applicant(s):
Mark One Lifestyle, Inc.
599 3rd Street Unit 101 San Francisco CA 94107 United States of America
(72) Name(s) of Designer(s): **Justin Lee and Eunice Joung and Mark A Berman and Nikita Nangia and Noah Murphy-Reinhertz and Erik Kreider and Mirko Ihrig and Graham Humphreys and Nicholas Barnes**
(45) Registration Date: **09 December 2014**
(30) Convention priority data:
(31) Number (32) Date (33) Country
29/491,958 27 May 2014 UNITED STATES OF AMERICA
(56) Related Art Documents: **Not Applicable**
(57) Statement of Newness and Distinctiveness: **Nil**



(21) Design Number: **16134/2014**
(22) Date of Filing Application: **26 November 2014**
(24) Date from which industrial property rights may have effect: **26 November 2014**
(54) Product in respect of which the design is registered: **Drinking vessel**
(51) International Design Classification: **07-01C**
(74) Name(s) of Attorney(s):
(71) Name(s) and Address(s) of Applicant(s):

Liely Faulkner
160 Clark St Port Melbourne VIC 3207 Australia
Denver Cramer
8 Crystal Ct Wheelers Hill VIC 3150 Australia

(72) Name(s) of Designer(s): **Liely Faulkner and Denver Cramer**

(45) Registration Date: **09 December 2014**

(56) Related Art Documents: **Not Applicable**

(57) Statement of Newness and Distinctiveness: **The newness and distinctiveness of the design resides in the overall shape of the vessel as shown in the SIDE VIEW in the accompanying representations. The unique design feature of the vessel relates to the widest point of the vessel being at approximately one quarter of the height of the overall vessel height, with a convex curve below the widest point of the vessel, and a concave curve above the widest point of the vessel. In the case of this design the top opening diameter of the vessel being less than two thirds of the overall vessel diameter.**



(21) Design Number: **16135/2014**
(22) Date of Filing Application: **26 November 2014**
(24) Date from which industrial property rights may have effect: **26 November 2014**
(54) Product in respect of which the design is registered: **Display screen with graphical user interface**
(51) International Design Classification: **14-02**
(74) Name(s) of Attorney(s): **PIZZEYS**
(71) Name(s) and Address(s) of Applicant(s):

Mark One Lifestyle, Inc.
599 3rd Street Unit 101 San Francisco CA 94107 United States of America

(72) Name(s) of Designer(s): **Justin Lee and Eunice Joung and Mark A Berman and Nicholas Barnes and Nikita Nangia and Noah Murphy-Reinhertz and Erik Kreider and Mirko Ihrig and Graham Humphreys**

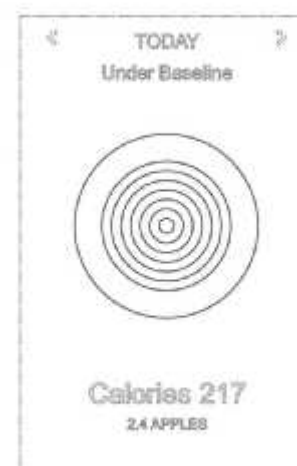
(45) Registration Date: **09 December 2014**

(30) Convention priority data:

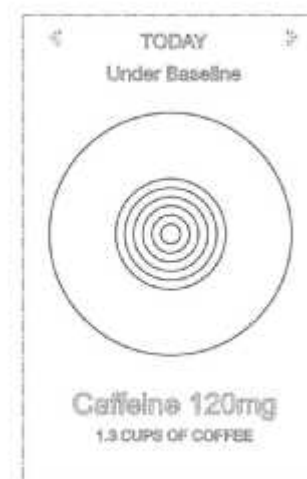
(31) Number	(32) Date	(33) Country
29/491,958	27 May 2014	UNITED STATES OF AMERICA

(56) Related Art Documents: **Not Applicable**

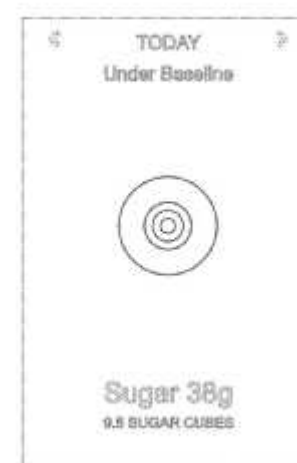
(57) Statement of Newness and Distinctiveness: **Nil**



- (21) Design Number: **16136/2014**
(22) Date of Filing Application: **26 November 2014**
(24) Date from which industrial property rights may have effect: **26 November 2014**
(54) Product in respect of which the design is registered: **Display screen with graphical user interface**
(51) International Design Classification: **14-02**
(74) Name(s) of Attorney(s): **PIZZEYS**
(71) Name(s) and Address(s) of Applicant(s):
Mark One Lifestyle, Inc.
599 3rd Street, Unit 101 San Francisco CA, 94107 United States of America
(72) Name(s) of Designer(s): **Eunice Joung and Mark A Berman and Nicholas Barnes and Nikita Nangia and Erik Kreider and Mirko Ihrig and Graham Humphreys and Justin Lee and Noah Murphy-Reinhertz**
(45) Registration Date: **09 December 2014**
(30) Convention priority data:
(31) Number (32) Date (33) Country
29/491,958 27 May 2014 UNITED STATES OF AMERICA
(56) Related Art Documents: **Not Applicable**
(57) Statement of Newness and Distinctiveness: **Nil**



- (21) Design Number: **16137/2014**
(22) Date of Filing Application: **26 November 2014**
(24) Date from which industrial property rights may have effect: **26 November 2014**
(54) Product in respect of which the design is registered: **Display screen with graphical user interface**
(51) International Design Classification: **14-02**
(74) Name(s) of Attorney(s): **PIZZEYS**
(71) Name(s) and Address(s) of Applicant(s):
Mark One Lifestyle, Inc.
599 3rd Street Unit 101 San Francisco CA 94107 United States of America
(72) Name(s) of Designer(s): **Justin Lee and Eunice Joung and Mark A Berman and Nicholas Barnes and Nikita Nangia and Noah Murphy-Reinhertz and Erik Kreider and Mirko Ihrig and Graham Humphreys**
(45) Registration Date: **09 December 2014**
(30) Convention priority data:
(31) Number (32) Date (33) Country
29/491,958 27 May 2014 UNITED STATES OF AMERICA
(56) Related Art Documents: **Not Applicable**
(57) Statement of Newness and Distinctiveness: **Nil**



- (21) Design Number: **16138/2014**
(22) Date of Filing Application: **26 November 2014**
(24) Date from which industrial property rights may have effect: **26 November 2014**
(54) Product in respect of which the design is registered: **Display screen with graphical user interface**
(51) International Design Classification: **14-02**
(74) Name(s) of Attorney(s): **PIZZEYS**
(71) Name(s) and Address(s) of Applicant(s):
Mark One Lifestyle, Inc.
599 3rd Street Unit 101 San Francisco CA 94107 United States of America
(72) Name(s) of Designer(s): **Justin Lee and Eunice Joung and Mark A Berman and Nicholas Barnes and Nikita Nangia and Noah Murphy-Reinhertz and Erik Kreider and Mirko Ihrig and Graham Humphreys**
(45) Registration Date: **09 December 2014**
(30) Convention priority data:
(31) Number (32) Date (33) Country
29/491,964 27 May 2014 UNITED STATES OF AMERICA
(56) Related Art Documents: **Not Applicable**
(57) Statement of Newness and Distinctiveness: **Nil**



- (21) Design Number: **16139/2014**
(22) Date of Filing Application: **27 November 2014**
(24) Date from which industrial property rights may have effect: **27 November 2014**
(54) Product in respect of which the design is registered: **Display screen with graphical user interface**
(51) International Design Classification: **14-02**
(74) Name(s) of Attorney(s): **PIZZEYS**
(71) Name(s) and Address(s) of Applicant(s):
Mark One Lifestyle, Inc.
599 3rd Street Unit 101 San Francisco CA 94107 United States of America
(72) Name(s) of Designer(s): **Justin Lee and Eunice Joung and Mark A Berman and Nicholas Barnes and Nikita Nangia and Noah Murphy-Reinhertz and Erik Kreider and Mirko Ihrig and Graham Humphreys**
(45) Registration Date: **09 December 2014**
(30) Convention priority data:
(31) Number (32) Date (33) Country
29/491,964 27 May 2014 UNITED STATES OF AMERICA
(56) Related Art Documents: **Not Applicable**
(57) Statement of Newness and Distinctiveness: **Nil**



- (21) Design Number: **16140/2014**
(22) Date of Filing Application: **27 November 2014**
(24) Date from which industrial property rights may have effect: **27 November 2014**
(54) Product in respect of which the design is registered: **Display screen with graphical user interface**
(51) International Design Classification: **14-02**
(74) Name(s) of Attorney(s): **PIZZEYS**
(71) Name(s) and Address(s) of Applicant(s):
Mark One Lifestyle, Inc.
599 3rd Street Unit 101 San Francisco CA 94107 United States of America
(72) Name(s) of Designer(s): **Justin Lee and Eunice Joung and Mark A Berman and Nicholas Barnes and Nikita Nangia and Noah Murphy-Reinhertz and Erik Kreider and Mirko Ihrig and Graham Humphreys**
(45) Registration Date: **09 December 2014**
(30) Convention priority data:
(31) Number (32) Date (33) Country
29/491,964 27 May 2014 UNITED STATES OF AMERICA
(56) Related Art Documents: **Not Applicable**
(57) Statement of Newness and Distinctiveness: **Nil**



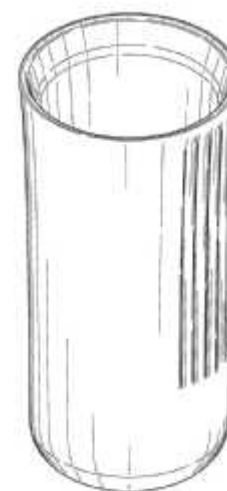
- (21) Design Number: **16141/2014**
(22) Date of Filing Application: **27 November 2014**
(24) Date from which industrial property rights may have effect: **27 November 2014**
(54) Product in respect of which the design is registered: **Display screen with graphical user interface**
(51) International Design Classification: **14-02**
(74) Name(s) of Attorney(s): **PIZZEYS**
(71) Name(s) and Address(s) of Applicant(s):
Mark One Lifestyle, Inc.
599 3rd Street Unit 101 San Francisco CA 94107 United States of America
(72) Name(s) of Designer(s): **Justin Lee and Eunice Joung and Mark A Berman and Nicholas Barnes and Nikita Nangia and Noah Murphy-Reinhertz and Erik Kreider and Mirko Ihrig and Graham Humphreys**
(45) Registration Date: **09 December 2014**
(30) Convention priority data:
(31) Number (32) Date (33) Country
29/491,964 27 May 2014 UNITED STATES OF AMERICA
(56) Related Art Documents: **Not Applicable**
(57) Statement of Newness and Distinctiveness: **Nil**



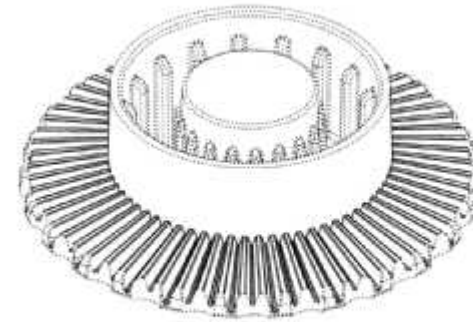
- (21) Design Number: **16142/2014**
(22) Date of Filing Application: **27 November 2014**
(24) Date from which industrial property rights may have effect: **27 November 2014**
(54) Product in respect of which the design is registered: **Display screen with graphical user interface**
(51) International Design Classification: **14-02**
(74) Name(s) of Attorney(s): **PIZZEYS**
(71) Name(s) and Address(s) of Applicant(s):
Mark One Lifestyle, Inc.
599 3rd Street Unit 101 San Francisco CA 94107 United States of America
(72) Name(s) of Designer(s): **Justin Lee and Eunice Joung and Mark A Berman and Nicholas Barnes and Nikita Nangia and Noah Murphy-Reinhertz and Erik Kreider and Mirko Ihrig and Graham Humphreys**
(45) Registration Date: **09 December 2014**
(30) Convention priority data:
(31) Number (32) Date (33) Country
29/491,964 27 May 2014 UNITED STATES OF AMERICA
(56) Related Art Documents: **Not Applicable**
(57) Statement of Newness and Distinctiveness: **Nil**



- (21) Design Number: **16143/2014**
(22) Date of Filing Application: **27 November 2014**
(24) Date from which industrial property rights may have effect: **27 November 2014**
(54) Product in respect of which the design is registered: **Vessel**
(51) International Design Classification: **07-01C**
(74) Name(s) of Attorney(s): **PIZZEYS**
(71) Name(s) and Address(s) of Applicant(s):
Mark One Lifestyle, Inc.
599 3rd Street Unit 101 San Francisco CA 94107 United States of America
(72) Name(s) of Designer(s): **Justin Lee and Yves Behar and Eunice Joung and Erik Kreider and Mirko Ihrig and Mark A Berman and Nicholas Barnes**
(45) Registration Date: **09 December 2014**
(30) Convention priority data:
(31) Number (32) Date (33) Country
29/491,985 27 May 2014 UNITED STATES OF AMERICA
(56) Related Art Documents: **Not Applicable**
(57) Statement of Newness and Distinctiveness: **Nil**



(21) Design Number: **16144/2014**
(22) Date of Filing Application: **27 November 2014**
(24) Date from which industrial property rights may have effect: **26 September 2014**
(54) Product in respect of which the design is registered: **A foot**
(51) International Design Classification: **06-06C**
(74) Name(s) of Attorney(s): **AJ Park**
(71) Name(s) and Address(s) of Applicant(s):
DESIGNERSCOPE LIMITED
BDO Spicers Level 10 Takapuna Towers Takapuna Auckland, 0622 New Zealand
(72) Name(s) of Designer(s): **Wim Jan De Bruin and Jamie Booth**
(45) Registration Date: **09 December 2014**
(30) Convention priority data:
(31) Number (32) Date (33) Country
418683 28 Mar 2014 NEW ZEALAND
(62) Divisional of: **359144**
(56) Related Art Documents: **Not Applicable**
(57) Statement of Newness and Distinctiveness: **Newness and distinctiveness resides in the features of shape and/or configuration of the foot as shown in the representations. No newness and distinctiveness resides in any features shown in broken (phantom) lines.**



(21) Design Number: **16145/2014**
(22) Date of Filing Application: **27 November 2014**
(24) Date from which industrial property rights may have effect: **26 September 2014**
(54) Product in respect of which the design is registered: **A foot**
(51) International Design Classification: **06-06C**
(74) Name(s) of Attorney(s): **AJ Park**
(71) Name(s) and Address(s) of Applicant(s):
DESIGNERSCOPE LIMITED
BDO Spicers Level 10 Takapuna Towers Takapuna Auckland, 0622 New Zealand
(72) Name(s) of Designer(s): **Wim Jan De Bruin and Jamie Stewart Booth**
(45) Registration Date: **09 December 2014**
(30) Convention priority data:
(31) Number (32) Date (33) Country
418683 28 Mar 2014 NEW ZEALAND
(62) Divisional of: **359144**
(56) Related Art Documents: **Not Applicable**
(57) Statement of Newness and Distinctiveness: **Newness and distinctiveness resides in the features of shape and/or configuration of the foot as shown in the representations. No newness and distinctiveness resides in any features shown in broken (phantom) lines.**

