



**Australian Government**

---

**IP Australia**

**AUSTRALIAN OFFICIAL JOURNAL**

**OF**

**DESIGNS**

Did you know a searchable version of this journal is now available online?

It's FREE and EASY to SEARCH.

Find it on our website ([www.ipaustralia.gov.au](http://www.ipaustralia.gov.au))

by using the "Journals" link on the home page.

This Page Left Intentionally Blank

**Contents**

**General Information & Notices**

**Proceedings Under the Designs Act 1906 preserved as a result of the provisions of Chapter 12  
Part 2 of the Designs Act 2003**

<b>Extension of Period of Registration of Designs .....</b>	<b>290</b>
<b>Registrations Ceased .....</b>	<b>290</b>
<b>Subsequent Owners Registered .....</b>	<b>290</b>

**Proceedings Under the Designs Act 2003**

<b>Applications Assigned .....</b>	<b>304</b>
<b>Applications Lapsed .....</b>	<b>301</b>
<b>Applications Lodged .....</b>	<b>294</b>
<b>Certificate of Examination .....</b>	<b>305</b>
<b>Extension of Period of Registration of Design .....</b>	<b>302</b>
<b>Extension of Time Granted Under Section 137 .....</b>	<b>303</b>
<b>Names Registered - Alterations and Amendments .....</b>	<b>304</b>
<b>Publication and Registration Proceedings</b>	
<b>Designs Registered 359816 to 360145.....</b>	<b>306</b>
<b>Registrations Ceased .....</b>	<b>302</b>
<b>Revocation of Design Registrations .....</b>	<b>302</b>
<b>Subsequent Owners Registered .....</b>	<b>304</b>

This Page Left Intentionally Blank

For information on the following please see our website [www.ipaustralia.gov.au](http://www.ipaustralia.gov.au) or contact our Customer Service Network on 1300651010

[Editorial enquiries](#)

[Contact information](#)

[Freedom of Information ACT](#)

[Professional Standards Board](#)

[Sales](#)

[Requests for Information under Section 194 \(c\)](#)

[Country Codes](#)

[Trade Mark and Designs Hearing Sessions](#)

[INID \(Internationally agreed Numbers for the Identification of Data\)](#)

## “INID” NUMBERS in use on Australian Design Documents

“INID” is an acronym for “Internationally agreed Numbers for the Identification of Data”.

### (10) Data concerning the registration/renewal

- (11) Serial number of the registration and/or number of the design document
- (12) Plain language designation of the kind of published document
- (19) Identification, using the two-letter code according to WIPO Standard ST.3, of the authority publishing or registering the industrial design

### (20) Data concerning the application

- (21) Serial number of the application
- (22) Date of filing of the application
- (24) Date from which the industrial design right has effect

### (30) Data relating to priority under the Paris Convention

- (31) Serial number assigned to the priority application
- (32) Date of filing of the priority application
- (33) Two-letter code, according to WIPO Standard ST.3, identifying the authority with which the priority application was made

### (40) Date(s) of making information available to the public

- (45) Date of publication of the registered industrial design by printing or similar process, or making it available to the public by any other means

### (50) Miscellaneous Information

- (51) International Classification for Industrial Designs (class and subclass of the Locarno Classification)
- (54) Designation of article(s) or product(s) covered by the industrial design or title of the industrial design
- (55) Reproduction of the industrial design (e.g., drawing, photograph) and explanations relating to the reproduction
- (56) List of prior art documents, if separate from descriptive text
- (57) Description of characteristic features of the industrial design including indication of colours

### (60) References to other legally related application(s) and registration(s)

- (62) Serial number(s) and, if available, filing date(s) of application(s), registration(s) or document(s) related by division
- (66) Serial number(s) of the application, or the registration, of the design(s) which is (are) a variant(s) of the present one

### (70) Identification of parties concerned with the application or registration

- (71) Name(s) and address(es) of the applicant(s)
- (72) Name(s) of the creator(s) if known to be such
- (74) Name(s) and address(es) of the representative(s)

This Page Left Intentionally Blank

**Nil notices for this journal issue.**

**Proceedings under the Designs Act 1906 preserved as a result of the provisions of Chapter 12 Part 2 of the Designs Act 2003.**



This Page Left Intentionally Blank

**Applications Lapsed**

There were no Applications Lapsed under this section

**Extension of Period of Registration of Designs**

**1st Period (Section 27A(8))**

**2nd Period (Section 27A(12))**

**3rd Period (Section 27A(13))**

155292	155883	155884
155885	155979	156118
156119	156120	156177
156237	156238	156239
156374	156378	156472
156473	156541	156585
156587	156618	156633
156750	156793	156830
156943	157058	157158
157322	157377	157378
157408	157644	157729
157880	158197	158373
158403		

153470	153471	153472
153473	153474	153475
153516	153517	153577
153615	153616	153635
153656	153677	153717
153718	153719	153720
153721	153779	154117
154192	154193	154761
154762	154766	154886
155003	155004	155040
156225	156381	156382
156939	156940	156996
157576	157579	157580
157582	157583	

**Subsequent Owners Registered**

(The name in parentheses is that of the subsequent owner)

158110	( <b>Water Works 2014 Pty Ltd</b> ) Waterworks Australia Pty Ltd
150248	( <b>Jeffrey Francis Young as trustee for The Young Family Trust; Lisa Malia Young as trustee for The Young Family Trust</b> ) Rosalie V. Bradstock

**Registrations Ceased**

Note: Some of the following Registrations may have been previously advertised as ceased. In this instance, the previous advertisement still prevails.

136495	136921	137104
137487	137649	137666
137667	137670	137671
137672	137697	137702
137703	137704	137724
137725	137726	137727
137728	137800	138187
138188	138245	138285
138390	138394	138603
138753	139186	139270
139304	140025	140462
140739	140740	140782
141439	141440	141441
141940	142068	142069
144480	145997	146157
152210	152211	152816
152817	152923	152924
152925	152926	152927
152929	152948	153002
153032	153033	153069
153128	153131	153134
153135	153138	153143
153156	153163	153238
153253	153348	153351
153434	153468	153469

This Page Left Intentionally Blank

**Proceedings under the Designs Act 2003.**

This Page Left Intentionally Blank

**Applications Lodged**

Lodgement information is in the following order: **Applicant's Name**; International Classification, Name of Product, Lodgement Date and **Design Number**. If the applicant claims an earlier priority date under an International Convention, the Convention Country and the associated filing date are shown in parentheses before the Lodgement Date. Divisional information will also appear in parentheses before the Lodgement Date.

<b>AbbVie Inc.;</b> 13-03NES, Connector, (US, 10 Jul 2014) 12 Jan 2015	<b>10119/2015</b>	<b>Beckett Gas, Inc.;Atwood Mobile Products LLC;</b> 23-03NES, Heat exchanger, (US, 15 Jul 2014) 14 Jan 2015	<b>10174/2015</b>
<b>AbbVie Inc.;</b> 15-99, Bumper, (US, 10 Jul 2014) 12 Jan 2015	<b>10117/2015</b>	<b>Beckett Gas, Inc.;Atwood Mobile Products LLC;</b> 23-03NES, Heat exchanger, (US, 15 Jul 2014) 14 Jan 2015	<b>10165/2015</b>
<b>AbbVie Inc.;</b> 13-03NES, Connector, (US, 10 Jul 2014) 12 Jan 2015	<b>10121/2015</b>	<b>Beckett Gas, Inc.;Atwood Mobile Products LLC;</b> 23-03NES, Heat exchanger, (US, 15 Jul 2014) 14 Jan 2015	<b>10169/2015</b>
<b>Aero Health Aust Pty Ltd;</b> 09-03M, A package, 02 Jun 2014	<b>10339/2015</b>	<b>Beckett Gas, Inc.;Atwood Mobile Products LLC;</b> 23-03NES, Heat exchanger, (US, 15 Jul 2014) 14 Jan 2015	<b>10169/2015</b>
<b>Alcudia Design S.L.U.;</b> 02-04NES, Footwear, (EM, 24 Sep 2014) 22 Jan 2015	<b>10355/2015</b>	<b>Beyond Twenty Ltd;</b> 27-06, Cases for an electronic cigarette, (EP, 10 Jul 2014) 09 Jan 2015	<b>10099/2015</b>
<b>Alcudia Design S.L.U.;</b> 02-04NES, Footwear, (EM, 24 Sep 2014) 22 Jan 2015	<b>10352/2015</b>	<b>Bryan, Alan;</b> 06-01NES, A meditation and posture alignment seat, 19 Jan 2015	<b>10284/2015</b>
<b>Apple Inc.;</b> 14-02, Dock, (US, 05 Sep 2014) 15 Jan 2015	<b>10204/2015</b>	<b>Candella LLC;</b> 26-01, Step top flameless wax candle, (US, 14 Jul 2014) 13 Jan 2015	<b>10136/2015</b>
<b>Apple Inc.;</b> 14-02, Dock, (US, 05 Sep 2014) 15 Jan 2015	<b>10205/2015</b>	<b>Candella LLC;</b> 26-01, Flat top flameless wax candle, (US, 14 Jul 2014) 13 Jan 2015	<b>10132/2015</b>
<b>Apple Inc.;</b> 14-02, Dock, (US, 05 Sep 2014) 15 Jan 2015	<b>10207/2015</b>	<b>Centrex Plastics, LLC;</b> 09-04, Tote, (US, 14 Jul 2014) 13 Jan 2015	<b>10135/2015</b>
<b>Apple Inc.;</b> 14-02, Dock, (US, 05 Sep 2014) 15 Jan 2015	<b>10208/2015</b>	<b>Centrex Plastics, LLC;</b> 03-01D, Tote, (US, 14 Jul 2014) 13 Jan 2015	<b>10143/2015</b>
<b>Apple Inc.;</b> 03-01NES, Case, (US, 05 Sep 2014) 15 Jan 2015	<b>10203/2015</b>	<b>Colgate-Palmolive Company;</b> 04-02, Oral care implement, (US, 31 Jul 2014) 20 Jan 2015	<b>10294/2015</b>
<b>Apple Inc.;</b> 03-01NES, Case, (US, 05 Sep 2014) 15 Jan 2015	<b>10200/2015</b>	<b>Colgate-Palmolive Company;Omron Healthcare Co., Ltd.;</b> 13-02, Charger for electric toothbrush, (JP, 25 Apr 2014) 23 Oct 2014	<b>10338/2015</b>
<b>Atwood Mobile Products LLC;Beckett Gas, Inc.;</b> 23-03NES, Heat exchanger, (US, 15 Jul 2014) 14 Jan 2015	<b>10165/2015</b>	<b>Colgate-Palmolive Company;Omron Healthcare Co., Ltd.;</b> 13-02, Charger for electric toothbrush, (JP, 25 Apr 2014) 23 Oct 2014	<b>10337/2015</b>
<b>Atwood Mobile Products LLC;Beckett Gas, Inc.;</b> 23-03NES, Heat exchanger, (US, 15 Jul 2014) 14 Jan 2015	<b>10169/2015</b>	<b>Colgate-Palmolive Company;</b> 04-02, Oral care implement and portion thereof, (US, 31 Jul 2014) 20 Jan 2015	<b>10295/2015</b>
<b>Atwood Mobile Products LLC;Beckett Gas, Inc.;</b> 23-03NES, Heat exchanger, (US, 15 Jul 2014) 14 Jan 2015	<b>10174/2015</b>	<b>Colgate-Palmolive Company;</b> 04-02, Oral care implement and portion thereof, (US, 31 Jul 2014) 20 Jan 2015	<b>10296/2015</b>
<b>AUSTRALIAN LOCK COMPANY PTY LTD;</b> 08-07, Key blank, 16 Jan 2015	<b>10238/2015</b>	<b>Colgate-Palmolive Company;</b> 04-02, Oral care implement and portion thereof, (US, 31 Jul 2014) 19 Jan 2015	<b>10273/2015</b>
<b>AUSTRALIAN LOCK COMPANY PTY LTD;</b> 08-07, Key blank, 16 Jan 2015	<b>10239/2015</b>	<b>Cook Medical Technologies LLC;</b> 24-02, Tubing clip, (US, 27 Jun 2014) 21 Nov 2014	<b>10138/2015</b>

<b>Cool Gear International, LLC;</b> 09-01H, Resealable container with detachable base, (US, 13 May 2014) (Divisional of 15690/2014) 22 Jan 2015	<b>10341/2015</b>	<b>Euro-Pro Operating LLC;</b> 31-00, Blender Container, (US, 23 Jul 2014) 09 Jan 2015	<b>10105/2015</b>
<b>Cool Gear International, LLC;</b> 09-01H, Resealable container with detachable base, (US, 13 May 2014) (Divisional of 15690/2014) 22 Jan 2015	<b>10340/2015</b>	<b>Euro-Pro Operating LLC;</b> 31-00, Blender container, (US, 23 Jul 2014) 09 Jan 2015	<b>10098/2015</b>
<b>Cunningham, Janalyn Flora Massey;</b> 09-01NES, A container, (NZ, 18 Jul 2014) 15 Jan 2015	<b>10192/2015</b>	<b>Euro-Pro Operating LLC;</b> 31-00, Blender Container, (US, 18 Jul 2014) 09 Jan 2015	<b>10101/2015</b>
<b>COMPAGNIE GENERALE DES ETABLISSEMENTS MICHELIN; Michelin Recherche et Technique S.A.;</b> 12-15C, A tyre, (FR, 25 Jul 2014) 21 Jan 2015	<b>10330/2015</b>	<b>Euro-Pro Operating LLC;</b> 15-05, Hand carryable vaccum cleaner, (US, 17 Jul 2014) 13 Jan 2015	<b>10131/2015</b>
<b>COMPAGNIE GENERALE DES ETABLISSEMENTS MICHELIN; Michelin Recherche et Technique S.A.;</b> 12-15A, A tyre, (US, 26 Aug 2014) 20 Jan 2015	<b>10315/2015</b>	<b>Euro-Pro Operating LLC;</b> 07-05E, Pad, (US, 30 Jul 2014) 09 Jan 2015	<b>10104/2015</b>
<b>CSR Building Products Limited;</b> 08-08L, Bracket, 16 Dec 2014	<b>16564/2014</b>	<b>ELITE TO BE S.r.l.;</b> 07-06A, Bottle stand, (EM, 16 May 2014) (Divisional of 15636/2014) 20 Jan 2015	<b>10305/2015</b>
<b>Daikin Industries Ltd.;</b> 23-04, Air conditioner, (JP, 08 Sep 2014) 13 Jan 2015	<b>10139/2015</b>	<b>Forever New Clothing Pty Ltd.;</b> 02-02NES, Article of clothing, (Divisional of 12342/2014) 16 Jan 2015	<b>10259/2015</b>
<b>Daikin Industries Ltd.;</b> 23-04, Air conditioner, (JP, 08 Sep 2014) 13 Jan 2015	<b>10140/2015</b>	<b>Forever New Clothing Pty Ltd.;</b> 02-02NES, Article of clothing, (Divisional of 12342/2014) 16 Jan 2015	<b>10257/2015</b>
<b>Daikin Industries Ltd.;</b> 23-04, Air conditioner, (JP, 08 Sep 2014) 13 Jan 2015	<b>10142/2015</b>	<b>Forever New Clothing Pty Ltd.;</b> 02-02C, Article of clothing, (Divisional of 12342/2014) 16 Jan 2015	<b>10262/2015</b>
<b>Daikin Industries Ltd.;</b> 23-04, Air conditioner, (JP, 08 Jul 2014) 13 Jan 2015	<b>10141/2015</b>	<b>Forever New Clothing Pty Ltd.;</b> 02-02C, Article of clothing, (Divisional of 12342/2014) 16 Jan 2015	<b>10263/2015</b>
<b>Dart Industries Inc.;</b> 07-01NES, 07-04, Food bin with cutting board, (US, 13 Aug 2014) 19 Jan 2015	<b>10293/2015</b>	<b>Forever New Clothing Pty Ltd.;</b> 02-02C, Article of clothing, (Divisional of 12342/2014) 16 Jan 2015	<b>10260/2015</b>
<b>Dart Industries Inc.;</b> 07-01NES, Covered food dish, (US, 13 Aug 2014) 19 Jan 2015	<b>10292/2015</b>	<b>Forever New Clothing Pty Ltd.;</b> 02-02C, Article of clothing, (Divisional of 12342/2014) 16 Jan 2015	<b>10261/2015</b>
<b>Dhillon, Rashpal;</b> 04-01, Brush, (EP, 23 Jul 2014) 15 Jan 2015	<b>10217/2015</b>	<b>Forever New Clothing Pty Ltd.;</b> 02-02NES, Article of clothing, (Divisional of 12342/2014) 16 Jan 2015	<b>10258/2015</b>
<b>DIVERSIPAK PTY LTD.;</b> 09-02NES, 5 litre tapered triple tight can, 19 Jan 2015	<b>10279/2015</b>	<b>Forever New Clothing Pty Ltd.;</b> 02-02C, Article of clothing, (Divisional of 12342/2014) 16 Jan 2015	<b>10246/2015</b>
<b>DIVERSIPAK PTY LTD.;</b> 09-02NES, 6 litre tapered triple tight can, 19 Jan 2015	<b>10281/2015</b>	<b>Forever New Clothing Pty Ltd.;</b> 02-02NES, Article of clothing, (Divisional of 12342/2014) 16 Jan 2015	<b>10254/2015</b>
<b>DIVERSIPAK PTY LTD.;</b> 09-02NES, 4 litre tapered triple tight can, 19 Jan 2015	<b>10276/2015</b>	<b>Forever New Clothing Pty Ltd.;</b> 02-02NES, Article of clothing, (Divisional of 12342/2014) 16 Jan 2015	<b>10243/2015</b>
<b>DIVERSIPAK PTY LTD.;</b> 09-02NES, 10L tapered triple tight can, 15 Jan 2015	<b>10211/2015</b>	<b>Forever New Clothing Pty Ltd.;</b> 02-02NES, Article of clothing, (Divisional of 12342/2014) 16 Jan 2015	<b>10255/2015</b>
		<b>Forever New Clothing Pty Ltd.;</b> 02-02NES, Article of clothing, (Divisional of 12342/2014) 16 Jan 2015	<b>10244/2015</b>
		<b>Forever New Clothing Pty Ltd.;</b> 02-02NES, Article of clothing, (Divisional of 12342/2014) 16 Jan 2015	<b>10252/2015</b>



<b>Forever New Clothing Pty Ltd;</b> 02-02NES, Article of clothing, (Divisional of 12342/2014) 16 Jan 2015	<b>10253/2015</b>	<b>Hunza Holdings Ltd;</b> 26-05C, LED Lighting fixture, 21 Jan 2015	<b>10319/2015</b>
<b>Forever New Clothing Pty Ltd;</b> 02-02NES, Article of clothing, (Divisional of 12342/2014) 16 Jan 2015	<b>10250/2015</b>	<b>Icon Aircraft, Inc.;</b> 12-07, Aircraft stick grip, (US, 16 Jul 2014) 12 Jan 2015	<b>10108/2015</b>
<b>Forever New Clothing Pty Ltd;</b> 02-02C, Article of clothing, (Divisional of 12342/2014) 16 Jan 2015	<b>10251/2015</b>	<b>Ideal Standard (UK) Limited;</b> 23-02C, Toilet bowl, (EM, 18 Jul 2014) 14 Jan 2015	<b>10151/2015</b>
<b>Forever New Clothing Pty Ltd;</b> 02-02NES, Article of clothing, (Divisional of 12342/2014) 16 Jan 2015	<b>10249/2015</b>	<b>Indigo Design Pty Ltd;</b> 26-06, Bicycle light, 13 Jan 2015	<b>10128/2015</b>
<b>Forever New Clothing Pty Ltd;</b> 02-02NES, Article of clothing, (Divisional of 12342/2014) 16 Jan 2015	<b>10247/2015</b>	<b>Interactive Memories, Inc.;</b> 19-04, Photobook, (US, 21 Aug 2014) 15 Jan 2015	<b>10210/2015</b>
<b>Forever New Clothing Pty Ltd;</b> 02-02NES, Article of clothing, (Divisional of 12342/2014) 16 Jan 2015	<b>10256/2015</b>	<b>IMARC S.P.A.;</b> 06-06G, Chair backrest, (EM, 14 Jul 2014) 12 Jan 2015	<b>10109/2015</b>
<b>Forever New Clothing Pty Ltd;</b> 02-02C, Article of clothing, (Divisional of 12342/2014) 16 Jan 2015	<b>10241/2015</b>	<b>Jiangsu Midea Chunhua Electric Appliance Co., Ltd.;</b> 15-05, Dust collecting barrel, (CN, 16 Dec 2014) 13 Jan 2015	<b>10134/2015</b>
<b>Forever New Clothing Pty Ltd;</b> 02-02C, Article of clothing, (Divisional of 12342/2014) 16 Jan 2015	<b>10242/2015</b>	<b>Jiangsu Midea Chunhua Electric Appliance Co., Ltd.;</b> 15-05, Cyclone cone barrel, (CN, 16 Dec 2014) 13 Jan 2015	<b>10133/2015</b>
<b>Forever New Clothing Pty Ltd;</b> 02-02NES, Article of clothing, (Divisional of 12342/2014) 16 Jan 2015	<b>10248/2015</b>	<b>Kabushiki Kaisha Toshiba;Toshiba Lifestyle Products &amp; Services Corporation;</b> 15-05, Controller for autonomous coverage vacuum cleaner, (JP, 01 Aug 2014) 12 Jan 2015	<b>10115/2015</b>
<b>Forever New Clothing Pty Ltd;</b> 02-02NES, Article of clothing, (Divisional of 12342/2014) 16 Jan 2015	<b>10245/2015</b>	<b>Kabushiki Kaisha Toshiba;Toshiba Lifestyle Products &amp; Services Corporation;</b> 15-05, Autonomous coverage vacuum cleaner, (JP, 01 Aug 2014) 12 Jan 2015	<b>10114/2015</b>
<b>Fred Beverages Inc.;</b> 07-01F, A flask, (US, 09 Jul 2014) 09 Jan 2015	<b>10096/2015</b>	<b>Kairos Watches Limited;</b> 10-07, Wrist watch band, (Divisional of 16316/2014) 12 Jan 2015	<b>10122/2015</b>
<b>Fred Beverages Inc.;</b> 07-01F, A flask, (US, 09 Jul 2014) 09 Jan 2015	<b>10100/2015</b>	<b>Kairos Watches Limited;</b> 13-02, Watch batteries, (Divisional of 16318/2014) 14 Jan 2015	<b>10185/2015</b>
<b>Fujitsu General Limited;</b> 23-04, Air conditioner, (JP, 14 Jul 2014) 14 Jan 2015	<b>10149/2015</b>	<b>Kairos Watches Limited;</b> 13-02, Watch batteries, (Divisional of 16318/2014) 14 Jan 2015	<b>10184/2015</b>
<b>Gallo, Alessandro;</b> 07-01B, A bowl, 21 Jan 2015	<b>10318/2015</b>	<b>Kairos Watches Limited;</b> 13-02, Watch batteries, (Divisional of 16318/2014) 14 Jan 2015	<b>10183/2015</b>
<b>H+H System GmbH;</b> 08-08N, Extendable shelf component, (EM, 12 Aug 2014) 15 Jan 2015	<b>10209/2015</b>	<b>Kairos Watches Limited;</b> 10-07, Wrist watch band, (Divisional of 16317/2014) 14 Jan 2015	<b>10182/2015</b>
<b>Harcor Security Seals Pty Limited;</b> 13-03B, Adjustable label tie, 13 Jan 2015	<b>10146/2015</b>	<b>Kairos Watches Limited;</b> 10-07, Wrist watch band, (Divisional of 16317/2014) 14 Jan 2015	<b>10181/2015</b>
<b>Hino Motors, Ltd;</b> 12-08, Truck cab body, (JP, 25 Jul 2014) 20 Jan 2015	<b>10316/2015</b>	<b>Kairos Watches Limited;</b> 10-07, Wrist watch band, (Divisional of 16316/2014) 12 Jan 2015	<b>10125/2015</b>
<b>Homely Manufacturing Limited;</b> 03-04, Desk fan, (HK, 05 Sep 2014) 13 Jan 2015	<b>10129/2015</b>		
<b>Homely Manufacturing Limited;</b> 03-04, Stand fan, 13 Jan 2015	<b>10130/2015</b>		

<b>Kairos Watches Limited;</b> 10-07, Wrist watch band, (Divisional of 16316/2014) 12 Jan 2015	<b>10126/2015</b>	<b>KIT AND ACE DESIGNS INC.;</b> 02-02NES, Garment, (CA, 17 Jul 2014) 16 Jan 2015	<b>10229/2015</b>
<b>Kairos Watches Limited;</b> 10-07, Wrist watch band, (Divisional of 16316/2014) 12 Jan 2015	<b>10123/2015</b>	<b>KIT AND ACE DESIGNS INC.;</b> 02-02NES, Garment, (CA, 17 Jul 2014) 16 Jan 2015	<b>10227/2015</b>
<b>Kairos Watches Limited;</b> 10-07, Wrist watch band, (Divisional of 16316/2014) 12 Jan 2015	<b>10124/2015</b>	<b>KIT AND ACE DESIGNS INC.;</b> 02-02NES, Garment, (CA, 17 Jul 2014) 16 Jan 2015	<b>10228/2015</b>
<b>King Furniture Australia Pty Ltd;</b> 06-01G, A corner unit for modular furniture, 20 Jan 2015	<b>10311/2015</b>	<b>KIT AND ACE DESIGNS INC.;</b> 02-02NES, Garment, (CA, 17 Jul 2014) 16 Jan 2015	<b>10226/2015</b>
<b>King Furniture Australia Pty Ltd;</b> 06-01G, A corner unit for modular furniture, 20 Jan 2015	<b>10313/2015</b>	<b>Linak A/S;</b> 29-02, Operating unit, (DK, 18 Jul 2014) 15 Jan 2015	<b>10214/2015</b>
<b>King Furniture Australia Pty Ltd;</b> 06-01G, A corner unit for modular furniture, 20 Jan 2015	<b>10314/2015</b>	<b>Linak A/S;</b> 29-02, Operating unit, (DK, 18 Jul 2014) 15 Jan 2015	<b>10215/2015</b>
<b>King Furniture Australia Pty Ltd;</b> 06-01G, A corner unit for modular furniture, 20 Jan 2015	<b>10312/2015</b>	<b>Linak A/S;</b> 29-02, Operating unit, (DK, 18 Jul 2014) 15 Jan 2015	<b>10212/2015</b>
<b>Koninklijke Philips N.V.;</b> 31-00, Cooking blender, (EM, 22 Jul 2014) 20 Jan 2015	<b>10297/2015</b>	<b>Linak A/S;</b> 29-02, Operating unit, (DK, 18 Jul 2014) 15 Jan 2015	<b>10213/2015</b>
<b>Koninklijke Philips N.V.;</b> 28-03A, Body groomer, (EM, 25 Jul 2014) 22 Jan 2015	<b>10346/2015</b>	<b>Linden, Tony;</b> 09-01K, A bottle, 20 Jan 2015	<b>10309/2015</b>
<b>Koninklijke Philips N.V.;</b> 28-03D, Handle of precision trimmer with blade, (EM, 23 Jul 2014) 20 Jan 2015	<b>10304/2015</b>	<b>Lorna Jane Pty Ltd;</b> 02-02C, Clothing, 14 Jan 2015	<b>10218/2015</b>
<b>Koninklijke Philips N.V.;</b> 08-03, Handle of precision trimmer including cover, (EM, 23 Jul 2014) 20 Jan 2015	<b>10298/2015</b>	<b>Lu, Xiaosui;</b> 21-01NES, Toy, 20 Jan 2015	<b>10307/2015</b>
<b>Koninklijke Philips N.V.;</b> 08-03, Handle of precision trimmer, (EM, 23 Jul 2014) 20 Jan 2015	<b>10303/2015</b>	<b>Lugton, David;</b> 12-16K, Bicycle carrier automobile accessory, 16 Jan 2015	<b>10235/2015</b>
<b>Koninklijke Philips N.V.;</b> 28-03A, Comb for body groomer, (EM, 22 Jul 2014) 19 Jan 2015	<b>10282/2015</b>	<b>Lugton, David;</b> 12-16K, Bicycle carrier automobile accessory, 16 Jan 2015	<b>10234/2015</b>
<b>Koninklijke Philips N.V.;</b> 28-03D, Handle of precision trimmer with blade and comb, (EM, 23 Jul 2014) 20 Jan 2015	<b>10306/2015</b>	<b>Lyson Trading Pty Ltd;</b> 07-02P, Plastic round base/tray, 20 Jan 2015	<b>10300/2015</b>
<b>KIT AND ACE DESIGNS INC.;</b> 02-02NES, Garment, (CA, 14 Jul 2014) 14 Jan 2015	<b>10173/2015</b>	<b>Lyson Trading Pty Ltd;</b> 07-02P, Round shape baking cup, 20 Jan 2015	<b>10301/2015</b>
<b>KIT AND ACE DESIGNS INC.;</b> 02-02NES, Garment, (CA, 17 Jul 2014) 16 Jan 2015	<b>10230/2015</b>	<b>Lyson Trading Pty Ltd;</b> 07-02P, Oval/friand baking cup, 20 Jan 2015	<b>10302/2015</b>
<b>KIT AND ACE DESIGNS INC.;</b> 02-02NES, Garment, (CA, 17 Jul 2014) 16 Jan 2015	<b>10231/2015</b>	<b>Martor KG;</b> 08-03, Safety cutter, (EP, 24 Jul 2014) 16 Jan 2015	<b>10233/2015</b>
<b>KIT AND ACE DESIGNS INC.;</b> 02-02NES, Garment, (CA, 17 Jul 2014) 14 Jan 2015	<b>10172/2015</b>	<b>Martor KG;</b> 08-03, Safety cutter, (EP, 24 Jul 2014) 16 Jan 2015	<b>10232/2015</b>
		<b>McRae, Rachel Louise;</b> 02-04NES, Shoe, 09 Jan 2015	<b>10097/2015</b>
		<b>Mega Fortris (Malaysia) Sdn. Bhd.;</b> 09-03NES, 09-07C, Tamper-evident box, (JP, 11 Jul 2014) 08 Jan 2015	<b>10069/2015</b>

<b>Michelin Recherche et Technique S.A.;COMPAGNIE GENERALE DES ETABLISSEMENTS MICHELIN;</b> 12-15A, A tyre, (US, 26 Aug 2014) 20 Jan 2015	<b>10315/2015</b>	<b>PepsiCo, Inc.;</b> 09-01NES, Bottle, (US, 17 Jul 2014) 15 Jan 2015	<b>10199/2015</b>
<b>Michelin Recherche et Technique S.A.;COMPAGNIE GENERALE DES ETABLISSEMENTS MICHELIN;</b> 12-15C, A tyre, (FR, 25 Jul 2014) 21 Jan 2015	<b>10330/2015</b>	<b>Pi-Design AG;</b> 07-01B, A cake stand, (WO, 07 Aug 2014) 21 Jan 2015	<b>10334/2015</b>
<b>Milacron LLC;</b> 09-01NES, A container, (US, 14 Jul 2014) 13 Jan 2015	<b>10137/2015</b>	<b>Pi-Design AG;</b> 07-06NES, A toast rack, (WO, 07 Aug 2014) 21 Jan 2015	<b>10333/2015</b>
<b>Milacron LLC;</b> 09-01B, A container, 13 Jan 2015	<b>10144/2015</b>	<b>Pi-Design AG;</b> 07-01C, A double-walled tumbler, (WO, 05 Aug 2014) 21 Jan 2015	<b>10332/2015</b>
<b>MITSUBISHI ELECTRIC CORPORATION;</b> 15-07, 1) Refrigerator 2) refrigerator cabinet, (JP, 12 Jun 2014) 11 Dec 2014	<b>16433/2014</b>	<b>Pi-Design AG;</b> 07-01C, A double-walled tumbler, (WO, 05 Aug 2014) 21 Jan 2015	<b>10331/2015</b>
<b>Nexus Global Co., Ltd;</b> 25-02NES, Base for combing floor board, 14 Jan 2015	<b>10187/2015</b>	<b>Ploom, Inc.;</b> 24-04, Electronic vaporisation device, (US, 25 Jul 2014) 16 Jan 2015	<b>10225/2015</b>
<b>Nicoventures Holdings Limited;</b> 27-99, E-cigarette, (EM, 14 Jul 2014) 12 Jan 2015	<b>10107/2015</b>	<b>Porter, Geoff;</b> 09-01B, Bottle, 22 Jan 2015	<b>10354/2015</b>
<b>Nicoventures Holdings Limited;</b> 27-99, E-cigarette, (EM, 14 Jul 2014) 12 Jan 2015	<b>10110/2015</b>	<b>Postal Presort, Inc.;</b> 19-01, Envelope with window, (US, 21 Jul 2014) 21 Jan 2015	<b>10336/2015</b>
<b>Nicoventures Holdings Limited;</b> 27-99, E-cigarette, (EM, 14 Jul 2014) 12 Jan 2015	<b>10111/2015</b>	<b>PROF Susan Alison Nancarrow;</b> 21-02D, Surfboard wax, 08 Jan 2015	<b>10073/2015</b>
<b>Nicoventures Holdings Limited;</b> 27-99, E-cigarette, (EM, 14 Jul 2014) 12 Jan 2015	<b>10112/2015</b>	<b>Reckitt Benckiser (Brands) Limited;</b> 23-02A, Dispenser device, (EM, 07 Aug 2014) 12 Jan 2015	<b>10118/2015</b>
<b>Oakley, Inc.;</b> 16-06, Eyeglass, (US, 04 Sep 2014) 21 Jan 2015	<b>10327/2015</b>	<b>Reckitt Benckiser (Brands) Limited;</b> 28-99, Air freshener, (EM, 18 Jul 2014) 16 Jan 2015	<b>10240/2015</b>
<b>Oakley, Inc.;</b> 16-06, Eyeglass, (US, 04 Sep 2014) 21 Jan 2015	<b>10329/2015</b>	<b>Reckitt Benckiser (Brands) Limited;</b> 23-02A, Dispensing device with refill cartridge, (EM, 07 Aug 2014) 12 Jan 2015	<b>10116/2015</b>
<b>Omron Healthcare Co., Ltd.;Colgate-Palmolive Company;</b> 13-02, Charger for electric toothbrush, (JP, 25 Apr 2014) 23 Oct 2014	<b>10338/2015</b>	<b>Reckitt Benckiser (Brands) Limited;</b> 23-02A, Dispensing device, (EM, 07 Aug 2014) 12 Jan 2015	<b>10120/2015</b>
<b>Omron Healthcare Co., Ltd.;Colgate-Palmolive Company;</b> 13-02, Charger for electric toothbrush, (JP, 25 Apr 2014) 23 Oct 2014	<b>10337/2015</b>	<b>ResMed Limited;</b> 23-04, Seal/baffle module for humidifier reservoir for po, 21 Jan 2015	<b>10322/2015</b>
<b>Pacific Cycle, LLC;</b> 12-16A, Wheel, (US, 13 Aug 2014) 15 Jan 2015	<b>10201/2015</b>	<b>ResMed Limited;</b> 23-04, Reservoir lid for positive airway pressure deliver, 21 Jan 2015	<b>10323/2015</b>
<b>Pacific Cycle, LLC;</b> 12-16A, Wheel, (US, 13 Aug 2014) 15 Jan 2015	<b>10202/2015</b>	<b>ResMed Limited;</b> 23-04, Inlet baffle for humidifier reservoir for positive, 21 Jan 2015	<b>10324/2015</b>
<b>Pacific Cycle, LLC;</b> 12-16A, Wheel, (US, 13 Aug 2014) 15 Jan 2015	<b>10198/2015</b>	<b>ResMed Limited;</b> 23-04, Inlet baffle for humidifier reservoir for positive, 21 Jan 2015	<b>10321/2015</b>
		<b>ResMed Limited;</b> 23-04, Reservoir lid and seal/baffle module for humidifer, 21 Jan 2015	<b>10325/2015</b>
		<b>ResMed Limited;</b> 24-01, Humidifier reservoir for positive airway pressure, 21 Jan 2015	<b>10326/2015</b>

<b>Rose, Alfred;</b> 32-03, Commercial artist, 22 Jan 2015	<b>10342/2015</b>	<b>Thane International, Inc.;</b> 15-05, Steam mop, (EM, 04 Nov 2014) 14 Jan 2015	<b>10176/2015</b>
<b>Rowlinson Garden Products Limited;</b> 12-02, Garden buddy, (EM, 28 Jul 2014) 14 Jan 2015	<b>10168/2015</b>	<b>Thane International, Inc.;</b> 15-05, Cleaner, (EM, 24 Nov 2014) 14 Jan 2015	<b>10166/2015</b>
<b>Rush, Susan;</b> 02-03, 03-01B, 02-02NES, Sombrero, sou'wester, clutch, bag and cape, 22 Jan 2015	<b>10353/2015</b>	<b>Thane International, Inc.;</b> 15-05, Cleaner, (EM, 24 Nov 2014) 14 Jan 2015	<b>10175/2015</b>
<b>Samsonite IP Holdings S.a r.l.;</b> 03-01A, Luggage, (HK, 25 Jul 2014) 22 Jan 2015	<b>10345/2015</b>	<b>Thane International, Inc.;</b> 15-05, Cleaner component, (EM, 24 Nov 2014) 14 Jan 2015	<b>10171/2015</b>
<b>Samsung Electronics Co., Ltd.;</b> 14-03E, Portable electronic device, (KR, 05 Sep 2014) 19 Jan 2015	<b>10283/2015</b>	<b>Thane International, Inc.;</b> 15-05, Steam cleaner, (EM, 04 Nov 2014) 14 Jan 2015	<b>10186/2015</b>
<b>Sandvik Intellectual Property AB;</b> 14-02, Visual display unit, (Divisional of 16576/2014) 21 Jan 2015	<b>10335/2015</b>	<b>Thane International, Inc.;</b> 15-05, Component for a steam mop, (EM, 04 Nov 2014) 14 Jan 2015	<b>10180/2015</b>
<b>Summit Glove Inc.;</b> 02-06, Ambidextrous glove with a flared cuff, (US, 19 Sep 2014) 14 Jan 2015	<b>10161/2015</b>	<b>Thane International, Inc.;</b> 15-05, Cleaner, (EM, 24 Nov 2014) 14 Jan 2015	<b>10170/2015</b>
<b>Sundstrom Safety Aktiebolag;</b> 29-02, Respiration mask with filter holder and parts, (EM, 10 Oct 2014) 12 Jan 2015	<b>10113/2015</b>	<b>The Coca-Cola Company;</b> 14-02, Display screen with a graphical user interface, 12 Nov 2014	<b>10220/2015</b>
<b>SAMSUNG ELECTRONICS CO., LTD.;</b> 03-01NES, Cover for portable electronic device, (KR, 05 Sep 2014) 19 Jan 2015	<b>10274/2015</b>	<b>The Coca-Cola Company;</b> 20-01, Beverage dispenser, 07 Nov 2014	<b>10223/2015</b>
<b>SAMSUNG ELECTRONICS CO., LTD.;</b> 14-03E, Portable electronic device, (KR, 05 Sep 2014) 19 Jan 2015	<b>10275/2015</b>	<b>The Coca-Cola Company;</b> 14-02, Display screen with a graphical user interface, 12 Nov 2014	<b>10222/2015</b>
<b>SAMSUNG ELECTRONICS CO., LTD.;</b> 14-03E, Portable electronic device, (KR, 05 Sep 2014) 19 Jan 2015	<b>10280/2015</b>	<b>The Coca-Cola Company;</b> 14-02, Display screen with a graphical user interface, 12 Nov 2014	<b>10221/2015</b>
<b>SAMSUNG ELECTRONICS CO., LTD.;</b> 03-01NES, Cover for portable electronic device, (KR, 05 Sep 2014) 19 Jan 2015	<b>10272/2015</b>	<b>The Coca-Cola Company;</b> 14-02, Display screen with a graphical user interface, 12 Nov 2014	<b>10219/2015</b>
<b>SAMSUNG ELECTRONICS CO., LTD.;</b> 14-02, Portable electronic device, (KR, 05 Sep 2014) 19 Jan 2015	<b>10277/2015</b>	<b>The Goodyear Tire &amp; Rubber Company;</b> 12-15A, Tyre for motorcycle, (JP, 28 Jul 2014) 15 Jan 2015	<b>10197/2015</b>
<b>SAVERGLASS;</b> 09-01NES, Bottle, (EM, 13 Oct 2014) 16 Jan 2015	<b>10237/2015</b>	<b>The Goodyear Tire &amp; Rubber Company;</b> 12-15A, Tyre for motorcycle, (JP, 28 Jul 2014) 15 Jan 2015	<b>10196/2015</b>
<b>SAVERGLASS;</b> 09-01NES, Bottle, (EM, 10 Oct 2014) 16 Jan 2015	<b>10236/2015</b>	<b>The Procter &amp; Gamble Company;</b> 20-02E, Display stand, (WO, 14 Oct 2014) 21 Jan 2015	<b>10328/2015</b>
<b>SKYTRADERS PTY LTD;</b> 12-13, Chinook CH47 helicopter firefighting configuration, 22 Jan 2015	<b>10349/2015</b>	<b>Titchener, Bruce;</b> 06-01NES, Children table, 15 Jan 2015	<b>10224/2015</b>
<b>Team Brands Pty Ltd;</b> 06-11, 29-02, Rubber PVC ground protection mat, 22 Jan 2015	<b>10350/2015</b>	<b>Tokai Corporation;</b> 27-05, Lighter, (US, 14 Nov 2014) (Divisional of 16413/2014) 15 Jan 2015	<b>10216/2015</b>
<b>Thales Communications &amp; Security SAS;</b> 25-02C, Automatic access gate, (EM, 18 Jul 2014) 15 Jan 2015	<b>10206/2015</b>	<b>Toshiba Lifestyle Products &amp; Services Corporation; Kabushiki Kaisha Toshiba;</b> 15-05, Controller for autonomous coverage vacuum cleaner, (JP, 01 Aug 2014) 12 Jan 2015	<b>10115/2015</b>

<b>Toshiba Lifestyle Products &amp; Services Corporation; Kabushiki Kaisha Toshiba;</b> 15-05, Autonomous coverage vacuum cleaner, (JP, 01 Aug 2014) 12 Jan 2015	<b>10114/2015</b>	<b>Tribu N.V;</b> 06-01F, Chair, (EM, 18 Dec 2014) 20 Jan 2015	<b>10308/2015</b>
<b>Towiwat, Dhiti;</b> 23-03NES, Heat exchanger, (TH, 23 Jul 2014) 15 Jan 2015	<b>10195/2015</b>	<b>Tristar Products, Inc.;</b> 28-03B, Curler, (US, 31 Jul 2014) 22 Jan 2015	<b>10351/2015</b>
<b>Towiwat, Dhiti;</b> 23-03NES, Heat exchanger, (TH, 23 Jul 2014) 15 Jan 2015	<b>10193/2015</b>	<b>Tussy, Kevin Alan;</b> 09-01D, Football shaped bottle, (Divisional of 15650/2014) 19 Jan 2015	<b>10285/2015</b>
<b>Towiwat, Dhiti;</b> 23-03NES, Heat exchanger, (TH, 23 Jul 2014) 15 Jan 2015	<b>10194/2015</b>	<b>TRAXXAS LP;</b> 13-03E, Female electrical connector, (US, 22 Jul 2014) 22 Jan 2015	<b>10347/2015</b>
<b>Toyota Jidosha Kabushiki Kaisha;</b> 12-08, Automobile, 14 Jan 2015	<b>10159/2015</b>	<b>TRAXXAS LP;</b> 13-03E, Male electrical connector, (US, 22 Jul 2014) 22 Jan 2015	<b>10348/2015</b>
<b>Toyota Jidosha Kabushiki Kaisha;</b> 12-08, Automobile, 14 Jan 2015	<b>10164/2015</b>	<b>Valdes, Oscar;</b> 21-02D, Kite boarding spread bar, 22 Jan 2015	<b>10356/2015</b>
<b>Toyota Jidosha Kabushiki Kaisha;</b> 12-08, Automobile, 14 Jan 2015	<b>10163/2015</b>	<b>Vu, Trinh;</b> 26-05D, Pendant light, 14 Jan 2015	<b>10167/2015</b>
<b>Toyota Jidosha Kabushiki Kaisha;</b> 12-08, Automobile, 14 Jan 2015	<b>10162/2015</b>	<b>Vuly Property Pty Ltd;</b> 21-02F, Trampoline skirt, 12 Jan 2015	<b>10127/2015</b>
<b>Toyota Jidosha Kabushiki Kaisha;</b> 12-08, Automobile, 14 Jan 2015	<b>10160/2015</b>	<b>Wen-Hsien, Lee;</b> 21-01C, Pneumatic toy car, 20 Jan 2015	<b>10317/2015</b>
<b>Toyota Jidosha Kabushiki Kaisha;</b> 26-06, Front combination lamp for an automobile, 14 Jan 2015	<b>10157/2015</b>	<b>Whirlpool Corporation;</b> 07-99NES, Metal knife block, (US, 22 Oct 2014) 14 Jan 2015	<b>10178/2015</b>
<b>Toyota Jidosha Kabushiki Kaisha;</b> 12-16C, Front bumper for an automobile, 14 Jan 2015	<b>10158/2015</b>	<b>Whirlpool Corporation;</b> 07-99NES, Metal knife block, (US, 22 Oct 2014) 14 Jan 2015	<b>10179/2015</b>
<b>Toyota Jidosha Kabushiki Kaisha;</b> 26-06, Front combination lamp for an automobile, 14 Jan 2015	<b>10152/2015</b>	<b>Whirlpool Corporation;</b> 07-99NES, Metal knife block face plate, (US, 22 Oct 2014) 14 Jan 2015	<b>10177/2015</b>
<b>Toyota Jidosha Kabushiki Kaisha;</b> 12-16NES, Instrument panel for an automobile, 14 Jan 2015	<b>10153/2015</b>	<b>Yuyao Tailian Lighting Electric Co., Ltd.;</b> 26-03, Light projector, 15 Jan 2015	<b>10189/2015</b>
<b>Toyota Jidosha Kabushiki Kaisha;</b> 12-08, Automobile, 14 Jan 2015	<b>10150/2015</b>	<b>Yuyao Tailian Lighting Electric Co., Ltd.;</b> 26-03, Light projector, 15 Jan 2015	<b>10191/2015</b>
<b>Toyota Jidosha Kabushiki Kaisha;</b> 26-06, Rear combination lamp for an automobile, 14 Jan 2015	<b>10156/2015</b>	<b>Yuyao Tailian Lighting Electric Co., Ltd.;</b> 26-03, Light projector, 15 Jan 2015	<b>10190/2015</b>
<b>Toyota Jidosha Kabushiki Kaisha;</b> 12-08, Automobile, 14 Jan 2015	<b>10155/2015</b>	<b>Yuyao Tailian Lighting Electric Co., Ltd.;</b> 26-03, Light projector, 15 Jan 2015	<b>10188/2015</b>
<b>Toyota Jidosha Kabushiki Kaisha;</b> 12-08, Automobile, 14 Jan 2015	<b>10147/2015</b>	<b>Zhang, Heng;</b> 21-01E, Toy block, (CN, 01 Aug 2014) 22 Jan 2015	<b>10343/2015</b>
<b>Toyota Jidosha Kabushiki Kaisha;</b> 12-16C, Rear bumper for an automobile, 14 Jan 2015	<b>10154/2015</b>	<b>Zhang, Heng;</b> 21-01E, Toy block, (CN, 01 Aug 2014) 22 Jan 2015	<b>10344/2015</b>
<b>Toyota Jidosha Kabushiki Kaisha;</b> 12-08, Automobile, 14 Jan 2015	<b>10148/2015</b>	<b>3M Innovative Properties Company;</b> 08-08F, Handle holder, (US, 22 Jul 2014) 21 Jan 2015	<b>10320/2015</b>
<b>Trailer &amp; Trailers Pty Ltd;</b> 26-05A, Light fitting, 20 Jan 2015	<b>10310/2015</b>	<b>3M Innovative Properties Company;</b> 14-01, Hearing protector, (US, 22 Jul 2014) 20 Jan 2015	<b>10299/2015</b>
<b>Treasury Wine Estates EMEA Ltd.;</b> 09-03NES, Wine cask, 09 Jan 2015	<b>10095/2015</b>		

**Applications Lapsed**

13868 / 2013 (08-08NES)	10999 / 2014 (02-05)
12933 / 2014 (24-99)	13214 / 2014 (02-02C)
13215 / 2014 (02-02C)	14311 / 2014 (09-01D)
14734 / 2014 (03-01NES)	15122 / 2014 (09-09)
15129 / 2014 (21-01L)	15149 / 2014 (32-03)
15189 / 2014 (08-08NES)	15204 / 2014 (32-03)
15206 / 2014 (32-03)	15272 / 2014 (14-04)
15273 / 2014 (32-02)	15322 / 2014 (08-01)
15325 / 2014 (08-01)	15328 / 2014 (06-06NES)
15340 / 2014 (25-02NES)	15357 / 2014 (14-02)
15368 / 2014 (21-02F)	

**Extension of Period of Registration of Designs**

317854	327579	327580
328512	329499	329518
329520	329550	329571
329607	329616	329618
329623	329626	329627
329628	329631	329644
329684	329688	329706
329712	329737	329743
329780	329796	329807
329808	329810	329841
329848	329874	329877
329927	329929	329943
329944	329945	329947
329948	329949	329958
329961	329962	329963
329967	329968	329979
329982	329985	329997
330017	330045	330091
330107	330108	330147
330165	330186	330187
330188	330340	330346
330349	330350	330351
330365	330366	330367
330368	330374	330375
330396	330397	330398
330399	330408	330547
330656	330669	330670
330882	331126	331127
331128	331297	331300
331395	331396	331397
331398	331399	331400
331773	331774	331775
332740		

**Revocation of Design Registrations**

The following Design Registration(s) have been revoked and are taken never to have been registered:

313152	09-03NES
313160	09-03M
331957	07-01NES
335462	07-01NES
358310	07-01E

**Registrations Ceased**

301839	301840	302016
302017	302018	302019
302020	302022	302023

302028	302031	302033
302034	302035	302036
302037	302040	302042
302043	302044	302048
302050	302051	302058
302059	302060	302061
302065	302067	302068
302076	302077	302089
302090	302091	302092
302093	302094	302095
302096	302100	302102
302103	302104	302105
302106	302107	302108
302109	302110	302111
302112	302113	302114
302116	302117	302123
302126	302127	302128
302129	302130	302137
302138	302139	302144
302145	302146	302147
302148	302149	302153
302154	302157	302177
302180	302181	302182
302183	302184	302185
302186	302188	302189
302214	302226	302227
302229	302230	302232
302233	302234	302235
302236	302289	302290
302291	302292	302294
302295	302296	302297
302298	302310	302318
302320	302321	302322
302324	302325	302326
302328	302329	302330
302331	302332	302333
302334	302335	302336
302340	302341	302390
302398	302399	302499
302500	302501	302558
302559	302586	302587
302589	302590	302592
302593	302594	302595
302644	302679	302772
302777	302778	302779
302780	302781	302783
302785	302825	302826
302827	302845	302897
302900	302901	302902
303048	303050	303053
303054	303087	303088
303089	303090	303091
303092	303096	303103
303228	303246	303247

303281	303305	303306	327012	327013	327014
303454	303511	303512	327015	327016	327017
303513	303514	303515	327020	327053	327065
303516	303517	303518	327140	327164	327165
303519	303520	303521	327166	327167	327168
303522	303523	303564	327174	327175	327205
303565	304005	304328	327240	327242	327246
304625	304626	304627	327247	327248	327256
304628	304629	304630	327276	327277	327278
304704	304705	304738	327303	327307	327308
304739	304740	304782	327309	327338	327339
305295	305420	305532	327340	327341	327380
305533	306597	307131	327391	327392	327398
307132	307133	307134	327428	327478	327479
307135	307136	307318	327480	327482	327483
326455	326552	326560	327484	327516	327517
326627	326647	326648	327530	327545	327577
326651	326653	326657	327917	327957	327958
326660	326661	326668	327959	327960	327961
326675	326676	326682	327962	327963	327964
326692	326694	326707	327965	327966	327967
326713	326716	326726	327968	327969	327970
326727	326728	326729	327971	328055	328056
326730	326731	326732	328057	328089	328320
326733	326734	326735	328431	328467	328468
326736	326744	326751	328469	328470	328713
326756	326759	326761	329215	329218	329398
326766	326769	326770	329399	329400	329401
326771	326772	326774	329414	329588	329604
326776	326781	326782	329896	329897	329898
326786	326787	326788	329899	329900	329901
326789	326790	326799	329902	329903	329904
326805	326806	326807	329905	329906	329907
326808	326813	326815	329908	329909	329910
326816	326818	326819	329911	329912	330026
326832	326833	326834	336433	336434	341445
326837	326838	326839	345999	350668	351783
326849	326850	326852	351994	351995	351996
326854	326855	326859	351997	351998	351999
326860	326862	326863	353573	354078	354114
326868	326869	326874	354331	354333	354361
326879	326880	326881	354499	354883	354928
326893	326914	326915	355451		
326916	326917	326918			
326919	326920	326921			
326922	326924	326926			
326927	326928	326929			
326932	326933	326936			
326961	326962	326983			
326986	326995	326996			
326997	326998	326999			
327000	327001	327002			
327003	327004	327005			
327009	327010	327011			

**Extensions of time granted under Section 137**

Applications lodged under section 137 for extension of time have been granted.

317854 **Donald Vincent Adams**

14346/2014 **Hiu Yu Wong**

359984 **Hiu Yu Wong**

360121 **Euro Packaging UK Ltd**



**Applications Assigned**

(The name in parentheses is that of the subsequent applicant)

- 10010/2015 ( **Colour Prevails LLC** ) TPR Holdings LLC
- 10012/2015 ( **Colour Prevails LLC** ) TPR Holdings LLC
- 16592/2014 ( **Colgate-Palmolive Company; Omron Healthcare Co., Ltd.** ) Colgate-Palmolive Company

**Subsequent Owners Registered**

(The name in parentheses is that of the subsequent owner)

- 329080 ( **Mpire Pty Ltd as trustee for Mpire Discretionary Trust** ) Rideworx Pty Ltd
- 329960 ( **RFID IP Pty Ltd** ) FSH Properties Pty Ltd
- 338620 ( **Siemens Schweiz AG** ) Siemens Aktiengesellschaft
- 338621 ( **Siemens Schweiz AG** ) Siemens Aktiengesellschaft
- 342439 ( **uVu Technologies, LLC** ) uVu Lid Company, LLC
- 354089 ( **Blephex, LLC** ) RySurg, LLC
- 354090 ( **Blephex, LLC** ) RySurg, LLC
- 357245 ( **Robert Straube;Santina Straube** ) Donald John McPherson

**Names Registered - Alterations and Amendments**

(The name in parentheses is that of the subsequent applicant)

- 359999 ( **Mega Fortris (Malaysia) Sdn. Bhd.** ) Mega Fortris (Malaysia) sdn. Bhd.

**Certificate(s) of Examination**

Examination of the following Design Registration(s) has been completed. Infringement proceedings may now be commenced.

338556	09-03M	13/01/2015	359344	07-01C	20/01/2015
350410	20-03C	19/01/2015	359367	15-05	21/01/2015
352666	26-06	15/01/2015	359469	02-02A	14/01/2015
352667	26-06	15/01/2015	359471	02-02A	19/01/2015
355746	09-01K	13/01/2015	359473	02-02A	19/01/2015
355791	02-06	19/01/2015	359475	02-02A	19/01/2015
355810	15-05	13/01/2015	359477	02-02A	19/01/2015
355989	15-05	15/01/2015	359479	02-02A	19/01/2015
356146	14-02	14/01/2015	359482	02-02A	19/01/2015
356147	14-02	14/01/2015	359560	14-03D	21/01/2015
356161	14-02	14/01/2015	359565	07-01C	20/01/2015
356274	14-02	14/01/2015	359647	07-01C	20/01/2015
356609	12-16NES	13/01/2015			
356908	15-03A	20/01/2015			
356909	15-03A	20/01/2015			
356996	14-03NES	22/01/2015			
356997	14-03NES	22/01/2015			
357342	12-08	13/01/2015			
357620	15-05	15/01/2015			
358164	09-07C	22/01/2015			
358167	09-07C	22/01/2015			
358247	07-01NES	22/01/2015			
358248	02-02B	18/01/2015			
358389	28-01	21/01/2015			
358424	09-01G	21/01/2015			
358430	09-03M	13/01/2015			
358451	09-03NES	14/01/2015			
358477	28-03B	23/01/2015			
358481	28-03B	23/01/2015			
358588	07-01C	20/01/2015			
358650	07-02L	14/01/2015			
358693	20-03A	14/01/2015			
358742	04-04	20/01/2015			
358743	04-04	20/01/2015			
358744	04-04	20/01/2015			
358745	04-04	20/01/2015			
358746	10-04	13/01/2015			
358747	20-02E	16/01/2015			
358760	25-01K	23/01/2015			
358884	31-00	22/01/2015			
358926	09-07C	16/01/2015			
358927	09-07C	16/01/2015			
358948	12-10	15/01/2015			
358962	07-05A	19/01/2015			
358987	07-01C	14/01/2015			
358988	07-01B	15/01/2015			
359072	07-01F	20/01/2015			
359082	05-05D	21/01/2015			
359088	05-05NES	21/01/2015			
359100	07-01F	20/01/2015			
359107	09-08	22/01/2015			
359125	08-08L	19/01/2015			
359126	08-08L	19/01/2015			
359192	12-06NES	21/01/2015			
359312	07-01C	20/01/2015			
359320	02-02NES	23/01/2015			
359339	08-05K	20/01/2015			
359342	07-01C	20/01/2015			
359343	07-01C	20/01/2015			

**Publication and Registration Proceedings**

**Designs Registered**

This section provides a concordance between design number and registration number of Designs covered in this journal. It also shows the main class and registration date.

This section covers Registration numbers 359816 to 360145 .

The registration number shown below should be used in all future correspondence.

<b>Design Number</b>	<b>Registration Number</b>	<b>International Classification Code (IDC)</b>	<b>Registration Date</b>	<b>Design Number</b>	<b>Registration Number</b>	<b>International Classification Code (IDC)</b>	<b>Registration Date</b>
14803/2013	359982	06-01C	16/01/2015	15909/2014	360049	06-04NES	20/01/2015
14804/2013	359983	06-03A	16/01/2015	15914/2014	360122	06-04NES	23/01/2015
12342/2014	360141	02-02C	23/01/2015	15948/2014	359865	28-03B	14/01/2015
12349/2014	360101	03-01B	23/01/2015	15988/2014	360075	24-02	21/01/2015
12693/2014	360097	09-03M	22/01/2015	15989/2014	359918	08-03	15/01/2015
13453/2014	359897	07-02L	15/01/2015	15991/2014	359919	23-01A	15/01/2015
13772/2014	359941	02-02C	16/01/2015	16011/2014	360013	14-03B	20/01/2015
13927/2014	359898	31-00	15/01/2015	16021/2014	359920	14-02	15/01/2015
14143/2014	360103	08-05F	23/01/2015	16025/2014	360142	09-03K	23/01/2015
14474/2014	359984	21-01B	16/01/2015	16027/2014	360143	09-03K	23/01/2015
14646/2014	360086	11-02F	22/01/2015	16034/2014	359866	14-03NES	14/01/2015
14705/2014	360073	25-01F	21/01/2015	16037/2014	360057	14-02	21/01/2015
14707/2014	360074	25-01F	21/01/2015	16111/2014	360091	12-16NES	22/01/2015
15197/2014	359921	23-01NES	15/01/2015	16112/2014	360090	12-16NES	22/01/2015
15203/2014	360094	19-07	22/01/2015	16158/2014	360102	11-02B	23/01/2015
15314/2014	360121	09-03E	23/01/2015	16220/2014	359964	12-03	16/01/2015
15326/2014	360045	08-05A	20/01/2015	16221/2014	359965	12-03	16/01/2015
15336/2014	359862	24-02	14/01/2015	16254/2014	360076	13-03D	21/01/2015
15339/2014	359899	30-03	15/01/2015	16255/2014	360077	13-03D	21/01/2015
15349/2014	360098	13-02	22/01/2015	16265/2014	359988	12-09	16/01/2015
15350/2014	360046	09-02B	20/01/2015	16286/2014	360078	03-01A	21/01/2015
15365/2014	360092	13-02	22/01/2015	16308/2014	359901	02-04NES	15/01/2015
15409/2014	359831	07-01B	13/01/2015	16315/2014	360014	03-01D	20/01/2015
15429/2014	359985	07-01NES	16/01/2015	16316/2014	359909	10-07	15/01/2015
15436/2014	359915	14-04	15/01/2015	16317/2014	359989	10-07	16/01/2015
15476/2014	360087	31-00	22/01/2015	16318/2014	359990	13-02	16/01/2015
15483/2014	359863	24-01	14/01/2015	16328/2014	359832	26-03	13/01/2015
15527/2014	360088	31-00	22/01/2015	16342/2014	360068	02-02B	21/01/2015
15560/2014	360051	12-02	21/01/2015	16376/2014	360123	03-01D	23/01/2015
15634/2014	359900	22-06	15/01/2015	16379/2014	360069	03-01D	21/01/2015
15636/2014	360089	07-06A	22/01/2015	16417/2014	360079	15-07	21/01/2015
15639/2014	359916	14-03NES	15/01/2015	16422/2014	360080	15-07	21/01/2015
15645/2014	360084	13-03NES	22/01/2015	16424/2014	360015	07-99C	20/01/2015
15650/2014	360067	09-01D	21/01/2015	16427/2014	359902	02-03	15/01/2015
15651/2014	360052	23-01A	21/01/2015	16438/2014	360081	15-07	21/01/2015
15682/2014	359917	02-04C	15/01/2015	16450/2014	359974	28-03A	16/01/2015
15685/2014	360144	07-02NES	23/01/2015	16477/2014	360082	29-02	21/01/2015
15688/2014	359986	09-01NES	16/01/2015	16507/2014	359903	03-01NES	15/01/2015
15692/2014	359987	09-01K	16/01/2015	16546/2014	359904	20-02NES	15/01/2015
15699/2014	360053	20-01	21/01/2015	16559/2014	359905	09-01NES	15/01/2015
15702/2014	359962	24-02	16/01/2015	16572/2014	359896	06-03NES	14/01/2015
15703/2014	359963	24-02	16/01/2015	16573/2014	359833	19-06	13/01/2015
15747/2014	360011	22-01	20/01/2015	16574/2014	359834	21-02F	13/01/2015
15748/2014	360012	22-01	20/01/2015	16575/2014	359906	13-03D	15/01/2015
15765/2014	360054	25-03	21/01/2015	16576/2014	360145	14-02	23/01/2015
15774/2014	360055	14-02	21/01/2015	16588/2014	360083	28-03B	21/01/2015
15784/2014	360056	24-04	21/01/2015	16589/2014	359816	12-16A	13/01/2015
15798/2014	360047	07-02NES	20/01/2015	16590/2014	359817	12-16K	13/01/2015
15859/2014	359864	11-01NES	14/01/2015	16591/2014	359818	09-03M	13/01/2015
15907/2014	360048	06-04NES	20/01/2015	16593/2014	359819	04-02	13/01/2015

Publication and Registration Proceedings - Designs Registered cont'd

Design Number	Registration Number	International Classification Code (IDC)	Registration Date	Design Number	Registration Number	International Classification Code (IDC)	Registration Date
16594/2014	359820	04-02	13/01/2015	16707/2014	359875	13-01	14/01/2015
16595/2014	359821	04-01	13/01/2015	16708/2014	359876	13-01	14/01/2015
16596/2014	359822	04-01	13/01/2015	16709/2014	359877	13-01	14/01/2015
16597/2014	359823	04-01	13/01/2015	16721/2014	359924	07-05A	15/01/2015
16598/2014	359824	04-01	13/01/2015	16722/2014	359925	07-05A	15/01/2015
16599/2014	359825	25-01D	13/01/2015	16723/2014	359926	07-05A	15/01/2015
16601/2014	359826	23-02B	13/01/2015	16724/2014	359927	07-02H	15/01/2015
16602/2014	359835	23-02B	13/01/2015	16725/2014	359928	28-03A	15/01/2015
16606/2014	359836	13-03D	13/01/2015	16726/2014	359929	28-03A	15/01/2015
16607/2014	359837	13-03D	13/01/2015	16727/2014	359930	28-03A	15/01/2015
16609/2014	359838	24-04	13/01/2015	16728/2014	359931	28-03A	15/01/2015
16610/2014	359839	24-02	13/01/2015	10004/2015	359888	02-02C	14/01/2015
16620/2014	359907	08-06	15/01/2015	10005/2015	359889	08-01	14/01/2015
16622/2014	360050	12-14	21/01/2015	10006/2015	359890	26-05NES	14/01/2015
16627/2014	359908	26-05E	15/01/2015	10007/2015	359891	06-04NES	14/01/2015
16631/2014	359922	09-01NES	15/01/2015	10008/2015	359892	07-99C	14/01/2015
16637/2014	359827	14-01	13/01/2015	10010/2015	360065	09-07B	21/01/2015
16644/2014	359840	08-08C	13/01/2015	10012/2015	360066	09-07B	21/01/2015
16653/2014	359828	12-05	13/01/2015	10014/2015	359893	09-01C	14/01/2015
16655/2014	359829	23-04	13/01/2015	10017/2015	359894	21-02D	14/01/2015
16656/2014	359841	26-02	13/01/2015	10018/2015	359895	21-02D	14/01/2015
16657/2014	359830	23-03A	13/01/2015	10019/2015	359878	06-01E	14/01/2015
16658/2014	359842	22-05	13/01/2015	10020/2015	359879	06-01E	14/01/2015
16659/2014	359843	13-02	13/01/2015	10021/2015	359880	01-06	14/01/2015
16662/2014	359844	26-02	13/01/2015	10022/2015	359881	11-01A	14/01/2015
16663/2014	359923	26-02	15/01/2015	10023/2015	359882	11-01E	14/01/2015
16664/2014	359845	20-02E	13/01/2015	10024/2015	359883	11-01E	14/01/2015
16666/2014	359846	04-02	13/01/2015	10026/2015	359884	16-01	14/01/2015
16667/2014	359847	04-02	13/01/2015	10027/2015	359885	16-01	14/01/2015
16668/2014	359848	04-02	13/01/2015	10028/2015	359886	08-06	14/01/2015
16669/2014	359849	04-02	13/01/2015	10029/2015	359887	24-01	14/01/2015
16671/2014	359850	04-02	13/01/2015	10031/2015	359932	12-02	15/01/2015
16672/2014	359851	04-02	13/01/2015	10032/2015	359933	12-08	15/01/2015
16673/2014	359852	04-02	13/01/2015	10033/2015	359934	14-01	15/01/2015
16674/2014	359853	04-02	13/01/2015	10034/2015	359935	14-01	15/01/2015
16675/2014	359854	23-04	13/01/2015	10035/2015	359942	28-03A	16/01/2015
16676/2014	359855	23-04	13/01/2015	10036/2015	359936	24-01	15/01/2015
16681/2014	359856	25-01K	13/01/2015	10037/2015	359937	12-05	15/01/2015
16682/2014	360095	21-02D	22/01/2015	10038/2015	359938	14-03NES	15/01/2015
16683/2014	360096	03-01NES	22/01/2015	10039/2015	359939	26-06	15/01/2015
16684/2014	359857	13-02	13/01/2015	10040/2015	359940	14-03NES	15/01/2015
16685/2014	359858	09-07B	13/01/2015	10041/2015	359943	12-16C	16/01/2015
16686/2014	359859	09-01C	13/01/2015	10042/2015	359944	31-00	16/01/2015
16687/2014	359860	09-01C	13/01/2015	10043/2015	359945	21-01H	16/01/2015
16688/2014	359861	09-01C	13/01/2015	10044/2015	359946	21-01H	16/01/2015
16689/2014	359867	07-01F	14/01/2015	10045/2015	359947	23-02B	16/01/2015
16696/2014	359868	02-02C	14/01/2015	10046/2015	359948	28-03A	16/01/2015
16697/2014	359869	02-02C	14/01/2015	10047/2015	359949	25-99	16/01/2015
16698/2014	359870	09-01NES	14/01/2015	10048/2015	359950	28-03A	16/01/2015
16700/2014	359871	21-02C	14/01/2015	10050/2015	359951	06-01E	16/01/2015
16701/2014	359872	15-05	14/01/2015	10053/2015	360124	25-02H	23/01/2015
16702/2014	359966	13-01	16/01/2015	10057/2015	359968	13-03D	16/01/2015
16703/2014	359873	13-01	14/01/2015	10058/2015	359969	25-01E	16/01/2015
16704/2014	359874	13-01	14/01/2015	10059/2015	359991	14-04	20/01/2015
16705/2014	359967	13-01	16/01/2015	10060/2015	360125	14-04	23/01/2015

Publication and Registration Proceedings - Designs Registered cont'd

Design Number	Registration Number	International Classification Code (IDC)	Registration Date	Design Number	Registration Number	International Classification Code (IDC)	Registration Date
10061/2015	359992	14-04	20/01/2015	10161/2015	360130	02-06	23/01/2015
10062/2015	359993	14-04	20/01/2015	10165/2015	360022	23-03NES	20/01/2015
10063/2015	359994	14-04	20/01/2015	10169/2015	360131	23-03NES	23/01/2015
10064/2015	359995	14-04	20/01/2015	10172/2015	360023	02-02NES	20/01/2015
10065/2015	359996	09-07A	20/01/2015	10173/2015	360024	02-02NES	20/01/2015
10066/2015	359997	09-07A	20/01/2015	10174/2015	360132	23-03NES	23/01/2015
10067/2015	359998	13-03D	20/01/2015	10181/2015	359977	10-07	16/01/2015
10069/2015	359999	09-03NES	20/01/2015	10182/2015	359978	10-07	16/01/2015
10070/2015	359952	26-02	16/01/2015	10183/2015	359979	13-02	16/01/2015
10071/2015	359953	26-02	16/01/2015	10184/2015	359980	13-02	16/01/2015
10072/2015	359954	26-02	16/01/2015	10185/2015	359981	13-02	16/01/2015
10074/2015	359955	26-02	16/01/2015	10187/2015	360085	25-02NES	22/01/2015
10075/2015	359970	28-03B	16/01/2015	10188/2015	360027	26-03	20/01/2015
10076/2015	359956	28-03B	16/01/2015	10189/2015	360028	26-03	20/01/2015
10087/2015	360126	07-01B	23/01/2015	10190/2015	360029	26-03	20/01/2015
10088/2015	360000	09-03L	20/01/2015	10191/2015	360030	26-03	20/01/2015
10097/2015	359971	02-04NES	16/01/2015	10193/2015	360031	23-03NES	20/01/2015
10098/2015	359972	31-00	16/01/2015	10194/2015	360032	23-03NES	20/01/2015
10100/2015	359973	07-01F	16/01/2015	10195/2015	360033	23-03NES	20/01/2015
10101/2015	360001	31-00	20/01/2015	10196/2015	360034	12-15A	20/01/2015
10104/2015	359957	07-05E	16/01/2015	10197/2015	360035	12-15A	20/01/2015
10105/2015	360104	31-00	23/01/2015	10198/2015	360036	12-16A	20/01/2015
10107/2015	359958	27-99	16/01/2015	10199/2015	360037	09-01NES	20/01/2015
10108/2015	360105	12-07	23/01/2015	10200/2015	360038	03-01NES	20/01/2015
10109/2015	360058	06-06G	21/01/2015	10201/2015	360039	12-16A	20/01/2015
10110/2015	359959	27-99	16/01/2015	10202/2015	360040	12-16A	20/01/2015
10111/2015	359960	27-99	16/01/2015	10203/2015	360041	03-01NES	20/01/2015
10112/2015	359961	27-99	16/01/2015	10204/2015	360042	14-02	20/01/2015
10114/2015	359975	15-05	16/01/2015	10205/2015	360043	14-02	20/01/2015
10115/2015	359976	15-05	16/01/2015	10206/2015	360070	25-02C	21/01/2015
10116/2015	360002	23-02A	20/01/2015	10207/2015	360044	14-02	20/01/2015
10118/2015	360003	23-02A	20/01/2015	10208/2015	360059	14-02	21/01/2015
10120/2015	360004	23-02A	20/01/2015	10209/2015	360071	08-08N	21/01/2015
10122/2015	359910	10-07	15/01/2015	10216/2015	360060	27-05	21/01/2015
10123/2015	359911	10-07	15/01/2015	10219/2015	360061	14-02	21/01/2015
10124/2015	359912	10-07	15/01/2015	10220/2015	360062	14-02	21/01/2015
10125/2015	359913	10-07	15/01/2015	10221/2015	360063	14-02	21/01/2015
10126/2015	359914	10-07	15/01/2015	10222/2015	360064	14-02	21/01/2015
10127/2015	360005	21-02F	20/01/2015	10223/2015	360072	20-01	21/01/2015
10128/2015	360006	26-06	20/01/2015	10241/2015	360106	02-02C	23/01/2015
10129/2015	360007	03-04	20/01/2015	10242/2015	360107	02-02C	23/01/2015
10130/2015	360025	03-04	20/01/2015	10243/2015	360108	02-02NES	23/01/2015
10132/2015	360026	26-01	20/01/2015	10244/2015	360109	02-02NES	23/01/2015
10133/2015	360016	15-05	20/01/2015	10245/2015	360110	02-02NES	23/01/2015
10134/2015	360017	15-05	20/01/2015	10246/2015	360111	02-02C	23/01/2015
10136/2015	360018	26-01	20/01/2015	10247/2015	360112	02-02NES	23/01/2015
10139/2015	360008	23-04	20/01/2015	10248/2015	360113	02-02NES	23/01/2015
10140/2015	360009	23-04	20/01/2015	10249/2015	360114	02-02NES	23/01/2015
10141/2015	360127	23-04	23/01/2015	10250/2015	360115	02-02NES	23/01/2015
10142/2015	360010	23-04	20/01/2015	10251/2015	360116	02-02C	23/01/2015
10143/2015	360019	03-01D	20/01/2015	10252/2015	360117	02-02NES	23/01/2015
10145/2015	360020	07-01NES	20/01/2015	10253/2015	360118	02-02NES	23/01/2015
10146/2015	360128	13-03B	23/01/2015	10254/2015	360119	02-02NES	23/01/2015
10149/2015	360129	23-04	23/01/2015	10255/2015	360120	02-02NES	23/01/2015
10151/2015	360021	23-02C	20/01/2015	10256/2015	360133	02-02NES	23/01/2015

Publication and Registration Proceedings - Designs Registered cont'd

Design Number	Registration Number	International Classification Code (IDC)	Registration Date	Design Number	Registration Number	International Classification Code (IDC)	Registration Date
10257/2015	360134	02-02NES	23/01/2015	10263/2015	360140	02-02C	23/01/2015
10258/2015	360135	02-02NES	23/01/2015	10337/2015	360093	13-02	22/01/2015
10259/2015	360136	02-02NES	23/01/2015	10338/2015	360099	13-02	22/01/2015
10260/2015	360137	02-02C	23/01/2015	10339/2015	360100	09-03M	22/01/2015
10261/2015	360138	02-02C	23/01/2015				
10262/2015	360139	02-02C	23/01/2015				

**Publication and Registration Proceedings**

**Class Listing of Designs Published or Registered**

The following section shows an International Classification Code listing of the Registered or Published Designs covered in this supplement.

<b>Classification</b>	<b>Registration Number</b>	<b>Design Number</b>	<b>Classification</b>	<b>Registration Number</b>	<b>Design Number</b>
01-06	359880	10021/2015	04-02	359819	16593/2014
02-02B	360068	16342/2014	04-02	359820	16594/2014
02-02C	359868	16696/2014	04-02	359846	16666/2014
02-02C	359869	16697/2014	04-02	359847	16667/2014
02-02C	359888	10004/2015	04-02	359848	16668/2014
02-02C	359941	13772/2014	04-02	359849	16669/2014
02-02C	360106	10241/2015	04-02	359850	16671/2014
02-02C	360107	10242/2015	04-02	359851	16672/2014
02-02C	360111	10246/2015	04-02	359852	16673/2014
02-02C	360116	10251/2015	04-02	359853	16674/2014
02-02C	360137	10260/2015	06-01C	359982	14803/2013
02-02C	360138	10261/2015	06-01D	359964	16220/2014
02-02C	360139	10262/2015	06-01D	359965	16221/2014
02-02C	360140	10263/2015	06-01E	359878	10019/2015
02-02C	360141	12342/2014	06-01E	359879	10020/2015
02-02NES	360023	10172/2015	06-01E	359951	10050/2015
02-02NES	360024	10173/2015	06-03A	359983	14804/2013
02-02NES	360108	10243/2015	06-03NES	359896	16572/2014
02-02NES	360109	10244/2015	06-04NES	359891	10007/2015
02-02NES	360110	10245/2015	06-04NES	360048	15907/2014
02-02NES	360112	10247/2015	06-04NES	360049	15909/2014
02-02NES	360113	10248/2015	06-04NES	360051	15560/2014
02-02NES	360114	10249/2015	06-04NES	360122	15914/2014
02-02NES	360115	10250/2015	06-06G	360058	10109/2015
02-02NES	360117	10252/2015	07-01B	359831	15409/2014
02-02NES	360118	10253/2015	07-01B	360126	10087/2015
02-02NES	360119	10254/2015	07-01F	359867	16689/2014
02-02NES	360120	10255/2015	07-01F	359973	10100/2015
02-02NES	360133	10256/2015	07-01NES	359985	15429/2014
02-02NES	360134	10257/2015	07-01NES	360020	10145/2015
02-02NES	360135	10258/2015	07-02H	359927	16724/2014
02-02NES	360136	10259/2015	07-02L	359897	13453/2014
02-03	359902	16427/2014	07-02NES	360047	15798/2014
02-04C	359917	15682/2014	07-02NES	360144	15685/2014
02-04NES	359901	16308/2014	07-05A	359924	16721/2014
02-04NES	359971	10097/2015	07-05A	359925	16722/2014
02-06	360130	10161/2015	07-05A	359926	16723/2014
03-01A	360078	16286/2014	07-05E	359821	16595/2014
03-01B	360101	12349/2014	07-05E	359822	16596/2014
03-01D	360014	16315/2014	07-05E	359823	16597/2014
03-01D	360019	10143/2015	07-05E	359824	16598/2014
03-01D	360069	16379/2014	07-05E	359957	10104/2015
03-01D	360123	16376/2014	07-06A	360089	15636/2014
03-01NES	359903	16507/2014	07-07NES	359886	10028/2015
03-01NES	360038	10200/2015	07-99C	359892	10008/2015
03-01NES	360041	10203/2015	07-99C	360015	16424/2014
03-01NES	360096	16683/2014	08-01	359889	10005/2015
03-04	360007	10129/2015	08-03	359918	15989/2014
03-04	360025	10130/2015	08-05A	360045	15326/2014
04-01	359821	16595/2014	08-05F	360103	14143/2014
04-01	359822	16596/2014	08-05NES	360052	15651/2014
04-01	359823	16597/2014	08-06	359886	10028/2015
04-01	359824	16598/2014	08-06	359907	16620/2014

Registration Proceedings - Class Listing of Designs Published or Registered cont'd

Classification	Registration Number	Design Number	Classification	Registration Number	Design Number
08-08C	359840	16644/2014	12-14	360050	16622/2014
08-08N	360071	10209/2015	12-15A	360034	10196/2015
09-01C	359859	16686/2014	12-15A	360035	10197/2015
09-01C	359860	16687/2014	12-16A	359816	16589/2014
09-01C	359861	16688/2014	12-16A	360036	10198/2015
09-01C	359893	10014/2015	12-16A	360039	10201/2015
09-01D	360067	15650/2014	12-16A	360040	10202/2015
09-01K	359987	15692/2014	12-16C	359943	10041/2015
09-01NES	359870	16698/2014	12-16K	359817	16590/2014
09-01NES	359905	16559/2014	12-16NES	360090	16112/2014
09-01NES	359922	16631/2014	12-16NES	360091	16111/2014
09-01NES	359986	15688/2014	13-01	359873	16703/2014
09-01NES	360037	10199/2015	13-01	359874	16704/2014
09-02B	360046	15350/2014	13-01	359875	16707/2014
09-03E	360121	15314/2014	13-01	359876	16708/2014
09-03K	360142	16025/2014	13-01	359877	16709/2014
09-03K	360143	16027/2014	13-01	359966	16702/2014
09-03L	360000	10088/2015	13-01	359967	16705/2014
09-03M	359818	16591/2014	13-02	359843	16659/2014
09-03M	359904	16546/2014	13-02	359857	16684/2014
09-03M	360097	12693/2014	13-02	359979	10183/2015
09-03M	360100	10339/2015	13-02	359980	10184/2015
09-03NES	359899	15339/2014	13-02	359981	10185/2015
09-03NES	359999	10069/2015	13-02	359990	16318/2014
09-07A	359996	10065/2015	13-02	360092	15365/2014
09-07A	359997	10066/2015	13-02	360093	10337/2015
09-07B	359858	16685/2014	13-02	360098	15349/2014
09-07B	360065	10010/2015	13-02	360099	10338/2015
09-07B	360066	10012/2015	13-03B	360128	10146/2015
09-07C	359999	10069/2015	13-03D	359836	16606/2014
10-07	359909	16316/2014	13-03D	359837	16607/2014
10-07	359910	10122/2015	13-03D	359906	16575/2014
10-07	359911	10123/2015	13-03D	359968	10057/2015
10-07	359912	10124/2015	13-03D	359998	10067/2015
10-07	359913	10125/2015	13-03D	360076	16254/2014
10-07	359914	10126/2015	13-03D	360077	16255/2014
10-07	359977	10181/2015	13-03NES	360084	15645/2014
10-07	359978	10182/2015	14-01	359827	16637/2014
10-07	359989	16317/2014	14-01	359934	10033/2015
11-01A	359881	10022/2015	14-01	359935	10034/2015
11-01E	359882	10023/2015	14-02	359915	15436/2014
11-01E	359883	10024/2015	14-02	359920	16021/2014
11-01NES	359864	15859/2014	14-02	359991	10059/2015
11-02B	360102	16158/2014	14-02	359992	10061/2015
11-02F	360086	14646/2014	14-02	359993	10062/2015
12-02	359932	10031/2015	14-02	359994	10063/2015
12-02	360051	15560/2014	14-02	359995	10064/2015
12-03	359964	16220/2014	14-02	360042	10204/2015
12-03	359965	16221/2014	14-02	360043	10205/2015
12-05	359828	16653/2014	14-02	360044	10207/2015
12-05	359866	16034/2014	14-02	360055	15774/2014
12-05	359937	10037/2015	14-02	360057	16037/2014
12-05	359938	10038/2015	14-02	360059	10208/2015
12-07	360105	10108/2015	14-02	360061	10219/2015
12-08	359933	10032/2015	14-02	360062	10220/2015
12-09	359988	16265/2014	14-02	360063	10221/2015



Registration Proceedings - Class Listing of Designs Published or Registered cont'd

Classification	Registration Number	Design Number	Classification	Registration Number	Design Number
14-02	360064	10222/2015	23-02C	360021	10151/2015
14-02	360125	10060/2015	23-03A	359830	16657/2014
14-02	360145	16576/2014	23-03NES	360022	10165/2015
14-03B	360013	16011/2014	23-03NES	360031	10193/2015
14-03NES	359866	16034/2014	23-03NES	360032	10194/2015
14-03NES	359916	15639/2014	23-03NES	360033	10195/2015
14-03NES	359938	10038/2015	23-03NES	360131	10169/2015
14-03NES	359940	10040/2015	23-03NES	360132	10174/2015
14-04	359915	15436/2014	23-04	359829	16655/2014
14-04	359991	10059/2015	23-04	359854	16675/2014
14-04	359992	10061/2015	23-04	359855	16676/2014
14-04	359993	10062/2015	23-04	360008	10139/2015
14-04	359994	10063/2015	23-04	360009	10140/2015
14-04	359995	10064/2015	23-04	360010	10142/2015
14-04	360125	10060/2015	23-04	360127	10141/2015
15-05	359872	16701/2014	23-04	360129	10149/2015
15-05	359975	10114/2015	24-01	359863	15483/2014
15-05	359976	10115/2015	24-01	359873	16703/2014
15-05	360016	10133/2015	24-01	359874	16704/2014
15-05	360017	10134/2015	24-01	359875	16707/2014
15-07	360079	16417/2014	24-01	359876	16708/2014
15-07	360080	16422/2014	24-01	359877	16709/2014
15-07	360081	16438/2014	24-01	359887	10029/2015
16-01	359884	10026/2015	24-01	359936	10036/2015
16-01	359885	10027/2015	24-01	359966	16702/2014
19-06	359833	16573/2014	24-01	359967	16705/2014
19-07	360086	14646/2014	24-02	359839	16610/2014
19-07	360094	15203/2014	24-02	359862	15336/2014
19-99	360076	16254/2014	24-02	359962	15702/2014
19-99	360077	16255/2014	24-02	359963	15703/2014
20-01	360053	15699/2014	24-02	360075	15988/2014
20-01	360072	10223/2015	24-04	359838	16609/2014
20-02E	359845	16664/2014	24-04	360056	15784/2014
20-02NES	359904	16546/2014	25-01D	359825	16599/2014
21-01B	359984	14474/2014	25-01E	359969	10058/2015
21-01H	359945	10043/2015	25-01F	360073	14705/2014
21-01H	359946	10044/2015	25-01F	360074	14707/2014
21-02C	359871	16700/2014	25-01K	359856	16681/2014
21-02D	359894	10017/2015	25-02C	360070	10206/2015
21-02D	359895	10018/2015	25-02H	360124	10053/2015
21-02D	360095	16682/2014	25-02NES	360085	10187/2015
21-02F	359834	16574/2014	25-03	360054	15765/2014
21-02F	360005	10127/2015	25-99	359949	10047/2015
22-01	360011	15747/2014	26-01	360018	10136/2015
22-01	360012	15748/2014	26-01	360026	10132/2015
22-05	359842	16658/2014	26-02	359841	16656/2014
22-06	359900	15634/2014	26-02	359842	16658/2014
23-01A	359919	15991/2014	26-02	359844	16662/2014
23-01A	360052	15651/2014	26-02	359923	16663/2014
23-01NES	359921	15197/2014	26-02	359952	10070/2015
23-02A	360002	10116/2015	26-02	359953	10071/2015
23-02A	360003	10118/2015	26-02	359954	10072/2015
23-02A	360004	10120/2015	26-02	359955	10074/2015
23-02B	359826	16601/2014	26-03	359832	16328/2014
23-02B	359835	16602/2014	26-03	360027	10188/2015
23-02B	359947	10045/2015	26-03	360028	10189/2015

Registration Proceedings - Class Listing of Designs Published or Registered cont'd

Classification	Registration Number	Design Number	Classification	Registration Number	Design Number
26-03	360029	10190/2015	28-03A	359950	10048/2015
26-03	360030	10191/2015	28-03A	359974	16450/2014
26-05E	359908	16627/2014	28-03B	359865	15948/2014
26-05NES	359890	10006/2015	28-03B	359956	10076/2015
26-06	359939	10039/2015	28-03B	359970	10075/2015
26-06	360006	10128/2015	28-03B	360083	16588/2014
27-05	360060	10216/2015	29-02	360082	16477/2014
27-99	359958	10107/2015	30-03	359899	15339/2014
27-99	359959	10110/2015	31-00	359898	13927/2014
27-99	359960	10111/2015	31-00	359944	10042/2015
27-99	359961	10112/2015	31-00	359972	10098/2015
28-03A	359928	16725/2014	31-00	360001	10101/2015
28-03A	359929	16726/2014	31-00	360087	15476/2014
28-03A	359930	16727/2014	31-00	360088	15527/2014
28-03A	359931	16728/2014	31-00	360104	10105/2015
28-03A	359942	10035/2015			
28-03A	359948	10046/2015			

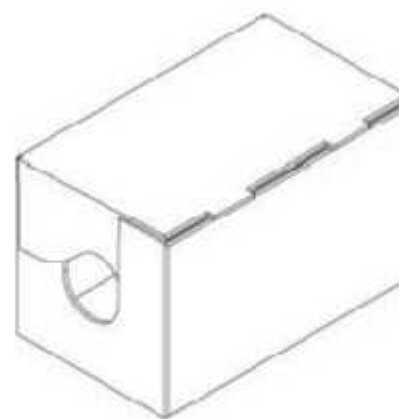
- (21) Design Number: **16589/2014**  
(22) Date of Filing Application: **18 December 2014**  
(24) Date from which industrial property rights may have effect: **18 December 2014**  
(54) Product in respect of which the design is registered: **Wheel rim**  
(51) International Design Classification: **12-16A**  
(74) Name(s) of Attorney(s): **SPRUSON & FERGUSON**  
(71) Name(s) and Address(s) of Applicant(s):  
**Volkswagen Aktiengesellschaft**  
**38436, Wolfsburg Germany**  
(72) Name(s) of Designer(s): **Klaus Bischoff and Andreu Sola Gomfaus and Michael Farny and Matthias Valencia and Thomas Sitter**  
(45) Registration Date: **13 January 2015**  
(30) Convention priority data:  
(31) Number (32) Date (33) Country  
**WIPO37699 19 Jun 2014 SWITZERLAND**  
(56) Related Art Documents: **Not Applicable**  
(57) Statement of Newness and Distinctiveness: **Newness and distinctiveness is claimed in the features of shape and/or configuration of a wheel rim as illustrated in the accompanying representations.**



- (21) Design Number: **16590/2014**  
(22) Date of Filing Application: **18 December 2014**  
(24) Date from which industrial property rights may have effect: **18 December 2014**  
(54) Product in respect of which the design is registered: **Fork mount bicycle carrier**  
(51) International Design Classification: **12-16K**  
(74) Name(s) of Attorney(s): **James & Wells**  
(71) Name(s) and Address(s) of Applicant(s):  
**Thule Sweden AB**  
**Kst 3010 Box 69 Hillerstorp 33033 Sweden**  
(72) Name(s) of Designer(s): **Henrik Ericsson and Joseph Settelmayer**  
(45) Registration Date: **13 January 2015**  
(30) Convention priority data:  
(31) Number (32) Date (33) Country  
**29/498,565 05 Aug 2014 UNITED STATES OF AMERICA**  
(56) Related Art Documents: **Not Applicable**  
(57) Statement of Newness and Distinctiveness: **This design is to be applied to a Fork Mount Bicycle Carrier and the novelty resides in features of shape and configuration, all as shown in the accompanying representations. The broken lines are used to illustrate unclaimed portions of the Fork Mount Bicycle Carrier and form no part of the claimed design.**



(21) Design Number: **16591/2014**  
(22) Date of Filing Application: **18 December 2014**  
(24) Date from which industrial property rights may have effect: **18 December 2014**  
(54) Product in respect of which the design is registered: **Packaging and blank therefor**  
(51) International Design Classification: **09-03M**  
(74) Name(s) of Attorney(s): **PHILLIPS ORMONDE FITZPATRICK**  
(71) Name(s) and Address(s) of Applicant(s):  
**KWH Mirka Ltd**  
**Pensalavagen 210 66850 Jeppo Finland**  
(72) Name(s) of Designer(s): **Goran Hoglund and Beatriz Meana-Esteban**  
(45) Registration Date: **13 January 2015**  
(30) Convention priority data:  
(31) Number (32) Date (33) Country  
**002499434-0001 09 Jul 2014 OFFICE FOR HARMONISATION IN THE INTERNAL MARKET (OHIM)**  
(56) Related Art Documents: **Not Applicable**  
(57) Statement of Newness and Distinctiveness: **Nil**



(21) Design Number: **16593/2014**  
(22) Date of Filing Application: **18 December 2014**  
(24) Date from which industrial property rights may have effect: **18 December 2014**  
(54) Product in respect of which the design is registered: **Oral care implement accessory**  
(51) International Design Classification: **04-02**  
(74) Name(s) of Attorney(s): **FB Rice**  
(71) Name(s) and Address(s) of Applicant(s):  
**Colgate-Palmolive Company**  
**300 Park Avenue New York New York 10022 United States of America**  
(72) Name(s) of Designer(s): **Takahide Okai**  
(45) Registration Date: **13 January 2015**  
(30) Convention priority data:  
(31) Number (32) Date (33) Country  
**29/497639 25 Jul 2014 UNITED STATES OF AMERICA**  
(56) Related Art Documents: **Not Applicable**  
(57) Statement of Newness and Distinctiveness: **Newness and distinctiveness reside in the features of shape and configuration of the design as shown in the representations.**



- (21) Design Number: **16594/2014**  
(22) Date of Filing Application: **18 December 2014**  
(24) Date from which industrial property rights may have effect: **18 December 2014**  
(54) Product in respect of which the design is registered: **Oral care implement accessory**  
(51) International Design Classification: **04-02**  
(74) Name(s) of Attorney(s): **FB Rice**  
(71) Name(s) and Address(s) of Applicant(s):  
**Colgate-Palmolive Company**  
**300 Park Avenue New York New York 10022 United States of America**  
(72) Name(s) of Designer(s): **Takahide Okai**  
(45) Registration Date: **13 January 2015**  
(30) Convention priority data:  
(31) Number (32) Date (33) Country  
**29/497639 25 Jul 2014 UNITED STATES OF AMERICA**  
(56) Related Art Documents: **Not Applicable**  
(57) Statement of Newness and Distinctiveness: **Newness and distinctiveness reside in the features of shape and configuration of the design shown in solid lines in the representations excluding those features shown in broken lines.**



- (21) Design Number: **16595/2014**  
(22) Date of Filing Application: **18 December 2014**  
(24) Date from which industrial property rights may have effect: **18 December 2014**  
(54) Product in respect of which the design is registered: **A hand-held cleaning utensil**  
(51) International Design Classification: **04-01, 07-05E**  
(74) Name(s) of Attorney(s):  
(71) Name(s) and Address(s) of Applicant(s):  
**Easy-Do Products Ltd**  
**Neptune House 2A Alexandra Grove London N12 8NU United Kingdom**  
(72) Name(s) of Designer(s): **Paul Neumann**  
(45) Registration Date: **13 January 2015**  
(30) Convention priority data:  
(31) Number (32) Date (33) Country  
**002494518-0001 01 Jul 2014 OFFICE FOR HARMONISATION IN THE INTERNAL MARKET (OHIM)**  
(56) Related Art Documents: **Not Applicable**  
(57) Statement of Newness and Distinctiveness: **The shape and configuration of a hand-held cleaning utensil as depicted in the representations. The features shown in broken lines are not part of the design and are to be disregarded when considering the overall impression of the design.**



(21) Design Number: **16596/2014**

(22) Date of Filing Application: **18 December 2014**

(24) Date from which industrial property rights may have effect: **18 December 2014**

(54) Product in respect of which the design is registered: **A hand-held cleaning utensil**

(51) International Design Classification: **04-01, 07-05E**

(74) Name(s) of Attorney(s):

(71) Name(s) and Address(s) of Applicant(s):

**Easy-Do Products Ltd**

**Neptune House 2A Alexandra Grove London N12 8NU United Kingdom**

(72) Name(s) of Designer(s): **Paul Neumann**

(45) Registration Date: **13 January 2015**

(30) Convention priority data:

(31) Number (32) Date  
**002494518-0002 01 Jul 2014**

(33) Country  
**OFFICE FOR HARMONISATION IN  
THE INTERNAL MARKET (OHIM)**

(56) Related Art Documents: **Not Applicable**

(57) Statement of Newness and Distinctiveness: **The shape and configuration of a hand-held cleaning utensil as depicted in the representations. The features shown in broken lines are not part of the design and are to be disregarded when considering the overall impression of the design.**



(21) Design Number: **16597/2014**

(22) Date of Filing Application: **18 December 2014**

(24) Date from which industrial property rights may have effect: **18 December 2014**

(54) Product in respect of which the design is registered: **A hand-held cleaning utensil**

(51) International Design Classification: **04-01, 07-05E**

(74) Name(s) of Attorney(s):

(71) Name(s) and Address(s) of Applicant(s):

**Easy-Do Products Ltd**

**Neptune House 2A Alexandra Grove London N12 8NU United Kingdom**

(72) Name(s) of Designer(s): **Paul Neumann**

(45) Registration Date: **13 January 2015**

(30) Convention priority data:

(31) Number (32) Date  
**002494518-0003 01 Jul 2014**

(33) Country  
**OFFICE FOR HARMONISATION IN  
THE INTERNAL MARKET (OHIM)**

(56) Related Art Documents: **Not Applicable**

(57) Statement of Newness and Distinctiveness: **The shape and configuration of a hand-held cleaning utensil as depicted in the representations. The features shown in broken lines are not part of the design and are to be disregarded when considering the overall impression of the design.**



(21) Design Number: **16598/2014**

(22) Date of Filing Application: **18 December 2014**

(24) Date from which industrial property rights may have effect: **18 December 2014**

(54) Product in respect of which the design is registered: **A hand-held cleaning utensil**

(51) International Design Classification: **04-01, 07-05E**

(74) Name(s) of Attorney(s):

(71) Name(s) and Address(s) of Applicant(s):

**Easy-Do Products Ltd**

**Neptune House 2A Alexandra Grove London N12 8NU United Kingdom**

(72) Name(s) of Designer(s): **Paul Neumann**

(45) Registration Date: **13 January 2015**

(30) Convention priority data:

(31) Number

(32) Date

(33) Country

**002494518-0004 01 Jul 2014**

**OFFICE FOR HARMONISATION IN  
THE INTERNAL MARKET (OHIM)**

(56) Related Art Documents: **Not Applicable**

(57) Statement of Newness and Distinctiveness: **The shape and configuration of a hand-held cleaning utensil as depicted in the representations. The features shown in broken lines are not part of the design and are to be disregarded when considering the overall impression of the design.**



(21) Design Number: **16599/2014**

(22) Date of Filing Application: **18 December 2014**

(24) Date from which industrial property rights may have effect: **18 December 2014**

(54) Product in respect of which the design is registered: **Decking**

(51) International Design Classification: **25-01D**

(74) Name(s) of Attorney(s): **Tatlocks Chrysiliou IP**

(71) Name(s) and Address(s) of Applicant(s):

**GALDECK GROUP PTY LTD**

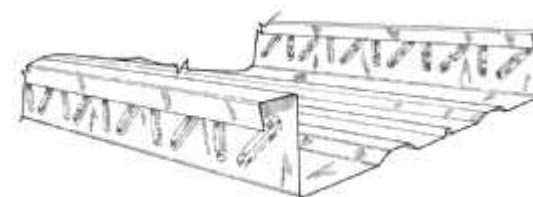
**6 Ridout PI Bulleen VIC 3105 Australia**

(72) Name(s) of Designer(s): **George Kostakis and Alf Iacobucci**

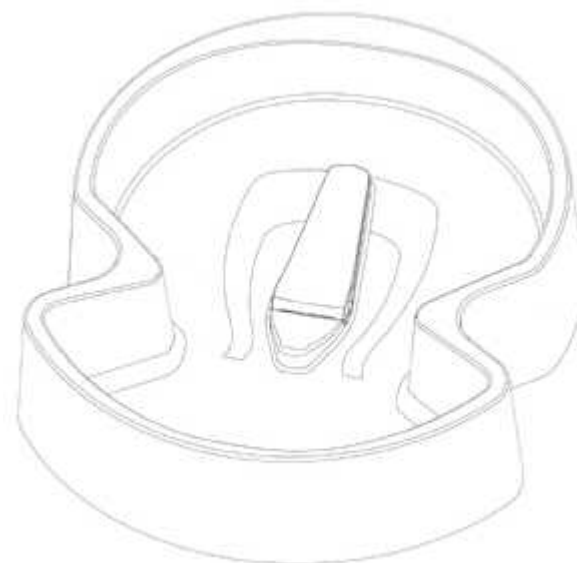
(45) Registration Date: **13 January 2015**

(56) Related Art Documents: **Not Applicable**

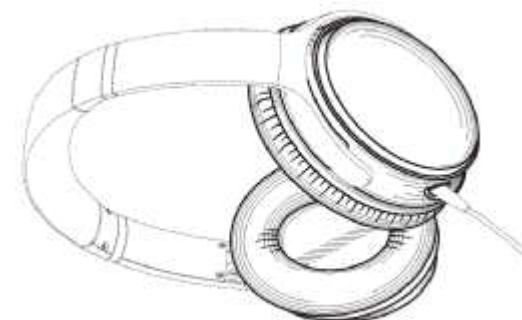
(57) Statement of Newness and Distinctiveness: **Newness and distinctiveness resides in the shape and configuration of a decking of indefinite length as shown in the accompanying representations.**



(21) Design Number: **16601/2014**  
(22) Date of Filing Application: **18 December 2014**  
(24) Date from which industrial property rights may have effect: **18 December 2014**  
(54) Product in respect of which the design is registered: **Bath tub**  
(51) International Design Classification: **23-02B**  
(74) Name(s) of Attorney(s): **A.P.T. Patent and Trade Mark Attorneys**  
(71) Name(s) and Address(s) of Applicant(s):  
**OU Waterflight**  
**Tervise 36 Keila EE-76607 Estonia**  
(72) Name(s) of Designer(s): **Heidi Rajamae and Meelis Unt and Tarmo Harmoarg**  
(45) Registration Date: **13 January 2015**  
(30) Convention priority data:  
(31) Number (32) Date (33) Country  
**002486431-0001 19 Jun 2014 OFFICE FOR HARMONISATION IN THE INTERNAL MARKET (OHIM)**  
(56) Related Art Documents: **Not Applicable**  
(57) Statement of Newness and Distinctiveness: **Nil**

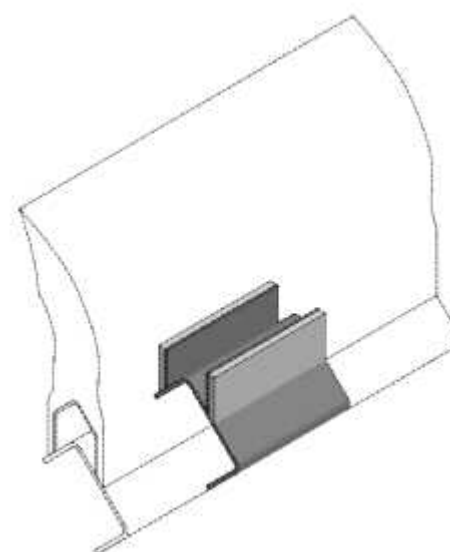


(21) Design Number: **16637/2014**  
(22) Date of Filing Application: **22 December 2014**  
(24) Date from which industrial property rights may have effect: **22 December 2014**  
(54) Product in respect of which the design is registered: **Headphones**  
(51) International Design Classification: **14-01**  
(74) Name(s) of Attorney(s): **PHILLIPS ORMONDE FITZPATRICK**  
(71) Name(s) and Address(s) of Applicant(s):  
**Bose Corporation**  
**The Mountain, MS 3B1 Framingham Massachusetts, 01701-9168 United States of America**  
(72) Name(s) of Designer(s): **Adam A. Carr and Stephen D. Boyle and Joshua Kevin Dryden and Kevin M Krauss and Michael E. Laude and Nathan David Schaal and Mitchell Joseph Silva and Julie E Tierney**  
(45) Registration Date: **13 January 2015**  
(56) Related Art Documents: **Not Applicable**  
(57) Statement of Newness and Distinctiveness: **Those features of the headphones depicted in the representations that are new and distinctive are the shape and/or configuration. The features shown in broken lines are not part of the design and are to be disregarded when considering the overall impression of the design.**

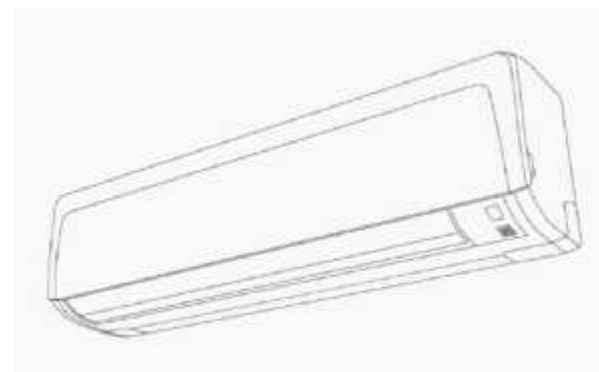




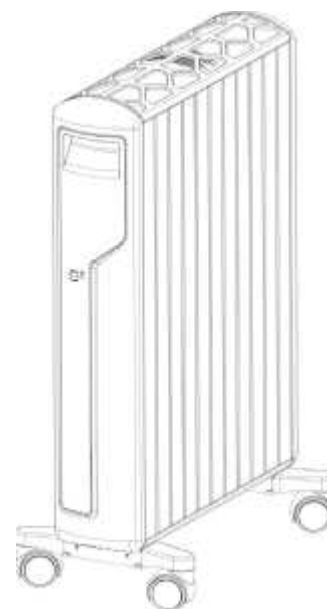
(21) Design Number: **16653/2014**  
(22) Date of Filing Application: **23 December 2014**  
(24) Date from which industrial property rights may have effect: **23 December 2014**  
(54) Product in respect of which the design is registered: **Base portion of a conveyor belt scraper blade**  
(51) International Design Classification: **12-05**  
(74) Name(s) of Attorney(s): **PIZZEYS**  
(71) Name(s) and Address(s) of Applicant(s):  
**Martin Engineering Company**  
**One Martin Place Neponset IL, 61345 United States of America**  
(72) Name(s) of Designer(s): **Edwin H Peterson and Paul B Harrison**  
(45) Registration Date: **13 January 2015**  
(30) Convention priority data:  
(31) Number (32) Date (33) Country  
**29/496,391 11 Jul 2014 UNITED STATES OF AMERICA**  
(56) Related Art Documents: **Not Applicable**  
(57) Statement of Newness and Distinctiveness: **Nil**



(21) Design Number: **16655/2014**  
(22) Date of Filing Application: **23 December 2014**  
(24) Date from which industrial property rights may have effect: **23 December 2014**  
(54) Product in respect of which the design is registered: **Wall-mounted air conditioner**  
(51) International Design Classification: **23-04**  
(74) Name(s) of Attorney(s): **Wrays**  
(71) Name(s) and Address(s) of Applicant(s):  
**Mitsubishi Heavy Industries, Ltd.**  
**16-5 Konan 2-chome Minato-ku Tokyo 108-8215 Japan**  
(72) Name(s) of Designer(s): **Yoshinori Nunome and Kenji Ito and Toshiya Hashimoto**  
(45) Registration Date: **13 January 2015**  
(56) Related Art Documents: **Not Applicable**  
(57) Statement of Newness and Distinctiveness: **Newness and distinctiveness is claimed in the features of shape, configuration, pattern, and/or ornamentation of the Wall-Mounted Air Conditioner as shown in the accompanying representations.**



(21) Design Number: **16657/2014**  
(22) Date of Filing Application: **23 December 2014**  
(24) Date from which industrial property rights may have effect: **23 December 2014**  
(54) Product in respect of which the design is registered: **Radiator**  
(51) International Design Classification: **23-03A**  
(74) Name(s) of Attorney(s): **Cullens Patent and Trade Mark Attorneys**  
(71) Name(s) and Address(s) of Applicant(s):  
**DE'LONGHI APPLIANCES SRL CON UNICO SOCIO**  
**Via L. Sietz 47 Treviso (TV) I-31100 Italy**  
(72) Name(s) of Designer(s): **Giuseppe De' Longhi and Mauro Cereser**  
(45) Registration Date: **13 January 2015**  
(30) Convention priority data:  
(31) Number      (32) Date      (33) Country  
**2496273-0001      03 Jul 2014      OFFICE FOR HARMONISATION IN**  
**THE INTERNAL MARKET (OHIM)**



(56) Related Art Documents: **Not Applicable**  
(57) Statement of Newness and Distinctiveness: **The new and distinctive features are the features of shape and configuration of the radiator as shown in the accompanying representations.**

(21) Design Number: **15409/2014**  
(22) Date of Filing Application: **27 October 2014**  
(24) Date from which industrial property rights may have effect: **27 October 2014**  
(54) Product in respect of which the design is registered: **A bowl**  
(51) International Design Classification: **07-01B**  
(74) Name(s) of Attorney(s): **Davies Collison Cave**  
(71) Name(s) and Address(s) of Applicant(s):  
**Ilie Ioncescu**  
**217 Upminster M. Deerfield Beach FL, 33442 United States of America**  
(72) Name(s) of Designer(s): **Ilie Ioncescu**  
(45) Registration Date: **13 January 2015**  
(30) Convention priority data:  
(31) Number      (32) Date      (33) Country  
**002453548-0001      25 Apr 2014      OFFICE FOR HARMONISATION IN**  
**THE INTERNAL MARKET (OHIM)**

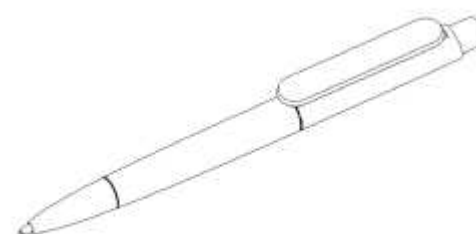


(56) Related Art Documents: **Not Applicable**  
(57) Statement of Newness and Distinctiveness: **Nil**

(21) Design Number: **16328/2014**  
(22) Date of Filing Application: **05 December 2014**  
(24) Date from which industrial property rights may have effect: **05 December 2014**  
(54) Product in respect of which the design is registered: **Light**  
(51) International Design Classification: **26-03**  
(74) Name(s) of Attorney(s): **A.P.T. Patent and Trade Mark Attorneys**  
(71) Name(s) and Address(s) of Applicant(s):  
**Ningbo Yusing Optoelectronic Technology Co., Ltd.**  
**No. 1199, Mingguang Road Jiangshan Town Ningbo China**  
(72) Name(s) of Designer(s): **Liang Zhang and Xiaoyu Cai**  
(45) Registration Date: **13 January 2015**  
(30) Convention priority data:  
(31) Number (32) Date (33) Country  
**201430406617.4 24 Oct 2014 CHINA**  
(56) Related Art Documents: **Not Applicable**  
(57) Statement of Newness and Distinctiveness: **Nil**



(21) Design Number: **16573/2014**  
(22) Date of Filing Application: **17 December 2014**  
(24) Date from which industrial property rights may have effect: **17 December 2014**  
(54) Product in respect of which the design is registered: **Writing instrument / ball pen**  
(51) International Design Classification: **19-06**  
(74) Name(s) of Attorney(s): **Baker & McKenzie**  
(71) Name(s) and Address(s) of Applicant(s):  
**Prodir S.A.**  
**Via Industria Cadempino 6814 Switzerland**  
(72) Name(s) of Designer(s): **Christoph Schnug**  
(45) Registration Date: **13 January 2015**  
(30) Convention priority data:  
(31) Number (32) Date (33) Country  
**DM/084 081 08 Jul 2014 WORLD INTELLECTUAL  
PROPERTY ORGANIZATION  
(WIPO)**  
(56) Related Art Documents: **Not Applicable**  
(57) Statement of Newness and Distinctiveness: **Nil**



(21) Design Number: **16574/2014**  
(22) Date of Filing Application: **17 December 2014**  
(24) Date from which industrial property rights may have effect: **17 December 2014**  
(54) Product in respect of which the design is registered: **Exercise platform**  
(51) International Design Classification: **21-02F**  
(74) Name(s) of Attorney(s):  
(71) Name(s) and Address(s) of Applicant(s):

**Paul James Nicholas**  
**311 East 92nd Street, Apt. 4E New York NY, 10128 United States of America**

(72) Name(s) of Designer(s): **Paul James Nicholas**

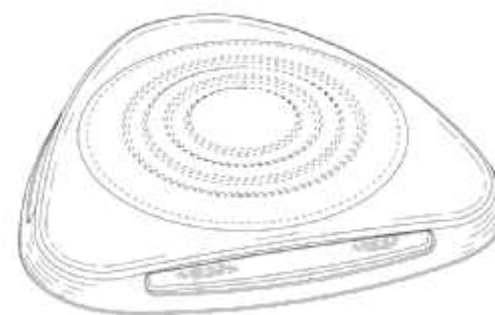
(45) Registration Date: **13 January 2015**

(30) Convention priority data:

(31) Number	(32) Date	(33) Country
<b>29/494,559</b>	<b>22 Jun 2014</b>	<b>UNITED STATES OF AMERICA</b>

(56) Related Art Documents: **Not Applicable**

(57) Statement of Newness and Distinctiveness: **The newness and distinctiveness of the design resides in the shape and/or configuration of the exercise platform shown in the accompanying drawings. The features denoted with evenly broken lines in the drawings are to be disregarded when considering the overall impression of the design.**



(21) Design Number: **16602/2014**  
(22) Date of Filing Application: **18 December 2014**  
(24) Date from which industrial property rights may have effect: **18 December 2014**  
(54) Product in respect of which the design is registered: **Bath tub**  
(51) International Design Classification: **23-02B**  
(74) Name(s) of Attorney(s): **A.P.T. Patent and Trade Mark Attorneys**  
(71) Name(s) and Address(s) of Applicant(s):

**OU Waterflight**  
**Tervise 36 Keila EE-76607 Estonia**

(72) Name(s) of Designer(s): **Heidi Rajamae and Meelis Unt and Tarmo Harmoarg**

(45) Registration Date: **13 January 2015**

(30) Convention priority data:

(31) Number	(32) Date	(33) Country
<b>002486431-0002</b>	<b>19 Jun 2014</b>	<b>OFFICE FOR HARMONISATION IN THE INTERNAL MARKET (OHIM)</b>

(56) Related Art Documents: **Not Applicable**

(57) Statement of Newness and Distinctiveness: **Nil**



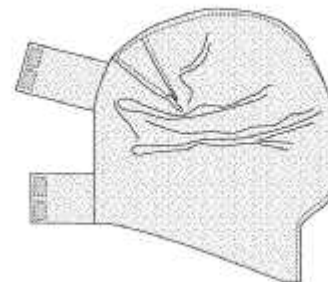
(21) Design Number: **16606/2014**  
(22) Date of Filing Application: **19 December 2014**  
(24) Date from which industrial property rights may have effect: **19 December 2014**  
(54) Product in respect of which the design is registered: **An electrical dimmer knob**  
(51) International Design Classification: **13-03D**  
(74) Name(s) of Attorney(s): **Collison & Co**  
(71) Name(s) and Address(s) of Applicant(s):  
**HENDON SEMICONDUCTORS PTY LTD**  
**1 Butler Dr Hendon SA 5014 Australia**  
(72) Name(s) of Designer(s): **Victor Davalos**  
(45) Registration Date: **13 January 2015**  
(56) Related Art Documents: **Not Applicable**  
(57) Statement of Newness and Distinctiveness: **Nil**



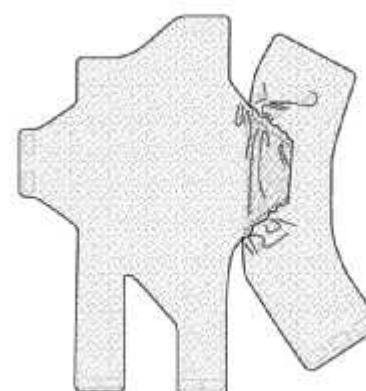
(21) Design Number: **16607/2014**  
(22) Date of Filing Application: **19 December 2014**  
(24) Date from which industrial property rights may have effect: **19 December 2014**  
(54) Product in respect of which the design is registered: **An external rim for electrical dimmer knob**  
(51) International Design Classification: **13-03D**  
(74) Name(s) of Attorney(s): **Collison & Co**  
(71) Name(s) and Address(s) of Applicant(s):  
**HENDON SEMICONDUCTORS PTY LTD**  
**1 Butler Dr Hendon SA 5014 Australia**  
(72) Name(s) of Designer(s): **Victor Davalos**  
(45) Registration Date: **13 January 2015**  
(56) Related Art Documents: **Not Applicable**  
(57) Statement of Newness and Distinctiveness: **Nil**



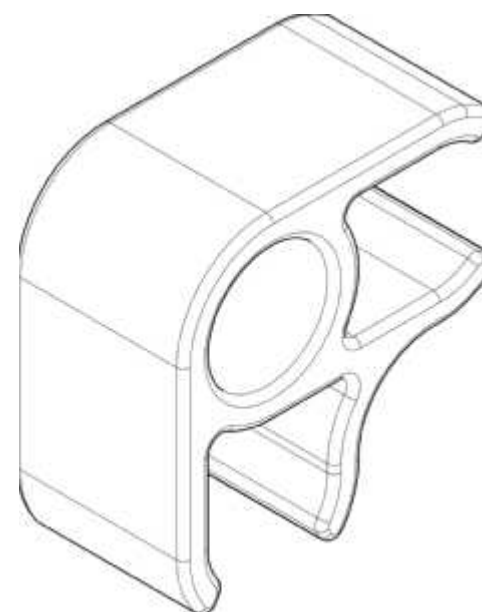
(21) Design Number: **16609/2014**  
(22) Date of Filing Application: **19 December 2014**  
(24) Date from which industrial property rights may have effect: **19 December 2014**  
(54) Product in respect of which the design is registered: **Mask**  
(51) International Design Classification: **24-04**  
(74) Name(s) of Attorney(s): **SPRUSON & FERGUSON**  
(71) Name(s) and Address(s) of Applicant(s):  
**Ansell Limited**  
**678 Victoria St L 3 Richmond VIC 3121 Australia**  
(72) Name(s) of Designer(s): **Jeffrey C Moreland and Eric Thompson and Jamie Ashworth and Carrie Lirae Merck and Kristin King and Roger E Huckfeldt**  
(45) Registration Date: **13 January 2015**  
(30) Convention priority data:  
(31) Number (32) Date (33) Country  
**29/497692 28 Jul 2014 UNITED STATES OF AMERICA**  
(56) Related Art Documents: **Not Applicable**  
(57) Statement of Newness and Distinctiveness: **Newness and distinctiveness is claimed in the features of shape and/or configuration of a mask as illustrated in the accompanying representations.**



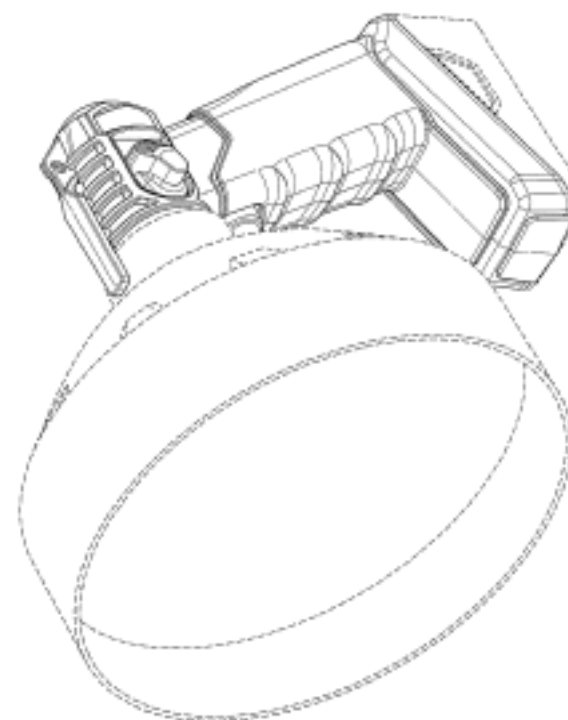
(21) Design Number: **16610/2014**  
(22) Date of Filing Application: **19 December 2014**  
(24) Date from which industrial property rights may have effect: **19 December 2014**  
(54) Product in respect of which the design is registered: **Foot wrap**  
(51) International Design Classification: **24-02**  
(74) Name(s) of Attorney(s): **SPRUSON & FERGUSON**  
(71) Name(s) and Address(s) of Applicant(s):  
**Ansell Limited**  
**678 Victoria St L 3 Richmond VIC 3121 Australia**  
(72) Name(s) of Designer(s): **Jeffrey C Moreland and Eric Thompson and Jamie Ashworth and Carrie Lirae Merck and Kristin King and Roger E Huckfeldt**  
(45) Registration Date: **13 January 2015**  
(30) Convention priority data:  
(31) Number (32) Date (33) Country  
**29/497690 28 Jul 2014 UNITED STATES OF AMERICA**  
(56) Related Art Documents: **Not Applicable**  
(57) Statement of Newness and Distinctiveness: **Newness and distinctiveness is claimed in the features of shape and/or configuration of a foot wrap as illustrated in the accompanying representations.**



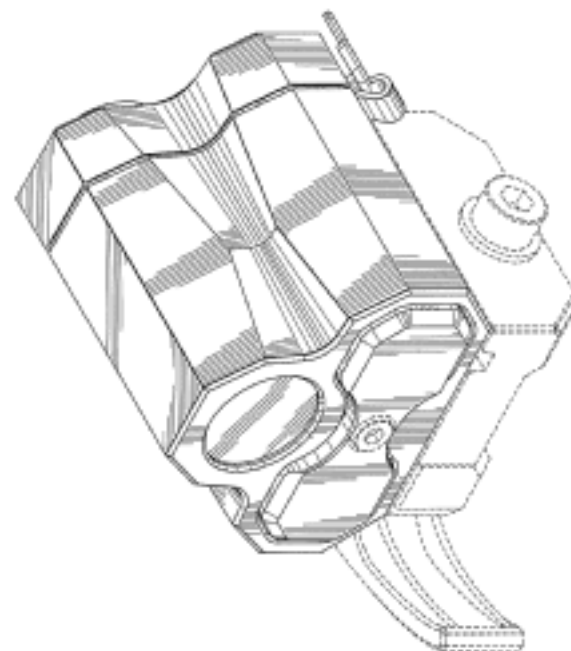
(21) Design Number: **16644/2014**  
(22) Date of Filing Application: **23 December 2014**  
(24) Date from which industrial property rights may have effect: **23 December 2014**  
(54) Product in respect of which the design is registered: **Tube management clip**  
(51) International Design Classification: **08-08C**  
(74) Name(s) of Attorney(s): **Cotters Patent & Trade Mark Attorneys**  
(71) Name(s) and Address(s) of Applicant(s):  
**Huntleigh Technology Limited**  
**ArjoHuntleigh House Houghton Hall Business Park Houghton Regis,**  
**Dunstable Bedfordshire LU5 5XF United Kingdom**  
(72) Name(s) of Designer(s): **Bruce J McNeil and Julie D Acosta**  
(45) Registration Date: **13 January 2015**  
(30) Convention priority data:  
(31) Number (32) Date (33) Country  
**29/495,315 30 Jun 2014 UNITED STATES OF AMERICA**  
(56) Related Art Documents: **Not Applicable**  
(57) Statement of Newness and Distinctiveness: **Newness and distinctiveness is claimed in the features of shape and/or configuration of a tube management clip as depicted in the accompanying representations.**



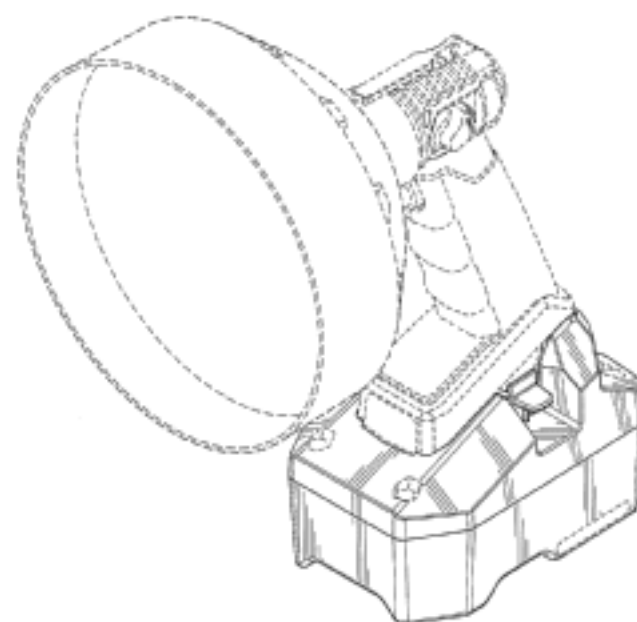
(21) Design Number: **16656/2014**  
(22) Date of Filing Application: **23 December 2014**  
(24) Date from which industrial property rights may have effect: **23 December 2014**  
(54) Product in respect of which the design is registered: **Hand held light**  
(51) International Design Classification: **26-02**  
(74) Name(s) of Attorney(s): **Madderns**  
(71) Name(s) and Address(s) of Applicant(s):  
**Lightforce Australia Pty. Limited**  
**28 Orsmund St Hindmarsh SA 5007 Australia**  
(72) Name(s) of Designer(s): **Robert Dall**  
(45) Registration Date: **13 January 2015**  
(30) Convention priority data:  
(31) Number (32) Date (33) Country  
**29/495,790 03 Jul 2014 UNITED STATES OF AMERICA**  
(56) Related Art Documents: **Not Applicable**  
(57) Statement of Newness and Distinctiveness: **Newness and distinctiveness resides in the shape, ornamentation and configuration of the HAND HELD LIGHT and the dashed lines form no part of the design and are included to show the environment of the design.**



(21) Design Number: **16658/2014**  
(22) Date of Filing Application: **23 December 2014**  
(24) Date from which industrial property rights may have effect: **23 December 2014**  
(54) Product in respect of which the design is registered: **Housing for light**  
(51) International Design Classification: **22-05, 26-02**  
(74) Name(s) of Attorney(s): **Madderns**  
(71) Name(s) and Address(s) of Applicant(s):  
**Lightforce Australia Pty. Limited**  
**28 Ormond St Hindmarsh SA 5007 Australia**  
(72) Name(s) of Designer(s): **Robert Dall**  
(45) Registration Date: **13 January 2015**  
(30) Convention priority data:  
(31) Number (32) Date (33) Country  
**29/495,799 03 Jul 2014 UNITED STATES OF AMERICA**  
(56) Related Art Documents: **Not Applicable**  
(57) Statement of Newness and Distinctiveness: **Newness and distinctiveness resides in the shape, ornamentation and configuration of the HOUSING FOR LIGHT and the dashed lines form no part of the design and are included to show the environment of the design.**



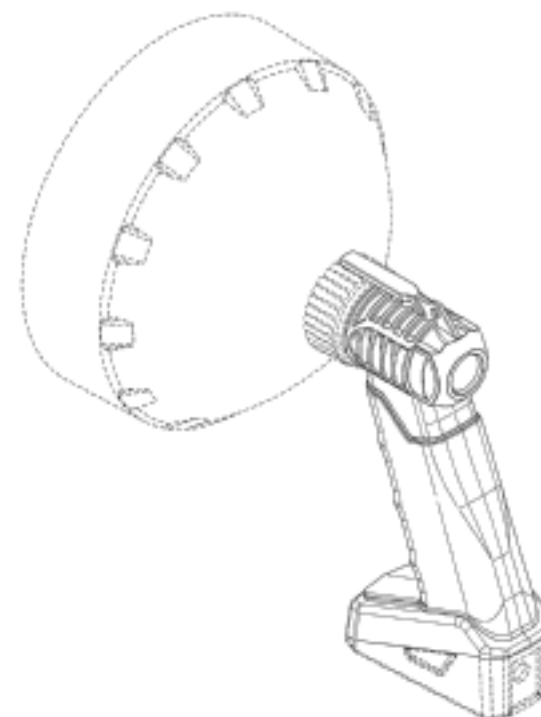
(21) Design Number: **16659/2014**  
(22) Date of Filing Application: **23 December 2014**  
(24) Date from which industrial property rights may have effect: **23 December 2014**  
(54) Product in respect of which the design is registered: **Battery pack for hand held electronic device**  
(51) International Design Classification: **13-02**  
(74) Name(s) of Attorney(s): **Madderns**  
(71) Name(s) and Address(s) of Applicant(s):  
**Lightforce Australia Pty. Limited**  
**28 Ormond St Hindmarsh SA 5007 Australia**  
(72) Name(s) of Designer(s): **Robert Dall**  
(45) Registration Date: **13 January 2015**  
(30) Convention priority data:  
(31) Number (32) Date (33) Country  
**29/495,807 03 Jul 2014 UNITED STATES OF AMERICA**  
(56) Related Art Documents: **Not Applicable**  
(57) Statement of Newness and Distinctiveness: **Newness and distinctiveness resides in the shape, ornamentation and configuration of the BATTERY PACK HAND HELD ELECTRICAL DEVICE and the dashed lines form no part of the design and are included to show the environment of the design.**





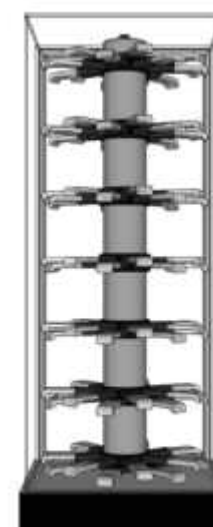
(21) Design Number: **16662/2014**  
(22) Date of Filing Application: **23 December 2014**  
(24) Date from which industrial property rights may have effect: **23 December 2014**  
(54) Product in respect of which the design is registered: **Hand held light**  
(51) International Design Classification: **26-02**  
(74) Name(s) of Attorney(s): **Madderns**  
(71) Name(s) and Address(s) of Applicant(s):  
**Lightforce Australia Pty. Limited**  
**28 Ormond St Hindmarsh SA 5007 Australia**  
(72) Name(s) of Designer(s): **Robert Dall**  
(45) Registration Date: **13 January 2015**  
(30) Convention priority data:  
(31) Number (32) Date (33) Country  
**29/495,790 03 Jul 2014 UNITED STATES OF AMERICA**

(56) Related Art Documents: **Not Applicable**  
(57) Statement of Newness and Distinctiveness: **Newness and distinctiveness resides in the shape, ornamentation and configuration of the HAND HELD LIGHT and the dashed lines form no part of the design and are included to show the environment of the design.**

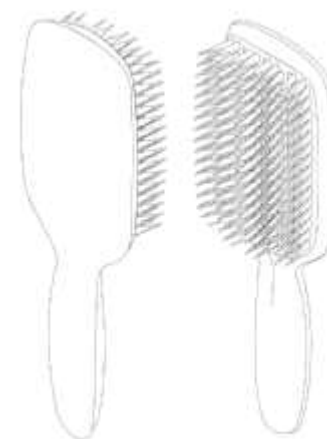


(21) Design Number: **16664/2014**  
(22) Date of Filing Application: **23 December 2014**  
(24) Date from which industrial property rights may have effect: **23 December 2014**  
(54) Product in respect of which the design is registered: **Jewellery display stand**  
(51) International Design Classification: **20-02E**  
(74) Name(s) of Attorney(s):  
(71) Name(s) and Address(s) of Applicant(s):  
**Shonrei Products Limited**  
**85 Middle Renwick Road PO Box 5005 Springlands Blenheim 7241 New Zealand**  
(72) Name(s) of Designer(s): **John Beatson and Michael Crouch**  
(45) Registration Date: **13 January 2015**  
(30) Convention priority data:  
(31) Number (32) Date (33) Country  
**NZ418997 24 Jun 2014 NEW ZEALAND**

(56) Related Art Documents: **Not Applicable**  
(57) Statement of Newness and Distinctiveness: **The design is to be applied to a jewellery display stand, and the novelty resides in the features of shape and configuration as shown in the accompanying representations.**

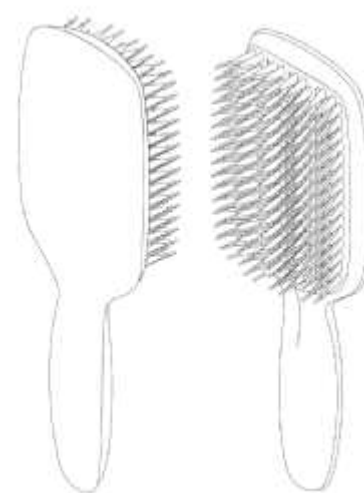


(21) Design Number: **16666/2014**  
(22) Date of Filing Application: **23 December 2014**  
(24) Date from which industrial property rights may have effect: **23 December 2014**  
(54) Product in respect of which the design is registered: **Hairbrush brush**  
(51) International Design Classification: **04-02**  
(74) Name(s) of Attorney(s): **Madderns**  
(71) Name(s) and Address(s) of Applicant(s):  
**Tangle Teezer Limited**  
**143 Acre Lane London SW2 5UA United Kingdom**  
(72) Name(s) of Designer(s): **Cameron Bruce William Treeby and Julian Lesley Meagher**  
(45) Registration Date: **13 January 2015**  
(30) Convention priority data:  
(31) Number (32) Date (33) Country  
**002494328 01 Jul 2014 OFFICE FOR HARMONISATION IN THE INTERNAL MARKET (OHIM)**



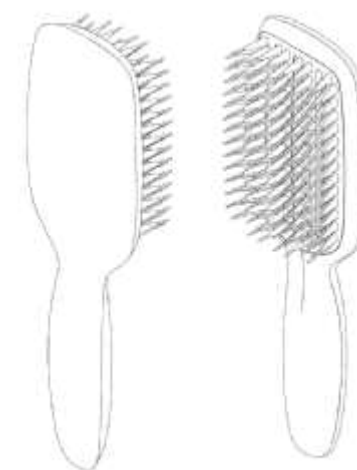
(56) Related Art Documents: **Not Applicable**  
(57) Statement of Newness and Distinctiveness: **Newness and distinctiveness resides in the bristle pattern illustrated in the representations. The body of the hair brush does not form part of the design and is to be disregarded.**

(21) Design Number: **16667/2014**  
(22) Date of Filing Application: **23 December 2014**  
(24) Date from which industrial property rights may have effect: **23 December 2014**  
(54) Product in respect of which the design is registered: **Hairbrush brush**  
(51) International Design Classification: **04-02**  
(74) Name(s) of Attorney(s): **Madderns**  
(71) Name(s) and Address(s) of Applicant(s):  
**Tangle Teezer Limited**  
**143 Acre Lane London SW2 5UA United Kingdom**  
(72) Name(s) of Designer(s): **Cameron Bruce William Treeby and Julian Lesley Meagher**  
(45) Registration Date: **13 January 2015**  
(30) Convention priority data:  
(31) Number (32) Date (33) Country  
**002494328 01 Jul 2014 OFFICE FOR HARMONISATION IN THE INTERNAL MARKET (OHIM)**

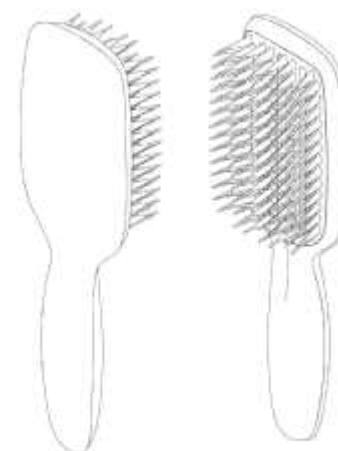


(56) Related Art Documents: **Not Applicable**  
(57) Statement of Newness and Distinctiveness: **Newness and distinctiveness resides in the shape and configuration of the bristles illustrated in the representations. The body of the hair brush does not form part of the design and is to be disregarded.**

(21) Design Number: **16668/2014**  
(22) Date of Filing Application: **23 December 2014**  
(24) Date from which industrial property rights may have effect: **23 December 2014**  
(54) Product in respect of which the design is registered: **Hairbrush brush**  
(51) International Design Classification: **04-02**  
(74) Name(s) of Attorney(s): **Madderns**  
(71) Name(s) and Address(s) of Applicant(s):  
**Tangle Teezer Limited**  
**143 Acre Lane London SW2 5UA United Kingdom**  
(72) Name(s) of Designer(s): **Cameron Bruce William Treeby and Julian Lesley Meagher**  
(45) Registration Date: **13 January 2015**  
(30) Convention priority data:  
(31) Number (32) Date (33) Country  
**002494328 01 Jul 2014 OFFICE FOR HARMONISATION IN THE INTERNAL MARKET (OHIM)**  
(56) Related Art Documents: **Not Applicable**  
(57) Statement of Newness and Distinctiveness: **Nil**



(21) Design Number: **16669/2014**  
(22) Date of Filing Application: **23 December 2014**  
(24) Date from which industrial property rights may have effect: **23 December 2014**  
(54) Product in respect of which the design is registered: **Hairbrush brush**  
(51) International Design Classification: **04-02**  
(74) Name(s) of Attorney(s): **Madderns**  
(71) Name(s) and Address(s) of Applicant(s):  
**Tangle Teezer Limited**  
**143 Acre Lane London SW2 5UA United Kingdom**  
(72) Name(s) of Designer(s): **Cameron Bruce William Treeby and Julian Lesley Meagher**  
(45) Registration Date: **13 January 2015**  
(30) Convention priority data:  
(31) Number (32) Date (33) Country  
**002494328 01 Jul 2014 OFFICE FOR HARMONISATION IN THE INTERNAL MARKET (OHIM)**  
(56) Related Art Documents: **Not Applicable**  
(57) Statement of Newness and Distinctiveness: **Newness and distinctiveness resides in the bristle pattern illustrated in the representations. The body of the hair brush does not form part of the design and is to be disregarded.**



(21) Design Number: **16671/2014**  
(22) Date of Filing Application: **23 December 2014**  
(24) Date from which industrial property rights may have effect: **23 December 2014**  
(54) Product in respect of which the design is registered: **Hairbrush brush**  
(51) International Design Classification: **04-02**  
(74) Name(s) of Attorney(s): **Madderns**  
(71) Name(s) and Address(s) of Applicant(s):

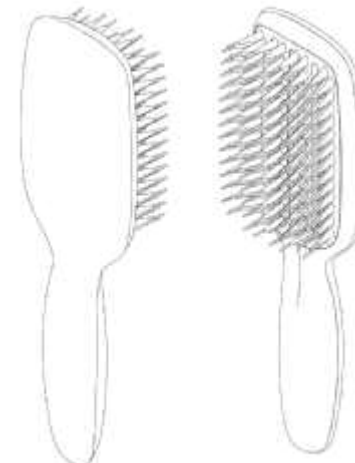
**Tangle Teezer Limited**  
**143 Acre Lane London SW2 5UA United Kingdom**

(72) Name(s) of Designer(s): **Cameron Bruce William Treeby and Julian Lesley Meagher**

(45) Registration Date: **13 January 2015**

(30) Convention priority data:

(31) Number	(32) Date	(33) Country
<b>002494328</b>	<b>01 Jul 2014</b>	<b>OFFICE FOR HARMONISATION IN THE INTERNAL MARKET (OHIM)</b>



(56) Related Art Documents: **Not Applicable**

(57) Statement of Newness and Distinctiveness: **Newness and distinctiveness resides in the shape and configuration of the bristles illustrated in the representations. The body of the hair brush does not form part of the design and is to be disregarded.**

(21) Design Number: **16672/2014**  
(22) Date of Filing Application: **23 December 2014**  
(24) Date from which industrial property rights may have effect: **23 December 2014**  
(54) Product in respect of which the design is registered: **Bristles**  
(51) International Design Classification: **04-02**  
(74) Name(s) of Attorney(s): **Madderns**  
(71) Name(s) and Address(s) of Applicant(s):

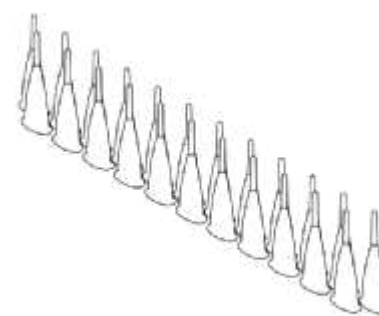
**Tangle Teezer Limited**  
**143 Acre Lane London SW2 5UA United Kingdom**

(72) Name(s) of Designer(s): **Cameron Bruce William Treeby and Shaun Pulfrey**

(45) Registration Date: **13 January 2015**

(30) Convention priority data:

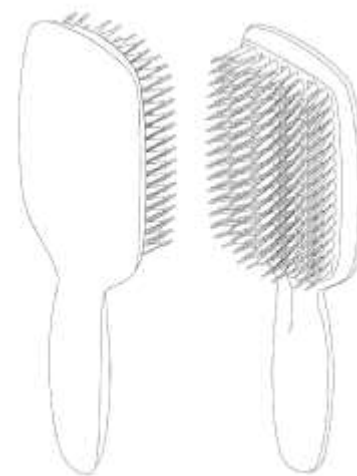
(31) Number	(32) Date	(33) Country
<b>002494328</b>	<b>01 Jul 2014</b>	<b>OFFICE FOR HARMONISATION IN THE INTERNAL MARKET (OHIM)</b>



(56) Related Art Documents: **Not Applicable**

(57) Statement of Newness and Distinctiveness: **Nil**

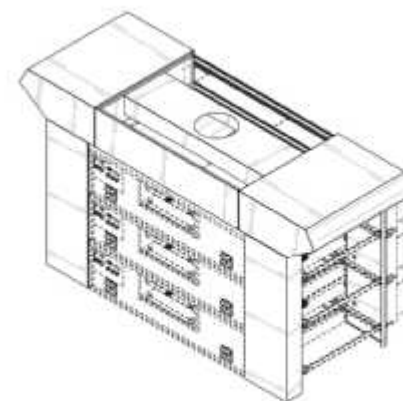
(21) Design Number: **16673/2014**  
(22) Date of Filing Application: **23 December 2014**  
(24) Date from which industrial property rights may have effect: **23 December 2014**  
(54) Product in respect of which the design is registered: **Hairbrush brush**  
(51) International Design Classification: **04-02**  
(74) Name(s) of Attorney(s): **Madderns**  
(71) Name(s) and Address(s) of Applicant(s):  
**Tangle Teezer Limited**  
**143 Acre Lane London SW2 5UA United Kingdom**  
(72) Name(s) of Designer(s): **Cameron Bruce William Treeby and Julian Lesley Meagher**  
(45) Registration Date: **13 January 2015**  
(30) Convention priority data:  
(31) Number (32) Date (33) Country  
**002494328 01 Jul 2014 OFFICE FOR HARMONISATION IN THE INTERNAL MARKET (OHIM)**  
(56) Related Art Documents: **Not Applicable**  
(57) Statement of Newness and Distinctiveness: **Nil**



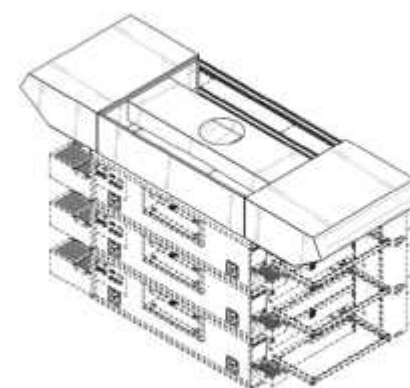
(21) Design Number: **16674/2014**  
(22) Date of Filing Application: **23 December 2014**  
(24) Date from which industrial property rights may have effect: **23 December 2014**  
(54) Product in respect of which the design is registered: **Bristle**  
(51) International Design Classification: **04-02**  
(74) Name(s) of Attorney(s): **Madderns**  
(71) Name(s) and Address(s) of Applicant(s):  
**Tangle Teezer Limited**  
**143 Acre Lane London SW2 5UA United Kingdom**  
(72) Name(s) of Designer(s): **Cameron Bruce William Treeby and Shaun Pulfrey**  
(45) Registration Date: **13 January 2015**  
(30) Convention priority data:  
(31) Number (32) Date (33) Country  
**002494328 01 Jul 2014 OFFICE FOR HARMONISATION IN THE INTERNAL MARKET (OHIM)**  
(56) Related Art Documents: **Not Applicable**  
(57) Statement of Newness and Distinctiveness: **Nil**



- (21) Design Number: **16675/2014**  
(22) Date of Filing Application: **23 December 2014**  
(24) Date from which industrial property rights may have effect: **23 December 2014**  
(54) Product in respect of which the design is registered: **Low profile exhaust hood**  
(51) International Design Classification: **23-04**  
(74) Name(s) of Attorney(s): **PHILLIPS ORMONDE FITZPATRICK**  
(71) Name(s) and Address(s) of Applicant(s):  
**Oy Halton Group Ltd.**  
**Esterinportti 2 Helsinki FI-00240 Finland**  
(72) Name(s) of Designer(s): **Jimmy Sandusky and Gregory Lyons**  
(45) Registration Date: **13 January 2015**  
(30) Convention priority data:  
(31) Number      (32) Date      (33) Country  
**29/496,333      11 Jul 2014      UNITED STATES OF AMERICA**  
(56) Related Art Documents: **Not Applicable**  
(57) Statement of Newness and Distinctiveness: **Those features of the low profile exhaust hood depicted in the representations that are new and distinctive are the shape and/or configuration. The features shown in broken line are not part of the design and are to be disregarded when considering the overall impression of the design.**



- (21) Design Number: **16676/2014**  
(22) Date of Filing Application: **23 December 2014**  
(24) Date from which industrial property rights may have effect: **23 December 2014**  
(54) Product in respect of which the design is registered: **Low profile exhaust hood**  
(51) International Design Classification: **23-04**  
(74) Name(s) of Attorney(s): **PHILLIPS ORMONDE FITZPATRICK**  
(71) Name(s) and Address(s) of Applicant(s):  
**Oy Halton Group Ltd.**  
**Esterinportti 2 Helsinki FI-00240 Finland**  
(72) Name(s) of Designer(s): **Jimmy Sandusky and Gregory Lyons**  
(45) Registration Date: **13 January 2015**  
(30) Convention priority data:  
(31) Number      (32) Date      (33) Country  
**29/496,341      11 Jul 2014      UNITED STATES OF AMERICA**  
(56) Related Art Documents: **Not Applicable**  
(57) Statement of Newness and Distinctiveness: **Those features of the low profile exhaust hood depicted in the representations that are new and distinctive are the shape and/or configuration. The features shown in broken line are not part of the design and are to be disregarded when considering the overall impression of the design.**



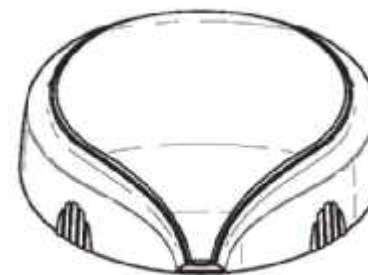
- (21) Design Number: **16681/2014**  
(22) Date of Filing Application: **23 December 2014**  
(24) Date from which industrial property rights may have effect: **23 December 2014**  
(54) Product in respect of which the design is registered: **Extrusion**  
(51) International Design Classification: **25-01K**  
(74) Name(s) of Attorney(s): **WALSH & ASSOCIATES**  
(71) Name(s) and Address(s) of Applicant(s):  
**Hi-Craft Home Improvements Pty Ltd**  
**PO BOX 9 Penrith NSW 2751 Australia**  
(72) Name(s) of Designer(s): **Neville Anshaw**  
(45) Registration Date: **13 January 2015**  
(56) Related Art Documents: **Not Applicable**  
(57) Statement of Newness and Distinctiveness: **Newness and distinctiveness resides in the shape and configuration of the extrusion of indefinite length as depicted in the accompanying illustrations.**



- (21) Design Number: **16684/2014**  
(22) Date of Filing Application: **24 December 2014**  
(24) Date from which industrial property rights may have effect: **24 December 2014**  
(54) Product in respect of which the design is registered: **A battery unit**  
(51) International Design Classification: **13-02**  
(74) Name(s) of Attorney(s): **PIPERS Melbourne**  
(71) Name(s) and Address(s) of Applicant(s):  
**Powakaddy International Limited**  
**Castle Raod Sittingbourne Kent ME10 3RN United Kingdom**  
(72) Name(s) of Designer(s): **Andrew Thompson**  
(45) Registration Date: **13 January 2015**  
(30) Convention priority data:  
(31) Number (32) Date (33) Country  
**002489674-0001 24 Jun 2014 OFFICE FOR HARMONISATION IN THE INTERNAL MARKET (OHIM)**  
(56) Related Art Documents: **Not Applicable**  
(57) Statement of Newness and Distinctiveness: **The newness and distinctiveness of the design resides in the shape of the Battery Unit as shown in the continuous lines in the accompanying representations.**



(21) Design Number: **16685/2014**  
(22) Date of Filing Application: **24 December 2014**  
(24) Date from which industrial property rights may have effect: **24 December 2014**  
(54) Product in respect of which the design is registered: **Lid**  
(51) International Design Classification: **09-07B**  
(74) Name(s) of Attorney(s): **PHILLIPS ORMONDE FITZPATRICK**  
(71) Name(s) and Address(s) of Applicant(s):  
**Glaxo Group Limited**  
**980 Great West Road Brentford Middlesex TW8 9GS United Kingdom**  
(72) Name(s) of Designer(s): **Jonathan Norman Robert Hodges and Jamie Trafford Stone**  
(45) Registration Date: **13 January 2015**  
(30) Convention priority data:  
(31) Number (32) Date (33) Country  
**4036272 04 Jul 2014 UNITED KINGDOM**  
(56) Related Art Documents: **Not Applicable**  
(57) Statement of Newness and Distinctiveness: **Nil**



(21) Design Number: **16686/2014**  
(22) Date of Filing Application: **24 December 2014**  
(24) Date from which industrial property rights may have effect: **24 December 2014**  
(54) Product in respect of which the design is registered: **Jar**  
(51) International Design Classification: **09-01C**  
(74) Name(s) of Attorney(s): **PHILLIPS ORMONDE FITZPATRICK**  
(71) Name(s) and Address(s) of Applicant(s):  
**Glaxo Group Limited**  
**980 Great West Road Brentford Middlesex TW8 9GS United Kingdom**  
(72) Name(s) of Designer(s): **Jonathan Norman Robert Hodges and Jamie Trafford Stone**  
(45) Registration Date: **13 January 2015**  
(30) Convention priority data:  
(31) Number (32) Date (33) Country  
**4036267 04 Jul 2014 UNITED KINGDOM**  
(56) Related Art Documents: **Not Applicable**  
(57) Statement of Newness and Distinctiveness: **Nil**

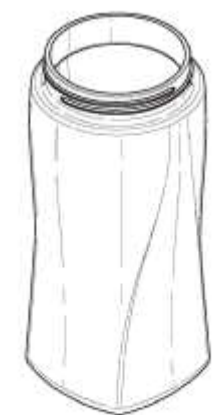




(21) Design Number: **16687/2014**  
(22) Date of Filing Application: **24 December 2014**  
(24) Date from which industrial property rights may have effect: **24 December 2014**  
(54) Product in respect of which the design is registered: **Jar**  
(51) International Design Classification: **09-01C**  
(74) Name(s) of Attorney(s): **PHILLIPS ORMONDE FITZPATRICK**  
(71) Name(s) and Address(s) of Applicant(s):  
**Glaxo Group Limited**  
**980 Great West Road Brentford Middlesex TW8 9GS United Kingdom**  
(72) Name(s) of Designer(s): **Jonathan Norman Robert Hodges and Jamie Trafford Stone**  
(45) Registration Date: **13 January 2015**  
(30) Convention priority data:  
(31) Number (32) Date (33) Country  
**4036269 04 Jul 2014 UNITED KINGDOM**  
(56) Related Art Documents: **Not Applicable**  
(57) Statement of Newness and Distinctiveness: **Nil**



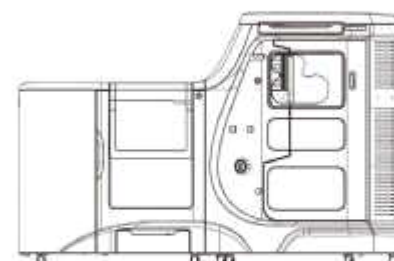
(21) Design Number: **16688/2014**  
(22) Date of Filing Application: **24 December 2014**  
(24) Date from which industrial property rights may have effect: **24 December 2014**  
(54) Product in respect of which the design is registered: **Jar**  
(51) International Design Classification: **09-01C**  
(74) Name(s) of Attorney(s): **PHILLIPS ORMONDE FITZPATRICK**  
(71) Name(s) and Address(s) of Applicant(s):  
**Glaxo Group Limited**  
**980 Great West Road Brentford Middlesex TW8 9GS United Kingdom**  
(72) Name(s) of Designer(s): **Jonathan Norman Robert Hodges and Jamie Trafford Stone**  
(45) Registration Date: **13 January 2015**  
(30) Convention priority data:  
(31) Number (32) Date (33) Country  
**4036271 04 Jul 2014 UNITED KINGDOM**  
(56) Related Art Documents: **Not Applicable**  
(57) Statement of Newness and Distinctiveness: **Nil**



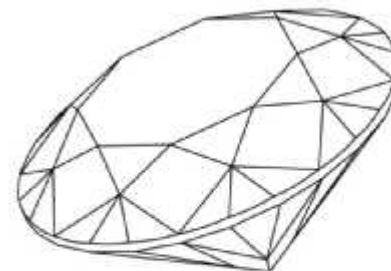
- (21) Design Number: **15336/2014**  
(22) Date of Filing Application: **22 October 2014**  
(24) Date from which industrial property rights may have effect: **23 May 2014**  
(54) Product in respect of which the design is registered: **Headgear Clip for Patient Interface**  
(51) International Design Classification: **24-02**  
(74) Name(s) of Attorney(s): **Halfords IP**  
(71) Name(s) and Address(s) of Applicant(s):  
**ResMed Limited**  
**1 Elizabeth Macarthur Dr Bella Vista NSW 2153 Australia**  
(72) Name(s) of Designer(s): **Michael Charles La Guzza and Lachlan Von Moger**  
(45) Registration Date: **14 January 2015**  
(62) Divisional of: **358463**  
(56) Related Art Documents: **Not Applicable**  
(57) Statement of Newness and Distinctiveness: **Nil**



- (21) Design Number: **15483/2014**  
(22) Date of Filing Application: **30 October 2014**  
(24) Date from which industrial property rights may have effect: **30 October 2014**  
(54) Product in respect of which the design is registered: **Endoscope system workstation**  
(51) International Design Classification: **24-01**  
(74) Name(s) of Attorney(s): **PHILLIPS ORMONDE FITZPATRICK**  
(71) Name(s) and Address(s) of Applicant(s):  
**Olympus (Beijing) Sales & Service Co., Ltd.**  
**A8F Ping An International Financial Center No. 1-3 Xinyuan South Road**  
**Chaoyang District Beijing 100027 China**  
(72) Name(s) of Designer(s): **Xin Huang and Ye Hong and Junwei Xu and Han Xu and Tengfei Yang and TO BE ADVISED**  
(45) Registration Date: **14 January 2015**  
(30) Convention priority data:  
(31) Number      (32) Date      (33) Country  
**201430137803.2    19 May 2014      CHINA**  
(56) Related Art Documents: **Not Applicable**  
(57) Statement of Newness and Distinctiveness: **Those features of the endoscope system workstation depicted in the representations that are new and distinctive are the shape and/or configuration.**



(21) Design Number: **15859/2014**  
(22) Date of Filing Application: **18 November 2014**  
(24) Date from which industrial property rights may have effect: **18 November 2014**  
(54) Product in respect of which the design is registered: **A brilliant cut gemstone**  
(51) International Design Classification: **11-01NES**  
(74) Name(s) of Attorney(s): **SPRUSON & FERGUSON**  
(71) Name(s) and Address(s) of Applicant(s):  
**Koninklijke Asscher Diamant Maatschappij B.V.**  
**Tolstraat 127, Amsterdam 1074 VJ The Netherlands**  
(72) Name(s) of Designer(s): **Mike Edward Asscher**  
(45) Registration Date: **14 January 2015**  
(30) Convention priority data:  
(31) Number (32) Date (33) Country  
**002575902 11 Nov 2014 OFFICE FOR HARMONISATION IN**  
**THE INTERNAL MARKET (OHIM)**



(56) Related Art Documents: **Not Applicable**  
(57) Statement of Newness and Distinctiveness: **Newness and distinctiveness is claimed in the features of shape and/or configuration of a brilliant cut gemstone as illustrated in the accompanying representations.**

(21) Design Number: **15948/2014**  
(22) Date of Filing Application: **20 November 2014**  
(24) Date from which industrial property rights may have effect: **20 November 2014**  
(54) Product in respect of which the design is registered: **Automatic hair styling device**  
(51) International Design Classification: **28-03B**  
(74) Name(s) of Attorney(s): **PIZZEYS**  
(71) Name(s) and Address(s) of Applicant(s):  
**Trade Box, LLC**  
**5826 Uplander Way Culver City CA 90230 United States of America**  
(72) Name(s) of Designer(s): **David Richmond and Howard Richmond and Michael A Ragosta and Zhiyong Yu and Zhiwu Yu and Rentong Weng and Wenrui Dai and Ruiju Liu and Qianti Zhou and Yiyang Feng**  
(45) Registration Date: **14 January 2015**  
(56) Related Art Documents: **Not Applicable**  
(57) Statement of Newness and Distinctiveness: **Nil**



(21) Design Number: **16034/2014**  
(22) Date of Filing Application: **25 November 2014**  
(24) Date from which industrial property rights may have effect: **25 November 2014**  
(54) Product in respect of which the design is registered: **Winch remote control**  
(51) International Design Classification: **14-03NES, 12-05**  
(74) Name(s) of Attorney(s): **Shelston IP**  
(71) Name(s) and Address(s) of Applicant(s):

**Warn Industries, Inc.**  
**12900 SE Capps Road Clackamas Oregon 97015 United States of America**

(72) Name(s) of Designer(s): **Darren G Fretz and Craig Clark**

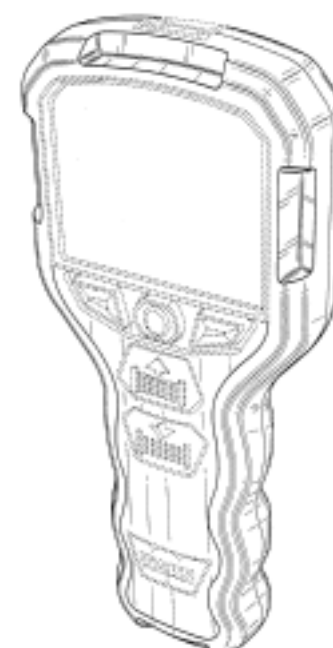
(45) Registration Date: **14 January 2015**

(30) Convention priority data:

(31) Number	(32) Date	(33) Country
<b>29/500213</b>	<b>22 Aug 2014</b>	<b>UNITED STATES OF AMERICA</b>

(56) Related Art Documents: **Not Applicable**

(57) Statement of Newness and Distinctiveness: **Newness and distinctiveness reside in the features of shape and/or configuration of a winch remote control as shown in solid lines in the accompanying representations. Features shown in broken lines are included for illustrative purposes only and do not form part of the design.**



(21) Design Number: **16689/2014**  
(22) Date of Filing Application: **24 December 2014**  
(24) Date from which industrial property rights may have effect: **24 December 2014**  
(54) Product in respect of which the design is registered: **Beverage container**  
(51) International Design Classification: **07-01F**  
(74) Name(s) of Attorney(s): **E F Wellington & Co**  
(71) Name(s) and Address(s) of Applicant(s):

**Hewy Wine Chillers, LLC**  
**2147 Alameda Ave Orlando FL, 32804 United States of America**

(72) Name(s) of Designer(s): **Benjamin R Hewitt and Stephen Bruner**

(45) Registration Date: **14 January 2015**

(30) Convention priority data:

(31) Number	(32) Date	(33) Country
<b>29/495648</b>	<b>02 Jul 2014</b>	<b>UNITED STATES OF AMERICA</b>

(56) Related Art Documents: **Not Applicable**

(57) Statement of Newness and Distinctiveness: **The newness and distinctiveness of the design resides in the shape and/or configuration of the BEVERAGE CONTAINER shown in the representations, with: FIG 1 being a top isometric view; FIGs 2 and 3 being front and rear views, respectively; FIGs 4 and 5 being left and right hand side views, respectively; and FIGs 6 and 7 being top and bottom views, respectively.**



- (21) Design Number: **16696/2014**  
(22) Date of Filing Application: **24 December 2014**  
(24) Date from which industrial property rights may have effect: **24 December 2014**  
(54) Product in respect of which the design is registered: **Article of clothing**  
(51) International Design Classification: **02-02C**  
(74) Name(s) of Attorney(s): **Allens Patent & Trade Mark Attorneys**  
(71) Name(s) and Address(s) of Applicant(s):  
**Just Group Ltd**  
**658 Church St Richmond VIC 3121 Australia**  
(72) Name(s) of Designer(s): **Peter Alexander and Angela McLardy**  
(45) Registration Date: **14 January 2015**  
(56) Related Art Documents: **Not Applicable**  
(57) Statement of Newness and Distinctiveness: **Newness and distinctiveness resides in the visual features of shape and/or configuration, of an article of clothing as shown in the accompanying representations. The colours of, and print on the article of clothing are for illustrative purposes only and should be disregarded when considering whether the article of clothing is similar in overall impression with another design.**



- (21) Design Number: **16697/2014**  
(22) Date of Filing Application: **24 December 2014**  
(24) Date from which industrial property rights may have effect: **24 December 2014**  
(54) Product in respect of which the design is registered: **Article of clothing**  
(51) International Design Classification: **02-02C**  
(74) Name(s) of Attorney(s): **Allens Patent & Trade Mark Attorneys**  
(71) Name(s) and Address(s) of Applicant(s):  
**Just Group Ltd**  
**658 Church St Richmond VIC 3121 Australia**  
(72) Name(s) of Designer(s): **Peter Alexander and Angela McLardy**  
(45) Registration Date: **14 January 2015**  
(56) Related Art Documents: **Not Applicable**  
(57) Statement of Newness and Distinctiveness: **Newness and distinctiveness resides in the visual features of shape and/or configuration, of an article of clothing as shown in the accompanying representations. The colours of, and print on the article of clothing are for illustrative purposes only and should be disregarded when considering whether the article of clothing is similar in overall impression with another design.**



(21) Design Number: **16698/2014**  
(22) Date of Filing Application: **24 December 2014**  
(24) Date from which industrial property rights may have effect: **24 December 2014**  
(54) Product in respect of which the design is registered: **Bottle**  
(51) International Design Classification: **09-01NES**  
(74) Name(s) of Attorney(s): **Griffith Hack**  
(71) Name(s) and Address(s) of Applicant(s):

**Ingo Schroder**  
**Kalmuntener Str. 80 Bergisch Gladbach 51467 Germany**

(72) Name(s) of Designer(s): **Ingo Schroder**

(45) Registration Date: **14 January 2015**

(30) Convention priority data:

(31) Number	(32) Date	(33) Country
<b>DM/084024</b>	<b>02 Jul 2014</b>	<b>WORLD INTELLECTUAL PROPERTY ORGANIZATION (WIPO)</b>



(56) Related Art Documents: **Not Applicable**

(57) Statement of Newness and Distinctiveness: **Newness and distinctiveness resides in the visual features, including shape, configuration and ornamentation, of a BOTTLE as shown in the accompanying representations.**

(21) Design Number: **16700/2014**  
(22) Date of Filing Application: **24 December 2014**  
(24) Date from which industrial property rights may have effect: **24 December 2014**  
(54) Product in respect of which the design is registered: **Golf club head**  
(51) International Design Classification: **21-02C**  
(74) Name(s) of Attorney(s): **Davies Collison Cave**  
(71) Name(s) and Address(s) of Applicant(s):

**Karsten Manufacturing Corporation**  
**2201 West Desert Cove Phoenix Arizona, 85029 United States of America**

(72) Name(s) of Designer(s): **John A. Solheim and Ryan M. Stokke**

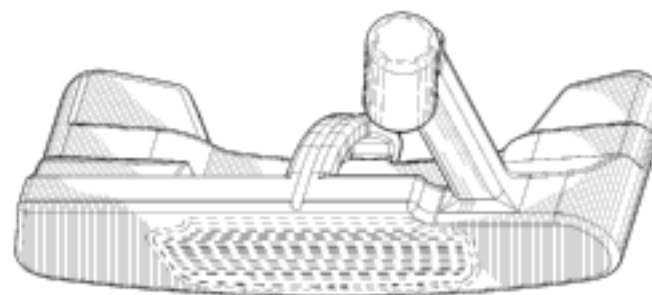
(45) Registration Date: **14 January 2015**

(30) Convention priority data:

(31) Number	(32) Date	(33) Country
<b>29/496249</b>	<b>10 Jul 2014</b>	<b>UNITED STATES OF AMERICA</b>

(56) Related Art Documents: **Not Applicable**

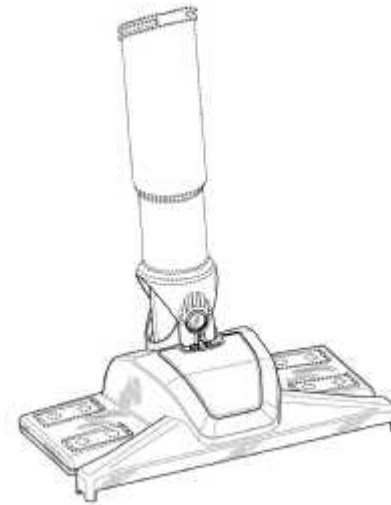
(57) Statement of Newness and Distinctiveness: **Newness and distinctiveness is claimed in the visual features shown in solid lines in the representations. In considering the extent of the design rights, the broken lines shown in the representations are for illustrative purposes only and do not form part of the design.**



- (21) Design Number: **16701/2014**  
(22) Date of Filing Application: **24 December 2014**  
(24) Date from which industrial property rights may have effect: **24 December 2014**  
(54) Product in respect of which the design is registered: **Vacuum attachment**  
(51) International Design Classification: **15-05**  
(74) Name(s) of Attorney(s): **PIZZEYS**  
(71) Name(s) and Address(s) of Applicant(s):  
**Euro-Pro Operating LLC**  
**180 Wells Avenue, Suite 200 Newton MA, 02459 United States of America**  
(72) Name(s) of Designer(s): **Gary Palladino and Brett Andler and Charlie Cai**  
(45) Registration Date: **14 January 2015**  
(30) Convention priority data:  

(31) Number	(32) Date	(33) Country
<b>29/495,318</b>	<b>30 Jun 2014</b>	<b>UNITED STATES OF AMERICA</b>

  
(56) Related Art Documents: **Not Applicable**  
(57) Statement of Newness and Distinctiveness: **Nil**



(19) AU

(21) Design Number: **16703/2014**

(22) Date of Filing Application: **24 December 2014**

(24) Date from which industrial property rights may have effect: **24 December 2014**

(54) Product in respect of which the design is registered: **Electrosurgical generator with an illumination arrangement**

(51) International Design Classification: **13-01, 24-01**

(74) Name(s) of Attorney(s): **SPRUSON & FERGUSON**

(71) Name(s) and Address(s) of Applicant(s):

**Yong Zhang**

**802 Building 63 1335 Puchi Road Minhang District Shanghai 201114  
China**

**Pu Liu**

**Room 402. No. 7 Lane 270 East Huanlin Road Pudong New District  
Shanghai 200123 China**

**Rui Hong**

**Room 2D Building 13 Qiaocheng East Rd. Bihaiyuntian Phase 2  
Shenzhen Guangdong 518053 China**

**Peining Sun**

**Room 302 No. 41 1225 XianXia Road ChangNing District Shanghai  
200336 China**

**Peter B. Madson**

**B27, #1101, 388 Furongjiang Rd, Changning District Shanghai, 200051  
China**

**Benoit Marcel Guy Vitoux**

**483 Yuyuan Road Building 22 Room 401 Jing An District Shanghai  
200051 China**

(72) Name(s) of Designer(s): **Yong Zhang and Pu Liu and Rui Hong and Peining Sun and Peter B. Madson and Benoit Marcel Guy Vitoux**

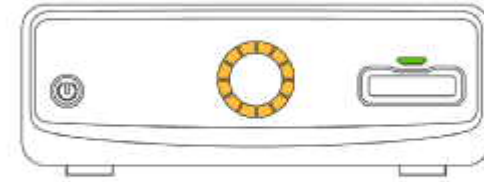
(45) Registration Date: **14 January 2015**

(30) Convention priority data:

(31) Number	(32) Date	(33) Country
<b>29/495049</b>	<b>26 Jun 2014</b>	<b>UNITED STATES OF AMERICA</b>

(56) Related Art Documents: **Not Applicable**

(57) Statement of Newness and Distinctiveness: **Newness and distinctiveness is claimed in the features of pattern and/or ornamentation of the front face of an electrosurgical generator as illustrated in the accompanying representation.**





(19) AU

(21) Design Number: **16704/2014**

(22) Date of Filing Application: **24 December 2014**

(24) Date from which industrial property rights may have effect: **24 December 2014**

(54) Product in respect of which the design is registered: **Electrosurgical generator with an illumination arrangement**

(51) International Design Classification: **13-01, 24-01**

(74) Name(s) of Attorney(s): **SPRUSON & FERGUSON**

(71) Name(s) and Address(s) of Applicant(s):

**Yong Zhang**

**802 Building 63 1335 Puchi Road Minhang District Shanghai 201114  
China**

**Pu Liu**

**Room 402. No. 7 Lane 270 East Huanlin Road Pudong New District  
Shanghai 200123 China**

**Rui Hong**

**Room 2D Building 13 Qiaocheng East Rd. Bihaiyuntian Phase 2  
Shenzhen Guangdong 518053 China**

**Peining Sun**

**Room 302 No. 41 1225 XianXia Road ChangNing District Shanghai  
200336 China**

**Peter B. Madson**

**B27, #1101, 388 Furongjiang Rd, Changning District Shanghai, 200051  
China**

**Benoit Marcel Guy Vitoux**

**483 Yuyuan Road Building 22 Room 401 Jing An District Shanghai  
200051 China**

(72) Name(s) of Designer(s): **Yong Zhang and Pu Liu and Rui Hong and Peining Sun and Peter B. Madson and Benoit Marcel Guy Vitoux**

(45) Registration Date: **14 January 2015**

(30) Convention priority data:

(31) Number	(32) Date	(33) Country
<b>29/495049</b>	<b>26 Jun 2014</b>	<b>UNITED STATES OF AMERICA</b>

(56) Related Art Documents: **Not Applicable**

(57) Statement of Newness and Distinctiveness: **Newness and distinctiveness is claimed in the features of pattern and/or ornamentation of the front face of an electrosurgical generator as illustrated in the accompanying representation.**



(21) Design Number: **16707/2014**

(22) Date of Filing Application: **24 December 2014**

(24) Date from which industrial property rights may have effect: **24 December 2014**

(54) Product in respect of which the design is registered: **Electrosurgical generator**

(51) International Design Classification: **13-01, 24-01**

(74) Name(s) of Attorney(s): **SPRUSON & FERGUSON**

(71) Name(s) and Address(s) of Applicant(s):

**Yong Zhang**

**802 Building 63 1335 Puchi Road Minhang District Shanghai 201114  
China**

**Pu Liu**

**Room 402. No. 7 Lane 270 East Huanlin Road Pudong New District  
Shanghai 200123 China**

**Rui Hong**

**Room 2D Building 13 Qiaocheng East Rd. Bihaiyuntian Phase 2  
Shenzhen Guangdong 518053 China**

**Peining Sun**

**Room 302 No. 41 1225 XianXia Road ChangNing District Shanghai  
200336 China**

**Peter B Madson**

**B27 #1101 388 Furongjiang Rd Changning District Shanghai 200051  
China**

**Benoit Marcel Guy Vitoux**

**483 Yuyuan Road Building 22 Room 401 Jing An District Shanghai  
200051 China**

**William L Drake**

**PO Box 1517 Lyons Colorado 80540 United States of America**

(72) Name(s) of Designer(s): **Yong Zhang and Pu Liu and Rui Hong and Peining Sun and Peter B Madson and Benoit Marcel Guy Vitoux and William L Drake**

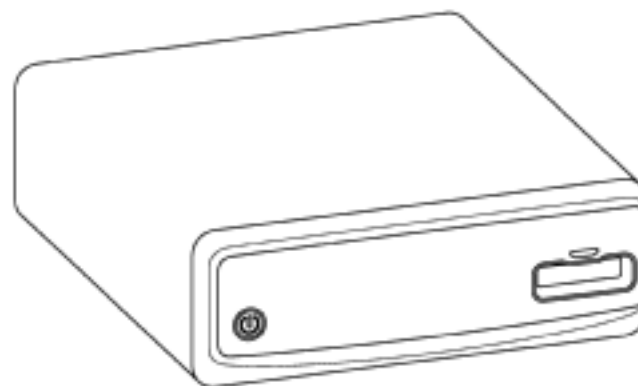
(45) Registration Date: **14 January 2015**

(30) Convention priority data:

(31) Number	(32) Date	(33) Country
<b>29/495019</b>	<b>26 Jun 2014</b>	<b>CHINA</b>

(56) Related Art Documents: **Not Applicable**

(57) Statement of Newness and Distinctiveness: **Newness and distinctiveness is claimed in the features of shape and/or configuration of an electrosurgical generator as illustrated in the accompanying representations.**



- (21) Design Number: **16708/2014**  
(22) Date of Filing Application: **24 December 2014**  
(24) Date from which industrial property rights may have effect: **24 December 2014**  
(54) Product in respect of which the design is registered: **Electrosurgical generator**  
(51) International Design Classification: **13-01, 24-01**  
(74) Name(s) of Attorney(s): **SPRUSON & FERGUSON**  
(71) Name(s) and Address(s) of Applicant(s):

**Yong Zhang**

**802 Building 63 1335 Puchi Road Minhang District Shanghai 201114  
China**

**Pu Liu**

**Room 402. No. 7 Lane 270 East Huanlin Road Pudong New District  
Shanghai 200123 China**

**Rui Hong**

**Room 2D Building 13 Qiaocheng East Rd. Bihaiyuntian Phase 2  
Shenzhen Guangdong 518053 China**

**Peining Sun**

**Room 302 No. 41 1225 XianXia Road ChangNing District Shanghai  
200336 China**

**Peter B Madson**

**B27 #1101 388 Furongjiang Rd Changning District Shanghai 200051  
China**

**Benoit Marcel Guy Vitoux**

**483 Yuyuan Road Building 22 Room 401 Jing An District Shanghai  
200051 China**

**William L Drake**

**PO Box 1517 Lyons Colorado 80540 United States of America**

- (72) Name(s) of Designer(s): **Yong Zhang and Pu Liu and Rui Hong and Peining Sun and Peter B Madson and Benoit Marcel Guy Vitoux and William L Drake**

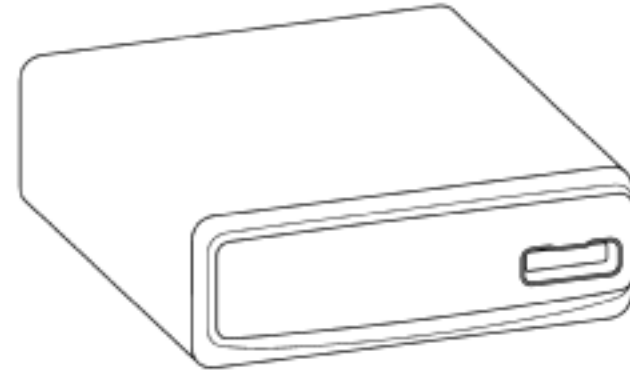
- (45) Registration Date: **14 January 2015**

- (30) Convention priority data:

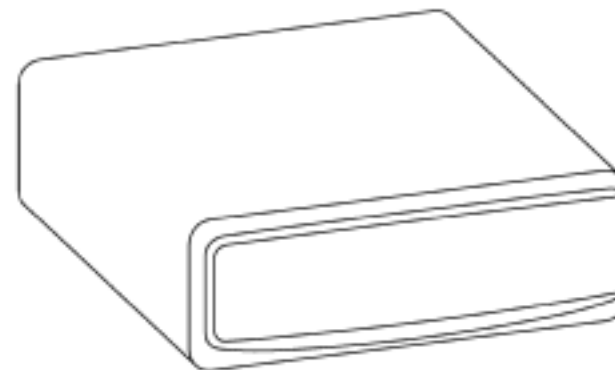
(31) Number	(32) Date	(33) Country
<b>29/495019</b>	<b>26 Jun 2014</b>	<b>UNITED STATES OF AMERICA</b>

- (56) Related Art Documents: **Not Applicable**

- (57) Statement of Newness and Distinctiveness: **Newness and distinctiveness is claimed in the features of shape and/or configuration of an electrosurgical generator as illustrated in the accompanying representations.**



- (21) Design Number: **16709/2014**  
(22) Date of Filing Application: **24 December 2014**  
(24) Date from which industrial property rights may have effect: **24 December 2014**  
(54) Product in respect of which the design is registered: **Electrosurgical generator**  
(51) International Design Classification: **13-01, 24-01**  
(74) Name(s) of Attorney(s): **SPRUSON & FERGUSON**  
(71) Name(s) and Address(s) of Applicant(s):



**Yong Zhang**  
802 Building 63 1335 Puchi Road Minhang District Shanghai 201114  
China

**Pu Liu**  
Room 402. No. 7 Lane 270 East Huanlin Road Pudong New District  
Shanghai 200123 China

**Rui Hong**  
Room 2D Building 13 Qiaocheng East Rd. Bihaiyuntian Phase 2  
Shenzhen Guangdong 518053 China

**Peining Sun**  
Room 302 No. 41 1225 XianXia Road ChangNing District Shanghai  
200336 China

**Peter B Madson**  
B27 #1101 388 Furongjiang Rd Changning District Shanghai 200051  
China

**Benoit Marcel Guy Vitoux**  
483 Yuyuan Road Building 22 Room 401 Jing An District Shanghai  
200051 China

**William L Drake**  
PO Box 1517 Lyons Colorado 80540 United States of America

- (72) Name(s) of Designer(s): **Yong Zhang and Pu Liu and Rui Hong and Peining Sun and Peter B Madson and Benoit Marcel Guy Vitoux and William L Drake**

- (45) Registration Date: **14 January 2015**

- (30) Convention priority data:

(31) Number	(32) Date	(33) Country
<b>29/495019</b>	<b>26 Jun 2014</b>	<b>UNITED STATES OF AMERICA</b>

- (56) Related Art Documents: **Not Applicable**

- (57) Statement of Newness and Distinctiveness: **Newness and distinctiveness is claimed in the features of shape and/or configuration of an electrosurgical generator as illustrated in the accompanying representations.**

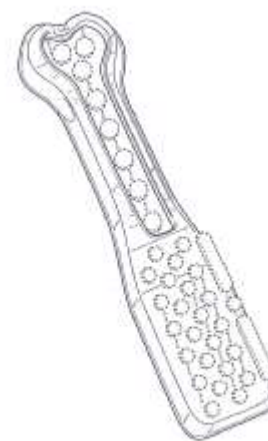
(21) Design Number: **10019/2015**  
(22) Date of Filing Application: **06 January 2015**  
(24) Date from which industrial property rights may have effect: **06 January 2015**  
(54) Product in respect of which the design is registered: **Stool**  
(51) International Design Classification: **06-01E**  
(74) Name(s) of Attorney(s): **Callinans**  
(71) Name(s) and Address(s) of Applicant(s):  
**Kore Design LLC**  
**45 Strong Place Brooklyn New York, 11231 United States of America**  
(72) Name(s) of Designer(s): **Jon Elmaleh**  
(45) Registration Date: **14 January 2015**  
(30) Convention priority data:  
(31) Number (32) Date (33) Country  
**29/496820 17 Jul 2014 UNITED STATES OF AMERICA**  
(56) Related Art Documents: **Not Applicable**  
(57) Statement of Newness and Distinctiveness: **Newness and distinctiveness lies in the shape or configuration of the stool shown in the representations.**



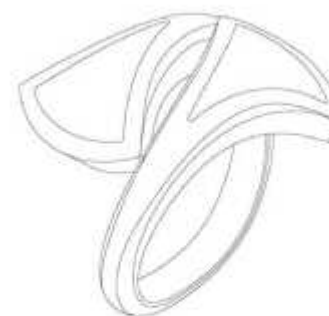
(21) Design Number: **10020/2015**  
(22) Date of Filing Application: **06 January 2015**  
(24) Date from which industrial property rights may have effect: **06 January 2015**  
(54) Product in respect of which the design is registered: **Stool**  
(51) International Design Classification: **06-01E**  
(74) Name(s) of Attorney(s): **Callinans**  
(71) Name(s) and Address(s) of Applicant(s):  
**Kore Design LLC**  
**45 Strong Place Brooklyn New York, 11231 United States of America**  
(72) Name(s) of Designer(s): **Jon Elmaleh**  
(45) Registration Date: **14 January 2015**  
(30) Convention priority data:  
(31) Number (32) Date (33) Country  
**29/496820 17 Jul 2014 UNITED STATES OF AMERICA**  
(56) Related Art Documents: **Not Applicable**  
(57) Statement of Newness and Distinctiveness: **Newness and distinctiveness lies in the shape or configuration of the stool shown in the representations.**



(21) Design Number: **10021/2015**  
(22) Date of Filing Application: **06 January 2015**  
(24) Date from which industrial property rights may have effect: **06 January 2015**  
(54) Product in respect of which the design is registered: **Pet chew**  
(51) International Design Classification: **01-06**  
(74) Name(s) of Attorney(s): **IP Gateway Patent & Trademark Attorneys Pty Ltd**  
(71) Name(s) and Address(s) of Applicant(s):  
**T.F.H. PUBLICATIONS, INC.**  
**One TFH Plaza Third and Union Avenues Neptune City New Jersey,**  
**07753 United States of America**  
(72) Name(s) of Designer(s): **Glen S Axelrod and Nancy S Rivadeneira**  
(45) Registration Date: **14 January 2015**  
(30) Convention priority data:  
(31) Number (32) Date (33) Country  
**29/496,156 10 Jul 2014 UNITED STATES OF AMERICA**  
(56) Related Art Documents: **Not Applicable**  
(57) Statement of Newness and Distinctiveness: **Newness and distinctiveness reside in the features of shape and/or configuration of a pet chew as shown in solid lines as illustrated in the representations.**



(21) Design Number: **10022/2015**  
(22) Date of Filing Application: **06 January 2015**  
(24) Date from which industrial property rights may have effect: **06 January 2015**  
(54) Product in respect of which the design is registered: **Ring**  
(51) International Design Classification: **11-01A**  
(74) Name(s) of Attorney(s): **Callinans**  
(71) Name(s) and Address(s) of Applicant(s):  
**Bulgari S.p.A.**  
**11 Lungotevere Marzio Rome 00186 Italy**  
(72) Name(s) of Designer(s): **Lucia Silvestri**  
(45) Registration Date: **14 January 2015**  
(30) Convention priority data:  
(31) Number (32) Date (33) Country  
**825937701 11 Jul 2014 WORLD INTELLECTUAL PROPERTY ORGANIZATION (WIPO)**  
(56) Related Art Documents: **Not Applicable**  
(57) Statement of Newness and Distinctiveness: **Newness and distinctiveness lies in the shape or configuration of the ring shown in the representations.**



(21) Design Number: **10023/2015**

(22) Date of Filing Application: **06 January 2015**

(24) Date from which industrial property rights may have effect: **06 January 2015**

(54) Product in respect of which the design is registered: **Necklace**

(51) International Design Classification: **11-01E**

(74) Name(s) of Attorney(s): **Callinans**

(71) Name(s) and Address(s) of Applicant(s):

**Bulgari S.p.A.**

**11 Lungotevere Marzio Rome 00186 Italy**

(72) Name(s) of Designer(s): **Lucia Silvestri**

(45) Registration Date: **14 January 2015**

(30) Convention priority data:

(31) Number  
**825937701**

(32) Date  
**11 Jul 2014**

(33) Country  
**WORLD INTELLECTUAL  
PROPERTY ORGANIZATION  
(WIPO)**



(56) Related Art Documents: **Not Applicable**

(57) Statement of Newness and Distinctiveness: **Newness and distinctiveness lies in the shape or configuration of the necklace shown in the representations.**

(21) Design Number: **10024/2015**

(22) Date of Filing Application: **06 January 2015**

(24) Date from which industrial property rights may have effect: **06 January 2015**

(54) Product in respect of which the design is registered: **Necklace**

(51) International Design Classification: **11-01E**

(74) Name(s) of Attorney(s): **Callinans**

(71) Name(s) and Address(s) of Applicant(s):

**Bulgari S.p.A.**

**11 Lungotevere Marzio Rome 00186 Italy**

(72) Name(s) of Designer(s): **Lucia Silvestri**

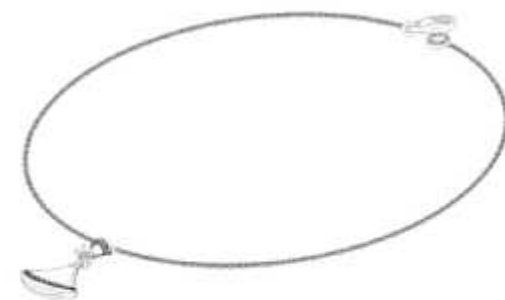
(45) Registration Date: **14 January 2015**

(30) Convention priority data:

(31) Number  
**825937701**

(32) Date  
**11 Jul 2014**

(33) Country  
**WORLD INTELLECTUAL  
PROPERTY ORGANIZATION  
(WIPO)**



(56) Related Art Documents: **Not Applicable**

(57) Statement of Newness and Distinctiveness: **Newness and distinctiveness lies in the shape or configuration of the necklace shown in the representations.**

(21) Design Number: **10026/2015**  
(22) Date of Filing Application: **06 January 2015**  
(24) Date from which industrial property rights may have effect: **06 January 2015**  
(54) Product in respect of which the design is registered: **Monitoring camera**  
(51) International Design Classification: **16-01**  
(74) Name(s) of Attorney(s): **PHILLIPS ORMONDE FITZPATRICK**  
(71) Name(s) and Address(s) of Applicant(s):  
**Axis AB**  
**Emdalavagen 14 Lund 223 69 Sweden**  
(72) Name(s) of Designer(s): **Morten Bergstrom and Jens Pahlitzsch and Mathias Walter and Niclas Moller Levin and Johan Bergsten**  
(45) Registration Date: **14 January 2015**  
(30) Convention priority data:  
(31) Number (32) Date (33) Country  
**002503334-0001 16 Jul 2014 OFFICE FOR HARMONISATION IN THE INTERNAL MARKET (OHIM)**



(56) Related Art Documents: **Not Applicable**  
(57) Statement of Newness and Distinctiveness: **Those features of the monitoring camera depicted in the representations that are new and distinctive are the shape and/or configuration. The features shown in broken lines are not part of the design and are to be disregarded when considering the overall impression of the design.**

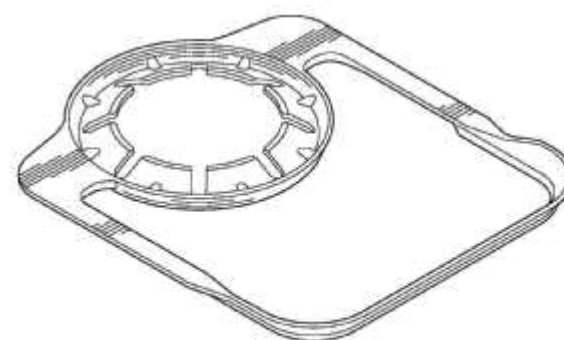
(21) Design Number: **10027/2015**  
(22) Date of Filing Application: **06 January 2015**  
(24) Date from which industrial property rights may have effect: **06 January 2015**  
(54) Product in respect of which the design is registered: **Monitoring camera**  
(51) International Design Classification: **16-01**  
(74) Name(s) of Attorney(s): **PHILLIPS ORMONDE FITZPATRICK**  
(71) Name(s) and Address(s) of Applicant(s):  
**Axis AB**  
**Emdalavagen 14 Lund 223 69 Sweden**  
(72) Name(s) of Designer(s): **Morten Bergstrom and Jens Pahlitzsch and Mathias Walter and Niclas Moller Levin and Johan Bergsten**  
(45) Registration Date: **14 January 2015**  
(30) Convention priority data:  
(31) Number (32) Date (33) Country  
**002503334 16 Jul 2014 OFFICE FOR HARMONISATION IN THE INTERNAL MARKET (OHIM)**



(56) Related Art Documents: **Not Applicable**  
(57) Statement of Newness and Distinctiveness: **Those features of the monitoring camera depicted in the representations that are new and distinctive are the shape and/or configuration. The features shown in broken lines are not part of the design and are to be disregarded when considering the overall impression of the design.**



(21) Design Number: **10028/2015**  
(22) Date of Filing Application: **06 January 2015**  
(24) Date from which industrial property rights may have effect: **06 January 2015**  
(54) Product in respect of which the design is registered: **A handle**  
(51) International Design Classification: **08-06, 07-07NES**  
(74) Name(s) of Attorney(s): **Smootenburg Patent & Trade Mark Attorneys**  
(71) Name(s) and Address(s) of Applicant(s):



**Oregon Precision Industries, Inc**  
**1680 Irving Road Eugene OR 97402 United States of America**

(72) Name(s) of Designer(s): **Zakary James Borg**

(45) Registration Date: **14 January 2015**

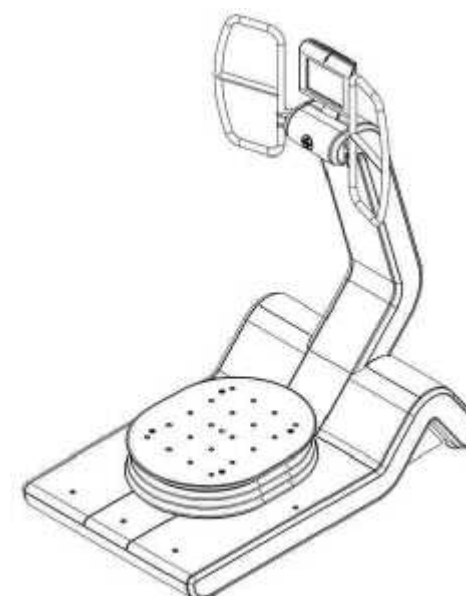
(30) Convention priority data:

(31) Number	(32) Date	(33) Country
<b>29/496,643</b>	<b>15 Jul 2014</b>	<b>UNITED STATES OF AMERICA</b>

(56) Related Art Documents: **Not Applicable**

(57) Statement of Newness and Distinctiveness: **Newness and distinctiveness is claimed in features of shape and/or configuration of a handle as illustrated in the accompanying representations. No regard is to be had to the dashed lines in the figures they are for environmental purposes only and form no part of the claimed design.**

(21) Design Number: **10029/2015**  
(22) Date of Filing Application: **06 January 2015**  
(24) Date from which industrial property rights may have effect: **06 January 2015**  
(54) Product in respect of which the design is registered: **Rebalancing apparatus for the human body**  
(51) International Design Classification: **24-01**  
(74) Name(s) of Attorney(s): **Cullens Patent and Trade Mark Attorneys**  
(71) Name(s) and Address(s) of Applicant(s):



**LPG Systems**  
**30 Rue Docteur Henri Abel Valence 26000 France**

(72) Name(s) of Designer(s): **Arnaud Fuster**

(45) Registration Date: **14 January 2015**

(30) Convention priority data:

(31) Number	(32) Date	(33) Country
<b>2499723-0001</b>	<b>09 Jul 2014</b>	<b>OFFICE FOR HARMONISATION IN THE INTERNAL MARKET (OHIM)</b>

(56) Related Art Documents: **Not Applicable**

(57) Statement of Newness and Distinctiveness: **The new and distinctive features are the features of shape and configuration of a rebalancing apparatus for the human body as shown in the representations.**

- (21) Design Number: **10004/2015**  
(22) Date of Filing Application: **01 January 2015**  
(24) Date from which industrial property rights may have effect: **01 January 2015**  
(54) Product in respect of which the design is registered: **Lycra gym leggings**  
(51) International Design Classification: **02-02C**  
(74) Name(s) of Attorney(s):  
(71) Name(s) and Address(s) of Applicant(s):  
**Abbey Angel Shannon**  
**66/5111 Lamington St New Farm QLD 4005 Australia**  
(72) Name(s) of Designer(s): **Abbey Angel Shannon**  
(45) Registration Date: **14 January 2015**  
(56) Related Art Documents: **Not Applicable**  
(57) Statement of Newness and Distinctiveness: **Subliminated design, Airmesh above the both knees and on strips that wrap the calves. Unique design.**



- (21) Design Number: **10005/2015**  
(22) Date of Filing Application: **02 January 2015**  
(24) Date from which industrial property rights may have effect: **02 January 2015**  
(54) Product in respect of which the design is registered: **Drill press**  
(51) International Design Classification: **08-01**  
(74) Name(s) of Attorney(s): **SPRUSON & FERGUSON**  
(71) Name(s) and Address(s) of Applicant(s):  
**JPW Industries Inc.**  
**427 New Sanford Road, La Vergne Tennessee, 37086 United States of America**  
(72) Name(s) of Designer(s): **Charles Weber and Barry M Schwaiger**  
(45) Registration Date: **14 January 2015**  
(30) Convention priority data:  
(31) Number      (32) Date      (33) Country  
**29/496947      18 Jul 2014      UNITED STATES OF AMERICA**  
(56) Related Art Documents: **Not Applicable**  
(57) Statement of Newness and Distinctiveness: **Newness and distinctiveness is claimed in the features of shape and/or configuration of a drill press as illustrated in continuous lines in the accompanying representations.**



(21) Design Number: **10006/2015**

(22) Date of Filing Application: **02 January 2015**

(24) Date from which industrial property rights may have effect: **02 January 2015**

(54) Product in respect of which the design is registered: **Light**

(51) International Design Classification: **26-05NES**

(74) Name(s) of Attorney(s): **Shelston IP**

(71) Name(s) and Address(s) of Applicant(s):

**Zhejiang Wanma Hizhen Optoelectronics Technology CO., LTD.  
No. 1501, Yishan Road Wuxing District Huzhou City Zhejiang Province,  
313000 China**

(72) Name(s) of Designer(s): **Shenhua Chen and Jun Liu**

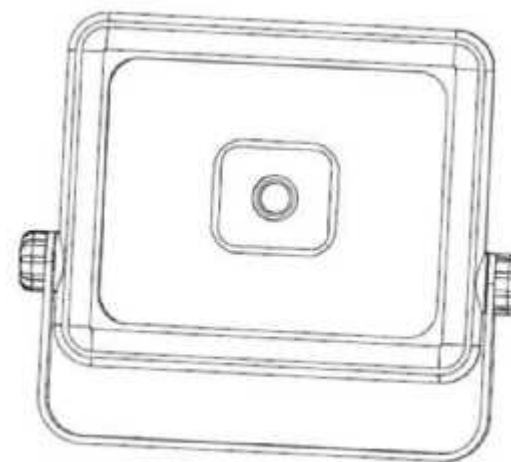
(45) Registration Date: **14 January 2015**

(30) Convention priority data:

(31) Number	(32) Date	(33) Country
<b>201430519618.X</b>	<b>12 Dec 2014</b>	<b>CHINA</b>

(56) Related Art Documents: **Not Applicable**

(57) Statement of Newness and Distinctiveness: **Newness and distinctiveness reside in the features of shape and/or configuration of a LIGHT as illustrated in the accompanying representations.**



(21) Design Number: **10007/2015**

(22) Date of Filing Application: **02 January 2015**

(24) Date from which industrial property rights may have effect: **02 January 2015**

(54) Product in respect of which the design is registered: **Flat packed wall mounted fold up shelving device**

(51) International Design Classification: **06-04NES**

(74) Name(s) of Attorney(s):

(71) Name(s) and Address(s) of Applicant(s):

**Wayne Cairns  
42 Oxford CI Sippy Downs QLD 4556 Australia**

(72) Name(s) of Designer(s): **Wayne Cairns**

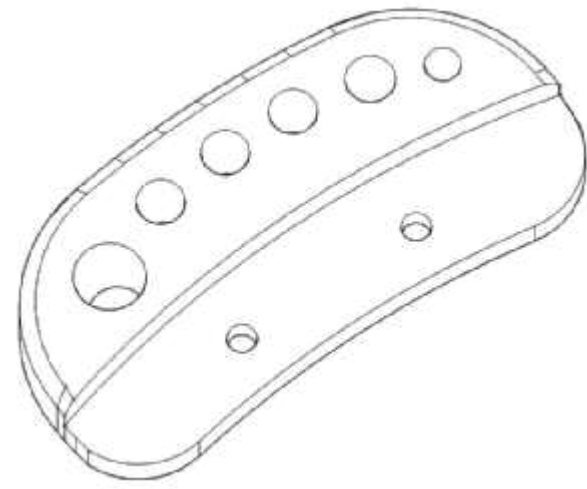
(45) Registration Date: **14 January 2015**

(56) Related Art Documents: **Not Applicable**

(57) Statement of Newness and Distinctiveness: **Nil**



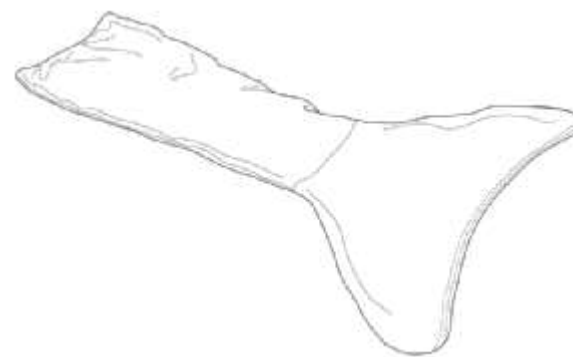
- (21) Design Number: **10008/2015**  
(22) Date of Filing Application: **02 January 2015**  
(24) Date from which industrial property rights may have effect: **02 January 2015**  
(54) Product in respect of which the design is registered: **Paintbrush holder**  
(51) International Design Classification: **07-99C**  
(74) Name(s) of Attorney(s):  
(71) Name(s) and Address(s) of Applicant(s):  
**Amy Elizabeth Mack**  
**31 Spinnaker St Jamboree Heights QLD 4074 Australia**  
(72) Name(s) of Designer(s): **Amy Elizabeth Mack**  
(45) Registration Date: **14 January 2015**  
(56) Related Art Documents: **Not Applicable**  
(57) Statement of Newness and Distinctiveness: **This item is a paintbrush holder which attaches to an artist's palette. To the best of our knowledge there is no other product like it on the market. The curved design which allows it to fit onto a standard palette is new and distinctive.**



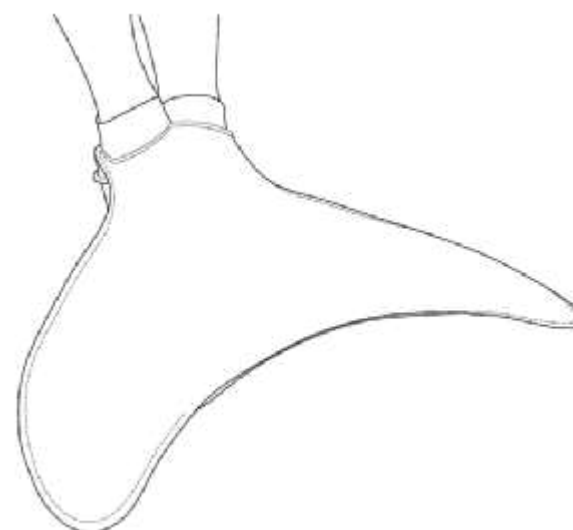
- (21) Design Number: **10014/2015**  
(22) Date of Filing Application: **05 January 2015**  
(24) Date from which industrial property rights may have effect: **05 January 2015**  
(54) Product in respect of which the design is registered: **Jar with cover**  
(51) International Design Classification: **09-01C**  
(74) Name(s) of Attorney(s):  
(71) Name(s) and Address(s) of Applicant(s):  
**Jang Yang**  
**PO BOX 1843 Milton QLD 4064 Australia**  
(72) Name(s) of Designer(s): **Jang Yang**  
(45) Registration Date: **14 January 2015**  
(56) Related Art Documents: **Not Applicable**  
(57) Statement of Newness and Distinctiveness: **Newness and distinctiveness resides in the features of shape and configuration of a jar as illustrated in the accompanying representations.**



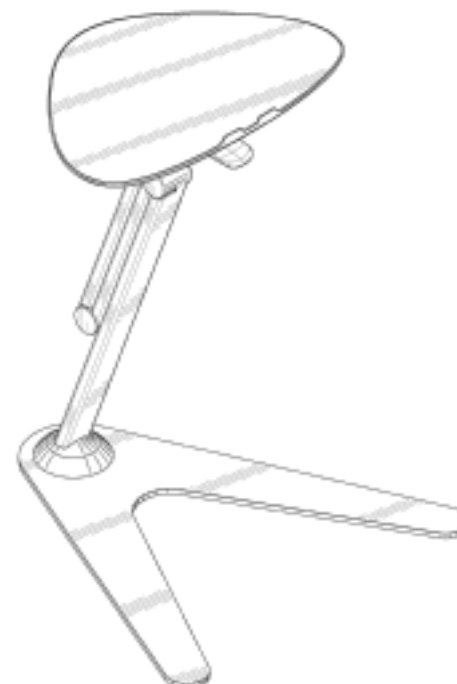
- (21) Design Number: **10017/2015**  
(22) Date of Filing Application: **06 January 2015**  
(24) Date from which industrial property rights may have effect: **06 January 2015**  
(54) Product in respect of which the design is registered: **A swimming aid in the shape of a mermaid tail**  
(51) International Design Classification: **21-02D**  
(74) Name(s) of Attorney(s): **Marshall Legal**  
(71) Name(s) and Address(s) of Applicant(s):  
**Maria Savva**  
**20 Vaudan St Kogarah Bay NSW 2217 Australia**  
(72) Name(s) of Designer(s): **Maria Savva**  
(45) Registration Date: **14 January 2015**  
(56) Related Art Documents: **Not Applicable**  
(57) Statement of Newness and Distinctiveness: **Newness and distinctiveness reside in the shape of the mermaid tail being a garment worn over both legs with a single fin at the foot end as shown in the accompanying representations.**



- (21) Design Number: **10018/2015**  
(22) Date of Filing Application: **06 January 2015**  
(24) Date from which industrial property rights may have effect: **06 January 2015**  
(54) Product in respect of which the design is registered: **A swimming aid**  
(51) International Design Classification: **21-02D**  
(74) Name(s) of Attorney(s): **Marshall Legal**  
(71) Name(s) and Address(s) of Applicant(s):  
**Maria Savva**  
**20 Vaudan St Kogarah Bay NSW 2217 Australia**  
(72) Name(s) of Designer(s): **Maria Savva**  
(45) Registration Date: **14 January 2015**  
(56) Related Art Documents: **Not Applicable**  
(57) Statement of Newness and Distinctiveness: **Newness and distinctiveness reside in the shape of the fin as shown in the accompanying representations.**



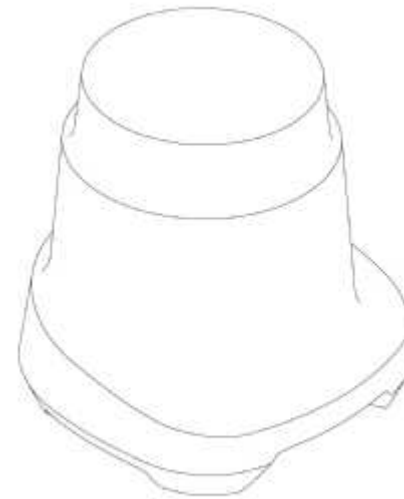
- (21) Design Number: **16572/2014**  
(22) Date of Filing Application: **17 December 2014**  
(24) Date from which industrial property rights may have effect: **17 December 2014**  
(54) Product in respect of which the design is registered: **Convertible table/stand**  
(51) International Design Classification: **06-03NES**  
(74) Name(s) of Attorney(s): **SPRUSON & FERGUSON**  
(71) Name(s) and Address(s) of Applicant(s):  
**Helping Hands International Holdings Limited**  
**c/o Newhaven Trustee (BVI) Limited 3rd Floor, J&C Building P.O. Box**  
**933, Road Town Tortola British Virgin Islands**  
(72) Name(s) of Designer(s): **Chi Shing Wong and Hiroshi Ono**  
(45) Registration Date: **14 January 2015**  
(30) Convention priority data:  
(31) Number (32) Date (33) Country  
**29/494258 18 Jun 2014 UNITED STATES OF AMERICA**  
(56) Related Art Documents: **Not Applicable**  
(57) Statement of Newness and Distinctiveness: **Newness and distinctiveness is claimed in the features of shape and/or configuration of a convertible table/stand as illustrated in the accompanying representations.**



- (21) Design Number: **13453/2014**  
(22) Date of Filing Application: **15 July 2014**  
(24) Date from which industrial property rights may have effect: **15 July 2014**  
(54) Product in respect of which the design is registered: **Beverage machine**  
(51) International Design Classification: **07-02L**  
(74) Name(s) of Attorney(s): **PHILLIPS ORMONDE FITZPATRICK**  
(71) Name(s) and Address(s) of Applicant(s):  
**Luigi Lavazza S.p.A.**  
**Corso Novara 59 I-10154 Torino Italy**  
(72) Name(s) of Designer(s): **Stefano Lovati and Luca Franzosi**  
(45) Registration Date: **15 January 2015**  
(56) Related Art Documents: **Not Applicable**  
(57) Statement of Newness and Distinctiveness: **Those features of the beverage machine depicted in the representations that are new and distinctive are the shape and/or configuration. The features shown in broken lines are not part of the design and are to be disregarded when considering the overall impression of the design.**



- (21) Design Number: **13927/2014**  
(22) Date of Filing Application: **08 August 2014**  
(24) Date from which industrial property rights may have effect: **08 August 2014**  
(54) Product in respect of which the design is registered: **Motorised blender base**  
(51) International Design Classification: **31-00**  
(74) Name(s) of Attorney(s): **Molins & Co Pty Ltd**  
(71) Name(s) and Address(s) of Applicant(s):  
**Breville Pty Limited**  
**Building 2 Port Air Industrial Est 1A Hale St Botany NSW 2019 Australia**  
(72) Name(s) of Designer(s): **Greg Upston**  
(45) Registration Date: **15 January 2015**  
(56) Related Art Documents: **Not Applicable**  
(57) Statement of Newness and Distinctiveness: **Newness is claimed in the features of shape and configuration of the motorised blender base as shown in the accompanying representations. The bottom plan view is not claimed as part of the design.**



- (21) Design Number: **15339/2014**  
(22) Date of Filing Application: **22 October 2014**  
(24) Date from which industrial property rights may have effect: **22 October 2014**  
(54) Product in respect of which the design is registered: **Supplies container**  
(51) International Design Classification: **30-03, 09-03NES**  
(74) Name(s) of Attorney(s):  
(71) Name(s) and Address(s) of Applicant(s):  
**ROCK CHIC EGGS PTY LTD**  
**8/596 Crown St Surry Hills NSW 2010 Australia**  
(72) Name(s) of Designer(s): **Christopher Mark Murphy**  
(45) Registration Date: **15 January 2015**  
(56) Related Art Documents: **Not Applicable**  
(57) Statement of Newness and Distinctiveness: **Nil**



(21) Design Number: **15634/2014**  
(22) Date of Filing Application: **05 November 2014**  
(24) Date from which industrial property rights may have effect: **05 November 2014**  
(54) Product in respect of which the design is registered: **Insect repellent fixture**  
(51) International Design Classification: **22-06**  
(74) Name(s) of Attorney(s): **SPRUSON & FERGUSON**  
(71) Name(s) and Address(s) of Applicant(s):

**Broan-NuTone LLC**  
**926 West State Street Hartford Wisconsin 53027 United States of America**

(72) Name(s) of Designer(s): **Thomas A Kuhnke and Benjamin Thorpe Puffer and Kenneth J Jonas**

(45) Registration Date: **15 January 2015**

(30) Convention priority data:

(31) Number	(32) Date	(33) Country
<b>29/490056</b>	<b>06 May 2014</b>	<b>UNITED STATES OF AMERICA</b>

(56) Related Art Documents: **Not Applicable**

(57) Statement of Newness and Distinctiveness: **Newness and distinctiveness is claimed in those features of shape and/or configuration of an insect repellent fixture illustrated in continuous lines in the accompanying representations.**



(21) Design Number: **16308/2014**  
(22) Date of Filing Application: **04 December 2014**  
(24) Date from which industrial property rights may have effect: **04 December 2014**  
(54) Product in respect of which the design is registered: **Shoe**  
(51) International Design Classification: **02-04NES**  
(74) Name(s) of Attorney(s): **Davies Collison Cave**  
(71) Name(s) and Address(s) of Applicant(s):

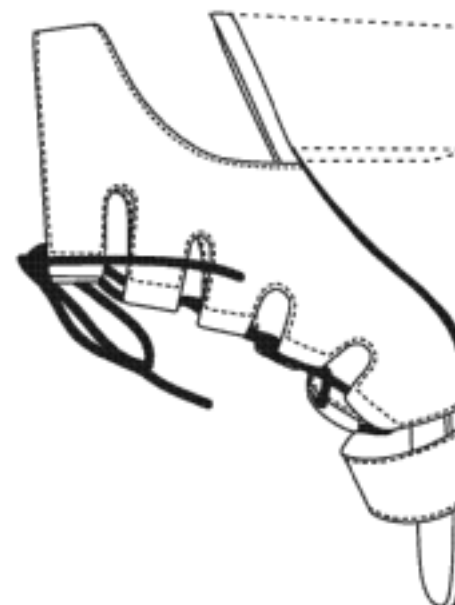
**Kim Meller Imports Pty Ltd**  
**20 Hutchinson St Surry Hills NSW 2010 Australia**

(72) Name(s) of Designer(s): **Skye Elizabeth Meller**

(45) Registration Date: **15 January 2015**

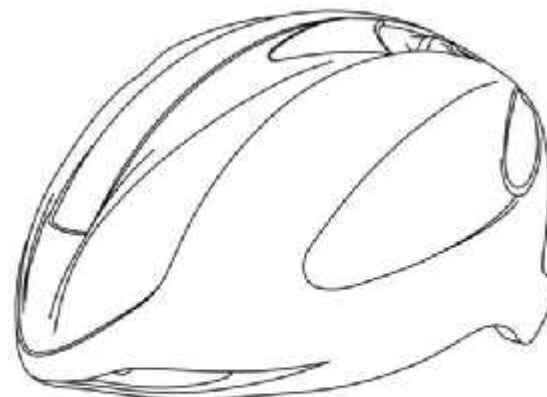
(56) Related Art Documents: **Not Applicable**

(57) Statement of Newness and Distinctiveness: **Newness and distinctiveness is claimed in the visual features of shape and configuration of the upper of the shoe as shown in solid lines in the representations. In considering the extent of the newness and distinctiveness, the heel of the shoe as shown in broken lines should be disregarded.**

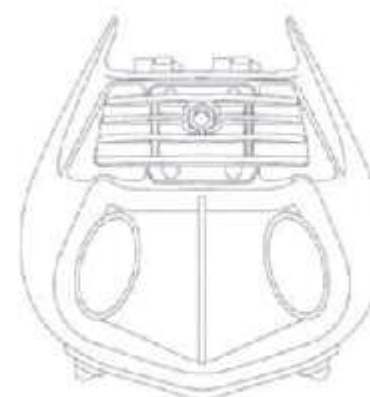




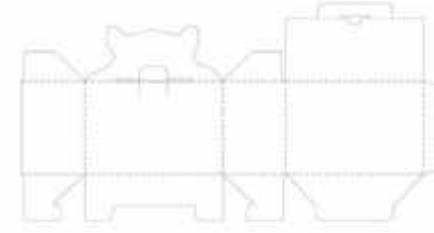
(21) Design Number: **16427/2014**  
(22) Date of Filing Application: **11 December 2014**  
(24) Date from which industrial property rights may have effect: **11 December 2014**  
(54) Product in respect of which the design is registered: **Bicycle helmet**  
(51) International Design Classification: **02-03**  
(74) Name(s) of Attorney(s): **WATERMARK PATENT AND TRADE MARKS ATTORNEYS**  
(71) Name(s) and Address(s) of Applicant(s):  
**KASK S.r.l.**  
**via Firenze, 5 Chiuduno (BG), 24060 Italy**  
(72) Name(s) of Designer(s): **Angelo Gotti**  
(45) Registration Date: **15 January 2015**  
(30) Convention priority data:  
(31) Number (32) Date (33) Country  
**002481036 12 Jun 2014 EUROPEAN PATENT OFFICE (EPO)**  
(56) Related Art Documents: **Not Applicable**  
(57) Statement of Newness and Distinctiveness: **Newness and distinctiveness reside in the visual features of a cycle helmet as shown in the accompanying representations**



(21) Design Number: **16507/2014**  
(22) Date of Filing Application: **15 December 2014**  
(24) Date from which industrial property rights may have effect: **17 September 2014**  
(54) Product in respect of which the design is registered: **A cycle storage case**  
(51) International Design Classification: **03-01NES**  
(74) Name(s) of Attorney(s): **Baldwins**  
(71) Name(s) and Address(s) of Applicant(s):  
**Cyckit Limited**  
**23b Cherry Lane RD 3 Hamilton 3283 New Zealand**  
(72) Name(s) of Designer(s): **Patrick Mark Reardon and Garth Andrew Walton**  
(45) Registration Date: **15 January 2015**  
(30) Convention priority data:  
(31) Number (32) Date (33) Country  
**NZ 418619 18 Mar 2014 NEW ZEALAND**  
(62) Divisional of: **14734/2014**  
(56) Related Art Documents: **Not Applicable**  
(57) Statement of Newness and Distinctiveness: **The newness and distinctiveness of the design resides in the features of shape and configuration all as shown in the accompanying drawings. No newness and distinctiveness is claimed in the area shown in broken line.**



- (21) Design Number: **16546/2014**  
(22) Date of Filing Application: **16 December 2014**  
(24) Date from which industrial property rights may have effect: **16 December 2014**  
(54) Product in respect of which the design is registered: **Packaging and blank therefor**  
(51) International Design Classification: **20-02NES, 09-03M**  
(74) Name(s) of Attorney(s): **PHILLIPS ORMONDE FITZPATRICK**  
(71) Name(s) and Address(s) of Applicant(s):  
**Gerard Trade Supplies Pty Ltd**  
**PO BOX 2369 Kent Town DC SA 5071 Australia**  
(72) Name(s) of Designer(s): **Andrew Bischoff**  
(45) Registration Date: **15 January 2015**  
(56) Related Art Documents: **Not Applicable**  
(57) Statement of Newness and Distinctiveness: **Newness and distinctiveness resides in the shape and configuration of packaging and blank therefor as shown in the accompanying drawings. The broken lines within the boundary of the blank are lines of deformation that facilitate folding of the blank.**



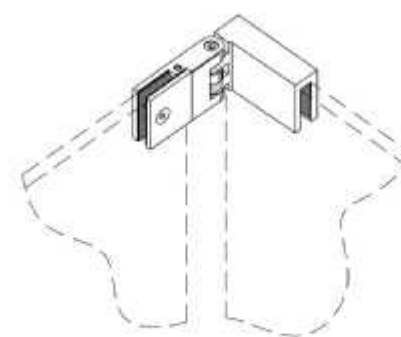
- (21) Design Number: **16559/2014**  
(22) Date of Filing Application: **16 December 2014**  
(24) Date from which industrial property rights may have effect: **16 December 2014**  
(54) Product in respect of which the design is registered: **Bottle**  
(51) International Design Classification: **09-01NES**  
(74) Name(s) of Attorney(s):  
(71) Name(s) and Address(s) of Applicant(s):  
**Container Pty Ltd**  
**SE64 61 Marlborough St Surry Hills NSW 2010 Australia**  
(72) Name(s) of Designer(s): **Mark Evans**  
(45) Registration Date: **15 January 2015**  
(56) Related Art Documents: **Not Applicable**  
(57) Statement of Newness and Distinctiveness: **Shape**



- (21) Design Number: **16575/2014**  
(22) Date of Filing Application: **17 December 2014**  
(24) Date from which industrial property rights may have effect: **17 December 2014**  
(54) Product in respect of which the design is registered: **IP rated switch disconnecter (isolating switch)**  
(51) International Design Classification: **13-03D**  
(74) Name(s) of Attorney(s):  
(71) Name(s) and Address(s) of Applicant(s):  
**CONNECTED GROUP AUSTRALIA PTY LIMITED**  
**UB/238-244 Hoxton Park Rd Lurena NSW 2170 Australia**  
(72) Name(s) of Designer(s): **Dean Lucantonio**  
(45) Registration Date: **15 January 2015**  
(56) Related Art Documents: **Not Applicable**  
(57) Statement of Newness and Distinctiveness: **The switch disconnecter is 3/4 size of traditional switch disconnecter's and the switch cover is a new and distinct curved shape, the new base has a combination of 25 and 32mm conduit entries. A monopoly is claimed in relation to the exterior housing of both the base and the cover irrespective of its internal component configuration, and irrespective of the conduit entry configuration it is designed with 2 x 25mm conduit entries at the top and bottom or 2 x 32mm entries or a combination of both 25mm and 32mm entries as show in the attached representations.**



- (21) Design Number: **16620/2014**  
(22) Date of Filing Application: **19 December 2014**  
(24) Date from which industrial property rights may have effect: **19 December 2014**  
(54) Product in respect of which the design is registered: **Panel hinge**  
(51) International Design Classification: **08-06**  
(74) Name(s) of Attorney(s): **Sandercock & Cowie**  
(71) Name(s) and Address(s) of Applicant(s):  
**Cyril Lindsay Lionnet**  
**38 Titan Dr Carrum Downs VIC 3201 Australia**  
**Marc Joseph Lionnet**  
**38 Titan Dr Carrum Downs VIC 3201 Australia**  
(72) Name(s) of Designer(s): **Cyril Lindsay Lionnet and Marc Joseph Lionnet**  
(45) Registration Date: **15 January 2015**  
(56) Related Art Documents: **Not Applicable**  
(57) Statement of Newness and Distinctiveness: **Newness and Distinctiveness reside in the shape and configuration of the panel hinge as shown in the accompanying representations.**



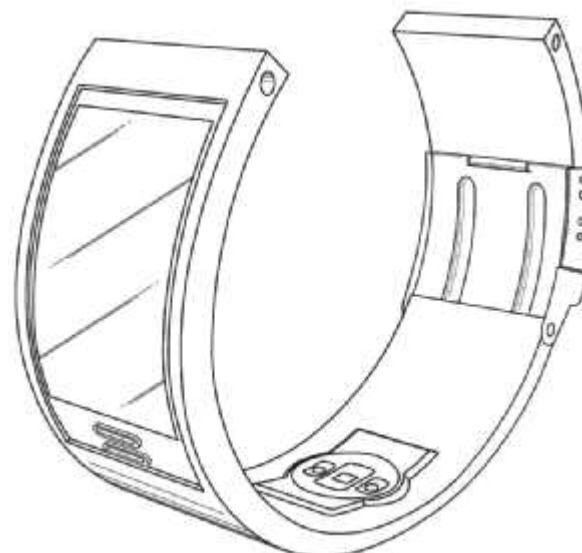
(21) Design Number: **16627/2014**  
(22) Date of Filing Application: **22 December 2014**  
(24) Date from which industrial property rights may have effect: **22 December 2014**  
(54) Product in respect of which the design is registered: **High bay LED with high reflective reflector**  
(51) International Design Classification: **26-05E**  
(74) Name(s) of Attorney(s):  
(71) Name(s) and Address(s) of Applicant(s):  
**Jordan Georgiev Panayotov**  
**PO BOX 437 Balwyn VIC 3103 Australia**  
(72) Name(s) of Designer(s): **Jordan Georgiev Panayotov**  
(45) Registration Date: **15 January 2015**  
(56) Related Art Documents: **Not Applicable**  
(57) Statement of Newness and Distinctiveness: **Newness and distinctiveness reside in the shape, pattern and/or configuration of the LED reflector as shown in the accompanying representations.**



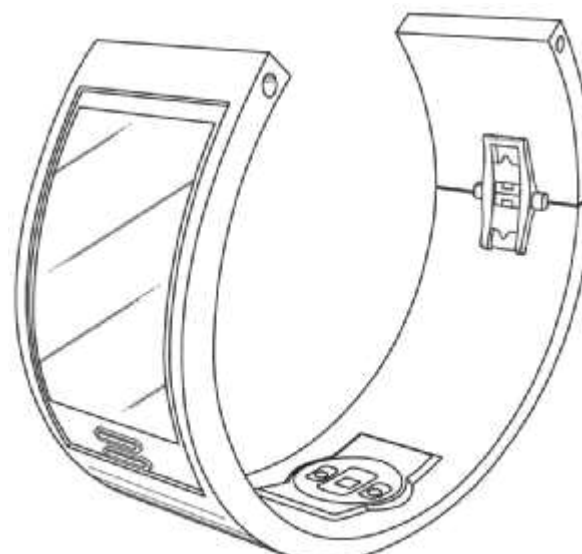
(21) Design Number: **16316/2014**  
(22) Date of Filing Application: **04 December 2014**  
(24) Date from which industrial property rights may have effect: **04 December 2014**  
(54) Product in respect of which the design is registered: **Wrist watch band**  
(51) International Design Classification: **10-07**  
(74) Name(s) of Attorney(s): **Cullens Patent and Trade Mark Attorneys**  
(71) Name(s) and Address(s) of Applicant(s):  
**Kairos Watches Limited**  
**10 Raeburn Park #02-08 Singapore 088702 Singapore**  
(72) Name(s) of Designer(s): **Sun Jong Yang**  
(45) Registration Date: **15 January 2015**  
(30) Convention priority data:  
(31) Number (32) Date (33) Country  
**DM/083886 25 Jun 2014 WORLD INTELLECTUAL  
PROPERTY ORGANIZATION  
(WIPO)**  
(56) Related Art Documents: **Not Applicable**  
(57) Statement of Newness and Distinctiveness: **Newness and distinctiveness is claimed in the features of the shape and configuration of the wrist watch band as illustrated in the accompanying representations.**



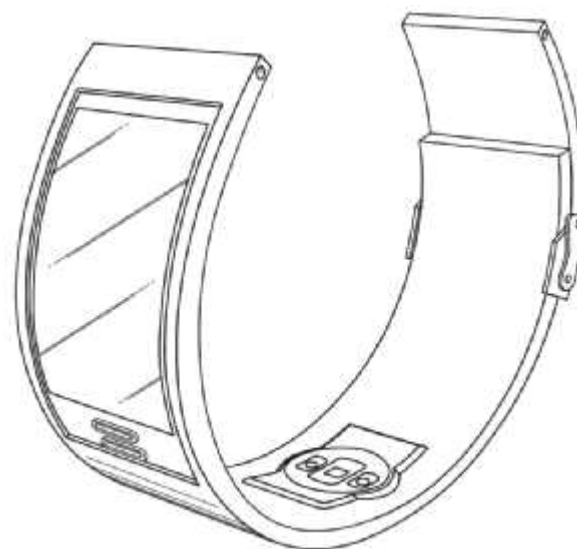
- (21) Design Number: **10122/2015**  
(22) Date of Filing Application: **12 January 2015**  
(24) Date from which industrial property rights may have effect: **04 December 2014**  
(54) Product in respect of which the design is registered: **Wrist watch band**  
(51) International Design Classification: **10-07**  
(74) Name(s) of Attorney(s): **Cullens Patent and Trade Mark Attorneys**  
(71) Name(s) and Address(s) of Applicant(s):  
**Kairos Watches Limited**  
**10 Raeburn Park #02-08 Singapore 088702 Singapore**  
(72) Name(s) of Designer(s): **Sun Jong Yang**  
(45) Registration Date: **15 January 2015**  
(62) Divisional of: **359909**  
(56) Related Art Documents: **Not Applicable**  
(57) Statement of Newness and Distinctiveness: **Newness and distinctiveness is claimed in the features of the shape and configuration of the wrist watch band as illustrated in the accompanying representations.**



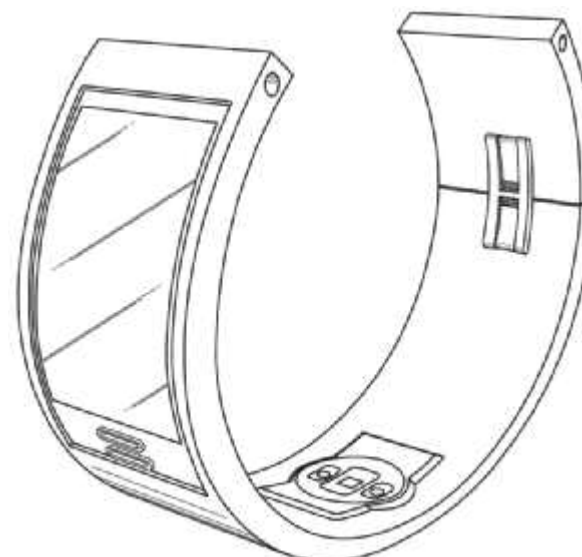
- (21) Design Number: **10123/2015**  
(22) Date of Filing Application: **12 January 2015**  
(24) Date from which industrial property rights may have effect: **04 December 2014**  
(54) Product in respect of which the design is registered: **Wrist watch band**  
(51) International Design Classification: **10-07**  
(74) Name(s) of Attorney(s): **Cullens Patent and Trade Mark Attorneys**  
(71) Name(s) and Address(s) of Applicant(s):  
**Kairos Watches Limited**  
**10 Raeburn Park #02-08 Singapore 088702 Singapore**  
(72) Name(s) of Designer(s): **Sun Jong Yang**  
(45) Registration Date: **15 January 2015**  
(62) Divisional of: **359909**  
(56) Related Art Documents: **Not Applicable**  
(57) Statement of Newness and Distinctiveness: **Newness and distinctiveness is claimed in the features of the shape and configuration of the wrist watch band as illustrated in the accompanying representations.**



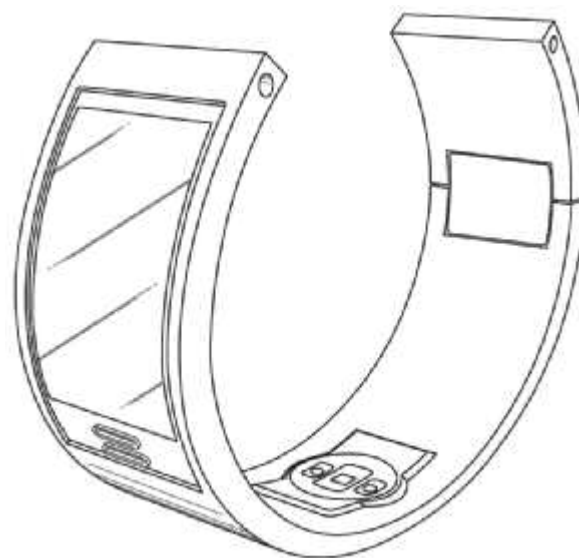
- (21) Design Number: **10124/2015**  
(22) Date of Filing Application: **12 January 2015**  
(24) Date from which industrial property rights may have effect: **04 December 2014**  
(54) Product in respect of which the design is registered: **Wrist watch band**  
(51) International Design Classification: **10-07**  
(74) Name(s) of Attorney(s): **Cullens Patent and Trade Mark Attorneys**  
(71) Name(s) and Address(s) of Applicant(s):  
**Kairos Watches Limited**  
**10 Raeburn Park #02-08 Singapore 088702 Singapore**  
(72) Name(s) of Designer(s): **Sun Jong Yang**  
(45) Registration Date: **15 January 2015**  
(62) Divisional of: **359909**  
(56) Related Art Documents: **Not Applicable**  
(57) Statement of Newness and Distinctiveness: **Newness and distinctiveness is claimed in the features of the shape and configuration of the wrist watch band as illustrated in the accompanying representations.**



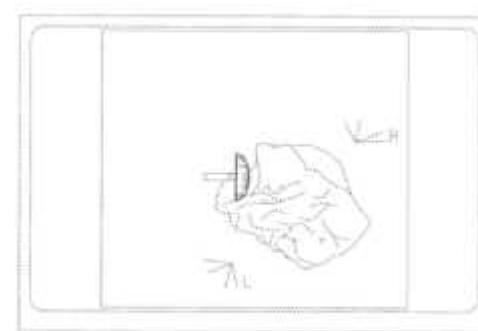
- (21) Design Number: **10125/2015**  
(22) Date of Filing Application: **12 January 2015**  
(24) Date from which industrial property rights may have effect: **04 December 2014**  
(54) Product in respect of which the design is registered: **Wrist watch band**  
(51) International Design Classification: **10-07**  
(74) Name(s) of Attorney(s): **Cullens Patent and Trade Mark Attorneys**  
(71) Name(s) and Address(s) of Applicant(s):  
**Kairos Watches Limited**  
**10 Raeburn Park #02-08 Singapore 088702 Singapore**  
(72) Name(s) of Designer(s): **Sun Jong Yang**  
(45) Registration Date: **15 January 2015**  
(62) Divisional of: **359909**  
(56) Related Art Documents: **Not Applicable**  
(57) Statement of Newness and Distinctiveness: **Newness and distinctiveness is claimed in the features of the shape and configuration of the wrist watch band as illustrated in the accompanying representations.**



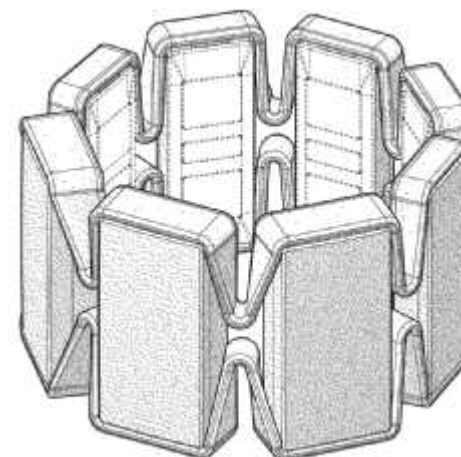
- (21) Design Number: **10126/2015**  
(22) Date of Filing Application: **12 January 2015**  
(24) Date from which industrial property rights may have effect: **04 December 2014**  
(54) Product in respect of which the design is registered: **Wrist watch band**  
(51) International Design Classification: **10-07**  
(74) Name(s) of Attorney(s): **Cullens Patent and Trade Mark Attorneys**  
(71) Name(s) and Address(s) of Applicant(s):  
**Kairos Watches Limited**  
**10 Raeburn Park #02-08 Singapore 088702 Singapore**  
(72) Name(s) of Designer(s): **Sun Jong Yang**  
(45) Registration Date: **15 January 2015**  
(62) Divisional of: **359909**  
(56) Related Art Documents: **Not Applicable**  
(57) Statement of Newness and Distinctiveness: **Newness and distinctiveness is claimed in the features of the shape and configuration of the wrist watch band as illustrated in the accompanying representations.**



- (21) Design Number: **15436/2014**  
(22) Date of Filing Application: **29 October 2014**  
(24) Date from which industrial property rights may have effect: **29 October 2014**  
(54) Product in respect of which the design is registered: **Display screen with icon**  
(51) International Design Classification: **14-04, 14-02**  
(74) Name(s) of Attorney(s): **Callinans**  
(71) Name(s) and Address(s) of Applicant(s):  
**Biosense Webster (Israel) Ltd.**  
**4 Hatnufa Street, Yokneam, Israel 20692 Israel**  
(72) Name(s) of Designer(s): **Yoram Chmiel and Noam Seker Gafni and Itamar Bustan**  
(45) Registration Date: **15 January 2015**  
(30) Convention priority data:  
(31) Number      (32) Date      (33) Country  
**29/490,874      15 May 2014      UNITED STATES OF AMERICA**  
(56) Related Art Documents: **Not Applicable**  
(57) Statement of Newness and Distinctiveness: **Newness and distinctiveness reside in the features of pattern and/or ornamentation of a display screen with icon as illustrated by solid lines in the accompanying representation. The features shown in broken outline are for contextual purposes only and do not form part of the design.**



(21) Design Number: **15639/2014**  
(22) Date of Filing Application: **05 November 2014**  
(24) Date from which industrial property rights may have effect: **05 November 2014**  
(54) Product in respect of which the design is registered: **Expandable armband**  
(51) International Design Classification: **14-03NES**  
(74) Name(s) of Attorney(s): **Shelston IP**  
(71) Name(s) and Address(s) of Applicant(s):  
**Thalmic Labs Inc.**  
**24 Charles Street West Kitchener Ontario, N2G 1H2 Canada**  
(72) Name(s) of Designer(s): **Matthew Bailey and Stephen E Orzel and Graham T Hills and Kirk A Mosna**  
(45) Registration Date: **15 January 2015**  
(30) Convention priority data:  
(31) Number (32) Date (33) Country  
**29/490952 15 May 2014 UNITED STATES OF AMERICA**



(56) Related Art Documents: **Not Applicable**  
(57) Statement of Newness and Distinctiveness: **Newness and distinctiveness reside in the shape and configuration of a design for an expandable armband as shown in solid line in the accompanying representations. The expandable armband is shown in a contracted state. The stippling and contour lines shown in the drawings indicate areas of light and shadow, and contours of the expandable armband or portion thereof, and do not indicate surface decoration. In the drawings, the broken lines illustrate portions of the expandable armband that form no part of the claimed design.**

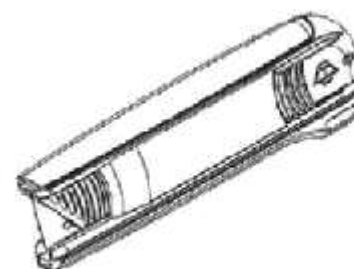
(21) Design Number: **15682/2014**  
(22) Date of Filing Application: **06 November 2014**  
(24) Date from which industrial property rights may have effect: **06 November 2014**  
(54) Product in respect of which the design is registered: **Tights**  
(51) International Design Classification: **02-04C**  
(74) Name(s) of Attorney(s):  
(71) Name(s) and Address(s) of Applicant(s):  
**SVVET PTY LTD**  
**511/1 Missenden Rd Camperdown NSW 2050 Australia**  
(72) Name(s) of Designer(s): **Diana Valia Chen**  
(45) Registration Date: **15 January 2015**  
(56) Related Art Documents: **Not Applicable**



(57) Statement of Newness and Distinctiveness: **The newness and distinctiveness of the design resides in the shape of the fabric panels and the way they are stitched together to form the overall item of clothing. These are shown in the continuous black lines in the accompanying representations. The broken lines, grey lines, and grey shaded areas are not part of the design and are to be disregarded when considering the overall impression of the design.**



(21) Design Number: **15989/2014**  
(22) Date of Filing Application: **21 November 2014**  
(24) Date from which industrial property rights may have effect: **21 November 2014**  
(54) Product in respect of which the design is registered: **Safety cutter**  
(51) International Design Classification: **08-03**  
(74) Name(s) of Attorney(s): **PIZZEYS**  
(71) Name(s) and Address(s) of Applicant(s):  
**Martor KG**  
**Heider Hof 60 Solingen 42653 Germany**  
(72) Name(s) of Designer(s): **Martin Rohrbach**  
(45) Registration Date: **15 January 2015**  
(30) Convention priority data:  
(31) Number (32) Date (33) Country  
**002470450-0001- 26 May 2014 OFFICE FOR HARMONISATION IN**  
**THE INTERNAL MARKET (OHIM)**  
(56) Related Art Documents: **Not Applicable**  
(57) Statement of Newness and Distinctiveness: **Nil**



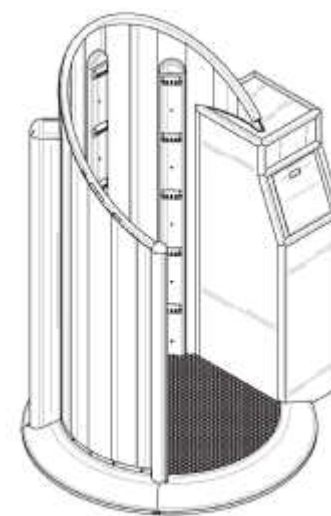
(21) Design Number: **15991/2014**  
(22) Date of Filing Application: **21 November 2014**  
(24) Date from which industrial property rights may have effect: **21 November 2014**  
(54) Product in respect of which the design is registered: **Restraint fittings for PE pipe**  
(51) International Design Classification: **23-01A**  
(74) Name(s) of Attorney(s):  
(71) Name(s) and Address(s) of Applicant(s):  
**Pentair Water Solutions Pty Limited**  
**125 Patullos Lane Somerton VIC 3062 Australia**  
(72) Name(s) of Designer(s): **David Christensen and Cameron Gillies**  
(45) Registration Date: **15 January 2015**  
(56) Related Art Documents: **Not Applicable**  
(57) Statement of Newness and Distinctiveness: **Assembly is distinguished by a conical protrusion for a typically flat face of a ring flange normally used to hold the assembly together. The protrusion houses a system for gripping the surface of plastic pipe and a system for prevent leakage from pipes.**



- (21) Design Number: **16021/2014**  
(22) Date of Filing Application: **24 November 2014**  
(24) Date from which industrial property rights may have effect: **24 November 2014**  
(54) Product in respect of which the design is registered: **Display screen with animated graphical user interface**  
(51) International Design Classification: **14-02**  
(74) Name(s) of Attorney(s): **Shelston IP**  
(71) Name(s) and Address(s) of Applicant(s):  
**GD Midea Air-Conditioning Equipment Co., Ltd.**  
**Refrigeration Main Building, East Area Midea Industry Town, Beijiao, Shunde Foshan Guangdong, 528311 China**  
(72) Name(s) of Designer(s): **Zhe Zhang and Zhaozhong Ruan and Dongpei Bai**  
(45) Registration Date: **15 January 2015**  
(56) Related Art Documents: **Not Applicable**  
(57) Statement of Newness and Distinctiveness: **Newness and distinctiveness reside in the features of pattern and/or ornamentation of a DISPLAY SCREEN WITH ANIMATED GRAPHICAL USER INTERFACE as illustrated in solid lines in the accompanying representation. The features shown in dot-dash or other broken lines are illustrative only and do not form part of the design.**



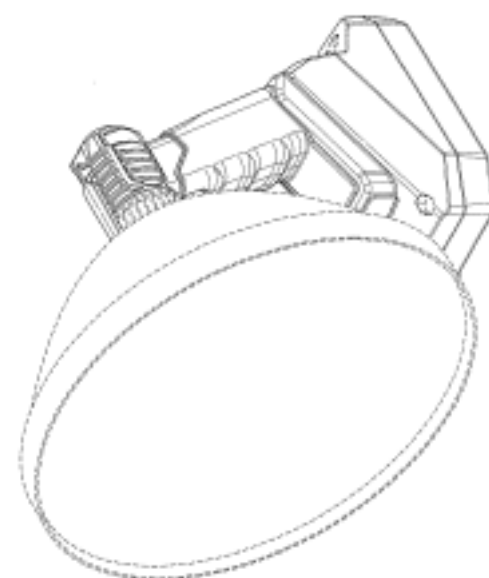
- (21) Design Number: **15197/2014**  
(22) Date of Filing Application: **10 October 2014**  
(24) Date from which industrial property rights may have effect: **10 October 2014**  
(54) Product in respect of which the design is registered: **Fluid application apparatus**  
(51) International Design Classification: **23-01NES**  
(74) Name(s) of Attorney(s): **PHILLIPS ORMONDE FITZPATRICK**  
(71) Name(s) and Address(s) of Applicant(s):  
**Snappyscreen, Inc.**  
**17 Milford Drive Locust Valley New York, 11560 United States of America**  
(72) Name(s) of Designer(s): **Kristen McClellan and Erkan Riza and Aslan Leo Riza**  
(45) Registration Date: **15 January 2015**  
(30) Convention priority data:  
(31) Number (32) Date (33) Country  
**29/487,968 14 Apr 2014 UNITED STATES OF AMERICA**  
(56) Related Art Documents: **Not Applicable**  
(57) Statement of Newness and Distinctiveness: **Nil**



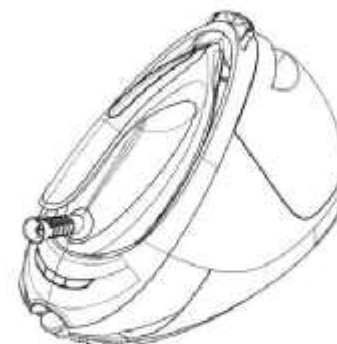
- (21) Design Number: **16631/2014**  
(22) Date of Filing Application: **22 December 2014**  
(24) Date from which industrial property rights may have effect: **17 November 2014**  
(54) Product in respect of which the design is registered: **Bottle**  
(51) International Design Classification: **09-01NES**  
(74) Name(s) of Attorney(s): **Shelston IP**  
(71) Name(s) and Address(s) of Applicant(s):  
**Owens-Brockway Glass Container Inc.**  
**One Michael Owens Way Perrysburg Ohio 43551 United States of America**  
(72) Name(s) of Designer(s): **Douglas Laib and Karl A Reisig and Scott D King and Megan Herman and Raul M Paredes**  
(45) Registration Date: **15 January 2015**  
(30) Convention priority data:  
(31) Number (32) Date (33) Country  
**29/493202 06 Jun 2014 UNITED STATES OF AMERICA**  
(62) Divisional of: **359689**  
(56) Related Art Documents: **Not Applicable**  
(57) Statement of Newness and Distinctiveness: **Newness and distinctiveness reside in the shape and configuration of the design for a BOTTLE as illustrated in the accompanying drawings. The contour shading lines shown in all views of the illustrated design are intended to indicate the curvature of the bottle surface and do not represent a marking of the surface.**



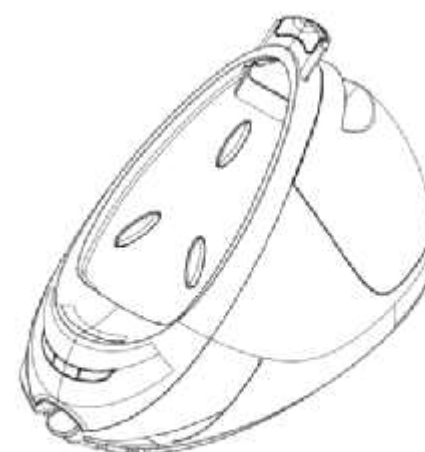
- (21) Design Number: **16663/2014**  
(22) Date of Filing Application: **23 December 2014**  
(24) Date from which industrial property rights may have effect: **23 December 2014**  
(54) Product in respect of which the design is registered: **Hand held light**  
(51) International Design Classification: **26-02**  
(74) Name(s) of Attorney(s): **Madderns**  
(71) Name(s) and Address(s) of Applicant(s):  
**Lightforce Australia Pty. Limited**  
**28 Ormond St Hindmarsh SA 5007 Australia**  
(72) Name(s) of Designer(s): **Robert Dall**  
(45) Registration Date: **15 January 2015**  
(30) Convention priority data:  
(31) Number (32) Date (33) Country  
**29/495,790 03 Jul 2014 UNITED STATES OF AMERICA**  
(56) Related Art Documents: **Not Applicable**  
(57) Statement of Newness and Distinctiveness: **Newness and distinctiveness resides in the shape, ornamentation and configuration of the HAND HELD LIGHT and the dashed lines form no part of the design and are included to show the environment of the design.**



(21) Design Number: **16721/2014**  
(22) Date of Filing Application: **30 December 2014**  
(24) Date from which industrial property rights may have effect: **30 December 2014**  
(54) Product in respect of which the design is registered: **Iron with steam generator**  
(51) International Design Classification: **07-05A**  
(74) Name(s) of Attorney(s): **FB Rice**  
(71) Name(s) and Address(s) of Applicant(s):  
**Koninklijke Philips N.V.**  
**High Tech Campus 5 5656 AE Eindhoven The Netherlands**  
(72) Name(s) of Designer(s): **Tan Mui Luang**  
(45) Registration Date: **15 January 2015**  
(30) Convention priority data:  
(31) Number (32) Date (33) Country  
**002494781-0001 02 Jul 2014 OFFICE FOR HARMONISATION IN THE INTERNAL MARKET (OHIM)**  
(56) Related Art Documents: **Not Applicable**  
(57) Statement of Newness and Distinctiveness: **Newness and distinctiveness reside in the features of shape and configuration of the design as shown in the representations.**



(21) Design Number: **16722/2014**  
(22) Date of Filing Application: **30 December 2014**  
(24) Date from which industrial property rights may have effect: **30 December 2014**  
(54) Product in respect of which the design is registered: **Steam generator for iron**  
(51) International Design Classification: **07-05A**  
(74) Name(s) of Attorney(s): **FB Rice**  
(71) Name(s) and Address(s) of Applicant(s):  
**Koninklijke Philips N.V.**  
**High Tech Campus 5 5656 AE Eindhoven The Netherlands**  
(72) Name(s) of Designer(s): **Tan Mui Luang**  
(45) Registration Date: **15 January 2015**  
(30) Convention priority data:  
(31) Number (32) Date (33) Country  
**002494781-0002 02 Jul 2014 OFFICE FOR HARMONISATION IN THE INTERNAL MARKET (OHIM)**  
(56) Related Art Documents: **Not Applicable**  
(57) Statement of Newness and Distinctiveness: **Newness and distinctiveness reside in the features of shape and configuration of the design as shown in the representations.**



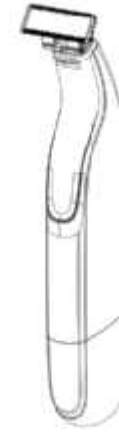
(21) Design Number: **16723/2014**  
(22) Date of Filing Application: **30 December 2014**  
(24) Date from which industrial property rights may have effect: **30 December 2014**  
(54) Product in respect of which the design is registered: **Electric steam iron**  
(51) International Design Classification: **07-05A**  
(74) Name(s) of Attorney(s): **FB Rice**  
(71) Name(s) and Address(s) of Applicant(s):  
**Koninklijke Philips N.V.**  
**High Tech Campus 5 5656 AE Eindhoven The Netherlands**  
(72) Name(s) of Designer(s): **Tan Mui Luang**  
(45) Registration Date: **15 January 2015**  
(30) Convention priority data:  
(31) Number (32) Date (33) Country  
**002494781-0003 02 Jul 2014 OFFICE FOR HARMONISATION IN  
THE INTERNAL MARKET (OHIM)**  
(56) Related Art Documents: **Not Applicable**  
(57) Statement of Newness and Distinctiveness: **Newness and distinctiveness  
reside in the features of shape and configuration of the design as shown  
in the representations.**



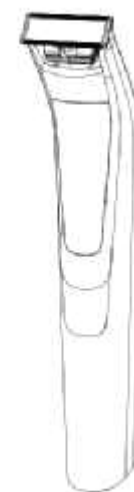
(21) Design Number: **16724/2014**  
(22) Date of Filing Application: **30 December 2014**  
(24) Date from which industrial property rights may have effect: **30 December 2014**  
(54) Product in respect of which the design is registered: **Smokeless grill**  
(51) International Design Classification: **07-02H**  
(74) Name(s) of Attorney(s): **FB Rice**  
(71) Name(s) and Address(s) of Applicant(s):  
**Koninklijke Philips N.V.**  
**High Tech Campus 5 5656 AE Eindhoven The Netherlands**  
(72) Name(s) of Designer(s): **Frank Verbrugge**  
(45) Registration Date: **15 January 2015**  
(30) Convention priority data:  
(31) Number (32) Date (33) Country  
**002496422-0001 04 Jul 2014 OFFICE FOR HARMONISATION IN  
THE INTERNAL MARKET (OHIM)**  
(56) Related Art Documents: **Not Applicable**  
(57) Statement of Newness and Distinctiveness: **Newness and distinctiveness  
reside in the features of shape and configuration of the design as shown  
in the representations.**



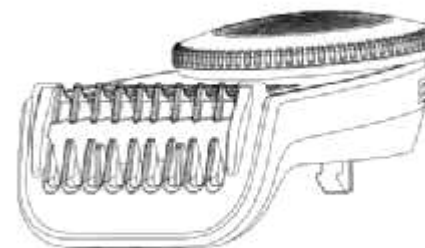
(21) Design Number: **16725/2014**  
(22) Date of Filing Application: **31 December 2014**  
(24) Date from which industrial property rights may have effect: **31 December 2014**  
(54) Product in respect of which the design is registered: **Grooming apparatus**  
(51) International Design Classification: **28-03A**  
(74) Name(s) of Attorney(s): **FB Rice**  
(71) Name(s) and Address(s) of Applicant(s):  
**Koninklijke Philips N.V.**  
**High Tech Campus 5 5656 AE Eindhoven The Netherlands**  
(72) Name(s) of Designer(s): **Jens Peter Kophmann Andersson**  
(45) Registration Date: **15 January 2015**  
(30) Convention priority data:  
(31) Number (32) Date (33) Country  
**002496497-0004 04 Jul 2014 OFFICE FOR HARMONISATION IN  
THE INTERNAL MARKET (OHIM)**  
(56) Related Art Documents: **Not Applicable**  
(57) Statement of Newness and Distinctiveness: **Newness and distinctiveness  
reside in the features of shape and configuration of the design as shown  
in the representations.**



(21) Design Number: **16726/2014**  
(22) Date of Filing Application: **31 December 2014**  
(24) Date from which industrial property rights may have effect: **31 December 2014**  
(54) Product in respect of which the design is registered: **Grooming apparatus**  
(51) International Design Classification: **28-03A**  
(74) Name(s) of Attorney(s): **FB Rice**  
(71) Name(s) and Address(s) of Applicant(s):  
**Koninklijke Philips N.V.**  
**High Tech Campus 5 5656 AE Eindhoven The Netherlands**  
(72) Name(s) of Designer(s): **Nicole Louisa De Klein**  
(45) Registration Date: **15 January 2015**  
(30) Convention priority data:  
(31) Number (32) Date (33) Country  
**002496497-0005 04 Jul 2014 OFFICE FOR HARMONISATION IN  
THE INTERNAL MARKET (OHIM)**  
(56) Related Art Documents: **Not Applicable**  
(57) Statement of Newness and Distinctiveness: **Newness and distinctiveness  
reside in the features of shape and configuration of the design as shown  
in the representations.**



(21) Design Number: **16727/2014**  
(22) Date of Filing Application: **31 December 2014**  
(24) Date from which industrial property rights may have effect: **31 December 2014**  
(54) Product in respect of which the design is registered: **Comb for grooming apparatus**  
(51) International Design Classification: **28-03A**  
(74) Name(s) of Attorney(s): **FB Rice**  
(71) Name(s) and Address(s) of Applicant(s):  
**Koninklijke Philips N.V.**  
**High Tech Campus 5 5656 AE Eindhoven The Netherlands**  
(72) Name(s) of Designer(s): **Nicole Louisa De Klein**  
(45) Registration Date: **15 January 2015**  
(30) Convention priority data:  
(31) Number (32) Date (33) Country  
**002496497-0006 04 Jul 2014 OFFICE FOR HARMONISATION IN THE INTERNAL MARKET (OHIM)**  
(56) Related Art Documents: **Not Applicable**  
(57) Statement of Newness and Distinctiveness: **Newness and distinctiveness reside in the features of shape and configuration of the design as shown in the representations.**



(21) Design Number: **16728/2014**  
(22) Date of Filing Application: **31 December 2014**  
(24) Date from which industrial property rights may have effect: **31 December 2014**  
(54) Product in respect of which the design is registered: **Stand for grooming apparatus**  
(51) International Design Classification: **28-03A**  
(74) Name(s) of Attorney(s): **FB Rice**  
(71) Name(s) and Address(s) of Applicant(s):  
**Koninklijke Philips N.V.**  
**High Tech Campus 5 5656 AE Eindhoven The Netherlands**  
(72) Name(s) of Designer(s): **Nicole Louisa De Klein**  
(45) Registration Date: **15 January 2015**  
(30) Convention priority data:  
(31) Number (32) Date (33) Country  
**002496497-0007 04 Jul 2014 OFFICE FOR HARMONISATION IN THE INTERNAL MARKET (OHIM)**  
(56) Related Art Documents: **Not Applicable**  
(57) Statement of Newness and Distinctiveness: **Newness and distinctiveness reside in the features of shape and configuration of the design as shown in the representations.**



(21) Design Number: **10031/2015**  
(22) Date of Filing Application: **06 January 2015**  
(24) Date from which industrial property rights may have effect: **06 January 2015**  
(54) Product in respect of which the design is registered: **Wheel**  
(51) International Design Classification: **12-02**  
(74) Name(s) of Attorney(s): **Tatlocks Chrysiliou IP**  
(71) Name(s) and Address(s) of Applicant(s):  
**Rotacaster Wheel Limited**  
**2/2 Revelation CI Tighes Hill NSW 2297 Australia**  
(72) Name(s) of Designer(s): **Peter McKinnon**  
(45) Registration Date: **15 January 2015**  
(56) Related Art Documents: **Not Applicable**  
(57) Statement of Newness and Distinctiveness: **Newness and Distinctiveness reside in the features of shape and/or configuration of wheel comprising wheel frame having a cantilevered arm (refer to reference A) and a radial arm (refer to reference B) shown in solid lines in the accompanying representations of Figs 1 and 2. In determining the scope of the registration, the shape and/or configuration of the features shown in broken lines (refer to reference C) are to be disregarded.**



(21) Design Number: **10032/2015**  
(22) Date of Filing Application: **06 January 2015**  
(24) Date from which industrial property rights may have effect: **06 January 2015**  
(54) Product in respect of which the design is registered: **Automobile**  
(51) International Design Classification: **12-08**  
(74) Name(s) of Attorney(s): **PIZZEYS**  
(71) Name(s) and Address(s) of Applicant(s):  
**Mitsubishi Jidosha Kogyo Kabushiki Kaisha**  
**33-8 Shiba 5-chome Minato-ku Tokyo 108-8410 Japan**  
(72) Name(s) of Designer(s): **Yuichiro Ishizuka and Norihiko Yoshimine**  
(45) Registration Date: **15 January 2015**  
(30) Convention priority data:  
(31) Number      (32) Date      (33) Country  
**2014-015831      22 Jul 2014      JAPAN**  
(56) Related Art Documents: **Not Applicable**  
(57) Statement of Newness and Distinctiveness: **Nil**





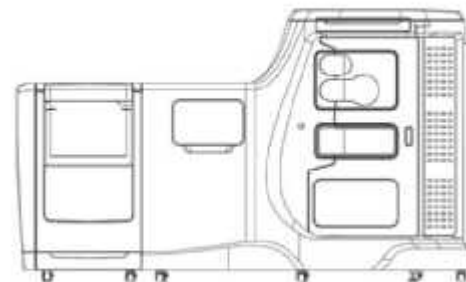
- (21) Design Number: **10033/2015**  
(22) Date of Filing Application: **07 January 2015**  
(24) Date from which industrial property rights may have effect: **05 June 2014**  
(54) Product in respect of which the design is registered: **Headphones**  
(51) International Design Classification: **14-01**  
(74) Name(s) of Attorney(s): **PHILLIPS ORMONDE FITZPATRICK**  
(71) Name(s) and Address(s) of Applicant(s):  
**Bose Corporation**  
**The Mountain, MS 3B1 Framingham Massachusetts, 01701-9168 United States of America**  
(72) Name(s) of Designer(s): **Nathan David Schaal and Adam A. Carr and Joshua Kevin Dryden and Gerald G. Gagnon and Kevin M Krauss and Michael E. Laude and Julie E Tierney and Tristen Edward Taylor**  
(45) Registration Date: **15 January 2015**  
(62) Divisional of: **359748**  
(56) Related Art Documents: **Not Applicable**  
(57) Statement of Newness and Distinctiveness: **Those features of the headphones depicted in the representations that are new and distinctive are the shape and/or configuration. The features shown in broken lines are not part of the design and are to be disregarded when considering the overall impression of the design.**



- (21) Design Number: **10034/2015**  
(22) Date of Filing Application: **07 January 2015**  
(24) Date from which industrial property rights may have effect: **05 June 2014**  
(54) Product in respect of which the design is registered: **Headphones**  
(51) International Design Classification: **14-01**  
(74) Name(s) of Attorney(s): **PHILLIPS ORMONDE FITZPATRICK**  
(71) Name(s) and Address(s) of Applicant(s):  
**Bose Corporation**  
**The Mountain, MS 3B1 Framingham Massachusetts, 01701-9168 United States of America**  
(72) Name(s) of Designer(s): **Nathan David Schaal and Adam A. Carr and Joshua Kevin Dryden and Gerald G. Gagnon and Kevin M Krauss and Michael E. Laude and Julie E Tierney and Tristen Edward Taylor**  
(45) Registration Date: **15 January 2015**  
(62) Divisional of: **359748**  
(56) Related Art Documents: **Not Applicable**  
(57) Statement of Newness and Distinctiveness: **Those features of the headphones depicted in the representations that are new and distinctive are the shape and/or configuration. The features shown in broken lines are not part of the design and are to be disregarded when considering the overall impression of the design.**



- (21) Design Number: **10036/2015**  
(22) Date of Filing Application: **07 January 2015**  
(24) Date from which industrial property rights may have effect: **30 October 2014**  
(54) Product in respect of which the design is registered: **Endoscope system workstation**  
(51) International Design Classification: **24-01**  
(74) Name(s) of Attorney(s): **PHILLIPS ORMONDE FITZPATRICK**  
(71) Name(s) and Address(s) of Applicant(s):  
**Olympus (Beijing) Sales & Service Co., Ltd.**  
**A8F Ping An International Financial Center No. 1-3 Xinyuan South Road**  
**Chaoyang District Beijing 100027 China**  
(72) Name(s) of Designer(s): **Xin Huang and Ye Hong and Junwei Xu and Han Xu and Tengfei Yang**  
(45) Registration Date: **15 January 2015**  
(62) Divisional of: **359863**  
(56) Related Art Documents: **Not Applicable**  
(57) Statement of Newness and Distinctiveness: **Those features of the endoscope system workstation depicted in the representations that are new and distinctive are the shape and/or configuration.**



- (21) Design Number: **10037/2015**  
(22) Date of Filing Application: **07 January 2015**  
(24) Date from which industrial property rights may have effect: **07 January 2015**  
(54) Product in respect of which the design is registered: **A body for a fork lift truck**  
(51) International Design Classification: **12-05**  
(74) Name(s) of Attorney(s): **Griffith Hack**  
(71) Name(s) and Address(s) of Applicant(s):  
**CROWN EQUIPMENT CORPORATION**  
**40 South Washington Street New Bremen Ohio, 45869 United States of America**  
(72) Name(s) of Designer(s): **Craig J. Rekow and Roger J. Quinlan and Trisha M Luthman and Michael P. Gallagher**  
(45) Registration Date: **15 January 2015**  
(30) Convention priority data:  
(31) Number      (32) Date      (33) Country  
**29/497,822      29 Jul 2014      UNITED STATES OF AMERICA**  
(56) Related Art Documents: **Not Applicable**  
(57) Statement of Newness and Distinctiveness: **Newness and distinctiveness resides in the visual features, including the shape and configuration of the product as shown by solid lines in the representations. Those parts shown by dashed lines in Figures 1, 2, 3, 6 and 7 have been included for illustrative purposes. Those parts shown by dashed lines in Figure 8 do not form part of the product and have been included to illustrate environmental aspects only.**



(21) Design Number: **10038/2015**  
(22) Date of Filing Application: **07 January 2015**  
(24) Date from which industrial property rights may have effect: **25 November 2014**  
(54) Product in respect of which the design is registered: **Winch remote control**  
(51) International Design Classification: **14-03NES, 12-05**  
(74) Name(s) of Attorney(s): **Shelston IP**  
(71) Name(s) and Address(s) of Applicant(s):

**Warn Industries, Inc.**  
**12900 SE Capps Road Clackamas Oregon, 97015 United States of America**

(72) Name(s) of Designer(s): **Darren G. Fretz and Craig Clark**

(45) Registration Date: **15 January 2015**

(30) Convention priority data:

(31) Number	(32) Date	(33) Country
<b>29/500213</b>	<b>22 Aug 2014</b>	<b>UNITED STATES OF AMERICA</b>

(62) Divisional of: **359866**

(56) Related Art Documents: **Not Applicable**

(57) Statement of Newness and Distinctiveness: **Newness and distinctiveness reside in the features of shape and/or configuration of a winch remote control as shown in solid lines in the accompanying representations. Features shown in broken lines are included for illustrative purposes only and do not form part of the design.**



(21) Design Number: **10039/2015**  
(22) Date of Filing Application: **07 January 2015**  
(24) Date from which industrial property rights may have effect: **07 January 2015**  
(54) Product in respect of which the design is registered: **Light bar for a lift truck**  
(51) International Design Classification: **26-06**  
(74) Name(s) of Attorney(s): **Griffith Hack**  
(71) Name(s) and Address(s) of Applicant(s):

**CROWN EQUIPMENT CORPORATION**  
**40 South Washington Street New Bremen Ohio, 45869 United States of America**

(72) Name(s) of Designer(s): **Craig J. Rekow and Trisha M Luthman and Michael P. Gallaher and Jason L Seitz**

(45) Registration Date: **15 January 2015**

(30) Convention priority data:

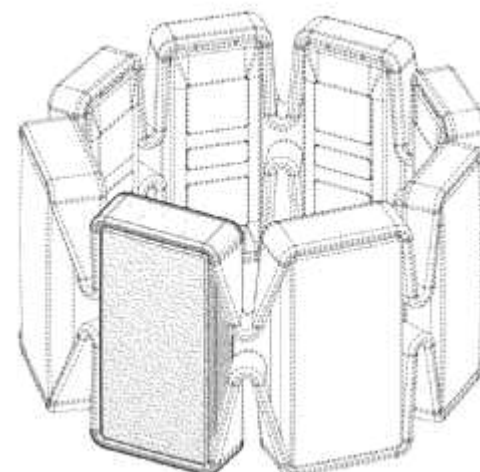
(31) Number	(32) Date	(33) Country
<b>29/497,817</b>	<b>29 Jul 2014</b>	<b>UNITED STATES OF AMERICA</b>

(56) Related Art Documents: **Not Applicable**

(57) Statement of Newness and Distinctiveness: **Newness and distinctiveness resides in the visual features, including the shape and configuration of the product shown in the representations.**



(21) Design Number: **10040/2015**  
(22) Date of Filing Application: **07 January 2015**  
(24) Date from which industrial property rights may have effect: **05 November 2014**  
(54) Product in respect of which the design is registered: **Expandable armband**  
(51) International Design Classification: **14-03NES**  
(74) Name(s) of Attorney(s): **Shelston IP**  
(71) Name(s) and Address(s) of Applicant(s):  
**Thalmic Labs Inc.**  
**24 Charles Street West Kitchener Ontario, N2G 1H2 Canada**  
(72) Name(s) of Designer(s): **Matthew Bailey and Stephen E Orzel and Graham T Hills and Kirk A Mosna**  
(45) Registration Date: **15 January 2015**  
(30) Convention priority data:  
(31) Number (32) Date (33) Country  
**29/490952 15 May 2014 UNITED STATES OF AMERICA**



(62) Divisional of: **359916**  
(56) Related Art Documents: **Not Applicable**  
(57) Statement of Newness and Distinctiveness: **Newness and distinctiveness reside in the shape and configuration of a portion of the expandable armband as shown in solid line in the accompanying representations. The expandable armband is shown in a contracted state. The stippling and contour lines shown in the drawings indicate areas of light and shadow, and contours of the portion of the expandable armband, and do not indicate surface decoration. In the drawings, the parts of the armband shown in broken lines illustrate portions of the expandable armband that form no part of the claimed design.**

(21) Design Number: **13772/2014**  
(22) Date of Filing Application: **04 August 2014**  
(24) Date from which industrial property rights may have effect: **04 August 2014**  
(54) Product in respect of which the design is registered: **Article of clothing**  
(51) International Design Classification: **02-02C**  
(74) Name(s) of Attorney(s): **Allens Patent & Trade Mark Attorneys**  
(71) Name(s) and Address(s) of Applicant(s):  
**Forever New Clothing Pty Ltd**  
**714-716 High St Kew East VIC 3102 Australia**  
(72) Name(s) of Designer(s): **Karen Thai**  
(45) Registration Date: **16 January 2015**  
(56) Related Art Documents: **Not Applicable**  
(57) Statement of Newness and Distinctiveness: **Newness and distinctiveness resides in the visual features of shape, configuration, pattern and/or ornamentation of an article of clothing as shown in the accompanying representations.**



(21) Design Number: **10035/2015**

(22) Date of Filing Application: **07 January 2015**

(24) Date from which industrial property rights may have effect: **07 January 2015**

(54) Product in respect of which the design is registered: **3-head dry shaver**

(51) International Design Classification: **28-03A**

(74) Name(s) of Attorney(s): **FB Rice**

(71) Name(s) and Address(s) of Applicant(s):

**Koninklijke Philips N.V.**  
**High Tech Campus 5 5656 AE Eindhoven The Netherlands**

(72) Name(s) of Designer(s): **Peter Jonathan Smith**

(45) Registration Date: **16 January 2015**

(30) Convention priority data:

(31) Number	(32) Date	(33) Country
<b>002500785-0001</b>	<b>11 Jul 2014</b>	<b>OFFICE FOR HARMONISATION IN THE INTERNAL MARKET (OHIM)</b>



(56) Related Art Documents: **Not Applicable**

(57) Statement of Newness and Distinctiveness: **Newness and distinctiveness reside in the features of shape and configuration of the design as shown in thee the shape representations.**

(21) Design Number: **10041/2015**

(22) Date of Filing Application: **07 January 2015**

(24) Date from which industrial property rights may have effect: **07 January 2015**

(54) Product in respect of which the design is registered: **Overhead guard for a lift truck**

(51) International Design Classification: **12-16C**

(74) Name(s) of Attorney(s): **Griffith Hack**

(71) Name(s) and Address(s) of Applicant(s):

**CROWN EQUIPMENT CORPORATION**  
**40 South Washington Street New Bremen Ohio, 45869 United States of America**

(72) Name(s) of Designer(s): **Craig J Rekow and Trisha M Luthman and Roger J Quinlan and Matthew J Otto and Jason L Seitz**

(45) Registration Date: **16 January 2015**

(30) Convention priority data:

(31) Number	(32) Date	(33) Country
<b>29/497,814</b>	<b>29 Jul 2014</b>	<b>UNITED STATES OF AMERICA</b>



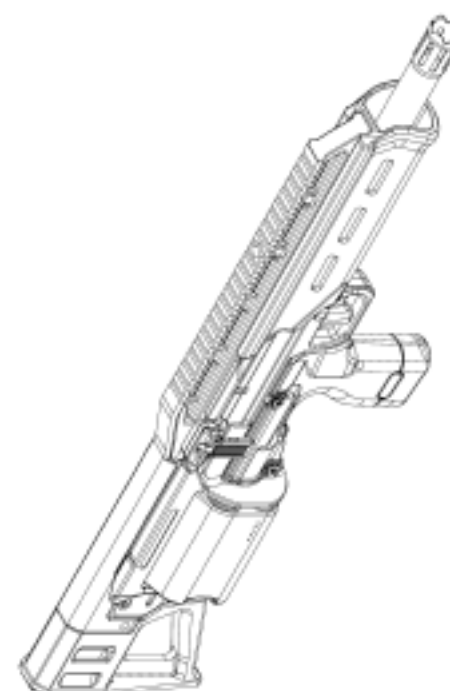
(56) Related Art Documents: **Not Applicable**

(57) Statement of Newness and Distinctiveness: **Newness and distinctiveness resides in the visual features, including the shape and configuration of the product shown in the representations.**

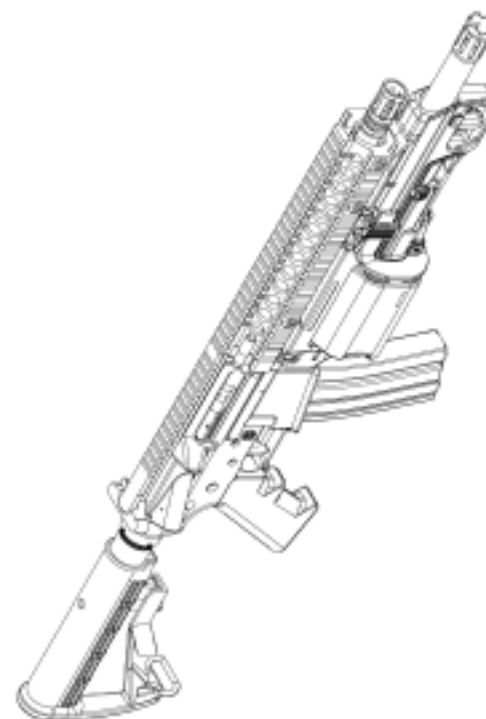
(21) Design Number: **10042/2015**  
(22) Date of Filing Application: **07 January 2015**  
(24) Date from which industrial property rights may have effect: **07 January 2015**  
(54) Product in respect of which the design is registered: **Appliance for preparation of food**  
(51) International Design Classification: **31-00**  
(74) Name(s) of Attorney(s): **PIZZEYS**  
(71) Name(s) and Address(s) of Applicant(s):  
**Vorwerk & Co. Interholding GmbH**  
**Muehlenweg 17-37 Wuppertal 42275 Germany**  
(72) Name(s) of Designer(s): **Uwe Kemker and Felix Thies**  
(45) Registration Date: **16 January 2015**  
(30) Convention priority data:  
(31) Number      (32) Date      (33) Country  
**001420202      03 Sep 2014      EUROPEAN PATENT OFFICE (EPO)**  
(56) Related Art Documents: **Not Applicable**  
(57) Statement of Newness and Distinctiveness: **Nil**



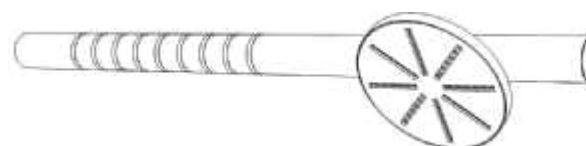
(21) Design Number: **10043/2015**  
(22) Date of Filing Application: **07 January 2015**  
(24) Date from which industrial property rights may have effect: **07 January 2015**  
(54) Product in respect of which the design is registered: **Toy gun**  
(51) International Design Classification: **21-01H**  
(74) Name(s) of Attorney(s): **SPRUSON & FERGUSON**  
(71) Name(s) and Address(s) of Applicant(s):  
**LineWeight LLC**  
**Brooklyn Navy Yard 63 Flushing Avenue, Unit 252, Brooklyn New York,**  
**11205 United States of America**  
(72) Name(s) of Designer(s): **Caleb Clark Crye and Eric C Burt**  
(45) Registration Date: **16 January 2015**  
(56) Related Art Documents: **Not Applicable**  
(57) Statement of Newness and Distinctiveness: **Newness and distinctiveness is claimed in the features of shape and/or configuration of a toy gun as illustrated in the accompanying representations.**



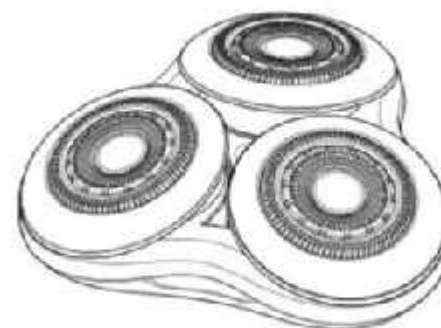
(21) Design Number: **10044/2015**  
(22) Date of Filing Application: **07 January 2015**  
(24) Date from which industrial property rights may have effect: **07 January 2015**  
(54) Product in respect of which the design is registered: **Toy gun**  
(51) International Design Classification: **21-01H**  
(74) Name(s) of Attorney(s): **SPRUSON & FERGUSON**  
(71) Name(s) and Address(s) of Applicant(s):  
**LineWeight LLC**  
**Brooklyn Navy Yard 63 Flushing Avenue, Unit 252, Brooklyn New York,**  
**11205 United States of America**  
(72) Name(s) of Designer(s): **Caleb Clark Crye and Eric C Burt**  
(45) Registration Date: **16 January 2015**  
(56) Related Art Documents: **Not Applicable**  
(57) Statement of Newness and Distinctiveness: **Newness and distinctiveness is claimed in the features of shape and/or configuration of a toy gun as illustrated in the accompanying representations.**



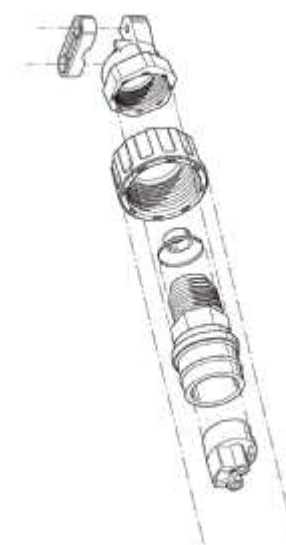
(21) Design Number: **10045/2015**  
(22) Date of Filing Application: **07 January 2015**  
(24) Date from which industrial property rights may have effect: **07 January 2015**  
(54) Product in respect of which the design is registered: **Shower**  
(51) International Design Classification: **23-02B**  
(74) Name(s) of Attorney(s): **Simpsons Solicitors**  
(71) Name(s) and Address(s) of Applicant(s):  
**Vola A/S**  
**Lunavej 2 8700 Horsens Denmark**  
(72) Name(s) of Designer(s): **Torben Madsen**  
(45) Registration Date: **16 January 2015**  
(30) Convention priority data:  
(31) Number (32) Date (33) Country  
**002503862-0001 17 Jul 2014 OFFICE FOR HARMONISATION IN**  
**THE INTERNAL MARKET (OHIM)**  
(56) Related Art Documents: **Not Applicable**  
(57) Statement of Newness and Distinctiveness: **Nil**



- (21) Design Number: **10046/2015**  
(22) Date of Filing Application: **07 January 2015**  
(24) Date from which industrial property rights may have effect: **07 January 2015**  
(54) Product in respect of which the design is registered: **Shaving head unit**  
(51) International Design Classification: **28-03A**  
(74) Name(s) of Attorney(s): **FB Rice**  
(71) Name(s) and Address(s) of Applicant(s):  
**Koninklijke Philips N.V.**  
**High Tech Campus 5 5656 AE Eindhoven The Netherlands**  
(72) Name(s) of Designer(s): **Peter Jonathan Smith**  
(45) Registration Date: **16 January 2015**  
(30) Convention priority data:  
(31) Number (32) Date (33) Country  
**002500785-0002 11 Jul 2014 OFFICE FOR HARMONISATION IN  
THE INTERNAL MARKET (OHIM)**  
(56) Related Art Documents: **Not Applicable**  
(57) Statement of Newness and Distinctiveness: **Newness and distinctiveness  
reside in the features of shape and configuration of the design as shown  
in the representations.**



- (21) Design Number: **10047/2015**  
(22) Date of Filing Application: **07 January 2015**  
(24) Date from which industrial property rights may have effect: **07 January 2015**  
(54) Product in respect of which the design is registered: **Plug kit**  
(51) International Design Classification: **25-99**  
(74) Name(s) of Attorney(s): **SPRUSON & FERGUSON**  
(71) Name(s) and Address(s) of Applicant(s):  
**Automatic Pool Cleaners (Australia) Pty Limited**  
**40 Percy St Auburn NSW 2144 Australia**  
(72) Name(s) of Designer(s): **Roy Halle and Gary Clark**  
(45) Registration Date: **16 January 2015**  
(56) Related Art Documents: **Not Applicable**  
(57) Statement of Newness and Distinctiveness: **Newness and distinctiveness  
is claimed in the features of shape and/or configuration of a plug kit as  
illustrated in the accompanying representations.**





(21) Design Number: **10048/2015**

(22) Date of Filing Application: **07 January 2015**

(24) Date from which industrial property rights may have effect: **07 January 2015**

(54) Product in respect of which the design is registered: **Body for shaver**

(51) International Design Classification: **28-03A**

(74) Name(s) of Attorney(s): **FB Rice**

(71) Name(s) and Address(s) of Applicant(s):

**Koninklijke Philips N.V.  
High Tech Campus 5 5656 AE Eindhoven The Netherlands**

(72) Name(s) of Designer(s): **Peter Jonathan Smith**

(45) Registration Date: **16 January 2015**

(30) Convention priority data:

(31) Number	(32) Date	(33) Country
<b>002500785-0003</b>	<b>11 Jul 2014</b>	<b>OFFICE FOR HARMONISATION IN THE INTERNAL MARKET (OHIM)</b>



(56) Related Art Documents: **Not Applicable**

(57) Statement of Newness and Distinctiveness: **Newness and distinctiveness reside in the features of shape and configuration of the design as shown in the representations.**

(21) Design Number: **10050/2015**

(22) Date of Filing Application: **07 January 2015**

(24) Date from which industrial property rights may have effect: **07 January 2015**

(54) Product in respect of which the design is registered: **Ottoman**

(51) International Design Classification: **06-01E**

(74) Name(s) of Attorney(s):

(71) Name(s) and Address(s) of Applicant(s):

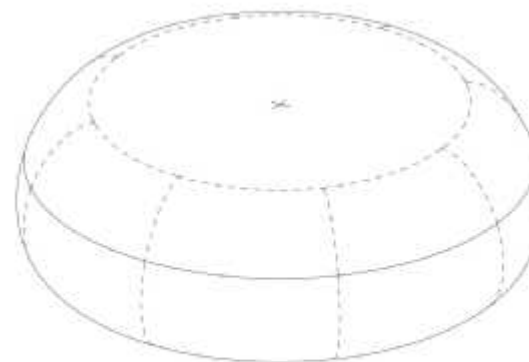
**Kate Stokes  
15-25 Keele St Collingwood VIC 3066 Australia**

(72) Name(s) of Designer(s): **Kate Stokes**

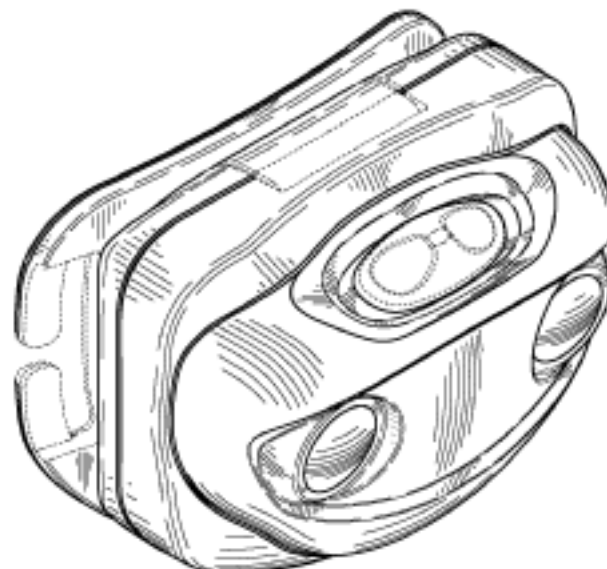
(45) Registration Date: **16 January 2015**

(56) Related Art Documents: **Not Applicable**

(57) Statement of Newness and Distinctiveness: **The newness and distinctiveness of the design resides in the shape of the ottoman as shown in the representations. The broken lines are not part of the design and are to be disregarded when considering the overall impression of the design.**



(21) Design Number: **10070/2015**  
(22) Date of Filing Application: **08 January 2015**  
(24) Date from which industrial property rights may have effect: **08 January 2015**  
(54) Product in respect of which the design is registered: **Lighting device**  
(51) International Design Classification: **26-02**  
(74) Name(s) of Attorney(s): **Halfords IP**  
(71) Name(s) and Address(s) of Applicant(s):  
**Eveready Battery Company, Inc.**  
**533 Maryville University Drive St Louis Missouri, 63141 United States of America**  
(72) Name(s) of Designer(s): **David J. Hine and Scott W. Osiecki and Matthew R. Gortner and Donwoong Kang**  
(45) Registration Date: **16 January 2015**  
(30) Convention priority data:  
(31) Number (32) Date (33) Country  
**29/499183 12 Aug 2014 UNITED STATES OF AMERICA**  
(56) Related Art Documents: **Not Applicable**  
(57) Statement of Newness and Distinctiveness: **Newness and distinctiveness resides in those features of shape and or configuration of a LIGHTING DEVICE as depicted in the representations. Shading lines and features shown in broken lines do not form part of the design.**



(21) Design Number: **10071/2015**  
(22) Date of Filing Application: **08 January 2015**  
(24) Date from which industrial property rights may have effect: **08 January 2015**  
(54) Product in respect of which the design is registered: **Lighting device**  
(51) International Design Classification: **26-02**  
(74) Name(s) of Attorney(s): **Halfords IP**  
(71) Name(s) and Address(s) of Applicant(s):  
**Eveready Battery Company, Inc.**  
**533 Maryville University Drive St Louis Missouri, 63141 United States of America**  
(72) Name(s) of Designer(s): **David J. Hine and Scott W. Osiecki and Matthew R. Gortner and Donwong Kang**  
(45) Registration Date: **16 January 2015**  
(30) Convention priority data:  
(31) Number (32) Date (33) Country  
**29/499184 12 Aug 2014 UNITED STATES OF AMERICA**  
(56) Related Art Documents: **Not Applicable**  
(57) Statement of Newness and Distinctiveness: **Newness and distinctiveness resides in those features of shape and or configuration of a LIGHTING DEVICE as depicted in the representations. Shading lines and features shown in broken lines do not form part of the design.**



(21) Design Number: **10072/2015**  
(22) Date of Filing Application: **08 January 2015**  
(24) Date from which industrial property rights may have effect: **08 January 2015**  
(54) Product in respect of which the design is registered: **Lighting device**  
(51) International Design Classification: **26-02**  
(74) Name(s) of Attorney(s): **Halfords IP**  
(71) Name(s) and Address(s) of Applicant(s):  
**Eveready Battery Company, Inc.**  
**533 Maryville University Drive St Louis Missouri, 63141 United States of America**  
(72) Name(s) of Designer(s): **David J. Hine and Scott W. Osiecki and Matthew R. Gortner and Donwoong Kang**  
(45) Registration Date: **16 January 2015**  
(30) Convention priority data:  
(31) Number (32) Date (33) Country  
**29/499185 12 Aug 2014 UNITED STATES OF AMERICA**  
(56) Related Art Documents: **Not Applicable**  
(57) Statement of Newness and Distinctiveness: **Newness and distinctiveness resides in those features of shape and or configuration of a LIGHTING DEVICE as depicted in the representations. Shading lines and features shown in broken lines do not form part of the design.**



(21) Design Number: **10074/2015**  
(22) Date of Filing Application: **08 January 2015**  
(24) Date from which industrial property rights may have effect: **08 January 2015**  
(54) Product in respect of which the design is registered: **Lighting device**  
(51) International Design Classification: **26-02**  
(74) Name(s) of Attorney(s): **Halfords IP**  
(71) Name(s) and Address(s) of Applicant(s):  
**Eveready Battery Company, Inc.**  
**533 Maryville University Drive St Louis Missouri 63141 United States of America**  
(72) Name(s) of Designer(s): **David J Hine and Scott W Osiecki and Matthew R Gortner and Donwoong Kang**  
(45) Registration Date: **16 January 2015**  
(30) Convention priority data:  
(31) Number (32) Date (33) Country  
**29/499186 12 Aug 2014 UNITED STATES OF AMERICA**  
(56) Related Art Documents: **Not Applicable**  
(57) Statement of Newness and Distinctiveness: **Newness and distinctiveness resides in those features of shape and or configuration of a LIGHTING DEVICE as depicted in the representations. Shading lines and features shown in broken lines do not form part of the design.**



- (21) Design Number: **10076/2015**  
(22) Date of Filing Application: **08 January 2015**  
(24) Date from which industrial property rights may have effect: **20 November 2014**  
(54) Product in respect of which the design is registered: **Automatic hair styling device**  
(51) International Design Classification: **28-03B**  
(74) Name(s) of Attorney(s): **PIZZEYS**  
(71) Name(s) and Address(s) of Applicant(s):  
**Trade Box, LLC**  
**5826 Uplander Way Culver City CA 90230 United States of America**  
(72) Name(s) of Designer(s): **David Richmond and Howard Richmond and Michael A Ragosta and Zhiyong Yu and Zhiwu Yu and Rentong Weng and Wenrui Dai and Ruiju Liu and Qianti Zhou and Yiyang Feng**  
(45) Registration Date: **16 January 2015**  
(62) Divisional of: **359865**  
(56) Related Art Documents: **Not Applicable**  
(57) Statement of Newness and Distinctiveness: **Nil**



- (21) Design Number: **10104/2015**  
(22) Date of Filing Application: **09 January 2015**  
(24) Date from which industrial property rights may have effect: **09 January 2015**  
(54) Product in respect of which the design is registered: **Pad**  
(51) International Design Classification: **07-05E**  
(74) Name(s) of Attorney(s): **PIZZEYS**  
(71) Name(s) and Address(s) of Applicant(s):  
**Euro-Pro Operating LLC**  
**180 Wells Avenue, Suite 200 Newton Massachusetts, 02459 United States of America**  
(72) Name(s) of Designer(s): **Claudia Joann Richardson**  
(45) Registration Date: **16 January 2015**  
(30) Convention priority data:  
(31) Number      (32) Date      (33) Country  
**29/497,989      30 Jul 2014      UNITED STATES OF AMERICA**  
(56) Related Art Documents: **Not Applicable**  
(57) Statement of Newness and Distinctiveness: **Nil**



- (21) Design Number: **10107/2015**  
(22) Date of Filing Application: **12 January 2015**  
(24) Date from which industrial property rights may have effect: **12 January 2015**  
(54) Product in respect of which the design is registered: **E-cigarette**  
(51) International Design Classification: **27-99**  
(74) Name(s) of Attorney(s): **Shelston IP**  
(71) Name(s) and Address(s) of Applicant(s):  
**Nicoventures Holdings Limited**  
**22 Tudor Street London EC4Y 0AY United Kingdom**  
(72) Name(s) of Designer(s): **Jana Straiton and Rory Fraser**  
(45) Registration Date: **16 January 2015**  
(30) Convention priority data:  
(31) Number (32) Date (33) Country  
**001416788 14 Jul 2014 OFFICE FOR HARMONISATION IN**  
**THE INTERNAL MARKET (OHIM)**  
(56) Related Art Documents: **Not Applicable**  
(57) Statement of Newness and Distinctiveness: **Newness and distinctiveness resides in the features of an e-cigarette as shown in solid lines in the accompanying representations. The features shown in broken lines do not form part of the design.**



- (21) Design Number: **10110/2015**  
(22) Date of Filing Application: **12 January 2015**  
(24) Date from which industrial property rights may have effect: **12 January 2015**  
(54) Product in respect of which the design is registered: **E-cigarette**  
(51) International Design Classification: **27-99**  
(74) Name(s) of Attorney(s): **Shelston IP**  
(71) Name(s) and Address(s) of Applicant(s):  
**Nicoventures Holdings Limited**  
**22 Tudor Street London EC4Y 0AY United Kingdom**  
(72) Name(s) of Designer(s): **Jana Straiton and Rory Fraser**  
(45) Registration Date: **16 January 2015**  
(30) Convention priority data:  
(31) Number (32) Date (33) Country  
**001416788 14 Jul 2014 OFFICE FOR HARMONISATION IN**  
**THE INTERNAL MARKET (OHIM)**  
(56) Related Art Documents: **Not Applicable**  
(57) Statement of Newness and Distinctiveness: **Newness and distinctiveness resides in the features of an e-cigarette as shown in solid lines in the accompanying representations. The features shown in broken lines do not form part of the design.**



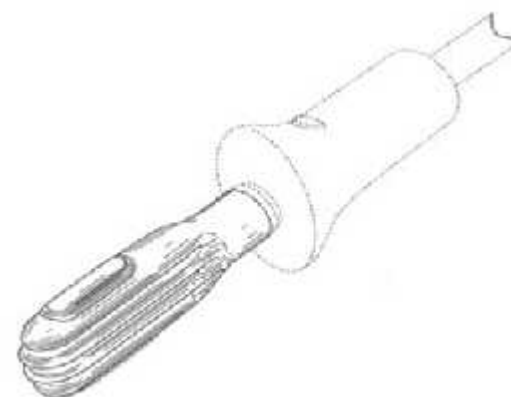
- (21) Design Number: **10111/2015**  
(22) Date of Filing Application: **12 January 2015**  
(24) Date from which industrial property rights may have effect: **12 January 2015**  
(54) Product in respect of which the design is registered: **E-cigarette**  
(51) International Design Classification: **27-99**  
(74) Name(s) of Attorney(s): **Shelston IP**  
(71) Name(s) and Address(s) of Applicant(s):  
**Nicoventures Holdings Limited**  
**22 Tudor Street London EC4Y 0AY United Kingdom**  
(72) Name(s) of Designer(s): **Jana Straiton and Rory Fraser**  
(45) Registration Date: **16 January 2015**  
(30) Convention priority data:  
(31) Number (32) Date (33) Country  
**001416788 14 Jul 2014 OFFICE FOR HARMONISATION IN**  
**THE INTERNAL MARKET (OHIM)**  
(56) Related Art Documents: **Not Applicable**  
(57) Statement of Newness and Distinctiveness: **Newness and distinctiveness resides in the features of an e-cigarette as shown in solid lines in the accompanying representation. The features shown in broken lines do not form part of the design.**



- (21) Design Number: **10112/2015**  
(22) Date of Filing Application: **12 January 2015**  
(24) Date from which industrial property rights may have effect: **12 January 2015**  
(54) Product in respect of which the design is registered: **E-cigarette**  
(51) International Design Classification: **27-99**  
(74) Name(s) of Attorney(s): **Shelston IP**  
(71) Name(s) and Address(s) of Applicant(s):  
**Nicoventures Holdings Limited**  
**22 Tudor Street London EC4Y 0AY United Kingdom**  
(72) Name(s) of Designer(s): **Jana Straiton and Rory Fraser**  
(45) Registration Date: **16 January 2015**  
(30) Convention priority data:  
(31) Number (32) Date (33) Country  
**001416788 14 Jul 2014 OFFICE FOR HARMONISATION IN**  
**THE INTERNAL MARKET (OHIM)**  
(56) Related Art Documents: **Not Applicable**  
(57) Statement of Newness and Distinctiveness: **Newness and distinctiveness resides in the features of an e-cigarette as shown in solid lines in the accompanying representation. The features shown in broken lines do not form part of the design.**



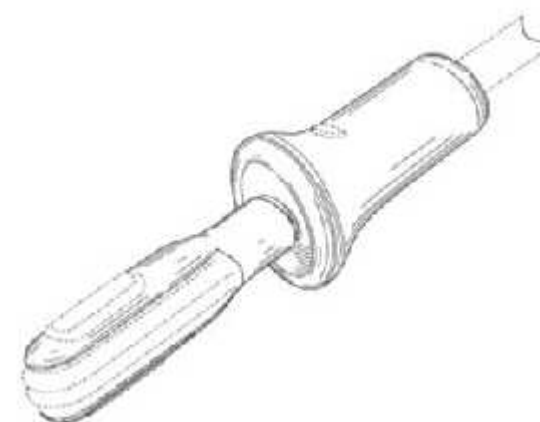
(21) Design Number: **15702/2014**  
(22) Date of Filing Application: **07 November 2014**  
(24) Date from which industrial property rights may have effect: **25 August 2014**  
(54) Product in respect of which the design is registered: **Stimulation device**  
(51) International Design Classification: **24-02**  
(74) Name(s) of Attorney(s): **Davies Collison Cave**  
(71) Name(s) and Address(s) of Applicant(s):  
**Incontrol Medical, LLC**  
**3225 Gateway Rd Ste 250 Brookfield WI, 53045-5153 United States of America**



(72) Name(s) of Designer(s): **Herschel Peddicord**  
(45) Registration Date: **16 January 2015**  
(30) Convention priority data:  
(31) Number (32) Date (33) Country  
**29/483386 27 Feb 2014 UNITED STATES OF AMERICA**

(62) Divisional of: **358649**  
(56) Related Art Documents: **Not Applicable**  
(57) Statement of Newness and Distinctiveness: **Newness and distinctiveness is claimed in the visual features shown in solid lines in the representations. The ornamental design which is claimed is shown in solid lines in the drawings. The broken lines in the drawings are for illustrative purposes only and form no part of the claimed design. Broken lines formed by equal length dashes show unclaimed portions of the design. Broken lines formed of unequal length dashes (ie. dash-dot) show boundaries between claimed and unclaimed portions of the design. Lines having a jagged element (ie. broken-away symbols) are not part of the claimed design and show that no particular length of the portion is claimed. It is contemplated that any illustrated solid lines (or portions thereof) may be converted to broken lines and that any illustrated broken lines (or portions thereof) may be converted to solid lines so as to claim or disclaim portions, components, or sub-components of the designs shown.**

(21) Design Number: **15703/2014**  
(22) Date of Filing Application: **07 November 2014**  
(24) Date from which industrial property rights may have effect: **25 August 2014**  
(54) Product in respect of which the design is registered: **Stimulation device**  
(51) International Design Classification: **24-02**  
(74) Name(s) of Attorney(s): **Davies Collison Cave**  
(71) Name(s) and Address(s) of Applicant(s):  
**Incontrol Medical, LLC**  
**3225 Gateway Rd Ste 250 Brookfield WI, 53045-5153 United States of America**



(72) Name(s) of Designer(s): **Herschel Peddicord**  
(45) Registration Date: **16 January 2015**  
(30) Convention priority data:  
(31) Number (32) Date (33) Country  
**29/483386 27 Feb 2014 UNITED STATES OF AMERICA**

(62) Divisional of: **358649**  
(56) Related Art Documents: **Not Applicable**  
(57) Statement of Newness and Distinctiveness: **Newness and distinctiveness is claimed in the visual features shown in solid lines in the representations. The ornamental design which is claimed is shown in solid lines in the drawings. The broken lines in the drawings are for illustrative purposes only and form no part of the claimed design. Broken lines formed by equal length dashes show unclaimed portions of the design. Broken lines formed of unequal length dashes (ie. dash-dot) show boundaries between claimed and unclaimed portions of the design. Lines having a jagged element (ie. broken-away symbols) are not part of the claimed design and show that no particular length of the portion is claimed. It is contemplated that any illustrated solid lines (or portions thereof) may be converted to broken lines and that any illustrated broken lines (or portions thereof) may be converted to solid lines so as to claim or disclaim portions, components, or sub-components of the designs shown.**

(21) Design Number: **16220/2014**  
(22) Date of Filing Application: **28 November 2014**  
(24) Date from which industrial property rights may have effect: **15 September 2014**  
(54) Product in respect of which the design is registered: **Seating with handrails for a rail vehicle**  
(51) International Design Classification: **12-03, 06-01D**  
(74) Name(s) of Attorney(s): **PHILLIPS ORMONDE FITZPATRICK**  
(71) Name(s) and Address(s) of Applicant(s):  
**ALSTOM Transport Technologies**  
**3 av Andre Malraux LEVALLOIS PERRET 92300 France**  
(72) Name(s) of Designer(s): **Mathieu Pommier and Frederic Battle**  
(45) Registration Date: **16 January 2015**  
(30) Convention priority data:  
(31) Number (32) Date (33) Country  
**002424564-001/0 13 Mar 2014 OFFICE FOR HARMONISATION IN THE INTERNAL MARKET (OHIM)**  
(62) Divisional of: **359141**  
(56) Related Art Documents: **Not Applicable**  
(57) Statement of Newness and Distinctiveness: **Newness and distinctiveness resides in the shape and/or configuration of the seating with handrails for a rail vehicle shown in the representations.**

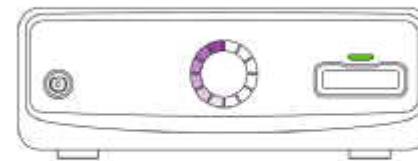


(21) Design Number: **16221/2014**  
(22) Date of Filing Application: **28 November 2014**  
(24) Date from which industrial property rights may have effect: **15 September 2014**  
(54) Product in respect of which the design is registered: **Seating with handrails for a rail vehicle**  
(51) International Design Classification: **12-03, 06-01D**  
(74) Name(s) of Attorney(s): **PHILLIPS ORMONDE FITZPATRICK**  
(71) Name(s) and Address(s) of Applicant(s):  
**ALSTOM Transport Technologies**  
**3 av Andre Malraux LEVALLOIS PERRET 92300 France**  
(72) Name(s) of Designer(s): **Mathieu Pommier and Frederic Battle**  
(45) Registration Date: **16 January 2015**  
(62) Divisional of: **359141**  
(56) Related Art Documents: **Not Applicable**  
(57) Statement of Newness and Distinctiveness: **Newness and distinctiveness resides in the shape and/or configuration of the seating with handrails for a rail vehicle shown in the representations.**





- (21) Design Number: **16702/2014**  
(22) Date of Filing Application: **24 December 2014**  
(24) Date from which industrial property rights may have effect: **24 December 2014**  
(54) Product in respect of which the design is registered: **Electrosurgical generator with an illumination arrangement**  
(51) International Design Classification: **13-01, 24-01**  
(74) Name(s) of Attorney(s): **SPRUSON & FERGUSON**  
(71) Name(s) and Address(s) of Applicant(s):



**Yong Zhang**

**802 Building 63 1335 Puchi Road Minhang District Shanghai 201114  
China**

**Pu Liu**

**Room 402. No. 7 Lane 270 East Huanlin Road Pudong New District  
Shanghai 200123 China**

**Rui Hong**

**Room 2D Building 13 Qiaocheng East Rd. Bihaiyuntian Phase 2  
Shenzhen Guangdong 518053 China**

**Peining Sun**

**Room 302 No. 41 1225 XianXia Road ChangNing District Shanghai  
200336 China**

**Peter B. Madson**

**B27, #1101, 388 Furongjiang Rd, Changning District Shanghai, 200051  
China**

**Benoit Marcel Guy Vitoux**

**483 Yuyuan Road Building 22 Room 401 Jing An District Shanghai  
200051 China**

- (72) Name(s) of Designer(s): **Yong Zhang and Pu Liu and Rui Hong and Peining Sun and Peter B. Madson and Benoit Marcel Guy Vitoux**

- (45) Registration Date: **16 January 2015**

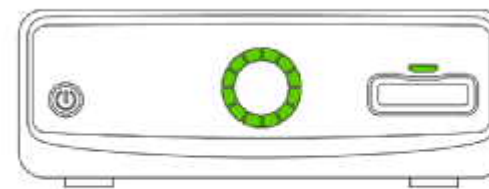
- (30) Convention priority data:

(31) Number	(32) Date	(33) Country
<b>29/495049</b>	<b>26 Jun 2014</b>	<b>UNITED STATES OF AMERICA</b>

- (56) Related Art Documents: **Not Applicable**

- (57) Statement of Newness and Distinctiveness: **Newness and distinctiveness is claimed in the features of pattern and/or ornamentation of the front face of an electrosurgical generator as illustrated in the accompanying representation.**

- (21) Design Number: **16705/2014**  
(22) Date of Filing Application: **24 December 2014**  
(24) Date from which industrial property rights may have effect: **24 December 2014**  
(54) Product in respect of which the design is registered: **Electrosurgical generator with an illumination arrangement**  
(51) International Design Classification: **13-01, 24-01**  
(74) Name(s) of Attorney(s): **SPRUSON & FERGUSON**  
(71) Name(s) and Address(s) of Applicant(s):



**Yong Zhang**

802 Building 63 1335 Puchi Road Minhang District Shanghai 201114  
China

**Pu Liu**

Room 402. No. 7 Lane 270 East Huanlin Road Pudong New District  
Shanghai 200123 China

**Rui Hong**

Room 2D Building 13 Qiaocheng East Rd. Bihaiyuntian Phase 2  
Shenzhen Guangdong 518053 China

**Peining Sun**

Room 302 No. 41 1225 XianXia Road ChangNing District Shanghai  
200336 China

**Peter B. Madson**

B27, #1101, 388 Furongjiang Rd, Changning District Shanghai, 200051  
China

**Benoit Marcel Guy Vitoux**

483 Yuyuan Road Building 22 Room 401 Jing An District Shanghai  
200051 China

- (72) Name(s) of Designer(s): **Yong Zhang and Pu Liu and Rui Hong and Peining Sun and Peter B. Madson and Benoit Marcel Guy Vitoux**

- (45) Registration Date: **16 January 2015**

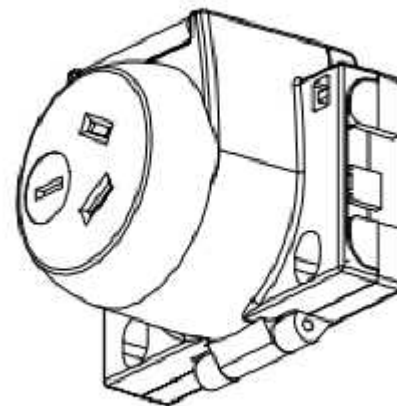
- (30) Convention priority data:

(31) Number	(32) Date	(33) Country
<b>29/495049</b>	<b>26 Jun 2014</b>	<b>UNITED STATES OF AMERICA</b>

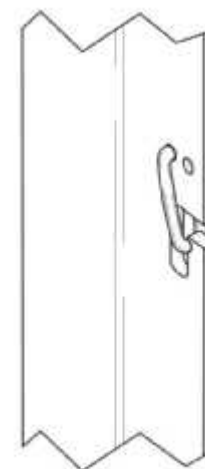
- (56) Related Art Documents: **Not Applicable**

- (57) Statement of Newness and Distinctiveness: **Newness and distinctiveness is claimed in the features of pattern and/or ornamentation of the front face of an electrosurgical generator as illustrated in the accompanying representation.**

- (21) Design Number: **10057/2015**  
(22) Date of Filing Application: **07 January 2015**  
(24) Date from which industrial property rights may have effect: **07 January 2015**  
(54) Product in respect of which the design is registered: **Electrical plug base**  
(51) International Design Classification: **13-03D**  
(74) Name(s) of Attorney(s):  
(71) Name(s) and Address(s) of Applicant(s):  
**CLIPSO ELECTRICAL PTY LTD**  
**12/172 Milperra Rd Revesby NSW 2212 Australia**  
(72) Name(s) of Designer(s): **Mazen Abdulkader**  
(45) Registration Date: **16 January 2015**  
(56) Related Art Documents: **Not Applicable**  
(57) Statement of Newness and Distinctiveness: **Newness and distinctiveness resides in the mechanical process of wire connection and the unique design of the closing and opening action.**



- (21) Design Number: **10058/2015**  
(22) Date of Filing Application: **07 January 2015**  
(24) Date from which industrial property rights may have effect: **07 January 2015**  
(54) Product in respect of which the design is registered: **Fence post**  
(51) International Design Classification: **25-01E**  
(74) Name(s) of Attorney(s): **Wrays**  
(71) Name(s) and Address(s) of Applicant(s):  
**Southern Wire Pty Ltd**  
**311 Collier Rd Bassendean Western Australia 6054 Australia**  
(72) Name(s) of Designer(s): **Jerry Trevor Sivewright**  
(45) Registration Date: **16 January 2015**  
(56) Related Art Documents: **Not Applicable**  
(57) Statement of Newness and Distinctiveness: **Newness and distinctiveness is claimed in the features of shape and/or configuration of a Fence Post of indefinite length as shown in the accompanying representations. The Fence Post has one or more recesses provided therein along its length, as shown, the recess(es) being used to receive and locate an elongate fencing product, such as a wire, therein. The recesses may be repeated along the length of the Fence Post at regular or irregular intervals.**



- (21) Design Number: **10075/2015**  
(22) Date of Filing Application: **08 January 2015**  
(24) Date from which industrial property rights may have effect: **20 November 2014**  
(54) Product in respect of which the design is registered: **Automatic hair styling device**  
(51) International Design Classification: **28-03B**  
(74) Name(s) of Attorney(s): **PIZZEYS**  
(71) Name(s) and Address(s) of Applicant(s):  
**Trade Box, LLC**  
**5826 Uplander Way Culver City CA 90230 United States of America**  
(72) Name(s) of Designer(s): **David Richmond and Howard Richmond and Michael A Ragosta and Zhiyong Yu and Zhiwu Yu and Rentong Weng and Wenrui Dai and Ruiju Liu and Qianti Zhou and Yiyan Feng**  
(45) Registration Date: **16 January 2015**  
(62) Divisional of: **359865**  
(56) Related Art Documents: **Not Applicable**  
(57) Statement of Newness and Distinctiveness: **Nil**



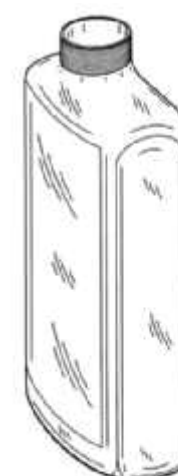
- (21) Design Number: **10097/2015**  
(22) Date of Filing Application: **09 January 2015**  
(24) Date from which industrial property rights may have effect: **09 January 2015**  
(54) Product in respect of which the design is registered: **Shoe**  
(51) International Design Classification: **02-04NES**  
(74) Name(s) of Attorney(s):  
(71) Name(s) and Address(s) of Applicant(s):  
**Rachel Louise McRae**  
**U1/55 First Av Mount Lawley Perth WA 6050 Australia**  
(72) Name(s) of Designer(s): **Rachel Louise McRae**  
(45) Registration Date: **16 January 2015**  
(56) Related Art Documents: **Not Applicable**  
(57) Statement of Newness and Distinctiveness: **The design consists of two stripes on the soles sidewall of the shoe wrapping around the heel, forming a contrast to the basic colour of the sole.**



(21) Design Number: **10098/2015**  
(22) Date of Filing Application: **09 January 2015**  
(24) Date from which industrial property rights may have effect: **09 January 2015**  
(54) Product in respect of which the design is registered: **Blender container**  
(51) International Design Classification: **31-00**  
(74) Name(s) of Attorney(s): **PIZZEYS**  
(71) Name(s) and Address(s) of Applicant(s):  
**Euro-Pro Operating LLC**  
**180 Wells Avenue, Suite 200 Newton Massachusetts, 02459 United States of America**  
(72) Name(s) of Designer(s): **Joyce Tu**  
(45) Registration Date: **16 January 2015**  
(30) Convention priority data:  
(31) Number (32) Date (33) Country  
**29/497,354 23 Jul 2014 UNITED STATES OF AMERICA**  
(56) Related Art Documents: **Not Applicable**  
(57) Statement of Newness and Distinctiveness: **Nil**



(21) Design Number: **10100/2015**  
(22) Date of Filing Application: **09 January 2015**  
(24) Date from which industrial property rights may have effect: **09 January 2015**  
(54) Product in respect of which the design is registered: **A flask**  
(51) International Design Classification: **07-01F**  
(74) Name(s) of Attorney(s): **WATERMARK PATENT AND TRADE MARKS ATTORNEYS**  
(71) Name(s) and Address(s) of Applicant(s):  
**Fred Beverages Inc.**  
**2633 Lincoln Boulevard, #536 Santa Monica CA, 90405 United States of America**  
(72) Name(s) of Designer(s): **Adam Jay Gayner and Ariel Barron Broggi**  
(45) Registration Date: **16 January 2015**  
(30) Convention priority data:  
(31) Number (32) Date (33) Country  
**29/496,094 09 Jul 2014 UNITED STATES OF AMERICA**  
(56) Related Art Documents: **Not Applicable**  
(57) Statement of Newness and Distinctiveness: **Nil**



(21) Design Number: **16450/2014**  
(22) Date of Filing Application: **12 December 2014**  
(24) Date from which industrial property rights may have effect: **12 December 2014**  
(54) Product in respect of which the design is registered: **Razor cartridge**  
(51) International Design Classification: **28-03A**  
(74) Name(s) of Attorney(s): **PHILLIPS ORMONDE FITZPATRICK**  
(71) Name(s) and Address(s) of Applicant(s):

**The Gillette Company**  
**One Gillette Park Boston Massachusetts 02127 United States of America**

(72) Name(s) of Designer(s): **Armando Miguel Hurtado**

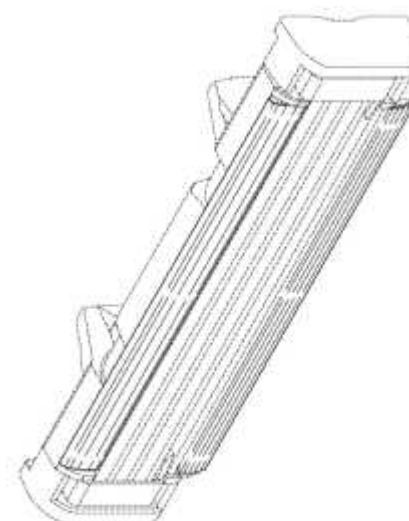
(45) Registration Date: **16 January 2015**

(30) Convention priority data:

(31) Number	(32) Date	(33) Country
<b>29/496,827</b>	<b>17 Jul 2014</b>	<b>UNITED STATES OF AMERICA</b>

(56) Related Art Documents: **Not Applicable**

(57) Statement of Newness and Distinctiveness: **Newness and distinctiveness resides in the shape and/or configuration of the razor cartridge shown in the continuous lines in the accompanying representations. The features shown in broken lines are not part of the design and are to be disregarded when considering the overall impression of the design.**



(21) Design Number: **10114/2015**  
(22) Date of Filing Application: **12 January 2015**  
(24) Date from which industrial property rights may have effect: **12 January 2015**  
(54) Product in respect of which the design is registered: **Autonomous coverage vacuum cleaner**  
(51) International Design Classification: **15-05**  
(74) Name(s) of Attorney(s): **HODGKINSON McINNES PATENTS**  
(71) Name(s) and Address(s) of Applicant(s):

**Kabushiki Kaisha Toshiba**  
**1-1 Shibaura 1-chome Minato-ku Tokyo 105-8001 Japan**  
**Toshiba Lifestyle Products & Services Corporation**  
**2-9, Suehiro-Cho, Ome Tokyo 198-8710 Japan**

(72) Name(s) of Designer(s): **Masato Ninomiya**

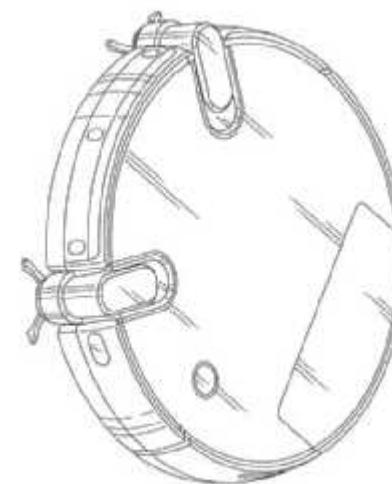
(45) Registration Date: **16 January 2015**

(30) Convention priority data:

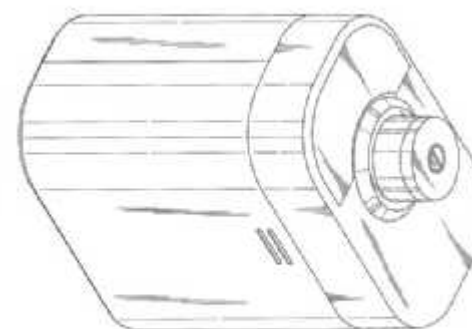
(31) Number	(32) Date	(33) Country
<b>2014-016896</b>	<b>01 Aug 2014</b>	<b>JAPAN</b>

(56) Related Art Documents: **Not Applicable**

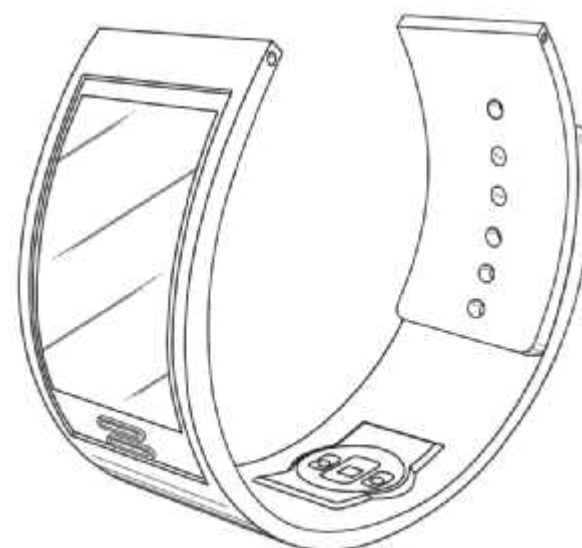
(57) Statement of Newness and Distinctiveness: **Newness and distinctiveness is claimed in the shape and configuration of an Autonomous Coverage Vacuum Cleaner as shown in the representations.**



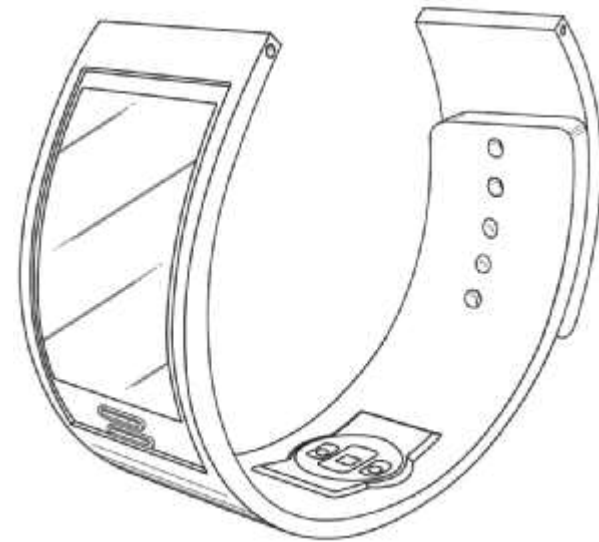
- (21) Design Number: **10115/2015**  
(22) Date of Filing Application: **12 January 2015**  
(24) Date from which industrial property rights may have effect: **12 January 2015**  
(54) Product in respect of which the design is registered: **Controller for autonomous coverage vacuum cleaner**  
(51) International Design Classification: **15-05**  
(74) Name(s) of Attorney(s): **HODGKINSON McINNES PATENTS**  
(71) Name(s) and Address(s) of Applicant(s):  
**Kabushiki Kaisha Toshiba**  
**1-1 Shibaura 1-chome Minato-ku Tokyo 105-8001 Japan**  
**Toshiba Lifestyle Products & Services Corporation**  
**2-9, Suehiro-Cho, Ome Tokyo 198-8710 Japan**  
(72) Name(s) of Designer(s): **Masato Ninomiya**  
(45) Registration Date: **16 January 2015**  
(30) Convention priority data:  
(31) Number      (32) Date      (33) Country  
**2014-016894      01 Aug 2014      JAPAN**  
(56) Related Art Documents: **Not Applicable**  
(57) Statement of Newness and Distinctiveness: **Newness and distinctiveness is claimed in the shape and configuration of a Controller for an Autonomous Coverage Vacuum Cleaner as shown in the representations.**



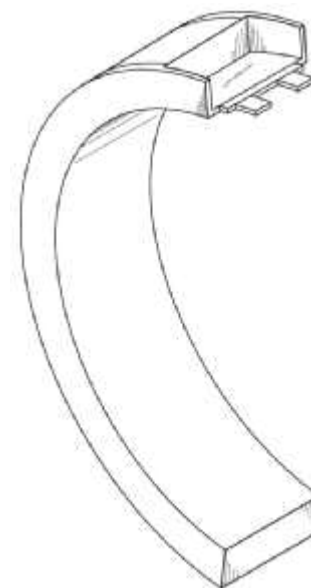
- (21) Design Number: **10181/2015**  
(22) Date of Filing Application: **14 January 2015**  
(24) Date from which industrial property rights may have effect: **04 December 2014**  
(54) Product in respect of which the design is registered: **Wrist watch band**  
(51) International Design Classification: **10-07**  
(74) Name(s) of Attorney(s): **Cullens Patent and Trade Mark Attorneys**  
(71) Name(s) and Address(s) of Applicant(s):  
**Kairos Watches Limited**  
**10 Raeburn Park #02-08 Singapore 088702 Singapore**  
(72) Name(s) of Designer(s): **Sun Jong Yang**  
(45) Registration Date: **16 January 2015**  
(62) Divisional of: **359989**  
(56) Related Art Documents: **Not Applicable**  
(57) Statement of Newness and Distinctiveness: **Newness and distinctiveness is claimed in the features of the shape and configuration of the wrist watch band as illustrated in the accompanying representations.**



- (21) Design Number: **10182/2015**  
(22) Date of Filing Application: **14 January 2015**  
(24) Date from which industrial property rights may have effect: **04 December 2014**  
(54) Product in respect of which the design is registered: **Wrist watch band**  
(51) International Design Classification: **10-07**  
(74) Name(s) of Attorney(s): **Cullens Patent and Trade Mark Attorneys**  
(71) Name(s) and Address(s) of Applicant(s):  
**Kairos Watches Limited**  
**10 Raeburn Park #02-08 Singapore 088702 Singapore**  
(72) Name(s) of Designer(s): **Sun Jong Yang**  
(45) Registration Date: **16 January 2015**  
(62) Divisional of: **359989**  
(56) Related Art Documents: **Not Applicable**  
(57) Statement of Newness and Distinctiveness: **Newness and distinctiveness is claimed in the features of the shape and configuration of the wrist watch band as illustrated in the accompanying representations.**

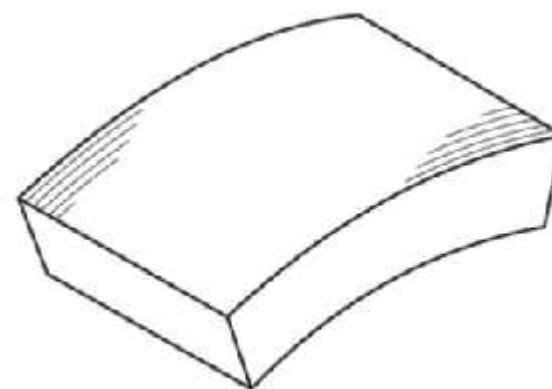


- (21) Design Number: **10183/2015**  
(22) Date of Filing Application: **14 January 2015**  
(24) Date from which industrial property rights may have effect: **04 December 2014**  
(54) Product in respect of which the design is registered: **Watch batteries**  
(51) International Design Classification: **13-02**  
(74) Name(s) of Attorney(s): **Cullens Patent and Trade Mark Attorneys**  
(71) Name(s) and Address(s) of Applicant(s):  
**Kairos Watches Limited**  
**10 Raeburn Park #02-08 Singapore 088702 Singapore**  
(72) Name(s) of Designer(s): **Sun Jong Yang**  
(45) Registration Date: **16 January 2015**  
(62) Divisional of: **359990**  
(56) Related Art Documents: **Not Applicable**  
(57) Statement of Newness and Distinctiveness: **Newness and distinctiveness is claimed in the features of the shape and configuration of the watch batteries as illustrated in the accompanying representations.**

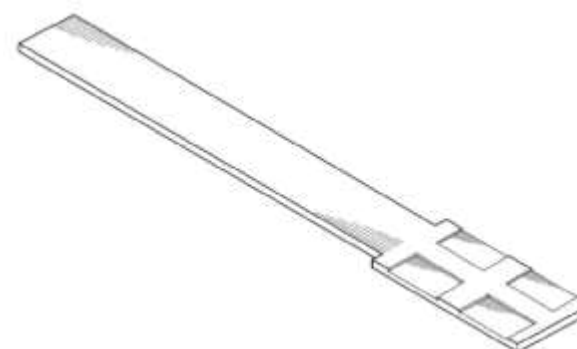




- (21) Design Number: **10184/2015**  
(22) Date of Filing Application: **14 January 2015**  
(24) Date from which industrial property rights may have effect: **04 December 2014**  
(54) Product in respect of which the design is registered: **Watch batteries**  
(51) International Design Classification: **13-02**  
(74) Name(s) of Attorney(s): **Cullens Patent and Trade Mark Attorneys**  
(71) Name(s) and Address(s) of Applicant(s):  
**Kairos Watches Limited**  
**10 Raeburn Park #02-08 Singapore 088702 Singapore**  
(72) Name(s) of Designer(s): **Sun Jong Yang**  
(45) Registration Date: **16 January 2015**  
(62) Divisional of: **359990**  
(56) Related Art Documents: **Not Applicable**  
(57) Statement of Newness and Distinctiveness: **Newness and distinctiveness is claimed in the features of the shape and configuration of the watch batteries as illustrated in the accompanying representations.**



- (21) Design Number: **10185/2015**  
(22) Date of Filing Application: **14 January 2015**  
(24) Date from which industrial property rights may have effect: **04 December 2014**  
(54) Product in respect of which the design is registered: **Watch batteries**  
(51) International Design Classification: **13-02**  
(74) Name(s) of Attorney(s): **Cullens Patent and Trade Mark Attorneys**  
(71) Name(s) and Address(s) of Applicant(s):  
**Kairos Watches Limited**  
**10 Raeburn Park #02-08 Singapore 088702 Singapore**  
(72) Name(s) of Designer(s): **Sun Jong Yang**  
(45) Registration Date: **16 January 2015**  
(62) Divisional of: **359990**  
(56) Related Art Documents: **Not Applicable**  
(57) Statement of Newness and Distinctiveness: **Newness and distinctiveness is claimed in the features of the shape and configuration of the watch batteries as illustrated in the accompanying representations.**



- (21) Design Number: **14803/2013**  
(22) Date of Filing Application: **23 September 2013**  
(24) Date from which industrial property rights may have effect: **23 September 2013**  
(54) Product in respect of which the design is registered: **Bench seat**  
(51) International Design Classification: **06-01C**  
(74) Name(s) of Attorney(s): **Swaab Attorneys**  
(71) Name(s) and Address(s) of Applicant(s):  
**Derlot Pty Limited**  
**16 Horan St West End QLD 4101 Australia**  
(72) Name(s) of Designer(s): **Alexander Lotersztain**  
(45) Registration Date: **16 January 2015**  
(56) Related Art Documents: **Not Applicable**  
(57) Statement of Newness and Distinctiveness: **The newness and distinctiveness of the design resides in the continuous shape of the benchseat and backrest as one unit which is displayed by the continuous lines in the accompanying representations.**



- (21) Design Number: **14804/2013**  
(22) Date of Filing Application: **23 September 2013**  
(24) Date from which industrial property rights may have effect: **23 September 2013**  
(54) Product in respect of which the design is registered: **Table**  
(51) International Design Classification: **06-03A**  
(74) Name(s) of Attorney(s): **Swaab Attorneys**  
(71) Name(s) and Address(s) of Applicant(s):  
**Derlot Pty Limited**  
**16 Horan St West End QLD 4101 Australia**  
(72) Name(s) of Designer(s): **Alexander Lotersztain**  
(45) Registration Date: **16 January 2015**  
(56) Related Art Documents: **Not Applicable**  
(57) Statement of Newness and Distinctiveness: **The newness and distinctiveness of the design resides in the continuous contours of the foot, leg and top of the table as one unit which is displayed by the continuous lines in the accompanying representations.**



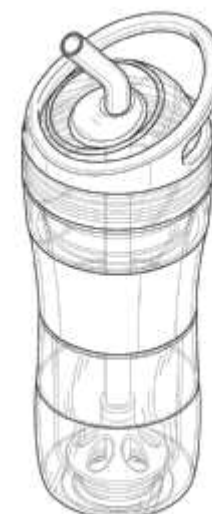
(21) Design Number: **14474/2014**  
(22) Date of Filing Application: **05 September 2014**  
(24) Date from which industrial property rights may have effect: **05 September 2014**  
(54) Product in respect of which the design is registered: **Doll**  
(51) International Design Classification: **21-01B**  
(74) Name(s) of Attorney(s):  
(71) Name(s) and Address(s) of Applicant(s):  
**Hiu Yu Wong**  
**Flat 10C 3/F Mei Foo Sun Chuen 10 Nassau Rd Lai Chi Kok New Territories Hong Kong**  
(72) Name(s) of Designer(s): **Hiu Yu Wong**  
(45) Registration Date: **16 January 2015**  
(56) Related Art Documents: **Not Applicable**  
(57) Statement of Newness and Distinctiveness: **The character is distinctive by its face appearance, featured by the onion face shape and face colour), with green hair at the top and mouth in heart shape.**



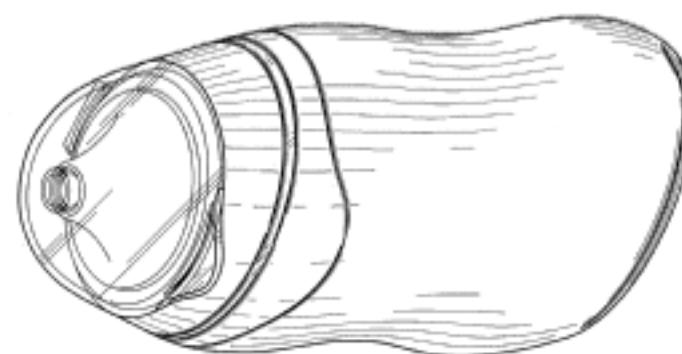
(21) Design Number: **15429/2014**  
(22) Date of Filing Application: **28 October 2014**  
(24) Date from which industrial property rights may have effect: **28 October 2014**  
(54) Product in respect of which the design is registered: **Container**  
(51) International Design Classification: **07-01NES**  
(74) Name(s) of Attorney(s): **IP Gateway Patent & Trademark Attorneys Pty Ltd**  
(71) Name(s) and Address(s) of Applicant(s):  
**JAB DISTRIBUTORS, LLC**  
**1500 S. Wolf Road Wheeling, Illinois,, 60090 United States of America**  
(72) Name(s) of Designer(s): **James Bell and Jared Bell and Warrick Bell and Peter Pecoulas**  
(45) Registration Date: **16 January 2015**  
(30) Convention priority data:  
(31) Number (32) Date (33) Country  
**29/489,198 28 Apr 2014 UNITED STATES OF AMERICA**  
(56) Related Art Documents: **Not Applicable**  
(57) Statement of Newness and Distinctiveness: **Newness and distinctiveness reside in the visual features of shape and/or configuration and pattern and/or ornamentation as shown, other than by broken lines, in the accompanying representations.**



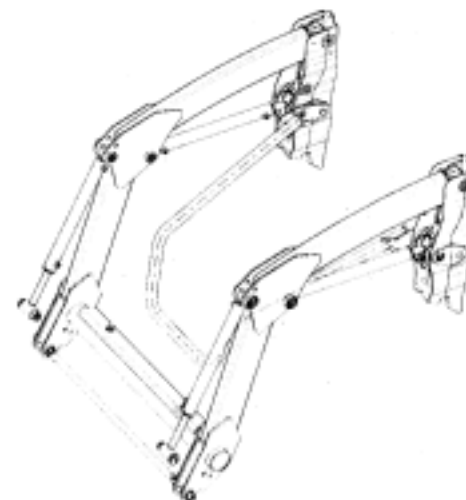
(21) Design Number: **15688/2014**  
(22) Date of Filing Application: **06 November 2014**  
(24) Date from which industrial property rights may have effect: **06 November 2014**  
(54) Product in respect of which the design is registered: **Bottle with double wall and removable straw mixer**  
(51) International Design Classification: **09-01NES**  
(74) Name(s) of Attorney(s): **Pizzeys**  
(71) Name(s) and Address(s) of Applicant(s):  
**Cool Gear International, LLC**  
**10 Cordage Park Circle, Suite 212 Plymouth MA 02360 United States of America**  
(72) Name(s) of Designer(s): **Donna Roth and Henry Roth and Fadi Sanbar**  
(45) Registration Date: **16 January 2015**  
(30) Convention priority data:  
(31) Number (32) Date (33) Country  
**29/490,797 13 May 2014 UNITED STATES OF AMERICA**  
(56) Related Art Documents: **Not Applicable**  
(57) Statement of Newness and Distinctiveness: **Nil**



(21) Design Number: **15692/2014**  
(22) Date of Filing Application: **06 November 2014**  
(24) Date from which industrial property rights may have effect: **06 November 2014**  
(54) Product in respect of which the design is registered: **Squeeze pouch**  
(51) International Design Classification: **09-01K**  
(74) Name(s) of Attorney(s): **Pizzeys**  
(71) Name(s) and Address(s) of Applicant(s):  
**Cool Gear International, LLC**  
**10 Cordage Park Circle, Suite 212 Plymouth MA 02360 United States of America**  
(72) Name(s) of Designer(s): **Donna Roth and Marcus Hanna**  
(45) Registration Date: **16 January 2015**  
(30) Convention priority data:  
(31) Number (32) Date (33) Country  
**29/490,790 13 May 2014 UNITED STATES OF AMERICA**  
(56) Related Art Documents: **Not Applicable**  
(57) Statement of Newness and Distinctiveness: **Nil**



(21) Design Number: **16265/2014**  
(22) Date of Filing Application: **02 December 2014**  
(24) Date from which industrial property rights may have effect: **02 December 2014**  
(54) Product in respect of which the design is registered: **Frontloader**  
(51) International Design Classification: **12-09**  
(74) Name(s) of Attorney(s): **Davies Collison Cave**  
(71) Name(s) and Address(s) of Applicant(s):



**Deere & Company**  
**One John Deere Place Moline IL 61265 United States of America**

(72) Name(s) of Designer(s): **Daniel Esqueda and Israel Priego**

(45) Registration Date: **16 January 2015**

(30) Convention priority data:

(31) Number	(32) Date	(33) Country
<b>00141767</b>	<b>23 Jun 2014</b>	<b>OFFICE FOR HARMONISATION IN THE INTERNAL MARKET (OHIM)</b>

(56) Related Art Documents: **Not Applicable**

(57) Statement of Newness and Distinctiveness: **Newness and Distinctiveness is claimed in the visual features shown in solid lines in the representations.**

(21) Design Number: **16317/2014**  
(22) Date of Filing Application: **04 December 2014**  
(24) Date from which industrial property rights may have effect: **04 December 2014**  
(54) Product in respect of which the design is registered: **Wrist watch band**  
(51) International Design Classification: **10-07**  
(74) Name(s) of Attorney(s): **Cullens Patent and Trade Mark Attorneys**  
(71) Name(s) and Address(s) of Applicant(s):



**Kairos Watches Limited**  
**10 Raeburn Park #02-08 Singapore 088702 Singapore**

(72) Name(s) of Designer(s): **Sun Jong Yang**

(45) Registration Date: **16 January 2015**

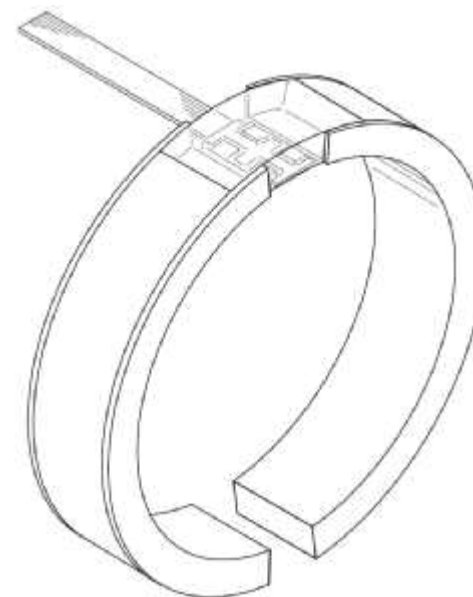
(30) Convention priority data:

(31) Number	(32) Date	(33) Country
<b>DM/084053</b>	<b>21 Jul 2014</b>	<b>WORLD INTELLECTUAL PROPERTY ORGANIZATION (WIPO)</b>

(56) Related Art Documents: **Not Applicable**

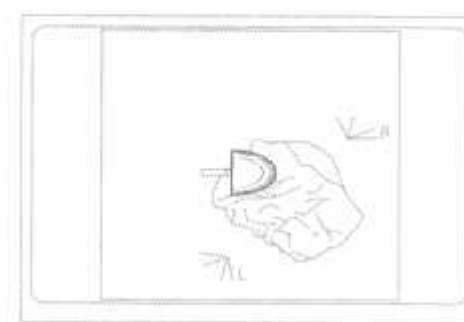
(57) Statement of Newness and Distinctiveness: **Newness and distinctiveness is claimed in the features of the shape and configuration of the wrist watch band as illustrated in the accompanying representations**

(21) Design Number: **16318/2014**  
(22) Date of Filing Application: **04 December 2014**  
(24) Date from which industrial property rights may have effect: **04 December 2014**  
(54) Product in respect of which the design is registered: **Watch batteries**  
(51) International Design Classification: **13-02**  
(74) Name(s) of Attorney(s): **Cullens Patent and Trade Mark Attorneys**  
(71) Name(s) and Address(s) of Applicant(s):  
**Kairos Watches Limited**  
**10 Raeburn Park #02-08 Singapore 088702 Singapore**  
(72) Name(s) of Designer(s): **Sun Jong Yang**  
(45) Registration Date: **16 January 2015**  
(30) Convention priority data:  
(31) Number (32) Date (33) Country  
**DM/084 693 28 Jul 2014 WORLD INTELLECTUAL**  
**PROPERTY ORGANIZATION**  
**(WIPO)**

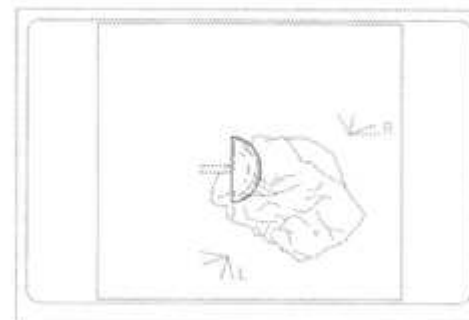


(56) Related Art Documents: **Not Applicable**  
(57) Statement of Newness and Distinctiveness: **Newness and distinctiveness is claimed in the features of the shape and configuration of the watch batteries as illustrated in the accompanying representations.**

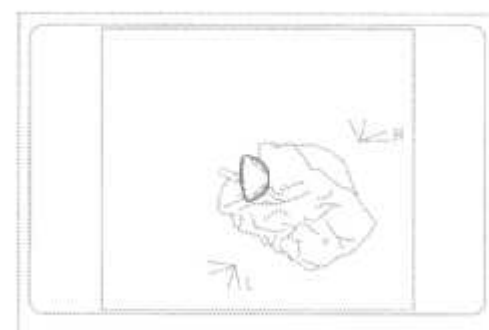
(21) Design Number: **10059/2015**  
(22) Date of Filing Application: **08 January 2015**  
(24) Date from which industrial property rights may have effect: **29 October 2014**  
(54) Product in respect of which the design is registered: **Display screen with icon**  
(51) International Design Classification: **14-04, 14-02**  
(74) Name(s) of Attorney(s): **Callinans**  
(71) Name(s) and Address(s) of Applicant(s):  
**Biosense Webster (Israel) Ltd**  
**4 Hatnufa Street Yokneam, Israel, 20692 Israel**  
(72) Name(s) of Designer(s): **Yoram Chmiel and Noam Seker Gafni and Itamar Bustan**  
(45) Registration Date: **20 January 2015**  
(62) Divisional of: **359915**  
(56) Related Art Documents: **Not Applicable**  
(57) Statement of Newness and Distinctiveness: **Newness and distinctiveness reside in the features of pattern and/or ornamentation of a display screen with icon as illustrated by solid lines in the accompanying representation. The features shown in broken outline are for contextual purposes only and do not form part of the design.**



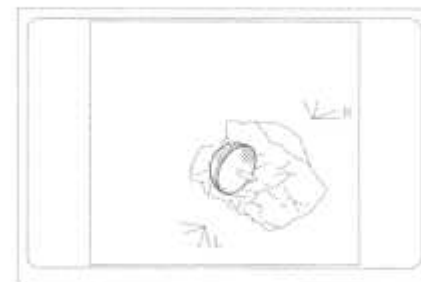
- (21) Design Number: **10061/2015**  
(22) Date of Filing Application: **08 January 2015**  
(24) Date from which industrial property rights may have effect: **29 October 2014**  
(54) Product in respect of which the design is registered: **Display screen with icon**  
(51) International Design Classification: **14-04, 14-02**  
(74) Name(s) of Attorney(s): **Callinans**  
(71) Name(s) and Address(s) of Applicant(s):  
**Biosense Webster (Israel) Ltd**  
**4 Hatnufa Street Yokneam, Israel, 20692 Israel**  
(72) Name(s) of Designer(s): **Yoram Chmiel and Noam Seker Gafni and Itamar Bustan**  
(45) Registration Date: **20 January 2015**  
(62) Divisional of: **359915**  
(56) Related Art Documents: **Not Applicable**  
(57) Statement of Newness and Distinctiveness: **Newness and distinctiveness reside in the features of pattern and/or ornamentation of a display screen with icon as illustrated by solid lines in the accompanying representation. The features shown in broken outline are for contextual purposes only and do not form part of the design.**



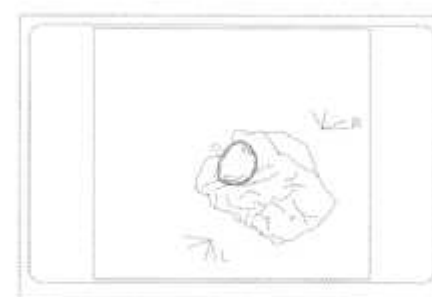
- (21) Design Number: **10062/2015**  
(22) Date of Filing Application: **08 January 2015**  
(24) Date from which industrial property rights may have effect: **29 October 2014**  
(54) Product in respect of which the design is registered: **Display screen with icon**  
(51) International Design Classification: **14-04, 14-02**  
(74) Name(s) of Attorney(s): **Callinans**  
(71) Name(s) and Address(s) of Applicant(s):  
**Biosense Webster (Israel) Ltd**  
**4 Hatnufa Street Yokneam, Israel, 20692 Israel**  
(72) Name(s) of Designer(s): **Yoram Chmiel and Noam Seker Gafni and Itamar Bustan**  
(45) Registration Date: **20 January 2015**  
(62) Divisional of: **359915**  
(56) Related Art Documents: **Not Applicable**  
(57) Statement of Newness and Distinctiveness: **Newness and distinctiveness reside in the features of pattern and/or ornamentation of a display screen with icon as illustrated by solid lines in the accompanying representation. The features shown in broken outline are for contextual purposes only and do not form part of the design.**



- (21) Design Number: **10063/2015**  
(22) Date of Filing Application: **08 January 2015**  
(24) Date from which industrial property rights may have effect: **29 October 2014**  
(54) Product in respect of which the design is registered: **Display screen with icon**  
(51) International Design Classification: **14-04, 14-02**  
(74) Name(s) of Attorney(s): **Callinans**  
(71) Name(s) and Address(s) of Applicant(s):  
**Biosense Webster (Israel) Ltd**  
**4 Hatnufa Street Yokneam, Israel, 20692 Israel**  
(72) Name(s) of Designer(s): **Yoram Chmiel and Noam Seker Gafni and Itamar Bustan**  
(45) Registration Date: **20 January 2015**  
(62) Divisional of: **359915**  
(56) Related Art Documents: **Not Applicable**  
(57) Statement of Newness and Distinctiveness: **Newness and distinctiveness reside in the features of pattern and/or ornamentation of a display screen with icon as illustrated by solid lines in the accompanying representation. The features shown in broken outline are for contextual purposes only and do not form part of the design.**

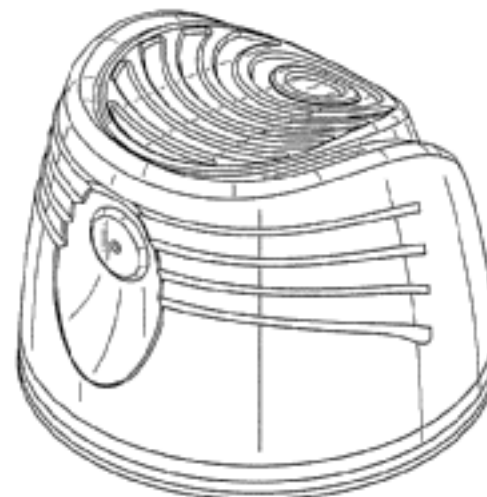


- (21) Design Number: **10064/2015**  
(22) Date of Filing Application: **08 January 2015**  
(24) Date from which industrial property rights may have effect: **29 October 2014**  
(54) Product in respect of which the design is registered: **Display screen with icon**  
(51) International Design Classification: **14-04, 14-02**  
(74) Name(s) of Attorney(s): **Callinans**  
(71) Name(s) and Address(s) of Applicant(s):  
**Biosense Webster (Israel) Ltd**  
**4 Hatnufa Street Yokneam, Israel, 20692 Israel**  
(72) Name(s) of Designer(s): **Yoram Chmiel and Noam Seker Gafni and Itamar Bustan**  
(45) Registration Date: **20 January 2015**  
(62) Divisional of: **359915**  
(56) Related Art Documents: **Not Applicable**  
(57) Statement of Newness and Distinctiveness: **Newness and distinctiveness reside in the features of pattern and/or ornamentation of a display screen with icon as illustrated by solid lines in the accompanying representation. The features shown in broken outline are for contextual purposes only and do not form part of the design.**

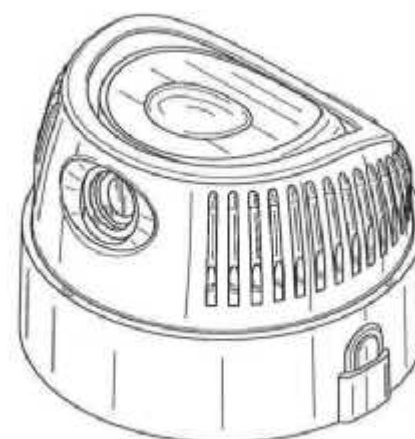




(21) Design Number: **10065/2015**  
(22) Date of Filing Application: **08 January 2015**  
(24) Date from which industrial property rights may have effect: **08 January 2015**  
(54) Product in respect of which the design is registered: **Spray cap**  
(51) International Design Classification: **09-07A**  
(74) Name(s) of Attorney(s): **Adams Pluck**  
(71) Name(s) and Address(s) of Applicant(s):  
**SUMMIT PACKAGING SYSTEMS, INC.**  
**400 Gay Street Manchester NH, 03103 United States of America**  
(72) Name(s) of Designer(s): **Jason C Campbell and Marcel Faucher**  
(45) Registration Date: **20 January 2015**  
(30) Convention priority data:  
(31) Number (32) Date (33) Country  
**29/499,539 15 Aug 2014 UNITED STATES OF AMERICA**  
(56) Related Art Documents: **Not Applicable**  
(57) Statement of Newness and Distinctiveness: **Nil**



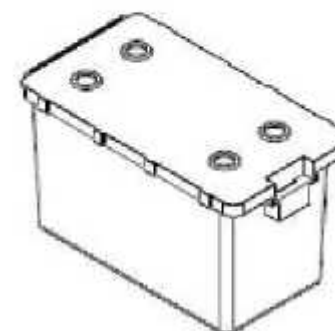
(21) Design Number: **10066/2015**  
(22) Date of Filing Application: **08 January 2015**  
(24) Date from which industrial property rights may have effect: **08 January 2015**  
(54) Product in respect of which the design is registered: **Aerosol spray cap**  
(51) International Design Classification: **09-07A**  
(74) Name(s) of Attorney(s): **Adams Pluck**  
(71) Name(s) and Address(s) of Applicant(s):  
**SUMMIT PACKAGING SYSTEMS, INC.**  
**400 Gay Street Manchester NH, 03103 United States of America**  
(72) Name(s) of Designer(s): **Jason C Campbell and Marcel Faucher**  
(45) Registration Date: **20 January 2015**  
(30) Convention priority data:  
(31) Number (32) Date (33) Country  
**29/503,665 29 Sep 2014 UNITED STATES OF AMERICA**  
(56) Related Art Documents: **Not Applicable**  
(57) Statement of Newness and Distinctiveness: **Nil**



- (21) Design Number: **10067/2015**  
(22) Date of Filing Application: **08 January 2015**  
(24) Date from which industrial property rights may have effect: **08 January 2015**  
(54) Product in respect of which the design is registered: **Wall plate**  
(51) International Design Classification: **13-03D**  
(74) Name(s) of Attorney(s): **Lesicar Maynard Andrews Pty Ltd**  
(71) Name(s) and Address(s) of Applicant(s):  
**Sergio Vassallo**  
**7 Toogood Ave Beverley SA 5009 Australia**  
(72) Name(s) of Designer(s): **Sergio Vassallo**  
(45) Registration Date: **20 January 2015**  
(56) Related Art Documents: **Not Applicable**  
(57) Statement of Newness and Distinctiveness: **Newness and distinctiveness is claimed in the visual features and the shape and proportions of the peripheral dimensions.**



- (21) Design Number: **10069/2015**  
(22) Date of Filing Application: **08 January 2015**  
(24) Date from which industrial property rights may have effect: **08 January 2015**  
(54) Product in respect of which the design is registered: **Tamper-evident box**  
(51) International Design Classification: **09-03NES, 09-07C**  
(74) Name(s) of Attorney(s): **Fisher Adams Kelly Pty Ltd**  
(71) Name(s) and Address(s) of Applicant(s):  
**Mega Fortris (Malaysia) Sdn. Bhd.**  
**29 Jalan Anggerik Mokara 31/47 Kota Kemuning Seksyen 31 Shah AlamSelangor, 40460 Malaysia**  
(72) Name(s) of Designer(s): **Meng Poh Ng and Yuen Kam Chua**  
(45) Registration Date: **20 January 2015**  
(30) Convention priority data:  
(31) Number      (32) Date      (33) Country  
**2014-015223      11 Jul 2014      JAPAN**  
(56) Related Art Documents: **Not Applicable**  
(57) Statement of Newness and Distinctiveness: **The newness and distinctiveness of the design resides in the shape and/or configuration of the BOX shown in the representations.**



(21) Design Number: **10088/2015**  
(22) Date of Filing Application: **08 January 2015**  
(24) Date from which industrial property rights may have effect: **08 January 2015**  
(54) Product in respect of which the design is registered: **Container**  
(51) International Design Classification: **09-03L**  
(74) Name(s) of Attorney(s): **Ashurst Australia**  
(71) Name(s) and Address(s) of Applicant(s):  
**Marimekko Oyj**  
**Puusepankatu 4 Helsinki 00880 Finland**  
(72) Name(s) of Designer(s): **Sami Ruotsalainen**  
(45) Registration Date: **20 January 2015**  
(30) Convention priority data:  
(31) Number (32) Date (33) Country  
**002498386-0001 08 Jul 2014 OFFICE FOR HARMONISATION IN**  
**THE INTERNAL MARKET (OHIM)**  
(56) Related Art Documents: **Not Applicable**  
(57) Statement of Newness and Distinctiveness: **Nil**



(21) Design Number: **10101/2015**  
(22) Date of Filing Application: **09 January 2015**  
(24) Date from which industrial property rights may have effect: **09 January 2015**  
(54) Product in respect of which the design is registered: **Blender Container**  
(51) International Design Classification: **31-00**  
(74) Name(s) of Attorney(s): **PIZZEYS**  
(71) Name(s) and Address(s) of Applicant(s):  
**Euro-Pro Operating LLC**  
**180 Wells Avenue, Suite 200 Newton Massachusetts, 02459 United**  
**States of America**  
(72) Name(s) of Designer(s): **Joyce Tu**  
(45) Registration Date: **20 January 2015**  
(30) Convention priority data:  
(31) Number (32) Date (33) Country  
**29/496,948 18 Jul 2014 UNITED STATES OF AMERICA**  
(56) Related Art Documents: **Not Applicable**  
(57) Statement of Newness and Distinctiveness: **Nil**



(21) Design Number: **10116/2015**  
(22) Date of Filing Application: **12 January 2015**  
(24) Date from which industrial property rights may have effect: **12 January 2015**  
(54) Product in respect of which the design is registered: **Dispensing device with refill cartridge**  
(51) International Design Classification: **23-02A**  
(74) Name(s) of Attorney(s): **Madderns**  
(71) Name(s) and Address(s) of Applicant(s):  
**Reckitt Benckiser (Brands) Limited**  
**103-105 Bath Road Slough Berkshire SL1 3UH United Kingdom**  
(72) Name(s) of Designer(s): **Richard Brian Clough and Jacobus Simon Petrus**  
(45) Registration Date: **20 January 2015**  
(30) Convention priority data:  
(31) Number (32) Date (33) Country  
**002516112-0003 07 Aug 2014 OFFICE FOR HARMONISATION IN THE INTERNAL MARKET (OHIM)**  
(56) Related Art Documents: **Not Applicable**  
(57) Statement of Newness and Distinctiveness: **Nil**



(21) Design Number: **10118/2015**  
(22) Date of Filing Application: **12 January 2015**  
(24) Date from which industrial property rights may have effect: **12 January 2015**  
(54) Product in respect of which the design is registered: **Dispenser device**  
(51) International Design Classification: **23-02A**  
(74) Name(s) of Attorney(s): **Madderns**  
(71) Name(s) and Address(s) of Applicant(s):  
**Reckitt Benckiser (Brands) Limited**  
**103-105 Bath Road Slough Berkshire SL1 3UH United Kingdom**  
(72) Name(s) of Designer(s): **Richard Brian Clough and Jacobus Simon Petrus Van Diepen**  
(45) Registration Date: **20 January 2015**  
(30) Convention priority data:  
(31) Number (32) Date (33) Country  
**002516112-0002 07 Aug 2014 OFFICE FOR HARMONISATION IN THE INTERNAL MARKET (OHIM)**  
(56) Related Art Documents: **Not Applicable**  
(57) Statement of Newness and Distinctiveness: **Newness and distinctiveness resides in the shape and configuration of a design applied to the article as illustrated in solid lines in the accompanying representations.**



(21) Design Number: **10120/2015**

(22) Date of Filing Application: **12 January 2015**

(24) Date from which industrial property rights may have effect: **12 January 2015**

(54) Product in respect of which the design is registered: **Dispensing device**

(51) International Design Classification: **23-02A**

(74) Name(s) of Attorney(s): **Madderns**

(71) Name(s) and Address(s) of Applicant(s):

**Reckitt Benckiser (Brands) Limited**  
**103-105 Bath Road Slough Berkshire SL1 3UH United Kingdom**

(72) Name(s) of Designer(s): **Richard Brian Clough and Jacobus Simon Petrus Van Diepen**

(45) Registration Date: **20 January 2015**

(30) Convention priority data:

(31) Number (32) Date  
**002516112-0001 07 Aug 2014**

(33) Country  
**OFFICE FOR HARMONISATION IN  
THE INTERNAL MARKET (OHIM)**

(56) Related Art Documents: **Not Applicable**

(57) Statement of Newness and Distinctiveness: **Nil**



(21) Design Number: **10127/2015**

(22) Date of Filing Application: **12 January 2015**

(24) Date from which industrial property rights may have effect: **12 January 2015**

(54) Product in respect of which the design is registered: **Trampoline skirt**

(51) International Design Classification: **21-02F**

(74) Name(s) of Attorney(s): **Fisher Adams Kelly Pty Ltd**

(71) Name(s) and Address(s) of Applicant(s):

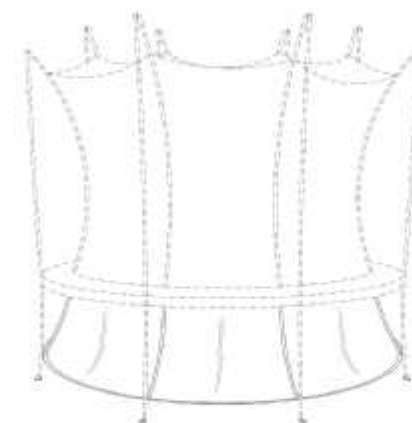
**Vuly Property Pty Ltd**  
**1/95 Ingleston Rd Wakerley QLD 4154 Australia**

(72) Name(s) of Designer(s): **Jack Andon**

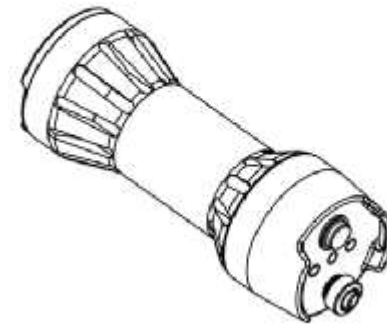
(45) Registration Date: **20 January 2015**

(56) Related Art Documents: **Not Applicable**

(57) Statement of Newness and Distinctiveness: **Newness and distinctiveness of the design resides in the shape and/or configuration of a trampoline skirt as shown in the representations. Particular regard is to be given to the features shown in solid lines. The features shown in broken lines are for context and example only, and should be disregarded for the purpose of assessing newness and distinctiveness.**



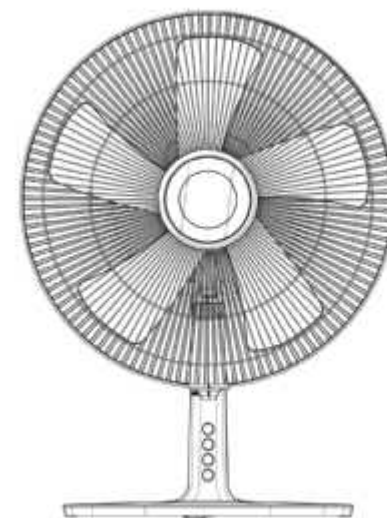
(21) Design Number: **10128/2015**  
(22) Date of Filing Application: **13 January 2015**  
(24) Date from which industrial property rights may have effect: **13 January 2015**  
(54) Product in respect of which the design is registered: **Bicycle light**  
(51) International Design Classification: **26-06**  
(74) Name(s) of Attorney(s): **Murray Trento & Associates**  
(71) Name(s) and Address(s) of Applicant(s):  
**Indigo Design Pty Ltd**  
**416 Port Rd Hindmarsh SA 5007 Australia**  
(72) Name(s) of Designer(s): **Simon Zappia**  
(45) Registration Date: **20 January 2015**  
(56) Related Art Documents: **Not Applicable**  
(57) Statement of Newness and Distinctiveness: **Nil**



(21) Design Number: **10129/2015**  
(22) Date of Filing Application: **13 January 2015**  
(24) Date from which industrial property rights may have effect: **13 January 2015**  
(54) Product in respect of which the design is registered: **Desk fan**  
(51) International Design Classification: **03-04**  
(74) Name(s) of Attorney(s): **A.P.T. Patent and Trade Mark Attorneys**  
(71) Name(s) and Address(s) of Applicant(s):  
**Homely Manufacturing Limited**  
**Room 11, Floor 40 One Midtown, 11 Hoi Shing Road Tsuen Wan New Territories Hong Kong**  
(72) Name(s) of Designer(s): **Kui Wong Yeung**  
(45) Registration Date: **20 January 2015**  
(30) Convention priority data:  

(31) Number	(32) Date	(33) Country
<b>1401661.8</b>	<b>05 Sep 2014</b>	<b>HONG KONG</b>

  
(56) Related Art Documents: **Not Applicable**  
(57) Statement of Newness and Distinctiveness: **Nil**



(21) Design Number: **10139/2015**

(22) Date of Filing Application: **13 January 2015**

(24) Date from which industrial property rights may have effect: **13 January 2015**

(54) Product in respect of which the design is registered: **Air conditioner**

(51) International Design Classification: **23-04**

(74) Name(s) of Attorney(s): **Freehills Patent Attorneys**

(71) Name(s) and Address(s) of Applicant(s):

**Daikin Industries Ltd**

**Umeda Centre Building 4-12 Nakazaki-Nishi 2-Chome Kita-ku Osaka-Shi  
Osaka-Fu 530-8323 Japan**

(72) Name(s) of Designer(s): **Yumi Saitou**

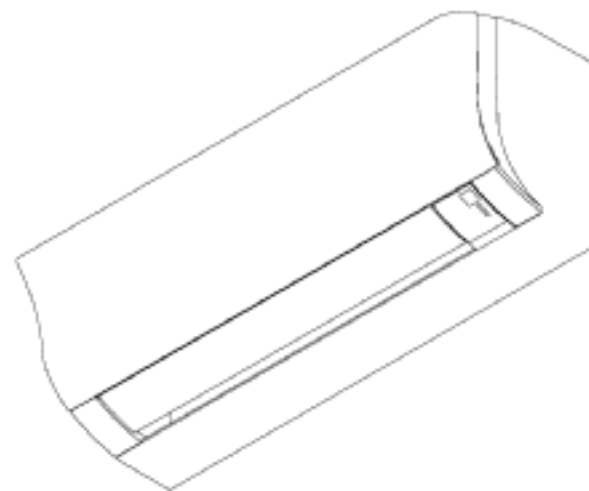
(45) Registration Date: **20 January 2015**

(30) Convention priority data:

(31) Number	(32) Date	(33) Country
<b>2014-019825</b>	<b>08 Sep 2014</b>	<b>JAPAN</b>

(56) Related Art Documents: **Not Applicable**

(57) Statement of Newness and Distinctiveness: **The newness and distinctiveness of the design resides in the features of shape and configuration of the air conditioner as shown in the accompanying representations.**



(21) Design Number: **10140/2015**

(22) Date of Filing Application: **13 January 2015**

(24) Date from which industrial property rights may have effect: **13 January 2015**

(54) Product in respect of which the design is registered: **Air conditioner**

(51) International Design Classification: **23-04**

(74) Name(s) of Attorney(s): **Freehills Patent Attorneys**

(71) Name(s) and Address(s) of Applicant(s):

**Daikin Industries Ltd.**

**Umeda Center Building 4-12 Nakazaki-Nishi 2-chome Kita-ku Osaka-shi  
Osaka-fu 530-8323 Japan**

(72) Name(s) of Designer(s): **Yumi Saitou**

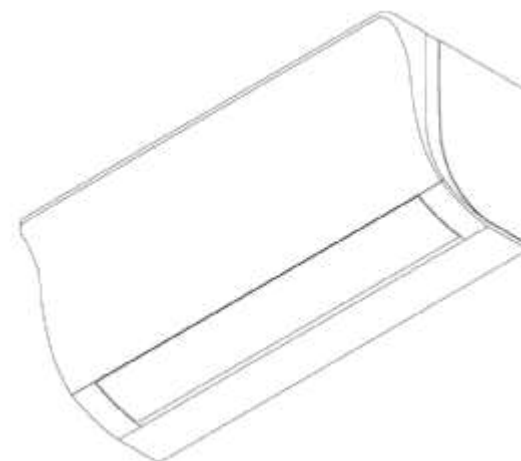
(45) Registration Date: **20 January 2015**

(30) Convention priority data:

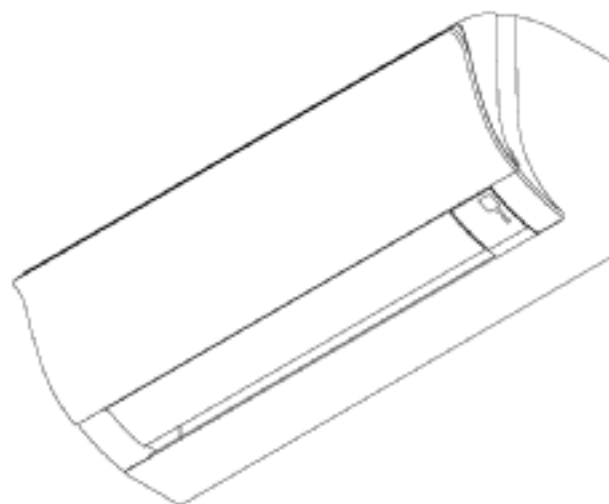
(31) Number	(32) Date	(33) Country
<b>2014-019826</b>	<b>08 Sep 2014</b>	<b>JAPAN</b>

(56) Related Art Documents: **Not Applicable**

(57) Statement of Newness and Distinctiveness: **The newness and distinctiveness of the design resides in the features of shape and configuration of the air conditioner as shown in the accompanying representations.**



- (21) Design Number: **10142/2015**  
(22) Date of Filing Application: **13 January 2015**  
(24) Date from which industrial property rights may have effect: **13 January 2015**  
(54) Product in respect of which the design is registered: **Air conditioner**  
(51) International Design Classification: **23-04**  
(74) Name(s) of Attorney(s): **Freehills Patent Attorneys**  
(71) Name(s) and Address(s) of Applicant(s):  
**Daikin Industries Ltd.**  
**Umeda Center Building 4-12 Nakazaki-Nishi 2-chome Kita-ku Osaka-shi**  
**Osaka-fu 530-8323 Japan**  
(72) Name(s) of Designer(s): **Kentarou Niki**  
(45) Registration Date: **20 January 2015**  
(30) Convention priority data:  
(31) Number      (32) Date      (33) Country  
**2014-019835      08 Sep 2014      JAPAN**  
(56) Related Art Documents: **Not Applicable**  
(57) Statement of Newness and Distinctiveness: **The newness and distinctiveness of the design resides in the shape and configuration of the air conditioner as shown in the accompanying representations.**

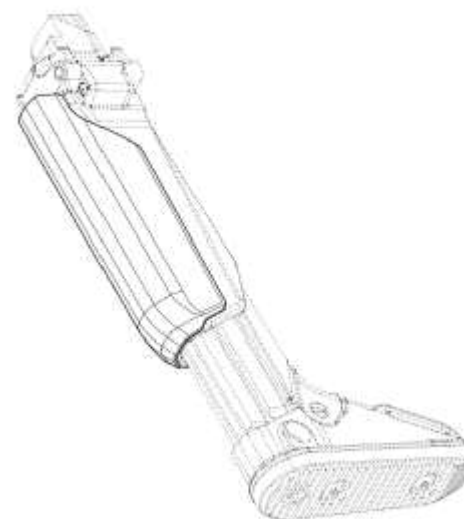


- (21) Design Number: **15747/2014**  
(22) Date of Filing Application: **11 November 2014**  
(24) Date from which industrial property rights may have effect: **11 November 2014**  
(54) Product in respect of which the design is registered: **Folding firearm stock**  
(51) International Design Classification: **22-01**  
(74) Name(s) of Attorney(s): **Davies Collison Cave**  
(71) Name(s) and Address(s) of Applicant(s):  
**Magpul Industries Corporation**  
**400 Young Court Unit 1 Erie Colorado 80516 United States of America**  
(72) Name(s) of Designer(s): **Michael T. Mayberry and Nicholas Kielsmeier and Timothy Roberts and William B. Bennett and Richard Fitzpatrick and Thomas Ward Jr and Grady Barfoot**  
(45) Registration Date: **20 January 2015**  
(30) Convention priority data:  
(31) Number      (32) Date      (33) Country  
**29/497,272      22 Jul 2014      UNITED STATES OF AMERICA**  
(56) Related Art Documents: **Not Applicable**  
(57) Statement of Newness and Distinctiveness: **Newness and distinctiveness is claimed in the visual features shown in solid lines in the representations. The firearm itself shown in the reference views of Figures 1 and 2 do not form part of the design.**

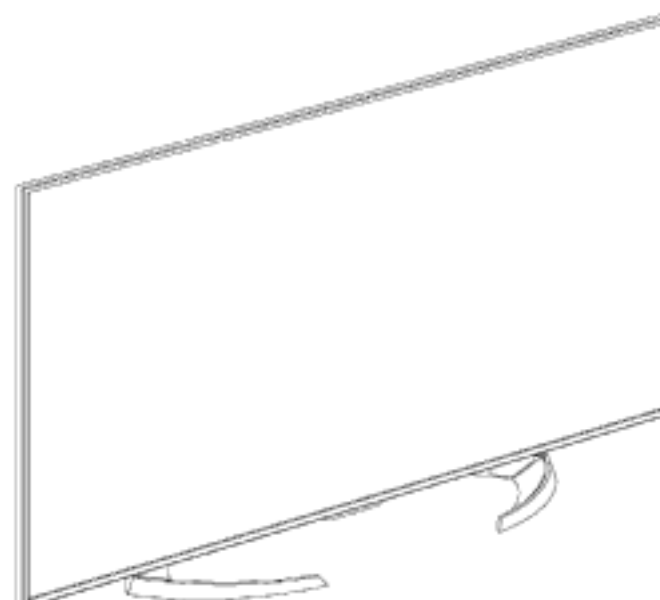




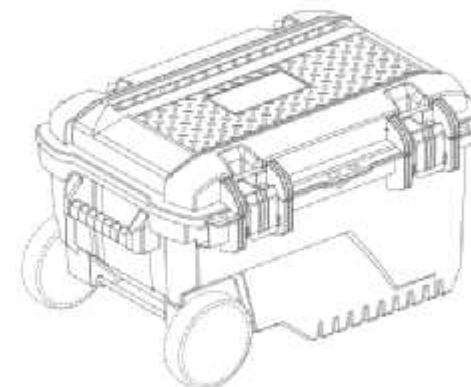
- (21) Design Number: **15748/2014**  
(22) Date of Filing Application: **11 November 2014**  
(24) Date from which industrial property rights may have effect: **11 November 2014**  
(54) Product in respect of which the design is registered: **Folding firearm stock**  
(51) International Design Classification: **22-01**  
(74) Name(s) of Attorney(s): **Davies Collison Cave**  
(71) Name(s) and Address(s) of Applicant(s):  
**Magpul Industries Corporation**  
**400 Young Court Unit 1 Erie Colorado 80516 United States of America**  
(72) Name(s) of Designer(s): **Michael T. Mayberry and Nicholas Kielsmeier and Timothy Roberts and William B. Bennett and Richard Fitzpatrick and Thomas Ward Jr and Grady Barfoot**  
(45) Registration Date: **20 January 2015**  
(30) Convention priority data:  
(31) Number (32) Date (33) Country  
**29/497,272 22 Jul 2014 UNITED STATES OF AMERICA**  
(56) Related Art Documents: **Not Applicable**  
(57) Statement of Newness and Distinctiveness: **Newness and distinctiveness is claimed in the visual features shown in solid lines in the representations.**



- (21) Design Number: **16011/2014**  
(22) Date of Filing Application: **24 November 2014**  
(24) Date from which industrial property rights may have effect: **24 November 2014**  
(54) Product in respect of which the design is registered: **Television**  
(51) International Design Classification: **14-03B**  
(74) Name(s) of Attorney(s): **Davies Collison Cave**  
(71) Name(s) and Address(s) of Applicant(s):  
**Sharp Kabushiki Kaisha**  
**22-22 Nagaike-cho Abeno-ku Osaka 545-8522 Japan**  
(72) Name(s) of Designer(s): **Takeshi Kodera and Keiichi Takao and Nobuharu Nagai**  
(45) Registration Date: **20 January 2015**  
(30) Convention priority data:  
(31) Number (32) Date (33) Country  
**2014-012026 04 Jun 2014 JAPAN**  
(56) Related Art Documents: **Not Applicable**  
(57) Statement of Newness and Distinctiveness: **Newness and distinctiveness is claimed in the visual features shown in solid lines in the representations. The details on the rear of the screen should be disregarded.**



(21) Design Number: **16315/2014**  
(22) Date of Filing Application: **04 December 2014**  
(24) Date from which industrial property rights may have effect: **04 December 2014**  
(54) Product in respect of which the design is registered: **Tool box**  
(51) International Design Classification: **03-01D**  
(74) Name(s) of Attorney(s): **Davies Collison Cave**  
(71) Name(s) and Address(s) of Applicant(s):



**The Stanley Works Israel Ltd.**  
**19 Ha'Melacha Street New Industrial Zone Rosh Ha'ayin 48091 Israel**

(72) Name(s) of Designer(s): **Michael Menirom**

(45) Registration Date: **20 January 2015**

(30) Convention priority data:

(31) Number	(32) Date	(33) Country
<b>001417943</b>	<b>01 Aug 2014</b>	<b>OFFICE FOR HARMONISATION IN THE INTERNAL MARKET (OHIM)</b>

(56) Related Art Documents: **Not Applicable**

(57) Statement of Newness and Distinctiveness: **Newness and distinctiveness is claimed in the visual features shown in solid lines in the representations.**

(21) Design Number: **16424/2014**  
(22) Date of Filing Application: **11 December 2014**  
(24) Date from which industrial property rights may have effect: **11 December 2014**  
(54) Product in respect of which the design is registered: **Holder for brushes, sponges and the like**  
(51) International Design Classification: **07-99C**  
(74) Name(s) of Attorney(s): **FB Rice**  
(71) Name(s) and Address(s) of Applicant(s):



**Hutzler Manufacturing Co., Inc.**  
**4 Grace Way Canaan CT 06018 United States of America**

(72) Name(s) of Designer(s): **William Kolano**

(45) Registration Date: **20 January 2015**

(30) Convention priority data:

(31) Number	(32) Date	(33) Country
<b>29/507351</b>	<b>27 Oct 2014</b>	<b>UNITED STATES OF AMERICA</b>

(56) Related Art Documents: **Not Applicable**

(57) Statement of Newness and Distinctiveness: **Newness and distinctiveness reside in the features of shape and configuration of the design shown in solid lines in the representations excluding those features shown in broken lines.**

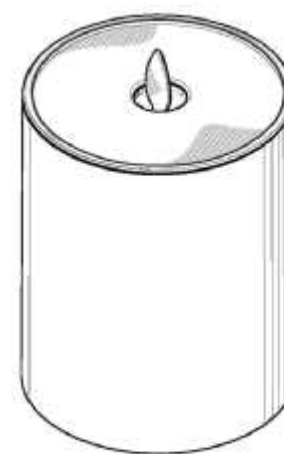
(21) Design Number: **10133/2015**  
(22) Date of Filing Application: **13 January 2015**  
(24) Date from which industrial property rights may have effect: **13 January 2015**  
(54) Product in respect of which the design is registered: **Cyclone cone barrel**  
(51) International Design Classification: **15-05**  
(74) Name(s) of Attorney(s): **Allens Patent & Trade Mark Attorneys**  
(71) Name(s) and Address(s) of Applicant(s):  
**Jiangsu Midea Chunhua Electric Appliance Co., Ltd.**  
**No. 999 Litanghe Road Xiangcheng District Suzhou Jiangsu 215131**  
**China**  
(72) Name(s) of Designer(s): **Liangsheng Zhou**  
(45) Registration Date: **20 January 2015**  
(30) Convention priority data:  
(31) Number (32) Date (33) Country  
**201430528941.3 16 Dec 2014 CHINA**  
(56) Related Art Documents: **Not Applicable**  
(57) Statement of Newness and Distinctiveness: **Newness and distinctiveness resides in the visual features of shape and/or configuration of a cyclone cone barrel as illustrated in the accompanying representations.**



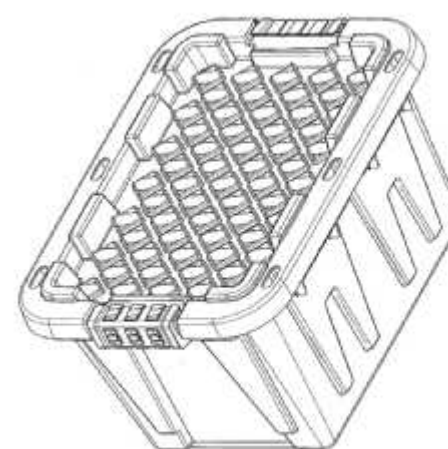
(21) Design Number: **10134/2015**  
(22) Date of Filing Application: **13 January 2015**  
(24) Date from which industrial property rights may have effect: **13 January 2015**  
(54) Product in respect of which the design is registered: **Dust collecting barrel**  
(51) International Design Classification: **15-05**  
(74) Name(s) of Attorney(s): **Allens Patent & Trade Mark Attorneys**  
(71) Name(s) and Address(s) of Applicant(s):  
**Jiangsu Midea Chunhua Electric Appliance Co., Ltd.**  
**No. 999 Litanghe Road Xiangcheng District Suzhou Jiangsu 215131**  
**China**  
(72) Name(s) of Designer(s): **Liangsheng Zhou**  
(45) Registration Date: **20 January 2015**  
(30) Convention priority data:  
(31) Number (32) Date (33) Country  
**201430528912.7 16 Dec 2014 CHINA**  
(56) Related Art Documents: **Not Applicable**  
(57) Statement of Newness and Distinctiveness: **Newness and distinctiveness resides in the visual features of shape and/or configuration of a dust collecting barrel as illustrated in the accompanying representations.**



(21) Design Number: **10136/2015**  
(22) Date of Filing Application: **13 January 2015**  
(24) Date from which industrial property rights may have effect: **13 January 2015**  
(54) Product in respect of which the design is registered: **Step top flameless wax candle**  
(51) International Design Classification: **26-01**  
(74) Name(s) of Attorney(s): **Pizeys**  
(71) Name(s) and Address(s) of Applicant(s):  
**Candella LLC**  
**4000 Metropolitan Drive Suite 400 Orange CA, 92868 United States of America**  
(72) Name(s) of Designer(s): **Jeffrey Thompson and Douglas Patton and James LaBelle**  
(45) Registration Date: **20 January 2015**  
(30) Convention priority data:  
(31) Number (32) Date (33) Country  
**29/496,539 14 Jul 2014 UNITED STATES OF AMERICA**  
(56) Related Art Documents: **Not Applicable**  
(57) Statement of Newness and Distinctiveness: **Nil**



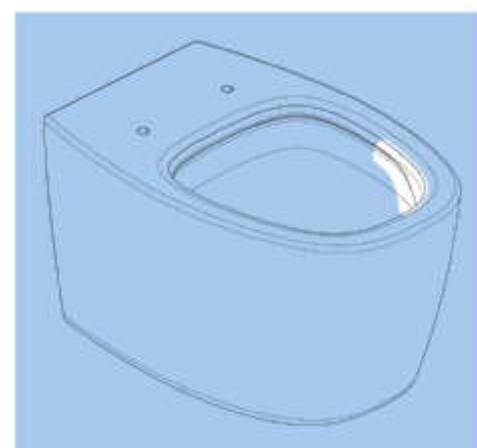
(21) Design Number: **10143/2015**  
(22) Date of Filing Application: **13 January 2015**  
(24) Date from which industrial property rights may have effect: **13 January 2015**  
(54) Product in respect of which the design is registered: **Tote**  
(51) International Design Classification: **03-01D**  
(74) Name(s) of Attorney(s): **Shelston IP**  
(71) Name(s) and Address(s) of Applicant(s):  
**Centrex Plastics, LLC**  
**814 West Lima Street Findlay Ohio, 45840 United States of America**  
(72) Name(s) of Designer(s): **Nickolas Reinhart**  
(45) Registration Date: **20 January 2015**  
(30) Convention priority data:  
(31) Number (32) Date (33) Country  
**29/496483 14 Jul 2014 UNITED STATES OF AMERICA**  
(56) Related Art Documents: **Not Applicable**  
(57) Statement of Newness and Distinctiveness: **Newness and Distinctiveness reside in the shape and configuration of the design for a tote as shown in solid line. The shading lines in the grid pattern on the top surface as particularly seen in Figs 1 and 2 and contour lines in all views display surface curves and contours of the design. These lines do not represent marking of the surface.**



(21) Design Number: **10145/2015**  
(22) Date of Filing Application: **13 January 2015**  
(24) Date from which industrial property rights may have effect: **28 October 2014**  
(54) Product in respect of which the design is registered: **Container**  
(51) International Design Classification: **07-01NES**  
(74) Name(s) of Attorney(s): **IP Gateway Patent & Trademark Attorneys Pty Ltd**  
(71) Name(s) and Address(s) of Applicant(s):  
**Jab Distributors, LLC**  
**1500 S. Wolf Road Wheeling Illinois, 60090 United States of America**  
(72) Name(s) of Designer(s): **James Bell and Jared Bell and Warrick Bell and Peter Pecoulas**  
(45) Registration Date: **20 January 2015**  
(62) Divisional of: **359985**  
(56) Related Art Documents: **Not Applicable**  
(57) Statement of Newness and Distinctiveness: **Newness and distinctiveness reside in the visual features of shape and/or configuration and pattern and/or ornamentation as shown, other than by broken lines, in the accompanying representations.**



(21) Design Number: **10151/2015**  
(22) Date of Filing Application: **14 January 2015**  
(24) Date from which industrial property rights may have effect: **14 January 2015**  
(54) Product in respect of which the design is registered: **Toilet bowl**  
(51) International Design Classification: **23-02C**  
(74) Name(s) of Attorney(s): **Shelston IP**  
(71) Name(s) and Address(s) of Applicant(s):  
**Ideal Standard (UK) Limited**  
**The Bathroom Works, National Avenue Kingston Upon Hull North**  
**Humberside HU5 4HS United Kingdom**  
(72) Name(s) of Designer(s): **John Mark Richard Pearson and Robin Levien**  
(45) Registration Date: **20 January 2015**  
(30) Convention priority data:  
(31) Number (32) Date (33) Country  
**002505479 18 Jul 2014 OFFICE FOR HARMONISATION IN**  
**THE INTERNAL MARKET (OHIM)**  
(56) Related Art Documents: **Not Applicable**  
(57) Statement of Newness and Distinctiveness: **Newness and distinctiveness reside in the features of shape and/or configuration of a TOILET BOWL as illustrated in the accompanying representations. The features shaded with blue wash are illustrative only and do not form part of the design.**



(21) Design Number: **10165/2015**

(22) Date of Filing Application: **14 January 2015**

(24) Date from which industrial property rights may have effect: **14 January 2015**

(54) Product in respect of which the design is registered: **Heat exchanger**

(51) International Design Classification: **23-03NES**

(74) Name(s) of Attorney(s): **SPRUSON & FERGUSON**

(71) Name(s) and Address(s) of Applicant(s):

**Atwood Mobile Products LLC**

**1120 North Main Street, Elkhart Indiana, 46514 United States of America**

**Beckett Gas, Inc.**

**38000 Beckett Parkway, North Ridgeville Ohio, 44039 United States of America**

(72) Name(s) of Designer(s): **Gale Andrew Schmidt and Steve Ralph Matson and Christopher Charles Schmidt and Richard Maricic**

(45) Registration Date: **20 January 2015**

(30) Convention priority data:

(31) Number	(32) Date	(33) Country
<b>29/496587</b>	<b>15 Jul 2014</b>	<b>UNITED STATES OF AMERICA</b>

(56) Related Art Documents: **Not Applicable**

(57) Statement of Newness and Distinctiveness: **Newness and distinctiveness is claimed in the features of shape and/or configuration of a heat exchanger as illustrated in the accompanying representations.**



(21) Design Number: **10172/2015**

(22) Date of Filing Application: **14 January 2015**

(24) Date from which industrial property rights may have effect: **14 January 2015**

(54) Product in respect of which the design is registered: **Garment**

(51) International Design Classification: **02-02NES**

(74) Name(s) of Attorney(s): **AJ Park**

(71) Name(s) and Address(s) of Applicant(s):

**KIT AND ACE DESIGNS INC.**

**Suite 600 21 Water Street Vancouver BC, V6B 1A1 Canada**

(72) Name(s) of Designer(s): **John James Wilson and Shannon Elizabeth Wilson and Dennis James Wilson**

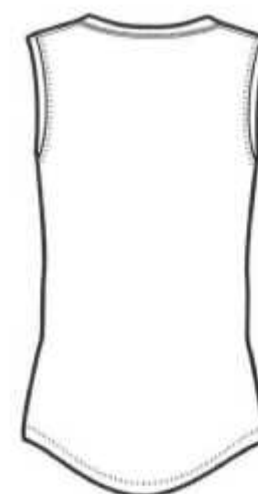
(45) Registration Date: **20 January 2015**

(30) Convention priority data:

(31) Number	(32) Date	(33) Country
<b>CA157608</b>	<b>17 Jul 2014</b>	<b>CANADA</b>

(56) Related Art Documents: **Not Applicable**

(57) Statement of Newness and Distinctiveness: **Newness and distinctiveness reside in the features of shape and/or configuration of the garment, including the darting on the back of the garment, and the pattern and/or ornamentation of the garment provided by the two dimensional feature that terminates the top of each dart and the placement of the logo on the back of the garment below the arm, all as shown in the representations.**



- (21) Design Number: **10173/2015**  
(22) Date of Filing Application: **14 January 2015**  
(24) Date from which industrial property rights may have effect: **14 January 2015**  
(54) Product in respect of which the design is registered: **Garment**  
(51) International Design Classification: **02-02NES**  
(74) Name(s) of Attorney(s): **AJ Park**  
(71) Name(s) and Address(s) of Applicant(s):  
**KIT AND ACE DESIGNS INC.**  
**Suite 600 21 Water Street Vancouver BC, V6B 1A1 Canada**  
(72) Name(s) of Designer(s): **John James Wilson and Shannon Elizabeth Wilson and Dennis James Wilson**  
(45) Registration Date: **20 January 2015**  
(30) Convention priority data:  
(31) Number (32) Date (33) Country  
**CA157608 14 Jul 2014 CANADA**  
(56) Related Art Documents: **Not Applicable**  
(57) Statement of Newness and Distinctiveness: **Newness and distinctiveness reside in the features of shape and/or configuration of the garment, including the darting on the back of the garment, and the pattern and/or ornamentation of the garment provided by the two dimensional feature that terminates the top of each dart and the placement of the logo on the back of the garment below the arm, all as shown in the representations.**



- (21) Design Number: **10130/2015**  
(22) Date of Filing Application: **13 January 2015**  
(24) Date from which industrial property rights may have effect: **13 January 2015**  
(54) Product in respect of which the design is registered: **Stand fan**  
(51) International Design Classification: **03-04**  
(74) Name(s) of Attorney(s): **A.P.T. Patent and Trade Mark Attorneys**  
(71) Name(s) and Address(s) of Applicant(s):  
**Homely Manufacturing Limited**  
**Room 11, Floor 40 One Midtown, 11 Hoi Shing Road Tsuen Wan New Territories Hong Kong**  
(72) Name(s) of Designer(s): **Kui Wong Yeung**  
(45) Registration Date: **20 January 2015**  
(56) Related Art Documents: **Not Applicable**  
(57) Statement of Newness and Distinctiveness: **Nil**



(21) Design Number: **10132/2015**  
(22) Date of Filing Application: **13 January 2015**  
(24) Date from which industrial property rights may have effect: **13 January 2015**  
(54) Product in respect of which the design is registered: **Flat top flameless wax candle**  
(51) International Design Classification: **26-01**  
(74) Name(s) of Attorney(s): **PIZZEYS**  
(71) Name(s) and Address(s) of Applicant(s):  
**Candella LLC**  
**4000 Metropolitan Drive Suite 400 Orange CA, 92868 United States of America**  
(72) Name(s) of Designer(s): **Jeffrey Thompson and Douglas Patton and James LaBelle**  
(45) Registration Date: **20 January 2015**  
(30) Convention priority data:  
(31) Number (32) Date (33) Country  
**29/496,535 14 Jul 2014 UNITED STATES OF AMERICA**  
(56) Related Art Documents: **Not Applicable**  
(57) Statement of Newness and Distinctiveness: **Nil**



(21) Design Number: **10188/2015**  
(22) Date of Filing Application: **15 January 2015**  
(24) Date from which industrial property rights may have effect: **15 January 2015**  
(54) Product in respect of which the design is registered: **Light projector**  
(51) International Design Classification: **26-03**  
(74) Name(s) of Attorney(s): **A.P.T. Patent and Trade Mark Attorneys**  
(71) Name(s) and Address(s) of Applicant(s):  
**Yuyao Tailian Lighting Electric Co., Ltd.**  
**No. 15, North Huanzhen Road Ditang Town Yuyao Zhejiang, 315491 China**  
(72) Name(s) of Designer(s): **Jianqiao Lu**  
(45) Registration Date: **20 January 2015**  
(56) Related Art Documents: **Not Applicable**  
(57) Statement of Newness and Distinctiveness: **Nil**





(21) Design Number: **10189/2015**  
(22) Date of Filing Application: **15 January 2015**  
(24) Date from which industrial property rights may have effect: **15 January 2015**  
(54) Product in respect of which the design is registered: **Light projector**  
(51) International Design Classification: **26-03**  
(74) Name(s) of Attorney(s): **A.P.T. Patent and Trade Mark Attorneys**  
(71) Name(s) and Address(s) of Applicant(s):  
**Yuyao Tailian Lighting Electric Co., Ltd.**  
**No. 15, North Huanzhen Road Ditang Town Yuyao Zhejiang, 315491**  
**China**  
(72) Name(s) of Designer(s): **Jianqiao Lu**  
(45) Registration Date: **20 January 2015**  
(56) Related Art Documents: **Not Applicable**  
(57) Statement of Newness and Distinctiveness: **Nil**



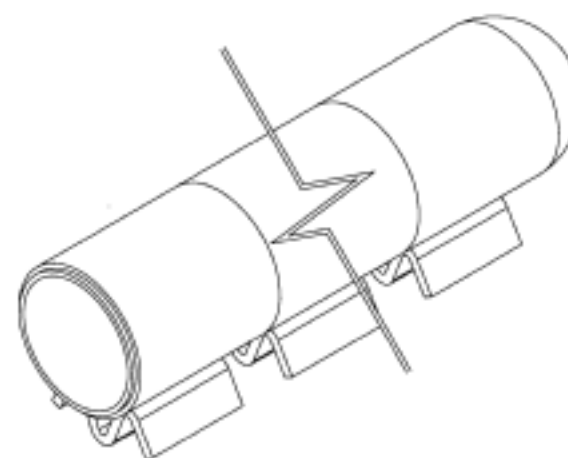
(21) Design Number: **10190/2015**  
(22) Date of Filing Application: **15 January 2015**  
(24) Date from which industrial property rights may have effect: **15 January 2015**  
(54) Product in respect of which the design is registered: **Light projector**  
(51) International Design Classification: **26-03**  
(74) Name(s) of Attorney(s): **A.P.T. Patent and Trade Mark Attorneys**  
(71) Name(s) and Address(s) of Applicant(s):  
**Yuyao Tailian Lighting Electric Co., Ltd.**  
**No. 15, North Huanzhen Road Ditang Town Yuyao Zhejiang, 315491**  
**China**  
(72) Name(s) of Designer(s): **Jianqiao Lu**  
(45) Registration Date: **20 January 2015**  
(56) Related Art Documents: **Not Applicable**  
(57) Statement of Newness and Distinctiveness: **Nil**



(21) Design Number: **10191/2015**  
(22) Date of Filing Application: **15 January 2015**  
(24) Date from which industrial property rights may have effect: **15 January 2015**  
(54) Product in respect of which the design is registered: **Light projector**  
(51) International Design Classification: **26-03**  
(74) Name(s) of Attorney(s): **A.P.T. Patent and Trade Mark Attorneys**  
(71) Name(s) and Address(s) of Applicant(s):  
**Yuyao Tailian Lighting Electric Co., Ltd.**  
**No. 15, North Huanzhen Road Ditang Town Yuyao Zhejiang, 315491**  
**China**  
(72) Name(s) of Designer(s): **Jianqiao Lu**  
(45) Registration Date: **20 January 2015**  
(56) Related Art Documents: **Not Applicable**  
(57) Statement of Newness and Distinctiveness: **Nil**



(21) Design Number: **10193/2015**  
(22) Date of Filing Application: **15 January 2015**  
(24) Date from which industrial property rights may have effect: **15 January 2015**  
(54) Product in respect of which the design is registered: **Heat exchanger**  
(51) International Design Classification: **23-03NES**  
(74) Name(s) of Attorney(s): **SPRUSON & FERGUSON**  
(71) Name(s) and Address(s) of Applicant(s):  
**Dhiti Towiwat**  
**163/71, Phahonyothin 32, Khwaeng Lat Yao, Khet, Chatuchak Bangkok**  
**Thailand**  
(72) Name(s) of Designer(s): **Dhiti Towiwat**  
(45) Registration Date: **20 January 2015**  
(30) Convention priority data:  
(31) Number      (32) Date      (33) Country  
**1402001967      23 Jul 2014      THAILAND**  
(56) Related Art Documents: **Not Applicable**  
(57) Statement of Newness and Distinctiveness: **Newness and distinctiveness is claimed in the features of shape and/or configuration of a heat exchanger as illustrated in the accompanying representations, apart from the length of the heat exchanger and the number of sections labelled "A".**



(21) Design Number: **10194/2015**

(22) Date of Filing Application: **15 January 2015**

(24) Date from which industrial property rights may have effect: **15 January 2015**

(54) Product in respect of which the design is registered: **Heat exchanger**

(51) International Design Classification: **23-03NES**

(74) Name(s) of Attorney(s): **SPRUSON & FERGUSON**

(71) Name(s) and Address(s) of Applicant(s):

**Dhiti Towiwat**

**163/71, Phahonyothin 32, Khwaeng Lat Yao, Khet, Chatuchak Bangkok  
Thailand**

(72) Name(s) of Designer(s): **Dhiti Towiwat**

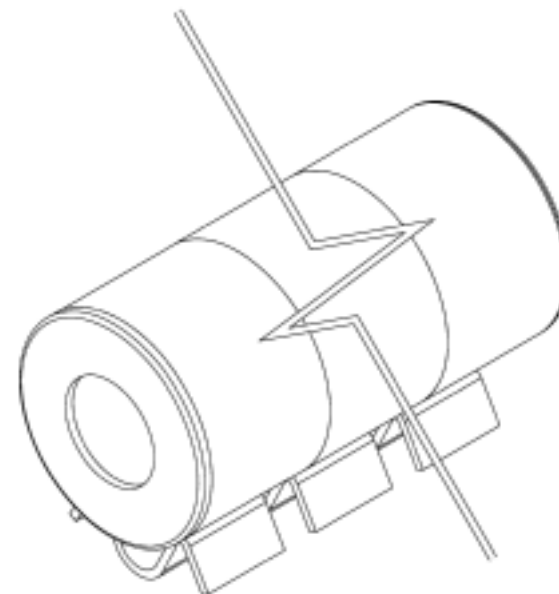
(45) Registration Date: **20 January 2015**

(30) Convention priority data:

(31) Number	(32) Date	(33) Country
<b>1402001969</b>	<b>23 Jul 2014</b>	<b>THAILAND</b>

(56) Related Art Documents: **Not Applicable**

(57) Statement of Newness and Distinctiveness: **Newness and distinctiveness is claimed in the features of shape and/or configuration of a heat exchanger as illustrated in the accompanying representations, apart from the length of the heat exchanger and the number of sections labelled "A".**



(21) Design Number: **10195/2015**

(22) Date of Filing Application: **15 January 2015**

(24) Date from which industrial property rights may have effect: **15 January 2015**

(54) Product in respect of which the design is registered: **Heat exchanger**

(51) International Design Classification: **23-03NES**

(74) Name(s) of Attorney(s): **SPRUSON & FERGUSON**

(71) Name(s) and Address(s) of Applicant(s):

**Dhiti Towiwat**

**163/71, Phahonyothin 32, Khwaeng Lat Yao, Khet, Chatuchak Bangkok  
Thailand**

(72) Name(s) of Designer(s): **Dhiti Towiwat**

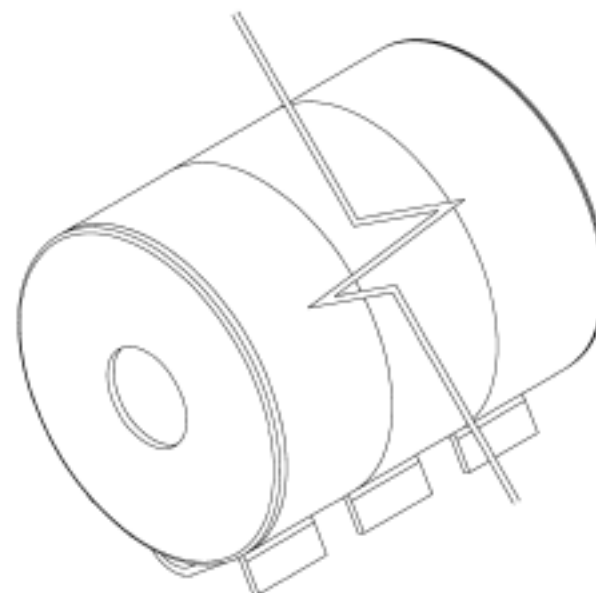
(45) Registration Date: **20 January 2015**

(30) Convention priority data:

(31) Number	(32) Date	(33) Country
<b>1402001968</b>	<b>23 Jul 2014</b>	<b>THAILAND</b>

(56) Related Art Documents: **Not Applicable**

(57) Statement of Newness and Distinctiveness: **Newness and distinctiveness is claimed in the features of shape and/or configuration of a heat exchanger as illustrated in the accompanying representations, apart from the length of the heat exchanger and the number of sections labelled "A".**



- (21) Design Number: **10196/2015**  
(22) Date of Filing Application: **15 January 2015**  
(24) Date from which industrial property rights may have effect: **15 January 2015**  
(54) Product in respect of which the design is registered: **Tyre for motorcycle**  
(51) International Design Classification: **12-15A**  
(74) Name(s) of Attorney(s): **SPRUSON & FERGUSON**  
(71) Name(s) and Address(s) of Applicant(s):  
**The Goodyear Tire & Rubber Company**  
**200 Innovation Way, Akron Ohio, 44316 United States of America**  
(72) Name(s) of Designer(s): **Masafumi Otani and Sebastien Willy Fontaine and Armand Rene Gabriel Leconte and Julien Michel Sylvain Seguy and Jean-Luc Faure and Auguste Elichiry**  
(45) Registration Date: **20 January 2015**  
(30) Convention priority data:  
(31) Number      (32) Date      (33) Country  
**2014-016365      28 Jul 2014      JAPAN**  
(56) Related Art Documents: **Not Applicable**  
(57) Statement of Newness and Distinctiveness: **Newness and distinctiveness is claimed in the features of shape and/or configuration of the tread of a tyre as illustrated in the accompanying representations, wherein the shape and/or configuration of the tread is repeated throughout the circumference of the tyre.**



- (21) Design Number: **10197/2015**  
(22) Date of Filing Application: **15 January 2015**  
(24) Date from which industrial property rights may have effect: **15 January 2015**  
(54) Product in respect of which the design is registered: **Tyre for motorcycle**  
(51) International Design Classification: **12-15A**  
(74) Name(s) of Attorney(s): **SPRUSON & FERGUSON**  
(71) Name(s) and Address(s) of Applicant(s):  
**The Goodyear Tire & Rubber Company**  
**200 Innovation Way, Akron Ohio, 44316 United States of America**  
(72) Name(s) of Designer(s): **Masafumi Otani and Sebastien Willy Fontaine and Armand Rene Gabriel Leconte and Julien Michel Sylvain Seguy and Jean-Luc Faure and Auguste Elichiry**  
(45) Registration Date: **20 January 2015**  
(30) Convention priority data:  
(31) Number      (32) Date      (33) Country  
**2014-016366      28 Jul 2014      JAPAN**  
(56) Related Art Documents: **Not Applicable**  
(57) Statement of Newness and Distinctiveness: **Newness and distinctiveness is claimed in the features of shape and/or configuration of the tread of a tyre as illustrated in the accompanying representations, wherein the shape and/or configuration of the tread is repeated throughout the circumference of the tyre.**



(21) Design Number: **10198/2015**

(22) Date of Filing Application: **15 January 2015**

(24) Date from which industrial property rights may have effect: **15 January 2015**

(54) Product in respect of which the design is registered: **Wheel**

(51) International Design Classification: **12-16A**

(74) Name(s) of Attorney(s): **SPRUSON & FERGUSON**

(71) Name(s) and Address(s) of Applicant(s):

**Pacific Cycle, LLC**

**4902 Hammersley Road, Madison Wisconsin, 53711 United States of America**

(72) Name(s) of Designer(s): **Joseph J Werwie III and Jason Clark**

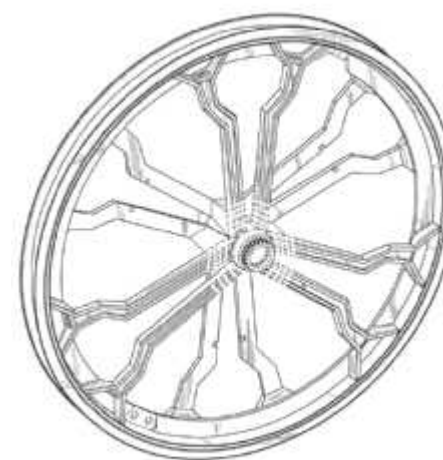
(45) Registration Date: **20 January 2015**

(30) Convention priority data:

(31) Number	(32) Date	(33) Country
<b>29/499232</b>	<b>13 Aug 2014</b>	<b>UNITED STATES OF AMERICA</b>

(56) Related Art Documents: **Not Applicable**

(57) Statement of Newness and Distinctiveness: **Newness and distinctiveness is claimed in the features of shape and/or configuration of a wheel as illustrated in continuous lines in the accompanying representations.**



(21) Design Number: **10199/2015**

(22) Date of Filing Application: **15 January 2015**

(24) Date from which industrial property rights may have effect: **15 January 2015**

(54) Product in respect of which the design is registered: **Bottle**

(51) International Design Classification: **09-01NES**

(74) Name(s) of Attorney(s): **SPRUSON & FERGUSON**

(71) Name(s) and Address(s) of Applicant(s):

**PepsiCo, Inc.**

**700 Anderson Hill Road, Purchase New York, 10577 United States of America**

(72) Name(s) of Designer(s): **Patrick J Finlay and Andy Jordan and Philip Nigel Bordet-Stead and Laurent Robin-Prevallee**

(45) Registration Date: **20 January 2015**

(30) Convention priority data:

(31) Number	(32) Date	(33) Country
<b>29/496835</b>	<b>17 Jul 2014</b>	<b>UNITED STATES OF AMERICA</b>

(56) Related Art Documents: **Not Applicable**

(57) Statement of Newness and Distinctiveness: **Newness and distinctiveness is claimed in those features of shape and/or configuration of a bottle illustrated in continuous lines in the accompanying representations.**



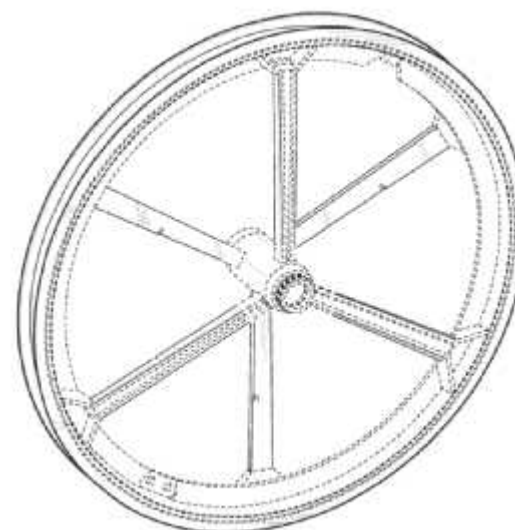
- (21) Design Number: **10200/2015**  
(22) Date of Filing Application: **15 January 2015**  
(24) Date from which industrial property rights may have effect: **15 January 2015**  
(54) Product in respect of which the design is registered: **Case**  
(51) International Design Classification: **03-01NES**  
(74) Name(s) of Attorney(s): **Freehills Patent Attorneys**  
(71) Name(s) and Address(s) of Applicant(s):  
**Apple Inc.**  
**1 Infinite Loop Cupertino California 95014 United States of America**  
(72) Name(s) of Designer(s): **Bartley K Andre and Shota Aoyagi and Anthony Michael Ashcroft and Jeremy Bataillou and Daniel J Coster and Daniele De Iuliis and M Evans Hankey and Julian Hoenig and Richard P Howarth and Jonathan P Ive and Duncan Robert Kerr and Matthew Dean Rohrbach and Peter Russell-Clarke and Benjamin Andrew Shaffer and Mikael Silvano and Christopher J Stringer and Eugene Antony Whang and Rico Zorkendorfer and Jody Akana**  
(45) Registration Date: **20 January 2015**  
(30) Convention priority data:  
(31) Number (32) Date (33) Country  
**29/501660 05 Sep 2014 UNITED STATES OF AMERICA**  
(56) Related Art Documents: **Not Applicable**  
(57) Statement of Newness and Distinctiveness: **Newness and distinctiveness resides in the features of shape and configuration shown in the accompanying representations.**



- (21) Design Number: **10201/2015**  
(22) Date of Filing Application: **15 January 2015**  
(24) Date from which industrial property rights may have effect: **15 January 2015**  
(54) Product in respect of which the design is registered: **Wheel**  
(51) International Design Classification: **12-16A**  
(74) Name(s) of Attorney(s): **SPRUSON & FERGUSON**  
(71) Name(s) and Address(s) of Applicant(s):  
**Pacific Cycle, LLC**  
**4902 Hammersley Road, Madison Wisconsin, 53711 United States of America**  
(72) Name(s) of Designer(s): **Joseph J Werwie III and Jason Clark**  
(45) Registration Date: **20 January 2015**  
(30) Convention priority data:  
(31) Number (32) Date (33) Country  
**29/499234 13 Aug 2014 UNITED STATES OF AMERICA**  
(56) Related Art Documents: **Not Applicable**  
(57) Statement of Newness and Distinctiveness: **Newness and distinctiveness is claimed in the features of shape and/or configuration of a wheel as illustrated in continuous lines in the accompanying representations.**



(21) Design Number: **10202/2015**  
(22) Date of Filing Application: **15 January 2015**  
(24) Date from which industrial property rights may have effect: **15 January 2015**  
(54) Product in respect of which the design is registered: **Wheel**  
(51) International Design Classification: **12-16A**  
(74) Name(s) of Attorney(s): **SPRUSON & FERGUSON**  
(71) Name(s) and Address(s) of Applicant(s):  
**Pacific Cycle, LLC**  
**4902 Hammersley Road, Madison Wisconsin, 53711 United States of America**  
(72) Name(s) of Designer(s): **Joseph J Werwie III and Jason Clark**  
(45) Registration Date: **20 January 2015**  
(30) Convention priority data:  
(31) Number (32) Date (33) Country  
**29/499235 13 Aug 2014 UNITED STATES OF AMERICA**  
(56) Related Art Documents: **Not Applicable**  
(57) Statement of Newness and Distinctiveness: **Newness and distinctiveness is claimed in the features of shape and/or configuration of a wheel as illustrated in continuous lines in the accompanying representations.**



(21) Design Number: **10203/2015**  
(22) Date of Filing Application: **15 January 2015**  
(24) Date from which industrial property rights may have effect: **15 January 2015**  
(54) Product in respect of which the design is registered: **Case**  
(51) International Design Classification: **03-01NES**  
(74) Name(s) of Attorney(s): **Freehills Patent Attorneys**  
(71) Name(s) and Address(s) of Applicant(s):  
**Apple Inc.**  
**1 Infinite Loop Cupertino California 95014 United States of America**  
(72) Name(s) of Designer(s): **Jody Akana and Bartley K Andre and Shota Aoyagi and Anthony Michael Ashcroft and Jeremy Bataillou and Daniel J Coster and Daniele De Iuliis and M Evans Hankey and Julian Hoenig and Richard P Howarth and Jonathan P Ive and Duncan Robert Kerr and Matthew Dean Rohrbach and Peter Russell-Clarke and Benjamin Andrew Shaffer and Mikael Silvano and Christopher J Stringer and Eugene Antony Whang and Rico Zorkendorfer**  
(45) Registration Date: **20 January 2015**  
(30) Convention priority data:  
(31) Number (32) Date (33) Country  
**29/501660 05 Sep 2014 UNITED STATES OF AMERICA**  
(56) Related Art Documents: **Not Applicable**  
(57) Statement of Newness and Distinctiveness: **Newness and distinctiveness resides in the features of shape and configuration shown in the solid outline in the accompanying representations.**



- (21) Design Number: **10204/2015**  
(22) Date of Filing Application: **15 January 2015**  
(24) Date from which industrial property rights may have effect: **15 January 2015**  
(54) Product in respect of which the design is registered: **Dock**  
(51) International Design Classification: **14-02**  
(74) Name(s) of Attorney(s): **Freehills Patent Attorneys**  
(71) Name(s) and Address(s) of Applicant(s):

**Apple Inc.**

**1 Infinite Loop Cupertino California 95014 United States of America**

- (72) Name(s) of Designer(s): **Jody Akana and Bartley K Andre and Shota Aoyagi and Anthony Michael Ashcroft and Jeremy Bataillou and Daniel J Coster and Daniele De Iuliis and M Evans Hankey and Julian Hoenig and Richard P Howarth and Jonathan P Ive and Duncan Robert Kerr and Matthew Dean Rohrbach and Peter Russell-Clarke and Benjamin Andrew Shaffer and Mikael Silvano and Christopher J Stringer and Eugene Antony Whang and Rico Zorkendorfer**

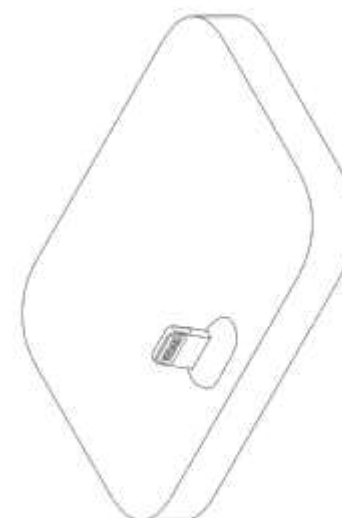
- (45) Registration Date: **20 January 2015**

- (30) Convention priority data:

(31) Number	(32) Date	(33) Country
<b>29/501654</b>	<b>05 Sep 2014</b>	<b>UNITED STATES OF AMERICA</b>

- (56) Related Art Documents: **Not Applicable**

- (57) Statement of Newness and Distinctiveness: **Newness and distinctiveness resides in the features of shape and configuration shown in the accompanying representations.**



- (21) Design Number: **10205/2015**  
(22) Date of Filing Application: **15 January 2015**  
(24) Date from which industrial property rights may have effect: **15 January 2015**  
(54) Product in respect of which the design is registered: **Dock**  
(51) International Design Classification: **14-02**  
(74) Name(s) of Attorney(s): **Freehills Patent Attorneys**  
(71) Name(s) and Address(s) of Applicant(s):

**Apple Inc.**

**1 Infinite Loop Cupertino California 95014 United States of America**

- (72) Name(s) of Designer(s): **Jody Akana and Bartley K Andre and Shota Aoyagi and Anthony Michael Ashcroft and Jeremy Bataillou and Daniel J Coster and Daniele De Iuliis and M Evans Hankey and Julian Hoenig and Richard P Howarth and Jonathan P Ive and Duncan Robert Kerr and Matthew Dean Rohrbach and Peter Russell-Clarke and Benjamin Andrew Shaffer and Mikael Silvano and Christopher J Stringer and Eugene Antony Whang and Rico Zorkendorfer**

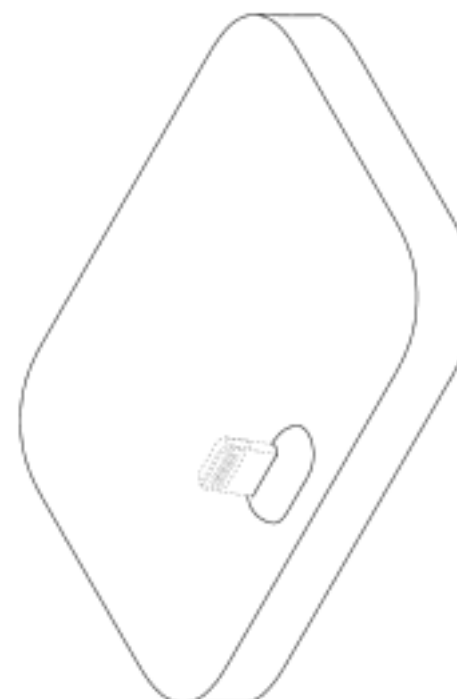
- (45) Registration Date: **20 January 2015**

- (30) Convention priority data:

(31) Number	(32) Date	(33) Country
<b>29/501654</b>	<b>05 Sep 2014</b>	<b>UNITED STATES OF AMERICA</b>

- (56) Related Art Documents: **Not Applicable**

- (57) Statement of Newness and Distinctiveness: **Newness and distinctiveness resides in the features of shape and configuration shown in the solid outline in the accompanying representations.**





- (21) Design Number: **10207/2015**  
(22) Date of Filing Application: **15 January 2015**  
(24) Date from which industrial property rights may have effect: **15 January 2015**  
(54) Product in respect of which the design is registered: **Dock**  
(51) International Design Classification: **14-02**  
(74) Name(s) of Attorney(s): **Freehills Patent Attorneys**  
(71) Name(s) and Address(s) of Applicant(s):

**Apple Inc.**

**1 Infinite Loop Cupertino California 95014 United States of America**

- (72) Name(s) of Designer(s): **Jody Akana and Bartley K Andre and Shota Aoyagi and Anthony Michael Ashcroft and Jeremy Bataillou and Daniel J Coster and Daniele De Iuliis and M Evans Hankey and Julian Hoenig and Richard P Howarth and Jonathan P Ive and Duncan Robert Kerr and Matthew Dean Rohrbach and Peter Russell-Clarke and Benjamin Andrew Shaffer and Mikael Silvano and Christopher J Stringer and Eugene Antony Whang and Rico Zorkendorfer**

- (45) Registration Date: **20 January 2015**

- (30) Convention priority data:

(31) Number	(32) Date	(33) Country
<b>29/501654</b>	<b>05 Sep 2014</b>	<b>UNITED STATES OF AMERICA</b>

- (56) Related Art Documents: **Not Applicable**

- (57) Statement of Newness and Distinctiveness: **Newness and distinctiveness resides in the features of shape and configuration shown in the solid outline in the accompanying representations.**



- (21) Design Number: **15326/2014**  
(22) Date of Filing Application: **21 October 2014**  
(24) Date from which industrial property rights may have effect: **21 October 2014**  
(54) Product in respect of which the design is registered: **Leaf rake**  
(51) International Design Classification: **08-05A**  
(74) Name(s) of Attorney(s): **Davies Collison Cave**  
(71) Name(s) and Address(s) of Applicant(s):

**The Ames Companies, Inc.**

**465 Railroad Avenue Camp Hill Pennsylvania 17011 United States of America**

- (72) Name(s) of Designer(s): **Robert James Stein and Aaron Daniel Abbott**

- (45) Registration Date: **20 January 2015**

- (30) Convention priority data:

(31) Number	(32) Date	(33) Country
<b>29/496890</b>	<b>18 Jul 2014</b>	<b>UNITED STATES OF AMERICA</b>

- (56) Related Art Documents: **Not Applicable**

- (57) Statement of Newness and Distinctiveness: **Newness and distinctiveness is claimed in the visual features of shape, configuration, pattern and/or ornamentation of a leaf rake shown in the representations. The broken lines in the drawings depict environmental subject matter only and form no part of the claimed design.**



- (21) Design Number: **15350/2014**  
(22) Date of Filing Application: **23 October 2014**  
(24) Date from which industrial property rights may have effect: **23 October 2014**  
(54) Product in respect of which the design is registered: **Plastic drum**  
(51) International Design Classification: **09-02B**  
(74) Name(s) of Attorney(s):  
(71) Name(s) and Address(s) of Applicant(s):  
**A & J Australia Pty Ltd**  
**8 Westside Dr Laverton North VIC 3026 Australia**  
(72) Name(s) of Designer(s): **Andrew Ao Yu**  
(45) Registration Date: **20 January 2015**  
(56) Related Art Documents: **Not Applicable**  
(57) Statement of Newness and Distinctiveness: **Our 12.5lt cube drum has a distinct feature where the design can fit more on a pallet. On a layer we can fit 25 drums, instead of the usual 16, this is due to the slimmer design of the drum.**



- (21) Design Number: **15798/2014**  
(22) Date of Filing Application: **13 November 2014**  
(24) Date from which industrial property rights may have effect: **13 November 2014**  
(54) Product in respect of which the design is registered: **Stove top/cook top liner**  
(51) International Design Classification: **07-02NES**  
(74) Name(s) of Attorney(s): **Griffith Hack**  
(71) Name(s) and Address(s) of Applicant(s):  
**Hansco International, Inc.**  
**31942 Magpie Street Trabuco Canyon CA 92679 United States of America**  
(72) Name(s) of Designer(s): **William L Hansen**  
(45) Registration Date: **20 January 2015**  
(30) Convention priority data:  
(31) Number      (32) Date      (33) Country  
**29/491,512      21 May 2014      UNITED STATES OF AMERICA**  
(56) Related Art Documents: **Not Applicable**  
(57) Statement of Newness and Distinctiveness: **The shape and configuration of those parts of the product shown in solid lines in the representations are new and distinctive. Those parts shown in dashed lines are only for illustrating the product in an example operating environment and do not form part of the design.**



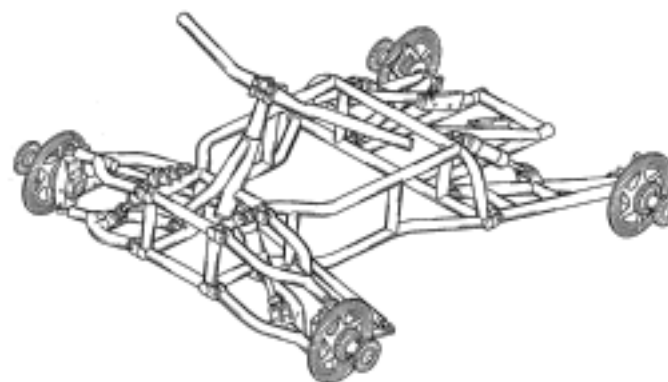
- (21) Design Number: **15907/2014**  
(22) Date of Filing Application: **20 November 2014**  
(24) Date from which industrial property rights may have effect: **19 September 2014**  
(54) Product in respect of which the design is registered: **Shelf unit**  
(51) International Design Classification: **06-04NES**  
(74) Name(s) of Attorney(s): **Davies Collison Cave**  
(71) Name(s) and Address(s) of Applicant(s):  
**Tegometall International AG**  
**Industriestrasse 7 Lengwil 8574 Switzerland**  
(72) Name(s) of Designer(s): **Ulrich Bohnacker**  
(45) Registration Date: **20 January 2015**  
(62) Divisional of: **358951**  
(56) Related Art Documents: **Not Applicable**  
(57) Statement of Newness and Distinctiveness: **Newness and distinctiveness is claimed in the features of shape and configuration, excepting those in broken lines, shown in the representations.**



- (21) Design Number: **15909/2014**  
(22) Date of Filing Application: **20 November 2014**  
(24) Date from which industrial property rights may have effect: **19 September 2014**  
(54) Product in respect of which the design is registered: **Shelf unit**  
(51) International Design Classification: **06-04NES**  
(74) Name(s) of Attorney(s): **Davies Collison Cave**  
(71) Name(s) and Address(s) of Applicant(s):  
**Tegometall International AG**  
**Industriestrasse 7 Lengwil 8574 Switzerland**  
(72) Name(s) of Designer(s): **Ulrich Bohnacker**  
(45) Registration Date: **20 January 2015**  
(62) Divisional of: **358951**  
(56) Related Art Documents: **Not Applicable**  
(57) Statement of Newness and Distinctiveness: **Newness and distinctiveness is claimed in the features of shape and configuration, excepting those in broken lines, shown in the representations.**

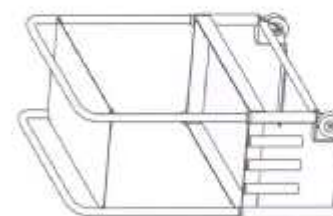


(21) Design Number: **16622/2014**  
(22) Date of Filing Application: **19 December 2014**  
(24) Date from which industrial property rights may have effect: **19 December 2014**  
(54) Product in respect of which the design is registered: **Vehicle frame**  
(51) International Design Classification: **12-14**  
(74) Name(s) of Attorney(s): **Chrysiliou IP**  
(71) Name(s) and Address(s) of Applicant(s):  
**Gower College Swansea**  
**Tycoch Road Swansea SA2 9EB United Kingdom**  
(72) Name(s) of Designer(s): **Calvin John Llewelyn Williams and Paul Howard Davies**  
(45) Registration Date: **21 January 2015**  
(30) Convention priority data:  
(31) Number (32) Date (33) Country  
**002487322 20 Jun 2014 EUROPEAN PATENT OFFICE (EPO)**



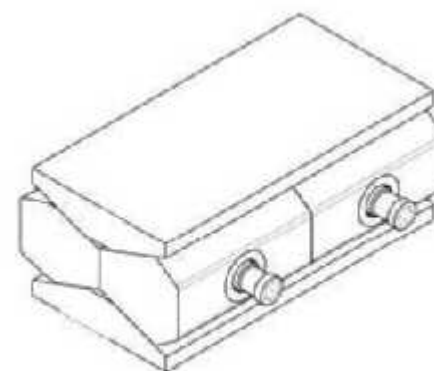
(56) Related Art Documents: **Not Applicable**  
(57) Statement of Newness and Distinctiveness: **The newness and distinctiveness of the present design resides in the features of the shape and configuration of the vehicle frame as shown in the accompanying drawings. In considering infringement, the handlebar is to be disregarded.**

(21) Design Number: **15560/2014**  
(22) Date of Filing Application: **03 November 2014**  
(24) Date from which industrial property rights may have effect: **03 November 2014**  
(54) Product in respect of which the design is registered: **Storage unit**  
(51) International Design Classification: **12-02, 06-04NES**  
(74) Name(s) of Attorney(s):  
(71) Name(s) and Address(s) of Applicant(s):  
**Marine Safety Innovations Pty Ltd**  
**310 Nambour-Mapleton Rd Nambour QLD 4560 Australia**  
(72) Name(s) of Designer(s): **Patrick Jones**  
(45) Registration Date: **21 January 2015**  
(56) Related Art Documents: **Not Applicable**



(57) Statement of Newness and Distinctiveness: **The Stack & Stand is a structure around waist high, square or round in shape, with a number of horizontal shelves (#3 & #4 in diagram). It has pipes fixed vertically to the side (#1), one or two removable handles (#2), a base (#6), with optional wheels attached (#5) in the rear corners. It can be made from a variety of materials. The Stack & Stand is designed to carry and hold several items such as an esky/cooler, fishing rods, umbrella, battery, yabbi pump, lifejackets etc. while items such as UHF radio, Sounder, GPS, Epirb, fire extinguisher, bait board & navigation lights can be attached to the frame for clear visibility and to keep all items within easy reach for fisherman whilst either inside their boat, or fishing on shore. The optional rear wheels mean all items can be transported from car to fishing locale etc. without having to do several trips. The Stack & Stand can be fixed to the floor of boats, providing a strong rail to hold or lean against while standing up fishing etc.**

(21) Design Number: **15651/2014**  
(22) Date of Filing Application: **05 November 2014**  
(24) Date from which industrial property rights may have effect: **05 November 2014**  
(54) Product in respect of which the design is registered: **A cable, wire or pipe sealing device**  
(51) International Design Classification: **23-01A, 08-05NES**  
(74) Name(s) of Attorney(s): **Griffith Hack**  
(71) Name(s) and Address(s) of Applicant(s):  
**MCT Brattberg AB**  
**Lyckeaborg Karlskrona S-371 92 Sweden**  
(72) Name(s) of Designer(s): **Johan Fagerberg and Anders Karlsson**  
(45) Registration Date: **21 January 2015**  
(30) Convention priority data:  
(31) Number (32) Date (33) Country  
**002459057-0001 07 May 2014 OFFICE FOR HARMONISATION IN THE INTERNAL MARKET (OHIM)**



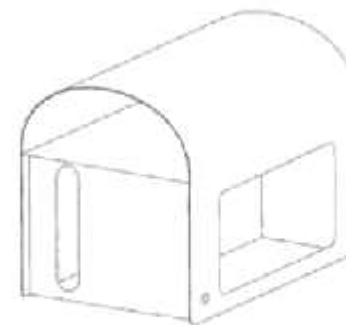
(56) Related Art Documents: **Not Applicable**  
(57) Statement of Newness and Distinctiveness: **The shape and configuration of those parts of the design other than the features shown in broken lines in the upper perspective view and second side view of the representations are new and distinctive**

(21) Design Number: **15699/2014**  
(22) Date of Filing Application: **07 November 2014**  
(24) Date from which industrial property rights may have effect: **07 November 2014**  
(54) Product in respect of which the design is registered: **Beverage dispenser**  
(51) International Design Classification: **20-01**  
(74) Name(s) of Attorney(s): **PHILLIPS ORMONDE FITZPATRICK**  
(71) Name(s) and Address(s) of Applicant(s):  
**The Coca-Cola Company**  
**One Coca-Cola Plaza N.W. Atlanta Georgia 30313 United States of America**  
(72) Name(s) of Designer(s): **Jae Ho Cha and Kris Tomasson and David Harvey and Daniel S. Quartarone and Simon Alan Daniel and Christopher Michael Weston and Robert Christopher Young and Siriphong Roongruengvuthikul**  
(45) Registration Date: **21 January 2015**  
(30) Convention priority data:  
(31) Number (32) Date (33) Country  
**29/490,640 12 May 2014 UNITED STATES OF AMERICA**

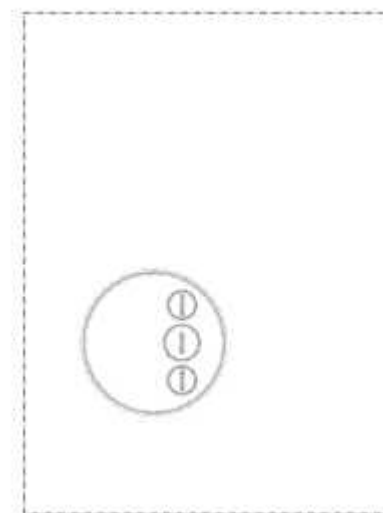


(56) Related Art Documents: **Not Applicable**  
(57) Statement of Newness and Distinctiveness: **Those features of the beverage dispenser depicted in the representations that are new and distinctive are the shape and/or configuration. The features shown in broken lines are not part of the design and are to be disregarded when considering the overall impression of the design.**

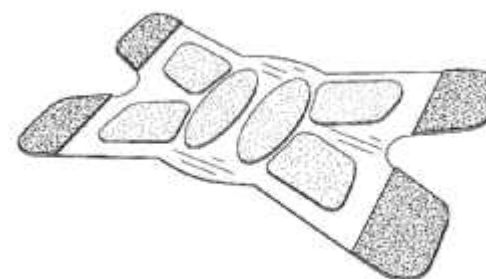
(21) Design Number: **15765/2014**  
(22) Date of Filing Application: **12 November 2014**  
(24) Date from which industrial property rights may have effect: **12 November 2014**  
(54) Product in respect of which the design is registered: **Letterbox**  
(51) International Design Classification: **25-03**  
(74) Name(s) of Attorney(s):  
(71) Name(s) and Address(s) of Applicant(s):  
**Leah Jane Harcourt**  
**53 Fenwick St Clifton Hill VIC 3068 Australia**  
(72) Name(s) of Designer(s): **Leah Jane Harcourt**  
(45) Registration Date: **21 January 2015**  
(56) Related Art Documents: **Not Applicable**  
(57) Statement of Newness and Distinctiveness: **I wanted to protect the overall look and design of my display box letterbox. The primary distinctive feature of my letterbox is that it has a front display picture box- or window- which is used to display decorative objects/ small scenes. It sits lengthways on a post or fence to display this picture box. It is made out of 2 toned powder coated metal- with and acrylic clear insert in the front of the picture box. In more detail -there is an internal box which is divided into a front display window/ picture box, while the back section has the normal letterbox slot -there is a curved external shell which completely covers the internal box.**



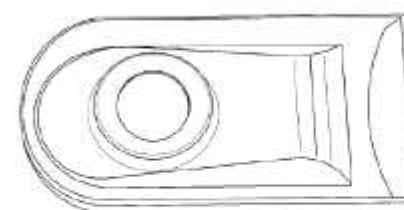
(21) Design Number: **15774/2014**  
(22) Date of Filing Application: **12 November 2014**  
(24) Date from which industrial property rights may have effect: **12 November 2014**  
(54) Product in respect of which the design is registered: **Display screen with a graphical user interface**  
(51) International Design Classification: **14-02**  
(74) Name(s) of Attorney(s): **PHILLIPS ORMONDE FITZPATRICK**  
(71) Name(s) and Address(s) of Applicant(s):  
**The Coca-Cola Company**  
**One Coca Cola Plaza N.W. Atlanta Georgia 30313 United States of America**  
(72) Name(s) of Designer(s): **Sydney Abram Taylor and Cindy Jones and Jae Ho Cha and Sam Lind**  
(45) Registration Date: **21 January 2015**  
(30) Convention priority data:  
(31) Number (32) Date (33) Country  
**29/490,675 12 May 2014 UNITED STATES OF AMERICA**  
(56) Related Art Documents: **Not Applicable**  
(57) Statement of Newness and Distinctiveness: **Newness and distinctiveness is claimed in the features of pattern and/or ornamentation of a display screen with a graphical user interface, with the graphical user interface shown in continuous lines in the accompanying representations. The even length broken lines are for illustrative purposes and form no part of the design. The uneven length dot-dash lines represent an unclaimed boundary line and do not form part of the design.**



(21) Design Number: **15784/2014**  
(22) Date of Filing Application: **13 November 2014**  
(24) Date from which industrial property rights may have effect: **13 November 2014**  
(54) Product in respect of which the design is registered: **Adhesive heat patch**  
(51) International Design Classification: **24-04**  
(74) Name(s) of Attorney(s): **Davies Collison Cave**  
(71) Name(s) and Address(s) of Applicant(s):  
**Pfizer Inc.**  
**235 East 42nd Street New York New York 10017 United States of America**  
(72) Name(s) of Designer(s): **Robert F. Beckman and Marina Belkin and Brinkdopke Kristen Hejduk and Mark Edward Fagan and Matthew Clifton Keller**  
(45) Registration Date: **21 January 2015**  
(30) Convention priority data:  
(31) Number (32) Date (33) Country  
**29492857 03 Jun 2014 UNITED STATES OF AMERICA**  
(56) Related Art Documents: **Not Applicable**  
(57) Statement of Newness and Distinctiveness: **Nil**



(21) Design Number: **16037/2014**  
(22) Date of Filing Application: **17 November 2014**  
(24) Date from which industrial property rights may have effect: **27 August 2014**  
(54) Product in respect of which the design is registered: **Data medium for a food processor**  
(51) International Design Classification: **14-02**  
(74) Name(s) of Attorney(s): **PIZZEYS**  
(71) Name(s) and Address(s) of Applicant(s):  
**Vorwerk & Co. Interholding GmbH**  
**Muehlenweg 17-37 Wuppertal 42275 Germany**  
(72) Name(s) of Designer(s): **Uwe Kemker**  
(45) Registration Date: **21 January 2015**  
(30) Convention priority data:  
(31) Number (32) Date (33) Country  
**001405443 10 Mar 2014 OFFICE FOR HARMONISATION IN THE INTERNAL MARKET (OHIM)**  
(62) Divisional of: **358650**  
(56) Related Art Documents: **Not Applicable**  
(57) Statement of Newness and Distinctiveness: **Nil**



(21) Design Number: **10109/2015**

(22) Date of Filing Application: **12 January 2015**

(24) Date from which industrial property rights may have effect: **12 January 2015**

(54) Product in respect of which the design is registered: **Chair backrest**

(51) International Design Classification: **06-06G**

(74) Name(s) of Attorney(s): **Griffith Hack**

(71) Name(s) and Address(s) of Applicant(s):

**IMARC S.P.A.**

**Via Meucci, 21 I-36028 Rossano Veneto ITALY**

(72) Name(s) of Designer(s): **Claudio Gorgi**

(45) Registration Date: **21 January 2015**

(30) Convention priority data:

(31) Number

(32) Date

(33) Country

**002502286-0007**

**14 Jul 2014**

**OFFICE FOR HARMONISATION IN  
THE INTERNAL MARKET (OHIM)**



(56) Related Art Documents: **Not Applicable**

(57) Statement of Newness and Distinctiveness: **Newness and distinctiveness resides in the visual features, including the shape and configuration of the product shown in the representations.**

(21) Design Number: **10208/2015**

(22) Date of Filing Application: **15 January 2015**

(24) Date from which industrial property rights may have effect: **15 January 2015**

(54) Product in respect of which the design is registered: **Dock**

(51) International Design Classification: **14-02**

(74) Name(s) of Attorney(s): **Freehills Patent Attorneys**

(71) Name(s) and Address(s) of Applicant(s):

**Apple Inc.**

**1 Infinite Loop Cupertino California 95014 United States of America**

(72) Name(s) of Designer(s): **Jody Akana and Bartley K Andre and Shota Aoyagi and Anthony Michael Ashcroft and Jeremy Bataillou and Daniel J Coster and Daniele De Iuliis and M Evans Hankey and Julian Hoenig and Richard P Howarth and Jonathan P Ive and Duncan Robert Kerr and Matthew Dean Rohrbach and Peter Russell-Clarke and Benjamin Andrew Shaffer and Mikael Silvano and Christopher J Stringer and Eugene Antony Whang and Rico Zorkendorfer**

(45) Registration Date: **21 January 2015**

(30) Convention priority data:

(31) Number

(32) Date

(33) Country

**29/501654**

**05 Sep 2014**

**UNITED STATES OF AMERICA**

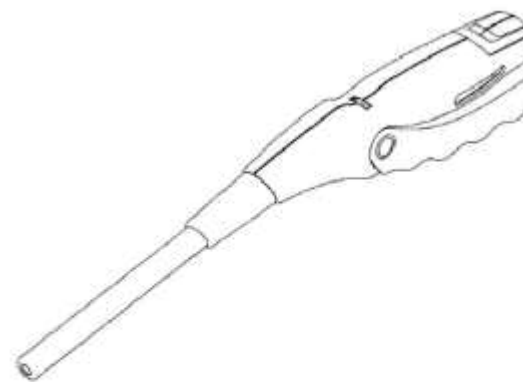


(56) Related Art Documents: **Not Applicable**

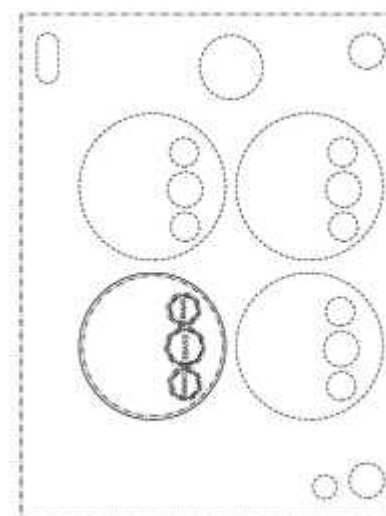
(57) Statement of Newness and Distinctiveness: **Nil**



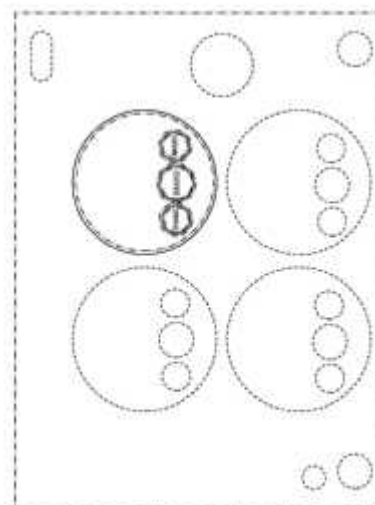
(21) Design Number: **10216/2015**  
(22) Date of Filing Application: **15 January 2015**  
(24) Date from which industrial property rights may have effect: **11 December 2014**  
(54) Product in respect of which the design is registered: **Lighter**  
(51) International Design Classification: **27-05**  
(74) Name(s) of Attorney(s): **WATERMARK PATENT AND TRADE MARKS ATTORNEYS**  
(71) Name(s) and Address(s) of Applicant(s):  
**Tokai Corporation**  
**2F. Ai-Town-Plaza, 6-21-1 Nishi-Shinjuku Tokyo Shinjuku-Ku 163-0023**  
**Japan**  
(72) Name(s) of Designer(s): **Toshihiro Ichikawa and Yuzo Ochiai**  
(45) Registration Date: **21 January 2015**  
(30) Convention priority data:  
(31) Number (32) Date (33) Country  
**29/509,255 14 Nov 2014 UNITED STATES OF AMERICA**  
(62) Divisional of: **16413/2014**  
(56) Related Art Documents: **Not Applicable**  
(57) Statement of Newness and Distinctiveness: **Nil**



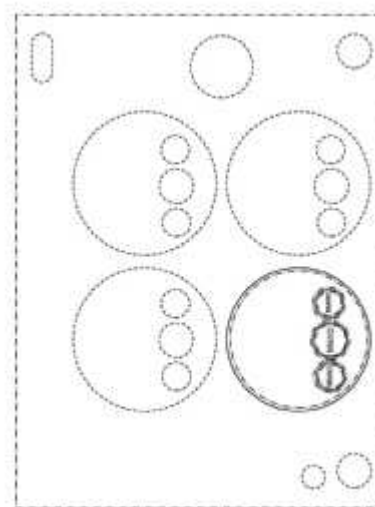
(21) Design Number: **10219/2015**  
(22) Date of Filing Application: **12 November 2014**  
(24) Date from which industrial property rights may have effect: **12 November 2014**  
(54) Product in respect of which the design is registered: **Display screen with a graphical user interface**  
(51) International Design Classification: **14-02**  
(74) Name(s) of Attorney(s): **PHILLIPS ORMONDE FITZPATRICK**  
(71) Name(s) and Address(s) of Applicant(s):  
**The Coca-Cola Company**  
**One Coca Cola Plaza, N.W. Atlanta Georgia, 30313 United States of America**  
(72) Name(s) of Designer(s): **Sydney Abram Taylor and Cindy Jones and Jae Ho Cha and Sam Lind**  
(45) Registration Date: **21 January 2015**  
(56) Related Art Documents: **Not Applicable**  
(57) Statement of Newness and Distinctiveness: **Newness and distinctiveness is claimed in the features of pattern and/or ornamentation of a display screen with a graphical user interface, with the graphical user interface shown in continuous lines in the accompanying representations. The even length broken lines are for enviromental purposes only and form no part of the design. The uneven length dot-dash broken lines represent an unclaimed boundary line and do not form part of the design.**



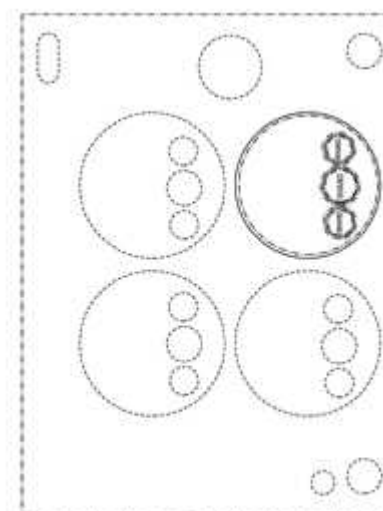
- (21) Design Number: **10220/2015**  
(22) Date of Filing Application: **12 November 2014**  
(24) Date from which industrial property rights may have effect: **12 November 2014**  
(54) Product in respect of which the design is registered: **Display screen with a graphical user interface**  
(51) International Design Classification: **14-02**  
(74) Name(s) of Attorney(s): **PHILLIPS ORMONDE FITZPATRICK**  
(71) Name(s) and Address(s) of Applicant(s):  
**The Coca-Cola Company**  
**One Coca Cola Plaza, N.W. Atlanta Georgia, 30313 United States of America**  
(72) Name(s) of Designer(s): **Sydney Abram Taylor and Cindy Jones and Jae Ho Cha and Sam Lind**  
(45) Registration Date: **21 January 2015**  
(56) Related Art Documents: **Not Applicable**  
(57) Statement of Newness and Distinctiveness: **Newness and distinctiveness is claimed in the features of pattern and/or ornamentation of a display screen with a graphical user interface, with the graphical user interface shown in continuous lines in the accompanying representations. The even length broken lines are for enviromental purposes only and form no part of the design. The uneven length dot-dash broken lines represent an unclaimed boundary line and do not form part of the design.**



- (21) Design Number: **10221/2015**  
(22) Date of Filing Application: **12 November 2014**  
(24) Date from which industrial property rights may have effect: **12 November 2014**  
(54) Product in respect of which the design is registered: **Display screen with a graphical user interface**  
(51) International Design Classification: **14-02**  
(74) Name(s) of Attorney(s): **PHILLIPS ORMONDE FITZPATRICK**  
(71) Name(s) and Address(s) of Applicant(s):  
**The Coca-Cola Company**  
**One Coca Cola Plaza, N.W. Atlanta Georgia, 30313 United States of America**  
(72) Name(s) of Designer(s): **Sydney Abram Taylor and Cindy Jones and Jae Ho Cha and Sam Lind**  
(45) Registration Date: **21 January 2015**  
(56) Related Art Documents: **Not Applicable**  
(57) Statement of Newness and Distinctiveness: **Newness and distinctiveness is claimed in the features of pattern and/or ornamentation of a display screen with a graphical user interface, with the graphical user interface shown in continuous lines in the accompanying representations. The even length broken lines are for enviromental purposes only and form no part of the design. The uneven length dot-dash broken lines represent an unclaimed boundary line and do not form part of the design.**



- (21) Design Number: **10222/2015**  
(22) Date of Filing Application: **12 November 2014**  
(24) Date from which industrial property rights may have effect: **12 November 2014**  
(54) Product in respect of which the design is registered: **Display screen with a graphical user interface**  
(51) International Design Classification: **14-02**  
(74) Name(s) of Attorney(s): **PHILLIPS ORMONDE FITZPATRICK**  
(71) Name(s) and Address(s) of Applicant(s):  
**The Coca-Cola Company**  
**One Coca Cola Plaza, N.W. Atlanta Georgia, 30313 United States of America**  
(72) Name(s) of Designer(s): **Sydney Abram Taylor and Cindy Jones and Jae Ho Cha and Sam Lind**  
(45) Registration Date: **21 January 2015**  
(56) Related Art Documents: **Not Applicable**  
(57) Statement of Newness and Distinctiveness: **Newness and distinctiveness is claimed in the features of pattern and/or ornamentation of a display screen with a graphical user interface, with the graphical user interface shown in continuous lines in the accompanying representations. The even length broken lines are for enviromental purposes only and form no part of the design. The uneven length dot-dash broken lines represent an unclaimed boundary line and do not form part of the design.**



- (21) Design Number: **10010/2015**  
(22) Date of Filing Application: **04 January 2015**  
(24) Date from which industrial property rights may have effect: **04 January 2015**  
(54) Product in respect of which the design is registered: **Cap for cosmetics bottle**  
(51) International Design Classification: **09-07B**  
(74) Name(s) of Attorney(s): **PIZZEYS**  
(71) Name(s) and Address(s) of Applicant(s):  
**Colour Prevails LLC**  
**950 Third Avenue New York, NY 10022 United States of America**  
(72) Name(s) of Designer(s): **Eleanora Ramirez Creme and Dana Witt**  
(45) Registration Date: **21 January 2015**  
(30) Convention priority data:  
(31) Number      (32) Date      (33) Country  
**29/497,589      25 Jul 2014      UNITED STATES OF AMERICA**  
(56) Related Art Documents: **Not Applicable**  
(57) Statement of Newness and Distinctiveness: **Nil**



(21) Design Number: **10012/2015**  
(22) Date of Filing Application: **05 January 2015**  
(24) Date from which industrial property rights may have effect: **05 January 2015**  
(54) Product in respect of which the design is registered: **Bottle and cap for cosmetics**  
(51) International Design Classification: **09-07B**  
(74) Name(s) of Attorney(s): **PIZZEYS**  
(71) Name(s) and Address(s) of Applicant(s):  
**Colour Prevails LLC**  
**950 Third Avenue New York, NY 10022 United States of America**  
(72) Name(s) of Designer(s): **Eleanora Ramirez Creme and Dana Witt**  
(45) Registration Date: **21 January 2015**  
(30) Convention priority data:  
(31) Number (32) Date (33) Country  
**29/497,586 25 Jul 2014 UNITED STATES OF AMERICA**  
(56) Related Art Documents: **Not Applicable**  
(57) Statement of Newness and Distinctiveness: **Nil**



(21) Design Number: **15650/2014**  
(22) Date of Filing Application: **05 November 2014**  
(24) Date from which industrial property rights may have effect: **05 November 2014**  
(54) Product in respect of which the design is registered: **Football shaped bottle**  
(51) International Design Classification: **09-01D**  
(74) Name(s) of Attorney(s): **Davies Collison Cave**  
(71) Name(s) and Address(s) of Applicant(s):  
**Kevin Alan Tussy**  
**1707 Village Center Circle Suite 200 Las Vegas Nevada, 89134 United States of America**  
(72) Name(s) of Designer(s): **Kevin Alan Tussy**  
(45) Registration Date: **21 January 2015**  
(30) Convention priority data:  
(31) Number (32) Date (33) Country  
**29/490,330 08 May 2014 UNITED STATES OF AMERICA**  
(56) Related Art Documents: **Not Applicable**  
(57) Statement of Newness and Distinctiveness: **Newness and distinctiveness is claimed in the visual features shown in solid lines in the representations. In considering the extent of the design rights, the broken lines shown in the representations are for illustrative purposes only and do not form part of the design.**



- (21) Design Number: **16342/2014**  
(22) Date of Filing Application: **05 December 2014**  
(24) Date from which industrial property rights may have effect: **05 December 2014**  
(54) Product in respect of which the design is registered: **Modesty garment**  
(51) International Design Classification: **02-02B**  
(74) Name(s) of Attorney(s): **Wynnes Patent & Trade Mark Attorneys**  
(71) Name(s) and Address(s) of Applicant(s):

**Tracey Goodwin**  
**Bulimba U4 27 Godwin St Bulimba QLD 4171 Australia**

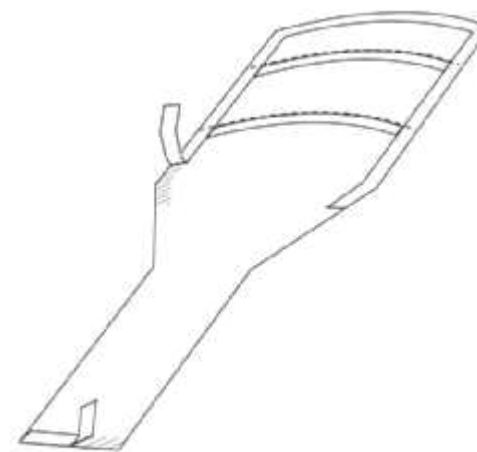
**Alana Luppi**  
**Bulimba U4 27 Godwin St Bulimba QLD 4171 Australia**

(72) Name(s) of Designer(s): **Tracey Goodwin and Alana Luppi**

(45) Registration Date: **21 January 2015**

(56) Related Art Documents: **Not Applicable**

(57) Statement of Newness and Distinctiveness: **Newness and distinctiveness resides in the features of the shape and configuration of a modesty garment as illustrated in the accompanying representations.**



- (21) Design Number: **16379/2014**  
(22) Date of Filing Application: **09 December 2014**  
(24) Date from which industrial property rights may have effect: **09 December 2014**  
(54) Product in respect of which the design is registered: **Tool box**  
(51) International Design Classification: **03-01D**  
(74) Name(s) of Attorney(s): **Davies Collison Cave**  
(71) Name(s) and Address(s) of Applicant(s):

**The Stanley Works Israel Ltd.**  
**19 Ha'Melacha Street New Industrial Zone Rosh Ha'ayin 48091 Israel**

(72) Name(s) of Designer(s): **David Sosnovsky and Michael Menirom**

(45) Registration Date: **21 January 2015**

(30) Convention priority data:

(31) Number	(32) Date	(33) Country
<b>001417950</b>	<b>01 Aug 2014</b>	<b>OFFICE FOR HARMONISATION IN THE INTERNAL MARKET (OHIM)</b>

(56) Related Art Documents: **Not Applicable**

(57) Statement of Newness and Distinctiveness: **Newness and distinctiveness is claimed in the visual features shown in solid lines in the representations.**



(21) Design Number: **10206/2015**

(22) Date of Filing Application: **15 January 2015**

(24) Date from which industrial property rights may have effect: **15 January 2015**

(54) Product in respect of which the design is registered: **Automatic access gate**

(51) International Design Classification: **25-02C**

(74) Name(s) of Attorney(s): **Marks & Clerk Australia**

(71) Name(s) and Address(s) of Applicant(s):

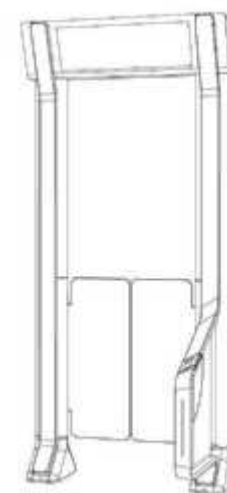
**Thales Communications & Security SAS**  
**4 avenue des Louvresses Gennevilliers 92230 France**

(72) Name(s) of Designer(s): **Francois Journet**

(45) Registration Date: **21 January 2015**

(30) Convention priority data:

(31) Number	(32) Date	(33) Country
<b>002505487</b>	<b>18 Jul 2014</b>	<b>OFFICE FOR HARMONISATION IN THE INTERNAL MARKET (OHIM)</b>



(56) Related Art Documents: **Not Applicable**

(57) Statement of Newness and Distinctiveness: **Newness and distinctiveness resides in the features of shape and configuration of an automatic access gate as shown in the accompanying representations.**

(21) Design Number: **10209/2015**

(22) Date of Filing Application: **15 January 2015**

(24) Date from which industrial property rights may have effect: **15 January 2015**

(54) Product in respect of which the design is registered: **Extendable shelf component**

(51) International Design Classification: **08-08N**

(74) Name(s) of Attorney(s): **SPRUSON & FERGUSON**

(71) Name(s) and Address(s) of Applicant(s):

**H+H System GmbH**  
**Weissenbach 325 Strobl 5350 Austria**

(72) Name(s) of Designer(s): **Heimo Hrovat**

(45) Registration Date: **21 January 2015**

(30) Convention priority data:

(31) Number	(32) Date	(33) Country
<b>2518225</b>	<b>12 Aug 2014</b>	<b>OFFICE FOR HARMONISATION IN THE INTERNAL MARKET (OHIM)</b>



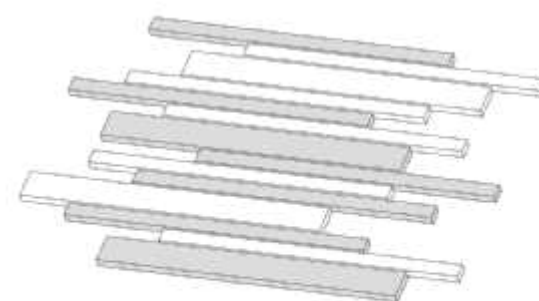
(56) Related Art Documents: **Not Applicable**

(57) Statement of Newness and Distinctiveness: **Newness and distinctiveness is claimed in the features of shape and/or configuration of an extendable shelf component as illustrated in the accompanying representations.**

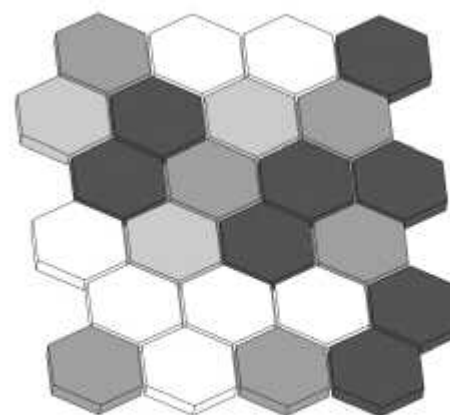
- (21) Design Number: **10223/2015**  
(22) Date of Filing Application: **07 November 2014**  
(24) Date from which industrial property rights may have effect: **07 November 2014**  
(54) Product in respect of which the design is registered: **Beverage dispenser**  
(51) International Design Classification: **20-01**  
(74) Name(s) of Attorney(s): **PHILLIPS ORMONDE FITZPATRICK**  
(71) Name(s) and Address(s) of Applicant(s):  
**The Coca-Cola Company**  
**One Coca Cola Plaza, N.W. Atlanta Georgia, 30313 United States of America**  
(72) Name(s) of Designer(s): **Kris Tomasson and David Harvey and Daniel S Quartarone and Simon Alan Daniel and Christopher Michael Weston and Jae Ho Cha and Robert Christopher Young and Siriphong Roongruengvuthikul**  
(45) Registration Date: **21 January 2015**  
(56) Related Art Documents: **Not Applicable**  
(57) Statement of Newness and Distinctiveness: **Those features of the beverage dispenser depicted in the representations that are new and distinctive are the shape and/or configuration. The features shown in broken lines are not part of the design and are to be disregarded when considering the overall impression of the design.**



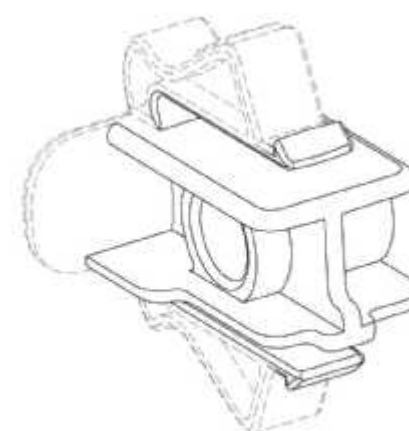
- (21) Design Number: **14705/2014**  
(22) Date of Filing Application: **16 September 2014**  
(24) Date from which industrial property rights may have effect: **16 September 2014**  
(54) Product in respect of which the design is registered: **A new composite tile design**  
(51) International Design Classification: **25-01F**  
(74) Name(s) of Attorney(s):  
(71) Name(s) and Address(s) of Applicant(s):  
**Everstone International Pty Limited**  
**20 Princes Rd E Auburn NSW 2144 Australia**  
(72) Name(s) of Designer(s): **John Zeng**  
(45) Registration Date: **21 January 2015**  
(56) Related Art Documents: **Not Applicable**  
(57) Statement of Newness and Distinctiveness: **Newness and distinctiveness is claimed in the design of a composite tile as shown in the attached representations.**



- (21) Design Number: **14707/2014**  
(22) Date of Filing Application: **16 September 2014**  
(24) Date from which industrial property rights may have effect: **16 September 2014**  
(54) Product in respect of which the design is registered: **A new composite tilec design**  
(51) International Design Classification: **25-01F**  
(74) Name(s) of Attorney(s):  
(71) Name(s) and Address(s) of Applicant(s):  
**Everstone International Pty Limited**  
**20 Princes Rd E Auburn NSW 2144 Australia**  
(72) Name(s) of Designer(s): **John Zeng**  
(45) Registration Date: **21 January 2015**  
(56) Related Art Documents: **Not Applicable**  
(57) Statement of Newness and Distinctiveness: **Newness and distinctiveness is claimed in the design of a composite tile as shown in the attached representations.**



- (21) Design Number: **15988/2014**  
(22) Date of Filing Application: **21 November 2014**  
(24) Date from which industrial property rights may have effect: **21 November 2014**  
(54) Product in respect of which the design is registered: **Tubing clip**  
(51) International Design Classification: **24-02**  
(74) Name(s) of Attorney(s): **PHILLIPS ORMONDE FITZPATRICK**  
(71) Name(s) and Address(s) of Applicant(s):  
**Cook Medical Technologies LLC**  
**750 Daniels Way P.O. Box 2269 Bloomington Indiana 47402 United States of America**  
(72) Name(s) of Designer(s): **Wen Hong Neoh and James A. Taylor**  
(45) Registration Date: **21 January 2015**  
(30) Convention priority data:  
(31) Number      (32) Date      (33) Country  
**29/495,170      27 Jun 2014      UNITED STATES OF AMERICA**  
(56) Related Art Documents: **Not Applicable**  
(57) Statement of Newness and Distinctiveness: **Newness and distinctiveness resides in the shape and/or configuration of the tubing clip shown in the continuous lines in the accompanying representations. The features shown in broken lines are not part of the design and are to be disregarded when considering the overall impression of the design.**

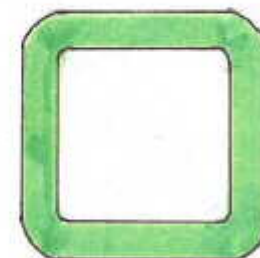




- (21) Design Number: **16254/2014**  
(22) Date of Filing Application: **02 December 2014**  
(24) Date from which industrial property rights may have effect: **02 December 2014**  
(54) Product in respect of which the design is registered: **Decal for light switch plate**  
(51) International Design Classification: **13-03D, 19-99**  
(74) Name(s) of Attorney(s):  
(71) Name(s) and Address(s) of Applicant(s):  
**Reon Steven Feutrill**  
**PO BOX 596 Exmouth WA 6707 Australia**  
(72) Name(s) of Designer(s): **Reon Steven Feutrill**  
(45) Registration Date: **21 January 2015**  
(56) Related Art Documents: **Not Applicable**  
(57) Statement of Newness and Distinctiveness: **This design, as far as i have researched is distinctive as it is low profile (less than 0.5mm thick and no wider in any section than 5mm). The design suits its application in attracting the eye toward a target light or power switch in darkness, through fluorescent vinyl decal. The design is simple enough to be installed by the user in less than a minute.**



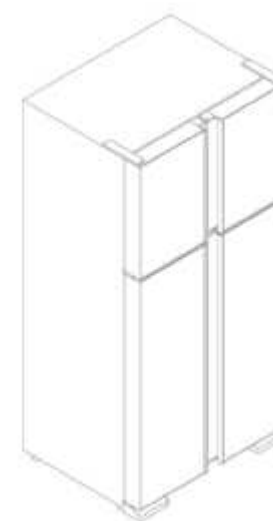
- (21) Design Number: **16255/2014**  
(22) Date of Filing Application: **02 December 2014**  
(24) Date from which industrial property rights may have effect: **02 December 2014**  
(54) Product in respect of which the design is registered: **Decal for light switch plate**  
(51) International Design Classification: **13-03D, 19-99**  
(74) Name(s) of Attorney(s):  
(71) Name(s) and Address(s) of Applicant(s):  
**Reon Steven Feutrill**  
**PO BOX 596 Exmouth WA 6707 Australia**  
(72) Name(s) of Designer(s): **Reon Steven Feutrill**  
(45) Registration Date: **21 January 2015**  
(56) Related Art Documents: **Not Applicable**  
(57) Statement of Newness and Distinctiveness: **This design as far as i have researched is distinctive as it has a low profile (less than 0.5mm thick and no wider in any section than 5mm) The design suits its application in attracting the eye toward a target light or power switch in darkness, through fluorescent vinyl decal. The design is simple enough to be installed by the user in less than a minute.**



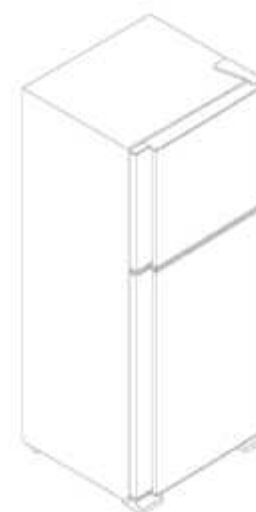
- (21) Design Number: **16286/2014**  
(22) Date of Filing Application: **03 December 2014**  
(24) Date from which industrial property rights may have effect: **03 December 2014**  
(54) Product in respect of which the design is registered: **Bag**  
(51) International Design Classification: **03-01A**  
(74) Name(s) of Attorney(s): **K&L Gates**  
(71) Name(s) and Address(s) of Applicant(s):  
**Lorna Jane Pty Ltd**  
**PO BOX 1105 Eagle Farm QLD 4009 Australia**  
(72) Name(s) of Designer(s): **Lorna Jane Clarkson**  
(45) Registration Date: **21 January 2015**  
(56) Related Art Documents: **Not Applicable**  
(57) Statement of Newness and Distinctiveness: **The words FORGET THE RULES as shown in the accompanying representations are not claimed as visual features of the design.**



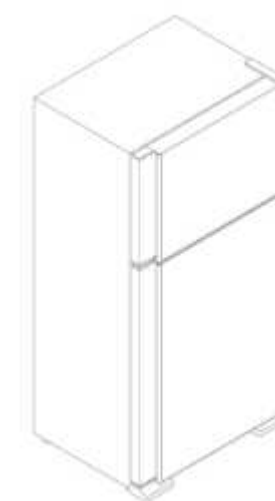
- (21) Design Number: **16417/2014**  
(22) Date of Filing Application: **11 December 2014**  
(24) Date from which industrial property rights may have effect: **11 December 2014**  
(54) Product in respect of which the design is registered: **1) Refrigerator 2) refrigerator cabinet**  
(51) International Design Classification: **15-07**  
(74) Name(s) of Attorney(s): **Griffith Hack**  
(71) Name(s) and Address(s) of Applicant(s):  
**MITSUBISHI ELECTRIC CORPORATION**  
**7-3 Marunouchi 2-chome Chiyoda-ku TOKYO 100-8310 Japan**  
(72) Name(s) of Designer(s): **Masaaki Hoshi and Kei Kasuga**  
(45) Registration Date: **21 January 2015**  
(30) Convention priority data:  
(31) Number      (32) Date      (33) Country  
**2014-012704      12 Jun 2014      JAPAN**  
(56) Related Art Documents: **Not Applicable**  
(57) Statement of Newness and Distinctiveness: **The shape and configuration of the products are new and distinctive.**



(21) Design Number: **16422/2014**  
(22) Date of Filing Application: **11 December 2014**  
(24) Date from which industrial property rights may have effect: **11 December 2014**  
(54) Product in respect of which the design is registered: **1) Refrigerator 2) refrigerator cabinet**  
(51) International Design Classification: **15-07**  
(74) Name(s) of Attorney(s): **Griffith Hack**  
(71) Name(s) and Address(s) of Applicant(s):  
**MITSUBISHI ELECTRIC CORPORATION**  
**7-3 Marunouchi 2-chome Chiyoda-ku TOKYO 100-8310 Japan**  
(72) Name(s) of Designer(s): **Masaaki Hoshi and Kei Kasuga**  
(45) Registration Date: **21 January 2015**  
(30) Convention priority data:  
(31) Number      (32) Date      (33) Country  
**2014-012702      12 Jun 2014      JAPAN**  
(56) Related Art Documents: **Not Applicable**  
(57) Statement of Newness and Distinctiveness: **The shape and configuration of the products are new and distinctive.**



(21) Design Number: **16438/2014**  
(22) Date of Filing Application: **11 December 2014**  
(24) Date from which industrial property rights may have effect: **11 December 2014**  
(54) Product in respect of which the design is registered: **1) Refrigerator 2) Refrigerator Cabinet**  
(51) International Design Classification: **15-07**  
(74) Name(s) of Attorney(s): **Griffith Hack**  
(71) Name(s) and Address(s) of Applicant(s):  
**MITSUBISHI ELECTRIC CORPORATION**  
**7-3 Marunouchi 2-chome Chiyoda-ku TOKYO 100-8310 Japan**  
(72) Name(s) of Designer(s): **Masaaki Hoshi and Kei Kasuga**  
(45) Registration Date: **21 January 2015**  
(30) Convention priority data:  
(31) Number      (32) Date      (33) Country  
**2014-012703      12 Jun 2014      JAPAN**  
(56) Related Art Documents: **Not Applicable**  
(57) Statement of Newness and Distinctiveness: **The shape and configuration of the products are new and distinctive.**



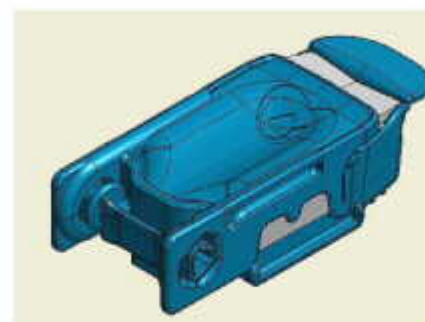
- (21) Design Number: **16477/2014**  
(22) Date of Filing Application: **12 December 2014**  
(24) Date from which industrial property rights may have effect: **12 December 2014**  
(54) Product in respect of which the design is registered: **Hanging utility bag in the form of a tube**  
(51) International Design Classification: **29-02**  
(74) Name(s) of Attorney(s):  
(71) Name(s) and Address(s) of Applicant(s):  
**William Martin Clohessy**  
**79 Main Ave Balmoral QLD 4171 Australia**  
(72) Name(s) of Designer(s): **William Martin Clohessy**  
(45) Registration Date: **21 January 2015**  
(56) Related Art Documents: **Not Applicable**  
(57) Statement of Newness and Distinctiveness: **The Flood D-Tube is a new category of product, a utility bag to provide flood defence products and engender responsible emergency preparedness, designed as a Trojan bag: its attractiveness, convenience and ease of storage invites the consumer to bring it into their home or business; and its high-visibility messages, hanging in plain sight, evoke images and memories that constantly remind of the need to be ready for flood emergencies. It is designed to effect a positive psychological response and embed the Tube in the mind in the same way for flood defence as a fire extinguisher for fire defence. Compared to existing packaging for FloodBags this Tube is visually outstanding with its emergency warning colours; compared to other products that are designed to be put in a room or stored out of sight, the Tube is designed to be hung in plain view at all times.**



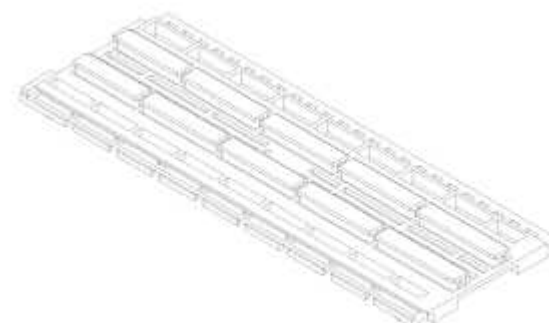
- (21) Design Number: **16588/2014**  
(22) Date of Filing Application: **18 December 2014**  
(24) Date from which industrial property rights may have effect: **18 December 2014**  
(54) Product in respect of which the design is registered: **Design for a hair styling device**  
(51) International Design Classification: **28-03B**  
(74) Name(s) of Attorney(s):  
(71) Name(s) and Address(s) of Applicant(s):  
**TYME LLC**  
**804 N 7th St Bellevue IA, 52031-9321 United States of America**  
(72) Name(s) of Designer(s): **Jacynda Smith**  
(45) Registration Date: **21 January 2015**  
(56) Related Art Documents: **Not Applicable**  
(57) Statement of Newness and Distinctiveness: **The newness and distinctiveness of the design resides in the shape of the hair styling device as shown in the accompanying representations.**



- (21) Design Number: **15645/2014**  
(22) Date of Filing Application: **05 November 2014**  
(24) Date from which industrial property rights may have effect: **05 November 2014**  
(54) Product in respect of which the design is registered: **Connector**  
(51) International Design Classification: **13-03NES**  
(74) Name(s) of Attorney(s): **Davies Collison Cave**  
(71) Name(s) and Address(s) of Applicant(s):  
**Orica International Pte Ltd**  
**78 Shenton Way #06-15 Tower 2 Singapore 079120 Singapore**  
(72) Name(s) of Designer(s): **Pier-Paul Sauve and Daniel Mallette**  
(45) Registration Date: **22 January 2015**  
(56) Related Art Documents: **Not Applicable**  
(57) Statement of Newness and Distinctiveness: **Newness and distinctiveness is claimed in the visual features of shape and configuration of a field connector as shown in the drawings, but not in the colour of the field connector.**



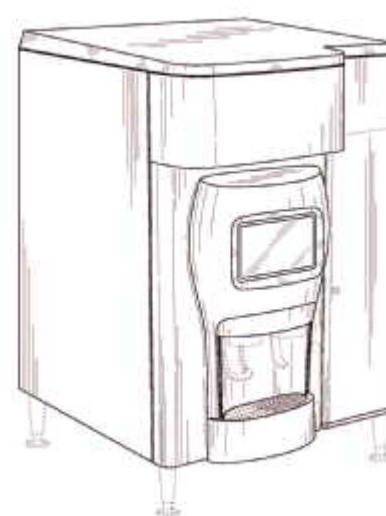
- (21) Design Number: **10187/2015**  
(22) Date of Filing Application: **14 January 2015**  
(24) Date from which industrial property rights may have effect: **14 January 2015**  
(54) Product in respect of which the design is registered: **Base for combing floor board**  
(51) International Design Classification: **25-02NES**  
(74) Name(s) of Attorney(s): **A.P.T. Patent and Trade Mark Attorneys**  
(71) Name(s) and Address(s) of Applicant(s):  
**Nexus Global Co., Ltd**  
**No. 173, Taiping Rd. North Dist. Taichung City, 404 Taiwan**  
(72) Name(s) of Designer(s): **Yao-Hung Tsai**  
(45) Registration Date: **22 January 2015**  
(56) Related Art Documents: **Not Applicable**  
(57) Statement of Newness and Distinctiveness: **Nil**



- (21) Design Number: **14646/2014**  
(22) Date of Filing Application: **14 September 2014**  
(24) Date from which industrial property rights may have effect: **14 September 2014**  
(54) Product in respect of which the design is registered: **3D Contour Map of Moreton Bay, Queensland**  
(51) International Design Classification: **11-02F, 19-07**  
(74) Name(s) of Attorney(s):  
(71) Name(s) and Address(s) of Applicant(s):  
**Thomas Percy**  
**1/39 Elizabeth St Toowong QLD 4066 Australia**  
(72) Name(s) of Designer(s): **Thomas Percy**  
(45) Registration Date: **22 January 2015**  
(56) Related Art Documents: **Not Applicable**  
(57) Statement of Newness and Distinctiveness: **The newness and distinctiveness of the design resides in the 3D water depth (Bathymetric) contours of Moreton Bay, Queensland. The map visually represents the water depth (bathymetric data) as individual layers. Each depth marker (meters) is illustrated on a different layer. The map is layered (one layer on top of another).**



- (21) Design Number: **15476/2014**  
(22) Date of Filing Application: **30 October 2014**  
(24) Date from which industrial property rights may have effect: **30 October 2014**  
(54) Product in respect of which the design is registered: **Beverage dispenser**  
(51) International Design Classification: **31-00**  
(74) Name(s) of Attorney(s): **PHILLIPS ORMONDE FITZPATRICK**  
(71) Name(s) and Address(s) of Applicant(s):  
**The Coca-Cola Company**  
**One Coca Cola Plaza N.W. Atlanta Georgia 30313 United States of America**  
(72) Name(s) of Designer(s): **Jae Ho Cha and Kris Tomasson and David Harvey and Daniel S Quartarone and Christopher Michael Weston and Simon Alan Daniel and Scott M Harrison**  
(45) Registration Date: **22 January 2015**  
(30) Convention priority data:  
(31) Number      (32) Date      (33) Country  
**29/489,816      02 May 2014      UNITED STATES OF AMERICA**  
(56) Related Art Documents: **Not Applicable**  
(57) Statement of Newness and Distinctiveness: **Those features of the beverage dispenser depicted in the representations that are new and distinctive are the shape and/or configuration. The features shown in broken lines are not part of the design and are to be disregarded when considering the overall impression of the design.**



(21) Design Number: **15527/2014**  
(22) Date of Filing Application: **31 October 2014**  
(24) Date from which industrial property rights may have effect: **31 October 2014**  
(54) Product in respect of which the design is registered: **Beverage dispenser**  
(51) International Design Classification: **31-00**  
(74) Name(s) of Attorney(s): **PHILLIPS ORMONDE FITZPATRICK**  
(71) Name(s) and Address(s) of Applicant(s):

**The Coca-Cola Company**  
**One Coca-Cola Plaza N.W. Atlanta Georgia 30313 United States of America**

(72) Name(s) of Designer(s): **Jae Ho Cha and Kris Tomasson and Charles Bradley Green and Simon Alan Daniel and Christopher Michael Weston**

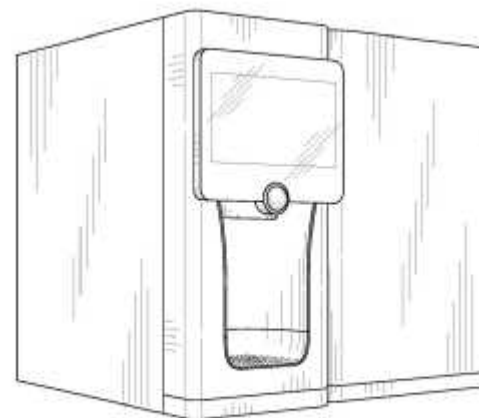
(45) Registration Date: **22 January 2015**

(30) Convention priority data:

(31) Number	(32) Date	(33) Country
<b>29/489,817</b>	<b>02 May 2014</b>	<b>UNITED STATES OF AMERICA</b>

(56) Related Art Documents: **Not Applicable**

(57) Statement of Newness and Distinctiveness: **Those features of the beverage dispenser depicted in the representations that are new and distinctive are the shape and/or configuration. The broken lines are for environmental purposes only and form no part of the claimed design and are to be disregarded when considering the overall impression of the design.**



(21) Design Number: **15636/2014**  
(22) Date of Filing Application: **05 November 2014**  
(24) Date from which industrial property rights may have effect: **05 November 2014**  
(54) Product in respect of which the design is registered: **Bottle stand**  
(51) International Design Classification: **07-06A**  
(74) Name(s) of Attorney(s): **Shelston IP**  
(71) Name(s) and Address(s) of Applicant(s):

**ELITE TO BE S.r.l.**  
**Viale San Giovanni del Tempio 24/I Sacile (PN) 33077 Italy**

(72) Name(s) of Designer(s): **Ruggero Camilotto**

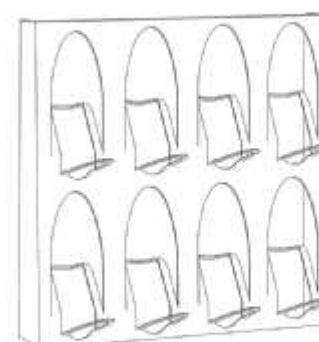
(45) Registration Date: **22 January 2015**

(30) Convention priority data:

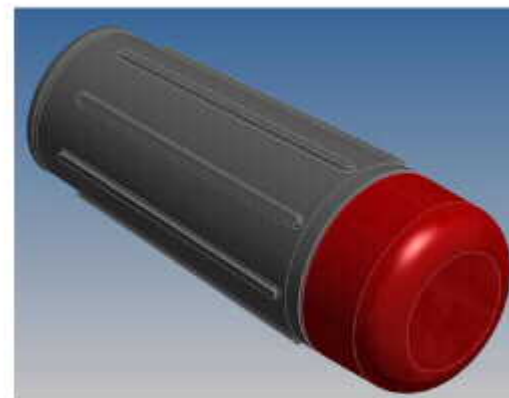
(31) Number	(32) Date	(33) Country
<b>002465302-0002</b>	<b>16 May 2014</b>	<b>OFFICE FOR HARMONISATION IN THE INTERNAL MARKET (OHIM)</b>

(56) Related Art Documents: **Not Applicable**

(57) Statement of Newness and Distinctiveness: **Newness and distinctiveness reside in the shape and configuration of a common design for BOTTLE STAND as shown in solid line in the accompanying representations. The bottles shown in broken lines in Fig. 3 are illustrative only and do not form part of the design.**



(21) Design Number: **16112/2014**  
(22) Date of Filing Application: **26 November 2014**  
(24) Date from which industrial property rights may have effect: **26 November 2014**  
(54) Product in respect of which the design is registered: **A handle for a vehicle lifting accessory**  
(51) International Design Classification: **12-16NES**  
(74) Name(s) of Attorney(s): **SPRUSON & FERGUSON**  
(71) Name(s) and Address(s) of Applicant(s):  
**Simol S.P.A.**  
**Via Fiocchetti, 14 Frazione Codisotto, Luzzara Reggio Emilia I-42045**  
**Italy**  
(72) Name(s) of Designer(s): **Walter Righetti**  
(45) Registration Date: **22 January 2015**  
(30) Convention priority data:  
(31) Number (32) Date (33) Country  
**002473777-0002 30 May 2014 OFFICE FOR HARMONISATION IN**  
**THE INTERNAL MARKET (OHIM)**  
(56) Related Art Documents: **Not Applicable**  
(57) Statement of Newness and Distinctiveness: **Newness and distinctiveness is claimed in the features of pattern and/or ornamentation of a handle for a vehicle lifting accessory illustrated in the accompanying representations.**



(21) Design Number: **16111/2014**  
(22) Date of Filing Application: **26 November 2014**  
(24) Date from which industrial property rights may have effect: **26 November 2014**  
(54) Product in respect of which the design is registered: **A handle for a vehicle lifting accessory**  
(51) International Design Classification: **12-16NES**  
(74) Name(s) of Attorney(s): **SPRUSON & FERGUSON**  
(71) Name(s) and Address(s) of Applicant(s):  
**Simol S.P.A.**  
**Via Fiocchetti, 14 Frazione Codisotto, Luzzara Reggio Emilia I-42045**  
**Italy**  
(72) Name(s) of Designer(s): **Walter Righetti**  
(45) Registration Date: **22 January 2015**  
(30) Convention priority data:  
(31) Number (32) Date (33) Country  
**002473777-0001 30 May 2014 OFFICE FOR HARMONISATION IN**  
**THE INTERNAL MARKET (OHIM)**  
(56) Related Art Documents: **Not Applicable**  
(57) Statement of Newness and Distinctiveness: **Newness and distinctiveness is claimed in the features of shape and/or configuration of a handle for a vehicle lifting accessory as illustrated in the accompanying representations.**

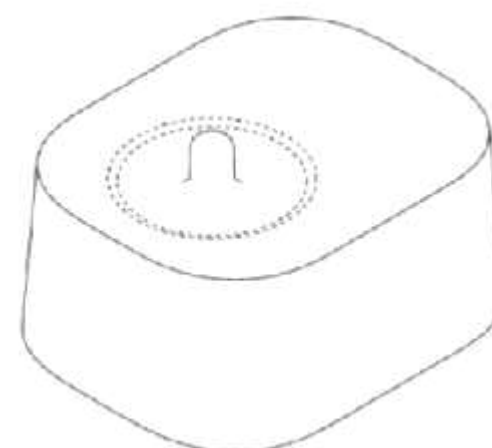




(21) Design Number: **15365/2014**  
(22) Date of Filing Application: **23 October 2014**  
(24) Date from which industrial property rights may have effect: **23 October 2014**  
(54) Product in respect of which the design is registered: **Charger for electric toothbrush**  
(51) International Design Classification: **13-02**  
(74) Name(s) of Attorney(s): **FB Rice**  
(71) Name(s) and Address(s) of Applicant(s):  
**Colgate-Palmolive Company**  
**300 Park Avenue New York New York 10022 United States of America**  
**Omron Healthcare Co., Ltd.**  
**53, Kunotsubo, Terado-cho Muko-shi Kyoto, 617-0002 Japan**  
(72) Name(s) of Designer(s): **Takashi Shigeno and Kazuya Andachi and Feilang Tseng and Tamaki Ito**  
(45) Registration Date: **22 January 2015**  
(30) Convention priority data:  
(31) Number      (32) Date      (33) Country  
**2014-009209      25 Apr 2014      JAPAN**  
(56) Related Art Documents: **Not Applicable**  
(57) Statement of Newness and Distinctiveness: **Newness and distinctiveness reside in the features of the design as shown in the representations.**



(21) Design Number: **10337/2015**  
(22) Date of Filing Application: **23 October 2014**  
(24) Date from which industrial property rights may have effect: **23 October 2014**  
(54) Product in respect of which the design is registered: **Charger for electric toothbrush**  
(51) International Design Classification: **13-02**  
(74) Name(s) of Attorney(s): **FB Rice**  
(71) Name(s) and Address(s) of Applicant(s):  
**Colgate-Palmolive Company**  
**300 Park Avenue New York New York 10022 United States of America**  
**Omron Healthcare Co., Ltd.**  
**53, Kunotsubo, Terado-cho Muko-shi Kyoto, 617-0002 Japan**  
(72) Name(s) of Designer(s): **Takashi Shigeno and Kazuya Andachi and Feilang Tseng and Tamaki Ito**  
(45) Registration Date: **22 January 2015**  
(30) Convention priority data:  
(31) Number      (32) Date      (33) Country  
**2014-009209      25 Apr 2014      JAPAN**  
(56) Related Art Documents: **Not Applicable**  
(57) Statement of Newness and Distinctiveness: **Newness and distinctiveness reside in the features of the design as shown in the representations.**



- (21) Design Number: **15203/2014**  
(22) Date of Filing Application: **10 October 2014**  
(24) Date from which industrial property rights may have effect: **10 October 2014**  
(54) Product in respect of which the design is registered: **Anatomy poster**  
(51) International Design Classification: **19-07**  
(74) Name(s) of Attorney(s):  
(71) Name(s) and Address(s) of Applicant(s):  
**Corrective Massage (Aust) Pty Ltd**  
**U2/74 Park Tce Salisbury SA 5108 Australia**  
(72) Name(s) of Designer(s): **Colin Alexander Prevett**  
(45) Registration Date: **22 January 2015**  
(56) Related Art Documents: **Not Applicable**  
(57) Statement of Newness and Distinctiveness: **Designed both for students of anatomy and for all health care professionals, these posters aim to not only aid in their own comprehension of the vastness of the muscular system but to provide them with a tool to assist comprehensively explain musculo-skeletal issues to their patients. A great amount of time has gone into detailing all muscles in their entirety, all muscles attachments and origins are shown, the use of zoom windows and illustrated fading techniques have been employed to show all underlying muscles. 8 separate images showing the progressive build up of muscle layers from back-to-front and front-to-back have been used to showcase the system in its entirety. Yet so much information is displayed, the use of colour coding and road map style navigation makes these posters the most comprehensive and user-friendly available. Muscles of the face and respective facial expressions have also been included to complete these very comprehensive teaching/learning aids.**



- (21) Design Number: **16682/2014**  
(22) Date of Filing Application: **24 December 2014**  
(24) Date from which industrial property rights may have effect: **24 December 2014**  
(54) Product in respect of which the design is registered: **Transportable pool**  
(51) International Design Classification: **21-02D**  
(74) Name(s) of Attorney(s): **PIPERS Melbourne**  
(71) Name(s) and Address(s) of Applicant(s):  
**Decathlon**  
**4, boulevard de Mons F-59650 Villeneuve d'Ascq 59650 France**  
(72) Name(s) of Designer(s): **Damien Saumureau and Antoine Harpages**  
(45) Registration Date: **22 January 2015**  
(30) Convention priority data:  
(31) Number      (32) Date      (33) Country  
**001426027-0001    09 Oct 2014      OFFICE FOR HARMONISATION IN  
THE INTERNAL MARKET (OHIM)**  
(56) Related Art Documents: **Not Applicable**  
(57) Statement of Newness and Distinctiveness: **The newness and distinctiveness of the design resides in the shape of the transportable pool as shown in the continuous lines in the accompanying representations.**



(21) Design Number: **16683/2014**  
(22) Date of Filing Application: **24 December 2014**  
(24) Date from which industrial property rights may have effect: **24 December 2014**  
(54) Product in respect of which the design is registered: **A bag**  
(51) International Design Classification: **03-01NES**  
(74) Name(s) of Attorney(s): **PIPERS Melbourne**  
(71) Name(s) and Address(s) of Applicant(s):

**DECATHLON**

**4, boulevard de Mons F-59650 Villeneuve d'Ascq 59650 France**

(72) Name(s) of Designer(s): **Damien Saumureau and Antoine Harpages**

(45) Registration Date: **22 January 2015**

(30) Convention priority data:

(31) Number	(32) Date	(33) Country
<b>001426027-0001</b>	<b>09 Oct 2014</b>	<b>OFFICE FOR HARMONISATION IN THE INTERNAL MARKET (OHIM)</b>

(56) Related Art Documents: **Not Applicable**

(57) Statement of Newness and Distinctiveness: **The newness and distinctiveness of the design resides in the shape of A Bag as shown in the continuous lines in the accompanying representations.**



(21) Design Number: **12693/2014**  
(22) Date of Filing Application: **02 June 2014**  
(24) Date from which industrial property rights may have effect: **02 June 2014**  
(54) Product in respect of which the design is registered: **A package**  
(51) International Design Classification: **09-03M**  
(74) Name(s) of Attorney(s): **Halfords IP**  
(71) Name(s) and Address(s) of Applicant(s):

**Aero Health Aust Pty Ltd**

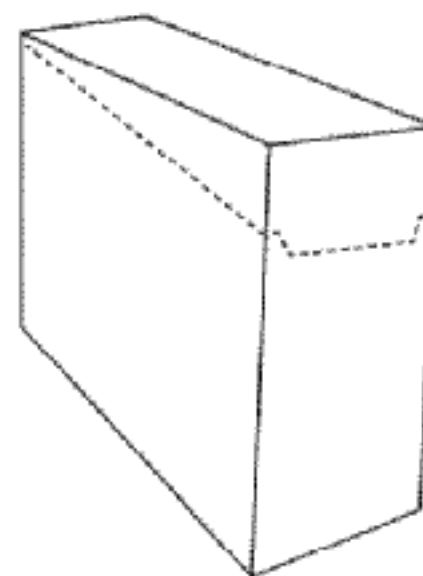
**6 Brickfield Ave Armidale NSW 2350 Australia**

(72) Name(s) of Designer(s): **Timothy John Ovenden**

(45) Registration Date: **22 January 2015**

(56) Related Art Documents: **Not Applicable**

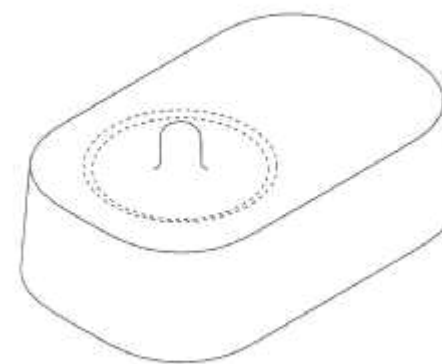
(57) Statement of Newness and Distinctiveness: **Newness and distinctiveness resides in the shape and or configuration of a package having a line of weakness or perforations denoted by the broken line work located and shaped as in the illustrations attached.**



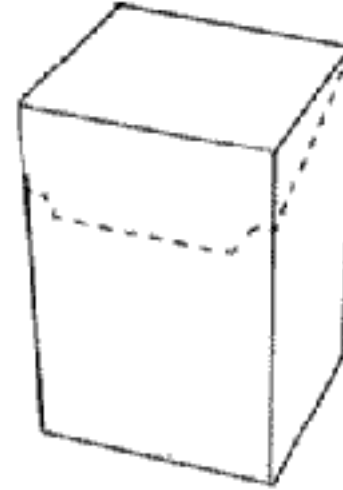
(21) Design Number: **15349/2014**  
(22) Date of Filing Application: **23 October 2014**  
(24) Date from which industrial property rights may have effect: **23 October 2014**  
(54) Product in respect of which the design is registered: **Charger for electric toothbrush**  
(51) International Design Classification: **13-02**  
(74) Name(s) of Attorney(s): **FB Rice**  
(71) Name(s) and Address(s) of Applicant(s):  
**Colgate-Palmolive Company**  
**300 Park Avenue New York NY 10022 United States of America**  
**Omron Healthcare Co., Ltd.**  
**53, Kunotsubo, Terado-cho Muko-shi, Kyoto 617-0002 Japan**  
(72) Name(s) of Designer(s): **Takashi Shigeno and Kazuya Andachi and Feilang Tseng and Tamaki Ito**  
(45) Registration Date: **22 January 2015**  
(30) Convention priority data:  
(31) Number      (32) Date      (33) Country  
**2014-009210      25 Apr 2014      JAPAN**  
(56) Related Art Documents: **Not Applicable**  
(57) Statement of Newness and Distinctiveness: **Newness and distinctiveness reside in the features of the design as shown in the representations.**



(21) Design Number: **10338/2015**  
(22) Date of Filing Application: **23 October 2014**  
(24) Date from which industrial property rights may have effect: **23 October 2014**  
(54) Product in respect of which the design is registered: **Charger for electric toothbrush**  
(51) International Design Classification: **13-02**  
(74) Name(s) of Attorney(s): **FB Rice**  
(71) Name(s) and Address(s) of Applicant(s):  
**Colgate-Palmolive Company**  
**300 Park Avenue New York NY 10022 United States of America**  
**Omron Healthcare Co., Ltd.**  
**53, Kunotsubo, Terado-cho Muko-shi, Kyoto 617-0002 Japan**  
(72) Name(s) of Designer(s): **Takashi Shigeno and Kazuya Andachi and Feilang Tseng and Tamaki Ito**  
(45) Registration Date: **22 January 2015**  
(30) Convention priority data:  
(31) Number      (32) Date      (33) Country  
**2014-009210      25 Apr 2014      JAPAN**  
(56) Related Art Documents: **Not Applicable**  
(57) Statement of Newness and Distinctiveness: **Newness and distinctiveness reside in the features of the design as shown in the representations.**



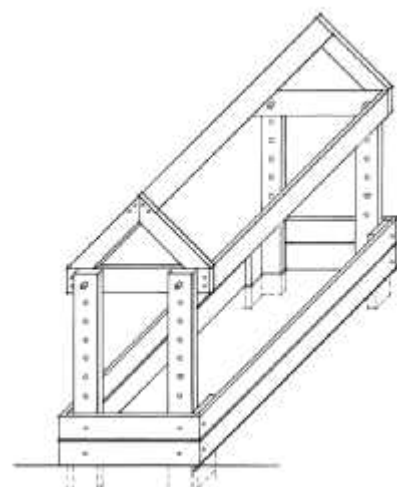
- (21) Design Number: **10339/2015**  
(22) Date of Filing Application: **02 June 2014**  
(24) Date from which industrial property rights may have effect: **02 June 2014**  
(54) Product in respect of which the design is registered: **A package**  
(51) International Design Classification: **09-03M**  
(74) Name(s) of Attorney(s): **Halfords IP**  
(71) Name(s) and Address(s) of Applicant(s):  
**Aero Health Aust Pty Ltd**  
**6 Brickfield Ave Armidale NSW 2350 Australia**  
(72) Name(s) of Designer(s): **Timothy John Ovenden**  
(45) Registration Date: **22 January 2015**  
(56) Related Art Documents: **Not Applicable**  
(57) Statement of Newness and Distinctiveness: **Nil**



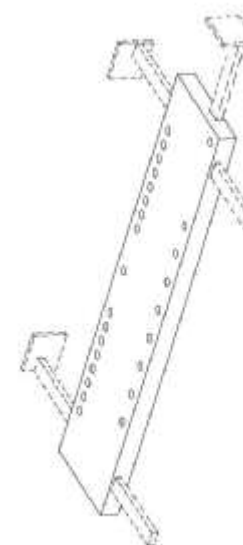
- (21) Design Number: **12349/2014**  
(22) Date of Filing Application: **15 May 2014**  
(24) Date from which industrial property rights may have effect: **15 May 2014**  
(54) Product in respect of which the design is registered: **Accessory item**  
(51) International Design Classification: **03-01B**  
(74) Name(s) of Attorney(s): **Allens Patent & Trade Mark Attorneys**  
(71) Name(s) and Address(s) of Applicant(s):  
**Forever New Clothing Pty Ltd**  
**714-716 High St Kew East VIC 3102 Australia**  
(72) Name(s) of Designer(s): **Georgia Roberts-Thomson**  
(45) Registration Date: **23 January 2015**  
(56) Related Art Documents: **Not Applicable**  
(57) Statement of Newness and Distinctiveness: **Newness and distinctiveness resides in the visual features of shape, configuration, pattern and/or ornamentation of an accessory item as shown in the accompanying representations.**



- (21) Design Number: **16158/2014**  
(22) Date of Filing Application: **27 November 2014**  
(24) Date from which industrial property rights may have effect: **27 November 2014**  
(54) Product in respect of which the design is registered: **Planter box & adapting adjustable weather roof kit**  
(51) International Design Classification: **11-02B**  
(74) Name(s) of Attorney(s):  
(71) Name(s) and Address(s) of Applicant(s):  
**Linda L Zovko**  
**PO BOX 5225 Cranbourne Post Office Cranbourne VIC 3977 Australia**  
**Stanley Zovko**  
**PO BOX 5225 Cranbourne Post Office Cranbourne VIC 3977 Australia**  
(72) Name(s) of Designer(s): **Linda L Zovko and Stanley Zovko**  
(45) Registration Date: **23 January 2015**  
(56) Related Art Documents: **Not Applicable**  
(57) Statement of Newness and Distinctiveness: **This Planter Box with Adapting Adjustable Weather Roof is a new simple and distinct Kit form; in the way the roof is not attached, and can be moved to various heights for the protection of plant and to suit plant height, it can also be put away when not needed.**



- (21) Design Number: **14143/2014**  
(22) Date of Filing Application: **21 August 2014**  
(24) Date from which industrial property rights may have effect: **21 August 2014**  
(54) Product in respect of which the design is registered: **Carpentry jig**  
(51) International Design Classification: **08-05F**  
(74) Name(s) of Attorney(s): **Smootenburg Patent & Trade Mark Attorneys**  
(71) Name(s) and Address(s) of Applicant(s):  
**Brent Airs**  
**30 Dalkeith Rd Wantirna VIC 3152 Australia**  
(72) Name(s) of Designer(s): **Brent Airs**  
(45) Registration Date: **23 January 2015**  
(56) Related Art Documents: **Not Applicable**  
(57) Statement of Newness and Distinctiveness: **Newness and distinctiveness is claimed in the features of a jig as illustrated in continuous lines in the accompanying representations. When considering whether the carpentry jig is substantially similar in overall impression to another design, no regard is to be had to the features shown in dotted outline in Figure 1 or the number of the holes of circular cross section in the illustrations. The rulers depicted in dotted lines in Figure 1 are provided for context only and are not part of the design.**



(21) Design Number: **10105/2015**  
(22) Date of Filing Application: **09 January 2015**  
(24) Date from which industrial property rights may have effect: **09 January 2015**  
(54) Product in respect of which the design is registered: **Blender Container**  
(51) International Design Classification: **31-00**  
(74) Name(s) of Attorney(s): **PIZZEYS**  
(71) Name(s) and Address(s) of Applicant(s):  
**Euro-Pro Operating LLC**  
**180 Wells Avenue, Suite 200 Newton Massachusetts, 02459 United States of America**  
(72) Name(s) of Designer(s): **Joyce Tu**  
(45) Registration Date: **23 January 2015**  
(30) Convention priority data:  
(31) Number (32) Date (33) Country  
**29/497,359 23 Jul 2014 UNITED STATES OF AMERICA**  
(56) Related Art Documents: **Not Applicable**  
(57) Statement of Newness and Distinctiveness: **Nil**



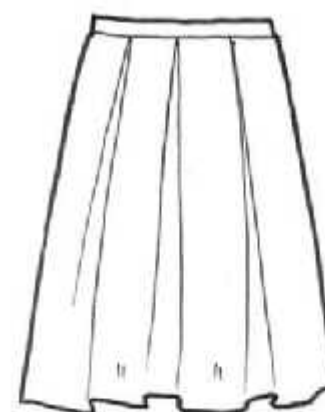
(21) Design Number: **10108/2015**  
(22) Date of Filing Application: **12 January 2015**  
(24) Date from which industrial property rights may have effect: **12 January 2015**  
(54) Product in respect of which the design is registered: **Aircraft stick grip**  
(51) International Design Classification: **12-07**  
(74) Name(s) of Attorney(s): **WALLINGTON-DUMMER**  
(71) Name(s) and Address(s) of Applicant(s):  
**Icon Aircraft, Inc.**  
**12511 Beatrice St Los Angeles CA, 90066-7001 United States of America**  
(72) Name(s) of Designer(s): **Dong Tran and Klaus Tritschler**  
(45) Registration Date: **23 January 2015**  
(30) Convention priority data:  
(31) Number (32) Date (33) Country  
**29496689 16 Jul 2014 UNITED STATES OF AMERICA**  
(56) Related Art Documents: **Not Applicable**  
(57) Statement of Newness and Distinctiveness: **Novelty is claimed in the shape and/or configuration of an aircraft stick grip.**



- (21) Design Number: **10241/2015**  
(22) Date of Filing Application: **16 January 2015**  
(24) Date from which industrial property rights may have effect: **15 May 2014**  
(54) Product in respect of which the design is registered: **Article of clothing**  
(51) International Design Classification: **02-02C**  
(74) Name(s) of Attorney(s): **Allens Patent & Trade Mark Attorneys**  
(71) Name(s) and Address(s) of Applicant(s):  
**Forever New Clothing Pty Ltd**  
**714-716 High St Kew East VIC 3102 Australia**  
(72) Name(s) of Designer(s): **Octavia Miller**  
(45) Registration Date: **23 January 2015**  
(62) Divisional of: **360141**  
(56) Related Art Documents: **Not Applicable**  
(57) Statement of Newness and Distinctiveness: **Newness and distinctiveness resides in the visual features of shape, configuration, pattern and/or ornamentation of an article of clothing as shown in the accompanying representations.**



- (21) Design Number: **10242/2015**  
(22) Date of Filing Application: **16 January 2015**  
(24) Date from which industrial property rights may have effect: **15 May 2014**  
(54) Product in respect of which the design is registered: **Article of clothing**  
(51) International Design Classification: **02-02C**  
(74) Name(s) of Attorney(s): **Allens Patent & Trade Mark Attorneys**  
(71) Name(s) and Address(s) of Applicant(s):  
**Forever New Clothing Pty Ltd**  
**714-716 High St Kew East VIC 3102 Australia**  
(72) Name(s) of Designer(s): **Chole Atkinson**  
(45) Registration Date: **23 January 2015**  
(62) Divisional of: **360141**  
(56) Related Art Documents: **Not Applicable**  
(57) Statement of Newness and Distinctiveness: **Newness and distinctiveness resides in the visual features of shape, configuration, pattern and/or ornamentation of an article of clothing as shown in the accompanying representations.**





- (21) Design Number: **10243/2015**  
(22) Date of Filing Application: **16 January 2015**  
(24) Date from which industrial property rights may have effect: **15 May 2014**  
(54) Product in respect of which the design is registered: **Article of clothing**  
(51) International Design Classification: **02-02NES**  
(74) Name(s) of Attorney(s): **Allens Patent & Trade Mark Attorneys**  
(71) Name(s) and Address(s) of Applicant(s):  
**Forever New Clothing Pty Ltd**  
**714-716 High St Kew East VIC 3102 Australia**  
(72) Name(s) of Designer(s): **Jennifer Hall**  
(45) Registration Date: **23 January 2015**  
(62) Divisional of: **360141**  
(56) Related Art Documents: **Not Applicable**  
(57) Statement of Newness and Distinctiveness: **Newness and distinctiveness resides in the visual features of shape, configuration, pattern and/or ornamentation of an article of clothing as shown in the accompanying representations.**



- (21) Design Number: **10244/2015**  
(22) Date of Filing Application: **16 January 2015**  
(24) Date from which industrial property rights may have effect: **15 May 2014**  
(54) Product in respect of which the design is registered: **Article of clothing**  
(51) International Design Classification: **02-02NES**  
(74) Name(s) of Attorney(s): **Allens Patent & Trade Mark Attorneys**  
(71) Name(s) and Address(s) of Applicant(s):  
**Forever New Clothing Pty Ltd**  
**714-716 High St Kew East VIC 3102 Australia**  
(72) Name(s) of Designer(s): **Jennifer Hall**  
(45) Registration Date: **23 January 2015**  
(62) Divisional of: **360141**  
(56) Related Art Documents: **Not Applicable**  
(57) Statement of Newness and Distinctiveness: **Newness and distinctiveness resides in the visual features of shape, configuration, pattern and/or ornamentation of an article of clothing as shown in the accompanying representations.**



- (21) Design Number: **10245/2015**  
(22) Date of Filing Application: **16 January 2015**  
(24) Date from which industrial property rights may have effect: **15 May 2014**  
(54) Product in respect of which the design is registered: **Article of clothing**  
(51) International Design Classification: **02-02NES**  
(74) Name(s) of Attorney(s): **Allens Patent & Trade Mark Attorneys**  
(71) Name(s) and Address(s) of Applicant(s):  
**Forever New Clothing Pty Ltd**  
**714-716 High St Kew East VIC 3102 Australia**  
(72) Name(s) of Designer(s): **Jennifer Hall**  
(45) Registration Date: **23 January 2015**  
(62) Divisional of: **360141**  
(56) Related Art Documents: **Not Applicable**  
(57) Statement of Newness and Distinctiveness: **Newness and distinctiveness resides in the visual features of shape, configuration, pattern and/or ornamentation of an article of clothing as shown in the accompanying representations.**



- (21) Design Number: **10246/2015**  
(22) Date of Filing Application: **16 January 2015**  
(24) Date from which industrial property rights may have effect: **15 May 2014**  
(54) Product in respect of which the design is registered: **Article of clothing**  
(51) International Design Classification: **02-02C**  
(74) Name(s) of Attorney(s): **Allens Patent & Trade Mark Attorneys**  
(71) Name(s) and Address(s) of Applicant(s):  
**Forever New Clothing Pty Ltd**  
**714-716 High St Kew East VIC 3102 Australia**  
(72) Name(s) of Designer(s): **Octavia Miller**  
(45) Registration Date: **23 January 2015**  
(62) Divisional of: **360141**  
(56) Related Art Documents: **Not Applicable**  
(57) Statement of Newness and Distinctiveness: **Newness and distinctiveness resides in the visual features of shape, configuration, pattern and/or ornamentation of an article of clothing as shown in the accompanying representations.**



- (21) Design Number: **10247/2015**  
(22) Date of Filing Application: **16 January 2015**  
(24) Date from which industrial property rights may have effect: **15 May 2014**  
(54) Product in respect of which the design is registered: **Article of clothing**  
(51) International Design Classification: **02-02NES**  
(74) Name(s) of Attorney(s): **Allens Patent & Trade Mark Attorneys**  
(71) Name(s) and Address(s) of Applicant(s):  
**Forever New Clothing Pty Ltd**  
**714-716 High St Kew East VIC 3102 Australia**  
(72) Name(s) of Designer(s): **Octavia Miller**  
(45) Registration Date: **23 January 2015**  
(62) Divisional of: **360141**  
(56) Related Art Documents: **Not Applicable**  
(57) Statement of Newness and Distinctiveness: **Newness and distinctiveness resides in the visual features of shape, configuration, pattern and/or ornamentation of an article of clothing as shown in the accompanying representations.**



- (21) Design Number: **10248/2015**  
(22) Date of Filing Application: **16 January 2015**  
(24) Date from which industrial property rights may have effect: **15 May 2014**  
(54) Product in respect of which the design is registered: **Article of clothing**  
(51) International Design Classification: **02-02NES**  
(74) Name(s) of Attorney(s): **Allens Patent & Trade Mark Attorneys**  
(71) Name(s) and Address(s) of Applicant(s):  
**Forever New Clothing Pty Ltd**  
**714-716 High St Kew East VIC 3102 Australia**  
(72) Name(s) of Designer(s): **Rhonda Moss**  
(45) Registration Date: **23 January 2015**  
(62) Divisional of: **360141**  
(56) Related Art Documents: **Not Applicable**  
(57) Statement of Newness and Distinctiveness: **Newness and distinctiveness resides in the visual features of shape, configuration, pattern and/or ornamentation of an article of clothing as shown in the accompanying representations.**



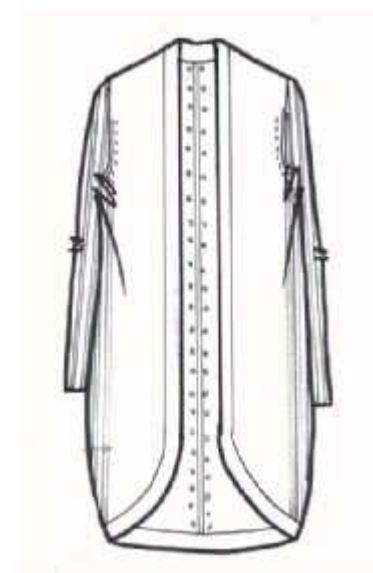
- (21) Design Number: **10249/2015**  
(22) Date of Filing Application: **16 January 2015**  
(24) Date from which industrial property rights may have effect: **15 May 2014**  
(54) Product in respect of which the design is registered: **Article of clothing**  
(51) International Design Classification: **02-02NES**  
(74) Name(s) of Attorney(s): **Allens Patent & Trade Mark Attorneys**  
(71) Name(s) and Address(s) of Applicant(s):  
**Forever New Clothing Pty Ltd**  
**714-716 High St Kew East VIC 3102 Australia**  
(72) Name(s) of Designer(s): **Rhonda Moss**  
(45) Registration Date: **23 January 2015**  
(62) Divisional of: **360141**  
(56) Related Art Documents: **Not Applicable**  
(57) Statement of Newness and Distinctiveness: **Newness and distinctiveness resides in the visual features of shape, configuration, pattern and/or ornamentation of an article of clothing as shown in the accompanying representations.**



- (21) Design Number: **10250/2015**  
(22) Date of Filing Application: **16 January 2015**  
(24) Date from which industrial property rights may have effect: **15 May 2014**  
(54) Product in respect of which the design is registered: **Article of clothing**  
(51) International Design Classification: **02-02NES**  
(74) Name(s) of Attorney(s): **Allens Patent & Trade Mark Attorneys**  
(71) Name(s) and Address(s) of Applicant(s):  
**Forever New Clothing Pty Ltd**  
**714-716 High St Kew East VIC 3102 Australia**  
(72) Name(s) of Designer(s): **Rhonda Moss**  
(45) Registration Date: **23 January 2015**  
(62) Divisional of: **360141**  
(56) Related Art Documents: **Not Applicable**  
(57) Statement of Newness and Distinctiveness: **Newness and distinctiveness resides in the visual features of shape, configuration, pattern and/or ornamentation of an article of clothing as shown in the accompanying representations.**



- (21) Design Number: **10251/2015**  
(22) Date of Filing Application: **16 January 2015**  
(24) Date from which industrial property rights may have effect: **15 May 2014**  
(54) Product in respect of which the design is registered: **Article of clothing**  
(51) International Design Classification: **02-02C**  
(74) Name(s) of Attorney(s): **Allens Patent & Trade Mark Attorneys**  
(71) Name(s) and Address(s) of Applicant(s):  
**Forever New Clothing Pty Ltd**  
**714-716 High St Kew East VIC 3102 Australia**  
(72) Name(s) of Designer(s): **Cathrin Evans**  
(45) Registration Date: **23 January 2015**  
(62) Divisional of: **360141**  
(56) Related Art Documents: **Not Applicable**  
(57) Statement of Newness and Distinctiveness: **Newness and distinctiveness resides in the visual features of shape, configuration, pattern and/or ornamentation of an article of clothing as shown in the accompanying representation.**



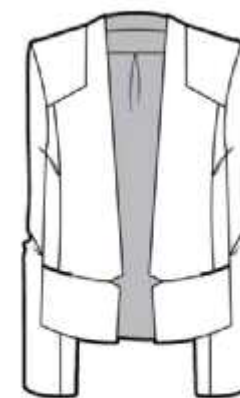
- (21) Design Number: **10252/2015**  
(22) Date of Filing Application: **16 January 2015**  
(24) Date from which industrial property rights may have effect: **15 May 2014**  
(54) Product in respect of which the design is registered: **Article of clothing**  
(51) International Design Classification: **02-02NES**  
(74) Name(s) of Attorney(s): **Allens Patent & Trade Mark Attorneys**  
(71) Name(s) and Address(s) of Applicant(s):  
**Forever New Clothing Pty Ltd**  
**714-716 High St Kew East VIC 3102 Australia**  
(72) Name(s) of Designer(s): **Alice Burrow**  
(45) Registration Date: **23 January 2015**  
(62) Divisional of: **360141**  
(56) Related Art Documents: **Not Applicable**  
(57) Statement of Newness and Distinctiveness: **Newness and distinctiveness resides in the visual features of shape, configuration, pattern and/or ornamentation of an article of clothing as shown in the accompanying representations.**



- (21) Design Number: **10253/2015**  
(22) Date of Filing Application: **16 January 2015**  
(24) Date from which industrial property rights may have effect: **15 May 2014**  
(54) Product in respect of which the design is registered: **Article of clothing**  
(51) International Design Classification: **02-02NES**  
(74) Name(s) of Attorney(s): **Allens Patent & Trade Mark Attorneys**  
(71) Name(s) and Address(s) of Applicant(s):  
**Forever New Clothing Pty Ltd**  
**714-716 High St Kew East VIC 3102 Australia**  
(72) Name(s) of Designer(s): **Alice Burrow**  
(45) Registration Date: **23 January 2015**  
(62) Divisional of: **360141**  
(56) Related Art Documents: **Not Applicable**  
(57) Statement of Newness and Distinctiveness: **Newness and distinctiveness resides in the visual features of shape, configuration, pattern and/or ornamentation of an article of clothing as shown in the accompanying representations.**



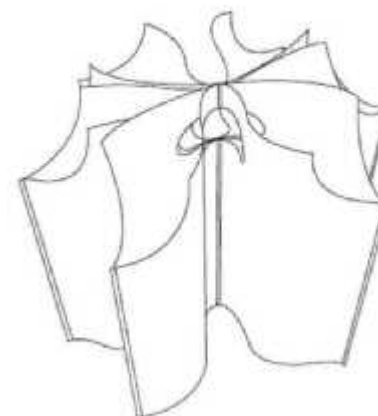
- (21) Design Number: **10254/2015**  
(22) Date of Filing Application: **16 January 2015**  
(24) Date from which industrial property rights may have effect: **15 May 2014**  
(54) Product in respect of which the design is registered: **Article of clothing**  
(51) International Design Classification: **02-02NES**  
(74) Name(s) of Attorney(s): **Allens Patent & Trade Mark Attorneys**  
(71) Name(s) and Address(s) of Applicant(s):  
**Forever New Clothing Pty Ltd**  
**714-716 High St Kew East VIC 3102 Australia**  
(72) Name(s) of Designer(s): **Alice Burrow**  
(45) Registration Date: **23 January 2015**  
(62) Divisional of: **360141**  
(56) Related Art Documents: **Not Applicable**  
(57) Statement of Newness and Distinctiveness: **Newness and distinctiveness resides in the visual features of shape, configuration, pattern and/or ornamentation of an article of clothing as shown in the accompanying representations.**



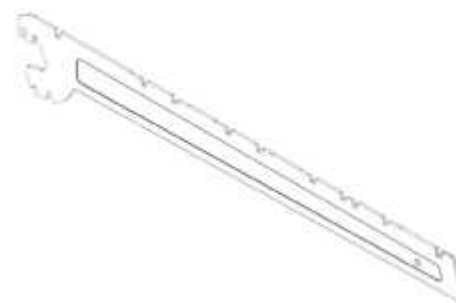
- (21) Design Number: **10255/2015**  
(22) Date of Filing Application: **16 January 2015**  
(24) Date from which industrial property rights may have effect: **15 May 2014**  
(54) Product in respect of which the design is registered: **Article of clothing**  
(51) International Design Classification: **02-02NES**  
(74) Name(s) of Attorney(s): **Allens Patent & Trade Mark Attorneys**  
(71) Name(s) and Address(s) of Applicant(s):  
**Forever New Clothing Pty Ltd**  
**714-716 High St Kew East VIC 3102 Australia**  
(72) Name(s) of Designer(s): **Mantra Ahrendt**  
(45) Registration Date: **23 January 2015**  
(62) Divisional of: **360141**  
(56) Related Art Documents: **Not Applicable**  
(57) Statement of Newness and Distinctiveness: **Newness and distinctiveness resides in the visual features of shape, configuration, pattern and/or ornamentation of an article of clothing as shown in the accompanying representations.**



- (21) Design Number: **15314/2014**  
(22) Date of Filing Application: **20 October 2014**  
(24) Date from which industrial property rights may have effect: **20 October 2014**  
(54) Product in respect of which the design is registered: **Bottle carrier**  
(51) International Design Classification: **09-03E**  
(74) Name(s) of Attorney(s): **Griffith Hack**  
(71) Name(s) and Address(s) of Applicant(s):  
**Euro Packaging UK Ltd**  
**20 Brickfield Road Yardley Birmingham, West Midlands B25 8HE United Kingdom**  
(72) Name(s) of Designer(s): **Zarak Lowe and Jerry Bradnam**  
(45) Registration Date: **23 January 2015**  
(30) Convention priority data:  
(31) Number      (32) Date      (33) Country  
**001409700      17 Apr 2014      EUROPEAN PATENT OFFICE (EPO)**  
(56) Related Art Documents: **Not Applicable**  
(57) Statement of Newness and Distinctiveness: **Nil**



- (21) Design Number: **15914/2014**  
(22) Date of Filing Application: **20 November 2014**  
(24) Date from which industrial property rights may have effect: **19 September 2014**  
(54) Product in respect of which the design is registered: **Shelf unit**  
(51) International Design Classification: **06-04NES**  
(74) Name(s) of Attorney(s): **Davies Collison Cave**  
(71) Name(s) and Address(s) of Applicant(s):  
**Tegometall International AG**  
**Industriestrasse 7 Lengwil 8574 Switzerland**  
(72) Name(s) of Designer(s): **Ulrich Bohnacker**  
(45) Registration Date: **23 January 2015**  
(62) Divisional of: **358951**  
(56) Related Art Documents: **Not Applicable**  
(57) Statement of Newness and Distinctiveness: **Newness and distinctiveness is claimed in the features of shape and configuration, excepting those in broken lines, shown in the representations.**

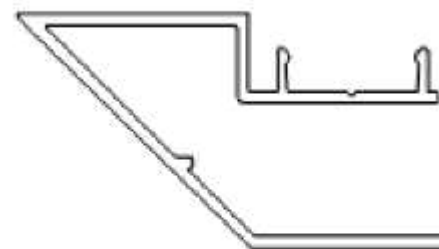


- (21) Design Number: **16376/2014**  
(22) Date of Filing Application: **09 December 2014**  
(24) Date from which industrial property rights may have effect: **09 December 2014**  
(54) Product in respect of which the design is registered: **Tool box**  
(51) International Design Classification: **03-01D**  
(74) Name(s) of Attorney(s): **Davies Collison Cave**  
(71) Name(s) and Address(s) of Applicant(s):  
**The Stanley Works Israel Ltd.**  
**19 Ha'Melacha Street New Industrial Zone Rosh Ha'ayin 480914 Israel**  
(72) Name(s) of Designer(s): **Abraham Faibish**  
(45) Registration Date: **23 January 2015**  
(30) Convention priority data:  
(31) Number      (32) Date      (33) Country  
**001417968      01 Aug 2014      OFFICE FOR HARMONISATION IN  
THE INTERNAL MARKET (OHIM)**  
(56) Related Art Documents: **Not Applicable**  
(57) Statement of Newness and Distinctiveness: **Newness and distinctiveness is claimed in the visual features shown in solid lines in the representations.**

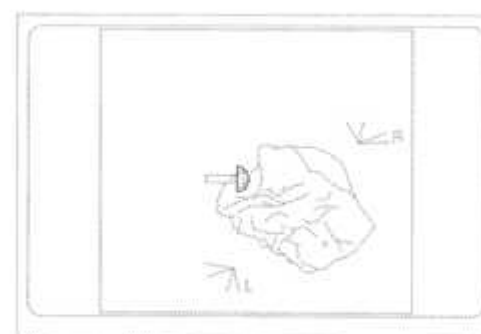




- (21) Design Number: **10053/2015**  
(22) Date of Filing Application: **07 January 2015**  
(24) Date from which industrial property rights may have effect: **07 January 2015**  
(54) Product in respect of which the design is registered: **135 degree channel for slat screens**  
(51) International Design Classification: **25-02H**  
(74) Name(s) of Attorney(s):  
(71) Name(s) and Address(s) of Applicant(s):  
**SUCCESS ALUMINIUM PTY LTD**  
**U1/48 Canvale Rd Canningvale WA 6155 Australia**  
(72) Name(s) of Designer(s): **Michael Johnstone**  
(45) Registration Date: **23 January 2015**  
(56) Related Art Documents: **Not Applicable**  
(57) Statement of Newness and Distinctiveness: **This design offers the ability to mount slat screens at an angle between posts etc while offering a concealed fix cover to hide screws, rivets etc.**



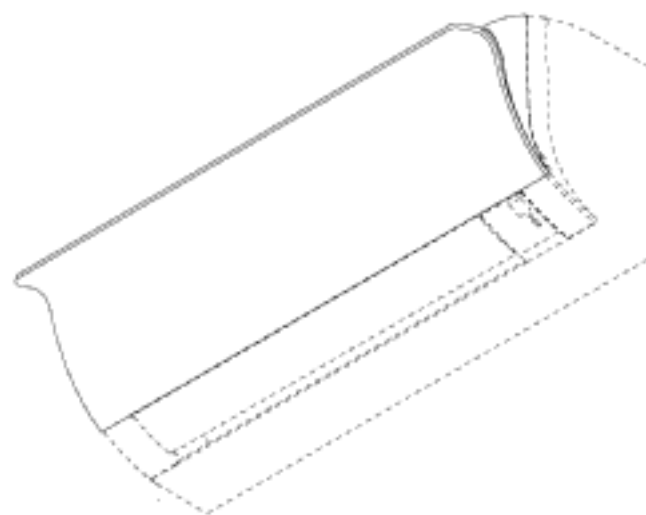
- (21) Design Number: **10060/2015**  
(22) Date of Filing Application: **08 January 2015**  
(24) Date from which industrial property rights may have effect: **29 October 2014**  
(54) Product in respect of which the design is registered: **Display screen with icon**  
(51) International Design Classification: **14-04, 14-02**  
(74) Name(s) of Attorney(s): **Callinans**  
(71) Name(s) and Address(s) of Applicant(s):  
**Biosense Webster (Israel) Ltd**  
**4 Hatnufa Street Yokneam, Israel, 20692 Israel**  
(72) Name(s) of Designer(s): **Yoram Chmiel and Noam Seker Gafni and Itamar Bustan**  
(45) Registration Date: **23 January 2015**  
(62) Divisional of: **359915**  
(56) Related Art Documents: **Not Applicable**  
(57) Statement of Newness and Distinctiveness: **Newness and distinctiveness reside in the features of pattern and/or ornamentation of a display screen with icon as illustrated by solid lines in the accompanying representation. The features shown in broken outline are for contextual purposes only and do not form part of the design.**



- (21) Design Number: **10087/2015**  
(22) Date of Filing Application: **08 January 2015**  
(24) Date from which industrial property rights may have effect: **08 January 2015**  
(54) Product in respect of which the design is registered: **A serving dish**  
(51) International Design Classification: **07-01B**  
(74) Name(s) of Attorney(s):  
(71) Name(s) and Address(s) of Applicant(s):  
**Craig Mogmac**  
**5 Babb St Maidstone VIC 3012 Australia**  
(72) Name(s) of Designer(s): **Karl Baxter**  
(45) Registration Date: **23 January 2015**  
(56) Related Art Documents: **Not Applicable**  
(57) Statement of Newness and Distinctiveness: **Stylised guitar shape re-formed into a serving dish with centre receptacle and outer receptacle areas, handle reminiscent of guitar handle.**



- (21) Design Number: **10141/2015**  
(22) Date of Filing Application: **13 January 2015**  
(24) Date from which industrial property rights may have effect: **13 January 2015**  
(54) Product in respect of which the design is registered: **Air conditioner**  
(51) International Design Classification: **23-04**  
(74) Name(s) of Attorney(s): **Freehills Patent Attorneys**  
(71) Name(s) and Address(s) of Applicant(s):  
**Daikin Industries Ltd.**  
**Umeda Center Building 4-12 Nakazaki-Nishi 2-chome Kita-ku Osaka-shi**  
**Osaka-fu 530-8323 Japan**  
(72) Name(s) of Designer(s): **Yumi Saitou**  
(45) Registration Date: **23 January 2015**  
(30) Convention priority data:  
(31) Number      (32) Date      (33) Country  
**2014-019840      08 Jul 2014      JAPAN**  
(56) Related Art Documents: **Not Applicable**  
(57) Statement of Newness and Distinctiveness: **The newness and distinctiveness of the design resides in the shape and configuration of the front panel of the air conditioner as shown in solid outline in the accompanying representations.**



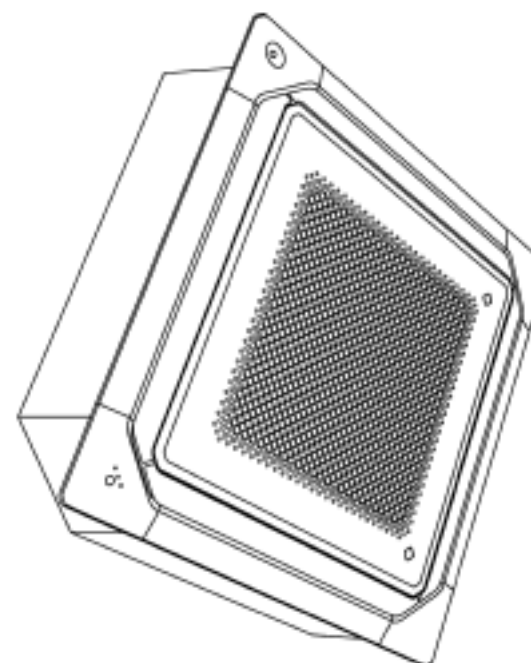
- (21) Design Number: **10146/2015**  
(22) Date of Filing Application: **13 January 2015**  
(24) Date from which industrial property rights may have effect: **13 January 2015**  
(54) Product in respect of which the design is registered: **Adjustable label tie**  
(51) International Design Classification: **13-03B**  
(74) Name(s) of Attorney(s): **Chrysiliou IP**  
(71) Name(s) and Address(s) of Applicant(s):  
**Harcor Security Seals Pty Limited**  
**U3/1 Skyline PI Frenchs Forest NSW 2086 Australia**  
(72) Name(s) of Designer(s): **Gary Bortz and Kevin Partridge**  
(45) Registration Date: **23 January 2015**  
(56) Related Art Documents: **Not Applicable**  
(57) Statement of Newness and Distinctiveness: **The length of the tie may vary.**



- (21) Design Number: **10149/2015**  
(22) Date of Filing Application: **14 January 2015**  
(24) Date from which industrial property rights may have effect: **14 January 2015**  
(54) Product in respect of which the design is registered: **Air conditioner**  
(51) International Design Classification: **23-04**  
(74) Name(s) of Attorney(s): **SPRUSON & FERGUSON**  
(71) Name(s) and Address(s) of Applicant(s):  
**Fujitsu General Limited**  
**3-3-17, Suenaga, Takatsu-ku, Kawasaki-shi Kanagawa, 213-8502 Japan**  
(72) Name(s) of Designer(s): **Shintaro Ueno**  
(45) Registration Date: **23 January 2015**  
(30) Convention priority data:  

(31) Number	(32) Date	(33) Country
<b>2014-015279</b>	<b>14 Jul 2014</b>	<b>JAPAN</b>

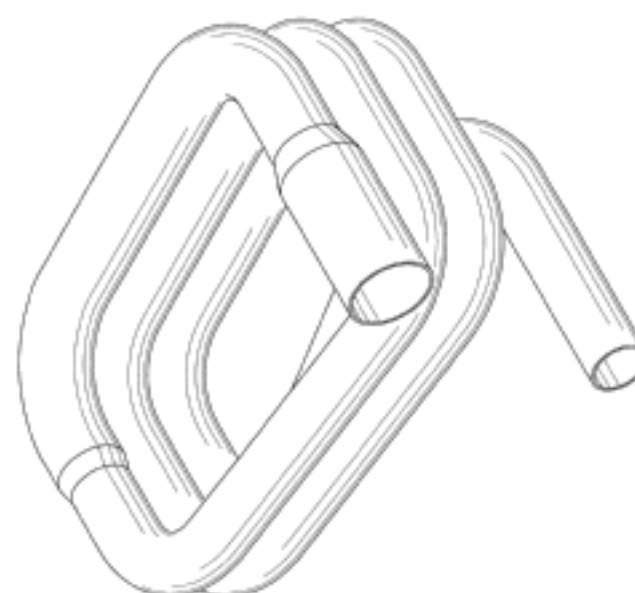
  
(56) Related Art Documents: **Not Applicable**  
(57) Statement of Newness and Distinctiveness: **Newness and distinctiveness is claimed in the features of shape and/or configuration of an air conditioner as illustrated in the accompanying representations.**



(21) Design Number: **10161/2015**  
(22) Date of Filing Application: **14 January 2015**  
(24) Date from which industrial property rights may have effect: **14 January 2015**  
(54) Product in respect of which the design is registered: **Ambidextrous glove with a flared cuff**  
(51) International Design Classification: **02-06**  
(74) Name(s) of Attorney(s): **Lesicar Maynard Andrews Pty Ltd**  
(71) Name(s) and Address(s) of Applicant(s):  
**Summit Glove Inc.**  
**310 South Grant Street Minerva Ohio, 44657 United States of America**  
(72) Name(s) of Designer(s): **James L Hull**  
(45) Registration Date: **23 January 2015**  
(30) Convention priority data:  
(31) Number (32) Date (33) Country  
**29/502,779 19 Sep 2014 UNITED STATES OF AMERICA**  
(56) Related Art Documents: **Not Applicable**  
(57) Statement of Newness and Distinctiveness: **Newness and distinctiveness reside in the shape and or configuration of the ambidextrous glove with a flared cuff.**



(21) Design Number: **10169/2015**  
(22) Date of Filing Application: **14 January 2015**  
(24) Date from which industrial property rights may have effect: **14 January 2015**  
(54) Product in respect of which the design is registered: **Heat exchanger**  
(51) International Design Classification: **23-03NES**  
(74) Name(s) of Attorney(s): **SPRUSON & FERGUSON**  
(71) Name(s) and Address(s) of Applicant(s):  
**Atwood Mobile Products LLC**  
**1120 North Main Street, Elkhart Indiana, 46514 United States of America**  
**Beckett Gas, Inc.**  
**38000 Beckett Parkway, North Ridgeville Ohio, 44039 United States of America**  
(72) Name(s) of Designer(s): **Gale Andrew Schmidt and Steve Ralph Matson and Christopher Charles Schmidt and Richard Maricic**  
(45) Registration Date: **23 January 2015**  
(30) Convention priority data:  
(31) Number (32) Date (33) Country  
**29/496587 15 Jul 2014 UNITED STATES OF AMERICA**  
(56) Related Art Documents: **Not Applicable**  
(57) Statement of Newness and Distinctiveness: **Newness and distinctiveness is claimed in the features of shape and/or configuration of a heat exchanger as illustrated in the accompanying representations.**



- (21) Design Number: **10174/2015**  
(22) Date of Filing Application: **14 January 2015**  
(24) Date from which industrial property rights may have effect: **14 January 2015**  
(54) Product in respect of which the design is registered: **Heat exchanger**  
(51) International Design Classification: **23-03NES**  
(74) Name(s) of Attorney(s): **SPRUSON & FERGUSON**  
(71) Name(s) and Address(s) of Applicant(s):  
**Atwood Mobile Products LLC**  
**1120 North Main Street, Elkhart Indiana, 46514 United States of America**  
**Beckett Gas, Inc.**  
**38000 Beckett Parkway, North Ridgeville Ohio, 44039 United States of America**  
(72) Name(s) of Designer(s): **Gale Andrew Schmidt and Steve Ralph Matson and Christopher Charles Schmidt and Richard Maricic**  
(45) Registration Date: **23 January 2015**  
(30) Convention priority data:  
(31) Number      (32) Date      (33) Country  
**29/496587      15 Jul 2014      UNITED STATES OF AMERICA**  
(56) Related Art Documents: **Not Applicable**  
(57) Statement of Newness and Distinctiveness: **Newness and distinctiveness is claimed in the features of shape and/or configuration of a heat exchanger as illustrated in the accompanying representations.**



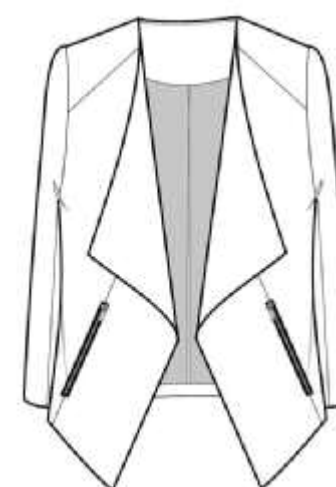
- (21) Design Number: **10256/2015**  
(22) Date of Filing Application: **16 January 2015**  
(24) Date from which industrial property rights may have effect: **15 May 2014**  
(54) Product in respect of which the design is registered: **Article of clothing**  
(51) International Design Classification: **02-02NES**  
(74) Name(s) of Attorney(s): **Allens Patent & Trade Mark Attorneys**  
(71) Name(s) and Address(s) of Applicant(s):  
**Forever New Clothing Pty Ltd**  
**714-716 High St Kew East VIC 3102 Australia**  
(72) Name(s) of Designer(s): **Alice Burrow**  
(45) Registration Date: **23 January 2015**  
(62) Divisional of: **360141**  
(56) Related Art Documents: **Not Applicable**  
(57) Statement of Newness and Distinctiveness: **Newness and distinctiveness resides in the visual features of shape, configuration, pattern and/or ornamentation of an article of clothing as shown in the accompanying representations.**



- (21) Design Number: **10257/2015**  
(22) Date of Filing Application: **16 January 2015**  
(24) Date from which industrial property rights may have effect: **15 May 2014**  
(54) Product in respect of which the design is registered: **Article of clothing**  
(51) International Design Classification: **02-02NES**  
(74) Name(s) of Attorney(s): **Allens Patent & Trade Mark Attorneys**  
(71) Name(s) and Address(s) of Applicant(s):  
**Forever New Clothing Pty Ltd**  
**714-716 High St Kew East VIC 3102 Australia**  
(72) Name(s) of Designer(s): **Alice Burrow**  
(45) Registration Date: **23 January 2015**  
(62) Divisional of: **360141**  
(56) Related Art Documents: **Not Applicable**  
(57) Statement of Newness and Distinctiveness: **Newness and distinctiveness resides in the visual features of shape, configuration, pattern and/or ornamentation of an article of clothing as shown in the accompanying representations.**



- (21) Design Number: **10258/2015**  
(22) Date of Filing Application: **16 January 2015**  
(24) Date from which industrial property rights may have effect: **15 May 2014**  
(54) Product in respect of which the design is registered: **Article of clothing**  
(51) International Design Classification: **02-02NES**  
(74) Name(s) of Attorney(s): **Allens Patent & Trade Mark Attorneys**  
(71) Name(s) and Address(s) of Applicant(s):  
**Forever New Clothing Pty Ltd**  
**714-716 High St Kew East VIC 3102 Australia**  
(72) Name(s) of Designer(s): **Alice Burrow**  
(45) Registration Date: **23 January 2015**  
(62) Divisional of: **360141**  
(56) Related Art Documents: **Not Applicable**  
(57) Statement of Newness and Distinctiveness: **Newness and distinctiveness resides in the visual features of shape, configuration, pattern and/or ornamentation of an article of clothing as shown in the accompanying representations.**



- (21) Design Number: **10259/2015**  
(22) Date of Filing Application: **16 January 2015**  
(24) Date from which industrial property rights may have effect: **15 May 2014**  
(54) Product in respect of which the design is registered: **Article of clothing**  
(51) International Design Classification: **02-02NES**  
(74) Name(s) of Attorney(s): **Allens Patent & Trade Mark Attorneys**  
(71) Name(s) and Address(s) of Applicant(s):  
**Forever New Clothing Pty Ltd**  
**714-716 High St Kew East Victoria 3102 Australia**  
(72) Name(s) of Designer(s): **Alice Burrow**  
(45) Registration Date: **23 January 2015**  
(62) Divisional of: **360141**  
(56) Related Art Documents: **Not Applicable**  
(57) Statement of Newness and Distinctiveness: **Newness and distinctiveness resides in the visual features of shape, configuration, pattern and/or ornamentation of an article of clothing as shown in the accompanying representations.**



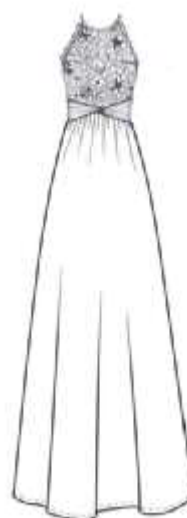
- (21) Design Number: **10260/2015**  
(22) Date of Filing Application: **16 January 2015**  
(24) Date from which industrial property rights may have effect: **15 May 2014**  
(54) Product in respect of which the design is registered: **Article of clothing**  
(51) International Design Classification: **02-02C**  
(74) Name(s) of Attorney(s): **Allens Patent & Trade Mark Attorneys**  
(71) Name(s) and Address(s) of Applicant(s):  
**Forever New Clothing Pty Ltd**  
**714-716 High St Kew East Victoria 3102 Australia**  
(72) Name(s) of Designer(s): **Odran Rohan**  
(45) Registration Date: **23 January 2015**  
(62) Divisional of: **360141**  
(56) Related Art Documents: **Not Applicable**  
(57) Statement of Newness and Distinctiveness: **Newness and distinctiveness resides in the visual features of shape, configuration, pattern and/or ornamentation of an article of clothing as shown in the accompanying representations.**



- (21) Design Number: **10261/2015**  
(22) Date of Filing Application: **16 January 2015**  
(24) Date from which industrial property rights may have effect: **15 May 2014**  
(54) Product in respect of which the design is registered: **Article of clothing**  
(51) International Design Classification: **02-02C**  
(74) Name(s) of Attorney(s): **Allens Patent & Trade Mark Attorneys**  
(71) Name(s) and Address(s) of Applicant(s):  
**Forever New Clothing Pty Ltd**  
**714-716 High St Kew East VIC 3102 Australia**  
(72) Name(s) of Designer(s): **Odran Rohan**  
(45) Registration Date: **23 January 2015**  
(62) Divisional of: **360141**  
(56) Related Art Documents: **Not Applicable**  
(57) Statement of Newness and Distinctiveness: **Newness and distinctiveness resides in the visual features of shape, configuration, pattern and/or ornamentation of an article of clothing as shown in the accompanying representations.**



- (21) Design Number: **10262/2015**  
(22) Date of Filing Application: **16 January 2015**  
(24) Date from which industrial property rights may have effect: **15 May 2014**  
(54) Product in respect of which the design is registered: **Article of clothing**  
(51) International Design Classification: **02-02C**  
(74) Name(s) of Attorney(s): **Allens Patent & Trade Mark Attorneys**  
(71) Name(s) and Address(s) of Applicant(s):  
**Forever New Clothing Pty Ltd**  
**714-716 High St Kew East Victoria 3102 Australia**  
(72) Name(s) of Designer(s): **Karen Thai**  
(45) Registration Date: **23 January 2015**  
(62) Divisional of: **360141**  
(56) Related Art Documents: **Not Applicable**  
(57) Statement of Newness and Distinctiveness: **Newness and distinctiveness resides in the visual features of shape, configuration, pattern and/or ornamentation of an article of clothing as shown in the accompanying representations.**





- (21) Design Number: **10263/2015**  
(22) Date of Filing Application: **16 January 2015**  
(24) Date from which industrial property rights may have effect: **15 May 2014**  
(54) Product in respect of which the design is registered: **Article of clothing**  
(51) International Design Classification: **02-02C**  
(74) Name(s) of Attorney(s): **Allens Patent & Trade Mark Attorneys**  
(71) Name(s) and Address(s) of Applicant(s):  
**Forever New Clothing Pty Ltd**  
**714-716 High St Kew East Victoria 3102 Australia**  
(72) Name(s) of Designer(s): **Odran Rohan**  
(45) Registration Date: **23 January 2015**  
(62) Divisional of: **360141**  
(56) Related Art Documents: **Not Applicable**  
(57) Statement of Newness and Distinctiveness: **Newness and distinctiveness resides in the visual features of shape, configuration, pattern and/or ornamentation of an article of clothing as shown in the accompanying representations.**



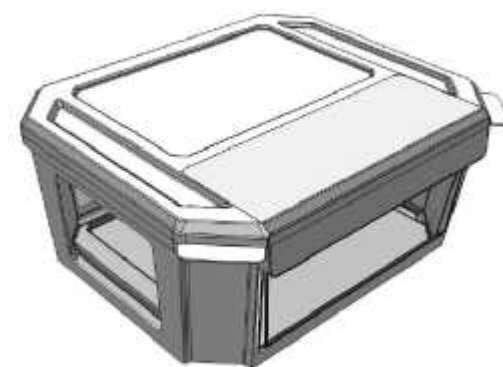
- (21) Design Number: **12342/2014**  
(22) Date of Filing Application: **15 May 2014**  
(24) Date from which industrial property rights may have effect: **15 May 2014**  
(54) Product in respect of which the design is registered: **Article of clothing**  
(51) International Design Classification: **02-02C**  
(74) Name(s) of Attorney(s): **Allens Patent & Trade Mark Attorneys**  
(71) Name(s) and Address(s) of Applicant(s):  
**Forever New Clothing Pty Ltd**  
**714-716 High St Kew East VIC 3102 Australia**  
(72) Name(s) of Designer(s): **Chloe Atkinson**  
(45) Registration Date: **23 January 2015**  
(56) Related Art Documents: **Not Applicable**  
(57) Statement of Newness and Distinctiveness: **Newness and distinctiveness resides in the visual features of shape, configuration, pattern and/or ornamentation of an article of clothing as shown in the accompanying representations.**



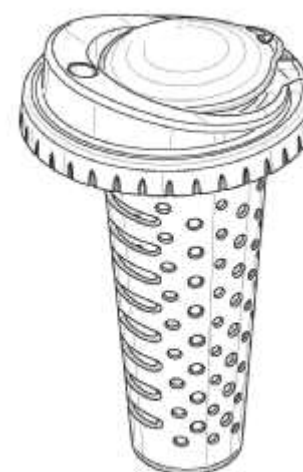
- (21) Design Number: **16025/2014**  
(22) Date of Filing Application: **24 November 2014**  
(24) Date from which industrial property rights may have effect: **12 September 2014**  
(54) Product in respect of which the design is registered: **Merchandising container**  
(51) International Design Classification: **09-03K**  
(74) Name(s) of Attorney(s): **Davies Collison Cave**  
(71) Name(s) and Address(s) of Applicant(s):  
**Illinois Tool Works Inc.**  
**155 Harlem Ave Glenview IL 60025-4075 United States of America**  
(72) Name(s) of Designer(s): **Des Ebejer and David J. Granger and Brad Stebbing and Greg Wala**  
(45) Registration Date: **23 January 2015**  
(62) Divisional of: **359016**  
(56) Related Art Documents: **Not Applicable**  
(57) Statement of Newness and Distinctiveness: **Newness and distinctiveness is claimed in the visual features of shape and configuration of a merchandising container formed with an outer frame and an inner transparent container as shown in the drawing, but not in the colour or shading of the merchandising container.**



- (21) Design Number: **16027/2014**  
(22) Date of Filing Application: **24 November 2014**  
(24) Date from which industrial property rights may have effect: **12 September 2014**  
(54) Product in respect of which the design is registered: **Merchandising container**  
(51) International Design Classification: **09-03K**  
(74) Name(s) of Attorney(s): **Davies Collison Cave**  
(71) Name(s) and Address(s) of Applicant(s):  
**Illinois Tool Works Inc.**  
**155 Harlem Ave Glenview IL 60025-4075 United States of America**  
(72) Name(s) of Designer(s): **Des Ebejer and David J. Granger and Brad Stebbing and Greg Wala**  
(45) Registration Date: **23 January 2015**  
(62) Divisional of: **359015**  
(56) Related Art Documents: **Not Applicable**  
(57) Statement of Newness and Distinctiveness: **Newness and distinctiveness is claimed in the visual features of shape and configuration of a merchandising container formed with an outer frame and an inner transparent container as shown in the drawing, but not in the colour or shading of the merchandising container.**



(21) Design Number: **15685/2014**  
(22) Date of Filing Application: **06 November 2014**  
(24) Date from which industrial property rights may have effect: **06 November 2014**  
(54) Product in respect of which the design is registered: **Fruit infuser**  
(51) International Design Classification: **07-02NES**  
(74) Name(s) of Attorney(s): **Pizzeys**  
(71) Name(s) and Address(s) of Applicant(s):  
**Cool Gear International, LLC**  
**10 Cordage Park Circle, Suite 212 Plymouth MA 02360 United States of America**  
(72) Name(s) of Designer(s): **Donna Roth and John D Mason**  
(45) Registration Date: **23 January 2015**  
(30) Convention priority data:  
(31) Number (32) Date (33) Country  
**29/490,793 13 May 2014 UNITED STATES OF AMERICA**  
(56) Related Art Documents: **Not Applicable**  
(57) Statement of Newness and Distinctiveness: **Nil**



(21) Design Number: **16576/2014**  
(22) Date of Filing Application: **17 December 2014**  
(24) Date from which industrial property rights may have effect: **17 December 2014**  
(54) Product in respect of which the design is registered: **Visual display unit**  
(51) International Design Classification: **14-02**  
(74) Name(s) of Attorney(s): **Griffith Hack**  
(71) Name(s) and Address(s) of Applicant(s):  
**Sandvik Intellectual Property AB**  
**SE-811 81 SANDVIKEN Sweden**  
(72) Name(s) of Designer(s): **Olli Snellman and Eemeli Haverinen**  
(45) Registration Date: **23 January 2015**  
(30) Convention priority data:  
(31) Number (32) Date (33) Country  
**002494302-0001 01 Jul 2014 OFFICE FOR HARMONISATION IN THE INTERNAL MARKET (OHIM)**  
(56) Related Art Documents: **Not Applicable**  
(57) Statement of Newness and Distinctiveness: **Newness and distinctiveness resides in the visual features, including shape, configuration, pattern and ornamentation, of a Visual Display Unit having a Graphical Interface with Icons as shown in the accompanying drawings. When determining whether the design is substantially similar in overall impression to another design, no regard is to be had to the perimeter shape and configuration of the Visual Display Unit as shown in dotted outline in the accompanying drawings, which perimeter shape and configuration is provided for illustrative purposes only.**

