



**Australian Government**

---

**IP Australia**

**AUSTRALIAN OFFICIAL JOURNAL**

**OF**

**DESIGNS**

Did you know a searchable version of this journal is now available online?

It's FREE and EASY to SEARCH.

Find it on our website ([www.ipaustralia.gov.au](http://www.ipaustralia.gov.au))

by using the "Journals" link on the home page.

This Page Left Intentionally Blank

**Contents**

**General Information & Notices**

**Proceedings Under the Designs Act 1906 preserved as a result of the provisions of Chapter 12  
Part 2 of the Designs Act 2003**

Extension of Period of Registration of Designs .....	484
Names Registered - Alterations and Amendments .....	484
Registrations Ceased .....	484

**Proceedings Under the Designs Act 2003**

Applications for Extension of Time Under Section 137 .....	497
Applications Lapsed .....	495
Applications Lodged .....	488
Applications Withdrawn .....	495
Certificate of Examination .....	498
Extension of Period of Registration of Design .....	496
Extension of Time Granted Under Section 137 .....	497
Names Registered - Alterations and Amendments .....	497
Publication and Registration Proceedings	
Designs Registered 360146 to 360263.....	499
Registrations Ceased .....	496
Subsequent Owners Registered .....	497

This Page Left Intentionally Blank

For information on the following please see our website [www.ipaustralia.gov.au](http://www.ipaustralia.gov.au) or contact our Customer Service Network on 1300651010

[Editorial enquiries](#)

[Contact information](#)

[Freedom of Information ACT](#)

[Professional Standards Board](#)

[Sales](#)

[Requests for Information under Section 194 \(c\)](#)

[Country Codes](#)

[Trade Mark and Designs Hearing Sessions](#)

[INID \(Internationally agreed Numbers for the Identification of Data\)](#)

## “INID” NUMBERS in use on Australian Design Documents

“INID” is an acronym for “Internationally agreed Numbers for the Identification of Data”.

### (10) Data concerning the registration/renewal

- (11) Serial number of the registration and/or number of the design document
- (12) Plain language designation of the kind of published document
- (19) Identification, using the two-letter code according to WIPO Standard ST.3, of the authority publishing or registering the industrial design

### (20) Data concerning the application

- (21) Serial number of the application
- (22) Date of filing of the application
- (24) Date from which the industrial design right has effect

### (30) Data relating to priority under the Paris Convention

- (31) Serial number assigned to the priority application
- (32) Date of filing of the priority application
- (33) Two-letter code, according to WIPO Standard ST.3, identifying the authority with which the priority application was made

### (40) Date(s) of making information available to the public

- (45) Date of publication of the registered industrial design by printing or similar process, or making it available to the public by any other means

### (50) Miscellaneous Information

- (51) International Classification for Industrial Designs (class and subclass of the Locarno Classification)
- (54) Designation of article(s) or product(s) covered by the industrial design or title of the industrial design
- (55) Reproduction of the industrial design (e.g., drawing, photograph) and explanations relating to the reproduction
- (56) List of prior art documents, if separate from descriptive text
- (57) Description of characteristic features of the industrial design including indication of colours

### (60) References to other legally related application(s) and registration(s)

- (62) Serial number(s) and, if available, filing date(s) of application(s), registration(s) or document(s) related by division
- (66) Serial number(s) of the application, or the registration, of the design(s) which is (are) a variant(s) of the present one

### (70) Identification of parties concerned with the application or registration

- (71) Name(s) and address(es) of the applicant(s)
- (72) Name(s) of the creator(s) if known to be such
- (74) Name(s) and address(es) of the representative(s)

This Page Left Intentionally Blank

**Nil notices for this journal issue.**

**Proceedings under the Designs Act 1906 preserved as a result of the provisions of Chapter 12 Part 2 of the Designs Act 2003.**



This Page Left Intentionally Blank

**Applications Lapsed**

There were no Applications Lapsed under this section

**Extension of Period of Registration of Designs**

**1st Period (Section 27A(8))**

**2nd Period (Section 27A(12))**

**3rd Period (Section 27A(13))**

153774	155205	155935
156156	156178	156179
156352	156359	156380
156537	156538	156590
156591	156676	156677
156678	156732	156749
156873	156959	156960
157254	157292	157350
157351	157352	157468
157623	157645	157646
157647	157648	157649
157650	157651	157975
158004	158082	158083
158084	158085	158086
158105	158239	158254
158255	158281	158282
158283	158284	158342
158359	158360	158362
158375	158457	158458
158486	158509	158522

153276	153278	153279
153280	153311	153337
153338	153410	153411
153450	153451	153487
153596	153836	153875
153876	153914	153955
153956	153981	154239
154240	154448	154549
154584	154732	154839
155041	156087	156105
156287	156288	156289
156484	157055	157619
157620		

**Names Registered - Alterations and Amendments**

(The name in parentheses is the new name of the proprietor)

152086	( Pipsan Holdings Victoria Pty Ltd )	Jackel Holdings Victoria Pty Ltd
147280	( Dorma Deutschland GmbH )	Dorma GmbH & Co. KG
148278	( Dorma Deutschland GmbH )	Dorma G.m.b.H. & Co. K.G.
148279	( Dorma Deutschland GmbH )	Dorma G.m.b.H. & Co. K.G.

**Registrations Ceased**

Note: Some of the following Registrations may have been previously advertised as ceased. In this instance, the previous advertisement still prevails.

136480	136945	137760
137761	137808	137809
137810	137859	137971
137972	137973	137974
137975	138000	138001
138002	138003	138014
138102	138191	138249
138293	138294	138295
138296	138297	138529
138606	138756	138758
138766	138888	139144
139271	139272	139897
140007	140037	140066
140719	141566	142096
144719	144720	152625
152705	152776	152777
153039	153084	153164
153211	153239	153255

This Page Left Intentionally Blank

**Proceedings under the Designs Act 2003.**

This Page Left Intentionally Blank

**Applications Lodged**

Lodgement information is in the following order: **Applicant's Name**; International Classification, Name of Product, Lodgement Date and **Design Number**. If the applicant claims an earlier priority date under an International Convention, the Convention Country and the associated filing date are shown in parentheses before the Lodgement Date. Divisional information will also appear in parentheses before the Lodgement Date.

<b>pH Farming Australia Pty Ltd;</b> 32-03, 19-08, Certificates, brochures, 02 Feb 2015	<b>10529/2015</b>	<b>Bolton, Glenn Gordon;</b> 16-99, Camera mounting garment, 05 Feb 2015	<b>10585/2015</b>
<b>A.M BRANDON &amp; W.D NIBBS &amp; C.F PURSS;</b> 20-03C, Sign, removable sign, street sign,, 04 Feb 2015	<b>10562/2015</b>	<b>Bose Corporation;</b> 14-01, Headset, (US, 16 Jul 2014) (Divisional of 10030/2015) 29 Jan 2015	<b>10441/2015</b>
<b>Alpha Primitus, Inc;</b> 16-06, Magnetically attachable shield system for smart glasses, (US, 16 Sep 2014) 02 Feb 2015	<b>10537/2015</b>	<b>Brady, Rex Robert;</b> 25-04, Surface mounted rotational platform, 27 Jan 2015	<b>10392/2015</b>
<b>Alpha Primitus, Inc;</b> 16-06, Magnetically attachable shield system for smart glasses, (US, 16 Sep 2014) 02 Feb 2015	<b>10538/2015</b>	<b>Brennan, Katherine Ann;</b> 05-06NES, Decorative screen, fabric, wallpaper, splashback, 19 Jan 2015	<b>10266/2015</b>
<b>Alpha Primitus, Inc;</b> 16-06, Clip on lens carrier for smart eyewear, (US, 13 Aug 2014) 02 Feb 2015	<b>10536/2015</b>	<b>Buitendag Holdings (Proprietary) Limited;</b> 06-01D, Child seat, (ZA, 17 Dec 2014) 30 Jan 2015	<b>10473/2015</b>
<b>Anderson, Steve;</b> 12-16K, Bracket for fixing to a vehicle roof rack, 30 Jan 2015	<b>10496/2015</b>	<b>BEMIS MANUFACTURING COMPANY;</b> 12-02, Cart for shopping, (Divisional of 15641/2014) 23 Jan 2015	<b>10357/2015</b>
<b>Antec Pty Ltd;</b> 25-01K, Extruded rail, 23 Jan 2015	<b>10372/2015</b>	<b>BK Wines Pty Ltd;</b> 32-03, Wine bottle logo, t shirt, screw cap, 26 Jan 2015	<b>10378/2015</b>
<b>Antec Pty Ltd;</b> 25-01K, Extruded rail, 23 Jan 2015	<b>10371/2015</b>	<b>BLUESCOPE STEEL LIMITED;</b> 08-08C, Roof clip, 27 Jan 2015	<b>10395/2015</b>
<b>ALSTOM Transport Technologies;</b> 12-03, Hand Rails for rail vehicle, (EM, 13 Mar 2014) 28 Nov 2014	<b>10428/2015</b>	<b>BLUESCOPE STEEL LIMITED;</b> 08-08C, Roof clip, 27 Jan 2015	<b>10394/2015</b>
<b>ALSTOM Transport Technologies;</b> 12-03, Hand rails for rail vehicle, (EM, 13 Mar 2014) 28 Nov 2014	<b>10429/2015</b>	<b>Colgate-Palmolive Company;</b> 04-02, Oral care implement and portion thereof, (US, 31 Jul 2014) 19 Jan 2015	<b>10270/2015</b>
<b>ALSTOM Transport Technologies;</b> 12-03, Hand rails for rail vehicle, (EM, 13 Mar 2014) 28 Nov 2014	<b>10430/2015</b>	<b>Colgate-Palmolive Company;</b> 28-99, Soap bar, (US, 03 Sep 2014) 05 Feb 2015	<b>10580/2015</b>
<b>ANIMATED CARTOON PRODUCTIONS PTY. LTD.;</b> 07-01C, Drinking glass, 24 Jan 2015	<b>10377/2015</b>	<b>Colgate-Palmolive Company;</b> 28-99, Soap bar, (US, 03 Sep 2014) 05 Feb 2015	<b>10581/2015</b>
<b>ASAP BreatheAssist Pty Ltd;</b> 24-02, Nasal dilator device, 30 Jan 2015	<b>10495/2015</b>	<b>Colgate-Palmolive Company;</b> 28-02, Soap bar, (US, 03 Sep 2014) 05 Feb 2015	<b>10583/2015</b>
<b>ASSA ABLOY Australia Pty Limited;</b> 08-07, A cover for a padlock, 30 Jan 2015	<b>10516/2015</b>	<b>Colgate-Palmolive Company;</b> 04-02, Oral care implement, (US, 31 Jul 2014) 19 Jan 2015	<b>10269/2015</b>
<b>Backhouse, Troy;Pigitsaki, Miltiadis;</b> 08-01, Shovel, 08 Feb 2015	<b>10602/2015</b>	<b>Colgate-Palmolive Company;</b> 09-01NES, Container, (US, 27 Aug 2014) 28 Jan 2015	<b>10413/2015</b>
<b>Barrett, Kelly;</b> 06-01E, 25-04, Stool, 03 Feb 2015	<b>10548/2015</b>	<b>Colgate-Palmolive Company;</b> 09-01NES, Container, (US, 27 Aug 2014) 28 Jan 2015	<b>10414/2015</b>
<b>Becton, Dickinson &amp; Company;</b> 09-03F, Sample tube holder, (US, 07 Aug 2014) 03 Feb 2015	<b>10547/2015</b>	<b>Colgate-Palmolive Company;</b> 09-01NES, Container, (US, 27 Aug 2014) 28 Jan 2015	<b>10415/2015</b>
<b>Bluescope Steel Limited;</b> 08-08C, Roof clip, 27 Jan 2015	<b>10393/2015</b>		

<b>Constantia Flexibles International GmbH;</b> 09-01NES, Pet food container, (US, 03 Sep 2014) 23 Jan 2015	<b>10361/2015</b>	<b>DAVID STUCKEY INVESTMENTS PTY LTD;</b> 08-07, Plane lock, 30 Jan 2015	<b>10503/2015</b>
<b>Constantia Flexibles International GmbH;</b> 09-01NES, Pet food container, (US, 25 Sep 2014) 23 Jan 2015	<b>10359/2015</b>	<b>Electrolux Home Products Pty Limited;</b> 07-06NES, Trivet, 06 Feb 2015	<b>10594/2015</b>
<b>Constantia Flexibles International GmbH;</b> 09-01NES, Pet food container, (US, 03 Sep 2014) 23 Jan 2015	<b>10358/2015</b>	<b>Electrolux Home Products Pty Limited;</b> 08-06, Knob, 06 Feb 2015	<b>10595/2015</b>
<b>Continental Reifen Deutschland GmbH;</b> 12-15B, Tyre, (WO, 16 Sep 2014) 28 Jan 2015	<b>10421/2015</b>	<b>Electrolux Home Products Pty Limited;</b> 08-06, Handle, 06 Feb 2015	<b>10592/2015</b>
<b>Cook, Jason Mathew;</b> 02-06, 02-03, Glove. beanie., 28 Jan 2015	<b>10435/2015</b>	<b>Electrolux Home Products Pty Limited;</b> 08-06, Knob, 06 Feb 2015	<b>10591/2015</b>
<b>COMPAGNIE GENERALE DES ETABLISSEMENTS MICHELIN; Michelin Recherche et Technique S.A.;</b> 12-15B, A tyre, (FR, 31 Jul 2014) 27 Jan 2015	<b>10397/2015</b>	<b>Elelctrolux Home Products Pty Limited;</b> 07-06NES, Trivet, 06 Feb 2015	<b>10593/2015</b>
<b>COMPAGNIE GENERALE DES ETABLISSEMENTS MICHELIN; Michelin Recherche et Technique S.A.;</b> 12-15B, A tyre, (FR, 31 Jul 2014) 27 Jan 2015	<b>10398/2015</b>	<b>F &amp; T Spagnolo Pty Ltd;</b> 08-03, Blade, 30 Jan 2015	<b>10520/2015</b>
<b>COMPAGNIE GENERALE DES ETABLISSEMENTS MICHELIN; Michelin Recherche Et Technique S.A.;</b> 12-15B, A tyre, (FR, 05 Aug 2014) 05 Feb 2015	<b>10584/2015</b>	<b>Ferrari S.p.A.;</b> 12-08, Car/toy-car, (EM, 31 Jul 2014) 30 Jan 2015	<b>10518/2015</b>
<b>COMPAGNIE GENERALE DES ETABLISSEMENTS MICHELIN; Michelin Recherche Et Technique S.A.;</b> 12-15B, A tyre, (FR, 05 Aug 2014) 05 Feb 2015	<b>10582/2015</b>	<b>Ferrari S.p.A.;</b> 12-08, 21-01C, Car / toy car, 29 Jan 2015	<b>10439/2015</b>
<b>De La Cruz, Nina Monica;</b> 08-05L, Spatula, (US, 28 Jul 2014) 28 Jan 2015	<b>10410/2015</b>	<b>Fifty-Fourth Rischell Pty Ltd;</b> 02-02C, 02-02NES, Men's clothing, 21 Jan 2015	<b>10406/2015</b>
<b>Delsaut, James;Leduc, Gilles;</b> 13-99, Solar panel, (Divisional of 16558/2014) 29 Jan 2015	<b>10445/2015</b>	<b>Flexicam Pty Limited;</b> 24-01, Medical Imaging Device, 02 Feb 2015	<b>10544/2015</b>
<b>Delsaut, James;Leduc, Gilles;</b> 13-99, Solar panel, (CA, 09 Jul 2014) (Divisional of 16558/2014) 29 Jan 2015	<b>10444/2015</b>	<b>Forever New Clothing Pty Ltd;</b> 02-02C, Article of Clothing, 30 Jan 2015	<b>10487/2015</b>
<b>Dias Aluminium Products Pty. Ltd.;</b> 08-09, Adaptor plate for soft close wardrobe sliding door, 21 Jan 2015	<b>10404/2015</b>	<b>Forever New Clothing Pty Ltd;</b> 11-01E, Accessory item, 30 Jan 2015	<b>10500/2015</b>
<b>Dias Aluminium Products Pty. Ltd.;</b> 08-09, Adaptor plate for soft close wardrobe sliding door, 21 Jan 2015	<b>10405/2015</b>	<b>FBA International Pty Ltd;</b> 09-03M, Storage container, 30 Jan 2015	<b>10507/2015</b>
<b>Draeger Safety AG &amp; Co. KGaA.;</b> 29-02, Communication device for breathing masks, (EP, 30 Jul 2014) 30 Jan 2015	<b>10485/2015</b>	<b>FBA International Pty Ltd;</b> 09-03M, Storage container, 30 Jan 2015	<b>10510/2015</b>
<b>Dyer, Gregory;Murphy, Leighton Philip;</b> 25-01C, Aluminium structural building frame, 03 Feb 2015	<b>10550/2015</b>	<b>FBA International Pty Ltd;</b> 09-03M, Storage container, 30 Jan 2015	<b>10511/2015</b>
		<b>FBA International Pty Ltd;</b> 09-03M, Storage container, 30 Jan 2015	<b>10508/2015</b>
		<b>FBA International Pty Ltd;</b> 09-03M, Storage container, 30 Jan 2015	<b>10509/2015</b>
		<b>FBA International Pty Ltd;</b> 09-03K, Storage container, 30 Jan 2015	<b>10501/2015</b>
		<b>FBA International Pty Ltd;</b> 09-03K, Storage container, 30 Jan 2015	<b>10499/2015</b>
		<b>GlaxoSmithKline Intellectual Property Management Limited;</b> 24-04, Housing, for instance for an autoinjector, (US, 08 May 2014) 07 Nov 2014	<b>10387/2015</b>
		<b>GlaxoSmithKline Intellectual Property Management Limited;</b> 24-04, Housing, for instance for an autoinjector, (US, 08 May 2014) 07 Nov 2014	<b>10389/2015</b>



<b>GlaxoSmithKline Intellectual Property Management Limited;</b> 24-04, Housing, for instance for an autoinjector, (US, 08 May 2014) 07 Nov 2014	<b>10388/2015</b>	<b>Intermed Asia Limited;</b> 13-02, Power bank, (HK, 21 Aug 2014) 30 Jan 2015	<b>10480/2015</b>
<b>GlaxoSmithKline Intellectual Property Management Limited;</b> 24-04, Housing, for instance for an autoinjector, (US, 08 May 2014) 07 Nov 2014	<b>10385/2015</b>	<b>Intermed Asia Limited;</b> 13-02, Power bank, (HK, 21 Aug 2014) 30 Jan 2015	<b>10476/2015</b>
<b>GlaxoSmithKline Intellectual Property Management Limited;</b> 24-04, Housing, for instance for an autoinjector, (US, 08 May 2014) 07 Nov 2014	<b>10386/2015</b>	<b>Intermed Asia Limited;</b> 14-01, Bluetooth speaker, (HK, 21 Aug 2014) 30 Jan 2015	<b>10474/2015</b>
<b>Great Wall Motor Company Limited;</b> 12-08, Vehicle, (CN, 31 Jul 2014) 28 Jan 2015	<b>10411/2015</b>	<b>Intermed Asia Limited;</b> 13-02, Car charger, (HK, 21 Aug 2014) 30 Jan 2015	<b>10475/2015</b>
<b>Great Wall Motor Company Limited;</b> 12-08, Vehicle, (CN, 31 Jul 2014) 28 Jan 2015	<b>10416/2015</b>	<b>IDEAL Industries, Inc.;</b> 08-05NES, Socket, (US, 13 Aug 2014) 02 Feb 2015	<b>10525/2015</b>
<b>Guttenbeil, Natasha;</b> 02-02B, Cape, (NZ, 29 Jan 2015) 29 Jan 2015	<b>10465/2015</b>	<b>IDEAL Industries, Inc.;</b> 08-05P, Wrench handle, (US, 13 Aug 2014) 02 Feb 2015	<b>10528/2015</b>
<b>Hansgrohe SE;</b> 23-02B, Shower head, (EM, 07 Aug 2014) 23 Jan 2015	<b>10360/2015</b>	<b>IDEAL Industries, Inc.;</b> 08-05P, Wrench handle, (US, 13 Aug 2014) 02 Feb 2015	<b>10527/2015</b>
<b>Hansgrohe SE;</b> 23-02B, Shower head, (EM, 07 Aug 2014) 23 Jan 2015	<b>10362/2015</b>	<b>IDEAL Industries, Inc.;</b> 08-05P, Open end of a wrench head, (US, 13 Aug 2014) 02 Feb 2015	<b>10526/2015</b>
<b>Hennings, Andrea;</b> 14-03NES, Multi-purpose enclosure for electronic equipment, 05 Feb 2015	<b>10572/2015</b>	<b>IPRINT TECHNOLOGIES;</b> 14-02, 3D printer machine, 23 Jan 2015	<b>10376/2015</b>
<b>Hermes Sellier (Societe Par Actions Simplifiee);</b> 03-01B, Bag, (EM, 06 Aug 2014) 28 Jan 2015	<b>10401/2015</b>	<b>Jinhua Wis Tools Co., Ltd;</b> 06-03C, Workbench, (CN, 08 Aug 2014) 28 Jan 2015	<b>10407/2015</b>
<b>Hermes Sellier (Societe Par Actions Simplifiee);</b> 03-01B, Bag, (EM, 06 Aug 2014) 28 Jan 2015	<b>10400/2015</b>	<b>Johnson &amp; Johnson GmbH;</b> 24-04, Catamenial tampon, (US, 25 Mar 2014) (Divisional of 15796/2014) 23 Jan 2015	<b>10373/2015</b>
<b>Holder, Carl;</b> 06-03B, 06-01NES, Table or seat, 02 Feb 2015	<b>10545/2015</b>	<b>Johnson &amp; Johnson GmbH;</b> 24-04, Catamenial tampon, (US, 25 Mar 2014) (Divisional of 15796/2014) 23 Jan 2015	<b>10374/2015</b>
<b>Humphrey, Tully Louise;</b> 02-02C, Womens activewear pants, 28 Jan 2015	<b>10412/2015</b>	<b>Johnson &amp; Johnson GmbH;</b> 24-04, Catamenial tampon, (US, 25 Mar 2014) (Divisional of 15796/2014) 23 Jan 2015	<b>10375/2015</b>
<b>Implus Footcare, LLC;</b> 28-03NES, Roller, (US, 02 Aug 2014) 02 Feb 2015	<b>10523/2015</b>	<b>JQ4 Pty Ltd;</b> 02-07B, Shoe accessory, 30 Jan 2015	<b>10506/2015</b>
<b>Implus Footcare, LLC;</b> 09-07C, Cap, (US, 05 Aug 2014) 04 Feb 2015	<b>10558/2015</b>	<b>JSP Limited;</b> 29-02, Respiratory filter housing, (EM, 03 Nov 2014) 30 Jan 2015	<b>10477/2015</b>
<b>Implus Footcare, LLC;</b> 28-03NES, Roller, (US, 02 Aug 2014) 02 Feb 2015	<b>10524/2015</b>	<b>JSP Limited;</b> 29-02, Respiratory filter housing section, (EM, 03 Nov 2014) 30 Jan 2015	<b>10478/2015</b>
<b>Implus Footcare, LLC;</b> 28-03NES, Roller, (US, 02 Aug 2014) 02 Feb 2015	<b>10522/2015</b>	<b>JSP Limited;</b> 29-02, Respiratory filter housing section, (EM, 03 Nov 2014) 30 Jan 2015	<b>10479/2015</b>
		<b>Kachami, John;</b> 26-05D, Lamp shades, 01 Feb 2015	<b>10513/2015</b>

<b>Karsten Manufacturing Corporation;</b> 21-02C, Golf club grip, (US, 01 Aug 2014) 30 Jan 2015	<b>10469/2015</b>	<b>Larsen, Michael Philippe Wulff;</b> 03-01D, Toolbox, 28 Jan 2015	<b>10426/2015</b>
<b>Karsten Manufacturing Corporation;</b> 21-02C, Golf club grip, (US, 28 Jul 2014) 28 Jan 2015	<b>10408/2015</b>	<b>Leduc, Gilles;Delsaut, James;</b> 13-99, Solar panel, (CA, 09 Jul 2014) (Divisional of 16558/2014) 29 Jan 2015	<b>10444/2015</b>
<b>Karsten Manufacturing Corporation;</b> 21-02C, Golf club head, (US, 30 Jul 2014) 28 Jan 2015	<b>10409/2015</b>	<b>Leduc, Gilles;Delsaut, James;</b> 13-99, Solar panel, (Divisional of 16558/2014) 29 Jan 2015	<b>10445/2015</b>
<b>Kenwood Limited;</b> 07-04, 31-00, Kitchen mixer with mixing element, (EM, 04 Aug 2014) 28 Jan 2015	<b>10431/2015</b>	<b>Lumenpulse Lighting Inc.;</b> 26-05A, Linear light fixture and block-out structure, (Divisional of 16162/2014) 05 Feb 2015	<b>10573/2015</b>
<b>Kenwood Limited;</b> 07-04, Mixing element for a kitchen mixer, (EM, 04 Aug 2014) 28 Jan 2015	<b>10425/2015</b>	<b>Lumenpulse Lighting Inc.;</b> 26-05A, Linear light fixture and block-out structure, (Divisional of 16162/2014) 05 Feb 2015	<b>10574/2015</b>
<b>Kenwood Limited;</b> 07-04, 31-00, Mixing element for a kitchen mixer, (EM, 04 Aug 2014) 28 Jan 2015	<b>10423/2015</b>	<b>Lyson Trading Pty Ltd;</b> 09-03F, 4 pole plastic tray/base for cake, 29 Jan 2015	<b>10437/2015</b>
<b>Khamitova, R;Pourasgheri, A;</b> 05-05C, Clothing, textiles, 09 Feb 2015	<b>10603/2015</b>	<b>Lyson Trading Pty Ltd;</b> 07-02P, Liner, 29 Jan 2015	<b>10438/2015</b>
<b>Kimberly-Clark Worldwide, Inc.;</b> 05-06NES, An embossed tissue paper, (US, 15 Aug 2014) 23 Jan 2015	<b>10365/2015</b>	<b>LG Electronics Inc.;</b> 15-05, Clothes dryer, (KR, 05 Aug 2014) 23 Jan 2015	<b>10363/2015</b>
<b>Kristalia S.r.l.;</b> 06-01E, Stool, (EM, 01 Oct 2014) 30 Jan 2015	<b>10472/2015</b>	<b>LIVING IKON PTY LTD;</b> 06-02, 06-03A, bed coffee table buffet, 30 Jan 2015	<b>10494/2015</b>
<b>Kristalia S.r.l.;</b> 06-01F, Chair, (EM, 01 Oct 2014) 30 Jan 2015	<b>10470/2015</b>	<b>Manns, Matthew John;</b> 07-06B, A placemat, 28 Jan 2015	<b>10417/2015</b>
<b>Krosaki Harima Corporation;</b> 23-01D, 23-01NES, Sliding nozzle plate, 28 Jan 2015	<b>10424/2015</b>	<b>Mechano Transformer Corporation;Satake Corporation;Kuroda Pneumatics Ltd.;</b> 23-01K, Ejector valve, (JP, 07 Aug 2014) 06 Feb 2015	<b>10590/2015</b>
<b>Kuroda Pneumatics Ltd.;Satake Corporation;Mechano Transformer Corporation;</b> 23-01K, Ejector valve, (JP, 07 Aug 2014) 06 Feb 2015	<b>10590/2015</b>	<b>Meyer Intellectual Properties Ltd;</b> 07-02R, Side handle for cookware, (US, 30 Jul 2014) 30 Jan 2015	<b>10484/2015</b>
<b>KENWOOD LIMITED;</b> 07-02K, Kettle, (EM, 07 Aug 2014) 05 Feb 2015	<b>10566/2015</b>	<b>Meyer Intellectual Properties Ltd;</b> 08-06, Cookware lid handle, (US, 30 Jul 2014) 30 Jan 2015	<b>10482/2015</b>
<b>KRAFT FOODS R&amp;D, INC.;</b> 01-01, Chocolate bar, (EM, 21 Nov 2014) 05 Feb 2015	<b>10578/2015</b>	<b>Meyer Intellectual Properties Ltd;</b> 08-06, Elongated side handle for cookware, (US, 30 Jul 2014) 30 Jan 2015	<b>10481/2015</b>
<b>KRAFT FOODS R&amp;D, INC.;</b> 01-01, Chocolate bar, (EM, 21 Nov 2014) 05 Feb 2015	<b>10579/2015</b>	<b>Meyer Intellectual Properties Ltd;</b> 07-02R, Cookware lid handle, (US, 30 Jul 2014) 30 Jan 2015	<b>10488/2015</b>
<b>KRAFT FOODS R&amp;D, INC.;</b> 01-01, Chocolate bar, (EM, 11 Sep 2014) 05 Feb 2015	<b>10576/2015</b>	<b>Meyer Intellectual Properties Ltd;</b> 07-02R, Side handle for cookware, (US, 30 Jul 2014) 30 Jan 2015	<b>10489/2015</b>
<b>KRAFT FOODS R&amp;D, INC.;</b> 01-01, Chocolate bar, (EM, 11 Sep 2014) 05 Feb 2015	<b>10577/2015</b>	<b>Meyer Intellectual Properties Ltd;</b> 07-02R, Elongated side handle for cookware, (US, 30 Jul 2014) 30 Jan 2015	<b>10486/2015</b>
<b>KRAFT FOODS R&amp;D, INC.;</b> 01-01, Chocolate bar, (EM, 11 Sep 2014) 05 Feb 2015	<b>10575/2015</b>	<b>Meyer Intellectual Properties Ltd;</b> 07-02R, Elongated side handle for cookware, (US, 30 Jul 2014) 30 Jan 2015	<b>10498/2015</b>

<b>Meyer Intellectual Properties Ltd;</b> 07-02R, Cookware lid handle, (US, 30 Jul 2014) 30 Jan 2015	<b>10502/2015</b>	<b>Nicholson, Shane;</b> 24-01, Incubator, 08 Feb 2015	<b>10601/2015</b>
<b>Meyer Intellectual Properties Ltd;</b> 07-02R, Side handle for cookware, (US, 30 Jul 2014) 30 Jan 2015	<b>10504/2015</b>	<b>Nien Made Enterprise Co., Ltd.;</b> 06-10, Cord of window covering, (CA, 22 May 2014) (Divisional of 15940/2014) 04 Feb 2015	<b>10557/2015</b>
<b>Michelin Recherche et Technique S.A.;COMPAGNIE GENERALE DES ETABLISSEMENTS MICHELIN;</b> 12-15B, A tyre, (FR, 31 Jul 2014) 27 Jan 2015	<b>10397/2015</b>	<b>Nien Made Enterprise Co., Ltd.;</b> 06-10, Cord of window covering, (CN, 22 May 2014) (Divisional of 15940/2014) 04 Feb 2015	<b>10554/2015</b>
<b>Michelin Recherche et Technique S.A.;COMPAGNIE GENERALE DES ETABLISSEMENTS MICHELIN;</b> 12-15C, A tyre, (FR, 05 Aug 2014) 05 Feb 2015	<b>10582/2015</b>	<b>Nien Made Enterprise Co., Ltd.;</b> 06-10, Cord of window covering, (CA, 22 May 2014) (Divisional of 15940/2014) 04 Feb 2015	<b>10556/2015</b>
<b>Michelin Recherche et Technique S.A.;COMPAGNIE GENERALE DES ETABLISSEMENTS MICHELIN;</b> 12-15B, A tyre, (FR, 31 Jul 2014) 27 Jan 2015	<b>10398/2015</b>	<b>Nien Made Enterprise Co., Ltd.;</b> 06-10, Cord of window covering, (CN, 22 May 2014) (Divisional of 15940/2014) 04 Feb 2015	<b>10553/2015</b>
<b>Michelin Recherche Et Technique S.A.;COMPAGNIE GENERALE DES ETABLISSEMENTS MICHELIN;</b> 12-15B, A tyre, (FR, 05 Aug 2014) 05 Feb 2015	<b>10584/2015</b>	<b>Nien Made Enterprise Co., Ltd.;</b> 06-10, Cord of window covering, (CA, 22 May 2014) (Divisional of 15940/2014) 04 Feb 2015	<b>10555/2015</b>
<b>Milicich, Wayne Charles;</b> 24-04, A flexible orthosis, (NZ, 15 Aug 2014) 30 Jan 2015	<b>10483/2015</b>	<b>NAUTILUS, INC.;</b> 21-02F, Dumbbell bridge, (US, 13 Jun 2014) 11 Dec 2014	<b>16425/2014</b>
<b>Miller, Bill;</b> 23-01E, Drain cleaning nozzle, 29 Jan 2015	<b>10466/2015</b>	<b>NINGBO MENTORIEND INTERNATIONAL TRADING CO., LTD.;</b> 06-01H, Double deck chair, 26 Jan 2015	<b>10384/2015</b>
<b>Miller, Bill;</b> 23-01E, Drain cleaning nozzle, 29 Jan 2015	<b>10467/2015</b>	<b>Okike, Chiemena;</b> 02-04C, Forefoot socks, 09 Feb 2015	<b>10604/2015</b>
<b>Modern Building Innovations Pty Ltd;</b> 25-01K, Extrusion, 01 Feb 2015	<b>10515/2015</b>	<b>Omega Products, Inc.;</b> 31-00, Juicer, (US, 31 Jul 2014) 28 Jan 2015	<b>10418/2015</b>
<b>Modern Building Innovations Pty Ltd;</b> 25-01K, Extrusion, 01 Feb 2015	<b>10514/2015</b>	<b>Outlook Australia Pty Ltd;</b> 06-13NES, Baby seat insert, 02 Feb 2015	<b>10521/2015</b>
<b>Moon Sport Limited;</b> 26-06, Bicycle light, 19 Jan 2015	<b>10267/2015</b>	<b>Panasonic Intellectual Property Management Co., Ltd.;</b> 07-02B, Microwave oven, 28 Jan 2015	<b>10402/2015</b>
<b>Morgan Solar Inc.;</b> 13-99, Solar panel optic, (US, 31 Jul 2014) 29 Jan 2015	<b>10451/2015</b>	<b>Panasonic Intellectual Property Management Co., Ltd.;</b> 07-02B, Microwave oven, 28 Jan 2015	<b>10403/2015</b>
<b>Murphy, Leighton Philip;Dyer, Gregory;</b> 25-01C, Aluminium structural building frame, 03 Feb 2015	<b>10550/2015</b>	<b>Pelikan Artline Pty Limited;</b> 19-02, Desk organiser, 23 Jan 2015	<b>10367/2015</b>
<b>MSD Consumer Care, Inc.;</b> 09-07A, Applicator for sunscreen container, (US, 05 Aug 2014) 04 Feb 2015	<b>10561/2015</b>	<b>Pelikan Artline Pty Limited;</b> 19-02, Desk organiser, 23 Jan 2015	<b>10369/2015</b>
<b>MSD Consumer Care, Inc.;</b> 09-03NES, Sunscreen container, (US, 05 Aug 2014) 04 Feb 2015	<b>10560/2015</b>	<b>Pelikan Artline Pty Limited;</b> 19-02, Desk organiser, 23 Jan 2015	<b>10368/2015</b>
<b>Nearhos, David Mark;</b> 06-06A, Stand, 18 Jan 2015	<b>10264/2015</b>	<b>PepsiCo, Inc.;</b> 15-07, Cooler, (US, 01 Aug 2014) 30 Jan 2015	<b>10492/2015</b>
<b>Nguyen, Phuong Thi Minh;</b> 06-13NES, Picnic blanket, 27 Jan 2015	<b>10399/2015</b>	<b>PepsiCo, Inc.;</b> 15-07, Cooler, (US, 01 Oct 2014) 30 Jan 2015	<b>10493/2015</b>
		<b>Pigitsaki, Miltiadis;Backhouse, Troy;</b> 08-01, Shovel, 08 Feb 2015	<b>10602/2015</b>

<b>Plasmaide Pty Ltd;</b> 09-01K, Bottle, 02 Feb 2015	<b>10541/2015</b>	<b>Rose, Alfred;Singer, Johanna;</b> 32-02, Original art works, 29 Jan 2015	<b>10443/2015</b>
<b>Plasmaide Pty Ltd;</b> 09-01NES, Bottle, 02 Feb 2015	<b>10540/2015</b>	<b>Safety Sail Pty Ltd;</b> 25-99, Security sail for trade events and expos, 04 Feb 2015	<b>10552/2015</b>
<b>Ploom, Inc.;</b> 24-04, Cartridge for electronic vaporisation device, (US, 11 Aug 2014) 05 Feb 2015	<b>10567/2015</b>	<b>Sansom, Cathy;</b> 06-13C, 02-02C, Towel; skirt; wrap, 04 Feb 2015	<b>10564/2015</b>
<b>Ploom, Inc.;</b> 24-04, Electronic vaporisation device with cartridge, (US, 11 Aug 2014) 05 Feb 2015	<b>10568/2015</b>	<b>Satake Corporation;Mechano Transformer Corporation;Kuroda Pneumatics Ltd.;</b> 23-01K, Ejector valve, (JP, 07 Aug 2014) 06 Feb 2015	<b>10590/2015</b>
<b>Pourasgheri, A;Khamitova, R;</b> 05-05C, Clothing, textiles, 09 Feb 2015	<b>10603/2015</b>	<b>Sharp Kabushiki Kaisha;</b> 15-07, Refrigerator, (JP, 08 Aug 2014) 27 Jan 2015	<b>10390/2015</b>
<b>Pushbah Pty Ltd;</b> 10-07, Retro-fit insert for railway signal lamp, 05 Feb 2015	<b>10586/2015</b>	<b>Sharp Kabushiki Kaisha;</b> 15-07, Refrigerator, (JP, 08 Aug 2014) 27 Jan 2015	<b>10391/2015</b>
<b>PROMOTIONS UNLIMITED PTY LTD;</b> 20-02NES, A handle for a collapsible banner, 06 Feb 2015	<b>10589/2015</b>	<b>Shenzhen Kinglumi (K&amp;L) Photoelectric Technology Co., Ltd.;</b> 26-05NES, Panel light, 06 Feb 2015	<b>10588/2015</b>
<b>Quatius Limited;</b> 14-03NES, Touch screen remote control, (CN, 24 Sep 2014) 30 Jan 2015	<b>10471/2015</b>	<b>Singer, Johanna;Rose, Alfred;</b> 32-02, Original art works, 29 Jan 2015	<b>10443/2015</b>
<b>QEE Technology (Shenzen) Co., Ltd;</b> 26-05A, A light, 30 Jan 2015	<b>10505/2015</b>	<b>Smash Asset Management Pty Ltd;</b> 07-01NES, 07-07A, Lunchbox, 05 Feb 2015	<b>10587/2015</b>
<b>R.J. Goldspink Pty Ltd;</b> 23-01G, Duckbill pod, 28 Jan 2015	<b>10419/2015</b>	<b>Strutt, Catherine;Strutt, Jennifer;</b> 25-01F, Tile, 02 Feb 2015	<b>10539/2015</b>
<b>Rainbird Corporation;</b> 14-03NES, Emitter, (US, 11 Aug 2014) 29 Jan 2015	<b>10447/2015</b>	<b>Strutt, Jennifer;Strutt, Catherine;</b> 25-01F, Tile, 02 Feb 2015	<b>10539/2015</b>
<b>Rainbird Corporation;</b> 14-03NES, Emitter, (US, 11 Aug 2014) 29 Jan 2015	<b>10446/2015</b>	<b>Sumitomo Rubber Industries, Ltd.;</b> 18-01, Tyre for automobile, 03 Feb 2015	<b>10549/2015</b>
<b>Rainbird Corporation;</b> 14-03NES, Emitter, (US, 11 Aug 2014) 29 Jan 2015	<b>10449/2015</b>	<b>Sumitomo Rubber Industries, Ltd.;</b> 12-15B, Tyre for automobile, 23 Jan 2015	<b>10370/2015</b>
<b>Rainbird Corporation;</b> 14-03NES, Emitter, (US, 11 Aug 2014) 29 Jan 2015	<b>10448/2015</b>	<b>SAMSUNG ELECTRONICS CO., LTD.;</b> 03-01NES, Cover for portable electronic device, (KR, 05 Sep 2014) 19 Jan 2015	<b>10271/2015</b>
<b>Reckitt Benckiser (Brands) Limited;</b> 09-01A, Aerosol dispenser, (EM, 30 Jul 2014) 28 Jan 2015	<b>10420/2015</b>	<b>Tai, Kasey;</b> 07-01F, Jug, 30 Jan 2015	<b>10468/2015</b>
<b>Reckitt Benckiser (Brands) Limited;</b> 09-07A, Spray cap, (EM, 30 Jul 2014) 28 Jan 2015	<b>10427/2015</b>	<b>Target Australia Pty Ltd;</b> 09-01C, 07-01NES, Jar, 28 Jan 2015	<b>10434/2015</b>
<b>Reckitt Benckiser (Brands) Limited;</b> 09-07A, Aerosol container, (EM, 30 Jul 2014) 28 Jan 2015	<b>10422/2015</b>	<b>Target Australia Pty Ltd;</b> 09-01B, Bottle, 28 Jan 2015	<b>10432/2015</b>
<b>ResMed Limited;</b> 24-01, Air delivery tube and/or components thereof, 30 Jan 2015	<b>10497/2015</b>	<b>Target Australia Pty Ltd;</b> 07-01B, Stackable bowl set, 28 Jan 2015	<b>10433/2015</b>
<b>Retro Entertainment LLC;</b> 21-01L, Game apparatus, 19 Jan 2015	<b>10268/2015</b>	<b>TeeCorrect, LLC;</b> 21-02C, Golf tee marking tool, (US, 05 Aug 2014) 30 Jan 2015	<b>10512/2015</b>
<b>Rose, Alfred;</b> 32-03, Fruit and nut of an orchard, 18 Jan 2015	<b>10265/2015</b>	<b>The trustee for ERIK TOBIO TRUST;</b> 08-05L, Paint brush wiper paint can, 27 Jan 2015	<b>10396/2015</b>
		<b>The Coca-Cola Company;</b> 09-01NES, Bottle, (US, 05 Jan 2015) 30 Jan 2015	<b>10517/2015</b>

<b>The Coca-Cola Company;</b> 09-01NES, Bottle, (US, 01 Aug 2014) 30 Jan 2015	<b>10519/2015</b>	<b>Whites Group Pty Ltd;</b> 25-01E, A post, 29 Jan 2015	<b>10457/2015</b>
<b>The Trustee for JANTHONY FAMILY TRUST;</b> 09-07C, Champagne stopper, 02 Feb 2015	<b>10546/2015</b>	<b>Whites Group Pty Ltd;</b> 25-01E, A post, 29 Jan 2015	<b>10455/2015</b>
<b>The Trustee for The Power Trust;Vicjan Pty Ltd;</b> 13-03D, Power board stand, 04 Feb 2015	<b>10563/2015</b>	<b>Whites Group Pty Ltd;</b> 25-01E, A post, 29 Jan 2015	<b>10456/2015</b>
<b>Torshare Ltd.;</b> 26-05E, LED flood light, 04 Feb 2015	<b>10559/2015</b>	<b>Whites Group Pty Ltd;</b> 25-01E, A post, 29 Jan 2015	<b>10454/2015</b>
<b>Trigger Point Performance, Inc.;</b> 28-03NES, Massage device, (US, 02 Aug 2014) 02 Feb 2015	<b>10532/2015</b>	<b>Whites Group Pty Ltd;</b> 25-01E, A post, 29 Jan 2015	<b>10464/2015</b>
<b>Trigger Point Performance, Inc.;</b> 28-03NES, Handle for massage device, (US, 12 Sep 2014) 02 Feb 2015	<b>10533/2015</b>	<b>Whites Group Pty Ltd;</b> 25-01E, A post, 29 Jan 2015	<b>10462/2015</b>
<b>Trigger Point Performance, Inc.;</b> 28-03NES, Massage device, (US, 02 Aug 2014) 02 Feb 2015	<b>10530/2015</b>	<b>Whites Group Pty Ltd;</b> 25-01E, A post, 29 Jan 2015	<b>10463/2015</b>
<b>Trigger Point Performance, Inc.;</b> 28-03NES, Massage device, (US, 02 Aug 2014) 02 Feb 2015	<b>10531/2015</b>	<b>Y Outdoor Pty Ltd;</b> 09-09, 20-03NES, Advertising; recycling, 28 Jan 2015	<b>10436/2015</b>
<b>U.S. Pacific Nonwovens Industry Limited;</b> 24-01, Hand-held lifting sling (regular), 02 Feb 2015	<b>10542/2015</b>	<b>Yakima Australia Pty Limited;</b> 12-16K, Roof tray rail extrusion, (NZ, 12 Aug 2014) 26 Jan 2015	<b>10381/2015</b>
<b>U.S. Pacific Nonwovens Industry Limited;</b> 24-01, Hand-held lifting sling (long), 02 Feb 2015	<b>10543/2015</b>	<b>Yakima Australia Pty Limited;</b> 12-16K, A roof tray, (NZ, 12 Aug 2014) 26 Jan 2015	<b>10379/2015</b>
<b>Uni-Charm Corporation;</b> 02-01B, Disposable diaper, (JP, 25 Jul 2014) 23 Jan 2015	<b>10364/2015</b>	<b>Yakima Australia Pty Limited;</b> 12-16K, Roof tray slat clamp, (NZ, 12 Aug 2014) 26 Jan 2015	<b>10382/2015</b>
<b>Vicjan Pty Ltd;The Trustee for The Power Trust;</b> 13-03D, Power board stand, 04 Feb 2015	<b>10563/2015</b>	<b>Yakima Australia Pty Limited;</b> 12-16K, Roof tray corner moulding, (NZ, 12 Aug 2014) 26 Jan 2015	<b>10383/2015</b>
<b>Wang, Wenyan;</b> 32-03, Battery charger;vehicle recorder, 08 Feb 2015	<b>10600/2015</b>	<b>Yakima Australia Pty Limited;</b> 12-16K, Roof tray rail extrusion, (NZ, 12 Aug 2014) 26 Jan 2015	<b>10380/2015</b>
<b>Whirlpool Corporation;</b> 10-04, Pusher/measuring cup, (US, 19 Dec 2014) 29 Jan 2015	<b>10442/2015</b>	<b>Zhejiang Wanma Hizhen Optoelectronics Technology CO., LTD.;</b> 26-03, Floodlight, (CN, 25 Jul 2014) 23 Jan 2015	<b>10366/2015</b>
<b>Whirlpool Corporation;</b> 07-02N, Cook processor lid, (US, 19 Dec 2014) 29 Jan 2015	<b>10440/2015</b>	<b>3M Innovative Properties Company;</b> 14-03NES, Push to talk handheld device, (US, 19 Aug 2014) 05 Feb 2015	<b>10571/2015</b>
<b>Whites Group Pty Ltd;</b> 25-01E, A post, 29 Jan 2015	<b>10461/2015</b>	<b>3M Innovative Properties Company;</b> 24-02, Push to talk handheld device, (US, 19 Aug 2014) 05 Feb 2015	<b>10569/2015</b>
<b>Whites Group Pty Ltd;</b> 25-01E, A post, 29 Jan 2015	<b>10452/2015</b>	<b>3M Innovative Properties Company;</b> 08-03, Utility knife, (US, 30 May 2014) 28 Nov 2014	<b>10565/2015</b>
<b>Whites Group Pty Ltd;</b> 25-01E, A post, 29 Jan 2015	<b>10459/2015</b>	<b>3M Innovative Properties Company;</b> 24-02, Push to talk handheld device, (US, 19 Aug 2014) 05 Feb 2015	<b>10570/2015</b>
<b>Whites Group Pty Ltd;</b> 25-01E, A post, 29 Jan 2015	<b>10460/2015</b>		
<b>Whites Group Pty Ltd;</b> 25-01E, A cap for a post, 29 Jan 2015	<b>10458/2015</b>		

**Applications Withdrawn**

16256 / 2014 (13-03D)

---

**Applications Lapsed**

15334 / 2014 (28-03NES)	15395 / 2014 (21-02NES)
15450 / 2014 (19-08)	15464 / 2014 (32-03)
15558 / 2014 (28-03NES)	15568 / 2014 (02-02NES)
15571 / 2014 (32-03)	15572 / 2014 (26-05E)
15573 / 2014 (26-05E)	15659 / 2014 (09-05)
15668 / 2014 (09-03F)	15670 / 2014 (14-02)
15684 / 2014 (07-02NES)	15716 / 2014 (31-00)
15717 / 2014 (31-00)	15718 / 2014 (12-16M)
15736 / 2014 (15-07)	15744 / 2014 (12-16K)
15782 / 2014 (32-03)	15786 / 2014 (15-03B)
15840 / 2014 (19-04)	15844 / 2014 (06-05)

**Extension of Period of Registration of Designs**

327287	329433	329434
329435	329436	329692
329711	329713	329745
329746	329747	329748
329749	329763	329767
329768	329769	329772
329773	329809	329811
329812	329829	329830
329832	329833	329834
329835	329845	329851
329855	329856	329857
329858	329859	329860
329861	329865	329882
329883	329966	329992
329996	329999	330000
330001	330002	330003
330004	330005	330006
330007	330021	330032
330035	330047	330048
330049	330050	330051
330090	330092	330093
330102	330103	330129
330130	330151	330152
330153	330154	330155
330156	330158	330159
330167	330177	330182
330183	330189	330195
330198	330206	330228
330229	330237	330256
330259	330264	330348
330359	330360	330380
330473	330474	330536
330543	330584	330585
330586	330631	330824
330825	330883	331003
331004	331104	331188
331189	331190	331191
331199	331233	331772

**Registrations Ceased**

302344	302345	302346
302347	302349	302350
302351	302352	302354
302356	302411	302412
302413	302414	302415
302416	302417	302418
302419	302420	302421
302423	302424	302427
302428	302431	302435

302438	302439	302440
302445	302446	302447
302448	302449	302450
302451	302453	302606
302607	302608	302609
302610	302611	302612
302613	302614	302615
302616	302617	302622
302623	302624	302625
302665	302666	302667
302670	302671	302672
302814	302815	302816
302817	302818	302870
302906	302907	302909
302910	303058	303059
303060	303105	303106
303107	303108	303109
303110	303111	303112
303113	303114	303115
303116	303117	303119
303120	303121	303125
303130	303137	303177
303178	303179	303308
303356	303357	303456
303457	303458	303459
303461	303462	303463
303464	303465	303466
303467	303468	303469
303470	303471	303472
303473	303474	303566
303567	303594	304033
304034	304263	304320
304382	305113	305595
306205	306695	312817
314013	314014	317229
327034	327058	327059
327067	327068	327069
327076	327077	327078
327079	327080	327082
327083	327084	327086
327087	327089	327090
327091	327092	327093
327094	327095	327096
327110	327111	327112
327113	327114	327115
327116	327117	327118
327119	327120	327122
327138	327139	327142
327143	327144	327149
327151	327152	327153
327154	327155	327157
327158	327176	327177
327193	327194	327196
327197	327198	327207

327208	327209	327215
327216	327217	327226
327227	327229	327263
327264	327265	327280
327342	327429	327502
327503	327581	327670
327719	327774	327775
327776	327793	327797
327798	327799	327800
327861	328240	328241
328399	329351	329589
330161	330162	330163
330213	330214	330215
330216	330217	330218
344651	345939	351596
351597	354340	354694
354877	354904	355028
355029	355034	355036
355152	355237	355284

**Applications for Extension of time under Section 137**

Applications under section 137 for extension of time have been lodged. Objections must be lodged within 1 month from the date of this journal.

12314/2014 **Robert Pellizzari** Address for Service: Robert Pellizzari PO Box 11 SILVERDALE NSW 2752

**Extensions of time granted under Section 137**

Applications lodged under section 137 for extension of time have been granted.

360146 **Lorraine June Sullivan**

360147 **Roxtec AB**

360193 **Johnson & Johnson GmbH**

360194 **Johnson & Johnson GmbH**

360195 **Johnson & Johnson GmbH**

**Subsequent Owners Registered**

(The name in parentheses is that of the subsequent owner)

326680	( <b>EZ Snap Innovations Inc.</b> ) EZ-Snap Products Inc.
327547	( <b>EZ Snap Innovations Inc.</b> ) EZ-Snap Products Inc.
327761	( <b>EZ Snap Innovations Inc.</b> ) EZ-Snap Products Inc.
329518	( <b>LPG SYSTEMS French Joint Stock Company</b> ) LPG Finance Industrie
329520	( <b>LPG SYSTEMS French Joint Stock Company</b> ) LPG Finance Industrie
359656	( <b>LOCKJAW IP LIMITED</b> ) Specialty Trading NZ Limited
359657	( <b>LOCKJAW IP LIMITED</b> ) Specialty Trading NZ Limited
359658	( <b>LOCKJAW IP LIMITED</b> ) Specialty Trading NZ Limited

359659	( <b>LOCKJAW IP LIMITED</b> ) Specialty Trading NZ Limited
310274	( <b>Newton Enterprises Ltd.</b> ) Funtastic Limited
341522	( <b>PRJK Pty Ltd as trustee for PRJK Trust</b> ) Paul Bailey
325306	( <b>PRJK Pty Ltd as trustee for PRJK Trust</b> ) Paul Bailey
324290	( <b>PRJK Pty Ltd as trustee for PRJK Trust</b> ) Paul Bailey
322316	( <b>PRJK Pty Ltd as trustee for PRJK Trust</b> ) Paul Bailey
345231	( <b>AGS, LLC.</b> ) Vegas Game Point, LLC

**Names Registered - Alterations and Amendments**

(The name in parentheses is that of the subsequent applicant)

333206	( <b>PAFtec Technologies Pty Ltd</b> ) PAFtec Holdings Pty Ltd
320015	( <b>Pipsan Holdings Victoria Pty Ltd</b> ) Jackel Holdings Victoria Pty Ltd
312994	( <b>Pipsan Holdings Victoria Pty Ltd</b> ) Jackel Holdings Victoria Pty Ltd
343593	( <b>Dorma Deutschland GmbH</b> ) DORMA GmbH + Co. KG
333789	( <b>Dorma Deutschland GmbH</b> ) DORMA GmbH + Co. KG
333790	( <b>Dorma Deutschland GmbH</b> ) DORMA GmbH + Co. KG
333791	( <b>Dorma Deutschland GmbH</b> ) DORMA GmbH + Co. KG
333747	( <b>Dorma Deutschland GmbH</b> ) DORMA GmbH + Co. KG
333748	( <b>Dorma Deutschland GmbH</b> ) DORMA GmbH + Co. KG
333749	( <b>Dorma Deutschland GmbH</b> ) DORMA GmbH + Co. KG
325141	( <b>DORMA GmbH + Co. KG; Dorma Deutschland GmbH</b> ) DORMA GmbH + Co. KG
312421	( <b>Dorma Deutschland GmbH</b> ) Dorma GmbH & Co. KG



**Certificate(s) of Examination**

Examination of the following Design Registration(s) has been completed. Infringement proceedings may now be commenced.

321456	07-02K	02/02/2015
346843	01-06	05/02/2015
351480	04-01	06/02/2015
351481	04-01	06/02/2015
353656	12-16NES	28/01/2015
354707	12-12	27/01/2015
355164	24-04	05/02/2015
355165	24-04	05/02/2015
355166	24-04	05/02/2015
355168	24-04	05/02/2015
355172	24-04	05/02/2015
355175	24-04	05/02/2015
355177	24-04	05/02/2015
355203	24-04	05/02/2015
355691	07-02E	29/01/2015
355692	07-02E	29/01/2015
355815	09-01G	02/02/2015
356158	09-03M	02/02/2015
356246	09-01G	02/02/2015
357154	23-02B	31/01/2015
357156	23-02B	02/02/2015
357175	24-01	02/02/2015
357481	12-16NES	05/02/2015
357545	12-05	02/02/2015
357571	26-05B	27/01/2015
357677	31-00	02/02/2015
358509	12-15A	02/02/2015
358582	12-05	03/02/2015
358599	31-00	08/01/2015
358764	13-02	02/02/2015
358873	07-04	09/01/2015
359112	09-07A	02/02/2015
359152	08-09	04/02/2015
359190	09-07A	02/02/2015
359205	14-03A	27/01/2015
359206	14-03A	27/01/2015
359614	08-03	03/02/2015
359615	08-03	03/02/2015
359616	08-03	03/02/2015
359617	08-03	03/02/2015
359618	08-03	03/02/2015
359619	08-03	03/02/2015
359620	08-03	03/02/2015
359637	13-02	28/01/2015
359639	13-02	28/01/2015
359705	10-05	04/02/2015
359706	10-05	04/02/2015
359707	10-05	04/02/2015
359708	10-05	04/02/2015
359971	02-04NES	28/01/2015

**Publication and Registration Proceedings**

**Designs Registered**

This section provides a concordance between design number and registration number of Designs covered in this journal. It also shows the main class and registration date.

This section covers Registration numbers 360146 to 360263 .

The registration number shown below should be used in all future correspondence.

<b>Design Number</b>	<b>Registration Number</b>	<b>International Classification Code (IDC)</b>	<b>Registration Date</b>	<b>Design Number</b>	<b>Registration Number</b>	<b>International Classification Code (IDC)</b>	<b>Registration Date</b>
12559/2014	360199	08-05A	04/02/2015	16253/2014	360189	11-02B	03/02/2015
14346/2014	360255	03-01B	09/02/2015	16358/2014	360210	02-02C	04/02/2015
14413/2014	360234	08-08NES	06/02/2015	16359/2014	360211	02-02C	04/02/2015
14416/2014	360235	08-08NES	06/02/2015	16360/2014	360212	02-02C	04/02/2015
14419/2014	360236	13-03E	06/02/2015	16361/2014	360213	02-02C	04/02/2015
14422/2014	360237	13-03E	06/02/2015	16362/2014	360202	12-16NES	04/02/2015
14424/2014	360238	13-03E	06/02/2015	16382/2014	360180	09-03M	30/01/2015
14426/2014	360239	08-08NES	06/02/2015	16433/2014	360219	15-07	05/02/2015
14428/2014	360240	13-03D	06/02/2015	16437/2014	360181	03-01B	30/01/2015
14429/2014	360241	13-03D	06/02/2015	16442/2014	360223	07-01F	05/02/2015
14818/2014	360146	02-03	29/01/2015	16512/2014	360190	09-03K	03/02/2015
15302/2014	360200	11-02B	04/02/2015	16527/2014	360182	16-06	30/01/2015
15340/2014	360147	25-02NES	29/01/2015	16557/2014	360220	12-07	05/02/2015
15624/2014	360192	14-02	03/02/2015	16558/2014	360214	13-99	04/02/2015
15649/2014	360151	24-01	29/01/2015	16586/2014	360203	14-03NES	04/02/2015
15687/2014	360158	09-01NES	30/01/2015	16613/2014	360150	25-02NES	29/01/2015
15689/2014	360159	07-01F	30/01/2015	16636/2014	360204	03-01NES	04/02/2015
15690/2014	360160	09-01H	30/01/2015	16650/2014	360184	24-02	30/01/2015
15691/2014	360161	09-01H	30/01/2015	16651/2014	360185	24-02	30/01/2015
15715/2014	360162	24-02	30/01/2015	16706/2014	360259	13-01	09/02/2015
15800/2014	360148	28-03D	29/01/2015	10013/2015	360163	05-06NES	30/01/2015
15801/2014	360149	28-03D	29/01/2015	10016/2015	360164	19-08	30/01/2015
15867/2014	360170	07-05E	30/01/2015	10030/2015	360215	14-01	04/02/2015
15868/2014	360171	07-05E	30/01/2015	10090/2015	360246	08-03	09/02/2015
15869/2014	360172	07-05E	30/01/2015	10093/2015	360247	08-03	09/02/2015
15890/2014	360201	02-02NES	04/02/2015	10096/2015	360248	07-01F	09/02/2015
15906/2014	360173	06-04NES	30/01/2015	10131/2015	360221	15-05	05/02/2015
15908/2014	360196	06-04NES	03/02/2015	10138/2015	360222	24-02	05/02/2015
15910/2014	360174	06-04NES	30/01/2015	10168/2015	360205	12-02	04/02/2015
15911/2014	360197	06-04NES	03/02/2015	10217/2015	360186	04-02	30/01/2015
15912/2014	360175	06-04NES	30/01/2015	10224/2015	360206	06-01NES	04/02/2015
15915/2014	360176	06-04NES	30/01/2015	10225/2015	360207	24-04	04/02/2015
15916/2014	360198	06-04NES	03/02/2015	10232/2015	360208	08-03	04/02/2015
15917/2014	360177	06-04NES	30/01/2015	10233/2015	360209	08-03	04/02/2015
15918/2014	360178	06-04NES	30/01/2015	10234/2015	360216	12-16K	04/02/2015
15919/2014	360179	06-04NES	30/01/2015	10235/2015	360217	12-16K	04/02/2015
15940/2014	360233	06-10	06/02/2015	10238/2015	360231	08-07	06/02/2015
15951/2014	360187	25-04	03/02/2015	10239/2015	360232	08-07	06/02/2015
15992/2014	360188	24-01	03/02/2015	10240/2015	360228	28-99	06/02/2015
15994/2014	360218	14-02	05/02/2015	10272/2015	360249	03-01NES	09/02/2015
16009/2014	360183	24-02	30/01/2015	10273/2015	360250	04-02	09/02/2015
16149/2014	360261	10-06	09/02/2015	10274/2015	360251	03-01NES	09/02/2015
16159/2014	360262	29-02	09/02/2015	10282/2015	360252	28-03A	09/02/2015
16170/2014	360191	06-06E	03/02/2015	10284/2015	360253	06-01NES	09/02/2015
16174/2014	360263	26-01	09/02/2015	10292/2015	360230	07-01NES	06/02/2015
16218/2014	360224	12-03	05/02/2015	10293/2015	360229	07-01NES	06/02/2015
16219/2014	360242	12-03	09/02/2015	10294/2015	360254	04-02	09/02/2015
16237/2014	360243	07-02NES	09/02/2015	10295/2015	360256	04-02	09/02/2015
16238/2014	360244	07-02NES	09/02/2015	10296/2015	360257	04-02	09/02/2015
16250/2014	360245	12-16K	09/02/2015	10297/2015	360258	31-00	09/02/2015

Publication and Registration Proceedings - Designs Registered cont'd

Design Number	Registration Number	International Classification Code (IDC)	Registration Date	Design Number	Registration Number	International Classification Code (IDC)	Registration Date
10298/2015	360260	08-03	09/02/2015	10385/2015	360165	24-04	30/01/2015
10321/2015	360152	23-04	29/01/2015	10386/2015	360166	24-04	30/01/2015
10322/2015	360153	23-04	29/01/2015	10387/2015	360167	24-04	30/01/2015
10323/2015	360154	23-04	29/01/2015	10388/2015	360168	24-04	30/01/2015
10324/2015	360155	23-04	29/01/2015	10389/2015	360169	24-04	30/01/2015
10325/2015	360156	23-04	29/01/2015	10428/2015	360225	12-03	05/02/2015
10326/2015	360157	24-01	29/01/2015	10429/2015	360226	12-03	05/02/2015
10373/2015	360193	24-04	03/02/2015	10430/2015	360227	12-03	05/02/2015
10374/2015	360194	24-04	03/02/2015				
10375/2015	360195	24-04	03/02/2015				

**Publication and Registration Proceedings**

**Class Listing of Designs Published or Registered**

The following section shows an International Classification Code listing of the Registered or Published Designs covered in this supplement.

<b>Classification</b>	<b>Registration Number</b>	<b>Design Number</b>	<b>Classification</b>	<b>Registration Number</b>	<b>Design Number</b>
02-02C	360210	16358/2014	08-08NES	360234	14413/2014
02-02C	360211	16359/2014	08-08NES	360235	14416/2014
02-02C	360212	16360/2014	08-08NES	360239	14426/2014
02-02C	360213	16361/2014	09-01H	360160	15690/2014
02-02NES	360201	15890/2014	09-01H	360161	15691/2014
02-03	360146	14818/2014	09-01NES	360158	15687/2014
03-01B	360181	16437/2014	09-03H	360158	15687/2014
03-01B	360255	14346/2014	09-03K	360190	16512/2014
03-01NES	360204	16636/2014	09-03M	360180	16382/2014
03-01NES	360249	10272/2015	10-06	360261	16149/2014
03-01NES	360251	10274/2015	11-02B	360189	16253/2014
04-02	360186	10217/2015	11-02B	360200	15302/2014
04-02	360250	10273/2015	12-02	360205	10168/2015
04-02	360254	10294/2015	12-03	360224	16218/2014
04-02	360256	10295/2015	12-03	360225	10428/2015
04-02	360257	10296/2015	12-03	360226	10429/2015
05-06NES	360163	10013/2015	12-03	360227	10430/2015
06-01D	360242	16219/2014	12-03	360242	16219/2014
06-01NES	360206	10224/2015	12-07	360220	16557/2014
06-01NES	360253	10284/2015	12-16K	360216	10234/2015
06-04NES	360173	15906/2014	12-16K	360217	10235/2015
06-04NES	360174	15910/2014	12-16K	360245	16250/2014
06-04NES	360175	15912/2014	12-16NES	360187	15951/2014
06-04NES	360176	15915/2014	12-16NES	360202	16362/2014
06-04NES	360177	15917/2014	13-01	360259	16706/2014
06-04NES	360178	15918/2014	13-03D	360240	14428/2014
06-04NES	360179	15919/2014	13-03D	360241	14429/2014
06-04NES	360196	15908/2014	13-03E	360236	14419/2014
06-04NES	360197	15911/2014	13-03E	360237	14422/2014
06-04NES	360198	15916/2014	13-03E	360238	14424/2014
06-06E	360191	16170/2014	13-99	360214	16558/2014
06-10	360233	15940/2014	14-01	360215	10030/2015
07-01F	360159	15689/2014	14-02	360192	15624/2014
07-01F	360223	16442/2014	14-02	360218	15994/2014
07-01F	360248	10096/2015	14-03NES	360203	16586/2014
07-01NES	360229	10293/2015	15-05	360221	10131/2015
07-01NES	360230	10292/2015	15-07	360219	16433/2014
07-02NES	360243	16237/2014	16-06	360182	16527/2014
07-02NES	360244	16238/2014	19-01	360201	15890/2014
07-04	360229	10293/2015	19-02	360181	16437/2014
07-05E	360170	15867/2014	19-08	360164	10016/2015
07-05E	360171	15868/2014	19-08	360201	15890/2014
07-05E	360172	15869/2014	22-04	360220	16557/2014
08-03	360208	10232/2015	23-01G	360159	15689/2014
08-03	360209	10233/2015	23-04	360152	10321/2015
08-03	360246	10090/2015	23-04	360153	10322/2015
08-03	360247	10093/2015	23-04	360154	10323/2015
08-03	360260	10298/2015	23-04	360155	10324/2015
08-05A	360199	12559/2014	23-04	360156	10325/2015
08-05NES	360246	10090/2015	24-01	360151	15649/2014
08-05NES	360247	10093/2015	24-01	360157	10326/2015
08-07	360231	10238/2015	24-01	360188	15992/2014
08-07	360232	10239/2015	24-01	360259	16706/2014

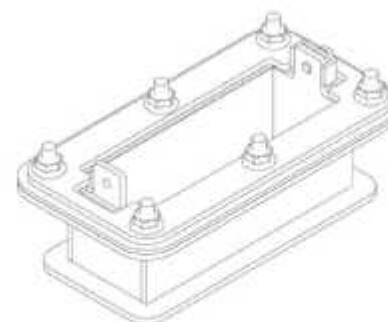
Registration Proceedings - Class Listing of Designs Published or Registered cont'd

Classification	Registration Number	Design Number	Classification	Registration Number	Design Number
24-02	360162	15715/2014	24-04	360207	10225/2015
24-02	360183	16009/2014	25-02NES	360147	15340/2014
24-02	360184	16650/2014	25-02NES	360150	16613/2014
24-02	360185	16651/2014	25-04	360187	15951/2014
24-02	360222	10138/2015	26-01	360263	16174/2014
24-04	360165	10385/2015	28-03A	360252	10282/2015
24-04	360166	10386/2015	28-03D	360148	15800/2014
24-04	360167	10387/2015	28-03D	360149	15801/2014
24-04	360168	10388/2015	28-99	360228	10240/2015
24-04	360169	10389/2015	29-02	360262	16159/2014
24-04	360193	10373/2015	31-00	360258	10297/2015
24-04	360194	10374/2015			
24-04	360195	10375/2015			

- (21) Design Number: **14818/2014**  
(22) Date of Filing Application: **22 September 2014**  
(24) Date from which industrial property rights may have effect: **22 September 2014**  
(54) Product in respect of which the design is registered: **A stabilising grip for hard hat retention**  
(51) International Design Classification: **02-03**  
(74) Name(s) of Attorney(s):  
(71) Name(s) and Address(s) of Applicant(s):  
**Lorraine June Sullivan**  
**234 Morley Dr E Eden Hill WA 6054 Australia**  
(72) Name(s) of Designer(s): **Lorraine June Sullivan**  
(45) Registration Date: **29 January 2015**  
(56) Related Art Documents: **Not Applicable**  
(57) Statement of Newness and Distinctiveness: **New design product.**



- (21) Design Number: **15340/2014**  
(22) Date of Filing Application: **22 October 2014**  
(24) Date from which industrial property rights may have effect: **22 October 2014**  
(54) Product in respect of which the design is registered: **Frame for housing modular seals for flexible conduits**  
(51) International Design Classification: **25-02NES**  
(74) Name(s) of Attorney(s): **Griffith Hack**  
(71) Name(s) and Address(s) of Applicant(s):  
**Roxtec AB**  
**PO Box 540 Karlskrona SE-371 23 Sweden**  
(72) Name(s) of Designer(s): **Joergen Landqvist**  
(45) Registration Date: **29 January 2015**  
(30) Convention priority data:  
(31) Number      (32) Date      (33) Country  
**002453464-0005   25 Apr 2014      OFFICE FOR HARMONISATION IN**  
**THE INTERNAL MARKET (OHIM)**  
(56) Related Art Documents: **Not Applicable**  
(57) Statement of Newness and Distinctiveness: **Newness and distinctiveness resides in the visual features, including the shape and configuration of the product shown in the representations.**



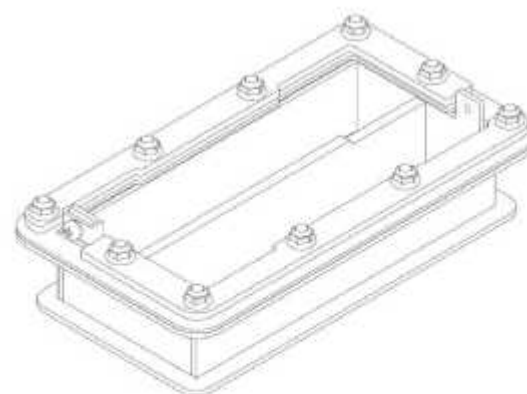
- (21) Design Number: **15800/2014**  
(22) Date of Filing Application: **13 November 2014**  
(24) Date from which industrial property rights may have effect: **26 August 2014**  
(54) Product in respect of which the design is registered: **Clipper**  
(51) International Design Classification: **28-03D**  
(74) Name(s) of Attorney(s): **IP Gateway Patent & Trademark Attorneys Pty Ltd**  
(71) Name(s) and Address(s) of Applicant(s):  
**Medline Industries, Inc.**  
**One Medline Place Mundelein IL 60060 United States of America**  
(72) Name(s) of Designer(s): **Stuart Mintz**  
(45) Registration Date: **29 January 2015**  
(62) Divisional of: **358831**  
(56) Related Art Documents: **Not Applicable**  
(57) Statement of Newness and Distinctiveness: **Newness and distinctiveness resides in visual features of surface pattern and/or ornamentation of a clipper as shown in the accompanying representations.**



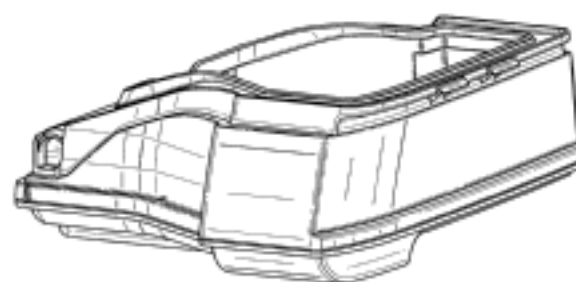
- (21) Design Number: **15801/2014**  
(22) Date of Filing Application: **13 November 2014**  
(24) Date from which industrial property rights may have effect: **26 August 2014**  
(54) Product in respect of which the design is registered: **Clipper**  
(51) International Design Classification: **28-03D**  
(74) Name(s) of Attorney(s): **IP Gateway Patent & Trademark Attorneys Pty Ltd**  
(71) Name(s) and Address(s) of Applicant(s):  
**Medline Industries, Inc.**  
**One Medline Place Mundelein IL 60060 United States of America**  
(72) Name(s) of Designer(s): **Stuart Mintz and Kaitlyn Farley and Derek Roberts and Andrew Nachenberg**  
(45) Registration Date: **29 January 2015**  
(62) Divisional of: **358810**  
(56) Related Art Documents: **Not Applicable**  
(57) Statement of Newness and Distinctiveness: **Newness and distinctiveness resides in the visual features of shape and/or configuration of a clipper as shown in solid lines in the accompanying representations.**



- (21) Design Number: **16613/2014**  
(22) Date of Filing Application: **19 December 2014**  
(24) Date from which industrial property rights may have effect: **22 October 2014**  
(54) Product in respect of which the design is registered: **Frame for housing modular seals for flexible conduits**  
(51) International Design Classification: **25-02NES**  
(74) Name(s) of Attorney(s): **Griffith Hack**  
(71) Name(s) and Address(s) of Applicant(s):  
**Roxtec AB**  
**P.O. Box 540 Karlskrona S-371 23 Sweden**  
(72) Name(s) of Designer(s): **Jurgen Landqvist**  
(45) Registration Date: **29 January 2015**  
(62) Divisional of: **360147**  
(56) Related Art Documents: **Not Applicable**  
(57) Statement of Newness and Distinctiveness: **Newness and distinctiveness resides in the visual features, including the shape and configuration of the product shown in the representations.**

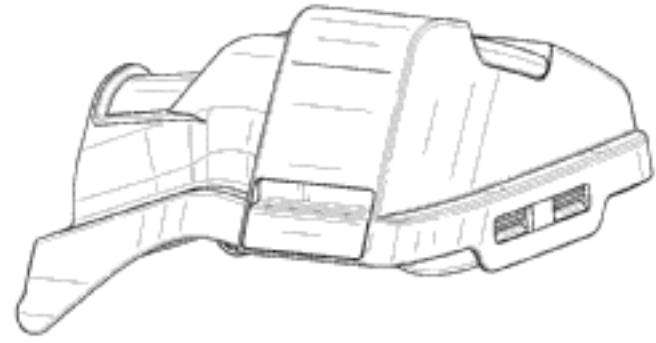


- (21) Design Number: **15649/2014**  
(22) Date of Filing Application: **05 November 2014**  
(24) Date from which industrial property rights may have effect: **19 August 2014**  
(54) Product in respect of which the design is registered: **Humidifier reservoir for positive airway pressure delivery console**  
(51) International Design Classification: **24-01**  
(74) Name(s) of Attorney(s): **Halfords IP**  
(71) Name(s) and Address(s) of Applicant(s):  
**ResMed Limited**  
**1 Elizabeth Macarthur Dr Bella Vista NSW 2153 Australia**  
(72) Name(s) of Designer(s): **Andrew Roderick Bath and Justin John Formica and Matthew Rolf Harrington and Joseph Samuel Ormrod and Hargopal Verma**  
(45) Registration Date: **29 January 2015**  
(62) Divisional of: **358616**  
(56) Related Art Documents: **Not Applicable**  
(57) Statement of Newness and Distinctiveness: **Nil**

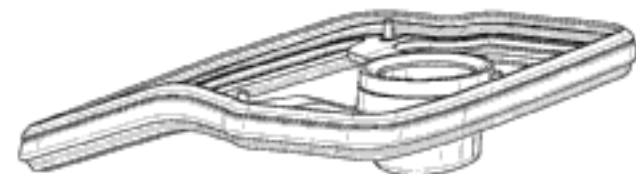




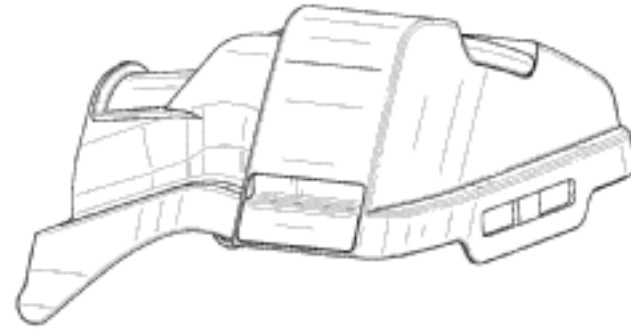
- (21) Design Number: **10321/2015**  
(22) Date of Filing Application: **05 November 2014**  
(24) Date from which industrial property rights may have effect: **05 November 2014**  
(54) Product in respect of which the design is registered: **Reservoir lid and seal/  
baffle module for humidifer**  
(51) International Design Classification: **23-04**  
(74) Name(s) of Attorney(s): **Halfords IP**  
(71) Name(s) and Address(s) of Applicant(s):  
**ResMed Limited**  
**1 Elizabeth Macarthur Dr Bella Vista NSW 2153 Australia**  
(72) Name(s) of Designer(s): **Andrew Roderick Bath and Justin Formica and  
Matthew Rolf Harrington and Saad Nasr and Joseph Samuel Ormrod and  
Hargopal Verma**  
(45) Registration Date: **29 January 2015**  
(56) Related Art Documents: **Not Applicable**  
(57) Statement of Newness and Distinctiveness: **Nil**



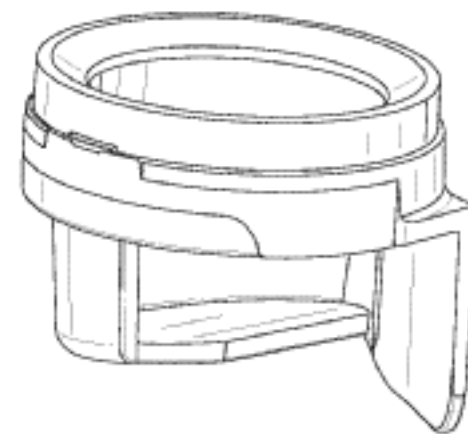
- (21) Design Number: **10322/2015**  
(22) Date of Filing Application: **05 November 2014**  
(24) Date from which industrial property rights may have effect: **05 November 2014**  
(54) Product in respect of which the design is registered: **Seal/baffle module for  
humidifier reservoir for po**  
(51) International Design Classification: **23-04**  
(74) Name(s) of Attorney(s): **Halfords IP**  
(71) Name(s) and Address(s) of Applicant(s):  
**ResMed Limited**  
**1 Elizabeth Macarthur Dr Bella Vista NSW 2153 Australia**  
(72) Name(s) of Designer(s): **Andrew Roderick Bath and Justin Formica and  
Matthew Rolf Harrington and Saad Nasr and Joseph Samuel Ormrod and  
Hargopal Verma**  
(45) Registration Date: **29 January 2015**  
(56) Related Art Documents: **Not Applicable**  
(57) Statement of Newness and Distinctiveness: **Nil**



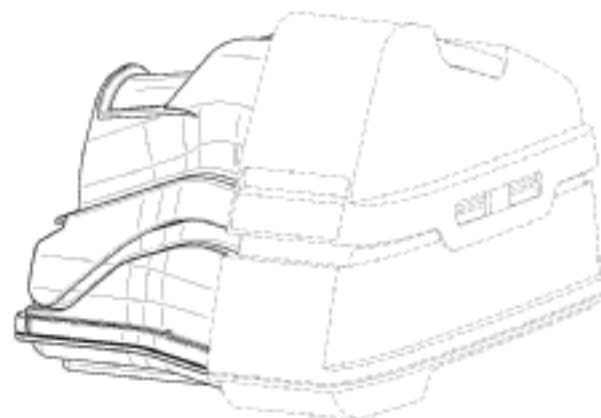
- (21) Design Number: **10323/2015**  
(22) Date of Filing Application: **05 November 2014**  
(24) Date from which industrial property rights may have effect: **05 November 2014**  
(54) Product in respect of which the design is registered: **Reservoir lid for positive airway pressure deliver**  
(51) International Design Classification: **23-04**  
(74) Name(s) of Attorney(s): **Halfords IP**  
(71) Name(s) and Address(s) of Applicant(s):  
**ResMed Limited**  
**1 Elizabeth Macarthur Dr Bella Vista NSW 2153 Australia**  
(72) Name(s) of Designer(s): **Andrew Roderick Bath and Justin Formica and Matthew Rolf Harrington and Joseph Samuel Ormrod and Hargopal Verma**  
(45) Registration Date: **29 January 2015**  
(56) Related Art Documents: **Not Applicable**  
(57) Statement of Newness and Distinctiveness: **Nil**



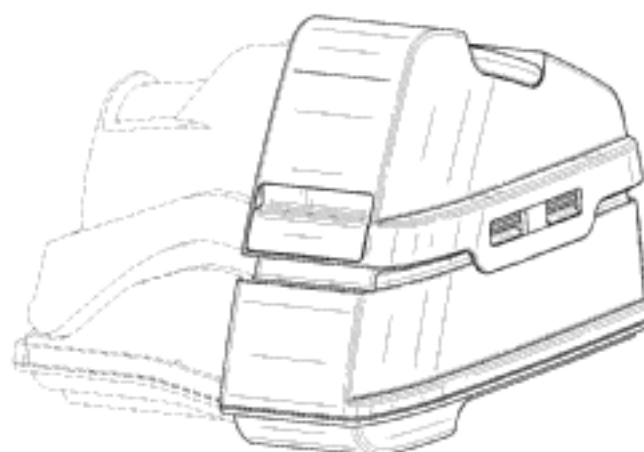
- (21) Design Number: **10324/2015**  
(22) Date of Filing Application: **05 November 2014**  
(24) Date from which industrial property rights may have effect: **05 November 2014**  
(54) Product in respect of which the design is registered: **Inlet baffle for humidifier reservoir for positive**  
(51) International Design Classification: **23-04**  
(74) Name(s) of Attorney(s): **Halfords IP**  
(71) Name(s) and Address(s) of Applicant(s):  
**ResMed Limited**  
**1 Elizabeth Macarthur Dr Bella Vista NSW 2153 Australia**  
(72) Name(s) of Designer(s): **Saad Nasr**  
(45) Registration Date: **29 January 2015**  
(56) Related Art Documents: **Not Applicable**  
(57) Statement of Newness and Distinctiveness: **Nil**



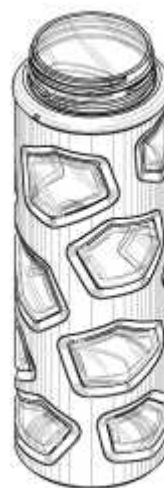
- (21) Design Number: **10325/2015**  
(22) Date of Filing Application: **05 November 2014**  
(24) Date from which industrial property rights may have effect: **05 November 2014**  
(54) Product in respect of which the design is registered: **Humidifier Reservoir for Positive Airway Pressure**  
(51) International Design Classification: **23-04**  
(74) Name(s) of Attorney(s): **Halfords IP**  
(71) Name(s) and Address(s) of Applicant(s):  
**ResMed Limited**  
**1 Elizabeth Macarthur Dr Bella Vista NSW 2153 Australia**  
(72) Name(s) of Designer(s): **Andrew Roderick Bath and Justin Formica and Matthew Rolf Harrington and Joseph Samuel Ormrod and Hargopal Verma**  
(45) Registration Date: **29 January 2015**  
(56) Related Art Documents: **Not Applicable**  
(57) Statement of Newness and Distinctiveness: **Nil**



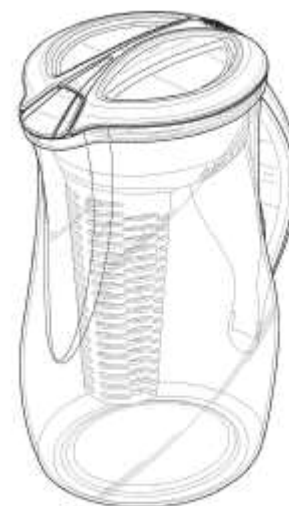
- (21) Design Number: **10326/2015**  
(22) Date of Filing Application: **05 November 2014**  
(24) Date from which industrial property rights may have effect: **05 November 2014**  
(54) Product in respect of which the design is registered: **Humidifier reservoir for positive airway pressure**  
(51) International Design Classification: **24-01**  
(74) Name(s) of Attorney(s): **Halfords IP**  
(71) Name(s) and Address(s) of Applicant(s):  
**ResMed Limited**  
**1 Elizabeth Macarthur Dr Bella Vista NSW 2153 Australia**  
(72) Name(s) of Designer(s): **Andrew Roderick Bath and Justin Formica and Matthew Rolf Harrington and Joseph Samuel Ormrod and Hargopal Verma**  
(45) Registration Date: **29 January 2015**  
(56) Related Art Documents: **Not Applicable**  
(57) Statement of Newness and Distinctiveness: **Nil**



(21) Design Number: **15687/2014**  
(22) Date of Filing Application: **06 November 2014**  
(24) Date from which industrial property rights may have effect: **06 November 2014**  
(54) Product in respect of which the design is registered: **Bottle with outer cage**  
(51) International Design Classification: **09-01NES, 09-03H**  
(74) Name(s) of Attorney(s): **Pizzeys**  
(71) Name(s) and Address(s) of Applicant(s):  
**Cool Gear International, LLC**  
**10 Cordage Park Circle, Suite 212 Plymouth MA 02360 United States of America**  
(72) Name(s) of Designer(s): **John D Mason**  
(45) Registration Date: **30 January 2015**  
(30) Convention priority data:  
(31) Number (32) Date (33) Country  
**29/490,786 13 May 2014 UNITED STATES OF AMERICA**  
(56) Related Art Documents: **Not Applicable**  
(57) Statement of Newness and Distinctiveness: **Nil**



(21) Design Number: **15689/2014**  
(22) Date of Filing Application: **06 November 2014**  
(24) Date from which industrial property rights may have effect: **06 November 2014**  
(54) Product in respect of which the design is registered: **Pitcher with two-stage water filtration**  
(51) International Design Classification: **07-01F, 23-01G**  
(74) Name(s) of Attorney(s): **Pizzeys**  
(71) Name(s) and Address(s) of Applicant(s):  
**Cool Gear International, LLC**  
**10 Cordage Park Circle, Suite 212 Plymouth MA 02360 United States of America**  
(72) Name(s) of Designer(s): **Donna Roth and John D Mason**  
(45) Registration Date: **30 January 2015**  
(30) Convention priority data:  
(31) Number (32) Date (33) Country  
**29/490,818 13 May 2014 UNITED STATES OF AMERICA**  
(56) Related Art Documents: **Not Applicable**  
(57) Statement of Newness and Distinctiveness: **Nil**



(21) Design Number: **15690/2014**  
(22) Date of Filing Application: **06 November 2014**  
(24) Date from which industrial property rights may have effect: **06 November 2014**  
(54) Product in respect of which the design is registered: **Resealable container with detachable base**  
(51) International Design Classification: **09-01H**  
(74) Name(s) of Attorney(s): **Pizzeys**  
(71) Name(s) and Address(s) of Applicant(s):  
**Cool Gear International, LLC**  
**10 Cordage Park Circle, Suite 212 Plymouth MA 02360 United States of America**  
(72) Name(s) of Designer(s): **Donna Roth and John D Mason**  
(45) Registration Date: **30 January 2015**  
(30) Convention priority data:  
(31) Number (32) Date (33) Country  
**29/490,812 13 May 2014 UNITED STATES OF AMERICA**  
(56) Related Art Documents: **Not Applicable**  
(57) Statement of Newness and Distinctiveness: **Nil**



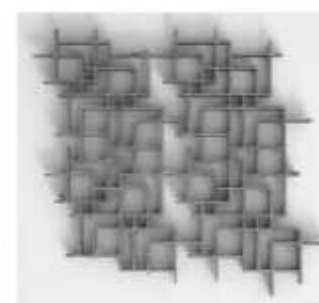
(21) Design Number: **15691/2014**  
(22) Date of Filing Application: **06 November 2014**  
(24) Date from which industrial property rights may have effect: **06 November 2014**  
(54) Product in respect of which the design is registered: **Resealable container with detachable base**  
(51) International Design Classification: **09-01H**  
(74) Name(s) of Attorney(s): **Pizzeys**  
(71) Name(s) and Address(s) of Applicant(s):  
**Cool Gear International, LLC**  
**10 Cordage Park Circle, Suite 212 Plymouth MA 02360 United States of America**  
(72) Name(s) of Designer(s): **Donna Roth and John D Mason**  
(45) Registration Date: **30 January 2015**  
(30) Convention priority data:  
(31) Number (32) Date (33) Country  
**29/490,814 13 May 2014 UNITED STATES OF AMERICA**  
(56) Related Art Documents: **Not Applicable**  
(57) Statement of Newness and Distinctiveness: **Nil**



- (21) Design Number: **15715/2014**  
(22) Date of Filing Application: **07 November 2014**  
(24) Date from which industrial property rights may have effect: **07 November 2014**  
(54) Product in respect of which the design is registered: **Housing, for instance for an autoinjector**  
(51) International Design Classification: **24-02**  
(74) Name(s) of Attorney(s): **PHILLIPS ORMONDE FITZPATRICK**  
(71) Name(s) and Address(s) of Applicant(s):  
**GlaxoSmithKline Intellectual Property Management Limited**  
**980 Great West Road Brentford Middlesex TW8 9GS United Kingdom**  
(72) Name(s) of Designer(s): **Michelle Nicole Kwasny and Scott Robert Mackie and McCaffrey Robert John and Jason Robinson and Gerd Schmieta**  
(45) Registration Date: **30 January 2015**  
(30) Convention priority data:  
(31) Number (32) Date (33) Country  
**29/490,267 08 May 2014 UNITED STATES OF AMERICA**  
(56) Related Art Documents: **Not Applicable**  
(57) Statement of Newness and Distinctiveness: **Those features of the housing, for instance for an autoinjector in the representations that are new and distinctive are the shape and/or configuration and/or pattern and/or ornamentation.**



- (21) Design Number: **10013/2015**  
(22) Date of Filing Application: **05 January 2015**  
(24) Date from which industrial property rights may have effect: **05 January 2015**  
(54) Product in respect of which the design is registered: **Architectural screen**  
(51) International Design Classification: **05-06NES**  
(74) Name(s) of Attorney(s):  
(71) Name(s) and Address(s) of Applicant(s):  
**John Kurko**  
**139 Kirkwood St Armidale NSW 2350 Australia**  
(72) Name(s) of Designer(s): **John Kurko**  
(45) Registration Date: **30 January 2015**  
(56) Related Art Documents: **Not Applicable**  
(57) Statement of Newness and Distinctiveness: **The design genius of this pattern exists within its simple fractal square geometry. The pattern that is rotated and then flipped across the central axis multiple times along perpendicular axis to create a pattern that is infinite in size, scalable and when extruded is very versatile. The Pattern can be scaled to suit various solutions, from decorative to the structural. The pattern can be extruded to produce various thicknesses so that structural strength can be created, acoustic performance enhanced, and functional ability modified. The pattern then allows various manufacturing processes and materials to be used. The design of this architectural screen with its ability to be scaled by any factor allows the design to be utilised for many uses. Some of the intended uses include: Acoustic Panelling \* Lighting Screening \* Pergola Structures \* Vertical screens \* Frames for sliding partitions and doors \* Jewellery \* Cabinetry. This is a versatile and seamless design system.**



(21) Design Number: **10016/2015**  
(22) Date of Filing Application: **06 January 2015**  
(24) Date from which industrial property rights may have effect: **06 January 2015**  
(54) Product in respect of which the design is registered: **Wall sticker**  
(51) International Design Classification: **19-08**  
(74) Name(s) of Attorney(s):  
(71) Name(s) and Address(s) of Applicant(s):  
**HL-DECORS PTY LTD**  
**9 Donald St Hurstville NSW 2220 Australia**  
(72) Name(s) of Designer(s): **Juan Huang**  
(45) Registration Date: **30 January 2015**  
(56) Related Art Documents: **Not Applicable**  
(57) Statement of Newness and Distinctiveness: **Nil**



(21) Design Number: **10385/2015**  
(22) Date of Filing Application: **07 November 2014**  
(24) Date from which industrial property rights may have effect: **07 November 2014**  
(54) Product in respect of which the design is registered: **Housing, for instance for an autoinjector**  
(51) International Design Classification: **24-04**  
(74) Name(s) of Attorney(s): **PHILLIPS ORMONDE FITZPATRICK**  
(71) Name(s) and Address(s) of Applicant(s):  
**GlaxoSmithKline Intellectual Property Management Limited**  
**980 Great West Road Brentford Middlesex TW8 9GS United Kingdom**  
(72) Name(s) of Designer(s): **Michelle Nicole Kwasny and Scott Robert Mackie and Robert John Mccaffrey and Jason Lee Robinson and Gerd Schmieta**  
(45) Registration Date: **30 January 2015**  
(30) Convention priority data:  
(31) Number (32) Date (33) Country  
**29/490,267 08 May 2014 UNITED STATES OF AMERICA**  
(56) Related Art Documents: **Not Applicable**  
(57) Statement of Newness and Distinctiveness: **Those features of the housing, for instance for an autoinjector in the representations that are new and distinctive are the shape and/or configuration and/or pattern and/or ornamentation.**



- (21) Design Number: **10386/2015**  
(22) Date of Filing Application: **07 November 2014**  
(24) Date from which industrial property rights may have effect: **07 November 2014**  
(54) Product in respect of which the design is registered: **Housing, for instance for an autoinjector**  
(51) International Design Classification: **24-04**  
(74) Name(s) of Attorney(s): **PHILLIPS ORMONDE FITZPATRICK**  
(71) Name(s) and Address(s) of Applicant(s):  
**GlaxoSmithKline Intellectual Property Management Limited**  
**980 Great West Road Brentford Middlesex TW8 9GS United Kingdom**  
(72) Name(s) of Designer(s): **Michelle Nicole Kwasny and Scott Robert Mackie and Robert John Mccaffrey and Jason Lee Robinson and Gerd Schmieta**  
(45) Registration Date: **30 January 2015**  
(30) Convention priority data:  
(31) Number (32) Date (33) Country  
**29/490,267 08 May 2014 UNITED STATES OF AMERICA**  
(56) Related Art Documents: **Not Applicable**  
(57) Statement of Newness and Distinctiveness: **Those features of the housing, for instance for an autoinjector in the representations that are new and distinctive are the shape and/or configuration and/or pattern and/or ornamentation. The features shown in broken lines are not part of the design and are to be disregarded when considering the overall impression of the design.**



- (21) Design Number: **10387/2015**  
(22) Date of Filing Application: **07 November 2014**  
(24) Date from which industrial property rights may have effect: **07 November 2014**  
(54) Product in respect of which the design is registered: **Housing, for instance for an autoinjector**  
(51) International Design Classification: **24-04**  
(74) Name(s) of Attorney(s): **PHILLIPS ORMONDE FITZPATRICK**  
(71) Name(s) and Address(s) of Applicant(s):  
**GlaxoSmithKline Intellectual Property Management Limited**  
**980 Great West Road Brentford Middlesex TW8 9GS United Kingdom**  
(72) Name(s) of Designer(s): **Michelle Nicole Kwasny and Scott Robert Mackie and Robert John Mccaffrey and Jason Lee Robinson and Gerd Schmieta**  
(45) Registration Date: **30 January 2015**  
(30) Convention priority data:  
(31) Number (32) Date (33) Country  
**29/490,267 08 May 2014 UNITED STATES OF AMERICA**  
(56) Related Art Documents: **Not Applicable**  
(57) Statement of Newness and Distinctiveness: **Those features of the housing, for instance for an autoinjector in the representations that are new and distinctive are the shape and/or configuration and/or pattern and/or ornamentation. The body of the housing has an indefinite length and constant crosssection between the break-lines.**





- (21) Design Number: **10388/2015**  
(22) Date of Filing Application: **07 November 2014**  
(24) Date from which industrial property rights may have effect: **07 November 2014**  
(54) Product in respect of which the design is registered: **Housing, for instance for an autoinjector**  
(51) International Design Classification: **24-04**  
(74) Name(s) of Attorney(s): **PHILLIPS ORMONDE FITZPATRICK**  
(71) Name(s) and Address(s) of Applicant(s):  
**GlaxoSmithKline Intellectual Property Management Limited**  
**980 Great West Road Brentford Middlesex TW8 9GS United Kingdom**  
(72) Name(s) of Designer(s): **Michelle Nicole Kwasny and Scott Robert Mackie and Robert John Mccaffrey and Jason Lee Robinson and Gerd Schmieta**  
(45) Registration Date: **30 January 2015**  
(30) Convention priority data:  
(31) Number (32) Date (33) Country  
**29/490,267 08 May 2014 UNITED STATES OF AMERICA**  
(56) Related Art Documents: **Not Applicable**  
(57) Statement of Newness and Distinctiveness: **Those features of the housing, for instance for an autoinjector in the representations that are new and distinctive are the shape and/or configuration and/or pattern and/or ornamentation. The body of the housing has an indefinite length and constant crosssection between the break-lines.**



- (21) Design Number: **10389/2015**  
(22) Date of Filing Application: **07 November 2014**  
(24) Date from which industrial property rights may have effect: **07 November 2014**  
(54) Product in respect of which the design is registered: **Housing, for instance for an autoinjector**  
(51) International Design Classification: **24-04**  
(74) Name(s) of Attorney(s): **PHILLIPS ORMONDE FITZPATRICK**  
(71) Name(s) and Address(s) of Applicant(s):  
**GlaxoSmithKline Intellectual Property Management Limited**  
**980 Great West Road Brentford Middlesex TW8 9GS United Kingdom**  
(72) Name(s) of Designer(s): **Michelle Nicole Kwasny and Scott Robert Mackie and Robert John Mccaffrey and Jason Lee Robinson and Gerd Schmieta**  
(45) Registration Date: **30 January 2015**  
(30) Convention priority data:  
(31) Number (32) Date (33) Country  
**29/490,267 08 May 2014 UNITED STATES OF AMERICA**  
(56) Related Art Documents: **Not Applicable**  
(57) Statement of Newness and Distinctiveness: **Those features of the housing, for instance for an autoinjector in the representations that are new and distinctive #re the shape and/or configuration and/or pattern and/or ornamentation. The body of the housing has an indefinite length and constant crosssection between the break-lines.**



(21) Design Number: **15867/2014**

(22) Date of Filing Application: **18 November 2014**

(24) Date from which industrial property rights may have effect: **18 November 2014**

(54) Product in respect of which the design is registered: **Window washer**

(51) International Design Classification: **07-05E**

(74) Name(s) of Attorney(s): **Davies Collison Cave**

(71) Name(s) and Address(s) of Applicant(s):

**Black & Decker Inc**

**1207 Drummond Plaza Newark Delaware 19711 United States of America**

(72) Name(s) of Designer(s): **Mark Baxter**

(45) Registration Date: **30 January 2015**

(30) Convention priority data:

(31) Number

(32) Date

(33) Country

**001423123-001**

**17 Oct 2014**

**OFFICE FOR HARMONISATION IN  
THE INTERNAL MARKET (OHIM)**

(56) Related Art Documents: **Not Applicable**

(57) Statement of Newness and Distinctiveness: **Newness and distinctiveness is claimed in the visual features of the window washer shown in the accompanying representations.**



(21) Design Number: **15868/2014**

(22) Date of Filing Application: **18 November 2014**

(24) Date from which industrial property rights may have effect: **18 November 2014**

(54) Product in respect of which the design is registered: **Window washer**

(51) International Design Classification: **07-05E**

(74) Name(s) of Attorney(s): **Davies Collison Cave**

(71) Name(s) and Address(s) of Applicant(s):

**Black & Decker Inc**

**1207 Drummond Plaza Newark Delaware 19711 United States of America**

(72) Name(s) of Designer(s): **Mark Baxter**

(45) Registration Date: **30 January 2015**

(30) Convention priority data:

(31) Number

(32) Date

(33) Country

**001423123-002**

**17 Oct 2014**

**OFFICE FOR HARMONISATION IN  
THE INTERNAL MARKET (OHIM)**

(56) Related Art Documents: **Not Applicable**

(57) Statement of Newness and Distinctiveness: **Newness and distinctiveness is claimed in the visual features of the window washer shown in the accompanying representations.**



(21) Design Number: **15869/2014**

(22) Date of Filing Application: **18 November 2014**

(24) Date from which industrial property rights may have effect: **18 November 2014**

(54) Product in respect of which the design is registered: **Window washer**

(51) International Design Classification: **07-05E**

(74) Name(s) of Attorney(s): **Davies Collison Cave**

(71) Name(s) and Address(s) of Applicant(s):

**Black & Decker Inc**

**1207 Drummond Plaza Newark Delaware 19711 United States of America**

(72) Name(s) of Designer(s): **Mark Baxter**

(45) Registration Date: **30 January 2015**

(30) Convention priority data:

(31) Number

(32) Date

(33) Country

**001423123-003**

**17 Oct 2014**

**OFFICE FOR HARMONISATION IN  
THE INTERNAL MARKET (OHIM)**

(56) Related Art Documents: **Not Applicable**

(57) Statement of Newness and Distinctiveness: **Newness and distinctiveness is claimed in the visual features of the window washer shown in the accompanying representations.**



(21) Design Number: **15906/2014**

(22) Date of Filing Application: **20 November 2014**

(24) Date from which industrial property rights may have effect: **19 September 2014**

(54) Product in respect of which the design is registered: **Shelf unit**

(51) International Design Classification: **06-04NES**

(74) Name(s) of Attorney(s): **Davies Collison Cave**

(71) Name(s) and Address(s) of Applicant(s):

**Tegometall International AG**

**Industriestrasse 7 Lengwil 8574 Switzerland**

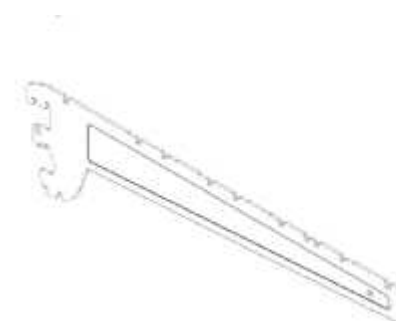
(72) Name(s) of Designer(s): **Ulrich Bohnacker**

(45) Registration Date: **30 January 2015**

(62) Divisional of: **358951**

(56) Related Art Documents: **Not Applicable**

(57) Statement of Newness and Distinctiveness: **Newness and distinctiveness is claimed in the features of shape and configuration, excepting those in broken lines, shown in the representations.**



- (21) Design Number: **15910/2014**  
(22) Date of Filing Application: **20 November 2014**  
(24) Date from which industrial property rights may have effect: **19 September 2014**  
(54) Product in respect of which the design is registered: **Shelf unit**  
(51) International Design Classification: **06-04NES**  
(74) Name(s) of Attorney(s): **Davies Collison Cave**  
(71) Name(s) and Address(s) of Applicant(s):  
**Tegometall International AG**  
**Industriestrasse 7 Lengwil 8574 Switzerland**  
(72) Name(s) of Designer(s): **Ulrich Bohnacker**  
(45) Registration Date: **30 January 2015**  
(62) Divisional of: **358951**  
(56) Related Art Documents: **Not Applicable**  
(57) Statement of Newness and Distinctiveness: **Newness and distinctiveness is claimed in the features of shape and configuration, excepting those in broken lines, shown in the representations.**



- (21) Design Number: **15912/2014**  
(22) Date of Filing Application: **20 November 2014**  
(24) Date from which industrial property rights may have effect: **19 September 2014**  
(54) Product in respect of which the design is registered: **Shelf unit**  
(51) International Design Classification: **06-04NES**  
(74) Name(s) of Attorney(s): **Davies Collison Cave**  
(71) Name(s) and Address(s) of Applicant(s):  
**Tegometall International AG**  
**Industriestrasse 7 Lengwil 8574 Switzerland**  
(72) Name(s) of Designer(s): **Ulrich Bohnacker**  
(45) Registration Date: **30 January 2015**  
(62) Divisional of: **358951**  
(56) Related Art Documents: **Not Applicable**  
(57) Statement of Newness and Distinctiveness: **Newness and distinctiveness is claimed in the features of shape and configuration, excepting those in broken lines, shown in the representations.**



- (21) Design Number: **15915/2014**  
(22) Date of Filing Application: **20 November 2014**  
(24) Date from which industrial property rights may have effect: **19 September 2014**  
(54) Product in respect of which the design is registered: **Shelf unit**  
(51) International Design Classification: **06-04NES**  
(74) Name(s) of Attorney(s): **Davies Collison Cave**  
(71) Name(s) and Address(s) of Applicant(s):  
**Tegometall International AG**  
**Industriestrasse 7 Lengwil 8574 Switzerland**  
(72) Name(s) of Designer(s): **Ulrich Bohnacker**  
(45) Registration Date: **30 January 2015**  
(62) Divisional of: **358951**  
(56) Related Art Documents: **Not Applicable**  
(57) Statement of Newness and Distinctiveness: **Newness and distinctiveness is claimed in the features of shape and configuration, excepting those in broken lines, shown in the representations.**



- (21) Design Number: **15917/2014**  
(22) Date of Filing Application: **20 November 2014**  
(24) Date from which industrial property rights may have effect: **19 September 2014**  
(54) Product in respect of which the design is registered: **Shelf unit**  
(51) International Design Classification: **06-04NES**  
(74) Name(s) of Attorney(s): **Davies Collison Cave**  
(71) Name(s) and Address(s) of Applicant(s):  
**Tegometall International AG**  
**Industriestrasse 7 Lengwil 8574 Switzerland**  
(72) Name(s) of Designer(s): **Ulrich Bohnacker**  
(45) Registration Date: **30 January 2015**  
(62) Divisional of: **358951**  
(56) Related Art Documents: **Not Applicable**  
(57) Statement of Newness and Distinctiveness: **Newness and distinctiveness is claimed in the features of shape and configuration, excepting those in broken lines, shown in the representations.**



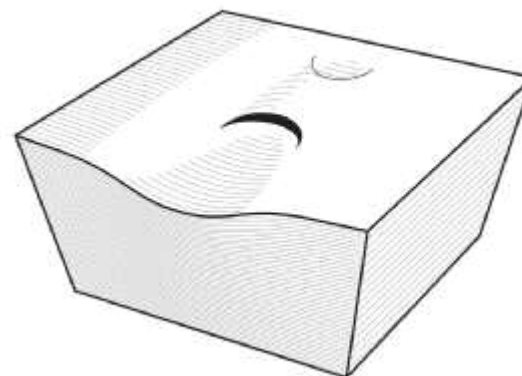
- (21) Design Number: **15918/2014**  
(22) Date of Filing Application: **20 November 2014**  
(24) Date from which industrial property rights may have effect: **19 September 2014**  
(54) Product in respect of which the design is registered: **Shelf unit**  
(51) International Design Classification: **06-04NES**  
(74) Name(s) of Attorney(s): **Davies Collison Cave**  
(71) Name(s) and Address(s) of Applicant(s):  
**Tegometall International AG**  
**Industriestrasse 7 Lengwil 8574 Switzerland**  
(72) Name(s) of Designer(s): **Ulrich Bohnacker**  
(45) Registration Date: **30 January 2015**  
(62) Divisional of: **358951**  
(56) Related Art Documents: **Not Applicable**  
(57) Statement of Newness and Distinctiveness: **Newness and distinctiveness is claimed in the features of shape and configuration, excepting those in broken lines, shown in the representations.**



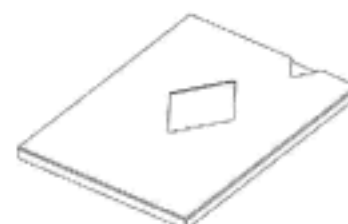
- (21) Design Number: **15919/2014**  
(22) Date of Filing Application: **20 November 2014**  
(24) Date from which industrial property rights may have effect: **19 September 2014**  
(54) Product in respect of which the design is registered: **Shelf unit**  
(51) International Design Classification: **06-04NES**  
(74) Name(s) of Attorney(s): **Davies Collison Cave**  
(71) Name(s) and Address(s) of Applicant(s):  
**Tegometall International AG**  
**Industriestrasse 7 Lengwil 8574 Switzerland**  
(72) Name(s) of Designer(s): **Ulrich Bohnacker**  
(45) Registration Date: **30 January 2015**  
(62) Divisional of: **358951**  
(56) Related Art Documents: **Not Applicable**  
(57) Statement of Newness and Distinctiveness: **Newness and distinctiveness is claimed in the features of shape and configuration, excepting those in broken lines, shown in the representations.**



(21) Design Number: **16382/2014**  
(22) Date of Filing Application: **09 December 2014**  
(24) Date from which industrial property rights may have effect: **09 December 2014**  
(54) Product in respect of which the design is registered: **A holed box**  
(51) International Design Classification: **09-03M**  
(74) Name(s) of Attorney(s): **Pegasus IP**  
(71) Name(s) and Address(s) of Applicant(s):  
**Geometria Pte. Ltd**  
**11 Woodlands Close #08-29 Woodlands 11 Singapore 737853 Singapore**  
(72) Name(s) of Designer(s): **Ng Pei Kang**  
(45) Registration Date: **30 January 2015**  
(56) Related Art Documents: **Not Applicable**  
(57) Statement of Newness and Distinctiveness: **The newness and distinctiveness resides in features of shape and/or configuration of the product shown in the representations.**



(21) Design Number: **16437/2014**  
(22) Date of Filing Application: **11 December 2014**  
(24) Date from which industrial property rights may have effect: **11 December 2014**  
(54) Product in respect of which the design is registered: **Cardholder**  
(51) International Design Classification: **03-01B, 19-02**  
(74) Name(s) of Attorney(s): **Davies Collison Cave**  
(71) Name(s) and Address(s) of Applicant(s):  
**Exentri AS**  
**Vogts gate 60 A 0477 Oslo Norway**  
(72) Name(s) of Designer(s): **Marius Alexander Schioll**  
(45) Registration Date: **30 January 2015**  
(30) Convention priority data:  
(31) Number      (32) Date      (33) Country  
**20140623      23 Jun 2014      NORWAY**  
(56) Related Art Documents: **Not Applicable**  
(57) Statement of Newness and Distinctiveness: **Nil**



(21) Design Number: **16527/2014**  
(22) Date of Filing Application: **16 December 2014**  
(24) Date from which industrial property rights may have effect: **16 December 2014**  
(54) Product in respect of which the design is registered: **Eyeglass**  
(51) International Design Classification: **16-06**  
(74) Name(s) of Attorney(s): **Davies Collison Cave**  
(71) Name(s) and Address(s) of Applicant(s):

**Oakley, Inc.**  
**One Icon Foothill Ranch California, 92610 United States of America**

(72) Name(s) of Designer(s): **Nicolas Adolfo Garfias**

(45) Registration Date: **30 January 2015**

(30) Convention priority data:

(31) Number	(32) Date	(33) Country
<b>29/494756</b>	<b>24 Jun 2014</b>	<b>UNITED STATES OF AMERICA</b>

(56) Related Art Documents: **Not Applicable**

(57) Statement of Newness and Distinctiveness: **Newness and distinctiveness is claimed in the visual features shown in solid lines in the representations. In considering the extent of the design rights, the broken lines shown in the representations are for illustrative purposes only and do not form part of the design.**



(21) Design Number: **16009/2014**  
(22) Date of Filing Application: **24 November 2014**  
(24) Date from which industrial property rights may have effect: **24 November 2014**  
(54) Product in respect of which the design is registered: **Holder for hardware device**  
(51) International Design Classification: **24-02**  
(74) Name(s) of Attorney(s): **Wrays**  
(71) Name(s) and Address(s) of Applicant(s):

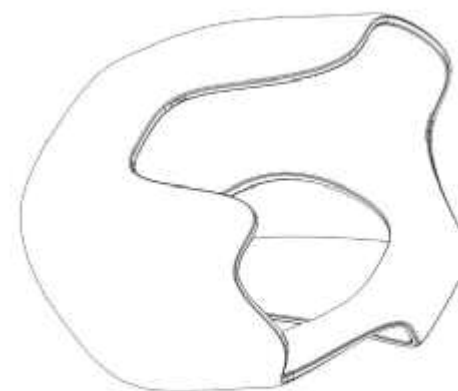
**Arsil Nayyar Hussain**  
**86 The Parkway Stretton QLD 4116 Australia**

(72) Name(s) of Designer(s): **Arsil Nayyar Hussain**

(45) Registration Date: **30 January 2015**

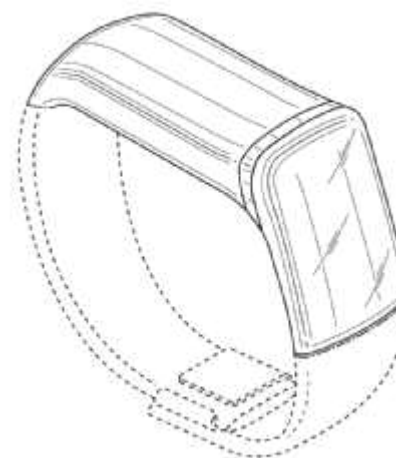
(56) Related Art Documents: **Not Applicable**

(57) Statement of Newness and Distinctiveness: **Newness and distinctiveness is claimed in the features of shape, configuration, pattern and/or ornamentation of the hardware device holder as shown in the accompanying representations.**

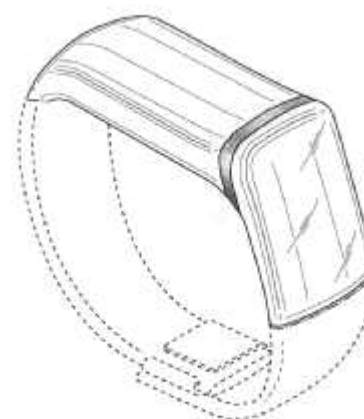




- (21) Design Number: **16650/2014**  
(22) Date of Filing Application: **23 December 2014**  
(24) Date from which industrial property rights may have effect: **23 December 2014**  
(54) Product in respect of which the design is registered: **Wrist band**  
(51) International Design Classification: **24-02**  
(74) Name(s) of Attorney(s): **SPRUSON & FERGUSON**  
(71) Name(s) and Address(s) of Applicant(s):  
**Northern Fields, LLC**  
**2711 Centerville Road Suite 400 Wilmington Delaware 19808 United States of America**  
(72) Name(s) of Designer(s): **Andrew Wanliss-Orlebar and Lea Kobeli and Charlie Nghiem and Jeffrey Salazar**  
(45) Registration Date: **30 January 2015**  
(30) Convention priority data:  
(31) Number (32) Date (33) Country  
**29/495551 02 Jul 2014 UNITED STATES OF AMERICA**  
(56) Related Art Documents: **Not Applicable**  
(57) Statement of Newness and Distinctiveness: **Newness and distinctiveness is claimed in the features of shape and/or configuration of a wrist band as illustrated in solid lines in the accompanying representations.**



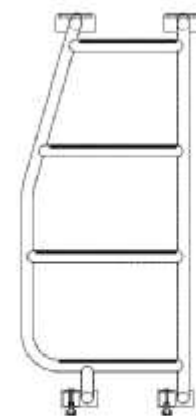
- (21) Design Number: **16651/2014**  
(22) Date of Filing Application: **23 December 2014**  
(24) Date from which industrial property rights may have effect: **23 December 2014**  
(54) Product in respect of which the design is registered: **Wrist band**  
(51) International Design Classification: **24-02**  
(74) Name(s) of Attorney(s): **SPRUSON & FERGUSON**  
(71) Name(s) and Address(s) of Applicant(s):  
**Northern Fields, LLC**  
**2711 Centerville Road Suite 400 Wilmington Delaware 19808 United States of America**  
(72) Name(s) of Designer(s): **Andrew Wanliss-Orlebar and Lea Kobeli and Charlie Nghiem and Jeffrey Salazar**  
(45) Registration Date: **30 January 2015**  
(30) Convention priority data:  
(31) Number (32) Date (33) Country  
**29/495551 02 Jul 2014 UNITED STATES OF AMERICA**  
(56) Related Art Documents: **Not Applicable**  
(57) Statement of Newness and Distinctiveness: **Newness and distinctiveness is claimed in the features of shape and/or configuration of a wrist band as illustrated in solid lines in the accompanying representations.**



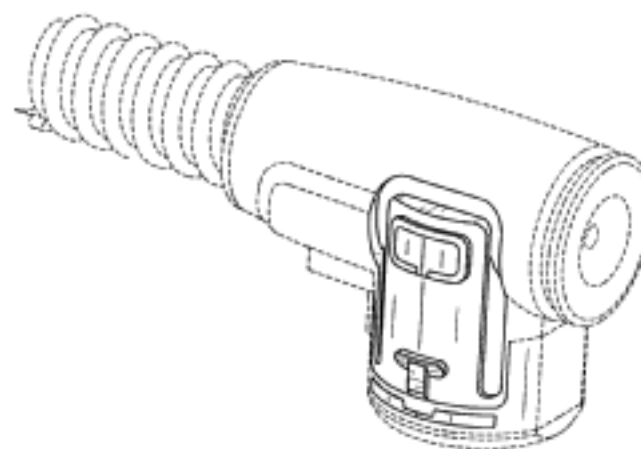
(21) Design Number: **10217/2015**  
(22) Date of Filing Application: **15 January 2015**  
(24) Date from which industrial property rights may have effect: **15 January 2015**  
(54) Product in respect of which the design is registered: **Footwear cleaning brush**  
(51) International Design Classification: **04-02**  
(74) Name(s) of Attorney(s): **PIZZEYS**  
(71) Name(s) and Address(s) of Applicant(s):  
**Rashpal Dhillon**  
**39 Falcon Road Battersea London SW11 2PH United Kingdom**  
(72) Name(s) of Designer(s): **Rashpal Dhillon**  
(45) Registration Date: **30 January 2015**  
(30) Convention priority data:  
(31) Number (32) Date (33) Country  
**002507970-0001 23 Jul 2014 EUROPEAN PATENT OFFICE (EPO)**  
(56) Related Art Documents: **Not Applicable**  
(57) Statement of Newness and Distinctiveness: **Nil**



(21) Design Number: **15951/2014**  
(22) Date of Filing Application: **20 November 2014**  
(24) Date from which industrial property rights may have effect: **20 November 2014**  
(54) Product in respect of which the design is registered: **Ladder patrol GU**  
(51) International Design Classification: **25-04, 12-16NES**  
(74) Name(s) of Attorney(s):  
(71) Name(s) and Address(s) of Applicant(s):  
**Thomas Arthur Jackson**  
**5 Alma Ct Margate QLD 4019 Australia**  
(72) Name(s) of Designer(s): **Thomas Arthur Jackson**  
(45) Registration Date: **03 February 2015**  
(56) Related Art Documents: **Not Applicable**  
(57) Statement of Newness and Distinctiveness: **The ladder is for the rear door of a 4x4 Nissan Patrol GU model. The shape of the ladder is new and the design using tensioning clamps allows for non-invasive attachment and easy removability.**



- (21) Design Number: **15992/2014**  
(22) Date of Filing Application: **21 November 2014**  
(24) Date from which industrial property rights may have effect: **17 September 2014**  
(54) Product in respect of which the design is registered: **Air delivery tube**  
(51) International Design Classification: **24-01**  
(74) Name(s) of Attorney(s): **Halfords IP**  
(71) Name(s) and Address(s) of Applicant(s):  
**ResMed Limited**  
**1 Elizabeth Macarthur Dr Bella Vista NSW 2153 Australia**  
(72) Name(s) of Designer(s): **Joseph Samuel Ormrod and Ernie Wei-Chih Tsai**  
(45) Registration Date: **03 February 2015**  
(62) Divisional of: **359017**  
(56) Related Art Documents: **Not Applicable**  
(57) Statement of Newness and Distinctiveness: **Nil**



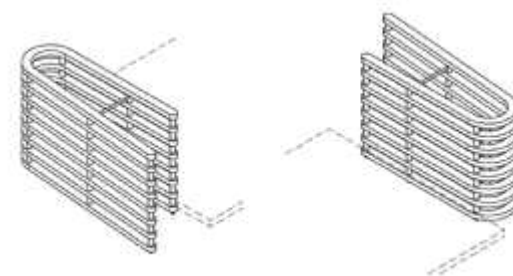
- (21) Design Number: **16253/2014**  
(22) Date of Filing Application: **01 December 2014**  
(24) Date from which industrial property rights may have effect: **01 December 2014**  
(54) Product in respect of which the design is registered: **A raised garden bed**  
(51) International Design Classification: **11-02B**  
(74) Name(s) of Attorney(s): **Davies Collison Cave**  
(71) Name(s) and Address(s) of Applicant(s):  
**Richard White**  
**PO BOX 3004 Singleton NSW 2330 Australia**  
(72) Name(s) of Designer(s): **Richard White**  
(45) Registration Date: **03 February 2015**  
(56) Related Art Documents: **Not Applicable**  
(57) Statement of Newness and Distinctiveness: **Newness and distinctiveness is claimed in the visual features shown in solid lines in the representations.**



- (21) Design Number: **16512/2014**  
(22) Date of Filing Application: **15 December 2014**  
(24) Date from which industrial property rights may have effect: **15 December 2014**  
(54) Product in respect of which the design is registered: **Container and blanks therefor**  
(51) International Design Classification: **09-03K**  
(74) Name(s) of Attorney(s): **Cullens Patent and Trade Mark Attorneys**  
(71) Name(s) and Address(s) of Applicant(s):  
**Orora Limited**  
**109 Burwood Rd Hawthorn VIC 3122 Australia**  
(72) Name(s) of Designer(s): **Arthur Iliopoulos**  
(45) Registration Date: **03 February 2015**  
(56) Related Art Documents: **Not Applicable**  
(57) Statement of Newness and Distinctiveness: **Newness and distinctiveness resides in features of shape and configuration of the container and blanks therefor as shown in the accompanying representations**



- (21) Design Number: **16170/2014**  
(22) Date of Filing Application: **27 November 2014**  
(24) Date from which industrial property rights may have effect: **27 November 2014**  
(54) Product in respect of which the design is registered: **Furniture**  
(51) International Design Classification: **06-06E**  
(74) Name(s) of Attorney(s): **Davies Collison Cave**  
(71) Name(s) and Address(s) of Applicant(s):  
**Zenith Interiors Pty Ltd**  
**101 Tulip St Sandringham VIC 3191 Australia**  
(72) Name(s) of Designer(s): **Carlo Paoli**  
(45) Registration Date: **03 February 2015**  
(56) Related Art Documents: **Not Applicable**  
(57) Statement of Newness and Distinctiveness: **Newness and distinctiveness is claimed in the visual features shown in solid lines in the representations.**



(21) Design Number: **15624/2014**  
(22) Date of Filing Application: **04 November 2014**  
(24) Date from which industrial property rights may have effect: **04 November 2014**  
(54) Product in respect of which the design is registered: **Multifunction network router**  
(51) International Design Classification: **14-02**  
(74) Name(s) of Attorney(s): **WALLINGTON-DUMMER**  
(71) Name(s) and Address(s) of Applicant(s):  
**GT Systems Pty Ltd**  
**L6 69 Reservoir St Surry Hills NSW 2010 Australia**  
(72) Name(s) of Designer(s): **Braden Wilson**  
(45) Registration Date: **03 February 2015**  
(56) Related Art Documents: **Not Applicable**  
(57) Statement of Newness and Distinctiveness: **Nil**



(21) Design Number: **10373/2015**  
(22) Date of Filing Application: **23 January 2015**  
(24) Date from which industrial property rights may have effect: **11 September 2014**  
(54) Product in respect of which the design is registered: **Catamenial tampon**  
(51) International Design Classification: **24-04**  
(74) Name(s) of Attorney(s): **Shelston IP**  
(71) Name(s) and Address(s) of Applicant(s):  
**Johnson & Johnson GmbH**  
**Johnson & Johnson Platz 2 Neuss 41470 Germany**  
(72) Name(s) of Designer(s): **Christopher M Holliday and David L Kimball and Tara Zedayko**  
(45) Registration Date: **03 February 2015**  
(30) Convention priority data:  
(31) Number      (32) Date      (33) Country  
**29/485935      25 Mar 2014      UNITED STATES OF AMERICA**  
(62) Divisional of: **359419**  
(56) Related Art Documents: **Not Applicable**  
(57) Statement of Newness and Distinctiveness: **Newness and distinctiveness reside in the visual features of the design for a CATAMENIAL TAMPON with a decorative groove pattern as shown in solid line. Features shown in broken and dot-dash lines are illustrating the outer profile and additional surface portions of the CATAMENIAL TAMPON that form no part of the claimed design.**



(21) Design Number: **10374/2015**  
(22) Date of Filing Application: **23 January 2015**  
(24) Date from which industrial property rights may have effect: **11 September 2014**  
(54) Product in respect of which the design is registered: **Catamenial tampon**  
(51) International Design Classification: **24-04**  
(74) Name(s) of Attorney(s): **Shelston IP**  
(71) Name(s) and Address(s) of Applicant(s):

**Johnson & Johnson GmbH**  
**Johnson & Johnson Platz 2 Neuss 41470 Germany**

(72) Name(s) of Designer(s): **Christopher M Holliday and David L Kimball and Tara Zedayko**

(45) Registration Date: **03 February 2015**

(30) Convention priority data:

(31) Number	(32) Date	(33) Country
<b>29/485935</b>	<b>25 Mar 2014</b>	<b>UNITED STATES OF AMERICA</b>

(62) Divisional of: **359419**

(56) Related Art Documents: **Not Applicable**

(57) Statement of Newness and Distinctiveness: **Newness and distinctiveness reside in the visual features of the design for a CATAMENIAL TAMPON with a decorative groove pattern as shown in solid line. Features shown in broken and dot-dash lines are illustrating the outer profile and additional surface portions of the CATAMENIAL TAMPON that form no part of the claimed design.**



(21) Design Number: **10375/2015**  
(22) Date of Filing Application: **23 January 2015**  
(24) Date from which industrial property rights may have effect: **11 September 2014**  
(54) Product in respect of which the design is registered: **Catamenial tampon**  
(51) International Design Classification: **24-04**  
(74) Name(s) of Attorney(s): **Shelston IP**  
(71) Name(s) and Address(s) of Applicant(s):

**Johnson & Johnson GmbH**  
**Johnson & Johnson Platz 2 Neuss 41470 Germany**

(72) Name(s) of Designer(s): **Christopher M Holliday and David L Kimball and Tara Zedayko**

(45) Registration Date: **03 February 2015**

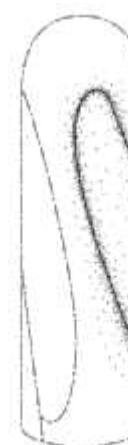
(30) Convention priority data:

(31) Number	(32) Date	(33) Country
<b>29/485935</b>	<b>25 Mar 2014</b>	<b>UNITED STATES OF AMERICA</b>

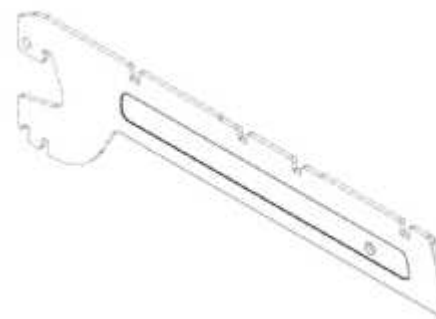
(62) Divisional of: **359419**

(56) Related Art Documents: **Not Applicable**

(57) Statement of Newness and Distinctiveness: **Newness and distinctiveness reside in the visual features of the design for a CATAMENIAL TAMPON with a decorative groove pattern as shown in solid line. Features shown in broken and dot-dash lines are illustrating the outer profile and additional surface portions of the CATAMENIAL TAMPON that form no part of the claimed design.**



- (21) Design Number: **15908/2014**  
(22) Date of Filing Application: **20 November 2014**  
(24) Date from which industrial property rights may have effect: **19 September 2014**  
(54) Product in respect of which the design is registered: **Shelf unit**  
(51) International Design Classification: **06-04NES**  
(74) Name(s) of Attorney(s): **Davies Collison Cave**  
(71) Name(s) and Address(s) of Applicant(s):  
**Tegometall International AG**  
**Industriestrasse 7 Lengwil 8574 Switzerland**  
(72) Name(s) of Designer(s): **Ulrich Bohnacker**  
(45) Registration Date: **03 February 2015**  
(62) Divisional of: **358951**  
(56) Related Art Documents: **Not Applicable**  
(57) Statement of Newness and Distinctiveness: **Newness and distinctiveness is claimed in the features of shape and configuration, excepting those in broken lines, shown in the representations.**



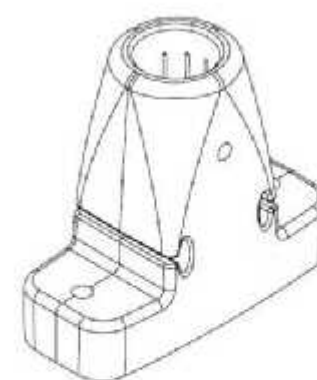
- (21) Design Number: **15911/2014**  
(22) Date of Filing Application: **20 November 2014**  
(24) Date from which industrial property rights may have effect: **19 September 2014**  
(54) Product in respect of which the design is registered: **Shelf unit**  
(51) International Design Classification: **06-04NES**  
(74) Name(s) of Attorney(s): **Davies Collison Cave**  
(71) Name(s) and Address(s) of Applicant(s):  
**Tegometall International AG**  
**Industriestrasse 7 Lengwil 8574 Switzerland**  
(72) Name(s) of Designer(s): **Ulrich Bohnacker**  
(45) Registration Date: **03 February 2015**  
(62) Divisional of: **358951**  
(56) Related Art Documents: **Not Applicable**  
(57) Statement of Newness and Distinctiveness: **Newness and distinctiveness is claimed in the features of shape and configuration, excepting those in broken lines, shown in the representations.**



- (21) Design Number: **15916/2014**  
(22) Date of Filing Application: **20 November 2014**  
(24) Date from which industrial property rights may have effect: **19 September 2014**  
(54) Product in respect of which the design is registered: **Shelf unit**  
(51) International Design Classification: **06-04NES**  
(74) Name(s) of Attorney(s): **Davies Collison Cave**  
(71) Name(s) and Address(s) of Applicant(s):  
**Tegometall International AG**  
**Industriestrasse 7 Lengwil 8574 Switzerland**  
(72) Name(s) of Designer(s): **Ulrich Bohnacker**  
(45) Registration Date: **03 February 2015**  
(62) Divisional of: **358951**  
(56) Related Art Documents: **Not Applicable**  
(57) Statement of Newness and Distinctiveness: **Newness and distinctiveness is claimed in the features of shape and configuration, excepting those in broken lines, shown in the representations.**

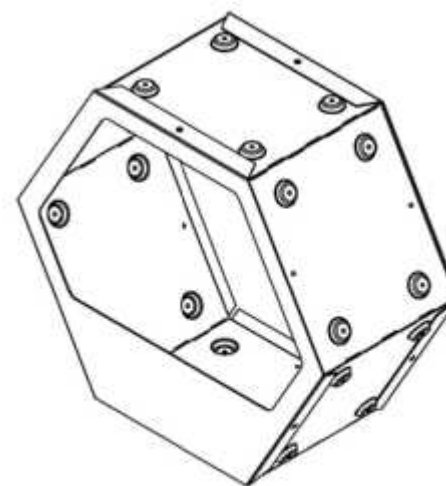


- (21) Design Number: **12559/2014**  
(22) Date of Filing Application: **27 May 2014**  
(24) Date from which industrial property rights may have effect: **27 May 2014**  
(54) Product in respect of which the design is registered: **Ferrule for garden tools**  
(51) International Design Classification: **08-05A**  
(74) Name(s) of Attorney(s): **Allens Patent & Trade Mark Attorneys**  
(71) Name(s) and Address(s) of Applicant(s):  
**E.D. Oates Pty Ltd**  
**13-21 Maygar Bvd Broadmeadows VIC 3047 Australia**  
(72) Name(s) of Designer(s): **Frankie Ngan**  
(45) Registration Date: **04 February 2015**  
(56) Related Art Documents: **Not Applicable**  
(57) Statement of Newness and Distinctiveness: **Newness and distinctiveness resides in the visual features of shape and/or configuration of a ferrule for garden tools as illustrated in solid lines in the accompanying representations.**





(21) Design Number: **15302/2014**  
(22) Date of Filing Application: **20 October 2014**  
(24) Date from which industrial property rights may have effect: **20 October 2014**  
(54) Product in respect of which the design is registered: **Planter**  
(51) International Design Classification: **11-02B**  
(74) Name(s) of Attorney(s): **PHILLIPS ORMONDE FITZPATRICK**  
(71) Name(s) and Address(s) of Applicant(s):  
**Alver Pty Ltd**  
**Wood St East Geelong VIC 3219 Australia**  
(72) Name(s) of Designer(s): **Glen Sherwood**  
(45) Registration Date: **04 February 2015**  
(56) Related Art Documents: **Not Applicable**  
(57) Statement of Newness and Distinctiveness: **Nil**



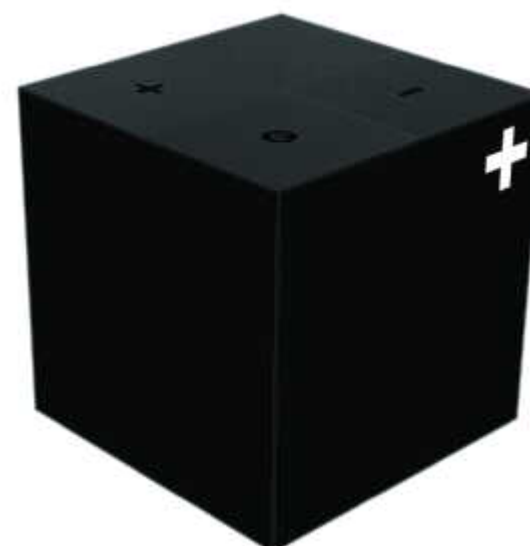
(21) Design Number: **15890/2014**  
(22) Date of Filing Application: **19 November 2014**  
(24) Date from which industrial property rights may have effect: **19 November 2014**  
(54) Product in respect of which the design is registered: **Blazer; Shirt; Business card; Cover letter**  
(51) International Design Classification: **02-02NES, 19-01, 19-08**  
(74) Name(s) of Attorney(s):  
(71) Name(s) and Address(s) of Applicant(s):  
**Scott Dobbs**  
**PO Box 204 Fairy Meadow NSW 2519**  
(72) Name(s) of Designer(s): **Luke Szalla and Machel Dobbs**  
(45) Registration Date: **04 February 2015**  
(56) Related Art Documents: **Not Applicable**  
(57) Statement of Newness and Distinctiveness: **Logo designed specifically for this firm with symbol and business trading name.**



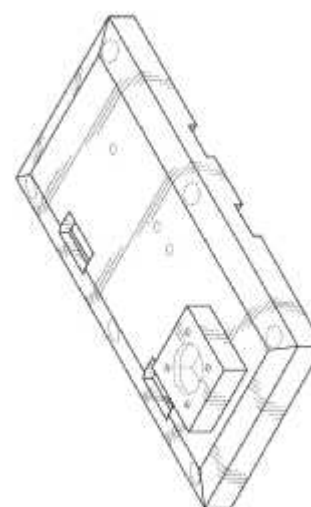
(21) Design Number: **16362/2014**  
(22) Date of Filing Application: **08 December 2014**  
(24) Date from which industrial property rights may have effect: **08 December 2014**  
(54) Product in respect of which the design is registered: **Spring hanger with aligner**  
(51) International Design Classification: **12-16NES**  
(74) Name(s) of Attorney(s):  
(71) Name(s) and Address(s) of Applicant(s):  
**Reginald Leigh Faulkner**  
**PO BOX 490 Gosnells WA 6990 Australia**  
(72) Name(s) of Designer(s): **Reginald Leigh Faulkner**  
(45) Registration Date: **04 February 2015**  
(56) Related Art Documents: **Not Applicable**  
(57) Statement of Newness and Distinctiveness: **Possessing an aligner, it is distinctive in its configuration.**



(21) Design Number: **16586/2014**  
(22) Date of Filing Application: **18 December 2014**  
(24) Date from which industrial property rights may have effect: **18 December 2014**  
(54) Product in respect of which the design is registered: **Decoder modem telecommunication apparatus.**  
(51) International Design Classification: **14-03NES**  
(74) Name(s) of Attorney(s): **James & Wells**  
(71) Name(s) and Address(s) of Applicant(s):  
**Groupe Canal +**  
**1 Place du Spectacle ISSY LES Moulineaux 92130 France**  
(72) Name(s) of Designer(s): **Yves Behar**  
(45) Registration Date: **04 February 2015**  
(30) Convention priority data:  
(31) Number      (32) Date      (33) Country  
**20143141      18 Jul 2014      FRANCE**  
(56) Related Art Documents: **Not Applicable**  
(57) Statement of Newness and Distinctiveness: **This design is to be applied to a decoder modem telecommunication apparatus and the novelty resides in features of shape and configuration, all as shown in the accompanying representations.**



(21) Design Number: **16636/2014**  
(22) Date of Filing Application: **22 December 2014**  
(24) Date from which industrial property rights may have effect: **22 December 2014**  
(54) Product in respect of which the design is registered: **Enclosure for electronic device**  
(51) International Design Classification: **03-01NES**  
(74) Name(s) of Attorney(s): **PHILLIPS ORMONDE FITZPATRICK**  
(71) Name(s) and Address(s) of Applicant(s):  
**General Electric Company**  
**1 River Road Schenectady New York, 12345 United States of America**  
(72) Name(s) of Designer(s): **Andrew Louis Krivonak and Joseph Lauth**  
(45) Registration Date: **04 February 2015**  
(30) Convention priority data:  
(31) Number (32) Date (33) Country  
**29/495,308 30 Jun 2014 UNITED STATES OF AMERICA**  
(56) Related Art Documents: **Not Applicable**  
(57) Statement of Newness and Distinctiveness: **Those features of the enclosure for electronic device depicted in the representations that are new and distinctive are the shape and/or configuration. The features shown in broken lines are not part of the design and are to be disregarded when considering the overall impression of the design.**



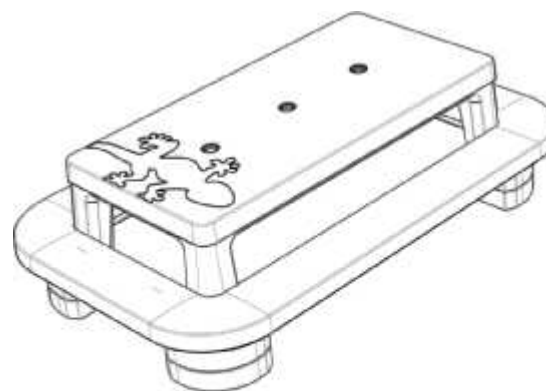
(21) Design Number: **10168/2015**  
(22) Date of Filing Application: **14 January 2015**  
(24) Date from which industrial property rights may have effect: **14 January 2015**  
(54) Product in respect of which the design is registered: **Garden trolley**  
(51) International Design Classification: **12-02**  
(74) Name(s) of Attorney(s): **Fisher Adams Kelly Pty Ltd**  
(71) Name(s) and Address(s) of Applicant(s):  
**Rowlinson Garden Products Limited**  
**Unit 2, Green Lane Wardle Cheshire CW5 6BN United Kingdom**  
(72) Name(s) of Designer(s): **Richard James Rowlinson**  
(45) Registration Date: **04 February 2015**  
(30) Convention priority data:  
(31) Number (32) Date (33) Country  
**002510206-001 28 Jul 2014 OFFICE FOR HARMONISATION IN THE INTERNAL MARKET (OHIM)**  
(56) Related Art Documents: **Not Applicable**  
(57) Statement of Newness and Distinctiveness: **The newness and distinctiveness of the design resides in the shape and/or configuration of the GARDEN BUDDY shown in the representations.**



- (21) Design Number: **10224/2015**  
(22) Date of Filing Application: **15 January 2015**  
(24) Date from which industrial property rights may have effect: **15 January 2015**  
(54) Product in respect of which the design is registered: **Children table**  
(51) International Design Classification: **06-01NES**  
(74) Name(s) of Attorney(s):  
(71) Name(s) and Address(s) of Applicant(s):

**Bruce Titchener**  
**38 Bank St South Melbourne VIC 3205 Australia**

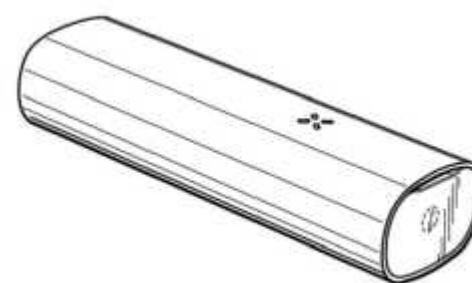
- (72) Name(s) of Designer(s): **Bruce Titchener**  
(45) Registration Date: **04 February 2015**  
(56) Related Art Documents: **Not Applicable**  
(57) Statement of Newness and Distinctiveness: **The product is new and distinctive in both its appearance and construction. The seat module runs around the perimeter of the table. It is adjustable in height and has a distinctive, subtle, novel marking appealing to children on the table top surface. This marking is shown in the application as a gecko but could be any appealing animal outline.**



- (21) Design Number: **10225/2015**  
(22) Date of Filing Application: **16 January 2015**  
(24) Date from which industrial property rights may have effect: **16 January 2015**  
(54) Product in respect of which the design is registered: **Electronic vaporisation device**  
(51) International Design Classification: **24-04**  
(74) Name(s) of Attorney(s): **SPRUSON & FERGUSON**  
(71) Name(s) and Address(s) of Applicant(s):

**Ploom, Inc.**  
**660 Alabama Street, 2nd Floor, San Francisco California, 94110 United States of America**

- (72) Name(s) of Designer(s): **Kevin Lomeli**  
(45) Registration Date: **04 February 2015**  
(30) Convention priority data:  
(31) Number      (32) Date      (33) Country  
**29/497578      25 Jul 2014      UNITED STATES OF AMERICA**  
(56) Related Art Documents: **Not Applicable**  
(57) Statement of Newness and Distinctiveness: **Newness and distinctiveness is claimed in those features of shape and/or configuration of an electronic vaporisation device illustrated in continuous lines in the accompanying representations.**



(21) Design Number: **10232/2015**

(22) Date of Filing Application: **16 January 2015**

(24) Date from which industrial property rights may have effect: **16 January 2015**

(54) Product in respect of which the design is registered: **Safety cutter**

(51) International Design Classification: **08-03**

(74) Name(s) of Attorney(s): **PIZZEYS**

(71) Name(s) and Address(s) of Applicant(s):

**Martor KG**

**Heider Hof 60 Solingen 42653 Germany**

(72) Name(s) of Designer(s): **Martin Rohrbach and Stephanie Kroener**

(45) Registration Date: **04 February 2015**

(30) Convention priority data:

(31) Number

(32) Date

(33) Country

**002508325**

**24 Jul 2014**

**EUROPEAN PATENT OFFICE (EPO)**

(56) Related Art Documents: **Not Applicable**

(57) Statement of Newness and Distinctiveness: **Nil**



(21) Design Number: **10233/2015**

(22) Date of Filing Application: **16 January 2015**

(24) Date from which industrial property rights may have effect: **16 January 2015**

(54) Product in respect of which the design is registered: **Safety cutter**

(51) International Design Classification: **08-03**

(74) Name(s) of Attorney(s): **PIZZEYS**

(71) Name(s) and Address(s) of Applicant(s):

**Martor KG**

**Heider Hof 60 Solingen 42653 Germany**

(72) Name(s) of Designer(s): **Martin Rohrbach and Stephanie Kroener**

(45) Registration Date: **04 February 2015**

(30) Convention priority data:

(31) Number

(32) Date

(33) Country

**002508325**

**24 Jul 2014**

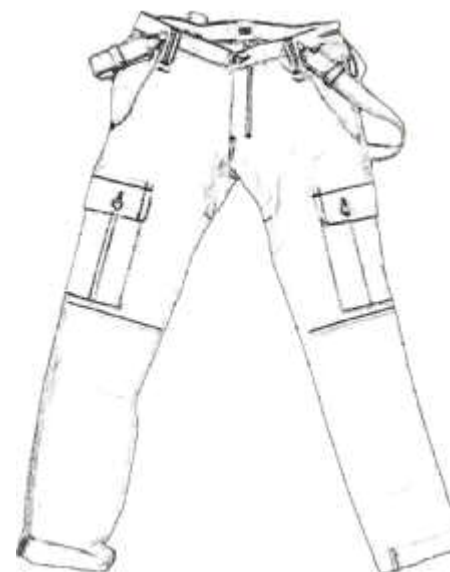
**EUROPEAN PATENT OFFICE (EPO)**

(56) Related Art Documents: **Not Applicable**

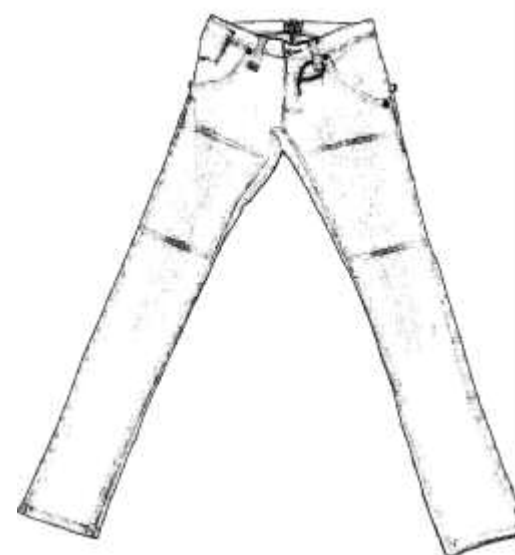
(57) Statement of Newness and Distinctiveness: **Nil**



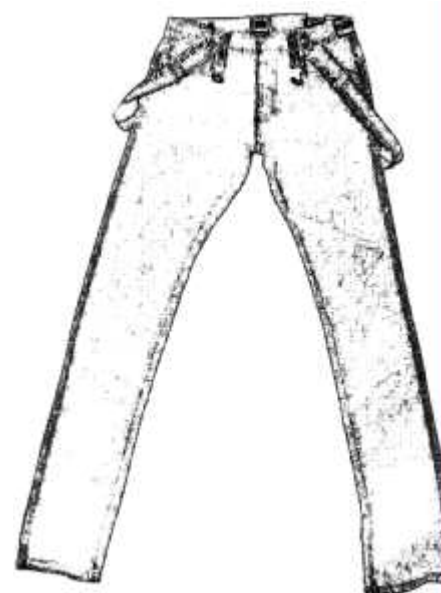
- (21) Design Number: **16358/2014**  
(22) Date of Filing Application: **08 December 2014**  
(24) Date from which industrial property rights may have effect: **08 December 2014**  
(54) Product in respect of which the design is registered: **Jeans**  
(51) International Design Classification: **02-02C**  
(74) Name(s) of Attorney(s):  
(71) Name(s) and Address(s) of Applicant(s):  
**THE ALPHA AND THE OMEGA OF DENIM PTY LTD**  
**203 Greville St Prahran VIC 3181 Australia**  
(72) Name(s) of Designer(s): **Louis Cotsoglou**  
(45) Registration Date: **04 February 2015**  
(56) Related Art Documents: **Not Applicable**  
(57) Statement of Newness and Distinctiveness: **Double sided denim strap times two attached with buckle and hook. The width of strap is 37mm. The design has a circle patch at the back between the legs. It has cargo pockets. It has wide belt loops.**



- (21) Design Number: **16359/2014**  
(22) Date of Filing Application: **08 December 2014**  
(24) Date from which industrial property rights may have effect: **08 December 2014**  
(54) Product in respect of which the design is registered: **Jeans**  
(51) International Design Classification: **02-02C**  
(74) Name(s) of Attorney(s):  
(71) Name(s) and Address(s) of Applicant(s):  
**THE ALPHA AND THE OMEGA OF DENIM PTY LTD**  
**203 Greville St Prahran VIC 3181 Australia**  
(72) Name(s) of Designer(s): **Louis Cotsoglou**  
(45) Registration Date: **04 February 2015**  
(56) Related Art Documents: **Not Applicable**  
(57) Statement of Newness and Distinctiveness: **It has panel backing on the knee. Triple needle detailing. L shaped back pocket detail. Wider belt loops. It has angle front pocket.**



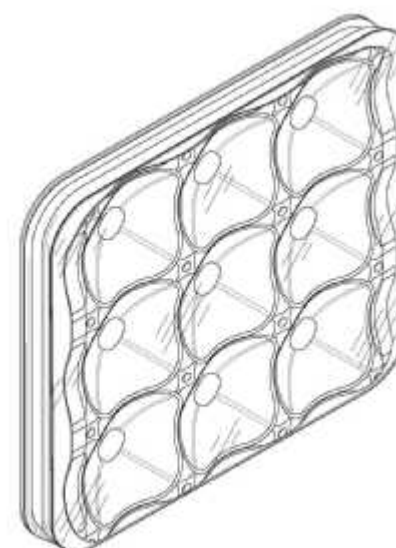
- (21) Design Number: **16360/2014**  
(22) Date of Filing Application: **08 December 2014**  
(24) Date from which industrial property rights may have effect: **08 December 2014**  
(54) Product in respect of which the design is registered: **Jeans**  
(51) International Design Classification: **02-02C**  
(74) Name(s) of Attorney(s):  
(71) Name(s) and Address(s) of Applicant(s):  
**THE ALPHA AND THE OMEGA OF DENIM PTY LTD**  
**203 Greville St Prahran VIC 3181 Australia**  
(72) Name(s) of Designer(s): **Louis Cotsoglou**  
(45) Registration Date: **04 February 2015**  
(56) Related Art Documents: **Not Applicable**  
(57) Statement of Newness and Distinctiveness: **Double sided denim strap times two attached with buckle and hook. It has angled flaps on the back pocket. The width of strap is 37mm. It has wide belt loops. Triple needle details. It has angled back pockets. L shaped front facing.**



- (21) Design Number: **16361/2014**  
(22) Date of Filing Application: **08 December 2014**  
(24) Date from which industrial property rights may have effect: **08 December 2014**  
(54) Product in respect of which the design is registered: **Shorts**  
(51) International Design Classification: **02-02C**  
(74) Name(s) of Attorney(s):  
(71) Name(s) and Address(s) of Applicant(s):  
**THE ALPHA AND THE OMEGA OF DENIM PTY LTD**  
**203 Greville St Prahran VIC 3181 Australia**  
(72) Name(s) of Designer(s): **Louis Cotsoglou**  
(45) Registration Date: **04 February 2015**  
(56) Related Art Documents: **Not Applicable**  
(57) Statement of Newness and Distinctiveness: **Double sided denim strap times two attached with buckle and hook. It has angled flaps on the back pocket. The width of strap is 37mm. It has wide belt loops. Triple needle details. it has angled back pockets. L shaped front facing.**



- (21) Design Number: **16558/2014**  
(22) Date of Filing Application: **16 December 2014**  
(24) Date from which industrial property rights may have effect: **16 December 2014**  
(54) Product in respect of which the design is registered: **Solar panel**  
(51) International Design Classification: **13-99**  
(74) Name(s) of Attorney(s): **PHILLIPS ORMONDE FITZPATRICK**  
(71) Name(s) and Address(s) of Applicant(s):  
**Gilles Leduc**  
**415 Paddy Lake Road Sudbury Ontario, P3E 4N1 Canada**  
**James Delsaut**  
**242 Maki Avenue Sudbury Ontario, P3E 2P2 Canada**  
(72) Name(s) of Designer(s): **James Delsaut and Gilles Leduc and Kelsey Leduc and Malik Amjad**  
(45) Registration Date: **04 February 2015**  
(30) Convention priority data:  
(31) Number (32) Date (33) Country  
**157583 09 Jul 2014 CANADA**  
(56) Related Art Documents: **Not Applicable**  
(57) Statement of Newness and Distinctiveness: **Nil**



- (21) Design Number: **10030/2015**  
(22) Date of Filing Application: **06 January 2015**  
(24) Date from which industrial property rights may have effect: **06 January 2015**  
(54) Product in respect of which the design is registered: **Headset**  
(51) International Design Classification: **14-01**  
(74) Name(s) of Attorney(s): **PHILLIPS ORMONDE FITZPATRICK**  
(71) Name(s) and Address(s) of Applicant(s):  
**Bose Corporation**  
**The Mountain, MS 3B1 Framingham Massachusetts, 01701-9168 United States of America**  
(72) Name(s) of Designer(s): **Adam A. Carr**  
(45) Registration Date: **04 February 2015**  
(30) Convention priority data:  
(31) Number (32) Date (33) Country  
**29/496,683 16 Jul 2014 UNITED STATES OF AMERICA**  
(56) Related Art Documents: **Not Applicable**  
(57) Statement of Newness and Distinctiveness: **Those features of the headset depicted in the representations that are new and distinctive are the shape and/or configuration. The features shown in broken lines are not part of the design and are to be disregarded when considering the overall impression of the design. Figures 1-8 show a headset with a boom microphone connected to the left-side ear cup. A mirror-image design could similarly be applied to a headset with a boom microphone connected to the right-side ear cup.**





(21) Design Number: **10234/2015**

(22) Date of Filing Application: **16 January 2015**

(24) Date from which industrial property rights may have effect: **16 January 2015**

(54) Product in respect of which the design is registered: **Bicycle carrier automobile accessory**

(51) International Design Classification: **12-16K**

(74) Name(s) of Attorney(s):

(71) Name(s) and Address(s) of Applicant(s):

**David Lugton**

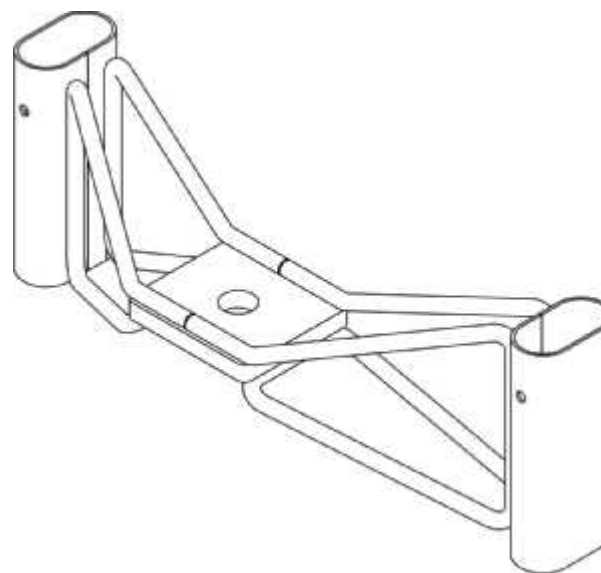
**PO BOX 486 Coburg VIC 3058 Australia**

(72) Name(s) of Designer(s): **David Lugton**

(45) Registration Date: **04 February 2015**

(56) Related Art Documents: **Not Applicable**

(57) Statement of Newness and Distinctiveness: **The newness and distinctiveness of the design resides in the shape of the bicycle carrier as shown in the continuous lines in the accompanying representations. The broken lines are not part of the design and are to be disregarded when considering the overall impression of the design.**



(21) Design Number: **10235/2015**

(22) Date of Filing Application: **16 January 2015**

(24) Date from which industrial property rights may have effect: **16 January 2015**

(54) Product in respect of which the design is registered: **Bicycle carrier automobile accessory**

(51) International Design Classification: **12-16K**

(74) Name(s) of Attorney(s):

(71) Name(s) and Address(s) of Applicant(s):

**David Lugton**

**PO BOX 486 Coburg VIC 3058 Australia**

(72) Name(s) of Designer(s): **David Lugton**

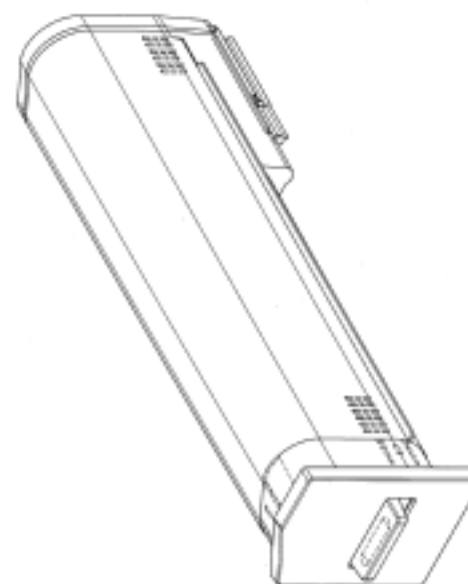
(45) Registration Date: **04 February 2015**

(56) Related Art Documents: **Not Applicable**

(57) Statement of Newness and Distinctiveness: **The newness and distinctiveness of the design resides in the shape of the bicycle carrier as shown in the continuous lines in the accompanying representations. The broken lines are not part of the design and are to be disregarded when considering the overall impression of the design.**



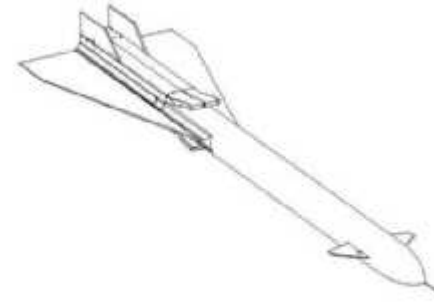
- (21) Design Number: **15994/2014**  
(22) Date of Filing Application: **21 November 2014**  
(24) Date from which industrial property rights may have effect: **21 November 2014**  
(54) Product in respect of which the design is registered: **Laser printer toner cartridge**  
(51) International Design Classification: **14-02**  
(74) Name(s) of Attorney(s): **Wrays**  
(71) Name(s) and Address(s) of Applicant(s):  
**Lexmark International, Inc.**  
**740 West New Circle Road Lexington Kentucky 40550 United States of America**  
(72) Name(s) of Designer(s): **Mark William Amann and James Daniel Anderson and Charles Alan Bast and Billy Joe Jones and Michael Craig Leemhuis and Thomas Eugene Pangburn**  
(45) Registration Date: **05 February 2015**  
(30) Convention priority data:  
(31) Number (32) Date (33) Country  
**29/491,865 27 May 2014 UNITED STATES OF AMERICA**  
(56) Related Art Documents: **Not Applicable**  
(57) Statement of Newness and Distinctiveness: **Newness and distinctiveness is claimed in the features of shape, configuration, pattern and/or ornamentation of the Laser Printer Toner Cartridge as shown in the accompanying representations. The features depicted by broken lines are for illustrative purposes only and form no part of the claimed design.**



- (21) Design Number: **16433/2014**  
(22) Date of Filing Application: **11 December 2014**  
(24) Date from which industrial property rights may have effect: **11 December 2014**  
(54) Product in respect of which the design is registered: **1) Refrigerator 2) refrigerator cabinet**  
(51) International Design Classification: **15-07**  
(74) Name(s) of Attorney(s): **Griffith Hack**  
(71) Name(s) and Address(s) of Applicant(s):  
**MITSUBISHI ELECTRIC CORPORATION**  
**7-3 Marunouchi 2-chome Chiyoda-ku TOKYO 100-8310 Japan**  
(72) Name(s) of Designer(s): **Masaaki Hoshi and Kei Kasuga**  
(45) Registration Date: **05 February 2015**  
(30) Convention priority data:  
(31) Number (32) Date (33) Country  
**2014-012701 12 Jun 2014 JAPAN**  
(56) Related Art Documents: **Not Applicable**  
(57) Statement of Newness and Distinctiveness: **The shape and configuration of the products are new and distinctive.**



- (21) Design Number: **16557/2014**  
(22) Date of Filing Application: **16 December 2014**  
(24) Date from which industrial property rights may have effect: **16 December 2014**  
(54) Product in respect of which the design is registered: **An aerial vehicle**  
(51) International Design Classification: **12-07, 22-04**  
(74) Name(s) of Attorney(s): **PHILLIPS ORMONDE FITZPATRICK**  
(71) Name(s) and Address(s) of Applicant(s):  
**Grollo Aerospace**  
**344 Mansfield St Thornbury VIC 3071 Australia**  
(72) Name(s) of Designer(s): **Mark Grollo**  
(45) Registration Date: **05 February 2015**  
(56) Related Art Documents: **Not Applicable**  
(57) Statement of Newness and Distinctiveness: **Those features of the aerial vehicle depicted in the representations that are new and distinctive are the shape and/or configuration.**



- (21) Design Number: **10131/2015**  
(22) Date of Filing Application: **13 January 2015**  
(24) Date from which industrial property rights may have effect: **13 January 2015**  
(54) Product in respect of which the design is registered: **Hand carryable vacuum cleaner**  
(51) International Design Classification: **15-05**  
(74) Name(s) of Attorney(s): **PIZZEYS**  
(71) Name(s) and Address(s) of Applicant(s):  
**Euro-Pro Operating LLC**  
**180 Wells Avenue, Suite 200 Newton MA, 02459 United States of America**  
(72) Name(s) of Designer(s): **Scott Niedzwecki**  
(45) Registration Date: **05 February 2015**  
(30) Convention priority data:  
(31) Number      (32) Date      (33) Country  
**29/496,846      17 Jul 2014      UNITED STATES OF AMERICA**  
(56) Related Art Documents: **Not Applicable**  
(57) Statement of Newness and Distinctiveness: **Nil**



(21) Design Number: **10138/2015**  
(22) Date of Filing Application: **21 November 2014**  
(24) Date from which industrial property rights may have effect: **21 November 2014**  
(54) Product in respect of which the design is registered: **Tubing clip**  
(51) International Design Classification: **24-02**  
(74) Name(s) of Attorney(s): **PHILLIPS ORMONDE FITZPATRICK**  
(71) Name(s) and Address(s) of Applicant(s):

**Cook Medical Technologies LLC**  
**750 Daniels Way P.O. Box 2269 Bloomington Indiana 47402 United States of America**

(72) Name(s) of Designer(s): **Wen Hong Neoh and James A. Taylor**

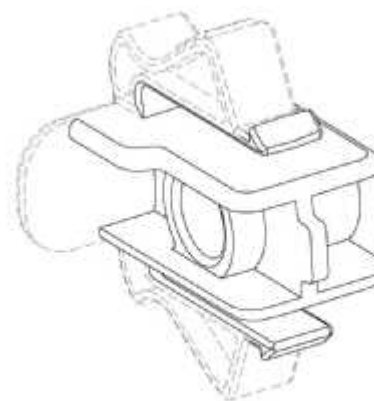
(45) Registration Date: **05 February 2015**

(30) Convention priority data:

(31) Number	(32) Date	(33) Country
<b>29/495,170</b>	<b>27 Jun 2014</b>	<b>UNITED STATES OF AMERICA</b>

(56) Related Art Documents: **Not Applicable**

(57) Statement of Newness and Distinctiveness: **Newness and distinctiveness resides in the shape and/or configuration of the tubing clip shown in the continuous lines in the accompanying representations. The features shown in broken lines are not part of the design and are to be disregarded when considering the overall impression of the design.**



(21) Design Number: **16442/2014**  
(22) Date of Filing Application: **12 December 2014**  
(24) Date from which industrial property rights may have effect: **12 December 2014**  
(54) Product in respect of which the design is registered: **Decanter with cap**  
(51) International Design Classification: **07-01F**  
(74) Name(s) of Attorney(s):  
(71) Name(s) and Address(s) of Applicant(s):

**Darryl Tombleson**  
**L36 1 Macquarie PI Sydney NSW 2000 Australia**

(72) Name(s) of Designer(s): **Darryl Tombleson**

(45) Registration Date: **05 February 2015**

(56) Related Art Documents: **Not Applicable**

(57) Statement of Newness and Distinctiveness: **Newness and distinctiveness is claimed in the features of shape and/or configuration of the decanter with cap as shown in the accompanying representations.**



(21) Design Number: **16218/2014**  
(22) Date of Filing Application: **28 November 2014**  
(24) Date from which industrial property rights may have effect: **15 September 2014**  
(54) Product in respect of which the design is registered: **Hand rails for rail vehicle**  
(51) International Design Classification: **12-03**  
(74) Name(s) of Attorney(s): **PHILLIPS ORMONDE FITZPATRICK**  
(71) Name(s) and Address(s) of Applicant(s):



**ALSTOM Transport Technologies**  
**3 av Andre Malraux LEVALLOIS PERRET 92300 France**

(72) Name(s) of Designer(s): **Frederic Battle and Mathieu Pommier**

(45) Registration Date: **05 February 2015**

(30) Convention priority data:

(31) Number	(32) Date	(33) Country
<b>002424473-001/0</b>	<b>13 Mar 2014</b>	<b>OFFICE FOR HARMONISATION IN THE INTERNAL MARKET (OHIM)</b>

(62) Divisional of: **359140**

(56) Related Art Documents: **Not Applicable**

(57) Statement of Newness and Distinctiveness: **Newness and distinctiveness resides in the shape and/or configuration of the handrails for a rail vehicle shown in the representation. The solid red lines shown in the representation surround the design. Any features shown outside the solid red lines are to be ignored.**

(21) Design Number: **10428/2015**  
(22) Date of Filing Application: **28 November 2014**  
(24) Date from which industrial property rights may have effect: **28 November 2014**  
(54) Product in respect of which the design is registered: **Hand Rails for rail vehicle**  
(51) International Design Classification: **12-03**  
(74) Name(s) of Attorney(s): **PHILLIPS ORMONDE FITZPATRICK**  
(71) Name(s) and Address(s) of Applicant(s):



**ALSTOM Transport Technologies**  
**3 av Andre Malraux LEVALLOIS PERRET 92300 France**

(72) Name(s) of Designer(s): **Frederic Battle and Mathieu Pommier**

(45) Registration Date: **05 February 2015**

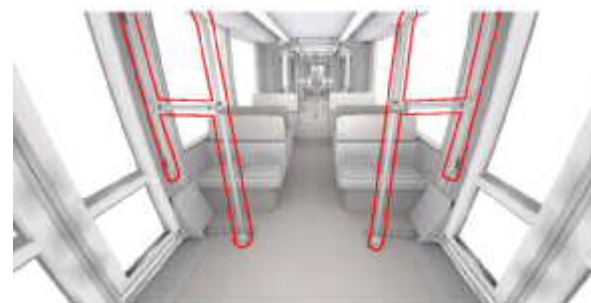
(30) Convention priority data:

(31) Number	(32) Date	(33) Country
<b>002424473</b>	<b>13 Mar 2014</b>	<b>OFFICE FOR HARMONISATION IN THE INTERNAL MARKET (OHIM)</b>

(56) Related Art Documents: **Not Applicable**

(57) Statement of Newness and Distinctiveness: **Newness and distinctiveness resides in the shape and/or configuration of the handrails for a rail vehicle shown in the representation. The solid red lines shown in the representation surround the design. Any features shown outside the solid red lines are to be ignored.**

(21) Design Number: **10429/2015**  
(22) Date of Filing Application: **28 November 2014**  
(24) Date from which industrial property rights may have effect: **28 November 2014**  
(54) Product in respect of which the design is registered: **Hand rails for rail vehicle**  
(51) International Design Classification: **12-03**  
(74) Name(s) of Attorney(s): **PHILLIPS ORMONDE FITZPATRICK**  
(71) Name(s) and Address(s) of Applicant(s):  
**ALSTOM Transport Technologies**  
**3 av Andre Malraux LEVALLOIS PERRET 92300 France**  
(72) Name(s) of Designer(s): **Frederic Battle and Mathieu Pommier**  
(45) Registration Date: **05 February 2015**  
(30) Convention priority data:  
(31) Number      (32) Date      (33) Country  
**002424473      13 Mar 2014      OFFICE FOR HARMONISATION IN**  
**THE INTERNAL MARKET (OHIM)**



(56) Related Art Documents: **Not Applicable**  
(57) Statement of Newness and Distinctiveness: **Newness and distinctiveness resides in the shape and/or configuration of the handrails for a rail vehicle shown in the representation. The solid red lines shown in the representation surround the design. Any features shown outside the solid red lines are to be ignored.**

(21) Design Number: **10430/2015**  
(22) Date of Filing Application: **28 November 2014**  
(24) Date from which industrial property rights may have effect: **28 November 2014**  
(54) Product in respect of which the design is registered: **Hand rails for rail vehicle**  
(51) International Design Classification: **12-03**  
(74) Name(s) of Attorney(s): **PHILLIPS ORMONDE FITZPATRICK**  
(71) Name(s) and Address(s) of Applicant(s):  
**ALSTOM Transport Technologies**  
**3 av Andre Malraux LEVALLOIS PERRET 92300 France**  
(72) Name(s) of Designer(s): **Frederic Battle and Mathieu Pommier**  
(45) Registration Date: **05 February 2015**  
(30) Convention priority data:  
(31) Number      (32) Date      (33) Country  
**002424473      13 Mar 2014      OFFICE FOR HARMONISATION IN**  
**THE INTERNAL MARKET (OHIM)**



(56) Related Art Documents: **Not Applicable**  
(57) Statement of Newness and Distinctiveness: **Newness and distinctiveness resides in the shape and/or configuration of the handrails for a rail vehicle shown in the representation. The solid red lines shown in the representation surround the design. Any features shown outside the solid red lines are to be ignored.**

(21) Design Number: **10240/2015**

(22) Date of Filing Application: **16 January 2015**

(24) Date from which industrial property rights may have effect: **16 January 2015**

(54) Product in respect of which the design is registered: **Air freshener**

(51) International Design Classification: **28-99**

(74) Name(s) of Attorney(s): **Shelston IP**

(71) Name(s) and Address(s) of Applicant(s):

**Reckitt Benckiser (Brands) Limited**  
**103-105 Bath Road Slough Berkshire SL1 3UH United Kingdom**

(72) Name(s) of Designer(s): **Richard Gamble and David Sanders and Daniel Tyce**

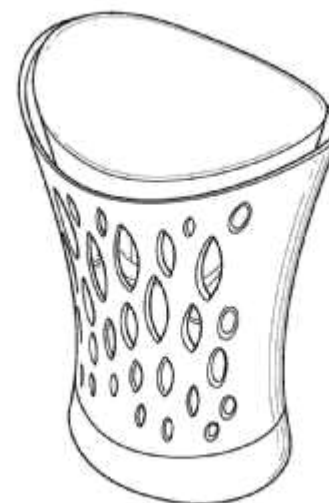
(45) Registration Date: **06 February 2015**

(30) Convention priority data:

(31) Number	(32) Date	(33) Country
<b>002505131-0002</b>	<b>18 Jul 2014</b>	<b>OFFICE FOR HARMONISATION IN THE INTERNAL MARKET (OHIM)</b>

(56) Related Art Documents: **Not Applicable**

(57) Statement of Newness and Distinctiveness: **Newness and distinctiveness reside in the features of shape and configuration of an air freshener as illustrated in solid lines in the accompanying representations. The features shown in broken lines are shown for illustrative purposes only and do not form part of the design.**



(21) Design Number: **10293/2015**

(22) Date of Filing Application: **19 January 2015**

(24) Date from which industrial property rights may have effect: **19 January 2015**

(54) Product in respect of which the design is registered: **Food bin with cutting board**

(51) International Design Classification: **07-01NES, 07-04**

(74) Name(s) of Attorney(s): **PHILLIPS ORMONDE FITZPATRICK**

(71) Name(s) and Address(s) of Applicant(s):

**Dart Industries Inc.**  
**14901 S. Orange Blossom Trail Orlando Florida, 32877 United States of America**

(72) Name(s) of Designer(s): **Jan-Hendrick de Groot**

(45) Registration Date: **06 February 2015**

(30) Convention priority data:

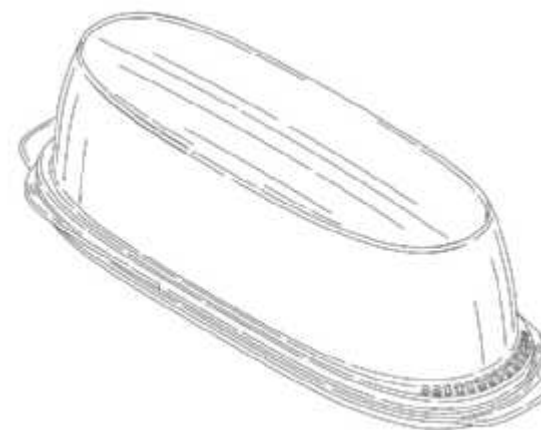
(31) Number	(32) Date	(33) Country
<b>29/499,269</b>	<b>13 Aug 2014</b>	<b>UNITED STATES OF AMERICA</b>

(56) Related Art Documents: **Not Applicable**

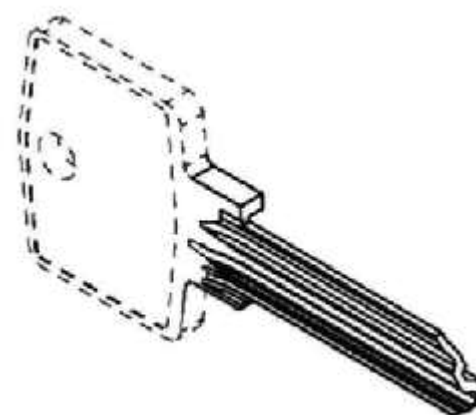
(57) Statement of Newness and Distinctiveness: **Nil**



(21) Design Number: **10292/2015**  
(22) Date of Filing Application: **19 January 2015**  
(24) Date from which industrial property rights may have effect: **19 January 2015**  
(54) Product in respect of which the design is registered: **Covered food dish**  
(51) International Design Classification: **07-01NES**  
(74) Name(s) of Attorney(s): **PHILLIPS ORMONDE FITZPATRICK**  
(71) Name(s) and Address(s) of Applicant(s):  
**Dart Industries Inc.**  
**14901 S. Orange Blossom Trail Orlando Florida, 32837 United States of America**  
(72) Name(s) of Designer(s): **Josefine Bentzen**  
(45) Registration Date: **06 February 2015**  
(30) Convention priority data:  
(31) Number      (32) Date      (33) Country  
**29/499,260      13 Aug 2014      UNITED STATES OF AMERICA**  
(56) Related Art Documents: **Not Applicable**  
(57) Statement of Newness and Distinctiveness: **Nil**

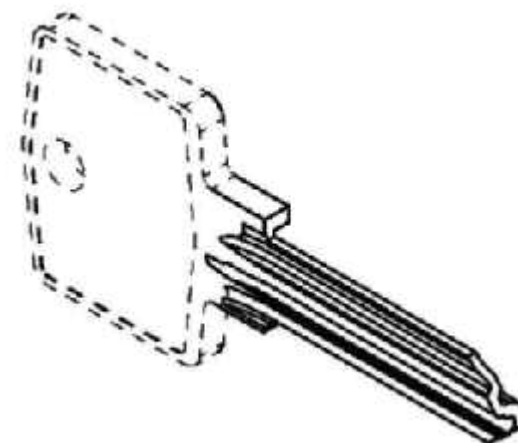


(21) Design Number: **10238/2015**  
(22) Date of Filing Application: **16 January 2015**  
(24) Date from which industrial property rights may have effect: **16 January 2015**  
(54) Product in respect of which the design is registered: **Key blank**  
(51) International Design Classification: **08-07**  
(74) Name(s) of Attorney(s):  
(71) Name(s) and Address(s) of Applicant(s):  
**AUSTRALIAN LOCK COMPANY PTY LTD**  
**PO BOX 479 Unanderra NSW 2526 Australia**  
(72) Name(s) of Designer(s): **Changyu You**  
(45) Registration Date: **06 February 2015**  
(56) Related Art Documents: **Not Applicable**  
(57) Statement of Newness and Distinctiveness: **Newness and distinctiveness is claimed in the shape and configuration of the key blade as represented in solid lines in the drawings. In assessing the newness and distinctiveness, no regard should be had of the features represented in broken lines, including the key head.**





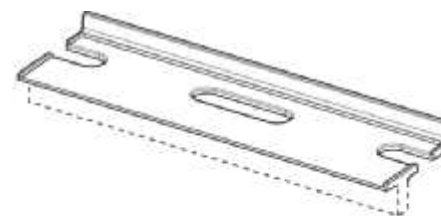
- (21) Design Number: **10239/2015**  
(22) Date of Filing Application: **16 January 2015**  
(24) Date from which industrial property rights may have effect: **16 January 2015**  
(54) Product in respect of which the design is registered: **Key blank**  
(51) International Design Classification: **08-07**  
(74) Name(s) of Attorney(s):  
(71) Name(s) and Address(s) of Applicant(s):  
**AUSTRALIAN LOCK COMPANY PTY LTD**  
**PO BOX 479 Unanderra NSW 2526 Australia**  
(72) Name(s) of Designer(s): **Changyu You**  
(45) Registration Date: **06 February 2015**  
(56) Related Art Documents: **Not Applicable**  
(57) Statement of Newness and Distinctiveness: **Newness and distinctiveness is claimed in the shape and configuration of the key blade as represented in solid lines in the drawings. In assessing newness and distinctiveness, no regard should be had of the features represented in broken lines, including the key head.**



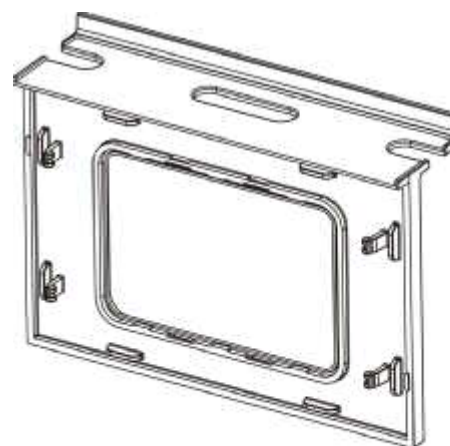
- (21) Design Number: **15940/2014**  
(22) Date of Filing Application: **20 November 2014**  
(24) Date from which industrial property rights may have effect: **20 November 2014**  
(54) Product in respect of which the design is registered: **Cord of window covering**  
(51) International Design Classification: **06-10**  
(74) Name(s) of Attorney(s): **A.P.T. Patent and Trade Mark Attorneys**  
(71) Name(s) and Address(s) of Applicant(s):  
**Nien Made Enterprise Co., Ltd.**  
**19F-1, No. 236, Sec 2 Wuquan W. Road Nantun Dist. Taichung City 408**  
**Taiwan**  
(72) Name(s) of Designer(s): **Chih-Yao Chang and Chao-Hung Nien**  
(45) Registration Date: **06 February 2015**  
(30) Convention priority data:  
(31) Number      (32) Date      (33) Country  
**156735      22 May 2014      CANADA**  
(56) Related Art Documents: **Not Applicable**  
(57) Statement of Newness and Distinctiveness: **In assessing newness and distinctiveness of the cord of window covering no regard is to be had of the length or depth of the article.**



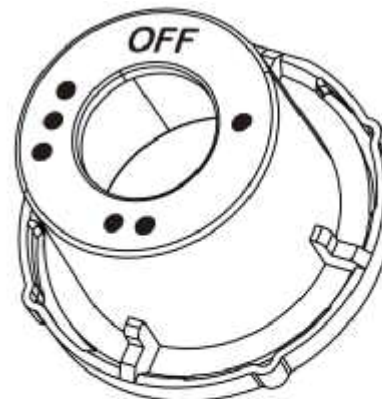
- (21) Design Number: **14413/2014**  
(22) Date of Filing Application: **04 September 2014**  
(24) Date from which industrial property rights may have effect: **04 September 2014**  
(54) Product in respect of which the design is registered: **Support for electric device**  
(51) International Design Classification: **08-08NES**  
(74) Name(s) of Attorney(s): **Madderns**  
(71) Name(s) and Address(s) of Applicant(s):  
**Schneider Electric (Australia) Pty Limited**  
**78 Waterloo Rd Macquarie Park NSW 2113 Australia**  
(72) Name(s) of Designer(s): **Iain Wickens and Elizabeth Tunde Juhasz**  
(45) Registration Date: **06 February 2015**  
(56) Related Art Documents: **Not Applicable**  
(57) Statement of Newness and Distinctiveness: **Newness and distinctiveness resides in the shape and/or configuration of a support for electrical device as depicted in solid lines as shown in the accompanying representations. When determining the scope of protection, no regard will be had to the features depicted in dotted lines.**



- (21) Design Number: **14416/2014**  
(22) Date of Filing Application: **04 September 2014**  
(24) Date from which industrial property rights may have effect: **04 September 2014**  
(54) Product in respect of which the design is registered: **Support for electrical device**  
(51) International Design Classification: **08-08NES**  
(74) Name(s) of Attorney(s): **Madderns**  
(71) Name(s) and Address(s) of Applicant(s):  
**Schneider Electric (Australia) Pty Limited**  
**78 Waterloo Rd Macquarie Park NSW 2113 Australia**  
(72) Name(s) of Designer(s): **Elizabeth Tunde Juhasz and Iain Wickens**  
(45) Registration Date: **06 February 2015**  
(56) Related Art Documents: **Not Applicable**  
(57) Statement of Newness and Distinctiveness: **Newness and distinctiveness resides in the shape and/or configuration of a support for electrical device as shown in the accompanying representations.**



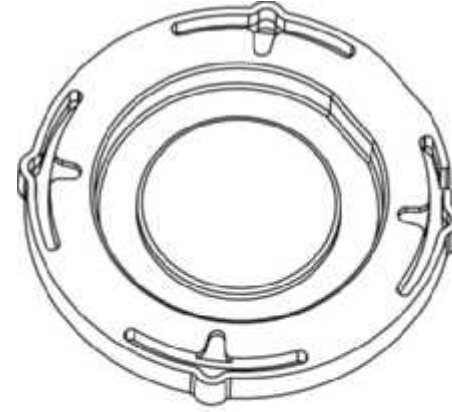
- (21) Design Number: **14419/2014**  
(22) Date of Filing Application: **04 September 2014**  
(24) Date from which industrial property rights may have effect: **04 September 2014**  
(54) Product in respect of which the design is registered: **Rotary switch component**  
(51) International Design Classification: **13-03E**  
(74) Name(s) of Attorney(s): **Madderns**  
(71) Name(s) and Address(s) of Applicant(s):  
**Schneider Electric (Australia) Pty Limited**  
**78 Waterloo Rd Macquarie Park NSW 2113 Australia**  
(72) Name(s) of Designer(s): **ChangRong Hu**  
(45) Registration Date: **06 February 2015**  
(56) Related Art Documents: **Not Applicable**  
(57) Statement of Newness and Distinctiveness: **Newness and distinctiveness resides in the shape and/or configuration of a rotary switch component as shown in the accompanying representations.**



- (21) Design Number: **14422/2014**  
(22) Date of Filing Application: **04 September 2014**  
(24) Date from which industrial property rights may have effect: **04 September 2014**  
(54) Product in respect of which the design is registered: **Rotary switch component**  
(51) International Design Classification: **13-03E**  
(74) Name(s) of Attorney(s): **Madderns**  
(71) Name(s) and Address(s) of Applicant(s):  
**Schneider Electric (Australia) Pty Limited**  
**78 Waterloo Rd Macquarie Park NSW 2113 Australia**  
(72) Name(s) of Designer(s): **ChangRong Hu**  
(45) Registration Date: **06 February 2015**  
(56) Related Art Documents: **Not Applicable**  
(57) Statement of Newness and Distinctiveness: **Newness and distinctiveness resides in the shape and/or configuration of a rotary switch component as shown in the accompanying representations.**



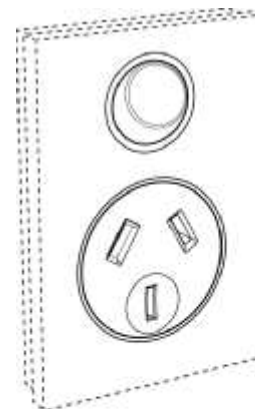
- (21) Design Number: **14424/2014**  
(22) Date of Filing Application: **04 September 2014**  
(24) Date from which industrial property rights may have effect: **04 September 2014**  
(54) Product in respect of which the design is registered: **Switch component**  
(51) International Design Classification: **13-03E**  
(74) Name(s) of Attorney(s): **Madderns**  
(71) Name(s) and Address(s) of Applicant(s):  
**Schneider Electric (Australia) Pty Limited**  
**78 Waterloo Rd Macquarie Park NSW 2113 Australia**  
(72) Name(s) of Designer(s): **Xiaotao Feng**  
(45) Registration Date: **06 February 2015**  
(56) Related Art Documents: **Not Applicable**  
(57) Statement of Newness and Distinctiveness: **Newness and distinctiveness resides in the shape and/or configuration of a switch component as shown in the accompanying representations.**



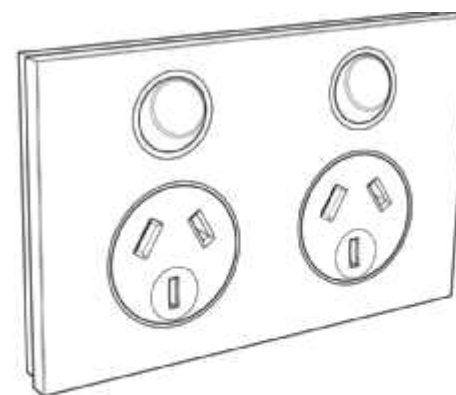
- (21) Design Number: **14426/2014**  
(22) Date of Filing Application: **04 September 2014**  
(24) Date from which industrial property rights may have effect: **04 September 2014**  
(54) Product in respect of which the design is registered: **Support for electrical device**  
(51) International Design Classification: **08-08NES**  
(74) Name(s) of Attorney(s): **Madderns**  
(71) Name(s) and Address(s) of Applicant(s):  
**Schneider Electric (Australia) Pty Limited**  
**78 Waterloo Rd Macquarie Park NSW 2113 Australia**  
(72) Name(s) of Designer(s): **Elizabeth Tunde Juhasz and Iain Wickens**  
(45) Registration Date: **06 February 2015**  
(56) Related Art Documents: **Not Applicable**  
(57) Statement of Newness and Distinctiveness: **Newness and distinctiveness resides in the shape and/or configuration of a support for electrical device as shown in the accompanying representations.**



- (21) Design Number: **14428/2014**  
(22) Date of Filing Application: **04 September 2014**  
(24) Date from which industrial property rights may have effect: **04 September 2014**  
(54) Product in respect of which the design is registered: **Electrical outlet**  
(51) International Design Classification: **13-03D**  
(74) Name(s) of Attorney(s): **Madderns**  
(71) Name(s) and Address(s) of Applicant(s):  
**Schneider Electric (Australia) Pty Limited**  
**78 Waterloo Rd Macquarie Park NSW 2113 Australia**  
(72) Name(s) of Designer(s): **Gerrit de Man**  
(45) Registration Date: **06 February 2015**  
(56) Related Art Documents: **Not Applicable**  
(57) Statement of Newness and Distinctiveness: **Newness and distinctiveness resides in the shape and/or configuration of an electrical outlet as depicted in solid lines in the accompanying representations. When determining the scope of protection, no regard will be had to the features depicted in dotted lines.**



- (21) Design Number: **14429/2014**  
(22) Date of Filing Application: **04 September 2014**  
(24) Date from which industrial property rights may have effect: **04 September 2014**  
(54) Product in respect of which the design is registered: **Electrical outlet**  
(51) International Design Classification: **13-03D**  
(74) Name(s) of Attorney(s): **Madderns**  
(71) Name(s) and Address(s) of Applicant(s):  
**Schneider Electric (Australia) Pty Limited**  
**78 Waterloo Rd Macquarie Park NSW 2113 Australia**  
(72) Name(s) of Designer(s): **Gerrit de Man**  
(45) Registration Date: **06 February 2015**  
(56) Related Art Documents: **Not Applicable**  
(57) Statement of Newness and Distinctiveness: **Newness and distinctiveness resides in the shape and/or configuration of an electrical outlet as shown in the accompanying representations.**



(21) Design Number: **16219/2014**  
(22) Date of Filing Application: **28 November 2014**  
(24) Date from which industrial property rights may have effect: **15 September 2014**  
(54) Product in respect of which the design is registered: **Seating with handrails for a rail vehicle**  
(51) International Design Classification: **12-03, 06-01D**  
(74) Name(s) of Attorney(s): **PHILLIPS ORMONDE FITZPATRICK**  
(71) Name(s) and Address(s) of Applicant(s):  
**ALSTOM Transport Technologies**  
**3 av Andre Malraux LEVALLOIS PERRET 92300 France**  
(72) Name(s) of Designer(s): **Mathieu Pommier and Frederic Battle**  
(45) Registration Date: **09 February 2015**  
(30) Convention priority data:  
(31) Number (32) Date (33) Country  
**002424564-001/0 13 Mar 2014 OFFICE FOR HARMONISATION IN THE INTERNAL MARKET (OHIM)**  
(62) Divisional of: **359141**  
(56) Related Art Documents: **Not Applicable**  
(57) Statement of Newness and Distinctiveness: **Newness and distinctiveness resides in the shape and/or configuration of the seating with handrails for a rail vehicle shown in the representations.**



(21) Design Number: **16237/2014**  
(22) Date of Filing Application: **01 December 2014**  
(24) Date from which industrial property rights may have effect: **01 December 2014**  
(54) Product in respect of which the design is registered: **A cooking vessel**  
(51) International Design Classification: **07-02NES**  
(74) Name(s) of Attorney(s): **Freehills Patent Attorneys**  
(71) Name(s) and Address(s) of Applicant(s):  
**Funtastic Limited**  
**L2 Tower 2 Chadstone PI 1341 Dandenong Rd Chadstone VIC 3148 Australia**  
(72) Name(s) of Designer(s): **Man Piu Billy Yip and Aaron Avila**  
(45) Registration Date: **09 February 2015**  
(56) Related Art Documents: **Not Applicable**  
(57) Statement of Newness and Distinctiveness: **Newness and distinctiveness resides in the features of shape and configuration of the cooking vessel as shown in the representations.**





(21) Design Number: **10090/2015**

(22) Date of Filing Application: **09 January 2015**

(24) Date from which industrial property rights may have effect: **09 January 2015**

(54) Product in respect of which the design is registered: **Tools (part of-)**

(51) International Design Classification: **08-03, 08-05NES**

(74) Name(s) of Attorney(s): **Davies Collison Cave**

(71) Name(s) and Address(s) of Applicant(s):

**Fiskars Garden Oy Ab  
FI-10330 Billnas Finland**

(72) Name(s) of Designer(s): **Juha Huhtala and Sami Lyytikainen and Markus Onnela**

(45) Registration Date: **09 February 2015**

(30) Convention priority data:

(31) Number (32) Date  
**002499343-0001 09 Jul 2014**

(33) Country  
**OFFICE FOR HARMONISATION IN  
THE INTERNAL MARKET (OHIM)**

(56) Related Art Documents: **Not Applicable**

(57) Statement of Newness and Distinctiveness: **Newness and distinctiveness is claimed in the visual features shown in solid lines in the representations. In considering the extent of the design rights, the broken lines shown in the representations are for illustrative purposes only and do not form part of the design.**



(21) Design Number: **10093/2015**

(22) Date of Filing Application: **09 January 2015**

(24) Date from which industrial property rights may have effect: **09 January 2015**

(54) Product in respect of which the design is registered: **Tools (part of-)**

(51) International Design Classification: **08-03, 08-05NES**

(74) Name(s) of Attorney(s): **Davies Collison Cave**

(71) Name(s) and Address(s) of Applicant(s):

**Fiskars Garden Oy Ab  
FI-10330 Billnas Finland**

(72) Name(s) of Designer(s): **Juha Huhtala and Sami Lyytikainen and Markus Onnela**

(45) Registration Date: **09 February 2015**

(30) Convention priority data:

(31) Number (32) Date  
**002499343-0002 09 Jul 2014**

(33) Country  
**OFFICE FOR HARMONISATION IN  
THE INTERNAL MARKET (OHIM)**

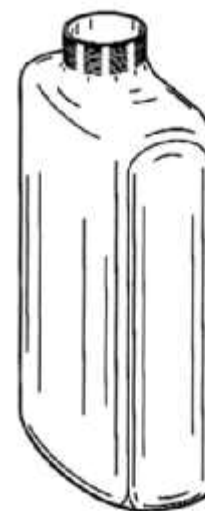
(56) Related Art Documents: **Not Applicable**

(57) Statement of Newness and Distinctiveness: **Newness and distinctiveness is claimed in the visual features shown in solid lines in the representations. In considering the extent of the design rights, the broken lines shown in the representations are for illustrative purposes only and do not form part of the design.**





(21) Design Number: **10096/2015**  
(22) Date of Filing Application: **09 January 2015**  
(24) Date from which industrial property rights may have effect: **09 January 2015**  
(54) Product in respect of which the design is registered: **A flask**  
(51) International Design Classification: **07-01F**  
(74) Name(s) of Attorney(s): **WATERMARK PATENT AND TRADE MARKS ATTORNEYS**  
(71) Name(s) and Address(s) of Applicant(s):  
**Fred Beverages Inc.**  
**2633 Lincoln Boulevard, #536 Santa Monica CA, 90405 United States of America**  
(72) Name(s) of Designer(s): **Adam Jay Gayner and Ariel Barron Broggi**  
(45) Registration Date: **09 February 2015**  
(30) Convention priority data:  
(31) Number (32) Date (33) Country  
**29/496,094 09 Jul 2014 UNITED STATES OF AMERICA**  
(56) Related Art Documents: **Not Applicable**  
(57) Statement of Newness and Distinctiveness: **Nil**



(21) Design Number: **10272/2015**  
(22) Date of Filing Application: **19 January 2015**  
(24) Date from which industrial property rights may have effect: **19 January 2015**  
(54) Product in respect of which the design is registered: **Cover for portable electronic device**  
(51) International Design Classification: **03-01NES**  
(74) Name(s) of Attorney(s): **Griffith Hack**  
(71) Name(s) and Address(s) of Applicant(s):  
**SAMSUNG ELECTRONICS CO., LTD.**  
**129, Samsung-ro Yeongtong-gu Suwon-si Gyeonggi-do 443-742 Republic of Korea**  
(72) Name(s) of Designer(s): **Tomohiro Harata and Iksang Kim and Jiwoong Hwang**  
(45) Registration Date: **09 February 2015**  
(30) Convention priority data:  
(31) Number (32) Date (33) Country  
**30-2014-0043777 05 Sep 2014 REPUBLIC OF KOREA**  
(56) Related Art Documents: **Not Applicable**  
(57) Statement of Newness and Distinctiveness: **Newness and distinctiveness resides in the visual features including the shape, configuration, pattern and ornamentation of those parts shown by means of solid lines in the representations. Those parts shown in dashed lines have been included for illustrative purposes only. The dot-dashed line at a lower part on the front face of the product in figures 1 and 2 identifies a boundary between the parts illustrated in solid lines and the parts illustrated in dashed lines.**



- (21) Design Number: **10273/2015**  
(22) Date of Filing Application: **19 January 2015**  
(24) Date from which industrial property rights may have effect: **19 January 2015**  
(54) Product in respect of which the design is registered: **Oral care implement and portion thereof**  
(51) International Design Classification: **04-02**  
(74) Name(s) of Attorney(s): **FB Rice**  
(71) Name(s) and Address(s) of Applicant(s):  
**Colgate-Palmolive Company**  
**300 Park Avenue New York NY 10022 United States of America**  
(72) Name(s) of Designer(s): **Wenjin Xi and Yanmei Ji and Bo Zhang and Kai Zhang and Guangsheng Guo**  
(45) Registration Date: **09 February 2015**  
(30) Convention priority data:  
(31) Number (32) Date (33) Country  
**29/498171 31 Jul 2014 UNITED STATES OF AMERICA**  
(56) Related Art Documents: **Not Applicable**  
(57) Statement of Newness and Distinctiveness: **Newness and distinctiveness reside in the features of shape and configuration of the design shown in solid lines in the representations excluding those features shown in broken lines.**



- (21) Design Number: **10274/2015**  
(22) Date of Filing Application: **19 January 2015**  
(24) Date from which industrial property rights may have effect: **19 January 2015**  
(54) Product in respect of which the design is registered: **Cover for portable electronic device**  
(51) International Design Classification: **03-01NES**  
(74) Name(s) of Attorney(s): **Griffith Hack**  
(71) Name(s) and Address(s) of Applicant(s):  
**SAMSUNG ELECTRONICS CO., LTD.**  
**129, Samsung-ro Yeongtong-gu Suwon-si Gyeonggi-do 443-742**  
**Republic of Korea**  
(72) Name(s) of Designer(s): **Tomohiro Harata and Iksang Kim and Jiwoong Hwang**  
(45) Registration Date: **09 February 2015**  
(30) Convention priority data:  
(31) Number (32) Date (33) Country  
**30-2014-0043776 05 Sep 2014 REPUBLIC OF KOREA**  
(56) Related Art Documents: **Not Applicable**  
(57) Statement of Newness and Distinctiveness: **Newness and distinctiveness resides in the visual features including the shape, configuration, pattern and ornamentation of those parts shown by means of solid lines in the representations. Those parts shown in dashed lines have been included for illustrative purposes only.**



(21) Design Number: **10282/2015**

(22) Date of Filing Application: **19 January 2015**

(24) Date from which industrial property rights may have effect: **19 January 2015**

(54) Product in respect of which the design is registered: **Comb for body groomer**

(51) International Design Classification: **28-03A**

(74) Name(s) of Attorney(s): **FB Rice**

(71) Name(s) and Address(s) of Applicant(s):

**Koninklijke Philips N.V.**  
**High Tech Campus 5 5656 AE Eindhoven The Netherlands**

(72) Name(s) of Designer(s): **Jens Peter Kophmann Andersson**

(45) Registration Date: **09 February 2015**

(30) Convention priority data:

(31) Number	(32) Date	(33) Country
<b>002506584-0002</b>	<b>22 Jul 2014</b>	<b>OFFICE FOR HARMONISATION IN THE INTERNAL MARKET (OHIM)</b>



(56) Related Art Documents: **Not Applicable**

(57) Statement of Newness and Distinctiveness: **Newness and distinctiveness reside in the features of shape and configuration of the design as shown in the representations.**

(21) Design Number: **10284/2015**

(22) Date of Filing Application: **19 January 2015**

(24) Date from which industrial property rights may have effect: **19 January 2015**

(54) Product in respect of which the design is registered: **A meditation and posture alignment seat**

(51) International Design Classification: **06-01NES**

(74) Name(s) of Attorney(s):

(71) Name(s) and Address(s) of Applicant(s):

**Alan Bryan**  
**28 Oakland Ct Byron Bay NSW 2481 Australia**

(72) Name(s) of Designer(s): **Alan Bryan**

(45) Registration Date: **09 February 2015**

(56) Related Art Documents: **Not Applicable**

(57) Statement of Newness and Distinctiveness: **The Original Perch is distinct from other products in that each leg is triangular in shape and the foot of each leg is radiused as can be seen in the accompanying photograph(s). This allows the seat to self-adjust to suit any body type and makes it new and distinct in both form and function.**



- (21) Design Number: **10294/2015**  
(22) Date of Filing Application: **20 January 2015**  
(24) Date from which industrial property rights may have effect: **20 January 2015**  
(54) Product in respect of which the design is registered: **Oral care implement**  
(51) International Design Classification: **04-02**  
(74) Name(s) of Attorney(s): **FB Rice**  
(71) Name(s) and Address(s) of Applicant(s):  
**Colgate-Palmolive Company**  
**300 Park Avenue New York New York 10022 United States of America**  
(72) Name(s) of Designer(s): **Wenjin Xi and Yanmei Ji and Bo Zhang and Kai Zhang and Guangsheng Guo**  
(45) Registration Date: **09 February 2015**  
(30) Convention priority data:  
(31) Number (32) Date (33) Country  
**29/498169 31 Jul 2014 UNITED STATES OF AMERICA**  
(56) Related Art Documents: **Not Applicable**  
(57) Statement of Newness and Distinctiveness: **Newness and distinctiveness reside in the features of shape and configuration of the design as shown in the representations.**



- (21) Design Number: **14346/2014**  
(22) Date of Filing Application: **02 September 2014**  
(24) Date from which industrial property rights may have effect: **02 September 2014**  
(54) Product in respect of which the design is registered: **Women's bag**  
(51) International Design Classification: **03-01B**  
(74) Name(s) of Attorney(s):  
(71) Name(s) and Address(s) of Applicant(s):  
**Hiu Yu Wong**  
**Flat 10C 3/F Mei Foo Sun Chuen 10 Nassau Rd Lai Chi Kok New Territories Hong Kong**  
(72) Name(s) of Designer(s): **Hiu Yu Wong**  
(45) Registration Date: **09 February 2015**  
(56) Related Art Documents: **Not Applicable**  
(57) Statement of Newness and Distinctiveness: **Handmade knitting women's bag made of organza ribbon or grosgrain ribbon or velvet ribbon, and is incorporated with or without metal beads chain.**



- (21) Design Number: **10295/2015**  
(22) Date of Filing Application: **20 January 2015**  
(24) Date from which industrial property rights may have effect: **20 January 2015**  
(54) Product in respect of which the design is registered: **Oral care implement and portion thereof**  
(51) International Design Classification: **04-02**  
(74) Name(s) of Attorney(s): **FB Rice**  
(71) Name(s) and Address(s) of Applicant(s):  
**Colgate-Palmolive Company**  
**300 Park Avenue New York New York 1022 United States of America**  
(72) Name(s) of Designer(s): **Wenjin Xi and Yanmei Ji and Bo Zhang and Kai Zhang and Guangsheng Guo**  
(45) Registration Date: **09 February 2015**  
(30) Convention priority data:  
(31) Number (32) Date (33) Country  
**29/498169 31 Jul 2014 UNITED STATES OF AMERICA**  
(56) Related Art Documents: **Not Applicable**  
(57) Statement of Newness and Distinctiveness: **Newness and distinctiveness reside in the features of shape and configuration of the design shown in solid lines in the representations excluding those features shown in broken lines.**



- (21) Design Number: **10296/2015**  
(22) Date of Filing Application: **20 January 2015**  
(24) Date from which industrial property rights may have effect: **20 January 2015**  
(54) Product in respect of which the design is registered: **Oral care implement and portion thereof**  
(51) International Design Classification: **04-02**  
(74) Name(s) of Attorney(s): **FB Rice**  
(71) Name(s) and Address(s) of Applicant(s):  
**Colgate-Palmolive Company**  
**300 Park Avenue New York New York 1022 United States of America**  
(72) Name(s) of Designer(s): **Wenjin Xi and Yanmei Ji and Bo Zhang and Kai Zhang and Guangsheng Guo**  
(45) Registration Date: **09 February 2015**  
(30) Convention priority data:  
(31) Number (32) Date (33) Country  
**29/498169 31 Jul 2014 UNITED STATES OF AMERICA**  
(56) Related Art Documents: **Not Applicable**  
(57) Statement of Newness and Distinctiveness: **Newness and distinctiveness reside in the features of shape and configuration of the design shown in solid lines in the representations excluding those features shown in broken lines.**



(19) AU

(21) Design Number: **10297/2015**

(22) Date of Filing Application: **20 January 2015**

(24) Date from which industrial property rights may have effect: **20 January 2015**

(54) Product in respect of which the design is registered: **Cooking blender**

(51) International Design Classification: **31-00**

(74) Name(s) of Attorney(s): **FB Rice**

(71) Name(s) and Address(s) of Applicant(s):

**Koninklijke Philips N.V.**

**High Tech Campus 5 5656 AE Eindhoven The Netherlands**

(72) Name(s) of Designer(s): **Qingxiang Ou**

(45) Registration Date: **09 February 2015**

(30) Convention priority data:

(31) Number (32) Date  
**002506600-0001 22 Jul 2014**

(33) Country  
**OFFICE FOR HARMONISATION IN  
THE INTERNAL MARKET (OHIM)**

(56) Related Art Documents: **Not Applicable**

(57) Statement of Newness and Distinctiveness: **Newness and distinctiveness  
reside in the features of shape and configuration of the design as shown  
in the representations.**



1

(19) AU

(21) Design Number: **16706/2014**

(22) Date of Filing Application: **24 December 2014**

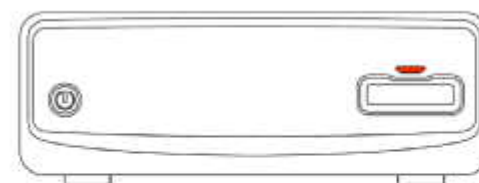
(24) Date from which industrial property rights may have effect: **24 December 2014**

(54) Product in respect of which the design is registered: **Electrosurgical generator with an illumination arrangement**

(51) International Design Classification: **13-01, 24-01**

(74) Name(s) of Attorney(s): **SPRUSON & FERGUSON**

(71) Name(s) and Address(s) of Applicant(s):



**Rui Hong**

**Room 2D Building 13 Qiaocheng East Rd. Bihaiyuntian Phase 2  
Shenzhen Guangdong 518053 China**

**Peining Sun**

**Room 302 No. 41 1225 XianXia Road ChangNing District Shanghai  
200336 China**

**Peter B Madson**

**B27 #1101 388 Furongjiang Rd Changning District Shanghai 200051  
China**

**Benoit Marcel Guy Vitoux**

**483 Yuyuan Road Building 22 Room 401 Jing An District Shanghai  
200051 China**

**Yong Zhang**

**802 Building 63 1335 Puchi Road Minhang District Shanghai 201114  
China**

**Pu Liu**

**Room 402. No. 7 Lane 270 East Huanlin Road Pudong New District  
Shanghai 200123 China**

(72) Name(s) of Designer(s): **Yong Zhang and Pu Liu and Rui Hong and Peining Sun and Peter B Madson and Benoit Marcel Guy Vitoux**

(45) Registration Date: **09 February 2015**

(30) Convention priority data:

(31) Number	(32) Date	(33) Country
<b>29/495049</b>	<b>26 Jun 2014</b>	<b>UNITED STATES OF AMERICA</b>

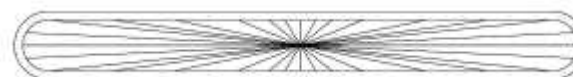
(56) Related Art Documents: **Not Applicable**

(57) Statement of Newness and Distinctiveness: **Newness and distinctiveness is claimed in the features of pattern and/or ornamentation of the front face of an electrosurgical generator as illustrated in the accompanying representation.**

- (21) Design Number: **10298/2015**  
(22) Date of Filing Application: **20 January 2015**  
(24) Date from which industrial property rights may have effect: **20 January 2015**  
(54) Product in respect of which the design is registered: **Handle of precision trimmer including cover**  
(51) International Design Classification: **08-03**  
(74) Name(s) of Attorney(s): **FB Rice**  
(71) Name(s) and Address(s) of Applicant(s):  
**Koninklijke Philips N.V.**  
**High Tech Campus 5 5656 AE Eindhoven The Netherlands**  
(72) Name(s) of Designer(s): **Suzette Van Maanen**  
(45) Registration Date: **09 February 2015**  
(30) Convention priority data:  
(31) Number (32) Date (33) Country  
**002507442-0002 23 Jul 2014 OFFICE FOR HARMONISATION IN THE INTERNAL MARKET (OHIM)**  
(56) Related Art Documents: **Not Applicable**  
(57) Statement of Newness and Distinctiveness: **Newness and distinctiveness reside in the features of shape and configuration of the design as shown in the representations.**

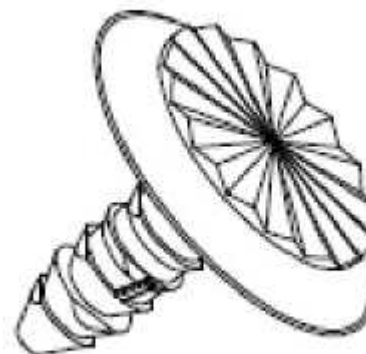


- (21) Design Number: **16149/2014**  
(22) Date of Filing Application: **27 November 2014**  
(24) Date from which industrial property rights may have effect: **27 November 2014**  
(54) Product in respect of which the design is registered: **Tactile directional bar with 16 point star design**  
(51) International Design Classification: **10-06**  
(74) Name(s) of Attorney(s):  
(71) Name(s) and Address(s) of Applicant(s):  
**Paul Gerard Moller**  
**PO BOX 7458 Beaumaris VIC 3193 Australia**  
(72) Name(s) of Designer(s): **Paul Gerard Moller**  
(45) Registration Date: **09 February 2015**  
(56) Related Art Documents: **Not Applicable**  
(57) Statement of Newness and Distinctiveness: **No Tactile Directional Indicator Bar in the world has this unique appearance. It is also unique as it is the first self cleaning directional bar on the market. It also has a unique vertical edge protruding from the shoulder. The unique design offers excellent slip resistance properties with a functional and practical design.**





- (21) Design Number: **16159/2014**  
(22) Date of Filing Application: **27 November 2014**  
(24) Date from which industrial property rights may have effect: **27 November 2014**  
(54) Product in respect of which the design is registered: **Tactile indicator stud with a 16 point star design**  
(51) International Design Classification: **29-02**  
(74) Name(s) of Attorney(s):  
(71) Name(s) and Address(s) of Applicant(s):  
**Paul Gerard Moller**  
**PO BOX 7458 Beaumaris VIC 3193 Australia**  
(72) Name(s) of Designer(s): **Paul Gerard Moller**  
(45) Registration Date: **09 February 2015**  
(56) Related Art Documents: **Not Applicable**  
(57) Statement of Newness and Distinctiveness: **No tactile Indicator Stud in the world has this unique appearance. This unique Australian Designed product suitable for a range of applications from mud, dust to ice and snow. It is the first ever tactile design which can be universally recognised by the 16 point star design to comply with necessary slip and conformance requirements as set out in AS 1428.4.1 The unique design offers excellent slip resistance properties with a functional and practical design. It is a self cleaning product, the first of its kind in the market. The addition of the vertical external shoulder allows the manufacture in all relevant materials required for the application of tactile indicators: These include Stainless Steel, Plastic, Rubber, Polyurethane individual studs and pads.**



- (21) Design Number: **16174/2014**  
(22) Date of Filing Application: **28 November 2014**  
(24) Date from which industrial property rights may have effect: **28 November 2014**  
(54) Product in respect of which the design is registered: **Refill holder for a candle dispenser**  
(51) International Design Classification: **26-01**  
(74) Name(s) of Attorney(s): **SPRUSON & FERGUSON**  
(71) Name(s) and Address(s) of Applicant(s):  
**S. C. Johnson & Son, Inc.**  
**1525 Howe Street, Racine Wisconsin, 53403 United States of America**  
(72) Name(s) of Designer(s): **Brian T. Davis and Shih-Tung Chang and Jacob S. Childs and Michel D. Arney**  
(45) Registration Date: **09 February 2015**  
(30) Convention priority data:  
(31) Number      (32) Date      (33) Country  
**29/492199      29 May 2014      UNITED STATES OF AMERICA**  
(56) Related Art Documents: **Not Applicable**  
(57) Statement of Newness and Distinctiveness: **Newness and distinctiveness is claimed in those features of shape and/or configuration of a refill holder for a candle dispenser illustrated in continuous lines in the accompanying representations.**

