



Australian Government

IP Australia

AUSTRALIAN OFFICIAL JOURNAL

OF

DESIGNS

Did you know a searchable version of this journal is now available online?

It's FREE and EASY to SEARCH.

Find it on our website (www.ipaustralia.gov.au)

by using the "Journals" link on the home page.

This Page Left Intentionally Blank

Contents

General Information & Notices

Proceedings Under the Designs Act 1906 preserved as a result of the provisions of Chapter 12 Part 2 of the Designs Act 2003

Extension of Period of Registration of Designs	564
Registrations Ceased	564
Subsequent Owners Registered	564

Proceedings Under the Designs Act 2003

Applications Assigned	579
Applications Lapsed	577
Applications Lodged	568
Applications Withdrawn	577
Certificate of Examination	580
Extension of Period of Registration of Design	578
Extension of Time Granted Under Section 137	579
Mortgages Registered	579
Names Registered - Alterations and Amendments	579
Publication and Registration Proceedings	
Designs Registered 360264 to 360435.....	581
Registrations Ceased	578
Revocation of Design Registrations	578
Subsequent Owners Registered	579

This Page Left Intentionally Blank

For information on the following please see our website www.ipaustralia.gov.au or contact our Customer Service Network on 1300651010

[Editorial enquiries](#)

[Contact information](#)

[Freedom of Information ACT](#)

[Professional Standards Board](#)

[Sales](#)

[Requests for Information under Section 194 \(c\)](#)

[Country Codes](#)

[Trade Mark and Designs Hearing Sessions](#)

[INID \(Internationally agreed Numbers for the Identification of Data\)](#)

“INID” NUMBERS in use on Australian Design Documents

“INID” is an acronym for “Internationally agreed Numbers for the Identification of Data”.

(10) Data concerning the registration/renewal

- (11) Serial number of the registration and/or number of the design document
- (12) Plain language designation of the kind of published document
- (19) Identification, using the two-letter code according to WIPO Standard ST.3, of the authority publishing or registering the industrial design

(20) Data concerning the application

- (21) Serial number of the application
- (22) Date of filing of the application
- (24) Date from which the industrial design right has effect

(30) Data relating to priority under the Paris Convention

- (31) Serial number assigned to the priority application
- (32) Date of filing of the priority application
- (33) Two-letter code, according to WIPO Standard ST.3, identifying the authority with which the priority application was made

(40) Date(s) of making information available to the public

- (45) Date of publication of the registered industrial design by printing or similar process, or making it available to the public by any other means

(50) Miscellaneous Information

- (51) International Classification for Industrial Designs (class and subclass of the Locarno Classification)
- (54) Designation of article(s) or product(s) covered by the industrial design or title of the industrial design
- (55) Reproduction of the industrial design (e.g., drawing, photograph) and explanations relating to the reproduction
- (56) List of prior art documents, if separate from descriptive text
- (57) Description of characteristic features of the industrial design including indication of colours

(60) References to other legally related application(s) and registration(s)

- (62) Serial number(s) and, if available, filing date(s) of application(s), registration(s) or document(s) related by division
- (66) Serial number(s) of the application, or the registration, of the design(s) which is (are) a variant(s) of the present one

(70) Identification of parties concerned with the application or registration

- (71) Name(s) and address(es) of the applicant(s)
- (72) Name(s) of the creator(s) if known to be such
- (74) Name(s) and address(es) of the representative(s)

This Page Left Intentionally Blank

Nil notices for this journal issue.

Proceedings under the Designs Act 1906 preserved as a result of the provisions of Chapter 12 Part 2 of the Designs Act 2003.

This Page Left Intentionally Blank

Applications Lapsed

There were no Applications Lapsed under this section

Extension of Period of Registration of Designs

1st Period (Section 27A(8))

2nd Period (Section 27A(12))

3rd Period (Section 27A(13))

154708	155386	155563
156213	156337	156339
156394	156456	156510
156599	156704	156845
156846	156847	156848
156849	156850	156851
156852	156944	156945
156979	157062	157063
157204	157207	157225
157409	157425	157699
157700	157701	157840
157845	157895	157896
157917	158124	158160
158161	158238	158260
158287	158377	158420

Subsequent Owners Registered

(The name in parentheses is that of the subsequent owner)

141697	(NEC Platforms, Ltd.)	NEC Infrontia Corporation
152677	(NEC Platforms, Ltd.)	NEC Infrontia Corporation
152678	(NEC Platforms, Ltd.)	NEC Infrontia Corporation
152679	(NEC Platforms, Ltd.)	NEC Infrontia Corporation

Registrations Ceased

Note: Some of the following Registrations may have been previously advertised as ceased. In this instance, the previous advertisement still prevails.

136547	136877	136922
137430	137931	137932
137933	137979	138015
138016	138018	138019
138040	138041	138042
138108	138538	138607
138857	138861	139277
139278	139279	139794
140144	140575	140576
140577	140578	140605
140606	140607	142011
142412	153215	153216
153399	153414	153436
153437	153456	153541
153619	153837	153878
154450	154585	154586
154587	154588	154589
154756	154828	154840
155103	155775	156526
156902	156921	157164
157189	157190	157191
157490	158376	158393
158449	158450	

This Page Left Intentionally Blank

Proceedings under the Designs Act 2003.

This Page Left Intentionally Blank

Applications Lodged

Lodgement information is in the following order: **Applicant's Name**; International Classification, Name of Product, Lodgement Date and **Design Number**. If the applicant claims an earlier priority date under an International Convention, the Convention Country and the associated filing date are shown in parentheses before the Lodgement Date. Divisional information will also appear in parentheses before the Lodgement Date.

Abuzz Solutions P/L; 14-02, 20-03NES, Interactive electronic kiosk, 10 Feb 2015	10846/2015	Apple Inc.; 10-02, Band, (US, 11 Aug 2014) 11 Feb 2015	10755/2015
Acmeda Pty Ltd; 08-09, Cassette assembly for a blind system, 20 Feb 2015	10909/2015	Apple Inc.; 13-02, Chager, (US, 11 Aug 2014) 11 Feb 2015	10713/2015
Acmeda Pty Ltd; 08-09, Cassette assembly for a blind system, 20 Feb 2015	10910/2015	Apple Inc.; 10-02, Band attachment, (US, 11 Aug 2014) 11 Feb 2015	10734/2015
Acmeda Pty Ltd; 08-08H, Cover assembly for a winder, 20 Feb 2015	10941/2015	Apple Inc.; 10-02, Wearable device, (US, 11 Aug 2014) 11 Feb 2015	10725/2015
Acmeda Pty Ltd; 08-08H, Cover assembly for a blind system, 20 Feb 2015	10940/2015	Apple Inc.; 13-02, Charger, (US, 11 Aug 2014) 11 Feb 2015	10723/2015
Acmeda Pty Ltd; 08-08H, End plate assembly for a blind system, 19 Feb 2015	10900/2015	Apple Inc.; 10-02, Band attachment, (US, 11 Aug 2014) 11 Feb 2015	10735/2015
Acmeda Pty Ltd; 08-08H, Spool for a roman blind system, 20 Feb 2015	10928/2015	Apple Inc.; 10-02, Wearable device, (US, 08 Nov 2014) 11 Feb 2015	10727/2015
Acmeda Pty Ltd; 08-09, Position stop for a blind system, 19 Feb 2015	10895/2015	Apple Inc.; 10-02, Wearable device, (US, 11 Aug 2014) 11 Feb 2015	10728/2015
Acmeda Pty Ltd; 08-08H, Cord guide for a roman blind system, 20 Feb 2015	10934/2015	Apple Inc.; 10-02, Band, (US, 11 Aug 2014) 11 Feb 2015	10724/2015
Acmeda Pty Ltd; 08-09, Cassette assembly for a blind system, 19 Feb 2015	10894/2015	Apple Inc.; 13-02, Charger, (US, 11 Aug 2014) 11 Feb 2015	10721/2015
Apple Inc.; 10-02, Band attachment, (US, 11 Aug 2014) 11 Feb 2015	10750/2015	Apple Inc.; 10-02, Band attachment, (US, 11 Aug 2014) 11 Feb 2015	10737/2015
Apple Inc.; 10-02, Band attachment, (US, 11 Aug 2014) 11 Feb 2015	10752/2015	Apple Inc.; 10-02, Band attachment, (US, 11 Aug 2014) 11 Feb 2015	10730/2015
Apple Inc.; 10-02, Band, (US, 11 Aug 2014) 11 Feb 2015	10753/2015	Apple Inc.; 10-02, Band attachment, (US, 11 Aug 2014) 11 Feb 2015	10731/2015
Apple Inc.; 10-02, Band, (US, 11 Aug 2014) 11 Feb 2015	10751/2015	Apple Inc.; 10-02, Band, (US, 11 Aug 2014) 10 Feb 2015	10669/2015
Apple Inc.; 10-02, Band, (US, 11 Aug 2014) 11 Feb 2015	10749/2015	Apple Inc.; 10-02, 14-03E, Electronic device, (US, 11 Aug 2014) 11 Feb 2015	10744/2015
Apple Inc.; 10-02, Band, (US, 11 Aug 2014) 11 Feb 2015	10754/2015	Apple Inc.; 10-02, 14-03E, Electronic device, (US, 11 Aug 2014) 11 Feb 2015	10741/2015

Apple Inc.; 10-02, Wearable device, (US, 11 Aug 2014) 10 Feb 2015	10650/2015	Apple Inc.; 10-02, Band, (US, 11 Aug 2014) 10 Feb 2015	10659/2015
Apple Inc.; 10-02, 14-03E, Electronic device, (US, 11 Aug 2014) 11 Feb 2015	10743/2015	Apple Inc.; 10-02, Band, (US, 11 Aug 2014) 10 Feb 2015	10697/2015
Apple Inc.; 10-02, Band attachment, (US, 11 Aug 2014) 11 Feb 2015	10740/2015	Apple Inc.; 10-02, Band, (US, 11 Aug 2014) 10 Feb 2015	10660/2015
Apple Inc.; 10-02, Wearable device, (US, 11 Aug 2014) 10 Feb 2015	10651/2015	Apple Inc.; 10-02, Band attachment, (US, 11 Aug 2014) 10 Feb 2015	10626/2015
Apple Inc.; 10-02, Wearable device, (US, 11 Aug 2014) 10 Feb 2015	10652/2015	Apple Inc.; 10-02, Band, (US, 11 Aug 2014) 10 Feb 2015	10636/2015
Apple Inc.; 10-02, Band component, (US, 11 Aug 2014) 10 Feb 2015	10670/2015	Apple Inc.; 10-02, Band, (US, 11 Aug 2014) 10 Feb 2015	10663/2015
Apple Inc.; 14-02, Electronic device, (US, 11 Aug 2014) 10 Feb 2015	10671/2015	Apple Inc.; 10-02, Wearable device, (US, 11 Aug 2014) 10 Feb 2015	10633/2015
Apple Inc.; 10-02, Band component, (US, 11 Aug 2014) 10 Feb 2015	10672/2015	Apple Inc.; 10-02, Wearable device, (US, 11 Aug 2014) 10 Feb 2015	10630/2015
Apple Inc.; 14-02, Electronic device, (US, 11 Aug 2014) 10 Feb 2015	10673/2015	Apple Inc.; 10-02, Band, (US, 11 Aug 2014) 10 Feb 2015	10666/2015
Apple Inc.; 10-02, Wearable device, (US, 11 Aug 2014) 10 Feb 2015	10674/2015	Apple Inc.; 10-02, 14-03E, Electronic device, (US, 11 Aug 2014) 10 Feb 2015	10625/2015
Apple Inc.; 10-02, Wearable device, (US, 11 Aug 2014) 10 Feb 2015	10647/2015	Apple Inc.; 10-02, Band, (US, 11 Aug 2014) 10 Feb 2015	10694/2015
Apple Inc.; 14-02, Electronic device, (US, 11 Aug 2014) 10 Feb 2015	10675/2015	Apple Inc.; 10-02, 14-03E, Wearable device, (US, 11 Aug 2014) 10 Feb 2015	10692/2015
Apple Inc.; 14-02, Electronic device, (US, 11 Aug 2014) 10 Feb 2015	10676/2015	Apple Inc.; 10-02, 14-03E, Wearable device, (US, 11 Aug 2014) 10 Feb 2015	10690/2015
Apple Inc.; 10-02, Wearable device, (US, 11 Aug 2014) 10 Feb 2015	10648/2015	Apple Inc.; 10-02, Band, (US, 11 Aug 2014) 10 Feb 2015	10667/2015
Apple Inc.; 14-02, Electronic device, (US, 11 Aug 2014) 10 Feb 2015	10677/2015	Apple Inc.; 10-02, Band, (US, 11 Aug 2014) 10 Feb 2015	10631/2015
Apple Inc.; 10-02, Wearable device, (US, 11 Aug 2014) 10 Feb 2015	10642/2015	Apple Inc.; 10-02, Band, (US, 11 Aug 2014) 10 Feb 2015	10695/2015
Apple Inc.; 10-02, Band, (US, 11 Aug 2014) 10 Feb 2015	10643/2015	Apple Inc.; 10-02, Band attachment, (US, 11 Aug 2014) 10 Feb 2015	10627/2015
Apple Inc.; 14-02, Electronic device, (US, 11 Aug 2014) 10 Feb 2015	10668/2015	Apple Inc.; 10-02, Band, (US, 11 Aug 2014) 10 Feb 2015	10661/2015

Apple Inc.; 10-02, Band, (US, 11 Aug 2014) 10 Feb 2015	10696/2015	Apple Inc.; 10-02, Wearable device, (US, 11 Aug 2014) 10 Feb 2015	10640/2015
Apple Inc.; 10-02, Band, (US, 11 Aug 2014) 10 Feb 2015	10693/2015	Apple Inc.; 10-02, Wearable device, (US, 11 Aug 2014) 10 Feb 2015	10639/2015
Apple Inc.; 10-02, Band, (US, 11 Aug 2014) 10 Feb 2015	10664/2015	Apple Inc.; 10-02, Band, (US, 11 Aug 2014) 10 Feb 2015	10682/2015
Apple Inc.; 10-02, Band, (US, 11 Aug 2014) 10 Feb 2015	10665/2015	Apple Inc.; 10-02, Band, (US, 11 Aug 2014) 10 Feb 2015	10638/2015
Apple Inc.; 10-02, Band, (US, 11 Aug 2014) 10 Feb 2015	10658/2015	Apple Inc.; 10-02, Band, (US, 11 Aug 2014) 10 Feb 2015	10681/2015
Apple Inc.; 10-02, Band, (US, 11 Aug 2014) 10 Feb 2015	10662/2015	Apple Inc.; 10-02, Link for band, (US, 11 Aug 2014) 10 Feb 2015	10678/2015
Apple Inc.; 10-02, Band attachment, (US, 11 Aug 2014) 10 Feb 2015	10628/2015	Apple Inc.; 10-02, 14-03E, Electronic device, (US, 11 Aug 2014) 10 Feb 2015	10683/2015
Apple Inc.; 10-02, Wearable device, (US, 11 Aug 2014) 10 Feb 2015	10634/2015	Apple Inc.; 10-02, Wearable device, (US, 11 Aug 2014) 10 Feb 2015	10637/2015
Apple Inc.; 10-02, Band, (US, 11 Aug 2014) 10 Feb 2015	10691/2015	Apple Inc.; 10-02, 14-03E, Electronic device, (US, 11 Aug 2014) 10 Feb 2015	10680/2015
Apple Inc.; 10-02, 14-03E, Electronic device, (US, 11 Aug 2014) 10 Feb 2015	10685/2015	Apple Inc.; 10-02, 14-03E, Electronic device, (US, 11 Aug 2014) 10 Feb 2015	10679/2015
Apple Inc.; 10-02, 14-03E, Electronic device, (US, 11 Aug 2014) 10 Feb 2015	10686/2015	ANZAC DAY COMMEMORATION COMMITTEE (QUEENSLAND) INC; 02-03, Anzac centenary cap, 16 Feb 2015	10831/2015
Apple Inc.; 10-02, Wearable device, (US, 11 Aug 2014) 10 Feb 2015	10644/2015	ARTEMIDES HOLDINGS PTY LTD;Bardot Pty Ltd; 02-02C, Dress, 18 Feb 2015	10889/2015
Apple Inc.; 10-02, Band, (US, 11 Aug 2014) 10 Feb 2015	10687/2015	ASSA ABLOY New Zealand Limited; 08-09, A window stay, (NZ, 22 Aug 2014) 18 Feb 2015	10876/2015
Apple Inc.; 10-02, Wearable device, (US, 11 Aug 2014) 10 Feb 2015	10645/2015	AURA CRICKET PTY LTD; 02-04C, 02-02C, Sports leg sleeve for lower leg, 13 Feb 2015	10806/2015
Apple Inc.; 10-02, 14-03E, Wearable device, (US, 11 Aug 2014) 10 Feb 2015	10688/2015	AURA CRICKET PTY LTD; 02-02NES, Sports arm sleeve, 13 Feb 2015	10805/2015
Apple Inc.; 10-02, Band, (US, 11 Aug 2014) 10 Feb 2015	10689/2015	AURA CRICKET PTY LTD; 02-02C, Sport thigh pant, 13 Feb 2015	10804/2015
Apple Inc.; 10-02, 14-03E, Electronic device, (US, 11 Aug 2014) 10 Feb 2015	10624/2015	AURA CRICKET PTY LTD; 02-02NES, Sports top, 13 Feb 2015	10803/2015
Apple Inc.; 10-02, 14-03E, Electronic device, (US, 11 Aug 2014) 10 Feb 2015	10684/2015	AUSTRALIAN FASHION LABELS PTY LTD; 05-05B, A textile print, 09 Feb 2015	10606/2015
Apple Inc.; 10-02, Band, (US, 11 Aug 2014) 10 Feb 2015		AUSTRALIAN FASHION LABELS PTY LTD; 05-05B, A textile print, 09 Feb 2015	10608/2015

AUSTRALIAN FASHION LABELS PTY LTD; 05-05B, A textile print, 09 Feb 2015	10607/2015	Colgate-Palmolive Company; 28-02, Soap bar, (US, 03 Sep 2014) 20 Feb 2015	10911/2015
Bardot Pty Ltd;ARTEMIDES HOLDINGS PTY LTD; 02-02C, Dress, 18 Feb 2015	10889/2015	Colgate-Palmolive Company; 28-02, Soap bar, (US, 03 Sep 2014) 20 Feb 2015	10912/2015
Bekaert (Australia) Pty Limited; 05-05NES, Textile, 19 Feb 2015	10906/2015	Colgate-Palmolive Company; 28-02, Soap bar, (US, 03 Sep 2014) 20 Feb 2015	10913/2015
Bekaert (Australia) Pty Limited; 05-05NES, Textile, 19 Feb 2015	10905/2015	Compagnie Generale Des Etablissements Michelin;Michelin Recherche et Technique, S.A.; 12-15B, A tyre, (US, 04 Sep 2014) 12 Feb 2015	10789/2015
Bradar Industria S.A.; 10-05, Radar, (BR, 26 Sep 2014) 16 Feb 2015	10837/2015	CHILL-RITE REFRIGERATION PTY. LTD.; 08-08NES, A clip for holding a strap, 10 Feb 2015	10654/2015
Bradar Industria S.A.; 10-05, Radar, (BR, 26 Sep 2014) 16 Feb 2015	10835/2015	CLEAR LAM PACKAGING, INC.; 09-03NES, Flexible material, (US, 25 Aug 2014) 20 Feb 2015	10937/2015
Bradar Industria S.A.; 10-05, Radar, (BR, 26 Sep 2014) 16 Feb 2015	10836/2015	COMPAGNIE GENERALE DES ETABLISSEMENTS MICHELIN;Michelin Recherche et Technique, S.A.; 12-15A, A tyre, (US, 04 Sep 2014) 12 Feb 2015	10777/2015
Bradar Industria S.A.; 10-05, Radar, (BR, 26 Sep 2014) 16 Feb 2015	10833/2015	COMPAGNIE GENERALE DES ETABLISSEMENTS MICHELIN;Michelin Recherche et Technique, S.A.; 12-15A, A tyre, (US, 04 Sep 2014) 12 Feb 2015	10775/2015
Bradar Industria S.A.; 10-05, Radar, (BR, 26 Sep 2014) 16 Feb 2015	10834/2015	D'Aprano, Lauren; 07-99NES, Cutlery cover, 09 Feb 2015	10618/2015
BISSELL Homecare, Inc.; 15-05, Vacuum cleaner foot, (US, 21 Aug 2014) 13 Feb 2015	10796/2015	Dart Industries Inc.; 07-04, Juicer, (US, 08 Sep 2014) 16 Feb 2015	10838/2015
C.M. Trailer Equipment Limited; 15-99, A master cylinder, (NZ, 25 Aug 2014) 18 Feb 2015	10874/2015	Dart Industries Inc.; 09-01NES, Rice dispenser, (US, 10 Sep 2014) 20 Feb 2015	10936/2015
Cadbury UK Limited; 20-02E, Display unit, (EM, 14 Aug 2014) 09 Feb 2015	10616/2015	DeMaria, David James; 06-03C, Workstation, 14 Feb 2015	10823/2015
Camec Pty Ltd; 12-16NES, Roof hatch, 12 Feb 2015	10778/2015	Diadora Sport S.R.L.; 02-04NES, Footwear, (WO, 11 Aug 2014) 11 Feb 2015	10742/2015
Cascade Corporation; 12-05, Forklift fork tip, (US, 13 Aug 2014) 06 Feb 2015	10596/2015	Diadora Sport S.R.L.; 02-04NES, Footwear, (WO, 11 Aug 2014) 11 Feb 2015	10748/2015
Casio Keisanki Kabushiki Kaisha; 18-01, Electronic calculator, 03 Feb 2015	10551/2015	Diadora Sport S.R.L.; 02-04NES, Footwear, (WO, 11 Aug 2014) 11 Feb 2015	10739/2015
Clothier, Glenn Desmond; 21-02NES, Exercise device handle, 14 Feb 2015	10821/2015	Diadora Sport S.R.L.; 02-04NES, Footwear, (WO, 11 Aug 2014) 11 Feb 2015	10745/2015
Clothier, Glenn Desmond; 21-02NES, Exercise device handle, 14 Feb 2015	10822/2015	Diadora Sport S.R.L.; 02-04NES, Footwear, (WO, 11 Aug 2014) 11 Feb 2015	10733/2015
Clothier, Glenn Desmond; 21-02NES, Exercise device handle, 14 Feb 2015	10820/2015		
Colgate-Palmolive Company; 28-99, Soap bar, (US, 03 Sep 2014) 19 Feb 2015	10890/2015		

Diadora Sport S.R.L.; 02-04NES, Footwear, (WO, 11 Aug 2014) 11 Feb 2015	10729/2015	Eslick, Adam;Eslick, Ronald Phillip;Eslick, Leslie; 21-01H, Dart board, 10 Feb 2015	10623/2015
Diadora Sport S.R.L.; 02-04NES, Footwear, (WO, 11 Aug 2014) 11 Feb 2015	10747/2015	Eslick, Leslie;Eslick, Ronald Phillip;Eslick, Adam; 21-01H, Dart board, 10 Feb 2015	10623/2015
Diadora Sport S.R.L.; 02-04NES, Footwear, (WO, 11 Aug 2014) 11 Feb 2015	10746/2015	Eslick, Ronald Phillip;Eslick, Adam;Eslick, Leslie; 21-01H, Dart board, 10 Feb 2015	10623/2015
Diadora Sport S.R.L.; 02-04NES, Footwear, (WO, 11 Aug 2014) 11 Feb 2015	10736/2015	Eslick, Ronald Phillip;Eslick, Adam;Eslick, Leslie; 21-01H, Dart board, 06 Feb 2015	10597/2015
Diadora Sport S.R.L.; 02-04NES, Footwear, (WO, 11 Aug 2014) 11 Feb 2015	10732/2015	Eslick, Adam;Eslick, Ronald Phillip;Eslick, Leslie; 21-01H, Dart board, 06 Feb 2015	10597/2015
Digix Pty Limited; 07-99NES, Non-slippage, non-scratch & non-heat damage device, 16 Feb 2015	10830/2015	Farrell, Christopher John; 24-02, Othodontic appliance, 09 Feb 2015	10612/2015
Diversified Products, Inc.; 03-01NES, Mobile phone case with reading glasses pocket, (US, 24 Jun 2014) (Divisional of 16611/2014) 17 Feb 2015	10847/2015	Farrell, Christopher John; 24-02, Othodontic Appliance, 09 Feb 2015	10613/2015
Dyson Technology Limited; 15-05, Vacuum cleaner, (EM, 28 Aug 2014) 18 Feb 2015	10877/2015	FindMy Pty Ltd; 14-99, Bluetooth locating key ring, 15 Feb 2015	10826/2015
Dyson Technology Limited; 15-05, Vacuum cleaner, (EM, 28 Aug 2014) 18 Feb 2015	10879/2015	Flexible Steel Lacing Company; 12-05, A fastener for conveyor belts, (US, 18 Aug 2014) 16 Feb 2015	10840/2015
Dyson Technology Limited; 15-05, Vacuum cleaner, (EM, 28 Aug 2014) 18 Feb 2015	10884/2015	Flexible Steel Lacing Company; 12-05, A fastener for conveyor belts, (US, 18 Aug 2014) 16 Feb 2015	10839/2015
Dyson Technology Limited; 15-05, Vacuum cleaner, (EM, 28 Aug 2014) 18 Feb 2015	10882/2015	Flexible Steel Lacing Company; 12-05, A fastener for conveyor belts, (US, 18 Aug 2014) 16 Feb 2015	10842/2015
Dyson Technology Limited; 15-05, Vacuum cleaner, (EM, 28 Aug 2014) 18 Feb 2015	10880/2015	Flexible Steel Lacing Company; 12-05, A fastener for conveyor belts, (US, 18 Aug 2014) 16 Feb 2015	10841/2015
Dyson Technology Limited; 15-05, Vacuum cleaner, (EM, 28 Aug 2014) 18 Feb 2015	10878/2015	Francotyp-Postalia GmbH; 14-02, Franking machine, (EM, 18 Oct 2014) 16 Feb 2015	10829/2015
Dyson Technology Limited; 15-05, Vacuum cleaner, (EM, 28 Aug 2014) 18 Feb 2015	10887/2015	Funtastic Limited; 07-02NES, A cooking vessel, 12 Feb 2015	10790/2015
Dyson Technology Limited; 15-05, Vacuum cleaner, (EM, 28 Aug 2014) 18 Feb 2015	10872/2015	Funtastic Limited; 07-02NES, A cooking vessel, 12 Feb 2015	10791/2015
Dyson Technology Limited; 15-05, Part of vacuum cleaner, (EM, 21 Aug 2014) 18 Feb 2015	10873/2015	Funtastic Limited; 07-02NES, A cooking vessel, 12 Feb 2015	10788/2015
Dyson Technology Limited; 15-05, Vacuum cleaner, (EM, 28 Aug 2014) 18 Feb 2015	10886/2015	Funtastic Limited; 07-02NES, A cooking vessel, 12 Feb 2015	10787/2015
Eslick, Leslie;Eslick, Ronald Phillip;Eslick, Adam; 21-01H, Dart board, 06 Feb 2015	10597/2015	FRESHZEST PTY. LTD.; 09-03M, Shelf ready packaging, 12 Feb 2015	10792/2015
		Galimard, Frederic Christian; 25-01NES, A track section of indefinite length, (EM, 05 Feb 2015) 18 Feb 2015	10871/2015
		Galimard, Frederic Christian; 25-01NES, A track section of indefinite length, (EM, 05 Feb 2015) 18 Feb 2015	10869/2015

Galimard, Frederic Christian; 25-01NES, A track of indefinite length, (EM, 05 Feb 2015) 18 Feb 2015	10870/2015	Intuit Inc.; 20-99, Display device with a recent transactions flyout, (US, 22 Aug 2014) 20 Feb 2015	10938/2015
Galimard, Frederic Christian; 25-01NES, A track section of indefinite length, (EM, 05 Feb 2015) 18 Feb 2015	10867/2015	Intuit Inc.; 20-99, Display device w create dialog box for user int, (US, 13 Aug 2014) 13 Feb 2015	10816/2015
Galimard, Frederic Christian; 25-01NES, A track section of indefinite length, (EM, 05 Feb 2015) 18 Feb 2015	10868/2015	Intuit Inc.; 20-99, Display device with a settings flyout, (US, 22 Aug 2014) 20 Feb 2015	10939/2015
Galimard, Frederic Christian; 12-05, A carriage or pulley carriage, (EM, 05 Feb 2015) 18 Feb 2015	10866/2015	IMD CONCEPTS PTY LTD; 08-06, Self closing hinge, 15 Feb 2015	10825/2015
Global Import Corporation Pty Ltd; 12-10, Camper trailer; trailer, 20 Feb 2015	10918/2015	Jacobs, Walter; 21-02A, A bowling ball, 17 Feb 2015	10857/2015
Global Import Corporation Pty Ltd; 12-10, Camper trailer; trailer, 20 Feb 2015	10919/2015	Jacobs, Walter; 21-02A, A bowling ball, 17 Feb 2015	10858/2015
Global Import Corporation Pty Ltd; 12-16A, Wheel; trailer wheel, 20 Feb 2015	10920/2015	Jacobs, Walter; 21-02A, A bowling ball, 17 Feb 2015	10856/2015
Google Inc.; 10-02, Wearable device, (US, 13 Aug 2014) 13 Feb 2015	10795/2015	Jardin Netherlands B.V.; 06-01F, Seat, (IL, 17 Aug 2014) 13 Feb 2015	10797/2015
Gough Industries; 30-03, Trough, 18 Feb 2015	10875/2015	Jardin Netherlands B.V.; 06-01F, Seat, (IL, 17 Aug 2014) 13 Feb 2015	10799/2015
Guangzhou Hanma Electronic Technology Co., Ltd.; 26-04, Lamp, 09 Feb 2015	10611/2015	Joseph Joseph Ltd; 07-99NES, Knife holder block, (EP, 10 Sep 2014) 19 Feb 2015	10907/2015
GET MORE COMPANY LIMITED; 21-01E, Building block, 11 Feb 2015	10702/2015	JORGENSON-WATTS IP PTY LTD; 25-01K, An extrusion, 11 Feb 2015	10726/2015
GREEN RIDE LTD; 21-01F, A folding scooter, (EM, 21 Aug 2014) 09 Feb 2015	10614/2015	Kairos Watches Limited; 10-07, Wrist watch bands, 13 Feb 2015	10812/2015
Helladactyl Pty Ltd; 09-01G, Refillable fragrance container, 17 Feb 2015	10848/2015	Kairos Watches Limited; 10-02, Watch with a band adapter, 13 Feb 2015	10813/2015
Honda Motor Co., Ltd.; 12-08, Automobile, (JP, 18 Aug 2014) 10 Feb 2015	10635/2015	Karsten Manufacturing Corporation; 21-02C, Golf club head, (US, 14 Aug 2014) 11 Feb 2015	10712/2015
Hutzler Manufacturing Co., Inc.; 07-02NES, Cookie stamp container and stamps, (US, 07 Jan 2015) 12 Feb 2015	10785/2015	Karsten Manufacturing Corporation; 21-02C, Golf club grip, (US, 22 Aug 2014) 18 Feb 2015	10881/2015
Illinois Tool Works Inc.; 23-04, Filter for an air filtration device, (US, 12 Sep 2014) 16 Feb 2015	10832/2015	Karsten Manufacturing Corporation; 21-02C, Golf club head, (US, 22 Aug 2014) 20 Feb 2015	10914/2015
Illinois Tool Works Inc.; 25-01B, A chair for use on waffle pods, 11 Feb 2015	10738/2015	Khamitova, R;Pourasgheri, A; 05-05C, Textiles, apparel, 15 Feb 2015	10827/2015
Illinois Tool Works Inc.; 09-03M, Transparent package, (US, 10 Sep 2014) 13 Feb 2015	10798/2015	Khamitova, R;Pourasgheri, A; 05-05C, Apparel, textiles, 15 Feb 2015	10828/2015
Industrie Clothing Pty Limited; 02-02NES, T-shirt, 09 Feb 2015	10617/2015	King Furniture Australia Pty Ltd; 06-03A, A table, 17 Feb 2015	10852/2015
Integrated Recycling Pty. Ltd.; 25-01NES, A separator batten, 17 Feb 2015	10859/2015	King Furniture Australia Pty Ltd; 06-06G, A frame for a chair, 17 Feb 2015	10854/2015
		King Furniture Australia Pty Ltd; 06-06H, A chair, 17 Feb 2015	10855/2015
		King Furniture Australia Pty Ltd; 06-06E, A leg for a table, 17 Feb 2015	10853/2015

Knog Pty Ltd; 26-06, Bicycle light, 13 Feb 2015	10815/2015	Marius Morel France SAS; 16-06, Glasses frames, (EM, 25 Sep 2014) 10 Feb 2015	10641/2015
Koninklijke Philips N.V.; 31-00, Blender, (EM, 20 Aug 2014) 19 Feb 2015	10904/2015	Matthews, John; 08-08NES, School bag hanging system, 16 Feb 2015	10844/2015
KABUSHIKI KAISHA TOSHIBA; 14-02, Recording medium, (JP, 26 Nov 2014) 18 Feb 2015	10865/2015	Mead Johnson Nutrition Company; 07-99NES, Scoop, (US, 15 Aug 2014) 06 Feb 2015	10598/2015
KRAFT FOODS R&D, INC.; 09-05, , (EM, 21 Aug 2014) 20 Feb 2015	10929/2015	Mead Johnson Nutrition Company; 09-01NES, Container, (US, 15 Aug 2014) 09 Feb 2015	10605/2015
KRAFT FOODS R&D, INC.; 09-05, , (EM, 21 Aug 2014) 20 Feb 2015	10933/2015	Meng, Chun; 09-03NES, Storage box, (CN, 19 Aug 2014) 17 Feb 2015	10850/2015
KRAFT FOODS R&D, INC.; 09-05, , (EM, 21 Aug 2014) 20 Feb 2015	10931/2015	Method Products, PBC; 09-01G, Bottle, (US, 14 Aug 2014) 13 Feb 2015	10810/2015
KRAFT FOODS R&D, INC.; 09-05, , (EM, 21 Aug 2014) 20 Feb 2015	10932/2015	Meyer Intellectual Properties Ltd; 07-02R, Side handle for cookware, (US, 15 Aug 2014) 11 Feb 2015	10772/2015
KRAFT FOODS R&D, INC.; 09-05, , (EM, 21 Aug 2014) 20 Feb 2015	10930/2015	Meyer Intellectual Properties Ltd; 07-02R, Cookware lid handle, (US, 15 Aug 2014) 11 Feb 2015	10773/2015
Lai, Prachi; 06-01E, A stool, 14 Feb 2015	10824/2015	Meyer Intellectual Properties Ltd; 07-02R, Cookware lid handle, (US, 15 Aug 2014) 11 Feb 2015	10770/2015
Lee, Chang Jo; 21-01C, Hexacopter frame, 07 Feb 2015	10599/2015	Meyer Intellectual Properties Ltd; 07-02R, Elongated side handle for cookware, (US, 15 Aug 2014) 11 Feb 2015	10771/2015
Legrand Australia Pty Ltd; 13-03C, Cover, 11 Feb 2015	10760/2015	Meyer Intellectual Properties Ltd; 07-02R, Elongated side handle for cookware, (US, 15 Aug 2014) 11 Feb 2015	10768/2015
Legrand Australia Pty Ltd; 13-03C, Cover, 11 Feb 2015	10756/2015	Meyer Intellectual Properties Ltd; 07-02R, Elongated side handle for cookware, (US, 15 Aug 2014) 11 Feb 2015	10769/2015
Legrand Australia Pty Ltd; 13-03C, Cover, 11 Feb 2015	10757/2015	Meyer Intellectual Properties Ltd; 07-02R, Side handle for cookware, (US, 15 Aug 2014) 11 Feb 2015	10767/2015
Legrand Australia Pty Ltd; 13-03C, Cover, 11 Feb 2015	10763/2015	Meyer Intellectual Properties Ltd; 07-02R, Cookware lid handle, (US, 15 Aug 2014) 11 Feb 2015	10765/2015
Legrand Australia Pty Ltd; 13-03C, Cover, 11 Feb 2015	10761/2015	Meyer Intellectual Properties Ltd; 07-02R, Side handle for cookware, (US, 15 Aug 2014) 11 Feb 2015	10764/2015
Legrand Australia Pty Ltd; 13-03C, Cover, 11 Feb 2015	10758/2015	Michelin Recherche et Technique, S.A.;COMPAGNIE GENERALE DES ETABLISSEMENTS MICHELIN; 12-15A, A tyre, (US, 04 Sep 2014) 12 Feb 2015	10777/2015
Legrand Australia Pty Ltd; 13-03C, Cover, 11 Feb 2015	10762/2015	Michelin Recherche et Technique, S.A.;Compagnie Generale Des Establissements Michelin; 12-15B, A tyre, (US, 04 Sep 2014) 12 Feb 2015	10789/2015
Legrand Australia Pty Ltd; 13-03C, Cover, 11 Feb 2015	10759/2015		
Lightfoot, Mark William;Wynn, Steven Mark; 08-07, Key head, 10 Feb 2015	10649/2015		
Lightfoot, Mark William;Wynn, Steven Mark; 08-07, Key blade blank, 10 Feb 2015	10646/2015		
Lin, Pei-Ti; 07-06A, Cup sleeve, 11 Feb 2015	10703/2015		
Linden, Tony; 12-10, A mobile home, 19 Feb 2015	10901/2015		
Lorna Jane Pty Ltd; 02-02C, 02-02NES, Clothing, 10 Feb 2015	10774/2015		
Marius Morel France SAS; 16-06, Glasses frames, (EM, 25 Sep 2014) 10 Feb 2015	10629/2015		

Michelin Recherche et Technique, S.A.;COMPAGNIE GENERALE DES ETABLISSEMENTS MICHELIN; 12-15A, A tyre, (US, 04 Sep 2014) 12 Feb 2015	10775/2015	ResMed Limited; 14-02, Display screen or graphical user interface, or portion thereof, with animated images and/or icon(s), (Divisional of 16182/2014) 17 Feb 2015	10864/2015
Milacron LLC; 09-01B, A container, (Divisional of 10144/2015) 10 Feb 2015	10653/2015	ResMed Limited; 24-01, , (Divisional of 14779/2014) 13 Feb 2015	10814/2015
Milacron LLC; 09-01B, A container, (Divisional of 10137/2015) 10 Feb 2015	10632/2015	Ripple Iron Pty Ltd; 06-01C, Seat, 17 Feb 2015	10860/2015
Mining Vision Pty Limited; 13-99, 12-10, Solar powered wireless trailer, 22 Feb 2015	10942/2015	Roberts, J A;Streater, C F; 12-06C, Sit on top kayak, 16 Feb 2015	10843/2015
MITSUBISHI ELECTRIC CORPORATION; 23-04, Fan, (JP, 11 Aug 2014) 09 Feb 2015	10615/2015	Rochford, Kym Brian; 08-06, Hinge, 19 Feb 2015	10893/2015
Okamura Corporation; 06-01F, Chair, (JP, 21 Aug 2014) 18 Feb 2015	10883/2015	Rochford, Kym Brian; 08-06, Hinge, 19 Feb 2015	10892/2015
OneSteel Wire Pty Limited; 15-03NES, Jaw for post remover, 12 Feb 2015	10776/2015	Seafolly Pty Ltd; 02-02A, Swimwear, 11 Feb 2015	10766/2015
OPL Mining; 15-01, Manifold, 13 Feb 2015	10800/2015	Sealed Air Australia Pty Ltd; 21-02D, Pool blanket with a repeating embossing pattern; Insulation sheet with a repeating embossing pattern; Sheet material of, indefinite length for use as packaging, 10 Feb 2015	10657/2015
Pacific Brands Clothing Pty Ltd; 02-02C, Baby crossover garment, 19 Feb 2015	10898/2015	Sistema Plastics Limited; 09-01NES, Drink bottle, 11 Feb 2015	10707/2015
Pacific Brands Clothing Pty Ltd; 02-02C, Baby crossover garment, 19 Feb 2015	10899/2015	Sistema Plastics Limited; 09-07B, A sipper cap assembly, 11 Feb 2015	10706/2015
Pacific Brands Clothing Pty Ltd; 02-01B, Baby garment, 19 Feb 2015	10903/2015	Sistema Plastics Limited; 09-07B, A sipper cap assembly, 11 Feb 2015	10705/2015
Petroliam Nasional Berhad (Petronas); 09-01B, Lubricant pack, (MY, 19 Dec 2014) 20 Feb 2015	10921/2015	Skrin Pty Ltd; 08-07, Steel activator for container twist lock, 11 Feb 2015	10704/2015
Podware Pty Ltd; 21-02D, Swim fin & heel saver - water sports, 11 Feb 2015	10708/2015	Societe des Produits Nestle S.A.; 01-06, Animal treat product, 13 Feb 2015	10801/2015
Pourasgheri, A;Khamitova, R; 05-05C, Textiles, apparel, 15 Feb 2015	10827/2015	Societe des Produits Nestle S.A.; 30-03, Animal treat dispenser, 13 Feb 2015	10802/2015
Pourasgheri, A;Khamitova, R; 05-05C, Apparel, textiles, 15 Feb 2015	10828/2015	Streater, C F;Roberts, J A; 12-06C, Sit on top kayak, 16 Feb 2015	10843/2015
Powerwave Sport Limited; 21-02F, Fitness equipment, (EM, 01 Sep 2014) 10 Feb 2015	10622/2015	Streetworx Pty Ltd; 25-01NES, Base, 13 Feb 2015	10808/2015
PLSR Pty Ltd; 20-02E, Display stand, 09 Feb 2015	10610/2015	Streetworx Pty Ltd; 25-01NES, A head, 13 Feb 2015	10809/2015
Raine, Trevor; 02-02NES, Football jersey, 13 Feb 2015	10794/2015	Stubbs, Bruce Grahame; 12-06A, Fiberglass outboard boat, 13 Feb 2015	10811/2015
ResMed Limited; 24-01, Patient interface and/or components thereof, (Divisional of 16294/2014) 10 Feb 2015	10793/2015	StyleRide Pty Ltd; 06-01D, Bus seat frame, 17 Feb 2015	10849/2015
		Sullivan, Lorraine June; 02-03, Adjustable broad brimmed hat, 13 Feb 2015	10819/2015
		Sullivan, Rhys; 06-01E, Stool, 09 Feb 2015	10619/2015

Sullivan, Rhys; 07-05D, Clothes rack, 09 Feb 2015	10621/2015	Unilever PLC; 23-02A, Dispenser, (US, 27 Aug 2014) 12 Feb 2015	10783/2015
Sullivan, Rhys; 06-06A, Hat stand, coat rack, 09 Feb 2015	10620/2015	Unilever PLC; 09-01A, Dispenser refill, (US, 27 Aug 2014) 12 Feb 2015	10784/2015
Sumu Design Pty Ltd; 08-06, A door handle, 11 Feb 2015	10715/2015	Unilever PLC; 23-02A, Dispenser, (US, 27 Aug 2014) 12 Feb 2015	10782/2015
Sumu Design Pty Ltd; 08-06, A door handle, 11 Feb 2015	10717/2015	Unilever PLC; 09-01A, Dispenser refill, (US, 27 Aug 2014) 12 Feb 2015	10781/2015
Sumu Design Pty Ltd; 08-06, A door pull, 11 Feb 2015	10719/2015	Vehicle Engineering Australia Pty Ltd; 08-08L, Child restraint anchor fitting, 10 Feb 2015	10655/2015
Sumu Design Pty Ltd; 08-06, A door handle, 11 Feb 2015	10716/2015	Visy R & D Pty Ltd; 07-99NES, Scoop, 17 Feb 2015	10861/2015
Sumu Design Pty Ltd; 08-06, A door handle, 11 Feb 2015	10714/2015	Visy R & D Pty Ltd; 09-07B, Lid for a container, 17 Feb 2015	10863/2015
Sumu Design Pty Ltd; 08-06, A door pull, 11 Feb 2015	10718/2015	Visy R & D Pty Ltd; 09-07B, Lid for a container, 17 Feb 2015	10862/2015
Swaggart, Matthew; 16-05, Camera harness, (US, 11 Feb 2015) 12 Feb 2015	10780/2015	Vita-Mix Corporation; 07-02L, A tamper holder, (US, 19 Aug 2014) 19 Feb 2015	10891/2015
SGA Engineering Pty Ltd; 25-02NES, A barrier segment, 20 Feb 2015	10935/2015	We Made Me Limited; 03-99, Baby sling with split shoulder, (EM, 18 Aug 2014) 18 Feb 2015	10888/2015
T.G. Eakin Limited; 24-02, Seal for use with ostomy products, 11 Feb 2015	10722/2015	Wear Applications & Management Services Pty. Ltd.; 25-01NES, Wear liner, 13 Feb 2015	10807/2015
T.G. Eakin Limited; 24-02, Seal for use with ostomy products, 11 Feb 2015	10720/2015	Wynn, Steven Mark;Lightfoot, Mark William; 08-07, Key head, 10 Feb 2015	10649/2015
Taurus Mining Solutions Pty Ltd; 12-08, A truck body, 12 Feb 2015	10779/2015	Wynn, Steven Mark;Lightfoot, Mark William; 08-07, Key blade blank, 10 Feb 2015	10646/2015
Temporary Edge Protection Pty Limited; 08-08D, Structural purlin clamp, 12 Feb 2015	10786/2015	WBC IP PTY LIMITED; 13-03E, An electrical connector unit, 11 Feb 2015	10701/2015
The Fountainhead Group, Inc.; 08-05A, Sprayer, (US, 21 Aug 2014) 20 Feb 2015	10917/2015	WBC IP PTY LIMITED; 13-03E, An electrical connector unit, 11 Feb 2015	10699/2015
The Fountainhead Group, Inc.; 08-05A, Sprayer, (US, 21 Aug 2014) 20 Feb 2015	10915/2015	WBC IP PTY LIMITED; 13-03E, An electrical connector unit, 11 Feb 2015	10700/2015
The Fountainhead Group, Inc.; 08-05A, Sprayer, (US, 21 Aug 2014) 20 Feb 2015	10916/2015	WBC IP PTY LIMITED; 13-03E, An electrical connector unit, 11 Feb 2015	10698/2015
The Fountainhead Group, Inc.; 08-05A, Sprayer, (US, 21 Aug 2014) 19 Feb 2015	10902/2015	Yakima Australia Pty Limited; 12-16K, A roof rack leg cover, (NZ, 05 Sep 2014) 19 Feb 2015	10896/2015
The Janger Limited; 06-08, Clothes hanger, (EM, 11 Aug 2014) 10 Feb 2015	10656/2015	Yakima Australia Pty Limited; 12-16K, A roof rack leg, (NZ, 05 Sep 2014) 19 Feb 2015	10897/2015
The Janger Limited; 06-08, Clothes hanger, (EM, 11 Aug 2014) 11 Feb 2015	10709/2015		
Thermos L.L.C.; 09-07C, Lid, (US, 14 Aug 2014) 09 Feb 2015	10609/2015		
Tube Home (M) Sdn Bhd; 06-02, Headboard for bed, (MY, 14 Jan 2015) 18 Feb 2015	10885/2015		

Yuan Mei Corporation; 10-03, Timer, 11 Feb 2015	10711/2015	Zhejiang Wanma Hizhen Optoelectronics Technology CO., LTD.; 26-03, Light, 17 Feb 2015	10851/2015
Yuan Mei Corporation; 10-03, Timer, 11 Feb 2015	10710/2015	ZOKKY THE KANGAROO PTY LTD; 21-01A, Soft toys; entertainment character, 19 Feb 2015	10908/2015

Applications Withdrawn

16131 / 2014 (07-02E)

Applications Lapsed

15902 / 2014 (32-03)	15960 / 2014 (20-02E)
15996 / 2014 (32-03)	15997 / 2014 (20-02E)
16000 / 2014 (20-02E)	16008 / 2014 (20-02E)
16016 / 2014 (20-02NES)	16094 / 2014 (23-02A)
16095 / 2014 (23-02A)	16096 / 2014 (23-02A)
16097 / 2014 (23-02A)	16098 / 2014 (23-02A)
16099 / 2014 (23-02A)	16100 / 2014 (23-02A)
16101 / 2014 (06-07)	16102 / 2014 (23-02A)
16103 / 2014 (28-03B)	16105 / 2014 (07-01E)
16226 / 2014 (02-03)	16262 / 2014 (32-02)
16270 / 2014 (02-01NES)	16285 / 2014 (07-06A)

Extension of Period of Registration of Designs

329733	329825	329826
329827	329846	329867
329868	329952	329959
329988	329989	329994
329995	330023	330024
330025	330041	330044
330052	330054	330055
330056	330057	330058
330087	330094	330121
330125	330157	330190
330192	330204	330205
330209	330210	330211
330241	330244	330271
330273	330302	330308
330311	330312	330313
330314	330319	330330
330337	330338	330357
330495	330496	330497
330498	330499	330500
330501	330523	330535
330562	330600	330611
330612	330613	330614
330615	330678	330693
330694	330695	330696
330697	330698	330699
330700	330701	330716
330717	330727	330728
330729	330751	330791
330813	330814	330815
330816	330817	330818
330819	330820	330821
330822	330823	330873
330886	330887	330888
330914	330962	331222
331223	331232	331296
331319	331477	331478
331529	331530	331531
331532	331802	332224
332225	332226	

Registrations Ceased

302456	302457	302459
302460	302461	302462
302465	302466	302467
302470	302473	302474
302475	302476	302477
302478	302479	302480
302481	302482	302618
302620	302621	302626
302627	302628	302629
302630	302631	302685
302686	302687	302690
302691	302692	302704
302707	302708	302709
302710	302819	302829
302830	302911	302912
302913	302914	302970
303139	303145	303146
303147	303152	303202
303262	303263	303264
303265	303275	303395
303397	303398	303476
303478	303481	303482
303822	303823	304006
304036	304086	304646
304647	304672	304680
304894	304978	304980
304981	304983	304984
304997	304999	305000
305001	305002	305169
305172	305173	305174
305175	305176	305177
305178	305179	305380
305423	305427	305534
305690	305691	306271
306272	306814	315757
327097	327195	327236
327239	327253	327254
327266	327267	327269
327281	327282	327283
327284	327285	327286
327288	327289	327290
327291	327293	327299
327311	327315	327325
327326	327328	327352
327355	327356	327357
327358	327359	327360
327361	327362	327363
327368	327369	327372
327373	327375	327384
327406	327411	327413
327425	327426	327427
327460	327461	327557

Revocation of Design Registrations

The following Design Registration(s) have been revoked and are taken never to have been registered:

357436	26-05B
357437	26-05B
357438	26-05B
357473	15-02

327558	327559	327560
327582	327657	327805
327895	327920	328027
328484	328725	328726
328727	330077	330078
330082	330083	330219
330220	330221	330222
330223	330224	330277
330278	330279	330280
330281	330282	330665
330666	330667	330668
355136		

Extensions of time granted under Section 137

Applications lodged under section 137 for extension of time have been granted.

11599/2013 **Paul Blazevic**

349487 **Samsung Electronics Co., Ltd**

349092 **Samsung Electronics., Ltd.**

349093 **Samsung Electronics Co., Ltd**

349094 **Samsung Electronics Co., Ltd.**

349095 **Samsung Electronics Co., Ltd.**

349096 **Samsung Electronics Co., Ltd.**

350013 **Samsung Electronics Co., Ltd.**

350014 **Samsung Electronics Co., Ltd.**

360273 **The Ames Companies, Inc.**

360274 **The Ames Companies, Inc.**

15736/2014 **Fridgeland UK Limited**

15904/2014 **BLINGKISS PTY LTD**

10000/2015 **Coco Chocolates Pty Ltd**

10001/2015 **Coco Chocolates Pty Ltd**

10002/2015 **Coco Chocolates Pty Ltd**

Mortgages Registered

331141 A mortgage has been granted to **Wilmington Trust, National Association**

331141 A mortgage has been granted to **Wilmington Trust, National Association**

Applications Assigned

(The name in parentheses is that of the subsequent applicant)

16624/2014 (**Mundipharma Pty Limited**) Clear Healthcare Pty Ltd

Subsequent Owners Registered

(The name in parentheses is that of the subsequent owner)

322406 (**Makin Waves Pty Ltd**) Anthony Russell

355655 (**Design Safe Pty Ltd**) Alistair Nicholas;Greig Ferguson;Luke Faulkner

338917 (**uVu Technologies, LLC**) Boca Enterprise Group Inc.

359819 (**Colgate-Palmolive Company;Omron Healthcare Co., Ltd.**) Colgate-Palmolive Company

359820 (**Colgate-Palmolive Company;Omron Healthcare Co., Ltd.**) Colgate-Palmolive Company

359396 (**Atwood Mobile Products LLC**) Atwood Mobile Products LLC;Hari Sunkara

359397 (**Atwood Mobile Products LLC**) Atwood Mobile Products LLC;Hari Sunkara

360146 (**C H Chang Holdings Pty Ltd**) Lorraine June Sullivan

308488 (**NEC Platforms, Ltd.**) NEC Infrontia Corporation

315703 (**NEC Platforms, Ltd.**) NEC Infrontia Corporation

334258 (**NEC Platforms, Ltd.**) NEC Infrontia Corporation

335549 (**NEC Platforms, Ltd.**) NEC Infrontia Corporation

335548 (**NEC Platforms, Ltd.**) NEC Infrontia Corporation

342176 (**NEC Platforms, Ltd.**) NEC Infrontia Corporation

354342 (**NEC Platforms, Ltd.**) NEC Infrontia Corporation

354408 (**NEC Platforms, Ltd.**) NEC Infrontia Corporation

348481 (**Luminara Worldwide, LLC**) Candella LLC

359907 (**Cyril Lindsay Lionnet**) Cyril Lindsay Lionnet;Marc Joseph Lionnet

Names Registered - Alterations and Amendments

(The name in parentheses is that of the subsequent applicant)

359902 (**KASK S.p.A.**) KASK S.r.l.

359870 (**Ingo Schroeder**) Ingo Schroder

332803 (**Hills Limited**) Hills Holdings Limited

334426 (**Hills Limited**) Hills Holdings Limited

334650 (**Hills Limited**) Hills Holdings Limited

334651 (**Hills Limited**) Hills Holdings Limited

334652 (**Hills Limited**) Hills Holdings Limited

337981 (**Hills Limited**) Hills Holdings Limited

337982 (**Hills Limited**) Hills Holdings Limited

337983 (**Hills Limited**) Hills Holdings Limited

337984 (**Hills Limited**) Hills Holdings Limited

337985 (**Hills Limited**) Hills Holdings Limited

337986 (**Hills Limited**) Hills Holdings Limited

339854 (**Hills Limited**) Hills Holdings Limited

339855 (**Hills Limited**) Hills Holdings Limited

339856 (**Hills Limited**) Hills Holdings Limited

339885 (**Hills Limited**) Hills Holdings Limited

339886 (**Hills Limited**) Hills Holdings Limited

339887 (**Hills Limited**) Hills Holdings Limited

340016 (**Hills Limited**) Hills Holdings Limited

341383 (**Hills Limited**) Hills Holdings Limited

349401 (**Hills Limited**) Hills Holdings Limited

Certificate(s) of Examination

Examination of the following Design Registration(s) has been completed. Infringement proceedings may now be commenced.

332315	13-02	12/02/2015
333497	23-01H	10/02/2015
340364	25-01A	13/02/2015
350971	14-02	12/02/2015
350972	14-02	12/02/2015
350973	14-02	12/02/2015
350974	14-02	12/02/2015
350975	14-02	12/02/2015
350976	14-02	17/02/2015
350977	14-02	12/02/2015
350978	14-02	17/02/2015
350979	14-02	12/02/2015
350980	14-02	12/02/2015
350981	14-02	12/02/2015
350982	14-02	12/02/2015
350983	14-02	12/02/2015
350984	14-02	12/02/2015
351003	14-02	12/02/2015
352737	25-01A	13/02/2015
353065	23-04	18/02/2015
354687	12-12	17/02/2015
355297	08-01	17/02/2015
356400	14-03E	18/02/2015
356401	14-03E	18/02/2015
356402	14-03E	18/02/2015
356403	14-03E	18/02/2015
356404	14-02	18/02/2015
357425	24-02	16/02/2015
357909	09-02C	19/02/2015
358468	16-01	18/02/2015
358540	23-04	18/02/2015
358541	23-04	18/02/2015
358542	23-04	18/02/2015
358681	07-01C	10/02/2015
358703	24-01	20/02/2015
359034	05-05A	17/02/2015
359078	05-05B	18/02/2015
359111	23-04	18/02/2015
359168	23-04	18/02/2015
359329	13-03A	18/02/2015
359388	23-04	18/02/2015
359450	08-05M	12/02/2015
359461	08-05M	12/02/2015
359493	20-02D	16/02/2015
359500	20-02D	16/02/2015
359576	07-01C	23/02/2015
359601	07-01NES	10/02/2015
359607	07-01NES	10/02/2015
359627	07-01D	23/02/2015
359694	13-03D	13/02/2015
359716	07-06A	23/02/2015

Publication and Registration Proceedings

Designs Registered

This section provides a concordance between design number and registration number of Designs covered in this journal. It also shows the main class and registration date.

This section covers Registration numbers 360264 to 360435 .

The registration number shown below should be used in all future correspondence.

Design Number	Registration Number	International Classification Code (IDC)	Registration Date	Design Number	Registration Number	International Classification Code (IDC)	Registration Date
13688/2014	360348	23-01A	19/02/2015	16564/2014	360267	08-08L	11/02/2015
13870/2014	360397	12-16L	20/02/2015	16611/2014	360399	03-01NES	20/02/2015
13998/2014	360339	08-05H	18/02/2015	16612/2014	360415	07-02D	23/02/2015
13999/2014	360340	10-05	18/02/2015	16625/2014	360400	07-02E	20/02/2015
14052/2014	360341	08-08L	18/02/2015	16628/2014	360401	11-05	20/02/2015
14182/2014	360432	10-05	23/02/2015	16630/2014	360345	09-01NES	18/02/2015
14198/2014	360342	06-01F	18/02/2015	16652/2014	360351	31-00	19/02/2015
14264/2014	360343	08-06	18/02/2015	16660/2014	360369	09-09	19/02/2015
14265/2014	360344	08-06	18/02/2015	16661/2014	360352	09-09	19/02/2015
14275/2014	360301	06-01F	16/02/2015	16715/2014	360416	03-01NES	23/02/2015
14779/2014	360368	24-01	19/02/2015	16716/2014	360417	03-01NES	23/02/2015
14886/2014	360309	24-02	16/02/2015	16717/2014	360418	03-01NES	23/02/2015
15322/2014	360273	08-01	13/02/2015	16718/2014	360419	03-01NES	23/02/2015
15325/2014	360274	08-01	13/02/2015	16719/2014	360420	03-01NES	23/02/2015
15641/2014	360275	12-02	13/02/2015	16720/2014	360421	03-01NES	23/02/2015
15967/2014	360264	29-02	11/02/2015	10009/2015	360328	03-01NES	17/02/2015
15995/2014	360265	14-02	11/02/2015	10015/2015	360353	02-02C	19/02/2015
16026/2014	360276	02-01B	13/02/2015	10078/2015	360311	08-08NES	16/02/2015
16115/2014	360277	11-01A	13/02/2015	10086/2015	360312	07-01B	16/02/2015
16162/2014	360266	26-05A	11/02/2015	10094/2015	360385	09-03NES	20/02/2015
16171/2014	360278	09-01B	13/02/2015	10095/2015	360386	09-03NES	20/02/2015
16173/2014	360279	26-01	13/02/2015	10137/2015	360292	09-01NES	13/02/2015
16176/2014	360271	08-03	12/02/2015	10144/2015	360313	09-01B	16/02/2015
16248/2014	360327	15-07	17/02/2015	10167/2015	360422	26-05D	23/02/2015
16249/2014	360310	15-07	16/02/2015	10212/2015	360337	14-01	17/02/2015
16266/2014	360280	15-05	13/02/2015	10213/2015	360334	14-01	17/02/2015
16283/2014	360281	15-05	13/02/2015	10214/2015	360335	14-01	17/02/2015
16294/2014	360398	24-02	20/02/2015	10215/2015	360338	14-01	17/02/2015
16319/2014	360347	10-07	18/02/2015	10236/2015	360299	09-01NES	16/02/2015
16320/2014	360349	07-02K	19/02/2015	10237/2015	360300	09-01NES	16/02/2015
16337/2014	360282	08-02	13/02/2015	10267/2015	360293	26-06	16/02/2015
16340/2014	360283	24-02	13/02/2015	10268/2015	360268	21-01L	11/02/2015
16341/2014	360284	24-02	13/02/2015	10269/2015	360294	04-02	16/02/2015
16357/2014	360285	09-03NES	13/02/2015	10270/2015	360295	04-02	16/02/2015
16363/2014	360286	21-02A	13/02/2015	10271/2015	360296	03-01NES	16/02/2015
16364/2014	360287	21-02A	13/02/2015	10275/2015	360297	14-03E	16/02/2015
16368/2014	360412	02-02NES	23/02/2015	10277/2015	360298	14-02	16/02/2015
16372/2014	360413	10-02	23/02/2015	10280/2015	360269	14-03E	11/02/2015
16413/2014	360288	07-99NES	13/02/2015	10283/2015	360270	14-03E	11/02/2015
16425/2014	360289	21-02F	13/02/2015	10285/2015	360336	09-01D	17/02/2015
16453/2014	360302	06-03A	16/02/2015	10300/2015	360329	09-03L	17/02/2015
16458/2014	360303	06-03A	16/02/2015	10303/2015	360330	28-03D	17/02/2015
16459/2014	360304	06-03A	16/02/2015	10304/2015	360331	28-03D	17/02/2015
16461/2014	360305	06-03A	16/02/2015	10305/2015	360332	07-06A	17/02/2015
16462/2014	360306	06-03A	16/02/2015	10306/2015	360333	28-03D	17/02/2015
16463/2014	360307	06-03A	16/02/2015	10307/2015	360308	21-01NES	16/02/2015
16509/2014	360290	15-05	13/02/2015	10308/2015	360370	06-01F	19/02/2015
16513/2014	360291	15-05	13/02/2015	10311/2015	360320	06-01G	16/02/2015
16518/2014	360350	02-02NES	19/02/2015	10312/2015	360321	06-01G	16/02/2015
16555/2014	360414	08-01	23/02/2015	10313/2015	360322	06-01G	16/02/2015

Publication and Registration Proceedings - Designs Registered cont'd

Design Number	Registration Number	International Classification Code (IDC)	Registration Date	Design Number	Registration Number	International Classification Code (IDC)	Registration Date
10314/2015	360323	06-01G	16/02/2015	10383/2015	360375	12-16K	19/02/2015
10315/2015	360324	12-15A	16/02/2015	10384/2015	360376	06-01H	19/02/2015
10317/2015	360325	21-01C	16/02/2015	10392/2015	360380	25-04	19/02/2015
10319/2015	360326	26-05E	16/02/2015	10395/2015	360387	08-08C	20/02/2015
10330/2015	360314	12-15C	16/02/2015	10397/2015	360381	12-15A	19/02/2015
10331/2015	360315	07-01C	16/02/2015	10398/2015	360382	12-15B	19/02/2015
10332/2015	360316	07-01C	16/02/2015	10399/2015	360388	06-13NES	20/02/2015
10333/2015	360317	07-06NES	16/02/2015	10402/2015	360389	07-02B	20/02/2015
10334/2015	360318	07-01B	16/02/2015	10403/2015	360390	07-02B	20/02/2015
10335/2015	360377	14-02	19/02/2015	10408/2015	360391	21-02C	20/02/2015
10336/2015	360319	19-01	16/02/2015	10409/2015	360392	21-02C	20/02/2015
10340/2015	360354	09-01H	19/02/2015	10410/2015	360393	07-04	20/02/2015
10341/2015	360355	09-01H	19/02/2015	10413/2015	360394	09-01NES	20/02/2015
10345/2015	360423	03-01A	23/02/2015	10414/2015	360395	09-01NES	20/02/2015
10346/2015	360346	28-03A	18/02/2015	10415/2015	360396	09-01NES	20/02/2015
10347/2015	360356	13-03E	19/02/2015	10418/2015	360402	31-00	20/02/2015
10348/2015	360357	13-03E	19/02/2015	10419/2015	360403	09-03L	20/02/2015
10351/2015	360358	28-03B	19/02/2015	10420/2015	360404	09-01A	20/02/2015
10352/2015	360424	02-04NES	23/02/2015	10421/2015	360405	12-15B	20/02/2015
10354/2015	360359	09-01B	19/02/2015	10422/2015	360406	09-01A	20/02/2015
10355/2015	360360	02-04NES	19/02/2015	10423/2015	360407	31-00	20/02/2015
10358/2015	360361	09-03NES	19/02/2015	10425/2015	360408	31-00	20/02/2015
10359/2015	360362	09-03NES	19/02/2015	10426/2015	360409	03-01D	20/02/2015
10360/2015	360363	23-02B	19/02/2015	10427/2015	360410	09-07A	20/02/2015
10361/2015	360371	09-03NES	19/02/2015	10431/2015	360411	31-00	20/02/2015
10362/2015	360372	23-02B	19/02/2015	10435/2015	360426	02-06	23/02/2015
10363/2015	360373	15-05	19/02/2015	10439/2015	360429	12-08	23/02/2015
10364/2015	360378	02-01B	19/02/2015	10441/2015	360430	14-03A	23/02/2015
10365/2015	360379	05-06NES	19/02/2015	10444/2015	360431	13-99	23/02/2015
10366/2015	360425	26-03	23/02/2015	10469/2015	360433	21-02C	23/02/2015
10367/2015	360364	19-02	19/02/2015	10470/2015	360434	06-01F	23/02/2015
10368/2015	360365	19-02	19/02/2015	10471/2015	360435	14-03NES	23/02/2015
10369/2015	360366	19-02	19/02/2015	10565/2015	360272	08-03	12/02/2015
10371/2015	360427	25-01K	23/02/2015	10801/2015	360383	01-06	19/02/2015
10372/2015	360428	25-01K	23/02/2015	10802/2015	360384	30-03	19/02/2015
10377/2015	360367	07-01C	19/02/2015				
10379/2015	360374	12-16K	19/02/2015				

Publication and Registration Proceedings

Class Listing of Designs Published or Registered

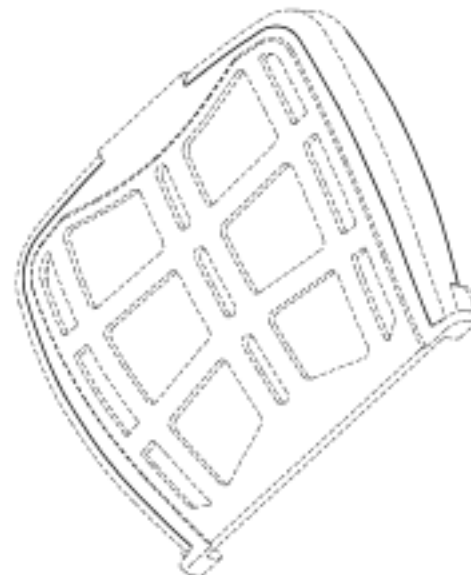
The following section shows an International Classification Code listing of the Registered or Published Designs covered in this supplement.

Classification	Registration Number	Design Number	Classification	Registration Number	Design Number
01-06	360383	10801/2015	07-06NES	360317	10333/2015
02-01B	360276	16026/2014	07-99NES	360288	16413/2014
02-01B	360378	10364/2015	08-01	360273	15322/2014
02-02C	360353	10015/2015	08-01	360274	15325/2014
02-02NES	360350	16518/2014	08-01	360414	16555/2014
02-02NES	360412	16368/2014	08-02	360282	16337/2014
02-03	360426	10435/2015	08-03	360271	16176/2014
02-04NES	360360	10355/2015	08-03	360272	10565/2015
02-04NES	360424	10352/2015	08-05H	360339	13998/2014
02-06	360426	10435/2015	08-06	360343	14264/2014
03-01A	360423	10345/2015	08-06	360344	14265/2014
03-01D	360409	10426/2015	08-08C	360387	10395/2015
03-01NES	360296	10271/2015	08-08L	360267	16564/2014
03-01NES	360328	10009/2015	08-08L	360341	14052/2014
03-01NES	360399	16611/2014	08-08NES	360311	10078/2015
03-01NES	360416	16715/2014	09-01A	360404	10420/2015
03-01NES	360417	16716/2014	09-01A	360406	10422/2015
03-01NES	360418	16717/2014	09-01B	360278	16171/2014
03-01NES	360419	16718/2014	09-01B	360313	10144/2015
03-01NES	360420	16719/2014	09-01B	360359	10354/2015
03-01NES	360421	16720/2014	09-01D	360336	10285/2015
03-03	360376	10384/2015	09-01H	360354	10340/2015
04-02	360294	10269/2015	09-01H	360355	10341/2015
04-02	360295	10270/2015	09-01NES	360292	10137/2015
05-06NES	360379	10365/2015	09-01NES	360299	10236/2015
06-01F	360301	14275/2014	09-01NES	360300	10237/2015
06-01F	360342	14198/2014	09-01NES	360345	16630/2014
06-01F	360370	10308/2015	09-01NES	360394	10413/2015
06-01F	360434	10470/2015	09-01NES	360395	10414/2015
06-01G	360320	10311/2015	09-01NES	360396	10415/2015
06-01G	360321	10312/2015	09-03L	360329	10300/2015
06-01G	360322	10313/2015	09-03L	360403	10419/2015
06-01G	360323	10314/2015	09-03NES	360285	16357/2014
06-01H	360376	10384/2015	09-03NES	360361	10358/2015
06-03A	360302	16453/2014	09-03NES	360362	10359/2015
06-03A	360303	16458/2014	09-03NES	360371	10361/2015
06-03A	360304	16459/2014	09-03NES	360385	10094/2015
06-03A	360305	16461/2014	09-03NES	360386	10095/2015
06-03A	360306	16462/2014	09-07A	360410	10427/2015
06-03A	360307	16463/2014	09-07B	360285	16357/2014
06-13NES	360388	10399/2015	09-09	360352	16661/2014
07-01B	360312	10086/2015	09-09	360369	16660/2014
07-01B	360318	10334/2015	10-02	360413	16372/2014
07-01C	360315	10331/2015	10-05	360340	13999/2014
07-01C	360316	10332/2015	10-05	360432	14182/2014
07-01C	360367	10377/2015	10-07	360347	16319/2014
07-02B	360389	10402/2015	11-01A	360277	16115/2014
07-02B	360390	10403/2015	11-01C	360277	16115/2014
07-02D	360415	16612/2014	11-05	360401	16628/2014
07-02E	360400	16625/2014	12-02	360275	15641/2014
07-02K	360349	16320/2014	12-08	360429	10439/2015
07-04	360393	10410/2015	12-15A	360324	10315/2015
07-06A	360332	10305/2015	12-15A	360381	10397/2015

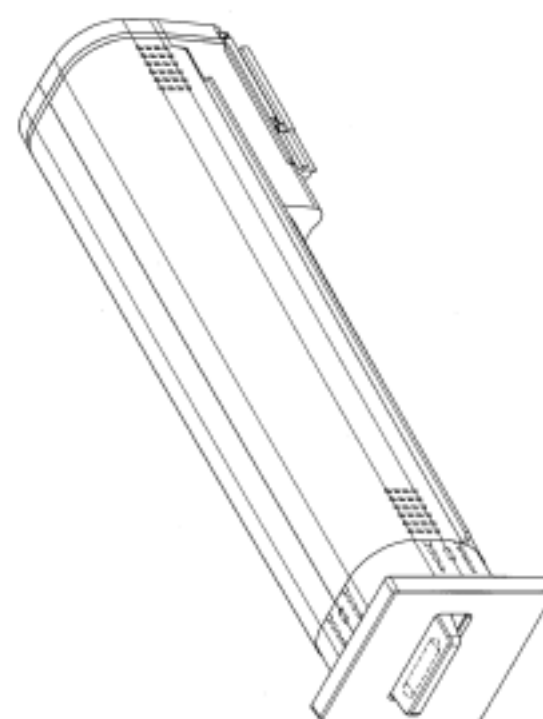
Registration Proceedings - Class Listing of Designs Published or Registered cont'd

Classification	Registration Number	Design Number	Classification	Registration Number	Design Number
12-15B	360382	10398/2015	21-02A	360286	16363/2014
12-15B	360405	10421/2015	21-02A	360287	16364/2014
12-15C	360314	10330/2015	21-02C	360391	10408/2015
12-16K	360374	10379/2015	21-02C	360392	10409/2015
12-16K	360375	10383/2015	21-02C	360433	10469/2015
12-16L	360397	13870/2014	21-02F	360289	16425/2014
13-03E	360356	10347/2015	23-01A	360348	13688/2014
13-03E	360357	10348/2015	23-02B	360363	10360/2015
13-99	360431	10444/2015	23-02B	360372	10362/2015
14-01	360334	10213/2015	24-01	360368	14779/2014
14-01	360335	10214/2015	24-02	360283	16340/2014
14-01	360337	10212/2015	24-02	360284	16341/2014
14-01	360338	10215/2015	24-02	360309	14886/2014
14-02	360265	15995/2014	24-02	360398	16294/2014
14-02	360297	10275/2015	25-01K	360427	10371/2015
14-02	360298	10277/2015	25-01K	360428	10372/2015
14-02	360377	10335/2015	25-04	360380	10392/2015
14-03A	360430	10441/2015	26-01	360279	16173/2014
14-03E	360269	10280/2015	26-03	360425	10366/2015
14-03E	360270	10283/2015	26-05A	360266	16162/2014
14-03E	360297	10275/2015	26-05D	360422	10167/2015
14-03E	360298	10277/2015	26-05E	360326	10319/2015
14-03NES	360435	10471/2015	26-06	360293	10267/2015
15-05	360280	16266/2014	28-03A	360346	10346/2015
15-05	360281	16283/2014	28-03B	360358	10351/2015
15-05	360290	16509/2014	28-03D	360330	10303/2015
15-05	360291	16513/2014	28-03D	360331	10304/2015
15-05	360373	10363/2015	28-03D	360333	10306/2015
15-07	360310	16249/2014	29-02	360264	15967/2014
15-07	360327	16248/2014	30-03	360384	10802/2015
19-01	360319	10336/2015	31-00	360351	16652/2014
19-02	360364	10367/2015	31-00	360402	10418/2015
19-02	360365	10368/2015	31-00	360407	10423/2015
19-02	360366	10369/2015	31-00	360408	10425/2015
21-01C	360325	10317/2015	31-00	360411	10431/2015
21-01C	360429	10439/2015			
21-01L	360268	10268/2015			
21-01NES	360308	10307/2015			

- (21) Design Number: **15967/2014**
(22) Date of Filing Application: **21 November 2014**
(24) Date from which industrial property rights may have effect: **21 November 2014**
(54) Product in respect of which the design is registered: **Respirator filter cover**
(51) International Design Classification: **29-02**
(74) Name(s) of Attorney(s): **Freehills Patent Attorneys**
(71) Name(s) and Address(s) of Applicant(s):
3M Innovative Properties Company
3M Center Post Office Box 33427 Saint Paul Minnesota 55133-3427
United States of America
(72) Name(s) of Designer(s): **Gary Edward Dwyer**
(45) Registration Date: **11 February 2015**
(30) Convention priority data:
(31) Number (32) Date (33) Country
29/491575 22 May 2014 UNITED STATES OF AMERICA
(56) Related Art Documents: **Not Applicable**
(57) Statement of Newness and Distinctiveness: **Newness and distinctiveness resides in the features of shape and/or configuration of the respirator filter cover as shown in solid outline in the accompanying drawings.**



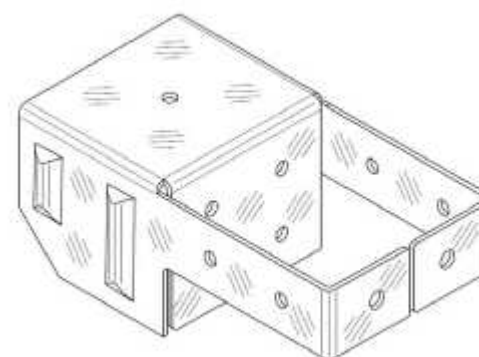
- (21) Design Number: **15995/2014**
(22) Date of Filing Application: **21 November 2014**
(24) Date from which industrial property rights may have effect: **21 November 2014**
(54) Product in respect of which the design is registered: **Laser printer toner cartridge**
(51) International Design Classification: **14-02**
(74) Name(s) of Attorney(s): **Wrays**
(71) Name(s) and Address(s) of Applicant(s):
Lexmark International, Inc.
740 West New Circle Road Lexington Kentucky 40550 United States of America
(72) Name(s) of Designer(s): **Mark William Amann and James Daniel Anderson and Charles Alan Bast and Billy Joe Jones and Michael Craig Leemhuis and Thomas Eugene Pangburn**
(45) Registration Date: **11 February 2015**
(30) Convention priority data:
(31) Number (32) Date (33) Country
29/491,866 27 May 2014 UNITED STATES OF AMERICA
(56) Related Art Documents: **Not Applicable**
(57) Statement of Newness and Distinctiveness: **Newness and distinctiveness is claimed in the features of shape, configuration, pattern and/or ornamentation of the Laser Printer Toner Cartridge as shown in the accompanying representations. The features depicted by broken lines are for illustrative purposes only and form no part of the claimed design.**



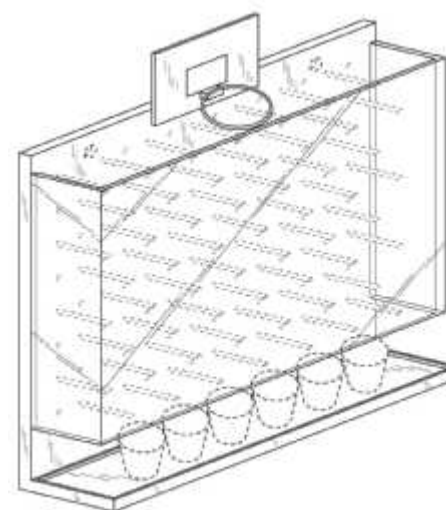
- (21) Design Number: **16162/2014**
(22) Date of Filing Application: **27 November 2014**
(24) Date from which industrial property rights may have effect: **27 November 2014**
(54) Product in respect of which the design is registered: **Linear light fixture and block-out structure**
(51) International Design Classification: **26-05A**
(74) Name(s) of Attorney(s): **Davies Collison Cave**
(71) Name(s) and Address(s) of Applicant(s):
Lumenpulse Lighting Inc.
1751 rue Richardson Suite 1505 Montreal Quebec H3K 1G6 Canada
(72) Name(s) of Designer(s): **David Cavaliere and Yvan Hamel and Jean-Philippe Pellan**
(45) Registration Date: **11 February 2015**
(30) Convention priority data:
(31) Number (32) Date (33) Country
29/491,980 27 May 2014 UNITED STATES OF AMERICA
(56) Related Art Documents: **Not Applicable**
(57) Statement of Newness and Distinctiveness: **Newness and distinctiveness is claimed in the visual features shown in solid lines in the representations. In considering the extent of the design rights, the broken lines shown in the representations are for illustrative purposes only and do not form part of the design.**



- (21) Design Number: **16564/2014**
(22) Date of Filing Application: **16 December 2014**
(24) Date from which industrial property rights may have effect: **09 October 2014**
(54) Product in respect of which the design is registered: **Bracket**
(51) International Design Classification: **08-08L**
(74) Name(s) of Attorney(s): **Griffith Hack**
(71) Name(s) and Address(s) of Applicant(s):
CSR Building Products Limited
Triniti 3 39 Delhi Rd North Ryde NSW 2113 Australia
(72) Name(s) of Designer(s): **Adrian Puzey**
(45) Registration Date: **11 February 2015**
(62) Divisional of: **359675**
(56) Related Art Documents: **Not Applicable**
(57) Statement of Newness and Distinctiveness: **Nil**



- (21) Design Number: **10268/2015**
(22) Date of Filing Application: **19 January 2015**
(24) Date from which industrial property rights may have effect: **19 January 2015**
(54) Product in respect of which the design is registered: **Game apparatus**
(51) International Design Classification: **21-01L**
(74) Name(s) of Attorney(s): **Knightsbridge Patent Attorneys**
(71) Name(s) and Address(s) of Applicant(s):
Retro Entertainment LLC
675 Weatherly Lane Atlanta Georgia, 30328 United States of America
(72) Name(s) of Designer(s): **William Edgar Shadle**
(45) Registration Date: **11 February 2015**
(56) Related Art Documents: **Not Applicable**
(57) Statement of Newness and Distinctiveness: **The applicant claims that newness and distinctiveness reside in the features of shape and configuration of a game apparatus, as depicted in the accompanying representations. The broken lines shown in the accompanying representations of the product form no part of the design for the product.**



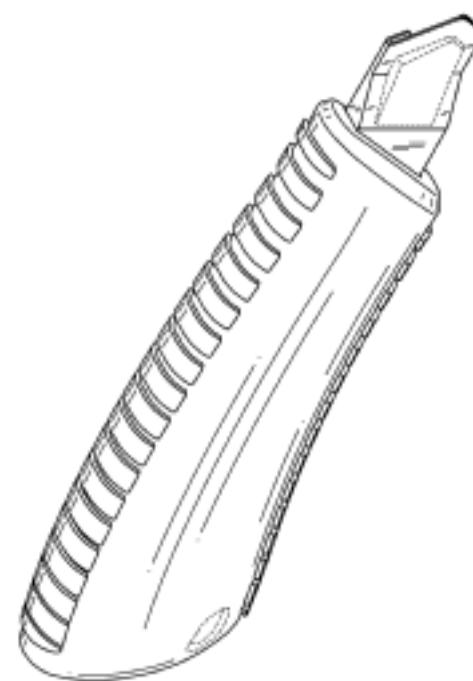
- (21) Design Number: **10280/2015**
(22) Date of Filing Application: **19 January 2015**
(24) Date from which industrial property rights may have effect: **19 January 2015**
(54) Product in respect of which the design is registered: **Portable electronic device**
(51) International Design Classification: **14-03E**
(74) Name(s) of Attorney(s): **Griffith Hack**
(71) Name(s) and Address(s) of Applicant(s):
SAMSUNG ELECTRONICS CO., LTD.
129, Samsung-ro Yeongtong-gu Suwon-si Gyeonggi-do 443-742
Republic of Korea
(72) Name(s) of Designer(s): **Junyong Song**
(45) Registration Date: **11 February 2015**
(30) Convention priority data:
(31) Number (32) Date (33) Country
30-2014-0043779 05 Sep 2014 REPUBLIC OF KOREA
(56) Related Art Documents: **Not Applicable**
(57) Statement of Newness and Distinctiveness: **Newness and distinctiveness resides in the visual features including the shape, configuration, pattern and ornamentation of those parts shown by means of solid lines in the representations. Those parts shown in dashed lines have been included for illustrative purposes only. The oblique lines on the bezel portions on the side of the product in figures 1 and 8 identify shiny surfaces.**



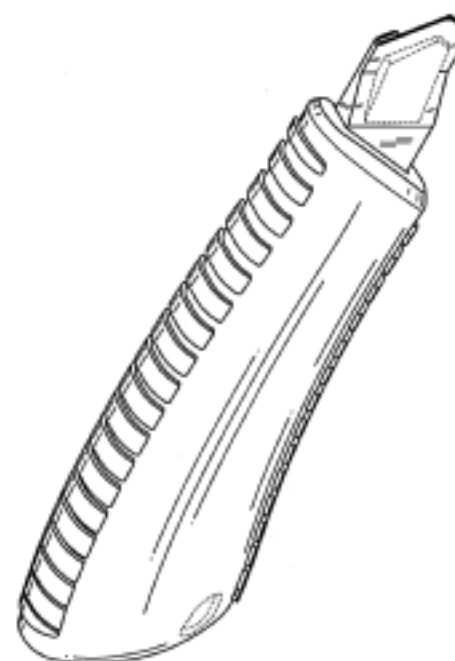
- (21) Design Number: **10283/2015**
(22) Date of Filing Application: **19 January 2015**
(24) Date from which industrial property rights may have effect: **19 January 2015**
(54) Product in respect of which the design is registered: **Portable electronic device**
(51) International Design Classification: **14-03E**
(74) Name(s) of Attorney(s): **Griffith Hack**
(71) Name(s) and Address(s) of Applicant(s):
Samsung Electronics Co., Ltd.
129 Samsung-ro Yeongtong-Gu Suwon-Si Gyeonggi-do 443-742
Republic of Korea
(72) Name(s) of Designer(s): **Junyong Song**
(45) Registration Date: **11 February 2015**
(30) Convention priority data:
(31) Number (32) Date (33) Country
30-2014-0043780 05 Sep 2014 REPUBLIC OF KOREA
(56) Related Art Documents: **Not Applicable**
(57) Statement of Newness and Distinctiveness: **Newness and distinctiveness resides in the visual features including the shape, configuration, pattern and ornamentation of those parts shown by means of solid lines in the representations. Those parts shown in dashed lines have been included for illustrative purposes only. The oblique lines on the protruding portions about the camera in figures 1 and 9 identify shiny surfaces. The oblique lines on the camera lens in figures 1 and 9 identify transparent or translucent surfaces.**



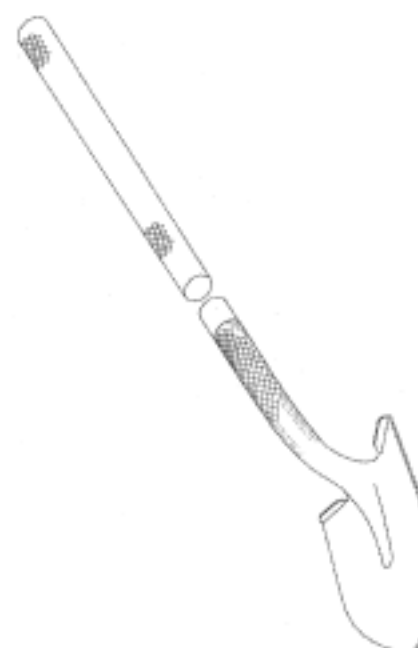
- (21) Design Number: **16176/2014**
(22) Date of Filing Application: **28 November 2014**
(24) Date from which industrial property rights may have effect: **28 November 2014**
(54) Product in respect of which the design is registered: **Utility knife**
(51) International Design Classification: **08-03**
(74) Name(s) of Attorney(s): **Freehills Patent Attorneys**
(71) Name(s) and Address(s) of Applicant(s):
3M Innovative Properties Company
3M Center Post Office Box 33427 Saint Paul Minnesota 55133-3427
United States of America
(72) Name(s) of Designer(s): **Michitomo Kugimiya and Yasuyuki Daigo and Yo Suzuki**
(45) Registration Date: **12 February 2015**
(30) Convention priority data:
(31) Number (32) Date (33) Country
29/492346 30 May 2014 UNITED STATES OF AMERICA
(56) Related Art Documents: **Not Applicable**
(57) Statement of Newness and Distinctiveness: **Newness and distinctiveness resides in the features of shape and/or configuration of the utility knife as shown in solid outline in the accompanying drawings.**



- (21) Design Number: **10565/2015**
(22) Date of Filing Application: **28 November 2014**
(24) Date from which industrial property rights may have effect: **28 November 2014**
(54) Product in respect of which the design is registered: **Utility knife**
(51) International Design Classification: **08-03**
(74) Name(s) of Attorney(s): **Freehills Patent Attorneys**
(71) Name(s) and Address(s) of Applicant(s):
3M Innovative Properties Company
3M Center Post Office Box 33427 Saint Paul Minnesota 55133-3427
United States of America
(72) Name(s) of Designer(s): **Michitomo Kugimiya and Yasuyuki Daigo and Yo Suzuki**
(45) Registration Date: **12 February 2015**
(30) Convention priority data:
(31) Number (32) Date (33) Country
29/492346 30 May 2014 UNITED STATES OF AMERICA
(56) Related Art Documents: **Not Applicable**
(57) Statement of Newness and Distinctiveness: **Newness and distinctiveness resides in the features of shape and/or configuration of the utility knife as shown in the solid outline in the accompanying representations.**



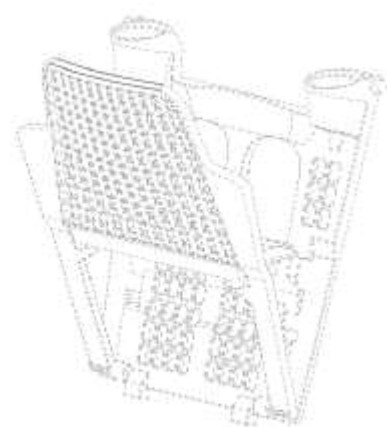
- (21) Design Number: **15322/2014**
(22) Date of Filing Application: **21 October 2014**
(24) Date from which industrial property rights may have effect: **21 October 2014**
(54) Product in respect of which the design is registered: **Tool handle cylindrical surface with cross hatch pattern**
(51) International Design Classification: **08-01**
(74) Name(s) of Attorney(s): **Davies Collison Cave**
(71) Name(s) and Address(s) of Applicant(s):
The Ames Companies, Inc.
465 Railroad Avenue Camp Hill Pennsylvania 17011 United States of America
(72) Name(s) of Designer(s): **Aaron Abbott and Jared Aller and Beau Oyler and Yulian Bagirov and Charles Bates**
(45) Registration Date: **13 February 2015**
(30) Convention priority data:
(31) Number (32) Date (33) Country
29/496670 16 Jul 2014 UNITED STATES OF AMERICA
(56) Related Art Documents: **Not Applicable**
(57) Statement of Newness and Distinctiveness: **Newness and distinctiveness is claimed in the visual features of shape, configuration, pattern and/or ornamentation of a cross hatch on cylindrical surface shown in the representations. The broken lines in the drawings depict environmental subject matter only and form no part of the claimed design.**



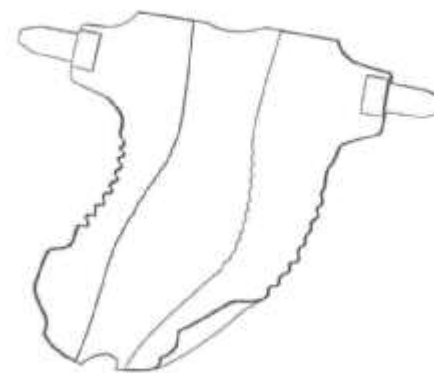
- (21) Design Number: **15325/2014**
(22) Date of Filing Application: **21 October 2014**
(24) Date from which industrial property rights may have effect: **21 October 2014**
(54) Product in respect of which the design is registered: **Tool handle cylindrical surface with TT hatch pattern**
(51) International Design Classification: **08-01**
(74) Name(s) of Attorney(s): **Davies Collison Cave**
(71) Name(s) and Address(s) of Applicant(s):
The Ames Companies, Inc.
465 Railroad Avenue Camp Hill Pennsylvania 17011 United States of America
(72) Name(s) of Designer(s): **Aaron Abbott and Jared Aller and Beau Oyler and Yulian Bagirov and Charles Bates**
(45) Registration Date: **13 February 2015**
(30) Convention priority data:
(31) Number (32) Date (33) Country
29/496679 16 Jul 2014 UNITED STATES OF AMERICA
(56) Related Art Documents: **Not Applicable**
(57) Statement of Newness and Distinctiveness: **Newness and distinctiveness is claimed in the visual features of shape, configuration, pattern and/or ornamentation of a TT hatch on cylindrical surface shown in the representations. The broken lines in the drawings depict environmental subject matter only and form no part of the claimed design.**



- (21) Design Number: **15641/2014**
(22) Date of Filing Application: **05 November 2014**
(24) Date from which industrial property rights may have effect: **11 April 2014**
(54) Product in respect of which the design is registered: **Gate assembly for a shopping trolley**
(51) International Design Classification: **12-02**
(74) Name(s) of Attorney(s): **Griffith Hack**
(71) Name(s) and Address(s) of Applicant(s):
BEMIS MANUFACTURING COMPANY
300 Mill Street Sheboygan Falls Wisconsin, 53085 United States of America
(72) Name(s) of Designer(s): **Richard Stauff and Gary Vande Berg and Roy Watson**
(45) Registration Date: **13 February 2015**
(62) Divisional of: **359142**
(56) Related Art Documents: **Not Applicable**
(57) Statement of Newness and Distinctiveness: **Newness and distinctiveness resides in the visual features, including the shape and configuration of the product shown by means of the solid lines in the representations.**



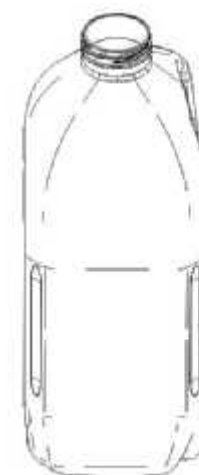
(21) Design Number: **16026/2014**
(22) Date of Filing Application: **24 November 2014**
(24) Date from which industrial property rights may have effect: **24 November 2014**
(54) Product in respect of which the design is registered: **Disposable diaper**
(51) International Design Classification: **02-01B**
(74) Name(s) of Attorney(s): **PHILLIPS ORMONDE FITZPATRICK**
(71) Name(s) and Address(s) of Applicant(s):
Uni-Charm Corporation
182, Kinseichoshimobun Shikokuchuo-shi Ehime 799-0111 Japan
(72) Name(s) of Designer(s): **Tomomi Oku and Maki Miyake and Satoru Sakaguchi**
(45) Registration Date: **13 February 2015**
(30) Convention priority data:
(31) Number (32) Date (33) Country
2014-11257 27 May 2014 JAPAN
(56) Related Art Documents: **Not Applicable**
(57) Statement of Newness and Distinctiveness: **Nil**



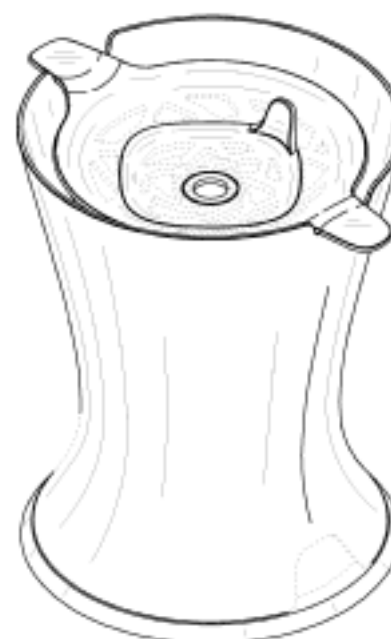
(21) Design Number: **16115/2014**
(22) Date of Filing Application: **26 November 2014**
(24) Date from which industrial property rights may have effect: **26 November 2014**
(54) Product in respect of which the design is registered: **Ring; Bracelet**
(51) International Design Classification: **11-01A, 11-01C**
(74) Name(s) of Attorney(s): **Shelston IP**
(71) Name(s) and Address(s) of Applicant(s):
Chanel Limited
Queensway Croydon Surrey CR9 4DL United Kingdom
(72) Name(s) of Designer(s): **Marianna Nitsch**
(45) Registration Date: **13 February 2015**
(30) Convention priority data:
(31) Number (32) Date (33) Country
4035654 28 May 2014 UNITED KINGDOM
(56) Related Art Documents: **Not Applicable**
(57) Statement of Newness and Distinctiveness: **Nil**



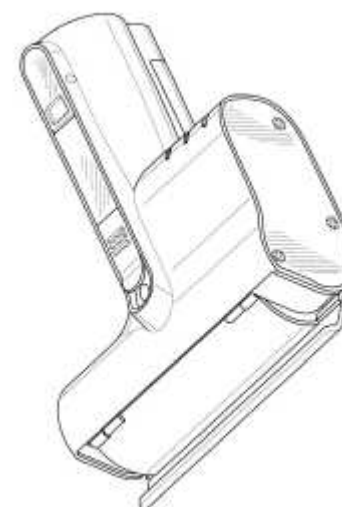
- (21) Design Number: **16171/2014**
(22) Date of Filing Application: **27 November 2014**
(24) Date from which industrial property rights may have effect: **27 November 2014**
(54) Product in respect of which the design is registered: **Container**
(51) International Design Classification: **09-01B**
(74) Name(s) of Attorney(s): **Davies Collison Cave**
(71) Name(s) and Address(s) of Applicant(s):
Visy R & D Pty Ltd
L11 2 Southbank Bvd Southbank VIC 3006 Australia
(72) Name(s) of Designer(s): **Trevor Pratt and Travis Hunter and Regin Anderson**
(45) Registration Date: **13 February 2015**
(56) Related Art Documents: **Not Applicable**
(57) Statement of Newness and Distinctiveness: **The features of shape and configuration of the container shown in the accompanying representations are considered to be new and distinctive. Shape lines shown in the representations illustrate surface contour of the container do not form part of the design.**



- (21) Design Number: **16173/2014**
(22) Date of Filing Application: **28 November 2014**
(24) Date from which industrial property rights may have effect: **28 November 2014**
(54) Product in respect of which the design is registered: **Holder for a dispenser element and candle**
(51) International Design Classification: **26-01**
(74) Name(s) of Attorney(s): **SPRUSON & FERGUSON**
(71) Name(s) and Address(s) of Applicant(s):
S. C. Johnson & Son, Inc.
1525 Howe Street, Racine Wisconsin, 53403 United States of America
(72) Name(s) of Designer(s): **Brian T. Davis and Shih-Tung Chang and Jacob S. Childs and Michel D. Arney**
(45) Registration Date: **13 February 2015**
(30) Convention priority data:
(31) Number (32) Date (33) Country
29/492182 29 May 2014 UNITED STATES OF AMERICA
(56) Related Art Documents: **Not Applicable**
(57) Statement of Newness and Distinctiveness: **Newness and distinctiveness is claimed in those features of shape and/or configuration of a holder for a dispenser element and candle illustrated in continuous lines in the accompanying representations.**



(21) Design Number: **16266/2014**
(22) Date of Filing Application: **02 December 2014**
(24) Date from which industrial property rights may have effect: **02 December 2014**
(54) Product in respect of which the design is registered: **Hand tool accessory for vacuum cleaner**
(51) International Design Classification: **15-05**
(74) Name(s) of Attorney(s): **PIZZEYS**
(71) Name(s) and Address(s) of Applicant(s):
Euro-Pro Operating LLC
180 Wells Avenue, Suite 200 Newton MA, 02459 United States of America
(72) Name(s) of Designer(s): **Christopher Gidwell and Alexander Calvino and Sam Liu**
(45) Registration Date: **13 February 2015**
(30) Convention priority data:
(31) Number (32) Date (33) Country
29/492,842 03 Jun 2014 UNITED STATES OF AMERICA
(56) Related Art Documents: **Not Applicable**
(57) Statement of Newness and Distinctiveness: **Nil**



(21) Design Number: **16283/2014**
(22) Date of Filing Application: **03 December 2014**
(24) Date from which industrial property rights may have effect: **03 December 2014**
(54) Product in respect of which the design is registered: **Hand tool accessory for vacuum cleaner**
(51) International Design Classification: **15-05**
(74) Name(s) of Attorney(s): **PIZZEYS**
(71) Name(s) and Address(s) of Applicant(s):
Euro-Pro Operating LLC
180 Wells Avenue, Suite 200 Newton MA, 02459 United States of America
(72) Name(s) of Designer(s): **Zenas Lu and Brett Andler and Charlie Cai**
(45) Registration Date: **13 February 2015**
(30) Convention priority data:
(31) Number (32) Date (33) Country
29/494,475 20 Jun 2014 UNITED STATES OF AMERICA
(56) Related Art Documents: **Not Applicable**
(57) Statement of Newness and Distinctiveness: **Nil**



(21) Design Number: **16337/2014**
(22) Date of Filing Application: **05 December 2014**
(24) Date from which industrial property rights may have effect: **05 December 2014**
(54) Product in respect of which the design is registered: **Hammer**
(51) International Design Classification: **08-02**
(74) Name(s) of Attorney(s): **PHILLIPS ORMONDE FITZPATRICK**
(71) Name(s) and Address(s) of Applicant(s):

Estwing Manufacturing Co., Inc.
2647 Eighth Street Rockford Illinois 61109 United States of America

(72) Name(s) of Designer(s): **Joshua D West and Robert H Youngren**

(45) Registration Date: **13 February 2015**

(30) Convention priority data:

(31) Number	(32) Date	(33) Country
29/493,110	05 Jun 2014	UNITED STATES OF AMERICA

(56) Related Art Documents: **Not Applicable**

(57) Statement of Newness and Distinctiveness: **Newness and distinctiveness resides in the shape and/or configuration of the hammer shown in the solid lines in the accompanying representations. The boundaries of the side walls of the hammer are defined between the disclosed solid lines and the farthest-most shade lines along the side walls. Further, the boundaries of the top wall of the hammer are defined between the disclosed solid lines and the farthest-most shade lines along the top wall of the head. The dash-dash-dash-dash lines are for the purpose of illustrating environmental structure and form no part of the claimed design.**



(21) Design Number: **16340/2014**
(22) Date of Filing Application: **05 December 2014**
(24) Date from which industrial property rights may have effect: **05 December 2014**
(54) Product in respect of which the design is registered: **Outer part for a device for treating sleep apnoea**
(51) International Design Classification: **24-02**
(74) Name(s) of Attorney(s): **Davies Collison Cave**
(71) Name(s) and Address(s) of Applicant(s):

Sleep Innovations Pty Ltd
Se5 3rd Fl 517 St Kilda Rd Melbourne VIC 3000 Australia

(72) Name(s) of Designer(s): **Jack Allen Gerschman and Joel Gerschman**

(45) Registration Date: **13 February 2015**

(56) Related Art Documents: **Not Applicable**

(57) Statement of Newness and Distinctiveness: **Newness and distinctiveness is claimed in the visual features of shape and configuration of a device for sleep apnoea treatment as shown in the representations, but not in the colour of the device for sleep apnoea treatment.**



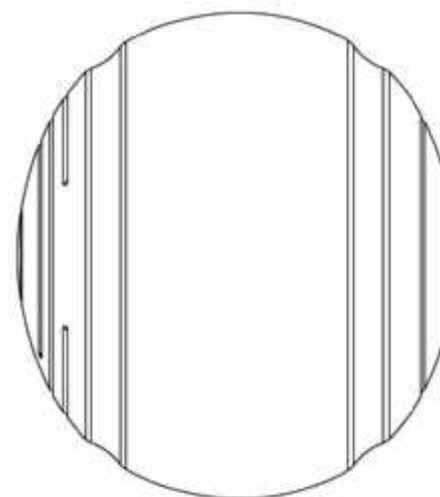
- (21) Design Number: **16341/2014**
(22) Date of Filing Application: **05 December 2014**
(24) Date from which industrial property rights may have effect: **05 December 2014**
(54) Product in respect of which the design is registered: **Device for treating sleep apnoea**
(51) International Design Classification: **24-02**
(74) Name(s) of Attorney(s): **Davies Collison Cave**
(71) Name(s) and Address(s) of Applicant(s):
Sleep Innovations Pty Ltd
Se5 3rd Fl 517 St Kilda Rd Melbourne VIC 3000 Australia
(72) Name(s) of Designer(s): **Jack Allen Gerschman and Joel Gerschman**
(45) Registration Date: **13 February 2015**
(56) Related Art Documents: **Not Applicable**
(57) Statement of Newness and Distinctiveness: **Newness and distinctiveness is claimed in the visual features of shape and configuration of a device for sleep apnoea treatment as shown in the representations, but not in the colour of the device for sleep apnoea treatment.**



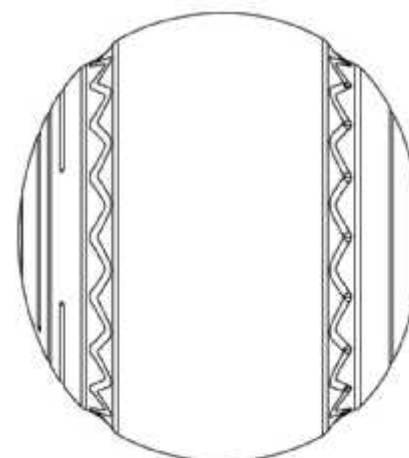
- (21) Design Number: **16357/2014**
(22) Date of Filing Application: **08 December 2014**
(24) Date from which industrial property rights may have effect: **08 December 2014**
(54) Product in respect of which the design is registered: **Container**
(51) International Design Classification: **09-03NES, 09-07B**
(74) Name(s) of Attorney(s): **Cotters Patent & Trade Mark Attorneys**
(71) Name(s) and Address(s) of Applicant(s):
CALZE ILEANA S.p.A.
Via Lame 10/11 Carpenedolo Brescia I-25013 Italy
(72) Name(s) of Designer(s): **Luca Bondioli and Alda Bondioli**
(45) Registration Date: **13 February 2015**
(30) Convention priority data:
(31) Number (32) Date (33) Country
001413876-0002 10 Jun 2014 OFFICE FOR HARMONISATION IN THE INTERNAL MARKET (OHIM)
(56) Related Art Documents: **Not Applicable**
(57) Statement of Newness and Distinctiveness: **Newness and distinctiveness is claimed in the features of shape and/or configuration and pattern and/or ornamentation of a container as depicted in the accompanying representations.**



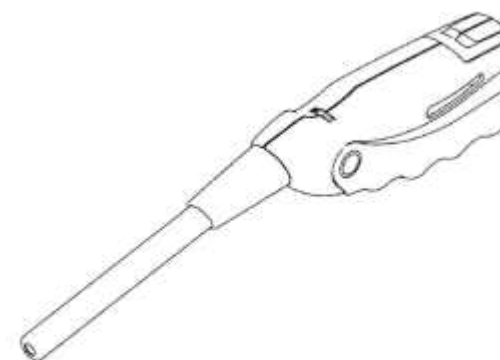
- (21) Design Number: **16363/2014**
(22) Date of Filing Application: **08 December 2014**
(24) Date from which industrial property rights may have effect: **08 December 2014**
(54) Product in respect of which the design is registered: **A bowling ball**
(51) International Design Classification: **21-02A**
(74) Name(s) of Attorney(s): **Davies Collison Cave**
(71) Name(s) and Address(s) of Applicant(s):
COMFITPRO PTY LIMITED
U16 Harcourt Business Park Harcourt Pde Rosebery NSW 2018 Australia
(72) Name(s) of Designer(s): **Walter Jacobs**
(45) Registration Date: **13 February 2015**
(56) Related Art Documents: **Not Applicable**
(57) Statement of Newness and Distinctiveness: **The newness and distinctiveness resides in the features of the shape and/or configuration and/or pattern and/or ornamentation of a bowling ball as shown in the accompanying representations.**



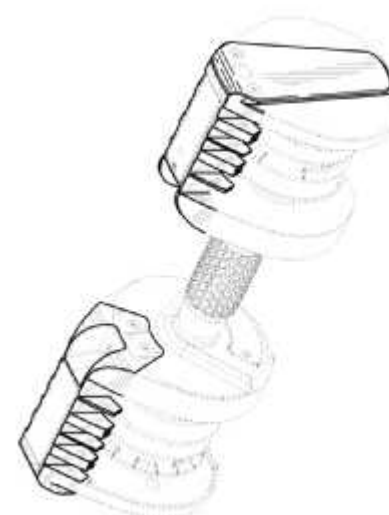
- (21) Design Number: **16364/2014**
(22) Date of Filing Application: **08 December 2014**
(24) Date from which industrial property rights may have effect: **08 December 2014**
(54) Product in respect of which the design is registered: **A bowling ball**
(51) International Design Classification: **21-02A**
(74) Name(s) of Attorney(s): **Davies Collison Cave**
(71) Name(s) and Address(s) of Applicant(s):
COMFITPRO PTY LIMITED
U16 Harcourt Business Park Harcourt Pde Rosebery NSW 2018 Australia
(72) Name(s) of Designer(s): **Walter Jacobs**
(45) Registration Date: **13 February 2015**
(56) Related Art Documents: **Not Applicable**
(57) Statement of Newness and Distinctiveness: **The newness and distinctiveness resides in the features of the shape and/or configuration and/or pattern and/or ornamentation of a bowling ball as shown in the accompanying representations.**



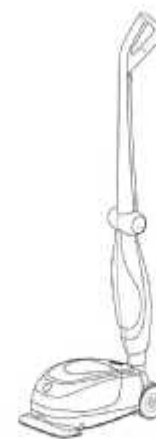
(21) Design Number: **16413/2014**
(22) Date of Filing Application: **11 December 2014**
(24) Date from which industrial property rights may have effect: **11 December 2014**
(54) Product in respect of which the design is registered: **Lighter**
(51) International Design Classification: **07-99NES**
(74) Name(s) of Attorney(s): **WATERMARK PATENT AND TRADE MARKS ATTORNEYS**
(71) Name(s) and Address(s) of Applicant(s):
Tokai Corporation
2F. Ai-Town-Plaza 6-21-1, Nishi-Shinjuku Tokyo Shinjuku-Ku, 163-0023
Japan
(72) Name(s) of Designer(s): **Toshihiro Ichikawa and Yuzo Ochiai**
(45) Registration Date: **13 February 2015**
(30) Convention priority data:
(31) Number (32) Date (33) Country
29/509,255 14 Nov 2014 UNITED STATES OF AMERICA
(56) Related Art Documents: **Not Applicable**
(57) Statement of Newness and Distinctiveness: **Nil**



(21) Design Number: **16425/2014**
(22) Date of Filing Application: **11 December 2014**
(24) Date from which industrial property rights may have effect: **11 December 2014**
(54) Product in respect of which the design is registered: **Dumbbell bridge**
(51) International Design Classification: **21-02F**
(74) Name(s) of Attorney(s): **Griffith Hack**
(71) Name(s) and Address(s) of Applicant(s):
NAUTILUS, INC.
17750 SE 6th Way Vancouver WA, 98683 United States of America
(72) Name(s) of Designer(s): **Edward L Flick**
(45) Registration Date: **13 February 2015**
(30) Convention priority data:
(31) Number (32) Date (33) Country
29/493,903 13 Jun 2014 UNITED STATES OF AMERICA
(56) Related Art Documents: **Not Applicable**
(57) Statement of Newness and Distinctiveness: **Newness and distinctiveness resides in the shape and configuration of the product as represented by the solid lines in the drawings.**



(21) Design Number: **16509/2014**
(22) Date of Filing Application: **15 December 2014**
(24) Date from which industrial property rights may have effect: **15 December 2014**
(54) Product in respect of which the design is registered: **Vacuum cleaner**
(51) International Design Classification: **15-05**
(74) Name(s) of Attorney(s): **Griffith Hack**
(71) Name(s) and Address(s) of Applicant(s):
Techtronic Industries Co., Ltd
24/F CDW Building 388 Castle Peak Road Tsuen Wan New Territories
Hong Kong
(72) Name(s) of Designer(s): **Matthew James Ward**
(45) Registration Date: **13 February 2015**
(30) Convention priority data:
(31) Number (32) Date (33) Country
002482562 13 Jun 2014 EUROPEAN PATENT OFFICE (EPO)
(56) Related Art Documents: **Not Applicable**
(57) Statement of Newness and Distinctiveness: **Nil**



(21) Design Number: **16513/2014**
(22) Date of Filing Application: **15 December 2014**
(24) Date from which industrial property rights may have effect: **15 December 2014**
(54) Product in respect of which the design is registered: **Vacuum cleaner**
(51) International Design Classification: **15-05**
(74) Name(s) of Attorney(s): **Griffith Hack**
(71) Name(s) and Address(s) of Applicant(s):
Techtronic Industries Co., Ltd
24/F CDW Building 388 Castle Peak Road Tsuen Wan New Territories
Hong Kong
(72) Name(s) of Designer(s): **Matthew James Ward**
(45) Registration Date: **13 February 2015**
(30) Convention priority data:
(31) Number (32) Date (33) Country
002482562 13 Jun 2014 EUROPEAN PATENT OFFICE (EPO)
(56) Related Art Documents: **Not Applicable**
(57) Statement of Newness and Distinctiveness: **Nil**



(21) Design Number: **10137/2015**

(22) Date of Filing Application: **13 January 2015**

(24) Date from which industrial property rights may have effect: **13 January 2015**

(54) Product in respect of which the design is registered: **A container**

(51) International Design Classification: **09-01NES**

(74) Name(s) of Attorney(s): **Griffith Hack**

(71) Name(s) and Address(s) of Applicant(s):

Milacron LLC

4165 Half Acre Road Batavia Ohio, 45103 United States of America

(72) Name(s) of Designer(s): **James D. Janeczek**

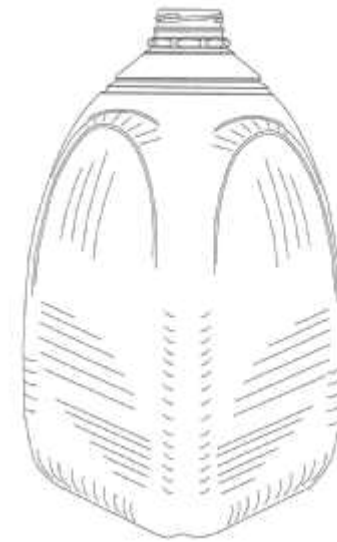
(45) Registration Date: **13 February 2015**

(30) Convention priority data:

(31) Number	(32) Date	(33) Country
29/496,485	14 Jul 2014	UNITED STATES OF AMERICA

(56) Related Art Documents: **Not Applicable**

(57) Statement of Newness and Distinctiveness: **Newness and distinctiveness resides in the visual features including the shape, configuration and ornamentation of the product as shown in the representations.**



(21) Design Number: **10267/2015**

(22) Date of Filing Application: **19 January 2015**

(24) Date from which industrial property rights may have effect: **19 January 2015**

(54) Product in respect of which the design is registered: **Bicycle light**

(51) International Design Classification: **26-06**

(74) Name(s) of Attorney(s): **A.P.T. Patent and Trade Mark Attorneys**

(71) Name(s) and Address(s) of Applicant(s):

Moon Sport Limited

No. 229 Lychee Rd South Fairview Park Yuen Long New Territories Hong Kong

(72) Name(s) of Designer(s): **Wui Pan Cheng**

(45) Registration Date: **16 February 2015**

(56) Related Art Documents: **Not Applicable**

(57) Statement of Newness and Distinctiveness: **Nil**



(21) Design Number: **10269/2015**
(22) Date of Filing Application: **19 January 2015**
(24) Date from which industrial property rights may have effect: **19 January 2015**
(54) Product in respect of which the design is registered: **Oral care implement**
(51) International Design Classification: **04-02**
(74) Name(s) of Attorney(s): **FB Rice**
(71) Name(s) and Address(s) of Applicant(s):
Colgate-Palmolive Company
300 Park Avenue New York NY 10022 United States of America
(72) Name(s) of Designer(s): **Wenjin Xi and Yanmei Ji and Bo Zhang and Kai Zhang and Guangsheng Guo**
(45) Registration Date: **16 February 2015**
(30) Convention priority data:
(31) Number (32) Date (33) Country
29/498171 31 Jul 2014 UNITED STATES OF AMERICA
(56) Related Art Documents: **Not Applicable**
(57) Statement of Newness and Distinctiveness: **Newness and distinctiveness reside in the features of shape and configuration of the design as shown in the representations.**



(21) Design Number: **10270/2015**
(22) Date of Filing Application: **19 January 2015**
(24) Date from which industrial property rights may have effect: **19 January 2015**
(54) Product in respect of which the design is registered: **Oral care implement and portion thereof**
(51) International Design Classification: **04-02**
(74) Name(s) of Attorney(s): **FB Rice**
(71) Name(s) and Address(s) of Applicant(s):
Colgate-Palmolive Company
300 Park Avenue New York NY 10022 United States of America
(72) Name(s) of Designer(s): **Wenjin Xi and Yanmei Ji and Bo Zhang and Kai Zhang and Guangsheng Guo**
(45) Registration Date: **16 February 2015**
(30) Convention priority data:
(31) Number (32) Date (33) Country
29/498171 31 Jul 2014 UNITED STATES OF AMERICA
(56) Related Art Documents: **Not Applicable**
(57) Statement of Newness and Distinctiveness: **Newness and distinctiveness reside in the features of shape and configuration of the design shown in solid lines in the representations excluding those features shown in broken lines.**



(21) Design Number: **10271/2015**
 (22) Date of Filing Application: **19 January 2015**
 (24) Date from which industrial property rights may have effect: **19 January 2015**
 (54) Product in respect of which the design is registered: **Cover for portable electronic device**
 (51) International Design Classification: **03-01NES**
 (74) Name(s) of Attorney(s): **Griffith Hack**
 (71) Name(s) and Address(s) of Applicant(s):
SAMSUNG ELECTRONICS CO., LTD.
129, Samsung-ro Yeongtong-gu Suwon-si Gyeonggi-do 443-742
Republic of Korea
 (72) Name(s) of Designer(s): **Tomohiro Harata and Iksang Kim and Jiwoong Hwang**
 (45) Registration Date: **16 February 2015**
 (30) Convention priority data:
 (31) Number (32) Date (33) Country
30-2014-0043775 05 Sep 2014 REPUBLIC OF KOREA
 (56) Related Art Documents: **Not Applicable**
 (57) Statement of Newness and Distinctiveness: **Newness and distinctiveness resides in the visual features including the shape, configuration, pattern and ornamentation of those parts shown by means of solid lines in the representations. Those parts shown in dashed lines have been included for illustrative purposes only. The oblique lines on the front panel in figures 1 and 8 identify transparent or translucent surfaces.**



(21) Design Number: **10275/2015**
 (22) Date of Filing Application: **19 January 2015**
 (24) Date from which industrial property rights may have effect: **19 January 2015**
 (54) Product in respect of which the design is registered: **Portable electronic device**
 (51) International Design Classification: **14-03E, 14-02**
 (74) Name(s) of Attorney(s): **Griffith Hack**
 (71) Name(s) and Address(s) of Applicant(s):
SAMSUNG ELECTRONICS CO., LTD.
129, Samsung-ro Yeongtong-gu Suwon-si Gyeonggi-do 443-742
Republic of Korea
 (72) Name(s) of Designer(s): **Junyong Song**
 (45) Registration Date: **16 February 2015**
 (30) Convention priority data:
 (31) Number (32) Date (33) Country
30-2014-0043778 05 Sep 2014 REPUBLIC OF KOREA
 (56) Related Art Documents: **Not Applicable**
 (57) Statement of Newness and Distinctiveness: **Newness and distinctiveness resides in the visual features including the shape, configuration, pattern and ornamentation of those parts shown by means of solid lines in the representations. Those parts shown in dashed lines have been included for illustrative purposes only. The oblique lines on the bezel portions on the side of the product in figures 1, 8, 9 and 11 identify shiny surfaces, and the oblique lines on the protruding portions about the camera in figures 8 and 11 identify shiny surfaces. The oblique lines on the front panel in figures 1 and 9 identify transparent or translucent surfaces, and the oblique lines in the camera lens in figures 8 and 11 identify transparent or translucent surfaces.**



- (21) Design Number: **10277/2015**
(22) Date of Filing Application: **19 January 2015**
(24) Date from which industrial property rights may have effect: **19 January 2015**
(54) Product in respect of which the design is registered: **Portable electronic device**
(51) International Design Classification: **14-02, 14-03E**
(74) Name(s) of Attorney(s): **Griffith Hack**
(71) Name(s) and Address(s) of Applicant(s):
SAMSUNG ELECTRONICS CO., LTD.
129 Samsung-ro Yeongtong-gu Suwon-si Gyeonggi-do 443-742 Republic of Korea
(72) Name(s) of Designer(s): **Junyong Song**
(45) Registration Date: **16 February 2015**
(30) Convention priority data:
(31) Number (32) Date (33) Country
30-2014-0043781 05 Sep 2014 REPUBLIC OF KOREA
(56) Related Art Documents: **Not Applicable**
(57) Statement of Newness and Distinctiveness: **Newness and distinctiveness resides in the visual features including the shape, configuration, pattern and ornamentation of those parts shown by means of solid lines in the representations. Those parts shown in dashed lines have been included for illustrative purposes only. The oblique lines on the bezel portions on the side of the product in figures 1 and 9 identify shiny surfaces.**



- (21) Design Number: **10236/2015**
(22) Date of Filing Application: **16 January 2015**
(24) Date from which industrial property rights may have effect: **16 January 2015**
(54) Product in respect of which the design is registered: **Bottle**
(51) International Design Classification: **09-01NES**
(74) Name(s) of Attorney(s): **FB Rice**
(71) Name(s) and Address(s) of Applicant(s):
SAVERGLASS
3 rue de la Gare Feuquieres 60960 France
(72) Name(s) of Designer(s): **Jokin Arregui Letamendi**
(45) Registration Date: **16 February 2015**
(30) Convention priority data:
(31) Number (32) Date (33) Country
002554725-0001 10 Oct 2014 OFFICE FOR HARMONISATION IN THE INTERNAL MARKET (OHIM)
(56) Related Art Documents: **Not Applicable**
(57) Statement of Newness and Distinctiveness: **Newness and distinctiveness reside in the features of the design shown in solid lines in the representations, excluding those features shown in dashed in lines and in particular is characterized by a vertically standing body having an upper part which is quadrilateral in cross-section, and a lower part which is round in cross-section, the front surface, rear face and side faces being convexly rounded, and conjugating with each other by a large radius, the upper part being wider than the lower part in transverse dimension, the upper surface forming a smoothly declining shoulder in conjugation with the front, rear and side faces, and including straight ribbings which extend towards the bottom and merge into the base forming rounded corners at the edges. A tall neck protrudes upwardly from the upper part of the body.**



(21) Design Number: **10237/2015**

(22) Date of Filing Application: **16 January 2015**

(24) Date from which industrial property rights may have effect: **16 January 2015**

(54) Product in respect of which the design is registered: **Bottle**

(51) International Design Classification: **09-01NES**

(74) Name(s) of Attorney(s): **FB Rice**

(71) Name(s) and Address(s) of Applicant(s):

SAVERGLASS

3 rue de la Gare Feuquieres 60960 France

(72) Name(s) of Designer(s): **Jokin Arregui Letamendi**

(45) Registration Date: **16 February 2015**

(30) Convention priority data:

(31) Number

(32) Date

(33) Country

002555813-0001 13 Oct 2014

**OFFICE FOR HARMONISATION IN
THE INTERNAL MARKET (OHIM)**

(56) Related Art Documents: **Not Applicable**

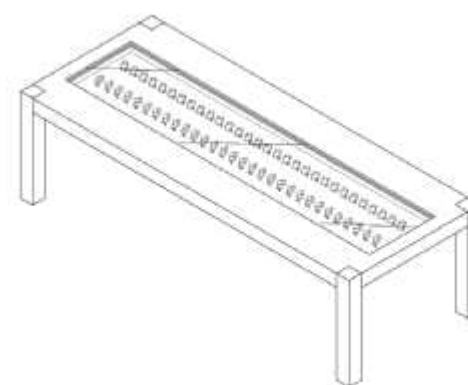
(57) Statement of Newness and Distinctiveness: **Newness and distinctiveness reside in the features of the design shown in solid lines in the drawings, excluding those features shown in dashed line and in particular in that the vertical standing body has an upper part which elliptical in cross-section, and a lower part which is generally quadrilateral in cross-section and in that the front and rear faces are wider than the side face in transverse dimension, and the upper part is wider than the base. A tall neck protrudes upwardly from the upper part of the body, and conjugates with the inclined shoulders. Newness and distinctiveness also reside in the pair of opposing ridges which extend downwards from about the mid-portion of the body at both sides of the front and rear faces towards the bottom, and merge into the base forming cor corners at the edges. As viewed from the front and rear, the pairs of the opposing edges define a facet widening gradually from the base towards the top at the lower part and smoothly merges into the upper part elliptical in cross-section. As viewed from the bottom, the pairs of opposing ridges define pairs of symmetrical circular arcs that gradually taper towards the top to merge into the body which is elliptical in cross-section.**



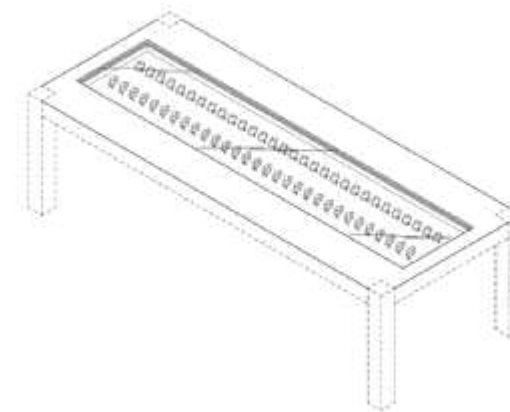
- (21) Design Number: **14275/2014**
(22) Date of Filing Application: **28 August 2014**
(24) Date from which industrial property rights may have effect: **28 August 2014**
(54) Product in respect of which the design is registered: **Chair**
(51) International Design Classification: **06-01F**
(74) Name(s) of Attorney(s): **Macpherson + Kelley**
(71) Name(s) and Address(s) of Applicant(s):
Woods Furniture Pty Ltd
564 Geelong Rd Brooklyn VIC 3012 Australia
(72) Name(s) of Designer(s): **Rod Massey**
(45) Registration Date: **16 February 2015**
(56) Related Art Documents: **Not Applicable**
(57) Statement of Newness and Distinctiveness: **Newness and distinctiveness resides in the features of shape and/or configuration of a chair as shown in the accompanying representations, in particular the shape and configuration of the ribs on the underside of the seat and the back of the chair.**



- (21) Design Number: **16453/2014**
(22) Date of Filing Application: **12 December 2014**
(24) Date from which industrial property rights may have effect: **12 December 2014**
(54) Product in respect of which the design is registered: **Table**
(51) International Design Classification: **06-03A**
(74) Name(s) of Attorney(s): **Freehills Patent Attorneys**
(71) Name(s) and Address(s) of Applicant(s):
Apple Inc.
1 Infinite Loop Cupertino California 95014 United States of America
(72) Name(s) of Designer(s): **Jody Akana and Bartley K. Andre and Shota Aoyagi and Anthony Michael Ashcroft and Jeremy Bataillou and Daniel J. Coster and Daniele De Iuliis and Christopher M. Green and M. Evans Hankey and Julian Hoening and Richard P. Howarth and Jonathan P. Ive and Duncan Robert Kerr and Kully Kraig Mandon and Matthew Dean Rohrbach and Peter Russell-Clarke and Benjamin Andrew Shaffer and Jonathan P. Siegel and Mikael Silvanto and Christopher J. Stringer and Eugene Antony Whang and Rico Zorkendorfer**
(45) Registration Date: **16 February 2015**
(30) Convention priority data:
(31) Number (32) Date (33) Country
29/493878 13 Jun 2014 UNITED STATES OF AMERICA
(56) Related Art Documents: **Not Applicable**
(57) Statement of Newness and Distinctiveness: **Newness and distinctiveness of the design reside in the shape and configuration as shown in solid outline in the accompanying representations.**



(21) Design Number: **16458/2014**
(22) Date of Filing Application: **12 December 2014**
(24) Date from which industrial property rights may have effect: **12 December 2014**
(54) Product in respect of which the design is registered: **Table**
(51) International Design Classification: **06-03A**
(74) Name(s) of Attorney(s): **Freehills Patent Attorneys**
(71) Name(s) and Address(s) of Applicant(s):



Apple Inc.

1 Infinite Loop Cupertino California 95014 United States of America

(72) Name(s) of Designer(s): **Jody Akana and Bartley K. Andre and Shota Aoyagi and Anthony Michael Ashcroft and Jeremy Bataillou and Daniel J. Coster and Daniele De Iuliis and Christopher M. Green and M. Evans Hankey and Julian Hoenig and Richard P. Howarth and Jonathan P. Ive and Duncan Robert Kerr and Kully Kraig Mandon and Matthew Dean Rohrbach and Peter Russell-Clarke and Benjamin Andrew Shaffer and Jonathan P. Siegel and Mikael Silvanto and Christopher J. Stringer and Eugene Antony Whang and Rico Zorkendorfer**

(45) Registration Date: **16 February 2015**

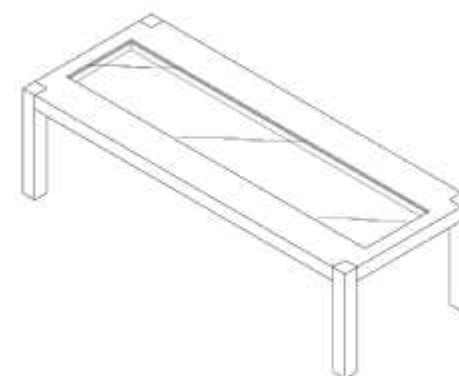
(30) Convention priority data:

(31) Number	(32) Date	(33) Country
29/493878	13 Jun 2014	UNITED STATES OF AMERICA

(56) Related Art Documents: **Not Applicable**

(57) Statement of Newness and Distinctiveness: **Newness and distinctiveness of the design reside in the shape and configuration as shown in solid outline in the accompanying representations.**

(21) Design Number: **16459/2014**
(22) Date of Filing Application: **12 December 2014**
(24) Date from which industrial property rights may have effect: **12 December 2014**
(54) Product in respect of which the design is registered: **Table**
(51) International Design Classification: **06-03A**
(74) Name(s) of Attorney(s): **Freehills Patent Attorneys**
(71) Name(s) and Address(s) of Applicant(s):



Apple Inc.

1 Infinite Loop Cupertino California 95014 United States of America

(72) Name(s) of Designer(s): **Jody Akana and Bartley K. Andre and Shota Aoyagi and Anthony Michael Ashcroft and Jeremy Bataillou and Daniel J. Coster and Daniele De Iuliis and Christopher M. Green and M. Evans Hankey and Julian Hoenig and Richard P. Howarth and Jonathan P. Ive and Duncan Robert Kerr and Kully Kraig Mandon and Matthew Dean Rohrbach and Peter Russell-Clarke and Benjamin Andrew Shaffer and Jonathan P. Siegel and Mikael Silvanto and Christopher J. Stringer and Eugene Antony Whang and Rico Zorkendorfer**

(45) Registration Date: **16 February 2015**

(30) Convention priority data:

(31) Number	(32) Date	(33) Country
29/493878	13 Jun 2014	UNITED STATES OF AMERICA

(56) Related Art Documents: **Not Applicable**

(57) Statement of Newness and Distinctiveness: **Newness and distinctiveness of the design reside in the shape and configuration as shown in solid outline in the accompanying representations.**

- (21) Design Number: **16461/2014**
(22) Date of Filing Application: **12 December 2014**
(24) Date from which industrial property rights may have effect: **12 December 2014**
(54) Product in respect of which the design is registered: **Table**
(51) International Design Classification: **06-03A**
(74) Name(s) of Attorney(s): **Freehills Patent Attorneys**
(71) Name(s) and Address(s) of Applicant(s):

Apple Inc.

1 Infinite Loop Cupertino California 95014 United States of America

- (72) Name(s) of Designer(s): **Jody Akana and Bartley K. Andre and Shota Aoyagi and Anthony Michael Ashcroft and Jeremy Bataillou and Daniel J. Coster and Daniele De Iuliis and Christopher M. Green and M. Evans Hankey and Julian Hoenig and Richard P. Howarth and Jonathan P. Ive and Duncan Robert Kerr and Kully Kraig Mandon and Matthew Dean Rohrbach and Peter Russell-Clarke and Benjamin Andrew Shaffer and Jonathan P. Siegel and Mikael Silvanto and Christopher J. Stringer and Eugene Antony Whang and Rico Zorkendorfer**

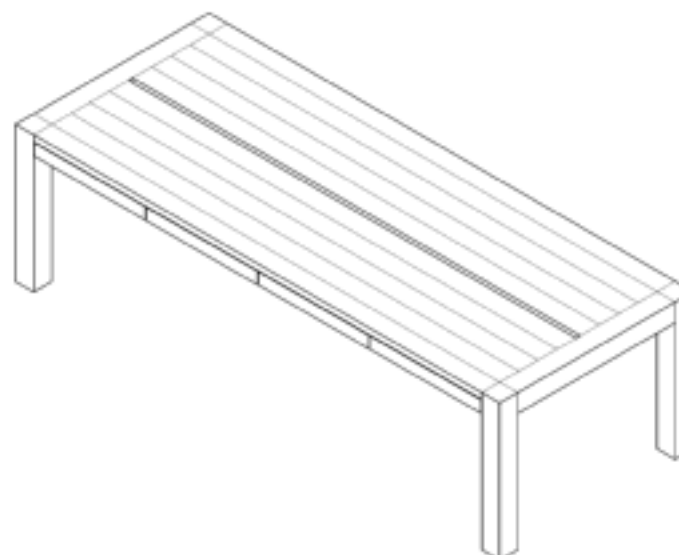
- (45) Registration Date: **16 February 2015**

- (30) Convention priority data:

(31) Number	(32) Date	(33) Country
29/493879	13 Jun 2014	UNITED STATES OF AMERICA

- (56) Related Art Documents: **Not Applicable**

- (57) Statement of Newness and Distinctiveness: **Newness and distinctiveness of the design reside in the shape and configuration as shown in solid outline in the accompanying representations.**



- (21) Design Number: **16462/2014**
(22) Date of Filing Application: **12 December 2014**
(24) Date from which industrial property rights may have effect: **12 December 2014**
(54) Product in respect of which the design is registered: **Table**
(51) International Design Classification: **06-03A**
(74) Name(s) of Attorney(s): **Freehills Patent Attorneys**
(71) Name(s) and Address(s) of Applicant(s):

Apple Inc.

1 Infinite Loop Cupertino California 95014 United States of America

- (72) Name(s) of Designer(s): **Jody Akana and Bartley K. Andre and Shota Aoyagi and Anthony Michael Ashcroft and Jeremy Bataillou and Daniel J. Coster and Daniele De Iuliis and Christopher M. Green and M. Evans Hankey and Julian Hoenig and Richard P. Howarth and Jonathan P. Ive and Duncan Robert Kerr and Kully Kraig Mandon and Matthew Dean Rohrbach and Peter Russell-Clarke and Benjamin Andrew Shaffer and Jonathan P. Siegel and Mikael Silvanto and Christopher J. Stringer and Eugene Antony Whang and Rico Zorkendorfer**

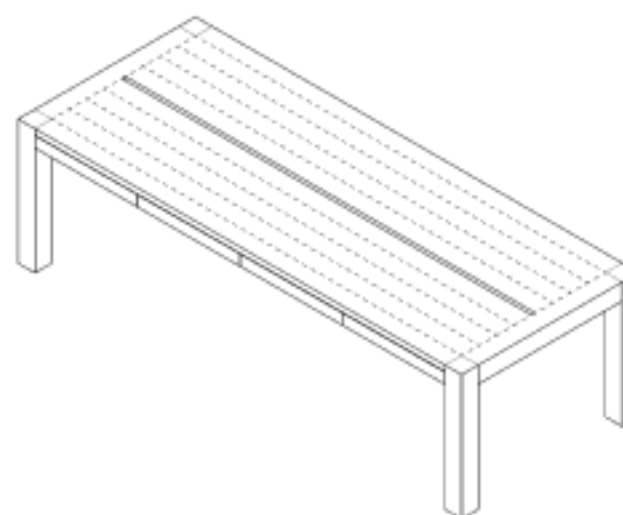
- (45) Registration Date: **16 February 2015**

- (30) Convention priority data:

(31) Number	(32) Date	(33) Country
29/493879	13 Jun 2014	UNITED STATES OF AMERICA

- (56) Related Art Documents: **Not Applicable**

- (57) Statement of Newness and Distinctiveness: **Newness and distinctiveness of the design reside in the shape and configuration as shown in solid outline in the accompanying representations.**



- (21) Design Number: **16463/2014**
(22) Date of Filing Application: **12 December 2014**
(24) Date from which industrial property rights may have effect: **12 December 2014**
(54) Product in respect of which the design is registered: **Table**
(51) International Design Classification: **06-03A**
(74) Name(s) of Attorney(s): **Freehills Patent Attorneys**
(71) Name(s) and Address(s) of Applicant(s):

Apple Inc.

1 Infinite Loop Cupertino California 95014 United States of America

- (72) Name(s) of Designer(s): **Jody Akana and Bartley K. Andre and Shota Aoyagi and Anthony Michael Ashcroft and Jeremy Bataillou and Daniel J. Coster and Daniele De Iuliis and Christopher M. Green and M. Evans Hankey and Julian Hoenig and Richard P. Howarth and Jonathan P. Ive and Duncan Robert Kerr and Kully Kraig Mandon and Matthew Dean Rohrbach and Peter Russell-Clarke and Benjamin Andrew Shaffer and Jonathan P. Siegel and Mikael Silvanto and Christopher J. Stringer and Eugene Antony Whang and Rico Zorkendorfer**

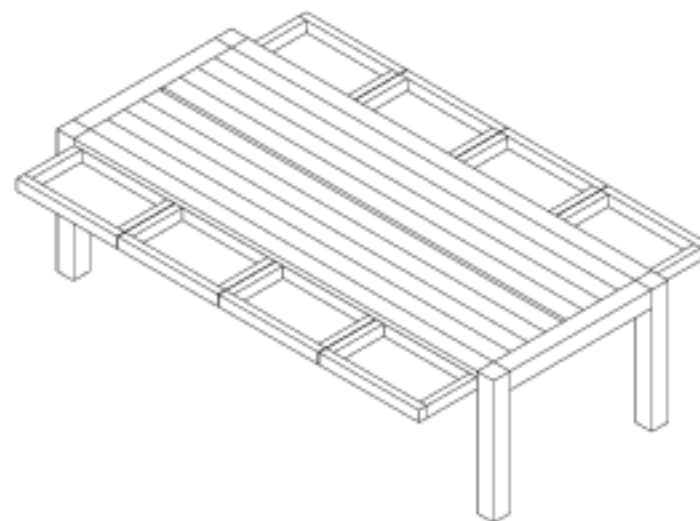
- (45) Registration Date: **16 February 2015**

- (30) Convention priority data:

(31) Number	(32) Date	(33) Country
29/493879	13 Jun 2014	UNITED STATES OF AMERICA

- (56) Related Art Documents: **Not Applicable**

- (57) Statement of Newness and Distinctiveness: **Newness and distinctiveness of the design reside in the shape and configuration as shown in solid outline in the accompanying representations.**



- (21) Design Number: **10307/2015**
(22) Date of Filing Application: **20 January 2015**
(24) Date from which industrial property rights may have effect: **20 January 2015**
(54) Product in respect of which the design is registered: **Toy**
(51) International Design Classification: **21-01NES**
(74) Name(s) of Attorney(s): **Shelston IP**
(71) Name(s) and Address(s) of Applicant(s):

Xiaosui Lu

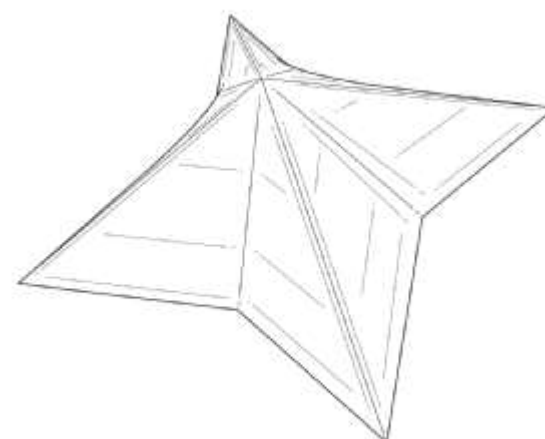
Room 601, No.41 Lane 108 Yaohong Road Shanghai 201103 China

- (72) Name(s) of Designer(s): **Xiaosui Lu**

- (45) Registration Date: **16 February 2015**

- (56) Related Art Documents: **Not Applicable**

- (57) Statement of Newness and Distinctiveness: **Newness and distinctiveness reside in the features of shape and/or configuration of a TOY as illustrated in the accompanying representations.**



(21) Design Number: **14886/2014**
(22) Date of Filing Application: **25 September 2014**
(24) Date from which industrial property rights may have effect: **26 September 2013**
(54) Product in respect of which the design is registered: **Elbow for patient interface**
(51) International Design Classification: **24-02**
(74) Name(s) of Attorney(s): **Halfords IP**
(71) Name(s) and Address(s) of Applicant(s):
ResMed Limited
1 Elizabeth Macarthur Dr Bella Vista NSW 2153 Australia
(72) Name(s) of Designer(s): **Christopher Scott Skipper and Stephen Gray**
(45) Registration Date: **16 February 2015**
(62) Divisional of: **357992**
(56) Related Art Documents: **Not Applicable**
(57) Statement of Newness and Distinctiveness: **Nil**



(21) Design Number: **16249/2014**
(22) Date of Filing Application: **01 December 2014**
(24) Date from which industrial property rights may have effect: **01 December 2014**
(54) Product in respect of which the design is registered: **Beverage cooler**
(51) International Design Classification: **15-07**
(74) Name(s) of Attorney(s): **FB Rice**
(71) Name(s) and Address(s) of Applicant(s):
Red Bull GmbH
Am Brunnen 1 5330 Fuschl am See Austria
(72) Name(s) of Designer(s): **Christofer Wassenius and Matthias Rinderer and Jurgen Brenneis and David Kehoe and Daniel Schneider Jr**
(45) Registration Date: **16 February 2015**
(30) Convention priority data:
(31) Number (32) Date (33) Country
002514976-0002 05 Aug 2014 OFFICE FOR HARMONISATION IN THE INTERNAL MARKET (OHIM)
(56) Related Art Documents: **Not Applicable**
(57) Statement of Newness and Distinctiveness: **Newness and distinctiveness reside in the features of the design as shown in the representations.**



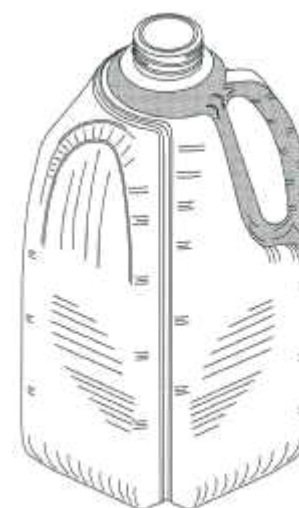
- (21) Design Number: **10078/2015**
(22) Date of Filing Application: **08 January 2015**
(24) Date from which industrial property rights may have effect: **08 January 2015**
(54) Product in respect of which the design is registered: **Tyre cradle**
(51) International Design Classification: **08-08NES**
(74) Name(s) of Attorney(s): **Wynnes Patent & Trade Mark Attorneys**
(71) Name(s) and Address(s) of Applicant(s):
Ross Deslandes
Bulimba U4 27 Godwin St Bulimba QLD 4171 Australia
(72) Name(s) of Designer(s): **Ross Deslandes**
(45) Registration Date: **16 February 2015**
(56) Related Art Documents: **Not Applicable**
(57) Statement of Newness and Distinctiveness: **Newness and distinctiveness resides in the features of the shape and configuration of a tyre cradle as illustrated in the accompanying representations. The drawing of a tyre is for illustrative purposes only and is to be disregarded with consideration of the scope of the design.**



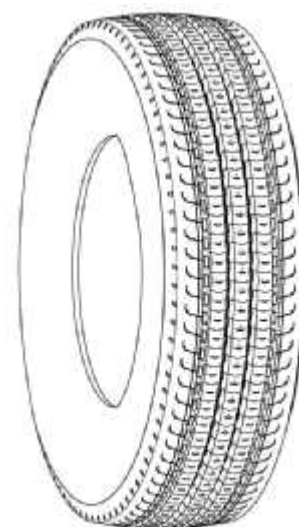
- (21) Design Number: **10086/2015**
(22) Date of Filing Application: **08 January 2015**
(24) Date from which industrial property rights may have effect: **08 January 2015**
(54) Product in respect of which the design is registered: **A serving plate or dish**
(51) International Design Classification: **07-01B**
(74) Name(s) of Attorney(s):
(71) Name(s) and Address(s) of Applicant(s):
Craig McLaughlin
5 Babb St Maidstone VIC 3012 Australia
(72) Name(s) of Designer(s): **Karl Baxter**
(45) Registration Date: **16 February 2015**
(56) Related Art Documents: **Not Applicable**
(57) Statement of Newness and Distinctiveness: **Stylised australia in a plate form with stylised states. States create distinct areas in the plate.**



- (21) Design Number: **10144/2015**
(22) Date of Filing Application: **13 January 2015**
(24) Date from which industrial property rights may have effect: **13 January 2015**
(54) Product in respect of which the design is registered: **A container**
(51) International Design Classification: **09-01B**
(74) Name(s) of Attorney(s): **Griffith Hack**
(71) Name(s) and Address(s) of Applicant(s):
Milacron LLC
4165 Half Acre Road Batavia Ohio, 45103 United States of America
(72) Name(s) of Designer(s): **James D. Janeczek**
(45) Registration Date: **16 February 2015**
(56) Related Art Documents: **Not Applicable**
(57) Statement of Newness and Distinctiveness: **Newness and distinctiveness resides in the shape, configuration and ornamentation of the product, including the contours at the shoulder region of the product and the ratio of the height to width of the product. The stippling about the neck and the handle represents surface texture.**



- (21) Design Number: **10330/2015**
(22) Date of Filing Application: **21 January 2015**
(24) Date from which industrial property rights may have effect: **21 January 2015**
(54) Product in respect of which the design is registered: **A tyre**
(51) International Design Classification: **12-15C**
(74) Name(s) of Attorney(s): **WATERMARK PATENT AND TRADE MARKS ATTORNEYS**
(71) Name(s) and Address(s) of Applicant(s):
COMPAGNIE GENERALE DES ETABLISSEMENTS MICHELIN
12 cours Sablon Clermont-Ferrand 63000 France
Michelin Recherche et Technique S.A.
Route Louis-Braille 10 Granges-Paccot 1763 Switzerland
(72) Name(s) of Designer(s): **Mathieu Mercier and Gilles Aube**
(45) Registration Date: **16 February 2015**
(30) Convention priority data:
(31) Number (32) Date (33) Country
2014-3331 25 Jul 2014 FRANCE
(56) Related Art Documents: **Not Applicable**
(57) Statement of Newness and Distinctiveness: **Newness and distinctiveness resides in the appearance of the tread region of the tyre, the remainder of the tyre not forming part of the design.**



(21) Design Number: **10331/2015**
(22) Date of Filing Application: **21 January 2015**
(24) Date from which industrial property rights may have effect: **21 January 2015**
(54) Product in respect of which the design is registered: **A double-walled tumbler**
(51) International Design Classification: **07-01C**
(74) Name(s) of Attorney(s): **Banki Haddock Fiora**
(71) Name(s) and Address(s) of Applicant(s):

Pi-Design AG
Kantonsstrasse 100 Triengen CH-6234 Switzerland

(72) Name(s) of Designer(s): **Jorgen Bodum**

(45) Registration Date: **16 February 2015**

(30) Convention priority data:

(31) Number	(32) Date	(33) Country
DM/084 167	05 Aug 2014	WORLD INTELLECTUAL PROPERTY ORGANIZATION (WIPO)



(56) Related Art Documents: **Not Applicable**

(57) Statement of Newness and Distinctiveness: **The visual features of the double-walled tumbler depicted in the representations that are new and distinctive are the shape and/or configuration.**

(21) Design Number: **10332/2015**
(22) Date of Filing Application: **21 January 2015**
(24) Date from which industrial property rights may have effect: **21 January 2015**
(54) Product in respect of which the design is registered: **A double-walled tumbler**
(51) International Design Classification: **07-01C**
(74) Name(s) of Attorney(s): **Banki Haddock Fiora**
(71) Name(s) and Address(s) of Applicant(s):

Pi-Design AG
Kantonsstrasse 100 Triengen CH-6234 Switzerland

(72) Name(s) of Designer(s): **Jorgen Bodum**

(45) Registration Date: **16 February 2015**

(30) Convention priority data:

(31) Number	(32) Date	(33) Country
DM/084 167	05 Aug 2014	WORLD INTELLECTUAL PROPERTY ORGANIZATION (WIPO)



(56) Related Art Documents: **Not Applicable**

(57) Statement of Newness and Distinctiveness: **The visual features of the double-walled tumbler depicted in the representations that are new and distinctive are the shape and/or configuration.**

(21) Design Number: **10333/2015**
(22) Date of Filing Application: **21 January 2015**
(24) Date from which industrial property rights may have effect: **21 January 2015**
(54) Product in respect of which the design is registered: **A toast rack**
(51) International Design Classification: **07-06NES**
(74) Name(s) of Attorney(s): **Banki Haddock Fiora**
(71) Name(s) and Address(s) of Applicant(s):

Pi-Design AG
Kantonsstrasse 100 Triengen CH-6234 Switzerland

(72) Name(s) of Designer(s): **Jorgen Bodum**

(45) Registration Date: **16 February 2015**

(30) Convention priority data:

(31) Number	(32) Date	(33) Country
DM/084 191	07 Aug 2014	WORLD INTELLECTUAL PROPERTY ORGANIZATION (WIPO)



(56) Related Art Documents: **Not Applicable**

(57) Statement of Newness and Distinctiveness: **The visual features of the toast rack depicted in the representations that are new and distinctive are the shape and/or configuration.**

(21) Design Number: **10334/2015**
(22) Date of Filing Application: **21 January 2015**
(24) Date from which industrial property rights may have effect: **21 January 2015**
(54) Product in respect of which the design is registered: **A cake stand**
(51) International Design Classification: **07-01B**
(74) Name(s) of Attorney(s): **Banki Haddock Fiora**
(71) Name(s) and Address(s) of Applicant(s):

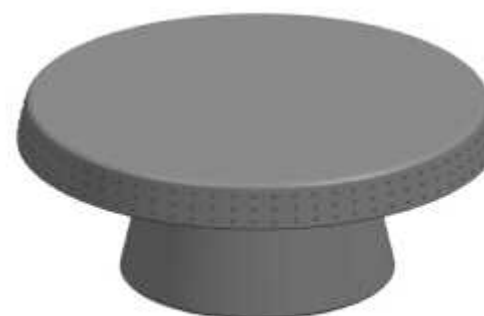
Pi-Design AG
Kantonsstrasse 100 Triengen CH-6234 Switzerland

(72) Name(s) of Designer(s): **Jorgen Bodum**

(45) Registration Date: **16 February 2015**

(30) Convention priority data:

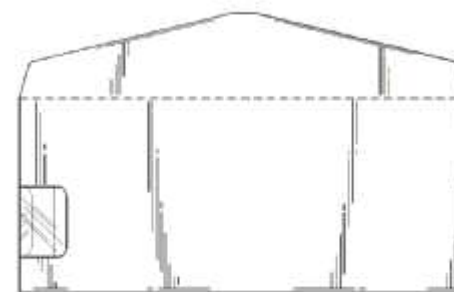
(31) Number	(32) Date	(33) Country
DM/084 192	07 Aug 2014	WORLD INTELLECTUAL PROPERTY ORGANIZATION (WIPO)



(56) Related Art Documents: **Not Applicable**

(57) Statement of Newness and Distinctiveness: **The visual features of the cake stand depicted in the representations that are new and distinctive are the shape and/or configuration.**

- (21) Design Number: **10336/2015**
(22) Date of Filing Application: **21 January 2015**
(24) Date from which industrial property rights may have effect: **21 January 2015**
(54) Product in respect of which the design is registered: **Envelope with window**
(51) International Design Classification: **19-01**
(74) Name(s) of Attorney(s): **Fisher Adams Kelly Pty Ltd**
(71) Name(s) and Address(s) of Applicant(s):
Postal Presort, Inc.
320 W. 2nd Street N. Wichita Kansas, 67203 United States of America
(72) Name(s) of Designer(s): **Bryan J Pulliam and Lewis Wayne Ayers and Douglas Lee Wenzel**
(45) Registration Date: **16 February 2015**
(30) Convention priority data:
(31) Number (32) Date (33) Country
29/497147 21 Jul 2014 UNITED STATES OF AMERICA
(56) Related Art Documents: **Not Applicable**
(57) Statement of Newness and Distinctiveness: **The newness and distinctiveness of the design resides in the shape and/or configuration of the ENVELOPE WITH WINDOW shown in the representations. The specific size and shape of the envelope does not form part of the design.**



- (21) Design Number: **10311/2015**
(22) Date of Filing Application: **20 January 2015**
(24) Date from which industrial property rights may have effect: **20 January 2015**
(54) Product in respect of which the design is registered: **A corner unit for modular furniture**
(51) International Design Classification: **06-01G**
(74) Name(s) of Attorney(s): **FB Rice**
(71) Name(s) and Address(s) of Applicant(s):
King Furniture Australia Pty Ltd
123 Turrella St Turrella NSW 2205 Australia
(72) Name(s) of Designer(s): **David King and John Levey and Ryan Lawson and Anastasie Panagopoulos and Tanya Rechberger**
(45) Registration Date: **16 February 2015**
(56) Related Art Documents: **Not Applicable**
(57) Statement of Newness and Distinctiveness: **Newness and distinctiveness reside in the features of the shape and configuration of the corner unit as shown in the accompanying representations excluding the features as shown in dotted lines and with less weight to be accorded to the contoured surface of the seat cushion of the corner unit.**



- (21) Design Number: **10312/2015**
(22) Date of Filing Application: **20 January 2015**
(24) Date from which industrial property rights may have effect: **20 January 2015**
(54) Product in respect of which the design is registered: **A corner unit for modular furniture**
(51) International Design Classification: **06-01G**
(74) Name(s) of Attorney(s): **FB Rice**
(71) Name(s) and Address(s) of Applicant(s):
King Furniture Australia Pty Ltd
123 Turrella St Turrella NSW 2205 Australia
(72) Name(s) of Designer(s): **David King and John Levey and Ryan Lawson and Anastasie Panagopoulos and Tanya Rechberger**
(45) Registration Date: **16 February 2015**
(56) Related Art Documents: **Not Applicable**
(57) Statement of Newness and Distinctiveness: **Newness and distinctiveness reside in the features of the shape and configuration of the corner unit as shown in the accompanying representations excluding the features as shown in dotted lines and with less weight to be accorded to the contoured surface of the seat cushion of the corner unit.**



- (21) Design Number: **10313/2015**
(22) Date of Filing Application: **20 January 2015**
(24) Date from which industrial property rights may have effect: **20 January 2015**
(54) Product in respect of which the design is registered: **A corner unit for modular furniture**
(51) International Design Classification: **06-01G**
(74) Name(s) of Attorney(s): **FB Rice**
(71) Name(s) and Address(s) of Applicant(s):
King Furniture Australia Pty Ltd
123 Turrella St Turrella NSW 2205 Australia
(72) Name(s) of Designer(s): **David King and John Levey and Ryan Lawson and Anastasie Panagopoulos and Tanya Rechberger**
(45) Registration Date: **16 February 2015**
(56) Related Art Documents: **Not Applicable**
(57) Statement of Newness and Distinctiveness: **Newness and distinctiveness reside in the features of the shape and configuration of the corner unit as shown in the accompanying representations excluding the features as shown in dotted lines and with less weight to be accorded to the contoured surface of the seat cushion of the corner unit.**



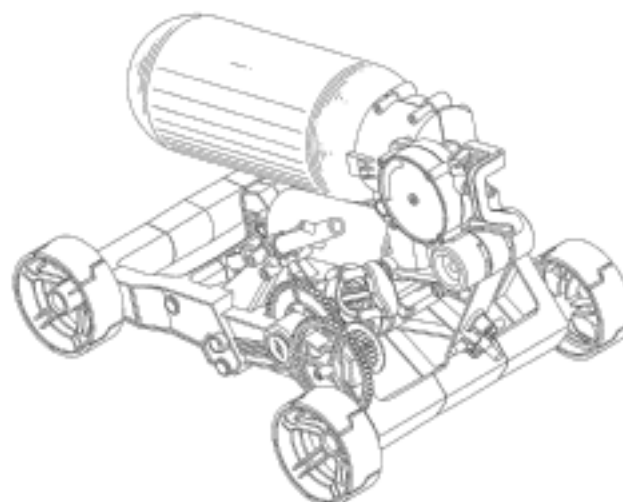
- (21) Design Number: **10314/2015**
(22) Date of Filing Application: **20 January 2015**
(24) Date from which industrial property rights may have effect: **20 January 2015**
(54) Product in respect of which the design is registered: **A corner unit for modular furniture**
(51) International Design Classification: **06-01G**
(74) Name(s) of Attorney(s): **FB Rice**
(71) Name(s) and Address(s) of Applicant(s):
King Furniture Australia Pty Ltd
123 Turrella St Turrella NSW 2205 Australia
(72) Name(s) of Designer(s): **David King and John Levey and Ryan Lawson and Anastasie Panagopoulos and Tanya Rechberger**
(45) Registration Date: **16 February 2015**
(56) Related Art Documents: **Not Applicable**
(57) Statement of Newness and Distinctiveness: **Newness and distinctiveness reside in the features of the shape and configuration of the corner unit as shown in the accompanying representations excluding the features as shown in dotted lines and with less weight to be accorded to the contoured surface of the seat cushion of the corner unit.**



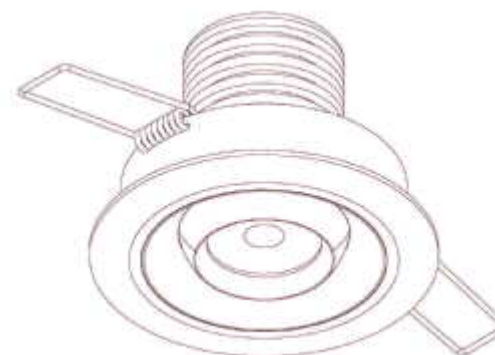
- (21) Design Number: **10315/2015**
(22) Date of Filing Application: **20 January 2015**
(24) Date from which industrial property rights may have effect: **20 January 2015**
(54) Product in respect of which the design is registered: **A tyre**
(51) International Design Classification: **12-15A**
(74) Name(s) of Attorney(s): **WATERMARK PATENT AND TRADE MARKS ATTORNEYS**
(71) Name(s) and Address(s) of Applicant(s):
COMPAGNIE GENERALE DES ETABLISSEMENTS MICHELIN
12 cours Sablon Clermont-Ferrand 63000 France
Michelin Recherche et Technique S.A.
Route Louis Braille 10 Granges-Paccot 1763 Switzerland
(72) Name(s) of Designer(s): **Scott Cothran and William Hudek and Robert Flynn and Joseph A. Stain**
(45) Registration Date: **16 February 2015**
(30) Convention priority data:
(31) Number (32) Date (33) Country
29/500,486 26 Aug 2014 UNITED STATES OF AMERICA
(56) Related Art Documents: **Not Applicable**
(57) Statement of Newness and Distinctiveness: **Newness and distinctiveness resides in the appearance of the tread region of the tyre, the remainder of the tyre shown in dashed outline does not form part of the design.**



(21) Design Number: **10317/2015**
(22) Date of Filing Application: **20 January 2015**
(24) Date from which industrial property rights may have effect: **20 January 2015**
(54) Product in respect of which the design is registered: **Pneumatic toy car**
(51) International Design Classification: **21-01C**
(74) Name(s) of Attorney(s): **Madderns**
(71) Name(s) and Address(s) of Applicant(s):
Wen-Hsien Lee
2F No. 3 Lane 130 Minquan Road Xindian Dist New Taipei City Taiwan
(72) Name(s) of Designer(s): **Wen-Hsien Lee**
(45) Registration Date: **16 February 2015**
(56) Related Art Documents: **Not Applicable**
(57) Statement of Newness and Distinctiveness: **Nil**



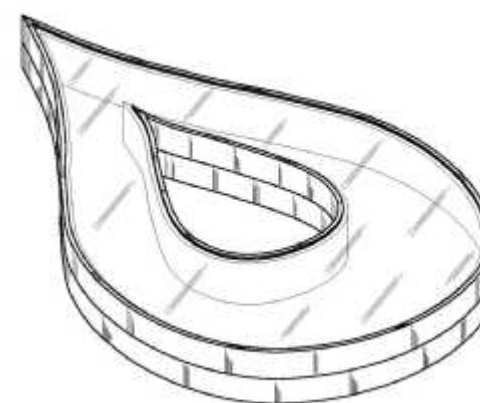
(21) Design Number: **10319/2015**
(22) Date of Filing Application: **21 January 2015**
(24) Date from which industrial property rights may have effect: **21 January 2015**
(54) Product in respect of which the design is registered: **LED Lighting fixture**
(51) International Design Classification: **26-05E**
(74) Name(s) of Attorney(s): **White SW Computer Law**
(71) Name(s) and Address(s) of Applicant(s):
Hunza Holdings Ltd
130 Felton Mathew Avenue Glen Innes Auckland 1072 New Zealand
(72) Name(s) of Designer(s): **Andrew Cunningham and Benjamin Kamp**
(45) Registration Date: **16 February 2015**
(56) Related Art Documents: **Not Applicable**
(57) Statement of Newness and Distinctiveness: **Newness and distinctiveness reside in features of shape and configuration of the design of the waterproof tilting light fitting which incorporates a spherical eyeball shape containing a lens that is surrounded by a collar and**



- (21) Design Number: **16248/2014**
(22) Date of Filing Application: **01 December 2014**
(24) Date from which industrial property rights may have effect: **01 December 2014**
(54) Product in respect of which the design is registered: **Beverage cooler**
(51) International Design Classification: **15-07**
(74) Name(s) of Attorney(s): **FB Rice**
(71) Name(s) and Address(s) of Applicant(s):
Red Bull GmbH
Am Brunnen 1 5330 Fuschl am See Austria
(72) Name(s) of Designer(s): **Christofer Wassenius and Matthias Rinderer and Jorgen Brenneis and David Kehoe and Daniel Schneider Jr**
(45) Registration Date: **17 February 2015**
(30) Convention priority data:
(31) Number (32) Date (33) Country
002514976-0001 05 Aug 2014 OFFICE FOR HARMONISATION IN THE INTERNAL MARKET (OHIM)
(56) Related Art Documents: **Not Applicable**
(57) Statement of Newness and Distinctiveness: **Newness and distinctiveness reside in the features of the design as shown in the representations.**



- (21) Design Number: **10009/2015**
(22) Date of Filing Application: **02 January 2015**
(24) Date from which industrial property rights may have effect: **02 January 2015**
(54) Product in respect of which the design is registered: **Necklace box**
(51) International Design Classification: **03-01NES**
(74) Name(s) of Attorney(s):
(71) Name(s) and Address(s) of Applicant(s):
Chris McKirdy
PO Box 20 Export Park South Australia 5950
(72) Name(s) of Designer(s): **Chris McKirdy**
(45) Registration Date: **17 February 2015**
(56) Related Art Documents: **Not Applicable**
(57) Statement of Newness and Distinctiveness: **The newness and distinctiveness of the design resides within the overall unique shape, style and appearance of the packaging box and hollow centre and clear removable lid.**



(21) Design Number: **10300/2015**

(22) Date of Filing Application: **20 January 2015**

(24) Date from which industrial property rights may have effect: **20 January 2015**

(54) Product in respect of which the design is registered: **Plastic round base/tray**

(51) International Design Classification: **09-03L**

(74) Name(s) of Attorney(s):

(71) Name(s) and Address(s) of Applicant(s):

Lyson Trading Pty Ltd
U11 25-33 Alfred Rd Chipping Norton NSW 2170 Australia

(72) Name(s) of Designer(s): **Khai Ly**

(45) Registration Date: **17 February 2015**

(56) Related Art Documents: **Not Applicable**

(57) Statement of Newness and Distinctiveness: **The outer and inner rings have contrasting gear like shapes. In other words where the outer ring may have a tab the inner ring has a space and when the inner ring has a tab the outer ring has a space. The tabs on the outer ring are shaped differently to the tabs on the inner ring in that they are angled in such a way to allow the tab to be a guide for the lid when placing the lid on the base to lock the lid in position. The inner section of the base has a stretcher bond design which provides extra strength to the plastic base.**



(21) Design Number: **10303/2015**

(22) Date of Filing Application: **20 January 2015**

(24) Date from which industrial property rights may have effect: **20 January 2015**

(54) Product in respect of which the design is registered: **Handle of precision trimmer**

(51) International Design Classification: **28-03D**

(74) Name(s) of Attorney(s): **FB Rice**

(71) Name(s) and Address(s) of Applicant(s):

Koninklijke Philips N.V.
High Tech Campus 5 5656 AE Eindhoven The Netherlands

(72) Name(s) of Designer(s): **Suzette Van Maanen**

(45) Registration Date: **17 February 2015**

(30) Convention priority data:

(31) Number (32) Date
002507442-0001 23 Jul 2014

(33) Country
**OFFICE FOR HARMONISATION IN
THE INTERNAL MARKET (OHIM)**

(56) Related Art Documents: **Not Applicable**

(57) Statement of Newness and Distinctiveness: **Newness and distinctiveness reside in the features of shape and configuration of the design as shown in the representations.**



(21) Design Number: **10304/2015**
(22) Date of Filing Application: **20 January 2015**
(24) Date from which industrial property rights may have effect: **20 January 2015**
(54) Product in respect of which the design is registered: **Handle of precision trimmer with blade**
(51) International Design Classification: **28-03D**
(74) Name(s) of Attorney(s): **FB Rice**
(71) Name(s) and Address(s) of Applicant(s):
Koninklijke Philips N.V.
High Tech Campus 5 5656 AE Eindhoven The Netherlands
(72) Name(s) of Designer(s): **Suzette Van Maanen**
(45) Registration Date: **17 February 2015**
(30) Convention priority data:
(31) Number (32) Date (33) Country
002507442-0003 23 Jul 2014 OFFICE FOR HARMONISATION IN THE INTERNAL MARKET (OHIM)
(56) Related Art Documents: **Not Applicable**
(57) Statement of Newness and Distinctiveness: **Newness and distinctiveness reside in the features of shape and configuration of the design as shown in the representations.**



(21) Design Number: **10305/2015**
(22) Date of Filing Application: **20 January 2015**
(24) Date from which industrial property rights may have effect: **05 November 2014**
(54) Product in respect of which the design is registered: **Bottle stand**
(51) International Design Classification: **07-06A**
(74) Name(s) of Attorney(s): **Shelston IP**
(71) Name(s) and Address(s) of Applicant(s):
ELITE TO BE S.r.l.
Viale San Giovanni del Tempio 24/I Sacile (PN) 33077 Italy
(72) Name(s) of Designer(s): **Ruggero Camilotto**
(45) Registration Date: **17 February 2015**
(30) Convention priority data:
(31) Number (32) Date (33) Country
002465302 16 May 2014 OFFICE FOR HARMONISATION IN THE INTERNAL MARKET (OHIM)
(62) Divisional of: **360089**
(56) Related Art Documents: **Not Applicable**
(57) Statement of Newness and Distinctiveness: **Newness and distinctiveness reside in the shape and configuration of a design for a BOTTLE STAND as shown in solid line in the accompanying representations. The bottles shown in broken lines in Fig. 3 are illustrative only and do not form part of the design.**



- (21) Design Number: **10306/2015**
(22) Date of Filing Application: **20 January 2015**
(24) Date from which industrial property rights may have effect: **20 January 2015**
(54) Product in respect of which the design is registered: **Handle of precision trimmer with blade and comb**
(51) International Design Classification: **28-03D**
(74) Name(s) of Attorney(s): **FB Rice**
(71) Name(s) and Address(s) of Applicant(s):
Koninklijke Philips N.V.
High Tech Campus 5 5656 AE Eindhoven The Netherlands
(72) Name(s) of Designer(s): **Suzette Van Maanen**
(45) Registration Date: **17 February 2015**
(30) Convention priority data:
(31) Number (32) Date (33) Country
002507442-0004 23 Jul 2014 OFFICE FOR HARMONISATION IN THE INTERNAL MARKET (OHIM)
(56) Related Art Documents: **Not Applicable**
(57) Statement of Newness and Distinctiveness: **Newness and distinctiveness reside in the features of shape and configuration of the design as shown in the representations.**



- (21) Design Number: **10213/2015**
(22) Date of Filing Application: **15 January 2015**
(24) Date from which industrial property rights may have effect: **15 January 2015**
(54) Product in respect of which the design is registered: **Operating unit**
(51) International Design Classification: **14-01**
(74) Name(s) of Attorney(s): **SPRUSON & FERGUSON**
(71) Name(s) and Address(s) of Applicant(s):
Linak A/S
Smedevaegnet 8 Guderup Nordborg DK-6430 Denmark
(72) Name(s) of Designer(s): **John Landerholm and Peter Boldsen Lund**
(45) Registration Date: **17 February 2015**
(30) Convention priority data:
(31) Number (32) Date (33) Country
DA 2014 00069 18 Jul 2014 DENMARK
(56) Related Art Documents: **Not Applicable**
(57) Statement of Newness and Distinctiveness: **Newness and distinctiveness is claimed in the features of shape and/or configuration of the front face of the operating unit illustrated in the accompanying representations.**



(21) Design Number: **10214/2015**
(22) Date of Filing Application: **15 January 2015**
(24) Date from which industrial property rights may have effect: **15 January 2015**
(54) Product in respect of which the design is registered: **Operating unit**
(51) International Design Classification: **14-01**
(74) Name(s) of Attorney(s): **SPRUSON & FERGUSON**
(71) Name(s) and Address(s) of Applicant(s):

Linak A/S
Smedevaegnet 8 Guderup Nordborg DK-6430 Denmark

(72) Name(s) of Designer(s): **John Landerholm and Peter Boldsen Lund**
(45) Registration Date: **17 February 2015**

(30) Convention priority data:

(31) Number	(32) Date	(33) Country
DA 2014 00069	18 Jul 2014	DENMARK

(56) Related Art Documents: **Not Applicable**

(57) Statement of Newness and Distinctiveness: **Newness and distinctiveness is claimed in the features of shape and/or configuration of the front face of the operating unit illustrated in the accompanying representations.**



(21) Design Number: **10285/2015**
(22) Date of Filing Application: **19 January 2015**
(24) Date from which industrial property rights may have effect: **05 November 2014**
(54) Product in respect of which the design is registered: **Football shaped bottle**
(51) International Design Classification: **09-01D**
(74) Name(s) of Attorney(s): **Davies Collison Cave**
(71) Name(s) and Address(s) of Applicant(s):

Kevin Alan Tussy
1707 Village Center Cir Ste 200 Las Vegas NV, 89134-0515 United States of America

(72) Name(s) of Designer(s): **Kevin Alan Tussy**

(45) Registration Date: **17 February 2015**

(62) Divisional of: **360067**

(56) Related Art Documents: **Not Applicable**

(57) Statement of Newness and Distinctiveness: **Newness and distinctiveness is claimed in the visual features shown in solid lines in the representations. In considering the extent of the design rights, the broken lines shown in the representations are for illustrative purposes only and do not form part of the design.**



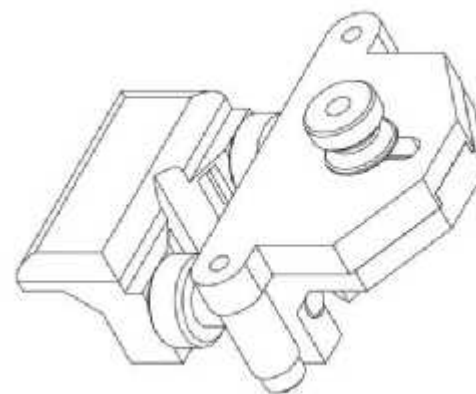
- (21) Design Number: **10212/2015**
(22) Date of Filing Application: **15 January 2015**
(24) Date from which industrial property rights may have effect: **15 January 2015**
(54) Product in respect of which the design is registered: **Operating unit**
(51) International Design Classification: **14-01**
(74) Name(s) of Attorney(s): **SPRUSON & FERGUSON**
(71) Name(s) and Address(s) of Applicant(s):
Linak A/S
Smedevaegnet 8 Guderup Nordborg DK-6430 Denmark
(72) Name(s) of Designer(s): **John Landerholm and Peter Boldsen Lund**
(45) Registration Date: **17 February 2015**
(30) Convention priority data:
(31) Number (32) Date (33) Country
DA 2014 00069 18 Jul 2014 DENMARK
(56) Related Art Documents: **Not Applicable**
(57) Statement of Newness and Distinctiveness: **Newness and distinctiveness is claimed in the features of shape and/or configuration of the front face of the operating unit illustrated in the accompanying representations.**



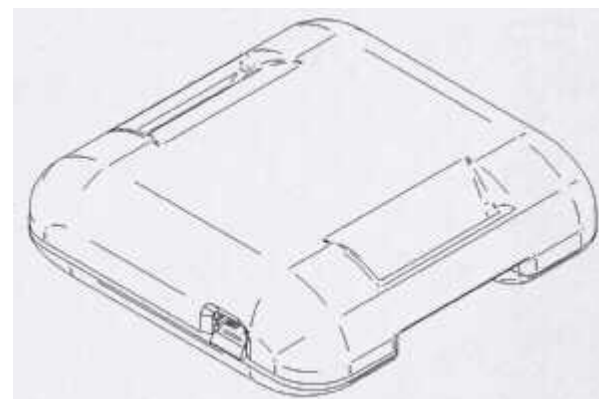
- (21) Design Number: **10215/2015**
(22) Date of Filing Application: **15 January 2015**
(24) Date from which industrial property rights may have effect: **15 January 2015**
(54) Product in respect of which the design is registered: **Operating unit**
(51) International Design Classification: **14-01**
(74) Name(s) of Attorney(s): **SPRUSON & FERGUSON**
(71) Name(s) and Address(s) of Applicant(s):
Linak A/S
Smedevaegnet 8 Guderup Nordborg DK-6430 Denmark
(72) Name(s) of Designer(s): **John Landerholm and Peter Boldsen Lund**
(45) Registration Date: **17 February 2015**
(30) Convention priority data:
(31) Number (32) Date (33) Country
DA 2014 00069 18 Jul 2014 DENMARK
(56) Related Art Documents: **Not Applicable**
(57) Statement of Newness and Distinctiveness: **Newness and distinctiveness is claimed in the features of shape and/or configuration of the front face of the operating unit illustrated in the accompanying representations.**



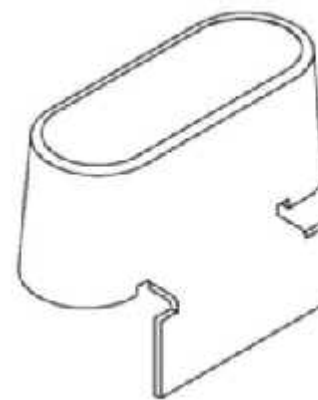
(21) Design Number: **13998/2014**
(22) Date of Filing Application: **13 August 2014**
(24) Date from which industrial property rights may have effect: **13 August 2014**
(54) Product in respect of which the design is registered: **Chainsaw sharpener guide**
(51) International Design Classification: **08-05H**
(74) Name(s) of Attorney(s): **Houlihan2**
(71) Name(s) and Address(s) of Applicant(s):
PMD INTERNATIONAL PTY LTD
76 Lincoln Rd Essendon VIC 3040 Australia
(72) Name(s) of Designer(s): **Brett Johnson**
(45) Registration Date: **18 February 2015**
(56) Related Art Documents: **Not Applicable**
(57) Statement of Newness and Distinctiveness: **Newness and distinctiveness reside in the shape and/or configuration of a CHAINSAW SHARPENER GUIDE as illustrated in the accompanying representations**



(21) Design Number: **13999/2014**
(22) Date of Filing Application: **13 August 2014**
(24) Date from which industrial property rights may have effect: **13 August 2014**
(54) Product in respect of which the design is registered: **Alerting device to prevent snoring**
(51) International Design Classification: **10-05**
(74) Name(s) of Attorney(s): **Golja Haines & Friend**
(71) Name(s) and Address(s) of Applicant(s):
Robert McKail
17 Christina St Hazelmere WA 6055 Australia
(72) Name(s) of Designer(s): **Robert McKail and Ian Armstrong**
(45) Registration Date: **18 February 2015**
(56) Related Art Documents: **Not Applicable**
(57) Statement of Newness and Distinctiveness: **Newness and distinctiveness resides in the shape and configuration of an alerting device to prevent snoring, as illustrated in the accompanying representations.**



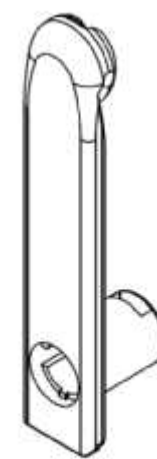
- (21) Design Number: **14052/2014**
(22) Date of Filing Application: **18 August 2014**
(24) Date from which industrial property rights may have effect: **18 August 2014**
(54) Product in respect of which the design is registered: **A bracket**
(51) International Design Classification: **08-08L**
(74) Name(s) of Attorney(s): **Halfords IP**
(71) Name(s) and Address(s) of Applicant(s):
Bluedog Fences Australia Holdings Pty Ltd
U3/119 Wicks Road North Ryde New South Wales 2113 Australia
(72) Name(s) of Designer(s): **Samuel C Belfield**
(45) Registration Date: **18 February 2015**
(56) Related Art Documents: **Not Applicable**
(57) Statement of Newness and Distinctiveness: **Newness and distinctiveness resides in the shape and/or configuration of a bracket such as for use with fences or fence construction or the like, being as depicted in the accompanying representations.**



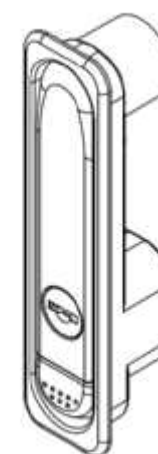
- (21) Design Number: **14198/2014**
(22) Date of Filing Application: **25 August 2014**
(24) Date from which industrial property rights may have effect: **25 August 2014**
(54) Product in respect of which the design is registered: **High back adjustable chair**
(51) International Design Classification: **06-01F**
(74) Name(s) of Attorney(s): **Lord & Company**
(71) Name(s) and Address(s) of Applicant(s):
Shoprider Pty Ltd
1 Business Way Malaga WA 6090 Australia
(72) Name(s) of Designer(s): **Kerry Ford**
(45) Registration Date: **18 February 2015**
(56) Related Art Documents: **Not Applicable**
(57) Statement of Newness and Distinctiveness: **Nil**



- (21) Design Number: **14264/2014**
(22) Date of Filing Application: **28 August 2014**
(24) Date from which industrial property rights may have effect: **28 August 2014**
(54) Product in respect of which the design is registered: **Handle Assembly**
(51) International Design Classification: **08-06**
(74) Name(s) of Attorney(s): **Houlihan2**
(71) Name(s) and Address(s) of Applicant(s):
DAVID STUCKEY INVESTMENTS PTY LTD
C/- Pitcher Partners L19/15 William St Melbourne VIC 3000 Australia
(72) Name(s) of Designer(s): **Asidin Mononym**
(45) Registration Date: **18 February 2015**
(56) Related Art Documents: **Not Applicable**
(57) Statement of Newness and Distinctiveness: **Newness and distinctiveness reside in the shape and/or configuration of a HANDLE ASSEMBLY, comprising a HANDLE and a BASE, as illustrated in the accompanying representations.**



- (21) Design Number: **14265/2014**
(22) Date of Filing Application: **28 August 2014**
(24) Date from which industrial property rights may have effect: **28 August 2014**
(54) Product in respect of which the design is registered: **Handle Assembly**
(51) International Design Classification: **08-06**
(74) Name(s) of Attorney(s): **Houlihan2**
(71) Name(s) and Address(s) of Applicant(s):
DAVID STUCKEY INVESTMENTS PTY LTD
C/- Pitcher Partners L19/15 William Street Melbourne VIC 3000 Australia
(72) Name(s) of Designer(s): **Asidin Mononym**
(45) Registration Date: **18 February 2015**
(56) Related Art Documents: **Not Applicable**
(57) Statement of Newness and Distinctiveness: **Newness and distinctiveness reside in the shape and/or configuration of a HANDLE ASSEMBLY, comprising a HANDLE and a BASE, as illustrated in the accompanying representations.**



(21) Design Number: **16630/2014**
(22) Date of Filing Application: **22 December 2014**
(24) Date from which industrial property rights may have effect: **22 December 2014**
(54) Product in respect of which the design is registered: **Bottle**
(51) International Design Classification: **09-01NES**
(74) Name(s) of Attorney(s): **Davies Collison Cave**
(71) Name(s) and Address(s) of Applicant(s):

Unilever PLC
Unilever House 100 Victoria Embankment London EC4Y 0DY United Kingdom

(72) Name(s) of Designer(s): **Corinne Elizabeth Ashbee**

(45) Registration Date: **18 February 2015**

(30) Convention priority data:

(31) Number	(32) Date	(33) Country
002492942-0001	30 Jun 2014	OFFICE FOR HARMONISATION IN THE INTERNAL MARKET (OHIM)

(56) Related Art Documents: **Not Applicable**

(57) Statement of Newness and Distinctiveness: **Newness and distinctiveness is claimed in the visual features shown in solid lines in the representations.**



(21) Design Number: **10346/2015**
(22) Date of Filing Application: **22 January 2015**
(24) Date from which industrial property rights may have effect: **22 January 2015**
(54) Product in respect of which the design is registered: **Body groomer**
(51) International Design Classification: **28-03A**
(74) Name(s) of Attorney(s): **FB Rice**
(71) Name(s) and Address(s) of Applicant(s):

Koninklijke Philips N.V.
High Tech Campus 5 5656 AE Eindhoven The Netherlands

(72) Name(s) of Designer(s): **Jens Peter Kophmann Andersson**

(45) Registration Date: **18 February 2015**

(30) Convention priority data:

(31) Number	(32) Date	(33) Country
002508978-0001	25 Jul 2014	OFFICE FOR HARMONISATION IN THE INTERNAL MARKET (OHIM)

(56) Related Art Documents: **Not Applicable**

(57) Statement of Newness and Distinctiveness: **Newness and distinctiveness reside in the features of shape and configuration of the design as shown in the representations.**



(21) Design Number: **16319/2014**
(22) Date of Filing Application: **04 December 2014**
(24) Date from which industrial property rights may have effect: **04 December 2014**
(54) Product in respect of which the design is registered: **Wrist watch bands**
(51) International Design Classification: **10-07**
(74) Name(s) of Attorney(s): **Cullens Patent and Trade Mark Attorneys**
(71) Name(s) and Address(s) of Applicant(s):

Kairos Watches Limited
10 Raeburn Park #02-08 Singapore 088702 Singapore

(72) Name(s) of Designer(s): **Sun Jong Yang**

(45) Registration Date: **18 February 2015**

(30) Convention priority data:

(31) Number	(32) Date	(33) Country
DM/084 358	01 Sep 2014	WORLD INTELLECTUAL PROPERTY ORGANIZATION (WIPO)



(56) Related Art Documents: **Not Applicable**

(57) Statement of Newness and Distinctiveness: **Newness and distinctiveness is claimed in the features of the shape and configuration of the wrist watch bands as illustrated in the accompanying representations.**

(21) Design Number: **13688/2014**
(22) Date of Filing Application: **30 July 2014**
(24) Date from which industrial property rights may have effect: **30 July 2014**
(54) Product in respect of which the design is registered: **A seal**
(51) International Design Classification: **23-01A**
(74) Name(s) of Attorney(s): **PETER MAXWELL & ASSOCIATES**
(71) Name(s) and Address(s) of Applicant(s):

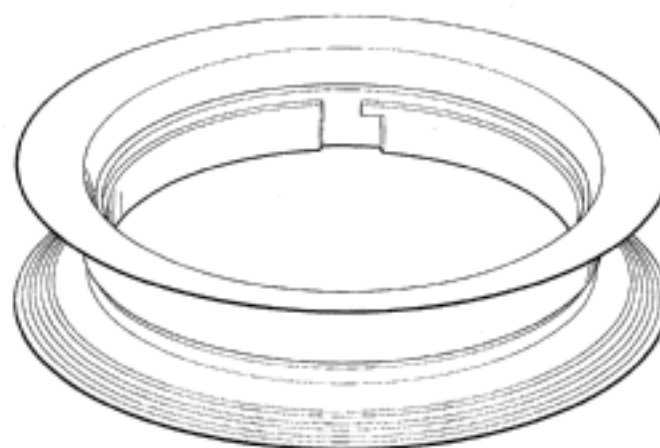
Lyn Kirk
27/2 Buller Rd Artarmon NSW 2064 Australia

(72) Name(s) of Designer(s): **Lyn Kirk**

(45) Registration Date: **19 February 2015**

(56) Related Art Documents: **Not Applicable**

(57) Statement of Newness and Distinctiveness: **Newness and distinctiveness is claimed in the shape and/or configuration of A SEAL.**



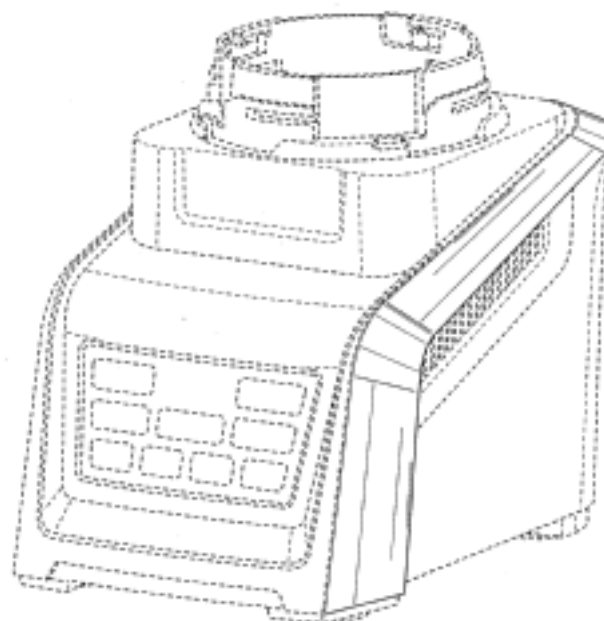
- (21) Design Number: **16320/2014**
(22) Date of Filing Application: **04 December 2014**
(24) Date from which industrial property rights may have effect: **04 December 2014**
(54) Product in respect of which the design is registered: **Kettle**
(51) International Design Classification: **07-02K**
(74) Name(s) of Attorney(s):
(71) Name(s) and Address(s) of Applicant(s):
Jason Antonio Martello
86 Bent St Northcote VIC 3070 Australia
(72) Name(s) of Designer(s): **Jason Antonio Martello**
(45) Registration Date: **19 February 2015**
(56) Related Art Documents: **Not Applicable**
(57) Statement of Newness and Distinctiveness: **New kettle/urn with unique fluorescent orange paint. Manufactured for construction workers. Safety features include screw down lid, double skins for cool touch and a 1.2mtr heavy duty power cord. This kettle is unique in Australia.**



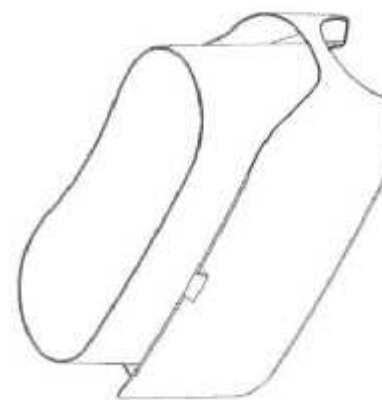
- (21) Design Number: **16518/2014**
(22) Date of Filing Application: **15 December 2014**
(24) Date from which industrial property rights may have effect: **29 September 2014**
(54) Product in respect of which the design is registered: **Medical gown**
(51) International Design Classification: **02-02NES**
(74) Name(s) of Attorney(s): **IP Gateway Patent & Trademark Attorneys Pty Ltd**
(71) Name(s) and Address(s) of Applicant(s):
Medline Industries, Inc.
One Medline Place Mundelein, IL, 60060 United States of America
(72) Name(s) of Designer(s): **Frank Czajka and Troy Lothar and Mark Chua**
(45) Registration Date: **19 February 2015**
(62) Divisional of: **359590**
(56) Related Art Documents: **Not Applicable**
(57) Statement of Newness and Distinctiveness: **Newness and distinctiveness reside in the visual features of shape and/or configuration and pattern and/or ornamentation as shown by and within the solid outlines in the accompanying representations. Parts depicted by broken line outlines should be given minimum emphasis. Stippling near the neckline is used for environmental purposes, to indicate hook-and-loop Velcro fastener and is not intended to indicate a visual feature of the design.**



(21) Design Number: **16652/2014**
(22) Date of Filing Application: **23 December 2014**
(24) Date from which industrial property rights may have effect: **23 December 2014**
(54) Product in respect of which the design is registered: **Blender base**
(51) International Design Classification: **31-00**
(74) Name(s) of Attorney(s): **PIZZEYS**
(71) Name(s) and Address(s) of Applicant(s):
Euro-Pro Operating LLC
180 Wells Avenue, Suite 200 Newton Massachusetts, 02459 United States of America
(72) Name(s) of Designer(s): **Joyce Tu**
(45) Registration Date: **19 February 2015**
(30) Convention priority data:
(31) Number (32) Date (33) Country
29/496,946 18 Jul 2014 UNITED STATES OF AMERICA
(56) Related Art Documents: **Not Applicable**
(57) Statement of Newness and Distinctiveness: **Nil**



(21) Design Number: **16661/2014**
(22) Date of Filing Application: **23 December 2014**
(24) Date from which industrial property rights may have effect: **23 December 2014**
(54) Product in respect of which the design is registered: **A storage cassette**
(51) International Design Classification: **09-09**
(74) Name(s) of Attorney(s): **Baldwins**
(71) Name(s) and Address(s) of Applicant(s):
Fumacare Limited
Unit C 144 Central Park Drive Henderson Auckland 0610 New Zealand
(72) Name(s) of Designer(s): **Paul Francis Zwaan and Michael Freeman and Patricia Margaret Butler and Raymond Thomas Butler**
(45) Registration Date: **19 February 2015**
(56) Related Art Documents: **Not Applicable**
(57) Statement of Newness and Distinctiveness: **The design is to be applied to a storage cassette and the newness and distinctiveness of the design resides in the features of shape and/or configuration of the article as shown in the accompanying representations.**



- (21) Design Number: **10015/2015**
(22) Date of Filing Application: **05 January 2015**
(24) Date from which industrial property rights may have effect: **05 January 2015**
(54) Product in respect of which the design is registered: **A dress with attachable elements**
(51) International Design Classification: **02-02C**
(74) Name(s) of Attorney(s):
(71) Name(s) and Address(s) of Applicant(s):
Jennifer Leigh Thommeny
301/10 Fitzgerald St Newtown NSW 2042 Australia
(72) Name(s) of Designer(s): **Jennifer Leigh Thommeny**
(45) Registration Date: **19 February 2015**
(56) Related Art Documents: **Not Applicable**
(57) Statement of Newness and Distinctiveness: **The Ruby dress is a unique design based on the simple concept of one dress having many looks. The dress itself does not change, but the look of it does, through the addition of various elements, which can be snapped on and popped off or tied around. With each new addition the dress is transformed. "The ruffles come in different colours and patterns and they can work together or play off one another same dress, new look. Different combinations that snap on and pop off.**



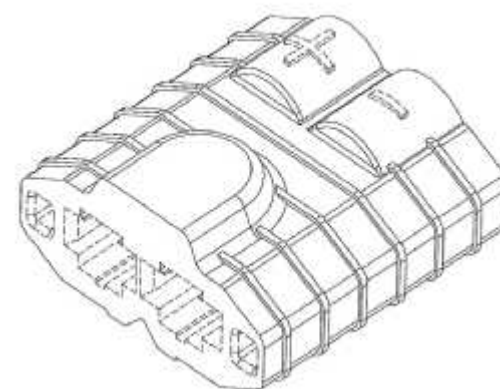
- (21) Design Number: **10340/2015**
(22) Date of Filing Application: **22 January 2015**
(24) Date from which industrial property rights may have effect: **06 November 2014**
(54) Product in respect of which the design is registered: **Resealable container with detachable base**
(51) International Design Classification: **09-01H**
(74) Name(s) of Attorney(s): **Pizzeys**
(71) Name(s) and Address(s) of Applicant(s):
Cool Gear International, LLC
10 Cordage Park Circle, Suite 212 Plymouth MA, 02360 United States of America
(72) Name(s) of Designer(s): **Donna Roth and John D. Mason**
(45) Registration Date: **19 February 2015**
(30) Convention priority data:
(31) Number (32) Date (33) Country
29/490,812 13 May 2014 UNITED STATES OF AMERICA
(62) Divisional of: **360160**
(56) Related Art Documents: **Not Applicable**
(57) Statement of Newness and Distinctiveness: **Nil**



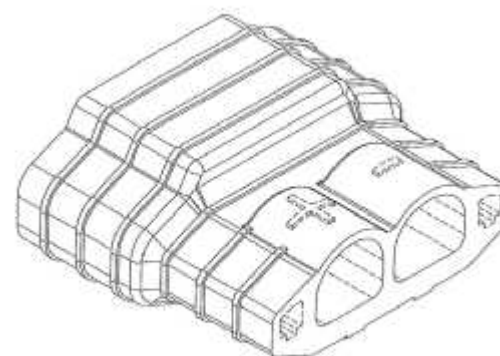
(21) Design Number: **10341/2015**
(22) Date of Filing Application: **22 January 2015**
(24) Date from which industrial property rights may have effect: **06 November 2014**
(54) Product in respect of which the design is registered: **Resealable container with detachable base**
(51) International Design Classification: **09-01H**
(74) Name(s) of Attorney(s): **Dr Kevin M Pullen**
(71) Name(s) and Address(s) of Applicant(s):
Cool Gear International, LLC
10 Cordage Park Circle, Suite 212 Plymouth MA, 02360 United States of America
(72) Name(s) of Designer(s): **Donna Roth and John D. Mason**
(45) Registration Date: **19 February 2015**
(30) Convention priority data:
(31) Number (32) Date (33) Country
29/490,814 13 May 2014 UNITED STATES OF AMERICA
(62) Divisional of: **360160**
(56) Related Art Documents: **Not Applicable**
(57) Statement of Newness and Distinctiveness: **Nil**



(21) Design Number: **10347/2015**
(22) Date of Filing Application: **22 January 2015**
(24) Date from which industrial property rights may have effect: **22 January 2015**
(54) Product in respect of which the design is registered: **Female electrical connector**
(51) International Design Classification: **13-03E**
(74) Name(s) of Attorney(s): **PIPERS**
(71) Name(s) and Address(s) of Applicant(s):
TRAXXAS LP
6250 Traxxas Way McKinney Texas 75070 United States of America
(72) Name(s) of Designer(s): **Casey Christen Jens Christensen and Kent Poteet and Otto Karl Allmendinger**
(45) Registration Date: **19 February 2015**
(30) Convention priority data:
(31) Number (32) Date (33) Country
29/497,276 22 Jul 2014 UNITED STATES OF AMERICA
(56) Related Art Documents: **Not Applicable**
(57) Statement of Newness and Distinctiveness: **The design is to be applied to a FEMALE ELECTRICAL CONNECTOR and the novelty resides in the features of shape and configuration of the FEMALE ELECTRICAL CONNECTOR as shown in the accompanying representations. No novelty is claimed for the features shown in broken lines - those are for illustrative purposes and depict the environment of the design.**



(21) Design Number: **10348/2015**
(22) Date of Filing Application: **22 January 2015**
(24) Date from which industrial property rights may have effect: **22 January 2015**
(54) Product in respect of which the design is registered: **Male electrical connector**
(51) International Design Classification: **13-03E**
(74) Name(s) of Attorney(s): **PIPERS**
(71) Name(s) and Address(s) of Applicant(s):
TRAXXAS LP
6250 Traxxas Way McKinney Texas 75070 United States of America
(72) Name(s) of Designer(s): **Casey Christen Jens Christensen and Kent Poteet and Otto Karl Allmendinger**
(45) Registration Date: **19 February 2015**
(30) Convention priority data:
(31) Number (32) Date (33) Country
29/497,274 22 Jul 2014 UNITED STATES OF AMERICA
(56) Related Art Documents: **Not Applicable**
(57) Statement of Newness and Distinctiveness: **The design is to be applied to a MALE ELECTRICAL CONNECTOR and the novelty resides in the features of shape and configuration of the MALE ELECTRICAL CONNECTOR as shown in the accompanying representations. No novelty is claimed for the features shown in broken lines - those are for illustrative purposes and depict the environment of the design.**



(21) Design Number: **10351/2015**
(22) Date of Filing Application: **22 January 2015**
(24) Date from which industrial property rights may have effect: **22 January 2015**
(54) Product in respect of which the design is registered: **Curler**
(51) International Design Classification: **28-03B**
(74) Name(s) of Attorney(s): **Cotters Patent & Trade Mark Attorneys**
(71) Name(s) and Address(s) of Applicant(s):
Tristar Products, Inc.
720 Centre Avenue Reading Pennsylvania 19601 United States of America
(72) Name(s) of Designer(s): **Jorge Prats**
(45) Registration Date: **19 February 2015**
(30) Convention priority data:
(31) Number (32) Date (33) Country
29/498174 31 Jul 2014 UNITED STATES OF AMERICA
(56) Related Art Documents: **Not Applicable**
(57) Statement of Newness and Distinctiveness: **Newness and distinctiveness is claimed in the features of shape and/or configuration of a curler as depicted in the accompanying drawings.**



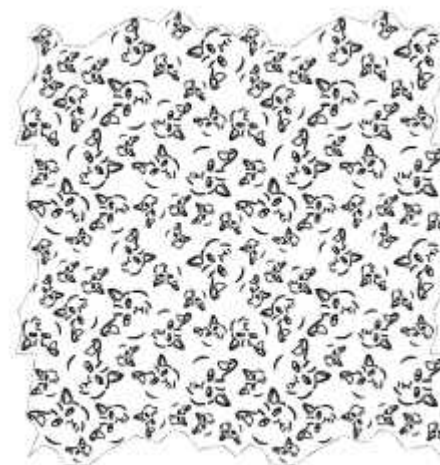
(21) Design Number: **10354/2015**
(22) Date of Filing Application: **22 January 2015**
(24) Date from which industrial property rights may have effect: **22 January 2015**
(54) Product in respect of which the design is registered: **Bottle**
(51) International Design Classification: **09-01B**
(74) Name(s) of Attorney(s): **Lesicar Maynard Andrews Pty Ltd**
(71) Name(s) and Address(s) of Applicant(s):
Geoff Porter
PO Box 507 Birdwood SA 5234
(72) Name(s) of Designer(s): **Geoff Porter**
(45) Registration Date: **19 February 2015**
(56) Related Art Documents: **Not Applicable**
(57) Statement of Newness and Distinctiveness: **Monopoly is claimed in the features of the conical shape of the bottle and the configuration of the handle as illustrated in the accompanying representations.**



(21) Design Number: **10355/2015**
(22) Date of Filing Application: **22 January 2015**
(24) Date from which industrial property rights may have effect: **22 January 2015**
(54) Product in respect of which the design is registered: **Footwear**
(51) International Design Classification: **02-04NES**
(74) Name(s) of Attorney(s): **K&L Gates**
(71) Name(s) and Address(s) of Applicant(s):
Alcudia Design S.L.U.
C/ Cuartel, 91 07300 Inca (Balears) Spain
(72) Name(s) of Designer(s): **Romain Kremer**
(45) Registration Date: **19 February 2015**
(30) Convention priority data:
(31) Number (32) Date (33) Country
002543744-0036 24 Sep 2014 OFFICE FOR HARMONISATION IN THE INTERNAL MARKET (OHIM)
(56) Related Art Documents: **Not Applicable**
(57) Statement of Newness and Distinctiveness: **Nil**



(21) Design Number: **10358/2015**
(22) Date of Filing Application: **23 January 2015**
(24) Date from which industrial property rights may have effect: **23 January 2015**
(54) Product in respect of which the design is registered: **Pet food container**
(51) International Design Classification: **09-03NES**
(74) Name(s) of Attorney(s): **SPRUSON & FERGUSON**
(71) Name(s) and Address(s) of Applicant(s):
Constantia Flexibles International GmbH
Handelskai 92, Rivergate Wien, 1200 Austria
(72) Name(s) of Designer(s): **Franz Planer**
(45) Registration Date: **19 February 2015**
(30) Convention priority data:
(31) Number (32) Date (33) Country
29/501366 03 Sep 2014 UNITED STATES OF AMERICA



(56) Related Art Documents: **Not Applicable**
(57) Statement of Newness and Distinctiveness: **Newness and distinctiveness is claimed in the features of pattern and/or ornamentation of a pet food container as illustrated in the accompanying representations, wherein an element of the repeated pattern is shown bounded by the broken lines in Figure 1 and the pattern is shown applied to an exemplary container as shown in Figure 2.**

(21) Design Number: **10359/2015**
(22) Date of Filing Application: **23 January 2015**
(24) Date from which industrial property rights may have effect: **23 January 2015**
(54) Product in respect of which the design is registered: **Pet food container**
(51) International Design Classification: **09-03NES**
(74) Name(s) of Attorney(s): **SPRUSON & FERGUSON**
(71) Name(s) and Address(s) of Applicant(s):
Constantia Flexibles International GmbH
Handelskai 92, Rivergate Wien, 1200 Austria
(72) Name(s) of Designer(s): **Franz Planer and Peter Wallach**
(45) Registration Date: **19 February 2015**
(30) Convention priority data:
(31) Number (32) Date (33) Country
29/503334 25 Sep 2014 UNITED STATES OF AMERICA



(56) Related Art Documents: **Not Applicable**
(57) Statement of Newness and Distinctiveness: **Newness and distinctiveness is claimed in those features of shape and/or configuration of a pet food container illustrated in continuous lines in the accompanying representations.**

(21) Design Number: **10360/2015**

(22) Date of Filing Application: **23 January 2015**

(24) Date from which industrial property rights may have effect: **23 January 2015**

(54) Product in respect of which the design is registered: **Shower head**

(51) International Design Classification: **23-02B**

(74) Name(s) of Attorney(s): **Griffith Hack**

(71) Name(s) and Address(s) of Applicant(s):

Hansgrohe SE

Austr. 5-9 Schiltach 77761 Germany

(72) Name(s) of Designer(s): **Tom Schoenherr and Matthias Oesterle**

(45) Registration Date: **19 February 2015**

(30) Convention priority data:

(31) Number

(32) Date

(33) Country

002516658-0001 07 Aug 2014

**OFFICE FOR HARMONISATION IN
THE INTERNAL MARKET (OHIM)**

(56) Related Art Documents: **Not Applicable**

(57) Statement of Newness and Distinctiveness: **The shape, configuration and ornamentation of the product is new and distinctive.**



(21) Design Number: **10367/2015**

(22) Date of Filing Application: **23 January 2015**

(24) Date from which industrial property rights may have effect: **23 January 2015**

(54) Product in respect of which the design is registered: **Desk organiser**

(51) International Design Classification: **19-02**

(74) Name(s) of Attorney(s): **HODGKINSON McINNES PATENTS**

(71) Name(s) and Address(s) of Applicant(s):

Pelikan Artline Pty Limited

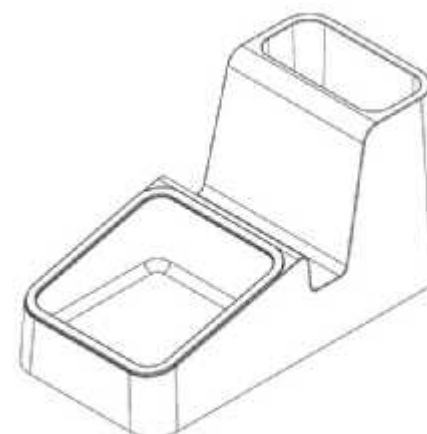
2 Coronation Ave Kings Park NSW 2148 Australia

(72) Name(s) of Designer(s): **Paul Stenton**

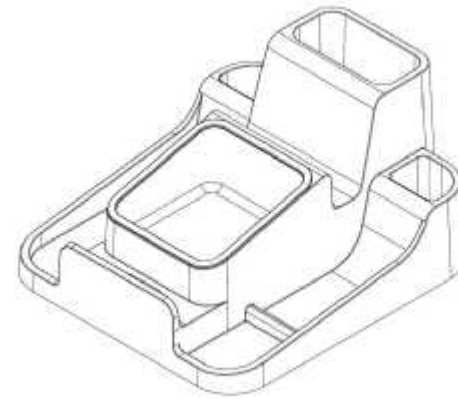
(45) Registration Date: **19 February 2015**

(56) Related Art Documents: **Not Applicable**

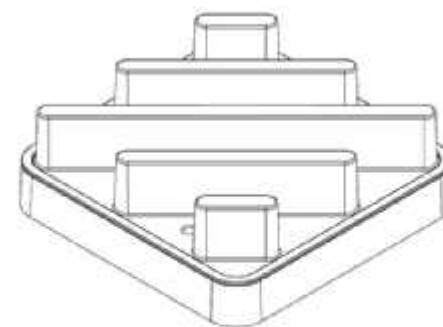
(57) Statement of Newness and Distinctiveness: **Newness and distinctiveness is claimed in the shape and configuration of a Desk Organiser as shown in the representations.**



- (21) Design Number: **10368/2015**
(22) Date of Filing Application: **23 January 2015**
(24) Date from which industrial property rights may have effect: **23 January 2015**
(54) Product in respect of which the design is registered: **Desk organiser**
(51) International Design Classification: **19-02**
(74) Name(s) of Attorney(s): **HODGKINSON McINNES PATENTS**
(71) Name(s) and Address(s) of Applicant(s):
Pelikan Artline Pty Limited
2 Coronation Ave Kings Park NSW 2148 Australia
(72) Name(s) of Designer(s): **Paul Stenton**
(45) Registration Date: **19 February 2015**
(56) Related Art Documents: **Not Applicable**
(57) Statement of Newness and Distinctiveness: **Newness and distinctiveness is claimed in the shape and configuration of a Desk Organiser as shown in the representations.**



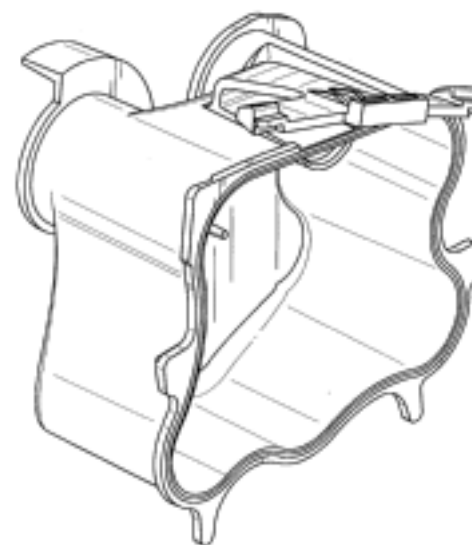
- (21) Design Number: **10369/2015**
(22) Date of Filing Application: **23 January 2015**
(24) Date from which industrial property rights may have effect: **23 January 2015**
(54) Product in respect of which the design is registered: **Desk organiser**
(51) International Design Classification: **19-02**
(74) Name(s) of Attorney(s): **HODGKINSON McINNES PATENTS**
(71) Name(s) and Address(s) of Applicant(s):
Pelikan Artline Pty Limited
2 Coronation Ave Kings Park NSW 2148 Australia
(72) Name(s) of Designer(s): **Paul Stenton**
(45) Registration Date: **19 February 2015**
(56) Related Art Documents: **Not Applicable**
(57) Statement of Newness and Distinctiveness: **Newness and distinctiveness is claimed in the shape and configuration of a Desk Organiser as shown in the representations.**



(21) Design Number: **10377/2015**
(22) Date of Filing Application: **24 January 2015**
(24) Date from which industrial property rights may have effect: **24 January 2015**
(54) Product in respect of which the design is registered: **Drinking glass**
(51) International Design Classification: **07-01C**
(74) Name(s) of Attorney(s):
(71) Name(s) and Address(s) of Applicant(s):
ANIMATED CARTOON PRODUCTIONS PTY. LTD.
PO BOX 66 Scarborough QLD 4020 Australia
(72) Name(s) of Designer(s): **Ray Gannon**
(45) Registration Date: **19 February 2015**
(56) Related Art Documents: **Not Applicable**
(57) Statement of Newness and Distinctiveness: **Drinking glass with bullet embedded in the wall of the vessel.**



(21) Design Number: **14779/2014**
(22) Date of Filing Application: **19 September 2014**
(24) Date from which industrial property rights may have effect: **04 July 2014**
(54) Product in respect of which the design is registered: **End cap muffler chamber for positive airway pressure delivery console**
(51) International Design Classification: **24-01**
(74) Name(s) of Attorney(s): **Halfords IP**
(71) Name(s) and Address(s) of Applicant(s):
ResMed Limited
1 Elizabeth Macarthur Dr Bella Vista NSW 2153 Australia
(72) Name(s) of Designer(s): **Clementine Desvoyes and Barton John Kenyon and Dimitri Marco Maurer and Chengwei Zhu**
(45) Registration Date: **19 February 2015**
(62) Divisional of: **358025**
(56) Related Art Documents: **Not Applicable**
(57) Statement of Newness and Distinctiveness: **Nil**



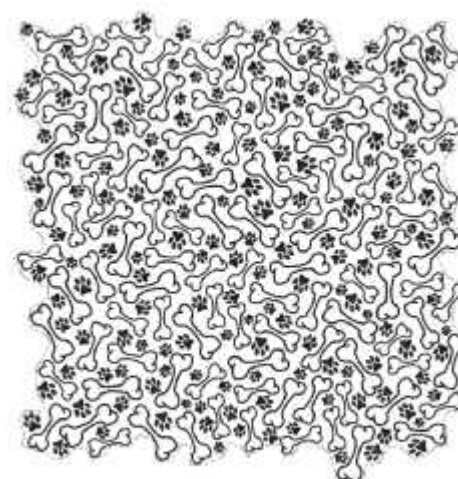
(21) Design Number: **16660/2014**
(22) Date of Filing Application: **23 December 2014**
(24) Date from which industrial property rights may have effect: **23 December 2014**
(54) Product in respect of which the design is registered: **A storage cassette**
(51) International Design Classification: **09-09**
(74) Name(s) of Attorney(s): **Baldwins**
(71) Name(s) and Address(s) of Applicant(s):
Fumacare Limited
Unit C 144 Central Park Drive Henderson Auckland 0610 New Zealand
(72) Name(s) of Designer(s): **Paul Francis Zwaan and Michael Freeman and Patricia Margaret Butler and Raymond Thomas Butler**
(45) Registration Date: **19 February 2015**
(56) Related Art Documents: **Not Applicable**
(57) Statement of Newness and Distinctiveness: **The design is to be applied to a storage cassette and the newness and distinctiveness of the design resides in the features of shape and/or configuration of the article as shown in the accompanying representations.**



(21) Design Number: **10308/2015**
(22) Date of Filing Application: **20 January 2015**
(24) Date from which industrial property rights may have effect: **20 January 2015**
(54) Product in respect of which the design is registered: **Chair**
(51) International Design Classification: **06-01F**
(74) Name(s) of Attorney(s): **Armour IP**
(71) Name(s) and Address(s) of Applicant(s):
Tribu N.V
Langendijkstraat 5A Zutendaal 3690 Belgium
(72) Name(s) of Designer(s): **Monica Armani**
(45) Registration Date: **19 February 2015**
(30) Convention priority data:
(31) Number (32) Date (33) Country
02600676-003 18 Dec 2014 OFFICE FOR HARMONISATION IN THE INTERNAL MARKET (OHIM)
(56) Related Art Documents: **Not Applicable**
(57) Statement of Newness and Distinctiveness: **Nil**



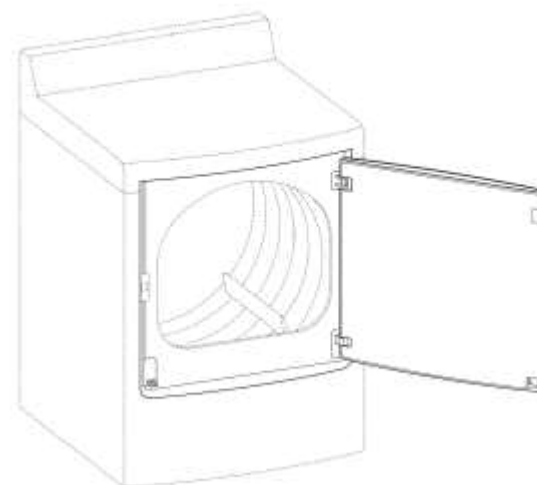
(21) Design Number: **10361/2015**
(22) Date of Filing Application: **23 January 2015**
(24) Date from which industrial property rights may have effect: **23 January 2015**
(54) Product in respect of which the design is registered: **Pet food container**
(51) International Design Classification: **09-03NES**
(74) Name(s) of Attorney(s): **SPRUSON & FERGUSON**
(71) Name(s) and Address(s) of Applicant(s):
Constantia Flexibles International GmbH
Handelskai 92, Rivergate Wien, 1200 Austria
(72) Name(s) of Designer(s): **Franz Planer**
(45) Registration Date: **19 February 2015**
(30) Convention priority data:
(31) Number (32) Date (33) Country
29/501372 03 Sep 2014 UNITED STATES OF AMERICA
(56) Related Art Documents: **Not Applicable**
(57) Statement of Newness and Distinctiveness: **Newness and distinctiveness is claimed in the features of pattern and/or ornamentation of a pet food container as illustrated in the accompanying representations, wherein an element of the repeated pattern is shown bounded by the broken lines in Figure 1 and the pattern is shown applied to an exemplary container as shown in Figure 2.**



(21) Design Number: **10362/2015**
(22) Date of Filing Application: **23 January 2015**
(24) Date from which industrial property rights may have effect: **23 January 2015**
(54) Product in respect of which the design is registered: **Shower head**
(51) International Design Classification: **23-02B**
(74) Name(s) of Attorney(s): **Griffith Hack**
(71) Name(s) and Address(s) of Applicant(s):
Hansgrohe SE
Austr. 5-9 Schiltach 77761 Germany
(72) Name(s) of Designer(s): **Tom Schoenherr and Matthias Oesterle**
(45) Registration Date: **19 February 2015**
(30) Convention priority data:
(31) Number (32) Date (33) Country
002516658-0002 07 Aug 2014 OFFICE FOR HARMONISATION IN THE INTERNAL MARKET (OHIM)
(56) Related Art Documents: **Not Applicable**
(57) Statement of Newness and Distinctiveness: **The shape, configuration and ornamentation of the product is new and distinctive.**



- (21) Design Number: **10363/2015**
(22) Date of Filing Application: **23 January 2015**
(24) Date from which industrial property rights may have effect: **23 January 2015**
(54) Product in respect of which the design is registered: **Clothes dryer**
(51) International Design Classification: **15-05**
(74) Name(s) of Attorney(s): **FB Rice**
(71) Name(s) and Address(s) of Applicant(s):
LG Electronics Inc.
128, Yeoui-daero Yeongdeungpo-gu Seoul 150-721 Republic of Korea
(72) Name(s) of Designer(s): **Eun Young Chee and Ki Hyuk Kim and Hye Rim An and Ne Rry Son and Ho Il Jeon**
(45) Registration Date: **19 February 2015**
(30) Convention priority data:
(31) Number (32) Date (33) Country
30-2014-0038324 05 Aug 2014 REPUBLIC OF KOREA
(56) Related Art Documents: **Not Applicable**
(57) Statement of Newness and Distinctiveness: **Newness and distinctiveness reside in the features of shape and configuration of the design shown in solid lines in the representations excluding those features shown in broken lines.**



- (21) Design Number: **10379/2015**
(22) Date of Filing Application: **26 January 2015**
(24) Date from which industrial property rights may have effect: **26 January 2015**
(54) Product in respect of which the design is registered: **A roof tray**
(51) International Design Classification: **12-16K**
(74) Name(s) of Attorney(s):
(71) Name(s) and Address(s) of Applicant(s):
Yakima Australia Pty Limited
17 Hinkler Ct Brendale QLD 4500 Australia
(72) Name(s) of Designer(s): **Ian John Drapier**
(45) Registration Date: **19 February 2015**
(30) Convention priority data:
(31) Number (32) Date (33) Country
419161 12 Aug 2014 NEW ZEALAND
(56) Related Art Documents: **Not Applicable**
(57) Statement of Newness and Distinctiveness: **This design is to be applied to a A Roof Tray and the novelty resides in the features of shape and configuration of the article as shown in the accompanying representations. The PRORACK logo on the tray shown in the drawings is disclaimed from the design.**



(21) Design Number: **10383/2015**
(22) Date of Filing Application: **26 January 2015**
(24) Date from which industrial property rights may have effect: **26 January 2015**
(54) Product in respect of which the design is registered: **Roof tray corner moulding**
(51) International Design Classification: **12-16K**
(74) Name(s) of Attorney(s):
(71) Name(s) and Address(s) of Applicant(s):
Yakima Australia Pty Limited
17 Hinkler Ct Brendale QLD 4500 Australia
(72) Name(s) of Designer(s): **Ian John Drapier**
(45) Registration Date: **19 February 2015**
(30) Convention priority data:
(31) Number (32) Date (33) Country
419166 12 Aug 2014 NEW ZEALAND
(56) Related Art Documents: **Not Applicable**
(57) Statement of Newness and Distinctiveness: **This design is to be applied to a Roof Tray Corner Moulding and the novelty resides in the features of shape and configuration as shown in the accompanying representations.**



(21) Design Number: **10384/2015**
(22) Date of Filing Application: **26 January 2015**
(24) Date from which industrial property rights may have effect: **26 January 2015**
(54) Product in respect of which the design is registered: **Double deck chair**
(51) International Design Classification: **06-01H, 03-03**
(74) Name(s) of Attorney(s):
(71) Name(s) and Address(s) of Applicant(s):
NINGBO MENTORIEND INTERNATIONAL TRADING CO., LTD.
ROOM 1101, QIAOSHANG BUILDING SOUTH BUSINESS DISTRICT
YINZHOU DISTRICT NINGBO 315040 China
(72) Name(s) of Designer(s): **Johnson Weng**
(45) Registration Date: **19 February 2015**
(56) Related Art Documents: **Not Applicable**
(57) Statement of Newness and Distinctiveness: **Nil**

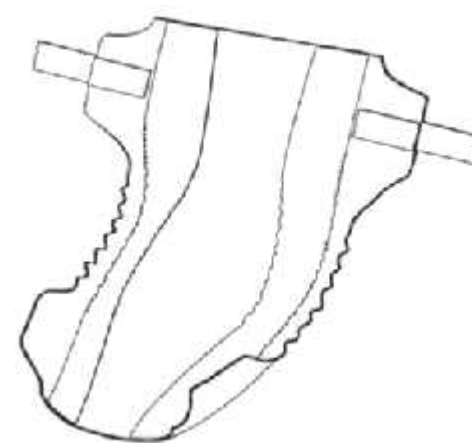


(21) Design Number: **10335/2015**
(22) Date of Filing Application: **21 January 2015**
(24) Date from which industrial property rights may have effect: **17 December 2014**
(54) Product in respect of which the design is registered: **Visual display unit**
(51) International Design Classification: **14-02**
(74) Name(s) of Attorney(s): **Griffith Hack**
(71) Name(s) and Address(s) of Applicant(s):
Sandvik Intellectual Property AB
SE-811 81 SANDVIKEN Sweden
(72) Name(s) of Designer(s): **Olli Snellman and Eemeli Haverinen**
(45) Registration Date: **19 February 2015**
(30) Convention priority data:
(31) Number (32) Date (33) Country
002494302-0001 01 Jul 2014 OFFICE FOR HARMONISATION IN
THE INTERNAL MARKET (OHIM)



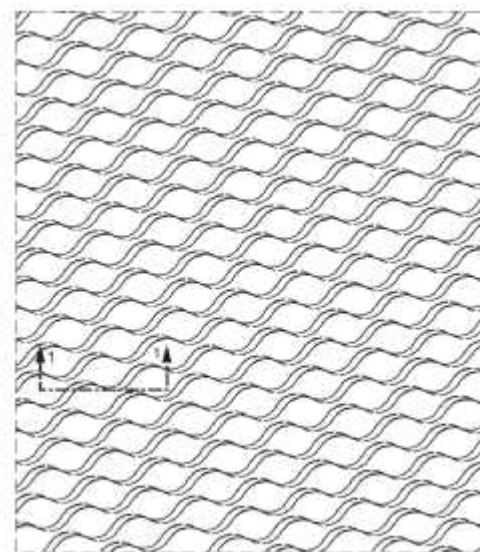
(62) Divisional of: **360145**
(56) Related Art Documents: **Not Applicable**
(57) Statement of Newness and Distinctiveness: **Newness and distinctiveness resides in the visual features, including shape, configuration, pattern and ornamentation, of a Visual Display Unit having a Graphical Interface with Icons as shown in the accompanying drawings. When determining whether the design is substantially similar in overall impression to another design, no regard is to be had to the perimeter shape and configuration of the Visual Display Unit as shown in dotted outline in the accompanying drawings, which perimeter shape and configuration is provided for illustrative purposes only.**

(21) Design Number: **10364/2015**
(22) Date of Filing Application: **23 January 2015**
(24) Date from which industrial property rights may have effect: **23 January 2015**
(54) Product in respect of which the design is registered: **Disposable diaper**
(51) International Design Classification: **02-01B**
(74) Name(s) of Attorney(s): **PHILLIPS ORMONDE FITZPATRICK**
(71) Name(s) and Address(s) of Applicant(s):
Uni-Charm Corporation
182, Kinseichoshimobun Shikokuchuo-shi Ehime 799-0111 Japan
(72) Name(s) of Designer(s): **Tomomi Isogai and Maki Miyake**
(45) Registration Date: **19 February 2015**
(30) Convention priority data:
(31) Number (32) Date (33) Country
2014-016263 25 Jul 2014 JAPAN

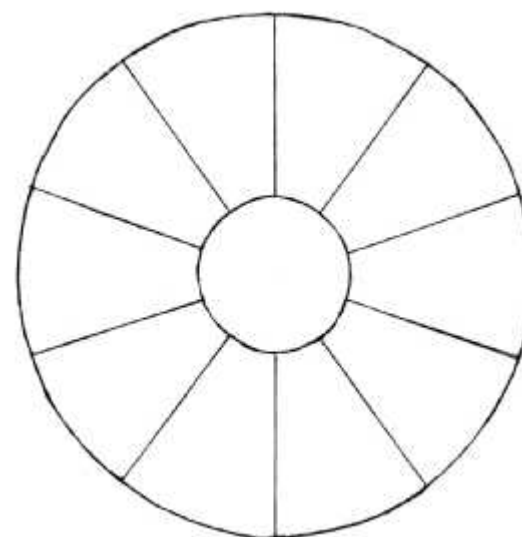


(56) Related Art Documents: **Not Applicable**
(57) Statement of Newness and Distinctiveness: **Nil**

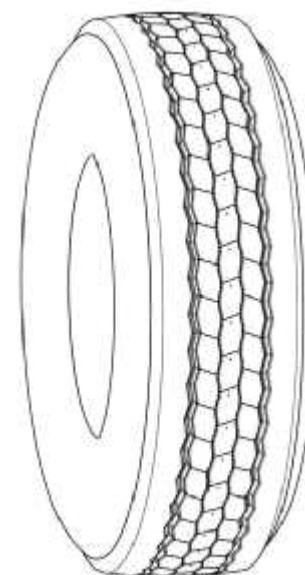
- (21) Design Number: **10365/2015**
(22) Date of Filing Application: **23 January 2015**
(24) Date from which industrial property rights may have effect: **23 January 2015**
(54) Product in respect of which the design is registered: **An embossed tissue paper**
(51) International Design Classification: **05-06NES**
(74) Name(s) of Attorney(s): **SPRUSON & FERGUSON**
(71) Name(s) and Address(s) of Applicant(s):
Kimberly-Clark Worldwide, Inc.
2300 Winchester Road Neenah Wisconsin 54956 United States of America
(72) Name(s) of Designer(s): **Benjamin Peter Sierra and Tammy Lyn Baum and James Leo Baggot and Jessie Jeannine McGuire**
(45) Registration Date: **19 February 2015**
(30) Convention priority data:
(31) Number (32) Date (33) Country
29/499552 15 Aug 2014 UNITED STATES OF AMERICA
(56) Related Art Documents: **Not Applicable**
(57) Statement of Newness and Distinctiveness: **Newness and distinctiveness is claimed in the features of an embossed tissue paper as illustrated in the accompanying representations, wherein the embossed tissue paper has a pattern that repeats itself and an element of the pattern is shown bounded by broken lines in the accompanying representations.**



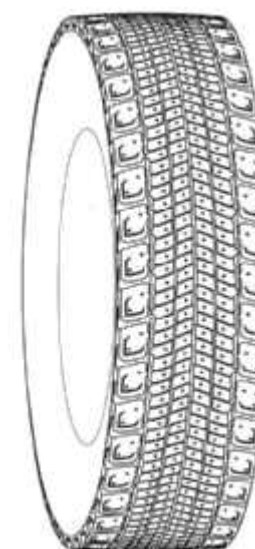
- (21) Design Number: **10392/2015**
(22) Date of Filing Application: **27 January 2015**
(24) Date from which industrial property rights may have effect: **27 January 2015**
(54) Product in respect of which the design is registered: **Surface mounted rotational platform**
(51) International Design Classification: **25-04**
(74) Name(s) of Attorney(s):
(71) Name(s) and Address(s) of Applicant(s):
Rex Robert Brady
c/o J Riddell 26 Myson Dr Cherrybrook NSW 2126 Australia
(72) Name(s) of Designer(s): **Rex Robert Brady**
(45) Registration Date: **19 February 2015**
(56) Related Art Documents: **Not Applicable**
(57) Statement of Newness and Distinctiveness: **The design is to be applied to a surface mounted rotational platform and the novelty of the design resides in the features of the ornamentation of the top surface of the surface mounted rotational platform, as shown in the accompanying representations.**



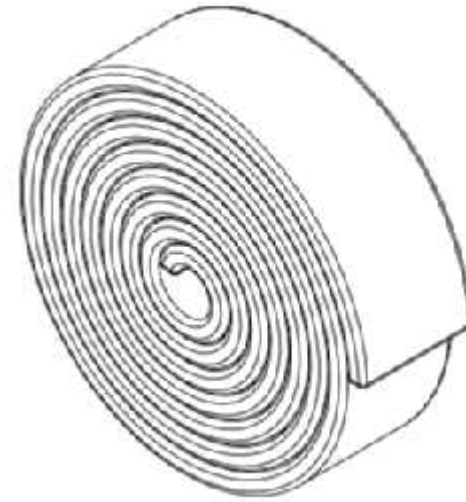
- (21) Design Number: **10397/2015**
(22) Date of Filing Application: **27 January 2015**
(24) Date from which industrial property rights may have effect: **27 January 2015**
(54) Product in respect of which the design is registered: **A tyre**
(51) International Design Classification: **12-15A**
(74) Name(s) of Attorney(s): **WATERMARK PATENT AND TRADE MARKS ATTORNEYS**
(71) Name(s) and Address(s) of Applicant(s):
COMPAGNIE GENERALE DES ETABLISSEMENTS MICHELIN
12 cours Sablon Clermont-Ferrand 63000 France
Michelin Recherche et Technique S.A.
Route Louis-Braille 10 Granges-Paccot 1763 Switzerland
(72) Name(s) of Designer(s): **Pascal Di-Mauro and Florent Delfosse and Jonathan Lejeune**
(45) Registration Date: **19 February 2015**
(30) Convention priority data:
(31) Number (32) Date (33) Country
2014-3446 31 Jul 2014 FRANCE
(56) Related Art Documents: **Not Applicable**
(57) Statement of Newness and Distinctiveness: **Newness and distinctiveness resides in the appearance of the tread region of the tyre, the remainder of the tyre not forming part of the design.**



- (21) Design Number: **10398/2015**
(22) Date of Filing Application: **27 January 2015**
(24) Date from which industrial property rights may have effect: **27 January 2015**
(54) Product in respect of which the design is registered: **A tyre**
(51) International Design Classification: **12-15B**
(74) Name(s) of Attorney(s): **WATERMARK PATENT AND TRADE MARKS ATTORNEYS**
(71) Name(s) and Address(s) of Applicant(s):
COMPAGNIE GENERALE DES ETABLISSEMENTS MICHELIN
12 cours Sablon Clermont-Ferrand 63000 France
Michelin Recherche et Technique S.A.
Route Louis-Braille 10 Granges-Paccot 1763 Switzerland
(72) Name(s) of Designer(s): **Guy Cagneaux and Stephanie Cambon and Arnaud Larregain**
(45) Registration Date: **19 February 2015**
(30) Convention priority data:
(31) Number (32) Date (33) Country
2014-3444 31 Jul 2014 FRANCE
(56) Related Art Documents: **Not Applicable**
(57) Statement of Newness and Distinctiveness: **Newness and distinctiveness resides in the appearance of the tread region of the tyre, the remainder of the tyre not forming part of the design.**



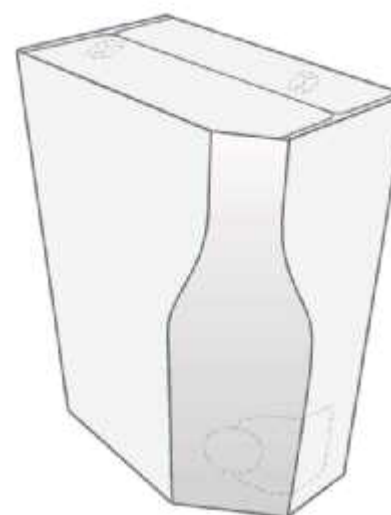
- (21) Design Number: **10801/2015**
(22) Date of Filing Application: **13 February 2015**
(24) Date from which industrial property rights may have effect: **13 February 2015**
(54) Product in respect of which the design is registered: **Animal treat product**
(51) International Design Classification: **01-06**
(74) Name(s) of Attorney(s): **Banki Haddock Fiora**
(71) Name(s) and Address(s) of Applicant(s):
Societe des Produits Nestle S.A.
Vevey Canton of Vaud 1800 Switzerland
(72) Name(s) of Designer(s): **Shelley McMillan and Mark Daniel Harris and Andrew Charles Simpson**
(45) Registration Date: **19 February 2015**
(56) Related Art Documents: **Not Applicable**
(57) Statement of Newness and Distinctiveness: **The visual features of the animal treat product depicted in the representations that are new and distinctive are the shape and/or configuration.**



- (21) Design Number: **10802/2015**
(22) Date of Filing Application: **13 February 2015**
(24) Date from which industrial property rights may have effect: **13 February 2015**
(54) Product in respect of which the design is registered: **Animal treat dispenser**
(51) International Design Classification: **30-03**
(74) Name(s) of Attorney(s): **Banki Haddock Fiora**
(71) Name(s) and Address(s) of Applicant(s):
Societe des Produits Nestle S.A.
Vevey Canton of Vaud 1800 Switzerland
(72) Name(s) of Designer(s): **Shelley McMillan and Mark Daniel Harris and Andrew Charles Simpson**
(45) Registration Date: **19 February 2015**
(56) Related Art Documents: **Not Applicable**
(57) Statement of Newness and Distinctiveness: **The visual features of the animal treat dispenser depicted in the representations that are new and distinctive are the shape and/or configuration.**



- (21) Design Number: **10094/2015**
(22) Date of Filing Application: **09 January 2015**
(24) Date from which industrial property rights may have effect: **09 January 2015**
(54) Product in respect of which the design is registered: **Wine cask**
(51) International Design Classification: **09-03NES**
(74) Name(s) of Attorney(s): **Allens Patent & Trade Mark Attorneys**
(71) Name(s) and Address(s) of Applicant(s):
Treasury Wine Estates EMEA Ltd.
Regal House 70 London Road Twickenham TW1 3QS United Kingdom
(72) Name(s) of Designer(s): **Guy Williams and Lisa McWilliam**
(45) Registration Date: **20 February 2015**
(56) Related Art Documents: **Not Applicable**
(57) Statement of Newness and Distinctiveness: **Monopoly is claimed in the visual features of shape and/or configuration of a wine cask as illustrated in the representations. The portions shown in broken line in the accompanying representations are for illustrative purposes only and do not form part of the claimed design.**



- (21) Design Number: **10095/2015**
(22) Date of Filing Application: **09 January 2015**
(24) Date from which industrial property rights may have effect: **09 January 2015**
(54) Product in respect of which the design is registered: **Wine cask**
(51) International Design Classification: **09-03NES**
(74) Name(s) of Attorney(s): **Allens Patent & Trade Mark Attorneys**
(71) Name(s) and Address(s) of Applicant(s):
Treasury Wine Estates EMEA Ltd.
Regal House 70 London Road Twickenham TW1 3QS United Kingdom
(72) Name(s) of Designer(s): **Guy Williams and Lisa McWilliam**
(45) Registration Date: **20 February 2015**
(56) Related Art Documents: **Not Applicable**
(57) Statement of Newness and Distinctiveness: **Monopoly is claimed in the visual features of shape and/or configuration of a wine cask as illustrated in the representations. The portions shown in broken line in the accompanying representations are for illustrative purposes only and do not form part of the claimed design.**



- (21) Design Number: **10395/2015**
(22) Date of Filing Application: **27 January 2015**
(24) Date from which industrial property rights may have effect: **27 January 2015**
(54) Product in respect of which the design is registered: **Roof clip**
(51) International Design Classification: **08-08C**
(74) Name(s) of Attorney(s): **Griffith Hack**
(71) Name(s) and Address(s) of Applicant(s):
BLUESCOPE STEEL LIMITED
L11 120 Collins St Melbourne VIC 3000 Australia
(72) Name(s) of Designer(s): **Rod Gallaty and Michael Celeban**
(45) Registration Date: **20 February 2015**
(56) Related Art Documents: **Not Applicable**
(57) Statement of Newness and Distinctiveness: **Newness and distinctiveness resides in the visual features including the shape and configuration of the product as shown in the representations.**



- (21) Design Number: **10399/2015**
(22) Date of Filing Application: **27 January 2015**
(24) Date from which industrial property rights may have effect: **27 January 2015**
(54) Product in respect of which the design is registered: **Picnic blanket**
(51) International Design Classification: **06-13NES**
(74) Name(s) of Attorney(s):
(71) Name(s) and Address(s) of Applicant(s):
Phuong Thi Minh Nguyen
U603/83 Queens Bridge St Southbank VIC 3006 Australia
(72) Name(s) of Designer(s): **Phuong Thi Minh Nguyen**
(45) Registration Date: **20 February 2015**
(56) Related Art Documents: **Not Applicable**
(57) Statement of Newness and Distinctiveness: **The product is new and distinct in its visual appearance and in the method by which it is rolled up and secured. The blanket is made from three layers: 1. waterproof fabric; 2. wadding; and 3. patterned and non-patterned fabric. There is a strap sewn and attached to the blanket, made from the same fabric which is used in the third layer. The blanket is stored away by folding it in half so that the third layer is visible on the outside, and folded in half again and rolled up. The straps then wrap around the roll, and are secured by two wooden buttons with the company name "Otium Designs Melbourne" engraved into them. The straps create a handle with which the blanket can be held. This creates a visually appealing, new and distinct appearance in its design.**



- (21) Design Number: **10402/2015**
(22) Date of Filing Application: **28 January 2015**
(24) Date from which industrial property rights may have effect: **28 January 2015**
(54) Product in respect of which the design is registered: **Microwave oven**
(51) International Design Classification: **07-02B**
(74) Name(s) of Attorney(s): **SPRUSON & FERGUSON**
(71) Name(s) and Address(s) of Applicant(s):
Panasonic Intellectual Property Management Co., Ltd.
1-61, Shiromi 2-chome, Chuo-ku, Osaka-shi Osaka, 540-6207 Japan
(72) Name(s) of Designer(s): **Enrico Bergese**
(45) Registration Date: **20 February 2015**
(56) Related Art Documents: **Not Applicable**
(57) Statement of Newness and Distinctiveness: **Newness and distinctiveness is claimed in the features of shape and/or configuration of a microwave oven as illustrated in continuous lines in the accompanying representations.**



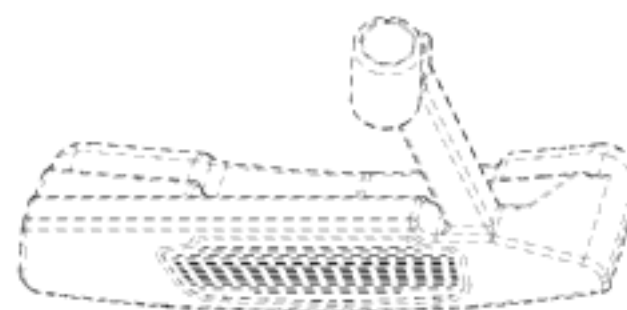
- (21) Design Number: **10403/2015**
(22) Date of Filing Application: **28 January 2015**
(24) Date from which industrial property rights may have effect: **28 January 2015**
(54) Product in respect of which the design is registered: **Microwave oven**
(51) International Design Classification: **07-02B**
(74) Name(s) of Attorney(s): **SPRUSON & FERGUSON**
(71) Name(s) and Address(s) of Applicant(s):
Panasonic Intellectual Property Management Co., Ltd.
1-61, Shiromi 2-chome, Chuo-ku, Osaka-shi Osaka, 540-6207 Japan
(72) Name(s) of Designer(s): **Enrico Bergese**
(45) Registration Date: **20 February 2015**
(56) Related Art Documents: **Not Applicable**
(57) Statement of Newness and Distinctiveness: **Newness and distinctiveness is claimed in the features of shape and/or configuration of a microwave oven as illustrated in continuous lines in the accompanying representations.**



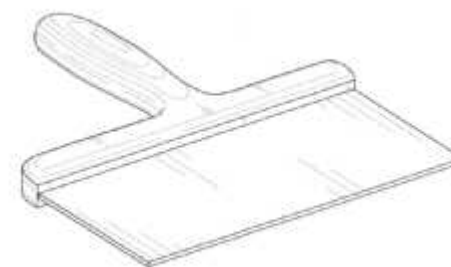
(21) Design Number: **10408/2015**
(22) Date of Filing Application: **28 January 2015**
(24) Date from which industrial property rights may have effect: **28 January 2015**
(54) Product in respect of which the design is registered: **Golf club grip**
(51) International Design Classification: **21-02C**
(74) Name(s) of Attorney(s): **Davies Collison Cave**
(71) Name(s) and Address(s) of Applicant(s):
Karsten Manufacturing Corporation
2201 West Desert Cove Phoenix Arizona, 85029 United States of America
(72) Name(s) of Designer(s): **Anthony D Serrano and Xiaojian Chen**
(45) Registration Date: **20 February 2015**
(30) Convention priority data:
(31) Number (32) Date (33) Country
29/497738 28 Jul 2014 UNITED STATES OF AMERICA
(56) Related Art Documents: **Not Applicable**
(57) Statement of Newness and Distinctiveness: **Newness and distinctiveness is claimed in the visual features shown in solid lines in the representations. In considering the extent of the design rights, the broken lines shown in the representations are for illustrative purposes only and do not form part of the design.**



(21) Design Number: **10409/2015**
(22) Date of Filing Application: **28 January 2015**
(24) Date from which industrial property rights may have effect: **28 January 2015**
(54) Product in respect of which the design is registered: **Golf club head**
(51) International Design Classification: **21-02C**
(74) Name(s) of Attorney(s): **Davies Collison Cave**
(71) Name(s) and Address(s) of Applicant(s):
Karsten Manufacturing Corporation
2201 West Desert Cove Phoenix Arizona, 85029 United States of America
(72) Name(s) of Designer(s): **Anthony D Serrano and Xiaojian Chen**
(45) Registration Date: **20 February 2015**
(30) Convention priority data:
(31) Number (32) Date (33) Country
29/497943 30 Jul 2014 UNITED STATES OF AMERICA
(56) Related Art Documents: **Not Applicable**
(57) Statement of Newness and Distinctiveness: **Newness and distinctiveness is claimed in the visual features shown in solid lines in the representations. In considering the extent of the design rights, the broken lines shown in the representations are for illustrative purposes only and do not form part of the design.**



(21) Design Number: **10410/2015**
(22) Date of Filing Application: **28 January 2015**
(24) Date from which industrial property rights may have effect: **28 January 2015**
(54) Product in respect of which the design is registered: **Spatula**
(51) International Design Classification: **07-04**
(74) Name(s) of Attorney(s): **EKM patent & trade marks**
(71) Name(s) and Address(s) of Applicant(s):
Nina Monica De La Cruz
4949 East Elliot Road Phoenix Arizona, 85044 United States of America
(72) Name(s) of Designer(s): **Nina Monica De La Cruz**
(45) Registration Date: **20 February 2015**
(30) Convention priority data:
(31) Number (32) Date (33) Country
29/497,723 28 Jul 2014 UNITED STATES OF AMERICA
(56) Related Art Documents: **Not Applicable**
(57) Statement of Newness and Distinctiveness: **Nil**



(21) Design Number: **10413/2015**
(22) Date of Filing Application: **28 January 2015**
(24) Date from which industrial property rights may have effect: **28 January 2015**
(54) Product in respect of which the design is registered: **Container**
(51) International Design Classification: **09-01NES**
(74) Name(s) of Attorney(s): **FB Rice**
(71) Name(s) and Address(s) of Applicant(s):
Colgate-Palmolive Company
300 Park Avenue New York New York 10022 United States of America
(72) Name(s) of Designer(s): **Claudia Daniela Macias Mejia and Kiat-Cheong Toh and Jorge Becerra and Luis Rodolfo Arevalo Pliego and John David Lamb and Corinne Elizabeth Ashbee**
(45) Registration Date: **20 February 2015**
(30) Convention priority data:
(31) Number (32) Date (33) Country
29/500712 27 Aug 2014 UNITED STATES OF AMERICA
(56) Related Art Documents: **Not Applicable**
(57) Statement of Newness and Distinctiveness: **Newness and distinctiveness reside in the features of shape and configuration of the design as shown in the representations.**



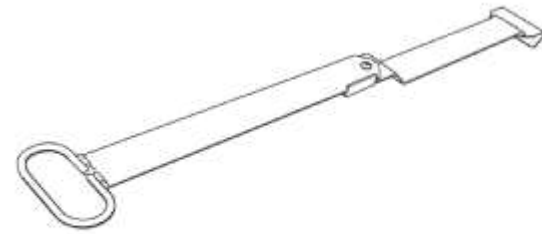
(21) Design Number: **10414/2015**
(22) Date of Filing Application: **28 January 2015**
(24) Date from which industrial property rights may have effect: **28 January 2015**
(54) Product in respect of which the design is registered: **Container**
(51) International Design Classification: **09-01NES**
(74) Name(s) of Attorney(s): **FB Rice**
(71) Name(s) and Address(s) of Applicant(s):
Colgate-Palmolive Company
300 Park Avenue New York New York 10022 United States of America
(72) Name(s) of Designer(s): **Claudia Daniela Macias Mejia and Kiat-Cheong Toh and Jorge Becerra and Luis Rodolfo Arevalo Pliego and John David Lamb and Corinne Elizabeth Ashbee**
(45) Registration Date: **20 February 2015**
(30) Convention priority data:
(31) Number (32) Date (33) Country
29/500713 27 Aug 2014 UNITED STATES OF AMERICA
(56) Related Art Documents: **Not Applicable**
(57) Statement of Newness and Distinctiveness: **Newness and distinctiveness reside in the features of shape and configuration of the design shown in solid lines in the representations excluding those features shown in broken lines.**



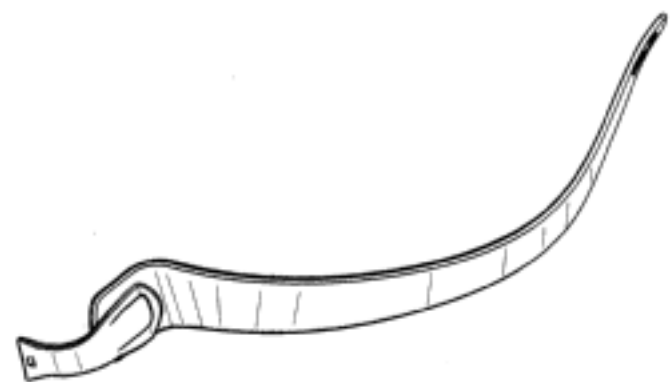
(21) Design Number: **10415/2015**
(22) Date of Filing Application: **28 January 2015**
(24) Date from which industrial property rights may have effect: **28 January 2015**
(54) Product in respect of which the design is registered: **Container**
(51) International Design Classification: **09-01NES**
(74) Name(s) of Attorney(s): **FB Rice**
(71) Name(s) and Address(s) of Applicant(s):
Colgate-Palmolive Company
300 Park Avenue New York New York 10022 United States of America
(72) Name(s) of Designer(s): **Claudia Daniela Macias Mejia and Kiat-Cheong Toh and Jorge Becerra and Luis Rodolfo Arevalo Pliego and John David Lamb and Corinne Elizabeth Ashbee**
(45) Registration Date: **20 February 2015**
(30) Convention priority data:
(31) Number (32) Date (33) Country
29/500715 27 Aug 2014 UNITED STATES OF AMERICA
(56) Related Art Documents: **Not Applicable**
(57) Statement of Newness and Distinctiveness: **Newness and distinctiveness reside in the features of shape and configuration of the design as shown in the representations.**



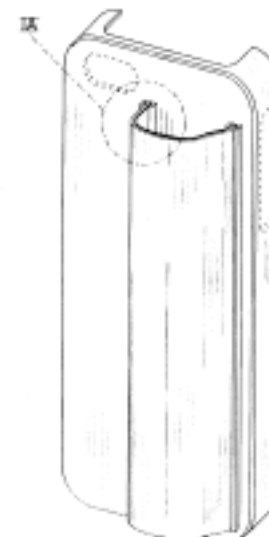
- (21) Design Number: **13870/2014**
(22) Date of Filing Application: **07 August 2014**
(24) Date from which industrial property rights may have effect: **07 August 2014**
(54) Product in respect of which the design is registered: **Extension arm**
(51) International Design Classification: **12-16L**
(74) Name(s) of Attorney(s): **Halfords IP**
(71) Name(s) and Address(s) of Applicant(s):
Angle Assist Pty Ltd
PO BOX 505 Kiama NSW 2533 Australia
(72) Name(s) of Designer(s): **Carle Goodfellow**
(45) Registration Date: **20 February 2015**
(56) Related Art Documents: **Not Applicable**
(57) Statement of Newness and Distinctiveness: **Newness and distinctiveness resides in the shape and or configuration of an extension arm as depicted in the accompanying representations.**



- (21) Design Number: **16294/2014**
(22) Date of Filing Application: **03 December 2014**
(24) Date from which industrial property rights may have effect: **13 November 2013**
(54) Product in respect of which the design is registered: **Rigidizer arm for patient interface**
(51) International Design Classification: **24-02**
(74) Name(s) of Attorney(s): **Halfords IP**
(71) Name(s) and Address(s) of Applicant(s):
ResMed Limited
1 Elizabeth Macarthur Dr Bella Vista NSW 2153 Australia
(72) Name(s) of Designer(s): **Stewart Joseph Wagner and Chia Ik Tan and Alicia Kristianne Wells and Murray William Lee**
(45) Registration Date: **20 February 2015**
(62) Divisional of: **359323**
(56) Related Art Documents: **Not Applicable**
(57) Statement of Newness and Distinctiveness: **Nil**



- (21) Design Number: **16611/2014**
(22) Date of Filing Application: **19 December 2014**
(24) Date from which industrial property rights may have effect: **19 December 2014**
(54) Product in respect of which the design is registered: **Mobile phone case with reading glasses pocket**
(51) International Design Classification: **03-01NES**
(74) Name(s) of Attorney(s): **Shelston IP**
(71) Name(s) and Address(s) of Applicant(s):
Diversified Products, Inc.
4 Blue Heron Drive Collegeville Pennsylvania, 19426 United States of America
(72) Name(s) of Designer(s): **Steven B Liebers and Zhongqiu Zhu**
(45) Registration Date: **20 February 2015**
(30) Convention priority data:
(31) Number (32) Date (33) Country
29/494781 24 Jun 2014 UNITED STATES OF AMERICA
(56) Related Art Documents: **Not Applicable**
(57) Statement of Newness and Distinctiveness: **Newness and distinctiveness reside in the features of shape and/or configuration of the mobile phone case with reading glasses pocket as shown in the accompanying representations. Features shown in dashed lines are included for illustrative purposes only and do not form part of the design.**



- (21) Design Number: **16625/2014**
(22) Date of Filing Application: **22 December 2014**
(24) Date from which industrial property rights may have effect: **22 December 2014**
(54) Product in respect of which the design is registered: **Mushroom barbecue smoker**
(51) International Design Classification: **07-02E**
(74) Name(s) of Attorney(s):
(71) Name(s) and Address(s) of Applicant(s):
Jesurajah Sebastampillai
1 ST Marys Road Golders Green London NW11 9UE United Kingdom
(72) Name(s) of Designer(s): **Jesurajah Sebastampillai**
(45) Registration Date: **20 February 2015**
(30) Convention priority data:
(31) Number (32) Date (33) Country
4036244 03 Jul 2014 UNITED KINGDOM
(56) Related Art Documents: **Not Applicable**
(57) Statement of Newness and Distinctiveness: **This three-in-one unique product is a BBQ, a Smoker and a beautiful garden ornament. The BBQ has a Cap and Gills. The Gills work as heat distributor during the cooking process. The Stalk works as a combustion chamber. During the smoking process the wood inside the Stalk is to burn slowly, and generating smoke and little fire. The smoke expands and flows through the nozzle. Since there are small holes in the BBQ metal container the hot smoke flow through the grill making the smoking possible. Description: The design consists of the features of shape, configuration and ornamentation of the Mushroom barbecue smoker shown in the drawings. Figure 1 is a perspective view of the Mushroom barbecue smoker. Figure 2 is a rear view. Figure 3 is a side view. Figure 4 is a top plan view. Figure 5 is a perspective view with the lid in an open position. Figure 6 is an exploded view.**



(21) Design Number: **16628/2014**
(22) Date of Filing Application: **22 December 2014**
(24) Date from which industrial property rights may have effect: **22 December 2014**
(54) Product in respect of which the design is registered: **Christmas tree**
(51) International Design Classification: **11-05**
(74) Name(s) of Attorney(s):
(71) Name(s) and Address(s) of Applicant(s):
Jesurajah Sebastampillai
1 ST Marys Road Golders Green London NW11 9UE United Kingdom
(72) Name(s) of Designer(s): **Jesurajah Sebastampillai**
(45) Registration Date: **20 February 2015**
(30) Convention priority data:
(31) Number (32) Date (33) Country
4037556 07 Oct 2014 UNITED KINGDOM



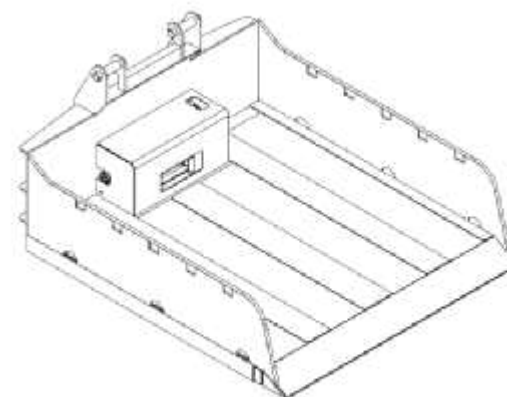
(56) Related Art Documents: **Not Applicable**
(57) Statement of Newness and Distinctiveness: **This unique modern four in one product is a remarkable piece of art decor. It is a no tool and easy to assemble product. Screw by hand to put up, unscrew by hand to take down. This stylish Christmas tree will not only look amazing when decorated, it saves trees, reduces waste and most excitingly once Christmas has gone this can be turned into a coat and umbrella stand, as well as a floor lamp. This amazing product has an all-year-round usage and it can be used anywhere, house, office, hotels etc. Description: The design consists of the features of shape, configuration and ornamentation of the Christmas tree shown in the drawings. Figure 1 is a perspective view of the Christmas tree. Figure 2 is a top plan view. Figure 3 design shown in use for illustration purposes only. (Christmas tree can be turned into a coat and umbrella stand, as well as a floor lamp).**

(21) Design Number: **10418/2015**
(22) Date of Filing Application: **28 January 2015**
(24) Date from which industrial property rights may have effect: **28 January 2015**
(54) Product in respect of which the design is registered: **Juicer**
(51) International Design Classification: **31-00**
(74) Name(s) of Attorney(s): **Shelston IP**
(71) Name(s) and Address(s) of Applicant(s):
Omega Products, Inc.
6291 Lyters Lane Harrisburg Pennsylvania 17111 United States of America
(72) Name(s) of Designer(s): **Timothy J Fields**
(45) Registration Date: **20 February 2015**
(30) Convention priority data:
(31) Number (32) Date (33) Country
29/498090 31 Jul 2014 UNITED STATES OF AMERICA



(56) Related Art Documents: **Not Applicable**
(57) Statement of Newness and Distinctiveness: **Newness and distinctiveness reside in the features of shape and/or configuration of a JUICER as illustrated in solid lines in the accompanying representations. The features shown in broken or discontinuous lines are illustrative only and do not form part of the design.**

(21) Design Number: **10419/2015**
(22) Date of Filing Application: **28 January 2015**
(24) Date from which industrial property rights may have effect: **28 January 2015**
(54) Product in respect of which the design is registered: **Duckbill pod**
(51) International Design Classification: **09-03L**
(74) Name(s) of Attorney(s): **WATERMARK PATENT AND TRADE MARKS ATTORNEYS**
(71) Name(s) and Address(s) of Applicant(s):
R.J. Goldspink Pty Ltd
18 Cairo St Kandos NSW 2848 Australia
(72) Name(s) of Designer(s): **Robert J Goldspink**
(45) Registration Date: **20 February 2015**
(56) Related Art Documents: **Not Applicable**
(57) Statement of Newness and Distinctiveness: **Newness and distinctiveness is claimed in the shape and/or configuration of a duckbill pod as represented in the accompanying drawings.**



(21) Design Number: **10420/2015**
(22) Date of Filing Application: **28 January 2015**
(24) Date from which industrial property rights may have effect: **28 January 2015**
(54) Product in respect of which the design is registered: **Aerosol dispenser**
(51) International Design Classification: **09-01A**
(74) Name(s) of Attorney(s): **Shelston IP**
(71) Name(s) and Address(s) of Applicant(s):
Reckitt Benckiser (Brands) Limited
103-105 Bath Road Slough Berkshire SL1 3UH United Kingdom
(72) Name(s) of Designer(s): **Rens Jurian Hoeke and Teun Franciscus Van Wetten**
(45) Registration Date: **20 February 2015**
(30) Convention priority data:
(31) Number (32) Date (33) Country
002511758-0001 30 Jul 2014 OFFICE FOR HARMONISATION IN THE INTERNAL MARKET (OHIM)
(56) Related Art Documents: **Not Applicable**
(57) Statement of Newness and Distinctiveness: **Nil**



(21) Design Number: **10421/2015**
(22) Date of Filing Application: **28 January 2015**
(24) Date from which industrial property rights may have effect: **28 January 2015**
(54) Product in respect of which the design is registered: **Tyre**
(51) International Design Classification: **12-15B**
(74) Name(s) of Attorney(s): **Griffith Hack**
(71) Name(s) and Address(s) of Applicant(s):
Continental Reifen Deutschland GmbH
Vahrenwalder Str. 9 Hannover 30165 Germany
(72) Name(s) of Designer(s): **Florian Kristen**
(45) Registration Date: **20 February 2015**
(30) Convention priority data:
(31) Number (32) Date (33) Country
WIPO39222 16 Sep 2014 WORLD INTELLECTUAL
PROPERTY ORGANIZATION
(WIPO)



(56) Related Art Documents: **Not Applicable**
(57) Statement of Newness and Distinctiveness: **Newness and distinctiveness resides in the visual features, including shape, configuration and pattern, of a TREAD FOR A TYRE as shown in the accompanying drawings. When determining whether the design is substantially similar in overall impression to another design, particular regard is to be had to the features of the shape, configuration and pattern, of the TREAD.**

(21) Design Number: **10422/2015**
(22) Date of Filing Application: **28 January 2015**
(24) Date from which industrial property rights may have effect: **28 January 2015**
(54) Product in respect of which the design is registered: **Aerosol container**
(51) International Design Classification: **09-01A**
(74) Name(s) of Attorney(s): **Shelston IP**
(71) Name(s) and Address(s) of Applicant(s):
Reckitt Benckiser (Brands) Limited
103-105 Bath Road Slough Berkshire SL1 3UH United Kingdom
(72) Name(s) of Designer(s): **Rens Jurian Hoeke and Teun Franciscus Van Wetten**
(45) Registration Date: **20 February 2015**
(30) Convention priority data:
(31) Number (32) Date (33) Country
002511758-0003 30 Jul 2014 OFFICE FOR HARMONISATION IN
THE INTERNAL MARKET (OHIM)



(56) Related Art Documents: **Not Applicable**
(57) Statement of Newness and Distinctiveness: **Nil**

(21) Design Number: **10423/2015**

(22) Date of Filing Application: **28 January 2015**

(24) Date from which industrial property rights may have effect: **28 January 2015**

(54) Product in respect of which the design is registered: **Mixing element for a kitchen mixer**

(51) International Design Classification: **31-00**

(74) Name(s) of Attorney(s): **Griffith Hack**

(71) Name(s) and Address(s) of Applicant(s):

Kenwood Limited

1 Kenwood Business Park New Lane Havant Hampshire PO9 2NH United Kingdom

(72) Name(s) of Designer(s): **Robert Paul Spencer**

(45) Registration Date: **20 February 2015**

(30) Convention priority data:

(31) Number
2514612

(32) Date
04 Aug 2014

(33) Country
**OFFICE FOR HARMONISATION IN
THE INTERNAL MARKET (OHIM)**

(56) Related Art Documents: **Not Applicable**

(57) Statement of Newness and Distinctiveness: **Nil**



(21) Design Number: **10425/2015**

(22) Date of Filing Application: **28 January 2015**

(24) Date from which industrial property rights may have effect: **28 January 2015**

(54) Product in respect of which the design is registered: **Mixing element for a kitchen mixer**

(51) International Design Classification: **31-00**

(74) Name(s) of Attorney(s): **Griffith Hack**

(71) Name(s) and Address(s) of Applicant(s):

Kenwood Limited

1 Kenwood Business Park New Lane Havant Hampshire PO9 2NH United Kingdom

(72) Name(s) of Designer(s): **Robert Paul Spencer**

(45) Registration Date: **20 February 2015**

(30) Convention priority data:

(31) Number
2514612

(32) Date
04 Aug 2014

(33) Country
**OFFICE FOR HARMONISATION IN
THE INTERNAL MARKET (OHIM)**

(56) Related Art Documents: **Not Applicable**

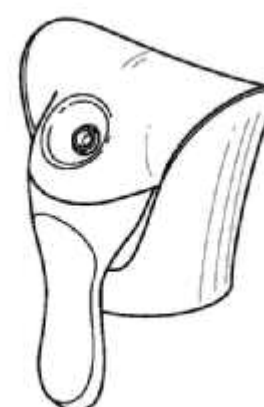
(57) Statement of Newness and Distinctiveness: **Newness and distinctiveness resides in the visual features, including shape and configuration, of a MIXING ELEMENT as shown in solid outline in the accompanying drawings. When determining whether the design is substantially similar in overall impression to another design, no regard is to be had to those features shown in dotted outline in the accompanying drawings, which features are provided for illustrative purposes only.**



- (21) Design Number: **10426/2015**
(22) Date of Filing Application: **28 January 2015**
(24) Date from which industrial property rights may have effect: **28 January 2015**
(54) Product in respect of which the design is registered: **Toolbox**
(51) International Design Classification: **03-01D**
(74) Name(s) of Attorney(s): **Cullens Patent and Trade Mark Attorneys**
(71) Name(s) and Address(s) of Applicant(s):
Michael Philippe Wulff Larsen
U6/90 Township Dr West Burleigh QLD 4220 Australia
(72) Name(s) of Designer(s): **Michael Philippe Wulff Larsen**
(45) Registration Date: **20 February 2015**
(56) Related Art Documents: **Not Applicable**
(57) Statement of Newness and Distinctiveness: **Newness and distinctiveness resides in features of shape and configuration of the toolbox as shown in the accompanying representation.**



- (21) Design Number: **10427/2015**
(22) Date of Filing Application: **28 January 2015**
(24) Date from which industrial property rights may have effect: **28 January 2015**
(54) Product in respect of which the design is registered: **Spray cap**
(51) International Design Classification: **09-07A**
(74) Name(s) of Attorney(s): **Shelston IP**
(71) Name(s) and Address(s) of Applicant(s):
Reckitt Benckiser (Brands) Limited
103-105 Bath Road Slough Berkshire SL1 3UH United Kingdom
(72) Name(s) of Designer(s): **Teun Franciscus Van Wetten and Rens Jurian Hoeke**
(45) Registration Date: **20 February 2015**
(30) Convention priority data:
(31) Number (32) Date (33) Country
002511758-0004 30 Jul 2014 OFFICE FOR HARMONISATION IN THE INTERNAL MARKET (OHIM)
(56) Related Art Documents: **Not Applicable**
(57) Statement of Newness and Distinctiveness: **Newness and distinctiveness reside in the features of shape and configuration of a spray cap as illustrated in solid lines in the accompanying representations. The features shown in broken lines are shown for illustrative purposes only and do not form part of the design.**



(21) Design Number: **10431/2015**

(22) Date of Filing Application: **28 January 2015**

(24) Date from which industrial property rights may have effect: **28 January 2015**

(54) Product in respect of which the design is registered: **Kitchen mixer with mixing element**

(51) International Design Classification: **31-00**

(74) Name(s) of Attorney(s): **Griffith Hack**

(71) Name(s) and Address(s) of Applicant(s):

Kenwood Limited

1 Kenwood Business Park New Lane Havant Hampshire PO9 2NH United Kingdom

(72) Name(s) of Designer(s): **Robert Paul Spencer**

(45) Registration Date: **20 February 2015**

(30) Convention priority data:

(31) Number
2514612

(32) Date
04 Aug 2014

(33) Country
**OFFICE FOR HARMONISATION IN
THE INTERNAL MARKET (OHIM)**



(56) Related Art Documents: **Not Applicable**

(57) Statement of Newness and Distinctiveness: **Newness and distinctiveness resides in the visual features, including shape and configuration, of a KITCHEN MIXER WITH MIXING ELEMENT as shown in solid outline in the accompanying drawings. When determining whether the design is substantially similar in overall impression to another design, no regard is to be had to those features shown in dotted outline in the accompanying drawings, which features are provided for illustrative purposes only.**

(21) Design Number: **16368/2014**

(22) Date of Filing Application: **08 December 2014**

(24) Date from which industrial property rights may have effect: **29 September 2014**

(54) Product in respect of which the design is registered: **Medical Gown**

(51) International Design Classification: **02-02NES**

(74) Name(s) of Attorney(s): **IP Gateway Patent & Trademark Attorneys Pty Ltd**

(71) Name(s) and Address(s) of Applicant(s):

Medline Industries, Inc.

1 Medline Place Mundelein, IL, 60060 United States of America

(72) Name(s) of Designer(s): **Frank Czajka and Troy Lothar and Mark Chua**

(45) Registration Date: **23 February 2015**

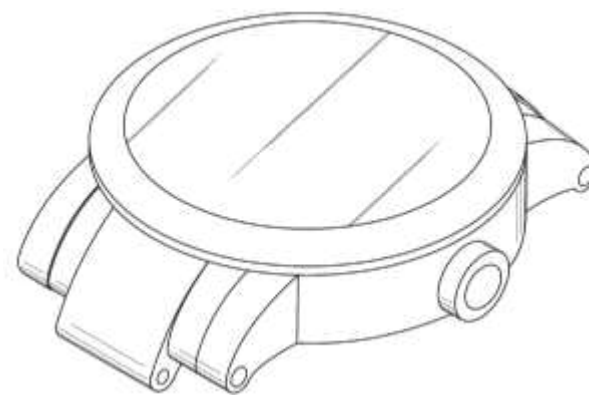
(62) Divisional of: **359499**

(56) Related Art Documents: **Not Applicable**

(57) Statement of Newness and Distinctiveness: **Newness and distinctiveness reside in the visual features of shape and/or configuration and pattern and/or ornamentation as shown by and within the solid outlines in the accompanying representations. Parts depicted by broken line outlines and boundaries depicted by dot-and-dash lines should be given minimum emphasis. Stippling near the neckline is used, for environmental purposes, to indicate hook-and-loop or velcro fastener which is not intended to indicate a visual feature of the design.**



(21) Design Number: **16372/2014**
(22) Date of Filing Application: **08 December 2014**
(24) Date from which industrial property rights may have effect: **08 December 2014**
(54) Product in respect of which the design is registered: **Watch with a band adapter**
(51) International Design Classification: **10-02**
(74) Name(s) of Attorney(s): **Cullens Patent and Trade Mark Attorneys**
(71) Name(s) and Address(s) of Applicant(s):
Kairos Watches Limited
10 Raeburn Park #02-08 Singapore 088702 Singapore
(72) Name(s) of Designer(s): **Sun Jong Yang**
(45) Registration Date: **23 February 2015**
(30) Convention priority data:
(31) Number (32) Date (33) Country
DM/084940 31 Oct 2014 WORLD INTELLECTUAL
PROPERTY ORGANIZATION
(WIPO)



(56) Related Art Documents: **Not Applicable**
(57) Statement of Newness and Distinctiveness: **Newness and distinctiveness is claimed in the features of the shape and configuration of the watch with a band adapter as illustrated in the accompanying representations.**

(21) Design Number: **16555/2014**
(22) Date of Filing Application: **16 December 2014**
(24) Date from which industrial property rights may have effect: **16 December 2014**
(54) Product in respect of which the design is registered: **Spade**
(51) International Design Classification: **08-01**
(74) Name(s) of Attorney(s): **Davies Collison Cave**
(71) Name(s) and Address(s) of Applicant(s):
Fiskars Garden Oy Ab
FI-10330 Billnas Finland
(72) Name(s) of Designer(s): **Jouni Salojarvi and Mika Sokka and Petteri Masalin and Heli Sade**
(45) Registration Date: **23 February 2015**
(30) Convention priority data:
(31) Number (32) Date (33) Country
002484923-0005 18 Jun 2014 OFFICE FOR HARMONISATION IN
THE INTERNAL MARKET (OHIM)

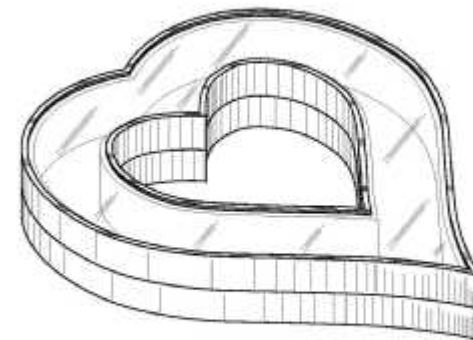


(56) Related Art Documents: **Not Applicable**
(57) Statement of Newness and Distinctiveness: **Nil**

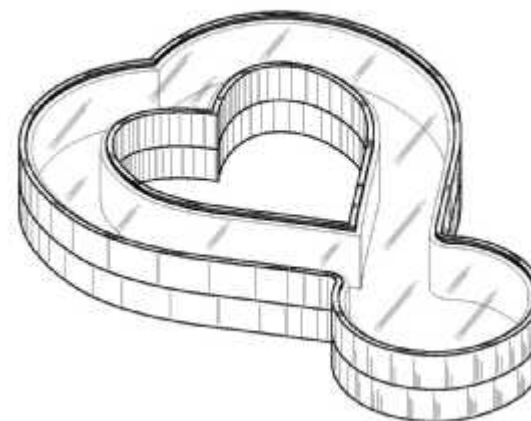
(21) Design Number: **16612/2014**
(22) Date of Filing Application: **19 December 2014**
(24) Date from which industrial property rights may have effect: **19 December 2014**
(54) Product in respect of which the design is registered: **Portable cooker**
(51) International Design Classification: **07-02D**
(74) Name(s) of Attorney(s): **Cornwall Stodart Lawyers**
(71) Name(s) and Address(s) of Applicant(s):
Tom Farrah
8 Dorothy St Croydon VIC 3136 Australia
Matthew Gardner
8 Dorothy St Croydon VIC 3136 Australia
(72) Name(s) of Designer(s): **Tom Farrah**
(45) Registration Date: **23 February 2015**
(56) Related Art Documents: **Not Applicable**
(57) Statement of Newness and Distinctiveness: **Nil**



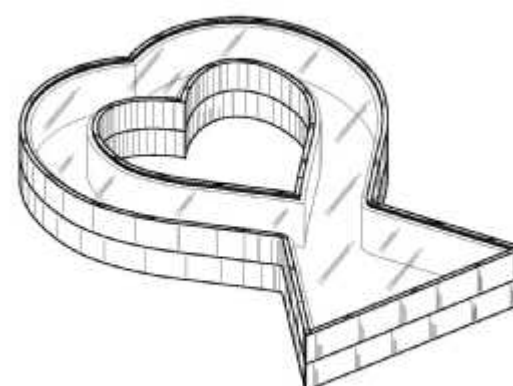
(21) Design Number: **16715/2014**
(22) Date of Filing Application: **29 December 2014**
(24) Date from which industrial property rights may have effect: **29 December 2014**
(54) Product in respect of which the design is registered: **Necklace box**
(51) International Design Classification: **03-01NES**
(74) Name(s) of Attorney(s):
(71) Name(s) and Address(s) of Applicant(s):
Chris McKirdy
PO Box 20 Export Park South Australia 5950
(72) Name(s) of Designer(s): **Chris McKirdy**
(45) Registration Date: **23 February 2015**
(56) Related Art Documents: **Not Applicable**
(57) Statement of Newness and Distinctiveness: **The newness and distinctiveness of the design resides within the overall unique shape, style and appearance of the packaging box and the hollow centre and clear removable lid.**



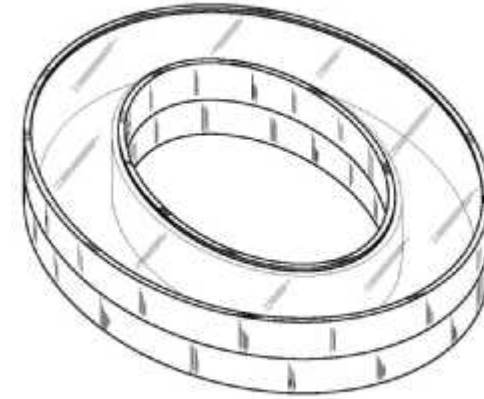
- (21) Design Number: **16716/2014**
(22) Date of Filing Application: **29 December 2014**
(24) Date from which industrial property rights may have effect: **29 December 2014**
(54) Product in respect of which the design is registered: **Necklace box**
(51) International Design Classification: **03-01NES**
(74) Name(s) of Attorney(s):
(71) Name(s) and Address(s) of Applicant(s):
Chris McKirdy
PO Box 20 Export Park South Australia 5950
(72) Name(s) of Designer(s): **Chris McKirdy**
(45) Registration Date: **23 February 2015**
(56) Related Art Documents: **Not Applicable**
(57) Statement of Newness and Distinctiveness: **The newness and distinctiveness of the design resides in the overall unique shape style and appearance of the packaging box and the hollow centre and clear removable lid**



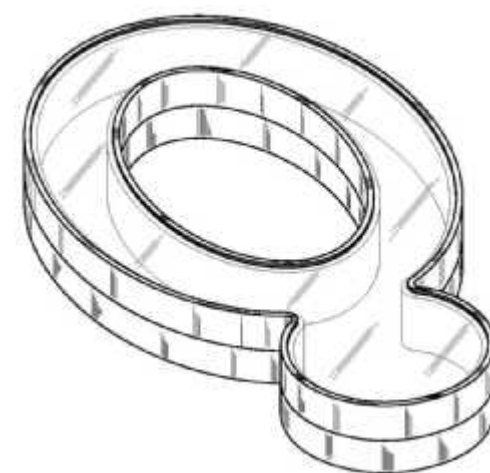
- (21) Design Number: **16717/2014**
(22) Date of Filing Application: **29 December 2014**
(24) Date from which industrial property rights may have effect: **29 December 2014**
(54) Product in respect of which the design is registered: **Necklace box**
(51) International Design Classification: **03-01NES**
(74) Name(s) of Attorney(s):
(71) Name(s) and Address(s) of Applicant(s):
Chris McKirdy
PO Box 20 Export Park South Australia 5950
(72) Name(s) of Designer(s): **Chris McKirdy**
(45) Registration Date: **23 February 2015**
(56) Related Art Documents: **Not Applicable**
(57) Statement of Newness and Distinctiveness: **The newness and distinctiveness of the design resides within the overall unique shape, style and appearance of the packaging box and hollow centre and clear removable**



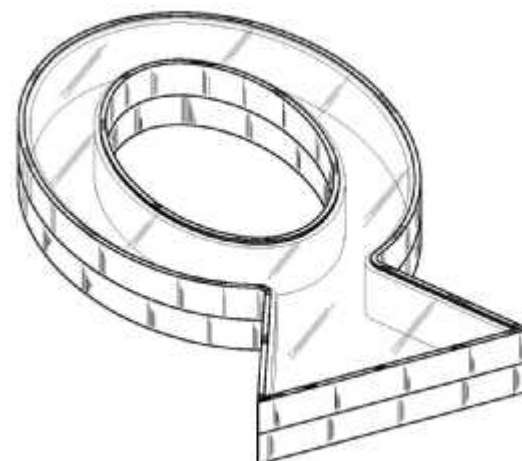
- (21) Design Number: **16718/2014**
(22) Date of Filing Application: **29 December 2014**
(24) Date from which industrial property rights may have effect: **29 December 2014**
(54) Product in respect of which the design is registered: **necklace box**
(51) International Design Classification: **03-01NES**
(74) Name(s) of Attorney(s):
(71) Name(s) and Address(s) of Applicant(s):
Chris McKirdy
PO Box 20 Export Park South Australia 5950
(72) Name(s) of Designer(s): **Chris McKirdy**
(45) Registration Date: **23 February 2015**
(56) Related Art Documents: **Not Applicable**
(57) Statement of Newness and Distinctiveness: **The newness and distinctiveness of the design resides within the overall unique shape, style and appearance of the packaging box and hollow centre and clear removable lid**



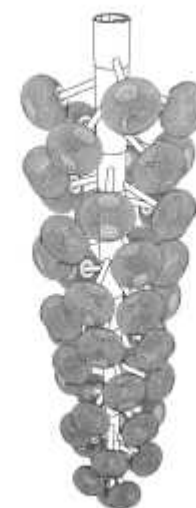
- (21) Design Number: **16719/2014**
(22) Date of Filing Application: **29 December 2014**
(24) Date from which industrial property rights may have effect: **29 December 2014**
(54) Product in respect of which the design is registered: **Necklace box**
(51) International Design Classification: **03-01NES**
(74) Name(s) of Attorney(s):
(71) Name(s) and Address(s) of Applicant(s):
Chris McKirdy
PO Box 20 Export Park South Australia 5950
(72) Name(s) of Designer(s): **Chris McKirdy**
(45) Registration Date: **23 February 2015**
(56) Related Art Documents: **Not Applicable**
(57) Statement of Newness and Distinctiveness: **The newness and distinctiveness of the design resides within the overall unique shape style and appearance of the packaging box and hollow centre and clear removable lid**



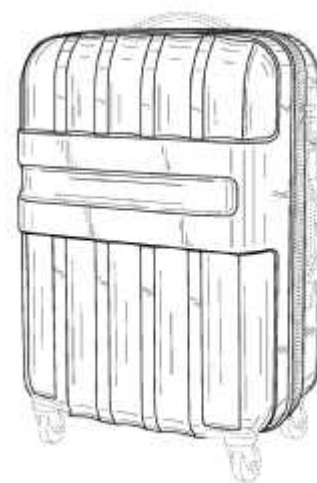
- (21) Design Number: **16720/2014**
(22) Date of Filing Application: **29 December 2014**
(24) Date from which industrial property rights may have effect: **29 December 2014**
(54) Product in respect of which the design is registered: **Necklace box**
(51) International Design Classification: **03-01NES**
(74) Name(s) of Attorney(s):
(71) Name(s) and Address(s) of Applicant(s):
Chris McKirdy
PO Box 20 Export Park South Australia 5950
(72) Name(s) of Designer(s): **Chris McKirdy**
(45) Registration Date: **23 February 2015**
(56) Related Art Documents: **Not Applicable**
(57) Statement of Newness and Distinctiveness: **The newness and distinctiveness of the design resides within the overall unique shape style and appearance of the packaging box and hollow centre and clear removable lid.**



- (21) Design Number: **10167/2015**
(22) Date of Filing Application: **14 January 2015**
(24) Date from which industrial property rights may have effect: **14 January 2015**
(54) Product in respect of which the design is registered: **Pendant light**
(51) International Design Classification: **26-05D**
(74) Name(s) of Attorney(s):
(71) Name(s) and Address(s) of Applicant(s):
Trinh Vu
MADA Monash Art Design and Architecture Building G 900 Dandenong Rd Caulfield East VIC 3145 Australia
(72) Name(s) of Designer(s): **Trinh Vu**
(45) Registration Date: **23 February 2015**
(56) Related Art Documents: **Not Applicable**
(57) Statement of Newness and Distinctiveness: **Inspired by spiral patterns in botanical forms and characteristics of 3D digital models, this pendant light is both a closed and open structure. It is designed to cast polyhedron pattern shadows when lit.**



(21) Design Number: **10345/2015**
(22) Date of Filing Application: **22 January 2015**
(24) Date from which industrial property rights may have effect: **22 January 2015**
(54) Product in respect of which the design is registered: **Luggage**
(51) International Design Classification: **03-01A**
(74) Name(s) of Attorney(s): **Griffith Hack**
(71) Name(s) and Address(s) of Applicant(s):
Samsonite IP Holdings S.a r.l.
13-15 Avenue de la Liberte Luxembourg L-1931 Luxembourg
(72) Name(s) of Designer(s): **Peter John Burns**
(45) Registration Date: **23 February 2015**
(30) Convention priority data:
(31) Number (32) Date (33) Country
1401377.5 25 Jul 2014 HONG KONG
(56) Related Art Documents: **Not Applicable**
(57) Statement of Newness and Distinctiveness: **Newness and distinctiveness resides in the shape and configuration of the product as represented by the solid lines in the drawings.**



(21) Design Number: **10352/2015**
(22) Date of Filing Application: **22 January 2015**
(24) Date from which industrial property rights may have effect: **22 January 2015**
(54) Product in respect of which the design is registered: **Footwear**
(51) International Design Classification: **02-04NES**
(74) Name(s) of Attorney(s): **K&L Gates**
(71) Name(s) and Address(s) of Applicant(s):
Alcudia Design S.L.U.
C/ Cuartel, 91 07300 Inca (Balears) Spain
(72) Name(s) of Designer(s): **Gloria Fontseca Fuset**
(45) Registration Date: **23 February 2015**
(30) Convention priority data:
(31) Number (32) Date (33) Country
002543744-0005 24 Sep 2014 OFFICE FOR HARMONISATION IN THE INTERNAL MARKET (OHIM)
(56) Related Art Documents: **Not Applicable**
(57) Statement of Newness and Distinctiveness: **Nil**



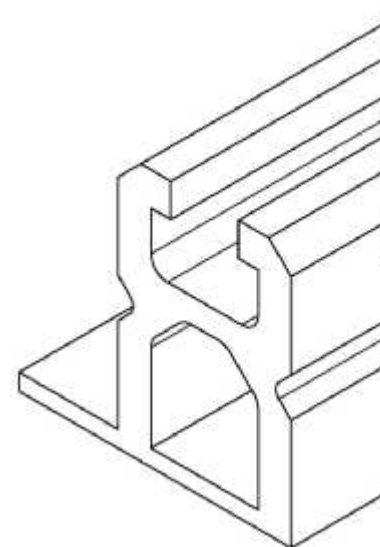
(21) Design Number: **10366/2015**
(22) Date of Filing Application: **23 January 2015**
(24) Date from which industrial property rights may have effect: **23 January 2015**
(54) Product in respect of which the design is registered: **Floodlight**
(51) International Design Classification: **26-03**
(74) Name(s) of Attorney(s): **Shelston IP**
(71) Name(s) and Address(s) of Applicant(s):
Zhejiang Wanma Hizhen Optoelectronics Technology CO., LTD.
No. 1501, Yishan Road Wuxing District Huzhou City Zhejiang Province,
313000 China
(72) Name(s) of Designer(s): **Jun Liu and Shenhua Chen**
(45) Registration Date: **23 February 2015**
(30) Convention priority data:
(31) Number (32) Date (33) Country
201430255751.9 25 Jul 2014 CHINA
(56) Related Art Documents: **Not Applicable**
(57) Statement of Newness and Distinctiveness: **Nil**



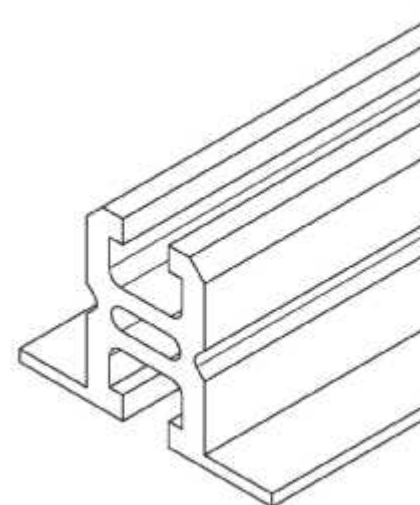
(21) Design Number: **10435/2015**
(22) Date of Filing Application: **28 January 2015**
(24) Date from which industrial property rights may have effect: **28 January 2015**
(54) Product in respect of which the design is registered: **Glove. beanie.**
(51) International Design Classification: **02-06, 02-03**
(74) Name(s) of Attorney(s):
(71) Name(s) and Address(s) of Applicant(s):
Jason Mathew Cook
4760 Olympic Hwy The Rock NSW 2655 Australia
(72) Name(s) of Designer(s): **Jason Mathew Cook**
(45) Registration Date: **23 February 2015**
(56) Related Art Documents: **Not Applicable**
(57) Statement of Newness and Distinctiveness: **It is a combination glove and beanie. The glove is sewn onto the inside of the beanie. If the wearer needs to take off the beanie they can turn it inside out and put the glove on. The beanie is attached to the glove so the owner does not have to put the beanie down where it could be lost, stolen or forgotten. Another benefit is that the wearers hand will keep warm. The other hand can be placed inside the beanie to also keep warm. A velcro strap is also sewn between the beanie and glove and can be used to make the beanie more compact.**



- (21) Design Number: **10371/2015**
(22) Date of Filing Application: **23 January 2015**
(24) Date from which industrial property rights may have effect: **23 January 2015**
(54) Product in respect of which the design is registered: **Extruded rail**
(51) International Design Classification: **25-01K**
(74) Name(s) of Attorney(s): **Franke Hyland**
(71) Name(s) and Address(s) of Applicant(s):
Antec Pty Ltd
9 Chicago Ave Blacktown NSW 2148
(72) Name(s) of Designer(s): **Robert Garde and Jithendra Uma Shanker**
(45) Registration Date: **23 February 2015**
(56) Related Art Documents: **Not Applicable**
(57) Statement of Newness and Distinctiveness: **Newness and distinctiveness is claimed in an extruded rail of constant cross-section as represented in the drawings. In assessing newness and distinctiveness no account should be taken of the length of the rail**



- (21) Design Number: **10372/2015**
(22) Date of Filing Application: **23 January 2015**
(24) Date from which industrial property rights may have effect: **23 January 2015**
(54) Product in respect of which the design is registered: **Extruded rail**
(51) International Design Classification: **25-01K**
(74) Name(s) of Attorney(s): **Franke Hyland**
(71) Name(s) and Address(s) of Applicant(s):
Antec Pty Ltd
9 Chicago Ave Blacktown NSW 2148
(72) Name(s) of Designer(s): **Robert Garde and Jithendra Uma Shanker**
(45) Registration Date: **23 February 2015**
(56) Related Art Documents: **Not Applicable**
(57) Statement of Newness and Distinctiveness: **Newness and distinctiveness is claimed in an extruded rail of constant cross-section as represented in the drawings. In assessing newness and distinctiveness no account should be taken of the length of the rail.**



(21) Design Number: **10439/2015**
(22) Date of Filing Application: **29 January 2015**
(24) Date from which industrial property rights may have effect: **29 January 2015**
(54) Product in respect of which the design is registered: **Car / toy car**
(51) International Design Classification: **12-08, 21-01C**
(74) Name(s) of Attorney(s): **PHILLIPS ORMONDE FITZPATRICK**
(71) Name(s) and Address(s) of Applicant(s):

Ferrari S.p.A.
Via Emilia Est 1163 Modena Italy

(72) Name(s) of Designer(s): **Flavio Manzoni**

(45) Registration Date: **23 February 2015**

(30) Convention priority data:

(31) Number	(32) Date	(33) Country
002512889	31 Jul 2014	OFFICE FOR HARMONISATION IN THE INTERNAL MARKET (OHIM)

(56) Related Art Documents: **Not Applicable**

(57) Statement of Newness and Distinctiveness: **Those features of the car and toy-car depicted in the representations that are new and distinctive are the shape and/or configuration. The wheels of the car and toy-car may or may not form part of the design.**



(21) Design Number: **10441/2015**
(22) Date of Filing Application: **29 January 2015**
(24) Date from which industrial property rights may have effect: **06 January 2015**
(54) Product in respect of which the design is registered: **Headset**
(51) International Design Classification: **14-03A**
(74) Name(s) of Attorney(s): **PHILLIPS ORMONDE FITZPATRICK**
(71) Name(s) and Address(s) of Applicant(s):

Bose Corporation
**The Mountain, MS 3B1 Framingham Massachusetts, 01701-9168 United
States of America**

(72) Name(s) of Designer(s): **Adam A Carr**

(45) Registration Date: **23 February 2015**

(30) Convention priority data:

(31) Number	(32) Date	(33) Country
29/496,683	16 Jul 2014	UNITED STATES OF AMERICA

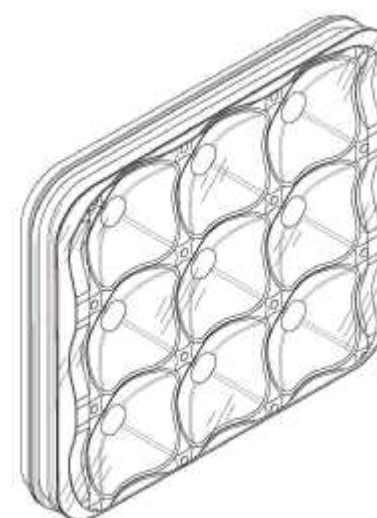
(62) Divisional of: **360215**

(56) Related Art Documents: **Not Applicable**

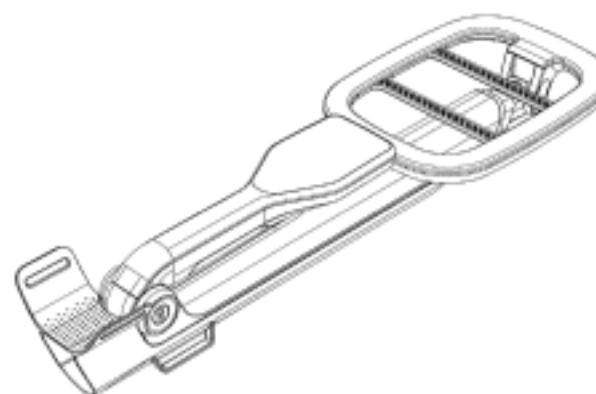
(57) Statement of Newness and Distinctiveness: **Those features of the headset depicted in the representations that are new and distinctive are the shape and/or configuration. The features shown in broken lines are not part of the design and are to be disregarded when considering the overall impression of the design. Figures 1-8 show a headset with a one ear cup and boom microphone on the left. A mirror-image design could similarly be applied to a headset with one ear cup and a boom microphone on the right.**



(21) Design Number: **10444/2015**
(22) Date of Filing Application: **29 January 2015**
(24) Date from which industrial property rights may have effect: **16 December 2014**
(54) Product in respect of which the design is registered: **Solar panel**
(51) International Design Classification: **13-99**
(74) Name(s) of Attorney(s): **PHILLIPS ORMONDE FITZPATRICK**
(71) Name(s) and Address(s) of Applicant(s):
James Delsaut
242 Maki Avenue Sudbury Ontario, P3E 2P2 Canada
Gilles Leduc
415 Paddy Lake Road Sudbury Ontario, P3E 4N1 Canada
(72) Name(s) of Designer(s): **James Delsaut and Gilles Leduc and Kelsey Leduc and Malik Amjad**
(45) Registration Date: **23 February 2015**
(30) Convention priority data:
(31) Number (32) Date (33) Country
157583 09 Jul 2014 CANADA
(62) Divisional of: **360214**
(56) Related Art Documents: **Not Applicable**
(57) Statement of Newness and Distinctiveness: **Nil**



(21) Design Number: **14182/2014**
(22) Date of Filing Application: **22 August 2014**
(24) Date from which industrial property rights may have effect: **22 August 2014**
(54) Product in respect of which the design is registered: **Collapsible metal detector**
(51) International Design Classification: **10-05**
(74) Name(s) of Attorney(s): **Madderns**
(71) Name(s) and Address(s) of Applicant(s):
Minelab Electronics Pty Limited
118 Hayward Ave Torrensville SA 5031 Australia
(72) Name(s) of Designer(s): **Nathan Anderson Pollock and Michael Rossignuolo and Lee Anthony Rodezno and Troy Christiaan Nyssen and Lars Milde**
(45) Registration Date: **23 February 2015**
(56) Related Art Documents: **Not Applicable**
(57) Statement of Newness and Distinctiveness: **Nil**



(21) Design Number: **10469/2015**

(22) Date of Filing Application: **30 January 2015**

(24) Date from which industrial property rights may have effect: **30 January 2015**

(54) Product in respect of which the design is registered: **Golf club grip**

(51) International Design Classification: **21-02C**

(74) Name(s) of Attorney(s): **Davies Collison Cave**

(71) Name(s) and Address(s) of Applicant(s):

Karsten Manufacturing Corporation

2201 West Desert Cove Phoenix Arizona 85029 United States of America

(72) Name(s) of Designer(s): **Anthony D Serrano and Xiaojian Chen**

(45) Registration Date: **23 February 2015**

(30) Convention priority data:

(31) Number

(32) Date

(33) Country

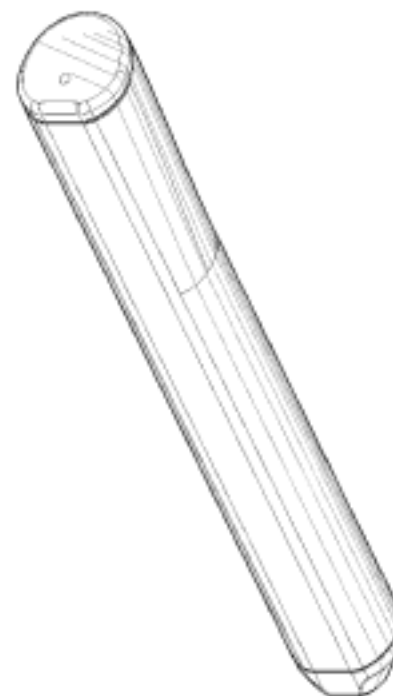
29/498295

01 Aug 2014

UNITED STATES OF AMERICA

(56) Related Art Documents: **Not Applicable**

(57) Statement of Newness and Distinctiveness: **Newness and distinctiveness is claimed in the visual features shown in solid lines in the representations. In considering the extent of the design rights, the broken lines shown in the representations are for illustrative purposes only and do not form part of the design.**



(21) Design Number: **10470/2015**

(22) Date of Filing Application: **30 January 2015**

(24) Date from which industrial property rights may have effect: **30 January 2015**

(54) Product in respect of which the design is registered: **Chair**

(51) International Design Classification: **06-01F**

(74) Name(s) of Attorney(s): **Shelston IP**

(71) Name(s) and Address(s) of Applicant(s):

Kristalia S.r.l.

Via Calderano 5 Brugnera 33070 Italy

(72) Name(s) of Designer(s): **Xavier Lust**

(45) Registration Date: **23 February 2015**

(30) Convention priority data:

(31) Number

(32) Date

(33) Country

002549238

01 Oct 2014

**OFFICE FOR HARMONISATION IN
THE INTERNAL MARKET (OHIM)**

(56) Related Art Documents: **Not Applicable**

(57) Statement of Newness and Distinctiveness: **Newness and distinctiveness reside in the shape and configuration of a design for a chair as shown in the accompanying representations.**



(21) Design Number: **10471/2015**

(22) Date of Filing Application: **30 January 2015**

(24) Date from which industrial property rights may have effect: **30 January 2015**

(54) Product in respect of which the design is registered: **Touch screen remote control**

(51) International Design Classification: **14-03NES**

(74) Name(s) of Attorney(s): **Madderns**

(71) Name(s) and Address(s) of Applicant(s):

Quatius Limited

**Units 05-07 16/F Greenfield Tower, Concordia Plaza 1 Science Museum
Road TST East, Kln Hong Kong**

(72) Name(s) of Designer(s): **Fei Cai**

(45) Registration Date: **23 February 2015**

(30) Convention priority data:

(31) Number	(32) Date	(33) Country
201430356373.3	24 Sep 2014	CHINA

(56) Related Art Documents: **Not Applicable**

(57) Statement of Newness and Distinctiveness: **Newness and distinctiveness resides in the shape and/or configuration of a touch screen remote control as depicted in the accompanying representations, and in the pattern and/or ornamentation of the operational interface as depicted in the accompanying drawings.**

