



Australian Government

IP Australia

AUSTRALIAN OFFICIAL JOURNAL

OF

DESIGNS

Did you know a searchable version of this journal is now available online?

It's FREE and EASY to SEARCH.

Find it on our website (www.ipaustralia.gov.au)

by using the "Journals" link on the home page.

This Page Left Intentionally Blank

Contents

General Information & Notices

**Proceedings Under the Designs Act 1906 preserved as a result of the provisions of Chapter 12
Part 2 of the Designs Act 2003**

Extension of Period of Registration of Designs	674
Names Registered - Alterations and Amendments	674
Registrations Ceased	674
Subsequent Owners Registered	674

Proceedings Under the Designs Act 2003

Applications Lapsed	687
Applications Lodged	678
Certificate of Examination	690
Extension of Period of Registration of Design	688
Extension of Time Granted Under Section 137	689
Mortgages Registered	689
Names Registered - Alterations and Amendments	689
Publication and Registration Proceedings	
Designs Registered 360436 to 360610.....	691
Registrations Ceased	688
Subsequent Owners Registered	689

This Page Left Intentionally Blank

For information on the following please see our website www.ipaustralia.gov.au or contact our Customer Service Network on 1300651010

[Editorial enquiries](#)

[Contact information](#)

[Freedom of Information ACT](#)

[Professional Standards Board](#)

[Sales](#)

[Requests for Information under Section 194 \(c\)](#)

[Country Codes](#)

[Trade Mark and Designs Hearing Sessions](#)

[INID \(Internationally agreed Numbers for the Identification of Data\)](#)

“INID” NUMBERS in use on Australian Design Documents

“INID” is an acronym for “Internationally agreed Numbers for the Identification of Data”.

(10) Data concerning the registration/renewal

- (11) Serial number of the registration and/or number of the design document
- (12) Plain language designation of the kind of published document
- (19) Identification, using the two-letter code according to WIPO Standard ST.3, of the authority publishing or registering the industrial design

(20) Data concerning the application

- (21) Serial number of the application
- (22) Date of filing of the application
- (24) Date from which the industrial design right has effect

(30) Data relating to priority under the Paris Convention

- (31) Serial number assigned to the priority application
- (32) Date of filing of the priority application
- (33) Two-letter code, according to WIPO Standard ST.3, identifying the authority with which the priority application was made

(40) Date(s) of making information available to the public

- (45) Date of publication of the registered industrial design by printing or similar process, or making it available to the public by any other means

(50) Miscellaneous Information

- (51) International Classification for Industrial Designs (class and subclass of the Locarno Classification)
- (54) Designation of article(s) or product(s) covered by the industrial design or title of the industrial design
- (55) Reproduction of the industrial design (e.g., drawing, photograph) and explanations relating to the reproduction
- (56) List of prior art documents, if separate from descriptive text
- (57) Description of characteristic features of the industrial design including indication of colours

(60) References to other legally related application(s) and registration(s)

- (62) Serial number(s) and, if available, filing date(s) of application(s), registration(s) or document(s) related by division
- (66) Serial number(s) of the application, or the registration, of the design(s) which is (are) a variant(s) of the present one

(70) Identification of parties concerned with the application or registration

- (71) Name(s) and address(es) of the applicant(s)
- (72) Name(s) of the creator(s) if known to be such
- (74) Name(s) and address(es) of the representative(s)

This Page Left Intentionally Blank

Nil notices for this journal issue.

Proceedings under the Designs Act 1906 preserved as a result of the provisions of Chapter 12 Part 2 of the Designs Act 2003.

This Page Left Intentionally Blank

Applications Lapsed

There were no Applications Lapsed under this section

Extension of Period of Registration of Designs

1st Period (Section 27A(8))

2nd Period (Section 27A(12))

3rd Period (Section 27A(13))

155370	156458	156518
156552	156553	156559
156594	156733	156808
156815	156915	156929
156961	156963	157001
157125	157180	157327
157354	157355	157412
157609	157624	157744
157746	157747	157748
157750	157771	157784
157947	157948	157997
157998	157999	158000
158001	158063	158064
158065	158066	158067
158068	158069	158070
158087	158106	158107
158240	158304	158379
158432		

Registrations Ceased

Note: Some of the following Registrations may have been previously advertised as ceased. In this instance, the previous advertisement still prevails.

137017	137018	137653
138112	138154	138157
138158	138197	138198
138223	138254	138258
138259	138300	138302
138423	138425	138426
138428	138429	138540
138542	138616	138654
138690	138760	138863
139168	139198	139284
139285	139286	140045
140400	140653	140834
140835	141039	141078
141226	141414	141594
142028	142029	142030
142244	142247	144268
145239	145994	153317
153440	153598	153602
153643	153644	153724
153798	153803	153915

153953	154091	154135
154178	154197	154215
154314	154570	154711
154712	154842	155066
155872	155969	156329
156673	156674	156822
156823	156824	156825
157036	157037	157216
157419	157556	

Subsequent Owners Registered

(The name in parentheses is that of the subsequent owner)

152387	(Husqvarna AB) Neta Industries Pty Ltd
149022	(Water Works 2014 Pty Ltd) Maurice John Stapleton; Janet Jean Stapleton
152086	(Jackel International Limited) Pipsan Holdings Victoria Pty Ltd

Names Registered - Alterations and Amendments

(The name in parentheses is the new name of the proprietor)

143480	(Hills Limited) Hills Holdings Limited
145036	(Hills Limited) Hills Holdings Limited
140514	(Hills Limited) Hills Holdings Limited
140517	(Hills Limited) Hills Holdings Limited
142238	(Hills Limited) Hills Holdings Limited
145035	(Hills Limited) Hills Holdings Limited
145995	(Hills Limited) Hills Holdings Limited
150097	(Hills Limited) Hills Holdings Limited
150626	(Hills Limited) Hills Holdings Limited
150625	(Hills Limited) Hills Holdings Limited
150624	(Hills Limited) Hills Holdings Limited
151109	(Hills Limited) Hills Holdings Limited
154435	(Hills Limited) Hills Holdings Limited
154436	(Hills Limited) Hills Holdings Limited
154434	(Hills Limited) Hills Holdings Limited

This Page Left Intentionally Blank

Proceedings under the Designs Act 2003.

This Page Left Intentionally Blank

Applications Lodged

Lodgement information is in the following order: **Applicant's Name**; International Classification, Name of Product, Lodgement Date and **Design Number**. If the applicant claims an earlier priority date under an International Convention, the Convention Country and the associated filing date are shown in parentheses before the Lodgement Date. Divisional information will also appear in parentheses before the Lodgement Date.

iiiithink;Field, Lindsay William; 14-99, 32-02, Digital coin used for a financial transaction, 23 Feb 2015	10956/2015	Apple Inc.; 19-08, Label, (US, 05 Sep 2014) 02 Mar 2015	11122/2015
Acmeda Pty Ltd; 08-08H, Locking assembly for a blind system, 23 Feb 2015	10960/2015	Apple Inc.; 19-08, Label, (US, 05 Sep 2014) 02 Mar 2015	11116/2015
Acmeda Pty Ltd; 08-07, Locking piece for securing elongate components, 20 Feb 2015	10925/2015	Apple Inc.; 20-02C, Display screen with graphical user interface, (US, 02 Sep 2014) 27 Feb 2015	11091/2015
Acmeda Pty Ltd; 06-10, 25-02H, Guide track assembly for a blind system, 20 Feb 2015	10927/2015	Apple Inc.; 14-02, Display screen with graphical user interface, (US, 02 Sep 2014) 27 Feb 2015	11103/2015
Acmeda Pty Ltd; 08-08H, Locking assembly for a blind system, 23 Feb 2015	10958/2015	Apple Inc.; 14-02, Display screen with graphical user interface, (US, 02 Sep 2014) 27 Feb 2015	11102/2015
Action Sports Equipment Pty Ltd; 21-02F, Trampoline, 05 Mar 2015	11219/2015	Apple Inc.; 20-02C, Display screen with graphical user interface, (US, 02 Sep 2014) 27 Feb 2015	11092/2015
Aluvision; 08-04, Fastener, 04 Mar 2015	11202/2015	Apple Inc.; 14-02, Display screen with graphical user interface, (US, 02 Sep 2014) 02 Mar 2015	11137/2015
Aluvision; 13-03NES, Connector, 04 Mar 2015	11198/2015	Apple Inc.; 14-02, Display screen with graphical user interface, (US, 03 Sep 2014) 02 Mar 2015	11134/2015
Aluvision; 13-03NES, Connector, 04 Mar 2015	11201/2015	Apple Inc.; 14-02, Display screen with graphical user interface, (US, 02 Sep 2014) 27 Feb 2015	11105/2015
Anderson, Stuart;Anderson, Cedar; 30-99, A component for an artificial honeycomb, 27 Feb 2015	11090/2015	Apple Inc.; 14-02, Display screen with graphical user interface, (US, 02 Sep 2014) 27 Feb 2015	11138/2015
Anderson, Cedar;Anderson, Stuart; 30-99, A component for an artificial honeycomb, 27 Feb 2015	11090/2015	Apple Inc.; 14-02, Display screen with graphical user interface, (US, 02 Sep 2014) 02 Mar 2015	11098/2015
Apple Inc.; 20-02C, Display stand, (US, 29 Aug 2014) 27 Feb 2015	11087/2015	Apple Inc.; 14-02, Display screen with graphical user interface, (US, 03 Sep 2014) 02 Mar 2015	11132/2015
Apple Inc.; 20-02C, Display screen with graphical user interface, (US, 03 Sep 2014) 27 Feb 2015	11097/2015	Apple Inc.; 28-02, Drawer, (US, 29 Aug 2014) 27 Feb 2015	11056/2015
Apple Inc.; 19-08, Label, (US, 05 Sep 2014) 02 Mar 2015	11118/2015	Apple Inc.; 06-06D, Drawer, (US, 29 Aug 2014) 27 Feb 2015	11057/2015
Apple Inc.; 19-08, Label, (US, 05 Sep 2014) 02 Mar 2015	11119/2015	Apple Inc.; 20-02C, Display stand, (US, 29 Aug 2014) 27 Feb 2015	11075/2015
Apple Inc.; 19-08, Label, (US, 05 Sep 2014) 02 Mar 2015	11120/2015	Apple Inc.; 03-01NES, Case, (US, 29 Aug 2014) 27 Feb 2015	11058/2015
Apple Inc.; 14-02, Display screen with graphical user interface, (US, 02 Sep 2014) 02 Mar 2015	11115/2015		
Apple Inc.; 19-08, Label, (US, 05 Sep 2014) 02 Mar 2015	11121/2015		

Apple Inc.; 14-02, Display screen with graphical user interface, (US, 01 Sep 2014) 27 Feb 2015	11062/2015	Aucone, Anthony; 26-05E, LED solar kit, 3.2V portable, waterproof, solar energy 109mmx109mm x 32mm suction caps for window mount & clips, 02 Mar 2015	11194/2015
Apple Inc.; 14-02, Display screen with graphical user interface, (US, 01 Sep 2014) 27 Feb 2015	11061/2015	Australian Fashion Labels Pty Ltd; 05-05NES, A textile print, 03 Mar 2015	11148/2015
Apple Inc.; 03-01NES, Packaging, (US, 29 Aug 2014) 27 Feb 2015	11069/2015	Automobili Lamborghini S.p.A.; 12-16A, Vehicle wheel rim, (EM, 03 Sep 2014) 03 Mar 2015	11149/2015
Apple Inc.; 03-01NES, Packaging, (US, 29 Aug 2014) 27 Feb 2015	11070/2015	Automobili Lamborghini S.p.A.; 21-01F, Car;toy-car, (EM, 03 Sep 2014) 02 Mar 2015	11135/2015
Apple Inc.; 14-02, Display screen with graphical user interface, (US, 02 Sep 2014) 27 Feb 2015	11063/2015	Automobili Lamborghini S.p.A.; 21-01F, Car;toy-car, (EM, 03 Sep 2014) 02 Mar 2015	11136/2015
Apple Inc.; 14-02, Display screen with graphical user interface, (US, 02 Sep 2014) 27 Feb 2015	11060/2015	Aymroo Pty Ltd; 23-01B, Pipe access fitting, 06 Mar 2015	11278/2015
Apple Inc.; 03-01NES, Packaging, (US, 29 Aug 2014) 27 Feb 2015	11065/2015	AQUEON PTY LTD; 32-03, Company Logo, 24 Feb 2015	10995/2015
Apple Inc.; 14-02, Display screen with graphical user interface, (US, 02 Sep 2014) 27 Feb 2015	11059/2015	AUSTRALIAN FASHION LABELS PTY LTD; 05-05A, A textile print, 03 Mar 2015	11156/2015
Apple Inc.; 14-02, Display screen with graphical user interface, (US, 02 Sep 2014) 27 Feb 2015	11054/2015	AUSTRALIAN FASHION LABELS PTY LTD; 05-05A, A textile print, 03 Mar 2015	11160/2015
Apple Inc.; 03-01NES, Packaging, (US, 29 Aug 2014) 27 Feb 2015	11072/2015	AUSTRALIAN FASHION LABELS PTY LTD; 05-05A, A textile print, 03 Mar 2015	11158/2015
Apple Inc.; 14-02, 20-02NES, Display stand, (US, 29 Aug 2014) 27 Feb 2015	11086/2015	AUSTRALIAN FASHION LABELS PTY LTD; 05-05A, A textile print, 03 Mar 2015	11159/2015
Apple Inc.; 03-01NES, Packaging, (US, 29 Aug 2014) 27 Feb 2015	11071/2015	AUSTRALIAN FASHION LABELS PTY LTD; 05-05A, A textile print, 03 Mar 2015	11154/2015
Apple Inc.; 10-02, 14-02, Electronic device with graphical user interface, (US, 02 Sep 2014) 27 Feb 2015	11064/2015	Bedford, Warren; 26-06, Light bar for vehicle, 02 Mar 2015	11142/2015
Artemides Holdings Pty Ltd; 02-02C, Dress, 24 Feb 2015	10977/2015	Bernabei Freeman Pty Ltd; 26-05D, Light, 04 Mar 2015	11196/2015
Artemides Holdings Pty Ltd; 02-02C, Dress, 24 Feb 2015	10976/2015	Bico Australia Pty Limited;Grossman, Peter; 03-01B, Keyring, 05 Mar 2015	11222/2015
Artemides Holdings Pty Ltd; 02-02NES, Garment, 24 Feb 2015	10973/2015	Bico Australia Pty Limited;Grossman, Peter; 03-01B, Keyring, 05 Mar 2015	11221/2015
Artis LLC; 04-02, Cosmetic brush, 24 Feb 2015	10990/2015	Bico Australia Pty Limited;Grossman, Peter; 03-01B, Keyring, 05 Mar 2015	11223/2015
Artis LLC; 04-02, Cosmetic brush, 24 Feb 2015	10988/2015	Bico Australia Pty Limited;Grossman, Peter; 03-01B, Keyring, 25 Feb 2015	11027/2015
Artis LLC; 04-02, Cosmetic brush, (US, 05 Nov 2014) 24 Feb 2015	10987/2015	Bico Australia Pty Limited;Grossman, Peter; 03-01B, Keyring, 25 Feb 2015	11025/2015

Bico Australia Pty Limited;Grossman, Peter; 03-01B, Keyring, 25 Feb 2015	11026/2015	Cooper Tire & Rubber Company; 12-15C, Tire, (US, 25 Sep 2014) 27 Feb 2015	11081/2015
BioMech Golf, LLC; 21-02C, Putter head, (US, 02 Sep 2014) 02 Mar 2015	11110/2015	Cooper Tire & Rubber Company; 12-15A, Tire, (US, 29 Aug 2014) 26 Feb 2015	11035/2015
Bose Corporation; 14-01, Audio system, (US, 05 Sep 2014) 23 Feb 2015	10959/2015	Cooper Tire & Rubber Company; 12-15A, Tire, (US, 26 Aug 2014) 26 Feb 2015	11033/2015
BLUESCOPE STEEL LIMITED; 25-99, A weather strip, 04 Mar 2015	11197/2015	Couture, Christian Dior; 03-01B, Hand bag, (CH, 24 Sep 2014) 23 Feb 2015	10957/2015
Campbell, Errol; 25-01K, An extrusion, 03 Mar 2015	11146/2015	Creative Design Ideas Limited; 21-01E, Constructional toy element, (EM, 29 Oct 2014) 24 Feb 2015	10974/2015
Canterbury Limited; 02-02B, Collar design, (EP, 16 Sep 2014) 06 Mar 2015	11287/2015	Crest Solar (Pty) Ltd; 23-03D, A solar water heater panel, (ZA, 26 Aug 2014) 26 Feb 2015	11038/2015
Chocolate Destinations Australia Pty Ltd; 01-01, Chocolate/confectionery bunny, 26 Feb 2015	11039/2015	CIILOCK ENGINEERING PTY LTD;Wang, Li;Jaber, Hani;Jaber, Simon; 08-06, Door handle, 23 Feb 2015	10955/2015
Christian Dior Couture; 16-06, Sunglasses, (CH, 25 Sep 2014) 20 Feb 2015	10923/2015	CMP Pty Ltd; 09-03NES, Side panels for container, 02 Mar 2015	11123/2015
Climate Technologies Pty Ltd; 23-04, Evaporative cooler, 06 Mar 2015	11283/2015	Design Research Limited; 26-05C, Light, 24 Feb 2015	10984/2015
Colgate-Palmolive Company; 28-02, Soap bar, (US, 03 Sep 2014) 27 Feb 2015	11050/2015	Drinkwater, Steven William;Fenwick, Peter James; 19-08, Sticker, 08 Mar 2015	11290/2015
Colgate-Palmolive Company; 28-02, Soap bar, (US, 03 Sep 2014) 27 Feb 2015	11055/2015	Drinkwater, Steven William;Fenwick, Peter James; 19-08, Sticker, 08 Mar 2015	11291/2015
Colgate-Palmolive Company; 28-02, Soap bar, (US, 03 Sep 2014) 27 Feb 2015	11052/2015	Drinkwater, Steven William;Fenwick, Peter James; 19-08, Sticker, 08 Mar 2015	11289/2015
Colgate-Palmolive Company; 28-02, Soap bar, (US, 03 Sep 2014) 27 Feb 2015	11053/2015	Dyson Technology Limited; 15-05, Part of vacuum cleaner, (EM, 28 Aug 2014) 24 Feb 2015	10967/2015
Colgate-Palmolive Company; 28-02, Soap bar, (US, 03 Sep 2014) 27 Feb 2015	11051/2015	Dyson Technology Limited; 15-05, Part of vacuum cleaner, (EM, 28 Aug 2014) 24 Feb 2015	10970/2015
Continental Reifen Deutschland GmbH; 12-15B, Tyre, (WO, 17 Sep 2014) 06 Mar 2015	11284/2015	Dyson Technology Limited; 15-05, Part of vacuum cleaner, (EM, 28 Aug 2014) 24 Feb 2015	10981/2015
Cooper Tire & Rubber Company; 12-15C, Tire, (EM, 01 Sep 2014) 27 Feb 2015	11077/2015	Dyson Technology Limited; 15-05, Part of vacuum cleaner, (EM, 28 Aug 2014) 24 Feb 2015	10979/2015
Cooper Tire & Rubber Company; 12-15B, Tire, (US, 25 Sep 2014) 27 Feb 2015	11079/2015	Dyson Technology Limited; 15-05, Part of vacuum cleaner, (EM, 28 Aug 2014) 24 Feb 2015	10972/2015
Cooper Tire & Rubber Company; 12-15A, Tire, (US, 25 Sep 2014) 27 Feb 2015	11080/2015	Dyson Technology Limited; 15-05, Part of vacuum cleaner, (EM, 28 Aug 2014) 24 Feb 2015	10965/2015
Cooper Tire & Rubber Company; 12-15C, Tire, (EM, 01 Sep 2014) 27 Feb 2015	11078/2015	Effective Work Force Solutions Limited; 24-99, A physiotherapy apparatus, (EM, 22 Sep 2014) 09 Mar 2015	11294/2015

Electrolux S.E.A. Pte Ltd; 15-05, A door for a fabric care appliance, 16 Jun 2014	11067/2015	Forever New Clothing Pty Ltd; 02-02NES, Article of clothing, (Divisional of 13002/2014) 06 Mar 2015	11277/2015
Electrolux S.E.A. Pte Ltd; 15-05, A control panel for a fabric care appliance, 16 Jun 2014	11068/2015	Forever New Clothing Pty Ltd; 02-02C, Article of clothing, (Divisional of 13002/2014) 06 Mar 2015	11265/2015
Emerson Electric Co.; 09-09, Food waste disposer, (US, 25 Aug 2014) 24 Feb 2015	10994/2015	Forever New Clothing Pty Ltd; 02-02C, Article of clothing, (Divisional of 13002/2014) 06 Mar 2015	11266/2015
Emerson Electric Co.; 09-09, Food waste disposer, (US, 25 Aug 2014) 24 Feb 2015	10993/2015	Forever New Clothing Pty Ltd; 02-02C, Article of clothing, (Divisional of 13002/2014) 06 Mar 2015	11263/2015
Emerson Electric Co.; 09-09, Food waste disposer, (US, 25 Aug 2014) 24 Feb 2015	10992/2015	Forever New Clothing Pty Ltd; 02-02C, Article of clothing, (Divisional of 13002/2014) 06 Mar 2015	11264/2015
Emerson Electric Co.; 09-09, Food waste disposer, (US, 25 Aug 2014) 24 Feb 2015	10991/2015	Forever New Clothing Pty Ltd; 02-02NES, Article of clothing, (Divisional of 13002/2014) 06 Mar 2015	11260/2015
Emerson Electric Co.; 09-09, Food waste disposer, (US, 25 Aug 2014) 24 Feb 2015	10985/2015	Forever New Clothing Pty Ltd; 02-02NES, Article of clothing, (Divisional of 13002/2014) 06 Mar 2015	11257/2015
Emerson Electric Co.; 09-09, Food waste disposer, (US, 25 Aug 2014) 24 Feb 2015	10982/2015	Forever New Clothing Pty Ltd; 02-02NES, Article of clothing, (Divisional of 13002/2014) 06 Mar 2015	11261/2015
Emerson Electric Co.; 09-09, Food waste disposer, (US, 25 Aug 2014) 24 Feb 2015	10989/2015	Forever New Clothing Pty Ltd; 02-02C, Article of clothing, (Divisional of 13002/2014) 06 Mar 2015	11262/2015
Emerson Electric Co.; 09-09, Food waste disposer, (US, 25 Aug 2014) 24 Feb 2015	10983/2015	Forever New Clothing Pty Ltd; 02-02NES, Article of clothing, (Divisional of 13002/2014) 06 Mar 2015	11258/2015
Ethicon, Inc.; 24-04, Release paper for wound treatment devices, (US, 25 Sep 2014) 24 Feb 2015	10978/2015	Forever New Clothing Pty Ltd; 02-02C, Article of clothing, (Divisional of 13002/2014) 06 Mar 2015	11247/2015
Everstone International Pty Limited; 25-01F, A pattern tile, 26 Feb 2015	11046/2015	Forever New Clothing Pty Ltd; 02-02C, Article of clothing, (Divisional of 13002/2014) 06 Mar 2015	11248/2015
Everstone International Pty Limited; 25-01F, A pattern tile, 26 Feb 2015	11045/2015	Forever New Clothing Pty Ltd; 02-02NES, Article of clothing, (Divisional of 13002/2014) 06 Mar 2015	11275/2015
Fenwick, Peter James;Drinkwater, Steven William; 19-08, Sticker, 08 Mar 2015	11290/2015	Forever New Clothing Pty Ltd; 02-02C, Article of clothing, (Divisional of 13002/2014) 06 Mar 2015	11249/2015
Fenwick, Peter James;Drinkwater, Steven William; 19-08, Sticker, 08 Mar 2015	11291/2015	Forever New Clothing Pty Ltd; 02-02C, Article of clothing, (Divisional of 13002/2014) 06 Mar 2015	11250/2015
Fenwick, Peter James;Drinkwater, Steven William; 19-08, Sticker, 08 Mar 2015	11289/2015	Forever New Clothing Pty Ltd; 02-02NES, Article of clothing, (Divisional of 13002/2014) 06 Mar 2015	11276/2015
Field, Lindsay William;iiiiithink; 14-99, 32-02, Digital coin used for a financial transaction, 23 Feb 2015	10956/2015	Forever New Clothing Pty Ltd; 02-02C, Article of clothing, (Divisional of 13002/2014) 06 Mar 2015	11268/2015
Forever New Clothing Pty Ltd; 02-02C, Article of clothing, (Divisional of 13002/2014) 06 Mar 2015	11270/2015	Forever New Clothing Pty Ltd; 02-02NES, Article of clothing, (Divisional of 13002/2014) 06 Mar 2015	11271/2015
Forever New Clothing Pty Ltd; 02-02NES, Article of clothing, (Divisional of 13002/2014) 06 Mar 2015	11259/2015		

Forever New Clothing Pty Ltd; 02-02NES, Article of clothing, (Divisional of 13002/2014) 06 Mar 2015	11255/2015	Forever New Clothing Pty Ltd; 02-02NES, Article of clothing, (Divisional of 13267/2014) 04 Mar 2015	11205/2015
Forever New Clothing Pty Ltd; 02-02C, Article of clothing, (Divisional of 13002/2014) 06 Mar 2015	11256/2015	Forever New Clothing Pty Ltd; 02-02NES, Article of Clothing, (Divisional of 13267/2014) 04 Mar 2015	11210/2015
Forever New Clothing Pty Ltd; 02-02C, Article of clothing, (Divisional of 13002/2014) 06 Mar 2015	11269/2015	Forever New Clothing Pty Ltd; 02-02NES, Article of clothing, (Divisional of 13267/2014) 04 Mar 2015	11211/2015
Forever New Clothing Pty Ltd; 02-02C, Article of clothing, (Divisional of 13002/2014) 06 Mar 2015	11267/2015	Frew, David Bruce; 24-02, Syringe Opener, (NZ, 29 Aug 2014) 26 Feb 2015	11031/2015
Forever New Clothing Pty Ltd; 02-02NES, Article of clothing, (Divisional of 13002/2014) 06 Mar 2015	11274/2015	FRANKIE B PTY LTD; 02-04B, A pair of shoe soles, 03 Mar 2015	11164/2015
Forever New Clothing Pty Ltd; 02-02C, Article of clothing, (Divisional of 13002/2014) 06 Mar 2015	11251/2015	Germans Boada, S.A.; 08-03, Ceramic cutter, (EM, 05 Sep 2014) 05 Mar 2015	11218/2015
Forever New Clothing Pty Ltd; 02-02C, Article of clothing, (Divisional of 13002/2014) 06 Mar 2015	11252/2015	Germans Boada, S.A.; 08-03, Ceramic cutter, (EM, 05 Sep 2014) 05 Mar 2015	11225/2015
Forever New Clothing Pty Ltd; 02-02NES, Article of clothing, (Divisional of 13002/2014) 06 Mar 2015	11272/2015	Gluv Australia Pty Ltd; 02-06, Support member suitable for supporting a plurality disposable mittens, 26 Feb 2015	11036/2015
Forever New Clothing Pty Ltd; 02-02C, Article of clothing, (Divisional of 13002/2014) 06 Mar 2015	11253/2015	Gluv Australia Pty Ltd; 02-06, Disposable mitten, 26 Feb 2015	11034/2015
Forever New Clothing Pty Ltd; 02-02C, Article of clothing, (Divisional of 13002/2014) 06 Mar 2015	11254/2015	Gregson, Marcus Ashley; 16-01, Body part for an underwater camera housing, 24 Feb 2015	10986/2015
Forever New Clothing Pty Ltd; 02-02NES, Article of clothing, (Divisional of 13002/2014) 06 Mar 2015	11273/2015	Grossman, Peter;Bico Australia Pty Limited; 03-01B, Keyring, 25 Feb 2015	11026/2015
Forever New Clothing Pty Ltd; 03-01B, Accessory item, 27 Feb 2015	11099/2015	Grossman, Peter;Bico Australia Pty Limited; 03-01B, Keyring, 05 Mar 2015	11222/2015
Forever New Clothing Pty Ltd; 02-02C, 02-02NES, 02-04NES, Article of clothing, 27 Feb 2015	11074/2015	Grossman, Peter;Bico Australia Pty Limited; 03-01B, Keyring, 05 Mar 2015	11221/2015
Forever New Clothing Pty Ltd; 02-02NES, Article of clothing, (Divisional of 13267/2014) 04 Mar 2015	11212/2015	Grossman, Peter;Bico Australia Pty Limited; 03-01B, Keyring, 05 Mar 2015	11223/2015
Forever New Clothing Pty Ltd; 02-02C, Article of Clothing, (Divisional of 13267/2014) 04 Mar 2015	11213/2015	Grossman, Peter;Bico Australia Pty Limited; 03-01B, Keyring, 25 Feb 2015	11027/2015
Forever New Clothing Pty Ltd; 02-02NES, Article of Clothing, (Divisional of 13267/2014) 04 Mar 2015	11206/2015	Grossman, Peter;Bico Australia Pty Limited; 03-01B, Keyring, 25 Feb 2015	11025/2015
Forever New Clothing Pty Ltd; 02-02NES, Article of clothing, (Divisional of 13267/2014) 04 Mar 2015	11208/2015	Haigh Australia Pty Ltd; 08-10, Portable bicycle rack, 27 Feb 2015	11066/2015
Forever New Clothing Pty Ltd; 02-02NES, Article of clothing, (Divisional of 13267/2014) 04 Mar 2015	11209/2015	Healthfarm Fine Foods Pty Ltd; 31-00, Peanut butter stirrer, 05 Mar 2015	11217/2015
Forever New Clothing Pty Ltd; 02-02NES, Article of clothing, (Divisional of 13267/2014) 04 Mar 2015	11207/2015	Hender, Jessica; 01-01, Taco shell, 04 Mar 2015	11199/2015

Hernandez, Sam; 02-03, Rally cap, (US, 07 Nov 2014) 27 Feb 2015	11082/2015	Johnson & Johnson Medical GMBH; 24-03, Surgical mesh implant, (EM, 29 Aug 2014) 24 Feb 2015	10971/2015
Hewy Wine Chillers, LLC; 07-07A, Shaped ice mold, (US, 03 Oct 2014) 06 Mar 2015	11228/2015	Johnson & Johnson Medical GMBH; 24-03, Surgical mesh implant, (EM, 27 Aug 2014) 24 Feb 2015	10966/2015
Holliday, C M;Holliday, G F; 07-07B, Buckets, 27 Feb 2015	11107/2015	JETS Swimwear Pty Ltd; 02-02A, Swimwear, 04 Mar 2015	11188/2015
Holliday, G F;Holliday, C M; 07-07B, Buckets, 27 Feb 2015	11107/2015	JETS Swimwear Pty Ltd; 02-02A, Swimwear, 04 Mar 2015	11189/2015
Honda Motor Co., Ltd.; 26-06, Front combination lamp for motor scooter, (JP, 09 Sep 2014) 26 Feb 2015	11042/2015	JETS Swimwear Pty Ltd; 02-02A, Swimwear, 04 Mar 2015	11184/2015
Honda Motor Co., Ltd.; 26-06, Rear combination lamp for motor scooter, (JP, 09 Sep 2014) 26 Feb 2015	11043/2015	JETS Swimwear Pty Ltd; 02-02A, Swimwear, 04 Mar 2015	11185/2015
Honda Motor Co., Ltd.; 12-11, Motor scooter, (JP, 09 Sep 2014) 26 Feb 2015	11041/2015	JETS Swimwear Pty Ltd; 02-02A, Swimwear, 04 Mar 2015	11182/2015
HCT Group Holdings Limited; 09-01G, 28-03NES, Cosmetic container, (US, 21 Oct 2014) 03 Mar 2015	11150/2015	JETS Swimwear Pty Ltd; 02-02A, Swimwear, 04 Mar 2015	11183/2015
Interbloc Limited; 25-01B, A part of a concrete mould, 26 Feb 2015	11044/2015	JETS Swimwear Pty Ltd; 02-02A, Swimwear, 04 Mar 2015	11178/2015
INPACT INNOVATION PTY. LTD.; 07-99A, Food tray, 27 Feb 2015	11084/2015	JETS Swimwear Pty Ltd; 02-02A, Swimwear, 04 Mar 2015	11179/2015
Jaber, Simon;CILOCK ENGINEERING PTY LTD;Wang, Li;Jaber, Hani; 08-06, Door handle, 23 Feb 2015	10955/2015	JETS Swimwear Pty Ltd; 02-02A, Swimwear, 04 Mar 2015	11174/2015
Jaber, Hani;CILOCK ENGINEERING PTY LTD;Wang, Li;Jaber, Simon; 08-06, Door handle, 23 Feb 2015	10955/2015	JETS Swimwear Pty Ltd; 02-02A, Swimwear, 04 Mar 2015	11175/2015
Janssen Pharmaceutica NV; 14-02, Display screen with graphical user interface, (US, 27 Aug 2014) 25 Feb 2015	11007/2015	JETS Swimwear Pty Ltd; 02-02A, Swimwear, 04 Mar 2015	11170/2015
Janssen Pharmaceutica NV; 14-02, Display screen with icon, (US, 27 Aug 2014) 25 Feb 2015	11002/2015	JETS Swimwear Pty Ltd; 02-02A, Swimwear, 04 Mar 2015	11186/2015
Janssen Pharmaceutica NV; 14-02, Display screen with graphical user interface, (US, 27 Aug 2014) 25 Feb 2015	11004/2015	JETS Swimwear Pty Ltd; 02-02A, Swimwear, 04 Mar 2015	11187/2015
Janssen Pharmaceutica NV; 14-02, Display screen with icon, (US, 27 Aug 2014) 25 Feb 2015	11003/2015	JETS Swimwear Pty Ltd; 02-02A, Swimwear, 04 Mar 2015	11180/2015
Janssen Pharmaceutica NV; 14-02, Display screen with icon, (US, 27 Aug 2014) 25 Feb 2015	10998/2015	JETS Swimwear Pty Ltd; 02-02A, Swimwear, 04 Mar 2015	11181/2015
Janssen Pharmaceutica NV; 14-02, Display screen with icon, (US, 27 Aug 2014) 25 Feb 2015	10999/2015	JETS Swimwear Pty Ltd; 02-02A, Swimwear, 04 Mar 2015	11190/2015
Janssen Pharmaceutica NV; 14-02, Display screen with icon, (US, 27 Aug 2014) 25 Feb 2015	10996/2015	JETS Swimwear Pty Ltd; 02-02A, Swimwear, 04 Mar 2015	11176/2015
		JLG Industries, Inc.; 06-03NES, Aerial work platform, (US, 30 Jan 2015) 02 Mar 2015	11177/2015
		JORGENSEN-WATTS IP PTY LTD; 25-01K, Extrusion, 23 Feb 2015	11191/2015
		JORGENSEN-WATTS IP PTY LTD; 25-01NES, Wing, 23 Feb 2015	11141/2015
			10963/2015
			10964/2015

JUNG WOO Metal Ind. Co., Ltd.; 23-01A, Grip ring for pipe connecting device, (KR, 04 Sep 2014) 04 Mar 2015	11200/2015	Magi Enterprises Pty Ltd; 02-02NES, Articles of clothing, 04 Mar 2015	11215/2015
Kabushiki Kaisha Toshiba;Toshiba Medical Systems Corporation; 24-01, Apparatus for analysing a specimen, (JP, 25 Aug 2014) 25 Feb 2015	10997/2015	Maquet Critical Care AB; 24-01, Ventilator for medical use, (EM, 12 Sep 2014) 02 Mar 2015	11111/2015
Karsten Manufacturing Corporation; 21-02C, Golf club head, (US, 05 Sep 2014) 03 Mar 2015	11147/2015	Maquet Critical Care AB; 24-01, Ventilator for medical use, (EM, 12 Sep 2014) 02 Mar 2015	11112/2015
Karsten Manufacturing Corporation; 21-02C, Golf club head, 02 Mar 2015	11113/2015	McKirdy, Chris;The Trustee for CMAC Family Trust; 11-01NES, Necklace box, 25 Feb 2015	11024/2015
Kimberly-Clark Worldwide, Inc.; 28-99, Odour control dispenser, (US, 12 Sep 2014) 24 Feb 2015	10969/2015	McKirdy, Chris;The Trustee for CMAC Family Trust; 11-01NES, Necklace box, 25 Feb 2015	11023/2015
Kimberly-Clark Worldwide, Inc.; 28-99, Odour control housing, (US, 12 Sep 2014) 24 Feb 2015	10968/2015	McKirdy, Chris;The Trustee for CMAC Family Trust; 11-01NES, Necklace box, 25 Feb 2015	11022/2015
Koninklijke Philips N.V.; 28-03A, Shaver, (EM, 09 Sep 2014) 06 Mar 2015	11281/2015	McNeil-ppc, Inc.; 24-04, Sanitary napkin, (US, 25 Jul 2014) (Divisional of 10068/2015) 09 Mar 2015	11295/2015
Koninklijke Philips N.V.; 14-03NES, Remote control unit, (EM, 27 Aug 2014) 27 Feb 2015	11083/2015	McNeil-ppc, Inc.; 24-04, Sanitary napkin, (US, 25 Jul 2014) (Divisional of 10068/2015) 09 Mar 2015	11296/2015
KRAFT FOODS R&D, INC.; 01-99, , (EM, 21 Aug 2014) 20 Feb 2015	10924/2015	Merck Sharp & Dohme Corp.; 24-02, Medical injector device, (US, 27 Aug 2014) 23 Feb 2015	10943/2015
Leading Edge Surfboards Pty Ltd; 21-02D, Surfcraft fin, (US, 02 Sep 2014) 27 Feb 2015	11076/2015	Merck Sharp & Dohme Corp.; 24-02, Medical injector device, (US, 27 Aug 2014) 23 Feb 2015	10954/2015
Liang, Li; 02-05, Scarf, 26 Feb 2015	11049/2015	Merck Sharp & Dohme Corp.; 24-02, Medical injector device, (US, 27 Aug 2014) 23 Feb 2015	10946/2015
Locksmiths Nominees Pty Ltd; 08-07, Key blank, 03 Mar 2015	11151/2015	Merck Sharp & Dohme Corp.; 24-02, Medical injector device, (US, 27 Aug 2014) 23 Feb 2015	10953/2015
Locksmiths Nominees Pty Ltd.; 08-07, Key blank, 03 Mar 2015	11152/2015	Merck Sharp & Dohme Corp.; 24-02, Medical injector device, (US, 27 Aug 2014) 23 Feb 2015	10944/2015
Locksmiths Nominees Pty. Ltd.; 08-07, Key Blank, 03 Mar 2015	11153/2015	Meridian Solutions Pty Ltd; 25-03, Inflatable booth, 27 Feb 2015	11108/2015
Locksmiths Nominees Pty. Ltd.; 08-07, Key blank, 03 Mar 2015	11157/2015	Meyer Intellectual Properties Ltd; 07-02R, Elongated side handle for cookware, (US, 30 Jul 2014) (Divisional of 10481/2015) 05 Mar 2015	11220/2015
Lorna Jane Pty Ltd; 09-01B, Bottle, 03 Mar 2015	11162/2015	Miguens, Carlos Gustavo; 21-02NES, Playing Court, 03 Mar 2015	11143/2015
Lorna Jane Pty Ltd; 03-03, Umbrella, 03 Mar 2015	11163/2015	Mophie, Inc.; 13-02, Battery pack, (US, 09 Sep 2014) 08 Mar 2015	11293/2015
LI, Chenxian; 03-01NES, Case/stand for tablet computer, 25 Feb 2015	11015/2015	Mophie, Inc.; 13-02, Battery pack, (US, 09 Sep 2014) 06 Mar 2015	11285/2015
LINGONA PTY LTD; 13-03A, Emergency stop circuit, 03 Mar 2015	11145/2015	Mophie, Inc.; 13-02, Battery pack, (US, 09 Sep 2014) 06 Mar 2015	11288/2015
LINGONA PTY LTD; 13-03B, Isolation verification, 03 Mar 2015	11144/2015		
LM Australasia Pty Ltd; 02-02NES, Sleeve, 05 Mar 2015	11224/2015		
Magi Enterprises Pty Ltd; 02-02NES, Articles of clothing, 04 Mar 2015	11216/2015		

Mophie, Inc.; 13-02, Battery pack, (US, 09 Sep 2014) 08 Mar 2015	11292/2015	Societe Des Produits Nestle S.A.; 30-99, Animal grooming tool, 04 Mar 2015	11203/2015
Mundipharma Pty Limited; 24-02, Hand tool for debridement - Product B, (Divisional of 16624/2014) 01 Mar 2015	11109/2015	Solid Racks Pty Limited; 08-07, A lock body, 02 Mar 2015	11117/2015
My Clever Dog Pty Ltd; 26-99, Scented disc, 06 Mar 2015	11279/2015	Stanley Works (Europe) GmbH; 26-05B, Portable lamp, (EM, 03 Sep 2014) 02 Mar 2015	11114/2015
Nagaki Seiki Co., Ltd.; 08-05P, Wire grippers, (JP, 27 Jun 2014) (Divisional of 16635/2014) 27 Feb 2015	11101/2015	Swift, Craig; 06-02, Bed, 27 Feb 2015	11094/2015
Nintendo Co., Ltd.; 14-02, Device for reading/writing electronic data, (JP, 28 Aug 2014) 25 Feb 2015	11016/2015	Swift, Craig; 06-03A, Dining table, 27 Feb 2015	11096/2015
Norton, Mathew Raymund; 08-05N, Angle grinder support bracket and guide, 25 Feb 2015	11030/2015	Swift, Craig; 06-04F, Tallboy, 27 Feb 2015	11095/2015
NRPSYSTEM CO., LTD.; 14-03NES, Walkie-talkie, (KR, 28 Aug 2014) 25 Feb 2015	11021/2015	Swift, Craig; 06-04D, Buffet table/sideboard, 27 Feb 2015	11093/2015
Olin Corporation; 22-03, Shell casing with surface treatment, (US, 09 Sep 2014) 27 Feb 2015	11073/2015	SEB; 07-02L, Electric coffee maker, (EM, 22 Sep 2014) 06 Mar 2015	11231/2015
OutSol Inc; 23-01D, Portable spray system, (US, 21 Aug 2014) 24 Feb 2015	10975/2015	SKOPE INDUSTRIES LIMITED; 15-07, A modular refrigeration cassette, (NZ, 09 Sep 2014) 04 Mar 2015	11192/2015
Patel, Anil Raman; 08-08NES, A support, 23 Feb 2015	10952/2015	Taurus Mining Solutions Pty Ltd; 15-04, Excavator bucket, 23 Feb 2015	10945/2015
Patel, Anil Raman; 08-08L, A bracket, 23 Feb 2015	10950/2015	The trustee for DCS FAMILY TRUST; 09-05, Tea packaging for pyramid tea bags and loose leaf, 06 Mar 2015	11286/2015
Patel, Anil Raman; 08-08L, A bracket, 23 Feb 2015	10949/2015	The Trustee for CMAC Family Trust;McKirdy, Chris; 11-01NES, Necklace box, 25 Feb 2015	11022/2015
Patel, Anil Raman; 08-08L, A bracket, 23 Feb 2015	10951/2015	The Trustee for CMAC Family Trust;McKirdy, Chris; 11-01NES, Necklace box, 25 Feb 2015	11024/2015
Patel, Anil Raman; 06-06G, Seat pan, 23 Feb 2015	10948/2015	The Trustee for CMAC Family Trust;McKirdy, Chris; 11-01NES, Necklace box, 25 Feb 2015	11023/2015
Patel, Anil Raman; 06-06G, Seat pan, 23 Feb 2015	10947/2015	The Trustee for GRAZIA MATERIA FAMILY TRUST; 06-03A, Side Table, 26 Feb 2015	11032/2015
Petroliam Nasional Berhad (Petronas); 09-01B, Lubricant pack, (MY, 19 Dec 2014) 20 Feb 2015	10926/2015	The Trustee for GRAZIA MATERIA FAMILY TRUST; 06-03B, Coffee table, 25 Feb 2015	11017/2015
Piaget, Gary; 26-05B, Decorative lamp, 02 Mar 2015	11139/2015	The Trustee for GRAZIA MATERIA FAMILY TRUST; 06-04F, Chest of drawers, 03 Mar 2015	11168/2015
Price, Gareth; 24-99, Magnetic rack for magnetic bead purifications, 03 Mar 2015	11165/2015	The Trustee for GRAZIA MATERIA FAMILY TRUST; 06-04F, Tallboy, 03 Mar 2015	11169/2015
Rhino Rack Australia Pty Limited; 21-04, A tent, 27 Feb 2015	11104/2015	The Trustee for GRAZIA MATERIA FAMILY TRUST; 06-03B, Side table, 03 Mar 2015	11166/2015
Ryan, Michael; 06-02, Bed quick assembly and dis-assembly for storage, 03 Nov 2014	15567/2014	The Trustee for GRAZIA MATERIA FAMILY TRUST; 06-03A, Bedside table, 03 Mar 2015	11167/2015
Schiavello (Vic) Pty Ltd; 23-02B, Bath shell and spa shell, 03 Mar 2015	11155/2015		

The Trustee for GRAZIA MATERIA FAMILY TRUST; 06-03A, Coffee table, 25 Feb 2015	11028/2015	Toyota Jidosha Kabushiki Kaisha; 12-08, Automobile, 02 Mar 2015	11124/2015
The Trustee for GRAZIA MATERIA FAMILY TRUST; 06-03NES, Bedside table, 27 Feb 2015	11085/2015	Toyota Jidosha Kabushiki Kaisha; 12-08, 26-06, Front combination lamp for an automobile, 02 Mar 2015	11125/2015
The Trustee for GRAZIA MATERIA FAMILY TRUST; 06-03A, Side table, 25 Feb 2015	11029/2015	Toyota Jidosha Kabushiki Kaisha; 12-16C, Rear bumper for an automobile, 25 Feb 2015	11019/2015
The Trustee for STEVEN ANGELOVSKI FAMILY TRUST; 12-16NES, Cold air intake, enclosure, intake, filter housing, 26 Feb 2015	11048/2015	Toyota Jidosha Kabushiki Kaisha; 26-06, Front combination lamp for an automobile, 02 Mar 2015	11126/2015
The Trustee for The Power Trust;Vicjan Pty Ltd; 13-03E, Power board, 26 Feb 2015	11047/2015	Toyota Jidosha Kabushiki Kaisha; 12-08, Automobile, 25 Feb 2015	11014/2015
Theya Lingerie Limited; 02-01A, A brassiere, (EM, 29 Aug 2014) 27 Feb 2015	11106/2015	Toyota Jidosha Kabushiki Kaisha; 12-08, Automobile, 25 Feb 2015	11012/2015
Theya Lingerie Limited; 02-01A, A brassiere, (EM, 29 Aug 2014) 27 Feb 2015	11100/2015	Toyota Jidosha Kabushiki Kaisha; 12-08, Automobile, 25 Feb 2015	11013/2015
Theya Lingerie Limited; 02-01A, A brassiere, (EM, 29 Aug 2014) 27 Feb 2015	11100/2015	Toyota Jidosha Kabushiki Kaisha; 12-16C, Front bumper for an automobile, 25 Feb 2015	11010/2015
Thompson, Stewart Lachlan; 23-01F, Fuel tank, 04 Mar 2015	11195/2015	Toyota Jidosha Kabushiki Kaisha; 12-16A, Steering wheel for an automobile, 25 Feb 2015	11008/2015
Toshiba Medical Systems Corporation;Kabushiki Kaisha Toshiba; 24-01, Apparatus for analysing a specimen, (JP, 25 Aug 2014) 25 Feb 2015	10997/2015	Toyota Jidosha Kabushiki Kaisha; 26-06, Front combination lamp for an automobile, 25 Feb 2015	11009/2015
Toyota Jidosha Kabushiki Kaisha; 12-16C, Front bumper for an automobile, 25 Feb 2015	11011/2015	Toyota Jidosha Kabushiki Kaisha; 12-16NES, Instrument panel for an automobile, 25 Feb 2015	11006/2015
Toyota Jidosha Kabushiki Kaisha; 12-16C, Rear bumper for an automobile, 25 Feb 2015	11005/2015	Trango Towers Pty Ltd; 08-05A, 15-03A, Agricultural equipment;plough; planter; sprayer, 26 Feb 2015	11037/2015
Toyota Jidosha Kabushiki Kaisha; 12-16C, Rear bumper for an automobile, 25 Feb 2015	11020/2015	THE SWITCHBOARD DR. PTY LTD; 32-03, Logo for business, 03 Mar 2015	11161/2015
Toyota Jidosha Kabushiki Kaisha; 12-16C, Front bumper for an automobile, 02 Mar 2015	11127/2015	United Plastics (Australasia) Pty Ltd; 09-03M, Container, 25 Feb 2015	11000/2015
Toyota Jidosha Kabushiki Kaisha; 12-08, Automobile, 02 Mar 2015	11133/2015	United Plastics (Australasia) Pty Ltd; 09-03M, Container, 25 Feb 2015	11001/2015
Toyota Jidosha Kabushiki Kaisha; 26-06, Rear combination lamp for an automobile, 02 Mar 2015	11128/2015	Unruh, Maximilian; 06-01H, Seating furniture (long chair) for outdoor usage, 20 Feb 2015	10922/2015
Toyota Jidosha Kabushiki Kaisha; 12-16C, Rear bumper for an automobile, 02 Mar 2015	11129/2015	Urban Cultivator Inc.; 20-02E, Indoor herb cultivator, (CA, 08 Oct 2014) 26 Feb 2015	11040/2015
Toyota Jidosha Kabushiki Kaisha; 12-16NES, Instrument panel for an automobile, 02 Mar 2015	11130/2015	UNIFOR S.p.A.; 06-03A, Structure for height adjustable table, (EM, 19 Sep 2014) 06 Mar 2015	11282/2015
Toyota Jidosha Kabushiki Kaisha; 12-08, Automobile, 02 Mar 2015	11131/2015	UNIFOR S.p.A.; 06-03A, Height adjustable table, (EM, 19 Sep 2014) 06 Mar 2015	11280/2015
Toyota Jidosha Kabushiki Kaisha; 26-06, Rear combination lamp for an automobile, 25 Feb 2015	11018/2015	Vicjan Pty Ltd;The Trustee for The Power Trust; 13-03E, Power board, 26 Feb 2015	11047/2015

Volkswagen Aktiengesellschaft; 12-08, Motor vehicle, (DE, 22 Sep 2014) 06 Mar 2015	11234/2015	Whirlpool Corporation; 31-00, Cook processor, (US, 09 Sep 2014) 04 Mar 2015	11173/2015
Volkswagen Aktiengesellschaft; 12-08, Motor vehicle, (DE, 22 Sep 2014) 06 Mar 2015	11232/2015	Whirlpool Corporation; 31-00, Cook processor bowl, (US, 09 Sep 2014) 04 Mar 2015	11171/2015
Volkswagen Aktiengesellschaft; 12-08, Motor vehicle, (DE, 22 Sep 2014) 06 Mar 2015	11230/2015	Whirlpool Corporation; 07-99NES, Metal knife block face plate, (US, 22 Oct 2014) (Divisional of 10177/2015) 23 Feb 2015	10962/2015
Volkswagen Aktiengesellschaft; 12-08, Motor vehicle, (DE, 22 Sep 2014) 06 Mar 2015	11229/2015	Yanmar Co., Ltd; 15-04, Wheel loader, (JP, 05 Sep 2014) 04 Mar 2015	11193/2015
Volkswagen Aktiengesellschaft; 12-08, Motor vehicle, (DE, 22 Sep 2014) 06 Mar 2015	11235/2015	Yanmar Co., Ltd.; 15-04, Wheel loader, (JP, 05 Sep 2014) 04 Mar 2015	11204/2015
Volkswagen Aktiengesellschaft; 12-08, Motor vehicle, (DE, 22 Sep 2014) 06 Mar 2015	11226/2015	Yanmar Co., Ltd.; 15-04, Wheel loader, (JP, 05 Sep 2014) 04 Mar 2015	11214/2015
Volkswagen Aktiengesellschaft; 12-08, Motor vehicle, (DE, 22 Sep 2014) 06 Mar 2015	11227/2015	Zadow, Colin Robert; 12-16NES, A reflective L plate as used by learner drivers, 24 Feb 2015	10980/2015
Wang, Li;CIILOCK ENGINEERING PTY LTD;Jaber, Hani;Jaber, Simon; 08-06, Door handle, 23 Feb 2015	10955/2015	3M Innovative Properties Company; 02-03, Welding helmet, (US, 28 Aug 2014) 27 Feb 2015	11089/2015
Wearlife Services Pty. Ltd.; 15-04, Dredger bucket tooth, 02 Mar 2015	11140/2015	3M Innovative Properties Company; 02-03, Welding helmet having a button, (US, 28 Aug 2014) 27 Feb 2015	11088/2015
Whirlpool Corporation; 07-99NES, Metal knife block, (US, 22 Oct 2014) (Divisional of 10179/2015) 23 Feb 2015	10961/2015	4TH DIMENSION DEVELOPMENTS PTY LIMITED; 15-99, Portable tool, 06 Mar 2015	11236/2015
Whirlpool Corporation; 31-00, Cook processor assembly, (US, 09 Sep 2014) 04 Mar 2015	11172/2015		

Applications Lapsed

12856 / 2014 (09-03F)	16222 / 2014 (12-03)
16384 / 2014 (25-99)	16388 / 2014 (32-03)
16400 / 2014 (05-05A)	16469 / 2014 (32-03)

Extension of Period of Registration of Designs

327881	328633	330031
330105	330106	330128
330194	330201	330208
330250	330251	330266
330297	330304	330369
330371	330372	330403
330404	330407	330409
330430	330432	330488
330489	330494	330517
330518	330526	330528
330537	330538	330539
330565	330566	330587
330609	330618	330619
330620	330621	330628
330643	330645	330703
330705	330706	330724
330726	330833	330870
330871	330872	330885
330892	330893	330897
330898	330923	330924
330932	330935	330936
330964	330978	330988
330989	330990	330997
331045	331071	331074
331078	331080	331082
331084	331085	331087
331088	331089	331103
331122	331129	331130
331240	331262	331263
331264	331280	331310
331311	331313	331789
332012	332100	332222
332549	332550	332551
332552	334111	334418

Registrations Ceased

302637	302638	302712
302713	302714	302715
302716	302717	302718
302831	302846	302847
302848	302971	302975
302976	302977	302978
302979	302980	302981
302982	302983	302984
302985	302986	302987
302988	302989	302990
302991	302992	303062
303063	303064	303065
303066	303067	303068

303159	303161	303162
303163	303164	303165
303166	303167	303168
303169	303170	303182
303183	303203	303276
303277	303361	303399
303484	303707	303824
303825	304016	304633
304987	304988	304989
304990	304991	304992
304993	305031	305299
305300	305302	305511
305512	305513	305814
305863	305864	305865
305906	305907	305908
305909	306273	306274
306509	306943	306944
327271	327364	327374
327376	327377	327454
327455	327469	327470
327472	327473	327474
327475	327476	327485
327486	327487	327488
327492	327493	327494
327495	327496	327497
327511	327513	327514
327515	327534	327537
327538	327550	327551
327568	327587	327588
327590	327591	327592
327594	327603	327604
327605	327606	327607
327608	327609	327610
327611	327612	327613
327614	327615	327616
327617	327620	327625
327630	327631	327638
327639	327648	327649
327663	327664	327665
327666	327686	327687
327705	327729	327730
327731	327827	327832
327922	327923	327925
327932	328013	328028
328070	328071	328072
328073	328074	328075
328197	328206	328207
328208	328209	328210
328211	328212	328213
328323	328384	328386
328387	328388	328389
328773	329666	329667
329668	329669	329670
329671	329672	330442

330443 330444 330445
 330811 330812 355706
 355939 355940 356131

303911 (Hills Limited) Hills Holdings Limited
 309448 (Hills Limited) Hills Holdings Limited
 309451 (Hills Limited) Hills Holdings Limited
 309447 (Hills Limited) Hills Holdings Limited
 309450 (Hills Limited) Hills Holdings Limited
 309449 (Hills Limited) Hills Holdings Limited
 311767 (Hills Limited) Hills Holdings Limited
 311770 (Hills Limited) Hills Holdings Limited
 312987 (Hills Limited) Hills Holdings Limited
 314194 (Hills Limited) Hills Holdings Limited
 314186 (Hills Limited) Hills Holdings Limited
 314185 (Hills Limited) Hills Holdings Limited
 315761 (Hills Limited) Hills Holdings Limited
 316047 (Hills Limited) Hills Holdings Limited
 322340 (Hills Limited) Hills Holdings Limited
 322724 (Hills Limited) Hills Holdings Limited
 347415 (Trigger Point Performance, Inc) Trigger Point
 Technologies, Inc.

Extensions of time granted under Section 137

Applications lodged under section 137 for extension of time have been granted.

- 360528 **BSB Pacific Pty Ltd**
- 360517 **Fitson Singapore PTE Ltd**
- 360606 **ResMed Limited**
- 10975/2015 **OutSol Inc**

Mortgages Registered

- 336337 A mortgage has been granted to **Wilmington Trust, National Association**
- 336339 A mortgage has been granted to **Wilmington Trust, National Association**
- 336374 A mortgage has been granted to **Wilmington Trust, National Association**
- 338612 A mortgage has been granted to **Wilmington Trust, National Association**
- 346358 A mortgage has been granted to **Wilmington Trust, National Association**
- 346359 A mortgage has been granted to **Wilmington Trust, National Association**

Subsequent Owners Registered

(The name in parentheses is that of the subsequent owner)

- 311167 (**Prysmian Australia Pty Ltd**) Prysmian Telecom Cables & Systems Australia Pty Ltd
- 323705 (**Pacific Holdings (Aust) Pty Ltd**) Bernen Design Pty Ltd
- 323706 (**Pacific Holdings (Aust) Pty Ltd**) Bernen Design Pty Ltd
- 358632 (**Mark L Anderson**) Mark L Anderson;Andrew Boyle
- 360018 (**Luminara Worldwide, LLC**) Candella LLC
- 360026 (**Luminara Worldwide, LLC**) Candella LLC
- 312994 (**Jackel International Limited**) Pipsan Holdings Victoria Pty Ltd
- 320015 (**Jackel International Limited**) Pipsan Holdings Victoria Pty Ltd
- 308823 (**Jackel International Limited**) Jackel Holdings Victoria Pty Ltd
- 344400 (**Jackel International Limited**) Jackel Trade Marks Pty Ltd
- 345424 (**Jackel International Limited**) Jackel Trade Marks Pty Ltd

Names Registered - Alterations and Amendments

(The name in parentheses is that of the subsequent applicant)

- 303912 (**Hills Limited**) Hills Holdings Limited

Certificate(s) of Examination

Examination of the following Design Registration(s) has been completed. Infringement proceedings may now be commenced.

143199	25-04	02/03/2015
329996	15-07	24/02/2015
351072	14-01	03/03/2015
351288	30-99	10/03/2015
352467	14-01	26/02/2015
352468	14-02	03/03/2015
352469	14-02	03/03/2015
352470	14-02	03/03/2015
352471	14-01	26/02/2015
353067	23-04	03/03/2015
353415	24-02	02/03/2015
353670	14-02	02/03/2015
353671	14-02	02/03/2015
353672	14-02	24/02/2015
353673	14-02	02/03/2015
353674	14-02	24/02/2015
353675	14-02	02/03/2015
353676	14-02	24/02/2015
353677	14-02	02/03/2015
353678	14-02	24/02/2015
353686	14-02	24/02/2015
354841	21-02D	04/03/2015
355140	15-07	24/02/2015
355338	28-03NES	10/03/2015
356320	24-02	04/03/2015
356321	24-02	04/03/2015
357858	08-07	05/03/2015
358572	13-03D	25/02/2015
358889	08-05G	06/03/2015
359022	08-99	03/03/2015
359354	24-02	24/02/2015
359356	24-02	24/02/2015
359594	02-02C	02/03/2015
359684	04-02	02/03/2015
359692	12-06NES	25/02/2015
359715	06-02	26/02/2015
359728	02-02C	03/03/2015
359729	02-02C	03/03/2015
359770	01-06	06/03/2015
359771	01-06	06/03/2015
359772	01-06	06/03/2015
359804	27-01	06/03/2015
359805	27-01	06/03/2015
359811	09-01NES	03/03/2015
359813	31-00	06/03/2015
359868	02-02C	04/03/2015
359869	02-02C	04/03/2015
359918	08-03	06/03/2015
359986	09-01NES	03/03/2015
359987	09-01K	03/03/2015
360042	14-02	10/03/2015
360043	14-02	10/03/2015
360044	14-02	10/03/2015
360059	14-02	10/03/2015
360065	09-07C	02/03/2015
360066	09-07C	02/03/2015
360383	01-06	25/02/2015
360384	30-03	25/02/2015

Publication and Registration Proceedings

Designs Registered

This section provides a concordance between design number and registration number of Designs covered in this journal. It also shows the main class and registration date.

This section covers Registration numbers 360436 to 360610 .

The registration number shown below should be used in all future correspondence.

Design Number	Registration Number	International Classification Code (IDC)	Registration Date	Design Number	Registration Number	International Classification Code (IDC)	Registration Date
12940/2014	360527	15-05	03/03/2015	10458/2015	360444	25-01E	24/02/2015
13256/2014	360599	08-08NES	06/03/2015	10459/2015	360445	25-01E	24/02/2015
13267/2014	360600	02-02C	06/03/2015	10460/2015	360464	25-01E	26/02/2015
14789/2014	360487	23-03G	27/02/2015	10461/2015	360465	25-01E	26/02/2015
14791/2014	360447	23-03G	25/02/2015	10462/2015	360466	25-01E	26/02/2015
15558/2014	360528	28-03NES	03/03/2015	10463/2015	360467	25-01E	26/02/2015
15567/2014	360547	06-02	04/03/2015	10464/2015	360468	25-01E	26/02/2015
15736/2014	360460	15-07	26/02/2015	10468/2015	360469	07-01F	26/02/2015
16105/2014	360517	07-01E	03/03/2015	10472/2015	360456	06-01E	26/02/2015
16182/2014	360606	14-02	10/03/2015	10473/2015	360457	06-01D	26/02/2015
16474/2014	360529	06-13B	03/03/2015	10474/2015	360458	14-01	26/02/2015
16530/2014	360448	08-01	26/02/2015	10475/2015	360459	13-02	26/02/2015
16531/2014	360506	08-03	02/03/2015	10476/2015	360470	13-02	26/02/2015
16537/2014	360449	08-01	26/02/2015	10477/2015	360471	29-02	26/02/2015
16540/2014	360507	13-03D	02/03/2015	10478/2015	360472	29-02	26/02/2015
16553/2014	360508	13-03D	02/03/2015	10479/2015	360473	29-02	26/02/2015
16554/2014	360509	13-03D	02/03/2015	10480/2015	360474	13-02	26/02/2015
16556/2014	360510	08-01	02/03/2015	10482/2015	360475	07-02R	26/02/2015
16560/2014	360450	25-02C	26/02/2015	10483/2015	360476	24-04	26/02/2015
16561/2014	360451	25-02C	26/02/2015	10484/2015	360477	07-02R	26/02/2015
16562/2014	360452	08-01	26/02/2015	10485/2015	360478	29-02	26/02/2015
16563/2014	360511	08-03	02/03/2015	10486/2015	360479	07-02R	26/02/2015
16592/2014	360601	04-02	06/03/2015	10488/2015	360480	07-02R	26/02/2015
16605/2014	360453	06-11	26/02/2015	10489/2015	360481	07-02R	26/02/2015
16608/2014	360512	12-11	02/03/2015	10492/2015	360482	15-07	26/02/2015
16624/2014	360518	24-02	03/03/2015	10493/2015	360483	15-07	26/02/2015
16632/2014	360454	02-04NES	26/02/2015	10495/2015	360484	24-02	26/02/2015
16635/2014	360519	08-05P	03/03/2015	10498/2015	360485	07-02R	26/02/2015
16643/2014	360455	05-06NES	26/02/2015	10505/2015	360486	26-05A	26/02/2015
16647/2014	360446	31-00	24/02/2015	10512/2015	360489	21-02C	27/02/2015
16690/2014	360513	08-03	02/03/2015	10514/2015	360490	25-01K	27/02/2015
16693/2014	360530	08-03	03/03/2015	10515/2015	360491	25-01K	27/02/2015
16695/2014	360488	08-03	27/02/2015	10516/2015	360492	08-07	27/02/2015
10099/2015	360514	27-06	02/03/2015	10517/2015	360493	09-01NES	27/02/2015
10103/2015	360548	27-99	04/03/2015	10518/2015	360494	12-08	27/02/2015
10177/2015	360461	07-99NES	26/02/2015	10519/2015	360495	09-01NES	27/02/2015
10178/2015	360462	07-99NES	26/02/2015	10520/2015	360496	08-03	27/02/2015
10179/2015	360463	07-99NES	26/02/2015	10523/2015	360497	28-03NES	27/02/2015
10192/2015	360582	03-01D	05/03/2015	10524/2015	360498	28-03NES	27/02/2015
10318/2015	360520	30-03	03/03/2015	10526/2015	360499	08-05P	27/02/2015
10424/2015	360549	15-09	04/03/2015	10527/2015	360500	08-05P	27/02/2015
10436/2015	360566	09-09	04/03/2015	10528/2015	360501	08-05P	27/02/2015
10450/2015	360436	25-01E	24/02/2015	10530/2015	360502	28-03NES	27/02/2015
10451/2015	360437	13-99	24/02/2015	10531/2015	360503	28-03NES	27/02/2015
10452/2015	360438	25-01E	24/02/2015	10532/2015	360504	28-03NES	27/02/2015
10453/2015	360439	25-01E	24/02/2015	10533/2015	360505	28-03NES	27/02/2015
10454/2015	360440	25-01E	24/02/2015	10536/2015	360594	16-06	06/03/2015
10455/2015	360441	25-01E	24/02/2015	10537/2015	360595	16-06	06/03/2015
10456/2015	360442	25-01E	24/02/2015	10538/2015	360596	16-06	06/03/2015
10457/2015	360443	25-01E	24/02/2015	10541/2015	360597	09-01K	06/03/2015

Publication and Registration Proceedings - Designs Registered cont'd

Design Number	Registration Number	International Classification Code (IDC)	Registration Date	Design Number	Registration Number	International Classification Code (IDC)	Registration Date
10544/2015	360515	24-01	02/03/2015	10616/2015	360608	20-02E	10/03/2015
10545/2015	360516	06-03B	02/03/2015	10617/2015	360609	02-02NES	10/03/2015
10551/2015	360526	18-01	03/03/2015	10618/2015	360610	07-99NES	10/03/2015
10553/2015	360521	06-10	03/03/2015	10623/2015	360559	21-01H	04/03/2015
10554/2015	360522	06-10	03/03/2015	10624/2015	360560	10-02	04/03/2015
10555/2015	360523	06-10	03/03/2015	10625/2015	360561	10-02	04/03/2015
10556/2015	360524	06-10	03/03/2015	10626/2015	360562	10-07	04/03/2015
10557/2015	360525	06-10	03/03/2015	10627/2015	360563	10-07	04/03/2015
10559/2015	360598	26-05E	06/03/2015	10628/2015	360564	10-07	04/03/2015
10567/2015	360531	24-04	03/03/2015	10629/2015	360565	16-06	04/03/2015
10568/2015	360532	24-04	03/03/2015	10630/2015	360571	10-02	04/03/2015
10569/2015	360533	14-03NES	03/03/2015	10631/2015	360572	10-07	04/03/2015
10570/2015	360534	14-03NES	03/03/2015	10632/2015	360573	09-01B	04/03/2015
10571/2015	360535	14-03NES	03/03/2015	10633/2015	360574	10-02	04/03/2015
10575/2015	360536	01-01	03/03/2015	10634/2015	360575	10-02	04/03/2015
10576/2015	360537	01-01	03/03/2015	10635/2015	360576	12-08	04/03/2015
10577/2015	360538	01-01	03/03/2015	10636/2015	360577	10-07	04/03/2015
10578/2015	360539	01-01	03/03/2015	10637/2015	360578	10-02	04/03/2015
10579/2015	360540	01-01	03/03/2015	10638/2015	360579	10-07	04/03/2015
10580/2015	360541	28-02	03/03/2015	10639/2015	360580	10-02	04/03/2015
10581/2015	360542	28-02	03/03/2015	10640/2015	360581	10-02	04/03/2015
10582/2015	360543	12-15C	03/03/2015	10641/2015	360585	16-06	05/03/2015
10583/2015	360544	28-02	03/03/2015	10643/2015	360586	10-07	05/03/2015
10584/2015	360550	12-15A	04/03/2015	10645/2015	360587	10-02	05/03/2015
10585/2015	360551	16-99	04/03/2015	10646/2015	360588	08-07	05/03/2015
10586/2015	360552	10-07	04/03/2015	10647/2015	360589	10-02	05/03/2015
10588/2015	360553	26-05A	04/03/2015	10648/2015	360590	10-02	05/03/2015
10589/2015	360583	20-02NES	05/03/2015	10649/2015	360591	08-07	05/03/2015
10597/2015	360584	21-01H	05/03/2015	10652/2015	360592	10-02	05/03/2015
10599/2015	360554	21-01C	04/03/2015	10653/2015	360593	09-01B	05/03/2015
10601/2015	360555	24-01	04/03/2015	10698/2015	360603	13-03E	06/03/2015
10602/2015	360556	08-01	04/03/2015	10699/2015	360604	13-03E	06/03/2015
10604/2015	360567	02-04C	04/03/2015	10700/2015	360605	13-03E	06/03/2015
10606/2015	360557	05-05B	04/03/2015	10701/2015	360602	13-03E	06/03/2015
10607/2015	360568	05-05D	04/03/2015	11067/2015	360545	15-05	03/03/2015
10608/2015	360558	05-05A	04/03/2015	11068/2015	360546	15-05	03/03/2015
10609/2015	360607	09-07C	10/03/2015				
10610/2015	360569	20-02E	04/03/2015				
10611/2015	360570	26-03	04/03/2015				

Publication and Registration Proceedings

Class Listing of Designs Published or Registered

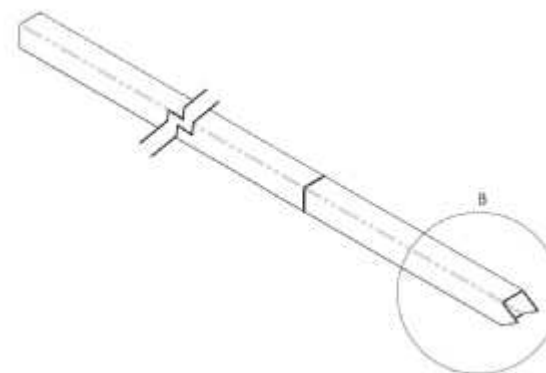
The following section shows an International Classification Code listing of the Registered or Published Designs covered in this supplement.

Classification	Registration Number	Design Number	Classification	Registration Number	Design Number
01-01	360536	10575/2015	08-05P	360519	16635/2014
01-01	360537	10576/2015	08-07	360492	10516/2015
01-01	360538	10577/2015	08-07	360588	10646/2015
01-01	360539	10578/2015	08-07	360591	10649/2015
01-01	360540	10579/2015	08-08NES	360599	13256/2014
02-02C	360600	13267/2014	09-01B	360573	10632/2015
02-02NES	360609	10617/2015	09-01B	360593	10653/2015
02-04C	360567	10604/2015	09-01K	360597	10541/2015
02-04NES	360454	16632/2014	09-01NES	360493	10517/2015
03-01D	360582	10192/2015	09-01NES	360495	10519/2015
04-02	360601	16592/2014	09-01NES	360597	10541/2015
05-05A	360558	10608/2015	09-07C	360607	10609/2015
05-05B	360557	10606/2015	09-09	360566	10436/2015
05-05D	360568	10607/2015	10-02	360560	10624/2015
05-06NES	360455	16643/2014	10-02	360561	10625/2015
06-01D	360457	10473/2015	10-02	360571	10630/2015
06-01E	360456	10472/2015	10-02	360574	10633/2015
06-01L	360516	10545/2015	10-02	360575	10634/2015
06-02	360547	15567/2014	10-02	360578	10637/2015
06-03B	360516	10545/2015	10-02	360580	10639/2015
06-10	360521	10553/2015	10-02	360581	10640/2015
06-10	360522	10554/2015	10-02	360587	10645/2015
06-10	360523	10555/2015	10-02	360589	10647/2015
06-10	360524	10556/2015	10-02	360590	10648/2015
06-10	360525	10557/2015	10-02	360592	10652/2015
06-11	360453	16605/2014	10-07	360552	10586/2015
06-13B	360529	16474/2014	10-07	360562	10626/2015
07-01E	360517	16105/2014	10-07	360563	10627/2015
07-01F	360469	10468/2015	10-07	360564	10628/2015
07-02R	360475	10482/2015	10-07	360572	10631/2015
07-02R	360477	10484/2015	10-07	360577	10636/2015
07-02R	360479	10486/2015	10-07	360579	10638/2015
07-02R	360480	10488/2015	10-07	360586	10643/2015
07-02R	360481	10489/2015	12-08	360494	10518/2015
07-02R	360485	10498/2015	12-08	360576	10635/2015
07-99NES	360461	10177/2015	12-11	360512	16608/2014
07-99NES	360462	10178/2015	12-15A	360550	10584/2015
07-99NES	360463	10179/2015	12-15C	360543	10582/2015
07-99NES	360610	10618/2015	13-02	360459	10475/2015
08-01	360448	16530/2014	13-02	360470	10476/2015
08-01	360449	16537/2014	13-02	360474	10480/2015
08-01	360452	16562/2014	13-03D	360507	16540/2014
08-01	360510	16556/2014	13-03D	360508	16553/2014
08-01	360556	10602/2015	13-03D	360509	16554/2014
08-03	360488	16695/2014	13-03E	360602	10701/2015
08-03	360496	10520/2015	13-03E	360603	10698/2015
08-03	360506	16531/2014	13-03E	360604	10699/2015
08-03	360511	16563/2014	13-03E	360605	10700/2015
08-03	360513	16690/2014	13-99	360437	10451/2015
08-03	360530	16693/2014	14-01	360458	10474/2015
08-05P	360499	10526/2015	14-02	360606	16182/2014
08-05P	360500	10527/2015	14-03A	360478	10485/2015
08-05P	360501	10528/2015	14-03NES	360533	10569/2015

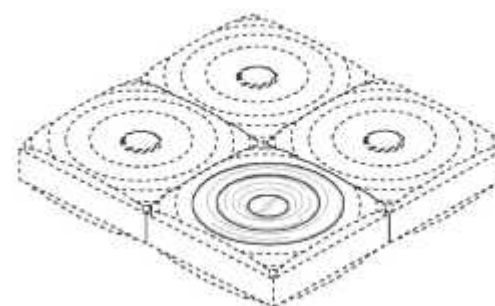
Registration Proceedings - Class Listing of Designs Published or Registered cont'd

Classification	Registration Number	Design Number	Classification	Registration Number	Design Number
14-03NES	360534	10570/2015	25-01E	360442	10456/2015
14-03NES	360535	10571/2015	25-01E	360443	10457/2015
15-05	360527	12940/2014	25-01E	360444	10458/2015
15-05	360545	11067/2015	25-01E	360445	10459/2015
15-05	360546	11068/2015	25-01E	360464	10460/2015
15-07	360460	15736/2014	25-01E	360465	10461/2015
15-07	360482	10492/2015	25-01E	360466	10462/2015
15-07	360483	10493/2015	25-01E	360467	10463/2015
15-09	360549	10424/2015	25-01E	360468	10464/2015
16-06	360565	10629/2015	25-01K	360490	10514/2015
16-06	360585	10641/2015	25-01K	360491	10515/2015
16-06	360594	10536/2015	25-02C	360450	16560/2014
16-06	360595	10537/2015	25-02C	360451	16561/2014
16-06	360596	10538/2015	26-03	360570	10611/2015
16-99	360551	10585/2015	26-03	360598	10559/2015
18-01	360526	10551/2015	26-05A	360486	10505/2015
20-02E	360569	10610/2015	26-05A	360553	10588/2015
20-02E	360608	10616/2015	26-05E	360598	10559/2015
20-02NES	360583	10589/2015	27-06	360514	10099/2015
20-03NES	360566	10436/2015	27-99	360548	10103/2015
21-01C	360494	10518/2015	28-02	360541	10580/2015
21-01C	360554	10599/2015	28-02	360542	10581/2015
21-01H	360559	10623/2015	28-02	360544	10583/2015
21-01H	360584	10597/2015	28-03NES	360497	10523/2015
21-02C	360489	10512/2015	28-03NES	360498	10524/2015
23-03G	360447	14791/2014	28-03NES	360502	10530/2015
23-03G	360487	14789/2014	28-03NES	360503	10531/2015
24-01	360515	10544/2015	28-03NES	360504	10532/2015
24-01	360555	10601/2015	28-03NES	360505	10533/2015
24-02	360484	10495/2015	28-03NES	360528	15558/2014
24-02	360518	16624/2014	29-02	360471	10477/2015
24-04	360476	10483/2015	29-02	360472	10478/2015
24-04	360531	10567/2015	29-02	360473	10479/2015
24-04	360532	10568/2015	29-02	360478	10485/2015
25-01E	360436	10450/2015	30-03	360520	10318/2015
25-01E	360438	10452/2015	31-00	360446	16647/2014
25-01E	360439	10453/2015			
25-01E	360440	10454/2015			
25-01E	360441	10455/2015			

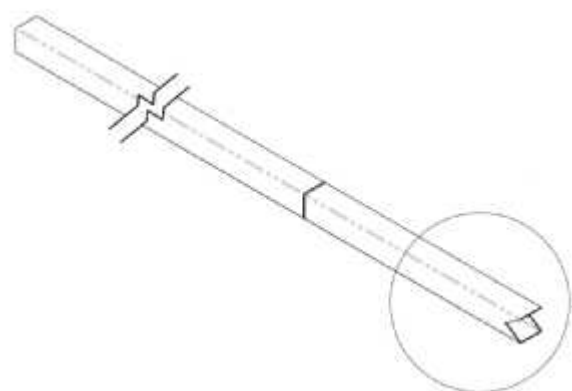
- (21) Design Number: **10450/2015**
(22) Date of Filing Application: **29 January 2015**
(24) Date from which industrial property rights may have effect: **29 January 2015**
(54) Product in respect of which the design is registered: **A post**
(51) International Design Classification: **25-01E**
(74) Name(s) of Attorney(s): **FB Rice**
(71) Name(s) and Address(s) of Applicant(s):
Whites Group Pty Ltd
4 Decker PI Huntingwood NSW 2148 Australia
(72) Name(s) of Designer(s): **Brian Gray and Peter Kelly**
(45) Registration Date: **24 February 2015**
(56) Related Art Documents: **Not Applicable**
(57) Statement of Newness and Distinctiveness: **Newness and distinctiveness reside in the visual features of the post of indefinite length as shown in the representations, but not in the specific length of the post, noting that the contrasting line shown part way along the post may be any colour/shade.**



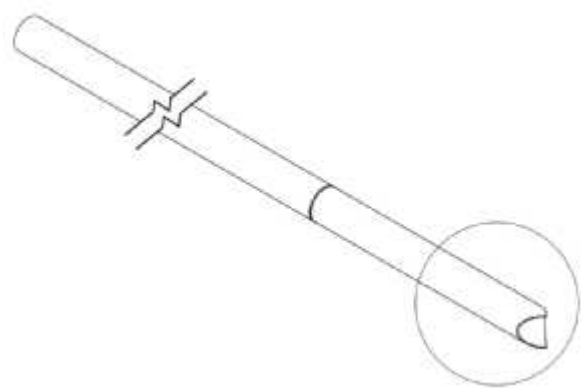
- (21) Design Number: **10451/2015**
(22) Date of Filing Application: **29 January 2015**
(24) Date from which industrial property rights may have effect: **29 January 2015**
(54) Product in respect of which the design is registered: **Solar panel optic**
(51) International Design Classification: **13-99**
(74) Name(s) of Attorney(s): **Shelston IP**
(71) Name(s) and Address(s) of Applicant(s):
Morgan Solar Inc.
100 Symes Road, Unit 100 Toronto Ontario, M6N 0A8 Canada
(72) Name(s) of Designer(s): **Brett Barnes and Michael Sinclair and Nigel Morris and John Paul Morgan and Stefan Myrskog**
(45) Registration Date: **24 February 2015**
(30) Convention priority data:
(31) Number (32) Date (33) Country
29/498128 31 Jul 2014 UNITED STATES OF AMERICA
(56) Related Art Documents: **Not Applicable**
(57) Statement of Newness and Distinctiveness: **Newness and distinctiveness reside in the features of shape and configuration of a solar panel optic as illustrated in solid lines in the accompanying representations. The features shown in broken lines are shown for illustrative purposes only and do not form part of the design.**



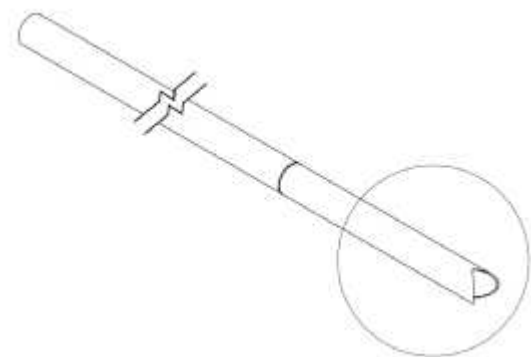
- (21) Design Number: **10452/2015**
(22) Date of Filing Application: **29 January 2015**
(24) Date from which industrial property rights may have effect: **29 January 2015**
(54) Product in respect of which the design is registered: **A post**
(51) International Design Classification: **25-01E**
(74) Name(s) of Attorney(s): **FB Rice**
(71) Name(s) and Address(s) of Applicant(s):
Whites Group Pty Ltd
4 Decker PI Huntingwood NSW 2148 Australia
(72) Name(s) of Designer(s): **Brian Gray and Peter Kelly**
(45) Registration Date: **24 February 2015**
(56) Related Art Documents: **Not Applicable**
(57) Statement of Newness and Distinctiveness: **Newness and distinctiveness reside in the visual features of the post of indefinite length as shown in the representations, but not in the specific length of the post, noting that the contrasting line shown part way along the post may be any colour/shade.**



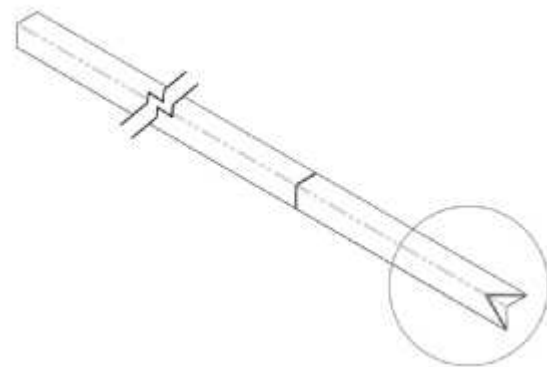
- (21) Design Number: **10453/2015**
(22) Date of Filing Application: **29 January 2015**
(24) Date from which industrial property rights may have effect: **29 January 2015**
(54) Product in respect of which the design is registered: **A post**
(51) International Design Classification: **25-01E**
(74) Name(s) of Attorney(s): **FB Rice**
(71) Name(s) and Address(s) of Applicant(s):
Whites Group Pty Ltd
4 Decker PI Huntingwood NSW 2148 Australia
(72) Name(s) of Designer(s): **Brian Gray and Peter Kelly**
(45) Registration Date: **24 February 2015**
(56) Related Art Documents: **Not Applicable**
(57) Statement of Newness and Distinctiveness: **Newness and distinctiveness reside in the visual features of the post of indefinite length as shown in the representations, but not in the specific length of the post, noting that the contrasting line shown part way along the post may be any colour/shade.**



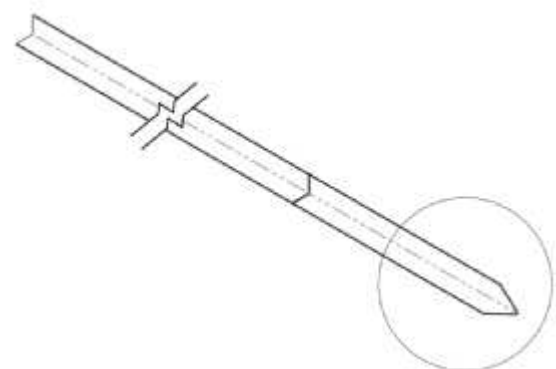
- (21) Design Number: **10454/2015**
(22) Date of Filing Application: **29 January 2015**
(24) Date from which industrial property rights may have effect: **29 January 2015**
(54) Product in respect of which the design is registered: **A post**
(51) International Design Classification: **25-01E**
(74) Name(s) of Attorney(s): **FB Rice**
(71) Name(s) and Address(s) of Applicant(s):
Whites Group Pty Ltd
4 Decker PI Huntingwood NSW 2148 Australia
(72) Name(s) of Designer(s): **Brian Gray and Peter Kelly**
(45) Registration Date: **24 February 2015**
(56) Related Art Documents: **Not Applicable**
(57) Statement of Newness and Distinctiveness: **Newness and distinctiveness reside in the visual features of the post of indefinite length as shown in the representations, but not in the specific length of the post, noting that the contrasting line shown part way along the post may be any colour/shade.**



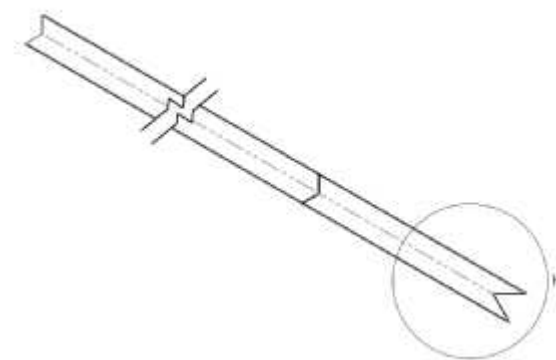
- (21) Design Number: **10455/2015**
(22) Date of Filing Application: **29 January 2015**
(24) Date from which industrial property rights may have effect: **29 January 2015**
(54) Product in respect of which the design is registered: **A post**
(51) International Design Classification: **25-01E**
(74) Name(s) of Attorney(s): **FB Rice**
(71) Name(s) and Address(s) of Applicant(s):
Whites Group Pty Ltd
4 Decker PI Huntingwood NSW 2148 Australia
(72) Name(s) of Designer(s): **Brian Gray and Peter Kelly**
(45) Registration Date: **24 February 2015**
(56) Related Art Documents: **Not Applicable**
(57) Statement of Newness and Distinctiveness: **Newness and distinctiveness reside in the visual features of the post of indefinite length as shown in the representations, but not in the specific length of the post, noting that the contrasting line shown part way along the post may be any colour/shade.**



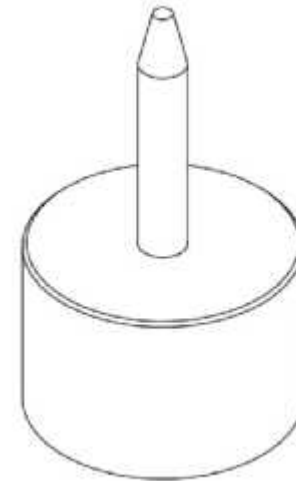
- (21) Design Number: **10456/2015**
(22) Date of Filing Application: **29 January 2015**
(24) Date from which industrial property rights may have effect: **29 January 2015**
(54) Product in respect of which the design is registered: **A post**
(51) International Design Classification: **25-01E**
(74) Name(s) of Attorney(s): **FB Rice**
(71) Name(s) and Address(s) of Applicant(s):
Whites Group Pty Ltd
4 Decker PI Huntingwood NSW 2148 Australia
(72) Name(s) of Designer(s): **Brian Gray and Peter Kelly**
(45) Registration Date: **24 February 2015**
(56) Related Art Documents: **Not Applicable**
(57) Statement of Newness and Distinctiveness: **Newness and distinctiveness reside in the visual features of the post of indefinite length as shown in the representations, but not in the specific length of the post, noting that the contrasting line shown part way along the post may be any colour/shade.**



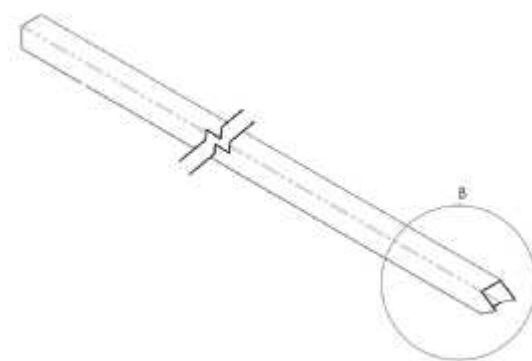
- (21) Design Number: **10457/2015**
(22) Date of Filing Application: **29 January 2015**
(24) Date from which industrial property rights may have effect: **29 January 2015**
(54) Product in respect of which the design is registered: **A post**
(51) International Design Classification: **25-01E**
(74) Name(s) of Attorney(s): **FB Rice**
(71) Name(s) and Address(s) of Applicant(s):
Whites Group Pty Ltd
4 Decker PI Huntingwood NSW 2148 Australia
(72) Name(s) of Designer(s): **Brian Gray and Peter Kelly**
(45) Registration Date: **24 February 2015**
(56) Related Art Documents: **Not Applicable**
(57) Statement of Newness and Distinctiveness: **Newness and distinctiveness reside in the visual features of the post of indefinite length as shown in the representations, but not in the specific length of the post, noting that the contrasting line shown part way along the post may be any colour/shade.**



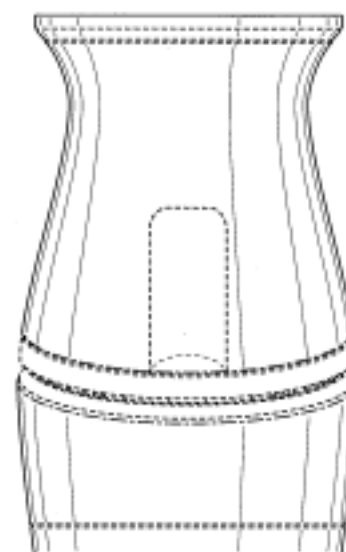
- (21) Design Number: **10458/2015**
(22) Date of Filing Application: **29 January 2015**
(24) Date from which industrial property rights may have effect: **29 January 2015**
(54) Product in respect of which the design is registered: **A cap for a post**
(51) International Design Classification: **25-01E**
(74) Name(s) of Attorney(s): **FB Rice**
(71) Name(s) and Address(s) of Applicant(s):
Whites Group Pty Ltd
4 Decker PI Huntingwood NSW 2148 Australia
(72) Name(s) of Designer(s): **Brian Gray and Peter Kelly**
(45) Registration Date: **24 February 2015**
(56) Related Art Documents: **Not Applicable**
(57) Statement of Newness and Distinctiveness: **Newness and distinctiveness reside in the features of shape and configuration of the product as shown in the representations.**



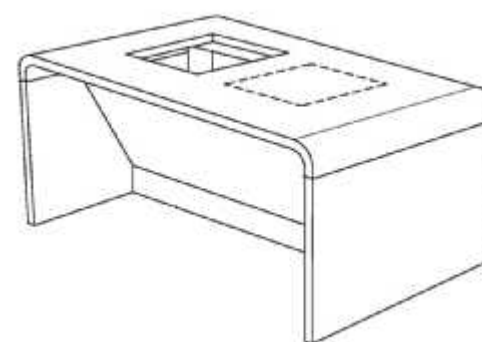
- (21) Design Number: **10459/2015**
(22) Date of Filing Application: **29 January 2015**
(24) Date from which industrial property rights may have effect: **29 January 2015**
(54) Product in respect of which the design is registered: **A post**
(51) International Design Classification: **25-01E**
(74) Name(s) of Attorney(s): **FB Rice**
(71) Name(s) and Address(s) of Applicant(s):
Whites Group Pty Ltd
4 Decker PI Huntingwood NSW 2148 Australia
(72) Name(s) of Designer(s): **Brian Gray and Peter Kelly**
(45) Registration Date: **24 February 2015**
(56) Related Art Documents: **Not Applicable**
(57) Statement of Newness and Distinctiveness: **Newness and distinctiveness reside in the features of shape and configuration of the post of indefinite length shown in the representations, but not in the specific length of the post.**



- (21) Design Number: **16647/2014**
(22) Date of Filing Application: **23 December 2014**
(24) Date from which industrial property rights may have effect: **23 December 2014**
(54) Product in respect of which the design is registered: **Drive unit for a blender**
(51) International Design Classification: **31-00**
(74) Name(s) of Attorney(s): **PIZZEYS**
(71) Name(s) and Address(s) of Applicant(s):
Euro-Pro Operating LLC
180 Wells Avenue Suite 200 Newton Massachusetts 02459 United States of America
(72) Name(s) of Designer(s): **Daniel Stephen Potter and Michael Joseph Smith and Devin Joseph Coakley and Bryan Deblois**
(45) Registration Date: **24 February 2015**
(30) Convention priority data:
(31) Number (32) Date (33) Country
29/496,508 14 Jul 2014 UNITED STATES OF AMERICA
(56) Related Art Documents: **Not Applicable**
(57) Statement of Newness and Distinctiveness: **Nil**



- (21) Design Number: **14791/2014**
(22) Date of Filing Application: **19 September 2014**
(24) Date from which industrial property rights may have effect: **19 September 2014**
(54) Product in respect of which the design is registered: **Bench for a BBQ**
(51) International Design Classification: **23-03G**
(74) Name(s) of Attorney(s): **Griffith Hack**
(71) Name(s) and Address(s) of Applicant(s):
D.A. CHRISTIE PTY. LTD.
12 Brassier Ave Dromana VIC 3936 Australia
(72) Name(s) of Designer(s): **Michael Chijoff**
(45) Registration Date: **25 February 2015**
(56) Related Art Documents: **Not Applicable**
(57) Statement of Newness and Distinctiveness: **Newness and distinctiveness resides in the shape and configuration of the product as shown by means of the solid lines, including the orientation of the sloping panel labeled Panel "A" in the representations. The dashed line in the top face of the product in Figures 1 and 2 represents an alternative area where the cutout may be located, or where an additional cutout may be located. Figure 5 includes a dashed outline of a BBQ hot plate. Figure 5 has been included for illustrative purposes and does not form part of the design.**



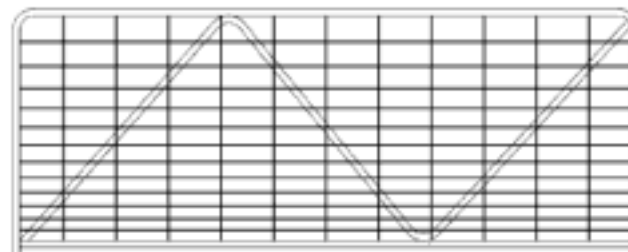
(21) Design Number: **16530/2014**
(22) Date of Filing Application: **16 December 2014**
(24) Date from which industrial property rights may have effect: **16 December 2014**
(54) Product in respect of which the design is registered: **Cultivator**
(51) International Design Classification: **08-01**
(74) Name(s) of Attorney(s): **Davies Collison Cave**
(71) Name(s) and Address(s) of Applicant(s):
Fiskars Garden Oy Ab
FI-10330 Billnas Finland
(72) Name(s) of Designer(s): **Jouni Salojarvi and Mika Sokka and Petteri Masalin and Heli Sade**
(45) Registration Date: **26 February 2015**
(30) Convention priority data:
(31) Number (32) Date (33) Country
002484923-0001 18 Jun 2014 OFFICE FOR HARMONISATION IN THE INTERNAL MARKET (OHIM)
(56) Related Art Documents: **Not Applicable**
(57) Statement of Newness and Distinctiveness: **Nil**



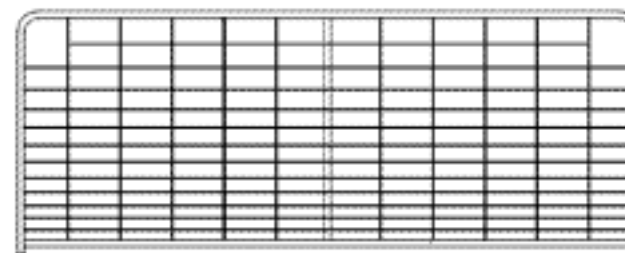
(21) Design Number: **16537/2014**
(22) Date of Filing Application: **16 December 2014**
(24) Date from which industrial property rights may have effect: **16 December 2014**
(54) Product in respect of which the design is registered: **Cultivator**
(51) International Design Classification: **08-01**
(74) Name(s) of Attorney(s): **Davies Collison Cave**
(71) Name(s) and Address(s) of Applicant(s):
Fiskars Garden Oy Ab
FI-10330 Billnas Finland
(72) Name(s) of Designer(s): **Jouni Salojarvi and Mika Sokka and Petteri Masalin and Heli Sade**
(45) Registration Date: **26 February 2015**
(30) Convention priority data:
(31) Number (32) Date (33) Country
002484923-0004 18 Jun 2014 OFFICE FOR HARMONISATION IN THE INTERNAL MARKET (OHIM)
(56) Related Art Documents: **Not Applicable**
(57) Statement of Newness and Distinctiveness: **Nil**



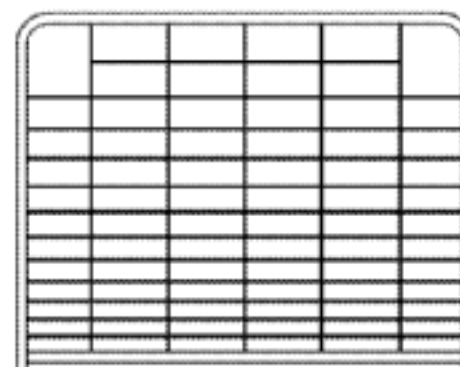
- (21) Design Number: **16560/2014**
(22) Date of Filing Application: **16 December 2014**
(24) Date from which industrial property rights may have effect: **16 December 2014**
(54) Product in respect of which the design is registered: **Gate**
(51) International Design Classification: **25-02C**
(74) Name(s) of Attorney(s): **Davies Collison Cave**
(71) Name(s) and Address(s) of Applicant(s):
Austral Wire Products Pty
134 Hassall St Wetherill Park NSW 2164 Australia
(72) Name(s) of Designer(s): **Eric Thorncroft**
(45) Registration Date: **26 February 2015**
(56) Related Art Documents: **Not Applicable**
(57) Statement of Newness and Distinctiveness: **Newness and distinctiveness is claimed in the visual features shown in the representations. In considering the scope of protection, it should be understood that the width of the gate and thus the number of vertical strands, can vary.**



- (21) Design Number: **16561/2014**
(22) Date of Filing Application: **16 December 2014**
(24) Date from which industrial property rights may have effect: **16 December 2014**
(54) Product in respect of which the design is registered: **Gate**
(51) International Design Classification: **25-02C**
(74) Name(s) of Attorney(s): **Davies Collison Cave**
(71) Name(s) and Address(s) of Applicant(s):
Austral Wire Products Pty
134 Hassall St Wetherill Park NSW 2164 Australia
(72) Name(s) of Designer(s): **Eric Thorncroft**
(45) Registration Date: **26 February 2015**
(56) Related Art Documents: **Not Applicable**
(57) Statement of Newness and Distinctiveness: **Newness and distinctiveness is claimed in the visual features shown in the representations. In considering the scope of protection, it should be understood that the width of the gate and thus the number of vertical strands, can vary.**



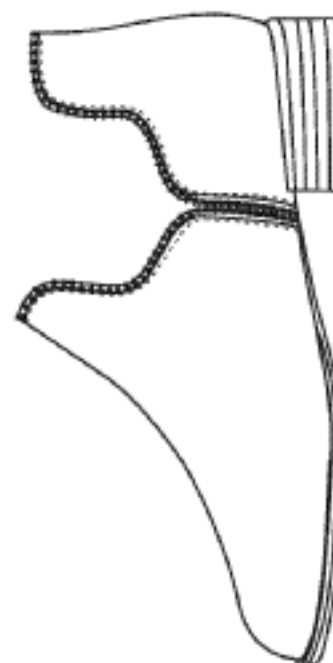
- (21) Design Number: **16562/2014**
(22) Date of Filing Application: **16 December 2014**
(24) Date from which industrial property rights may have effect: **16 December 2014**
(54) Product in respect of which the design is registered: **Gate**
(51) International Design Classification: **08-01**
(74) Name(s) of Attorney(s): **Davies Collison Cave**
(71) Name(s) and Address(s) of Applicant(s):
Austral Wire Products Pty
134 Hassall Street Wetherill Park NSW 2164
(72) Name(s) of Designer(s): **Eric Thorncroft**
(45) Registration Date: **26 February 2015**
(56) Related Art Documents: **Not Applicable**
(57) Statement of Newness and Distinctiveness: **Newness and distinctiveness is claimed in the visual features shown in the representations. In considering the scope of protection, it should be understood that the width of the gate and thus the number of vertical strands, can vary.**



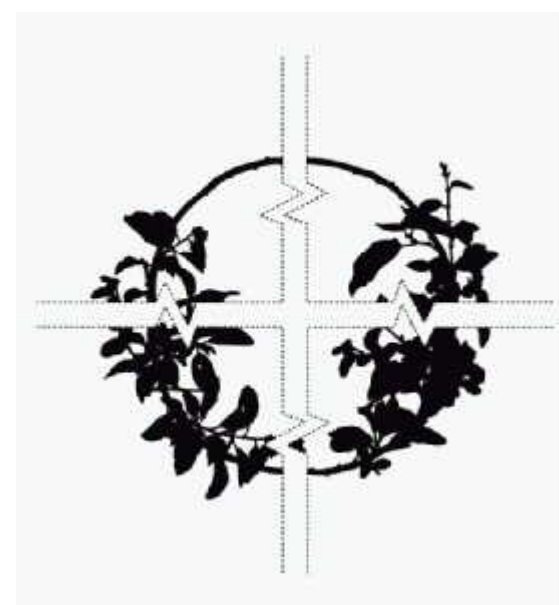
- (21) Design Number: **16605/2014**
(22) Date of Filing Application: **19 December 2014**
(24) Date from which industrial property rights may have effect: **19 December 2014**
(54) Product in respect of which the design is registered: **Play mat**
(51) International Design Classification: **06-11**
(74) Name(s) of Attorney(s): **Sharon Givoni Consulting**
(71) Name(s) and Address(s) of Applicant(s):
Bubble and Bee Pty Ltd
11 Evergreen Pde Flagstaff Hill SA 5159 Australia
(72) Name(s) of Designer(s): **Sian Cvorkov**
(45) Registration Date: **26 February 2015**
(56) Related Art Documents: **Not Applicable**
(57) Statement of Newness and Distinctiveness: **Newness and distinctiveness resides in the visual features, including shape, configuration and ornamentation of the product as shown in the accompanying photographs, but not including any two-dimensional images on the product or any specific colours on the product.**



- (21) Design Number: **16632/2014**
(22) Date of Filing Application: **22 December 2014**
(24) Date from which industrial property rights may have effect: **22 December 2014**
(54) Product in respect of which the design is registered: **Footwear**
(51) International Design Classification: **02-04NES**
(74) Name(s) of Attorney(s): **Davies Collison Cave**
(71) Name(s) and Address(s) of Applicant(s):
Kim Meller Imports Pty Ltd
20 Hutchinson St Surry Hills NSW 2010 Australia
(72) Name(s) of Designer(s): **Skye Elizabeth Meller**
(45) Registration Date: **26 February 2015**
(56) Related Art Documents: **Not Applicable**
(57) Statement of Newness and Distinctiveness: **Newness and Distinctiveness is claimed in the visual features of shape and configuration of the upper of the shoe as shown in solid lines in the representations. In considering the extent of newness and distinctiveness, the heel of the shoe as shown in broken lines should be disregarded.**



- (21) Design Number: **16643/2014**
(22) Date of Filing Application: **23 December 2014**
(24) Date from which industrial property rights may have effect: **23 December 2014**
(54) Product in respect of which the design is registered: **Decorative screen, mirror, fabric, wallpaper**
(51) International Design Classification: **05-06NES**
(74) Name(s) of Attorney(s):
(71) Name(s) and Address(s) of Applicant(s):
Katherine Ann Brennan
KIF & KATAST PO BOX 1256 Fitzroy North VIC 3068 Australia
(72) Name(s) of Designer(s): **Katherine Ann Brennan**
(45) Registration Date: **26 February 2015**
(56) Related Art Documents: **Not Applicable**
(57) Statement of Newness and Distinctiveness: **Nil**



(21) Design Number: **10472/2015**

(22) Date of Filing Application: **30 January 2015**

(24) Date from which industrial property rights may have effect: **30 January 2015**

(54) Product in respect of which the design is registered: **Stool**

(51) International Design Classification: **06-01E**

(74) Name(s) of Attorney(s): **Shelston IP**

(71) Name(s) and Address(s) of Applicant(s):

Kristalia S.r.l.

Via Calderano 5 Brugnera 33070 Italy

(72) Name(s) of Designer(s): **Xavier Lust**

(45) Registration Date: **26 February 2015**

(30) Convention priority data:

(31) Number
002549238

(32) Date
01 Oct 2014

(33) Country
**OFFICE FOR HARMONISATION IN
THE INTERNAL MARKET (OHIM)**

(56) Related Art Documents: **Not Applicable**

(57) Statement of Newness and Distinctiveness: **Newness and distinctiveness
reside in the shape and configuration of a design for a stool as shown
in the accompanying representations.**



(21) Design Number: **10473/2015**

(22) Date of Filing Application: **30 January 2015**

(24) Date from which industrial property rights may have effect: **30 January 2015**

(54) Product in respect of which the design is registered: **Child seat**

(51) International Design Classification: **06-01D**

(74) Name(s) of Attorney(s): **SPRUSON & FERGUSON**

(71) Name(s) and Address(s) of Applicant(s):

Buitendag Holdings (Proprietary) Limited

352 31st Avenue Villieria Pretoria 0186 South Africa

(72) Name(s) of Designer(s): **Johan Nicolaas Buitendag**

(45) Registration Date: **26 February 2015**

(30) Convention priority data:

(31) Number
A2014/01923

(32) Date
17 Dec 2014

(33) Country
SOUTH AFRICA

(56) Related Art Documents: **Not Applicable**

(57) Statement of Newness and Distinctiveness: **Newness and distinctiveness
is claimed in the features of shape and/or configuration of a child seat
as illustrated in the accompanying representations.**



(21) Design Number: **10474/2015**

(22) Date of Filing Application: **30 January 2015**

(24) Date from which industrial property rights may have effect: **30 January 2015**

(54) Product in respect of which the design is registered: **Bluetooth speaker**

(51) International Design Classification: **14-01**

(74) Name(s) of Attorney(s): **Freehills Patent Attorneys**

(71) Name(s) and Address(s) of Applicant(s):

Intermed Asia Limited

**6/F, Block B, Eldex Industrial Building 21 Ma Tau Wai Road Hung Hom
Kowloon Hong Kong**

(72) Name(s) of Designer(s): **Olivier Andre**

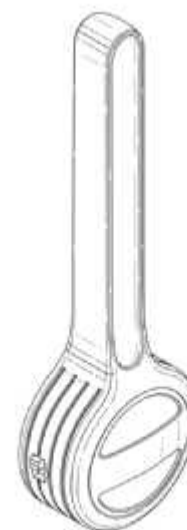
(45) Registration Date: **26 February 2015**

(30) Convention priority data:

(31) Number	(32) Date	(33) Country
1401566.7M004	21 Aug 2014	HONG KONG

(56) Related Art Documents: **Not Applicable**

(57) Statement of Newness and Distinctiveness: **Newness and distinctiveness of the design resides in the features of shape and configuration of the bluetooth speaker as shown in the accompanying representations. The fine lines on the bluetooth speaker represent lines of contour and are not pattern or ornamentation.**



(21) Design Number: **10475/2015**

(22) Date of Filing Application: **30 January 2015**

(24) Date from which industrial property rights may have effect: **30 January 2015**

(54) Product in respect of which the design is registered: **Car charger**

(51) International Design Classification: **13-02**

(74) Name(s) of Attorney(s): **Freehills Patent Attorneys**

(71) Name(s) and Address(s) of Applicant(s):

Intermed Asia Limited

**6/F, Block B, Eldex Industrial Building 21 Ma Tau Wai Road Hung Hom
Kowloon Hong Kong**

(72) Name(s) of Designer(s): **Olivier Andre**

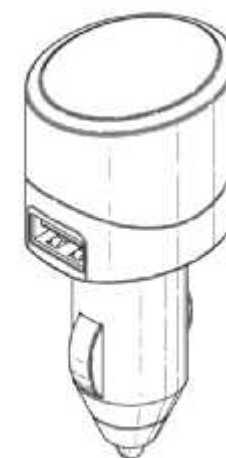
(45) Registration Date: **26 February 2015**

(30) Convention priority data:

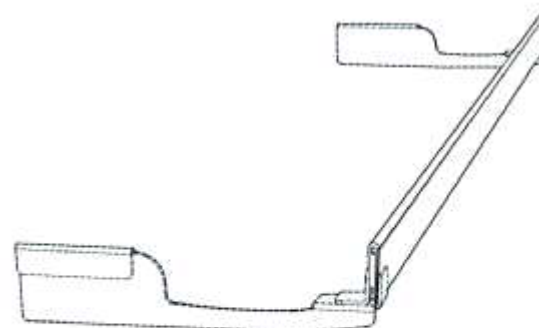
(31) Number	(32) Date	(33) Country
1401567.9M001	21 Aug 2014	HONG KONG

(56) Related Art Documents: **Not Applicable**

(57) Statement of Newness and Distinctiveness: **Newness and distinctiveness of the design resides in the features of shape and configuration of the car charger as shown in the accompanying representations. The fine lines on the car charger represent lines of contour and are not pattern or ornamentation.**

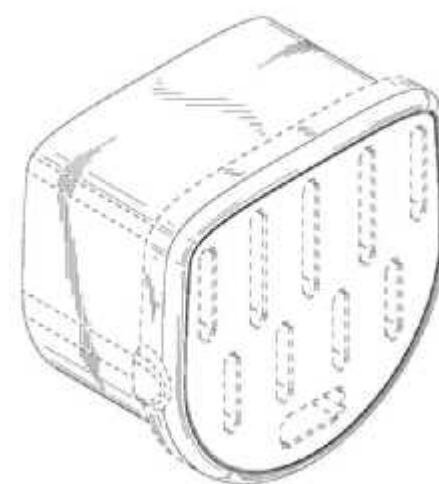


(21) Design Number: **15736/2014**
(22) Date of Filing Application: **11 November 2014**
(24) Date from which industrial property rights may have effect: **11 November 2014**
(54) Product in respect of which the design is registered: **Air curtain guides for refrigerators**
(51) International Design Classification: **15-07**
(74) Name(s) of Attorney(s): **Churchill Attorneys**
(71) Name(s) and Address(s) of Applicant(s):
Fridgeland UK Limited
Suite B1.2 Clarence Mill Business Centre Macclesfield Cheshire SK10
5JZ United Kingdom
(72) Name(s) of Designer(s): **Paul McAndrew**
(45) Registration Date: **26 February 2015**
(30) Convention priority data:
(31) Number (32) Date (33) Country
002465898 16 May 2014 OFFICE FOR HARMONISATION IN
THE INTERNAL MARKET (OHIM)



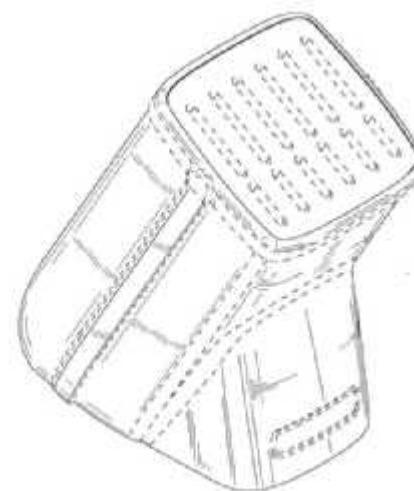
(56) Related Art Documents: **Not Applicable**
(57) Statement of Newness and Distinctiveness: **The newness and distinctiveness of the design resides in the shape of the curtain guides as shown in the continuous lines in the accompanying representations. The broken lines are not part of the design and are to be disregarded when considering the overall impression of the design.**

(21) Design Number: **10177/2015**
(22) Date of Filing Application: **14 January 2015**
(24) Date from which industrial property rights may have effect: **14 January 2015**
(54) Product in respect of which the design is registered: **Metal knife block face plate**
(51) International Design Classification: **07-99NES**
(74) Name(s) of Attorney(s): **PHILLIPS ORMONDE FITZPATRICK**
(71) Name(s) and Address(s) of Applicant(s):
Whirlpool Corporation
2000 North M-63 MD3601 Benton Harbor Michigan 49022 United States
of America
(72) Name(s) of Designer(s): **Leif A. Norland and Wenkai Wu and John W**
McConnell
(45) Registration Date: **26 February 2015**
(30) Convention priority data:
(31) Number (32) Date (33) Country
29/506,943 22 Oct 2014 UNITED STATES OF AMERICA



(56) Related Art Documents: **Not Applicable**
(57) Statement of Newness and Distinctiveness: **Those features of the metal knife block face plate depicted in the representations that are new and distinctive are the shape and/or configuration. The features shown in broken lines are not part of the design and are to be disregarded when considering the overall impression of the design.**

(21) Design Number: **10178/2015**
(22) Date of Filing Application: **14 January 2015**
(24) Date from which industrial property rights may have effect: **14 January 2015**
(54) Product in respect of which the design is registered: **Metal knife block**
(51) International Design Classification: **07-99NES**
(74) Name(s) of Attorney(s): **PHILLIPS ORMONDE FITZPATRICK**
(71) Name(s) and Address(s) of Applicant(s):
Whirlpool Corporation
2000 North M-63 MD3601 Benton Harbor Michigan 49022 United States of America



(72) Name(s) of Designer(s): **Leif A. Norland and Wenkai Wu and John W McConnell**
(45) Registration Date: **26 February 2015**
(30) Convention priority data:
(31) Number (32) Date (33) Country
29/506,947 22 Oct 2014 UNITED STATES OF AMERICA

(56) Related Art Documents: **Not Applicable**
(57) Statement of Newness and Distinctiveness: **Those features of the metal knife block depicted in the representations that are new and distinctive are the shape and/or configuration. The features shown in broken lines are not part of the design and are to be disregarded when considering the overall impression of the design.**

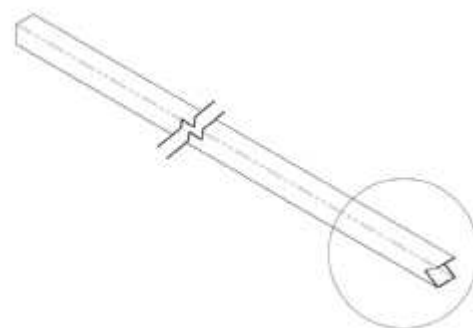
(21) Design Number: **10179/2015**
(22) Date of Filing Application: **14 January 2015**
(24) Date from which industrial property rights may have effect: **14 January 2015**
(54) Product in respect of which the design is registered: **Metal knife block**
(51) International Design Classification: **07-99NES**
(74) Name(s) of Attorney(s): **PHILLIPS ORMONDE FITZPATRICK**
(71) Name(s) and Address(s) of Applicant(s):
Whirlpool Corporation
2000 North M-63 MD3601 Benton Harbor Michigan 49022 United States of America



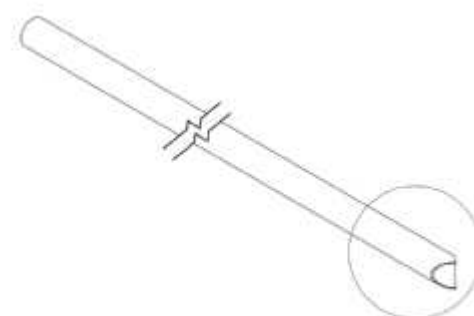
(72) Name(s) of Designer(s): **Leif A. Norland and Wenkai Wu and John W McConnell**
(45) Registration Date: **26 February 2015**
(30) Convention priority data:
(31) Number (32) Date (33) Country
29/506,946 22 Oct 2014 UNITED STATES OF AMERICA

(56) Related Art Documents: **Not Applicable**
(57) Statement of Newness and Distinctiveness: **Those features of the metal knife block depicted in the representations that are new and distinctive are the shape and/or configuration. The features shown in broken lines are not part of the design and are to be disregarded when considering the overall impression of the design.**

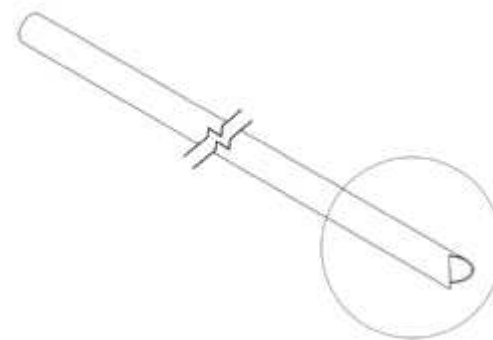
- (21) Design Number: **10460/2015**
(22) Date of Filing Application: **29 January 2015**
(24) Date from which industrial property rights may have effect: **29 January 2015**
(54) Product in respect of which the design is registered: **A post**
(51) International Design Classification: **25-01E**
(74) Name(s) of Attorney(s): **FB Rice**
(71) Name(s) and Address(s) of Applicant(s):
Whites Group Pty Ltd
4 Decker PI Huntingwood NSW 2148 Australia
(72) Name(s) of Designer(s): **Brian Gray and Peter Kelly**
(45) Registration Date: **26 February 2015**
(56) Related Art Documents: **Not Applicable**
(57) Statement of Newness and Distinctiveness: **Newness and distinctiveness reside in the features of shape and configuration of the post of indefinite length shown in the representations, but not in the specific length of the post.**



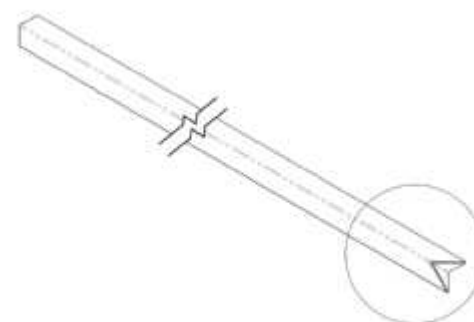
- (21) Design Number: **10461/2015**
(22) Date of Filing Application: **29 January 2015**
(24) Date from which industrial property rights may have effect: **29 January 2015**
(54) Product in respect of which the design is registered: **A post**
(51) International Design Classification: **25-01E**
(74) Name(s) of Attorney(s): **FB Rice**
(71) Name(s) and Address(s) of Applicant(s):
Whites Group Pty Ltd
4 Decker PI Huntingwood NSW 2148 Australia
(72) Name(s) of Designer(s): **Brian Gray and Peter Kelly**
(45) Registration Date: **26 February 2015**
(56) Related Art Documents: **Not Applicable**
(57) Statement of Newness and Distinctiveness: **Newness and distinctiveness reside in the features of shape and configuration of the post of indefinite length shown in the representations, but not in the specific length of the post.**



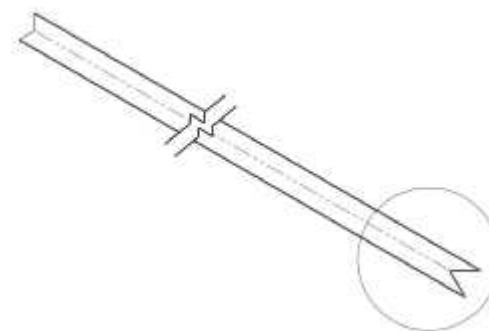
- (21) Design Number: **10462/2015**
(22) Date of Filing Application: **29 January 2015**
(24) Date from which industrial property rights may have effect: **29 January 2015**
(54) Product in respect of which the design is registered: **A post**
(51) International Design Classification: **25-01E**
(74) Name(s) of Attorney(s): **FB Rice**
(71) Name(s) and Address(s) of Applicant(s):
Whites Group Pty Ltd
4 Decker PI Huntingwood NSW 2148 Australia
(72) Name(s) of Designer(s): **Brian Gray and Peter Kelly**
(45) Registration Date: **26 February 2015**
(56) Related Art Documents: **Not Applicable**
(57) Statement of Newness and Distinctiveness: **Newness and distinctiveness reside in the features of shape and configuration of the post of indefinite length shown in the representations, but not in the specific length of the post.**



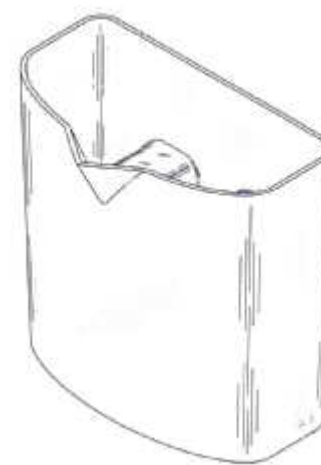
- (21) Design Number: **10463/2015**
(22) Date of Filing Application: **29 January 2015**
(24) Date from which industrial property rights may have effect: **29 January 2015**
(54) Product in respect of which the design is registered: **A post**
(51) International Design Classification: **25-01E**
(74) Name(s) of Attorney(s): **FB Rice**
(71) Name(s) and Address(s) of Applicant(s):
Whites Group Pty Ltd
4 Decker PI Huntingwood NSW 2148 Australia
(72) Name(s) of Designer(s): **Brian Gray and Peter Kelly**
(45) Registration Date: **26 February 2015**
(56) Related Art Documents: **Not Applicable**
(57) Statement of Newness and Distinctiveness: **Newness and distinctiveness reside in the features of shape and configuration of the post of indefinite length shown in the representations, but not in the specific length of the post.**



- (21) Design Number: **10464/2015**
(22) Date of Filing Application: **29 January 2015**
(24) Date from which industrial property rights may have effect: **29 January 2015**
(54) Product in respect of which the design is registered: **A post**
(51) International Design Classification: **25-01E**
(74) Name(s) of Attorney(s): **FB Rice**
(71) Name(s) and Address(s) of Applicant(s):
Whites Group Pty Ltd
4 Decker PI Huntingwood NSW 2148 Australia
(72) Name(s) of Designer(s): **Brian Gray and Peter Kelly**
(45) Registration Date: **26 February 2015**
(56) Related Art Documents: **Not Applicable**
(57) Statement of Newness and Distinctiveness: **Newness and distinctiveness reside in the features of shape and configuration of the post of indefinite length shown in the representations, but not in the specific length of the post.**



- (21) Design Number: **10468/2015**
(22) Date of Filing Application: **30 January 2015**
(24) Date from which industrial property rights may have effect: **30 January 2015**
(54) Product in respect of which the design is registered: **Jug**
(51) International Design Classification: **07-01F**
(74) Name(s) of Attorney(s):
(71) Name(s) and Address(s) of Applicant(s):
Kasey Tai
17 Tarrabool St Westlake QLD 4074 Australia
(72) Name(s) of Designer(s): **Kasey Tai**
(45) Registration Date: **26 February 2015**
(56) Related Art Documents: **Not Applicable**
(57) Statement of Newness and Distinctiveness: **A jug with a straight handle built into it, instead of having a handle hanging outside the jug, making it very easy and comfortable to handle, ergonomically, since the handle is so close to the center of weight. it also looks modern and unique.**



(21) Design Number: **10476/2015**
(22) Date of Filing Application: **30 January 2015**
(24) Date from which industrial property rights may have effect: **30 January 2015**
(54) Product in respect of which the design is registered: **Power bank**
(51) International Design Classification: **13-02**
(74) Name(s) of Attorney(s): **Freehills Patent Attorneys**
(71) Name(s) and Address(s) of Applicant(s):
Intermed Asia Limited
6/F, Block B, Eldex Industrial Building 21 Ma Tau Wai Road Hung Hom
Kowloon Hong Kong
(72) Name(s) of Designer(s): **Olivier Andre**
(45) Registration Date: **26 February 2015**
(30) Convention priority data:
(31) Number (32) Date (33) Country
1401567.9M003 21 Aug 2014 HONG KONG
(56) Related Art Documents: **Not Applicable**
(57) Statement of Newness and Distinctiveness: **Newness and distinctiveness of the design resides in the features of shape and configuration of the power bank as shown in the accompanying representations. The fine lines on the power bank represent lines of contour and are not pattern or ornamentation.**



(21) Design Number: **10477/2015**
(22) Date of Filing Application: **30 January 2015**
(24) Date from which industrial property rights may have effect: **30 January 2015**
(54) Product in respect of which the design is registered: **Respiratory filter housing**
(51) International Design Classification: **29-02**
(74) Name(s) of Attorney(s): **Freehills Patent Attorneys**
(71) Name(s) and Address(s) of Applicant(s):
JSP Limited
Worsham Mill Minster Lovell Oxfordshire OX8 5RX United Kingdom
(72) Name(s) of Designer(s): **Richard James Fleming**
(45) Registration Date: **26 February 2015**
(30) Convention priority data:
(31) Number (32) Date (33) Country
002570366 03 Nov 2014 OFFICE FOR HARMONISATION IN
THE INTERNAL MARKET (OHIM)
(56) Related Art Documents: **Not Applicable**
(57) Statement of Newness and Distinctiveness: **Newness and distinctiveness of the design resides in the features of shape and configuration of the respiratory filter housing as shown in the accompanying drawings.**



(21) Design Number: **10478/2015**

(22) Date of Filing Application: **30 January 2015**

(24) Date from which industrial property rights may have effect: **30 January 2015**

(54) Product in respect of which the design is registered: **Respiratory filter housing section**

(51) International Design Classification: **29-02**

(74) Name(s) of Attorney(s): **Freehills Patent Attorneys**

(71) Name(s) and Address(s) of Applicant(s):

JSP Limited

Worsham Mill Minster Lovell Oxfordshire OX8 5RX United Kingdom

(72) Name(s) of Designer(s): **Richard James Fleming**

(45) Registration Date: **26 February 2015**

(30) Convention priority data:

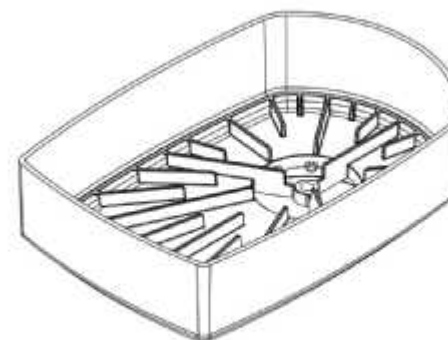
(31) Number
002570366

(32) Date
03 Nov 2014

(33) Country
**OFFICE FOR HARMONISATION IN
THE INTERNAL MARKET (OHIM)**

(56) Related Art Documents: **Not Applicable**

(57) Statement of Newness and Distinctiveness: **Newness and distinctiveness of the design resides in the features of shape and configuration of the respiratory filter housing section, in particular the internal bracing vanes, as shown in the accompanying representations.**



(21) Design Number: **10479/2015**

(22) Date of Filing Application: **30 January 2015**

(24) Date from which industrial property rights may have effect: **30 January 2015**

(54) Product in respect of which the design is registered: **Respiratory filter housing section**

(51) International Design Classification: **29-02**

(74) Name(s) of Attorney(s): **Freehills Patent Attorneys**

(71) Name(s) and Address(s) of Applicant(s):

JSP Limited

Worsham Mill Minster Lovell Oxfordshire OX8 5RX United Kingdom

(72) Name(s) of Designer(s): **Richard James Fleming**

(45) Registration Date: **26 February 2015**

(30) Convention priority data:

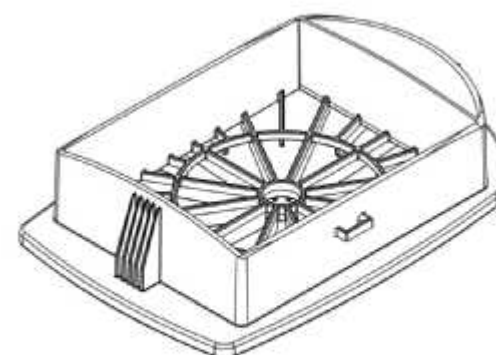
(31) Number
002570366

(32) Date
03 Nov 2014

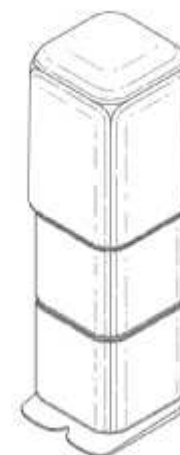
(33) Country
**OFFICE FOR HARMONISATION IN
THE INTERNAL MARKET (OHIM)**

(56) Related Art Documents: **Not Applicable**

(57) Statement of Newness and Distinctiveness: **Newness and distinctiveness of the design resides in the features of shape and configuration of the respiratory filter housing section, in particular the slider mechanism marked A in the accompanying representations.**



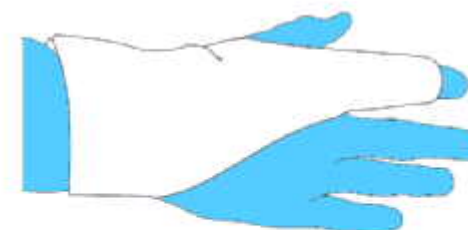
(21) Design Number: **10480/2015**
(22) Date of Filing Application: **30 January 2015**
(24) Date from which industrial property rights may have effect: **30 January 2015**
(54) Product in respect of which the design is registered: **Power bank**
(51) International Design Classification: **13-02**
(74) Name(s) of Attorney(s): **Freehills Patent Attorneys**
(71) Name(s) and Address(s) of Applicant(s):
Intermed Asia Limited
6/F, Block B, Eldex Industrial Building 21 Ma Tau Wai Road Hung Hom
Kowloon Hong Kong
(72) Name(s) of Designer(s): **Olivier Andre**
(45) Registration Date: **26 February 2015**
(30) Convention priority data:
(31) Number (32) Date (33) Country
1401567.9M004 21 Aug 2014 HONG KONG
(56) Related Art Documents: **Not Applicable**
(57) Statement of Newness and Distinctiveness: **Newness and distinctiveness of the design resides in the features of shape and configuration of the power bank as shown in the accompanying representations. The fine lines on the power bank represent lines of contour and are not pattern or ornamentation.**



(21) Design Number: **10482/2015**
(22) Date of Filing Application: **30 January 2015**
(24) Date from which industrial property rights may have effect: **30 January 2015**
(54) Product in respect of which the design is registered: **Cookware lid handle**
(51) International Design Classification: **07-02R**
(74) Name(s) of Attorney(s): **PIZZEYS**
(71) Name(s) and Address(s) of Applicant(s):
Meyer Intellectual Properties Ltd
382 Kwun Tong Road Kowloon Hong Kong
(72) Name(s) of Designer(s): **Philip D Barberi**
(45) Registration Date: **26 February 2015**
(30) Convention priority data:
(31) Number (32) Date (33) Country
29/497,931 30 Jul 2014 UNITED STATES OF AMERICA
(56) Related Art Documents: **Not Applicable**
(57) Statement of Newness and Distinctiveness: **Nil**



(21) Design Number: **10483/2015**
(22) Date of Filing Application: **30 January 2015**
(24) Date from which industrial property rights may have effect: **30 January 2015**
(54) Product in respect of which the design is registered: **A flexible orthosis**
(51) International Design Classification: **24-04**
(74) Name(s) of Attorney(s): **James & Wells**
(71) Name(s) and Address(s) of Applicant(s):



Wayne Charles Milicich
Matangi Rd Rd 4 Hamilton 3284 New Zealand

(72) Name(s) of Designer(s): **Wayne Charles Milicich**

(45) Registration Date: **26 February 2015**

(30) Convention priority data:

(31) Number	(32) Date	(33) Country
419176	15 Aug 2014	NEW ZEALAND

(56) Related Art Documents: **Not Applicable**

(57) Statement of Newness and Distinctiveness: **This design is to be applied to A Flexible Orthosis and the novelty resides in features of shape and configuration, all as shown in the accompanying representations. The portions of the representations in blue wash are not part of the design in which protection is sought.**

(21) Design Number: **10484/2015**
(22) Date of Filing Application: **30 January 2015**
(24) Date from which industrial property rights may have effect: **30 January 2015**
(54) Product in respect of which the design is registered: **Side handle for cookware**
(51) International Design Classification: **07-02R**
(74) Name(s) of Attorney(s): **PIZZEYS**
(71) Name(s) and Address(s) of Applicant(s):

Meyer Intellectual Properties Ltd
382 Kwun Tong Road Kowloon Hong Kong

(72) Name(s) of Designer(s): **Philip D. Barberi**

(45) Registration Date: **26 February 2015**

(30) Convention priority data:

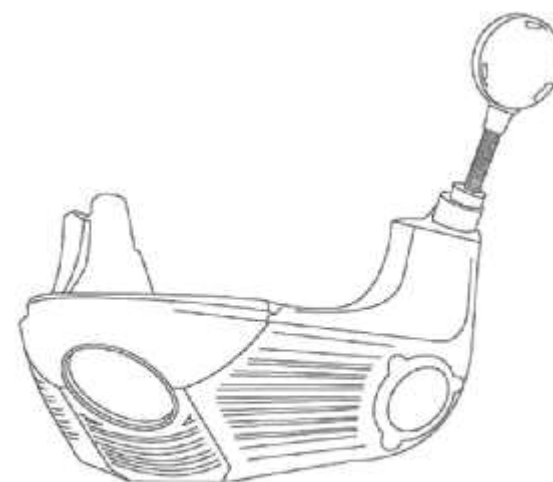
(31) Number	(32) Date	(33) Country
29/497,930	30 Jul 2014	UNITED STATES OF AMERICA

(56) Related Art Documents: **Not Applicable**

(57) Statement of Newness and Distinctiveness: **Nil**



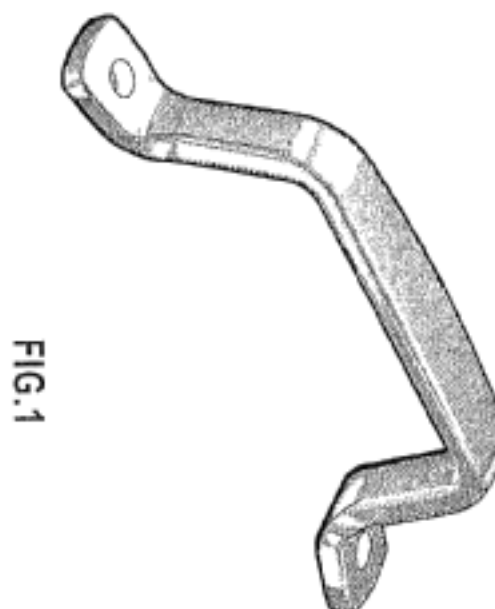
(21) Design Number: **10485/2015**
(22) Date of Filing Application: **30 January 2015**
(24) Date from which industrial property rights may have effect: **30 January 2015**
(54) Product in respect of which the design is registered: **Communication device for breathing masks**
(51) International Design Classification: **29-02, 14-03A**
(74) Name(s) of Attorney(s): **WATERMARK PATENT AND TRADE MARKS ATTORNEYS**
(71) Name(s) and Address(s) of Applicant(s):
Draeger Safety AG & Co. KGaA.
Revalstr. 1 Luebeck 23560 Germany
(72) Name(s) of Designer(s): **Lennart Wenzel and Bastiaan Soltesz**
(45) Registration Date: **26 February 2015**
(30) Convention priority data:
(31) Number (32) Date (33) Country
002511386-0001 30 Jul 2014 EUROPEAN PATENT OFFICE (EPO)
(56) Related Art Documents: **Not Applicable**
(57) Statement of Newness and Distinctiveness: **Nil**



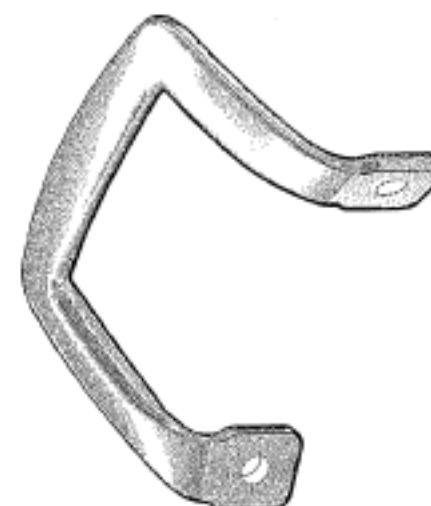
(21) Design Number: **10486/2015**
(22) Date of Filing Application: **30 January 2015**
(24) Date from which industrial property rights may have effect: **30 January 2015**
(54) Product in respect of which the design is registered: **Elongated side handle for cookware**
(51) International Design Classification: **07-02R**
(74) Name(s) of Attorney(s): **PIZZEYS**
(71) Name(s) and Address(s) of Applicant(s):
Meyer Intellectual Properties Ltd
382 Kwun Tong Road Kowloon Hong Kong
(72) Name(s) of Designer(s): **Philip D. Barberi**
(45) Registration Date: **26 February 2015**
(30) Convention priority data:
(31) Number (32) Date (33) Country
29/497,929 30 Jul 2014 UNITED STATES OF AMERICA
(56) Related Art Documents: **Not Applicable**
(57) Statement of Newness and Distinctiveness: **Nil**



(21) Design Number: **10488/2015**
(22) Date of Filing Application: **30 January 2015**
(24) Date from which industrial property rights may have effect: **30 January 2015**
(54) Product in respect of which the design is registered: **Cookware lid handle**
(51) International Design Classification: **07-02R**
(74) Name(s) of Attorney(s): **PIZZEYS**
(71) Name(s) and Address(s) of Applicant(s):
Meyer Intellectual Properties Ltd
382 Kwun Tong Rd Kowloon Hong Kong
(72) Name(s) of Designer(s): **Philip D. Barberi**
(45) Registration Date: **26 February 2015**
(30) Convention priority data:
(31) Number (32) Date (33) Country
29/497,947 30 Jul 2014 UNITED STATES OF AMERICA
(56) Related Art Documents: **Not Applicable**
(57) Statement of Newness and Distinctiveness: **Nil**



(21) Design Number: **10489/2015**
(22) Date of Filing Application: **30 January 2015**
(24) Date from which industrial property rights may have effect: **30 January 2015**
(54) Product in respect of which the design is registered: **Side handle for cookware**
(51) International Design Classification: **07-02R**
(74) Name(s) of Attorney(s): **PIZZEYS**
(71) Name(s) and Address(s) of Applicant(s):
Meyer Intellectual Properties Ltd
382 Kwun Tong Road Kowloon Hong Kong
(72) Name(s) of Designer(s): **Philip D. Barberi**
(45) Registration Date: **26 February 2015**
(30) Convention priority data:
(31) Number (32) Date (33) Country
29/497,937 30 Jul 2014 UNITED STATES OF AMERICA
(56) Related Art Documents: **Not Applicable**
(57) Statement of Newness and Distinctiveness: **Nil**

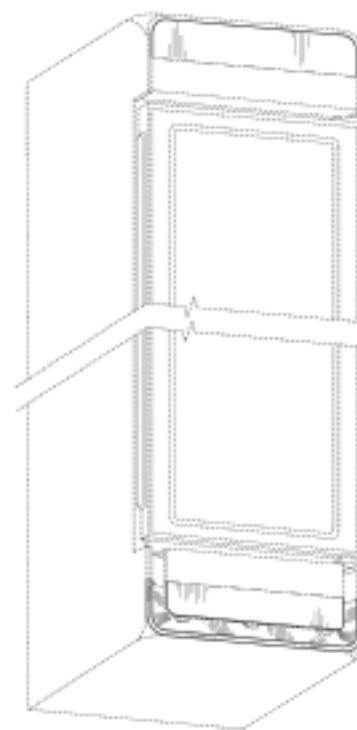


(21) Design Number: **10492/2015**
(22) Date of Filing Application: **30 January 2015**
(24) Date from which industrial property rights may have effect: **30 January 2015**
(54) Product in respect of which the design is registered: **Cooler**
(51) International Design Classification: **15-07**
(74) Name(s) of Attorney(s): **SPRUSON & FERGUSON**
(71) Name(s) and Address(s) of Applicant(s):
PepsiCo, Inc
700 Anderson Hill Road, Purchase New York, 10577 United States of America

(72) Name(s) of Designer(s): **Christian Stolarz and Martin Eduardo Broen**
(45) Registration Date: **26 February 2015**

(30) Convention priority data:
(31) Number (32) Date (33) Country
29/498313 01 Aug 2014 UNITED STATES OF AMERICA

(56) Related Art Documents: **Not Applicable**
(57) Statement of Newness and Distinctiveness: **Newness and distinctiveness is claimed in the features of shape and/or configuration of the front panel grill portion of a cooler illustrated in continuous lines in the accompanying representations, apart from the length of the cooler.**

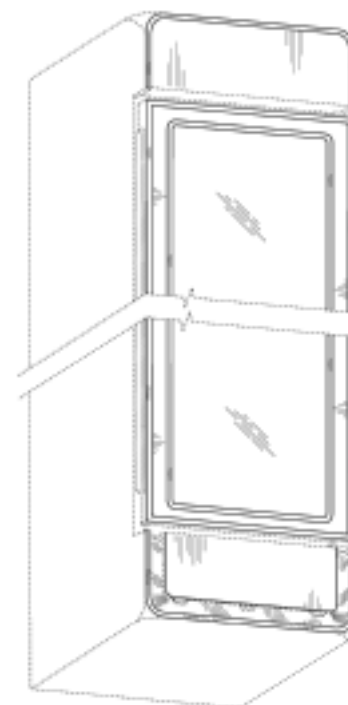


(21) Design Number: **10493/2015**
(22) Date of Filing Application: **30 January 2015**
(24) Date from which industrial property rights may have effect: **30 January 2015**
(54) Product in respect of which the design is registered: **Cooler**
(51) International Design Classification: **15-07**
(74) Name(s) of Attorney(s): **SPRUSON & FERGUSON**
(71) Name(s) and Address(s) of Applicant(s):
PepsiCo, Inc
700 Anderson Hill Road, Purchase New York, 10577 United States of America

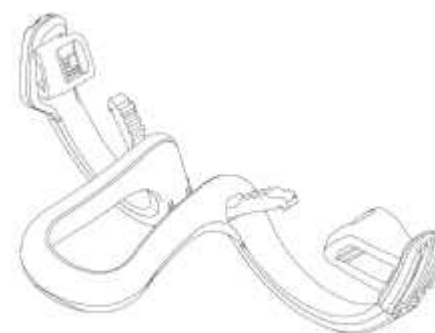
(72) Name(s) of Designer(s): **Christian Stolarz and Martin Eduardo Broen**
(45) Registration Date: **26 February 2015**

(30) Convention priority data:
(31) Number (32) Date (33) Country
29/504039 01 Oct 2014 UNITED STATES OF AMERICA

(56) Related Art Documents: **Not Applicable**
(57) Statement of Newness and Distinctiveness: **Newness and distinctiveness is claimed in the features of shape and/or configuration of the front panel grill portion of a cooler illustrated in continuous lines in the accompanying representations, apart from the length of the cooler.**



(21) Design Number: **10495/2015**
(22) Date of Filing Application: **30 January 2015**
(24) Date from which industrial property rights may have effect: **30 January 2015**
(54) Product in respect of which the design is registered: **Nasal dilator device**
(51) International Design Classification: **24-02**
(74) Name(s) of Attorney(s): **FB Rice**
(71) Name(s) and Address(s) of Applicant(s):
ASAP BreatheAssist Pty Ltd
SE1 1233 High St Armadale VIC 3143 Australia
(72) Name(s) of Designer(s): **Michael Ralph Burgess Johnson and Elizabeth Jane Pepper and Toby James Hartley and Justin Robert Armistead**
(45) Registration Date: **26 February 2015**
(56) Related Art Documents: **Not Applicable**
(57) Statement of Newness and Distinctiveness: **Nil**



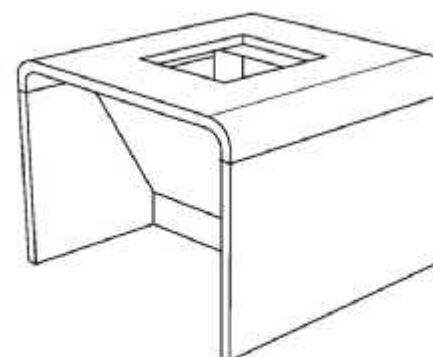
(21) Design Number: **10498/2015**
(22) Date of Filing Application: **30 January 2015**
(24) Date from which industrial property rights may have effect: **30 January 2015**
(54) Product in respect of which the design is registered: **Elongated side handle for cookware**
(51) International Design Classification: **07-02R**
(74) Name(s) of Attorney(s): **PIZZEYS**
(71) Name(s) and Address(s) of Applicant(s):
Meyer Intellectual Properties Ltd
382 Kwun Tong Rd Kowloon Hong Kong
(72) Name(s) of Designer(s): **Philip D. Barberi**
(45) Registration Date: **26 February 2015**
(30) Convention priority data:
(31) Number (32) Date (33) Country
29/497,935 30 Jul 2014 UNITED STATES OF AMERICA
(56) Related Art Documents: **Not Applicable**
(57) Statement of Newness and Distinctiveness: **Nil**



- (21) Design Number: **10505/2015**
(22) Date of Filing Application: **30 January 2015**
(24) Date from which industrial property rights may have effect: **30 January 2015**
(54) Product in respect of which the design is registered: **A light**
(51) International Design Classification: **26-05A**
(74) Name(s) of Attorney(s): **Cullens Patent and Trade Mark Attorneys**
(71) Name(s) and Address(s) of Applicant(s):
QEE Technology (Shenzen) Co., Ltd
Building 17, Hongfa Industrial Park Tang Tou Road, Shiyan, Bao'an
District Shenzhen Guangdong People's Republic of China
(72) Name(s) of Designer(s): **Kin Chung Cheng**
(45) Registration Date: **26 February 2015**
(56) Related Art Documents: **Not Applicable**
(57) Statement of Newness and Distinctiveness: **The new or distinctive features lie in the shape or configuration of the design.**



- (21) Design Number: **14789/2014**
(22) Date of Filing Application: **19 September 2014**
(24) Date from which industrial property rights may have effect: **19 September 2014**
(54) Product in respect of which the design is registered: **Bench for a BBQ**
(51) International Design Classification: **23-03G**
(74) Name(s) of Attorney(s): **Griffith Hack**
(71) Name(s) and Address(s) of Applicant(s):
D.A. CHRISTIE PTY. LTD.
12 Brassier Ave Dromana VIC 3936 Australia
(72) Name(s) of Designer(s): **Michael Chijoff**
(45) Registration Date: **27 February 2015**
(56) Related Art Documents: **Not Applicable**
(57) Statement of Newness and Distinctiveness: **Newness and distinctiveness resides in the shape and configuration of the product as shown by means of the solid lines, including the orientation of the slopping panel labeled Panel "A" in the representations. Figure 5 includes a dashed outline of a BBQ hot plate, and Figure 5 has been included for illustrative purposes and does not form part of the design.**



(21) Design Number: **16695/2014**
(22) Date of Filing Application: **24 December 2014**
(24) Date from which industrial property rights may have effect: **24 December 2014**
(54) Product in respect of which the design is registered: **Ceramic cutter**
(51) International Design Classification: **08-03**
(74) Name(s) of Attorney(s): **Davies Collison Cave**
(71) Name(s) and Address(s) of Applicant(s):

Germans Boada, S.A.
Pol.Ind.Can Roses Avenida Olimp#ades, s/n. Rubi Barcelona, 08191
Spain

(72) Name(s) of Designer(s): **Alex Rosello Gargallo**

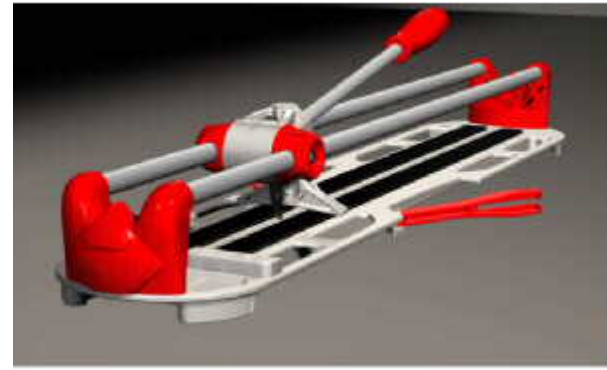
(45) Registration Date: **27 February 2015**

(30) Convention priority data:

(31) Number	(32) Date	(33) Country
002588376-0003	01 Dec 2014	OFFICE FOR HARMONISATION IN THE INTERNAL MARKET (OHIM)

(56) Related Art Documents: **Not Applicable**

(57) Statement of Newness and Distinctiveness: **Nil**



(21) Design Number: **10512/2015**
(22) Date of Filing Application: **30 January 2015**
(24) Date from which industrial property rights may have effect: **30 January 2015**
(54) Product in respect of which the design is registered: **Golf tee marking tool**
(51) International Design Classification: **21-02C**
(74) Name(s) of Attorney(s): **Pizzeys**
(71) Name(s) and Address(s) of Applicant(s):

TeeCorrect, LLC
106 E. Watauga Ave. Johnson City TN, 37601 United States of America

(72) Name(s) of Designer(s): **Daniel R. Schumaier and Jim Ferguson and David Jackson**

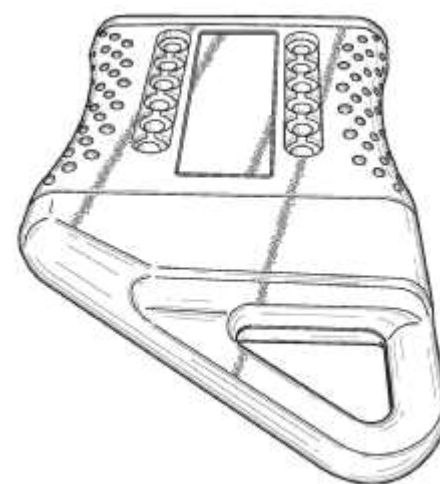
(45) Registration Date: **27 February 2015**

(30) Convention priority data:

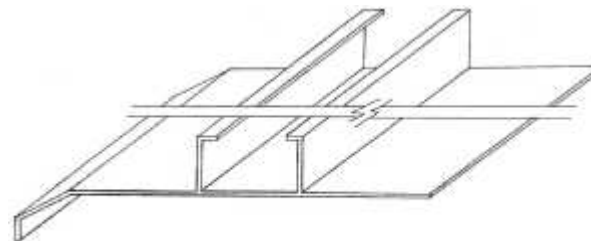
(31) Number	(32) Date	(33) Country
29/498,504	05 Aug 2014	UNITED STATES OF AMERICA

(56) Related Art Documents: **Not Applicable**

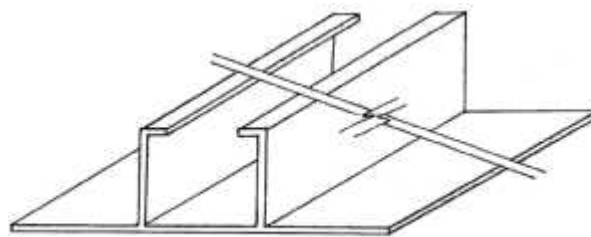
(57) Statement of Newness and Distinctiveness: **Nil**



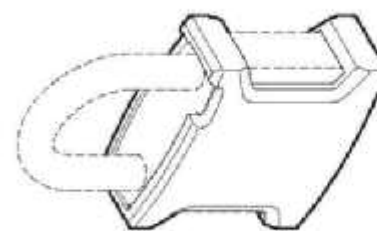
- (21) Design Number: **10514/2015**
(22) Date of Filing Application: **01 February 2015**
(24) Date from which industrial property rights may have effect: **01 February 2015**
(54) Product in respect of which the design is registered: **Extrusion**
(51) International Design Classification: **25-01K**
(74) Name(s) of Attorney(s): **Rohan Wallace Patent and Trade Mark Services**
(71) Name(s) and Address(s) of Applicant(s):
Modern Building Innovations Pty Ltd
108 Power Street Hawthorn VIC 3122 Australia
(72) Name(s) of Designer(s): **Danne Forte and Eric Philip Sunderland**
(45) Registration Date: **27 February 2015**
(56) Related Art Documents: **Not Applicable**
(57) Statement of Newness and Distinctiveness: **Newness and distinctiveness resides in the shape and or configuration of the extrusion of indefinite length**



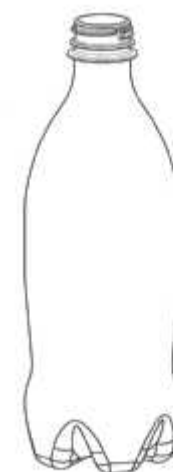
- (21) Design Number: **10515/2015**
(22) Date of Filing Application: **01 February 2015**
(24) Date from which industrial property rights may have effect: **01 February 2015**
(54) Product in respect of which the design is registered: **Extrusion**
(51) International Design Classification: **25-01K**
(74) Name(s) of Attorney(s): **Rohan Wallace Patent and Trade Mark Services**
(71) Name(s) and Address(s) of Applicant(s):
Modern Building Innovations Pty Ltd
108 Power Street Hawthorn VIC 3122 Australia
(72) Name(s) of Designer(s): **Danne Forte and Eric Philip Sunderland**
(45) Registration Date: **27 February 2015**
(56) Related Art Documents: **Not Applicable**
(57) Statement of Newness and Distinctiveness: **Newness and distinctiveness resides in the shape and or configuration of the extrusion of indefinite length**



(21) Design Number: **10516/2015**
(22) Date of Filing Application: **30 January 2015**
(24) Date from which industrial property rights may have effect: **30 January 2015**
(54) Product in respect of which the design is registered: **A cover for a padlock**
(51) International Design Classification: **08-07**
(74) Name(s) of Attorney(s): **PHILLIPS ORMONDE FITZPATRICK**
(71) Name(s) and Address(s) of Applicant(s):
ASSA ABLOY Australia Pty Limited
235 Huntingdale Rd Oakleigh VIC 3166 Australia
(72) Name(s) of Designer(s): **Craig Anthony Caspersz**
(45) Registration Date: **27 February 2015**
(56) Related Art Documents: **Not Applicable**
(57) Statement of Newness and Distinctiveness: **Those features of the cover for a padlock depicted in the representations that are new and distinctive are the shape and/or configuration. The features shown in broken lines are not part of the design and are to be disregarded when considering the overall impression of the design.**



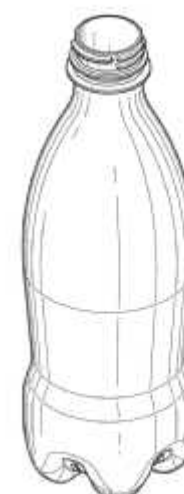
(21) Design Number: **10517/2015**
(22) Date of Filing Application: **30 January 2015**
(24) Date from which industrial property rights may have effect: **30 January 2015**
(54) Product in respect of which the design is registered: **Bottle**
(51) International Design Classification: **09-01NES**
(74) Name(s) of Attorney(s): **PHILLIPS ORMONDE FITZPATRICK**
(71) Name(s) and Address(s) of Applicant(s):
The Coca-Cola Company
One Coca-Cola Plaza N.W. Atlanta Georgia 30313 United States of America
(72) Name(s) of Designer(s): **Sterling Lane Steward**
(45) Registration Date: **27 February 2015**
(30) Convention priority data:
(31) Number (32) Date (33) Country
29/513,686 05 Jan 2015 UNITED STATES OF AMERICA
(56) Related Art Documents: **Not Applicable**
(57) Statement of Newness and Distinctiveness: **Nil**



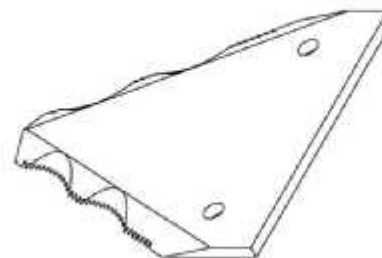
(21) Design Number: **10518/2015**
(22) Date of Filing Application: **30 January 2015**
(24) Date from which industrial property rights may have effect: **30 January 2015**
(54) Product in respect of which the design is registered: **Car/toy-car**
(51) International Design Classification: **12-08, 21-01C**
(74) Name(s) of Attorney(s): **PHILLIPS ORMONDE FITZPATRICK**
(71) Name(s) and Address(s) of Applicant(s):
Ferrari S.p.A.
Via Emilia Est 1163 Modena Italy
(72) Name(s) of Designer(s): **Matteo Gilles**
(45) Registration Date: **27 February 2015**
(30) Convention priority data:
(31) Number (32) Date (33) Country
**002513028 31 Jul 2014 OFFICE FOR HARMONISATION IN
THE INTERNAL MARKET (OHIM)**
(56) Related Art Documents: **Not Applicable**
(57) Statement of Newness and Distinctiveness: **Those features of the car and
toy-car depicted in the representations that are new and distinctive are
the shape and/or configuration. The wheels of the car and toy-car may
or may not form part of the design.**



(21) Design Number: **10519/2015**
(22) Date of Filing Application: **30 January 2015**
(24) Date from which industrial property rights may have effect: **30 January 2015**
(54) Product in respect of which the design is registered: **Bottle**
(51) International Design Classification: **09-01NES**
(74) Name(s) of Attorney(s): **PHILLIPS ORMONDE FITZPATRICK**
(71) Name(s) and Address(s) of Applicant(s):
The Coca-Cola Company
**One Coca-Cola Plaza N.W. Atlanta Georgia 30313 United States of
America**
(72) Name(s) of Designer(s): **Sterling Lane Steward**
(45) Registration Date: **27 February 2015**
(30) Convention priority data:
(31) Number (32) Date (33) Country
29/498,340 01 Aug 2014 UNITED STATES OF AMERICA
(56) Related Art Documents: **Not Applicable**
(57) Statement of Newness and Distinctiveness: **Nil**



(21) Design Number: **10520/2015**
(22) Date of Filing Application: **30 January 2015**
(24) Date from which industrial property rights may have effect: **30 January 2015**
(54) Product in respect of which the design is registered: **Blade**
(51) International Design Classification: **08-03**
(74) Name(s) of Attorney(s): **PHILLIPS ORMONDE FITZPATRICK**
(71) Name(s) and Address(s) of Applicant(s):
F & T Spagnolo Pty Ltd
133 Lime Ave Mildura VIC 3500 Australia
(72) Name(s) of Designer(s): **Fred Spagnolo**
(45) Registration Date: **27 February 2015**
(56) Related Art Documents: **Not Applicable**
(57) Statement of Newness and Distinctiveness: **Nil**



(21) Design Number: **10523/2015**
(22) Date of Filing Application: **02 February 2015**
(24) Date from which industrial property rights may have effect: **02 February 2015**
(54) Product in respect of which the design is registered: **Roller**
(51) International Design Classification: **28-03NES**
(74) Name(s) of Attorney(s): **SPRUSON & FERGUSON**
(71) Name(s) and Address(s) of Applicant(s):
Implus Footcare, LLC
2001 TW Alexander Drive Box 13925, Durham North Carolina,
27709-3925 United States of America
(72) Name(s) of Designer(s): **Peter Cassidy Phillips and Mauricio Delgado**
(45) Registration Date: **27 February 2015**
(30) Convention priority data:
(31) Number (32) Date (33) Country
29/498377 02 Aug 2014 UNITED STATES OF AMERICA
(56) Related Art Documents: **Not Applicable**
(57) Statement of Newness and Distinctiveness: **Newness and distinctiveness is claimed in the features of shape and/or configuration of a roller as illustrated in the accompanying representations.**



(21) Design Number: **10524/2015**
(22) Date of Filing Application: **02 February 2015**
(24) Date from which industrial property rights may have effect: **02 February 2015**
(54) Product in respect of which the design is registered: **Roller**
(51) International Design Classification: **28-03NES**
(74) Name(s) of Attorney(s): **SPRUSON & FERGUSON**
(71) Name(s) and Address(s) of Applicant(s):

Implus Footcare, LLC
2001 TW Alexander Drive Box 13925, Durham North Carolina,
27709-3925 United States of America

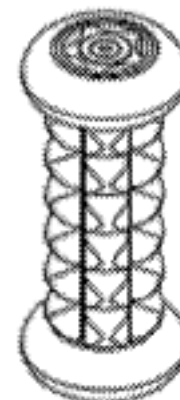
(72) Name(s) of Designer(s): **Peter Cassidy Phillips and Mauricio Delgado**
(45) Registration Date: **27 February 2015**

(30) Convention priority data:

(31) Number	(32) Date	(33) Country
29/498378	02 Aug 2014	UNITED STATES OF AMERICA

(56) Related Art Documents: **Not Applicable**

(57) Statement of Newness and Distinctiveness: **Newness and distinctiveness is claimed in the features of shape and/or configuration of a roller as illustrated in the accompanying representations.**



(21) Design Number: **10526/2015**
(22) Date of Filing Application: **02 February 2015**
(24) Date from which industrial property rights may have effect: **02 February 2015**
(54) Product in respect of which the design is registered: **Open end of a wrench head**
(51) International Design Classification: **08-05P**
(74) Name(s) of Attorney(s): **Adams Pluck**
(71) Name(s) and Address(s) of Applicant(s):

IDEAL Industries, Inc.
Becker Place Sycamore Illinois, 60178 United States of America

(72) Name(s) of Designer(s): **Brenton Michael Solar**

(45) Registration Date: **27 February 2015**

(30) Convention priority data:

(31) Number	(32) Date	(33) Country
29/499,285	13 Aug 2014	UNITED STATES OF AMERICA

(56) Related Art Documents: **Not Applicable**

(57) Statement of Newness and Distinctiveness: **The newness and distinctiveness of the design resides in the shape of the open end of a wrench head as shown in the continuous lines in the accompanying representations. The broken lines are not part of the design and are to be disregarded when considering the overall impression of the design.**



(21) Design Number: 10527/2015
(22) Date of Filing Application: 02 February 2015
(24) Date from which industrial property rights may have effect: 02 February 2015
(54) Product in respect of which the design is registered: Wrench handle
(51) International Design Classification: 08-05P
(74) Name(s) of Attorney(s): Adams Pluck
(71) Name(s) and Address(s) of Applicant(s):
IDEAL Industries, Inc.
Becker Place Sycamore Illinois, 60178 United States of America
(72) Name(s) of Designer(s): Brenton Michael Solar
(45) Registration Date: 27 February 2015
(30) Convention priority data:
(31) Number (32) Date (33) Country
29/499,290 13 Aug 2014 UNITED STATES OF AMERICA



(56) Related Art Documents: Not Applicable
(57) Statement of Newness and Distinctiveness: The newness and distinctiveness of the design resides in the shape of the wrench handle as shown in the continuous lines in the accompanying representations. The broken lines are not part of the design and are to be disregarded when considering the overall impression of the design.

(21) Design Number: 10528/2015
(22) Date of Filing Application: 02 February 2015
(24) Date from which industrial property rights may have effect: 02 February 2015
(54) Product in respect of which the design is registered: Wrench handle
(51) International Design Classification: 08-05P
(74) Name(s) of Attorney(s): Adams Pluck
(71) Name(s) and Address(s) of Applicant(s):
IDEAL Industries, Inc.
Becker Place Sycamore Illinois, 60178 United States of America
(72) Name(s) of Designer(s): Brenton Michael Solar
(45) Registration Date: 27 February 2015
(30) Convention priority data:
(31) Number (32) Date (33) Country
29/499,295 13 Aug 2014 UNITED STATES OF AMERICA



(56) Related Art Documents: Not Applicable
(57) Statement of Newness and Distinctiveness: The newness and distinctiveness of the design resides in the shape of the wrench handle as shown in the continuous lines in the accompanying representations. The broken lines are not part of the design and are to be disregarded when considering the overall impression of the design.

(21) Design Number: **10530/2015**

(22) Date of Filing Application: **02 February 2015**

(24) Date from which industrial property rights may have effect: **02 February 2015**

(54) Product in respect of which the design is registered: **Massage device**

(51) International Design Classification: **28-03NES**

(74) Name(s) of Attorney(s):

(71) Name(s) and Address(s) of Applicant(s):

Trigger Point Performance, Inc
5321 Industrial Oaks Blvd Suite 110 Austin Texas, 78735 United States of America

(72) Name(s) of Designer(s): **Peter Cassidy Phillips and Mauricio Delgado**

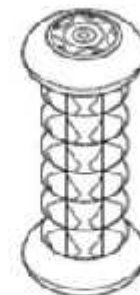
(45) Registration Date: **27 February 2015**

(30) Convention priority data:

(31) Number	(32) Date	(33) Country
29498378	02 Aug 2014	UNITED STATES OF AMERICA

(56) Related Art Documents: **Not Applicable**

(57) Statement of Newness and Distinctiveness: **Nil**



(21) Design Number: **10531/2015**

(22) Date of Filing Application: **02 February 2015**

(24) Date from which industrial property rights may have effect: **02 February 2015**

(54) Product in respect of which the design is registered: **Massage device**

(51) International Design Classification: **28-03NES**

(74) Name(s) of Attorney(s):

(71) Name(s) and Address(s) of Applicant(s):

Trigger Point Performance, Inc
5321 Industrial Oaks Blvd Suite 110 Austin Texas, 78735 United States of America

(72) Name(s) of Designer(s): **Peter Cassidy Phillips and Mauricio Delgado**

(45) Registration Date: **27 February 2015**

(30) Convention priority data:

(31) Number	(32) Date	(33) Country
29498379	02 Aug 2014	UNITED STATES OF AMERICA

(56) Related Art Documents: **Not Applicable**

(57) Statement of Newness and Distinctiveness: **Nil**



(21) Design Number: **10532/2015**

(22) Date of Filing Application: **02 February 2015**

(24) Date from which industrial property rights may have effect: **02 February 2015**

(54) Product in respect of which the design is registered: **Massage device**

(51) International Design Classification: **28-03NES**

(74) Name(s) of Attorney(s):

(71) Name(s) and Address(s) of Applicant(s):

Trigger Point Performance, Inc
5321 Industrial Oaks Blvd Suite 110 Austin Texas, 78735 United States of America

(72) Name(s) of Designer(s): **Peter Cassidy Phillips and Mauricio Delgado**

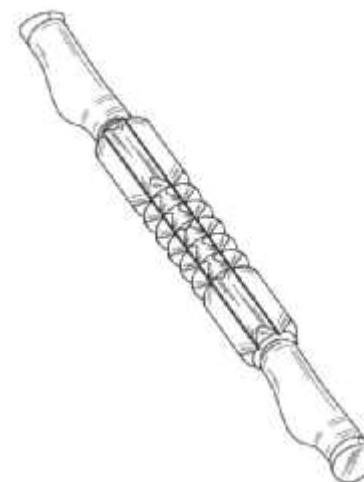
(45) Registration Date: **27 February 2015**

(30) Convention priority data:

(31) Number	(32) Date	(33) Country
29498377	02 Aug 2014	UNITED STATES OF AMERICA

(56) Related Art Documents: **Not Applicable**

(57) Statement of Newness and Distinctiveness: **Nil**



(21) Design Number: **10533/2015**

(22) Date of Filing Application: **02 February 2015**

(24) Date from which industrial property rights may have effect: **02 February 2015**

(54) Product in respect of which the design is registered: **Handle for massage device**

(51) International Design Classification: **28-03NES**

(74) Name(s) of Attorney(s):

(71) Name(s) and Address(s) of Applicant(s):

Trigger Point Performance, Inc
5321 Industrial Oaks Blvd Suite 110 Austin Texas, 78735 United States of America

(72) Name(s) of Designer(s): **Mauricio Delgado**

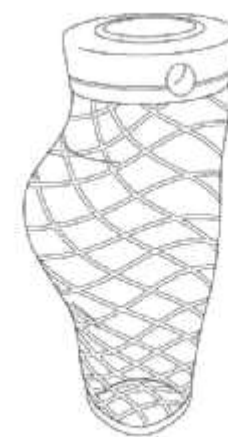
(45) Registration Date: **27 February 2015**

(30) Convention priority data:

(31) Number	(32) Date	(33) Country
29502269	12 Sep 2014	UNITED STATES OF AMERICA

(56) Related Art Documents: **Not Applicable**

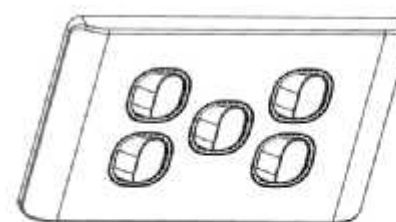
(57) Statement of Newness and Distinctiveness: **Nil**



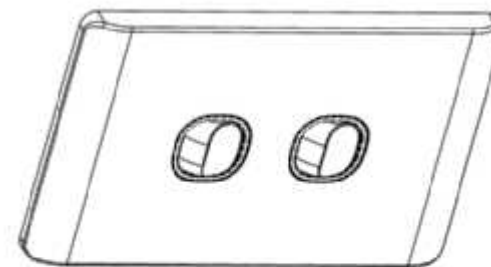
(21) Design Number: **16531/2014**
(22) Date of Filing Application: **16 December 2014**
(24) Date from which industrial property rights may have effect: **16 December 2014**
(54) Product in respect of which the design is registered: **Folding knife**
(51) International Design Classification: **08-03**
(74) Name(s) of Attorney(s): **Davies Collison Cave**
(71) Name(s) and Address(s) of Applicant(s):
Fiskars Garden Oy Ab
FI-10330 Billnas Finland
(72) Name(s) of Designer(s): **Jouni Salojarvi and Mika Sokka and Petteri Masalin and Heli Sade**
(45) Registration Date: **02 March 2015**
(30) Convention priority data:
(31) Number (32) Date (33) Country
002484923-0003 18 Jun 2014 OFFICE FOR HARMONISATION IN THE INTERNAL MARKET (OHIM)
(56) Related Art Documents: **Not Applicable**
(57) Statement of Newness and Distinctiveness: **Nil**



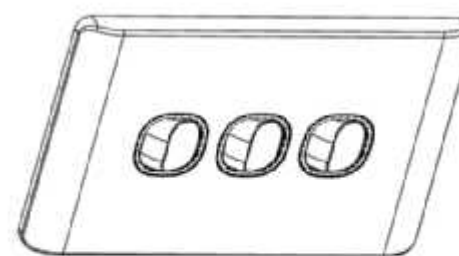
(21) Design Number: **16540/2014**
(22) Date of Filing Application: **16 December 2014**
(24) Date from which industrial property rights may have effect: **16 December 2014**
(54) Product in respect of which the design is registered: **Vertical switch assembly**
(51) International Design Classification: **13-03D**
(74) Name(s) of Attorney(s): **PHILLIPS ORMONDE FITZPATRICK**
(71) Name(s) and Address(s) of Applicant(s):
Gerard Trade Supplies Pty Ltd
PO BOX 2369 Kent Town DC SA 5071 Australia
(72) Name(s) of Designer(s): **Kristen Gaffney and Maxwell Dickison**
(45) Registration Date: **02 March 2015**
(56) Related Art Documents: **Not Applicable**
(57) Statement of Newness and Distinctiveness: **Newness and distinctiveness resides in the shape and configuration of a switch assembly as shown in the accompanying drawings. In considering the scope of monopoly, no regard is to be had of the features indicated in dotted lines.**



- (21) Design Number: **16553/2014**
(22) Date of Filing Application: **16 December 2014**
(24) Date from which industrial property rights may have effect: **16 December 2014**
(54) Product in respect of which the design is registered: **Vertical switch assembly**
(51) International Design Classification: **13-03D**
(74) Name(s) of Attorney(s): **PHILLIPS ORMONDE FITZPATRICK**
(71) Name(s) and Address(s) of Applicant(s):
Gerard Trade Supplies Pty Ltd
PO BOX 2369 Kent Town DC SA 5071 Australia
(72) Name(s) of Designer(s): **Kristen Gaffney and Maxwell Dickson**
(45) Registration Date: **02 March 2015**
(56) Related Art Documents: **Not Applicable**
(57) Statement of Newness and Distinctiveness: **Newness and distinctiveness resides in the shape and configuration of a switch assembly as shown in the accompanying drawings. In considering the scope of monopoly, no regard is to be had of the features indicated in dotted lines.**



- (21) Design Number: **16554/2014**
(22) Date of Filing Application: **16 December 2014**
(24) Date from which industrial property rights may have effect: **16 December 2014**
(54) Product in respect of which the design is registered: **Vertical switch assembly**
(51) International Design Classification: **13-03D**
(74) Name(s) of Attorney(s): **PHILLIPS ORMONDE FITZPATRICK**
(71) Name(s) and Address(s) of Applicant(s):
Gerard Trade Supplies Pty Ltd
PO BOX 2369 Kent Town DC SA 5071 Australia
(72) Name(s) of Designer(s): **Kristen Gaffney and Maxwell Dickson**
(45) Registration Date: **02 March 2015**
(56) Related Art Documents: **Not Applicable**
(57) Statement of Newness and Distinctiveness: **Newness and distinctiveness resides in the shape and configuration of a switch assembly as shown in the accompanying drawings. In considering the scope of monopoly, no regard is to be had of the features indicated in dotted lines.**



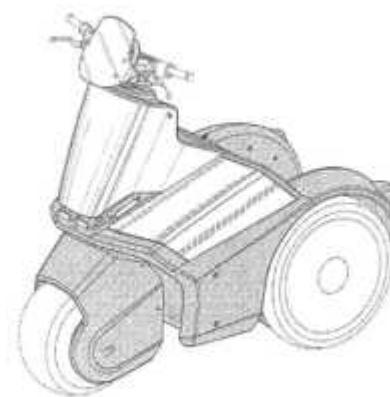
(21) Design Number: **16556/2014**
(22) Date of Filing Application: **16 December 2014**
(24) Date from which industrial property rights may have effect: **16 December 2014**
(54) Product in respect of which the design is registered: **Spade**
(51) International Design Classification: **08-01**
(74) Name(s) of Attorney(s): **Davies Collison Cave**
(71) Name(s) and Address(s) of Applicant(s):
Fiskars Garden Oy Ab
FI-1030 Billnas Finland
(72) Name(s) of Designer(s): **Jouni Salojarvi and Mika Sokka and Petteri Masalin and Heli Sade**
(45) Registration Date: **02 March 2015**
(30) Convention priority data:
(31) Number (32) Date (33) Country
002484923-0002 18 Jun 2014 OFFICE FOR HARMONISATION IN THE INTERNAL MARKET (OHIM)
(56) Related Art Documents: **Not Applicable**
(57) Statement of Newness and Distinctiveness: **Nil**



(21) Design Number: **16563/2014**
(22) Date of Filing Application: **16 December 2014**
(24) Date from which industrial property rights may have effect: **16 December 2014**
(54) Product in respect of which the design is registered: **Folding knife**
(51) International Design Classification: **08-03**
(74) Name(s) of Attorney(s): **Davies Collison Cave**
(71) Name(s) and Address(s) of Applicant(s):
Fiskars Garden Oy Ab
FI-10330 Billnas Finland
(72) Name(s) of Designer(s): **Jouni Salojarvi and Mika Sokka and Petteri Masalin and Heli Sade**
(45) Registration Date: **02 March 2015**
(30) Convention priority data:
(31) Number (32) Date (33) Country
002484923-0006 18 Jun 2014 OFFICE FOR HARMONISATION IN THE INTERNAL MARKET (OHIM)
(56) Related Art Documents: **Not Applicable**
(57) Statement of Newness and Distinctiveness: **Nil**



- (21) Design Number: **16608/2014**
(22) Date of Filing Application: **19 December 2014**
(24) Date from which industrial property rights may have effect: **09 October 2014**
(54) Product in respect of which the design is registered: **Vehicle body**
(51) International Design Classification: **12-11**
(74) Name(s) of Attorney(s): **Davies Collison Cave**
(71) Name(s) and Address(s) of Applicant(s):
Segway Inc.
14 Technology Dr Bedford NH, 03110-6908 United States of America
(72) Name(s) of Designer(s): **Matthew J. Harding and Robert J. Bowman and Joseph A. Hoell Jr and Brendan Collins and William J. Twomey and Michael J. Casey**
(45) Registration Date: **02 March 2015**
(62) Divisional of: **359750**
(56) Related Art Documents: **Not Applicable**
(57) Statement of Newness and Distinctiveness: **Newness and distinctiveness is claimed in the visual features shown in solid lines in the representations. In considering the extent of the design rights, the broken lines shown in the representations are for illustrative purposes only and do not form part of the design.**



- (21) Design Number: **16690/2014**
(22) Date of Filing Application: **24 December 2014**
(24) Date from which industrial property rights may have effect: **24 December 2014**
(54) Product in respect of which the design is registered: **Ceramic cutter**
(51) International Design Classification: **08-03**
(74) Name(s) of Attorney(s): **Davies Collison Cave**
(71) Name(s) and Address(s) of Applicant(s):
Germans Boada, S.A.
Pol.Ind.Can Roses Avenida Olimp#ades, s/n. Rubi Barcelona, 08191 Spain
(72) Name(s) of Designer(s): **Alex Rosello Gargallo**
(45) Registration Date: **02 March 2015**
(30) Convention priority data:
(31) Number (32) Date (33) Country
002588376-0001 01 Dec 2014 OFFICE FOR HARMONISATION IN THE INTERNAL MARKET (OHIM)
(56) Related Art Documents: **Not Applicable**
(57) Statement of Newness and Distinctiveness: **Nil**



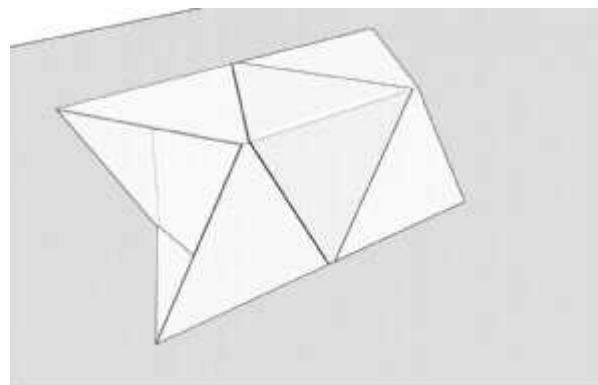
- (21) Design Number: **10099/2015**
(22) Date of Filing Application: **09 January 2015**
(24) Date from which industrial property rights may have effect: **09 January 2015**
(54) Product in respect of which the design is registered: **Case for an electronic cigarette**
(51) International Design Classification: **27-06**
(74) Name(s) of Attorney(s): **Davies Collison Cave**
(71) Name(s) and Address(s) of Applicant(s):
Beyond Twenty Ltd
107 Maltings Place 169 Tower Bridge Road London SE1 3LJ United Kingdom
(72) Name(s) of Designer(s): **Adrian Bennett and Ian Murison**
(45) Registration Date: **02 March 2015**
(30) Convention priority data:
(31) Number (32) Date (33) Country
002500322 10 Jul 2014 EUROPEAN PATENT OFFICE (EPO)
(56) Related Art Documents: **Not Applicable**
(57) Statement of Newness and Distinctiveness: **Newness and distinctiveness is claimed in the visual features shown in solid lines in the representations. In considering the extent of the design rights, the broken lines shown in the representations are for illustrative purposes only and do not form part of the design. In considering the extent of the design rights, the cigarette shown in Figures 11 and 12 is for reference only and does not form part of the design.**



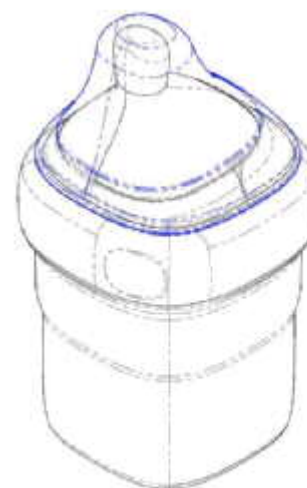
- (21) Design Number: **10544/2015**
(22) Date of Filing Application: **02 February 2015**
(24) Date from which industrial property rights may have effect: **02 February 2015**
(54) Product in respect of which the design is registered: **Medical Imaging Device**
(51) International Design Classification: **24-01**
(74) Name(s) of Attorney(s): **Franke Hyland**
(71) Name(s) and Address(s) of Applicant(s):
Visionflex Pty Ltd
1/8 Prosperity Pde Warriewood NSW 2102
(72) Name(s) of Designer(s): **Michael Harman and David Feng**
(45) Registration Date: **02 March 2015**
(56) Related Art Documents: **Not Applicable**
(57) Statement of Newness and Distinctiveness: **Newness and originality are claimed in the design as illustrated in the accompanying drawings. In considering the scope of the design, the tool bracket may be removed and inserted in a different orientation, and the screen may be tilted out from the body of the device, as shown in the last drawing.**



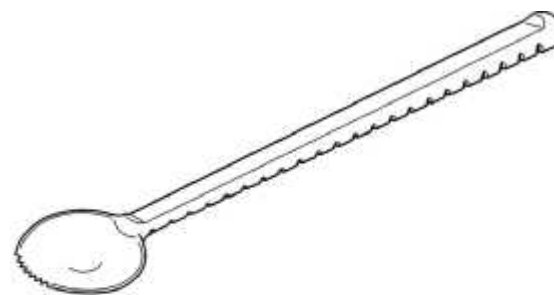
- (21) Design Number: **10545/2015**
(22) Date of Filing Application: **02 February 2015**
(24) Date from which industrial property rights may have effect: **02 February 2015**
(54) Product in respect of which the design is registered: **Table or seat**
(51) International Design Classification: **06-03B, 06-01L**
(74) Name(s) of Attorney(s):
(71) Name(s) and Address(s) of Applicant(s):
 Carl Holder
 3 Wattle St Yaroomba QLD 4573 Australia
(72) Name(s) of Designer(s): **Carl Holder**
(45) Registration Date: **02 March 2015**
(56) Related Art Documents: **Not Applicable**
(57) Statement of Newness and Distinctiveness: **A modular, geometric furniture piece that appears to be of a single folded plate like construction allowing multiple pieces to lock together to form bigger pieces.**



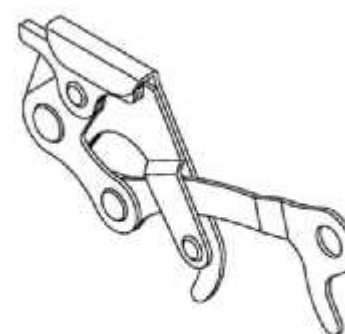
- (21) Design Number: **16105/2014**
(22) Date of Filing Application: **26 November 2014**
(24) Date from which industrial property rights may have effect: **26 November 2014**
(54) Product in respect of which the design is registered: **Feeding bottle**
(51) International Design Classification: **07-01E**
(74) Name(s) of Attorney(s): **A.J. Pietras & Co**
(71) Name(s) and Address(s) of Applicant(s):
 Fitson Singapore PTE Ltd
 625 Aljunied Road #06-04A Aljunied Industrial Complex Singapore
 389836 Singapore
(72) Name(s) of Designer(s): **David Anthony Edgerley and Chan Ching and**
 Graham Antony Tulett
(45) Registration Date: **03 March 2015**
(30) Convention priority data:
 (31) Number (32) Date (33) Country
 D2014/671/B 27 May 2014 SINGAPORE
(56) Related Art Documents: **Not Applicable**
(57) Statement of Newness and Distinctiveness: **The design is to be applied to a feeding bottle and the novelty resides in the features of shape and configuration as shown in the accompanying representations.**



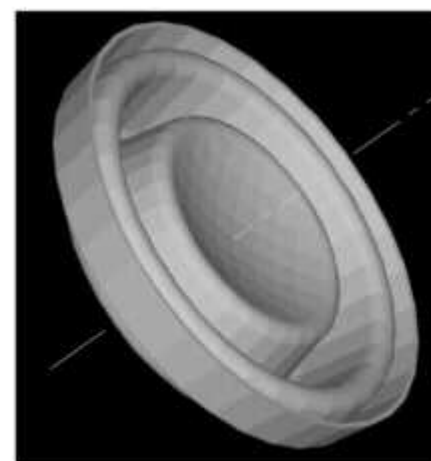
- (21) Design Number: **16624/2014**
(22) Date of Filing Application: **21 December 2014**
(24) Date from which industrial property rights may have effect: **21 December 2014**
(54) Product in respect of which the design is registered: **Hand tool for debridement**
(51) International Design Classification: **24-02**
(74) Name(s) of Attorney(s):
(71) Name(s) and Address(s) of Applicant(s):
Mundipharma Pty Limited
L33 50 Bridge St Sydney NSW 2000 Australia
(72) Name(s) of Designer(s): **John Charles Price**
(45) Registration Date: **03 March 2015**
(56) Related Art Documents: **Not Applicable**
(57) Statement of Newness and Distinctiveness: **The visual features of the overall shape and configuration of the hand tool product A as shown in the representations are regarded as new and distinctive. The graduated transverse grooves along the handle of product A are not to be regarded as new and distinctive in the context of the design as a whole.**



- (21) Design Number: **16635/2014**
(22) Date of Filing Application: **22 December 2014**
(24) Date from which industrial property rights may have effect: **22 December 2014**
(54) Product in respect of which the design is registered: **Wire grippers**
(51) International Design Classification: **08-05P**
(74) Name(s) of Attorney(s): **PHILLIPS ORMONDE FITZPATRICK**
(71) Name(s) and Address(s) of Applicant(s):
Nagaki Seiki Co., Ltd.
4-31, Tashiden 3-chome Daito-shi Osaka, 574-0045 Japan
(72) Name(s) of Designer(s): **Takayuki Nagaki**
(45) Registration Date: **03 March 2015**
(30) Convention priority data:
(31) Number (32) Date (33) Country
2014-014084 27 Jun 2014 JAPAN
(56) Related Art Documents: **Not Applicable**
(57) Statement of Newness and Distinctiveness: **Those features of the wire grippers depicted in the representations that are new and distinctive are the shape and/or configuration.**



(21) Design Number: **10318/2015**
(22) Date of Filing Application: **21 January 2015**
(24) Date from which industrial property rights may have effect: **21 January 2015**
(54) Product in respect of which the design is registered: **Pet bowl**
(51) International Design Classification: **30-03**
(74) Name(s) of Attorney(s): **SPRUSON & FERGUSON**
(71) Name(s) and Address(s) of Applicant(s):
Alessandro Gallo
1/32 Sandringham St St Johns Park NSW 2176 Australia
(72) Name(s) of Designer(s): **Alessandro Gallo**
(45) Registration Date: **03 March 2015**
(56) Related Art Documents: **Not Applicable**
(57) Statement of Newness and Distinctiveness: **Newness and distinctiveness is claimed in the features of shape and/or configuration of a bowl as illustrated in the accompanying representations.**



(21) Design Number: **10553/2015**
(22) Date of Filing Application: **04 February 2015**
(24) Date from which industrial property rights may have effect: **20 November 2014**
(54) Product in respect of which the design is registered: **Cord of window covering**
(51) International Design Classification: **06-10**
(74) Name(s) of Attorney(s): **A.P.T. Patent and Trade Mark Attorneys**
(71) Name(s) and Address(s) of Applicant(s):
Nien Made Enterprise Co., Ltd.
19F-1, No. 236, Sec 2 Wuquan W. Road Nantun Dist. Taichung City 408
Taiwan
(72) Name(s) of Designer(s): **Chih-Yao Chang and Chao-Hung Nien**
(45) Registration Date: **03 March 2015**
(30) Convention priority data:
(31) Number (32) Date (33) Country
156735 22 May 2014 CHINA
(62) Divisional of: **360233**
(56) Related Art Documents: **Not Applicable**
(57) Statement of Newness and Distinctiveness: **In assessing newness and distinctiveness of the cord of window covering no regard is to be had of the length or depth of the article.**



- (21) Design Number: **10554/2015**
(22) Date of Filing Application: **04 February 2015**
(24) Date from which industrial property rights may have effect: **20 November 2014**
(54) Product in respect of which the design is registered: **Cord of window covering**
(51) International Design Classification: **06-10**
(74) Name(s) of Attorney(s): **A.P.T. Patent and Trade Mark Attorneys**
(71) Name(s) and Address(s) of Applicant(s):
Nien Made Enterprise Co., Ltd.
19F-1, No. 236, Sec 2 Wuquan W. Road Nantun Dist. Taichung City 408
Taiwan
(72) Name(s) of Designer(s): **Chih-Yao Chang and Chao-Hung Nien**
(45) Registration Date: **03 March 2015**
(30) Convention priority data:
(31) Number (32) Date (33) Country
156735 22 May 2014 CHINA
(62) Divisional of: **360233**
(56) Related Art Documents: **Not Applicable**
(57) Statement of Newness and Distinctiveness: **In assessing newness and distinctiveness of the cord of window covering no regard is to be had of the length or depth of the article.**



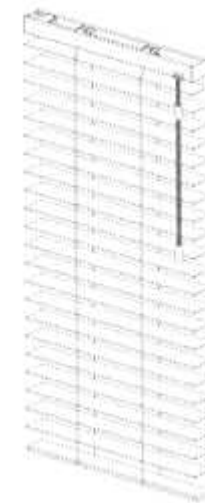
- (21) Design Number: **10555/2015**
(22) Date of Filing Application: **04 February 2015**
(24) Date from which industrial property rights may have effect: **20 November 2014**
(54) Product in respect of which the design is registered: **Cord of window covering**
(51) International Design Classification: **06-10**
(74) Name(s) of Attorney(s): **A.P.T. Patent and Trade Mark Attorneys**
(71) Name(s) and Address(s) of Applicant(s):
Nien Made Enterprise Co., Ltd.
19F-1, No. 236, Sec 2 Wuquan W. Road Nantun Dist. Taichung City 408
Taiwan
(72) Name(s) of Designer(s): **Chih-Yao Chang and Chao-Hung Nien**
(45) Registration Date: **03 March 2015**
(30) Convention priority data:
(31) Number (32) Date (33) Country
156735 22 May 2014 CANADA
(62) Divisional of: **360233**
(56) Related Art Documents: **Not Applicable**
(57) Statement of Newness and Distinctiveness: **In assessing newness and distinctiveness of the cord of window covering no regard is to be had of the length or depth of the article**



- (21) Design Number: **10556/2015**
(22) Date of Filing Application: **04 February 2015**
(24) Date from which industrial property rights may have effect: **20 November 2014**
(54) Product in respect of which the design is registered: **Cord of window covering**
(51) International Design Classification: **06-10**
(74) Name(s) of Attorney(s): **A.P.T. Patent and Trade Mark Attorneys**
(71) Name(s) and Address(s) of Applicant(s):
Nien Made Enterprise Co., Ltd.
19F-1, No. 236, Sec 2 Wuquan W. Road Nantun Dist. Taichung City 408
Taiwan
(72) Name(s) of Designer(s): **Chih-Yao Chang and Chao-Hung Nien**
(45) Registration Date: **03 March 2015**
(30) Convention priority data:
(31) Number (32) Date (33) Country
156735 22 May 2014 CANADA
(62) Divisional of: **360233**
(56) Related Art Documents: **Not Applicable**
(57) Statement of Newness and Distinctiveness: **In assessing newness and distinctiveness of the cord of window covering no regard is to be had of the length or depth of the article**



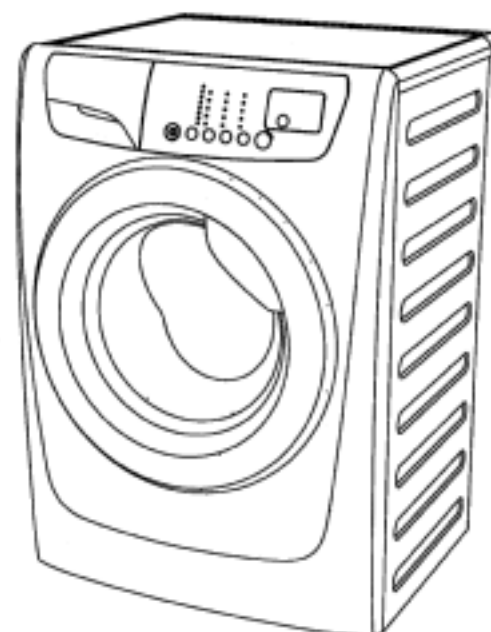
- (21) Design Number: **10557/2015**
(22) Date of Filing Application: **04 February 2015**
(24) Date from which industrial property rights may have effect: **20 November 2014**
(54) Product in respect of which the design is registered: **Cord of window covering**
(51) International Design Classification: **06-10**
(74) Name(s) of Attorney(s): **A.P.T. Patent and Trade Mark Attorneys**
(71) Name(s) and Address(s) of Applicant(s):
Nien Made Enterprise Co., Ltd.
19F-1, No. 236, Sec 2 Wuquan W. Road Nantun Dist. Taichung City 408
Taiwan
(72) Name(s) of Designer(s): **Chih-Yao Chang and Chao-Hung Nien**
(45) Registration Date: **03 March 2015**
(30) Convention priority data:
(31) Number (32) Date (33) Country
156735 22 May 2014 CANADA
(62) Divisional of: **360233**
(56) Related Art Documents: **Not Applicable**
(57) Statement of Newness and Distinctiveness: **In assessing newness and distinctiveness of the cord of window covering no regard is to be had of the length or depth of the article**



- (21) Design Number: **10551/2015**
(22) Date of Filing Application: **03 February 2015**
(24) Date from which industrial property rights may have effect: **03 February 2015**
(54) Product in respect of which the design is registered: **Electronic calculator**
(51) International Design Classification: **18-01**
(74) Name(s) of Attorney(s): **Griffith Hack**
(71) Name(s) and Address(s) of Applicant(s):
Casio Keisanki Kabushiki Kaisha
d.b.a. Casio Computer Co., Ltd. 6-2, Hon-machi 1-chome Tokyo 151-8543
Japan
(72) Name(s) of Designer(s): **Wataru Yaekura and Ryo Utsunomiya**
(45) Registration Date: **03 March 2015**
(56) Related Art Documents: **Not Applicable**
(57) Statement of Newness and Distinctiveness: **Newness and distinctiveness resides in the visual features, including shape and configuration of the product as shown in Figures 1 to 7. Figure 8 has been included for illustrative purposes and does not form part of the design.**



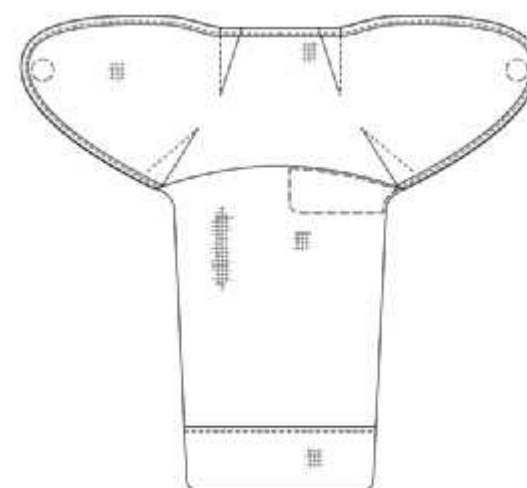
- (21) Design Number: **12940/2014**
(22) Date of Filing Application: **16 June 2014**
(24) Date from which industrial property rights may have effect: **16 June 2014**
(54) Product in respect of which the design is registered: **A fabric care appliance**
(51) International Design Classification: **15-05**
(74) Name(s) of Attorney(s): **Halfords IP**
(71) Name(s) and Address(s) of Applicant(s):
Electrolux S.E.A. Pte Ltd
11 Lorong 3 Toa Payoh Jackson Square Singapore 319579 Singapore
(72) Name(s) of Designer(s): **Swaminathan Lyer**
(45) Registration Date: **03 March 2015**
(56) Related Art Documents: **Not Applicable**
(57) Statement of Newness and Distinctiveness: **Newness and distinctiveness resides in the shape and or configuration of a fabric care appliance as depicted in the accompanying representations. The rear view and features on the rear of the fabric care appliance do not form part of the design.**



(21) Design Number: **15558/2014**
(22) Date of Filing Application: **03 November 2014**
(24) Date from which industrial property rights may have effect: **03 November 2014**
(54) Product in respect of which the design is registered: **Commercial spray tanning equipment**
(51) International Design Classification: **28-03NES**
(74) Name(s) of Attorney(s): **Axis Legal (Australia) Pty Ltd**
(71) Name(s) and Address(s) of Applicant(s):
BSB Pacific Pty Ltd
10 Apex Ct Thomastown VIC 3074 Australia
(72) Name(s) of Designer(s): **Winston Hayes**
(45) Registration Date: **03 March 2015**
(56) Related Art Documents: **Not Applicable**
(57) Statement of Newness and Distinctiveness: **Newness and distinctiveness reside in the shape and/or configuration of spray tanning equipment as shown in the accompanying representations.**



(21) Design Number: **16474/2014**
(22) Date of Filing Application: **12 December 2014**
(24) Date from which industrial property rights may have effect: **12 December 2014**
(54) Product in respect of which the design is registered: **Swaddle blanket**
(51) International Design Classification: **06-13B**
(74) Name(s) of Attorney(s): **Ascot Martin Registered Patent & Trade Mark Attorneys**
(71) Name(s) and Address(s) of Applicant(s):
Richard White
c/- One Barker Avenue, Fifth Floor White Plains New York, 10601-1526
United States of America
(72) Name(s) of Designer(s): **Richard White**
(45) Registration Date: **03 March 2015**
(30) Convention priority data:
(31) Number (32) Date (33) Country
29/493,868 13 Jun 2014 UNITED STATES OF AMERICA
(56) Related Art Documents: **Not Applicable**
(57) Statement of Newness and Distinctiveness: **The features of the design which are new and distinctive are the features constituting the shape of the swaddle blanket as shown in the accompanying representations. The broken lines in the representations depicting an infant and fastening members are for illustrative purposes only, and do not form part of the design.**



(21) Design Number: **16693/2014**
(22) Date of Filing Application: **24 December 2014**
(24) Date from which industrial property rights may have effect: **24 December 2014**
(54) Product in respect of which the design is registered: **Ceramic cutter**
(51) International Design Classification: **08-03**
(74) Name(s) of Attorney(s): **Davies Collison Cave**
(71) Name(s) and Address(s) of Applicant(s):

Germans Boada, S.A.
Pol.Ind.Can Roses Avenida Olimp#ades, s/n. Rubi Barcelona, 08191
Spain

(72) Name(s) of Designer(s): **Alex Rosello Gargallo**

(45) Registration Date: **03 March 2015**

(30) Convention priority data:

(31) Number	(32) Date	(33) Country
002588376-0002	01 Dec 2014	OFFICE FOR HARMONISATION IN THE INTERNAL MARKET (OHIM)

(56) Related Art Documents: **Not Applicable**

(57) Statement of Newness and Distinctiveness: **Nil**



(21) Design Number: **10567/2015**
(22) Date of Filing Application: **05 February 2015**
(24) Date from which industrial property rights may have effect: **05 February 2015**
(54) Product in respect of which the design is registered: **Cartridge for electronic vaporisation device**
(51) International Design Classification: **24-04**
(74) Name(s) of Attorney(s): **SPRUSON & FERGUSON**
(71) Name(s) and Address(s) of Applicant(s):

Ploom, Inc.
660 Alabama Street, 2nd Floor, San Francisco California, 94110 United
States of America

(72) Name(s) of Designer(s): **Adam Bowen and James Monsees and Steven Christensen**

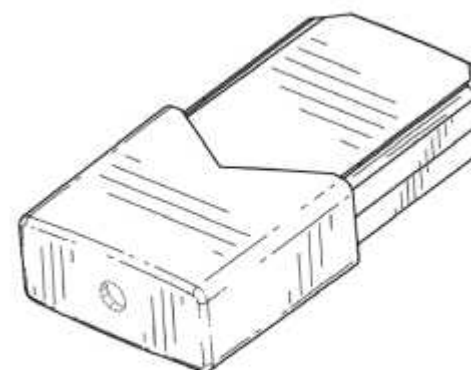
(45) Registration Date: **03 March 2015**

(30) Convention priority data:

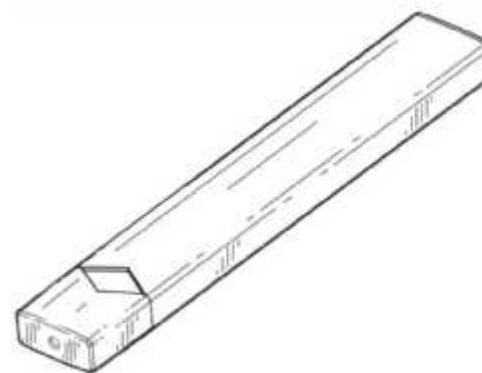
(31) Number	(32) Date	(33) Country
29/499021	11 Aug 2014	UNITED STATES OF AMERICA

(56) Related Art Documents: **Not Applicable**

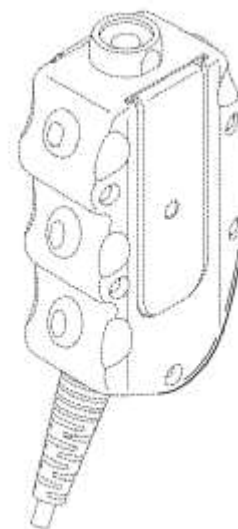
(57) Statement of Newness and Distinctiveness: **Newness and distinctiveness is claimed in those features of shape and/or configuration of a cartridge for an electronic vaporisation device illustrated in continuous lines in the accompanying representations.**



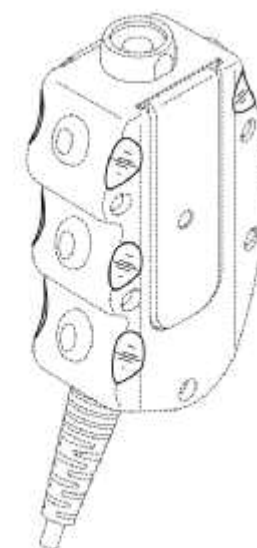
- (21) Design Number: **10568/2015**
(22) Date of Filing Application: **05 February 2015**
(24) Date from which industrial property rights may have effect: **05 February 2015**
(54) Product in respect of which the design is registered: **Electronic vaporisation device with cartridge**
(51) International Design Classification: **24-04**
(74) Name(s) of Attorney(s): **SPRUSON & FERGUSON**
(71) Name(s) and Address(s) of Applicant(s):
Ploom, Inc.
660 Alabama Street, 2nd Floor, San Francisco California, 94110 United States of America
(72) Name(s) of Designer(s): **Adam Bowen and James Monsees and Steven Christensen**
(45) Registration Date: **03 March 2015**
(30) Convention priority data:
(31) Number (32) Date (33) Country
29/499018 11 Aug 2014 UNITED STATES OF AMERICA
(56) Related Art Documents: **Not Applicable**
(57) Statement of Newness and Distinctiveness: **Newness and distinctiveness is claimed in those features of shape and/or configuration of an electronic vaporisation device with cartridge illustrated in continuous lines in the accompanying representations.**



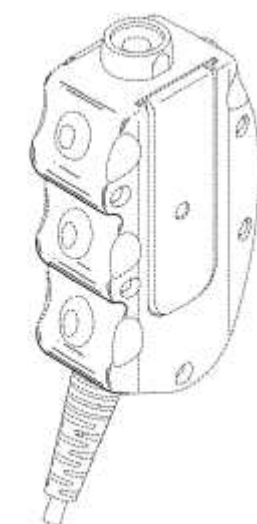
- (21) Design Number: **10569/2015**
(22) Date of Filing Application: **05 February 2015**
(24) Date from which industrial property rights may have effect: **05 February 2015**
(54) Product in respect of which the design is registered: **Push to talk handheld device**
(51) International Design Classification: **14-03NES**
(74) Name(s) of Attorney(s): **Freehills Patent Attorneys**
(71) Name(s) and Address(s) of Applicant(s):
3M Innovative Properties Company
3M Center Post Office Box 33427 Saint Paul Minnesota 55133-3427 United States of America
(72) Name(s) of Designer(s): **Jacob H. Ely and Gregory G. Tamer and Ravi Thomas**
(45) Registration Date: **03 March 2015**
(30) Convention priority data:
(31) Number (32) Date (33) Country
29/499802 19 Aug 2014 UNITED STATES OF AMERICA
(56) Related Art Documents: **Not Applicable**
(57) Statement of Newness and Distinctiveness: **Newness and distinctiveness of the design resides in the shape and configuration of the push to talk handheld device having a curvature near the body and cable connection as shown in solid outline in the accompanying representations.**



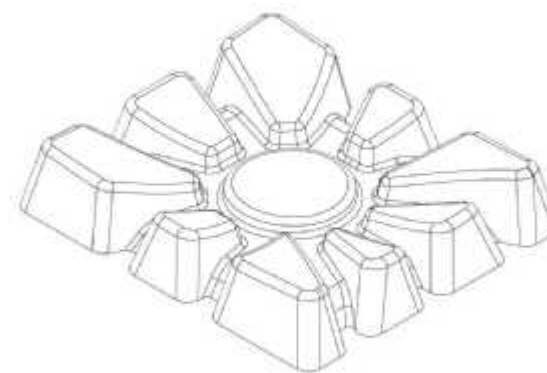
(21) Design Number: **10570/2015**
(22) Date of Filing Application: **05 February 2015**
(24) Date from which industrial property rights may have effect: **05 February 2015**
(54) Product in respect of which the design is registered: **Push to talk handheld device**
(51) International Design Classification: **14-03NES**
(74) Name(s) of Attorney(s): **Freehills Patent Attorneys**
(71) Name(s) and Address(s) of Applicant(s):
3M Innovative Properties Company
3M Center Post Office Box 33427 Saint Paul Minnesota 55133-3427
United States of America
(72) Name(s) of Designer(s): **Jacob H. Ely and Mark A. Yoder and Ravi Thomas**
(45) Registration Date: **03 March 2015**
(30) Convention priority data:
(31) Number (32) Date (33) Country
29/499807 19 Aug 2014 UNITED STATES OF AMERICA
(56) Related Art Documents: **Not Applicable**
(57) Statement of Newness and Distinctiveness: **Newness and distinctiveness of the design resides in the shape and configuration of the push to talk handheld device with body scallops around buttons as shown in solid outline in the accompanying representations.**



(21) Design Number: **10571/2015**
(22) Date of Filing Application: **05 February 2015**
(24) Date from which industrial property rights may have effect: **05 February 2015**
(54) Product in respect of which the design is registered: **Push to talk handheld device**
(51) International Design Classification: **14-03NES**
(74) Name(s) of Attorney(s): **Freehills Patent Attorneys**
(71) Name(s) and Address(s) of Applicant(s):
3M Innovative Properties Company
3M Center Post Office Box 33427 Saint Paul Minnesota 55133-3427
United States of America
(72) Name(s) of Designer(s): **Jacob H Ely and Gregory G Tamer and Ravi Thomas**
(45) Registration Date: **03 March 2015**
(30) Convention priority data:
(31) Number (32) Date (33) Country
29/499801 19 Aug 2014 UNITED STATES OF AMERICA
(56) Related Art Documents: **Not Applicable**
(57) Statement of Newness and Distinctiveness: **Newness and distinctiveness of the design resides in the shape and configuration of the push to talk handheld device having a stepped body for buttons as shown in solid outline in the accompanying representations.**



(21) Design Number: **10575/2015**
(22) Date of Filing Application: **05 February 2015**
(24) Date from which industrial property rights may have effect: **05 February 2015**
(54) Product in respect of which the design is registered: **Chocolate bar**
(51) International Design Classification: **01-01**
(74) Name(s) of Attorney(s): **Griffith Hack**
(71) Name(s) and Address(s) of Applicant(s):

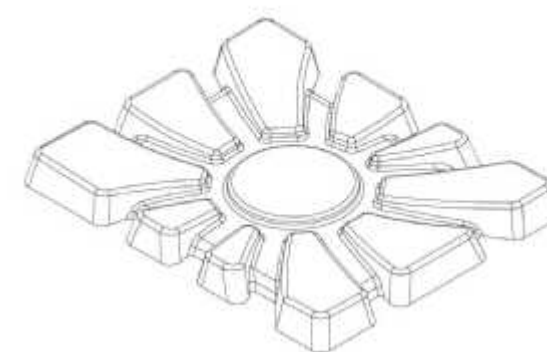


KRAFT FOODS R&D, INC.
Three Parkway North Deerfield IL 60015 United States of America

(72) Name(s) of Designer(s): **Oliver James Boulton and Ricardo Carvajal**
(45) Registration Date: **03 March 2015**
(30) Convention priority data:
(31) Number (32) Date (33) Country
**002536425-0003 11 Sep 2014 OFFICE FOR HARMONISATION IN
THE INTERNAL MARKET (OHIM)**

(56) Related Art Documents: **Not Applicable**
(57) Statement of Newness and Distinctiveness: **Nil**

(21) Design Number: **10576/2015**
(22) Date of Filing Application: **05 February 2015**
(24) Date from which industrial property rights may have effect: **05 February 2015**
(54) Product in respect of which the design is registered: **Chocolate bar**
(51) International Design Classification: **01-01**
(74) Name(s) of Attorney(s): **Griffith Hack**
(71) Name(s) and Address(s) of Applicant(s):



KRAFT FOODS R&D, INC.
Three Parkway North Deerfield IL 60015 United States of America

(72) Name(s) of Designer(s): **Oliver James Boulton and Ricardo Carvajal**
(45) Registration Date: **03 March 2015**
(30) Convention priority data:
(31) Number (32) Date (33) Country
**002536425-0004 11 Sep 2014 OFFICE FOR HARMONISATION IN
THE INTERNAL MARKET (OHIM)**

(56) Related Art Documents: **Not Applicable**
(57) Statement of Newness and Distinctiveness: **Nil**

(21) Design Number: **10577/2015**
(22) Date of Filing Application: **05 February 2015**
(24) Date from which industrial property rights may have effect: **05 February 2015**
(54) Product in respect of which the design is registered: **Chocolate bar**
(51) International Design Classification: **01-01**
(74) Name(s) of Attorney(s): **Griffith Hack**
(71) Name(s) and Address(s) of Applicant(s):

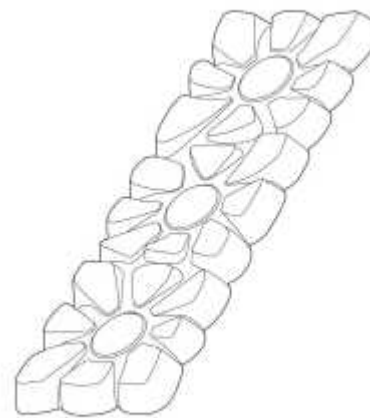
KRAFT FOODS R&D, INC.
Three Parkway North Deerfield IL 60015 United States of America

(72) Name(s) of Designer(s): **Oliver James Boulton and Ricardo Carvajal**

(45) Registration Date: **03 March 2015**

(30) Convention priority data:

(31) Number	(32) Date	(33) Country
002536425-0009	11 Sep 2014	OFFICE FOR HARMONISATION IN THE INTERNAL MARKET (OHIM)



(56) Related Art Documents: **Not Applicable**

(57) Statement of Newness and Distinctiveness: **Nil**

(21) Design Number: **10578/2015**
(22) Date of Filing Application: **05 February 2015**
(24) Date from which industrial property rights may have effect: **05 February 2015**
(54) Product in respect of which the design is registered: **Chocolate bar**
(51) International Design Classification: **01-01**
(74) Name(s) of Attorney(s): **Griffith Hack**
(71) Name(s) and Address(s) of Applicant(s):

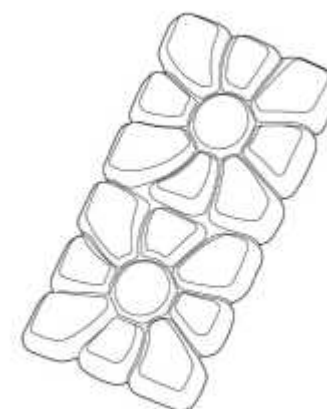
KRAFT FOODS R&D, INC.
Three Parkway North Deerfield IL 60015 United States of America

(72) Name(s) of Designer(s): **Oliver James Boulton and Ricardo Carvajal**

(45) Registration Date: **03 March 2015**

(30) Convention priority data:

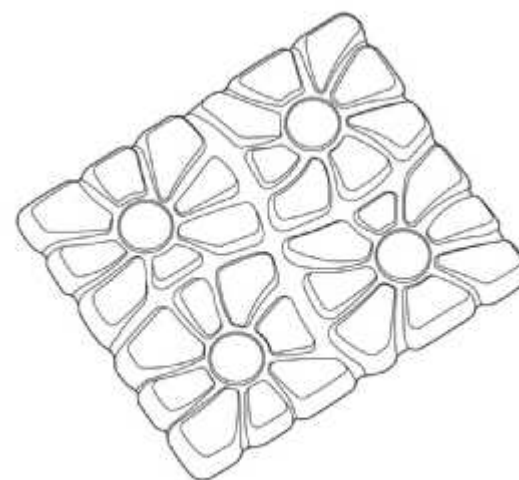
(31) Number	(32) Date	(33) Country
002583104-0006	21 Nov 2014	OFFICE FOR HARMONISATION IN THE INTERNAL MARKET (OHIM)



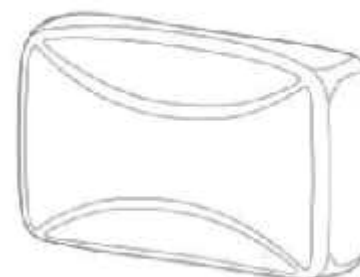
(56) Related Art Documents: **Not Applicable**

(57) Statement of Newness and Distinctiveness: **Nil**

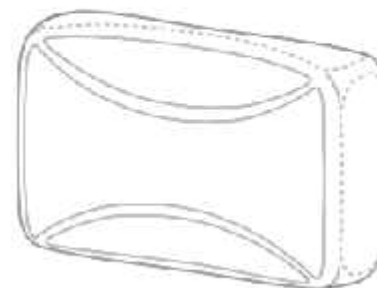
(21) Design Number: **10579/2015**
(22) Date of Filing Application: **05 February 2015**
(24) Date from which industrial property rights may have effect: **05 February 2015**
(54) Product in respect of which the design is registered: **Chocolate bar**
(51) International Design Classification: **01-01**
(74) Name(s) of Attorney(s): **Griffith Hack**
(71) Name(s) and Address(s) of Applicant(s):
KRAFT FOODS R&D, INC.
Three Parkway North Deerfield IL 60015 United States of America
(72) Name(s) of Designer(s): **Oliver James Boulton and Ricardo Carvajal**
(45) Registration Date: **03 March 2015**
(30) Convention priority data:
(31) Number (32) Date (33) Country
**002583104-0008 21 Nov 2014 OFFICE FOR HARMONISATION IN
THE INTERNAL MARKET (OHIM)**
(56) Related Art Documents: **Not Applicable**
(57) Statement of Newness and Distinctiveness: **Nil**



(21) Design Number: **10580/2015**
(22) Date of Filing Application: **05 February 2015**
(24) Date from which industrial property rights may have effect: **05 February 2015**
(54) Product in respect of which the design is registered: **Soap bar**
(51) International Design Classification: **28-02**
(74) Name(s) of Attorney(s): **FB Rice**
(71) Name(s) and Address(s) of Applicant(s):
Colgate-Palmolive Company
300 Park Avenue New York NY 10022 United States of America
(72) Name(s) of Designer(s): **John Clifford Crawford**
(45) Registration Date: **03 March 2015**
(30) Convention priority data:
(31) Number (32) Date (33) Country
29/501,335 03 Sep 2014 UNITED STATES OF AMERICA
(56) Related Art Documents: **Not Applicable**
(57) Statement of Newness and Distinctiveness: **Newness and distinctiveness
reside in the features of shape and configuration of the design as shown
in the representations.**



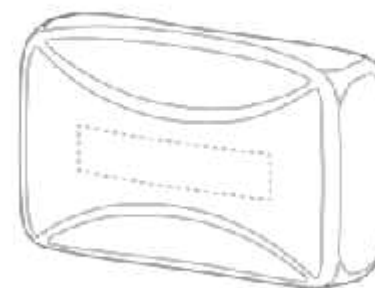
(21) Design Number: **10581/2015**
(22) Date of Filing Application: **05 February 2015**
(24) Date from which industrial property rights may have effect: **05 February 2015**
(54) Product in respect of which the design is registered: **Soap bar**
(51) International Design Classification: **28-02**
(74) Name(s) of Attorney(s): **FB Rice**
(71) Name(s) and Address(s) of Applicant(s):
Colgate-Palmolive Company
300 Park Avenue New York NY 10022 United States of America
(72) Name(s) of Designer(s): **John Clifford Crawford**
(45) Registration Date: **03 March 2015**
(30) Convention priority data:
(31) Number (32) Date (33) Country
29/501,335 03 Sep 2014 UNITED STATES OF AMERICA
(56) Related Art Documents: **Not Applicable**
(57) Statement of Newness and Distinctiveness: **Newness and distinctiveness reside in the features of shape and configuration of the design shown in solid lines in the representations excluding those features shown in broken lines.**



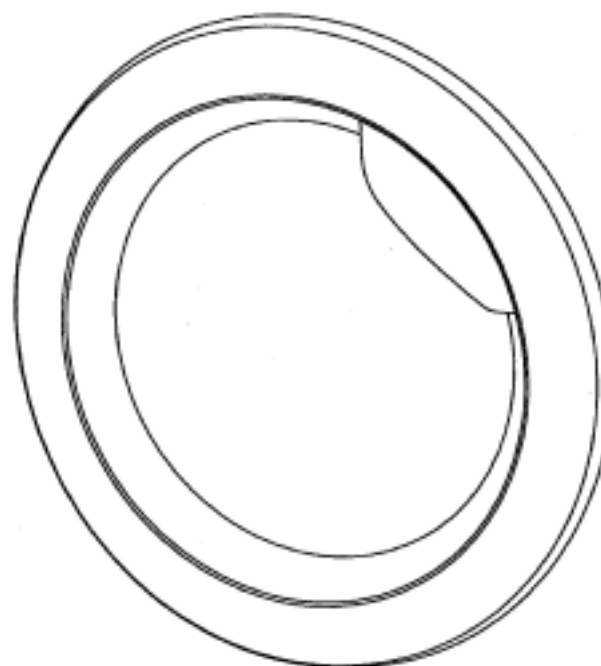
(21) Design Number: **10582/2015**
(22) Date of Filing Application: **05 February 2015**
(24) Date from which industrial property rights may have effect: **05 February 2015**
(54) Product in respect of which the design is registered: **A tyre**
(51) International Design Classification: **12-15C**
(74) Name(s) of Attorney(s): **WATERMARK PATENT AND TRADE MARKS ATTORNEYS**
(71) Name(s) and Address(s) of Applicant(s):
COMPAGNIE GENERALE DES ETABLISSEMENTS MICHELIN
12 cours Sablon Clermont-Ferrand 63000 France
Michelin Recherche et Technique S.A.
Route Louis Braille 10 Granges-Paccot 1763 Switzerland
(72) Name(s) of Designer(s): **Francois Chambriard and Michel Maraval**
(45) Registration Date: **03 March 2015**
(30) Convention priority data:
(31) Number (32) Date (33) Country
2014-3517 05 Aug 2014 FRANCE
(56) Related Art Documents: **Not Applicable**
(57) Statement of Newness and Distinctiveness: **Newness and distinctiveness resides in the appearance of the tread region of the tyre, the remainder of the tyre not forming part of the design.**



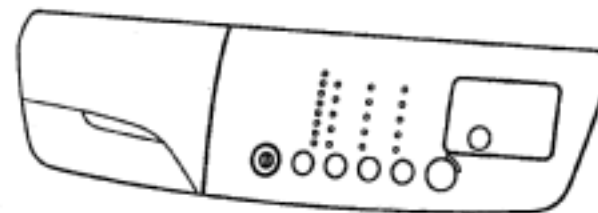
- (21) Design Number: **10583/2015**
(22) Date of Filing Application: **05 February 2015**
(24) Date from which industrial property rights may have effect: **05 February 2015**
(54) Product in respect of which the design is registered: **Soap bar**
(51) International Design Classification: **28-02**
(74) Name(s) of Attorney(s): **FB Rice**
(71) Name(s) and Address(s) of Applicant(s):
Colgate-Palmolive Company
300 Park Avenue New York NY 10022 United States of America
(72) Name(s) of Designer(s): **John Clifford Crawford**
(45) Registration Date: **03 March 2015**
(30) Convention priority data:
(31) Number (32) Date (33) Country
29/501,335 03 Sep 2014 UNITED STATES OF AMERICA
(56) Related Art Documents: **Not Applicable**
(57) Statement of Newness and Distinctiveness: **Newness and distinctiveness reside in the features of shape and configuration of the design shown in solid lines in the representations excluding those features shown in broken lines.**



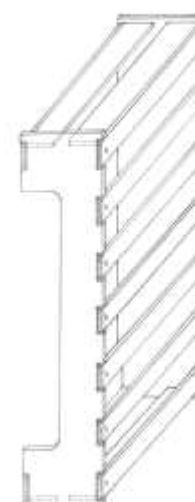
- (21) Design Number: **11067/2015**
(22) Date of Filing Application: **16 June 2014**
(24) Date from which industrial property rights may have effect: **16 June 2014**
(54) Product in respect of which the design is registered: **A door for a fabric care appliance**
(51) International Design Classification: **15-05**
(74) Name(s) of Attorney(s): **Halfords IP**
(71) Name(s) and Address(s) of Applicant(s):
Electrolux S.E.A. Pte Ltd
11 Lorong 3 Toa Payoh Jackson Square Singapore 319579 Singapore
(72) Name(s) of Designer(s): **Swaminathan Lyer**
(45) Registration Date: **03 March 2015**
(56) Related Art Documents: **Not Applicable**
(57) Statement of Newness and Distinctiveness: **Newness and distinctiveness resides in the shape and or configuration of a door for a fabric care appliance as depicted in the accompanying representations. The rear view and features on the rear of the door do not form part of the design.**



- (21) Design Number: **11068/2015**
(22) Date of Filing Application: **16 June 2014**
(24) Date from which industrial property rights may have effect: **16 June 2014**
(54) Product in respect of which the design is registered: **A control panel for a fabric care appliance**
(51) International Design Classification: **15-05**
(74) Name(s) of Attorney(s): **Halfords IP**
(71) Name(s) and Address(s) of Applicant(s):
Electrolux S.E.A. Pte Ltd
11 Lorong 3 Toa Payoh Jackson Square Singapore 319579 Singapore
(72) Name(s) of Designer(s): **Swaminathan Lyer**
(45) Registration Date: **03 March 2015**
(56) Related Art Documents: **Not Applicable**
(57) Statement of Newness and Distinctiveness: **Newness and distinctiveness resides in the shape and or configuration of a control panel for fabric care appliance as depicted in the accompanying representations. The rear view and features on the rear of the control panel do not form part of the design.**



- (21) Design Number: **15567/2014**
(22) Date of Filing Application: **03 November 2014**
(24) Date from which industrial property rights may have effect: **03 November 2014**
(54) Product in respect of which the design is registered: **Bed quick assembly and dis-assembly for storage**
(51) International Design Classification: **06-02**
(74) Name(s) of Attorney(s):
(71) Name(s) and Address(s) of Applicant(s):
Michael Ryan
45 Whitfeld Tce Winthrop WA 6150 Australia
(72) Name(s) of Designer(s): **Michael Ryan**
(45) Registration Date: **04 March 2015**
(56) Related Art Documents: **Not Applicable**
(57) Statement of Newness and Distinctiveness: **The Five Minute Bed is new and distinct: 1. It quickly assembles and dis-assembles for storage 2. It has a minimum number of components -2 sides and 9 cross slats 3. The lightweight components assemble and dis-assemble without tools.**



(21) Design Number: **10103/2015**

(22) Date of Filing Application: **09 January 2015**

(24) Date from which industrial property rights may have effect: **09 January 2015**

(54) Product in respect of which the design is registered: **Electronic cigarettes**

(51) International Design Classification: **27-99**

(74) Name(s) of Attorney(s): **Davies Collison Cave**

(71) Name(s) and Address(s) of Applicant(s):

Beyond Twenty Ltd

107 Maltings Place 169 Tower Bridge Road London SE1 3LJ United Kingdom

(72) Name(s) of Designer(s): **Adrian Bennett and Ian Murison**

(45) Registration Date: **04 March 2015**

(30) Convention priority data:

(31) Number
002500322

(32) Date
10 Jul 2014

(33) Country
**OFFICE FOR HARMONISATION IN
THE INTERNAL MARKET (OHIM)**

(56) Related Art Documents: **Not Applicable**

(57) Statement of Newness and Distinctiveness: **Newness and distinctiveness is claimed in the visual features shown in solid lines in the representations. In considering the extent of the design rights, the broken lines shown in the representations are for illustrative purposes only and do not form part of the design.**



(21) Design Number: **10424/2015**

(22) Date of Filing Application: **28 January 2015**

(24) Date from which industrial property rights may have effect: **28 January 2015**

(54) Product in respect of which the design is registered: **Sliding nozzle plate**

(51) International Design Classification: **15-09**

(74) Name(s) of Attorney(s): **Davies Collison Cave**

(71) Name(s) and Address(s) of Applicant(s):

Krosaki Harima Corporation

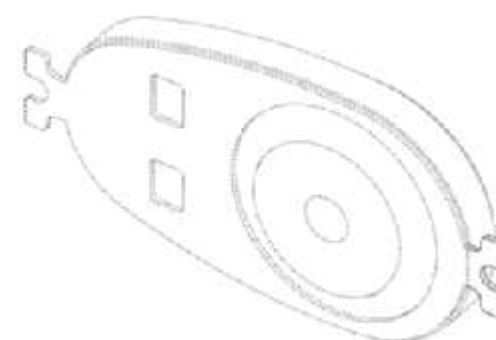
1-1, Higashihamamachi, Yahatanishi-ku Kitakyushu City Fukuoka, 806-8586 Japan

(72) Name(s) of Designer(s): **Haruyuki Ooba and Toshihiro Imahase and Nobuyuki Yokoi and Nobuaki Takagi**

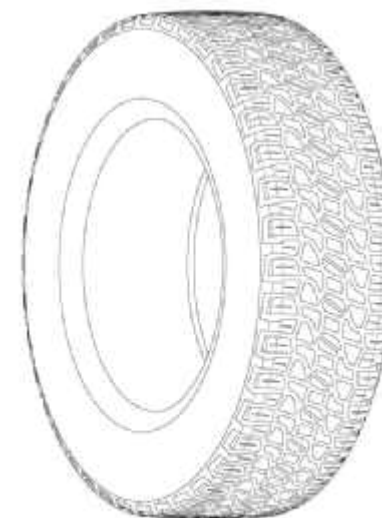
(45) Registration Date: **04 March 2015**

(56) Related Art Documents: **Not Applicable**

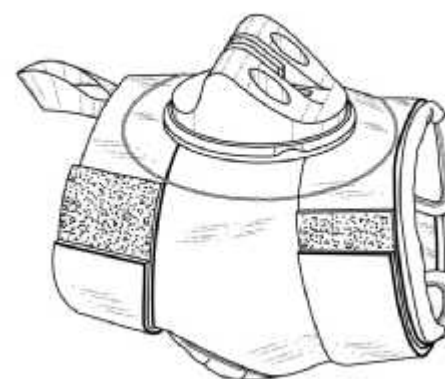
(57) Statement of Newness and Distinctiveness: **Newness and distinctiveness resides in the features of shape and/or configuration of the present article, shown by solid lines in the representations. The portions shown in broken lines do not form part of the claimed design. The alternate long and short dash lines do not constitute any features of the design; these lines are for illustrative purposes only in order to define the boundary between the claimed part and the non-claimed part.**



- (21) Design Number: **10584/2015**
(22) Date of Filing Application: **05 February 2015**
(24) Date from which industrial property rights may have effect: **05 February 2015**
(54) Product in respect of which the design is registered: **A tyre**
(51) International Design Classification: **12-15A**
(74) Name(s) of Attorney(s): **WATERMARK PATENT AND TRADE MARKS ATTORNEYS**
(71) Name(s) and Address(s) of Applicant(s):
COMPAGNIE GENERALE DES ETABLISSEMENTS MICHELIN
12 cours Sablon Clermont-Ferrand 63000 France
Michelin Recherche Et Technique S.A.
Route Louis Braille 10 Granges- Paccot 1763 Switzerland
(72) Name(s) of Designer(s): **Francois Chambriard**
(45) Registration Date: **04 March 2015**
(30) Convention priority data:
(31) Number (32) Date (33) Country
2014-3508 05 Aug 2014 FRANCE
(56) Related Art Documents: **Not Applicable**
(57) Statement of Newness and Distinctiveness: **Newness and distinctiveness resides in the appearance of the tread region of the tyre, the remainder of the tyre not forming part of the design.**



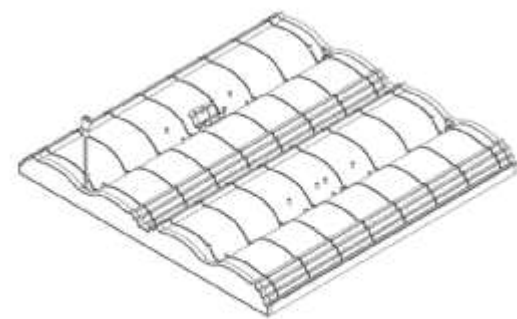
- (21) Design Number: **10585/2015**
(22) Date of Filing Application: **05 February 2015**
(24) Date from which industrial property rights may have effect: **05 February 2015**
(54) Product in respect of which the design is registered: **Camera mounting garment**
(51) International Design Classification: **16-99**
(74) Name(s) of Attorney(s): **Cotters Patent & Trade Mark Attorneys**
(71) Name(s) and Address(s) of Applicant(s):
Glenn Gordon Bolton
531 McCormack St Edge Hill QLD 4870 Australia
(72) Name(s) of Designer(s): **Glenn Gordon Bolton**
(45) Registration Date: **04 March 2015**
(56) Related Art Documents: **Not Applicable**
(57) Statement of Newness and Distinctiveness: **Newness and distinctiveness is claimed is the features of shape and/or configuration of a camera mounting garment as illustrated in the accompanying representations.**



- (21) Design Number: **10586/2015**
(22) Date of Filing Application: **05 February 2015**
(24) Date from which industrial property rights may have effect: **05 February 2015**
(54) Product in respect of which the design is registered: **Retro-fit insert for railway signal lamp**
(51) International Design Classification: **10-07**
(74) Name(s) of Attorney(s): **Pegasus IP**
(71) Name(s) and Address(s) of Applicant(s):
Pushbah Pty Ltd
13 Dawson St Townsville QLD 4500 Australia
(72) Name(s) of Designer(s): **Rowan Arnel and Robert Mcgrath**
(45) Registration Date: **04 March 2015**
(56) Related Art Documents: **Not Applicable**
(57) Statement of Newness and Distinctiveness: **The newness and distinctiveness resides features of shape and/or configuration of the product shown in the reps.**



- (21) Design Number: **10588/2015**
(22) Date of Filing Application: **06 February 2015**
(24) Date from which industrial property rights may have effect: **06 February 2015**
(54) Product in respect of which the design is registered: **Panel light**
(51) International Design Classification: **26-05A**
(74) Name(s) of Attorney(s): **Shelston IP**
(71) Name(s) and Address(s) of Applicant(s):
Shenzhen Kinglumi (K&L) Photoelectric Technology Co., Ltd.
Bldg 3, Nangang Third Industrial Zone Tangtou, Shiyan Baoan District
Shenzhen China
(72) Name(s) of Designer(s): **Dongliang Zhu**
(45) Registration Date: **04 March 2015**
(56) Related Art Documents: **Not Applicable**
(57) Statement of Newness and Distinctiveness: **Newness and distinctiveness reside in the features of shape and/or configuration of a PANEL LIGHT as illustrated in the accompanying representations.**



- (21) Design Number: **10599/2015**
(22) Date of Filing Application: **07 February 2015**
(24) Date from which industrial property rights may have effect: **07 February 2015**
(54) Product in respect of which the design is registered: **Hexacopter frame**
(51) International Design Classification: **21-01C**
(74) Name(s) of Attorney(s):
(71) Name(s) and Address(s) of Applicant(s):
Chang Jo Lee
5 Medina Rd Glen Waverley VIC 3150 Australia
(72) Name(s) of Designer(s): **Chang Jo Lee**
(45) Registration Date: **04 March 2015**
(56) Related Art Documents: **Not Applicable**

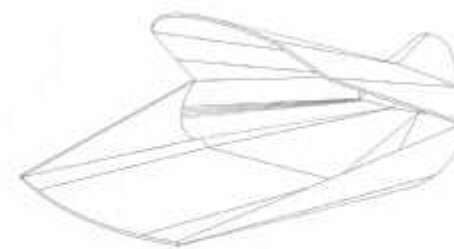


- (57) Statement of Newness and Distinctiveness: **This hexacopter frame has unique colour (two-tone : white colour on top and bottom, carbon patterned black colour in the middle) and has red and blue anodised screws overall. It has "PRESTOPEGASUS" brand name written (engraved) on top. Has unique tilted camera mount in the front of upper deck so the camera can face slightly upwards. There's a gimbal motor mount in the front of lower deck for small gimbal compatibility. On the lower deck, it has 6 carbon fibre fins to cool the electronics down. 6 Wings, as known as arms, that holds the propellers and motors are made of two layers; white composite material on top and carbon fibre material on bottom. Please refer to the images attached for more details about newness and distinctiveness of this product.**

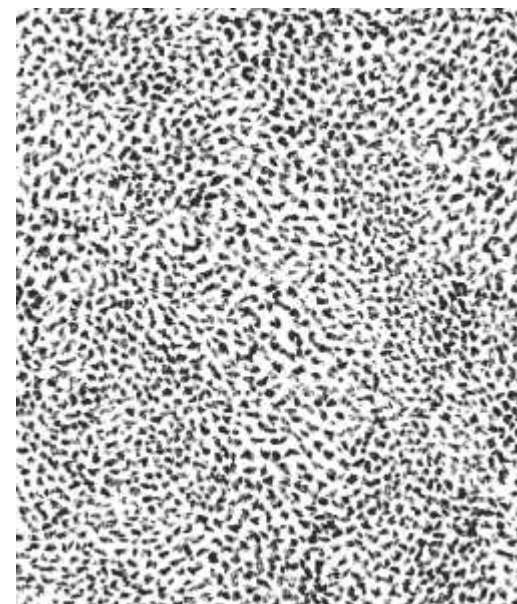
- (21) Design Number: **10601/2015**
(22) Date of Filing Application: **08 February 2015**
(24) Date from which industrial property rights may have effect: **08 February 2015**
(54) Product in respect of which the design is registered: **Incubator**
(51) International Design Classification: **24-01**
(74) Name(s) of Attorney(s):
(71) Name(s) and Address(s) of Applicant(s):
Shane Nicholson
4 Morwick St Casino NSW 2470 Australia
(72) Name(s) of Designer(s): **Shane Nicholson**
(45) Registration Date: **04 March 2015**
(56) Related Art Documents: **Not Applicable**
(57) Statement of Newness and Distinctiveness: **Newness and distinctiveness resides in the visual features of shape and/or configuration of a incubator as illustrated in the accompanying representations.**



- (21) Design Number: **10602/2015**
(22) Date of Filing Application: **08 February 2015**
(24) Date from which industrial property rights may have effect: **08 February 2015**
(54) Product in respect of which the design is registered: **Shovel**
(51) International Design Classification: **08-01**
(74) Name(s) of Attorney(s):
(71) Name(s) and Address(s) of Applicant(s):
 Troy Backhouse
 12/95 Victoria St Fitzroy VIC 3065 Australia
 Miltiadis Pigitsaki
 165/100 Kavanagh St South Bank VIC 3006 Australia
(72) Name(s) of Designer(s): **Troy Backhouse**
(45) Registration Date: **04 March 2015**
(56) Related Art Documents: **Not Applicable**
(57) Statement of Newness and Distinctiveness: **The blade of the shovel has a top and bottom section which limits the maximum amount of content to be held.**



- (21) Design Number: **10606/2015**
(22) Date of Filing Application: **09 February 2015**
(24) Date from which industrial property rights may have effect: **09 February 2015**
(54) Product in respect of which the design is registered: **A textile print**
(51) International Design Classification: **05-05B**
(74) Name(s) of Attorney(s):
(71) Name(s) and Address(s) of Applicant(s):
 AUSTRALIAN FASHION LABELS PTY LTD
 106 Currie St Adelaide SA 5000 Australia
(72) Name(s) of Designer(s): **Carmen Dugan and Cyd Beard**
(45) Registration Date: **04 March 2015**
(56) Related Art Documents: **Not Applicable**
(57) Statement of Newness and Distinctiveness: **Newness and distinctiveness resides in the features of pattern and ornamentation of a textile print as shown in the accompanying representations. In considering the scope of monopoly, no regard is to be had to colour and the scope of monopoly is not restricted to the particular colour or colours depicted in the accompanying representations.**



- (21) Design Number: **10608/2015**
(22) Date of Filing Application: **09 February 2015**
(24) Date from which industrial property rights may have effect: **09 February 2015**
(54) Product in respect of which the design is registered: **A textile print**
(51) International Design Classification: **05-05A**
(74) Name(s) of Attorney(s):
(71) Name(s) and Address(s) of Applicant(s):
AUSTRALIAN FASHION LABELS PTY LTD
106 Currie St Adelaide SA 5000 Australia
(72) Name(s) of Designer(s): **Carmen Dugan and Cyd Beard**
(45) Registration Date: **04 March 2015**
(56) Related Art Documents: **Not Applicable**
(57) Statement of Newness and Distinctiveness: **Newness and distinctiveness resides in the features of pattern and ornamentation of a textile print as shown in the accompanying representations. In considering the scope of monopoly, no regard is to be had to colour and the scope of monopoly is not restricted to the particular colour or colours depicted in the accompanying representations.**



- (21) Design Number: **10623/2015**
(22) Date of Filing Application: **10 February 2015**
(24) Date from which industrial property rights may have effect: **10 February 2015**
(54) Product in respect of which the design is registered: **Dart board**
(51) International Design Classification: **21-01H**
(74) Name(s) of Attorney(s):
(71) Name(s) and Address(s) of Applicant(s):
Ronald Phillip Eslick
17 Baker St Bundarra NSW 2359 Australia
Adam Eslick
17 Baker St Bundarra NSW 2359 Australia
Leslie Eslick
1 Muirhead St Bundarra NSW 2359 Australia
(72) Name(s) of Designer(s): **Ronald Phillip Eslick**
(45) Registration Date: **04 March 2015**
(56) Related Art Documents: **Not Applicable**
(57) Statement of Newness and Distinctiveness: **The letter R on the board**



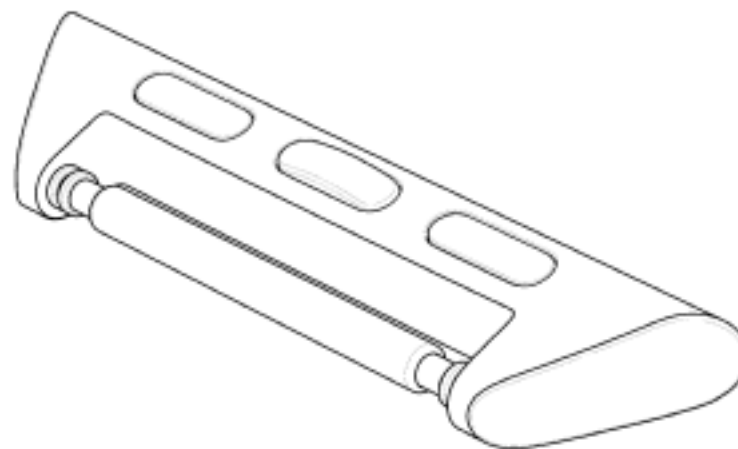
(21) Design Number: **10624/2015**
(22) Date of Filing Application: **10 February 2015**
(24) Date from which industrial property rights may have effect: **10 February 2015**
(54) Product in respect of which the design is registered: **Electronic device**
(51) International Design Classification: **10-02**
(74) Name(s) of Attorney(s): **Freehills Patent Attorneys**
(71) Name(s) and Address(s) of Applicant(s):
Apple Inc.
1 Infinite Loop Cupertino California, 95014 United States of America
(72) Name(s) of Designer(s): **Jody Akana and Bartley K Andre and Shota Aoyagi and Anthony Michael Ashcroft and Jeremy Bataillou and Daniel J Coster and Daniele De Iuliis and M Evans Hankey and Julian Hoenig and Richard P Howarth and Jonathan P Ive and Duncan Robert Kerr and Marc A Newson and Matthew Dean Rohrbach and Peter Russell-Clarke and Benjamin Andrew Shaffer and Mikael Silvanto and Christopher J Stringer and Eugene Antony Whang and Rico Zorkendorfer**
(45) Registration Date: **04 March 2015**
(30) Convention priority data:
(31) Number (32) Date (33) Country
29/499042 11 Aug 2014 UNITED STATES OF AMERICA
(56) Related Art Documents: **Not Applicable**
(57) Statement of Newness and Distinctiveness: **Nil**



(21) Design Number: **10625/2015**
(22) Date of Filing Application: **10 February 2015**
(24) Date from which industrial property rights may have effect: **10 February 2015**
(54) Product in respect of which the design is registered: **Electronic device**
(51) International Design Classification: **10-02**
(74) Name(s) of Attorney(s): **Freehills Patent Attorneys**
(71) Name(s) and Address(s) of Applicant(s):
Apple Inc.
1 Infinite Loop Cupertino California, 95014 United States of America
(72) Name(s) of Designer(s): **Jody Akana and Shota Aoyagi and Anthony Michael Ashcroft and Jeremy Bataillou and Daniele De Iuliis and Julian Hoenig and Duncan Robert Kerr and Matthew Dean Rohrbach and Peter Russell-Clarke and Benjamin Andrew Shaffer and Mikael Silvanto and Eugene Antony Whang and Rico Zorkendorfer and Bartley K Andre and Daniel J Coster and M Evans Hankey and Richard P Howarth and Jonathan P Ive and Christopher J Stringer and Marc A Newson**
(45) Registration Date: **04 March 2015**
(30) Convention priority data:
(31) Number (32) Date (33) Country
29/499042 11 Aug 2014 UNITED STATES OF AMERICA
(56) Related Art Documents: **Not Applicable**
(57) Statement of Newness and Distinctiveness: **Newness and distinctiveness resides in the features of the portion shown in Figs. 11-14.**



- (21) Design Number: **10626/2015**
(22) Date of Filing Application: **10 February 2015**
(24) Date from which industrial property rights may have effect: **10 February 2015**
(54) Product in respect of which the design is registered: **Band attachment**
(51) International Design Classification: **10-07**
(74) Name(s) of Attorney(s): **Freehills Patent Attorneys**
(71) Name(s) and Address(s) of Applicant(s):
Apple Inc.
1 Infinite Loop Cupertino California, 95014 United States of America
(72) Name(s) of Designer(s): **Jody Akana and Shota Aoyagi and Anthony Michael Ashcroft and Jeremy Bataillou and Daniele De Iuliis and Julian Hoenig and Duncan Robert Kerr and Matthew Dean Rohrbach and Peter Russell-Clarke and Benjamin Andrew Shaffer and Mikael Silvanto and Eugene Antony Whang and Rico Zorkendorfer and Bartley K Andre and Daniel J Coster and M Evans Hankey and Richard P Howarth and Jonathan P Ive and Marc A Newson and Christopher J Stringer**
(45) Registration Date: **04 March 2015**
(30) Convention priority data:
(31) Number (32) Date (33) Country
29/498987 11 Aug 2014 UNITED STATES OF AMERICA
(56) Related Art Documents: **Not Applicable**
(57) Statement of Newness and Distinctiveness: **Newness and distinctiveness resides in the features of shape and configuration shown in the accompanying representations.**



- (21) Design Number: **10627/2015**
(22) Date of Filing Application: **10 February 2015**
(24) Date from which industrial property rights may have effect: **10 February 2015**
(54) Product in respect of which the design is registered: **Band attachment**
(51) International Design Classification: **10-07**
(74) Name(s) of Attorney(s): **Freehills Patent Attorneys**
(71) Name(s) and Address(s) of Applicant(s):
Apple Inc.
1 Infinite Loop Cupertino California, 95014 United States of America
(72) Name(s) of Designer(s): **Jody Akana and Shota Aoyagi and Anthony Michael Ashcroft and Jeremy Bataillou and Daniele De Iuliis and Julian Hoenig and Duncan Robert Kerr and Matthew Dean Rohrbach and Peter Russell-Clarke and Benjamin Andrew Shaffer and Mikael Silvanto and Eugene Antony Whang and Rico Zorkendorfer and Bartley K Andre and Daniel J Coster and Richard P Howarth and Jonathan P Ive and Marc A Newson and Christopher J Stringer and M Evans Hankey**
(45) Registration Date: **04 March 2015**
(30) Convention priority data:
(31) Number (32) Date (33) Country
29/499069 11 Aug 2014 UNITED STATES OF AMERICA
(56) Related Art Documents: **Not Applicable**
(57) Statement of Newness and Distinctiveness: **Newness and distinctiveness resides in the features of shape and configuration shown in the accompanying representations.**



- (21) Design Number: **10628/2015**
(22) Date of Filing Application: **10 February 2015**
(24) Date from which industrial property rights may have effect: **10 February 2015**
(54) Product in respect of which the design is registered: **Band attachment**
(51) International Design Classification: **10-07**
(74) Name(s) of Attorney(s): **Freehills Patent Attorneys**
(71) Name(s) and Address(s) of Applicant(s):
Apple Inc.
1 Infinite Loop Cupertino California, 95014 United States of America
(72) Name(s) of Designer(s): **Jody Akana and Shota Aoyagi and Anthony Michael Ashcroft and Jeremy Bataillou and Daniele De Iuliis and Julian Hoenig and Duncan Robert Kerr and Matthew Dean Rohrbach and Peter Russell-Clarke and Benjamin Andrew Shaffer and Mikael Silvanto and Eugene Antony Whang and Rico Zorkendorfer and Bartley K Andre and Daniel J Coster and M Evans Hankey and Richard P Howarth and Jonathan P Ive and Marc A Newson and Christopher J Stringer**
(45) Registration Date: **04 March 2015**
(30) Convention priority data:
(31) Number (32) Date (33) Country
29/499067 11 Aug 2014 UNITED STATES OF AMERICA
(56) Related Art Documents: **Not Applicable**
(57) Statement of Newness and Distinctiveness: **Newness and distinctiveness resides in the features of shape and configuration shown in the accompanying representations.**



- (21) Design Number: **10629/2015**
(22) Date of Filing Application: **10 February 2015**
(24) Date from which industrial property rights may have effect: **10 February 2015**
(54) Product in respect of which the design is registered: **Glasses frames**
(51) International Design Classification: **16-06**
(74) Name(s) of Attorney(s): **Pizzeys**
(71) Name(s) and Address(s) of Applicant(s):
Marius Morel France SAS
117 route des Buclets Morbier 39400 France
(72) Name(s) of Designer(s): **Jerome Morel**
(45) Registration Date: **04 March 2015**
(30) Convention priority data:
(31) Number (32) Date (33) Country
002545566-0011 25 Sep 2014 OFFICE FOR HARMONISATION IN THE INTERNAL MARKET (OHIM)
(56) Related Art Documents: **Not Applicable**
(57) Statement of Newness and Distinctiveness: **Nil**

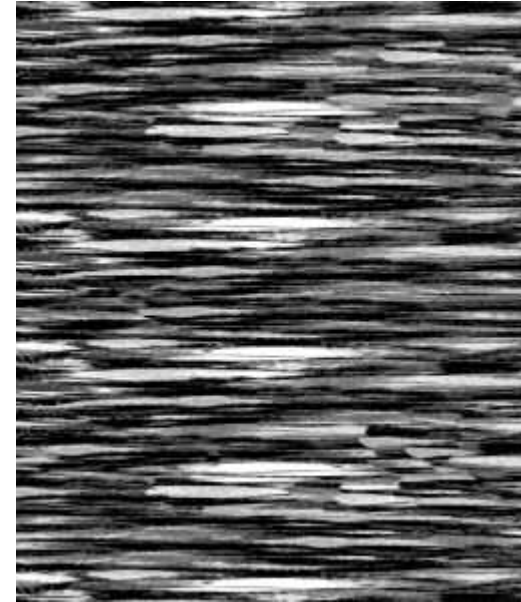


- (21) Design Number: **10436/2015**
(22) Date of Filing Application: **28 January 2015**
(24) Date from which industrial property rights may have effect: **28 January 2015**
(54) Product in respect of which the design is registered: **Modular rubbish bin with integrated advertising module**
(51) International Design Classification: **09-09, 20-03NES**
(74) Name(s) of Attorney(s):
(71) Name(s) and Address(s) of Applicant(s):
Y Outdoor Pty Ltd
15 Sharni Ct Heritage Park QLD 4118 Australia
(72) Name(s) of Designer(s): **Alan Tame**
(45) Registration Date: **04 March 2015**
(56) Related Art Documents: **Not Applicable**
(57) Statement of Newness and Distinctiveness: **Monopoly is claimed in the shape, configuration or orientation of a rubbish bin enclosure, integrated and elevated multi sided advertising module and the space between as illustrated in the representations.**

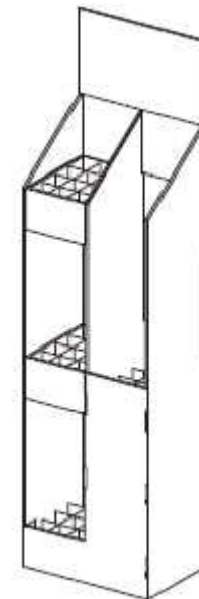
- (21) Design Number: **10604/2015**
(22) Date of Filing Application: **09 February 2015**
(24) Date from which industrial property rights may have effect: **09 February 2015**
(54) Product in respect of which the design is registered: **Forefoot socks**
(51) International Design Classification: **02-04C**
(74) Name(s) of Attorney(s):
(71) Name(s) and Address(s) of Applicant(s):
Chiemena Okike
17 the Farthings Washington NE37 1PG United Kingdom
(72) Name(s) of Designer(s): **Chiemena Okike**
(45) Registration Date: **04 March 2015**
(56) Related Art Documents: **Not Applicable**
(57) Statement of Newness and Distinctiveness: **Socks that over the surface of the forefoot from the toes to the fibula and tibia. The socks do not cover the hind foot.**



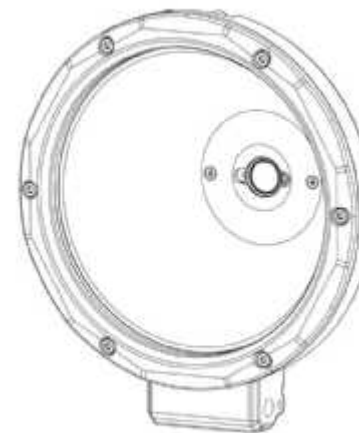
- (21) Design Number: **10607/2015**
(22) Date of Filing Application: **09 February 2015**
(24) Date from which industrial property rights may have effect: **09 February 2015**
(54) Product in respect of which the design is registered: **A textile print**
(51) International Design Classification: **05-05D**
(74) Name(s) of Attorney(s):
(71) Name(s) and Address(s) of Applicant(s):
AUSTRALIAN FASHION LABELS PTY LTD
106 Currie St Adelaide SA 5000 Australia
(72) Name(s) of Designer(s): **Carmen Dugan and Cyd Beard**
(45) Registration Date: **04 March 2015**
(56) Related Art Documents: **Not Applicable**
(57) Statement of Newness and Distinctiveness: **Newness and distinctiveness resides in the features of pattern and ornamentation of a textile print as shown in the accompanying representations. In considering the scope of monopoly, no regard is to be had to colour and the scope of monopoly is not restricted to the particular colour or colours depicted in the accompanying representations.**



- (21) Design Number: **10610/2015**
(22) Date of Filing Application: **09 February 2015**
(24) Date from which industrial property rights may have effect: **09 February 2015**
(54) Product in respect of which the design is registered: **Display stand**
(51) International Design Classification: **20-02E**
(74) Name(s) of Attorney(s):
(71) Name(s) and Address(s) of Applicant(s):
PLSR Pty Ltd
27 Vella Dr Sunshine VIC 3020 Australia
(72) Name(s) of Designer(s): **Simon Joseph**
(45) Registration Date: **04 March 2015**
(56) Related Art Documents: **Not Applicable**
(57) Statement of Newness and Distinctiveness: **The design is to be applied to an umbrella display stand, and the novelty resides in the features of shape and configuration as shown in the accompanying representations.**



(21) Design Number: **10611/2015**
(22) Date of Filing Application: **09 February 2015**
(24) Date from which industrial property rights may have effect: **09 February 2015**
(54) Product in respect of which the design is registered: **Lamp**
(51) International Design Classification: **26-03**
(74) Name(s) of Attorney(s): **Allens Patent & Trade Mark Attorneys**
(71) Name(s) and Address(s) of Applicant(s):
Guangzhou Hanma Electronic Technology Co., Ltd.
No. 8 Jianye Middle Road Taihe Town Baiyun District Guangzhou City
510000 China
(72) Name(s) of Designer(s): **Shijun Fan**
(45) Registration Date: **04 March 2015**
(56) Related Art Documents: **Not Applicable**
(57) Statement of Newness and Distinctiveness: **Newness and distinctiveness resides in the visual features of shape and/or configuration of a lamp as illustrated in the accompanying representations.**



(21) Design Number: **10630/2015**
(22) Date of Filing Application: **10 February 2015**
(24) Date from which industrial property rights may have effect: **10 February 2015**
(54) Product in respect of which the design is registered: **Wearable device**
(51) International Design Classification: **10-02**
(74) Name(s) of Attorney(s): **Freehills Patent Attorneys**
(71) Name(s) and Address(s) of Applicant(s):
Apple Inc.
1 Infinite Loop Cupertino California, 95014 United States of America
(72) Name(s) of Designer(s): **Jody Akana and Shota Aoyagi and Anthony Michael Ashcroft and Daniele De Iuliis and Julian Hoenig and Richard P Howarth and Jonathan P Ive and Duncan Robert Kerr and Marc A Newson and Matthew Dean Rohrbach and Peter Russell-Clarke and Benjamin Andrew Shaffer and Mikael Silvano and Christopher J Stringer and Eugene Antony Whang and Rico Zorkendorfer and Bartley K Andre and Daniel J Coster and Jeremy Bataillou and M Evans Hankey**
(45) Registration Date: **04 March 2015**
(30) Convention priority data:
(31) Number (32) Date (33) Country
29/499091 11 Aug 2014 UNITED STATES OF AMERICA
(56) Related Art Documents: **Not Applicable**
(57) Statement of Newness and Distinctiveness: **Nil**



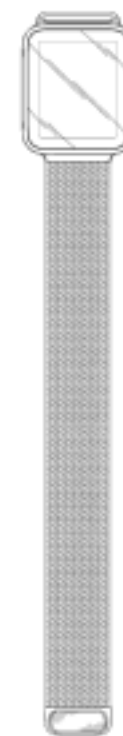
- (21) Design Number: **10631/2015**
(22) Date of Filing Application: **10 February 2015**
(24) Date from which industrial property rights may have effect: **10 February 2015**
(54) Product in respect of which the design is registered: **Band**
(51) International Design Classification: **10-07**
(74) Name(s) of Attorney(s): **Freehills Patent Attorneys**
(71) Name(s) and Address(s) of Applicant(s):
Apple Inc.
1 Infinite Loop Cupertino California, 95014 United States of America
(72) Name(s) of Designer(s): **Jody Akana and Bartley K Andre and Shota Aoyagi and Anthony Michael Ashcroft and Jeremy Bataillou and Daniel J Coster and Daniele De Iuliis and M Evans Hankey and Julian Hoenig and Richard P Howarth and Jonathan P Ive and Duncan Robert Kerr and Marc A Newson and Matthew Dean Rohrbach and Peter Russell-Clarke and Benjamin Andrew Shaffer and Mikael Silvanto and Christopher J Stringer and Eugene Antony Whang and Rico Zorkendorfer**
(45) Registration Date: **04 March 2015**
(30) Convention priority data:
(31) Number (32) Date (33) Country
29/499052 11 Aug 2014 UNITED STATES OF AMERICA
(56) Related Art Documents: **Not Applicable**
(57) Statement of Newness and Distinctiveness: **Nil**



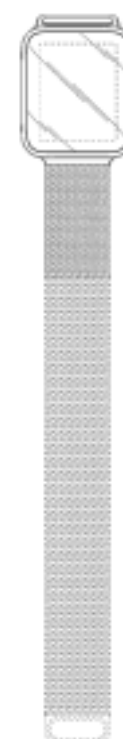
- (21) Design Number: **10632/2015**
(22) Date of Filing Application: **10 February 2015**
(24) Date from which industrial property rights may have effect: **13 January 2015**
(54) Product in respect of which the design is registered: **A container**
(51) International Design Classification: **09-01B**
(74) Name(s) of Attorney(s): **Griffith Hack**
(71) Name(s) and Address(s) of Applicant(s):
Milacron LLC
4165 Half Acre Road Batavia Ohio, 45103 United States of America
(72) Name(s) of Designer(s): **James D. Janeczek**
(45) Registration Date: **04 March 2015**
(62) Divisional of: **360292**
(56) Related Art Documents: **Not Applicable**
(57) Statement of Newness and Distinctiveness: **Newness and distinctiveness resides in the visual features including the shape, configuration and ornamentation of the product as shown in the representations.**



- (21) Design Number: **10633/2015**
(22) Date of Filing Application: **10 February 2015**
(24) Date from which industrial property rights may have effect: **10 February 2015**
(54) Product in respect of which the design is registered: **Wearable device**
(51) International Design Classification: **10-02**
(74) Name(s) of Attorney(s): **Freehills Patent Attorneys**
(71) Name(s) and Address(s) of Applicant(s):
Apple Inc.
1 Infinite Loop Cupertino California, 95014 United States of America
(72) Name(s) of Designer(s): **Jody Akana and Bartley K Andre and Shota Aoyagi and Anthony Michael Ashcroft and Jeremy Bataillou and Daniel J Coster and Daniele De Iuliis and M Evans Hankey and Julian Hoenig and Richard P Howarth and Jonathan P Ive and Duncan Robert Kerr and Marc A Newson and Matthew Dean Rohrbach and Peter Russell-Clarke and Benjamin Andrew Shaffer and Mikael Silvano and Christopher J Stringer and Eugene Antony Whang and Rico Zorkendorfer**
(45) Registration Date: **04 March 2015**
(30) Convention priority data:
(31) Number (32) Date (33) Country
29/499091 11 Aug 2014 UNITED STATES OF AMERICA
(56) Related Art Documents: **Not Applicable**
(57) Statement of Newness and Distinctiveness: **Nil**



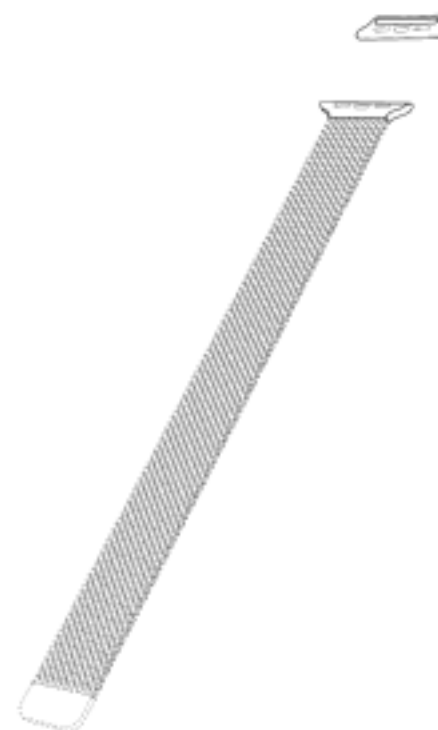
- (21) Design Number: **10634/2015**
(22) Date of Filing Application: **10 February 2015**
(24) Date from which industrial property rights may have effect: **10 February 2015**
(54) Product in respect of which the design is registered: **Wearable device**
(51) International Design Classification: **10-02**
(74) Name(s) of Attorney(s): **Freehills Patent Attorneys**
(71) Name(s) and Address(s) of Applicant(s):
Apple Inc.
1 Infinite Loop Cupertino California, 95014 United States of America
(72) Name(s) of Designer(s): **Jody Akana and Bartley K Andre and Shota Aoyagi and Anthony Michael Ashcroft and Jeremy Bataillou and Daniel J Coster and Daniele De Iuliis and M Evans Hankey and Julian Hoenig and Richard P Howarth and Jonathan P Ive and Duncan Robert Kerr and Marc A Newson and Matthew Dean Rohrbach and Peter Russell-Clarke and Benjamin Andrew Shaffer and Mikael Silvano and Christopher J Stringer and Eugene Antony Whang and Rico Zorkendorfer**
(45) Registration Date: **04 March 2015**
(30) Convention priority data:
(31) Number (32) Date (33) Country
29/499091 11 Aug 2014 UNITED STATES OF AMERICA
(56) Related Art Documents: **Not Applicable**
(57) Statement of Newness and Distinctiveness: **Newness and distinctiveness resides in the features shown in solid outline in the accompanying representations.**



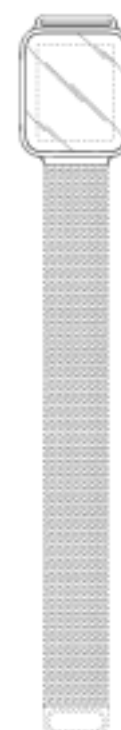
(21) Design Number: **10635/2015**
(22) Date of Filing Application: **10 February 2015**
(24) Date from which industrial property rights may have effect: **10 February 2015**
(54) Product in respect of which the design is registered: **Automobile**
(51) International Design Classification: **12-08**
(74) Name(s) of Attorney(s): **SPRUSON & FERGUSON**
(71) Name(s) and Address(s) of Applicant(s):
Honda Motor Co., Ltd.
1-1, Minami-Aoyama 2-chome, Minato-ku Tokyo, 107-8556 Japan
(72) Name(s) of Designer(s): **Shinya Uchiyama**
(45) Registration Date: **04 March 2015**
(30) Convention priority data:
(31) Number (32) Date (33) Country
2014-017866 18 Aug 2014 JAPAN
(56) Related Art Documents: **Not Applicable**
(57) Statement of Newness and Distinctiveness: **Newness and distinctiveness is claimed in the features of shape and/or configuration of an automobile as illustrated in the accompanying representations.**



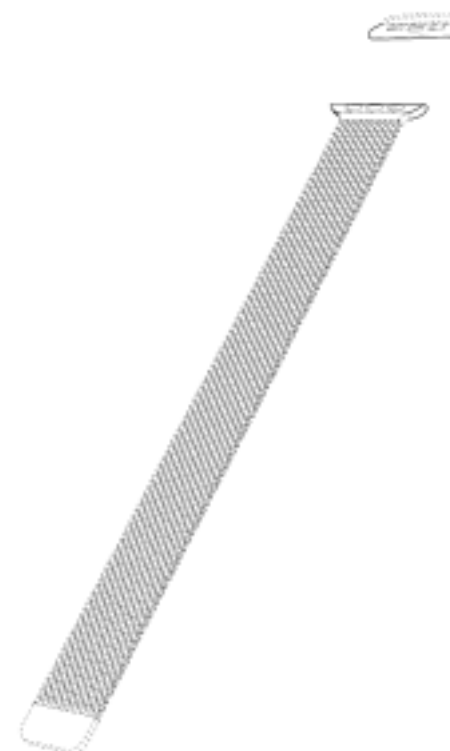
(21) Design Number: **10636/2015**
(22) Date of Filing Application: **10 February 2015**
(24) Date from which industrial property rights may have effect: **10 February 2015**
(54) Product in respect of which the design is registered: **Band**
(51) International Design Classification: **10-07**
(74) Name(s) of Attorney(s): **Freehills Patent Attorneys**
(71) Name(s) and Address(s) of Applicant(s):
Apple Inc.
1 Infinite Loop Cupertino California, 95014 United States of America
(72) Name(s) of Designer(s): **Jody Akana and Bartley K Andre and Shota Aoyagi and Anthony Michael Ashcroft and Jeremy Bataillou and Daniel J Coster and Daniele De Iuliis and M Evans Hankey and Julian Hoenig and Richard P Howarth and Jonathan P Ive and Duncan Robert Kerr and Marc A Newson and Matthew Dean Rohrbach and Peter Russell-Clarke and Benjamin Andrew Shaffer and Mikael Silvano and Christopher J Stringer and Eugene Anthony Whang and Rico Zorkendorfer**
(45) Registration Date: **04 March 2015**
(30) Convention priority data:
(31) Number (32) Date (33) Country
29/499052 11 Aug 2014 UNITED STATES OF AMERICA
(56) Related Art Documents: **Not Applicable**
(57) Statement of Newness and Distinctiveness: **Newness and distinctiveness resides in the features shown in solid outline in the accompanying representations.**



- (21) Design Number: **10637/2015**
(22) Date of Filing Application: **10 February 2015**
(24) Date from which industrial property rights may have effect: **10 February 2015**
(54) Product in respect of which the design is registered: **Wearable device**
(51) International Design Classification: **10-02**
(74) Name(s) of Attorney(s): **Freehills Patent Attorneys**
(71) Name(s) and Address(s) of Applicant(s):
Apple Inc.
1 Infinite Loop Cupertino California, 95014 United States of America
(72) Name(s) of Designer(s): **Jody Akana and Bartley K Andre and Shota Aoyagi and Anthony Michael Ashcroft and Jeremy Bataillou and Daniel J Coster and Daniele De Iuliis and M Evans Hankey and Julian Hoenig and Richard P Howarth and Jonathan P Ive and Duncan Robert Kerr and Marc A Newson and Matthew Dean Rohrbach and Peter Russell-Clarke and Benjamin Andrew Shaffer and Mikael Silvano and Christopher J Stringer and Eugene Anthony Whang and Rico Zorkendorfer**
(45) Registration Date: **04 March 2015**
(30) Convention priority data:
(31) Number (32) Date (33) Country
29/499091 11 Aug 2014 UNITED STATES OF AMERICA
(56) Related Art Documents: **Not Applicable**
(57) Statement of Newness and Distinctiveness: **Newness and distinctiveness resides in the features shown in solid outline in the accompanying representations.**



- (21) Design Number: **10638/2015**
(22) Date of Filing Application: **10 February 2015**
(24) Date from which industrial property rights may have effect: **10 February 2015**
(54) Product in respect of which the design is registered: **Band**
(51) International Design Classification: **10-07**
(74) Name(s) of Attorney(s): **Freehills Patent Attorneys**
(71) Name(s) and Address(s) of Applicant(s):
Apple Inc.
1 Infinite Loop Cupertino California, 95014 United States of America
(72) Name(s) of Designer(s): **Jody Akana and Bartley K Andre and Shota Aoyagi and Anthony Michael Ashcroft and Jeremy Bataillou and Daniel J Coster and Daniele De Iuliis and M Evans Hankey and Julian Hoenig and Richard P Howarth and Jonathan P Ive and Duncan Robert Kerr and Marc A Newson and Matthew Dean Rohrbach and Peter Russell-Clarke and Benjamin Andrew Shaffer and Mikael Silvano and Christopher J Stringer and Eugene Anthony Whang and Rico Zorkendorfer**
(45) Registration Date: **04 March 2015**
(30) Convention priority data:
(31) Number (32) Date (33) Country
29/499052 11 Aug 2014 UNITED STATES OF AMERICA
(56) Related Art Documents: **Not Applicable**
(57) Statement of Newness and Distinctiveness: **Newness and distinctiveness resides in the features of the portions shown in solid outline in the accompanying representations.**



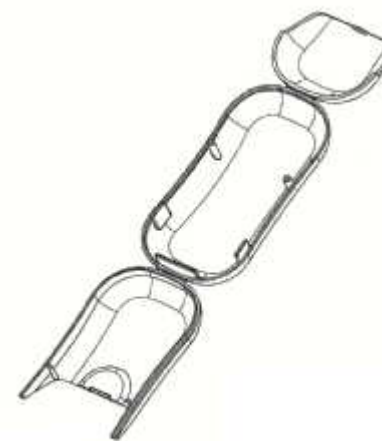
- (21) Design Number: **10639/2015**
(22) Date of Filing Application: **10 February 2015**
(24) Date from which industrial property rights may have effect: **10 February 2015**
(54) Product in respect of which the design is registered: **Wearable device**
(51) International Design Classification: **10-02**
(74) Name(s) of Attorney(s): **Freehills Patent Attorneys**
(71) Name(s) and Address(s) of Applicant(s):
Apple Inc.
1 Infinite Loop Cupertino California, 95014 United States of America
(72) Name(s) of Designer(s): **Jody Akana and Bartley K Andre and Shota Aoyagi and Anthony Michael Ashcroft and Jeremy Bataillou and Daniel J Coster and Daniele De Iullis and M Evans Hankey and Julian Hoenig and Richard P Howarth and Jonathan P Ive and Duncan Robert Kerr and Marc A Newson and Matthew Dean Rohrbach and Peter Russell-Clarke and Benjamin Andrew Shaffer and Mikael Silvanto and Christopher J Stringer and Eugene Anthony Whang and Rico Zorkendorfer**
(45) Registration Date: **04 March 2015**
(30) Convention priority data:
(31) Number (32) Date (33) Country
29/499088 11 Aug 2014 UNITED STATES OF AMERICA
(56) Related Art Documents: **Not Applicable**
(57) Statement of Newness and Distinctiveness: **Newness and distinctiveness resides in the features of shape and configuration shown in the accompanying representations.**



- (21) Design Number: **10640/2015**
(22) Date of Filing Application: **10 February 2015**
(24) Date from which industrial property rights may have effect: **10 February 2015**
(54) Product in respect of which the design is registered: **Wearable device**
(51) International Design Classification: **10-02**
(74) Name(s) of Attorney(s): **Freehills Patent Attorneys**
(71) Name(s) and Address(s) of Applicant(s):
Apple Inc.
1 Infinite Loop Cupertino California, 95014 United States of America
(72) Name(s) of Designer(s): **Jody Akana and Bartley K Andre and Shota Aoyagi and Anthony Michael Ashcroft and Jeremy Bataillou and Daniel J Coster and Daniele De Iullis and M Evans Hankey and Julian Hoenig and Richard P Howarth and Jonathan P Ive and Duncan Robert Kerr and Marc A Newson and Matthew Dean Rohrbach and Peter Russell-Clarke and Benjamin Andrew Shaffer and Mikael Silvanto and Christopher J Stringer and Eugene Anthony Whang and Rico Zorkendorfer**
(45) Registration Date: **04 March 2015**
(30) Convention priority data:
(31) Number (32) Date (33) Country
29/499088 11 Aug 2014 UNITED STATES OF AMERICA
(56) Related Art Documents: **Not Applicable**
(57) Statement of Newness and Distinctiveness: **Nil**



(21) Design Number: **10192/2015**
(22) Date of Filing Application: **15 January 2015**
(24) Date from which industrial property rights may have effect: **15 January 2015**
(54) Product in respect of which the design is registered: **A container**
(51) International Design Classification: **03-01D**
(74) Name(s) of Attorney(s):
(71) Name(s) and Address(s) of Applicant(s):
Janalyn Flora Massey Cunningham
28 Tiri Road Milford Auckland 0620 New Zealand
(72) Name(s) of Designer(s): **Janalyn Flora Massey Cunningham**
(45) Registration Date: **05 March 2015**
(30) Convention priority data:
(31) Number (32) Date (33) Country
419069 18 Jul 2014 NEW ZEALAND
(56) Related Art Documents: **Not Applicable**
(57) Statement of Newness and Distinctiveness: **The design resides in the features of shape and/or configuration as shown in the representations.**



(21) Design Number: **10589/2015**
(22) Date of Filing Application: **06 February 2015**
(24) Date from which industrial property rights may have effect: **06 February 2015**
(54) Product in respect of which the design is registered: **A handle for a collapsible banner**
(51) International Design Classification: **20-02NES**
(74) Name(s) of Attorney(s):
(71) Name(s) and Address(s) of Applicant(s):
PROMOTIONS UNLIMITED PTY LTD
318 - 326 St. Vincent St Port Adelaide SA 5015 Australia
(72) Name(s) of Designer(s): **Michael Higgs**
(45) Registration Date: **05 March 2015**
(56) Related Art Documents: **Not Applicable**
(57) Statement of Newness and Distinctiveness: **Newness and distinctiveness resides in the shape and/or configuration of the handle for a collapsible banner as shown in the accompanying representations, excluding the features illustrated in broken lines.**



- (21) Design Number: **10597/2015**
(22) Date of Filing Application: **06 February 2015**
(24) Date from which industrial property rights may have effect: **06 February 2015**
(54) Product in respect of which the design is registered: **Dart board**
(51) International Design Classification: **21-01H**
(74) Name(s) of Attorney(s):
(71) Name(s) and Address(s) of Applicant(s):
Ronald Phillip Eslick
17 Baker St Bundarra NSW 2359 Australia
Adam Eslick
17 Baker St Bundarra NSW 2359 Australia
Leslie Eslick
1 Muirhead St Bundarra NSW 2359 Australia
(72) Name(s) of Designer(s): **Ronald Phillip Eslick and Adam Eslick**
(45) Registration Date: **05 March 2015**
(56) Related Art Documents: **Not Applicable**
(57) Statement of Newness and Distinctiveness: **The new features of the design are the joker in centre of the board and the two high lighted wild cards.**



- (21) Design Number: **10641/2015**
(22) Date of Filing Application: **10 February 2015**
(24) Date from which industrial property rights may have effect: **10 February 2015**
(54) Product in respect of which the design is registered: **Glasses frames**
(51) International Design Classification: **16-06**
(74) Name(s) of Attorney(s): **Pizzeys**
(71) Name(s) and Address(s) of Applicant(s):
Marius Morel France SAS
117 route des Buclets Morbier 39400 France
(72) Name(s) of Designer(s): **Jerome Morel**
(45) Registration Date: **05 March 2015**
(30) Convention priority data:
(31) Number (32) Date (33) Country
002545566-0012 25 Sep 2014 OFFICE FOR HARMONISATION IN THE INTERNAL MARKET (OHIM)
(56) Related Art Documents: **Not Applicable**
(57) Statement of Newness and Distinctiveness: **Nil**



- (21) Design Number: **10643/2015**
(22) Date of Filing Application: **10 February 2015**
(24) Date from which industrial property rights may have effect: **10 February 2015**
(54) Product in respect of which the design is registered: **Band**
(51) International Design Classification: **10-07**
(74) Name(s) of Attorney(s): **Freehills Patent Attorneys**
(71) Name(s) and Address(s) of Applicant(s):

Apple Inc.
1 Infinite Loop Cupertino California, 95014 United States of America

- (72) Name(s) of Designer(s): **Jody Akana and Bartley K Andre and Shota Aoyagi and Anthony Michael Ashcroft and Jeremy Bataillou and Daniel J Coster and Daniele De Iuliis and M Evans Hankey and Julian Hoenig and Richard P Howarth and Jonathan P Ive and Duncan Robert Kerr and Marc A Newson and Matthew Dean Rohrbach and Peter Russell-Clarke and Benjamin Andrew Shaffer and Mikael Silvano and Christopher J Stringer and Eugene Anthony Whang and Rico Zorkendorfer**

- (45) Registration Date: **05 March 2015**

- (30) Convention priority data:

(31) Number	(32) Date	(33) Country
29/499052	11 Aug 2014	UNITED STATES OF AMERICA

- (56) Related Art Documents: **Not Applicable**

- (57) Statement of Newness and Distinctiveness: **Newness and distinctiveness resides in the features of shape and configuration shown in the accompanying representations.**



- (21) Design Number: **10645/2015**
(22) Date of Filing Application: **10 February 2015**
(24) Date from which industrial property rights may have effect: **10 February 2015**
(54) Product in respect of which the design is registered: **Wearable device**
(51) International Design Classification: **10-02**
(74) Name(s) of Attorney(s): **Freehills Patent Attorneys**
(71) Name(s) and Address(s) of Applicant(s):

Apple Inc.
1 Infinite Loop Cupertino California, 95014 United States of America

- (72) Name(s) of Designer(s): **Jody Akana and Bartley K Andre and Shota Aoyagi and Anthony Michael Ashcroft and Jeremy Bataillou and Daniel J Coster and Daniele De Iuliis and M Evans Hankey and Julian Hoenig and Richard P Howarth and Jonathan P Ive and Duncan Robert Kerr and Marc A Newson and Matthew Dean Rohrbach and Peter Russell-Clarke and Benjamin Andrew Shaffer and Mikael Silvano and Christopher J Stringer and Eugene Anthony Whang and Rico Zorkendorfer**

- (45) Registration Date: **05 March 2015**

- (30) Convention priority data:

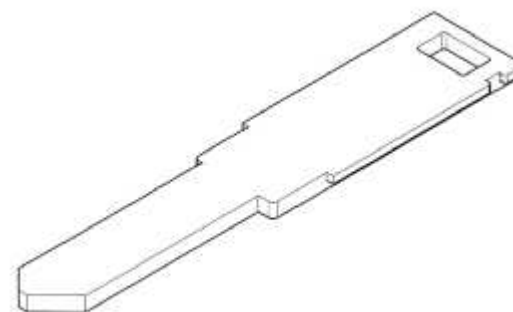
(31) Number	(32) Date	(33) Country
29/499082	11 Aug 2014	UNITED STATES OF AMERICA

- (56) Related Art Documents: **Not Applicable**

- (57) Statement of Newness and Distinctiveness: **Newness and distinctiveness resides in the features of shape and configuration shown in solid outline in the accompanying representations.**



- (21) Design Number: **10646/2015**
(22) Date of Filing Application: **10 February 2015**
(24) Date from which industrial property rights may have effect: **10 February 2015**
(54) Product in respect of which the design is registered: **Key blade blank**
(51) International Design Classification: **08-07**
(74) Name(s) of Attorney(s): **Callinans**
(71) Name(s) and Address(s) of Applicant(s):
Steven Mark Wynn
45 Holts Rd Whittlesea VIC 3757 Australia
Mark William Lightfoot
9 McCauley Grove Taupo 3330 New Zealand
(72) Name(s) of Designer(s): **Steven Mark Wynn and Mark William Lightfoot**
(45) Registration Date: **05 March 2015**
(56) Related Art Documents: **Not Applicable**
(57) Statement of Newness and Distinctiveness: **Newness and distinctiveness lies in the shape or configuration of the key blade blank shown in the representations.**



- (21) Design Number: **10647/2015**
(22) Date of Filing Application: **10 February 2015**
(24) Date from which industrial property rights may have effect: **10 February 2015**
(54) Product in respect of which the design is registered: **Wearable device**
(51) International Design Classification: **10-02**
(74) Name(s) of Attorney(s): **Freehills Patent Attorneys**
(71) Name(s) and Address(s) of Applicant(s):
Apple Inc.
1 Infinite Loop Cupertino California, 95014 United States of America
(72) Name(s) of Designer(s): **Jody Akana and Bartley K Andre and Shota Aoyagi and Anthony Michael Ashcroft and Jeremy Bataillou and Daniel J Coster and Daniele De Iuliis and M Evans Hankey and Julian Hoenig and Richard P Howarth and Jonathan P Ive and Duncan Robert Kerr and Marc A Newson and Matthew Dean Rohrbach and Peter Russell-Clarke and Benjamin Andrew Shaffer and Mikael Silvano and Christopher J Stringer and Eugene Antony Whang and Rico Zorkendorfer**
(45) Registration Date: **05 March 2015**
(30) Convention priority data:
(31) Number (32) Date (33) Country
29/499081 11 Aug 2014 UNITED STATES OF AMERICA
(56) Related Art Documents: **Not Applicable**
(57) Statement of Newness and Distinctiveness: **Newness and distinctiveness resides in the features of shape and configuration shown in the accompanying representations.**



- (21) Design Number: **10648/2015**
- (22) Date of Filing Application: **10 February 2015**
- (24) Date from which industrial property rights may have effect: **10 February 2015**
- (54) Product in respect of which the design is registered: **Wearable device**
- (51) International Design Classification: **10-02**
- (74) Name(s) of Attorney(s): **Freehills Patent Attorneys**
- (71) Name(s) and Address(s) of Applicant(s):

Apple Inc.
1 Infinite Loop Cupertino California, 95014 United States of America

- (72) Name(s) of Designer(s): **Jody Akana and Bartley K Andre and Shota Aoyagi and Anthony Michael Ashcroft and Jeremy Bataillou and Daniel J Coster and Daniele De Iuliis and M Evans Hankey and Julian Hoenig and Richard P Howarth and Jonathan P Ive and Duncan Robert Kerr and Marc A Newson and Matthew Dean Rohrbach and Peter Russell-Clarke and Benjamin Andrew Shaffer and Mikael Silvano and Christopher J Stringer and Eugene Antony Whang and Rico Zorkendorfer**

- (45) Registration Date: **05 March 2015**

- (30) Convention priority data:

(31) Number	(32) Date	(33) Country
29/499081	11 Aug 2014	UNITED STATES OF AMERICA

- (56) Related Art Documents: **Not Applicable**

- (57) Statement of Newness and Distinctiveness: **Newness and distinctiveness resides in the features of shape and configuration of the portions shown in solid outline in the accompanying representations.**



- (21) Design Number: **10649/2015**
- (22) Date of Filing Application: **10 February 2015**
- (24) Date from which industrial property rights may have effect: **10 February 2015**
- (54) Product in respect of which the design is registered: **Key head**
- (51) International Design Classification: **08-07**
- (74) Name(s) of Attorney(s): **Callinans**
- (71) Name(s) and Address(s) of Applicant(s):

Steven Mark Wynn
45 Holts Rd Whittlesea VIC 3757 Australia

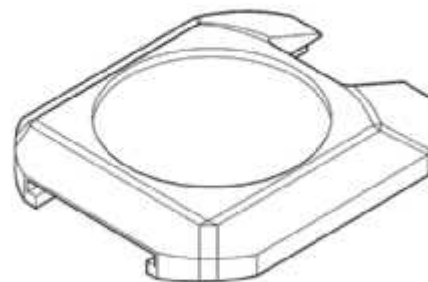
Mark William Lightfoot
9 McCauley Grove Taupo 3330 New Zealand

- (72) Name(s) of Designer(s): **Steven Mark Wynn and Mark William Lightfoot**

- (45) Registration Date: **05 March 2015**

- (56) Related Art Documents: **Not Applicable**

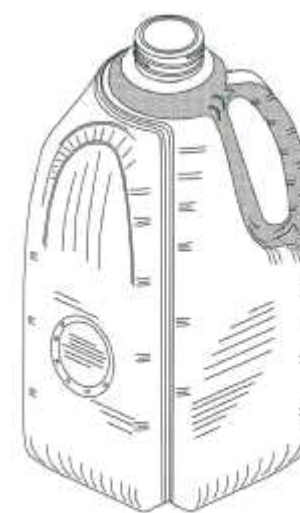
- (57) Statement of Newness and Distinctiveness: **Newness and distinctiveness lies in the shape or configuration of the key head shown in the representations.**



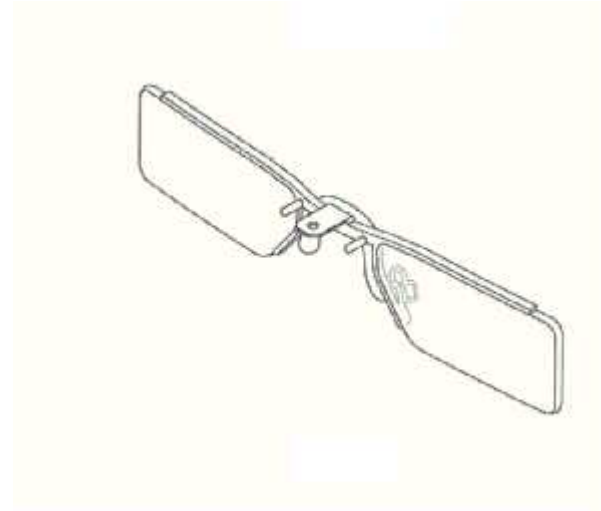
- (21) Design Number: **10652/2015**
(22) Date of Filing Application: **10 February 2015**
(24) Date from which industrial property rights may have effect: **10 February 2015**
(54) Product in respect of which the design is registered: **Wearable device**
(51) International Design Classification: **10-02**
(74) Name(s) of Attorney(s): **Freehills Patent Attorneys**
(71) Name(s) and Address(s) of Applicant(s):
Apple Inc.
1 Infinite Loop Cupertino California, 95014 United States of America
(72) Name(s) of Designer(s): **Jody Akana and Bartley K Andre and Shota Aoyagi and Anthony Michael Ashcroft and Jeremy Bataillou and Daniel J Coster and Daniele De Iuliis and M Evans Hankey and Julian Hoenig and Richard P Howarth and Jonathan P Ive and Duncan Robert Kerr and Marc A Newson and Matthew Dean Rohrbach and Peter Russell-Clarke and Benjamin Andrew Shaffer and Mikael Silvanto and Christopher J Stringer and Eugene Antony Whang and Rico Zorkendorfer**
(45) Registration Date: **05 March 2015**
(30) Convention priority data:
(31) Number (32) Date (33) Country
29/499080 11 Aug 2014 UNITED STATES OF AMERICA
(56) Related Art Documents: **Not Applicable**
(57) Statement of Newness and Distinctiveness: **Newness and distinctiveness resides in the features of shape and configuration shown in solid outline in the accompanying representations.**



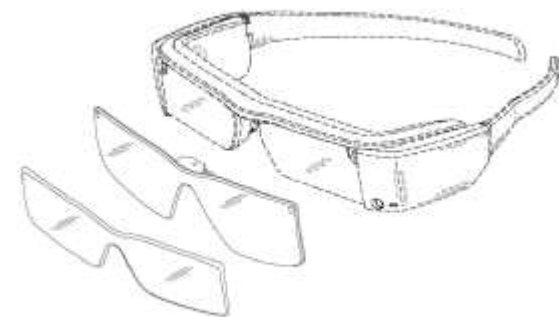
- (21) Design Number: **10653/2015**
(22) Date of Filing Application: **10 February 2015**
(24) Date from which industrial property rights may have effect: **13 January 2015**
(54) Product in respect of which the design is registered: **A container**
(51) International Design Classification: **09-01B**
(74) Name(s) of Attorney(s): **Griffith Hack**
(71) Name(s) and Address(s) of Applicant(s):
Milacron LLC
4165 Half Acre Road Batavia Ohio, 45103 United States of America
(72) Name(s) of Designer(s): **James D Janeczek**
(45) Registration Date: **05 March 2015**
(62) Divisional of: **360313**
(56) Related Art Documents: **Not Applicable**
(57) Statement of Newness and Distinctiveness: **Newness and distinctiveness resides in the shape, configuration and ornamentation of the product, including the contours at the shoulder region of the product and the ratio of the height to width of the product. The stippling about the neck and the handle represents surface texture.**



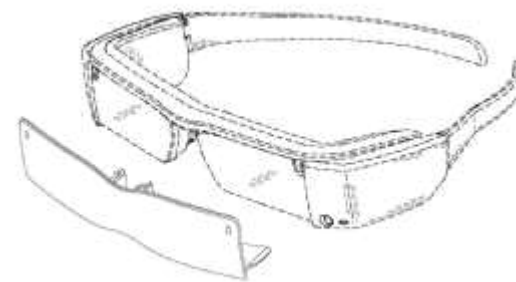
(21) Design Number: **10536/2015**
(22) Date of Filing Application: **02 February 2015**
(24) Date from which industrial property rights may have effect: **02 February 2015**
(54) Product in respect of which the design is registered: **Clip on lens carrier for smart eyewear**
(51) International Design Classification: **16-06**
(74) Name(s) of Attorney(s): **PHILLIPS ORMONDE FITZPATRICK**
(71) Name(s) and Address(s) of Applicant(s):
Alpha Primitus, Inc
30 de Castro Street Wickham's Cay 1 P.O. Box 4519 Road Town Tortola
British Virgin Islands
(72) Name(s) of Designer(s): **Patrick C. Ho**
(45) Registration Date: **06 March 2015**
(30) Convention priority data:
(31) Number (32) Date (33) Country
29/499,301 13 Aug 2014 UNITED STATES OF AMERICA
(56) Related Art Documents: **Not Applicable**
(57) Statement of Newness and Distinctiveness: **Nil**



(21) Design Number: **10537/2015**
(22) Date of Filing Application: **02 February 2015**
(24) Date from which industrial property rights may have effect: **02 February 2015**
(54) Product in respect of which the design is registered: **Magnetically attachable shield system for smart glasses**
(51) International Design Classification: **16-06**
(74) Name(s) of Attorney(s): **PHILLIPS ORMONDE FITZPATRICK**
(71) Name(s) and Address(s) of Applicant(s):
Alpha Primitus, Inc
30 de Castro Street Wickham's Cay 1 P.O. Box 4519 Road Town Tortola
British Virgin Islands
(72) Name(s) of Designer(s): **Patrick C. Ho**
(45) Registration Date: **06 March 2015**
(30) Convention priority data:
(31) Number (32) Date (33) Country
29/502,448 16 Sep 2014 UNITED STATES OF AMERICA
(56) Related Art Documents: **Not Applicable**
(57) Statement of Newness and Distinctiveness: **Nil**



(21) Design Number: **10538/2015**
(22) Date of Filing Application: **02 February 2015**
(24) Date from which industrial property rights may have effect: **02 February 2015**
(54) Product in respect of which the design is registered: **Magnetically attachable shield system for smart glasses**
(51) International Design Classification: **16-06**
(74) Name(s) of Attorney(s): **PHILLIPS ORMONDE FITZPATRICK**
(71) Name(s) and Address(s) of Applicant(s):
Alpha Primitus, Inc
30 de Castro Street Wickham's Cay 1 P.O. Box 4519 Road Town Tortola
British Virgin Islands
(72) Name(s) of Designer(s): **Patrick C. Ho**
(45) Registration Date: **06 March 2015**
(30) Convention priority data:
(31) Number (32) Date (33) Country
29/502,448 16 Sep 2014 UNITED STATES OF AMERICA
(56) Related Art Documents: **Not Applicable**
(57) Statement of Newness and Distinctiveness: **Nil**



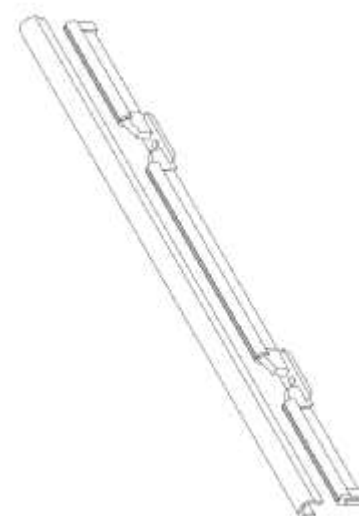
(21) Design Number: **10541/2015**
(22) Date of Filing Application: **02 February 2015**
(24) Date from which industrial property rights may have effect: **02 February 2015**
(54) Product in respect of which the design is registered: **Bottle**
(51) International Design Classification: **09-01K, 09-01NES**
(74) Name(s) of Attorney(s): **Baxter Patent Attorneys Pty Ltd**
(71) Name(s) and Address(s) of Applicant(s):
Plasmaide Pty Ltd
L3 376 Bay St Brighton Le Sands NSW 2216 Australia
(72) Name(s) of Designer(s): **Stephen Allende and Sandra Fabiano and Michael Lazaris**
(45) Registration Date: **06 March 2015**
(56) Related Art Documents: **Not Applicable**
(57) Statement of Newness and Distinctiveness: **Nil**



- (21) Design Number: **10559/2015**
(22) Date of Filing Application: **04 February 2015**
(24) Date from which industrial property rights may have effect: **04 February 2015**
(54) Product in respect of which the design is registered: **LED flood light**
(51) International Design Classification: **26-05E, 26-03**
(74) Name(s) of Attorney(s): **Shelston IP**
(71) Name(s) and Address(s) of Applicant(s):
Torshare Ltd.
Torshare Industrial Park 30th, No.4 Industrial Area Shuitian Shiyan
Baoan District Shenzhen China
(72) Name(s) of Designer(s): **Zhipeng Ke**
(45) Registration Date: **06 March 2015**
(56) Related Art Documents: **Not Applicable**
(57) Statement of Newness and Distinctiveness: **Newness and distinctiveness reside in the features of shape and/or configuration of a LED FLOOD LIGHT as illustrated in the accompanying representations.**



- (21) Design Number: **13256/2014**
(22) Date of Filing Application: **03 July 2014**
(24) Date from which industrial property rights may have effect: **03 July 2014**
(54) Product in respect of which the design is registered: **Fastening system for flexible material**
(51) International Design Classification: **08-08NES**
(74) Name(s) of Attorney(s):
(71) Name(s) and Address(s) of Applicant(s):
KBL HOLDINGS PTY LTD
217 Alexander Rd Belmont WA 6104 Australia
(72) Name(s) of Designer(s): **Peter Laurence**
(45) Registration Date: **06 March 2015**
(56) Related Art Documents: **Not Applicable**
(57) Statement of Newness and Distinctiveness: **Newness and distinctiveness is claimed in the feature of the tongue and groove as highlighted in the box marked "A" in Figure 1 in the design of the fastening element as a whole. The tongue extends along the length of the female clip portion, the groove extends along the length of the male clip portion.**



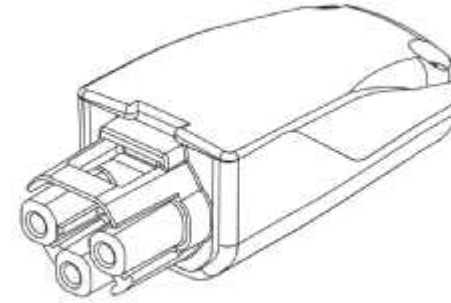
- (21) Design Number: **13267/2014**
(22) Date of Filing Application: **04 July 2014**
(24) Date from which industrial property rights may have effect: **04 July 2014**
(54) Product in respect of which the design is registered: **Article of clothing**
(51) International Design Classification: **02-02C**
(74) Name(s) of Attorney(s): **Allens Patent & Trade Mark Attorneys**
(71) Name(s) and Address(s) of Applicant(s):
Forever New Clothing Pty Ltd
714-716 High St Kew East VIC 3102 Australia
(72) Name(s) of Designer(s): **Anna Pham**
(45) Registration Date: **06 March 2015**
(56) Related Art Documents: **Not Applicable**
(57) Statement of Newness and Distinctiveness: **Newness and distinctiveness resides in the visual features of shape, configuration, pattern and/or ornamentation of an article of clothing as shown in the accompanying representations.**



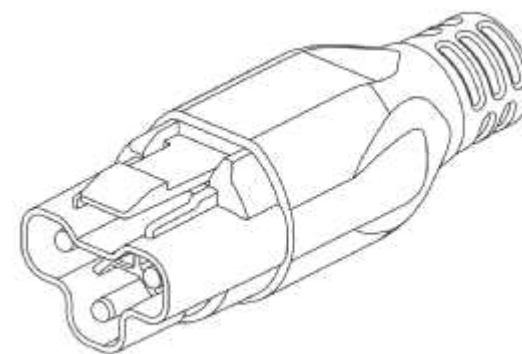
- (21) Design Number: **16592/2014**
(22) Date of Filing Application: **18 December 2014**
(24) Date from which industrial property rights may have effect: **18 December 2014**
(54) Product in respect of which the design is registered: **Oral care implement apparatus**
(51) International Design Classification: **04-02**
(74) Name(s) of Attorney(s): **FB Rice**
(71) Name(s) and Address(s) of Applicant(s):
Colgate-Palmolive Company
300 Park Avenue New York New York 10022 United States of America
Omron Healthcare Co., Ltd.
53, Kunotsubo, Terado-cho Muko-shi, Kyoto 617-0002 Japan
(72) Name(s) of Designer(s): **Takahide Okai**
(45) Registration Date: **06 March 2015**
(30) Convention priority data:
(31) Number (32) Date (33) Country
29/497639 25 Jul 2014 UNITED STATES OF AMERICA
(56) Related Art Documents: **Not Applicable**
(57) Statement of Newness and Distinctiveness: **Newness and distinctiveness reside in the features of shape and configuration of the design as shown in the representations.**



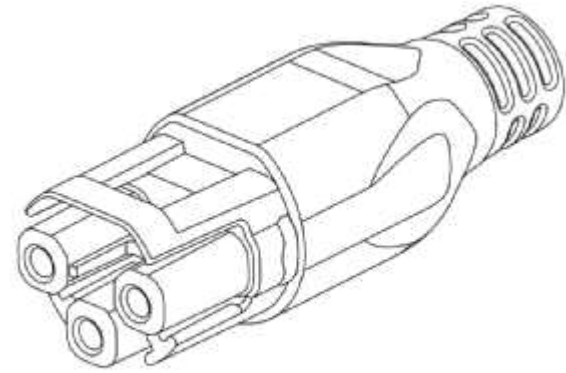
(21) Design Number: **10701/2015**
(22) Date of Filing Application: **11 February 2015**
(24) Date from which industrial property rights may have effect: **11 February 2015**
(54) Product in respect of which the design is registered: **An electrical connector unit**
(51) International Design Classification: **13-03E**
(74) Name(s) of Attorney(s): **Collison & Co**
(71) Name(s) and Address(s) of Applicant(s):
WBC IP PTY LIMITED
28 Mellor Ave Lockleys SA 5032 Australia
(72) Name(s) of Designer(s): **Mark Fahey and Joel Fitzgerald**
(45) Registration Date: **06 March 2015**
(56) Related Art Documents: **Not Applicable**
(57) Statement of Newness and Distinctiveness: **Nil**



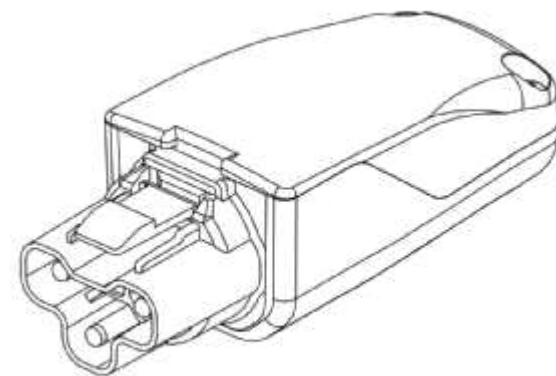
(21) Design Number: **10698/2015**
(22) Date of Filing Application: **11 February 2015**
(24) Date from which industrial property rights may have effect: **11 February 2015**
(54) Product in respect of which the design is registered: **An electrical connector unit**
(51) International Design Classification: **13-03E**
(74) Name(s) of Attorney(s): **Collison & Co**
(71) Name(s) and Address(s) of Applicant(s):
WBC IP PTY LIMITED
28 Mellor Ave Lockleys SA 5032 Australia
(72) Name(s) of Designer(s): **Mark Fahey and Joel Fitzgerald**
(45) Registration Date: **06 March 2015**
(56) Related Art Documents: **Not Applicable**
(57) Statement of Newness and Distinctiveness: **Nil**



(21) Design Number: **10699/2015**
(22) Date of Filing Application: **11 February 2015**
(24) Date from which industrial property rights may have effect: **11 February 2015**
(54) Product in respect of which the design is registered: **An electrical connector unit**
(51) International Design Classification: **13-03E**
(74) Name(s) of Attorney(s): **Collison & Co**
(71) Name(s) and Address(s) of Applicant(s):
WBC IP PTY LIMITED
28 Mellor Ave Lockleys SA 5032 Australia
(72) Name(s) of Designer(s): **Mark Fahey and Joel Fitzgerald**
(45) Registration Date: **06 March 2015**
(56) Related Art Documents: **Not Applicable**
(57) Statement of Newness and Distinctiveness: **Nil**



(21) Design Number: **10700/2015**
(22) Date of Filing Application: **11 February 2015**
(24) Date from which industrial property rights may have effect: **11 February 2015**
(54) Product in respect of which the design is registered: **An electrical connector unit**
(51) International Design Classification: **13-03E**
(74) Name(s) of Attorney(s): **Collison & Co**
(71) Name(s) and Address(s) of Applicant(s):
WBC IP PTY LIMITED
28 Mellor Ave Lockleys SA 5032 Australia
(72) Name(s) of Designer(s): **Mark Fahey and Joel Fitzgerald**
(45) Registration Date: **06 March 2015**
(56) Related Art Documents: **Not Applicable**
(57) Statement of Newness and Distinctiveness: **Nil**



(21) Design Number: **16182/2014**
(22) Date of Filing Application: **27 November 2014**
(24) Date from which industrial property rights may have effect: **27 November 2014**
(54) Product in respect of which the design is registered: **Display screen with graphical user interface**
(51) International Design Classification: **14-02**
(74) Name(s) of Attorney(s): **Halfords IP**
(71) Name(s) and Address(s) of Applicant(s):
ResMed Limited
1 Elizabeth Macarthur Dr Bella Vista NSW 2153 Australia
(72) Name(s) of Designer(s): **Mark Bertinetti and Benjamin John Leavens and Jose Ignacio Romagnoli and Jamie Graeme Wehbeh**
(45) Registration Date: **10 March 2015**
(30) Convention priority data:
(31) Number (32) Date (33) Country
29/492344 30 May 2014 UNITED STATES OF AMERICA
(56) Related Art Documents: **Not Applicable**
(57) Statement of Newness and Distinctiveness: **Nil**



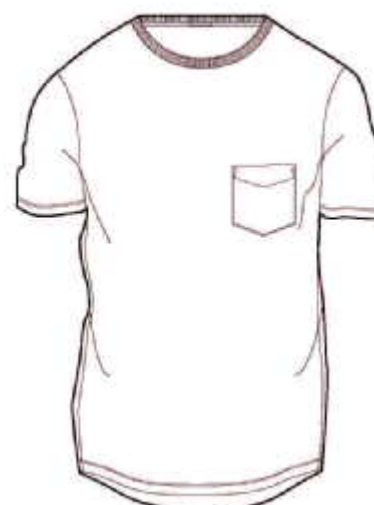
(21) Design Number: **10609/2015**
(22) Date of Filing Application: **09 February 2015**
(24) Date from which industrial property rights may have effect: **09 February 2015**
(54) Product in respect of which the design is registered: **Lid**
(51) International Design Classification: **09-07C**
(74) Name(s) of Attorney(s): **Macpherson + Kelley**
(71) Name(s) and Address(s) of Applicant(s):
Thermos L.L.C.
475 N. Martingale Road, Suite 1100 Schaumburg IL, 60173 United States of America
(72) Name(s) of Designer(s): **Marvin Lane and Dwayne Boroski**
(45) Registration Date: **10 March 2015**
(30) Convention priority data:
(31) Number (32) Date (33) Country
29499405 14 Aug 2014 UNITED STATES OF AMERICA
(56) Related Art Documents: **Not Applicable**
(57) Statement of Newness and Distinctiveness: **Newness and distinctiveness resides in the features of shape and/or configuration of a lid as illustrated in continuous lines in the accompanying representations.**



- (21) Design Number: **10616/2015**
(22) Date of Filing Application: **09 February 2015**
(24) Date from which industrial property rights may have effect: **09 February 2015**
(54) Product in respect of which the design is registered: **Display unit**
(51) International Design Classification: **20-02E**
(74) Name(s) of Attorney(s): **Griffith Hack**
(71) Name(s) and Address(s) of Applicant(s):
Cadbury UK Limited
PO Box 12 Bournville Lane Bournville Birmingham B30 2LU United Kingdom
(72) Name(s) of Designer(s): **Gil Horsky and Alan Flude and Filipa Guerra and Julian Sellers and Amy Wetton and Robert Monaghan and Gert Desmedt and David Ames**
(45) Registration Date: **10 March 2015**
(30) Convention priority data:
(31) Number (32) Date (33) Country
002520080-0002 14 Aug 2014 OFFICE FOR HARMONISATION IN THE INTERNAL MARKET (OHIM)
(56) Related Art Documents: **Not Applicable**
(57) Statement of Newness and Distinctiveness: **The shape and configuration of the product as shown by solid lines in the accompanying representations is new and distinctive.**



- (21) Design Number: **10617/2015**
(22) Date of Filing Application: **09 February 2015**
(24) Date from which industrial property rights may have effect: **09 February 2015**
(54) Product in respect of which the design is registered: **T-shirt**
(51) International Design Classification: **02-02NES**
(74) Name(s) of Attorney(s):
(71) Name(s) and Address(s) of Applicant(s):
Industrie Clothing Pty Limited
55 Railway Pde Marrickville NSW 2204 Australia
(72) Name(s) of Designer(s): **Nicholas Kelly**
(45) Registration Date: **10 March 2015**
(56) Related Art Documents: **Not Applicable**
(57) Statement of Newness and Distinctiveness: **Back yolk centre seam**



(21) Design Number: **10618/2015**

(22) Date of Filing Application: **09 February 2015**

(24) Date from which industrial property rights may have effect: **09 February 2015**

(54) Product in respect of which the design is registered: **Cutlery cover**

(51) International Design Classification: **07-99NES**

(74) Name(s) of Attorney(s):

(71) Name(s) and Address(s) of Applicant(s):

Lauren D'Aprano

22 Glover St Heidelberg Heights VIC 3081 Australia

(72) Name(s) of Designer(s): **Lauren D'Aprano**

(45) Registration Date: **10 March 2015**

(56) Related Art Documents: **Not Applicable**

(57) Statement of Newness and Distinctiveness: **The newness and distinctiveness of the design resides in the overall shape of the cover as shown in the distinct form in the accompanying representations.**

