



Australian Government

IP Australia

AUSTRALIAN OFFICIAL JOURNAL

OF

DESIGNS

Did you know a searchable version of this journal is now available online?

It's FREE and EASY to SEARCH.

Find it on our website (www.ipaustralia.gov.au)

by using the "Journals" link on the home page.

This Page Left Intentionally Blank

Contents

General Information & Notices

**Proceedings Under the Designs Act 1906 preserved as a result of the provisions of Chapter 12
Part 2 of the Designs Act 2003**

Extension of Period of Registration of Designs 784

Registrations Ceased 784

Proceedings Under the Designs Act 2003

Applications for Extension of Time Under Section 137 796

Applications Assigned 796

Applications Lapsed 794

Applications Lodged 788

Applications Withdrawn 793

Certificate of Examination 797

Extension of Period of Registration of Design 795

Extension of Time Granted Under Section 137 796

Names Registered - Alterations and Amendments 796

Publication and Registration Proceedings

Designs Registered 360611 to 360782..... 798

Registrations Ceased 795

Subsequent Owners Registered 796

This Page Left Intentionally Blank

For information on the following please see our website www.ipaustralia.gov.au or contact our Customer Service Network on 1300651010

[Editorial enquiries](#)

[Contact information](#)

[Freedom of Information ACT](#)

[Professional Standards Board](#)

[Sales](#)

[Requests for Information under Section 194 \(c\)](#)

[Country Codes](#)

[Trade Mark and Designs Hearing Sessions](#)

[INID \(Internationally agreed Numbers for the Identification of Data\)](#)

“INID” NUMBERS in use on Australian Design Documents

“INID” is an acronym for “Internationally agreed Numbers for the Identification of Data”.

(10) Data concerning the registration/renewal

- (11) Serial number of the registration and/or number of the design document
- (12) Plain language designation of the kind of published document
- (19) Identification, using the two-letter code according to WIPO Standard ST.3, of the authority publishing or registering the industrial design

(20) Data concerning the application

- (21) Serial number of the application
- (22) Date of filing of the application
- (24) Date from which the industrial design right has effect

(30) Data relating to priority under the Paris Convention

- (31) Serial number assigned to the priority application
- (32) Date of filing of the priority application
- (33) Two-letter code, according to WIPO Standard ST.3, identifying the authority with which the priority application was made

(40) Date(s) of making information available to the public

- (45) Date of publication of the registered industrial design by printing or similar process, or making it available to the public by any other means

(50) Miscellaneous Information

- (51) International Classification for Industrial Designs (class and subclass of the Locarno Classification)
- (54) Designation of article(s) or product(s) covered by the industrial design or title of the industrial design
- (55) Reproduction of the industrial design (e.g., drawing, photograph) and explanations relating to the reproduction
- (56) List of prior art documents, if separate from descriptive text
- (57) Description of characteristic features of the industrial design including indication of colours

(60) References to other legally related application(s) and registration(s)

- (62) Serial number(s) and, if available, filing date(s) of application(s), registration(s) or document(s) related by division
- (66) Serial number(s) of the application, or the registration, of the design(s) which is (are) a variant(s) of the present one

(70) Identification of parties concerned with the application or registration

- (71) Name(s) and address(es) of the applicant(s)
- (72) Name(s) of the creator(s) if known to be such
- (74) Name(s) and address(es) of the representative(s)

This Page Left Intentionally Blank

Nil notices for this journal issue.

Proceedings under the Designs Act 1906 preserved as a result of the provisions of Chapter 12 Part 2 of the Designs Act 2003.

This Page Left Intentionally Blank

Applications Lapsed

There were no Applications Lapsed under this section

Extension of Period of Registration of Designs

1st Period (Section 27A(8))

2nd Period (Section 27A(12))

3rd Period (Section 27A(13))

154274	155114	156435
156592	156711	156714
156780	156794	156880
156964	157323	157655
157909	157920	158090
158098	158202	158228
158351	158410	158445

Registrations Ceased

Note: Some of the following Registrations may have been previously advertised as ceased. In this instance, the previous advertisement still prevails.

137242	138226	138266
138308	138309	138433
138435	138438	138439
138441	138475	138546
138618	138764	138768
138770	138864	138865
138882	139606	139607
139608	139754	141021
141091	141092	141191
141791	141792	141941
153684	153688	153689
153690	153691	153694
153695	153696	153697
153698	153699	153700
153701	153702	153703
153740	153741	153742
153743	153744	153763
153842	153843	153917
154217	154473	154474
154516	154593	154594
155222	155776	157557

This Page Left Intentionally Blank

Proceedings under the Designs Act 2003.

This Page Left Intentionally Blank

Applications Lodged

Lodgement information is in the following order: **Applicant's Name**; International Classification, Name of Product, Lodgement Date and **Design Number**. If the applicant claims an earlier priority date under an International Convention, the Convention Country and the associated filing date are shown in parentheses before the Lodgement Date. Divisional information will also appear in parentheses before the Lodgement Date.

Actuant Corporation; 12-05, Portable lift system, (US, 17 Sep 2014) 17 Mar 2015	11443/2015	Bowen, C E;Bowen, R N; 23-02C, 09-03G, Composting toilet pedestal, 11 Mar 2015	11349/2015
Aframe LLC; 08-08NES, Fin mounted surfboard rack, (US, 10 Sep 2014) 10 Mar 2015	11328/2015	Breville Pty Limited; 31-00, Citrus juicer, 12 Mar 2015	11365/2015
Ahola, Pauline; 01-99, 26-04, Natural honey, bees wax, candles, polish, 17 Mar 2015	11466/2015	Broons Engineering Pty Ltd; 15-99, Earth compacting roller hub, 11 Mar 2015	11339/2015
Aleisa, Hamad F H S; 06-04NES, Modular shelving, (US, 18 Sep 2014) 13 Mar 2015	11374/2015	Bulgari S.p.A.; 09-01G, Perfume bottle, (EM, 02 Oct 2014) 16 Mar 2015	11422/2015
Alexander, I R;Alexander, J M N; 15-03B, Brushcutter replacement heads, 15 Mar 2015	11409/2015	BEMIS MANUFACTURING COMPANY; 12-02, Cart for shopping, (Divisional of 10357/2015) 17 Mar 2015	11449/2015
Alexander, J M N;Alexander, I R; 15-03B, Brushcutter replacement heads, 15 Mar 2015	11409/2015	C & A Marketing LLC; 16-01, Cubic action camera, 11 Mar 2015	11330/2015
Alldeal Ltd; 02-03, Head restraint device, (IL, 10 Sep 2014) 10 Mar 2015	11317/2015	Calcino Corporation Pty Ltd; 23-01C, Motor hose, 13 Mar 2015	11387/2015
Aluvision; 25-01K, Extrusion, 13 Mar 2015	11372/2015	Chen, Manna; 32-01, Shop image design, 09 Mar 2015	11306/2015
Aluvision; 25-01K, Extrusion, 13 Mar 2015	11375/2015	Cochran, Travis S;Beroukhim, Fariborz R;Dowden, John B;Subbarao, Shashidar;Lucas, Jonathan R;Irvantchi, Sam;Kimoto, Yukinobu; 14-02, 14-04, Biometric scanner having a user interface, (US, 17 Sep 2014) 17 Mar 2015	11450/2015
Anzpac Services (Australia) Pty Limited; 09-03M, Box with triangular portion, 16 Mar 2015	11415/2015	Colgate-Palmolive Company; 09-01NES, Container, (US, 18 Sep 2014) 17 Mar 2015	11468/2015
Ball Corporation; 09-01H, Metal bottle, (US, 15 Sep 2014) 13 Mar 2015	11400/2015	Colgate-Palmolive Company; 09-01NES, Container, (US, 18 Sep 2014) 17 Mar 2015	11472/2015
Ball Corporation; 09-01H, Metal bottle, (US, 15 Sep 2014) 13 Mar 2015	11397/2015	Colgate-Palmolive Company; 09-01NES, Container, (US, 18 Sep 2014) 17 Mar 2015	11469/2015
Ball Corporation; 09-01H, Metal bottle, (US, 15 Sep 2014) 13 Mar 2015	11396/2015	Colgate-Palmolive Company; 09-01NES, Container, (US, 18 Sep 2014) 17 Mar 2015	11470/2015
Ball Corporation; 09-01H, Metal bottle, (US, 15 Sep 2014) 13 Mar 2015	11388/2015	Colgate-Palmolive Company; 09-03G, Container, (US, 18 Sep 2014) 11 Mar 2015	11343/2015
Beroukhim, Fariborz R;Dowden, John B;Subbarao, Shashidar;Cochran, Travis S;Lucas, Jonathan R;Irvantchi, Sam;Kimoto, Yukinobu; 14-02, 14-04, Biometric scanner having a user interface, (US, 17 Sep 2014) 17 Mar 2015	11450/2015	Colgate-Palmolive Company; 09-01NES, Container, (US, 18 Sep 2014) 12 Mar 2015	11366/2015
Bowen, R N;Bowen, C E; 23-02C, 09-03G, Composting toilet pedestal, 11 Mar 2015	11349/2015	Colgate-Palmolive Company; 09-01NES, Container, (US, 18 Sep 2014) 12 Mar 2015	11367/2015

Colgate-Palmolive Company; 09-03G, Container, (US, 18 Sep 2014) 11 Mar 2015	11342/2015	Ekornes ASA; 06-01E, Footstool, (NO, 17 Oct 2014) 18 Mar 2015	11486/2015
Covidien LP; 24-01, Female enteral tubing connector, (US, 06 Nov 2014) 13 Mar 2015	11377/2015	Ekornes ASA; 06-01E, Footstool, (NO, 17 Oct 2014) 18 Mar 2015	11487/2015
Croucher, David John; 08-08H, Runner for a curtain rail, 13 Mar 2015	11458/2015	Ekornes ASA; 06-01F, Chair, (NO, 17 Oct 2014) 18 Mar 2015	11483/2015
CLEAR LAM PACKAGING, INC.; 03-01NES, Package, (US, 25 Sep 2014) 16 Mar 2015	11431/2015	Ekornes ASA; 06-01H, Chair, (NO, 17 Oct 2014) 18 Mar 2015	11505/2015
Daikin Industries Ltd.; 14-03NES, Remote controller for air conditioner, (JP, 11 Nov 2014) 16 Mar 2015	11429/2015	Ekornes ASA; 06-01NES, Frame of a chair, (NO, 17 Oct 2014) 18 Mar 2015	11480/2015
Daikin Industries Ltd.; 14-03NES, Remote controller for air conditioner, (JP, 11 Nov 2014) 16 Mar 2015	11423/2015	Ekornes ASA; 06-01F, Chair, (NO, 17 Oct 2014) 18 Mar 2015	11484/2015
Daikin Industries Ltd.; 14-03NES, Remote controller for air conditioner, (JP, 11 Nov 2014) 16 Mar 2015	11427/2015	Ekornes ASA; 06-01NES, Frame of a chair, (NO, 17 Oct 2014) 18 Mar 2015	11481/2015
Daikin Industries Ltd.; 14-03NES, Remote controller for air conditioner, (JP, 11 Nov 2014) 16 Mar 2015	11428/2015	Ekornes ASA; 06-01E, Footstool, (NO, 17 Oct 2014) 18 Mar 2015	11479/2015
Daikin Industries Ltd.; 14-03NES, Remote controller for air conditioner, (JP, 11 Nov 2014) 16 Mar 2015	11425/2015	Envirochasing IP Holdings Pty Ltd; 23-04, Fume extraction device, 17 Mar 2015	11476/2015
Daikin Industries Ltd.; 14-03NES, Remote controller for air conditioner, (JP, 11 Nov 2014) 16 Mar 2015	11426/2015	Euro-Pro Operating LLC; 15-05, Caddy with pod for a vacuum cleaner, 15 Mar 2015	11410/2015
Daikin Industries Ltd.; 14-03NES, Remote controller for air conditioner, (JP, 11 Nov 2014) 16 Mar 2015	11424/2015	Euro-Pro Operating LLC; 08-03, Blade, (US, 19 Sep 2014) 16 Mar 2015	11413/2015
Dart Industries Inc.; 07-04, Slotted scoop and masher, (US, 09 Oct 2014) 12 Mar 2015	11361/2015	Euro-Pro Operating LLC; 08-03, Blade, (US, 19 Sep 2014) 16 Mar 2015	11414/2015
De Buyer Industries; 07-04, Mandolin slicer, (WO, 23 Oct 2014) 18 Mar 2015	11482/2015	EZY CLAMP PTY LTD; 08-08D, A pipe clamp, 13 Mar 2015	11401/2015
Digital Pulse Systems Pty Ltd; 13-02, Automotive negative battery isolator switch, 11 Mar 2015	11331/2015	EZY CLAMP PTY LTD; 08-08L, A bracket, 13 Mar 2015	11398/2015
Dowden, John B;Beroukhim, Fariborz R;Subbarao, Shashidar;Cochran, Travis S;Lucas, Jonathan R;Irvantchi, Sam;Kimoto, Yukinobu; 14-02, 14-04, Biometric scanner having a user interface, (US, 17 Sep 2014) 17 Mar 2015	11450/2015	EZY CLAMP PTY LTD; 08-08L, A bracket, 13 Mar 2015	11399/2015
Dresser, Inc; 23-01NES, Restrictor device, (US, 01 May 2014) (Divisional of 10011/2015) 10 Mar 2015	11322/2015	Farm Chalk Investments Limited; 09-07NES, A lid for a container, 18 Mar 2015	11510/2015
Ekornes ASA; 06-01G, Sofa, (NO, 17 Oct 2014) 18 Mar 2015	11488/2015	Farm Chalk Investments Limited; 09-07NES, A lid for a container, 18 Mar 2015	11508/2015
		Farm Chalk Investments Limited; 09-07NES, A lid for a container, 18 Mar 2015	11509/2015
		Forever New Clothing Pty Ltd; 02-02NES, Article of clothing, (Divisional of 13002/2014) 06 Mar 2015	11245/2015
		Forever New Clothing Pty Ltd; 02-02NES, Article of clothing, (Divisional of 13002/2014) 06 Mar 2015	11246/2015
		Gerard Professional Solutions Pty Ltd; 26-05A, Luminaire body, 16 Mar 2015	11412/2015

Goston AVend Pty Ltd; 32-02, Coffee Machine Set : Group Tower + Steam Tower, 14 Mar 2015	11407/2015	Honda Motor Co., Ltd.; 26-06, Front combination lamp for automobile, (JP, 24 Sep 2014) 17 Mar 2015	11446/2015
Great Aussie Products Pty Ltd; 08-08NES, Chain load restraint device, 16 Mar 2015	11419/2015	Honda Motor Co., Ltd.; 26-06, Rear combination lamp for automobile, (JP, 24 Sep 2014) 17 Mar 2015	11442/2015
Great Aussie Products Pty Ltd; 08-08NES, Strap load restraint device, 16 Mar 2015	11418/2015	Honda Motor Co., Ltd.; 12-16NES, Instrument panel for automobile, (JP, 24 Sep 2014) 17 Mar 2015	11440/2015
Groundhog S.A.; 14-02, USB flash drive, (EM, 11 Mar 2015) 11 Mar 2015	11352/2015	Honda Motor Co., Ltd.; 12-08, Automobile, (JP, 24 Sep 2014) 17 Mar 2015	11441/2015
Groundhog S.A.; 14-02, USB flash drive, (EM, 16 Mar 2015) 17 Mar 2015	11433/2015	Honda Motor Co., Ltd.; 26-06, Rear combination lamp for automobile, (JP, 24 Sep 2014) 17 Mar 2015	11439/2015
Groundhog S.A.; 14-02, USB flash drive, (EM, 11 Mar 2015) 11 Mar 2015	11350/2015	Honda Motor Co., Ltd.; 12-16C, Rear bumper for automobile, (JP, 24 Sep 2014) 17 Mar 2015	11438/2015
Groundhog S.A.; 14-02, USB flash drive, (EM, 11 Mar 2015) 11 Mar 2015	11351/2015	Honda Motor Co., Ltd.; 12-16A, Steering wheel for automobile, (JP, 24 Sep 2014) 17 Mar 2015	11437/2015
Guangzhou SAT Infrared Technology Co. Ltd.; 16-01, An infrared camera in the form of cell phone, (CN, 27 Jan 2014) 06 Mar 2015	11243/2015	HDT SPECIAL VEHICLES PTY LTD; 12-16B, VF Commodore, 11 Mar 2015	11348/2015
Guangzhou SAT Infrared Technology Co. Ltd.; 16-01, An infrared camera, (CN, 27 Jan 2014) 06 Mar 2015	11244/2015	HENDON SEMICONDUCTORS PTY LTD; 13-03D, A base unit for an electrical dimmer push button, 11 Mar 2015	11335/2015
Harvey, Sonia; 03-01A, Shopping basket, 17 Mar 2015	11478/2015	Intech Tools Pty Ltd; 08-99, Leg supports of a saw horse, 10 Mar 2015	11325/2015
Haysom, Robert Henry; 10-06, Advertising barrier panel, 11 Mar 2015	11347/2015	Irvantchi, Sam;Beroukhim, Fariborz R;Dowden, John B;Subbarao, Shashidar;Cochran, Travis S;Lucas, Jonathan R;Kimoto, Yukinobu; 14-02, 14-04, Biometric scanner having a user interface, (US, 17 Sep 2014) 17 Mar 2015	11450/2015
Hensel, Michael R; 07-02L, Espresso tamper, (US, 10 Dec 2014) 10 Mar 2015	11319/2015	ICU Medical, Inc.; 23-01K, Fluid manifold, (US, 03 Dec 2014) 12 Mar 2015	11356/2015
Honda Motor Co., Ltd.; 12-08, Automobile, (JP, 12 Sep 2014) 10 Mar 2015	11310/2015	Jiangsu Midea Chunhua Electric Appliance Co., Ltd.; 15-05, Vertical cleaner, (CN, 03 Feb 2015) 13 Mar 2015	11395/2015
Honda Motor Co., Ltd.; 26-06, Front combination lamp for automobile, (JP, 24 Sep 2014) 17 Mar 2015	11436/2015	JR Bulk Liquid Transport Pty. Ltd.; 12-16NES, 23-01F, Extra fuel tank for bulk liquid tanker, 11 Mar 2015	11346/2015
Honda Motor Co., Ltd.; 12-16C, Front bumper for automobile, (JP, 24 Sep 2014) 17 Mar 2015	11448/2015	JR286 Technologies, Inc.; 21-02NES, Mouthguard, (US, 11 Sep 2014) 11 Mar 2015	11340/2015
Honda Motor Co., Ltd.; 12-08, Automobile, (JP, 24 Sep 2014) 17 Mar 2015	11445/2015	JSP Limited; 24-01, Respiratory mask, (EM, 14 Jan 2015) 12 Mar 2015	11364/2015
Honda Motor Co., Ltd.; 12-16C, Rear bumper for automobile, (JP, 24 Sep 2014) 17 Mar 2015	11444/2015	JSP Limited; 24-01, Respiratory mask component, (EM, 14 Jan 2015) 12 Mar 2015	11362/2015
Honda Motor Co., Ltd.; 12-16B, Grill for automobile, (JP, 24 Sep 2014) 17 Mar 2015	11447/2015		

Kimberly-Clark Worldwide, Inc.; 05-06NES, Embossed nonwoven web material, (US, 30 Sep 2014) 12 Mar 2015	11353/2015	Magpul Industries Corporation; 22-01, Lock plate for a firearm magazine, (US, 12 Sep 2014) 11 Mar 2015	11333/2015
Kimberly-Clark Worldwide, Inc.; 05-06NES, An embossed nonwoven web material, (US, 29 Sep 2014) 10 Mar 2015	11307/2015	Maizon; 06-04NES, Shelving (furniture), 10 Mar 2015	11311/2015
Kimoto, Yukinobu;Beroukhim, Fariborz R;Dowden, John B;Subbarao, Shashidar;Cochran, Travis S;Lucas, Jonathan R;Irvantchi, Sam; 14-02, 14-04, Biometric scanner having a user interface, (US, 17 Sep 2014) 17 Mar 2015	11450/2015	Manns, Matthew John; 06-13A, A placemat, (Divisional of 10417/2015) 16 Mar 2015	11411/2015
King Furniture Australia Pty Ltd; 06-01G, A chair, 13 Mar 2015	11376/2015	MannKind Corporation; 24-04, Mouthpiece cover, (US, 02 Oct 2014) 17 Mar 2015	11465/2015
King Furniture Australia Pty Ltd; 06-02, A bed including a bedhead, 17 Mar 2015	11467/2015	Marley New Zealand Limited; 09-07NES, An adjustable protector for an opening, (NZ, 12 Sep 2014) 12 Mar 2015	11354/2015
KABUSHIKI KAISHA TOYOTA JIDOSHOKKI; 12-05, Forklift truck, (JP, 18 Sep 2014) 16 Mar 2015	11417/2015	Martinez-Mendoza, Ramon Alejandro; 32-03, Organisation services as consulting and training, 17 Mar 2015	11477/2015
KT GAMES PTY LTD; 21-01B, 21-01L, Sports game played on table tennis table, 15 Mar 2015	11408/2015	McNeil-PPC, Inc.; 24-04, Sanitary napkin, (US, 25 Jul 2014) (Divisional of 10068/2015) 09 Mar 2015	11297/2015
L & F Plastics Co., Ltd; 09-03M, Container, (TW, 09 Dec 2014) 19 Mar 2015	11514/2015	Melro Distributors Pty Ltd; 02-02NES, Ladies clothing, 05 Mar 2015	11313/2015
L & F Plastics Co., Ltd; 09-03M, Container, (TW, 09 Dec 2014) 19 Mar 2015	11515/2015	Montrose Consulting Group Pty Limited; 06-02, Cot, 11 Mar 2015	11345/2015
L & F Plastics Co., Ltd; 09-03M, Container, (TW, 09 Dec 2014) 19 Mar 2015	11516/2015	Moon Sport Limited; 26-06, Bicycle light, 19 Mar 2015	11511/2015
L & F Plastics Co., Ltd; 09-03M, Container, (TW, 09 Dec 2014) 19 Mar 2015	11517/2015	Motorola Solutions, Inc.; 14-02, Communication device, (US, 30 Sep 2014) 17 Mar 2015	11471/2015
Lorna Jane Pty Ltd; 02-02NES, Clothing, 05 Mar 2015	11312/2015	Nalbadis, Nikilaos; 08-08G, Hook, 18 Mar 2015	11507/2015
Lucas, Jonathan R;Beroukhim, Fariborz R;Dowden, John B;Subbarao, Shashidar;Cochran, Travis S;Irvantchi, Sam;Kimoto, Yukinobu; 14-02, 14-04, Biometric scanner having a user interface, (US, 17 Sep 2014) 17 Mar 2015	11450/2015	Ningbo Flying-horse International Co.,Ltd; 06-99, Ornamental cover for Christmas tree base, (CN, 13 Feb 2015) 10 Mar 2015	11326/2015
Magpul Industries Corporation; 22-01, Firearm magazine body, (US, 12 Sep 2014) 11 Mar 2015	11332/2015	Ningbo Flying-horse International Co.,Ltd; 06-99, Ornamental cover for Christmas tree base, (CN, 13 Feb 2015) 10 Mar 2015	11327/2015
Magpul Industries Corporation; 22-01, Follower for a fire arm magazine, (US, 12 Sep 2014) 11 Mar 2015	11341/2015	Ocean Vision Environmental Research Pty Ltd; 14-02, 03-01NES, Visual data waterproof casing, 13 Mar 2015	11403/2015
Magpul Industries Corporation; 22-01, Floor plate for a firearm magazine, (US, 12 Sep 2014) 11 Mar 2015	11336/2015	Ocean Vision Environmental Research Pty Ltd; 14-02, 03-01NES, Visual data waterproof casing & frame assembly, 13 Mar 2015	11404/2015
		Ocean Vision Environmental Research Pty Ltd; 08-07, Thumb lock, 13 Mar 2015	11405/2015
		Ocean Vision Environmental Research Pty Ltd; 08-07, Locking slide, 13 Mar 2015	11406/2015
		Okamura Corporation; 06-01E, Stool, (JP, 18 Sep 2014) 17 Mar 2015	11473/2015

Okamura Corporation; 06-01F, Chair, (JP, 19 Sep 2014) 17 Mar 2015	11475/2015	Rimowa GmbH; 03-01A, Suitcase, (EM, 09 Sep 2014) 09 Mar 2015	11300/2015
Okamura Corporation; 06-01E, Stool, (JP, 18 Sep 2014) 17 Mar 2015	11474/2015	Sandvik Intellectual Property AB; 15-04, 15-99, Crusher, (EM, 18 Sep 2014) 09 Mar 2015	11303/2015
Ovation Medical; 02-04B, Sole for orthopedic boot, (US, 10 Sep 2014) 10 Mar 2015	11314/2015	Sandvik Intellectual Property AB; 15-04, 15-99, Crusher, (EM, 18 Sep 2014) 09 Mar 2015	11304/2015
Pasfield, Steven; 22-99, Firearm scope height tool, 10 Mar 2015	11329/2015	Sandvik Intellectual Property AB; 15-04, 15-99, Crusher, (EM, 18 Sep 2014) 09 Mar 2015	11305/2015
Phoenix Industries Pty Ltd; 23-01H, Spout, 16 Mar 2015	11430/2015	Sandvik Intellectual Property AB; 15-04, 15-99, Crusher, (EM, 18 Sep 2014) 09 Mar 2015	11302/2015
Phoenix Industries Pty Ltd; 23-01H, Mixer tap, 16 Mar 2015	11421/2015	Sarsero, Sam; 06-09, A cushion, 16 Mar 2015	11432/2015
Probrace Systems Limited; 25-01B, Concrete formwork brace, (NZ, 12 Sep 2014) 11 Mar 2015	11338/2015	Sephora; 09-01G, Mascara bottle, (EM, 12 Sep 2014) 12 Mar 2015	11357/2015
Pumpjack Australasia Limited; 08-08NES, An anchor device, 13 Mar 2015	11370/2015	Shahar, David; 06-13B, Thoracic pillow, 19 Mar 2015	11512/2015
Pumpjack Australasia Limited; 08-08NES, An anchor device, 13 Mar 2015	11371/2015	Spears, Alana; 19-08, Wine, 13 Mar 2015	11380/2015
Remodeez LLC; 28-03NES, Deodorizer, (US, 12 Sep 2014) 12 Mar 2015	11358/2015	Stabilus GmbH; 08-07, Pressure cylinder/actuator for a door fitting, (DE, 22 Sep 2014) 11 Mar 2015	11344/2015
Remodeez LLC; 28-03NES, Deodorizer, (US, 12 Sep 2014) 12 Mar 2015	11368/2015	Subbarao, Shashidar;Beroukhim, Fariborz R;Dowden, John B;Cochran, Travis S;Lucas, Jonathan R;Irvantchi, Sam;Kimoto, Yukinobu; 14-02, 14-04, Biometric scanner having a user interface, (US, 17 Sep 2014) 17 Mar 2015	11450/2015
Rentschler Reven GmbH; 15-03B, Air cleaner and housing for an air cleaner, (EM, 27 Nov 2014) 11 Mar 2015	11334/2015	Swan, Mark Carlton; 13-99, A solar panel assembly, 13 Mar 2015	11379/2015
ResMed Limited; 24-01, Pressurized air delivery console, (US, 12 Sep 2014) 09 Mar 2015	11301/2015	SECRET YOGI PTY LTD; 02-02C, Active wear legging, 13 Mar 2015	11402/2015
RePipe Pty Ltd; 14-02, Display screen for an electronic device, 12 Mar 2015	11369/2015	SIT N STAY PTY LTD; 30-04, Dog lead attachment, 10 Mar 2015	11309/2015
Rhino Rack Australia Pty Limited; 12-16K, Vehicle roof track, 13 Mar 2015	11378/2015	Techtronic Industries Co. Ltd.; 13-02, Battery pack carriage assembly, (US, 01 Oct 2014) 10 Mar 2015	11318/2015
Rimowa GmbH; 03-01A, Suitcase, (EM, 17 Sep 2014) 13 Mar 2015	11386/2015	Techtronic Industries Co. Ltd.; 13-02, Battery pack, (US, 01 Oct 2014) 10 Mar 2015	11321/2015
Rimowa GmbH; 03-01A, Suitcase, (EM, 17 Sep 2014) 13 Mar 2015	11384/2015	Techtronic Industries Co. Ltd.; 13-02, Battery pack, (US, 01 Oct 2014) 10 Mar 2015	11323/2015
Rimowa GmbH; 03-01A, Suitcase, (EM, 17 Sep 2014) 13 Mar 2015	11385/2015	Techtronic Industries Co. Ltd.; 13-02, battery pack, (US, 01 Oct 2014) 10 Mar 2015	11324/2015
Rimowa GmbH; 03-01A, Suitcase, (EM, 09 Sep 2014) 09 Mar 2015	11298/2015	Techtronic Industries Co. Ltd.; 13-02, Battery pack carriage assembly, (US, 01 Oct 2014) 10 Mar 2015	11315/2015
Rimowa GmbH; 03-01A, Suitcase, (EM, 09 Sep 2014) 09 Mar 2015	11299/2015		

Techtronic Industries Co. Ltd.; 13-02, Battery pack carriage assembly, (US, 01 Oct 2014) 10 Mar 2015	11316/2015	TLV Co., Ltd.; 31-00, Liquid pressure-feeding machine, (JP, 02 Oct 2014) 16 Mar 2015	11416/2015
Techtronic Industries Co. Ltd.; 13-02, Battery pack carriage assembly, (US, 01 Oct 2014) 10 Mar 2015	11320/2015	TRIBOT IP LIMITED; 09-03K, Shipping and storage container, (NZ, 18 Sep 2014) 17 Mar 2015	11434/2015
The Kirby Company / Scott Fetzer Company; 05-05NES, Textile pattern, (US, 20 Oct 2014) 18 Mar 2015	11503/2015	Vehicle Engineering Australia Pty Ltd; 08-08NES, Bracket, (Divisional of 10655/2015) 12 Mar 2015	11355/2015
The Kirby Company / Scott Fetzer Company; 15-05, Surface-treatment apparatus, (US, 20 Oct 2014) 18 Mar 2015	11506/2015	Visy R & D Pty Ltd; 09-03M, Blank for forming a container, 19 Mar 2015	11518/2015
Toul Meditech AB; 23-04, Air purifier, (EM, 12 Sep 2014) 12 Mar 2015	11359/2015	Volkswagen Aktiengesellschaft; 12-08, Motor vehicle, (DE, 22 Sep 2014) 06 Mar 2015	11242/2015
Toul Meditech AB; 23-04, Air purifier, (EM, 12 Sep 2014) 12 Mar 2015	11363/2015	Wang, Hsing-Tzu; 08-05L, Paint spray gun, 13 Mar 2015	11389/2015
Toul Meditech AB; 23-04, Air purifier, (EM, 12 Sep 2014) 12 Mar 2015	11360/2015	We Made Me Limited; 03-99, Baby carrier, (EM, 15 Sep 2014) 13 Mar 2015	11392/2015
Trans-World Foods Pty Limited; 24-99, Rack mid corner joint, 17 Mar 2015	11453/2015	Wearlife Services Pty. Ltd.; 15-04, Replacement tooth for excavator bucket, 12 Mar 2015	11373/2015
Trans-World Foods Pty Limited; 24-99, Rack central joint, 17 Mar 2015	11456/2015	Williams, Leonard Michael; 12-16NES, Modular caravan safety step system, 10 Mar 2015	11308/2015
Trans-World Foods Pty Limited; 24-99, Rack right corner joint, 17 Mar 2015	11455/2015	Yanmar Co., Ltd.; 15-04, Excavator, (JP, 10 Oct 2014) 11 Mar 2015	11337/2015
Trans-World Foods Pty Limited; 24-99, Rack left corner joint, 17 Mar 2015	11454/2015	ZHEJIANG JOJOY LEISURE PRODUCTS CO.,LTD.; 06-02, Hammock, (CN, 28 Feb 2015) 18 Mar 2015	11504/2015
Trans-World Foods Pty Limited; 24-99, Rack post base, 17 Mar 2015	11451/2015	4TH DIMENSION DEVELOPMENTS PTY LIMITED; 08-99, Portable tool, 06 Mar 2015	11241/2015
Trans-World Foods Pty Limited; 24-99, Rack post, 17 Mar 2015	11452/2015	4TH DIMENSION DEVELOPMENTS PTY LIMITED; 08-05F, Magnet board, 06 Mar 2015	11239/2015
Transtech Research Pty Ltd; 12-16NES, Pivot suitable for mounting a tailgate of a freight vehicle, 19 Mar 2015	11513/2015	4TH DIMENSION DEVELOPMENTS PTY LIMITED; 08-99, Portable tool base with shafts and connectors, 06 Mar 2015	11240/2015
TriMas Corporation Pty Ltd; 12-16L, Trailer coupling, 13 Mar 2015	11381/2015	4TH DIMENSION DEVELOPMENTS PTY LIMITED; 13-03E, Connector, 06 Mar 2015	11237/2015
TriMas Corporation Pty Ltd; 12-16M, Hand brake ratchet, 13 Mar 2015	11382/2015	4TH DIMENSION DEVELOPMENTS PTY LIMITED; 07-99NES, Funnel, 06 Mar 2015	11238/2015
TriMas Corporation Pty Ltd; 12-16L, Trailer coupling, 13 Mar 2015	11383/2015		
Tyco Fire & Security GmbH; 19-08, Label housing, (US, 16 Sep 2014) 16 Mar 2015	11420/2015		
THORN Lighting Limited; 26-05C, Damp-proof luminaire, (EM, 19 Sep 2014) 18 Mar 2015	11485/2015		

Applications Withdrawn

Applications Lapsed

13268 / 2014 (03-01B)	14349 / 2014 (02-02C)
14414 / 2014 (06-08)	14417 / 2014 (06-99)
14432 / 2014 (10-04)	14433 / 2014 (25-02G)
14434 / 2014 (25-01D)	15313 / 2014 (02-04B)
16471 / 2014 (09-03NES)	16482 / 2014 (06-03C)
16510 / 2014 (32-03)	

Extension of Period of Registration of Designs

328024	328032	328270
329595	330117	330118
330174	330175	330176
330203	330272	330274
330298	330299	330300
330301	330323	330324
330326	330331	330333
330336	330341	330342
330343	330381	330382
330383	330384	330388
330389	330390	330391
330392	330405	330428
330447	330453	330457
330458	330469	330470
330476	330484	330485
330486	330505	330516
330556	330557	330558
330559	330577	330578
330579	330580	330632
330633	330636	330637
330638	330639	330641
330657	330658	330659
330660	330661	330662
330663	330664	330682
330683	330684	330688
330689	330690	330691
330740	330744	330756
330780	330796	330797
330806	330808	330846
330850	330858	330860
330861	330862	330863
330891	330904	330925
330926	330927	330928
330937	330938	330939
330971	330972	330973
331047	331065	331066
331102	331121	331133
331140	331151	331152
331153	331194	331200
331203	331211	331224
331229	331230	331234
331275	331325	331334
331335	331336	331353
331354	331366	331402
331502	331710	331954
331955	332143	332144
332639	332982	333251
333252	333677	333678
333679	333680	333681
333682	333683	333684
333687	333688	333689

333690	333691	333692
333693	333694	333695
333696	333697	333698
333699		

Registrations Ceased

302700	302702	302719
302721	302722	302723
302729	302734	302735
302736	302737	302738
302739	302740	302741
302837	302838	302839
302840	302841	302842
302874	302877	302878
302879	302880	302881
302882	302883	302917
302919	302920	302921
302922	302925	302926
302930	302931	302932
302933	302935	302936
302939	302940	302942
302995	302996	302997
302998	302999	303000
303001	303002	303003
303097	303171	303207
303339	303414	303415
303485	303486	303487
303894	303905	303906
303907	303908	303926
304321	304707	304708
304789	304877	304994
304995	304998	305011
305015	305040	305041
305189	305190	305191
305192	305303	305304
305305	305307	305308
305309	305310	305381
305382	305383	305713
305866	305867	305868
305869	305870	305871
305872	305910	305911
306024	306158	306181
306182	306207	306208
306559	306560	306561
306562	306576	306579
306999	307298	327595
327618	327640	327641
327642	327643	327658
327668	327669	327676
327677	327678	327682
327688	327690	327700
327709	327712	327713

327714	327716	327718
327721	327722	327726
327727	327728	327732
327736	327739	327740
327741	327742	327743
327744	327745	327746
327751	327755	327756
327762	327763	327764
327765	327766	327767
327768	327778	327779
327780	327781	327782
327787	327788	327794
327795	327796	327814
327844	327845	327848
327850	327854	327855
327856	327857	327864
327869	327885	327897
327898	327899	327900
327901	327938	327940
328029	328030	328156
328229	328300	328301
328326	328327	328328
328329	328358	328405
328406	328407	328408
328409	328518	328519
328588	328943	328944
328945	328946	328947
329026	329277	329939
329940	329941	354393
355277	355661	355875
355908	356410	356535
356541	356542	356581

Applications for Extension of time under Section 137

Applications under section 137 for extension of time have been lodged. Objections must be lodged within 1 month from the date of this journal.

13726/2014 **MEGA Brands Inc** Address for Service: PO Box 520 North Ryde BC NSW, 1670 AU

Extensions of time granted under Section 137

Applications lodged under section 137 for extension of time have been granted.

16285/2014 **ADINK**

Applications Assigned

(The name in parentheses is that of the subsequent applicant)

10598/2015	(MJN U.S. Holdings LLC) Mead Johnson Nutrition Company
10605/2015	(MJN U.S. Holdings LLC) Mead Johnson Nutrition Company

Subsequent Owners Registered

(The name in parentheses is that of the subsequent owner)

304348	(Cyclone Tools Pty Ltd) Illinois Tool Works Inc.
356879	(Anna Spice) Southern Cross Industrial Services Pty Ltd;Anna Spice
308510	(Irwin Packaging Pty Limited) Irwin and Sheehan Pty Ltd
337354	(Irwin Packaging Pty Limited) Irwin and Sheehan Pty Ltd
337353	(Irwin Packaging Pty Limited) Irwin and Sheehan Pty Ltd
332353	(Irwin Packaging Pty Limited) Irwin and Sheehan Pty Ltd
330978	(Irwin Packaging Pty Limited) Irwin and Sheehan Pty Ltd
330977	(Irwin Packaging Pty Limited) Irwin and Sheehan Pty Ltd
332352	(Irwin Packaging Pty Limited) Irwin and Sheehan Pty Ltd
332423	(The Aftermarket Group, Inc.) Rinehart Racing, Inc.
326856	(Elbowroom (Aust) Pty Ltd) Bamm Power Enterprises Pty Ltd
326857	(Elbowroom (Aust) Pty Ltd) Bamm Power Enterprises Pty Ltd
327074	(Elbowroom (Aust) Pty Ltd) Bamm Power Enterprises Pty Ltd
328039	(Elbowroom (Aust) Pty Ltd) Bamm Power Enterprises Pty Ltd

Names Registered - Alterations and Amendments

(The name in parentheses is that of the subsequent applicant)

347201	(Trigger Point Performance, Inc) Trigger Point Technologies, Inc.
347202	(Trigger Point Performance, Inc) Trigger Point Technologies, Inc.
351552	(Hills Limited) Hills Holdings Limited

Certificate(s) of Examination

Examination of the following Design Registration(s) has been completed. Infringement proceedings may now be commenced.

349607	23-01A	19/03/2015
349608	23-01A	19/03/2015
355276	15-07	11/03/2015
358313	14-03D	18/03/2015
358808	27-99	13/03/2015
359008	07-02K	11/03/2015
359513	08-06	18/03/2015
359764	13-03NES	12/03/2015
359819	04-02	17/03/2015
359820	04-02	17/03/2015
359856	25-01K	18/03/2015
359906	13-03D	13/03/2015
359982	06-01C	19/03/2015
359983	06-03A	19/03/2015
359998	13-03D	18/03/2015
360018	26-01	17/03/2015
360038	03-01NES	19/03/2015
360041	03-01NES	19/03/2015
360158	09-01NES	18/03/2015
360160	09-01H	16/03/2015
360161	09-01H	16/03/2015

Publication and Registration Proceedings

Designs Registered

This section provides a concordance between design number and registration number of Designs covered in this journal. It also shows the main class and registration date.

This section covers Registration numbers 360611 to 360782 .

The registration number shown below should be used in all future correspondence.

Design Number	Registration Number	International Classification Code (IDC)	Registration Date	Design Number	Registration Number	International Classification Code (IDC)	Registration Date
13002/2014	360658	02-02C	16/03/2015	10642/2015	360679	10-02	17/03/2015
14363/2014	360638	31-00	16/03/2015	10644/2015	360640	10-02	16/03/2015
14734/2014	360611	03-01NES	11/03/2015	10650/2015	360641	10-02	16/03/2015
16600/2014	360659	15-01	16/03/2015	10651/2015	360642	10-02	16/03/2015
16603/2014	360660	23-01A	16/03/2015	10655/2015	360680	08-08L	17/03/2015
16604/2014	360661	23-01A	16/03/2015	10658/2015	360681	10-07	17/03/2015
16677/2014	360662	20-03NES	16/03/2015	10659/2015	360643	10-07	16/03/2015
16678/2014	360663	20-03NES	16/03/2015	10660/2015	360644	10-07	16/03/2015
16679/2014	360664	20-03NES	16/03/2015	10661/2015	360682	10-07	17/03/2015
16680/2014	360665	20-03NES	16/03/2015	10662/2015	360683	10-07	17/03/2015
16714/2014	360666	21-02D	16/03/2015	10663/2015	360684	10-07	17/03/2015
10011/2015	360702	23-01NES	18/03/2015	10664/2015	360753	10-07	19/03/2015
10049/2015	360667	26-03	16/03/2015	10665/2015	360754	10-07	19/03/2015
10068/2015	360703	24-04	18/03/2015	10666/2015	360755	10-07	19/03/2015
10077/2015	360668	03-01B	16/03/2015	10667/2015	360756	10-07	19/03/2015
10081/2015	360669	12-07	16/03/2015	10668/2015	360685	10-02	17/03/2015
10089/2015	360621	21-01K	12/03/2015	10669/2015	360757	10-07	19/03/2015
10106/2015	360632	02-07D	13/03/2015	10670/2015	360686	10-07	17/03/2015
10117/2015	360744	24-04	19/03/2015	10671/2015	360687	10-02	17/03/2015
10119/2015	360745	24-04	19/03/2015	10672/2015	360688	10-07	17/03/2015
10121/2015	360746	24-04	19/03/2015	10673/2015	360689	10-02	17/03/2015
10166/2015	360761	15-05	19/03/2015	10674/2015	360690	10-02	17/03/2015
10170/2015	360762	15-05	19/03/2015	10675/2015	360691	10-02	17/03/2015
10171/2015	360763	15-05	19/03/2015	10676/2015	360692	10-02	17/03/2015
10175/2015	360747	15-05	19/03/2015	10677/2015	360693	10-02	17/03/2015
10176/2015	360748	15-05	19/03/2015	10678/2015	360778	10-02	20/03/2015
10180/2015	360749	15-05	19/03/2015	10679/2015	360629	10-02	12/03/2015
10186/2015	360750	15-05	19/03/2015	10680/2015	360694	10-02	17/03/2015
10264/2015	360698	06-06A	17/03/2015	10681/2015	360779	10-02	20/03/2015
10265/2015	360639	19-08	16/03/2015	10682/2015	360780	10-02	20/03/2015
10299/2015	360670	14-01	16/03/2015	10683/2015	360781	10-02	20/03/2015
10327/2015	360671	16-06	16/03/2015	10684/2015	360782	10-02	20/03/2015
10329/2015	360672	16-06	16/03/2015	10685/2015	360717	10-07	18/03/2015
10343/2015	360622	21-01E	12/03/2015	10686/2015	360718	10-07	18/03/2015
10344/2015	360623	21-01E	12/03/2015	10687/2015	360719	10-07	18/03/2015
10353/2015	360673	02-03	16/03/2015	10688/2015	360720	10-07	18/03/2015
10357/2015	360751	12-02	19/03/2015	10689/2015	360721	10-07	18/03/2015
10370/2015	360678	12-15C	17/03/2015	10690/2015	360722	10-07	18/03/2015
10404/2015	360674	08-09	16/03/2015	10691/2015	360723	10-07	18/03/2015
10405/2015	360675	08-09	16/03/2015	10692/2015	360724	10-07	18/03/2015
10407/2015	360676	06-03C	16/03/2015	10694/2015	360725	10-07	18/03/2015
10417/2015	360752	06-13A	19/03/2015	10695/2015	360726	10-07	18/03/2015
10467/2015	360677	23-01E	16/03/2015	10696/2015	360727	10-07	18/03/2015
10481/2015	360624	07-02R	12/03/2015	10697/2015	360728	10-07	18/03/2015
10540/2015	360625	09-01K	12/03/2015	10702/2015	360613	21-01E	11/03/2015
10542/2015	360626	24-01	12/03/2015	10703/2015	360614	07-06A	11/03/2015
10543/2015	360627	24-01	12/03/2015	10704/2015	360615	08-07	11/03/2015
10561/2015	360628	09-07A	12/03/2015	10708/2015	360645	21-02D	16/03/2015
10605/2015	360618	09-01NES	12/03/2015	10709/2015	360616	06-08	11/03/2015
10614/2015	360612	21-01F	11/03/2015	10710/2015	360619	10-03	12/03/2015

Publication and Registration Proceedings - Designs Registered cont'd

Design Number	Registration Number	International Classification Code (IDC)	Registration Date	Design Number	Registration Number	International Classification Code (IDC)	Registration Date
10711/2015	360620	10-03	12/03/2015	10770/2015	360637	07-02R	13/03/2015
10712/2015	360617	21-02C	11/03/2015	10775/2015	360741	12-15B	18/03/2015
10720/2015	360630	24-02	12/03/2015	10776/2015	360738	08-05P	18/03/2015
10724/2015	360729	10-07	18/03/2015	10777/2015	360739	12-15A	18/03/2015
10725/2015	360699	10-02	17/03/2015	10778/2015	360740	12-16NES	18/03/2015
10726/2015	360631	25-01K	12/03/2015	10779/2015	360742	12-08	18/03/2015
10727/2015	360730	10-02	18/03/2015	10780/2015	360743	16-05	18/03/2015
10728/2015	360731	10-02	18/03/2015	10786/2015	360758	08-08D	19/03/2015
10730/2015	360646	10-07	16/03/2015	10787/2015	360759	07-02N	19/03/2015
10731/2015	360647	10-07	16/03/2015	10788/2015	360760	07-02N	19/03/2015
10734/2015	360648	10-07	16/03/2015	10789/2015	360764	12-15B	19/03/2015
10735/2015	360700	10-07	17/03/2015	10790/2015	360765	07-02N	19/03/2015
10737/2015	360649	10-07	16/03/2015	10791/2015	360768	07-02N	19/03/2015
10740/2015	360701	10-07	17/03/2015	10794/2015	360766	02-02NES	19/03/2015
10741/2015	360695	10-02	17/03/2015	10796/2015	360767	15-05	19/03/2015
10743/2015	360696	10-02	17/03/2015	10797/2015	360769	06-01F	19/03/2015
10744/2015	360697	10-02	17/03/2015	10798/2015	360770	09-03M	19/03/2015
10749/2015	360732	10-07	18/03/2015	10799/2015	360771	06-01F	19/03/2015
10750/2015	360650	10-07	16/03/2015	10800/2015	360772	15-01	19/03/2015
10751/2015	360733	10-07	18/03/2015	10803/2015	360773	02-02NES	19/03/2015
10752/2015	360734	10-07	18/03/2015	10804/2015	360774	02-02C	19/03/2015
10753/2015	360735	10-07	18/03/2015	10805/2015	360775	02-02NES	19/03/2015
10754/2015	360736	10-07	18/03/2015	10806/2015	360776	02-04C	19/03/2015
10755/2015	360737	10-07	18/03/2015	10810/2015	360777	09-01G	19/03/2015
10756/2015	360651	13-03C	16/03/2015	10890/2015	360706	28-02	18/03/2015
10757/2015	360704	13-03C	18/03/2015	10892/2015	360707	08-06	18/03/2015
10758/2015	360652	13-03C	16/03/2015	10893/2015	360708	08-06	18/03/2015
10759/2015	360653	13-03C	16/03/2015	10911/2015	360709	28-02	18/03/2015
10760/2015	360654	13-03C	16/03/2015	10912/2015	360710	28-02	18/03/2015
10761/2015	360705	13-03C	18/03/2015	10913/2015	360711	28-02	18/03/2015
10762/2015	360655	13-03C	16/03/2015	11050/2015	360712	28-02	18/03/2015
10763/2015	360656	13-03C	16/03/2015	11051/2015	360713	28-02	18/03/2015
10764/2015	360657	07-02R	16/03/2015	11052/2015	360714	28-02	18/03/2015
10765/2015	360633	07-02R	13/03/2015	11053/2015	360715	28-02	18/03/2015
10767/2015	360634	07-02R	13/03/2015	11055/2015	360716	28-02	18/03/2015
10768/2015	360635	07-02R	13/03/2015				
10769/2015	360636	07-02R	13/03/2015				

Publication and Registration Proceedings

Class Listing of Designs Published or Registered

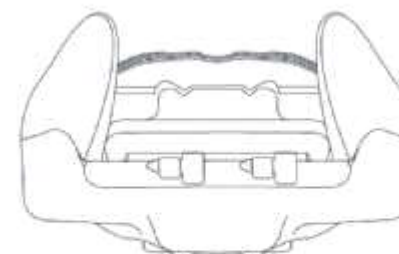
The following section shows an International Classification Code listing of the Registered or Published Designs covered in this supplement.

Classification	Registration Number	Design Number	Classification	Registration Number	Design Number
02-02C	360658	13002/2014	10-02	360642	10651/2015
02-02C	360774	10804/2015	10-02	360679	10642/2015
02-02NES	360673	10353/2015	10-02	360685	10668/2015
02-02NES	360766	10794/2015	10-02	360687	10671/2015
02-02NES	360773	10803/2015	10-02	360689	10673/2015
02-02NES	360775	10805/2015	10-02	360690	10674/2015
02-03	360673	10353/2015	10-02	360691	10675/2015
02-04C	360776	10806/2015	10-02	360692	10676/2015
02-07D	360632	10106/2015	10-02	360693	10677/2015
03-01A	360668	10077/2015	10-02	360694	10680/2015
03-01B	360668	10077/2015	10-02	360695	10741/2015
03-01B	360673	10353/2015	10-02	360696	10743/2015
03-01D	360668	10077/2015	10-02	360697	10744/2015
03-01NES	360611	14734/2014	10-02	360699	10725/2015
03-99	360668	10077/2015	10-02	360730	10727/2015
06-01F	360769	10797/2015	10-02	360731	10728/2015
06-01F	360771	10799/2015	10-02	360778	10678/2015
06-03C	360676	10407/2015	10-02	360779	10681/2015
06-06A	360698	10264/2015	10-02	360780	10682/2015
06-08	360616	10709/2015	10-02	360781	10683/2015
06-13A	360752	10417/2015	10-02	360782	10684/2015
07-02N	360759	10787/2015	10-03	360619	10710/2015
07-02N	360760	10788/2015	10-03	360620	10711/2015
07-02N	360765	10790/2015	10-07	360643	10659/2015
07-02N	360768	10791/2015	10-07	360644	10660/2015
07-02R	360624	10481/2015	10-07	360646	10730/2015
07-02R	360633	10765/2015	10-07	360647	10731/2015
07-02R	360634	10767/2015	10-07	360648	10734/2015
07-02R	360635	10768/2015	10-07	360649	10737/2015
07-02R	360636	10769/2015	10-07	360650	10750/2015
07-02R	360637	10770/2015	10-07	360681	10658/2015
07-02R	360657	10764/2015	10-07	360682	10661/2015
07-06A	360614	10703/2015	10-07	360683	10662/2015
08-05P	360738	10776/2015	10-07	360684	10663/2015
08-06	360707	10892/2015	10-07	360686	10670/2015
08-06	360708	10893/2015	10-07	360688	10672/2015
08-07	360615	10704/2015	10-07	360700	10735/2015
08-07	360668	10077/2015	10-07	360701	10740/2015
08-08D	360758	10786/2015	10-07	360717	10685/2015
08-08L	360660	16603/2014	10-07	360718	10686/2015
08-08L	360661	16604/2014	10-07	360719	10687/2015
08-08L	360680	10655/2015	10-07	360720	10688/2015
08-09	360674	10404/2015	10-07	360721	10689/2015
08-09	360675	10405/2015	10-07	360722	10690/2015
09-01G	360777	10810/2015	10-07	360723	10691/2015
09-01K	360625	10540/2015	10-07	360724	10692/2015
09-01NES	360618	10605/2015	10-07	360725	10694/2015
09-01NES	360625	10540/2015	10-07	360726	10695/2015
09-03M	360770	10798/2015	10-07	360727	10696/2015
09-07A	360628	10561/2015	10-07	360728	10697/2015
10-02	360629	10679/2015	10-07	360729	10724/2015
10-02	360640	10644/2015	10-07	360732	10749/2015
10-02	360641	10650/2015	10-07	360733	10751/2015

Registration Proceedings - Class Listing of Designs Published or Registered cont'd

Classification	Registration Number	Design Number	Classification	Registration Number	Design Number
10-07	360734	10752/2015	15-05	360767	10796/2015
10-07	360735	10753/2015	16-05	360743	10780/2015
10-07	360736	10754/2015	16-06	360671	10327/2015
10-07	360737	10755/2015	16-06	360672	10329/2015
10-07	360753	10664/2015	19-08	360639	10265/2015
10-07	360754	10665/2015	20-03NES	360662	16677/2014
10-07	360755	10666/2015	20-03NES	360663	16678/2014
10-07	360756	10667/2015	20-03NES	360664	16679/2014
10-07	360757	10669/2015	20-03NES	360665	16680/2014
12-02	360751	10357/2015	21-01E	360613	10702/2015
12-07	360669	10081/2015	21-01E	360622	10343/2015
12-08	360742	10779/2015	21-01E	360623	10344/2015
12-15A	360739	10777/2015	21-01F	360612	10614/2015
12-15B	360741	10775/2015	21-01K	360621	10089/2015
12-15B	360764	10789/2015	21-02C	360617	10712/2015
12-15C	360678	10370/2015	21-02D	360645	10708/2015
12-16NES	360740	10778/2015	21-02D	360666	16714/2014
13-03C	360651	10756/2015	23-01A	360660	16603/2014
13-03C	360652	10758/2015	23-01A	360661	16604/2014
13-03C	360653	10759/2015	23-01E	360677	10467/2015
13-03C	360654	10760/2015	23-01NES	360702	10011/2015
13-03C	360655	10762/2015	24-01	360626	10542/2015
13-03C	360656	10763/2015	24-01	360627	10543/2015
13-03C	360704	10757/2015	24-02	360630	10720/2015
13-03C	360705	10761/2015	24-04	360703	10068/2015
14-01	360670	10299/2015	24-04	360744	10117/2015
14-03E	360629	10679/2015	24-04	360745	10119/2015
14-03E	360717	10685/2015	24-04	360746	10121/2015
14-03E	360718	10686/2015	25-01K	360631	10726/2015
14-03E	360720	10688/2015	26-03	360667	10049/2015
14-03E	360722	10690/2015	28-02	360706	10890/2015
14-03E	360724	10692/2015	28-02	360709	10911/2015
14-03E	360781	10683/2015	28-02	360710	10912/2015
15-01	360659	16600/2014	28-02	360711	10913/2015
15-01	360772	10800/2015	28-02	360712	11050/2015
15-05	360747	10175/2015	28-02	360713	11051/2015
15-05	360748	10176/2015	28-02	360714	11052/2015
15-05	360749	10180/2015	28-02	360715	11053/2015
15-05	360750	10186/2015	28-02	360716	11055/2015
15-05	360761	10166/2015	31-00	360638	14363/2014
15-05	360762	10170/2015			
15-05	360763	10171/2015			

(21) Design Number: **14734/2014**
(22) Date of Filing Application: **17 September 2014**
(24) Date from which industrial property rights may have effect: **17 September 2014**
(54) Product in respect of which the design is registered: **A cycle storage case**
(51) International Design Classification: **03-01NES**
(74) Name(s) of Attorney(s): **Baldwins**
(71) Name(s) and Address(s) of Applicant(s):



CYCKIT LIMITED

23b Cherry Lane RD3 Hamilton 3283 New Zealand

(72) Name(s) of Designer(s): **Patrick Mark Reardon and Garth Andrew Walton**

(45) Registration Date: **11 March 2015**

(30) Convention priority data:

(31) Number	(32) Date	(33) Country
418619	18 Mar 2014	NEW ZEALAND

(56) Related Art Documents: **Not Applicable**

(57) Statement of Newness and Distinctiveness: **The newness and distinctiveness of the design resides in the features of shape and configuration all as shown in the accompanying drawings. No newness and distinctiveness is claimed in the area shown in broken line.**

(21) Design Number: **10614/2015**
(22) Date of Filing Application: **09 February 2015**
(24) Date from which industrial property rights may have effect: **09 February 2015**
(54) Product in respect of which the design is registered: **A folding scooter**
(51) International Design Classification: **21-01F**
(74) Name(s) of Attorney(s): **Collison & Co**
(71) Name(s) and Address(s) of Applicant(s):

GREEN RIDE LTD

55 HaNamel Street Haifa 3303215 Israel

(72) Name(s) of Designer(s): **Ori Dadoosh and Ori Yemeni**

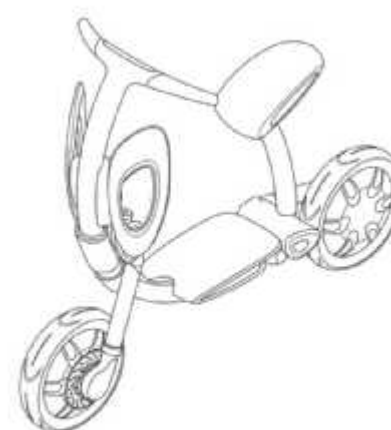
(45) Registration Date: **11 March 2015**

(30) Convention priority data:

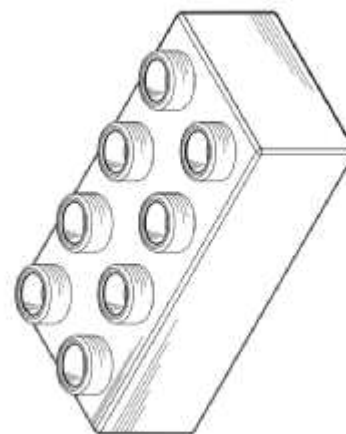
(31) Number	(32) Date	(33) Country
002523027-0001	21 Aug 2014	OFFICE FOR HARMONISATION IN THE INTERNAL MARKET (OHIM)

(56) Related Art Documents: **Not Applicable**

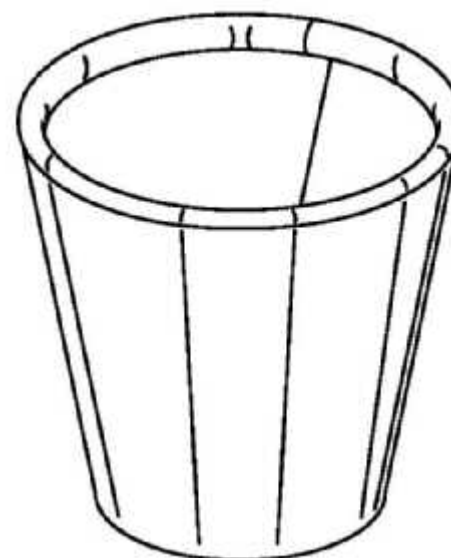
(57) Statement of Newness and Distinctiveness: **Nil**



- (21) Design Number: **10702/2015**
(22) Date of Filing Application: **11 February 2015**
(24) Date from which industrial property rights may have effect: **11 February 2015**
(54) Product in respect of which the design is registered: **Building block**
(51) International Design Classification: **21-01E**
(74) Name(s) of Attorney(s): **Collison & Co**
(71) Name(s) and Address(s) of Applicant(s):
GET MORE COMPANY LIMITED
6F NO. 82 Chien Kuo N. Rd. Sec.2 Taipei Taiwan
(72) Name(s) of Designer(s): **Chia-Yen Lin**
(45) Registration Date: **11 March 2015**
(56) Related Art Documents: **Not Applicable**
(57) Statement of Newness and Distinctiveness: **Nil**



- (21) Design Number: **10703/2015**
(22) Date of Filing Application: **11 February 2015**
(24) Date from which industrial property rights may have effect: **11 February 2015**
(54) Product in respect of which the design is registered: **Cup sleeve**
(51) International Design Classification: **07-06A**
(74) Name(s) of Attorney(s):
(71) Name(s) and Address(s) of Applicant(s):
Pei-Ti Lin
4F. No. 198 Sec. 2 Xintai 5th Rd. Xizhi Dist. New Taipei City 221 Taiwan
(72) Name(s) of Designer(s): **Pei-Ti Lin**
(45) Registration Date: **11 March 2015**
(56) Related Art Documents: **Not Applicable**
(57) Statement of Newness and Distinctiveness: **Newness and distinctiveness is claimed in the features of shape and/or configuration of a cup as illustrated in the accompanying representations. The Broken line elements in Fig.8 are for illustrative and environmental purposes only and form no part of the claimed design.**



(21) Design Number: **10704/2015**
(22) Date of Filing Application: **11 February 2015**
(24) Date from which industrial property rights may have effect: **11 February 2015**
(54) Product in respect of which the design is registered: **Steel activator for container twist lock**
(51) International Design Classification: **08-07**
(74) Name(s) of Attorney(s): **Collison & Co**
(71) Name(s) and Address(s) of Applicant(s):
Skrin Pty Ltd
SE7 200 Toorak Rd South Yarra VIC 3141 Australia
(72) Name(s) of Designer(s): **Ture Nyholm**
(45) Registration Date: **11 March 2015**
(56) Related Art Documents: **Not Applicable**
(57) Statement of Newness and Distinctiveness: **Newness and distinctiveness resides in the shape and/or configuration of the steel activator for a container twist lock as shown in the accompanying representations.**

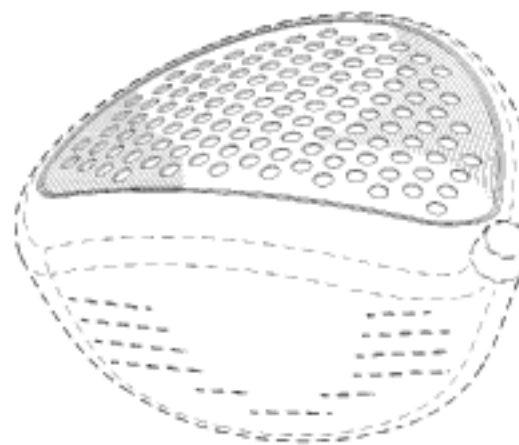


(21) Design Number: **10709/2015**
(22) Date of Filing Application: **11 February 2015**
(24) Date from which industrial property rights may have effect: **11 February 2015**
(54) Product in respect of which the design is registered: **Clothes hanger**
(51) International Design Classification: **06-08**
(74) Name(s) of Attorney(s): **FB Rice**
(71) Name(s) and Address(s) of Applicant(s):
The Janger Limited
c/o Leigh Philip & Partners 2nd Floor Devonshire House 1 Devonshire
Street London W1W 5DS United Kingdom
(72) Name(s) of Designer(s): **Guy Taylor**
(45) Registration Date: **11 March 2015**
(30) Convention priority data:
(31) Number (32) Date (33) Country
002517748-0002 11 Aug 2014 OFFICE FOR HARMONISATION IN
THE INTERNAL MARKET (OHIM)
(56) Related Art Documents: **Not Applicable**
(57) Statement of Newness and Distinctiveness: **Newness and distinctiveness reside in the features of shape and configuration of the design as shown in the representations.**



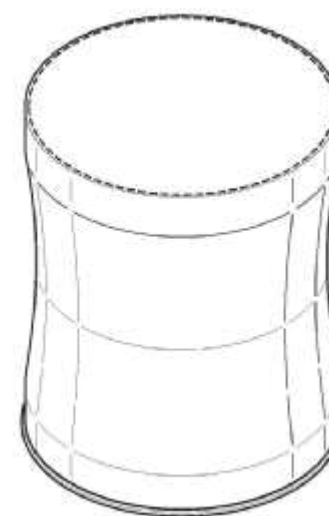
(19) AU

(21) Design Number: **10712/2015**
 (22) Date of Filing Application: **11 February 2015**
 (24) Date from which industrial property rights may have effect: **11 February 2015**
 (54) Product in respect of which the design is registered: **Golf club head**
 (51) International Design Classification: **21-02C**
 (74) Name(s) of Attorney(s): **Davies Collison Cave**
 (71) Name(s) and Address(s) of Applicant(s):
Karsten Manufacturing Corporation
2201 West Desert Cove Phoenix Arizona, 85029 United States of America
 (72) Name(s) of Designer(s): **Ryan M Stokke and Xiaojian Chen and Eric J Morales**
 (45) Registration Date: **11 March 2015**
 (30) Convention priority data:
 (31) Number (32) Date (33) Country
29/499362 14 Aug 2014 UNITED STATES OF AMERICA
 (56) Related Art Documents: **Not Applicable**
 (57) Statement of Newness and Distinctiveness: **Newness and distinctiveness is claimed in the visual features shown in solid lines in the representations. In considering the extent of the design rights, the broken lines shown in the representations are for illustrative purposes only and do not form part of the design.**



(19) AU

(21) Design Number: **10605/2015**
 (22) Date of Filing Application: **09 February 2015**
 (24) Date from which industrial property rights may have effect: **09 February 2015**
 (54) Product in respect of which the design is registered: **Container**
 (51) International Design Classification: **09-01NES**
 (74) Name(s) of Attorney(s): **Pizzeys**
 (71) Name(s) and Address(s) of Applicant(s):
MJN U.S. Holdings LLC
2701 Patriot Blvd., 4th Floor, Glenview, IL 60026 United States of America
 (72) Name(s) of Designer(s): **Robin P. Wiggins and Johanna Kahn**
 (45) Registration Date: **12 March 2015**
 (30) Convention priority data:
 (31) Number (32) Date (33) Country
29/499,553 15 Aug 2014 UNITED STATES OF AMERICA
 (56) Related Art Documents: **Not Applicable**
 (57) Statement of Newness and Distinctiveness: **Nil**



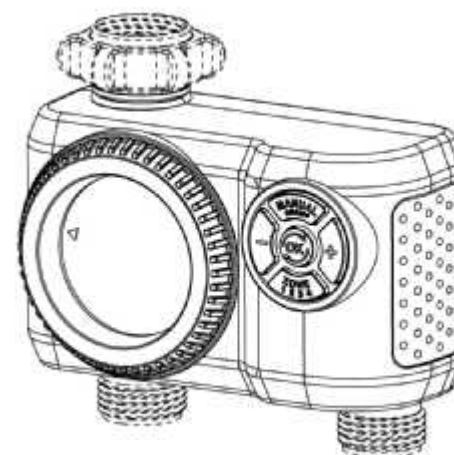
(21) Design Number: **10710/2015**
(22) Date of Filing Application: **11 February 2015**
(24) Date from which industrial property rights may have effect: **11 February 2015**
(54) Product in respect of which the design is registered: **Timer**
(51) International Design Classification: **10-03**
(74) Name(s) of Attorney(s): **AJ Park**
(71) Name(s) and Address(s) of Applicant(s):
Yuan Mei Corporation
No. 1, Lane 288, Sec. 1, Lu Ho Road Lu Kang Chen Chang Hua Hsien
R.O.C. Taiwan

(72) Name(s) of Designer(s): **Chi-Han Cheng and King-Yuan Wang**

(45) Registration Date: **12 March 2015**

(56) Related Art Documents: **Not Applicable**

(57) Statement of Newness and Distinctiveness: **Newness and distinctiveness reside in the features of shape and/or configuration of the timer all as shown in the representations. The features shown in broken lines are shown for illustrative purposes only and are to be disregarded when considering the overall impression of the design.**



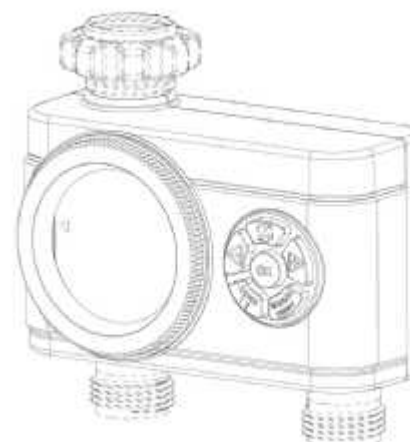
(21) Design Number: **10711/2015**
(22) Date of Filing Application: **11 February 2015**
(24) Date from which industrial property rights may have effect: **11 February 2015**
(54) Product in respect of which the design is registered: **Timer**
(51) International Design Classification: **10-03**
(74) Name(s) of Attorney(s): **AJ Park**
(71) Name(s) and Address(s) of Applicant(s):
Yuan Mei Corporation
No. 1, Lane 288, Sec. 1, Lu Ho Road Lu Kang Chen Chang Hua Hsien
R.O.C. Taiwan

(72) Name(s) of Designer(s): **Chi-Han Cheng and King-Yuan Wang**

(45) Registration Date: **12 March 2015**

(56) Related Art Documents: **Not Applicable**

(57) Statement of Newness and Distinctiveness: **Newness and distinctiveness reside in the features of shape and/or configuration of the timer all as shown in the representations. The features shown in broken lines are shown for illustrative purposes only and are to be disregarded when considering the overall impression of the design.**



(21) Design Number: **10089/2015**

(22) Date of Filing Application: **09 January 2015**

(24) Date from which industrial property rights may have effect: **09 January 2015**

(54) Product in respect of which the design is registered: **Card shuffler device**

(51) International Design Classification: **21-01K**

(74) Name(s) of Attorney(s): **Franke Hyland**

(71) Name(s) and Address(s) of Applicant(s):

Bally Gaming, Inc

6601 South Bermuda Road Las Vegas Nevada, 89119 United States of America

(72) Name(s) of Designer(s): **Thomas A Tedham**

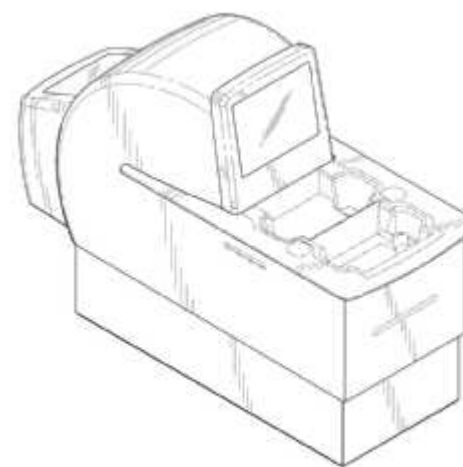
(45) Registration Date: **12 March 2015**

(30) Convention priority data:

(31) Number	(32) Date	(33) Country
29/498,357	01 Aug 2014	UNITED STATES OF AMERICA

(56) Related Art Documents: **Not Applicable**

(57) Statement of Newness and Distinctiveness: **Newness and distinctiveness is claimed in the shape and configuration of the card shuffler as represented in solid lines in the drawings. In assessing newness and distinctiveness, no regard should be had of the features represented in broken lines.**



(21) Design Number: **10343/2015**

(22) Date of Filing Application: **22 January 2015**

(24) Date from which industrial property rights may have effect: **22 January 2015**

(54) Product in respect of which the design is registered: **Toy block**

(51) International Design Classification: **21-01E**

(74) Name(s) of Attorney(s): **A.P.T. Patent and Trade Mark Attorneys**

(71) Name(s) and Address(s) of Applicant(s):

Heng Zhang

Room 502, Unit 3, Building A1 Yangguang 100 Community Huaiyin Jinan Shandong, 250022 China

(72) Name(s) of Designer(s): **Heng Zhang**

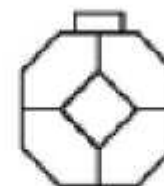
(45) Registration Date: **12 March 2015**

(30) Convention priority data:

(31) Number	(32) Date	(33) Country
CN201430268810.01	Aug 2014	CHINA

(56) Related Art Documents: **Not Applicable**

(57) Statement of Newness and Distinctiveness: **Newness and distinctiveness resides in the shape and configuration of the toy block comprising a single row of two or more conjoined block units as shown in the accompanying representations. The toy block is of indefinite length.**



(21) Design Number: **10344/2015**

(22) Date of Filing Application: **22 January 2015**

(24) Date from which industrial property rights may have effect: **22 January 2015**

(54) Product in respect of which the design is registered: **Toy block**

(51) International Design Classification: **21-01E**

(74) Name(s) of Attorney(s): **A.P.T. Patent and Trade Mark Attorneys**

(71) Name(s) and Address(s) of Applicant(s):

Heng Zhang

**Room 502, Unit 3, Building A1 Yangguang 100 Community Huaiyin Jinan
Shandong, 250022 China**

(72) Name(s) of Designer(s): **Heng Zhang**

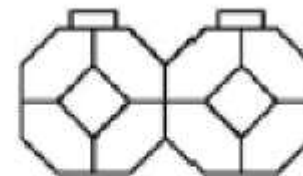
(45) Registration Date: **12 March 2015**

(30) Convention priority data:

(31) Number	(32) Date	(33) Country
CN201430268809301	Aug 2014	CHINA

(56) Related Art Documents: **Not Applicable**

(57) Statement of Newness and Distinctiveness: **Newness and distinctiveness resides in the shape and configuration of the toy block comprising a double row of two or more conjoined block units as shown in the accompanying representations. The toy block is of indefinite length.**



(21) Design Number: **10481/2015**

(22) Date of Filing Application: **30 January 2015**

(24) Date from which industrial property rights may have effect: **30 January 2015**

(54) Product in respect of which the design is registered: **Elongated side handle for cookware**

(51) International Design Classification: **07-02R**

(74) Name(s) of Attorney(s): **PIZZEYS**

(71) Name(s) and Address(s) of Applicant(s):

Meyer Intellectual Properties Ltd

382 Kwun Tong Rd Kowloon Hong Kong

(72) Name(s) of Designer(s): **Philip D Barberi**

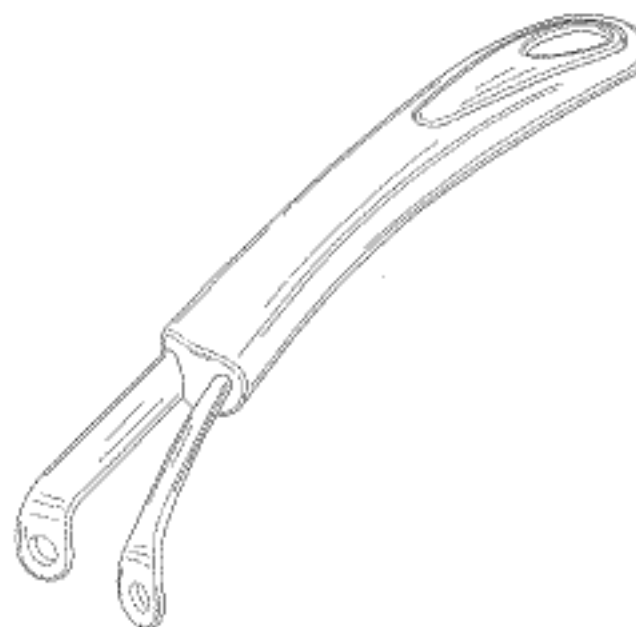
(45) Registration Date: **12 March 2015**

(30) Convention priority data:

(31) Number	(32) Date	(33) Country
29/497,914	30 Jul 2014	UNITED STATES OF AMERICA

(56) Related Art Documents: **Not Applicable**

(57) Statement of Newness and Distinctiveness: **Nil**



- (21) Design Number: **10540/2015**
(22) Date of Filing Application: **02 February 2015**
(24) Date from which industrial property rights may have effect: **02 February 2015**
(54) Product in respect of which the design is registered: **Bottle**
(51) International Design Classification: **09-01K, 09-01NES**
(74) Name(s) of Attorney(s): **Baxter Patent Attorneys Pty Ltd**
(71) Name(s) and Address(s) of Applicant(s):
Plasmaide Pty Ltd
L3 376 Bay St Brighton Le Sands NSW 2216 Australia
(72) Name(s) of Designer(s): **Stephen Allende and Sandra Fabiano and Michael Lazaris**
(45) Registration Date: **12 March 2015**
(56) Related Art Documents: **Not Applicable**
(57) Statement of Newness and Distinctiveness: **Nil**



- (21) Design Number: **10542/2015**
(22) Date of Filing Application: **02 February 2015**
(24) Date from which industrial property rights may have effect: **02 February 2015**
(54) Product in respect of which the design is registered: **Hand-held lifting sling (regular)**
(51) International Design Classification: **24-01**
(74) Name(s) of Attorney(s):
(71) Name(s) and Address(s) of Applicant(s):
U.S. Pacific Nonwovens Industry Limited
Flat B, 6/F. Liadro Centre 72 Hoi Yuen Rd. Kwun Tong Kowloon Hong Kong
(72) Name(s) of Designer(s): **Cho Kee Wong and Wai Jun Wong Yeung**
(45) Registration Date: **12 March 2015**
(56) Related Art Documents: **Not Applicable**
(57) Statement of Newness and Distinctiveness: **The newness and distinctiveness of the design resides in the shape and configuration of the stretcher as shown in the accompanying representations.**



(21) Design Number: **10543/2015**
(22) Date of Filing Application: **02 February 2015**
(24) Date from which industrial property rights may have effect: **02 February 2015**
(54) Product in respect of which the design is registered: **Hand-held lifting sling (long)**
(51) International Design Classification: **24-01**
(74) Name(s) of Attorney(s):
(71) Name(s) and Address(s) of Applicant(s):
U.S. Pacific Nonwovens Industry Limited
Flat B, 6/F. Liadro Centre 72 Hoi Yuen Rd. Kwun Tong Kowloon Hong Kong
(72) Name(s) of Designer(s): **Cho Kee Wong and Wai Jun Wong Yeung**
(45) Registration Date: **12 March 2015**
(56) Related Art Documents: **Not Applicable**
(57) Statement of Newness and Distinctiveness: **The newness and distinctiveness of the design resides in the shape and configuration of the stretcher as shown in the accompanying representations.**



(21) Design Number: **10561/2015**
(22) Date of Filing Application: **04 February 2015**
(24) Date from which industrial property rights may have effect: **04 February 2015**
(54) Product in respect of which the design is registered: **Applicator for sunscreen container**
(51) International Design Classification: **09-07A**
(74) Name(s) of Attorney(s): **Shelston IP**
(71) Name(s) and Address(s) of Applicant(s):
MSD Consumer Care, Inc.
3030 Jackson Avenue Memphis Tennessee 38151 United States of America
(72) Name(s) of Designer(s): **Vittorio David Bernardino and Olivier F Currat and Jose Gamboa and Martin S Johnson and Rutao Li and Melissa Marie Simpson**
(45) Registration Date: **12 March 2015**
(30) Convention priority data:
(31) Number (32) Date (33) Country
29/498562 05 Aug 2014 UNITED STATES OF AMERICA
(56) Related Art Documents: **Not Applicable**
(57) Statement of Newness and Distinctiveness: **Newness and distinctiveness reside in the features of shape and/or configuration of an APPLICATOR FOR SUNSCREEN CONTAINER as illustrated in solid lines in the accompanying representations.**



- (21) Design Number: **10679/2015**
(22) Date of Filing Application: **10 February 2015**
(24) Date from which industrial property rights may have effect: **10 February 2015**
(54) Product in respect of which the design is registered: **Electronic device**
(51) International Design Classification: **10-02, 14-03E**
(74) Name(s) of Attorney(s): **Freehills Patent Attorneys**
(71) Name(s) and Address(s) of Applicant(s):



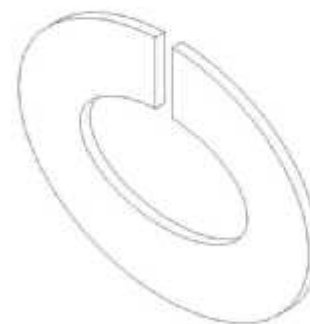
- Apple Inc.**
1 Infinite Loop Cupertino California 95014 United States of America
- (72) Name(s) of Designer(s): **Jody Akana and Bartley K. Andre and Shota Aoyagi and Anthony Michael Ashcroft and Jeremy Bataillou and Daniel J. Coster and Daniele De Iuliis and M. Evans Hankey and Julian Hoenig and Richard P. Howarth and Jonathan P. Ive and Duncan Robert Kerr and Marc A. Newson and Matthew Dean Rohrbach and Peter Russell-Clarke and Benjamin Andrew Shaffer and Mikael Silvanto and Christopher J. Stringer and Eugene Antony Whang and Rico Zorkendorfer**
- (45) Registration Date: **12 March 2015**
- (30) Convention priority data:
- | (31) Number | (32) Date | (33) Country |
|------------------|--------------------|---------------------------------|
| 29/499042 | 11 Aug 2014 | UNITED STATES OF AMERICA |
- (56) Related Art Documents: **Not Applicable**
- (57) Statement of Newness and Distinctiveness: **Newness and distinctiveness resides in the features of shape and configuration shown in solid outline in the accompanying representations.**

- (21) Design Number: **10720/2015**
(22) Date of Filing Application: **11 February 2015**
(24) Date from which industrial property rights may have effect: **11 February 2015**
(54) Product in respect of which the design is registered: **Seal for use with ostomy products**
(51) International Design Classification: **24-02**
(74) Name(s) of Attorney(s): **Shelston IP**
(71) Name(s) and Address(s) of Applicant(s):



- T.G. Eakin Limited**
15 Ballystockart Road Comber Co. Down BT23 5QY United Kingdom
- (72) Name(s) of Designer(s): **Benjamin Derek Mahood**
- (45) Registration Date: **12 March 2015**
- (56) Related Art Documents: **Not Applicable**
- (57) Statement of Newness and Distinctiveness: **Nil**

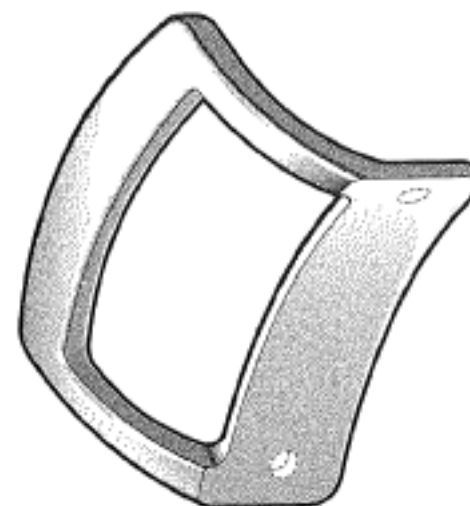
- (21) Design Number: **10726/2015**
(22) Date of Filing Application: **11 February 2015**
(24) Date from which industrial property rights may have effect: **11 February 2015**
(54) Product in respect of which the design is registered: **An extrusion**
(51) International Design Classification: **25-01K**
(74) Name(s) of Attorney(s):
(71) Name(s) and Address(s) of Applicant(s):
JORGENSON-WATTS IP PTY LTD
10 Ross St South Melbourne VIC 3205 Australia
(72) Name(s) of Designer(s): **John Russell Watts**
(45) Registration Date: **12 March 2015**
(56) Related Art Documents: **Not Applicable**
(57) Statement of Newness and Distinctiveness: **Nil**



- (21) Design Number: **10106/2015**
(22) Date of Filing Application: **11 January 2015**
(24) Date from which industrial property rights may have effect: **11 January 2015**
(54) Product in respect of which the design is registered: **Tool for making sashing for quilt making**
(51) International Design Classification: **02-07D**
(74) Name(s) of Attorney(s):
(71) Name(s) and Address(s) of Applicant(s):
Pauline Frances Rogers
3 Lindan Crt Cabarlah QLD 4352 Australia
(72) Name(s) of Designer(s): **Pauline Frances Rogers**
(45) Registration Date: **13 March 2015**
(56) Related Art Documents: **Not Applicable**
(57) Statement of Newness and Distinctiveness: **Tool made from 3mm acrylic, to be used with a steam iron when making sashing from fabric strips for constructing Quilt As You Go patchwork quilts. Fabric is folded then woven through slots in the tool which is then placed on ironing board. The tool is shaped so the iron fits snug along it during the pressing process. Handy finger grip makes it easy for right or left handed people to use. The acrylic allows a full view of the fabric strip and does not conduct heat.**



(21) Design Number: **10765/2015**
(22) Date of Filing Application: **11 February 2015**
(24) Date from which industrial property rights may have effect: **11 February 2015**
(54) Product in respect of which the design is registered: **Side handle for cookware**
(51) International Design Classification: **07-02R**
(74) Name(s) of Attorney(s): **PIZZEYS**
(71) Name(s) and Address(s) of Applicant(s):
Meyer Intellectual Properties Ltd
382 Kwun Tong Road Kowloon Hong Kong
(72) Name(s) of Designer(s): **Philip D Barberi**
(45) Registration Date: **13 March 2015**
(30) Convention priority data:
(31) Number (32) Date (33) Country
29/499,457 15 Aug 2014 UNITED STATES OF AMERICA
(56) Related Art Documents: **Not Applicable**
(57) Statement of Newness and Distinctiveness: **Nil**



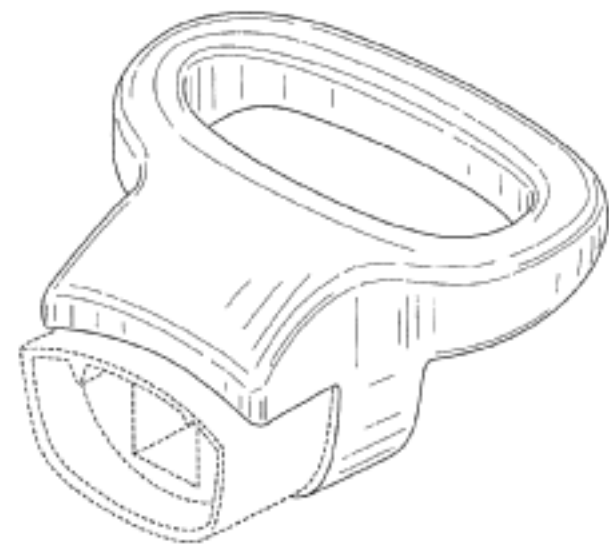
(21) Design Number: **10767/2015**
(22) Date of Filing Application: **11 February 2015**
(24) Date from which industrial property rights may have effect: **11 February 2015**
(54) Product in respect of which the design is registered: **Cookware lid handle**
(51) International Design Classification: **07-02R**
(74) Name(s) of Attorney(s): **PIZZEYS**
(71) Name(s) and Address(s) of Applicant(s):
Meyer Intellectual Properties Ltd
382 Kwun Tong Road Kowloon Hong Kong
(72) Name(s) of Designer(s): **Philip D Barberi**
(45) Registration Date: **13 March 2015**
(30) Convention priority data:
(31) Number (32) Date (33) Country
29/499,458 15 Aug 2014 UNITED STATES OF AMERICA
(56) Related Art Documents: **Not Applicable**
(57) Statement of Newness and Distinctiveness: **Nil**



(21) Design Number: **10768/2015**
(22) Date of Filing Application: **11 February 2015**
(24) Date from which industrial property rights may have effect: **11 February 2015**
(54) Product in respect of which the design is registered: **Elongated side handle for cookware**
(51) International Design Classification: **07-02R**
(74) Name(s) of Attorney(s): **PIZZEYS**
(71) Name(s) and Address(s) of Applicant(s):
Meyer Intellectual Properties Ltd
382 Kwun Tong Road Kowloon Hong Kong
(72) Name(s) of Designer(s): **Philip D Barberi**
(45) Registration Date: **13 March 2015**
(30) Convention priority data:
(31) Number (32) Date (33) Country
29/499,462 15 Aug 2014 UNITED STATES OF AMERICA
(56) Related Art Documents: **Not Applicable**
(57) Statement of Newness and Distinctiveness: **Nil**



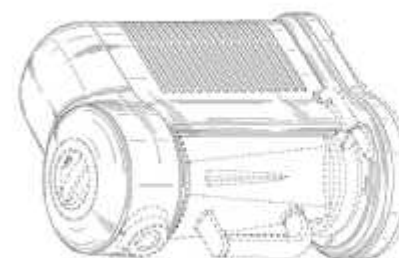
(21) Design Number: **10769/2015**
(22) Date of Filing Application: **11 February 2015**
(24) Date from which industrial property rights may have effect: **11 February 2015**
(54) Product in respect of which the design is registered: **Side handle for cookware**
(51) International Design Classification: **07-02R**
(74) Name(s) of Attorney(s): **PIZZEYS**
(71) Name(s) and Address(s) of Applicant(s):
Meyer Intellectual Properties Ltd
382 Kwun Tong Road Kowloon Hong Kong
(72) Name(s) of Designer(s): **Philip D Barberi**
(45) Registration Date: **13 March 2015**
(30) Convention priority data:
(31) Number (32) Date (33) Country
29/499,463 15 Aug 2014 UNITED STATES OF AMERICA
(56) Related Art Documents: **Not Applicable**
(57) Statement of Newness and Distinctiveness: **Nil**



(21) Design Number: **10770/2015**
(22) Date of Filing Application: **11 February 2015**
(24) Date from which industrial property rights may have effect: **11 February 2015**
(54) Product in respect of which the design is registered: **Cookware lid handle**
(51) International Design Classification: **07-02R**
(74) Name(s) of Attorney(s): **PIZZEYS**
(71) Name(s) and Address(s) of Applicant(s):
Meyer Intellectual Properties Ltd
382 Kwun Tong Road Kowloon Hong Kong
(72) Name(s) of Designer(s): **Philip D Barberi**
(45) Registration Date: **13 March 2015**
(30) Convention priority data:
(31) Number (32) Date (33) Country
29/499,465 15 Aug 2014 UNITED STATES OF AMERICA
(56) Related Art Documents: **Not Applicable**
(57) Statement of Newness and Distinctiveness: **Nil**



(21) Design Number: **14363/2014**
(22) Date of Filing Application: **02 September 2014**
(24) Date from which industrial property rights may have effect: **05 August 2014**
(54) Product in respect of which the design is registered: **Blending appliance**
(51) International Design Classification: **31-00**
(74) Name(s) of Attorney(s): **PHILLIPS ORMONDE FITZPATRICK**
(71) Name(s) and Address(s) of Applicant(s):
Whirlpool Corporation
2000 North M-63 MD3601 Benton Harbor Michigan, 49022 United States of America
(72) Name(s) of Designer(s): **Zachary A Lownds and Brandon T Mock**
(45) Registration Date: **16 March 2015**
(62) Divisional of: **357319**
(56) Related Art Documents: **Not Applicable**
(57) Statement of Newness and Distinctiveness: **Those features of the blending appliance depicted in the representations that are new and distinctive are the shape and/or configuration. The features shown in broken lines are not part of the design and are to be disregarded when considering the overall impression of the design.**



- (21) Design Number: **10265/2015**
(22) Date of Filing Application: **18 January 2015**
(24) Date from which industrial property rights may have effect: **18 January 2015**
(54) Product in respect of which the design is registered: **Label**
(51) International Design Classification: **19-08**
(74) Name(s) of Attorney(s):
(71) Name(s) and Address(s) of Applicant(s):
 Alfred Rose
 28 Dequency Rd Bullaburra NSW 2784 Australia
(72) Name(s) of Designer(s): **Alfred Rose**
(45) Registration Date: **16 March 2015**
(56) Related Art Documents: **Not Applicable**
(57) Statement of Newness and Distinctiveness: **C P O see design attached as a pdf file cherry plum orchard.**



- (21) Design Number: **10644/2015**
(22) Date of Filing Application: **10 February 2015**
(24) Date from which industrial property rights may have effect: **10 February 2015**
(54) Product in respect of which the design is registered: **Wearable device**
(51) International Design Classification: **10-02**
(74) Name(s) of Attorney(s): **Freehills Patent Attorneys**
(71) Name(s) and Address(s) of Applicant(s):
 Apple Inc.
 1 Infinite Loop Cupertino California, 95014 United States of America
(72) Name(s) of Designer(s): **Jody Akana and Bartley K. Andre and Shota Aoyagi and Anthony Michael Ashcroft and Jeremy Bataillou and Daniel J. Coster and Daniele De Iuliis and M. Evans Hankey and Julian Hoenig and Richard P. Howarth and Jonathan P. Ive and Duncan Robert Kerr and Matthew Dean Rohrbach and Peter Russell-Clarke and Benjamin Andrew Shaffer and Mikael Silvanto and Marc A. Newson and Christopher J. Stringer and Eugene Antony Whang and Rico Zorkendorfer**
(45) Registration Date: **16 March 2015**
(30) Convention priority data:
 (31) Number (32) Date (33) Country
 29/499082 11 Aug 2014 UNITED STATES OF AMERICA
(56) Related Art Documents: **Not Applicable**
(57) Statement of Newness and Distinctiveness: **Newness and distinctiveness resides in the features of shape and configuration shown in the accompanying representations.**



- (21) Design Number: **10650/2015**
(22) Date of Filing Application: **10 February 2015**
(24) Date from which industrial property rights may have effect: **10 February 2015**
(54) Product in respect of which the design is registered: **Wearable device**
(51) International Design Classification: **10-02**
(74) Name(s) of Attorney(s): **Freehills Patent Attorneys**
(71) Name(s) and Address(s) of Applicant(s):
Apple Inc.
1 Infinite Loop Cupertino California, 95014 United States of America
(72) Name(s) of Designer(s): **Jody Akana and Bartley K. Andre and Shota Aoyagi and Anthony Michael Ashcroft and Jeremy Bataillou and Daniel J. Coster and Daniele De Iuliis and M. Evans Hankey and Julian Hoenig and Richard P. Howarth and Jonathan P. Ive and Duncan Robert Kerr and Marc A. Newson and Matthew Dean Rohrbach and Peter Russell-Clarke and Benjamin Andrew Shaffer and Mikael Silvanto and Christopher J. Stringer and Eugene Antony Whang and Rico Zorkendorfer**
(45) Registration Date: **16 March 2015**
(30) Convention priority data:
(31) Number (32) Date (33) Country
29/499081 11 Aug 2014 UNITED STATES OF AMERICA
(56) Related Art Documents: **Not Applicable**
(57) Statement of Newness and Distinctiveness: **Nil**



- (21) Design Number: **10651/2015**
(22) Date of Filing Application: **10 February 2015**
(24) Date from which industrial property rights may have effect: **10 February 2015**
(54) Product in respect of which the design is registered: **Wearable device**
(51) International Design Classification: **10-02**
(74) Name(s) of Attorney(s): **Freehills Patent Attorneys**
(71) Name(s) and Address(s) of Applicant(s):
Apple Inc.
1 Infinite Loop Cupertino California, 95014 United States of America
(72) Name(s) of Designer(s): **Jody Akana and Bartley K. Andre and Shota Aoyagi and Anthony Michael Ashcroft and Jeremy Bataillou and Daniel J. Coster and Daniele De Iuliis and M. Evans Hankey and Julian Hoenig and Richard P. Howarth and Jonathan P. Ive and Duncan Robert Kerr and Marc A. Newson and Matthew Dean Rohrbach and Peter Russell-Clarke and Benjamin Andrew Shaffer and Mikael Silvanto and Christopher J. Stringer and Eugene Antony Whang and Rico Zorkendorfer**
(45) Registration Date: **16 March 2015**
(30) Convention priority data:
(31) Number (32) Date (33) Country
29/499080 11 Aug 2014 UNITED STATES OF AMERICA
(56) Related Art Documents: **Not Applicable**
(57) Statement of Newness and Distinctiveness: **Newness and distinctiveness resides in the features of shape and configuration shown in the accompanying representations.**



- (21) Design Number: **10659/2015**
(22) Date of Filing Application: **10 February 2015**
(24) Date from which industrial property rights may have effect: **10 February 2015**
(54) Product in respect of which the design is registered: **Band**
(51) International Design Classification: **10-07**
(74) Name(s) of Attorney(s): **Freehills Patent Attorneys**
(71) Name(s) and Address(s) of Applicant(s):

Apple Inc.

1 Infinite Loop Cupertino California, 95014 United States of America

- (72) Name(s) of Designer(s): **Jody Akana and Bartley K. Andre and Shota Aoyagi and Anthony Michael Ashcroft and Jeremy Bataillou and Daniel J. Coster and Daniele De Iuliis and M. Evans Hankey and Julian Hoenig and Richard P. Howarth and Jonathan P. Ive and Duncan Robert Kerr and Marc A. Newson and Matthew Dean Rohrbach and Peter Russell-Clarke and Benjamin Andrew Shaffer and Mikael Silvanto and Christopher J. Stringer and Eugene Antony Whang and Rico Zorkendorfer**

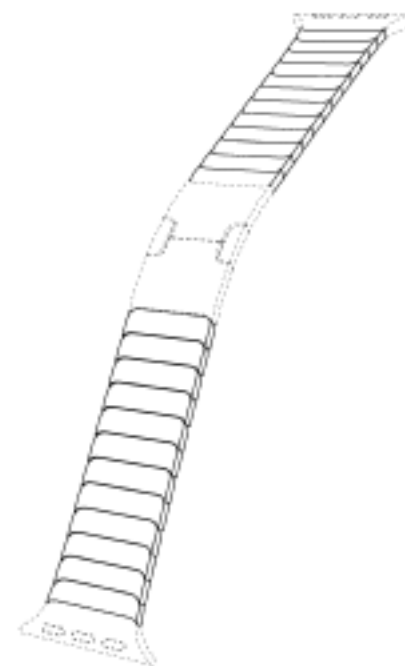
- (45) Registration Date: **16 March 2015**

- (30) Convention priority data:

(31) Number	(32) Date	(33) Country
29/498997	11 Aug 2014	UNITED STATES OF AMERICA

- (56) Related Art Documents: **Not Applicable**

- (57) Statement of Newness and Distinctiveness: **Newness and distinctiveness resides in the features of shape and configuration shown in solid outline in the accompanying representations.**



- (21) Design Number: **10660/2015**
(22) Date of Filing Application: **10 February 2015**
(24) Date from which industrial property rights may have effect: **10 February 2015**
(54) Product in respect of which the design is registered: **Band**
(51) International Design Classification: **10-07**
(74) Name(s) of Attorney(s): **Freehills Patent Attorneys**
(71) Name(s) and Address(s) of Applicant(s):

Apple Inc.

1 Infinite Loop Cupertino California, 95014 United States of America

- (72) Name(s) of Designer(s): **Jody Akana and Bartley K. Andre and Shota Aoyagi and Anthony Michael Ashcroft and Jeremy Bataillou and Daniel J. Coster and Daniele De Iuliis and M. Evans Hankey and Julian Hoenig and Richard P. Howarth and Jonathan P. Ive and Duncan Robert Kerr and Marc A. Newson and Matthew Dean Rohrbach and Peter Russell-Clarke and Benjamin Andrew Shaffer and Mikael Silvanto and Christopher J. Stringer and Eugene Antony Whang and Rico Zorkendorfer**

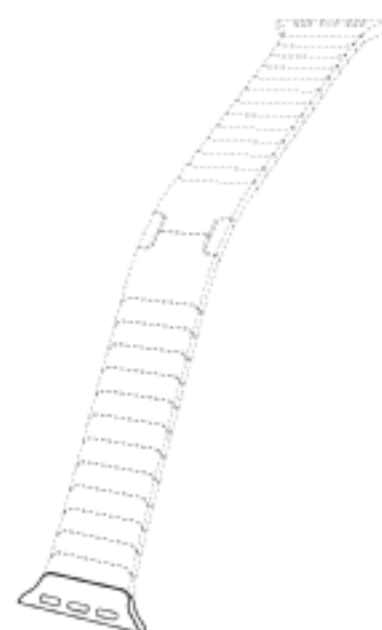
- (45) Registration Date: **16 March 2015**

- (30) Convention priority data:

(31) Number	(32) Date	(33) Country
29/498997	11 Aug 2014	UNITED STATES OF AMERICA

- (56) Related Art Documents: **Not Applicable**

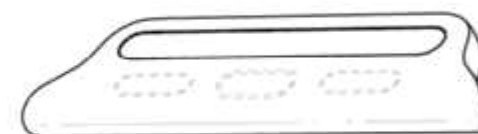
- (57) Statement of Newness and Distinctiveness: **Newness and distinctiveness resides in the features of shape and configuration shown in solid outline in the accompanying representations.**



(21) Design Number: **10708/2015**
(22) Date of Filing Application: **11 February 2015**
(24) Date from which industrial property rights may have effect: **11 February 2015**
(54) Product in respect of which the design is registered: **Swim fin & heel saver
- water sports**
(51) International Design Classification: **21-02D**
(74) Name(s) of Attorney(s):
(71) Name(s) and Address(s) of Applicant(s):
Podware Pty Ltd
26 Curtin Cres Maroubra NSW 2035 Australia
(72) Name(s) of Designer(s): **Shane Thomas Anthony Vassallo**
(45) Registration Date: **16 March 2015**
(56) Related Art Documents: **Not Applicable**
(57) Statement of Newness and Distinctiveness: **Combine a Swim Fin Ankle
Saver and a Swim Fin Padded Heel Strap Saver; by attaching both with
a single strap/leash.**



(21) Design Number: **10730/2015**
(22) Date of Filing Application: **11 February 2015**
(24) Date from which industrial property rights may have effect: **11 February 2015**
(54) Product in respect of which the design is registered: **Band attachment**
(51) International Design Classification: **10-07**
(74) Name(s) of Attorney(s): **Freehills Patent Attorneys**
(71) Name(s) and Address(s) of Applicant(s):
Apple Inc.
1 Infinite Loop Cupertino California, 95014 United States of America
(72) Name(s) of Designer(s): **Jody Akana and Andre K. Bartley and Shota
Aoyagi and Anthony Michael Ashcroft and Jeremy Bataillou and Daniel
J. Coster and Daniele De Iuliis and M. Evans Hankey and Julian Hoenig
and Richard P. Howarth and Jonathan P. Ive and Duncan Robert Kerr and
Marc A. Newson and Matthew Dean Rohrbach and Peter Russell-Clarke
and Benjamin Andrew Shaffer and Mikael Silvanto and Christopher J.
Stringer and Eugene Antony Whang and Rico Zorkendorfer**
(45) Registration Date: **16 March 2015**
(30) Convention priority data:
(31) Number (32) Date (33) Country
29/499069 11 Aug 2014 UNITED STATES OF AMERICA
(56) Related Art Documents: **Not Applicable**
(57) Statement of Newness and Distinctiveness: **Newness and distinctiveness
resides in the features of shape and configuration shown in solid outline
in the accompanying representations.**



- (21) Design Number: **10731/2015**
(22) Date of Filing Application: **11 February 2015**
(24) Date from which industrial property rights may have effect: **11 February 2015**
(54) Product in respect of which the design is registered: **Band attachment**
(51) International Design Classification: **10-07**
(74) Name(s) of Attorney(s): **Freehills Patent Attorneys**
(71) Name(s) and Address(s) of Applicant(s):



Apple Inc.

1 Infinite Loop Cupertino California, 95014 United States of America

- (72) Name(s) of Designer(s): **Jody Akana and Andre K. Bartley and Shota Aoyagi and Anthony Michael Ashcroft and Jeremy Bataillou and Daniel J. Coster and Daniele De Iuliis and M. Evans Hankey and Julian Hoenig and Richard P. Howarth and Jonathan P. Ive and Duncan Robert Kerr and Marc A. Newson and Matthew Dean Rohrbach and Peter Russell-Clarke and Benjamin Andrew Shaffer and Mikael Silvanto and Christopher J. Stringer and Eugene Antony Whang and Rico Zorkendorfer**

- (45) Registration Date: **16 March 2015**

- (30) Convention priority data:

(31) Number	(32) Date	(33) Country
29/499069	11 Aug 2014	UNITED STATES OF AMERICA

- (56) Related Art Documents: **Not Applicable**

- (57) Statement of Newness and Distinctiveness: **Newness and distinctiveness resides in the features of shape and configuration of the portions shown in solid outline in the accompanying representations.**

- (21) Design Number: **10734/2015**
(22) Date of Filing Application: **11 February 2015**
(24) Date from which industrial property rights may have effect: **11 February 2015**
(54) Product in respect of which the design is registered: **Band attachment**
(51) International Design Classification: **10-07**
(74) Name(s) of Attorney(s): **Freehills Patent Attorneys**
(71) Name(s) and Address(s) of Applicant(s):

Apple Inc.

1 Infinite Loop Cupertino California, 95014 United States of America

- (72) Name(s) of Designer(s): **Jody Akana and Bartley K. Andre and Shota Aoyagi and Anthony Michael Ashcroft and Jeremy Bataillou and Daniel J. Coster and Daniele De Iuliis and M. Evans Hankey and Julian Hoenig and Richard P. Howarth and Jonathan P. Ive and Duncan Robert Kerr and Marc A. Newson and Matthew Dean Rohrbach and Peter Russell-Clarke and Benjamin Andrew Shaffer and Mikael Silvanto and Christopher J. Stringer and Eugene Antony Whang and Rico Zorkendorfer**

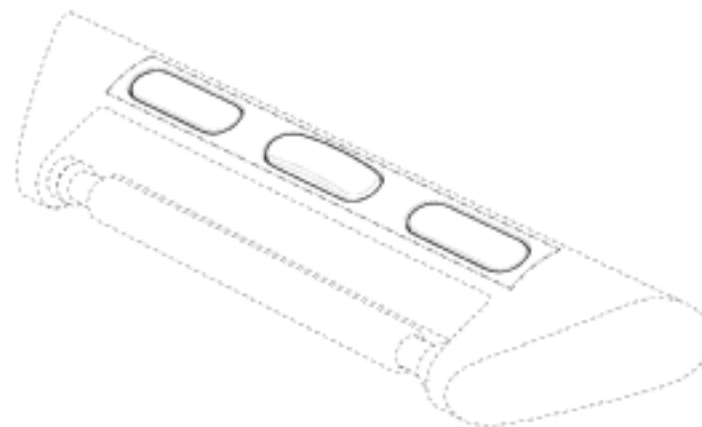
- (45) Registration Date: **16 March 2015**

- (30) Convention priority data:

(31) Number	(32) Date	(33) Country
29/498987	11 Aug 2014	UNITED STATES OF AMERICA

- (56) Related Art Documents: **Not Applicable**

- (57) Statement of Newness and Distinctiveness: **Newness and distinctiveness resides in the features of shape and configuration shown in solid outline in the accompanying representations.**



- (21) Design Number: **10737/2015**
(22) Date of Filing Application: **11 February 2015**
(24) Date from which industrial property rights may have effect: **11 February 2015**
(54) Product in respect of which the design is registered: **Band attachment**
(51) International Design Classification: **10-07**
(74) Name(s) of Attorney(s): **Freehills Patent Attorneys**
(71) Name(s) and Address(s) of Applicant(s):

Apple Inc.

1 Infinite Loop Cupertino California, 95014 United States of America

- (72) Name(s) of Designer(s): **Jody Akana and Bartley K. Andre and Shota Aoyagi and Anthony Michael Ashcroft and Jeremy Bataillou and Daniel J. Coster and Daniele De Iuliis and M. Evans Hankey and Julian Hoenig and Richard P. Howarth and Jonathan P. Ive and Duncan Robert Kerr and Marc A. Newson and Matthew Dean Rohrbach and Peter Russell-Clarke and Benjamin Andrew Shaffer and Mikael Silvanto and Christopher J. Stringer and Eugene Antony Whang and Rico Zorkendorfer**

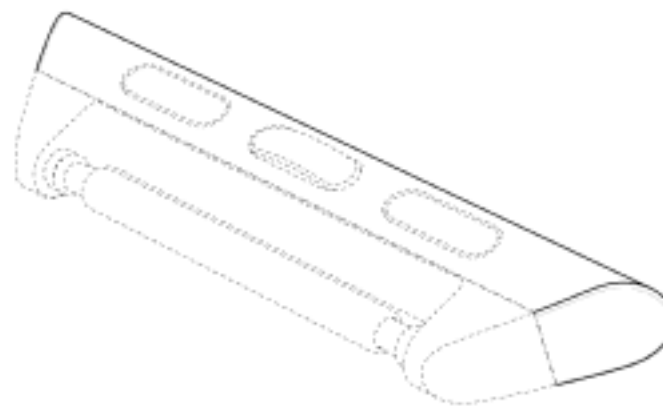
- (45) Registration Date: **16 March 2015**

- (30) Convention priority data:

(31) Number	(32) Date	(33) Country
29/498987	11 Aug 2014	UNITED STATES OF AMERICA

- (56) Related Art Documents: **Not Applicable**

- (57) Statement of Newness and Distinctiveness: **Newness and distinctiveness resides in the features of shape and configuration of the portions shown in solid outline in the accompanying representations.**



- (21) Design Number: **10750/2015**
(22) Date of Filing Application: **11 February 2015**
(24) Date from which industrial property rights may have effect: **11 February 2015**
(54) Product in respect of which the design is registered: **Band attachment**
(51) International Design Classification: **10-07**
(74) Name(s) of Attorney(s): **Freehills Patent Attorneys**
(71) Name(s) and Address(s) of Applicant(s):

Apple Inc.

1 Infinite Loop Cupertino California, 95014 United States of America

- (72) Name(s) of Designer(s): **Jody Akana and Bartley K. Andre and Shota Aoyagi and Anthony Michael Ashcroft and Jeremy Bataillou and Daniel J. Coster and Daniele De Iuliis and M. Evans Hankey and Julian Hoenig and Richard P. Howarth and Jonathan P. Ive and Duncan Robert Kerr and Marc A. Newson and Matthew Dean Rohrbach and Peter Russell-Clarke and Benjamin Andrew Shaffer and Mikael Silvanto and Christopher J. Stringer and Eugene Antony Whang and Rico Zorkendorfer**

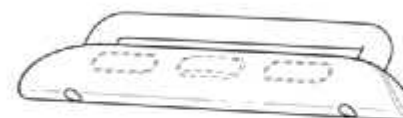
- (45) Registration Date: **16 March 2015**

- (30) Convention priority data:

(31) Number	(32) Date	(33) Country
29/499067	11 Aug 2014	UNITED STATES OF AMERICA

- (56) Related Art Documents: **Not Applicable**

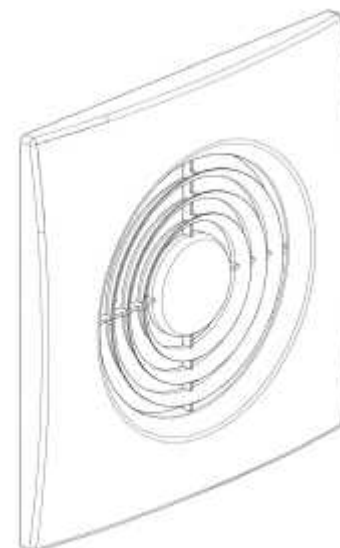
- (57) Statement of Newness and Distinctiveness: **Newness and distinctiveness resides in the features of shape and configuration shown in solid outline in the accompanying representations.**



(21) Design Number: **10756/2015**
(22) Date of Filing Application: **11 February 2015**
(24) Date from which industrial property rights may have effect: **11 February 2015**
(54) Product in respect of which the design is registered: **Cover**
(51) International Design Classification: **13-03C**
(74) Name(s) of Attorney(s): **Griffith Hack**
(71) Name(s) and Address(s) of Applicant(s):

Legrand Australia Pty Ltd
Building 4 Nexus Industry Park 43-47 Lyn Pde Prestons NSW 2170
Australia

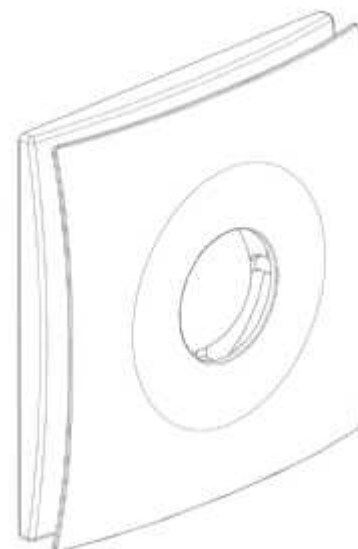
(72) Name(s) of Designer(s): **Melvinder Singh and Maxime Dupont**
(45) Registration Date: **16 March 2015**
(56) Related Art Documents: **Not Applicable**
(57) Statement of Newness and Distinctiveness: **Nil**



(21) Design Number: **10758/2015**
(22) Date of Filing Application: **11 February 2015**
(24) Date from which industrial property rights may have effect: **11 February 2015**
(54) Product in respect of which the design is registered: **Cover**
(51) International Design Classification: **13-03C**
(74) Name(s) of Attorney(s): **Griffith Hack**
(71) Name(s) and Address(s) of Applicant(s):

Legrand Australia Pty Ltd
Building 4 Nexus Industry Park 43-47 Lyn Pde Prestons NSW 2170
Australia

(72) Name(s) of Designer(s): **Melvinder Singh and Maxime Dupont**
(45) Registration Date: **16 March 2015**
(56) Related Art Documents: **Not Applicable**
(57) Statement of Newness and Distinctiveness: **Nil**



(21) Design Number: **10759/2015**

(22) Date of Filing Application: **11 February 2015**

(24) Date from which industrial property rights may have effect: **11 February 2015**

(54) Product in respect of which the design is registered: **Cover**

(51) International Design Classification: **13-03C**

(74) Name(s) of Attorney(s): **Griffith Hack**

(71) Name(s) and Address(s) of Applicant(s):

Legrand Australia Pty Ltd

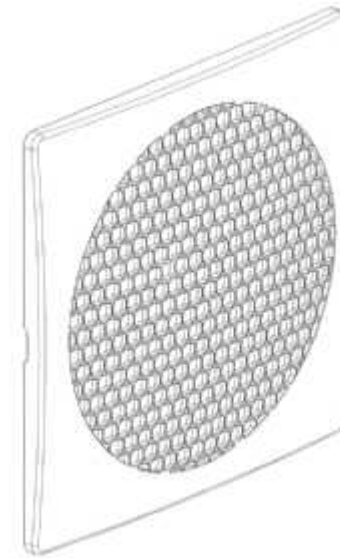
**Building 4 Nexus Industry Park 43-47 Lyn Pde Prestons NSW 2170
Australia**

(72) Name(s) of Designer(s): **Melvinder Singh and Maxime Dupont**

(45) Registration Date: **16 March 2015**

(56) Related Art Documents: **Not Applicable**

(57) Statement of Newness and Distinctiveness: **Nil**



(21) Design Number: **10760/2015**

(22) Date of Filing Application: **11 February 2015**

(24) Date from which industrial property rights may have effect: **11 February 2015**

(54) Product in respect of which the design is registered: **Cover**

(51) International Design Classification: **13-03C**

(74) Name(s) of Attorney(s): **Griffith Hack**

(71) Name(s) and Address(s) of Applicant(s):

Legrand Australia Pty Ltd

**Building 4 Nexus Industry Park 43-47 Lyn Pde Prestons NSW 2170
Australia**

(72) Name(s) of Designer(s): **Melvinder Singh and Maxime Dupont**

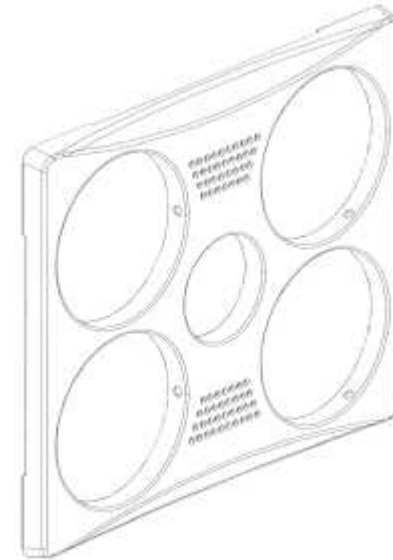
(45) Registration Date: **16 March 2015**

(56) Related Art Documents: **Not Applicable**

(57) Statement of Newness and Distinctiveness: **Nil**



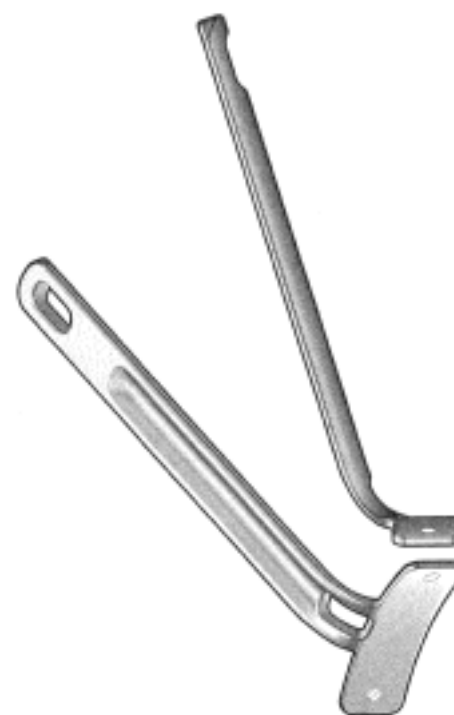
- (21) Design Number: **10762/2015**
(22) Date of Filing Application: **11 February 2015**
(24) Date from which industrial property rights may have effect: **11 February 2015**
(54) Product in respect of which the design is registered: **Cover**
(51) International Design Classification: **13-03C**
(74) Name(s) of Attorney(s): **Griffith Hack**
(71) Name(s) and Address(s) of Applicant(s):
Legrand Australia Pty Ltd
Building 4 Nexus Industry Park 43-47 Lyn Pde Prestons NSW 2170
Australia
(72) Name(s) of Designer(s): **Melvinder Singh and Maxime Dupont**
(45) Registration Date: **16 March 2015**
(56) Related Art Documents: **Not Applicable**
(57) Statement of Newness and Distinctiveness: **Nil**



- (21) Design Number: **10763/2015**
(22) Date of Filing Application: **11 February 2015**
(24) Date from which industrial property rights may have effect: **11 February 2015**
(54) Product in respect of which the design is registered: **Cover**
(51) International Design Classification: **13-03C**
(74) Name(s) of Attorney(s): **Griffith Hack**
(71) Name(s) and Address(s) of Applicant(s):
Legrand Australia Pty Ltd
Building 4 Nexus Industry Park 43-47 Lyn Pde Prestons NSW 2170
Australia
(72) Name(s) of Designer(s): **Melvinder Singh and Maxime Dupont**
(45) Registration Date: **16 March 2015**
(56) Related Art Documents: **Not Applicable**
(57) Statement of Newness and Distinctiveness: **Nil**



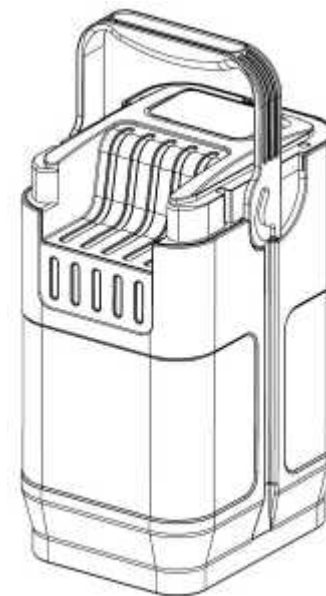
(21) Design Number: **10764/2015**
(22) Date of Filing Application: **11 February 2015**
(24) Date from which industrial property rights may have effect: **11 February 2015**
(54) Product in respect of which the design is registered: **Elongated side handle for cookware**
(51) International Design Classification: **07-02R**
(74) Name(s) of Attorney(s): **PIZZEYS**
(71) Name(s) and Address(s) of Applicant(s):
Meyer Intellectual Properties Ltd
382 Kwun Tong Road Kowloon Hong Kong
(72) Name(s) of Designer(s): **Philip D Barberi**
(45) Registration Date: **16 March 2015**
(30) Convention priority data:
(31) Number (32) Date (33) Country
29/499,456 15 Aug 2014 UNITED STATES OF AMERICA
(56) Related Art Documents: **Not Applicable**
(57) Statement of Newness and Distinctiveness: **Nil**



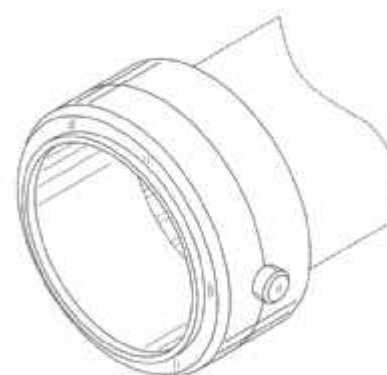
(21) Design Number: **13002/2014**
(22) Date of Filing Application: **19 June 2014**
(24) Date from which industrial property rights may have effect: **19 June 2014**
(54) Product in respect of which the design is registered: **Article of clothing**
(51) International Design Classification: **02-02C**
(74) Name(s) of Attorney(s): **Allens Patent & Trade Mark Attorneys**
(71) Name(s) and Address(s) of Applicant(s):
Forever New Clothing Pty Ltd
714-716 High St Kew East Victoria 3102 Australia
(72) Name(s) of Designer(s): **Melissa Belcher**
(45) Registration Date: **16 March 2015**
(56) Related Art Documents: **Not Applicable**
(57) Statement of Newness and Distinctiveness: **Newness and distinctiveness resides in the visual features of shape, configuration, pattern and/or ornamentation of an article of clothing as shown in the accompanying representations.**



(21) Design Number: **16600/2014**
(22) Date of Filing Application: **18 December 2014**
(24) Date from which industrial property rights may have effect: **18 December 2014**
(54) Product in respect of which the design is registered: **Fluid storage device for engines**
(51) International Design Classification: **15-01**
(74) Name(s) of Attorney(s): **Ashurst Australia**
(71) Name(s) and Address(s) of Applicant(s):
Castrol Limited
Wakefield House Pipers Way Swindon Wiltshire SN3 1RE United Kingdom
(72) Name(s) of Designer(s): **Peter Brett and Oliver Taylor and Steven Goodier and Mike Fairs and Christopher Dawson**
(45) Registration Date: **16 March 2015**
(30) Convention priority data:
(31) Number (32) Date (33) Country
002599514 17 Dec 2014 OFFICE FOR HARMONISATION IN THE INTERNAL MARKET (OHIM)
(56) Related Art Documents: **Not Applicable**
(57) Statement of Newness and Distinctiveness: **Nil**



(21) Design Number: **16603/2014**
(22) Date of Filing Application: **19 December 2014**
(24) Date from which industrial property rights may have effect: **19 December 2014**
(54) Product in respect of which the design is registered: **Tube coupling**
(51) International Design Classification: **23-01A, 08-08L**
(74) Name(s) of Attorney(s): **Callinans**
(71) Name(s) and Address(s) of Applicant(s):
Reliance Worldwide Corporation
2400 7th Avenue Southwest Cullman, Alabama, 35055 United States of America
(72) Name(s) of Designer(s): **Jeremy A Gledhill and Martin Dowling and Peter D Graham**
(45) Registration Date: **16 March 2015**
(30) Convention priority data:
(31) Number (32) Date (33) Country
29/496,020 08 Jul 2014 UNITED STATES OF AMERICA
(56) Related Art Documents: **Not Applicable**
(57) Statement of Newness and Distinctiveness: **Newness and distinctiveness are provided by the shape and/or configuration of the design shown in the representations. The features shown in broken lines in the representations are for illustrative purposes only and should not be considered when construing visual features of the design.**



- (21) Design Number: **16604/2014**
(22) Date of Filing Application: **19 December 2014**
(24) Date from which industrial property rights may have effect: **19 December 2014**
(54) Product in respect of which the design is registered: **Tube coupling end piece**
(51) International Design Classification: **23-01A, 08-08L**
(74) Name(s) of Attorney(s): **Callinans**
(71) Name(s) and Address(s) of Applicant(s):
Reliance Worldwide Corporation
2400 7th Avenue Southwest Cullman, Alabama, 35055 United States of America
(72) Name(s) of Designer(s): **Jeremy A Gledhill and Martin Dowling and Peter D Graham**
(45) Registration Date: **16 March 2015**
(30) Convention priority data:
(31) Number (32) Date (33) Country
29/496,103 09 Jul 2014 UNITED STATES OF AMERICA
(56) Related Art Documents: **Not Applicable**
(57) Statement of Newness and Distinctiveness: **Newness and distinctiveness are provided by the shape and/or configuration of the design shown in the representations.**



- (21) Design Number: **16677/2014**
(22) Date of Filing Application: **23 December 2014**
(24) Date from which industrial property rights may have effect: **23 December 2014**
(54) Product in respect of which the design is registered: **Stand**
(51) International Design Classification: **20-03NES**
(74) Name(s) of Attorney(s):
(71) Name(s) and Address(s) of Applicant(s):
Visual Inspirations Australia Pty Ltd
C/o Derwent Perez Lawyers L32 101 Miller St North Sydney NSW 2060
(72) Name(s) of Designer(s): **Ryan Cliffe**
(45) Registration Date: **16 March 2015**
(56) Related Art Documents: **Not Applicable**
(57) Statement of Newness and Distinctiveness: **The newness and distinctiveness of the design resides in the shape of the base of the stand which is designed to provide a sheer finish close to the ground and hide the castors at the base while providing a fashionable, streamlined and modern design. The newness and distinctiveness of the design also resides in the shape of the acrylic blade that sits on top of the base of the stand and which includes a slot for posters to be inserted with ease.**



- (21) Design Number: **16678/2014**
(22) Date of Filing Application: **23 December 2014**
(24) Date from which industrial property rights may have effect: **23 December 2014**
(54) Product in respect of which the design is registered: **Stand**
(51) International Design Classification: **20-03NES**
(74) Name(s) of Attorney(s):
(71) Name(s) and Address(s) of Applicant(s):
Visual Inspirations Australia Pty Ltd
C/o Derwent Perez Lawyers L32 101 Miller St North Sydney NSW 2060
(72) Name(s) of Designer(s): **Ryan Cliffe**
(45) Registration Date: **16 March 2015**
(56) Related Art Documents: **Not Applicable**
(57) Statement of Newness and Distinctiveness: **The newness and distinctiveness of the design resides in the shape of the base of the stand which is designed to provide a sheer finish close to the ground and hide the castors at the base while providing a fashionable, streamlined and modern design. The newness and distinctiveness of the design also resides in the shape of the acrylic blade that sits on top of the base of the stand and which includes a slot for posters to be inserted with ease.**



- (21) Design Number: **16679/2014**
(22) Date of Filing Application: **23 December 2014**
(24) Date from which industrial property rights may have effect: **23 December 2014**
(54) Product in respect of which the design is registered: **Stand**
(51) International Design Classification: **20-03NES**
(74) Name(s) of Attorney(s):
(71) Name(s) and Address(s) of Applicant(s):
Visual Inspirations Australia Pty Ltd
C/o Derwent Perez Lawyers L32 101 Miller St North Sydney NSW 2060
(72) Name(s) of Designer(s): **Ryan Cliffe**
(45) Registration Date: **16 March 2015**
(56) Related Art Documents: **Not Applicable**
(57) Statement of Newness and Distinctiveness: **The newness and distinctiveness of the design resides in the shape of the base of the stand which is designed to provide a sheer finish close to the ground and hide the castors at the base while providing a fashionable, streamlined and modern design. The newness and distinctiveness of the design also resides in the shape of the acrylic blade that sits on top of the base of the stand and which includes a slot for posters to be inserted with ease.**



(21) Design Number: **16680/2014**
(22) Date of Filing Application: **23 December 2014**
(24) Date from which industrial property rights may have effect: **23 December 2014**
(54) Product in respect of which the design is registered: **Stand**
(51) International Design Classification: **20-03NES**
(74) Name(s) of Attorney(s):
(71) Name(s) and Address(s) of Applicant(s):
Visual Inspirations Australia Pty Ltd
C/o Derwent Perez Lawyers L32 101 Miller St North Sydney NSW 2060
(72) Name(s) of Designer(s): **Ryan Cliffe**
(45) Registration Date: **16 March 2015**
(56) Related Art Documents: **Not Applicable**
(57) Statement of Newness and Distinctiveness: **The newness and distinctiveness of the design resides in the shape of the base of the stand which is designed to provide a sheer finish close to the ground and hide the castors at the base while providing a fashionable, streamlined and modern design. The newness and distinctiveness of the design also resides in the shape of the acrylic blade that sits on top of the base of the stand and which includes a slot for posters to be inserted with ease.**



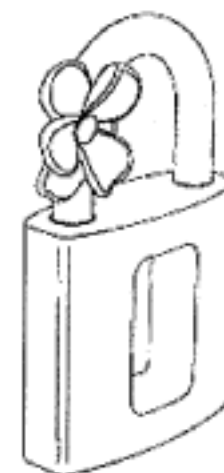
(21) Design Number: **16714/2014**
(22) Date of Filing Application: **29 December 2014**
(24) Date from which industrial property rights may have effect: **29 December 2014**
(54) Product in respect of which the design is registered: **Swimming equipment**
(51) International Design Classification: **21-02D**
(74) Name(s) of Attorney(s): **PIPERS**
(71) Name(s) and Address(s) of Applicant(s):
Decathlon
4 Boulevard de Mons Villeneuve d'Ascq 59650 France
(72) Name(s) of Designer(s): **Damien Saumureau and Antoine Harpages**
(45) Registration Date: **16 March 2015**
(30) Convention priority data:
(31) Number (32) Date (33) Country
002553701-0001 09 Oct 2014 EUROPEAN PATENT OFFICE (EPO)
(56) Related Art Documents: **Not Applicable**
(57) Statement of Newness and Distinctiveness: **Nil**



(21) Design Number: **10049/2015**
(22) Date of Filing Application: **07 January 2015**
(24) Date from which industrial property rights may have effect: **07 January 2015**
(54) Product in respect of which the design is registered: **Adjustable plaster ring**
(51) International Design Classification: **26-03**
(74) Name(s) of Attorney(s): **Spruson & Ferguson**
(71) Name(s) and Address(s) of Applicant(s):
Automatic Pool Cleaners (Australia) Pty Limited
40 Percy St Auburn NSW 2144 Australia
(72) Name(s) of Designer(s): **Roy Halle and Gary Clark**
(45) Registration Date: **16 March 2015**
(56) Related Art Documents: **Not Applicable**
(57) Statement of Newness and Distinctiveness: **Newness and distinctiveness is claimed in the features of shape and/or configuration of an adjustable plaster ring as illustrated in the accompanying representations.**



(21) Design Number: **10077/2015**
(22) Date of Filing Application: **08 January 2015**
(24) Date from which industrial property rights may have effect: **08 January 2015**
(54) Product in respect of which the design is registered: **Decoration for purses;**
Decoration for handbags
(51) International Design Classification: **03-01B, 03-01A, 03-01D, 03-99, 08-07**
(74) Name(s) of Attorney(s): **WATERMARK PATENT AND TRADE MARKS**
ATTORNEYS
(71) Name(s) and Address(s) of Applicant(s):
Dolce & Gabbana S.r.l.
Via Carlo Goldoni 10 20129 Milano Italy
(72) Name(s) of Designer(s): **Domenico Dolce and Stefano Gabbana**
(45) Registration Date: **16 March 2015**
(30) Convention priority data:
(31) Number (32) Date (33) Country
002499871 10 Jul 2014 EUROPEAN PATENT OFFICE (EPO)
(56) Related Art Documents: **Not Applicable**
(57) Statement of Newness and Distinctiveness: **Newness & distinctiveness resides in the features of shape & configuration of the product as shown in the representations.**



(21) Design Number: **10081/2015**
(22) Date of Filing Application: **08 January 2015**
(24) Date from which industrial property rights may have effect: **08 January 2015**
(54) Product in respect of which the design is registered: **Aircraft headlight lens**
(51) International Design Classification: **12-07**
(74) Name(s) of Attorney(s): **WALLINGTON-DUMMER**
(71) Name(s) and Address(s) of Applicant(s):
ICON Aircraft, Inc.
12511 Beatrice St Los Angeles CA 90066-7001 United States of America
(72) Name(s) of Designer(s): **Dong Tran and Klaus Tritschler**
(45) Registration Date: **16 March 2015**
(30) Convention priority data:
(31) Number (32) Date (33) Country
29496950 18 Jul 2014 UNITED STATES OF AMERICA
(56) Related Art Documents: **Not Applicable**
(57) Statement of Newness and Distinctiveness: **Novelty is claimed in the shape and/or configuration of an aircraft headlight lens. In considering the extent of the monopoly the parts shown in dotted outline in the drawings should be disregarded.**



(21) Design Number: **10299/2015**
(22) Date of Filing Application: **20 January 2015**
(24) Date from which industrial property rights may have effect: **20 January 2015**
(54) Product in respect of which the design is registered: **Hearing protector**
(51) International Design Classification: **14-01**
(74) Name(s) of Attorney(s): **Davies Collison Cave**
(71) Name(s) and Address(s) of Applicant(s):
3M Innovative Properties Company
3M Center Saint Paul Minnesota 55133-3427 United States of America
(72) Name(s) of Designer(s): **Douglas Dwayne Fletcher and Brenda Marie Bonney and Lindsay Jean Adams and Nicolas Antonio Echeverri and Oscar Mathias Hemberg and Eric Oscar Hemberg**
(45) Registration Date: **16 March 2015**
(30) Convention priority data:
(31) Number (32) Date (33) Country
29/497271 22 Jul 2014 UNITED STATES OF AMERICA
(56) Related Art Documents: **Not Applicable**
(57) Statement of Newness and Distinctiveness: **Newness and distinctiveness is claimed in the visual features shown in solid lines in the representations. In considering the extent of the design rights, the broken lines shown in the representations are for illustrative purposes only and do not form part of the design.**



(21) Design Number: **10327/2015**
(22) Date of Filing Application: **21 January 2015**
(24) Date from which industrial property rights may have effect: **21 January 2015**
(54) Product in respect of which the design is registered: **Eyeglass**
(51) International Design Classification: **16-06**
(74) Name(s) of Attorney(s): **Davies Collison Cave**
(71) Name(s) and Address(s) of Applicant(s):

Oakley, Inc.
One Icon Foothill Ranch California 92610 United States of America

(72) Name(s) of Designer(s): **George Yoo**

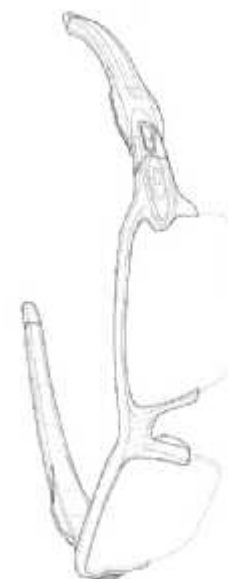
(45) Registration Date: **16 March 2015**

(30) Convention priority data:

(31) Number	(32) Date	(33) Country
29/501440	04 Sep 2014	UNITED STATES OF AMERICA

(56) Related Art Documents: **Not Applicable**

(57) Statement of Newness and Distinctiveness: **Newness and distinctiveness is claimed in the visual features shown in solid lines in the representations. In considering the extent of the design rights, the broken lines shown in the representations are for illustrative purposes only and do not form part of the design.**



(21) Design Number: **10329/2015**
(22) Date of Filing Application: **21 January 2015**
(24) Date from which industrial property rights may have effect: **21 January 2015**
(54) Product in respect of which the design is registered: **Eyeglass**
(51) International Design Classification: **16-06**
(74) Name(s) of Attorney(s): **Davies Collison Cave**
(71) Name(s) and Address(s) of Applicant(s):

Oakley, Inc.
One Icon Foothill Ranch California 92610 United States of America

(72) Name(s) of Designer(s): **Kyusik Uhm**

(45) Registration Date: **16 March 2015**

(30) Convention priority data:

(31) Number	(32) Date	(33) Country
29/501430	04 Sep 2014	UNITED STATES OF AMERICA

(56) Related Art Documents: **Not Applicable**

(57) Statement of Newness and Distinctiveness: **Newness and distinctiveness is claimed in the visual features shown in solid lines in the representations. In considering the extent of the design rights, the broken lines shown in the representations are for illustrative purposes only and do not form part of the design.**



(21) Design Number: **10353/2015**

(22) Date of Filing Application: **22 January 2015**

(24) Date from which industrial property rights may have effect: **22 January 2015**

(54) Product in respect of which the design is registered: **Sombrero, sou'wester, clutch, bag and cape**

(51) International Design Classification: **02-03, 03-01B, 02-02NES**

(74) Name(s) of Attorney(s):

(71) Name(s) and Address(s) of Applicant(s):

Susan Rush

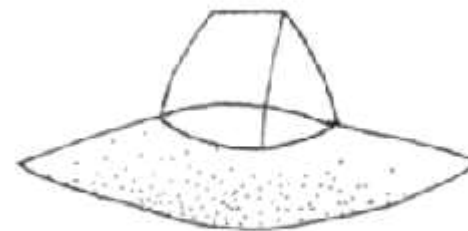
42 Planigale Loop Broome WA 6725 Australia

(72) Name(s) of Designer(s): **Susan Rush**

(45) Registration Date: **16 March 2015**

(56) Related Art Documents: **Not Applicable**

(57) Statement of Newness and Distinctiveness: **A clear plastic product where glitter is contained and freely moving within selected pattern pieces.**



(21) Design Number: **10404/2015**

(22) Date of Filing Application: **21 January 2015**

(24) Date from which industrial property rights may have effect: **21 January 2015**

(54) Product in respect of which the design is registered: **Adaptor plate for soft close wardrobe sliding door**

(51) International Design Classification: **08-09**

(74) Name(s) of Attorney(s):

(71) Name(s) and Address(s) of Applicant(s):

Dias Aluminium Products Pty. Ltd.

201-205 Browns Rd Noble Park VIC 3174 Australia

(72) Name(s) of Designer(s): **Ian David Paterson**

(45) Registration Date: **16 March 2015**

(56) Related Art Documents: **Not Applicable**

(57) Statement of Newness and Distinctiveness: **Newness and distinctiveness resides in the metal adaptor set of adaptor plate A and stopper B which enables fitment of the door closer C onto a wardrobe sliding door to form a soft close sliding door system. Closer unit C does not form part of the design.**



- (21) Design Number: **10405/2015**
(22) Date of Filing Application: **21 January 2015**
(24) Date from which industrial property rights may have effect: **21 January 2015**
(54) Product in respect of which the design is registered: **Adaptor stopper for soft close wardrobe sliding door**
(51) International Design Classification: **08-09**
(74) Name(s) of Attorney(s):
(71) Name(s) and Address(s) of Applicant(s):
Dias Aluminium Products Pty. Ltd.
201-205 Browns Rd Noble Park VIC 3174 Australia
(72) Name(s) of Designer(s): **Ian David Paterson**
(45) Registration Date: **16 March 2015**
(56) Related Art Documents: **Not Applicable**
(57) Statement of Newness and Distinctiveness: **Newness and distinctiveness resides in the metal adaptor set of adaptor plate A and stopper B which enables fitment of the door closer C onto a wardrobe sliding door to form a soft close sliding door system. Closer unit C does not form part of the design.**



- (21) Design Number: **10407/2015**
(22) Date of Filing Application: **28 January 2015**
(24) Date from which industrial property rights may have effect: **28 January 2015**
(54) Product in respect of which the design is registered: **Workbench**
(51) International Design Classification: **06-03C**
(74) Name(s) of Attorney(s): **Davies Collison Cave**
(71) Name(s) and Address(s) of Applicant(s):
Jinhua Wis Tools Co., Ltd
No. 2 Nanshan rd Langya Town Wucheng Jinhua Zhejiang, 321061 China
(72) Name(s) of Designer(s): **Hansong Zhu**
(45) Registration Date: **16 March 2015**
(30) Convention priority data:
(31) Number (32) Date (33) Country
201430287502.8 08 Aug 2014 CHINA
(56) Related Art Documents: **Not Applicable**
(57) Statement of Newness and Distinctiveness: **Nil**



- (21) Design Number: **10467/2015**
(22) Date of Filing Application: **29 January 2015**
(24) Date from which industrial property rights may have effect: **29 January 2015**
(54) Product in respect of which the design is registered: **Drain cleaning nozzle**
(51) International Design Classification: **23-01E**
(74) Name(s) of Attorney(s):
(71) Name(s) and Address(s) of Applicant(s):

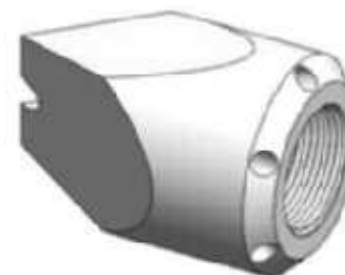
Bill Miller
PO BOX 645 Terrey Hills NSW 2084 Australia

(72) Name(s) of Designer(s): **Bill Miller**

(45) Registration Date: **16 March 2015**

(56) Related Art Documents: **Not Applicable**

(57) Statement of Newness and Distinctiveness: **A unique axe head shape on the front of the nozzle to help break down debris in a pipe or drain when connected to a high pressure water jetting machine. It can be made in any size and from any material. 2 models are available. 1) Six rear propulsion jets with one front centre, or offset penetration jet and, 2) Eight rear propulsion jets with no front jet. When the jetter hose is twisted, the nozzle cuts deep into the blockage to clear the obstruction.**



- (21) Design Number: **10370/2015**
(22) Date of Filing Application: **23 January 2015**
(24) Date from which industrial property rights may have effect: **23 January 2015**
(54) Product in respect of which the design is registered: **Tyre for automobile**
(51) International Design Classification: **12-15C**
(74) Name(s) of Attorney(s): **Davies Collison Cave**
(71) Name(s) and Address(s) of Applicant(s):

Sumitomo Rubber Industries, Ltd.
6-9, Wakinocho 3-chome, Chuo-ku Kobe-shi Hyogo, 651-0072
JAPAN

(72) Name(s) of Designer(s): **Hitoshi Takayama**

(45) Registration Date: **17 March 2015**

(56) Related Art Documents: **Not Applicable**

(57) Statement of Newness and Distinctiveness: **Nil**



- (21) Design Number: **10642/2015**
(22) Date of Filing Application: **10 February 2015**
(24) Date from which industrial property rights may have effect: **10 February 2015**
(54) Product in respect of which the design is registered: **Wearable device**
(51) International Design Classification: **10-02**
(74) Name(s) of Attorney(s): **Freehills Patent Attorneys**
(71) Name(s) and Address(s) of Applicant(s):
Apple Inc.
1 Infinite Loop Cupertino California, 95014 United States of America
(72) Name(s) of Designer(s): **Jody Akana and Bartley K. Andre and Shota Aoyagi and Anthony Michael Ashcroft and Jeremy Bataillou and Daniel J. Coster and Daniele De Iuliis and M. Evans Hankey and Julian Hoenig and Richard P. Howarth and Jonathan P. Ive and Duncan Robert Kerr and Marc A. Newson and Matthew Dean Rohrbach and Peter Russell-Clarke and Benjamin Andrew Shaffer and Mikael Silvanto and Christopher J. Stringer and Eugene Antony Whang and Rico Zorkendorfer**
(45) Registration Date: **17 March 2015**
(30) Convention priority data:
(31) Number (32) Date (33) Country
29/499082 11 Aug 2014 UNITED STATES OF AMERICA
(56) Related Art Documents: **Not Applicable**
(57) Statement of Newness and Distinctiveness: **Nil**



- (21) Design Number: **10655/2015**
(22) Date of Filing Application: **10 February 2015**
(24) Date from which industrial property rights may have effect: **10 February 2015**
(54) Product in respect of which the design is registered: **Child restraint anchor fitting**
(51) International Design Classification: **08-08L**
(74) Name(s) of Attorney(s):
(71) Name(s) and Address(s) of Applicant(s):
Vehicle Engineering Australia Pty Ltd
89 Little Burra Rd Burra NSW 2620 Australia
(72) Name(s) of Designer(s): **John Wilson**
(45) Registration Date: **17 March 2015**
(56) Related Art Documents: **Not Applicable**
(57) Statement of Newness and Distinctiveness: **This product is similar to other fittings intended to be attached in a way that takes advantage of pre-existing mounting points BUT has an additional lateral extension that allows a seat belt to be used to help support a seat back that would otherwise be too weak to sustain the required test loads by itself.**



- (21) Design Number: **10658/2015**
(22) Date of Filing Application: **10 February 2015**
(24) Date from which industrial property rights may have effect: **10 February 2015**
(54) Product in respect of which the design is registered: **Band**
(51) International Design Classification: **10-07**
(74) Name(s) of Attorney(s): **Freehills Patent Attorneys**
(71) Name(s) and Address(s) of Applicant(s):

Apple Inc.

1 Infinite Loop Cupertino California, 95014 United States of America

- (72) Name(s) of Designer(s): **Jody Akana and Bartley K. Andre and Shota Aoyagi and Anthony Michael Ashcroft and Jeremy Bataillou and Daniel J. Coster and Daniele De Iuliis and M. Evans Hankey and Julian Hoenig and Richard P. Howarth and Jonathan P. Ive and Duncan Robert Kerr and Marc A. Newson and Matthew Dean Rohrbach and Peter Russell-Clarke and Benjamin Andrew Shaffer and Mikael Silvanto and Christopher J. Stringer and Eugene Antony Whang and Rico Zorkendorfer**

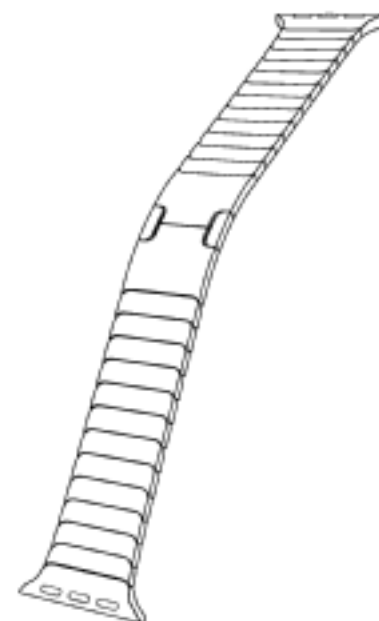
- (45) Registration Date: **17 March 2015**

- (30) Convention priority data:

(31) Number	(32) Date	(33) Country
29/498997	11 Aug 2014	UNITED STATES OF AMERICA

- (56) Related Art Documents: **Not Applicable**

- (57) Statement of Newness and Distinctiveness: **Newness and distinctiveness resides in the features of shape and configuration shown in the accompanying representations.**



- (21) Design Number: **10661/2015**
(22) Date of Filing Application: **10 February 2015**
(24) Date from which industrial property rights may have effect: **10 February 2015**
(54) Product in respect of which the design is registered: **Band**
(51) International Design Classification: **10-07**
(74) Name(s) of Attorney(s): **Freehills Patent Attorneys**
(71) Name(s) and Address(s) of Applicant(s):

Apple Inc.

1 Infinite Loop Cupertino California, 95014 United States of America

- (72) Name(s) of Designer(s): **Jody Akana and Bartley K. Andre and Shota Aoyagi and Anthony Michael Ashcroft and Jeremy Bataillou and Daniel J. Coster and Daniele De Iuliis and M. Evans Hankey and Julian Hoenig and Richard P. Howarth and Duncan Robert Kerr and Marc A. Newson and Matthew Dean Rohrbach and Peter Russell-Clarke and Benjamin Andrew Shaffer and Mikael Silvanto and Christopher J. Stringer and Eugene Antony Whang and Rico Zorkendorfer and Jonathan P. Ive**

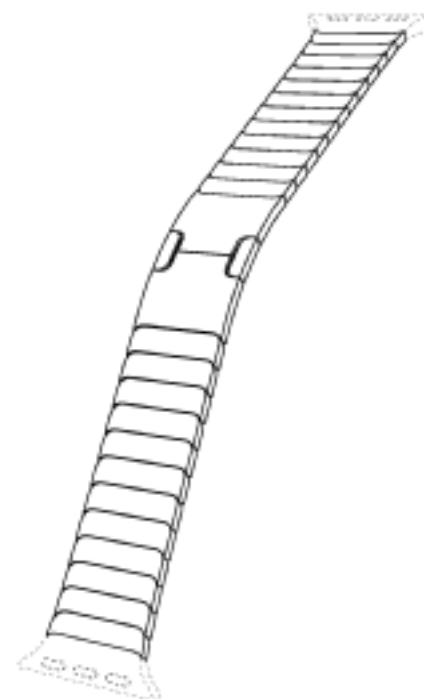
- (45) Registration Date: **17 March 2015**

- (30) Convention priority data:

(31) Number	(32) Date	(33) Country
29/498997	11 Aug 2014	UNITED STATES OF AMERICA

- (56) Related Art Documents: **Not Applicable**

- (57) Statement of Newness and Distinctiveness: **Newness and distinctiveness resides in the features of shape and configuration shown in solid outline in the accompanying representations.**



- (21) Design Number: **10662/2015**
(22) Date of Filing Application: **10 February 2015**
(24) Date from which industrial property rights may have effect: **10 February 2015**
(54) Product in respect of which the design is registered: **Band**
(51) International Design Classification: **10-07**
(74) Name(s) of Attorney(s): **Freehills Patent Attorneys**
(71) Name(s) and Address(s) of Applicant(s):

Apple Inc.
1 Infinite Loop Cupertino California, 95014 United States of America

- (72) Name(s) of Designer(s): **Jody Akana and Bartley K. Andre and Shota Aoyagi and Anthony Michael Ashcroft and Jeremy Bataillou and Daniel J. Coster and Daniele De Iuliis and M. Evans Hankey and Julian Hoenig and Richard P. Howarth and Jonathan P. Ive and Duncan Robert Kerr and Marc A. Newson and Matthew Dean Rohrbach and Peter Russell-Clarke and Benjamin Andrew Shaffer and Mikael Silvanto and Christopher J. Stringer and Eugene Antony Whang and Rico Zorkendorfer**

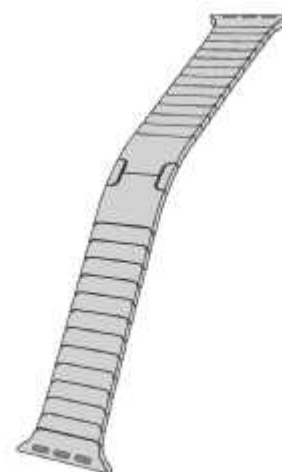
- (45) Registration Date: **17 March 2015**

- (30) Convention priority data:

(31) Number	(32) Date	(33) Country
29/498997	11 Aug 2014	UNITED STATES OF AMERICA

- (56) Related Art Documents: **Not Applicable**

- (57) Statement of Newness and Distinctiveness: **Newness and distinctiveness resides in the features of ornamentation, including contrasting appearance, shown in the accompanying representations.**



- (21) Design Number: **10663/2015**
(22) Date of Filing Application: **10 February 2015**
(24) Date from which industrial property rights may have effect: **10 February 2015**
(54) Product in respect of which the design is registered: **Band**
(51) International Design Classification: **10-07**
(74) Name(s) of Attorney(s): **Freehills Patent Attorneys**
(71) Name(s) and Address(s) of Applicant(s):

Apple Inc.
1 Infinite Loop Cupertino California, 95014 United States of America

- (72) Name(s) of Designer(s): **Jody Akana and Bartley K. Andre and Shota Aoyagi and Anthony Michael Ashcroft and Jeremy Bataillou and Daniel J. Coster and Daniele De Iuliis and M. Evans Hankey and Julian Hoenig and Richard P. Howarth and Jonathan P. Ive and Duncan Robert Kerr and Marc A. Newson and Matthew Dean Rohrbach and Peter Russell-Clarke and Benjamin Andrew Shaffer and Mikael Silvanto and Christopher J. Stringer and Eugene Antony Whang and Rico Zorkendorfer**

- (45) Registration Date: **17 March 2015**

- (30) Convention priority data:

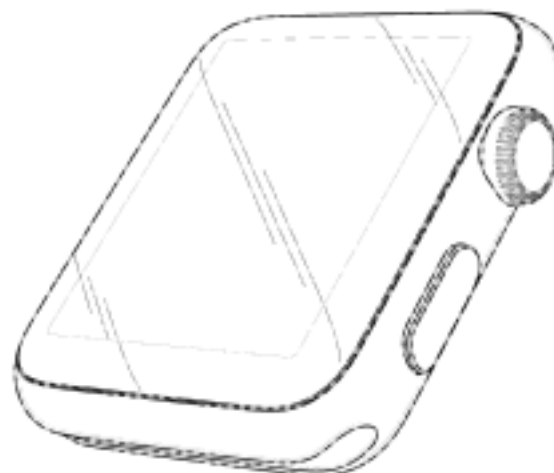
(31) Number	(32) Date	(33) Country
29/499068	11 Aug 2014	UNITED STATES OF AMERICA

- (56) Related Art Documents: **Not Applicable**

- (57) Statement of Newness and Distinctiveness: **Newness and distinctiveness resides in the features of shape and configuration as shown in solid outline in the accompanying representations.**



- (21) Design Number: **10668/2015**
(22) Date of Filing Application: **10 February 2015**
(24) Date from which industrial property rights may have effect: **10 February 2015**
(54) Product in respect of which the design is registered: **Electronic device**
(51) International Design Classification: **10-02**
(74) Name(s) of Attorney(s): **Freehills Patent Attorneys**
(71) Name(s) and Address(s) of Applicant(s):
Apple Inc.
1 Infinite Loop Cupertino California, 95014 United States of America
(72) Name(s) of Designer(s): **Jody Akana and Bartley K. Andre and Shota Aoyagi and Anthony Michael Ashcroft and Jeremy Bataillou and Daniel J. Coster and Daniele De Iuliis and M. Evans Hankey and Julian Hoenig and Richard P. Howarth and Jonathan P. Ive and Duncan Robert Kerr and Marc A. Newson and Matthew Dean Rohrbach and Peter Russell-Clarke and Benjamin Andrew Shaffer and Mikael Silvanto and Christopher J. Stringer and Eugene Antony Whang and Rico Zorkendorfer**
(45) Registration Date: **17 March 2015**
(30) Convention priority data:
(31) Number (32) Date (33) Country
29/499042 11 Aug 2014 UNITED STATES OF AMERICA
(56) Related Art Documents: **Not Applicable**
(57) Statement of Newness and Distinctiveness: **Newness and distinctiveness resides in the features of shape and configuration shown in the accompanying representations.**



- (21) Design Number: **10670/2015**
(22) Date of Filing Application: **10 February 2015**
(24) Date from which industrial property rights may have effect: **10 February 2015**
(54) Product in respect of which the design is registered: **Band component**
(51) International Design Classification: **10-07**
(74) Name(s) of Attorney(s): **Freehills Patent Attorneys**
(71) Name(s) and Address(s) of Applicant(s):
Apple Inc.
1 Infinite Loop Cupertino California, 95014 United States of America
(72) Name(s) of Designer(s): **Jody Akana and Bartley K. Andre and Shota Aoyagi and Anthony Michael Ashcroft and Jeremy Bataillou and Daniel J. Coster and Daniele De Iuliis and M. Evans Hankey and Julian Hoenig and Richard P. Howarth and Jonathan P. Ive and Duncan Robert Kerr and Marc A. Newson and Matthew Dean Rohrbach and Peter Russell-Clarke and Benjamin Andrew Shaffer and Mikael Silvanto and Christopher J. Stringer and Eugene Antony Whang and Rico Zorkendorfer**
(45) Registration Date: **17 March 2015**
(30) Convention priority data:
(31) Number (32) Date (33) Country
29/499061 11 Aug 2014 UNITED STATES OF AMERICA
(56) Related Art Documents: **Not Applicable**
(57) Statement of Newness and Distinctiveness: **Newness and distinctiveness resides in the features of shape and configuration as shown in solid outline in the accompanying representations.**



(21) Design Number: **10671/2015**
(22) Date of Filing Application: **10 February 2015**
(24) Date from which industrial property rights may have effect: **10 February 2015**
(54) Product in respect of which the design is registered: **Electronic device**
(51) International Design Classification: **10-02**
(74) Name(s) of Attorney(s): **Freehills Patent Attorneys**
(71) Name(s) and Address(s) of Applicant(s):



Apple Inc.

1 Infinite Loop Cupertino California, 95014 United States of America

(72) Name(s) of Designer(s): **Jody Akana and Bartley K. Andre and Shota Aoyagi and Anthony Michael Ashcroft and Jeremy Bataillou and Daniel J. Coster and Daniele De Iuliis and M. Evans Hankey and Julian Hoenig and Richard P. Howarth and Jonathan P. Ive and Duncan Robert Kerr and Marc A. Newson and Matthew Dean Rohrbach and Peter Russell-Clarke and Benjamin Andrew Shaffer and Mikael Silvanto and Christopher J. Stringer and Eugene Antony Whang and Rico Zorkendorfer**

(45) Registration Date: **17 March 2015**

(30) Convention priority data:

(31) Number	(32) Date	(33) Country
29/499042	11 Aug 2014	UNITED STATES OF AMERICA

(56) Related Art Documents: **Not Applicable**

(57) Statement of Newness and Distinctiveness: **Newness and distinctiveness resides in the features shown in solid outline in the accompanying representations.**

(21) Design Number: **10672/2015**
(22) Date of Filing Application: **10 February 2015**
(24) Date from which industrial property rights may have effect: **10 February 2015**
(54) Product in respect of which the design is registered: **Band component**
(51) International Design Classification: **10-07**
(74) Name(s) of Attorney(s): **Freehills Patent Attorneys**
(71) Name(s) and Address(s) of Applicant(s):



Apple Inc.

1 Infinite Loop Cupertino California, 95014 United States of America

(72) Name(s) of Designer(s): **Jody Akana and Bartley K. Andre and Shota Aoyagi and Anthony Michael Ashcroft and Jeremy Bataillou and Daniel J. Coster and Daniele De Iuliis and M. Evans Hankey and Julian Hoenig and Richard P. Howarth and Jonathan P. Ive and Duncan Robert Kerr and Marc A. Newson and Matthew Dean Rohrbach and Peter Russell-Clarke and Benjamin Andrew Shaffer and Mikael Silvanto and Christopher J. Stringer and Eugene Antony Whang and Rico Zorkendorfer**

(45) Registration Date: **17 March 2015**

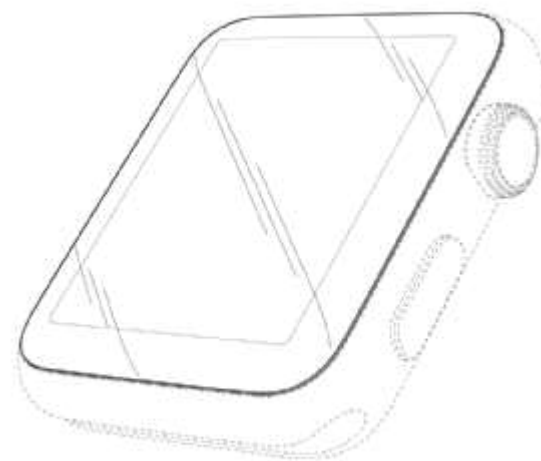
(30) Convention priority data:

(31) Number	(32) Date	(33) Country
29/499061	11 Aug 2014	UNITED STATES OF AMERICA

(56) Related Art Documents: **Not Applicable**

(57) Statement of Newness and Distinctiveness: **Newness and distinctiveness resides in the features of shape and configuration as shown in solid outline in the accompanying representations.**

- (21) Design Number: **10673/2015**
(22) Date of Filing Application: **10 February 2015**
(24) Date from which industrial property rights may have effect: **10 February 2015**
(54) Product in respect of which the design is registered: **Electronic device**
(51) International Design Classification: **10-02**
(74) Name(s) of Attorney(s): **Freehills Patent Attorneys**
(71) Name(s) and Address(s) of Applicant(s):
Apple Inc.
1 Infinite Loop Cupertino California, 95014 United States of America
(72) Name(s) of Designer(s): **Jody Akana and Bartley K. Andre and Shota Aoyagi and Anthony Michael Ashcroft and Jeremy Bataillou and Daniel J. Coster and Daniele De Iuliis and M. Evans Hankey and Julian Hoenig and Richard P. Howarth and Jonathan P. Ive and Duncan Robert Kerr and Marc A. Newson and Matthew Dean Rohrbach and Peter Russell-Clarke and Benjamin Andrew Shaffer and Mikael Silvanto and Christopher J. Stringer and Eugene Antony Whang and Rico Zorkendorfer**
(45) Registration Date: **17 March 2015**
(30) Convention priority data:
(31) Number (32) Date (33) Country
29/499042 11 Aug 2014 UNITED STATES OF AMERICA
(56) Related Art Documents: **Not Applicable**
(57) Statement of Newness and Distinctiveness: **Newness and distinctiveness resides in the features of shape and configuration shown in solid outline in the accompanying representations.**



- (21) Design Number: **10674/2015**
(22) Date of Filing Application: **10 February 2015**
(24) Date from which industrial property rights may have effect: **10 February 2015**
(54) Product in respect of which the design is registered: **Wearable device**
(51) International Design Classification: **10-02**
(74) Name(s) of Attorney(s): **Freehills Patent Attorneys**
(71) Name(s) and Address(s) of Applicant(s):
Apple Inc.
1 Infinite Loop Cupertino California, 95014 United States of America
(72) Name(s) of Designer(s): **Jody Akana and Bartley K. Andre and Shota Aoyagi and Anthony Michael Ashcroft and Jeremy Bataillou and Daniel J. Coster and Daniele De Iuliis and M. Evans Hankey and Julian Hoenig and Richard P. Howarth and Jonathan P. Ive and Duncan Robert Kerr and Marc A. Newson and Matthew Dean Rohrbach and Peter Russell-Clarke and Benjamin Andrew Shaffer and Mikael Silvanto and Christopher J. Stringer and Eugene Antony Whang and Rico Zorkendorfer**
(45) Registration Date: **17 March 2015**
(30) Convention priority data:
(31) Number (32) Date (33) Country
29/499080 11 Aug 2014 UNITED STATES OF AMERICA
(56) Related Art Documents: **Not Applicable**
(57) Statement of Newness and Distinctiveness: **Nil**



- (21) Design Number: **10675/2015**
(22) Date of Filing Application: **10 February 2015**
(24) Date from which industrial property rights may have effect: **10 February 2015**
(54) Product in respect of which the design is registered: **Electronic device**
(51) International Design Classification: **10-02**
(74) Name(s) of Attorney(s): **Freehills Patent Attorneys**
(71) Name(s) and Address(s) of Applicant(s):
Apple Inc.
1 Infinite Loop Cupertino California, 95014 United States of America
(72) Name(s) of Designer(s): **Jody Akana and Bartley K. Andre and Shota Aoyagi and Anthony Michael Ashcroft and Jeremy Bataillou and Daniel J. Coster and Daniele De Iuliis and M. Evans Hankey and Julian Hoenig and Richard P. Howarth and Jonathan P. Ive and Duncan Robert Kerr and Marc A. Newson and Matthew Dean Rohrbach and Peter Russell-Clarke and Benjamin Andrew Shaffer and Mikael Silvanto and Christopher J. Stringer and Eugene Antony Whang and Rico Zorkendorfer**
(45) Registration Date: **17 March 2015**
(30) Convention priority data:
(31) Number (32) Date (33) Country
29/499042 11 Aug 2014 UNITED STATES OF AMERICA
(56) Related Art Documents: **Not Applicable**
(57) Statement of Newness and Distinctiveness: **Newness and distinctiveness resides in the features of shape and configuration shown in solid outline in the accompanying representations.**



- (21) Design Number: **10676/2015**
(22) Date of Filing Application: **10 February 2015**
(24) Date from which industrial property rights may have effect: **10 February 2015**
(54) Product in respect of which the design is registered: **Electronic device**
(51) International Design Classification: **10-02**
(74) Name(s) of Attorney(s): **Freehills Patent Attorneys**
(71) Name(s) and Address(s) of Applicant(s):
Apple Inc.
1 Infinite Loop Cupertino California, 95014 United States of America
(72) Name(s) of Designer(s): **Jody Akana and Bartley K. Andre and Shota Aoyagi and Anthony Michael Ashcroft and Jeremy Bataillou and Daniel J. Coster and Daniele De Iuliis and M. Evans Hankey and Julian Hoenig and Richard P. Howarth and Jonathan P. Ive and Duncan Robert Kerr and Marc A. Newson and Matthew Dean Rohrbach and Peter Russell-Clarke and Benjamin Andrew Shaffer and Mikael Silvanto and Christopher J. Stringer and Eugene Antony Whang and Rico Zorkendorfer**
(45) Registration Date: **17 March 2015**
(30) Convention priority data:
(31) Number (32) Date (33) Country
29/499042 11 Aug 2014 UNITED STATES OF AMERICA
(56) Related Art Documents: **Not Applicable**
(57) Statement of Newness and Distinctiveness: **Newness and distinctiveness resides in the features of shape and configuration shown in solid outline in the accompanying representations.**



- (21) Design Number: **10677/2015**
(22) Date of Filing Application: **10 February 2015**
(24) Date from which industrial property rights may have effect: **10 February 2015**
(54) Product in respect of which the design is registered: **Electronic device**
(51) International Design Classification: **10-02**
(74) Name(s) of Attorney(s): **Freehills Patent Attorneys**
(71) Name(s) and Address(s) of Applicant(s):
Apple Inc.
1 Infinite Loop Cupertino California, 95014 United States of America
(72) Name(s) of Designer(s): **Jody Akana and Bartley K. Andre and Shota Aoyagi and Anthony Michael Ashcroft and Jeremy Bataillou and Daniel J. Coster and Daniele De Iuliis and M. Evans Hankey and Julian Hoenig and Richard P. Howarth and Jonathan P. Ive and Duncan Robert Kerr and Marc A. Newson and Matthew Dean Rohrbach and Peter Russell-Clarke and Benjamin Andrew Shaffer and Mikael Silvanto and Christopher J. Stringer and Eugene Antony Whang and Rico Zorkendorfer**
(45) Registration Date: **17 March 2015**
(30) Convention priority data:
(31) Number (32) Date (33) Country
29/499042 11 Aug 2014 UNITED STATES OF AMERICA
(56) Related Art Documents: **Not Applicable**
(57) Statement of Newness and Distinctiveness: **Newness and distinctiveness resides in the features of shape and configuration shown in solid outline in the accompanying representations.**



- (21) Design Number: **10680/2015**
(22) Date of Filing Application: **10 February 2015**
(24) Date from which industrial property rights may have effect: **10 February 2015**
(54) Product in respect of which the design is registered: **Electronic device**
(51) International Design Classification: **10-02**
(74) Name(s) of Attorney(s): **Freehills Patent Attorneys**
(71) Name(s) and Address(s) of Applicant(s):
Apple Inc.
1 Infinite Loop Cupertino California 95014 United States of America
(72) Name(s) of Designer(s): **Jody Akana and Bartley K. Andre and Shota Aoyagi and Anthony Michael Ashcroft and Jeremy Bataillou and Daniel J. Coster and Daniele De Iuliis and M. Evans Hankey and Julian Hoenig and Richard P. Howarth and Jonathan P. Ive and Duncan Robert Kerr and Marc A. Newson and Matthew Dean Rohrbach and Peter Russell-Clarke and Benjamin Andrew Shaffer and Mikael Silvanto and Christopher J. Stringer and Eugene Antony Whang and Rico Zorkendorfer**
(45) Registration Date: **17 March 2015**
(30) Convention priority data:
(31) Number (32) Date (33) Country
29/499042 11 Aug 2014 UNITED STATES OF AMERICA
(56) Related Art Documents: **Not Applicable**
(57) Statement of Newness and Distinctiveness: **Newness and distinctiveness resides in the features of ornamentation, including contrasting appearance, shown in the accompanying representations.**



- (21) Design Number: **10741/2015**
(22) Date of Filing Application: **11 February 2015**
(24) Date from which industrial property rights may have effect: **11 February 2015**
(54) Product in respect of which the design is registered: **Electronic device**
(51) International Design Classification: **10-02**
(74) Name(s) of Attorney(s): **Freehills Patent Attorneys**
(71) Name(s) and Address(s) of Applicant(s):
Apple Inc.
1 Infinite Loop Cupertino California, 95014 United States of America
(72) Name(s) of Designer(s): **Jody Akana and Bartley K. Andre and Shota Aoyagi and Anthony Michael Ashcroft and Jeremy Bataillou and Daniel J. Coster and Daniele De Iuliis and M. Evans Hankey and Julian Hoenig and Richard P Howarth and Jonathan P. Ive and Duncan Robert Kerr and Marc A. Newson and Matthew Dean Rohrbach and Peter Russell-Clarke and Benjamin Andrew Shaffer and Mikael Silvanto and Christopher J. Stringer and Eugene Antony Whang and Rico Zorkendorfer**
(45) Registration Date: **17 March 2015**
(30) Convention priority data:
(31) Number (32) Date (33) Country
29/499042 11 Aug 2014 UNITED STATES OF AMERICA
(56) Related Art Documents: **Not Applicable**
(57) Statement of Newness and Distinctiveness: **Newness and distinctiveness resides in the features of shape and configuration shown in solid outline in the accompanying representations.**



- (21) Design Number: **10743/2015**
(22) Date of Filing Application: **11 February 2015**
(24) Date from which industrial property rights may have effect: **11 February 2015**
(54) Product in respect of which the design is registered: **Electronic device**
(51) International Design Classification: **10-02**
(74) Name(s) of Attorney(s): **Freehills Patent Attorneys**
(71) Name(s) and Address(s) of Applicant(s):
Apple Inc.
1 Infinite Loop Cupertino California, 95014 United States of America
(72) Name(s) of Designer(s): **Jody Akana and Bartley K. Andre and Shota Aoyagi and Anthony Michael Ashcroft and Jeremy Bataillou and Daniel J. Coster and Daniele De Iuliis and M. Evans Hankey and Julian Hoenig and Richard P Howarth and Jonathan P. Ive and Duncan Robert Kerr and Marc A. Newson and Matthew Dean Rohrbach and Peter Russell-Clarke and Benjamin Andrew Shaffer and Mikael Silvanto and Christopher J. Stringer and Eugene Antony Whang and Rico Zorkendorfer**
(45) Registration Date: **17 March 2015**
(30) Convention priority data:
(31) Number (32) Date (33) Country
29/499042 11 Aug 2014 UNITED STATES OF AMERICA
(56) Related Art Documents: **Not Applicable**
(57) Statement of Newness and Distinctiveness: **Newness and distinctiveness resides in the features of shape and configuration shown in solid outline in the accompanying representations.**



- (21) Design Number: **10744/2015**
(22) Date of Filing Application: **11 February 2015**
(24) Date from which industrial property rights may have effect: **11 February 2015**
(54) Product in respect of which the design is registered: **Electronic device**
(51) International Design Classification: **10-02**
(74) Name(s) of Attorney(s): **Freehills Patent Attorneys**
(71) Name(s) and Address(s) of Applicant(s):
Apple Inc.
1 Infinite Loop Cupertino California, 95014 United States of America
(72) Name(s) of Designer(s): **Jody Akana and Bartley K. Andre and Shota Aoyagi and Anthony Michael Ashcroft and Jeremy Bataillou and Daniel J. Coster and Daniele De Iuliis and M. Evans Hankey and Julian Hoenig and Richard P Howarth and Jonathan P. Ive and Duncan Robert Kerr and Marc A. Newson and Matthew Dean Rohrbach and Peter Russell-Clarke and Benjamin Andrew Shaffer and Mikael Silvanto and Christopher J. Stringer and Eugene Antony Whang and Rico Zorkendorfer**
(45) Registration Date: **17 March 2015**
(30) Convention priority data:
(31) Number (32) Date (33) Country
29/499042 11 Aug 2014 UNITED STATES OF AMERICA
(56) Related Art Documents: **Not Applicable**
(57) Statement of Newness and Distinctiveness: **Newness and distinctiveness resides in the features of shape and configuration shown in solid outline in the accompanying representations.**



- (21) Design Number: **10264/2015**
(22) Date of Filing Application: **18 January 2015**
(24) Date from which industrial property rights may have effect: **18 January 2015**
(54) Product in respect of which the design is registered: **Stand**
(51) International Design Classification: **06-06A**
(74) Name(s) of Attorney(s):
(71) Name(s) and Address(s) of Applicant(s):
David Mark Nearhos
GPO BOX 2507 Sydney NSW 2001 Australia
(72) Name(s) of Designer(s): **David Mark Nearhos**
(45) Registration Date: **17 March 2015**
(56) Related Art Documents: **Not Applicable**
(57) Statement of Newness and Distinctiveness: **The newness and distinctiveness of the design resides in the features of shape and configuration in the stand base, mast and hooks, shown in the accompanying representations.**



- (21) Design Number: **10725/2015**
(22) Date of Filing Application: **11 February 2015**
(24) Date from which industrial property rights may have effect: **11 February 2015**
(54) Product in respect of which the design is registered: **Wearable device**
(51) International Design Classification: **10-02**
(74) Name(s) of Attorney(s): **Freehills Patent Attorneys**
(71) Name(s) and Address(s) of Applicant(s):

Apple Inc.

1 Infinite Loop Cupertino California, 95014 United States of America

- (72) Name(s) of Designer(s): **Jody Akana and Bartley K. Andre and Shota Aoyagi and Anthony Michael Ashcroft and Jeremy Bataillou and Daniel J. Coster and Daniele De Iuliis and M. Evans Hankey and Julian Hoenig and Richard P. Howarth and Jonathan P. Ive and Duncan Robert Kerr and Marc A. Newson and Matthew Dean Rohrbach and Peter Russell-Clarke and Benjamin Andrew Shaffer and Mikael Silvanto and Christopher J. Stringer and Eugene Antony Whang and Rico Zorkendorfer**

- (45) Registration Date: **17 March 2015**

- (30) Convention priority data:

(31) Number	(32) Date	(33) Country
29/499088	11 Aug 2014	UNITED STATES OF AMERICA

- (56) Related Art Documents: **Not Applicable**

- (57) Statement of Newness and Distinctiveness: **Newness and distinctiveness resides in the features of shape and configuration shown in solid outline in the accompanying representations.**



- (21) Design Number: **10735/2015**
(22) Date of Filing Application: **11 February 2015**
(24) Date from which industrial property rights may have effect: **11 February 2015**
(54) Product in respect of which the design is registered: **Band attachment**
(51) International Design Classification: **10-07**
(74) Name(s) of Attorney(s): **Freehills Patent Attorneys**
(71) Name(s) and Address(s) of Applicant(s):

Apple Inc.

1 Infinite Loop Cupertino California, 95014 United States of America

- (72) Name(s) of Designer(s): **Jody Akana and Bartley K. Andre and Shota Aoyagi and Anthony Michael Ashcroft and Jeremy Bataillou and Daniel J. Coster and Daniele De Iuliis and M. Evans Hankey and Julian Hoenig and Richard P. Howarth and Jonathan P. Ive and Duncan Robert Kerr and Marc A. Newson and Matthew Dean Rohrbach and Peter Russell-Clarke and Benjamin Andrew Shaffer and Mikael Silvanto and Christopher J. Stringer and Eugene Antony Whang and Rico Zorkendorfer**

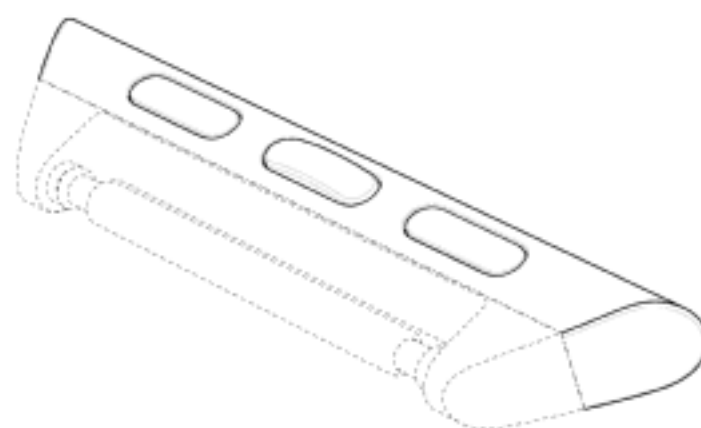
- (45) Registration Date: **17 March 2015**

- (30) Convention priority data:

(31) Number	(32) Date	(33) Country
29/498987	11 Aug 2014	UNITED STATES OF AMERICA

- (56) Related Art Documents: **Not Applicable**

- (57) Statement of Newness and Distinctiveness: **Newness and distinctiveness resides in the features of shape and configuration of the portions shown in solid outline in the accompanying representations.**



- (21) Design Number: **10740/2015**
(22) Date of Filing Application: **11 February 2015**
(24) Date from which industrial property rights may have effect: **11 February 2015**
(54) Product in respect of which the design is registered: **Band attachment**
(51) International Design Classification: **10-07**
(74) Name(s) of Attorney(s): **Freehills Patent Attorneys**
(71) Name(s) and Address(s) of Applicant(s):

Apple Inc.

1 Infinite Loop Cupertino California, 95014 United States of America

- (72) Name(s) of Designer(s): **Jody Akana and Bartley K. Andre and Shota Aoyagi and Anthony Michael Ashcroft and Jeremy Bataillou and Daniel J. Coster and Daniele De Iuliis and M. Evans Hankey and Julian Hoenig and Richard P. Howarth and Jonathan P. Ive and Duncan Robert Kerr and Marc A. Newson and Matthew Dean Rohrbach and Peter Russell-Clarke and Benjamin Andrew Shaffer and Mikael Silvanto and Christopher J. Stringer and Eugene Antony Whang and Rico Zorkendorfer**

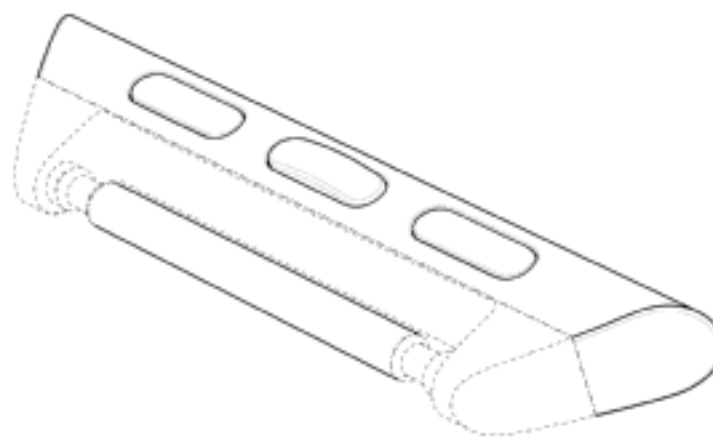
- (45) Registration Date: **17 March 2015**

- (30) Convention priority data:

(31) Number	(32) Date	(33) Country
29/498987	11 Aug 2014	UNITED STATES OF AMERICA

- (56) Related Art Documents: **Not Applicable**

- (57) Statement of Newness and Distinctiveness: **Newness and distinctiveness resides in the features of shape and configuration of the portions shown in solid outline in the accompanying representations.**



- (21) Design Number: **10011/2015**
(22) Date of Filing Application: **05 January 2015**
(24) Date from which industrial property rights may have effect: **21 October 2014**
(54) Product in respect of which the design is registered: **Restrictor device**
(51) International Design Classification: **23-01NES**
(74) Name(s) of Attorney(s): **PHILLIPS ORMONDE FITZPATRICK**
(71) Name(s) and Address(s) of Applicant(s):

Dresser, Inc

15455 Dallas Parkway Suite 100 Addison Texas, 75001 United States of America

- (72) Name(s) of Designer(s): **David Michael Jones and Lamar May**

- (45) Registration Date: **18 March 2015**

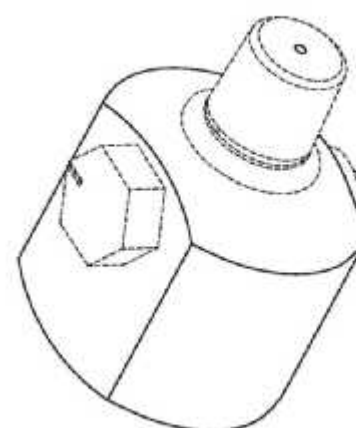
- (30) Convention priority data:

(31) Number	(32) Date	(33) Country
29/489,651	01 May 2014	UNITED STATES OF AMERICA

- (62) Divisional of: **359714**

- (56) Related Art Documents: **Not Applicable**

- (57) Statement of Newness and Distinctiveness: **Those features of the restrictor device depicted in the representations that are new and distinctive are the shape and/or configuration. The features shown in broken lines are not part of the design and are to be disregarded when considering the overall impression of the design.**



(21) Design Number: **10068/2015**
(22) Date of Filing Application: **08 January 2015**
(24) Date from which industrial property rights may have effect: **08 January 2015**
(54) Product in respect of which the design is registered: **Sanitary napkin**
(51) International Design Classification: **24-04**
(74) Name(s) of Attorney(s): **Shelston IP**
(71) Name(s) and Address(s) of Applicant(s):
McNeil-PPC Inc.
199 Grandview Road Skillman New Jersey 08558 United States of America

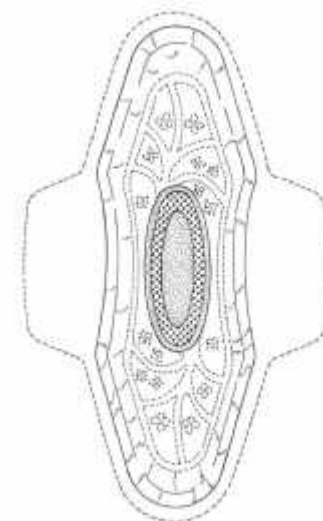
(72) Name(s) of Designer(s): **Marcelo Neves Pitta and Tatiana Negreli Menegatti**
(45) Registration Date: **18 March 2015**

(30) Convention priority data:

(31) Number	(32) Date	(33) Country
29/497535	25 Jul 2014	UNITED STATES OF AMERICA

(56) Related Art Documents: **Not Applicable**

(57) Statement of Newness and Distinctiveness: **Newness and distinctiveness reside in the features of pattern and/or ornamentation of the printed design for body facing surface of a SANITARY NAPKIN as shown in solid lines in the accompanying representations. The features shown in broken or discontinuous lines are illustrative only and do not form part of the design.**



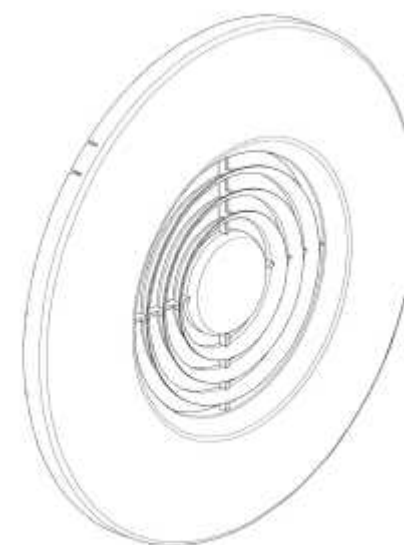
(21) Design Number: **10757/2015**
(22) Date of Filing Application: **11 February 2015**
(24) Date from which industrial property rights may have effect: **11 February 2015**
(54) Product in respect of which the design is registered: **Cover**
(51) International Design Classification: **13-03C**
(74) Name(s) of Attorney(s): **Griffith Hack**
(71) Name(s) and Address(s) of Applicant(s):
Legrand Australia Pty Ltd
Building 4 Nexus Industry Park 43-47 Lyn Pde Prestons NSW 2170 Australia

(72) Name(s) of Designer(s): **Melvinder Singh and Maxime Dupont**

(45) Registration Date: **18 March 2015**

(56) Related Art Documents: **Not Applicable**

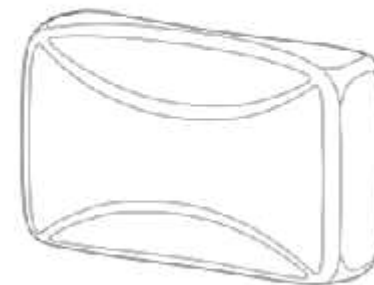
(57) Statement of Newness and Distinctiveness: **Nil**



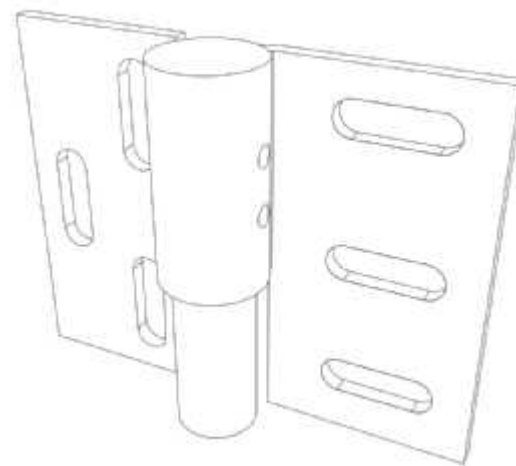
(21) Design Number: **10761/2015**
(22) Date of Filing Application: **11 February 2015**
(24) Date from which industrial property rights may have effect: **11 February 2015**
(54) Product in respect of which the design is registered: **Cover**
(51) International Design Classification: **13-03C**
(74) Name(s) of Attorney(s): **Griffith Hack**
(71) Name(s) and Address(s) of Applicant(s):
Legrand Australia Pty Ltd
Building 4 Nexus Industry Park 43-47 Lyn Pde Prestons NSW 2170
Australia
(72) Name(s) of Designer(s): **Melvinder Singh and Maxime Dupont**
(45) Registration Date: **18 March 2015**
(56) Related Art Documents: **Not Applicable**
(57) Statement of Newness and Distinctiveness: **Nil**



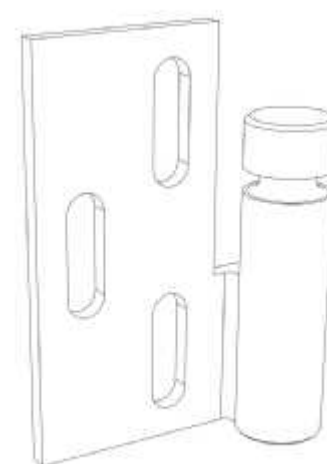
(21) Design Number: **10890/2015**
(22) Date of Filing Application: **19 February 2015**
(24) Date from which industrial property rights may have effect: **19 February 2015**
(54) Product in respect of which the design is registered: **Soap bar**
(51) International Design Classification: **28-02**
(74) Name(s) of Attorney(s): **FB Rice**
(71) Name(s) and Address(s) of Applicant(s):
Colgate-Palmolive Company
300 Park Avenue New York NY 10022 United States of America
(72) Name(s) of Designer(s): **John Clifford Crawford**
(45) Registration Date: **18 March 2015**
(30) Convention priority data:
(31) Number (32) Date (33) Country
29/501,348 03 Sep 2014 UNITED STATES OF AMERICA
(56) Related Art Documents: **Not Applicable**
(57) Statement of Newness and Distinctiveness: **Newness and distinctiveness reside in the features of shape and configuration of the design as shown in the representations.**



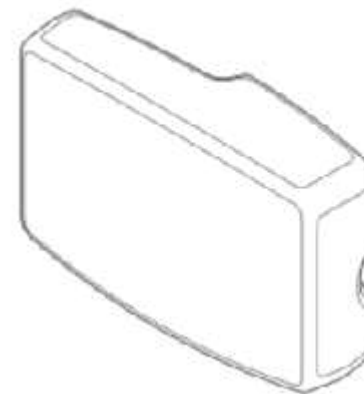
- (21) Design Number: **10892/2015**
(22) Date of Filing Application: **19 February 2015**
(24) Date from which industrial property rights may have effect: **19 February 2015**
(54) Product in respect of which the design is registered: **Hinge**
(51) International Design Classification: **08-06**
(74) Name(s) of Attorney(s): **Lesicar Maynard Andrews Pty Ltd**
(71) Name(s) and Address(s) of Applicant(s):
Kym Brian Rochford
14 Ferguson Ave Myrtle Bank SA 5064 Australia
(72) Name(s) of Designer(s): **Kym Brian Rochford**
(45) Registration Date: **18 March 2015**
(56) Related Art Documents: **Not Applicable**
(57) Statement of Newness and Distinctiveness: **Newness and distinctiveness lie in the shape and/or configuration of the Adjustable Butt Hinge, in particular the orthogonal mounting slots on opposed mounting leaves.**



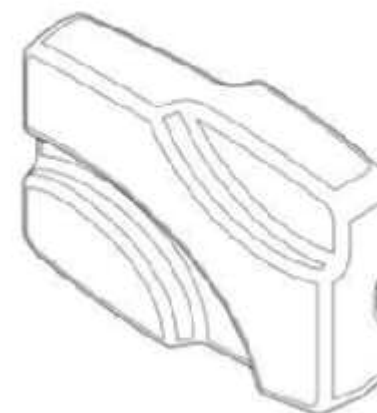
- (21) Design Number: **10893/2015**
(22) Date of Filing Application: **19 February 2015**
(24) Date from which industrial property rights may have effect: **19 February 2015**
(54) Product in respect of which the design is registered: **Hinge**
(51) International Design Classification: **08-06**
(74) Name(s) of Attorney(s): **Lesicar Maynard Andrews Pty Ltd**
(71) Name(s) and Address(s) of Applicant(s):
Kym Brian Rochford
14 Ferguson Ave Myrtle Bank SA 5064 Australia
(72) Name(s) of Designer(s): **Kym Brian Rochford**
(45) Registration Date: **18 March 2015**
(56) Related Art Documents: **Not Applicable**
(57) Statement of Newness and Distinctiveness: **Newness and distinctiveness lie in the shape and/or configuration of the Hinge Half with Grooved Pintle, in particular the groove in the pintle.**



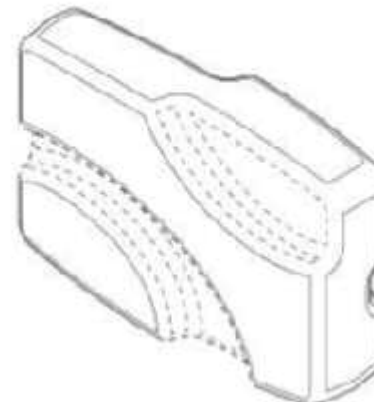
(21) Design Number: **10911/2015**
(22) Date of Filing Application: **20 February 2015**
(24) Date from which industrial property rights may have effect: **20 February 2015**
(54) Product in respect of which the design is registered: **Soap bar**
(51) International Design Classification: **28-02**
(74) Name(s) of Attorney(s): **FB Rice**
(71) Name(s) and Address(s) of Applicant(s):
Colgate-Palmolive Company
300 Park Avenue New York NY 10022 United States of America
(72) Name(s) of Designer(s): **Kiat-Cheong Toh**
(45) Registration Date: **18 March 2015**
(30) Convention priority data:
(31) Number (32) Date (33) Country
29/501,340 03 Sep 2014 UNITED STATES OF AMERICA
(56) Related Art Documents: **Not Applicable**
(57) Statement of Newness and Distinctiveness: **Newness and distinctiveness reside in the features of shape and configuration of the design as shown in the representations.**



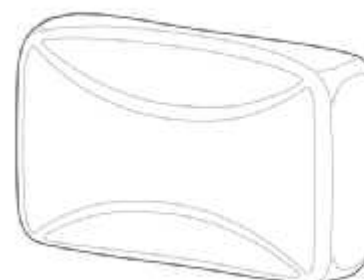
(21) Design Number: **10912/2015**
(22) Date of Filing Application: **20 February 2015**
(24) Date from which industrial property rights may have effect: **20 February 2015**
(54) Product in respect of which the design is registered: **Soap bar**
(51) International Design Classification: **28-02**
(74) Name(s) of Attorney(s): **FB Rice**
(71) Name(s) and Address(s) of Applicant(s):
Colgate-Palmolive Company
300 Park Avenue New York NY 10022 United States of America
(72) Name(s) of Designer(s): **Kiat-Cheong Toh**
(45) Registration Date: **18 March 2015**
(30) Convention priority data:
(31) Number (32) Date (33) Country
29/501340 03 Sep 2014 UNITED STATES OF AMERICA
(56) Related Art Documents: **Not Applicable**
(57) Statement of Newness and Distinctiveness: **Newness and distinctiveness reside in the features of shape and configuration of the design as shown in the representations.**



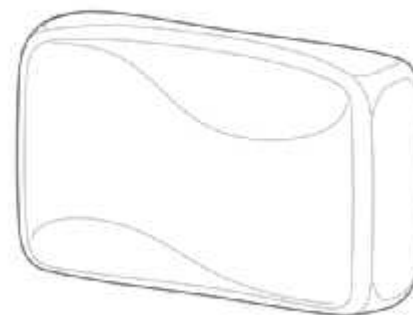
(21) Design Number: **10913/2015**
(22) Date of Filing Application: **20 February 2015**
(24) Date from which industrial property rights may have effect: **20 February 2015**
(54) Product in respect of which the design is registered: **Soap bar**
(51) International Design Classification: **28-02**
(74) Name(s) of Attorney(s): **FB Rice**
(71) Name(s) and Address(s) of Applicant(s):
Colgate-Palmolive Company
300 Park Avenue New York NY 10022 United States of America
(72) Name(s) of Designer(s): **Kiat-Cheong Toh**
(45) Registration Date: **18 March 2015**
(30) Convention priority data:
(31) Number (32) Date (33) Country
29/501340 03 Sep 2014 UNITED STATES OF AMERICA
(56) Related Art Documents: **Not Applicable**
(57) Statement of Newness and Distinctiveness: **Newness and distinctiveness reside in the features of shape and configuration of the design shown in solid lines in the representations excluding those features shown in broken lines.**



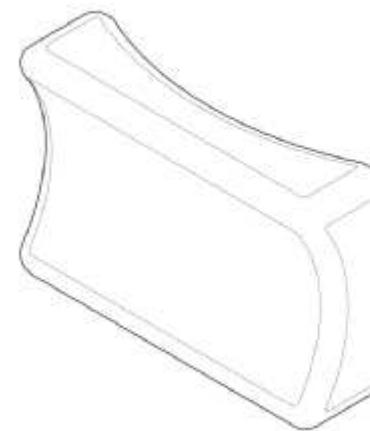
(21) Design Number: **11050/2015**
(22) Date of Filing Application: **27 February 2015**
(24) Date from which industrial property rights may have effect: **27 February 2015**
(54) Product in respect of which the design is registered: **Soap bar**
(51) International Design Classification: **28-02**
(74) Name(s) of Attorney(s): **FB Rice**
(71) Name(s) and Address(s) of Applicant(s):
Colgate-Palmolive Company
300 Park Avenue New York NY 10022 United States of America
(72) Name(s) of Designer(s): **John Clifford Crawford**
(45) Registration Date: **18 March 2015**
(30) Convention priority data:
(31) Number (32) Date (33) Country
29/501345 03 Sep 2014 UNITED STATES OF AMERICA
(56) Related Art Documents: **Not Applicable**
(57) Statement of Newness and Distinctiveness: **Newness and distinctiveness reside in the features of shape and configuration of the design as shown in the representation**



(21) Design Number: **11051/2015**
(22) Date of Filing Application: **27 February 2015**
(24) Date from which industrial property rights may have effect: **27 February 2015**
(54) Product in respect of which the design is registered: **Soap bar**
(51) International Design Classification: **28-02**
(74) Name(s) of Attorney(s): **FB Rice**
(71) Name(s) and Address(s) of Applicant(s):
Colgate-Palmolive Company
300 Park Avenue New York NY 10022 United States of America
(72) Name(s) of Designer(s): **John Clifford Crawford**
(45) Registration Date: **18 March 2015**
(30) Convention priority data:
(31) Number (32) Date (33) Country
29/501345 03 Sep 2014 UNITED STATES OF AMERICA
(56) Related Art Documents: **Not Applicable**
(57) Statement of Newness and Distinctiveness: **Newness and distinctiveness reside in the features of shape and configuration of the design as shown in the representation**



(21) Design Number: **11052/2015**
(22) Date of Filing Application: **27 February 2015**
(24) Date from which industrial property rights may have effect: **27 February 2015**
(54) Product in respect of which the design is registered: **Soap bar**
(51) International Design Classification: **28-02**
(74) Name(s) of Attorney(s): **FB Rice**
(71) Name(s) and Address(s) of Applicant(s):
Colgate-Palmolive Company
300 Park Avenue New York NY 10022 United States of America
(72) Name(s) of Designer(s): **John Clifford Crawford and Kiat-Cheong Toh**
(45) Registration Date: **18 March 2015**
(30) Convention priority data:
(31) Number (32) Date (33) Country
29/501342 03 Sep 2014 UNITED STATES OF AMERICA
(56) Related Art Documents: **Not Applicable**
(57) Statement of Newness and Distinctiveness: **Newness and distinctiveness reside in the features of shape and configuration of the design as shown in the representations.**



(21) Design Number: **11053/2015**
(22) Date of Filing Application: **27 February 2015**
(24) Date from which industrial property rights may have effect: **27 February 2015**
(54) Product in respect of which the design is registered: **Soap bar**
(51) International Design Classification: **28-02**
(74) Name(s) of Attorney(s): **FB Rice**
(71) Name(s) and Address(s) of Applicant(s):
Colgate-Palmolive Company
300 Park Avenue New York NY 10022 United States of America
(72) Name(s) of Designer(s): **John Clifford Crawford and Kiat-Cheong Toh**
(45) Registration Date: **18 March 2015**
(30) Convention priority data:
(31) Number (32) Date (33) Country
29/501342 03 Sep 2014 UNITED STATES OF AMERICA
(56) Related Art Documents: **Not Applicable**
(57) Statement of Newness and Distinctiveness: **Newness and distinctiveness reside in the features of shape and configuration of the design as shown in the representations.**



(21) Design Number: **11055/2015**
(22) Date of Filing Application: **27 February 2015**
(24) Date from which industrial property rights may have effect: **27 February 2015**
(54) Product in respect of which the design is registered: **Soap bar**
(51) International Design Classification: **28-02**
(74) Name(s) of Attorney(s): **FB Rice**
(71) Name(s) and Address(s) of Applicant(s):
Colgate-Palmolive Company
300 Park Avenue New York NY 10022 United States of America
(72) Name(s) of Designer(s): **John Clifford Crawford and Kiat-Cheong Toh**
(45) Registration Date: **18 March 2015**
(30) Convention priority data:
(31) Number (32) Date (33) Country
29/501342 03 Sep 2014 UNITED STATES OF AMERICA
(56) Related Art Documents: **Not Applicable**
(57) Statement of Newness and Distinctiveness: **Newness and distinctiveness reside in the features of shape and configuration of the design as shown in the representations.**



- (21) Design Number: **10685/2015**
(22) Date of Filing Application: **10 February 2015**
(24) Date from which industrial property rights may have effect: **10 February 2015**
(54) Product in respect of which the design is registered: **Electronic device**
(51) International Design Classification: **10-07, 14-03E**
(74) Name(s) of Attorney(s): **Freehills Patent Attorneys**
(71) Name(s) and Address(s) of Applicant(s):

Apple Inc.

1 Infinite Loop Cupertino California 95014 United States of America

- (72) Name(s) of Designer(s): **Jody Akana and Bartley K. Andre and Shota Aoyagi and Anthony Michael Ashcroft and Jeremy Bataillou and Daniel J. Coster and Daniele De Iuliis and M. Evans Hankey and Julian Hoenig and Richard P. Howarth and Jonathan P. Ive and Duncan Robert Kerr and Marc A. Newson and Matthew Dean Rohrbach and Peter Russell-Clarke and Benjamin Andrew Shaffer and Mikael Silvanto and Christopher J. Stringer and Eugene Antony Whang and Rico Zorkendorfer**

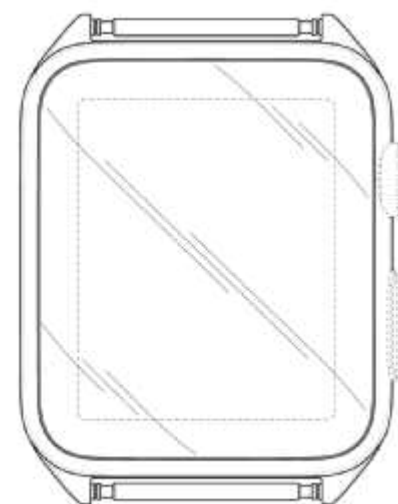
- (45) Registration Date: **18 March 2015**

- (30) Convention priority data:

(31) Number	(32) Date	(33) Country
29/499084	11 Aug 2014	UNITED STATES OF AMERICA

- (56) Related Art Documents: **Not Applicable**

- (57) Statement of Newness and Distinctiveness: **Newness and distinctiveness resides in the features of shape and configuration shown in solid outline in the accompanying representations.**



- (21) Design Number: **10686/2015**
(22) Date of Filing Application: **10 February 2015**
(24) Date from which industrial property rights may have effect: **10 February 2015**
(54) Product in respect of which the design is registered: **Electronic device**
(51) International Design Classification: **10-07, 14-03E**
(74) Name(s) of Attorney(s): **Freehills Patent Attorneys**
(71) Name(s) and Address(s) of Applicant(s):

Apple Inc.

1 Infinite Loop Cupertino California 95014 United States of America

- (72) Name(s) of Designer(s): **Jody Akana and Bartley K. Andre and Shota Aoyagi and Anthony Michael Ashcroft and Jeremy Bataillou and Daniel J. Coster and Daniele De Iuliis and M. Evans Hankey and Julian Hoenig and Richard P. Howarth and Jonathan P. Ive and Duncan Robert Kerr and Marc A. Newson and Matthew Dean Rohrbach and Peter Russell-Clarke and Benjamin Andrew Shaffer and Mikael Silvanto and Christopher J. Stringer and Eugene Antony Whang and Rico Zorkendorfer**

- (45) Registration Date: **18 March 2015**

- (30) Convention priority data:

(31) Number	(32) Date	(33) Country
29/499084	11 Aug 2014	UNITED STATES OF AMERICA

- (56) Related Art Documents: **Not Applicable**

- (57) Statement of Newness and Distinctiveness: **Newness and distinctiveness resides in the features of ornamentation, including contrasting appearance, shown in the accompanying representations.**



- (21) Design Number: **10687/2015**
(22) Date of Filing Application: **10 February 2015**
(24) Date from which industrial property rights may have effect: **10 February 2015**
(54) Product in respect of which the design is registered: **Band**
(51) International Design Classification: **10-07**
(74) Name(s) of Attorney(s): **Freehills Patent Attorneys**
(71) Name(s) and Address(s) of Applicant(s):

Apple Inc.
1 Infinite Loop Cupertino California 95014 United States of America

- (72) Name(s) of Designer(s): **Jody Akana and Bartley K. Andre and Shota Aoyagi and Anthony Michael Ashcroft and Jeremy Bataillou and Daniel J. Coster and Daniele De Iuliis and M. Evans Hankey and Julian Hoenig and Richard P. Howarth and Jonathan P. Ive and Duncan Robert Kerr and Marc A. Newson and Matthew Dean Rohrbach and Peter Russell-Clarke and Benjamin Andrew Shaffer and Mikael Silvanto and Christopher J. Stringer and Eugene Antony Whang and Rico Zorkendorfer**

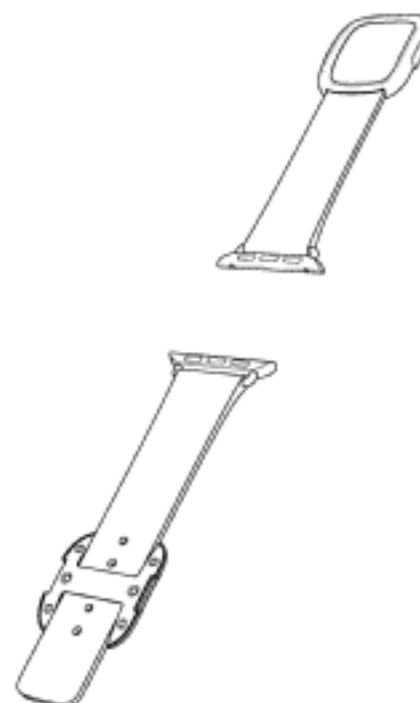
- (45) Registration Date: **18 March 2015**

- (30) Convention priority data:

(31) Number	(32) Date	(33) Country
29/498995	11 Aug 2014	UNITED STATES OF AMERICA

- (56) Related Art Documents: **Not Applicable**

- (57) Statement of Newness and Distinctiveness: **Newness and distinctiveness resides in the features of shape and configuration shown in the accompanying representations.**



- (21) Design Number: **10688/2015**
(22) Date of Filing Application: **10 February 2015**
(24) Date from which industrial property rights may have effect: **10 February 2015**
(54) Product in respect of which the design is registered: **Wearable device**
(51) International Design Classification: **10-07, 14-03E**
(74) Name(s) of Attorney(s): **Freehills Patent Attorneys**
(71) Name(s) and Address(s) of Applicant(s):

Apple Inc.
1 Infinite Loop Cupertino California 95014 United States of America

- (72) Name(s) of Designer(s): **Jody Akana and Bartley K. Andre and Shota Aoyagi and Anthony Michael Ashcroft and Jeremy Bataillou and Daniel J. Coster and Daniele De Iuliis and M. Evans Hankey and Julian Hoenig and Richard P. Howarth and Jonathan P. Ive and Duncan Robert Kerr and Marc A. Newson and Matthew Dean Rohrbach and Peter Russell-Clarke and Benjamin Andrew Shaffer and Mikael Silvanto and Christopher J. Stringer and Eugene Antony Whang and Rico Zorkendorfer**

- (45) Registration Date: **18 March 2015**

- (30) Convention priority data:

(31) Number	(32) Date	(33) Country
29/499090	11 Aug 2014	UNITED STATES OF AMERICA

- (56) Related Art Documents: **Not Applicable**

- (57) Statement of Newness and Distinctiveness: **Nil**



- (21) Design Number: **10689/2015**
(22) Date of Filing Application: **10 February 2015**
(24) Date from which industrial property rights may have effect: **10 February 2015**
(54) Product in respect of which the design is registered: **Band**
(51) International Design Classification: **10-07**
(74) Name(s) of Attorney(s): **Freehills Patent Attorneys**
(71) Name(s) and Address(s) of Applicant(s):

Apple Inc.

1 Infinite Loop Cupertino California 95014 United States of America

- (72) Name(s) of Designer(s): **Jody Akana and Bartley K. Andre and Shota Aoyagi and Anthony Michael Ashcroft and Jeremy Bataillou and Daniel J. Coster and Daniele De Iuliis and M. Evans Hankey and Julian Hoenig and Richard P. Howarth and Jonathan P. Ive and Duncan Robert Kerr and Marc A. Newson and Matthew Dean Rohrbach and Peter Russell-Clarke and Benjamin Andrew Shaffer and Mikael Silvano and Christopher J. Stringer and Eugene Antony Whang and Rico Zorkendorfer**

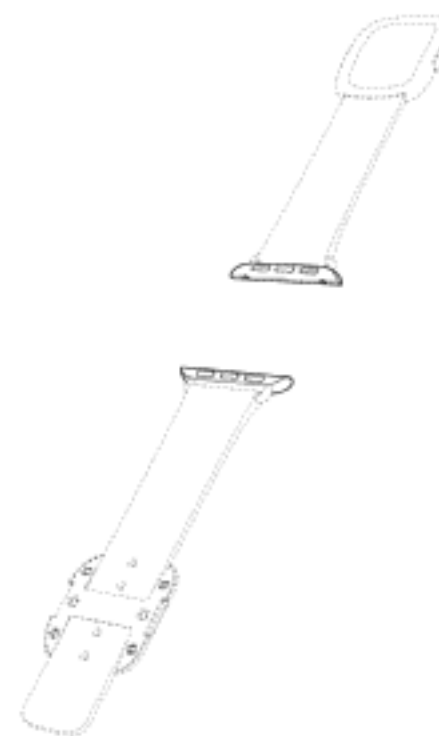
- (45) Registration Date: **18 March 2015**

- (30) Convention priority data:

(31) Number	(32) Date	(33) Country
29/498995	11 Aug 2014	UNITED STATES OF AMERICA

- (56) Related Art Documents: **Not Applicable**

- (57) Statement of Newness and Distinctiveness: **Newness and distinctiveness resides in the features of shape and configuration shown in solid outline in the accompanying representations.**



- (21) Design Number: **10690/2015**
(22) Date of Filing Application: **10 February 2015**
(24) Date from which industrial property rights may have effect: **10 February 2015**
(54) Product in respect of which the design is registered: **Wearable device**
(51) International Design Classification: **10-07, 14-03E**
(74) Name(s) of Attorney(s): **Freehills Patent Attorneys**
(71) Name(s) and Address(s) of Applicant(s):

Apple Inc.

1 Infinite Loop Cupertino California 95014 United States of America

- (72) Name(s) of Designer(s): **Jody Akana and Bartley K. Andre and Shota Aoyagi and Anthony Michael Ashcroft and Jeremy Bataillou and Daniel J. Coster and Daniele De Iuliis and M. Evans Hankey and Julian Hoenig and Richard P. Howarth and Jonathan P. Ive and Duncan Robert Kerr and Marc A. Newson and Matthew Dean Rohrbach and Peter Russell-Clarke and Benjamin Andrew Shaffer and Mikael Silvano and Christopher J. Stringer and Eugene Antony Whang and Rico Zorkendorfer**

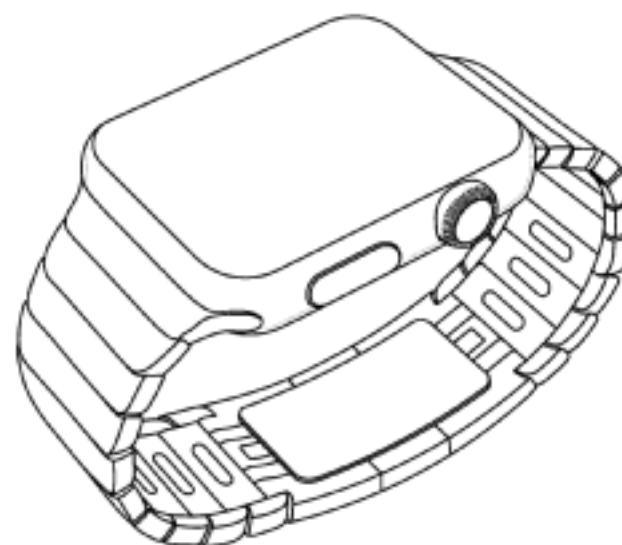
- (45) Registration Date: **18 March 2015**

- (30) Convention priority data:

(31) Number	(32) Date	(33) Country
29/499090	11 Aug 2014	UNITED STATES OF AMERICA

- (56) Related Art Documents: **Not Applicable**

- (57) Statement of Newness and Distinctiveness: **Newness and distinctiveness resides in the features of shape and configuration shown in the accompanying representations.**



(21) Design Number: **10691/2015**
(22) Date of Filing Application: **10 February 2015**
(24) Date from which industrial property rights may have effect: **10 February 2015**
(54) Product in respect of which the design is registered: **Band**
(51) International Design Classification: **10-07**
(74) Name(s) of Attorney(s): **Freehills Patent Attorneys**
(71) Name(s) and Address(s) of Applicant(s):

Apple Inc.
1 Infinite Loop Cupertino California 95014 United States of America

(72) Name(s) of Designer(s): **Jody Akana and Bartley K. Andre and Shota Aoyagi and Anthony Michael Ashcroft and Jeremy Bataillou and Daniel J. Coster and Daniele De Iuliis and M. Evans Hankey and Julian Hoenig and Richard P. Howarth and Jonathan P. Ive and Duncan Robert Kerr and Marc A. Newson and Matthew Dean Rohrbach and Peter Russell-Clarke and Benjamin Andrew Shaffer and Mikael Silvanto and Christopher J. Stringer and Eugene Antony Whang and Rico Zorkendorfer**

(45) Registration Date: **18 March 2015**

(30) Convention priority data:

(31) Number	(32) Date	(33) Country
29/498995	11 Aug 2014	UNITED STATES OF AMERICA

(56) Related Art Documents: **Not Applicable**

(57) Statement of Newness and Distinctiveness: **Newness and distinctiveness resides in the features of shape and configuration shown in solid outline in the accompanying representations.**



(21) Design Number: **10692/2015**
(22) Date of Filing Application: **10 February 2015**
(24) Date from which industrial property rights may have effect: **10 February 2015**
(54) Product in respect of which the design is registered: **Wearable device**
(51) International Design Classification: **10-07, 14-03E**
(74) Name(s) of Attorney(s): **Freehills Patent Attorneys**
(71) Name(s) and Address(s) of Applicant(s):

Apple Inc.
1 Infinite Loop Cupertino California 95014 United States of America

(72) Name(s) of Designer(s): **Jody Akana and Bartley K. Andre and Shota Aoyagi and Anthony Michael Ashcroft and Jeremy Bataillou and Daniel J. Coster and Daniele De Iuliis and M. Evans Hankey and Julian Hoenig and Richard P. Howarth and Jonathan P. Ive and Duncan Robert Kerr and Marc A. Newson and Matthew Dean Rohrbach and Peter Russell-Clarke and Benjamin Andrew Shaffer and Mikael Silvanto and Christopher J. Stringer and Eugene Antony Whang and Rico Zorkendorfer**

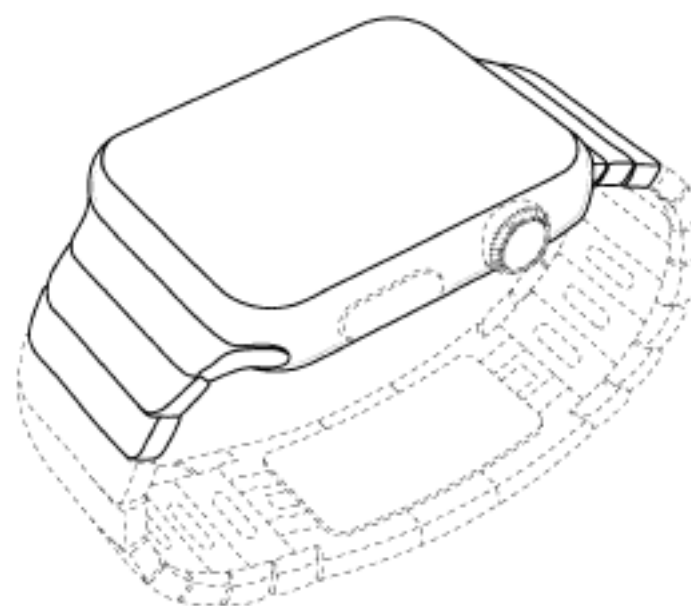
(45) Registration Date: **18 March 2015**

(30) Convention priority data:

(31) Number	(32) Date	(33) Country
29/499090	11 Aug 2014	UNITED STATES OF AMERICA

(56) Related Art Documents: **Not Applicable**

(57) Statement of Newness and Distinctiveness: **Newness and distinctiveness resides in the features of shape and configuration shown in solid outline in the accompanying representations.**



- (21) Design Number: **10694/2015**
(22) Date of Filing Application: **10 February 2015**
(24) Date from which industrial property rights may have effect: **10 February 2015**
(54) Product in respect of which the design is registered: **Band**
(51) International Design Classification: **10-07**
(74) Name(s) of Attorney(s): **Freehills Patent Attorneys**
(71) Name(s) and Address(s) of Applicant(s):

Apple Inc.

1 Infinite Loop Cupertino California 95014 United States of America

- (72) Name(s) of Designer(s): **Jody Akana and Bartley K. Andre and Shota Aoyagi and Anthony Michael Ashcroft and Jeremy Bataillou and Daniel J. Coster and Daniele De Iuliis and M. Evans Hankey and Julian Hoenig and Richard P. Howarth and Jonathan P. Ive and Duncan Robert Kerr and Marc A. Newson and Matthew Dean Rohrbach and Peter Russell-Clarke and Benjamin Andrew Shaffer and Mikael Silvanto and Christopher J. Stringer and Eugene Antony Whang and Rico Zorkendorfer**

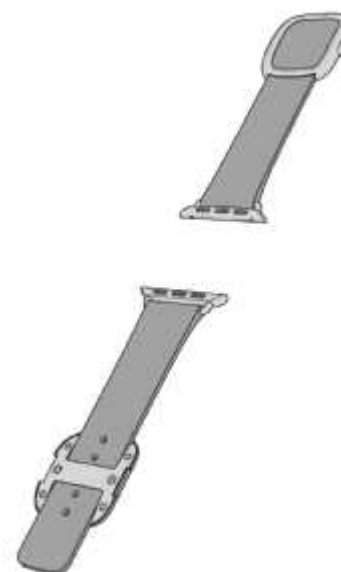
- (45) Registration Date: **18 March 2015**

- (30) Convention priority data:

(31) Number	(32) Date	(33) Country
29/498995	11 Aug 2014	UNITED STATES OF AMERICA

- (56) Related Art Documents: **Not Applicable**

- (57) Statement of Newness and Distinctiveness: **Newness and distinctiveness resides in the features of ornamentation, including contrasting appearance, shown in the accompanying representations.**



- (21) Design Number: **10695/2015**
(22) Date of Filing Application: **10 February 2015**
(24) Date from which industrial property rights may have effect: **10 February 2015**
(54) Product in respect of which the design is registered: **Band**
(51) International Design Classification: **10-07**
(74) Name(s) of Attorney(s): **Freehills Patent Attorneys**
(71) Name(s) and Address(s) of Applicant(s):

Apple Inc.

1 Infinite Loop Cupertino California 95014 United States of America

- (72) Name(s) of Designer(s): **Jody Akana and Bartley K. Andre and Shota Aoyagi and Anthony Michael Ashcroft and Jeremy Bataillou and Daniel J. Coster and Daniele De Iuliis and M. Evans Hankey and Julian Hoenig and Richard P. Howarth and Jonathan P. Ive and Duncan Robert Kerr and Marc A. Newson and Matthew Dean Rohrbach and Peter Russell-Clarke and Benjamin Andrew Shaffer and Mikael Silvanto and Christopher J. Stringer and Eugene Antony Whang and Rico Zorkendorfer**

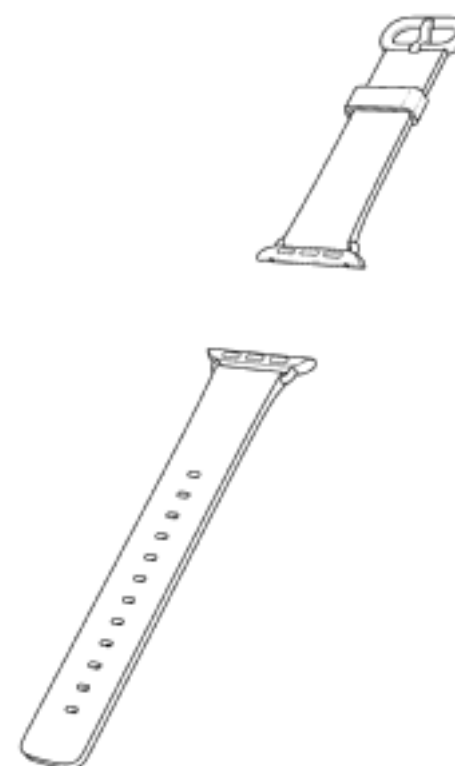
- (45) Registration Date: **18 March 2015**

- (30) Convention priority data:

(31) Number	(32) Date	(33) Country
29/498994	11 Aug 2014	UNITED STATES OF AMERICA

- (56) Related Art Documents: **Not Applicable**

- (57) Statement of Newness and Distinctiveness: **Newness and distinctiveness resides in the features of shape and configuration shown in the accompanying representations.**



- (21) Design Number: **10696/2015**
(22) Date of Filing Application: **10 February 2015**
(24) Date from which industrial property rights may have effect: **10 February 2015**
(54) Product in respect of which the design is registered: **Band**
(51) International Design Classification: **10-07**
(74) Name(s) of Attorney(s): **Freehills Patent Attorneys**
(71) Name(s) and Address(s) of Applicant(s):

Apple Inc.
1 Infinite Loop Cupertino California 95014 United States of America

- (72) Name(s) of Designer(s): **Jody Akana and Bartley K. Andre and Shota Aoyagi and Anthony Michael Ashcroft and Jeremy Bataillou and Daniel J. Coster and Daniele De Iuliis and M. Evans Hankey and Julian Hoenig and Richard P. Howarth and Jonathan P. Ive and Duncan Robert Kerr and Marc A. Newson and Matthew Dean Rohrbach and Peter Russell-Clarke and Benjamin Andrew Shaffer and Mikael Silvanto and Christopher J. Stringer and Eugene Antony Whang and Rico Zorkendorfer**

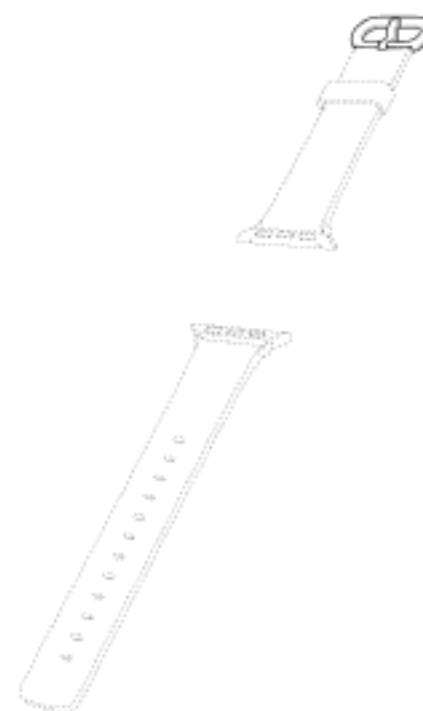
- (45) Registration Date: **18 March 2015**

- (30) Convention priority data:

(31) Number	(32) Date	(33) Country
29/498994	11 Aug 2014	UNITED STATES OF AMERICA

- (56) Related Art Documents: **Not Applicable**

- (57) Statement of Newness and Distinctiveness: **Newness and distinctiveness resides in the features of shape and configuration in solid outline as shown in the accompanying representations.**



- (21) Design Number: **10697/2015**
(22) Date of Filing Application: **10 February 2015**
(24) Date from which industrial property rights may have effect: **10 February 2015**
(54) Product in respect of which the design is registered: **Band**
(51) International Design Classification: **10-07**
(74) Name(s) of Attorney(s): **Freehills Patent Attorneys**
(71) Name(s) and Address(s) of Applicant(s):

Apple Inc.
1 Infinite Loop Cupertino California 95014 United States of America

- (72) Name(s) of Designer(s): **Jody Akana and Bartley K. Andre and Shota Aoyagi and Anthony Michael Ashcroft and Jeremy Bataillou and Daniel J. Coster and Daniele De Iuliis and M. Evans Hankey and Julian Hoenig and Richard P. Howarth and Jonathan P. Ive and Duncan Robert Kerr and Marc A. Newson and Matthew Dean Rohrbach and Peter Russell-Clarke and Benjamin Andrew Shaffer and Mikael Silvanto and Christopher J. Stringer and Eugene Antony Whang and Rico Zorkendorfer**

- (45) Registration Date: **18 March 2015**

- (30) Convention priority data:

(31) Number	(32) Date	(33) Country
29/498994	11 Aug 2014	UNITED STATES OF AMERICA

- (56) Related Art Documents: **Not Applicable**

- (57) Statement of Newness and Distinctiveness: **Newness and distinctiveness resides in the features of ornamentation, including contrasting appearance, shown in the accompanying representations.**



- (21) Design Number: **10724/2015**
(22) Date of Filing Application: **11 February 2015**
(24) Date from which industrial property rights may have effect: **11 February 2015**
(54) Product in respect of which the design is registered: **Band**
(51) International Design Classification: **10-07**
(74) Name(s) of Attorney(s): **Freehills Patent Attorneys**
(71) Name(s) and Address(s) of Applicant(s):
Apple Inc.
1 Infinite Loop Cupertino California, 95014 United States of America
(72) Name(s) of Designer(s): **Jody Akana and Bartley K. Andre and Shota Aoyagi and Anthony Michael Ashcroft and Jeremy Bataillou and Daniel J. Coster and Daniele De Iuliis and M. Evans Hankey and Julian Hoenig and Richard P. Howarth and Jonathan P. Ive and Duncan Robert Kerr and Marc A. Newson and Matthew Dean Rohrbach and Peter Russell-Clarke and Benjamin Andrew Shaffer and Mikael Silvano and Christopher J. Stringer and Eugene Antony Whang and Rico Zorkendorfer**
(45) Registration Date: **18 March 2015**
(30) Convention priority data:
(31) Number (32) Date (33) Country
29/498996 11 Aug 2014 UNITED STATES OF AMERICA
(56) Related Art Documents: **Not Applicable**
(57) Statement of Newness and Distinctiveness: **Newness and distinctiveness resides in the features of shape and configuration shown in solid outline in the accompanying representations.**



- (21) Design Number: **10727/2015**
(22) Date of Filing Application: **11 February 2015**
(24) Date from which industrial property rights may have effect: **11 February 2015**
(54) Product in respect of which the design is registered: **Wearable device**
(51) International Design Classification: **10-02**
(74) Name(s) of Attorney(s): **Freehills Patent Attorneys**
(71) Name(s) and Address(s) of Applicant(s):
Apple Inc.
1 Infinite Loop Cupertino California, 95014 United States of America
(72) Name(s) of Designer(s): **Jody Akana and Bartley K. Andre and Shota Aoyagi and Anthony Michael Ashcroft and Jeremy Bataillou and Daniel J. Coster and Daniele De Iuliis and Evans Hankey and Julian Hoenig and Richard P. Howarth and Jonathan P. Ive and Duncan Robert Kerr and Marc A. Newson and Matthew Dean Rohrbach and Peter Russell-Clarke and Benjamin Andrew Shaffer and Mikael Silvano and Christopher J. Stringer and Eugene Antony Whang and Rico Zorkendorfer**
(45) Registration Date: **18 March 2015**
(30) Convention priority data:
(31) Number (32) Date (33) Country
29/499080 11 Aug 2014 UNITED STATES OF AMERICA
(56) Related Art Documents: **Not Applicable**
(57) Statement of Newness and Distinctiveness: **Newness and distinctiveness resides in the features of shape and configuration shown in solid outline in the accompanying representations.**



- (21) Design Number: **10728/2015**
(22) Date of Filing Application: **11 February 2015**
(24) Date from which industrial property rights may have effect: **11 February 2015**
(54) Product in respect of which the design is registered: **Wearable device**
(51) International Design Classification: **10-02**
(74) Name(s) of Attorney(s): **Freehills Patent Attorneys**
(71) Name(s) and Address(s) of Applicant(s):

Apple Inc.

1 Infinite Loop Cupertino California, 95014 United States of America

- (72) Name(s) of Designer(s): **Jody Akana and Bartley K. Andre and Shota Aoyagi and Anthony Michael Ashcroft and Jeremy Bataillou and Daniel J. Coster and Daniele De Iuliis and Evans Hankey and Julian Hoenig and Richard P. Howarth and Jonathan P. Ive and Duncan Robert Kerr and Marc A. Newson and Matthew Dean Rohrbach and Peter Russell-Clarke and Benjamin Andrew Shaffer and Mikael Silvanto and Christopher J. Stringer and Eugene Antony Whang and Rico Zorkendorfer**

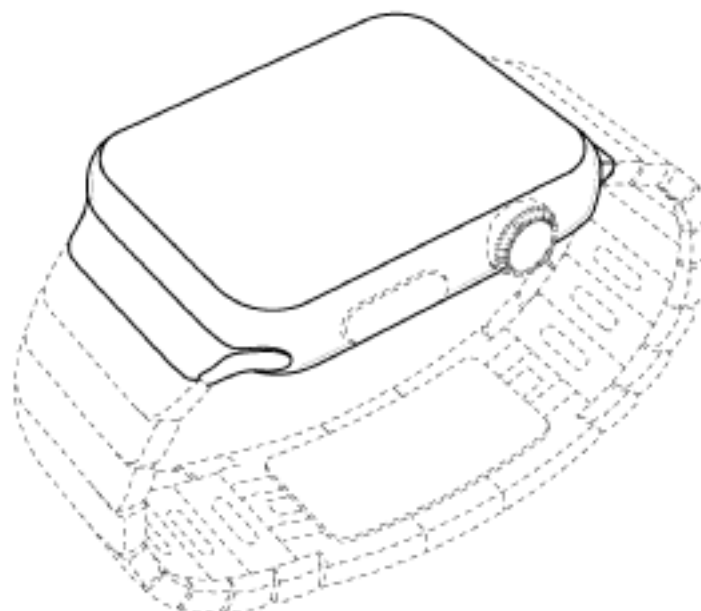
- (45) Registration Date: **18 March 2015**

- (30) Convention priority data:

(31) Number	(32) Date	(33) Country
29/499090	11 Aug 2014	UNITED STATES OF AMERICA

- (56) Related Art Documents: **Not Applicable**

- (57) Statement of Newness and Distinctiveness: **Newness and distinctiveness resides in the features of shape and configuration shown in solid outline in the accompanying representations.**



- (21) Design Number: **10749/2015**
(22) Date of Filing Application: **11 February 2015**
(24) Date from which industrial property rights may have effect: **11 February 2015**
(54) Product in respect of which the design is registered: **Band**
(51) International Design Classification: **10-07**
(74) Name(s) of Attorney(s): **Freehills Patent Attorneys**
(71) Name(s) and Address(s) of Applicant(s):

Apple Inc.

1 Infinite Loop Cupertino California, 95014 United States of America

- (72) Name(s) of Designer(s): **Jody Akana and Bartley K. Andre and Shota Aoyagi and Anthony Michael Ashcroft and Jeremy Bataillou and Daniel J. Coster and Daniele De Iuliis and M. Evans Hankey and Julian Hoenig and Richard P. Howarth and Jonathan P. Ive and Duncan Robert Kerr and Marc A. Newson and Matthew Dean Rohrbach and Peter Russell-Clarke and Benjamin Andrew Shaffer and Mikael Silvanto and Christopher J. Stringer and Eugene Antony Whang and Rico Zorkendorfer**

- (45) Registration Date: **18 March 2015**

- (30) Convention priority data:

(31) Number	(32) Date	(33) Country
29/498996	11 Aug 2014	UNITED STATES OF AMERICA

- (56) Related Art Documents: **Not Applicable**

- (57) Statement of Newness and Distinctiveness: **Newness and distinctiveness resides in the features of ornamentation, including contrasting appearance, shown in the accompanying representations.**



- (21) Design Number: **10751/2015**
(22) Date of Filing Application: **11 February 2015**
(24) Date from which industrial property rights may have effect: **11 February 2015**
(54) Product in respect of which the design is registered: **Band**
(51) International Design Classification: **10-07**
(74) Name(s) of Attorney(s): **Freehills Patent Attorneys**
(71) Name(s) and Address(s) of Applicant(s):

Apple Inc.
1 Infinite Loop Cupertino California, 95014 United States of America

- (72) Name(s) of Designer(s): **Jody Akana and Bartley K. Andre and Shota Aoyagi and Anthony Michael Ashcroft and Jeremy Bataillou and Daniel J. Coster and Daniele De Iuliis and Evans Hankey and Julian Hoenig and Richard P. Howarth and Jonathan P. Ive and Duncan Robert Kerr and Marc A. Newson and Matthew Dean Rohrbach and Peter Russell-Clarke and Benjamin Andrew Shaffer and Mikael Silvanto and Christopher J. Stringer and Eugene Antony Whang and Rico Zorkendorfer**

- (45) Registration Date: **18 March 2015**

- (30) Convention priority data:

(31) Number	(32) Date	(33) Country
29/498995	11 Aug 2014	UNITED STATES OF AMERICA

- (56) Related Art Documents: **Not Applicable**

- (57) Statement of Newness and Distinctiveness: **Newness and distinctiveness resides in the features of shape and configuration of the portions shown in solid outline in the accompanying representations.**



- (21) Design Number: **10752/2015**
(22) Date of Filing Application: **11 February 2015**
(24) Date from which industrial property rights may have effect: **11 February 2015**
(54) Product in respect of which the design is registered: **Band**
(51) International Design Classification: **10-07**
(74) Name(s) of Attorney(s): **Freehills Patent Attorneys**
(71) Name(s) and Address(s) of Applicant(s):

Apple Inc.
1 Infinite Loop Cupertino California, 95014 United States of America

- (72) Name(s) of Designer(s): **Jody Akana and Bartley K. Andre and Shota Aoyagi and Anthony Michael Ashcroft and Jeremy Bataillou and Daniel J. Coster and Daniele De Iuliis and M. Evans Hankey and Julian Hoenig and Richard P. Howarth and Jonathan P. Ive and Duncan Robert Kerr and Marc A. Newson and Matthew Dean Rohrbach and Peter Russell-Clarke and Benjamin Andrew Shaffer and Mikael Silvanto and Christopher J. Stringer and Eugene Antony Whang and Rico Zorkendorfer**

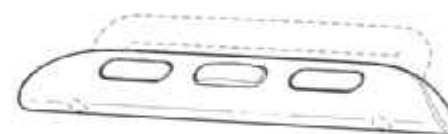
- (45) Registration Date: **18 March 2015**

- (30) Convention priority data:

(31) Number	(32) Date	(33) Country
29/499067	11 Aug 2014	UNITED STATES OF AMERICA

- (56) Related Art Documents: **Not Applicable**

- (57) Statement of Newness and Distinctiveness: **Newness and distinctiveness resides in the features of shape and configuration shown in solid outline in the accompanying representations.**



- (21) Design Number: **10753/2015**
(22) Date of Filing Application: **11 February 2015**
(24) Date from which industrial property rights may have effect: **11 February 2015**
(54) Product in respect of which the design is registered: **Band**
(51) International Design Classification: **10-07**
(74) Name(s) of Attorney(s): **Freehills Patent Attorneys**
(71) Name(s) and Address(s) of Applicant(s):

Apple Inc.
1 Infinite Loop Cupertino California, 95014 United States of America

- (72) Name(s) of Designer(s): **Jody Akana and Bartley K. Andre and Shota Aoyagi and Anthony Michael Ashcroft and Jeremy Bataillou and Daniel J. Coster and Daniele De Iuliis and Evans Hankey and Julian Hoenig and Richard P. Howarth and Jonathan P. Ive and Duncan Robert Kerr and Marc A. Newson and Matthew Dean Rohrbach and Peter Russell-Clarke and Benjamin Andrew Shaffer and Mikael Silvanto and Christopher J. Stringer and Eugene Antony Whang and Rico Zorkendorfer**

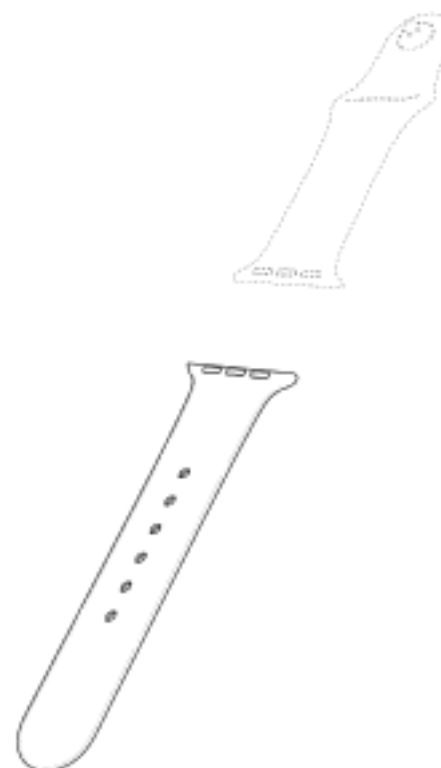
- (45) Registration Date: **18 March 2015**

- (30) Convention priority data:

(31) Number	(32) Date	(33) Country
29/498990	11 Aug 2014	UNITED STATES OF AMERICA

- (56) Related Art Documents: **Not Applicable**

- (57) Statement of Newness and Distinctiveness: **Newness and distinctiveness resides in the features of shape and configuration shown in solid outline in the accompanying representations.**



- (21) Design Number: **10754/2015**
(22) Date of Filing Application: **11 February 2015**
(24) Date from which industrial property rights may have effect: **11 February 2015**
(54) Product in respect of which the design is registered: **Band**
(51) International Design Classification: **10-07**
(74) Name(s) of Attorney(s): **Freehills Patent Attorneys**
(71) Name(s) and Address(s) of Applicant(s):

Apple Inc.
1 Infinite Loop Cupertino California, 95014 United States of America

- (72) Name(s) of Designer(s): **Jody Akana and Bartley K. Andre and Shota Aoyagi and Anthony Michael Ashcroft and Jeremy Bataillou and Daniel J. Coster and Daniele De Iuliis and Evans Hankey and Julian Hoenig and Richard P. Howarth and Jonathan P. Ive and Duncan Robert Kerr and Marc A. Newson and Matthew Dean Rohrbach and Peter Russell-Clarke and Benjamin Andrew Shaffer and Mikael Silvanto and Christopher J. Stringer and Eugene Antony Whang and Rico Zorkendorfer**

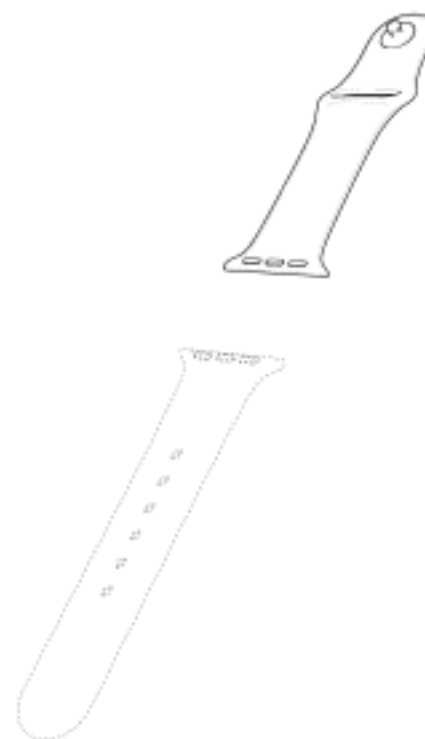
- (45) Registration Date: **18 March 2015**

- (30) Convention priority data:

(31) Number	(32) Date	(33) Country
29/498990	11 Aug 2014	UNITED STATES OF AMERICA

- (56) Related Art Documents: **Not Applicable**

- (57) Statement of Newness and Distinctiveness: **Newness and distinctiveness resides in the features of shape and configuration shown in solid outline in the accompanying representations.**



- (21) Design Number: **10755/2015**
(22) Date of Filing Application: **11 February 2015**
(24) Date from which industrial property rights may have effect: **11 February 2015**
(54) Product in respect of which the design is registered: **Band**
(51) International Design Classification: **10-07**
(74) Name(s) of Attorney(s): **Freehills Patent Attorneys**
(71) Name(s) and Address(s) of Applicant(s):

Apple Inc.

1 Infinite Loop Cupertino California, 95014 United States of America

- (72) Name(s) of Designer(s): **Jody Akana and Bartley K. Andre and Shota Aoyagi and Anthony Michael Ashcroft and Jeremy Bataillou and Daniel J. Coster and Daniele De Iuliis and Evans Hankey and Julian Hoenig and Richard P. Howarth and Jonathan P. Ive and Duncan Robert Kerr and Marc A. Newson and Matthew Dean Rohrbach and Peter Russell-Clarke and Benjamin Andrew Shaffer and Mikael Silvanto and Christopher J. Stringer and Eugene Antony Whang and Rico Zorkendorfer**

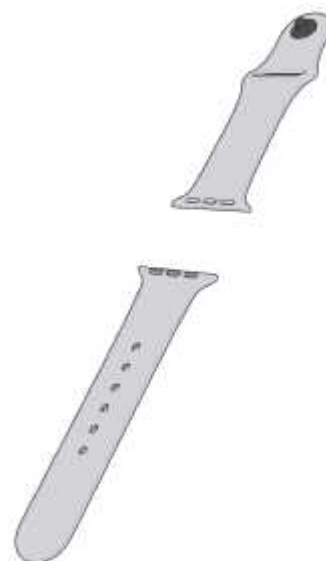
- (45) Registration Date: **18 March 2015**

- (30) Convention priority data:

(31) Number	(32) Date	(33) Country
29/498990	11 Aug 2014	UNITED STATES OF AMERICA

- (56) Related Art Documents: **Not Applicable**

- (57) Statement of Newness and Distinctiveness: **Newness and distinctiveness resides in the features of ornamentation, including contrasting appearance, shown in the accompanying representations.**



- (21) Design Number: **10776/2015**
(22) Date of Filing Application: **12 February 2015**
(24) Date from which industrial property rights may have effect: **12 February 2015**
(54) Product in respect of which the design is registered: **Jaw for post remover**
(51) International Design Classification: **08-05P**
(74) Name(s) of Attorney(s): **Griffith Hack**
(71) Name(s) and Address(s) of Applicant(s):

OneSteel Wire Pty Limited

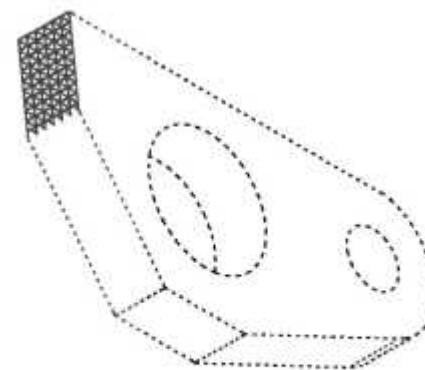
L40 259 George St Sydney NSW 2000 Australia

- (72) Name(s) of Designer(s): **Lawrence O'Toole**

- (45) Registration Date: **18 March 2015**

- (56) Related Art Documents: **Not Applicable**

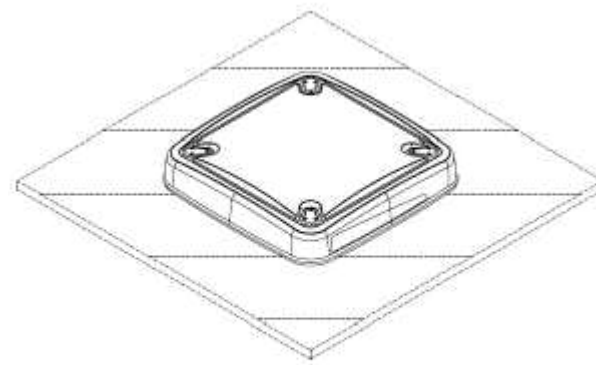
- (57) Statement of Newness and Distinctiveness: **Newness and distinctiveness resides in the visual features, including shape, configuration and pattern, of a surface of a JAW as shown in solid outline in the accompanying drawings. When determining whether the design is substantially similar in overall impression to another design, no regard is to be had to those features shown in dotted outline in the accompanying drawings, which features are provided for illustrative purposes only.**



- (21) Design Number: **10777/2015**
(22) Date of Filing Application: **12 February 2015**
(24) Date from which industrial property rights may have effect: **12 February 2015**
(54) Product in respect of which the design is registered: **A tyre**
(51) International Design Classification: **12-15A**
(74) Name(s) of Attorney(s): **WATERMARK PATENT AND TRADE MARKS ATTORNEYS**
(71) Name(s) and Address(s) of Applicant(s):
COMPAGNIE GENERALE DES ETABLISSEMENTS MICHELIN
12 cours Sablon Clermont-Ferrand 63000 France
Michelin Recherche et Technique, S.A.
Route Lous-Braille 10, Granges-Paccot 1763 Switzerland
(72) Name(s) of Designer(s): **Juan-Pablo Gallego and Jason Zychiewicz and Joseph Nicholas Brown IV and Michael Don Taylor**
(45) Registration Date: **18 March 2015**
(30) Convention priority data:
(31) Number (32) Date (33) Country
29/501,493 04 Sep 2014 UNITED STATES OF AMERICA
(56) Related Art Documents: **Not Applicable**
(57) Statement of Newness and Distinctiveness: **Newness and distinctiveness resides in the appearance of the tread region of the tyre, the remainder of the tyre forms no part of the design.**



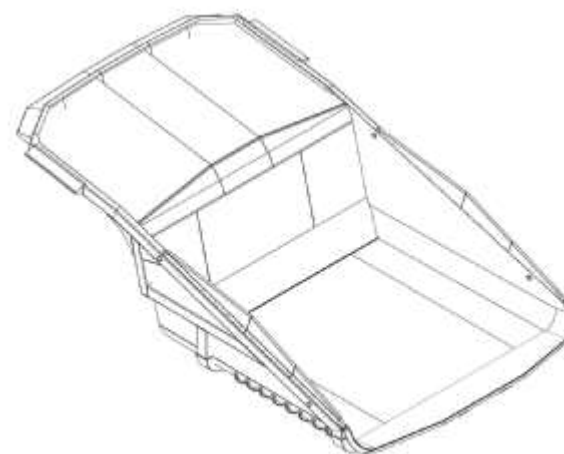
- (21) Design Number: **10778/2015**
(22) Date of Filing Application: **12 February 2015**
(24) Date from which industrial property rights may have effect: **12 February 2015**
(54) Product in respect of which the design is registered: **Roof hatch**
(51) International Design Classification: **12-16NES**
(74) Name(s) of Attorney(s): **Macpherson + Kelley**
(71) Name(s) and Address(s) of Applicant(s):
Camec Pty Ltd
47-63 Remington Dr Dandenong South VIC 3175 Australia
(72) Name(s) of Designer(s): **Graham Clark and Stuart Boyle**
(45) Registration Date: **18 March 2015**
(56) Related Art Documents: **Not Applicable**
(57) Statement of Newness and Distinctiveness: **Newness and distinctiveness resides in the features of shape and/or configuration of a roof hatch as illustrated in continuous lines in the accompanying representations.**



- (21) Design Number: **10775/2015**
(22) Date of Filing Application: **12 February 2015**
(24) Date from which industrial property rights may have effect: **12 February 2015**
(54) Product in respect of which the design is registered: **A tyre**
(51) International Design Classification: **12-15B**
(74) Name(s) of Attorney(s): **WATERMARK PATENT AND TRADE MARKS ATTORNEYS**
(71) Name(s) and Address(s) of Applicant(s):
COMPAGNIE GENERALE DES ETABLISSEMENTS MICHELIN
12 cours Sablon Clermont-Ferrand 63000 France
Michelin Recherche et Technique, S.A.
Route Lous-Braille 10, Granges-Paccot 1763 Switzerland
(72) Name(s) of Designer(s): **Juan-Pablo Gallego and Jason Zychiewicz and Joseph Nicholas Brown IV and Michael Don Taylor**
(45) Registration Date: **18 March 2015**
(30) Convention priority data:
(31) Number (32) Date (33) Country
29/501,448 04 Sep 2014 UNITED STATES OF AMERICA
(56) Related Art Documents: **Not Applicable**
(57) Statement of Newness and Distinctiveness: **Newness and distinctiveness resides in the appearance of the tread region of the tyre, the remainder of the tyre forms no part of the design.**



- (21) Design Number: **10779/2015**
(22) Date of Filing Application: **12 February 2015**
(24) Date from which industrial property rights may have effect: **12 February 2015**
(54) Product in respect of which the design is registered: **A truck body**
(51) International Design Classification: **12-08**
(74) Name(s) of Attorney(s): **Pegasus IP**
(71) Name(s) and Address(s) of Applicant(s):
Taurus Mining Solutions Pty Ltd
165-167 Boundary Rd E Paget QLD 4740 Australia
(72) Name(s) of Designer(s): **Richard Annetts**
(45) Registration Date: **18 March 2015**
(56) Related Art Documents: **Not Applicable**
(57) Statement of Newness and Distinctiveness: **Newness and distinctiveness resides in the shape and/or configuration of the truck body as depicted in the illustrations accompanying the application.**



(21) Design Number: **10780/2015**
(22) Date of Filing Application: **12 February 2015**
(24) Date from which industrial property rights may have effect: **12 February 2015**
(54) Product in respect of which the design is registered: **Camera harness**
(51) International Design Classification: **16-05**
(74) Name(s) of Attorney(s): **James & Wells**
(71) Name(s) and Address(s) of Applicant(s):

Matthew Swaggart
5808 E. 76th Place Tulsa Oklahoma, 74136 United States of America

(72) Name(s) of Designer(s): **Matthew Swaggart**

(45) Registration Date: **18 March 2015**

(30) Convention priority data:

(31) Number	(32) Date	(33) Country
29/517,204	11 Feb 2015	UNITED STATES OF AMERICA

(56) Related Art Documents: **Not Applicable**

(57) Statement of Newness and Distinctiveness: **The design is to be applied to a Camera Harness and the novelty resides in features of shape and configuration, all as shown in the accompanying representations. The portions of the representations in dashed lines are not part of the design in which protection is sought.**



(21) Design Number: **10117/2015**
(22) Date of Filing Application: **12 January 2015**
(24) Date from which industrial property rights may have effect: **12 January 2015**
(54) Product in respect of which the design is registered: **Bumper for supporting a percutaneous tubing system**
(51) International Design Classification: **24-04**
(74) Name(s) of Attorney(s): **Spruson & Ferguson**
(71) Name(s) and Address(s) of Applicant(s):

AbbVie Inc.
1 North Waukegan Road, North Chicago Illinois, 60064 United States of America

(72) Name(s) of Designer(s): **Kellan William Babbs and Nolan Harrington Baird III and Wayne Philip Klingler and Thomas Joseph Huemann and Thomas Paul Grazier and Charles Michael Galitz and Michael Honsing Lau and Antonio Juan Belton and Daniel Joseph Greene**

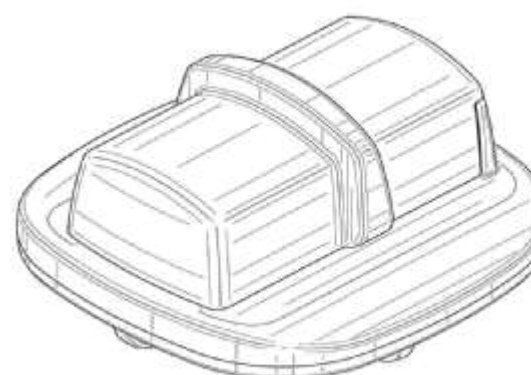
(45) Registration Date: **19 March 2015**

(30) Convention priority data:

(31) Number	(32) Date	(33) Country
29/496265	10 Jul 2014	UNITED STATES OF AMERICA

(56) Related Art Documents: **Not Applicable**

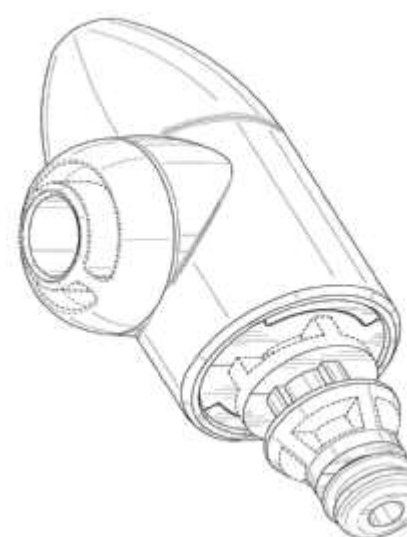
(57) Statement of Newness and Distinctiveness: **Newness and distinctiveness is claimed in the features of shape and/or configuration of a bumper as illustrated in the accompanying representations.**



- (21) Design Number: **10119/2015**
(22) Date of Filing Application: **12 January 2015**
(24) Date from which industrial property rights may have effect: **12 January 2015**
(54) Product in respect of which the design is registered: **Connector**
(51) International Design Classification: **24-04**
(74) Name(s) of Attorney(s): **Spruson & Ferguson**
(71) Name(s) and Address(s) of Applicant(s):
AbbVie Inc.
1 North Waukegan Road, North Chicago Illinois, 60064 United States of America
(72) Name(s) of Designer(s): **Kellan William Babbs and Nolan Harrington Baird III and Wayne Philip Klingler and Thomas Joseph Huemann and Thomas Paul Grazier and Charles Michael Galitz and Keith Aaron Grider and Michael Honsing Lau and Antonio Juan Belton**
(45) Registration Date: **19 March 2015**
(30) Convention priority data:
(31) Number (32) Date (33) Country
29/496269 10 Jul 2014 UNITED STATES OF AMERICA
(56) Related Art Documents: **Not Applicable**
(57) Statement of Newness and Distinctiveness: **Newness and distinctiveness is claimed in those features of shape and/or configuration of a connector as illustrated in continuous lines in the accompanying representations.**



- (21) Design Number: **10121/2015**
(22) Date of Filing Application: **12 January 2015**
(24) Date from which industrial property rights may have effect: **12 January 2015**
(54) Product in respect of which the design is registered: **Connector**
(51) International Design Classification: **24-04**
(74) Name(s) of Attorney(s): **Spruson & Ferguson**
(71) Name(s) and Address(s) of Applicant(s):
AbbVie Inc.
1 North Waukegan Road, North Chicago Illinois, 60064 United States of America
(72) Name(s) of Designer(s): **Kellan William Babbs and Nolan Harrington Baird III and Wayne Philip Klingler and Thomas Joseph Huemann and Thomas Paul Grazier and Charles Michael Galitz and Keith Aaron Grider and Michael Honsing Lau and Antonio Juan Belton**
(45) Registration Date: **19 March 2015**
(30) Convention priority data:
(31) Number (32) Date (33) Country
29/496268 10 Jul 2014 UNITED STATES OF AMERICA
(56) Related Art Documents: **Not Applicable**
(57) Statement of Newness and Distinctiveness: **Newness and distinctiveness is claimed in those features of shape and/or configuration of a connector as illustrated in continuous lines in the accompanying representations.**



(21) Design Number: **10175/2015**
(22) Date of Filing Application: **14 January 2015**
(24) Date from which industrial property rights may have effect: **14 January 2015**
(54) Product in respect of which the design is registered: **Cleaner**
(51) International Design Classification: **15-05**
(74) Name(s) of Attorney(s): **Davies Collison Cave**
(71) Name(s) and Address(s) of Applicant(s):
Thane International, Inc.
2321 Rosecrans Avenue, Suite 4210 El Segundo California, 90245-0916
United States of America
(72) Name(s) of Designer(s): **Jelenko Piksa and Sladjana Tukulj and Adam Kattan and Corey Werimier**
(45) Registration Date: **19 March 2015**
(30) Convention priority data:
(31) Number (32) Date (33) Country
002583930 24 Nov 2014 OFFICE FOR HARMONISATION IN THE INTERNAL MARKET (OHIM)
(56) Related Art Documents: **Not Applicable**
(57) Statement of Newness and Distinctiveness: **Nil**



(21) Design Number: **10176/2015**
(22) Date of Filing Application: **14 January 2015**
(24) Date from which industrial property rights may have effect: **14 January 2015**
(54) Product in respect of which the design is registered: **Steam mop**
(51) International Design Classification: **15-05**
(74) Name(s) of Attorney(s): **Davies Collison Cave**
(71) Name(s) and Address(s) of Applicant(s):
Thane International, Inc.
2321 Rosecrans Avenue, Suite 4210 El Segundo California, 90245-0916
United States of America
(72) Name(s) of Designer(s): **Jelenko Piksa and Sladjana Tukulj and Adam Kattan and Corey Werimier**
(45) Registration Date: **19 March 2015**
(30) Convention priority data:
(31) Number (32) Date (33) Country
002570804 04 Nov 2014 OFFICE FOR HARMONISATION IN THE INTERNAL MARKET (OHIM)
(56) Related Art Documents: **Not Applicable**
(57) Statement of Newness and Distinctiveness: **Nil**



(21) Design Number: **10180/2015**
(22) Date of Filing Application: **14 January 2015**
(24) Date from which industrial property rights may have effect: **14 January 2015**
(54) Product in respect of which the design is registered: **Component for a steam mop**
(51) International Design Classification: **15-05**
(74) Name(s) of Attorney(s): **Davies Collison Cave**
(71) Name(s) and Address(s) of Applicant(s):
Thane International, Inc.
2321 Rosecrans Avenue Suite 4210 El Segundo California 90245-0916
United States of America
(72) Name(s) of Designer(s): **Jelenko Piksa and Sladjana Tukulj and Adam Kattan and Corey Werimier**
(45) Registration Date: **19 March 2015**
(30) Convention priority data:
(31) Number (32) Date (33) Country
002570804 04 Nov 2014 OFFICE FOR HARMONISATION IN THE INTERNAL MARKET (OHIM)
(56) Related Art Documents: **Not Applicable**
(57) Statement of Newness and Distinctiveness: **Nil**



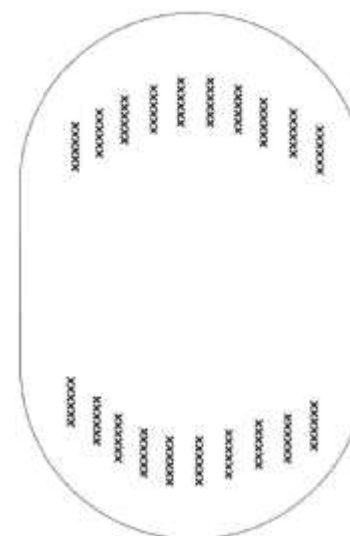
(21) Design Number: **10186/2015**
(22) Date of Filing Application: **14 January 2015**
(24) Date from which industrial property rights may have effect: **14 January 2015**
(54) Product in respect of which the design is registered: **Steam cleaner**
(51) International Design Classification: **15-05**
(74) Name(s) of Attorney(s): **Davies Collison Cave**
(71) Name(s) and Address(s) of Applicant(s):
Thane International, Inc.
2321 Rosecrans Avenue Suite 4210 El Segundo California 90245-0916
United States of America
(72) Name(s) of Designer(s): **Jelenko Piksa and Sladjana Tukulj and Adam Kattan and Corey Werimier**
(45) Registration Date: **19 March 2015**
(30) Convention priority data:
(31) Number (32) Date (33) Country
002570804 04 Nov 2014 OFFICE FOR HARMONISATION IN THE INTERNAL MARKET (OHIM)
(56) Related Art Documents: **Not Applicable**
(57) Statement of Newness and Distinctiveness: **Nil**



- (21) Design Number: **10357/2015**
(22) Date of Filing Application: **23 January 2015**
(24) Date from which industrial property rights may have effect: **11 April 2014**
(54) Product in respect of which the design is registered: **Basket for a shopping cart**
(51) International Design Classification: **12-02**
(74) Name(s) of Attorney(s): **Griffith Hack**
(71) Name(s) and Address(s) of Applicant(s):
BEMIS MANUFACTURING COMPANY
300 Mill Street Sheboygan Falls Wisconsin, 53085 United States of America
(72) Name(s) of Designer(s): **Richard Stauff and Gary Vande Berg and Roy Watson**
(45) Registration Date: **19 March 2015**
(62) Divisional of: **360275**
(56) Related Art Documents: **Not Applicable**
(57) Statement of Newness and Distinctiveness: **Newness and distinctiveness resides in the visual features, including the shape and configuration of the product shown by means of the solid lines in the representations.**



- (21) Design Number: **10417/2015**
(22) Date of Filing Application: **28 January 2015**
(24) Date from which industrial property rights may have effect: **28 January 2015**
(54) Product in respect of which the design is registered: **A placemat**
(51) International Design Classification: **06-13A**
(74) Name(s) of Attorney(s): **Raven IP**
(71) Name(s) and Address(s) of Applicant(s):
Matthew John Manns
67 Nerang River Dr Nerang QLD 4211 Australia
(72) Name(s) of Designer(s): **Matthew John Manns**
(45) Registration Date: **19 March 2015**
(56) Related Art Documents: **Not Applicable**
(57) Statement of Newness and Distinctiveness: **Newness and distinctiveness reside in the features of pattern and/or ornamentation of a placemat and the placement of a sequence of formulas on the placemat. The specific formula and text illustrated in the representations of the design are exemplary only.**



- (21) Design Number: **10664/2015**
(22) Date of Filing Application: **10 February 2015**
(24) Date from which industrial property rights may have effect: **10 February 2015**
(54) Product in respect of which the design is registered: **Band**
(51) International Design Classification: **10-07**
(74) Name(s) of Attorney(s): **Freehills Patent Attorneys**
(71) Name(s) and Address(s) of Applicant(s):

Apple Inc.
1 Infinite Loop Cupertino California, 95014 United States of America

- (72) Name(s) of Designer(s): **Jody Akana and Bartley K. Andre and Shota Aoyagi and Anthony Michael Ashcroft and Jeremy Bataillou and Daniel J. Coster and Daniele De Iuliis and M. Evans Hankey and Julian Hoenig and Richard P. Howarth and Jonathan P. Ive and Duncan Robert Kerr and Marc A. Newson and Matthew Dean Rohrbach and Peter Russell-Clarke and Benjamin Andrew Shaffer and Mikael Silvanto and Christopher J. Stringer and Eugene Antony Whang and Rico Zorkendorfer**

- (45) Registration Date: **19 March 2015**

- (30) Convention priority data:

(31) Number	(32) Date	(33) Country
29/498996	11 Aug 2014	UNITED STATES OF AMERICA

- (56) Related Art Documents: **Not Applicable**

- (57) Statement of Newness and Distinctiveness: **Newness and distinctiveness resides in the features of shape and configuration shown in the accompanying representations.**



- (21) Design Number: **10665/2015**
(22) Date of Filing Application: **10 February 2015**
(24) Date from which industrial property rights may have effect: **10 February 2015**
(54) Product in respect of which the design is registered: **Band**
(51) International Design Classification: **10-07**
(74) Name(s) of Attorney(s): **Freehills Patent Attorneys**
(71) Name(s) and Address(s) of Applicant(s):

Apple Inc.
1 Infinite Loop Cupertino California, 95014 United States of America

- (72) Name(s) of Designer(s): **Jody Akana and Bartley K. Andre and Shota Aoyagi and Anthony Michael Ashcroft and Jeremy Bataillou and Daniel J. Coster and Daniele De Iuliis and M. Evans Hankey and Julian Hoenig and Richard P. Howarth and Jonathan P. Ive and Duncan Robert Kerr and Marc A. Newson and Matthew Dean Rohrbach and Peter Russell-Clarke and Benjamin Andrew Shaffer and Mikael Silvanto and Christopher J. Stringer and Eugene Antony Whang and Rico Zorkendorfer**

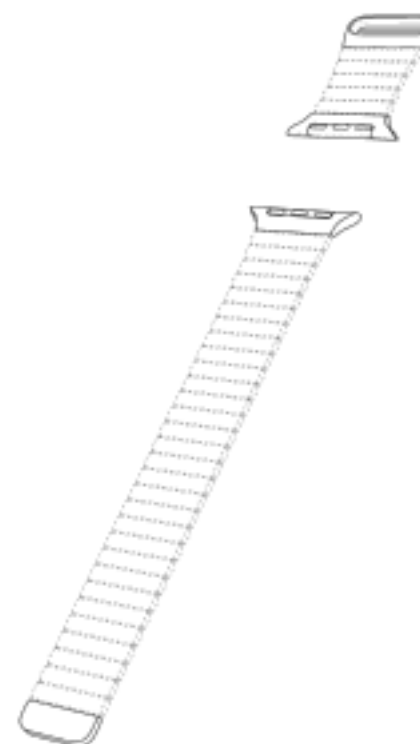
- (45) Registration Date: **19 March 2015**

- (30) Convention priority data:

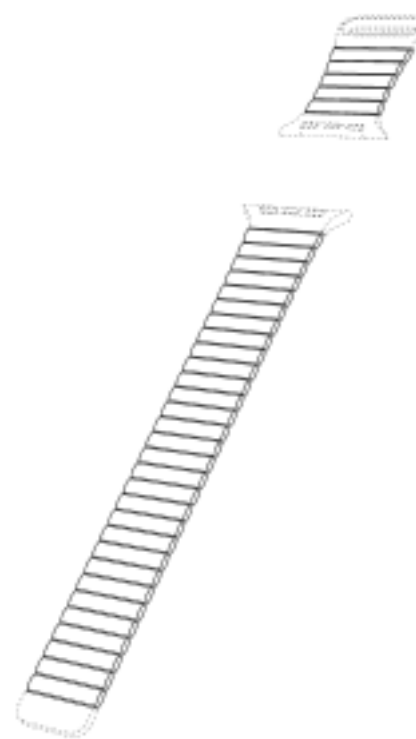
(31) Number	(32) Date	(33) Country
29/498996	11 Aug 2014	UNITED STATES OF AMERICA

- (56) Related Art Documents: **Not Applicable**

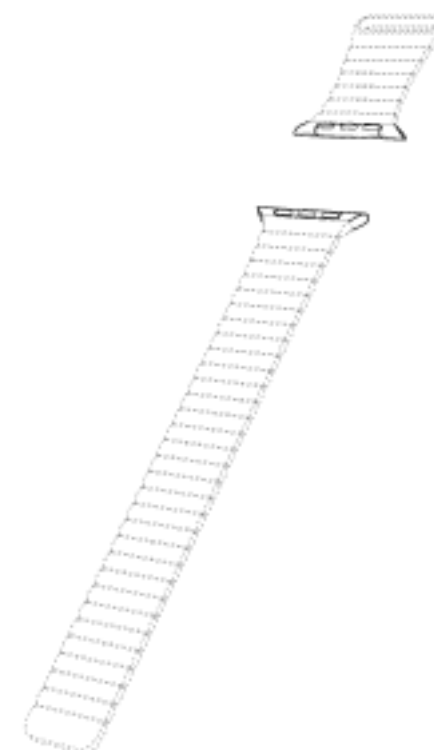
- (57) Statement of Newness and Distinctiveness: **Newness and distinctiveness resides in the features of shape and configuration shown in solid outline in the accompanying representations.**



- (21) Design Number: **10666/2015**
(22) Date of Filing Application: **10 February 2015**
(24) Date from which industrial property rights may have effect: **10 February 2015**
(54) Product in respect of which the design is registered: **Band**
(51) International Design Classification: **10-07**
(74) Name(s) of Attorney(s): **Freehills Patent Attorneys**
(71) Name(s) and Address(s) of Applicant(s):
Apple Inc.
1 Infinite Loop Cupertino California, 95014 United States of America
(72) Name(s) of Designer(s): **Jody Akana and Bartley K. Andre and Shota Aoyagi and Anthony Michael Ashcroft and Jeremy Bataillou and Daniel J. Coster and Daniele De Iuliis and M. Evans Hankey and Julian Hoenig and Richard P. Howarth and Jonathan P. Ive and Duncan Robert Kerr and Marc A. Newson and Matthew Dean Rohrbach and Peter Russell-Clarke and Benjamin Andrew Shaffer and Mikael Silvanto and Christopher J. Stringer and Eugene Antony Whang and Rico Zorkendorfer**
(45) Registration Date: **19 March 2015**
(30) Convention priority data:
(31) Number (32) Date (33) Country
29/498996 11 Aug 2014 UNITED STATES OF AMERICA
(56) Related Art Documents: **Not Applicable**
(57) Statement of Newness and Distinctiveness: **Newness and distinctiveness resides in the features of shape and configuration shown in solid outline in the accompanying representations.**



- (21) Design Number: **10667/2015**
(22) Date of Filing Application: **10 February 2015**
(24) Date from which industrial property rights may have effect: **10 February 2015**
(54) Product in respect of which the design is registered: **Band**
(51) International Design Classification: **10-07**
(74) Name(s) of Attorney(s): **Freehills Patent Attorneys**
(71) Name(s) and Address(s) of Applicant(s):
Apple Inc.
1 Infinite Loop Cupertino California, 95014 United States of America
(72) Name(s) of Designer(s): **Jody Akana and Bartley K. Andre and Shota Aoyagi and Anthony Michael Ashcroft and Jeremy Bataillou and Daniel J. Coster and Daniele De Iuliis and M. Evans Hankey and Julian Hoenig and Richard P. Howarth and Jonathan P. Ive and Duncan Robert Kerr and Marc A. Newson and Matthew Dean Rohrbach and Peter Russell-Clarke and Benjamin Andrew Shaffer and Mikael Silvanto and Christopher J. Stringer and Eugene Antony Whang and Rico Zorkendorfer**
(45) Registration Date: **19 March 2015**
(30) Convention priority data:
(31) Number (32) Date (33) Country
29/498996 11 Aug 2014 UNITED STATES OF AMERICA
(56) Related Art Documents: **Not Applicable**
(57) Statement of Newness and Distinctiveness: **Newness and distinctiveness resides in the features of shape and configuration of the portions shown in solid outline in the accompanying representations.**



- (21) Design Number: **10669/2015**
(22) Date of Filing Application: **10 February 2015**
(24) Date from which industrial property rights may have effect: **10 February 2015**
(54) Product in respect of which the design is registered: **Band**
(51) International Design Classification: **10-07**
(74) Name(s) of Attorney(s): **Freehills Patent Attorneys**
(71) Name(s) and Address(s) of Applicant(s):

Apple Inc.
1 Infinite Loop Cupertino California, 95014 United States of America

- (72) Name(s) of Designer(s): **Jody Akana and Bartley K. Andre and Shota Aoyagi and Anthony Michael Ashcroft and Jeremy Bataillou and Daniel J. Coster and Daniele De Iuliis and M. Evans Hankey and Julian Hoenig and Richard P. Howarth and Jonathan P. Ive and Duncan Robert Kerr and Marc A. Newson and Matthew Dean Rohrbach and Peter Russell-Clarke and Benjamin Andrew Shaffer and Mikael Silvanto and Christopher J. Stringer and Eugene Antony Whang and Rico Zorkendorfer**

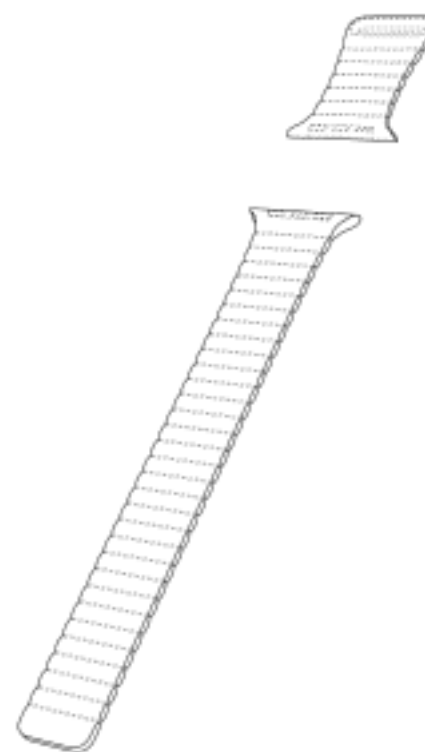
- (45) Registration Date: **19 March 2015**

- (30) Convention priority data:

(31) Number	(32) Date	(33) Country
29/498996	11 Aug 2014	UNITED STATES OF AMERICA

- (56) Related Art Documents: **Not Applicable**

- (57) Statement of Newness and Distinctiveness: **Newness and distinctiveness resides in the features of shape and configuration shown in solid outline in the accompanying representations.**



- (21) Design Number: **10786/2015**
(22) Date of Filing Application: **12 February 2015**
(24) Date from which industrial property rights may have effect: **12 February 2015**
(54) Product in respect of which the design is registered: **Structural purlin clamp**
(51) International Design Classification: **08-08D**
(74) Name(s) of Attorney(s): **Freehills Patent Attorneys**
(71) Name(s) and Address(s) of Applicant(s):

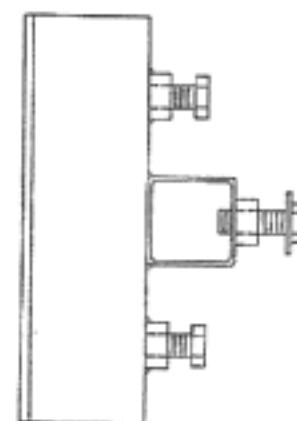
Temporary Edge Protection Pty Limited
153 Sixth Ave Llandilo NSW 2747 Australia

- (72) Name(s) of Designer(s): **Darren Richard Law**

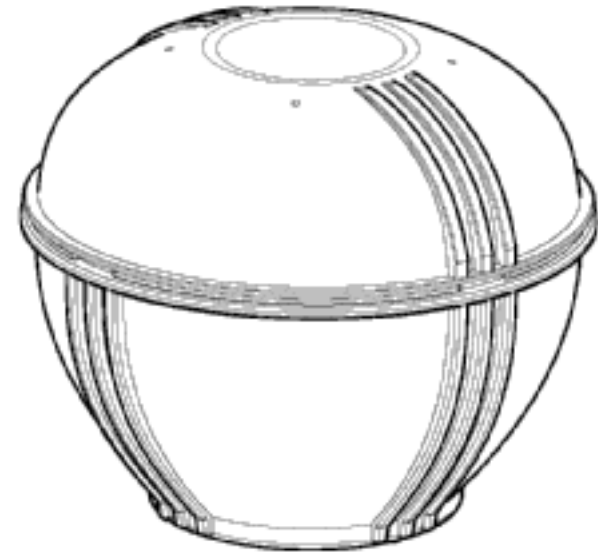
- (45) Registration Date: **19 March 2015**

- (56) Related Art Documents: **Not Applicable**

- (57) Statement of Newness and Distinctiveness: **Newness and distinctiveness of the design resides in the shape and configuration of the structural purlin clamp as shown in the accompanying representations.**



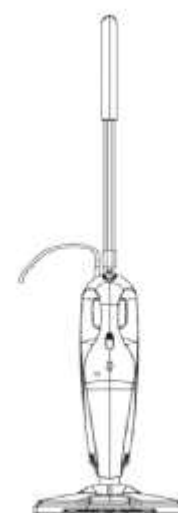
- (21) Design Number: **10787/2015**
(22) Date of Filing Application: **12 February 2015**
(24) Date from which industrial property rights may have effect: **12 February 2015**
(54) Product in respect of which the design is registered: **A cooking vessel**
(51) International Design Classification: **07-02N**
(74) Name(s) of Attorney(s): **Freehills Patent Attorneys**
(71) Name(s) and Address(s) of Applicant(s):
Funtastic Limited
L2 Tower 2 Chadstone PI 1341 Dandenong Rd Chadstone VIC 3148
Australia
(72) Name(s) of Designer(s): **Man Piu Billy Yip and Jose Antonio Esteban**
Bautista and Luis Llorens Chanza
(45) Registration Date: **19 March 2015**
(56) Related Art Documents: **Not Applicable**
(57) Statement of Newness and Distinctiveness: **Newness and distinctiveness**
resides in the features of shape and configuration of the cooking vessel
as shown in the representations



- (21) Design Number: **10788/2015**
(22) Date of Filing Application: **12 February 2015**
(24) Date from which industrial property rights may have effect: **12 February 2015**
(54) Product in respect of which the design is registered: **A cooking vessel**
(51) International Design Classification: **07-02N**
(74) Name(s) of Attorney(s): **Freehills Patent Attorneys**
(71) Name(s) and Address(s) of Applicant(s):
Funtastic Limited
L2 Tower 2 Chadstone PI 1341 Dandenong Rd Chadstone VIC 3148
Australia
(72) Name(s) of Designer(s): **Man Piu Billy Yip and Jose Antonio Esteban**
Bautista and Luis Llorens Chanza
(45) Registration Date: **19 March 2015**
(56) Related Art Documents: **Not Applicable**
(57) Statement of Newness and Distinctiveness: **Newness and distinctiveness**
resides in the features of shape and configuration of the cooking vessel
as shown in solid lines in the representations



(21) Design Number: **10166/2015**
(22) Date of Filing Application: **14 January 2015**
(24) Date from which industrial property rights may have effect: **14 January 2015**
(54) Product in respect of which the design is registered: **Cleaner**
(51) International Design Classification: **15-05**
(74) Name(s) of Attorney(s): **Davies Collison Cave**
(71) Name(s) and Address(s) of Applicant(s):
Thane International, Inc.
2321 Rosecrans Avenue, Suite 4210 El Segundo California, 90245-0916
United States of America
(72) Name(s) of Designer(s): **Jelenko Piksa and Sladjana Tukulj and Adam Kattan and Corey Werimier**
(45) Registration Date: **19 March 2015**
(30) Convention priority data:
(31) Number (32) Date (33) Country
002583930 24 Nov 2014 OFFICE FOR HARMONISATION IN THE INTERNAL MARKET (OHIM)
(56) Related Art Documents: **Not Applicable**
(57) Statement of Newness and Distinctiveness: **Nil**



(21) Design Number: **10170/2015**
(22) Date of Filing Application: **14 January 2015**
(24) Date from which industrial property rights may have effect: **14 January 2015**
(54) Product in respect of which the design is registered: **Cleaner**
(51) International Design Classification: **15-05**
(74) Name(s) of Attorney(s): **Davies Collison Cave**
(71) Name(s) and Address(s) of Applicant(s):
Thane International, Inc.
2321 Rosecrans Avenue, Suite 4210 El Segundo California, 90245-0916
United States of America
(72) Name(s) of Designer(s): **Jelenko Piksa and Sladjana Tukulj and Adam Kattan and Corey Werimier**
(45) Registration Date: **19 March 2015**
(30) Convention priority data:
(31) Number (32) Date (33) Country
002583930 24 Nov 2014 OFFICE FOR HARMONISATION IN THE INTERNAL MARKET (OHIM)
(56) Related Art Documents: **Not Applicable**
(57) Statement of Newness and Distinctiveness: **Nil**



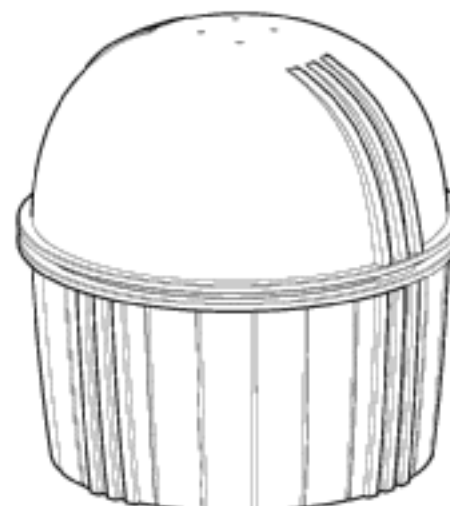
(21) Design Number: **10171/2015**
(22) Date of Filing Application: **14 January 2015**
(24) Date from which industrial property rights may have effect: **14 January 2015**
(54) Product in respect of which the design is registered: **Cleaner component**
(51) International Design Classification: **15-05**
(74) Name(s) of Attorney(s): **Davies Collison Cave**
(71) Name(s) and Address(s) of Applicant(s):
Thane International, Inc.
2321 Rosecrans Avenue, Suite 4210 El Segundo California, 90245-0916
United States of America
(72) Name(s) of Designer(s): **Jelenko Piksa and Sladjana Tukulj and Adam Kattan and Corey Werimier**
(45) Registration Date: **19 March 2015**
(30) Convention priority data:
(31) Number (32) Date (33) Country
002583930 24 Nov 2014 OFFICE FOR HARMONISATION IN THE INTERNAL MARKET (OHIM)
(56) Related Art Documents: **Not Applicable**
(57) Statement of Newness and Distinctiveness: **Nil**



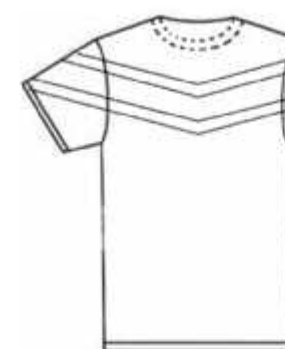
(21) Design Number: **10789/2015**
(22) Date of Filing Application: **12 February 2015**
(24) Date from which industrial property rights may have effect: **12 February 2015**
(54) Product in respect of which the design is registered: **A tyre**
(51) International Design Classification: **12-15B**
(74) Name(s) of Attorney(s): **WATERMARK PATENT AND TRADE MARKS ATTORNEYS**
(71) Name(s) and Address(s) of Applicant(s):
Compagnie Generale Des Establisements Michelin
12 cours Sablon Clermont-Ferrand 63000 France
Michelin Recherche et Technique, S.A.
Route Lous-Braille 10, Granges-Paccot 1763 Switzerland
(72) Name(s) of Designer(s): **Juan-Pablo Gallego and Jason Zychiewicz and Joseph Nicholas Brown IV and Michael Don Taylor**
(45) Registration Date: **19 March 2015**
(30) Convention priority data:
(31) Number (32) Date (33) Country
29/501,488 04 Sep 2014 UNITED STATES OF AMERICA
(56) Related Art Documents: **Not Applicable**
(57) Statement of Newness and Distinctiveness: **Newness and distinctiveness resides in the appearance of the tread region of the tyre, the remainder of the tyre forms no part of the design.**



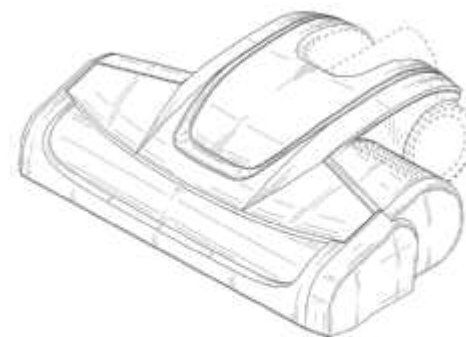
- (21) Design Number: **10790/2015**
(22) Date of Filing Application: **12 February 2015**
(24) Date from which industrial property rights may have effect: **12 February 2015**
(54) Product in respect of which the design is registered: **A cooking vessel**
(51) International Design Classification: **07-02N**
(74) Name(s) of Attorney(s): **Freehills Patent Attorneys**
(71) Name(s) and Address(s) of Applicant(s):
Funtastic Limited
L2 Tower 2 Chadstone PI 1341 Dandenong Rd Chadstone VIC 3148
Australia
(72) Name(s) of Designer(s): **Man Piu Billy Yip and Jose Antonio Esteban**
Bautista and Luis Llorens Chanza
(45) Registration Date: **19 March 2015**
(56) Related Art Documents: **Not Applicable**
(57) Statement of Newness and Distinctiveness: **Newness and distinctiveness**
resides in the features of shape and configuration of the cooking vessel
as shown in the representations



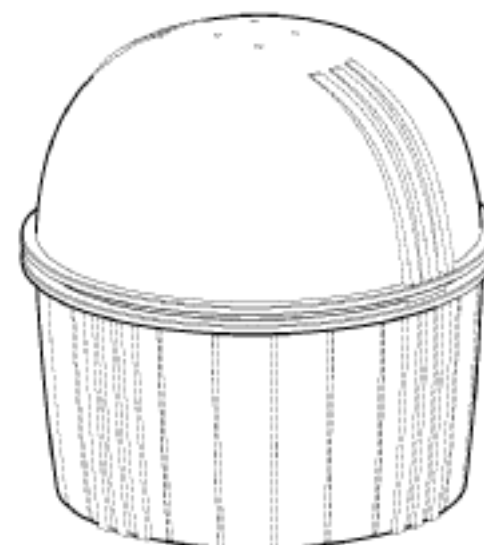
- (21) Design Number: **10794/2015**
(22) Date of Filing Application: **13 February 2015**
(24) Date from which industrial property rights may have effect: **13 February 2015**
(54) Product in respect of which the design is registered: **Football jersey**
(51) International Design Classification: **02-02NES**
(74) Name(s) of Attorney(s): **Baxter Patent Attorneys Pty Ltd**
(71) Name(s) and Address(s) of Applicant(s):
Trevor Raine
148 Bulli Rd Constitution Hill NSW 2145 Australia
(72) Name(s) of Designer(s): **Trevor Raine**
(45) Registration Date: **19 March 2015**
(56) Related Art Documents: **Not Applicable**
(57) Statement of Newness and Distinctiveness: **Newness and distinctiveness is**
claimed in the features of shape and/or configuration of a football jersey
as illustrated in continuous lines in the accompanying representations,
including the mirror image of the representations, with the exception
of pattern or ornamentation on the jersey (e.g. as indicated in broken
lines), and also with the exception of the shape and/or configuration of
the neckline of the jersey.



(21) Design Number: **10796/2015**
(22) Date of Filing Application: **13 February 2015**
(24) Date from which industrial property rights may have effect: **13 February 2015**
(54) Product in respect of which the design is registered: **Vacuum cleaner foot**
(51) International Design Classification: **15-05**
(74) Name(s) of Attorney(s): **Griffith Hack**
(71) Name(s) and Address(s) of Applicant(s):
BISSELL Homecare, Inc
2345 Walker Avenue N.W. Grand Rapids MI 49544 United States of America
(72) Name(s) of Designer(s): **Lawrence Chun-Hei Chu and Christopher John Reinke and Jing Yang**
(45) Registration Date: **19 March 2015**
(30) Convention priority data:
(31) Number (32) Date (33) Country
29/500,077 21 Aug 2014 UNITED STATES OF AMERICA
(56) Related Art Documents: **Not Applicable**
(57) Statement of Newness and Distinctiveness: **Newness and Distinctiveness resides in the visual features, including the shape and configuration of those parts of the product shown by means of solid lines in the representations.**



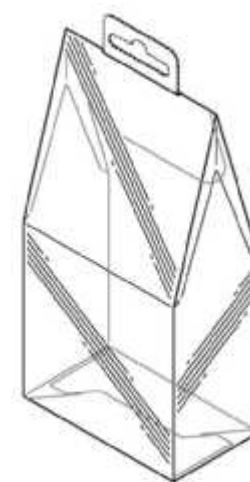
(21) Design Number: **10791/2015**
(22) Date of Filing Application: **12 February 2015**
(24) Date from which industrial property rights may have effect: **12 February 2015**
(54) Product in respect of which the design is registered: **A cooking vessel**
(51) International Design Classification: **07-02N**
(74) Name(s) of Attorney(s): **Freehills Patent Attorneys**
(71) Name(s) and Address(s) of Applicant(s):
Funtastic Limited
L2 Tower 2 Chadstone PI 1341 Dandenong Rd Chadstone VIC 3148 Australia
(72) Name(s) of Designer(s): **Man Piu Billy Yip and Jose Antonio Esteban Bautista and Luis Llorens Chanza**
(45) Registration Date: **19 March 2015**
(56) Related Art Documents: **Not Applicable**
(57) Statement of Newness and Distinctiveness: **Newness and distinctiveness resides in the features of shape and configuration of the cooking vessel as shown in solid lines in the representation**



(21) Design Number: **10797/2015**
(22) Date of Filing Application: **13 February 2015**
(24) Date from which industrial property rights may have effect: **13 February 2015**
(54) Product in respect of which the design is registered: **Seat**
(51) International Design Classification: **06-01F**
(74) Name(s) of Attorney(s): **Shelston IP**
(71) Name(s) and Address(s) of Applicant(s):
Jardin Netherlands B.V.
Ericssonstraat 17 Rijen 5121MK The Netherlands
(72) Name(s) of Designer(s): **Ayala Bougay**
(45) Registration Date: **19 March 2015**
(30) Convention priority data:
(31) Number (32) Date (33) Country
55924 17 Aug 2014 ISRAEL
(56) Related Art Documents: **Not Applicable**
(57) Statement of Newness and Distinctiveness: **Newness and distinctiveness reside in the features of shape and/or pattern and/or configuration of a SEAT as illustrated in the accompanying representations.**



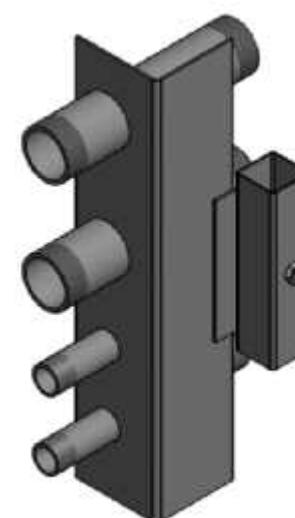
(21) Design Number: **10798/2015**
(22) Date of Filing Application: **13 February 2015**
(24) Date from which industrial property rights may have effect: **13 February 2015**
(54) Product in respect of which the design is registered: **Transparent package**
(51) International Design Classification: **09-03M**
(74) Name(s) of Attorney(s): **PHILLIPS ORMONDE FITZPATRICK**
(71) Name(s) and Address(s) of Applicant(s):
Illinois Tool Works Inc.
155 Harlem Avenue Glenview Illinois 60025 United States of America
(72) Name(s) of Designer(s): **Jaroy D Simmons**
(45) Registration Date: **19 March 2015**
(30) Convention priority data:
(31) Number (32) Date (33) Country
29/501,944 10 Sep 2014 UNITED STATES OF AMERICA
(56) Related Art Documents: **Not Applicable**
(57) Statement of Newness and Distinctiveness: **Those features of the transparent package depicted in the representations that are new and distinctive are the shape and/or configuration. The features shown in broken line are not part of the design and are to be disregarded when considering the overall impression of the design.**



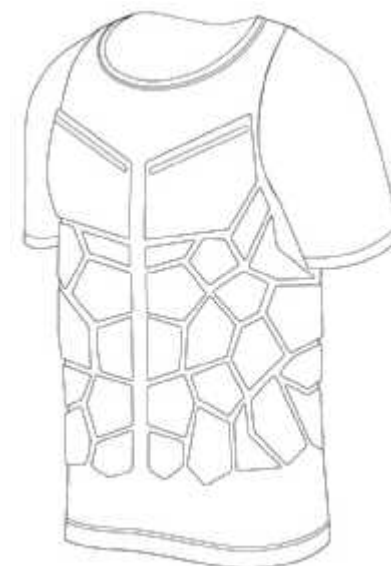
(21) Design Number: **10799/2015**
(22) Date of Filing Application: **13 February 2015**
(24) Date from which industrial property rights may have effect: **13 February 2015**
(54) Product in respect of which the design is registered: **Seat**
(51) International Design Classification: **06-01F**
(74) Name(s) of Attorney(s): **Shelston IP**
(71) Name(s) and Address(s) of Applicant(s):
Jardin Netherlands B.V.
Ericssonstraat 17 Rijen 5121MK The Netherlands
(72) Name(s) of Designer(s): **Ayala Bougay**
(45) Registration Date: **19 March 2015**
(30) Convention priority data:
(31) Number (32) Date (33) Country
55924 17 Aug 2014 ISRAEL
(56) Related Art Documents: **Not Applicable**
(57) Statement of Newness and Distinctiveness: **Newness and distinctiveness reside in the visual features of shape and/or pattern and/or configuration of a SEAT as illustrated in the accompanying representations.**



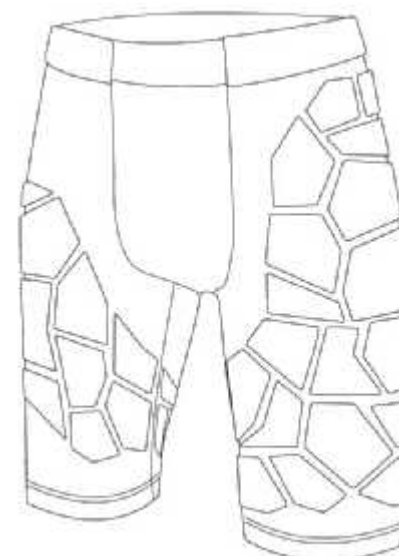
(21) Design Number: **10800/2015**
(22) Date of Filing Application: **13 February 2015**
(24) Date from which industrial property rights may have effect: **13 February 2015**
(54) Product in respect of which the design is registered: **Manifold**
(51) International Design Classification: **15-01**
(74) Name(s) of Attorney(s): **WATERMARK PATENT AND TRADE MARKS ATTORNEYS**
(71) Name(s) and Address(s) of Applicant(s):
OPL Mining
23 Dempster St West Wollongong NSW 2500 Australia
(72) Name(s) of Designer(s): **Robert Ganassin**
(45) Registration Date: **19 March 2015**
(56) Related Art Documents: **Not Applicable**
(57) Statement of Newness and Distinctiveness: **Newness and distinctiveness is claimed in the shape and/or configuration of a manifold as illustrated in the accompanying representations.**



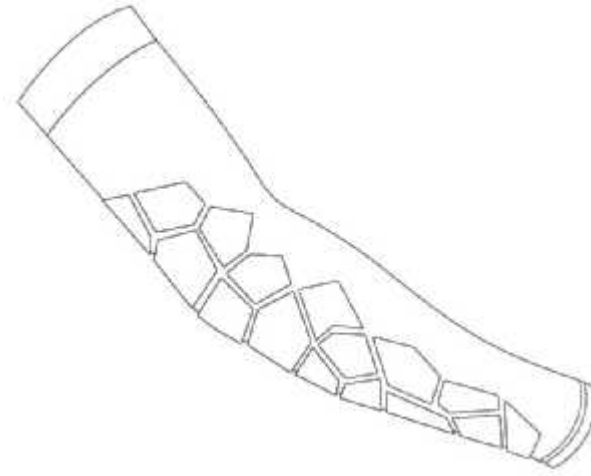
- (21) Design Number: **10803/2015**
(22) Date of Filing Application: **13 February 2015**
(24) Date from which industrial property rights may have effect: **13 February 2015**
(54) Product in respect of which the design is registered: **Sports top**
(51) International Design Classification: **02-02NES**
(74) Name(s) of Attorney(s):
(71) Name(s) and Address(s) of Applicant(s):
AURA CRICKET PTY LTD
6 Melrose Ave Malvern East VIC 3145 Australia
(72) Name(s) of Designer(s): **Stuart Bradley Oliver**
(45) Registration Date: **19 March 2015**
(56) Related Art Documents: **Not Applicable**
(57) Statement of Newness and Distinctiveness: **Newness and distinctiveness reside in the shape and/or configuration of a SPORTS SHIRT comprising of padding modules.**



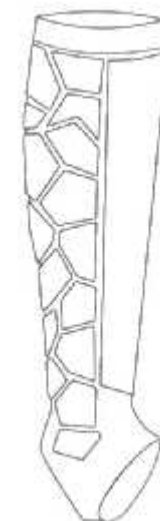
- (21) Design Number: **10804/2015**
(22) Date of Filing Application: **13 February 2015**
(24) Date from which industrial property rights may have effect: **13 February 2015**
(54) Product in respect of which the design is registered: **Sport thigh pant**
(51) International Design Classification: **02-02C**
(74) Name(s) of Attorney(s):
(71) Name(s) and Address(s) of Applicant(s):
AURA CRICKET PTY LTD
6 Melrose Ave Malvern East VIC 3145 Australia
(72) Name(s) of Designer(s): **Stuart Bradley Oliver**
(45) Registration Date: **19 March 2015**
(56) Related Art Documents: **Not Applicable**
(57) Statement of Newness and Distinctiveness: **Newness and distinctiveness reside in the shape and/or configuration of a SPORTS Thigh Pant comprising of padding modules.**



- (21) Design Number: **10805/2015**
(22) Date of Filing Application: **13 February 2015**
(24) Date from which industrial property rights may have effect: **13 February 2015**
(54) Product in respect of which the design is registered: **Sports arm sleeve**
(51) International Design Classification: **02-02NES**
(74) Name(s) of Attorney(s):
(71) Name(s) and Address(s) of Applicant(s):
AURA CRICKET PTY LTD
6 Melrose Ave Malvern East VIC 3145 Australia
(72) Name(s) of Designer(s): **Stuart Bradley Oliver**
(45) Registration Date: **19 March 2015**
(56) Related Art Documents: **Not Applicable**
(57) Statement of Newness and Distinctiveness: **Newness and distinctiveness reside in the shape and/or configuration of a SPORTS Arm Sleeve comprising of padding modules.**



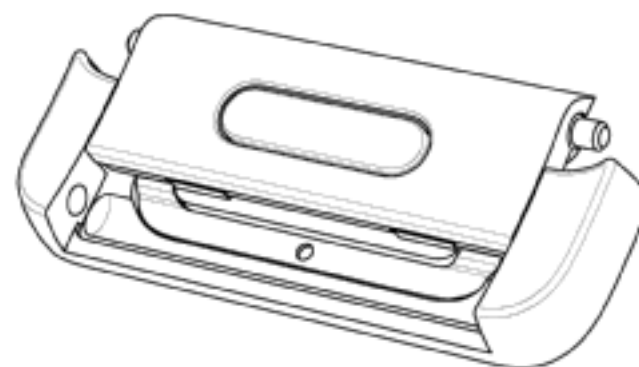
- (21) Design Number: **10806/2015**
(22) Date of Filing Application: **13 February 2015**
(24) Date from which industrial property rights may have effect: **13 February 2015**
(54) Product in respect of which the design is registered: **Sports leg sleeve for lower leg**
(51) International Design Classification: **02-04C**
(74) Name(s) of Attorney(s):
(71) Name(s) and Address(s) of Applicant(s):
AURA CRICKET PTY LTD
6 Melrose Ave Malvern East VIC 3145 Australia
(72) Name(s) of Designer(s): **Stuart Bradley Oliver**
(45) Registration Date: **19 March 2015**
(56) Related Art Documents: **Not Applicable**
(57) Statement of Newness and Distinctiveness: **Newness and distinctiveness reside in the shape and/or configuration of a SPORTS Leg Sleeve for the Lower Leg comprising of padding modules.**



(21) Design Number: **10810/2015**
(22) Date of Filing Application: **13 February 2015**
(24) Date from which industrial property rights may have effect: **13 February 2015**
(54) Product in respect of which the design is registered: **Bottle**
(51) International Design Classification: **09-01G**
(74) Name(s) of Attorney(s): **Freehills Patent Attorneys**
(71) Name(s) and Address(s) of Applicant(s):
Method Products, PBC
637 Commercial Street Suite 300 San Francisco California 94111 United States of America
(72) Name(s) of Designer(s): **Francis J Handy**
(45) Registration Date: **19 March 2015**
(30) Convention priority data:
(31) Number (32) Date (33) Country
29/499442 14 Aug 2014 UNITED STATES OF AMERICA
(56) Related Art Documents: **Not Applicable**
(57) Statement of Newness and Distinctiveness: **Newness and distinctiveness is shown in the features of shape and configuration as shown in solid lines in the accompanying representations.**



(21) Design Number: **10678/2015**
(22) Date of Filing Application: **10 February 2015**
(24) Date from which industrial property rights may have effect: **10 February 2015**
(54) Product in respect of which the design is registered: **Link for band**
(51) International Design Classification: **10-02**
(74) Name(s) of Attorney(s): **Freehills Patent Attorneys**
(71) Name(s) and Address(s) of Applicant(s):
Apple Inc.
1 Infinite Loop Cupertino California 95014 United States of America
(72) Name(s) of Designer(s): **Jody Akana and Bartley K. Andre and Shota Aoyagi and Anthony Michael Ashcroft and Jeremy Bataillou and Daniel J. Coster and M. Evans Hankey and Julian Hoenig and Richard P. Howarth and Jonathan P. Ive and Duncan Robert Kerr and Marc A. Newson and Matthew Dean Rohrbach and Peter Russell-Clarke and Benjamin Andrew Shaffer and Mikael Silvanto and Christopher J. Stringer and Eugene Antony Whang and Rico Zorkendorfer and Daniele De Iulii**
(45) Registration Date: **20 March 2015**
(30) Convention priority data:
(31) Number (32) Date (33) Country
29/498997 11 Aug 2014 UNITED STATES OF AMERICA
(56) Related Art Documents: **Not Applicable**
(57) Statement of Newness and Distinctiveness: **Newness and distinctiveness resides in the features of shape and configuration shown in the accompanying representations.**



- (21) Design Number: **10681/2015**
(22) Date of Filing Application: **10 February 2015**
(24) Date from which industrial property rights may have effect: **10 February 2015**
(54) Product in respect of which the design is registered: **Band**
(51) International Design Classification: **10-02**
(74) Name(s) of Attorney(s): **Freehills Patent Attorneys**
(71) Name(s) and Address(s) of Applicant(s):

Apple Inc.
1 Infinite Loop Cupertino California 95014 United States of America

- (72) Name(s) of Designer(s): **Jody Akana and Bartley K. Andre and Shota Aoyagi and Anthony Michael Ashcroft and Jeremy Bataillou and Daniel J. Coster and Daniele De Iuliis and M. Evans Hankey and Julian Hoenig and Richard P. Howarth and Jonathan P. Ive and Duncan Robert Kerr and Marc A. Newson and Matthew Dean Rohrbach and Peter Russell-Clarke and Benjamin Andrew Shaffer and Mikael Silvanto and Christopher J. Stringer and Eugene Antony Whang and Rico Zorkendorfer**

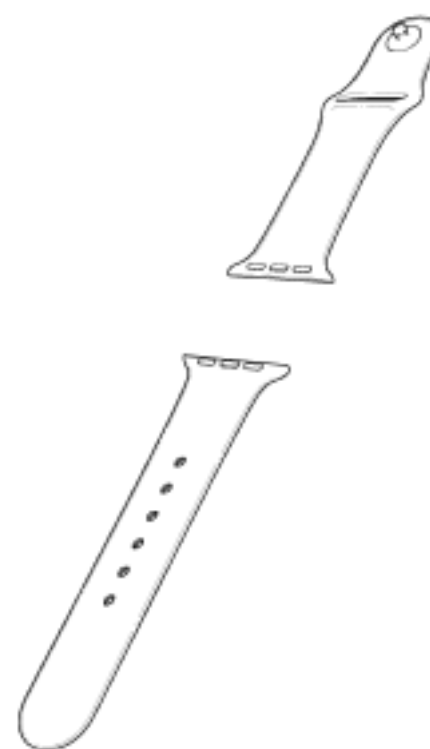
- (45) Registration Date: **20 March 2015**

- (30) Convention priority data:

(31) Number	(32) Date	(33) Country
29/498990	11 Aug 2014	UNITED STATES OF AMERICA

- (56) Related Art Documents: **Not Applicable**

- (57) Statement of Newness and Distinctiveness: **Newness and distinctiveness resides in the features of shape and configuration shown in the accompanying representations.**



- (21) Design Number: **10682/2015**
(22) Date of Filing Application: **10 February 2015**
(24) Date from which industrial property rights may have effect: **10 February 2015**
(54) Product in respect of which the design is registered: **Band**
(51) International Design Classification: **10-02**
(74) Name(s) of Attorney(s): **Freehills Patent Attorneys**
(71) Name(s) and Address(s) of Applicant(s):

Apple Inc.
1 Infinite Loop Cupertino California 95014 United States of America

- (72) Name(s) of Designer(s): **Jody Akana and Bartley K. Andre and Shota Aoyagi and Anthony Michael Ashcroft and Jeremy Bataillou and Daniel J. Coster and Daniele De Iuliis and M. Evans Hankey and Julian Hoenig and Richard P. Howarth and Jonathan P. Ive and Duncan Robert Kerr and Marc A. Newson and Matthew Dean Rohrbach and Peter Russell-Clarke and Benjamin Andrew Shaffer and Mikael Silvanto and Christopher J. Stringer and Eugene Antony Whang and Rico Zorkendorfer**

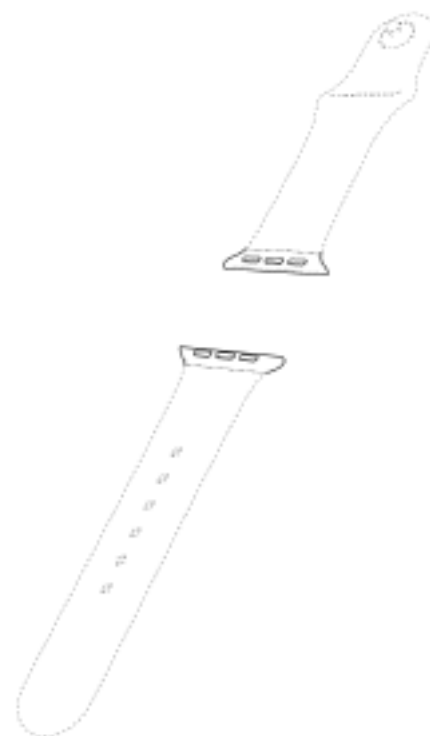
- (45) Registration Date: **20 March 2015**

- (30) Convention priority data:

(31) Number	(32) Date	(33) Country
29/498990	11 Aug 2014	UNITED STATES OF AMERICA

- (56) Related Art Documents: **Not Applicable**

- (57) Statement of Newness and Distinctiveness: **Newness and distinctiveness resides in the features of shape and configuration of the portions shown in solid outline in the accompanying representations.**



- (21) Design Number: **10683/2015**
(22) Date of Filing Application: **10 February 2015**
(24) Date from which industrial property rights may have effect: **10 February 2015**
(54) Product in respect of which the design is registered: **Electronic device**
(51) International Design Classification: **10-02, 14-03E**
(74) Name(s) of Attorney(s): **Freehills Patent Attorneys**
(71) Name(s) and Address(s) of Applicant(s):

Apple Inc.

1 Infinite Loop Cupertino California 95014 United States of America

- (72) Name(s) of Designer(s): **Jody Akana and Bartley K. Andre and Shota Aoyagi and Anthony Michael Ashcroft and Jeremy Bataillou and Daniel J. Coster and Daniele De Iuliis and M. Evans Hankey and Julian Hoenig and Richard P. Howarth and Jonathan P. Ive and Duncan Robert Kerr and Marc A. Newson and Matthew Dean Rohrbach and Peter Russell-Clarke and Benjamin Andrew Shaffer and Mikael Silvanto and Christopher J. Stringer and Eugene Antony Whang and Rico Zorkendorfer**

- (45) Registration Date: **20 March 2015**

- (30) Convention priority data:

(31) Number	(32) Date	(33) Country
29/499084	11 Aug 2014	UNITED STATES OF AMERICA

- (56) Related Art Documents: **Not Applicable**

- (57) Statement of Newness and Distinctiveness: **Newness and distinctiveness resides in the features of shape and configuration shown in the accompanying representations.**



- (21) Design Number: **10684/2015**
(22) Date of Filing Application: **10 February 2015**
(24) Date from which industrial property rights may have effect: **10 February 2015**
(54) Product in respect of which the design is registered: **Band**
(51) International Design Classification: **10-02**
(74) Name(s) of Attorney(s): **Freehills Patent Attorneys**
(71) Name(s) and Address(s) of Applicant(s):

Apple Inc.

1 Infinite Loop Cupertino California 95014 United States of America

- (72) Name(s) of Designer(s): **Jody Akana and Bartley K. Andre and Shota Aoyagi and Anthony Michael Ashcroft and Jeremy Bataillou and Daniel J. Coster and Daniele De Iuliis and M. Evans Hankey and Julian Hoenig and Richard P. Howarth and Jonathan P. Ive and Duncan Robert Kerr and Marc A. Newson and Matthew Dean Rohrbach and Peter Russell-Clarke and Benjamin Andrew Shaffer and Mikael Silvanto and Christopher J. Stringer and Eugene Antony Whang and Rico Zorkendorfer**

- (45) Registration Date: **20 March 2015**

- (30) Convention priority data:

(31) Number	(32) Date	(33) Country
29/498990	11 Aug 2014	UNITED STATES OF AMERICA

- (56) Related Art Documents: **Not Applicable**

- (57) Statement of Newness and Distinctiveness: **Newness and distinctiveness resides in the features of shape and configuration shown in solid outline in the accompanying representations.**

