



Australian Government

IP Australia

AUSTRALIAN OFFICIAL JOURNAL

OF

DESIGNS

Did you know a searchable version of this journal is now available online?

It's FREE and EASY to SEARCH.

Find it on our website (www.ipaustralia.gov.au)

by using the "Journals" link on the home page.

This Page Left Intentionally Blank

Contents

General Information & Notices

**Proceedings Under the Designs Act 1906 preserved as a result of the provisions of Chapter 12
Part 2 of the Designs Act 2003**

Extension of Period of Registration of Designs 890

Registrations Ceased 890

Proceedings Under the Designs Act 2003

Applications Lapsed 900

Applications Lodged 894

Certificate of Examination 904

Extension of Period of Registration of Design 902

Extension of Time Granted Under Section 137 902

Names Registered - Alterations and Amendments 903

Publication and Registration Proceedings

Designs Registered 360783 to 360902..... 905

Registrations Ceased 902

Subsequent Owners Registered 902

This Page Left Intentionally Blank

For information on the following please see our website www.ipaustralia.gov.au or contact our Customer Service Network on 1300651010

[Editorial enquiries](#)

[Contact information](#)

[Freedom of Information ACT](#)

[Professional Standards Board](#)

[Sales](#)

[Requests for Information under Section 194 \(c\)](#)

[Country Codes](#)

[Trade Mark and Designs Hearing Sessions](#)

[INID \(Internationally agreed Numbers for the Identification of Data\)](#)

“INID” NUMBERS in use on Australian Design Documents

“INID” is an acronym for “Internationally agreed Numbers for the Identification of Data”.

(10) Data concerning the registration/renewal

- (11) Serial number of the registration and/or number of the design document
- (12) Plain language designation of the kind of published document
- (19) Identification, using the two-letter code according to WIPO Standard ST.3, of the authority publishing or registering the industrial design

(20) Data concerning the application

- (21) Serial number of the application
- (22) Date of filing of the application
- (24) Date from which the industrial design right has effect

(30) Data relating to priority under the Paris Convention

- (31) Serial number assigned to the priority application
- (32) Date of filing of the priority application
- (33) Two-letter code, according to WIPO Standard ST.3, identifying the authority with which the priority application was made

(40) Date(s) of making information available to the public

- (45) Date of publication of the registered industrial design by printing or similar process, or making it available to the public by any other means

(50) Miscellaneous Information

- (51) International Classification for Industrial Designs (class and subclass of the Locarno Classification)
- (54) Designation of article(s) or product(s) covered by the industrial design or title of the industrial design
- (55) Reproduction of the industrial design (e.g., drawing, photograph) and explanations relating to the reproduction
- (56) List of prior art documents, if separate from descriptive text
- (57) Description of characteristic features of the industrial design including indication of colours

(60) References to other legally related application(s) and registration(s)

- (62) Serial number(s) and, if available, filing date(s) of application(s), registration(s) or document(s) related by division
- (66) Serial number(s) of the application, or the registration, of the design(s) which is (are) a variant(s) of the present one

(70) Identification of parties concerned with the application or registration

- (71) Name(s) and address(es) of the applicant(s)
- (72) Name(s) of the creator(s) if known to be such
- (74) Name(s) and address(es) of the representative(s)

This Page Left Intentionally Blank

Nil notices for this journal issue.

Proceedings under the Designs Act 1906 preserved as a result of the provisions of Chapter 12 Part 2 of the Designs Act 2003.

This Page Left Intentionally Blank

Applications Lapsed

There were no Applications Lapsed under this section

Extension of Period of Registration of Designs			138695	138885	138969
			139023	139024	139290
			139296	140166	140268
1st Period (Section 27A(8))			140333	140917	141740
			142052	142098	153320
2nd Period (Section 27A(12))			153880	153881	153942
			153957	153958	153962
			153983	154092	155005
3rd Period (Section 27A(13))			155006	155068	155579
			155589	155765	155873
155394	155848	155849	156088	156089	156166
156180	156652	156654	156193	156304	156305
156655	156657	156658	156485	156719	156803
156659	156660	156710	157139	157305	157761
156737	156778	156811	158272		
156834	156898	156984			
156986	156987	156988			
156989	156990	156998			
157076	157111	157127			
157128	157129	157130			
157176	157227	157516			
157517	157521	157522			
157523	157524	157526			
157527	157528	157529			
157530	157531	157532			
157627	157628	157630			
157631	157632	157633			
157634	157635	157636			
157653	157689	157706			
157707	157708	157709			
157710	157711	157712			
157713	157714	157715			
157716	157717	157718			
157736	157737	157738			
157741	157774	157883			
157969	158005	158188			
158189	158267	158396			
158401	158402	158407			
158408	158412	158425			
158427	158441	158459			
158460	158461	158472			
158489	158543				

Registrations Ceased

Note: Some of the following Registrations may have been previously advertised as ceased. In this instance, the previous advertisement still prevails.

137166	138444	138448
138549	138550	138553
138554	138555	138556
138557	138558	138559
138560	138561	138566
138619	138620	138694

This Page Left Intentionally Blank

Proceedings under the Designs Act 2003.

This Page Left Intentionally Blank

Applications Lodged

Lodgement information is in the following order: **Applicant's Name**; International Classification, Name of Product, Lodgement Date and **Design Number**. If the applicant claims an earlier priority date under an International Convention, the Convention Country and the associated filing date are shown in parentheses before the Lodgement Date. Divisional information will also appear in parentheses before the Lodgement Date.

Abe, Hideo;Beroukhim, Fariborz R;Dowden, John B;Takeba, Hiroshi;Cochran, Travis S;Lucas, Jonathan R;Irvantchi, Sam;Kimoto, Yukinobu; 14-02, Portable biometric scanner, (US, 17 Sep 2014) 17 Mar 2015	11464/2015	AUSTRALIAN RV ACCESSORIES PTY LTD; 23-03H, Hot water heater, 20 Mar 2015	11528/2015
Abey Australia Pty. Ltd.; 08-08L, Bracket, 31 Mar 2015	11725/2015	Beaute Prestige International; 09-01G, Flask, (EM, 26 Sep 2014) 23 Mar 2015	11558/2015
Actron Engineering Pty Ltd; 14-03NES, Control unit for climate control and monitoring, 01 Apr 2015	11742/2015	Beroukhim, Fariborz R;Dowden, John B;Abe, Hideo;Takeba, Hiroshi;Cochran, Travis S;Lucas, Jonathan R;Irvantchi, Sam;Kimoto, Yukinobu; 14-02, Portable biometric scanner, (US, 17 Sep 2014) 17 Mar 2015	11464/2015
Actron Engineering Pty Ltd; 14-03NES, Zone control unit for climate control & monitoring, 01 Apr 2015	11741/2015	Biocompatibles UK Limited; 24-01, Medical device control unit, (US, 22 Sep 2014) 20 Mar 2015	11530/2015
Actron Engineering Pty Ltd; 14-03NES, Sensor unit for climate control and monitoring, 01 Apr 2015	11743/2015	Bose Corporation; 14-01, Satellite speaker, (US, 01 Oct 2014) 24 Mar 2015	11581/2015
All4Ella Pty Ltd; 12-12, 07-05C, Pram; stroller; peg; clip, 24 Mar 2015	11586/2015	Bose Corporation; 14-01, Speaker system, (US, 01 Oct 2014) 30 Mar 2015	11695/2015
Aluminium Specialties Group Pty Ltd; 25-01K, Extrusion, 27 Mar 2015	11662/2015	Bose Corporation; 14-01, Satellite speaker, (US, 01 Oct 2014) 26 Mar 2015	11637/2015
Aluminium Specialties Group Pty Ltd; 25-01K, Extrusion, 27 Mar 2015	11661/2015	BITSPower INTERNATIONAL CO., LTD.; 08-99, Tube fitting, 20 Mar 2015	11543/2015
Aussiroo KDK Homeware Pty Ltd; 23-02C, Toilet pan, 31 Mar 2015	11720/2015	Carruthers, Julian;Richardson, Gavin;Mullavey, Jesse;Tully, Stephen; 02-02NES, Collared singlet, 23 Mar 2015	11569/2015
Australian Lock Company Pty Ltd; 08-07, Keyblank, 27 Mar 2015	11665/2015	Carter, Aleisha;Carter, Ray;Carter, Matthew; 25-01G, Building cladding, 20 Mar 2015	11527/2015
Australian Performance Development Pty Ltd; 12-16NES, Air intake snorkel for a vehicle, 20 Mar 2015	11532/2015	Carter, Ray;Carter, Matthew;Carter, Aleisha; 25-01G, Building cladding, 20 Mar 2015	11527/2015
ABB Technology Ltd.; 15-01, Protective cover for a motor, (CN, 05 Dec 2014) 25 Mar 2015	11607/2015	Carter, Matthew;Carter, Ray;Carter, Aleisha; 25-01G, Building cladding, 20 Mar 2015	11527/2015
ASSA ABLOY Australia Pty Limited; 08-07, An escutcheon, 25 Mar 2015	11614/2015	Cerro Flow Products LLC; 08-05P, Crimping tool, (US, 01 Oct 2014) 01 Apr 2015	11737/2015
ASSA ABLOY Australia Pty Limited; 08-07, An escutcheon, 25 Mar 2015	11613/2015	Checkmate International Pty Ltd; 06-04NES, Wire baskets, 25 Mar 2015	11627/2015
AUSTRALIAN BRUSHWARE CORPORATION PTY LTD; 08-05N, Sealant cartridge, 20 Mar 2015	11539/2015	Checkmate International Pty Ltd; 08-08N, Wire baskets, 25 Mar 2015	11628/2015
AUSTRALIAN BRUSHWARE CORPORATION PTY LTD; 08-05N, Sealant cartridge, 23 Mar 2015	11552/2015	Clear Lam Packaging, Inc.; 09-03H, Film used to make packages, (US, 25 Sep 2014) 25 Mar 2015	11599/2015
AUSTRALIAN BRUSHWARE CORPORATION PTY LTD; 08-05N, Sealant cartridge, 20 Mar 2015	11541/2015		

Cochran, Travis S;Beroukhim, Fariborz R;Dowden, John B;Abe, Hideo;Takeba, Hiroshi;Lucas, Jonathan R;Irvantchi, Sam;Kimoto, Yukinobu; 14-02, Portable biometric scanner, (US, 17 Sep 2014) 17 Mar 2015	11464/2015	Fiskars Garden Oy Ab; 08-03, Part of axe, (EM, 22 Sep 2014) 20 Mar 2015	11542/2015
Cooper Tire & Rubber Company; 12-15C, Tire, (US, 29 Oct 2014) 23 Mar 2015	11563/2015	Fiskars Garden Oy Ab; 08-03, Part of axe, (EM, 22 Sep 2014) 20 Mar 2015	11544/2015
Cooper Tire & Rubber Company; 12-15C, Tire, (US, 29 Oct 2014) 23 Mar 2015	11564/2015	Fiskars Garden Oy Ab; 08-03, Part of axe, (EM, 22 Sep 2014) 20 Mar 2015	11545/2015
Cooper Tire & Rubber Company; 12-15C, Tire, (US, 29 Oct 2014) 23 Mar 2015	11565/2015	Fiskars Garden Oy Ab; 08-03, Part of axe, (EM, 22 Sep 2014) 20 Mar 2015	11533/2015
Covidien LP; 24-01, Male enteral tubing connector, (US, 06 Nov 2014) 30 Mar 2015	11690/2015	Fiskars Garden Oy Ab; 08-03, Part of axe, (EM, 22 Sep 2014) 20 Mar 2015	11531/2015
Crown Equipment Corporation; 12-05, Body of a materials handling vehicle, (EM, 27 Nov 2014) 31 Mar 2015	11730/2015	Fiskars Garden Oy Ab; 08-03, Part of axe, (EM, 22 Sep 2014) 20 Mar 2015	11529/2015
Crown Equipment Corporation; 12-05, Body of a materials handling vehicle, (EM, 27 Nov 2014) 31 Mar 2015	11732/2015	Fiskars Garden Oy Ab; 08-03, Part of axe, (EM, 22 Sep 2014) 20 Mar 2015	11540/2015
Crown Equipment Corporation; 12-05, Body of a materials handling vehicle, (EM, 27 Nov 2014) 31 Mar 2015	11731/2015	Flat Out Mum Pty Ltd as trustee for the Lure Investment Trust; 06-13B, Pillow for bottle feeding twin babies, 20 Mar 2015	11537/2015
De Buyer Industries; 07-99NES, Case for blades of a mandolin slicer, (WO, 23 Oct 2014) 18 Mar 2015	11493/2015	Flight Plastics Limited; 09-03F, A tray, (NZ, 01 Oct 2014) 01 Apr 2015	11738/2015
Dowden, John B;Beroukhim, Fariborz R;Abe, Hideo;Takeba, Hiroshi;Cochran, Travis S;Lucas, Jonathan R;Irvantchi, Sam;Kimoto, Yukinobu; 14-02, Portable biometric scanner, (US, 17 Sep 2014) 17 Mar 2015	11464/2015	Flight Plastics Limited; 09-03F, A tray, (NZ, 12 Nov 2014) 01 Apr 2015	11739/2015
DAVID STUCKEY INVESTMENTS PTY LTD; 08-06, Handle assembly, 20 Mar 2015	11546/2015	Frito-Lay North America, Inc.; 01-01, A snack food, (US, 29 Sep 2014) 19 Mar 2015	11525/2015
DAVID STUCKEY INVESTMENTS PTY LTD; 08-06, Dish, 20 Mar 2015	11547/2015	Gaffney, Milo;The Outback Pie Co; 32-03, Meat pies, 25 Mar 2015	11603/2015
Ekornes ASA; 06-01G, Chair, (NO, 17 Oct 2014) 18 Mar 2015	11489/2015	General Office Products Pty Ltd;Liu, Kuilin; 06-03C, Office counter, 19 Mar 2015	11519/2015
Ekornes ASA; 06-03C, Frame of a chair, (NO, 17 Oct 2014) 18 Mar 2015	11498/2015	General Office Products Pty Ltd;Liu, Kuilin; 06-03C, Office counter, 19 Mar 2015	11521/2015
Ekornes ASA; 06-01G, Sofa, (NO, 17 Oct 2014) 18 Mar 2015	11499/2015	Gerard Lighting Pty Ltd; 13-03NES, Controller housing, 25 Mar 2015	11608/2015
Ekornes ASA; 06-01G, Sofa, (NO, 17 Oct 2014) 18 Mar 2015	11490/2015	Gerard Lighting Pty Ltd; 13-03NES, Relay housing, 25 Mar 2015	11610/2015
Ekornes ASA; 06-01E, Footstool, (NO, 17 Oct 2014) 18 Mar 2015	11491/2015	Gerard Lighting Pty Ltd; 13-03D, Switch housing, 25 Mar 2015	11609/2015
Everstone International Pty Limited; 25-01F, Tesserae, 24 Mar 2015	11571/2015	Gold Coast 2018 Commonwealth Games Corporation; 11-03, Pin, 26 Mar 2015	11640/2015
		Gotop Group Pty Ltd; 09-01G, Goat soap soap, 25 Mar 2015	11589/2015

Haysom, Robert Henry; 25-01E, An accessory connector for a garden edging strip, 31 Mar 2015	11723/2015	Joseph Joseph Ltd; 10-04, Thermometers, (EP, 26 Sep 2014) 24 Mar 2015	11583/2015
Haysom, Robert Henry; 25-01E, An accessory connector for a garden edging strip, 31 Mar 2015	11722/2015	Joseph Joseph Ltd; 07-07NES, Ice tray, (EP, 07 Oct 2014) 30 Mar 2015	11717/2015
Heyrex Limited; 30-03, An animal water bowl, 17 Mar 2015	11462/2015	Joseph Joseph Ltd; 07-04, Chopping board, (EP, 09 Oct 2014) 30 Mar 2015	11719/2015
Hino Motors, Ltd.; 12-08, Truck cab body, (JP, 25 Jul 2014) (Divisional of 10316/2015) 25 Mar 2015	11611/2015	JOSEPH JOSEPH LTD; 07-04, Kitchen utensils, (GB, 02 Oct 2014) 27 Mar 2015	11660/2015
Hipkins, Ross; 10-99, A tactile tile, 26 Mar 2015	11638/2015	JOSEPH JOSEPH LTD; 15-05, Dishrack, (EP, 07 Oct 2014) 30 Mar 2015	11716/2015
Hipkins, Ross; 10-99, A tactile tile, 26 Mar 2015	11639/2015	JOSEPH JOSEPH LTD; 07-04, Vegetable peeler, (EP, 02 Oct 2014) 27 Mar 2015	11659/2015
Hurley Phantom C.V.; 02-04NES, Shoe, 30 Mar 2015	11698/2015	JOSEPH JOSEPH LTD; 07-04, Food Grater, (EP, 02 Oct 2014) 26 Mar 2015	11636/2015
Hurley Phantom C.V.; 02-04NES, Shoe, 30 Mar 2015	11693/2015	JOSEPH JOSEPH LTD; 07-04, Vegetable peeler, (EP, 02 Oct 2014) 26 Mar 2015	11641/2015
Hurley Phantom C.V.; 02-04NES, Shoe, 30 Mar 2015	11697/2015	JOSEPH JOSEPH LTD; 07-05D, Plate drying racks, (EP, 07 Oct 2014) 27 Mar 2015	11664/2015
Hurley Phantom C.V.; 02-04NES, Shoe, 30 Mar 2015	11696/2015	Kaisha, Sharp Kabushiki; 23-04, Air purifier, (JP, 28 Nov 2014) 19 Mar 2015	11522/2015
Ideal Standard International BVBA; 23-02C, Toilet bowl, (EM, 01 Oct 2014) 27 Mar 2015	11643/2015	Kimberly-Clark Worldwide, Inc.; 05-05B, Embossed nonwoven web material, (US, 30 Sep 2014) 19 Mar 2015	11524/2015
Ideal Standard International BVBA; 23-02C, Toilet bowl, (EM, 01 Oct 2014) 27 Mar 2015	11644/2015	Kimoto, Yukinobu;Beroukhim, Fariborz R;Dowden, John B;Abe, Hideo;Takeba, Hiroshi;Cochran, Travis S;Lucas, Jonathan R;Irvantchi, Sam; 14-02, Portable biometric scanner, (US, 17 Sep 2014) 17 Mar 2015	11464/2015
Ideal Standard International BVBA; 23-02C, Toilet bowl, (EM, 01 Oct 2014) 27 Mar 2015	11642/2015	Koninklijke Philips N.V.; 28-03A, Shaver, (EM, 25 Sep 2014) 20 Mar 2015	11538/2015
Incereb Limited; 13-03NES, An electroencephalogram electrode system, (EM, 25 Sep 2014) 25 Mar 2015	11605/2015	Kraft Foods Group Brands LLC; 09-03M, Container, (US, 01 Oct 2014) 30 Mar 2015	11701/2015
Irvantchi, Sam;Beroukhim, Fariborz R;Dowden, John B;Abe, Hideo;Takeba, Hiroshi;Cochran, Travis S;Lucas, Jonathan R;Kimoto, Yukinobu; 14-02, Portable biometric scanner, (US, 17 Sep 2014) 17 Mar 2015	11464/2015	Kraft Foods Group Brands LLC; 09-03M, Container, (US, 01 Oct 2014) 30 Mar 2015	11702/2015
Iveco S.p.A.; 12-08, Vehicle, (EM, 25 Sep 2014) 23 Mar 2015	11562/2015	Kramer & Kramer Holdings Pty Ltd; 21-01F, Animal drum ride, 23 Mar 2015	11568/2015
Iveco S.p.A.; 12-08, Vehicle, (EM, 25 Sep 2014) 23 Mar 2015	11561/2015	Kramer & Kramer Holdings Pty Ltd; 30-04, Safety saddle, 19 Mar 2015	11523/2015
ICU Medical, Inc.; 23-01K, Fluid manifold, (US, 03 Dec 2014) 24 Mar 2015	11573/2015	KIT AND ACE DESIGNS INC.; 02-02NES, Garment, (CA, 17 Jul 2014) (Divisional of 10228/2015) 27 Mar 2015	11649/2015
ID8 STUDIO PTY LTD; 20-02E, Retail display fixture, 30 Mar 2015	11709/2015		

KIT AND ACE DESIGNS INC.; 02-02NES, Garment, (CA, 17 Jul 2014) (Divisional of 10226/2015) 27 Mar 2015	11647/2015	Microsoft Corporation; 14-02, Display screen with graphical user interface, (US, 30 Sep 2014) 30 Mar 2015	11715/2015
KIT AND ACE DESIGNS INC.; 02-02NES, Garment, (CA, 17 Jul 2014) (Divisional of 10229/2015) 27 Mar 2015	11650/2015	Microsoft Corporation; 14-02, Display screen with graphical user interface, (US, 30 Sep 2014) 30 Mar 2015	11667/2015
Langley, Nathan Scott; 19-08, PVC cover, 23 Mar 2015	11566/2015	Microsoft Corporation; 14-02, Display screen with graphical user interface, (US, 30 Sep 2014) 30 Mar 2015	11668/2015
Liu, Kuilin;General Office Products Pty Ltd; 06-03C, Office counter, 19 Mar 2015	11519/2015	Microsoft Corporation; 14-04, Display screen with graphical user interface, (US, 30 Sep 2014) 30 Mar 2015	11683/2015
Liu, Kuilin;General Office Products Pty Ltd; 06-03C, Office counter, 19 Mar 2015	11521/2015	Microsoft Corporation; 14-02, Display screen with graphical user interface, (US, 30 Sep 2014) 30 Mar 2015	11713/2015
Loadhog Limited; 09-07NES, A load cap, (EM, 23 Sep 2014) 23 Mar 2015	11567/2015	Microsoft Corporation; 14-02, Display screen with graphical user interface, (US, 30 Sep 2014) 30 Mar 2015	11669/2015
Luau Data Corporation; 14-03NES, Remote site monitoring station, (CA, 24 Sep 2014) 24 Mar 2015	11570/2015	Microsoft Corporation; 14-02, Display screen with graphical user interface, (US, 30 Sep 2014) 30 Mar 2015	11670/2015
Lucas, Jonathan R;Beroukhim, Fariborz R;Dowden, John B;Abe, Hideo;Takeba, Hiroshi;Cochran, Travis S;Irvantchi, Sam;Kimoto, Yukinobu; 14-02, Portable biometric scanner, (US, 17 Sep 2014) 17 Mar 2015	11464/2015	Microsoft Corporation; 14-02, Display screen with graphical user interface, (US, 30 Sep 2014) 30 Mar 2015	11714/2015
Macernis, Audrius; 08-07, Polymer gate stop design, 25 Mar 2015	11587/2015	Microsoft Corporation; 14-02, Display screen with graphical user interface, (US, 30 Sep 2014) 30 Mar 2015	11712/2015
Macernis, Audrius; 08-07, Side pull gate latch, 25 Mar 2015	11588/2015	Microsoft Corporation; 14-02, Display screen with graphical user interface, (US, 30 Sep 2014) 30 Mar 2015	11671/2015
Magpul Industries Corporation; 22-01, Firearm magazine, (US, 22 Dec 2014) 24 Mar 2015	11575/2015	Microsoft Corporation; 14-02, Display screen with graphical user interface, (US, 30 Sep 2014) 30 Mar 2015	11672/2015
MannKind Corporation; 24-04, Mouthpiece cover, (US, 02 Oct 2014) 17 Mar 2015	11463/2015	Microsoft Corporation; 14-02, Display screen with graphical user interface, (US, 30 Sep 2014) 30 Mar 2015	11708/2015
McNeil-PPC, Inc.; 24-04, Absorbent article, (US, 30 Sep 2014) 24 Mar 2015	11578/2015	Microsoft Corporation; 14-02, Display screen with graphical user interface, (US, 30 Sep 2014) 30 Mar 2015	11677/2015
Microsoft Corporation; 14-02, Display screen with graphical user interface, (US, 30 Sep 2014) 30 Mar 2015	11711/2015	Microsoft Corporation; 14-02, Display screen with graphical user interface, (US, 30 Sep 2014) 30 Mar 2015	11699/2015
Microsoft Corporation; 14-02, Display screen with graphical user interface, (US, 30 Sep 2014) 30 Mar 2015	11673/2015	Microsoft Corporation; 19-02, Display screen with graphical user interface, (US, 30 Sep 2014) 30 Mar 2015	11703/2015
Microsoft Corporation; 14-02, Display screen with graphical user interface, (US, 30 Sep 2014) 30 Mar 2015	11674/2015	Microsoft Corporation; 14-02, Display screen with graphical user interface, (US, 30 Sep 2014) 30 Mar 2015	11704/2015
Microsoft Corporation; 14-04, Display screen with graphical user interface, (US, 30 Sep 2014) 30 Mar 2015	11681/2015	Microsoft Corporation; 14-02, Display screen with graphical user interface, (US, 30 Sep 2014) 30 Mar 2015	11700/2015
Microsoft Corporation; 14-04, Display screen with graphical user interface, (US, 30 Sep 2014) 30 Mar 2015	11679/2015	Microsoft Corporation; 14-02, Display screen with graphical user interface, (US, 30 Sep 2014) 30 Mar 2015	11675/2015

Microsoft Corporation; 14-02, Display screen with graphical user interface, (US, 30 Sep 2014) 30 Mar 2015	11706/2015	NAUTILUS HYOSUNG INC.; 20-01, Automated teller machine, (KR, 24 Sep 2014) 23 Mar 2015	11559/2015
Microsoft Corporation; 14-02, Display screen with graphical user interface, (US, 30 Sep 2014) 30 Mar 2015	11710/2015	NIKE Innovate C.V.; 02-02NES, Garment, 30 Mar 2015	11689/2015
Milton Tradings Pty Ltd; 09-03F, Catchment tray, 01 Apr 2015	11740/2015	NIKE Innovate C.V.; 02-02NES, Hooded garment, 30 Mar 2015	11676/2015
Moore-Gilbert, Greg; 12-16C, Bumper, 27 Mar 2015	11656/2015	NIKE Innovate C.V.; 02-02NES, Shirt, 30 Mar 2015	11691/2015
Mullavey, Jesse;Richardson, Gavin;Carruthers, Julian;Tully, Stephen; 02-02NES, Collared singlet, 23 Mar 2015	11569/2015	NIKE Innovate C.V.; 02-02C, Garment, 30 Mar 2015	11692/2015
MARION IMPORT PTY LTD; 06-02, Bed frame design, 24 Mar 2015	11585/2015	NIKE Innovate C.V.; 03-01A, Bag, 30 Mar 2015	11687/2015
MSD Consumer Care, Inc.; 09-01G, Sunscreen container, (US, 05 Aug 2014) (Divisional of 10560/2015) 27 Mar 2015	11646/2015	NIKE Innovate C.V.; 02-02NES, Shirt, 30 Mar 2015	11688/2015
Nautilus Hyosung Inc.; 20-01, Automated teller machine, (KR, 24 Sep 2014) 23 Mar 2015	11557/2015	NIKE Innovate C.V.; 02-02NES, Hooded garment, 30 Mar 2015	11685/2015
Nautilus Hyosung Inc.; 20-01, Automated teller machine, (KR, 19 Dec 2014) 23 Mar 2015	11556/2015	NIKE Innovate C.V.; 02-02NES, Hooded garment, 30 Mar 2015	11686/2015
Ningbo Yusing Optoelectronic Technology Co., Ltd.; 26-05C, Lights, (CN, 09 Mar 2015) 25 Mar 2015	11621/2015	NIKE Innovate C.V.; 02-02NES, Shirt, 30 Mar 2015	11684/2015
Ningbo Yusing Optoelectronic Technology Co., Ltd.; 26-05C, Lights, (CN, 09 Mar 2015) 25 Mar 2015	11619/2015	NIKE Innovate C.V.; 02-02NES, Shirt, 30 Mar 2015	11680/2015
Ningbo Yusing Optoelectronic Technology Co., Ltd.; 26-05C, Lights, (CN, 10 Mar 2015) 25 Mar 2015	11620/2015	NIKE Innovate C.V.; 03-01A, Bag, 30 Mar 2015	11678/2015
Ningbo Yusing Optoelectronic Technology Co., Ltd.; 26-05C, Lights, (CN, 09 Mar 2015) 25 Mar 2015	11618/2015	NIKE Innovate C.V.; 02-02NES, Shirt, 30 Mar 2015	11682/2015
Ningbo Yusing Optoelectronic Technology Co., Ltd.; 26-04, Lightbulbs, (CN, 09 Mar 2015) 25 Mar 2015	11617/2015	Okamura Corporation; 06-03C, Desk, (JP, 30 Sep 2014) 27 Mar 2015	11653/2015
Nongfu Spring Co., Ltd.; 09-01NES, Bottle, (CN, 29 Sep 2014) 27 Mar 2015	11648/2015	Okamura Corporation; 06-01F, Chair, (JP, 29 Sep 2014) 27 Mar 2015	11654/2015
Nongfu Spring Co., Ltd.; 09-01K, Bottle, (CN, 29 Sep 2014) 27 Mar 2015	11658/2015	Okamura Corporation; 06-01F, Chair, (JP, 29 Sep 2014) 27 Mar 2015	11651/2015
Nongfu Spring Co., Ltd.; 09-01NES, Bottle, (CN, 29 Sep 2014) 27 Mar 2015	11645/2015	Okamura Corporation; 06-01F, Chair, (JP, 29 Sep 2014) 27 Mar 2015	11655/2015
		Okamura Corporation; 06-03A, Table, (JP, 14 Oct 2014) 27 Mar 2015	11652/2015
		Panasonic Intellectual Property Management Co., Ltd.; 08-01, Portable electric driver, (JP, 26 Sep 2014) 24 Mar 2015	11572/2015
		Panasonic Intellectual Property Management Co., Ltd.; 14-01, 14-03C, Portable audio player combined with radio receiver, (JP, 26 Sep 2014) 24 Mar 2015	11576/2015
		Powerful 4x4 Australia Pty Limited; 25-04, Vehicular ladder, 25 Mar 2015	11604/2015

Qingdao Sentury Tire Co., Ltd.; 12-15C, Tyres for automobiles (DX20 A/T), 30 Mar 2015	11718/2015	Sherpa Pty Ltd; 32-03, Sherpa Pty Ltd company logo (prints & web), 17 Mar 2015	11457/2015
Reckitt Benckiser (Brands) Limited; 07-05NES, Capsule containing washing products, (EM, 07 Oct 2014) 25 Mar 2015	11592/2015	Sika Technology AG; 09-07NES, Adapter for containers, (CH, 23 Sep 2014) 23 Mar 2015	11554/2015
Reckitt Benckiser (Brands) Limited; 28-03NES, Depilatory device, (EM, 01 Oct 2014) 31 Mar 2015	11734/2015	Sika Technology AG; 09-07NES, Adapter with containers, (CH, 23 Sep 2014) 23 Mar 2015	11553/2015
Reckitt Benckiser (Brands) Limited; 28-03NES, Depilatory device, (EM, 01 Oct 2014) 31 Mar 2015	11735/2015	Skye Group Pty Limited; 02-02A, Swimwear, 25 Mar 2015	11598/2015
Reckitt Benckiser (Brands) Limited; 28-03NES, Depilatory device, (EM, 01 Oct 2014) 31 Mar 2015	11733/2015	Skye Group Pty Limited; 02-02A, Swimwear, 27 Mar 2015	11657/2015
Reckitt Benckiser (Brands) Limited; 28-03NES, Depilatory device, (EM, 01 Oct 2014) 31 Mar 2015	11736/2015	Skye Group Pty Limited; 02-02A, Swimwear, 25 Mar 2015	11593/2015
Reckitt Benckiser (Brands) Limited; 07-05NES, Capsule containing washing products, (EM, 07 Oct 2014) 25 Mar 2015	11606/2015	Skye Group Pty Limited; 02-02A, Swimwear, 25 Mar 2015	11597/2015
Reckitt Benckiser (Brands) Limited; 07-05NES, Capsule containing washing products, (EM, 07 Oct 2014) 25 Mar 2015	11601/2015	Skye Group Pty Limited; 02-02A, Swimwear, 25 Mar 2015	11594/2015
Reckitt Benckiser (Brands) Limited; 07-05NES, Capsule containing washing products, (EM, 07 Oct 2014) 25 Mar 2015	11602/2015	Skye Group Pty Limited; 02-02A, Swimwear, 25 Mar 2015	11595/2015
Richardson, Gavin;Carruthers, Julian;Mullavey, Jesse;Tully, Stephen; 02-02NES, Collared singlet, 23 Mar 2015	11569/2015	Snelling, Anthony;Sedl, Maria; 11-02C, Hanging planter box, 24 Mar 2015	11579/2015
Riddle, Tarn Wesley; 13-03NES, A switch, 01 Apr 2015	11744/2015	Sonder Design Pty Ltd; 14-02, Keyboard, 23 Mar 2015	11555/2015
Rubezahl Schokoladen GmbH; 09-05, Chocolate, (EM, 10 Feb 2015) 26 Mar 2015	11623/2015	Still Engineering Pty Ltd; 07-04, Strainer, 24 Mar 2015	11574/2015
Sandvik Intellectual Property AB; 15-99, Wear component assembly for a crusher, (EM, 23 Oct 2014) 20 Mar 2015	11536/2015	Stockbrands Co. Pty Ltd; 09-07NES, Lid, 31 Mar 2015	11724/2015
Sandvik Intellectual Property AB; 15-99, Wear component for a crusher, (EM, 23 Oct 2014) 20 Mar 2015	11534/2015	Stockbrands Co. Pty Ltd; 07-07NES, Lid surround, 31 Mar 2015	11726/2015
Sandvik Intellectual Property AB; 15-99, Wear component for a crusher, (EM, 23 Oct 2014) 20 Mar 2015	11535/2015	Strain, Peter Manus; 02-03, Cap, 25 Mar 2015	11616/2015
Scott Fetzer Company;The Kirby Company; 06-01NES, Handle for surface-treatment apparatus, (US, 20 Oct 2014) 18 Mar 2015	11497/2015	SAVERGLASS; 09-01K, Bottle, (FR, 21 Oct 2014) 26 Mar 2015	11633/2015
Sedl, Maria;Snelling, Anthony; 11-02C, Hanging planter box, 24 Mar 2015	11579/2015	SAVERGLASS; 09-01B, Bottle, (EM, 28 Jan 2015) 26 Mar 2015	11632/2015
Sellier, Hermes; 03-01B, Bag, (WO, 30 Sep 2014) 26 Mar 2015	11634/2015	SCA Hygiene Products AB; 24-04, Sanitary article, (EM, 26 Sep 2014) 26 Mar 2015	11630/2015
Sengled Optoelectronics Co., Ltd; 26-04, Light globe, (CN, 03 Nov 2014) 30 Mar 2015	11707/2015	SITA Information Networking Computing Canada Inc.; 14-02, Kiosk, (EM, 30 Sep 2014) 25 Mar 2015	11600/2015
		SOLARTECHNIQ PTY. LTD.; 26-03, Solar powered bollard light, 19 Mar 2015	11526/2015

T.F.H. PUBLICATIONS, INC.; 30-99, Three-prong pet chew, (US, 20 Oct 2014) 25 Mar 2015	11612/2015	Tully, Stephen;Richardson, Gavin;Carruthers, Julian;Mullavey, Jesse; 02-02NES, Collared singlet, 23 Mar 2015	11569/2015
Takeba, Hiroshi;Beroukhim, Fariborz R;Dowden, John B;Abe, Hideo;Cochran, Travis S;Lucas, Jonathan R;Irvantchi, Sam;Kimoto, Yukinobu; 14-02, Portable biometric scanner, (US, 17 Sep 2014) 17 Mar 2015	11464/2015	TEFAL; 07-02R, Cookware, (FR, 07 Oct 2014) 31 Mar 2015	11728/2015
Technogym S.p.A.; 21-02F, Excercise equipment, (EM, 07 Oct 2014) 30 Mar 2015	11694/2015	TEFAL; 07-02R, Cookware, (FR, 07 Oct 2014) 31 Mar 2015	11729/2015
The trustee for AGPR Trust; 32-03, 20-03NES, Printable marketing materials, advertising, 18 Mar 2015	11495/2015	URBBANA PTY LTD; 02-07C, 02-02NES, Shirt, distinctive shirt collar, 24 Mar 2015	11582/2015
The trustee for AGPR Trust; 32-03, 20-03NES, Printable Marketing Materials & advertising materi, 18 Mar 2015	11496/2015	Valentino S.p.A.; 02-04B, Shoe, (EM, 30 Sep 2014) 24 Mar 2015	11580/2015
The Fountainhead Group, Inc.; 09-07NES, A cap subassembly for a bottle, (US, 15 Oct 2014) 31 Mar 2015	11721/2015	Valentino S.p.A.; 03-01B, Bag, (IT, 30 Sep 2014) 26 Mar 2015	11629/2015
The Kirby Company;Scott Fetzer Company; 06-01NES, Handle for surface-treatment apparatus, (US, 20 Oct 2014) 18 Mar 2015	11497/2015	Volkswagen Aktiengesellschaft; 12-08, Motor vehicle, (DE, 11 Dec 2014) 31 Mar 2015	11727/2015
The Outback Pie Co;Gaffney, Milo; 32-03, Meat pies, 25 Mar 2015	11603/2015	Voot LLC; 02-04A, Boot shaper, 25 Mar 2015	11615/2015
The Trustee for McNamara Family Trust; 02-04C, Socks, 22 Mar 2015	11551/2015	Vuly Property Pty Ltd; 13-03E, Connector, (NZ, 29 Sep 2014) 30 Mar 2015	11705/2015
Thwaites, Senka; 02-01B, Undergarment, 20 Mar 2015	11550/2015	Watson, Roy McKay; 08-08L, A bracket, 23 Mar 2015	11560/2015
Trailer & Trailers Pty Ltd; 26-05A, Light fitting, 24 Mar 2015	11577/2015	WES Alliance Pty Ltd; 13-03D, An electrical socket, 24 Mar 2015	11584/2015
Trio Brothers Trading Pty Ltd; 27-02, Dry pipe and vaporizer for smoking, 26 Mar 2015	11622/2015	Your Money Mistress Pty Ltd; 06-01G, Pieces for nostril insertion to aid breathing, 18 Mar 2015	11492/2015
Tronac Pty Ltd; 10-05, 23-04, Thermostat/hub for air-conditioning, 26 Mar 2015	11635/2015	Zhang, Hao; 21-04, A tent, 20 Mar 2015	11548/2015
		Zhang, Hao; 21-04, Simple tent, 20 Mar 2015	11549/2015

Applications Lapsed

13084 / 2014 (03-01B)

13460 / 2014 (08-08L)	13459 / 2014 (08-08L)
14873 / 2014 (02-04C)	14871 / 2014 (03-01B)
15893 / 2014 (25-03)	15892 / 2014 (25-03)
16465 / 2014 (25-01D)	15904 / 2014 (32-02)
16614 / 2014 (05-99)	16511 / 2014 (32-03)
16694 / 2014 (06-03A)	16623 / 2014 (14-02)
10073 / 2015 (21-02D)	16711 / 2014 (32-03)
10080 / 2015 (14-01)	10079 / 2015 (14-02)
10083 / 2015 (14-01)	10082 / 2015 (14-01)
10085 / 2015 (14-04)	10084 / 2015 (14-01)
10135 / 2015 (09-04)	10091 / 2015 (02-02NES)
10211 / 2015 (09-02NES)	10210 / 2015 (19-04)

Extension of Period of Registration of Designs

327315	328061	328695
329497	329778	330247
330347	330401	330449
330477	330487	330506
330564	330582	330591
330592	330593	330594
330595	330596	330597
330601	330617	330622
330623	330649	330650
330651	330652	330653
330679	330686	330704
330708	330730	330734
330735	330736	330737
330754	330760	330830
330900	330984	330994
331006	331007	331013
331017	331022	331043
331044	331046	331055
331068	331134	331135
331193	331210	331276
331279	331299	331321
331322	331323	331324
331350	331401	331407
331422	331424	331438
331444	331445	331446
331447	331453	331454
331455	331456	331457
331465	331466	331467
331507	331524	331535
331556	331557	331668
331701	331702	331705
331809	331983	332160
332174	332209	332210
332262	333253	333255
333256	333597	333942
334089		

303491	303492	303709
303710	303711	303874
304634	304880	304961
304963	305034	305035
305036	305037	305115
305116	305120	305121
305138	305139	305140
305141	305143	305144
305145	305148	305193
305194	305438	305439
305441	305443	305444
305748	305913	305929
306643	306815	306922
306923	306924	306925
306960	306961	307158
307159	327859	327860
327878	327879	327882
327887	327888	327889
327890	327891	327906
327908	327909	327910
327926	327930	327931
327947	327951	327972
327973	327975	327977
327993	327996	327999
328000	328018	328019
328020	328021	328022
328031	328038	328040
328041	328042	328043
328044	328045	328046
328047	328048	328049
328050	328051	328059
328060	328062	328064
328124	328160	328230
328311	328379	328432
328493	328534	328535
328566	328617	329428
348387	351994	351995
351996	351997	351998
351999	353291	356562
356723	356843	359693

Registrations Ceased

302835	302886	302927
302928	302929	302944
302947	302948	302949
302950	302951	302952
302955	302956	302957
302958	302959	303004
303005	303006	303009
303012	303015	303025
303026	303149	303229
303337	303338	303411
303412	303489	303490

Extensions of time granted under Section 137

Applications lodged under section 137 for extension of time have been granted.

327315 **CMP Engineers Pty Ltd**

Subsequent Owners Registered

(The name in parentheses is that of the subsequent owner)

350336	(Panasonic Healthcare Holdings Co., Ltd.) Panasonic Healthcare Co. Ltd
350337	(Panasonic Healthcare Holdings Co., Ltd.) Panasonic Healthcare Co. Ltd

Names Registered - Alterations and Amendments

(The name in parentheses is that of the subsequent applicant)

351504 (**Hills Limited**) Hills Holdings Limited
351505 (**Hills Limited**) Hills Holdings Limited
355532 (**Hills Limited**) Hills Holdings Limited
355534 (**Hills Limited**) Hills Holdings Limited
351503 (**Hills Limited**) Hills Holdings Limited
343806 (**Ipateer Pty Ltd**) Cyberkart Pty Ltd
358436 (**Ipateer Pty Ltd**) Cyberkart Pty Ltd

Certificate(s) of Examination

Examination of the following Design Registration(s) has been completed. Infringement proceedings may now be commenced.

334800	12-16M	30/03/2015
335049	12-16M	30/03/2015
356012	08-01	26/03/2015
356052	08-01	26/03/2015
356056	08-01	26/03/2015
356098	08-01	26/03/2015
357731	07-02L	01/04/2015
357813	04-02	31/03/2015
357814	04-02	31/03/2015
358950	31-00	01/04/2015
358982	31-00	01/04/2015
358983	31-00	01/04/2015
359076	31-00	01/04/2015
359394	08-05P	24/03/2015
359653	10-04	23/03/2015
359812	08-03	01/04/2015
360015	07-99C	30/03/2015
360130	02-06	24/03/2015
360186	04-02	31/03/2015

Publication and Registration Proceedings

Designs Registered

This section provides a concordance between design number and registration number of Designs covered in this journal. It also shows the main class and registration date.

This section covers Registration numbers 360783 to 360902 .

The registration number shown below should be used in all future correspondence.

Design Number	Registration Number	International Classification Code (IDC)	Registration Date	Design Number	Registration Number	International Classification Code (IDC)	Registration Date
13067/2014	360810	26-03	30/03/2015	10855/2015	360873	06-06H	31/03/2015
14792/2014	360793	31-00	25/03/2015	10859/2015	360804	25-01NES	26/03/2015
14793/2014	360794	31-00	25/03/2015	10860/2015	360805	06-01C	26/03/2015
14794/2014	360811	31-00	30/03/2015	10866/2015	360806	12-05	26/03/2015
14797/2014	360812	31-00	30/03/2015	10872/2015	360820	15-05	30/03/2015
14798/2014	360813	31-00	30/03/2015	10874/2015	360821	12-16M	30/03/2015
14799/2014	360814	31-00	30/03/2015	10876/2015	360822	08-09	30/03/2015
14800/2014	360815	31-00	30/03/2015	10877/2015	360823	15-05	30/03/2015
14801/2014	360816	31-00	30/03/2015	10878/2015	360824	15-05	30/03/2015
14802/2014	360817	31-00	30/03/2015	10880/2015	360825	15-05	30/03/2015
15287/2014	360868	12-16NES	31/03/2015	10881/2015	360826	21-02C	30/03/2015
15492/2014	360818	23-02C	30/03/2015	10882/2015	360827	15-05	30/03/2015
10113/2015	360850	29-02	31/03/2015	10883/2015	360828	06-01F	30/03/2015
10266/2015	360869	05-06A	31/03/2015	10884/2015	360829	15-05	30/03/2015
10309/2015	360809	09-01D	26/03/2015	10885/2015	360830	06-02	30/03/2015
10390/2015	360795	15-07	25/03/2015	10886/2015	360831	15-05	30/03/2015
10391/2015	360796	15-07	25/03/2015	10887/2015	360807	15-05	26/03/2015
10400/2015	360797	03-01B	25/03/2015	10889/2015	360808	02-02C	26/03/2015
10401/2015	360798	03-01B	25/03/2015	10891/2015	360832	07-02L	30/03/2015
10506/2015	360851	02-07B	31/03/2015	10895/2015	360833	08-09	30/03/2015
10587/2015	360852	07-01NES	31/03/2015	10896/2015	360834	12-16K	30/03/2015
10590/2015	360819	15-03B	30/03/2015	10897/2015	360835	12-16K	30/03/2015
10603/2015	360840	05-05C	30/03/2015	10898/2015	360836	02-02C	30/03/2015
10656/2015	360799	06-08	26/03/2015	10899/2015	360837	02-02C	30/03/2015
10705/2015	360841	09-07B	30/03/2015	10900/2015	360838	08-08H	30/03/2015
10706/2015	360842	09-07B	30/03/2015	10901/2015	360839	12-10	30/03/2015
10707/2015	360843	09-01NES	30/03/2015	10902/2015	360874	08-05A	31/03/2015
10820/2015	360783	21-02NES	24/03/2015	10903/2015	360875	02-01B	31/03/2015
10821/2015	360784	21-02NES	24/03/2015	10904/2015	360876	31-00	31/03/2015
10822/2015	360785	21-02NES	24/03/2015	10905/2015	360877	05-05NES	31/03/2015
10827/2015	360786	05-05C	24/03/2015	10907/2015	360878	07-99NES	31/03/2015
10829/2015	360787	14-02	24/03/2015	10909/2015	360879	08-08H	31/03/2015
10833/2015	360788	10-05	25/03/2015	10910/2015	360867	08-08H	31/03/2015
10834/2015	360789	10-05	25/03/2015	10914/2015	360853	21-02C	31/03/2015
10835/2015	360844	10-05	30/03/2015	10915/2015	360854	08-05A	31/03/2015
10836/2015	360845	10-05	30/03/2015	10916/2015	360855	08-05A	31/03/2015
10837/2015	360846	10-05	30/03/2015	10917/2015	360856	08-05A	31/03/2015
10838/2015	360847	07-04	30/03/2015	10923/2015	360857	16-06	31/03/2015
10839/2015	360848	12-05	30/03/2015	10925/2015	360858	08-07	31/03/2015
10840/2015	360790	12-05	25/03/2015	10928/2015	360859	08-08H	31/03/2015
10841/2015	360791	12-05	25/03/2015	10935/2015	360880	25-02NES	01/04/2015
10842/2015	360792	12-05	25/03/2015	10936/2015	360881	09-01NES	01/04/2015
10846/2015	360849	14-02	30/03/2015	10940/2015	360882	08-08H	01/04/2015
10847/2015	360800	03-01NES	26/03/2015	10941/2015	360883	08-08H	01/04/2015
10848/2015	360870	09-01G	31/03/2015	10945/2015	360884	15-04	01/04/2015
10849/2015	360801	06-01D	26/03/2015	10946/2015	360885	24-02	01/04/2015
10851/2015	360802	26-03	26/03/2015	10947/2015	360886	06-06G	01/04/2015
10852/2015	360871	06-03A	31/03/2015	10970/2015	360887	15-05	01/04/2015
10853/2015	360803	06-06E	26/03/2015	10972/2015	360888	15-05	01/04/2015
10854/2015	360872	06-06H	31/03/2015	10974/2015	360889	21-01E	01/04/2015

Publication and Registration Proceedings - Designs Registered cont'd

Design Number	Registration Number	International Classification Code (IDC)	Registration Date	Design Number	Registration Number	International Classification Code (IDC)	Registration Date
10979/2015	360890	15-05	01/04/2015	10994/2015	360894	09-09	01/04/2015
10981/2015	360860	15-05	31/03/2015	11000/2015	360895	09-03L	01/04/2015
10982/2015	360861	09-09	31/03/2015	11001/2015	360896	09-03L	01/04/2015
10983/2015	360862	09-09	31/03/2015	11015/2015	360897	03-01NES	01/04/2015
10985/2015	360863	09-09	31/03/2015	11016/2015	360898	14-02	01/04/2015
10986/2015	360864	16-01	31/03/2015	11025/2015	360900	03-01B	01/04/2015
10987/2015	360865	04-02	31/03/2015	11026/2015	360901	03-01B	01/04/2015
10989/2015	360866	09-09	31/03/2015	11027/2015	360902	03-01B	01/04/2015
10991/2015	360891	09-09	01/04/2015	11030/2015	360899	08-08NES	01/04/2015
10992/2015	360892	09-09	01/04/2015				
10993/2015	360893	09-09	01/04/2015				

Publication and Registration Proceedings

Class Listing of Designs Published or Registered

The following section shows an International Classification Code listing of the Registered or Published Designs covered in this supplement.

Classification	Registration Number	Design Number	Classification	Registration Number	Design Number
02-01B	360875	10903/2015	09-03L	360895	11000/2015
02-02C	360808	10889/2015	09-03L	360896	11001/2015
02-02C	360836	10898/2015	09-07B	360841	10705/2015
02-02C	360837	10899/2015	09-07B	360842	10706/2015
02-07B	360851	10506/2015	09-09	360861	10982/2015
03-01B	360797	10400/2015	09-09	360862	10983/2015
03-01B	360798	10401/2015	09-09	360863	10985/2015
03-01B	360900	11025/2015	09-09	360866	10989/2015
03-01B	360901	11026/2015	09-09	360891	10991/2015
03-01B	360902	11027/2015	09-09	360892	10992/2015
03-01NES	360800	10847/2015	09-09	360893	10993/2015
03-01NES	360897	11015/2015	09-09	360894	10994/2015
04-02	360865	10987/2015	10-05	360788	10833/2015
05-05A	360869	10266/2015	10-05	360789	10834/2015
05-05C	360786	10827/2015	10-05	360844	10835/2015
05-05C	360840	10603/2015	10-05	360845	10836/2015
05-05NES	360877	10905/2015	10-05	360846	10837/2015
05-06A	360869	10266/2015	11-02NES	360869	10266/2015
05-06NES	360869	10266/2015	12-05	360790	10840/2015
06-01C	360805	10860/2015	12-05	360791	10841/2015
06-01D	360801	10849/2015	12-05	360792	10842/2015
06-01F	360828	10883/2015	12-05	360806	10866/2015
06-02	360830	10885/2015	12-05	360848	10839/2015
06-03A	360871	10852/2015	12-10	360839	10901/2015
06-06E	360803	10853/2015	12-16K	360834	10896/2015
06-06G	360886	10947/2015	12-16K	360835	10897/2015
06-06H	360872	10854/2015	12-16M	360821	10874/2015
06-06H	360873	10855/2015	12-16NES	360868	15287/2014
06-08	360799	10656/2015	14-02	360787	10829/2015
07-01NES	360852	10587/2015	14-02	360849	10846/2015
07-02L	360832	10891/2015	14-02	360898	11016/2015
07-04	360847	10838/2015	15-03B	360819	10590/2015
07-07A	360852	10587/2015	15-04	360884	10945/2015
07-99NES	360878	10907/2015	15-05	360807	10887/2015
08-05A	360854	10915/2015	15-05	360820	10872/2015
08-05A	360855	10916/2015	15-05	360823	10877/2015
08-05A	360856	10917/2015	15-05	360824	10878/2015
08-05A	360874	10902/2015	15-05	360825	10880/2015
08-05N	360899	11030/2015	15-05	360827	10882/2015
08-07	360858	10925/2015	15-05	360829	10884/2015
08-08H	360838	10900/2015	15-05	360831	10886/2015
08-08H	360859	10928/2015	15-05	360860	10981/2015
08-08H	360867	10910/2015	15-05	360887	10970/2015
08-08H	360879	10909/2015	15-05	360888	10972/2015
08-08H	360882	10940/2015	15-05	360890	10979/2015
08-08H	360883	10941/2015	15-07	360795	10390/2015
08-08NES	360899	11030/2015	15-07	360796	10391/2015
08-09	360822	10876/2015	16-01	360864	10986/2015
08-09	360833	10895/2015	16-06	360857	10923/2015
09-01D	360809	10309/2015	20-03NES	360849	10846/2015
09-01G	360870	10848/2015	21-01E	360889	10974/2015
09-01NES	360843	10707/2015	21-02C	360826	10881/2015
09-01NES	360881	10936/2015	21-02C	360853	10914/2015

Registration Proceedings - Class Listing of Designs Published or Registered cont'd

Classification	Registration Number	Design Number	Classification	Registration Number	Design Number
21-02NES	360783	10820/2015	31-00	360794	14793/2014
21-02NES	360784	10821/2015	31-00	360811	14794/2014
21-02NES	360785	10822/2015	31-00	360812	14797/2014
23-02C	360818	15492/2014	31-00	360813	14798/2014
24-02	360885	10946/2015	31-00	360814	14799/2014
25-01NES	360804	10859/2015	31-00	360815	14800/2014
25-01NES	360869	10266/2015	31-00	360816	14801/2014
25-02NES	360880	10935/2015	31-00	360817	14802/2014
26-03	360802	10851/2015	31-00	360876	10904/2015
26-03	360810	13067/2014			
29-02	360850	10113/2015			
31-00	360793	14792/2014			

- (21) Design Number: **10820/2015**
(22) Date of Filing Application: **14 February 2015**
(24) Date from which industrial property rights may have effect: **14 February 2015**
(54) Product in respect of which the design is registered: **Exercise device handle**
(51) International Design Classification: **21-02NES**
(74) Name(s) of Attorney(s):
(71) Name(s) and Address(s) of Applicant(s):
Glenn Desmond Clothier
39 Macdonald Dr Narangba QLD 4504 Australia
(72) Name(s) of Designer(s): **Glenn Desmond Clothier**
(45) Registration Date: **24 March 2015**
(56) Related Art Documents: **Not Applicable**
(57) Statement of Newness and Distinctiveness: **Newness and distinctiveness is claimed in the features of shape and/or configuration of an exercise device handle as shown in the accompanying representations.**



- (21) Design Number: **10821/2015**
(22) Date of Filing Application: **14 February 2015**
(24) Date from which industrial property rights may have effect: **14 February 2015**
(54) Product in respect of which the design is registered: **Exercise device handle**
(51) International Design Classification: **21-02NES**
(74) Name(s) of Attorney(s):
(71) Name(s) and Address(s) of Applicant(s):
Glenn Desmond Clothier
39 Macdonald Dr Narangba QLD 4504 Australia
(72) Name(s) of Designer(s): **Glenn Desmond Clothier**
(45) Registration Date: **24 March 2015**
(56) Related Art Documents: **Not Applicable**
(57) Statement of Newness and Distinctiveness: **Newness and distinctiveness is claimed in the features of shape and/or configuration of an exercise device handle as shown in the accompanying representations.**



- (21) Design Number: **10822/2015**
(22) Date of Filing Application: **14 February 2015**
(24) Date from which industrial property rights may have effect: **14 February 2015**
(54) Product in respect of which the design is registered: **Exercise device handle**
(51) International Design Classification: **21-02NES**
(74) Name(s) of Attorney(s):
(71) Name(s) and Address(s) of Applicant(s):
Glenn Desmond Clothier
39 Macdonald Dr Narangba QLD 4504 Australia
(72) Name(s) of Designer(s): **Glenn Desmond Clothier**
(45) Registration Date: **24 March 2015**
(56) Related Art Documents: **Not Applicable**
(57) Statement of Newness and Distinctiveness: **Newness and distinctiveness is claimed in the features of shape and/or configuration of an exercise device handle as shown in the accompanying representations.**



- (21) Design Number: **10827/2015**
(22) Date of Filing Application: **15 February 2015**
(24) Date from which industrial property rights may have effect: **15 February 2015**
(54) Product in respect of which the design is registered: **Textiles, apparel**
(51) International Design Classification: **05-05C**
(74) Name(s) of Attorney(s):
(71) Name(s) and Address(s) of Applicant(s):
R Khamitova
23 Banool Cir Ocean Shores NSW 2483 Australia
A Pourasgheri
23 Banool Cir Ocean Shores NSW 2483 Australia
(72) Name(s) of Designer(s): **Roza Khamitova**
(45) Registration Date: **24 March 2015**
(56) Related Art Documents: **Not Applicable**
(57) Statement of Newness and Distinctiveness: **The Newness and distinctiveness of this design lies in the placement composition of (8) swans within space. Each swan is represented at a different stage of flight. Lines are hand drawn, with special shading added. The background features water splashes and splatter details.**



(21) Design Number: **10829/2015**

(22) Date of Filing Application: **16 February 2015**

(24) Date from which industrial property rights may have effect: **16 February 2015**

(54) Product in respect of which the design is registered: **Franking machine**

(51) International Design Classification: **14-02**

(74) Name(s) of Attorney(s): **Griffith Hack**

(71) Name(s) and Address(s) of Applicant(s):

Francotyp-Postalia GmbH
Prenzlauer Promenade 28 13089 Berlin Germany

(72) Name(s) of Designer(s): **Matthias Lorenzen**

(45) Registration Date: **24 March 2015**

(30) Convention priority data:

(31) Number	(32) Date	(33) Country
001424220-0001	18 Oct 2014	OFFICE FOR HARMONISATION IN THE INTERNAL MARKET (OHIM)

(56) Related Art Documents: **Not Applicable**

(57) Statement of Newness and Distinctiveness: **Newness and distinctiveness resides in the visual features, including the shape and configuration of the product shown in the representations.**



(21) Design Number: **10833/2015**

(22) Date of Filing Application: **16 February 2015**

(24) Date from which industrial property rights may have effect: **16 February 2015**

(54) Product in respect of which the design is registered: **Radar**

(51) International Design Classification: **10-05**

(74) Name(s) of Attorney(s): **Spruson & Ferguson**

(71) Name(s) and Address(s) of Applicant(s):

Bradar Industria S.A.
Av. Shishima Hifumi, 2911 modulo 101B e 011B, Urbanova, Sao Jose dos Campos, CEP Sao Paulo, 12244-000 Brazil

(72) Name(s) of Designer(s): **Joao Roberto Moreira Neto and Marco Andre Remy and Eurico Vaz Junior and Luis Carlos Imoto and Dieter Luebeck**

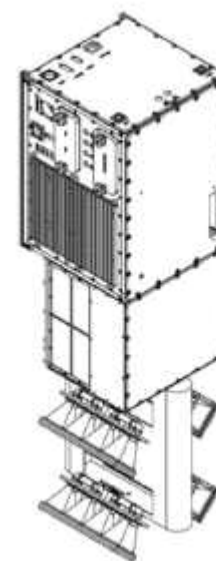
(45) Registration Date: **25 March 2015**

(30) Convention priority data:

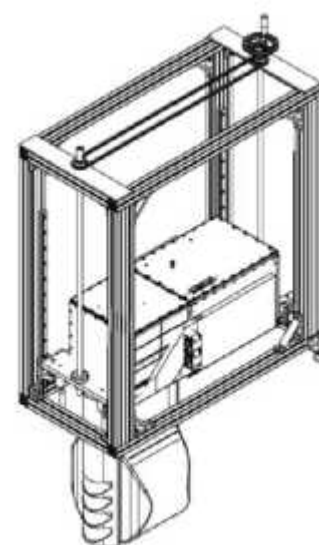
(31) Number	(32) Date	(33) Country
30 2014 004886 4	26 Sep 2014	BRAZIL

(56) Related Art Documents: **Not Applicable**

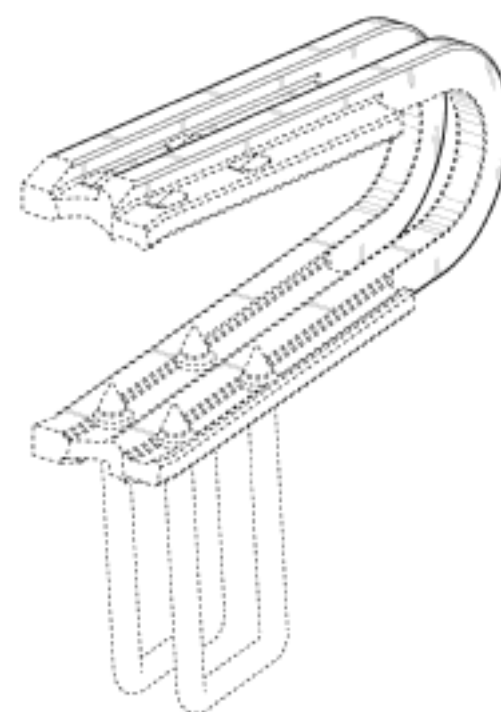
(57) Statement of Newness and Distinctiveness: **Newness and distinctiveness is claimed in the features of shape and/or configuration of a radar as illustrated in the accompanying representations.**



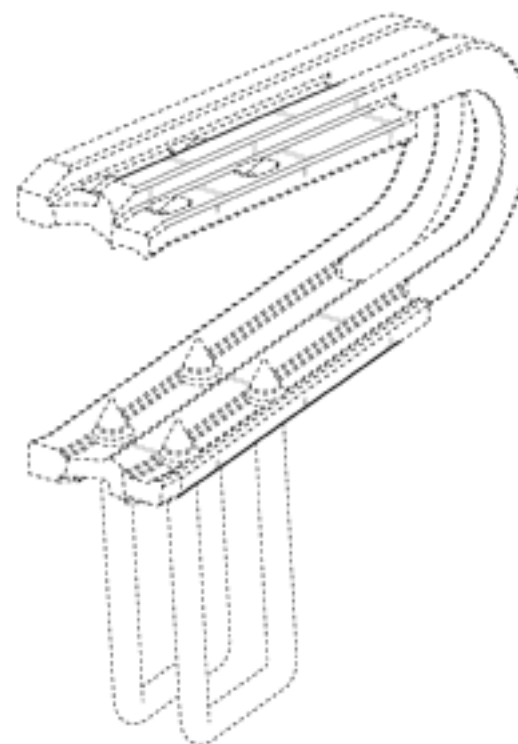
- (21) Design Number: **10834/2015**
(22) Date of Filing Application: **16 February 2015**
(24) Date from which industrial property rights may have effect: **16 February 2015**
(54) Product in respect of which the design is registered: **Radar**
(51) International Design Classification: **10-05**
(74) Name(s) of Attorney(s): **Spruson & Ferguson**
(71) Name(s) and Address(s) of Applicant(s):
Bradar Industria S.A.
Av. Shishima Hifumi, 2911 modulo 101B e 011B, Urbanova, Sao Jose dos Campos, CEP Sao Paulo, 12244-000 Brazil
(72) Name(s) of Designer(s): **Joao Roberto Moreira Neto and Marco Andre Remy and Eurico Vaz Junior and Luis Carlos Imoto and Dieter Luebeck**
(45) Registration Date: **25 March 2015**
(30) Convention priority data:
(31) Number (32) Date (33) Country
30 2014 004886 4 26 Sep 2014 BRAZIL
(56) Related Art Documents: **Not Applicable**
(57) Statement of Newness and Distinctiveness: **Newness and distinctiveness is claimed in the features of shape and/or configuration of a radar as illustrated in the accompanying representations.**



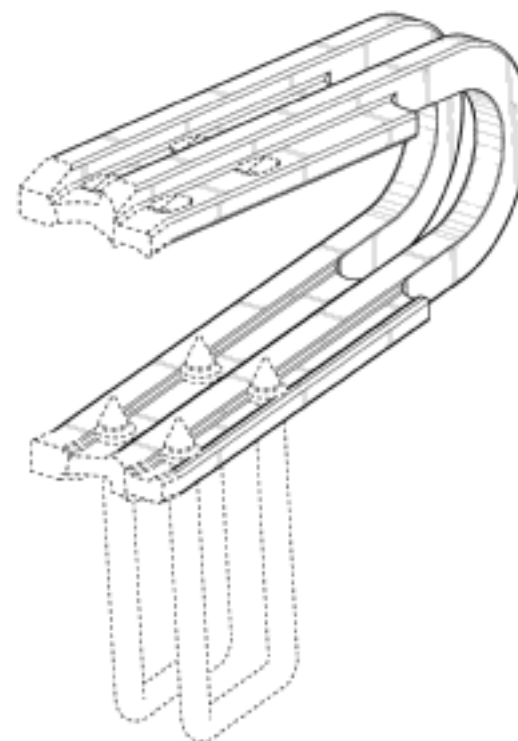
- (21) Design Number: **10840/2015**
(22) Date of Filing Application: **16 February 2015**
(24) Date from which industrial property rights may have effect: **16 February 2015**
(54) Product in respect of which the design is registered: **A fastener for conveyor belts**
(51) International Design Classification: **12-05**
(74) Name(s) of Attorney(s): **Spruson & Ferguson**
(71) Name(s) and Address(s) of Applicant(s):
Flexible Steel Lacing Company
2525 Wisconsin Avenue, Downers Grove Illinois, 60515 United States of America
(72) Name(s) of Designer(s): **William J Daniels**
(45) Registration Date: **25 March 2015**
(30) Convention priority data:
(31) Number (32) Date (33) Country
26/499653 18 Aug 2014 UNITED STATES OF AMERICA
(56) Related Art Documents: **Not Applicable**
(57) Statement of Newness and Distinctiveness: **Newness and distinctiveness is claimed in those features of shape and/or configuration of a fastener for conveyor belts illustrated in continuous lines in the accompanying representations.**



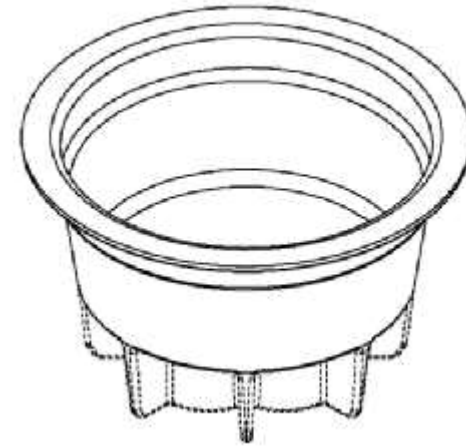
- (21) Design Number: **10841/2015**
(22) Date of Filing Application: **16 February 2015**
(24) Date from which industrial property rights may have effect: **16 February 2015**
(54) Product in respect of which the design is registered: **A fastener for conveyor belts**
(51) International Design Classification: **12-05**
(74) Name(s) of Attorney(s): **Spruson & Ferguson**
(71) Name(s) and Address(s) of Applicant(s):
Flexible Steel Lacing Company
2525 Wisconsin Avenue, Downers Grove Illinois, 60515 United States of America
(72) Name(s) of Designer(s): **William J Daniels**
(45) Registration Date: **25 March 2015**
(30) Convention priority data:
(31) Number (32) Date (33) Country
29/499693 18 Aug 2014 UNITED STATES OF AMERICA
(56) Related Art Documents: **Not Applicable**
(57) Statement of Newness and Distinctiveness: **Newness and distinctiveness is claimed in those features of shape and/or configuration of a fastener for conveyor belts illustrated in continuous lines in the accompanying representations.**



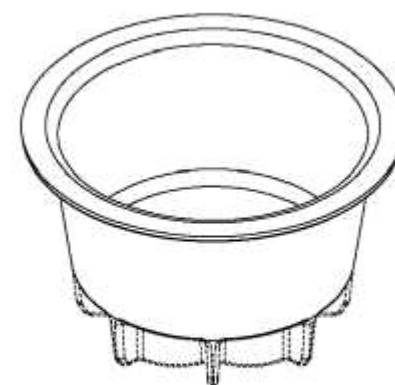
- (21) Design Number: **10842/2015**
(22) Date of Filing Application: **16 February 2015**
(24) Date from which industrial property rights may have effect: **16 February 2015**
(54) Product in respect of which the design is registered: **A fastener for conveyor belts**
(51) International Design Classification: **12-05**
(74) Name(s) of Attorney(s): **Spruson & Ferguson**
(71) Name(s) and Address(s) of Applicant(s):
Flexible Steel Lacing Company
2525 Wisconsin Avenue, Downers Grove Illinois, 60515 United States of America
(72) Name(s) of Designer(s): **William J Daniels**
(45) Registration Date: **25 March 2015**
(30) Convention priority data:
(31) Number (32) Date (33) Country
29/499693 18 Aug 2014 UNITED STATES OF AMERICA
(56) Related Art Documents: **Not Applicable**
(57) Statement of Newness and Distinctiveness: **Newness and distinctiveness is claimed in those features of shape and/or configuration of a fastener for conveyor belts illustrated in continuous lines in the accompanying representations.**



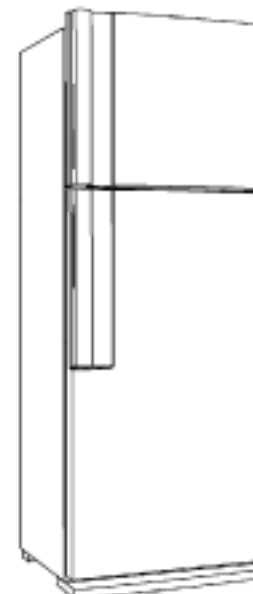
(21) Design Number: **14792/2014**
(22) Date of Filing Application: **19 September 2014**
(24) Date from which industrial property rights may have effect: **19 September 2014**
(54) Product in respect of which the design is registered: **Cleaning insert for beverage dispenser**
(51) International Design Classification: **31-00**
(74) Name(s) of Attorney(s): **Madderns**
(71) Name(s) and Address(s) of Applicant(s):
Cafetto Asia Pte. Ltd.
80 Raffles Place #26-01 UOB Plaza 048624 Singapore
(72) Name(s) of Designer(s): **Andrew William Whittaker**
(45) Registration Date: **25 March 2015**
(56) Related Art Documents: **Not Applicable**
(57) Statement of Newness and Distinctiveness: **Nil**



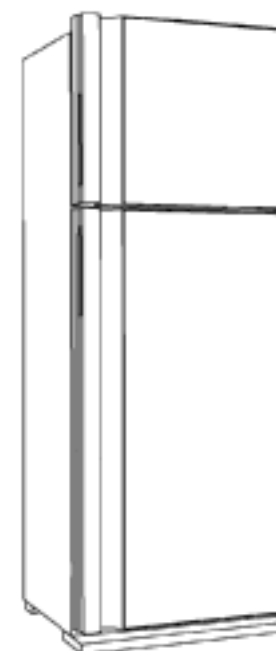
(21) Design Number: **14793/2014**
(22) Date of Filing Application: **19 September 2014**
(24) Date from which industrial property rights may have effect: **19 September 2014**
(54) Product in respect of which the design is registered: **Cleaning insert for beverage dispenser**
(51) International Design Classification: **31-00**
(74) Name(s) of Attorney(s): **Madderns**
(71) Name(s) and Address(s) of Applicant(s):
Cafetto Asia Pte. Ltd.
80 Raffles Place #26-01 UOB Plaza 048624 Singapore
(72) Name(s) of Designer(s): **Andrew William Whittaker**
(45) Registration Date: **25 March 2015**
(56) Related Art Documents: **Not Applicable**
(57) Statement of Newness and Distinctiveness: **Nil**



- (21) Design Number: **10390/2015**
(22) Date of Filing Application: **27 January 2015**
(24) Date from which industrial property rights may have effect: **27 January 2015**
(54) Product in respect of which the design is registered: **Refrigerator**
(51) International Design Classification: **15-07**
(74) Name(s) of Attorney(s): **Davies Collison Cave**
(71) Name(s) and Address(s) of Applicant(s):
Sharp Kabushiki Kaisha
22-22 Nagaike-cho Abeno-ku Osaka 545-8522 Japan
(72) Name(s) of Designer(s): **Fumitoshi Sakata and Kowalski Marcin and**
Kentarou Tokuriki and Hiroshi Mizuno
(45) Registration Date: **25 March 2015**
(30) Convention priority data:
(31) Number (32) Date (33) Country
2014-017288 08 Aug 2014 JAPAN
(56) Related Art Documents: **Not Applicable**
(57) Statement of Newness and Distinctiveness: **Newness and distinctiveness**
is claimed in the visual features shown in the representations.



- (21) Design Number: **10391/2015**
(22) Date of Filing Application: **27 January 2015**
(24) Date from which industrial property rights may have effect: **27 January 2015**
(54) Product in respect of which the design is registered: **Refrigerator**
(51) International Design Classification: **15-07**
(74) Name(s) of Attorney(s): **Davies Collison Cave**
(71) Name(s) and Address(s) of Applicant(s):
Sharp Kabushiki Kaisha
22-22 Nagaike-cho Abeno-ku Osaka 545-8522 Japan
(72) Name(s) of Designer(s): **Fumitoshi Sakata and Kowalski Marcin and**
Kentarou Tokuriki and Hiroshi Mizuno
(45) Registration Date: **25 March 2015**
(30) Convention priority data:
(31) Number (32) Date (33) Country
2014-017289 08 Aug 2014 JAPAN
(56) Related Art Documents: **Not Applicable**
(57) Statement of Newness and Distinctiveness: **Newness and distinctiveness**
is claimed in the visual features shown in the representations.



(21) Design Number: **10400/2015**

(22) Date of Filing Application: **28 January 2015**

(24) Date from which industrial property rights may have effect: **28 January 2015**

(54) Product in respect of which the design is registered: **Bag**

(51) International Design Classification: **03-01B**

(74) Name(s) of Attorney(s): **Davies Collison Cave**

(71) Name(s) and Address(s) of Applicant(s):

**Hermes Sellier (Societe Par Actions Simplifiee)
24, rue du Faubourg Saint Honore Paris 75008 France**

(72) Name(s) of Designer(s): **Pierre-Alexis Dumas**

(45) Registration Date: **25 March 2015**

(30) Convention priority data:

(31) Number
831730001

(32) Date
06 Aug 2014

(33) Country
**OFFICE FOR HARMONISATION IN
THE INTERNAL MARKET (OHIM)**

(56) Related Art Documents: **Not Applicable**

(57) Statement of Newness and Distinctiveness: **Nil**



(21) Design Number: **10401/2015**

(22) Date of Filing Application: **28 January 2015**

(24) Date from which industrial property rights may have effect: **28 January 2015**

(54) Product in respect of which the design is registered: **Bag**

(51) International Design Classification: **03-01B**

(74) Name(s) of Attorney(s): **Davies Collison Cave**

(71) Name(s) and Address(s) of Applicant(s):

**Hermes Sellier (Societe Par Actions Simplifiee)
24, rue du Faubourg Saint Honore Paris 75008 France**

(72) Name(s) of Designer(s): **Pierre-Alexis Dumas**

(45) Registration Date: **25 March 2015**

(30) Convention priority data:

(31) Number
831730001

(32) Date
06 Aug 2014

(33) Country
**OFFICE FOR HARMONISATION IN
THE INTERNAL MARKET (OHIM)**

(56) Related Art Documents: **Not Applicable**

(57) Statement of Newness and Distinctiveness: **Nil**



(21) Design Number: **10656/2015**

(22) Date of Filing Application: **10 February 2015**

(24) Date from which industrial property rights may have effect: **10 February 2015**

(54) Product in respect of which the design is registered: **Clothes hanger**

(51) International Design Classification: **06-08**

(74) Name(s) of Attorney(s): **FB Rice**

(71) Name(s) and Address(s) of Applicant(s):

The Janger Limited
c/o Leigh Philip & Partners 2nd Floor Devonshire House 1 Devonshire
Street London W1W 5DS United Kingdom

(72) Name(s) of Designer(s): **Guy Taylor**

(45) Registration Date: **26 March 2015**

(30) Convention priority data:

(31) Number	(32) Date	(33) Country
002517748-0001	11 Aug 2014	OFFICE FOR HARMONISATION IN THE INTERNAL MARKET (OHIM)

(56) Related Art Documents: **Not Applicable**

(57) Statement of Newness and Distinctiveness: **Newness and distinctiveness
reside in the features of shape and configuration of the design as shown
in the representations.**



(21) Design Number: **10847/2015**

(22) Date of Filing Application: **17 February 2015**

(24) Date from which industrial property rights may have effect: **19 December 2014**

(54) Product in respect of which the design is registered: **Mobile phone case with
reading glasses pocket**

(51) International Design Classification: **03-01NES**

(74) Name(s) of Attorney(s): **Shelston IP**

(71) Name(s) and Address(s) of Applicant(s):

Diversified Products, Inc.
**4 Blue Heron Drive Collegeville Pennsylvania, 19426 United States of
America**

(72) Name(s) of Designer(s): **Steven B Liebers and Zhongqiu Zhu**

(45) Registration Date: **26 March 2015**

(30) Convention priority data:

(31) Number	(32) Date	(33) Country
29/494781	24 Jun 2014	UNITED STATES OF AMERICA

(62) Divisional of: **360399**

(56) Related Art Documents: **Not Applicable**

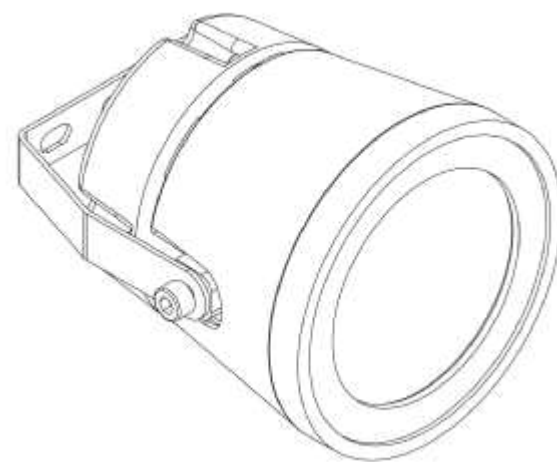
(57) Statement of Newness and Distinctiveness: **Newness and distinctiveness
reside in the features of shape and/or configuration of the mobile
phone case with reading glasses pocket as shown in the accompanying
representations. Features shown in dashed lines are included for
illustrative purposes only and do not form part of the design.**



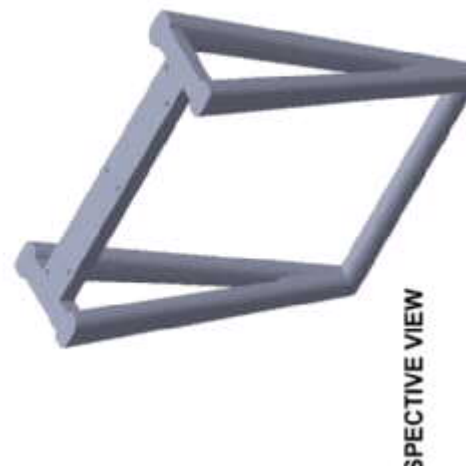
- (21) Design Number: **10849/2015**
(22) Date of Filing Application: **17 February 2015**
(24) Date from which industrial property rights may have effect: **17 February 2015**
(54) Product in respect of which the design is registered: **Bus seat frame**
(51) International Design Classification: **06-01D**
(74) Name(s) of Attorney(s): **Cullens Patent and Trade Mark Attorneys**
(71) Name(s) and Address(s) of Applicant(s):
StyleRide Pty Ltd
C/- L2 239 George St Brisbane QLD 4000 Australia
(72) Name(s) of Designer(s): **Matthew Lukan**
(45) Registration Date: **26 March 2015**
(56) Related Art Documents: **Not Applicable**
(57) Statement of Newness and Distinctiveness: **Nil**



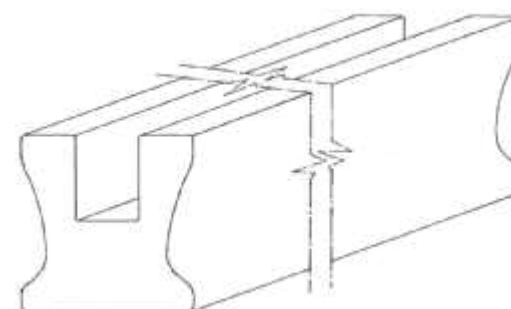
- (21) Design Number: **10851/2015**
(22) Date of Filing Application: **17 February 2015**
(24) Date from which industrial property rights may have effect: **17 February 2015**
(54) Product in respect of which the design is registered: **Light**
(51) International Design Classification: **26-03**
(74) Name(s) of Attorney(s): **Shelston IP**
(71) Name(s) and Address(s) of Applicant(s):
Zhejiang Wanma Hizhen Optoelectronics Technology CO., LTD.
No. 1501, Yishan Road Wuxing District Huzhou City Zhejiang Province,
313000 China
(72) Name(s) of Designer(s): **Jun Liu and Xiaowei Luo and Shenhua Chen**
(45) Registration Date: **26 March 2015**
(56) Related Art Documents: **Not Applicable**
(57) Statement of Newness and Distinctiveness: **Newness and distinctiveness reside in the features of shape and/or configuration of a LIGHT as illustrated in the accompanying representations.**



- (21) Design Number: **10853/2015**
(22) Date of Filing Application: **17 February 2015**
(24) Date from which industrial property rights may have effect: **17 February 2015**
(54) Product in respect of which the design is registered: **A leg for a table**
(51) International Design Classification: **06-06E**
(74) Name(s) of Attorney(s): **FB Rice**
(71) Name(s) and Address(s) of Applicant(s):
King Furniture Australia Pty Ltd
123 Turrella St Turrella NSW 2205 Australia
(72) Name(s) of Designer(s): **David King and Tanya Rechberger and John Levey**
(45) Registration Date: **26 March 2015**
(56) Related Art Documents: **Not Applicable**
(57) Statement of Newness and Distinctiveness: **Newness and distinctiveness reside in the features of the design as shown in the representations.**



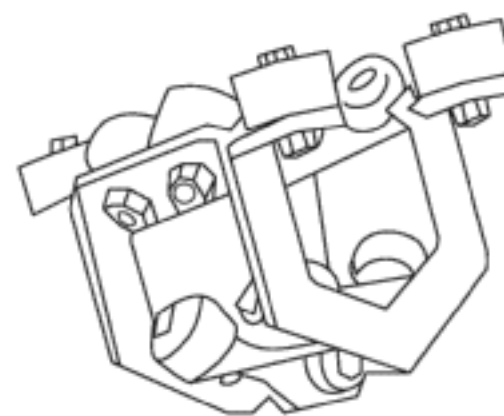
- (21) Design Number: **10859/2015**
(22) Date of Filing Application: **17 February 2015**
(24) Date from which industrial property rights may have effect: **17 February 2015**
(54) Product in respect of which the design is registered: **A separator batten**
(51) International Design Classification: **25-01NES**
(74) Name(s) of Attorney(s): **WATERMARK PATENT AND TRADE MARKS ATTORNEYS**
(71) Name(s) and Address(s) of Applicant(s):
Integrated Recycling Pty. Ltd.
316 Etiwanda Ave Mildura VIC 3500 Australia
(72) Name(s) of Designer(s): **Andrew Townsend**
(45) Registration Date: **26 March 2015**
(56) Related Art Documents: **Not Applicable**
(57) Statement of Newness and Distinctiveness: **Nil**



(21) Design Number: **10860/2015**
(22) Date of Filing Application: **17 February 2015**
(24) Date from which industrial property rights may have effect: **17 February 2015**
(54) Product in respect of which the design is registered: **Seat**
(51) International Design Classification: **06-01C**
(74) Name(s) of Attorney(s):
(71) Name(s) and Address(s) of Applicant(s):
Ripple Iron Pty Ltd
21 Ellen St Moorooka Brisbane QLD 4105 Australia
(72) Name(s) of Designer(s): **Russell Hall**
(45) Registration Date: **26 March 2015**
(56) Related Art Documents: **Not Applicable**
(57) Statement of Newness and Distinctiveness: **Seat supports placed one seat in from the outer edge of seat enables four people to use the arm - rests as opposed to two as is the case with end frames. Position of support frame makes the addition of skateboard inhibitors unnecessary Rear back rest easily bolted to rear box or angle as arm - rest bent down Clean simple aesthetic and construction achieved by use of support frames of any metal; coloured or not ;and using hazard 4 C.C.A. treated landscaping timbers; bracing fixed from under to cleats welded to the sides of the horizontal box section of the frames. Use of curved pipe section for front leg and arm rest for comfortable grasping by hands.**



(21) Design Number: **10866/2015**
(22) Date of Filing Application: **18 February 2015**
(24) Date from which industrial property rights may have effect: **18 February 2015**
(54) Product in respect of which the design is registered: **A carriage or pulley carriage**
(51) International Design Classification: **12-05**
(74) Name(s) of Attorney(s):
(71) Name(s) and Address(s) of Applicant(s):
Frederic Christian Galimard
275 Clarks Rd Boolambayte NSW 2423 Australia
(72) Name(s) of Designer(s): **Frederic Christian Galimard**
(45) Registration Date: **26 March 2015**
(30) Convention priority data:
(31) Number (32) Date (33) Country
002627224 05 Feb 2015 OFFICE FOR HARMONISATION IN THE INTERNAL MARKET (OHIM)
(56) Related Art Documents: **Not Applicable**
(57) Statement of Newness and Distinctiveness: **Newness and distinctiveness resides in the shape and or configuration of a carriage or pulley carriage as depicted in the accompanying representations.**



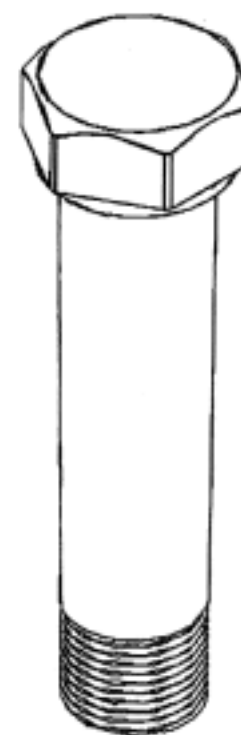
- (21) Design Number: **10887/2015**
(22) Date of Filing Application: **18 February 2015**
(24) Date from which industrial property rights may have effect: **18 February 2015**
(54) Product in respect of which the design is registered: **Vacuum cleaner**
(51) International Design Classification: **15-05**
(74) Name(s) of Attorney(s): **Shelston IP**
(71) Name(s) and Address(s) of Applicant(s):
Dyson Technology Limited
Tetbury Hill Malmesbury Wiltshire SN16 0RP United Kingdom
(72) Name(s) of Designer(s): **Mark Stamford Vanderstegen-Drake and Peter David Gammack and Jonathan George Marsh and Adam James Bates and Joanne Katy Mitchell and Paul Dawson and James Dyson**
(45) Registration Date: **26 March 2015**
(30) Convention priority data:
(31) Number (32) Date (33) Country
001419931-0008 28 Aug 2014 OFFICE FOR HARMONISATION IN THE INTERNAL MARKET (OHIM)
(56) Related Art Documents: **Not Applicable**
(57) Statement of Newness and Distinctiveness: **Newness and distinctiveness reside in the features of shape and/or configuration of a VACUUM CLEANER as illustrated in the accompanying representations.**



- (21) Design Number: **10889/2015**
(22) Date of Filing Application: **18 February 2015**
(24) Date from which industrial property rights may have effect: **18 February 2015**
(54) Product in respect of which the design is registered: **Dress**
(51) International Design Classification: **02-02C**
(74) Name(s) of Attorney(s):
(71) Name(s) and Address(s) of Applicant(s):
Bardot Pty Ltd
63 Victoria Cres Abbotsford VIC 3067 Australia
ARTEMIDES HOLDINGS PTY LTD
63 Victoria Cres Abbotsford VIC 3067 Australia
(72) Name(s) of Designer(s): **Dianne Grgat**
(45) Registration Date: **26 March 2015**
(56) Related Art Documents: **Not Applicable**
(57) Statement of Newness and Distinctiveness: **Newness and distinctiveness resides in the shape and configuration of the product including the long sleeves with cuffs.**

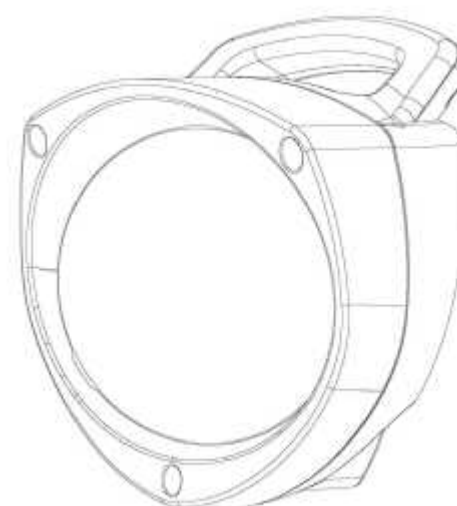


- (21) Design Number: **10309/2015**
(22) Date of Filing Application: **20 January 2015**
(24) Date from which industrial property rights may have effect: **20 January 2015**
(54) Product in respect of which the design is registered: **A bottle**
(51) International Design Classification: **09-01D**
(74) Name(s) of Attorney(s): **WATERMARK PATENT AND TRADE MARKS ATTORNEYS**
(71) Name(s) and Address(s) of Applicant(s):
Tony Linden
26 River Rd Millgrove VIC 3799 Australia
(72) Name(s) of Designer(s): **Tony Linden**
(45) Registration Date: **26 March 2015**
(56) Related Art Documents: **Not Applicable**
(57) Statement of Newness and Distinctiveness: **Nil**

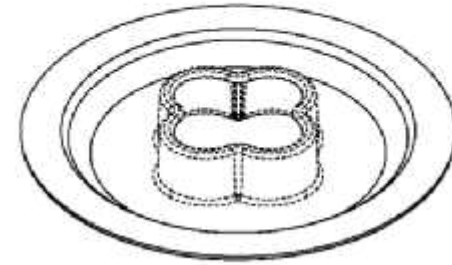


TOP PERSPECTIVE VIEW

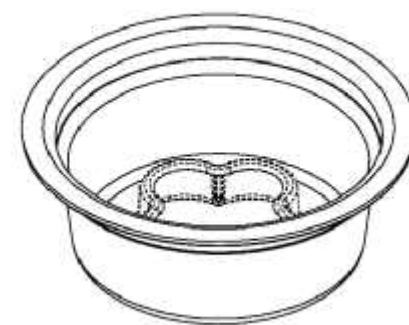
- (21) Design Number: **13067/2014**
(22) Date of Filing Application: **23 June 2014**
(24) Date from which industrial property rights may have effect: **23 June 2014**
(54) Product in respect of which the design is registered: **Lamp**
(51) International Design Classification: **26-03**
(74) Name(s) of Attorney(s): **PHILLIPS ORMONDE FITZPATRICK**
(71) Name(s) and Address(s) of Applicant(s):
Brown & Watson International Pty Ltd
1500 Ferntree Gully Rd Knoxfield VIC 3180 Australia
(72) Name(s) of Designer(s): **Mark Finocchiaro and Paul Davies**
(45) Registration Date: **30 March 2015**
(56) Related Art Documents: **Not Applicable**
(57) Statement of Newness and Distinctiveness: **Those features of the lamp depicted in the representations that are new and distinctive are the shape and/or configuration.**



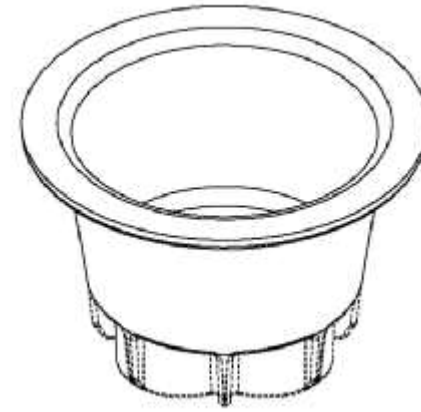
(21) Design Number: **14794/2014**
(22) Date of Filing Application: **19 September 2014**
(24) Date from which industrial property rights may have effect: **19 September 2014**
(54) Product in respect of which the design is registered: **Cleaning insert for beverage dispenser**
(51) International Design Classification: **31-00**
(74) Name(s) of Attorney(s): **Madderns**
(71) Name(s) and Address(s) of Applicant(s):
Cafetto Asia Pte. Ltd.
80 Raffles Place #26-01 UOB Plaza 048624 Singapore
(72) Name(s) of Designer(s): **Andrew William Whittaker**
(45) Registration Date: **30 March 2015**
(56) Related Art Documents: **Not Applicable**
(57) Statement of Newness and Distinctiveness: **Nil**



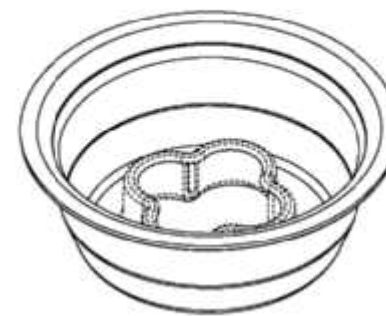
(21) Design Number: **14797/2014**
(22) Date of Filing Application: **19 September 2014**
(24) Date from which industrial property rights may have effect: **19 September 2014**
(54) Product in respect of which the design is registered: **Cleaning insert for beverage dispenser**
(51) International Design Classification: **31-00**
(74) Name(s) of Attorney(s): **Madderns**
(71) Name(s) and Address(s) of Applicant(s):
Cafetto Asia Pte. Ltd.
80 Raffles Place #26-01 UOB Plaza 048624 Singapore
(72) Name(s) of Designer(s): **Andrew William Whittaker**
(45) Registration Date: **30 March 2015**
(56) Related Art Documents: **Not Applicable**
(57) Statement of Newness and Distinctiveness: **Nil**



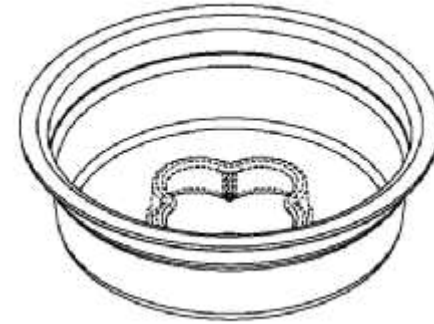
(21) Design Number: **14798/2014**
(22) Date of Filing Application: **19 September 2014**
(24) Date from which industrial property rights may have effect: **19 September 2014**
(54) Product in respect of which the design is registered: **Cleaning insert for beverage dispenser**
(51) International Design Classification: **31-00**
(74) Name(s) of Attorney(s): **Madderns**
(71) Name(s) and Address(s) of Applicant(s):
Cafetto Asia Pte. Ltd.
80 Raffles Place #26-01 UOB Plaza 048624 Singapore
(72) Name(s) of Designer(s): **Andrew William Whittaker**
(45) Registration Date: **30 March 2015**
(56) Related Art Documents: **Not Applicable**
(57) Statement of Newness and Distinctiveness: **Nil**



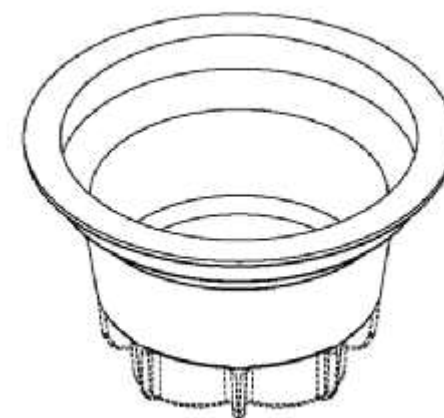
(21) Design Number: **14799/2014**
(22) Date of Filing Application: **19 September 2014**
(24) Date from which industrial property rights may have effect: **19 September 2014**
(54) Product in respect of which the design is registered: **Cleaning insert for beverage dispenser**
(51) International Design Classification: **31-00**
(74) Name(s) of Attorney(s): **Madderns**
(71) Name(s) and Address(s) of Applicant(s):
Cafetto Asia Pte. Ltd.
80 Raffles Place #26-01 UOB Plaza 048624 Singapore
(72) Name(s) of Designer(s): **Andrew William Whittaker**
(45) Registration Date: **30 March 2015**
(56) Related Art Documents: **Not Applicable**
(57) Statement of Newness and Distinctiveness: **Nil**



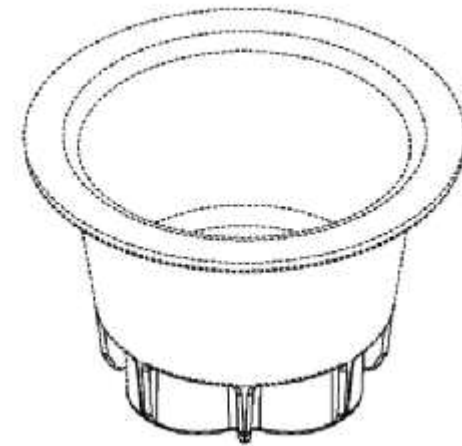
(21) Design Number: **14800/2014**
(22) Date of Filing Application: **19 September 2014**
(24) Date from which industrial property rights may have effect: **19 September 2014**
(54) Product in respect of which the design is registered: **Cleaning insert for beverage dispenser**
(51) International Design Classification: **31-00**
(74) Name(s) of Attorney(s): **Madderns**
(71) Name(s) and Address(s) of Applicant(s):
Cafetto Asia Pte. Ltd.
80 Raffles Place #26-01 UOB Plaza 048624 Singapore
(72) Name(s) of Designer(s): **Andrew William Whittaker**
(45) Registration Date: **30 March 2015**
(56) Related Art Documents: **Not Applicable**
(57) Statement of Newness and Distinctiveness: **Nil**



(21) Design Number: **14801/2014**
(22) Date of Filing Application: **19 September 2014**
(24) Date from which industrial property rights may have effect: **19 September 2014**
(54) Product in respect of which the design is registered: **Cleaning insert for beverage dispenser**
(51) International Design Classification: **31-00**
(74) Name(s) of Attorney(s): **Madderns**
(71) Name(s) and Address(s) of Applicant(s):
Cafetto Asia Pte. Ltd.
80 Raffles Place #26-01 UOB Plaza 048624 Singapore
(72) Name(s) of Designer(s): **Andrew William Whittaker**
(45) Registration Date: **30 March 2015**
(56) Related Art Documents: **Not Applicable**
(57) Statement of Newness and Distinctiveness: **Nil**



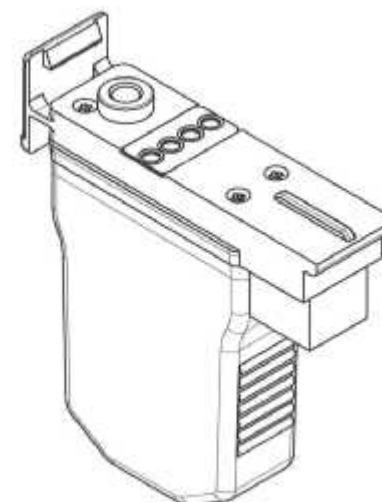
(21) Design Number: **14802/2014**
(22) Date of Filing Application: **19 September 2014**
(24) Date from which industrial property rights may have effect: **19 September 2014**
(54) Product in respect of which the design is registered: **Cleaning insert for beverage dispenser**
(51) International Design Classification: **31-00**
(74) Name(s) of Attorney(s): **Madderns**
(71) Name(s) and Address(s) of Applicant(s):
Cafetto Asia Pte. Ltd.
80 Raffles Place #26-01 UOB Plaza 048624 Singapore
(72) Name(s) of Designer(s): **Andrew William Whittaker**
(45) Registration Date: **30 March 2015**
(56) Related Art Documents: **Not Applicable**
(57) Statement of Newness and Distinctiveness: **Nil**



(21) Design Number: **15492/2014**
(22) Date of Filing Application: **31 October 2014**
(24) Date from which industrial property rights may have effect: **31 October 2014**
(54) Product in respect of which the design is registered: **Toilet**
(51) International Design Classification: **23-02C**
(74) Name(s) of Attorney(s): **Davies Collison Cave**
(71) Name(s) and Address(s) of Applicant(s):
SI Aust Group Pty Ltd
Building 7 450 Princes Hwy Noble Park VIC 3174 Australia
(72) Name(s) of Designer(s): **Yuqun Cai**
(45) Registration Date: **30 March 2015**
(56) Related Art Documents: **Not Applicable**
(57) Statement of Newness and Distinctiveness: **Newness and distinctiveness is claimed in the features of shape and configuration of the toilet shown in the accompanying representations.**



(21) Design Number: **10590/2015**
(22) Date of Filing Application: **06 February 2015**
(24) Date from which industrial property rights may have effect: **06 February 2015**
(54) Product in respect of which the design is registered: **Ejector valve**
(51) International Design Classification: **15-03B**
(74) Name(s) of Attorney(s): **PHILLIPS ORMONDE FITZPATRICK**
(71) Name(s) and Address(s) of Applicant(s):
Satake Corporation
7-2 Sotokanda 4-Chome Chiyoda-Ku Tokyo 101-0021 Japan
Mechano Transformer Corporation
3F., Mikasa First Bldg. 1-10-10, Kajicho, Chiyoda-ku Tokyo, 101-0044
Japan
Kuroda Pneumatics Ltd.
10243, Kamakazu Asahi-shi Chiba, 289-2505 Japan
(72) Name(s) of Designer(s): **Takafumi Ito and Sze Keat Chee and Toshitada Hirata and Toshiro Higuchi**
(45) Registration Date: **30 March 2015**
(30) Convention priority data:
(31) Number (32) Date (33) Country
2014-017260 07 Aug 2014 JAPAN
(56) Related Art Documents: **Not Applicable**
(57) Statement of Newness and Distinctiveness: **Nil**



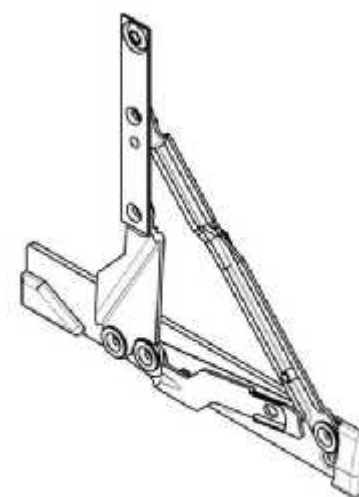
(21) Design Number: **10872/2015**
(22) Date of Filing Application: **18 February 2015**
(24) Date from which industrial property rights may have effect: **18 February 2015**
(54) Product in respect of which the design is registered: **Part of vacuum cleaner**
(51) International Design Classification: **15-05**
(74) Name(s) of Attorney(s): **Shelston IP**
(71) Name(s) and Address(s) of Applicant(s):
Dyson Technology Limited
Tetbury Hill Malmesbury Wiltshire SN16 0RP United Kingdom
(72) Name(s) of Designer(s): **Stephen Benjamin Courtney and Peter David Gammack and Jonathan George Marsh and Donald James McIntosh and Louis Peter Richard Garner and Alexander Stuart Knox and Stephen Robert Dimbylow and Heidi Williamson and Benjamin Charles Felix Tappenden**
(45) Registration Date: **30 March 2015**
(30) Convention priority data:
(31) Number (32) Date (33) Country
001419659-0002 21 Aug 2014 OFFICE FOR HARMONISATION IN THE INTERNAL MARKET (OHIM)
(56) Related Art Documents: **Not Applicable**
(57) Statement of Newness and Distinctiveness: **Newness and distinctiveness reside in the features of shape and/or configuration of PART OF VACUUM CLEANER as illustrated in the accompanying representations.**



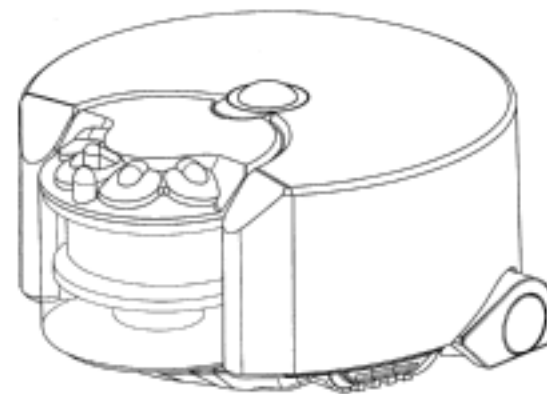
(21) Design Number: **10874/2015**
(22) Date of Filing Application: **18 February 2015**
(24) Date from which industrial property rights may have effect: **18 February 2015**
(54) Product in respect of which the design is registered: **A master cylinder**
(51) International Design Classification: **12-16M**
(74) Name(s) of Attorney(s):
(71) Name(s) and Address(s) of Applicant(s):
C.M. Trailer Equipment Limited
15 Range Street Ashburton 7700 New Zealand
(72) Name(s) of Designer(s): **James Leslie Taylor**
(45) Registration Date: **30 March 2015**
(30) Convention priority data:
(31) Number (32) Date (33) Country
419214 25 Aug 2014 NEW ZEALAND
(56) Related Art Documents: **Not Applicable**
(57) Statement of Newness and Distinctiveness: **The design is to be applied to a Master Cylinder and the novelty resides in the features of shape and configuration of the article shown in the accompanying representations.**



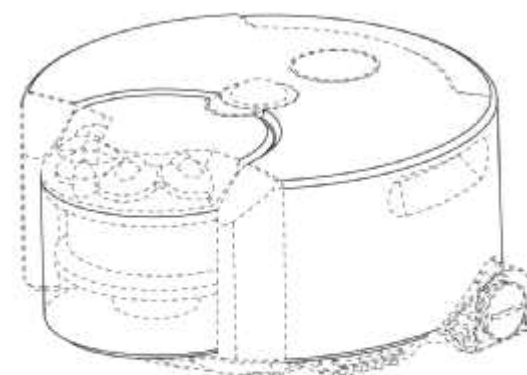
(21) Design Number: **10876/2015**
(22) Date of Filing Application: **18 February 2015**
(24) Date from which industrial property rights may have effect: **18 February 2015**
(54) Product in respect of which the design is registered: **A window stay**
(51) International Design Classification: **08-09**
(74) Name(s) of Attorney(s): **Ellis Terry**
(71) Name(s) and Address(s) of Applicant(s):
ASSA ABLOY New Zealand Limited
6 Armstrong Road North Harbour Industrial Estate Albany 0632 New Zealand
(72) Name(s) of Designer(s): **Bob Efstratiou**
(45) Registration Date: **30 March 2015**
(30) Convention priority data:
(31) Number (32) Date (33) Country
419210 22 Aug 2014 NEW ZEALAND
(56) Related Art Documents: **Not Applicable**
(57) Statement of Newness and Distinctiveness: **Nil**



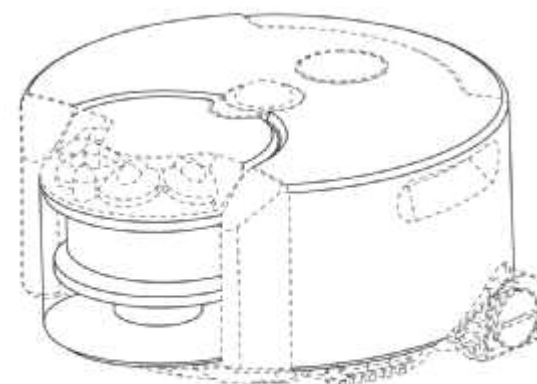
(21) Design Number: **10877/2015**
(22) Date of Filing Application: **18 February 2015**
(24) Date from which industrial property rights may have effect: **18 February 2015**
(54) Product in respect of which the design is registered: **Vacuum cleaner**
(51) International Design Classification: **15-05**
(74) Name(s) of Attorney(s): **Shelston IP**
(71) Name(s) and Address(s) of Applicant(s):
Dyson Technology Limited
Tetbury Hill Malmesbury Wiltshire SN16 0RP United Kingdom
(72) Name(s) of Designer(s): **Mark Stamford Vanderstegen-Drake and Jonathan George Marsh and Adam James Bates and Joanne Katy Mitchell and Paul Dawson and James Dyson and Peter David Gammack**
(45) Registration Date: **30 March 2015**
(30) Convention priority data:
(31) Number (32) Date (33) Country
001419931-0006 28 Aug 2014 OFFICE FOR HARMONISATION IN THE INTERNAL MARKET (OHIM)
(56) Related Art Documents: **Not Applicable**
(57) Statement of Newness and Distinctiveness: **Newness and distinctiveness reside in the features of shape and/or configuration of a VACUUM CLEANER as illustrated in the accompanying representations.**



(21) Design Number: **10878/2015**
(22) Date of Filing Application: **18 February 2015**
(24) Date from which industrial property rights may have effect: **18 February 2015**
(54) Product in respect of which the design is registered: **Vacuum cleaner**
(51) International Design Classification: **15-05**
(74) Name(s) of Attorney(s): **Shelston IP**
(71) Name(s) and Address(s) of Applicant(s):
Dyson Technology Limited
Tetbury Hill Malmesbury Wiltshire SN16 0RP United Kingdom
(72) Name(s) of Designer(s): **Peter David Gammack and Jonathan George Marsh and Adam James Bates and Mark Stamford Vanderstegen-Drake**
(45) Registration Date: **30 March 2015**
(30) Convention priority data:
(31) Number (32) Date (33) Country
001419931-0001 28 Aug 2014 OFFICE FOR HARMONISATION IN THE INTERNAL MARKET (OHIM)
(56) Related Art Documents: **Not Applicable**
(57) Statement of Newness and Distinctiveness: **Newness and distinctiveness reside in the features of shape and/or configuration of a VACUUM CLEANER as illustrated in solid lines the accompanying representations. The features shown in broken or discontinuous lines are illustrative only and do not form part of the design.**

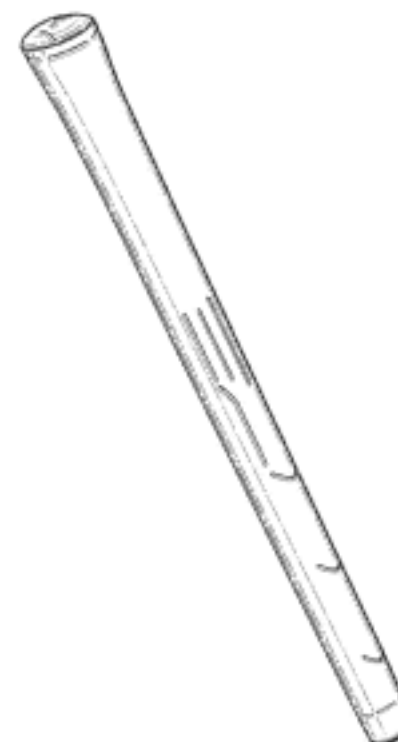


(21) Design Number: **10880/2015**
(22) Date of Filing Application: **18 February 2015**
(24) Date from which industrial property rights may have effect: **18 February 2015**
(54) Product in respect of which the design is registered: **Vacuum cleaner**
(51) International Design Classification: **15-05**
(74) Name(s) of Attorney(s): **Shelston IP**
(71) Name(s) and Address(s) of Applicant(s):
Dyson Technology Limited
Tetbury Hill Malmesbury Wiltshire SN16 0RP United Kingdom
(72) Name(s) of Designer(s): **Mark Stamford Vanderstegen-Drake and Peter David Gammack and Jonathan George Marsh and Adam James Bates**
(45) Registration Date: **30 March 2015**
(30) Convention priority data:
(31) Number (32) Date (33) Country
001419931-0002 28 Aug 2014 OFFICE FOR HARMONISATION IN THE INTERNAL MARKET (OHIM)



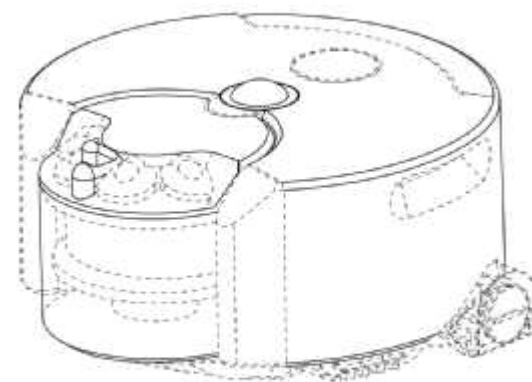
(56) Related Art Documents: **Not Applicable**
(57) Statement of Newness and Distinctiveness: **Newness and distinctiveness reside in the features of shape and/or configuration of a VACUUM CLEANER as illustrated in solid lines the accompanying representations. The features shown in broken or discontinuous lines are illustrative only and do not form part of the design.**

(21) Design Number: **10881/2015**
(22) Date of Filing Application: **18 February 2015**
(24) Date from which industrial property rights may have effect: **18 February 2015**
(54) Product in respect of which the design is registered: **Golf club grip**
(51) International Design Classification: **21-02C**
(74) Name(s) of Attorney(s): **Davies Collison Cave**
(71) Name(s) and Address(s) of Applicant(s):
Karsten Manufacturing Corporation
2201 West Desert Cove Phoenix Arizona, 85029 United States of America
(72) Name(s) of Designer(s): **Cory S Bacon and Ryan M Stokke and Xiaojian Chen and Daniel K Lee**
(45) Registration Date: **30 March 2015**
(30) Convention priority data:
(31) Number (32) Date (33) Country
29/500236 22 Aug 2014 UNITED STATES OF AMERICA



(56) Related Art Documents: **Not Applicable**
(57) Statement of Newness and Distinctiveness: **Newness and distinctiveness is claimed in the visual features shown in solid lines in the representations. In considering the extent of the design rights, the broken lines shown in the representations are for illustrative purposes only and do not form part of the design.**

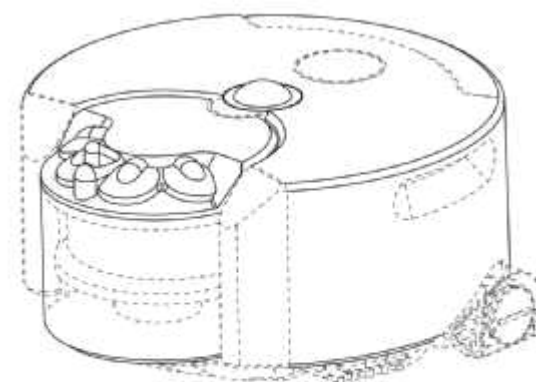
(21) Design Number: **10882/2015**
(22) Date of Filing Application: **18 February 2015**
(24) Date from which industrial property rights may have effect: **18 February 2015**
(54) Product in respect of which the design is registered: **Vacuum cleaner**
(51) International Design Classification: **15-05**
(74) Name(s) of Attorney(s): **Shelston IP**
(71) Name(s) and Address(s) of Applicant(s):
Dyson Technology Limited
Tetbury Hill Malmesbury Wiltshire SN16 0RP United Kingdom
(72) Name(s) of Designer(s): **Joanne Katy Mitchell and Paul Dawson and James Dyson and Peter David Gammack**
(45) Registration Date: **30 March 2015**
(30) Convention priority data:
(31) Number (32) Date (33) Country
001419931-0004 28 Aug 2014 OFFICE FOR HARMONISATION IN THE INTERNAL MARKET (OHIM)
(56) Related Art Documents: **Not Applicable**
(57) Statement of Newness and Distinctiveness: **Newness and distinctiveness reside in the features of shape and/or configuration of a VACUUM CLEANER as illustrated in solid lines the accompanying representations. The features shown in broken or discontinuous lines are illustrative only and do not form part of the design.**



(21) Design Number: **10883/2015**
(22) Date of Filing Application: **18 February 2015**
(24) Date from which industrial property rights may have effect: **18 February 2015**
(54) Product in respect of which the design is registered: **Chair**
(51) International Design Classification: **06-01F**
(74) Name(s) of Attorney(s): **FB Rice**
(71) Name(s) and Address(s) of Applicant(s):
Okamura Corporation
7-18, Kitasaiwai 2-chome Nishi-ku Yokohama-shi Kanagawa 220-0004 Japan
(72) Name(s) of Designer(s): **Fabrizio Giugiaro**
(45) Registration Date: **30 March 2015**
(30) Convention priority data:
(31) Number (32) Date (33) Country
2014-018245 21 Aug 2014 JAPAN
(56) Related Art Documents: **Not Applicable**
(57) Statement of Newness and Distinctiveness: **Newness and distinctiveness reside in the features of the design as shown in solid lines in the representations excluding those features shown in broken lines.**

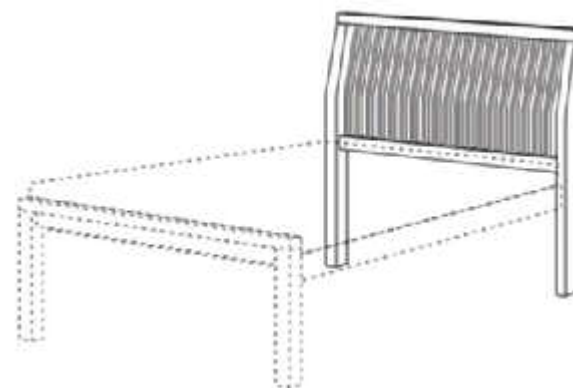


(21) Design Number: **10884/2015**
(22) Date of Filing Application: **18 February 2015**
(24) Date from which industrial property rights may have effect: **18 February 2015**
(54) Product in respect of which the design is registered: **Vacuum cleaner**
(51) International Design Classification: **15-05**
(74) Name(s) of Attorney(s): **Shelston IP**
(71) Name(s) and Address(s) of Applicant(s):
Dyson Technology Limited
Tetbury Hill Malmesbury Wiltshire SN16 0RP United Kingdom
(72) Name(s) of Designer(s): **Joanne Katy Mitchell and Paul Dawson and James Dyson and Peter David Gammack**
(45) Registration Date: **30 March 2015**
(30) Convention priority data:
(31) Number (32) Date (33) Country
001419931-0003 28 Aug 2014 OFFICE FOR HARMONISATION IN THE INTERNAL MARKET (OHIM)



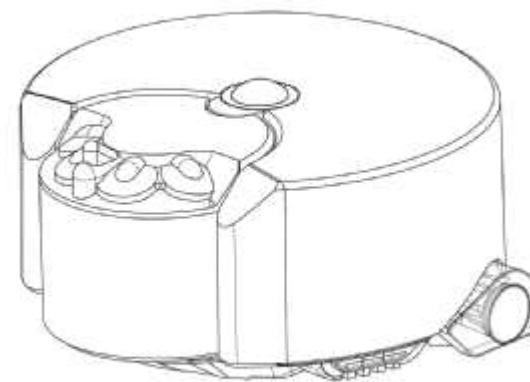
(56) Related Art Documents: **Not Applicable**
(57) Statement of Newness and Distinctiveness: **Newness and distinctiveness reside in the features of shape and/or configuration of a VACUUM CLEANER as illustrated in solid lines the accompanying representations. The features shown in broken or discontinuous lines are illustrative only and do not form part of the design.**

(21) Design Number: **10885/2015**
(22) Date of Filing Application: **18 February 2015**
(24) Date from which industrial property rights may have effect: **18 February 2015**
(54) Product in respect of which the design is registered: **Headboard for bed**
(51) International Design Classification: **06-02**
(74) Name(s) of Attorney(s): **Corrs Chambers Westgarth**
(71) Name(s) and Address(s) of Applicant(s):
Tube Home (M) Sdn Bhd
No. 6, Jalan Perusahaan 2 Kawasan Perusahaan Beranang, Hulu Langat
43700 Selangor Malaysia
(72) Name(s) of Designer(s): **Dato' Tan Yok Chin**
(45) Registration Date: **30 March 2015**
(30) Convention priority data:
(31) Number (32) Date (33) Country
15-E0005-0101 14 Jan 2015 MALAYSIA



(56) Related Art Documents: **Not Applicable**
(57) Statement of Newness and Distinctiveness: **Nil**

(21) Design Number: **10886/2015**
(22) Date of Filing Application: **18 February 2015**
(24) Date from which industrial property rights may have effect: **18 February 2015**
(54) Product in respect of which the design is registered: **Vacuum cleaner**
(51) International Design Classification: **15-05**
(74) Name(s) of Attorney(s): **Shelston IP**
(71) Name(s) and Address(s) of Applicant(s):
Dyson Technology Limited
Tetbury Hill Malmesbury Wiltshire SN16 0RP United Kingdom
(72) Name(s) of Designer(s): **Mark Stamford Vanderstegen-Drake and Peter David Gammack and Jonathan George Marsh and Adam James Bates and Joanne Katy Mitchell and Paul Dawson and James Dyson**
(45) Registration Date: **30 March 2015**
(30) Convention priority data:
(31) Number (32) Date (33) Country
001419931-0007 28 Aug 2014 OFFICE FOR HARMONISATION IN THE INTERNAL MARKET (OHIM)
(56) Related Art Documents: **Not Applicable**
(57) Statement of Newness and Distinctiveness: **Newness and distinctiveness reside in the features of shape and/or configuration of a VACUUM CLEANER as illustrated in the accompanying representations.**



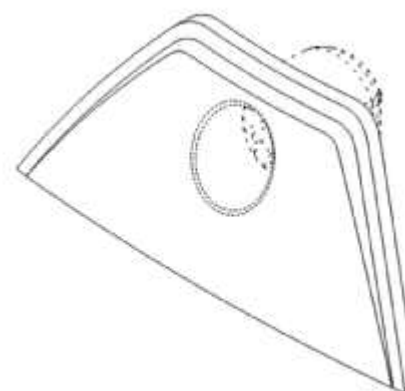
(21) Design Number: **10891/2015**
(22) Date of Filing Application: **19 February 2015**
(24) Date from which industrial property rights may have effect: **19 February 2015**
(54) Product in respect of which the design is registered: **A tamper holder**
(51) International Design Classification: **07-02L**
(74) Name(s) of Attorney(s): **PETER MAXWELL & ASSOCIATES**
(71) Name(s) and Address(s) of Applicant(s):
Vita-Mix Corporation
8615 Usher Rd Olmsted Twp OH, 44138-2103 United States of America
(72) Name(s) of Designer(s): **Phonesacksith Guy Kettavong**
(45) Registration Date: **30 March 2015**
(30) Convention priority data:
(31) Number (32) Date (33) Country
29/499,803 19 Aug 2014 UNITED STATES OF AMERICA
(56) Related Art Documents: **Not Applicable**
(57) Statement of Newness and Distinctiveness: **Newness and distinctiveness is claimed in the shape and/or configuration of A TAMPER HOLDER as illustrated by the unbroken lines in the accompanying representations. The broken lines in the figures are included for the purpose of illustrating portions of a tamper holder and form no part of the claimed design.**



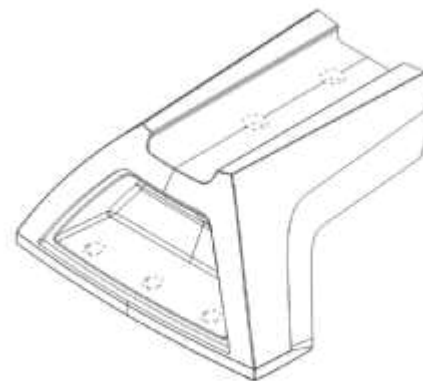
- (21) Design Number: **10895/2015**
(22) Date of Filing Application: **19 February 2015**
(24) Date from which industrial property rights may have effect: **19 February 2015**
(54) Product in respect of which the design is registered: **Position stop for a blind system**
(51) International Design Classification: **08-09**
(74) Name(s) of Attorney(s): **MINTER ELLISON**
(71) Name(s) and Address(s) of Applicant(s):
Acmeda Pty Ltd
110 Northcorp Bvd Broadmeadows VIC 3047 Australia
(72) Name(s) of Designer(s): **Dean John Jay and Riccardo Santilli**
(45) Registration Date: **30 March 2015**
(56) Related Art Documents: **Not Applicable**
(57) Statement of Newness and Distinctiveness: **The following visual features of the design are new and distinctive. The shape and configuration of a Position stop for a blind system as shown in the accompanying drawings. The orientation of the position stops is disclaimed.**



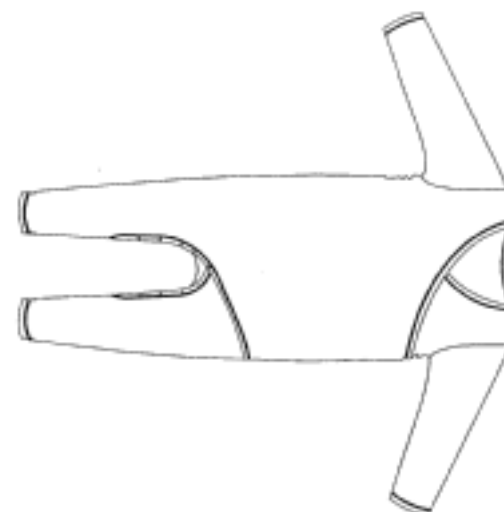
- (21) Design Number: **10896/2015**
(22) Date of Filing Application: **19 February 2015**
(24) Date from which industrial property rights may have effect: **19 February 2015**
(54) Product in respect of which the design is registered: **A roof rack leg cover**
(51) International Design Classification: **12-16K**
(74) Name(s) of Attorney(s):
(71) Name(s) and Address(s) of Applicant(s):
Yakima Australia Pty Limited
17 Hinkler Ct Brendale QLD 4500 Australia
(72) Name(s) of Designer(s): **Bradley Matthew Minnis**
(45) Registration Date: **30 March 2015**
(30) Convention priority data:
(31) Number (32) Date (33) Country
419275 05 Sep 2014 NEW ZEALAND
(56) Related Art Documents: **Not Applicable**
(57) Statement of Newness and Distinctiveness: **The design is to be applied to roof rack leg cover, and the novelty resides in the features of shape and configuration as shown in the accompanying representations. The features shown in phantom lines are disclaimed from the design.**



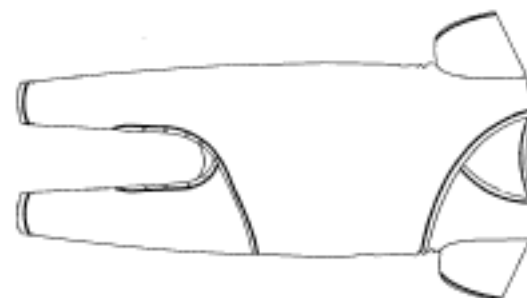
(21) Design Number: **10897/2015**
(22) Date of Filing Application: **19 February 2015**
(24) Date from which industrial property rights may have effect: **19 February 2015**
(54) Product in respect of which the design is registered: **A roof rack leg**
(51) International Design Classification: **12-16K**
(74) Name(s) of Attorney(s):
(71) Name(s) and Address(s) of Applicant(s):
Yakima Australia Pty Limited
17 Hinkler Ct Brendale QLD 4500 Australia
(72) Name(s) of Designer(s): **Bradley Matthew Minnis**
(45) Registration Date: **30 March 2015**
(30) Convention priority data:
(31) Number (32) Date (33) Country
419276 05 Sep 2014 NEW ZEALAND
(56) Related Art Documents: **Not Applicable**
(57) Statement of Newness and Distinctiveness: **The design is to be applied to roof rack leg, and the novelty resides in the features of shape and configuration as shown in the accompanying representations. The features shown in phantom lines are disclaimed from the design.**



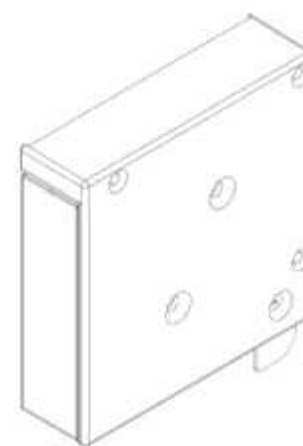
(21) Design Number: **10898/2015**
(22) Date of Filing Application: **19 February 2015**
(24) Date from which industrial property rights may have effect: **19 February 2015**
(54) Product in respect of which the design is registered: **Baby crossover garment**
(51) International Design Classification: **02-02C**
(74) Name(s) of Attorney(s): **Freehills Patent Attorneys**
(71) Name(s) and Address(s) of Applicant(s):
Pacific Brands Clothing Pty Ltd
L1 1096 Toorak Rd Hartwell VIC 3124 Australia
(72) Name(s) of Designer(s): **Kasey Cranney and Alice Kruszelnicki and Rebecca Watson**
(45) Registration Date: **30 March 2015**
(56) Related Art Documents: **Not Applicable**
(57) Statement of Newness and Distinctiveness: **Newness and distinctiveness of the design resides in the features of shape and/or configuration as shown in the accompanying representations.**



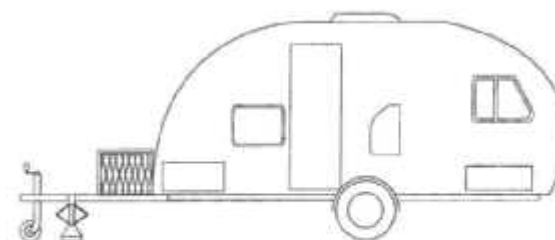
- (21) Design Number: **10899/2015**
(22) Date of Filing Application: **19 February 2015**
(24) Date from which industrial property rights may have effect: **19 February 2015**
(54) Product in respect of which the design is registered: **Baby crossover garment**
(51) International Design Classification: **02-02C**
(74) Name(s) of Attorney(s): **Freehills Patent Attorneys**
(71) Name(s) and Address(s) of Applicant(s):
Pacific Brands Clothing Pty Ltd
L1 1096 Toorak Rd Hartwell VIC 3124 Australia
(72) Name(s) of Designer(s): **Kasey Cranney and Alice Kruszelnicki and Rebecca Watson**
(45) Registration Date: **30 March 2015**
(56) Related Art Documents: **Not Applicable**
(57) Statement of Newness and Distinctiveness: **Newness and distinctiveness of the design resides in the features of shape and/or configuration as shown in the accompanying representations.**



- (21) Design Number: **10900/2015**
(22) Date of Filing Application: **19 February 2015**
(24) Date from which industrial property rights may have effect: **19 February 2015**
(54) Product in respect of which the design is registered: **End plate assembly for a blind system**
(51) International Design Classification: **08-08H**
(74) Name(s) of Attorney(s): **MINTER ELLISON**
(71) Name(s) and Address(s) of Applicant(s):
Acmeda Pty Ltd
110 Northcorp Bvd Broadmeadows VIC 3047 Australia
(72) Name(s) of Designer(s): **Nathan Raiti**
(45) Registration Date: **30 March 2015**
(56) Related Art Documents: **Not Applicable**
(57) Statement of Newness and Distinctiveness: **The following visual features of the design are new and distinctive. The shape and configuration of an End plate assembly for a blind system are shown in the accompanying drawings. The features shown in dotted lines are**



- (21) Design Number: **10901/2015**
(22) Date of Filing Application: **19 February 2015**
(24) Date from which industrial property rights may have effect: **19 February 2015**
(54) Product in respect of which the design is registered: **A mobile home**
(51) International Design Classification: **12-10**
(74) Name(s) of Attorney(s): **WATERMARK PATENT AND TRADE MARKS ATTORNEYS**
(71) Name(s) and Address(s) of Applicant(s):
Tony Linden
26 River Rd Millgrove VIC 3799 Australia
(72) Name(s) of Designer(s): **Tony Linden**
(45) Registration Date: **30 March 2015**
(56) Related Art Documents: **Not Applicable**
(57) Statement of Newness and Distinctiveness: **Nil**



- (21) Design Number: **10603/2015**
(22) Date of Filing Application: **09 February 2015**
(24) Date from which industrial property rights may have effect: **09 February 2015**
(54) Product in respect of which the design is registered: **Textiles**
(51) International Design Classification: **05-05C**
(74) Name(s) of Attorney(s):
(71) Name(s) and Address(s) of Applicant(s):
Afshin Poursagheri
23 Banool Circuit Ocean Shores NSW 2483 Australia
Roza Khamitova
23 Banool Circuit Ocean Shores NSW 2483 Australia
(72) Name(s) of Designer(s): **Roza Khamitova**
(45) Registration Date: **30 March 2015**
(56) Related Art Documents: **Not Applicable**
(57) Statement of Newness and Distinctiveness: **The newness and distinctiveness of this design is in the position, layout of the peacock. The tail feathers take most of the space. Design contains many ornamental details. Lines are hand drawn and intricate. The tail is symmetrical, while peacock's body is gracefully bended.**



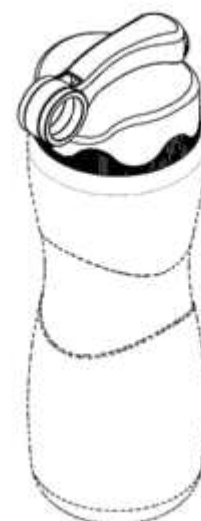
- (21) Design Number: **10705/2015**
(22) Date of Filing Application: **11 February 2015**
(24) Date from which industrial property rights may have effect: **11 February 2015**
(54) Product in respect of which the design is registered: **A sipper cap assembly**
(51) International Design Classification: **09-07B**
(74) Name(s) of Attorney(s): **AJ Park**
(71) Name(s) and Address(s) of Applicant(s):
Sistema Plastics Limited
65 Hugo Johnston Drive Penrose Auckland 1061 New Zealand
(72) Name(s) of Designer(s): **Brendan Jon Lindsay**
(45) Registration Date: **30 March 2015**
(56) Related Art Documents: **Not Applicable**
(57) Statement of Newness and Distinctiveness: **The newness and distinctiveness of A SIPPER CAP ASSEMBLY resides in the features of shape and/or configuration as shown in the representations.**



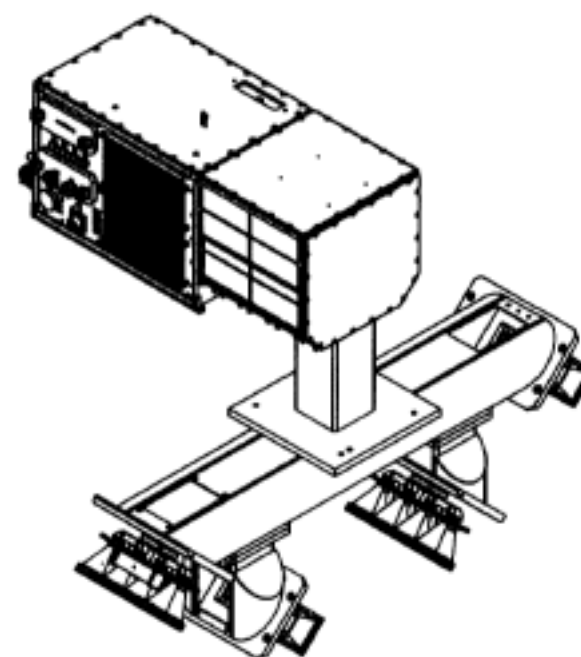
- (21) Design Number: **10706/2015**
(22) Date of Filing Application: **11 February 2015**
(24) Date from which industrial property rights may have effect: **11 February 2015**
(54) Product in respect of which the design is registered: **A sipper cap assembly**
(51) International Design Classification: **09-07B**
(74) Name(s) of Attorney(s): **AJ Park**
(71) Name(s) and Address(s) of Applicant(s):
Sistema Plastics Limited
65 Hugo Johnston Drive Penrose Auckland 1061 New Zealand
(72) Name(s) of Designer(s): **Brendan Jon Lindsay**
(45) Registration Date: **30 March 2015**
(56) Related Art Documents: **Not Applicable**
(57) Statement of Newness and Distinctiveness: **The newness and distinctiveness of A SIPPER CAP ASSEMBLY resides in the features of shape and/or configuration as shown in the representations.**



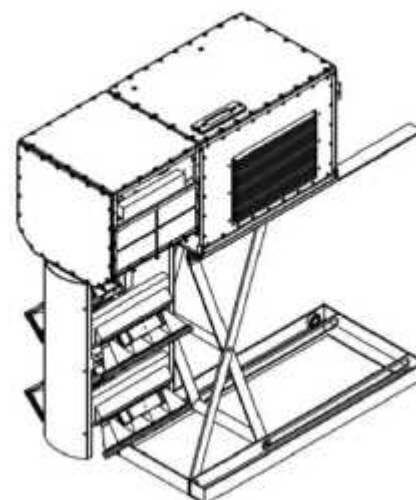
- (21) Design Number: **10707/2015**
(22) Date of Filing Application: **11 February 2015**
(24) Date from which industrial property rights may have effect: **11 February 2015**
(54) Product in respect of which the design is registered: **Drink bottle**
(51) International Design Classification: **09-01NES**
(74) Name(s) of Attorney(s): **AJ Park**
(71) Name(s) and Address(s) of Applicant(s):
Sistema Plastics Limited
65 Hugo Johnston Drive Penrose Auckland 1061 New Zealand
(72) Name(s) of Designer(s): **Brendan Jon Lindsay**
(45) Registration Date: **30 March 2015**
(56) Related Art Documents: **Not Applicable**
(57) Statement of Newness and Distinctiveness: **The newness and distinctiveness of the DRINK BOTTLE resides in the features of shape and/or configuration as shown in solid lines in the representations.**



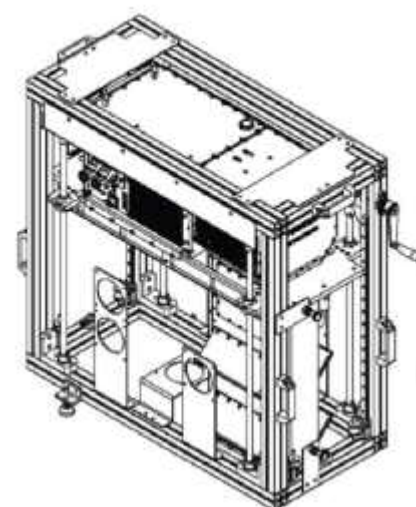
- (21) Design Number: **10835/2015**
(22) Date of Filing Application: **16 February 2015**
(24) Date from which industrial property rights may have effect: **16 February 2015**
(54) Product in respect of which the design is registered: **Radar**
(51) International Design Classification: **10-05**
(74) Name(s) of Attorney(s): **Spruson & Ferguson**
(71) Name(s) and Address(s) of Applicant(s):
Bradar Industria S.A.
Av. Shishima Hifumi, 2911 modulo 101B e 011B, Urbanova, Sao Jose dos Campos, CEP Sao Paulo, 12244-000 Brazil
(72) Name(s) of Designer(s): **Joao Roberto Moreira Neto and Marco Andre Remy and Eurico Vaz Junior and Luis Carlos Imoto and Dieter Luebeck**
(45) Registration Date: **30 March 2015**
(30) Convention priority data:
(31) Number (32) Date (33) Country
30 2014 004886 4 26 Sep 2014 BRAZIL
(56) Related Art Documents: **Not Applicable**
(57) Statement of Newness and Distinctiveness: **Newness and distinctiveness is claimed in the features of shape and/or configuration of a radar as illustrated in the accompanying representations.**



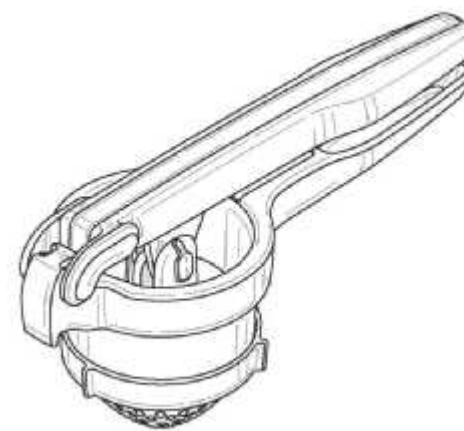
- (21) Design Number: **10836/2015**
(22) Date of Filing Application: **16 February 2015**
(24) Date from which industrial property rights may have effect: **16 February 2015**
(54) Product in respect of which the design is registered: **Radar**
(51) International Design Classification: **10-05**
(74) Name(s) of Attorney(s): **Spruson & Ferguson**
(71) Name(s) and Address(s) of Applicant(s):
Bradar Industria S.A.
Av. Shishima Hifumi, 2911 modulo 101B e 011B, Urbanova, Sao Jose dos Campos, CEP Sao Paulo, 12244-000 Brazil
(72) Name(s) of Designer(s): **Joao Roberto Moreira Neto and Marco Andre Remy and Eurico Vaz Junior and Luis Carlos Imoto and Dieter Luebeck**
(45) Registration Date: **30 March 2015**
(30) Convention priority data:
(31) Number (32) Date (33) Country
30 2014 004886 4 26 Sep 2014 BRAZIL
(56) Related Art Documents: **Not Applicable**
(57) Statement of Newness and Distinctiveness: **Newness and distinctiveness is claimed in the features of shape and/or configuration of a radar as illustrated in the accompanying representations.**



- (21) Design Number: **10837/2015**
(22) Date of Filing Application: **16 February 2015**
(24) Date from which industrial property rights may have effect: **16 February 2015**
(54) Product in respect of which the design is registered: **Radar**
(51) International Design Classification: **10-05**
(74) Name(s) of Attorney(s): **Spruson & Ferguson**
(71) Name(s) and Address(s) of Applicant(s):
Bradar Industria S.A.
Av. Shishima Hifumi, 2911 modulo 101B e 011B, Urbanova, Sao Jose dos Campos, CEP Sao Paulo, 12244-000 Brazil
(72) Name(s) of Designer(s): **Joao Roberto Moreira Neto and Marco Andre Remy and Eurico Vaz Junior and Luis Carlos Imoto and Dieter Luebeck**
(45) Registration Date: **30 March 2015**
(30) Convention priority data:
(31) Number (32) Date (33) Country
30 2014 004886 4 26 Sep 2014 BRAZIL
(56) Related Art Documents: **Not Applicable**
(57) Statement of Newness and Distinctiveness: **Newness and distinctiveness is claimed in the features of shape and/or configuration of a radar as illustrated in the accompanying representations.**

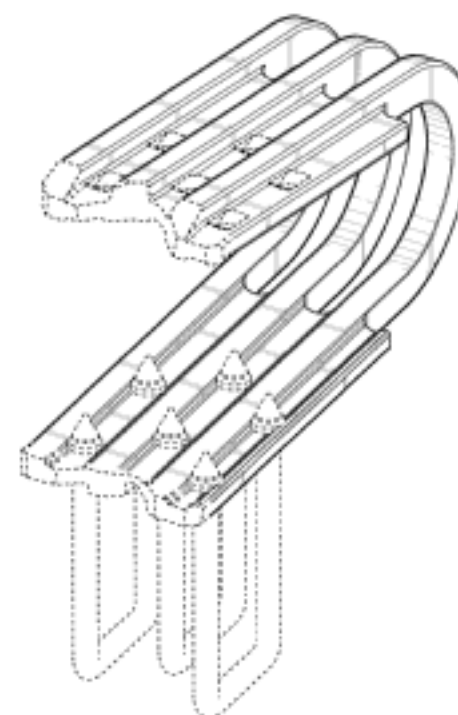


(21) Design Number: **10838/2015**
(22) Date of Filing Application: **16 February 2015**
(24) Date from which industrial property rights may have effect: **16 February 2015**
(54) Product in respect of which the design is registered: **Juicer**
(51) International Design Classification: **07-04**
(74) Name(s) of Attorney(s): **PHILLIPS ORMONDE FITZPATRICK**
(71) Name(s) and Address(s) of Applicant(s):
Dart Industries Inc.
14901 S. Orange Blossom Trail Orlando Florida, 32837 United States of America



(72) Name(s) of Designer(s): **Simone Pallotto**
(45) Registration Date: **30 March 2015**
(30) Convention priority data:
(31) Number (32) Date (33) Country
29/501,681 08 Sep 2014 UNITED STATES OF AMERICA
(56) Related Art Documents: **Not Applicable**
(57) Statement of Newness and Distinctiveness: **Those features of the juicer depicted in the representations that are new and distinctive are the shape and/or configuration.**

(21) Design Number: **10839/2015**
(22) Date of Filing Application: **16 February 2015**
(24) Date from which industrial property rights may have effect: **16 February 2015**
(54) Product in respect of which the design is registered: **A fastener for conveyor belts**
(51) International Design Classification: **12-05**
(74) Name(s) of Attorney(s): **Spruson & Ferguson**
(71) Name(s) and Address(s) of Applicant(s):
Flexible Steel Lacing Company
2525 Wisconsin Avenue, Downers Grove Illinois, 60515 United States of America



(72) Name(s) of Designer(s): **William J Daniels**
(45) Registration Date: **30 March 2015**
(30) Convention priority data:
(31) Number (32) Date (33) Country
29/499693 18 Aug 2014 UNITED STATES OF AMERICA
(56) Related Art Documents: **Not Applicable**
(57) Statement of Newness and Distinctiveness: **Newness and distinctiveness is claimed in those features of shape and/or configuration of a fastener for conveyor belts illustrated in continuous lines in the accompanying representations.**

- (21) Design Number: **10846/2015**
(22) Date of Filing Application: **10 February 2015**
(24) Date from which industrial property rights may have effect: **10 February 2015**
(54) Product in respect of which the design is registered: **Interactive electronic kiosk**
(51) International Design Classification: **14-02, 20-03NES**
(74) Name(s) of Attorney(s):
(71) Name(s) and Address(s) of Applicant(s):
Abuzz Solutions P/L
267 Abercrombie St Darlington NSW 2008 Australia
(72) Name(s) of Designer(s): **Stephen Neil**
(45) Registration Date: **30 March 2015**
(56) Related Art Documents: **Not Applicable**
(57) Statement of Newness and Distinctiveness: **Nil**



- (21) Design Number: **10113/2015**
(22) Date of Filing Application: **12 January 2015**
(24) Date from which industrial property rights may have effect: **12 January 2015**
(54) Product in respect of which the design is registered: **Respiration mask with filter holder and parts**
(51) International Design Classification: **29-02**
(74) Name(s) of Attorney(s): **Davies Collison Cave**
(71) Name(s) and Address(s) of Applicant(s):
Sundstrom Safety Aktiebolag
Vastergatan 4 Lagan 341 50 Sweden
(72) Name(s) of Designer(s): **Niclas Rydh**
(45) Registration Date: **31 March 2015**
(30) Convention priority data:
(31) Number (32) Date (33) Country
**002555102 10 Oct 2014 OFFICE FOR HARMONISATION IN
THE INTERNAL MARKET (OHIM)**
(56) Related Art Documents: **Not Applicable**
(57) Statement of Newness and Distinctiveness: **Newness and distinctiveness is claimed in the visual features shown in solid lines in the representations. The representations show a respiration mask, a band holder (strap holder device), a filter holder and a mask body.**



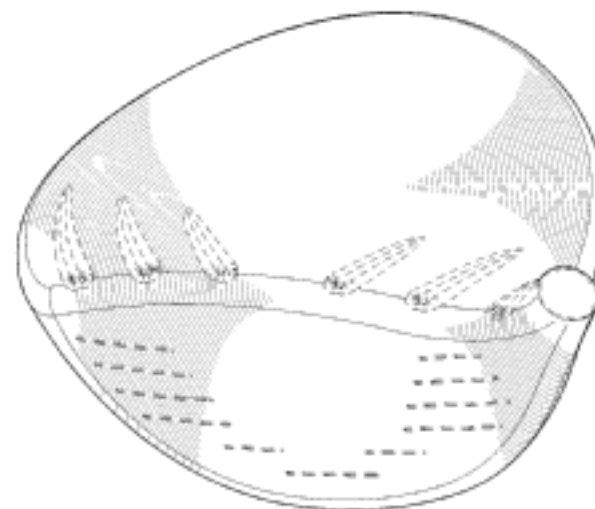
- (21) Design Number: **10506/2015**
(22) Date of Filing Application: **30 January 2015**
(24) Date from which industrial property rights may have effect: **30 January 2015**
(54) Product in respect of which the design is registered: **Shoe accessory**
(51) International Design Classification: **02-07B**
(74) Name(s) of Attorney(s): **Fisher Adams Kelly Pty Ltd**
(71) Name(s) and Address(s) of Applicant(s):
JQ4 Pty Ltd
5 Macquarie Crt MT OMMANEY QLD 4074 Australia
(72) Name(s) of Designer(s): **Fiona Johnson**
(45) Registration Date: **31 March 2015**
(56) Related Art Documents: **Not Applicable**
(57) Statement of Newness and Distinctiveness: **The newness and distinctiveness of the design resides in the shape and/or configuration of the SHOE ACCESSORY shown in the representations.**



- (21) Design Number: **10587/2015**
(22) Date of Filing Application: **05 February 2015**
(24) Date from which industrial property rights may have effect: **05 February 2015**
(54) Product in respect of which the design is registered: **Lunchbox**
(51) International Design Classification: **07-01NES, 07-07A**
(74) Name(s) of Attorney(s): **K&L Gates**
(71) Name(s) and Address(s) of Applicant(s):
Smash Asset Management Pty Ltd
33 Redland Dr Mitcham VIC 3132 Australia
(72) Name(s) of Designer(s): **Michael Solly**
(45) Registration Date: **31 March 2015**
(56) Related Art Documents: **Not Applicable**
(57) Statement of Newness and Distinctiveness: **Nil**



(21) Design Number: **10914/2015**
(22) Date of Filing Application: **20 February 2015**
(24) Date from which industrial property rights may have effect: **20 February 2015**
(54) Product in respect of which the design is registered: **Golf club head**
(51) International Design Classification: **21-02C**
(74) Name(s) of Attorney(s): **Davies Collison Cave**
(71) Name(s) and Address(s) of Applicant(s):
Karsten Manufacturing Corporation
2201 West Desert Cove Phoenix Arizona, 85029 United States of America
(72) Name(s) of Designer(s): **Martin R Jertson and Xiaojian Chen**
(45) Registration Date: **31 March 2015**
(30) Convention priority data:
(31) Number (32) Date (33) Country
29/500259 22 Aug 2014 UNITED STATES OF AMERICA
(56) Related Art Documents: **Not Applicable**
(57) Statement of Newness and Distinctiveness: **Newness and distinctiveness is claimed in the visual features shown in solid lines in the representations. In considering the extent of the design rights, the broken lines shown in the representations are for illustrative purposes only and do not form part of the design.**



(21) Design Number: **10915/2015**
(22) Date of Filing Application: **20 February 2015**
(24) Date from which industrial property rights may have effect: **20 February 2015**
(54) Product in respect of which the design is registered: **Sprayer**
(51) International Design Classification: **08-05A**
(74) Name(s) of Attorney(s): **Spruson & Ferguson**
(71) Name(s) and Address(s) of Applicant(s):
The Fountainhead Group, Inc.
23 Garden Street New York Mills New York 13417-1318 United States of America
(72) Name(s) of Designer(s): **Joseph Moya and Greg Thune and Adam Jonovski and Marcus Hamilton**
(45) Registration Date: **31 March 2015**
(30) Convention priority data:
(31) Number (32) Date (33) Country
29/500082 21 Aug 2014 UNITED STATES OF AMERICA
(56) Related Art Documents: **Not Applicable**
(57) Statement of Newness and Distinctiveness: **Newness and distinctiveness is claimed in the features of shape and/or configuration of a sprayer as illustrated in the accompanying representations.**



(21) Design Number: **10916/2015**
(22) Date of Filing Application: **20 February 2015**
(24) Date from which industrial property rights may have effect: **20 February 2015**
(54) Product in respect of which the design is registered: **Sprayer**
(51) International Design Classification: **08-05A**
(74) Name(s) of Attorney(s): **Spruson & Ferguson**
(71) Name(s) and Address(s) of Applicant(s):
The Fountainhead Group, Inc.
23 Garden Street New York Mills New York 13417-1318 United States of America
(72) Name(s) of Designer(s): **Joseph Moya and Greg Thune and Adam Jonovski and Marcus Hamilton**
(45) Registration Date: **31 March 2015**
(30) Convention priority data:
(31) Number (32) Date (33) Country
29/500082 21 Aug 2014 UNITED STATES OF AMERICA
(56) Related Art Documents: **Not Applicable**
(57) Statement of Newness and Distinctiveness: **Newness and distinctiveness is claimed in the features of shape and/or configuration of a sprayer as illustrated in the accompanying representations.**



(21) Design Number: **10917/2015**
(22) Date of Filing Application: **20 February 2015**
(24) Date from which industrial property rights may have effect: **20 February 2015**
(54) Product in respect of which the design is registered: **Sprayer**
(51) International Design Classification: **08-05A**
(74) Name(s) of Attorney(s): **Spruson & Ferguson**
(71) Name(s) and Address(s) of Applicant(s):
The Fountainhead Group, Inc.
23 Garden Street New York Mills New York 13417-1318 United States of America
(72) Name(s) of Designer(s): **Joseph Moya and Greg Thune and Adam Jonovski and Marcus Hamilton**
(45) Registration Date: **31 March 2015**
(30) Convention priority data:
(31) Number (32) Date (33) Country
29/500082 21 Aug 2014 UNITED STATES OF AMERICA
(56) Related Art Documents: **Not Applicable**
(57) Statement of Newness and Distinctiveness: **Newness and distinctiveness is claimed in the features of shape and/or configuration of a sprayer as illustrated in the accompanying representations.**



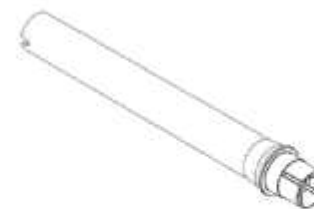
(21) Design Number: **10923/2015**
(22) Date of Filing Application: **20 February 2015**
(24) Date from which industrial property rights may have effect: **20 February 2015**
(54) Product in respect of which the design is registered: **Sunglasses**
(51) International Design Classification: **16-06**
(74) Name(s) of Attorney(s): **Spruson & Ferguson**
(71) Name(s) and Address(s) of Applicant(s):
Christian Dior Couture
30 Avenue Montaigne 75008 Paris France
(72) Name(s) of Designer(s): **Mathieu Jamin**
(45) Registration Date: **31 March 2015**
(30) Convention priority data:
(31) Number (32) Date (33) Country
DM/084489 25 Sep 2014 SWITZERLAND
(56) Related Art Documents: **Not Applicable**
(57) Statement of Newness and Distinctiveness: **Newness and distinctiveness is claimed in the features of shape and/or configuration of sunglasses as illustrated in the accompanying representations.**



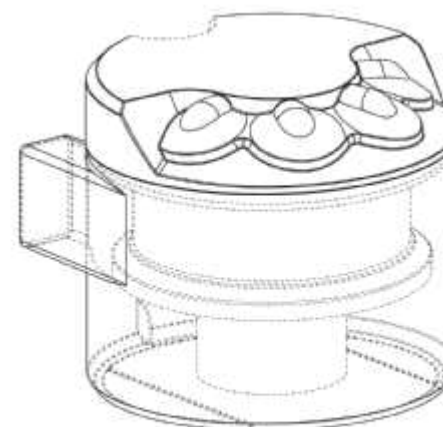
(21) Design Number: **10925/2015**
(22) Date of Filing Application: **20 February 2015**
(24) Date from which industrial property rights may have effect: **20 February 2015**
(54) Product in respect of which the design is registered: **Locking piece for securing elongate components**
(51) International Design Classification: **08-07**
(74) Name(s) of Attorney(s): **MINTER ELLISON**
(71) Name(s) and Address(s) of Applicant(s):
Acmeda Pty Ltd
110 Northcorp Bvd Broadmeadows VIC 3047 Australia
(72) Name(s) of Designer(s): **Nathan Raiti**
(45) Registration Date: **31 March 2015**
(56) Related Art Documents: **Not Applicable**
(57) Statement of Newness and Distinctiveness: **The following visual features of the design are new and distinctive. The shape and configuration of a Locking piece for securing elongate components together as shown in the accompanying drawings.**



- (21) Design Number: **10928/2015**
(22) Date of Filing Application: **20 February 2015**
(24) Date from which industrial property rights may have effect: **20 February 2015**
(54) Product in respect of which the design is registered: **Spool for a roman blind system**
(51) International Design Classification: **08-08H**
(74) Name(s) of Attorney(s): **MINTER ELLISON**
(71) Name(s) and Address(s) of Applicant(s):
Acmeda Pty Ltd
110 Northcorp Bvd Broadmeadows VIC 3047 Australia
(72) Name(s) of Designer(s): **Alirio E Guerra and Dean John Jay**
(45) Registration Date: **31 March 2015**
(56) Related Art Documents: **Not Applicable**
(57) Statement of Newness and Distinctiveness: **The following visual features of the design are new and distinctive. The shape and configuration of a Spool for a roman blind system as shown in the accompanying drawings.**



- (21) Design Number: **10981/2015**
(22) Date of Filing Application: **24 February 2015**
(24) Date from which industrial property rights may have effect: **24 February 2015**
(54) Product in respect of which the design is registered: **Part of vacuum cleaner**
(51) International Design Classification: **15-05**
(74) Name(s) of Attorney(s): **Shelston IP**
(71) Name(s) and Address(s) of Applicant(s):
Dyson Technology Limited
Tetbury Hill Malmesbury Wiltshire SN16 0RP United Kingdom
(72) Name(s) of Designer(s): **Joanne Katy Mitchell and Paul Dawson and James Dyson and Peter Gammack**
(45) Registration Date: **31 March 2015**
(30) Convention priority data:
(31) Number (32) Date (33) Country
001419949-0001 28 Aug 2014 OFFICE FOR HARMONISATION IN THE INTERNAL MARKET (OHIM)
(56) Related Art Documents: **Not Applicable**
(57) Statement of Newness and Distinctiveness: **Newness and distinctiveness reside in the features of shape and/or configuration of PART OF VACUUM CLEANER as illustrated in solid lines in the accompanying representations. The features shown in broken or discontinuous lines are illustrative only and do not form part of the design.**



(21) Design Number: **10982/2015**
(22) Date of Filing Application: **24 February 2015**
(24) Date from which industrial property rights may have effect: **24 February 2015**
(54) Product in respect of which the design is registered: **Food waste disposer**
(51) International Design Classification: **09-09**
(74) Name(s) of Attorney(s): **FB Rice**
(71) Name(s) and Address(s) of Applicant(s):
Emerson Electric Co.
8000 West Florissant Avenue St Louis Missouri 63136 United States of America

(72) Name(s) of Designer(s): **Brian J Falcone and Amit A Kumbhar**
(45) Registration Date: **31 March 2015**

(30) Convention priority data:

(31) Number	(32) Date	(33) Country
29/500313	25 Aug 2014	UNITED STATES OF AMERICA

(56) Related Art Documents: **Not Applicable**

(57) Statement of Newness and Distinctiveness: **Newness and distinctiveness reside in the features of shape and/or configuration of the design shown in solid lines in the representations, excluding those features shown in broken lines.**



(21) Design Number: **10983/2015**
(22) Date of Filing Application: **24 February 2015**
(24) Date from which industrial property rights may have effect: **24 February 2015**
(54) Product in respect of which the design is registered: **Food waste disposer**
(51) International Design Classification: **09-09**
(74) Name(s) of Attorney(s): **FB Rice**
(71) Name(s) and Address(s) of Applicant(s):
Emerson Electric Co.
8000 West Florissant Avenue St Louis Missouri 63136 United States of America

(72) Name(s) of Designer(s): **Brian J Falcone and Amit A Kumbhar**
(45) Registration Date: **31 March 2015**

(30) Convention priority data:

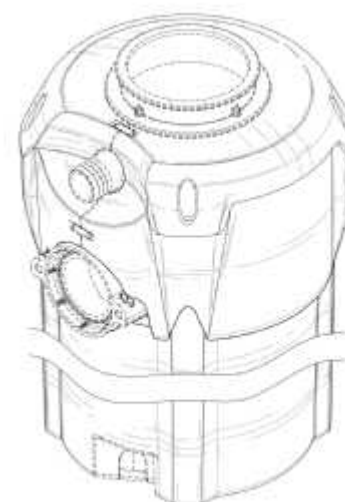
(31) Number	(32) Date	(33) Country
29/500313	25 Aug 2014	UNITED STATES OF AMERICA

(56) Related Art Documents: **Not Applicable**

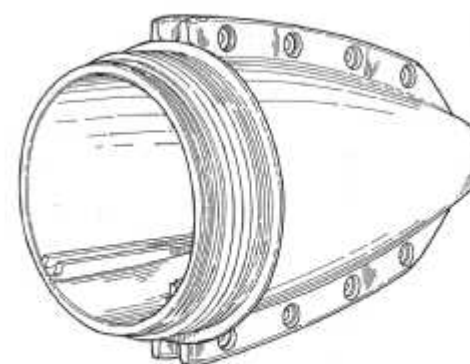
(57) Statement of Newness and Distinctiveness: **Newness and distinctiveness reside in the features of shape and/or configuration of the design shown in solid lines in the representations excluding those features shown in broken lines.**



- (21) Design Number: **10985/2015**
(22) Date of Filing Application: **24 February 2015**
(24) Date from which industrial property rights may have effect: **24 February 2015**
(54) Product in respect of which the design is registered: **Food waste disposer**
(51) International Design Classification: **09-09**
(74) Name(s) of Attorney(s): **FB Rice**
(71) Name(s) and Address(s) of Applicant(s):
Emerson Electric Co.
8000 West Florissant Avenue St Louis Missouri 63136 United States of America
(72) Name(s) of Designer(s): **Brian J Falcone and Amit A Kumbhar**
(45) Registration Date: **31 March 2015**
(30) Convention priority data:
(31) Number (32) Date (33) Country
29/500313 25 Aug 2014 UNITED STATES OF AMERICA
(56) Related Art Documents: **Not Applicable**
(57) Statement of Newness and Distinctiveness: **Newness and distinctiveness reside in the features of shape and/or configuration of the design shown in solid lines in the representations excluding those features shown in broken lines.**



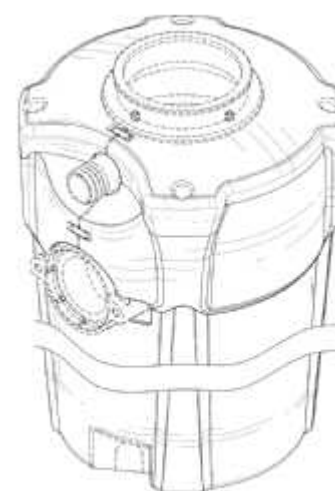
- (21) Design Number: **10986/2015**
(22) Date of Filing Application: **24 February 2015**
(24) Date from which industrial property rights may have effect: **24 February 2015**
(54) Product in respect of which the design is registered: **Body part for an underwater camera housing**
(51) International Design Classification: **16-01**
(74) Name(s) of Attorney(s): **IP Gateway Patent & Trademark Attorneys Pty Ltd**
(71) Name(s) and Address(s) of Applicant(s):
Marcus Ashley Gregson
5/21 Kidston St Ascot QLD 4007 Australia
(72) Name(s) of Designer(s): **Marcus Ashley Gregson and Gareth Adam Schroder and Stephen McGuinness**
(45) Registration Date: **31 March 2015**
(56) Related Art Documents: **Not Applicable**
(57) Statement of Newness and Distinctiveness: **Newness and distinctiveness reside in the shape and configuration of a body part for an underwater camera housing as shown in solid lines in the accompanying representation sheets 1/10 to 4/10. Parts shown in broken lines in representation sheets 5/10 to 10/10 are illustrated for environmental purposes only and do not form part of the design.**



(21) Design Number: **10987/2015**
(22) Date of Filing Application: **24 February 2015**
(24) Date from which industrial property rights may have effect: **24 February 2015**
(54) Product in respect of which the design is registered: **Cosmetic brush**
(51) International Design Classification: **04-02**
(74) Name(s) of Attorney(s): **Freehills Patent Attorneys**
(71) Name(s) and Address(s) of Applicant(s):
Artis LLC
299 Pavonia Avenue Suite 2-5 Jersey City New Jersey, 07302 United States of America
(72) Name(s) of Designer(s): **Matthew Waitesmith**
(45) Registration Date: **31 March 2015**
(30) Convention priority data:
(31) Number (32) Date (33) Country
29/508,364 05 Nov 2014 UNITED STATES OF AMERICA
(56) Related Art Documents: **Not Applicable**
(57) Statement of Newness and Distinctiveness: **Newness and distinctiveness of the design resides in the features of shape and configuration of the cosmetic brush as shown in the accompanying representations.**



(21) Design Number: **10989/2015**
(22) Date of Filing Application: **24 February 2015**
(24) Date from which industrial property rights may have effect: **24 February 2015**
(54) Product in respect of which the design is registered: **Food waste disposer**
(51) International Design Classification: **09-09**
(74) Name(s) of Attorney(s): **FB Rice**
(71) Name(s) and Address(s) of Applicant(s):
Emerson Electric Co.
8000 West Florissant Avenue St Louis Missouri 63136 United States of America
(72) Name(s) of Designer(s): **Brian J Falcone and Amit A Kumbhar**
(45) Registration Date: **31 March 2015**
(30) Convention priority data:
(31) Number (32) Date (33) Country
29/500313 25 Aug 2014 UNITED STATES OF AMERICA
(56) Related Art Documents: **Not Applicable**
(57) Statement of Newness and Distinctiveness: **Newness and distinctiveness reside in the features of shape and/or configuration of the design as shown in solid lines in the representations, excluding those features shown in broken lines.**



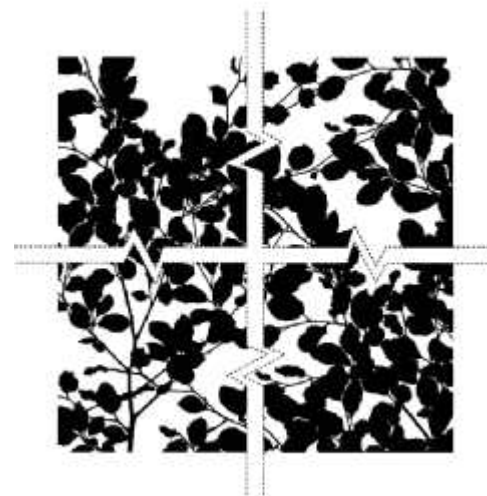
- (21) Design Number: **10910/2015**
(22) Date of Filing Application: **20 February 2015**
(24) Date from which industrial property rights may have effect: **20 February 2015**
(54) Product in respect of which the design is registered: **Cassette assembly for a blind system**
(51) International Design Classification: **08-08H**
(74) Name(s) of Attorney(s): **MINTER ELLISON**
(71) Name(s) and Address(s) of Applicant(s):
Acmeda Pty Ltd
110 Northcorp Bvd Broadmeadows VIC 3047 Australia
(72) Name(s) of Designer(s): **Nathan Raiti**
(45) Registration Date: **31 March 2015**
(56) Related Art Documents: **Not Applicable**
(57) Statement of Newness and Distinctiveness: **The following visual features of the design are new and distinctive. The shape and configuration of a Cassette assembly for a blind system of an indefinite length as shown in the accompanying drawings.**



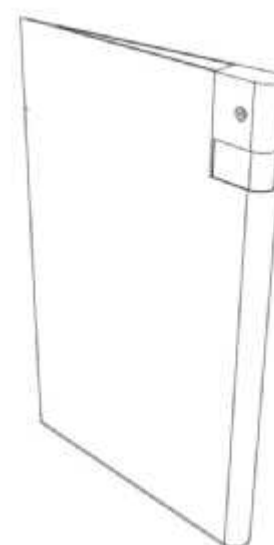
- (21) Design Number: **15287/2014**
(22) Date of Filing Application: **17 October 2014**
(24) Date from which industrial property rights may have effect: **17 October 2014**
(54) Product in respect of which the design is registered: **Air intake snorkel for a vehicle**
(51) International Design Classification: **12-16NES**
(74) Name(s) of Attorney(s): **HODGKINSON McINNES PATENTS**
(71) Name(s) and Address(s) of Applicant(s):
Australian Performance Development Pty Ltd
73 Merrindale Dr South Croydon VIC 3136 Australia
(72) Name(s) of Designer(s): **Andrew Berry**
(45) Registration Date: **31 March 2015**
(56) Related Art Documents: **Not Applicable**
(57) Statement of Newness and Distinctiveness: **Newness and distinctiveness is claimed in the shape and configuration of an Air Intake Snorkel for a Vehicle as shown in the representations.**



(21) Design Number: **10266/2015**
(22) Date of Filing Application: **19 January 2015**
(24) Date from which industrial property rights may have effect: **19 January 2015**
(54) Product in respect of which the design is registered: **Decorative screen, fabric, wallpaper, splashback**
(51) International Design Classification: **05-06A, 05-06NES, 05-05A, 11-02NES, 25-01NES**
(74) Name(s) of Attorney(s):
(71) Name(s) and Address(s) of Applicant(s):
Katherine Ann Brennan
KIF & KATAST PO BOX 1256 Fitzroy North VIC 3068 Australia
(72) Name(s) of Designer(s): **Katherine Ann Brennan**
(45) Registration Date: **31 March 2015**
(56) Related Art Documents: **Not Applicable**
(57) Statement of Newness and Distinctiveness: **Nil**



(21) Design Number: **10848/2015**
(22) Date of Filing Application: **17 February 2015**
(24) Date from which industrial property rights may have effect: **17 February 2015**
(54) Product in respect of which the design is registered: **Refillable fragrance container**
(51) International Design Classification: **09-01G**
(74) Name(s) of Attorney(s):
(71) Name(s) and Address(s) of Applicant(s):
Helladactyl Pty Ltd
47 Northam Ave Bardon QLD 4065 Australia
(72) Name(s) of Designer(s): **Sean Paul Walch**
(45) Registration Date: **31 March 2015**
(56) Related Art Documents: **Not Applicable**
(57) Statement of Newness and Distinctiveness: **Nil**



- (21) Design Number: **10852/2015**
(22) Date of Filing Application: **17 February 2015**
(24) Date from which industrial property rights may have effect: **17 February 2015**
(54) Product in respect of which the design is registered: **A table**
(51) International Design Classification: **06-03A**
(74) Name(s) of Attorney(s): **FB Rice**
(71) Name(s) and Address(s) of Applicant(s):
King Furniture Australia Pty Ltd
123 Turrella St Turrella NSW 2205 Australia
(72) Name(s) of Designer(s): **David King and Tanya Rechberger and John Levey**
(45) Registration Date: **31 March 2015**
(56) Related Art Documents: **Not Applicable**
(57) Statement of Newness and Distinctiveness: **Newness and distinctiveness reside in the features of the design as shown in the representations.**



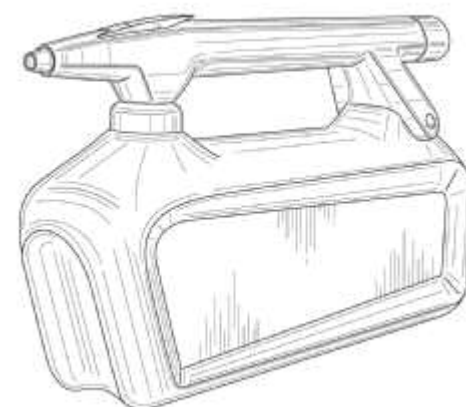
- (21) Design Number: **10854/2015**
(22) Date of Filing Application: **17 February 2015**
(24) Date from which industrial property rights may have effect: **17 February 2015**
(54) Product in respect of which the design is registered: **A frame for a chair**
(51) International Design Classification: **06-06H**
(74) Name(s) of Attorney(s): **FB Rice**
(71) Name(s) and Address(s) of Applicant(s):
King Furniture Australia Pty Ltd
123 Turrella St Turrella NSW 2205 Australia
(72) Name(s) of Designer(s): **David King and Tanya Rechberger and John Levey**
(45) Registration Date: **31 March 2015**
(56) Related Art Documents: **Not Applicable**
(57) Statement of Newness and Distinctiveness: **Newness and distinctiveness reside in the features of the design as shown in the representations.**



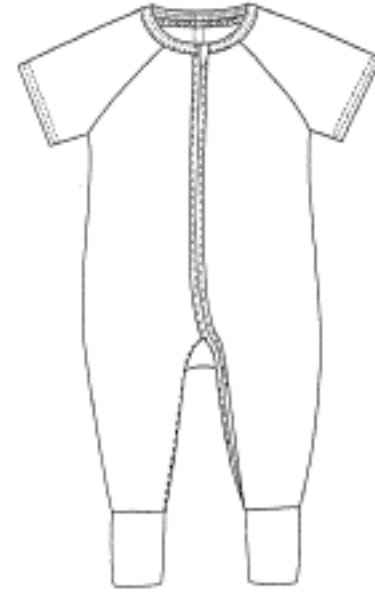
(21) Design Number: **10855/2015**
(22) Date of Filing Application: **17 February 2015**
(24) Date from which industrial property rights may have effect: **17 February 2015**
(54) Product in respect of which the design is registered: **A chair**
(51) International Design Classification: **06-06H**
(74) Name(s) of Attorney(s): **FB Rice**
(71) Name(s) and Address(s) of Applicant(s):
King Furniture Australia Pty Ltd
123 Turrella St Turrella NSW 2205 Australia
(72) Name(s) of Designer(s): **David King and Tanya Rechberger and John Levey**
(45) Registration Date: **31 March 2015**
(56) Related Art Documents: **Not Applicable**
(57) Statement of Newness and Distinctiveness: **Newness and distinctiveness reside in the features of the design as shown in the representations.**



(21) Design Number: **10902/2015**
(22) Date of Filing Application: **19 February 2015**
(24) Date from which industrial property rights may have effect: **19 February 2015**
(54) Product in respect of which the design is registered: **Sprayer**
(51) International Design Classification: **08-05A**
(74) Name(s) of Attorney(s): **Spruson & Ferguson**
(71) Name(s) and Address(s) of Applicant(s):
The Fountainhead Group, Inc.
23 Garden Street New York Mills New York 13417-1318 United States of America
(72) Name(s) of Designer(s): **Joseph Moya and Greg Thune and Adam Jonovski and Marcus Hamilton**
(45) Registration Date: **31 March 2015**
(30) Convention priority data:
(31) Number (32) Date (33) Country
29/500084 21 Aug 2014 UNITED STATES OF AMERICA
(56) Related Art Documents: **Not Applicable**
(57) Statement of Newness and Distinctiveness: **Newness and distinctiveness is claimed in the features of shape and/or configuration of a sprayer as illustrated in the accompanying representations.**



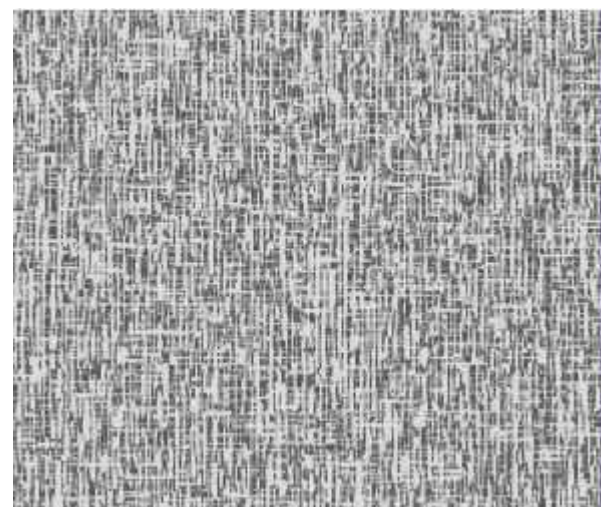
- (21) Design Number: **10903/2015**
(22) Date of Filing Application: **19 February 2015**
(24) Date from which industrial property rights may have effect: **19 February 2015**
(54) Product in respect of which the design is registered: **Baby garment**
(51) International Design Classification: **02-01B**
(74) Name(s) of Attorney(s): **Freehills Patent Attorneys**
(71) Name(s) and Address(s) of Applicant(s):
Pacific Brands Clothing Pty Ltd
L1 1096 Toorak Rd Hartwell VIC 3124 Australia
(72) Name(s) of Designer(s): **Kasey Cranney and Alice Kruszelnicki and Rebecca Watson**
(45) Registration Date: **31 March 2015**
(56) Related Art Documents: **Not Applicable**
(57) Statement of Newness and Distinctiveness: **Newness and distinctiveness of the design resides in the features of shape and/or configuration as shown in the accompanying representations.**



- (21) Design Number: **10904/2015**
(22) Date of Filing Application: **19 February 2015**
(24) Date from which industrial property rights may have effect: **19 February 2015**
(54) Product in respect of which the design is registered: **Blender**
(51) International Design Classification: **31-00**
(74) Name(s) of Attorney(s): **FB Rice**
(71) Name(s) and Address(s) of Applicant(s):
Koninklijke Philips N.V.
High Tech Campus 5 5656 AE Eindhoven The Netherlands
(72) Name(s) of Designer(s): **Qingxiang Ou**
(45) Registration Date: **31 March 2015**
(30) Convention priority data:
(31) Number (32) Date (33) Country
002522110-0001 20 Aug 2014 OFFICE FOR HARMONISATION IN THE INTERNAL MARKET (OHIM)
(56) Related Art Documents: **Not Applicable**
(57) Statement of Newness and Distinctiveness: **Newness and distinctiveness reside in the features of shape and configuration of the design as shown in the representations.**



- (21) Design Number: **10905/2015**
(22) Date of Filing Application: **19 February 2015**
(24) Date from which industrial property rights may have effect: **19 February 2015**
(54) Product in respect of which the design is registered: **Textile**
(51) International Design Classification: **05-05NES**
(74) Name(s) of Attorney(s): **Sharon Givoni Consulting**
(71) Name(s) and Address(s) of Applicant(s):
Bekaert (Australia) Pty Limited
195 Abbots Rd Dandenong South VIC 3175 Australia
(72) Name(s) of Designer(s): **Jacqueline Zimmerman**
(45) Registration Date: **31 March 2015**
(56) Related Art Documents: **Not Applicable**
(57) Statement of Newness and Distinctiveness: **Newness and distinctiveness is claimed in the features of pattern and/or ornamentation of a textile as shown in the representations but not limited to any colours or colour combination. The textile is of indefinite length and breadth and the pattern and /or ornamentation is represented throughout the surface.**



- (21) Design Number: **10907/2015**
(22) Date of Filing Application: **19 February 2015**
(24) Date from which industrial property rights may have effect: **19 February 2015**
(54) Product in respect of which the design is registered: **Knife holder block**
(51) International Design Classification: **07-99NES**
(74) Name(s) of Attorney(s): **Trademark Works**
(71) Name(s) and Address(s) of Applicant(s):
Joseph Joseph Ltd
The Grove 30 Great Guildford Street London SE10HS United Kingdom
(72) Name(s) of Designer(s): **Antony Joseph and Oliver Craig and Oliver Chambers**
(45) Registration Date: **31 March 2015**
(30) Convention priority data:
(31) Number (32) Date (33) Country
002534651-0001 10 Sep 2014 EUROPEAN PATENT OFFICE (EPO)
(56) Related Art Documents: **Not Applicable**
(57) Statement of Newness and Distinctiveness: **Nil**



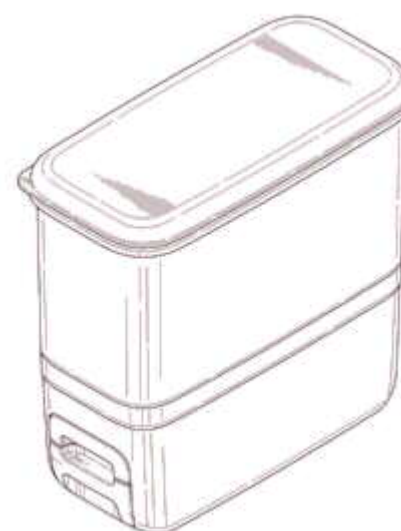
- (21) Design Number: **10909/2015**
(22) Date of Filing Application: **20 February 2015**
(24) Date from which industrial property rights may have effect: **20 February 2015**
(54) Product in respect of which the design is registered: **Cassette assembly for a blind system**
(51) International Design Classification: **08-08H**
(74) Name(s) of Attorney(s): **MINTER ELLISON**
(71) Name(s) and Address(s) of Applicant(s):
Acmeda Pty Ltd
110 Northcorp Bvd Broadmeadows VIC 3047 Australia
(72) Name(s) of Designer(s): **Nathan Raiti**
(45) Registration Date: **31 March 2015**
(56) Related Art Documents: **Not Applicable**
(57) Statement of Newness and Distinctiveness: **The following visual features of the design are new and distinctive. The shape and configuration of a Cassette assembly for a blind system of indefinite length as shown in the accompanying drawings.**



- (21) Design Number: **10935/2015**
(22) Date of Filing Application: **20 February 2015**
(24) Date from which industrial property rights may have effect: **20 February 2015**
(54) Product in respect of which the design is registered: **A barrier segment**
(51) International Design Classification: **25-02NES**
(74) Name(s) of Attorney(s): **PHILLIPS ORMONDE FITZPATRICK**
(71) Name(s) and Address(s) of Applicant(s):
SGA Engineering Pty Ltd
1/67 High St Melton VIC 3337 Australia
(72) Name(s) of Designer(s): **Darek Sygidus and Tadeusz Sygidus**
(45) Registration Date: **01 April 2015**
(56) Related Art Documents: **Not Applicable**
(57) Statement of Newness and Distinctiveness: **Those features of the barrier segment depicted in the representations that are new and distinctive are the shape and/or configuration.**



(21) Design Number: **10936/2015**
(22) Date of Filing Application: **20 February 2015**
(24) Date from which industrial property rights may have effect: **20 February 2015**
(54) Product in respect of which the design is registered: **Rice dispenser**
(51) International Design Classification: **09-01NES**
(74) Name(s) of Attorney(s): **PHILLIPS ORMONDE FITZPATRICK**
(71) Name(s) and Address(s) of Applicant(s):
Dart Industries Inc.
14901 S. Orange Blossom Trail Orlando Florida, 32837 United States of America



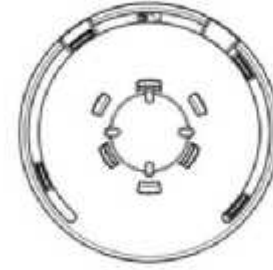
(72) Name(s) of Designer(s): **Nathan E Shirley**
(45) Registration Date: **01 April 2015**
(30) Convention priority data:
(31) Number (32) Date (33) Country
29/501,928 10 Sep 2014 UNITED STATES OF AMERICA
(56) Related Art Documents: **Not Applicable**
(57) Statement of Newness and Distinctiveness: **Those features of the rice dispenser depicted in the representations that are new and distinctive are the shape and/or configuration.**

(21) Design Number: **10940/2015**
(22) Date of Filing Application: **20 February 2015**
(24) Date from which industrial property rights may have effect: **20 February 2015**
(54) Product in respect of which the design is registered: **Cover assembly for a winder**
(51) International Design Classification: **08-08H**
(74) Name(s) of Attorney(s): **MINTER ELLISON**
(71) Name(s) and Address(s) of Applicant(s):
Acmeda Pty Ltd
110 Northcorp Bvd Broadmeadows VIC 3047 Australia

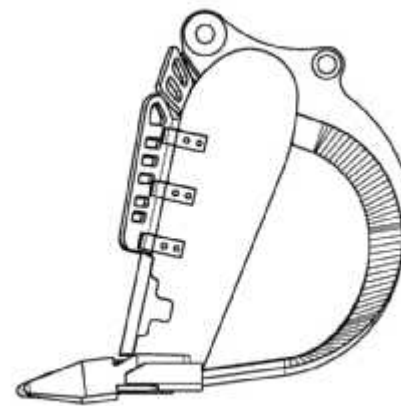


(72) Name(s) of Designer(s): **Riccardo Santilli**
(45) Registration Date: **01 April 2015**
(56) Related Art Documents: **Not Applicable**
(57) Statement of Newness and Distinctiveness: **Distinctiveness resides in the shape and configuration of a cover assembly for a winder as shown in the accompanying drawings. Distinctiveness resides, in particular, in the round profile depicted in the front and back views, and the central position of the cord exiting the cover. The exact shape and length of the cord are disclaimed**

- (21) Design Number: **10941/2015**
(22) Date of Filing Application: **20 February 2015**
(24) Date from which industrial property rights may have effect: **20 February 2015**
(54) Product in respect of which the design is registered: **Cover assembly for a winder**
(51) International Design Classification: **08-08H**
(74) Name(s) of Attorney(s): **MINTER ELLISON**
(71) Name(s) and Address(s) of Applicant(s):
Acmeda Pty Ltd
110 Northcorp Bvd Broadmeadows VIC 3047 Australia
(72) Name(s) of Designer(s): **Riccardo Santilli**
(45) Registration Date: **01 April 2015**
(56) Related Art Documents: **Not Applicable**
(57) Statement of Newness and Distinctiveness: **Distinctiveness resides in the shape and configuration of a Cover assembly for a winder as shown in the accompanying drawings, and in particular in the round profile depicted in the front and back views.**



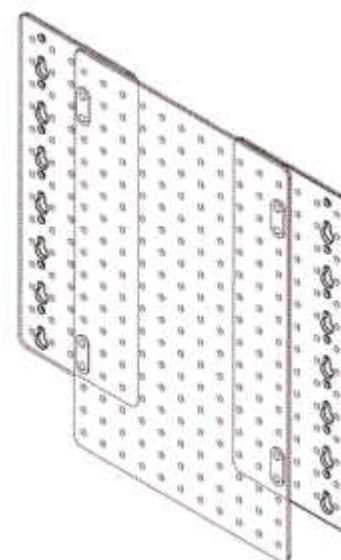
- (21) Design Number: **10945/2015**
(22) Date of Filing Application: **23 February 2015**
(24) Date from which industrial property rights may have effect: **23 February 2015**
(54) Product in respect of which the design is registered: **Excavator bucket**
(51) International Design Classification: **15-04**
(74) Name(s) of Attorney(s): **Pegasus IP**
(71) Name(s) and Address(s) of Applicant(s):
Taurus Mining Solutions Pty Ltd
165-167 Boundary Rd E Paget QLD 4740 Australia
(72) Name(s) of Designer(s): **Richard Annetts**
(45) Registration Date: **01 April 2015**
(56) Related Art Documents: **Not Applicable**
(57) Statement of Newness and Distinctiveness: **Newness and distinctiveness resides in the shape and/or configuration of the bucket as depicted in the illustrations accompanying the application.**



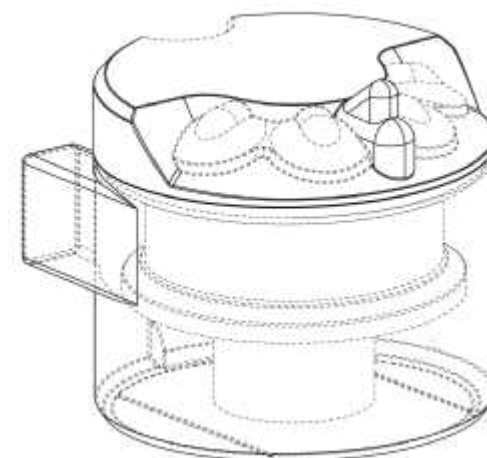
- (21) Design Number: **10946/2015**
(22) Date of Filing Application: **23 February 2015**
(24) Date from which industrial property rights may have effect: **23 February 2015**
(54) Product in respect of which the design is registered: **Medical injector device**
(51) International Design Classification: **24-02**
(74) Name(s) of Attorney(s): **Shelston IP**
(71) Name(s) and Address(s) of Applicant(s):
Merck Sharp & Dohme Corp.
126 East Lincoln Avenue, Rahway, New Jersey 07065 United States of America
(72) Name(s) of Designer(s): **Peter Basile and Jeffrey C Givand and Philip G Green and Sharad Gupta and Christin L O'Neill and Steven Carl Persak and Robert Stianchi and Ari Tao Adler and Florian Altmann and Thomas Junk and Florian Kossler and Martin Meier and Scott Mackie and Pernilla Danielsson and Angela M Amend Kwasnik and Benjamin R Bartfeld**
(45) Registration Date: **01 April 2015**
(30) Convention priority data:
(31) Number (32) Date (33) Country
29/500651 27 Aug 2014 UNITED STATES OF AMERICA
(56) Related Art Documents: **Not Applicable**
(57) Statement of Newness and Distinctiveness: **Newness and distinctiveness reside in the features of shape and/or configuration of a MEDICAL INJECTOR DEVICE as illustrated in solid lines in the accompanying representations. The features shown in broken or discontinuous lines are illustrative only and do not form part of the design.**



- (21) Design Number: **10947/2015**
(22) Date of Filing Application: **23 February 2015**
(24) Date from which industrial property rights may have effect: **23 February 2015**
(54) Product in respect of which the design is registered: **Seat pan**
(51) International Design Classification: **06-06G**
(74) Name(s) of Attorney(s): **Catalyst Intellectual Property**
(71) Name(s) and Address(s) of Applicant(s):
Anil Raman Patel
908 Walsall Road Great Barr Birmingham B42 1TG United Kingdom
(72) Name(s) of Designer(s): **Anil Raman Patel**
(45) Registration Date: **01 April 2015**
(56) Related Art Documents: **Not Applicable**
(57) Statement of Newness and Distinctiveness: **Newness and distinctiveness resides in the features of shape and/or configuration of the seat pan, as shown in the accompanying drawings. The features shown in broken lines do not form part of the design.**

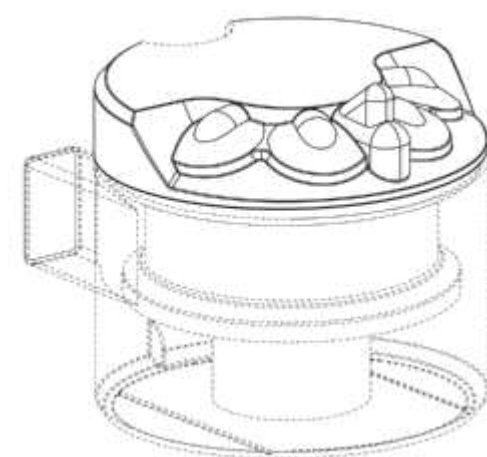


(21) Design Number: **10970/2015**
(22) Date of Filing Application: **24 February 2015**
(24) Date from which industrial property rights may have effect: **24 February 2015**
(54) Product in respect of which the design is registered: **Part of vacuum cleaner**
(51) International Design Classification: **15-05**
(74) Name(s) of Attorney(s): **Shelston IP**
(71) Name(s) and Address(s) of Applicant(s):
Dyson Technology Limited
Tetbury Hill Malmesbury Wiltshire SN16 0RP United Kingdom
(72) Name(s) of Designer(s): **Paul Dawson and James Dyson and Peter David Gammack and Joanne Katy Mitchell**
(45) Registration Date: **01 April 2015**
(30) Convention priority data:
(31) Number (32) Date (33) Country
001419949-0004 28 Aug 2014 OFFICE FOR HARMONISATION IN THE INTERNAL MARKET (OHIM)



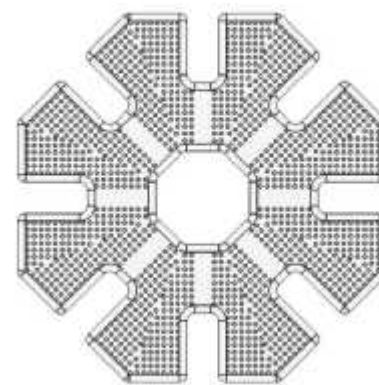
(56) Related Art Documents: **Not Applicable**
(57) Statement of Newness and Distinctiveness: **Newness and distinctiveness reside in the features of shape and/or configuration of PART OF VACUUM CLEANER as illustrated in solid lines in the accompanying representations. The features shown in broken or discontinuous lines are illustrative only and do not form part of the design.**

(21) Design Number: **10972/2015**
(22) Date of Filing Application: **24 February 2015**
(24) Date from which industrial property rights may have effect: **24 February 2015**
(54) Product in respect of which the design is registered: **Part of vacuum cleaner**
(51) International Design Classification: **15-05**
(74) Name(s) of Attorney(s): **Shelston IP**
(71) Name(s) and Address(s) of Applicant(s):
Dyson Technology Limited
Tetbury Hill Malmesbury Wiltshire SN16 0RP United Kingdom
(72) Name(s) of Designer(s): **Joanne Katy Mitchell and Paul Dawson and James Dyson and Peter David Gammack**
(45) Registration Date: **01 April 2015**
(30) Convention priority data:
(31) Number (32) Date (33) Country
001419949-0003 28 Aug 2014 OFFICE FOR HARMONISATION IN THE INTERNAL MARKET (OHIM)

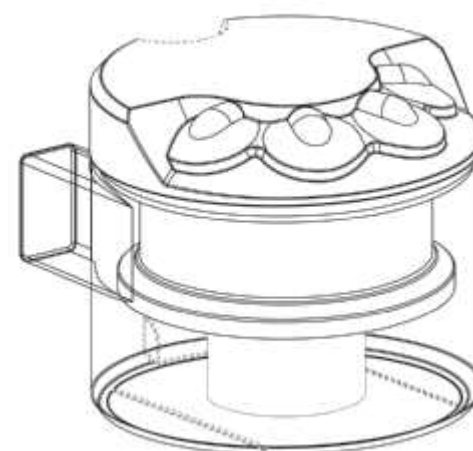


(56) Related Art Documents: **Not Applicable**
(57) Statement of Newness and Distinctiveness: **Newness and distinctiveness reside in the features of shape and/or configuration of PART OF VACUUM CLEANER as illustrated in solid lines in the accompanying representations. The features shown in broken or discontinuous lines are illustrative only and do not form part of the design.**

(21) Design Number: **10974/2015**
(22) Date of Filing Application: **24 February 2015**
(24) Date from which industrial property rights may have effect: **24 February 2015**
(54) Product in respect of which the design is registered: **Constructional toy element**
(51) International Design Classification: **21-01E**
(74) Name(s) of Attorney(s): **Freehills Patent Attorneys**
(71) Name(s) and Address(s) of Applicant(s):
Creative Design Ideas Limited
McGills Oakley House Tetbury Road Cirencester Gloucestershire GL7
1US United Kingdom
(72) Name(s) of Designer(s): **Richard Hardstaff**
(45) Registration Date: **01 April 2015**
(30) Convention priority data:
(31) Number (32) Date (33) Country
001424188-0006 29 Oct 2014 OFFICE FOR HARMONISATION IN
THE INTERNAL MARKET (OHIM)
(56) Related Art Documents: **Not Applicable**
(57) Statement of Newness and Distinctiveness: **Newness and distinctiveness of the design resides in the features of shape and configuration of the constructional toy element as shown in the accompanying representations.**



(21) Design Number: **10979/2015**
(22) Date of Filing Application: **24 February 2015**
(24) Date from which industrial property rights may have effect: **24 February 2015**
(54) Product in respect of which the design is registered: **Part of vacuum cleaner**
(51) International Design Classification: **15-05**
(74) Name(s) of Attorney(s): **Shelston IP**
(71) Name(s) and Address(s) of Applicant(s):
Dyson Technology Limited
Tetbury Hill Malmesbury Wiltshire SN16 0RP United Kingdom
(72) Name(s) of Designer(s): **Joanne Katy Mitchell and Paul Dawson and James Dyson and Peter David Gammack**
(45) Registration Date: **01 April 2015**
(30) Convention priority data:
(31) Number (32) Date (33) Country
001419949-0002 28 Aug 2014 OFFICE FOR HARMONISATION IN
THE INTERNAL MARKET (OHIM)
(56) Related Art Documents: **Not Applicable**
(57) Statement of Newness and Distinctiveness: **Newness and distinctiveness reside in the features of shape and/or configuration of PART OF VACUUM CLEANER as illustrated in solid lines in the accompanying representations. The features shown in broken or discontinuous lines are illustrative only and do not form part of the design.**

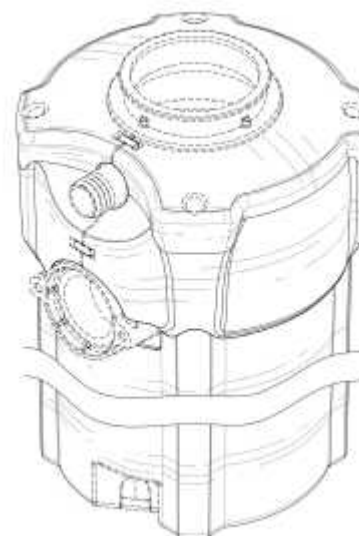


(21) Design Number: **10991/2015**
(22) Date of Filing Application: **24 February 2015**
(24) Date from which industrial property rights may have effect: **24 February 2015**
(54) Product in respect of which the design is registered: **Food waste disposer**
(51) International Design Classification: **09-09**
(74) Name(s) of Attorney(s): **FB Rice**
(71) Name(s) and Address(s) of Applicant(s):
Emerson Electric Co.
8000 West Florissant Avenue St. Louis Missouri, 63136 United States of America

(72) Name(s) of Designer(s): **Brian J Falcone and Amit A Kumbhar**
(45) Registration Date: **01 April 2015**

(30) Convention priority data:
(31) Number (32) Date (33) Country
29/500313 25 Aug 2014 UNITED STATES OF AMERICA

(56) Related Art Documents: **Not Applicable**
(57) Statement of Newness and Distinctiveness: **Newness and distinctiveness reside in the features of shape and/or configuration of the design as shown in solid lines in the representations, excluding those features shown in broken lines.**

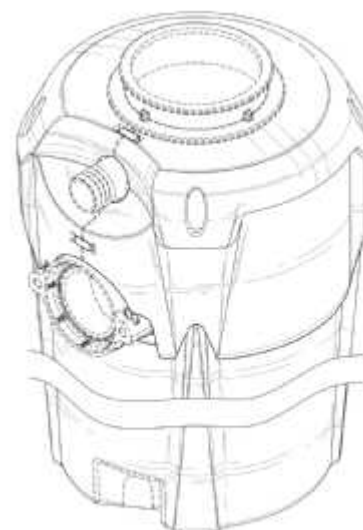


(21) Design Number: **10992/2015**
(22) Date of Filing Application: **24 February 2015**
(24) Date from which industrial property rights may have effect: **24 February 2015**
(54) Product in respect of which the design is registered: **Food waste disposer**
(51) International Design Classification: **09-09**
(74) Name(s) of Attorney(s): **FB Rice**
(71) Name(s) and Address(s) of Applicant(s):
Emerson Electric Co.
8000 West Florissant Avenue St. Louis Missouri, 63136 United States of America

(72) Name(s) of Designer(s): **Brian J Falcone and Amit A Kumbhar**
(45) Registration Date: **01 April 2015**

(30) Convention priority data:
(31) Number (32) Date (33) Country
29/500313 25 Aug 2014 UNITED STATES OF AMERICA

(56) Related Art Documents: **Not Applicable**
(57) Statement of Newness and Distinctiveness: **Newness and distinctiveness reside in the features of shape and/or configuration of the design as shown in solid lines in the representations, excluding those features shown in broken lines.**

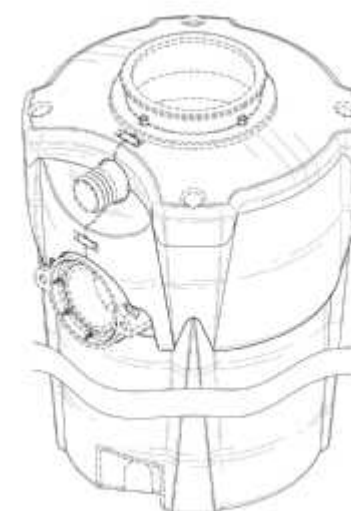


(21) Design Number: **10993/2015**
(22) Date of Filing Application: **24 February 2015**
(24) Date from which industrial property rights may have effect: **24 February 2015**
(54) Product in respect of which the design is registered: **Food waste disposer**
(51) International Design Classification: **09-09**
(74) Name(s) of Attorney(s): **FB Rice**
(71) Name(s) and Address(s) of Applicant(s):
Emerson Electric Co.
8000 West Florissant Avenue St. Louis Missouri, 63136 United States of America

(72) Name(s) of Designer(s): **Brian J Falcone and Amit A Kumbhar**
(45) Registration Date: **01 April 2015**

(30) Convention priority data:
(31) Number (32) Date (33) Country
29/500313 25 Aug 2014 UNITED STATES OF AMERICA

(56) Related Art Documents: **Not Applicable**
(57) Statement of Newness and Distinctiveness: **Newness and distinctiveness reside in the features of shape and/or configuration of the design as shown in solid lines in the representations, excluding those features shown in broken lines.**

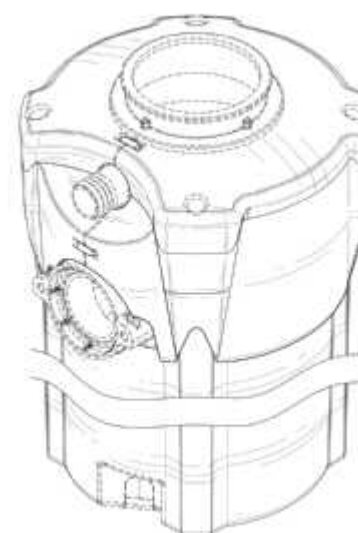


(21) Design Number: **10994/2015**
(22) Date of Filing Application: **24 February 2015**
(24) Date from which industrial property rights may have effect: **24 February 2015**
(54) Product in respect of which the design is registered: **Food waste disposer**
(51) International Design Classification: **09-09**
(74) Name(s) of Attorney(s): **FB Rice**
(71) Name(s) and Address(s) of Applicant(s):
Emerson Electric Co.
8000 West Florissant Avenue St. Louis Missouri, 63136 United States of America

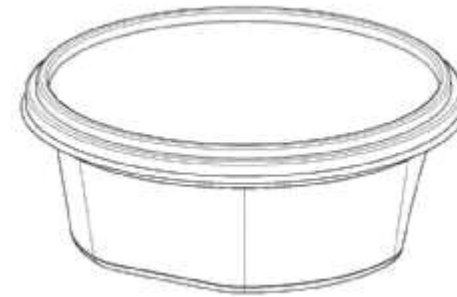
(72) Name(s) of Designer(s): **Brian J Falcone and Amit A Kumbhar**
(45) Registration Date: **01 April 2015**

(30) Convention priority data:
(31) Number (32) Date (33) Country
29/500313 25 Aug 2014 UNITED STATES OF AMERICA

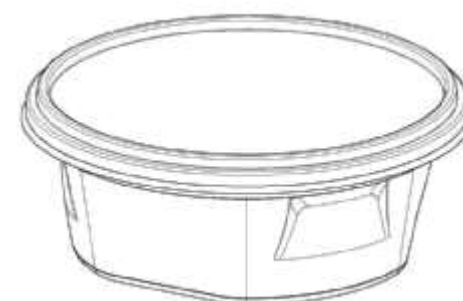
(56) Related Art Documents: **Not Applicable**
(57) Statement of Newness and Distinctiveness: **Newness and distinctiveness reside in the features of shape and/or configuration of the design as shown in solid lines in the representations, excluding those features shown in broken lines.**



- (21) Design Number: **11000/2015**
(22) Date of Filing Application: **25 February 2015**
(24) Date from which industrial property rights may have effect: **25 February 2015**
(54) Product in respect of which the design is registered: **Container**
(51) International Design Classification: **09-03L**
(74) Name(s) of Attorney(s):
(71) Name(s) and Address(s) of Applicant(s):
United Plastics (Australasia) Pty Ltd
22 Somerton Park Dr Campbellfield VIC 3061 Australia
(72) Name(s) of Designer(s): **Shane Quinlan**
(45) Registration Date: **01 April 2015**
(56) Related Art Documents: **Not Applicable**
(57) Statement of Newness and Distinctiveness: **Newness and distinctiveness resides in the visual features of shape and/or configuration of a container as illustrated in the accompanying representations.**



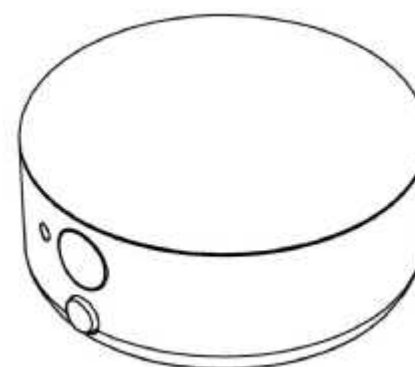
- (21) Design Number: **11001/2015**
(22) Date of Filing Application: **25 February 2015**
(24) Date from which industrial property rights may have effect: **25 February 2015**
(54) Product in respect of which the design is registered: **Container**
(51) International Design Classification: **09-03L**
(74) Name(s) of Attorney(s):
(71) Name(s) and Address(s) of Applicant(s):
United Plastics (Australasia) Pty Ltd
22 Somerton Park Dr Campbellfield VIC 3061 Australia
(72) Name(s) of Designer(s): **Shane Quinlan**
(45) Registration Date: **01 April 2015**
(56) Related Art Documents: **Not Applicable**
(57) Statement of Newness and Distinctiveness: **Newness and distinctiveness resides in the visual features of shape and/or configuration of a container as illustrated in the accompanying representations.**



(21) Design Number: **11015/2015**
(22) Date of Filing Application: **25 February 2015**
(24) Date from which industrial property rights may have effect: **25 February 2015**
(54) Product in respect of which the design is registered: **Case/stand for tablet computer**
(51) International Design Classification: **03-01NES**
(74) Name(s) of Attorney(s): **Baxter Patent Attorneys Pty Ltd**
(71) Name(s) and Address(s) of Applicant(s):
Chenxian LI
6/17-21 Henderson St Turrella NSW 2205 AUSTRALIA
(72) Name(s) of Designer(s): **Chenxian LI**
(45) Registration Date: **01 April 2015**
(56) Related Art Documents: **Not Applicable**
(57) Statement of Newness and Distinctiveness: **Nil**



(21) Design Number: **11016/2015**
(22) Date of Filing Application: **25 February 2015**
(24) Date from which industrial property rights may have effect: **25 February 2015**
(54) Product in respect of which the design is registered: **Device for reading/writing electronic data**
(51) International Design Classification: **14-02**
(74) Name(s) of Attorney(s): **Griffith Hack**
(71) Name(s) and Address(s) of Applicant(s):
Nintendo Co., Ltd.
11-1 Hokotate-cho, Kamitoba, Minami-ku Kyoto 601-8501 Japan
(72) Name(s) of Designer(s): **Kazuhiro Maruyama and Toshiaki Iwao and Masaya Takei**
(45) Registration Date: **01 April 2015**
(30) Convention priority data:
(31) Number (32) Date (33) Country
2014-018934 28 Aug 2014 JAPAN
(56) Related Art Documents: **Not Applicable**
(57) Statement of Newness and Distinctiveness: **Newness and distinctiveness resides in the visual features, including the shape and configuration of the product shown in the representations.**



- (21) Design Number: **11030/2015**
(22) Date of Filing Application: **25 February 2015**
(24) Date from which industrial property rights may have effect: **25 February 2015**
(54) Product in respect of which the design is registered: **Angle grinder support bracket and guide**
(51) International Design Classification: **08-08NES, 08-05N**
(74) Name(s) of Attorney(s):
(71) Name(s) and Address(s) of Applicant(s):
Mathew Raymund Norton
24 Dapper St Sunnybank Hills QLD 4109 Australia
(72) Name(s) of Designer(s): **Mathew Raymund Norton**
(45) Registration Date: **01 April 2015**
(56) Related Art Documents: **Not Applicable**
(57) Statement of Newness and Distinctiveness: **Monopoly is claimed for the shape, configuration, ordination and features of the angle grinder tool support bracket guide for the purpose of tile grout removal, and associated wheel and handle as is shown in the picture representations**



- (21) Design Number: **11025/2015**
(22) Date of Filing Application: **25 February 2015**
(24) Date from which industrial property rights may have effect: **25 February 2015**
(54) Product in respect of which the design is registered: **Keyring**
(51) International Design Classification: **03-01B**
(74) Name(s) of Attorney(s):
(71) Name(s) and Address(s) of Applicant(s):
Bico Australia Pty Limited
11 Salisbury St Botany Sydney NSW 2019 Australia
Peter Grossman
11 Salisbury St Botany NSW 2019 Australia
(72) Name(s) of Designer(s): **Peter Grossman**
(45) Registration Date: **01 April 2015**
(56) Related Art Documents: **Not Applicable**
(57) Statement of Newness and Distinctiveness: **The new and distinctive features are the proportion and shape of the design combined with the lines cut out of the shape.**



- (21) Design Number: **11026/2015**
(22) Date of Filing Application: **25 February 2015**
(24) Date from which industrial property rights may have effect: **25 February 2015**
(54) Product in respect of which the design is registered: **Keyring**
(51) International Design Classification: **03-01B**
(74) Name(s) of Attorney(s):
(71) Name(s) and Address(s) of Applicant(s):
Bico Australia Pty Limited
11 Salisbury St Botany Sydney NSW 2019 Australia
Peter Grossman
11 Salisbury St Botany NSW 2019 Australia
(72) Name(s) of Designer(s): **Peter Grossman**
(45) Registration Date: **01 April 2015**
(56) Related Art Documents: **Not Applicable**
(57) Statement of Newness and Distinctiveness: **The new and distinctive features are the shape and proportion of the design combined with the lines cut out of the shape.**



- (21) Design Number: **11027/2015**
(22) Date of Filing Application: **25 February 2015**
(24) Date from which industrial property rights may have effect: **25 February 2015**
(54) Product in respect of which the design is registered: **Keyring**
(51) International Design Classification: **03-01B**
(74) Name(s) of Attorney(s):
(71) Name(s) and Address(s) of Applicant(s):
Bico Australia Pty Limited
11 Salisbury St Botany Sydney NSW 2019 Australia
Peter Grossman
11 Salisbury St Botany NSW 2019 Australia
(72) Name(s) of Designer(s): **Peter Grossman**
(45) Registration Date: **01 April 2015**
(56) Related Art Documents: **Not Applicable**
(57) Statement of Newness and Distinctiveness: **The new and distinctive features are the proportion and shape of the design combined with the lines cut out of the shape.**

