



Australian Government

IP Australia

AUSTRALIAN OFFICIAL JOURNAL

OF

DESIGNS

Did you know a searchable version of this journal is now available online?

It's FREE and EASY to SEARCH.

Find it on our website (www.ipaustralia.gov.au)

by using the "Journals" link on the home page.

This Page Left Intentionally Blank

Contents

General Information & Notices

**Proceedings Under the Designs Act 1906 preserved as a result of the provisions of Chapter 12
Part 2 of the Designs Act 2003**

Extension of Period of Registration of Designs 1212

Registrations Ceased 1212

Proceedings Under the Designs Act 2003

Applications for Extension of Time Under Section 137 1224

Applications Lapsed 1222

Applications Lodged 1216

Certificate of Examination 1225

Extension of Period of Registration of Design 1223

Extension of Time Granted Under Section 137 1224

Publication and Registration Proceedings

Designs Registered 361331 to 361585..... 1226

Registrations Ceased 1223

Subsequent Owners Registered 1224

This Page Left Intentionally Blank

For information on the following please see our website www.ipaustralia.gov.au or contact our Customer Service Network on 1300651010

[Editorial enquiries](#)

[Contact information](#)

[Freedom of Information ACT](#)

[Professional Standards Board](#)

[Sales](#)

[Requests for Information under Section 194 \(c\)](#)

[Country Codes](#)

[Trade Mark and Designs Hearing Sessions](#)

[INID \(Internationally agreed Numbers for the Identification of Data\)](#)

“INID” NUMBERS in use on Australian Design Documents

“INID” is an acronym for “Internationally agreed Numbers for the Identification of Data”.

(10) Data concerning the registration/renewal

- (11) Serial number of the registration and/or number of the design document
- (12) Plain language designation of the kind of published document
- (19) Identification, using the two-letter code according to WIPO Standard ST.3, of the authority publishing or registering the industrial design

(20) Data concerning the application

- (21) Serial number of the application
- (22) Date of filing of the application
- (24) Date from which the industrial design right has effect

(30) Data relating to priority under the Paris Convention

- (31) Serial number assigned to the priority application
- (32) Date of filing of the priority application
- (33) Two-letter code, according to WIPO Standard ST.3, identifying the authority with which the priority application was made

(40) Date(s) of making information available to the public

- (45) Date of publication of the registered industrial design by printing or similar process, or making it available to the public by any other means

(50) Miscellaneous Information

- (51) International Classification for Industrial Designs (class and subclass of the Locarno Classification)
- (54) Designation of article(s) or product(s) covered by the industrial design or title of the industrial design
- (55) Reproduction of the industrial design (e.g., drawing, photograph) and explanations relating to the reproduction
- (56) List of prior art documents, if separate from descriptive text
- (57) Description of characteristic features of the industrial design including indication of colours

(60) References to other legally related application(s) and registration(s)

- (62) Serial number(s) and, if available, filing date(s) of application(s), registration(s) or document(s) related by division
- (66) Serial number(s) of the application, or the registration, of the design(s) which is (are) a variant(s) of the present one

(70) Identification of parties concerned with the application or registration

- (71) Name(s) and address(es) of the applicant(s)
- (72) Name(s) of the creator(s) if known to be such
- (74) Name(s) and address(es) of the representative(s)

This Page Left Intentionally Blank

Nil notices for this journal issue.

Proceedings under the Designs Act 1906 preserved as a result of the provisions of Chapter 12 Part 2 of the Designs Act 2003.

This Page Left Intentionally Blank

Applications Lapsed

There were no Applications Lapsed under this section

Extension of Period of Registration of Designs			154681	154690	154772
			154773	154774	154861
			154879	154921	154933
1st Period (Section 27A(8))			154934	154965	155086
			155139	155211	155254
2nd Period (Section 27A(12))			155553	155554	155555
			155590	155653	155669
			155674	155767	155874
3rd Period (Section 27A(13))			155915	155998	156291
			156356	156388	156480
156240	156859	156860	156593	156727	157100
157066	157272	157276	157331	157384	157638
157343	157369	157394	157639	157640	157843
157396	157436	157437	157992	157993	158497
157438	157608	157611	158498		
157672	157704	157705			
157719	157976	157977			
158092	158177	158269			
158335	158369	158386			
158512	158517				

Registrations Ceased

Note: Some of the following Registrations may have been previously advertised as ceased. In this instance, the previous advertisement still prevails.

137243	137689	138486
138488	138577	138578
138579	138580	138638
138657	138781	138782
138788	138789	138790
138791	138798	138871
138872	138873	138875
138876	138877	138878
138899	138904	139200
139302	139305	139775
139776	139818	139899
141022	141079	141334
141391	142173	142290
142291	142418	142881
143021	153402	154043
154360	154363	154364
154365	154366	154392
154393	154394	154395
154398	154499	154500
154539	154571	154573
154595	154598	154616
154648	154650	154662
154663	154664	154665
154666	154667	154668
154669	154670	154671
154672	154673	154674
154675	154676	154677
154678	154679	154680

This Page Left Intentionally Blank

Proceedings under the Designs Act 2003.

This Page Left Intentionally Blank

Applications Lodged

Lodgement information is in the following order: **Applicant's Name**; International Classification, Name of Product, Lodgement Date and **Design Number**. If the applicant claims an earlier priority date under an International Convention, the Convention Country and the associated filing date are shown in parentheses before the Lodgement Date. Divisional information will also appear in parentheses before the Lodgement Date.

Allbanner Pty Ltd; 12-16K, Roof rack, 22 Apr 2015	12108/2015	ALL OVER SHADES AND BLINDS PTY LTD; 25-02H, 03-03, 25-03, Non tension shade structure retractable, 21 Apr 2015	12091/2015
Allen, Bruce; 14-02, Apparatus to control a personal electronic device, 01 May 2015	12254/2015	AMG (Qld) Pty. Ltd.; 26-05A, Luminaire with upright, 29 Apr 2015	12210/2015
Altendorf, Wayde; Fuller, Kevin; 09-03L, Specimen sample container, 16 Apr 2015	12024/2015	AMG (Qld) Pty. Ltd.; 26-05A, Uplight, 29 Apr 2015	12212/2015
Angel Playing Cards Co., Ltd.; 10-05, Security management device, (JP, 09 Dec 2014) 17 Apr 2015	12056/2015	AUSTRAL TRADING CO. PTY. LTD.; 09-03B, Shoe Box, 22 Apr 2015	12113/2015
Apple Computer Inc.; 14-02, Display stand, (US, 24 Oct 2014) 24 Apr 2015	12165/2015	AUSTRALIAN FASHION LABELS PTY LTD; 05-05NES, A textile print, 20 Apr 2015	12070/2015
Apple Inc.; 14-02, Display stand component, (US, 24 Oct 2014) 24 Apr 2015	12163/2015	Bartlett Transport Improvements Pty Ltd; 08-08L, Bracket for attaching a safety chain to an object, 27 Apr 2015	12180/2015
Apple Inc.; 14-02, Display stand, (US, 24 Oct 2014) 24 Apr 2015	12164/2015	Bartlett Transport Improvements Pty. Ltd.; 08-08L, Bracket for attaching a safety chain to an object, 30 Apr 2015	12245/2015
Apple Inc.; 14-02, Display stand component, (US, 24 Oct 2014) 24 Apr 2015	12161/2015	Becton, Dickinson and Company; 06-04NES, Sample tube holder, (Divisional of 10547/2015) 01 May 2015	12287/2015
Apple Inc.; 14-02, Display stand component, (US, 24 Oct 2014) 24 Apr 2015	12162/2015	Becton, Dickinson and Company; 06-04NES, Sample tube holde, (Divisional of 10547/2015) 01 May 2015	12290/2015
Apple Inc.; 20-03NES, Display structure, (US, 23 Oct 2014) 22 Apr 2015	12116/2015	Becton, Dickinson and Company; 06-04NES, Sample tube holder, (Divisional of 10547/2015) 01 May 2015	12291/2015
Apple Inc.; 20-03NES, Display structure, (US, 23 Oct 2014) 22 Apr 2015	12117/2015	Becton, Dickinson and Company; 06-04NES, Sample tube holder, (Divisional of 10547/2015) 01 May 2015	12288/2015
Arbortech Industries Limited; 08-01, Shaping & boring tool with adjustable depth gauge, 30 Apr 2015	12251/2015	Bednar, Jaroslav; Mezey, Ladislav; 21-01L, Chess board design, 20 Apr 2015	12089/2015
Architectural Metalworks Australia (AMA) Pty Ltd; 25-01K, 25-02C, Ballustrade, 23 Apr 2015	12144/2015	BigCity Design Pty Ltd; 30-02, A shelf for an animal accommodation module, 27 Apr 2015	12177/2015
Ausroad Systems Pty Ltd; 15-04, Delivery vehicle, (NZ, 17 Oct 2014) 15 Apr 2015	12010/2015	BigCity Design Pty Ltd; 30-02, A shelf for an animal accommodation module, 27 Apr 2015	12178/2015
Australian Fashion Labels Pty Ltd; 05-05NES, A textile print, 20 Apr 2015	12078/2015	BigCity Design Pty Ltd; 30-02, Animal accommodation module, 27 Apr 2015	12176/2015
Australian Fashion Labels Pty Ltd; 05-05NES, A textile print, 20 Apr 2015	12079/2015	BioMech Golf, LLC; 21-02C, Putter head, (US, 17 Oct 2014) 07 Apr 2015	11804/2015
Australian Fashion Labels Pty Ltd; 05-05NES, A textile print, 20 Apr 2015	12076/2015	Bowden, Julia; 02-06, Baby mitten, 21 Apr 2015	12106/2015

Cabeau, Inc.; 06-09, Travel pillow, (US, 20 Oct 2014) 17 Apr 2015	12057/2015	ETHICON, INC.; 24-04, Release paper for wound treatment devices, (Divisional of 10978/2015) 29 Apr 2015	12218/2015
Capped Solutions Pty. Ltd.; 25-01E, Cap for post, 23 Apr 2015	12142/2015	ETHICON, INC.; 24-04, Release papaer for wound treatment devices, (Divisional of 10978/2015) 29 Apr 2015	12221/2015
Capped Solutions Pty. Ltd.; 25-01E, Cap for post, 23 Apr 2015	12143/2015	Family Inada Co., Ltd.; 06-01NES, Massage Chair, (JP, 11 Nov 2014) 29 Apr 2015	12224/2015
Carol Cole Company; 28-03NES, Skin clearing and toning device, 17 Apr 2015	12055/2015	Fiechtner, Gary Allan; 15-03B, Grain harvester componant, 16 Apr 2015	12012/2015
Cascade Corporation; 12-05, Forklift fork tip, (Divisional of 10596/2015) 29 Apr 2015	12219/2015	Forever New Clothing Pty Ltd; 02-02C, Article of clothing, (Divisional of 14233/2014) 01 May 2015	12258/2015
Cascade Corporation; 12-05, Forklift fork tip, 29 Apr 2015	12220/2015	Forever New Clothing Pty Ltd; 02-02NES, Article of clothing, (Divisional of 14339/2014) 01 May 2015	12261/2015
Chobani, LLC.; 09-03NES, Container, (US, 23 Oct 2014) 22 Apr 2015	12115/2015	Fuller, Kevin;Altendorf, Wayde; 09-03L, Specimen sample container, 16 Apr 2015	12024/2015
Chobani, LLC.; 09-03F, Container pack, (US, 23 Oct 2014) 22 Apr 2015	12118/2015	Galahad Geosystems Pty Ltd; 25-01NES, Ground stabilisation panel, 16 Apr 2015	12021/2015
Cool Gear International, LLC; 09-01NES, Freezer stick, (US, 28 Oct 2014) 27 Apr 2015	12196/2015	Gaykema, Mark; 23-01F, Water tank, 15 Apr 2015	12011/2015
Cooper Tire & Rubber Company; 12-15B, Tire, (US, 27 Jan 2015) 24 Apr 2015	12154/2015	Gestaltix Pty Ltd; 20-02E, Modular display board, 30 Apr 2015	12252/2015
Cooper Tire & Rubber Company; 12-15B, Tire, (US, 29 Dec 2014) 24 Apr 2015	12157/2015	Gong, Zhu; 23-01H, Tap, 21 Apr 2015	12102/2015
Cooper Tire & Rubber Company; 12-15B, Tire, (US, 18 Dec 2014) 24 Apr 2015	12155/2015	Gong, Zhu; 23-01H, Tap, 21 Apr 2015	12101/2015
CLEAR LAM PACKAGING, INC.; 09-07B, Lid fitment, (US, 31 Oct 2014) 29 Apr 2015	12205/2015	Gong, Zhu; 27-03, Ashtray, 21 Apr 2015	12099/2015
CLEAR LAM PACKAGING, INC.; 09-07B, Lid fitment, (US, 31 Oct 2014) 29 Apr 2015	12204/2015	Great Southern Camping; 32-03, Information technology products and services, 29 Apr 2015	12208/2015
Daima Energy Solutions Limited; 26-02, Lantern, (GB, 18 Oct 2014) 20 Apr 2015	12080/2015	Grimshaw, Andrew John;Weeks, Rodger; 25-01K, Formwork framing member, 21 Apr 2015	12098/2015
Darts Peg Wheel Pty Ltd; 19-99, Indicating device, 24 Apr 2015	12160/2015	Guy, Matthew; 06-01NES, Hammock, 01 May 2015	12260/2015
Design By Them; 06-01F, Chair, 29 Apr 2015	12201/2015	GENERAL MILLS, INC.; 09-05, Food package with integrated spout, 30 Apr 2015	12236/2015
Douglass, Belinda Anne; 32-02, 32-03, Shirt, cap, cup, 23 Apr 2015	12146/2015	GYO Solutions Pty Ltd; 11-02B, Indoor garden, 24 Apr 2015	12166/2015
Emro Products Pty Ltd;Roth, Martin; 23-02A, Bathroom accessories toilet roll holder, etc..., 20 Apr 2015	12074/2015	Hammar, Lars; 08-08B, 20-03C, Clamp element for a sign support, (EM, 31 Oct 2014) 27 Apr 2015	12183/2015
ETHICON, INC.; 24-99, Curved tissue fastening device, (US, 24 Nov 2014) 23 Apr 2015	12123/2015	Hands (IP) Holdings Pty Ltd; 07-04, Milk frother, 22 Apr 2015	12114/2015
ETHICON, INC.; 24-04, Release paper for wound treatment devices, 29 Apr 2015	12222/2015		

Hayman, James Donald;Leeming, Jennifer Jane;McCann, James Stephen; 12-12, Fall arrest barrier, 23 Apr 2015	12128/2015	Industrie IP Pty Limited; 02-02NES, A jacket, 23 Apr 2015	12130/2015
Hayward Industries, Inc.; 08-05A, Pool cleaner, (US, 17 Nov 2014) 20 Apr 2015	12075/2015	Industrie IP Pty Limited; 02-02C, A pair of pants, 23 Apr 2015	12139/2015
Hayward Industries, Inc.; 08-05A, Pool cleaner, (US, 17 Nov 2014) 20 Apr 2015	12071/2015	Intercontinental Great Brands LLC; 01-01, Food product, (US, 10 Nov 2014) 29 Apr 2015	12214/2015
Hayward Industries, Inc.; 08-05A, Pool cleaner, (US, 17 Nov 2014) 20 Apr 2015	12068/2015	Isovin Systems Pty Ltd; 06-04NES, Wine rack, 26 Apr 2015	12172/2015
Hayward Industries, Inc.; 08-05A, Pool cleaner, (US, 17 Nov 2014) 20 Apr 2015	12066/2015	INNOVATIVE WAYS PTY LTD; 02-07A, Device to carry a bottle to be fastened to a belt, 02 May 2015	12293/2015
Hazard Systems Pty LTD; 26-06, Vehicle warning light bar, (US, 27 Jan 2015) 28 Apr 2015	12199/2015	James, Bridget Jane; 30-02, Portable chicken coop, 16 Apr 2015	12022/2015
Honda Motor Co., Ltd.; 12-11, A rear cover for a motorcycle, (JP, 31 Oct 2014) 24 Apr 2015	12151/2015	James Hardie Technology Limited; 25-01K, Edge strip, 27 Apr 2015	12187/2015
Honda Motor Co., Ltd.; 12-11, A motorcycle, (JP, 31 Oct 2014) 24 Apr 2015	12152/2015	James Hardie Technology Limited; 25-02NES, Corner piece, 27 Apr 2015	12179/2015
Honda Motor Co., Ltd.; 12-11, A front side cowl for a motorcycle, (JP, 31 Oct 2014) 24 Apr 2015	12153/2015	James Hardie Technology Limited; 25-01K, Edge strip, 27 Apr 2015	12184/2015
Huizhou Kimree Technology Co.,Ltd; 27-01, Atomization core for electronic cigarette, (CN, 23 Jan 2015) 24 Apr 2015	12159/2015	James Hardie Technology Limited; 25-02NES, Base strip, 27 Apr 2015	12181/2015
HANKOOK TIRE CO., LTD.; 12-15B, Tire, (KR, 23 Dec 2014) 29 Apr 2015	12200/2015	James Hardie Technology Limited; 25-01G, Corner piece, 27 Apr 2015	12182/2015
Industrie IP Pty Limited; 02-02NES, A jacket, 23 Apr 2015	12136/2015	Jones, Daryl; 16-01, Camera pod for aerial photography, 27 Apr 2015	12186/2015
Industrie IP Pty Limited; 02-02NES, A jacket, 23 Apr 2015	12137/2015	Jorgenson-Watts IP Pty Ltd; 25-01K, Wing frame assembly, 27 Apr 2015	12193/2015
Industrie IP Pty Limited; 02-02NES, A jacket, 23 Apr 2015	12131/2015	Jorgenson-Watts IP Pty Ltd; 25-02NES, Corner connector, 20 Apr 2015	12082/2015
Industrie IP Pty Limited; 02-02NES, A jacket, 23 Apr 2015	12134/2015	JACKAROO CARAVANS PTY LTD; 12-10, Caravan, 29 Apr 2015	12213/2015
Industrie IP Pty Limited; 02-02NES, A jacket, 23 Apr 2015	12135/2015	Kason Industries, Inc.; 26-05D, Light fixture, (US, 31 Oct 2014) 30 Apr 2015	12249/2015
Industrie IP Pty Limited; 02-02C, A pair of pants, 23 Apr 2015	12140/2015	Kason Industries, Inc.; 26-99, Light fixture, (US, 31 Oct 2014) 30 Apr 2015	12250/2015
Industrie IP Pty Limited; 02-02C, A pair of pants, 23 Apr 2015	12141/2015	Kenu, Inc.; 16-05, Ball head of a tripod for an electronic device, 17 Apr 2015	12053/2015
Industrie IP Pty Limited; 02-02NES, A jacket, 23 Apr 2015	12138/2015	Kenu, Inc.; 16-05, Ball head of a tripod for an electronic device, (US, 17 Oct 2014) 17 Apr 2015	12052/2015
Industrie IP Pty Limited; 02-02NES, A jacket, 23 Apr 2015	12132/2015	Keurig Green Mountain, Inc.; 09-05, Beverage cartridge, (US, 20 Oct 2014) 17 Apr 2015	12059/2015
Industrie IP Pty Limited; 02-02NES, A jacket, 23 Apr 2015	12133/2015	Keurig Green Mountain, Inc.; 09-05, Beverage cartridge, (US, 20 Oct 2014) 17 Apr 2015	12058/2015
Industrie IP Pty Limited; 02-02NES, A hooded jumper, 23 Apr 2015	12129/2015	Kim Meller Imports Pty Ltd; 02-04NES, Shoe, 21 Apr 2015	12095/2015

King Furniture Australia Pty Ltd; 06-01G, 1-seater chair; 2-seater chair; 3-seater chair, 27 Apr 2015	12188/2015	Lugton, David; 12-11, Bicycle frame support, 24 Apr 2015	12149/2015
King Furniture Australia Pty Ltd; 06-01G, 1-seater chair; 2-seater chair; 3-seater chair, 27 Apr 2015	12189/2015	LIPOGEMS INTERNATIONAL spa; 24-01, Medical apparatus, (EM, 03 Nov 2014) 27 Apr 2015	12175/2015
King Furniture Australia Pty Ltd; 06-01G, 1-seater chair; 2-seater chair; 3-seater chair, 27 Apr 2015	12185/2015	McCann, James Stephen;Leeming, Jennifer Jane;Hayman, James Donald; 12-12, Fall arrest barrier, 23 Apr 2015	12128/2015
King Furniture Australia Pty Ltd; 06-01G, 1-seater chair; 2-seater chair; 3-seater chair, 27 Apr 2015	12190/2015	McWhinney, Martin; 25-01E, Sandstone sleeper, 16 Apr 2015	12023/2015
Kolex Pty Limited; 13-03D, Front panel for a power socket, 29 Apr 2015	12206/2015	Methven Limited; 23-02B, Shower head, (NZ, 22 Oct 2014) 16 Apr 2015	12020/2015
Koninklijke Philips N.V.; 28-03A, Shaver without shaving head, (EM, 24 Oct 2014) 21 Apr 2015	12094/2015	Mezey, Ladislav;Bednar, Jaroslav; 21-01L, Chess board design, 20 Apr 2015	12089/2015
Koninklijke Philips N.V.; 28-03A, Shaver, (EM, 24 Oct 2014) 21 Apr 2015	12100/2015	Morphy Richards Limited; 07-02F, Toaster, (EP, 21 Jan 2015) 23 Apr 2015	12124/2015
Koninklijke Philips N.V.; 28-03A, Shaving head, (EM, 24 Oct 2014) 21 Apr 2015	12092/2015	Multigate Medical Products Pty Limited; 24-04, IV dressing, 23 Apr 2015	12145/2015
Kraft Foods Group Brands LLC; 09-03M, Container, (US, 06 Nov 2014) 21 Apr 2015	12093/2015	Multigate Medical Products Pty Ltd; 24-04, Sterilisation wrap, 24 Apr 2015	12169/2015
Kraft Foods Group Brands LLC; 09-05, 09-03H, Snack package, (US, 06 Nov 2014) 30 Apr 2015	12246/2015	MBBC Pty Ltd; 09-03M, Carton, 01 May 2015	12292/2015
Kraft Foods Group Brands LLC; 09-05, 09-03H, Snack package, (US, 06 Nov 2014) 30 Apr 2015	12247/2015	MBP Australasia Pty Ltd; 23-01G, Inlet strainer, 30 Apr 2015	12241/2015
Kraft Foods Group Brands LLC; 09-05, 09-03H, Snack package, (US, 06 Nov 2014) 30 Apr 2015	12248/2015	MBP Australia Pty Ltd; 23-01G, Inlet strainer with light guard, 30 Apr 2015	12242/2015
KTM Motorrad AG; 12-11, Motorcycle engine cover, 29 Apr 2015	12217/2015	MRT Assett Holdings Pty Ltd; 07-05C, Peg, 21 Apr 2015	12105/2015
KTM Motorrad AG; 12-11, Motorcycle, 29 Apr 2015	12216/2015	New Chapter, Inc.; 09-03M, Dietary supplement packaging with indicium, (US, 09 Oct 2014) 09 Apr 2015	11887/2015
KTM Motorrad AG; 12-11, Motorcycle, 29 Apr 2015	12215/2015	New Chapter, Inc.; 09-03M, Dietary supplement packaging with indicium, (US, 09 Oct 2014) 09 Apr 2015	11888/2015
Lavender, C A;Lavender, H; 30-04, Saddle pad, 21 Apr 2015	12107/2015	Ningbo Yusing Optoelectronic Technology Co., Ltd.; 21-01N, Projector, 20 Apr 2015	12090/2015
Lavender, H;Lavender, C A; 30-04, Saddle pad, 21 Apr 2015	12107/2015	Nongfu Spring Co., Ltd.; 09-01NES, Bottle, (CN, 05 Mar 2015) 21 Apr 2015	12097/2015
Leeming, Jennifer Jane;Hayman, James Donald;McCann, James Stephen; 12-12, Fall arrest barrier, 23 Apr 2015	12128/2015	Nongfu Spring Co., Ltd.; 09-01NES, Bottle, (CN, 12 Dec 2014) 27 Apr 2015	12174/2015
Lexmark International, Inc.; 14-02, Laser printer toner cartridge, (US, 13 Oct 2014) 09 Apr 2015	11886/2015	Nongfu Spring Co., Ltd.; 09-01NES, Bottle, (CN, 29 Sep 2014) 27 Mar 2015	11663/2015
Lexmark International, Inc.; 14-02, Laser printer toner cartridge, (US, 13 Oct 2014) 09 Apr 2015	11889/2015	NEX TECHNOLOGIES PTY LTD; 13-02, 14-01, Earphone charging case with wireless earphones, 27 Apr 2015	12192/2015
		Oakley, Inc.; 16-06, Eyeglass, (US, 24 Oct 2014) 20 Apr 2015	12065/2015

Oakley, Inc.; 16-06, Eyeglass, (US, 24 Oct 2014) 20 Apr 2015	12069/2015	ROBERT BOSCH GMBH; 13-02, Frame element and accumulator, (EM, 07 Nov 2014) 01 May 2015	12285/2015
Oakley, Inc.; 16-06, Eyeglass or components thereof, (US, 24 Oct 2014) 20 Apr 2015	12072/2015	ROBERT BOSCH GMBH; 13-02, Frame element, (EM, 07 Nov 2014) 01 May 2015	12281/2015
Olufson, Tarren Evan;Scott, Ryan Hugh; 10-04, A coilable ruler for anglers, 20 Apr 2015	12087/2015	ROBERT BOSCH GMBH; 13-02, Frame element, (EM, 07 Nov 2014) 30 Apr 2015	12239/2015
Openhydro IP Limited; 13-99, Hydroelectric turbines, (EM, 30 Oct 2014) 30 Apr 2015	12240/2015	ROBERT BOSCH GMBH; 13-02, Frame element, (EM, 07 Nov 2014) 30 Apr 2015	12237/2015
PepsiCo, Inc.; 09-01NES, Bottle, (US, 24 Oct 2014) 24 Apr 2015	12167/2015	ROBERT BOSCH GMBH; 13-02, Frame element, (EM, 07 Nov 2014) 01 May 2015	12284/2015
PepsiCo, Inc.; 09-01NES, Bottle, (US, 24 Oct 2014) 24 Apr 2015	12168/2015	ROBERT BOSCH GMBH; 13-02, Frame element, (EM, 07 Nov 2014) 30 Apr 2015	12238/2015
Petilla, Moises; 21-01M, Kids block puzzle, 20 Apr 2015	12077/2015	ROBERT BOSCH GMBH; 13-02, Frame element, (EM, 07 Nov 2014) 01 May 2015	12280/2015
Pomper, John Robert; 12-06NES, Hook for a boat, 23 Apr 2015	12122/2015	ROBERT BOSCH GMBH; 13-02, Frame element, (EM, 07 Nov 2014) 01 May 2015	12259/2015
Pomper, John Robert; 12-06NES, Hook for a boat, 23 Apr 2015	12121/2015	ROBERT BOSCH GMBH; 13-02, Frame element, (DE, 07 Nov 2014) 01 May 2015	12256/2015
Qian, Haida; 12-05, Sand track, (CN, 18 Nov 2014) 23 Apr 2015	12125/2015	ROBERT BOSCH GMBH; 13-02, Frame element, (EM, 07 Nov 2014) 01 May 2015	12257/2015
Qian, Haida; 12-05, Sand track, (CN, 18 Nov 2014) 23 Apr 2015	12126/2015	ROBERT BOSCH GMBH; 13-02, Frame element, (EM, 07 Nov 2014) 01 May 2015	12253/2015
Reckitt Benckiser LLC; 28-02, Soap bar, (EP, 04 Nov 2014) 20 Apr 2015	12085/2015	ROBERT BOSCH GMBH; 13-02, Frame element, (EM, 07 Nov 2014) 01 May 2015	12286/2015
Redbird Toys Pty Ltd; 21-01M, Puzzle, 21 Apr 2015	12104/2015	ROBERT BOSCH GMBH; 13-02, Accumulator, (EM, 07 Nov 2014) 30 Apr 2015	12229/2015
Redbird Toys Pty Ltd; 21-01M, Puzzle, 21 Apr 2015	12096/2015	ROBERT BOSCH GMBH; 13-02, Frame element, (EM, 07 Nov 2014) 30 Apr 2015	12235/2015
ResMed Limited; 24-01, End Cap for positiveairwaypressuredeliveryconsole, (Divisional of 10814/2015) 30 Apr 2015	12243/2015	ROBERT BOSCH GMBH; 13-02, Frame Element, (EM, 07 Nov 2014) 30 Apr 2015	12231/2015
Rieke Packaging Systems Limited; 09-07A, Dispensing pump head, (EM, 20 Oct 2014) 20 Apr 2015	12083/2015	ROBERT BOSCH GMBH; 13-02, Frame element, (EM, 07 Nov 2014) 30 Apr 2015	12232/2015
Roth, Martin;Emro Products Pty Ltd; 23-02A, Bathroom accessories toilet roll holder, etc..., 20 Apr 2015	12074/2015	ROBERT BOSCH GMBH; 13-02, Accumulator, (EM, 07 Nov 2014) 30 Apr 2015	12230/2015
Rubicon Research Pty Ltd; 23-01A, Pipe fitting, 22 Apr 2015	12111/2015	ROBERT BOSCH GMBH; 13-02, Frame element with accumulator, (EM, 07 Nov 2014) 29 Apr 2015	12203/2015
Russell, Kasey; 06-11, Crochet floor rug, 15 Apr 2015	11999/2015		
ROBERT BOSCH GMBH; 13-02, Frame element, (EM, 07 Nov 2014) 01 May 2015	12255/2015		

ROBERT BOSCH GMBH; 13-02, Frame element with accumulator, (EM, 07 Nov 2014) 29 Apr 2015	12202/2015	Thundershirt, LLC; 30-04, Harness and leash adapter, (US, 03 Nov 2014) 01 May 2015	12289/2015
Safelec Technology Holdings Pty. Ltd.; 13-03D, Caravan electrical inlet & protection housing, 29 Apr 2015	12223/2015	Toaster Labs, Inc.; 09-01A, Automatic fluid dispenser, (US, 30 Oct 2014) 30 Apr 2015	12233/2015
Safety & Medical Manufacturers Ltd; 08-08NES, Roof anchor, (NZ, 24 Oct 2014) 20 Apr 2015	12067/2015	Toaster Labs, Inc.; 09-01A, Fluid dispenser, (US, 30 Oct 2014) 30 Apr 2015	12234/2015
Samsung Electronics Co., Ltd; 15-05, Washboard for washing machine, (KR, 10 Oct 2014) 09 Apr 2015	11891/2015	Total Gym Global Corp.; 21-02F, Jumping exercise device, (US, 21 Oct 2014) 20 Apr 2015	12073/2015
Scott, Ryan Hugh;Olufson, Tarren Evan; 10-04, A coilable ruler for anglers, 20 Apr 2015	12087/2015	Total Gym Global Corp.; 21-02F, Rowing exercise device, (US, 21 Oct 2014) 20 Apr 2015	12081/2015
Segnut Pty Ltd; 08-08B, Segmented nut, 24 Apr 2015	12156/2015	Toyota Jidosha Kabushiki Kaisha; 12-08, Automobile, 28 Apr 2015	12197/2015
Silver, Robert; 12-11, Bicycle basket, 29 Apr 2015	12207/2015	Tsakmakis, Anthony; 22-05, Wood duck silhouette decoy, 22 Apr 2015	12109/2015
Smart, Neville Gerard; 21-01H, Dartboard, 24 Apr 2015	12171/2015	Tsakmakis, Anthony; 22-05, Australian black duck silhouette decoy, 22 Apr 2015	12110/2015
Sricom Pty. Limited; 02-02C, Pair of pants, 29 Apr 2015	12226/2015	Tufts, Ingrid; 09-09, Spittoon, 26 Apr 2015	12173/2015
Street & Garden Furniture Company Pty Ltd; 06-06NES, Street Furniture, 24 Apr 2015	12147/2015	Turbonetics Holdings, Inc.; 15-02, Compressor inlet for turbocharger, (US, 03 Nov 2014) 29 Apr 2015	12225/2015
Street & Garden Furniture Company Pty Ltd; 06-06NES, Street Furniture, 24 Apr 2015	12148/2015	TRIO BROTHERS TRADING PTY LTD; 27-02, Dry pipe, 20 Apr 2015	12064/2015
Stubby Strip Pty Ltd; 07-06A, A beverage holder, 28 Apr 2015	12198/2015	Udayakumar, Pravinthan; 03-01B, Slim line leather money clip wallet with RFID, 15 Apr 2015	12002/2015
SCA Hygiene Products AB; 05-06NES, Tissue paper, (EP, 10 Nov 2014) 21 Apr 2015	12103/2015	Udayakumar, Pravinthan; 03-01B, Slim line leather money clip wallet with RFID, 15 Apr 2015	12000/2015
Telebrands Corp.; 07-01F, A beverage container, 27 Apr 2015	12191/2015	Udayakumar, Pravinthan; 03-01B, Slim line leather money clip wallet with RFID, 15 Apr 2015	12001/2015
Tepe Munhygienprodukter AB; 24-04, Interdental cleaner, (EM, 27 Oct 2014) 27 Apr 2015	12194/2015	Unitract Syringe Pty Ltd; 24-01, Drug delivery device, (US, 07 Nov 2014) 01 May 2015	12282/2015
Tepe Munhygienprodukter AB; 24-04, Interdental cleaner, (EM, 27 Oct 2014) 27 Apr 2015	12195/2015	Unitract Syringe Pty Ltd; 24-01, Drug delivery device, (US, 07 Nov 2014) 01 May 2015	12283/2015
The Trustee for Mann Family Trust; 19-08, Wine label, 24 Apr 2015	12158/2015	Uno Australia Pty Ltd; 10-05, Electronic baggage tag, 23 Apr 2015	12127/2015
The Yokohama Rubber Co., Ltd.; 12-15B, Automobile tire, (JP, 21 Oct 2014) 20 Apr 2015	12086/2015	UNIL Electronics Corp.; 28-03B, Hair iron, (KR, 27 Feb 2015) 17 Apr 2015	12054/2015
The Yokohama Rubber Co., Ltd.; 12-15B, Automobile tire, (JP, 21 Oct 2014) 20 Apr 2015	12084/2015	UNIL Electronics Corp.; 28-03B, Hair iron, (KR, 27 Feb 2015) 17 Apr 2015	12051/2015

Visa International Service Association; 14-02, Display screen or portion thereof with user interface, (US, 23 Oct 2014) 22 Apr 2015	12112/2015	Willers, Glen David; 23-01L, Gutter guard, 24 Apr 2015	12150/2015
Vita-Mix Corporation; 31-00, Touch faceplate, (US, 13 Oct 2014) 13 Apr 2015	11944/2015	Yang, Tai-Her; 26-05E, LED light bulb, (US, 29 Oct 2014) 29 Apr 2015	12211/2015
Vlaskis, Jim; 24-99, Ear plugs, 17 Apr 2015	12050/2015	Yang, Tai-Her; 26-05E, LED light bulb, (US, 29 Oct 2014) 29 Apr 2015	12209/2015
Weeks, Rodger;Grimshaw, Andrew John; 25-01K, Formwork framing member, 21 Apr 2015	12098/2015	Zadow, Colin Robert; 15-01, A forward/reverse marine gearbox, 22 Apr 2015	12119/2015
Whirlpool Corporation; 10-04, Pusher/measuring cup, (US, 19 Dec 2014) (Divisional of 10442/2015) 22 Apr 2015	12120/2015	Zhejiang CFMOTO Power Co., Ltd; 12-11, Motorcycle, (CN, 22 Apr 2015) 30 Apr 2015	12228/2015
		Zimdahl, Allen Patrick; 08-06, 08-05NES, Template device for fitting door handles, 24 Apr 2015	12170/2015

Applications Lapsed

13640 / 2014 (03-01B)	15152 / 2014 (02-07A)
15211 / 2014 (02-02NES)	15224 / 2014 (25-03)
10000 / 2015 (09-05)	

Extension of Period of Registration of Designs

330316	330412	330605
330606	330610	330719
330755	330843	330844
330845	330902	330903
330907	330908	330933
330942	330946	330995
331009	331010	331012
331015	331016	331018
331024	331037	331038
331039	331041	331057
331094	331095	331096
331105	331106	331116
331118	331123	331124
331160	331164	331165
331166	331167	331168
331169	331251	331327
331373	331415	331423
331432	331433	331434
331437	331443	331459
331471	331473	331476
331509	331515	331519
331544	331545	331546
331547	331587	331670
331684	331703	331765
331769	331776	331786
331787	331790	331926
331927	331928	331929
331930	331948	332001
332014	332015	332016
332130	332257	332260
332261	332365	332366
332626	332627	332719
332889	332988	332990
332991	332992	332993
333133	333134	333135
333141	333142	333143
333144	333145	333625
333626	333638	335739
335740		

Registrations Ceased

301732	302502	303078
303079	303215	303217
303218	303219	303220
303221	303226	303254
303285	303286	303291
303292	303293	303294
303319	303341	303342
303343	303348	303368

303370	303371	303372
303375	303376	303377
303378	303379	303380
303382	303383	303384
303385	303388	303389
303390	303391	303428
303429	303430	303431
303433	303496	303497
303498	303504	303505
303506	303507	303508
303510	303540	303542
303543	303603	303604
303605	303641	303642
303643	303644	303670
303714	303715	303716
303717	303875	304107
304385	304386	304387
304388	304421	304422
304441	304442	304648
304744	304934	305076
305349	305486	306174
306184	306231	306580
316380	316714	328163
328234	328235	328236
328237	328238	328239
328249	328256	328271
328272	328275	328288
328289	328290	328291
328292	328303	328304
328307	328310	328312
328314	328315	328316
328317	328318	328319
328330	328333	328334
328335	328336	328344
328345	328350	328354
328363	328364	328365
328366	328367	328368
328372	328373	328374
328380	328395	328396
328397	328398	328413
328414	328415	328418
328419	328420	328421
328422	328440	328441
328442	328443	328445
328446	328457	328458
328459	328460	328461
328462	328464	328479
328480	328481	328482
328483	328486	328494
328495	328496	328497
328498	328499	328500
328501	328502	328503
328504	328505	328506
328510	328520	328653

328654	328655	328657	339476	(BVR Construction Pty Ltd) Everlast Panels Pty Ltd
328658	328659	328660	340782	(BVR Construction Pty Ltd) Everlast Panels Pty Ltd
328718	328769	328770	354824	(Medical Energetics Ltd.) Lifewave, Inc.
328782	328860	328861	354825	(Medical Energetics Ltd.) Lifewave, Inc.
328863	328864	328890	337467	(Avent, Inc.) Kimberly-Clark, Inc.
328925	329092	329224	337468	(Avent, Inc.) Kimberly-Clark, Inc.
330294	330654	333685	309573	(Radio Systems Corporation) Pup Pee Solutions Pty Ltd
348817				

Applications for Extension of time under Section 137

Applications under section 137 for extension of time have been lodged. Objections must be lodged within 1 month from the date of this journal.

10988/2015 **Artis LLC** Address for Service: Freehills Patent Attorneys Level 43 101 Collins Street MELBOURNE VIC 3000

10990/2015 **Artis LLC** Address for Service: Freehills Patent Attorneys Level 43 101 Collins Street MELBOURNE VIC 3000

361142 **Guanzhou SAT Infrared Technology Co. Ltd.** Address for Service: Shelston IP Level 21 60 Margaret Street SYDNEY NSW 2000

361143 **Guanzhou SAT Infrared Technology Co. Ltd.** Address for Service: Shelston IP Level 21 60 Margaret Street SYDNEY NSW 2000

Extensions of time granted under Section 137

Applications lodged under section 137 for extension of time have been granted.

16712/2014 **GRAPHICART PTY. LTD.**

Subsequent Owners Registered

(The name in parentheses is that of the subsequent owner)

331942	(Apple Inc.) Beats Electronics, LLC
330154	(Apple Inc.) Beats Electronics, LLC
330155	(Apple Inc.) Beats Electronics, LLC
336331	(Apple Inc.) Beats Electronics, LLC
337851	(Apple Inc.) Beats Electronics, LLC
337852	(Apple Inc.) Beats Electronics, LLC
341753	(Apple Inc.) Beats Electronics, LLC
341672	(Apple Inc.) Beats Electronics, LLC
343775	(Apple Inc.) Beats Electronics, LLC
343974	(Apple Inc.) Beats Electronics, LLC
344171	(Apple Inc.) Beats Electronics, LLC
349564	(Apple Inc.) Beats Electronics, LLC
349565	(Apple Inc.) Beats Electronics, LLC
350233	(Apple Inc.) Beats Electronics, LLC
350232	(Apple Inc.) Beats Electronics, LLC
350180	(Apple Inc.) Beats Electronics, LLC
353366	(Apple Inc.) Beats Electronics, LLC
358536	(Apple Inc.) Beats Electronics, LLC
359007	(Apple Inc.) Beats Electronics, LLC
330156	(Apple Inc.) Beats Electronics, LLC
345854	(CnZ Mate Australia Pty Ltd) Ballarat Holdings Pty Ltd
345047	(LTJ Innovations Pty Ltd) Ballarat Holdings Pty Ltd
345548	(LTJ Innovations Pty Ltd) Ballarat Holdings Pty Ltd

Certificate(s) of Examination

Examination of the following Design Registration(s) has been completed. Infringement proceedings may now be commenced.

325287	26-05A	01/05/2015
339628	23-01H	27/04/2015
355056	24-04	23/04/2015
358292	24-04	23/04/2015
358555	09-03F	23/04/2015
358725	09-03M	21/04/2015
358998	06-03A	24/04/2015
358999	06-02	24/04/2015
359000	06-06F	24/04/2015
359001	06-04NES	24/04/2015
359002	06-06F	24/04/2015
359533	26-05E	01/05/2015
359686	09-03M	21/04/2015
359766	06-01F	29/04/2015
359814	08-03	21/04/2015
360147	25-02NES	01/05/2015
360150	25-02NES	01/05/2015
360250	04-02	22/04/2015
360254	04-02	22/04/2015
360256	04-02	22/04/2015
360257	04-02	22/04/2015
360261	10-06	04/05/2015
360266	26-05A	04/05/2015
360294	04-02	22/04/2015
360295	04-02	22/04/2015
360541	28-02	22/04/2015
360542	28-02	22/04/2015
360544	28-02	22/04/2015
360679	10-02	28/04/2015
360690	10-02	28/04/2015
360706	28-02	22/04/2015
360712	28-02	22/04/2015
360713	28-02	22/04/2015
360720	10-07	28/04/2015
360722	10-07	28/04/2015

Publication and Registration Proceedings

Designs Registered

This section provides a concordance between design number and registration number of Designs covered in this journal. It also shows the main class and registration date.

This section covers Registration numbers 361331 to 361585 .

The registration number shown below should be used in all future correspondence.

Design Number	Registration Number	International Classification Code (IDC)	Registration Date	Design Number	Registration Number	International Classification Code (IDC)	Registration Date
11599/2013	361511	25-01D	30/04/2015	11114/2015	361396	26-02	23/04/2015
14202/2014	361397	04-01	23/04/2015	11145/2015	361553	13-03A	01/05/2015
14226/2014	361398	04-01	23/04/2015	11237/2015	361357	08-08NES	21/04/2015
14745/2014	361407	08-03	23/04/2015	11297/2015	361387	24-04	22/04/2015
14746/2014	361385	08-03	22/04/2015	11315/2015	361362	13-02	22/04/2015
14750/2014	361375	08-03	22/04/2015	11316/2015	361363	13-02	22/04/2015
14751/2014	361376	08-03	22/04/2015	11317/2015	361372	24-01	22/04/2015
14752/2014	361377	08-03	22/04/2015	11318/2015	361364	13-02	22/04/2015
14753/2014	361378	08-03	22/04/2015	11321/2015	361365	13-02	22/04/2015
14770/2014	361568	23-04	04/05/2015	11322/2015	361463	23-01NES	28/04/2015
15457/2014	361437	12-16A	27/04/2015	11323/2015	361366	13-02	22/04/2015
15565/2014	361438	08-05K	27/04/2015	11324/2015	361367	13-02	22/04/2015
15780/2014	361470	08-08L	28/04/2015	11325/2015	361464	08-99	28/04/2015
16269/2014	361358	06-13C	22/04/2015	11451/2015	361331	25-01K	21/04/2015
16282/2014	361399	28-03B	23/04/2015	11452/2015	361332	25-01K	21/04/2015
16691/2014	361481	26-02	29/04/2015	11453/2015	361333	25-01K	21/04/2015
10227/2015	361369	02-02NES	22/04/2015	11454/2015	361334	25-01K	21/04/2015
10230/2015	361370	02-02NES	22/04/2015	11455/2015	361335	25-01K	21/04/2015
10231/2015	361371	02-02NES	22/04/2015	11456/2015	361336	25-01K	21/04/2015
10393/2015	361379	08-08C	22/04/2015	11462/2015	361446	30-03	28/04/2015
10394/2015	361380	08-08C	22/04/2015	11463/2015	361447	24-04	28/04/2015
10412/2015	361408	02-02C	23/04/2015	11465/2015	361448	24-04	28/04/2015
10433/2015	361439	07-01B	27/04/2015	11467/2015	361449	06-02	28/04/2015
10434/2015	361381	07-01E	22/04/2015	11468/2015	361450	09-01NES	28/04/2015
10438/2015	361410	07-02P	23/04/2015	11469/2015	361451	09-01NES	28/04/2015
10440/2015	361443	07-02N	28/04/2015	11470/2015	361452	09-01NES	28/04/2015
10442/2015	361444	10-04	28/04/2015	11471/2015	361453	14-02	28/04/2015
10494/2015	361384	06-02	22/04/2015	11472/2015	361454	09-01NES	28/04/2015
10522/2015	361445	28-03NES	28/04/2015	11473/2015	361455	06-01E	28/04/2015
10564/2015	361471	02-02B	28/04/2015	11474/2015	361456	06-01E	28/04/2015
10566/2015	361539	07-02K	01/05/2015	11475/2015	361457	06-01F	28/04/2015
10596/2015	361571	12-05	04/05/2015	11497/2015	361351	04-01	21/04/2015
10598/2015	361572	07-99NES	04/05/2015	11498/2015	361352	06-06G	21/04/2015
10622/2015	361550	21-02F	01/05/2015	11499/2015	361353	06-01G	21/04/2015
10657/2015	361395	21-02D	23/04/2015	11509/2015	361354	07-01NES	21/04/2015
10714/2015	361551	08-06	01/05/2015	11510/2015	361337	07-01NES	21/04/2015
10729/2015	361359	02-04NES	22/04/2015	11511/2015	361338	26-06	21/04/2015
10732/2015	361360	02-04NES	22/04/2015	11512/2015	361355	06-09	21/04/2015
10733/2015	361361	02-04NES	22/04/2015	11514/2015	361356	09-03NES	21/04/2015
10814/2015	361569	24-01	04/05/2015	11515/2015	361339	09-03NES	21/04/2015
10828/2015	361486	05-05C	29/04/2015	11516/2015	361340	09-03NES	21/04/2015
10861/2015	361386	07-99NES	22/04/2015	11517/2015	361341	09-03M	21/04/2015
10875/2015	361570	30-03	04/05/2015	11519/2015	361342	06-03C	21/04/2015
10908/2015	361412	21-01A	23/04/2015	11520/2015	361343	06-03C	21/04/2015
10918/2015	361475	12-10	29/04/2015	11521/2015	361344	06-03C	21/04/2015
10919/2015	361476	12-10	29/04/2015	11524/2015	361368	05-06NES	22/04/2015
10920/2015	361440	12-16A	27/04/2015	11525/2015	361373	01-02	22/04/2015
10922/2015	361382	06-01H	22/04/2015	11527/2015	361374	25-01G	22/04/2015
10937/2015	361552	09-03NES	01/05/2015	11532/2015	361383	12-16NES	22/04/2015
11036/2015	361400	20-02E	23/04/2015	11534/2015	361350	15-99	21/04/2015

Publication and Registration Proceedings - Designs Registered cont'd

Design Number	Registration Number	International Classification Code (IDC)	Registration Date	Design Number	Registration Number	International Classification Code (IDC)	Registration Date
11535/2015	361345	15-99	21/04/2015	11619/2015	361466	26-05C	28/04/2015
11536/2015	361346	15-99	21/04/2015	11620/2015	361467	26-05C	28/04/2015
11538/2015	361347	28-03A	21/04/2015	11621/2015	361468	26-05C	28/04/2015
11539/2015	361348	08-05N	21/04/2015	11623/2015	361469	01-01	28/04/2015
11541/2015	361349	08-05N	21/04/2015	11627/2015	361477	06-04NES	29/04/2015
11548/2015	361388	21-04	22/04/2015	11628/2015	361478	08-08N	29/04/2015
11549/2015	361389	21-04	22/04/2015	11629/2015	361479	03-01B	29/04/2015
11550/2015	361390	02-01A	22/04/2015	11632/2015	361480	09-01H	29/04/2015
11552/2015	361401	08-05L	23/04/2015	11636/2015	361482	07-04	29/04/2015
11556/2015	361391	20-01	22/04/2015	11637/2015	361483	14-01	29/04/2015
11557/2015	361402	20-01	23/04/2015	11638/2015	361484	10-06	29/04/2015
11558/2015	361403	09-01G	23/04/2015	11639/2015	361485	10-06	29/04/2015
11559/2015	361404	20-01	23/04/2015	11640/2015	361577	11-03	04/05/2015
11560/2015	361411	08-08L	23/04/2015	11641/2015	361487	07-04	29/04/2015
11561/2015	361392	12-08	22/04/2015	11642/2015	361554	23-02C	01/05/2015
11562/2015	361393	12-08	22/04/2015	11643/2015	361555	23-02C	01/05/2015
11563/2015	361394	12-15C	22/04/2015	11644/2015	361556	23-02C	01/05/2015
11564/2015	361405	12-15C	23/04/2015	11651/2015	361557	06-01F	01/05/2015
11565/2015	361406	12-15C	23/04/2015	11652/2015	361558	06-03A	01/05/2015
11567/2015	361409	09-07NES	23/04/2015	11653/2015	361559	06-03C	01/05/2015
11569/2015	361413	02-02NES	23/04/2015	11654/2015	361560	06-01F	01/05/2015
11570/2015	361414	10-05	23/04/2015	11655/2015	361561	06-01F	01/05/2015
11571/2015	361415	25-01F	23/04/2015	11656/2015	361488	12-16C	29/04/2015
11572/2015	361416	08-01	24/04/2015	11657/2015	361562	02-02A	01/05/2015
11576/2015	361417	14-01	24/04/2015	11659/2015	361563	07-04	01/05/2015
11579/2015	361418	11-02C	24/04/2015	11660/2015	361564	07-04	01/05/2015
11580/2015	361419	02-04NES	24/04/2015	11661/2015	361565	25-01K	01/05/2015
11581/2015	361420	14-01	24/04/2015	11662/2015	361566	25-01K	01/05/2015
11583/2015	361421	10-04	24/04/2015	11665/2015	361567	08-07	01/05/2015
11584/2015	361422	13-03D	24/04/2015	11666/2015	361489	12-16NES	29/04/2015
11587/2015	361423	08-07	24/04/2015	11667/2015	361490	14-02	29/04/2015
11588/2015	361424	08-07	24/04/2015	11668/2015	361491	14-02	29/04/2015
11592/2015	361425	07-05NES	24/04/2015	11669/2015	361492	14-02	29/04/2015
11593/2015	361426	02-02A	24/04/2015	11670/2015	361493	14-02	30/04/2015
11594/2015	361427	02-02A	24/04/2015	11671/2015	361540	14-02	01/05/2015
11595/2015	361428	02-02A	24/04/2015	11672/2015	361541	14-02	01/05/2015
11596/2015	361429	02-02A	24/04/2015	11673/2015	361494	14-02	30/04/2015
11597/2015	361430	02-02A	24/04/2015	11674/2015	361495	14-02	30/04/2015
11598/2015	361431	02-02A	24/04/2015	11675/2015	361542	14-02	01/05/2015
11599/2015	361432	09-03H	24/04/2015	11679/2015	361543	14-04	01/05/2015
11601/2015	361441	07-05NES	27/04/2015	11681/2015	361496	14-04	30/04/2015
11602/2015	361442	07-05NES	27/04/2015	11683/2015	361497	14-04	30/04/2015
11604/2015	361433	25-04	24/04/2015	11690/2015	361498	24-04	30/04/2015
11605/2015	361434	24-01	24/04/2015	11699/2015	361499	14-02	30/04/2015
11606/2015	361435	07-05NES	24/04/2015	11700/2015	361500	14-02	30/04/2015
11607/2015	361436	15-01	24/04/2015	11701/2015	361512	09-03L	30/04/2015
11608/2015	361472	13-03NES	28/04/2015	11702/2015	361513	09-03L	30/04/2015
11609/2015	361458	13-03D	28/04/2015	11703/2015	361501	19-02	30/04/2015
11610/2015	361459	13-03NES	28/04/2015	11704/2015	361502	14-02	30/04/2015
11612/2015	361460	30-99	28/04/2015	11706/2015	361503	14-02	30/04/2015
11613/2015	361473	08-07	28/04/2015	11707/2015	361514	26-04	30/04/2015
11614/2015	361461	08-07	28/04/2015	11708/2015	361510	14-02	30/04/2015
11615/2015	361462	02-04A	28/04/2015	11710/2015	361504	14-02	30/04/2015
11617/2015	361465	26-04	28/04/2015	11711/2015	361505	14-02	30/04/2015
11618/2015	361474	26-05C	28/04/2015	11712/2015	361506	14-02	30/04/2015

Publication and Registration Proceedings - Designs Registered cont'd

Design Number	Registration Number	International Classification Code (IDC)	Registration Date	Design Number	Registration Number	International Classification Code (IDC)	Registration Date
11713/2015	361507	14-02	30/04/2015	11740/2015	361536	09-03F	30/04/2015
11714/2015	361508	14-02	30/04/2015	11741/2015	361537	10-04	30/04/2015
11715/2015	361509	14-02	30/04/2015	11743/2015	361538	10-04	30/04/2015
11716/2015	361515	15-05	30/04/2015	11746/2015	361573	24-01	04/05/2015
11717/2015	361516	07-07NES	30/04/2015	11747/2015	361574	06-06NES	04/05/2015
11718/2015	361517	12-15C	30/04/2015	11748/2015	361575	06-03C	04/05/2015
11719/2015	361518	07-04	30/04/2015	11749/2015	361576	25-01C	04/05/2015
11721/2015	361519	08-05A	30/04/2015	11750/2015	361578	06-03C	04/05/2015
11722/2015	361520	25-01E	30/04/2015	11751/2015	361579	09-01A	04/05/2015
11723/2015	361521	25-01E	30/04/2015	11754/2015	361544	09-01NES	01/05/2015
11725/2015	361522	08-08L	30/04/2015	11755/2015	361545	08-05A	01/05/2015
11727/2015	361523	12-08	30/04/2015	11756/2015	361546	08-05A	01/05/2015
11728/2015	361524	07-02N	30/04/2015	11757/2015	361547	06-09	01/05/2015
11729/2015	361525	07-02N	30/04/2015	11758/2015	361548	12-15B	01/05/2015
11730/2015	361526	12-05	30/04/2015	11761/2015	361549	07-01E	01/05/2015
11731/2015	361527	12-05	30/04/2015	11783/2015	361580	28-03D	04/05/2015
11732/2015	361528	12-05	30/04/2015	11785/2015	361581	25-01F	04/05/2015
11733/2015	361529	28-03NES	30/04/2015	11800/2015	361584	24-02	04/05/2015
11734/2015	361530	28-03NES	30/04/2015	11803/2015	361582	21-02C	04/05/2015
11735/2015	361531	28-03NES	30/04/2015	11804/2015	361583	21-02C	04/05/2015
11736/2015	361532	28-03NES	30/04/2015	11805/2015	361585	16-06	04/05/2015
11737/2015	361533	08-05P	30/04/2015				
11738/2015	361534	09-03F	30/04/2015				
11739/2015	361535	09-03F	30/04/2015				

Publication and Registration Proceedings

Class Listing of Designs Published or Registered

The following section shows an International Classification Code listing of the Registered or Published Designs covered in this supplement.

Classification	Registration Number	Design Number	Classification	Registration Number	Design Number
01-01	361469	11623/2015	06-13C	361358	16269/2014
01-02	361373	11525/2015	06-13C	361471	10564/2015
02-01A	361390	11550/2015	07-01B	361439	10433/2015
02-02A	361426	11593/2015	07-01E	361381	10434/2015
02-02A	361427	11594/2015	07-01E	361549	11761/2015
02-02A	361428	11595/2015	07-01NES	361337	11510/2015
02-02A	361429	11596/2015	07-01NES	361354	11509/2015
02-02A	361430	11597/2015	07-02K	361539	10566/2015
02-02A	361431	11598/2015	07-02N	361443	10440/2015
02-02A	361562	11657/2015	07-02N	361524	11728/2015
02-02B	361471	10564/2015	07-02N	361525	11729/2015
02-02C	361408	10412/2015	07-02P	361410	10438/2015
02-02NES	361369	10227/2015	07-04	361482	11636/2015
02-02NES	361370	10230/2015	07-04	361487	11641/2015
02-02NES	361371	10231/2015	07-04	361518	11719/2015
02-02NES	361413	11569/2015	07-04	361563	11659/2015
02-04A	361462	11615/2015	07-04	361564	11660/2015
02-04NES	361359	10729/2015	07-05NES	361425	11592/2015
02-04NES	361360	10732/2015	07-05NES	361435	11606/2015
02-04NES	361361	10733/2015	07-05NES	361441	11601/2015
02-04NES	361419	11580/2015	07-05NES	361442	11602/2015
03-01B	361479	11629/2015	07-07NES	361516	11717/2015
04-01	361351	11497/2015	07-99NES	361386	10861/2015
04-01	361397	14202/2014	07-99NES	361572	10598/2015
04-01	361398	14226/2014	08-01	361416	11572/2015
05-05C	361486	10828/2015	08-03	361375	14750/2014
05-06NES	361368	11524/2015	08-03	361376	14751/2014
05-06NES	361395	10657/2015	08-03	361377	14752/2014
05-06NES	361432	11599/2015	08-03	361378	14753/2014
06-01E	361455	11473/2015	08-03	361385	14746/2014
06-01E	361456	11474/2015	08-03	361407	14745/2014
06-01F	361457	11475/2015	08-05A	361519	11721/2015
06-01F	361557	11651/2015	08-05A	361545	11755/2015
06-01F	361560	11654/2015	08-05A	361546	11756/2015
06-01F	361561	11655/2015	08-05E	361357	11237/2015
06-01G	361353	11499/2015	08-05K	361438	15565/2014
06-01H	361382	10922/2015	08-05L	361401	11552/2015
06-02	361384	10494/2015	08-05N	361348	11539/2015
06-02	361449	11467/2015	08-05N	361349	11541/2015
06-03A	361384	10494/2015	08-05P	361533	11737/2015
06-03A	361558	11652/2015	08-06	361551	10714/2015
06-03C	361342	11519/2015	08-07	361423	11587/2015
06-03C	361343	11520/2015	08-07	361424	11588/2015
06-03C	361344	11521/2015	08-07	361461	11614/2015
06-03C	361559	11653/2015	08-07	361473	11613/2015
06-03C	361575	11748/2015	08-07	361567	11665/2015
06-03C	361578	11750/2015	08-08C	361379	10393/2015
06-04D	361384	10494/2015	08-08C	361380	10394/2015
06-04NES	361477	11627/2015	08-08L	361411	11560/2015
06-06G	361352	11498/2015	08-08L	361470	15780/2014
06-06NES	361574	11747/2015	08-08L	361522	11725/2015
06-09	361355	11512/2015	08-08N	361478	11628/2015
06-09	361547	11757/2015	08-08NES	361357	11237/2015

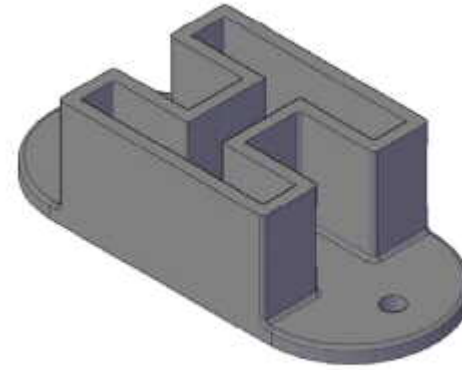
Registration Proceedings - Class Listing of Designs Published or Registered cont'd

Classification	Registration Number	Design Number	Classification	Registration Number	Design Number
08-99	361464	11325/2015	13-02	361367	11324/2015
09-01A	361579	11751/2015	13-03A	361553	11145/2015
09-01G	361403	11558/2015	13-03D	361422	11584/2015
09-01H	361480	11632/2015	13-03D	361458	11609/2015
09-01NES	361450	11468/2015	13-03NES	361459	11610/2015
09-01NES	361451	11469/2015	13-03NES	361472	11608/2015
09-01NES	361452	11470/2015	14-01	361417	11576/2015
09-01NES	361454	11472/2015	14-01	361420	11581/2015
09-01NES	361544	11754/2015	14-01	361483	11637/2015
09-03F	361534	11738/2015	14-02	361453	11471/2015
09-03F	361535	11739/2015	14-02	361490	11667/2015
09-03F	361536	11740/2015	14-02	361491	11668/2015
09-03H	361432	11599/2015	14-02	361492	11669/2015
09-03L	361512	11701/2015	14-02	361493	11670/2015
09-03L	361513	11702/2015	14-02	361494	11673/2015
09-03M	361341	11517/2015	14-02	361495	11674/2015
09-03M	361570	10875/2015	14-02	361499	11699/2015
09-03NES	361339	11515/2015	14-02	361500	11700/2015
09-03NES	361340	11516/2015	14-02	361502	11704/2015
09-03NES	361356	11514/2015	14-02	361503	11706/2015
09-03NES	361552	10937/2015	14-02	361504	11710/2015
09-07NES	361409	11567/2015	14-02	361505	11711/2015
09-99	361552	10937/2015	14-02	361506	11712/2015
10-04	361421	11583/2015	14-02	361507	11713/2015
10-04	361444	10442/2015	14-02	361508	11714/2015
10-04	361537	11741/2015	14-02	361509	11715/2015
10-04	361538	11743/2015	14-02	361510	11708/2015
10-05	361414	11570/2015	14-02	361540	11671/2015
10-06	361484	11638/2015	14-02	361541	11672/2015
10-06	361485	11639/2015	14-02	361542	11675/2015
11-02C	361418	11579/2015	14-03D	361417	11576/2015
11-03	361577	11640/2015	14-03E	361453	11471/2015
12-05	361526	11730/2015	14-04	361496	11681/2015
12-05	361527	11731/2015	14-04	361497	11683/2015
12-05	361528	11732/2015	14-04	361543	11679/2015
12-05	361571	10596/2015	15-01	361436	11607/2015
12-08	361392	11561/2015	15-05	361515	11716/2015
12-08	361393	11562/2015	15-99	361345	11535/2015
12-08	361523	11727/2015	15-99	361346	11536/2015
12-10	361475	10918/2015	15-99	361350	11534/2015
12-10	361476	10919/2015	16-06	361585	11805/2015
12-15B	361548	11758/2015	19-02	361501	11703/2015
12-15C	361394	11563/2015	20-01	361391	11556/2015
12-15C	361405	11564/2015	20-01	361402	11557/2015
12-15C	361406	11565/2015	20-01	361404	11559/2015
12-15C	361517	11718/2015	20-02E	361400	11036/2015
12-16A	361437	15457/2014	21-01A	361412	10908/2015
12-16A	361440	10920/2015	21-02C	361582	11803/2015
12-16C	361488	11656/2015	21-02C	361583	11804/2015
12-16NES	361383	11532/2015	21-02D	361395	10657/2015
12-16NES	361489	11666/2015	21-02F	361550	10622/2015
13-02	361362	11315/2015	21-04	361388	11548/2015
13-02	361363	11316/2015	21-04	361389	11549/2015
13-02	361364	11318/2015	23-01NES	361463	11322/2015
13-02	361365	11321/2015	23-02C	361554	11642/2015
13-02	361366	11323/2015	23-02C	361555	11643/2015

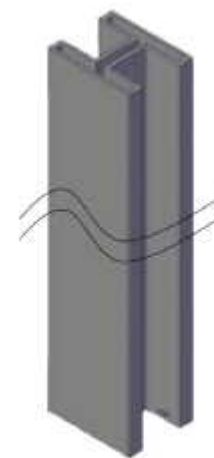
Registration Proceedings - Class Listing of Designs Published or Registered cont'd

Classification	Registration Number	Design Number	Classification	Registration Number	Design Number
23-02C	361556	11644/2015	25-02NES	361331	11451/2015
23-04	361537	11741/2015	25-02NES	361332	11452/2015
23-04	361538	11743/2015	25-02NES	361333	11453/2015
23-04	361568	14770/2014	25-02NES	361334	11454/2015
24-01	361372	11317/2015	25-02NES	361335	11455/2015
24-01	361434	11605/2015	25-02NES	361336	11456/2015
24-01	361569	10814/2015	25-04	361433	11604/2015
24-01	361573	11746/2015	26-02	361396	11114/2015
24-02	361434	11605/2015	26-02	361481	16691/2014
24-02	361584	11800/2015	26-04	361465	11617/2015
24-04	361387	11297/2015	26-04	361514	11707/2015
24-04	361447	11463/2015	26-05C	361466	11619/2015
24-04	361448	11465/2015	26-05C	361467	11620/2015
24-04	361498	11690/2015	26-05C	361468	11621/2015
25-01C	361576	11749/2015	26-05C	361474	11618/2015
25-01D	361395	10657/2015	26-06	361338	11511/2015
25-01D	361511	11599/2013	28-03A	361347	11538/2015
25-01E	361520	11722/2015	28-03B	361399	16282/2014
25-01E	361521	11723/2015	28-03D	361580	11783/2015
25-01F	361415	11571/2015	28-03NES	361445	10522/2015
25-01F	361581	11785/2015	28-03NES	361529	11733/2015
25-01G	361374	11527/2015	28-03NES	361530	11734/2015
25-01K	361331	11451/2015	28-03NES	361531	11735/2015
25-01K	361332	11452/2015	28-03NES	361532	11736/2015
25-01K	361333	11453/2015	30-03	361446	11462/2015
25-01K	361334	11454/2015	30-03	361570	10875/2015
25-01K	361335	11455/2015	30-99	361460	11612/2015
25-01K	361336	11456/2015			
25-01K	361565	11661/2015			
25-01K	361566	11662/2015			

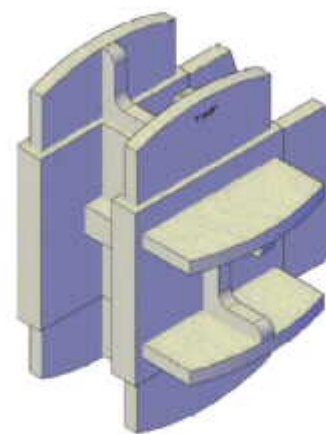
(21) Design Number: **11451/2015**
(22) Date of Filing Application: **17 March 2015**
(24) Date from which industrial property rights may have effect: **17 March 2015**
(54) Product in respect of which the design is registered: **Rack post base**
(51) International Design Classification: **25-01K, 25-02NES**
(74) Name(s) of Attorney(s): **Adams Pluck**
(71) Name(s) and Address(s) of Applicant(s):
Trans-World Foods Pty Limited
c/o L3 S4/20 George St Hornsby NSW 2077
(72) Name(s) of Designer(s): **Stanley Parker**
(45) Registration Date: **21 April 2015**
(56) Related Art Documents: **Not Applicable**
(57) Statement of Newness and Distinctiveness: **Nil**



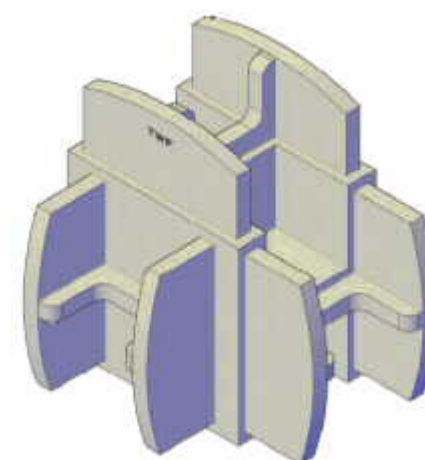
(21) Design Number: **11452/2015**
(22) Date of Filing Application: **17 March 2015**
(24) Date from which industrial property rights may have effect: **17 March 2015**
(54) Product in respect of which the design is registered: **Rack post base**
(51) International Design Classification: **25-01K, 25-02NES**
(74) Name(s) of Attorney(s): **Adams Pluck**
(71) Name(s) and Address(s) of Applicant(s):
Trans-World Foods Pty Limited
c/o L3 S4/20 George St Hornsby NSW 2077
(72) Name(s) of Designer(s): **Stanley Parker**
(45) Registration Date: **21 April 2015**
(56) Related Art Documents: **Not Applicable**
(57) Statement of Newness and Distinctiveness: **The newness and distinctiveness of the design resides in the shape of the rack post as shown in the accompanying representations. The post may be of indefinite length as indicated by the pairs of curved lines in the representations.**



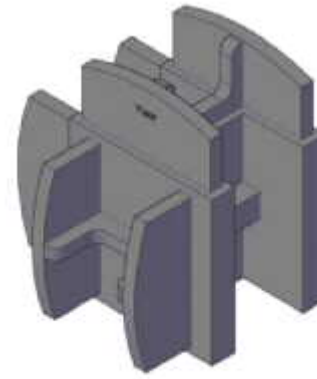
(21) Design Number: **11453/2015**
(22) Date of Filing Application: **17 March 2015**
(24) Date from which industrial property rights may have effect: **17 March 2015**
(54) Product in respect of which the design is registered: **Rack post base**
(51) International Design Classification: **25-01K, 25-02NES**
(74) Name(s) of Attorney(s): **Adams Pluck**
(71) Name(s) and Address(s) of Applicant(s):
Trans-World Foods Pty Limited
c/o L3 S4/20 George St Hornsby NSW 2077
(72) Name(s) of Designer(s): **Stanley Parker**
(45) Registration Date: **21 April 2015**
(56) Related Art Documents: **Not Applicable**
(57) Statement of Newness and Distinctiveness: **Nil**



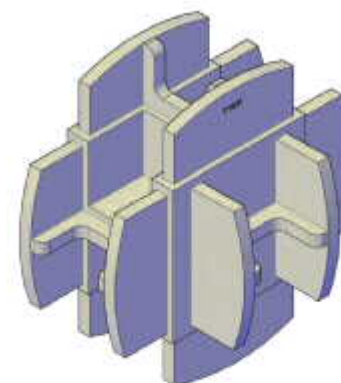
(21) Design Number: **11454/2015**
(22) Date of Filing Application: **17 March 2015**
(24) Date from which industrial property rights may have effect: **17 March 2015**
(54) Product in respect of which the design is registered: **Rack post base**
(51) International Design Classification: **25-01K, 25-02NES**
(74) Name(s) of Attorney(s): **Adams Pluck**
(71) Name(s) and Address(s) of Applicant(s):
Trans-World Foods Pty Limited
c/o L3 S4/20 George St Hornsby NSW 2077
(72) Name(s) of Designer(s): **Stanley Parker**
(45) Registration Date: **21 April 2015**
(56) Related Art Documents: **Not Applicable**
(57) Statement of Newness and Distinctiveness: **Nil**



(21) Design Number: **11455/2015**
(22) Date of Filing Application: **17 March 2015**
(24) Date from which industrial property rights may have effect: **17 March 2015**
(54) Product in respect of which the design is registered: **Rack post base**
(51) International Design Classification: **25-01K, 25-02NES**
(74) Name(s) of Attorney(s): **Adams Pluck**
(71) Name(s) and Address(s) of Applicant(s):
Trans-World Foods Pty Limited
c/o L3 S4/20 George St Hornsby NSW 2077
(72) Name(s) of Designer(s): **Stanley Parker**
(45) Registration Date: **21 April 2015**
(56) Related Art Documents: **Not Applicable**
(57) Statement of Newness and Distinctiveness: **Nil**



(21) Design Number: **11456/2015**
(22) Date of Filing Application: **17 March 2015**
(24) Date from which industrial property rights may have effect: **17 March 2015**
(54) Product in respect of which the design is registered: **Rack post base**
(51) International Design Classification: **25-01K, 25-02NES**
(74) Name(s) of Attorney(s): **Adams Pluck**
(71) Name(s) and Address(s) of Applicant(s):
Trans-World Foods Pty Limited
c/o L3 S4/20 George St Hornsby NSW 2077
(72) Name(s) of Designer(s): **Stanley Parker**
(45) Registration Date: **21 April 2015**
(56) Related Art Documents: **Not Applicable**
(57) Statement of Newness and Distinctiveness: **Nil**



(21) Design Number: **11510/2015**

(22) Date of Filing Application: **18 March 2015**

(24) Date from which industrial property rights may have effect: **18 March 2015**

(54) Product in respect of which the design is registered: **A lid for a container**

(51) International Design Classification: **07-01NES**

(74) Name(s) of Attorney(s): **Shelston IP**

(71) Name(s) and Address(s) of Applicant(s):

Farm Chalk Investment Limited

**Flat/Room B-E, Block 4 23/F Golden Dragon Industrial Ctr 182-190 Tai
Lin Pai Road Kwai Chung NT Hong Kong**

(72) Name(s) of Designer(s): **Bak Nam Billy Tong**

(45) Registration Date: **21 April 2015**

(56) Related Art Documents: **Not Applicable**

(57) Statement of Newness and Distinctiveness: **Newness and distinctiveness reside in the features of shape and/or configuration of a lid for a container as shown in the accompanying representations. The logo depicted in the top perspective view does not form part of the design. Features shown in colour are included for illustrative purposes only and do not form part of the design.**



(21) Design Number: **11511/2015**

(22) Date of Filing Application: **19 March 2015**

(24) Date from which industrial property rights may have effect: **19 March 2015**

(54) Product in respect of which the design is registered: **Bicycle light**

(51) International Design Classification: **26-06**

(74) Name(s) of Attorney(s): **A.P.T. Patent and Trade Mark Attorneys**

(71) Name(s) and Address(s) of Applicant(s):

Moon Sport Limited

**No. 229 Lychee Rd South Fairview Park Yuen Long New Territories Hong
Kong**

(72) Name(s) of Designer(s): **Wui Pan Cheng**

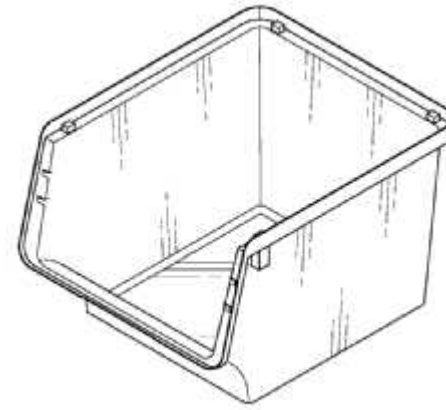
(45) Registration Date: **21 April 2015**

(56) Related Art Documents: **Not Applicable**

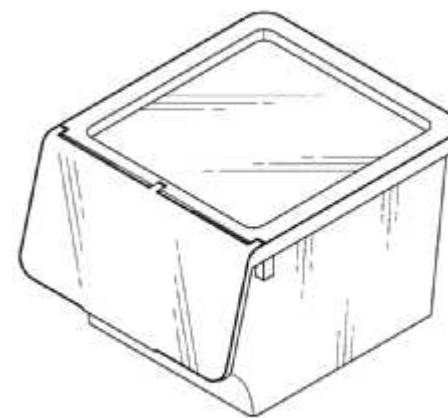
(57) Statement of Newness and Distinctiveness: **Nil**



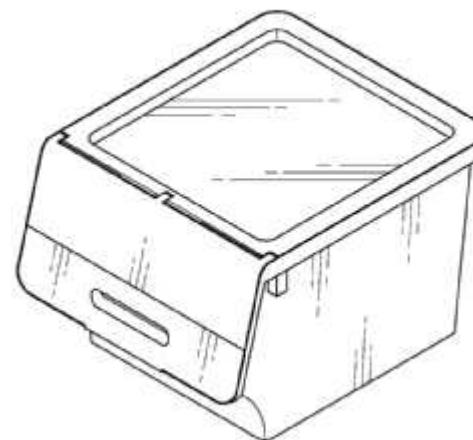
(21) Design Number: **11515/2015**
(22) Date of Filing Application: **19 March 2015**
(24) Date from which industrial property rights may have effect: **19 March 2015**
(54) Product in respect of which the design is registered: **Container**
(51) International Design Classification: **09-03NES**
(74) Name(s) of Attorney(s): **A.P.T. Patent and Trade Mark Attorneys**
(71) Name(s) and Address(s) of Applicant(s):
L & F Plastics Co., Ltd
No. 15-2, Kwei Teh St. Ta-Tung Dist. Taipei Taiwan
(72) Name(s) of Designer(s): **Mu-Chuan Hsu**
(45) Registration Date: **21 April 2015**
(30) Convention priority data:
(31) Number (32) Date (33) Country
103306829 D02 12 Dec 2014 TAIWAN
(56) Related Art Documents: **Not Applicable**
(57) Statement of Newness and Distinctiveness: **Nil**



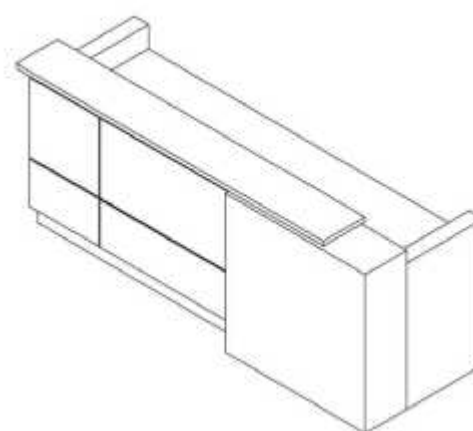
(21) Design Number: **11516/2015**
(22) Date of Filing Application: **19 March 2015**
(24) Date from which industrial property rights may have effect: **19 March 2015**
(54) Product in respect of which the design is registered: **Container**
(51) International Design Classification: **09-03NES**
(74) Name(s) of Attorney(s): **A.P.T. Patent and Trade Mark Attorneys**
(71) Name(s) and Address(s) of Applicant(s):
L & F Plastics Co., Ltd
No. 15-2, Kwei Teh St. Ta-Tung Dist. Taipei Taiwan
(72) Name(s) of Designer(s): **Mu-Chuan Hsu**
(45) Registration Date: **21 April 2015**
(30) Convention priority data:
(31) Number (32) Date (33) Country
103306829 D03 12 Dec 2014 TAIWAN
(56) Related Art Documents: **Not Applicable**
(57) Statement of Newness and Distinctiveness: **Nil**



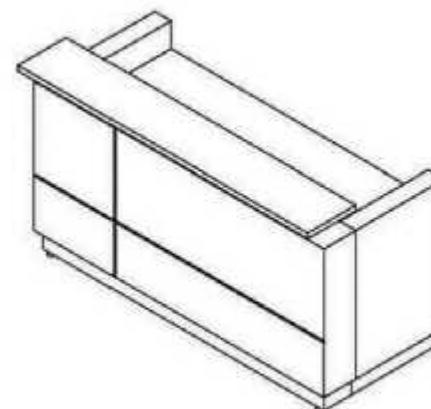
(21) Design Number: **11517/2015**
(22) Date of Filing Application: **19 March 2015**
(24) Date from which industrial property rights may have effect: **19 March 2015**
(54) Product in respect of which the design is registered: **Container**
(51) International Design Classification: **09-03M**
(74) Name(s) of Attorney(s): **A.P.T. Patent and Trade Mark Attorneys**
(71) Name(s) and Address(s) of Applicant(s):
L & F Plastics Co., Ltd
No. 15-2, Kwei Teh St. Ta-Tung Dist. Taipei Taiwan
(72) Name(s) of Designer(s): **Mu-Chuan Hsu**
(45) Registration Date: **21 April 2015**
(30) Convention priority data:
(31) Number (32) Date (33) Country
103306829 D04 12 Dec 2014 TAIWAN
(56) Related Art Documents: **Not Applicable**
(57) Statement of Newness and Distinctiveness: **Nil**



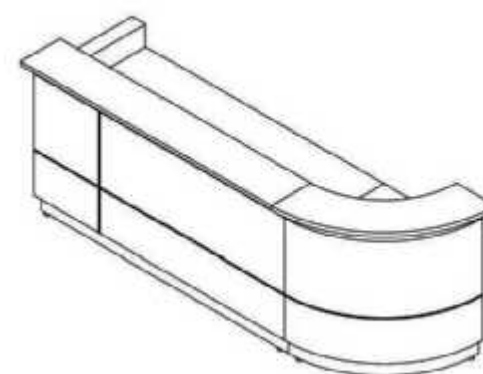
(21) Design Number: **11519/2015**
(22) Date of Filing Application: **19 March 2015**
(24) Date from which industrial property rights may have effect: **19 March 2015**
(54) Product in respect of which the design is registered: **Office counter**
(51) International Design Classification: **06-03C**
(74) Name(s) of Attorney(s): **King & Wood Mallesons**
(71) Name(s) and Address(s) of Applicant(s):
General Office Products Pty Ltd
74 Arkwright Dr Dandenong South VIC 3175 Australia
Kuilin Liu
Linggang South Chendong Industry Zone Shizhong Shishan Town
Nanhai District Foshan City Guangdong Province, 528225 China
(72) Name(s) of Designer(s): **Kuilin Liu**
(45) Registration Date: **21 April 2015**
(56) Related Art Documents: **Not Applicable**
(57) Statement of Newness and Distinctiveness: **Newness and distinctiveness reside in the features of an office counter as shown in the representations.**



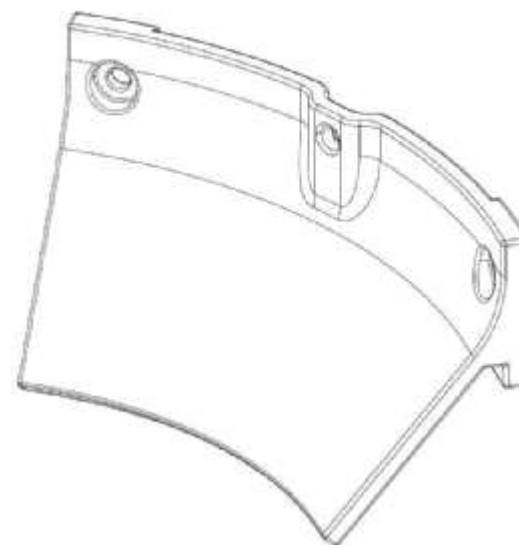
- (21) Design Number: **11520/2015**
(22) Date of Filing Application: **19 March 2015**
(24) Date from which industrial property rights may have effect: **19 March 2015**
(54) Product in respect of which the design is registered: **Office counter**
(51) International Design Classification: **06-03C**
(74) Name(s) of Attorney(s): **King & Wood Mallesons**
(71) Name(s) and Address(s) of Applicant(s):
General Office Products Pty Ltd
74 Arkwright Dr Dandenong South VIC 3175 Australia
Kuilin Liu
Linggang South Chendong Industry Zone Shizhong Shishan Town
Nanhai District Foshan City Guangdong Province, 528225 China
(72) Name(s) of Designer(s): **Kuilin Liu**
(45) Registration Date: **21 April 2015**
(56) Related Art Documents: **Not Applicable**
(57) Statement of Newness and Distinctiveness: **Newness and distinctiveness reside in the features of an office counter as shown in the representations.**



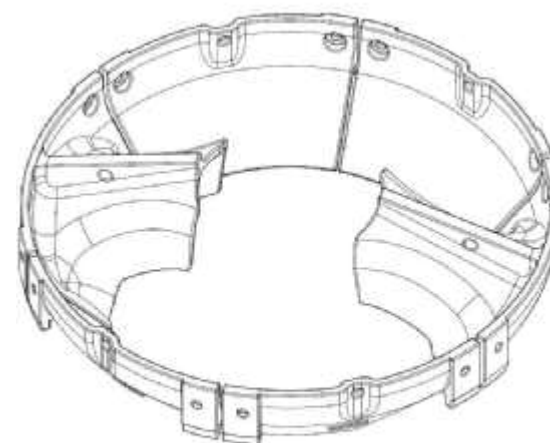
- (21) Design Number: **11521/2015**
(22) Date of Filing Application: **19 March 2015**
(24) Date from which industrial property rights may have effect: **19 March 2015**
(54) Product in respect of which the design is registered: **Office counter**
(51) International Design Classification: **06-03C**
(74) Name(s) of Attorney(s): **King & Wood Mallesons**
(71) Name(s) and Address(s) of Applicant(s):
General Office Products Pty Ltd
74 Arkwright Dr Dandenong South VIC 3175 Australia
Kuilin Liu
Linggang South Chendong Industry Zone Shizhong Shishan Town
Nanhai District Foshan City Guangdong Province, 528225 China
(72) Name(s) of Designer(s): **Kuilin Liu**
(45) Registration Date: **21 April 2015**
(56) Related Art Documents: **Not Applicable**
(57) Statement of Newness and Distinctiveness: **Newness and distinctiveness reside in the features of an office counter as shown in the representations.**



(21) Design Number: **11535/2015**
(22) Date of Filing Application: **20 March 2015**
(24) Date from which industrial property rights may have effect: **20 March 2015**
(54) Product in respect of which the design is registered: **Wear component for a crusher**
(51) International Design Classification: **15-99**
(74) Name(s) of Attorney(s): **Griffith Hack**
(71) Name(s) and Address(s) of Applicant(s):
Sandvik Intellectual Property AB
SE-811 81 Sandviken Sweden
(72) Name(s) of Designer(s): **Mikael Larsson and Anders Hallberg**
(45) Registration Date: **21 April 2015**
(30) Convention priority data:
(31) Number (32) Date (33) Country
001423602-0002 23 Oct 2014 OFFICE FOR HARMONISATION IN
THE INTERNAL MARKET (OHIM)
(56) Related Art Documents: **Not Applicable**
(57) Statement of Newness and Distinctiveness: **Nil**



(21) Design Number: **11536/2015**
(22) Date of Filing Application: **20 March 2015**
(24) Date from which industrial property rights may have effect: **20 March 2015**
(54) Product in respect of which the design is registered: **Wear component assembly for a crusher**
(51) International Design Classification: **15-99**
(74) Name(s) of Attorney(s): **Griffith Hack**
(71) Name(s) and Address(s) of Applicant(s):
Sandvik Intellectual Property AB
SE-811 81 Sandviken Sweden
(72) Name(s) of Designer(s): **Mikael Larsson and Anders Hallberg**
(45) Registration Date: **21 April 2015**
(30) Convention priority data:
(31) Number (32) Date (33) Country
001423602-0003 23 Oct 2014 OFFICE FOR HARMONISATION IN
THE INTERNAL MARKET (OHIM)
(56) Related Art Documents: **Not Applicable**
(57) Statement of Newness and Distinctiveness: **Nil**



(21) Design Number: **11538/2015**
(22) Date of Filing Application: **20 March 2015**
(24) Date from which industrial property rights may have effect: **20 March 2015**
(54) Product in respect of which the design is registered: **Shaver**
(51) International Design Classification: **28-03A**
(74) Name(s) of Attorney(s): **FB Rice**
(71) Name(s) and Address(s) of Applicant(s):
Koninklijke Philips N.V.
High Tech Campus 5 5656 AE Eindhoven The Netherlands
(72) Name(s) of Designer(s): **Gael Prat-Pfister**
(45) Registration Date: **21 April 2015**
(30) Convention priority data:
(31) Number (32) Date (33) Country
**002544601-0001 25 Sep 2014 OFFICE FOR HARMONISATION IN
THE INTERNAL MARKET (OHIM)**
(56) Related Art Documents: **Not Applicable**
(57) Statement of Newness and Distinctiveness: **Newness and distinctiveness
reside in the features of shape and configuration of the design as shown
in the representations.**



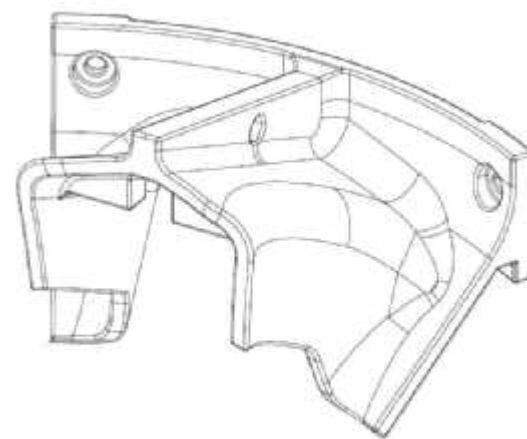
(21) Design Number: **11539/2015**
(22) Date of Filing Application: **20 March 2015**
(24) Date from which industrial property rights may have effect: **20 March 2015**
(54) Product in respect of which the design is registered: **Sealant cartridge**
(51) International Design Classification: **08-05N**
(74) Name(s) of Attorney(s):
(71) Name(s) and Address(s) of Applicant(s):
AUSTRALIAN BRUSHWARE CORPORATION PTY LTD
L2 20 Council St Hawthorn East VIC 3123 Australia
(72) Name(s) of Designer(s): **Matthew Lee Roe**
(45) Registration Date: **21 April 2015**
(56) Related Art Documents: **Not Applicable**
(57) Statement of Newness and Distinctiveness: **Nil**



(21) Design Number: **11541/2015**
(22) Date of Filing Application: **20 March 2015**
(24) Date from which industrial property rights may have effect: **20 March 2015**
(54) Product in respect of which the design is registered: **Sealant cartridge**
(51) International Design Classification: **08-05N**
(74) Name(s) of Attorney(s):
(71) Name(s) and Address(s) of Applicant(s):
AUSTRALIAN BRUSHWARE CORPORATION PTY LTD
L2 20 Council St Hawthorn East VIC 3123 Australia
(72) Name(s) of Designer(s): **Matthew Lee Roe**
(45) Registration Date: **21 April 2015**
(56) Related Art Documents: **Not Applicable**
(57) Statement of Newness and Distinctiveness: **Nil**



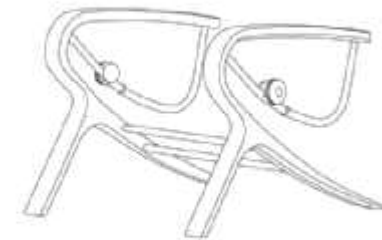
(21) Design Number: **11534/2015**
(22) Date of Filing Application: **20 March 2015**
(24) Date from which industrial property rights may have effect: **20 March 2015**
(54) Product in respect of which the design is registered: **Wear component for a crusher**
(51) International Design Classification: **15-99**
(74) Name(s) of Attorney(s): **Griffith Hack**
(71) Name(s) and Address(s) of Applicant(s):
Sandvik Intellectual Property AB
SE-811 81 Sandviken Sweden
(72) Name(s) of Designer(s): **Mikael Larsson and Anders Hallberg**
(45) Registration Date: **21 April 2015**
(30) Convention priority data:
(31) Number (32) Date (33) Country
001423602-0001 23 Oct 2014 OFFICE FOR HARMONISATION IN THE INTERNAL MARKET (OHIM)
(56) Related Art Documents: **Not Applicable**
(57) Statement of Newness and Distinctiveness: **Nil**



(21) Design Number: **11497/2015**
(22) Date of Filing Application: **18 March 2015**
(24) Date from which industrial property rights may have effect: **18 March 2015**
(54) Product in respect of which the design is registered: **Handle for surface-treatment apparatus**
(51) International Design Classification: **04-01**
(74) Name(s) of Attorney(s): **PIZZEYS**
(71) Name(s) and Address(s) of Applicant(s):
The Kirby Company / Scott Fetzer Company
1920 West 114th Street Cleveland OH, 44102 United States of America
(72) Name(s) of Designer(s): **Daniel L Steele and Joseph S Gardner**
(45) Registration Date: **21 April 2015**
(30) Convention priority data:
(31) Number (32) Date (33) Country
29/506,778 20 Oct 2014 UNITED STATES OF AMERICA
(56) Related Art Documents: **Not Applicable**
(57) Statement of Newness and Distinctiveness: **Nil**



(21) Design Number: **11498/2015**
(22) Date of Filing Application: **18 March 2015**
(24) Date from which industrial property rights may have effect: **18 March 2015**
(54) Product in respect of which the design is registered: **Frame of a chair**
(51) International Design Classification: **06-06G**
(74) Name(s) of Attorney(s): **Shelston IP**
(71) Name(s) and Address(s) of Applicant(s):
Ekornes ASA
Industrivegen 1 Ikornnes 6222 Norway
(72) Name(s) of Designer(s): **Jan Lade**
(45) Registration Date: **21 April 2015**
(30) Convention priority data:
(31) Number (32) Date (33) Country
20140910 17 Oct 2014 NORWAY
(56) Related Art Documents: **Not Applicable**
(57) Statement of Newness and Distinctiveness: **Newness and distinctiveness reside in the shape and/or configuration of a frame of a chair as illustrated in the accompanying representations.**



(21) Design Number: **11499/2015**
(22) Date of Filing Application: **18 March 2015**
(24) Date from which industrial property rights may have effect: **18 March 2015**
(54) Product in respect of which the design is registered: **Sofa**
(51) International Design Classification: **06-01G**
(74) Name(s) of Attorney(s): **Shelston IP**
(71) Name(s) and Address(s) of Applicant(s):

Ekornes ASA
Industrivegen 1 Ikornnes 6222 Norway

(72) Name(s) of Designer(s): **Jan Lade**

(45) Registration Date: **21 April 2015**

(30) Convention priority data:

(31) Number	(32) Date	(33) Country
20140910	17 Oct 2014	NORWAY

(56) Related Art Documents: **Not Applicable**

(57) Statement of Newness and Distinctiveness: **Newness and distinctiveness reside in the shape and/or configuration of a sofa as illustrated in the accompanying representations.**



(21) Design Number: **11509/2015**
(22) Date of Filing Application: **18 March 2015**
(24) Date from which industrial property rights may have effect: **18 March 2015**
(54) Product in respect of which the design is registered: **A lid for a container**
(51) International Design Classification: **07-01NES**
(74) Name(s) of Attorney(s): **Shelston IP**
(71) Name(s) and Address(s) of Applicant(s):

Farm Chalk Investment Limited
Flat/Room B-E, Block 4 23/F Golden Dragon Industrial Ctr 182-190 Tai
Lin Pai Road Kwai Chung NT Hong Kong

(72) Name(s) of Designer(s): **Bak Nam Billy Tong**

(45) Registration Date: **21 April 2015**

(56) Related Art Documents: **Not Applicable**

(57) Statement of Newness and Distinctiveness: **Newness and distinctiveness reside in the features of shape and/or configuration of a lid for a container as shown in the accompanying representations. The logo depicted in the perspective and top perspective views does not form part of the design. Features shown in colour are included for illustrative purposes only and do not form part of the design.**



- (21) Design Number: **11512/2015**
(22) Date of Filing Application: **19 March 2015**
(24) Date from which industrial property rights may have effect: **19 March 2015**
(54) Product in respect of which the design is registered: **Thoracic pillow**
(51) International Design Classification: **06-09**
(74) Name(s) of Attorney(s):
(71) Name(s) and Address(s) of Applicant(s):

David Shahar
2/1 Scholars Dr Sippy Downs QLD 4556 Australia

- (72) Name(s) of Designer(s): **David Shahar**
(45) Registration Date: **21 April 2015**
(56) Related Art Documents: **Not Applicable**
(57) Statement of Newness and Distinctiveness: **The newness and distinctiveness of the design resides in the overall shape of the two components as shown in the continuous lines and in the curves of the components as shown by the shading lines in the accompanying representations.**

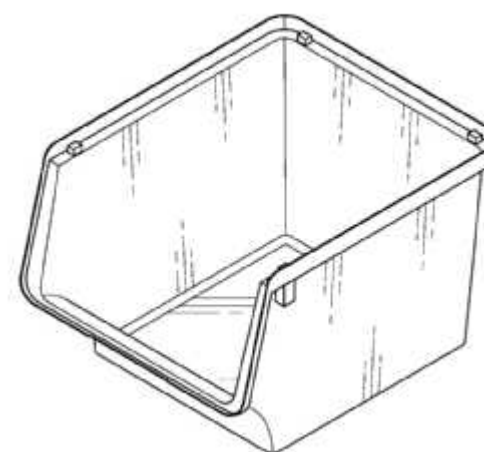


- (21) Design Number: **11514/2015**
(22) Date of Filing Application: **19 March 2015**
(24) Date from which industrial property rights may have effect: **19 March 2015**
(54) Product in respect of which the design is registered: **Container**
(51) International Design Classification: **09-03NES**
(74) Name(s) of Attorney(s): **A.P.T. Patent and Trade Mark Attorneys**
(71) Name(s) and Address(s) of Applicant(s):

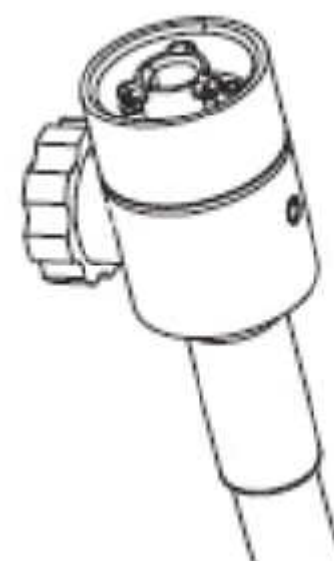
L & F Plastics Co., Ltd
No. 15-2, Kwei Teh St. Ta-Tung Dist. Taipei Taiwan

- (72) Name(s) of Designer(s): **Mu-Chuan Hsu**
(45) Registration Date: **21 April 2015**
(30) Convention priority data:
(31) Number (32) Date (33) Country
103306829 D01 12 Dec 2014 TAIWAN

- (56) Related Art Documents: **Not Applicable**
(57) Statement of Newness and Distinctiveness: **Nil**



- (21) Design Number: **11237/2015**
(22) Date of Filing Application: **06 March 2015**
(24) Date from which industrial property rights may have effect: **06 March 2015**
(54) Product in respect of which the design is registered: **Connector**
(51) International Design Classification: **08-08NES, 08-05E**
(74) Name(s) of Attorney(s):
(71) Name(s) and Address(s) of Applicant(s):
4TH DIMENSION DEVELOPMENTS PTY LIMITED
210 Pearcedale Rd Cranbourne South VIC 3977 Australia
(72) Name(s) of Designer(s): **Terry Scott**
(45) Registration Date: **21 April 2015**
(56) Related Art Documents: **Not Applicable**
(57) Statement of Newness and Distinctiveness: **Newness and distinctiveness resides in the visual features of shape and/or configuration of a connector component for potable tools as illustrated in the accompanying representations.**



- (21) Design Number: **16269/2014**
(22) Date of Filing Application: **02 December 2014**
(24) Date from which industrial property rights may have effect: **02 December 2014**
(54) Product in respect of which the design is registered: **Towel**
(51) International Design Classification: **06-13C**
(74) Name(s) of Attorney(s): **Davies Collison Cave**
(71) Name(s) and Address(s) of Applicant(s):
Melinda Gaye Hayward
11 Hamilton Pl Googong NSW 2620 Australia
Maria Martiniello
6 Sweet Pl Chisholm ACT 2905 Australia
(72) Name(s) of Designer(s): **Melinda Gaye Hayward and Maria Martiniello**
(45) Registration Date: **22 April 2015**
(56) Related Art Documents: **Not Applicable**
(57) Statement of Newness and Distinctiveness: **Newness and distinctiveness is claimed in the features of shape and/or configuration of a towel being of indefinite length dimension in one direction as indicated by the wavy dotted lines as shown in the figures.**



(21) Design Number: **10729/2015**
(22) Date of Filing Application: **11 February 2015**
(24) Date from which industrial property rights may have effect: **11 February 2015**
(54) Product in respect of which the design is registered: **Footwear**
(51) International Design Classification: **02-04NES**
(74) Name(s) of Attorney(s): **WATERMARK PATENT AND TRADE MARKS ATTORNEYS**
(71) Name(s) and Address(s) of Applicant(s):
Diadora Sport S.R.L.
Via Montello, 80 Caerano Di San Marco 31031 Italy
(72) Name(s) of Designer(s): **Moretti Polegato and Angelo Mason**
(45) Registration Date: **22 April 2015**
(30) Convention priority data:
(31) Number (32) Date (33) Country
DM/084 153 11 Aug 2014 WORLD INTELLECTUAL PROPERTY ORGANIZATION (WIPO)
(56) Related Art Documents: **Not Applicable**
(57) Statement of Newness and Distinctiveness: **Nil**



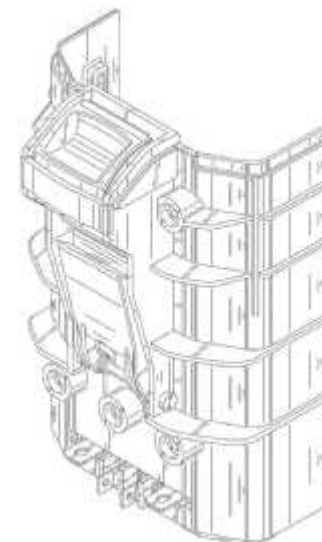
(21) Design Number: **10732/2015**
(22) Date of Filing Application: **11 February 2015**
(24) Date from which industrial property rights may have effect: **11 February 2015**
(54) Product in respect of which the design is registered: **Footwear**
(51) International Design Classification: **02-04NES**
(74) Name(s) of Attorney(s): **WATERMARK PATENT AND TRADE MARKS ATTORNEYS**
(71) Name(s) and Address(s) of Applicant(s):
Diadora Sport S.R.L.
Via Montello, 80 Caerano Di San Marco 31031 Italy
(72) Name(s) of Designer(s): **Moretti Polegato and Angelo Mason**
(45) Registration Date: **22 April 2015**
(30) Convention priority data:
(31) Number (32) Date (33) Country
DM/084 153 11 Aug 2014 WORLD INTELLECTUAL PROPERTY ORGANIZATION (WIPO)
(56) Related Art Documents: **Not Applicable**
(57) Statement of Newness and Distinctiveness: **Nil**



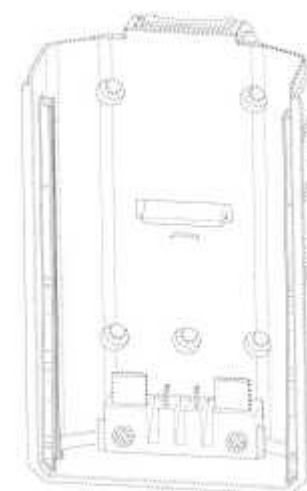
(21) Design Number: **10733/2015**
(22) Date of Filing Application: **11 February 2015**
(24) Date from which industrial property rights may have effect: **11 February 2015**
(54) Product in respect of which the design is registered: **Footwear**
(51) International Design Classification: **02-04NES**
(74) Name(s) of Attorney(s): **WATERMARK PATENT AND TRADE MARKS ATTORNEYS**
(71) Name(s) and Address(s) of Applicant(s):
Diadora Sport S.R.L.
Via Montello, 80 Caerano Di San Marco 31031 Italy
(72) Name(s) of Designer(s): **Moretti Polegato and Angelo Mason**
(45) Registration Date: **22 April 2015**
(30) Convention priority data:
(31) Number (32) Date (33) Country
DM/084 153 11 Aug 2014 WORLD INTELLECTUAL PROPERTY ORGANIZATION (WIPO)
(56) Related Art Documents: **Not Applicable**
(57) Statement of Newness and Distinctiveness: **Nil**



(21) Design Number: **11315/2015**
(22) Date of Filing Application: **10 March 2015**
(24) Date from which industrial property rights may have effect: **10 March 2015**
(54) Product in respect of which the design is registered: **Battery pack carriage assembly**
(51) International Design Classification: **13-02**
(74) Name(s) of Attorney(s): **Griffith Hack**
(71) Name(s) and Address(s) of Applicant(s):
Techtronic Industries Co. Ltd.
24/F, CDW Building 388 Castle Peak Road Tsuen Wan New Territories Hong Kong
(72) Name(s) of Designer(s): **Tyler Rowe and Stuart Miller and J Luke Jenkins and Matthew Corbin and Nicholas Norton and Sean Campbell and Daniel J Bowen and C Keith Long**
(45) Registration Date: **22 April 2015**
(30) Convention priority data:
(31) Number (32) Date (33) Country
29/504,030 01 Oct 2014 UNITED STATES OF AMERICA
(56) Related Art Documents: **Not Applicable**
(57) Statement of Newness and Distinctiveness: **Newness and distinctiveness resides in the visual features, including shape and configuration of the product as shown in the accompanying representations.**



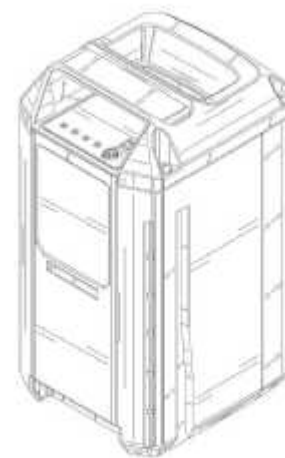
- (21) Design Number: **11316/2015**
(22) Date of Filing Application: **10 March 2015**
(24) Date from which industrial property rights may have effect: **10 March 2015**
(54) Product in respect of which the design is registered: **Battery pack carriage assembly**
(51) International Design Classification: **13-02**
(74) Name(s) of Attorney(s): **Griffith Hack**
(71) Name(s) and Address(s) of Applicant(s):
Techtronic Industries Co. Ltd.
24/F, CDW Building 388 Castle Peak Road Tsuen Wan New Territories
Hong Kong
(72) Name(s) of Designer(s): **Tyler Rowe and Stuart Miller and J Luke Jenkins and Matthew Corbin and Nicholas Norton and Sean Campbell and Daniel J Bowen and C Keith Long**
(45) Registration Date: **22 April 2015**
(30) Convention priority data:
(31) Number (32) Date (33) Country
29/504,030 01 Oct 2014 UNITED STATES OF AMERICA
(56) Related Art Documents: **Not Applicable**
(57) Statement of Newness and Distinctiveness: **Newness and distinctiveness resides in the visual features, including shape and configuration of the product as shown in the accompanying representations. Those parts shown by means of dashed lines do not form part of the design and have been included for illustrative purposes.**



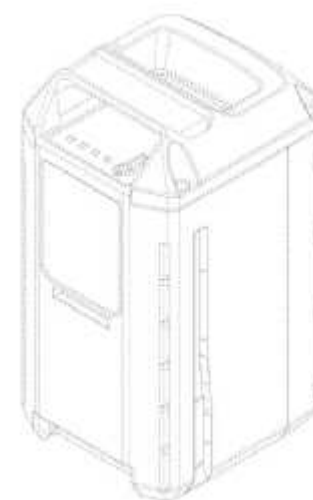
- (21) Design Number: **11318/2015**
(22) Date of Filing Application: **10 March 2015**
(24) Date from which industrial property rights may have effect: **10 March 2015**
(54) Product in respect of which the design is registered: **Battery pack carriage assembly**
(51) International Design Classification: **13-02**
(74) Name(s) of Attorney(s): **Griffith Hack**
(71) Name(s) and Address(s) of Applicant(s):
Techtronic Industries Co. Ltd.
24/F, CDW Building 388 Castle Peak Road Tsuen Wan New Territories
Hong Kong
(72) Name(s) of Designer(s): **Tyler Rowe and Stuart Miller and J Luke Jenkins and Matthew Corbin and Nicholas Norton and Sean Campbell and Daniel J Bowen and C Keith Long**
(45) Registration Date: **22 April 2015**
(30) Convention priority data:
(31) Number (32) Date (33) Country
29/504,030 01 Oct 2014 UNITED STATES OF AMERICA
(56) Related Art Documents: **Not Applicable**
(57) Statement of Newness and Distinctiveness: **Newness and distinctiveness resides in the visual features, including shape and configuration of the product as shown in the accompanying representations. Those parts shown by means of dashed lines do not form part of the design and have been included for illustrative purposes.**



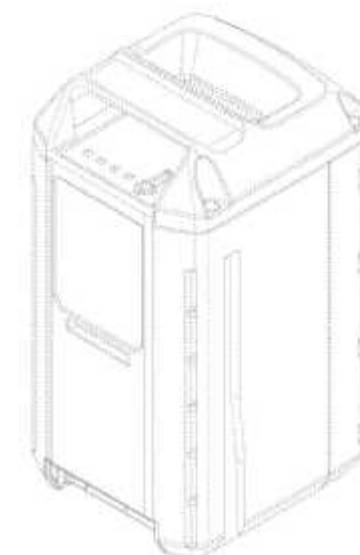
- (21) Design Number: **11321/2015**
(22) Date of Filing Application: **10 March 2015**
(24) Date from which industrial property rights may have effect: **10 March 2015**
(54) Product in respect of which the design is registered: **Battery pack**
(51) International Design Classification: **13-02**
(74) Name(s) of Attorney(s): **Griffith Hack**
(71) Name(s) and Address(s) of Applicant(s):
Techtronic Industries Co. Ltd.
24/F, CDW Building 388 Castle Peak Road Tsuen Wan New Territories
Hong Kong
(72) Name(s) of Designer(s): **Tyler Rowe and Stuart Miller and J Luke Jenkins**
and Matthew Corbin and Nicholas Norton and Sean Campbell and Daniel
J Bowen and C Keith Long
(45) Registration Date: **22 April 2015**
(30) Convention priority data:
(31) Number (32) Date (33) Country
29/504,025 01 Oct 2014 UNITED STATES OF AMERICA
(56) Related Art Documents: **Not Applicable**
(57) Statement of Newness and Distinctiveness: **Newness and distinctiveness**
resides in the visual features, including shape and configuration of the
product as shown in the accompanying representations.



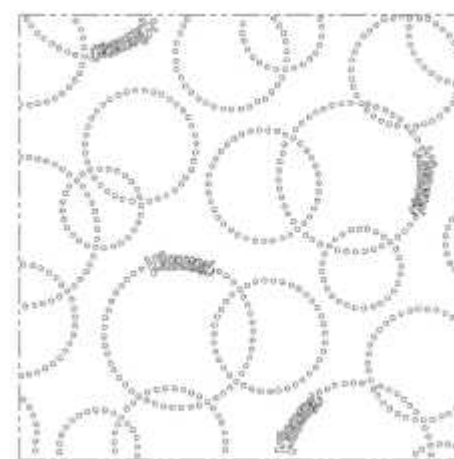
- (21) Design Number: **11323/2015**
(22) Date of Filing Application: **10 March 2015**
(24) Date from which industrial property rights may have effect: **10 March 2015**
(54) Product in respect of which the design is registered: **Battery pack**
(51) International Design Classification: **13-02**
(74) Name(s) of Attorney(s): **Griffith Hack**
(71) Name(s) and Address(s) of Applicant(s):
Techtronic Industries Co. Ltd.
24/F, CDW Building 388 Castle Peak Road Tsuen Wan New Territories
Hong Kong
(72) Name(s) of Designer(s): **Tyler Rowe and Stuart Miller and J Luke Jenkins**
and Matthew Corbin and Nicholas Norton and Sean Campbell and Daniel
J Bowen and C Keith Long
(45) Registration Date: **22 April 2015**
(30) Convention priority data:
(31) Number (32) Date (33) Country
29/504,025 01 Oct 2014 UNITED STATES OF AMERICA
(56) Related Art Documents: **Not Applicable**
(57) Statement of Newness and Distinctiveness: **Newness and distinctiveness**
resides in the visual features, including shape and configuration of the
product as shown in the accompanying representations. Those parts
shown by means of dashed lines do not form part of the design and have
been included for illustrative purposes.



- (21) Design Number: **11324/2015**
(22) Date of Filing Application: **10 March 2015**
(24) Date from which industrial property rights may have effect: **10 March 2015**
(54) Product in respect of which the design is registered: **battery pack**
(51) International Design Classification: **13-02**
(74) Name(s) of Attorney(s): **Griffith Hack**
(71) Name(s) and Address(s) of Applicant(s):
Techtronic Industries Co. Ltd.
24/F, CDW Building 388 Castle Peak Road Tsuen Wan New Territories
Hong Kong
(72) Name(s) of Designer(s): **Tyler Rowe and Stuart Miller and J Luke Jenkins**
and Matthew Corbin and Nicholas Norton and Sean Campbell and C Keith
Long and Daniel J Bowen
(45) Registration Date: **22 April 2015**
(30) Convention priority data:
(31) Number (32) Date (33) Country
29/504,025 01 Oct 2014 UNITED STATES OF AMERICA
(56) Related Art Documents: **Not Applicable**
(57) Statement of Newness and Distinctiveness: **Newness and distinctiveness**
resides in the visual features, including shape and configuration of the
product as shown in the accompanying representations. Those parts
shown by means of dashed lines do not form part of the design and have
been included for illustrative purposes.



- (21) Design Number: **11524/2015**
(22) Date of Filing Application: **19 March 2015**
(24) Date from which industrial property rights may have effect: **19 March 2015**
(54) Product in respect of which the design is registered: **Embossed nonwoven**
web material
(51) International Design Classification: **05-06NES**
(74) Name(s) of Attorney(s): **Spruson & Ferguson**
(71) Name(s) and Address(s) of Applicant(s):
Kimberly-Clark Worldwide, Inc.
2300 Winchester Road Neenah Wisconsin 54956 United States of
America
(72) Name(s) of Designer(s): **Juan P. Aragon and Nuno Azeredo and Malcolm**
C. Halls and Karen Hunter and Holly K. Kowalski and Barry P. Markwick
and Sarah M. McMahon and Aida M. Mokube and Marvin E. Swails
(45) Registration Date: **22 April 2015**
(30) Convention priority data:
(31) Number (32) Date (33) Country
29/503893 30 Sep 2014 UNITED STATES OF AMERICA
(56) Related Art Documents: **Not Applicable**
(57) Statement of Newness and Distinctiveness: **Newness and distinctiveness**
is claimed in the features of an embossed nonwoven web material as
illustrated in the accompanying representation, wherein the embossed
nonwoven web material has an embossing pattern that repeats itself and
an element of the embossing pattern is shown bounded by broken lines
in the accompanying representation.



(21) Design Number: **10227/2015**
(22) Date of Filing Application: **16 January 2015**
(24) Date from which industrial property rights may have effect: **16 January 2015**
(54) Product in respect of which the design is registered: **Garment**
(51) International Design Classification: **02-02NES**
(74) Name(s) of Attorney(s): **AJ Park**
(71) Name(s) and Address(s) of Applicant(s):
KIT AND ACE DESIGNS INC.
Suite 600 21 Water Street Vancouver BC, V6B 1A1 Canada
(72) Name(s) of Designer(s): **John James Wilson and Shannon Elizabeth Wilson and Dennis James Wilson**
(45) Registration Date: **22 April 2015**
(30) Convention priority data:
(31) Number (32) Date (33) Country
CA157663 17 Jul 2014 CANADA
(56) Related Art Documents: **Not Applicable**
(57) Statement of Newness and Distinctiveness: **Newness and distinctiveness reside in the features of shape and/or configuration of the garment, including the darting on the back of the garment, and the pattern and/or ornamentation of the garment provided by the two dimensional feature that terminates the top of each dart and the placement of the logo on the back of the garment below the arm, all as shown in the representations.**



(21) Design Number: **10230/2015**
(22) Date of Filing Application: **16 January 2015**
(24) Date from which industrial property rights may have effect: **16 January 2015**
(54) Product in respect of which the design is registered: **Garment**
(51) International Design Classification: **02-02NES**
(74) Name(s) of Attorney(s): **AJ Park**
(71) Name(s) and Address(s) of Applicant(s):
KIT AND ACE DESIGNS INC.
Suite 600 21 Water Street Vancouver BC, V6B 1A1 Canada
(72) Name(s) of Designer(s): **John James Wilson and Shannon Elizabeth Wilson and Dennis James Wilson**
(45) Registration Date: **22 April 2015**
(30) Convention priority data:
(31) Number (32) Date (33) Country
CA157663 17 Jul 2014 CANADA
(56) Related Art Documents: **Not Applicable**
(57) Statement of Newness and Distinctiveness: **Newness and distinctiveness reside in the features of shape and/or configuration of the garment, including the darting on the back of the garment and the darting on the front of the garment, and the pattern and/or ornamentation of the garment provided by the two dimensional feature that terminates the top of each dart on the back of the garment and the placement of the logo on the back of the garment below the arm, all as shown in the representations.**



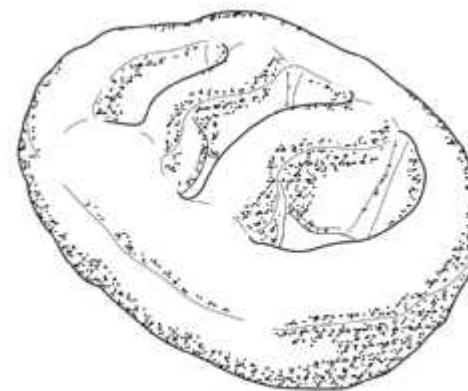
(21) Design Number: **10231/2015**
(22) Date of Filing Application: **16 January 2015**
(24) Date from which industrial property rights may have effect: **16 January 2015**
(54) Product in respect of which the design is registered: **Garment**
(51) International Design Classification: **02-02NES**
(74) Name(s) of Attorney(s): **AJ Park**
(71) Name(s) and Address(s) of Applicant(s):
KIT AND ACE DESIGNS INC.
Suite 600 21 Water Street Vancouver BC, V6B 1A1 Canada
(72) Name(s) of Designer(s): **John James Wilson and Shannon Elizabeth Wilson and Dennis James Wilson**
(45) Registration Date: **22 April 2015**
(30) Convention priority data:
(31) Number (32) Date (33) Country
CA157663 17 Jul 2014 CANADA
(56) Related Art Documents: **Not Applicable**
(57) Statement of Newness and Distinctiveness: **Newness and distinctiveness reside in the features of shape and/or configuration of the garment, including the darting on the back of the garment, and the pattern and/or ornamentation of the garment provided by the two dimensional feature that terminates the top of each dart and the placement of the logo on the back of the garment below the arm, all as shown in the representations.**



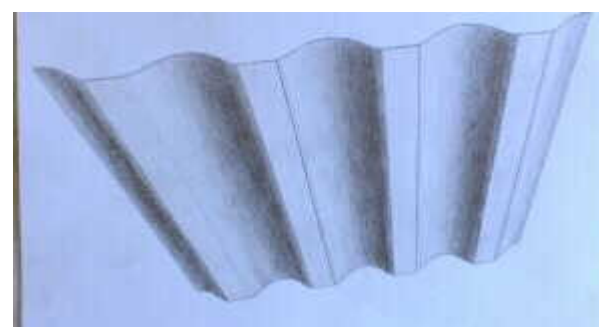
(21) Design Number: **11317/2015**
(22) Date of Filing Application: **10 March 2015**
(24) Date from which industrial property rights may have effect: **10 March 2015**
(54) Product in respect of which the design is registered: **Head restraint device**
(51) International Design Classification: **24-01**
(74) Name(s) of Attorney(s): **Shelston IP**
(71) Name(s) and Address(s) of Applicant(s):
Ben Cohen Gazit
3 Adirim, App. 44, Tel Aviv 6918404, Israel
(72) Name(s) of Designer(s): **Ben Cohen Gazit**
(45) Registration Date: **22 April 2015**
(30) Convention priority data:
(31) Number (32) Date (33) Country
56063 10 Sep 2014 ISRAEL
(56) Related Art Documents: **Not Applicable**
(57) Statement of Newness and Distinctiveness: **Newness and distinctiveness reside in the features of shape and/or configuration of a HEAD RESTRAINT DEVICE as illustrated in the accompanying representations.**



(21) Design Number: **11525/2015**
(22) Date of Filing Application: **19 March 2015**
(24) Date from which industrial property rights may have effect: **19 March 2015**
(54) Product in respect of which the design is registered: **A snack food**
(51) International Design Classification: **01-02**
(74) Name(s) of Attorney(s): **Allens Patent & Trade Mark Attorneys**
(71) Name(s) and Address(s) of Applicant(s):
Frito-Lay North America, Inc.
7701 Legacy Drive Plano Texas 75024-4099 United States of America
(72) Name(s) of Designer(s): **Kevin McMillan and Max Petrie**
(45) Registration Date: **22 April 2015**
(30) Convention priority data:
(31) Number (32) Date (33) Country
29/503,725 29 Sep 2014 UNITED STATES OF AMERICA
(56) Related Art Documents: **Not Applicable**
(57) Statement of Newness and Distinctiveness: **Newness and distinctiveness resides in the features of shape and configuration of the snack food product shown in the attached representations, wherein the texture marks and contour lines are intended only to clarify the shape and contour and not to indicate any change or otherwise of surface texture.**



(21) Design Number: **11527/2015**
(22) Date of Filing Application: **20 March 2015**
(24) Date from which industrial property rights may have effect: **20 March 2015**
(54) Product in respect of which the design is registered: **Building cladding**
(51) International Design Classification: **25-01G**
(74) Name(s) of Attorney(s):
(71) Name(s) and Address(s) of Applicant(s):
Ray Carter
233 College Rd Bathurst NSW 2795 Australia
Matthew Carter
233 College Rd Bathurst NSW 2795 Australia
Aleisha Carter
233 College Rd Bathurst NSW 2795 Australia
(72) Name(s) of Designer(s): **Matthew Carter and Aleisha Carter**
(45) Registration Date: **22 April 2015**
(56) Related Art Documents: **Not Applicable**
(57) Statement of Newness and Distinctiveness: **Monopoly is claimed for the corrugated building cladding having a distinctive flat surface, generally of the proportion illustrated and parallel in plane to the coverage of the cladding and incorporated into the shape and configuration of the corrugates of a corrugated cladding, which differentiates and distinguishes the design from traditional corrugated cladding. The design is of indeterminate length, width and thickness and of uniform corrugates in cross-section as is illustrated.**



- (21) Design Number: **14750/2014**
(22) Date of Filing Application: **18 September 2014**
(24) Date from which industrial property rights may have effect: **18 September 2014**
(54) Product in respect of which the design is registered: **Tool**
(51) International Design Classification: **08-03**
(74) Name(s) of Attorney(s): **Davies Collison Cave**
(71) Name(s) and Address(s) of Applicant(s):
Cyclone Tools Pty Ltd
317-323 Abbots Rd Dandenong South VIC 3175 Australia
(72) Name(s) of Designer(s): **Nathan Anderson Pollock and Michael Rossignuolo and Bradley Peter Ryan and Lee Anthony Rodezno**
(45) Registration Date: **22 April 2015**
(56) Related Art Documents: **Not Applicable**
(57) Statement of Newness and Distinctiveness: **Newness and distinctiveness is claimed in the visual features of colour, shape and configuration of a tool as shown in the representations.**



- (21) Design Number: **14751/2014**
(22) Date of Filing Application: **18 September 2014**
(24) Date from which industrial property rights may have effect: **18 September 2014**
(54) Product in respect of which the design is registered: **Tool**
(51) International Design Classification: **08-03**
(74) Name(s) of Attorney(s): **Davies Collison Cave**
(71) Name(s) and Address(s) of Applicant(s):
Cyclone Tools Pty Ltd
317-323 Abbots Rd Dandenong South VIC 3175 Australia
(72) Name(s) of Designer(s): **Nathan Anderson Pollock and Michael Rossignuolo and Bradley Peter Ryan and Lee Anthony Rodezno**
(45) Registration Date: **22 April 2015**
(56) Related Art Documents: **Not Applicable**
(57) Statement of Newness and Distinctiveness: **Newness and distinctiveness is claimed in the visual features of colour, shape and configuration of a tool having handles with changing cross-sectional profiles, as shown in the representations.**



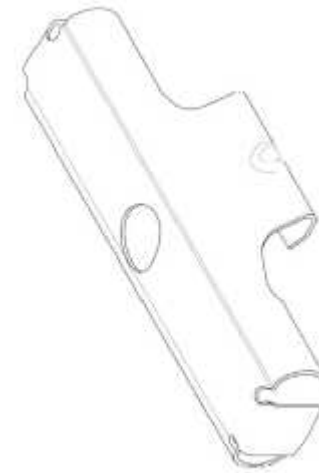
- (21) Design Number: **14752/2014**
(22) Date of Filing Application: **18 September 2014**
(24) Date from which industrial property rights may have effect: **18 September 2014**
(54) Product in respect of which the design is registered: **Tool**
(51) International Design Classification: **08-03**
(74) Name(s) of Attorney(s): **Davies Collison Cave**
(71) Name(s) and Address(s) of Applicant(s):
Cyclone Tools Pty Ltd
317-323 Abbots Rd Dandenong South VIC 3175 Australia
(72) Name(s) of Designer(s): **Nathan Anderson Pollock and Michael Rossignuolo and Bradley Peter Ryan and Lee Anthony Rodezno**
(45) Registration Date: **22 April 2015**
(56) Related Art Documents: **Not Applicable**
(57) Statement of Newness and Distinctiveness: **Newness and distinctiveness is claimed in the visual features of colour, shape and configuration of a tool having handles with changing cross-sectional profiles, as shown in the representations.**



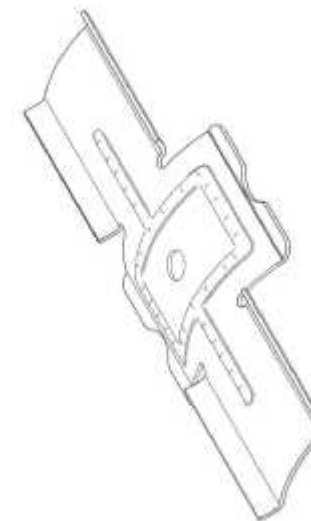
- (21) Design Number: **14753/2014**
(22) Date of Filing Application: **18 September 2014**
(24) Date from which industrial property rights may have effect: **18 September 2014**
(54) Product in respect of which the design is registered: **Tool**
(51) International Design Classification: **08-03**
(74) Name(s) of Attorney(s): **Davies Collison Cave**
(71) Name(s) and Address(s) of Applicant(s):
Cyclone Tools Pty Ltd
317-323 Abbots Rd Dandenong South VIC 3175 Australia
(72) Name(s) of Designer(s): **Nathan Anderson Pollock and Michael Rossignuolo and Bradley Peter Ryan and Lee Anthony Rodezno**
(45) Registration Date: **22 April 2015**
(56) Related Art Documents: **Not Applicable**
(57) Statement of Newness and Distinctiveness: **Newness and distinctiveness is claimed in the visual features of colour, shape and configuration of a tool having handles with changing cross-sectional profiles, as shown in the representations.**



- (21) Design Number: **10393/2015**
(22) Date of Filing Application: **27 January 2015**
(24) Date from which industrial property rights may have effect: **27 January 2015**
(54) Product in respect of which the design is registered: **Roof clip**
(51) International Design Classification: **08-08C**
(74) Name(s) of Attorney(s): **Griffith Hack**
(71) Name(s) and Address(s) of Applicant(s):
Bluescope Steel Limited
L11 120 Collins St Melbourne VIC 3000 Australia
(72) Name(s) of Designer(s): **Rod Gallaty and Michael Celeban**
(45) Registration Date: **22 April 2015**
(56) Related Art Documents: **Not Applicable**
(57) Statement of Newness and Distinctiveness: **Newness and distinctiveness resides in the visual features including the shape and configuration of the product shown in the line drawings that form the representations. The .jpg image does not form part of the representations.**



- (21) Design Number: **10394/2015**
(22) Date of Filing Application: **27 January 2015**
(24) Date from which industrial property rights may have effect: **27 January 2015**
(54) Product in respect of which the design is registered: **Roof clip**
(51) International Design Classification: **08-08C**
(74) Name(s) of Attorney(s): **Griffith Hack**
(71) Name(s) and Address(s) of Applicant(s):
BLUESCOPE STEEL LIMITED
L11 120 Collins St Melbourne VIC 3000 Australia
(72) Name(s) of Designer(s): **Rod Gallaty and Michael Celeban**
(45) Registration Date: **22 April 2015**
(56) Related Art Documents: **Not Applicable**
(57) Statement of Newness and Distinctiveness: **Newness and distinctiveness resides in the visual features including the shape and configuration of the product shown in the line drawings that form the representations. The .jpg image does not form part of the representations.**



- (21) Design Number: **10434/2015**
(22) Date of Filing Application: **28 January 2015**
(24) Date from which industrial property rights may have effect: **28 January 2015**
(54) Product in respect of which the design is registered: **Jar**
(51) International Design Classification: **07-01E**
(74) Name(s) of Attorney(s): **Allens Patent & Trade Mark Attorneys**
(71) Name(s) and Address(s) of Applicant(s):
Target Australia Pty Ltd
12-14 Thompson Rd North Geelong VIC 3215 Australia
(72) Name(s) of Designer(s): **Marc Windle and Bruce Summers**
(45) Registration Date: **22 April 2015**
(56) Related Art Documents: **Not Applicable**
(57) Statement of Newness and Distinctiveness: **Newness and distinctiveness is claimed in the shape and/or configuration of the jar illustrated in solid lines in the accompanying representations. The lid L and straw S are shown for illustrative purposes only and form no part of claimed design.**



- (21) Design Number: **10922/2015**
(22) Date of Filing Application: **20 February 2015**
(24) Date from which industrial property rights may have effect: **20 February 2015**
(54) Product in respect of which the design is registered: **Seating furniture (long chair) for outdoor usage**
(51) International Design Classification: **06-01H**
(74) Name(s) of Attorney(s):
(71) Name(s) and Address(s) of Applicant(s):
Maximilian Unruh
2/138b Bellevue Rd Bellevue Hill NSW 2023 Australia
(72) Name(s) of Designer(s): **Maximilian Unruh**
(45) Registration Date: **22 April 2015**
(56) Related Art Documents: **Not Applicable**
(57) Statement of Newness and Distinctiveness: **Nil**



- (21) Design Number: **11532/2015**
(22) Date of Filing Application: **20 March 2015**
(24) Date from which industrial property rights may have effect: **20 March 2015**
(54) Product in respect of which the design is registered: **Air intake snorkel for a vehicle**
(51) International Design Classification: **12-16NES**
(74) Name(s) of Attorney(s): **HODGKINSON McINNES PATENTS**
(71) Name(s) and Address(s) of Applicant(s):
Australian Performance Development Pty Ltd
73 Merrindale Dr South Croydon VIC 3136 Australia
(72) Name(s) of Designer(s): **Andrew Berry**
(45) Registration Date: **22 April 2015**
(56) Related Art Documents: **Not Applicable**
(57) Statement of Newness and Distinctiveness: **Newness and distinctiveness is claimed in the shape and configuration of an air intake snorkel for a vehicle as shown in the representations.**



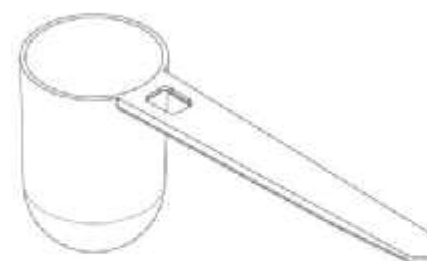
- (21) Design Number: **10494/2015**
(22) Date of Filing Application: **30 January 2015**
(24) Date from which industrial property rights may have effect: **30 January 2015**
(54) Product in respect of which the design is registered: **Bed; Coffee table; Buffet**
(51) International Design Classification: **06-02, 06-03A, 06-04D**
(74) Name(s) of Attorney(s):
(71) Name(s) and Address(s) of Applicant(s):
LIVING IKON PTY LTD
25/29 Bennelong Pkwy Wentworth Point NSW 2127 Australia
(72) Name(s) of Designer(s): **Christian Schussmueller**
(45) Registration Date: **22 April 2015**
(56) Related Art Documents: **Not Applicable**
(57) Statement of Newness and Distinctiveness: **Nil**



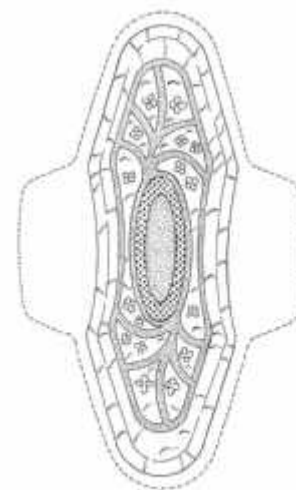
- (21) Design Number: **14746/2014**
(22) Date of Filing Application: **18 September 2014**
(24) Date from which industrial property rights may have effect: **18 September 2014**
(54) Product in respect of which the design is registered: **Tool**
(51) International Design Classification: **08-03**
(74) Name(s) of Attorney(s): **Davies Collison Cave**
(71) Name(s) and Address(s) of Applicant(s):
Cyclone Tools Pty Ltd
317-323 Abbots Rd Dandenong South VIC 3175 Australia
(72) Name(s) of Designer(s): **Nathan Anderson Pollock and Michael Rossignuolo and Bradley Peter Ryan and Lee Anthony Rodezno**
(45) Registration Date: **22 April 2015**
(56) Related Art Documents: **Not Applicable**
(57) Statement of Newness and Distinctiveness: **Newness and distinctiveness is claimed in the visual features of shape and configuration of a tool having handles with changing cross-sectional profiles, as shown in the representations.**



- (21) Design Number: **10861/2015**
(22) Date of Filing Application: **17 February 2015**
(24) Date from which industrial property rights may have effect: **17 February 2015**
(54) Product in respect of which the design is registered: **Scoop**
(51) International Design Classification: **07-99NES**
(74) Name(s) of Attorney(s): **Davies Collison Cave**
(71) Name(s) and Address(s) of Applicant(s):
Visy R & D Pty Ltd
L11 2 Southbank Bvd Southbank VIC 3006 Australia
(72) Name(s) of Designer(s): **Justin Paul Olsson**
(45) Registration Date: **22 April 2015**
(56) Related Art Documents: **Not Applicable**
(57) Statement of Newness and Distinctiveness: **Newness and distinctiveness is claimed in the visual features of the Scoop shown in the representations.**



(21) Design Number: **11297/2015**
(22) Date of Filing Application: **09 March 2015**
(24) Date from which industrial property rights may have effect: **08 January 2015**
(54) Product in respect of which the design is registered: **Sanitary napkin**
(51) International Design Classification: **24-04**
(74) Name(s) of Attorney(s): **Shelston IP**
(71) Name(s) and Address(s) of Applicant(s):
McNeil-PPC, Inc.
199 Grandview Road Skillman New Jersey, 08558 United States of America



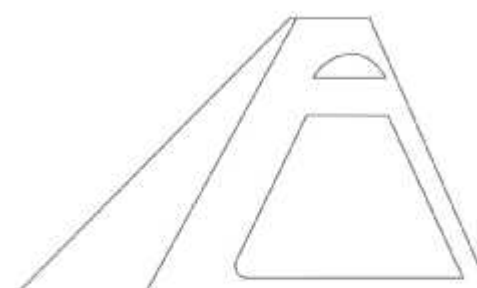
(72) Name(s) of Designer(s): **Marcelo Neves Pitta and Tatiana Negreli Menegatti**
(45) Registration Date: **22 April 2015**
(30) Convention priority data:
(31) Number (32) Date (33) Country
29/497535 25 Jul 2014 UNITED STATES OF AMERICA

(62) Divisional of: **360703**

(56) Related Art Documents: **Not Applicable**

(57) Statement of Newness and Distinctiveness: **Newness and distinctiveness reside in the features of pattern and/or ornamentation of the printed design for body facing surface of a SANITARY NAPKIN as shown in solid lines in the accompanying representations. The features shown in broken or discontinuous lines are illustrative only and do not form part of the design.**

(21) Design Number: **11548/2015**
(22) Date of Filing Application: **20 March 2015**
(24) Date from which industrial property rights may have effect: **20 March 2015**
(54) Product in respect of which the design is registered: **A tent**
(51) International Design Classification: **21-04**
(74) Name(s) of Attorney(s):
(71) Name(s) and Address(s) of Applicant(s):
Hao Zhang
Xilindongli 25,Room 502 Siming Xiamen City none 361000 China

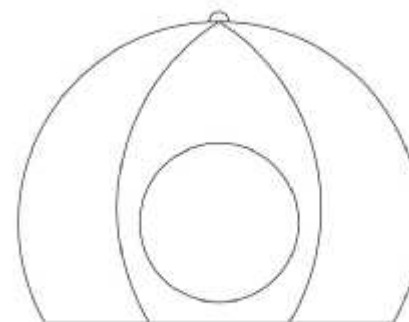


(72) Name(s) of Designer(s): **Hao Zhang**
(45) Registration Date: **22 April 2015**

(56) Related Art Documents: **Not Applicable**

(57) Statement of Newness and Distinctiveness: **Nil**

(21) Design Number: **11549/2015**
(22) Date of Filing Application: **20 March 2015**
(24) Date from which industrial property rights may have effect: **20 March 2015**
(54) Product in respect of which the design is registered: **Simple tent**
(51) International Design Classification: **21-04**
(74) Name(s) of Attorney(s):
(71) Name(s) and Address(s) of Applicant(s):
Hao Zhang
Xilindongli 25,Room 502 Siming Xiamen City none 361000 China
(72) Name(s) of Designer(s): **Hao Zhang**
(45) Registration Date: **22 April 2015**
(56) Related Art Documents: **Not Applicable**
(57) Statement of Newness and Distinctiveness: **Nil**



(21) Design Number: **11550/2015**
(22) Date of Filing Application: **20 March 2015**
(24) Date from which industrial property rights may have effect: **20 March 2015**
(54) Product in respect of which the design is registered: **Undergarment**
(51) International Design Classification: **02-01A**
(74) Name(s) of Attorney(s):
(71) Name(s) and Address(s) of Applicant(s):
Senka Thwaites
PO BOX 1810 Noosaville DC QLD 4566 Australia
(72) Name(s) of Designer(s): **Senka Thwaites**
(45) Registration Date: **22 April 2015**
(56) Related Art Documents: **Not Applicable**
(57) Statement of Newness and Distinctiveness: **Undergarment that gives you a seamless sleeve to be worn under any sleeveless garment. The uniqueness is that the band under the bra rolls up under the bra line to create a flawless look. Sleeve lengths vary from 1/2, 3/4 and full length. Various colours and various mesh materials. Mesh is indestructible, durable and long lasting. Reversible two way neckline. Neckline is V on one side and high round neck on reverse side. Sizes XS to XXXXL 8 sizes.**



(21) Design Number: **11556/2015**
(22) Date of Filing Application: **23 March 2015**
(24) Date from which industrial property rights may have effect: **23 March 2015**
(54) Product in respect of which the design is registered: **Automated teller machine**
(51) International Design Classification: **20-01**
(74) Name(s) of Attorney(s): **AJ Park**
(71) Name(s) and Address(s) of Applicant(s):
Nautilus Hyosung Inc.
281 Gwangpyeong-ro Gangnam-gu Seoul Republic of Korea
(72) Name(s) of Designer(s): **Hee Youn Lee and Jae Min Park and Jae Min Cha**
(45) Registration Date: **22 April 2015**
(30) Convention priority data:
(31) Number (32) Date (33) Country
30-2014-0062202 19 Dec 2014 REPUBLIC OF KOREA
(56) Related Art Documents: **Not Applicable**
(57) Statement of Newness and Distinctiveness: **Newness and distinctiveness reside in the features of shape and/or configuration of the automated teller machine as shown in the representations.**



(21) Design Number: **11561/2015**
(22) Date of Filing Application: **23 March 2015**
(24) Date from which industrial property rights may have effect: **23 March 2015**
(54) Product in respect of which the design is registered: **Vehicle**
(51) International Design Classification: **12-08**
(74) Name(s) of Attorney(s): **PHILLIPS ORMONDE FITZPATRICK**
(71) Name(s) and Address(s) of Applicant(s):
Iveco S.p.A.
Via Puglia 35 Torino 10156 Italy
(72) Name(s) of Designer(s): **Marco Armigliato and Giuseppe Bruno and Raffaele Vergano**
(45) Registration Date: **22 April 2015**
(30) Convention priority data:
(31) Number (32) Date (33) Country
002545095 25 Sep 2014 OFFICE FOR HARMONISATION IN THE INTERNAL MARKET (OHIM)
(56) Related Art Documents: **Not Applicable**
(57) Statement of Newness and Distinctiveness: **Those features of the vehicle depicted in the representations that are new and distinctive are the shape and/or configuration.**



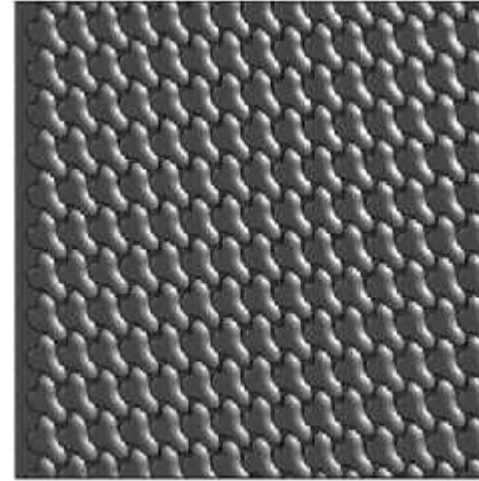
- (21) Design Number: **11562/2015**
(22) Date of Filing Application: **23 March 2015**
(24) Date from which industrial property rights may have effect: **23 March 2015**
(54) Product in respect of which the design is registered: **Vehicle**
(51) International Design Classification: **12-08**
(74) Name(s) of Attorney(s): **PHILLIPS ORMONDE FITZPATRICK**
(71) Name(s) and Address(s) of Applicant(s):
Iveco S.p.A.
Via Puglia 35 Torino 10156 Italy
(72) Name(s) of Designer(s): **Marco Armigliato and Giuseppe Bruno and Raffaele Vergano**
(45) Registration Date: **22 April 2015**
(30) Convention priority data:
(31) Number (32) Date (33) Country
002545095 25 Sep 2014 OFFICE FOR HARMONISATION IN THE INTERNAL MARKET (OHIM)
(56) Related Art Documents: **Not Applicable**
(57) Statement of Newness and Distinctiveness: **Those features of the vehicle depicted in the representations that are new and distinctive are the shape and/or configuration.**



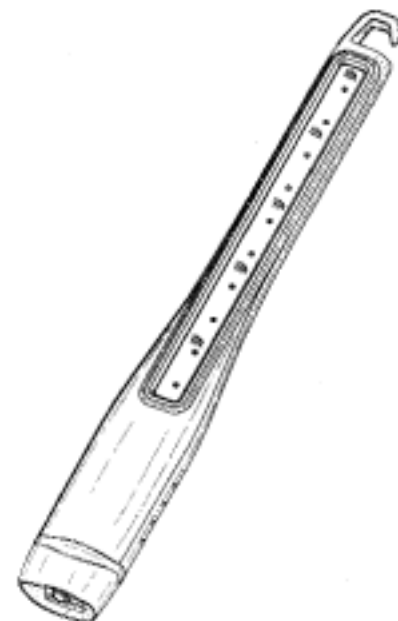
- (21) Design Number: **11563/2015**
(22) Date of Filing Application: **23 March 2015**
(24) Date from which industrial property rights may have effect: **23 March 2015**
(54) Product in respect of which the design is registered: **Tire**
(51) International Design Classification: **12-15C**
(74) Name(s) of Attorney(s): **PHILLIPS ORMONDE FITZPATRICK**
(71) Name(s) and Address(s) of Applicant(s):
Cooper Tire & Rubber Company
701 Lima Avenue Findlay Ohio, 45840 United States of America
(72) Name(s) of Designer(s): **Matthew J. Petr**
(45) Registration Date: **22 April 2015**
(30) Convention priority data:
(31) Number (32) Date (33) Country
29/507,633 29 Oct 2014 UNITED STATES OF AMERICA
(56) Related Art Documents: **Not Applicable**
(57) Statement of Newness and Distinctiveness: **Those features of the tire depicted in the representations that are new and distinctive are the shape and/or configuration of the tread of the tire. The remaining three-fourths portion of the tire partially shown in FIG. 2 is a repetition of the illustrated one-fourth portion, and the other side of the tire is identical. The broken line showings of the sidewall, inner bead, and the peripheral boundary between the tire tread and the sidewall, are included for the purpose of illustrating environment and are to be disregarded when considering the overall impression of the design.**



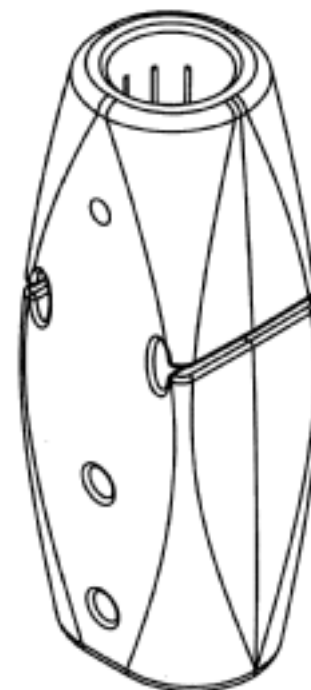
(21) Design Number: **10657/2015**
(22) Date of Filing Application: **10 February 2015**
(24) Date from which industrial property rights may have effect: **10 February 2015**
(54) Product in respect of which the design is registered: **Pool blanket with a repeating embossing pattern; Insulation sheet with a repeating embossing pattern; Sheet material of**
(51) International Design Classification: **21-02D, 05-06NES, 25-01D**
(74) Name(s) of Attorney(s): **Baker & McKenzie**
(71) Name(s) and Address(s) of Applicant(s):
Sealed Air Australia Pty Ltd
1126 Sydney Rd Fawkner VIC 3060 Australia
(72) Name(s) of Designer(s): **Barry Kelly**
(45) Registration Date: **23 April 2015**
(56) Related Art Documents: **Not Applicable**
(57) Statement of Newness and Distinctiveness: **Nil**



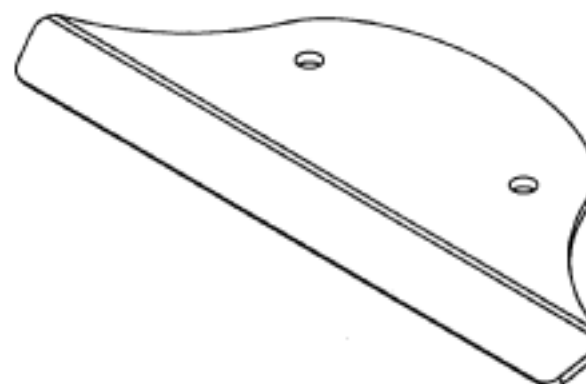
(21) Design Number: **11114/2015**
(22) Date of Filing Application: **02 March 2015**
(24) Date from which industrial property rights may have effect: **02 March 2015**
(54) Product in respect of which the design is registered: **Portable lamp**
(51) International Design Classification: **26-02**
(74) Name(s) of Attorney(s): **Davies Collison Cave**
(71) Name(s) and Address(s) of Applicant(s):
Stanley Works (Europe) GmbH
Ringstrasse 14 Floors 3 & 4 Dubendorf 8600 Switzerland
(72) Name(s) of Designer(s): **Axel Lehovetzki**
(45) Registration Date: **23 April 2015**
(30) Convention priority data:
(31) Number (32) Date (33) Country
**001420152 03 Sep 2014 OFFICE FOR HARMONISATION IN
THE INTERNAL MARKET (OHIM)**
(56) Related Art Documents: **Not Applicable**
(57) Statement of Newness and Distinctiveness: **Nil**



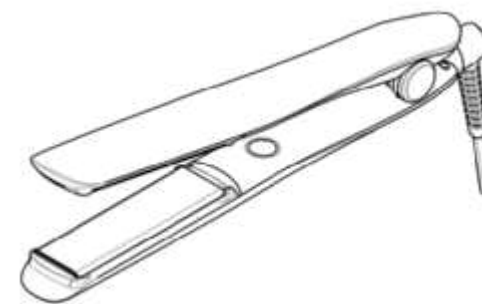
- (21) Design Number: **14202/2014**
(22) Date of Filing Application: **25 August 2014**
(24) Date from which industrial property rights may have effect: **25 August 2014**
(54) Product in respect of which the design is registered: **Ferrule**
(51) International Design Classification: **04-01**
(74) Name(s) of Attorney(s): **Allens Patent & Trade Mark Attorneys**
(71) Name(s) and Address(s) of Applicant(s):
E.D. Oates Pty Ltd
13-21 Maygar Bvd Broadmeadows VIC 3047 Australia
(72) Name(s) of Designer(s): **Frankie Ngan**
(45) Registration Date: **23 April 2015**
(56) Related Art Documents: **Not Applicable**
(57) Statement of Newness and Distinctiveness: **Newness and distinctiveness resides in the visual features of shape and/or configuration of a ferrule as illustrated in the accompanying representations.**



- (21) Design Number: **14226/2014**
(22) Date of Filing Application: **26 August 2014**
(24) Date from which industrial property rights may have effect: **26 August 2014**
(54) Product in respect of which the design is registered: **Scraper for broom**
(51) International Design Classification: **04-01**
(74) Name(s) of Attorney(s): **Allens Patent & Trade Mark Attorneys**
(71) Name(s) and Address(s) of Applicant(s):
E.D. Oates Pty Ltd
13-21 Maygar Bvd Broadmeadows VIC 3047 Australia
(72) Name(s) of Designer(s): **Frankie Ngan**
(45) Registration Date: **23 April 2015**
(56) Related Art Documents: **Not Applicable**
(57) Statement of Newness and Distinctiveness: **Newness and distinctiveness resides in the visual features of shape and/or configuration of a scraper for a broom as illustrated in the accompanying representations. contour lines themselves are not a part of the design.**



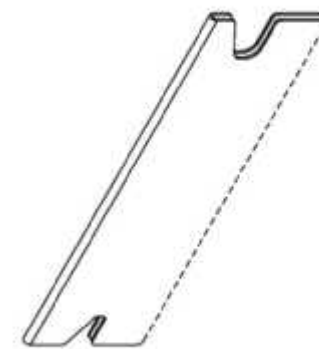
(21) Design Number: **16282/2014**
(22) Date of Filing Application: **03 December 2014**
(24) Date from which industrial property rights may have effect: **03 December 2014**
(54) Product in respect of which the design is registered: **Hair styling apparatus**
(51) International Design Classification: **28-03B**
(74) Name(s) of Attorney(s): **PHILLIPS ORMONDE FITZPATRICK**
(71) Name(s) and Address(s) of Applicant(s):



Jemella Group Limited
Bridgewater Place Water Lane Leeds LS11 5BZ United Kingdom
(72) Name(s) of Designer(s): **Rupert Charles Thomas Shreeve and Stephen Anthony Sayers and Daniel Brady**
(45) Registration Date: **23 April 2015**
(30) Convention priority data:
(31) Number (32) Date (33) Country
002522532-001 20 Aug 2014 OFFICE FOR HARMONISATION IN THE INTERNAL MARKET (OHIM)

(56) Related Art Documents: **Not Applicable**
(57) Statement of Newness and Distinctiveness: **Those features of the hair styling apparatus depicted in the representations that are new and distinctive are the shape and/or configuration. The cord of the hair styling apparatus is not part of the design and is to be disregarded when considering the overall impression of the design.**

(21) Design Number: **11036/2015**
(22) Date of Filing Application: **26 February 2015**
(24) Date from which industrial property rights may have effect: **26 February 2015**
(54) Product in respect of which the design is registered: **Support member suitable for supporting a plurality disposable mittens**
(51) International Design Classification: **20-02E**
(74) Name(s) of Attorney(s): **PHILLIPS ORMONDE FITZPATRICK**
(71) Name(s) and Address(s) of Applicant(s):

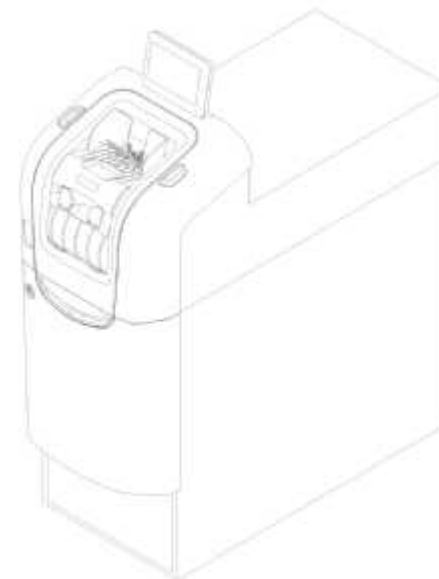


Gluv Australia Pty Ltd
224 North Rd Brighton East VIC 3187 Australia
(72) Name(s) of Designer(s): **Benjamin Carson and Cameron Traum**
(45) Registration Date: **23 April 2015**
(56) Related Art Documents: **Not Applicable**
(57) Statement of Newness and Distinctiveness: **Those features of the support member suitable for supporting a plurality of disposable mittens depicted in the representations that are new and distinctive are the shape and/or configuration. The features shown in broken line are not part of the design and are to be disregarded when considering the overall impression of the design.**

(21) Design Number: **11552/2015**
(22) Date of Filing Application: **23 March 2015**
(24) Date from which industrial property rights may have effect: **23 March 2015**
(54) Product in respect of which the design is registered: **Sealant cartridge**
(51) International Design Classification: **08-05L**
(74) Name(s) of Attorney(s):
(71) Name(s) and Address(s) of Applicant(s):
AUSTRALIAN BRUSHWARE CORPORATION PTY LTD
L2 20 Council St Hawthorn East VIC 3123 Australia
(72) Name(s) of Designer(s): **Matthew Lee Roe**
(45) Registration Date: **23 April 2015**
(56) Related Art Documents: **Not Applicable**
(57) Statement of Newness and Distinctiveness: **Nil**



(21) Design Number: **11557/2015**
(22) Date of Filing Application: **23 March 2015**
(24) Date from which industrial property rights may have effect: **23 March 2015**
(54) Product in respect of which the design is registered: **Automated teller machine**
(51) International Design Classification: **20-01**
(74) Name(s) of Attorney(s): **AJ Park**
(71) Name(s) and Address(s) of Applicant(s):
Nautilus Hyosung Inc.
281 Gwangpyeong-ro Gangnam-gu Seoul Republic of Korea
(72) Name(s) of Designer(s): **Hee Youn Lee and Jae Min Park and Young Jin Yoon and Jae Min Cha**
(45) Registration Date: **23 April 2015**
(30) Convention priority data:
(31) Number (32) Date (33) Country
30-2014-0046288 24 Sep 2014 REPUBLIC OF KOREA
(56) Related Art Documents: **Not Applicable**
(57) Statement of Newness and Distinctiveness: **Newness and distinctiveness reside in the features of shape and/or configuration of the automated teller machine as shown in the representations.**



(21) Design Number: **11558/2015**

(22) Date of Filing Application: **23 March 2015**

(24) Date from which industrial property rights may have effect: **23 March 2015**

(54) Product in respect of which the design is registered: **Flask**

(51) International Design Classification: **09-01G**

(74) Name(s) of Attorney(s): **Callinans**

(71) Name(s) and Address(s) of Applicant(s):

**Beaute Prestige International
28/32, avenue Victor-Hugo Paris 75116 France**

(72) Name(s) of Designer(s): **Martin Szekely**

(45) Registration Date: **23 April 2015**

(30) Convention priority data:

(31) Number	(32) Date	(33) Country
002546333	26 Sep 2014	OFFICE FOR HARMONISATION IN THE INTERNAL MARKET (OHIM)

(56) Related Art Documents: **Not Applicable**

(57) Statement of Newness and Distinctiveness: **Newness and distinctiveness lies in the shape or configuration and/or pattern or ornamentation of the flask shown in the representations.**



(21) Design Number: **11559/2015**

(22) Date of Filing Application: **23 March 2015**

(24) Date from which industrial property rights may have effect: **23 March 2015**

(54) Product in respect of which the design is registered: **Automated teller machine**

(51) International Design Classification: **20-01**

(74) Name(s) of Attorney(s): **AJ Park**

(71) Name(s) and Address(s) of Applicant(s):

**NAUTILUS HYOSUNG INC.
281 Gwangpyeong-ro Gangnam-gu Seoul Republic of Korea**

(72) Name(s) of Designer(s): **Jae Min Park and Hee Yeon Lee and Jae Min Cha**

(45) Registration Date: **23 April 2015**

(30) Convention priority data:

(31) Number	(32) Date	(33) Country
30-2014-0046287	24 Sep 2014	REPUBLIC OF KOREA

(56) Related Art Documents: **Not Applicable**

(57) Statement of Newness and Distinctiveness: **Newness and distinctiveness reside in the features of shape and/or configuration of the automated teller machine as shown in the representations.**



(21) Design Number: **11564/2015**
(22) Date of Filing Application: **23 March 2015**
(24) Date from which industrial property rights may have effect: **23 March 2015**
(54) Product in respect of which the design is registered: **Tire**
(51) International Design Classification: **12-15C**
(74) Name(s) of Attorney(s): **PHILLIPS ORMONDE FITZPATRICK**
(71) Name(s) and Address(s) of Applicant(s):

Cooper Tire & Rubber Company
701 Lima Avenue Findlay Ohio, 45840 United States of America

(72) Name(s) of Designer(s): **Patrick J. Bonifas**

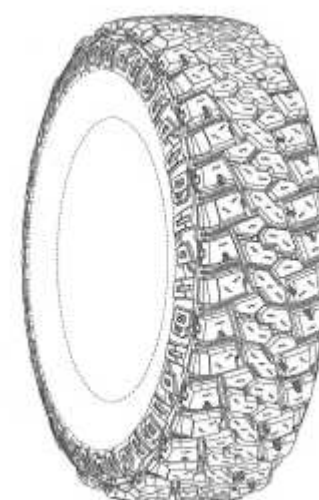
(45) Registration Date: **23 April 2015**

(30) Convention priority data:

(31) Number	(32) Date	(33) Country
29/507,639	29 Oct 2014	UNITED STATES OF AMERICA

(56) Related Art Documents: **Not Applicable**

(57) Statement of Newness and Distinctiveness: **Those features of the tire depicted in the representations that are new and distinctive are the shape and/or configuration of the tread of the tire. The remaining three-fourths portion of the tire partially shown in FIG. 2 is a repetition of the illustrated one-fourth portion, and the other side of the tire is identical. The broken line showings of the sidewall, inner bead, and the peripheral boundary between the tire tread and the sidewall, are included for the purpose of illustrating environment and are to be disregarded when considering the overall impression of the design.**



(21) Design Number: **11565/2015**
(22) Date of Filing Application: **23 March 2015**
(24) Date from which industrial property rights may have effect: **23 March 2015**
(54) Product in respect of which the design is registered: **Tire**
(51) International Design Classification: **12-15C**
(74) Name(s) of Attorney(s): **PHILLIPS ORMONDE FITZPATRICK**
(71) Name(s) and Address(s) of Applicant(s):

Cooper Tire & Rubber Company
701 Lima Avenue Findlay Ohio, 45840 United States of America

(72) Name(s) of Designer(s): **Ryan J. Schimmoeller and Matthew J. Petr**

(45) Registration Date: **23 April 2015**

(30) Convention priority data:

(31) Number	(32) Date	(33) Country
29/507,626	29 Oct 2014	UNITED STATES OF AMERICA

(56) Related Art Documents: **Not Applicable**

(57) Statement of Newness and Distinctiveness: **Those features of the tire depicted in the representations that are new and distinctive are the shape and/or configuration of the tread of the tire. The remaining three-fourths portion of the tire partially shown in FIG. 2 is a repetition of the illustrated one-fourth portion, and the other side of the tire is identical. The broken line showings of the sidewall, inner bead, and the peripheral boundary between the tire tread and the sidewall, are included for the purpose of illustrating environment and are to be disregarded when considering the overall impression of the design.**



- (21) Design Number: **14745/2014**
(22) Date of Filing Application: **18 September 2014**
(24) Date from which industrial property rights may have effect: **18 September 2014**
(54) Product in respect of which the design is registered: **Tool**
(51) International Design Classification: **08-03**
(74) Name(s) of Attorney(s): **Davies Collison Cave**
(71) Name(s) and Address(s) of Applicant(s):
Cyclone Tools Pty Ltd
317-323 Abbots Rd Dandenong South VIC 3175 Australia
(72) Name(s) of Designer(s): **Nathan Anderson Pollock and Michael Rossignuolo and Bradley Peter Ryan and Lee Anthony Rodezno**
(45) Registration Date: **23 April 2015**
(56) Related Art Documents: **Not Applicable**
(57) Statement of Newness and Distinctiveness: **Newness and distinctiveness is claimed in the visual features of colour, shape and configuration of a tool having handles with changing cross-sectional profiles as shown in the representations.**



- (21) Design Number: **10412/2015**
(22) Date of Filing Application: **28 January 2015**
(24) Date from which industrial property rights may have effect: **28 January 2015**
(54) Product in respect of which the design is registered: **Womens activewear pants**
(51) International Design Classification: **02-02C**
(74) Name(s) of Attorney(s):
(71) Name(s) and Address(s) of Applicant(s):
Tully Louise Humphrey
18/1405 Waterview Walk Docklands VIC 3008 Australia
(72) Name(s) of Designer(s): **Tully Louise Humphrey**
(45) Registration Date: **23 April 2015**
(56) Related Art Documents: **Not Applicable**
(57) Statement of Newness and Distinctiveness: **They have distinctive thigh, knee and calf fabric colour panel blocking separated by coloured piping. Colour blocks used are plain, mesh, and printed.**



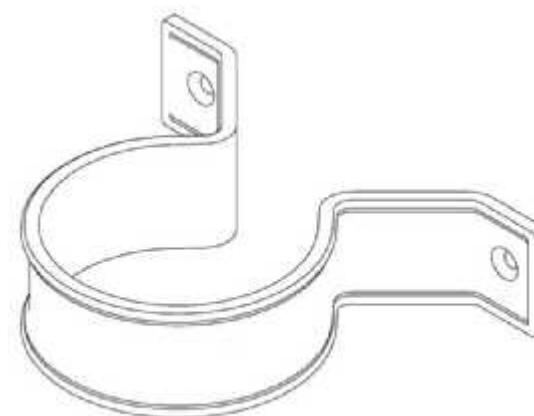
(21) Design Number: **11567/2015**
(22) Date of Filing Application: **23 March 2015**
(24) Date from which industrial property rights may have effect: **23 March 2015**
(54) Product in respect of which the design is registered: **A load cap**
(51) International Design Classification: **09-07NES**
(74) Name(s) of Attorney(s): **Cullens Patent and Trade Mark Attorneys**
(71) Name(s) and Address(s) of Applicant(s):
Loadhog Limited
The Hog Works Hawke Street Sheffield S9 2SU United Kingdom
(72) Name(s) of Designer(s): **Martin Baker and Matthew Bacon and John Butterworth**
(45) Registration Date: **23 April 2015**
(30) Convention priority data:
(31) Number (32) Date (33) Country
002543447 23 Sep 2014 OFFICE FOR HARMONISATION IN THE INTERNAL MARKET (OHIM)
(56) Related Art Documents: **Not Applicable**
(57) Statement of Newness and Distinctiveness: **Nil**



(21) Design Number: **10438/2015**
(22) Date of Filing Application: **29 January 2015**
(24) Date from which industrial property rights may have effect: **29 January 2015**
(54) Product in respect of which the design is registered: **Liner**
(51) International Design Classification: **07-02P**
(74) Name(s) of Attorney(s):
(71) Name(s) and Address(s) of Applicant(s):
Lyson Trading Pty Ltd
U11 25-33 Alfred Rd Chipping Norton NSW 2170 Australia
(72) Name(s) of Designer(s): **Khai Ly**
(45) Registration Date: **23 April 2015**
(56) Related Art Documents: **Not Applicable**
(57) Statement of Newness and Distinctiveness: **What makes the liner distinctive is: 1. The liner is formed with extra parts of paper which are divided into a number of flaps. 2. The flaps are ironed and pressed and tightly wrapped around the outside of the cup. 3. When the cup is formed it is not fluted and has no vertical lines but a smooth inner and outer surface. 4. The walls of the cup are almost vertical.**



(21) Design Number: **11560/2015**
(22) Date of Filing Application: **23 March 2015**
(24) Date from which industrial property rights may have effect: **23 March 2015**
(54) Product in respect of which the design is registered: **A bracket**
(51) International Design Classification: **08-08L**
(74) Name(s) of Attorney(s): **Ellis Terry**
(71) Name(s) and Address(s) of Applicant(s):
Roy McKay Watson
149B Park Road West End Palmerston North 4410 New Zealand
(72) Name(s) of Designer(s): **Roy McKay Watson**
(45) Registration Date: **23 April 2015**
(56) Related Art Documents: **Not Applicable**
(57) Statement of Newness and Distinctiveness: **Nil**



(21) Design Number: **10908/2015**
(22) Date of Filing Application: **19 February 2015**
(24) Date from which industrial property rights may have effect: **19 February 2015**
(54) Product in respect of which the design is registered: **A soft toy**
(51) International Design Classification: **21-01A**
(74) Name(s) of Attorney(s):
(71) Name(s) and Address(s) of Applicant(s):
ZOKKY THE KANGAROO PTY LTD
PO BOX 1050 Wodonga VIC 3689 Australia
(72) Name(s) of Designer(s): **Geoff Reid and Ralph Moser**
(45) Registration Date: **23 April 2015**
(56) Related Art Documents: **Not Applicable**
(57) Statement of Newness and Distinctiveness: **Zokky's Teddy is a completely new soft toy. A photo or drawing can be presented to prove newness. It is a one of a kind tangible design and real product.**



(21) Design Number: **11569/2015**
(22) Date of Filing Application: **23 March 2015**
(24) Date from which industrial property rights may have effect: **23 March 2015**
(54) Product in respect of which the design is registered: **Collared singlet**
(51) International Design Classification: **02-02NES**
(74) Name(s) of Attorney(s):
(71) Name(s) and Address(s) of Applicant(s):

Gavin Richardson
14 Park Ave Sandringham VIC 3191 Australia

Julian Carruthers
69 Dorcas St South Melbourne VIC 3205 Australia

Jesse Mullavey
69 Dorcas St South Melbourne VIC 3205 Australia

Stephen Tully
14 Park Ave Sandringham VIC 3191 Australia

(72) Name(s) of Designer(s): **Stephen Tully**
(45) Registration Date: **23 April 2015**
(56) Related Art Documents: **Not Applicable**
(57) Statement of Newness and Distinctiveness: **The newness and distinctiveness of the design resides in the shape of a collar attached to a singlet as shown in the accompanying representations.**



(21) Design Number: **11570/2015**
(22) Date of Filing Application: **24 March 2015**
(24) Date from which industrial property rights may have effect: **24 March 2015**
(54) Product in respect of which the design is registered: **Remote site monitoring station**
(51) International Design Classification: **10-05**
(74) Name(s) of Attorney(s): **IP Guardian**
(71) Name(s) and Address(s) of Applicant(s):

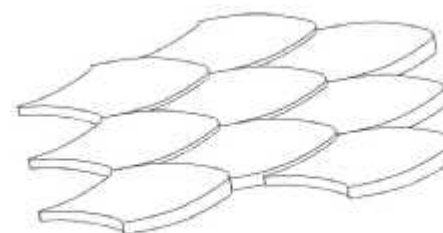
Luau Data Corporation
105 10654 - 82 Avenue Edmonton Alberta, T6E2A7 Canada

(72) Name(s) of Designer(s): **Stuart Lomas**
(45) Registration Date: **23 April 2015**
(30) Convention priority data:
(31) Number (32) Date (33) Country
158873 24 Sep 2014 CANADA

(56) Related Art Documents: **Not Applicable**
(57) Statement of Newness and Distinctiveness: **Nil**



(21) Design Number: **11571/2015**
(22) Date of Filing Application: **24 March 2015**
(24) Date from which industrial property rights may have effect: **24 March 2015**
(54) Product in respect of which the design is registered: **Tesserae**
(51) International Design Classification: **25-01F**
(74) Name(s) of Attorney(s):
(71) Name(s) and Address(s) of Applicant(s):
Everstone International Pty Limited
20 Princes Rd E Auburn NSW 2144 Australia
(72) Name(s) of Designer(s): **John Zeng**
(45) Registration Date: **23 April 2015**
(56) Related Art Documents: **Not Applicable**



(57) Statement of Newness and Distinctiveness: **Newness and distinctiveness is claimed in the shape and configuration of a sheet of the tesserae shown in the attached representations, wherein the tesserae is an arrangement of a plurality of designed tiles that have varying thickness at different edges, and would, after meshed together at a special setting, create the particular 3D visual effect and unique aesthetic. The tesserae shown typically repeats when installed, in both lateral and longitudinal directions.**

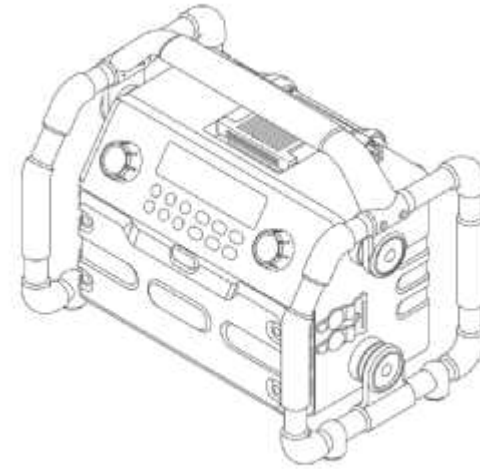
(21) Design Number: **11572/2015**
(22) Date of Filing Application: **24 March 2015**
(24) Date from which industrial property rights may have effect: **24 March 2015**
(54) Product in respect of which the design is registered: **Portable electric driver**
(51) International Design Classification: **08-01**
(74) Name(s) of Attorney(s): **Spruson & Ferguson**
(71) Name(s) and Address(s) of Applicant(s):
Panasonic Intellectual Property Management Co., Ltd.
1-61, Shiromi 2-chome, Chuo-ku, Osaka-shi Osaka, 540-6207 Japan
(72) Name(s) of Designer(s): **Kazuma Uematsu and Edgardo Angelini and Chris Miller and Martin Franzen**
(45) Registration Date: **24 April 2015**
(30) Convention priority data:



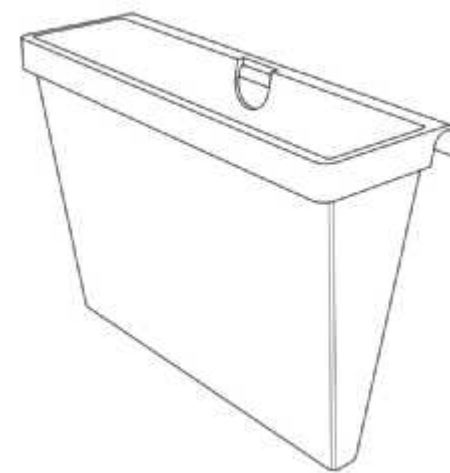
(31) Number	(32) Date	(33) Country
2014-021331	26 Sep 2014	JAPAN

(56) Related Art Documents: **Not Applicable**
(57) Statement of Newness and Distinctiveness: **Newness and distinctiveness is claimed in the features of shape and/or configuration and pattern and/or ornamentation of a portable electric driver as illustrated in the accompanying representations.**

- (21) Design Number: **11576/2015**
(22) Date of Filing Application: **24 March 2015**
(24) Date from which industrial property rights may have effect: **24 March 2015**
(54) Product in respect of which the design is registered: **Portable audio player combined with radio receiver**
(51) International Design Classification: **14-01, 14-03D**
(74) Name(s) of Attorney(s): **Spruson & Ferguson**
(71) Name(s) and Address(s) of Applicant(s):
Panasonic Intellectual Property Management Co., Ltd.
1-61, Shiromi 2-chome, Chuo-ku, Osaka-shi Osaka, 540-6207 Japan
(72) Name(s) of Designer(s): **Kazuma Uematsu and Chien Chih Tse**
(45) Registration Date: **24 April 2015**
(30) Convention priority data:
(31) Number (32) Date (33) Country
2014-021332 26 Sep 2014 JAPAN
(56) Related Art Documents: **Not Applicable**
(57) Statement of Newness and Distinctiveness: **Newness and distinctiveness is claimed in the features of shape and/or configuration of a portable audio player combined with radio receiver as illustrated in the accompanying representations.**



- (21) Design Number: **11579/2015**
(22) Date of Filing Application: **24 March 2015**
(24) Date from which industrial property rights may have effect: **24 March 2015**
(54) Product in respect of which the design is registered: **Hanging planter box**
(51) International Design Classification: **11-02C**
(74) Name(s) of Attorney(s): **Collison & Co**
(71) Name(s) and Address(s) of Applicant(s):
Anthony Snelling
51 Keylar St Mitchelton QLD 4053 Australia
Maria Sedl
51 Keylar St Mitchelton QLD 4053 Australia
(72) Name(s) of Designer(s): **Peter Snelling**
(45) Registration Date: **24 April 2015**
(56) Related Art Documents: **Not Applicable**
(57) Statement of Newness and Distinctiveness: **Newness and distinctiveness resides in the shape and/or configuration of the hanging planter box as shown in the accompanying representations excluding that which is shown in broken lines.**



(21) Design Number: **11580/2015**
(22) Date of Filing Application: **24 March 2015**
(24) Date from which industrial property rights may have effect: **24 March 2015**
(54) Product in respect of which the design is registered: **Shoe**
(51) International Design Classification: **02-04NES**
(74) Name(s) of Attorney(s): **PHILLIPS ORMONDE FITZPATRICK**
(71) Name(s) and Address(s) of Applicant(s):
Valentino S.p.A.
Via Turati 16/18 I-20121 Milano Italy
(72) Name(s) of Designer(s): **Stefano Sassi**
(45) Registration Date: **24 April 2015**
(30) Convention priority data:
(31) Number (32) Date (33) Country
**MI2014O000140 30 Sep 2014 OFFICE FOR HARMONISATION IN
THE INTERNAL MARKET (OHIM)**
(56) Related Art Documents: **Not Applicable**
(57) Statement of Newness and Distinctiveness: **Nil**



(21) Design Number: **11581/2015**
(22) Date of Filing Application: **24 March 2015**
(24) Date from which industrial property rights may have effect: **24 March 2015**
(54) Product in respect of which the design is registered: **Satellite speaker**
(51) International Design Classification: **14-01**
(74) Name(s) of Attorney(s): **PHILLIPS ORMONDE FITZPATRICK**
(71) Name(s) and Address(s) of Applicant(s):
Bose Corporation
**The Mountain, MS 3B1 Framingham Massachusetts, 01701-9168 United
States of America**
(72) Name(s) of Designer(s): **Richard J Carbone**
(45) Registration Date: **24 April 2015**
(30) Convention priority data:
(31) Number (32) Date (33) Country
29/504,058 01 Oct 2014 UNITED STATES OF AMERICA
(56) Related Art Documents: **Not Applicable**
(57) Statement of Newness and Distinctiveness: **Those features of the satellite
speaker depicted in the representations that are new and distinctive are
the shape and/or configuration. The features shown in broken lines are
not part of the design and are to be disregarded when considering the
overall impression of the design.**



(21) Design Number: **11583/2015**
(22) Date of Filing Application: **24 March 2015**
(24) Date from which industrial property rights may have effect: **24 March 2015**
(54) Product in respect of which the design is registered: **Thermometers**
(51) International Design Classification: **10-04**
(74) Name(s) of Attorney(s): **Trademark Works**
(71) Name(s) and Address(s) of Applicant(s):

Joseph Joseph Ltd
The Grove 30 Great Guildford St Greater London SE10HS United Kingdom

(72) Name(s) of Designer(s): **Antony Joseph**

(45) Registration Date: **24 April 2015**

(30) Convention priority data:

(31) Number	(32) Date	(33) Country
002546457-0002	26 Sep 2014	EUROPEAN PATENT OFFICE (EPO)

(56) Related Art Documents: **Not Applicable**

(57) Statement of Newness and Distinctiveness: **Nil**



(21) Design Number: **11584/2015**
(22) Date of Filing Application: **24 March 2015**
(24) Date from which industrial property rights may have effect: **24 March 2015**
(54) Product in respect of which the design is registered: **An electrical socket**
(51) International Design Classification: **13-03D**
(74) Name(s) of Attorney(s):
(71) Name(s) and Address(s) of Applicant(s):

WES Alliance Pty Ltd
138 Liverpool Rd Ashfield NSW 2131 Australia

(72) Name(s) of Designer(s): **Santo Carlini and Alfonso Najera and Alexander Richardson and Shane Talbot**

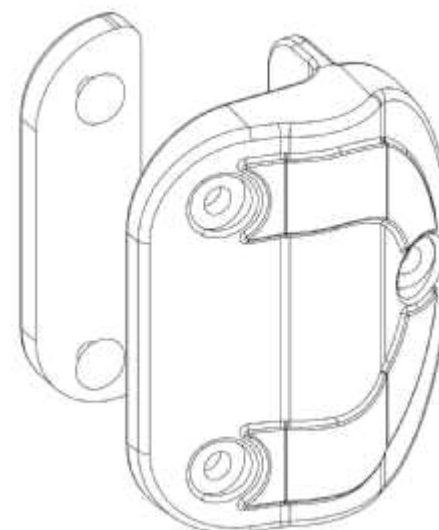
(45) Registration Date: **24 April 2015**

(56) Related Art Documents: **Not Applicable**

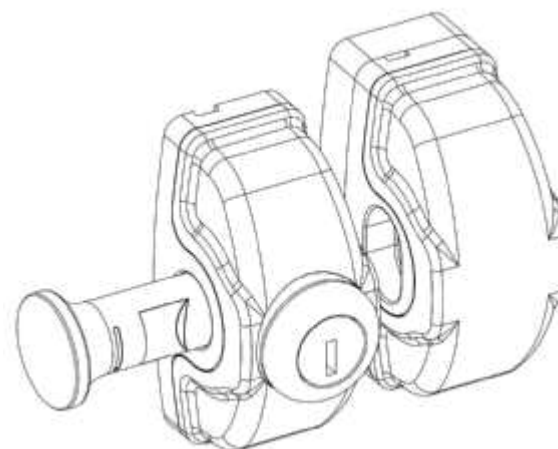
(57) Statement of Newness and Distinctiveness: **Nil**



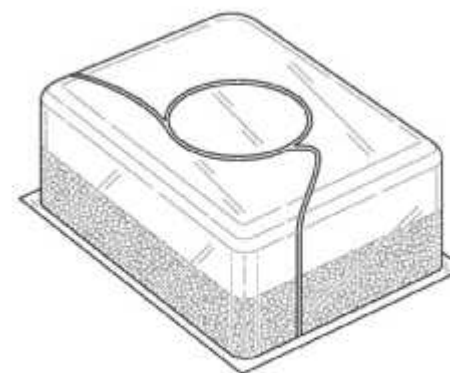
- (21) Design Number: **11587/2015**
(22) Date of Filing Application: **25 March 2015**
(24) Date from which industrial property rights may have effect: **25 March 2015**
(54) Product in respect of which the design is registered: **Polymer gate stop design**
(51) International Design Classification: **08-07**
(74) Name(s) of Attorney(s):
(71) Name(s) and Address(s) of Applicant(s):
Audrius Macernis
67 Watt Rd Mornington VIC 3931 Australia
(72) Name(s) of Designer(s): **Audrius Macernis**
(45) Registration Date: **24 April 2015**
(56) Related Art Documents: **Not Applicable**
(57) Statement of Newness and Distinctiveness: **Newness and distinctiveness resides in the shape and/or configuration of the Newness and distinctiveness resides in the shape and/or configuration of the Polymer Gate Stop Design. The product has curved angles to represent smooth flowing lines.**



- (21) Design Number: **11588/2015**
(22) Date of Filing Application: **25 March 2015**
(24) Date from which industrial property rights may have effect: **25 March 2015**
(54) Product in respect of which the design is registered: **Side pull gate latch**
(51) International Design Classification: **08-07**
(74) Name(s) of Attorney(s):
(71) Name(s) and Address(s) of Applicant(s):
Audrius Macernis
67 Watt Rd Mornington VIC 3931 Australia
(72) Name(s) of Designer(s): **Audrius Macernis**
(45) Registration Date: **24 April 2015**
(56) Related Art Documents: **Not Applicable**
(57) Statement of Newness and Distinctiveness: **Newness and distinctiveness resides in the shape and/or configuration of the Side pull gate latch. The side Latch design has a body design to cover the screws, has smooth design lines, cover caps click on the main body and all internal mechanics and screws become covered.**



(21) Design Number: **11592/2015**
(22) Date of Filing Application: **25 March 2015**
(24) Date from which industrial property rights may have effect: **25 March 2015**
(54) Product in respect of which the design is registered: **Capsule containing washing products**
(51) International Design Classification: **07-05NES**
(74) Name(s) of Attorney(s): **Shelston IP**
(71) Name(s) and Address(s) of Applicant(s):
Reckitt Benckiser (Brands) Limited
103-105 Bath Road Slough Berkshire SL1 3UH United Kingdom
(72) Name(s) of Designer(s): **Claudia Schmaelzle and Pavlinka Roy**
(45) Registration Date: **24 April 2015**
(30) Convention priority data:
(31) Number (32) Date (33) Country
002552489-0008 07 Oct 2014 OFFICE FOR HARMONISATION IN
THE INTERNAL MARKET (OHIM)
(56) Related Art Documents: **Not Applicable**
(57) Statement of Newness and Distinctiveness: **Nil**



(21) Design Number: **11593/2015**
(22) Date of Filing Application: **25 March 2015**
(24) Date from which industrial property rights may have effect: **25 March 2015**
(54) Product in respect of which the design is registered: **Swimwear**
(51) International Design Classification: **02-02A**
(74) Name(s) of Attorney(s):
(71) Name(s) and Address(s) of Applicant(s):
Skye Group Pty Limited
18 Forrester St Kingsgrove NSW 2208 Australia
(72) Name(s) of Designer(s): **Angelique Delaney**
(45) Registration Date: **24 April 2015**
(56) Related Art Documents: **Not Applicable**
(57) Statement of Newness and Distinctiveness: **Nil**



(21) Design Number: **11594/2015**
(22) Date of Filing Application: **25 March 2015**
(24) Date from which industrial property rights may have effect: **25 March 2015**
(54) Product in respect of which the design is registered: **Swimwear**
(51) International Design Classification: **02-02A**
(74) Name(s) of Attorney(s):
(71) Name(s) and Address(s) of Applicant(s):
Skye Group Pty Limited
18 Forrester St Kingsgrove NSW 2208 Australia
(72) Name(s) of Designer(s): **Angelique Delaney**
(45) Registration Date: **24 April 2015**
(56) Related Art Documents: **Not Applicable**
(57) Statement of Newness and Distinctiveness: **Nil**



(21) Design Number: **11595/2015**
(22) Date of Filing Application: **25 March 2015**
(24) Date from which industrial property rights may have effect: **25 March 2015**
(54) Product in respect of which the design is registered: **Swimwear**
(51) International Design Classification: **02-02A**
(74) Name(s) of Attorney(s):
(71) Name(s) and Address(s) of Applicant(s):
Skye Group Pty Limited
18 Forrester St Kingsgrove NSW 2208 Australia
(72) Name(s) of Designer(s): **Angelique Delaney**
(45) Registration Date: **24 April 2015**
(56) Related Art Documents: **Not Applicable**
(57) Statement of Newness and Distinctiveness: **Nil**



(21) Design Number: **11596/2015**
(22) Date of Filing Application: **25 March 2015**
(24) Date from which industrial property rights may have effect: **25 March 2015**
(54) Product in respect of which the design is registered: **Swimwear**
(51) International Design Classification: **02-02A**
(74) Name(s) of Attorney(s):
(71) Name(s) and Address(s) of Applicant(s):
Skye Group Pty Limited
18 Forrester St Kingsgrove NSW 2208 Australia
(72) Name(s) of Designer(s): **Angelique Delaney**
(45) Registration Date: **24 April 2015**
(56) Related Art Documents: **Not Applicable**
(57) Statement of Newness and Distinctiveness: **Nil**



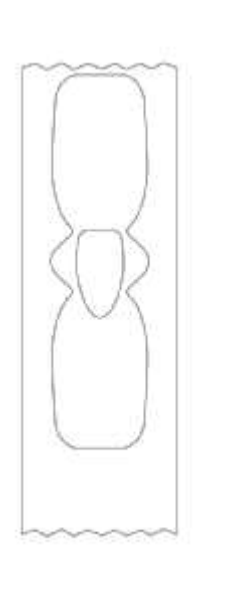
(21) Design Number: **11597/2015**
(22) Date of Filing Application: **25 March 2015**
(24) Date from which industrial property rights may have effect: **25 March 2015**
(54) Product in respect of which the design is registered: **Swimwear**
(51) International Design Classification: **02-02A**
(74) Name(s) of Attorney(s):
(71) Name(s) and Address(s) of Applicant(s):
Skye Group Pty Limited
18 Forrester St Kingsgrove NSW 2208 Australia
(72) Name(s) of Designer(s): **Angelique Delaney**
(45) Registration Date: **24 April 2015**
(56) Related Art Documents: **Not Applicable**
(57) Statement of Newness and Distinctiveness: **Nil**



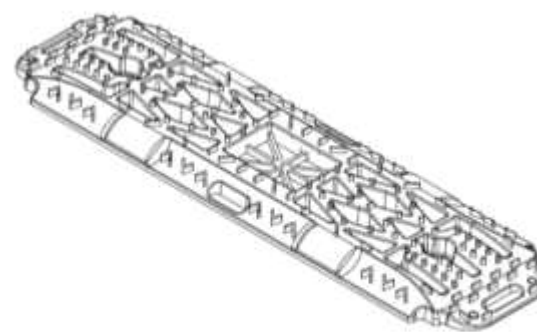
(21) Design Number: **11598/2015**
(22) Date of Filing Application: **25 March 2015**
(24) Date from which industrial property rights may have effect: **25 March 2015**
(54) Product in respect of which the design is registered: **Swimwear**
(51) International Design Classification: **02-02A**
(74) Name(s) of Attorney(s):
(71) Name(s) and Address(s) of Applicant(s):
Skye Group Pty Limited
18 Forrester St Kingsgrove NSW 2208 Australia
(72) Name(s) of Designer(s): **Angelique Delaney**
(45) Registration Date: **24 April 2015**
(56) Related Art Documents: **Not Applicable**
(57) Statement of Newness and Distinctiveness: **Nil**



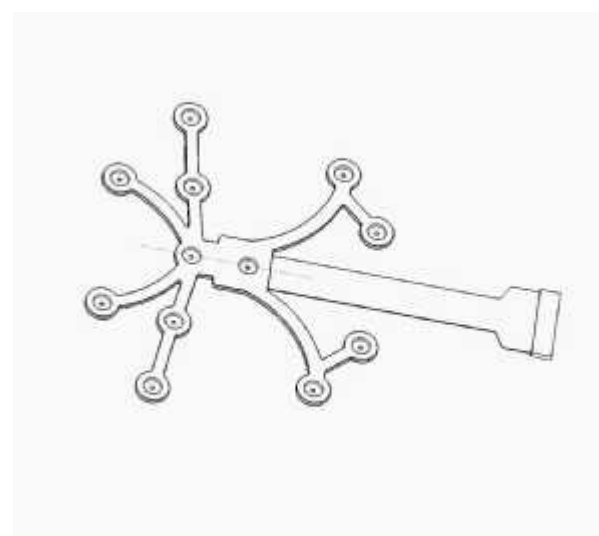
(21) Design Number: **11599/2015**
(22) Date of Filing Application: **25 March 2015**
(24) Date from which industrial property rights may have effect: **25 March 2015**
(54) Product in respect of which the design is registered: **Film used to make packages**
(51) International Design Classification: **09-03H, 05-06NES**
(74) Name(s) of Attorney(s): **Griffith Hack**
(71) Name(s) and Address(s) of Applicant(s):
Clear Lam Packaging, Inc.
1950 Pratt Boulevard Elk Grove Village, Illinois, 60007 United States of America
(72) Name(s) of Designer(s): **James Sanfilippo and Eric Feld and Michael Butkus and Michael Alianello**
(45) Registration Date: **24 April 2015**
(30) Convention priority data:
(31) Number (32) Date (33) Country
29503371 25 Sep 2014 UNITED STATES OF AMERICA
(56) Related Art Documents: **Not Applicable**
(57) Statement of Newness and Distinctiveness: **Newness and distinctiveness resides in the visual features, including shape, configuration and pattern, of a FILM USED TO MAKE PACKAGES as shown in solid outline in the accompanying drawings. When determining whether the design is substantially similar in overall impression to another design, it should be understood that the film can have indefinite length, and also that no regard is to be had to the configuration of the score line shown in dotted outline in Figure 2, which configuration is provided for illustrative purposes only.**



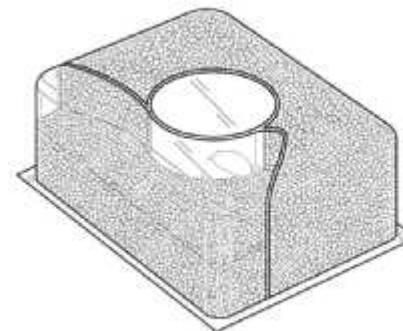
(21) Design Number: **11604/2015**
(22) Date of Filing Application: **25 March 2015**
(24) Date from which industrial property rights may have effect: **25 March 2015**
(54) Product in respect of which the design is registered: **Vehicular ladder**
(51) International Design Classification: **25-04**
(74) Name(s) of Attorney(s): **Baxter Patent Attorneys Pty Ltd**
(71) Name(s) and Address(s) of Applicant(s):
Powerful 4x4 Australia Pty Limited
3/286 Hume Hwy Lansvale NSW 2166 Australia
(72) Name(s) of Designer(s): **Talal Namaan**
(45) Registration Date: **24 April 2015**
(56) Related Art Documents: **Not Applicable**
(57) Statement of Newness and Distinctiveness: **Nil**



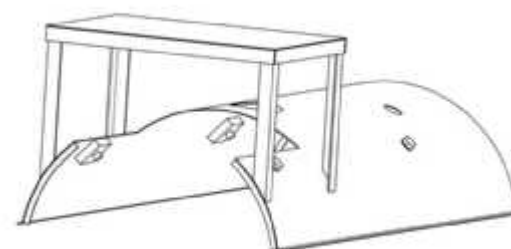
(21) Design Number: **11605/2015**
(22) Date of Filing Application: **25 March 2015**
(24) Date from which industrial property rights may have effect: **25 March 2015**
(54) Product in respect of which the design is registered: **An electroencephalogram electrode system**
(51) International Design Classification: **24-01, 24-02**
(74) Name(s) of Attorney(s): **Wrays**
(71) Name(s) and Address(s) of Applicant(s):
Incereb Limited
Centre for Applied Science for Health Institute of Technology Tallaght
Dublin, 24 Ireland
(72) Name(s) of Designer(s): **James Roche and David Brody and Martin Fogarty**
(45) Registration Date: **24 April 2015**
(30) Convention priority data:
(31) Number (32) Date (33) Country
002544874-0001 25 Sep 2014 OFFICE FOR HARMONISATION IN
THE INTERNAL MARKET (OHIM)
(56) Related Art Documents: **Not Applicable**
(57) Statement of Newness and Distinctiveness: **Newness and distinctiveness is claimed in the features of shape, configuration, pattern, and/or ornamentation of An Electroencephalogram Electrode System as shown in the accompanying representations.**



(21) Design Number: **11606/2015**
(22) Date of Filing Application: **25 March 2015**
(24) Date from which industrial property rights may have effect: **25 March 2015**
(54) Product in respect of which the design is registered: **Capsule containing washing products**
(51) International Design Classification: **07-05NES**
(74) Name(s) of Attorney(s): **Shelston IP**
(71) Name(s) and Address(s) of Applicant(s):
Reckitt Benckiser (Brands) Limited
103-105 Bath Road Slough Berkshire SL1 3UH United Kingdom
(72) Name(s) of Designer(s): **Claudia Schmaelzle and Pavlinka Roy**
(45) Registration Date: **24 April 2015**
(30) Convention priority data:
(31) Number (32) Date (33) Country
002552489-0002 07 Oct 2014 OFFICE FOR HARMONISATION IN THE INTERNAL MARKET (OHIM)
(56) Related Art Documents: **Not Applicable**
(57) Statement of Newness and Distinctiveness: **Nil**



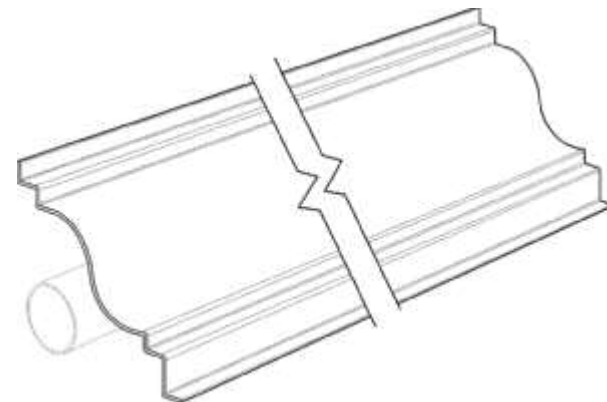
(21) Design Number: **11607/2015**
(22) Date of Filing Application: **25 March 2015**
(24) Date from which industrial property rights may have effect: **25 March 2015**
(54) Product in respect of which the design is registered: **Protective cover for a motor**
(51) International Design Classification: **15-01**
(74) Name(s) of Attorney(s): **Griffith Hack**
(71) Name(s) and Address(s) of Applicant(s):
ABB Technology Ltd.
Affolternstrasse 44 Zurich 8050 Switzerland
(72) Name(s) of Designer(s): **Chenlei Gu and Jinqun Feng and Fei Yan**
(45) Registration Date: **24 April 2015**
(30) Convention priority data:
(31) Number (32) Date (33) Country
201430501713.7 05 Dec 2014 CHINA
(56) Related Art Documents: **Not Applicable**
(57) Statement of Newness and Distinctiveness: **Newness and distinctiveness resides in the visual features, including the shape and configuration of the product shown in the representations.**



(21) Design Number: **15457/2014**
(22) Date of Filing Application: **29 October 2014**
(24) Date from which industrial property rights may have effect: **29 October 2014**
(54) Product in respect of which the design is registered: **Vehicle wheel**
(51) International Design Classification: **12-16A**
(74) Name(s) of Attorney(s): **K&L Gates**
(71) Name(s) and Address(s) of Applicant(s):
GM Global Technology Operations LLC
300 Renaissance Centre Detroit Michigan 48265-3000 United States of America
(72) Name(s) of Designer(s): **Julian Mark Quincey**
(45) Registration Date: **27 April 2015**
(56) Related Art Documents: **Not Applicable**
(57) Statement of Newness and Distinctiveness: **Nil**



(21) Design Number: **15565/2014**
(22) Date of Filing Application: **03 November 2014**
(24) Date from which industrial property rights may have effect: **03 November 2014**
(54) Product in respect of which the design is registered: **Trowel**
(51) International Design Classification: **08-05K**
(74) Name(s) of Attorney(s): **O'Sullivan's**
(71) Name(s) and Address(s) of Applicant(s):
Zhi Gang Cui
9 Elstree Ct Lynwood WA 6147 Australia
(72) Name(s) of Designer(s): **Zhi Gang Cui**
(45) Registration Date: **27 April 2015**
(56) Related Art Documents: **Not Applicable**
(57) Statement of Newness and Distinctiveness: **Monopoly is claimed in the shape and configuration of a trowel of indefinite length as shown in the attached drawings. No monopoly is claimed in the shape or configuration of the handle shown in broken lines in the attached drawings.**



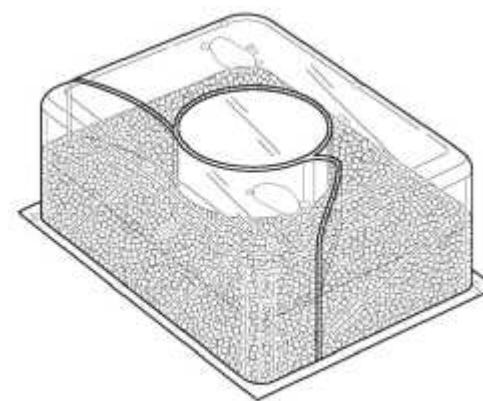
- (21) Design Number: **10433/2015**
(22) Date of Filing Application: **28 January 2015**
(24) Date from which industrial property rights may have effect: **28 January 2015**
(54) Product in respect of which the design is registered: **Stackable bowl set**
(51) International Design Classification: **07-01B**
(74) Name(s) of Attorney(s): **Allens Patent & Trade Mark Attorneys**
(71) Name(s) and Address(s) of Applicant(s):
Target Australia Pty Ltd
12-14 Thompson Rd North Geelong VIC 3215 Australia
(72) Name(s) of Designer(s): **Marc Windle and Bruce Summers**
(45) Registration Date: **27 April 2015**
(56) Related Art Documents: **Not Applicable**
(57) Statement of Newness and Distinctiveness: **Newness and distinctiveness is claimed in the shape and/or configuration of the stackable bowl set shown in the accompanying representations. The number of bowl components in the stackable bowl set may vary. The crown tuft portion "A" of the upper component shown in dotted lines is included for illustrative purposes only and forms no part of the claimed design.**



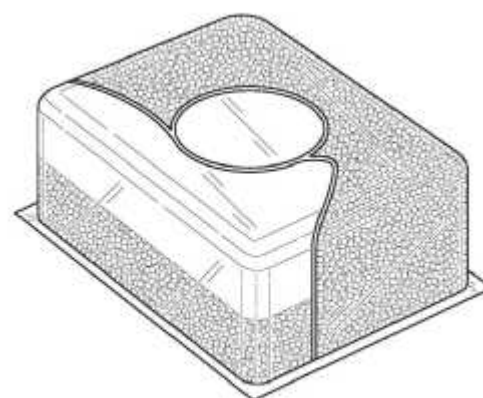
- (21) Design Number: **10920/2015**
(22) Date of Filing Application: **20 February 2015**
(24) Date from which industrial property rights may have effect: **20 February 2015**
(54) Product in respect of which the design is registered: **Wheel**
(51) International Design Classification: **12-16A**
(74) Name(s) of Attorney(s): **Etheringtons Solicitors**
(71) Name(s) and Address(s) of Applicant(s):
Global Import Corporation Pty Ltd
81 Milperra Rd Revesby NSW 2212 AUSTRALIA
(72) Name(s) of Designer(s): **Robert Grabovac**
(45) Registration Date: **27 April 2015**
(56) Related Art Documents: **Not Applicable**
(57) Statement of Newness and Distinctiveness: **Custom design alloy wheels, specifically designed for use with camper trailer's and 4WD's**



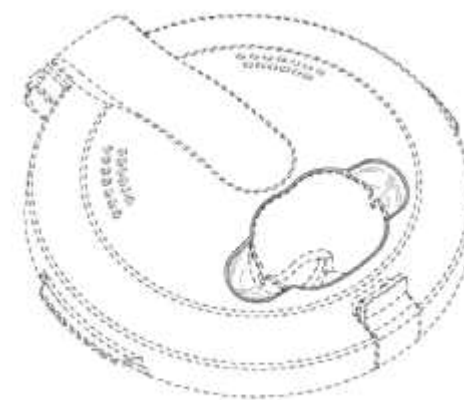
(21) Design Number: **11601/2015**
(22) Date of Filing Application: **25 March 2015**
(24) Date from which industrial property rights may have effect: **25 March 2015**
(54) Product in respect of which the design is registered: **Capsule containing washing products**
(51) International Design Classification: **07-05NES**
(74) Name(s) of Attorney(s): **Shelston IP**
(71) Name(s) and Address(s) of Applicant(s):
Reckitt Benckiser (Brands) Limited
103-105 Bath Road Slough Berkshire SL1 3UH United Kingdom
(72) Name(s) of Designer(s): **Claudia Schmaelzle and Pavlinka Roy**
(45) Registration Date: **27 April 2015**
(30) Convention priority data:
(31) Number (32) Date (33) Country
002552489-0006 07 Oct 2014 OFFICE FOR HARMONISATION IN
THE INTERNAL MARKET (OHIM)
(56) Related Art Documents: **Not Applicable**
(57) Statement of Newness and Distinctiveness: **Nil**



(21) Design Number: **11602/2015**
(22) Date of Filing Application: **25 March 2015**
(24) Date from which industrial property rights may have effect: **25 March 2015**
(54) Product in respect of which the design is registered: **Capsule containing washing products**
(51) International Design Classification: **07-05NES**
(74) Name(s) of Attorney(s): **Shelston IP**
(71) Name(s) and Address(s) of Applicant(s):
Reckitt Benckiser (Brands) Limited
103-105 Bath Road Slough Berkshire SL1 3UH United Kingdom
(72) Name(s) of Designer(s): **Claudia Schmaelzle and Pavlinka Roy**
(45) Registration Date: **27 April 2015**
(30) Convention priority data:
(31) Number (32) Date (33) Country
002552489-0004 07 Oct 2014 OFFICE FOR HARMONISATION IN
THE INTERNAL MARKET (OHIM)
(56) Related Art Documents: **Not Applicable**
(57) Statement of Newness and Distinctiveness: **Nil**



(21) Design Number: **10440/2015**
(22) Date of Filing Application: **29 January 2015**
(24) Date from which industrial property rights may have effect: **29 January 2015**
(54) Product in respect of which the design is registered: **Cook processor lid**
(51) International Design Classification: **07-02N**
(74) Name(s) of Attorney(s): **PHILLIPS ORMONDE FITZPATRICK**
(71) Name(s) and Address(s) of Applicant(s):
Whirlpool Corporation
2000 North M-63 MD3601 Benton Harbor Michigan 49022 United States of America



(72) Name(s) of Designer(s): **Kaitlyn M. Benoit**
(45) Registration Date: **28 April 2015**
(30) Convention priority data:
(31) Number (32) Date (33) Country
29/512,567 19 Dec 2014 UNITED STATES OF AMERICA
(56) Related Art Documents: **Not Applicable**
(57) Statement of Newness and Distinctiveness: **Those features of the cook processor lid depicted in the representations that are new and distinctive are the shape and/or configuration. The features shown in broken lines are not part of the design and are to be disregarded when considering the overall impression of the design.**

(21) Design Number: **10442/2015**
(22) Date of Filing Application: **29 January 2015**
(24) Date from which industrial property rights may have effect: **29 January 2015**
(54) Product in respect of which the design is registered: **Pusher/measuring cup**
(51) International Design Classification: **10-04**
(74) Name(s) of Attorney(s): **PHILLIPS ORMONDE FITZPATRICK**
(71) Name(s) and Address(s) of Applicant(s):
Whirlpool Corporation
2000 North M-63 MD3601 Benton Harbor Michigan, 49022 United States of America



(72) Name(s) of Designer(s): **Kaitlyn M. Benoit**
(45) Registration Date: **28 April 2015**
(30) Convention priority data:
(31) Number (32) Date (33) Country
29/512,568 19 Dec 2014 UNITED STATES OF AMERICA
(56) Related Art Documents: **Not Applicable**
(57) Statement of Newness and Distinctiveness: **Those features of the pusher/measuring cup depicted in the representations that are new and distinctive are the shape and/or configuration. The features shown in broken lines are not part of the design and are to be disregarded when considering the overall impression of the design.**

(21) Design Number: **10522/2015**
(22) Date of Filing Application: **02 February 2015**
(24) Date from which industrial property rights may have effect: **02 February 2015**
(54) Product in respect of which the design is registered: **Roller**
(51) International Design Classification: **28-03NES**
(74) Name(s) of Attorney(s): **Spruson & Ferguson**
(71) Name(s) and Address(s) of Applicant(s):

Implus Footcare, LLC
2001 TW Alexander Drive Box 13925, Durham North Carolina,
27709-3925 United States of America

(72) Name(s) of Designer(s): **Peter Cassidy Phillips and Mauricio Delgado**

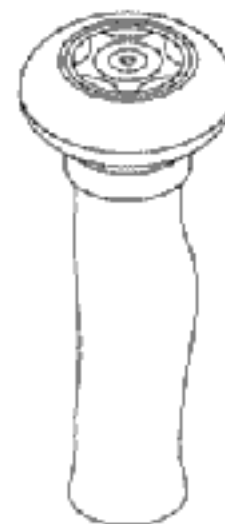
(45) Registration Date: **28 April 2015**

(30) Convention priority data:

(31) Number	(32) Date	(33) Country
29/498379	02 Aug 2014	UNITED STATES OF AMERICA

(56) Related Art Documents: **Not Applicable**

(57) Statement of Newness and Distinctiveness: **Newness and distinctiveness is claimed in the features of shape and/or configuration of a roller as illustrated in the accompanying representations.**



(21) Design Number: **11462/2015**
(22) Date of Filing Application: **17 March 2015**
(24) Date from which industrial property rights may have effect: **17 March 2015**
(54) Product in respect of which the design is registered: **An animal water bowl**
(51) International Design Classification: **30-03**
(74) Name(s) of Attorney(s): **A.J. Pietras & Co**
(71) Name(s) and Address(s) of Applicant(s):

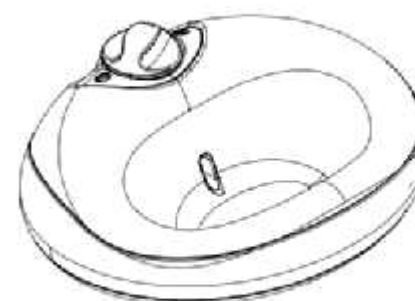
Heyrex Limited
Level 1, 236/256 Karori Road Karori, Wellington, New Zealand

(72) Name(s) of Designer(s): **John Gibbons**

(45) Registration Date: **28 April 2015**

(56) Related Art Documents: **Not Applicable**

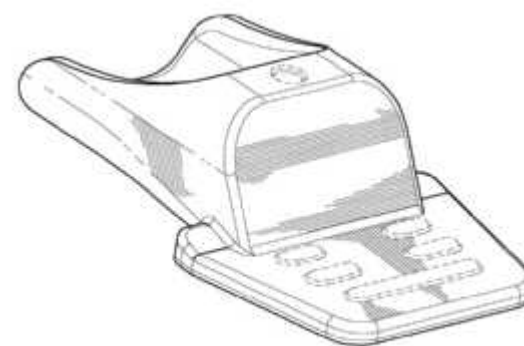
(57) Statement of Newness and Distinctiveness: **The design is to be applied to an animal water bowl and the novelty resides in the features of shape and configuration of the bowl as shown in the accompanying representations.**



(21) Design Number: **11463/2015**
(22) Date of Filing Application: **17 March 2015**
(24) Date from which industrial property rights may have effect: **17 March 2015**
(54) Product in respect of which the design is registered: **Mouthpiece cover**
(51) International Design Classification: **24-04**
(74) Name(s) of Attorney(s): **PIZZEYS**
(71) Name(s) and Address(s) of Applicant(s):
MannKind Corporation
28903 North Avenue Paine Valencia CA, 91355 United States of America
(72) Name(s) of Designer(s): **Chad C Smutney and P Spencer Kinsey**
(45) Registration Date: **28 April 2015**
(30) Convention priority data:
(31) Number (32) Date (33) Country
29/504,212 02 Oct 2014 UNITED STATES OF AMERICA
(56) Related Art Documents: **Not Applicable**
(57) Statement of Newness and Distinctiveness: **Nil**



(21) Design Number: **11465/2015**
(22) Date of Filing Application: **17 March 2015**
(24) Date from which industrial property rights may have effect: **17 March 2015**
(54) Product in respect of which the design is registered: **Mouthpiece cover**
(51) International Design Classification: **24-04**
(74) Name(s) of Attorney(s): **PIZZEYS**
(71) Name(s) and Address(s) of Applicant(s):
MannKind Corporation
28903 North Avenue Paine Valencia CA 91355 United States of America
(72) Name(s) of Designer(s): **Chad C Smutney and P Spencer Kinsey**
(45) Registration Date: **28 April 2015**
(30) Convention priority data:
(31) Number (32) Date (33) Country
29/504,212 02 Oct 2014 UNITED STATES OF AMERICA
(56) Related Art Documents: **Not Applicable**
(57) Statement of Newness and Distinctiveness: **Nil**



(21) Design Number: **11467/2015**
(22) Date of Filing Application: **17 March 2015**
(24) Date from which industrial property rights may have effect: **17 March 2015**
(54) Product in respect of which the design is registered: **A bed including a bedhead**
(51) International Design Classification: **06-02**
(74) Name(s) of Attorney(s): **FB Rice**
(71) Name(s) and Address(s) of Applicant(s):
King Furniture Australia Pty Ltd
123 Turrella St Turrella NSW 2205 Australia
(72) Name(s) of Designer(s): **Tanya Rechberger and David King and Ryan Lawson**
(45) Registration Date: **28 April 2015**
(56) Related Art Documents: **Not Applicable**
(57) Statement of Newness and Distinctiveness: **Newness and distinctiveness reside in the features of shape and configuration of the bed as shown with greater weight to be given to the shape and configuration of the bedhead of the bed.**



(21) Design Number: **11468/2015**
(22) Date of Filing Application: **17 March 2015**
(24) Date from which industrial property rights may have effect: **17 March 2015**
(54) Product in respect of which the design is registered: **Container**
(51) International Design Classification: **09-01NES**
(74) Name(s) of Attorney(s): **FB Rice**
(71) Name(s) and Address(s) of Applicant(s):
Colgate-Palmolive Company
300 Park Ave New York New York 10022 United States of America
(72) Name(s) of Designer(s): **Kiat-Cheong Toh and Simon Dutton and Thomas VanDyk and Roland Charriez and David Demar and Keith Kristiansen**
(45) Registration Date: **28 April 2015**
(30) Convention priority data:
(31) Number (32) Date (33) Country
29/502653 18 Sep 2014 UNITED STATES OF AMERICA
(56) Related Art Documents: **Not Applicable**
(57) Statement of Newness and Distinctiveness: **Newness and distinctiveness reside in the features of shape and configuration of the design as shown in the representations.**



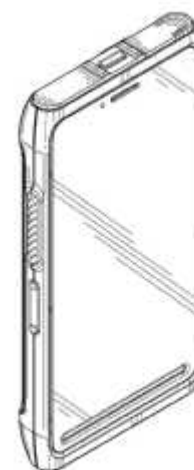
(21) Design Number: **11469/2015**
(22) Date of Filing Application: **17 March 2015**
(24) Date from which industrial property rights may have effect: **17 March 2015**
(54) Product in respect of which the design is registered: **Container**
(51) International Design Classification: **09-01NES**
(74) Name(s) of Attorney(s): **FB Rice**
(71) Name(s) and Address(s) of Applicant(s):
Colgate-Palmolive Company
300 Park Avenue New York New York 10022 United States of America
(72) Name(s) of Designer(s): **Kiat-Cheong Toh and Simon Dutton and Thomas VanDyk and Roland Charriez and David Demar and Keith Kristiansen**
(45) Registration Date: **28 April 2015**
(30) Convention priority data:
(31) Number (32) Date (33) Country
29/502653 18 Sep 2014 UNITED STATES OF AMERICA
(56) Related Art Documents: **Not Applicable**
(57) Statement of Newness and Distinctiveness: **Newness and distinctiveness reside in the features of shape and configuration of the design shown in solid lines in the representations excluding those features shown in broken lines.**



(21) Design Number: **11470/2015**
(22) Date of Filing Application: **17 March 2015**
(24) Date from which industrial property rights may have effect: **17 March 2015**
(54) Product in respect of which the design is registered: **Container**
(51) International Design Classification: **09-01NES**
(74) Name(s) of Attorney(s): **FB Rice**
(71) Name(s) and Address(s) of Applicant(s):
Colgate-Palmolive Company
300 Park Avenue New York New York 10022 United States of America
(72) Name(s) of Designer(s): **Kiat-Cheong Toh and Simon Dutton and Thomas VanDyk and Roland Charriez and David Demar and Keith Kristiansen**
(45) Registration Date: **28 April 2015**
(30) Convention priority data:
(31) Number (32) Date (33) Country
29/502653 18 Sep 2014 UNITED STATES OF AMERICA
(56) Related Art Documents: **Not Applicable**
(57) Statement of Newness and Distinctiveness: **Newness and distinctiveness reside in the features of shape and configuration of the design shown in solid lines in the representations excluding those features shown in broken lines.**



(21) Design Number: **11471/2015**
 (22) Date of Filing Application: **17 March 2015**
 (24) Date from which industrial property rights may have effect: **17 March 2015**
 (54) Product in respect of which the design is registered: **Communication device**
 (51) International Design Classification: **14-02, 14-03E**
 (74) Name(s) of Attorney(s): **PHILLIPS ORMONDE FITZPATRICK**
 (71) Name(s) and Address(s) of Applicant(s):
Motorola Solutions, Inc.
1303 East Algonquin Road Schaumburg Illinois 60196 United States of America
 (72) Name(s) of Designer(s): **Jaihar Jailani Ismail and Mark C Palmer**
 (45) Registration Date: **28 April 2015**
 (30) Convention priority data:
 (31) Number (32) Date (33) Country
29/503,907 30 Sep 2014 UNITED STATES OF AMERICA
 (56) Related Art Documents: **Not Applicable**
 (57) Statement of Newness and Distinctiveness: **Those features of the communications device depicted in the representations that are new and distinctive are the shape and/or configuration. The features shown in broken line are included for the purpose of illustrating environmental elements only and form no part of the design.**



(21) Design Number: **11472/2015**
 (22) Date of Filing Application: **17 March 2015**
 (24) Date from which industrial property rights may have effect: **17 March 2015**
 (54) Product in respect of which the design is registered: **Container**
 (51) International Design Classification: **09-01NES**
 (74) Name(s) of Attorney(s): **FB Rice**
 (71) Name(s) and Address(s) of Applicant(s):
Colgate-Palmolive Company
300 Park Avenue New York New York 10022 United States of America
 (72) Name(s) of Designer(s): **Kiat-Cheong Toh and Simon Dutton and Thomas VanDyk and Roland Charriez and David Demar and Keith Kristiansen**
 (45) Registration Date: **28 April 2015**
 (30) Convention priority data:
 (31) Number (32) Date (33) Country
29/502653 18 Sep 2014 UNITED STATES OF AMERICA
 (56) Related Art Documents: **Not Applicable**
 (57) Statement of Newness and Distinctiveness: **Newness and distinctiveness reside in the features of shape and configuration of the design as shown in the representations.**



(21) Design Number: **11473/2015**

(22) Date of Filing Application: **17 March 2015**

(24) Date from which industrial property rights may have effect: **17 March 2015**

(54) Product in respect of which the design is registered: **Stool**

(51) International Design Classification: **06-01E**

(74) Name(s) of Attorney(s): **FB Rice**

(71) Name(s) and Address(s) of Applicant(s):

Okamura Corporation

**7-18 Kitasaiwai 2-chome Nishi-ku Yokohama-shi Kanagawa 220-0004
Japan**

(72) Name(s) of Designer(s): **Ryousuke Yoshida**

(45) Registration Date: **28 April 2015**

(30) Convention priority data:

(31) Number	(32) Date	(33) Country
2014-020584	18 Sep 2014	JAPAN

(56) Related Art Documents: **Not Applicable**

(57) Statement of Newness and Distinctiveness: **Newness and distinctiveness reside in the features of shape and configuration of the design as shown in the representations.**



(21) Design Number: **11474/2015**

(22) Date of Filing Application: **17 March 2015**

(24) Date from which industrial property rights may have effect: **17 March 2015**

(54) Product in respect of which the design is registered: **Stool**

(51) International Design Classification: **06-01E**

(74) Name(s) of Attorney(s): **FB Rice**

(71) Name(s) and Address(s) of Applicant(s):

Okamura Corporation

**7-18 Kitasaiwai 2-chome Nishi-ku Yokohama-shi Kanagawa 220-0004
Japan**

(72) Name(s) of Designer(s): **Ryousuke Yoshida**

(45) Registration Date: **28 April 2015**

(30) Convention priority data:

(31) Number	(32) Date	(33) Country
2014-020588	18 Sep 2014	JAPAN

(56) Related Art Documents: **Not Applicable**

(57) Statement of Newness and Distinctiveness: **Newness and distinctiveness reside in the features of shape and configuration of the design as shown in the representations.**



(21) Design Number: **11475/2015**

(22) Date of Filing Application: **17 March 2015**

(24) Date from which industrial property rights may have effect: **17 March 2015**

(54) Product in respect of which the design is registered: **Chair**

(51) International Design Classification: **06-01F**

(74) Name(s) of Attorney(s): **FB Rice**

(71) Name(s) and Address(s) of Applicant(s):

Okamura Corporation

**7-18 Kitasaiwai 2-chome Nishi-ku Yokohama-shi Kanagawa 220-0004
Japan**

(72) Name(s) of Designer(s): **Syouichi Izawa**

(45) Registration Date: **28 April 2015**

(30) Convention priority data:

(31) Number	(32) Date	(33) Country
2014-020790	19 Sep 2014	JAPAN

(56) Related Art Documents: **Not Applicable**

(57) Statement of Newness and Distinctiveness: **Newness and distinctiveness reside in the features of shape and configuration of the design as shown in the representations.**



(21) Design Number: **11609/2015**

(22) Date of Filing Application: **25 March 2015**

(24) Date from which industrial property rights may have effect: **25 March 2015**

(54) Product in respect of which the design is registered: **Switch housing**

(51) International Design Classification: **13-03D**

(74) Name(s) of Attorney(s): **PHILLIPS ORMONDE FITZPATRICK**

(71) Name(s) and Address(s) of Applicant(s):

Gerard Lighting Pty Ltd

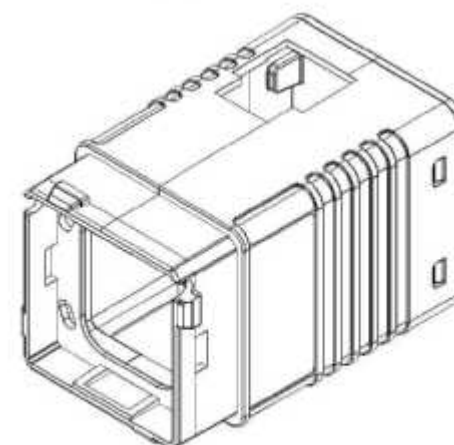
142-144 Fullarton Rd Rose Park SA 5067 Australia

(72) Name(s) of Designer(s): **Tony Kearney and Max Dickison**

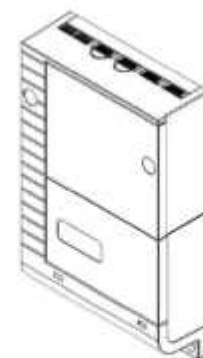
(45) Registration Date: **28 April 2015**

(56) Related Art Documents: **Not Applicable**

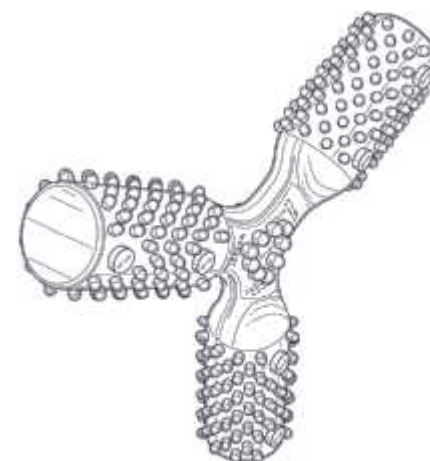
(57) Statement of Newness and Distinctiveness: **Newness and distinctiveness is claimed in the shape and/or configuration of a housing as shown in the accompanying drawings. In considering the scope of monopoly, no regard is to be had of the features indicated in dotted lines.**



(21) Design Number: **11610/2015**
(22) Date of Filing Application: **25 March 2015**
(24) Date from which industrial property rights may have effect: **25 March 2015**
(54) Product in respect of which the design is registered: **Relay housing**
(51) International Design Classification: **13-03NES**
(74) Name(s) of Attorney(s): **PHILLIPS ORMONDE FITZPATRICK**
(71) Name(s) and Address(s) of Applicant(s):
Gerard Lighting Pty Ltd
142-144 Fullarton Rd Rose Park SA 5067 Australia
(72) Name(s) of Designer(s): **Henry Lee and Eric Zhao**
(45) Registration Date: **28 April 2015**
(56) Related Art Documents: **Not Applicable**
(57) Statement of Newness and Distinctiveness: **Newness and distinctiveness is claimed in the shape and/or configuration of a housing as shown in the accompanying drawings. In considering the scope of monopoly, no regard is to be had of the features indicated in dotted lines.**



(21) Design Number: **11612/2015**
(22) Date of Filing Application: **25 March 2015**
(24) Date from which industrial property rights may have effect: **25 March 2015**
(54) Product in respect of which the design is registered: **Three-prong pet chew**
(51) International Design Classification: **30-99**
(74) Name(s) of Attorney(s): **IP Gateway Patent & Trademark Attorneys Pty Ltd**
(71) Name(s) and Address(s) of Applicant(s):
T.F.H. PUBLICATIONS, INC.
One TFH Plaza Third and Union Avenues Neptune City New Jersey,
07753 United States of America
(72) Name(s) of Designer(s): **Glen S. Axelrod and Nancy S. Rivadeneira**
(45) Registration Date: **28 April 2015**
(30) Convention priority data:
(31) Number (32) Date (33) Country
29/506,744 20 Oct 2014 UNITED STATES OF AMERICA
(56) Related Art Documents: **Not Applicable**
(57) Statement of Newness and Distinctiveness: **Newness and distinctiveness reside in the features of shape and/or configuration of a pet chew as shown in the solid lines in the accompanying representations. The features shown in the broken lines should be given minimum emphasis when considering the overall impression of the design.**



- (21) Design Number: **11614/2015**
(22) Date of Filing Application: **25 March 2015**
(24) Date from which industrial property rights may have effect: **25 March 2015**
(54) Product in respect of which the design is registered: **An escutcheon**
(51) International Design Classification: **08-07**
(74) Name(s) of Attorney(s): **PHILLIPS ORMONDE FITZPATRICK**
(71) Name(s) and Address(s) of Applicant(s):

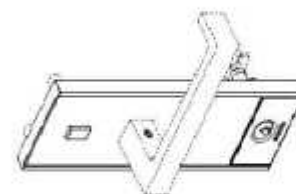
ASSA ABLOY Australia Pty Limited
235 Huntingdale Rd Oakleigh VIC 3166 Australia

- (72) Name(s) of Designer(s): **Gabuardi Lopez Malila**

- (45) Registration Date: **28 April 2015**

- (56) Related Art Documents: **Not Applicable**

- (57) Statement of Newness and Distinctiveness: **Those features of an escutcheon depicted in the representations that are new and distinctive are the shape and/or configuration. The features shown in broken lines are not part of the design and are to be disregarded when considering the overall impression of the design.**



- (21) Design Number: **11615/2015**
(22) Date of Filing Application: **25 March 2015**
(24) Date from which industrial property rights may have effect: **25 March 2015**
(54) Product in respect of which the design is registered: **Boot shaper**
(51) International Design Classification: **02-04A**
(74) Name(s) of Attorney(s): **Ahearn Fox**
(71) Name(s) and Address(s) of Applicant(s):

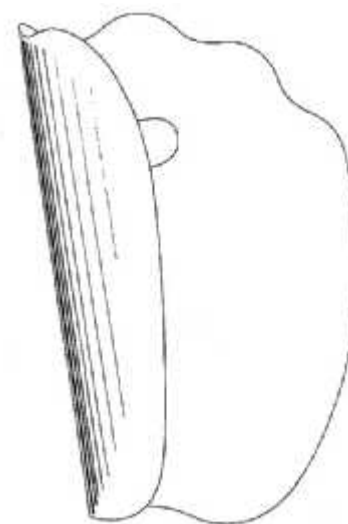
Voot LLC
124 W.30th Street New York New York, 10001 United States of America

- (72) Name(s) of Designer(s): **Susanne Schropp**

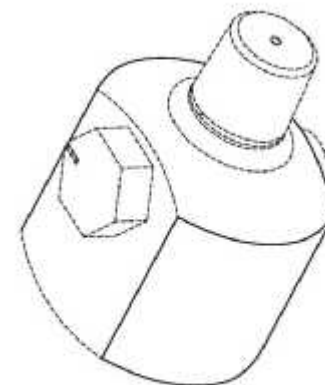
- (45) Registration Date: **28 April 2015**

- (56) Related Art Documents: **Not Applicable**

- (57) Statement of Newness and Distinctiveness: **Newness and distinctiveness resides in features of shape and configuration of a boot shaper as shown in the accompanying drawings. Fig. 1 is a front elevation view of a boot shaper, the rear elevation being identical; Fig. 2 is a side elevation view of the boot shaper, the opposite side elevation being identical; Fig. 3 is a side perspective view showing the boot shaper in a partially folded condition.**



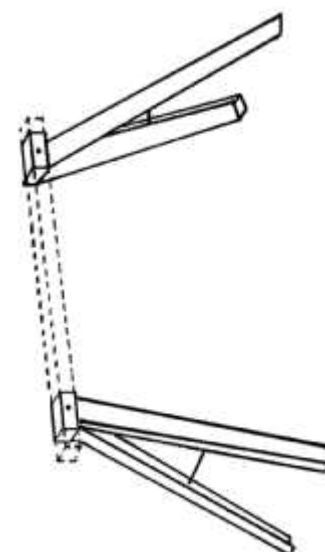
(21) Design Number: **11322/2015**
(22) Date of Filing Application: **10 March 2015**
(24) Date from which industrial property rights may have effect: **21 October 2014**
(54) Product in respect of which the design is registered: **Restrictor device**
(51) International Design Classification: **23-01NES**
(74) Name(s) of Attorney(s): **PHILLIPS ORMONDE FITZPATRICK**
(71) Name(s) and Address(s) of Applicant(s):
Dresser, Inc
15455 Dallas Parkway Suite 100 Addison Texas, 75001 United States of America



(72) Name(s) of Designer(s): **David Michael Jones and Lamar May**
(45) Registration Date: **28 April 2015**
(30) Convention priority data:
(31) Number (32) Date (33) Country
29/489,651 01 May 2014 UNITED STATES OF AMERICA

(62) Divisional of: **360702**
(56) Related Art Documents: **Not Applicable**
(57) Statement of Newness and Distinctiveness: **Those features of the restrictor device depicted in the representations that are new and distinctive are the shape and/or configuration. The features shown in broken lines are not part of the design and are to be disregarded when considering the overall impression of the design.**

(21) Design Number: **11325/2015**
(22) Date of Filing Application: **10 March 2015**
(24) Date from which industrial property rights may have effect: **10 March 2015**
(54) Product in respect of which the design is registered: **Leg supports of a saw horse**
(51) International Design Classification: **08-99**
(74) Name(s) of Attorney(s):
(71) Name(s) and Address(s) of Applicant(s):
Intech Tools Pty Ltd
12 Hanrahan St Thomastown VIC 3074 Australia



(72) Name(s) of Designer(s): **Monty Kapur**
(45) Registration Date: **28 April 2015**
(56) Related Art Documents: **Not Applicable**
(57) Statement of Newness and Distinctiveness: **Newness and distinctiveness reside in the shape and configuration of the leg supports of a saw horse as depicted in the accompanying representations. Those features of the representations depicted by broken lines are to be disregarded.**

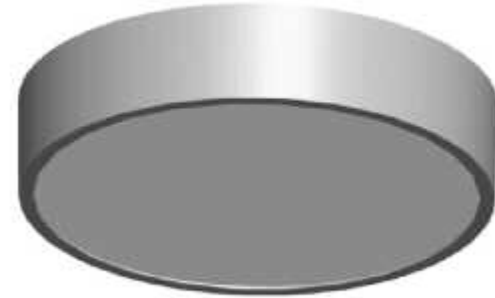
(21) Design Number: **11617/2015**
(22) Date of Filing Application: **25 March 2015**
(24) Date from which industrial property rights may have effect: **25 March 2015**
(54) Product in respect of which the design is registered: **Lightbulbs**
(51) International Design Classification: **26-04**
(74) Name(s) of Attorney(s): **A.P.T. Patent and Trade Mark Attorneys**
(71) Name(s) and Address(s) of Applicant(s):
Ningbo Yusing Optoelectronic Technology Co., Ltd.
No. 1199, Mingguang Road Jiangshan Town Ningbo China
(72) Name(s) of Designer(s): **Liang Zhang and Xiaoyu Cai**
(45) Registration Date: **28 April 2015**
(30) Convention priority data:
(31) Number (32) Date (33) Country
201530055992.3 09 Mar 2015 CHINA
(56) Related Art Documents: **Not Applicable**
(57) Statement of Newness and Distinctiveness: **Nil**



(21) Design Number: **11619/2015**
(22) Date of Filing Application: **25 March 2015**
(24) Date from which industrial property rights may have effect: **25 March 2015**
(54) Product in respect of which the design is registered: **Lights**
(51) International Design Classification: **26-05C**
(74) Name(s) of Attorney(s): **A.P.T. Patent and Trade Mark Attorneys**
(71) Name(s) and Address(s) of Applicant(s):
Ningbo Yusing Optoelectronic Technology Co., Ltd.
No. 1199, Mingguang Road Jiangshan Town Ningbo China
(72) Name(s) of Designer(s): **Liang Zhang and Xiaoyu Cai**
(45) Registration Date: **28 April 2015**
(30) Convention priority data:
(31) Number (32) Date (33) Country
201530055957.1 09 Mar 2015 CHINA
(56) Related Art Documents: **Not Applicable**
(57) Statement of Newness and Distinctiveness: **Nil**



(21) Design Number: **11620/2015**
(22) Date of Filing Application: **25 March 2015**
(24) Date from which industrial property rights may have effect: **25 March 2015**
(54) Product in respect of which the design is registered: **Lights**
(51) International Design Classification: **26-05C**
(74) Name(s) of Attorney(s): **A.P.T. Patent and Trade Mark Attorneys**
(71) Name(s) and Address(s) of Applicant(s):
Ningbo Yusing Optoelectronic Technology Co., Ltd.
No. 1199, Mingguang Road Jiangshan Town Ningbo China
(72) Name(s) of Designer(s): **Liang Zhang and Xiaoyu Cai**
(45) Registration Date: **28 April 2015**
(30) Convention priority data:
(31) Number (32) Date (33) Country
201530039488.4 10 Mar 2015 CHINA
(56) Related Art Documents: **Not Applicable**
(57) Statement of Newness and Distinctiveness: **Nil**



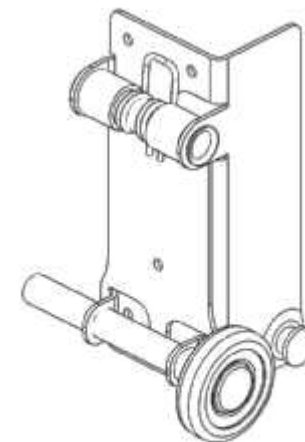
(21) Design Number: **11621/2015**
(22) Date of Filing Application: **25 March 2015**
(24) Date from which industrial property rights may have effect: **25 March 2015**
(54) Product in respect of which the design is registered: **Lights**
(51) International Design Classification: **26-05C**
(74) Name(s) of Attorney(s): **A.P.T. Patent and Trade Mark Attorneys**
(71) Name(s) and Address(s) of Applicant(s):
Ningbo Yusing Optoelectronic Technology Co., Ltd.
No. 1199, Mingguang Road Jiangshan Town Ningbo China
(72) Name(s) of Designer(s): **Liang Zhang and Xiaoyu Cai**
(45) Registration Date: **28 April 2015**
(30) Convention priority data:
(31) Number (32) Date (33) Country
201530055991.9 09 Mar 2015 CHINA
(56) Related Art Documents: **Not Applicable**
(57) Statement of Newness and Distinctiveness: **Nil**



- (21) Design Number: **11623/2015**
(22) Date of Filing Application: **26 March 2015**
(24) Date from which industrial property rights may have effect: **26 March 2015**
(54) Product in respect of which the design is registered: **Chocolate**
(51) International Design Classification: **01-01**
(74) Name(s) of Attorney(s): **Griffith Hack**
(71) Name(s) and Address(s) of Applicant(s):
Rubezahl Schokoladen GmbH
Dieselstrasse 9 Dettingen-Teck 73265 Germany
(72) Name(s) of Designer(s): **Ingrid Ensslen**
(45) Registration Date: **28 April 2015**
(30) Convention priority data:
(31) Number (32) Date (33) Country
002629865-0001 10 Feb 2015 OFFICE FOR HARMONISATION IN
THE INTERNAL MARKET (OHIM)
(56) Related Art Documents: **Not Applicable**
(57) Statement of Newness and Distinctiveness: **Newness and distinctiveness**
resides in the visual features, including the shape and configuration of
the product shown in the representations.



- (21) Design Number: **15780/2014**
(22) Date of Filing Application: **12 November 2014**
(24) Date from which industrial property rights may have effect: **12 November 2014**
(54) Product in respect of which the design is registered: **Bracket for a door**
(51) International Design Classification: **08-08L**
(74) Name(s) of Attorney(s): **O'Sullivan**
(71) Name(s) and Address(s) of Applicant(s):
Centurion Garage Doors Pty Ltd
79 Innovation Cct Wangara WA 6065 Australia
(72) Name(s) of Designer(s): **Steven Canning**
(45) Registration Date: **28 April 2015**
(56) Related Art Documents: **Not Applicable**
(57) Statement of Newness and Distinctiveness: **Nil**



- (21) Design Number: **10564/2015**
(22) Date of Filing Application: **04 February 2015**
(24) Date from which industrial property rights may have effect: **04 February 2015**
(54) Product in respect of which the design is registered: **Towel wrap**
(51) International Design Classification: **02-02B, 06-13C**
(74) Name(s) of Attorney(s):
(71) Name(s) and Address(s) of Applicant(s):

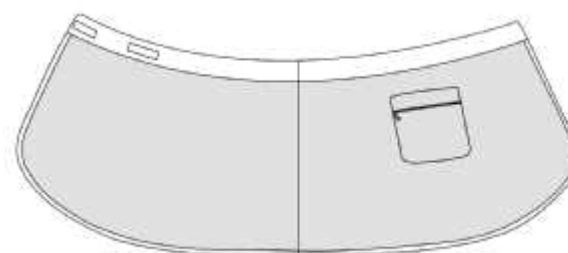
Cathy Sansom
PO Box 537 Sorrento VIC 3943 Australia

(72) Name(s) of Designer(s): **Cathy Sansom**

(45) Registration Date: **28 April 2015**

(56) Related Art Documents: **Not Applicable**

(57) Statement of Newness and Distinctiveness: **The newness and distinctiveness of the design resides in the wedge shape of the towel when laying flat with the top shorter than the bottom as shown in the flat full piece photograph in accompanying representations. This shape of the towel is designed to be worn as a wrap around towel skirt. The newness and distinctiveness of the design when fastened around the body is the A-frame outline shape with a bell shape front panel. The body of the skirt is a multiple looped woven appearance made of toweling fabric. A curved waistband is attached to the towel wedge shape. The waistband has 4 velcro tabs which fasten the towel together as an A-frame shaped skirt. The outer edges of the towel skirt are bound creating a flat finish to the towel and accentuating the bell shaped front panel. There is a double lined pocket with a chunky zip placed on the front of towel skirt which is visible when skirt is fastened closed.**



- (21) Design Number: **11608/2015**
(22) Date of Filing Application: **25 March 2015**
(24) Date from which industrial property rights may have effect: **25 March 2015**
(54) Product in respect of which the design is registered: **Controller housing**
(51) International Design Classification: **13-03NES**
(74) Name(s) of Attorney(s): **PHILLIPS ORMONDE FITZPATRICK**
(71) Name(s) and Address(s) of Applicant(s):

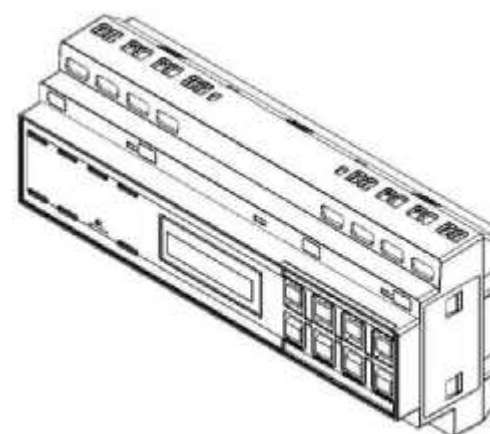
Gerard Lighting Pty Ltd
142-144 Fullarton Rd Rose Park SA 5067 Australia

(72) Name(s) of Designer(s): **Tony Kearney**

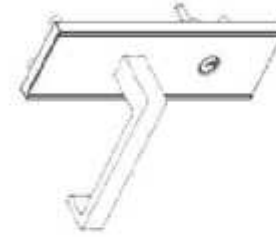
(45) Registration Date: **28 April 2015**

(56) Related Art Documents: **Not Applicable**

(57) Statement of Newness and Distinctiveness: **Nil**



- (21) Design Number: **11613/2015**
(22) Date of Filing Application: **25 March 2015**
(24) Date from which industrial property rights may have effect: **25 March 2015**
(54) Product in respect of which the design is registered: **An escutcheon**
(51) International Design Classification: **08-07**
(74) Name(s) of Attorney(s): **PHILLIPS ORMONDE FITZPATRICK**
(71) Name(s) and Address(s) of Applicant(s):
ASSA ABLOY Australia Pty Limited
235 Huntingdale Rd Oakleigh VIC 3166 Australia
(72) Name(s) of Designer(s): **Gabuardi Lopez Malila**
(45) Registration Date: **28 April 2015**
(56) Related Art Documents: **Not Applicable**
(57) Statement of Newness and Distinctiveness: **Those features of an escutcheon depicted in the representations that are new and distinctive are the shape and/or configuration. The features shown in broken lines are not part of the design and are to be disregarded when considering the overall impression of the design.**



- (21) Design Number: **11618/2015**
(22) Date of Filing Application: **25 March 2015**
(24) Date from which industrial property rights may have effect: **25 March 2015**
(54) Product in respect of which the design is registered: **Lights**
(51) International Design Classification: **26-05C**
(74) Name(s) of Attorney(s): **A.P.T. Patent and Trade Mark Attorneys**
(71) Name(s) and Address(s) of Applicant(s):
Ningbo Yusing Optoelectronic Technology Co., Ltd.
No. 1199, Mingguang Road Jiangshan Town Ningbo China
(72) Name(s) of Designer(s): **Liang Zhang and Xiaoyu Cai**
(45) Registration Date: **28 April 2015**
(30) Convention priority data:
(31) Number (32) Date (33) Country
201530056003.2 09 Mar 2015 CHINA
(56) Related Art Documents: **Not Applicable**
(57) Statement of Newness and Distinctiveness: **Nil**



- (21) Design Number: **10918/2015**
(22) Date of Filing Application: **20 February 2015**
(24) Date from which industrial property rights may have effect: **20 February 2015**
(54) Product in respect of which the design is registered: **Camper trailer with canopy**
(51) International Design Classification: **12-10**
(74) Name(s) of Attorney(s): **Etheringtons Solicitors**
(71) Name(s) and Address(s) of Applicant(s):
Global Import Corporation Pty Ltd
81 Milperra Rd Revesby NSW 2212 AUSTRALIA
(72) Name(s) of Designer(s): **Robert Grabovac**
(45) Registration Date: **29 April 2015**
(56) Related Art Documents: **Not Applicable**
(57) Statement of Newness and Distinctiveness: **Monopoly is claimed in respect of of the trailer's forward fold set-up, and a slide out section at the rear of the trailer. The trailer has a kitchen fold out section, as well as a slide out kitchen drawer from the body of the trailer.**



- (21) Design Number: **10919/2015**
(22) Date of Filing Application: **20 February 2015**
(24) Date from which industrial property rights may have effect: **20 February 2015**
(54) Product in respect of which the design is registered: **Camper trailer**
(51) International Design Classification: **12-10**
(74) Name(s) of Attorney(s): **Etheringtons Solicitors**
(71) Name(s) and Address(s) of Applicant(s):
Global Import Corporation Pty Ltd
81 Milperra Rd Revesby NSW 2212 AUSTRALIA
(72) Name(s) of Designer(s): **Robert Grabovac**
(45) Registration Date: **29 April 2015**
(56) Related Art Documents: **Not Applicable**
(57) Statement of Newness and Distinctiveness: **Monopoly is claimed in respect of the body shape, as illustrated on the representations, as well as its custom design front and roof-top storage boxes designed for use with large equipment. The body of the trailer expands into a fold out kitchen area, and has a slide-out kitchen**



- (21) Design Number: **11627/2015**
(22) Date of Filing Application: **25 March 2015**
(24) Date from which industrial property rights may have effect: **25 March 2015**
(54) Product in respect of which the design is registered: **Wire baskets**
(51) International Design Classification: **06-04NES**
(74) Name(s) of Attorney(s):
(71) Name(s) and Address(s) of Applicant(s):
Checkmate International Pty Ltd
1/13 Network Dr Carrum Downs VIC 3201 Australia
(72) Name(s) of Designer(s): **John Leahy**
(45) Registration Date: **29 April 2015**
(56) Related Art Documents: **Not Applicable**
(57) Statement of Newness and Distinctiveness: **Monopoly is claimed in the features of shape or configuration of the basket with hook and rod as illustrated in the representations.**



- (21) Design Number: **11628/2015**
(22) Date of Filing Application: **25 March 2015**
(24) Date from which industrial property rights may have effect: **25 March 2015**
(54) Product in respect of which the design is registered: **Wire baskets**
(51) International Design Classification: **08-08N**
(74) Name(s) of Attorney(s):
(71) Name(s) and Address(s) of Applicant(s):
Checkmate International Pty Ltd
1/13 Network Dr Carrum Downs VIC 3201 Australia
(72) Name(s) of Designer(s): **John Leahy**
(45) Registration Date: **29 April 2015**
(56) Related Art Documents: **Not Applicable**
(57) Statement of Newness and Distinctiveness: **Monopoly is claimed in the features of shape or configuration of the metal strip with punched hole as illustrated in the representations.**



(21) Design Number: **11629/2015**
(22) Date of Filing Application: **26 March 2015**
(24) Date from which industrial property rights may have effect: **26 March 2015**
(54) Product in respect of which the design is registered: **Bag**
(51) International Design Classification: **03-01B**
(74) Name(s) of Attorney(s): **PHILLIPS ORMONDE FITZPATRICK**
(71) Name(s) and Address(s) of Applicant(s):
Valentino S.p.A.
Via Turati 16/18 I-20121 Milano Italy
(72) Name(s) of Designer(s): **Stefano Sassi**
(45) Registration Date: **29 April 2015**
(30) Convention priority data:
(31) Number (32) Date (33) Country
MI2014O000141 30 Sep 2014 ITALY
(56) Related Art Documents: **Not Applicable**
(57) Statement of Newness and Distinctiveness: **Nil**



(21) Design Number: **11632/2015**
(22) Date of Filing Application: **26 March 2015**
(24) Date from which industrial property rights may have effect: **26 March 2015**
(54) Product in respect of which the design is registered: **Bottle**
(51) International Design Classification: **09-01H**
(74) Name(s) of Attorney(s): **FB Rice**
(71) Name(s) and Address(s) of Applicant(s):
SAVERGLASS
3 rue de la Gare Feuquieres 60960 France
(72) Name(s) of Designer(s): **Richard Lauret**
(45) Registration Date: **29 April 2015**
(30) Convention priority data:
(31) Number (32) Date (33) Country
**002621763-0001 28 Jan 2015 OFFICE FOR HARMONISATION IN
THE INTERNAL MARKET (OHIM)**
(56) Related Art Documents: **Not Applicable**
(57) Statement of Newness and Distinctiveness: **Newness and distinctiveness
reside in the features of the bottle shown in the representations which
has a vertical standing body having a circular cross-section, with the
upper part and lower part of the body having the same transverse
dimension. A long, neck protrudes upwardly from the upper part of the
body, and joins the shoulders with a small radius rounding. An annular
lip portion is provided around and protrudes beyond the periphery of
the mouth portion of the neck. The horizontal shoulders join the sides
of the cylindrical body with a large radius rounding. The sides extend
towards the bottom and merge into the base forming smooth corners
with large radius rounding at the edges. The bottom of the bottle has
a central cavity that protrudes inwardly in the form of a truncated cone
with a flat top resembling the shape of the shoulders.**



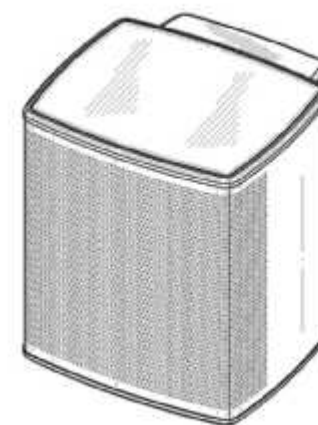
(21) Design Number: **16691/2014**
(22) Date of Filing Application: **24 December 2014**
(24) Date from which industrial property rights may have effect: **24 December 2014**
(54) Product in respect of which the design is registered: **Lighting device**
(51) International Design Classification: **26-02**
(74) Name(s) of Attorney(s): **Halfords IP**
(71) Name(s) and Address(s) of Applicant(s):
Eveready Battery Company, Inc.
533 Maryville University Drive St Louis Missouri, 63141 United States of America
(72) Name(s) of Designer(s): **Lai King Ma**
(45) Registration Date: **29 April 2015**
(30) Convention priority data:
(31) Number (32) Date (33) Country
29/502307 15 Sep 2014 UNITED STATES OF AMERICA
(56) Related Art Documents: **Not Applicable**
(57) Statement of Newness and Distinctiveness: **Newness and distinctiveness resides in those features of shape and or configuration of a LIGHTING DEVICE as depicted in the representations. Shading lines and features shown in broken lines do not form part of the design.**



(21) Design Number: **11636/2015**
(22) Date of Filing Application: **26 March 2015**
(24) Date from which industrial property rights may have effect: **26 March 2015**
(54) Product in respect of which the design is registered: **Food Grater**
(51) International Design Classification: **07-04**
(74) Name(s) of Attorney(s): **Trademark Works**
(71) Name(s) and Address(s) of Applicant(s):
JOSEPH JOSEPH LTD
The Grove, 30 Great Guildford Street London SE10HS United Kingdom
(72) Name(s) of Designer(s): **Antony Joseph**
(45) Registration Date: **29 April 2015**
(30) Convention priority data:
(31) Number (32) Date (33) Country
002549576-0004 02 Oct 2014 EUROPEAN PATENT OFFICE (EPO)
(56) Related Art Documents: **Not Applicable**
(57) Statement of Newness and Distinctiveness: **Nil**

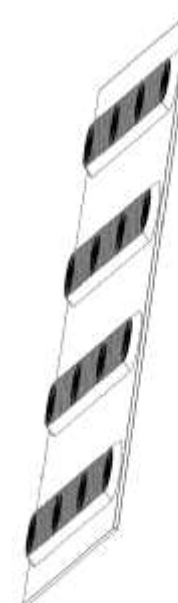


(21) Design Number: **11637/2015**
 (22) Date of Filing Application: **26 March 2015**
 (24) Date from which industrial property rights may have effect: **26 March 2015**
 (54) Product in respect of which the design is registered: **Satellite speaker**
 (51) International Design Classification: **14-01**
 (74) Name(s) of Attorney(s): **PHILLIPS ORMONDE FITZPATRICK**
 (71) Name(s) and Address(s) of Applicant(s):
Bose Corporation
The Mountain, MS 3B1 Framingham Massachusetts, 01701-9168 United States of America

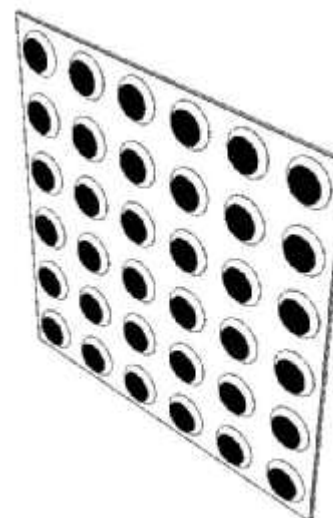


(72) Name(s) of Designer(s): **Richard J Carbone**
 (45) Registration Date: **29 April 2015**
 (30) Convention priority data:
 (31) Number (32) Date (33) Country
29/504056 01 Oct 2014 UNITED STATES OF AMERICA
 (56) Related Art Documents: **Not Applicable**
 (57) Statement of Newness and Distinctiveness: **Those features of the satellite speaker depicted in the representations that are new and distinctive are the shape and/or configuration. The features shown in broken lines are not part of the design and are to be disregarded when considering the overall impression of the design.**

(21) Design Number: **11638/2015**
 (22) Date of Filing Application: **26 March 2015**
 (24) Date from which industrial property rights may have effect: **26 March 2015**
 (54) Product in respect of which the design is registered: **A tactile tile**
 (51) International Design Classification: **10-06**
 (74) Name(s) of Attorney(s):
 (71) Name(s) and Address(s) of Applicant(s):
Ross Hipkins
14/1 Bell St Preston VIC 3072 Australia
 (72) Name(s) of Designer(s): **Ross Hipkins**
 (45) Registration Date: **29 April 2015**
 (56) Related Art Documents: **Not Applicable**
 (57) Statement of Newness and Distinctiveness: **Newness and distinctiveness is claimed in the shape and configuration of the upper surface of the tactile tile as depicted in the representations.**



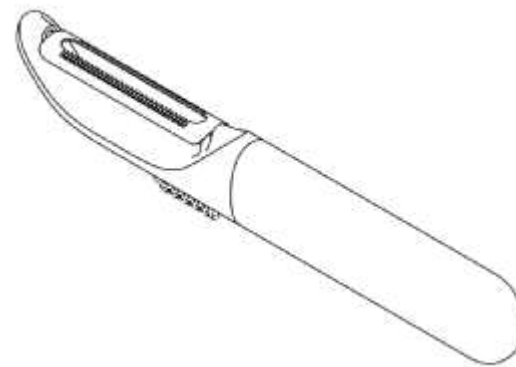
- (21) Design Number: **11639/2015**
(22) Date of Filing Application: **26 March 2015**
(24) Date from which industrial property rights may have effect: **26 March 2015**
(54) Product in respect of which the design is registered: **A tactile tile**
(51) International Design Classification: **10-06**
(74) Name(s) of Attorney(s):
(71) Name(s) and Address(s) of Applicant(s):
Ross Hipkins
14/1 Bell St Preston VIC 3072 Australia
(72) Name(s) of Designer(s): **Ross Hipkins**
(45) Registration Date: **29 April 2015**
(56) Related Art Documents: **Not Applicable**
(57) Statement of Newness and Distinctiveness: **Newness and distinctiveness is claimed in the shape and configuration of the upper surface of the tile as depicted in the representations.**



- (21) Design Number: **10828/2015**
(22) Date of Filing Application: **15 February 2015**
(24) Date from which industrial property rights may have effect: **15 February 2015**
(54) Product in respect of which the design is registered: **Apparel, textiles**
(51) International Design Classification: **05-05C**
(74) Name(s) of Attorney(s):
(71) Name(s) and Address(s) of Applicant(s):
R Khamitova
23 Banool Cir Ocean Shores NSW 2483 Australia
A Pourasgheri
23 Banool Cir Ocean Shores NSW 2483 Australia
(72) Name(s) of Designer(s): **Roza Khamitova**
(45) Registration Date: **29 April 2015**
(56) Related Art Documents: **Not Applicable**
(57) Statement of Newness and Distinctiveness: **The Newness and distinctiveness resides in placement, composition of (8) swans in the given space. Each swan is captured in a different stage of flight. Lines are hand drawn and special shading is added. The background features a representation of water splashes and splatter.**



(21) Design Number: **11641/2015**
(22) Date of Filing Application: **26 March 2015**
(24) Date from which industrial property rights may have effect: **26 March 2015**
(54) Product in respect of which the design is registered: **Vegetable peeler**
(51) International Design Classification: **07-04**
(74) Name(s) of Attorney(s): **Trademark Works**
(71) Name(s) and Address(s) of Applicant(s):
JOSEPH JOSEPH LTD
The Grove, 30 Great Guildford Street London SE10HS United Kingdom
(72) Name(s) of Designer(s): **Edward Goodwin and Richard Hartshorn**
(45) Registration Date: **29 April 2015**
(30) Convention priority data:
(31) Number (32) Date (33) Country
0025495760001 02 Oct 2014 EUROPEAN PATENT OFFICE (EPO)
(56) Related Art Documents: **Not Applicable**
(57) Statement of Newness and Distinctiveness: **Nil**



(21) Design Number: **11656/2015**
(22) Date of Filing Application: **27 March 2015**
(24) Date from which industrial property rights may have effect: **27 March 2015**
(54) Product in respect of which the design is registered: **Bumper**
(51) International Design Classification: **12-16C**
(74) Name(s) of Attorney(s):
(71) Name(s) and Address(s) of Applicant(s):
Greg Moore-Gilbert
C/-Patentec Patent Attorneys PO BOX A1172 Sydney South NSW 1235
Australia
(72) Name(s) of Designer(s): **Greg Moore-Gilbert**
(45) Registration Date: **29 April 2015**
(56) Related Art Documents: **Not Applicable**
(57) Statement of Newness and Distinctiveness: **Nil**



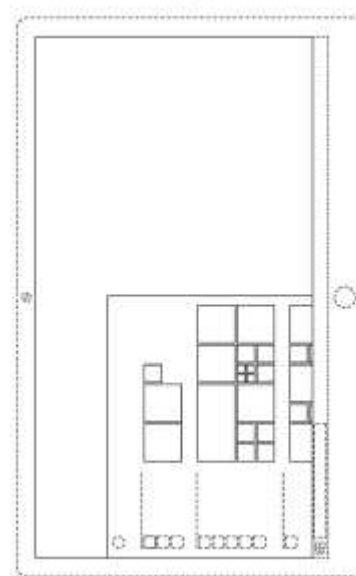
(21) Design Number: **11666/2015**
(22) Date of Filing Application: **30 March 2015**
(24) Date from which industrial property rights may have effect: **30 March 2015**
(54) Product in respect of which the design is registered: **A holder for items for use with a watercraft**
(51) International Design Classification: **12-16NES**
(74) Name(s) of Attorney(s): **A.J. Pietras & Co**
(71) Name(s) and Address(s) of Applicant(s):
Railblaza Limited
6 Tavern Road Silverdale Auckland 0932 New Zealand
(72) Name(s) of Designer(s): **Steven Pugh**
(45) Registration Date: **29 April 2015**
(56) Related Art Documents: **Not Applicable**
(57) Statement of Newness and Distinctiveness: **The design is to be applied to a holder for items for use with a watercraft and the novelty resides in the features of shape and configuration of the holder as shown in the accompanying representations.**



(21) Design Number: **11667/2015**
(22) Date of Filing Application: **30 March 2015**
(24) Date from which industrial property rights may have effect: **30 March 2015**
(54) Product in respect of which the design is registered: **Display screen with graphical user interface**
(51) International Design Classification: **14-02**
(74) Name(s) of Attorney(s): **Shelston IP**
(71) Name(s) and Address(s) of Applicant(s):
Microsoft Corporation
One Microsoft Way Redmond Washington, 98052 United States of America
(72) Name(s) of Designer(s): **Jaclyn Carley Knapp**
(45) Registration Date: **29 April 2015**
(30) Convention priority data:
(31) Number (32) Date (33) Country
29/503829 30 Sep 2014 UNITED STATES OF AMERICA
(56) Related Art Documents: **Not Applicable**
(57) Statement of Newness and Distinctiveness: **Newness and distinctiveness reside in the features of pattern and/or ornamentation of a display screen with graphical user interface as illustrated by solid lines in the accompanying representation. The features shown in broken outline are for contextual purposes only and do not form part of the design.**



- (21) Design Number: **11668/2015**
(22) Date of Filing Application: **30 March 2015**
(24) Date from which industrial property rights may have effect: **30 March 2015**
(54) Product in respect of which the design is registered: **Display screen with graphical user interface**
(51) International Design Classification: **14-02**
(74) Name(s) of Attorney(s): **Shelston IP**
(71) Name(s) and Address(s) of Applicant(s):
Microsoft Corporation
One Microsoft Way Redmond Washington, 98052 United States of America
(72) Name(s) of Designer(s): **Jaclyn Carley Knapp**
(45) Registration Date: **29 April 2015**
(30) Convention priority data:
(31) Number (32) Date (33) Country
29/503828 30 Sep 2014 UNITED STATES OF AMERICA
(56) Related Art Documents: **Not Applicable**
(57) Statement of Newness and Distinctiveness: **Newness and distinctiveness reside in the features of pattern and/or ornamentation of a display screen with graphical user interface as illustrated by solid lines in the accompanying representation. The features shown in broken outline are for contextual purposes only and do not form part of the design.**



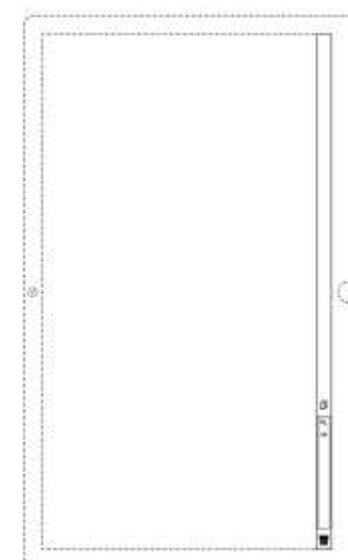
- (21) Design Number: **11669/2015**
(22) Date of Filing Application: **30 March 2015**
(24) Date from which industrial property rights may have effect: **30 March 2015**
(54) Product in respect of which the design is registered: **Display screen with graphical user interface**
(51) International Design Classification: **14-02**
(74) Name(s) of Attorney(s): **Shelston IP**
(71) Name(s) and Address(s) of Applicant(s):
Microsoft Corporation
One Microsoft Way Redmond Washington, 98052 United States of America
(72) Name(s) of Designer(s): **Jaclyn Carley Knapp**
(45) Registration Date: **29 April 2015**
(30) Convention priority data:
(31) Number (32) Date (33) Country
29/503831 30 Sep 2014 UNITED STATES OF AMERICA
(56) Related Art Documents: **Not Applicable**
(57) Statement of Newness and Distinctiveness: **Newness and distinctiveness reside in the features of pattern and/or ornamentation of a display screen with graphical user interface as illustrated by solid lines in the accompanying representation. The features shown in broken outline are for contextual purposes only and do not form part of the design.**



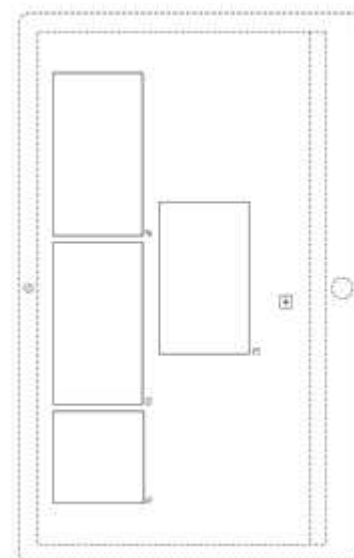
(21) Design Number: **11670/2015**
(22) Date of Filing Application: **30 March 2015**
(24) Date from which industrial property rights may have effect: **30 March 2015**
(54) Product in respect of which the design is registered: **Display screen with graphical user interface**
(51) International Design Classification: **14-02**
(74) Name(s) of Attorney(s): **Shelston IP**
(71) Name(s) and Address(s) of Applicant(s):
Microsoft Corporation
One Microsoft Way Redmond Washington, 98052 United States of America
(72) Name(s) of Designer(s): **Jaclyn Carley Knapp**
(45) Registration Date: **30 April 2015**
(30) Convention priority data:
(31) Number (32) Date (33) Country
29/503832 30 Sep 2014 UNITED STATES OF AMERICA
(56) Related Art Documents: **Not Applicable**
(57) Statement of Newness and Distinctiveness: **Newness and distinctiveness reside in the features of pattern and/or ornamentation of a display screen with graphical user interface as illustrated by solid lines in the accompanying representation. The features shown in broken outline are for contextual purposes only and do not form part of the design.**



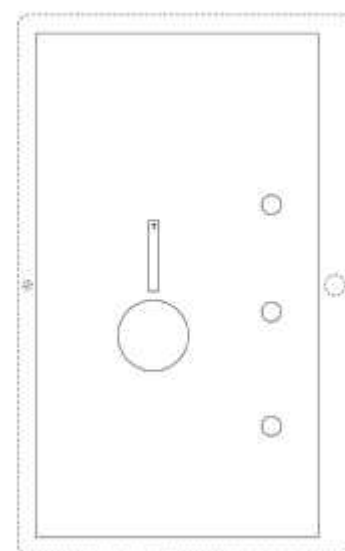
(21) Design Number: **11673/2015**
(22) Date of Filing Application: **30 March 2015**
(24) Date from which industrial property rights may have effect: **30 March 2015**
(54) Product in respect of which the design is registered: **Display screen with graphical user interface**
(51) International Design Classification: **14-02**
(74) Name(s) of Attorney(s): **Shelston IP**
(71) Name(s) and Address(s) of Applicant(s):
Microsoft Corporation
One Microsoft Way Redmond Washington, 98052 United States of America
(72) Name(s) of Designer(s): **Jeremy Monroe Bowen and Richard W. Zarick**
(45) Registration Date: **30 April 2015**
(30) Convention priority data:
(31) Number (32) Date (33) Country
29/503837 30 Sep 2014 UNITED STATES OF AMERICA
(56) Related Art Documents: **Not Applicable**
(57) Statement of Newness and Distinctiveness: **Newness and distinctiveness reside in the features of pattern and/or ornamentation of a display screen with graphical user interface as illustrated by solid lines in the accompanying representation. The features shown in broken outline are for contextual purposes only and do not form part of the design.**



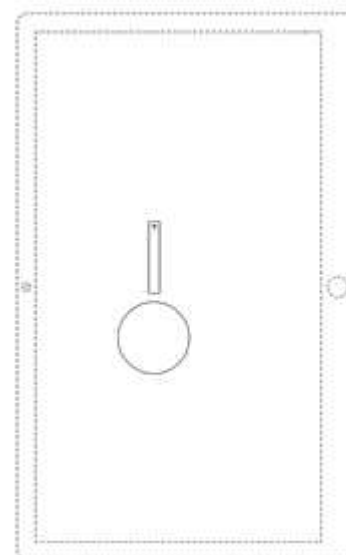
(21) Design Number: **11674/2015**
(22) Date of Filing Application: **30 March 2015**
(24) Date from which industrial property rights may have effect: **30 March 2015**
(54) Product in respect of which the design is registered: **Display screen with graphical user interface**
(51) International Design Classification: **14-02**
(74) Name(s) of Attorney(s): **Shelston IP**
(71) Name(s) and Address(s) of Applicant(s):
Microsoft Corporation
One Microsoft Way Redmond Washington, 98052 United States of America
(72) Name(s) of Designer(s): **Jeremy Monroe Bowen and Richard W. Zarick**
(45) Registration Date: **30 April 2015**
(30) Convention priority data:
(31) Number (32) Date (33) Country
29/503841 30 Sep 2014 UNITED STATES OF AMERICA
(56) Related Art Documents: **Not Applicable**
(57) Statement of Newness and Distinctiveness: **Newness and distinctiveness reside in the features of pattern and/or ornamentation of a display screen with graphical user interface as illustrated by solid lines in the accompanying representation. The features shown in broken outline are for contextual purposes only and do not form part of the design.**



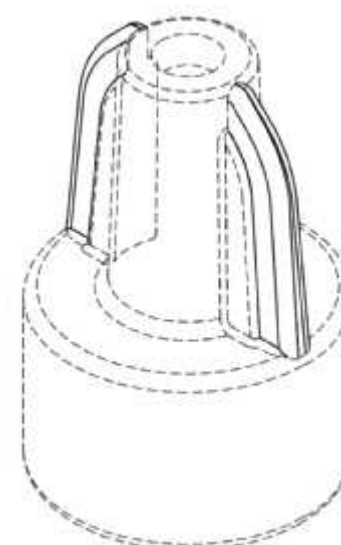
(21) Design Number: **11681/2015**
(22) Date of Filing Application: **30 March 2015**
(24) Date from which industrial property rights may have effect: **30 March 2015**
(54) Product in respect of which the design is registered: **Display screen with graphical user interface**
(51) International Design Classification: **14-04**
(74) Name(s) of Attorney(s): **Shelston IP**
(71) Name(s) and Address(s) of Applicant(s):
Microsoft Corporation
One Microsoft Way Redmond Washington, 98052 United States of America
(72) Name(s) of Designer(s): **Aaron Naoyoshi Sheung Yan Woo**
(45) Registration Date: **30 April 2015**
(30) Convention priority data:
(31) Number (32) Date (33) Country
29/503854 30 Sep 2014 UNITED STATES OF AMERICA
(56) Related Art Documents: **Not Applicable**
(57) Statement of Newness and Distinctiveness: **Newness and distinctiveness reside in the features of pattern and/or ornamentation of a display screen with graphical user interface as illustrated by solid lines in the accompanying representation. The features shown in broken outline are for contextual purposes only and do not form part of the design.**



(21) Design Number: **11683/2015**
(22) Date of Filing Application: **30 March 2015**
(24) Date from which industrial property rights may have effect: **30 March 2015**
(54) Product in respect of which the design is registered: **Display screen with graphical user interface**
(51) International Design Classification: **14-04**
(74) Name(s) of Attorney(s): **Shelston IP**
(71) Name(s) and Address(s) of Applicant(s):
Microsoft Corporation
One Microsoft Way Redmond Washington, 98052 United States of America
(72) Name(s) of Designer(s): **Aaron Naoyoshi Sheung Yan Woo**
(45) Registration Date: **30 April 2015**
(30) Convention priority data:
(31) Number (32) Date (33) Country
29/503853 30 Sep 2014 UNITED STATES OF AMERICA
(56) Related Art Documents: **Not Applicable**
(57) Statement of Newness and Distinctiveness: **Newness and distinctiveness reside in the features of pattern and/or ornamentation of a display screen with graphical user interface as illustrated by solid lines in the accompanying representation. The features shown in broken outline are for contextual purposes only and do not form part of the design.**



(21) Design Number: **11690/2015**
(22) Date of Filing Application: **30 March 2015**
(24) Date from which industrial property rights may have effect: **30 March 2015**
(54) Product in respect of which the design is registered: **Male enteral tubing connector**
(51) International Design Classification: **24-04**
(74) Name(s) of Attorney(s): **Spruson & Ferguson**
(71) Name(s) and Address(s) of Applicant(s):
Covidien LP
15 Hampshire Street, Mansfield Massachusetts, 02048 United States of America
(72) Name(s) of Designer(s): **David Rork Swisher and Wayne Schuessler**
(45) Registration Date: **30 April 2015**
(30) Convention priority data:
(31) Number (32) Date (33) Country
29/508425 06 Nov 2014 UNITED STATES OF AMERICA
(56) Related Art Documents: **Not Applicable**
(57) Statement of Newness and Distinctiveness: **Newness and distinctiveness is claimed in the features of shape and/or configuration of a male enteral tubing connector as illustrated in continuous lines in the accompanying representations.**



(21) Design Number: **11699/2015**
(22) Date of Filing Application: **30 March 2015**
(24) Date from which industrial property rights may have effect: **30 March 2015**
(54) Product in respect of which the design is registered: **Display screen with graphical user interface**
(51) International Design Classification: **14-02**
(74) Name(s) of Attorney(s): **Shelston IP**
(71) Name(s) and Address(s) of Applicant(s):

Microsoft Corporation
One Microsoft Way Redmond Washington, 98052 United States of America

(72) Name(s) of Designer(s): **Jaclyn Carley Knapp**

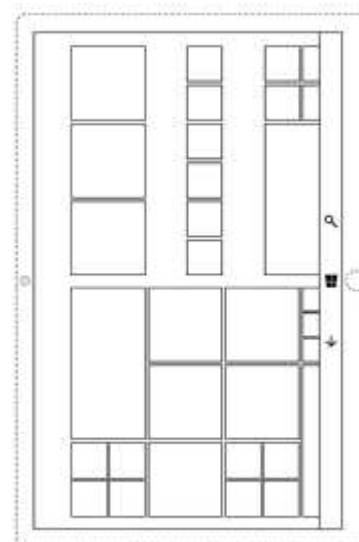
(45) Registration Date: **30 April 2015**

(30) Convention priority data:

(31) Number	(32) Date	(33) Country
29/503848	30 Sep 2014	UNITED STATES OF AMERICA

(56) Related Art Documents: **Not Applicable**

(57) Statement of Newness and Distinctiveness: **Newness and distinctiveness reside in the features of pattern and/or ornamentation of a display screen with graphical user interface as illustrated by solid lines in the accompanying representation. The features shown in broken outline are for contextual purposes only and do not form part of the design.**



(21) Design Number: **11700/2015**
(22) Date of Filing Application: **30 March 2015**
(24) Date from which industrial property rights may have effect: **30 March 2015**
(54) Product in respect of which the design is registered: **Display screen with graphical user interface**
(51) International Design Classification: **14-02**
(74) Name(s) of Attorney(s): **Shelston IP**
(71) Name(s) and Address(s) of Applicant(s):

Microsoft Corporation
One Microsoft Way Redmond Washington, 98052 United States of America

(72) Name(s) of Designer(s): **Jaclyn Carley Knapp**

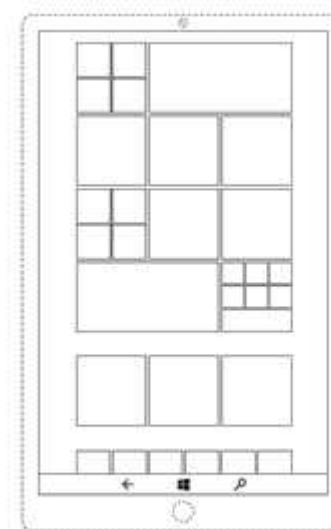
(45) Registration Date: **30 April 2015**

(30) Convention priority data:

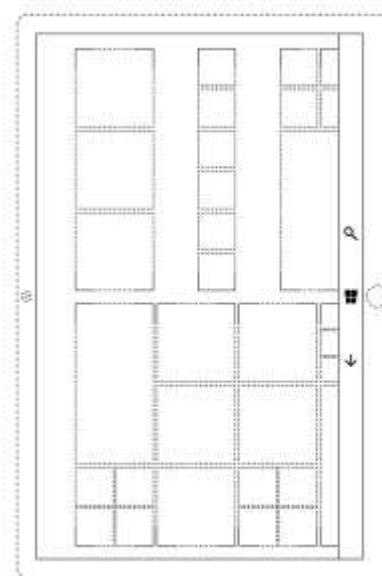
(31) Number	(32) Date	(33) Country
29/503848	30 Sep 2014	UNITED STATES OF AMERICA

(56) Related Art Documents: **Not Applicable**

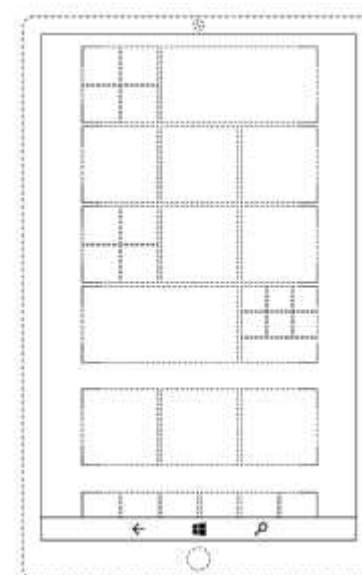
(57) Statement of Newness and Distinctiveness: **Newness and distinctiveness reside in the features of pattern and/or ornamentation of a display screen with graphical user interface as illustrated by solid lines in the accompanying representation. The features shown in broken outline are for contextual purposes only and do not form part of the design.**



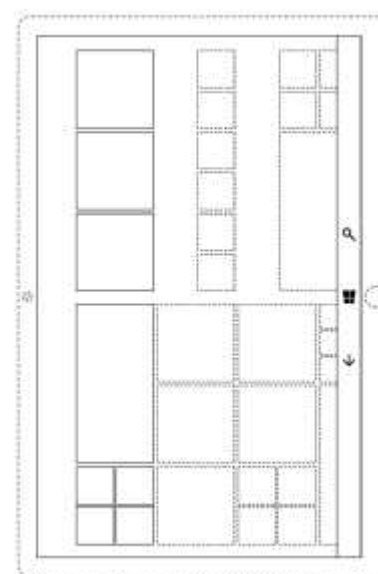
(21) Design Number: **11703/2015**
(22) Date of Filing Application: **30 March 2015**
(24) Date from which industrial property rights may have effect: **30 March 2015**
(54) Product in respect of which the design is registered: **Display screen with graphical user interface**
(51) International Design Classification: **19-02**
(74) Name(s) of Attorney(s): **Shelston IP**
(71) Name(s) and Address(s) of Applicant(s):
Microsoft Corporation
One Microsoft Way Redmond Washington, 98052 United States of America
(72) Name(s) of Designer(s): **Jaclyn Carley Knapp**
(45) Registration Date: **30 April 2015**
(30) Convention priority data:
(31) Number (32) Date (33) Country
29/503848 30 Sep 2014 UNITED STATES OF AMERICA
(56) Related Art Documents: **Not Applicable**
(57) Statement of Newness and Distinctiveness: **Newness and distinctiveness reside in the features of pattern and/or ornamentation of a display screen with graphical user interface as illustrated by solid lines in the accompanying representation. The features shown in broken outline are for contextual purposes only and do not form part of the design.**



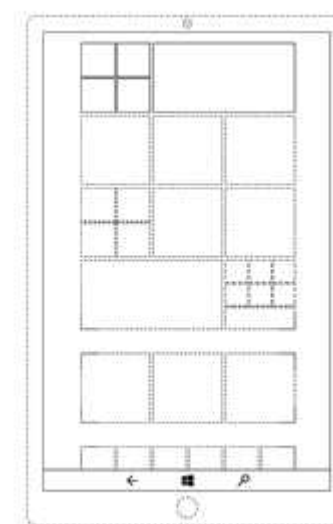
(21) Design Number: **11704/2015**
(22) Date of Filing Application: **30 March 2015**
(24) Date from which industrial property rights may have effect: **30 March 2015**
(54) Product in respect of which the design is registered: **Display screen with graphical user interface**
(51) International Design Classification: **14-02**
(74) Name(s) of Attorney(s): **Shelston IP**
(71) Name(s) and Address(s) of Applicant(s):
Microsoft Corporation
One Microsoft Way Redmond Washington, 98052 United States of America
(72) Name(s) of Designer(s): **Jaclyn Carley Knapp**
(45) Registration Date: **30 April 2015**
(30) Convention priority data:
(31) Number (32) Date (33) Country
29/503848 30 Sep 2014 UNITED STATES OF AMERICA
(56) Related Art Documents: **Not Applicable**
(57) Statement of Newness and Distinctiveness: **Newness and distinctiveness reside in the features of pattern and/or ornamentation of a display screen with graphical user interface as illustrated by solid lines in the accompanying representation. The features shown in broken outline are for contextual purposes only and do not form part of the design.**



(21) Design Number: **11706/2015**
(22) Date of Filing Application: **30 March 2015**
(24) Date from which industrial property rights may have effect: **30 March 2015**
(54) Product in respect of which the design is registered: **Display screen with graphical user interface**
(51) International Design Classification: **14-02**
(74) Name(s) of Attorney(s): **Shelston IP**
(71) Name(s) and Address(s) of Applicant(s):
Microsoft Corporation
One Microsoft Way Redmond Washington, 98052 United States of America
(72) Name(s) of Designer(s): **Jaclyn Carley Knapp**
(45) Registration Date: **30 April 2015**
(30) Convention priority data:
(31) Number (32) Date (33) Country
29/503848 30 Sep 2014 UNITED STATES OF AMERICA
(56) Related Art Documents: **Not Applicable**
(57) Statement of Newness and Distinctiveness: **Newness and distinctiveness reside in the features of pattern and/or ornamentation of a display screen with graphical user interface as illustrated by solid lines in the accompanying representation. The features shown in broken outline are for contextual purposes only and do not form part of the design.**



(21) Design Number: **11710/2015**
(22) Date of Filing Application: **30 March 2015**
(24) Date from which industrial property rights may have effect: **30 March 2015**
(54) Product in respect of which the design is registered: **Display screen with graphical user interface**
(51) International Design Classification: **14-02**
(74) Name(s) of Attorney(s): **Shelston IP**
(71) Name(s) and Address(s) of Applicant(s):
Microsoft Corporation
One Microsoft Way Redmond Washington 98052 United States of America
(72) Name(s) of Designer(s): **Jaclyn Carley Knapp**
(45) Registration Date: **30 April 2015**
(30) Convention priority data:
(31) Number (32) Date (33) Country
29/503848 30 Sep 2014 UNITED STATES OF AMERICA
(56) Related Art Documents: **Not Applicable**
(57) Statement of Newness and Distinctiveness: **Newness and distinctiveness reside in the features of pattern and/or ornamentation of a display screen with graphical user interface as illustrated by solid lines in the accompanying representation. The features shown in broken outline are for contextual purposes only and do not form part of the design.**



(21) Design Number: **11711/2015**
 (22) Date of Filing Application: **30 March 2015**
 (24) Date from which industrial property rights may have effect: **30 March 2015**
 (54) Product in respect of which the design is registered: **Display screen with graphical user interface**
 (51) International Design Classification: **14-02**
 (74) Name(s) of Attorney(s): **Shelston IP**
 (71) Name(s) and Address(s) of Applicant(s):

Microsoft Corporation
One Microsoft Way Redmond Washington 98052 United States of America

(72) Name(s) of Designer(s): **Jaclyn Carley Knapp**

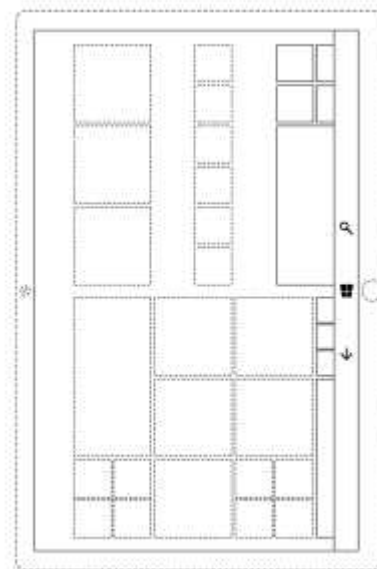
(45) Registration Date: **30 April 2015**

(30) Convention priority data:

(31) Number	(32) Date	(33) Country
29/503848	30 Sep 2014	UNITED STATES OF AMERICA

(56) Related Art Documents: **Not Applicable**

(57) Statement of Newness and Distinctiveness: **Newness and distinctiveness reside in the features of pattern and/or ornamentation of a display screen with graphical user interface as illustrated by solid lines in the accompanying representation. The features shown in broken outline are for contextual purposes only and do not form part of the design.**



(21) Design Number: **11712/2015**
 (22) Date of Filing Application: **30 March 2015**
 (24) Date from which industrial property rights may have effect: **30 March 2015**
 (54) Product in respect of which the design is registered: **Display screen with graphical user interface**
 (51) International Design Classification: **14-02**
 (74) Name(s) of Attorney(s): **Shelston IP**
 (71) Name(s) and Address(s) of Applicant(s):

Microsoft Corporation
One Microsoft Way Redmond Washington 98052 United States of America

(72) Name(s) of Designer(s): **Jaclyn Carley Knapp**

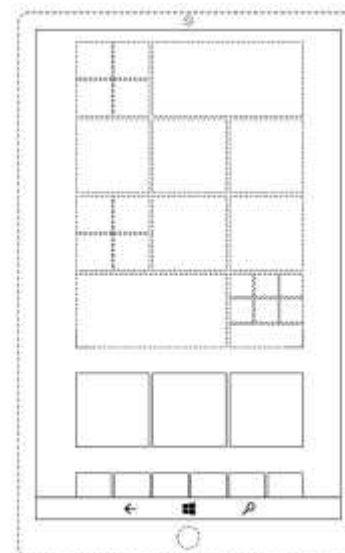
(45) Registration Date: **30 April 2015**

(30) Convention priority data:

(31) Number	(32) Date	(33) Country
29/503848	30 Sep 2014	UNITED STATES OF AMERICA

(56) Related Art Documents: **Not Applicable**

(57) Statement of Newness and Distinctiveness: **Newness and distinctiveness reside in the features of pattern and/or ornamentation of a display screen with graphical user interface as illustrated by solid lines in the accompanying representation. The features shown in broken outline are for contextual purposes only and do not form part of the design.**



(21) Design Number: **11713/2015**
(22) Date of Filing Application: **30 March 2015**
(24) Date from which industrial property rights may have effect: **30 March 2015**
(54) Product in respect of which the design is registered: **Display screen with graphical user interface**
(51) International Design Classification: **14-02**
(74) Name(s) of Attorney(s): **Shelston IP**
(71) Name(s) and Address(s) of Applicant(s):

Microsoft Corporation
One Microsoft Way Redmond Washington 98052 United States of America

(72) Name(s) of Designer(s): **Jaclyn Carley Knapp**

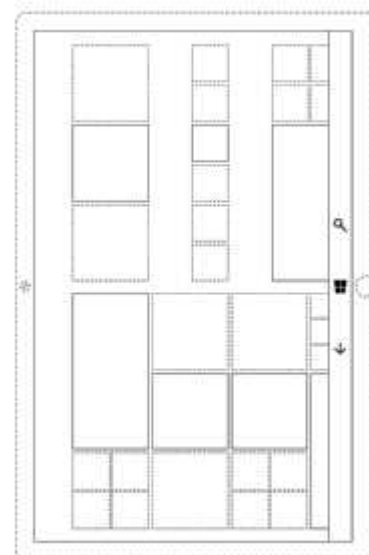
(45) Registration Date: **30 April 2015**

(30) Convention priority data:

(31) Number	(32) Date	(33) Country
29/503848	30 Sep 2014	UNITED STATES OF AMERICA

(56) Related Art Documents: **Not Applicable**

(57) Statement of Newness and Distinctiveness: **Newness and distinctiveness reside in the features of pattern and/or ornamentation of a display screen with graphical user interface as illustrated by solid lines in the accompanying representation. The features shown in broken outline are for contextual purposes only and do not form part of the design.**



(21) Design Number: **11714/2015**
(22) Date of Filing Application: **30 March 2015**
(24) Date from which industrial property rights may have effect: **30 March 2015**
(54) Product in respect of which the design is registered: **Display screen with graphical user interface**
(51) International Design Classification: **14-02**
(74) Name(s) of Attorney(s): **Shelston IP**
(71) Name(s) and Address(s) of Applicant(s):

Microsoft Corporation
One Microsoft Way Redmond Washington 98052 United States of America

(72) Name(s) of Designer(s): **Jaclyn Carley Knapp**

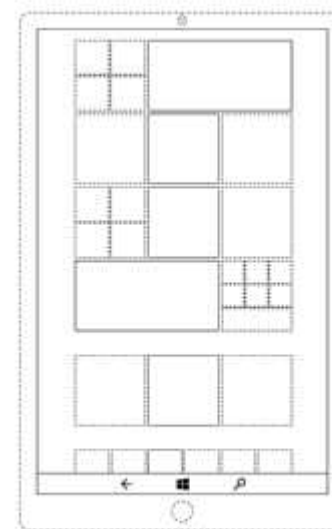
(45) Registration Date: **30 April 2015**

(30) Convention priority data:

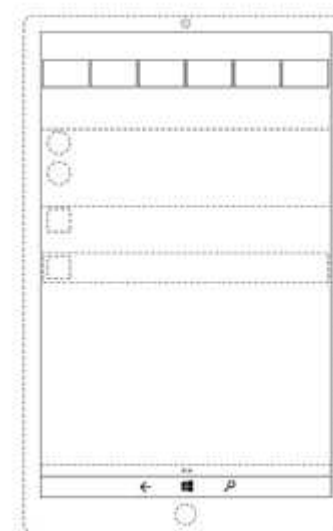
(31) Number	(32) Date	(33) Country
29/503848	30 Sep 2014	UNITED STATES OF AMERICA

(56) Related Art Documents: **Not Applicable**

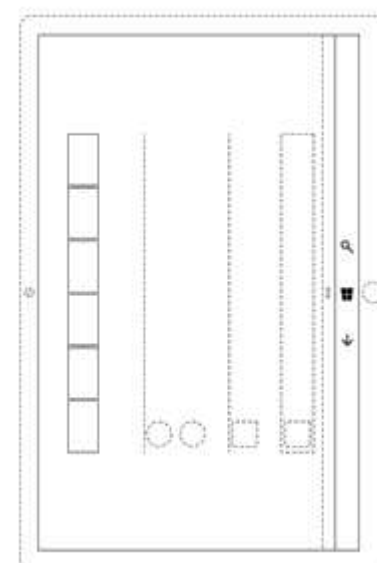
(57) Statement of Newness and Distinctiveness: **Newness and distinctiveness reside in the features of pattern and/or ornamentation of a display screen with graphical user interface as illustrated by solid lines in the accompanying representation. The features shown in broken outline are for contextual purposes only and do not form part of the design.**



(21) Design Number: **11715/2015**
(22) Date of Filing Application: **30 March 2015**
(24) Date from which industrial property rights may have effect: **30 March 2015**
(54) Product in respect of which the design is registered: **Display screen with graphical user interface**
(51) International Design Classification: **14-02**
(74) Name(s) of Attorney(s): **Shelston IP**
(71) Name(s) and Address(s) of Applicant(s):
Microsoft Corporation
One Microsoft Way Redmond Washington 98052 United States of America
(72) Name(s) of Designer(s): **Jiwon Choi**
(45) Registration Date: **30 April 2015**
(30) Convention priority data:
(31) Number (32) Date (33) Country
29/503852 30 Sep 2014 UNITED STATES OF AMERICA
(56) Related Art Documents: **Not Applicable**
(57) Statement of Newness and Distinctiveness: **Newness and distinctiveness reside in the features of pattern and/or ornamentation of a display screen with graphical user interface as illustrated by solid lines in the accompanying representation. The features shown in broken outline are for contextual purposes only and do not form part of the design.**



(21) Design Number: **11708/2015**
(22) Date of Filing Application: **30 March 2015**
(24) Date from which industrial property rights may have effect: **30 March 2015**
(54) Product in respect of which the design is registered: **Display screen with graphical user interface**
(51) International Design Classification: **14-02**
(74) Name(s) of Attorney(s): **Shelston IP**
(71) Name(s) and Address(s) of Applicant(s):
Microsoft Corporation
One Microsoft Way Redmond Washington 98052 United States of America
(72) Name(s) of Designer(s): **Jiwon Choi**
(45) Registration Date: **30 April 2015**
(30) Convention priority data:
(31) Number (32) Date (33) Country
29/503852 30 Sep 2014 UNITED STATES OF AMERICA
(56) Related Art Documents: **Not Applicable**
(57) Statement of Newness and Distinctiveness: **Newness and distinctiveness reside in the features of pattern and/or ornamentation of a display screen with graphical user interface as illustrated by solid lines in the accompanying representation. The features shown in broken outline are for contextual purposes only and do not form part of the design.**



- (21) Design Number: **11599/2013**
(22) Date of Filing Application: **03 April 2013**
(24) Date from which industrial property rights may have effect: **03 April 2013**
(54) Product in respect of which the design is registered: **Building panel and construction method**
(51) International Design Classification: **25-01D**
(74) Name(s) of Attorney(s):
(71) Name(s) and Address(s) of Applicant(s):
Paul Blazevic
44 Knightsbridge Dr Chuwar QLD 4306 Australia
(72) Name(s) of Designer(s): **Paul Blazevic**
(45) Registration Date: **30 April 2015**
(56) Related Art Documents: **Not Applicable**
(57) Statement of Newness and Distinctiveness: **PanelForm is self-supporting framework made from suitable material measures 600mm x 1200mm, one flat exterior side, interior side is a matrix of webs that make up PanelForm panel. Tongue and groove on opposite edges for connecting panels to form completed walls or structures. Held together in a vertical or horizontal position of proposed wall and anchored using a reinforcement bar or steel tube etc. at the centre, in pattern similar to brick-bonding or tiling.**



- (21) Design Number: **11701/2015**
(22) Date of Filing Application: **30 March 2015**
(24) Date from which industrial property rights may have effect: **30 March 2015**
(54) Product in respect of which the design is registered: **Container**
(51) International Design Classification: **09-03L**
(74) Name(s) of Attorney(s): **Griffith Hack**
(71) Name(s) and Address(s) of Applicant(s):
Kraft Foods Group Brands LLC
Three Lakes Drive Northfield, Illinois,, 60603 United States of America
(72) Name(s) of Designer(s): **Mark Norton and Piaras de Cleir**
(45) Registration Date: **30 April 2015**
(30) Convention priority data:
(31) Number (32) Date (33) Country
29504016 01 Oct 2014 UNITED STATES OF AMERICA
(56) Related Art Documents: **Not Applicable**
(57) Statement of Newness and Distinctiveness: **Newness and distinctiveness resides in the visual features, including shape and configuration, of a CONTAINER as shown in solid outline in the accompanying drawings. When determining whether the design is substantially similar in overall impression to another design, no regard is to be had to those features shown in dotted outline in the accompanying drawings, which features are provided for illustrative purposes only.**



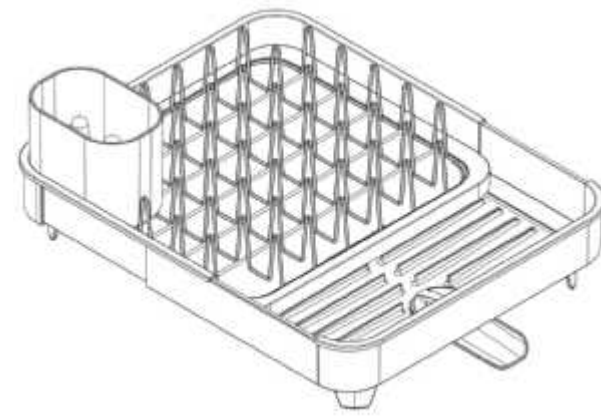
(21) Design Number: **11702/2015**
(22) Date of Filing Application: **30 March 2015**
(24) Date from which industrial property rights may have effect: **30 March 2015**
(54) Product in respect of which the design is registered: **Container**
(51) International Design Classification: **09-03L**
(74) Name(s) of Attorney(s): **Griffith Hack**
(71) Name(s) and Address(s) of Applicant(s):
Kraft Foods Group Brands LLC
Three Lakes Drive Northfield, Illinois,, 60603 United States of America
(72) Name(s) of Designer(s): **Mark Norton and Piaras de Cleir**
(45) Registration Date: **30 April 2015**
(30) Convention priority data:
(31) Number (32) Date (33) Country
29504016 01 Oct 2014 UNITED STATES OF AMERICA
(56) Related Art Documents: **Not Applicable**
(57) Statement of Newness and Distinctiveness: **Newness and distinctiveness resides in the visual features, including shape and configuration, of a CONTAINER as shown in solid outline in the accompanying drawings. When determining whether the design is substantially similar in overall impression to another design, no regard is to be had to those features shown in dotted outline in the accompanying drawings, which features are provided for illustrative purposes only.**



(21) Design Number: **11707/2015**
(22) Date of Filing Application: **30 March 2015**
(24) Date from which industrial property rights may have effect: **30 March 2015**
(54) Product in respect of which the design is registered: **Light globe**
(51) International Design Classification: **26-04**
(74) Name(s) of Attorney(s): **Fisher Adams Kelly Pty Ltd**
(71) Name(s) and Address(s) of Applicant(s):
Sengled Optoelectronics Co., Ltd
Minhe Economical Zone Wuzhen Town ZHEJIANG, 314501 China
(72) Name(s) of Designer(s): **Ding Gang and Shen Jinxiang**
(45) Registration Date: **30 April 2015**
(30) Convention priority data:
(31) Number (32) Date (33) Country
CN201430428263.03 Nov 2014 CHINA
(56) Related Art Documents: **Not Applicable**
(57) Statement of Newness and Distinctiveness: **Newness and distinctiveness of the design resides in the shape and/or configuration of a light globe as shown in the accompanying representations.**



(21) Design Number: **11716/2015**
(22) Date of Filing Application: **30 March 2015**
(24) Date from which industrial property rights may have effect: **30 March 2015**
(54) Product in respect of which the design is registered: **Dishrack**
(51) International Design Classification: **15-05**
(74) Name(s) of Attorney(s): **Trademark Works**
(71) Name(s) and Address(s) of Applicant(s):
JOSEPH JOSEPH LTD
The Grove, 30 Great Guildford Street London SE10HS United Kingdom
(72) Name(s) of Designer(s): **David Evans and Ashley May**
(45) Registration Date: **30 April 2015**
(30) Convention priority data:
(31) Number (32) Date (33) Country
0025522080002 07 Oct 2014 EUROPEAN PATENT OFFICE (EPO)
(56) Related Art Documents: **Not Applicable**
(57) Statement of Newness and Distinctiveness: **Nil**



(21) Design Number: **11717/2015**
(22) Date of Filing Application: **30 March 2015**
(24) Date from which industrial property rights may have effect: **30 March 2015**
(54) Product in respect of which the design is registered: **Ice tray**
(51) International Design Classification: **07-07NES**
(74) Name(s) of Attorney(s): **Trademark Works**
(71) Name(s) and Address(s) of Applicant(s):
Joseph Joseph Ltd
The Grove 30 Great Guildford Street London SE10HS United Kingdom
(72) Name(s) of Designer(s): **Graeme Davies**
(45) Registration Date: **30 April 2015**
(30) Convention priority data:
(31) Number (32) Date (33) Country
0025522080004 07 Oct 2014 EUROPEAN PATENT OFFICE (EPO)
(56) Related Art Documents: **Not Applicable**
(57) Statement of Newness and Distinctiveness: **Nil**



- (21) Design Number: **11718/2015**
(22) Date of Filing Application: **30 March 2015**
(24) Date from which industrial property rights may have effect: **30 March 2015**
(54) Product in respect of which the design is registered: **Tyres for automobiles (DX20 A/T)**
(51) International Design Classification: **12-15C**
(74) Name(s) of Attorney(s):
(71) Name(s) and Address(s) of Applicant(s):
Qingdao Sentury Tire Co., Ltd.
No. 5 Tianshan 3 Road,Daxin Town Jimo,Qingdao China
(72) Name(s) of Designer(s): **Hongling Zhao and Xueyi Wang and Jingjing Liu and Mingming Zhao and Jingjing Ma and Wen Sun**
(45) Registration Date: **30 April 2015**
(56) Related Art Documents: **Not Applicable**
(57) Statement of Newness and Distinctiveness: **The Design Essentials of the design resides in the shape of the Tyres for automobiles as shown in the drawings.**



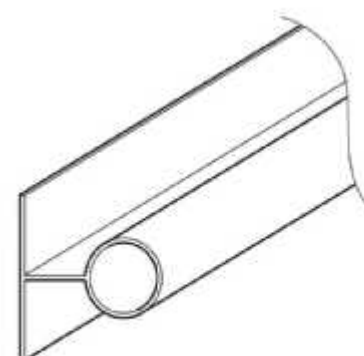
- (21) Design Number: **11719/2015**
(22) Date of Filing Application: **30 March 2015**
(24) Date from which industrial property rights may have effect: **30 March 2015**
(54) Product in respect of which the design is registered: **Chopping board**
(51) International Design Classification: **07-04**
(74) Name(s) of Attorney(s): **Trademark Works**
(71) Name(s) and Address(s) of Applicant(s):
Joseph Joseph Ltd
The Grove 30 Great Guildford Street London SE10HS United Kingdom
(72) Name(s) of Designer(s): **Damian Evans**
(45) Registration Date: **30 April 2015**
(30) Convention priority data:
(31) Number (32) Date (33) Country
0025538340001 09 Oct 2014 EUROPEAN PATENT OFFICE (EPO)
(56) Related Art Documents: **Not Applicable**
(57) Statement of Newness and Distinctiveness: **Nil**



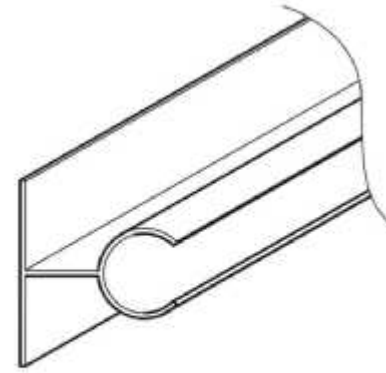
(21) Design Number: **11721/2015**
(22) Date of Filing Application: **31 March 2015**
(24) Date from which industrial property rights may have effect: **31 March 2015**
(54) Product in respect of which the design is registered: **A cap subassembly for a bottle**
(51) International Design Classification: **08-05A**
(74) Name(s) of Attorney(s): **Spruson & Ferguson**
(71) Name(s) and Address(s) of Applicant(s):
The Fountainhead Group, Inc.
23 Garden Street New York Mills New York 13417-1318 United States of America
(72) Name(s) of Designer(s): **Joseph Moya and Adam Jonovski**
(45) Registration Date: **30 April 2015**
(30) Convention priority data:
(31) Number (32) Date (33) Country
29/506387 15 Oct 2014 UNITED STATES OF AMERICA
(56) Related Art Documents: **Not Applicable**
(57) Statement of Newness and Distinctiveness: **Newness and distinctiveness is claimed in the features of shape and/or configuration of a cap subassembly for a bottle as illustrated in the accompanying representations.**



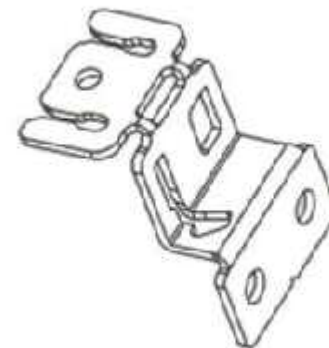
(21) Design Number: **11722/2015**
(22) Date of Filing Application: **31 March 2015**
(24) Date from which industrial property rights may have effect: **31 March 2015**
(54) Product in respect of which the design is registered: **An accessory connector for a garden edging strip**
(51) International Design Classification: **25-01E**
(74) Name(s) of Attorney(s): **Collison & Co**
(71) Name(s) and Address(s) of Applicant(s):
Robert Henry Haysom
31 Duffield St Gawler East SA 5118 Australia
(72) Name(s) of Designer(s): **Robert Henry Haysom**
(45) Registration Date: **30 April 2015**
(56) Related Art Documents: **Not Applicable**
(57) Statement of Newness and Distinctiveness: **Newness and distinctiveness resides in the shape and/or configuration of the accessory connector, of indefinite length, for a garden edging strip, as shown in the accompanying representations.**



- (21) Design Number: **11723/2015**
(22) Date of Filing Application: **31 March 2015**
(24) Date from which industrial property rights may have effect: **31 March 2015**
(54) Product in respect of which the design is registered: **An accessory connector for a garden edging strip**
(51) International Design Classification: **25-01E**
(74) Name(s) of Attorney(s): **Collison & Co**
(71) Name(s) and Address(s) of Applicant(s):
Robert Henry Haysom
31 Duffield St Gawler East SA 5118 Australia
(72) Name(s) of Designer(s): **Robert Henry Haysom**
(45) Registration Date: **30 April 2015**
(56) Related Art Documents: **Not Applicable**
(57) Statement of Newness and Distinctiveness: **Newness and distinctiveness resides in the shape and/or configuration of the accessory connector, of indefinite length, for a garden edging strip, as shown in the accompanying representations.**



- (21) Design Number: **11725/2015**
(22) Date of Filing Application: **31 March 2015**
(24) Date from which industrial property rights may have effect: **31 March 2015**
(54) Product in respect of which the design is registered: **Bracket**
(51) International Design Classification: **08-08L**
(74) Name(s) of Attorney(s): **Callinans**
(71) Name(s) and Address(s) of Applicant(s):
Abey Australia Pty. Ltd.
57-81 Abey Rd Melton VIC 3337 Australia
(72) Name(s) of Designer(s): **Geoffrey Anderson and Mathew Peart**
(45) Registration Date: **30 April 2015**
(56) Related Art Documents: **Not Applicable**
(57) Statement of Newness and Distinctiveness: **Nil**



(21) Design Number: **11727/2015**
(22) Date of Filing Application: **31 March 2015**
(24) Date from which industrial property rights may have effect: **31 March 2015**
(54) Product in respect of which the design is registered: **Motor vehicle**
(51) International Design Classification: **12-08**
(74) Name(s) of Attorney(s): **Spruson & Ferguson**
(71) Name(s) and Address(s) of Applicant(s):
Volkswagen Aktiengesellschaft
38436, Wolfsburg Germany
(72) Name(s) of Designer(s): **Klaus Bischoff and Daniel Scharfschwerdt and Oliver Stefani**
(45) Registration Date: **30 April 2015**
(30) Convention priority data:
(31) Number (32) Date (33) Country
40 2014 101 196.6 11 Dec 2014 GERMANY
(56) Related Art Documents: **Not Applicable**
(57) Statement of Newness and Distinctiveness: **Newness and distinctiveness is claimed in the features of shape and/or configuration of a motor vehicle as illustrated in the accompanying representations.**



(21) Design Number: **11728/2015**
(22) Date of Filing Application: **31 March 2015**
(24) Date from which industrial property rights may have effect: **31 March 2015**
(54) Product in respect of which the design is registered: **Cookware**
(51) International Design Classification: **07-02N**
(74) Name(s) of Attorney(s): **Spruson & Ferguson**
(71) Name(s) and Address(s) of Applicant(s):
TEFAL
15 avenue des Alpes, ZAE Rumilly Est, BP 89, Rumilly 74150 France
(72) Name(s) of Designer(s): **Jackie Moulin**
(45) Registration Date: **30 April 2015**
(30) Convention priority data:
(31) Number (32) Date (33) Country
2014 4482 07 Oct 2014 FRANCE
(56) Related Art Documents: **Not Applicable**
(57) Statement of Newness and Distinctiveness: **Newness and distinctiveness is claimed in those features of pattern and/or ornamentation of a cookware shown in continuous lines and labelled 'A' in the accompanying representations.**



(21) Design Number: **11729/2015**

(22) Date of Filing Application: **31 March 2015**

(24) Date from which industrial property rights may have effect: **31 March 2015**

(54) Product in respect of which the design is registered: **Cookware**

(51) International Design Classification: **07-02N**

(74) Name(s) of Attorney(s): **Spruson & Ferguson**

(71) Name(s) and Address(s) of Applicant(s):

TEFAL

15 avenue des Alpes, ZAE Rumilly Est, BP 89, Rumilly 74150 France

(72) Name(s) of Designer(s): **Jackie Moulin**

(45) Registration Date: **30 April 2015**

(30) Convention priority data:

(31) Number	(32) Date	(33) Country
2014 4482	07 Oct 2014	FRANCE

(56) Related Art Documents: **Not Applicable**

(57) Statement of Newness and Distinctiveness: **Newness and distinctiveness is claimed in those features of pattern and /or ornamentation of a cookware shown in continuous lines and labelled 'A' in the accompanying representations.**



(21) Design Number: **11730/2015**

(22) Date of Filing Application: **31 March 2015**

(24) Date from which industrial property rights may have effect: **31 March 2015**

(54) Product in respect of which the design is registered: **Body of a materials handling vehicle**

(51) International Design Classification: **12-05**

(74) Name(s) of Attorney(s): **Griffith Hack**

(71) Name(s) and Address(s) of Applicant(s):

Crown Equipment Corporation

40 South Washington Street New Bremen Ohio 45869 United States of America

(72) Name(s) of Designer(s): **Christian Molnar and James V. Kraimer and James Caleb Meyer**

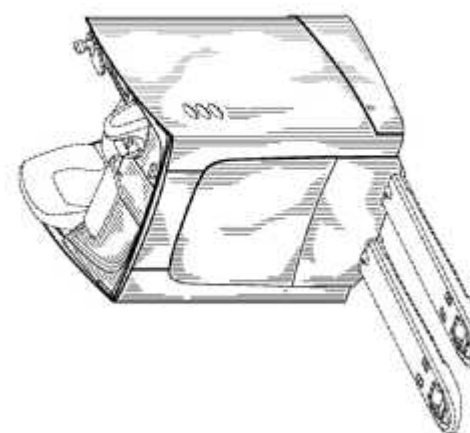
(45) Registration Date: **30 April 2015**

(30) Convention priority data:

(31) Number	(32) Date	(33) Country
002586990-0001	27 Nov 2014	OFFICE FOR HARMONISATION IN THE INTERNAL MARKET (OHIM)

(56) Related Art Documents: **Not Applicable**

(57) Statement of Newness and Distinctiveness: **Newness and distinctiveness resides in the visual features, including the shape and configuration of those parts shown by means of solid lines in the representations. The parts shown in dashed line have been included for illustrative purposes.**



(21) Design Number: **11731/2015**

(22) Date of Filing Application: **31 March 2015**

(24) Date from which industrial property rights may have effect: **31 March 2015**

(54) Product in respect of which the design is registered: **Body of a materials handling vehicle**

(51) International Design Classification: **12-05**

(74) Name(s) of Attorney(s): **Griffith Hack**

(71) Name(s) and Address(s) of Applicant(s):

Crown Equipment Corporation
40 South Washington Street New Bremen Ohio 45869 United States of America

(72) Name(s) of Designer(s): **Christian Molnar and James V. Kraimer and James Caleb Meyer**

(45) Registration Date: **30 April 2015**

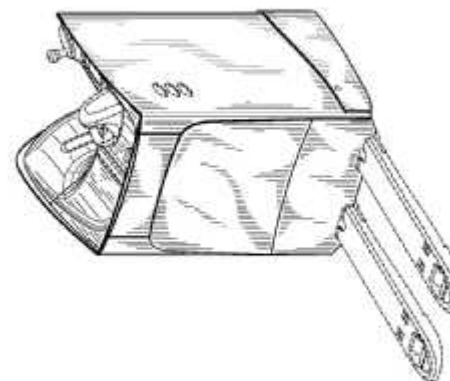
(30) Convention priority data:

(31) Number (32) Date
002586990-0002 27 Nov 2014

(33) Country
OFFICE FOR HARMONISATION IN THE INTERNAL MARKET (OHIM)

(56) Related Art Documents: **Not Applicable**

(57) Statement of Newness and Distinctiveness: **Newness and distinctiveness resides in the visual features, including the shape and configuration of those parts shown in solid lines. Those parts shown by dashed lines have been included for illustrative purposes.**



(21) Design Number: **11732/2015**

(22) Date of Filing Application: **31 March 2015**

(24) Date from which industrial property rights may have effect: **31 March 2015**

(54) Product in respect of which the design is registered: **Body of a materials handling vehicle**

(51) International Design Classification: **12-05**

(74) Name(s) of Attorney(s): **Griffith Hack**

(71) Name(s) and Address(s) of Applicant(s):

Crown Equipment Corporation
40 South Washington Street New Bremen Ohio 45869 United States of America

(72) Name(s) of Designer(s): **Christian Molnar and James V. Kraimer and James Caleb Meyer**

(45) Registration Date: **30 April 2015**

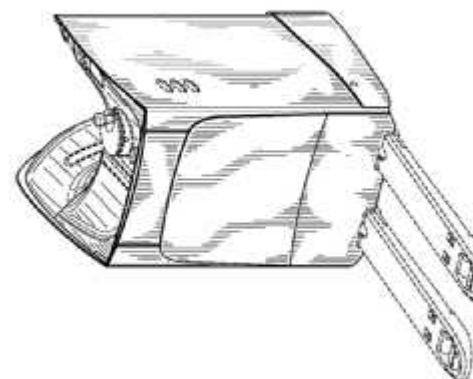
(30) Convention priority data:

(31) Number (32) Date
002586990-0003 27 Nov 2014

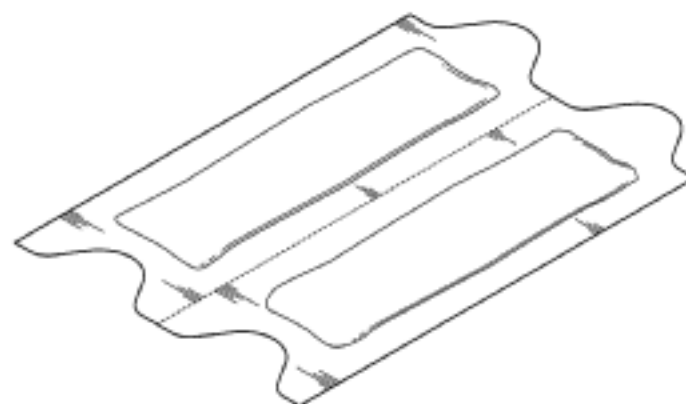
(33) Country
OFFICE FOR HARMONISATION IN THE INTERNAL MARKET (OHIM)

(56) Related Art Documents: **Not Applicable**

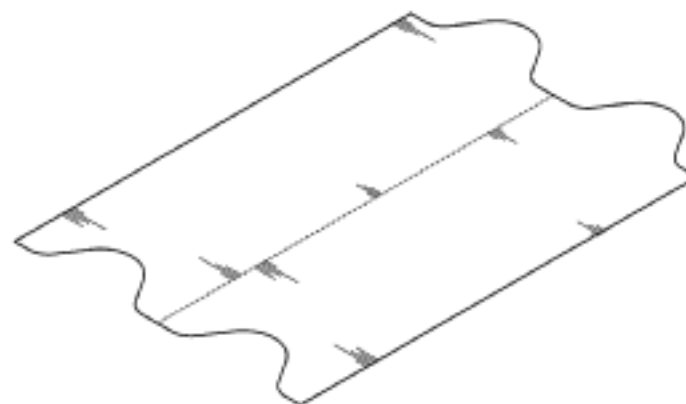
(57) Statement of Newness and Distinctiveness: **Newness and distinctiveness resides in the visual features, including the shape and configuration of those parts shown by means of solid lines in the representations. Those parts shown by dashed lines have been included for illustrative purposes.**



(21) Design Number: **11733/2015**
(22) Date of Filing Application: **31 March 2015**
(24) Date from which industrial property rights may have effect: **31 March 2015**
(54) Product in respect of which the design is registered: **Depilatory device**
(51) International Design Classification: **28-03NES**
(74) Name(s) of Attorney(s): **Madderns**
(71) Name(s) and Address(s) of Applicant(s):
Reckitt Benckiser (Brands) Limited
103-105 Bath Road Slough Berkshire SL1 3UH United Kingdom
(72) Name(s) of Designer(s): **Denis Wisse**
(45) Registration Date: **30 April 2015**
(30) Convention priority data:
(31) Number (32) Date (33) Country
002549097-0001 01 Oct 2014 OFFICE FOR HARMONISATION IN
THE INTERNAL MARKET (OHIM)
(56) Related Art Documents: **Not Applicable**
(57) Statement of Newness and Distinctiveness: **Nil**



(21) Design Number: **11734/2015**
(22) Date of Filing Application: **31 March 2015**
(24) Date from which industrial property rights may have effect: **31 March 2015**
(54) Product in respect of which the design is registered: **Depilatory device**
(51) International Design Classification: **28-03NES**
(74) Name(s) of Attorney(s): **Madderns**
(71) Name(s) and Address(s) of Applicant(s):
Reckitt Benckiser (Brands) Limited
103-105 Bath Road Slough Berkshire SL1 3UH United Kingdom
(72) Name(s) of Designer(s): **Denis Wisse**
(45) Registration Date: **30 April 2015**
(30) Convention priority data:
(31) Number (32) Date (33) Country
002549097-0002 01 Oct 2014 OFFICE FOR HARMONISATION IN
THE INTERNAL MARKET (OHIM)
(56) Related Art Documents: **Not Applicable**
(57) Statement of Newness and Distinctiveness: **Nil**



(21) Design Number: **11735/2015**
(22) Date of Filing Application: **31 March 2015**
(24) Date from which industrial property rights may have effect: **31 March 2015**
(54) Product in respect of which the design is registered: **Depilatory device**
(51) International Design Classification: **28-03NES**
(74) Name(s) of Attorney(s): **Madderns**
(71) Name(s) and Address(s) of Applicant(s):

Reckitt Benckiser (Brands) Limited
103-105 Bath Road Slough Berkshire SL1 3UH United Kingdom

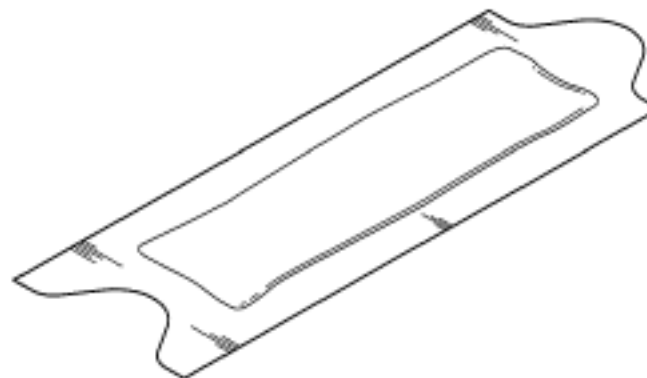
(72) Name(s) of Designer(s): **Denis Wisse**

(45) Registration Date: **30 April 2015**

(30) Convention priority data:

(31) Number (32) Date
002549097-0003 01 Oct 2014

(33) Country
**OFFICE FOR HARMONISATION IN
THE INTERNAL MARKET (OHIM)**



(56) Related Art Documents: **Not Applicable**

(57) Statement of Newness and Distinctiveness: **Nil**

(21) Design Number: **11736/2015**
(22) Date of Filing Application: **31 March 2015**
(24) Date from which industrial property rights may have effect: **31 March 2015**
(54) Product in respect of which the design is registered: **Depilatory device**
(51) International Design Classification: **28-03NES**
(74) Name(s) of Attorney(s): **Madderns**
(71) Name(s) and Address(s) of Applicant(s):

Reckitt Benckiser (Brands) Limited
103-105 Bath Road Slough Berkshire SL1 3UH United Kingdom

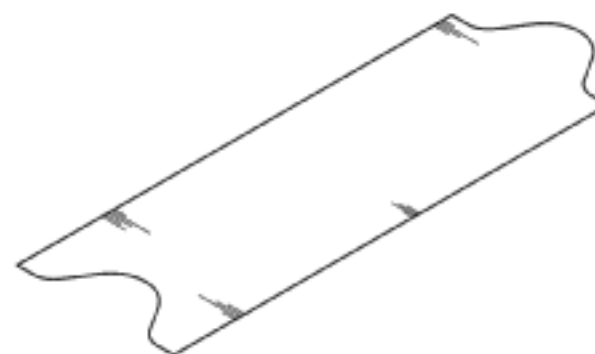
(72) Name(s) of Designer(s): **Denis Wisse**

(45) Registration Date: **30 April 2015**

(30) Convention priority data:

(31) Number (32) Date
002549097-0004 01 Oct 2014

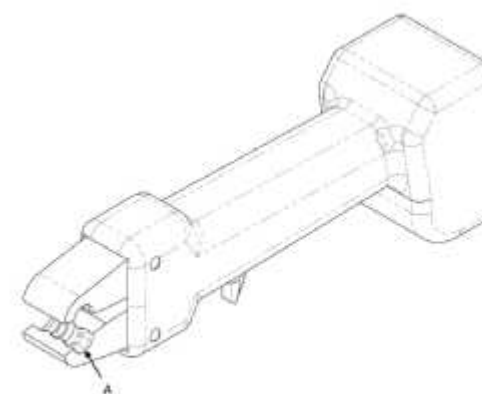
(33) Country
**OFFICE FOR HARMONISATION IN
THE INTERNAL MARKET (OHIM)**



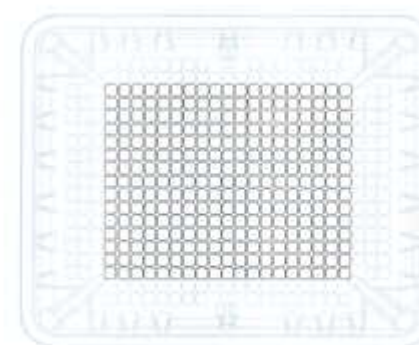
(56) Related Art Documents: **Not Applicable**

(57) Statement of Newness and Distinctiveness: **Nil**

(21) Design Number: **11737/2015**
(22) Date of Filing Application: **01 April 2015**
(24) Date from which industrial property rights may have effect: **01 April 2015**
(54) Product in respect of which the design is registered: **Crimping tool**
(51) International Design Classification: **08-05P**
(74) Name(s) of Attorney(s): **Spruson & Ferguson**
(71) Name(s) and Address(s) of Applicant(s):
Cerro Flow Products LLC
3000 Mississippi Avenue Sauget Illinois 62206 United States of America
(72) Name(s) of Designer(s): **Bradley Arment and Sean Patrick Kelleher and Michael J. Duggan**
(45) Registration Date: **30 April 2015**
(30) Convention priority data:
(31) Number (32) Date (33) Country
29/504028 01 Oct 2014 UNITED STATES OF AMERICA
(56) Related Art Documents: **Not Applicable**
(57) Statement of Newness and Distinctiveness: **Newness and distinctiveness is claimed in the features of shape and/or configuration of the crimping surfaces of a crimping tool as illustrated in the accompanying representations.**



(21) Design Number: **11738/2015**
(22) Date of Filing Application: **01 April 2015**
(24) Date from which industrial property rights may have effect: **01 April 2015**
(54) Product in respect of which the design is registered: **A tray**
(51) International Design Classification: **09-03F**
(74) Name(s) of Attorney(s): **Catalyst Intellectual Property**
(71) Name(s) and Address(s) of Applicant(s):
Flight Plastics Limited
75 Wainui Rd Gracefield Lower Hutt 5010 New Zealand
(72) Name(s) of Designer(s): **Keith Smith**
(45) Registration Date: **30 April 2015**
(30) Convention priority data:
(31) Number (32) Date (33) Country
419394 01 Oct 2014 NEW ZEALAND
(56) Related Art Documents: **Not Applicable**
(57) Statement of Newness and Distinctiveness: **Newness and distinctiveness resides in the features of the shape and/or configuration of the recesses of the tray. The features shown in ghost outline do not form part of the design.**



(21) Design Number: **11739/2015**
(22) Date of Filing Application: **01 April 2015**
(24) Date from which industrial property rights may have effect: **01 April 2015**
(54) Product in respect of which the design is registered: **A tray**
(51) International Design Classification: **09-03F**
(74) Name(s) of Attorney(s): **Catalyst Intellectual Property**
(71) Name(s) and Address(s) of Applicant(s):

Flight Plastics Limited
75 Wainui Rd Gracefield Lower Hutt 5010 New Zealand

(72) Name(s) of Designer(s): **Keith Smith**

(45) Registration Date: **30 April 2015**

(30) Convention priority data:

(31) Number	(32) Date	(33) Country
419536	12 Nov 2014	NEW ZEALAND

(56) Related Art Documents: **Not Applicable**

(57) Statement of Newness and Distinctiveness: **Newness and distinctiveness resides in the features of the shape and/or configuration of the recesses of the tray. The features shown in ghost outline do not form part of the design.**



(21) Design Number: **11740/2015**
(22) Date of Filing Application: **01 April 2015**
(24) Date from which industrial property rights may have effect: **01 April 2015**
(54) Product in respect of which the design is registered: **Catchment tray**
(51) International Design Classification: **09-03F**
(74) Name(s) of Attorney(s): **Chrysiliou IP**
(71) Name(s) and Address(s) of Applicant(s):

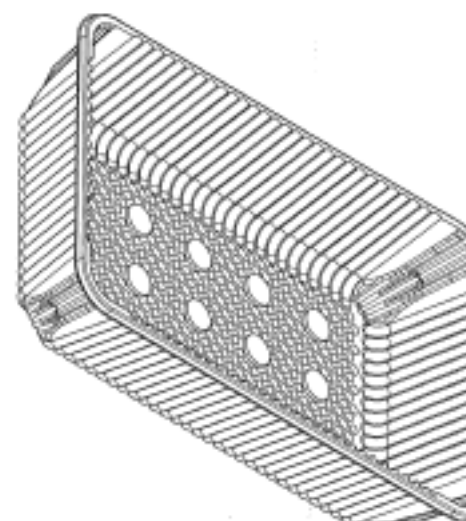
Milton Tradings Pty Ltd
2 Beach St Eastern Creek NSW 2766 Australia

(72) Name(s) of Designer(s): **Wee Kong Loh**

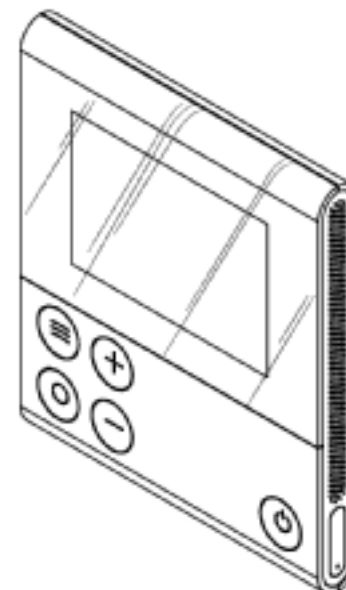
(45) Registration Date: **30 April 2015**

(56) Related Art Documents: **Not Applicable**

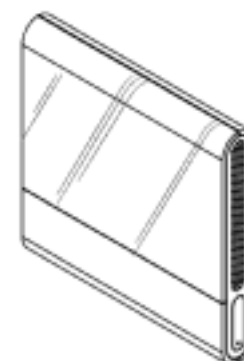
(57) Statement of Newness and Distinctiveness: **Newness and distinctiveness are claimed in the features of shape and/or configuration of a catchment tray as illustrated in the accompanying representations.**



- (21) Design Number: **11741/2015**
(22) Date of Filing Application: **01 April 2015**
(24) Date from which industrial property rights may have effect: **01 April 2015**
(54) Product in respect of which the design is registered: **Zone control unit for climate control & monitoring**
(51) International Design Classification: **10-04, 23-04**
(74) Name(s) of Attorney(s): **Davies Collison Cave**
(71) Name(s) and Address(s) of Applicant(s):
Actron Engineering Pty Ltd
5 Irvine PI Bella Vista NSW 2153 Australia
(72) Name(s) of Designer(s): **David Mansueto and David Jones and Angus Bean**
(45) Registration Date: **30 April 2015**
(56) Related Art Documents: **Not Applicable**
(57) Statement of Newness and Distinctiveness: **Newness and distinctiveness is claimed in the visual features shown in solid lines in the representations. In considering the extent of the design rights, the broken lines shown in the representations are for illustrative purposes only and do not form part of the design.**



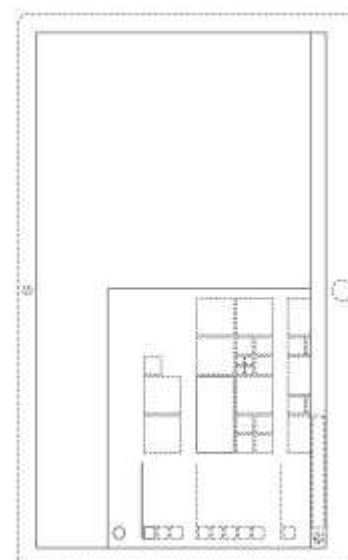
- (21) Design Number: **11743/2015**
(22) Date of Filing Application: **01 April 2015**
(24) Date from which industrial property rights may have effect: **01 April 2015**
(54) Product in respect of which the design is registered: **Sensor unit for climate control and monitoring**
(51) International Design Classification: **10-04, 23-04**
(74) Name(s) of Attorney(s): **Davies Collison Cave**
(71) Name(s) and Address(s) of Applicant(s):
Actron Engineering Pty Ltd
5 Irvine PI Bella Vista NSW 2153 Australia
(72) Name(s) of Designer(s): **David Mansueto and David Jones and Angus Bean**
(45) Registration Date: **30 April 2015**
(56) Related Art Documents: **Not Applicable**
(57) Statement of Newness and Distinctiveness: **Newness and distinctiveness is claimed in the visual features shown in solid lines in the representations. In considering the extent of the design rights, the broken lines shown in the representations are for illustrative purposes only and do not form part of the design.**



(21) Design Number: **10566/2015**
(22) Date of Filing Application: **05 February 2015**
(24) Date from which industrial property rights may have effect: **05 February 2015**
(54) Product in respect of which the design is registered: **Kettle**
(51) International Design Classification: **07-02K**
(74) Name(s) of Attorney(s): **Griffith Hack**
(71) Name(s) and Address(s) of Applicant(s):
KENWOOD LIMITED
1 Kenwood Business Park New Lane Havant Hampshire, PO9 2NH
United Kingdom
(72) Name(s) of Designer(s): **Darren Mullen**
(45) Registration Date: **01 May 2015**
(30) Convention priority data:
(31) Number (32) Date (33) Country
001419071-0001 07 Aug 2014 OFFICE FOR HARMONISATION IN
THE INTERNAL MARKET (OHIM)
(56) Related Art Documents: **Not Applicable**
(57) Statement of Newness and Distinctiveness: **Nil**



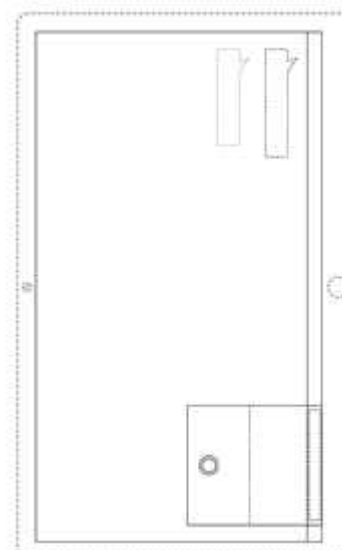
(21) Design Number: **11671/2015**
(22) Date of Filing Application: **30 March 2015**
(24) Date from which industrial property rights may have effect: **30 March 2015**
(54) Product in respect of which the design is registered: **Display screen with graphical user interface**
(51) International Design Classification: **14-02**
(74) Name(s) of Attorney(s): **Shelston IP**
(71) Name(s) and Address(s) of Applicant(s):
Microsoft Corporation
One Microsoft Way Redmond Washington, 98052 United States of America
(72) Name(s) of Designer(s): **Jaclyn Carley Knapp**
(45) Registration Date: **01 May 2015**
(30) Convention priority data:
(31) Number (32) Date (33) Country
29/503824 30 Sep 2014 UNITED STATES OF AMERICA
(56) Related Art Documents: **Not Applicable**
(57) Statement of Newness and Distinctiveness: **Newness and distinctiveness reside in the features of pattern and/or ornamentation of a display screen with graphical user interface as illustrated by solid lines in the accompanying representation. The features shown in broken outline are for contextual purposes only and do not form part of the design.**



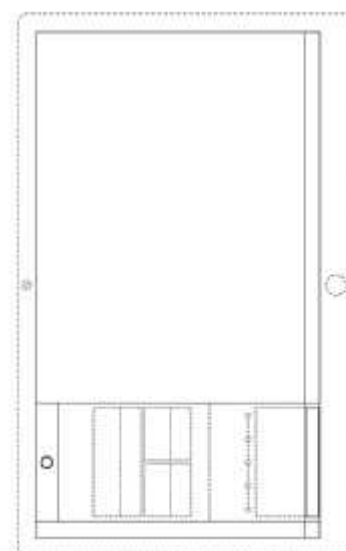
(21) Design Number: **11672/2015**
(22) Date of Filing Application: **30 March 2015**
(24) Date from which industrial property rights may have effect: **30 March 2015**
(54) Product in respect of which the design is registered: **Display screen with graphical user interface**
(51) International Design Classification: **14-02**
(74) Name(s) of Attorney(s): **Shelston IP**
(71) Name(s) and Address(s) of Applicant(s):
Microsoft Corporation
One Microsoft Way Redmond Washington, 98052 United States of America
(72) Name(s) of Designer(s): **Jaclyn Carley Knapp**
(45) Registration Date: **01 May 2015**
(30) Convention priority data:
(31) Number (32) Date (33) Country
29/503834 30 Sep 2014 UNITED STATES OF AMERICA
(56) Related Art Documents: **Not Applicable**
(57) Statement of Newness and Distinctiveness: **Newness and distinctiveness reside in the features of pattern and/or ornamentation of a display screen with graphical user interface as illustrated by solid lines in the accompanying representation. The features shown in broken outline are for contextual purposes only and do not form part of the design.**



(21) Design Number: **11675/2015**
(22) Date of Filing Application: **30 March 2015**
(24) Date from which industrial property rights may have effect: **30 March 2015**
(54) Product in respect of which the design is registered: **Display screen with graphical user interface**
(51) International Design Classification: **14-02**
(74) Name(s) of Attorney(s): **Shelston IP**
(71) Name(s) and Address(s) of Applicant(s):
Microsoft Corporation
One Microsoft Way Redmond Washington, 98052 United States of America
(72) Name(s) of Designer(s): **Shane Jeremy Landry and Lisa Joy Stifelman**
(45) Registration Date: **01 May 2015**
(30) Convention priority data:
(31) Number (32) Date (33) Country
29/503844 30 Sep 2014 UNITED STATES OF AMERICA
(56) Related Art Documents: **Not Applicable**
(57) Statement of Newness and Distinctiveness: **Newness and distinctiveness reside in the features of pattern and/or ornamentation of a display screen with graphical user interface as illustrated by solid lines in the accompanying representation. The features shown in broken outline are for contextual purposes only and do not form part of the design.**

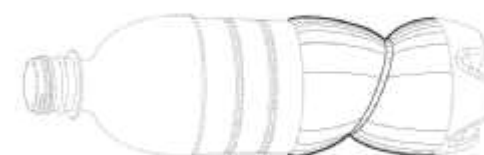


(21) Design Number: **11679/2015**
(22) Date of Filing Application: **30 March 2015**
(24) Date from which industrial property rights may have effect: **30 March 2015**
(54) Product in respect of which the design is registered: **Display screen with graphical user interface**
(51) International Design Classification: **14-04**
(74) Name(s) of Attorney(s): **Shelston IP**
(71) Name(s) and Address(s) of Applicant(s):
Microsoft Corporation
One Microsoft Way Redmond Washington, 98052 United States of America
(72) Name(s) of Designer(s): **Christian J. Colando and Zach Pfreim**
(45) Registration Date: **01 May 2015**
(30) Convention priority data:
(31) Number (32) Date (33) Country
29/503846 30 Sep 2014 UNITED STATES OF AMERICA



(56) Related Art Documents: **Not Applicable**
(57) Statement of Newness and Distinctiveness: **Newness and distinctiveness reside in the features of pattern and/or ornamentation of a display screen with graphical user interface as illustrated by solid lines in the accompanying representation. The features shown in broken outline are for contextual purposes only and do not form part of the design.**

(21) Design Number: **11754/2015**
(22) Date of Filing Application: **01 April 2015**
(24) Date from which industrial property rights may have effect: **01 April 2015**
(54) Product in respect of which the design is registered: **Bottle**
(51) International Design Classification: **09-01NES**
(74) Name(s) of Attorney(s): **PHILLIPS ORMONDE FITZPATRICK**
(71) Name(s) and Address(s) of Applicant(s):
The Coca-Cola Company
One Coca Cola Plaza, N.W. Atlanta Georgia, 30313 United States of America
(72) Name(s) of Designer(s): **Kris Tomasson and Leyton Hardwick**
(45) Registration Date: **01 May 2015**
(30) Convention priority data:
(31) Number (32) Date (33) Country
29/504,178 02 Oct 2014 UNITED STATES OF AMERICA

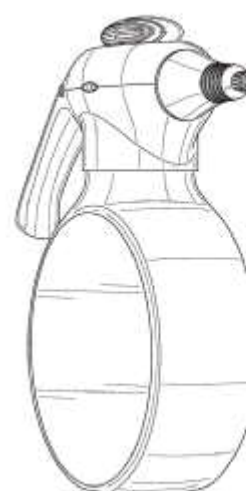


(56) Related Art Documents: **Not Applicable**
(57) Statement of Newness and Distinctiveness: **Those features of the bottle depicted in the representations that are new and distinctive are the shape and/or configuration. The features shown in broken lines are not part of the design and are to be disregarded when considering the overall impression of the design.**

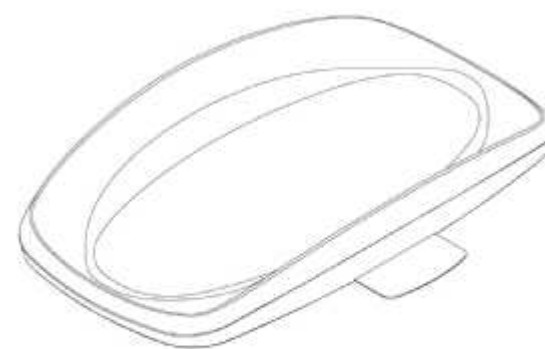
(21) Design Number: **11755/2015**
(22) Date of Filing Application: **01 April 2015**
(24) Date from which industrial property rights may have effect: **01 April 2015**
(54) Product in respect of which the design is registered: **Sprayer bottle**
(51) International Design Classification: **08-05A**
(74) Name(s) of Attorney(s): **Spruson & Ferguson**
(71) Name(s) and Address(s) of Applicant(s):
The Fountainhead Group, Inc.
23 Garden Street, New York Mills New York, 13417 United States of America
(72) Name(s) of Designer(s): **Joseph Moya and Greg Thune and Adam Jonovski and Marcus Hamilton**
(45) Registration Date: **01 May 2015**
(30) Convention priority data:
(31) Number (32) Date (33) Country
29/506397 15 Oct 2014 UNITED STATES OF AMERICA
(56) Related Art Documents: **Not Applicable**
(57) Statement of Newness and Distinctiveness: **Newness and distinctiveness is claimed in the features of shape and/or configuration of a sprayer bottle as illustrated in the accompanying representations.**



(21) Design Number: **11756/2015**
(22) Date of Filing Application: **01 April 2015**
(24) Date from which industrial property rights may have effect: **01 April 2015**
(54) Product in respect of which the design is registered: **Sprayer bottle**
(51) International Design Classification: **08-05A**
(74) Name(s) of Attorney(s): **Spruson & Ferguson**
(71) Name(s) and Address(s) of Applicant(s):
The Fountainhead Group, Inc.
23 Garden Street, New York Mills New York, 13417 United States of America
(72) Name(s) of Designer(s): **Joseph Moya and Greg Thune and Adam Jonovski and Marcus Hamilton**
(45) Registration Date: **01 May 2015**
(30) Convention priority data:
(31) Number (32) Date (33) Country
29/506397 15 Oct 2014 UNITED STATES OF AMERICA
(56) Related Art Documents: **Not Applicable**
(57) Statement of Newness and Distinctiveness: **Newness and distinctiveness is claimed in the features of shape and/or configuration of a sprayer bottle as illustrated in the accompanying representations.**



- (21) Design Number: **11757/2015**
(22) Date of Filing Application: **01 April 2015**
(24) Date from which industrial property rights may have effect: **01 April 2015**
(54) Product in respect of which the design is registered: **Infant Change Mat**
(51) International Design Classification: **06-09**
(74) Name(s) of Attorney(s): **Franke Hyland**
(71) Name(s) and Address(s) of Applicant(s):
I D & E PTY LTD
701-703 Parramatta Rd Leichhardt NSW 2040 Australia
(72) Name(s) of Designer(s): **Dorte Bell and Nancy Malik Stevens and Willem Mees van der Bijl**
(45) Registration Date: **01 May 2015**
(56) Related Art Documents: **Not Applicable**
(57) Statement of Newness and Distinctiveness: **Newness and originality are claimed in the features of the shape of an infant change mat as shown in the accompanying representations. The surfaces are curved and the intermediate curved lines should be interpreted as indicating the curvature. In considering the scope of protection, particular regard should be had to the two projections extending either side of the change mat.**



- (21) Design Number: **11758/2015**
(22) Date of Filing Application: **01 April 2015**
(24) Date from which industrial property rights may have effect: **01 April 2015**
(54) Product in respect of which the design is registered: **Tire**
(51) International Design Classification: **12-15B**
(74) Name(s) of Attorney(s): **Baxter Patent Attorneys Pty Ltd**
(71) Name(s) and Address(s) of Applicant(s):
HANKOOK TIRE CO., LTD.
647-15 Yeoksam-ldong Gangnam-gu Seoul, 135-723 Republic of Korea
(72) Name(s) of Designer(s): **Hyung Jin Kim**
(45) Registration Date: **01 May 2015**
(30) Convention priority data:
(31) Number (32) Date (33) Country
30-2014-0048584 08 Oct 2014 REPUBLIC OF KOREA
(56) Related Art Documents: **Not Applicable**
(57) Statement of Newness and Distinctiveness: **Those features of the tire depicted in the representations that are new and distinctive are the shape and/or configuration of the tread of the tire, which consists of a repeating pattern. The sidewall, inner bead, and the peripheral boundary between the tire tread and the sidewall (as shown in broken line) is not part of the design and are to be disregarded when considering the overall impression of the design.**



(21) Design Number: **11761/2015**
(22) Date of Filing Application: **01 April 2015**
(24) Date from which industrial property rights may have effect: **01 April 2015**
(54) Product in respect of which the design is registered: **A teat**
(51) International Design Classification: **07-01E**
(74) Name(s) of Attorney(s): **Wynnes Patent & Trade Mark Attorneys**
(71) Name(s) and Address(s) of Applicant(s):

Krystal Caton
U4/27 Godwin St Bulimba QLD 4171 Australia

(72) Name(s) of Designer(s): **Krystal Caton**

(45) Registration Date: **01 May 2015**

(56) Related Art Documents: **Not Applicable**

(57) Statement of Newness and Distinctiveness: **Newness and distinctiveness resides in the features of the shape and configuration of a teat as illustrated in the accompanying representations. Newness and distinctiveness particularly reside in the shape of the underside of the teat, the length of the spout portion and the width of the peripheral lip portion.**



(21) Design Number: **10622/2015**
(22) Date of Filing Application: **10 February 2015**
(24) Date from which industrial property rights may have effect: **10 February 2015**
(54) Product in respect of which the design is registered: **Fitness equipment**
(51) International Design Classification: **21-02F**
(74) Name(s) of Attorney(s): **Hudson Gavin Martin**
(71) Name(s) and Address(s) of Applicant(s):

Powerwave Sport Limited
7 Southbank Hextable BR8 7PP United Kingdom

(72) Name(s) of Designer(s): **Jason Laville**

(45) Registration Date: **01 May 2015**

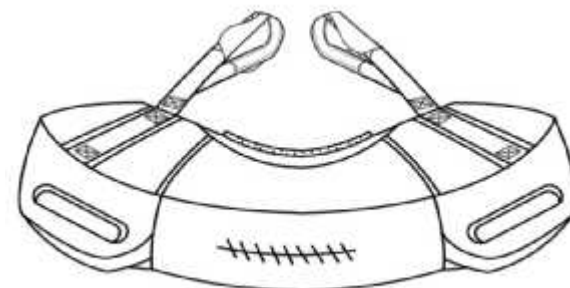
(30) Convention priority data:

(31) Number (32) Date
002529131-0002 01 Sep 2014

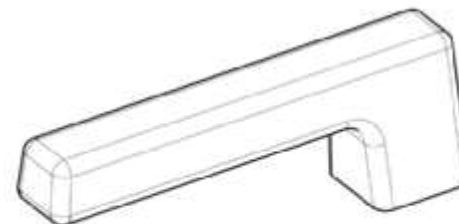
(33) Country
**OFFICE FOR HARMONISATION IN
THE INTERNAL MARKET (OHIM)**

(56) Related Art Documents: **Not Applicable**

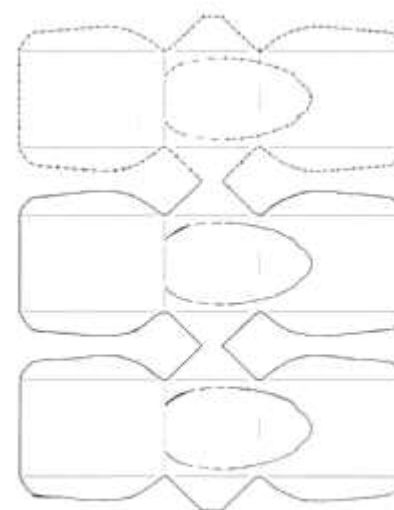
(57) Statement of Newness and Distinctiveness: **Nil**



- (21) Design Number: **10714/2015**
(22) Date of Filing Application: **11 February 2015**
(24) Date from which industrial property rights may have effect: **11 February 2015**
(54) Product in respect of which the design is registered: **A door handle**
(51) International Design Classification: **08-06**
(74) Name(s) of Attorney(s): **Adams Pluck**
(71) Name(s) and Address(s) of Applicant(s):
Sumu Design Pty Ltd
32 Park Ave Waitara NSW 2077 Australia
(72) Name(s) of Designer(s): **Felice Carlino**
(45) Registration Date: **01 May 2015**
(56) Related Art Documents: **Not Applicable**
(57) Statement of Newness and Distinctiveness: **Newness and distinctiveness resides in the shape and configuration of the door handle as shown in the representations. When considering newness and distinctiveness no regard is to be had to the wood grain pattern shown in the perspective view, nor to the block indicated by arrow A on which the handle is resting.**



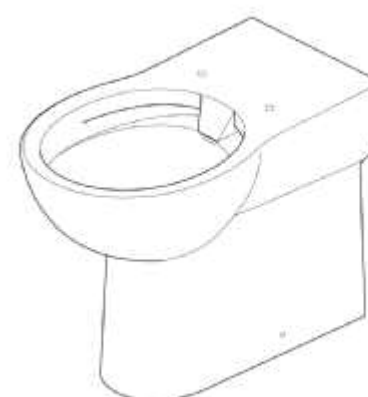
- (21) Design Number: **10937/2015**
(22) Date of Filing Application: **20 February 2015**
(24) Date from which industrial property rights may have effect: **20 February 2015**
(54) Product in respect of which the design is registered: **Flexible material**
(51) International Design Classification: **09-03NES, 09-99**
(74) Name(s) of Attorney(s): **Griffith Hack**
(71) Name(s) and Address(s) of Applicant(s):
CLEAR LAM PACKAGING, INC.
1950 Pratt Boulevard Elk Grove Village Illinois, 60007 United States of America
(72) Name(s) of Designer(s): **James J Sanfilippo and Jeanne M Skaggs and Milorad Radenovic**
(45) Registration Date: **01 May 2015**
(30) Convention priority data:
(31) Number (32) Date (33) Country
29/500,458 25 Aug 2014 UNITED STATES OF AMERICA
(56) Related Art Documents: **Not Applicable**
(57) Statement of Newness and Distinctiveness: **Newness and distinctiveness resides in the visual features, including shape and configuration, of a FLEXIBLE MATERIAL having minimal thickness as shown in solid outline in the accompanying drawing. The broken lines represent score lines in the FLEXIBLE MATERIAL. When determining whether the design is substantially similar in overall impression to another design, no regard is to be had to those features shown with dash-dot lines in the accompanying drawing, which features are provided for illustrative purposes only.**



(21) Design Number: **11145/2015**
(22) Date of Filing Application: **03 March 2015**
(24) Date from which industrial property rights may have effect: **03 March 2015**
(54) Product in respect of which the design is registered: **Emergency stop circuit**
(51) International Design Classification: **13-03A**
(74) Name(s) of Attorney(s):
(71) Name(s) and Address(s) of Applicant(s):
LINGONA PTY LTD
PO BOX 118 Branxton NSW 2335 Australia
(72) Name(s) of Designer(s): **Mathew Osmond**
(45) Registration Date: **01 May 2015**
(56) Related Art Documents: **Not Applicable**
(57) Statement of Newness and Distinctiveness: **I have designed a emergency stop control that monitors the emergency stop system, allows the operate to have a safe and controlled shutdown of a machine if the emergency stop circuit has failed, it warns the operator in a system fault event, if the cab estop is activated it stops the engine but allows the machine still to be in full control, the systems also has an idle timer built in.**



(21) Design Number: **11642/2015**
(22) Date of Filing Application: **27 March 2015**
(24) Date from which industrial property rights may have effect: **27 March 2015**
(54) Product in respect of which the design is registered: **Toilet bowl**
(51) International Design Classification: **23-02C**
(74) Name(s) of Attorney(s): **Shelston IP**
(71) Name(s) and Address(s) of Applicant(s):
Ideal Standard International BVBA
Corporate Village - Gent Building Da Vincilaan 2 Zaventem 1935 Belgium
(72) Name(s) of Designer(s): **Mike Heaton and Robin Levien**
(45) Registration Date: **01 May 2015**
(30) Convention priority data:
(31) Number (32) Date (33) Country
**002549188 01 Oct 2014 OFFICE FOR HARMONISATION IN
THE INTERNAL MARKET (OHIM)**
(56) Related Art Documents: **Not Applicable**
(57) Statement of Newness and Distinctiveness: **Newness and distinctiveness reside in the features of shape and/or configuration of a TOILET BOWL as illustrated in solid lines in the accompanying representations. In particular, newness and distinctiveness reside in the horizontal slot at the base of the section of rear wall centrally protruding from the inside of the toilet bowl. The features shown in broken or discontinuous lines are illustrative only and do not form part of the design.**



(21) Design Number: **11643/2015**

(22) Date of Filing Application: **27 March 2015**

(24) Date from which industrial property rights may have effect: **27 March 2015**

(54) Product in respect of which the design is registered: **Toilet bowl**

(51) International Design Classification: **23-02C**

(74) Name(s) of Attorney(s): **Shelston IP**

(71) Name(s) and Address(s) of Applicant(s):

Ideal Standard International BVBA

Corporate Village - Gent Building Da Vincilaan 2 Zaventem 1935 Belgium

(72) Name(s) of Designer(s): **Mike Heaton and Robin Levien**

(45) Registration Date: **01 May 2015**

(30) Convention priority data:

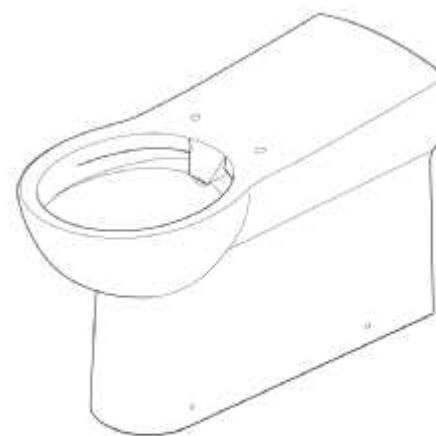
(31) Number
002549188

(32) Date
01 Oct 2014

(33) Country
**OFFICE FOR HARMONISATION IN
THE INTERNAL MARKET (OHIM)**

(56) Related Art Documents: **Not Applicable**

(57) Statement of Newness and Distinctiveness: **Newness and distinctiveness reside in the features of shape and/or configuration of a TOILET BOWL as illustrated in solid lines in the accompanying representations. In particular, newness and distinctiveness reside in the horizontal slot at the base of the section of rear wall centrally protruding from the inside of the toilet bowl. The features shown in broken or discontinuous lines are illustrative only and do not form part of the design.**



(21) Design Number: **11644/2015**

(22) Date of Filing Application: **27 March 2015**

(24) Date from which industrial property rights may have effect: **27 March 2015**

(54) Product in respect of which the design is registered: **Toilet bowl**

(51) International Design Classification: **23-02C**

(74) Name(s) of Attorney(s): **Shelston IP**

(71) Name(s) and Address(s) of Applicant(s):

Ideal Standard International BVBA

Corporate Village - Gent Building Da Vincilaan 2 Zaventem 1935 Belgium

(72) Name(s) of Designer(s): **Mike Heaton and Robin Levien**

(45) Registration Date: **01 May 2015**

(30) Convention priority data:

(31) Number
002549188

(32) Date
01 Oct 2014

(33) Country
**OFFICE FOR HARMONISATION IN
THE INTERNAL MARKET (OHIM)**

(56) Related Art Documents: **Not Applicable**

(57) Statement of Newness and Distinctiveness: **Newness and distinctiveness reside in the features of shape and/or configuration of a TOILET BOWL as illustrated in solid lines in the accompanying representations. In particular, newness and distinctiveness reside in the horizontal slot at the base of the section of rear wall centrally protruding from the inside of the toilet bowl. The features shown in broken or discontinuous lines are illustrative only and do not form part of the design.**



(21) Design Number: **11651/2015**
(22) Date of Filing Application: **27 March 2015**
(24) Date from which industrial property rights may have effect: **27 March 2015**
(54) Product in respect of which the design is registered: **Chair**
(51) International Design Classification: **06-01F**
(74) Name(s) of Attorney(s): **FB Rice**
(71) Name(s) and Address(s) of Applicant(s):
Okamura Corporation
7-18, Kitasaiwai 2-chome Nishi-ku Yokohama-shi Kanagawa 220-0004
Japan
(72) Name(s) of Designer(s): **Alexander Hurford**
(45) Registration Date: **01 May 2015**
(30) Convention priority data:
(31) Number (32) Date (33) Country
2014-021523 29 Sep 2014 JAPAN
(56) Related Art Documents: **Not Applicable**
(57) Statement of Newness and Distinctiveness: **Newness and distinctiveness reside in the features of shape and configuration of the design as shown in the representations.**



(21) Design Number: **11652/2015**
(22) Date of Filing Application: **27 March 2015**
(24) Date from which industrial property rights may have effect: **27 March 2015**
(54) Product in respect of which the design is registered: **Table**
(51) International Design Classification: **06-03A**
(74) Name(s) of Attorney(s): **FB Rice**
(71) Name(s) and Address(s) of Applicant(s):
Okamura Corporation
7-18, Kitasaiwai 2-chome Nishi-ku Yokohama-shi Kanagawa 220-0004
Japan
(72) Name(s) of Designer(s): **Takayuki Yamamoto**
(45) Registration Date: **01 May 2015**
(30) Convention priority data:
(31) Number (32) Date (33) Country
2014-022996 14 Oct 2014 JAPAN
(56) Related Art Documents: **Not Applicable**
(57) Statement of Newness and Distinctiveness: **Newness and distinctiveness reside in the features of shape and configuration of the design shown in solid lines in the representations excluding those features shown in broken lines.**



(21) Design Number: **11653/2015**
(22) Date of Filing Application: **27 March 2015**
(24) Date from which industrial property rights may have effect: **27 March 2015**
(54) Product in respect of which the design is registered: **Desk**
(51) International Design Classification: **06-03C**
(74) Name(s) of Attorney(s): **FB Rice**
(71) Name(s) and Address(s) of Applicant(s):
Okamura Corporation
7-18, Kitasaiwai 2-chome Nishi-ku Yokohama-shi Kanagawa 220-0004
Japan
(72) Name(s) of Designer(s): **Takayuki Yamamoto**
(45) Registration Date: **01 May 2015**
(30) Convention priority data:
(31) Number (32) Date (33) Country
2014-021765 30 Sep 2014 JAPAN
(56) Related Art Documents: **Not Applicable**
(57) Statement of Newness and Distinctiveness: **Newness and distinctiveness reside in the features of shape and configuration of the design as shown in the representations.**



(21) Design Number: **11654/2015**
(22) Date of Filing Application: **27 March 2015**
(24) Date from which industrial property rights may have effect: **27 March 2015**
(54) Product in respect of which the design is registered: **Chair**
(51) International Design Classification: **06-01F**
(74) Name(s) of Attorney(s): **FB Rice**
(71) Name(s) and Address(s) of Applicant(s):
Okamura Corporation
7-18, Kitasaiwai 2-chome Nishi-ku Yokohama-shi Kanagawa 220-0004
Japan
(72) Name(s) of Designer(s): **Alexander Hurford**
(45) Registration Date: **01 May 2015**
(30) Convention priority data:
(31) Number (32) Date (33) Country
2014-021507 29 Sep 2014 JAPAN
(56) Related Art Documents: **Not Applicable**
(57) Statement of Newness and Distinctiveness: **Newness and distinctiveness reside in the features of shape and configuration of the design shown in solid lines in the representations excluding those features shown in broken lines.**



(21) Design Number: **11655/2015**

(22) Date of Filing Application: **27 March 2015**

(24) Date from which industrial property rights may have effect: **27 March 2015**

(54) Product in respect of which the design is registered: **Chair**

(51) International Design Classification: **06-01F**

(74) Name(s) of Attorney(s): **FB Rice**

(71) Name(s) and Address(s) of Applicant(s):

Okamura Corporation

**7-18, Kitasaiwai 2-chome Nishi-ku Yokohama-shi Kanagawa 220-0004
Japan**

(72) Name(s) of Designer(s): **Alexander Hurford**

(45) Registration Date: **01 May 2015**

(30) Convention priority data:

(31) Number	(32) Date	(33) Country
2014-021516	29 Sep 2014	JAPAN

(56) Related Art Documents: **Not Applicable**

(57) Statement of Newness and Distinctiveness: **Newness and distinctiveness reside in the features of shape and configuration of the design as shown in the representations.**



(21) Design Number: **11657/2015**

(22) Date of Filing Application: **27 March 2015**

(24) Date from which industrial property rights may have effect: **27 March 2015**

(54) Product in respect of which the design is registered: **Swimwear**

(51) International Design Classification: **02-02A**

(74) Name(s) of Attorney(s):

(71) Name(s) and Address(s) of Applicant(s):

Skye Group Pty Limited

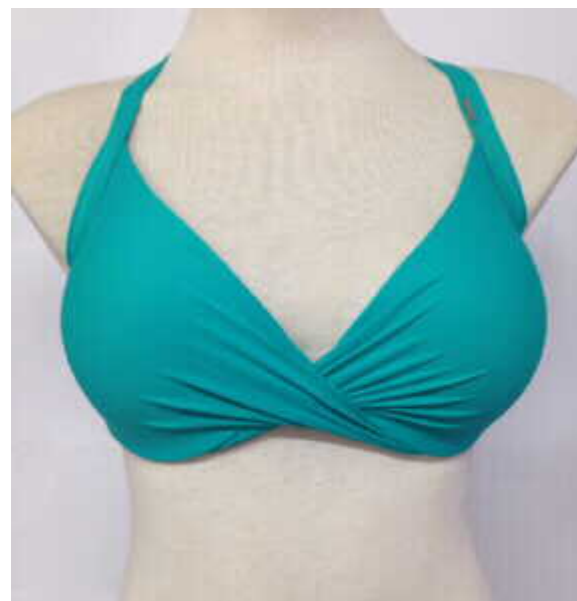
18 Forrester St Kingsgrove NSW 2208 Australia

(72) Name(s) of Designer(s): **Angelique Delaney**

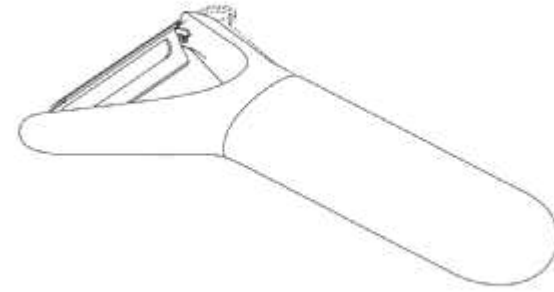
(45) Registration Date: **01 May 2015**

(56) Related Art Documents: **Not Applicable**

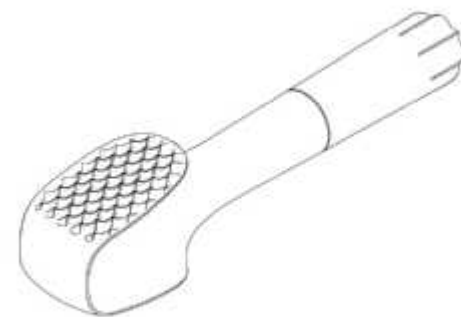
(57) Statement of Newness and Distinctiveness: **Nil**



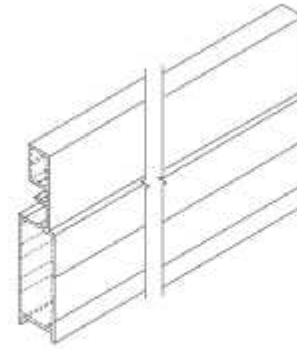
(21) Design Number: **11659/2015**
(22) Date of Filing Application: **27 March 2015**
(24) Date from which industrial property rights may have effect: **27 March 2015**
(54) Product in respect of which the design is registered: **Vegetable peeler**
(51) International Design Classification: **07-04**
(74) Name(s) of Attorney(s): **Trademark Works**
(71) Name(s) and Address(s) of Applicant(s):
JOSEPH JOSEPH LTD
The Grove 30, Great Guildford Street London SE10HS United Kingdom
(72) Name(s) of Designer(s): **Richard Hartshorn and Edward Goodwin**
(45) Registration Date: **01 May 2015**
(30) Convention priority data:
(31) Number (32) Date (33) Country
0025495760002 02 Oct 2014 EUROPEAN PATENT OFFICE (EPO)
(56) Related Art Documents: **Not Applicable**
(57) Statement of Newness and Distinctiveness: **Nil**



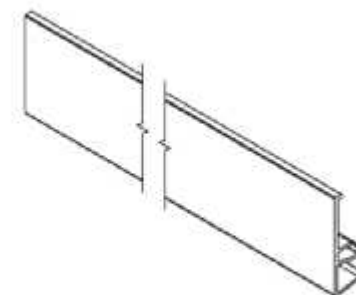
(21) Design Number: **11660/2015**
(22) Date of Filing Application: **27 March 2015**
(24) Date from which industrial property rights may have effect: **27 March 2015**
(54) Product in respect of which the design is registered: **Kitchen utensils**
(51) International Design Classification: **07-04**
(74) Name(s) of Attorney(s): **Trademark Works**
(71) Name(s) and Address(s) of Applicant(s):
JOSEPH JOSEPH LTD
The Grove 30, Great Guildford Street London SE10HS United Kingdom
(72) Name(s) of Designer(s): **Richard Hartshorn and Edward Goodwin**
(45) Registration Date: **01 May 2015**
(30) Convention priority data:
(31) Number (32) Date (33) Country
0025495760005 02 Oct 2014 UNITED KINGDOM
(56) Related Art Documents: **Not Applicable**
(57) Statement of Newness and Distinctiveness: **Nil**



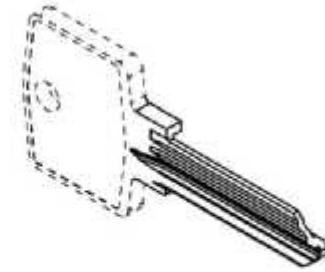
- (21) Design Number: **11661/2015**
(22) Date of Filing Application: **27 March 2015**
(24) Date from which industrial property rights may have effect: **27 March 2015**
(54) Product in respect of which the design is registered: **Extrusion**
(51) International Design Classification: **25-01K**
(74) Name(s) of Attorney(s): **Freehills Patent Attorneys**
(71) Name(s) and Address(s) of Applicant(s):
Aluminium Specialties Group Pty Ltd
3 Alspec PI Eastern Creek NSW 2766 Australia
(72) Name(s) of Designer(s): **Andy Nguyen**
(45) Registration Date: **01 May 2015**
(56) Related Art Documents: **Not Applicable**
(57) Statement of Newness and Distinctiveness: **Newness and distinctiveness resides in the shape of an extrusion of indefinite length as shown in the accompanying representations.**



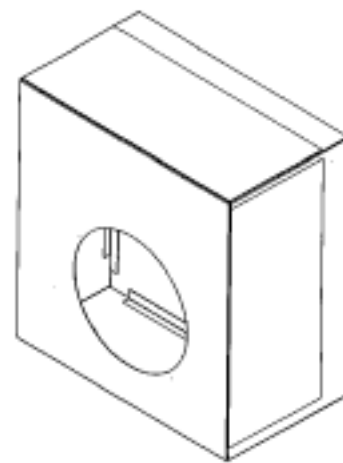
- (21) Design Number: **11662/2015**
(22) Date of Filing Application: **27 March 2015**
(24) Date from which industrial property rights may have effect: **27 March 2015**
(54) Product in respect of which the design is registered: **Extrusion**
(51) International Design Classification: **25-01K**
(74) Name(s) of Attorney(s): **Freehills Patent Attorneys**
(71) Name(s) and Address(s) of Applicant(s):
Aluminium Specialties Group Pty Ltd
3 Alspec PI Eastern Creek NSW 2766 Australia
(72) Name(s) of Designer(s): **Andy Nguyen**
(45) Registration Date: **01 May 2015**
(56) Related Art Documents: **Not Applicable**
(57) Statement of Newness and Distinctiveness: **Newness and distinctiveness resides in the shape of an extrusion of indefinite length as shown in the accompanying representations.**



- (21) Design Number: **11665/2015**
(22) Date of Filing Application: **27 March 2015**
(24) Date from which industrial property rights may have effect: **27 March 2015**
(54) Product in respect of which the design is registered: **Keyblank**
(51) International Design Classification: **08-07**
(74) Name(s) of Attorney(s):
(71) Name(s) and Address(s) of Applicant(s):
Australian Lock Company Pty Ltd
PO BOX 479 Unanderra NSW 2526 Australia
(72) Name(s) of Designer(s): **Changyu You**
(45) Registration Date: **01 May 2015**
(56) Related Art Documents: **Not Applicable**
(57) Statement of Newness and Distinctiveness: **Newness and distinctiveness is claimed in the shape and configuration of the key blade as represented in solid lines in the drawings. In assessing the newness and distinctiveness, no regard should be had of the features represented in broken lines, including the key head.**



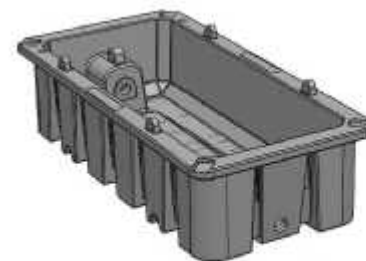
- (21) Design Number: **14770/2014**
(22) Date of Filing Application: **18 September 2014**
(24) Date from which industrial property rights may have effect: **18 September 2014**
(54) Product in respect of which the design is registered: **Fan housing**
(51) International Design Classification: **23-04**
(74) Name(s) of Attorney(s): **PATENT ATTORNEY SERVICES**
(71) Name(s) and Address(s) of Applicant(s):
Computer Cool Pty Ltd
13/1866 Princess Hwy Clayton VIC 3168 Australia
(72) Name(s) of Designer(s): **Glenn Stares**
(45) Registration Date: **04 May 2015**
(56) Related Art Documents: **Not Applicable**
(57) Statement of Newness and Distinctiveness: **Newness and distinctiveness is claimed in the shape and configuration of a fan housing as shown in the accompanying representations.**



- (21) Design Number: **10814/2015**
(22) Date of Filing Application: **13 February 2015**
(24) Date from which industrial property rights may have effect: **04 July 2014**
(54) Product in respect of which the design is registered: **End cap for positive airway pressure delivery console**
(51) International Design Classification: **24-01**
(74) Name(s) of Attorney(s): **Halfords IP**
(71) Name(s) and Address(s) of Applicant(s):
ResMed Limited
1 Elizabeth Macarthur Dr Bella Vista NSW 2153 Australia
(72) Name(s) of Designer(s): **Clementine Desvoyes and Barton John Kenyon and Dimitri Marco Maurer and Chengwei Zhu**
(45) Registration Date: **04 May 2015**
(62) Divisional of: **360368**
(56) Related Art Documents: **Not Applicable**
(57) Statement of Newness and Distinctiveness: **Nil**



- (21) Design Number: **10875/2015**
(22) Date of Filing Application: **18 February 2015**
(24) Date from which industrial property rights may have effect: **18 February 2015**
(54) Product in respect of which the design is registered: **Trough**
(51) International Design Classification: **30-03, 09-03M**
(74) Name(s) of Attorney(s):
(71) Name(s) and Address(s) of Applicant(s):
Simon John Gough
833 Ingham Road Townsville Queensland 4818 Australia
(72) Name(s) of Designer(s): **David Hollier and Simon Gough and Andrew Gough**
(45) Registration Date: **04 May 2015**
(56) Related Art Documents: **Not Applicable**
(57) Statement of Newness and Distinctiveness: **Nil**

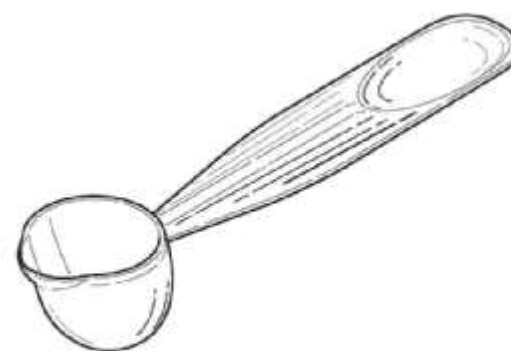


(21) Design Number: **10596/2015**
(22) Date of Filing Application: **06 February 2015**
(24) Date from which industrial property rights may have effect: **06 February 2015**
(54) Product in respect of which the design is registered: **Forklift fork tip**
(51) International Design Classification: **12-05**
(74) Name(s) of Attorney(s): **Davies Collison Cave**
(71) Name(s) and Address(s) of Applicant(s):
Cascade Corporation
2201 NE 201st Avenue Fairview Oregon, 97204 United States of America
(72) Name(s) of Designer(s): **Lawrence E. Richards**
(45) Registration Date: **04 May 2015**
(30) Convention priority data:
(31) Number (32) Date (33) Country
29/499,326 13 Aug 2014 UNITED STATES OF AMERICA



(56) Related Art Documents: **Not Applicable**
(57) Statement of Newness and Distinctiveness: **Newness and distinctiveness is claimed in the visual features shown in solid lines in the representations. Portions of a forklift fork are shown in broken line in the drawing views and are included merely for illustrative purposes and form no part of the claimed design. The broken lines immediately adjacent to the shaded areas of the drawing represent unclaimed boundaries of the design. The shading in the drawing views is intended to denote that the oblong outlined areas contrast visibly to the surrounding surfaces.**

(21) Design Number: **10598/2015**
(22) Date of Filing Application: **06 February 2015**
(24) Date from which industrial property rights may have effect: **06 February 2015**
(54) Product in respect of which the design is registered: **Scoop**
(51) International Design Classification: **07-99NES**
(74) Name(s) of Attorney(s): **Pizzeys**
(71) Name(s) and Address(s) of Applicant(s):
MJN U.S. Holdings LLC
2701 Patriot Blvd., 4th Floor, Glenview, IL 60026 United States of America
(72) Name(s) of Designer(s): **Robin P. Wiggins and Johanna Kahn**
(45) Registration Date: **04 May 2015**
(30) Convention priority data:
(31) Number (32) Date (33) Country
29/499,549 15 Aug 2014 UNITED STATES OF AMERICA



(56) Related Art Documents: **Not Applicable**
(57) Statement of Newness and Distinctiveness: **Nil**

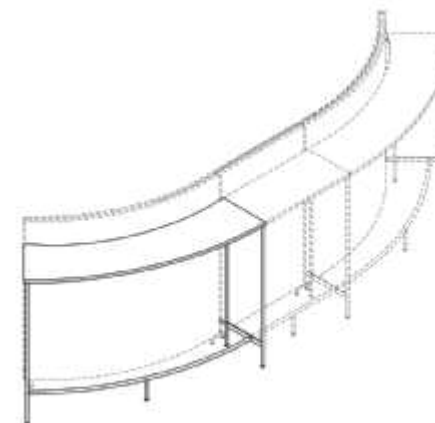
- (21) Design Number: **11746/2015**
(22) Date of Filing Application: **01 April 2015**
(24) Date from which industrial property rights may have effect: **01 April 2015**
(54) Product in respect of which the design is registered: **Emergency defibrillator tower**
(51) International Design Classification: **24-01**
(74) Name(s) of Attorney(s):
(71) Name(s) and Address(s) of Applicant(s):
DVR Engineering Pty Ltd
36-40 Maffra St Coolaroo VIC 3048 Australia
(72) Name(s) of Designer(s): **John Norwood**
(45) Registration Date: **04 May 2015**
(56) Related Art Documents: **Not Applicable**
(57) Statement of Newness and Distinctiveness: **Newness and distinctiveness is claimed in the shape, configuration and assembly. Modular design allowing for easy transport, quick assembly and can be wall mounted or standalone. Optional solar power configuration and high visibility.**



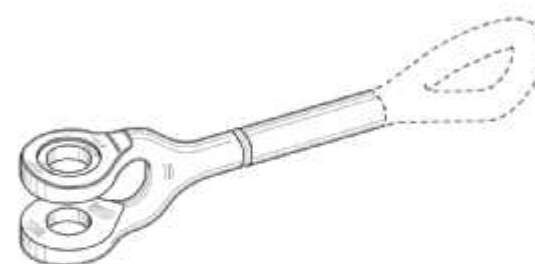
- (21) Design Number: **11747/2015**
(22) Date of Filing Application: **01 April 2015**
(24) Date from which industrial property rights may have effect: **01 April 2015**
(54) Product in respect of which the design is registered: **Partition panel**
(51) International Design Classification: **06-06NES**
(74) Name(s) of Attorney(s): **FB Rice**
(71) Name(s) and Address(s) of Applicant(s):
Okamura Corporation
7-18, Kitasaiwai 2-chome Nishi-ku, Yokohama-shi Kanagawa 220-0004
Japan
(72) Name(s) of Designer(s): **Waku Tsuchiyama and Haruhiko Kitajima**
(45) Registration Date: **04 May 2015**
(30) Convention priority data:
(31) Number (32) Date (33) Country
2014-021919 02 Oct 2014 JAPAN
(56) Related Art Documents: **Not Applicable**
(57) Statement of Newness and Distinctiveness: **Newness and distinctiveness reside in the features of shape and configuration of the design as shown in the representations.**



(21) Design Number: **11748/2015**
(22) Date of Filing Application: **01 April 2015**
(24) Date from which industrial property rights may have effect: **01 April 2015**
(54) Product in respect of which the design is registered: **Counter**
(51) International Design Classification: **06-03C**
(74) Name(s) of Attorney(s): **FB Rice**
(71) Name(s) and Address(s) of Applicant(s):
Okamura Corporation
7-18, Kitasaiwai 2-chome Nishi-ku, Yokohama-shi Kanagawa 220-0004
Japan
(72) Name(s) of Designer(s): **Waku Tsuchiyama and Haruhiko Kitajima**
(45) Registration Date: **04 May 2015**
(30) Convention priority data:
(31) Number (32) Date (33) Country
2014-022018 02 Oct 2014 JAPAN
(56) Related Art Documents: **Not Applicable**
(57) Statement of Newness and Distinctiveness: **Newness and distinctiveness reside in the features of shape and configuration of the design shown in solid lines in the representations excluding those features shown in broken lines.**



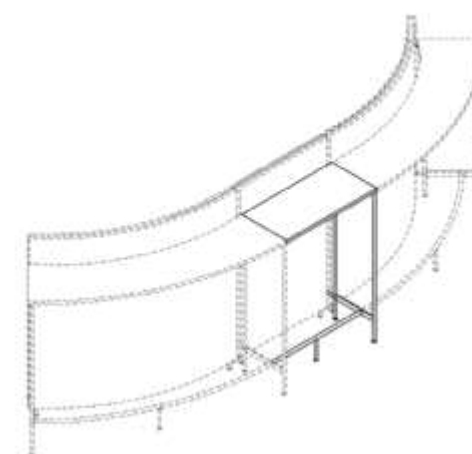
(21) Design Number: **11749/2015**
(22) Date of Filing Application: **01 April 2015**
(24) Date from which industrial property rights may have effect: **01 April 2015**
(54) Product in respect of which the design is registered: **Extension member**
(51) International Design Classification: **25-01C**
(74) Name(s) of Attorney(s): **Spruson & Ferguson**
(71) Name(s) and Address(s) of Applicant(s):
The Ulven Companies
P.O. Box 431, Hubbard Oregon, 97032 United States of America
(72) Name(s) of Designer(s): **Dennis Gaibler and Michael John Secrist**
(45) Registration Date: **04 May 2015**
(30) Convention priority data:
(31) Number (32) Date (33) Country
29/504215 02 Oct 2014 UNITED STATES OF AMERICA
(56) Related Art Documents: **Not Applicable**
(57) Statement of Newness and Distinctiveness: **Newness and distinctiveness is claimed in the features of shape and/or configuration of an extension member as illustrated in continuous lines in the accompanying representations.**



(21) Design Number: **11640/2015**
(22) Date of Filing Application: **26 March 2015**
(24) Date from which industrial property rights may have effect: **26 March 2015**
(54) Product in respect of which the design is registered: **Pin**
(51) International Design Classification: **11-03**
(74) Name(s) of Attorney(s): **Fisher Adams Kelly Pty Ltd**
(71) Name(s) and Address(s) of Applicant(s):
Gold Coast 2018 Commonwealth Games Corporation
L5 Corporate Centre One 2 Corporate Ct Bundall QLD 4217 Australia
(72) Name(s) of Designer(s): **William Key**
(45) Registration Date: **04 May 2015**
(56) Related Art Documents: **Not Applicable**
(57) Statement of Newness and Distinctiveness: **Newness and distinctiveness of the design resides in the shape and/or configuration of a pin as shown in the representations.**



(21) Design Number: **11750/2015**
(22) Date of Filing Application: **01 April 2015**
(24) Date from which industrial property rights may have effect: **01 April 2015**
(54) Product in respect of which the design is registered: **Counter**
(51) International Design Classification: **06-03C**
(74) Name(s) of Attorney(s): **FB Rice**
(71) Name(s) and Address(s) of Applicant(s):
Okamura Corporation
7-18, Kitasaiwai 2-chome Nishi-ku, Yokohama-shi Kanagawa 220-0004
Japan
(72) Name(s) of Designer(s): **Waku Tsuchiyama and Haruhiko Kitajima**
(45) Registration Date: **04 May 2015**
(30) Convention priority data:
(31) Number (32) Date (33) Country
2014-022019 02 Oct 2014 JAPAN
(56) Related Art Documents: **Not Applicable**
(57) Statement of Newness and Distinctiveness: **Newness and distinctiveness reside in the features of shape and configuration of the design shown in solid lines in the representations excluding those features shown in broken lines.**



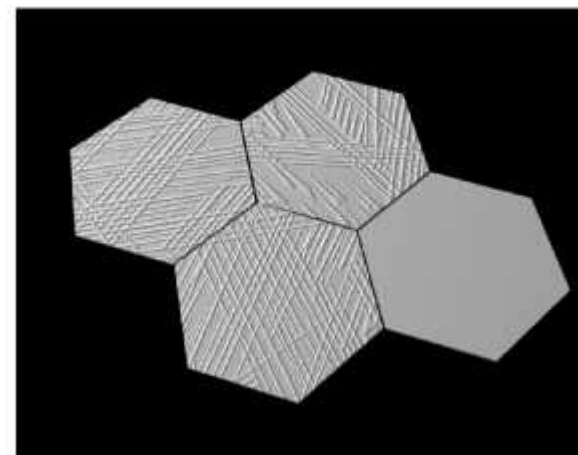
(21) Design Number: **11751/2015**
(22) Date of Filing Application: **01 April 2015**
(24) Date from which industrial property rights may have effect: **01 April 2015**
(54) Product in respect of which the design is registered: **Sprayer bottle**
(51) International Design Classification: **09-01A**
(74) Name(s) of Attorney(s): **Spruson & Ferguson**
(71) Name(s) and Address(s) of Applicant(s):
The Fountainhead Group, Inc.
23 Garden Street, New York Mills New York, 13417 United States of America
(72) Name(s) of Designer(s): **Joseph Moya and Greg Thune and Adam Jonovski and Marcus Hamilton**
(45) Registration Date: **04 May 2015**
(30) Convention priority data:
(31) Number (32) Date (33) Country
29/506397 15 Oct 2014 UNITED STATES OF AMERICA
(56) Related Art Documents: **Not Applicable**
(57) Statement of Newness and Distinctiveness: **Newness and distinctiveness is claimed in the features of shape and/or configuration of a sprayer bottle as illustrated in the accompanying representations.**



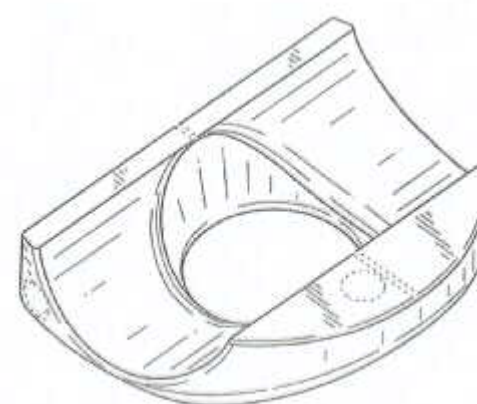
(21) Design Number: **11783/2015**
(22) Date of Filing Application: **02 April 2015**
(24) Date from which industrial property rights may have effect: **02 April 2015**
(54) Product in respect of which the design is registered: **Hair clipper**
(51) International Design Classification: **28-03D**
(74) Name(s) of Attorney(s): **FB Rice**
(71) Name(s) and Address(s) of Applicant(s):
Koninklijke Philips N.V.
High Tech Campus 5 5656 AE Eindhoven The Netherlands
(72) Name(s) of Designer(s): **Jens Peter Kophmann Andersson and Manfred Nitsch**
(45) Registration Date: **04 May 2015**
(30) Convention priority data:
(31) Number (32) Date (33) Country
002551911-0002 07 Oct 2014 OFFICE FOR HARMONISATION IN THE INTERNAL MARKET (OHIM)
(56) Related Art Documents: **Not Applicable**
(57) Statement of Newness and Distinctiveness: **Newness and distinctiveness reside in the features of shape and configuration of the design as shown in the representations.**



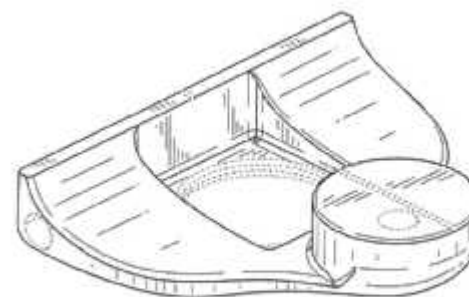
(21) Design Number: **11785/2015**
(22) Date of Filing Application: **02 April 2015**
(24) Date from which industrial property rights may have effect: **02 April 2015**
(54) Product in respect of which the design is registered: **Tesserae**
(51) International Design Classification: **25-01F**
(74) Name(s) of Attorney(s):
(71) Name(s) and Address(s) of Applicant(s):
Everstone International Pty Limited
20 Princes Rd East Auburn NSW 2144 Australia
(72) Name(s) of Designer(s): **John Zeng**
(45) Registration Date: **04 May 2015**
(56) Related Art Documents: **Not Applicable**
(57) Statement of Newness and Distinctiveness: **Newness and distinctiveness is claimed in the shape and configuration of a sheet of the tesserae shown in the attached representations, wherein the tesserae is an arrangement of a plurality of designed tiles that are of same material and different random patterned surfaces, and would, after meshed together at a special setting, create a unique aesthetic effect. The tesserae shown typically repeats when installed, in both lateral and longitudinal directions.**



(21) Design Number: **11803/2015**
(22) Date of Filing Application: **07 April 2015**
(24) Date from which industrial property rights may have effect: **07 April 2015**
(54) Product in respect of which the design is registered: **Putter head**
(51) International Design Classification: **21-02C**
(74) Name(s) of Attorney(s): **Pizzeys**
(71) Name(s) and Address(s) of Applicant(s):
BioMech Golf, LLC
711 5th Avenue South, Suite 212 Naples FL, 34102 United States of America
(72) Name(s) of Designer(s): **Lavonne R Davis**
(45) Registration Date: **04 May 2015**
(30) Convention priority data:
(31) Number (32) Date (33) Country
29/506,213 14 Oct 2014 UNITED STATES OF AMERICA
(56) Related Art Documents: **Not Applicable**
(57) Statement of Newness and Distinctiveness: **Nil**



(21) Design Number: **11804/2015**
(22) Date of Filing Application: **07 April 2015**
(24) Date from which industrial property rights may have effect: **07 April 2015**
(54) Product in respect of which the design is registered: **Putter head**
(51) International Design Classification: **21-02C**
(74) Name(s) of Attorney(s): **Pizzeys**
(71) Name(s) and Address(s) of Applicant(s):
BioMech Golf, LLC
711 5th Avenue South, Suite 212 Naples FL, 34102 United States of America
(72) Name(s) of Designer(s): **Davis R Lavonne**
(45) Registration Date: **04 May 2015**
(30) Convention priority data:
(31) Number (32) Date (33) Country
29/506,214 17 Oct 2014 UNITED STATES OF AMERICA
(56) Related Art Documents: **Not Applicable**
(57) Statement of Newness and Distinctiveness: **Nil**



(21) Design Number: **11800/2015**
(22) Date of Filing Application: **02 April 2015**
(24) Date from which industrial property rights may have effect: **02 April 2015**
(54) Product in respect of which the design is registered: **Injection device without cap**
(51) International Design Classification: **24-02**
(74) Name(s) of Attorney(s): **WATERMARK PATENT AND TRADE MARKS ATTORNEYS**
(71) Name(s) and Address(s) of Applicant(s):
Sanofi-Aventis Deutschland GmbH
Bruningstrasse 50 Frankfurt am Main 65929 Germany
(72) Name(s) of Designer(s): **James Leslie Rhodri Jones and Andrew Mitchell**
(45) Registration Date: **04 May 2015**
(30) Convention priority data:
(31) Number (32) Date (33) Country
002 559 617 17 Oct 2014 OFFICE FOR HARMONISATION IN THE INTERNAL MARKET (OHIM)
(56) Related Art Documents: **Not Applicable**
(57) Statement of Newness and Distinctiveness: **Newness and distinctiveness is claimed in the pattern and ornamentation, shape and configuration of an injection device without cap as shown in the representations.**



(21) Design Number: **11805/2015**

(22) Date of Filing Application: **07 April 2015**

(24) Date from which industrial property rights may have effect: **07 April 2015**

(54) Product in respect of which the design is registered: **Eyewear**

(51) International Design Classification: **16-06**

(74) Name(s) of Attorney(s): **Fisher Adams Kelly Pty Ltd**

(71) Name(s) and Address(s) of Applicant(s):

Ontel Products Corporation

21 Law Drive Fairfield New Jersey 07004 United States of America

(72) Name(s) of Designer(s): **Ross Exley**

(45) Registration Date: **04 May 2015**

(30) Convention priority data:

(31) Number

(32) Date

(33) Country

29504911

10 Oct 2014

UNITED STATES OF AMERICA

(56) Related Art Documents: **Not Applicable**

(57) Statement of Newness and Distinctiveness: **Newness and distinctiveness of the design resides in the shape and configuration of the eyewear as shown in the representations.**

