



**Australian Government**

---

**IP Australia**

**AUSTRALIAN OFFICIAL JOURNAL**

**OF**

**DESIGNS**

Did you know a searchable version of this journal is now available online?

It's FREE and EASY to SEARCH.

Find it on our website ([www.ipaustralia.gov.au](http://www.ipaustralia.gov.au))

by using the "Journals" link on the home page.

This Page Left Intentionally Blank

**Contents**

**General Information & Notices**

**Proceedings Under the Designs Act 1906 preserved as a result of the provisions of Chapter 12  
Part 2 of the Designs Act 2003**

**Extension of Period of Registration of Designs ..... 1362**

**Registrations Ceased ..... 1362**

**Proceedings Under the Designs Act 2003**

**Applications Lapsed ..... 1372**

**Applications Lodged ..... 1366**

**Applications Withdrawn ..... 1372**

**Certificate of Examination ..... 1375**

**Extension of Period of Registration of Design ..... 1373**

**Extension of Time Granted Under Section 137 ..... 1373**

**Names Registered - Alterations and Amendments ..... 1374**

**Publication and Registration Proceedings**

**Designs Registered 361586 to 361826..... 1376**

**Registrations Ceased ..... 1373**

**Subsequent Owners Registered ..... 1374**

This Page Left Intentionally Blank

For information on the following please see our website [www.ipaustralia.gov.au](http://www.ipaustralia.gov.au) or contact our Customer Service Network on 1300651010

[Editorial enquiries](#)

[Contact information](#)

[Freedom of Information ACT](#)

[Professional Standards Board](#)

[Sales](#)

[Requests for Information under Section 194 \(c\)](#)

[Country Codes](#)

[Trade Mark and Designs Hearing Sessions](#)

[INID \(Internationally agreed Numbers for the Identification of Data\)](#)

## “INID” NUMBERS in use on Australian Design Documents

“INID” is an acronym for “Internationally agreed Numbers for the Identification of Data”.

### (10) Data concerning the registration/renewal

- (11) Serial number of the registration and/or number of the design document
- (12) Plain language designation of the kind of published document
- (19) Identification, using the two-letter code according to WIPO Standard ST.3, of the authority publishing or registering the industrial design

### (20) Data concerning the application

- (21) Serial number of the application
- (22) Date of filing of the application
- (24) Date from which the industrial design right has effect

### (30) Data relating to priority under the Paris Convention

- (31) Serial number assigned to the priority application
- (32) Date of filing of the priority application
- (33) Two-letter code, according to WIPO Standard ST.3, identifying the authority with which the priority application was made

### (40) Date(s) of making information available to the public

- (45) Date of publication of the registered industrial design by printing or similar process, or making it available to the public by any other means

### (50) Miscellaneous Information

- (51) International Classification for Industrial Designs (class and subclass of the Locarno Classification)
- (54) Designation of article(s) or product(s) covered by the industrial design or title of the industrial design
- (55) Reproduction of the industrial design (e.g., drawing, photograph) and explanations relating to the reproduction
- (56) List of prior art documents, if separate from descriptive text
- (57) Description of characteristic features of the industrial design including indication of colours

### (60) References to other legally related application(s) and registration(s)

- (62) Serial number(s) and, if available, filing date(s) of application(s), registration(s) or document(s) related by division
- (66) Serial number(s) of the application, or the registration, of the design(s) which is (are) a variant(s) of the present one

### (70) Identification of parties concerned with the application or registration

- (71) Name(s) and address(es) of the applicant(s)
- (72) Name(s) of the creator(s) if known to be such
- (74) Name(s) and address(es) of the representative(s)

This Page Left Intentionally Blank

**Nil notices for this journal issue.**

**Proceedings under the Designs Act 1906 preserved as a result of the provisions of Chapter 12 Part 2 of the Designs Act 2003.**



This Page Left Intentionally Blank

**Applications Lapsed**

There were no Applications Lapsed under this section

**Extension of Period of Registration of Designs**

157550	157551	157552
157553	157554	158128
158505		

**1st Period (Section 27A(8))**

**2nd Period (Section 27A(12))**

**3rd Period (Section 27A(13))**

154135	156840	157018
157019	157020	157021
157022	157023	157024
157025	157026	157027
157028	157029	157030
157049	157060	157157
157202	157203	157235
157236	157237	157238
157239	157241	157314
157365	157415	157416
157417	157511	157512
157564	157567	157570
157613	157777	157958
158050	158093	158095
158150	158164	158165
158209	158210	158428
158479	158480	

**Registrations Ceased**

Note: Some of the following Registrations may have been previously advertised as ceased. In this instance, the previous advertisement still prevails.

138708	139096	139097
139130	139147	139148
139149	139311	139313
139314	139315	139316
139317	139455	139552
140167	140656	140918
141098	141900	142711
142982	143022	153864
154576	154577	154578
154579	154636	154637
154659	154660	154696
154697	154698	154699
154700	154701	154722
154869	155104	155106
155283	155376	155377
155433	155434	155677
155822	156493	156494
156641	156642	156643
156644	156645	156743
157544	157545	157546
157547	157548	157549

This Page Left Intentionally Blank

**Proceedings under the Designs Act 2003.**

This Page Left Intentionally Blank

**Applications Lodged**

Lodgement information is in the following order: **Applicant's Name**; International Classification, Name of Product, Lodgement Date and **Design Number**. If the applicant claims an earlier priority date under an International Convention, the Convention Country and the associated filing date are shown in parentheses before the Lodgement Date. Divisional information will also appear in parentheses before the Lodgement Date.

<b>"COMPAGNIE INDUSTRIELLE ET FINANCIERE D'INGENIERIE" INGENICO;</b> 14-02, Payment terminal, (EM, 27 Nov 2014) 14 May 2015	<b>12512/2015</b>	<b>Brown, Jamie Reginal Thomas;</b> 14-99, 13-03B, Ferrite Cores; mobile phone audio handsfree cables, 13 May 2015	<b>12500/2015</b>
<b>Alliance Sealing Pty Ltd;</b> 15-99, 09-07C, Rotary seal with labyrinth, 14 May 2015	<b>12506/2015</b>	<b>Brown, Maclean Robert;McCreddin, Garrie John Lindsay;</b> 23-02F, Hand basin, 07 May 2015	<b>12374/2015</b>
<b>Alpha Primitus, Inc;</b> 16-06, Clip-on lens carrier for smart eyewear, (US, 31 Dec 2014) 05 May 2015	<b>12306/2015</b>	<b>BRACTON INDUSTRIES (NSW) PTY LTD;</b> 23-01NES, Beverage dispense tower font, 11 May 2015	<b>12465/2015</b>
<b>Alpha Primitus, Inc;</b> 16-06, Clip-on lens carrier for Smart eyewear, (US, 31 Dec 2014) 05 May 2015	<b>12307/2015</b>	<b>Cajee, Mohamed Ismail;</b> 12-12, 3 in 1 wheelie walker, wheelchair, walking tutor, 07 May 2015	<b>12346/2015</b>
<b>Apple Inc.;</b> 13-02, Charger, (US, 11 Aug 2014) 11 Feb 2015	<b>12446/2015</b>	<b>Caroma Industries Limited;</b> 13-03NES, 23-01K, A flush valve controller, 08 May 2015	<b>12381/2015</b>
<b>Aquarush Pty Ltd;</b> 09-01D, Bottle, 05 May 2015	<b>12318/2015</b>	<b>Caroma Industries Limited;</b> 13-03NES, 23-01K, A flush valve controller, 08 May 2015	<b>12380/2015</b>
<b>Aquarush Pty Ltd;</b> 09-01D, Bottle, 05 May 2015	<b>12319/2015</b>	<b>Carrington, Paul;</b> 09-01NES, Beverage bottle including a ball agitator, (EM, 10 Nov 2014) 08 May 2015	<b>12377/2015</b>
<b>Artemides Holdings Pty Ltd;</b> 02-02C, Skirt, 06 May 2015	<b>12333/2015</b>	<b>Caterpillar, Inc.;</b> 24-02, Heel shroud, (US, 07 Nov 2014) 06 May 2015	<b>12326/2015</b>
<b>Artemides Holdings Pty Ltd;</b> 02-02C, Dress, 06 May 2015	<b>12332/2015</b>	<b>Caterpillar, Inc.;</b> 24-02, Heel shroud, (US, 07 Nov 2014) 06 May 2015	<b>12325/2015</b>
<b>Austin, Megan Elise;</b> 21-01D, Doll House Play House Childs Toy & Home Decor, 07 May 2015	<b>12352/2015</b>	<b>Caterpillar, Inc.;</b> 24-02, Heel shroud, (US, 07 Nov 2014) 06 May 2015	<b>12328/2015</b>
<b>Bang &amp; Olufsen A/S;</b> 14-03D, Digital music player, (EM, 17 Nov 2014) 14 May 2015	<b>12501/2015</b>	<b>Caterpillar, Inc.;</b> 15-99, Heel shroud, (US, 07 Nov 2014) 06 May 2015	<b>12329/2015</b>
<b>Bang &amp; Olufsen A/S;</b> 14-03D, Part for digital music player, (EM, 17 Nov 2014) 14 May 2015	<b>12502/2015</b>	<b>Caterpillar, Inc.;</b> 15-99, Heel shroud base, (US, 07 Nov 2014) 06 May 2015	<b>12330/2015</b>
<b>Bartlett Transport Improvements Pty. Ltd.;</b> 08-08L, Bracket for attaching a safety chain to an object, 30 Apr 2015	<b>12244/2015</b>	<b>Clarke, Anthony Bruce;Clarke, Tracey Leeann;</b> 07-04, Coconut tap, 11 May 2015	<b>12449/2015</b>
<b>Bathox Australia Pty Ltd;</b> 23-02A, A container, 06 May 2015	<b>12335/2015</b>	<b>Clarke, Tracey Leeann;Clarke, Anthony Bruce;</b> 07-04, Coconut tap, 11 May 2015	<b>12449/2015</b>
<b>Bayer Healthcare LLC;</b> 24-02, Analyte meter, (US, 17 Nov 2014) 14 May 2015	<b>12505/2015</b>	<b>Covidien LP;</b> 24-01, Connector for a medical adapter assembly, (US, 02 Dec 2014) 14 May 2015	<b>12511/2015</b>
<b>Black &amp; Decker Inc.;</b> 15-05, Steam cleaning accessory, (EM, 06 Nov 2014) 05 May 2015	<b>12302/2015</b>	<b>Croucher, David John;</b> 08-08H, Slide holder for a curtain rail, 13 Mar 2015	<b>11459/2015</b>
<b>Bose Corporation;</b> 14-01, Speaker system, (US, 01 Oct 2014) (Divisional of 11695/2015) 13 May 2015	<b>12490/2015</b>		

<b>Croucher, David;</b> 08-99, Adaptor mount for a curtain rail, 01 May 2015	<b>12277/2015</b>	<b>Fisher &amp; Paykel Healthcare Limited;</b> 24-01, A headgear for a breathing apparatus, (US, 07 Nov 2014) 07 May 2015	<b>12359/2015</b>
<b>Croucher, David John;</b> 08-08H, Curtain rail mount, 13 Mar 2015	<b>11460/2015</b>	<b>Fisher &amp; Paykel Healthcare Limited;</b> 24-01, A breathing apparatus, (US, 07 Nov 2014) 07 May 2015	<b>12360/2015</b>
<b>Croucher, David John;</b> 08-08H, Adaptor mount for a curtain rail, 13 Mar 2015	<b>11461/2015</b>	<b>Fisher &amp; Paykel Healthcare Limited;</b> 24-01, A frame for a breathing apparatus, (US, 07 Nov 2014) 07 May 2015	<b>12358/2015</b>
<b>CJ Cheiljedang Corp.;</b> 09-03M, Container for food packing, (KR, 07 Jan 2015) 08 May 2015	<b>12383/2015</b>	<b>Fisher &amp; Paykel Healthcare Limited;</b> 24-01, A seal for a breathing apparatus, (US, 07 Nov 2014) 07 May 2015	<b>12357/2015</b>
<b>Daimler AG;</b> 12-16A, Wheels for vehicle, (EM, 01 Dec 2014) 13 May 2015	<b>12486/2015</b>	<b>Fisher &amp; Paykel Healthcare Limited;</b> 24-01, A seal for a breathing apparatus, (US, 07 Nov 2014) 07 May 2015	<b>12354/2015</b>
<b>Dart Industries Inc.;</b> 09-03C, Container in the shape of a chili pepper, (US, 02 Dec 2014) 06 May 2015	<b>12331/2015</b>	<b>Fisher &amp; Paykel Healthcare Limited;</b> 24-01, A frame for a breathing apparatus, (US, 07 Nov 2014) 07 May 2015	<b>12355/2015</b>
<b>DuluxGroup (Australia) Pty Ltd;</b> 25-01G, Cladding panel, 13 May 2015	<b>12493/2015</b>	<b>Forever New Clothing Pty Ltd;</b> 02-02C, Article of clothing, 14 May 2015	<b>12507/2015</b>
<b>DuluxGroup (Australia) Pty Ltd;</b> 25-01G, Cladding panel, 13 May 2015	<b>12494/2015</b>	<b>Forever New Clothing Pty Ltd;</b> 02-02C, Article of clothing, (Divisional of 14339/2014) 01 May 2015	<b>12267/2015</b>
<b>DuluxGroup (Australia) Pty Ltd;</b> 25-01G, Cladding panel, 13 May 2015	<b>12491/2015</b>	<b>Forever New Clothing Pty Ltd;</b> 02-02C, Article of clothing, (Divisional of 14339/2014) 01 May 2015	<b>12269/2015</b>
<b>DuluxGroup (Australia) Pty Ltd;</b> 25-01G, Cladding panel, 13 May 2015	<b>12495/2015</b>	<b>Forever New Clothing Pty Ltd;</b> 02-02C, Article of clothing, (Divisional of 14339/2014) 01 May 2015	<b>12270/2015</b>
<b>DuluxGroup (Australia) Pty Ltd;</b> 25-01G, Cladding panel, 13 May 2015	<b>12492/2015</b>	<b>Forever New Clothing Pty Ltd;</b> 02-02C, Article of clothing, (Divisional of 14339/2014) 01 May 2015	<b>12268/2015</b>
<b>DuluxGroup (Australia) Pty Ltd;</b> 25-01G, Cladding panel, 13 May 2015	<b>12496/2015</b>	<b>Forever New Clothing Pty Ltd;</b> 02-02C, Article of clothing, (Divisional of 14339/2014) 01 May 2015	<b>12265/2015</b>
<b>DuluxGroup (Australia) Pty Ltd;</b> 25-01G, Cladding panel, 13 May 2015	<b>12497/2015</b>	<b>Forever New Clothing Pty Ltd;</b> 02-02C, Article of clothing, (Divisional of 14339/2014) 01 May 2015	<b>12271/2015</b>
<b>Embury, Gay Anne;Embury, David Robert;</b> 08-08L, A bracket and a staircase, 05 May 2015	<b>12311/2015</b>	<b>Forever New Clothing Pty Ltd;</b> 02-02C, Article of clothing, (Divisional of 14339/2014) 01 May 2015	<b>12272/2015</b>
<b>Embury, David Robert;Embury, Gay Anne;</b> 08-08L, A bracket and a staircase, 05 May 2015	<b>12311/2015</b>	<b>Forever New Clothing Pty Ltd;</b> 02-02C, Article of clothing, (Divisional of 14339/2014) 01 May 2015	<b>12266/2015</b>
<b>ELC Management LLC;</b> 04-02, Mascara brush head, (US, 19 Nov 2014) 11 May 2015	<b>12460/2015</b>	<b>Forever New Clothing Pty Ltd;</b> 02-02C, Article of clothing, (Divisional of 14339/2014) 01 May 2015	<b>12263/2015</b>
<b>ELC Management LLC;</b> 04-02, Mascara brush head, (US, 19 Nov 2014) 11 May 2015	<b>12458/2015</b>	<b>Forever New Clothing Pty Ltd;</b> 02-02C, Article of clothing, (Divisional of 14339/2014) 01 May 2015	<b>12264/2015</b>
<b>ELC Management LLC;</b> 04-02, Mascara brush head, (US, 19 Nov 2014) 11 May 2015	<b>12459/2015</b>	<b>Forever New Clothing Pty Ltd;</b> 02-02C, Article of clothing, (Divisional of 14339/2014) 01 May 2015	<b>12262/2015</b>
<b>Farmshed Labs Limited;</b> 10-04, A sensing device, (NZ, 14 Nov 2014) 11 May 2015	<b>12443/2015</b>	<b>FAST S.p.A.;</b> 06-01F, Chair, (WO, 03 Dec 2014) 12 May 2015	<b>12471/2015</b>
<b>Fisher &amp; Paykel Healthcare Limited;</b> 24-01, A headgear for a breathing apparatus, (US, 07 Nov 2014) 07 May 2015	<b>12356/2015</b>		



<b>Geberit International AG;</b> 23-02C, Toilet seat, (WO, 12 Dec 2014) 07 May 2015	<b>12362/2015</b>	<b>Gong, Zhu;</b> 06-01G, Sofa, 10 May 2015	<b>12421/2015</b>
<b>Geberit International AG;</b> 23-02C, Control panel for toilets and/or urinals, (WO, 25 Nov 2014) 07 May 2015	<b>12364/2015</b>	<b>Gong, Zhu;</b> 06-03B, Table, 10 May 2015	<b>12414/2015</b>
<b>Genius GmbH;</b> 08-03, Non electrical household cutting device, (EM, 07 Nov 2014) 01 May 2015	<b>12274/2015</b>	<b>Gong, Zhu;</b> 06-01F, Chair, 10 May 2015	<b>12433/2015</b>
<b>Genius GmbH;</b> 08-03, Non electrical household cutting device, (EM, 07 Nov 2014) 01 May 2015	<b>12274/2015</b>	<b>Gong, Zhu;</b> 14-01, Speaker, 10 May 2015	<b>12434/2015</b>
<b>Genius GmbH;</b> 08-03, Non Electrical Household Cutting Device, 01 May 2015	<b>12276/2015</b>	<b>Gong, Zhu;</b> 14-01, Speaker, 10 May 2015	<b>12435/2015</b>
<b>Genius GmbH;</b> 08-03, Non electrical household cutting device, 01 May 2015	<b>12275/2015</b>	<b>Gong, Zhu;</b> 06-01E, Stool, 10 May 2015	<b>12415/2015</b>
<b>Global Dog Pty Ltd;</b> 30-99, Pet toy, 09 May 2015	<b>12389/2015</b>	<b>Gong, Zhu;</b> 14-01, Speaker, 10 May 2015	<b>12436/2015</b>
<b>Global Dog Pty Ltd;</b> 30-99, Pet toy, 09 May 2015	<b>12394/2015</b>	<b>Gong, Zhu;</b> 07-99A, Tray, 10 May 2015	<b>12437/2015</b>
<b>Global Dog Pty Ltd;</b> 30-99, Pet toy, 09 May 2015	<b>12395/2015</b>	<b>Gong, Zhu;</b> 06-01E, Stool, 10 May 2015	<b>12416/2015</b>
<b>Global Dog Pty Ltd;</b> 30-99, Pet toy, 09 May 2015	<b>12392/2015</b>	<b>Gong, Zhu;</b> 09-01D, 09-01K, Bottle, 10 May 2015	<b>12417/2015</b>
<b>Global Dog Pty Ltd;</b> 30-99, Pet toy, 09 May 2015	<b>12393/2015</b>	<b>Gong, Zhu;</b> 09-01NES, Bottle, 10 May 2015	<b>12418/2015</b>
<b>Global Dog Pty Ltd;</b> 30-99, Pet toy, 09 May 2015	<b>12390/2015</b>	<b>Gong, Zhu;</b> 07-01B, Bowl, 09 May 2015	<b>12399/2015</b>
<b>Global Dog Pty Ltd;</b> 30-99, Pet toy, 09 May 2015	<b>12391/2015</b>	<b>Gong, Zhu;</b> 07-99A, Tea tray, 10 May 2015	<b>12412/2015</b>
<b>Global Dog Pty Ltd;</b> 30-99, Pet toy, 09 May 2015	<b>12300/2015</b>	<b>Gong, Zhu;</b> 06-03B, Table, 10 May 2015	<b>12413/2015</b>
<b>Global Dog Pty Ltd;</b> 30-99, Pet toy, 09 May 2015	<b>12391/2015</b>	<b>Gong, Zhu;</b> 06-01F, Chair, 10 May 2015	<b>12431/2015</b>
<b>Gong, Zhu;</b> 09-01NES, Bottle, 10 May 2015	<b>12419/2015</b>	<b>Gong, Zhu;</b> 06-03B, 06-03NES, Tea table, 10 May 2015	<b>12411/2015</b>
<b>Gong, Zhu;</b> 06-01F, Chair, 10 May 2015	<b>12426/2015</b>	<b>Gong, Zhu;</b> 07-99A, Tea tray, 10 May 2015	<b>12410/2015</b>
<b>Gong, Zhu;</b> 06-01F, Chair, 10 May 2015	<b>12427/2015</b>	<b>Gong, Zhu;</b> 06-01F, Chair, 10 May 2015	<b>12430/2015</b>
<b>Gong, Zhu;</b> 06-01G, Sofa, 10 May 2015	<b>12422/2015</b>	<b>Gong, Zhu;</b> 07-99A, Tea tray, 10 May 2015	<b>12409/2015</b>
<b>Gong, Zhu;</b> 07-06C, Cruet, 10 May 2015	<b>12423/2015</b>	<b>Gong, Zhu;</b> 06-01F, Chair, 10 May 2015	<b>12429/2015</b>
<b>Gong, Zhu;</b> 06-01F, Chair, 10 May 2015	<b>12432/2015</b>	<b>Gong, Zhu;</b> 07-01B, Bowl, 10 May 2015	<b>12407/2015</b>
<b>Gong, Zhu;</b> 07-06C, Cruet, 10 May 2015	<b>12424/2015</b>	<b>Gong, Zhu;</b> 07-99A, Tea tray, 10 May 2015	<b>12408/2015</b>
<b>Gong, Zhu;</b> 06-01F, Chair, 10 May 2015	<b>12425/2015</b>	<b>Gong, Zhu;</b> 07-01B, Bowl, 10 May 2015	<b>12406/2015</b>
<b>Gong, Zhu;</b> 09-01NES, Bottle, 10 May 2015	<b>12420/2015</b>	<b>Gong, Zhu;</b> 06-01F, Chair, 10 May 2015	<b>12428/2015</b>
<b>Gong, Zhu;</b> 07-01B, Bowl, 10 May 2015	<b>12401/2015</b>	<b>Gong, Zhu;</b> 07-01B, Bowl, 10 May 2015	<b>12404/2015</b>
		<b>Gong, Zhu;</b> 07-01B, Bowl, 10 May 2015	<b>12405/2015</b>

<b>Gong, Zhu;</b> 07-01B, Bowl, 10 May 2015	<b>12402/2015</b>	<b>Henkel AG &amp; Co. KGaA;</b> 23-02NES, Toilet tablet holder, (EM, 15 Dec 2014) 13 May 2015	<b>12482/2015</b>
<b>Gong, Zhu;</b> 07-01B, Bowl, 10 May 2015	<b>12403/2015</b>	<b>Henledar Co., Ltd;</b> 07-01NES, Container base, 05 May 2015	<b>12313/2015</b>
<b>Gong, Zhu;</b> 07-01B, Bowl, 09 May 2015	<b>12400/2015</b>	<b>Henledar Co., Ltd;</b> 09-07B, Container lid, 05 May 2015	<b>12314/2015</b>
<b>Gong, Zhu;</b> 06-01C, Bench, 10 May 2015	<b>12440/2015</b>	<b>Homeland Housewares, LLC;</b> 07-02N, Pressure cooker, (US, 27 Jan 2015) 06 May 2015	<b>12327/2015</b>
<b>Gong, Zhu;</b> 07-02K, Teapot, 10 May 2015	<b>12438/2015</b>	<b>Honeywell International Inc.;</b> 24-01, Aspiration detector, (US, 21 Nov 2014) 05 May 2015	<b>12304/2015</b>
<b>Gong, Zhu;</b> 07-01B, Bowl, 09 May 2015	<b>12397/2015</b>	<b>Hygro International Pty Limited;</b> 26-05C, A luminaire, 05 May 2015	<b>12315/2015</b>
<b>Gong, Zhu;</b> 07-01B, Bowl, 09 May 2015	<b>12398/2015</b>	<b>Illinois Tool Works Inc.;</b> 23-04, Filter for an air filtration device, (US, 12 Sep 2014) (Divisional of 10832/2015) 14 May 2015	<b>12518/2015</b>
<b>Gong, Zhu;</b> 23-04, Ceiling lamp, 10 May 2015	<b>12439/2015</b>	<b>Illinois Tool Works Inc.;</b> 23-04, Filter for an air filtration device, (US, 12 Sep 2014) (Divisional of 10832/2015) 14 May 2015	<b>12514/2015</b>
<b>GM Global Technology Operations LLC;</b> 12-16A, 12-16B, Vehicle lower insert, 07 May 2015	<b>12371/2015</b>	<b>Jovcevski, Violeta;</b> 20-02E, Jewellery tree shaped pendent, 14 May 2015	<b>12504/2015</b>
<b>GM Global Technology Operations LLC;</b> 12-16B, Vehicle side skirt, 07 May 2015	<b>12372/2015</b>	<b>Klikal Pty Ltd;</b> 25-01K, Wall / roof hinge connector, 01 May 2015	<b>12279/2015</b>
<b>GM Global Technology Operations LLC;</b> 12-16A, 12-16B, Vehicle lower insert, 07 May 2015	<b>12370/2015</b>	<b>Klikal Pty Ltd;</b> 25-02A, Aluminum wall base connection, (Divisional of 10550/2015) 01 May 2015	<b>12278/2015</b>
<b>GM Global Technology Operations LLC;</b> 12-16A, Vehicle wheel, 07 May 2015	<b>12369/2015</b>	<b>Laurain, Lindsey;</b> 06-11, 07-01B, Integrated tableware and dining mat, (US, 03 Dec 2014) 05 May 2015	<b>12299/2015</b>
<b>GM Global Technology Operations LLC;</b> 12-16A, Vehicle wheel, 07 May 2015	<b>12368/2015</b>	<b>Lifefactory, Inc.;</b> 07-06A, Drinking glass sleeve, (US, 09 Dec 2014) 11 May 2015	<b>12447/2015</b>
<b>Hagleitner, Hans Georg;</b> 09-07B, Slidable cap or slidable closure for container, (EM, 07 Nov 2014) 05 May 2015	<b>12303/2015</b>	<b>Lifefactory, Inc.;</b> 07-06A, Drinking glass sleeve, (US, 09 Dec 2014) 11 May 2015	<b>12448/2015</b>
<b>Harnischfeger Technologies, Inc.;</b> 12-08, Cab for mining machine, (US, 03 Dec 2014) 13 May 2015	<b>12489/2015</b>	<b>Lorna Jane Pty Ltd;</b> 02-02C, Clothing, 01 May 2015	<b>12309/2015</b>
<b>Heine Optotechnik GmbH &amp; Co. KG;</b> 24-02, Diagnostic instruments and apparatus: dermatoscope, (EP, 07 Nov 2014) 05 May 2015	<b>12308/2015</b>	<b>Mars, Incorporated;</b> 01-06, Pet treat, (US, 16 Dec 2014) 12 May 2015	<b>12469/2015</b>
<b>Helen of Troy Limited;</b> 09-05, Device for enclosing a freshening packet, (US, 22 Dec 2014) 13 May 2015	<b>12487/2015</b>	<b>Mars, Incorporated;</b> 01-06, Pet treat, (US, 16 Dec 2014) 12 May 2015	<b>12470/2015</b>
<b>Helen of Troy Limited;</b> 09-05, A device for enclosing a freshening packet, (US, 22 Dec 2014) 13 May 2015	<b>12488/2015</b>	<b>Matts, Christopher Robert;</b> 07-02E, Collapsible barbeque, 05 May 2015	<b>12316/2015</b>
<b>Henkel AG &amp; Co. KGaA;</b> 23-02NES, Toilet tablet holder, (EM, 27 Nov 2014) 13 May 2015	<b>12485/2015</b>	<b>Matts, Christopher Robert;</b> 07-02E, Dismantlable barbeque, 05 May 2015	<b>12317/2015</b>
<b>Henkel AG &amp; Co. KGaA;</b> 23-02NES, Toilet tablet holder, (EM, 15 Dec 2014) 13 May 2015	<b>12483/2015</b>		
<b>Henkel AG &amp; Co. KGaA;</b> 23-02NES, Toilet tablet holder, (EM, 27 Nov 2014) 13 May 2015	<b>12484/2015</b>		

<b>McCreddin, Garrie John Lindsay;Brown, Maclean Robert;</b> 23-02F, Hand basin, 07 May 2015	<b>12374/2015</b>	<b>Quarry Mining and Construction Equipment Pty Ltd;</b> 08-01, Drill bit, 09 May 2015	<b>12396/2015</b>
<b>McDonald, Angus;</b> 21-02NES, Basketball soccer goal, 07 May 2015	<b>12347/2015</b>	<b>Reckitt Benckiser (Brands) Limited;</b> 22-06, Insecticide dispenser, (EM, 10 Nov 2014) 11 May 2015	<b>12461/2015</b>
<b>Midland Pig Producers Limited;</b> 30-02, A pig farrowing pen, 11 May 2015	<b>12466/2015</b>	<b>Reckitt Benckiser (Brands) Limited;</b> 09-01A, Insecticide dispenser, (EM, 10 Nov 2014) 11 May 2015	<b>12456/2015</b>
<b>Multisteps Pty Ltd;</b> 09-03F, A produce container, 07 May 2015	<b>12348/2015</b>	<b>Redbird Toys Pty Ltd;</b> 21-01M, Puzzle, 06 May 2015	<b>12336/2015</b>
<b>MITSUBISHI ELECTRIC CORPORATION;</b> 23-04, Fan, 07 May 2015	<b>12367/2015</b>	<b>ResMed Limited;</b> 14-04, Display screen or graphical user interface, or portion thereof, with animated images and/or icon(s), (Divisional of 10864/2015) 01 May 2015	<b>12305/2015</b>
<b>Nelson, Cameron David;</b> 25-01K, Extrusion, 08 May 2015	<b>12378/2015</b>	<b>ResMed Limited;</b> 24-01, Pressurized air delivery console, (Divisional of 11301/2015) 11 May 2015	<b>12462/2015</b>
<b>Nelson, Cameron David;</b> 25-01K, Extrusion, 08 May 2015	<b>12379/2015</b>	<b>ResMed Limited;</b> 24-01, Pressurized air delivery console, 11 May 2015	<b>12463/2015</b>
<b>Newera Energy Developments Pty Ltd;</b> 15-04, An impeller, 07 May 2015	<b>12373/2015</b>	<b>Rhino Rack Australia Pty Limited;</b> 12-16NES, Awning, 14 May 2015	<b>12510/2015</b>
<b>Nicolaides, George;</b> 25-01NES, Learn to swim platform, 13 May 2015	<b>12499/2015</b>	<b>Russell, Kasey;</b> 06-11, Jute round rug, 06 May 2015	<b>12334/2015</b>
<b>Oak Lawn Marketing, Inc.;</b> 21-02F, Exercise device, (JP, 27 Nov 2014) 11 May 2015	<b>12457/2015</b>	<b>Samsonite IP Holdings S.a r.l.;</b> 03-01A, Luggage, (EM, 12 Nov 2014) 06 May 2015	<b>12337/2015</b>
<b>Oakley, Inc.;</b> 16-06, Set of eyeglass components, (US, 14 Nov 2014) 11 May 2015	<b>12444/2015</b>	<b>Samsonite IP Holdings S.a r.l.;</b> 03-01A, Luggage handle, (EM, 12 Nov 2014) 06 May 2015	<b>12339/2015</b>
<b>Oakley, Inc.;</b> 16-06, Set of eyeglass components, (US, 14 Nov 2014) 11 May 2015	<b>12442/2015</b>	<b>Samsonite IP Holdings S.a r.l.;</b> 03-01A, Luggage, (EM, 12 Nov 2014) 06 May 2015	<b>12338/2015</b>
<b>Obsession Clothing Pty Ltd;</b> 02-01NES, Clothing, 05 May 2015	<b>12301/2015</b>	<b>Samsonite IP Holdings S.a r.l.;</b> 03-01A, Luggage, (EM, 12 Nov 2014) 06 May 2015	<b>12340/2015</b>
<b>Outotec (Finland) Oy;</b> 15-04, Impeller for hydrometallurgical mixer, (EM, 06 Nov 2014) 06 May 2015	<b>12323/2015</b>	<b>Samsonite IP Holdings S.a r.l.;</b> 03-01A, 08-06, Luggage handle, (EM, 12 Nov 2014) 06 May 2015	<b>12342/2015</b>
<b>Outotec (Finland) Oy;</b> 15-04, Impeller for hydrometallurgical mixer, (EM, 06 Nov 2014) 06 May 2015	<b>12324/2015</b>	<b>Samsonite IP Holdings S.a r.l.;</b> 03-01A, 08-06, Luggage handle, (EM, 12 Nov 2014) 06 May 2015	<b>12343/2015</b>
<b>OCEAN SURF SPORTS PTY. LTD.;</b> 12-06C, Surf ski, 11 May 2015	<b>12441/2015</b>	<b>Samsonite IP Holdings S.a r.l.;</b> 03-01A, Luggage, (EM, 12 Nov 2014) 06 May 2015	<b>12341/2015</b>
<b>Payless Shoesource Worldwide, Inc.;</b> 02-04B, Sole, (US, 11 Feb 2015) 14 May 2015	<b>12509/2015</b>	<b>Stirling, Mark;</b> 02-02NES, T-shirt, 12 May 2015	<b>12474/2015</b>
<b>Petronelli, Claudio;</b> 08-05NES, Layout tool, (NZ, 24 Dec 2014) 09 May 2015	<b>12388/2015</b>	<b>Stirling, Mark;</b> 02-02C, Shorts, 12 May 2015	<b>12475/2015</b>
<b>Pinwrest Development Group, LLC;</b> 02-03, Head protector, 06 May 2015	<b>12322/2015</b>	<b>Stirling, Mark;</b> 02-02NES, T-shirt, 12 May 2015	<b>12473/2015</b>
<b>Pomper, John Robert;</b> 12-06NES, Latch for a boat trailer, 04 May 2015	<b>12294/2015</b>	<b>Stirling, Mark;</b> 02-02C, Pants, 12 May 2015	<b>12476/2015</b>
<b>Pro Capture 360 Pty Ltd;</b> 14-01, Image capture device, 14 May 2015	<b>12508/2015</b>		

<b>Suhood, Marielle Veronica;</b> 02-02C, Article of clothing, 12 May 2015	<b>12477/2015</b>	<b>Thorn Europhane S.A.;</b> 26-03, Street light, (EM, 11 Nov 2014) 11 May 2015	<b>12445/2015</b>
<b>Sunscreen Umbrella Pty Ltd;</b> 07-07A, Insulated container, 14 May 2015	<b>12503/2015</b>	<b>Thule Sweden AB;</b> 12-16K, Ski and snowboard carrier, (US, 30 Dec 2014) 11 May 2015	<b>12450/2015</b>
<b>Suzuki Motor Corporation;</b> 12-08, An automobile, (JP, 28 Nov 2014) 12 May 2015	<b>12478/2015</b>	<b>Trio Brothers Trading Pty Ltd;</b> 03-01B, Magnetic hidden storage box, 12 May 2015	<b>12468/2015</b>
<b>Suzuki Motor Corporation;</b> 12-08, An automobile, (JP, 11 Feb 2015) 12 May 2015	<b>12479/2015</b>	<b>Uber Technologies, Inc.;</b> 26-04, Illuminatable device, (US, 13 Nov 2014) 11 May 2015	<b>12464/2015</b>
<b>Sympafix B.V.;</b> 20-02A, 09-02NES, A nozzle for a fuel canister and a fuel canister, (EP, 07 Nov 2014) 06 May 2015	<b>12345/2015</b>	<b>Uber Technologies, Inc.;</b> 14-04, Computing device display screen, (US, 07 Nov 2014) 07 May 2015	<b>12361/2015</b>
<b>SEGARAM HOLDINGS PTY LIMITED;</b> 31-00, A pouch blender for multiple applications, 29 Apr 2015	<b>12227/2015</b>	<b>Ulrike Unterlechner EasyMount;</b> 08-08NES, 14-03A, 12-16H, Car mount for mobile device, 06 May 2015	<b>12321/2015</b>
<b>SMS Elap GmbH &amp; Co. KG;</b> 07-01NES, Storage container with lid, (US, 17 Nov 2014) 11 May 2015	<b>12454/2015</b>	<b>Ulrike Unterlechner EasyMount;</b> 08-08NES, 14-03A, 12-16H, Car mount for mobile device, 06 May 2015	<b>12320/2015</b>
<b>SMS Elap GmbH &amp; Co. KG;</b> 07-01NES, Storage container with lid, (US, 17 Nov 2014) 11 May 2015	<b>12455/2015</b>	<b>United Plastics (Australasia) Pty Ltd;</b> 09-01NES, Bottle, 06 May 2015	<b>12344/2015</b>
<b>SMS Elap GmbH &amp; Co. KG;</b> 07-01NES, Storage container with lid, (US, 17 Nov 2014) 11 May 2015	<b>12452/2015</b>	<b>Vapiano Franchising GmbH &amp; Co. KG;</b> 09-01K, Proprietary bottle, (EP, 05 Nov 2014) 04 May 2015	<b>12295/2015</b>
<b>SMS Elap GmbH &amp; Co. KG;</b> 07-01NES, Storage container with lid, (US, 17 Nov 2014) 11 May 2015	<b>12453/2015</b>	<b>Victoria &amp; Albert Baths Limited;</b> 23-02B, Bath, (EM, 11 Nov 2014) 04 May 2015	<b>12296/2015</b>
<b>SMS Elap GmbH &amp; Co. KG;</b> 07-01NES, Storage container with lid, (US, 17 Nov 2014) 11 May 2015	<b>12451/2015</b>	<b>Victoria &amp; Albert Baths Ltd;</b> 23-02B, Bath, (EM, 11 Nov 2014) 04 May 2015	<b>12297/2015</b>
<b>Tenacious Holdings, Inc.;</b> 03-01B, Wrist lanyard, (US, 04 Mar 2015) 14 May 2015	<b>12513/2015</b>	<b>Vuly Pty Ltd;</b> 21-02F, Trampoline tent, (NZ, 07 Nov 2014) 07 May 2015	<b>12351/2015</b>
<b>Tenacious Holdings, Inc.;</b> 08-08NES, Suction cup grabber, (US, 01 Apr 2015) 14 May 2015	<b>12517/2015</b>	<b>Ward, Duncan James Fraser;</b> 26-05D, Pendant light, 07 May 2015	<b>12363/2015</b>
<b>Tenacious Holdings, Inc.;</b> 10-04, Tape measure harness, (US, 01 Apr 2015) 14 May 2015	<b>12515/2015</b>	<b>Ward, Duncan James Fraser;</b> 26-05D, Pendant light, 13 May 2015	<b>12498/2015</b>
<b>Tenacious Holdings, Inc.;</b> 08-05NES, Magnet grabber, (US, 01 Apr 2015) 14 May 2015	<b>12516/2015</b>	<b>Wild Harvest Fisheries Pty Ltd;</b> 22-05, Abalone packaging, 05 May 2015	<b>12312/2015</b>
<b>The Procter &amp; Gamble Company;</b> 09-01A, Shave preparation container, (US, 12 Nov 2014) 12 May 2015	<b>12472/2015</b>	<b>Wildchild Design Pty. Ltd.;</b> 21-01F, Ride on toy, 07 May 2015	<b>12353/2015</b>
<b>The Trustee for David Arnott Family Vocation Trust;</b> 02-02NES, Shirts t-shirts trousers shorts jackets caps socks, 13 May 2015	<b>12480/2015</b>	<b>Worldwide Diamond Trademarks Ltd.;</b> 11-01NES, Oval shaped gemstone, (US, 08 Jan 2015) 07 May 2015	<b>12350/2015</b>
<b>Thermo Scientific Portable Analytical Instruments Inc.;</b> 24-02, Handheld analyzer, (US, 13 Nov 2014) 12 May 2015	<b>12467/2015</b>	<b>Worldwide Diamond Trademarks Ltd.;</b> 11-01NES, Modified oval shaped gemstone, (US, 08 Jan 2015) 07 May 2015	<b>12349/2015</b>
		<b>WAGTAIL CLEANING TOOLS PTY LTD;</b> 15-05, A clip to attach to a window or floor squeegee, 04 May 2015	<b>12298/2015</b>

**Applications Withdrawn**

11477 / 2015 (32-03)	11720 / 2015 (23-02C)
12011 / 2015 (23-01F)	12180 / 2015 (08-08L)

---

**Applications Lapsed**

14235 / 2014 (03-01B)	14342 / 2014 (03-01B)
15280 / 2014 (02-02NES)	15397 / 2014 (02-02NES)
15410 / 2014 (26-05E)	15411 / 2014 (26-05E)
15458 / 2014 (12-16B)	10301 / 2015 (09-03L)
10302 / 2015 (07-02P)	10342 / 2015 (32-03)
10376 / 2015 (14-02)	10378 / 2015 (32-03)
10396 / 2015 (08-05L)	10465 / 2015 (02-02B)
10466 / 2015 (23-01E)	10513 / 2015 (26-05D)
10521 / 2015 (06-13NES)	10529 / 2015 (32-03)
10600 / 2015 (32-03)	

**Extension of Period of Registration of Designs**

327429	328072	330720
330721	331107	331109
331110	331111	331201
331202	331242	331243
331249	331250	331268
331283	331284	331359
331360	331361	331362
331364	331371	331372
331403	331416	331417
331425	331435	331436
331470	331513	331516
331525	331537	331571
331597	331602	331606
331613	331637	331651
331667	331676	331677
331707	331714	331715
331716	331721	331733
331744	331788	331795
331796	331798	331800
331837	331838	331845
331868	331869	331870
331879	331880	331881
331882	331895	331959
331960	331961	331962
331972	331986	332040
332041	332042	332054
332092	332093	332094
332095	332103	332259
332299	332301	332378
332379	332460	332705
332706	332938	333383
333838	333839	335152
335153		

**Registrations Ceased**

303446	303447	303448
303531	303532	303533
303534	303537	303544
303545	303546	303550
303551	303555	303556
303557	303558	303559
303561	303562	303576
303577	303578	303579
303606	303607	303610
303615	303627	303630
303631	303632	303646
303666	303667	303668
303671	303672	303673
303674	303676	303728

303737	303828	303829
303831	303877	303927
303928	303929	303930
303931	303960	304037
304039	304040	304041
304042	304043	304044
304110	304111	304112
304402	304487	304654
304746	304747	305042
305201	305535	305536
305935	306044	306045
306046	306047	306160
306161	306299	306300
306325	311280	328355
328423	328424	328425
328426	328427	328428
328429	328430	328509
328525	328526	328554
328559	328560	328561
328568	328569	328577
328581	328582	328583
328586	328587	328601
328610	328611	328613
328614	328615	328631
328632	328664	328665
328669	328671	328677
328681	328685	328686
328692	328693	328694
328701	328702	328703
328704	328705	328706
328707	328719	328720
328791	328808	328809
328989	329093	329095
329096	329116	329117
329197	329198	329199
329200	329415	329429
329437	329438	329439
329440	329441	329503
329504	329505	329506
330327	330416	330671
330672	330673	330674
330675	330676	330677
331059	331060	331061
331062	331063	331098
338172	345304	357243
357246	357281	357713

**Extensions of time granted under Section 137**

Applications lodged under section 137 for extension of time have been granted.

327429 **Victaulic Company**

328072 **Designer Doorware Pty Ltd**

361731 **The Coca-Cola Company**

361816 **Ross Wilding**

361743 **Samsung Electronics Co., Ltd**

361744 **Samsung Electronics Co., Ltd**

361745 **Samsung Electronics Co., Ltd**

361746 **Samsung Electronics Co., Ltd**

361747 **Samsung Electronics Co., Ltd**

361748 **Samsung Electronics Co., Ltd**

12053/2015 **Kenu, Inc.**

### Subsequent Owners Registered

(The name in parentheses is that of the subsequent owner)

353494 ( **MissChu IP Pty Limited** ) Misschu Pty Ltd  
 350682 ( **Nick Sadowsky Design Pty Ltd** ) Nick Sadowsky  
 338662 ( **Cyclone Tools Pty Ltd** ) ITW Australia Pty Ltd  
 338663 ( **Cyclone Tools Pty Ltd** ) ITW Australia Pty Ltd  
 338664 ( **Cyclone Tools Pty Ltd** ) ITW Australia Pty Ltd  
 338665 ( **Cyclone Tools Pty Ltd** ) ITW Australia Pty Ltd  
 324977 ( **Sargent Consumer Products LLC** ) Ladder's Little Helper LLC a limited liability company organised and existing under the laws of State of Missouri (USA)  
 316386 ( **RMD Industries Pty Ltd** ) RMD Press Co. Pty Ltd.  
 316387 ( **RMD Industries Pty Ltd** ) RMD Press Co. Pty Ltd.  
 335059 ( **U-Click Barriers Pty Ltd** ) Haylin Systems Pty Ltd  
 335150 ( **U-Click Barriers Pty Ltd** ) Haylin Systems Pty Ltd  
 335151 ( **U-Click Barriers Pty Ltd** ) Haylin Systems Pty Ltd

### Names Registered - Alterations and Amendments

(The name in parentheses is that of the subsequent applicant)

340180 ( **SHL Group AB;Biogen MA Inc.** ) Biogen Idec MA Inc.;SHL Group AB  
 340203 ( **SHL Group AB;Biogen MA Inc.** ) Biogen Idec MA Inc.;SHL Group AB  
 340204 ( **SHL Group AB;Biogen MA Inc.** ) Biogen Idec MA Inc.;SHL Group AB

**Certificate(s) of Examination**

Examination of the following Design Registration(s) has been completed. Infringement proceedings may now be commenced.

343543	20-02NES	12/05/2015
346669	09-07NES	12/05/2015
358919	23-01H	08/05/2015
359650	14-02	07/05/2015
359651	14-02	07/05/2015
359757	24-02	08/05/2015
359767	04-02	05/05/2015
360034	12-15A	05/05/2015
360035	12-15A	05/05/2015
360036	12-16A	08/05/2015
360039	12-16A	08/05/2015
360040	12-16A	08/05/2015
360092	13-02	14/05/2015
360098	13-02	14/05/2015
360104	31-00	11/05/2015
360231	08-07	05/05/2015
360232	08-07	05/05/2015
360302	06-03A	15/05/2015
360303	06-03A	15/05/2015
360304	06-03A	15/05/2015
360305	06-03A	15/05/2015
360306	06-03A	15/05/2015
360307	06-03A	15/05/2015
360317	07-06NES	05/05/2015
360318	07-01B	06/05/2015
360394	09-01NES	12/05/2015
360395	09-01NES	12/05/2015
360396	09-01NES	12/05/2015
360475	07-02R	05/05/2015
360477	07-02R	05/05/2015
360479	07-02R	05/05/2015
360480	07-02R	05/05/2015
360481	07-02R	05/05/2015
360485	07-02R	05/05/2015
360557	05-05B	12/05/2015
360558	05-05A	12/05/2015
360568	05-05D	12/05/2015
360633	07-02R	05/05/2015
360634	07-02R	05/05/2015
360635	07-02R	05/05/2015
360636	07-02R	05/05/2015
360637	07-02R	05/05/2015
360657	07-02R	05/05/2015



**Publication and Registration Proceedings**

**Designs Registered**

This section provides a concordance between design number and registration number of Designs covered in this journal. It also shows the main class and registration date.

This section covers Registration numbers 361586 to 361826 .

The registration number shown below should be used in all future correspondence.

<b>Design Number</b>	<b>Registration Number</b>	<b>International Classification Code (IDC)</b>	<b>Registration Date</b>	<b>Design Number</b>	<b>Registration Number</b>	<b>International Classification Code (IDC)</b>	<b>Registration Date</b>
14233/2014	361597	02-02NES	05/05/2015	11172/2015	361685	31-00	07/05/2015
14339/2014	361598	02-02NES	05/05/2015	11173/2015	361595	31-00	05/05/2015
14643/2014	361611	14-03NES	05/05/2015	11194/2015	361601	26-05E	05/05/2015
15247/2014	361781	04-01	12/05/2015	11226/2015	361602	12-08	05/05/2015
15530/2014	361586	03-01NES	05/05/2015	11227/2015	361603	12-08	05/05/2015
15670/2014	361731	14-02	08/05/2015	11232/2015	361604	12-08	05/05/2015
15941/2014	361670	08-05F	07/05/2015	11234/2015	361605	12-08	05/05/2015
16640/2014	361782	09-03NES	12/05/2015	11235/2015	361606	12-08	05/05/2015
16641/2014	361587	03-01NES	05/05/2015	11242/2015	361607	12-08	05/05/2015
16642/2014	361785	09-03NES	12/05/2015	11408/2015	361608	21-01L	05/05/2015
16692/2014	361671	26-02	07/05/2015	11418/2015	361726	08-08NES	07/05/2015
16694/2014	361816	06-03A	15/05/2015	11419/2015	361727	08-08NES	07/05/2015
10079/2015	361743	14-04	11/05/2015	11476/2015	361687	23-04	07/05/2015
10080/2015	361744	14-04	11/05/2015	11553/2015	361596	15-99	05/05/2015
10082/2015	361745	14-04	11/05/2015	11554/2015	361612	15-99	05/05/2015
10083/2015	361746	14-04	11/05/2015	11577/2015	361610	26-06	05/05/2015
10084/2015	361747	14-04	11/05/2015	11585/2015	361740	06-02	08/05/2015
10085/2015	361748	14-04	11/05/2015	11633/2015	361613	09-01NES	05/05/2015
10310/2015	361609	26-06	05/05/2015	11664/2015	361614	07-02NES	05/05/2015
10437/2015	361717	09-03F	07/05/2015	11694/2015	361615	21-02F	06/05/2015
10443/2015	361599	19-08	05/05/2015	11742/2015	361616	10-04	06/05/2015
10502/2015	361588	07-02R	05/05/2015	11763/2015	361666	23-02F	06/05/2015
10504/2015	361589	07-02R	05/05/2015	11764/2015	361667	23-02B	06/05/2015
10539/2015	361718	25-01F	07/05/2015	11765/2015	361668	06-01NES	06/05/2015
10546/2015	361786	09-07C	13/05/2015	11766/2015	361669	06-01F	06/05/2015
10547/2015	361590	06-04NES	05/05/2015	11767/2015	361728	06-01F	07/05/2015
10550/2015	361738	25-01K	08/05/2015	11769/2015	361729	06-01F	07/05/2015
10552/2015	361591	08-08B	05/05/2015	11770/2015	361688	06-01F	07/05/2015
10563/2015	361719	13-03D	07/05/2015	11771/2015	361617	26-03	06/05/2015
10615/2015	361720	23-04	07/05/2015	11772/2015	361618	06-01F	06/05/2015
10713/2015	361783	13-02	12/05/2015	11773/2015	361689	06-01F	07/05/2015
10715/2015	361721	08-06	07/05/2015	11774/2015	361619	12-16NES	06/05/2015
10716/2015	361600	08-06	05/05/2015	11775/2015	361690	06-06G	07/05/2015
10718/2015	361722	08-06	07/05/2015	11776/2015	361620	06-06G	06/05/2015
10719/2015	361723	08-06	07/05/2015	11777/2015	361621	02-04B	06/05/2015
10771/2015	361749	07-02R	11/05/2015	11778/2015	361622	12-15C	06/05/2015
10772/2015	361750	07-02R	11/05/2015	11779/2015	361623	02-04B	06/05/2015
10773/2015	361751	07-02R	11/05/2015	11780/2015	361626	02-02C	06/05/2015
10792/2015	361752	09-03M	11/05/2015	11781/2015	361691	28-03D	07/05/2015
10823/2015	361724	06-03C	07/05/2015	11793/2015	361692	09-03F	07/05/2015
10864/2015	361592	14-02	05/05/2015	11794/2015	361693	31-00	07/05/2015
10865/2015	361686	14-02	07/05/2015	11795/2015	361627	31-00	06/05/2015
10894/2015	361725	08-09	07/05/2015	11796/2015	361628	15-05	06/05/2015
10921/2015	361753	09-01B	11/05/2015	11797/2015	361694	31-00	07/05/2015
10926/2015	361789	09-01B	14/05/2015	11798/2015	361629	24-02	06/05/2015
10927/2015	361739	06-10	08/05/2015	11799/2015	361630	31-00	06/05/2015
10978/2015	361593	24-04	05/05/2015	11806/2015	361695	26-03	07/05/2015
11107/2015	361790	08-05NES	14/05/2015	11807/2015	361624	26-02	06/05/2015
11165/2015	361817	24-01	15/05/2015	11808/2015	361625	07-01C	06/05/2015
11171/2015	361594	31-00	05/05/2015	11810/2015	361696	07-01NES	07/05/2015

Publication and Registration Proceedings - Designs Registered cont'd

Design Number	Registration Number	International Classification Code (IDC)	Registration Date	Design Number	Registration Number	International Classification Code (IDC)	Registration Date
11811/2015	361697	07-01C	07/05/2015	11875/2015	361709	06-03C	07/05/2015
11813/2015	361631	07-01C	06/05/2015	11876/2015	361710	06-03C	07/05/2015
11814/2015	361698	31-00	07/05/2015	11877/2015	361711	06-03C	07/05/2015
11815/2015	361632	02-03	06/05/2015	11878/2015	361712	14-02	07/05/2015
11816/2015	361637	02-02NES	06/05/2015	11879/2015	361713	14-02	07/05/2015
11817/2015	361633	02-02C	06/05/2015	11881/2015	361700	16-05	07/05/2015
11818/2015	361634	02-02C	06/05/2015	11882/2015	361701	16-01	07/05/2015
11819/2015	361635	02-02C	06/05/2015	11883/2015	361702	16-05	07/05/2015
11820/2015	361706	02-02C	07/05/2015	11884/2015	361703	15-03NES	07/05/2015
11821/2015	361638	02-02C	06/05/2015	11886/2015	361704	14-02	07/05/2015
11822/2015	361639	02-02C	06/05/2015	11887/2015	361684	09-03M	07/05/2015
11823/2015	361640	02-02NES	06/05/2015	11888/2015	361734	09-03M	08/05/2015
11824/2015	361641	02-02C	06/05/2015	11889/2015	361705	14-02	07/05/2015
11825/2015	361642	02-02NES	06/05/2015	11891/2015	361763	15-05	11/05/2015
11826/2015	361643	02-02NES	06/05/2015	11893/2015	361764	15-05	11/05/2015
11827/2015	361644	02-02NES	06/05/2015	11894/2015	361765	25-02A	11/05/2015
11828/2015	361672	02-03	07/05/2015	11895/2015	361766	24-02	11/05/2015
11829/2015	361673	02-03	07/05/2015	11898/2015	361767	20-02E	11/05/2015
11830/2015	361674	02-03	07/05/2015	11900/2015	361768	15-02	11/05/2015
11831/2015	361707	02-03	07/05/2015	11909/2015	361818	25-01K	15/05/2015
11832/2015	361645	02-02NES	06/05/2015	11912/2015	361819	06-03A	15/05/2015
11833/2015	361646	02-02C	06/05/2015	11913/2015	361820	06-01E	15/05/2015
11834/2015	361647	02-02C	06/05/2015	11914/2015	361714	25-01K	07/05/2015
11835/2015	361648	02-02C	06/05/2015	11915/2015	361715	09-01H	07/05/2015
11836/2015	361649	02-02C	06/05/2015	11916/2015	361716	09-01H	07/05/2015
11837/2015	361650	02-02C	06/05/2015	11918/2015	361735	21-02C	08/05/2015
11838/2015	361651	02-02C	06/05/2015	11919/2015	361736	21-02C	08/05/2015
11839/2015	361652	02-02C	06/05/2015	11920/2015	361737	23-02A	08/05/2015
11841/2015	361675	08-08L	07/05/2015	11921/2015	361741	23-02A	08/05/2015
11842/2015	361676	08-08A	07/05/2015	11923/2015	361730	15-02	08/05/2015
11843/2015	361708	14-01	07/05/2015	11926/2015	361769	15-02	11/05/2015
11844/2015	361653	02-02C	06/05/2015	11927/2015	361770	15-02	11/05/2015
11845/2015	361654	02-02NES	06/05/2015	11928/2015	361771	12-11	11/05/2015
11846/2015	361655	02-02NES	06/05/2015	11929/2015	361772	15-02	11/05/2015
11847/2015	361656	02-02NES	06/05/2015	11930/2015	361773	15-02	11/05/2015
11849/2015	361657	02-02NES	06/05/2015	11931/2015	361774	25-04	11/05/2015
11850/2015	361658	02-02NES	06/05/2015	11932/2015	361775	12-11	11/05/2015
11851/2015	361659	02-02NES	06/05/2015	11933/2015	361776	26-06	11/05/2015
11852/2015	361660	02-02NES	06/05/2015	11934/2015	361777	02-06	11/05/2015
11853/2015	361677	25-04	07/05/2015	11935/2015	361778	02-06	11/05/2015
11854/2015	361678	25-04	07/05/2015	11936/2015	361779	13-03NES	11/05/2015
11855/2015	361679	25-01K	07/05/2015	11937/2015	361780	13-03NES	11/05/2015
11856/2015	361661	28-03A	06/05/2015	11938/2015	361754	13-03NES	11/05/2015
11857/2015	361662	02-02NES	06/05/2015	11939/2015	361755	13-03NES	11/05/2015
11858/2015	361663	02-02NES	06/05/2015	11940/2015	361756	13-03NES	11/05/2015
11859/2015	361664	02-02NES	06/05/2015	11941/2015	361757	13-03NES	11/05/2015
11860/2015	361665	02-02NES	06/05/2015	11942/2015	361758	13-03NES	11/05/2015
11861/2015	361732	04-02	08/05/2015	11943/2015	361759	31-00	11/05/2015
11862/2015	361680	28-03A	07/05/2015	11944/2015	361760	31-00	11/05/2015
11863/2015	361681	09-03M	07/05/2015	11945/2015	361761	13-03NES	11/05/2015
11864/2015	361682	09-03M	07/05/2015	11946/2015	361762	13-03NES	11/05/2015
11866/2015	361742	06-02	11/05/2015	11947/2015	361787	26-06	13/05/2015
11868/2015	361733	26-05E	08/05/2015	11948/2015	361788	26-06	13/05/2015
11869/2015	361683	26-05E	07/05/2015	11952/2015	361821	26-06	15/05/2015
11874/2015	361699	08-08B	07/05/2015	11953/2015	361822	26-06	15/05/2015

Publication and Registration Proceedings - Designs Registered cont'd

Design Number	Registration Number	International Classification Code (IDC)	Registration Date	Design Number	Registration Number	International Classification Code (IDC)	Registration Date
11954/2015	361823	26-06	15/05/2015	11984/2015	361804	02-06	14/05/2015
11955/2015	361824	25-01F	15/05/2015	11985/2015	361805	07-02L	14/05/2015
11956/2015	361825	25-01F	15/05/2015	11987/2015	361806	23-02C	14/05/2015
11957/2015	361826	25-01F	15/05/2015	11988/2015	361807	06-03B	14/05/2015
11959/2015	361791	26-06	14/05/2015	11989/2015	361808	14-02	14/05/2015
11960/2015	361792	12-15A	14/05/2015	11990/2015	361809	12-15B	14/05/2015
11961/2015	361793	13-03NES	14/05/2015	11992/2015	361810	12-15B	14/05/2015
11962/2015	361794	13-03NES	14/05/2015	11995/2015	361811	14-03NES	14/05/2015
11963/2015	361795	13-03NES	14/05/2015	11996/2015	361812	14-03NES	14/05/2015
11964/2015	361796	13-03NES	14/05/2015	11997/2015	361813	14-03NES	14/05/2015
11965/2015	361797	13-03NES	14/05/2015	11998/2015	361814	14-03NES	14/05/2015
11966/2015	361798	13-03NES	14/05/2015	12062/2015	361815	02-04C	14/05/2015
11968/2015	361799	13-03NES	14/05/2015	12258/2015	361636	02-02C	06/05/2015
11980/2015	361800	21-01E	14/05/2015	12446/2015	361784	13-02	12/05/2015
11981/2015	361801	23-02C	14/05/2015				
11982/2015	361802	23-02C	14/05/2015				
11983/2015	361803	23-02C	14/05/2015				

**Publication and Registration Proceedings**

**Class Listing of Designs Published or Registered**

The following section shows an International Classification Code listing of the Registered or Published Designs covered in this supplement.

<b>Classification</b>	<b>Registration Number</b>	<b>Design Number</b>	<b>Classification</b>	<b>Registration Number</b>	<b>Design Number</b>
02-02C	361626	11780/2015	06-01F	361669	11766/2015
02-02C	361633	11817/2015	06-01F	361688	11770/2015
02-02C	361634	11818/2015	06-01F	361689	11773/2015
02-02C	361635	11819/2015	06-01F	361728	11767/2015
02-02C	361636	12258/2015	06-01F	361729	11769/2015
02-02C	361638	11821/2015	06-01NES	361668	11765/2015
02-02C	361639	11822/2015	06-02	361740	11585/2015
02-02C	361641	11824/2015	06-02	361742	11866/2015
02-02C	361646	11833/2015	06-03A	361816	16694/2014
02-02C	361647	11834/2015	06-03A	361819	11912/2015
02-02C	361648	11835/2015	06-03B	361807	11988/2015
02-02C	361649	11836/2015	06-03C	361709	11875/2015
02-02C	361650	11837/2015	06-03C	361710	11876/2015
02-02C	361651	11838/2015	06-03C	361711	11877/2015
02-02C	361652	11839/2015	06-03C	361724	10823/2015
02-02C	361653	11844/2015	06-04NES	361590	10547/2015
02-02C	361706	11820/2015	06-06G	361620	11776/2015
02-02NES	361597	14233/2014	06-06G	361690	11775/2015
02-02NES	361598	14339/2014	06-06H	361806	11987/2015
02-02NES	361637	11816/2015	06-10	361739	10927/2015
02-02NES	361640	11823/2015	07-01C	361625	11808/2015
02-02NES	361642	11825/2015	07-01C	361631	11813/2015
02-02NES	361643	11826/2015	07-01C	361697	11811/2015
02-02NES	361644	11827/2015	07-01NES	361696	11810/2015
02-02NES	361645	11832/2015	07-02H	361594	11171/2015
02-02NES	361654	11845/2015	07-02H	361595	11173/2015
02-02NES	361655	11846/2015	07-02H	361685	11172/2015
02-02NES	361656	11847/2015	07-02L	361805	11985/2015
02-02NES	361657	11849/2015	07-02NES	361614	11664/2015
02-02NES	361658	11850/2015	07-02R	361588	10502/2015
02-02NES	361659	11851/2015	07-02R	361589	10504/2015
02-02NES	361660	11852/2015	07-02R	361749	10771/2015
02-02NES	361662	11857/2015	07-02R	361750	10772/2015
02-02NES	361663	11858/2015	07-02R	361751	10773/2015
02-02NES	361664	11859/2015	07-05NES	361614	11664/2015
02-02NES	361665	11860/2015	08-05F	361670	15941/2014
02-03	361632	11815/2015	08-05NES	361790	11107/2015
02-03	361672	11828/2015	08-06	361600	10716/2015
02-03	361673	11829/2015	08-06	361721	10715/2015
02-03	361674	11830/2015	08-06	361722	10718/2015
02-03	361707	11831/2015	08-06	361723	10719/2015
02-04B	361621	11777/2015	08-08A	361676	11842/2015
02-04B	361623	11779/2015	08-08B	361591	10552/2015
02-04C	361815	12062/2015	08-08B	361699	11874/2015
02-06	361777	11934/2015	08-08L	361675	11841/2015
02-06	361778	11935/2015	08-08NES	361726	11418/2015
02-06	361804	11984/2015	08-08NES	361727	11419/2015
03-01NES	361586	15530/2014	08-09	361725	10894/2015
03-01NES	361587	16641/2014	09-01B	361753	10921/2015
04-01	361781	15247/2014	09-01B	361789	10926/2015
04-02	361732	11861/2015	09-01H	361715	11915/2015
06-01E	361820	11913/2015	09-01H	361716	11916/2015
06-01F	361618	11772/2015	09-01NES	361613	11633/2015

Registration Proceedings - Class Listing of Designs Published or Registered cont'd

Classification	Registration Number	Design Number	Classification	Registration Number	Design Number
09-03F	361692	11793/2015	14-02	361731	15670/2014
09-03F	361717	10437/2015	14-02	361743	10079/2015
09-03M	361681	11863/2015	14-02	361744	10080/2015
09-03M	361682	11864/2015	14-02	361745	10082/2015
09-03M	361684	11887/2015	14-02	361746	10083/2015
09-03M	361734	11888/2015	14-02	361747	10084/2015
09-03M	361752	10792/2015	14-02	361748	10085/2015
09-03NES	361782	16640/2014	14-02	361808	11989/2015
09-03NES	361785	16642/2014	14-03NES	361611	14643/2014
09-07C	361786	10546/2015	14-03NES	361811	11995/2015
10-04	361616	11742/2015	14-03NES	361812	11996/2015
12-08	361602	11226/2015	14-03NES	361813	11997/2015
12-08	361603	11227/2015	14-03NES	361814	11998/2015
12-08	361604	11232/2015	14-04	361743	10079/2015
12-08	361605	11234/2015	14-04	361744	10080/2015
12-08	361606	11235/2015	14-04	361745	10082/2015
12-08	361607	11242/2015	14-04	361746	10083/2015
12-11	361771	11928/2015	14-04	361747	10084/2015
12-11	361775	11932/2015	14-04	361748	10085/2015
12-15A	361792	11960/2015	15-02	361730	11923/2015
12-15B	361809	11990/2015	15-02	361768	11900/2015
12-15B	361810	11992/2015	15-02	361769	11926/2015
12-15C	361622	11778/2015	15-02	361770	11927/2015
12-16NES	361619	11774/2015	15-02	361772	11929/2015
13-02	361783	10713/2015	15-02	361773	11930/2015
13-02	361784	12446/2015	15-03NES	361703	11884/2015
13-03D	361719	10563/2015	15-05	361628	11796/2015
13-03NES	361754	11938/2015	15-05	361763	11891/2015
13-03NES	361755	11939/2015	15-05	361764	11893/2015
13-03NES	361756	11940/2015	15-99	361596	11553/2015
13-03NES	361757	11941/2015	15-99	361612	11554/2015
13-03NES	361758	11942/2015	16-01	361701	11882/2015
13-03NES	361761	11945/2015	16-05	361700	11881/2015
13-03NES	361762	11946/2015	16-05	361702	11883/2015
13-03NES	361779	11936/2015	19-08	361599	10443/2015
13-03NES	361780	11937/2015	20-02E	361767	11898/2015
13-03NES	361793	11961/2015	21-01E	361800	11980/2015
13-03NES	361794	11962/2015	21-01L	361608	11408/2015
13-03NES	361795	11963/2015	21-02C	361735	11918/2015
13-03NES	361796	11964/2015	21-02C	361736	11919/2015
13-03NES	361797	11965/2015	21-02F	361615	11694/2015
13-03NES	361798	11966/2015	23-02A	361737	11920/2015
13-03NES	361799	11968/2015	23-02A	361741	11921/2015
14-01	361708	11843/2015	23-02B	361667	11764/2015
14-01	361743	10079/2015	23-02C	361801	11981/2015
14-01	361744	10080/2015	23-02C	361802	11982/2015
14-01	361745	10082/2015	23-02C	361803	11983/2015
14-01	361746	10083/2015	23-02C	361806	11987/2015
14-01	361747	10084/2015	23-02F	361666	11763/2015
14-01	361748	10085/2015	23-04	361616	11742/2015
14-02	361592	10864/2015	23-04	361687	11476/2015
14-02	361686	10865/2015	23-04	361720	10615/2015
14-02	361704	11886/2015	24-01	361817	11165/2015
14-02	361705	11889/2015	24-02	361629	11798/2015
14-02	361712	11878/2015	24-02	361766	11895/2015
14-02	361713	11879/2015	24-04	361593	10978/2015

Registration Proceedings - Class Listing of Designs Published or Registered cont'd

Classification	Registration Number	Design Number	Classification	Registration Number	Design Number
25-01F	361718	10539/2015	26-06	361776	11933/2015
25-01F	361824	11955/2015	26-06	361787	11947/2015
25-01F	361825	11956/2015	26-06	361788	11948/2015
25-01F	361826	11957/2015	26-06	361791	11959/2015
25-01K	361679	11855/2015	26-06	361821	11952/2015
25-01K	361714	11914/2015	26-06	361822	11953/2015
25-01K	361738	10550/2015	26-06	361823	11954/2015
25-01K	361818	11909/2015	28-03A	361661	11856/2015
25-02A	361765	11894/2015	28-03A	361680	11862/2015
25-02H	361739	10927/2015	28-03D	361691	11781/2015
25-04	361677	11853/2015	31-00	361594	11171/2015
25-04	361678	11854/2015	31-00	361595	11173/2015
25-04	361774	11931/2015	31-00	361627	11795/2015
26-02	361624	11807/2015	31-00	361630	11799/2015
26-02	361671	16692/2014	31-00	361685	11172/2015
26-03	361617	11771/2015	31-00	361693	11794/2015
26-03	361695	11806/2015	31-00	361694	11797/2015
26-05E	361601	11194/2015	31-00	361698	11814/2015
26-05E	361683	11869/2015	31-00	361759	11943/2015
26-05E	361733	11868/2015	31-00	361760	11944/2015
26-06	361609	10310/2015			
26-06	361610	11577/2015			

- (21) Design Number: **15530/2014**  
(22) Date of Filing Application: **31 October 2014**  
(24) Date from which industrial property rights may have effect: **31 October 2014**  
(54) Product in respect of which the design is registered: **Waterproof casing**  
(51) International Design Classification: **03-01NES**  
(74) Name(s) of Attorney(s):  
(71) Name(s) and Address(s) of Applicant(s):

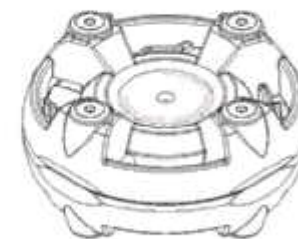
**Ocean Vision Environmental Research Pty Ltd**  
**75 Glanton Way Dianella WA 6059 Australia**

- (72) Name(s) of Designer(s): **Matthew James Harvey and Nicholas Dobson**

(45) Registration Date: **05 May 2015**

(56) Related Art Documents: **Not Applicable**

- (57) Statement of Newness and Distinctiveness: **Newness and distinctiveness is claimed in the shape and configuration of those features of the waterproof capsule depicted by means of solid black lines in the representations, including the identical, inter-connecting upper & lower halves, the elements which allow them to tightly seal when latched together, the elements which allow them to be tied closed and secured in situ, and the elements which aid opening the capsule. Elements depicted in grey or dotted lines do not form part of the design.**



- (21) Design Number: **16641/2014**  
(22) Date of Filing Application: **22 December 2014**  
(24) Date from which industrial property rights may have effect: **22 December 2014**  
(54) Product in respect of which the design is registered: **Enclosure casing**  
(51) International Design Classification: **03-01NES**  
(74) Name(s) of Attorney(s):  
(71) Name(s) and Address(s) of Applicant(s):

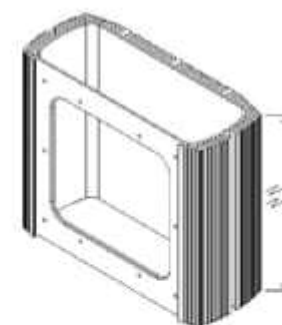
**Ocean Vision Environmental Research Pty Ltd**  
**75 Glanton Way Dianella WA 6059 Australia**

- (72) Name(s) of Designer(s): **Matthew James Harvey and Nicholas Dobson**

(45) Registration Date: **05 May 2015**

(56) Related Art Documents: **Not Applicable**

- (57) Statement of Newness and Distinctiveness: **Newness and distinctiveness is claimed in the shape and configuration of those features of the enclosure casing depicted by means of solid lines in the representations, including without limitation the smooth shaped internal surfaces, the various specially configured external slots (for retention of cap screws, mounts, infill panels and other components - which do not form part of the present design), the external fins and the flat front surface with its aperture.**



(21) Design Number: **10502/2015**  
(22) Date of Filing Application: **30 January 2015**  
(24) Date from which industrial property rights may have effect: **30 January 2015**  
(54) Product in respect of which the design is registered: **Cookware lid handle**  
(51) International Design Classification: **07-02R**  
(74) Name(s) of Attorney(s): **PIZZEYS**  
(71) Name(s) and Address(s) of Applicant(s):  
**Meyer Intellectual Properties Ltd**  
**382 Kwun Tong Rd Kowloon Hong Kong**  
(72) Name(s) of Designer(s): **Philip D. Barberi**  
(45) Registration Date: **05 May 2015**  
(30) Convention priority data:  
(31) Number (32) Date (33) Country  
**29/497,927 30 Jul 2014 UNITED STATES OF AMERICA**  
(56) Related Art Documents: **Not Applicable**  
(57) Statement of Newness and Distinctiveness: **Nil**

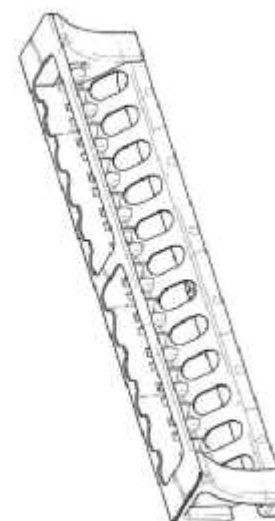


(21) Design Number: **10504/2015**  
(22) Date of Filing Application: **30 January 2015**  
(24) Date from which industrial property rights may have effect: **30 January 2015**  
(54) Product in respect of which the design is registered: **Side handle for cookware**  
(51) International Design Classification: **07-02R**  
(74) Name(s) of Attorney(s): **PIZZEYS**  
(71) Name(s) and Address(s) of Applicant(s):  
**Meyer Intellectual Properties Ltd**  
**382 Kwun Tong Rd Kowloon Hong Kong**  
(72) Name(s) of Designer(s): **Philip D. Barberi**  
(45) Registration Date: **05 May 2015**  
(30) Convention priority data:  
(31) Number (32) Date (33) Country  
**29/497,923 30 Jul 2014 UNITED STATES OF AMERICA**  
(56) Related Art Documents: **Not Applicable**  
(57) Statement of Newness and Distinctiveness: **Nil**





- (21) Design Number: **10547/2015**  
(22) Date of Filing Application: **03 February 2015**  
(24) Date from which industrial property rights may have effect: **03 February 2015**  
(54) Product in respect of which the design is registered: **Sample tube holder**  
(51) International Design Classification: **06-04NES**  
(74) Name(s) of Attorney(s): **Davies Collison Cave**  
(71) Name(s) and Address(s) of Applicant(s):  
**Becton, Dickinson & Company**  
**1 Becton Drive Franklin Lakes New Jersey, 07417 United States of America**  
(72) Name(s) of Designer(s): **Alyssa Shedlosky**  
(45) Registration Date: **05 May 2015**  
(30) Convention priority data:  
(31) Number (32) Date (33) Country  
**29/498,782 07 Aug 2014 UNITED STATES OF AMERICA**  
(56) Related Art Documents: **Not Applicable**  
(57) Statement of Newness and Distinctiveness: **Newness and distinctiveness is claimed in what is shown in solid lines in the accompanying representations.**



- (21) Design Number: **10552/2015**  
(22) Date of Filing Application: **04 February 2015**  
(24) Date from which industrial property rights may have effect: **04 February 2015**  
(54) Product in respect of which the design is registered: **Security sail for trade events and expos**  
(51) International Design Classification: **08-08B**  
(74) Name(s) of Attorney(s):  
(71) Name(s) and Address(s) of Applicant(s):  
**Safety Sail Pty Ltd**  
**22 Johnston Ct Dandenong South VIC 3175 Australia**  
(72) Name(s) of Designer(s): **Steven Fine**  
(45) Registration Date: **05 May 2015**  
(56) Related Art Documents: **Not Applicable**  
(57) Statement of Newness and Distinctiveness: **Installation and use of security sails (tarpaulins, sails, awnings) that lock and secure all stands for Trade and Exhibition events. This is a totally new service and product in Australia. The Safety Sail has unique fittings which provide a locking facility for all exhibitors allowing them to close and lock their respective stands during the build up, at night when the daily show ends until the event concludes. This prevents theft of merchandise, demonstration equipment, unwanted people form entering the stand after hours and eliminates industrial espionage.**



- (21) Design Number: **10864/2015**  
(22) Date of Filing Application: **17 February 2015**  
(24) Date from which industrial property rights may have effect: **27 November 2014**  
(54) Product in respect of which the design is registered: **Display screen with graphical user interface**  
(51) International Design Classification: **14-02**  
(74) Name(s) of Attorney(s): **Halfords IP**  
(71) Name(s) and Address(s) of Applicant(s):  
**ResMed Limited**  
**1 Elizabeth Macarthur Dr Bella Vista NSW 2153 Australia**  
(72) Name(s) of Designer(s): **Mark Bertinetti and Jose Ignacio Romagnoli and Jamie Graeme Wehbeh**  
(45) Registration Date: **05 May 2015**  
(62) Divisional of: **360606**  
(56) Related Art Documents: **Not Applicable**  
(57) Statement of Newness and Distinctiveness: **Nil**



- (21) Design Number: **10978/2015**  
(22) Date of Filing Application: **24 February 2015**  
(24) Date from which industrial property rights may have effect: **24 February 2015**  
(54) Product in respect of which the design is registered: **Release paper for wound treatment devices**  
(51) International Design Classification: **24-04**  
(74) Name(s) of Attorney(s): **Callinans**  
(71) Name(s) and Address(s) of Applicant(s):  
**Ethicon, Inc.**  
**U.S. Route 22 Somerville New Jersey 08876 United States of America**  
(72) Name(s) of Designer(s): **Shane A Lacy and Julian A Quintero and Chin Park and Frank S Leparik**  
(45) Registration Date: **05 May 2015**  
(30) Convention priority data:  
(31) Number      (32) Date      (33) Country  
**29/503,320      25 Sep 2014      UNITED STATES OF AMERICA**  
(56) Related Art Documents: **Not Applicable**  
(57) Statement of Newness and Distinctiveness: **Newness and distinctiveness are provided by the shape and/or configuration of the design shown in the representations. The features shown in broken lines in the representations are for illustrative purposes only and should not be considered when construing visual features of the design. The broken away portions in the drawings indicate the design is of indefinite length.**



(21) Design Number: **11171/2015**

(22) Date of Filing Application: **04 March 2015**

(24) Date from which industrial property rights may have effect: **04 March 2015**

(54) Product in respect of which the design is registered: **Cook processor bowl**

(51) International Design Classification: **31-00, 07-02H**

(74) Name(s) of Attorney(s): **PHILLIPS ORMONDE FITZPATRICK**

(71) Name(s) and Address(s) of Applicant(s):

**Whirlpool Corporation**

**2000 North M-63 MD3601 Benton Harbor Michigan 49022 United States of America**

(72) Name(s) of Designer(s): **Leif A. Norland and Kaitlyn M. Benoit and John W McConnell and Alexander L. Clayton and Michael I. Hirsh and Joel Graham Vanfaasen and Zhao Yi Yin**

(45) Registration Date: **05 May 2015**

(30) Convention priority data:

(31) Number	(32) Date	(33) Country
<b>29/501,793</b>	<b>09 Sep 2014</b>	<b>UNITED STATES OF AMERICA</b>

(56) Related Art Documents: **Not Applicable**

(57) Statement of Newness and Distinctiveness: **Those features of the cook processor bowl depicted in the representations that are new and distinctive are the shape and/or configuration. The features shown in broken lines are not part of the design and are to be disregarded when considering the overall impression of the design.**



(21) Design Number: **11173/2015**

(22) Date of Filing Application: **04 March 2015**

(24) Date from which industrial property rights may have effect: **04 March 2015**

(54) Product in respect of which the design is registered: **Cook processor**

(51) International Design Classification: **31-00, 07-02H**

(74) Name(s) of Attorney(s): **PHILLIPS ORMONDE FITZPATRICK**

(71) Name(s) and Address(s) of Applicant(s):

**Whirlpool Corporation**

**2000 North M-63 MD3601 Benton Harbor Michigan 49022 United States of America**

(72) Name(s) of Designer(s): **Leif A. Norland and Kaitlyn M. Benoit and Kaitlyn M. Benoit and John W McConnell and Alexander L. Clayton and Michael I. Hirsh and Joel Graham Vanfaasen and Zhao Yi Yin**

(45) Registration Date: **05 May 2015**

(30) Convention priority data:

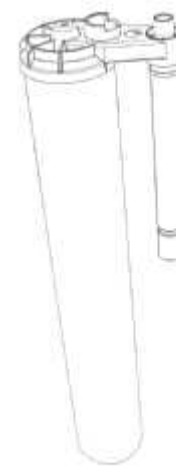
(31) Number	(32) Date	(33) Country
<b>29/501,793</b>	<b>09 Sep 2014</b>	<b>UNITED STATES OF AMERICA</b>

(56) Related Art Documents: **Not Applicable**

(57) Statement of Newness and Distinctiveness: **Those features of the cook processor depicted in the representations that are new and distinctive are the shape and/or configuration. The features shown in broken lines are not part of the design and are to be disregarded when considering the overall impression of the design.**



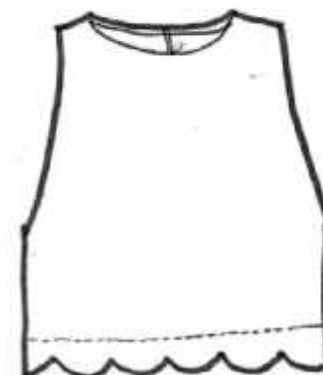
- (21) Design Number: **11553/2015**  
(22) Date of Filing Application: **23 March 2015**  
(24) Date from which industrial property rights may have effect: **23 March 2015**  
(54) Product in respect of which the design is registered: **Adapter with containers**  
(51) International Design Classification: **15-99**  
(74) Name(s) of Attorney(s): **Shelston IP**  
(71) Name(s) and Address(s) of Applicant(s):  
**Sika Technology AG**  
**Zugerstrasse 50 Baar 6340 Switzerland**  
(72) Name(s) of Designer(s): **Markus Rahm and Christian Schultheiss and**  
**Andreas Hiemer and Manuel Buck**  
(45) Registration Date: **05 May 2015**  
(30) Convention priority data:  
(31) Number (32) Date (33) Country  
**CH141007 23 Sep 2014 SWITZERLAND**  
(56) Related Art Documents: **Not Applicable**  
(57) Statement of Newness and Distinctiveness: **Newness and distinctiveness**  
**reside in the features of shape and/or configuration of an ADAPTER**  
**WITH CONTAINERS as illustrated in the accompanying representations.**



- (21) Design Number: **14233/2014**  
(22) Date of Filing Application: **27 August 2014**  
(24) Date from which industrial property rights may have effect: **27 August 2014**  
(54) Product in respect of which the design is registered: **Article of Clothing**  
(51) International Design Classification: **02-02NES**  
(74) Name(s) of Attorney(s): **Allens Patent & Trade Mark Attorneys**  
(71) Name(s) and Address(s) of Applicant(s):  
**Forever New Clothing Pty Ltd**  
**714-716 High St Kew East VIC 3102 Australia**  
(72) Name(s) of Designer(s): **Octavia Miller**  
(45) Registration Date: **05 May 2015**  
(56) Related Art Documents: **Not Applicable**  
(57) Statement of Newness and Distinctiveness: **Newness and distinctiveness**  
**resides in the visual features of shape, configuration, pattern and/or**  
**ornamentation of an article of clothing as shown in the accompanying**  
**representations.**



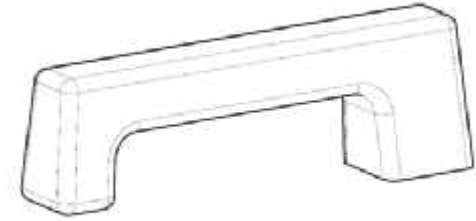
- (21) Design Number: **14339/2014**  
(22) Date of Filing Application: **01 September 2014**  
(24) Date from which industrial property rights may have effect: **01 September 2014**  
(54) Product in respect of which the design is registered: **Article of clothing**  
(51) International Design Classification: **02-02NES**  
(74) Name(s) of Attorney(s): **Allens Patent & Trade Mark Attorneys**  
(71) Name(s) and Address(s) of Applicant(s):  
**Forever New Clothing Pty Ltd**  
**714-716 High St Kew East VIC 3102 Australia**  
(72) Name(s) of Designer(s): **Octavia Miller**  
(45) Registration Date: **05 May 2015**  
(56) Related Art Documents: **Not Applicable**  
(57) Statement of Newness and Distinctiveness: **Newness and distinctiveness resides in the visual features of shape, configuration, pattern and/or ornamentation of an article of clothing as shown in the accompanying representations.**



- (21) Design Number: **10443/2015**  
(22) Date of Filing Application: **29 January 2015**  
(24) Date from which industrial property rights may have effect: **29 January 2015**  
(54) Product in respect of which the design is registered: **A label**  
(51) International Design Classification: **19-08**  
(74) Name(s) of Attorney(s):  
(71) Name(s) and Address(s) of Applicant(s):  
**Alfred Rose**  
**28 Dequency Rd Bullaburra NSW 2784 Australia**  
**Johanna Singer**  
**972 Anzac Pde Maroubra NSW 2035 Australia**  
(72) Name(s) of Designer(s): **Johanna Singer and Alfred Rose**  
(45) Registration Date: **05 May 2015**  
(56) Related Art Documents: **Not Applicable**  
(57) Statement of Newness and Distinctiveness: **Word ART in the form of an easel.**



- (21) Design Number: **10716/2015**  
(22) Date of Filing Application: **11 February 2015**  
(24) Date from which industrial property rights may have effect: **11 February 2015**  
(54) Product in respect of which the design is registered: **A door handle**  
(51) International Design Classification: **08-06**  
(74) Name(s) of Attorney(s): **Adams Pluck**  
(71) Name(s) and Address(s) of Applicant(s):  
**Sumu Design Pty Ltd**  
**32 Park Ave Waitara NSW 2077 Australia**  
(72) Name(s) of Designer(s): **Felice Carlino**  
(45) Registration Date: **05 May 2015**  
(56) Related Art Documents: **Not Applicable**  
(57) Statement of Newness and Distinctiveness: **Newness and distinctiveness resides in the shape and configuration of the door handle as shown in the representations. When considering newness and distinctiveness no regard is to be had to the wood grain pattern shown in the perspective view.**



- (21) Design Number: **11194/2015**  
(22) Date of Filing Application: **02 March 2015**  
(24) Date from which industrial property rights may have effect: **02 March 2015**  
(54) Product in respect of which the design is registered: **Solar panel LED light**  
(51) International Design Classification: **26-05E**  
(74) Name(s) of Attorney(s):  
(71) Name(s) and Address(s) of Applicant(s):  
**Anthony Aucone**  
**U1/11 Crown Ct Varsity Lakes QLD 4227 Australia**  
(72) Name(s) of Designer(s): **Anthony Aucone**  
(45) Registration Date: **05 May 2015**  
(56) Related Art Documents: **Not Applicable**  
(57) Statement of Newness and Distinctiveness: **Joinable, up to 14 hours each charge time, IP66 waterproof, shock proof**



- (21) Design Number: **11226/2015**  
(22) Date of Filing Application: **06 March 2015**  
(24) Date from which industrial property rights may have effect: **06 March 2015**  
(54) Product in respect of which the design is registered: **Motor vehicle**  
(51) International Design Classification: **12-08**  
(74) Name(s) of Attorney(s): **Spruson & Ferguson**  
(71) Name(s) and Address(s) of Applicant(s):  
**Volkswagen Aktiengesellschaft**  
**38436, Wolfsburg Germany**  
(72) Name(s) of Designer(s): **Klaus Bischoff and Albert-Johann Kirzinger and Markus Rudlof and Roland Faller**  
(45) Registration Date: **05 May 2015**  
(30) Convention priority data:  
(31) Number (32) Date (33) Country  
**40 2014 100 898.1 22 Sep 2014 GERMANY**  
(56) Related Art Documents: **Not Applicable**  
(57) Statement of Newness and Distinctiveness: **Newness and distinctiveness is claimed in the features of shape and/or configuration of a motor vehicle as illustrated in the accompanying representations.**



- (21) Design Number: **11227/2015**  
(22) Date of Filing Application: **06 March 2015**  
(24) Date from which industrial property rights may have effect: **06 March 2015**  
(54) Product in respect of which the design is registered: **Motor vehicle**  
(51) International Design Classification: **12-08**  
(74) Name(s) of Attorney(s): **Spruson & Ferguson**  
(71) Name(s) and Address(s) of Applicant(s):  
**Volkswagen Aktiengesellschaft**  
**38436, Wolfsburg Germany**  
(72) Name(s) of Designer(s): **Klaus Bischoff and Albert-Johann Kirzinger and Markus Rudlof and Roland Faller**  
(45) Registration Date: **05 May 2015**  
(30) Convention priority data:  
(31) Number (32) Date (33) Country  
**40 2014 100 898.1 22 Sep 2014 GERMANY**  
(56) Related Art Documents: **Not Applicable**  
(57) Statement of Newness and Distinctiveness: **Newness and distinctiveness is claimed in the features of shape and/or configuration of a motor vehicle as illustrated in the accompanying representations.**



(21) Design Number: **11232/2015**

(22) Date of Filing Application: **06 March 2015**

(24) Date from which industrial property rights may have effect: **06 March 2015**

(54) Product in respect of which the design is registered: **Motor vehicle**

(51) International Design Classification: **12-08**

(74) Name(s) of Attorney(s): **Spruson & Ferguson**

(71) Name(s) and Address(s) of Applicant(s):

**Volkswagen Aktiengesellschaft  
38436, Wolfsburg Germany**

(72) Name(s) of Designer(s): **Klaus Bischoff and Albert-Johann Kirzinger and  
Markus Rudlof and Roland Faller**

(45) Registration Date: **05 May 2015**

(30) Convention priority data:

(31) Number	(32) Date	(33) Country
<b>40 2014 100 896.5</b>	<b>22 Sep 2014</b>	<b>GERMANY</b>

(56) Related Art Documents: **Not Applicable**

(57) Statement of Newness and Distinctiveness: **Newness and distinctiveness is  
claimed in the features of shape and/or configuration of a motor vehicle  
as illustrated in the accompanying representations.**



(21) Design Number: **11234/2015**

(22) Date of Filing Application: **06 March 2015**

(24) Date from which industrial property rights may have effect: **06 March 2015**

(54) Product in respect of which the design is registered: **Motor vehicle**

(51) International Design Classification: **12-08**

(74) Name(s) of Attorney(s): **Spruson & Ferguson**

(71) Name(s) and Address(s) of Applicant(s):

**Volkswagen Aktiengesellschaft  
38436, Wolfsburg Germany**

(72) Name(s) of Designer(s): **Klaus Bischoff and Albert-Johann Kirzinger and  
Markus Rudlof and Roland Faller**

(45) Registration Date: **05 May 2015**

(30) Convention priority data:

(31) Number	(32) Date	(33) Country
<b>40 2014 100 897.3</b>	<b>22 Sep 2014</b>	<b>GERMANY</b>

(56) Related Art Documents: **Not Applicable**

(57) Statement of Newness and Distinctiveness: **Newness and distinctiveness is  
claimed in the features of shape and/or configuration of a motor vehicle  
as illustrated in the accompanying representations.**





(21) Design Number: **11235/2015**  
(22) Date of Filing Application: **06 March 2015**  
(24) Date from which industrial property rights may have effect: **06 March 2015**  
(54) Product in respect of which the design is registered: **Motor vehicle**  
(51) International Design Classification: **12-08**  
(74) Name(s) of Attorney(s): **Spruson & Ferguson**  
(71) Name(s) and Address(s) of Applicant(s):  
**Volkswagen Aktiengesellschaft**  
**38436, Wolfsburg Germany**  
(72) Name(s) of Designer(s): **Klaus Bischoff and Albert-Johann Kirzinger and Markus Rudlof and Roland Faller**  
(45) Registration Date: **05 May 2015**  
(30) Convention priority data:  
(31) Number (32) Date (33) Country  
**40 2014 100 897.3 22 Sep 2014 GERMANY**  
(56) Related Art Documents: **Not Applicable**  
(57) Statement of Newness and Distinctiveness: **Newness and distinctiveness is claimed in the features of shape and/or configuration of a motor vehicle as illustrated in the accompanying representations.**



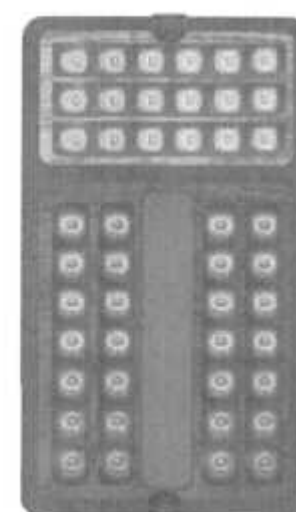
(21) Design Number: **11242/2015**  
(22) Date of Filing Application: **06 March 2015**  
(24) Date from which industrial property rights may have effect: **06 March 2015**  
(54) Product in respect of which the design is registered: **Motor vehicle**  
(51) International Design Classification: **12-08**  
(74) Name(s) of Attorney(s): **Spruson & Ferguson**  
(71) Name(s) and Address(s) of Applicant(s):  
**Volkswagen Aktiengesellschaft**  
**38436, Wolfsburg Germany**  
(72) Name(s) of Designer(s): **Klaus Bischoff and Albert-Johann Kirzinger and Markus Rudlof and Roland Faller**  
(45) Registration Date: **05 May 2015**  
(30) Convention priority data:  
(31) Number (32) Date (33) Country  
**40 2014 100 896.5 22 Sep 2014 GERMANY**  
(56) Related Art Documents: **Not Applicable**  
(57) Statement of Newness and Distinctiveness: **Newness and distinctiveness is claimed in the features of shape and/or configuration of a motor vehicle as illustrated in the accompanying representations.**



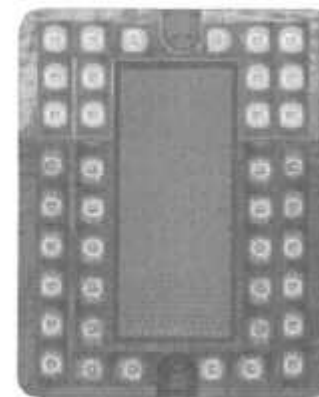
- (21) Design Number: **11408/2015**  
(22) Date of Filing Application: **15 March 2015**  
(24) Date from which industrial property rights may have effect: **15 March 2015**  
(54) Product in respect of which the design is registered: **Sports game played on table tennis table**  
(51) International Design Classification: **21-01L**  
(74) Name(s) of Attorney(s):  
(71) Name(s) and Address(s) of Applicant(s):  
**KT GAMES PTY LTD**  
**PO BOX 6085 18-22 McIntyre St White Hills VIC 3550 Australia**  
(72) Name(s) of Designer(s): **Leigh Raymond Trevethan and Des Knight**  
(45) Registration Date: **05 May 2015**  
(56) Related Art Documents: **Not Applicable**  
(57) Statement of Newness and Distinctiveness: **This game is based on Waring States period (700BC-200BC) in Chinese history -It is a strategic physical game played on a Table Tennis Table using standard bat, ball and net and our game characters -Warlord King's Princes and Soldiers on both sides lining up for battle. Aim of the game is to remove the opponents pieces by knocking them down using the table tennis bat and ball with the King to be removed last winning the game. Generally a best of 3 Sets -Highest points tally over the three games wins. Each side has a King, a Prince with removable crowns and 4 soldiers Bankable tokens are used to add to the points tally during the game which cannot be taken off the person.**



- (21) Design Number: **10310/2015**  
(22) Date of Filing Application: **20 January 2015**  
(24) Date from which industrial property rights may have effect: **20 January 2015**  
(54) Product in respect of which the design is registered: **Tail light**  
(51) International Design Classification: **26-06**  
(74) Name(s) of Attorney(s):  
(71) Name(s) and Address(s) of Applicant(s):  
**Trailer & Trailers Pty Ltd**  
**33 Trawalla Ave Thomastown VIC 3074 Australia**  
(72) Name(s) of Designer(s): **Rick Scibilia**  
(45) Registration Date: **05 May 2015**  
(56) Related Art Documents: **Not Applicable**  
(57) Statement of Newness and Distinctiveness: **Newness and distinctiveness is claimed in all visual features, including shape and/or configuration and the pattern and/or ornamentation of the product as illustrated in the accompanying representations. The rear (not shown) forms no part of the design.**



- (21) Design Number: **11577/2015**  
(22) Date of Filing Application: **20 January 2015**  
(24) Date from which industrial property rights may have effect: **20 January 2015**  
(54) Product in respect of which the design is registered: **Tail light**  
(51) International Design Classification: **26-06**  
(74) Name(s) of Attorney(s):  
(71) Name(s) and Address(s) of Applicant(s):  
**Trailer & Trailers Pty Ltd**  
**33 Trawalla Ave Thomastown VIC 3074 Australia**  
(72) Name(s) of Designer(s): **Rick Scibilia**  
(45) Registration Date: **05 May 2015**  
(56) Related Art Documents: **Not Applicable**  
(57) Statement of Newness and Distinctiveness: **Newness and distinctiveness is claimed in all visual features, including shape and/or configuration and the pattern and/or ornamentation of the product as illustrated in the accompanying representations. The rear (not shown) forms no part of the design.**



- (21) Design Number: **14643/2014**  
(22) Date of Filing Application: **12 September 2014**  
(24) Date from which industrial property rights may have effect: **12 September 2014**  
(54) Product in respect of which the design is registered: **Satellite positioning device**  
(51) International Design Classification: **14-03NES**  
(74) Name(s) of Attorney(s):  
(71) Name(s) and Address(s) of Applicant(s):  
**Ocean Vision Environmental Research Pty Ltd**  
**75 Glanton Way Dianella WA 6059 Australia**  
(72) Name(s) of Designer(s): **Matthew James Harvey and Nicholas Dobson**  
(45) Registration Date: **05 May 2015**  
(56) Related Art Documents: **Not Applicable**  
(57) Statement of Newness and Distinctiveness: **Newness and distinctiveness is claimed in the shape and configuration of those features of the satellite positioning device depicted by means of solid lines in the representations, including (1) the domed upper housing body (with its three embossed elements which aid opening and closing the housing); (2) the lower housing body (with its various apertures and its elements for mounting the device); and (3) the elements for the upper and lower housing bodies to be assembled together and sealed. Elements depicted in dotted lines do not form part of the design.**



(21) Design Number: **11554/2015**

(22) Date of Filing Application: **23 March 2015**

(24) Date from which industrial property rights may have effect: **23 March 2015**

(54) Product in respect of which the design is registered: **Adapter for containers**

(51) International Design Classification: **15-99**

(74) Name(s) of Attorney(s): **Shelston IP**

(71) Name(s) and Address(s) of Applicant(s):

**Sika Technology AG**  
**Zugerstrasse 50 Baar 6340 Switzerland**

(72) Name(s) of Designer(s): **Markus Rahm and Christian Schultheiss and Andreas Hiemer and Manuel Buck**

(45) Registration Date: **05 May 2015**

(30) Convention priority data:

(31) Number	(32) Date	(33) Country
<b>CH141007</b>	<b>23 Sep 2014</b>	<b>SWITZERLAND</b>

(56) Related Art Documents: **Not Applicable**

(57) Statement of Newness and Distinctiveness: **Newness and distinctiveness reside in the features of shape and/or configuration of an ADAPTER FOR CONTAINERS as illustrated in the accompanying representations.**



(21) Design Number: **11633/2015**

(22) Date of Filing Application: **26 March 2015**

(24) Date from which industrial property rights may have effect: **26 March 2015**

(54) Product in respect of which the design is registered: **Bottle**

(51) International Design Classification: **09-01NES**

(74) Name(s) of Attorney(s): **FB Rice**

(71) Name(s) and Address(s) of Applicant(s):

**SAVERGLASS**  
**3 rue de la Gare Feuquieres 60960 France**

(72) Name(s) of Designer(s): **Fraser Reynolds**

(45) Registration Date: **05 May 2015**

(30) Convention priority data:

(31) Number	(32) Date	(33) Country
<b>0025612820001</b>	<b>21 Oct 2014</b>	<b>OFFICE FOR HARMONISATION IN THE INTERNAL MARKET (OHIM)</b>

(56) Related Art Documents: **Not Applicable**

(57) Statement of Newness and Distinctiveness: **Newness and distinctiveness reside in the visual features of the bottle shown in the representations having a neck, a body having shoulders, and a base, the neck being relatively short and having a cylindrical shape and joining with the upper part of the body which has an elliptical cross-section. A protruding ribbon-like stopper-ring extends around the entire perimeter of the upper end of the neck. The shoulders of the body are slightly inclined towards a perimetral edge through a symmetrical front and rear convex surface whose radius is larger than the radius of the lateral upper surface. In horizontal section the body has an oval shape with wide, horizontally curved, front and rear sides. The body gradually tapers towards the bottom along vertically curved lateral edges. The lower part of the body is associated with the flat bottom by a rounded portion. The body is designed transparent, so that the interior features of the body, such as the thickened flat base, are visible from outside the body.**



(21) Design Number: **11664/2015**

(22) Date of Filing Application: **27 March 2015**

(24) Date from which industrial property rights may have effect: **27 March 2015**

(54) Product in respect of which the design is registered: **Household containers**

(51) International Design Classification: **07-02NES, 07-05NES**

(74) Name(s) of Attorney(s): **Trademark Works**

(71) Name(s) and Address(s) of Applicant(s):

**JOSEPH JOSEPH LTD**

**The Grove, 30 Great Guildford Street London SE10HS United Kingdom**

(72) Name(s) of Designer(s): **David Evans and Ashley May**

(45) Registration Date: **05 May 2015**

(30) Convention priority data:

(31) Number

(32) Date

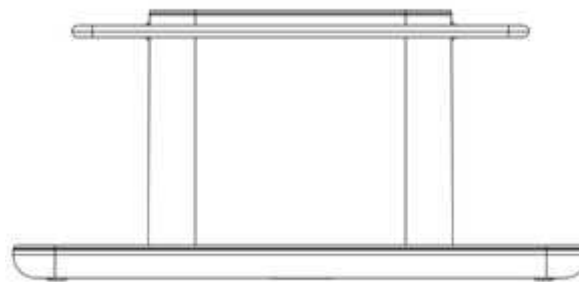
(33) Country

**002552208-0001 07 Oct 2014**

**EUROPEAN PATENT OFFICE (EPO)**

(56) Related Art Documents: **Not Applicable**

(57) Statement of Newness and Distinctiveness: **Nil**



(21) Design Number: **11694/2015**

(22) Date of Filing Application: **30 March 2015**

(24) Date from which industrial property rights may have effect: **30 March 2015**

(54) Product in respect of which the design is registered: **Exercise equipment**

(51) International Design Classification: **21-02F**

(74) Name(s) of Attorney(s): **PHILLIPS ORMONDE FITZPATRICK**

(71) Name(s) and Address(s) of Applicant(s):

**Technogym S.p.A.**

**Via G. Perticari, 20 I-47035 Gambettola Forlì-Cesena Italy**

(72) Name(s) of Designer(s): **Ermanno Tasca and Nerio Alessandri**

(45) Registration Date: **06 May 2015**

(30) Convention priority data:

(31) Number

(32) Date

(33) Country

**002552554 07 Oct 2014**

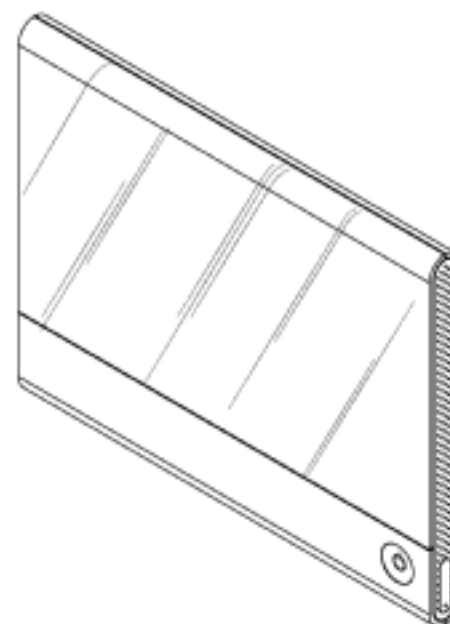
**OFFICE FOR HARMONISATION IN  
THE INTERNAL MARKET (OHIM)**

(56) Related Art Documents: **Not Applicable**

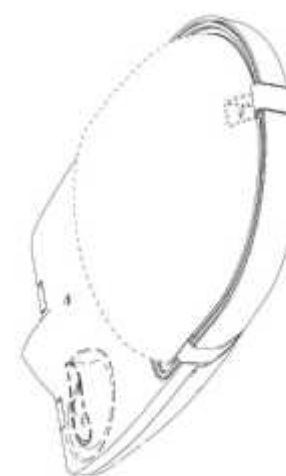
(57) Statement of Newness and Distinctiveness: **Nil**



- (21) Design Number: **11742/2015**  
(22) Date of Filing Application: **01 April 2015**  
(24) Date from which industrial property rights may have effect: **01 April 2015**  
(54) Product in respect of which the design is registered: **Control unit for climate control and monitoring**  
(51) International Design Classification: **10-04, 23-04**  
(74) Name(s) of Attorney(s): **Davies Collison Cave**  
(71) Name(s) and Address(s) of Applicant(s):  
**Actron Engineering Pty Ltd**  
**5 Irvine PI Bella Vista NSW 2153 Australia**  
(72) Name(s) of Designer(s): **David Mansueto and David Jones and Angus Bean**  
(45) Registration Date: **06 May 2015**  
(56) Related Art Documents: **Not Applicable**  
(57) Statement of Newness and Distinctiveness: **Newness and distinctiveness is claimed in the visual features shown in solid lines in the representations. In considering the extent of the design rights, the broken lines shown in the representations are for illustrative purposes only and do not form part of the design.**



- (21) Design Number: **11771/2015**  
(22) Date of Filing Application: **02 April 2015**  
(24) Date from which industrial property rights may have effect: **02 April 2015**  
(54) Product in respect of which the design is registered: **Luminaire body**  
(51) International Design Classification: **26-03**  
(74) Name(s) of Attorney(s): **PHILLIPS ORMONDE FITZPATRICK**  
(71) Name(s) and Address(s) of Applicant(s):  
**Gerard Professional Solutions Pty Ltd**  
**PO BOX 2369 Kent Town DC SA 5071 Australia**  
(72) Name(s) of Designer(s): **Sunildas Haridas**  
(45) Registration Date: **06 May 2015**  
(56) Related Art Documents: **Not Applicable**  
(57) Statement of Newness and Distinctiveness: **Newness and distinctiveness is claimed in the shape and/or configuration of a luminaire body as shown in the accompanying drawings. In considering the scope of monopoly, no regard is to be had of the features indicated in dotted lines.**



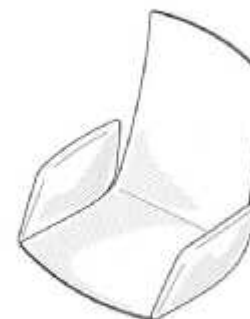
(21) Design Number: **11772/2015**  
(22) Date of Filing Application: **02 April 2015**  
(24) Date from which industrial property rights may have effect: **02 April 2015**  
(54) Product in respect of which the design is registered: **Chair**  
(51) International Design Classification: **06-01F**  
(74) Name(s) of Attorney(s): **PHILLIPS ORMONDE FITZPATRICK**  
(71) Name(s) and Address(s) of Applicant(s):  
**Arper S.p.A.**  
**Via Lombardia, 16 I-31050 Monastier di Treviso Treviso Italy**  
(72) Name(s) of Designer(s): **Alberto Lievore and Jeannette Altherr and Manel Molina**  
(45) Registration Date: **06 May 2015**  
(30) Convention priority data:  
(31) Number (32) Date (33) Country  
**846242301 17 Oct 2014 WORLD INTELLECTUAL  
PROPERTY ORGANIZATION  
(WIPO)**  
(56) Related Art Documents: **Not Applicable**  
(57) Statement of Newness and Distinctiveness: **Nil**



(21) Design Number: **11774/2015**  
(22) Date of Filing Application: **02 April 2015**  
(24) Date from which industrial property rights may have effect: **02 April 2015**  
(54) Product in respect of which the design is registered: **Automotive suspension  
spring plate**  
(51) International Design Classification: **12-16NES**  
(74) Name(s) of Attorney(s): **Cullens Patent and Trade Mark Attorneys**  
(71) Name(s) and Address(s) of Applicant(s):  
**Superior Engineering (QLD) Pty Ltd**  
**C/-L32 239 George St Brisbane QLD 4000 Australia**  
(72) Name(s) of Designer(s): **Gregory John Heick**  
(45) Registration Date: **06 May 2015**  
(56) Related Art Documents: **Not Applicable**  
(57) Statement of Newness and Distinctiveness: **Nil**



(21) Design Number: **11776/2015**  
(22) Date of Filing Application: **02 April 2015**  
(24) Date from which industrial property rights may have effect: **02 April 2015**  
(54) Product in respect of which the design is registered: **Seat,armrest and backrest for a chair**  
(51) International Design Classification: **06-06G**  
(74) Name(s) of Attorney(s): **PHILLIPS ORMONDE FITZPATRICK**  
(71) Name(s) and Address(s) of Applicant(s):  
**Arper S.p.A.**  
**Via Lombardia, 16 I-31050 Monastier di Treviso Treviso Italy**  
(72) Name(s) of Designer(s): **Alberto Lievore and Jeannette Altherr and Manel Molina**  
(45) Registration Date: **06 May 2015**  
(30) Convention priority data:  
(31) Number (32) Date (33) Country  
**846242301 17 Oct 2014 WORLD INTELLECTUAL PROPERTY ORGANIZATION (WIPO)**  
(56) Related Art Documents: **Not Applicable**  
(57) Statement of Newness and Distinctiveness: **Nil**



(21) Design Number: **11777/2015**  
(22) Date of Filing Application: **02 April 2015**  
(24) Date from which industrial property rights may have effect: **02 April 2015**  
(54) Product in respect of which the design is registered: **Footwear sole**  
(51) International Design Classification: **02-04B**  
(74) Name(s) of Attorney(s): **WATERMARK PATENT AND TRADE MARKS ATTORNEYS**  
(71) Name(s) and Address(s) of Applicant(s):  
**Emu Ridge Holdings Pty Ltd**  
**77 Barwon Tce South Geelong VIC 3220 Australia**  
(72) Name(s) of Designer(s): **Justin Amago and Samantha Noyes and Katherine McMillan and Matt Capozzi**  
(45) Registration Date: **06 May 2015**  
(30) Convention priority data:  
(31) Number (32) Date (33) Country  
**29/504,581 07 Oct 2014 UNITED STATES OF AMERICA**  
(56) Related Art Documents: **Not Applicable**  
(57) Statement of Newness and Distinctiveness: **Nil**





(21) Design Number: **11778/2015**  
(22) Date of Filing Application: **02 April 2015**  
(24) Date from which industrial property rights may have effect: **02 April 2015**  
(54) Product in respect of which the design is registered: **Tyre**  
(51) International Design Classification: **12-15C**  
(74) Name(s) of Attorney(s): **Shelston IP**  
(71) Name(s) and Address(s) of Applicant(s):  
**Shandong Linglong Tyre Co., Ltd.**  
**No. 777 Jinlong Road Zhaoyuan City Shandong 265400 People's**  
**Republic of China**  
(72) Name(s) of Designer(s): **Wang Feng and Song Xiaoying and Sui Haitao**  
**and Sui Guangzhen and Liu Ying**  
(45) Registration Date: **06 May 2015**  
(56) Related Art Documents: **Not Applicable**  
(57) Statement of Newness and Distinctiveness: **Newness and distinctiveness**  
**reside in the features of shape and/or configuration of a TYRE as**  
**illustrated in the accompanying representations.**



(21) Design Number: **11779/2015**  
(22) Date of Filing Application: **02 April 2015**  
(24) Date from which industrial property rights may have effect: **02 April 2015**  
(54) Product in respect of which the design is registered: **Footwear sole**  
(51) International Design Classification: **02-04B**  
(74) Name(s) of Attorney(s): **WATERMARK PATENT AND TRADE MARKS**  
**ATTORNEYS**  
(71) Name(s) and Address(s) of Applicant(s):  
**Emu Ridge Holdings Pty Ltd**  
**77 Barwon Tce South Geelong VIC 3220 Australia**  
(72) Name(s) of Designer(s): **Justin Amago and Samantha Noyes and**  
**Katherine McMillan and Matt Capozzi**  
(45) Registration Date: **06 May 2015**  
(30) Convention priority data:  
(31) Number (32) Date (33) Country  
**29/504,583 07 Oct 2014 UNITED STATES OF AMERICA**  
(56) Related Art Documents: **Not Applicable**  
(57) Statement of Newness and Distinctiveness: **Nil**



(21) Design Number: **11807/2015**  
(22) Date of Filing Application: **07 April 2015**  
(24) Date from which industrial property rights may have effect: **07 April 2015**  
(54) Product in respect of which the design is registered: **Light**  
(51) International Design Classification: **26-02**  
(74) Name(s) of Attorney(s): **Allens Patent & Trade Mark Attorneys**  
(71) Name(s) and Address(s) of Applicant(s):  
**GENTOS Co., Ltd.**  
**2-7-17 Ikenohata Taito-Ku Tokyo 110-0008 Japan**  
(72) Name(s) of Designer(s): **Keita Koshiba**  
(45) Registration Date: **06 May 2015**  
(30) Convention priority data:  
(31) Number (32) Date (33) Country  
**2014-027811 12 Dec 2014 JAPAN**  
(56) Related Art Documents: **Not Applicable**  
(57) Statement of Newness and Distinctiveness: **Newness and distinctiveness resides in the visual features of shape and/or configuration of a light as illustrated in the accompanying representations.**



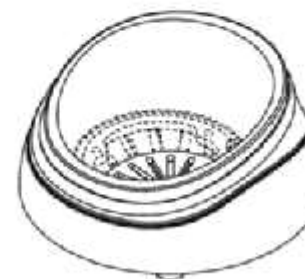
(21) Design Number: **11808/2015**  
(22) Date of Filing Application: **07 April 2015**  
(24) Date from which industrial property rights may have effect: **07 April 2015**  
(54) Product in respect of which the design is registered: **Coconut cup**  
(51) International Design Classification: **07-01C**  
(74) Name(s) of Attorney(s): **Pizzeys**  
(71) Name(s) and Address(s) of Applicant(s):  
**Cool Gear International, LLC**  
**10 Cordage Park Circle, Suite 212 Plymouth MA 02360 United States of America**  
(72) Name(s) of Designer(s): **Fadi Sanbar**  
(45) Registration Date: **06 May 2015**  
(30) Convention priority data:  
(31) Number (32) Date (33) Country  
**29/504,345 04 Oct 2014 UNITED STATES OF AMERICA**  
(56) Related Art Documents: **Not Applicable**  
(57) Statement of Newness and Distinctiveness: **Nil**



(21) Design Number: **11780/2015**  
(22) Date of Filing Application: **02 April 2015**  
(24) Date from which industrial property rights may have effect: **02 April 2015**  
(54) Product in respect of which the design is registered: **Convertible shorts**  
(51) International Design Classification: **02-02C**  
(74) Name(s) of Attorney(s): **Freehills Patent Attorneys**  
(71) Name(s) and Address(s) of Applicant(s):  
**11 Pine, Inc.**  
**2942 4th Street Boulder Colorado, 80304 United States of America**  
(72) Name(s) of Designer(s): **David Jeffrey Curran**  
(45) Registration Date: **06 May 2015**  
(30) Convention priority data:  
(31) Number (32) Date (33) Country  
**29/504333 03 Oct 2014 UNITED STATES OF AMERICA**  
(56) Related Art Documents: **Not Applicable**  
(57) Statement of Newness and Distinctiveness: **Newness and distinctiveness of the design resides in the features of shape and configuration of the convertible shorts and shown in solid outline in the accompanying representations.**



(21) Design Number: **11795/2015**  
(22) Date of Filing Application: **02 April 2015**  
(24) Date from which industrial property rights may have effect: **02 April 2015**  
(54) Product in respect of which the design is registered: **Blender base**  
(51) International Design Classification: **31-00**  
(74) Name(s) of Attorney(s): **Griffith Hack**  
(71) Name(s) and Address(s) of Applicant(s):  
**Brand Developers Limited**  
**Levels 1-3 519 - 521 Lake Road Takapuna, Auckland 0622 New Zealand**  
(72) Name(s) of Designer(s): **James Fisher**  
(45) Registration Date: **06 May 2015**  
(56) Related Art Documents: **Not Applicable**  
(57) Statement of Newness and Distinctiveness: **Newness and distinctiveness resides in the visual features, including shape and configuration, of a BLENDER BASE as shown in solid outline in the accompanying drawings. When determining whether the design is substantially similar in overall impression to another design, no regard is to be had to those features as shown by the dotted lines in the accompanying representations, which features are provided for illustrative purposes only. In addition, the Perspective (In-Use) view is provided for illustrative purposes only.**



- (21) Design Number: **11796/2015**  
(22) Date of Filing Application: **02 April 2015**  
(24) Date from which industrial property rights may have effect: **02 April 2015**  
(54) Product in respect of which the design is registered: **Washboard for washing machine**  
(51) International Design Classification: **15-05**  
(74) Name(s) of Attorney(s): **Wrays**  
(71) Name(s) and Address(s) of Applicant(s):  
**Samsung Electronics Co., Ltd**  
**129, Samsung-ro Yeongtong-gu Suwon-si Gyeonggi-do 443-742**  
**Republic of Korea**  
(72) Name(s) of Designer(s): **Ha-Young Jang and Sung-Kyung Lee and Ah-Jung Joo**  
(45) Registration Date: **06 May 2015**  
(30) Convention priority data:  
(31) Number (32) Date (33) Country  
**30-2014-0048843 10 Oct 2014 REPUBLIC OF KOREA**  
(56) Related Art Documents: **Not Applicable**  
(57) Statement of Newness and Distinctiveness: **Newness and distinctiveness is claimed in the features of shape, configuration, pattern, and/or ornamentation of the Washboard For Washing Machine as shown in the accompanying representations. The features depicted by broken lines are for illustrative purposes only and form no part of the claimed design.**



- (21) Design Number: **11798/2015**  
(22) Date of Filing Application: **02 April 2015**  
(24) Date from which industrial property rights may have effect: **02 April 2015**  
(54) Product in respect of which the design is registered: **Injection device with cap**  
(51) International Design Classification: **24-02**  
(74) Name(s) of Attorney(s): **WATERMARK PATENT AND TRADE MARKS ATTORNEYS**  
(71) Name(s) and Address(s) of Applicant(s):  
**Sanofi-Aventis Deutschland GmbH**  
**Bruningstrasse 50 Frankfurt am Main 65929 Germany**  
(72) Name(s) of Designer(s): **James Leslie Rhodri Jones and Andrew Mitchell**  
(45) Registration Date: **06 May 2015**  
(30) Convention priority data:  
(31) Number (32) Date (33) Country  
**002 559 617 17 Oct 2014 OFFICE FOR HARMONISATION IN THE INTERNAL MARKET (OHIM)**  
(56) Related Art Documents: **Not Applicable**  
(57) Statement of Newness and Distinctiveness: **Newness and distinctiveness is claimed in the pattern and ornamentation, shape and configuration of an injection device with cap as shown in the representations.**



(21) Design Number: **11799/2015**  
(22) Date of Filing Application: **02 April 2015**  
(24) Date from which industrial property rights may have effect: **02 April 2015**  
(54) Product in respect of which the design is registered: **Blender base**  
(51) International Design Classification: **31-00**  
(74) Name(s) of Attorney(s): **Griffith Hack**  
(71) Name(s) and Address(s) of Applicant(s):  
**Brand Developers Limited**  
**Levels 1-3 519 - 521 Lake Road Takapuna, Auckland 0622 New Zealand**  
(72) Name(s) of Designer(s): **James Fisher**  
(45) Registration Date: **06 May 2015**  
(56) Related Art Documents: **Not Applicable**  
(57) Statement of Newness and Distinctiveness: **Newness and distinctiveness resides in the visual features, including shape and configuration, of a BLENDER BASE as shown in solid outline in the accompanying drawings. When determining whether the design is substantially similar in overall impression to another design, no regard is to be had to those features as shown by the dotted lines in the accompanying representations, which features are provided for illustrative purposes only. In addition, the Perspective (In -Use) view is provided for illustrative purposes only.**



(21) Design Number: **11813/2015**  
(22) Date of Filing Application: **07 April 2015**  
(24) Date from which industrial property rights may have effect: **07 April 2015**  
(54) Product in respect of which the design is registered: **Pineapple cup**  
(51) International Design Classification: **07-01C**  
(74) Name(s) of Attorney(s): **Pizzeys**  
(71) Name(s) and Address(s) of Applicant(s):  
**Cool Gear International, LLC**  
**10 Cordage Park Circle, Suite 212 Plymouth MA 02360 United States of America**  
(72) Name(s) of Designer(s): **Fadi Sanbar**  
(45) Registration Date: **06 May 2015**  
(30) Convention priority data:  
(31) Number      (32) Date      (33) Country  
**29/504,344      04 Oct 2014      UNITED STATES OF AMERICA**  
(56) Related Art Documents: **Not Applicable**  
(57) Statement of Newness and Distinctiveness: **Nil**



(21) Design Number: **11815/2015**  
(22) Date of Filing Application: **07 April 2015**  
(24) Date from which industrial property rights may have effect: **07 April 2015**  
(54) Product in respect of which the design is registered: **Helmet mounted shroud**  
(51) International Design Classification: **02-03**  
(74) Name(s) of Attorney(s): **Freehills Patent Attorneys**  
(71) Name(s) and Address(s) of Applicant(s):  
**Artisent, LLC**  
**324 Main Street Simpson Pennsylvania 18407 United States of America**  
(72) Name(s) of Designer(s): **Duco W Noordzij and Matthew Hanudel**  
(45) Registration Date: **06 May 2015**  
(30) Convention priority data:  
(31) Number (32) Date (33) Country  
**29/504746 09 Oct 2014 UNITED STATES OF AMERICA**  
(56) Related Art Documents: **Not Applicable**  
(57) Statement of Newness and Distinctiveness: **Newness and distinctiveness of the design resides in the features of shape and configuration of the helmet mounted shroud as shown in solid outline in the accompanying representations.**



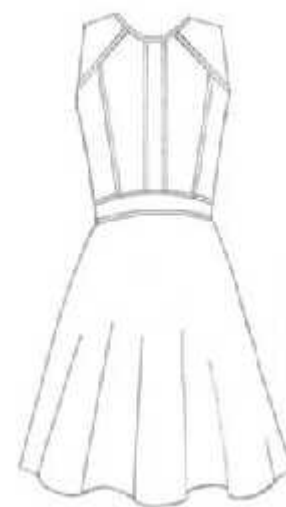
(21) Design Number: **11817/2015**  
(22) Date of Filing Application: **07 April 2015**  
(24) Date from which industrial property rights may have effect: **28 July 2014**  
(54) Product in respect of which the design is registered: **Article of clothing**  
(51) International Design Classification: **02-02C**  
(74) Name(s) of Attorney(s): **Allens Patent & Trade Mark Attorneys**  
(71) Name(s) and Address(s) of Applicant(s):  
**Forever New Clothing Pty Ltd**  
**L4 Building 8 576 Swan St Richmond VIC 3121 Australia**  
(72) Name(s) of Designer(s): **Josh Cappellari**  
(45) Registration Date: **06 May 2015**  
(62) Divisional of: **361171**  
(56) Related Art Documents: **Not Applicable**  
(57) Statement of Newness and Distinctiveness: **Newness and distinctiveness resides in the visual features of shape, configuration, pattern and/or ornamentation of an article of clothing as shown in the accompanying representations.**



- (21) Design Number: **11818/2015**  
(22) Date of Filing Application: **07 April 2015**  
(24) Date from which industrial property rights may have effect: **28 July 2014**  
(54) Product in respect of which the design is registered: **Article of clothing**  
(51) International Design Classification: **02-02C**  
(74) Name(s) of Attorney(s): **Allens Patent & Trade Mark Attorneys**  
(71) Name(s) and Address(s) of Applicant(s):  
**Forever New Clothing Pty Ltd**  
**L4 Building 8 576 Swan St Richmond VIC 3121 Australia**  
(72) Name(s) of Designer(s): **Josh Cappellari**  
(45) Registration Date: **06 May 2015**  
(62) Divisional of: **361171**  
(56) Related Art Documents: **Not Applicable**  
(57) Statement of Newness and Distinctiveness: **Newness and distinctiveness resides in the visual features of shape, configuration, pattern and/or ornamentation of an article of clothing as shown in the accompanying representations.**



- (21) Design Number: **11819/2015**  
(22) Date of Filing Application: **07 April 2015**  
(24) Date from which industrial property rights may have effect: **28 July 2014**  
(54) Product in respect of which the design is registered: **Article of clothing**  
(51) International Design Classification: **02-02C**  
(74) Name(s) of Attorney(s): **Allens Patent & Trade Mark Attorneys**  
(71) Name(s) and Address(s) of Applicant(s):  
**Forever New Clothing Pty Ltd**  
**L4 Building 8 576 Swan St Richmond VIC 3121 Australia**  
(72) Name(s) of Designer(s): **Odran Rohan**  
(45) Registration Date: **06 May 2015**  
(62) Divisional of: **361171**  
(56) Related Art Documents: **Not Applicable**  
(57) Statement of Newness and Distinctiveness: **Newness and distinctiveness resides in the visual features of shape, configuration, pattern and/or ornamentation of an article of clothing as shown in the accompanying representations.**



- (21) Design Number: **12258/2015**  
(22) Date of Filing Application: **01 May 2015**  
(24) Date from which industrial property rights may have effect: **27 August 2014**  
(54) Product in respect of which the design is registered: **Article of clothing**  
(51) International Design Classification: **02-02C**  
(74) Name(s) of Attorney(s): **Allens Patent & Trade Mark Attorneys**  
(71) Name(s) and Address(s) of Applicant(s):  
**Forever New Clothing Pty Ltd**  
**L4 Building 8 576 Swan St Richmond VIC 3121 Australia**  
(72) Name(s) of Designer(s): **Gemma Henderson**  
(45) Registration Date: **06 May 2015**  
(62) Divisional of: **361597**  
(56) Related Art Documents: **Not Applicable**  
(57) Statement of Newness and Distinctiveness: **Newness and distinctiveness resides in the visual features of shape, configuration, pattern and/or ornamentation of an article of clothing as shown in the accompanying representations.**

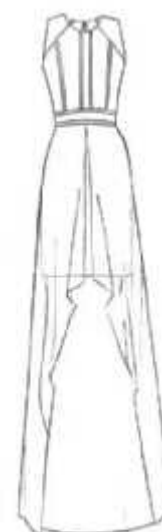


- (21) Design Number: **11816/2015**  
(22) Date of Filing Application: **07 April 2015**  
(24) Date from which industrial property rights may have effect: **28 July 2014**  
(54) Product in respect of which the design is registered: **Article of clothing**  
(51) International Design Classification: **02-02NES**  
(74) Name(s) of Attorney(s): **Allens Patent & Trade Mark Attorneys**  
(71) Name(s) and Address(s) of Applicant(s):  
**Forever New Clothing Pty Ltd**  
**L4 Building 8 576 Swan St Richmond VIC 3121 Australia**  
(72) Name(s) of Designer(s): **Anna Pham**  
(45) Registration Date: **06 May 2015**  
(62) Divisional of: **361171**  
(56) Related Art Documents: **Not Applicable**  
(57) Statement of Newness and Distinctiveness: **Newness and distinctiveness resides in the visual features of shape, configuration, pattern and/or ornamentation of an article of clothing as shown in the accompanying representations.**





- (21) Design Number: **11821/2015**  
(22) Date of Filing Application: **07 April 2015**  
(24) Date from which industrial property rights may have effect: **28 July 2014**  
(54) Product in respect of which the design is registered: **Article of clothing**  
(51) International Design Classification: **02-02C**  
(74) Name(s) of Attorney(s): **Allens Patent & Trade Mark Attorneys**  
(71) Name(s) and Address(s) of Applicant(s):  
**Forever New Clothing Pty Ltd**  
**L4 Building 8 576 Swan St Richmond VIC 3121 Australia**  
(72) Name(s) of Designer(s): **Odran Rohan**  
(45) Registration Date: **06 May 2015**  
(62) Divisional of: **361171**  
(56) Related Art Documents: **Not Applicable**  
(57) Statement of Newness and Distinctiveness: **Newness and distinctiveness resides in the visual features of shape, configuration, pattern and/or ornamentation of an article of clothing as shown in the accompanying representations.**



- (21) Design Number: **11822/2015**  
(22) Date of Filing Application: **07 April 2015**  
(24) Date from which industrial property rights may have effect: **28 July 2014**  
(54) Product in respect of which the design is registered: **Article of clothing**  
(51) International Design Classification: **02-02C**  
(74) Name(s) of Attorney(s): **Allens Patent & Trade Mark Attorneys**  
(71) Name(s) and Address(s) of Applicant(s):  
**Forever New Clothing Pty Ltd**  
**L4 Building 8 576 Swan St Richmond VIC 3121 Australia**  
(72) Name(s) of Designer(s): **Josh Cappellari**  
(45) Registration Date: **06 May 2015**  
(62) Divisional of: **361171**  
(56) Related Art Documents: **Not Applicable**  
(57) Statement of Newness and Distinctiveness: **Newness and distinctiveness resides in the visual features of shape, configuration, pattern and/or ornamentation of an article of clothing as shown in the accompanying representations.**



- (21) Design Number: **11823/2015**  
(22) Date of Filing Application: **07 April 2015**  
(24) Date from which industrial property rights may have effect: **28 July 2014**  
(54) Product in respect of which the design is registered: **Article of clothing**  
(51) International Design Classification: **02-02NES**  
(74) Name(s) of Attorney(s): **Allens Patent & Trade Mark Attorneys**  
(71) Name(s) and Address(s) of Applicant(s):  
**Forever New Clothing Pty Ltd**  
**L4 Building 8 576 Swan St Richmond VIC 3121 Australia**  
(72) Name(s) of Designer(s): **Octavia Miller**  
(45) Registration Date: **06 May 2015**  
(62) Divisional of: **361171**  
(56) Related Art Documents: **Not Applicable**  
(57) Statement of Newness and Distinctiveness: **Nil of shape, configuration, pattern and/or ornamentation of an article of clothing as shown in the accompanying representations.**



- (21) Design Number: **11824/2015**  
(22) Date of Filing Application: **07 April 2015**  
(24) Date from which industrial property rights may have effect: **28 July 2014**  
(54) Product in respect of which the design is registered: **Article of clothing**  
(51) International Design Classification: **02-02C**  
(74) Name(s) of Attorney(s): **Allens Patent & Trade Mark Attorneys**  
(71) Name(s) and Address(s) of Applicant(s):  
**Forever New Clothing Pty Ltd**  
**L4 Building 8 576 Swan St Richmond VIC 3121 Australia**  
(72) Name(s) of Designer(s): **Octavia Miller**  
(45) Registration Date: **06 May 2015**  
(62) Divisional of: **361171**  
(56) Related Art Documents: **Not Applicable**  
(57) Statement of Newness and Distinctiveness: **Newness and distinctiveness resides in the visual features of shape, configuration, pattern and/or ornamentation of an article of clothing as shown in the accompanying representations.**



- (21) Design Number: **11825/2015**  
(22) Date of Filing Application: **07 April 2015**  
(24) Date from which industrial property rights may have effect: **28 July 2014**  
(54) Product in respect of which the design is registered: **Article of clothing**  
(51) International Design Classification: **02-02NES**  
(74) Name(s) of Attorney(s): **Allens Patent & Trade Mark Attorneys**  
(71) Name(s) and Address(s) of Applicant(s):

**Forever New Clothing Pty Ltd**  
**L4 Building 8 576 Swan St Richmond VIC 3121 Australia**

- (72) Name(s) of Designer(s): **Octavia Miller**  
(45) Registration Date: **06 May 2015**  
(62) Divisional of: **361171**  
(56) Related Art Documents: **Not Applicable**  
(57) Statement of Newness and Distinctiveness: **Newness and distinctiveness resides in the visual features of shape, configuration, pattern and/or ornamentation of an article of clothing as shown in the accompanying representations.**



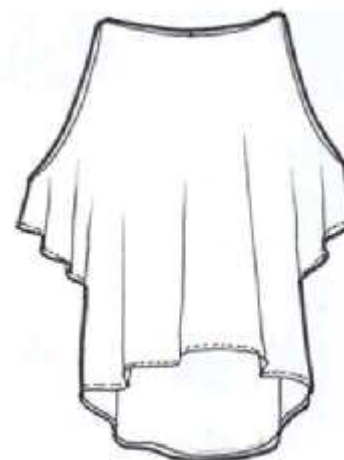
- (21) Design Number: **11826/2015**  
(22) Date of Filing Application: **07 April 2015**  
(24) Date from which industrial property rights may have effect: **28 July 2014**  
(54) Product in respect of which the design is registered: **Article of clothing**  
(51) International Design Classification: **02-02NES**  
(74) Name(s) of Attorney(s): **Allens Patent & Trade Mark Attorneys**  
(71) Name(s) and Address(s) of Applicant(s):

**Forever New Clothing Pty Ltd**  
**L4 Building 8 576 Swan St Richmond VIC 3121 Australia**

- (72) Name(s) of Designer(s): **Octavia Miller**  
(45) Registration Date: **06 May 2015**  
(62) Divisional of: **361171**  
(56) Related Art Documents: **Not Applicable**  
(57) Statement of Newness and Distinctiveness: **Newness and distinctiveness resides in the visual features of shape, configuration, pattern and/or ornamentation of an article of clothing as shown in the accompanying representations.**



- (21) Design Number: **11827/2015**  
(22) Date of Filing Application: **07 April 2015**  
(24) Date from which industrial property rights may have effect: **28 July 2014**  
(54) Product in respect of which the design is registered: **Article of clothing**  
(51) International Design Classification: **02-02NES**  
(74) Name(s) of Attorney(s): **Allens Patent & Trade Mark Attorneys**  
(71) Name(s) and Address(s) of Applicant(s):  
**Forever New Clothing Pty Ltd**  
**L4 Building 8 576 Swan St Richmond VIC 3121 Australia**  
(72) Name(s) of Designer(s): **Octavia Miller**  
(45) Registration Date: **06 May 2015**  
(62) Divisional of: **361171**  
(56) Related Art Documents: **Not Applicable**  
(57) Statement of Newness and Distinctiveness: **Newness and distinctiveness resides in the visual features of shape, configuration, pattern and/or ornamentation of an article of clothing as shown in the accompanying representations.**



- (21) Design Number: **11832/2015**  
(22) Date of Filing Application: **07 April 2015**  
(24) Date from which industrial property rights may have effect: **28 July 2014**  
(54) Product in respect of which the design is registered: **Article of clothing**  
(51) International Design Classification: **02-02NES**  
(74) Name(s) of Attorney(s): **Allens Patent & Trade Mark Attorneys**  
(71) Name(s) and Address(s) of Applicant(s):  
**Forever New Clothing Pty Ltd**  
**L4 Building 8 576 Swan St Richmond VIC 3121 Australia**  
(72) Name(s) of Designer(s): **Octavia Miller**  
(45) Registration Date: **06 May 2015**  
(62) Divisional of: **361171**  
(56) Related Art Documents: **Not Applicable**  
(57) Statement of Newness and Distinctiveness: **Newness and distinctiveness resides in the visual features of shape, configuration, pattern and/or ornamentation of an article of clothing as shown in the accompanying representations.**



- (21) Design Number: **11833/2015**  
(22) Date of Filing Application: **07 April 2015**  
(24) Date from which industrial property rights may have effect: **28 July 2014**  
(54) Product in respect of which the design is registered: **Article of clothing**  
(51) International Design Classification: **02-02C**  
(74) Name(s) of Attorney(s): **Allens Patent & Trade Mark Attorneys**  
(71) Name(s) and Address(s) of Applicant(s):  
**Forever New Clothing Pty Ltd**  
**L4 Building 8 576 Swan St Richmond VIC 3121 Australia**  
(72) Name(s) of Designer(s): **Karen Thai**  
(45) Registration Date: **06 May 2015**  
(62) Divisional of: **361171**  
(56) Related Art Documents: **Not Applicable**  
(57) Statement of Newness and Distinctiveness: **Newness and distinctiveness resides in the visual features of shape, configuration, pattern and/or ornamentation of an article of clothing as shown in the accompanying representations.**



- (21) Design Number: **11834/2015**  
(22) Date of Filing Application: **07 April 2015**  
(24) Date from which industrial property rights may have effect: **28 July 2014**  
(54) Product in respect of which the design is registered: **Article of clothing**  
(51) International Design Classification: **02-02C**  
(74) Name(s) of Attorney(s): **Allens Patent & Trade Mark Attorneys**  
(71) Name(s) and Address(s) of Applicant(s):  
**Forever New Clothing Pty Ltd**  
**L4 Building 8 576 Swan St Richmond VIC 3121 Australia**  
(72) Name(s) of Designer(s): **Odran Rohan**  
(45) Registration Date: **06 May 2015**  
(62) Divisional of: **361171**  
(56) Related Art Documents: **Not Applicable**  
(57) Statement of Newness and Distinctiveness: **Newness and distinctiveness resides in the visual features of shape, configuration, pattern and/or ornamentation of an article of clothing as shown in the accompanying representations.**



- (21) Design Number: **11835/2015**  
(22) Date of Filing Application: **07 April 2015**  
(24) Date from which industrial property rights may have effect: **28 July 2014**  
(54) Product in respect of which the design is registered: **Article of clothing**  
(51) International Design Classification: **02-02C**  
(74) Name(s) of Attorney(s): **Allens Patent & Trade Mark Attorneys**  
(71) Name(s) and Address(s) of Applicant(s):  
**Forever New Clothing Pty Ltd**  
**L4 Building 8 576 Swan St Richmond VIC 3121 Australia**  
(72) Name(s) of Designer(s): **Josh Cappellari**  
(45) Registration Date: **06 May 2015**  
(62) Divisional of: **361171**  
(56) Related Art Documents: **Not Applicable**  
(57) Statement of Newness and Distinctiveness: **Newness and distinctiveness resides in the visual features of shape, configuration, pattern and/or ornamentation of an article of clothing as shown in the accompanying representations.**



- (21) Design Number: **11836/2015**  
(22) Date of Filing Application: **07 April 2015**  
(24) Date from which industrial property rights may have effect: **28 July 2014**  
(54) Product in respect of which the design is registered: **Article of clothing**  
(51) International Design Classification: **02-02C**  
(74) Name(s) of Attorney(s): **Allens Patent & Trade Mark Attorneys**  
(71) Name(s) and Address(s) of Applicant(s):  
**Forever New Clothing Pty Ltd**  
**L4 Building 8 576 Swan St Richmond VIC 3121 Australia**  
(72) Name(s) of Designer(s): **Odran Rohan**  
(45) Registration Date: **06 May 2015**  
(62) Divisional of: **361171**  
(56) Related Art Documents: **Not Applicable**  
(57) Statement of Newness and Distinctiveness: **Newness and distinctiveness resides in the visual features of shape, configuration, pattern and/or ornamentation of an article of clothing as shown in the accompanying representations.**



- (21) Design Number: **11837/2015**  
(22) Date of Filing Application: **07 April 2015**  
(24) Date from which industrial property rights may have effect: **28 July 2014**  
(54) Product in respect of which the design is registered: **Article of clothing**  
(51) International Design Classification: **02-02C**  
(74) Name(s) of Attorney(s): **Allens Patent & Trade Mark Attorneys**  
(71) Name(s) and Address(s) of Applicant(s):  
**Forever New Clothing Pty Ltd**  
**L4 Building 8 576 Swan St Richmond VIC 3121 Australia**  
(72) Name(s) of Designer(s): **Josh Cappellari**  
(45) Registration Date: **06 May 2015**  
(62) Divisional of: **361171**  
(56) Related Art Documents: **Not Applicable**  
(57) Statement of Newness and Distinctiveness: **Newness and distinctiveness resides in the visual features of shape, configuration, pattern and/or ornamentation of an article of clothing as shown in the accompanying representations.**



- (21) Design Number: **11838/2015**  
(22) Date of Filing Application: **07 April 2015**  
(24) Date from which industrial property rights may have effect: **28 July 2014**  
(54) Product in respect of which the design is registered: **Article of clothing**  
(51) International Design Classification: **02-02C**  
(74) Name(s) of Attorney(s): **Allens Patent & Trade Mark Attorneys**  
(71) Name(s) and Address(s) of Applicant(s):  
**Forever New Clothing Pty Ltd**  
**L4 Building 8 576 Swan St Richmond VIC 3121 Australia**  
(72) Name(s) of Designer(s): **Odran Rohan**  
(45) Registration Date: **06 May 2015**  
(62) Divisional of: **361171**  
(56) Related Art Documents: **Not Applicable**  
(57) Statement of Newness and Distinctiveness: **Newness and distinctiveness resides in the visual features of shape, configuration, pattern and/or ornamentation of an article of clothing as shown in the accompanying representations.**



- (21) Design Number: **11839/2015**  
(22) Date of Filing Application: **07 April 2015**  
(24) Date from which industrial property rights may have effect: **28 July 2014**  
(54) Product in respect of which the design is registered: **Article of clothing**  
(51) International Design Classification: **02-02C**  
(74) Name(s) of Attorney(s): **Allens Patent & Trade Mark Attorneys**  
(71) Name(s) and Address(s) of Applicant(s):  
**Forever New Clothing Pty Ltd**  
**L4 Building 8 576 Swan St Richmond VIC 3121 Australia**  
(72) Name(s) of Designer(s): **Karen Thai**  
(45) Registration Date: **06 May 2015**  
(62) Divisional of: **361171**  
(56) Related Art Documents: **Not Applicable**  
(57) Statement of Newness and Distinctiveness: **Newness and distinctiveness resides in the visual features of shape, configuration, pattern and/or ornamentation of an article of clothing as shown in the accompanying representations.**



- (21) Design Number: **11844/2015**  
(22) Date of Filing Application: **07 April 2015**  
(24) Date from which industrial property rights may have effect: **28 July 2014**  
(54) Product in respect of which the design is registered: **Article of clothing**  
(51) International Design Classification: **02-02C**  
(74) Name(s) of Attorney(s): **Allens Patent & Trade Mark Attorneys**  
(71) Name(s) and Address(s) of Applicant(s):  
**Forever New Clothing Pty Ltd**  
**L4 Building 8 576 Swan St Richmond VIC 3121 Australia**  
(72) Name(s) of Designer(s): **Karen Thai**  
(45) Registration Date: **06 May 2015**  
(62) Divisional of: **361171**  
(56) Related Art Documents: **Not Applicable**  
(57) Statement of Newness and Distinctiveness: **Newness and distinctiveness resides in the visual features of shape, configuration, pattern and/or ornamentation of an article of clothing as shown in the accompanying representations.**

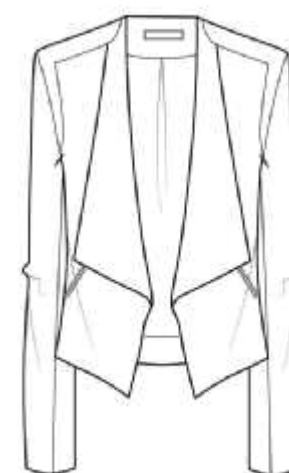




- (21) Design Number: **11845/2015**  
(22) Date of Filing Application: **07 April 2015**  
(24) Date from which industrial property rights may have effect: **28 July 2014**  
(54) Product in respect of which the design is registered: **Article of clothing**  
(51) International Design Classification: **02-02NES**  
(74) Name(s) of Attorney(s): **Allens Patent & Trade Mark Attorneys**  
(71) Name(s) and Address(s) of Applicant(s):  
**Forever New Clothing Pty Ltd**  
**L4 Building 8 576 Swan St Richmond VIC 3121 Australia**  
(72) Name(s) of Designer(s): **Alice Burrow**  
(45) Registration Date: **06 May 2015**  
(62) Divisional of: **361171**  
(56) Related Art Documents: **Not Applicable**  
(57) Statement of Newness and Distinctiveness: **Newness and distinctiveness resides in the visual features of shape, configuration, pattern and/or ornamentation of an article of clothing as shown in the accompanying representations.**



- (21) Design Number: **11846/2015**  
(22) Date of Filing Application: **07 April 2015**  
(24) Date from which industrial property rights may have effect: **28 July 2014**  
(54) Product in respect of which the design is registered: **Article of clothing**  
(51) International Design Classification: **02-02NES**  
(74) Name(s) of Attorney(s): **Allens Patent & Trade Mark Attorneys**  
(71) Name(s) and Address(s) of Applicant(s):  
**Forever New Clothing Pty Ltd**  
**L4 Building 8 576 Swan St Richmond VIC 3121 Australia**  
(72) Name(s) of Designer(s): **Alice Burrow**  
(45) Registration Date: **06 May 2015**  
(62) Divisional of: **361171**  
(56) Related Art Documents: **Not Applicable**  
(57) Statement of Newness and Distinctiveness: **Newness and distinctiveness resides in the visual features of shape, configuration, pattern and/or ornamentation of an article of clothing as shown in the accompanying representations.**



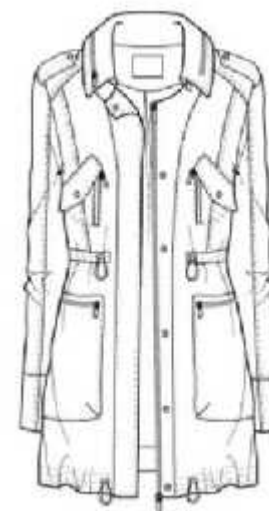
- (21) Design Number: **11847/2015**  
(22) Date of Filing Application: **07 April 2015**  
(24) Date from which industrial property rights may have effect: **28 July 2014**  
(54) Product in respect of which the design is registered: **Article of clothing**  
(51) International Design Classification: **02-02NES**  
(74) Name(s) of Attorney(s): **Allens Patent & Trade Mark Attorneys**  
(71) Name(s) and Address(s) of Applicant(s):  
**Forever New Clothing Pty Ltd**  
**L4 Building 8 576 Swan St Richmond VIC 3121 Australia**  
(72) Name(s) of Designer(s): **Alice Burrow**  
(45) Registration Date: **06 May 2015**  
(62) Divisional of: **361171**  
(56) Related Art Documents: **Not Applicable**  
(57) Statement of Newness and Distinctiveness: **Newness and distinctiveness resides in the visual features of shape, configuration, pattern and/or ornamentation of an article of clothing as shown in the accompanying representations.**



- (21) Design Number: **11849/2015**  
(22) Date of Filing Application: **07 April 2015**  
(24) Date from which industrial property rights may have effect: **28 July 2014**  
(54) Product in respect of which the design is registered: **Article of clothing**  
(51) International Design Classification: **02-02NES**  
(74) Name(s) of Attorney(s): **Allens Patent & Trade Mark Attorneys**  
(71) Name(s) and Address(s) of Applicant(s):  
**Forever New Clothing Pty Ltd**  
**L4 Building 8 576 Swan St Richmond VIC 3121 Australia**  
(72) Name(s) of Designer(s): **Alice Burrow**  
(45) Registration Date: **06 May 2015**  
(62) Divisional of: **361171**  
(56) Related Art Documents: **Not Applicable**  
(57) Statement of Newness and Distinctiveness: **Newness and distinctiveness resides in the visual features of shape, configuration, pattern and/or ornamentation of an article of clothing as shown in the accompanying representations.**



- (21) Design Number: **11850/2015**  
(22) Date of Filing Application: **07 April 2015**  
(24) Date from which industrial property rights may have effect: **28 July 2014**  
(54) Product in respect of which the design is registered: **Article of clothing**  
(51) International Design Classification: **02-02NES**  
(74) Name(s) of Attorney(s): **Allens Patent & Trade Mark Attorneys**  
(71) Name(s) and Address(s) of Applicant(s):  
**Forever New Clothing Pty Ltd**  
**L4 Building 8 576 Swan St Richmond VIC 3121 Australia**  
(72) Name(s) of Designer(s): **Alice Burrow**  
(45) Registration Date: **06 May 2015**  
(62) Divisional of: **361171**  
(56) Related Art Documents: **Not Applicable**  
(57) Statement of Newness and Distinctiveness: **Newness and distinctiveness resides in the visual features of shape, configuration, pattern and/or ornamentation of an article of clothing as shown in the accompanying representations.**



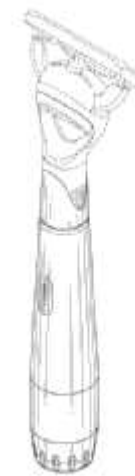
- (21) Design Number: **11851/2015**  
(22) Date of Filing Application: **07 April 2015**  
(24) Date from which industrial property rights may have effect: **28 July 2014**  
(54) Product in respect of which the design is registered: **Article of clothing**  
(51) International Design Classification: **02-02NES**  
(74) Name(s) of Attorney(s): **Allens Patent & Trade Mark Attorneys**  
(71) Name(s) and Address(s) of Applicant(s):  
**Forever New Clothing Pty Ltd**  
**L4 Building 8 576 Swan St Richmond VIC 3121 Australia**  
(72) Name(s) of Designer(s): **Alice Burrow**  
(45) Registration Date: **06 May 2015**  
(62) Divisional of: **361171**  
(56) Related Art Documents: **Not Applicable**  
(57) Statement of Newness and Distinctiveness: **Newness and distinctiveness resides in the visual features of shape, configuration, pattern and/or ornamentation of an article of clothing as shown in the accompanying representations.**



- (21) Design Number: **11852/2015**  
(22) Date of Filing Application: **07 April 2015**  
(24) Date from which industrial property rights may have effect: **28 July 2014**  
(54) Product in respect of which the design is registered: **Article of clothing**  
(51) International Design Classification: **02-02NES**  
(74) Name(s) of Attorney(s): **Allens Patent & Trade Mark Attorneys**  
(71) Name(s) and Address(s) of Applicant(s):  
**Forever New Clothing Pty Ltd**  
**L4 Building 8 576 Swan St Richmond VIC 3121 Australia**  
(72) Name(s) of Designer(s): **Alice Burrow**  
(45) Registration Date: **06 May 2015**  
(62) Divisional of: **361171**  
(56) Related Art Documents: **Not Applicable**  
(57) Statement of Newness and Distinctiveness: **Newness and distinctiveness resides in the visual features of shape, configuration, pattern and/or ornamentation of an article of clothing as shown in the accompanying representations.**



- (21) Design Number: **11856/2015**  
(22) Date of Filing Application: **07 April 2015**  
(24) Date from which industrial property rights may have effect: **07 April 2015**  
(54) Product in respect of which the design is registered: **Handle for a razor**  
(51) International Design Classification: **28-03A**  
(74) Name(s) of Attorney(s): **PHILLIPS ORMONDE FITZPATRICK**  
(71) Name(s) and Address(s) of Applicant(s):  
**The Gillette Company**  
**One Gillette Park Boston Massachusetts 02127 United States of America**  
(72) Name(s) of Designer(s): **Daniel Jerome Sims and David Scott Whetstone**  
(45) Registration Date: **06 May 2015**  
(30) Convention priority data:  
(31) Number      (32) Date      (33) Country  
**29/504,536      07 Oct 2014      UNITED STATES OF AMERICA**  
(56) Related Art Documents: **Not Applicable**  
(57) Statement of Newness and Distinctiveness: **Those features of the handle for a razor depicted in the representations that are new and distinctive are the shape and/or configuration. The features shown in broken lines are not part of the design and are to be disregarded when considering the overall impression of the design.**



- (21) Design Number: **11857/2015**  
(22) Date of Filing Application: **07 April 2015**  
(24) Date from which industrial property rights may have effect: **28 July 2014**  
(54) Product in respect of which the design is registered: **Article of clothing**  
(51) International Design Classification: **02-02NES**  
(74) Name(s) of Attorney(s): **Allens Patent & Trade Mark Attorneys**  
(71) Name(s) and Address(s) of Applicant(s):  
**Forever New Clothing Pty Ltd**  
**L4 Building 8 576 Swan St Richmond VIC 3121 Australia**  
(72) Name(s) of Designer(s): **Alice Burrow**  
(45) Registration Date: **06 May 2015**  
(62) Divisional of: **361171**  
(56) Related Art Documents: **Not Applicable**  
(57) Statement of Newness and Distinctiveness: **Newness and distinctiveness resides in the visual features of shape, configuration, pattern and/or ornamentation of an article of clothing as shown in the accompanying representations.**



- (21) Design Number: **11858/2015**  
(22) Date of Filing Application: **07 April 2015**  
(24) Date from which industrial property rights may have effect: **28 July 2014**  
(54) Product in respect of which the design is registered: **Article of clothing**  
(51) International Design Classification: **02-02NES**  
(74) Name(s) of Attorney(s): **Allens Patent & Trade Mark Attorneys**  
(71) Name(s) and Address(s) of Applicant(s):  
**Forever New Clothing Pty Ltd**  
**L4 Building 8 576 Swan St Richmond VIC 3121 Australia**  
(72) Name(s) of Designer(s): **Alice Burrow**  
(45) Registration Date: **06 May 2015**  
(62) Divisional of: **361171**  
(56) Related Art Documents: **Not Applicable**  
(57) Statement of Newness and Distinctiveness: **Newness and distinctiveness resides in the visual features of shape, configuration, pattern and/or ornamentation of an article of clothing as shown in the accompanying representations.**



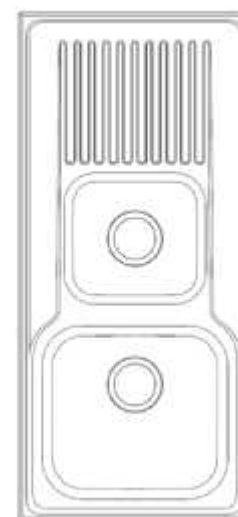
- (21) Design Number: **11859/2015**  
(22) Date of Filing Application: **07 April 2015**  
(24) Date from which industrial property rights may have effect: **28 July 2014**  
(54) Product in respect of which the design is registered: **Article of clothing**  
(51) International Design Classification: **02-02NES**  
(74) Name(s) of Attorney(s): **Allens Patent & Trade Mark Attorneys**  
(71) Name(s) and Address(s) of Applicant(s):  
**Forever New Clothing Pty Ltd**  
**L4 Building 8 576 Swan St Richmond VIC 3121 Australia**  
(72) Name(s) of Designer(s): **Alice Burrow**  
(45) Registration Date: **06 May 2015**  
(62) Divisional of: **361171**  
(56) Related Art Documents: **Not Applicable**  
(57) Statement of Newness and Distinctiveness: **Newness and distinctiveness resides in the visual features of shape, configuration, pattern and/or ornamentation of an article of clothing as shown in the accompanying representations.**



- (21) Design Number: **11860/2015**  
(22) Date of Filing Application: **07 April 2015**  
(24) Date from which industrial property rights may have effect: **28 July 2014**  
(54) Product in respect of which the design is registered: **Article of clothing**  
(51) International Design Classification: **02-02NES**  
(74) Name(s) of Attorney(s): **Allens Patent & Trade Mark Attorneys**  
(71) Name(s) and Address(s) of Applicant(s):  
**Forever New Clothing Pty Ltd**  
**L4 Building 8 576 Swan St Richmond VIC 3121 Australia**  
(72) Name(s) of Designer(s): **Alice Burrow**  
(45) Registration Date: **06 May 2015**  
(62) Divisional of: **361171**  
(56) Related Art Documents: **Not Applicable**  
(57) Statement of Newness and Distinctiveness: **Newness and distinctiveness resides in the visual features of shape, configuration, pattern and/or ornamentation of an article of clothing as shown in the accompanying representations.**



- (21) Design Number: **11763/2015**  
(22) Date of Filing Application: **02 April 2015**  
(24) Date from which industrial property rights may have effect: **02 April 2015**  
(54) Product in respect of which the design is registered: **A sink**  
(51) International Design Classification: **23-02F**  
(74) Name(s) of Attorney(s): **Spruson & Ferguson**  
(71) Name(s) and Address(s) of Applicant(s):  
**Caroma Industries Limited**  
**L2 HQ South Tower 520 Wickham St Fortitude Valley QLD 4006 Australia**  
(72) Name(s) of Designer(s): **Stephen John Cummings and Vincent Kai Hong Ho**  
(45) Registration Date: **06 May 2015**  
(56) Related Art Documents: **Not Applicable**  
(57) Statement of Newness and Distinctiveness: **Newness and distinctiveness is claimed in the features of shape and/or configuration of a sink as illustrated in the accompanying representations.**



- (21) Design Number: **11764/2015**  
(22) Date of Filing Application: **02 April 2015**  
(24) Date from which industrial property rights may have effect: **02 April 2015**  
(54) Product in respect of which the design is registered: **A bath**  
(51) International Design Classification: **23-02B**  
(74) Name(s) of Attorney(s): **Spruson & Ferguson**  
(71) Name(s) and Address(s) of Applicant(s):  
**Caroma Industries Limited**  
**L2 HQ South Tower 520 Wickham St Fortitude Valley QLD 4006 Australia**  
(72) Name(s) of Designer(s): **Stephen John Cummings and Leonie Carolyn Brickwood**  
(45) Registration Date: **06 May 2015**  
(56) Related Art Documents: **Not Applicable**  
(57) Statement of Newness and Distinctiveness: **Nil**



(21) Design Number: **11765/2015**  
(22) Date of Filing Application: **02 April 2015**  
(24) Date from which industrial property rights may have effect: **02 April 2015**  
(54) Product in respect of which the design is registered: **A swinging seat**  
(51) International Design Classification: **06-01NES**  
(74) Name(s) of Attorney(s): **Collison & Co**  
(71) Name(s) and Address(s) of Applicant(s):  
**Nicholas McDonald**  
**1 Waltacre, Yealmpton Plymouth Devon REINO UNIDO PL8 2LY United Kingdom**  
(72) Name(s) of Designer(s): **Nicholas McDonald**  
(45) Registration Date: **06 May 2015**  
(30) Convention priority data:  
(31) Number (32) Date (33) Country  
**002553420-0002 08 Oct 2014 OFFICE FOR HARMONISATION IN THE INTERNAL MARKET (OHIM)**  
(56) Related Art Documents: **Not Applicable**  
(57) Statement of Newness and Distinctiveness: **Nil**

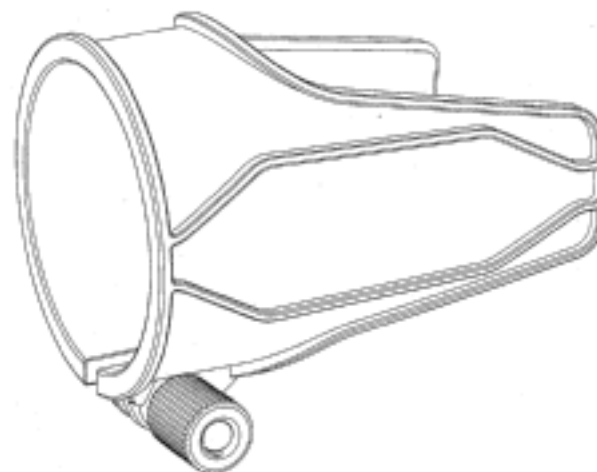


(21) Design Number: **11766/2015**  
(22) Date of Filing Application: **02 April 2015**  
(24) Date from which industrial property rights may have effect: **02 April 2015**  
(54) Product in respect of which the design is registered: **Chair**  
(51) International Design Classification: **06-01F**  
(74) Name(s) of Attorney(s): **PHILLIPS ORMONDE FITZPATRICK**  
(71) Name(s) and Address(s) of Applicant(s):  
**Arper S.p.A.**  
**Via Lombardia, 16 I-31050 Monastier di Treviso Treviso Italy**  
(72) Name(s) of Designer(s): **Alberto Lievore and Jeannette Altherr and Manel Molina**  
(45) Registration Date: **06 May 2015**  
(30) Convention priority data:  
(31) Number (32) Date (33) Country  
**846242301 17 Oct 2014 WORLD INTELLECTUAL PROPERTY ORGANIZATION (WIPO)**  
(56) Related Art Documents: **Not Applicable**  
(57) Statement of Newness and Distinctiveness: **Nil**

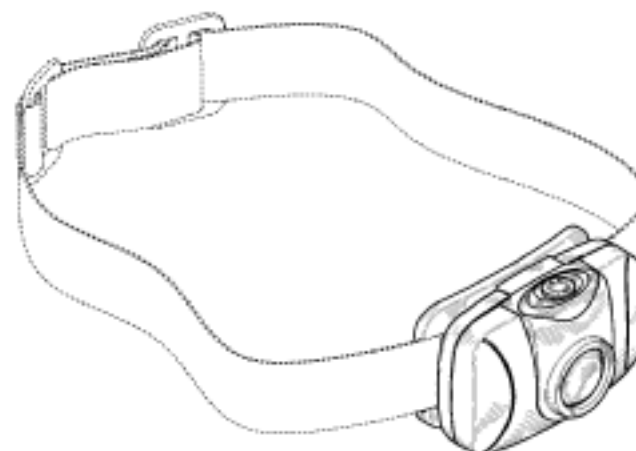




(21) Design Number: **15941/2014**  
(22) Date of Filing Application: **20 November 2014**  
(24) Date from which industrial property rights may have effect: **20 November 2014**  
(54) Product in respect of which the design is registered: **A tool**  
(51) International Design Classification: **08-05F**  
(74) Name(s) of Attorney(s): **Halfords IP**  
(71) Name(s) and Address(s) of Applicant(s):  
**John Gerber**  
**U15 20 Tucks Rd Seven Hills NSW 2147 Australia**  
(72) Name(s) of Designer(s): **John Gerber and Lee Blattmann**  
(45) Registration Date: **07 May 2015**  
(56) Related Art Documents: **Not Applicable**  
(57) Statement of Newness and Distinctiveness: **Newness and distinctiveness resides in those features of shape and or configuration of a TOOL as depicted in the representations.**



(21) Design Number: **16692/2014**  
(22) Date of Filing Application: **24 December 2014**  
(24) Date from which industrial property rights may have effect: **24 December 2014**  
(54) Product in respect of which the design is registered: **Lighting device**  
(51) International Design Classification: **26-02**  
(74) Name(s) of Attorney(s): **Halfords IP**  
(71) Name(s) and Address(s) of Applicant(s):  
**Eveready Battery Company, Inc.**  
**533 Maryville University Drive St Louis Missouri, 63141 United States of America**  
(72) Name(s) of Designer(s): **Lai King Ma**  
(45) Registration Date: **07 May 2015**  
(30) Convention priority data:  
(31) Number      (32) Date      (33) Country  
**29/502472      07 Oct 2014      UNITED STATES OF AMERICA**  
(56) Related Art Documents: **Not Applicable**  
(57) Statement of Newness and Distinctiveness: **Newness and distinctiveness resides in those features of shape and or configuration of a LIGHTING DEVICE as depicted in the representations. Shading lines and features shown in broken lines do not form part of the design.**



(21) Design Number: **11828/2015**

(22) Date of Filing Application: **07 April 2015**

(24) Date from which industrial property rights may have effect: **07 April 2015**

(54) Product in respect of which the design is registered: **Helmet mounted rail**

(51) International Design Classification: **02-03**

(74) Name(s) of Attorney(s): **Freehills Patent Attorneys**

(71) Name(s) and Address(s) of Applicant(s):

**Artisent, LLC**

**324 Main Street Simpson Pennsylvania, 18407 United States of America**

(72) Name(s) of Designer(s): **Matthew Hanudel**

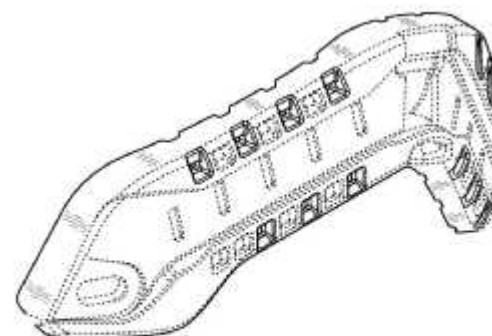
(45) Registration Date: **07 May 2015**

(30) Convention priority data:

(31) Number	(32) Date	(33) Country
<b>29/504776</b>	<b>09 Oct 2014</b>	<b>UNITED STATES OF AMERICA</b>

(56) Related Art Documents: **Not Applicable**

(57) Statement of Newness and Distinctiveness: **Newness and distinctiveness of the design resides in the shape and configuration of the helmet mounted rail as shown in solid outline in the accompanying representations.**



(21) Design Number: **11829/2015**

(22) Date of Filing Application: **07 April 2015**

(24) Date from which industrial property rights may have effect: **07 April 2015**

(54) Product in respect of which the design is registered: **Helmet mounted rail**

(51) International Design Classification: **02-03**

(74) Name(s) of Attorney(s): **Freehills Patent Attorneys**

(71) Name(s) and Address(s) of Applicant(s):

**Artisent, LLC**

**324 Main Street Simpson Pennsylvania, 18407 United States of America**

(72) Name(s) of Designer(s): **Matthew Hanudel**

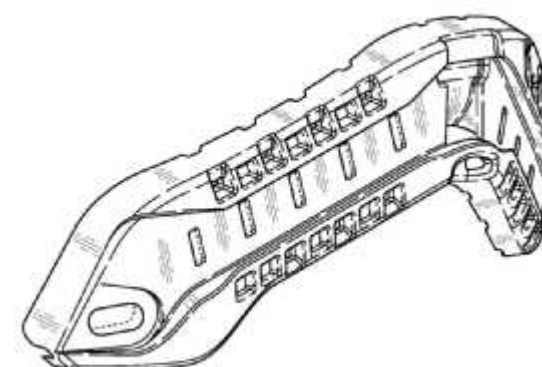
(45) Registration Date: **07 May 2015**

(30) Convention priority data:

(31) Number	(32) Date	(33) Country
<b>29/504776</b>	<b>09 Oct 2014</b>	<b>UNITED STATES OF AMERICA</b>

(56) Related Art Documents: **Not Applicable**

(57) Statement of Newness and Distinctiveness: **Newness and distinctiveness of the design resides in the shape and configuration of the helmet mounted rail as shown in solid outline in the accompanying representations.**



(21) Design Number: **11830/2015**

(22) Date of Filing Application: **07 April 2015**

(24) Date from which industrial property rights may have effect: **07 April 2015**

(54) Product in respect of which the design is registered: **Helmet mounted visor**

(51) International Design Classification: **02-03**

(74) Name(s) of Attorney(s): **Freehills Patent Attorneys**

(71) Name(s) and Address(s) of Applicant(s):

**Artisent, LLC**

**324 Main Street Simpson Pennsylvania, 18407 United States of America**

(72) Name(s) of Designer(s): **Duco W Noordzij**

(45) Registration Date: **07 May 2015**

(30) Convention priority data:

(31) Number

(32) Date

(33) Country

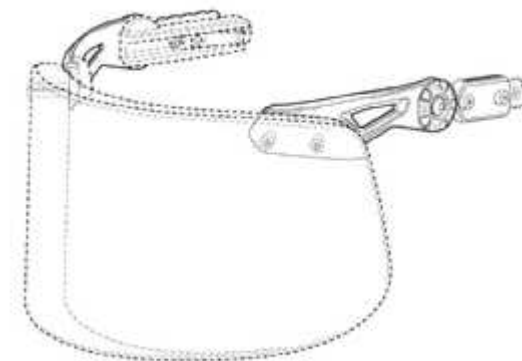
**29/504747**

**09 Oct 2014**

**UNITED STATES OF AMERICA**

(56) Related Art Documents: **Not Applicable**

(57) Statement of Newness and Distinctiveness: **Newness and distinctiveness of the design resides in the features of shape and configuration of the helmet mounted visor as indicated in solid outline in the accompanying representations.**



(21) Design Number: **11841/2015**

(22) Date of Filing Application: **07 April 2015**

(24) Date from which industrial property rights may have effect: **07 April 2015**

(54) Product in respect of which the design is registered: **Bracket for a stairway tread**

(51) International Design Classification: **08-08L**

(74) Name(s) of Attorney(s): **Churchill Attorneys**

(71) Name(s) and Address(s) of Applicant(s):

**Sayfa R & D Pty Ltd**

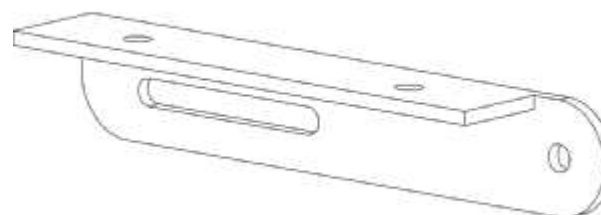
**1029 Mountain Hwy Boronia VIC 3155 Australia**

(72) Name(s) of Designer(s): **Roland Stephen Voss and Murray Voss**

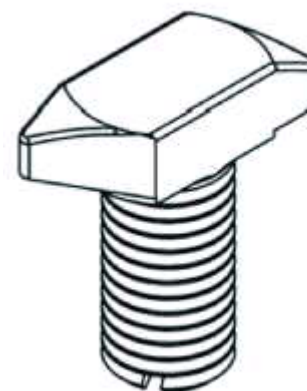
(45) Registration Date: **07 May 2015**

(56) Related Art Documents: **Not Applicable**

(57) Statement of Newness and Distinctiveness: **The newness and distinctiveness of the design resides in the shape of the BRACKET FOR A STAIRWAY TREAD as shown in the accompanying representations.**



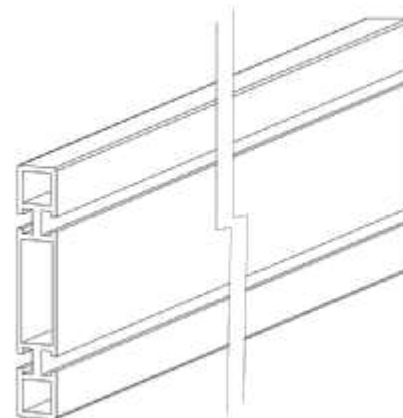
- (21) Design Number: **11842/2015**  
(22) Date of Filing Application: **07 April 2015**  
(24) Date from which industrial property rights may have effect: **07 April 2015**  
(54) Product in respect of which the design is registered: **Fastener**  
(51) International Design Classification: **08-08A**  
(74) Name(s) of Attorney(s): **Churchill Attorneys**  
(71) Name(s) and Address(s) of Applicant(s):  
**Sayfa R & D Pty Ltd**  
**1029 Mountain Hwy Boronia VIC 3155 Australia**  
(72) Name(s) of Designer(s): **Roland Stephen Voss and Murray Voss**  
(45) Registration Date: **07 May 2015**  
(56) Related Art Documents: **Not Applicable**  
(57) Statement of Newness and Distinctiveness: **The newness and distinctiveness of the design resides in the shape of the FASTENER as shown in the accompanying representations.**



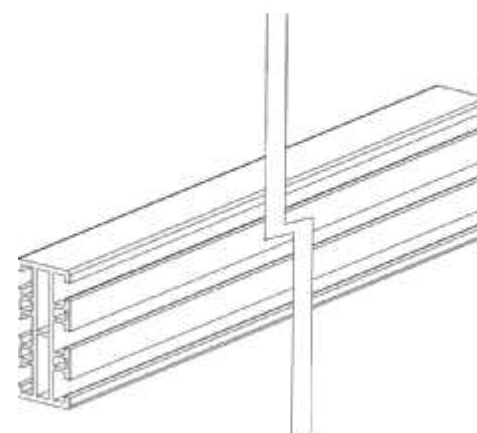
- (21) Design Number: **11853/2015**  
(22) Date of Filing Application: **07 April 2015**  
(24) Date from which industrial property rights may have effect: **07 April 2015**  
(54) Product in respect of which the design is registered: **Tread of indeterminate length for a stairway**  
(51) International Design Classification: **25-04**  
(74) Name(s) of Attorney(s): **Churchill Attorneys**  
(71) Name(s) and Address(s) of Applicant(s):  
**Sayfa R & D Pty Ltd**  
**1029 Mountain Hwy Boronia VIC 3155 Australia**  
(72) Name(s) of Designer(s): **Roland Stephen Voss and Murray Voss**  
(45) Registration Date: **07 May 2015**  
(56) Related Art Documents: **Not Applicable**  
(57) Statement of Newness and Distinctiveness: **The newness and distinctiveness of the design resides in the shape of the TREAD OF INDETERMINATE LENGTH FOR A STAIRWAY as shown in the accompanying representations.**



- (21) Design Number: **11854/2015**  
(22) Date of Filing Application: **07 April 2015**  
(24) Date from which industrial property rights may have effect: **07 April 2015**  
(54) Product in respect of which the design is registered: **Stringer of indeterminate length for a stairway**  
(51) International Design Classification: **25-04**  
(74) Name(s) of Attorney(s): **Churchill Attorneys**  
(71) Name(s) and Address(s) of Applicant(s):  
**Sayfa R & D Pty Ltd**  
**1029 Mountain Hwy Boronia VIC 3155 Australia**  
(72) Name(s) of Designer(s): **Roland Stephen Voss and Murray Voss**  
(45) Registration Date: **07 May 2015**  
(56) Related Art Documents: **Not Applicable**  
(57) Statement of Newness and Distinctiveness: **The newness and distinctiveness of the design resides in the shape of the STRINGER OF INDETERMINATE LENGTH FOR A STAIRWAY as shown in the accompanying representations.**



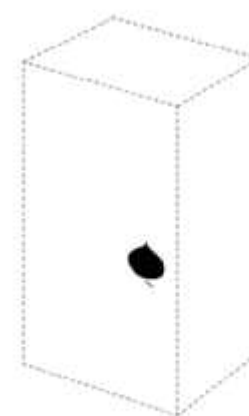
- (21) Design Number: **11855/2015**  
(22) Date of Filing Application: **07 April 2015**  
(24) Date from which industrial property rights may have effect: **07 April 2015**  
(54) Product in respect of which the design is registered: **Member of indeterminate length for a work platform**  
(51) International Design Classification: **25-01K**  
(74) Name(s) of Attorney(s): **Churchill Attorneys**  
(71) Name(s) and Address(s) of Applicant(s):  
**Sayfa R & D Pty Ltd**  
**1029 Mountain Hwy Boronia VIC 3155 Australia**  
(72) Name(s) of Designer(s): **Roland Stephen Voss and Murray Voss**  
(45) Registration Date: **07 May 2015**  
(56) Related Art Documents: **Not Applicable**  
(57) Statement of Newness and Distinctiveness: **The newness and distinctiveness of the design resides in the shape of the MEMBER OF INDETERMINATE LENGTH FOR A WORK PLATFORM as shown in the accompanying representations.**



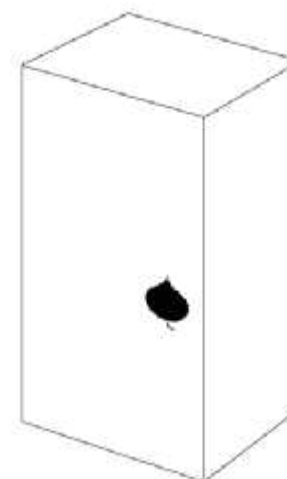
- (21) Design Number: **11862/2015**  
(22) Date of Filing Application: **07 April 2015**  
(24) Date from which industrial property rights may have effect: **07 April 2015**  
(54) Product in respect of which the design is registered: **Handle for a razor**  
(51) International Design Classification: **28-03A**  
(74) Name(s) of Attorney(s): **PHILLIPS ORMONDE FITZPATRICK**  
(71) Name(s) and Address(s) of Applicant(s):  
**The Gillette Company**  
**One Gillette Park Boston Massachusetts 02127 United States of America**  
(72) Name(s) of Designer(s): **Daniel Jerome Sims and Junichi Yoshitomi**  
(45) Registration Date: **07 May 2015**  
(30) Convention priority data:  
(31) Number (32) Date (33) Country  
**29/504,530 07 Oct 2014 UNITED STATES OF AMERICA**  
(56) Related Art Documents: **Not Applicable**  
(57) Statement of Newness and Distinctiveness: **Those features of the handle for a razor depicted in the representations that are new and distinctive are the shape and/or configuration. The features shown in broken lines are not part of the design and are to be disregarded when considering the overall impression of the design.**



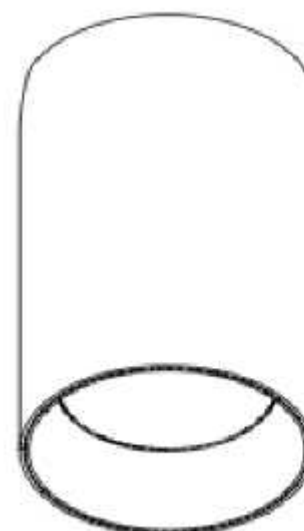
- (21) Design Number: **11863/2015**  
(22) Date of Filing Application: **07 April 2015**  
(24) Date from which industrial property rights may have effect: **07 April 2015**  
(54) Product in respect of which the design is registered: **Dietary supplement packaging with indicium**  
(51) International Design Classification: **09-03M**  
(74) Name(s) of Attorney(s): **PHILLIPS ORMONDE FITZPATRICK**  
(71) Name(s) and Address(s) of Applicant(s):  
**New Chapter, Inc.**  
**90 Technology Drive Brattleboro Vermont 05301 United States of America**  
(72) Name(s) of Designer(s): **Jade Crystal Harmon**  
(45) Registration Date: **07 May 2015**  
(30) Convention priority data:  
(31) Number (32) Date (33) Country  
**29/504,382 06 Oct 2014 UNITED STATES OF AMERICA**  
(56) Related Art Documents: **Not Applicable**  
(57) Statement of Newness and Distinctiveness: **Those features of the dietary supplement packaging with indicium depicted in the representations that are new and distinctive are the pattern and/or ornamentation. The features shown in broken lines are not part of the design and are to be disregarded when considering the overall impression of the design.**



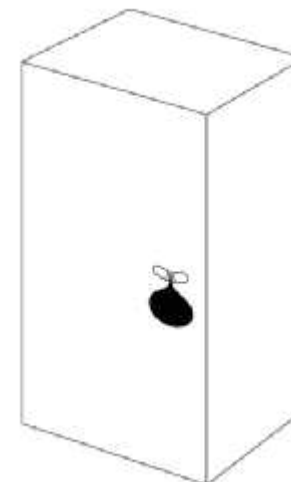
(21) Design Number: **11864/2015**  
(22) Date of Filing Application: **07 April 2015**  
(24) Date from which industrial property rights may have effect: **07 April 2015**  
(54) Product in respect of which the design is registered: **Dietary supplement packaging with indicium**  
(51) International Design Classification: **09-03M**  
(74) Name(s) of Attorney(s): **PHILLIPS ORMONDE FITZPATRICK**  
(71) Name(s) and Address(s) of Applicant(s):  
**New Chapter, Inc.**  
**90 Technology Drive Brattleboro Vermont 05301 United States of America**  
(72) Name(s) of Designer(s): **Jade Crystal Harmon**  
(45) Registration Date: **07 May 2015**  
(30) Convention priority data:  
(31) Number (32) Date (33) Country  
**29/504,382 06 Oct 2014 UNITED STATES OF AMERICA**  
(56) Related Art Documents: **Not Applicable**  
(57) Statement of Newness and Distinctiveness: **Nil**



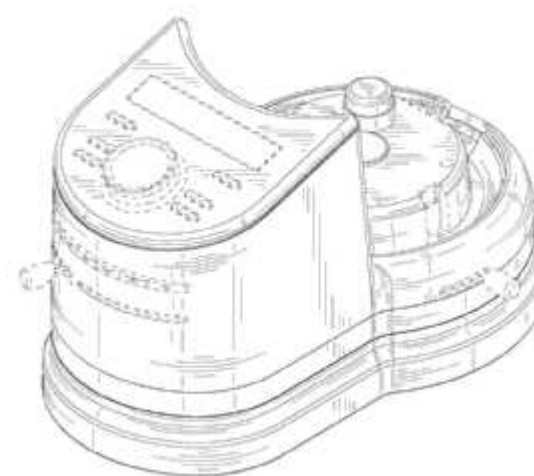
(21) Design Number: **11869/2015**  
(22) Date of Filing Application: **08 April 2015**  
(24) Date from which industrial property rights may have effect: **08 April 2015**  
(54) Product in respect of which the design is registered: **LED light fitting**  
(51) International Design Classification: **26-05E**  
(74) Name(s) of Attorney(s):  
(71) Name(s) and Address(s) of Applicant(s):  
**Brightgreen Pty Ltd**  
**PO BOX 1400 Collingwood VIC 3066 Australia**  
(72) Name(s) of Designer(s): **David O'Driscoll and Kensie Young**  
(45) Registration Date: **07 May 2015**  
(56) Related Art Documents: **Not Applicable**  
(57) Statement of Newness and Distinctiveness: **The design allows the unit to rotate up to 360 degrees in the axis normal to the mounting surface and 90 degrees in the axis adjacent to the mounting surface. When the device is in use the product acts as an adjustable directional illumination source. When not in use the device is an appealing roof ornament.**



(21) Design Number: **11887/2015**  
(22) Date of Filing Application: **09 April 2015**  
(24) Date from which industrial property rights may have effect: **09 April 2015**  
(54) Product in respect of which the design is registered: **Dietary supplement packaging with indicium**  
(51) International Design Classification: **09-03M**  
(74) Name(s) of Attorney(s): **PHILLIPS ORMONDE FITZPATRICK**  
(71) Name(s) and Address(s) of Applicant(s):  
**New Chapter, Inc.**  
**90 Technology Drive Brattleboro Vermont, 05301 United States of America**  
(72) Name(s) of Designer(s): **Todd Spenceman**  
(45) Registration Date: **07 May 2015**  
(30) Convention priority data:  
(31) Number (32) Date (33) Country  
**29/504,774 09 Oct 2014 UNITED STATES OF AMERICA**  
(56) Related Art Documents: **Not Applicable**  
(57) Statement of Newness and Distinctiveness: **Nil**

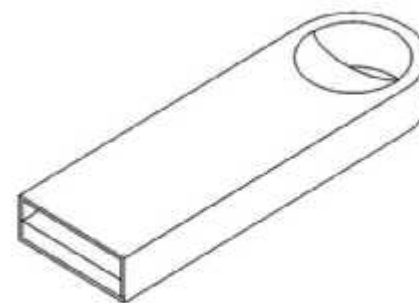


(21) Design Number: **11172/2015**  
(22) Date of Filing Application: **04 March 2015**  
(24) Date from which industrial property rights may have effect: **04 March 2015**  
(54) Product in respect of which the design is registered: **Cook processor assembly**  
(51) International Design Classification: **31-00, 07-02H**  
(74) Name(s) of Attorney(s): **PHILLIPS ORMONDE FITZPATRICK**  
(71) Name(s) and Address(s) of Applicant(s):  
**Whirlpool Corporation**  
**2000 North M-63 MD3601 Benton Harbor Michigan 49022 United States of America**  
(72) Name(s) of Designer(s): **Leif A. Norland and Kaitlyn M. Benoit and John W McConnell and Alexander L. Clayton and Michael I. Hirsh and Joel Graham Vanfaasen and Zhao Yi Yin**  
(45) Registration Date: **07 May 2015**  
(30) Convention priority data:  
(31) Number (32) Date (33) Country  
**29/501,793 09 Sep 2014 UNITED STATES OF AMERICA**  
(56) Related Art Documents: **Not Applicable**  
(57) Statement of Newness and Distinctiveness: **Those features of the cook processor assembly depicted in the representations that are new and distinctive are the shape and/or configuration. The features shown in broken lines are not part of the design and are to be disregarded when considering the overall impression of the design.**

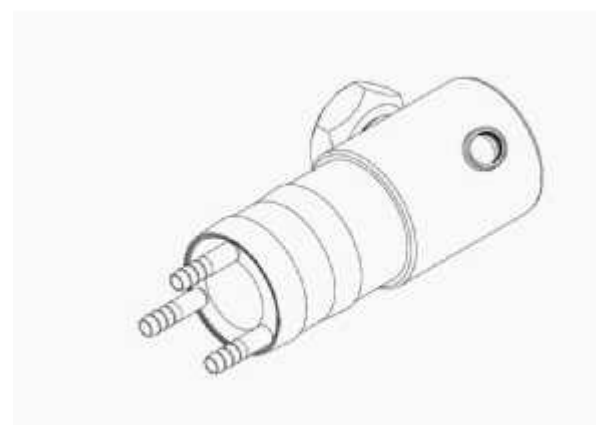




(21) Design Number: **10865/2015**  
(22) Date of Filing Application: **18 February 2015**  
(24) Date from which industrial property rights may have effect: **18 February 2015**  
(54) Product in respect of which the design is registered: **Recording medium**  
(51) International Design Classification: **14-02**  
(74) Name(s) of Attorney(s): **Griffith Hack**  
(71) Name(s) and Address(s) of Applicant(s):  
**KABUSHIKI KAISHA TOSHIBA**  
**1-1, Shibaura 1-Chome Minato-Ku Tokyo 105-8001 Japan**  
(72) Name(s) of Designer(s): **Masaaki Kurata and Kousuke Yoneta and Hitoshi Otsuka**  
(45) Registration Date: **07 May 2015**  
(30) Convention priority data:  
(31) Number      (32) Date      (33) Country  
**2014-026374      26 Nov 2014      JAPAN**  
(56) Related Art Documents: **Not Applicable**  
(57) Statement of Newness and Distinctiveness: **Newness and distinctiveness resides in the visual features, including the shape and configuration of the product shown in the representations.**



(21) Design Number: **11476/2015**  
(22) Date of Filing Application: **17 March 2015**  
(24) Date from which industrial property rights may have effect: **17 March 2015**  
(54) Product in respect of which the design is registered: **Fume extraction device**  
(51) International Design Classification: **23-04**  
(74) Name(s) of Attorney(s): **Wrays**  
(71) Name(s) and Address(s) of Applicant(s):  
**Envirochasing IP Holdings Pty Ltd**  
**U15 Stirling Axis 51 Cedric St Stirling WA 6021 Australia**  
(72) Name(s) of Designer(s): **Steven Terpstra**  
(45) Registration Date: **07 May 2015**  
(56) Related Art Documents: **Not Applicable**  
(57) Statement of Newness and Distinctiveness: **Newness and distinctiveness is claimed in the features of shape and configuration of a fume extraction device as shown in the accompanying representations.**



(21) Design Number: **11770/2015**  
(22) Date of Filing Application: **02 April 2015**  
(24) Date from which industrial property rights may have effect: **02 April 2015**  
(54) Product in respect of which the design is registered: **Chair**  
(51) International Design Classification: **06-01F**  
(74) Name(s) of Attorney(s): **PHILLIPS ORMONDE FITZPATRICK**  
(71) Name(s) and Address(s) of Applicant(s):  
**Arper S.p.A.**  
**Via Lombardia, 16 I-31050 Monastier di Treviso Treviso Italy**  
(72) Name(s) of Designer(s): **Alberto Lievore and Jeannette Altherr and Manel Molina**  
(45) Registration Date: **07 May 2015**  
(30) Convention priority data:  
(31) Number (32) Date (33) Country  
**846242301 17 Oct 2014 WORLD INTELLECTUAL  
PROPERTY ORGANIZATION  
(WIPO)**  
(56) Related Art Documents: **Not Applicable**  
(57) Statement of Newness and Distinctiveness: **Nil**



(21) Design Number: **11773/2015**  
(22) Date of Filing Application: **02 April 2015**  
(24) Date from which industrial property rights may have effect: **02 April 2015**  
(54) Product in respect of which the design is registered: **Chair**  
(51) International Design Classification: **06-01F**  
(74) Name(s) of Attorney(s): **PHILLIPS ORMONDE FITZPATRICK**  
(71) Name(s) and Address(s) of Applicant(s):  
**Arper S.p.A.**  
**Via Lombardia, 16 I-31050 Monastier di Treviso Treviso Italy**  
(72) Name(s) of Designer(s): **Alberto Lievore and Jeannette Altherr and Manel Molina**  
(45) Registration Date: **07 May 2015**  
(30) Convention priority data:  
(31) Number (32) Date (33) Country  
**846242301 17 Oct 2014 WORLD INTELLECTUAL  
PROPERTY ORGANIZATION  
(WIPO)**  
(56) Related Art Documents: **Not Applicable**  
(57) Statement of Newness and Distinctiveness: **Nil**



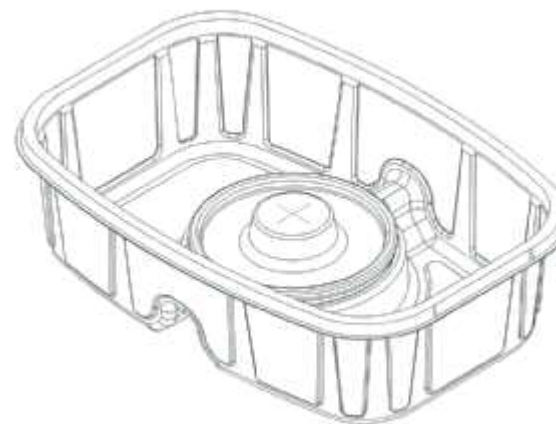
(21) Design Number: **11775/2015**  
(22) Date of Filing Application: **02 April 2015**  
(24) Date from which industrial property rights may have effect: **02 April 2015**  
(54) Product in respect of which the design is registered: **Seat, armrest and backrest for a chair**  
(51) International Design Classification: **06-06G**  
(74) Name(s) of Attorney(s): **PHILLIPS ORMONDE FITZPATRICK**  
(71) Name(s) and Address(s) of Applicant(s):  
**Arper S.p.A.**  
**Via Lombardia, 16 I-31050 Monastier di Treviso Treviso Italy**  
(72) Name(s) of Designer(s): **Alberto Lievore and Jeannette Altherr and Manel Molina**  
(45) Registration Date: **07 May 2015**  
(30) Convention priority data:  
(31) Number (32) Date (33) Country  
**846242301 17 Oct 2014 WORLD INTELLECTUAL  
PROPERTY ORGANIZATION  
(WIPO)**  
(56) Related Art Documents: **Not Applicable**  
(57) Statement of Newness and Distinctiveness: **Nil**



(21) Design Number: **11781/2015**  
(22) Date of Filing Application: **02 April 2015**  
(24) Date from which industrial property rights may have effect: **02 April 2015**  
(54) Product in respect of which the design is registered: **Hair clipper**  
(51) International Design Classification: **28-03D**  
(74) Name(s) of Attorney(s): **FB Rice**  
(71) Name(s) and Address(s) of Applicant(s):  
**Koninklijke Philips N.V.**  
**High Tech Campus 5 5656 AE Eindhoven The Netherlands**  
(72) Name(s) of Designer(s): **Jens Peter Kophmann Andersson and Manfred Nitsch**  
(45) Registration Date: **07 May 2015**  
(30) Convention priority data:  
(31) Number (32) Date (33) Country  
**002551911-0001 07 Oct 2014 OFFICE FOR HARMONISATION IN  
THE INTERNAL MARKET (OHIM)**  
(56) Related Art Documents: **Not Applicable**  
(57) Statement of Newness and Distinctiveness: **Newness and distinctiveness reside in the features of shape and configuration of the design as shown in the representations.**



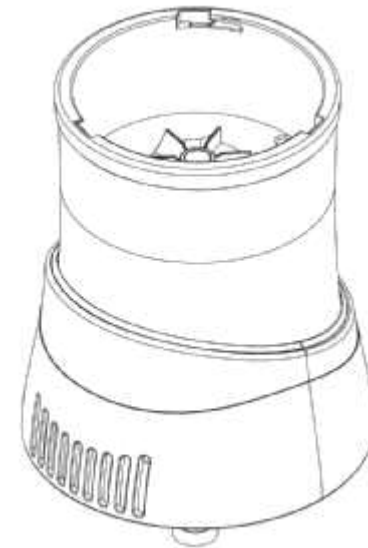
- (21) Design Number: **11793/2015**  
(22) Date of Filing Application: **02 April 2015**  
(24) Date from which industrial property rights may have effect: **02 April 2015**  
(54) Product in respect of which the design is registered: **A tray**  
(51) International Design Classification: **09-03F**  
(74) Name(s) of Attorney(s): **AJ Park**  
(71) Name(s) and Address(s) of Applicant(s):  
**VIP Plastic Packaging Pty Ltd**  
**L16 644 Chapel St South Yarra VIC 3141 Australia**  
(72) Name(s) of Designer(s): **Rosario Estrella Eustaquio**  
(45) Registration Date: **07 May 2015**  
(56) Related Art Documents: **Not Applicable**  
(57) Statement of Newness and Distinctiveness: **Newness and distinctiveness in the TRAY reside in the features of shape and/or configuration as shown in the accompanying representations, disregarding the slot/aperture illustrated in broken lines.**



- (21) Design Number: **11794/2015**  
(22) Date of Filing Application: **02 April 2015**  
(24) Date from which industrial property rights may have effect: **02 April 2015**  
(54) Product in respect of which the design is registered: **Blender**  
(51) International Design Classification: **31-00**  
(74) Name(s) of Attorney(s): **Griffith Hack**  
(71) Name(s) and Address(s) of Applicant(s):  
**Brand Developers Limited**  
**Levels 1-3 519 - 521 Lake Road Takapuna, Auckland 0622 New Zealand**  
(72) Name(s) of Designer(s): **James Fisher**  
(45) Registration Date: **07 May 2015**  
(56) Related Art Documents: **Not Applicable**  
(57) Statement of Newness and Distinctiveness: **Nil**



(21) Design Number: **11797/2015**  
(22) Date of Filing Application: **02 April 2015**  
(24) Date from which industrial property rights may have effect: **02 April 2015**  
(54) Product in respect of which the design is registered: **Blender**  
(51) International Design Classification: **31-00**  
(74) Name(s) of Attorney(s): **Griffith Hack**  
(71) Name(s) and Address(s) of Applicant(s):  
**Brand Developers Limited**  
**Levels 1-3 519 - 521 Lake Road Takapuna, Auckland 0622 New Zealand**  
(72) Name(s) of Designer(s): **James Fisher**  
(45) Registration Date: **07 May 2015**  
(56) Related Art Documents: **Not Applicable**  
(57) Statement of Newness and Distinctiveness: **Nil**



(21) Design Number: **11806/2015**  
(22) Date of Filing Application: **07 April 2015**  
(24) Date from which industrial property rights may have effect: **07 April 2015**  
(54) Product in respect of which the design is registered: **Light**  
(51) International Design Classification: **26-03**  
(74) Name(s) of Attorney(s): **Allens Patent & Trade Mark Attorneys**  
(71) Name(s) and Address(s) of Applicant(s):  
**GENTOS Co., Ltd.**  
**2-7-17 Ikenohata Taito-Ku Tokyo 110-0008 Japan**  
(72) Name(s) of Designer(s): **Keita Koshiba**  
(45) Registration Date: **07 May 2015**  
(30) Convention priority data:  
(31) Number      (32) Date      (33) Country  
**2014-029237      25 Dec 2014      JAPAN**  
(56) Related Art Documents: **Not Applicable**  
(57) Statement of Newness and Distinctiveness: **Newness and distinctiveness resides in the visual features of shape and/or configuration of a light as illustrated in the accompanying representations.**



(21) Design Number: **11810/2015**  
(22) Date of Filing Application: **07 April 2015**  
(24) Date from which industrial property rights may have effect: **07 April 2015**  
(54) Product in respect of which the design is registered: **A lidded container**  
(51) International Design Classification: **07-01NES**  
(74) Name(s) of Attorney(s): **AJ Park**  
(71) Name(s) and Address(s) of Applicant(s):  
**Bonson Industrial Co. Limited**  
**59-65 Portage Road New Lynn Auckland New Zealand**  
(72) Name(s) of Designer(s): **Troy Nyssen and Michael Grima and Bryan Terry**  
(45) Registration Date: **07 May 2015**  
(30) Convention priority data:  
(31) Number (32) Date (33) Country  
**419529 07 Nov 2014 NEW ZEALAND**  
(56) Related Art Documents: **Not Applicable**  
(57) Statement of Newness and Distinctiveness: **The newness and distinctiveness resides in the features of shape and/or configuration as shown in the accompanying drawings. No newness and distinctiveness is claimed in the areas shown in broken lines.**



(21) Design Number: **11811/2015**  
(22) Date of Filing Application: **07 April 2015**  
(24) Date from which industrial property rights may have effect: **07 April 2015**  
(54) Product in respect of which the design is registered: **Tiki cup**  
(51) International Design Classification: **07-01C**  
(74) Name(s) of Attorney(s): **Pizzeys**  
(71) Name(s) and Address(s) of Applicant(s):  
**Cool Gear International, LLC**  
**10 Cordage Park Circle, Suite 212 Plymouth MA 02360 United States of America**  
(72) Name(s) of Designer(s): **Fadi Sanbar**  
(45) Registration Date: **07 May 2015**  
(30) Convention priority data:  
(31) Number (32) Date (33) Country  
**29/504,343 04 Oct 2014 UNITED STATES OF AMERICA**  
(56) Related Art Documents: **Not Applicable**  
(57) Statement of Newness and Distinctiveness: **Nil**



(21) Design Number: **11814/2015**  
(22) Date of Filing Application: **07 April 2015**  
(24) Date from which industrial property rights may have effect: **07 April 2015**  
(54) Product in respect of which the design is registered: **A beverage dispenser**  
(51) International Design Classification: **31-00**  
(74) Name(s) of Attorney(s): **Banki Haddock Fiora**  
(71) Name(s) and Address(s) of Applicant(s):  
**Societe des Produits Nestle S.A.**  
**Vevey Canton of Vaud 1800 Switzerland**  
(72) Name(s) of Designer(s): **Damien Regamey and Julien Ayer**  
(45) Registration Date: **07 May 2015**  
(30) Convention priority data:  
(31) Number (32) Date (33) Country  
**141028 07 Nov 2014 SWITZERLAND**  
(56) Related Art Documents: **Not Applicable**  
(57) Statement of Newness and Distinctiveness: **Nil**



(21) Design Number: **11874/2015**  
(22) Date of Filing Application: **08 April 2015**  
(24) Date from which industrial property rights may have effect: **08 April 2015**  
(54) Product in respect of which the design is registered: **Rock bolt**  
(51) International Design Classification: **08-08B**  
(74) Name(s) of Attorney(s): **Madderns**  
(71) Name(s) and Address(s) of Applicant(s):  
**Applied Research of Australia Pty Limited**  
**12 Kingstag Cres Edinburgh North SA 5113 Australia**  
(72) Name(s) of Designer(s): **Arulgnanam Arunasalam and Khalid Ahmad**  
(45) Registration Date: **07 May 2015**  
(56) Related Art Documents: **Not Applicable**  
(57) Statement of Newness and Distinctiveness: **Newness and distinctiveness resides in the features of shape and configuration of a rock bolt as shown in the accompanying representations.**



- (21) Design Number: **11881/2015**  
(22) Date of Filing Application: **09 April 2015**  
(24) Date from which industrial property rights may have effect: **09 April 2015**  
(54) Product in respect of which the design is registered: **Holder for video camera**  
(51) International Design Classification: **16-05**  
(74) Name(s) of Attorney(s): **Spruson & Ferguson**  
(71) Name(s) and Address(s) of Applicant(s):  
**Panasonic Intellectual Property Management Co., Ltd.**  
**1-61, Shiromi 2-chome, Chuo-ku, Osaka-shi Osaka, 540-6207 Japan**  
(72) Name(s) of Designer(s): **Toshio Horiki**  
(45) Registration Date: **07 May 2015**  
(56) Related Art Documents: **Not Applicable**  
(57) Statement of Newness and Distinctiveness: **Newness and distinctiveness is claimed in the features of shape and/or configuration of a holder for a video camera provided on a spring plate as illustrated in the accompanying representations, the camera holder labelled "A".**

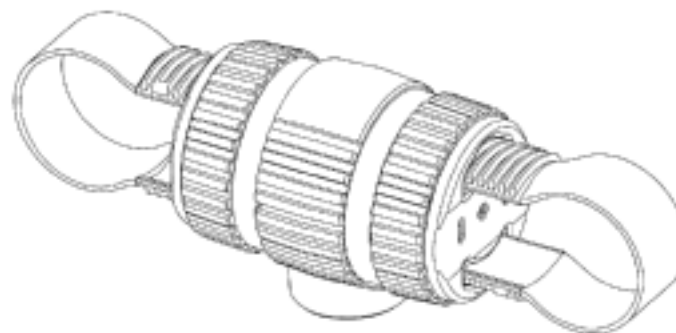


- (21) Design Number: **11882/2015**  
(22) Date of Filing Application: **09 April 2015**  
(24) Date from which industrial property rights may have effect: **09 April 2015**  
(54) Product in respect of which the design is registered: **Video camera**  
(51) International Design Classification: **16-01**  
(74) Name(s) of Attorney(s): **Spruson & Ferguson**  
(71) Name(s) and Address(s) of Applicant(s):  
**Panasonic Intellectual Property Management Co., Ltd.**  
**1-61, Shiromi 2-chome, Chuo-ku, Osaka-shi Osaka, 540-6207 Japan**  
(72) Name(s) of Designer(s): **Toshio Horiki**  
(45) Registration Date: **07 May 2015**  
(56) Related Art Documents: **Not Applicable**  
(57) Statement of Newness and Distinctiveness: **Newness and distinctiveness is claimed in the features of shape and/or configuration of a video camera as illustrated in the accompanying representations.**

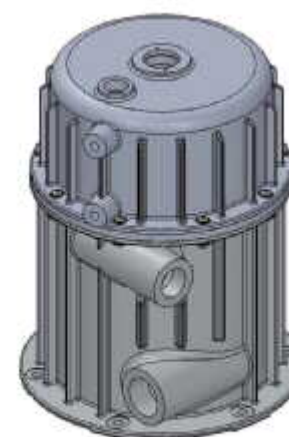




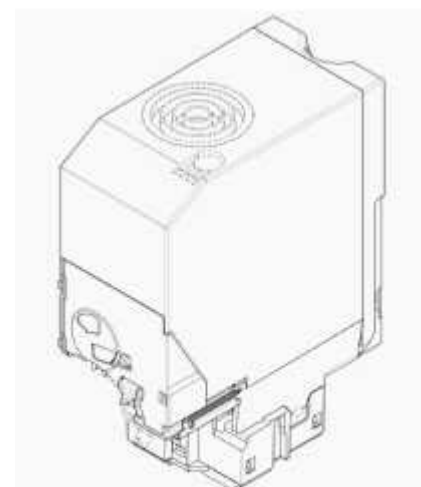
- (21) Design Number: **11883/2015**  
(22) Date of Filing Application: **09 April 2015**  
(24) Date from which industrial property rights may have effect: **09 April 2015**  
(54) Product in respect of which the design is registered: **Camera platform**  
(51) International Design Classification: **16-05**  
(74) Name(s) of Attorney(s): **Spruson & Ferguson**  
(71) Name(s) and Address(s) of Applicant(s):  
**Panasonic Intellectual Property Management Co., Ltd.**  
**1-61, Shiromi 2-chome, Chuo-ku, Osaka-shi Osaka, 540-6207 Japan**  
(72) Name(s) of Designer(s): **Toshio Horiki**  
(45) Registration Date: **07 May 2015**  
(56) Related Art Documents: **Not Applicable**  
(57) Statement of Newness and Distinctiveness: **Newness and distinctiveness is claimed in the features of shape and/or configuration of a camera platform as illustrated in the accompanying representations.**



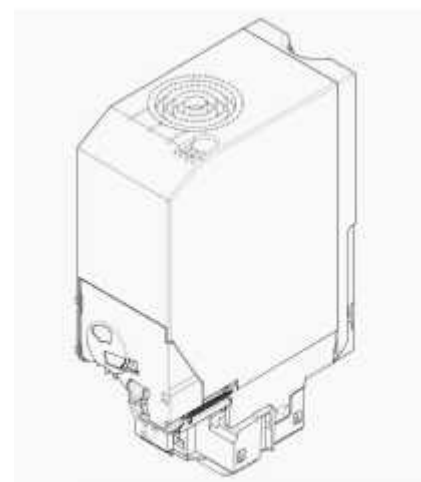
- (21) Design Number: **11884/2015**  
(22) Date of Filing Application: **09 April 2015**  
(24) Date from which industrial property rights may have effect: **09 April 2015**  
(54) Product in respect of which the design is registered: **Oil tank for agricultural implement hydraulics**  
(51) International Design Classification: **15-03NES**  
(74) Name(s) of Attorney(s):  
(71) Name(s) and Address(s) of Applicant(s):  
**Croplands Equipment Pty Ltd**  
**50 Cavan Rd Dry Creek SA 5094 Australia**  
(72) Name(s) of Designer(s): **Leslie Bollenhagen**  
(45) Registration Date: **07 May 2015**  
(56) Related Art Documents: **Not Applicable**  
(57) Statement of Newness and Distinctiveness: **Configuration of tank inlet / outlet and round shape is unique to the Agricultural industry**



(21) Design Number: **11886/2015**  
(22) Date of Filing Application: **09 April 2015**  
(24) Date from which industrial property rights may have effect: **09 April 2015**  
(54) Product in respect of which the design is registered: **Laser printer toner cartridge**  
(51) International Design Classification: **14-02**  
(74) Name(s) of Attorney(s): **Wrays**  
(71) Name(s) and Address(s) of Applicant(s):  
**Lexmark International, Inc.**  
**740 West New Circle Road Lexington Kentucky, 40550 United States of America**  
(72) Name(s) of Designer(s): **Randal Scott Williamson and John Andrew Buchanan**  
(45) Registration Date: **07 May 2015**  
(30) Convention priority data:  
(31) Number (32) Date (33) Country  
**29/506,042 13 Oct 2014 UNITED STATES OF AMERICA**  
(56) Related Art Documents: **Not Applicable**  
(57) Statement of Newness and Distinctiveness: **Newness and distinctiveness is claimed in the features of shape, configuration, pattern, and/or ornamentation of the Laser Printer Toner Cartridge as shown in the accompanying representations. The features depicted by broken lines are for illustrative purposes only and form no part of the claimed design.**



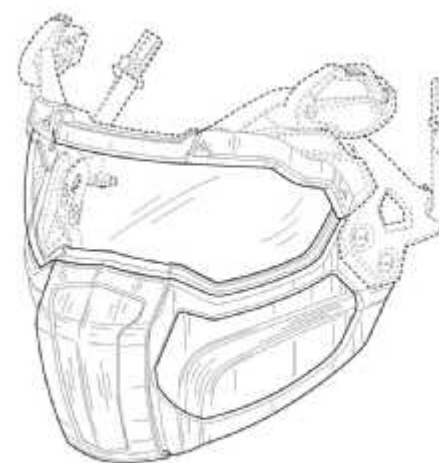
(21) Design Number: **11889/2015**  
(22) Date of Filing Application: **09 April 2015**  
(24) Date from which industrial property rights may have effect: **09 April 2015**  
(54) Product in respect of which the design is registered: **Laser printer toner cartridge**  
(51) International Design Classification: **14-02**  
(74) Name(s) of Attorney(s): **Wrays**  
(71) Name(s) and Address(s) of Applicant(s):  
**Lexmark International, Inc.**  
**740 West New Circle Road Lexington Kentucky, 40550 United States of America**  
(72) Name(s) of Designer(s): **Randal Scott Williamson and John Andrew Buchanan**  
(45) Registration Date: **07 May 2015**  
(30) Convention priority data:  
(31) Number (32) Date (33) Country  
**29/506,043 13 Oct 2014 UNITED STATES OF AMERICA**  
(56) Related Art Documents: **Not Applicable**  
(57) Statement of Newness and Distinctiveness: **Newness and distinctiveness is claimed in the features of shape, configuration, pattern, and/or ornamentation of the Laser Printer Toner Cartridge as shown in the accompanying representations. The features depicted by broken lines are for illustrative purposes only and form no part of the claimed design.**



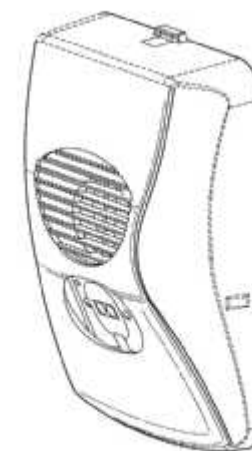
- (21) Design Number: **11820/2015**  
(22) Date of Filing Application: **07 April 2015**  
(24) Date from which industrial property rights may have effect: **28 July 2014**  
(54) Product in respect of which the design is registered: **Article of clothing**  
(51) International Design Classification: **02-02C**  
(74) Name(s) of Attorney(s): **Allens Patent & Trade Mark Attorneys**  
(71) Name(s) and Address(s) of Applicant(s):  
**Forever New Clothing Pty Ltd**  
**L4 Building 8 576 Swan St Richmond VIC 3121 Australia**  
(72) Name(s) of Designer(s): **Odran Rohan**  
(45) Registration Date: **07 May 2015**  
(62) Divisional of: **361171**  
(56) Related Art Documents: **Not Applicable**  
(57) Statement of Newness and Distinctiveness: **Newness and distinctiveness resides in the visual features of shape, configuration, pattern and/or ornamentation of an article of clothing as shown in the accompanying representations.**



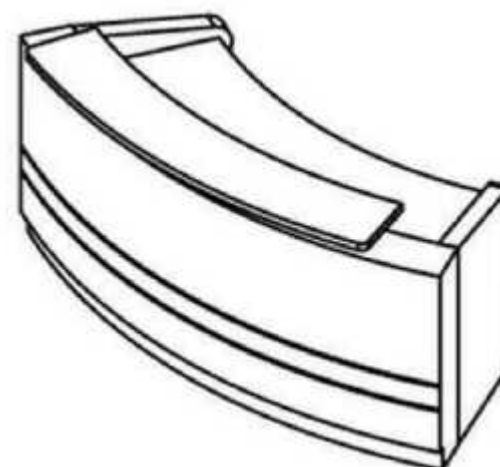
- (21) Design Number: **11831/2015**  
(22) Date of Filing Application: **07 April 2015**  
(24) Date from which industrial property rights may have effect: **07 April 2015**  
(54) Product in respect of which the design is registered: **Visor and mandible shield assembly**  
(51) International Design Classification: **02-03**  
(74) Name(s) of Attorney(s): **Freehills Patent Attorneys**  
(71) Name(s) and Address(s) of Applicant(s):  
**Artisent, LLC**  
**324 Main Street Simpson Pennsylvania, 18407 United States of America**  
(72) Name(s) of Designer(s): **Christopher K Barmore and Duco W Noordzij**  
(45) Registration Date: **07 May 2015**  
(30) Convention priority data:  
(31) Number      (32) Date      (33) Country  
**29/504748      09 Oct 2014      UNITED STATES OF AMERICA**  
(56) Related Art Documents: **Not Applicable**  
(57) Statement of Newness and Distinctiveness: **Newness and distinctiveness of the design resides in the features of shape and configuration of the visor and mandible shield assembly as shown in solid outline in the accompanying representations.**



(21) Design Number: **11843/2015**  
(22) Date of Filing Application: **07 April 2015**  
(24) Date from which industrial property rights may have effect: **07 April 2015**  
(54) Product in respect of which the design is registered: **Notification appliance**  
(51) International Design Classification: **14-01**  
(74) Name(s) of Attorney(s): **Griffith Hack**  
(71) Name(s) and Address(s) of Applicant(s):  
**Tyco Fire & Security GmbH**  
**Victor von Bruns-Strasse 21 Neuhausen am Rheinfall 8212 Switzerland**  
(72) Name(s) of Designer(s): **Kenneth Savage Jr. and Steven Varieur**  
(45) Registration Date: **07 May 2015**  
(30) Convention priority data:  
(31) Number (32) Date (33) Country  
**29/512,235 17 Dec 2014 UNITED STATES OF AMERICA**  
(56) Related Art Documents: **Not Applicable**  
(57) Statement of Newness and Distinctiveness: **Newness and Distinctiveness resides in the visual features, including the shape and configuration of those parts of the product shown by means of solid lines in the representations.**



(21) Design Number: **11875/2015**  
(22) Date of Filing Application: **08 April 2015**  
(24) Date from which industrial property rights may have effect: **08 April 2015**  
(54) Product in respect of which the design is registered: **Office counter**  
(51) International Design Classification: **06-03C**  
(74) Name(s) of Attorney(s):  
(71) Name(s) and Address(s) of Applicant(s):  
**General Office Products Pty Ltd**  
**74-78 Arkwright Dr Dandenong South VIC 3175 Australia**  
**Kuilin Liu**  
**Linggang South Chendong Industry Zone Shizhong Shishan Town**  
**Nanhai District Foshan City Guangdong Province, 528225 China**  
(72) Name(s) of Designer(s): **Kuilin Liu**  
(45) Registration Date: **07 May 2015**  
(56) Related Art Documents: **Not Applicable**  
(57) Statement of Newness and Distinctiveness: **Newness and distinctiveness reside in the features of an office counter as shown in the representations**



(21) Design Number: **11876/2015**

(22) Date of Filing Application: **08 April 2015**

(24) Date from which industrial property rights may have effect: **08 April 2015**

(54) Product in respect of which the design is registered: **Office counter**

(51) International Design Classification: **06-03C**

(74) Name(s) of Attorney(s):

(71) Name(s) and Address(s) of Applicant(s):

**General Office Products Pty Ltd**  
**74-78 Arkwright Dr Dandenong South VIC 3175 Australia**

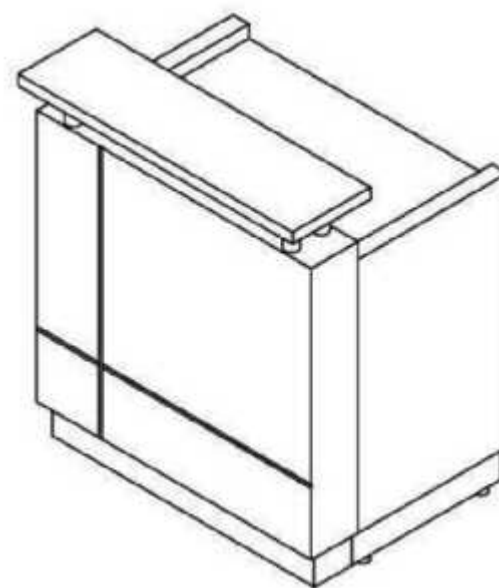
**Kuilin Liu**  
**Linggang South Chendong Industry Zone Shizhong Shishan Town**  
**Nanhai District Foshan City Guangdong Province, 528225 China**

(72) Name(s) of Designer(s): **Kuilin Liu**

(45) Registration Date: **07 May 2015**

(56) Related Art Documents: **Not Applicable**

(57) Statement of Newness and Distinctiveness: **Newness and distinctiveness reside in the features of an office counter as shown in the representations**



(21) Design Number: **11877/2015**

(22) Date of Filing Application: **08 April 2015**

(24) Date from which industrial property rights may have effect: **08 April 2015**

(54) Product in respect of which the design is registered: **Office counter**

(51) International Design Classification: **06-03C**

(74) Name(s) of Attorney(s):

(71) Name(s) and Address(s) of Applicant(s):

**General Office Products Pty Ltd**  
**74-78 Arkwright Dr Dandenong South VIC 3175 Australia**

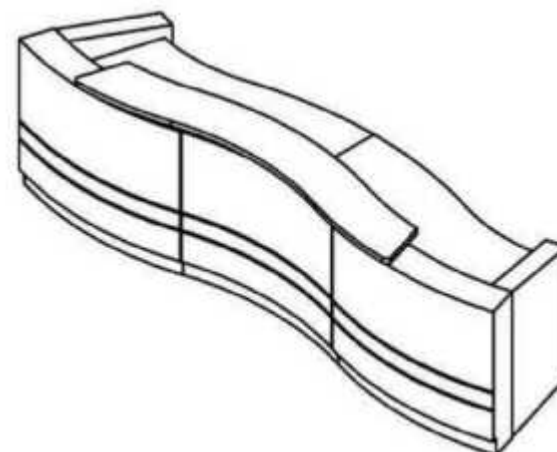
**Kuilin Liu**  
**Linggang South Chendong Industry Zone Shizhong Shishan Town**  
**Nanhai District Foshan City Guangdong Province, 528225 China**

(72) Name(s) of Designer(s): **Kuilin Liu**

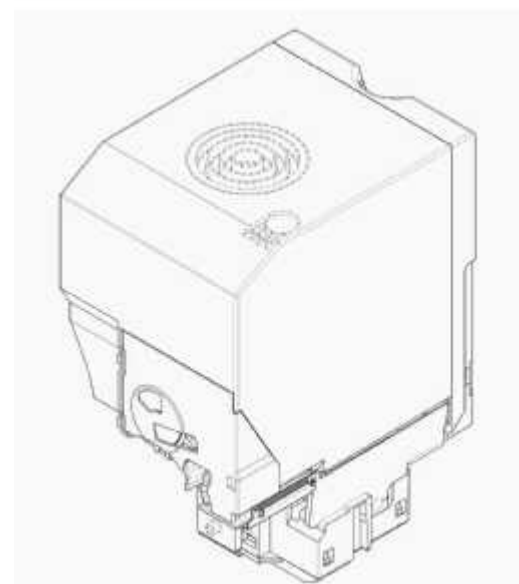
(45) Registration Date: **07 May 2015**

(56) Related Art Documents: **Not Applicable**

(57) Statement of Newness and Distinctiveness: **Newness and distinctiveness reside in the features of an office counter as shown in the representations**



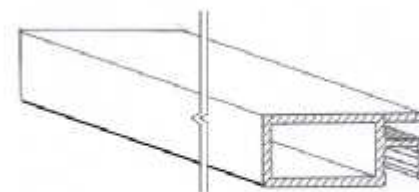
(21) Design Number: **11878/2015**  
(22) Date of Filing Application: **09 April 2015**  
(24) Date from which industrial property rights may have effect: **09 April 2015**  
(54) Product in respect of which the design is registered: **Laser printer toner cartridge**  
(51) International Design Classification: **14-02**  
(74) Name(s) of Attorney(s): **Wrays**  
(71) Name(s) and Address(s) of Applicant(s):  
**Lexmark International, Inc.**  
**740 West New Circle Road Lexington Kentucky 40550 United States of America**  
(72) Name(s) of Designer(s): **Randal Scott Williamson and John Andrew Buchanan**  
(45) Registration Date: **07 May 2015**  
(30) Convention priority data:  
(31) Number (32) Date (33) Country  
**29/506,038 13 Oct 2014 UNITED STATES OF AMERICA**  
(56) Related Art Documents: **Not Applicable**  
(57) Statement of Newness and Distinctiveness: **Newness and distinctiveness is claimed in the features of shape, configuration, pattern, and/or ornamentation of the Laser Printer Toner Cartridge as shown in the accompanying representations. The features depicted by broken lines are for illustrative purposes only and form no part of the claimed design.**



(21) Design Number: **11879/2015**  
(22) Date of Filing Application: **09 April 2015**  
(24) Date from which industrial property rights may have effect: **09 April 2015**  
(54) Product in respect of which the design is registered: **Laser printer toner cartridge**  
(51) International Design Classification: **14-02**  
(74) Name(s) of Attorney(s): **Wrays**  
(71) Name(s) and Address(s) of Applicant(s):  
**Lexmark International, Inc.**  
**740 West New Circle Road Lexington Kentucky 40550 United States of America**  
(72) Name(s) of Designer(s): **Randal Scott Williamson and John Andrew Buchanan**  
(45) Registration Date: **07 May 2015**  
(30) Convention priority data:  
(31) Number (32) Date (33) Country  
**29/506,039 13 Oct 2014 UNITED STATES OF AMERICA**  
(56) Related Art Documents: **Not Applicable**  
(57) Statement of Newness and Distinctiveness: **Newness and distinctiveness is claimed in the features of shape, configuration, pattern, and/or ornamentation of the Laser Printer Toner Cartridge as shown in the accompanying representations. The features depicted by broken lines are for illustrative purposes only and form no part of the claimed design.**



- (21) Design Number: **11914/2015**  
(22) Date of Filing Application: **10 April 2015**  
(24) Date from which industrial property rights may have effect: **10 April 2015**  
(54) Product in respect of which the design is registered: **An extrusion**  
(51) International Design Classification: **25-01K**  
(74) Name(s) of Attorney(s): **Wynnes Patent & Trade Mark Attorneys**  
(71) Name(s) and Address(s) of Applicant(s):  
**Window Weather Systems Pty Ltd**  
**Bulimba U4/27 Godwin St Bulimba QLD 4171 Australia**  
(72) Name(s) of Designer(s): **Andrew Paul Cottle**  
(45) Registration Date: **07 May 2015**  
(56) Related Art Documents: **Not Applicable**  
(57) Statement of Newness and Distinctiveness: **Monopoly is claimed in the features of shape and or configuration of an extrusion of constant cross section and indefinite length as illustrated in the accompanying representations.**



- (21) Design Number: **11915/2015**  
(22) Date of Filing Application: **10 April 2015**  
(24) Date from which industrial property rights may have effect: **10 April 2015**  
(54) Product in respect of which the design is registered: **Bottle**  
(51) International Design Classification: **09-01H**  
(74) Name(s) of Attorney(s): **FB Rice**  
(71) Name(s) and Address(s) of Applicant(s):  
**SAVERGLASS**  
**3 rue de la Gare Feuquieres 60960 France**  
(72) Name(s) of Designer(s): **Catherine Lecetre and Christophe Blond**  
(45) Registration Date: **07 May 2015**  
(30) Convention priority data:  
(31) Number (32) Date (33) Country  
**002559674-0001 17 Oct 2014 OFFICE FOR HARMONISATION IN THE INTERNAL MARKET (OHIM)**  
(56) Related Art Documents: **Not Applicable**  
(57) Statement of Newness and Distinctiveness: **Newness and distinctiveness reside in the visual features of the bottle as shown in the representations and in particular in the vertical cylindrical body and the tall neck protruding upwardly from the upper part of the body, and joining with the rounded shoulders with a large radius. An annular lip portion extends around the periphery of the mouth portion of the neck. As viewed from the underside, the base of the body consists of a concavo-convex portion having four segments equally spaced apart from each other circumferentially. The segments extend radially outwards from the center and gradually increase in height towards the circumference of the base to form four protruding portions, circumferentially spaced from each other.**



(21) Design Number: **11916/2015**  
(22) Date of Filing Application: **10 April 2015**  
(24) Date from which industrial property rights may have effect: **10 April 2015**  
(54) Product in respect of which the design is registered: **Bottle**  
(51) International Design Classification: **09-01H**  
(74) Name(s) of Attorney(s): **FB Rice**  
(71) Name(s) and Address(s) of Applicant(s):  
**SAVERGLASS**  
**3 rue de la Gare Feuquieres 60960 France**  
(72) Name(s) of Designer(s): **Catherine Lecetre and Christophe Blond**  
(45) Registration Date: **07 May 2015**  
(30) Convention priority data:  
(31) Number      (32) Date      (33) Country  
**002559682-0001    17 Oct 2014      OFFICE FOR HARMONISATION IN**  
**THE INTERNAL MARKET (OHIM)**



(56) Related Art Documents: **Not Applicable**  
(57) Statement of Newness and Distinctiveness: **Newness and distinctiveness reside in the visual features of the bottle shown in the representations, the bottle having a vertical standing body having a circular cross-section shape. The upper part of the body comprises conical shoulder portions and a tall neck protrudes upwardly from the upper part of the body, and joins the rounded conical shoulders. An annular lip portion extends around the periphery of the mouth portion of the neck. As viewed from the underside, the base of the body consists of a concavo-convex portion having four segments equally spaced apart from each other circumferentially. The segments extend radially outwards from the center and gradually increase in height towards the circumference of the base to form four protruding portions, circumferentially spaced from each other.**

(21) Design Number: **10437/2015**  
(22) Date of Filing Application: **29 January 2015**  
(24) Date from which industrial property rights may have effect: **29 January 2015**  
(54) Product in respect of which the design is registered: **4 pole plastic tray/base for cake**  
(51) International Design Classification: **09-03F**  
(74) Name(s) of Attorney(s):  
(71) Name(s) and Address(s) of Applicant(s):  
**Lyson Trading Pty Ltd**  
**U11 25-33 Alfred Rd Chipping Norton NSW 2170 Australia**



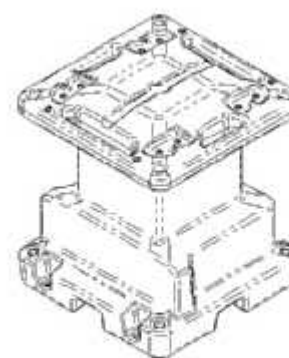
(72) Name(s) of Designer(s): **Khai Ly**  
(45) Registration Date: **07 May 2015**  
(56) Related Art Documents: **Not Applicable**  
(57) Statement of Newness and Distinctiveness: **The cake tray/base is a square shape. The internal area is in a circular shape designed to fit cakes. On each corner of the square base there is a petal shaped pole which protrudes upwards to protect the side of the cake and to provide some support. On the inner base of the sidewall pole/petal there are a number of protruding ribs which provide additional grip for the inserted cake. The petals/pole face inward so that the inner surface is curved around the wall of the cake. Each pole/petal is wider at its base and narrower at its head. The cake tray/base internal area has a hexagonal/honeycomb pattern design which provides some additional strength to the tray/base. There is a diamond pattern which goes all the way around/outside the lower part of the tray on the bottom of the tray/base. There is a diamond pattern all the way around the surface of the edge of the tray/base.**



- (21) Design Number: **10539/2015**  
(22) Date of Filing Application: **02 February 2015**  
(24) Date from which industrial property rights may have effect: **02 February 2015**  
(54) Product in respect of which the design is registered: **Tile**  
(51) International Design Classification: **25-01F**  
(74) Name(s) of Attorney(s): **Freshwater IP**  
(71) Name(s) and Address(s) of Applicant(s):  
**Catherine Strutt**  
**16 Hall St Newcastle West NSW 2302 Australia**  
**Jennifer Strutt**  
**16 Hall St Newcastle West NSW 2302 Australia**  
(72) Name(s) of Designer(s): **Jennifer Strutt and Catherine Strutt**  
(45) Registration Date: **07 May 2015**  
(56) Related Art Documents: **Not Applicable**  
(57) Statement of Newness and Distinctiveness: **Newness and distinctiveness is claimed in the pattern and ornamentation on the tile shown in the attached representations.**



- (21) Design Number: **10563/2015**  
(22) Date of Filing Application: **04 February 2015**  
(24) Date from which industrial property rights may have effect: **04 February 2015**  
(54) Product in respect of which the design is registered: **Power board stand**  
(51) International Design Classification: **13-03D**  
(74) Name(s) of Attorney(s):  
(71) Name(s) and Address(s) of Applicant(s):  
**Vicjan Pty Ltd as trustee for The Power Trust**  
**PO Box 394 Coolum Beach Queensland 4573 Australia**  
(72) Name(s) of Designer(s): **Victor Knight**  
(45) Registration Date: **07 May 2015**  
(56) Related Art Documents: **Not Applicable**  
(57) Statement of Newness and Distinctiveness: **Power Board Stand has a unique shape and complements our range of power boards, of particular note are the following features:- - Stackable design (used with other same stands) - All plastic construction with lid hinges - Recess in the base for covering cables/leads (no more loose cables around the base). - Can have up to 12 power outlets fitted - IP65 rating (weatherproof) - 1 Multi Use Hole on each of the 4 corners 1. peg/bolt down holes for fixing to a surface or the ground. 2. Can be used to tie down in between stacking board stands. 3. Light poles may be inserted for night time use. - Channel drain runs the length of the stand for dispersing condensation build up from a fitted power board. - Insulated rail for fixing cables/leads to.**



- (21) Design Number: **10615/2015**  
(22) Date of Filing Application: **09 February 2015**  
(24) Date from which industrial property rights may have effect: **09 February 2015**  
(54) Product in respect of which the design is registered: **Fan**  
(51) International Design Classification: **23-04**  
(74) Name(s) of Attorney(s): **Griffith Hack**  
(71) Name(s) and Address(s) of Applicant(s):  
**MITSUBISHI ELECTRIC CORPORATION**  
**7-3 Marunouchi 2-chome Chiyoda-ku TOKYO 100-8310 Japan**  
(72) Name(s) of Designer(s): **Shingo Hamada and Katsumi Shibayama and Takashi Kitazumi and Katsuhiko Tozuka and Hiroshi Yoshikawa and Hiroaki Makino and Hidetomo Nakagawa**  
(45) Registration Date: **07 May 2015**  
(30) Convention priority data:  
    (31) Number      (32) Date      (33) Country  
    **2014-017489      11 Aug 2014      JAPAN**  
(56) Related Art Documents: **Not Applicable**  
(57) Statement of Newness and Distinctiveness: **The shape and configuration of the product are new and distinctive**



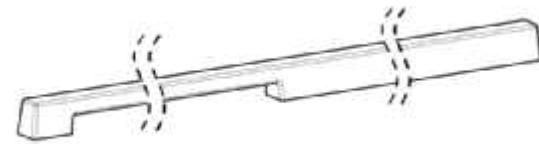
- (21) Design Number: **10715/2015**  
(22) Date of Filing Application: **11 February 2015**  
(24) Date from which industrial property rights may have effect: **11 February 2015**  
(54) Product in respect of which the design is registered: **A door handle**  
(51) International Design Classification: **08-06**  
(74) Name(s) of Attorney(s): **Adams Pluck**  
(71) Name(s) and Address(s) of Applicant(s):  
**Sumu Design Pty Ltd**  
**32 Park Ave Waitara NSW 2077 Australia**  
(72) Name(s) of Designer(s): **Felice Carlino**  
(45) Registration Date: **07 May 2015**  
(56) Related Art Documents: **Not Applicable**  
(57) Statement of Newness and Distinctiveness: **Newness and distinctiveness resides in a wood grain pattern as applied to the door handle, such as the wood grain pattern shown in the representations. When considering newness and distinctiveness no regard is to be had to the block indicated by arrow A on which the handle is resting.**



- (21) Design Number: **10718/2015**  
(22) Date of Filing Application: **11 February 2015**  
(24) Date from which industrial property rights may have effect: **11 February 2015**  
(54) Product in respect of which the design is registered: **A door pull**  
(51) International Design Classification: **08-06**  
(74) Name(s) of Attorney(s): **Adams Pluck**  
(71) Name(s) and Address(s) of Applicant(s):

**Sumu Design Pty Ltd**  
**32 Park Ave Waitara NSW 2077 Australia**

- (72) Name(s) of Designer(s): **Felice Carlino**  
(45) Registration Date: **07 May 2015**  
(56) Related Art Documents: **Not Applicable**  
(57) Statement of Newness and Distinctiveness: **Newness and distinctiveness resides in the shape and configuration of the door pull as shown in the representations. The door pull has an indefinite length where indicated by the broken lines on the plan and side elevations. When considering newness and distinctiveness no regard is to be had to the wood grain pattern shown in the perspective view.**



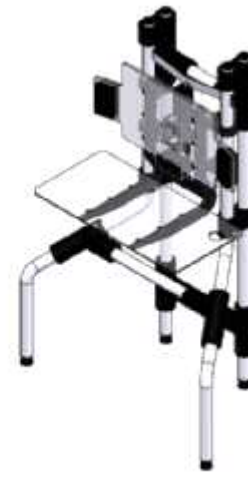
- (21) Design Number: **10719/2015**  
(22) Date of Filing Application: **11 February 2015**  
(24) Date from which industrial property rights may have effect: **11 February 2015**  
(54) Product in respect of which the design is registered: **A door pull**  
(51) International Design Classification: **08-06**  
(74) Name(s) of Attorney(s): **Adams Pluck**  
(71) Name(s) and Address(s) of Applicant(s):

**Sumu Design Pty Ltd**  
**32 Park Ave Waitara NSW 2077 Australia**

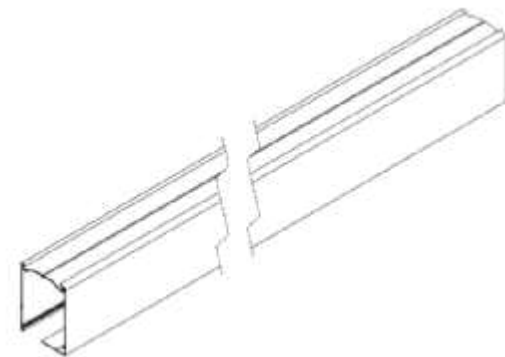
- (72) Name(s) of Designer(s): **Felice Carlino**  
(45) Registration Date: **07 May 2015**  
(56) Related Art Documents: **Not Applicable**  
(57) Statement of Newness and Distinctiveness: **Newness and distinctiveness resides in a wood grain pattern applied to the door pull, such as the wood grain pattern shown in the representations. The door pull has an indefinite length where indicated by the broken lines on the plan and side elevations.**



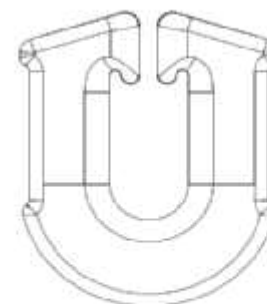
- (21) Design Number: **10823/2015**  
(22) Date of Filing Application: **14 February 2015**  
(24) Date from which industrial property rights may have effect: **14 February 2015**  
(54) Product in respect of which the design is registered: **Workstation**  
(51) International Design Classification: **06-03C**  
(74) Name(s) of Attorney(s):  
(71) Name(s) and Address(s) of Applicant(s):  
**David James DeMaria**  
**U68/1 Timbrol Ave Rhodes NSW 2138 Australia**  
(72) Name(s) of Designer(s): **David James DeMaria**  
(45) Registration Date: **07 May 2015**  
(56) Related Art Documents: **Not Applicable**  
(57) Statement of Newness and Distinctiveness: **The distinctiveness of the design pertains to the way the workstation offers an automatic height variation feature to cater for different users. The newness of the proposed design is in the way the workstation also incorporates all computing and display hardware on board.**



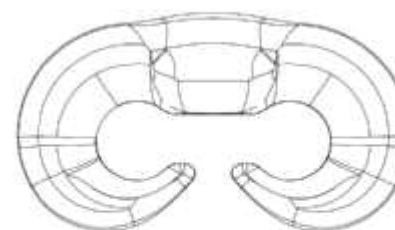
- (21) Design Number: **10894/2015**  
(22) Date of Filing Application: **19 February 2015**  
(24) Date from which industrial property rights may have effect: **19 February 2015**  
(54) Product in respect of which the design is registered: **Cassette assembly for a blind system**  
(51) International Design Classification: **08-09**  
(74) Name(s) of Attorney(s): **MINTER ELLISON**  
(71) Name(s) and Address(s) of Applicant(s):  
**Acmeda Pty Ltd**  
**110 Northcorp Bvd Broadmeadows VIC 3047 Australia**  
(72) Name(s) of Designer(s): **Riccardo Santilli**  
(45) Registration Date: **07 May 2015**  
(56) Related Art Documents: **Not Applicable**  
(57) Statement of Newness and Distinctiveness: **The following visual features of the design are new and distinctive. The shape and configuration of a Cassette assembly for a blind system as shown in the accompanying drawings.**



- (21) Design Number: **11418/2015**  
(22) Date of Filing Application: **16 March 2015**  
(24) Date from which industrial property rights may have effect: **16 March 2015**  
(54) Product in respect of which the design is registered: **Strap load restraint device**  
(51) International Design Classification: **08-08NES**  
(74) Name(s) of Attorney(s):  
(71) Name(s) and Address(s) of Applicant(s):  
**Great Aussie Products Pty Ltd**  
**31 Glenbarry Rd Campbellfield VIC 3061 Australia**  
(72) Name(s) of Designer(s): **John Brullo and Anthony Bourne**  
(45) Registration Date: **07 May 2015**  
(56) Related Art Documents: **Not Applicable**  
(57) Statement of Newness and Distinctiveness: **LS50 50mm Strap Model Load Choker has a load capacity of 2500kg and is manufactured and tested to AS/NZS 4380 & EN12195-2. The Load Choker LS50 Strap Choker is an article made from common metals for cargo restraint. It is a safety device which assists in minimising load movement with the use of 50mm webbing strap. This is a new and safer method for restraining loose loads such as steel, timber, pipes and heavy machinery. LS50 provides a tremendous improvement over the traditional belly strap method as it creates tension around the load, which maintains pressure and chokes the load to restrict movement in all directions. This facilitates the prevention of slippery loads from telescoping into the truck cab or onto oncoming commuters. Thus, being a major contributor towards the reduction of OHS risks for all those unexpected on road emergency scenarios. Application demonstration videos can also be found on the Load Choker website: www.loadchoker.com.**



- (21) Design Number: **11419/2015**  
(22) Date of Filing Application: **16 March 2015**  
(24) Date from which industrial property rights may have effect: **16 March 2015**  
(54) Product in respect of which the design is registered: **Chain load restraint device**  
(51) International Design Classification: **08-08NES**  
(74) Name(s) of Attorney(s):  
(71) Name(s) and Address(s) of Applicant(s):  
**Great Aussie Products Pty Ltd**  
**31 Glenbarry Rd Campbellfield VIC 3061 Australia**  
(72) Name(s) of Designer(s): **John Brullo and Anthony Bourne**  
(45) Registration Date: **07 May 2015**  
(56) Related Art Documents: **Not Applicable**  
(57) Statement of Newness and Distinctiveness: **LC08 8mm Chain Model Strap Choker has a Load Capacity of 4000kg and is manufactured and tested to AS/NZS 4344 & EN1295-3. The Load Choker LC08 Chain Choker is an article made from common metals for cargo restraint. It is a safety device which assists in minimising load movement with the use of 8mm transport chain. This is a new and safer method for restraining loose loads such as steel, timber, pipes and heavy machinery. LC08 provides a tremendous improvement over the traditional belly chain choke method as it creates tension around the load, which maintains pressure and chokes the load to restrict movement in all directions. This facilitates the prevention of slippery loads from telescoping into the truck cab or onto oncoming commuters. Thus being a major contributor towards the reduction of OHS risks for all those unexpected on road emergency scenarios. Application demonstration videos can also be found on the Load Choker website: www.loadchoker.com.**



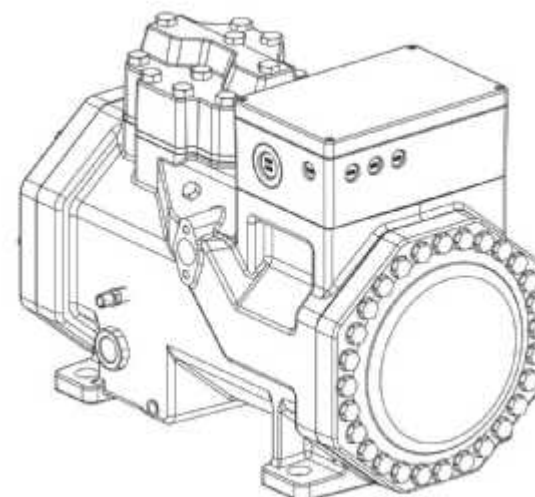
(21) Design Number: **11767/2015**  
(22) Date of Filing Application: **02 April 2015**  
(24) Date from which industrial property rights may have effect: **02 April 2015**  
(54) Product in respect of which the design is registered: **Chair**  
(51) International Design Classification: **06-01F**  
(74) Name(s) of Attorney(s): **PHILLIPS ORMONDE FITZPATRICK**  
(71) Name(s) and Address(s) of Applicant(s):  
**Arper S.p.A.**  
**Via Lombardia, 16 I-31050 Monastier di Treviso Treviso Italy**  
(72) Name(s) of Designer(s): **Alberto Lievore and Jeannette Altherr and Manel Molina**  
(45) Registration Date: **07 May 2015**  
(30) Convention priority data:  
(31) Number (32) Date (33) Country  
**846242301 17 Oct 2014 WORLD INTELLECTUAL  
PROPERTY ORGANIZATION  
(WIPO)**  
(56) Related Art Documents: **Not Applicable**  
(57) Statement of Newness and Distinctiveness: **Nil**



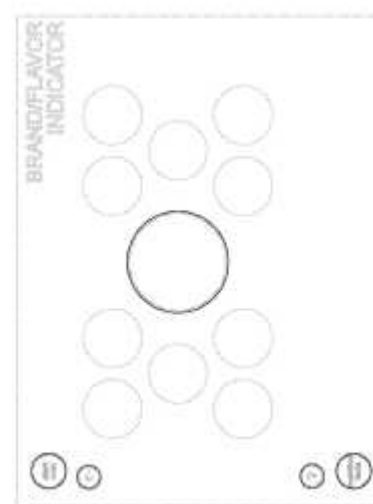
(21) Design Number: **11769/2015**  
(22) Date of Filing Application: **02 April 2015**  
(24) Date from which industrial property rights may have effect: **02 April 2015**  
(54) Product in respect of which the design is registered: **Chair**  
(51) International Design Classification: **06-01F**  
(74) Name(s) of Attorney(s): **PHILLIPS ORMONDE FITZPATRICK**  
(71) Name(s) and Address(s) of Applicant(s):  
**Arper S.p.A.**  
**Via Lombardia, 16 I-31050 Monastier di Treviso Treviso Italy**  
(72) Name(s) of Designer(s): **Alberto Lievore and Jeannette Altherr and Manel Molina**  
(45) Registration Date: **07 May 2015**  
(30) Convention priority data:  
(31) Number (32) Date (33) Country  
**846242301 17 Oct 2014 WORLD INTELLECTUAL  
PROPERTY ORGANIZATION  
(WIPO)**  
(56) Related Art Documents: **Not Applicable**  
(57) Statement of Newness and Distinctiveness: **Nil**



(21) Design Number: **11923/2015**  
(22) Date of Filing Application: **13 April 2015**  
(24) Date from which industrial property rights may have effect: **13 April 2015**  
(54) Product in respect of which the design is registered: **Compressor**  
(51) International Design Classification: **15-02**  
(74) Name(s) of Attorney(s): **Griffith Hack**  
(71) Name(s) and Address(s) of Applicant(s):  
**BITZER Kuehlmaschinenbau GmbH**  
**Eschenbruennlestrasse 15 Sindelfingen 71065 Germany**  
(72) Name(s) of Designer(s): **Bertram Wipper and Mathias Beyer**  
(45) Registration Date: **08 May 2015**  
(30) Convention priority data:  
(31) Number (32) Date (33) Country  
**002555896-0001 13 Oct 2014 OFFICE FOR HARMONISATION IN**  
**THE INTERNAL MARKET (OHIM)**  
(56) Related Art Documents: **Not Applicable**  
(57) Statement of Newness and Distinctiveness: **Newness and distinctiveness resides in the visual features, including the shape and configuration of the product shown in the representations.**



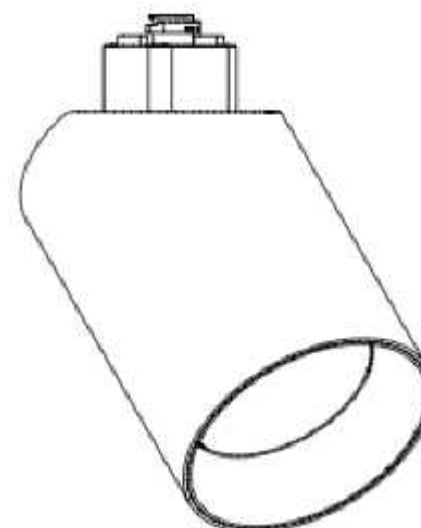
(21) Design Number: **15670/2014**  
(22) Date of Filing Application: **06 November 2014**  
(24) Date from which industrial property rights may have effect: **06 November 2014**  
(54) Product in respect of which the design is registered: **Display screen with a graphical user interface**  
(51) International Design Classification: **14-02**  
(74) Name(s) of Attorney(s): **PHILLIPS ORMONDE FITZPATRICK**  
(71) Name(s) and Address(s) of Applicant(s):  
**The Coca-Cola Company**  
**One Coca Cola Plaza N.W. Atlanta Georgia 30313 United States of America**  
(72) Name(s) of Designer(s): **Cindy Jones and Jae Ho Cha and Sam Lind and Sydney Abram Taylor**  
(45) Registration Date: **08 May 2015**  
(30) Convention priority data:  
(31) Number (32) Date (33) Country  
**29/490,684 12 May 2014 UNITED STATES OF AMERICA**  
(56) Related Art Documents: **Not Applicable**  
(57) Statement of Newness and Distinctiveness: **Newness and distinctiveness is claimed in the features of pattern and/or ornamentation of a display screen or portion thereof with a graphical user interface shown in continuous lines in the accompanying representations. The even length dashed lines are for environmental purposes only and form no part of the claimed design. The uneven length dot-dash lines represents an unclaimed boundary line and form no part of the claimed design.**



(21) Design Number: **11861/2015**  
(22) Date of Filing Application: **07 April 2015**  
(24) Date from which industrial property rights may have effect: **07 April 2015**  
(54) Product in respect of which the design is registered: **Brush**  
(51) International Design Classification: **04-02**  
(74) Name(s) of Attorney(s): **PHILLIPS ORMONDE FITZPATRICK**  
(71) Name(s) and Address(s) of Applicant(s):  
**The Gillette Company**  
**One Gillette Park Boston Massachusetts 02127 United States of America**  
(72) Name(s) of Designer(s): **Daniel Jerome Sims and David Scott Whetstone**  
(45) Registration Date: **08 May 2015**  
(30) Convention priority data:  
(31) Number (32) Date (33) Country  
**29/504,533 07 Oct 2014 UNITED STATES OF AMERICA**  
(56) Related Art Documents: **Not Applicable**  
(57) Statement of Newness and Distinctiveness: **Those features of the brush depicted in the representations that are new and distinctive are the shape and/or configuration. The features shown in broken lines are not part of the design and are to be disregarded when considering the overall impression of the design.**

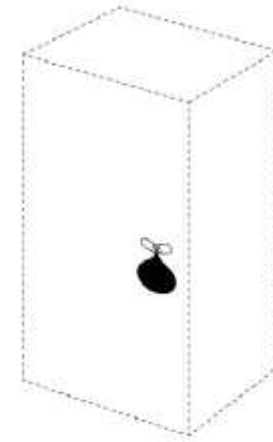


(21) Design Number: **11868/2015**  
(22) Date of Filing Application: **08 April 2015**  
(24) Date from which industrial property rights may have effect: **08 April 2015**  
(54) Product in respect of which the design is registered: **LED light fitting**  
(51) International Design Classification: **26-05E**  
(74) Name(s) of Attorney(s):  
(71) Name(s) and Address(s) of Applicant(s):  
**Brightgreen Pty Ltd**  
**PO BOX 1400 Collingwood VIC 3066 Australia**  
(72) Name(s) of Designer(s): **David O'Driscoll and Kensie Young**  
(45) Registration Date: **08 May 2015**  
(56) Related Art Documents: **Not Applicable**  
(57) Statement of Newness and Distinctiveness: **The design allows the unit to rotate up to 360 degrees in the axis normal to the mounting surface and 90 degrees in the axis adjacent to the mounting surface. When the device is in use the product acts as an adjustable directional illumination source. When not in use the device is an appealing roof ornament.**



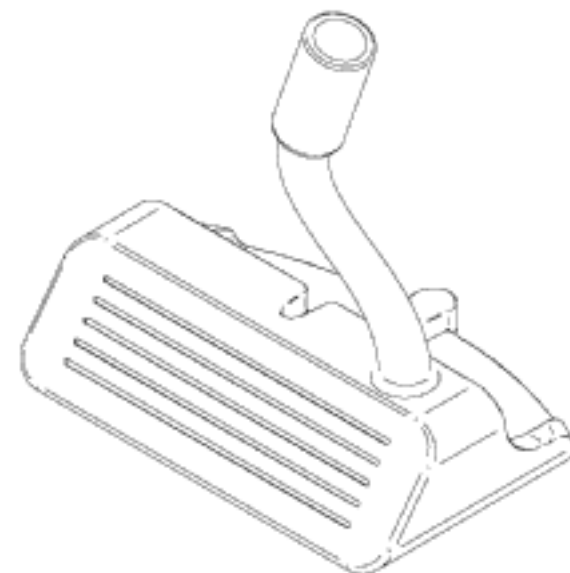


(21) Design Number: **11888/2015**  
(22) Date of Filing Application: **09 April 2015**  
(24) Date from which industrial property rights may have effect: **09 April 2015**  
(54) Product in respect of which the design is registered: **Dietary supplement packaging with indicium**  
(51) International Design Classification: **09-03M**  
(74) Name(s) of Attorney(s): **PHILLIPS ORMONDE FITZPATRICK**  
(71) Name(s) and Address(s) of Applicant(s):  
**New Chapter, Inc.**  
**90 Technology Drive Brattleboro Vermont, 05301 United States of America**  
(72) Name(s) of Designer(s): **Todd Spenceman**  
(45) Registration Date: **08 May 2015**  
(30) Convention priority data:  
(31) Number      (32) Date      (33) Country  
**29/504,774      09 Oct 2014      UNITED STATES OF AMERICA**

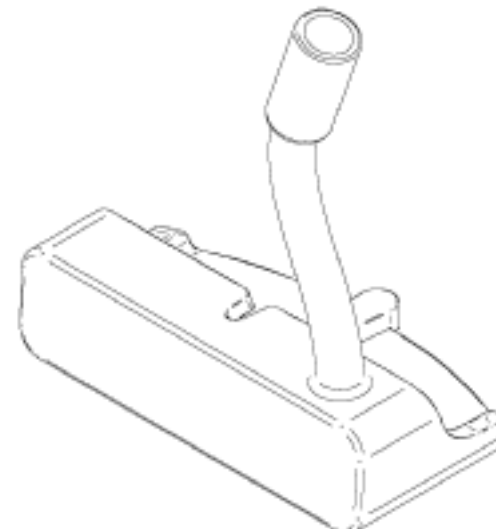


(56) Related Art Documents: **Not Applicable**  
(57) Statement of Newness and Distinctiveness: **Those features of the dietary supplement packaging with indicium depicted in the representations that are new and distinctive are the pattern and/or ornamentation. The features shown in broken lines are not part of the design and are to be disregarded when considering the overall impression of the design.**

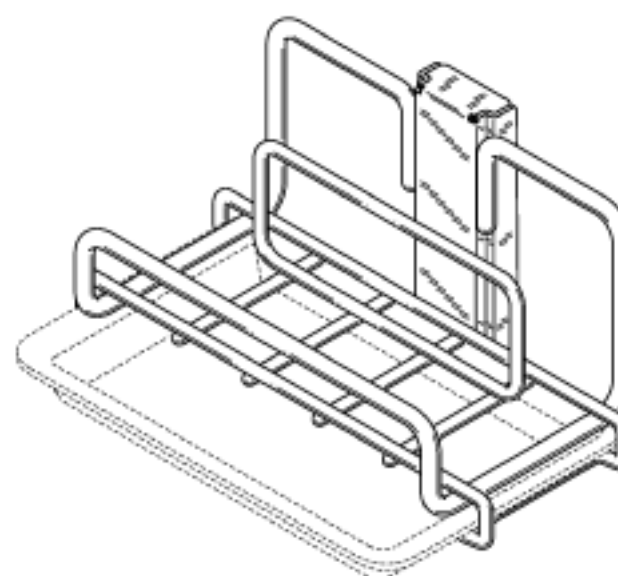
(21) Design Number: **11918/2015**  
(22) Date of Filing Application: **12 April 2015**  
(24) Date from which industrial property rights may have effect: **12 April 2015**  
(54) Product in respect of which the design is registered: **Golf club head**  
(51) International Design Classification: **21-02C**  
(74) Name(s) of Attorney(s): **PIZZEYS**  
(71) Name(s) and Address(s) of Applicant(s):  
**Point-n-Putt Pty. Ltd.**  
**PO BOX 9088 Deakin ACT 2614 Australia**  
(72) Name(s) of Designer(s): **Paul Joseph Donaghue**  
(45) Registration Date: **08 May 2015**  
(56) Related Art Documents: **Not Applicable**  
(57) Statement of Newness and Distinctiveness: **Nil**



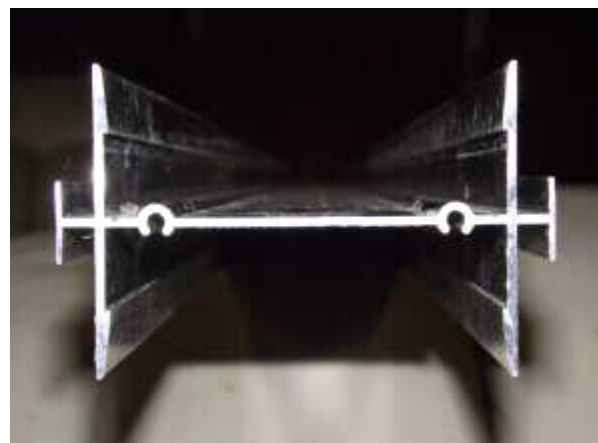
(21) Design Number: **11919/2015**  
(22) Date of Filing Application: **12 April 2015**  
(24) Date from which industrial property rights may have effect: **12 April 2015**  
(54) Product in respect of which the design is registered: **Golf club head**  
(51) International Design Classification: **21-02C**  
(74) Name(s) of Attorney(s): **PIZZEYS**  
(71) Name(s) and Address(s) of Applicant(s):  
**Point-n-Putt Pty. Ltd.**  
**PO BOX 9088 Deakin ACT 2614 Australia**  
(72) Name(s) of Designer(s): **Paul Joseph Donaghue**  
(45) Registration Date: **08 May 2015**  
(56) Related Art Documents: **Not Applicable**  
(57) Statement of Newness and Distinctiveness: **Nil**



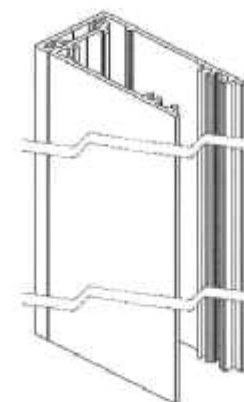
(21) Design Number: **11920/2015**  
(22) Date of Filing Application: **13 April 2015**  
(24) Date from which industrial property rights may have effect: **13 April 2015**  
(54) Product in respect of which the design is registered: **Holder**  
(51) International Design Classification: **23-02A**  
(74) Name(s) of Attorney(s): **Davies Collison Cave**  
(71) Name(s) and Address(s) of Applicant(s):  
**3M Innovative Properties Company**  
**3M Center Saint Paul Minnesota 55133-3427 United States of America**  
(72) Name(s) of Designer(s): **Pei-Chun Chang and Hsi Che Cheng and Hui-Lin Wang**  
(45) Registration Date: **08 May 2015**  
(30) Convention priority data:  
(31) Number      (32) Date      (33) Country  
**29/506481      16 Oct 2014      UNITED STATES OF AMERICA**  
(56) Related Art Documents: **Not Applicable**  
(57) Statement of Newness and Distinctiveness: **Newness and distinctiveness is claimed in the visual features shown in solid lines in the representations. In considering the extent of the design rights, the broken lines shown in the representations are for illustrative purposes only and do not form part of the design.**



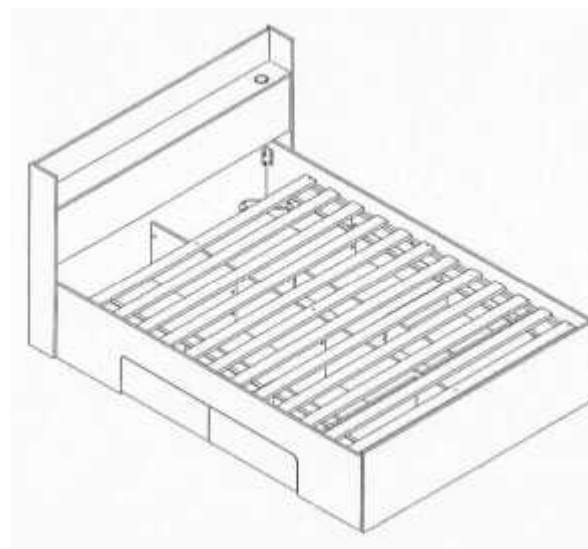
- (21) Design Number: **10550/2015**  
(22) Date of Filing Application: **03 February 2015**  
(24) Date from which industrial property rights may have effect: **03 February 2015**  
(54) Product in respect of which the design is registered: **Aluminium structural building frame**  
(51) International Design Classification: **25-01K**  
(74) Name(s) of Attorney(s):  
(71) Name(s) and Address(s) of Applicant(s):  
**Leighton Philip Murphy**  
**8 Saskia Way Morwell VIC 3840 Australia**  
**Gregory Dyer**  
**441 Earls Rd Yarragon South VIC 3823 Australia**  
(72) Name(s) of Designer(s): **Leighton Philip Murphy and Gregory Dyer**  
(45) Registration Date: **08 May 2015**  
(56) Related Art Documents: **Not Applicable**  
(57) Statement of Newness and Distinctiveness: **Klikal is unique in that it uses aluminium extrusions as the main structural members for the building frame. The frame members are specifically designed to allow easy assembly by clicking the members together or by the use of simple screw connections to produce a simple yet strong framing system. The Klikal studs are specifically shaped for easy connection to other components of the wall , and they allow for ease of fixing of cladding and insulation foam.**



- (21) Design Number: **10927/2015**  
(22) Date of Filing Application: **20 February 2015**  
(24) Date from which industrial property rights may have effect: **20 February 2015**  
(54) Product in respect of which the design is registered: **Guide track assembly for a blind system**  
(51) International Design Classification: **06-10, 25-02H**  
(74) Name(s) of Attorney(s): **MINTER ELLISON**  
(71) Name(s) and Address(s) of Applicant(s):  
**Acmeda Pty Ltd**  
**110 Northcorp Bvd Broadmeadows VIC 3047 Australia**  
(72) Name(s) of Designer(s): **Nathan Raiti**  
(45) Registration Date: **08 May 2015**  
(56) Related Art Documents: **Not Applicable**  
(57) Statement of Newness and Distinctiveness: **The following visual features of the design are new and distinctive. The shape and configuration of a Guide track assembly of indefinite length for a blind system as shown in the accompanying drawings.**



- (21) Design Number: **11585/2015**  
(22) Date of Filing Application: **24 March 2015**  
(24) Date from which industrial property rights may have effect: **24 March 2015**  
(54) Product in respect of which the design is registered: **Bed frame design**  
(51) International Design Classification: **06-02**  
(74) Name(s) of Attorney(s):  
(71) Name(s) and Address(s) of Applicant(s):  
**MARION IMPORT PTY LTD**  
**4/3-5 Merryvale Rd Minto NSW 2566 Australia**  
(72) Name(s) of Designer(s): **Shing Au Yeung**  
(45) Registration Date: **08 May 2015**  
(56) Related Art Documents: **Not Applicable**  
(57) Statement of Newness and Distinctiveness: **The newness and distinctiveness design relates in the features of shape and configuration of the bed frame as illustrated in the representations.**



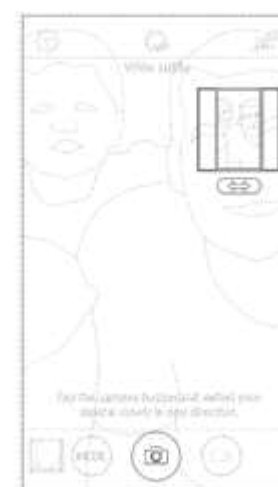
- (21) Design Number: **11921/2015**  
(22) Date of Filing Application: **13 April 2015**  
(24) Date from which industrial property rights may have effect: **13 April 2015**  
(54) Product in respect of which the design is registered: **Paper towel holder**  
(51) International Design Classification: **23-02A**  
(74) Name(s) of Attorney(s): **Davies Collison Cave**  
(71) Name(s) and Address(s) of Applicant(s):  
**3M Innovative Properties Company**  
**3M Center Saint Paul Minnesota 55133-3427 United States of America**  
(72) Name(s) of Designer(s): **Pei-Chun Chang and Hui-Lin Wang and Hsi Che Cheng**  
(45) Registration Date: **08 May 2015**  
(30) Convention priority data:  
(31) Number      (32) Date      (33) Country  
**29/506475      16 Oct 2014      UNITED STATES OF AMERICA**  
(56) Related Art Documents: **Not Applicable**  
(57) Statement of Newness and Distinctiveness: **Newness and distinctiveness is claimed in the visual features as shows in solid lines in the representations.**



(21) Design Number: **11866/2015**  
(22) Date of Filing Application: **08 April 2015**  
(24) Date from which industrial property rights may have effect: **08 April 2015**  
(54) Product in respect of which the design is registered: **Bassinet**  
(51) International Design Classification: **06-02**  
(74) Name(s) of Attorney(s): **Griffith Hack**  
(71) Name(s) and Address(s) of Applicant(s):  
**Stokke AS**  
**Parkgata 6 Alesund 6003 Norway**  
(72) Name(s) of Designer(s): **Lina Aker and Robert Myrene and Hilde Angelfoss**  
(45) Registration Date: **11 May 2015**  
(30) Convention priority data:  
(31) Number (32) Date (33) Country  
**002554782 10 Oct 2014 OFFICE FOR HARMONISATION IN**  
**THE INTERNAL MARKET (OHIM)**  
(56) Related Art Documents: **Not Applicable**  
(57) Statement of Newness and Distinctiveness: **Newness and distinctiveness resides in the visual features, including the shape and configuration of those parts of the product shown by means of solid lines in the representations.**



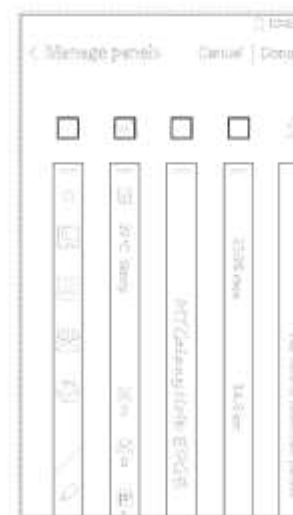
(21) Design Number: **10079/2015**  
(22) Date of Filing Application: **08 January 2015**  
(24) Date from which industrial property rights may have effect: **08 January 2015**  
(54) Product in respect of which the design is registered: **Display screen for an electronic device**  
(51) International Design Classification: **14-04, 14-02, 14-01**  
(74) Name(s) of Attorney(s): **Wrays**  
(71) Name(s) and Address(s) of Applicant(s):  
**Samsung Electronics Co., Ltd**  
**129, Samsung-ro Yeongtong-gu, Suwon-si Gyeonggi-do 443-742**  
**Republic of Korea**  
(72) Name(s) of Designer(s): **Ho-Ik Hwang and Dae-Hong Ki and Jun-Ho Choi**  
(45) Registration Date: **11 May 2015**  
(30) Convention priority data:  
(31) Number (32) Date (33) Country  
**30-2014-0042753 02 Sep 2014 REPUBLIC OF KOREA**  
(56) Related Art Documents: **Not Applicable**  
(57) Statement of Newness and Distinctiveness: **Newness and distinctiveness is claimed in the features of shape, configuration, pattern, and/or ornamentation of the Display Screen For An Electronic Device as shown in the accompanying representations. The features shown in broken line(s) are for illustrative purposes only and do not form part of the claimed design.**



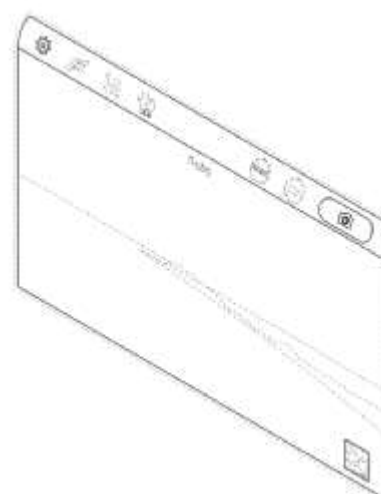
(21) Design Number: **10080/2015**  
(22) Date of Filing Application: **08 January 2015**  
(24) Date from which industrial property rights may have effect: **08 January 2015**  
(54) Product in respect of which the design is registered: **Display screen for an electronic device**  
(51) International Design Classification: **14-04, 14-02, 14-01**  
(74) Name(s) of Attorney(s): **Wrays**  
(71) Name(s) and Address(s) of Applicant(s):  
**Samsung Electronics Co., Ltd**  
**129, Samsung-ro Yeongtong-gu, Suwon-si Gyeonggi-do 443-742**  
**Republic of Korea**  
(72) Name(s) of Designer(s): **Min-Kyung Cho**  
(45) Registration Date: **11 May 2015**  
(30) Convention priority data:  
(31) Number (32) Date (33) Country  
**30-2014-0042025 28 Aug 2014 REPUBLIC OF KOREA**  
(56) Related Art Documents: **Not Applicable**  
(57) Statement of Newness and Distinctiveness: **Newness and distinctiveness is claimed in the features of shape, configuration, pattern, and/or ornamentation of the Display Screen For An Electronic Device as shown in the accompanying representations. The features shown in broken line(s) are for illustrative purposes only and do not form part of the claimed design.**



(21) Design Number: **10082/2015**  
(22) Date of Filing Application: **08 January 2015**  
(24) Date from which industrial property rights may have effect: **08 January 2015**  
(54) Product in respect of which the design is registered: **Display screen for an electronic device**  
(51) International Design Classification: **14-04, 14-02, 14-01**  
(74) Name(s) of Attorney(s): **Wrays**  
(71) Name(s) and Address(s) of Applicant(s):  
**Samsung Electronics Co., Ltd**  
**129, Samsung-ro Yeongtong-gu, Suwon-si Gyeonggi-do 443-742**  
**Republic of Korea**  
(72) Name(s) of Designer(s): **Eun-Joo kim and Chul-Ho Jang**  
(45) Registration Date: **11 May 2015**  
(30) Convention priority data:  
(31) Number (32) Date (33) Country  
**30-2014-0042754 02 Sep 2014 REPUBLIC OF KOREA**  
(56) Related Art Documents: **Not Applicable**  
(57) Statement of Newness and Distinctiveness: **Newness and distinctiveness is claimed in the features of shape, configuration, pattern, and/or ornamentation of the Display Screen For An Electronic Device as shown in the accompanying representations. The features shown in broken line(s) are for illustrative purposes only and do not form part of the claimed design.**



- (21) Design Number: **10083/2015**  
(22) Date of Filing Application: **08 January 2015**  
(24) Date from which industrial property rights may have effect: **08 January 2015**  
(54) Product in respect of which the design is registered: **Display screen for an electronic device**  
(51) International Design Classification: **14-04, 14-02, 14-01**  
(74) Name(s) of Attorney(s): **Wrays**  
(71) Name(s) and Address(s) of Applicant(s):  
**Samsung Electronics Co., Ltd**  
**129, Samsung-ro Yeongtong-gu, Suwon-si Gyeonggi-do 443-742**  
**Republic of Korea**  
(72) Name(s) of Designer(s): **Ho-Ik Hwang and Jun-Ho Choi and Dae-Hong Ki**  
(45) Registration Date: **11 May 2015**  
(30) Convention priority data:  
(31) Number (32) Date (33) Country  
**30-2014-0041988 28 Aug 2014 REPUBLIC OF KOREA**  
(56) Related Art Documents: **Not Applicable**  
(57) Statement of Newness and Distinctiveness: **Newness and distinctiveness is claimed in the features of shape, configuration, pattern, and/or ornamentation of the Display Screen For An Electronic Device as shown in the accompanying representations. The features shown in broken line(s) are for illustrative purposes only and do not form part of the claimed design.**



- (21) Design Number: **10084/2015**  
(22) Date of Filing Application: **08 January 2015**  
(24) Date from which industrial property rights may have effect: **08 January 2015**  
(54) Product in respect of which the design is registered: **Display screen for an electronic device**  
(51) International Design Classification: **14-04, 14-02, 14-01**  
(74) Name(s) of Attorney(s): **Wrays**  
(71) Name(s) and Address(s) of Applicant(s):  
**Samsung Electronics Co., Ltd**  
**129, Samsung-ro Yeongtong-gu, Suwon-si Gyeonggi-do 443-742**  
**Republic of Korea**  
(72) Name(s) of Designer(s): **Ho-Ik Hwang and Dae-Hong Ki and Jun-Ho Choi**  
(45) Registration Date: **11 May 2015**  
(30) Convention priority data:  
(31) Number (32) Date (33) Country  
**30-2014-0041989 28 Aug 2014 REPUBLIC OF KOREA**  
(56) Related Art Documents: **Not Applicable**  
(57) Statement of Newness and Distinctiveness: **Newness and distinctiveness is claimed in the features of shape, configuration, pattern, and/or ornamentation of the Display Screen For An Electronic Device as shown in the accompanying representations. The features shown in broken line(s) are for illustrative purposes only and do not form part of the claimed design.**



(19) AU

(21) Design Number: **10085/2015**  
(22) Date of Filing Application: **08 January 2015**  
(24) Date from which industrial property rights may have effect: **08 January 2015**  
(54) Product in respect of which the design is registered: **Display screen for an electronic device**  
(51) International Design Classification: **14-04, 14-02, 14-01**  
(74) Name(s) of Attorney(s): **Wrays**  
(71) Name(s) and Address(s) of Applicant(s):  
**Samsung Electronics Co., Ltd**  
**129, Samsung-ro Yeongtong-gu Suwon-si Gyeonggi-do 443-742**  
**Republic of Korea**



(72) Name(s) of Designer(s): **Eun-Joo Kim and Chul-Ho Jang**  
(45) Registration Date: **11 May 2015**  
(30) Convention priority data:  
(31) Number (32) Date (33) Country  
**30-2014-0042024 28 Aug 2014 REPUBLIC OF KOREA**

(56) Related Art Documents: **Not Applicable**  
(57) Statement of Newness and Distinctiveness: **Newness and distinctiveness is claimed in the features of shape, configuration, pattern, and/or ornamentation of the Display Screen For An Electronic Device as shown in the accompanying representations. The features shown in broken line(s) are for illustrative purposes only and do not form part of the claimed design. The characters represented by white colour broken line(s) are for illustrative purposes only and form no part of the claimed design. The characters represented by white colour-solid line(s) form portions of the claimed design.**

(19) AU

(21) Design Number: **10771/2015**  
(22) Date of Filing Application: **11 February 2015**  
(24) Date from which industrial property rights may have effect: **11 February 2015**  
(54) Product in respect of which the design is registered: **Elongated side handle for cookware**  
(51) International Design Classification: **07-02R**  
(74) Name(s) of Attorney(s): **PIZZEYS**  
(71) Name(s) and Address(s) of Applicant(s):  
**Meyer Intellectual Properties Ltd**  
**382 Kwun Tong Road Kowloon Hong Kong**



(72) Name(s) of Designer(s): **Philip D Barberi**  
(45) Registration Date: **11 May 2015**  
(30) Convention priority data:  
(31) Number (32) Date (33) Country  
**29/499,469 15 Aug 2014 UNITED STATES OF AMERICA**

(56) Related Art Documents: **Not Applicable**  
(57) Statement of Newness and Distinctiveness: **Nil**



(21) Design Number: **10772/2015**  
(22) Date of Filing Application: **11 February 2015**  
(24) Date from which industrial property rights may have effect: **11 February 2015**  
(54) Product in respect of which the design is registered: **Side handle for cookware**  
(51) International Design Classification: **07-02R**  
(74) Name(s) of Attorney(s): **PIZZEYS**  
(71) Name(s) and Address(s) of Applicant(s):  
**Meyer Intellectual Properties Ltd**  
**382 Kwun Tong Road Kowloon Hong Kong**  
(72) Name(s) of Designer(s): **Philip D Barberi**  
(45) Registration Date: **11 May 2015**  
(30) Convention priority data:  
(31) Number (32) Date (33) Country  
**29/499,471 15 Aug 2014 UNITED STATES OF AMERICA**  
(56) Related Art Documents: **Not Applicable**  
(57) Statement of Newness and Distinctiveness: **Nil**



(21) Design Number: **10773/2015**  
(22) Date of Filing Application: **11 February 2015**  
(24) Date from which industrial property rights may have effect: **11 February 2015**  
(54) Product in respect of which the design is registered: **Cookware lid handle**  
(51) International Design Classification: **07-02R**  
(74) Name(s) of Attorney(s): **PIZZEYS**  
(71) Name(s) and Address(s) of Applicant(s):  
**Meyer Intellectual Properties Ltd**  
**382 Kwun Tong Road Kowloon Hong Kong**  
(72) Name(s) of Designer(s): **Philip D Barberi**  
(45) Registration Date: **11 May 2015**  
(30) Convention priority data:  
(31) Number (32) Date (33) Country  
**29/499,473 15 Aug 2014 UNITED STATES OF AMERICA**  
(56) Related Art Documents: **Not Applicable**  
(57) Statement of Newness and Distinctiveness: **Nil**



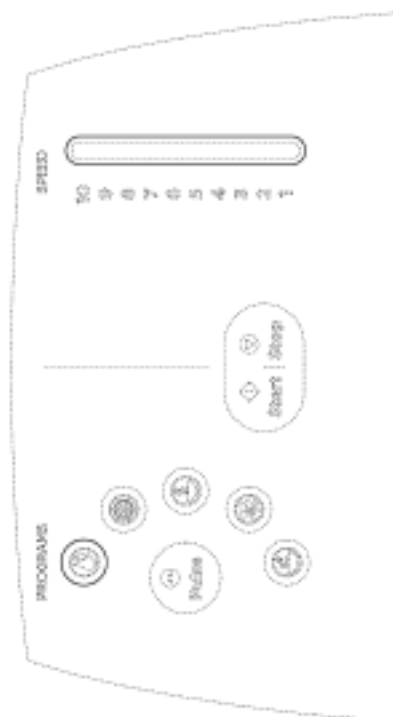
- (21) Design Number: **10792/2015**  
(22) Date of Filing Application: **12 February 2015**  
(24) Date from which industrial property rights may have effect: **12 February 2015**  
(54) Product in respect of which the design is registered: **Shelf ready packaging**  
(51) International Design Classification: **09-03M**  
(74) Name(s) of Attorney(s):  
(71) Name(s) and Address(s) of Applicant(s):  
**FRESHZEST PTY. LTD.**  
**PO BOX 104 Lilydale VIC 3140 Australia**  
(72) Name(s) of Designer(s): **Jennifer Riseborough and Phil Rotteveel**  
(45) Registration Date: **11 May 2015**  
(56) Related Art Documents: **Not Applicable**  
(57) Statement of Newness and Distinctiveness: **The newness and distinctiveness of the design resides in the ability of the box to be used as a stand alone unit on a flat surface, or hanging from a shelf using the pop out tabs.**



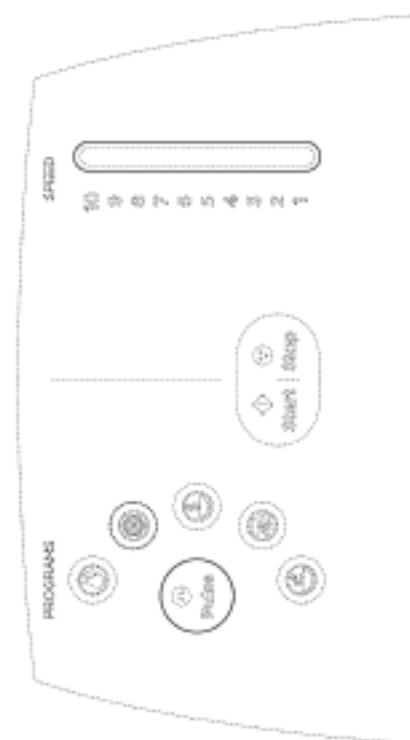
- (21) Design Number: **10921/2015**  
(22) Date of Filing Application: **20 February 2015**  
(24) Date from which industrial property rights may have effect: **20 February 2015**  
(54) Product in respect of which the design is registered: **Lubricant pack**  
(51) International Design Classification: **09-01B**  
(74) Name(s) of Attorney(s): **Davies Collison Cave**  
(71) Name(s) and Address(s) of Applicant(s):  
**Petroliam Nasional Berhad (Petronas)**  
**Tower 1, Petronas Twin Towers Kuala Lumpur City Centre Kuala Lumpur**  
**50088 Malaysia**  
(72) Name(s) of Designer(s): **Tim Arrowsmith**  
(45) Registration Date: **11 May 2015**  
(30) Convention priority data:  
(31) Number      (32) Date      (33) Country  
**14-01574-0102    19 Dec 2014    MALAYSIA**  
(56) Related Art Documents: **Not Applicable**  
(57) Statement of Newness and Distinctiveness: **The novelty in the design resides in the features of shape and configuration applied to the article as shown in the representations.**



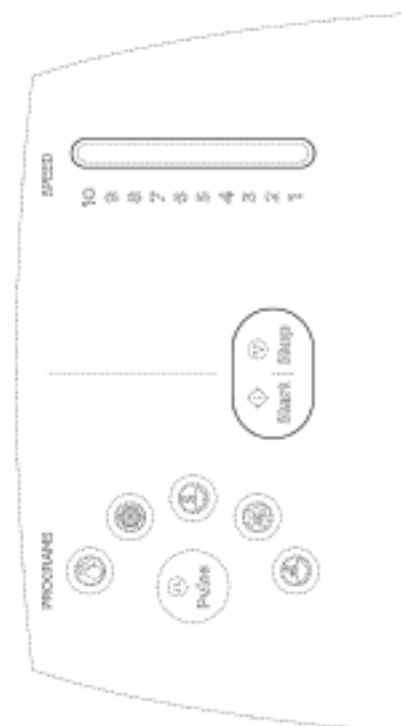
- (21) Design Number: **11938/2015**  
(22) Date of Filing Application: **13 April 2015**  
(24) Date from which industrial property rights may have effect: **13 April 2015**  
(54) Product in respect of which the design is registered: **Touch faceplate**  
(51) International Design Classification: **13-03NES**  
(74) Name(s) of Attorney(s): **Spruson & Ferguson**  
(71) Name(s) and Address(s) of Applicant(s):  
**Vita-Mix Corporation**  
**8615 Usher Rd, Olmsted Township Ohio, 44138 United States of America**  
(72) Name(s) of Designer(s): **Jack Warren Gee II and David J. Kolar**  
(45) Registration Date: **11 May 2015**  
(30) Convention priority data:  
(31) Number (32) Date (33) Country  
**29/506050 13 Oct 2014 UNITED STATES OF AMERICA**  
(56) Related Art Documents: **Not Applicable**  
(57) Statement of Newness and Distinctiveness: **Newness and distinctiveness is claimed in those features of pattern and/or ornamentation of a touch faceplate illustrated in continuous lines in the accompanying representation.**



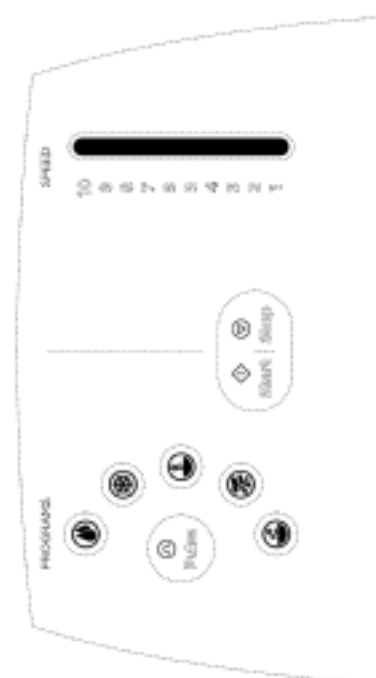
- (21) Design Number: **11939/2015**  
(22) Date of Filing Application: **13 April 2015**  
(24) Date from which industrial property rights may have effect: **13 April 2015**  
(54) Product in respect of which the design is registered: **Touch faceplate**  
(51) International Design Classification: **13-03NES**  
(74) Name(s) of Attorney(s): **Spruson & Ferguson**  
(71) Name(s) and Address(s) of Applicant(s):  
**Vita-Mix Corporation**  
**8615 Usher Rd, Olmsted Township Ohio, 44138 United States of America**  
(72) Name(s) of Designer(s): **Jack Warren Gee II and David J. Kolar**  
(45) Registration Date: **11 May 2015**  
(30) Convention priority data:  
(31) Number (32) Date (33) Country  
**29/506050 13 Oct 2014 UNITED STATES OF AMERICA**  
(56) Related Art Documents: **Not Applicable**  
(57) Statement of Newness and Distinctiveness: **Newness and distinctiveness is claimed in those features of pattern and/or ornamentation of a touch faceplate illustrated in continuous lines in the accompanying representation.**



- (21) Design Number: **11940/2015**  
(22) Date of Filing Application: **13 April 2015**  
(24) Date from which industrial property rights may have effect: **13 April 2015**  
(54) Product in respect of which the design is registered: **Touch faceplate**  
(51) International Design Classification: **13-03NES**  
(74) Name(s) of Attorney(s): **Spruson & Ferguson**  
(71) Name(s) and Address(s) of Applicant(s):  
**Vita-Mix Corporation**  
**8615 Usher Rd, Olmsted Township Ohio, 44138 United States of America**  
(72) Name(s) of Designer(s): **Jack Warren Gee II and David J. Kolar**  
(45) Registration Date: **11 May 2015**  
(30) Convention priority data:  
(31) Number      (32) Date      (33) Country  
**29/506050      13 Oct 2014      UNITED STATES OF AMERICA**  
(56) Related Art Documents: **Not Applicable**  
(57) Statement of Newness and Distinctiveness: **Newness and distinctiveness is claimed in those features of pattern and/or ornamentation of a touch faceplate illustrated in continuous lines in the accompanying representation.**



- (21) Design Number: **11941/2015**  
(22) Date of Filing Application: **13 April 2015**  
(24) Date from which industrial property rights may have effect: **13 April 2015**  
(54) Product in respect of which the design is registered: **Touch faceplate**  
(51) International Design Classification: **13-03NES**  
(74) Name(s) of Attorney(s): **Spruson & Ferguson**  
(71) Name(s) and Address(s) of Applicant(s):  
**Vita-Mix Corporation**  
**8615 Usher Rd, Olmsted Township Ohio, 44138 United States of America**  
(72) Name(s) of Designer(s): **Jack Warren Gee II and David J. Kolar**  
(45) Registration Date: **11 May 2015**  
(30) Convention priority data:  
(31) Number      (32) Date      (33) Country  
**29/506050      13 Oct 2014      UNITED STATES OF AMERICA**  
(56) Related Art Documents: **Not Applicable**  
(57) Statement of Newness and Distinctiveness: **Newness and distinctiveness is claimed in those features of pattern and/or ornamentation of a touch faceplate illustrated in continuous lines in the accompanying representation.**



(21) Design Number: **11942/2015**

(22) Date of Filing Application: **13 April 2015**

(24) Date from which industrial property rights may have effect: **13 April 2015**

(54) Product in respect of which the design is registered: **Touch faceplate**

(51) International Design Classification: **13-03NES**

(74) Name(s) of Attorney(s): **Spruson & Ferguson**

(71) Name(s) and Address(s) of Applicant(s):

**Vita-Mix Corporation**

**8615 Usher Rd, Olmsted Township Ohio, 44138 United States of America**

(72) Name(s) of Designer(s): **Jack Warren Gee II and David J. Kolar**

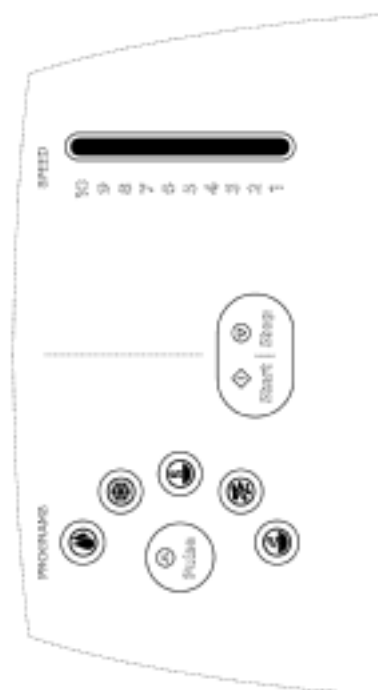
(45) Registration Date: **11 May 2015**

(30) Convention priority data:

(31) Number	(32) Date	(33) Country
<b>29/506050</b>	<b>13 Oct 2014</b>	<b>UNITED STATES OF AMERICA</b>

(56) Related Art Documents: **Not Applicable**

(57) Statement of Newness and Distinctiveness: **Newness and distinctiveness is claimed in those features of pattern and/or ornamentation of a touch faceplate illustrated in continuous lines in the accompanying representation.**



(21) Design Number: **11943/2015**

(22) Date of Filing Application: **13 April 2015**

(24) Date from which industrial property rights may have effect: **13 April 2015**

(54) Product in respect of which the design is registered: **Blending apparatus**

(51) International Design Classification: **31-00**

(74) Name(s) of Attorney(s): **Spruson & Ferguson**

(71) Name(s) and Address(s) of Applicant(s):

**Vita-Mix Corporation**

**8615 Usher Rd, Olmsted Township Ohio, 44138 United States of America**

(72) Name(s) of Designer(s): **Jack Warren Gee II and David J. Kolar**

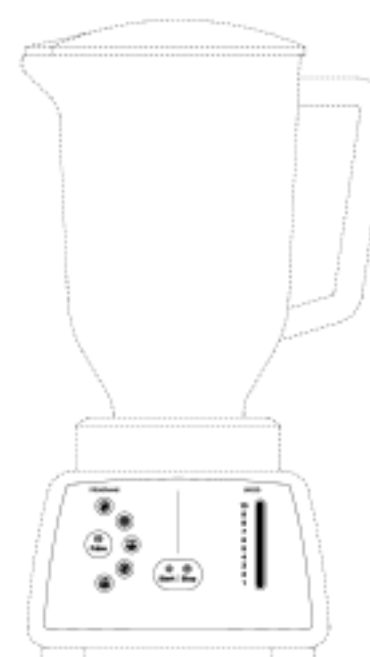
(45) Registration Date: **11 May 2015**

(30) Convention priority data:

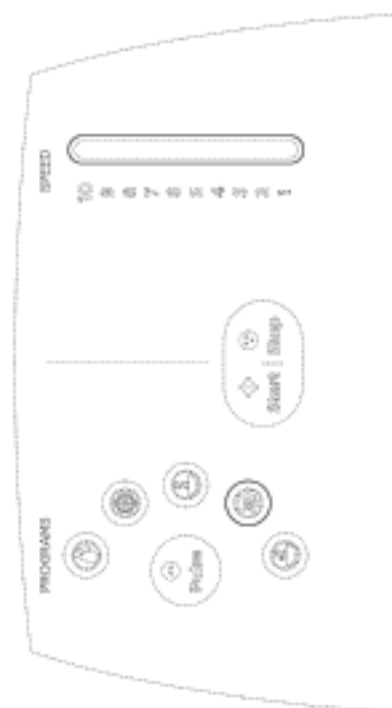
(31) Number	(32) Date	(33) Country
<b>29/506050</b>	<b>13 Oct 2014</b>	<b>UNITED STATES OF AMERICA</b>

(56) Related Art Documents: **Not Applicable**

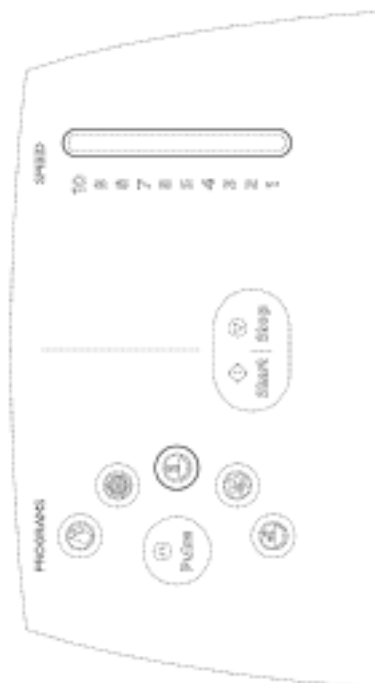
(57) Statement of Newness and Distinctiveness: **Newness and distinctiveness is claimed in those features of pattern and/or ornamentation of a touch faceplate of a blending apparatus illustrated in continuous lines in the accompanying representation.**



- (21) Design Number: **11944/2015**  
(22) Date of Filing Application: **13 April 2015**  
(24) Date from which industrial property rights may have effect: **13 April 2015**  
(54) Product in respect of which the design is registered: **Touch faceplate**  
(51) International Design Classification: **31-00**  
(74) Name(s) of Attorney(s): **Spruson & Ferguson**  
(71) Name(s) and Address(s) of Applicant(s):  
**Vita-Mix Corporation**  
**8615 Usher Rd, Olmsted Township Ohio, 44138 United States of America**  
(72) Name(s) of Designer(s): **Jack Warren Gee II and David J. Kolar**  
(45) Registration Date: **11 May 2015**  
(30) Convention priority data:  
(31) Number (32) Date (33) Country  
**29/506050 13 Oct 2014 UNITED STATES OF AMERICA**  
(56) Related Art Documents: **Not Applicable**  
(57) Statement of Newness and Distinctiveness: **Newness and distinctiveness is claimed in those features of pattern and/or ornamentation of a touch faceplate illustrated in continuous lines in the accompanying representation.**



- (21) Design Number: **11945/2015**  
(22) Date of Filing Application: **13 April 2015**  
(24) Date from which industrial property rights may have effect: **13 April 2015**  
(54) Product in respect of which the design is registered: **Touch faceplate**  
(51) International Design Classification: **13-03NES**  
(74) Name(s) of Attorney(s): **Spruson & Ferguson**  
(71) Name(s) and Address(s) of Applicant(s):  
**Vita-Mix Corporation**  
**8615 Usher Road, Olmsted Township Ohio, 44138 United States of America**  
(72) Name(s) of Designer(s): **Jack Warren Gee II and David J. Kolar**  
(45) Registration Date: **11 May 2015**  
(30) Convention priority data:  
(31) Number (32) Date (33) Country  
**29/506050 13 Oct 2014 UNITED STATES OF AMERICA**  
(56) Related Art Documents: **Not Applicable**  
(57) Statement of Newness and Distinctiveness: **Newness and distinctiveness is claimed in those features of pattern and/or ornamentation of a touch faceplate illustrated in continuous lines in the accompanying representation.**



(21) Design Number: **11946/2015**

(22) Date of Filing Application: **13 April 2015**

(24) Date from which industrial property rights may have effect: **13 April 2015**

(54) Product in respect of which the design is registered: **Touch faceplate**

(51) International Design Classification: **13-03NES**

(74) Name(s) of Attorney(s): **Spruson & Ferguson**

(71) Name(s) and Address(s) of Applicant(s):

**Vita-Mix Corporation**

**8615 Usher Road, Olmsted Township Ohio, 44138 United States of America**

(72) Name(s) of Designer(s): **Jack Warren Gee II and David J. Kolar**

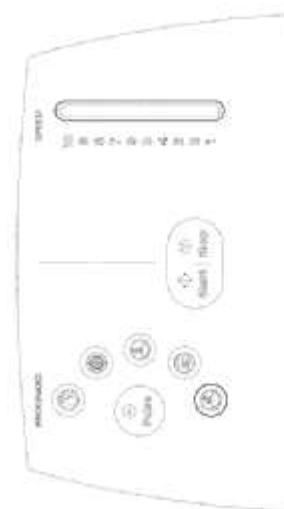
(45) Registration Date: **11 May 2015**

(30) Convention priority data:

(31) Number	(32) Date	(33) Country
<b>29/506050</b>	<b>13 Oct 2014</b>	<b>UNITED STATES OF AMERICA</b>

(56) Related Art Documents: **Not Applicable**

(57) Statement of Newness and Distinctiveness: **Newness and distinctiveness is claimed in those features of pattern and/or ornamentation of a touch faceplate illustrated in continuous lines in the accompanying representation.**



(21) Design Number: **11891/2015**

(22) Date of Filing Application: **09 April 2015**

(24) Date from which industrial property rights may have effect: **09 April 2015**

(54) Product in respect of which the design is registered: **Washboard for washing machine**

(51) International Design Classification: **15-05**

(74) Name(s) of Attorney(s): **Wrays**

(71) Name(s) and Address(s) of Applicant(s):

**Samsung Electronics Co., Ltd**

**129, Samsung-ro Yeongtong-gu Suwon-si Gyeonggi-do 443-742 Republic of Korea**

(72) Name(s) of Designer(s): **Ah-Jung Joo and Sung-Kyung Lee**

(45) Registration Date: **11 May 2015**

(30) Convention priority data:

(31) Number	(32) Date	(33) Country
<b>30-2014-0048842</b>	<b>10 Oct 2014</b>	<b>REPUBLIC OF KOREA</b>

(56) Related Art Documents: **Not Applicable**

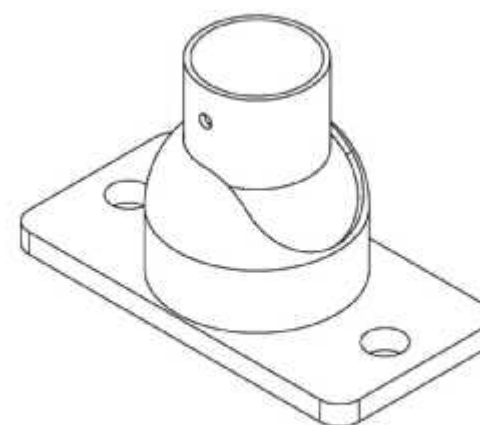
(57) Statement of Newness and Distinctiveness: **Newness and distinctiveness is claimed in the features of shape, configuration, pattern, and/or ornamentation of the Washboard For Washing Machine as shown in the accompanying representations. The features depicted by broken lines are for illustrative purposes only and form no part of the claimed design.**



(21) Design Number: **11893/2015**  
(22) Date of Filing Application: **09 April 2015**  
(24) Date from which industrial property rights may have effect: **09 April 2015**  
(54) Product in respect of which the design is registered: **Washboard for washing machine**  
(51) International Design Classification: **15-05**  
(74) Name(s) of Attorney(s): **Wrays**  
(71) Name(s) and Address(s) of Applicant(s):  
**Samsung Electronics Co., Ltd**  
**129, Samsung-ro Yeongtong-gu Suwon-si Gyeonggi-do 443-742**  
**Republic of Korea**  
(72) Name(s) of Designer(s): **Ah-Jung Joo and Sung-Kyung Lee**  
(45) Registration Date: **11 May 2015**  
(30) Convention priority data:  
(31) Number (32) Date (33) Country  
**30-2014-0048841 10 Oct 2014 REPUBLIC OF KOREA**  
(56) Related Art Documents: **Not Applicable**  
(57) Statement of Newness and Distinctiveness: **Newness and distinctiveness is claimed in the features of shape, configuration, pattern, and/or ornamentation of the Washboard For Washing Machine as shown in the accompanying representations. The features depicted by broken lines are for illustrative purposes only and form no part of the claimed design.**

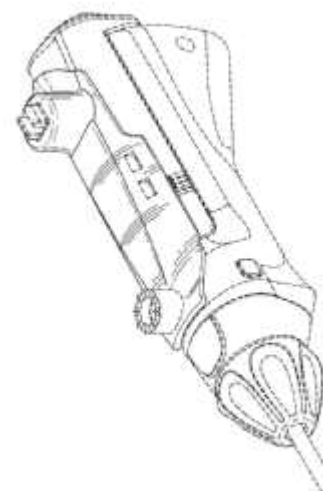


(21) Design Number: **11894/2015**  
(22) Date of Filing Application: **09 April 2015**  
(24) Date from which industrial property rights may have effect: **09 April 2015**  
(54) Product in respect of which the design is registered: **Base plate**  
(51) International Design Classification: **25-02A**  
(74) Name(s) of Attorney(s): **PHILLIPS ORMONDE FITZPATRICK**  
(71) Name(s) and Address(s) of Applicant(s):  
**Wayne Milner**  
**15 Ryans Ct Burnside Hts VIC 3023 Australia**  
**Rudy Diener**  
**2 Myall St Doonside NSW 2767 Australia**  
(72) Name(s) of Designer(s): **Wayne Milner and Rudy Diener**  
(45) Registration Date: **11 May 2015**  
(56) Related Art Documents: **Not Applicable**  
(57) Statement of Newness and Distinctiveness: **Those features of the base plate depicted in the representations that are new and distinctive are the shape and/or configuration.**

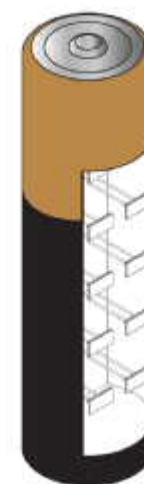




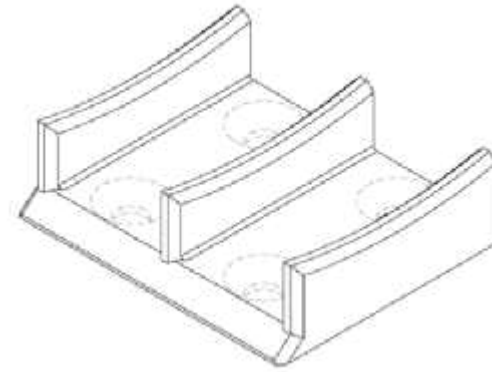
(21) Design Number: **11895/2015**  
(22) Date of Filing Application: **09 April 2015**  
(24) Date from which industrial property rights may have effect: **09 April 2015**  
(54) Product in respect of which the design is registered: **Adapter for a surgical device**  
(51) International Design Classification: **24-02**  
(74) Name(s) of Attorney(s): **PHILLIPS ORMONDE FITZPATRICK**  
(71) Name(s) and Address(s) of Applicant(s):  
**Gyrus ACMI, Inc., d.b.a. Olympus Surgical Technologies America**  
**136 Turnpike Road Southborough Massachusetts 01772 United States of America**  
(72) Name(s) of Designer(s): **Joey Magno Jr.**  
(45) Registration Date: **11 May 2015**  
(30) Convention priority data:  
(31) Number (32) Date (33) Country  
**29/512,879 23 Dec 2014 UNITED STATES OF AMERICA**  
(56) Related Art Documents: **Not Applicable**  
(57) Statement of Newness and Distinctiveness: **Those features of the adapter for a surgical device depicted in the representations that are new and distinctive are the shape and/or configuration. The features shown in broken line are not part of the design and are to be disregarded when considering the overall impression of the design.**



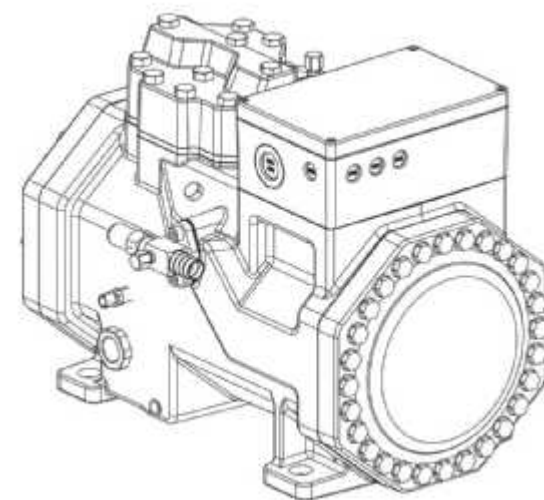
(21) Design Number: **11898/2015**  
(22) Date of Filing Application: **09 April 2015**  
(24) Date from which industrial property rights may have effect: **21 January 2015**  
(54) Product in respect of which the design is registered: **Display stand**  
(51) International Design Classification: **20-02E**  
(74) Name(s) of Attorney(s): **PHILLIPS ORMONDE FITZPATRICK**  
(71) Name(s) and Address(s) of Applicant(s):  
**The Procter & Gamble Company**  
**One Procter & Gamble Plaza Cincinnati Ohio, 45202 United States of America**  
(72) Name(s) of Designer(s): **Tim Warren and Luisa Scoppa and Hayley Roker**  
(45) Registration Date: **11 May 2015**  
(30) Convention priority data:  
(31) Number (32) Date (33) Country  
**DM/084657 14 Oct 2014 WORLD INTELLECTUAL PROPERTY ORGANIZATION (WIPO)**  
(62) Divisional of: **361266**  
(56) Related Art Documents: **Not Applicable**  
(57) Statement of Newness and Distinctiveness: **Newness and distinctiveness resides in the shape and/or configuration and/or colour of the display stand shown in the accompanying representations.**



- (21) Design Number: **11900/2015**  
(22) Date of Filing Application: **09 April 2015**  
(24) Date from which industrial property rights may have effect: **09 April 2015**  
(54) Product in respect of which the design is registered: **Part for a pump**  
(51) International Design Classification: **15-02**  
(74) Name(s) of Attorney(s):  
(71) Name(s) and Address(s) of Applicant(s):  
**Sykes Group Pty Ltd**  
**42 Munibung Rd Cardiff NSW 2285 Australia**  
(72) Name(s) of Designer(s): **Cameron William Young**  
(45) Registration Date: **11 May 2015**  
(56) Related Art Documents: **Not Applicable**  
(57) Statement of Newness and Distinctiveness: **Newness and distinctiveness resides in the overall shape and configuration of the visual features as shown in solid lines in the accompanying representations.**



- (21) Design Number: **11926/2015**  
(22) Date of Filing Application: **13 April 2015**  
(24) Date from which industrial property rights may have effect: **13 April 2015**  
(54) Product in respect of which the design is registered: **Compressor**  
(51) International Design Classification: **15-02**  
(74) Name(s) of Attorney(s): **Griffith Hack**  
(71) Name(s) and Address(s) of Applicant(s):  
**BITZER Kuehlmaschinenbau GmbH**  
**Eschenbruennlestrasse 15 Sindelfingen 71065 Germany**  
(72) Name(s) of Designer(s): **Bertram Wipper and Mathias Beyer**  
(45) Registration Date: **11 May 2015**  
(30) Convention priority data:  
(31) Number (32) Date (33) Country  
**002555896-0002 13 Oct 2014 OFFICE FOR HARMONISATION IN THE INTERNAL MARKET (OHIM)**  
(56) Related Art Documents: **Not Applicable**  
(57) Statement of Newness and Distinctiveness: **Newness and distinctiveness resides in the visual features, including the shape and configuration of the product shown in the representations.**



(21) Design Number: **11927/2015**

(22) Date of Filing Application: **13 April 2015**

(24) Date from which industrial property rights may have effect: **13 April 2015**

(54) Product in respect of which the design is registered: **Compressor**

(51) International Design Classification: **15-02**

(74) Name(s) of Attorney(s): **Griffith Hack**

(71) Name(s) and Address(s) of Applicant(s):

**BITZER Kuehlmaschinenbau GmbH**  
**Eschenbruennlestrasse 15 Sindelfingen 71065 Germany**

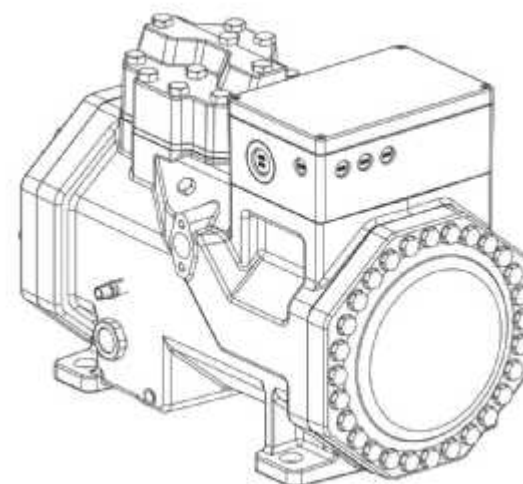
(72) Name(s) of Designer(s): **Bertram Wipper and Mathias Beyer**

(45) Registration Date: **11 May 2015**

(30) Convention priority data:

(31) Number (32) Date  
**002555896-0009 13 Oct 2014**

(33) Country  
**OFFICE FOR HARMONISATION IN  
THE INTERNAL MARKET (OHIM)**



(56) Related Art Documents: **Not Applicable**

(57) Statement of Newness and Distinctiveness: **Newness and distinctiveness resides in the visual features, including the shape and configuration of the product shown in the representations.**

(21) Design Number: **11928/2015**

(22) Date of Filing Application: **13 April 2015**

(24) Date from which industrial property rights may have effect: **13 April 2015**

(54) Product in respect of which the design is registered: **Motorcycle**

(51) International Design Classification: **12-11**

(74) Name(s) of Attorney(s): **Spruson & Ferguson**

(71) Name(s) and Address(s) of Applicant(s):

**Honda Motor Co., Ltd.**  
**1-1, Minami-Aoyama 2-chome, Minato-ku Tokyo, 107-8556 Japan**

(72) Name(s) of Designer(s): **Kanya Takigawa and Maurizio Carbonara**

(45) Registration Date: **11 May 2015**

(30) Convention priority data:

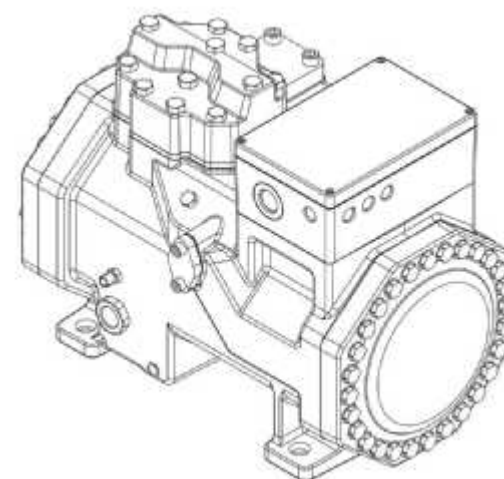
(31) Number (32) Date (33) Country  
**2014-023346 17 Oct 2014 JAPAN**



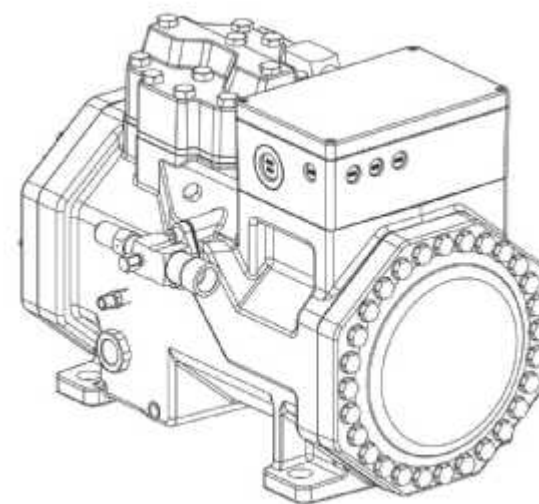
(56) Related Art Documents: **Not Applicable**

(57) Statement of Newness and Distinctiveness: **Nil**

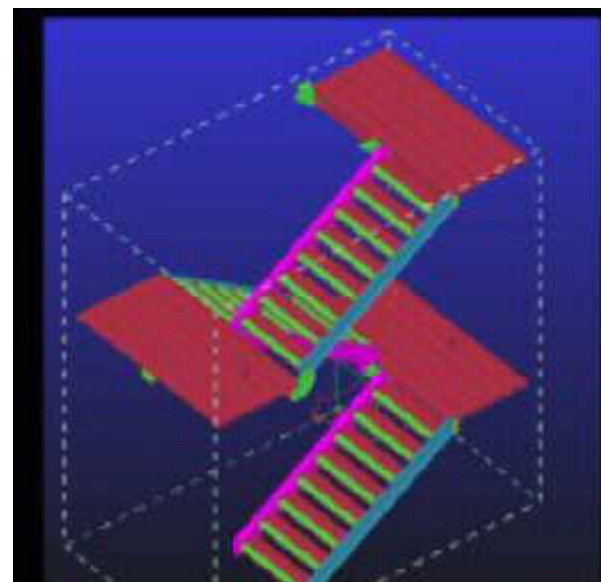
- (21) Design Number: **11929/2015**  
(22) Date of Filing Application: **13 April 2015**  
(24) Date from which industrial property rights may have effect: **13 April 2015**  
(54) Product in respect of which the design is registered: **Compressor**  
(51) International Design Classification: **15-02**  
(74) Name(s) of Attorney(s): **Griffith Hack**  
(71) Name(s) and Address(s) of Applicant(s):  
**BITZER Kuehlmaschinenbau GmbH**  
**Eschenbruennlestrasse 15 Sindelfingen 71065 Germany**  
(72) Name(s) of Designer(s): **Bertram Wipper and Mathias Beyer**  
(45) Registration Date: **11 May 2015**  
(30) Convention priority data:  
(31) Number (32) Date (33) Country  
**002555896-0010 13 Oct 2014 OFFICE FOR HARMONISATION IN**  
**THE INTERNAL MARKET (OHIM)**  
(56) Related Art Documents: **Not Applicable**  
(57) Statement of Newness and Distinctiveness: **Newness and distinctiveness**  
**resides in the visual features, including the shape and configuration of**  
**the product shown in the representations.**



- (21) Design Number: **11930/2015**  
(22) Date of Filing Application: **13 April 2015**  
(24) Date from which industrial property rights may have effect: **13 April 2015**  
(54) Product in respect of which the design is registered: **Compressor**  
(51) International Design Classification: **15-02**  
(74) Name(s) of Attorney(s): **Griffith Hack**  
(71) Name(s) and Address(s) of Applicant(s):  
**BITZER Kuehlmaschinenbau GmbH**  
**Eschenbruennlestrasse 15 Sindelfingen 71065 Germany**  
(72) Name(s) of Designer(s): **Bertram Wipper and Mathias Beyer**  
(45) Registration Date: **11 May 2015**  
(30) Convention priority data:  
(31) Number (32) Date (33) Country  
**002555896-0011 13 Oct 2014 OFFICE FOR HARMONISATION IN**  
**THE INTERNAL MARKET (OHIM)**  
(56) Related Art Documents: **Not Applicable**  
(57) Statement of Newness and Distinctiveness: **Newness and distinctiveness**  
**resides in the visual features, including the shape and configuration of**  
**the product shown in the representations.**



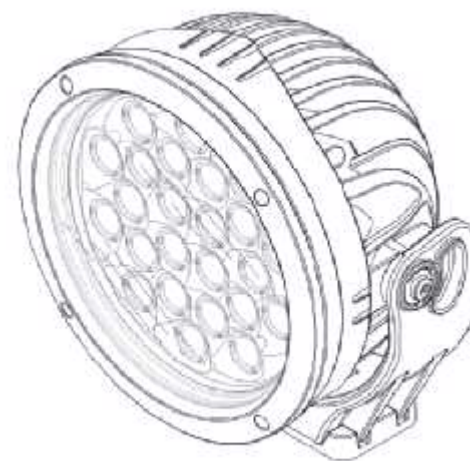
(21) Design Number: **11931/2015**  
(22) Date of Filing Application: **13 April 2015**  
(24) Date from which industrial property rights may have effect: **13 April 2015**  
(54) Product in respect of which the design is registered: **Metal staircase**  
(51) International Design Classification: **25-04**  
(74) Name(s) of Attorney(s): **IP Service International**  
(71) Name(s) and Address(s) of Applicant(s):  
**Shuning Huang**  
**31 Moxon Rd Punchbowl NSW 2196 Australia**  
(72) Name(s) of Designer(s): **Shuning Huang**  
(45) Registration Date: **11 May 2015**  
(56) Related Art Documents: **Not Applicable**  
(57) Statement of Newness and Distinctiveness: **Nil**



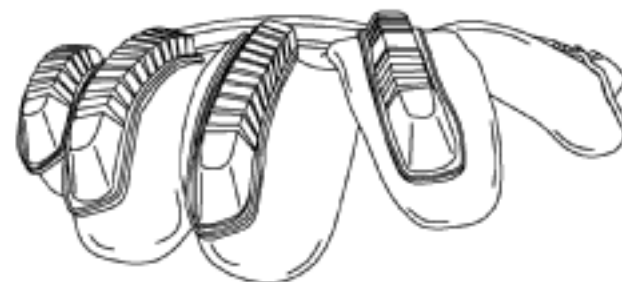
(21) Design Number: **11932/2015**  
(22) Date of Filing Application: **13 April 2015**  
(24) Date from which industrial property rights may have effect: **13 April 2015**  
(54) Product in respect of which the design is registered: **Front side cowl for motorcycle**  
(51) International Design Classification: **12-11**  
(74) Name(s) of Attorney(s): **Spruson & Ferguson**  
(71) Name(s) and Address(s) of Applicant(s):  
**Honda Motor Co., Ltd.**  
**1-1 Minami-Aoyama 2-Chome Minato-Ku Tokyo 107-8556 Japan**  
(72) Name(s) of Designer(s): **Kanya Takigawa and Maurizio Carbonara**  
(45) Registration Date: **11 May 2015**  
(30) Convention priority data:  
(31) Number      (32) Date      (33) Country  
**2014-023347      17 Oct 2014      JAPAN**  
(56) Related Art Documents: **Not Applicable**  
(57) Statement of Newness and Distinctiveness: **Nil**



- (21) Design Number: **11933/2015**  
(22) Date of Filing Application: **13 April 2015**  
(24) Date from which industrial property rights may have effect: **13 April 2015**  
(54) Product in respect of which the design is registered: **Lighting equipment for vehicles**  
(51) International Design Classification: **26-06**  
(74) Name(s) of Attorney(s): **Acacia Law**  
(71) Name(s) and Address(s) of Applicant(s):  
**Vision X Asia Co., Ltd**  
**23-7, Dongtansandan 9-gil Dongtan-myeon Hwaseong-si Gyeonggi-do**  
**445-811 Republic of Korea**  
**In-Hong Ko**  
**No. A-2803, Daelim Acrovill 13, Eonju-ro 30-gil Gangnam-ku Seoul**  
**135-856 Republic of Korea**  
(72) Name(s) of Designer(s): **In-Hong Ko**  
(45) Registration Date: **11 May 2015**  
(30) Convention priority data:  
(31) Number (32) Date (33) Country  
**30-2014-0049524 15 Oct 2014 REPUBLIC OF KOREA**  
(56) Related Art Documents: **Not Applicable**  
(57) Statement of Newness and Distinctiveness: **Novelty lies in the combination of shape and configuration of the body and lens cover for lighting equipment for vehicles, particularly the shape of the radiation fins formed in the body and the shape of the lens cover, and bracket.**



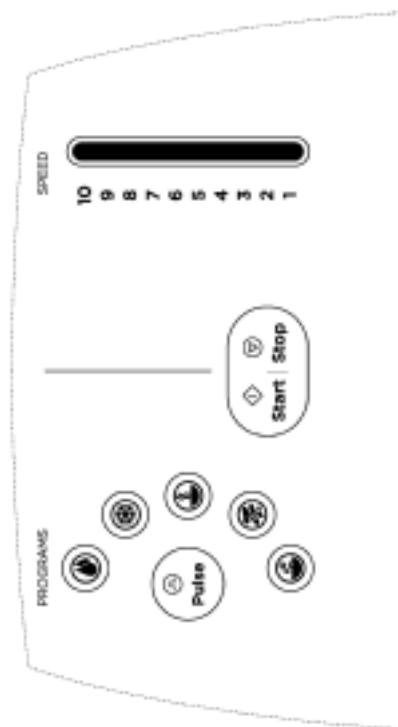
- (21) Design Number: **11934/2015**  
(22) Date of Filing Application: **13 April 2015**  
(24) Date from which industrial property rights may have effect: **13 April 2015**  
(54) Product in respect of which the design is registered: **Coated glove having bumpers**  
(51) International Design Classification: **02-06**  
(74) Name(s) of Attorney(s): **Spruson & Ferguson**  
(71) Name(s) and Address(s) of Applicant(s):  
**Ansell Limited**  
**678 Victoria St L3 Richmond VIC 3121 Australia**  
(72) Name(s) of Designer(s): **Chancellor Wyatt and Louis Orotelli and Richard Christopher Watson**  
(45) Registration Date: **11 May 2015**  
(30) Convention priority data:  
(31) Number (32) Date (33) Country  
**29/507504 28 Oct 2014 UNITED STATES OF AMERICA**  
(56) Related Art Documents: **Not Applicable**  
(57) Statement of Newness and Distinctiveness: **Newness and distinctiveness is claimed in those features of shape and/or configuration of a coated glove having bumpers illustrated in continuous lines in the accompanying representations.**



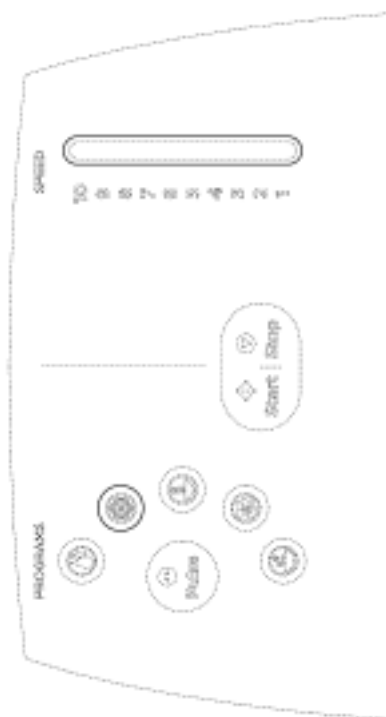
(21) Design Number: **11935/2015**  
(22) Date of Filing Application: **13 April 2015**  
(24) Date from which industrial property rights may have effect: **13 April 2015**  
(54) Product in respect of which the design is registered: **Sewn glove having bumpers**  
(51) International Design Classification: **02-06**  
(74) Name(s) of Attorney(s): **Spruson & Ferguson**  
(71) Name(s) and Address(s) of Applicant(s):  
**Ansell Limited**  
**L3 678 Victoria St Richmond VIC 3121 Australia**  
(72) Name(s) of Designer(s): **Chancellor Wyatt and Louis Orotelli and Richard Christopher Watson**  
(45) Registration Date: **11 May 2015**  
(30) Convention priority data:  
(31) Number (32) Date (33) Country  
**29/507486 28 Oct 2014 UNITED STATES OF AMERICA**  
(56) Related Art Documents: **Not Applicable**  
(57) Statement of Newness and Distinctiveness: **Newness and distinctiveness is claimed in those features of shape and/or configuration of a sewn glove having bumpers illustrated in continuous lines in the accompanying representations.**



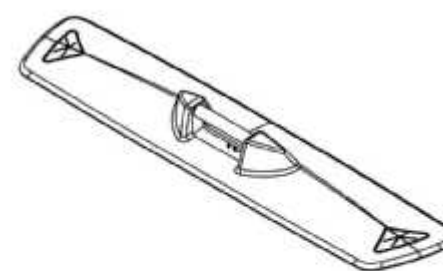
(21) Design Number: **11936/2015**  
(22) Date of Filing Application: **13 April 2015**  
(24) Date from which industrial property rights may have effect: **13 April 2015**  
(54) Product in respect of which the design is registered: **Touch faceplate**  
(51) International Design Classification: **13-03NES**  
(74) Name(s) of Attorney(s): **Spruson & Ferguson**  
(71) Name(s) and Address(s) of Applicant(s):  
**Vita-Mix Corporation**  
**8615 Usher Road, Olmsted Township Ohio, 44138 United States of America**  
(72) Name(s) of Designer(s): **Jack Warren Gee II and David J Kolar**  
(45) Registration Date: **11 May 2015**  
(30) Convention priority data:  
(31) Number (32) Date (33) Country  
**29/506050 13 Oct 2014 UNITED STATES OF AMERICA**  
(56) Related Art Documents: **Not Applicable**  
(57) Statement of Newness and Distinctiveness: **Newness and distinctiveness is claimed in those features of pattern and/or ornamentation of a touch faceplate illustrated in continuous lines in the accompanying representation.**



- (21) Design Number: **11937/2015**  
(22) Date of Filing Application: **13 April 2015**  
(24) Date from which industrial property rights may have effect: **13 April 2015**  
(54) Product in respect of which the design is registered: **Touch faceplate**  
(51) International Design Classification: **13-03NES**  
(74) Name(s) of Attorney(s): **Spruson & Ferguson**  
(71) Name(s) and Address(s) of Applicant(s):  
**Vita-Mix Corporation**  
**8615 Usher Rd, Olmsted Township Ohio, 44138 United States of America**  
(72) Name(s) of Designer(s): **Jack Warren Gee II and David J. Kolar**  
(45) Registration Date: **11 May 2015**  
(30) Convention priority data:  
(31) Number (32) Date (33) Country  
**29/506050 13 Oct 2014 UNITED STATES OF AMERICA**  
(56) Related Art Documents: **Not Applicable**  
(57) Statement of Newness and Distinctiveness: **Newness and distinctiveness is claimed in those features of pattern and/or ornamentation of a touch faceplate illustrated in continuous lines in the accompanying representation.**

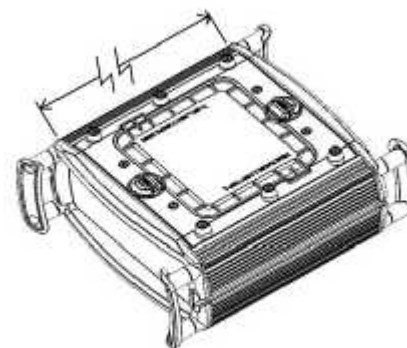


- (21) Design Number: **15247/2014**  
(22) Date of Filing Application: **14 October 2014**  
(24) Date from which industrial property rights may have effect: **14 October 2014**  
(54) Product in respect of which the design is registered: **Mop head**  
(51) International Design Classification: **04-01**  
(74) Name(s) of Attorney(s): **Allens Patent & Trade Mark Attorneys**  
(71) Name(s) and Address(s) of Applicant(s):  
**E.D. Oates Pty Ltd**  
**13-21 Maygar Bvd Broadmeadows VIC 3047 Australia**  
(72) Name(s) of Designer(s): **Frankie Ngan**  
(45) Registration Date: **12 May 2015**  
(56) Related Art Documents: **Not Applicable**  
(57) Statement of Newness and Distinctiveness: **Newness and distinctiveness resides in the visual features of shape and/or configuration of a mop head as illustrated in the accompanying representations. The shape and/or configuration of the central region of the lower face of the mop head shown in the two Bottom Perspective Views, does not form part of the design and is to be disregarded when considering whether the design is identical or substantially similar in overall impression to another design.**

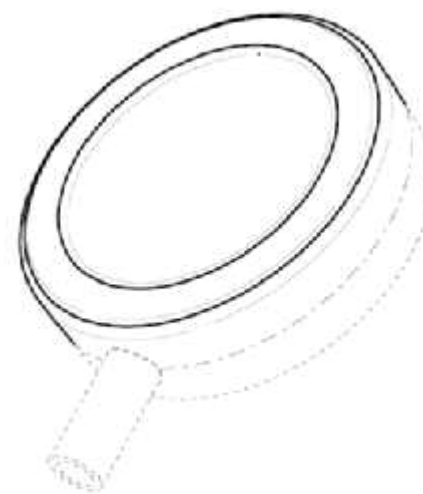




- (21) Design Number: **16640/2014**  
(22) Date of Filing Application: **22 December 2014**  
(24) Date from which industrial property rights may have effect: **22 December 2014**  
(54) Product in respect of which the design is registered: **Waterproof enclosure generic**  
(51) International Design Classification: **09-03NES**  
(74) Name(s) of Attorney(s):  
(71) Name(s) and Address(s) of Applicant(s):  
**Ocean Vision Environmental Research Pty Ltd**  
**75 Glanton Way Dianella WA 6059 Australia**  
(72) Name(s) of Designer(s): **Matthew James Harvey and Nicholas Dobson**  
(45) Registration Date: **12 May 2015**  
(56) Related Art Documents: **Not Applicable**  
(57) Statement of Newness and Distinctiveness: **Newness and distinctiveness is claimed in the shape and configuration of those features of the waterproof enclosure generic depicted by means of solid lines in the representations, including without limitation the finned & slotted casing, the bolted front cover with its cap screws (some with a rubber bumper), removable lid and rotating catches, the blank end panels and the handles to facilitate handling and provide protection for the end panels.**



- (21) Design Number: **10713/2015**  
(22) Date of Filing Application: **11 February 2015**  
(24) Date from which industrial property rights may have effect: **11 February 2015**  
(54) Product in respect of which the design is registered: **Charger**  
(51) International Design Classification: **13-02**  
(74) Name(s) of Attorney(s): **Freehills Patent Attorneys**  
(71) Name(s) and Address(s) of Applicant(s):  
**Apple Inc.**  
**1 Infinite Loop Cupertino California 95014 United States of America**  
(72) Name(s) of Designer(s): **Jody Akana and Bartley K. Andre and Shota Aoyagi and Anthony Michael Ashcroft and Jeremy Bataillou and Daniel J. Coster and Daniele De Iuliis and M. Evans Hankey and Julian Hoenig and Richard P. Howarth and Jonathan P. Ive and Duncan Robert Kerr and Marc A. Newson and Matthew Dean Rohrbach and Peter Russell-Clarke and Benjamin Andrew Shaffer and Mikael Silvanto and Christopher J. Stringer and Eugene Antony Whang and Rico Zorkendorfer**  
(45) Registration Date: **12 May 2015**  
(30) Convention priority data:  
(31) Number      (32) Date      (33) Country  
**29/498998      11 Aug 2014      UNITED STATES OF AMERICA**  
(56) Related Art Documents: **Not Applicable**  
(57) Statement of Newness and Distinctiveness: **Newness and distinctiveness of the design reside in the shape and configuration as shown in solid outline in the accompanying representations.**



- (21) Design Number: **12446/2015**  
(22) Date of Filing Application: **11 February 2015**  
(24) Date from which industrial property rights may have effect: **11 February 2015**  
(54) Product in respect of which the design is registered: **Charger**  
(51) International Design Classification: **13-02**  
(74) Name(s) of Attorney(s): **Freehills Patent Attorneys**  
(71) Name(s) and Address(s) of Applicant(s):

**Apple Inc.**

**1 Infinite Loop Cupertino California 95014 United States of America**

- (72) Name(s) of Designer(s): **Jody Akana and Bartley K. Andre and Shota Aoyagi and Anthony Michael Ashcroft and Jeremy Bataillou and Daniel J. Coster and Daniele De Iuliis and M. Evans Hankey and Julian Hoenig and Richard P. Howarth and Jonathan P. Ive and Duncan Robert Kerr and Marc A. Newson and Matthew Dean Rohrbach and Peter Russell-Clarke and Benjamin Andrew Shaffer and Mikael Silvanto and Christopher J. Stringer and Eugene Antony Whang and Rico Zorkendorfer**

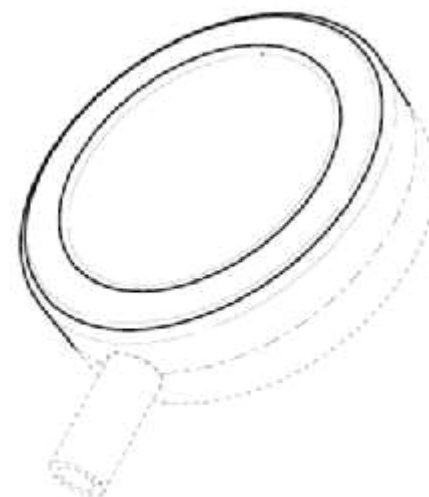
- (45) Registration Date: **12 May 2015**

- (30) Convention priority data:

(31) Number	(32) Date	(33) Country
<b>29/498998</b>	<b>11 Aug 2014</b>	<b>UNITED STATES OF AMERICA</b>

- (56) Related Art Documents: **Not Applicable**

- (57) Statement of Newness and Distinctiveness: **Newness and distinctiveness of the design reside in the shape and configuration as shown in solid outline in the accompanying representations.**



- (21) Design Number: **16642/2014**  
(22) Date of Filing Application: **22 December 2014**  
(24) Date from which industrial property rights may have effect: **22 December 2014**  
(54) Product in respect of which the design is registered: **Waterproof enclosure**  
(51) International Design Classification: **09-03NES**  
(74) Name(s) of Attorney(s):  
(71) Name(s) and Address(s) of Applicant(s):

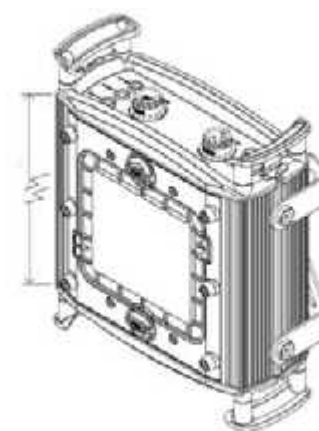
**Ocean Vision Environmental Research Pty Ltd**  
**75 Glanton Way Dianella WA 6059 Australia**

- (72) Name(s) of Designer(s): **Matthew James Harvey and Nicholas Dobson**

- (45) Registration Date: **12 May 2015**

- (56) Related Art Documents: **Not Applicable**

- (57) Statement of Newness and Distinctiveness: **Newness and distinctiveness is claimed in the shape and configuration of those features of the waterproof enclosure depicted by means of solid lines in the representations, including without limitation the finned and slotted casing, the bolted front cover with its cap screws (some with a rubber bumper), removable lid and rotating catches, the handles to facilitate handling and provide protection for connectors and other fittings (which do not form part of the present design) on the end panels and the four-legged mounting frame. Elements depicted in dotted lines do not form part of the design.**



(21) Design Number: **10546/2015**  
(22) Date of Filing Application: **02 February 2015**  
(24) Date from which industrial property rights may have effect: **02 February 2015**  
(54) Product in respect of which the design is registered: **Champagne stopper**  
(51) International Design Classification: **09-07C**  
(74) Name(s) of Attorney(s):  
(71) Name(s) and Address(s) of Applicant(s):  
**Broplenty Pty Ltd**  
**PO BOX 1927 Sunshine Plaza QLD 4558 Australia**  
(72) Name(s) of Designer(s): **Jane Brown**  
(45) Registration Date: **13 May 2015**  
(56) Related Art Documents: **Not Applicable**  
(57) Statement of Newness and Distinctiveness: **Rectangle and or square shaped diamantes completely cover the entire champagne stopper, all around the circumference and on the top edge of the champagne stopper. A large round diamante stone is on top of the push down button. The diamantes can vary in size, colour and shape.**



(21) Design Number: **11947/2015**  
(22) Date of Filing Application: **13 April 2015**  
(24) Date from which industrial property rights may have effect: **13 April 2015**  
(54) Product in respect of which the design is registered: **Lighting equipment for vehicles**  
(51) International Design Classification: **26-06**  
(74) Name(s) of Attorney(s): **Acacia Law**  
(71) Name(s) and Address(s) of Applicant(s):  
**Vision X Asia Co., Ltd**  
**23-7, Dongtansandan 9-gil Dongtan-myeon Hwaseong-si Gyeonggi-do**  
**445-811 Republic of Korea**  
**In-Hong Ko**  
**No. A-2803, Daelim Acrovill 13, Eonju-ro 30-gil Gangnam-ku Seoul**  
**135-856 Republic of Korea**  
(72) Name(s) of Designer(s): **In-Hong Ko**  
(45) Registration Date: **13 May 2015**  
(30) Convention priority data:  
(31) Number      (32) Date      (33) Country  
**30-2014-0051742   29 Oct 2014      REPUBLIC OF KOREA**  
(56) Related Art Documents: **Not Applicable**  
(57) Statement of Newness and Distinctiveness: **Novelty lies in the combination of shape and configuration of the body and lens cover for lighting equipment for vehicles, particularly the shape of the radiation fins formed in the body and the shape of the lens cover, and bracket.**



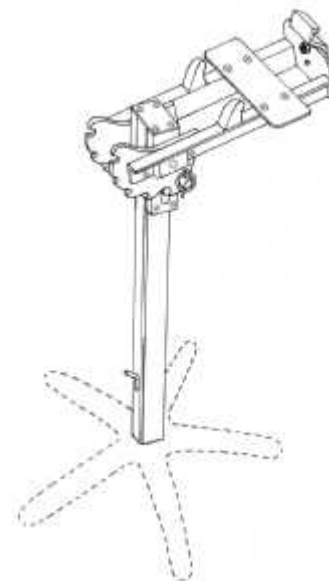
- (21) Design Number: **11948/2015**  
(22) Date of Filing Application: **13 April 2015**  
(24) Date from which industrial property rights may have effect: **13 April 2015**  
(54) Product in respect of which the design is registered: **Lighting equipment for vehicles**  
(51) International Design Classification: **26-06**  
(74) Name(s) of Attorney(s): **Acacia Law**  
(71) Name(s) and Address(s) of Applicant(s):  
**Vision X Asia Co., Ltd**  
**23-7, Dongtansandan 9-gil Dongtan-myeon Hwaseong-si Gyeonggi-do**  
**445-811 Republic of Korea**  
**In-Hong Ko**  
**No. A-2803, Daelim Acrovill 13, Eonju-ro 30-gil Gangnam-ku Seoul**  
**135-856 Republic of Korea**  
(72) Name(s) of Designer(s): **In-Hong Ko**  
(45) Registration Date: **13 May 2015**  
(30) Convention priority data:  
(31) Number (32) Date (33) Country  
**30-2014-0051743 29 Oct 2014 REPUBLIC OF KOREA**  
(56) Related Art Documents: **Not Applicable**  
(57) Statement of Newness and Distinctiveness: **Novelty lies in the combination of shape and configuration of the body and lens cover for lighting equipment for vehicles, particularly the shape of the radiation fins formed in the body and the shape of the lens cover, and bracket.**



- (21) Design Number: **10926/2015**  
(22) Date of Filing Application: **20 February 2015**  
(24) Date from which industrial property rights may have effect: **20 February 2015**  
(54) Product in respect of which the design is registered: **Lubricant pack**  
(51) International Design Classification: **09-01B**  
(74) Name(s) of Attorney(s): **Davies Collison Cave**  
(71) Name(s) and Address(s) of Applicant(s):  
**Petroliam Nasional Berhad (Petronas)**  
**Tower 1, Petronas Twin Towers Kuala Lumpur City Centre Kuala Lumpur**  
**50088 Malaysia**  
(72) Name(s) of Designer(s): **Tim Arrowsmith**  
(45) Registration Date: **14 May 2015**  
(30) Convention priority data:  
(31) Number (32) Date (33) Country  
**14-01575-020 19 Dec 2014 MALAYSIA**  
(56) Related Art Documents: **Not Applicable**  
(57) Statement of Newness and Distinctiveness: **The novelty in the design resides in the features of shape and configuration applied to the article as shown in the representations.**



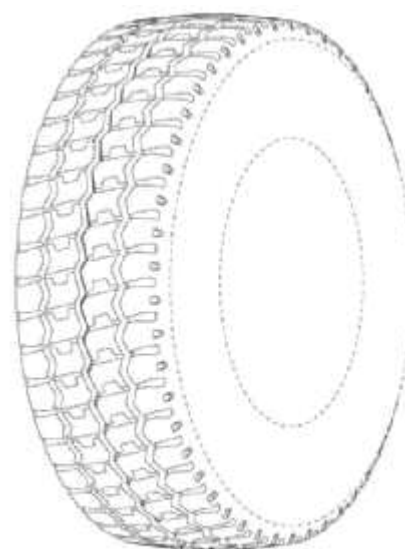
- (21) Design Number: **11107/2015**  
(22) Date of Filing Application: **27 February 2015**  
(24) Date from which industrial property rights may have effect: **27 February 2015**  
(54) Product in respect of which the design is registered: **Bucket stand**  
(51) International Design Classification: **08-05NES**  
(74) Name(s) of Attorney(s):  
(71) Name(s) and Address(s) of Applicant(s):  
    **C M Holliday**  
    **72 John Robb Way Cudgen NSW 2487 Australia**  
    **G F Holliday**  
    **72 John Robb Way Cudgen NSW 2487 Australia**  
(72) Name(s) of Designer(s): **Gary Holliday**  
(45) Registration Date: **14 May 2015**  
(56) Related Art Documents: **Not Applicable**  
(57) Statement of Newness and Distinctiveness: **A statement of newness and distinctiveness is presented for this Tilt-able platform bucket stands with multi-position settings's overall design and configuration. No statement of newness and distenctivness is presented for the Tilt-able platform bucket stands with multi-position settings's base component.**



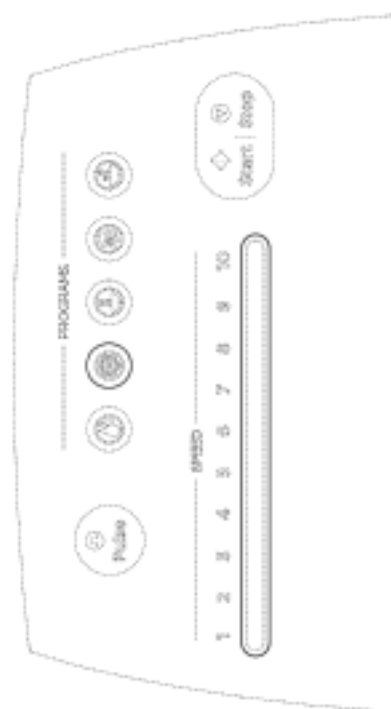
- (21) Design Number: **11959/2015**  
(22) Date of Filing Application: **13 April 2015**  
(24) Date from which industrial property rights may have effect: **13 April 2015**  
(54) Product in respect of which the design is registered: **Lighting equipment for vehicles**  
(51) International Design Classification: **26-06**  
(74) Name(s) of Attorney(s): **Acacia Law**  
(71) Name(s) and Address(s) of Applicant(s):  
    **Vision X Asia Co., Ltd**  
    **23-7, Dongtansandan 9-gil Dongtan-myeon Hwaseong-si Gyeonggi-do**  
    **445-811 Republic of Korea**  
    **In-Hong Ko**  
    **No. A-2803, Daelim Acrovill 13, Eonju-ro 30-gil Gangnam-ku Seoul**  
    **135-856 Republic of Korea**  
(72) Name(s) of Designer(s): **In-Hong Ko**  
(45) Registration Date: **14 May 2015**  
(30) Convention priority data:  
    (31) Number      (32) Date      (33) Country  
    **30-2014-0060765 12 Dec 2014      REPUBLIC OF KOREA**  
(56) Related Art Documents: **Not Applicable**  
(57) Statement of Newness and Distinctiveness: **Novelty lies in the combination of shape and configuration of the body and lens cover for lighting equipment for vehicles, particularly the shape of the radiation fins formed in the body and the shape of the lens cover, and bracket.**



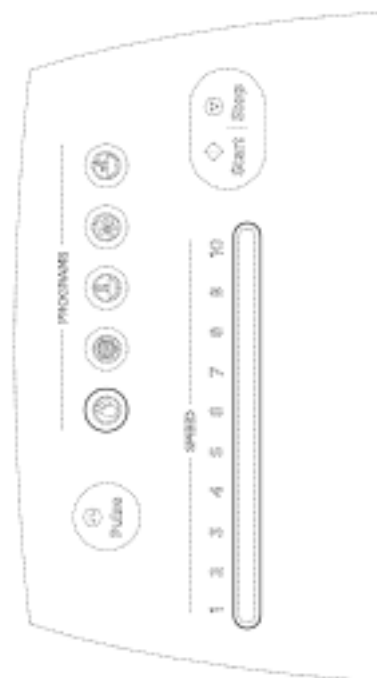
(21) Design Number: **11960/2015**  
(22) Date of Filing Application: **13 April 2015**  
(24) Date from which industrial property rights may have effect: **13 April 2015**  
(54) Product in respect of which the design is registered: **A tyre**  
(51) International Design Classification: **12-15A**  
(74) Name(s) of Attorney(s): **WATERMARK PATENT AND TRADE MARKS ATTORNEYS**  
(71) Name(s) and Address(s) of Applicant(s):  
**COMPAGNIE GENERALE DES ETABLISSEMENTS MICHELIN**  
**12 cours Sablon Clermont-Ferrand 63000 France**  
**Michelin Recherche et Technique S.A.**  
**Route Louis-Braille 10 Granges-Paccot 1763 Switzerland**  
(72) Name(s) of Designer(s): **David Pressley and William Hudek**  
(45) Registration Date: **14 May 2015**  
(30) Convention priority data:  
(31) Number (32) Date (33) Country  
**29/510,289 26 Nov 2014 UNITED STATES OF AMERICA**  
(56) Related Art Documents: **Not Applicable**  
(57) Statement of Newness and Distinctiveness: **Newness and distinctiveness resides in the appearance of the tread region of the tyre, the remainder of the tyre not forming part of the design.**



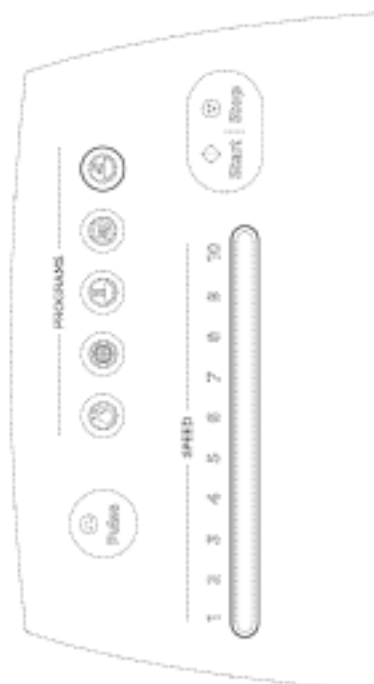
(21) Design Number: **11961/2015**  
(22) Date of Filing Application: **13 April 2015**  
(24) Date from which industrial property rights may have effect: **13 April 2015**  
(54) Product in respect of which the design is registered: **Touch faceplate**  
(51) International Design Classification: **13-03NES**  
(74) Name(s) of Attorney(s): **Spruson & Ferguson**  
(71) Name(s) and Address(s) of Applicant(s):  
**Vita-Mix Corporation**  
**8615 Usher Road Olmsted Falls Ohio 44138 United States of America**  
(72) Name(s) of Designer(s): **Jack Warren Gee II**  
(45) Registration Date: **14 May 2015**  
(30) Convention priority data:  
(31) Number (32) Date (33) Country  
**29/506051 13 Oct 2014 UNITED STATES OF AMERICA**  
(56) Related Art Documents: **Not Applicable**  
(57) Statement of Newness and Distinctiveness: **Newness and distinctiveness is claimed in those features of pattern and/or ornamentation of a touch faceplate illustrated in continuous lines in the accompanying representation.**



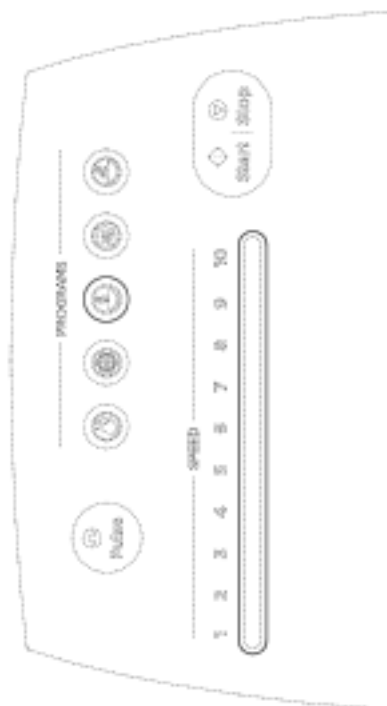
- (21) Design Number: **11962/2015**  
(22) Date of Filing Application: **13 April 2015**  
(24) Date from which industrial property rights may have effect: **13 April 2015**  
(54) Product in respect of which the design is registered: **Touch faceplate**  
(51) International Design Classification: **13-03NES**  
(74) Name(s) of Attorney(s): **Spruson & Ferguson**  
(71) Name(s) and Address(s) of Applicant(s):  
**Vita-Mix Corporation**  
**8615 Usher Road Olmsted Falls Ohio 44138 United States of America**  
(72) Name(s) of Designer(s): **Jack Warren Gee II**  
(45) Registration Date: **14 May 2015**  
(30) Convention priority data:  
(31) Number (32) Date (33) Country  
**29/506051 13 Oct 2014 UNITED STATES OF AMERICA**  
(56) Related Art Documents: **Not Applicable**  
(57) Statement of Newness and Distinctiveness: **Newness and distinctiveness is claimed in those features of pattern and/or ornamentation of a touch faceplate illustrated in continuous lines in the accompanying representation.**



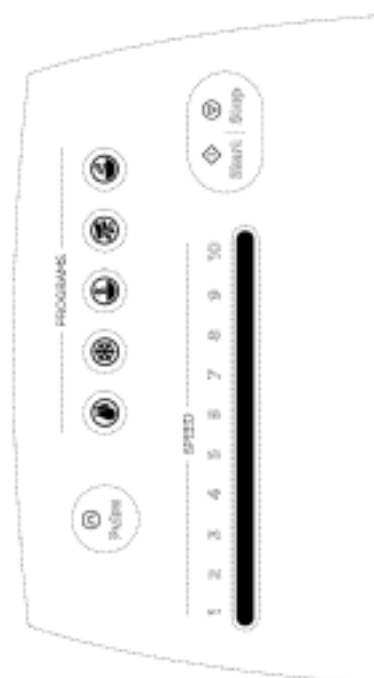
- (21) Design Number: **11963/2015**  
(22) Date of Filing Application: **13 April 2015**  
(24) Date from which industrial property rights may have effect: **13 April 2015**  
(54) Product in respect of which the design is registered: **Touch faceplate**  
(51) International Design Classification: **13-03NES**  
(74) Name(s) of Attorney(s): **Spruson & Ferguson**  
(71) Name(s) and Address(s) of Applicant(s):  
**Vita-Mix Corporation**  
**8615 Usher Road Olmsted Falls Ohio 44138 United States of America**  
(72) Name(s) of Designer(s): **Jack Warren Gee II**  
(45) Registration Date: **14 May 2015**  
(30) Convention priority data:  
(31) Number (32) Date (33) Country  
**29/506051 13 Oct 2014 UNITED STATES OF AMERICA**  
(56) Related Art Documents: **Not Applicable**  
(57) Statement of Newness and Distinctiveness: **Newness and distinctiveness is claimed in those features of pattern and/or ornamentation of a touch faceplate illustrated in continuous lines in the accompanying representation.**



- (21) Design Number: **11964/2015**  
(22) Date of Filing Application: **13 April 2015**  
(24) Date from which industrial property rights may have effect: **13 April 2015**  
(54) Product in respect of which the design is registered: **Touch faceplate**  
(51) International Design Classification: **13-03NES**  
(74) Name(s) of Attorney(s): **Spruson & Ferguson**  
(71) Name(s) and Address(s) of Applicant(s):  
**Vita-Mix Corporation**  
**8615 Usher Road Olmsted Falls Ohio 44138 United States of America**  
(72) Name(s) of Designer(s): **Jack Warren Gee II**  
(45) Registration Date: **14 May 2015**  
(30) Convention priority data:  
(31) Number (32) Date (33) Country  
**29/506051 13 Oct 2014 UNITED STATES OF AMERICA**  
(56) Related Art Documents: **Not Applicable**  
(57) Statement of Newness and Distinctiveness: **Newness and distinctiveness is claimed in those features of pattern and/or ornamentation of a touch faceplate illustrated in continuous lines in the accompanying representation.**

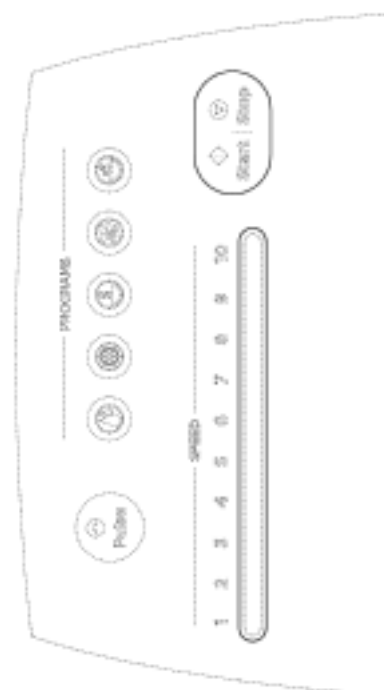


- (21) Design Number: **11965/2015**  
(22) Date of Filing Application: **13 April 2015**  
(24) Date from which industrial property rights may have effect: **13 April 2015**  
(54) Product in respect of which the design is registered: **Touch faceplate**  
(51) International Design Classification: **13-03NES**  
(74) Name(s) of Attorney(s): **Spruson & Ferguson**  
(71) Name(s) and Address(s) of Applicant(s):  
**Vita-Mix Corporation**  
**8615 Usher Road Olmsted Falls Ohio 44138 United States of America**  
(72) Name(s) of Designer(s): **Jack Warren Gee II**  
(45) Registration Date: **14 May 2015**  
(30) Convention priority data:  
(31) Number (32) Date (33) Country  
**29/506051 13 Oct 2014 UNITED STATES OF AMERICA**  
(56) Related Art Documents: **Not Applicable**  
(57) Statement of Newness and Distinctiveness: **Newness and distinctiveness is claimed in those features of pattern and/or ornamentation of a touch faceplate illustrated in continuous lines in the accompanying representation.**

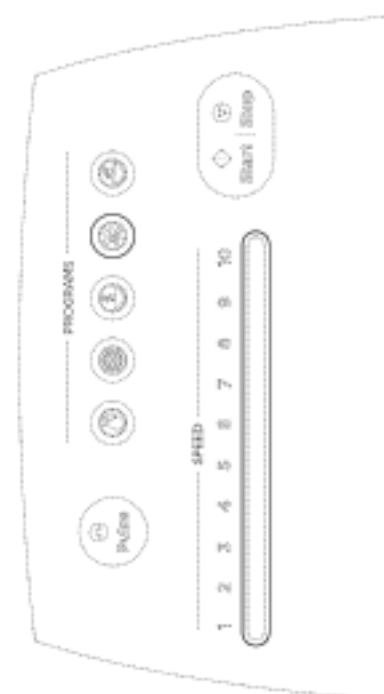




- (21) Design Number: **11966/2015**  
(22) Date of Filing Application: **13 April 2015**  
(24) Date from which industrial property rights may have effect: **13 April 2015**  
(54) Product in respect of which the design is registered: **Touch faceplate**  
(51) International Design Classification: **13-03NES**  
(74) Name(s) of Attorney(s): **Spruson & Ferguson**  
(71) Name(s) and Address(s) of Applicant(s):  
**Vita-Mix Corporation**  
**8615 Usher Road Olmsted Falls Ohio 44138 United States of America**  
(72) Name(s) of Designer(s): **Jack Warren Gee II**  
(45) Registration Date: **14 May 2015**  
(30) Convention priority data:  
(31) Number (32) Date (33) Country  
**29/506051 13 Oct 2014 UNITED STATES OF AMERICA**  
(56) Related Art Documents: **Not Applicable**  
(57) Statement of Newness and Distinctiveness: **Newness and distinctiveness is claimed in those features of pattern and/or ornamentation of a touch faceplate illustrated in continuous lines in the accompanying representation.**



- (21) Design Number: **11968/2015**  
(22) Date of Filing Application: **13 April 2015**  
(24) Date from which industrial property rights may have effect: **13 April 2015**  
(54) Product in respect of which the design is registered: **Touch faceplate**  
(51) International Design Classification: **13-03NES**  
(74) Name(s) of Attorney(s): **Spruson & Ferguson**  
(71) Name(s) and Address(s) of Applicant(s):  
**Vita-Mix Corporation**  
**8615 Usher Road Olmsted Falls Ohio 44138 United States of America**  
(72) Name(s) of Designer(s): **Jack Warren Gee II**  
(45) Registration Date: **14 May 2015**  
(30) Convention priority data:  
(31) Number (32) Date (33) Country  
**29/506051 13 Oct 2014 UNITED STATES OF AMERICA**  
(56) Related Art Documents: **Not Applicable**  
(57) Statement of Newness and Distinctiveness: **Newness and distinctiveness is claimed in those features of pattern and/or ornamentation of a touch faceplate illustrated in continuous lines in the accompanying representation.**



(21) Design Number: **11980/2015**

(22) Date of Filing Application: **14 April 2015**

(24) Date from which industrial property rights may have effect: **14 April 2015**

(54) Product in respect of which the design is registered: **Construction toy block**

(51) International Design Classification: **21-01E**

(74) Name(s) of Attorney(s): **Adams Pluck**

(71) Name(s) and Address(s) of Applicant(s):

**Bon Bon Buddies Limited**  
**One Foxes Lane Oakdale Business Park Blackwood South Wales NP12**  
**4AB United Kingdom**

(72) Name(s) of Designer(s): **Christopher Facey and Louise Purcell**

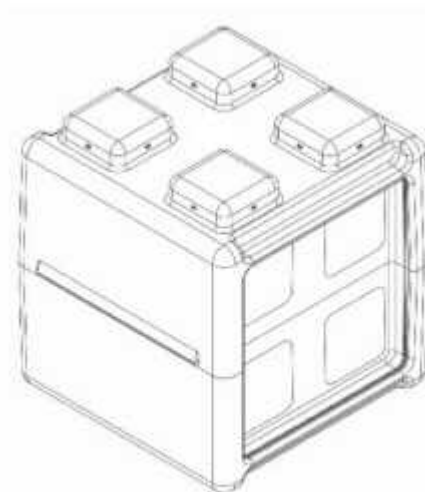
(45) Registration Date: **14 May 2015**

(30) Convention priority data:

(31) Number	(32) Date	(33) Country
<b>002558346-0001</b>	<b>16 Oct 2014</b>	<b>OFFICE FOR HARMONISATION IN THE INTERNAL MARKET (OHIM)</b>

(56) Related Art Documents: **Not Applicable**

(57) Statement of Newness and Distinctiveness: **Nil**



(21) Design Number: **11981/2015**

(22) Date of Filing Application: **14 April 2015**

(24) Date from which industrial property rights may have effect: **14 April 2015**

(54) Product in respect of which the design is registered: **Control panels for toilets and/or urinals**

(51) International Design Classification: **23-02C**

(74) Name(s) of Attorney(s): **Fisher Adams Kelly Pty Ltd**

(71) Name(s) and Address(s) of Applicant(s):

**Geberit International AG**  
**Schachenstrasse 77 Jona 8645 Switzerland**

(72) Name(s) of Designer(s): **Christoph Behling**

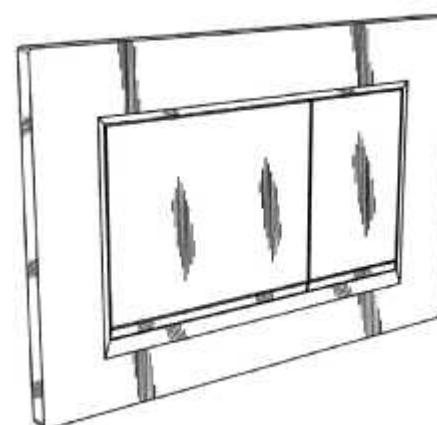
(45) Registration Date: **14 May 2015**

(30) Convention priority data:

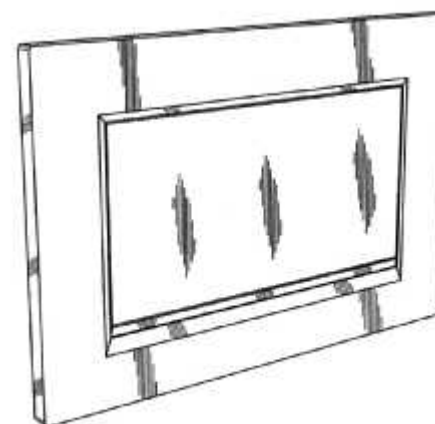
(31) Number	(32) Date	(33) Country
<b>854903801</b>	<b>26 Nov 2014</b>	<b>WORLD INTELLECTUAL PROPERTY ORGANIZATION (WIPO)</b>

(56) Related Art Documents: **Not Applicable**

(57) Statement of Newness and Distinctiveness: **The newness and distinctiveness of the design resides in the shape and/or configuration of a control panel for toilets and/or urinals as shown in the accompanying representations.**

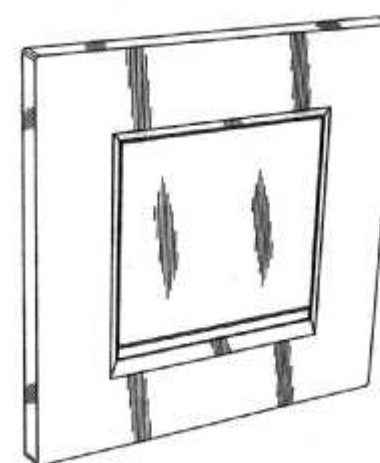


(21) Design Number: **11982/2015**  
(22) Date of Filing Application: **14 April 2015**  
(24) Date from which industrial property rights may have effect: **14 April 2015**  
(54) Product in respect of which the design is registered: **Control panels for toilet and/or urinals**  
(51) International Design Classification: **23-02C**  
(74) Name(s) of Attorney(s): **Fisher Adams Kelly Pty Ltd**  
(71) Name(s) and Address(s) of Applicant(s):  
**Geberit International AG**  
**Schachenstrasse 77 Jona 8645 Switzerland**  
(72) Name(s) of Designer(s): **Christoph Behling**  
(45) Registration Date: **14 May 2015**  
(30) Convention priority data:  
(31) Number (32) Date (33) Country  
**854903801 26 Nov 2014 WORLD INTELLECTUAL**  
**PROPERTY ORGANIZATION**  
**(WIPO)**



(56) Related Art Documents: **Not Applicable**  
(57) Statement of Newness and Distinctiveness: **The newness and distinctiveness of the design resides in the shape and/or configuration of a control panel for toilets and/or urinals as shown in the accompanying representations**

(21) Design Number: **11983/2015**  
(22) Date of Filing Application: **14 April 2015**  
(24) Date from which industrial property rights may have effect: **14 April 2015**  
(54) Product in respect of which the design is registered: **Control panels for toilets and/or urinals**  
(51) International Design Classification: **23-02C**  
(74) Name(s) of Attorney(s): **Fisher Adams Kelly Pty Ltd**  
(71) Name(s) and Address(s) of Applicant(s):  
**Geberit International AG**  
**Schachenstrasse 77 Jona 8645 Switzerland**  
(72) Name(s) of Designer(s): **Christoph Behling**  
(45) Registration Date: **14 May 2015**  
(30) Convention priority data:  
(31) Number (32) Date (33) Country  
**854903801 26 Nov 2014 WORLD INTELLECTUAL**  
**PROPERTY ORGANIZATION**  
**(WIPO)**

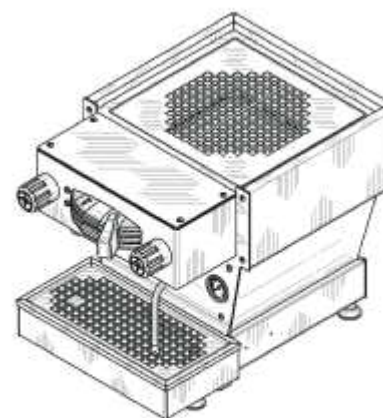


(56) Related Art Documents: **Not Applicable**  
(57) Statement of Newness and Distinctiveness: **The newness and distinctiveness of the design resides in the shape and/or configuration of a control panel for toilets and/or urinals as shown in the accompanying representations**

(21) Design Number: **11984/2015**  
(22) Date of Filing Application: **14 April 2015**  
(24) Date from which industrial property rights may have effect: **14 April 2015**  
(54) Product in respect of which the design is registered: **Striped glove**  
(51) International Design Classification: **02-06**  
(74) Name(s) of Attorney(s): **Spruson & Ferguson**  
(71) Name(s) and Address(s) of Applicant(s):  
**Ansell Limited**  
**L3 678 Victoria St Richmond VIC 3121 Australia**  
(72) Name(s) of Designer(s): **Amani Mathota and Santhushta Rathnaweera Rathnaweera Pattabendige**  
(45) Registration Date: **14 May 2015**  
(30) Convention priority data:  
(31) Number (32) Date (33) Country  
**29/506252 14 Oct 2014 UNITED STATES OF AMERICA**  
(56) Related Art Documents: **Not Applicable**  
(57) Statement of Newness and Distinctiveness: **Newness and distinctiveness is claimed in those features of pattern and/or ornamentation of a striped glove illustrated in continuous lines in the accompanying representations.**



(21) Design Number: **11985/2015**  
(22) Date of Filing Application: **14 April 2015**  
(24) Date from which industrial property rights may have effect: **14 April 2015**  
(54) Product in respect of which the design is registered: **Coffee machine**  
(51) International Design Classification: **07-02L**  
(74) Name(s) of Attorney(s): **Griffith Hack**  
(71) Name(s) and Address(s) of Applicant(s):  
**LA MARZOCCO S.r.l.**  
**Via La Torre 14/H Scarperia 50038 Italy**  
(72) Name(s) of Designer(s): **Piero Bambi**  
(45) Registration Date: **14 May 2015**  
(30) Convention priority data:  
(31) Number (32) Date (33) Country  
**002563080 23 Oct 2014 OFFICE FOR HARMONISATION IN THE INTERNAL MARKET (OHIM)**  
(56) Related Art Documents: **Not Applicable**  
(57) Statement of Newness and Distinctiveness: **Newness and distinctiveness resides in the visual features, including the shape and configuration of the product shown in the representations. The shading lines have been included for illustrative purposes and do not form any part of the design.**



(21) Design Number: **11987/2015**

(22) Date of Filing Application: **14 April 2015**

(24) Date from which industrial property rights may have effect: **14 April 2015**

(54) Product in respect of which the design is registered: **Toilet stool**

(51) International Design Classification: **23-02C, 06-06H**

(74) Name(s) of Attorney(s):

(71) Name(s) and Address(s) of Applicant(s):

**Henner Jahns**

**c/o Lawson & Tarver 880 Apollo Street Suite 301 El Segundo California  
90245 United States of America**

(72) Name(s) of Designer(s): **Henner Jahns**

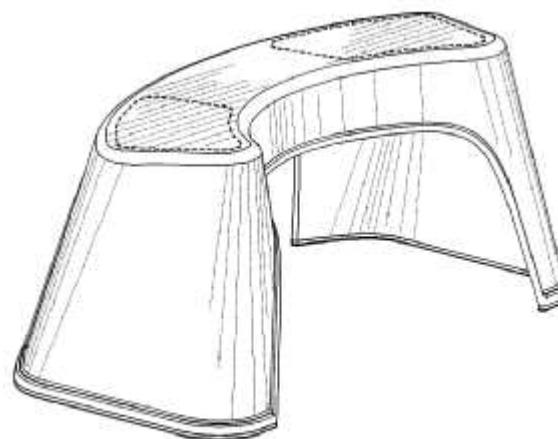
(45) Registration Date: **14 May 2015**

(30) Convention priority data:

(31) Number	(32) Date	(33) Country
<b>29/506,555</b>	<b>16 Oct 2014</b>	<b>UNITED STATES OF AMERICA</b>

(56) Related Art Documents: **Not Applicable**

(57) Statement of Newness and Distinctiveness: **The shape and configuration of a toilet stool as depicted in the accompanying representations without regard to the foot pads shown in broken line in Figures 1, 3 and 5 and without regard to the structural ribbing shown in broken line in Figure 6.**



(21) Design Number: **11988/2015**

(22) Date of Filing Application: **14 April 2015**

(24) Date from which industrial property rights may have effect: **14 April 2015**

(54) Product in respect of which the design is registered: **Table**

(51) International Design Classification: **06-03B**

(74) Name(s) of Attorney(s):

(71) Name(s) and Address(s) of Applicant(s):

**Kate Stokes**

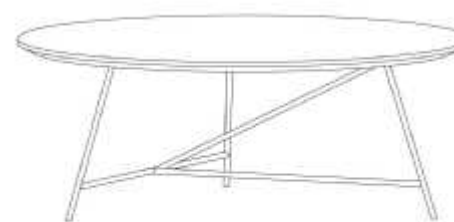
**15-25 Keele St Collingwood VIC 3066 Australia**

(72) Name(s) of Designer(s): **Kate Stokes**

(45) Registration Date: **14 May 2015**

(56) Related Art Documents: **Not Applicable**

(57) Statement of Newness and Distinctiveness: **The newness and distinctiveness of the design resides in the shape of the table as shown in the continuous lines in the accompanying representations. The broken lines are not part of the design and are to be disregarded when considering the overall impression of the design.**



- (21) Design Number: **11989/2015**  
(22) Date of Filing Application: **14 April 2015**  
(24) Date from which industrial property rights may have effect: **14 April 2015**  
(54) Product in respect of which the design is registered: **Electronic device**  
(51) International Design Classification: **14-02**  
(74) Name(s) of Attorney(s): **Freehills Patent Attorneys**  
(71) Name(s) and Address(s) of Applicant(s):  
**Apple Inc.**  
**1 Infinite Loop Cupertino California 95014 United States of America**  
(72) Name(s) of Designer(s): **Jody Akana and Bartley K. Andre and Shota Aoyagi and Jeremy Bataillou and Daniel J. Coster and Daniele De Iuliis and M. Evans Hankey and Julian Hoenig and Richard P. Howarth and Jonathan P. Ive and Duncan Robert Kerr and Matthew Dean Rohrbach and Peter Russell-Clarke and Mikael Silvano and Christopher J. Stringer and Eugene Antony Whang and Rico Zorkendorfer**  
(45) Registration Date: **14 May 2015**  
(30) Convention priority data:  
(31) Number (32) Date (33) Country  
**29/506402 15 Oct 2014 UNITED STATES OF AMERICA**  
(56) Related Art Documents: **Not Applicable**  
(57) Statement of Newness and Distinctiveness: **Newness and distinctiveness resides in the features of shape and configuration of an electronic device, and in particular in the thinness and the circular features on the bottom as shown in the accompanying drawings.**



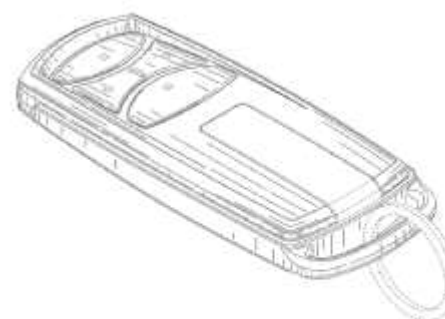
- (21) Design Number: **11990/2015**  
(22) Date of Filing Application: **14 April 2015**  
(24) Date from which industrial property rights may have effect: **14 April 2015**  
(54) Product in respect of which the design is registered: **A tyre**  
(51) International Design Classification: **12-15B**  
(74) Name(s) of Attorney(s): **Fisher Adams Kelly Pty Ltd**  
(71) Name(s) and Address(s) of Applicant(s):  
**Davanti Tyres Limited**  
**Unit 4 North Florida Road St Helens WA119UB United Kingdom**  
(72) Name(s) of Designer(s): **Ma Jingjing and Zhang Yixin and Wan Junrui and Liu Junjie and Ge Yingli**  
(45) Registration Date: **14 May 2015**  
(30) Convention priority data:  
(31) Number (32) Date (33) Country  
**002674952-0001 02 Apr 2015 UNITED KINGDOM**  
(56) Related Art Documents: **Not Applicable**  
(57) Statement of Newness and Distinctiveness: **Newness and distinctiveness resides in the appearance of the tread region of the tyre, the remainder of the tyre forms no part of the design.**



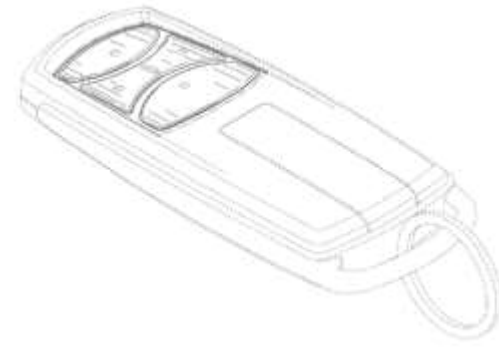
- (21) Design Number: **11992/2015**  
(22) Date of Filing Application: **14 April 2015**  
(24) Date from which industrial property rights may have effect: **14 April 2015**  
(54) Product in respect of which the design is registered: **A tyre**  
(51) International Design Classification: **12-15B**  
(74) Name(s) of Attorney(s): **Fisher Adams Kelly Pty Ltd**  
(71) Name(s) and Address(s) of Applicant(s):  
**Davanti Tyres Limited**  
**Unit 4 North Florida Road St Helens WA119UB United Kingdom**  
(72) Name(s) of Designer(s): **Zhao Hongling and Zhang Yixin and Wan Junrui and Liu Junjie and Ge Yingli**  
(45) Registration Date: **14 May 2015**  
(30) Convention priority data:  
(31) Number (32) Date (33) Country  
**002675041-0001 02 Apr 2015 UNITED KINGDOM**  
(56) Related Art Documents: **Not Applicable**  
(57) Statement of Newness and Distinctiveness: **Newness and distinctiveness resides in the appearance of the tread region of the tyre, the remainder of the tyre forms no part of the design.**



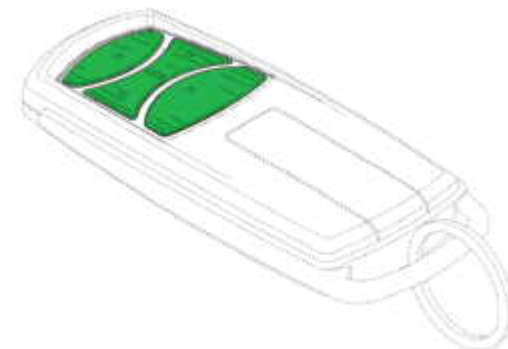
- (21) Design Number: **11995/2015**  
(22) Date of Filing Application: **14 April 2015**  
(24) Date from which industrial property rights may have effect: **14 April 2015**  
(54) Product in respect of which the design is registered: **Transmitter parts**  
(51) International Design Classification: **14-03NES**  
(74) Name(s) of Attorney(s): **Corrs Chambers Westgarth**  
(71) Name(s) and Address(s) of Applicant(s):  
**The Chamberlain Group, Inc.**  
**845 Larch Avenue Elmhurst Illinois 60126 United States of America**  
(72) Name(s) of Designer(s): **Jeremy Abel**  
(45) Registration Date: **14 May 2015**  
(56) Related Art Documents: **Not Applicable**  
(57) Statement of Newness and Distinctiveness: **Newness and distinctiveness is claimed in the shape and configuration of the transmitter and its parts shown in the representations in solid lines. The parts of the transmitter shown in broken lines depict unclaimed subject matter, are for illustrative purposes only, and do not form part of the claimed design**



- (21) Design Number: **11996/2015**  
(22) Date of Filing Application: **14 April 2015**  
(24) Date from which industrial property rights may have effect: **14 April 2015**  
(54) Product in respect of which the design is registered: **Transmitter parts**  
(51) International Design Classification: **14-03NES**  
(74) Name(s) of Attorney(s): **Corrs Chambers Westgarth**  
(71) Name(s) and Address(s) of Applicant(s):  
**The Chamberlain Group, Inc.**  
**845 Larch Avenue Elmhurst Illinois 60126 United States of America**  
(72) Name(s) of Designer(s): **Jeremy Abel**  
(45) Registration Date: **14 May 2015**  
(56) Related Art Documents: **Not Applicable**  
(57) Statement of Newness and Distinctiveness: **Newness and distinctiveness is claimed in the shape and configuration of the transmitter parts shown in the representations in solid lines. The parts of the transmitter shown in broken lines depict unclaimed subject matter, are for illustrative purposes only, and do not form part of the claimed design.**

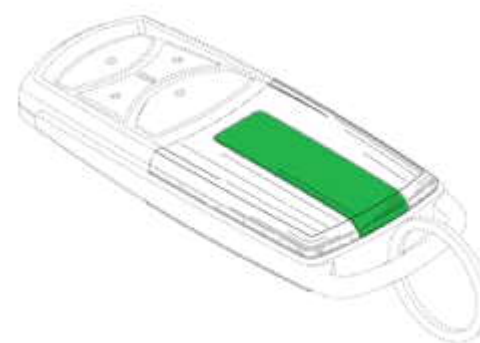


- (21) Design Number: **11997/2015**  
(22) Date of Filing Application: **14 April 2015**  
(24) Date from which industrial property rights may have effect: **14 April 2015**  
(54) Product in respect of which the design is registered: **Transmitter parts**  
(51) International Design Classification: **14-03NES**  
(74) Name(s) of Attorney(s): **Corrs Chambers Westgarth**  
(71) Name(s) and Address(s) of Applicant(s):  
**The Chamberlain Group, Inc.**  
**845 Larch Avenue Elmhurst Illinois 60126 United States of America**  
(72) Name(s) of Designer(s): **Jeremy Abel**  
(45) Registration Date: **14 May 2015**  
(56) Related Art Documents: **Not Applicable**  
(57) Statement of Newness and Distinctiveness: **Newness and distinctiveness is claimed in the colour, shape and configuration of the transmitter parts shown in the representations in solid lines. The parts of the transmitter shown in broken lines depict unclaimed subject matter, are for illustrative purposes only, and do not form part of the claimed design.**





- (21) Design Number: **11998/2015**  
(22) Date of Filing Application: **14 April 2015**  
(24) Date from which industrial property rights may have effect: **14 April 2015**  
(54) Product in respect of which the design is registered: **Transmitter parts**  
(51) International Design Classification: **14-03NES**  
(74) Name(s) of Attorney(s): **Corrs Chambers Westgarth**  
(71) Name(s) and Address(s) of Applicant(s):  
**The Chamberlain Group, Inc.**  
**845 Larch Avenue Elmhurst Illinois 60126 United States of America**  
(72) Name(s) of Designer(s): **Jeremy Abel**  
(45) Registration Date: **14 May 2015**  
(56) Related Art Documents: **Not Applicable**  
(57) Statement of Newness and Distinctiveness: **Newness and distinctiveness is claimed in the colour, shape and configuration of the transmitter parts shown in the representations in solid lines. The parts of the transmitter shown in broken lines depict unclaimed subject matter, are for illustrative purposes only, and do not form part of the claimed design**



- (21) Design Number: **12062/2015**  
(22) Date of Filing Application: **18 April 2015**  
(24) Date from which industrial property rights may have effect: **18 April 2015**  
(54) Product in respect of which the design is registered: **Socks**  
(51) International Design Classification: **02-04C**  
(74) Name(s) of Attorney(s):  
(71) Name(s) and Address(s) of Applicant(s):  
**BIG BLUE POINT AUSTRALIA PTY LTD**  
**PO BOX 180 Greensborough VIC 3088 Australia**  
(72) Name(s) of Designer(s): **Cheng Zu**  
(45) Registration Date: **14 May 2015**  
(56) Related Art Documents: **Not Applicable**  
(57) Statement of Newness and Distinctiveness: **Newness and distinctiveness is claimed in the features of pattern, ornamentation or configuration of the socks as shown in the accompanying representations. Monopoly is claimed in the shape of the blue shaded area of the socks as shown in the representations. The shape of the shaded area gives the socks a unique and distinctive appearance. The shaded blue area can be changed with a different pattern, image, and colour or array of colours. Summary The name of the Design is socks. The purpose of the Design is accessories wear on the foot. The key point of the Design is the combination of the products shape and the shape of the shaded area. The left side view and the right side view is symmetrical in shape, pattern, ornamentation or configuration. The best view to represent the Design is the Side View.**



(21) Design Number: **16694/2014**  
(22) Date of Filing Application: **24 December 2014**  
(24) Date from which industrial property rights may have effect: **24 December 2014**  
(54) Product in respect of which the design is registered: **Furniture**  
(51) International Design Classification: **06-03A**  
(74) Name(s) of Attorney(s):  
(71) Name(s) and Address(s) of Applicant(s):

**Ross Wilding**  
**C/- Patentec Patent Attorneys PO Box A1172 Sydney South NSW 1235**  
**Australia**

(72) Name(s) of Designer(s): **Ross Wilding**

(45) Registration Date: **15 May 2015**

(56) Related Art Documents: **Not Applicable**

(57) Statement of Newness and Distinctiveness: **The newness and distinctiveness of the design resides in the configuration of the bifurcated portions supporting the central nonlinear-edged portion, the bifurcated portions having inner nonlinear edges conforming to the outer nonlinear edges of the central portion. Preferably, the bifurcated portions are wooden and the central portion is glass and, further preferably, the bifurcated portions are thicker than the central portion so as to preferably display the natural surface of the inner facing edges of the wood of the bifurcated portions. The design is applicable to all furniture, such as doors and the like, and not necessarily the table as shown in the attached representations.**



(21) Design Number: **11165/2015**  
(22) Date of Filing Application: **03 March 2015**  
(24) Date from which industrial property rights may have effect: **03 March 2015**  
(54) Product in respect of which the design is registered: **Interlocking 1.5/2.0 ml tube rack with embedded magnets**  
(51) International Design Classification: **24-01**  
(74) Name(s) of Attorney(s):  
(71) Name(s) and Address(s) of Applicant(s):

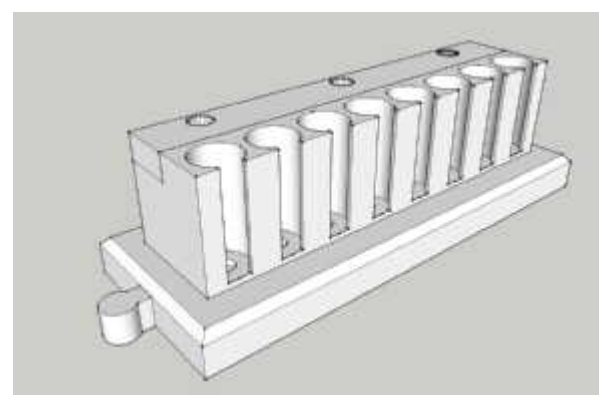
**Gareth Price**  
**56 Muir St Cannon Hill QLD 4170 Australia**

(72) Name(s) of Designer(s): **Gareth Price**

(45) Registration Date: **15 May 2015**

(56) Related Art Documents: **Not Applicable**

(57) Statement of Newness and Distinctiveness: **This magnetic rack is new in the design of linkers that act to stabilise linked units and provide of scalability of workload. It is distinctive in spacing of magnet cavities and cylindrical tube holder positions allowing for the use of expandable multi-channel pipettes. Finally, the range of colours is distinctive as it is used to align sample input and output for tracking purposes.**



(21) Design Number: **11909/2015**  
(22) Date of Filing Application: **10 April 2015**  
(24) Date from which industrial property rights may have effect: **10 April 2015**  
(54) Product in respect of which the design is registered: **An extrusion**  
(51) International Design Classification: **25-01K**  
(74) Name(s) of Attorney(s): **Baldwins**  
(71) Name(s) and Address(s) of Applicant(s):

**Peter Francis Kamphuis**  
**48 Krippner Road Puhoi 0951 New Zealand**

(72) Name(s) of Designer(s): **Peter Francis Kamphuis**

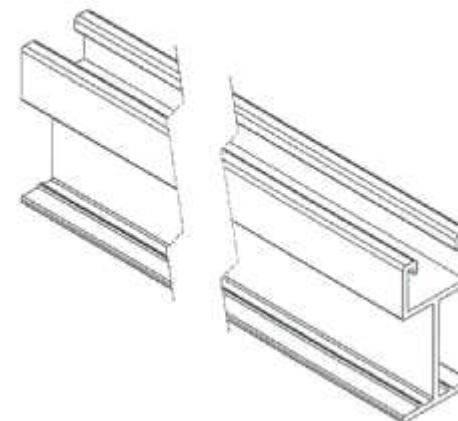
(45) Registration Date: **15 May 2015**

(30) Convention priority data:

(31) Number	(32) Date	(33) Country
<b>419475</b>	<b>22 Oct 2014</b>	<b>NEW ZEALAND</b>

(56) Related Art Documents: **Not Applicable**

(57) Statement of Newness and Distinctiveness: **The design is to be applied to AN EXTRUSION of indefinite length, and the novelty of the design resides in the features of shape and/or configuration of the article as shown in the accompanying representations.**



(21) Design Number: **11912/2015**  
(22) Date of Filing Application: **10 April 2015**  
(24) Date from which industrial property rights may have effect: **10 April 2015**  
(54) Product in respect of which the design is registered: **Table**  
(51) International Design Classification: **06-03A**  
(74) Name(s) of Attorney(s): **PATENT ATTORNEY SERVICES**  
(71) Name(s) and Address(s) of Applicant(s):

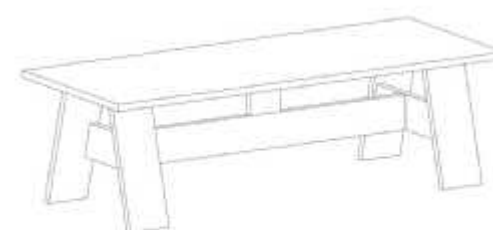
**e15 Design und Distributions GmbH**  
**Gwinnerstrasse 40-46 Frankfurt am Main 60388 Germany**

(72) Name(s) of Designer(s): **David Chipperfield**

(45) Registration Date: **15 May 2015**

(56) Related Art Documents: **Not Applicable**

(57) Statement of Newness and Distinctiveness: **Visual features of the design which are new and distinctive are the features of shape and configuration of the table as shown in the representations.**



- (21) Design Number: **11913/2015**  
(22) Date of Filing Application: **10 April 2015**  
(24) Date from which industrial property rights may have effect: **10 April 2015**  
(54) Product in respect of which the design is registered: **Stool**  
(51) International Design Classification: **06-01E**  
(74) Name(s) of Attorney(s): **PATENT ATTORNEY SERVICES**  
(71) Name(s) and Address(s) of Applicant(s):  
**e15 Design und Distributions GmbH**  
**Gwinnerstrasse 40-46 Frankfurt am Main 60388 Germany**  
(72) Name(s) of Designer(s): **David Chipperfield**  
(45) Registration Date: **15 May 2015**  
(56) Related Art Documents: **Not Applicable**  
(57) Statement of Newness and Distinctiveness: **Visual features of the design which are new and distinctive are the features of shape and configuration of the stool as shown in the representations.**



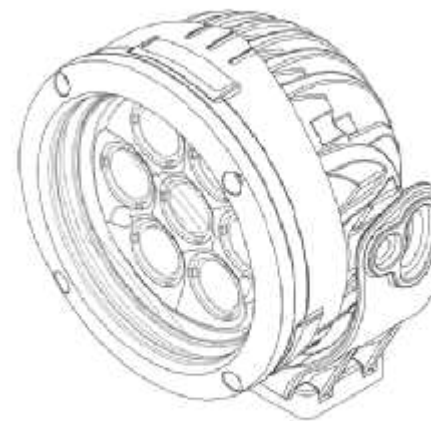
- (21) Design Number: **11952/2015**  
(22) Date of Filing Application: **13 April 2015**  
(24) Date from which industrial property rights may have effect: **13 April 2015**  
(54) Product in respect of which the design is registered: **Rear combination lamp for automobile**  
(51) International Design Classification: **26-06**  
(74) Name(s) of Attorney(s): **Spruson & Ferguson**  
(71) Name(s) and Address(s) of Applicant(s):  
**Honda Motor Co., Ltd.**  
**1-1, Minami-Aoyama, 2-chome Minato-ku, Tokyo 107-8556 Japan**  
(72) Name(s) of Designer(s): **Norishige Kanai**  
(45) Registration Date: **15 May 2015**  
(30) Convention priority data:  

(31) Number	(32) Date	(33) Country
<b>2014-023375</b>	<b>17 Oct 2014</b>	<b>JAPAN</b>

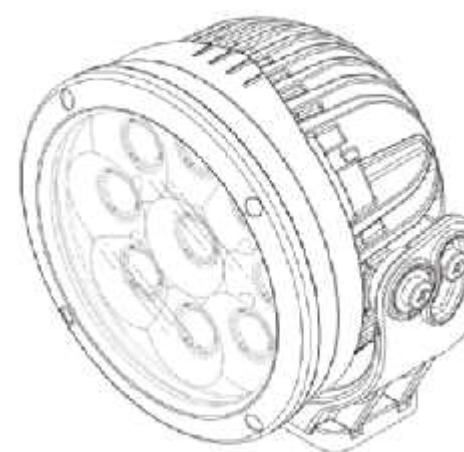
  
(56) Related Art Documents: **Not Applicable**  
(57) Statement of Newness and Distinctiveness: **Newness and distinctiveness is claimed in the features of shape and/or configuration of a rear combination lamp for automobile as illustrated in the accompanying representations.**



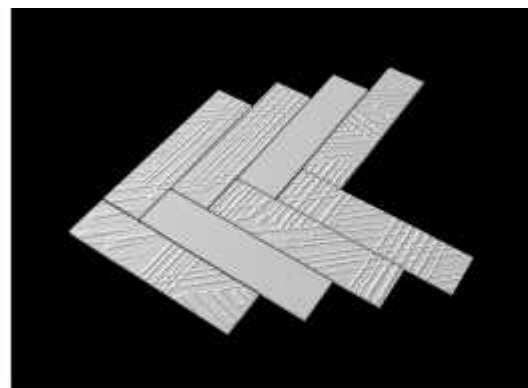
- (21) Design Number: **11953/2015**  
(22) Date of Filing Application: **13 April 2015**  
(24) Date from which industrial property rights may have effect: **13 April 2015**  
(54) Product in respect of which the design is registered: **Lighting equipment for vehicles**  
(51) International Design Classification: **26-06**  
(74) Name(s) of Attorney(s): **Acacia Law**  
(71) Name(s) and Address(s) of Applicant(s):  
**Vision X Asia Co., Ltd**  
**23-7, Dongtansandan 9-gil Dongtan-myeon Hwaseong-si Gyeonggi-do**  
**445-811 Republic of Korea**  
**In-Hong Ko**  
**No. A-2803, Daelim Acrovill 13, Eonju-ro 30-gil Gangnam-ku Seoul**  
**135-856 Republic of Korea**  
(72) Name(s) of Designer(s): **In-Hong Ko**  
(45) Registration Date: **15 May 2015**  
(30) Convention priority data:  
(31) Number (32) Date (33) Country  
**30-2014-0056618 24 Nov 2014 REPUBLIC OF KOREA**  
(56) Related Art Documents: **Not Applicable**  
(57) Statement of Newness and Distinctiveness: **Novelty lies in the combination of shape and configuration of the body and lens cover for lighting equipment for vehicles, particularly the shape of the radiation fins formed in the body and the shape of the lens cover, and bracket.**



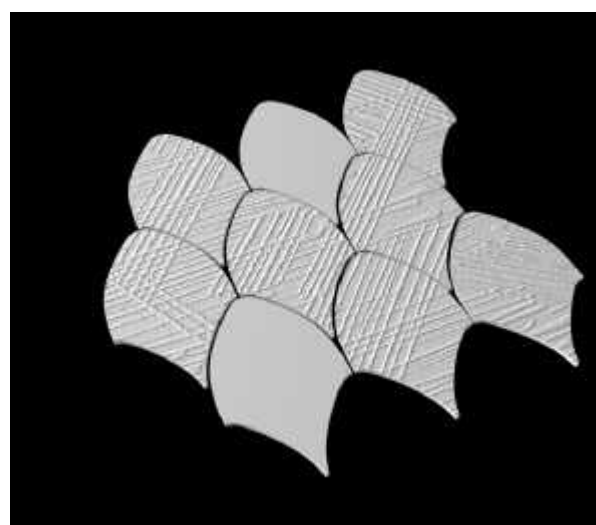
- (21) Design Number: **11954/2015**  
(22) Date of Filing Application: **13 April 2015**  
(24) Date from which industrial property rights may have effect: **13 April 2015**  
(54) Product in respect of which the design is registered: **Lighting equipment for vehicles**  
(51) International Design Classification: **26-06**  
(74) Name(s) of Attorney(s): **Acacia Law**  
(71) Name(s) and Address(s) of Applicant(s):  
**Vision X Asia Co., Ltd**  
**23-7, Dongtansandan 9-gil Dongtan-myeon Hwaseong-si Gyeonggi-do**  
**445-811 Republic of Korea**  
**In-Hong Ko**  
**No. A-2803, Daelim Acrovill 13, Eonju-ro 30-gil Gangnam-ku Seoul**  
**135-856 Republic of Korea**  
(72) Name(s) of Designer(s): **In-Hong Ko**  
(45) Registration Date: **15 May 2015**  
(30) Convention priority data:  
(31) Number (32) Date (33) Country  
**30-2014-0060764 12 Dec 2014 REPUBLIC OF KOREA**  
(56) Related Art Documents: **Not Applicable**  
(57) Statement of Newness and Distinctiveness: **Novelty lies in the combination of shape and configuration of the body and lens cover for lighting equipment for vehicles, particularly the shape of the radiation fins formed in the body and the shape of the lens cover, and bracket.**



- (21) Design Number: **11955/2015**  
(22) Date of Filing Application: **13 April 2015**  
(24) Date from which industrial property rights may have effect: **13 April 2015**  
(54) Product in respect of which the design is registered: **Tesserae**  
(51) International Design Classification: **25-01F**  
(74) Name(s) of Attorney(s):  
(71) Name(s) and Address(s) of Applicant(s):  
**Everstone International Pty Limited**  
**20 Princes Rd E Auburn NSW 2144 Australia**  
(72) Name(s) of Designer(s): **John Zeng**  
(45) Registration Date: **15 May 2015**  
(56) Related Art Documents: **Not Applicable**  
(57) Statement of Newness and Distinctiveness: **Newness and distinctiveness is claimed in the shape and configuration of a sheet of the tesserae shown in the attached representations, wherein the tesserae is an arrangement of a plurality of designed tiles that are of same material and different random patterned surfaces, and would, after meshed together at a special setting, create unique aesthetic. The tesserae shown typically repeats when installed, in both lateral and longitudinal directions.**



- (21) Design Number: **11956/2015**  
(22) Date of Filing Application: **13 April 2015**  
(24) Date from which industrial property rights may have effect: **13 April 2015**  
(54) Product in respect of which the design is registered: **Tesserae**  
(51) International Design Classification: **25-01F**  
(74) Name(s) of Attorney(s):  
(71) Name(s) and Address(s) of Applicant(s):  
**Everstone International Pty Limited**  
**20 Princes Rd E Auburn NSW 2144 Australia**  
(72) Name(s) of Designer(s): **John Zeng**  
(45) Registration Date: **15 May 2015**  
(56) Related Art Documents: **Not Applicable**  
(57) Statement of Newness and Distinctiveness: **Newness and distinctiveness is claimed in the shape and configuration of a sheet of the tesserae shown in the attached representations, wherein the tesserae is an arrangement of a plurality of designed tiles that are of same material and different random patterned surfaces, and would, after meshed together at a special setting, create unique aesthetic. The tesserae shown typically repeats when installed, in both lateral and longitudinal directions.**



- (21) Design Number: **11957/2015**
- (22) Date of Filing Application: **13 April 2015**
- (24) Date from which industrial property rights may have effect: **13 April 2015**
- (54) Product in respect of which the design is registered: **Tesserae**
- (51) International Design Classification: **25-01F**
- (74) Name(s) of Attorney(s):
- (71) Name(s) and Address(s) of Applicant(s):  
**Everstone International Pty Limited**  
**20 Princes Rd E Auburn NSW 2144 Australia**
- (72) Name(s) of Designer(s): **John Zeng**
- (45) Registration Date: **15 May 2015**
- (56) Related Art Documents: **Not Applicable**
- (57) Statement of Newness and Distinctiveness: **Newness and distinctiveness is claimed in the shape and configuration of a sheet of the tesserae shown in the attached representations, wherein the tesserae is an arrangement of a plurality of designed tiles that are of same material and different random patterned surfaces, and would, after meshed together at a special setting, create unique aesthetic. The tesserae shown typically repeats when installed, in both lateral and longitudinal directions.**

