



Australian Government

IP Australia

AUSTRALIAN OFFICIAL JOURNAL

OF

DESIGNS

Did you know a searchable version of this journal is now available online?

It's FREE and EASY to SEARCH.

Find it on our website (www.ipaustralia.gov.au)

by using the "Journals" link on the home page.

This Page Left Intentionally Blank

Contents

General Information & Notices

**Proceedings Under the Designs Act 1906 preserved as a result of the provisions of Chapter 12
Part 2 of the Designs Act 2003**

Extension of Period of Registration of Designs	1504
Registrations Ceased	1504
Subsequent Owners Registered	1504

Proceedings Under the Designs Act 2003

Applications Lapsed	1514
Applications Lodged	1508
Certificate of Examination	1517
Extension of Period of Registration of Design	1515
Extension of Time Granted Under Section 137	1515
Names Registered - Alterations and Amendments	1516
Publication and Registration Proceedings	
Designs Registered 361827 to 362013.....	1518
Registrations Ceased	1515
Subsequent Owners Registered	1516

This Page Left Intentionally Blank

For information on the following please see our website www.ipaustralia.gov.au or contact our Customer Service Network on 1300651010

[Editorial enquiries](#)

[Contact information](#)

[Freedom of Information ACT](#)

[Professional Standards Board](#)

[Sales](#)

[Requests for Information under Section 194 \(c\)](#)

[Country Codes](#)

[Trade Mark and Designs Hearing Sessions](#)

[INID \(Internationally agreed Numbers for the Identification of Data\)](#)

“INID” NUMBERS in use on Australian Design Documents

“INID” is an acronym for “Internationally agreed Numbers for the Identification of Data”.

(10) Data concerning the registration/renewal

- (11) Serial number of the registration and/or number of the design document
- (12) Plain language designation of the kind of published document
- (19) Identification, using the two-letter code according to WIPO Standard ST.3, of the authority publishing or registering the industrial design

(20) Data concerning the application

- (21) Serial number of the application
- (22) Date of filing of the application
- (24) Date from which the industrial design right has effect

(30) Data relating to priority under the Paris Convention

- (31) Serial number assigned to the priority application
- (32) Date of filing of the priority application
- (33) Two-letter code, according to WIPO Standard ST.3, identifying the authority with which the priority application was made

(40) Date(s) of making information available to the public

- (45) Date of publication of the registered industrial design by printing or similar process, or making it available to the public by any other means

(50) Miscellaneous Information

- (51) International Classification for Industrial Designs (class and subclass of the Locarno Classification)
- (54) Designation of article(s) or product(s) covered by the industrial design or title of the industrial design
- (55) Reproduction of the industrial design (e.g., drawing, photograph) and explanations relating to the reproduction
- (56) List of prior art documents, if separate from descriptive text
- (57) Description of characteristic features of the industrial design including indication of colours

(60) References to other legally related application(s) and registration(s)

- (62) Serial number(s) and, if available, filing date(s) of application(s), registration(s) or document(s) related by division
- (66) Serial number(s) of the application, or the registration, of the design(s) which is (are) a variant(s) of the present one

(70) Identification of parties concerned with the application or registration

- (71) Name(s) and address(es) of the applicant(s)
- (72) Name(s) of the creator(s) if known to be such
- (74) Name(s) and address(es) of the representative(s)

This Page Left Intentionally Blank

Official Notice

Surrender of Registration 358680

A request under Section 49 of the *Designs Act 2003* has been made by the registered owner of Design Registration No. 358680 to surrender the registration.

Any interested person may give notice to the Registrar that he or she wishes to be heard in relation to the above offer. This notice must be given within 1 month after 18 June 2015.

Your attention is drawn to Regulation 4.10 and 4.11 of the *Designs Regulations 2004*.

Address for Service:
Davies Collison Cave
Level 15
1 Nicholson Street
MELBOURNE VIC 3000

Proceedings under the Designs Act 1906 preserved as a result of the provisions of Chapter 12 Part 2 of the Designs Act 2003.

This Page Left Intentionally Blank

Applications Lapsed

There were no Applications Lapsed under this section

Extension of Period of Registration of Designs

1st Period (Section 27A(8))

2nd Period (Section 27A(12))

3rd Period (Section 27A(13))

156983	157005	157052
157053	157126	157229
157230	157231	157279
157295	157364	157370
157533	157625	158133
158134	158352	158358
158415	158545	

Registrations Ceased

Note: Some of the following Registrations may have been previously advertised as ceased. In this instance, the previous advertisement still prevails.

137814	138996	139066
139067	139068	139069
139070	139153	139154
139169	139171	139182
139321	139323	139487
139674	139758	139923
140147	140148	140269
140356	140743	140783
142270	142359	142360
142841	143441	146050
146051	154723	154726
154776	154806	154807
154817	154855	154905
155226	155535	156271
156606	157040	158112
158338		

Subsequent Owners Registered

(The name in parentheses is that of the subsequent owner)

153715	(Cyclone Tools Pty Ltd) Ames True Temper Australia Pty Ltd
153394	(Cyclone Tools Pty Ltd) Ames True Temper Australia Pty Ltd
158264	(NRG Building System Australia Pty Ltd) Donald Frederick Geater McCullough; Lorraine Rita McCullough

This Page Left Intentionally Blank

Proceedings under the Designs Act 2003.

This Page Left Intentionally Blank

Applications Lodged

Lodgement information is in the following order: **Applicant's Name**; International Classification, Name of Product, Lodgement Date and **Design Number**. If the applicant claims an earlier priority date under an International Convention, the Convention Country and the associated filing date are shown in parentheses before the Lodgement Date. Divisional information will also appear in parentheses before the Lodgement Date.

de Vries, Oscar; 14-02, A razor stand, 25 May 2015	12678/2015	Caterpillar Inc.; 12-16C, Sidebar protector, (US, 05 Dec 2014) 20 May 2015	12611/2015
Alder, Anthony Leonard; 23-01H, Mixer tap, 17 May 2015	12553/2015	Chamma, Omar; 13-03D, Electrical switch cover, 26 May 2015	12711/2015
Alder, Anthony Leonard; 23-01H, Mixer tap, 17 May 2015	12552/2015	Chamma, Omar; 13-03D, Electrical switch cover, 26 May 2015	12709/2015
Apple Inc.; 13-02, Charger, (US, 11 Aug 2014) 11 Feb 2015	12745/2015	Chamma, Omar; 13-03D, Electrical switch cover, 26 May 2015	12713/2015
AL-KO International Pty Ltd; 12-10, Caravan Jack, 15 May 2015	12530/2015	Chan, Iming; 32-03, Website, business documents and stationeries, 21 May 2015	12635/2015
Bartco Traffic Equipment Pty. Ltd.; 20-03C, Sign, 25 May 2015	12687/2015	Chanel Limited; 10-02, Watch, (GB, 26 Nov 2014) 22 May 2015	12644/2015
Bredemeier, Lori;Bredemeier, Michael; 21-01NES, Infant teething toy, (US, 03 Mar 2015) 09 May 2015	12385/2015	Chanel Limited; 10-02, Watch, (GB, 26 Nov 2014) 22 May 2015	12642/2015
Bredemeier, Lori;Bredemeier, Michael; 21-01NES, Infant teething toy, (US, 03 Mar 2015) 09 May 2015	12386/2015	Chanel Limited; 10-02, Watch, (GB, 26 Nov 2014) 22 May 2015	12643/2015
Bredemeier, Michael;Bredemeier, Lori; 21-01NES, Infant teething toy, (US, 03 Mar 2015) 09 May 2015	12386/2015	Chanel Limited; 10-02, Watch, (GB, 26 Nov 2014) 22 May 2015	12641/2015
Bredemeier, Michael;Bredemeier, Lori; 21-01NES, Infant teething toy, (US, 03 Mar 2015) 09 May 2015	12385/2015	Croucher, David; 08-08H, End stop for a curtain rail, 26 May 2015	12716/2015
Bredemeier, Michael;Bredemeier, Lori; 21-01NES, Infant teething toy, (US, 03 Mar 2015) 09 May 2015	12384/2015	Cyclone Tools Pty Ltd; 08-06, Tool handle, 25 May 2015	12691/2015
Bredemeier, Lori;Bredemeier, Michael; 21-01NES, Infant teething toy, (US, 03 Mar 2015) 09 May 2015	12387/2015	CER#MICA MALPESA, S.A.; 21-01E, Bricks and building slabs, (EM, 18 Nov 2014) 18 May 2015	12593/2015
Bredemeier, Lori;Bredemeier, Michael; 21-01NES, Infant teething toy, (US, 03 Mar 2015) 09 May 2015	12384/2015	CERAMICA MALPESA, S.A.; 21-01E, Bricks and building slabs, (EM, 18 Nov 2014) 18 May 2015	12588/2015
Bredemeier, Michael;Bredemeier, Lori; 21-01NES, Infant teething toy, (US, 03 Mar 2015) 09 May 2015	12387/2015	CERAMICA MALPESA, S.A.; 21-01E, Bricks and building slabs, (EM, 18 Nov 2014) 18 May 2015	12594/2015
BRIDGESTONE CORPORATION; 12-15B, Automobile tyre, (JP, 20 Nov 2014) 19 May 2015	12600/2015	CERAMICA MALPESA, S.A.; 21-01E, Bricks and building slabs, (EM, 18 Nov 2014) 18 May 2015	12589/2015
Caterpillar Inc.; 12-16C, Sidebar protector, (US, 05 Dec 2014) 20 May 2015	12610/2015	CERAMICA MALPESA, S.A.; 21-01E, Bricks and building slab, (EM, 18 Nov 2014) 18 May 2015	12591/2015
Caterpillar Inc.; 12-16C, Sidebar protector, (US, 05 Dec 2014) 20 May 2015	12612/2015	CJ Albert Builders Pty Ltd; 06-06G, Headrest, 19 May 2015	12601/2015
Caterpillar Inc.; 12-16C, Sidebar protector, (US, 05 Dec 2014) 20 May 2015	12613/2015	COMPUTER COOL PTY LTD; 23-04, Fan housing, (Divisional of 14771/2014) 20 May 2015	12615/2015

Dart Industries Inc.; 09-01D, Bottle with rabbit shape, (US, 17 Dec 2014) 21 May 2015	12628/2015	Ferry, Lester; 23-01F, Tank, 20 May 2015	12617/2015
Dolby Laboratories Licensing Corporation; 25-03, Theatre entrance; building with theatre entrance, (CN, 28 Nov 2014) 27 May 2015	12717/2015	Flanagan, Kevin; 09-01NES, Container, 20 May 2015	12609/2015
Dolby Laboratories Licensing Corporation; 25-03, Theatre entrance; building with theatre entrance, (CN, 28 Nov 2014) 27 May 2015	12718/2015	Forever New Clothing Pty Ltd; 02-02NES, Article of clothing, (Divisional of 14890/2014) 18 May 2015	12582/2015
Dometic Sweden AB; 08-07, Caravan door, 21 May 2015	12637/2015	Forever New Clothing Pty Ltd; 02-02NES, Article of clothing, (Divisional of 14890/2014) 18 May 2015	12583/2015
Dometic Sweden AB; 08-07, Caravan door, 21 May 2015	12638/2015	Forever New Clothing Pty Ltd; 02-02C, Article of clothing, (Divisional of 14890/2014) 18 May 2015	12584/2015
DAVID STUCKEY INVESTMENTS PTY LTD; 08-99, Relay base, 25 May 2015	12688/2015	Forever New Clothing Pty Ltd; 02-02NES, Article of clothing, (Divisional of 14890/2014) 18 May 2015	12585/2015
DAVID STUCKEY INVESTMENTS PTY LTD; 08-99, Pin retainer plate, 25 May 2015	12690/2015	Forever New Clothing Pty Ltd; 02-02C, Article of clothing, (Divisional of 14890/2014) 18 May 2015	12574/2015
DAVID STUCKEY INVESTMENTS PTY LTD; 08-99, Plugboard, 25 May 2015	12689/2015	Forever New Clothing Pty Ltd; 02-02C, Article of clothing, (Divisional of 14890/2014) 18 May 2015	12577/2015
Euro-Pro Operating LLC; 15-05, Floor cleaner, (US, 23 Feb 2015) 20 May 2015	12622/2015	Forever New Clothing Pty Ltd; 02-02C, Article of clothing, (Divisional of 14890/2014) 18 May 2015	12575/2015
Eveready Battery Company, Inc.; 28-03A, Safety razor and razor handle, (US, 24 Nov 2014) 18 May 2015	12560/2015	Forever New Clothing Pty Ltd; 02-02NES, Article of clothing, (Divisional of 14890/2014) 18 May 2015	12570/2015
Extractor Corporation; 15-05, Swimsuit water extractor, (US, 26 Nov 2014) 25 May 2015	12676/2015	Forever New Clothing Pty Ltd; 02-02NES, Article of clothing, (Divisional of 14890/2014) 18 May 2015	12580/2015
ELC Management LLC; 04-02, Mascara brush head, (US, 14 Jan 2015) 21 May 2015	12627/2015	Forever New Clothing Pty Ltd; 02-02NES, Article of clothing, (Divisional of 14890/2014) 18 May 2015	12581/2015
EVOLVE LIFEWARES PTY LIMITED; 23-02A, Bathroom large shelf, 15 May 2015	12531/2015	Forever New Clothing Pty Ltd; 02-02C, Article of clothing, (Divisional of 14890/2014) 18 May 2015	12571/2015
EVOLVE LIFEWARES PTY LIMITED; 23-02A, Bathroom mirror suction, 15 May 2015	12534/2015	Forever New Clothing Pty Ltd; 02-02C, Article of clothing, (Divisional of 14890/2014) 18 May 2015	12566/2015
EVOLVE LIFEWARES PTY LIMITED; 23-02A, Shower caddy suction, 15 May 2015	12535/2015	Forever New Clothing Pty Ltd; 02-02C, Article of clothing, (Divisional of 14890/2014) 18 May 2015	12567/2015
EVOLVE LIFEWARES PTY LIMITED; 23-02A, Utensils cup, 15 May 2015	12533/2015	Forever New Clothing Pty Ltd; 02-02NES, Article of clothing, 15 May 2015	12547/2015
EVOLVE LIFEWARES PTY LIMITED; 23-02A, Toilet roll holder suction, 15 May 2015	12536/2015	Forever New Clothing Pty Ltd; 02-02C, Article of clothing, (Divisional of 14890/2014) 18 May 2015	12578/2015
EVOLVE LIFEWARES PTY LIMITED; 23-02A, Towel ring suction, 15 May 2015	12537/2015	Forever New Clothing Pty Ltd; 02-02C, Article of clothing, (Divisional of 14890/2014) 18 May 2015	12579/2015
EVOLVE LIFEWARES PTY LIMITED; 23-02A, Bathroom soap dish, 15 May 2015	12532/2015	Forever New Clothing Pty Ltd; 02-02C, Article of clothing, (Divisional of 14890/2014) 18 May 2015	12568/2015

Forever New Clothing Pty Ltd; 02-02C, Article of clothing, (Divisional of 14890/2014) 18 May 2015	12572/2015	Illinois Tool Works Inc.; 23-04, Filter for an air filtration device, (US, 12 Sep 2014) (Divisional of 10832/2015) 14 May 2015	12520/2015
Forever New Clothing Pty Ltd; 02-02C, Article of clothing, (Divisional of 14890/2014) 18 May 2015	12573/2015	Illinois Tool Works Inc.; 23-04, Filter for an air filtration device, (US, 12 Sep 2014) (Divisional of 10832/2015) 14 May 2015	12521/2015
Forever New Clothing Pty Ltd; 02-02NES, Article of clothing, (Divisional of 14890/2014) 18 May 2015	12569/2015	Intuit Inc.; 20-99, Display device w create dialog box for user int, (US, 13 Aug 2014) (Divisional of 10816/2015) 15 May 2015	12540/2015
Freeman, Matt; 08-08L, 08-08NES, Brickwork/masonry support systems, 26 May 2015	12715/2015	Intuit Inc.; 20-99, Display device with a recent transactions flyout, (US, 22 Aug 2014) (Divisional of 10938/2015) 15 May 2015	12542/2015
Freetrack Pty Ltd; 12-12, Wheelchair, 14 May 2015	12523/2015	Intuit Inc.; 20-99, Display device with a settings flyout, (US, 22 Aug 2014) (Divisional of 10939/2015) 15 May 2015	12538/2015
Freetrack Pty Ltd; 12-12, Track of wheelchair, 14 May 2015	12524/2015	Iseki & Co., Ltd.; 12-16NES, Operation panel for working vehicle, (JP, 26 Nov 2014) 20 May 2015	12607/2015
Gasser Chair Company, Inc.; 06-06NES, Furniture edging, (US, 19 Nov 2014) 19 May 2015	12595/2015	ICU Medical, Inc.; 23-01K, Fluid manifold, (Divisional of 11573/2015) 26 May 2015	12693/2015
Gleener Marketing Inc.; 15-05, Fabric care device, (CA, 13 Feb 2015) 21 May 2015	12624/2015	ICU Medical, Inc.; 23-01K, 24-01, Fluid manifold, (Divisional of 11356/2015) 26 May 2015	12699/2015
Global Grain Handling Solutions Pty Ltd, as Trustee for GGHS Unit Trust; 08-08D, Tarp clamping device, 26 May 2015	12698/2015	IN-HONG KO;VISION X ASIA CO., LTD; 26-06, Lighting equipment for vehicles, (KR, 19 Nov 2014) 18 May 2015	12561/2015
Gong, Zhu; 07-01B, Bowl, 18 May 2015	12556/2015	IN-HONG KO;VISION X ASIA CO., LTD; 26-06, Lighting equipment for vehicles, (KR, 27 Apr 2015) 18 May 2015	12576/2015
Gong, Zhu; 07-01B, Bowl, 18 May 2015	12558/2015	IN-HONG KO;VISION X ASIA CO., LTD; 08-08L, Bracket for lighting equipment for vehicles, (KR, 19 Nov 2014) 18 May 2015	12565/2015
Gong, Zhu; 07-01B, Bowl, 18 May 2015	12557/2015	IN-HONG KO;VISION X ASIA CO., LTD; 08-08L, Bracket for lighting equipment for vehicles, (KR, 19 Nov 2014) 18 May 2015	12564/2015
Harman International Industries, Incorporated; 14-01, A loudspeaker, (US, 02 Jan 2015) 20 May 2015	12614/2015	IN-HONG KO;VISION X ASIA CO., LTD; 26-06, Lighting equipment for vehicles, (KR, 19 Nov 2014) 18 May 2015	12562/2015
HeartSine Technologies Limited; 24-01, External defibrillator, 22 May 2015	12650/2015	IN-HONG KO;VISION X ASIA CO., LTD; 26-06, Lighting equipment for vehicles, (KR, 19 Nov 2014) 18 May 2015	12559/2015
Hilton Manufacturing Pty Ltd; 12-10, Trailer, 26 May 2015	12704/2015	James & Wells Intellectual Property; 10-05, A tag, 21 May 2015	12634/2015
Hilton Manufacturing Pty Ltd; 12-10, Trailer, 26 May 2015	12703/2015	Janssen Pharmaceutica NV; 14-02, Display screen with icon, (US, 27 Aug 2014) (Divisional of 11003/2015) 25 May 2015	12663/2015
Hilton Manufacturing Pty Ltd; 12-10, Trailer, 26 May 2015	12705/2015	Janssen Pharmaceutica NV; 28-03A, Display screen with icon, (US, 27 Aug 2014) 25 May 2015	12679/2015
Honda Motor Co., Ltd.; 12-08, Vehicle and vehicle replica, (US, 19 Nov 2014) 15 May 2015	12541/2015		
HDT SPECIAL VEHICLES PTY LTD; 12-16C, VF commodore front bumper, 26 May 2015	12702/2015		
Illinois Tool Works Inc.; 23-04, Filter for an air filtration device, (US, 12 Sep 2014) (Divisional of 10832/2015) 14 May 2015	12519/2015		

Janssen Pharmaceutica NV; 14-02, Display screen with icon, (US, 27 Aug 2014) 25 May 2015	12680/2015	Janssen Pharmaceutica NV; 14-02, Display screen with graphical user interface, (US, 27 Aug 2014) (Divisional of 11004/2015) 25 May 2015	12674/2015
Janssen Pharmaceutica NV; 14-02, Display screen with graphical user interface, (US, 27 Aug 2014) (Divisional of 11004/2015) 25 May 2015	12669/2015	Janssen Pharmaceutica NV; 14-02, Display screen with graphical user interface, (US, 27 Aug 2014) (Divisional of 11004/2014) 25 May 2015	12675/2015
Janssen Pharmaceutica NV; 14-02, Display screen with icon, (US, 27 Aug 2014) 25 May 2015	12677/2015	Janssen Pharmaceutica NV; 14-02, Display screen with graphical user interface, (US, 27 Aug 2014) (Divisional of 11004/2015) 25 May 2015	12671/2015
Janssen Pharmaceutica NV; 14-02, Display screen with icon, (US, 27 Aug 2014) (Divisional of 11002/2015) 25 May 2015	12670/2015	Janssen Pharmaceutica NV; 14-04, Display screen with icon, (US, 27 Aug 2014) (Divisional of 10996/2015) 22 May 2015	12651/2015
Janssen Pharmaceutica NV; 14-02, Display screen with graphical user interface, (US, 27 Aug 2014) (Divisional of 11004/2015) 25 May 2015	12667/2015	Janssen Pharmaceutica NV; 14-04, Display screen with icon, (US, 27 Aug 2014) (Divisional of 10996/2015) 22 May 2015	12652/2015
Janssen Pharmaceutica NV; 14-02, Display screen with icon, (US, 27 Aug 2014) (Divisional of 11002/2015) 25 May 2015	12668/2015	Janssen Pharmaceutica NV; 14-02, Display screen with icon, (US, 27 Aug 2014) (Divisional of 10998/2015) 22 May 2015	12648/2015
Janssen Pharmaceutica NV; 14-02, Display screen with icon, (US, 27 Aug 2014) (Divisional of 11003/2015) 25 May 2015	12664/2015	Katco Holdings Pty Ltd; 23-01D, Hex spray cone, 26 May 2015	12694/2015
Janssen Pharmaceutica NV; 14-02, Display screen with icon, (US, 27 Aug 2014) (Divisional of 10999/2015) 25 May 2015	12661/2015	Kia Motors Corporation; 03-01B, Wallet, (KR, 27 Nov 2014) 27 May 2015	12731/2015
Janssen Pharmaceutica NV; 14-02, Display screen with icon, (US, 27 Aug 2014) (Divisional of 11003/2015) 25 May 2015	12662/2015	Kia Motors Corporation; 07-02L, Coffee maker, (KR, 27 Nov 2014) 27 May 2015	12730/2015
Janssen Pharmaceutica NV; 14-02, Display screen with graphical user interface, (US, 27 Apr 2014) (Divisional of 11004/2015) 25 May 2015	12672/2015	Kia Motors Corporation; 05-05D, Fabric, (KR, 27 Nov 2014) 27 May 2015	12727/2015
Janssen Pharmaceutica NV; 14-02, Display screen with icon, (US, 27 Aug 2014) (Divisional of 11002/2015) 25 May 2015	12673/2015	Kimberly-Clark Worldwide, Inc.; 19-08, Label, (US, 10 Dec 2014) 25 May 2015	12682/2015
Janssen Pharmaceutica NV; 14-04, Display screen with icon, (US, 27 Aug 2014) (Divisional of 10996/2015) 22 May 2015	12653/2015	Kimberly-Clark Worldwide, Inc.; 19-08, Label, (US, 10 Dec 2014) 25 May 2015	12684/2015
Janssen Pharmaceutica NV; 14-02, Display screen with graphical user interface, (US, 27 Aug 2014) (Divisional of 11007/2015) 22 May 2015	12649/2015	Kimberly-Clark Worldwide, Inc.; 19-08, Label, (US, 10 Dec 2014) 25 May 2015	12683/2015
Janssen Pharmaceutica NV; 14-02, Display screen with icon, (US, 27 Aug 2014) (Divisional of 10999/2015) 25 May 2015	12665/2015	Kinane, Nigel; 29-02, Sand bag application, 18 May 2015	12586/2015
Janssen Pharmaceutica NV; 14-02, Display screen with icon, (US, 27 Aug 2014) (Divisional of 10999/2015) 25 May 2015	12666/2015	Kuroda Pneumatics Ltd.;Satake Corporation;Mechano Transformer Corporation; 15-03NES, Nozzle apparatus, (JP, 21 Nov 2014) 18 May 2015	12563/2015
		L&F Plastics, Co., Ltd.; 09-03L, Container, (TW, 13 Mar 2015) 26 May 2015	12696/2015
		L&F Plastics, Co., Ltd.; 09-03L, Container, (TW, 13 Mar 2015) 26 May 2015	12697/2015

Langley, Nathan Scott; 29-01, PVC cover, (Divisional of 11566/2015) 25 May 2015	12657/2015	Megabyte Limited; 30-08, RFID tag inlay, 21 May 2015	12639/2015
Langley, Nathan Scott; 29-01, PVC cover, (Divisional of 11566/2015) 25 May 2015	12659/2015	Merck Sharp & Dohme Corp.; 24-02, Medical injector device, (US, 27 Aug 2014) (Divisional of 10944/2015) 19 May 2015	12598/2015
Langley, Nathan Scott; 29-01, PVC cover, (Divisional of 11566/2015) 25 May 2015	12660/2015	Merck Sharp & Dohme Corp.; 24-02, Medical injector device, (US, 27 Aug 2014) (Divisional of 10944/2015) 19 May 2015	12599/2015
Langley, Nathan Scott; 29-01, PVC cover, (Divisional of 11566/2015) 25 May 2015	12658/2015	Merck Sharp & Dohme Corp.; 24-02, Medical injector device, (US, 27 Aug 2014) (Divisional of 10943/2015) 19 May 2015	12596/2015
Lego A/S; 21-01E, Toy, (WO, 25 Nov 2014) 21 May 2015	12632/2015	Migros-Genossenschafts-Bund; 07-02L, Capsule, (EM, 26 Nov 2014) 14 May 2015	12522/2015
Lego A/S; 21-01E, Toy, (WO, 25 Nov 2014) 21 May 2015	12631/2015	Mophie, Inc.; 03-01NES, Case for a mobile electronic device, (US, 25 Nov 2014) 25 May 2015	12655/2015
Lego A/S; 21-01E, Toy, (WO, 25 Nov 2014) 21 May 2015	12629/2015	Mophie, Inc.; 03-01NES, Case for a mobile electronic device, (US, 03 Dec 2014) 25 May 2015	12685/2015
Lego A/S; 21-01E, Toy, (WO, 25 Nov 2014) 21 May 2015	12630/2015	Mophie, Inc.; 03-01NES, Case for a mobile electronic device, (US, 25 Nov 2014) 25 May 2015	12656/2015
Lego A/S; 21-01M, Toy, (WO, 25 Nov 2014) 21 May 2015	12625/2015	Multigate Medical Products Pty Ltd; 07-01NES, A container, 26 May 2015	12710/2015
Lego A/S; 21-01M, Toy, (WO, 25 Nov 2014) 21 May 2015	12626/2015	Multigate Medical Products Pty Ltd; 24-01, A stand, 26 May 2015	12714/2015
Linfox Armaguard Pty Ltd; 19-02, Coin Bin, 22 May 2015	12654/2015	Multigate Medical Products Pty Ltd; 09-03NES, A container, 26 May 2015	12707/2015
LEGO A/S; 21-01E, Toy, (WO, 25 Nov 2014) 21 May 2015	12633/2015	Multigate Medical Products Pty Ltd; 07-01NES, A container, 26 May 2015	12712/2015
LG Electronics Inc.; 14-03B, Home theatre receiver, (KR, 19 Nov 2014) 15 May 2015	12529/2015	Multigate Medical Products Pty Ltd; 09-03NES, A container, 26 May 2015	12708/2015
McNeil-ppc, Inc.; 09-05, Pharmaceutical package, (US, 19 Nov 2014) 15 May 2015	12526/2015	Namurang Co., Ltd.;Nanumhousing Co., Ltd.; 11-02C, Flowerpot stand, (KR, 04 Dec 2014) 26 May 2015	12706/2015
McNeil-ppc, Inc.; 09-05, Pharmaceutical package, (US, 19 Nov 2014) 15 May 2015	12527/2015	Nanumhousing Co., Ltd.;Namurang Co., Ltd.; 11-02C, Flowerpot stand, (KR, 04 Dec 2014) 26 May 2015	12706/2015
Mead Johnson Nutrition Company; 09-07A, Closure, (US, 14 Jan 2015) 19 May 2015	12597/2015	Newera Energy Developments Pty Ltd; 15-04, A two blade impeller, 18 May 2015	12590/2015
Mead Johnson Nutrition Company; 09-07A, Closure, (US, 14 Jan 2015) 15 May 2015	12548/2015	Newera Energy Developments Pty Ltd; 15-04, A four blade impeller, 18 May 2015	12592/2015
Mechano Transformer Corporation;Satake Corporation;Kuroda Pneumatics Ltd.; 15-03NES, Nozzle apparatus, (JP, 21 Nov 2014) 18 May 2015	12563/2015	Nexberg Pty Ltd; 15-07, Portable fridge with draw, (EM, 05 Mar 2015) 26 May 2015	12695/2015
		Ningbo Xingfu Tools Co., Ltd.; 25-04, Working ladder, (EM, 13 Feb 2015) 22 May 2015	12646/2015

NINETY DEGREES LTD.; 06-99, Board Stand, (US, 20 Nov 2014) 15 May 2015	12528/2015	Shah, Amish; 11-01NES, Gemstone, (US, 21 Nov 2014) 21 May 2015	12623/2015
N2LOK Hardware Trading Pty Ltd; 08-07, Internal escutcheon plate for a mechanical lock, 20 May 2015	12616/2015	SCA Hygiene Products AB; 23-02A, Tissue dispenser, (EM, 19 Dec 2014) 15 May 2015	12545/2015
Olivar, Dante Ramel; 14-03NES, Remote control, (PH, 27 Nov 2014) 25 May 2015	12686/2015	SCA Hygiene Products AB; 23-02A, Tissue dispenser, (EM, 19 Dec 2014) 15 May 2015	12546/2015
Panhost Limited; 26-03, LED street lights, (CN, 03 Mar 2015) 20 May 2015	12608/2015	SCA Hygiene Products AB; 23-02A, Tissue dispenser, (EM, 19 Dec 2014) 15 May 2015	12543/2015
Payless ShoeSource Worldwide, Inc.; 02-04NES, Shoe, (US, 14 Apr 2015) 15 May 2015	12525/2015	SCA Hygiene Products AB; 23-02A, Tissue dispenser, (EM, 19 Dec 2014) 15 May 2015	12544/2015
Pi-Design AG; 07-01C, A tumbler, (WO, 11 Dec 2014) 20 May 2015	12604/2015	SCA Hygiene Products AB; 23-02A, Soap dispenser, (EM, 19 Dec 2014) 15 May 2015	12539/2015
Pi-Design AG; 07-01C, A tumbler, (WO, 11 Dec 2014) 20 May 2015	12606/2015	Tan, Ben; 26-05E, LED work light, 16 May 2015	12551/2015
Pi-Design AG; 07-01C, A tumbler, (WO, 11 Dec 2014) 20 May 2015	12605/2015	Tan, Ben; 26-05E, LED light bar, 16 May 2015	12549/2015
Pi-Design AG; 07-01C, A tumbler, (WO, 11 Dec 2014) 20 May 2015	12603/2015	Tan, Ben; 26-05E, LED light bar, 16 May 2015	12550/2015
Pope, Mystic Leigh; 30-99, Adhesive hoof bandage, (US, 24 Nov 2014) 22 May 2015	12640/2015	Techtronic Industries Co., Ltd; 13-02, Battery, (CN, 26 Nov 2014) 26 May 2015	12700/2015
PARK, Heung Sik; 09-03NES, Packaging container for solid detergent, (KR, 20 Mar 2015) 25 May 2015	12681/2015	Telefonaktiebolaget L M Ericsson; 14-03D, Modular system for radio hardware, (EM, 13 Feb 2015) 26 May 2015	12692/2015
PRODENGIN PTY. LTD.; 12-10, Portable solar expandable trailer dwelling, 17 May 2015	12554/2015	Terra Firma Industries Pty Ltd; 08-07, 25-02NES, Pit lid, 27 May 2015	12719/2015
PRODENGIN PTY. LTD.; 12-10, Portable solar expandable container dwelling, 17 May 2015	12555/2015	The trustee for TJ & FA Anderson Family Trust; 25-01D, Preserved fern panel, 19 May 2015	12602/2015
Royalty Bugaboo GmbH; 03-99, Luggage accessory, 20 May 2015	12618/2015	Throat Scope Pty Ltd; 24-01, Elephant, 20 May 2015	12620/2015
Royalty Bugaboo GmbH; 03-01A, Luggage case, 20 May 2015	12619/2015	Throat Scope Pty Ltd; 24-01, Elephant, 20 May 2015	12621/2015
Samsung Electronics Co., Ltd.; 07-02B, Microwave oven, (KR, 05 Dec 2014) 22 May 2015	12645/2015	VISION X ASIA CO., LTD;IN-HONG KO; 26-06, Lighting equipment for vehicles, (KR, 27 Apr 2015) 18 May 2015	12576/2015
Satake Corporation;Mechano Transformer Corporation;Kuroda Pneumatics Ltd.; 15-03NES, Nozzle apparatus, (JP, 21 Nov 2014) 18 May 2015	12563/2015	VISION X ASIA CO., LTD;IN-HONG KO; 08-08L, Bracket for lighting equipment for vehicles, (KR, 19 Nov 2014) 18 May 2015	12565/2015
Scott Cutters Limited; 08-05K, A plastering tool, (EM, 28 Nov 2014) 27 May 2015	12729/2015	VISION X ASIA CO., LTD;IN-HONG KO; 08-08L, Bracket for lighting equipment for vehicles, (KR, 19 Nov 2014) 18 May 2015	12564/2015
Seafolly Pty Ltd; 02-02A, Swimwear, 18 May 2015	12587/2015	VISION X ASIA CO., LTD;IN-HONG KO; 26-06, Lighting equipment for vehicles, (KR, 19 Nov 2014) 18 May 2015	12562/2015
		VISION X ASIA CO., LTD;IN-HONG KO; 26-06, Lighting equipment for vehicles, (KR, 19 Nov 2014) 18 May 2015	12561/2015

VISION X ASIA CO., LTD;IN-HONG KO; **12559/2015**
 26-06, Lighting equipment for vehicles, (KR,
 19 Nov 2014) 18 May 2015

WINCOM FLOCK WUXI CO., LTD.; **12647/2015**
 05-05C, Flocked fabric, (CN, 14 Apr 2015)
 22 May 2015

White, Lindsay R; **12636/2015**
 08-07, Wedge for a lock, 21 May 2015

Applications Lapsed

15723 / 2014 (02-02NES) 10558 / 2015 (09-07C)
 10654 / 2015 (08-08NES)

Extension of Period of Registration of Designs

328138	329193	330356
331306	331418	331440
331441	331442	331451
331452	331462	331463
331464	331538	331539
331615	331662	331672
331726	331734	331748
331766	331783	331846
331867	331876	331878
331890	331893	331903
331904	331905	331906
331907	331908	331937
331938	331939	331999
332045	332046	332086
332131	332132	332176
332191	332203	332236
332245	332252	332265
332283	332289	332315
332601	332632	332721
332725	332726	332727
332741	332759	332901
332904	333259	333269
334817	334818	334819

304639	304792	304793
304794	304795	304881
304973	305388	305537
305688	305750	305936
305937	306069	306088
306089	306090	306163
306211	306618	306631
306632	306657	306658
306799	306883	306904
306905	307198	307529
307672	311707	311708
328730	328735	328741
328742	328744	328745
328750	328751	328752
328753	328754	328762
328793	328794	328796
328798	328801	328802
328810	328812	328813
328815	328817	328820
328823	328825	328831
328838	328840	328865
328868	328872	328873
328874	328875	328876
328877	328878	328879
328880	328881	328882
328887	328888	328897
328935	328950	328951
328955	328959	328960
328991	329057	329240
329282	329294	329319
329320	329321	329327
329341	329345	329352
329353	329354	329590
329819	330059	330060
330061	330062	330063
330064	330065	330066
330067	330068	330069
330070	330071	330072
330073	330074	330075
330076	330225	330226
330243	330437	330438
330439	330440	330460
330998	330999	331000
331001	331002	331186
331700	338304	356845
358061	358062	358467

Registrations Ceased

301792	303649	303650
303651	303652	303653
303654	303655	303656
303657	303658	303659
303660	303661	303662
303663	303664	303665
303754	303756	303757
303758	303760	303761
303762	303763	303767
303769	303772	303773
303774	303775	303776
303777	303778	303782
303783	303784	303840
303841	303848	303849
303869	303871	303872
303873	303951	304038
304050	304051	304088
304109	304113	304116
304137	304138	304139
304140	304141	304142
304143	304163	304164
304166	304167	304168
304231	304244	304245
304636	304637	304638

Extensions of time granted under Section 137

Applications lodged under section 137 for extension of time have been granted.

328138 **Velox Products Pty Ltd**

362014 **Global Tech China Limited**

362015 **Global Tech China Limited**
 15718/2014 **Rapid Resource Solutions Pty. Ltd.**
 361862 **ALSTOM Transport Technologies**
 361883 **Derek A. Taylor**
 361884 **Bulent Besim**

Subsequent Owners Registered

(The name in parentheses is that of the subsequent owner)

350498 (**Cyclone Tools Pty Ltd**) Ames True Temper Australia Pty Ltd
 350499 (**Cyclone Tools Pty Ltd**) Ames True Temper Australia Pty Ltd
 350501 (**Cyclone Tools Pty Ltd**) Ames True Temper Australia Pty Ltd
 350502 (**Cyclone Tools Pty Ltd**) Ames True Temper Australia Pty Ltd
 350503 (**Cyclone Tools Pty Ltd**) Ames True Temper Australia Pty Ltd
 350504 (**Cyclone Tools Pty Ltd**) Ames True Temper Australia Pty Ltd
 350138 (**Cyclone Tools Pty Ltd**) Ames True Temper Australia Pty Ltd
 350137 (**Cyclone Tools Pty Ltd**) Ames True Temper Australia Pty Ltd
 350136 (**Cyclone Tools Pty Ltd**) Ames True Temper Australia Pty Ltd
 350135 (**Cyclone Tools Pty Ltd**) Ames True Temper Australia Pty Ltd
 317466 (**Cyclone Tools Pty Ltd**) Ames True Temper Australia Pty Ltd
 354774 (**GSM Electrical (Australia) Pty Ltd**) Gerard Lighting Pty Ltd
 310630 (**EZEAZ HOLDINGS PTY LTD**) Thonet Australia Pty Ltd
 318084 (**John Burk Michael**) James Neill Holdings Limited
 310321 (**WBC IP PTY LIMITED**) WBC Group Pty Ltd
 359773 (**GSM Electrical (Australia) Pty Ltd**) Gerard Trade Supplies Pty Ltd
 359774 (**GSM Electrical (Australia) Pty Ltd**) Gerard Trade Supplies Pty Ltd
 359775 (**GSM Electrical (Australia) Pty Ltd**) Gerard Trade Supplies Pty Ltd
 359776 (**GSM Electrical (Australia) Pty Ltd**) Gerard Trade Supplies Pty Ltd
 359777 (**GSM Electrical (Australia) Pty Ltd**) Gerard Trade Supplies Pty Ltd
 359778 (**GSM Electrical (Australia) Pty Ltd**) Gerard Trade Supplies Pty Ltd
 359904 (**GSM Electrical (Australia) Pty Ltd**) Gerard Trade Supplies Pty Ltd
 359780 (**GSM Electrical (Australia) Pty Ltd**) Gerard Trade Supplies Pty Ltd
 359782 (**GSM Electrical (Australia) Pty Ltd**) Gerard Trade Supplies Pty Ltd
 359783 (**GSM Electrical (Australia) Pty Ltd**) Gerard Trade Supplies Pty Ltd
 359815 (**GSM Electrical (Australia) Pty Ltd**) Gerard Trade Supplies Pty Ltd
 360507 (**GSM Electrical (Australia) Pty Ltd**) Gerard Trade Supplies Pty Ltd
 360508 (**GSM Electrical (Australia) Pty Ltd**) Gerard Trade Supplies Pty Ltd

360509 (**GSM Electrical (Australia) Pty Ltd**) Gerard Trade Supplies Pty Ltd
 357408 (**INNOSPARKS PTE LTD**) SINGAPORE TECHNOLOGIES DYNAMICS PTE LTD
 358644 (**INNOSPARKS PTE LTD**) SINGAPORE TECHNOLOGIES DYNAMICS PTE LTD
 358653 (**INNOSPARKS PTE LTD**) SINGAPORE TECHNOLOGIES DYNAMICS PTE LTD
 335544 (**WBC IP PTY LIMITED**) WBC Group Pty Ltd
 352637 (**SBI Global Pty Ltd**) Scott Boocock

Names Registered - Alterations and Amendments

(The name in parentheses is that of the subsequent applicant)

360207 (**PAX Labs, Inc.**) Ploom, Inc.
 360531 (**PAX Labs, Inc.**) Ploom, Inc.
 360532 (**PAX Labs, Inc.**) Ploom, Inc.
 352745 (**TomTom Telematics B.V.**) TomTom International B.V.
 360486 (**QEE Technology (Shenzhen) Co., Ltd**) QEE Technology (Shenzen) Co., Ltd
 361230 (**Rain Bird Corporation**) Rainbird Corporation
 361231 (**Rain Bird Corporation**) Rainbird Corporation
 361233 (**Rain Bird Corporation**) Rainbird Corporation
 361232 (**Rain Bird Corporation**) Rainbird Corporation
 356820 (**Biogen MA Inc.**) Biogen Idec MA Inc.
 355049 (**Biogen MA Inc.**) Biogen Idec MA Inc.

Certificate(s) of Examination

Examination of the following Design Registration(s) has been completed. Infringement proceedings may now be commenced.

324904	07-06A	21/05/2015
338622	08-08NES	22/05/2015
350669	06-01G	28/05/2015
350670	06-01G	28/05/2015
350715	06-01G	28/05/2015
350716	06-01G	28/05/2015
357935	04-02	22/05/2015
358037	14-01	27/05/2015
358749	13-02	22/05/2015
358765	13-02	22/05/2015
358818	14-01	27/05/2015
359673	08-09	21/05/2015
359957	07-05E	28/05/2015
360001	31-00	28/05/2015
360114	02-02NES	25/05/2015
360315	07-01C	22/05/2015
360316	07-01C	22/05/2015
360329	09-03L	19/05/2015
360351	31-00	22/05/2015
360415	07-02D	20/05/2015
360427	25-01K	27/05/2015
360428	25-01K	27/05/2015
360446	31-00	22/05/2015
360469	07-01F	25/05/2015
360680	08-08L	18/05/2015
360707	08-06	22/05/2015
360708	08-06	22/05/2015
361268	23-01H	20/05/2015
361351	15-05	27/05/2015

Publication and Registration Proceedings

Designs Registered

This section provides a concordance between design number and registration number of Designs covered in this journal. It also shows the main class and registration date.

This section covers Registration numbers 361827 to 362013 .

The registration number shown below should be used in all future correspondence.

Design Number	Registration Number	International Classification Code (IDC)	Registration Date	Design Number	Registration Number	International Classification Code (IDC)	Registration Date
14771/2014	361950	23-04	22/05/2015	11537/2015	361993	06-09	27/05/2015
14890/2014	361882	02-02C	20/05/2015	11566/2015	361978	29-01	27/05/2015
15900/2014	361932	07-06NES	22/05/2015	11574/2015	361842	15-02	18/05/2015
15901/2014	361933	07-06NES	22/05/2015	11590/2015	361954	25-02NES	22/05/2015
15903/2014	361934	07-06NES	22/05/2015	11591/2015	361955	25-02NES	22/05/2015
16222/2014	361862	12-03	18/05/2015	11600/2015	362002	14-02	28/05/2015
10091/2015	361883	02-02NES	20/05/2015	11622/2015	361960	27-02	25/05/2015
10376/2015	361884	14-02	20/05/2015	11677/2015	361936	14-02	22/05/2015
10717/2015	361971	08-06	25/05/2015	11705/2015	361843	21-02F	18/05/2015
10723/2015	361951	13-02	22/05/2015	11762/2015	361897	09-05	20/05/2015
10795/2015	361991	10-02	27/05/2015	11840/2015	361880	08-08NES	19/05/2015
10816/2015	361952	14-01	22/05/2015	11867/2015	361968	02-07D	25/05/2015
10831/2015	361958	02-03	25/05/2015	11870/2015	361881	12-08	19/05/2015
10832/2015	361885	23-04	20/05/2015	11880/2015	361888	16-05	20/05/2015
10850/2015	361942	09-03M	22/05/2015	11892/2015	361937	07-01C	22/05/2015
10856/2015	361827	21-02A	18/05/2015	11922/2015	361961	21-01H	25/05/2015
10857/2015	361828	21-02A	18/05/2015	11949/2015	361879	06-04NES	19/05/2015
10858/2015	361829	21-02A	18/05/2015	11951/2015	361945	21-01A	22/05/2015
10939/2015	361943	14-02	22/05/2015	11958/2015	362000	13-03NES	27/05/2015
10943/2015	361944	24-02	22/05/2015	11969/2015	361831	26-06	18/05/2015
10944/2015	361935	24-02	22/05/2015	11970/2015	361832	24-01	18/05/2015
10954/2015	361959	24-02	25/05/2015	11971/2015	361833	31-00	18/05/2015
10975/2015	361953	23-01NES	22/05/2015	11972/2015	361844	13-03NES	18/05/2015
10996/2015	361972	14-02	27/05/2015	11973/2015	361845	13-03NES	18/05/2015
10998/2015	361973	14-02	27/05/2015	11976/2015	361834	22-05	18/05/2015
10999/2015	361974	14-02	27/05/2015	11977/2015	361846	09-03L	18/05/2015
11002/2015	361975	14-02	27/05/2015	11978/2015	361847	09-03L	18/05/2015
11003/2015	361976	14-02	27/05/2015	11979/2015	361848	09-03L	18/05/2015
11004/2015	361977	14-02	27/05/2015	11986/2015	361969	03-01B	25/05/2015
11007/2015	361992	14-02	27/05/2015	12000/2015	361849	03-01B	18/05/2015
11056/2015	361962	06-06D	25/05/2015	12001/2015	361850	03-01B	18/05/2015
11057/2015	361905	06-06D	21/05/2015	12002/2015	361851	03-01B	18/05/2015
11058/2015	361963	03-01NES	25/05/2015	12004/2015	361863	31-00	18/05/2015
11076/2015	361886	21-02D	20/05/2015	12005/2015	361852	12-16A	18/05/2015
11109/2015	361957	24-02	22/05/2015	12006/2015	361853	12-16A	18/05/2015
11116/2015	361906	19-08	21/05/2015	12007/2015	361854	12-16A	18/05/2015
11118/2015	361907	19-08	21/05/2015	12009/2015	361923	25-01E	21/05/2015
11119/2015	361908	19-08	21/05/2015	12010/2015	361864	15-04	18/05/2015
11120/2015	361909	19-08	21/05/2015	12013/2015	361835	23-02A	18/05/2015
11121/2015	361910	19-08	21/05/2015	12016/2015	361836	07-02N	18/05/2015
11122/2015	361911	19-08	21/05/2015	12017/2015	361855	12-05	18/05/2015
11163/2015	362009	03-03	28/05/2015	12018/2015	361837	23-02B	18/05/2015
11236/2015	361979	08-05F	27/05/2015	12019/2015	361838	25-01G	18/05/2015
11279/2015	361830	30-99	18/05/2015	12020/2015	361839	23-02B	18/05/2015
11308/2015	361887	12-16NES	20/05/2015	12021/2015	361889	25-01NES	20/05/2015
11332/2015	361912	22-01	21/05/2015	12022/2015	361840	30-02	18/05/2015
11333/2015	361964	22-01	25/05/2015	12024/2015	361865	24-01	18/05/2015
11336/2015	361965	22-01	25/05/2015	12025/2015	361866	07-02L	18/05/2015
11341/2015	361966	22-01	25/05/2015	12027/2015	361867	26-02	18/05/2015
11348/2015	361967	12-16C	25/05/2015	12028/2015	361868	26-02	18/05/2015

Publication and Registration Proceedings - Designs Registered cont'd

Design Number	Registration Number	International Classification Code (IDC)	Registration Date	Design Number	Registration Number	International Classification Code (IDC)	Registration Date
12029/2015	361869	26-06	18/05/2015	12094/2015	361922	28-03A	21/05/2015
12030/2015	361870	26-06	18/05/2015	12096/2015	361948	21-01M	22/05/2015
12031/2015	361871	26-02	18/05/2015	12098/2015	361924	25-01K	21/05/2015
12032/2015	361890	09-07C	20/05/2015	12099/2015	361925	27-03	21/05/2015
12033/2015	361913	07-01NES	21/05/2015	12100/2015	361926	28-03A	21/05/2015
12034/2015	361914	07-01NES	21/05/2015	12101/2015	361927	23-01H	21/05/2015
12035/2015	361915	09-07C	21/05/2015	12102/2015	361928	23-01H	21/05/2015
12036/2015	361916	09-07C	21/05/2015	12103/2015	361929	05-06NES	21/05/2015
12037/2015	361917	09-07C	21/05/2015	12104/2015	361949	21-01M	22/05/2015
12038/2015	361918	07-01NES	21/05/2015	12105/2015	361930	07-05C	21/05/2015
12039/2015	361919	07-01NES	21/05/2015	12106/2015	361931	02-06	21/05/2015
12041/2015	361891	24-03	20/05/2015	12111/2015	361940	23-01A	22/05/2015
12042/2015	361892	24-03	20/05/2015	12112/2015	361941	14-02	22/05/2015
12043/2015	361938	24-03	22/05/2015	12114/2015	361995	07-02L	27/05/2015
12044/2015	361939	24-03	22/05/2015	12116/2015	361980	20-03NES	27/05/2015
12045/2015	361893	28-03B	20/05/2015	12117/2015	361981	20-03NES	27/05/2015
12046/2015	361894	07-02L	20/05/2015	12118/2015	362003	09-03F	28/05/2015
12047/2015	361895	06-06NES	20/05/2015	12120/2015	361994	10-04	27/05/2015
12048/2015	361896	07-02L	20/05/2015	12121/2015	362004	12-06NES	28/05/2015
12051/2015	361872	28-03B	18/05/2015	12122/2015	362005	12-06NES	28/05/2015
12054/2015	361873	28-03B	18/05/2015	12125/2015	361996	12-16NES	27/05/2015
12055/2015	361874	28-03NES	18/05/2015	12126/2015	361997	12-16NES	27/05/2015
12056/2015	361856	10-05	18/05/2015	12127/2015	361998	03-99	27/05/2015
12057/2015	361857	06-09	18/05/2015	12128/2015	362001	29-02	27/05/2015
12058/2015	361858	09-05	18/05/2015	12132/2015	361982	02-02NES	27/05/2015
12059/2015	361859	09-05	18/05/2015	12134/2015	361983	02-02NES	27/05/2015
12060/2015	361860	10-05	18/05/2015	12135/2015	361984	02-02NES	27/05/2015
12061/2015	361861	09-05	18/05/2015	12136/2015	361985	02-02NES	27/05/2015
12067/2015	361841	08-08L	18/05/2015	12138/2015	361986	02-02NES	27/05/2015
12070/2015	361875	05-05A	18/05/2015	12139/2015	361987	02-02C	27/05/2015
12073/2015	361898	21-02F	20/05/2015	12140/2015	361988	02-02C	27/05/2015
12076/2015	361876	05-05A	18/05/2015	12142/2015	361989	25-01E	27/05/2015
12078/2015	361877	05-05NES	18/05/2015	12143/2015	361990	25-01E	27/05/2015
12079/2015	361878	05-05D	18/05/2015	12144/2015	361999	25-02C	27/05/2015
12080/2015	361899	26-02	20/05/2015	12147/2015	362006	06-01C	28/05/2015
12081/2015	361900	21-02F	20/05/2015	12148/2015	362007	06-01C	28/05/2015
12084/2015	361901	12-15B	20/05/2015	12154/2015	362008	12-15A	28/05/2015
12085/2015	361902	28-02	20/05/2015	12176/2015	362010	30-02	28/05/2015
12086/2015	361903	12-15B	20/05/2015	12177/2015	362011	30-02	28/05/2015
12087/2015	361904	10-04	20/05/2015	12178/2015	362012	30-02	28/05/2015
12088/2015	361970	12-15B	25/05/2015	12183/2015	362013	08-08D	28/05/2015
12089/2015	361920	21-01L	21/05/2015	12481/2015	361956	13-02	22/05/2015
12090/2015	361946	16-02	22/05/2015				
12092/2015	361921	28-03A	21/05/2015				
12093/2015	361947	09-03L	22/05/2015				

Publication and Registration Proceedings

Class Listing of Designs Published or Registered

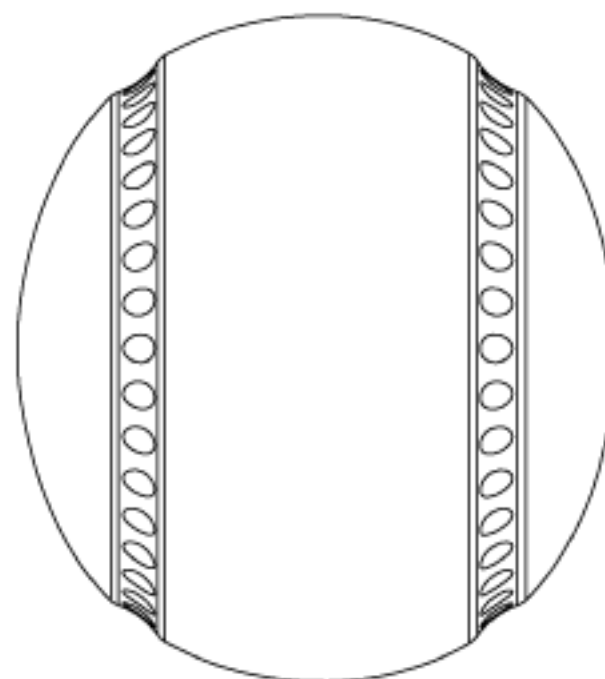
The following section shows an International Classification Code listing of the Registered or Published Designs covered in this supplement.

Classification	Registration Number	Design Number	Classification	Registration Number	Design Number
02-02C	361882	14890/2014	09-03L	361846	11977/2015
02-02C	361987	12139/2015	09-03L	361847	11978/2015
02-02C	361988	12140/2015	09-03L	361848	11979/2015
02-02NES	361883	10091/2015	09-03L	361947	12093/2015
02-02NES	361982	12132/2015	09-03M	361942	10850/2015
02-02NES	361983	12134/2015	09-03M	361953	10975/2015
02-02NES	361984	12135/2015	09-05	361858	12058/2015
02-02NES	361985	12136/2015	09-05	361859	12059/2015
02-02NES	361986	12138/2015	09-05	361861	12061/2015
02-03	361958	10831/2015	09-05	361897	11762/2015
02-06	361931	12106/2015	09-07C	361890	12032/2015
02-07D	361968	11867/2015	09-07C	361915	12035/2015
03-01B	361849	12000/2015	09-07C	361916	12036/2015
03-01B	361850	12001/2015	09-07C	361917	12037/2015
03-01B	361851	12002/2015	10-02	361991	10795/2015
03-01B	361969	11986/2015	10-04	361904	12087/2015
03-01NES	361963	11058/2015	10-04	361994	12120/2015
03-03	362009	11163/2015	10-05	361856	12056/2015
03-99	361998	12127/2015	10-05	361860	12060/2015
05-05A	361875	12070/2015	12-03	361862	16222/2014
05-05A	361876	12076/2015	12-05	361855	12017/2015
05-05D	361878	12079/2015	12-06NES	362004	12121/2015
05-05NES	361877	12078/2015	12-06NES	362005	12122/2015
05-06NES	361929	12103/2015	12-08	361881	11870/2015
06-01C	362006	12147/2015	12-15A	362008	12154/2015
06-01C	362007	12148/2015	12-15B	361901	12084/2015
06-01D	361862	16222/2014	12-15B	361903	12086/2015
06-04NES	361879	11949/2015	12-15B	361970	12088/2015
06-06D	361905	11057/2015	12-16A	361852	12005/2015
06-06D	361962	11056/2015	12-16A	361853	12006/2015
06-06NES	361895	12047/2015	12-16A	361854	12007/2015
06-09	361857	12057/2015	12-16C	361967	11348/2015
06-09	361993	11537/2015	12-16NES	361887	11308/2015
07-01C	361937	11892/2015	12-16NES	361996	12125/2015
07-01NES	361913	12033/2015	12-16NES	361997	12126/2015
07-01NES	361914	12034/2015	13-02	361951	10723/2015
07-01NES	361918	12038/2015	13-02	361956	12481/2015
07-01NES	361919	12039/2015	13-03NES	361844	11972/2015
07-02L	361866	12025/2015	13-03NES	361845	11973/2015
07-02L	361894	12046/2015	13-03NES	362000	11958/2015
07-02L	361896	12048/2015	14-01	361952	10816/2015
07-02L	361995	12114/2015	14-02	361884	10376/2015
07-02N	361836	12016/2015	14-02	361936	11677/2015
07-05C	361930	12105/2015	14-02	361941	12112/2015
07-06NES	361932	15900/2014	14-02	361943	10939/2015
07-06NES	361933	15901/2014	14-02	361972	10996/2015
07-06NES	361934	15903/2014	14-02	361973	10998/2015
08-05F	361979	11236/2015	14-02	361974	10999/2015
08-06	361971	10717/2015	14-02	361975	11002/2015
08-08D	362013	12183/2015	14-02	361976	11003/2015
08-08L	361841	12067/2015	14-02	361977	11004/2015
08-08NES	361880	11840/2015	14-02	361992	11007/2015
09-03F	362003	12118/2015	14-02	362002	11600/2015

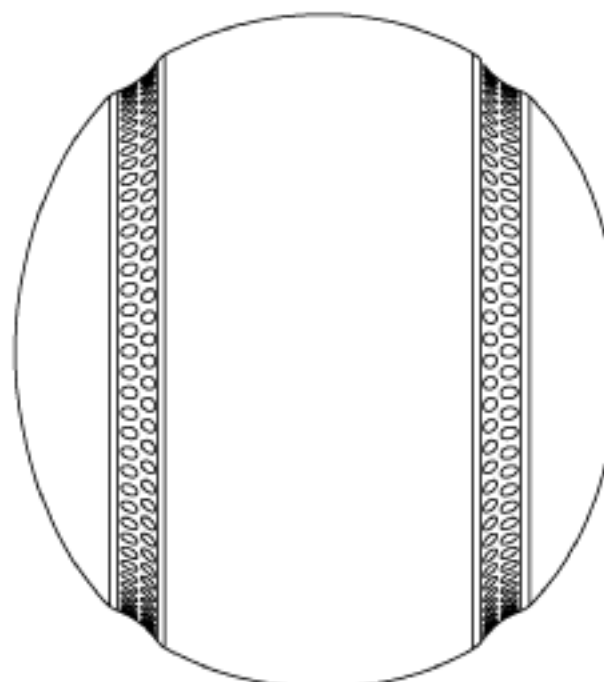
Registration Proceedings - Class Listing of Designs Published or Registered cont'd

Classification	Registration Number	Design Number	Classification	Registration Number	Design Number
15-02	361842	11574/2015	24-02	361957	11109/2015
15-04	361864	12010/2015	24-02	361959	10954/2015
16-02	361946	12090/2015	24-03	361891	12041/2015
16-05	361888	11880/2015	24-03	361892	12042/2015
19-08	361906	11116/2015	24-03	361938	12043/2015
19-08	361907	11118/2015	24-03	361939	12044/2015
19-08	361908	11119/2015	25-01E	361923	12009/2015
19-08	361909	11120/2015	25-01E	361989	12142/2015
19-08	361910	11121/2015	25-01E	361990	12143/2015
19-08	361911	11122/2015	25-01G	361838	12019/2015
20-03NES	361980	12116/2015	25-01K	361924	12098/2015
20-03NES	361981	12117/2015	25-01NES	361889	12021/2015
21-01A	361945	11951/2015	25-02C	361999	12144/2015
21-01C	361881	11870/2015	25-02NES	361954	11590/2015
21-01H	361961	11922/2015	25-02NES	361955	11591/2015
21-01L	361920	12089/2015	26-02	361867	12027/2015
21-01M	361948	12096/2015	26-02	361868	12028/2015
21-01M	361949	12104/2015	26-02	361871	12031/2015
21-02A	361827	10856/2015	26-02	361899	12080/2015
21-02A	361828	10857/2015	26-06	361831	11969/2015
21-02A	361829	10858/2015	26-06	361869	12029/2015
21-02D	361886	11076/2015	26-06	361870	12030/2015
21-02F	361843	11705/2015	27-02	361960	11622/2015
21-02F	361898	12073/2015	27-03	361925	12099/2015
21-02F	361900	12081/2015	28-02	361902	12085/2015
22-01	361912	11332/2015	28-03A	361921	12092/2015
22-01	361964	11333/2015	28-03A	361922	12094/2015
22-01	361965	11336/2015	28-03A	361926	12100/2015
22-01	361966	11341/2015	28-03B	361872	12051/2015
22-05	361834	11976/2015	28-03B	361873	12054/2015
23-01A	361940	12111/2015	28-03B	361893	12045/2015
23-01H	361927	12101/2015	28-03NES	361874	12055/2015
23-01H	361928	12102/2015	29-01	361978	11566/2015
23-01NES	361953	10975/2015	29-02	362001	12128/2015
23-02A	361835	12013/2015	30-02	361840	12022/2015
23-02B	361837	12018/2015	30-02	362010	12176/2015
23-02B	361839	12020/2015	30-02	362011	12177/2015
23-04	361885	10832/2015	30-02	362012	12178/2015
23-04	361950	14771/2014	30-99	361830	11279/2015
24-01	361832	11970/2015	31-00	361833	11971/2015
24-01	361865	12024/2015	31-00	361863	12004/2015
24-02	361935	10944/2015			
24-02	361944	10943/2015			

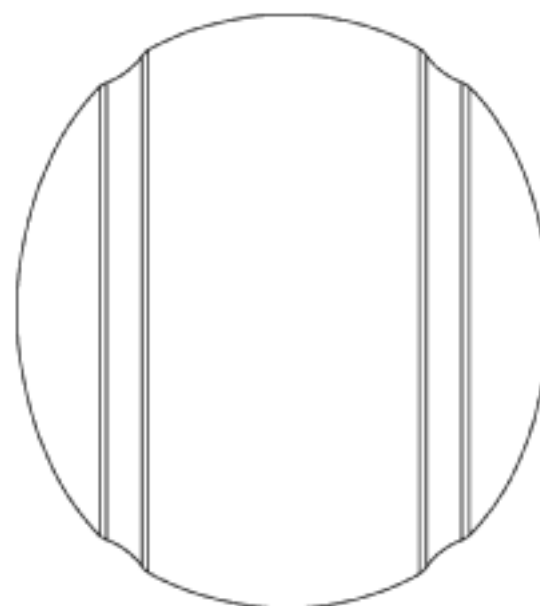
- (21) Design Number: **10856/2015**
(22) Date of Filing Application: **17 February 2015**
(24) Date from which industrial property rights may have effect: **17 February 2015**
(54) Product in respect of which the design is registered: **A bowling ball**
(51) International Design Classification: **21-02A**
(74) Name(s) of Attorney(s): **Davies Collison Cave**
(71) Name(s) and Address(s) of Applicant(s):
Walter Jacobs
3 Chris Bang Cres Vacluse NSW 2030 Australia
(72) Name(s) of Designer(s): **Walter Jacobs**
(45) Registration Date: **18 May 2015**
(56) Related Art Documents: **Not Applicable**
(57) Statement of Newness and Distinctiveness: **The newness and distinctiveness resides in the features of the shape and/or configuration and/or pattern and/or ornamentation of a bowling ball as shown in the accompanying representations.**



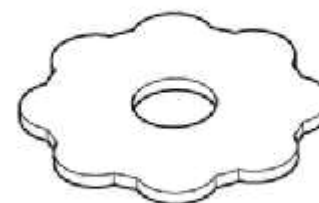
- (21) Design Number: **10857/2015**
(22) Date of Filing Application: **17 February 2015**
(24) Date from which industrial property rights may have effect: **17 February 2015**
(54) Product in respect of which the design is registered: **A bowling ball**
(51) International Design Classification: **21-02A**
(74) Name(s) of Attorney(s): **Davies Collison Cave**
(71) Name(s) and Address(s) of Applicant(s):
Walter Jacobs
3 Chris Bang Cres Vacluse NSW 2030 Australia
(72) Name(s) of Designer(s): **Walter Jacobs**
(45) Registration Date: **18 May 2015**
(56) Related Art Documents: **Not Applicable**
(57) Statement of Newness and Distinctiveness: **The newness and distinctiveness resides in the features of the shape and/or configuration and/or pattern and/or ornamentation of a bowling ball as shown in the accompanying representations.**



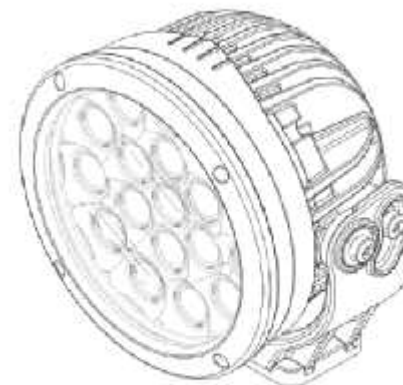
(21) Design Number: **10858/2015**
(22) Date of Filing Application: **17 February 2015**
(24) Date from which industrial property rights may have effect: **17 February 2015**
(54) Product in respect of which the design is registered: **A bowling ball**
(51) International Design Classification: **21-02A**
(74) Name(s) of Attorney(s): **Davies Collison Cave**
(71) Name(s) and Address(s) of Applicant(s):
Walter Jacobs
3 Chris Bang Cres Vacluse NSW 2030 Australia
(72) Name(s) of Designer(s): **Walter Jacobs**
(45) Registration Date: **18 May 2015**
(56) Related Art Documents: **Not Applicable**
(57) Statement of Newness and Distinctiveness: **The newness and distinctiveness resides in the features of the shape and/or configuration and/or pattern and/or ornamentation of a bowling ball as shown in the accompanying representations.**



(21) Design Number: **11279/2015**
(22) Date of Filing Application: **06 March 2015**
(24) Date from which industrial property rights may have effect: **06 March 2015**
(54) Product in respect of which the design is registered: **Scented disc**
(51) International Design Classification: **30-99**
(74) Name(s) of Attorney(s): **Madderns**
(71) Name(s) and Address(s) of Applicant(s):
My Clever Dog Pty Ltd
24 Roslyn St Largs Bay SA 5016 Australia
(72) Name(s) of Designer(s): **Justin Anthony Daley and George Giles Campbell**
(45) Registration Date: **18 May 2015**
(56) Related Art Documents: **Not Applicable**
(57) Statement of Newness and Distinctiveness: **Nil**



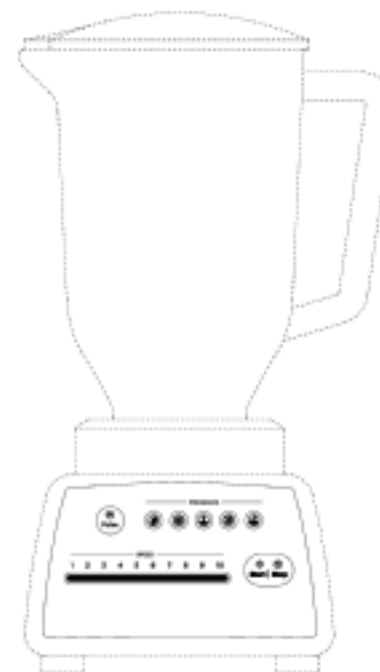
- (21) Design Number: **11969/2015**
(22) Date of Filing Application: **13 April 2015**
(24) Date from which industrial property rights may have effect: **13 April 2015**
(54) Product in respect of which the design is registered: **Lighting equipment for vehicles**
(51) International Design Classification: **26-06**
(74) Name(s) of Attorney(s): **Acacia Law**
(71) Name(s) and Address(s) of Applicant(s):
Vision X Asia Co., Ltd
23-7, Dongtansandan 9-gil Dongtan-myeon Hwaseong-si Gyeonggi-do
445-811 Republic of Korea
In-Hong Ko
No. A-2803, Daelim Acrovill 13, Eonju-ro 30-gil Gangnam-ku Seoul
135-856 Republic of Korea
(72) Name(s) of Designer(s): **In-Hong Ko**
(45) Registration Date: **18 May 2015**
(30) Convention priority data:
(31) Number (32) Date (33) Country
30-2014-0060766 12 Dec 2014 REPUBLIC OF KOREA
(56) Related Art Documents: **Not Applicable**
(57) Statement of Newness and Distinctiveness: **Novelty lies in the combination of shape and configuration of the body and lens cover for lighting equipment for vehicles, particularly the shape of the radiation fins formed in the body and the shape of the lens cover, and bracket.**



- (21) Design Number: **11970/2015**
(22) Date of Filing Application: **13 April 2015**
(24) Date from which industrial property rights may have effect: **13 April 2015**
(54) Product in respect of which the design is registered: **Blood observation device**
(51) International Design Classification: **24-01**
(74) Name(s) of Attorney(s): **FB Rice**
(71) Name(s) and Address(s) of Applicant(s):
Fujimori Kogyo Co., Ltd.
1-23-7, Nishi-Shinjuku Shinjuku-ku Tokyo 160-0023 Japan
(72) Name(s) of Designer(s): **Kazuya Hosokawa and Tomoko Wada and Takao Sato and Yasuto Ishikawa**
(45) Registration Date: **18 May 2015**
(30) Convention priority data:
(31) Number (32) Date (33) Country
2014-023097 15 Oct 2014 JAPAN
(56) Related Art Documents: **Not Applicable**
(57) Statement of Newness and Distinctiveness: **Newness and distinctiveness reside in the features of shape and configuration of the design shown in solid lines in the representations excluding those features shown in broken lines.**



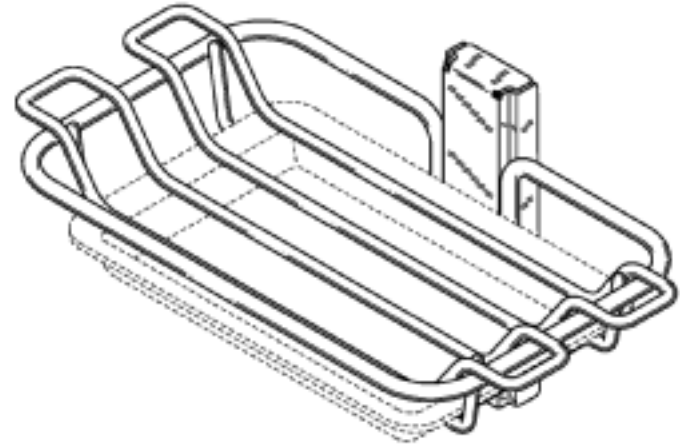
(21) Design Number: **11971/2015**
(22) Date of Filing Application: **13 April 2015**
(24) Date from which industrial property rights may have effect: **13 April 2015**
(54) Product in respect of which the design is registered: **Blending apparatus**
(51) International Design Classification: **31-00**
(74) Name(s) of Attorney(s): **Spruson & Ferguson**
(71) Name(s) and Address(s) of Applicant(s):
Vita-Mix Corporation
8615 Usher Road Olmsted Falls Ohio 44138 United States of America
(72) Name(s) of Designer(s): **Jack Warren Gee II**
(45) Registration Date: **18 May 2015**
(30) Convention priority data:
(31) Number (32) Date (33) Country
29/506051 13 Oct 2014 UNITED STATES OF AMERICA
(56) Related Art Documents: **Not Applicable**
(57) Statement of Newness and Distinctiveness: **Newness and distinctiveness is claimed in those features of pattern and/or ornamentation of a touch faceplate of a blending apparatus illustrated in continuous lines in the accompanying representation.**



(21) Design Number: **11976/2015**
(22) Date of Filing Application: **13 April 2015**
(24) Date from which industrial property rights may have effect: **13 April 2015**
(54) Product in respect of which the design is registered: **Trap for fish**
(51) International Design Classification: **22-05**
(74) Name(s) of Attorney(s):
(71) Name(s) and Address(s) of Applicant(s):
Stephen Barry Fuller
U616 18 Coral St The Entrance NSW 2261 Australia
(72) Name(s) of Designer(s): **Stephen Barry Fuller**
(45) Registration Date: **18 May 2015**
(56) Related Art Documents: **Not Applicable**
(57) Statement of Newness and Distinctiveness: **Newness and Distinctiveness resides in the overall shape and configuration of the visual features shown in solid lines in the representations.**



- (21) Design Number: **12013/2015**
(22) Date of Filing Application: **16 April 2015**
(24) Date from which industrial property rights may have effect: **16 April 2015**
(54) Product in respect of which the design is registered: **Soap holder**
(51) International Design Classification: **23-02A**
(74) Name(s) of Attorney(s): **Davies Collison Cave**
(71) Name(s) and Address(s) of Applicant(s):
3M Innovative Properties Company
3M Center Saint Paul Minnesota 55133-3427 United States of America
(72) Name(s) of Designer(s): **Pei-Chun Chang and Hsi Che Cheng and Hui-Lin Wang**
(45) Registration Date: **18 May 2015**
(30) Convention priority data:
(31) Number (32) Date (33) Country
29/506479 16 Oct 2014 UNITED STATES OF AMERICA
(56) Related Art Documents: **Not Applicable**
(57) Statement of Newness and Distinctiveness: **Newness and distinctiveness is claimed in the visual features shown in solid lines in the representations. In considering the extent of the design rights, the broken lines shown in the representations are for illustrative purposes only and do not form part of the design.**



- (21) Design Number: **12016/2015**
(22) Date of Filing Application: **16 April 2015**
(24) Date from which industrial property rights may have effect: **16 April 2015**
(54) Product in respect of which the design is registered: **A cooking vessel**
(51) International Design Classification: **07-02N**
(74) Name(s) of Attorney(s): **Freehills Patent Attorneys**
(71) Name(s) and Address(s) of Applicant(s):
Funtastic Limited
L2 Tower 2 Chadstone PI 1341 Dandenong Rd Chadstone VIC 3148
Australia
(72) Name(s) of Designer(s): **Jose Antonio Estevan and Luis Llorens and Billy Yip**
(45) Registration Date: **18 May 2015**
(56) Related Art Documents: **Not Applicable**
(57) Statement of Newness and Distinctiveness: **Newness and distinctiveness resides in the shape and configuration of the cooking vessel as shown in the representations. In considering whether the design is substantially similar in overall impression to another design, no regard is to be given to the features on the base of the vessel.**



(21) Design Number: **12018/2015**
(22) Date of Filing Application: **16 April 2015**
(24) Date from which industrial property rights may have effect: **16 April 2015**
(54) Product in respect of which the design is registered: **Shower head**
(51) International Design Classification: **23-02B**
(74) Name(s) of Attorney(s): **Baldwins**
(71) Name(s) and Address(s) of Applicant(s):
Methven Limited
447 Rosebank Road Avondale 1026 New Zealand
(72) Name(s) of Designer(s): **Kent Bradley Thomas Sneddon and Scott Douglas Fitzsimons and Stephen McLay McCutcheon**
(45) Registration Date: **18 May 2015**
(30) Convention priority data:
(31) Number (32) Date (33) Country
419479 22 Oct 2014 NEW ZEALAND
(56) Related Art Documents: **Not Applicable**
(57) Statement of Newness and Distinctiveness: **The design is to be applied to A SHOWER HEAD and the novelty of the design resides in the features of shape and/or configuration of the article as shown in the accompanying representations, excluding those features shown in dashed lines.**



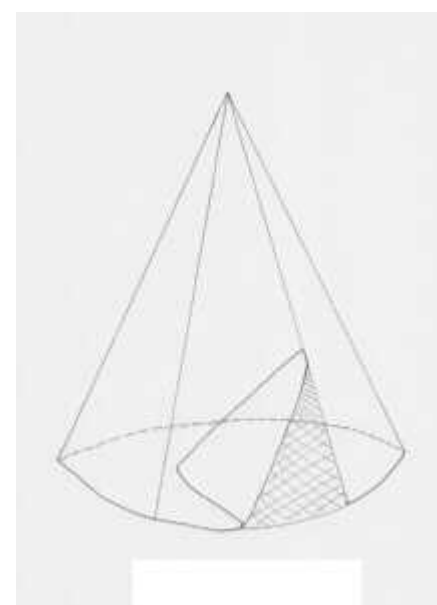
(21) Design Number: **12019/2015**
(22) Date of Filing Application: **16 April 2015**
(24) Date from which industrial property rights may have effect: **16 April 2015**
(54) Product in respect of which the design is registered: **Roofing plate**
(51) International Design Classification: **25-01G**
(74) Name(s) of Attorney(s): **FB Rice**
(71) Name(s) and Address(s) of Applicant(s):
GI PLAST SRL
Via B. Franklin 6 Lonate Ceppino (VA) Italy
(72) Name(s) of Designer(s): **Enrico Ghidi**
(45) Registration Date: **18 May 2015**
(30) Convention priority data:
(31) Number (32) Date (33) Country
002579359-0001 17 Nov 2014 OFFICE FOR HARMONISATION IN THE INTERNAL MARKET (OHIM)
(56) Related Art Documents: **Not Applicable**
(57) Statement of Newness and Distinctiveness: **Newness and distinctiveness reside in the visual features of the design as shown in the representations.**



- (21) Design Number: **12020/2015**
(22) Date of Filing Application: **16 April 2015**
(24) Date from which industrial property rights may have effect: **16 April 2015**
(54) Product in respect of which the design is registered: **Shower head**
(51) International Design Classification: **23-02B**
(74) Name(s) of Attorney(s): **Baldwins**
(71) Name(s) and Address(s) of Applicant(s):
Methven Limited
447 Rosebank Road Avondale 1026 New Zealand
(72) Name(s) of Designer(s): **Kent Bradley Thomas Sneddon and Scott Douglas Fitzsimons and Stephen McLay McCutcheon**
(45) Registration Date: **18 May 2015**
(30) Convention priority data:
(31) Number (32) Date (33) Country
419480 22 Oct 2014 NEW ZEALAND
(56) Related Art Documents: **Not Applicable**
(57) Statement of Newness and Distinctiveness: **The design is to be applied to A SHOWER HEAD and the novelty of the design resides in the features of shape and/or configuration of the article as shown in the accompanying representations excluding those features shown in dashed lines.**



- (21) Design Number: **12022/2015**
(22) Date of Filing Application: **16 April 2015**
(24) Date from which industrial property rights may have effect: **16 April 2015**
(54) Product in respect of which the design is registered: **Portable chicken coop**
(51) International Design Classification: **30-02**
(74) Name(s) of Attorney(s):
(71) Name(s) and Address(s) of Applicant(s):
Bridget Jane James
30 McArthur St Bentleigh VIC 3204 Australia
(72) Name(s) of Designer(s): **Bridget Jane James**
(45) Registration Date: **18 May 2015**
(56) Related Art Documents: **Not Applicable**
(57) Statement of Newness and Distinctiveness: **The Chickpi is a portable chicken coop. The unique addition is that The Chickpi is a tipi style, conical shaped tent, which has not been used commercially for a chicken housing. It is a functional and attractive alternative to mainstream chicken cages, which are constructed from wire and wood.**



(21) Design Number: **12067/2015**

(22) Date of Filing Application: **20 April 2015**

(24) Date from which industrial property rights may have effect: **20 April 2015**

(54) Product in respect of which the design is registered: **Roof anchor**

(51) International Design Classification: **08-08L**

(74) Name(s) of Attorney(s): **James & Wells**

(71) Name(s) and Address(s) of Applicant(s):

**Safety & Medical Manufacturers Ltd
Unit 6 Pacific Park 20 Pacific Place Wanganui NZ 4500**

(72) Name(s) of Designer(s): **Guy Collins and Jason Myburgh**

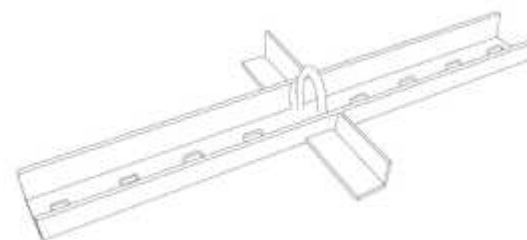
(45) Registration Date: **18 May 2015**

(30) Convention priority data:

(31) Number	(32) Date	(33) Country
419489	24 Oct 2014	NEW ZEALAND

(56) Related Art Documents: **Not Applicable**

(57) Statement of Newness and Distinctiveness: **This design is to be applied to a roof anchor and the novelty resides in features of shape and configuration, all as shown in the accompanying representations.**



(21) Design Number: **11574/2015**

(22) Date of Filing Application: **24 March 2015**

(24) Date from which industrial property rights may have effect: **24 March 2015**

(54) Product in respect of which the design is registered: **Suction strainer for attachment to pumping equipment**

(51) International Design Classification: **15-02**

(74) Name(s) of Attorney(s): **Adams Pluck**

(71) Name(s) and Address(s) of Applicant(s):

**Still Engineering Pty Ltd
56 Bant St Bathurst NSW 2795 Australia**

(72) Name(s) of Designer(s): **Tom Monaghan**

(45) Registration Date: **18 May 2015**

(56) Related Art Documents: **Not Applicable**

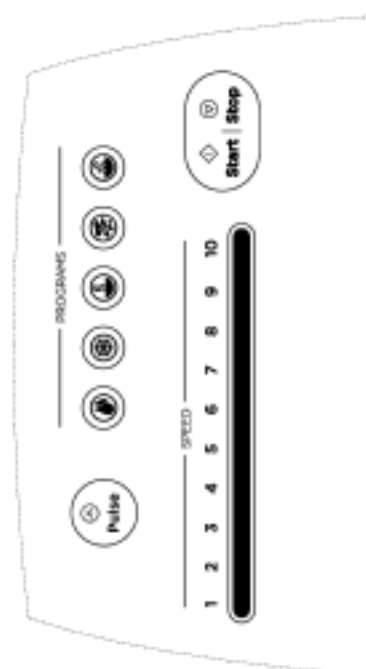
(57) Statement of Newness and Distinctiveness: **Newness and distinctiveness reside in the features of shape and/or configuration of the strainer as shown in the representations. Colour is to be disregarded when considering the overall impression of the design.**



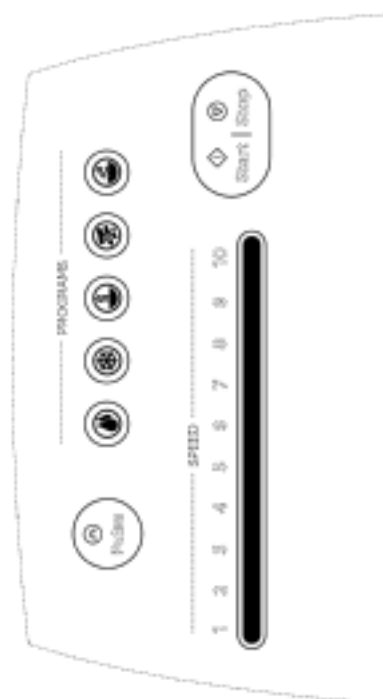
(21) Design Number: **11705/2015**
(22) Date of Filing Application: **30 March 2015**
(24) Date from which industrial property rights may have effect: **30 March 2015**
(54) Product in respect of which the design is registered: **Connector for trampoline safety net frame**
(51) International Design Classification: **21-02F**
(74) Name(s) of Attorney(s): **Ahearn Fox**
(71) Name(s) and Address(s) of Applicant(s):
Vuly Property Pty Ltd
PO BOX 1180 Wynnum QLD 4178 Australia
(72) Name(s) of Designer(s): **Joe Andon**
(45) Registration Date: **18 May 2015**
(30) Convention priority data:
(31) Number (32) Date (33) Country
419383 29 Sep 2014 NEW ZEALAND
(56) Related Art Documents: **Not Applicable**
(57) Statement of Newness and Distinctiveness: **Newness and distinctiveness resides in the shape and configuration of the connector illustrated in the representations.**



(21) Design Number: **11972/2015**
(22) Date of Filing Application: **13 April 2015**
(24) Date from which industrial property rights may have effect: **13 April 2015**
(54) Product in respect of which the design is registered: **Touch faceplate**
(51) International Design Classification: **13-03NES**
(74) Name(s) of Attorney(s): **Spruson & Ferguson**
(71) Name(s) and Address(s) of Applicant(s):
Vita-Mix Corporation
8615 Usher Road Olmsted Falls Ohio 44138 United States of America
(72) Name(s) of Designer(s): **Jack Warren Gee II**
(45) Registration Date: **18 May 2015**
(30) Convention priority data:
(31) Number (32) Date (33) Country
29/506051 13 Oct 2014 UNITED STATES OF AMERICA
(56) Related Art Documents: **Not Applicable**
(57) Statement of Newness and Distinctiveness: **Newness and distinctiveness is claimed in those features of pattern and/or ornamentation of a touch faceplate illustrated in continuous lines in the accompanying representation.**



- (21) Design Number: **11973/2015**
(22) Date of Filing Application: **13 April 2015**
(24) Date from which industrial property rights may have effect: **13 April 2015**
(54) Product in respect of which the design is registered: **Touch faceplate**
(51) International Design Classification: **13-03NES**
(74) Name(s) of Attorney(s): **Spruson & Ferguson**
(71) Name(s) and Address(s) of Applicant(s):
Vita-Mix Corporation
8615 Usher Road Olmsted Falls Ohio 44138 United States of America
(72) Name(s) of Designer(s): **Jack Warren Gee II**
(45) Registration Date: **18 May 2015**
(30) Convention priority data:
(31) Number (32) Date (33) Country
29/506051 13 Oct 2014 UNITED STATES OF AMERICA
(56) Related Art Documents: **Not Applicable**
(57) Statement of Newness and Distinctiveness: **Newness and distinctiveness is claimed in those features of pattern and/or ornamentation of a touch faceplate illustrated in continuous lines in the accompanying representation.**



- (21) Design Number: **11977/2015**
(22) Date of Filing Application: **13 April 2015**
(24) Date from which industrial property rights may have effect: **13 April 2015**
(54) Product in respect of which the design is registered: **Sealed container**
(51) International Design Classification: **09-03L**
(74) Name(s) of Attorney(s):
(71) Name(s) and Address(s) of Applicant(s):
Stronger Plastic Company Ltd.
DONGFENG VILLAGE, XINXU TOWN HUIYANG DISTRICT, HUIZHOU
CITY GUANGDONG PROVINCE 516200 CHINA
(72) Name(s) of Designer(s): **Han Zheng**
(45) Registration Date: **18 May 2015**
(56) Related Art Documents: **Not Applicable**
(57) Statement of Newness and Distinctiveness: **Nil**



(21) Design Number: **11978/2015**
(22) Date of Filing Application: **13 April 2015**
(24) Date from which industrial property rights may have effect: **13 April 2015**
(54) Product in respect of which the design is registered: **Sealed container**
(51) International Design Classification: **09-03L**
(74) Name(s) of Attorney(s):
(71) Name(s) and Address(s) of Applicant(s):
Stronger Plastic Company Ltd.
DONGFENG VILLAGE, XINXU TOWN HUIYANG DISTRICT, HUIZHOU
CITY GUANGDONG PROVINCE 516200 CHINA
(72) Name(s) of Designer(s): **Han Zheng**
(45) Registration Date: **18 May 2015**
(56) Related Art Documents: **Not Applicable**
(57) Statement of Newness and Distinctiveness: **Nil**



(21) Design Number: **11979/2015**
(22) Date of Filing Application: **13 April 2015**
(24) Date from which industrial property rights may have effect: **13 April 2015**
(54) Product in respect of which the design is registered: **Sealed container**
(51) International Design Classification: **09-03L**
(74) Name(s) of Attorney(s):
(71) Name(s) and Address(s) of Applicant(s):
Stronger Plastic Company Ltd.
DONGFENG VILLAGE, XINXU TOWN HUIYANG DISTRICT, HUIZHOU
CITY GUANGDONG PROVINCE 516200 CHINA
(72) Name(s) of Designer(s): **Han Zheng**
(45) Registration Date: **18 May 2015**
(56) Related Art Documents: **Not Applicable**
(57) Statement of Newness and Distinctiveness: **Nil**



- (21) Design Number: **12000/2015**
(22) Date of Filing Application: **15 April 2015**
(24) Date from which industrial property rights may have effect: **15 April 2015**
(54) Product in respect of which the design is registered: **Slim line leather money clip wallet with RFID**
(51) International Design Classification: **03-01B**
(74) Name(s) of Attorney(s):
(71) Name(s) and Address(s) of Applicant(s):
Pravinthan Udayakumar
85 Ann St Dandenong VIC 3175
(72) Name(s) of Designer(s): **Pravinthan Udayakumar**
(45) Registration Date: **18 May 2015**
(56) Related Art Documents: **Not Applicable**
(57) Statement of Newness and Distinctiveness: **Slim line. Distinct leather money clip with smooth circle metal plate. RFID protection with top quality leather.**



- (21) Design Number: **12001/2015**
(22) Date of Filing Application: **15 April 2015**
(24) Date from which industrial property rights may have effect: **15 April 2015**
(54) Product in respect of which the design is registered: **Slim line leather money clip wallet with RFID**
(51) International Design Classification: **03-01B**
(74) Name(s) of Attorney(s):
(71) Name(s) and Address(s) of Applicant(s):
Pravinthan Udayakumar
85 Ann St Dandenong VIC 3175
(72) Name(s) of Designer(s): **Pravinthan Udayakumar**
(45) Registration Date: **18 May 2015**
(56) Related Art Documents: **Not Applicable**
(57) Statement of Newness and Distinctiveness: **Distinct leather money clip with smooth circle metal plate. RFID protection with top quality leather.**



- (21) Design Number: **12002/2015**
(22) Date of Filing Application: **15 April 2015**
(24) Date from which industrial property rights may have effect: **15 April 2015**
(54) Product in respect of which the design is registered: **Slim line leather money clip wallet with RFID**
(51) International Design Classification: **03-01B**
(74) Name(s) of Attorney(s):
(71) Name(s) and Address(s) of Applicant(s):
Pravinthan Udayakumar
85 Ann St Dandenong VIC 3175
(72) Name(s) of Designer(s): **Pravinthan Udayakumar**
(45) Registration Date: **18 May 2015**
(56) Related Art Documents: **Not Applicable**
(57) Statement of Newness and Distinctiveness: **Distinct leather money clip with smooth circle metal plate. RFID protection with top quality leather.**



- (21) Design Number: **12005/2015**
(22) Date of Filing Application: **15 April 2015**
(24) Date from which industrial property rights may have effect: **15 April 2015**
(54) Product in respect of which the design is registered: **Wheel rim**
(51) International Design Classification: **12-16A**
(74) Name(s) of Attorney(s): **Spruson & Ferguson**
(71) Name(s) and Address(s) of Applicant(s):
Volkswagen Aktiengesellschaft
38436, Wolfsburg Germany
(72) Name(s) of Designer(s): **Klaus Bischoff and Michael Farny and Tunde Daniel**
(45) Registration Date: **18 May 2015**
(30) Convention priority data:
(31) Number (32) Date (33) Country
WIPO40273 14 Nov 2014 SWITZERLAND
(56) Related Art Documents: **Not Applicable**
(57) Statement of Newness and Distinctiveness: **Newness and distinctiveness is claimed in the features of shape and/or configuration of a wheel rim as illustrated in the accompanying representations.**



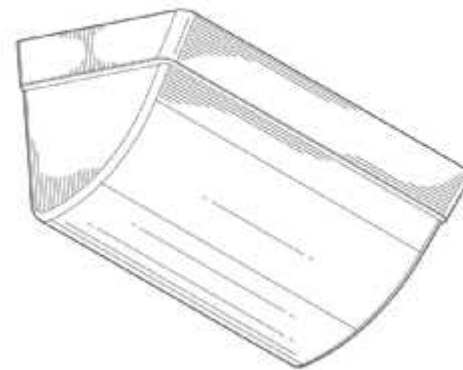
(21) Design Number: **12006/2015**
(22) Date of Filing Application: **15 April 2015**
(24) Date from which industrial property rights may have effect: **15 April 2015**
(54) Product in respect of which the design is registered: **Wheel rim**
(51) International Design Classification: **12-16A**
(74) Name(s) of Attorney(s): **Spruson & Ferguson**
(71) Name(s) and Address(s) of Applicant(s):
Volkswagen Aktiengesellschaft
38436, Wolfsburg Germany
(72) Name(s) of Designer(s): **Klaus Bischoff and Michael Farny and Tunde Daniel**
(45) Registration Date: **18 May 2015**
(30) Convention priority data:
(31) Number (32) Date (33) Country
WIPO40273 14 Nov 2014 SWITZERLAND
(56) Related Art Documents: **Not Applicable**
(57) Statement of Newness and Distinctiveness: **Newness and distinctiveness is claimed in the features of shape and/or configuration of a wheel rim as illustrated in the accompanying representations.**



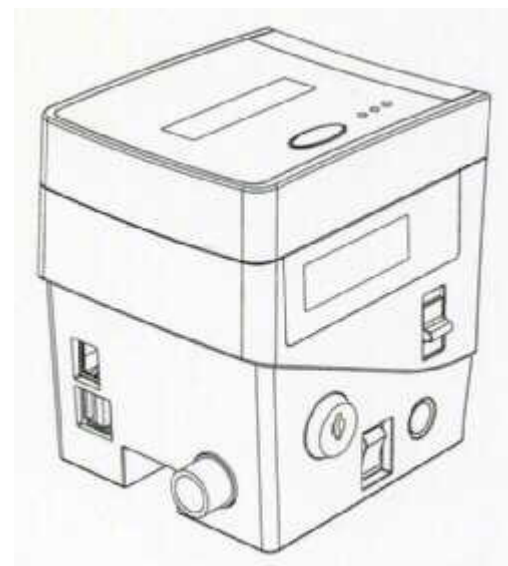
(21) Design Number: **12007/2015**
(22) Date of Filing Application: **15 April 2015**
(24) Date from which industrial property rights may have effect: **15 April 2015**
(54) Product in respect of which the design is registered: **Wheel rim**
(51) International Design Classification: **12-16A**
(74) Name(s) of Attorney(s): **Spruson & Ferguson**
(71) Name(s) and Address(s) of Applicant(s):
Volkswagen Aktiengesellschaft
38436, Wolfsburg Germany
(72) Name(s) of Designer(s): **Klaus Bischoff and Michael Farny and Tunde Daniel**
(45) Registration Date: **18 May 2015**
(30) Convention priority data:
(31) Number (32) Date (33) Country
WIPO40273 14 Nov 2014 SWITZERLAND
(56) Related Art Documents: **Not Applicable**
(57) Statement of Newness and Distinctiveness: **Newness and distinctiveness is claimed in the features of shape and/or configuration of a wheel rim as illustrated in the accompanying representations.**



(21) Design Number: **12017/2015**
(22) Date of Filing Application: **16 April 2015**
(24) Date from which industrial property rights may have effect: **16 April 2015**
(54) Product in respect of which the design is registered: **Elevator bucket**
(51) International Design Classification: **12-05**
(74) Name(s) of Attorney(s): **AJ Park**
(71) Name(s) and Address(s) of Applicant(s):
MAXI-LIFT, INC.
16400 Midway Road Addison Texas 75001 United States of America
(72) Name(s) of Designer(s): **Paul D. Phillips**
(45) Registration Date: **18 May 2015**
(30) Convention priority data:
(31) Number (32) Date (33) Country
29/506,781 20 Oct 2014 UNITED STATES OF AMERICA
(56) Related Art Documents: **Not Applicable**
(57) Statement of Newness and Distinctiveness: **Newness and distinctiveness reside in the features of shape and/or configuration of the elevator bucket as shown in the representations.**



(21) Design Number: **12056/2015**
(22) Date of Filing Application: **17 April 2015**
(24) Date from which industrial property rights may have effect: **17 April 2015**
(54) Product in respect of which the design is registered: **Security management device**
(51) International Design Classification: **10-05**
(74) Name(s) of Attorney(s): **WATERMARK PATENT AND TRADE MARKS ATTORNEYS**
(71) Name(s) and Address(s) of Applicant(s):
Angel Playing Cards Co., Ltd.
10-1 Kawarayamachi 2-chome Chuo-ku Osaka-Shi Osaka-fu,542-0066 Japan
(72) Name(s) of Designer(s): **Yasushi Shigeta**
(45) Registration Date: **18 May 2015**
(30) Convention priority data:
(31) Number (32) Date (33) Country
2014-027454 09 Dec 2014 JAPAN
(56) Related Art Documents: **Not Applicable**
(57) Statement of Newness and Distinctiveness: **Nil**



(21) Design Number: **12057/2015**
(22) Date of Filing Application: **17 April 2015**
(24) Date from which industrial property rights may have effect: **17 April 2015**
(54) Product in respect of which the design is registered: **Travel pillow**
(51) International Design Classification: **06-09**
(74) Name(s) of Attorney(s): **Freehills Patent Attorneys**
(71) Name(s) and Address(s) of Applicant(s):
Cabeau, Inc.
5850 Canoga Ave Suite 100 Woodland Hills California, 91367 United States of America
(72) Name(s) of Designer(s): **Jon Wong**
(45) Registration Date: **18 May 2015**
(30) Convention priority data:
(31) Number (32) Date (33) Country
29/506788 20 Oct 2014 UNITED STATES OF AMERICA
(56) Related Art Documents: **Not Applicable**
(57) Statement of Newness and Distinctiveness: **Newness and distinctiveness of the design resides in the features of shape and configuration of the travel pillow as shown in solid outline in the accompanying drawings.**



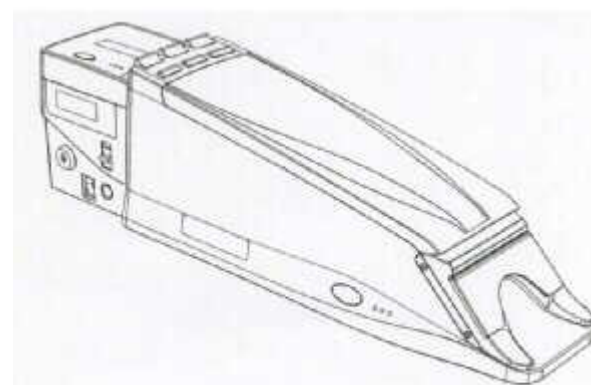
(21) Design Number: **12058/2015**
(22) Date of Filing Application: **17 April 2015**
(24) Date from which industrial property rights may have effect: **17 April 2015**
(54) Product in respect of which the design is registered: **Beverage cartridge**
(51) International Design Classification: **09-05**
(74) Name(s) of Attorney(s): **PIZZEYS**
(71) Name(s) and Address(s) of Applicant(s):
Keurig Green Mountain, Inc.
33 Coffee Lane Waterbury VT, 05676 United States of America
(72) Name(s) of Designer(s): **Steven Raphaelson and Michael Sack and Enrico Raffaele Cafaro and Ralph K Maider**
(45) Registration Date: **18 May 2015**
(30) Convention priority data:
(31) Number (32) Date (33) Country
29/506803 20 Oct 2014 UNITED STATES OF AMERICA
(56) Related Art Documents: **Not Applicable**
(57) Statement of Newness and Distinctiveness: **Nil**



(21) Design Number: **12059/2015**
(22) Date of Filing Application: **17 April 2015**
(24) Date from which industrial property rights may have effect: **17 April 2015**
(54) Product in respect of which the design is registered: **Beverage cartridge**
(51) International Design Classification: **09-05**
(74) Name(s) of Attorney(s): **PIZZEYS**
(71) Name(s) and Address(s) of Applicant(s):
Keurig Green Mountain, Inc.
33 Coffee Lane Waterbury VT, 05676 United States of America
(72) Name(s) of Designer(s): **Steven Raphaelson and Michael Sack and Enrico Raffaele Cafaro and Ralph K Maider**
(45) Registration Date: **18 May 2015**
(30) Convention priority data:
(31) Number (32) Date (33) Country
29/506803 20 Oct 2014 UNITED STATES OF AMERICA
(56) Related Art Documents: **Not Applicable**
(57) Statement of Newness and Distinctiveness: **Nil**



(21) Design Number: **12060/2015**
(22) Date of Filing Application: **17 April 2015**
(24) Date from which industrial property rights may have effect: **17 April 2015**
(54) Product in respect of which the design is registered: **Security management device**
(51) International Design Classification: **10-05**
(74) Name(s) of Attorney(s): **WATERMARK PATENT AND TRADE MARKS ATTORNEYS**
(71) Name(s) and Address(s) of Applicant(s):
Angel Playing Cards Co., Ltd.
10-1, Kawarayamachi 2-chome Chuo-ku, Osaka-shi Osaka-fu 542-0066 Japan
(72) Name(s) of Designer(s): **Yasushi Shigeta**
(45) Registration Date: **18 May 2015**
(30) Convention priority data:
(31) Number (32) Date (33) Country
2014-027455 09 Dec 2014 JAPAN
(56) Related Art Documents: **Not Applicable**
(57) Statement of Newness and Distinctiveness: **Nil**



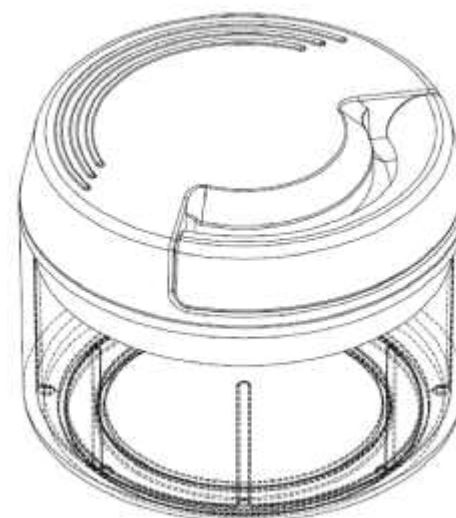
(21) Design Number: **12061/2015**
(22) Date of Filing Application: **17 April 2015**
(24) Date from which industrial property rights may have effect: **17 April 2015**
(54) Product in respect of which the design is registered: **Beverage cartridge**
(51) International Design Classification: **09-05**
(74) Name(s) of Attorney(s): **PIZZEYS**
(71) Name(s) and Address(s) of Applicant(s):
Keurig Green Mountain, Inc.
33 Coffee Lane Waterbury VT, 05676 United States of America
(72) Name(s) of Designer(s): **Steven Raphaelson and Michael Sack and Enrico Raffaele Cafaro and Ralph K. Maider**
(45) Registration Date: **18 May 2015**
(30) Convention priority data:
(31) Number (32) Date (33) Country
29/506803 20 Oct 2014 UNITED STATES OF AMERICA
(56) Related Art Documents: **Not Applicable**
(57) Statement of Newness and Distinctiveness: **Nil**



(21) Design Number: **16222/2014**
(22) Date of Filing Application: **28 November 2014**
(24) Date from which industrial property rights may have effect: **15 September 2014**
(54) Product in respect of which the design is registered: **Seating with handrails for a rail vehicle**
(51) International Design Classification: **12-03, 06-01D**
(74) Name(s) of Attorney(s): **PHILLIPS ORMONDE FITZPATRICK**
(71) Name(s) and Address(s) of Applicant(s):
ALSTOM Transport Technologies
3 av Andre Malraux LEVALLOIS PERRET 92300 France
(72) Name(s) of Designer(s): **Mathieu Pommier and Frederic Battle**
(45) Registration Date: **18 May 2015**
(62) Divisional of: **359141**
(56) Related Art Documents: **Not Applicable**
(57) Statement of Newness and Distinctiveness: **Newness and distinctiveness resides in the shape and/or configuration of the seating with handrails for a rail vehicle shown in the representations.**



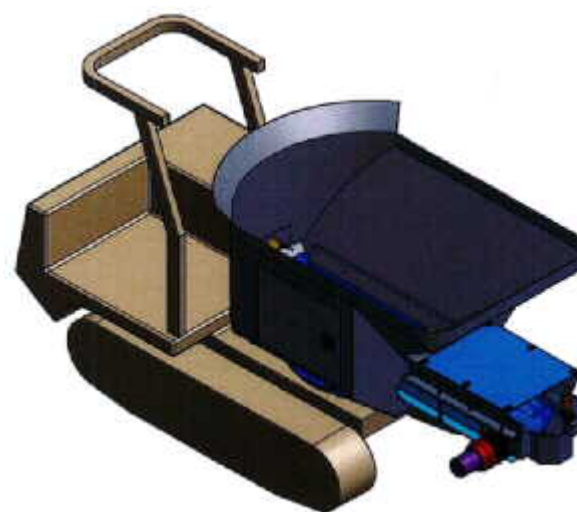
- (21) Design Number: **12004/2015**
(22) Date of Filing Application: **15 April 2015**
(24) Date from which industrial property rights may have effect: **15 April 2015**
(54) Product in respect of which the design is registered: **A food processor**
(51) International Design Classification: **31-00**
(74) Name(s) of Attorney(s): **Spruson & Ferguson**
(71) Name(s) and Address(s) of Applicant(s):
Take Two Marketing and Events Pty Ltd
301/209 Oxford St Bondi Junction NSW 2022 Australia
(72) Name(s) of Designer(s): **James Cheney and Chen Xiao Peng**
(45) Registration Date: **18 May 2015**
(56) Related Art Documents: **Not Applicable**
(57) Statement of Newness and Distinctiveness: **Newness and distinctiveness is claimed in the features of shape and/or configuration of a food processor as illustrated in continuous lines in the accompanying representations.**



- (21) Design Number: **12010/2015**
(22) Date of Filing Application: **15 April 2015**
(24) Date from which industrial property rights may have effect: **15 April 2015**
(54) Product in respect of which the design is registered: **Delivery vehicle**
(51) International Design Classification: **15-04**
(74) Name(s) of Attorney(s): **Ahearn Fox**
(71) Name(s) and Address(s) of Applicant(s):
Ausroad Systems Pty Ltd
3A/147 Boniface St Archerfield QLD 4108 Australia
(72) Name(s) of Designer(s): **Toni Dunlop**
(45) Registration Date: **18 May 2015**
(30) Convention priority data:

(31) Number	(32) Date	(33) Country
419464	17 Oct 2014	NEW ZEALAND

(56) Related Art Documents: **Not Applicable**
(57) Statement of Newness and Distinctiveness: **Newness and distinctiveness reside in the features of shape and configuration of the delivery vehicle depicted in the accompanying drawings wherein: Fig.1 is a pictorial representation of the delivery vehicle from the front on one side; Fig.2 is a pictorial representation of the delivery vehicle from the rear on the same side; Fig.3 is a pictorial representation of the delivery vehicle from the same side; and Fig.4 is a pictorial representation of the delivery vehicle from above.**



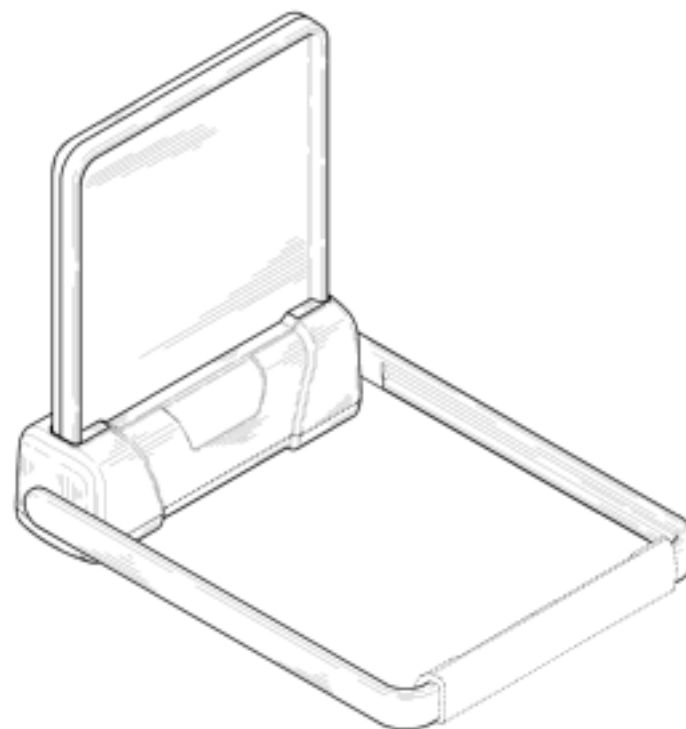
(21) Design Number: **12024/2015**
(22) Date of Filing Application: **16 April 2015**
(24) Date from which industrial property rights may have effect: **16 April 2015**
(54) Product in respect of which the design is registered: **Specimen sample container**
(51) International Design Classification: **24-01**
(74) Name(s) of Attorney(s):
(71) Name(s) and Address(s) of Applicant(s):
 Kevin Fuller
 10941 57th Street North Lake Elmo Minnesota, 55042 United States
 Wayde Altendorf
 371 Plum Tree Road Hickson North Dakota, 58047 United States of America
(72) Name(s) of Designer(s): **Kevin Fuller and Wayde Altendorf**
(45) Registration Date: **18 May 2015**
(30) Convention priority data:
 (31) Number (32) Date (33) Country
 29/506,668 17 Oct 2014 UNITED STATES OF AMERICA
(56) Related Art Documents: **Not Applicable**
(57) Statement of Newness and Distinctiveness: **Nil**



(21) Design Number: **12025/2015**
(22) Date of Filing Application: **16 April 2015**
(24) Date from which industrial property rights may have effect: **16 April 2015**
(54) Product in respect of which the design is registered: **Beverage Cartridge**
(51) International Design Classification: **07-02L**
(74) Name(s) of Attorney(s): **PIZZEYS**
(71) Name(s) and Address(s) of Applicant(s):
 Keurig Green Mountain, Inc.
 33 Coffee Lane Waterbury VT, 05676 United States of America
(72) Name(s) of Designer(s): **Steven Raphaelson and Michael Sack and Enrico Raffaele Cafaro and Ralph K. Maider**
(45) Registration Date: **18 May 2015**
(30) Convention priority data:
 (31) Number (32) Date (33) Country
 29/506802 20 Oct 2014 UNITED STATES OF AMERICA
(56) Related Art Documents: **Not Applicable**
(57) Statement of Newness and Distinctiveness: **Nil**



- (21) Design Number: **12027/2015**
(22) Date of Filing Application: **17 April 2015**
(24) Date from which industrial property rights may have effect: **17 April 2015**
(54) Product in respect of which the design is registered: **Lighting device**
(51) International Design Classification: **26-02**
(74) Name(s) of Attorney(s): **Halfords IP**
(71) Name(s) and Address(s) of Applicant(s):
Eveready Battery Company, Inc.
533 Maryville University Drive St Louis Missouri, 63141 United States of America
(72) Name(s) of Designer(s): **John R. Brown and Philip Filip Tejszerski and Norman Michael Berry**
(45) Registration Date: **18 May 2015**
(30) Convention priority data:
(31) Number (32) Date (33) Country
29/511371 10 Dec 2014 UNITED STATES OF AMERICA
(56) Related Art Documents: **Not Applicable**
(57) Statement of Newness and Distinctiveness: **Newness and distinctiveness resides in those features of shape and or configuration of a Lighting Device as depicted in the representations. Shading lines and features shown in broken lines do not form part of the design.**



- (21) Design Number: **12028/2015**
(22) Date of Filing Application: **17 April 2015**
(24) Date from which industrial property rights may have effect: **17 April 2015**
(54) Product in respect of which the design is registered: **Lighting device**
(51) International Design Classification: **26-02**
(74) Name(s) of Attorney(s): **Halfords IP**
(71) Name(s) and Address(s) of Applicant(s):
Eveready Battery Company, Inc.
533 Maryville University Drive St Louis Missouri, 63141 United States of America
(72) Name(s) of Designer(s): **John R. Brown and Philip Filip Tejszerski and Norman Michael Berry**
(45) Registration Date: **18 May 2015**
(30) Convention priority data:
(31) Number (32) Date (33) Country
29/511373 10 Dec 2014 UNITED STATES OF AMERICA
(56) Related Art Documents: **Not Applicable**
(57) Statement of Newness and Distinctiveness: **Newness and distinctiveness resides in those features of shape and or configuration of a Lighting Device as depicted in the representations. Shading lines and features shown in broken lines do not form part of the design.**



(21) Design Number: **12029/2015**

(22) Date of Filing Application: **17 April 2015**

(24) Date from which industrial property rights may have effect: **17 April 2015**

(54) Product in respect of which the design is registered: **Bicycle lighting device**

(51) International Design Classification: **26-06**

(74) Name(s) of Attorney(s): **Halfords IP**

(71) Name(s) and Address(s) of Applicant(s):

Eveready Battery Company, Inc.
533 Maryville University Drive St Louis Missouri, 63141 United States of America

(72) Name(s) of Designer(s): **Michael Ng and Kevin O'Doherty and Michael Robert Jerome and Fred Marcaly**

(45) Registration Date: **18 May 2015**

(30) Convention priority data:

(31) Number	(32) Date	(33) Country
29/513317	30 Dec 2014	UNITED STATES OF AMERICA

(56) Related Art Documents: **Not Applicable**

(57) Statement of Newness and Distinctiveness: **Newness and distinctiveness resides in those features of shape and or configuration of a BICYCLE LIGHTING DEVICE as depicted in the representations. Shading lines and features shown in broken lines do not form part of the design.**



(21) Design Number: **12030/2015**

(22) Date of Filing Application: **17 April 2015**

(24) Date from which industrial property rights may have effect: **17 April 2015**

(54) Product in respect of which the design is registered: **Bicycle lighting device**

(51) International Design Classification: **26-06**

(74) Name(s) of Attorney(s): **Halfords IP**

(71) Name(s) and Address(s) of Applicant(s):

Eveready Battery Company, Inc.
533 Maryville University Drive St. Louis Missouri 63141 United States of America

(72) Name(s) of Designer(s): **Michael Ng and Kevin O'Doherty and Michael Robert Jerome and Fred Marcaly**

(45) Registration Date: **18 May 2015**

(30) Convention priority data:

(31) Number	(32) Date	(33) Country
29/513328	30 Dec 2014	UNITED STATES OF AMERICA

(56) Related Art Documents: **Not Applicable**

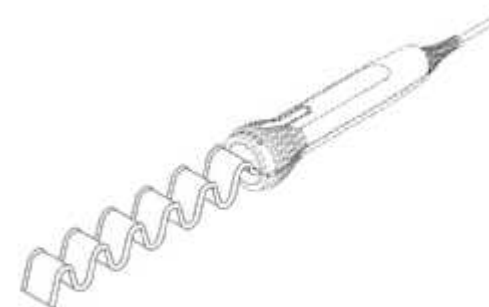
(57) Statement of Newness and Distinctiveness: **Newness and distinctiveness resides in those features of shape and or configuration of a Bicycle Lighting Device as depicted in the representations. Shading lines and features shown in broken lines do not form part of the design.**



- (21) Design Number: **12031/2015**
(22) Date of Filing Application: **17 April 2015**
(24) Date from which industrial property rights may have effect: **17 April 2015**
(54) Product in respect of which the design is registered: **Lighting device**
(51) International Design Classification: **26-02**
(74) Name(s) of Attorney(s): **Halfords IP**
(71) Name(s) and Address(s) of Applicant(s):
Eveready Battery Company, Inc.
533 Maryville University Drive St. Louis Missouri 63141 United States of America
(72) Name(s) of Designer(s): **John R. Brown and Siu Bong Ng**
(45) Registration Date: **18 May 2015**
(30) Convention priority data:
(31) Number (32) Date (33) Country
29/517225 11 Feb 2015 UNITED STATES OF AMERICA
(56) Related Art Documents: **Not Applicable**
(57) Statement of Newness and Distinctiveness: **Newness and distinctiveness resides in those features of shape and or configuration of a Lighting Device as depicted in the representations. Shading lines and features shown in broken lines do not form part of the design.**



- (21) Design Number: **12051/2015**
(22) Date of Filing Application: **17 April 2015**
(24) Date from which industrial property rights may have effect: **17 April 2015**
(54) Product in respect of which the design is registered: **Hair iron**
(51) International Design Classification: **28-03B**
(74) Name(s) of Attorney(s): **Freehills Patent Attorneys**
(71) Name(s) and Address(s) of Applicant(s):
UNIL Electronics Corp.
9, Sinnae-ro 23-Gil, Jungnang-gu Seoul 131-846 Republic of Korea
(72) Name(s) of Designer(s): **Ok-nam Cho**
(45) Registration Date: **18 May 2015**
(30) Convention priority data:
(31) Number (32) Date (33) Country
30-2015-0010196 27 Feb 2015 REPUBLIC OF KOREA
(56) Related Art Documents: **Not Applicable**
(57) Statement of Newness and Distinctiveness: **Newness and distinctiveness of the design resides in the shape and configuration of the heat plate of the hair iron as shown in the solid outline in the accompanying representations.**



(21) Design Number: **12054/2015**
(22) Date of Filing Application: **17 April 2015**
(24) Date from which industrial property rights may have effect: **17 April 2015**
(54) Product in respect of which the design is registered: **Hair iron**
(51) International Design Classification: **28-03B**
(74) Name(s) of Attorney(s): **Freehills Patent Attorneys**
(71) Name(s) and Address(s) of Applicant(s):
UNIL Electronics Corp.
9, Sinnæ-ro 23-Gil Jungnang-gu Seoul 131-846 Republic of Korea
(72) Name(s) of Designer(s): **Ok-nam Cho**
(45) Registration Date: **18 May 2015**
(30) Convention priority data:
(31) Number (32) Date (33) Country
30-20150010197 27 Feb 2015 REPUBLIC OF KOREA
(56) Related Art Documents: **Not Applicable**
(57) Statement of Newness and Distinctiveness: **Newness and distinctiveness of the design resides in the shape and configuration of the heat plate of the hair iron as shown in solid outline in the accompanying representations.**



(21) Design Number: **12055/2015**
(22) Date of Filing Application: **17 April 2015**
(24) Date from which industrial property rights may have effect: **17 April 2015**
(54) Product in respect of which the design is registered: **Skin clearing and toning device**
(51) International Design Classification: **28-03NES**
(74) Name(s) of Attorney(s): **PIZZEYS**
(71) Name(s) and Address(s) of Applicant(s):
Carol Cole Company
1325 Sycamore Avenue Suite A Vista CA 92081 United States of America
(72) Name(s) of Designer(s): **Carol Cole and Tera Valdez**
(45) Registration Date: **18 May 2015**
(56) Related Art Documents: **Not Applicable**
(57) Statement of Newness and Distinctiveness: **Nil**



- (21) Design Number: **12070/2015**
(22) Date of Filing Application: **20 April 2015**
(24) Date from which industrial property rights may have effect: **20 April 2015**
(54) Product in respect of which the design is registered: **A textile print**
(51) International Design Classification: **05-05A**
(74) Name(s) of Attorney(s):
(71) Name(s) and Address(s) of Applicant(s):
AUSTRALIAN FASHION LABELS PTY LTD
106 Currie St Adelaide SA 5000 Australia
(72) Name(s) of Designer(s): **Amy Hicks and Zoey Vink**
(45) Registration Date: **18 May 2015**
(56) Related Art Documents: **Not Applicable**
(57) Statement of Newness and Distinctiveness: **Newness and distinctiveness resides in the features of pattern and ornamentation of a textile print as shown in the accompanying representations. In considering the scope of monopoly, no regard is to be had to colour and the scope of monopoly is not restricted to the particular colour or colours depicted in the accompanying representations.**



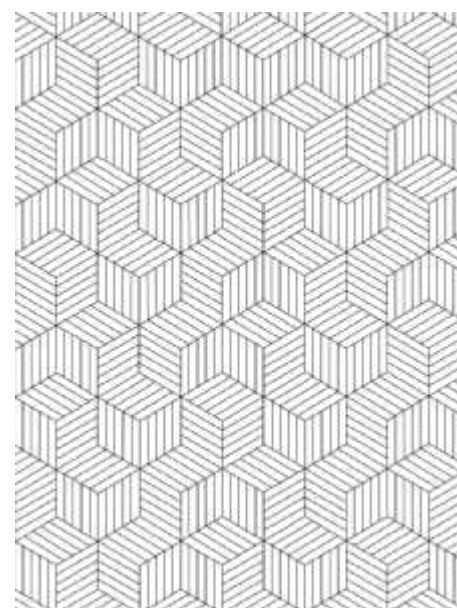
- (21) Design Number: **12076/2015**
(22) Date of Filing Application: **20 April 2015**
(24) Date from which industrial property rights may have effect: **20 April 2015**
(54) Product in respect of which the design is registered: **A textile print**
(51) International Design Classification: **05-05A**
(74) Name(s) of Attorney(s):
(71) Name(s) and Address(s) of Applicant(s):
Australian Fashion Labels Pty Ltd
106 Currie St Adelaide SA 5000 Australia
(72) Name(s) of Designer(s): **Carmen Dugan and Cyd Beard**
(45) Registration Date: **18 May 2015**
(56) Related Art Documents: **Not Applicable**
(57) Statement of Newness and Distinctiveness: **Newness and distinctiveness resides in the features of pattern and ornamentation of a textile print as shown in the accompanying representations. In considering the scope of monopoly, no regard is to be had to colour and the scope of monopoly is not restricted to the particular colour or colours depicted in the accompanying representations.**



- (21) Design Number: **12078/2015**
(22) Date of Filing Application: **20 April 2015**
(24) Date from which industrial property rights may have effect: **20 April 2015**
(54) Product in respect of which the design is registered: **A textile print**
(51) International Design Classification: **05-05NES**
(74) Name(s) of Attorney(s):
(71) Name(s) and Address(s) of Applicant(s):
Australian Fashion Labels Pty Ltd
106 Currie St Adelaide SA 5000 Australia
(72) Name(s) of Designer(s): **Carmen Dugan and Cyd Beard**
(45) Registration Date: **18 May 2015**
(56) Related Art Documents: **Not Applicable**
(57) Statement of Newness and Distinctiveness: **Newness and distinctiveness resides in the features of pattern and ornamentation of a textile print as shown in the accompanying representations. In considering the scope of monopoly, no regard is to be had to colour and the scope of monopoly is not restricted to the particular colour or colours depicted in the accompanying representations.**



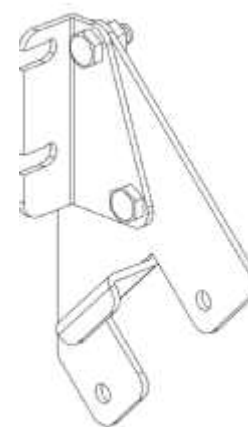
- (21) Design Number: **12079/2015**
(22) Date of Filing Application: **20 April 2015**
(24) Date from which industrial property rights may have effect: **20 April 2015**
(54) Product in respect of which the design is registered: **A textile print**
(51) International Design Classification: **05-05D**
(74) Name(s) of Attorney(s):
(71) Name(s) and Address(s) of Applicant(s):
Australian Fashion Labels Pty Ltd
106 Currie St Adelaide SA 5000 Australia
(72) Name(s) of Designer(s): **Carmen Dugan and Cyd Beard**
(45) Registration Date: **18 May 2015**
(56) Related Art Documents: **Not Applicable**
(57) Statement of Newness and Distinctiveness: **Newness and distinctiveness resides in the features of pattern and ornamentation of a textile print as shown in the accompanying representations. In considering the scope of monopoly, no regard is to be had to colour and the scope of monopoly is not restricted to the particular colour or colours depicted in the accompanying representations.**



- (21) Design Number: **11949/2015**
(22) Date of Filing Application: **01 April 2015**
(24) Date from which industrial property rights may have effect: **01 April 2015**
(54) Product in respect of which the design is registered: **Wire shelf**
(51) International Design Classification: **06-04NES**
(74) Name(s) of Attorney(s):
(71) Name(s) and Address(s) of Applicant(s):
CHECKMATE INTERNATIONAL PTY LTD
1/13 Network Dr Carrum Downs VIC 3201 Australia
(72) Name(s) of Designer(s): **John Leahy**
(45) Registration Date: **19 May 2015**
(56) Related Art Documents: **Not Applicable**
(57) Statement of Newness and Distinctiveness: **Monopoly is claimed in the features or configuration of the wire shelf with slotted rear cover as illustrated in the representations.**



- (21) Design Number: **11840/2015**
(22) Date of Filing Application: **07 April 2015**
(24) Date from which industrial property rights may have effect: **07 April 2015**
(54) Product in respect of which the design is registered: **Connector plate for a stairway**
(51) International Design Classification: **08-08NES**
(74) Name(s) of Attorney(s): **Churchill Attorneys**
(71) Name(s) and Address(s) of Applicant(s):
Sayfa R & D Pty Ltd
1029 Mountain Hwy Boronia VIC 3155 Australia
(72) Name(s) of Designer(s): **Roland Stephen Voss and Murray Voss**
(45) Registration Date: **19 May 2015**
(56) Related Art Documents: **Not Applicable**
(57) Statement of Newness and Distinctiveness: **The newness and distinctiveness of the design resides in the shape of the CONNECTOR PLATE FOR A STAIRWAY as shown in the accompanying representations.**



(21) Design Number: **11870/2015**
(22) Date of Filing Application: **08 April 2015**
(24) Date from which industrial property rights may have effect: **08 April 2015**
(54) Product in respect of which the design is registered: **Car and toy-car**
(51) International Design Classification: **12-08, 21-01C**
(74) Name(s) of Attorney(s): **PHILLIPS ORMONDE FITZPATRICK**
(71) Name(s) and Address(s) of Applicant(s):

Maserati S.p.A.
Viale Ciro Menotti 322 I-41100 Modena Italy

(72) Name(s) of Designer(s): **Lorenzo Ramaciotti**

(45) Registration Date: **19 May 2015**

(30) Convention priority data:

(31) Number	(32) Date	(33) Country
844744001	10 Oct 2014	WORLD INTELLECTUAL PROPERTY ORGANIZATION (WIPO)



(56) Related Art Documents: **Not Applicable**

(57) Statement of Newness and Distinctiveness: **Those features of the car and toy-car depicted in the representations that are new and distinctive are the shape and/or configuration. The wheels and tyres of the car and toy-car are not part of the design and are to be disregarded when considering the overall impression of the design.**

(21) Design Number: **14890/2014**
(22) Date of Filing Application: **25 September 2014**
(24) Date from which industrial property rights may have effect: **25 September 2014**
(54) Product in respect of which the design is registered: **Article of clothing**
(51) International Design Classification: **02-02C**
(74) Name(s) of Attorney(s): **Allens Patent & Trade Mark Attorneys**
(71) Name(s) and Address(s) of Applicant(s):

Forever New Clothing Pty Ltd
714-716 High St Kew East VIC 3102 Australia

(72) Name(s) of Designer(s): **Anna Pham**

(45) Registration Date: **20 May 2015**

(56) Related Art Documents: **Not Applicable**

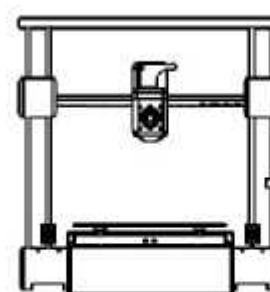
(57) Statement of Newness and Distinctiveness: **Newness and distinctiveness resides in the visual features of shape, configuration, pattern and/or ornamentation of an article of clothing as shown in the accompanying representations.**



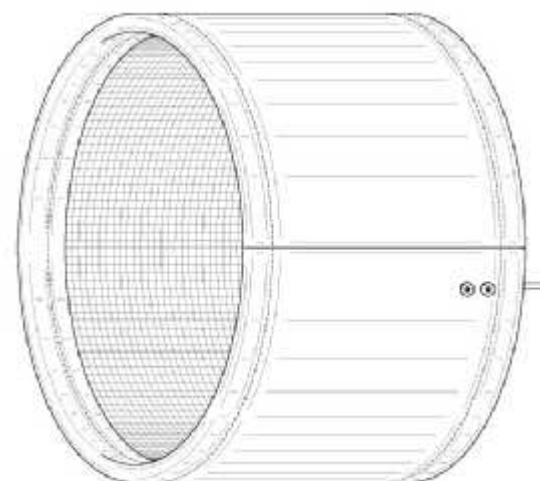
- (21) Design Number: **10091/2015**
(22) Date of Filing Application: **09 January 2015**
(24) Date from which industrial property rights may have effect: **09 January 2015**
(54) Product in respect of which the design is registered: **A t-shirt printed with the design**
(51) International Design Classification: **02-02NES**
(74) Name(s) of Attorney(s):
(71) Name(s) and Address(s) of Applicant(s):
Derek A. Taylor
PO Box 631 Bulimba QLD 4170 Australia
(72) Name(s) of Designer(s): **Derek Taylor**
(45) Registration Date: **20 May 2015**
(56) Related Art Documents: **Not Applicable**
(57) Statement of Newness and Distinctiveness: **The design is innovative and new. It is an image of the ancient druid temple Stonehenge which has been redrawn with Volkswagen camper vans replacing the stone obelisks in the image. This is my original concept and original drawing rendered in pencil by my hand.**



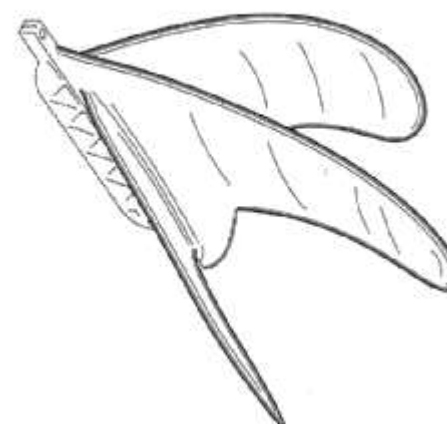
- (21) Design Number: **10376/2015**
(22) Date of Filing Application: **23 January 2015**
(24) Date from which industrial property rights may have effect: **23 January 2015**
(54) Product in respect of which the design is registered: **3D printer machine**
(51) International Design Classification: **14-02**
(74) Name(s) of Attorney(s):
(71) Name(s) and Address(s) of Applicant(s):
Bulent Besim
209/320 St Kilda Road Melbourne VIC 3004 Australia
(72) Name(s) of Designer(s): **Bulent Besim**
(45) Registration Date: **20 May 2015**
(56) Related Art Documents: **Not Applicable**
(57) Statement of Newness and Distinctiveness: **The 3D Oro is a light duty retail grade 3D printer characterized by unique and distinctive styling. Its open air design and print plate layout allows for complete visibility and access to objects being printed. The functional elements are masked behind an homogeneous cylindrical design to create a mysterious and elegant appearance. The z-axis guiding mechanism allows for portability while creating a highly stable and precise build movement platform within a small footprint.**



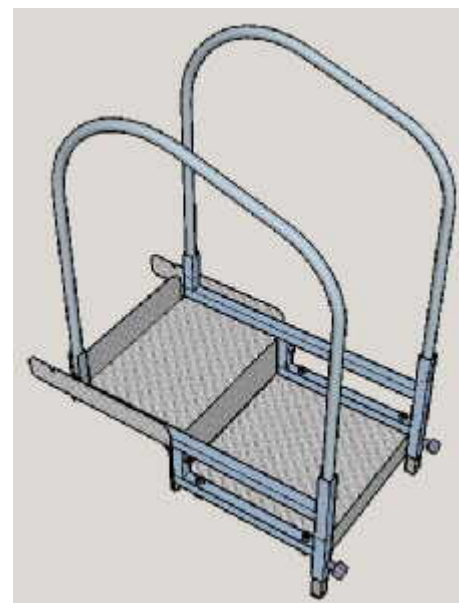
(21) Design Number: **10832/2015**
(22) Date of Filing Application: **16 February 2015**
(24) Date from which industrial property rights may have effect: **16 February 2015**
(54) Product in respect of which the design is registered: **Filter for an air filtration device**
(51) International Design Classification: **23-04**
(74) Name(s) of Attorney(s): **Davies Collison Cave**
(71) Name(s) and Address(s) of Applicant(s):
Illinois Tool Works Inc.
155 Harlem Avenue Glenview Illinois 60025 United States of America
(72) Name(s) of Designer(s): **Ryan L. Francis and Stephen Patrick Moore**
(45) Registration Date: **20 May 2015**
(30) Convention priority data:
(31) Number (32) Date (33) Country
29/502,243 12 Sep 2014 UNITED STATES OF AMERICA
(56) Related Art Documents: **Not Applicable**
(57) Statement of Newness and Distinctiveness: **Newness and distinctiveness is claimed in the visual features shown in solid lines in the representations. In considering the extent of the design rights, the broken lines shown in the representations are for illustrative purposes only and do not form part of the design.**



(21) Design Number: **11076/2015**
(22) Date of Filing Application: **27 February 2015**
(24) Date from which industrial property rights may have effect: **27 February 2015**
(54) Product in respect of which the design is registered: **Surfcraft fin**
(51) International Design Classification: **21-02D**
(74) Name(s) of Attorney(s): **FB Rice**
(71) Name(s) and Address(s) of Applicant(s):
Leading Edge Surfboards Pty Ltd
1/4 David St Altona VIC 3018 Australia
(72) Name(s) of Designer(s): **Francine Viola Wilkes and Darryl James Wilkes**
(45) Registration Date: **20 May 2015**
(30) Convention priority data:
(31) Number (32) Date (33) Country
29/501169 02 Sep 2014 UNITED STATES OF AMERICA
(56) Related Art Documents: **Not Applicable**
(57) Statement of Newness and Distinctiveness: **The features of shape and configuration of the surfcraft fin as shown in the representations, excluding those features shown in broken lines.**



- (21) Design Number: **11308/2015**
(22) Date of Filing Application: **10 March 2015**
(24) Date from which industrial property rights may have effect: **10 March 2015**
(54) Product in respect of which the design is registered: **Modular caravan safety step system**
(51) International Design Classification: **12-16NES**
(74) Name(s) of Attorney(s):
(71) Name(s) and Address(s) of Applicant(s):
Leonard Michael Williams
12 Apsley St Strathfieldsaye VIC 3551 Australia
(72) Name(s) of Designer(s): **Leonard Michael Williams**
(45) Registration Date: **20 May 2015**
(56) Related Art Documents: **Not Applicable**
(57) Statement of Newness and Distinctiveness: **It is a system of steps, frames and hand-rails which attach to the existing pull-out step of a caravan. It is modular providing 4 separate sections: 1. An extra deep top step- The normal step is approximately 200mm deep, the new step can be 300mm or more. 2. An extra deep mid-step located between the top-step and the ground- this can be more than 300mm. 3. A frame system to add strength to the steps and connecting points for the hand-rails and the means of disassembly into smaller size for transport. 4. Hand-rails for safer use of the step/s. The system easily and securely attaches to the existing pull-out caravan step. For safety the it is designed to lock under the existing cross-bar and behind the existing step to minimize movement. The frame has legs with independently adjustable heights to enable a level system on uneven/sloping ground. The hand-rails can be easily re-moved. The system can be disassembled by hand to enable smaller size for storage and transport.**



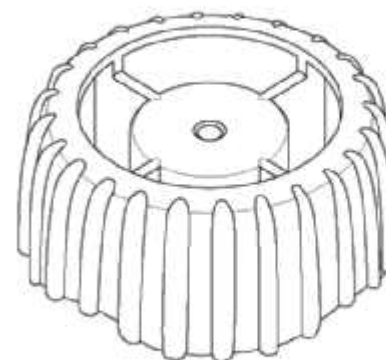
- (21) Design Number: **11880/2015**
(22) Date of Filing Application: **09 April 2015**
(24) Date from which industrial property rights may have effect: **09 April 2015**
(54) Product in respect of which the design is registered: **Strap holder**
(51) International Design Classification: **16-05**
(74) Name(s) of Attorney(s): **Spruson & Ferguson**
(71) Name(s) and Address(s) of Applicant(s):
Panasonic Intellectual Property Management Co., Ltd.
1-61, Shiromi 2-chome, Chuo-ku, Osaka-shi Osaka, 540-6207 Japan
(72) Name(s) of Designer(s): **Toshio Horiki**
(45) Registration Date: **20 May 2015**
(56) Related Art Documents: **Not Applicable**
(57) Statement of Newness and Distinctiveness: **Newness and distinctiveness is claimed in the features of shape and/or configuration of a strap holder as illustrated in the accompanying representations.**



- (21) Design Number: **12021/2015**
(22) Date of Filing Application: **16 April 2015**
(24) Date from which industrial property rights may have effect: **16 April 2015**
(54) Product in respect of which the design is registered: **Ground stabilisation panel**
(51) International Design Classification: **25-01NES**
(74) Name(s) of Attorney(s): **PHILLIPS ORMONDE FITZPATRICK**
(71) Name(s) and Address(s) of Applicant(s):
Galahad Geosystems Pty Ltd
PO BOX 34 Beaudesert QLD 4285 Australia
(72) Name(s) of Designer(s): **Benjamin George Kirkup**
(45) Registration Date: **20 May 2015**
(56) Related Art Documents: **Not Applicable**
(57) Statement of Newness and Distinctiveness: **The newness & distinctiveness in respect of the design is claimed in the repeating features of shape & configuration of the top & bottom faces of the ground stabilisation panel as illustrated in the accompanying representations.**



- (21) Design Number: **12032/2015**
(22) Date of Filing Application: **17 April 2015**
(24) Date from which industrial property rights may have effect: **17 April 2015**
(54) Product in respect of which the design is registered: **Cap for packaging container**
(51) International Design Classification: **09-07C**
(74) Name(s) of Attorney(s): **Griffith Hack**
(71) Name(s) and Address(s) of Applicant(s):
HOSOKAWA YOKO CO., LTD.
11-5, Niban-cho Chiyoda-ku Tokyo 102-0084 Japan
(72) Name(s) of Designer(s): **Toru Ichikawa and Tomonari Shinohara**
(45) Registration Date: **20 May 2015**
(30) Convention priority data:
(31) Number (32) Date (33) Country
2014-023439 20 Oct 2014 JAPAN
(56) Related Art Documents: **Not Applicable**
(57) Statement of Newness and Distinctiveness: **Newness and distinctiveness resides in the visual features, including the shape and configuration of those parts of the product shown by means of solid lines in the representations. The parts shown by means of the dashed lines in FIG 7 have been included for illustrative purposes only and do not form part of the design.**



- (21) Design Number: **12041/2015**
(22) Date of Filing Application: **17 April 2015**
(24) Date from which industrial property rights may have effect: **17 April 2015**
(54) Product in respect of which the design is registered: **Orthopedic woven retention device**
(51) International Design Classification: **24-03**
(74) Name(s) of Attorney(s): **Spruson & Ferguson**
(71) Name(s) and Address(s) of Applicant(s):
Woven Orthopedic Technologies, LLC
63 East Center Street, Manchester Connecticut, 06040 United States of America
(72) Name(s) of Designer(s): **Christopher McDonnell and Christophe Geisert and Francis Patrick Magee**
(45) Registration Date: **20 May 2015**
(30) Convention priority data:
(31) Number (32) Date (33) Country
29/506638 17 Oct 2014 UNITED STATES OF AMERICA
(56) Related Art Documents: **Not Applicable**
(57) Statement of Newness and Distinctiveness: **Newness and distinctiveness is claimed in those features of shape and/or configuration of an orthopedic woven retention device illustrated in continuous lines in the accompanying representations.**



- (21) Design Number: **12042/2015**
(22) Date of Filing Application: **17 April 2015**
(24) Date from which industrial property rights may have effect: **17 April 2015**
(54) Product in respect of which the design is registered: **Orthopedic woven retention device**
(51) International Design Classification: **24-03**
(74) Name(s) of Attorney(s): **Spruson & Ferguson**
(71) Name(s) and Address(s) of Applicant(s):
Woven Orthopedic Technologies, LLC
63 East Center Street, Manchester Connecticut, 06040 United States of America
(72) Name(s) of Designer(s): **Christopher McDonnell and Christophe Geisert**
(45) Registration Date: **20 May 2015**
(30) Convention priority data:
(31) Number (32) Date (33) Country
29/506638 17 Oct 2014 UNITED STATES OF AMERICA
(56) Related Art Documents: **Not Applicable**
(57) Statement of Newness and Distinctiveness: **Newness and distinctiveness is claimed in those features of shape and/or configuration of an orthopedic woven retention device illustrated in continuous lines in the accompanying representations.**



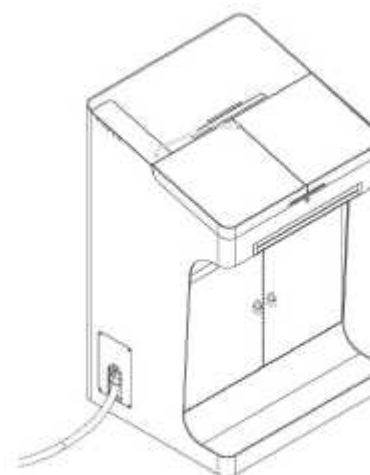
(21) Design Number: **12045/2015**
(22) Date of Filing Application: **17 April 2015**
(24) Date from which industrial property rights may have effect: **17 April 2015**
(54) Product in respect of which the design is registered: **Hair iron**
(51) International Design Classification: **28-03B**
(74) Name(s) of Attorney(s): **Freehills Patent Attorneys**
(71) Name(s) and Address(s) of Applicant(s):
UNIL Electronics Corp.
9, Sinnae-ro 23-Gil Jungnang-gu Seoul 131-846 Republic of Korea
(72) Name(s) of Designer(s): **Ok-nam Cho**
(45) Registration Date: **20 May 2015**
(30) Convention priority data:
(31) Number (32) Date (33) Country
30-2015-0010195 27 Feb 2015 REPUBLIC OF KOREA
(56) Related Art Documents: **Not Applicable**
(57) Statement of Newness and Distinctiveness: **Newness and distinctiveness of the design resides in the features of shape and configuration of the hair iron as shown in the accompanying representations.**



(21) Design Number: **12046/2015**
(22) Date of Filing Application: **17 April 2015**
(24) Date from which industrial property rights may have effect: **17 April 2015**
(54) Product in respect of which the design is registered: **Beverage cartridge**
(51) International Design Classification: **07-02L**
(74) Name(s) of Attorney(s): **PIZZEYS**
(71) Name(s) and Address(s) of Applicant(s):
Keurig Green Mountain, Inc.
33 Coffee Lane Waterbury VT, 05676 United States of America
(72) Name(s) of Designer(s): **Steven Raphaelson and Michael Sack and Enrico Raffaele Cafaro and Ralph K. Maider**
(45) Registration Date: **20 May 2015**
(30) Convention priority data:
(31) Number (32) Date (33) Country
29/506802 20 Oct 2014 UNITED STATES OF AMERICA
(56) Related Art Documents: **Not Applicable**
(57) Statement of Newness and Distinctiveness: **Nil**



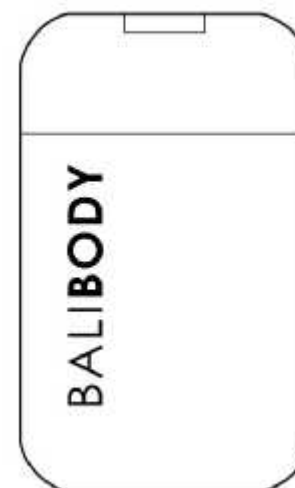
(21) Design Number: **12047/2015**
(22) Date of Filing Application: **17 April 2015**
(24) Date from which industrial property rights may have effect: **17 April 2015**
(54) Product in respect of which the design is registered: **Media Lectern**
(51) International Design Classification: **06-06NES**
(74) Name(s) of Attorney(s): **Halfords IP**
(71) Name(s) and Address(s) of Applicant(s):
Stage Electrics Partnership Limited
Third Way Avonmouth Bristol BS11 9YL United Kingdom
(72) Name(s) of Designer(s): **Dan Aldridge and Adam Blaxill and Richard Thompson and Andrew Redman and Gary Hunt**
(45) Registration Date: **20 May 2015**
(30) Convention priority data:
(31) Number (32) Date (33) Country
002563585-001 24 Oct 2014 EUROPEAN PATENT OFFICE (EPO)
(56) Related Art Documents: **Not Applicable**
(57) Statement of Newness and Distinctiveness: **Newness and distinctiveness is claimed in the features shown in unbroken lines. Features in broken lines do not form part of the design.**



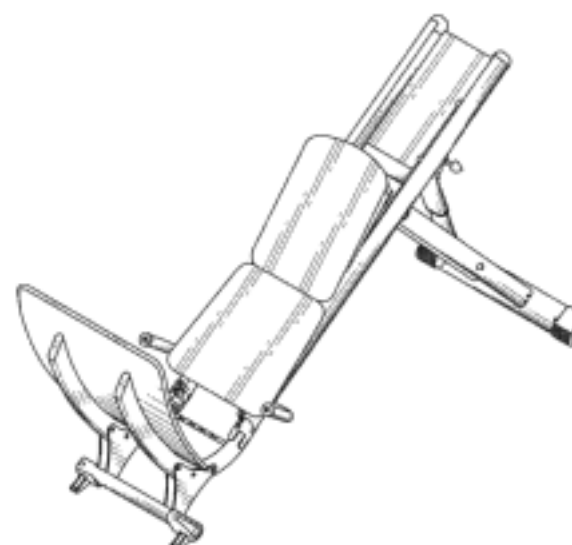
(21) Design Number: **12048/2015**
(22) Date of Filing Application: **17 April 2015**
(24) Date from which industrial property rights may have effect: **17 April 2015**
(54) Product in respect of which the design is registered: **Beverage cartridge**
(51) International Design Classification: **07-02L**
(74) Name(s) of Attorney(s): **PIZZEYS**
(71) Name(s) and Address(s) of Applicant(s):
Keurig Green Mountain, Inc.
33 Coffee Lane Waterbury VT, 05676 United States of America
(72) Name(s) of Designer(s): **Steven Raphaelson and Michael Sack and Enrico Raffaele Cafaro and Ralph K. Maider**
(45) Registration Date: **20 May 2015**
(30) Convention priority data:
(31) Number (32) Date (33) Country
29/506802 20 Oct 2014 UNITED STATES OF AMERICA
(56) Related Art Documents: **Not Applicable**
(57) Statement of Newness and Distinctiveness: **Nil**



- (21) Design Number: **11762/2015**
(22) Date of Filing Application: **01 April 2015**
(24) Date from which industrial property rights may have effect: **01 April 2015**
(54) Product in respect of which the design is registered: **Plastic bottle**
(51) International Design Classification: **09-05**
(74) Name(s) of Attorney(s):
(71) Name(s) and Address(s) of Applicant(s):
 David Oosterloo
 13 Rockleigh Dr Mount Martha VIC 3934 Australia
(72) Name(s) of Designer(s): **David Oosterloo**
(45) Registration Date: **20 May 2015**
(56) Related Art Documents: **Not Applicable**
(57) Statement of Newness and Distinctiveness: **The bottle is 17mm thick, very uniquely shaped. completely original design, squeeze bottle. The dimensions and shape of the bottle are what make it so original. There is no other bottle like it on the market.**



- (21) Design Number: **12073/2015**
(22) Date of Filing Application: **20 April 2015**
(24) Date from which industrial property rights may have effect: **20 April 2015**
(54) Product in respect of which the design is registered: **Jumping exercise device**
(51) International Design Classification: **21-02F**
(74) Name(s) of Attorney(s): **Adams Pluck**
(71) Name(s) and Address(s) of Applicant(s):
 Total Gym Global Corp.
 7755 Arjons Drive San Diego California 92126 United States of America
(72) Name(s) of Designer(s): **Dan McCutcheon and Thomas J. Campanaro and Jesse Thomas Campanaro**
(45) Registration Date: **20 May 2015**
(30) Convention priority data:
 (31) Number (32) Date (33) Country
 29/506,824 21 Oct 2014 UNITED STATES OF AMERICA
(56) Related Art Documents: **Not Applicable**
(57) Statement of Newness and Distinctiveness: **Newness and distinctiveness are claimed in the features of shape and configuration for a jumping exercise device as depicted in the accompanying drawings. Any broken lines shown in the figures are included for the purpose of illustrating environmental elements only and form no part of the claimed design.**



(21) Design Number: **12080/2015**
(22) Date of Filing Application: **20 April 2015**
(24) Date from which industrial property rights may have effect: **20 April 2015**
(54) Product in respect of which the design is registered: **Lantern**
(51) International Design Classification: **26-02**
(74) Name(s) of Attorney(s): **Shelston IP**
(71) Name(s) and Address(s) of Applicant(s):

Daima Energy Solutions Limited
6 Back Dykes, Auchtermuchty Fife KY14 7DW United Kingdom

(72) Name(s) of Designer(s): **Nils Aksnes**

(45) Registration Date: **20 May 2015**

(30) Convention priority data:

(31) Number	(32) Date	(33) Country
4037802	18 Oct 2014	UNITED KINGDOM

(56) Related Art Documents: **Not Applicable**

(57) Statement of Newness and Distinctiveness: **Newness and distinctiveness resides in the overall outline profile of a lantern as shown in the accompanying representations and in the absence of any visible mechanical fixings on the surfaces that are shown.**



(21) Design Number: **12081/2015**
(22) Date of Filing Application: **20 April 2015**
(24) Date from which industrial property rights may have effect: **20 April 2015**
(54) Product in respect of which the design is registered: **Rowing exercise device**
(51) International Design Classification: **21-02F**
(74) Name(s) of Attorney(s): **Adams Pluck**
(71) Name(s) and Address(s) of Applicant(s):

Total Gym Global Corp.
7755 Arjons Drive San Diego California 92126 United States of America

(72) Name(s) of Designer(s): **Thomas J. Campanaro and Jesse Thomas Campanaro and Dan McCutcheon**

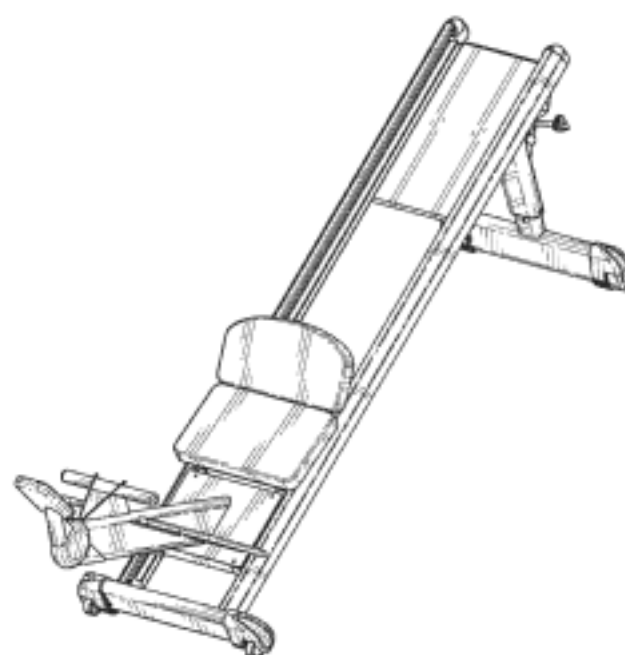
(45) Registration Date: **20 May 2015**

(30) Convention priority data:

(31) Number	(32) Date	(33) Country
29/506,827	21 Oct 2014	UNITED STATES OF AMERICA

(56) Related Art Documents: **Not Applicable**

(57) Statement of Newness and Distinctiveness: **Newness and distinctiveness are claimed in the features of shape and configuration for a rowing exercise device as depicted in the accompanying drawings. Any broken lines shown in the figures are included for the purpose of illustrating environmental elements only and form no part of the claimed design.**



(21) Design Number: **12084/2015**
(22) Date of Filing Application: **20 April 2015**
(24) Date from which industrial property rights may have effect: **20 April 2015**
(54) Product in respect of which the design is registered: **Automobile tire**
(51) International Design Classification: **12-15B**
(74) Name(s) of Attorney(s): **Shelston IP**
(71) Name(s) and Address(s) of Applicant(s):
The Yokohama Rubber Co., Ltd.
36-11 Shimbashi 5-chome Minato-ku Tokyo 105-8685 Japan



(72) Name(s) of Designer(s): **Takumi Morito and Takuya Inoue**
(45) Registration Date: **20 May 2015**
(30) Convention priority data:
(31) Number (32) Date (33) Country
2014-023536 21 Oct 2014 JAPAN
(56) Related Art Documents: **Not Applicable**
(57) Statement of Newness and Distinctiveness: **Newness and distinctiveness reside in the features of shape and/or configuration of the Automobile Tire as shown in solid lines in the accompanying representations. The features shown in broken lines are included for illustrative purposes only and do not form part of the design. The dot and dashed lines illustrate a boundary between features that form part of the design and features that do not form part of the design.**

(21) Design Number: **12085/2015**
(22) Date of Filing Application: **20 April 2015**
(24) Date from which industrial property rights may have effect: **20 April 2015**
(54) Product in respect of which the design is registered: **Soap bar**
(51) International Design Classification: **28-02**
(74) Name(s) of Attorney(s): **Madderns**
(71) Name(s) and Address(s) of Applicant(s):
Reckitt Benckiser LLC
Morris Corporate Centre IV 399 Interpace Parkway Parsippany 07054
New Jersey United States of America



(72) Name(s) of Designer(s): **Richard Giles**
(45) Registration Date: **20 May 2015**
(30) Convention priority data:
(31) Number (32) Date (33) Country
002570747-0001 04 Nov 2014 EUROPEAN PATENT OFFICE (EPO)
(56) Related Art Documents: **Not Applicable**
(57) Statement of Newness and Distinctiveness: **Nil**

(21) Design Number: **12086/2015**
(22) Date of Filing Application: **20 April 2015**
(24) Date from which industrial property rights may have effect: **20 April 2015**
(54) Product in respect of which the design is registered: **Automobile tire**
(51) International Design Classification: **12-15B**
(74) Name(s) of Attorney(s): **Shelston IP**
(71) Name(s) and Address(s) of Applicant(s):
The Yokohama Rubber Co., Ltd.
36-11 Shimbashi 5-chome Minato-ku Tokyo 105-8685 Japan
(72) Name(s) of Designer(s): **Takumi Morito and Takuya Inoue**
(45) Registration Date: **20 May 2015**
(30) Convention priority data:
(31) Number (32) Date (33) Country
2014-023538 21 Oct 2014 JAPAN



(56) Related Art Documents: **Not Applicable**
(57) Statement of Newness and Distinctiveness: **Newness and distinctiveness reside in the features of shape and/or configuration of the Automobile Tire as shown in solid lines in the accompanying representations. The features shown in broken lines are included for illustrative purposes only and do not form part of the design. The dot and dashed lines illustrate a boundary between features that form part of the design and features that do not form part of the design.**

(21) Design Number: **12087/2015**
(22) Date of Filing Application: **20 April 2015**
(24) Date from which industrial property rights may have effect: **20 April 2015**
(54) Product in respect of which the design is registered: **A coilable ruler for anglers**
(51) International Design Classification: **10-04**
(74) Name(s) of Attorney(s):
(71) Name(s) and Address(s) of Applicant(s):
Ryan Hugh Scott
c/- Michael Buck IP PO BOX 4361 St Lucia QLD 4067 Australia
Tarren Evan Olufson
c/- Michael Buck IP PO BOX 4361 St Lucia QLD 4067 Australia



(72) Name(s) of Designer(s): **Ryan Hugh Scott and Tarren Evan Olufson**
(45) Registration Date: **20 May 2015**
(56) Related Art Documents: **Not Applicable**
(57) Statement of Newness and Distinctiveness: **The shape and configuration of a coilable ruler for anglers, reconfigurable from an elongate configuration to a coiled configuration as depicted in the representations and without regard to the numbers formed along the ruler.**

- (21) Design Number: **11057/2015**
(22) Date of Filing Application: **27 February 2015**
(24) Date from which industrial property rights may have effect: **27 February 2015**
(54) Product in respect of which the design is registered: **Drawer**
(51) International Design Classification: **06-06D**
(74) Name(s) of Attorney(s): **Freehills Patent Attorneys**
(71) Name(s) and Address(s) of Applicant(s):

Apple Inc.
1 Infinite Loop Cupertino California, 95014 United States of America

- (72) Name(s) of Designer(s): **Jody Akana and Bartley K. Andre and Shota Aoyagi and Anthony Michael Ashcroft and Jeremy Bataillou and Daniel J. Coster and Daniele De Iuliis and M. Evans Hankey and Julian Hoenig and Richard P. Howarth and Jonathan P. Ive and Duncan Robert Kerr and Matthew Dean Rohrbach and Peter Russell-Clarke and Benjamin Andrew Shaffer and Mikael Silvanto and Christopher J. Stringer and Eugene Antony Whang and Rico Zorkendorfer**

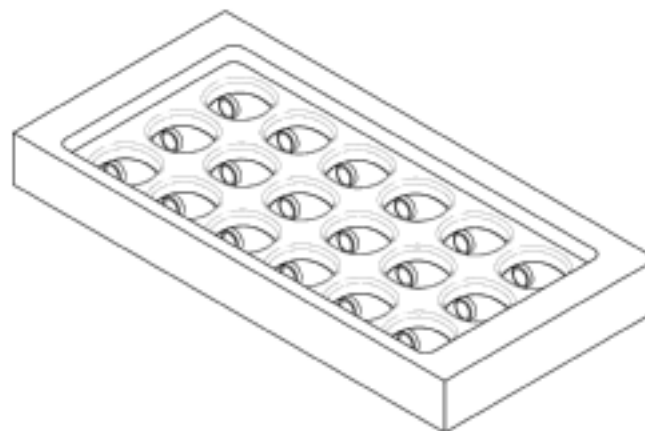
- (45) Registration Date: **21 May 2015**

- (30) Convention priority data:

(31) Number	(32) Date	(33) Country
29/501031	29 Aug 2014	UNITED STATES OF AMERICA

- (56) Related Art Documents: **Not Applicable**

- (57) Statement of Newness and Distinctiveness: **Newness and distinctiveness resides in the features of shape and configuration shown in the accompanying figures.**



- (21) Design Number: **11116/2015**
(22) Date of Filing Application: **02 March 2015**
(24) Date from which industrial property rights may have effect: **02 March 2015**
(54) Product in respect of which the design is registered: **Label**
(51) International Design Classification: **19-08**
(74) Name(s) of Attorney(s): **Freehills Patent Attorneys**
(71) Name(s) and Address(s) of Applicant(s):

Apple Inc.
1 Infinite Loop Cupertino California, 95014 United States of America

- (72) Name(s) of Designer(s): **Jody Akana and Bartley K. Andre and Shota Aoyagi and Anthony Michael Ashcroft and Jeremy Bataillou and Daniel J. Coster and Daniele De Iuliis and M. Evans Hankey and Julian Hoenig and Richard P. Howarth and Jonathan P. Ive and Duncan Robert Kerr and Matthew Dean Rohrbach and Peter Russell-Clarke and Benjamin Andrew Shaffer and Mikael Silvanto and Christopher J. Stringer and Eugene Antony Whang and Rico Zorkendorfer**

- (45) Registration Date: **21 May 2015**

- (30) Convention priority data:

(31) Number	(32) Date	(33) Country
29/501636	05 Sep 2014	UNITED STATES OF AMERICA

- (56) Related Art Documents: **Not Applicable**

- (57) Statement of Newness and Distinctiveness: **Newness and distinctiveness is claimed in the features of pattern and/or ornamentation of a label as shown in solid lines in the accompanying representation.**



- (21) Design Number: **11118/2015**
(22) Date of Filing Application: **02 March 2015**
(24) Date from which industrial property rights may have effect: **02 March 2015**
(54) Product in respect of which the design is registered: **Label**
(51) International Design Classification: **19-08**
(74) Name(s) of Attorney(s): **Freehills Patent Attorneys**
(71) Name(s) and Address(s) of Applicant(s):
Apple Inc.
1 Infinite Loop Cupertino California, 95014 United States of America
(72) Name(s) of Designer(s): **Jody Akana and Bartley K. Andre and Shota Aoyagi and Anthony Michael Ashcroft and Jeremy Bataillou and Daniel J. Coster and Daniele De Iuliis and M. Evans Hankey and Julian Hoenig and Richard P. Howarth and Jonathan P. Ive and Duncan Robert Kerr and Matthew Dean Rohrbach and Peter Russell-Clarke and Benjamin Andrew Shaffer and Mikael Silvano and Christopher J. Stringer and Eugene Antony Whang and Rico Zorkendorfer**
(45) Registration Date: **21 May 2015**
(30) Convention priority data:
(31) Number (32) Date (33) Country
29/501646 05 Sep 2014 UNITED STATES OF AMERICA
(56) Related Art Documents: **Not Applicable**
(57) Statement of Newness and Distinctiveness: **Newness and distinctiveness is claimed in the features of pattern and/or ornamentation of a label as shown in solid lines in the accompanying representation.**



- (21) Design Number: **11119/2015**
(22) Date of Filing Application: **02 March 2015**
(24) Date from which industrial property rights may have effect: **02 March 2015**
(54) Product in respect of which the design is registered: **Label**
(51) International Design Classification: **19-08**
(74) Name(s) of Attorney(s): **Freehills Patent Attorneys**
(71) Name(s) and Address(s) of Applicant(s):
Apple Inc.
1 Infinite Loop Cupertino California, 95014 United States of America
(72) Name(s) of Designer(s): **Jody Akana and Bartley K. Andre and Shota Aoyagi and Anthony Michael Ashcroft and Jeremy Bataillou and Daniel J. Coster and Daniele De Iuliis and M. Evans Hankey and Julian Hoenig and Richard P. Howarth and Jonathan P. Ive and Duncan Robert Kerr and Matthew Dean Rohrbach and Peter Russell-Clarke and Benjamin Andrew Shaffer and Mikael Silvano and Christopher J. Stringer and Eugene Antony Whang and Rico Zorkendorfer**
(45) Registration Date: **21 May 2015**
(30) Convention priority data:
(31) Number (32) Date (33) Country
29/501653 05 Sep 2014 UNITED STATES OF AMERICA
(56) Related Art Documents: **Not Applicable**
(57) Statement of Newness and Distinctiveness: **Newness and distinctiveness is claimed in the features of pattern and/or ornamentation of a label as shown in solid lines in the accompanying representation.**



- (21) Design Number: **11120/2015**
(22) Date of Filing Application: **02 March 2015**
(24) Date from which industrial property rights may have effect: **02 March 2015**
(54) Product in respect of which the design is registered: **Label**
(51) International Design Classification: **19-08**
(74) Name(s) of Attorney(s): **Freehills Patent Attorneys**
(71) Name(s) and Address(s) of Applicant(s):
Apple Inc.
1 Infinite Loop Cupertino California, 95014 United States of America
(72) Name(s) of Designer(s): **Jody Akana and Bartley K. Andre and Shota Aoyagi and Anthony Michael Ashcroft and Jeremy Bataillou and Daniel J. Coster and Daniele De Iuliis and M. Evans Hankey and Julian Hoenig and Richard P. Howarth and Jonathan P. Ive and Duncan Robert Kerr and Matthew Dean Rohrbach and Peter Russell-Clarke and Benjamin Andrew Shaffer and Mikael Silvanto and Christopher J. Stringer and Eugene Antony Whang and Rico Zorkendorfer**
(45) Registration Date: **21 May 2015**
(30) Convention priority data:
(31) Number (32) Date (33) Country
29/501640 05 Sep 2014 UNITED STATES OF AMERICA
(56) Related Art Documents: **Not Applicable**
(57) Statement of Newness and Distinctiveness: **Newness and distinctiveness is claimed in the features of pattern and/or ornamentation of a label as shown in solid lines in the accompanying representation.**



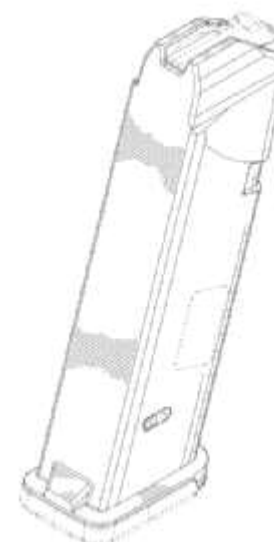
- (21) Design Number: **11121/2015**
(22) Date of Filing Application: **02 March 2015**
(24) Date from which industrial property rights may have effect: **02 March 2015**
(54) Product in respect of which the design is registered: **Label**
(51) International Design Classification: **19-08**
(74) Name(s) of Attorney(s): **Freehills Patent Attorneys**
(71) Name(s) and Address(s) of Applicant(s):
Apple Inc.
1 Infinite Loop Cupertino California, 95014 United States of America
(72) Name(s) of Designer(s): **Jody Akana and Bartley K. Andre and Shota Aoyagi and Anthony Michael Ashcroft and Jeremy Bataillou and Daniel J. Coster and Daniele De Iuliis and M. Evans Hankey and Julian Hoenig and Richard P. Howarth and Jonathan P. Ive and Duncan Robert Kerr and Matthew Dean Rohrbach and Peter Russell-Clarke and Benjamin Andrew Shaffer and Mikael Silvanto and Christopher J. Stringer and Eugene Antony Whang and Rico Zorkendorfer**
(45) Registration Date: **21 May 2015**
(30) Convention priority data:
(31) Number (32) Date (33) Country
29/501641 05 Sep 2014 UNITED STATES OF AMERICA
(56) Related Art Documents: **Not Applicable**
(57) Statement of Newness and Distinctiveness: **Newness and distinctiveness is claimed in the features of pattern and/or ornamentation of a label as shown in solid lines in the accompanying representation.**



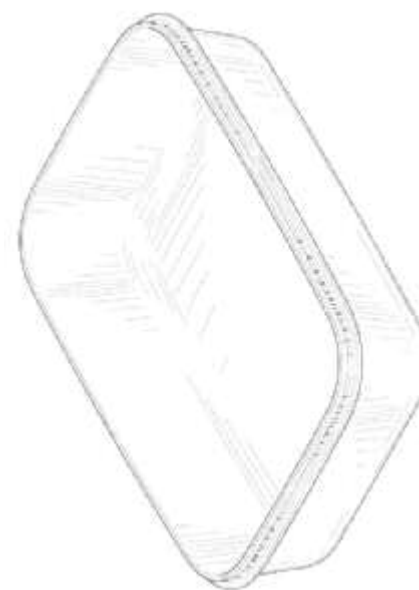
- (21) Design Number: **11122/2015**
(22) Date of Filing Application: **02 March 2015**
(24) Date from which industrial property rights may have effect: **02 March 2015**
(54) Product in respect of which the design is registered: **Label**
(51) International Design Classification: **19-08**
(74) Name(s) of Attorney(s): **Freehills Patent Attorneys**
(71) Name(s) and Address(s) of Applicant(s):
Apple Inc.
1 Infinite Loop Cupertino California, 95014 United States of America
(72) Name(s) of Designer(s): **Jody Akana and Bartley K. Andre and Shota Aoyagi and Anthony Michael Ashcroft and Jeremy Bataillou and Daniel J. Coster and Daniele De Iuliis and M. Evans Hankey and Julian Hoenig and Richard P. Howarth and Jonathan P. Ive and Duncan Robert Kerr and Matthew Dean Rohrbach and Peter Russell-Clarke and Benjamin Andrew Shaffer and Mikael Silvano and Christopher J. Stringer and Eugene Antony Whang and Rico Zorkendorfer**
(45) Registration Date: **21 May 2015**
(30) Convention priority data:
(31) Number (32) Date (33) Country
29/501643 05 Sep 2014 UNITED STATES OF AMERICA
(56) Related Art Documents: **Not Applicable**
(57) Statement of Newness and Distinctiveness: **Newness and distinctiveness is claimed in the features of pattern and/or ornamentation of a label as shown in solid lines in the accompanying representation.**



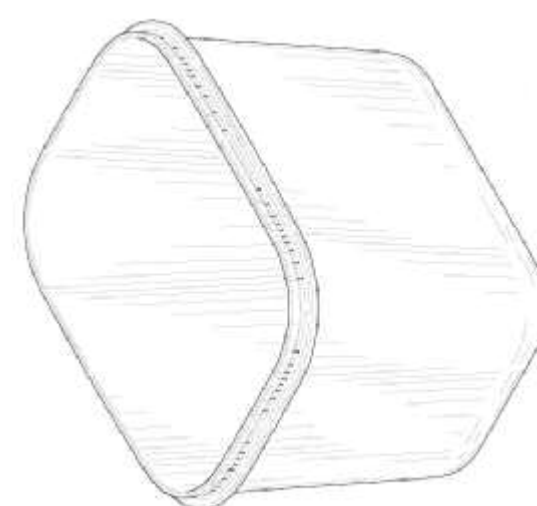
- (21) Design Number: **11332/2015**
(22) Date of Filing Application: **11 March 2015**
(24) Date from which industrial property rights may have effect: **11 March 2015**
(54) Product in respect of which the design is registered: **Firearm magazine body**
(51) International Design Classification: **22-01**
(74) Name(s) of Attorney(s): **Davies Collison Cave**
(71) Name(s) and Address(s) of Applicant(s):
Magpul Industries Corporation
400 Young Court, Unit 1 Erie Colorado, 80516 United States of America
(72) Name(s) of Designer(s): **Nicholas Kielsmeier and Brian L. Nakayama and Michael T. Mayberry and Jeremy M. Fiester**
(45) Registration Date: **21 May 2015**
(30) Convention priority data:
(31) Number (32) Date (33) Country
29/502,192 12 Sep 2014 UNITED STATES OF AMERICA
(56) Related Art Documents: **Not Applicable**
(57) Statement of Newness and Distinctiveness: **Newness and distinctiveness is claimed in the visual features shown in solid lines in the representations. In considering the extent of the design rights, the broken lines shown in the representations are for illustrative purposes only and do not form part of the design.**



(21) Design Number: **12033/2015**
(22) Date of Filing Application: **17 April 2015**
(24) Date from which industrial property rights may have effect: **17 April 2015**
(54) Product in respect of which the design is registered: **Food container**
(51) International Design Classification: **07-01NES**
(74) Name(s) of Attorney(s): **PHILLIPS ORMONDE FITZPATRICK**
(71) Name(s) and Address(s) of Applicant(s):
Dart Industries Inc.
14901 S. Orange Blossom Trail Orlando Florida, 32837 United States of America
(72) Name(s) of Designer(s): **Julie L Yessin and Nathan E. Shirley and Raphaelle Betry**
(45) Registration Date: **21 May 2015**
(30) Convention priority data:
(31) Number (32) Date (33) Country
29/507,385 27 Oct 2014 UNITED STATES OF AMERICA
(56) Related Art Documents: **Not Applicable**
(57) Statement of Newness and Distinctiveness: **Those features of the food container depicted in the representations that are new and distinctive are the shape and/or configuration.**



(21) Design Number: **12034/2015**
(22) Date of Filing Application: **17 April 2015**
(24) Date from which industrial property rights may have effect: **17 April 2015**
(54) Product in respect of which the design is registered: **Food container**
(51) International Design Classification: **07-01NES**
(74) Name(s) of Attorney(s): **PHILLIPS ORMONDE FITZPATRICK**
(71) Name(s) and Address(s) of Applicant(s):
Dart Industries Inc.
14901 S. Orange Blossom Trail Orlando Florida, 32837 United States of America
(72) Name(s) of Designer(s): **Julie L Yessin and Nathan E. Shirley and Raphaelle Betry**
(45) Registration Date: **21 May 2015**
(30) Convention priority data:
(31) Number (32) Date (33) Country
29/507,385 27 Oct 2014 UNITED STATES OF AMERICA
(56) Related Art Documents: **Not Applicable**
(57) Statement of Newness and Distinctiveness: **Those features of the food container depicted in the representations that are new and distinctive are the shape and/or configuration.**



(21) Design Number: **12035/2015**
(22) Date of Filing Application: **17 April 2015**
(24) Date from which industrial property rights may have effect: **17 April 2015**
(54) Product in respect of which the design is registered: **Seal for a food container**
(51) International Design Classification: **09-07C**
(74) Name(s) of Attorney(s): **PHILLIPS ORMONDE FITZPATRICK**
(71) Name(s) and Address(s) of Applicant(s):
Dart Industries Inc.
14901 S. Orange Blossom Trail Orlando Florida, 32837 United States of America
(72) Name(s) of Designer(s): **Raphaelle Betry and Nathan E. Shirley and Julie L Yessin**
(45) Registration Date: **21 May 2015**
(30) Convention priority data:
(31) Number (32) Date (33) Country
29/507,386 27 Oct 2014 UNITED STATES OF AMERICA
(56) Related Art Documents: **Not Applicable**
(57) Statement of Newness and Distinctiveness: **Those features of the seal for a food container depicted in the representations that are new and distinctive are the shape and/or configuration.**



(21) Design Number: **12036/2015**
(22) Date of Filing Application: **17 April 2015**
(24) Date from which industrial property rights may have effect: **17 April 2015**
(54) Product in respect of which the design is registered: **Seal for a food container**
(51) International Design Classification: **09-07C**
(74) Name(s) of Attorney(s): **PHILLIPS ORMONDE FITZPATRICK**
(71) Name(s) and Address(s) of Applicant(s):
Dart Industries Inc.
14901 S. Orange Blossom Trail Orlando Florida, 32837 United States of America
(72) Name(s) of Designer(s): **Raphaelle Betry and Nathan E. Shirley and Julie L Yessin**
(45) Registration Date: **21 May 2015**
(30) Convention priority data:
(31) Number (32) Date (33) Country
29/507,386 27 Oct 2014 UNITED STATES OF AMERICA
(56) Related Art Documents: **Not Applicable**
(57) Statement of Newness and Distinctiveness: **Those features of the seal for a food container depicted in the representations that are new and distinctive are the shape and/or configuration.**



(21) Design Number: **12037/2015**
(22) Date of Filing Application: **17 April 2015**
(24) Date from which industrial property rights may have effect: **17 April 2015**
(54) Product in respect of which the design is registered: **Seal for a food container**
(51) International Design Classification: **09-07C**
(74) Name(s) of Attorney(s): **PHILLIPS ORMONDE FITZPATRICK**
(71) Name(s) and Address(s) of Applicant(s):
Dart Industries Inc.
14901 S. Orange Blossom Trail Orlando Florida, 32837 United States of America
(72) Name(s) of Designer(s): **Raphaelle Betry and Nathan E. Shirley and Julie L Yessin**
(45) Registration Date: **21 May 2015**
(30) Convention priority data:
(31) Number (32) Date (33) Country
29/507,386 27 Oct 2014 UNITED STATES OF AMERICA
(56) Related Art Documents: **Not Applicable**
(57) Statement of Newness and Distinctiveness: **Those features of the seal for a food container depicted in the representations that are new and distinctive are the shape and/or configuration.**



(21) Design Number: **12038/2015**
(22) Date of Filing Application: **17 April 2015**
(24) Date from which industrial property rights may have effect: **17 April 2015**
(54) Product in respect of which the design is registered: **Food container**
(51) International Design Classification: **07-01NES**
(74) Name(s) of Attorney(s): **PHILLIPS ORMONDE FITZPATRICK**
(71) Name(s) and Address(s) of Applicant(s):
Dart Industries Inc.
14901 S. Orange Blossom Trail Orlando Florida, 32837 United States of America
(72) Name(s) of Designer(s): **Julie L Yessin and Nathan E. Shirley and Raphaelle Betry**
(45) Registration Date: **21 May 2015**
(30) Convention priority data:
(31) Number (32) Date (33) Country
29/507,385 27 Oct 2014 UNITED STATES OF AMERICA
(56) Related Art Documents: **Not Applicable**
(57) Statement of Newness and Distinctiveness: **Those features of the food container depicted in the representations that are new and distinctive are the shape and/or configuration.**



(21) Design Number: **12039/2015**

(22) Date of Filing Application: **17 April 2015**

(24) Date from which industrial property rights may have effect: **17 April 2015**

(54) Product in respect of which the design is registered: **Food container**

(51) International Design Classification: **07-01NES**

(74) Name(s) of Attorney(s): **PHILLIPS ORMONDE FITZPATRICK**

(71) Name(s) and Address(s) of Applicant(s):

Dart Industries Inc.

14901 S. Orange Blossom Trail Orlando Florida, 32837 United States of America

(72) Name(s) of Designer(s): **Julie L Yessin and Nathan E. Shirley and
Raphaelle Betry**

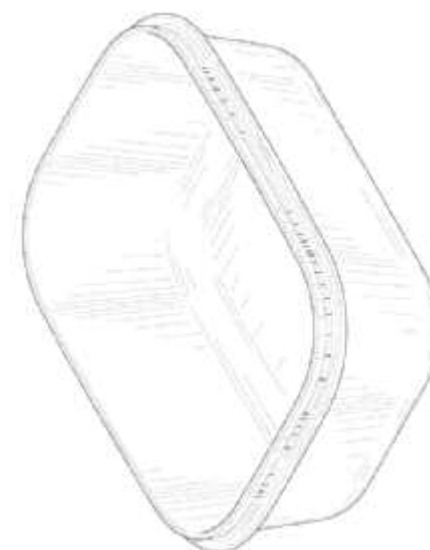
(45) Registration Date: **21 May 2015**

(30) Convention priority data:

(31) Number	(32) Date	(33) Country
29/507,385	27 Oct 2014	UNITED STATES OF AMERICA

(56) Related Art Documents: **Not Applicable**

(57) Statement of Newness and Distinctiveness: **Those features of the food container depicted in the representations that are new and distinctive are the shape and/or configuration.**



(21) Design Number: **12089/2015**

(22) Date of Filing Application: **20 April 2015**

(24) Date from which industrial property rights may have effect: **20 April 2015**

(54) Product in respect of which the design is registered: **Chess board design**

(51) International Design Classification: **21-01L**

(74) Name(s) of Attorney(s): **IP Service International**

(71) Name(s) and Address(s) of Applicant(s):

Jaroslav Bednar

Stare Grunty 182 Bratislava - Karlova Ves Bratislavsky, 841 04 Slovakia

Ladislav Mezey

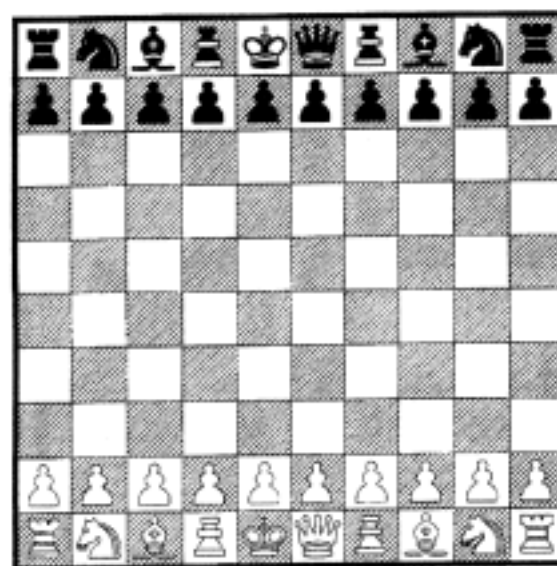
Magurska 12 Bratislava - Nove Mesto Bratislavsky, 831 01 Slovakia

(72) Name(s) of Designer(s): **Jaroslav Bednar and Ladislav Mezey**

(45) Registration Date: **21 May 2015**

(56) Related Art Documents: **Not Applicable**

(57) Statement of Newness and Distinctiveness: **Nil**



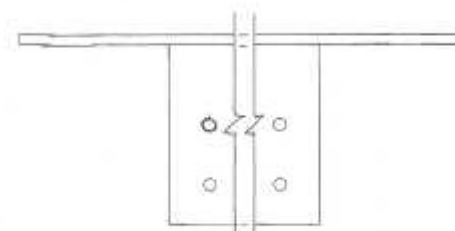
(21) Design Number: **12092/2015**
(22) Date of Filing Application: **21 April 2015**
(24) Date from which industrial property rights may have effect: **21 April 2015**
(54) Product in respect of which the design is registered: **Shaving head**
(51) International Design Classification: **28-03A**
(74) Name(s) of Attorney(s): **FB Rice**
(71) Name(s) and Address(s) of Applicant(s):
Koninklijke Philips N.V.
High Tech Campus 5 5656 AE Eindhoven The Netherlands
(72) Name(s) of Designer(s): **Seth Peter Malkin Frankel**
(45) Registration Date: **21 May 2015**
(30) Convention priority data:
(31) Number (32) Date (33) Country
002563486-0002 24 Oct 2014 OFFICE FOR HARMONISATION IN
THE INTERNAL MARKET (OHIM)
(56) Related Art Documents: **Not Applicable**
(57) Statement of Newness and Distinctiveness: **Newness and distinctiveness**
reside in the features of shape and configuration of the design as shown
in the representations.



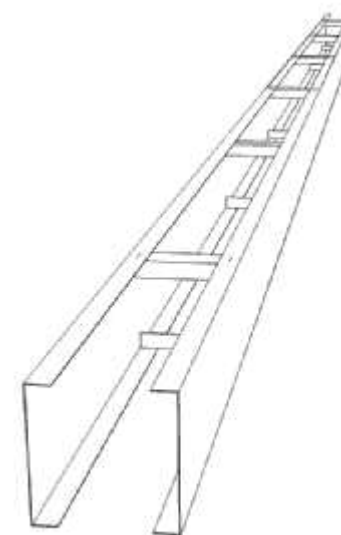
(21) Design Number: **12094/2015**
(22) Date of Filing Application: **21 April 2015**
(24) Date from which industrial property rights may have effect: **21 April 2015**
(54) Product in respect of which the design is registered: **Shaver without shaving**
head
(51) International Design Classification: **28-03A**
(74) Name(s) of Attorney(s): **FB Rice**
(71) Name(s) and Address(s) of Applicant(s):
Koninklijke Philips N.V.
High Tech Campus 5 5656 AE Eindhoven The Netherlands
(72) Name(s) of Designer(s): **Seth Peter Malkin Frankel**
(45) Registration Date: **21 May 2015**
(30) Convention priority data:
(31) Number (32) Date (33) Country
002563486-0003 24 Oct 2014 OFFICE FOR HARMONISATION IN
THE INTERNAL MARKET (OHIM)
(56) Related Art Documents: **Not Applicable**
(57) Statement of Newness and Distinctiveness: **Newness and distinctiveness**
reside in the features of shape and configuration of the design as shown
in the representations.



- (21) Design Number: **12009/2015**
(22) Date of Filing Application: **15 April 2015**
(24) Date from which industrial property rights may have effect: **15 April 2015**
(54) Product in respect of which the design is registered: **Post cap**
(51) International Design Classification: **25-01E**
(74) Name(s) of Attorney(s): **Fisher Adams Kelly Pty Ltd**
(71) Name(s) and Address(s) of Applicant(s):
Stoddart Technology Pty Ltd
37 Gravel Pit Rd Darra QLD 4076
(72) Name(s) of Designer(s): **Troy McDonaugh**
(45) Registration Date: **21 May 2015**
(56) Related Art Documents: **Not Applicable**
(57) Statement of Newness and Distinctiveness: **The newness and distinctiveness of the design resides in the shape and/or configuration of the Post Cap shown in the representations.**



- (21) Design Number: **12098/2015**
(22) Date of Filing Application: **21 April 2015**
(24) Date from which industrial property rights may have effect: **21 April 2015**
(54) Product in respect of which the design is registered: **Formwork framing member**
(51) International Design Classification: **25-01K**
(74) Name(s) of Attorney(s): **PATENT ATTORNEY SERVICES**
(71) Name(s) and Address(s) of Applicant(s):
Andrew John Grimshaw
25 Brunsdon St Bayswater VIC 3153 Australia
Rodger Weeks
25 Brunsdon St Bayswater VIC 3153 Australia
(72) Name(s) of Designer(s): **Andrew John Grimshaw and Rodger Weeks and Caleb Thomas Grimshaw**
(45) Registration Date: **21 May 2015**
(56) Related Art Documents: **Not Applicable**
(57) Statement of Newness and Distinctiveness: **Newness and originality is claimed in the shape and configuration of a formwork framing member as shown in the accompanying representations. The length of the member is indefinite and the provision of cross pieces recurs at the uniformly spaced locations throughout the length as shown in the representations. The configuration of the clinched attachments of the cross pieces to the spaced longitudinal C sections is the same for all cross pieces.**



(21) Design Number: **12099/2015**
(22) Date of Filing Application: **21 April 2015**
(24) Date from which industrial property rights may have effect: **21 April 2015**
(54) Product in respect of which the design is registered: **Ashtray**
(51) International Design Classification: **27-03**
(74) Name(s) of Attorney(s):
(71) Name(s) and Address(s) of Applicant(s):
Zhu Gong
Room 2408, Building No.55 Binshui Community, Jimei District Xiamen
361021 China
(72) Name(s) of Designer(s): **Zhu Gong**
(45) Registration Date: **21 May 2015**
(56) Related Art Documents: **Not Applicable**
(57) Statement of Newness and Distinctiveness: **Those features of the ashtray depicted in the representations that are new and distinctive are the shape and/or configuration.**



(21) Design Number: **12100/2015**
(22) Date of Filing Application: **21 April 2015**
(24) Date from which industrial property rights may have effect: **21 April 2015**
(54) Product in respect of which the design is registered: **Shaver**
(51) International Design Classification: **28-03A**
(74) Name(s) of Attorney(s): **FB Rice**
(71) Name(s) and Address(s) of Applicant(s):
Koninklijke Philips N.V.
High Tech Campus 5 5656 AE Eindhoven The Netherlands
(72) Name(s) of Designer(s): **Seth Peter Malkin Frankel**
(45) Registration Date: **21 May 2015**
(30) Convention priority data:
(31) Number (32) Date (33) Country
002563486-0001 24 Oct 2014 OFFICE FOR HARMONISATION IN
THE INTERNAL MARKET (OHIM)
(56) Related Art Documents: **Not Applicable**
(57) Statement of Newness and Distinctiveness: **Newness and distinctiveness reside in the features of shape and configuration of the design as shown in the representations.**



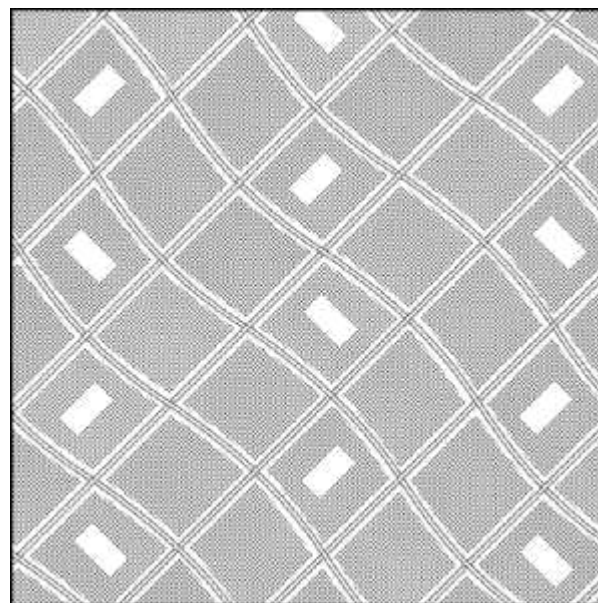
- (21) Design Number: **12101/2015**
(22) Date of Filing Application: **21 April 2015**
(24) Date from which industrial property rights may have effect: **21 April 2015**
(54) Product in respect of which the design is registered: **Tap**
(51) International Design Classification: **23-01H**
(74) Name(s) of Attorney(s):
(71) Name(s) and Address(s) of Applicant(s):
Zhu Gong
Room 2408, Building No.55 Binshui Community, Jimei District Xiamen
361021 China
(72) Name(s) of Designer(s): **Zhu Gong**
(45) Registration Date: **21 May 2015**
(56) Related Art Documents: **Not Applicable**
(57) Statement of Newness and Distinctiveness: **Those features of the tap depicted in the representations that are new and distinctive are the shape and/or configuration.**



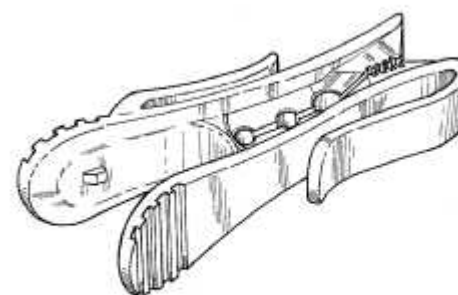
- (21) Design Number: **12102/2015**
(22) Date of Filing Application: **21 April 2015**
(24) Date from which industrial property rights may have effect: **21 April 2015**
(54) Product in respect of which the design is registered: **Tap**
(51) International Design Classification: **23-01H**
(74) Name(s) of Attorney(s):
(71) Name(s) and Address(s) of Applicant(s):
Zhu Gong
Room 2408, Building No.55 Binshui Community, Jimei District Xiamen
361021 China
(72) Name(s) of Designer(s): **Zhu Gong**
(45) Registration Date: **21 May 2015**
(56) Related Art Documents: **Not Applicable**
(57) Statement of Newness and Distinctiveness: **Those features of the tap depicted in the representations that are new and distinctive are the shape and/or configuration.**



(21) Design Number: **12103/2015**
(22) Date of Filing Application: **21 April 2015**
(24) Date from which industrial property rights may have effect: **21 April 2015**
(54) Product in respect of which the design is registered: **Tissue paper**
(51) International Design Classification: **05-06NES**
(74) Name(s) of Attorney(s): **WATERMARK PATENT AND TRADE MARKS ATTORNEYS**
(71) Name(s) and Address(s) of Applicant(s):
SCA Hygiene Products AB
Goteborg S-405 03 Sweden
(72) Name(s) of Designer(s): **Anita Haraldsson Hedbratt**
(45) Registration Date: **21 May 2015**
(30) Convention priority data:
(31) Number (32) Date (33) Country
2574707 10 Nov 2014 EUROPEAN PATENT OFFICE (EPO)
(56) Related Art Documents: **Not Applicable**
(57) Statement of Newness and Distinctiveness: **Newness and distinctiveness is claimed in the pattern and or namentation applied to a sheet of tissue paper as illustrate d in the accompanying representations.**



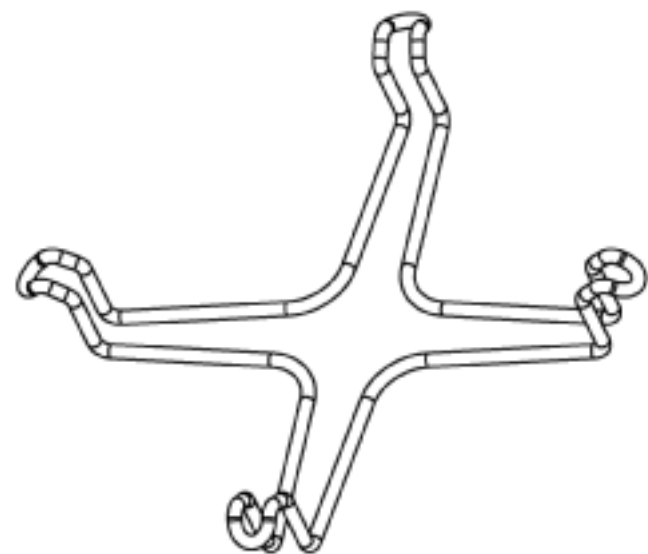
(21) Design Number: **12105/2015**
(22) Date of Filing Application: **21 April 2015**
(24) Date from which industrial property rights may have effect: **21 April 2015**
(54) Product in respect of which the design is registered: **Peg**
(51) International Design Classification: **07-05C**
(74) Name(s) of Attorney(s):
(71) Name(s) and Address(s) of Applicant(s):
MRT Assett Holdings Pty Ltd
600 Waterdale Rd Heidelberg West VIC, 3081 Australia
(72) Name(s) of Designer(s): **Mario Turcarelli**
(45) Registration Date: **21 May 2015**
(56) Related Art Documents: **Not Applicable**
(57) Statement of Newness and Distinctiveness: **Nil**



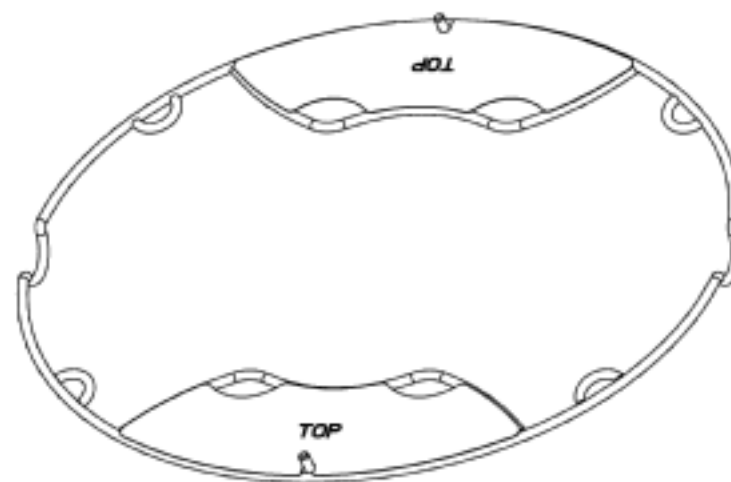
- (21) Design Number: **12106/2015**
(22) Date of Filing Application: **21 April 2015**
(24) Date from which industrial property rights may have effect: **21 April 2015**
(54) Product in respect of which the design is registered: **Baby mitten**
(51) International Design Classification: **02-06**
(74) Name(s) of Attorney(s):
(71) Name(s) and Address(s) of Applicant(s):
Julia Bowden
2420 Glendon Station Collinsville QLD 4804 Australia
(72) Name(s) of Designer(s): **Julia Bowden**
(45) Registration Date: **21 May 2015**
(56) Related Art Documents: **Not Applicable**
(57) Statement of Newness and Distinctiveness: **The product design has a silicone attachment sewn onto a mitten. The silicone attachment has a curvy shape so that the baby can easily chew and fit into the mouth. The outside Curves of the silicone attachment is the new and distinctive design, the curves can be of different sizes, and follow the outside line of the silicone attachment. The smaller lines on the inside are not part of the design. I have searched the market for a similar design but have found nothing.**



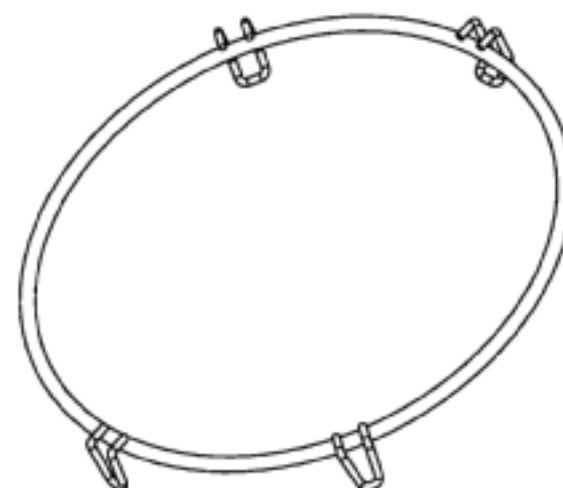
- (21) Design Number: **15900/2014**
(22) Date of Filing Application: **19 November 2014**
(24) Date from which industrial property rights may have effect: **19 November 2014**
(54) Product in respect of which the design is registered: **A trivet**
(51) International Design Classification: **07-06NES**
(74) Name(s) of Attorney(s): **Halfords IP**
(71) Name(s) and Address(s) of Applicant(s):
Barbeques Galore (Aust) Pty Limited
Building 2A Campus Business Park 350-374 Parramatta Rd Homebush
NSW 2140 Australia
(72) Name(s) of Designer(s): **Stephen Spencer and Peter Anderson**
(45) Registration Date: **22 May 2015**
(56) Related Art Documents: **Not Applicable**
(57) Statement of Newness and Distinctiveness: **Newness and distinctiveness resides in those features of shape and or configuration of a TRIVET as depicted in the representations. The representations contain chine lines or similar within the perimeter of the trivet to show where changes occur- such lines do not form part of the design.**



- (21) Design Number: **15901/2014**
(22) Date of Filing Application: **19 November 2014**
(24) Date from which industrial property rights may have effect: **19 November 2014**
(54) Product in respect of which the design is registered: **A trivet frame**
(51) International Design Classification: **07-06NES**
(74) Name(s) of Attorney(s): **Halfords IP**
(71) Name(s) and Address(s) of Applicant(s):
Barbeques Galore (Aust) Pty Limited
Building 2A Campus Business Park 350-374 Parramatta Rd Homebush
NSW 2140 Australia
(72) Name(s) of Designer(s): **Stephen Spencer and Peter Anderson**
(45) Registration Date: **22 May 2015**
(56) Related Art Documents: **Not Applicable**
(57) Statement of Newness and Distinctiveness: **Newness and distinctiveness resides in those features of shape and or configuration of A TRIVET FRAME as depicted in the representations. The representations contain chine lines or similar within the perimeter of the trivet frame to show where changes occur- such lines do not form part of the design.**



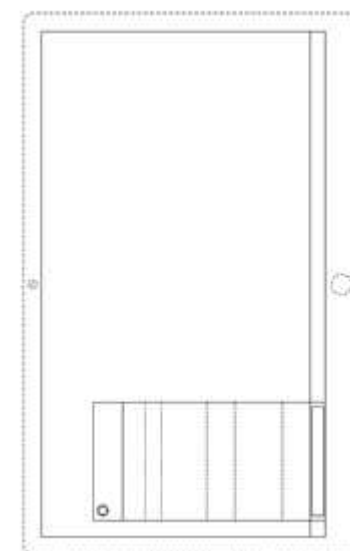
- (21) Design Number: **15903/2014**
(22) Date of Filing Application: **19 November 2014**
(24) Date from which industrial property rights may have effect: **19 November 2014**
(54) Product in respect of which the design is registered: **Circular trivet**
(51) International Design Classification: **07-06NES**
(74) Name(s) of Attorney(s): **Halfords IP**
(71) Name(s) and Address(s) of Applicant(s):
Barbeques Galore (Aust) Pty Limited
Building 2A Campus Business Park 350-374 Parramatta Rd Homebush
NSW 2140 Australia
(72) Name(s) of Designer(s): **Stephen Spencer and Peter Anderson**
(45) Registration Date: **22 May 2015**
(56) Related Art Documents: **Not Applicable**
(57) Statement of Newness and Distinctiveness: **Newness and distinctiveness resides in those features of shape and or configuration of a CIRCULAR TRIVET as depicted in the representations. The representations contain chine lines or similar within the perimeter of the trivet to show where changes occur- such lines do not form part of the design.**



- (21) Design Number: **10944/2015**
(22) Date of Filing Application: **23 February 2015**
(24) Date from which industrial property rights may have effect: **23 February 2015**
(54) Product in respect of which the design is registered: **Medical injector device**
(51) International Design Classification: **24-02**
(74) Name(s) of Attorney(s): **Shelston IP**
(71) Name(s) and Address(s) of Applicant(s):
Merck Sharp & Dohme Corp.
126 East Lincoln Avenue, Rahway, New Jersey 07065 United States of America
(72) Name(s) of Designer(s): **Peter Basile and Jeffrey C Givand and Philip G Green and Sharad Gupta and Christin L O'Neill and Steven Carl Persak and Robert Stianchi and Ari Tao Adler and Florian Altmann and Thomas Junk and Florian Kossler and Martin Meier and Scott Mackie and Pernilla Danielsson and Angela M Amend Kwasnik and Benjamin R Bartfeld**
(45) Registration Date: **22 May 2015**
(30) Convention priority data:
(31) Number (32) Date (33) Country
29/500640 27 Aug 2014 UNITED STATES OF AMERICA
(56) Related Art Documents: **Not Applicable**
(57) Statement of Newness and Distinctiveness: **Newness and distinctiveness reside in the features of shape and/or configuration of a MEDICAL INJECTOR DEVICE as illustrated in solid lines in the accompanying representations. The features shown in broken or discontinuous lines are illustrative only and do not form part of the design.**



- (21) Design Number: **11677/2015**
(22) Date of Filing Application: **30 March 2015**
(24) Date from which industrial property rights may have effect: **30 March 2015**
(54) Product in respect of which the design is registered: **Display screen with graphical user interface**
(51) International Design Classification: **14-02**
(74) Name(s) of Attorney(s): **Shelston IP**
(71) Name(s) and Address(s) of Applicant(s):
Microsoft Corporation
One Microsoft Way Redmond Washington, 98052 United States of America
(72) Name(s) of Designer(s): **Christian J. Colando and Zach Pfreim**
(45) Registration Date: **22 May 2015**
(30) Convention priority data:
(31) Number (32) Date (33) Country
29/503845 30 Sep 2014 UNITED STATES OF AMERICA
(56) Related Art Documents: **Not Applicable**
(57) Statement of Newness and Distinctiveness: **Newness and distinctiveness reside in the features of pattern and/or ornamentation of a display screen with graphical user interface as illustrated by solid lines in the accompanying representation. The features shown in broken outline are for contextual purposes only and do not form part of the design.**



(21) Design Number: **11892/2015**
(22) Date of Filing Application: **09 April 2015**
(24) Date from which industrial property rights may have effect: **09 April 2015**
(54) Product in respect of which the design is registered: **Cup**
(51) International Design Classification: **07-01C**
(74) Name(s) of Attorney(s): **McCullough Robertson Lawyers**
(71) Name(s) and Address(s) of Applicant(s):

Tuapeka Gold Print Limited
10 Ross Place LAWRENCE 9532 New Zealand

(72) Name(s) of Designer(s): **Matthew James Robertson**

(45) Registration Date: **22 May 2015**

(30) Convention priority data:

(31) Number	(32) Date	(33) Country
419451	14 Oct 2014	NEW ZEALAND

(56) Related Art Documents: **Not Applicable**

(57) Statement of Newness and Distinctiveness: **The newness and distinctiveness of the design resides in the features of shape and/or configuration of the article as shown in the accompanying representations.**



(21) Design Number: **12043/2015**
(22) Date of Filing Application: **17 April 2015**
(24) Date from which industrial property rights may have effect: **17 April 2015**
(54) Product in respect of which the design is registered: **Orthopedic woven retention device**
(51) International Design Classification: **24-03**
(74) Name(s) of Attorney(s): **Spruson & Ferguson**
(71) Name(s) and Address(s) of Applicant(s):

Woven Orthopedic Technologies, LLC
63 East Center Street, Manchester Connecticut, 06040 United States of America

(72) Name(s) of Designer(s): **Christopher McDonnell and Christophe Geisert and Francis Patrick Magee**

(45) Registration Date: **22 May 2015**

(30) Convention priority data:

(31) Number	(32) Date	(33) Country
29/506638	17 Oct 2014	UNITED STATES OF AMERICA

(56) Related Art Documents: **Not Applicable**

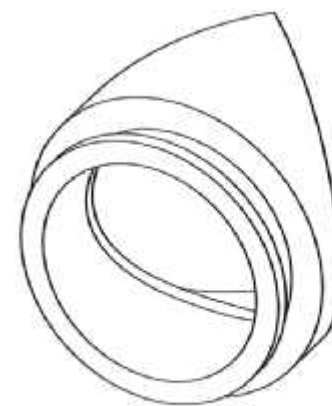
(57) Statement of Newness and Distinctiveness: **Newness and distinctiveness is claimed in those features of shape and/or configuration of an orthopedic woven retention device illustrated in continuous lines in the accompanying representations.**



(21) Design Number: **12044/2015**
(22) Date of Filing Application: **17 April 2015**
(24) Date from which industrial property rights may have effect: **17 April 2015**
(54) Product in respect of which the design is registered: **Orthopedic woven retention device**
(51) International Design Classification: **24-03**
(74) Name(s) of Attorney(s): **Spruson & Ferguson**
(71) Name(s) and Address(s) of Applicant(s):
Woven Orthopedic Technologies, LLC
63 East Center Street, Manchester Connecticut, 06040 United States of America
(72) Name(s) of Designer(s): **Christopher McDonnell and Christophe Geisert**
(45) Registration Date: **22 May 2015**
(30) Convention priority data:
(31) Number (32) Date (33) Country
29/506638 17 Oct 2014 UNITED STATES OF AMERICA
(56) Related Art Documents: **Not Applicable**
(57) Statement of Newness and Distinctiveness: **Newness and distinctiveness is claimed in those features of shape and/or configuration of an orthopedic woven retention device illustrated in continuous lines in the accompanying representations.**



(21) Design Number: **12111/2015**
(22) Date of Filing Application: **22 April 2015**
(24) Date from which industrial property rights may have effect: **22 April 2015**
(54) Product in respect of which the design is registered: **Pipe fitting**
(51) International Design Classification: **23-01A**
(74) Name(s) of Attorney(s): **Callinans**
(71) Name(s) and Address(s) of Applicant(s):
Rubicon Research Pty Ltd
1 Cato St Hawthorn VIC 3122 Australia
(72) Name(s) of Designer(s): **Donald Grant and John Vesely**
(45) Registration Date: **22 May 2015**
(56) Related Art Documents: **Not Applicable**
(57) Statement of Newness and Distinctiveness: **Nil**



- (21) Design Number: **12112/2015**
(22) Date of Filing Application: **22 April 2015**
(24) Date from which industrial property rights may have effect: **22 April 2015**
(54) Product in respect of which the design is registered: **Display screen or portion thereof with user interface**
(51) International Design Classification: **14-02**
(74) Name(s) of Attorney(s): **Spruson & Ferguson**
(71) Name(s) and Address(s) of Applicant(s):
Visa International Service Association
PO Box 8999 San Francisco California 94128 United States of America
(72) Name(s) of Designer(s): **Chunxi Jiang and Clint Florez and Peng Zhao and Kevin Carvalho and Sang Wook Lee**
(45) Registration Date: **22 May 2015**
(30) Convention priority data:
(31) Number (32) Date (33) Country
29/522340 23 Oct 2014 UNITED STATES OF AMERICA
(56) Related Art Documents: **Not Applicable**
(57) Statement of Newness and Distinctiveness: **Newness and distinctiveness is claimed in the features of pattern and/or ornamentation of a user interface on a display screen or portion thereof as illustrated in continuous lines in the accompanying representation.**



- (21) Design Number: **10850/2015**
(22) Date of Filing Application: **17 February 2015**
(24) Date from which industrial property rights may have effect: **17 February 2015**
(54) Product in respect of which the design is registered: **Storage box and lid**
(51) International Design Classification: **09-03M**
(74) Name(s) of Attorney(s): **FB Rice**
(71) Name(s) and Address(s) of Applicant(s):
Chun Meng
Ouchi Residential Quarter Gulin Town Yinzhou District Ningbo Zhejiang,
315176 China
(72) Name(s) of Designer(s): **Chun Meng**
(45) Registration Date: **22 May 2015**
(30) Convention priority data:
(31) Number (32) Date (33) Country
201430294520.9 19 Aug 2014 CHINA
(56) Related Art Documents: **Not Applicable**
(57) Statement of Newness and Distinctiveness: **Newness and distinctiveness reside in the features of the design as shown in the representations.**

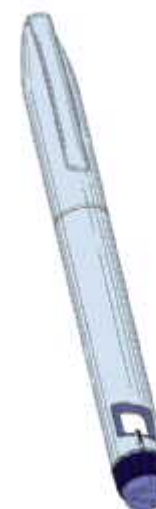


- (21) Design Number: **10939/2015**
(22) Date of Filing Application: **20 February 2015**
(24) Date from which industrial property rights may have effect: **20 February 2015**
(54) Product in respect of which the design is registered: **Display device with a settings flyout**
(51) International Design Classification: **14-02**
(74) Name(s) of Attorney(s): **Davies Collison Cave**
(71) Name(s) and Address(s) of Applicant(s):
Intuit Inc.
2632 Marine Way Mountain View California, 94043 United States of America
(72) Name(s) of Designer(s): **Ariel I. Alvarez and Dorelle Rabinowitz and Joseph Davidchik and Erica Joy Katrak and Rebecca Zhu and Amanda Rose Fetterly**
(45) Registration Date: **22 May 2015**
(30) Convention priority data:
(31) Number (32) Date (33) Country
29/500,276 22 Aug 2014 UNITED STATES OF AMERICA



- (56) Related Art Documents: **Not Applicable**
(57) Statement of Newness and Distinctiveness: **Newness and distinctiveness is claimed in the visual features shown in solid lines in the representations of the display device with a recent transactions flyout for a user interface. The elements shown with dashed lines are for illustrative purposes only showing an example interface environment and form no part of the claimed design. The dot dashed line are for illustrative purposes only showing an example boundary of the settings flyout and form no part of the claimed design.**

- (21) Design Number: **10943/2015**
(22) Date of Filing Application: **23 February 2015**
(24) Date from which industrial property rights may have effect: **23 February 2015**
(54) Product in respect of which the design is registered: **Medical injector device**
(51) International Design Classification: **24-02**
(74) Name(s) of Attorney(s): **Shelston IP**
(71) Name(s) and Address(s) of Applicant(s):
Merck Sharp & Dohme Corp.
126 East Lincoln Avenue Rahway New Jersey, 07065-0907 United States of America
(72) Name(s) of Designer(s): **Angela M Amend Kwasnik and Benjamin R Bartfeld and Peter Basile and Jeffrey C Givand and Philip G Green and Sharad Gupta and Christin L O'Neill and Steven Carl Persak and Robert Stianchi and Ari Tao Adler and Florian Altmann and Thomas Junk and Florian Kossler and Martin Meier and Scott Mackie and Pernilla Danielsson**
(45) Registration Date: **22 May 2015**
(30) Convention priority data:
(31) Number (32) Date (33) Country
29/500636 27 Aug 2014 UNITED STATES OF AMERICA



- (56) Related Art Documents: **Not Applicable**
(57) Statement of Newness and Distinctiveness: **Newness and distinctiveness reside in the features of shape and/or configuration and/or colour of a MEDICAL INJECTOR DEVICE as illustrated in the accompanying representations. The colour of the cap and body is Pantone 538C, the colour of the dosage knob is Pantone 2766C, and the colour of the dosage window bezel and actuator button is Pantone 272C.**

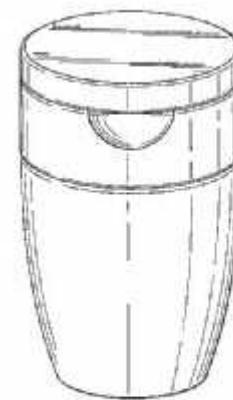
- (21) Design Number: **11951/2015**
(22) Date of Filing Application: **13 April 2015**
(24) Date from which industrial property rights may have effect: **13 April 2015**
(54) Product in respect of which the design is registered: **Puppet**
(51) International Design Classification: **21-01A**
(74) Name(s) of Attorney(s):
(71) Name(s) and Address(s) of Applicant(s):
Joy House Productions Pty Ltd
PO BOX 534 St Leonards NSW 2065 Australia
(72) Name(s) of Designer(s): **Joy Hopwood**
(45) Registration Date: **22 May 2015**
(56) Related Art Documents: **Not Applicable**
(57) Statement of Newness and Distinctiveness: **Lin Wong has slanty bulging ping pong ball like eyes, is Asian and has a hot pink coloured face, ears, arms, hands and legs and feet with long straight black hair and a bright yellow nose shaped as a ball.**



- (21) Design Number: **12090/2015**
(22) Date of Filing Application: **20 April 2015**
(24) Date from which industrial property rights may have effect: **20 April 2015**
(54) Product in respect of which the design is registered: **Projector**
(51) International Design Classification: **16-02**
(74) Name(s) of Attorney(s): **A.P.T. Patent and Trade Mark Attorneys**
(71) Name(s) and Address(s) of Applicant(s):
Ningbo Yusing Optoelectronic Technology Co., Ltd.
No. 1199, Mingguang Road Jiangshan Town Ningbo People's Republic of China
(72) Name(s) of Designer(s): **Liang Zhang and Xiaoyu Cai**
(45) Registration Date: **22 May 2015**
(56) Related Art Documents: **Not Applicable**
(57) Statement of Newness and Distinctiveness: **Nil**



(21) Design Number: **12093/2015**
(22) Date of Filing Application: **21 April 2015**
(24) Date from which industrial property rights may have effect: **21 April 2015**
(54) Product in respect of which the design is registered: **Container**
(51) International Design Classification: **09-03L**
(74) Name(s) of Attorney(s): **Griffith Hack**
(71) Name(s) and Address(s) of Applicant(s):
Kraft Foods Group Brands LLC
Three Lakes Drive Northfield, Illinois,, 60603 United States of America
(72) Name(s) of Designer(s): **Christin Alessio and Paul Diehl**
(45) Registration Date: **22 May 2015**
(30) Convention priority data:
(31) Number (32) Date (33) Country
29/508,413 06 Nov 2014 UNITED STATES OF AMERICA
(56) Related Art Documents: **Not Applicable**
(57) Statement of Newness and Distinctiveness: **Nil**



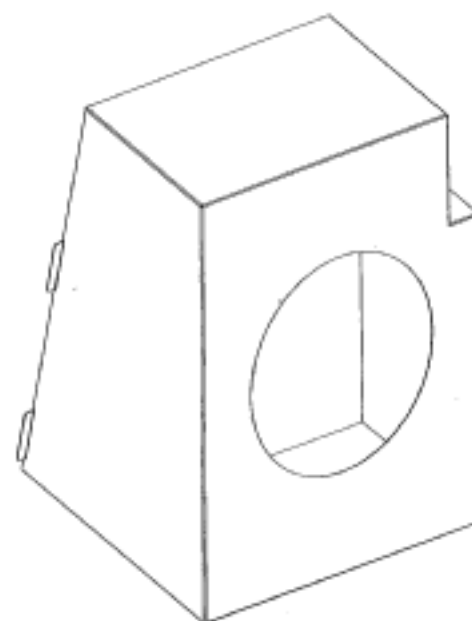
(21) Design Number: **12096/2015**
(22) Date of Filing Application: **21 April 2015**
(24) Date from which industrial property rights may have effect: **21 April 2015**
(54) Product in respect of which the design is registered: **Puzzle**
(51) International Design Classification: **21-01M**
(74) Name(s) of Attorney(s): **WATERMARK PATENT AND TRADE MARKS ATTORNEYS**
(71) Name(s) and Address(s) of Applicant(s):
Redbird Toys Pty Ltd
14/78 Queens Rd Melbourne VIC 3004 Australia
(72) Name(s) of Designer(s): **Ebony Gamble**
(45) Registration Date: **22 May 2015**
(56) Related Art Documents: **Not Applicable**
(57) Statement of Newness and Distinctiveness: **Newness and distinctiveness resides in the features of shape and configuration of each puzzle piece as shown in the attached representations**



- (21) Design Number: **12104/2015**
(22) Date of Filing Application: **21 April 2015**
(24) Date from which industrial property rights may have effect: **21 April 2015**
(54) Product in respect of which the design is registered: **Puzzle**
(51) International Design Classification: **21-01M**
(74) Name(s) of Attorney(s): **WATERMARK PATENT AND TRADE MARKS ATTORNEYS**
(71) Name(s) and Address(s) of Applicant(s):
Redbird Toys Pty Ltd
14/78 Queens Rd Melbourne VIC 3004 Australia
(72) Name(s) of Designer(s): **Ebony Gamble**
(45) Registration Date: **22 May 2015**
(56) Related Art Documents: **Not Applicable**
(57) Statement of Newness and Distinctiveness: **Newness and distinctiveness resides in the features of shape and configuration of each puzzle piece as shown in the attached representations.**



- (21) Design Number: **14771/2014**
(22) Date of Filing Application: **18 September 2014**
(24) Date from which industrial property rights may have effect: **18 September 2014**
(54) Product in respect of which the design is registered: **Fan housing**
(51) International Design Classification: **23-04**
(74) Name(s) of Attorney(s): **PATENT ATTORNEY SERVICES**
(71) Name(s) and Address(s) of Applicant(s):
Computer Cool Pty Ltd
13/1866 Princess Hwy Clayton VIC 3168 Australia
(72) Name(s) of Designer(s): **Glenn Stares**
(45) Registration Date: **22 May 2015**
(56) Related Art Documents: **Not Applicable**
(57) Statement of Newness and Distinctiveness: **Newness and distinctiveness is claimed in the shape and configuration of a fan housing as shown in the accompanying representations. The step on the side of the housing can be located on either the left side or the right side.**



- (21) Design Number: **10723/2015**
(22) Date of Filing Application: **11 February 2015**
(24) Date from which industrial property rights may have effect: **11 February 2015**
(54) Product in respect of which the design is registered: **Charger**
(51) International Design Classification: **13-02**
(74) Name(s) of Attorney(s): **Freehills Patent Attorneys**
(71) Name(s) and Address(s) of Applicant(s):

Apple Inc.
1 Infinite Loop Cupertino California, 95014 United States of America

- (72) Name(s) of Designer(s): **Jody Akana and Bartley K. Andre and Shota Aoyagi and Anthony Michael Ashcroft and Jeremy Bataillou and Daniel J. Coster and Daniele De Iuliis and M. Evans Hankey and Julian Hoenig and Richard P. Howarth and Jonathan P. Ive and Duncan Robert Kerr and Marc A. Newson and Matthew Dean Rohrbach and Peter Russell-Clarke and Benjamin Andrew Shaffer and Mikael Silvanto and Christopher J. Stringer and Eugene Antony Whang and Rico Zorkendorfer**

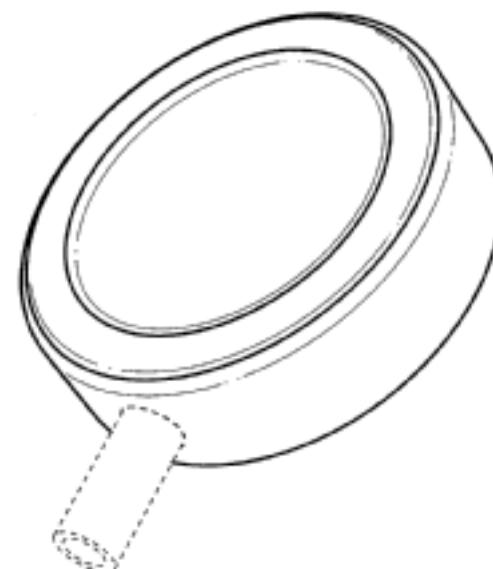
- (45) Registration Date: **22 May 2015**

- (30) Convention priority data:

(31) Number	(32) Date	(33) Country
29/498998	11 Aug 2014	UNITED STATES OF AMERICA

- (56) Related Art Documents: **Not Applicable**

- (57) Statement of Newness and Distinctiveness: **Newness and distinctiveness of the design reside in the shape and configuration as shown in solid outline in the accompanying representations.**



- (21) Design Number: **10816/2015**
(22) Date of Filing Application: **13 February 2015**
(24) Date from which industrial property rights may have effect: **13 February 2015**
(54) Product in respect of which the design is registered: **Display device with a create new dialog box for user interface**
(51) International Design Classification: **14-01**
(74) Name(s) of Attorney(s): **Davies Collison Cave**
(71) Name(s) and Address(s) of Applicant(s):

Intuit Inc.
2632 Marine Way Mountain View California 94043 United States of America

- (72) Name(s) of Designer(s): **Rebecca Zhu and Ariel I. Alvarez and Dorelle Rabinowitz and Joseph Davidchik and Erica Joy Katrak and Hetal A. Soni**

- (45) Registration Date: **22 May 2015**

- (30) Convention priority data:

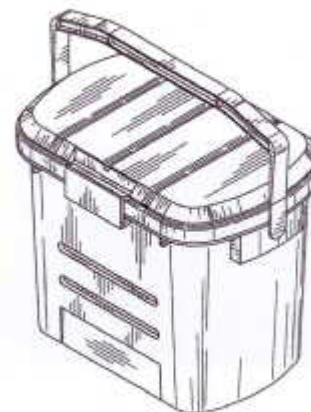
(31) Number	(32) Date	(33) Country
29/499,328	13 Aug 2014	UNITED STATES OF AMERICA

- (56) Related Art Documents: **Not Applicable**

- (57) Statement of Newness and Distinctiveness: **Newness and distinctiveness is claimed in the visual features shown in the representations. The elements shown with dashed lines are for illustrative purposes only showing an example interface environment and form no part of the claimed design. The dot dashed line are for illustrative purposes only showing an example boundary of the create new dialog box and form no part of the claimed design.**

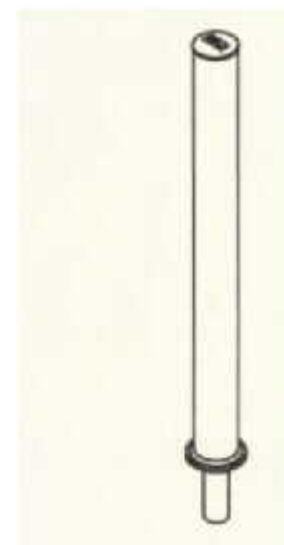


(21) Design Number: **10975/2015**
(22) Date of Filing Application: **24 February 2015**
(24) Date from which industrial property rights may have effect: **24 February 2015**
(54) Product in respect of which the design is registered: **Container for portable shower/spray system**
(51) International Design Classification: **23-01NES, 09-03M**
(74) Name(s) of Attorney(s): **Slaters Intellectual Property Lawyers**
(71) Name(s) and Address(s) of Applicant(s):
OutSol Inc
825 College Blvd Ste 102 Oceanside CA 92057-6263 United States of America



(72) Name(s) of Designer(s): **Christopher Jackson Crawford**
(45) Registration Date: **22 May 2015**
(30) Convention priority data:
(31) Number (32) Date (33) Country
29500152 21 Aug 2014 UNITED STATES OF AMERICA
(56) Related Art Documents: **Not Applicable**
(57) Statement of Newness and Distinctiveness: **The newness and distinctiveness of the design resides in the pattern or ornamental design of a portable spray system as shown and described in the accompanying representations. The broken lines showing the bottom of the portable spray system are for the purpose of illustration only and form no part of the design**

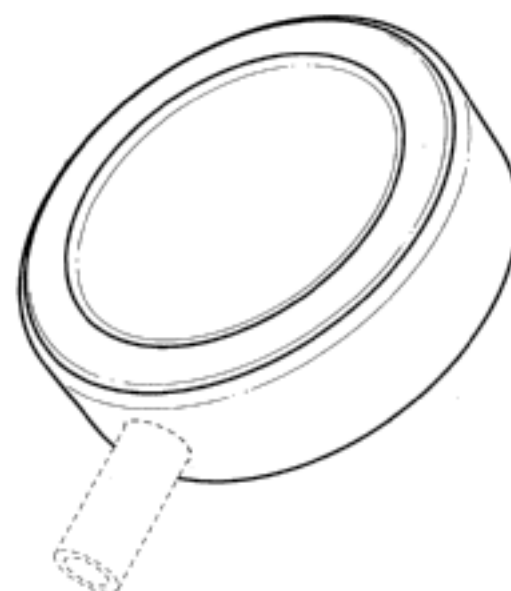
(21) Design Number: **11590/2015**
(22) Date of Filing Application: **20 March 2015**
(24) Date from which industrial property rights may have effect: **20 March 2015**
(54) Product in respect of which the design is registered: **Bollard**
(51) International Design Classification: **25-02NES**
(74) Name(s) of Attorney(s):
(71) Name(s) and Address(s) of Applicant(s):
Barrier Group Pty Ltd
58-62 Separation St North Geelong VIC 3215 Australia
(72) Name(s) of Designer(s): **Steve van Vlokhoven and Rick Hall**
(45) Registration Date: **22 May 2015**
(56) Related Art Documents: **Not Applicable**
(57) Statement of Newness and Distinctiveness: **The solid steel base, with flange. The cast aluminium cap.**



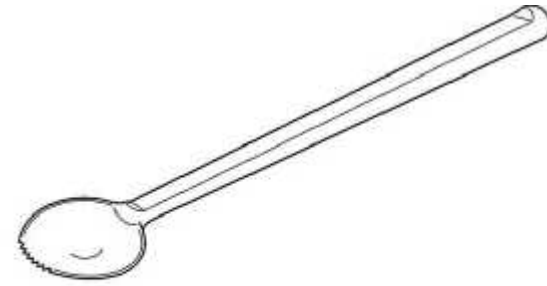
- (21) Design Number: **11591/2015**
(22) Date of Filing Application: **20 March 2015**
(24) Date from which industrial property rights may have effect: **20 March 2015**
(54) Product in respect of which the design is registered: **Bollard**
(51) International Design Classification: **25-02NES**
(74) Name(s) of Attorney(s):
(71) Name(s) and Address(s) of Applicant(s):
Barrier Group Pty Ltd
58-62 Separation St North Geelong VIC 3215 Australia
(72) Name(s) of Designer(s): **Huiming Wong and Rick Hall**
(45) Registration Date: **22 May 2015**
(56) Related Art Documents: **Not Applicable**
(57) Statement of Newness and Distinctiveness: **The solid steel base, with wide flange. The cast aluminium cap. The hinged steel leg.**



- (21) Design Number: **12481/2015**
(22) Date of Filing Application: **11 February 2015**
(24) Date from which industrial property rights may have effect: **11 February 2015**
(54) Product in respect of which the design is registered: **Charger**
(51) International Design Classification: **13-02**
(74) Name(s) of Attorney(s): **Freehills Patent Attorneys**
(71) Name(s) and Address(s) of Applicant(s):
Apple Inc.
1 Infinite Loop Cupertino California, 95014 United States of America
(72) Name(s) of Designer(s): **Jody Akana and Bartley K. Andre and Shota Aoyagi and Anthony Michael Ashcroft and Jeremy Bataillou and Daniel J. Coster and Daniele De Iuliis and M. Evans Hankey and Julian Hoenig and Richard P. Howarth and Jonathan P. Ive and Duncan Robert Kerr and Marc A. Newson and Matthew Dean Rohrbach and Peter Russell-Clarke and Benjamin Andrew Shaffer and Mikael Silvanto and Christopher J. Stringer and Eugene Antony Whang and Rico Zorkendorfer**
(45) Registration Date: **22 May 2015**
(30) Convention priority data:
(31) Number (32) Date (33) Country
29/498998 11 Aug 2014 UNITED STATES OF AMERICA
(56) Related Art Documents: **Not Applicable**
(57) Statement of Newness and Distinctiveness: **Newness and distinctiveness of the design reside in the shape and configuration as shown in solid outline in the accompanying representations.**



- (21) Design Number: **11109/2015**
(22) Date of Filing Application: **01 March 2015**
(24) Date from which industrial property rights may have effect: **21 December 2014**
(54) Product in respect of which the design is registered: **Hand tool for debridement**
(51) International Design Classification: **24-02**
(74) Name(s) of Attorney(s):
(71) Name(s) and Address(s) of Applicant(s):
Mundipharma Pty Limited
L33 50 Bridge St Sydney NSW 2000 Australia
(72) Name(s) of Designer(s): **John Charles Price**
(45) Registration Date: **22 May 2015**
(62) Divisional of: **360518**
(56) Related Art Documents: **Not Applicable**
(57) Statement of Newness and Distinctiveness: **The visual features of the overall shape and configuration of the hand tool shown in the representations are regarded as new and distinctive.**



- (21) Design Number: **10831/2015**
(22) Date of Filing Application: **16 February 2015**
(24) Date from which industrial property rights may have effect: **16 February 2015**
(54) Product in respect of which the design is registered: **ANZAC centenary cap**
(51) International Design Classification: **02-03**
(74) Name(s) of Attorney(s):
(71) Name(s) and Address(s) of Applicant(s):
ANZAC DAY COMMEMORATION COMMITTEE (QUEENSLAND) INC
PO BOX 3426 Stafford DC QLD 4053 Australia
(72) Name(s) of Designer(s): **Mignon Watson**
(45) Registration Date: **25 May 2015**
(56) Related Art Documents: **Not Applicable**
(57) Statement of Newness and Distinctiveness: **The newness and distinctiveness of the design resides in the shape and/or configuration of the Centenary Cap as shown in the representation**



(21) Design Number: **10954/2015**

(22) Date of Filing Application: **23 February 2015**

(24) Date from which industrial property rights may have effect: **23 February 2015**

(54) Product in respect of which the design is registered: **Medical injector device**

(51) International Design Classification: **24-02**

(74) Name(s) of Attorney(s): **Shelston IP**

(71) Name(s) and Address(s) of Applicant(s):

Merck Sharp & Dohme Corp.

126 East Lincoln Avenue Rahway New Jersey, 07065 United States of America

(72) Name(s) of Designer(s): **Angela M Amend Kwasnik and Benjamin R Bartfeld and Peter Basile and Jeffrey C. Givand and Philip G Green and Sharad Gupta and Christin L O'Neill and Steven Carl Persak and Robert Stianchi and Ari Tao Adler and Florian Altmann and Thomas Junk and Florian Kossler and Martin Meier and Scott Mackie and Pernilla Danielsson**

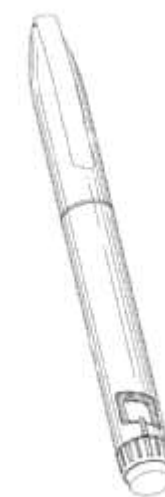
(45) Registration Date: **25 May 2015**

(30) Convention priority data:

(31) Number	(32) Date	(33) Country
29/500644	27 Aug 2014	UNITED STATES OF AMERICA

(56) Related Art Documents: **Not Applicable**

(57) Statement of Newness and Distinctiveness: **Newness and distinctiveness reside in the features of shape and/or configuration of a MEDICAL INJECTOR DEVICE as illustrated in solid lines in the accompanying representations. The features shown in broken or discontinuous lines are illustrative only and do not form part of the design.**



(21) Design Number: **11622/2015**

(22) Date of Filing Application: **26 March 2015**

(24) Date from which industrial property rights may have effect: **26 March 2015**

(54) Product in respect of which the design is registered: **Dry pipe and vaporizer for smoking**

(51) International Design Classification: **27-02**

(74) Name(s) of Attorney(s):

(71) Name(s) and Address(s) of Applicant(s):

Trio Brothers Trading Pty Ltd

18 Beal St Meadowbrook QLD 4131 Australia

(72) Name(s) of Designer(s): **Jack Qin**

(45) Registration Date: **25 May 2015**

(56) Related Art Documents: **Not Applicable**

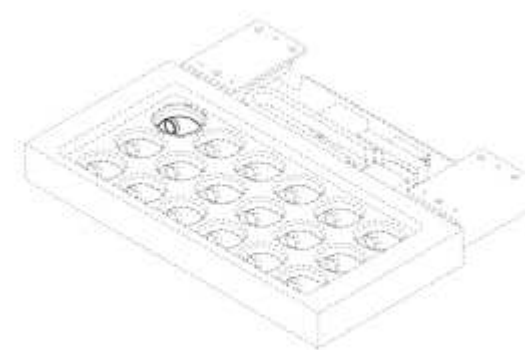
(57) Statement of Newness and Distinctiveness: **Two in One, Dry Pipe and Vaporizer for smoking.**



- (21) Design Number: **11922/2015**
(22) Date of Filing Application: **13 April 2015**
(24) Date from which industrial property rights may have effect: **13 April 2015**
(54) Product in respect of which the design is registered: **Portable dartboard stand**
(51) International Design Classification: **21-01H**
(74) Name(s) of Attorney(s):
(71) Name(s) and Address(s) of Applicant(s):
Anthony Alexander Salole
3/186 Hampden Rd Abbotsford NSW 2046 Australia
(72) Name(s) of Designer(s): **Anthony Alexander Salole**
(45) Registration Date: **25 May 2015**
(56) Related Art Documents: **Not Applicable**
(57) Statement of Newness and Distinctiveness: **A portable dartboard stand. One-piece, bifold. Features a hinged backboard section that locks into place, creating a unique, stable and rigid structure.**



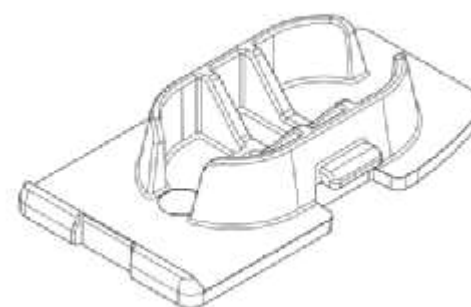
- (21) Design Number: **11056/2015**
(22) Date of Filing Application: **27 February 2015**
(24) Date from which industrial property rights may have effect: **27 February 2015**
(54) Product in respect of which the design is registered: **Drawer**
(51) International Design Classification: **06-06D**
(74) Name(s) of Attorney(s): **Freehills Patent Attorneys**
(71) Name(s) and Address(s) of Applicant(s):
Apple Inc.
1 Infinite Loop Cupertino California, 95014 United States of America
(72) Name(s) of Designer(s): **Jody Akana and Bartley K. Andre and Shota Aoyagi and Anthony Michael Ashcroft and Jeremy Bataillou and Daniel J. Coster and Daniele De Iuliis and M. Evans Hankey and Julian Hoenig and Richard P. Howarth and Jonathan P. Ive and Duncan Robert Kerr and Matthew Dean Rohrbach and Peter Russell-Clarke and Benjamin Andrew Shaffer and Mikael Silvanto and Christopher J. Stringer and Eugene Antony Whang and Rico Zorkendorfer**
(45) Registration Date: **25 May 2015**
(30) Convention priority data:
(31) Number (32) Date (33) Country
29/501031 29 Aug 2014 UNITED STATES OF AMERICA
(56) Related Art Documents: **Not Applicable**
(57) Statement of Newness and Distinctiveness: **Newness and distinctiveness resides in the features of shape and configuration of the portions shown in solid outline in the accompanying representations.**



- (21) Design Number: **11058/2015**
(22) Date of Filing Application: **27 February 2015**
(24) Date from which industrial property rights may have effect: **27 February 2015**
(54) Product in respect of which the design is registered: **Case**
(51) International Design Classification: **03-01NES**
(74) Name(s) of Attorney(s): **Freehills Patent Attorneys**
(71) Name(s) and Address(s) of Applicant(s):
Apple Inc.
1 Infinite Loop Cupertino California, 95014 United States of America
(72) Name(s) of Designer(s): **Jody Akana and Bartley K. Andre and Shota Aoyagi and Anthony Michael Ashcroft and Jeremy Bataillou and Daniel J. Coster and Daniele De Iuliis and M. Evans Hankey and Julian Hoenig and Richard P. Howarth and Jonathan P. Ive and Duncan Robert Kerr and Matthew Dean Rohrbach and Peter Russell-Clarke and Benjamin Andrew Shaffer and Mikael Silvano and Christopher J. Stringer and Eugene Antony Whang and Rico Zorkendorfer**
(45) Registration Date: **25 May 2015**
(30) Convention priority data:
(31) Number (32) Date (33) Country
29/501046 29 Aug 2014 UNITED STATES OF AMERICA
(56) Related Art Documents: **Not Applicable**
(57) Statement of Newness and Distinctiveness: **Newness and distinctiveness resides in the features of shape and configuration shown in solid outline in the accompanying figures.**



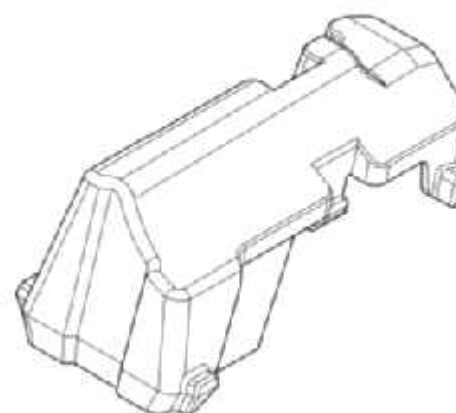
- (21) Design Number: **11333/2015**
(22) Date of Filing Application: **11 March 2015**
(24) Date from which industrial property rights may have effect: **11 March 2015**
(54) Product in respect of which the design is registered: **Lock plate for a firearm magazine**
(51) International Design Classification: **22-01**
(74) Name(s) of Attorney(s): **Davies Collison Cave**
(71) Name(s) and Address(s) of Applicant(s):
Magpul Industries Corporation
400 Young Court, Unit 1 Erie Colorado, 80516 United States of America
(72) Name(s) of Designer(s): **Nicholas Kielsmeier and Brian L. Nakayama and Michael T. Mayberry and Jeremy M. Fiester**
(45) Registration Date: **25 May 2015**
(30) Convention priority data:
(31) Number (32) Date (33) Country
29/502,189 12 Sep 2014 UNITED STATES OF AMERICA
(56) Related Art Documents: **Not Applicable**
(57) Statement of Newness and Distinctiveness: **Nil**



(21) Design Number: **11336/2015**
(22) Date of Filing Application: **11 March 2015**
(24) Date from which industrial property rights may have effect: **11 March 2015**
(54) Product in respect of which the design is registered: **Floor plate for a firearm magazine**
(51) International Design Classification: **22-01**
(74) Name(s) of Attorney(s): **Davies Collison Cave**
(71) Name(s) and Address(s) of Applicant(s):
Magpul Industries Corporation
400 Young Court, Unit 1 Erie Colorado, 80516 United States of America
(72) Name(s) of Designer(s): **Nicholas Kielsmeier and Brian L. Nakayama and Michael T. Mayberry and Jeremy M. Fiester**
(45) Registration Date: **25 May 2015**
(30) Convention priority data:
(31) Number (32) Date (33) Country
29/502,184 12 Sep 2014 UNITED STATES OF AMERICA
(56) Related Art Documents: **Not Applicable**
(57) Statement of Newness and Distinctiveness: **Nil**



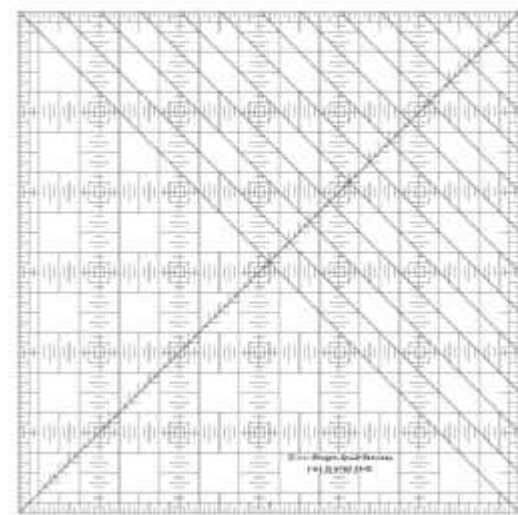
(21) Design Number: **11341/2015**
(22) Date of Filing Application: **11 March 2015**
(24) Date from which industrial property rights may have effect: **11 March 2015**
(54) Product in respect of which the design is registered: **Follower for a fire arm magazine**
(51) International Design Classification: **22-01**
(74) Name(s) of Attorney(s): **Davies Collison Cave**
(71) Name(s) and Address(s) of Applicant(s):
Magpul Industries Corporation
400 Young Court, Unit 1 Erie Colorado, 80516 United States of America
(72) Name(s) of Designer(s): **Nicholas Kielsmeier and Brian L. Nakayama and Michael T. Mayberry and Jeremy M. Fiester**
(45) Registration Date: **25 May 2015**
(30) Convention priority data:
(31) Number (32) Date (33) Country
29/502,194 12 Sep 2014 UNITED STATES OF AMERICA
(56) Related Art Documents: **Not Applicable**
(57) Statement of Newness and Distinctiveness: **Nil**



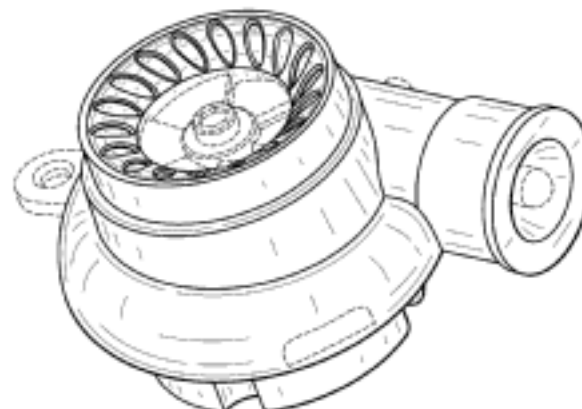
- (21) Design Number: **11348/2015**
(22) Date of Filing Application: **11 March 2015**
(24) Date from which industrial property rights may have effect: **11 March 2015**
(54) Product in respect of which the design is registered: **HDT front bumper for VF Commodore**
(51) International Design Classification: **12-16C**
(74) Name(s) of Attorney(s):
(71) Name(s) and Address(s) of Applicant(s):
HDT SPECIAL VEHICLES PTY LTD
PO BOX 323 Yeppoon QLD 4703 Australia
(72) Name(s) of Designer(s): **Peter Champion**
(45) Registration Date: **25 May 2015**
(56) Related Art Documents: **Not Applicable**
(57) Statement of Newness and Distinctiveness: **This is a new front bar designed for VF Commodores with a new and distinctive style separate to the current Holden and HSV bars on the market. It is brand new and is yet to be released to the market. It has the cutouts on the bottom of the bar and fins in the front outer sections of the bar and uses the HDT logo in the bar.**



- (21) Design Number: **11867/2015**
(22) Date of Filing Application: **08 April 2015**
(24) Date from which industrial property rights may have effect: **08 April 2015**
(54) Product in respect of which the design is registered: **Patchwork and craft ruler**
(51) International Design Classification: **02-07D**
(74) Name(s) of Attorney(s):
(71) Name(s) and Address(s) of Applicant(s):
Meredith Budd
35 Susan St Kootingal NSW 2352 Australia
(72) Name(s) of Designer(s): **Meredith Budd**
(45) Registration Date: **25 May 2015**
(56) Related Art Documents: **Not Applicable**
(57) Statement of Newness and Distinctiveness: **I have designed this ruler with a unique series of 45 degree lines. This feature gives great flexibility to the tool which assists with trimming and squaring up patchwork blocks. It is primarily designed for half-square triangles, but can be used for any block with 45 degree lines eg flying geese, hunter star blocks etc. I have also introduced another unique feature - a small needle hole on the outside of the 1/4 inch line at the centre bottom of the ruler. This is used to check the 1/4 inch seam accuracy of the user's domestic sewing machine.**



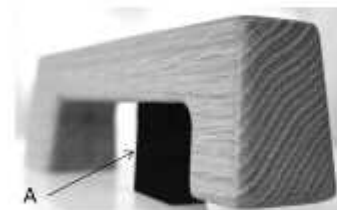
(21) Design Number: **11986/2015**
(22) Date of Filing Application: **14 April 2015**
(24) Date from which industrial property rights may have effect: **14 April 2015**
(54) Product in respect of which the design is registered: **Keychain device**
(51) International Design Classification: **03-01B**
(74) Name(s) of Attorney(s): **Adams Pluck**
(71) Name(s) and Address(s) of Applicant(s):
Youseff Dandachli
13126 Bayfield Dr Austin TX 78727-3320 United States of America
(72) Name(s) of Designer(s): **Youseff Dandachli**
(45) Registration Date: **25 May 2015**
(30) Convention priority data:
(31) Number (32) Date (33) Country
29/523124 07 Apr 2015 UNITED STATES OF AMERICA
(56) Related Art Documents: **Not Applicable**
(57) Statement of Newness and Distinctiveness: **Newness and distinctiveness is claimed in the visual features shown in solid lines in the representations. The features shown in broken lines are not part of the design and are to be disregarded when considering the overall impression of the design.**



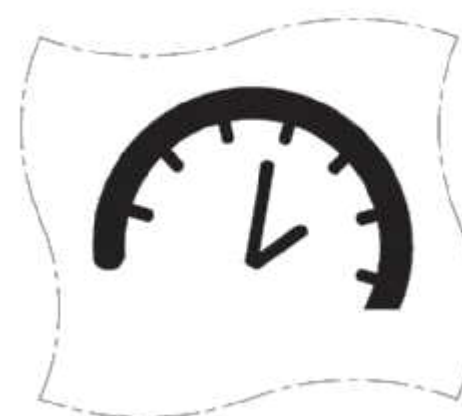
(21) Design Number: **12088/2015**
(22) Date of Filing Application: **20 April 2015**
(24) Date from which industrial property rights may have effect: **20 April 2015**
(54) Product in respect of which the design is registered: **Automobile tire**
(51) International Design Classification: **12-15B**
(74) Name(s) of Attorney(s): **Shelston IP**
(71) Name(s) and Address(s) of Applicant(s):
The Yokohama Rubber Co., Ltd.
36-11, Shimbashi 5-chome Minato-ku Tokyo, 105-8685 Japan
(72) Name(s) of Designer(s): **Takumi Morito and Takuya Inoue**
(45) Registration Date: **25 May 2015**
(30) Convention priority data:
(31) Number (32) Date (33) Country
2014-023537 21 Oct 2014 JAPAN
(56) Related Art Documents: **Not Applicable**
(57) Statement of Newness and Distinctiveness: **Newness and distinctiveness reside in the features of shape and/or configuration of the Automobile Tire as shown in solid lines in the accompanying representations. The features shown in broken lines are included for illustrative purposes only and do not form part of the design. The dot and dashed lines illustrate a boundary between features that form part of the design and features that do not form part of the design.**



- (21) Design Number: **10717/2015**
(22) Date of Filing Application: **11 February 2015**
(24) Date from which industrial property rights may have effect: **11 February 2015**
(54) Product in respect of which the design is registered: **A door handle**
(51) International Design Classification: **08-06**
(74) Name(s) of Attorney(s): **Adams Pluck**
(71) Name(s) and Address(s) of Applicant(s):
Sumu Design Pty Ltd
32 Park Ave Waitara NSW 2077 Australia
(72) Name(s) of Designer(s): **Felice Carlino**
(45) Registration Date: **25 May 2015**
(56) Related Art Documents: **Not Applicable**
(57) Statement of Newness and Distinctiveness: **Newness and distinctiveness resides in a wood grain pattern applied to the door handle, such as the wood grain pattern shown in the representations. When considering newness and distinctiveness no regard should be given to the resting block indicated by arrow A in the representations**



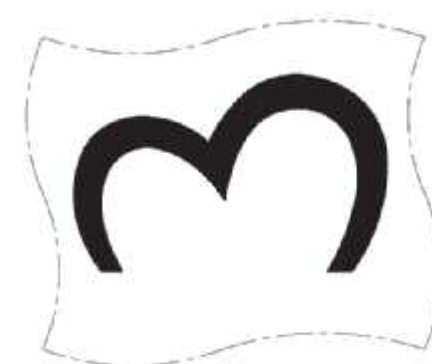
- (21) Design Number: **10996/2015**
(22) Date of Filing Application: **25 February 2015**
(24) Date from which industrial property rights may have effect: **25 February 2015**
(54) Product in respect of which the design is registered: **Display screen with icon**
(51) International Design Classification: **14-02**
(74) Name(s) of Attorney(s): **Shelston IP**
(71) Name(s) and Address(s) of Applicant(s):
Janssen Pharmaceutica NV
Turnhoutseweg 30 Beerse B-2340 Belgium
(72) Name(s) of Designer(s): **Veronica Barajas and Gines Diego Miralles and David Tripi and Meghan Harrington Marschall**
(45) Registration Date: **27 May 2015**
(30) Convention priority data:
(31) Number (32) Date (33) Country
29/500716 27 Aug 2014 UNITED STATES OF AMERICA
(56) Related Art Documents: **Not Applicable**
(57) Statement of Newness and Distinctiveness: **Newness and distinctiveness reside in the features of pattern and/or ornamentation of a DISPLAY SCREEN WITH ICON as illustrated in solid lines in the accompanying representation. The features shown in broken or discontinuous lines are illustrative only and do not form part of the design.**



- (21) Design Number: **10998/2015**
(22) Date of Filing Application: **25 February 2015**
(24) Date from which industrial property rights may have effect: **25 February 2015**
(54) Product in respect of which the design is registered: **Display screen with icon**
(51) International Design Classification: **14-02**
(74) Name(s) of Attorney(s): **Shelston IP**
(71) Name(s) and Address(s) of Applicant(s):
Janssen Pharmaceutica NV
Turnhoutseweg 30 Beerse B-2340 Belgium
(72) Name(s) of Designer(s): **Veronica Barajas and Gines Diego Miralles and David Tripi and Meghan Harrington Marschall**
(45) Registration Date: **27 May 2015**
(30) Convention priority data:
(31) Number (32) Date (33) Country
29/500721 27 Aug 2014 UNITED STATES OF AMERICA
(56) Related Art Documents: **Not Applicable**
(57) Statement of Newness and Distinctiveness: **Newness and distinctiveness reside in the features of pattern and/or ornamentation of a DISPLAY SCREEN WITH ICON as illustrated in solid lines in the accompanying representation. The features shown in broken or discontinuous lines are illustrative only and do not form part of the design.**



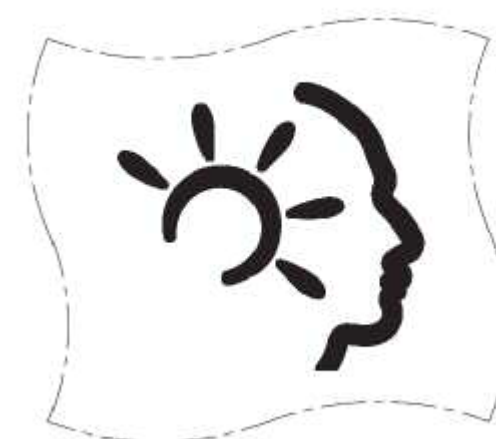
- (21) Design Number: **10999/2015**
(22) Date of Filing Application: **25 February 2015**
(24) Date from which industrial property rights may have effect: **25 February 2015**
(54) Product in respect of which the design is registered: **Display screen with icon**
(51) International Design Classification: **14-02**
(74) Name(s) of Attorney(s): **Shelston IP**
(71) Name(s) and Address(s) of Applicant(s):
Janssen Pharmaceutica NV
Turnhoutseweg 30 Beerse B-2340 Belgium
(72) Name(s) of Designer(s): **Veronica Barajas and Gines Diego Miralles and David Tripi and Meghan Harrington Marschall**
(45) Registration Date: **27 May 2015**
(30) Convention priority data:
(31) Number (32) Date (33) Country
29/500720 27 Aug 2014 UNITED STATES OF AMERICA
(56) Related Art Documents: **Not Applicable**
(57) Statement of Newness and Distinctiveness: **Newness and distinctiveness reside in the features of pattern and/or ornamentation of a DISPLAY SCREEN WITH ICON as illustrated in solid lines in the accompanying representation. The features shown in broken or discontinuous lines are illustrative only and do not form part of the design.**



(21) Design Number: **11002/2015**
(22) Date of Filing Application: **25 February 2015**
(24) Date from which industrial property rights may have effect: **25 February 2015**
(54) Product in respect of which the design is registered: **Display screen with icon**
(51) International Design Classification: **14-02**
(74) Name(s) of Attorney(s): **Shelston IP**
(71) Name(s) and Address(s) of Applicant(s):
Janssen Pharmaceutica NV
Turnhoutseweg 30 Beerse B-2340 Belgium
(72) Name(s) of Designer(s): **Veronica Barajas and Gines Diego Miralles and David Tripi and Meghan Harrington Marschall**
(45) Registration Date: **27 May 2015**
(30) Convention priority data:
(31) Number (32) Date (33) Country
29/500718 27 Aug 2014 UNITED STATES OF AMERICA
(56) Related Art Documents: **Not Applicable**
(57) Statement of Newness and Distinctiveness: **Newness and distinctiveness reside in the features of pattern and/or ornamentation of a DISPLAY SCREEN WITH ICON as illustrated in solid lines in the accompanying representation. The features shown in broken or discontinuous lines are illustrative only and do not form part of the design.**



(21) Design Number: **11003/2015**
(22) Date of Filing Application: **25 February 2015**
(24) Date from which industrial property rights may have effect: **25 February 2015**
(54) Product in respect of which the design is registered: **Display screen with icon**
(51) International Design Classification: **14-02**
(74) Name(s) of Attorney(s): **Shelston IP**
(71) Name(s) and Address(s) of Applicant(s):
Janssen Pharmaceutica NV
Turnhoutseweg 30 Beerse B-2340 Belgium
(72) Name(s) of Designer(s): **Veronica Barajas and Gines Diego Miralles and David Tripi and Meghan Harrington Marschall**
(45) Registration Date: **27 May 2015**
(30) Convention priority data:
(31) Number (32) Date (33) Country
29/500719 27 Aug 2014 UNITED STATES OF AMERICA
(56) Related Art Documents: **Not Applicable**
(57) Statement of Newness and Distinctiveness: **Newness and distinctiveness reside in the features of pattern and/or ornamentation of a DISPLAY SCREEN WITH ICON as illustrated in solid lines in the accompanying representation. The features shown in broken or discontinuous lines are illustrative only and do not form part of the design.**



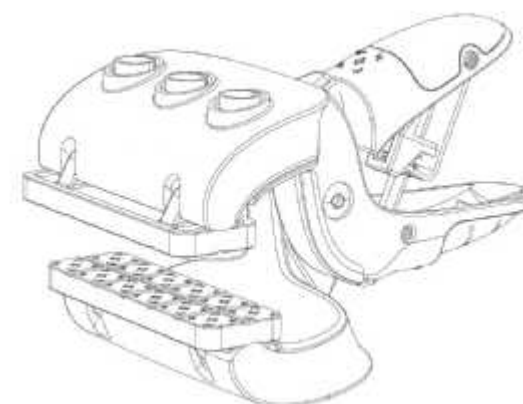
- (21) Design Number: **11004/2015**
(22) Date of Filing Application: **25 February 2015**
(24) Date from which industrial property rights may have effect: **25 February 2015**
(54) Product in respect of which the design is registered: **Display screen with graphical user interface**
(51) International Design Classification: **14-02**
(74) Name(s) of Attorney(s): **Shelston IP**
(71) Name(s) and Address(s) of Applicant(s):
Janssen Pharmaceutica NV
Turnhoutseweg 30 Beerse B-2340 Belgium
(72) Name(s) of Designer(s): **Veronica Barajas and Michael Iglesias and Gines Diego Miralles and Brett Stewart and David Tripi and Carl S Washburn**
(45) Registration Date: **27 May 2015**
(30) Convention priority data:
(31) Number (32) Date (33) Country
29/500717 27 Aug 2014 UNITED STATES OF AMERICA
(56) Related Art Documents: **Not Applicable**
(57) Statement of Newness and Distinctiveness: **Newness and distinctiveness reside in the features of pattern and/or ornamentation of a DISPLAY SCREEN WITH GRAPHICAL USER INTERFACE as illustrated in solid lines in the accompanying representation. The features shown in broken or discontinuous lines are illustrative only and do not form part of the design.**



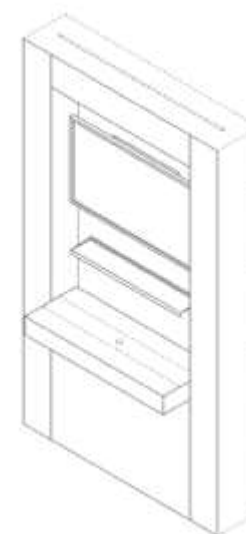
- (21) Design Number: **11566/2015**
(22) Date of Filing Application: **23 March 2015**
(24) Date from which industrial property rights may have effect: **23 March 2015**
(54) Product in respect of which the design is registered: **PVC cover**
(51) International Design Classification: **29-01**
(74) Name(s) of Attorney(s):
(71) Name(s) and Address(s) of Applicant(s):
Nathan Scott Langley
11 Furner St Morphett Vale SA 5162 Australia
(72) Name(s) of Designer(s): **Nathan Scott Langley**
(45) Registration Date: **27 May 2015**
(56) Related Art Documents: **Not Applicable**
(57) Statement of Newness and Distinctiveness: **The newness and distinctiveness of the design resides in all the critical information relevant to the covered item been displayed on the exterior. Including variant, colour of identification, applicable uses, and a basic image.**



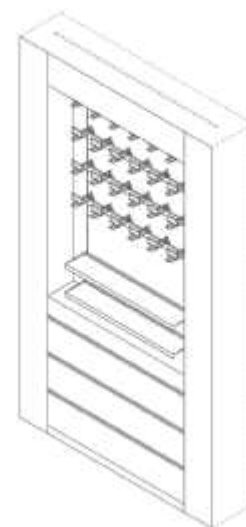
- (21) Design Number: **11236/2015**
(22) Date of Filing Application: **06 March 2015**
(24) Date from which industrial property rights may have effect: **06 March 2015**
(54) Product in respect of which the design is registered: **Clamp for portable tool**
(51) International Design Classification: **08-05F**
(74) Name(s) of Attorney(s):
(71) Name(s) and Address(s) of Applicant(s):
4TH DIMENSION DEVELOPMENTS PTY LIMITED
210 Pearcedale Rd Cranbourne South VIC 3977
(72) Name(s) of Designer(s): **Terry Scott**
(45) Registration Date: **27 May 2015**
(56) Related Art Documents: **Not Applicable**
(57) Statement of Newness and Distinctiveness: **Newness and distinctiveness resides in the visual features of shape and/or configuration of a portable tool base as illustrated in the accompanying representations.**



- (21) Design Number: **12116/2015**
(22) Date of Filing Application: **22 April 2015**
(24) Date from which industrial property rights may have effect: **22 April 2015**
(54) Product in respect of which the design is registered: **Display structure**
(51) International Design Classification: **20-03NES**
(74) Name(s) of Attorney(s): **Freehills Patent Attorneys**
(71) Name(s) and Address(s) of Applicant(s):
Apple Inc.
1 Infinite Loop Cupertino California, 95014 United States of America
(72) Name(s) of Designer(s): **Frank Craig Thaler and Russell John Kaaihue Heirakuji and Carly Lynn Marasco**
(45) Registration Date: **27 May 2015**
(30) Convention priority data:
(31) Number (32) Date (33) Country
29/507089 23 Oct 2014 UNITED STATES OF AMERICA
(56) Related Art Documents: **Not Applicable**
(57) Statement of Newness and Distinctiveness: **Newness and distinctiveness resides in the features of shape and configuration shown in solid outline in the accompanying representations.**



(21) Design Number: **12117/2015**
(22) Date of Filing Application: **22 April 2015**
(24) Date from which industrial property rights may have effect: **22 April 2015**
(54) Product in respect of which the design is registered: **Display structure**
(51) International Design Classification: **20-03NES**
(74) Name(s) of Attorney(s): **Freehills Patent Attorneys**
(71) Name(s) and Address(s) of Applicant(s):
Apple Inc.
1 Infinite Loop Cupertino California, 95014 United States of America
(72) Name(s) of Designer(s): **Frank Craig Thaler and Russell John Kaaihue Heirakuji and Carly Lynn Marasco**
(45) Registration Date: **27 May 2015**
(30) Convention priority data:
(31) Number (32) Date (33) Country
29/507089 23 Oct 2014 UNITED STATES OF AMERICA
(56) Related Art Documents: **Not Applicable**
(57) Statement of Newness and Distinctiveness: **Newness and distinctiveness resides in the features of shape and configuration shown in solid outline in the accompanying representations.**



(21) Design Number: **12132/2015**
(22) Date of Filing Application: **23 April 2015**
(24) Date from which industrial property rights may have effect: **23 April 2015**
(54) Product in respect of which the design is registered: **A jacket**
(51) International Design Classification: **02-02NES**
(74) Name(s) of Attorney(s):
(71) Name(s) and Address(s) of Applicant(s):
Industrie IP Pty Limited
55 Railway Pde Marrickville NSW 2204 Australia
(72) Name(s) of Designer(s): **Nicholas Kelly**
(45) Registration Date: **27 May 2015**
(56) Related Art Documents: **Not Applicable**
(57) Statement of Newness and Distinctiveness: **Nil**



(21) Design Number: **12134/2015**
(22) Date of Filing Application: **23 April 2015**
(24) Date from which industrial property rights may have effect: **23 April 2015**
(54) Product in respect of which the design is registered: **A jacket**
(51) International Design Classification: **02-02NES**
(74) Name(s) of Attorney(s):
(71) Name(s) and Address(s) of Applicant(s):
Industrie IP Pty Limited
55 Railway Pde Marrickville NSW 2204 Australia
(72) Name(s) of Designer(s): **Nicholas Kelly**
(45) Registration Date: **27 May 2015**
(56) Related Art Documents: **Not Applicable**
(57) Statement of Newness and Distinctiveness: **Nil**



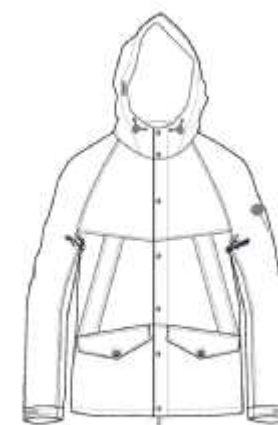
(21) Design Number: **12135/2015**
(22) Date of Filing Application: **23 April 2015**
(24) Date from which industrial property rights may have effect: **23 April 2015**
(54) Product in respect of which the design is registered: **A jacket**
(51) International Design Classification: **02-02NES**
(74) Name(s) of Attorney(s):
(71) Name(s) and Address(s) of Applicant(s):
Industrie IP Pty Limited
55 Railway Pde Marrickville NSW 2204 Australia
(72) Name(s) of Designer(s): **Nicholas Kelly**
(45) Registration Date: **27 May 2015**
(56) Related Art Documents: **Not Applicable**
(57) Statement of Newness and Distinctiveness: **Nil**



(21) Design Number: **12136/2015**
(22) Date of Filing Application: **23 April 2015**
(24) Date from which industrial property rights may have effect: **23 April 2015**
(54) Product in respect of which the design is registered: **A jacket**
(51) International Design Classification: **02-02NES**
(74) Name(s) of Attorney(s):
(71) Name(s) and Address(s) of Applicant(s):
Industrie IP Pty Limited
55 Railway Pde Marrickville NSW 2204 Australia
(72) Name(s) of Designer(s): **Nicholas Kelly**
(45) Registration Date: **27 May 2015**
(56) Related Art Documents: **Not Applicable**
(57) Statement of Newness and Distinctiveness: **Nil**



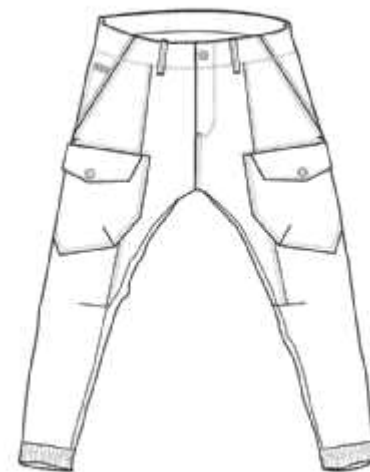
(21) Design Number: **12138/2015**
(22) Date of Filing Application: **23 April 2015**
(24) Date from which industrial property rights may have effect: **23 April 2015**
(54) Product in respect of which the design is registered: **A jacket**
(51) International Design Classification: **02-02NES**
(74) Name(s) of Attorney(s):
(71) Name(s) and Address(s) of Applicant(s):
Industrie IP Pty Limited
55 Railway Pde Marrickville NSW 2204 Australia
(72) Name(s) of Designer(s): **Nicholas Kelly**
(45) Registration Date: **27 May 2015**
(56) Related Art Documents: **Not Applicable**
(57) Statement of Newness and Distinctiveness: **Nil**



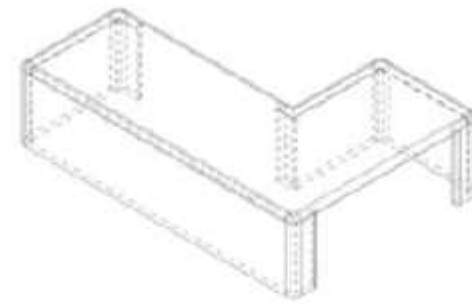
- (21) Design Number: **12139/2015**
(22) Date of Filing Application: **23 April 2015**
(24) Date from which industrial property rights may have effect: **23 April 2015**
(54) Product in respect of which the design is registered: **A pair of pants**
(51) International Design Classification: **02-02C**
(74) Name(s) of Attorney(s):
(71) Name(s) and Address(s) of Applicant(s):
 Industrie IP Pty Limited
 55 Railway Pde Marrickville NSW 2204 Australia
(72) Name(s) of Designer(s): **Nicholas Kelly**
(45) Registration Date: **27 May 2015**
(56) Related Art Documents: **Not Applicable**
(57) Statement of Newness and Distinctiveness: **Nil**



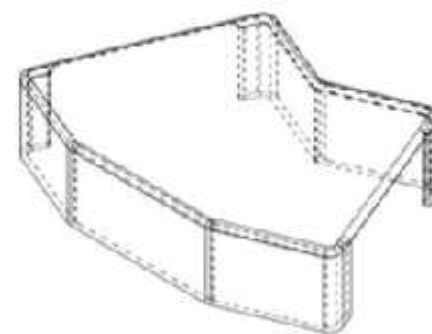
- (21) Design Number: **12140/2015**
(22) Date of Filing Application: **23 April 2015**
(24) Date from which industrial property rights may have effect: **23 April 2015**
(54) Product in respect of which the design is registered: **A pair of pants**
(51) International Design Classification: **02-02C**
(74) Name(s) of Attorney(s):
(71) Name(s) and Address(s) of Applicant(s):
 Industrie IP Pty Limited
 55 Railway Pde Marrickville NSW 2204 Australia
(72) Name(s) of Designer(s): **Nicholas Kelly**
(45) Registration Date: **27 May 2015**
(56) Related Art Documents: **Not Applicable**
(57) Statement of Newness and Distinctiveness: **Nil**



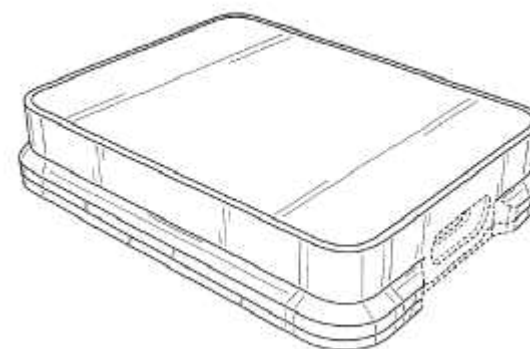
- (21) Design Number: **12142/2015**
(22) Date of Filing Application: **23 April 2015**
(24) Date from which industrial property rights may have effect: **23 April 2015**
(54) Product in respect of which the design is registered: **Cap for post**
(51) International Design Classification: **25-01E**
(74) Name(s) of Attorney(s): **Callinans**
(71) Name(s) and Address(s) of Applicant(s):
Capped Solutions Pty. Ltd.
17 Waters Gr Heathmont VIC 3135 Australia
(72) Name(s) of Designer(s): **Daniel Buccella**
(45) Registration Date: **27 May 2015**
(56) Related Art Documents: **Not Applicable**
(57) Statement of Newness and Distinctiveness: **Newness and distinctiveness is claimed in the shape and/or configuration of a cap for a post as illustrated in the accompanying representations. Features shown in phantom lines do not constitute part of the design.**



- (21) Design Number: **12143/2015**
(22) Date of Filing Application: **23 April 2015**
(24) Date from which industrial property rights may have effect: **23 April 2015**
(54) Product in respect of which the design is registered: **Cap for post**
(51) International Design Classification: **25-01E**
(74) Name(s) of Attorney(s): **Callinans**
(71) Name(s) and Address(s) of Applicant(s):
Capped Solutions Pty. Ltd.
17 Waters Gr Heathmont VIC 3135 Australia
(72) Name(s) of Designer(s): **Daniel Buccella**
(45) Registration Date: **27 May 2015**
(56) Related Art Documents: **Not Applicable**
(57) Statement of Newness and Distinctiveness: **Newness and distinctiveness is claimed in the shape and/or configuration of a cap for a post as illustrated in the accompanying representations. Features shown in phantom lines do not constitute part of the design.**



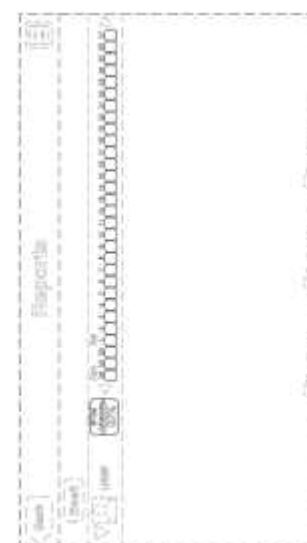
(21) Design Number: **10795/2015**
(22) Date of Filing Application: **13 February 2015**
(24) Date from which industrial property rights may have effect: **13 February 2015**
(54) Product in respect of which the design is registered: **Wearable device**
(51) International Design Classification: **10-02**
(74) Name(s) of Attorney(s): **Fisher Adams Kelly Pty Ltd**
(71) Name(s) and Address(s) of Applicant(s):
Google Inc.
1600 Amphitheatre Parkway Mountain View CA 94043 United States of America



(72) Name(s) of Designer(s): **John Lapetina and Christopher Jones and Sarel Kobus Jooste**
(45) Registration Date: **27 May 2015**
(30) Convention priority data:
(31) Number (32) Date (33) Country
29/499247 13 Aug 2014 UNITED STATES OF AMERICA

(56) Related Art Documents: **Not Applicable**
(57) Statement of Newness and Distinctiveness: **The newness and distinctiveness of the design resides in the shape and/or configuration of the WEARABLE DEVICE shown in the representations. The portions shown in dashed lines should be disregarded when assessing the newness and distinctiveness of the WEARABLE DEVICE.**

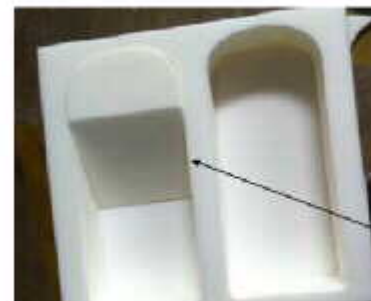
(21) Design Number: **11007/2015**
(22) Date of Filing Application: **25 February 2015**
(24) Date from which industrial property rights may have effect: **25 February 2015**
(54) Product in respect of which the design is registered: **Display screen with graphical user interface**
(51) International Design Classification: **14-02**
(74) Name(s) of Attorney(s): **Shelston IP**
(71) Name(s) and Address(s) of Applicant(s):
Janssen Pharmaceutica NV
Turnhoutseweg 30 Beerse B-2340 Belgium



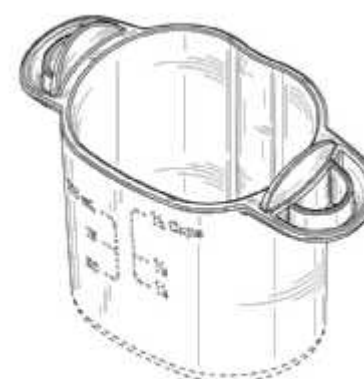
(72) Name(s) of Designer(s): **Veronica Barajas and Michael Iglesias and Gines Diego Miralles and Brett Stewart and David Tripi and Carl S Washburn**
(45) Registration Date: **27 May 2015**
(30) Convention priority data:
(31) Number (32) Date (33) Country
29/500722 27 Aug 2014 UNITED STATES OF AMERICA

(56) Related Art Documents: **Not Applicable**
(57) Statement of Newness and Distinctiveness: **Newness and distinctiveness reside in the features of pattern and/or ornamentation of a DISPLAY SCREEN WITH GRAPHICAL USER INTERFACE as illustrated in solid lines in the accompanying representations. The features shown in broken or discontinuous lines are illustrative only and do not form part of the design.**

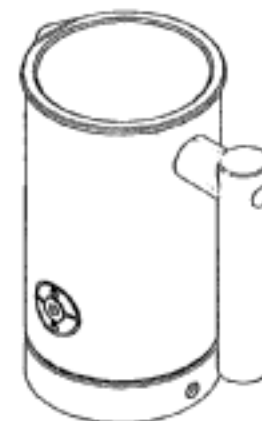
- (21) Design Number: **11537/2015**
(22) Date of Filing Application: **20 March 2015**
(24) Date from which industrial property rights may have effect: **20 March 2015**
(54) Product in respect of which the design is registered: **Pillow for bottle feeding twin babies**
(51) International Design Classification: **06-09**
(74) Name(s) of Attorney(s): **Ethikate**
(71) Name(s) and Address(s) of Applicant(s):
Flat Out Mum Pty Ltd
2.01 9-11 Claremont Street South Yarra Victoria 3141 Australia
(72) Name(s) of Designer(s): **Olivia Anderson**
(45) Registration Date: **27 May 2015**
(56) Related Art Documents: **Not Applicable**
(57) Statement of Newness and Distinctiveness: **The newness and distinctiveness of the design resides in the rounded foam headrest, which is elevated at a 30 degree angle, as indicated in the representation. Any other design features in the representation should be disregarded.**



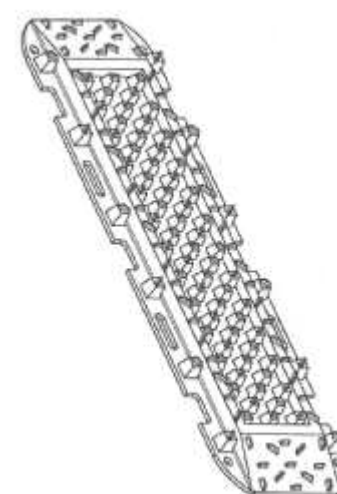
- (21) Design Number: **12120/2015**
(22) Date of Filing Application: **22 April 2015**
(24) Date from which industrial property rights may have effect: **29 January 2015**
(54) Product in respect of which the design is registered: **Pusher/measuring cup**
(51) International Design Classification: **10-04**
(74) Name(s) of Attorney(s): **PHILLIPS ORMONDE FITZPATRICK**
(71) Name(s) and Address(s) of Applicant(s):
Whirlpool Corporation
2000 M-63 Benton Harbor Michigan 49022 United States of America
(72) Name(s) of Designer(s): **Kaitlyn M. Benoit**
(45) Registration Date: **27 May 2015**
(30) Convention priority data:
(31) Number (32) Date (33) Country
29/512,568 19 Dec 2014 UNITED STATES OF AMERICA
(62) Divisional of: **361444**
(56) Related Art Documents: **Not Applicable**
(57) Statement of Newness and Distinctiveness: **Those features of the pusher/measuring cup depicted in the representations that are new and distinctive are the shape and/or configuration. The features shown in broken lines are not part of the design and are to be disregarded when considering the overall impression of the design.**



- (21) Design Number: **12114/2015**
(22) Date of Filing Application: **22 April 2015**
(24) Date from which industrial property rights may have effect: **22 April 2015**
(54) Product in respect of which the design is registered: **Milk frother**
(51) International Design Classification: **07-02L**
(74) Name(s) of Attorney(s): **Chrysiliou IP**
(71) Name(s) and Address(s) of Applicant(s):
Hands (IP) Holdings Pty Ltd
8/14 Rodborough Rd Frenchs Forest NSW 2086 Australia
(72) Name(s) of Designer(s): **Andrew Stergiotis**
(45) Registration Date: **27 May 2015**
(56) Related Art Documents: **Not Applicable**
(57) Statement of Newness and Distinctiveness: **Newness and distinctiveness are claimed in the features of shape and/or configuration of a milk frother as illustrated in the accompanying representations.**



- (21) Design Number: **12125/2015**
(22) Date of Filing Application: **23 April 2015**
(24) Date from which industrial property rights may have effect: **23 April 2015**
(54) Product in respect of which the design is registered: **Sand track**
(51) International Design Classification: **12-16NES**
(74) Name(s) of Attorney(s): **Lord & Company**
(71) Name(s) and Address(s) of Applicant(s):
Haida Qian
Room 1504 TaiKang Mid Road #468 YinZhou Area NingBo China
(72) Name(s) of Designer(s): **Haida Qian**
(45) Registration Date: **27 May 2015**
(30) Convention priority data:
(31) Number (32) Date (33) Country
201430455440.7 18 Nov 2014 CHINA
(56) Related Art Documents: **Not Applicable**
(57) Statement of Newness and Distinctiveness: **Nil**



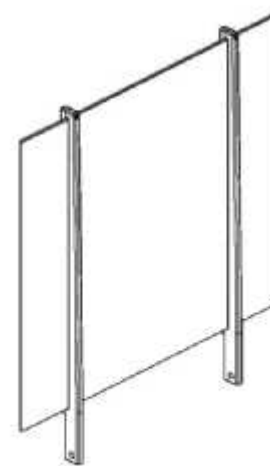
(21) Design Number: **12126/2015**
(22) Date of Filing Application: **23 April 2015**
(24) Date from which industrial property rights may have effect: **23 April 2015**
(54) Product in respect of which the design is registered: **Sand track**
(51) International Design Classification: **12-16NES**
(74) Name(s) of Attorney(s): **Lord & Company**
(71) Name(s) and Address(s) of Applicant(s):
Haida Qian
Room 1504 TaiKang Mid Road #468 YinZhou Area NingBo China
(72) Name(s) of Designer(s): **Haida Qian**
(45) Registration Date: **27 May 2015**
(30) Convention priority data:
(31) Number (32) Date (33) Country
201430455285.9 18 Nov 2014 CHINA
(56) Related Art Documents: **Not Applicable**
(57) Statement of Newness and Distinctiveness: **Nil**



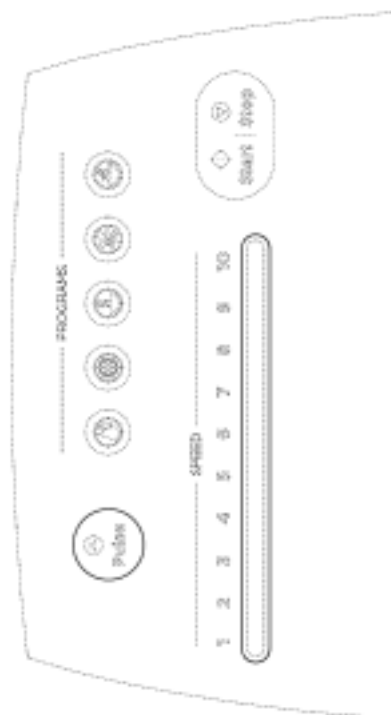
(21) Design Number: **12127/2015**
(22) Date of Filing Application: **23 April 2015**
(24) Date from which industrial property rights may have effect: **23 April 2015**
(54) Product in respect of which the design is registered: **Electronic baggage tag**
(51) International Design Classification: **03-99**
(74) Name(s) of Attorney(s):
(71) Name(s) and Address(s) of Applicant(s):
Uno Australia Pty Ltd
130 Chestnut St Cremorne VIC 3121 Australia
(72) Name(s) of Designer(s): **Dean Holmes**
(45) Registration Date: **27 May 2015**
(56) Related Art Documents: **Not Applicable**
(57) Statement of Newness and Distinctiveness: **Flexible elastomer strap over moulded to an electronics module. The module includes two e-ink displays and software to communicate via bluetooth technology. The strap must use its flexible nature to lock/unlock from its intended state when in use on a travel case. The strap can be coloured and branded in a multiplicity of ways. The electronics module can also be coloured and finished in a multiplicity of ways.**



(21) Design Number: **12144/2015**
(22) Date of Filing Application: **23 April 2015**
(24) Date from which industrial property rights may have effect: **23 April 2015**
(54) Product in respect of which the design is registered: **Ballustrade**
(51) International Design Classification: **25-02C**
(74) Name(s) of Attorney(s): **Cullens Patent and Trade Mark Attorneys**
(71) Name(s) and Address(s) of Applicant(s):
Architectural Metalworks Australia (AMA) Pty Ltd
15-17 Bearing Ave Warana QLD 4575 Australia
(72) Name(s) of Designer(s): **Samuel John Bevis**
(45) Registration Date: **27 May 2015**
(56) Related Art Documents: **Not Applicable**
(57) Statement of Newness and Distinctiveness: **Nil**



(21) Design Number: **11958/2015**
(22) Date of Filing Application: **13 April 2015**
(24) Date from which industrial property rights may have effect: **13 April 2015**
(54) Product in respect of which the design is registered: **Touch faceplate**
(51) International Design Classification: **13-03NES**
(74) Name(s) of Attorney(s): **Spruson & Ferguson**
(71) Name(s) and Address(s) of Applicant(s):
Vita-Mix Corporation
8615 Usher Road, Olmsted Falls Ohio, 44138 United States of America
(72) Name(s) of Designer(s): **Jack Warren Gee II**
(45) Registration Date: **27 May 2015**
(30) Convention priority data:
(31) Number (32) Date (33) Country
29/506051 13 Oct 2014 UNITED STATES OF AMERICA
(56) Related Art Documents: **Not Applicable**
(57) Statement of Newness and Distinctiveness: **Newness and distinctiveness is claimed in those features of pattern and/or ornamentation of a touch faceplate illustrated in continuous lines in the accompanying representation.**



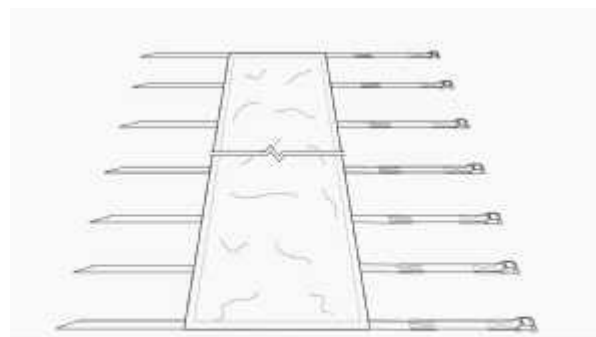
- (21) Design Number: **12128/2015**
(22) Date of Filing Application: **23 April 2015**
(24) Date from which industrial property rights may have effect: **23 April 2015**
(54) Product in respect of which the design is registered: **Fall arrest barrier**
(51) International Design Classification: **29-02**
(74) Name(s) of Attorney(s): **WRAYS PTY LTD**
(71) Name(s) and Address(s) of Applicant(s):

Jennifer Jane Leeming
38 Simmental Gr Lower Chittering WA 6084 Australia

James Donald Hayman
5 Granville Way Willetton WA 6155 Australia

Stephen McCann
88 Hardy Rd ASHFIELD WA 6054

- (72) Name(s) of Designer(s): **James Donald Hayman and Jennifer Jane Leeming and Stephen McCann**
(45) Registration Date: **27 May 2015**
(56) Related Art Documents: **Not Applicable**
(57) Statement of Newness and Distinctiveness: **Statement of Newness and Distinctiveness: Newness and distinctiveness is claimed in the features of shape and configuration of a fall arrest barrier of indefinite length as shown in the accompanying representations.**



- (21) Design Number: **11600/2015**
(22) Date of Filing Application: **25 March 2015**
(24) Date from which industrial property rights may have effect: **25 March 2015**
(54) Product in respect of which the design is registered: **Kiosk**
(51) International Design Classification: **14-02**
(74) Name(s) of Attorney(s): **Davies Collison Cave**
(71) Name(s) and Address(s) of Applicant(s):

SITA Information Networking Computing Canada Inc.
770 Sherbrooke West Suite 2300 Montreal Quebec H3A 1G1 Canada

- (72) Name(s) of Designer(s): **Bonnie Lynn Szeredi and Matthew Joseph Salari and Kirk Mosna and Steve Orzel and Graham Hills**

(45) Registration Date: **28 May 2015**

(30) Convention priority data:

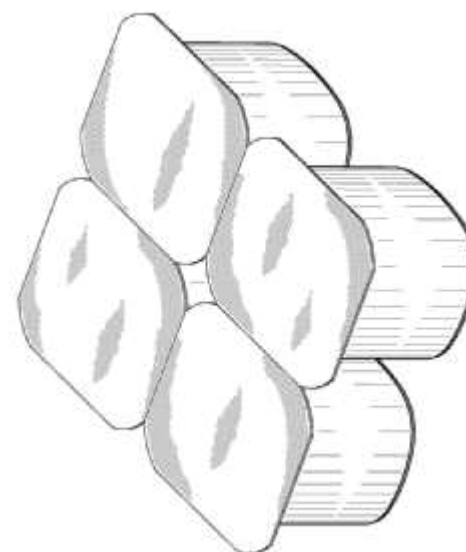
(31) Number	(32) Date	(33) Country
002548677-001	30 Sep 2014	OFFICE FOR HARMONISATION IN THE INTERNAL MARKET (OHIM)

(56) Related Art Documents: **Not Applicable**

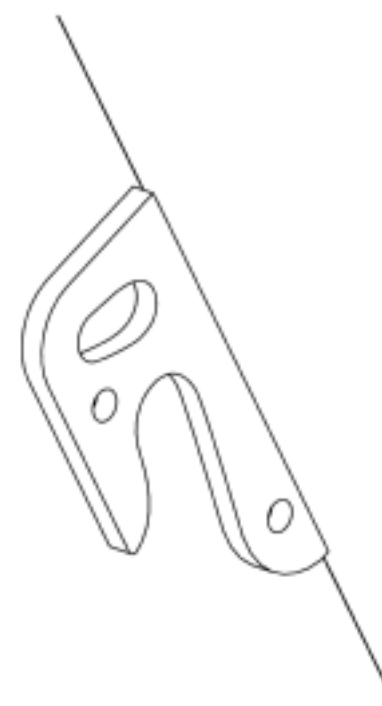
(57) Statement of Newness and Distinctiveness: **Nil**



- (21) Design Number: **12118/2015**
(22) Date of Filing Application: **22 April 2015**
(24) Date from which industrial property rights may have effect: **22 April 2015**
(54) Product in respect of which the design is registered: **Container pack**
(51) International Design Classification: **09-03F**
(74) Name(s) of Attorney(s): **MINTER ELLISON**
(71) Name(s) and Address(s) of Applicant(s):
Chobani, LLC.
147 State Highway 320 Norwich NY, 13815-3561 United States of America
(72) Name(s) of Designer(s): **Jean-Yves Latour and Niel Sandfort and Christopher Ryan and Stephane Grognet**
(45) Registration Date: **28 May 2015**
(30) Convention priority data:
(31) Number (32) Date (33) Country
29/507,064 23 Oct 2014 UNITED STATES OF AMERICA
(56) Related Art Documents: **Not Applicable**
(57) Statement of Newness and Distinctiveness: **The following visual features are new and distinctive: the shape and configuration of a Container pack as shown in the accompanying drawings.**



- (21) Design Number: **12121/2015**
(22) Date of Filing Application: **23 April 2015**
(24) Date from which industrial property rights may have effect: **23 April 2015**
(54) Product in respect of which the design is registered: **Hook for a boat**
(51) International Design Classification: **12-06NES**
(74) Name(s) of Attorney(s):
(71) Name(s) and Address(s) of Applicant(s):
John Robert Pomper
46 Cove Bvd River Heads QLD 4655 Australia
(72) Name(s) of Designer(s): **John Robert Pomper**
(45) Registration Date: **28 May 2015**
(56) Related Art Documents: **Not Applicable**
(57) Statement of Newness and Distinctiveness: **The newness and distinctiveness of the HOOK FOR A BOAT resides in the shape and/or configuration as shown in the representations. The Hook is constructed of Aluminium Plate and is fixed to the bow of a Aluminium Boat by way of welding.**



- (21) Design Number: **12122/2015**
(22) Date of Filing Application: **23 April 2015**
(24) Date from which industrial property rights may have effect: **23 April 2015**
(54) Product in respect of which the design is registered: **Hook for a boat**
(51) International Design Classification: **12-06NES**
(74) Name(s) of Attorney(s):
(71) Name(s) and Address(s) of Applicant(s):
John Robert Pomper
46 Cove Bvd River Heads QLD 4655 Australia
(72) Name(s) of Designer(s): **John Robert Pomper**
(45) Registration Date: **28 May 2015**
(56) Related Art Documents: **Not Applicable**
(57) Statement of Newness and Distinctiveness: **The newness and distinctiveness of the HOOK FOR A BOAT resides in the shape and/or configuration as shown in the representations. The Hook is fixed to a existing plate located on the Bow of a Aluminium Boat by way of Fasteners.**



- (21) Design Number: **12147/2015**
(22) Date of Filing Application: **24 April 2015**
(24) Date from which industrial property rights may have effect: **24 April 2015**
(54) Product in respect of which the design is registered: **Street Furniture**
(51) International Design Classification: **06-01C**
(74) Name(s) of Attorney(s):
(71) Name(s) and Address(s) of Applicant(s):
Street & Garden Furniture Company Pty Ltd
1/11 Donkin St West End QLD 4101 Australia
(72) Name(s) of Designer(s): **Surya Graf**
(45) Registration Date: **28 May 2015**
(56) Related Art Documents: **Not Applicable**
(57) Statement of Newness and Distinctiveness: **Modular Seating System**



(21) Design Number: **12148/2015**
(22) Date of Filing Application: **24 April 2015**
(24) Date from which industrial property rights may have effect: **24 April 2015**
(54) Product in respect of which the design is registered: **Street Furniture**
(51) International Design Classification: **06-01C**
(74) Name(s) of Attorney(s):
(71) Name(s) and Address(s) of Applicant(s):
Street & Garden Furniture Company Pty Ltd
1/11 Donkin St West End QLD 4101 Australia
(72) Name(s) of Designer(s): **Surya Graf**
(45) Registration Date: **28 May 2015**
(56) Related Art Documents: **Not Applicable**
(57) Statement of Newness and Distinctiveness: **Modular Seating System**



(21) Design Number: **12154/2015**
(22) Date of Filing Application: **24 April 2015**
(24) Date from which industrial property rights may have effect: **24 April 2015**
(54) Product in respect of which the design is registered: **Tire**
(51) International Design Classification: **12-15A**
(74) Name(s) of Attorney(s): **PHILLIPS ORMONDE FITZPATRICK**
(71) Name(s) and Address(s) of Applicant(s):
Cooper Tire & Rubber Company
701 Lima Avenue Findlay Ohio, 45840 United States of America
(72) Name(s) of Designer(s): **Calvin M Wu**
(45) Registration Date: **28 May 2015**
(30) Convention priority data:
(31) Number (32) Date (33) Country
29/515,800 27 Jan 2015 UNITED STATES OF AMERICA
(56) Related Art Documents: **Not Applicable**
(57) Statement of Newness and Distinctiveness: **Those features of the tire depicted in the representations that are new and distinctive are the shape and/or configuration of the tread of the tire. The broken line showings of the remaining portions of the tire, for example portions of the sidewall and inner bead, are included for the purpose of illustrating environment and are to be disregarded when considering the overall impression of the design.**



- (21) Design Number: **11163/2015**
(22) Date of Filing Application: **03 March 2015**
(24) Date from which industrial property rights may have effect: **03 March 2015**
(54) Product in respect of which the design is registered: **Umbrella**
(51) International Design Classification: **03-03**
(74) Name(s) of Attorney(s): **K&L Gates**
(71) Name(s) and Address(s) of Applicant(s):
Lorna Jane Pty Ltd
PO BOX 1105 Eagle Farm QLD 4009 Australia
(72) Name(s) of Designer(s): **Lorna Jane Clarkson**
(45) Registration Date: **28 May 2015**
(56) Related Art Documents: **Not Applicable**
(57) Statement of Newness and Distinctiveness: **The words MOVE NOURISH BELIEVE as shown in the accompanying representations are not claimed as visual features of the design.**



- (21) Design Number: **12176/2015**
(22) Date of Filing Application: **27 April 2015**
(24) Date from which industrial property rights may have effect: **27 April 2015**
(54) Product in respect of which the design is registered: **Animal accommodation module**
(51) International Design Classification: **30-02**
(74) Name(s) of Attorney(s): **Adams Pluck**
(71) Name(s) and Address(s) of Applicant(s):
BigCity Design Pty Ltd
c/o SE4 L3 20 George St Hornsby NSW 2077 Australia
(72) Name(s) of Designer(s): **Henri Spaile**
(45) Registration Date: **28 May 2015**
(56) Related Art Documents: **Not Applicable**
(57) Statement of Newness and Distinctiveness: **Nil**



(21) Design Number: **12177/2015**
(22) Date of Filing Application: **27 April 2015**
(24) Date from which industrial property rights may have effect: **27 April 2015**
(54) Product in respect of which the design is registered: **A shelf for an animal accommodation module**
(51) International Design Classification: **30-02**
(74) Name(s) of Attorney(s): **Adams Pluck**
(71) Name(s) and Address(s) of Applicant(s):
BigCity Design Pty Ltd
c/o SE4 L3 20 George St Hornsby NSW 2077 Australia
(72) Name(s) of Designer(s): **Henri Spaile**
(45) Registration Date: **28 May 2015**
(56) Related Art Documents: **Not Applicable**
(57) Statement of Newness and Distinctiveness: **Nil**



(21) Design Number: **12178/2015**
(22) Date of Filing Application: **27 April 2015**
(24) Date from which industrial property rights may have effect: **27 April 2015**
(54) Product in respect of which the design is registered: **A shelf for an animal accommodation module**
(51) International Design Classification: **30-02**
(74) Name(s) of Attorney(s): **Adams Pluck**
(71) Name(s) and Address(s) of Applicant(s):
BigCity Design Pty Ltd
c/o SE4 L3 20 George St Hornsby NSW 2077 Australia
(72) Name(s) of Designer(s): **Henri Spaile**
(45) Registration Date: **28 May 2015**
(56) Related Art Documents: **Not Applicable**
(57) Statement of Newness and Distinctiveness: **Nil**



(21) Design Number: **12183/2015**

(22) Date of Filing Application: **27 April 2015**

(24) Date from which industrial property rights may have effect: **27 April 2015**

(54) Product in respect of which the design is registered: **Clamp element for a sign support**

(51) International Design Classification: **08-08D**

(74) Name(s) of Attorney(s): **Collison & Co**

(71) Name(s) and Address(s) of Applicant(s):

Lars Hammar

Box 15 Bjursas SE-790 21 Sweden

(72) Name(s) of Designer(s): **Lars Hammar**

(45) Registration Date: **28 May 2015**

(30) Convention priority data:

(31) Number

002568840

(32) Date

31 Oct 2014

(33) Country

**OFFICE FOR HARMONISATION IN
THE INTERNAL MARKET (OHIM)**

(56) Related Art Documents: **Not Applicable**

(57) Statement of Newness and Distinctiveness: **Newness and distinctiveness resides in the shape and configuration of the clamp element for a sign support as shown in the attached representations.**

