



Australian Government

IP Australia

AUSTRALIAN OFFICIAL JOURNAL

OF

DESIGNS

Did you know a searchable version of this journal is now available online?

It's FREE and EASY to SEARCH.

Find it on our website (www.ipaustralia.gov.au)

by using the "Journals" link on the home page.

This Page Left Intentionally Blank

Contents

General Information & Notices

**Proceedings Under the Designs Act 1906 preserved as a result of the provisions of Chapter 12
Part 2 of the Designs Act 2003**

Extension of Period of Registration of Designs 1618

Proceedings Under the Designs Act 2003

Applications Lodged 1622

Certificate of Examination 1630

Extension of Period of Registration of Design 1628

Extension of Time Granted Under Section 137 1628

Names Registered - Alterations and Amendments 1629

Publication and Registration Proceedings

Designs Registered 362014 to 362283..... 1631

Registrations Ceased 1628

Subsequent Owners Registered 1629

This Page Left Intentionally Blank

For information on the following please see our website www.ipaustralia.gov.au or contact our Customer Service Network on 1300651010

[Editorial enquiries](#)

[Contact information](#)

[Freedom of Information ACT](#)

[Professional Standards Board](#)

[Sales](#)

[Requests for Information under Section 194 \(c\)](#)

[Country Codes](#)

[Trade Mark and Designs Hearing Sessions](#)

[INID \(Internationally agreed Numbers for the Identification of Data\)](#)

“INID” NUMBERS in use on Australian Design Documents

“INID” is an acronym for “Internationally agreed Numbers for the Identification of Data”.

(10) Data concerning the registration/renewal

- (11) Serial number of the registration and/or number of the design document
- (12) Plain language designation of the kind of published document
- (19) Identification, using the two-letter code according to WIPO Standard ST.3, of the authority publishing or registering the industrial design

(20) Data concerning the application

- (21) Serial number of the application
- (22) Date of filing of the application
- (24) Date from which the industrial design right has effect

(30) Data relating to priority under the Paris Convention

- (31) Serial number assigned to the priority application
- (32) Date of filing of the priority application
- (33) Two-letter code, according to WIPO Standard ST.3, identifying the authority with which the priority application was made

(40) Date(s) of making information available to the public

- (45) Date of publication of the registered industrial design by printing or similar process, or making it available to the public by any other means

(50) Miscellaneous Information

- (51) International Classification for Industrial Designs (class and subclass of the Locarno Classification)
- (54) Designation of article(s) or product(s) covered by the industrial design or title of the industrial design
- (55) Reproduction of the industrial design (e.g., drawing, photograph) and explanations relating to the reproduction
- (56) List of prior art documents, if separate from descriptive text
- (57) Description of characteristic features of the industrial design including indication of colours

(60) References to other legally related application(s) and registration(s)

- (62) Serial number(s) and, if available, filing date(s) of application(s), registration(s) or document(s) related by division
- (66) Serial number(s) of the application, or the registration, of the design(s) which is (are) a variant(s) of the present one

(70) Identification of parties concerned with the application or registration

- (71) Name(s) and address(es) of the applicant(s)
- (72) Name(s) of the creator(s) if known to be such
- (74) Name(s) and address(es) of the representative(s)

This Page Left Intentionally Blank

Nil notices for this journal issue.

Proceedings under the Designs Act 1906 preserved as a result of the provisions of Chapter 12 Part 2 of the Designs Act 2003.

This Page Left Intentionally Blank

Applications Lapsed

There were no Applications Lapsed under this section

Extension of Period of Registration of Designs

1st Period (Section 27A(8))

2nd Period (Section 27A(12))

3rd Period (Section 27A(13))

156395	156396	156413
156414	156415	156416
156417	156419	156420
157132	157134	157148
157149	157150	157151
157198	157201	157456
157565	157856	157857
157858	157859	157860
157861	157862	157863
157864	158136	158149
158158	158159	158475
158503	158566	

This Page Left Intentionally Blank

Proceedings under the Designs Act 2003.

This Page Left Intentionally Blank

Applications Lodged

Lodgement information is in the following order: **Applicant's Name**; International Classification, Name of Product, Lodgement Date and **Design Number**. If the applicant claims an earlier priority date under an International Convention, the Convention Country and the associated filing date are shown in parentheses before the Lodgement Date. Divisional information will also appear in parentheses before the Lodgement Date.

A P Walker Design Services Pty. Limited; 28-03B, Hair drying device, 09 Jun 2015	12871/2015	Centek Limited; 08-01, Centraliser, (WO, 27 Jan 2015) 29 May 2015	12773/2015
Acapulco Investments Pty Ltd; 15-99, Gear, 02 Jun 2015	12831/2015	Centek Limited; 08-01, Centraliser, (WO, 27 Jan 2015) 29 May 2015	12774/2015
Ary Pty Ltd; 12-16P, An anchor, 04 Jun 2015	12942/2015	Centek Limited; 08-01, Centraliser, (WO, 27 Jan 2015) 29 May 2015	12771/2015
Ary Pty Ltd; 12-16P, An anchor, 04 Jun 2015	12941/2015	Centek Limited; 08-01, Centraliser, (WO, 27 Jan 2015) 29 May 2015	12775/2015
ALTO PACKAGING LIMITED; 09-03F, A hinged punnet, (GB, 05 Dec 2014) 05 Jun 2015	12937/2015	Centek Limited; 08-01, Centraliser, (WO, 27 Jan 2015) 29 May 2015	12772/2015
BabyBjorn AB; 03-99, Baby changing bag, (EM, 16 Dec 2014) 10 Jun 2015	12911/2015	Centek Limited; 08-01, Centraliser, (WO, 27 Jan 2015) 29 May 2015	12776/2015
Blount, Inc.; 15-99, Sprocket nose, 27 May 2015	12734/2015	Centek Limited; 08-01, Centraliser, (WO, 27 Jan 2015) 29 May 2015	12769/2015
Bluescope Steel Limited; 23-01L, Gutter clip, 29 May 2015	12786/2015	Centek Limited; 08-01, Centraliser, (WO, 27 Jan 2015) 29 May 2015	12780/2015
Brand Developers Limited; 08-01, Guide insert for a drilling jig, 29 May 2015	12793/2015	Centek Limited; 08-01, Centraliser, (WO, 27 Jan 2015) 29 May 2015	12777/2015
Brand Developers Limited; 08-01, Drilling jig, 29 May 2015	12794/2015	Centek Limited; 08-01, Centraliser, (WO, 27 Jan 2015) 29 May 2015	12778/2015
Brandpoint Services Pty Ltd; 28-03NES, Skin care and skin cleaning device, 27 May 2015	12723/2015	Centek Limited; 08-01, Centraliser, (WO, 27 Jan 2015) 29 May 2015	12767/2015
Brandpoint Services Pty Ltde; 28-03NES, Skin care and skin cleaning device, 27 May 2015	12722/2015	Centek Limited; 08-01, Centraliser, (WO, 27 Jan 2015) 29 May 2015	12779/2015
Breville Pty Limited; 07-01F, Jug, 27 May 2015	12733/2015	Centek Limited; 08-01, Centraliser, (WO, 27 Jan 2015) 29 May 2015	12768/2015
Brown & Watson International Pty Ltd; 13-02, Portable power pack, 04 Jun 2015	12816/2015	Centek Limited; 08-01, Centraliser, (WO, 27 Jan 2015) 29 May 2015	12925/2015
Bruder Expedition Pty Ltd; 12-16NES, Suspension assembly, 01 Jun 2015	12829/2015	Centek Limited; 08-01, Centraliser, (WO, 27 Jan 2015) 29 May 2015	12917/2015
Burden, Ian James; 06-03B, A table, 05 Jun 2015	12897/2015	Chanel Limited; 11-01NES, Decorative plate for jewellery, (GB, 12 Dec 2014) 10 Jun 2015	12908/2015
Caroma Industries Limited; 23-02B, A bath, 29 May 2015	12784/2015	Chanel Limited; 11-01A, 11-01C, Bracelet; Ring, (GB, 12 Dec 2014) 10 Jun 2015	
Caroma Industries Limited; 23-02B, A bath, 29 May 2015	12783/2015	Chanel Limited; 11-01A, Decorative jewellery, (GB, 12 Dec 2014) 10 Jun 2015	
Caterpillar Inc.; 14-01, Display, (US, 10 Dec 2014) 09 Jun 2015	12881/2015		
Caterpilliar Inc.; 15-04, Limiter ring, (US, 23 Dec 2014) 03 Jun 2015	12819/2015		

Chanel Limited; 11-01E, Decorative jewellery, (GB, 12 Dec 2014) 10 Jun 2015	12910/2015	Dunne, Michael;Williams, Joanne; 19-07, Science teaching aid for school children, 28 May 2015	12742/2015
Choon's Design LLC; 02-07D, A loom, (US, 30 Dec 2014) 09 Jun 2015	12882/2015	DG International Holdings Limited; 06-09, Pillow, (EP, 04 Dec 2014) 29 May 2015	12781/2015
Choon's Design LLC; 02-07D, Loom hook, (US, 06 Jan 2015) 09 Jun 2015	12888/2015	Elfa International AB; 06-04NES, Cabinet, (EM, 01 Dec 2014) 01 Jun 2015	12824/2015
Chuango Security Technology Corporation; 16-01, Camera, 31 May 2015	12797/2015	Ethicon Endo-Surgery, Inc.; 24-01, Suture cartridge, (US, 21 Jan 2015) 09 Jun 2015	12879/2015
Cockburn, Josh;Cockburn, Saul; 09-05, Toiletry holder, 01 Jun 2015	12813/2015	Euro-Pro Operating LLC; 31-00, Blender container, (US, 18 Dec 2014) 02 Jun 2015	12807/2015
Cockburn, Saul;Cockburn, Josh; 09-05, Toiletry holder, 01 Jun 2015	12813/2015	Euro-Pro Operating LLC; 31-00, Blender container, (US, 18 Dec 2014) 02 Jun 2015	12808/2015
Cordenet-Produtora de Redes Agricolas, S.A.; 09-99, Material for packaging, (EM, 01 Dec 2014) 01 Jun 2015	12830/2015	Euro-Pro Operating LLC; 31-00, Blender container, (US, 18 Dec 2014) 02 Jun 2015	12809/2015
Cordenet-Produtora de Redes Agricolas, S.A.; 09-99, Material for packaging, (EM, 01 Dec 2014) 01 Jun 2015	12828/2015	Eveready Battery Company, Inc.; 26-02, Lighting device, (US, 26 Mar 2015) 09 Jun 2015	12878/2015
Covidien LP; 24-01, Medical tubing connector, (US, 19 Dec 2014) 29 May 2015	12785/2015	Eveready Battery Company, Inc.; 26-02, Lighting device, (US, 26 Mar 2015) 09 Jun 2015	12876/2015
Czuchwicki, Edward; 31-00, Coffee food truck fit-out, 27 May 2015	12735/2015	Eveready Battery Company, Inc.; 26-02, Lighting device, (US, 26 Mar 2015) 09 Jun 2015	12877/2015
CALOR; 28-03B, Motor housing for hair straightening apparatus, (EM, 09 Dec 2014) 09 Jun 2015	12886/2015	Everstone International Pty Limited; 25-01F, Tesserae, 10 Jun 2015	12932/2015
CALOR; 28-03B, Water tank for hair straightening apparatus, (EM, 09 Dec 2014) 09 Jun 2015	12887/2015	Everstone International Pty Limited; 21-01F, Tesserae, 10 Jun 2015	12930/2015
CALOR; 28-03B, Motor housing, water tank and locking arch for hair straightening apparatus., (EM, 09 Dec 2014) 09 Jun 2015	12884/2015	Everstone International Pty Limited; 25-01F, Tesserae, 10 Jun 2015	12931/2015
Davies, Stephen John; 22-05, Fishing lure, 31 May 2015	12796/2015	Fiechtner, Gary Allan; 15-03B, Grain harvester componant, 01 Jun 2015	12798/2015
Diener, Rudy;Milner, Wayne; 08-08K, Connection fixture, 05 Jun 2015	12840/2015	Fitt S.P.A.; 23-01C, A hose of indefinite length, 02 Jun 2015	12826/2015
Dulux Group (Australia) Pty Ltd; 09-01NES, Bottle, 01 Jun 2015	12800/2015	Fitzgerald, Erin; 21-02F, Round barrel pilates machine, (US, 05 Dec 2014) 05 Jun 2015	12893/2015
DuluxGroup (Australia) Pty Ltd; 09-01NES, Bottle, (Divisional of 15001/2014) 01 Jun 2015	12801/2015	Fitzpatrick, Alexander; 26-05D, Light, 06 Jun 2015	12841/2015
Dunlop Sports Co. Ltd.; 21-02C, Head for golf club, 28 May 2015	12757/2015	Gamo Outdoor, S.L.; 22-01, Guns, (EM, 17 Feb 2015) 01 Jun 2015	12799/2015
Dunlop Sports Co. Ltd.; 21-02C, Head for golf club, 28 May 2015	12758/2015	Guangzhou T.K. Medical Instrument Co., Ltd.; 24-01, Trocar, (CN, 02 Dec 2014) 02 Jun 2015	12805/2015
Dunlop Sports Co. Ltd.; 21-02C, Head for golf club, 28 May 2015	12755/2015		

Guangzhou T.K. Medical Instrument Co., Ltd.; 24-01, Trocar sheath, (CN, 19 Mar 2015) 02 Jun 2015	12806/2015	Hiatt, Jesse;Hiatt, June Hemmons; 24-04, Needle support device, (US, 15 Dec 2014) 10 Jun 2015	12907/2015
Guangzhou T.K. Medical Instrument Co., Ltd.; 24-01, Trocar needle, (CN, 19 Mar 2015) 02 Jun 2015	12804/2015	Hollingworth, Carolyn;Hollingworth, Stuart; 08-08G, Threaded hook, 28 May 2015	12763/2015
GD Midea Air-Conditioning Equipment Co., Ltd.;Midea Group Co., Ltd.; 23-04, Air conditioner, (CN, 31 Mar 2015) 28 May 2015	12766/2015	Hollingworth, Stuart;Hollingworth, Carolyn; 08-08B, Thread bolt, 28 May 2015	12765/2015
GRANT AMON ARCHITECT PTY LTD; 23-02B, Bath design No 1 'Goddess" made from marblo, 04 Jun 2015	12894/2015	Hollingworth, Carolyn;Hollingworth, Stuart; 08-08B, Thread bolt, 28 May 2015	12765/2015
GRANT AMON ARCHITECT PTY LTD; 23-02B, Bath design No 2 'petal' made from marblo, 04 Jun 2015	12895/2015	Hollingworth, Stuart;Hollingworth, Carolyn; 08-08G, Threaded hook, 28 May 2015	12763/2015
GRANT AMON ARCHITECT PTY LTD; 23-02B, Bath design No 3 'vessel' made from marblo, 04 Jun 2015	12896/2015	Hollister Incorporated; 24-04, Catheter gripper aid, (US, 10 Dec 2014) 09 Jun 2015	12880/2015
Haysom, Robert Henry; 20-03C, Advertising barrier panel, 28 May 2015	12764/2015	Huntamaki, Inc.; 09-03M, Packaging, (US, 04 Dec 2014) 03 Jun 2015	12823/2015
Haysom, Robert Henry; 20-03C, Advertising barrier panel, 28 May 2015	12759/2015	Hunter Douglas Inc.; 25-01NES, Sample deck for an architectural opening, (US, 09 Dec 2014) 09 Jun 2015	12872/2015
Haysom, Robert Henry; 20-03C, Advertising barrier panel, 28 May 2015	12756/2015	Hutzler Manufacturing Co., Inc.; 09-03NES, Container, (US, 04 Mar 2015) 04 Jun 2015	12864/2015
Haysom, Robert Henry; 20-03C, Advertising barrier panel, 28 May 2015	12762/2015	Hyde, Craig Oliver; 08-10, Modular cycle storage apparatus, 10 Jun 2015	12928/2015
Henderson, Kim Elliot;Peterken, Neil Terry;Kliptank Limited; 23-01E, Outlet for an effluent tank agitation system, (NZ, 09 Jan 2015) 27 May 2015	12724/2015	Hyde, Craig Oliver; 08-10, Modular cycle storage apparatus, 10 Jun 2015	12927/2015
Henkel AG & Co. KGaA; 23-02NES, Toilet tablet holder, (EM, 23 Jan 2015) 05 Jun 2015	12836/2015	Irwin Industrial Tool Company; 08-03, Circular saw blade vent, (US, 03 Dec 2014) 03 Jun 2015	12820/2015
Henkel AG & Co. KGaA; 23-02NES, Toilet tablet holder, (EM, 23 Jan 2015) 05 Jun 2015	12839/2015	Irwin Industrial Tool Company; 08-03, Circular saw blade vent, (US, 03 Dec 2014) 03 Jun 2015	12821/2015
Henkel AG & Co. KGaA; 23-02NES, Toilet tablet holder, (EM, 23 Jan 2015) 05 Jun 2015	12837/2015	Irwin Industrial Tool Company; 08-03, Circular saw blade vent, (US, 03 Dec 2014) 03 Jun 2015	12817/2015
Henkel AG & Co. KGaA; 23-02NES, Toilet tablet holder, (EM, 23 Jan 2015) 05 Jun 2015	12838/2015	IFI H.K. Limited; 14-01, Speaker, 01 Jun 2015	12814/2015
Hernandez, Sam; 02-03, Rally cap, (Divisional of 11082/2015) 27 May 2015	12725/2015	Johnson & Johnson Medical GMBH; 24-03, Surgical mesh implant, (Divisional of 10966/2015) 28 May 2015	12754/2015
Hiatt, June Hemmons;Hiatt, Jesse; 24-04, Needle support device, (US, 15 Dec 2014) 10 Jun 2015	12907/2015	Johnson & Johnson Medical GMBH; 24-03, Surgical mesh implant, 28 May 2015	12748/2015
		Johnson & Johnson Medical GMBH; 24-03, Surgical mesh implant, (Divisional of 10971/2015) 28 May 2015	12761/2015
		JACM Corporation Pty Ltd; 02-03, Peaked cap, 28 May 2015	12760/2015

Kenwood Limited; 31-00, Blender blade support, (EM, 05 Dec 2014) 05 Jun 2015	12939/2015	Milner, Wayne;Diener, Rudy; 08-08K, Connection fixture, 05 Jun 2015	12840/2015
Kenwood Limited; 31-00, Blender blade support, (EM, 05 Dec 2014) 05 Jun 2015	12938/2015	MEGA Brands Inc; 09-03NES, Container, (US, 31 Jan 2014) 31 Jul 2014	12789/2015
Kia Motors Corporation; 05-05B, Fabric, (KR, 27 Nov 2014) 27 May 2015	12721/2015	MEGA Brands Inc; 09-03NES, Container, (US, 31 Jan 2014) 31 Jul 2014	12790/2015
Kia Motors Corporation; 29-01, Fire extinguisher, (KR, 27 Nov 2014) 27 May 2015	12732/2015	MEGA Brands Inc; 09-03NES, Container, (US, 31 Jan 2014) 31 Jul 2014	12788/2015
King Furniture Australia Pty Ltd; 06-03B, A table, 28 May 2015	12750/2015	Nomacorrc LLC; 09-07A, Synthetic closure for bottles, (EM, 02 Dec 2014) 02 Jun 2015	12832/2015
King Furniture Australia Pty Ltd; 06-03B, A table, 28 May 2015	12749/2015	Nongfu Spring Co., Ltd.; 19-08, Bottle label, (CN, 09 Jan 2015) 11 Jun 2015	12948/2015
Kingston, Keith Kenneth; 06-03C, Desk, 04 Jun 2015	12866/2015	Nongfu Spring Co., Ltd.; 19-08, Bottle label, (CN, 09 Jan 2015) 11 Jun 2015	12945/2015
Kingston, Keith Kenneth; 06-06E, Desk pad, 04 Jun 2015	12868/2015	Nongfu Spring Co., Ltd.; 19-08, Bottle label, (CN, 09 Jan 2015) 11 Jun 2015	12946/2015
Kingston, Keith Kenneth; 06-01F, Chair, 04 Jun 2015	12865/2015	Nongfu Spring Co., Ltd.; 19-08, Bottle label, (CN, 09 Jan 2015) 11 Jun 2015	12947/2015
Kliptank Limited;Henderson, Kim Elliot;Peterken, Neil Terry; 23-01E, Outlet for an effluent tank agitation system, (NZ, 09 Jan 2015) 27 May 2015	12724/2015	Nongfu Spring Co., Ltd.; 19-08, Bottle label, (CN, 09 Jan 2015) 11 Jun 2015	12944/2015
Leupold & Stevens, Inc.; 16-06, Sighting device, (US, 23 May 2015) 04 Jun 2015	12815/2015	Nongfu Spring Co., Ltd.; 19-08, Bottle label, (CN, 09 Jan 2015) 11 Jun 2015	12943/2015
Leupold & Stevens, Inc.; 16-06, 22-99, Sighting device, (US, 23 May 2015) 05 Jun 2015	12835/2015	NINGBO MENTORIEND INTERNATIONAL TRADING CO., LTD.; 06-01K, Rocking chair, (EM, 16 Dec 2014) 10 Jun 2015	12933/2015
Leupold & Stevens, Inc.; 16-06, 22-99, Sighting device, 03 Jun 2015	12812/2015	Optimedica Corporation; 24-99, Fluid reservoir for use with a patient interface device in an ophthalmic surgical laser system., (US, 03 Dec 2014) 03 Jun 2015	12822/2015
Leupold & Stevens, Inc.; 16-06, 22-99, Sighting device, 03 Jun 2015	12811/2015	Optimedica Corporation; 24-01, Docking assembly for coupling patient interface device to an ophthalmic surgical laser system., (US, 03 Dec 2014) 03 Jun 2015	12825/2015
Livingstone International Pty Ltd; 09-03H, Disposable cardboard spacer, 04 Jun 2015	12869/2015	Optimedica Corporation; 24-01, Suction ring for a patient interface for coupling a patient's eye to an ophthalmic surgical laser system, (US, 03 Dec 2014) 03 Jun 2015	12834/2015
Loud Technologies Inc; 17-05, Portable sound system, (US, 05 Dec 2014) 28 May 2015	12751/2015	Oregon Precision Industries, Inc; 09-03E, Stackable bottle carrier, (US, 02 Dec 2014) 02 Jun 2015	12827/2015
M + C Schiffer GmbH; 28-03NES, Toothpick, (EM, 05 Dec 2014) 29 May 2015	12782/2015	Outlook Australia Pty Ltd; 06-13NES, A quilt for an infant stroller, 11 Jun 2015	12934/2015
McPherson, Donald; 25-01C, Purlins, 02 Jun 2015	12833/2015		
Medical Research Council; 24-01, Cryo puck, (EM, 09 Dec 2014) 04 Jun 2015	12940/2015		
Midea Group Co., Ltd.;GD Midea Air-Conditioning Equipment Co., Ltd.; 23-04, Air conditioner, (CN, 31 Mar 2015) 28 May 2015	12766/2015		

Outlook Australia Pty Ltd; 06-13NES, A cover for an infant stroller, 11 Jun 2015	12935/2015	Tech 21 Licensing Limited; 03-01NES, Cover for electronic device, (EM, 10 Dec 2014) 05 Jun 2015	12892/2015
Panasonic Intellectual Property Management Co., Ltd.; 13-02, Battery, 29 May 2015	12787/2015	Techtronic Industries Co., Ltd.; 13-02, Battery charger, (CN, 28 Nov 2014) 28 May 2015	12741/2015
Peterken, Neil Terry;Henderson, Kim Elliot;Kliptank Limited; 23-01E, Outlet for an effluent tank agitation system, (NZ, 09 Jan 2015) 27 May 2015	12724/2015	Terra Firma Industries Pty Ltd; 25-02NES, Pit Lid, 27 May 2015	12720/2015
Quarry Mining and Construction Equipment Pty Ltd; 08-01, Drill bit, 09 Jun 2015	12889/2015	The Absolut Company Aktiebolag; 09-01NES, Bottle, (EM, 09 Apr 2015) 04 Jun 2015	12862/2015
R.J. Goldspink Pty Ltd; 08-05P, Bolt driver, 03 Jun 2015	12818/2015	The Absolut Company Aktiebolag; 09-01NES, Bottle, (EM, 09 Apr 2015) 04 Jun 2015	12867/2015
Reckitt Benckiser (Brands) Limited; 28-99, Air freshener, (EM, 23 Dec 2014) 10 Jun 2015	12906/2015	THE HERSHEY COMPANY; 09-03NES, Container, container with tray, and tray, (US, 08 Dec 2014) 05 Jun 2015	12870/2015
Remodeez LLC; 28-99, Deodorizer, (US, 12 Sep 2014) (Divisional of 11368/2015) 08 Jun 2015	12858/2015	THORN Lighting Limited; 26-05E, Downlight, (EM, 04 Dec 2014) 03 Jun 2015	12810/2015
Remodeez LLC; 28-99, Deodorizer, (US, 12 Sep 2014) (Divisional of 11358/2015) 08 Jun 2015	12859/2015	Unilever PLC; 28-03NES, 23-02A, Toilet cage block, (EM, 17 Dec 2014) 29 May 2015	12792/2015
Remodeez LLC; 28-99, Deodorizer, (US, 12 Sep 2014) (Divisional of 11358/2015) 08 Jun 2015	12860/2015	Visy R & D Pty Ltd; 09-03M, Blank, 28 Apr 2015	12273/2015
Remodeez LLC; 28-99, Deodorizer, (US, 12 Sep 2014) (Divisional of 11358/2015) 08 Jun 2015	12861/2015	VCG Holdings Ltd; 02-04A, Footwear insert, (US, 08 Jan 2015) 29 May 2015	12795/2015
ResMed Limited; 24-01, Patient interface and/or components, (Divisional of 10793/2015) 26 May 2015	12701/2015	Waters, Michael; 26-02, Flashlight, (US, 02 Dec 2014) 01 Jun 2015	12802/2015
Studio Majcen Pty Lty; 11-04, Triangle Tree (Timber Christmas Tree), 28 May 2015	12752/2015	Watkins Manufacturing Corporation; 23-02B, Spa shell, (US, 14 Jan 2015) 28 May 2015	12746/2015
Sunset Lifestyle Pty Ltd; 06-06E, Adjustable desk - desktop station, 10 Jun 2015	12929/2015	Watkins Manufacturing Corporation; 23-02B, Spa shell, (US, 13 Jan 2015) 28 May 2015	12737/2015
SEEIN PTY LTD; 19-08, Art design, 29 May 2015	12770/2015	Watkins Manufacturing Corporation; 23-02B, Spa shell, (US, 14 Jan 2015) 28 May 2015	12743/2015
SHELDON AND HAMMOND PTY LIMITED; 07-99NES, Knife block, 27 May 2015	12736/2015	Watkins Manufacturing Corporation; 23-02B, Spa shell, (US, 14 Jan 2015) 28 May 2015	12744/2015
SOCIETE DES EAUX DE VOLVIC; 09-01NES, Bottle, (EM, 17 Dec 2014) 10 Jun 2015	12926/2015	Watkins Manufacturing Corporation; 23-02B, Spa shell, (US, 14 Jan 2015) 28 May 2015	12738/2015
Tech 21 Licensing Limited; 03-01NES, Cover for electronic device, (EM, 10 Dec 2014) 05 Jun 2015	12936/2015	Watkins Manufacturing Corporation; 23-02B, Spa shell, (US, 14 Jan 2015) 28 May 2015	12739/2015
Tech 21 Licensing Limited; 03-01NES, Cover for electronic device, (EM, 10 Dec 2014) 05 Jun 2015	12891/2015	Watkins Manufacturing Corporation; 23-02B, Spa shell, (US, 14 Jan 2015) 28 May 2015	12740/2015
Tech 21 Licensing Limited; 03-01NES, Cover for electronic device, (EM, 10 Dec 2014) 05 Jun 2015	12890/2015	Weaver, Ralph; 13-03D, Electrical power outlet, 04 Jun 2015	12863/2015

Wet Leopard PTY LTD; 02-02A, Swimwear, rash guard, rashie, 28 May 2015	12753/2015	Zimmermann Wear Pty Limited; 02-02NES, Blouse, 07 Jun 2015	12856/2015
Williams, Joanne;Dunne, Michael; 19-07, Science teaching aid for school children, 28 May 2015	12742/2015	Zimmermann Wear Pty Limited; 02-02A, 02-02C, swimwear, dress, blouse, 07 Jun 2015	12842/2015
Wilson, Charles; 06-06H, Chair, 08 Jun 2015	12857/2015	Zimmermann Wear Pty Limited; 02-02C, playsuit, 07 Jun 2015	12843/2015
ZheJiang JinBang Sports Equipment Co., Ltd.; 21-02F, Exercise bicycle, (CN, 10 Dec 2014) 09 Jun 2015	12885/2015	Zimmermann Wear Pty Limited; 02-02A, Swimwear, 07 Jun 2015	12849/2015
ZheJiang JinBang Sports Equipment Co., Ltd.; 21-02F, Exercise bicycle, (CN, 10 Dec 2014) 09 Jun 2015	12883/2015	Zimmermann Wear Pty Limited; 02-02A, Swimsuit, 07 Jun 2015	12850/2015
Zimmermann Wear Pty Limited; 02-02C, Dress, 07 Jun 2015	12844/2015	Zimmermann Wear Pty Limited; 02-02A, Swimwsuit, 07 Jun 2015	12851/2015
Zimmermann Wear Pty Limited; 02-02NES, Blouse, 10 Jun 2015	12912/2015	Zimmermann Wear Pty Limited; 02-02C, Dress, 07 Jun 2015	12852/2015
Zimmermann Wear Pty Limited; 02-02A, Swimwear, 10 Jun 2015	12924/2015	Zimmermann Wear Pty Limited; 02-02C, Playsuit, 07 Jun 2015	12853/2015
Zimmermann Wear Pty Limited; 02-02A, Swimwear, 10 Jun 2015	12921/2015	Zimmermann Wear Pty Limited; 02-02C, Dress, 07 Jun 2015	12854/2015
Zimmermann Wear Pty Limited; 02-02A, Swimwear, 10 Jun 2015	12920/2015	Zimmermann Wear Pty Limited; 02-02C, 02-02NES, Swimsuit, blouse, dress, 07 Jun 2015	12846/2015
Zimmermann Wear Pty Limited; 02-02NES, Blouse, 10 Jun 2015	12913/2015	Zimmermann Wear Pty Limited; 02-02A, Swimsuit, 07 Jun 2015	12847/2015
Zimmermann Wear Pty Limited; 02-02C, Playsuit, 10 Jun 2015	12914/2015	Zimmermann Wear Pty Limited; 02-02A, Bikini, 07 Jun 2015	12845/2015
Zimmermann Wear Pty Limited; 02-02A, Swimwear, 10 Jun 2015	12922/2015		
Zimmermann Wear Pty Limited; 02-02A, Swimwear, 10 Jun 2015	12923/2015		
Zimmermann Wear Pty Limited; 02-02A, Swimwear, 10 Jun 2015	12919/2015		
Zimmermann Wear Pty Limited; 02-02A, Swimwear including bikinis and one- piece swimsuit, 10 Jun 2015	12918/2015		
Zimmermann Wear Pty Limited; 02-02C, Dress, 09 Jun 2015	12874/2015		
Zimmermann Wear Pty Limited; 11-01D, Earrings, 10 Jun 2015	12915/2015		
Zimmermann Wear Pty Limited; 11-01D, Earrings, 10 Jun 2015	12916/2015		
Zimmermann Wear Pty Limited; 02-02C, Dress, 09 Jun 2015	12875/2015		
Zimmermann Wear Pty Limited; 02-02A, Swimsuit, 07 Jun 2015	12855/2015		
Zimmermann Wear Pty Limited; 02-02A, Swimsuit, 07 Jun 2015	12848/2015		
Zimmermann Wear Pty Limited; 02-02C, Skirt, 09 Jun 2015	12873/2015		

Extension of Period of Registration of Designs

334642

335595

330865	330866	330867
330868	330869	331365
331474	331475	331483
331485	331487	331520
331565	331566	331567
331568	331569	331573
331576	331608	331609
331622	331623	331624
331640	331641	331642
331643	331644	331673
331694	331699	331713
331717	331722	331723
331724	331731	331732
331741	331742	331743
331761	331768	331778
331779	331780	331781
331782	331826	331827
331828	331829	331830
331831	331833	331834
331839	331840	331841
331842	331843	331844
331861	331865	331887
331888	331899	331921
331941	331942	331956
331958	331963	331964
331989	331990	331994
332003	332004	332006
332007	332008	332023
332026	332034	332035
332051	332072	332073
332078	332097	332099
332113	332114	332119
332120	332161	332162
332163	332164	332187
332199	332200	332201
332202	332234	332235
332263	332335	332350
332424	332425	332426
332430	332431	332492
332493	332494	332495
332496	332497	332498
332499	332500	332504
332510	332531	332532
332533	332534	332535
332536	332537	332538
332539	332553	332554
332555	332571	332602
332612	332983	333146
333223	333257	334317
334319	334607	334608
334609	334610	334618

Registrations Ceased

303803	303804	303853
303854	303856	303878
303880	303882	303886
303896	303897	303899
303900	303910	303911
303912	303913	303961
303962	303965	304017
304073	304171	304246
304247	304248	304264
304265	304269	304362
304443	304503	304566
304897	305018	305019
305210	305211	305212
305214	305215	305216
305217	305218	305598
305599	306212	306362
306820	306821	307895
308034	309568	328850
328851	328852	328853
328854	328855	328898
328899	328900	328901
328902	328903	328904
328905	328907	328908
328909	328949	328954
328958	328962	328966
328967	328979	328983
328985	328986	328994
328995	329003	329004
329008	329011	329012
329013	329014	329015
329022	329023	329029
329030	329035	329044
329049	329050	329051
329078	329081	329100
329101	329205	329264
329265	329418	329473
329508	329509	329510
330171	330227	330352
330353	330354	330355
330966	331184	358026
358258	358326	

Extensions of time granted under Section 137

Applications lodged under section 137 for extension of time have been granted.

362110 **MEGA Brands Inc**

362112 **MEGA Brands Inc**

362114 **MEGA Brands Inc**

Subsequent Owners Registered

(The name in parentheses is that of the subsequent owner)

- 349307 (**OPW Fueling Components Inc. a Delaware corporation**) CP Formation LLC a Delaware limited liability company
- 329629 (**WBC IP PTY LIMITED**) WBC Group Pty Ltd
- 310584 (**WBC IP PTY LIMITED**) WBC Group Pty Ltd
- 318008 (**John Burk Michael**) James Neill Holdings Limited
- 318010 (**John Burk Michael**) James Neill Holdings Limited
- 329605 (**WBC IP PTY LIMITED**) WBC Group Pty Ltd
- 329606 (**WBC IP PTY LIMITED**) WBC Group Pty Ltd

Names Registered - Alterations and Amendments

(The name in parentheses is that of the subsequent applicant)

- 356011 (**Brand Collective Pty Ltd**) Pacific Brands Footwear Pty Ltd
- 356048 (**Brand Collective Pty Ltd**) Pacific Brands Footwear Pty Ltd
- 356757 (**Brand Collective Pty Ltd**) Pacific Brands Footwear Pty Ltd

Certificate(s) of Examination

Examination of the following Design Registration(s) has been completed. Infringement proceedings may now be commenced.

335087	06-01D	29/05/2015
348354	07-07A	02/06/2015
349874	21-01B	03/06/2015
349875	21-01B	03/06/2015
349876	21-01B	03/06/2015
349877	21-01B	03/06/2015
349878	21-01B	03/06/2015
349879	21-01B	03/06/2015
350647	06-01G	02/06/2015
350755	06-01G	02/06/2015
350767	06-01G	02/06/2015
350768	06-01G	02/06/2015
350769	06-01G	02/06/2015
350770	06-01G	02/06/2015
358512	16-06	04/06/2015
358513	16-06	04/06/2015
358602	26-06	12/06/2015
358631	26-06	12/06/2015
358961	21-02NES	03/06/2015
359682	09-05	04/06/2015
359683	09-05	04/06/2015
359873	13-01	05/06/2015
359874	13-01	05/06/2015
359875	13-01	04/06/2015
359876	13-01	04/06/2015
359877	13-01	04/06/2015
359966	13-01	05/06/2015
359967	13-01	05/06/2015
359972	31-00	02/06/2015
360259	13-01	05/06/2015
360489	21-02C	01/06/2015
360559	21-01H	11/06/2015
360565	16-06	05/06/2015
360566	09-09	11/06/2015
360567	02-04C	10/06/2015
360585	16-06	05/06/2015
360601	04-02	12/06/2015
360607	09-07C	11/06/2015
360610	07-99NES	04/06/2015
360612	21-01F	11/06/2015
360618	09-01NES	09/06/2015
360624	07-02R	05/06/2015
361815	02-04C	29/05/2015

Publication and Registration Proceedings

Designs Registered

This section provides a concordance between design number and registration number of Designs covered in this journal. It also shows the main class and registration date.

This section covers Registration numbers 362014 to 362283 .

The registration number shown below should be used in all future correspondence.

Design Number	Registration Number	International Classification Code (IDC)	Registration Date	Design Number	Registration Number	International Classification Code (IDC)	Registration Date
13726/2014	362110	09-03NES	03/06/2015	11380/2015	362231	19-08	11/06/2015
13727/2014	362112	09-03NES	03/06/2015	11392/2015	362121	03-99	03/06/2015
13728/2014	362114	09-03NES	03/06/2015	11482/2015	362017	07-04	29/05/2015
14994/2014	362134	09-01NES	04/06/2015	11493/2015	362018	07-04	29/05/2015
15001/2014	362135	09-01NES	04/06/2015	11518/2015	362211	09-03M	11/06/2015
15410/2014	362014	26-05E	29/05/2015	11522/2015	362019	23-04	29/05/2015
15411/2014	362015	26-05E	29/05/2015	11529/2015	362212	08-03	11/06/2015
15718/2014	362076	12-16M	03/06/2015	11530/2015	362020	24-01	29/05/2015
16285/2014	362116	07-06A	03/06/2015	11531/2015	362232	08-03	11/06/2015
16712/2014	362117	27-02	03/06/2015	11533/2015	362233	08-03	11/06/2015
10721/2015	362042	13-02	01/06/2015	11573/2015	362073	24-01	02/06/2015
10793/2015	362043	24-01	01/06/2015	11575/2015	362021	22-01	29/05/2015
10825/2015	362126	08-06	04/06/2015	11634/2015	362234	03-01B	11/06/2015
10867/2015	362077	21-03	03/06/2015	11676/2015	362022	02-02NES	29/05/2015
10868/2015	362078	21-03	03/06/2015	11678/2015	362023	03-01A	29/05/2015
10869/2015	362079	21-03	03/06/2015	11680/2015	362251	02-02NES	12/06/2015
10870/2015	362080	21-03	03/06/2015	11682/2015	362252	02-02NES	12/06/2015
10871/2015	362081	21-03	03/06/2015	11684/2015	362253	02-02NES	12/06/2015
10888/2015	362136	03-99	04/06/2015	11689/2015	362074	02-02NES	02/06/2015
10924/2015	362069	09-05	02/06/2015	11691/2015	362024	02-02NES	29/05/2015
10929/2015	362096	09-05	03/06/2015	11692/2015	362025	02-02C	29/05/2015
10930/2015	362070	09-05	02/06/2015	11693/2015	362026	02-04NES	29/05/2015
10931/2015	362097	09-05	03/06/2015	11696/2015	362027	02-04NES	29/05/2015
10932/2015	362071	09-05	02/06/2015	11697/2015	362028	02-04NES	29/05/2015
10933/2015	362098	09-05	03/06/2015	11698/2015	362029	02-04B	29/05/2015
10938/2015	362072	14-02	02/06/2015	11848/2015	362158	09-01G	05/06/2015
10966/2015	362044	24-03	01/06/2015	11899/2015	362040	12-10	29/05/2015
10971/2015	362137	24-03	04/06/2015	11902/2015	362047	07-01F	01/06/2015
10980/2015	362145	12-16NES	04/06/2015	11903/2015	362048	07-01NES	01/06/2015
10984/2015	362138	26-05D	04/06/2015	11904/2015	362049	07-01D	01/06/2015
11042/2015	362016	26-06	29/05/2015	11905/2015	362050	07-01NES	01/06/2015
11078/2015	362082	12-15C	03/06/2015	11906/2015	362051	20-02NES	01/06/2015
11082/2015	362118	02-03	03/06/2015	11907/2015	362052	07-02M	01/06/2015
11084/2015	362119	07-99A	03/06/2015	11924/2015	362181	12-10	09/06/2015
11229/2015	362139	12-08	04/06/2015	11925/2015	362213	12-10	11/06/2015
11230/2015	362140	12-08	04/06/2015	11975/2015	362214	10-02	11/06/2015
11285/2015	362172	13-02	09/06/2015	12003/2015	362182	24-04	09/06/2015
11286/2015	362120	09-03M	03/06/2015	12026/2015	362228	11-05	11/06/2015
11288/2015	362173	13-02	09/06/2015	12049/2015	362075	24-02	02/06/2015
11292/2015	362174	13-02	09/06/2015	12064/2015	362163	27-02	09/06/2015
11293/2015	362175	13-02	09/06/2015	12082/2015	362083	08-09	03/06/2015
11301/2015	362045	24-01	01/06/2015	12115/2015	362030	09-03NES	29/05/2015
11309/2015	362039	30-04	29/05/2015	12129/2015	362031	02-02NES	29/05/2015
11311/2015	362261	06-04NES	15/06/2015	12130/2015	362032	02-02NES	29/05/2015
11320/2015	362054	13-02	01/06/2015	12131/2015	362033	02-02NES	29/05/2015
11354/2015	362159	13-03B	09/06/2015	12133/2015	362034	02-02NES	29/05/2015
11356/2015	362046	24-01	01/06/2015	12137/2015	362035	02-02NES	29/05/2015
11357/2015	362160	09-01G	09/06/2015	12141/2015	362036	02-02C	29/05/2015
11358/2015	362161	28-99	09/06/2015	12145/2015	362037	24-04	29/05/2015
11368/2015	362162	28-99	09/06/2015	12155/2015	362038	12-15B	29/05/2015

Publication and Registration Proceedings - Designs Registered cont'd

Design Number	Registration Number	International Classification Code (IDC)	Registration Date	Design Number	Registration Number	International Classification Code (IDC)	Registration Date
12156/2015	362041	08-08B	29/05/2015	12261/2015	362146	02-02NES	04/06/2015
12159/2015	362055	27-99	01/06/2015	12262/2015	362147	02-02NES	04/06/2015
12160/2015	362229	21-01G	11/06/2015	12263/2015	362148	02-02C	04/06/2015
12161/2015	362056	20-02NES	01/06/2015	12264/2015	362149	02-02C	04/06/2015
12162/2015	362057	20-02NES	01/06/2015	12265/2015	362150	02-02C	04/06/2015
12163/2015	362058	20-02NES	01/06/2015	12266/2015	362151	02-02NES	04/06/2015
12164/2015	362059	20-02NES	01/06/2015	12267/2015	362152	02-02NES	04/06/2015
12165/2015	362060	20-02NES	01/06/2015	12268/2015	362153	02-02NES	04/06/2015
12166/2015	362061	11-02B	01/06/2015	12269/2015	362154	02-02C	04/06/2015
12167/2015	362062	09-01NES	01/06/2015	12270/2015	362155	02-02C	04/06/2015
12168/2015	362063	09-01NES	01/06/2015	12271/2015	362156	02-02C	04/06/2015
12169/2015	362064	24-04	01/06/2015	12272/2015	362157	02-02C	04/06/2015
12170/2015	362065	08-06	01/06/2015	12274/2015	362164	07-04	09/06/2015
12171/2015	362066	21-01H	01/06/2015	12282/2015	362165	24-01	09/06/2015
12172/2015	362067	06-04NES	01/06/2015	12283/2015	362166	24-01	09/06/2015
12173/2015	362068	09-09	01/06/2015	12289/2015	362167	30-04	09/06/2015
12175/2015	362084	24-01	03/06/2015	12293/2015	362168	03-01B	09/06/2015
12185/2015	362176	06-01G	09/06/2015	12296/2015	362191	23-02B	10/06/2015
12188/2015	362085	06-01G	03/06/2015	12297/2015	362192	23-02B	10/06/2015
12189/2015	362086	06-01G	03/06/2015	12300/2015	362193	11-02B	10/06/2015
12190/2015	362087	06-01G	03/06/2015	12301/2015	362194	02-01NES	10/06/2015
12191/2015	362088	07-01F	03/06/2015	12306/2015	362197	16-06	10/06/2015
12192/2015	362127	13-02	04/06/2015	12307/2015	362198	16-06	10/06/2015
12194/2015	362128	24-99	04/06/2015	12308/2015	362199	24-02	10/06/2015
12195/2015	362129	24-99	04/06/2015	12312/2015	362215	09-05	11/06/2015
12198/2015	362089	07-06A	03/06/2015	12315/2015	362200	26-05C	10/06/2015
12199/2015	362090	26-06	03/06/2015	12318/2015	362201	09-01D	10/06/2015
12200/2015	362091	12-15B	03/06/2015	12319/2015	362202	09-01D	10/06/2015
12204/2015	362099	09-07B	03/06/2015	12320/2015	362216	14-03A	11/06/2015
12205/2015	362100	09-07B	03/06/2015	12321/2015	362217	14-03A	11/06/2015
12207/2015	362130	09-04	04/06/2015	12322/2015	362203	02-03	10/06/2015
12210/2015	362092	26-05A	03/06/2015	12323/2015	362204	15-04	10/06/2015
12212/2015	362093	26-05A	03/06/2015	12324/2015	362205	15-04	10/06/2015
12214/2015	362094	01-01	03/06/2015	12325/2015	362218	15-99	11/06/2015
12215/2015	362095	12-11	03/06/2015	12326/2015	362219	15-99	11/06/2015
12216/2015	362101	12-11	03/06/2015	12327/2015	362206	07-02N	10/06/2015
12217/2015	362102	12-11	03/06/2015	12328/2015	362169	15-99	09/06/2015
12218/2015	362103	24-04	03/06/2015	12329/2015	362170	15-99	09/06/2015
12221/2015	362104	24-04	03/06/2015	12330/2015	362171	15-99	09/06/2015
12222/2015	362105	24-04	03/06/2015	12331/2015	362177	09-03C	09/06/2015
12224/2015	362106	06-01NES	03/06/2015	12332/2015	362178	02-02C	09/06/2015
12225/2015	362107	15-02	03/06/2015	12333/2015	362179	02-02C	09/06/2015
12226/2015	362108	02-02C	03/06/2015	12336/2015	362180	21-01M	09/06/2015
12228/2015	362109	12-11	03/06/2015	12337/2015	362183	03-01A	10/06/2015
12229/2015	362122	13-02	03/06/2015	12338/2015	362184	03-01A	10/06/2015
12230/2015	362123	13-02	03/06/2015	12339/2015	362185	03-01A	10/06/2015
12233/2015	362124	09-01A	03/06/2015	12340/2015	362186	03-01A	10/06/2015
12234/2015	362125	09-01A	03/06/2015	12341/2015	362187	03-01A	10/06/2015
12240/2015	362131	13-99	04/06/2015	12342/2015	362188	03-01A	10/06/2015
12241/2015	362132	23-01G	04/06/2015	12343/2015	362189	03-01A	10/06/2015
12242/2015	362133	23-01G	04/06/2015	12344/2015	362190	09-01NES	10/06/2015
12246/2015	362141	09-05	04/06/2015	12346/2015	362195	12-12	10/06/2015
12249/2015	362142	26-03	04/06/2015	12347/2015	362196	21-02NES	10/06/2015
12250/2015	362143	26-03	04/06/2015	12348/2015	362207	09-03F	10/06/2015
12251/2015	362144	08-01	04/06/2015	12349/2015	362208	11-01NES	10/06/2015

Publication and Registration Proceedings - Designs Registered cont'd

Design Number	Registration Number	International Classification Code (IDC)	Registration Date	Design Number	Registration Number	International Classification Code (IDC)	Registration Date
12350/2015	362209	11-01NES	10/06/2015	12426/2015	362242	06-01F	11/06/2015
12353/2015	362210	21-01F	10/06/2015	12427/2015	362243	06-01F	11/06/2015
12362/2015	362220	23-02C	11/06/2015	12428/2015	362244	06-01F	11/06/2015
12364/2015	362221	23-02C	11/06/2015	12429/2015	362245	06-01F	11/06/2015
12377/2015	362272	09-01NES	15/06/2015	12430/2015	362246	06-01F	11/06/2015
12384/2015	362273	24-04	15/06/2015	12431/2015	362247	06-01F	11/06/2015
12385/2015	362274	24-04	15/06/2015	12432/2015	362248	06-01F	11/06/2015
12386/2015	362275	24-04	15/06/2015	12433/2015	362249	06-01F	11/06/2015
12387/2015	362276	24-04	15/06/2015	12434/2015	362250	14-01	11/06/2015
12396/2015	362222	08-01	11/06/2015	12435/2015	362254	14-01	12/06/2015
12397/2015	362262	07-01B	15/06/2015	12437/2015	362255	07-99A	12/06/2015
12398/2015	362263	07-01B	15/06/2015	12438/2015	362256	07-02K	12/06/2015
12399/2015	362264	07-01B	15/06/2015	12439/2015	362257	23-04	12/06/2015
12400/2015	362265	07-01B	15/06/2015	12440/2015	362258	06-01C	12/06/2015
12401/2015	362266	07-01B	15/06/2015	12443/2015	362259	10-04	12/06/2015
12402/2015	362267	07-01B	15/06/2015	12445/2015	362260	26-03	12/06/2015
12403/2015	362268	07-01B	15/06/2015	12447/2015	362270	07-06A	15/06/2015
12404/2015	362269	07-01B	15/06/2015	12448/2015	362271	07-06A	15/06/2015
12413/2015	362223	06-03B	11/06/2015	12454/2015	362277	07-01NES	15/06/2015
12414/2015	362224	06-03B	11/06/2015	12455/2015	362278	07-01NES	15/06/2015
12415/2015	362225	06-01E	11/06/2015	12457/2015	362279	21-02F	15/06/2015
12416/2015	362226	06-01E	11/06/2015	12458/2015	362280	04-02	15/06/2015
12417/2015	362227	09-01NES	11/06/2015	12459/2015	362281	04-02	15/06/2015
12418/2015	362230	09-01NES	11/06/2015	12460/2015	362282	04-02	15/06/2015
12419/2015	362235	09-01H	11/06/2015	12461/2015	362283	22-06	15/06/2015
12420/2015	362236	09-01H	11/06/2015	12745/2015	362053	13-02	01/06/2015
12421/2015	362237	06-01G	11/06/2015	12788/2015	362111	09-03NES	03/06/2015
12422/2015	362238	06-01G	11/06/2015	12789/2015	362113	09-03NES	03/06/2015
12423/2015	362239	07-06C	11/06/2015	12790/2015	362115	09-03NES	03/06/2015
12424/2015	362240	07-06C	11/06/2015				
12425/2015	362241	06-01F	11/06/2015				

Publication and Registration Proceedings

Class Listing of Designs Published or Registered

The following section shows an International Classification Code listing of the Registered or Published Designs covered in this supplement.

Classification	Registration Number	Design Number	Classification	Registration Number	Design Number
01-01	362094	12214/2015	06-01E	362226	12416/2015
02-01NES	362194	12301/2015	06-01F	362241	12425/2015
02-02C	362025	11692/2015	06-01F	362242	12426/2015
02-02C	362036	12141/2015	06-01F	362243	12427/2015
02-02C	362108	12226/2015	06-01F	362244	12428/2015
02-02C	362148	12263/2015	06-01F	362245	12429/2015
02-02C	362149	12264/2015	06-01F	362246	12430/2015
02-02C	362150	12265/2015	06-01F	362247	12431/2015
02-02C	362154	12269/2015	06-01F	362248	12432/2015
02-02C	362155	12270/2015	06-01F	362249	12433/2015
02-02C	362156	12271/2015	06-01G	362085	12188/2015
02-02C	362157	12272/2015	06-01G	362086	12189/2015
02-02C	362178	12332/2015	06-01G	362087	12190/2015
02-02C	362179	12333/2015	06-01G	362176	12185/2015
02-02NES	362022	11676/2015	06-01G	362237	12421/2015
02-02NES	362024	11691/2015	06-01G	362238	12422/2015
02-02NES	362031	12129/2015	06-01NES	362106	12224/2015
02-02NES	362032	12130/2015	06-03B	362223	12413/2015
02-02NES	362033	12131/2015	06-03B	362224	12414/2015
02-02NES	362034	12133/2015	06-04NES	362067	12172/2015
02-02NES	362035	12137/2015	06-04NES	362261	11311/2015
02-02NES	362074	11689/2015	07-01B	362262	12397/2015
02-02NES	362146	12261/2015	07-01B	362263	12398/2015
02-02NES	362147	12262/2015	07-01B	362264	12399/2015
02-02NES	362151	12266/2015	07-01B	362265	12400/2015
02-02NES	362152	12267/2015	07-01B	362266	12401/2015
02-02NES	362153	12268/2015	07-01B	362267	12402/2015
02-02NES	362251	11680/2015	07-01B	362268	12403/2015
02-02NES	362252	11682/2015	07-01B	362269	12404/2015
02-02NES	362253	11684/2015	07-01D	362049	11904/2015
02-03	362118	11082/2015	07-01F	362047	11902/2015
02-03	362203	12322/2015	07-01F	362088	12191/2015
02-04B	362029	11698/2015	07-01NES	362048	11903/2015
02-04NES	362026	11693/2015	07-01NES	362050	11905/2015
02-04NES	362027	11696/2015	07-01NES	362277	12454/2015
02-04NES	362028	11697/2015	07-01NES	362278	12455/2015
03-01A	362023	11678/2015	07-02K	362256	12438/2015
03-01A	362183	12337/2015	07-02M	362052	11907/2015
03-01A	362184	12338/2015	07-02N	362206	12327/2015
03-01A	362185	12339/2015	07-04	362017	11482/2015
03-01A	362186	12340/2015	07-04	362018	11493/2015
03-01A	362187	12341/2015	07-04	362164	12274/2015
03-01A	362188	12342/2015	07-06A	362089	12198/2015
03-01A	362189	12343/2015	07-06A	362116	16285/2014
03-01B	362168	12293/2015	07-06A	362270	12447/2015
03-01B	362234	11634/2015	07-06A	362271	12448/2015
03-99	362121	11392/2015	07-06C	362239	12423/2015
03-99	362136	10888/2015	07-06C	362240	12424/2015
04-02	362280	12458/2015	07-99A	362119	11084/2015
04-02	362281	12459/2015	07-99A	362255	12437/2015
04-02	362282	12460/2015	08-01	362144	12251/2015
06-01C	362258	12440/2015	08-01	362222	12396/2015
06-01E	362225	12415/2015	08-03	362212	11529/2015

Registration Proceedings - Class Listing of Designs Published or Registered cont'd

Classification	Registration Number	Design Number	Classification	Registration Number	Design Number
08-03	362232	11531/2015	12-10	362181	11924/2015
08-03	362233	11533/2015	12-10	362213	11925/2015
08-06	362065	12170/2015	12-11	362095	12215/2015
08-06	362126	10825/2015	12-11	362101	12216/2015
08-08B	362041	12156/2015	12-11	362102	12217/2015
08-09	362083	12082/2015	12-11	362109	12228/2015
09-01A	362124	12233/2015	12-12	362195	12346/2015
09-01A	362125	12234/2015	12-15B	362038	12155/2015
09-01D	362201	12318/2015	12-15B	362091	12200/2015
09-01D	362202	12319/2015	12-15C	362082	11078/2015
09-01G	362158	11848/2015	12-16M	362076	15718/2014
09-01G	362160	11357/2015	12-16NES	362145	10980/2015
09-01H	362235	12419/2015	13-02	362042	10721/2015
09-01H	362236	12420/2015	13-02	362053	12745/2015
09-01NES	362062	12167/2015	13-02	362054	11320/2015
09-01NES	362063	12168/2015	13-02	362122	12229/2015
09-01NES	362134	14994/2014	13-02	362123	12230/2015
09-01NES	362135	15001/2014	13-02	362127	12192/2015
09-01NES	362190	12344/2015	13-02	362172	11285/2015
09-01NES	362227	12417/2015	13-02	362173	11288/2015
09-01NES	362230	12418/2015	13-02	362174	11292/2015
09-01NES	362272	12377/2015	13-02	362175	11293/2015
09-03C	362177	12331/2015	13-03B	362159	11354/2015
09-03F	362141	12246/2015	13-99	362131	12240/2015
09-03F	362207	12348/2015	14-01	362127	12192/2015
09-03M	362120	11286/2015	14-01	362250	12434/2015
09-03M	362211	11518/2015	14-01	362254	12435/2015
09-03NES	362030	12115/2015	14-02	362072	10938/2015
09-03NES	362110	13726/2014	14-03A	362216	12320/2015
09-03NES	362111	12788/2015	14-03A	362217	12321/2015
09-03NES	362112	13727/2014	15-02	362107	12225/2015
09-03NES	362113	12789/2015	15-04	362204	12323/2015
09-03NES	362114	13728/2014	15-04	362205	12324/2015
09-03NES	362115	12790/2015	15-99	362169	12328/2015
09-04	362130	12207/2015	15-99	362170	12329/2015
09-05	362069	10924/2015	15-99	362171	12330/2015
09-05	362070	10930/2015	15-99	362218	12325/2015
09-05	362071	10932/2015	15-99	362219	12326/2015
09-05	362096	10929/2015	16-06	362197	12306/2015
09-05	362097	10931/2015	16-06	362198	12307/2015
09-05	362098	10933/2015	19-08	362231	11380/2015
09-05	362141	12246/2015	20-02NES	362051	11906/2015
09-05	362215	12312/2015	20-02NES	362056	12161/2015
09-07B	362099	12204/2015	20-02NES	362057	12162/2015
09-07B	362100	12205/2015	20-02NES	362058	12163/2015
09-09	362068	12173/2015	20-02NES	362059	12164/2015
10-02	362214	11975/2015	20-02NES	362060	12165/2015
10-04	362259	12443/2015	21-01F	362210	12353/2015
11-01NES	362208	12349/2015	21-01G	362229	12160/2015
11-01NES	362209	12350/2015	21-01H	362066	12171/2015
11-02B	362061	12166/2015	21-01M	362180	12336/2015
11-02B	362193	12300/2015	21-02F	362279	12457/2015
11-05	362228	12026/2015	21-02NES	362196	12347/2015
12-08	362139	11229/2015	21-03	362077	10867/2015
12-08	362140	11230/2015	21-03	362078	10868/2015
12-10	362040	11899/2015	21-03	362079	10869/2015

Registration Proceedings - Class Listing of Designs Published or Registered cont'd

Classification	Registration Number	Design Number	Classification	Registration Number	Design Number
21-03	362080	10870/2015	24-04	362105	12222/2015
21-03	362081	10871/2015	24-04	362182	12003/2015
22-01	362021	11575/2015	24-04	362273	12384/2015
22-06	362283	12461/2015	24-04	362274	12385/2015
23-01G	362132	12241/2015	24-04	362275	12386/2015
23-01G	362133	12242/2015	24-04	362276	12387/2015
23-02B	362191	12296/2015	24-99	362128	12194/2015
23-02B	362192	12297/2015	24-99	362129	12195/2015
23-02C	362220	12362/2015	26-03	362142	12249/2015
23-02C	362221	12364/2015	26-03	362143	12250/2015
23-04	362019	11522/2015	26-03	362260	12445/2015
23-04	362257	12439/2015	26-05A	362092	12210/2015
24-01	362020	11530/2015	26-05A	362093	12212/2015
24-01	362043	10793/2015	26-05C	362200	12315/2015
24-01	362045	11301/2015	26-05D	362138	10984/2015
24-01	362046	11356/2015	26-05E	362014	15410/2014
24-01	362073	11573/2015	26-05E	362015	15411/2014
24-01	362084	12175/2015	26-06	362016	11042/2015
24-01	362165	12282/2015	26-06	362090	12199/2015
24-01	362166	12283/2015	27-02	362117	16712/2014
24-02	362075	12049/2015	27-02	362163	12064/2015
24-02	362199	12308/2015	27-99	362055	12159/2015
24-03	362044	10966/2015	28-99	362161	11358/2015
24-03	362137	10971/2015	28-99	362162	11368/2015
24-04	362037	12145/2015	30-04	362039	11309/2015
24-04	362064	12169/2015	30-04	362167	12289/2015
24-04	362103	12218/2015			
24-04	362104	12221/2015			

(21) Design Number: **15410/2014**

(22) Date of Filing Application: **27 October 2014**

(24) Date from which industrial property rights may have effect: **27 October 2014**

(54) Product in respect of which the design is registered: **LED light module - verticle**

(51) International Design Classification: **26-05E**

(74) Name(s) of Attorney(s): **CIP International Pty Ltd**

(71) Name(s) and Address(s) of Applicant(s):

Global Tech China Limited

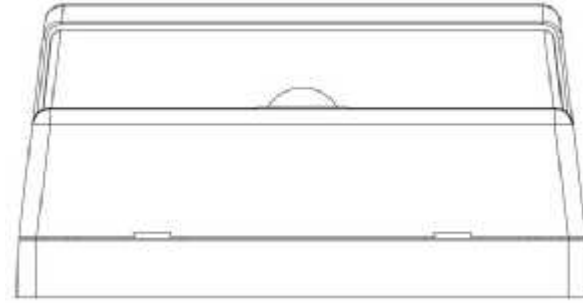
**Flat A, 3/F Wai Yip Industrial Building 171 Wai Yip Street Kwun Tong,
Hong Kong China**

(72) Name(s) of Designer(s): **Keith Adrian Gough and John Harold Fearnall**

(45) Registration Date: **29 May 2015**

(56) Related Art Documents: **Not Applicable**

(57) Statement of Newness and Distinctiveness: **Nil**



(21) Design Number: **15411/2014**

(22) Date of Filing Application: **27 October 2014**

(24) Date from which industrial property rights may have effect: **27 October 2014**

(54) Product in respect of which the design is registered: **LED light module - horizontal**

(51) International Design Classification: **26-05E**

(74) Name(s) of Attorney(s): **CIP International Pty Ltd**

(71) Name(s) and Address(s) of Applicant(s):

Global Tech China Limited

**Flat A, 3/F Wai Yip Industrial Building 171 Wai Yip Street Kwun Tong,
Hong Kong China**

(72) Name(s) of Designer(s): **Keith Adrian Gough and John Harold Fearnall**

(45) Registration Date: **29 May 2015**

(56) Related Art Documents: **Not Applicable**

(57) Statement of Newness and Distinctiveness: **Nil**



(21) Design Number: **11042/2015**
(22) Date of Filing Application: **26 February 2015**
(24) Date from which industrial property rights may have effect: **26 February 2015**
(54) Product in respect of which the design is registered: **Front combination lamp for motor scooter**
(51) International Design Classification: **26-06**
(74) Name(s) of Attorney(s): **Spruson & Ferguson**
(71) Name(s) and Address(s) of Applicant(s):
Honda Motor Co., Ltd.
1-1, Minami-Aoyama 2-chome, Minato-ku Tokyo, 107-8556 Japan
(72) Name(s) of Designer(s): **Daisuke Kuriki and Genichi Kito and Eiji Ashihara**
(45) Registration Date: **29 May 2015**
(30) Convention priority data:
(31) Number (32) Date (33) Country
2014-019988 09 Sep 2014 JAPAN
(56) Related Art Documents: **Not Applicable**
(57) Statement of Newness and Distinctiveness: **Newness and distinctiveness is claimed in the features of shape and/or configuration of a front combination lamp for motor scooter as illustrated in the accompanying representations.**



(21) Design Number: **11482/2015**
(22) Date of Filing Application: **18 March 2015**
(24) Date from which industrial property rights may have effect: **18 March 2015**
(54) Product in respect of which the design is registered: **Mandolin slicer**
(51) International Design Classification: **07-04**
(74) Name(s) of Attorney(s): **Davies Collison Cave**
(71) Name(s) and Address(s) of Applicant(s):
De Buyer Industries
25 Faymont Le Val-d'Ajol 88340 France
(72) Name(s) of Designer(s): **Julien De Buyer and Jean-Noel Mathieu**
(45) Registration Date: **29 May 2015**
(30) Convention priority data:
(31) Number (32) Date (33) Country
**DM/085,074 23 Oct 2014 WORLD INTELLECTUAL
PROPERTY ORGANIZATION
(WIPO)**
(56) Related Art Documents: **Not Applicable**
(57) Statement of Newness and Distinctiveness: **Newness and distinctiveness is claimed in the visual features shown in solid lines in the representations. The broken line is included for the purpose of illustrating the placement of the blades in the mandolin slicer and forms no part of the claimed design.**



(21) Design Number: **11493/2015**
(22) Date of Filing Application: **18 March 2015**
(24) Date from which industrial property rights may have effect: **18 March 2015**
(54) Product in respect of which the design is registered: **Case for blades of a mandolin slicer**
(51) International Design Classification: **07-04**
(74) Name(s) of Attorney(s): **Davies Collison Cave**
(71) Name(s) and Address(s) of Applicant(s):
De Buyer Industries
25 Faymont Le Val-d'Ajol 88340 France
(72) Name(s) of Designer(s): **Julien De Buyer and Jean-Noel Mathieu**
(45) Registration Date: **29 May 2015**
(30) Convention priority data:
(31) Number (32) Date (33) Country
**DM/085,074 23 Oct 2014 WORLD INTELLECTUAL
PROPERTY ORGANIZATION
(WIPO)**



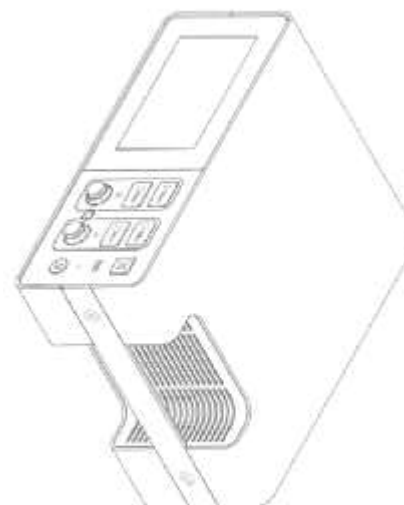
(56) Related Art Documents: **Not Applicable**
(57) Statement of Newness and Distinctiveness: **Newness and distinctiveness is claimed in the visual features shown in solid lines in the representations. The broken lines are included for the purpose of illustrating the blade placement within the case for blades of a mandolin slicer and forms no part of the claimed design.**

(21) Design Number: **11522/2015**
(22) Date of Filing Application: **19 March 2015**
(24) Date from which industrial property rights may have effect: **19 March 2015**
(54) Product in respect of which the design is registered: **Air purifier**
(51) International Design Classification: **23-04**
(74) Name(s) of Attorney(s): **Davies Collison Cave**
(71) Name(s) and Address(s) of Applicant(s):
Sharp Kabushiki Kaisha
22-22, Nagaike-cho Abeno-ku Osaka 545-8522 Japan
(72) Name(s) of Designer(s): **Shunsuke Nara and Nobuhiro Fujii and Hiroshi Mizuno**
(45) Registration Date: **29 May 2015**
(30) Convention priority data:
(31) Number (32) Date (33) Country
2014-026552 28 Nov 2014 JAPAN



(56) Related Art Documents: **Not Applicable**
(57) Statement of Newness and Distinctiveness: **Newness and distinctiveness is claimed in the visual features shown in the representations.**

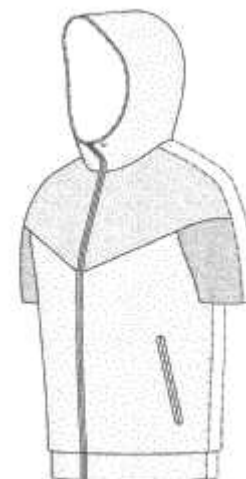
- (21) Design Number: **11530/2015**
(22) Date of Filing Application: **20 March 2015**
(24) Date from which industrial property rights may have effect: **20 March 2015**
(54) Product in respect of which the design is registered: **Medical device control unit**
(51) International Design Classification: **24-01**
(74) Name(s) of Attorney(s): **Davies Collison Cave**
(71) Name(s) and Address(s) of Applicant(s):
Biocompatibles UK Limited
Chapman House Farnham Business Park, Weydon Lane Farnham Surrey
GU9 8QL United Kingdom
(72) Name(s) of Designer(s): **Curtis Genstler and William Russell Kanz and Michael George Svob and William Lyle Richardson and Jeff Ladwig and Amy Brumet and Eric Wahl and David Kalamen and Stephanie Seraphina and Alex Hay**
(45) Registration Date: **29 May 2015**
(30) Convention priority data:
(31) Number (32) Date (33) Country
29/503,033 22 Sep 2014 UNITED STATES OF AMERICA
(56) Related Art Documents: **Not Applicable**
(57) Statement of Newness and Distinctiveness: **The broken lines showing features of the medical device control unit are for illustrative purposes only and form no part of the claimed design. Color and texture may or may not form part of the claimed design without departing from the design disclosed.**



- (21) Design Number: **11575/2015**
(22) Date of Filing Application: **24 March 2015**
(24) Date from which industrial property rights may have effect: **24 March 2015**
(54) Product in respect of which the design is registered: **Firearm magazine**
(51) International Design Classification: **22-01**
(74) Name(s) of Attorney(s): **Davies Collison Cave**
(71) Name(s) and Address(s) of Applicant(s):
Magpul Industries Corporation
1812 Boxelder Street Louisville Colorado, 80027 United States of America
(72) Name(s) of Designer(s): **Nicholas Kielsmeier and Jeremy M. Fiester and Richard Fitzpatrick and Michael T. Mayberry and Brian L. Nakayama**
(45) Registration Date: **29 May 2015**
(30) Convention priority data:
(31) Number (32) Date (33) Country
29/512725 22 Dec 2014 UNITED STATES OF AMERICA
(56) Related Art Documents: **Not Applicable**
(57) Statement of Newness and Distinctiveness: **Newness and distinctiveness is claimed in the visual features shown in solid lines in the representations. The broken lines showing portions of the design in all figures are included for the purpose of illustrating environment and unclaimed features and form no part of the claimed design. The long-short segment broken line indicates a boundary line and the unshaded surfaces adjacent the boundary line form no part of the claimed design.**



- (21) Design Number: **11676/2015**
(22) Date of Filing Application: **30 March 2015**
(24) Date from which industrial property rights may have effect: **30 March 2015**
(54) Product in respect of which the design is registered: **Hooded garment**
(51) International Design Classification: **02-02NES**
(74) Name(s) of Attorney(s): **Davies Collison Cave**
(71) Name(s) and Address(s) of Applicant(s):
NIKE Innovate C.V.
One Bowerman Drive Beaverton Oregon, 97005-6453 United States of America
(72) Name(s) of Designer(s): **John Burlo**
(45) Registration Date: **29 May 2015**
(56) Related Art Documents: **Not Applicable**
(57) Statement of Newness and Distinctiveness: **Newness and distinctiveness is claimed in the visual features shown in solid lines in the representations. The contrast in shading represents a contrast of appearance and does not represent any colour, material or texture.**



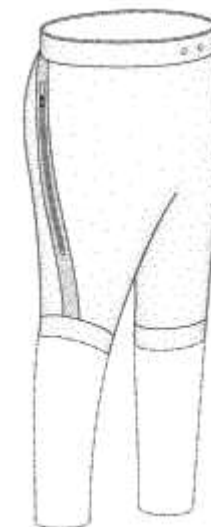
- (21) Design Number: **11678/2015**
(22) Date of Filing Application: **30 March 2015**
(24) Date from which industrial property rights may have effect: **30 March 2015**
(54) Product in respect of which the design is registered: **Bag**
(51) International Design Classification: **03-01A**
(74) Name(s) of Attorney(s): **Davies Collison Cave**
(71) Name(s) and Address(s) of Applicant(s):
NIKE Innovate C.V.
One Bowerman Drive Beaverton Oregon, 97005-6453 United States of America
(72) Name(s) of Designer(s): **Justin Amago**
(45) Registration Date: **29 May 2015**
(56) Related Art Documents: **Not Applicable**
(57) Statement of Newness and Distinctiveness: **Newness and distinctiveness is claimed in the visual features shown in solid lines in the representations. The contrast in shading represents a contrast of appearance and does not represent any colour, material or texture.**



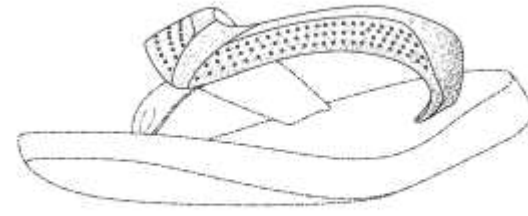
- (21) Design Number: **11691/2015**
(22) Date of Filing Application: **30 March 2015**
(24) Date from which industrial property rights may have effect: **30 March 2015**
(54) Product in respect of which the design is registered: **Shirt**
(51) International Design Classification: **02-02NES**
(74) Name(s) of Attorney(s): **Davies Collison Cave**
(71) Name(s) and Address(s) of Applicant(s):
NIKE Innovate C.V.
One Bowerman Drive Beaverton Oregon, 97005-6453 United States of America
(72) Name(s) of Designer(s): **Rob Darmour**
(45) Registration Date: **29 May 2015**
(56) Related Art Documents: **Not Applicable**
(57) Statement of Newness and Distinctiveness: **Newness and distinctiveness is claimed in the visual features shown in solid lines in the representations. The contrast in shading represents a contrast of appearance and does not represent any colour, material or texture.**



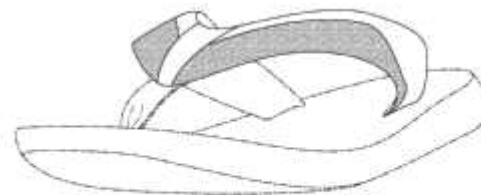
- (21) Design Number: **11692/2015**
(22) Date of Filing Application: **30 March 2015**
(24) Date from which industrial property rights may have effect: **30 March 2015**
(54) Product in respect of which the design is registered: **Garment**
(51) International Design Classification: **02-02C**
(74) Name(s) of Attorney(s): **Davies Collison Cave**
(71) Name(s) and Address(s) of Applicant(s):
NIKE Innovate C.V.
One Bowerman Drive Beaverton Oregon, 97005-6453 United States of America
(72) Name(s) of Designer(s): **Rob Darmour**
(45) Registration Date: **29 May 2015**
(56) Related Art Documents: **Not Applicable**
(57) Statement of Newness and Distinctiveness: **Newness and distinctiveness is claimed in the visual features shown in solid lines in the representations. The contrast in shading represents a contrast of appearance and does not represent any colour, material or texture.**



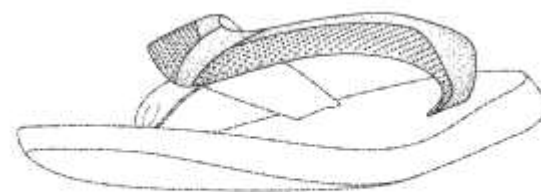
- (21) Design Number: **11693/2015**
(22) Date of Filing Application: **30 March 2015**
(24) Date from which industrial property rights may have effect: **30 March 2015**
(54) Product in respect of which the design is registered: **Shoe**
(51) International Design Classification: **02-04NES**
(74) Name(s) of Attorney(s): **Davies Collison Cave**
(71) Name(s) and Address(s) of Applicant(s):
Hurley Phantom C.V.
One Bowerman Drive Beaverton Oregon, 97005-6453 United States of America
- (72) Name(s) of Designer(s): **Bruce Moore**
(45) Registration Date: **29 May 2015**
(56) Related Art Documents: **Not Applicable**
(57) Statement of Newness and Distinctiveness: **Newness and distinctiveness is claimed in the visual features shown in solid lines in the representations. The contrast in shading represents a contrast of appearance and does not represent any colour, material or texture.**



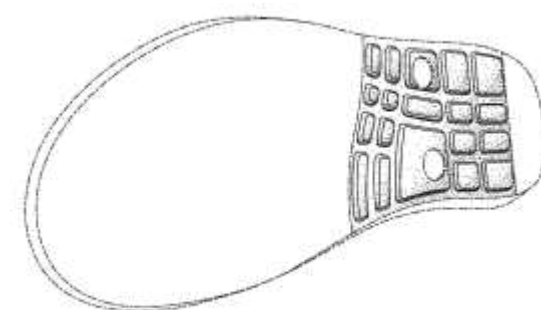
- (21) Design Number: **11696/2015**
(22) Date of Filing Application: **30 March 2015**
(24) Date from which industrial property rights may have effect: **30 March 2015**
(54) Product in respect of which the design is registered: **Shoe**
(51) International Design Classification: **02-04NES**
(74) Name(s) of Attorney(s): **Davies Collison Cave**
(71) Name(s) and Address(s) of Applicant(s):
Hurley Phantom C.V.
One Bowerman Drive Beaverton Oregon, 97005-6453 United States of America
- (72) Name(s) of Designer(s): **Bruce Moore**
(45) Registration Date: **29 May 2015**
(56) Related Art Documents: **Not Applicable**
(57) Statement of Newness and Distinctiveness: **Newness and distinctiveness is claimed in the visual features shown in solid lines in the representations. The contrast in shading represents a contrast of appearance and does not represent any colour, material or texture.**



- (21) Design Number: **11697/2015**
(22) Date of Filing Application: **30 March 2015**
(24) Date from which industrial property rights may have effect: **30 March 2015**
(54) Product in respect of which the design is registered: **Shoe**
(51) International Design Classification: **02-04NES**
(74) Name(s) of Attorney(s): **Davies Collison Cave**
(71) Name(s) and Address(s) of Applicant(s):
Hurley Phantom C.V.
One Bowerman Drive Beaverton Oregon, 97005-6453 United States of America
(72) Name(s) of Designer(s): **Bruce Moore**
(45) Registration Date: **29 May 2015**
(56) Related Art Documents: **Not Applicable**
(57) Statement of Newness and Distinctiveness: **Newness and distinctiveness is claimed in the visual features shown in solid lines in the representations. The contrast in shading represents a contrast of appearance and does not represent any colour, material or texture.**



- (21) Design Number: **11698/2015**
(22) Date of Filing Application: **30 March 2015**
(24) Date from which industrial property rights may have effect: **30 March 2015**
(54) Product in respect of which the design is registered: **Shoe**
(51) International Design Classification: **02-04B**
(74) Name(s) of Attorney(s): **Davies Collison Cave**
(71) Name(s) and Address(s) of Applicant(s):
Hurley Phantom C.V.
One Bowerman Drive Beaverton Oregon, 97005-6453 United States of America
(72) Name(s) of Designer(s): **Bruce Moore**
(45) Registration Date: **29 May 2015**
(56) Related Art Documents: **Not Applicable**
(57) Statement of Newness and Distinctiveness: **Newness and distinctiveness is claimed in the visual features shown in solid lines in the representations. The contrast in shading represents a contrast of appearance and does not represent any colour, material or texture.**



(21) Design Number: **12115/2015**
(22) Date of Filing Application: **22 April 2015**
(24) Date from which industrial property rights may have effect: **22 April 2015**
(54) Product in respect of which the design is registered: **Container**
(51) International Design Classification: **09-03NES**
(74) Name(s) of Attorney(s): **MINTER ELLISON**
(71) Name(s) and Address(s) of Applicant(s):
Chobani, LLC.
147 State Highway 320 Norwich NY, 13815-3561 United States of America
(72) Name(s) of Designer(s): **Jean-Yves Latour and Niel Sandfort and Christopher Ryan and Stephane Grognet**
(45) Registration Date: **29 May 2015**
(30) Convention priority data:
(31) Number (32) Date (33) Country
29/507,059 23 Oct 2014 UNITED STATES OF AMERICA
(56) Related Art Documents: **Not Applicable**
(57) Statement of Newness and Distinctiveness: **The following visual features of the design are new and distinctive: the shape and configuration of a Container as shown in the accompanying drawings.**



(21) Design Number: **12129/2015**
(22) Date of Filing Application: **23 April 2015**
(24) Date from which industrial property rights may have effect: **23 April 2015**
(54) Product in respect of which the design is registered: **A hooded jumper**
(51) International Design Classification: **02-02NES**
(74) Name(s) of Attorney(s):
(71) Name(s) and Address(s) of Applicant(s):
Industrie IP Pty Limited
55 Railway Pde Marrickville NSW 2204 Australia
(72) Name(s) of Designer(s): **Nicholas Kelly**
(45) Registration Date: **29 May 2015**
(56) Related Art Documents: **Not Applicable**
(57) Statement of Newness and Distinctiveness: **Nil**



(21) Design Number: **12130/2015**
(22) Date of Filing Application: **23 April 2015**
(24) Date from which industrial property rights may have effect: **23 April 2015**
(54) Product in respect of which the design is registered: **A jacket**
(51) International Design Classification: **02-02NES**
(74) Name(s) of Attorney(s):
(71) Name(s) and Address(s) of Applicant(s):
Industrie IP Pty Limited
55 Railway Pde Marrickville NSW 2204 Australia
(72) Name(s) of Designer(s): **Nicholas Kelly**
(45) Registration Date: **29 May 2015**
(56) Related Art Documents: **Not Applicable**
(57) Statement of Newness and Distinctiveness: **Nil**



(21) Design Number: **12131/2015**
(22) Date of Filing Application: **23 April 2015**
(24) Date from which industrial property rights may have effect: **23 April 2015**
(54) Product in respect of which the design is registered: **A jacket**
(51) International Design Classification: **02-02NES**
(74) Name(s) of Attorney(s):
(71) Name(s) and Address(s) of Applicant(s):
Industrie IP Pty Limited
55 Railway Pde Marrickville NSW 2204 Australia
(72) Name(s) of Designer(s): **Nicholas Kelly**
(45) Registration Date: **29 May 2015**
(56) Related Art Documents: **Not Applicable**
(57) Statement of Newness and Distinctiveness: **Nil**



(21) Design Number: **12133/2015**

(22) Date of Filing Application: **23 April 2015**

(24) Date from which industrial property rights may have effect: **23 April 2015**

(54) Product in respect of which the design is registered: **A jacket**

(51) International Design Classification: **02-02NES**

(74) Name(s) of Attorney(s):

(71) Name(s) and Address(s) of Applicant(s):

Industrie IP Pty Limited

55 Railway Pde Marrickville NSW 2204 Australia

(72) Name(s) of Designer(s): **Nicholas Kelly**

(45) Registration Date: **29 May 2015**

(56) Related Art Documents: **Not Applicable**

(57) Statement of Newness and Distinctiveness: **Nil**



(21) Design Number: **12137/2015**

(22) Date of Filing Application: **23 April 2015**

(24) Date from which industrial property rights may have effect: **23 April 2015**

(54) Product in respect of which the design is registered: **A jacket**

(51) International Design Classification: **02-02NES**

(74) Name(s) of Attorney(s):

(71) Name(s) and Address(s) of Applicant(s):

Industrie IP Pty Limited

55 Railway Pde Marrickville NSW 2204 Australia

(72) Name(s) of Designer(s): **Nicholas Kelly**

(45) Registration Date: **29 May 2015**

(56) Related Art Documents: **Not Applicable**

(57) Statement of Newness and Distinctiveness: **Nil**



(21) Design Number: **12141/2015**
(22) Date of Filing Application: **23 April 2015**
(24) Date from which industrial property rights may have effect: **23 April 2015**
(54) Product in respect of which the design is registered: **A pair of pants**
(51) International Design Classification: **02-02C**
(74) Name(s) of Attorney(s):
(71) Name(s) and Address(s) of Applicant(s):
Industrie IP Pty Limited
55 Railway Pde Marrickville NSW 2204 Australia
(72) Name(s) of Designer(s): **Nicholas Kelly**
(45) Registration Date: **29 May 2015**
(56) Related Art Documents: **Not Applicable**
(57) Statement of Newness and Distinctiveness: **Nil**



(21) Design Number: **12145/2015**
(22) Date of Filing Application: **23 April 2015**
(24) Date from which industrial property rights may have effect: **23 April 2015**
(54) Product in respect of which the design is registered: **IV dressing**
(51) International Design Classification: **24-04**
(74) Name(s) of Attorney(s): **Chrysiliou IP**
(71) Name(s) and Address(s) of Applicant(s):
Multigate Medical Products Pty Limited
27 Llewellyn Ave Villawood NSW 2163 Australia
(72) Name(s) of Designer(s): **Ben Chen**
(45) Registration Date: **29 May 2015**
(56) Related Art Documents: **Not Applicable**
(57) Statement of Newness and Distinctiveness: **The newness and distinctiveness resides in the features of the shape and configuration of the IV dressing as shown in the accompanying representations.**



(21) Design Number: **12155/2015**
(22) Date of Filing Application: **24 April 2015**
(24) Date from which industrial property rights may have effect: **24 April 2015**
(54) Product in respect of which the design is registered: **Tire**
(51) International Design Classification: **12-15B**
(74) Name(s) of Attorney(s): **PHILLIPS ORMONDE FITZPATRICK**
(71) Name(s) and Address(s) of Applicant(s):

Cooper Tire & Rubber Company
701 Lima Avenue Findlay Ohio, 45840 United States of America

(72) Name(s) of Designer(s): **Jason Q Fu**

(45) Registration Date: **29 May 2015**

(30) Convention priority data:

(31) Number	(32) Date	(33) Country
29/512,431	18 Dec 2014	UNITED STATES OF AMERICA

(56) Related Art Documents: **Not Applicable**

(57) Statement of Newness and Distinctiveness: **Those features of the tire depicted in the representations that are new and distinctive are the shape and/or configuration of the tread of the tire. The remaining portion of the tire tread partially showing in Fig.5 is a repetition of the illustrated portion. The broken line showings of the sidewall, inner bead, and the peripheral boundary between the tire tread and the sidewall, are included for the purpose of illustrating environment and are to be disregarded when considering the overall impression of the design.**



(21) Design Number: **11309/2015**
(22) Date of Filing Application: **10 March 2015**
(24) Date from which industrial property rights may have effect: **10 March 2015**
(54) Product in respect of which the design is registered: **Dog lead attachment**
(51) International Design Classification: **30-04**
(74) Name(s) of Attorney(s):
(71) Name(s) and Address(s) of Applicant(s):

SIT N STAY PTY LTD
GPO BOX 248 Sydney NSW 2001 Australia

(72) Name(s) of Designer(s): **Clive Solari and Georgina Llanes**

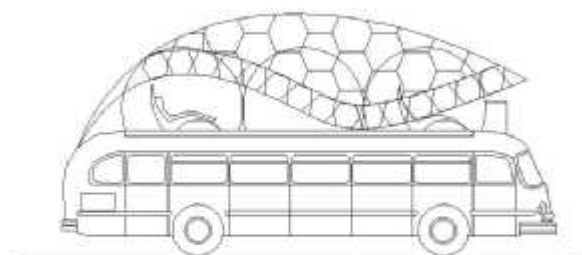
(45) Registration Date: **29 May 2015**

(56) Related Art Documents: **Not Applicable**

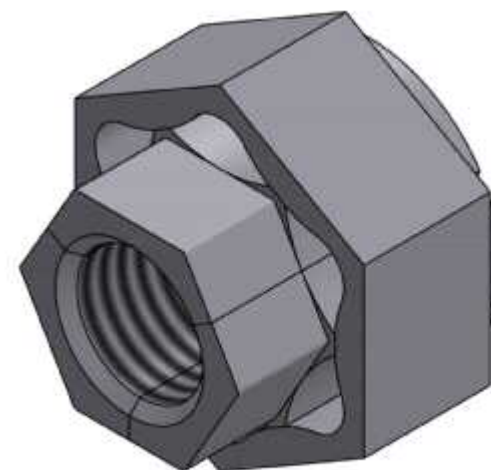
(57) Statement of Newness and Distinctiveness: **An item to attached to any dog lead to be used to easily and safely tether your dog to an object.**



(21) Design Number: **11899/2015**
(22) Date of Filing Application: **09 April 2015**
(24) Date from which industrial property rights may have effect: **09 April 2015**
(54) Product in respect of which the design is registered: **Mobile home**
(51) International Design Classification: **12-10**
(74) Name(s) of Attorney(s): **IP Service International**
(71) Name(s) and Address(s) of Applicant(s):
Serena Fiorelli
U22/3A Farrell Ave Darlinghurst NSW 2010 Australia
(72) Name(s) of Designer(s): **Serena Fiorelli**
(45) Registration Date: **29 May 2015**
(56) Related Art Documents: **Not Applicable**
(57) Statement of Newness and Distinctiveness: **Nil**



(21) Design Number: **12156/2015**
(22) Date of Filing Application: **24 April 2015**
(24) Date from which industrial property rights may have effect: **24 April 2015**
(54) Product in respect of which the design is registered: **Segmented nut**
(51) International Design Classification: **08-08B**
(74) Name(s) of Attorney(s): **Armour IP**
(71) Name(s) and Address(s) of Applicant(s):
Segnut Pty Ltd
5 Carleton PI Mandurah WA 6210 Australia
(72) Name(s) of Designer(s): **Brian Bradshaw**
(45) Registration Date: **29 May 2015**
(56) Related Art Documents: **Not Applicable**
(57) Statement of Newness and Distinctiveness: **Nil**



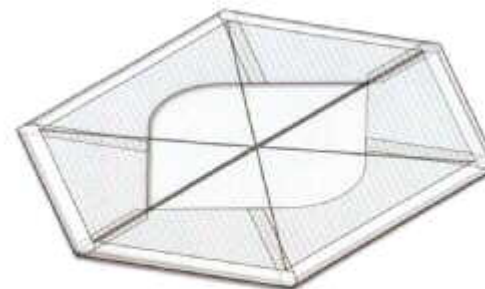
- (21) Design Number: **10721/2015**
(22) Date of Filing Application: **11 February 2015**
(24) Date from which industrial property rights may have effect: **11 February 2015**
(54) Product in respect of which the design is registered: **Charger**
(51) International Design Classification: **13-02**
(74) Name(s) of Attorney(s): **Freehills Patent Attorneys**
(71) Name(s) and Address(s) of Applicant(s):
Apple Inc.
1 Infinite Loop Cupertino California, 95014 United States of America
(72) Name(s) of Designer(s): **Jody Akana and Bartley K. Andre and Shota Aoyagi and Anthony Michael Ashcroft and Jeremy Bataillou and Daniel J. Coster and Daniele De Iuliis and M. Evans Hankey and Julian Hoenig and Richard P. Howarth and Duncan Robert Kerr and Marc A. Newson and Matthew Dean Rohrbach and Peter Russell-Clarke and Benjamin Andrew Shaffer and Mikael Silvano and Christopher J. Stringer and Eugene Antony Whang and Rico Zorkendorfer and Jonathan P. Ive**
(45) Registration Date: **01 June 2015**
(30) Convention priority data:
(31) Number (32) Date (33) Country
29/498998 11 Aug 2014 UNITED STATES OF AMERICA
(56) Related Art Documents: **Not Applicable**
(57) Statement of Newness and Distinctiveness: **Newness and distinctiveness of the design reside in the shape and configuration as shown in solid outline in the accompanying representations.**



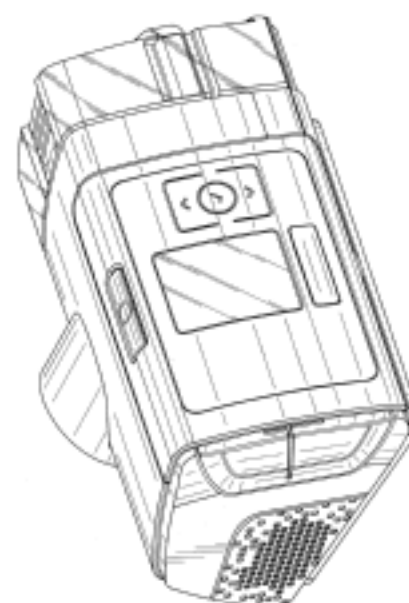
- (21) Design Number: **10793/2015**
(22) Date of Filing Application: **10 February 2015**
(24) Date from which industrial property rights may have effect: **22 January 2014**
(54) Product in respect of which the design is registered: **Air delivery tube for patient interface**
(51) International Design Classification: **24-01**
(74) Name(s) of Attorney(s): **Halfords IP**
(71) Name(s) and Address(s) of Applicant(s):
ResMed Limited
1 Elizabeth Macarthur Dr Bella Vista NSW 2153 Australia
(72) Name(s) of Designer(s): **Stewart Joseph Wagner and Frederick Arlet May and Lachlan Richard Goldspink and Martin Forrester and Ralph Jourdan**
(45) Registration Date: **01 June 2015**
(62) Divisional of: **360398**
(56) Related Art Documents: **Not Applicable**
(57) Statement of Newness and Distinctiveness: **Nil**



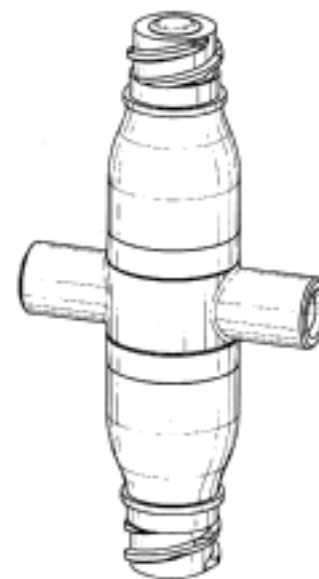
(21) Design Number: **10966/2015**
(22) Date of Filing Application: **24 February 2015**
(24) Date from which industrial property rights may have effect: **24 February 2015**
(54) Product in respect of which the design is registered: **Surgical mesh implant**
(51) International Design Classification: **24-03**
(74) Name(s) of Attorney(s): **Callinans**
(71) Name(s) and Address(s) of Applicant(s):
Johnson & Johnson Medical GMBH
Robert-Koch-Strasse 1 Norderstedt, 22851 Denmark
(72) Name(s) of Designer(s): **Jennifer Schneidereit and Boris Batke and Barbara Schuldt-Hempe**
(45) Registration Date: **01 June 2015**
(30) Convention priority data:
(31) Number (32) Date (33) Country
001419873 27 Aug 2014 OFFICE FOR HARMONISATION IN THE INTERNAL MARKET (OHIM)
(56) Related Art Documents: **Not Applicable**
(57) Statement of Newness and Distinctiveness: **Nil**



(21) Design Number: **11301/2015**
(22) Date of Filing Application: **09 March 2015**
(24) Date from which industrial property rights may have effect: **09 March 2015**
(54) Product in respect of which the design is registered: **Pressurized air delivery console**
(51) International Design Classification: **24-01**
(74) Name(s) of Attorney(s): **Halfords IP**
(71) Name(s) and Address(s) of Applicant(s):
ResMed Limited
1 Elizabeth Macarthur Dr Bella Vista NSW 2153 Australia
(72) Name(s) of Designer(s): **Mark Bertinetti and Justin John Formica and Matthew Rolf Harrington and Joseph Samuel Ormrod and Hargopal Verma and Justin Peter Wagemakers and Henri Spaile**
(45) Registration Date: **01 June 2015**
(30) Convention priority data:
(31) Number (32) Date (33) Country
29/502152 12 Sep 2014 UNITED STATES OF AMERICA
(56) Related Art Documents: **Not Applicable**
(57) Statement of Newness and Distinctiveness: **Nil**



(21) Design Number: **11356/2015**
(22) Date of Filing Application: **12 March 2015**
(24) Date from which industrial property rights may have effect: **12 March 2015**
(54) Product in respect of which the design is registered: **Fluid manifold**
(51) International Design Classification: **24-01**
(74) Name(s) of Attorney(s): **Davies Collison Cave**
(71) Name(s) and Address(s) of Applicant(s):
ICU Medical, Inc.
16200-A Carmenita Road Cerritos California, 90703 United States of America



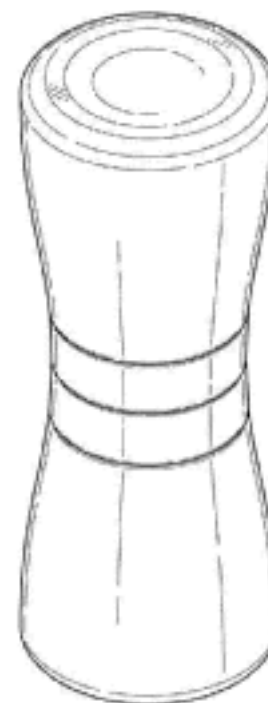
(72) Name(s) of Designer(s): **David Nelson**
(45) Registration Date: **01 June 2015**
(30) Convention priority data:
(31) Number (32) Date (33) Country
29/510,852 03 Dec 2014 UNITED STATES OF AMERICA
(56) Related Art Documents: **Not Applicable**
(57) Statement of Newness and Distinctiveness: **Applicant notes that a number of possible combinations and subcombinations are possible with respect to various aspects of other embodiments of the claimed design. With reference to the embodiments shown in the priority application for example, in some embodiments, the claimed design may not include 1 or both tube connectors on the right and left. Also by way of example, in some embodiments, the claimed design could include 1 or more ports without the shoulder stop ring and/or could include fewer part lines than shown.**

(21) Design Number: **11902/2015**
(22) Date of Filing Application: **10 April 2015**
(24) Date from which industrial property rights may have effect: **10 April 2015**
(54) Product in respect of which the design is registered: **Tableware**
(51) International Design Classification: **07-01F**
(74) Name(s) of Attorney(s): **Davies Collison Cave**
(71) Name(s) and Address(s) of Applicant(s):
Unilever PLC
100 Victoria Embankment London EC4Y 0DY United Kingdom
(72) Name(s) of Designer(s): **Robert Wim Bronwasser**
(45) Registration Date: **01 June 2015**
(30) Convention priority data:
(31) Number (32) Date (33) Country
002554758-0008 10 Oct 2014 OFFICE FOR HARMONISATION IN THE INTERNAL MARKET (OHIM)



(56) Related Art Documents: **Not Applicable**
(57) Statement of Newness and Distinctiveness: **Newness and distinctiveness is claimed in the visual features shown in solid lines in the representations.**

(21) Design Number: **11903/2015**
(22) Date of Filing Application: **10 April 2015**
(24) Date from which industrial property rights may have effect: **10 April 2015**
(54) Product in respect of which the design is registered: **Tableware**
(51) International Design Classification: **07-01NES**
(74) Name(s) of Attorney(s): **Davies Collison Cave**
(71) Name(s) and Address(s) of Applicant(s):
Unilever PLC
100 Victoria Embankment London EC4Y 0DY United Kingdom
(72) Name(s) of Designer(s): **Robert Wim Bronwasser**
(45) Registration Date: **01 June 2015**
(30) Convention priority data:
(31) Number (32) Date (33) Country
**002554758-0001 10 Oct 2014 OFFICE FOR HARMONISATION IN
THE INTERNAL MARKET (OHIM)**
(56) Related Art Documents: **Not Applicable**
(57) Statement of Newness and Distinctiveness: **Newness and distinctiveness is
claimed in the visual features shown in solid lines in the representations.**



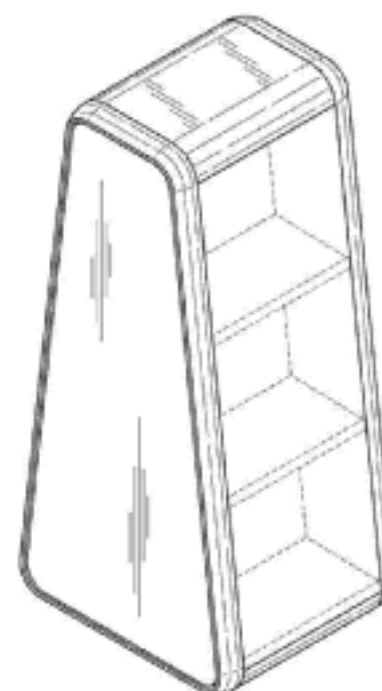
(21) Design Number: **11904/2015**
(22) Date of Filing Application: **10 April 2015**
(24) Date from which industrial property rights may have effect: **10 April 2015**
(54) Product in respect of which the design is registered: **Tableware**
(51) International Design Classification: **07-01D**
(74) Name(s) of Attorney(s): **Davies Collison Cave**
(71) Name(s) and Address(s) of Applicant(s):
Unilever PLC
100 Victoria Embankment London EC4Y 0DY United Kingdom
(72) Name(s) of Designer(s): **Robert Wim Bronwasser**
(45) Registration Date: **01 June 2015**
(30) Convention priority data:
(31) Number (32) Date (33) Country
**002554758-0003 10 Oct 2014 OFFICE FOR HARMONISATION IN
THE INTERNAL MARKET (OHIM)**
(56) Related Art Documents: **Not Applicable**
(57) Statement of Newness and Distinctiveness: **Newness and distinctiveness is
claimed in the visual features shown in solid lines in the representations.**



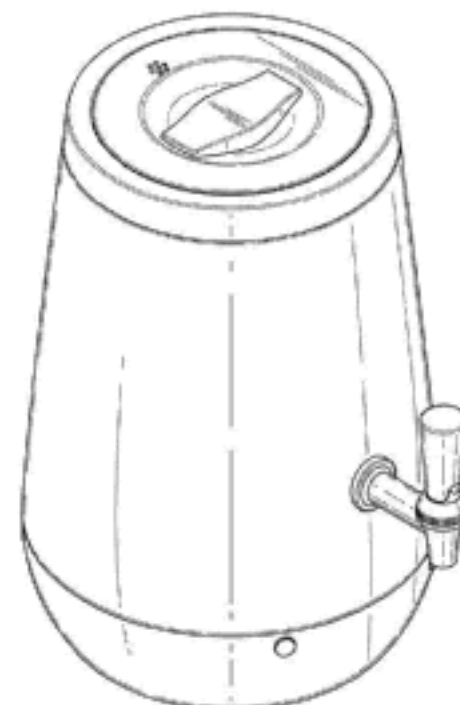
(21) Design Number: **11905/2015**
(22) Date of Filing Application: **10 April 2015**
(24) Date from which industrial property rights may have effect: **10 April 2015**
(54) Product in respect of which the design is registered: **Tea chest**
(51) International Design Classification: **07-01NES**
(74) Name(s) of Attorney(s): **Davies Collison Cave**
(71) Name(s) and Address(s) of Applicant(s):
Unilever PLC
100 Victoria Embankment London EC4Y 0DY United Kingdom
(72) Name(s) of Designer(s): **Robert Wim Bronwasser**
(45) Registration Date: **01 June 2015**
(30) Convention priority data:
(31) Number (32) Date (33) Country
002554733-0001 10 Oct 2014 OFFICE FOR HARMONISATION IN
THE INTERNAL MARKET (OHIM)
(56) Related Art Documents: **Not Applicable**
(57) Statement of Newness and Distinctiveness: **Newness and distinctiveness is claimed in the visual features shown in solid lines in the representations. In considering the extent of the broken lines shown in the representations are for illustrative purposes only and do not form part of the design.**



(21) Design Number: **11906/2015**
(22) Date of Filing Application: **10 April 2015**
(24) Date from which industrial property rights may have effect: **10 April 2015**
(54) Product in respect of which the design is registered: **Display**
(51) International Design Classification: **20-02NES**
(74) Name(s) of Attorney(s): **Davies Collison Cave**
(71) Name(s) and Address(s) of Applicant(s):
Unilever PLC
100 Victoria Embankment London EC4Y 0DY United Kingdom
(72) Name(s) of Designer(s): **Robert Wim Bronwasser**
(45) Registration Date: **01 June 2015**
(30) Convention priority data:
(31) Number (32) Date (33) Country
002554766-0001 10 Oct 2014 OFFICE FOR HARMONISATION IN
THE INTERNAL MARKET (OHIM)
(56) Related Art Documents: **Not Applicable**
(57) Statement of Newness and Distinctiveness: **Newness and distinctiveness is claimed in the visual features shown in solid lines in the representations. In considering the extent of the design rights, the broken lines shown in the representations are for illustrative purposes only and do not form part of the design.**



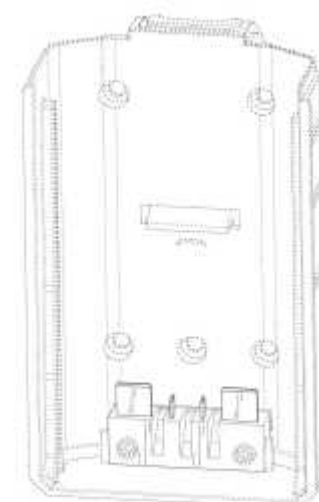
(21) Design Number: **11907/2015**
(22) Date of Filing Application: **10 April 2015**
(24) Date from which industrial property rights may have effect: **10 April 2015**
(54) Product in respect of which the design is registered: **Conic boiler**
(51) International Design Classification: **07-02M**
(74) Name(s) of Attorney(s): **Davies Collison Cave**
(71) Name(s) and Address(s) of Applicant(s):
Unilever PLC
100 Victoria Embankment London EC4Y 0DY United Kingdom
(72) Name(s) of Designer(s): **Robert Wim Bronwasser**
(45) Registration Date: **01 June 2015**
(30) Convention priority data:
(31) Number (32) Date (33) Country
002555003-0001 10 Oct 2014 OFFICE FOR HARMONISATION IN
THE INTERNAL MARKET (OHIM)
(56) Related Art Documents: **Not Applicable**
(57) Statement of Newness and Distinctiveness: **Newness and distinctiveness is**
claimed in the visual features shown in solid lines in the representations.



(21) Design Number: **12745/2015**
(22) Date of Filing Application: **11 February 2015**
(24) Date from which industrial property rights may have effect: **11 February 2015**
(54) Product in respect of which the design is registered: **Charger**
(51) International Design Classification: **13-02**
(74) Name(s) of Attorney(s): **Freehills Patent Attorneys**
(71) Name(s) and Address(s) of Applicant(s):
Apple Inc.
1 Infinite Loop Cupertino California, 95014 United States of America
(72) Name(s) of Designer(s): **Jody Akana and Bartley K. Andre and Shota**
Aoyagi and Anthony Michael Ashcroft and Jeremy Bataillou and Daniel
J. Coster and Daniele De Iuliis and M. Evans Hankey and Julian Hoenig
and Richard P. Howarth and Jonathan P. Ive and Duncan Robert Kerr and
Marc A. Newson and Matthew Dean Rohrbach and Peter Russell-Clarke
and Benjamin Andrew Shaffer and Mikael Silvanto and Christopher J.
Stringer and Eugene Antony Whang and Rico Zorkendorfer
(45) Registration Date: **01 June 2015**
(30) Convention priority data:
(31) Number (32) Date (33) Country
29/498998 11 Aug 2014 UNITED STATES OF AMERICA
(56) Related Art Documents: **Not Applicable**
(57) Statement of Newness and Distinctiveness: **Newness and distinctiveness**
of the design reside in the shape and configuration as shown in solid
outline in the accompanying representations.



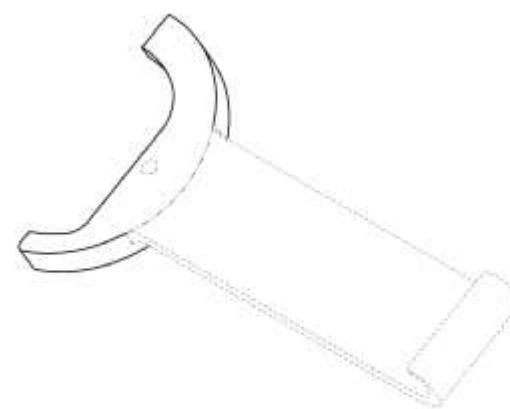
- (21) Design Number: **11320/2015**
(22) Date of Filing Application: **10 March 2015**
(24) Date from which industrial property rights may have effect: **10 March 2015**
(54) Product in respect of which the design is registered: **Battery pack carriage assembly**
(51) International Design Classification: **13-02**
(74) Name(s) of Attorney(s): **Griffith Hack**
(71) Name(s) and Address(s) of Applicant(s):
Techtronic Industries Co. Ltd.
24/F CDW Building 388 Castle Peak Road Tsuen Wan New Territories
Hong Kong
(72) Name(s) of Designer(s): **Tyler Rowe and Stuart Miller and J Luke Jenkins and Matthew Corbin and Nicholas Norton and Sean Campbell and Daniel J Bowen and C Keith Long**
(45) Registration Date: **01 June 2015**
(30) Convention priority data:
(31) Number (32) Date (33) Country
29/504,030 01 Oct 2014 UNITED STATES OF AMERICA
(56) Related Art Documents: **Not Applicable**
(57) Statement of Newness and Distinctiveness: **Newness and distinctiveness resides in the visual features, including shape and configuration of the product as shown in the accompanying representations. Those parts shown by means of dashed lines do not form part of the design and have been included for illustrative purposes.**



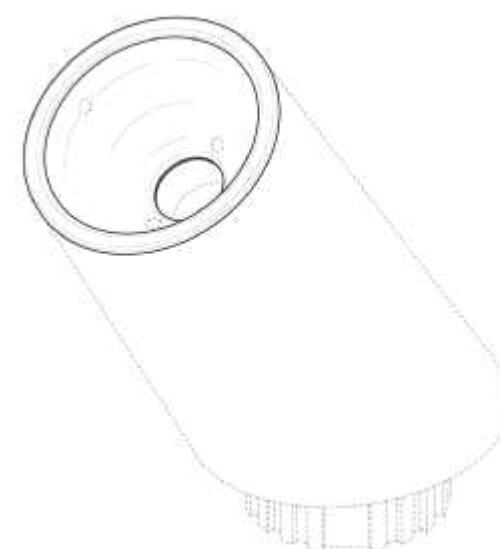
- (21) Design Number: **12159/2015**
(22) Date of Filing Application: **24 April 2015**
(24) Date from which industrial property rights may have effect: **24 April 2015**
(54) Product in respect of which the design is registered: **Atomization core for electronic cigarette**
(51) International Design Classification: **27-99**
(74) Name(s) of Attorney(s): **Armour IP**
(71) Name(s) and Address(s) of Applicant(s):
Huizhou Kimree Technology Co.,Ltd
3F-5F,Building A & 5F,Building B No. 16, Hechang West 3rd Road
ZhongKai high-tech Zone Huizhou China
(72) Name(s) of Designer(s): **Qiuming Liu**
(45) Registration Date: **01 June 2015**
(30) Convention priority data:
(31) Number (32) Date (33) Country
2015300212956 23 Jan 2015 CHINA
(56) Related Art Documents: **Not Applicable**
(57) Statement of Newness and Distinctiveness: **Nil**



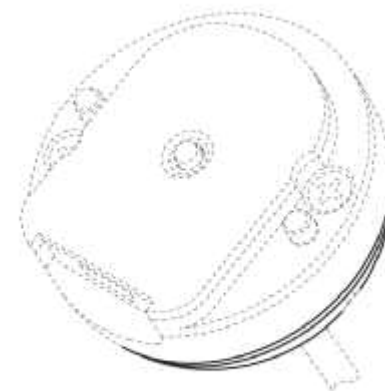
(21) Design Number: **12161/2015**
(22) Date of Filing Application: **24 April 2015**
(24) Date from which industrial property rights may have effect: **24 April 2015**
(54) Product in respect of which the design is registered: **Display stand component**
(51) International Design Classification: **20-02NES**
(74) Name(s) of Attorney(s): **Freehills Patent Attorneys**
(71) Name(s) and Address(s) of Applicant(s):
Apple Inc.
1 Infinite Loop Cupertino California, 95014 United States of America
(72) Name(s) of Designer(s): **Charles A Schwalbach and Sheng Yang and Russell John Kaaihue Heirakuji and Carly Lynn Marasco and Michael Gorman**
(45) Registration Date: **01 June 2015**
(30) Convention priority data:
(31) Number (32) Date (33) Country
29/507269 24 Oct 2014 UNITED STATES OF AMERICA
(56) Related Art Documents: **Not Applicable**
(57) Statement of Newness and Distinctiveness: **Newness and distinctiveness resides in the features of shape and configuration of the portions shown in solid outline in the accompanying representations.**



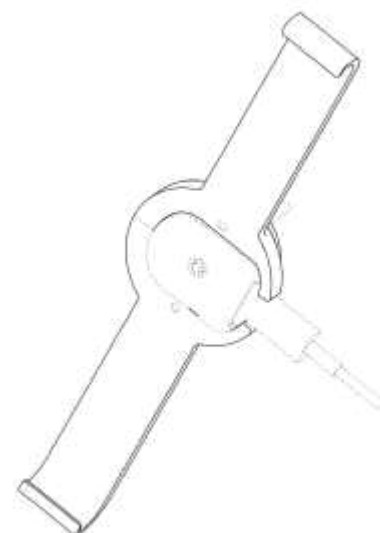
(21) Design Number: **12162/2015**
(22) Date of Filing Application: **24 April 2015**
(24) Date from which industrial property rights may have effect: **24 April 2015**
(54) Product in respect of which the design is registered: **Display stand component**
(51) International Design Classification: **20-02NES**
(74) Name(s) of Attorney(s): **Freehills Patent Attorneys**
(71) Name(s) and Address(s) of Applicant(s):
Apple Inc.
1 Infinite Loop Cupertino California, 95014 United States of America
(72) Name(s) of Designer(s): **Charles A Schwalbach and Sheng Yang and Russell John Kaaihue Heirakuji and Carly Lynn Marasco and Michael Gorman**
(45) Registration Date: **01 June 2015**
(30) Convention priority data:
(31) Number (32) Date (33) Country
29/507269 24 Oct 2014 UNITED STATES OF AMERICA
(56) Related Art Documents: **Not Applicable**
(57) Statement of Newness and Distinctiveness: **Newness and distinctiveness resides in the features of shape and configuration of the portions shown in solid outline in the accompanying representations.**



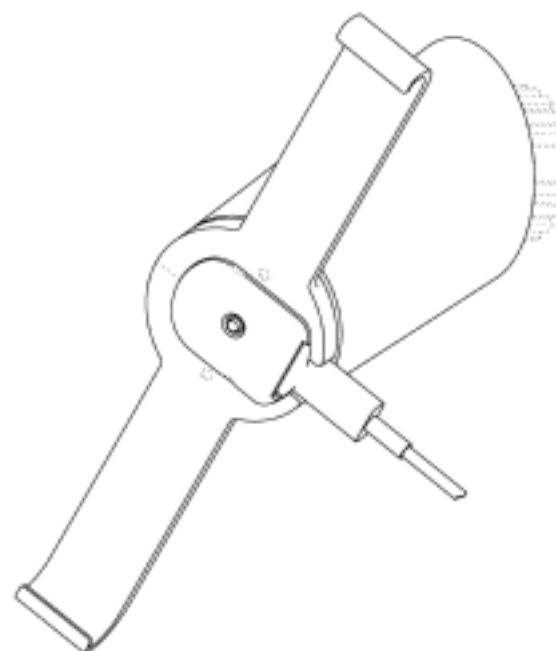
(21) Design Number: **12163/2015**
(22) Date of Filing Application: **24 April 2015**
(24) Date from which industrial property rights may have effect: **24 April 2015**
(54) Product in respect of which the design is registered: **Display stand component**
(51) International Design Classification: **20-02NES**
(74) Name(s) of Attorney(s): **Freehills Patent Attorneys**
(71) Name(s) and Address(s) of Applicant(s):
Apple Inc.
1 Infinite Loop Cupertino California, 95014 United States of America
(72) Name(s) of Designer(s): **Charles A Schwalbach and Sheng Yang and Russell John Kaaihue Heirakuji and Carly Lynn Marasco and Michael Gorman**
(45) Registration Date: **01 June 2015**
(30) Convention priority data:
(31) Number (32) Date (33) Country
29/507269 24 Oct 2014 UNITED STATES OF AMERICA
(56) Related Art Documents: **Not Applicable**
(57) Statement of Newness and Distinctiveness: **Newness and distinctiveness resides in the features of shape and configuration of the portions shown in solid outline in the accompanying representations.**



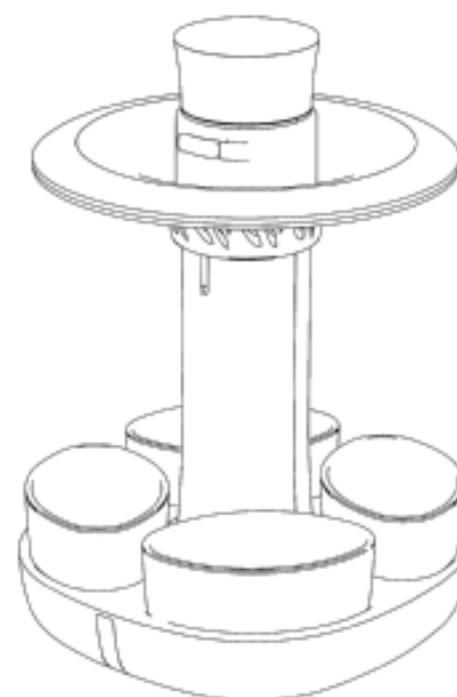
(21) Design Number: **12164/2015**
(22) Date of Filing Application: **24 April 2015**
(24) Date from which industrial property rights may have effect: **24 April 2015**
(54) Product in respect of which the design is registered: **Display stand**
(51) International Design Classification: **20-02NES**
(74) Name(s) of Attorney(s): **Freehills Patent Attorneys**
(71) Name(s) and Address(s) of Applicant(s):
Apple Inc.
1 Infinite Loop Cupertino California, 95014 United States of America
(72) Name(s) of Designer(s): **Charles A Schwalbach and Sheng Yang and Russell John Kaaihue Heirakuji and Carly Lynn Marasco and Michael Gorman**
(45) Registration Date: **01 June 2015**
(30) Convention priority data:
(31) Number (32) Date (33) Country
29/507269 24 Oct 2014 UNITED STATES OF AMERICA
(56) Related Art Documents: **Not Applicable**
(57) Statement of Newness and Distinctiveness: **Newness and distinctiveness resides in the features of shape and configuration of the portions shown in solid outline in the accompanying representations.**



- (21) Design Number: **12165/2015**
(22) Date of Filing Application: **24 April 2015**
(24) Date from which industrial property rights may have effect: **24 April 2015**
(54) Product in respect of which the design is registered: **Display stand**
(51) International Design Classification: **20-02NES**
(74) Name(s) of Attorney(s): **Freehills Patent Attorneys**
(71) Name(s) and Address(s) of Applicant(s):
Apple Computer Inc.
1 Infinite Loop Cupertino California, 95014 United States of America
(72) Name(s) of Designer(s): **Charles A Schwalbach and Sheng Yang and Russell John Kaaihue Heirakuji and Carly Lynn Marasco and Michael Gorman**
(45) Registration Date: **01 June 2015**
(30) Convention priority data:
(31) Number (32) Date (33) Country
29/507269 24 Oct 2014 UNITED STATES OF AMERICA
(56) Related Art Documents: **Not Applicable**
(57) Statement of Newness and Distinctiveness: **Newness and distinctiveness resides in the features of shape and configuration of the portions shown in solid outline in the accompanying representations.**



- (21) Design Number: **12166/2015**
(22) Date of Filing Application: **24 April 2015**
(24) Date from which industrial property rights may have effect: **24 April 2015**
(54) Product in respect of which the design is registered: **Indoor garden**
(51) International Design Classification: **11-02B**
(74) Name(s) of Attorney(s): **WATERMARK PATENT AND TRADE MARKS ATTORNEYS**
(71) Name(s) and Address(s) of Applicant(s):
GYO Solutions Pty Ltd
31 Linden Gardens Floreat WA 6014 Australia
(72) Name(s) of Designer(s): **Ray Hart and Ian Edwards and David Francis and Lorenzo Pavesi and Clive Solari**
(45) Registration Date: **01 June 2015**
(56) Related Art Documents: **Not Applicable**
(57) Statement of Newness and Distinctiveness: **Newness and distinctiveness resides in the visual features of an indoor garden system represented in the accompanying drawings. The indoor garden system has a light ring of adjustable height position on the central stem, as shown in the accompanying drawings.**



(21) Design Number: **12167/2015**
(22) Date of Filing Application: **24 April 2015**
(24) Date from which industrial property rights may have effect: **24 April 2015**
(54) Product in respect of which the design is registered: **Bottle**
(51) International Design Classification: **09-01NES**
(74) Name(s) of Attorney(s): **Spruson & Ferguson**
(71) Name(s) and Address(s) of Applicant(s):
PepsiCo, Inc.
700 Anderson Hill Road Purchase New York 10577 United States of America
(72) Name(s) of Designer(s): **William R. Eaton and Christopher Erlin Granneberg and Raymundo Martinez and Mark A. Woloszyk and Guizhang Zheng**
(45) Registration Date: **01 June 2015**
(30) Convention priority data:
(31) Number (32) Date (33) Country
29/507224 24 Oct 2014 UNITED STATES OF AMERICA
(56) Related Art Documents: **Not Applicable**
(57) Statement of Newness and Distinctiveness: **Newness and distinctiveness is claimed in those features of shape and/or configuration of a bottle illustrated in continuous lines in the accompanying representations.**



(21) Design Number: **12168/2015**
(22) Date of Filing Application: **24 April 2015**
(24) Date from which industrial property rights may have effect: **24 April 2015**
(54) Product in respect of which the design is registered: **Bottle**
(51) International Design Classification: **09-01NES**
(74) Name(s) of Attorney(s): **Spruson & Ferguson**
(71) Name(s) and Address(s) of Applicant(s):
PepsiCo, Inc.
700 Anderson Hill Road Purchase New York 10577 United States of America
(72) Name(s) of Designer(s): **William R. Eaton and Christopher Erlin Granneberg and Raymundo Martinez and Mark A. Woloszyk and Guizhang Zheng**
(45) Registration Date: **01 June 2015**
(30) Convention priority data:
(31) Number (32) Date (33) Country
29/507230 24 Oct 2014 UNITED STATES OF AMERICA
(56) Related Art Documents: **Not Applicable**
(57) Statement of Newness and Distinctiveness: **Newness and distinctiveness is claimed in those features of shape and/or configuration of a bottle illustrated in continuous lines in the accompanying representations.**



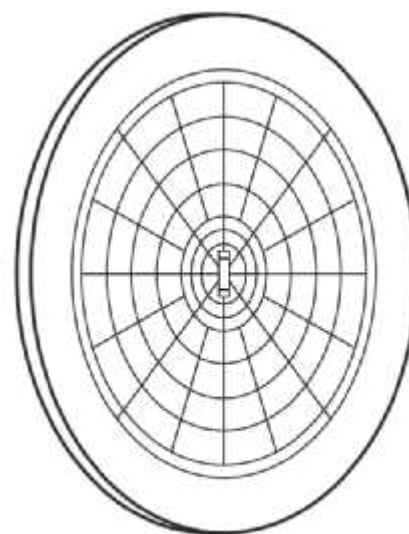
- (21) Design Number: **12169/2015**
(22) Date of Filing Application: **24 April 2015**
(24) Date from which industrial property rights may have effect: **24 April 2015**
(54) Product in respect of which the design is registered: **Sterilisation wrap**
(51) International Design Classification: **24-04**
(74) Name(s) of Attorney(s): **Chrysiliou IP**
(71) Name(s) and Address(s) of Applicant(s):
Multigate Medical Products Pty Ltd
27 Llewellyn Ave Villawood NSW 2163 Australia
(72) Name(s) of Designer(s): **Ben Chen**
(45) Registration Date: **01 June 2015**
(56) Related Art Documents: **Not Applicable**
(57) Statement of Newness and Distinctiveness: **The newness and distinctiveness resides in the features of the shape and configuration of the sterilisation wrap as shown in the accompanying representations. There is no limitation as to colour.**



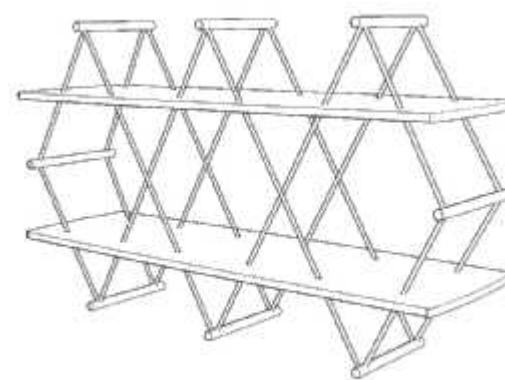
- (21) Design Number: **12170/2015**
(22) Date of Filing Application: **24 April 2015**
(24) Date from which industrial property rights may have effect: **24 April 2015**
(54) Product in respect of which the design is registered: **Template device for fitting door handles**
(51) International Design Classification: **08-06**
(74) Name(s) of Attorney(s): **Armour IP**
(71) Name(s) and Address(s) of Applicant(s):
Allen Patrick Zimdahl
610 Hill Rd Parkerville WA 6081 Australia
(72) Name(s) of Designer(s): **Allen Patrick Zimdahl**
(45) Registration Date: **01 June 2015**
(56) Related Art Documents: **Not Applicable**
(57) Statement of Newness and Distinctiveness: **Nil**



- (21) Design Number: **12171/2015**
(22) Date of Filing Application: **24 April 2015**
(24) Date from which industrial property rights may have effect: **24 April 2015**
(54) Product in respect of which the design is registered: **Dartboard**
(51) International Design Classification: **21-01H**
(74) Name(s) of Attorney(s):
(71) Name(s) and Address(s) of Applicant(s):
Neville Gerard Smart
1/62 Brougham St East Gosford NSW 2250 Australia
(72) Name(s) of Designer(s): **Neville Gerard Smart**
(45) Registration Date: **01 June 2015**
(56) Related Art Documents: **Not Applicable**
(57) Statement of Newness and Distinctiveness: **Newness and Distinctiveness is claimed in the features of pattern and/or ornamentation of a dartboard as shown in the accompanying representations, in particular the three zone central rectangular target.**



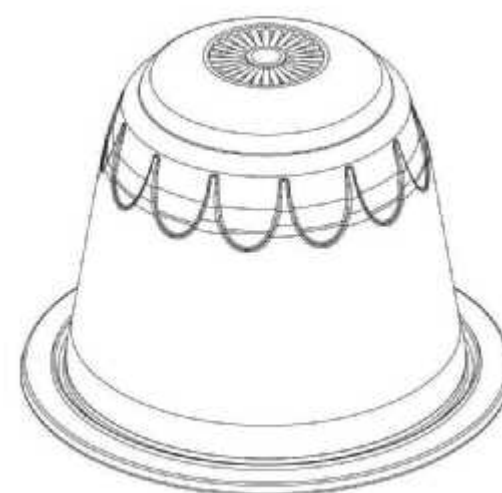
- (21) Design Number: **12172/2015**
(22) Date of Filing Application: **26 April 2015**
(24) Date from which industrial property rights may have effect: **26 April 2015**
(54) Product in respect of which the design is registered: **Wine rack**
(51) International Design Classification: **06-04NES**
(74) Name(s) of Attorney(s):
(71) Name(s) and Address(s) of Applicant(s):
Isovin Systems Pty Ltd
PO BOX U92 University of Wollongong NSW 2500 Australia
(72) Name(s) of Designer(s): **Gavin Dixon**
(45) Registration Date: **01 June 2015**
(56) Related Art Documents: **Not Applicable**
(57) Statement of Newness and Distinctiveness: **Monopoly is claimed in the features of shape and configuration of the wine rack as illustrated in the accompanying representations.**



(21) Design Number: **12173/2015**
(22) Date of Filing Application: **26 April 2015**
(24) Date from which industrial property rights may have effect: **26 April 2015**
(54) Product in respect of which the design is registered: **Spittoon**
(51) International Design Classification: **09-09**
(74) Name(s) of Attorney(s):
(71) Name(s) and Address(s) of Applicant(s):
Ingrid Tufts
PO BOX 682 Brentford Sq VIC 3131 Australia
(72) Name(s) of Designer(s): **Ingrid Tufts**
(45) Registration Date: **01 June 2015**
(56) Related Art Documents: **Not Applicable**
(57) Statement of Newness and Distinctiveness: **Newness and distinctiveness is claimed in the features of shape and/ or configuration of a two part spittoon as depicted in the accompanying drawings.**



(21) Design Number: **10924/2015**
(22) Date of Filing Application: **20 February 2015**
(24) Date from which industrial property rights may have effect: **20 February 2015**
(54) Product in respect of which the design is registered: **Coffee capsule**
(51) International Design Classification: **09-05**
(74) Name(s) of Attorney(s): **Griffith Hack**
(71) Name(s) and Address(s) of Applicant(s):
KRAFT FOODS R&D, INC.
Three Parkway North Deerfield IL 60015 United States of America
(72) Name(s) of Designer(s): **Nicholas Hansen**
(45) Registration Date: **02 June 2015**
(30) Convention priority data:
(31) Number (32) Date (33) Country
002522714-0001 21 Aug 2014 OFFICE FOR HARMONISATION IN THE INTERNAL MARKET (OHIM)
(56) Related Art Documents: **Not Applicable**
(57) Statement of Newness and Distinctiveness: **Nil**



(21) Design Number: **10930/2015**
(22) Date of Filing Application: **20 February 2015**
(24) Date from which industrial property rights may have effect: **20 February 2015**
(54) Product in respect of which the design is registered: **Coffee capsule**
(51) International Design Classification: **09-05**
(74) Name(s) of Attorney(s): **Griffith Hack**
(71) Name(s) and Address(s) of Applicant(s):

KRAFT FOODS R&D, INC.
Three Parkway North Deerfield IL 60015 United States of America

(72) Name(s) of Designer(s): **Nicholas Hansen**

(45) Registration Date: **02 June 2015**

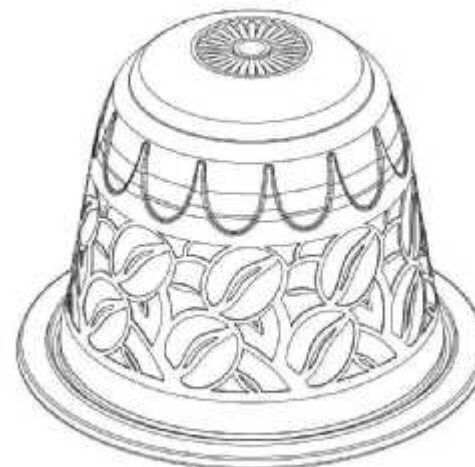
(30) Convention priority data:

(31) Number (32) Date
002522714-0003 21 Aug 2014

(33) Country
**OFFICE FOR HARMONISATION IN
THE INTERNAL MARKET (OHIM)**

(56) Related Art Documents: **Not Applicable**

(57) Statement of Newness and Distinctiveness: **Nil**



(21) Design Number: **10932/2015**
(22) Date of Filing Application: **20 February 2015**
(24) Date from which industrial property rights may have effect: **20 February 2015**
(54) Product in respect of which the design is registered: **Coffee capsule**
(51) International Design Classification: **09-05**
(74) Name(s) of Attorney(s): **Griffith Hack**
(71) Name(s) and Address(s) of Applicant(s):

KRAFT FOODS R&D, INC.
Three Parkway North Deerfield IL 60015 United States of America

(72) Name(s) of Designer(s): **Nicholas Hansen**

(45) Registration Date: **02 June 2015**

(30) Convention priority data:

(31) Number (32) Date
002522714-0006 21 Aug 2014

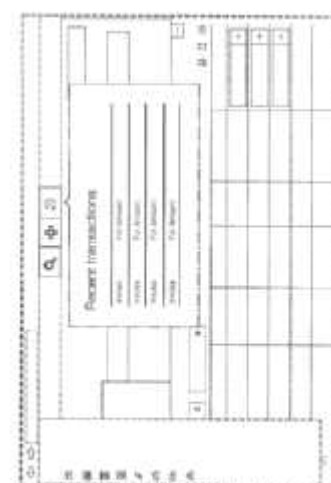
(33) Country
**OFFICE FOR HARMONISATION IN
THE INTERNAL MARKET (OHIM)**

(56) Related Art Documents: **Not Applicable**

(57) Statement of Newness and Distinctiveness: **Nil**



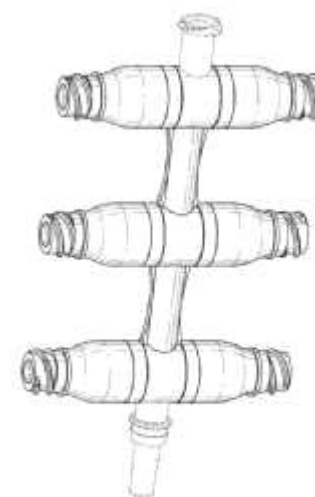
(21) Design Number: **10938/2015**
(22) Date of Filing Application: **20 February 2015**
(24) Date from which industrial property rights may have effect: **20 February 2015**
(54) Product in respect of which the design is registered: **Display device with a recent transaction flyout**
(51) International Design Classification: **14-02**
(74) Name(s) of Attorney(s): **Davies Collison Cave**
(71) Name(s) and Address(s) of Applicant(s):
Intuit Inc.
2632 Marine Way Mountain View California, 94043 United States of America



(72) Name(s) of Designer(s): **Ariel I. Alvarez and Dorelle Rabinowitz and Joseph Davidchik and Erica Joy Katrak and Rebecca Zhu**
(45) Registration Date: **02 June 2015**
(30) Convention priority data:
(31) Number (32) Date (33) Country
29/500,275 22 Aug 2014 UNITED STATES OF AMERICA

(56) Related Art Documents: **Not Applicable**
(57) Statement of Newness and Distinctiveness: **Newness and distinctiveness is claimed in the visual features shown in solid lines in the representations of the display device with a recent transactions flyout for a user interface. The elements shown with dashed lines are for illustrative purposes only showing an example interface environment and form no part of the claimed design. The dot dashed line are for illustrative purposes only showing an example boundary of the recent transactions flyout and form no part of the claimed design.**

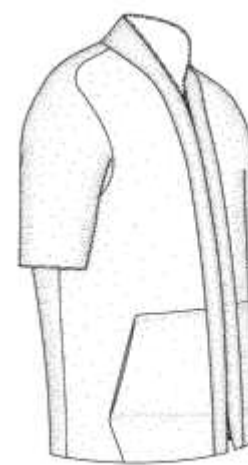
(21) Design Number: **11573/2015**
(22) Date of Filing Application: **24 March 2015**
(24) Date from which industrial property rights may have effect: **24 March 2015**
(54) Product in respect of which the design is registered: **Fluid manifold**
(51) International Design Classification: **24-01**
(74) Name(s) of Attorney(s): **Davies Collison Cave**
(71) Name(s) and Address(s) of Applicant(s):
ICU Medical, Inc.
16200-A Carmenita Road Cerritos California, 90703 United States of America



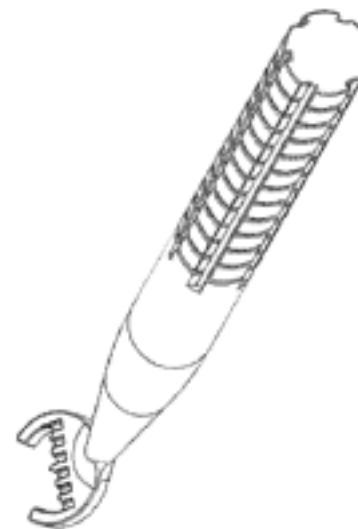
(72) Name(s) of Designer(s): **David Nelson**
(45) Registration Date: **02 June 2015**
(30) Convention priority data:
(31) Number (32) Date (33) Country
29/510,851 03 Dec 2014 UNITED STATES OF AMERICA

(56) Related Art Documents: **Not Applicable**
(57) Statement of Newness and Distinctiveness: **Newness and distinctiveness is claimed in the visual features shown in solid lines in the representations. The broken lines in the Figures show portions of the fluid manifold which form no part of the claimed design. With reference to embodiments shown in the priority application, applicant notes that a number of possible combinations and subcombinations are possible with respect to various aspects of other embodiments of the claimed design. For example, in some embodiments, the claimed design could include 1, 2, or 3 ports on the top and/or the bottom and/or 1, 2, or 3 ports on the opposite side, or any combination thereof.**

(21) Design Number: **11689/2015**
(22) Date of Filing Application: **30 March 2015**
(24) Date from which industrial property rights may have effect: **30 March 2015**
(54) Product in respect of which the design is registered: **Garment**
(51) International Design Classification: **02-02NES**
(74) Name(s) of Attorney(s): **Davies Collison Cave**
(71) Name(s) and Address(s) of Applicant(s):
NIKE Innovate C.V.
One Bowerman Drive Beaverton Oregon, 97005-6453 United States of America
(72) Name(s) of Designer(s): **Rob Darmour**
(45) Registration Date: **02 June 2015**
(56) Related Art Documents: **Not Applicable**
(57) Statement of Newness and Distinctiveness: **Newness and distinctiveness is claimed in the visual features shown in solid lines in the representations. The contrast in shading represents a contrast of appearance and does not represent any colour, material or texture.**



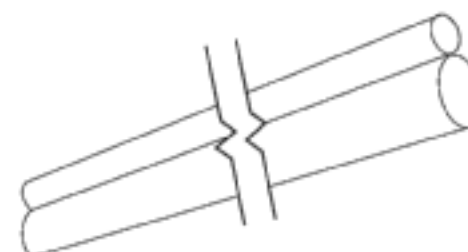
(21) Design Number: **12049/2015**
(22) Date of Filing Application: **17 April 2015**
(24) Date from which industrial property rights may have effect: **17 April 2015**
(54) Product in respect of which the design is registered: **Intravitreal injection device**
(51) International Design Classification: **24-02**
(74) Name(s) of Attorney(s): **Davies Collison Cave**
(71) Name(s) and Address(s) of Applicant(s):
Minas Theodore Coroneo
44 Olola Ave Vacluse NSW 2030 Australia
(72) Name(s) of Designer(s): **Minas Theodore Coroneo**
(45) Registration Date: **02 June 2015**
(30) Convention priority data:
(31) Number (32) Date (33) Country
29/506612 17 Oct 2014 UNITED STATES OF AMERICA
(56) Related Art Documents: **Not Applicable**
(57) Statement of Newness and Distinctiveness: **Statement of newness and distinctiveness is claimed in the visual features shown in solid lines in the representations.**



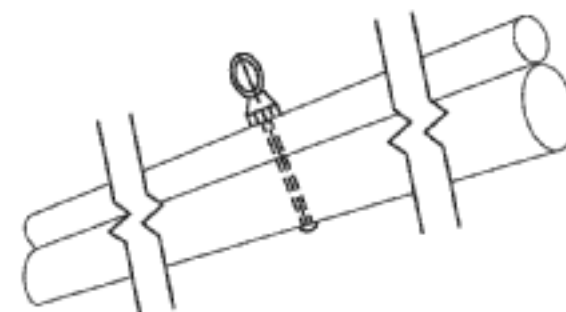
- (21) Design Number: **15718/2014**
(22) Date of Filing Application: **09 November 2014**
(24) Date from which industrial property rights may have effect: **09 November 2014**
(54) Product in respect of which the design is registered: **Disc brake rotor**
(51) International Design Classification: **12-16M**
(74) Name(s) of Attorney(s):
(71) Name(s) and Address(s) of Applicant(s):
Rapid Resource Solutions Pty. Ltd.
2 Shine Ct Narre Warren VIC 3805 Australia
(72) Name(s) of Designer(s): **Todd Watkins and Kathy Watkins**
(45) Registration Date: **03 June 2015**
(56) Related Art Documents: **Not Applicable**
(57) Statement of Newness and Distinctiveness: **10 large partial radius using approximately 140 degrees of arc radius set about at position +70 to -70 and spaced equally at 36 about centre line. 10 smaller arcs rotated approximately 180 from larger arcs, offset by 18 to larger arc and spaced at 36 from centre line. 10 small arcs rotated approximately 95 from larger arcs, offset by 18 from larger arc and positioned at 36 around centre line. Design is directional with left and right hand parts, a mirror of one another, face of rotor pattern is mirror to back of rotor pattern.**



- (21) Design Number: **10867/2015**
(22) Date of Filing Application: **18 February 2015**
(24) Date from which industrial property rights may have effect: **18 February 2015**
(54) Product in respect of which the design is registered: **A track section of indefinite length**
(51) International Design Classification: **21-03**
(74) Name(s) of Attorney(s):
(71) Name(s) and Address(s) of Applicant(s):
Frederic Christian Galimard
275 Clarks Rd Boolambayte NSW 2423 Australia
(72) Name(s) of Designer(s): **Frederic Christian Galimard**
(45) Registration Date: **03 June 2015**
(30) Convention priority data:
(31) Number (32) Date (33) Country
**002627224 05 Feb 2015 OFFICE FOR HARMONISATION IN
THE INTERNAL MARKET (OHIM)**
(56) Related Art Documents: **Not Applicable**
(57) Statement of Newness and Distinctiveness: **Newness and distinctiveness resides in the shape and or configuration of a track section of indefinite length as depicted in the accompanying representations of the design.**

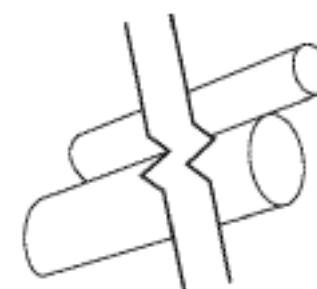


(21) Design Number: **10868/2015**
(22) Date of Filing Application: **18 February 2015**
(24) Date from which industrial property rights may have effect: **18 February 2015**
(54) Product in respect of which the design is registered: **A track section of indefinite length**
(51) International Design Classification: **21-03**
(74) Name(s) of Attorney(s):
(71) Name(s) and Address(s) of Applicant(s):
Frederic Christian Galimard
275 Clarks Rd Boolambayte NSW 2423 Australia
(72) Name(s) of Designer(s): **Frederic Christian Galimard**
(45) Registration Date: **03 June 2015**
(30) Convention priority data:
(31) Number (32) Date (33) Country
**002627224 05 Feb 2015 OFFICE FOR HARMONISATION IN
THE INTERNAL MARKET (OHIM)**



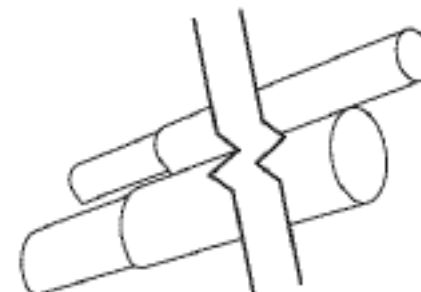
(56) Related Art Documents: **Not Applicable**
(57) Statement of Newness and Distinctiveness: **Newness and distinctiveness resides in the shape and or configuration of a track section of indefinite length being as depicted in the accompanying representations. Features shown in broken lines do not form part of the design**

(21) Design Number: **10869/2015**
(22) Date of Filing Application: **18 February 2015**
(24) Date from which industrial property rights may have effect: **18 February 2015**
(54) Product in respect of which the design is registered: **A track section of indefinite length**
(51) International Design Classification: **21-03**
(74) Name(s) of Attorney(s):
(71) Name(s) and Address(s) of Applicant(s):
Frederic Christian Galimard
275 Clarks Rd Boolambayte NSW 2423 Australia
(72) Name(s) of Designer(s): **Frederic Christian Galimard**
(45) Registration Date: **03 June 2015**
(30) Convention priority data:
(31) Number (32) Date (33) Country
**002627224 05 Feb 2015 OFFICE FOR HARMONISATION IN
THE INTERNAL MARKET (OHIM)**

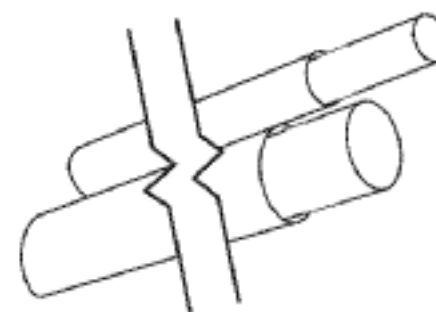


(56) Related Art Documents: **Not Applicable**
(57) Statement of Newness and Distinctiveness: **Newness and distinctiveness resides in the shape and or configuration of a track section of indefinite length as depicted in the accompanying representations of the design.**

(21) Design Number: **10870/2015**
(22) Date of Filing Application: **18 February 2015**
(24) Date from which industrial property rights may have effect: **18 February 2015**
(54) Product in respect of which the design is registered: **A track of indefinite length**
(51) International Design Classification: **21-03**
(74) Name(s) of Attorney(s):
(71) Name(s) and Address(s) of Applicant(s):
Frederic Christian Galimard
275 Clarks Rd Boolambayte NSW 2423 Australia
(72) Name(s) of Designer(s): **Frederic Christian Galimard**
(45) Registration Date: **03 June 2015**
(30) Convention priority data:
(31) Number (32) Date (33) Country
002627224 **05 Feb 2015** **OFFICE FOR HARMONISATION IN**
THE INTERNAL MARKET (OHIM)
(56) Related Art Documents: **Not Applicable**
(57) Statement of Newness and Distinctiveness: **Newness and distinctiveness resides in the shape and or configuration of a track section of indefinite length as depicted in the accompanying representations of the design.**



(21) Design Number: **10871/2015**
(22) Date of Filing Application: **18 February 2015**
(24) Date from which industrial property rights may have effect: **18 February 2015**
(54) Product in respect of which the design is registered: **A track section of indefinite length**
(51) International Design Classification: **21-03**
(74) Name(s) of Attorney(s):
(71) Name(s) and Address(s) of Applicant(s):
Frederic Christian Galimard
275 Clarks Rd Boolambayte NSW 2423 Australia
(72) Name(s) of Designer(s): **Frederic Christian Galimard**
(45) Registration Date: **03 June 2015**
(30) Convention priority data:
(31) Number (32) Date (33) Country
002627224 **05 Feb 2015** **OFFICE FOR HARMONISATION IN**
THE INTERNAL MARKET (OHIM)
(56) Related Art Documents: **Not Applicable**
(57) Statement of Newness and Distinctiveness: **Newness and distinctiveness resides in the shape and or configuration of a track section of indefinite length being as depicted in the accompanying representations of the design.**

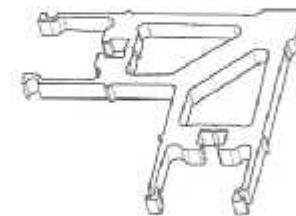


(21) Design Number: **11078/2015**
(22) Date of Filing Application: **27 February 2015**
(24) Date from which industrial property rights may have effect: **27 February 2015**
(54) Product in respect of which the design is registered: **Tire**
(51) International Design Classification: **12-15C**
(74) Name(s) of Attorney(s): **PHILLIPS ORMONDE FITZPATRICK**
(71) Name(s) and Address(s) of Applicant(s):
Cooper Tire & Rubber Company
701 Lima Avenue Findlay Ohio 45840 United States of America
(72) Name(s) of Designer(s): **Jamie Harris**
(45) Registration Date: **03 June 2015**
(30) Convention priority data:
(31) Number (32) Date (33) Country
002529107 01 Sep 2014 OFFICE FOR HARMONISATION IN
THE INTERNAL MARKET (OHIM)



(56) Related Art Documents: **Not Applicable**
(57) Statement of Newness and Distinctiveness: **Those features of the tire depicted in the representations that are new and distinctive are the shape and/or configuration of the tread of the tire. The features shown in broken line are not part of the design and are to be disregarded when considering the overall impression of the design.**

(21) Design Number: **12082/2015**
(22) Date of Filing Application: **20 April 2015**
(24) Date from which industrial property rights may have effect: **20 April 2015**
(54) Product in respect of which the design is registered: **Corner connector**
(51) International Design Classification: **08-09**
(74) Name(s) of Attorney(s):
(71) Name(s) and Address(s) of Applicant(s):
Jorgenson-Watts IP Pty Ltd
10 Ross St South Melbourne VIC 3205 Australia
(72) Name(s) of Designer(s): **John Russell Watts**
(45) Registration Date: **03 June 2015**
(56) Related Art Documents: **Not Applicable**
(57) Statement of Newness and Distinctiveness: **Nil**



(21) Design Number: **12175/2015**

(22) Date of Filing Application: **27 April 2015**

(24) Date from which industrial property rights may have effect: **27 April 2015**

(54) Product in respect of which the design is registered: **Medical apparatus**

(51) International Design Classification: **24-01**

(74) Name(s) of Attorney(s): **Griffith Hack**

(71) Name(s) and Address(s) of Applicant(s):

LIPOGEMS INTERNATIONAL spa
Viale Bianca Maria 24 Milano I-20129 Italy

(72) Name(s) of Designer(s): **Carlo Tremolada**

(45) Registration Date: **03 June 2015**

(30) Convention priority data:

(31) Number (32) Date
002569962-0001 03 Nov 2014

(33) Country
**OFFICE FOR HARMONISATION IN
THE INTERNAL MARKET (OHIM)**

(56) Related Art Documents: **Not Applicable**

(57) Statement of Newness and Distinctiveness: **Newness and distinctiveness resides in the visual features, including the shape and configuration of the product shown in the representations.**



(21) Design Number: **12188/2015**

(22) Date of Filing Application: **27 April 2015**

(24) Date from which industrial property rights may have effect: **27 April 2015**

(54) Product in respect of which the design is registered: **1-seater chair; 2-seater chair; 3-seater chair**

(51) International Design Classification: **06-01G**

(74) Name(s) of Attorney(s): **FB Rice**

(71) Name(s) and Address(s) of Applicant(s):

King Furniture Australia Pty Ltd
123 Turrella St Turrella NSW 2205 Australia

(72) Name(s) of Designer(s): **David King and Ryan Lawson**

(45) Registration Date: **03 June 2015**

(56) Related Art Documents: **Not Applicable**

(57) Statement of Newness and Distinctiveness: **Newness and distinctiveness reside in those features of shape and/or configuration of the design as shown in unbroken lines in the accompanying representations.**



- (21) Design Number: **12189/2015**
(22) Date of Filing Application: **27 April 2015**
(24) Date from which industrial property rights may have effect: **27 April 2015**
(54) Product in respect of which the design is registered: **1-seater chair; 2-seater chair; 3-seater chair**
(51) International Design Classification: **06-01G**
(74) Name(s) of Attorney(s): **FB Rice**
(71) Name(s) and Address(s) of Applicant(s):
King Furniture Australia Pty Ltd
123 Turrella St Turrella NSW 2205 Australia
(72) Name(s) of Designer(s): **David King and Ryan Lawson**
(45) Registration Date: **03 June 2015**
(56) Related Art Documents: **Not Applicable**
(57) Statement of Newness and Distinctiveness: **Newness and distinctiveness reside in those features of shape and/or configuration of the design as shown in unbroken lines in the accompanying representations.**



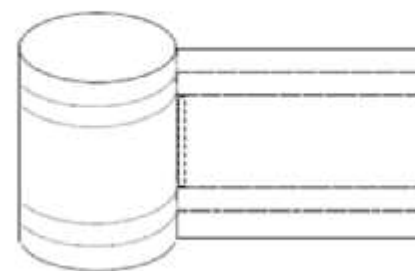
- (21) Design Number: **12190/2015**
(22) Date of Filing Application: **27 April 2015**
(24) Date from which industrial property rights may have effect: **27 April 2015**
(54) Product in respect of which the design is registered: **1-seater chair; 2-seater chair; 3-seater chair**
(51) International Design Classification: **06-01G**
(74) Name(s) of Attorney(s): **FB Rice**
(71) Name(s) and Address(s) of Applicant(s):
King Furniture Australia Pty Ltd
123 Turrella St Turrella NSW 2205 Australia
(72) Name(s) of Designer(s): **David King and Ryan Lawson**
(45) Registration Date: **03 June 2015**
(56) Related Art Documents: **Not Applicable**
(57) Statement of Newness and Distinctiveness: **Newness and distinctiveness reside in those features of shape and/or configuration of the design as shown in unbroken lines in the accompanying representations.**



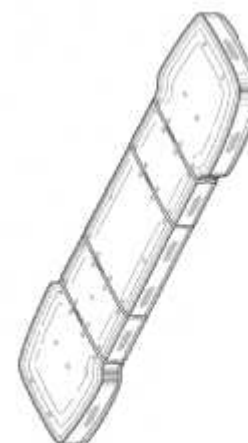
(21) Design Number: **12191/2015**
(22) Date of Filing Application: **27 April 2015**
(24) Date from which industrial property rights may have effect: **27 April 2015**
(54) Product in respect of which the design is registered: **A beverage container**
(51) International Design Classification: **07-01F**
(74) Name(s) of Attorney(s): **Allens Patent & Trade Mark Attorneys**
(71) Name(s) and Address(s) of Applicant(s):
Telebrands Corp.
77 Two Bridges Road Fairfield New Jersey, 07004 United States of America
(72) Name(s) of Designer(s): **Cara Leonard and Norman L Barrigas and Paul Dowd**
(45) Registration Date: **03 June 2015**
(30) Convention priority data:
(31) Number (32) Date (33) Country
29/522311 30 Mar 2015 UNITED STATES OF AMERICA
(56) Related Art Documents: **Not Applicable**
(57) Statement of Newness and Distinctiveness: **Newness and distinctiveness is claimed in the features of shape and configuration shown in the attached representations. The contour lines and other shading shown on the drawings are not intended to show additional features of shape or configuration but are present only for additional clarity of representation.**



(21) Design Number: **12198/2015**
(22) Date of Filing Application: **28 April 2015**
(24) Date from which industrial property rights may have effect: **28 April 2015**
(54) Product in respect of which the design is registered: **A beverage holder**
(51) International Design Classification: **07-06A**
(74) Name(s) of Attorney(s): **Spruson & Ferguson**
(71) Name(s) and Address(s) of Applicant(s):
Stubby Strip Pty Ltd
L3 SE1 55 Murray St Pyrmont NSW 2009 Australia
(72) Name(s) of Designer(s): **Brett Gresham**
(45) Registration Date: **03 June 2015**
(56) Related Art Documents: **Not Applicable**
(57) Statement of Newness and Distinctiveness: **Newness and distinctiveness is claimed in the features of shape and/or configuration of a beverage holder as illustrated in the accompanying representations.**



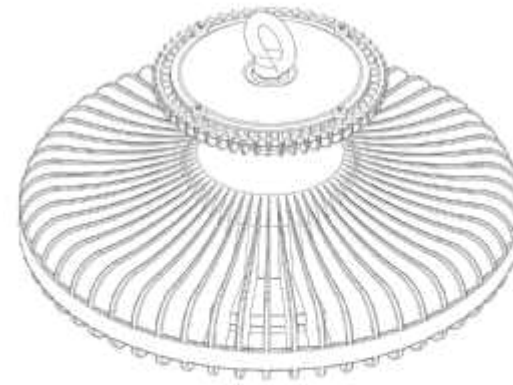
(21) Design Number: **12199/2015**
(22) Date of Filing Application: **28 April 2015**
(24) Date from which industrial property rights may have effect: **28 April 2015**
(54) Product in respect of which the design is registered: **Vehicle warning light bar**
(51) International Design Classification: **26-06**
(74) Name(s) of Attorney(s): **Spruson & Ferguson**
(71) Name(s) and Address(s) of Applicant(s):
Hazard Systems Pty LTD
PO BOX 1509 Launceston TAS 7250 Australia
(72) Name(s) of Designer(s): **Carl Jason George and Scott McKendry**
(45) Registration Date: **03 June 2015**
(30) Convention priority data:
(31) Number (32) Date (33) Country
29/515855 27 Jan 2015 UNITED STATES OF AMERICA
(56) Related Art Documents: **Not Applicable**
(57) Statement of Newness and Distinctiveness: **Newness and distinctiveness is claimed in the features of shape and/or configuration of a vehicle warning light bar as illustrated in continuous lines in the accompanying representations.**



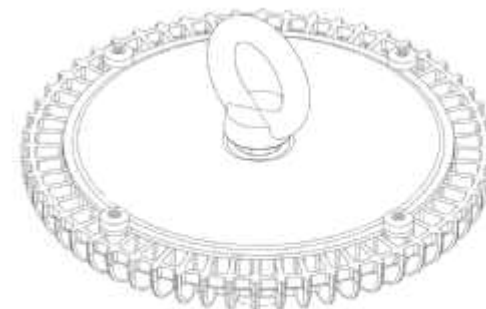
(21) Design Number: **12200/2015**
(22) Date of Filing Application: **29 April 2015**
(24) Date from which industrial property rights may have effect: **29 April 2015**
(54) Product in respect of which the design is registered: **Tire**
(51) International Design Classification: **12-15B**
(74) Name(s) of Attorney(s): **Baxter Patent Attorneys Pty Ltd**
(71) Name(s) and Address(s) of Applicant(s):
HANKOOK TIRE CO., LTD.
133, Teheran-ro Gangnam-gu Seoul, 135-723 Republic of Korea
(72) Name(s) of Designer(s): **Seung Ju Kwak**
(45) Registration Date: **03 June 2015**
(30) Convention priority data:
(31) Number (32) Date (33) Country
30-2014-0062726 23 Dec 2014 REPUBLIC OF KOREA
(56) Related Art Documents: **Not Applicable**
(57) Statement of Newness and Distinctiveness: **Those features of the tire depicted in the representations that are new and distinctive are the shape and/or configuration of the tread of the tire, which consists of a repeating pattern. The sidewall, inner bead, and the peripheral boundary between the tire tread and the sidewall (as shown in broken line) is not part of the design and are to be disregarded when considering the overall impression of the design.**



- (21) Design Number: **12210/2015**
(22) Date of Filing Application: **29 April 2015**
(24) Date from which industrial property rights may have effect: **29 April 2015**
(54) Product in respect of which the design is registered: **Luminaire with uplight**
(51) International Design Classification: **26-05A**
(74) Name(s) of Attorney(s): **EAGAR & MARTIN PTY LTD**
(71) Name(s) and Address(s) of Applicant(s):
AMG (Qld) Pty. Ltd.
124 Siganto Dr Helensvale QLD 4212 Australia
(72) Name(s) of Designer(s): **Giles Wilson**
(45) Registration Date: **03 June 2015**
(56) Related Art Documents: **Not Applicable**
(57) Statement of Newness and Distinctiveness: **The newness and distinctiveness of the design resides in the shape and/or configuration of the luminaire with an uplight as shown in the representations. Particular regard is to be given to the uplight feature, generally indicated by reference arrow A in the representations, of the luminaire.**



- (21) Design Number: **12212/2015**
(22) Date of Filing Application: **29 April 2015**
(24) Date from which industrial property rights may have effect: **29 April 2015**
(54) Product in respect of which the design is registered: **Uplight**
(51) International Design Classification: **26-05A**
(74) Name(s) of Attorney(s): **EAGAR & MARTIN PTY LTD**
(71) Name(s) and Address(s) of Applicant(s):
AMG (Qld) Pty. Ltd.
124 Siganto Dr Helensvale QLD 4212 Australia
(72) Name(s) of Designer(s): **Giles Wilson**
(45) Registration Date: **03 June 2015**
(56) Related Art Documents: **Not Applicable**
(57) Statement of Newness and Distinctiveness: **The newness and distinctiveness of the design resides in the shape and/or configuration of the uplight as shown in the representations.**



(21) Design Number: **12214/2015**

(22) Date of Filing Application: **29 April 2015**

(24) Date from which industrial property rights may have effect: **29 April 2015**

(54) Product in respect of which the design is registered: **Food product**

(51) International Design Classification: **01-01**

(74) Name(s) of Attorney(s): **Griffith Hack**

(71) Name(s) and Address(s) of Applicant(s):

Intercontinental Great Brands LLC

100 Deforest Avenue East Hanover New Jersey 07936 United States of America

(72) Name(s) of Designer(s): **Julie Smith**

(45) Registration Date: **03 June 2015**

(30) Convention priority data:

(31) Number

(32) Date

(33) Country

29/508,692

10 Nov 2014

UNITED STATES OF AMERICA

(56) Related Art Documents: **Not Applicable**

(57) Statement of Newness and Distinctiveness: **Nil**



(21) Design Number: **12215/2015**

(22) Date of Filing Application: **29 April 2015**

(24) Date from which industrial property rights may have effect: **29 April 2015**

(54) Product in respect of which the design is registered: **Motorcycle**

(51) International Design Classification: **12-11**

(74) Name(s) of Attorney(s): **King & Wood Mallesons**

(71) Name(s) and Address(s) of Applicant(s):

KTM Motorrad AG

Stallhofnerstrasse 3 Mattighofen 5230 Austria

(72) Name(s) of Designer(s): **Gerald Kiska**

(45) Registration Date: **03 June 2015**

(56) Related Art Documents: **Not Applicable**

(57) Statement of Newness and Distinctiveness: **Nil**



(21) Design Number: **10929/2015**
(22) Date of Filing Application: **20 February 2015**
(24) Date from which industrial property rights may have effect: **20 February 2015**
(54) Product in respect of which the design is registered: **Coffee capsule**
(51) International Design Classification: **09-05**
(74) Name(s) of Attorney(s): **Griffith Hack**
(71) Name(s) and Address(s) of Applicant(s):

KRAFT FOODS R&D, INC.
Three Parkway North Deerfield IL 60015 United States of America

(72) Name(s) of Designer(s): **Nicholas Hansen**

(45) Registration Date: **03 June 2015**

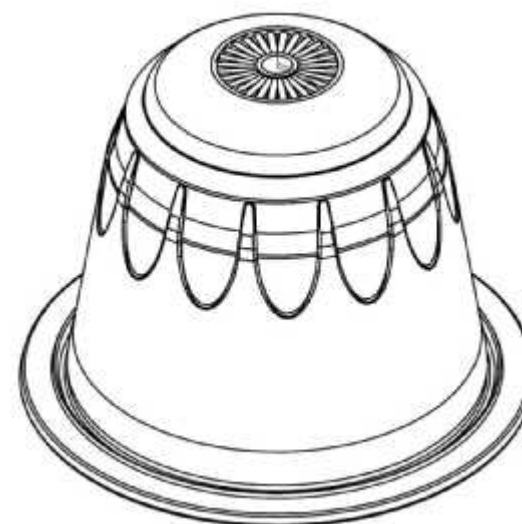
(30) Convention priority data:

(31) Number (32) Date
002522714-0002 21 Aug 2014

(33) Country
**OFFICE FOR HARMONISATION IN
THE INTERNAL MARKET (OHIM)**

(56) Related Art Documents: **Not Applicable**

(57) Statement of Newness and Distinctiveness: **Nil**



(21) Design Number: **10931/2015**
(22) Date of Filing Application: **20 February 2015**
(24) Date from which industrial property rights may have effect: **20 February 2015**
(54) Product in respect of which the design is registered: **Coffee capsule**
(51) International Design Classification: **09-05**
(74) Name(s) of Attorney(s): **Griffith Hack**
(71) Name(s) and Address(s) of Applicant(s):

KRAFT FOODS R&D, INC.
Three Parkway North Deerfield IL 60015 United States of America

(72) Name(s) of Designer(s): **Nicholas Hansen**

(45) Registration Date: **03 June 2015**

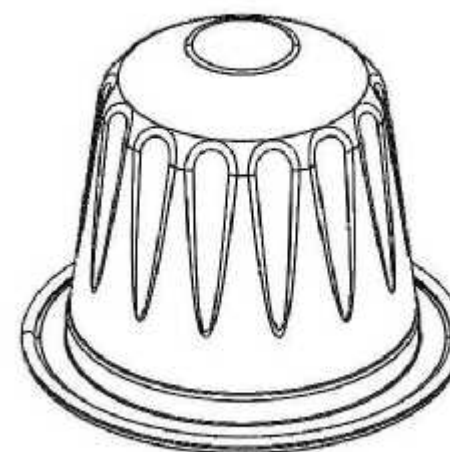
(30) Convention priority data:

(31) Number (32) Date
002522714-0004 21 Aug 2014

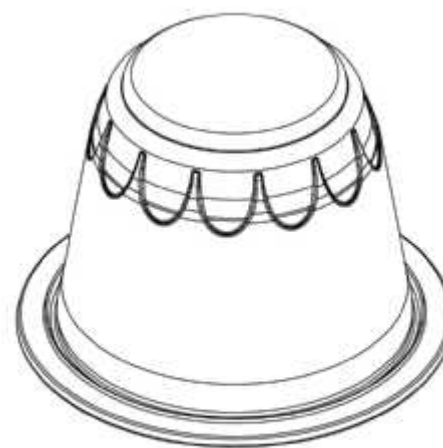
(33) Country
**OFFICE FOR HARMONISATION IN
THE INTERNAL MARKET (OHIM)**

(56) Related Art Documents: **Not Applicable**

(57) Statement of Newness and Distinctiveness: **Nil**



(21) Design Number: **10933/2015**
(22) Date of Filing Application: **20 February 2015**
(24) Date from which industrial property rights may have effect: **20 February 2015**
(54) Product in respect of which the design is registered: **Coffee capsule**
(51) International Design Classification: **09-05**
(74) Name(s) of Attorney(s): **Griffith Hack**
(71) Name(s) and Address(s) of Applicant(s):
KRAFT FOODS R&D, INC.
Three Parkway North Deerfield IL 60015 United States of America
(72) Name(s) of Designer(s): **Nicholas Hansen**
(45) Registration Date: **03 June 2015**
(30) Convention priority data:
(31) Number (32) Date (33) Country
002522714-0007 21 Aug 2014 OFFICE FOR HARMONISATION IN
THE INTERNAL MARKET (OHIM)
(56) Related Art Documents: **Not Applicable**
(57) Statement of Newness and Distinctiveness: **Nil**



(21) Design Number: **12204/2015**
(22) Date of Filing Application: **29 April 2015**
(24) Date from which industrial property rights may have effect: **29 April 2015**
(54) Product in respect of which the design is registered: **Lid fitment**
(51) International Design Classification: **09-07B**
(74) Name(s) of Attorney(s): **Griffith Hack**
(71) Name(s) and Address(s) of Applicant(s):
CLEAR LAM PACKAGING, INC.
1950 Pratt Boulevard Elk Grove Village Illinois, 60007 United States of
America
(72) Name(s) of Designer(s): **James J. Sanfilippo and John E. Sanfilippo**
(45) Registration Date: **03 June 2015**
(30) Convention priority data:
(31) Number (32) Date (33) Country
29/507,861 31 Oct 2014 UNITED STATES OF AMERICA
(56) Related Art Documents: **Not Applicable**
(57) Statement of Newness and Distinctiveness: **Newness and distinctiveness**
resides in the visual features, including shape and configuration, of a
LID FITMENT as shown in solid outline in the accompanying drawings.
When determining whether the design is substantially similar in overall
impression to another design, no regard is to be had to those features
shown in dotted outline in the accompanying drawings, which features
are provided for illustrative purposes only.



(21) Design Number: **12205/2015**

(22) Date of Filing Application: **29 April 2015**

(24) Date from which industrial property rights may have effect: **29 April 2015**

(54) Product in respect of which the design is registered: **Lid fitment**

(51) International Design Classification: **09-07B**

(74) Name(s) of Attorney(s): **Griffith Hack**

(71) Name(s) and Address(s) of Applicant(s):

CLEAR LAM PACKAGING, INC.

1950 Pratt Boulevard Elk Grove Village Illinois, 60007 United States of America

(72) Name(s) of Designer(s): **James J. Sanfilippo and John E. Sanfilippo**

(45) Registration Date: **03 June 2015**

(30) Convention priority data:

(31) Number	(32) Date	(33) Country
29/507,861	31 Oct 2014	UNITED STATES OF AMERICA

(56) Related Art Documents: **Not Applicable**

(57) Statement of Newness and Distinctiveness: **Newness and distinctiveness resides in the visual features, including shape and configuration, of a LID FITMENT as shown in solid outline in the accompanying drawings. When determining whether the design is substantially similar in overall impression to another design, no regard is to be had to those features shown in dotted outline in the accompanying drawings, which features are provided for illustrative purposes only.**



(21) Design Number: **12216/2015**

(22) Date of Filing Application: **29 April 2015**

(24) Date from which industrial property rights may have effect: **29 April 2015**

(54) Product in respect of which the design is registered: **Motorcycle**

(51) International Design Classification: **12-11**

(74) Name(s) of Attorney(s): **King & Wood Mallesons**

(71) Name(s) and Address(s) of Applicant(s):

KTM Motorrad AG

Stallhofnerstrasse 3 Mattighofen 5230 Austria

(72) Name(s) of Designer(s): **Gerald Kiska**

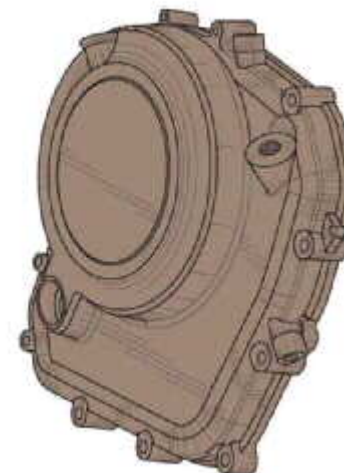
(45) Registration Date: **03 June 2015**

(56) Related Art Documents: **Not Applicable**

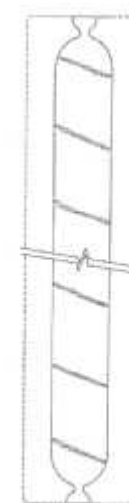
(57) Statement of Newness and Distinctiveness: **Nil**



- (21) Design Number: **12217/2015**
(22) Date of Filing Application: **29 April 2015**
(24) Date from which industrial property rights may have effect: **29 April 2015**
(54) Product in respect of which the design is registered: **Motorcycle engine cover**
(51) International Design Classification: **12-11**
(74) Name(s) of Attorney(s): **King & Wood Mallesons**
(71) Name(s) and Address(s) of Applicant(s):
KTM Motorrad AG
Stallhofnerstrasse 3 Mattighofen 5230 Austria
(72) Name(s) of Designer(s): **Gerald Kiska**
(45) Registration Date: **03 June 2015**
(56) Related Art Documents: **Not Applicable**
(57) Statement of Newness and Distinctiveness: **Newness and distinctiveness resides in the visual features, including the shape, configuration, ornamentation and colour of the product as shown in the accompanying representations.**



- (21) Design Number: **12218/2015**
(22) Date of Filing Application: **29 April 2015**
(24) Date from which industrial property rights may have effect: **24 February 2015**
(54) Product in respect of which the design is registered: **Release paper for wound treatment devices**
(51) International Design Classification: **24-04**
(74) Name(s) of Attorney(s): **Callinans**
(71) Name(s) and Address(s) of Applicant(s):
ETHICON, INC.
U.S. Route 22 Somerville, New Jersey, 08876 United States of America
(72) Name(s) of Designer(s): **Shane A Lacy and Julian A Quintero and Chin Park and Frank S Leparik**
(45) Registration Date: **03 June 2015**
(62) Divisional of: **361593**
(56) Related Art Documents: **Not Applicable**
(57) Statement of Newness and Distinctiveness: **Newness and distinctiveness are provided by the shape and/or configuration of the design shown in the representations. The features shown in broken lines in the representations are for illustrative purposes only and should not be considered when construing visual features of the design. The broken away portions in the drawings indicate the design is of indefinite length.**



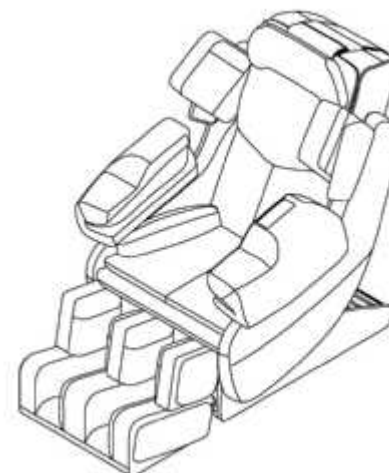
- (21) Design Number: **12221/2015**
(22) Date of Filing Application: **29 April 2015**
(24) Date from which industrial property rights may have effect: **24 February 2015**
(54) Product in respect of which the design is registered: **Release paper for wound treatment devices**
(51) International Design Classification: **24-04**
(74) Name(s) of Attorney(s): **Callinans**
(71) Name(s) and Address(s) of Applicant(s):
ETHICON, INC.
U.S. Route 22 Somerville, New Jersey, 08876 United States of America
(72) Name(s) of Designer(s): **Shane A Lacy and Julian A Quintero and Chin Park and Frank S Leparik**
(45) Registration Date: **03 June 2015**
(62) Divisional of: **361593**
(56) Related Art Documents: **Not Applicable**
(57) Statement of Newness and Distinctiveness: **Newness and distinctiveness are provided by the shape and/or configuration of the design shown in the representations. The features shown in broken lines in the representations are for illustrative purposes only and should not be considered when construing visual features of the design. The broken away portions in the drawings indicate the design is of indefinite length.**



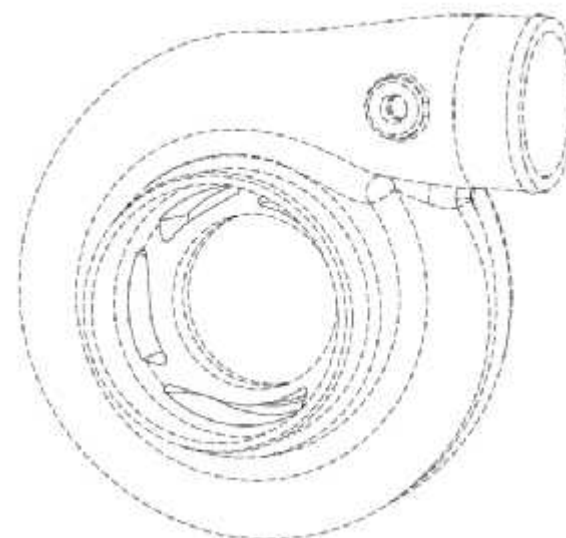
- (21) Design Number: **12222/2015**
(22) Date of Filing Application: **29 April 2015**
(24) Date from which industrial property rights may have effect: **24 February 2015**
(54) Product in respect of which the design is registered: **Release paper for wound treatment devices**
(51) International Design Classification: **24-04**
(74) Name(s) of Attorney(s): **Callinans**
(71) Name(s) and Address(s) of Applicant(s):
ETHICON, INC.
U.S. Route 22 Somerville, New Jersey, 08876 United States of America
(72) Name(s) of Designer(s): **Shane A Lacy and Julian A Quintero and Chin Park and Frank S Leparik**
(45) Registration Date: **03 June 2015**
(62) Divisional of: **361593**
(56) Related Art Documents: **Not Applicable**
(57) Statement of Newness and Distinctiveness: **Newness and distinctiveness are provided by the shape and/or configuration of the design shown in the representations. The features shown in broken lines in the representations are for illustrative purposes only and should not be considered when construing visual features of the design. The broken away portions in the drawings indicate the design is of indefinite length.**



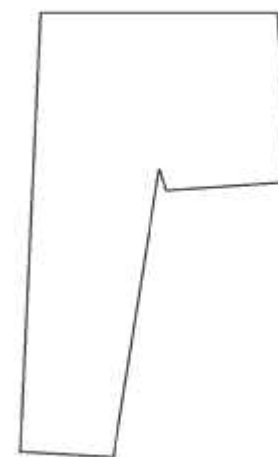
(21) Design Number: **12224/2015**
(22) Date of Filing Application: **29 April 2015**
(24) Date from which industrial property rights may have effect: **29 April 2015**
(54) Product in respect of which the design is registered: **Massage Chair**
(51) International Design Classification: **06-01NES**
(74) Name(s) of Attorney(s): **Shelston IP**
(71) Name(s) and Address(s) of Applicant(s):
Family Inada Co., Ltd.
2-1-3, Nishi-miyahara Yodogawa-ku, Osaka-shi Osaka 532-0004 JP
(72) Name(s) of Designer(s): **Toshiyuki Kita**
(45) Registration Date: **03 June 2015**
(30) Convention priority data:
(31) Number (32) Date (33) Country
2014-025130 11 Nov 2014 JAPAN
(56) Related Art Documents: **Not Applicable**
(57) Statement of Newness and Distinctiveness: **Newness and distinctiveness reside in the features of shape and/or configuration of the Massage Chair as shown in the accompanying representations.**



(21) Design Number: **12225/2015**
(22) Date of Filing Application: **29 April 2015**
(24) Date from which industrial property rights may have effect: **29 April 2015**
(54) Product in respect of which the design is registered: **Compressor inlet for turbocharger**
(51) International Design Classification: **15-02**
(74) Name(s) of Attorney(s): **Cullens Patent and Trade Mark Attorneys**
(71) Name(s) and Address(s) of Applicant(s):
Turbonetics Holdings, Inc.
14399 Princeton Avenue Moorepark CA, 93021 United States of America
(72) Name(s) of Designer(s): **Brian G Regnier and Michal Hastings**
(45) Registration Date: **03 June 2015**
(30) Convention priority data:
(31) Number (32) Date (33) Country
29/508,083 03 Nov 2014 UNITED STATES OF AMERICA
(56) Related Art Documents: **Not Applicable**
(57) Statement of Newness and Distinctiveness: **The broken line in the figures are environmental only and are not part of the claimed design.**



- (21) Design Number: **12226/2015**
(22) Date of Filing Application: **29 April 2015**
(24) Date from which industrial property rights may have effect: **29 April 2015**
(54) Product in respect of which the design is registered: **Pair of pants**
(51) International Design Classification: **02-02C**
(74) Name(s) of Attorney(s): **Roger Syn & Co. Patent & Trade Mark Attorneys**
(71) Name(s) and Address(s) of Applicant(s):
Sricom Pty. Limited
45 Joan Ave Ferntree Gully VIC 3156 Australia
(72) Name(s) of Designer(s): **Stephen Francis Brehaut and Sharon Lee Betteridge**
(45) Registration Date: **03 June 2015**
(56) Related Art Documents: **Not Applicable**
(57) Statement of Newness and Distinctiveness: **This design is to be applied to a pair of pants and the novelty resides in the features of shape and configuration of the article shown in the accompanying representations which are illustrated with the pair of pants laid flat.**



- (21) Design Number: **12228/2015**
(22) Date of Filing Application: **30 April 2015**
(24) Date from which industrial property rights may have effect: **30 April 2015**
(54) Product in respect of which the design is registered: **Motorcycle**
(51) International Design Classification: **12-11**
(74) Name(s) of Attorney(s): **WATERMARK PATENT AND TRADE MARKS ATTORNEYS**
(71) Name(s) and Address(s) of Applicant(s):
Zhejiang CFMOTO Power Co., Ltd
No. 116, Wuzhou Road Yuhang Economic Development Zone Hangzhou
Zhejiang, 311100 China
(72) Name(s) of Designer(s): **Guogui Lai and Zhangping Yuan and Zhiyong Chen and Xiuju Yang and Mingyue Zhou and Qingzun Ji and Hao Jiang and Xiaoming Xiong and Zheming Xu and Xiaolu Jiang**
(45) Registration Date: **03 June 2015**
(30) Convention priority data:
(31) Number (32) Date (33) Country
201530109544.7 22 Apr 2015 CHINA
(56) Related Art Documents: **Not Applicable**
(57) Statement of Newness and Distinctiveness: **Nil**



(21) Design Number: **13726/2014**
(22) Date of Filing Application: **31 July 2014**
(24) Date from which industrial property rights may have effect: **31 July 2014**
(54) Product in respect of which the design is registered: **Container**
(51) International Design Classification: **09-03NES**
(74) Name(s) of Attorney(s):
(71) Name(s) and Address(s) of Applicant(s):

MEGA Brands Inc
4505 Hickmore St Saint-Laurent QC, H4T 1K4 Canada

(72) Name(s) of Designer(s): **Julie LeBlanc**

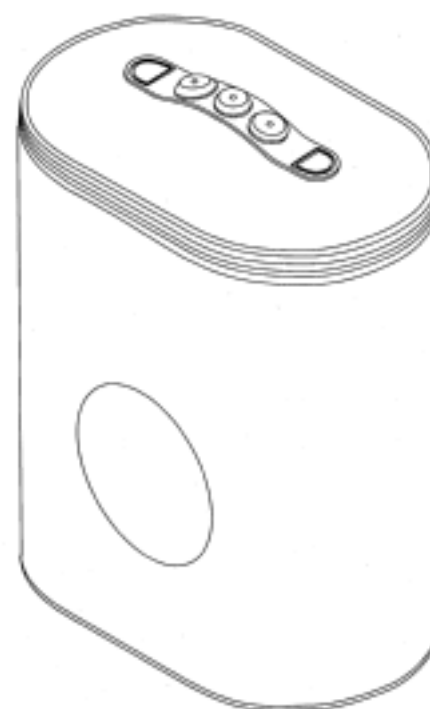
(45) Registration Date: **03 June 2015**

(30) Convention priority data:

(31) Number	(32) Date	(33) Country
29/480,999	31 Jan 2014	UNITED STATES OF AMERICA

(56) Related Art Documents: **Not Applicable**

(57) Statement of Newness and Distinctiveness: **Particular regard is made to the common design features of pattern and ornamentation shown in full outline in FIGs 1A to 6A and 9A to 14A as applied to the Container as shown in FIGs 1 to 16 of the accompanying representations, as being new and distinctive. The A FIGs are only provided for emphasising the relative visual features of the design that are new and distinctive, and are not to detract from the design as a whole as shown in FIGs 1 to 16. The discontinuous lines in FIGs 1A to 16A (not the dashed lines) are for environmental and illustrative purposes only, and the dashed lines are provided for demarcating the extent of the design, and neither are part of the design.**



(21) Design Number: **12788/2015**
(22) Date of Filing Application: **31 July 2014**
(24) Date from which industrial property rights may have effect: **31 July 2014**
(54) Product in respect of which the design is registered: **Container**
(51) International Design Classification: **09-03NES**
(74) Name(s) of Attorney(s):
(71) Name(s) and Address(s) of Applicant(s):

MEGA Brands Inc
4505 Hickmore St Saint-Laurent QC, H4T 1K4 Canada

(72) Name(s) of Designer(s): **Julie LeBlanc**

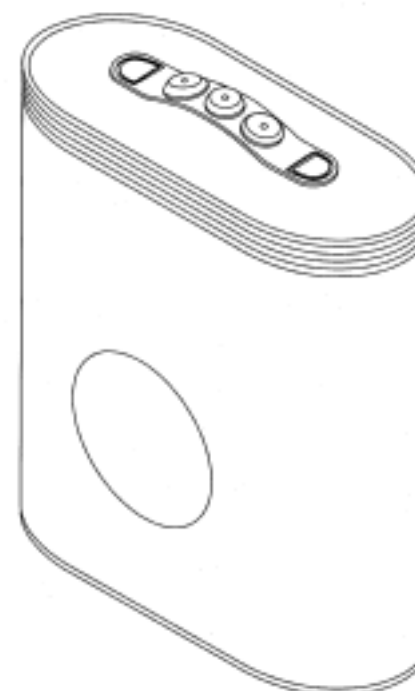
(45) Registration Date: **03 June 2015**

(30) Convention priority data:

(31) Number	(32) Date	(33) Country
29/480,999	31 Jan 2014	UNITED STATES OF AMERICA

(56) Related Art Documents: **Not Applicable**

(57) Statement of Newness and Distinctiveness: **Particular regard is made to the common design features of pattern and ornamentation shown in full outline in FIGs 1A to 6A and 9A to 14A as applied to the Container as shown in FIGs 1 to 16 of the accompanying representations, as being new and distinctive. The A FIGs are only provided for emphasising the relative visual features of the design that are new and distinctive, and are not to detract from the design as a whole as shown in FIGs 1 to 16. The discontinuous lines in FIGs 1A to 16A (not the dashed lines) are for environmental and illustrative purposes only, and the dashed lines are provided for demarcating the extent of the design, and neither are part of the design.**



(21) Design Number: **13727/2014**
(22) Date of Filing Application: **31 July 2014**
(24) Date from which industrial property rights may have effect: **31 July 2014**
(54) Product in respect of which the design is registered: **Container**
(51) International Design Classification: **09-03NES**
(74) Name(s) of Attorney(s):
(71) Name(s) and Address(s) of Applicant(s):

MEGA Brands Inc
4505 Hickmore St Saint-Laurent QC, H4T 1K4 Canada

(72) Name(s) of Designer(s): **Julie LeBlanc**

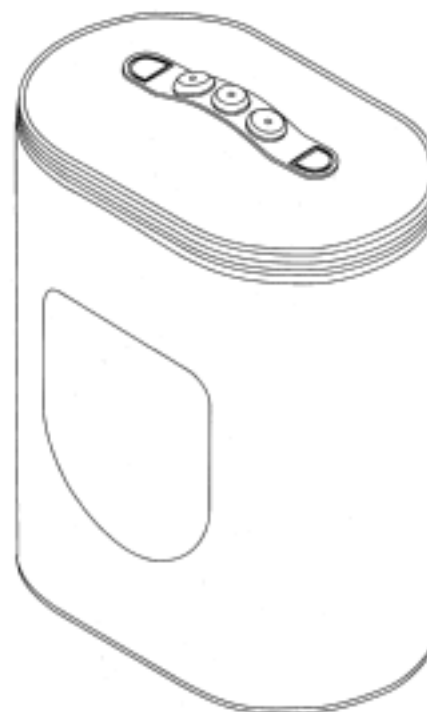
(45) Registration Date: **03 June 2015**

(30) Convention priority data:

(31) Number	(32) Date	(33) Country
29/481,035	31 Jan 2014	UNITED STATES OF AMERICA

(56) Related Art Documents: **Not Applicable**

(57) Statement of Newness and Distinctiveness: **Particular regard is made to the common design features of pattern and ornamentation shown in full outline in FIGs 1A to 6A and 9A to 14A as applied to the Container as shown in FIGs 1 to 16 of the accompanying representations, as being new and distinctive. The A FIGs are only provided for emphasising the relative visual features of the design that are new and distinctive, and are not to detract from the design as a whole as shown in FIGs 1 to 16. The discontinuous lines in FIGs 1A to 16A (not the dashed lines) are for environmental and illustrative purposes only, and the dashed lines are provided for demarcating the extent of the design, and neither are part of the design.**



(21) Design Number: **12789/2015**
(22) Date of Filing Application: **31 July 2014**
(24) Date from which industrial property rights may have effect: **31 July 2014**
(54) Product in respect of which the design is registered: **Container**
(51) International Design Classification: **09-03NES**
(74) Name(s) of Attorney(s):
(71) Name(s) and Address(s) of Applicant(s):

MEGA Brands Inc
4505 Hickmore St Saint-Laurent QC, H4T 1K4 Canada

(72) Name(s) of Designer(s): **Julie LeBlanc**

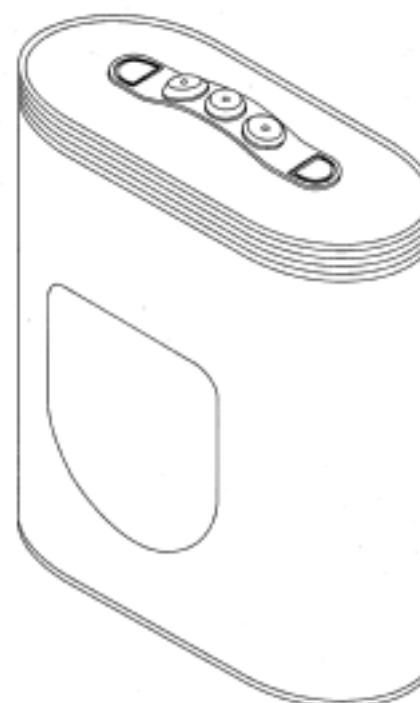
(45) Registration Date: **03 June 2015**

(30) Convention priority data:

(31) Number	(32) Date	(33) Country
29/481,035	31 Jan 2014	UNITED STATES OF AMERICA

(56) Related Art Documents: **Not Applicable**

(57) Statement of Newness and Distinctiveness: **Particular regard is made to the common design features of pattern and ornamentation shown in full outline in FIGs 1A to 6A and 9A to 14A as applied to the Container as shown in FIGs 1 to 16 of the accompanying representations, as being new and distinctive. The A FIGs are only provided for emphasising the relative visual features of the design that are new and distinctive, and are not to detract from the design as a whole as shown in FIGs 1 to 16. The discontinuous lines in FIGs 1A to 16A (not the dashed lines) are for environmental and illustrative purposes only, and the dashed lines are provided for demarcating the extent of the design, and neither are part of the design.**



(21) Design Number: **13728/2014**
(22) Date of Filing Application: **31 July 2014**
(24) Date from which industrial property rights may have effect: **31 July 2014**
(54) Product in respect of which the design is registered: **Container**
(51) International Design Classification: **09-03NES**
(74) Name(s) of Attorney(s):
(71) Name(s) and Address(s) of Applicant(s):

MEGA Brands Inc
4505 Hickmore St Saint-Laurent QC, H4T 1K4 Canada

(72) Name(s) of Designer(s): **Julie LeBlanc**

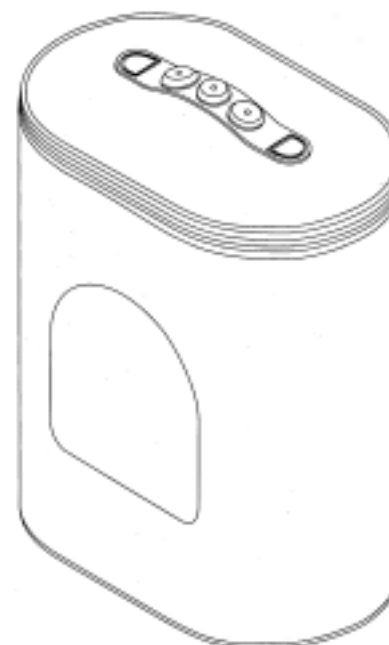
(45) Registration Date: **03 June 2015**

(30) Convention priority data:

(31) Number	(32) Date	(33) Country
29/481,041	31 Jan 2014	UNITED STATES OF AMERICA

(56) Related Art Documents: **Not Applicable**

(57) Statement of Newness and Distinctiveness: **Particular regard is made to the common design features of pattern and ornamentation shown in full outline in FIGs 1A to 6A and 9A to 14A as applied to the Container as shown in FIGs 1 to 16 of the accompanying representations, as being new and distinctive. The A FIGs are only provided for emphasising the relative visual features of the design that are new and distinctive, and are not to detract from the design as a whole as shown in FIGs 1 to 16. The discontinuous lines in FIGs 1A to 16A (not the dashed lines) are for environmental and illustrative purposes only, and the dashed lines are provided for demarcating the extent of the design, and neither are part of the design.**



(21) Design Number: **12790/2015**
(22) Date of Filing Application: **31 July 2014**
(24) Date from which industrial property rights may have effect: **31 July 2014**
(54) Product in respect of which the design is registered: **Container**
(51) International Design Classification: **09-03NES**
(74) Name(s) of Attorney(s):
(71) Name(s) and Address(s) of Applicant(s):

MEGA Brands Inc
4505 Hickmore St Saint-Laurent QC, H4T 1K4 Canada

(72) Name(s) of Designer(s): **Julie LeBlanc**

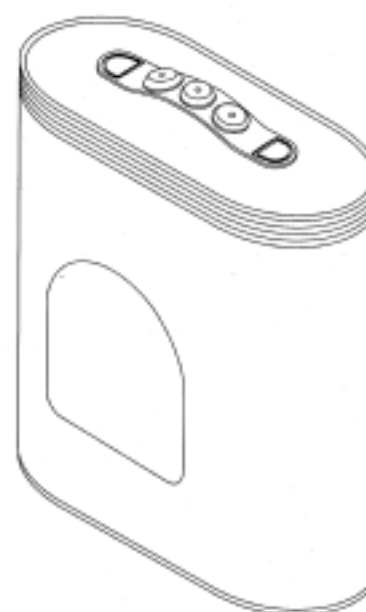
(45) Registration Date: **03 June 2015**

(30) Convention priority data:

(31) Number	(32) Date	(33) Country
29/481,041	31 Jan 2014	UNITED STATES OF AMERICA

(56) Related Art Documents: **Not Applicable**

(57) Statement of Newness and Distinctiveness: **Particular regard is made to the common design features of pattern and ornamentation shown in full outline in FIGs 1A to 6A and 9A to 14A as applied to the Container as shown in FIGs 1 to 16 of the accompanying representations, as being new and distinctive. The A FIGs are only provided for emphasising the relative visual features of the design that are new and distinctive, and are not to detract from the design as a whole as shown in FIGs 1 to 16. The discontinuous lines in FIGs 1A to 16A (not the dashed lines) are for environmental and illustrative purposes only, and the dashed lines are provided for demarcating the extent of the design, and neither are part of the design.**



(21) Design Number: **16285/2014**
(22) Date of Filing Application: **03 December 2014**
(24) Date from which industrial property rights may have effect: **03 December 2014**
(54) Product in respect of which the design is registered: **Stubby Holder- 3 Velcro attached arched pieces**
(51) International Design Classification: **07-06A**
(74) Name(s) of Attorney(s):
(71) Name(s) and Address(s) of Applicant(s):
ADINK
PO BOX 827 South Perth WA 6951 Australia
(72) Name(s) of Designer(s): **Myeongwan Jo**
(45) Registration Date: **03 June 2015**
(30) Convention priority data:
(31) Number (32) Date (33) Country
2014-0034021 10 Jul 2014 REPUBLIC OF KOREA



(56) Related Art Documents: **Not Applicable**
(57) Statement of Newness and Distinctiveness: **1. Separated 3 Velcro attached arched(circular) pieces's material is PE ,PP and etc 2. For making beverage can,bottle,cup and etc cool longer. 3. Charged with PCM technology and same thickness 3 Velcro attached arched(circular) pieces can be divided and wrapped. 4. Bottom of arched (circular) container which is charged with PCM has prominent mouth, which has screwed for assembling the cap. The purpose of prominent mouth with cap is made for supporting to stand on centralward 5. It can be divided into 3 parts and printed with different special stickers. With special made stickers, users can advertise more efficiently. 6. It can be used permanently. 7. Separated one piece can be used for cool massage purpose on wound body part. 8. It can be used intead of ice pack in ice box (divided 3 pieces).**

(21) Design Number: **16712/2014**
(22) Date of Filing Application: **27 December 2014**
(24) Date from which industrial property rights may have effect: **27 December 2014**
(54) Product in respect of which the design is registered: **Ariel pipe**
(51) International Design Classification: **27-02**
(74) Name(s) of Attorney(s):
(71) Name(s) and Address(s) of Applicant(s):
GRAPHICART PTY. LTD.
PO BOX 227 Glen Huntly VIC 3163 Australia
(72) Name(s) of Designer(s): **Alex Gajic**
(45) Registration Date: **03 June 2015**
(56) Related Art Documents: **Not Applicable**
(57) Statement of Newness and Distinctiveness: **Borosilicate glass pipe with 5 sided silicone stand that protects the pipe from burning surfaces after use by turning the head of the pipe 72 degrees from the surface the pipe rests on.**



(21) Design Number: **11082/2015**
(22) Date of Filing Application: **27 February 2015**
(24) Date from which industrial property rights may have effect: **27 February 2015**
(54) Product in respect of which the design is registered: **Rally cap**
(51) International Design Classification: **02-03**
(74) Name(s) of Attorney(s): **Baldwins**
(71) Name(s) and Address(s) of Applicant(s):
Sam Hernandez
725 2nd St Secaucus NJ, 07094-3131 United States of America
(72) Name(s) of Designer(s): **Sam Hernandez**
(45) Registration Date: **03 June 2015**
(30) Convention priority data:
(31) Number (32) Date (33) Country
29508583 07 Nov 2014 UNITED STATES OF AMERICA
(56) Related Art Documents: **Not Applicable**
(57) Statement of Newness and Distinctiveness: **The design is to be applied to a rally cap and the novelty of the design resides in the features of shape and/or configuration of the article as shown in the accompanying representations.**



(21) Design Number: **11084/2015**
(22) Date of Filing Application: **27 February 2015**
(24) Date from which industrial property rights may have effect: **27 February 2015**
(54) Product in respect of which the design is registered: **Food tray**
(51) International Design Classification: **07-99A**
(74) Name(s) of Attorney(s): **AJ Park**
(71) Name(s) and Address(s) of Applicant(s):
INPACT INNOVATION PTY. LTD.
6/650 Church St Richmond VIC 3121 Australia
(72) Name(s) of Designer(s): **Rosario Estrella Eustaquio**
(45) Registration Date: **03 June 2015**
(56) Related Art Documents: **Not Applicable**
(57) Statement of Newness and Distinctiveness: **Newness and distinctiveness reside in the features of shape and/or configuration of tray as shown in solid lines in the representations, excluding those features shown in broken lines. Features of colour are included for illustrative purposes only and do not form part of the design.**



- (21) Design Number: **11286/2015**
(22) Date of Filing Application: **06 March 2015**
(24) Date from which industrial property rights may have effect: **06 March 2015**
(54) Product in respect of which the design is registered: **Tea packaging for pyramid tea bags and loose leaf**
(51) International Design Classification: **09-03M**
(74) Name(s) of Attorney(s):
(71) Name(s) and Address(s) of Applicant(s):
Danielli's Fine Foods Pty Ltd
35-55 Harrington Street The Rocks NSW 2000 Australia
(72) Name(s) of Designer(s): **Chantal Danieli**
(45) Registration Date: **03 June 2015**
(56) Related Art Documents: **Not Applicable**
(57) Statement of Newness and Distinctiveness: **Tea Amo Speciality Organic Herbal Healing Teas designed to reflect the health & well being benefits of the tea. Distinctive white box with the use of lekton and futura (bold) fonts in black. distinctive black graphic flower/botanical imagery on the side of the box. It has a unique numbering system for each blend name. It has unique colour way and printing inside of the box that stands out from medicinal white black red . Unique colour banding on the box identifying each blend. Blends named Calm, Revive, Unwind, Relieve, Remedy, Cleanse and Intimacy to identify each tea blend with the numbering system. The packaging uses hand symbols to identify each blend as well as distinctive healing hand logo that represent TEA AMO. The words ORGANIC and HEALING are vital in identifying and differentiating the tea from other herbal teas. The number system from 1 to 7 is a clear feature and identifying marker on the packaging and is part of the process of creating a medicinal feel to the tea.**



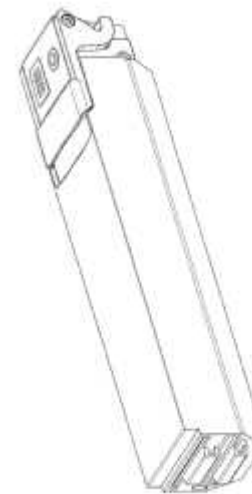
- (21) Design Number: **11392/2015**
(22) Date of Filing Application: **13 March 2015**
(24) Date from which industrial property rights may have effect: **13 March 2015**
(54) Product in respect of which the design is registered: **Baby carrier**
(51) International Design Classification: **03-99**
(74) Name(s) of Attorney(s): **Allens Patent & Trade Mark Attorneys**
(71) Name(s) and Address(s) of Applicant(s):
We Made Me Limited
1 Amber House 22b St John's Road Hove East Sussex BN3 2EZ United Kingdom
(72) Name(s) of Designer(s): **Daniel Lucas and Claire McKenzie-Neville**
(45) Registration Date: **03 June 2015**
(30) Convention priority data:
(31) Number (32) Date (33) Country
002538207-0001 15 Sep 2014 OFFICE FOR HARMONISATION IN THE INTERNAL MARKET (OHIM)
(56) Related Art Documents: **Not Applicable**
(57) Statement of Newness and Distinctiveness: **Newness and distinctiveness resides in the visual features of shape and configuration of a baby carrier as shown in the accompanying representations.**



(21) Design Number: **12229/2015**
(22) Date of Filing Application: **30 April 2015**
(24) Date from which industrial property rights may have effect: **30 April 2015**
(54) Product in respect of which the design is registered: **Accumulator**
(51) International Design Classification: **13-02**
(74) Name(s) of Attorney(s): **Callinans**
(71) Name(s) and Address(s) of Applicant(s):
ROBERT BOSCH GMBH
Postfach 30 02 20 Stuttgart 70442 Germany
(72) Name(s) of Designer(s): **Rinaldo Greiner**
(45) Registration Date: **03 June 2015**
(30) Convention priority data:
(31) Number (32) Date (33) Country
**002573170 07 Nov 2014 OFFICE FOR HARMONISATION IN
THE INTERNAL MARKET (OHIM)**
(56) Related Art Documents: **Not Applicable**
(57) Statement of Newness and Distinctiveness: **Nil**



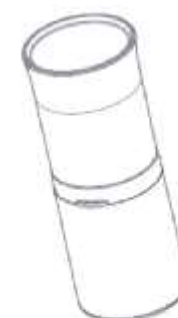
(21) Design Number: **12230/2015**
(22) Date of Filing Application: **30 April 2015**
(24) Date from which industrial property rights may have effect: **30 April 2015**
(54) Product in respect of which the design is registered: **Accumulator**
(51) International Design Classification: **13-02**
(74) Name(s) of Attorney(s): **Callinans**
(71) Name(s) and Address(s) of Applicant(s):
ROBERT BOSCH GMBH
Postfach 30 02 20 Stuttgart 70442 Germany
(72) Name(s) of Designer(s): **Rinaldo Greiner**
(45) Registration Date: **03 June 2015**
(30) Convention priority data:
(31) Number (32) Date (33) Country
**002573170 07 Nov 2014 OFFICE FOR HARMONISATION IN
THE INTERNAL MARKET (OHIM)**
(56) Related Art Documents: **Not Applicable**
(57) Statement of Newness and Distinctiveness: **Nil**



(21) Design Number: **12233/2015**
(22) Date of Filing Application: **30 April 2015**
(24) Date from which industrial property rights may have effect: **30 April 2015**
(54) Product in respect of which the design is registered: **Automatic fluid dispenser**
(51) International Design Classification: **09-01A**
(74) Name(s) of Attorney(s): **Baldwins**
(71) Name(s) and Address(s) of Applicant(s):
Toaster Labs, Inc.
2212 Queen Anne Ave N Seattle WA 98109-2312 United States of America
(72) Name(s) of Designer(s): **Amy Carol Buckalter and Alexander M. Diener and Kristin M. Will and Roland Horth**
(45) Registration Date: **03 June 2015**
(30) Convention priority data:
(31) Number (32) Date (33) Country
29/507,809 30 Oct 2014 UNITED STATES OF AMERICA
(56) Related Art Documents: **Not Applicable**
(57) Statement of Newness and Distinctiveness: **The design is to be applied to an AUTOMATIC FLUID DISPENSER and the novelty of the design resides in the features of shape and/or configuration of the article as shown in the accompanying representations, excluding those features shown in broken lines.**



(21) Design Number: **12234/2015**
(22) Date of Filing Application: **30 April 2015**
(24) Date from which industrial property rights may have effect: **30 April 2015**
(54) Product in respect of which the design is registered: **Fluid dispenser**
(51) International Design Classification: **09-01A**
(74) Name(s) of Attorney(s): **Baldwins**
(71) Name(s) and Address(s) of Applicant(s):
Toaster Labs, Inc.
2212 Queen Anne Ave N Seattle WA 98109-2312 United States of America
(72) Name(s) of Designer(s): **Amy Carol Buckalter and Alexander M. Diener and Kristin M. Will and Roland Horth**
(45) Registration Date: **03 June 2015**
(30) Convention priority data:
(31) Number (32) Date (33) Country
29/507,800 30 Oct 2014 UNITED STATES OF AMERICA
(56) Related Art Documents: **Not Applicable**
(57) Statement of Newness and Distinctiveness: **The design is to be applied to a FLUID DISPENSER and the novelty of the design resides in the features of shape and/or configuration of the article as shown in the accompanying representations.**



- (21) Design Number: **10825/2015**
(22) Date of Filing Application: **15 February 2015**
(24) Date from which industrial property rights may have effect: **15 February 2015**
(54) Product in respect of which the design is registered: **Self closing hinge**
(51) International Design Classification: **08-06**
(74) Name(s) of Attorney(s):
(71) Name(s) and Address(s) of Applicant(s):
IMD CONCEPTS PTY LTD
U5/97 Oaks Ave Dee Why NSW 2099 Australia
(72) Name(s) of Designer(s): **Imad Seymour**
(45) Registration Date: **04 June 2015**
(56) Related Art Documents: **Not Applicable**
(57) Statement of Newness and Distinctiveness: **Front incremental spring adjustment hinge by a gear wise system, suitable for gates around the house. Gate types can be metal, vinyl, wood or glass.**



- (21) Design Number: **12192/2015**
(22) Date of Filing Application: **27 April 2015**
(24) Date from which industrial property rights may have effect: **27 April 2015**
(54) Product in respect of which the design is registered: **Earphone charging case with wireless earphones**
(51) International Design Classification: **13-02, 14-01**
(74) Name(s) of Attorney(s): **IP Guardian**
(71) Name(s) and Address(s) of Applicant(s):
NEX TECHNOLOGIES PTY LTD
7 Pimpala St Lithgow NSW 2790 Australia
(72) Name(s) of Designer(s): **Jonathan Zuvela**
(45) Registration Date: **04 June 2015**
(56) Related Art Documents: **Not Applicable**
(57) Statement of Newness and Distinctiveness: **Nil**



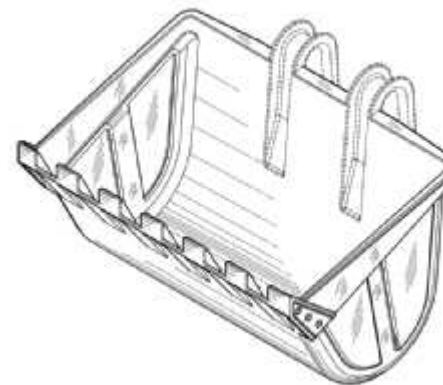
(21) Design Number: **12194/2015**
(22) Date of Filing Application: **27 April 2015**
(24) Date from which industrial property rights may have effect: **27 April 2015**
(54) Product in respect of which the design is registered: **Interdental cleaner**
(51) International Design Classification: **24-99**
(74) Name(s) of Attorney(s):
(71) Name(s) and Address(s) of Applicant(s):
Tepe Munhygienprodukter AB
Bronsaldersgatan 5 Malmo 213 76 Sweden
(72) Name(s) of Designer(s): **Paul Wallstrom and Jan-Inge Larsson and Alexander Dingizian**
(45) Registration Date: **04 June 2015**
(30) Convention priority data:
(31) Number (32) Date (33) Country
002564658-0007 27 Oct 2014 OFFICE FOR HARMONISATION IN THE INTERNAL MARKET (OHIM)
(56) Related Art Documents: **Not Applicable**
(57) Statement of Newness and Distinctiveness: **Nil**



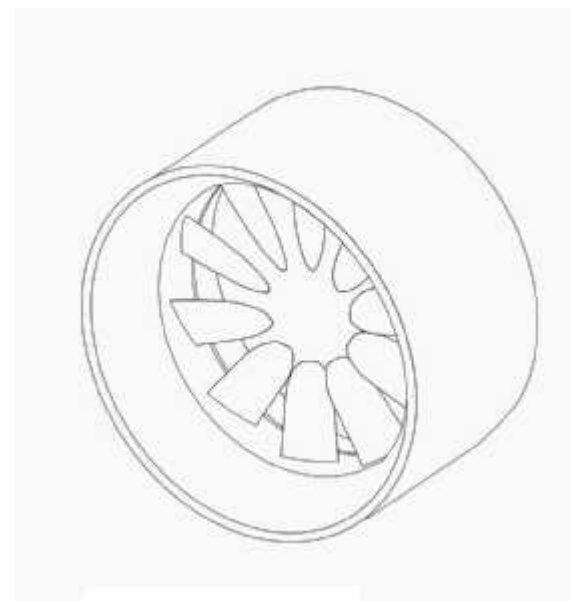
(21) Design Number: **12195/2015**
(22) Date of Filing Application: **27 April 2015**
(24) Date from which industrial property rights may have effect: **27 April 2015**
(54) Product in respect of which the design is registered: **Interdental cleaner**
(51) International Design Classification: **24-99**
(74) Name(s) of Attorney(s):
(71) Name(s) and Address(s) of Applicant(s):
Tepe Munhygienprodukter AB
Bronsaldersgatan 5 Malmo 213 76 Sweden
(72) Name(s) of Designer(s): **Paul Wallstrom and Jan-Inge Larsson and Alexander Dingizian**
(45) Registration Date: **04 June 2015**
(30) Convention priority data:
(31) Number (32) Date (33) Country
002564658-0008 27 Oct 2014 OFFICE FOR HARMONISATION IN THE INTERNAL MARKET (OHIM)
(56) Related Art Documents: **Not Applicable**
(57) Statement of Newness and Distinctiveness: **Nil**



- (21) Design Number: **12207/2015**
(22) Date of Filing Application: **29 April 2015**
(24) Date from which industrial property rights may have effect: **29 April 2015**
(54) Product in respect of which the design is registered: **Bicycle basket**
(51) International Design Classification: **09-04**
(74) Name(s) of Attorney(s): **Cotters Patent & Trade Mark Attorneys**
(71) Name(s) and Address(s) of Applicant(s):
Robert Silver
2 Brisbane St Fairlight NSW 2094 Australia
(72) Name(s) of Designer(s): **Robert Silver and Michael John Hort**
(45) Registration Date: **04 June 2015**
(56) Related Art Documents: **Not Applicable**
(57) Statement of Newness and Distinctiveness: **Newness and distinctiveness is claimed in the features of shape and/or configuration of a bicycle basket as shown in continuous lines in the accompanying drawings, with the attachment features shown in phantom to be disregarded.**



- (21) Design Number: **12240/2015**
(22) Date of Filing Application: **30 April 2015**
(24) Date from which industrial property rights may have effect: **30 April 2015**
(54) Product in respect of which the design is registered: **Hydroelectric turbines**
(51) International Design Classification: **13-99**
(74) Name(s) of Attorney(s): **WRAYS PTY LTD**
(71) Name(s) and Address(s) of Applicant(s):
Openhydro IP Limited
South Dock House Hanover Quay Dublin 2 Republic of Ireland
(72) Name(s) of Designer(s): **Simon Cawthorn**
(45) Registration Date: **04 June 2015**
(30) Convention priority data:
(31) Number (32) Date (33) Country
002568220-0001 30 Oct 2014 OFFICE FOR HARMONISATION IN THE INTERNAL MARKET (OHIM)
(56) Related Art Documents: **Not Applicable**
(57) Statement of Newness and Distinctiveness: **Newness and distinctiveness is claimed in the features of shape, configuration, pattern, and/or ornamentation of the Hydroelectric Turbines as shown in the accompanying representations.**



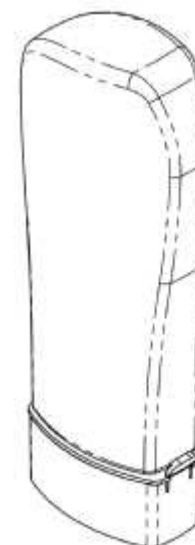
(21) Design Number: **12241/2015**
(22) Date of Filing Application: **30 April 2015**
(24) Date from which industrial property rights may have effect: **30 April 2015**
(54) Product in respect of which the design is registered: **Inlet strainer**
(51) International Design Classification: **23-01G**
(74) Name(s) of Attorney(s): **Madderns**
(71) Name(s) and Address(s) of Applicant(s):
MBP Australasia Pty Ltd
177 Thomas Street Murray Bridge SA 5253 Australia
(72) Name(s) of Designer(s): **Jeffrey Stephen Boyd and Michael Nyp**
(45) Registration Date: **04 June 2015**
(56) Related Art Documents: **Not Applicable**
(57) Statement of Newness and Distinctiveness: **Nil**



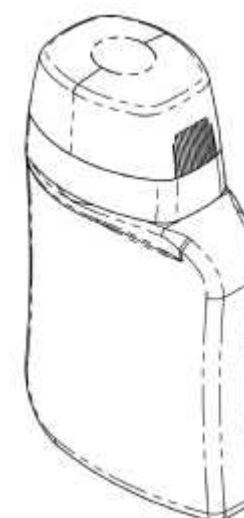
(21) Design Number: **12242/2015**
(22) Date of Filing Application: **30 April 2015**
(24) Date from which industrial property rights may have effect: **30 April 2015**
(54) Product in respect of which the design is registered: **Inlet strainer with light guard**
(51) International Design Classification: **23-01G**
(74) Name(s) of Attorney(s): **Madderns**
(71) Name(s) and Address(s) of Applicant(s):
MBP Australasia Pty Ltd
177 Thomas St Murray Bridge SA 5253 Australia
(72) Name(s) of Designer(s): **Jeffrey Stephen Boyd and Michael Nyp**
(45) Registration Date: **04 June 2015**
(56) Related Art Documents: **Not Applicable**
(57) Statement of Newness and Distinctiveness: **Nil**



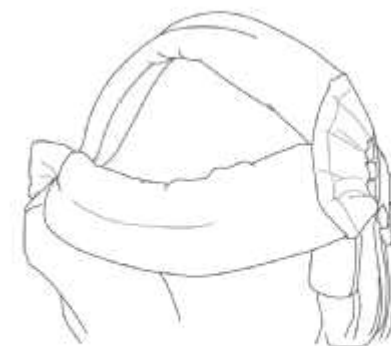
- (21) Design Number: **14994/2014**
(22) Date of Filing Application: **30 September 2014**
(24) Date from which industrial property rights may have effect: **30 September 2014**
(54) Product in respect of which the design is registered: **Bottle**
(51) International Design Classification: **09-01NES**
(74) Name(s) of Attorney(s): **Davies Collison Cave**
(71) Name(s) and Address(s) of Applicant(s):
DuluxGroup (Australia) Pty Ltd
1956 Dandenong Rd Clayton VIC 3168 Australia
(72) Name(s) of Designer(s): **Sean Lewis**
(45) Registration Date: **04 June 2015**
(56) Related Art Documents: **Not Applicable**
(57) Statement of Newness and Distinctiveness: **The shape and configuration of the bottle shown in the representations is new and distinctive. Where used in the representations, broken lines indicate surface contour (and not surface decoration).**



- (21) Design Number: **15001/2014**
(22) Date of Filing Application: **30 September 2014**
(24) Date from which industrial property rights may have effect: **30 September 2014**
(54) Product in respect of which the design is registered: **Bottle**
(51) International Design Classification: **09-01NES**
(74) Name(s) of Attorney(s): **Davies Collison Cave**
(71) Name(s) and Address(s) of Applicant(s):
DuluxGroup (Australia) Pty Ltd
1956 Dandenong Rd Clayton VIC 3168 Australia
(72) Name(s) of Designer(s): **Sean Lewis**
(45) Registration Date: **04 June 2015**
(56) Related Art Documents: **Not Applicable**
(57) Statement of Newness and Distinctiveness: **The shape and configuration of the bottles shown in the representations is new and distinctive. Where used in the representations, broken lines indicate surface contour (and not surface decoration).**



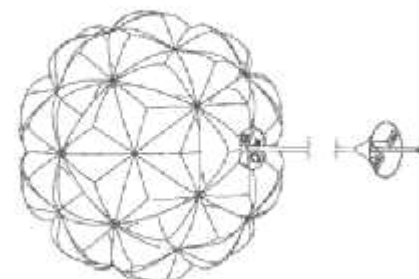
(21) Design Number: **10888/2015**
(22) Date of Filing Application: **18 February 2015**
(24) Date from which industrial property rights may have effect: **18 February 2015**
(54) Product in respect of which the design is registered: **Baby sling with split shoulder**
(51) International Design Classification: **03-99**
(74) Name(s) of Attorney(s): **Allens Patent & Trade Mark Attorneys**
(71) Name(s) and Address(s) of Applicant(s):
We Made Me Limited
1 Amber House 22b St John's Road Hove East Sussex BN3 2EZ United Kingdom
(72) Name(s) of Designer(s): **Daniel Lucas and Jenny Ferguson and Vesta Garcia**
(45) Registration Date: **04 June 2015**
(30) Convention priority data:
(31) Number (32) Date (33) Country
002510123-0001 18 Aug 2014 OFFICE FOR HARMONISATION IN THE INTERNAL MARKET (OHIM)
(56) Related Art Documents: **Not Applicable**
(57) Statement of Newness and Distinctiveness: **Newness and distinctiveness resides in the visual features of shape and/or configuration of a baby sling with split shoulder as illustrated in the accompanying**



(21) Design Number: **10971/2015**
(22) Date of Filing Application: **24 February 2015**
(24) Date from which industrial property rights may have effect: **24 February 2015**
(54) Product in respect of which the design is registered: **Surgical mesh implant**
(51) International Design Classification: **24-03**
(74) Name(s) of Attorney(s): **Callinans**
(71) Name(s) and Address(s) of Applicant(s):
Johnson & Johnson Medical GMBH
Robert-Koch-Strasse 1 Norderstedt, 22851 Denmark
(72) Name(s) of Designer(s): **Barbara Schuldt-Hempe and Christoph Walther and Thorsten Deichmann**
(45) Registration Date: **04 June 2015**
(30) Convention priority data:
(31) Number (32) Date (33) Country
001419972 29 Aug 2014 OFFICE FOR HARMONISATION IN THE INTERNAL MARKET (OHIM)
(56) Related Art Documents: **Not Applicable**
(57) Statement of Newness and Distinctiveness: **Nil**



(21) Design Number: **10984/2015**
(22) Date of Filing Application: **24 February 2015**
(24) Date from which industrial property rights may have effect: **24 February 2015**
(54) Product in respect of which the design is registered: **Light**
(51) International Design Classification: **26-05D**
(74) Name(s) of Attorney(s): **Hazan Hollander**
(71) Name(s) and Address(s) of Applicant(s):
Design Research Limited
344 Ladbroke Grove Wharf Building, Portobello Dock London U10 5BU
United Kingdom
(72) Name(s) of Designer(s): **Thomas Dixon**
(45) Registration Date: **04 June 2015**
(56) Related Art Documents: **Not Applicable**
(57) Statement of Newness and Distinctiveness: **Newness and distinctiveness of the design resides in the shape and configuration of the cover of the lighting apparatus as shown in the accompanying representations.**



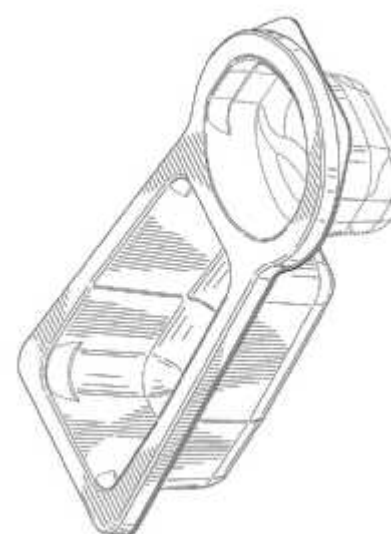
(21) Design Number: **11229/2015**
(22) Date of Filing Application: **06 March 2015**
(24) Date from which industrial property rights may have effect: **06 March 2015**
(54) Product in respect of which the design is registered: **Motor vehicle**
(51) International Design Classification: **12-08**
(74) Name(s) of Attorney(s): **Spruson & Ferguson**
(71) Name(s) and Address(s) of Applicant(s):
Volkswagen Aktiengesellschaft
38436, Wolfsburg Germany
(72) Name(s) of Designer(s): **Klaus Bischoff and Albert-Johann Kirzinger and Markus Rudlof and Roland Faller**
(45) Registration Date: **04 June 2015**
(30) Convention priority data:
(31) Number (32) Date (33) Country
40 2014 100 895.7 22 Sep 2014 GERMANY
(56) Related Art Documents: **Not Applicable**
(57) Statement of Newness and Distinctiveness: **Newness and distinctiveness is claimed in the features of shape and/or configuration of a motor vehicle as illustrated in the accompanying representations.**



(21) Design Number: **11230/2015**
(22) Date of Filing Application: **06 March 2015**
(24) Date from which industrial property rights may have effect: **06 March 2015**
(54) Product in respect of which the design is registered: **Motor vehicle**
(51) International Design Classification: **12-08**
(74) Name(s) of Attorney(s): **Spruson & Ferguson**
(71) Name(s) and Address(s) of Applicant(s):
Volkswagen Aktiengesellschaft
38436, Wolfsburg Germany
(72) Name(s) of Designer(s): **Klaus Bischoff and Albert-Johann Kirzinger and Markus Rudlof and Roland Faller**
(45) Registration Date: **04 June 2015**
(30) Convention priority data:
(31) Number (32) Date (33) Country
40 2014 100 895.7 22 Sep 2014 GERMANY
(56) Related Art Documents: **Not Applicable**
(57) Statement of Newness and Distinctiveness: **Newness and distinctiveness is claimed in the features of shape and/or configuration of a motor vehicle as illustrated in the accompanying representations.**



(21) Design Number: **12246/2015**
(22) Date of Filing Application: **30 April 2015**
(24) Date from which industrial property rights may have effect: **30 April 2015**
(54) Product in respect of which the design is registered: **Snack package**
(51) International Design Classification: **09-05, 09-03F**
(74) Name(s) of Attorney(s): **Griffith Hack**
(71) Name(s) and Address(s) of Applicant(s):
Kraft Foods Group Brands LLC
Three Lakes Drive Northfield Illinois, 60603 United States of America
(72) Name(s) of Designer(s): **Muluken Tilahun and Paris Lowitz and Stacy Castro and Thad Fisher**
(45) Registration Date: **04 June 2015**
(30) Convention priority data:
(31) Number (32) Date (33) Country
29/508,476 06 Nov 2014 UNITED STATES OF AMERICA
(56) Related Art Documents: **Not Applicable**
(57) Statement of Newness and Distinctiveness: **Newness and distinctiveness resides in the visual features, including shape and configuration, of a SNACK PACKAGE as shown in solid outline in the accompanying drawings. When determining whether the design is substantially similar in overall impression to another design, no regard is to be had to those features shown in equal length dashed outline in the accompanying drawings, which features are provided for illustrative purposes only.**



(21) Design Number: **12249/2015**
(22) Date of Filing Application: **30 April 2015**
(24) Date from which industrial property rights may have effect: **30 April 2015**
(54) Product in respect of which the design is registered: **Light fixture**
(51) International Design Classification: **26-03**
(74) Name(s) of Attorney(s): **PATENT ATTORNEY SERVICES**
(71) Name(s) and Address(s) of Applicant(s):

Kason Industries, Inc
57 Amlajack Blvd Newnan GA, 30265 United States of America

(72) Name(s) of Designer(s): **Raymond J Hiller**

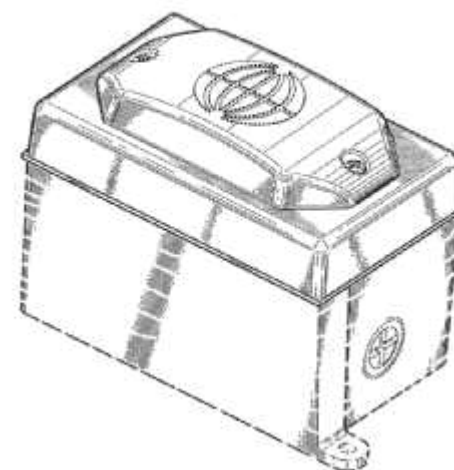
(45) Registration Date: **04 June 2015**

(30) Convention priority data:

(31) Number	(32) Date	(33) Country
29/507911	31 Oct 2014	UNITED STATES OF AMERICA

(56) Related Art Documents: **Not Applicable**

(57) Statement of Newness and Distinctiveness: **Newness and distinctiveness is claimed in the shape and configuration of the light fixture shown in the representations. The features shown in broken lines do not form part of the design and are to be disregarded.**



(21) Design Number: **12250/2015**
(22) Date of Filing Application: **30 April 2015**
(24) Date from which industrial property rights may have effect: **30 April 2015**
(54) Product in respect of which the design is registered: **Light fixture**
(51) International Design Classification: **26-03**
(74) Name(s) of Attorney(s): **PATENT ATTORNEY SERVICES**
(71) Name(s) and Address(s) of Applicant(s):

Kason Industries, Inc
57 Amlajack Blvd Newnan GA, 30265 United States of America

(72) Name(s) of Designer(s): **Raymond J Hiller**

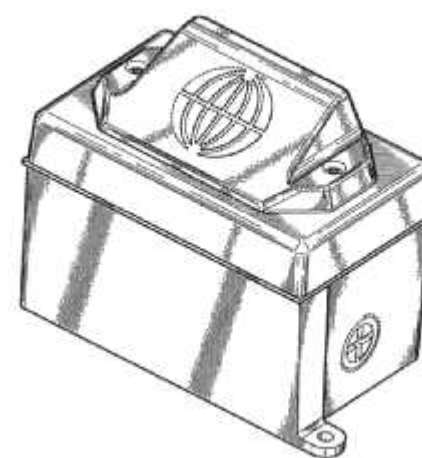
(45) Registration Date: **04 June 2015**

(30) Convention priority data:

(31) Number	(32) Date	(33) Country
29/507908	31 Oct 2014	UNITED STATES OF AMERICA

(56) Related Art Documents: **Not Applicable**

(57) Statement of Newness and Distinctiveness: **Newness and distinctiveness is claimed in the shape and configuration of the light fixture shown in the representations. The features shown in broken lines do not form part of the design and are to be disregarded.**



- (21) Design Number: **12251/2015**
(22) Date of Filing Application: **30 April 2015**
(24) Date from which industrial property rights may have effect: **30 April 2015**
(54) Product in respect of which the design is registered: **Shaping & boring tool with adjustable depth gauge**
(51) International Design Classification: **08-01**
(74) Name(s) of Attorney(s):
(71) Name(s) and Address(s) of Applicant(s):
Arbortech Industries Limited
PO BOX 3125 Malaga DC WA 6945 Australia
(72) Name(s) of Designer(s): **Kevin Ross Inkster**
(45) Registration Date: **04 June 2015**
(56) Related Art Documents: **Not Applicable**
(57) Statement of Newness and Distinctiveness: **Newness and distinctiveness resides in the shape and configuration of a shaping and boring tool with adjustable depth gauge, as illustrated in the accompanying representations. The tool is in the form of the shaping and boring tool with separable annular depth gauge as illustrated.**



- (21) Design Number: **10980/2015**
(22) Date of Filing Application: **24 February 2015**
(24) Date from which industrial property rights may have effect: **24 February 2015**
(54) Product in respect of which the design is registered: **A reflective L plate as used by learner drivers**
(51) International Design Classification: **12-16NES**
(74) Name(s) of Attorney(s):
(71) Name(s) and Address(s) of Applicant(s):
Colin Robert Zadow
4 Cedar Ct Palm Beach QLD 4221 Australia
(72) Name(s) of Designer(s): **Colin Robert Zadow**
(45) Registration Date: **04 June 2015**
(56) Related Art Documents: **Not Applicable**
(57) Statement of Newness and Distinctiveness: **The Reflective 'L' plate is manufactured using reflective materials which enables the 'L' plate to be seen in low light levels at night, as well as being very visible during day light hours.**



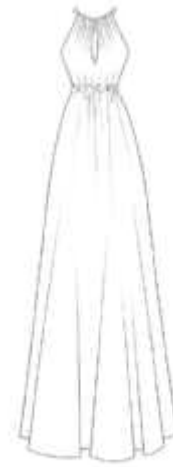
- (21) Design Number: **12261/2015**
(22) Date of Filing Application: **01 May 2015**
(24) Date from which industrial property rights may have effect: **01 September 2014**
(54) Product in respect of which the design is registered: **Article of clothing**
(51) International Design Classification: **02-02NES**
(74) Name(s) of Attorney(s): **Allens Patent & Trade Mark Attorneys**
(71) Name(s) and Address(s) of Applicant(s):
Forever New Clothing Pty Ltd
L4 Building 8 576 Swan St Richmond VIC 3121 Australia
(72) Name(s) of Designer(s): **Octavia Miller**
(45) Registration Date: **04 June 2015**
(62) Divisional of: **361598**
(56) Related Art Documents: **Not Applicable**
(57) Statement of Newness and Distinctiveness: **Newness and distinctiveness resides in the visual features of shape, configuration, pattern and/or ornamentation of an article of clothing as shown in the accompanying representations.**



- (21) Design Number: **12262/2015**
(22) Date of Filing Application: **01 May 2015**
(24) Date from which industrial property rights may have effect: **01 September 2014**
(54) Product in respect of which the design is registered: **Article of clothing**
(51) International Design Classification: **02-02NES**
(74) Name(s) of Attorney(s): **Allens Patent & Trade Mark Attorneys**
(71) Name(s) and Address(s) of Applicant(s):
Forever New Clothing Pty Ltd
L4 Bldg 8 576 Swan St Richmond VIC 3121 Australia
(72) Name(s) of Designer(s): **Octavia Miller**
(45) Registration Date: **04 June 2015**
(62) Divisional of: **361598**
(56) Related Art Documents: **Not Applicable**
(57) Statement of Newness and Distinctiveness: **Newness and distinctiveness resides in the visual features of shape, configuration, pattern and/or ornamentation of an article of clothing as shown in the accompanying representations.**



- (21) Design Number: **12263/2015**
(22) Date of Filing Application: **01 May 2015**
(24) Date from which industrial property rights may have effect: **01 September 2014**
(54) Product in respect of which the design is registered: **Article of clothing**
(51) International Design Classification: **02-02C**
(74) Name(s) of Attorney(s): **Allens Patent & Trade Mark Attorneys**
(71) Name(s) and Address(s) of Applicant(s):
Forever New Clothing Pty Ltd
L4 Bldg 8 576 Swan St Richmond VIC 3121 Australia
(72) Name(s) of Designer(s): **Odran Rohan**
(45) Registration Date: **04 June 2015**
(62) Divisional of: **361598**
(56) Related Art Documents: **Not Applicable**
(57) Statement of Newness and Distinctiveness: **Newness and distinctiveness resides in the visual features of shape, configuration, pattern and/or ornamentation of an article of clothing as shown in the accompanying representations.**



- (21) Design Number: **12264/2015**
(22) Date of Filing Application: **01 May 2015**
(24) Date from which industrial property rights may have effect: **01 September 2014**
(54) Product in respect of which the design is registered: **Article of clothing**
(51) International Design Classification: **02-02C**
(74) Name(s) of Attorney(s): **Allens Patent & Trade Mark Attorneys**
(71) Name(s) and Address(s) of Applicant(s):
Forever New Clothing Pty Ltd
L4 Bldg 8 576 Swan St Richmond VIC 3121 Australia
(72) Name(s) of Designer(s): **Odran Rohan**
(45) Registration Date: **04 June 2015**
(62) Divisional of: **361598**
(56) Related Art Documents: **Not Applicable**
(57) Statement of Newness and Distinctiveness: **Newness and distinctiveness resides in the visual features of shape, configuration, pattern and/or ornamentation of an article of clothing as shown in the accompanying representations.**



- (21) Design Number: **12265/2015**
(22) Date of Filing Application: **01 May 2015**
(24) Date from which industrial property rights may have effect: **01 September 2014**
(54) Product in respect of which the design is registered: **Article of clothing**
(51) International Design Classification: **02-02C**
(74) Name(s) of Attorney(s): **Allens Patent & Trade Mark Attorneys**
(71) Name(s) and Address(s) of Applicant(s):
Forever New Clothing Pty Ltd
L4 Bldg 8 576 Swan St Richmond VIC 3121 Australia
(72) Name(s) of Designer(s): **Mantra Ahrendt**
(45) Registration Date: **04 June 2015**
(62) Divisional of: **361598**
(56) Related Art Documents: **Not Applicable**
(57) Statement of Newness and Distinctiveness: **Newness and distinctiveness resides in the visual features of shape, configuration, pattern and/or ornamentation of an article of clothing as shown in the accompanying representations.**



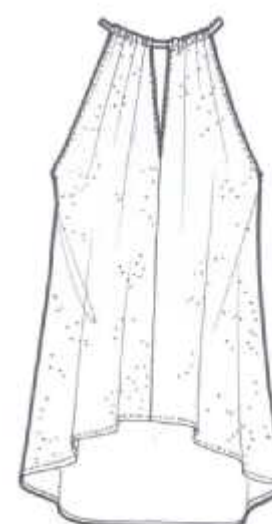
- (21) Design Number: **12266/2015**
(22) Date of Filing Application: **01 May 2015**
(24) Date from which industrial property rights may have effect: **01 September 2014**
(54) Product in respect of which the design is registered: **Article of clothing**
(51) International Design Classification: **02-02NES**
(74) Name(s) of Attorney(s): **Allens Patent & Trade Mark Attorneys**
(71) Name(s) and Address(s) of Applicant(s):
Forever New Clothing Pty Ltd
L4 Bldg 8 576 Swan St Richmond VIC 3121 Australia
(72) Name(s) of Designer(s): **Jennifer Hall**
(45) Registration Date: **04 June 2015**
(62) Divisional of: **361598**
(56) Related Art Documents: **Not Applicable**
(57) Statement of Newness and Distinctiveness: **Newness and distinctiveness resides in the visual features of shape, configuration, pattern and/or ornamentation of an article of clothing as shown in the accompanying representations.**



- (21) Design Number: **12267/2015**
(22) Date of Filing Application: **01 May 2015**
(24) Date from which industrial property rights may have effect: **01 September 2014**
(54) Product in respect of which the design is registered: **Article of clothing**
(51) International Design Classification: **02-02NES**
(74) Name(s) of Attorney(s): **Allens Patent & Trade Mark Attorneys**
(71) Name(s) and Address(s) of Applicant(s):
Forever New Clothing Pty Ltd
L4 Bldg 8 576 Swan St Richmond VIC 3121 Australia
(72) Name(s) of Designer(s): **Jennifer Hall**
(45) Registration Date: **04 June 2015**
(62) Divisional of: **361598**
(56) Related Art Documents: **Not Applicable**
(57) Statement of Newness and Distinctiveness: **Newness and distinctiveness resides in the visual features of shape, configuration, pattern and/or ornamentation of an article of clothing as shown in the accompanying representations.**



- (21) Design Number: **12268/2015**
(22) Date of Filing Application: **01 May 2015**
(24) Date from which industrial property rights may have effect: **01 September 2014**
(54) Product in respect of which the design is registered: **Article of clothing**
(51) International Design Classification: **02-02NES**
(74) Name(s) of Attorney(s): **Allens Patent & Trade Mark Attorneys**
(71) Name(s) and Address(s) of Applicant(s):
Forever New Clothing Pty Ltd
L4 Bldg 8 576 Swan St Richmond VIC 3121 Australia
(72) Name(s) of Designer(s): **Jennifer Hall**
(45) Registration Date: **04 June 2015**
(62) Divisional of: **361598**
(56) Related Art Documents: **Not Applicable**
(57) Statement of Newness and Distinctiveness: **Newness and distinctiveness resides in the visual features of shape, configuration, pattern and/or ornamentation of an article of clothing as shown in the accompanying representations.**



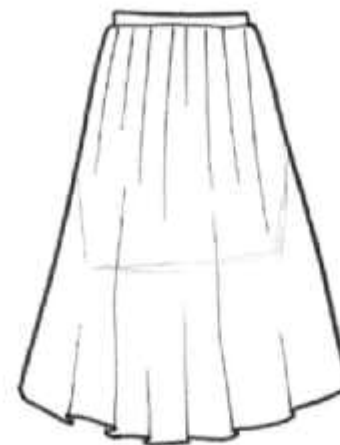
- (21) Design Number: **12269/2015**
(22) Date of Filing Application: **01 May 2015**
(24) Date from which industrial property rights may have effect: **01 September 2014**
(54) Product in respect of which the design is registered: **Article of clothing**
(51) International Design Classification: **02-02C**
(74) Name(s) of Attorney(s): **Allens Patent & Trade Mark Attorneys**
(71) Name(s) and Address(s) of Applicant(s):
Forever New Clothing Pty Ltd
L4 Bldg 8 576 Swan St Richmond VIC 3121 Australia
(72) Name(s) of Designer(s): **Mantra Ahrendt**
(45) Registration Date: **04 June 2015**
(62) Divisional of: **361598**
(56) Related Art Documents: **Not Applicable**
(57) Statement of Newness and Distinctiveness: **Newness and distinctiveness resides in the visual features of shape, configuration, pattern and/or ornamentation of an article of clothing as shown in the accompanying representations.**



- (21) Design Number: **12270/2015**
(22) Date of Filing Application: **01 May 2015**
(24) Date from which industrial property rights may have effect: **01 September 2014**
(54) Product in respect of which the design is registered: **Article of clothing**
(51) International Design Classification: **02-02C**
(74) Name(s) of Attorney(s): **Allens Patent & Trade Mark Attorneys**
(71) Name(s) and Address(s) of Applicant(s):
Forever New Clothing Pty Ltd
L4 Bldg 8 576 Swan St Richmond VIC 3121 Australia
(72) Name(s) of Designer(s): **Octavia Miller**
(45) Registration Date: **04 June 2015**
(62) Divisional of: **361598**
(56) Related Art Documents: **Not Applicable**
(57) Statement of Newness and Distinctiveness: **Newness and distinctiveness resides in the visual features of shape, configuration, pattern and/or ornamentation of an article of clothing as shown in the accompanying representations.**



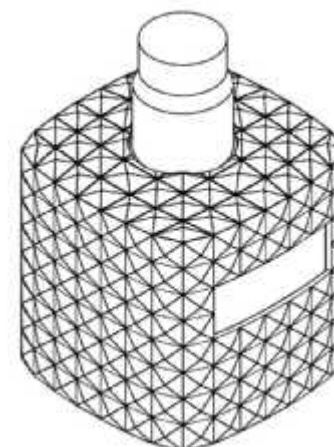
- (21) Design Number: **12271/2015**
(22) Date of Filing Application: **01 May 2015**
(24) Date from which industrial property rights may have effect: **01 September 2014**
(54) Product in respect of which the design is registered: **Article of clothing**
(51) International Design Classification: **02-02C**
(74) Name(s) of Attorney(s): **Allens Patent & Trade Mark Attorneys**
(71) Name(s) and Address(s) of Applicant(s):
Forever New Clothing Pty Ltd
L4 Bldg 8 576 Swan St Richmond VIC 3121 Australia
(72) Name(s) of Designer(s): **Chole Atkinson**
(45) Registration Date: **04 June 2015**
(62) Divisional of: **361598**
(56) Related Art Documents: **Not Applicable**
(57) Statement of Newness and Distinctiveness: **Newness and distinctiveness resides in the visual features of shape, configuration, pattern and/or ornamentation of an article of clothing as shown in the accompanying representations.**



- (21) Design Number: **12272/2015**
(22) Date of Filing Application: **01 May 2015**
(24) Date from which industrial property rights may have effect: **01 September 2014**
(54) Product in respect of which the design is registered: **Article of clothing**
(51) International Design Classification: **02-02C**
(74) Name(s) of Attorney(s): **Allens Patent & Trade Mark Attorneys**
(71) Name(s) and Address(s) of Applicant(s):
Forever New Clothing Pty Ltd
L4 Building 8 576 Swan St Richmond VIC 3121 Australia
(72) Name(s) of Designer(s): **Chloe Atkinson**
(45) Registration Date: **04 June 2015**
(62) Divisional of: **361598**
(56) Related Art Documents: **Not Applicable**
(57) Statement of Newness and Distinctiveness: **Newness and distinctiveness resides in the visual features of shape, configuration, pattern and/or ornamentation of an article of clothing as shown in the accompanying representations.**



(21) Design Number: **11848/2015**
(22) Date of Filing Application: **07 April 2015**
(24) Date from which industrial property rights may have effect: **07 April 2015**
(54) Product in respect of which the design is registered: **Container for perfume**
(51) International Design Classification: **09-01G**
(74) Name(s) of Attorney(s): **PHILLIPS ORMONDE FITZPATRICK**
(71) Name(s) and Address(s) of Applicant(s):
Valentino S.p.A.
Via Turati 16/18 I-20121 Milano Italy
(72) Name(s) of Designer(s): **Jerome Faillant Dumas**
(45) Registration Date: **05 June 2015**
(30) Convention priority data:
(31) Number (32) Date (33) Country
**002552398 07 Oct 2014 OFFICE FOR HARMONISATION IN
THE INTERNAL MARKET (OHIM)**
(56) Related Art Documents: **Not Applicable**
(57) Statement of Newness and Distinctiveness: **Nil**



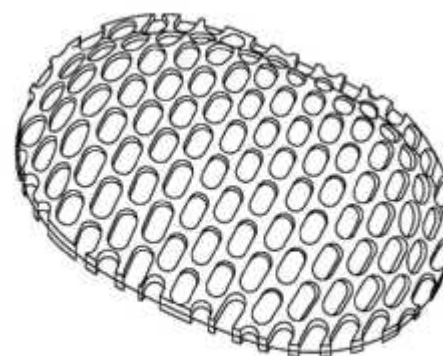
(21) Design Number: **11354/2015**
(22) Date of Filing Application: **12 March 2015**
(24) Date from which industrial property rights may have effect: **12 March 2015**
(54) Product in respect of which the design is registered: **An adjustable cable protector for an opening**
(51) International Design Classification: **13-03B**
(74) Name(s) of Attorney(s): **Baldwins**
(71) Name(s) and Address(s) of Applicant(s):
Marley New Zealand Limited
32 Mahia Road Manurewa Auckland New Zealand
(72) Name(s) of Designer(s): **Sean Robert Waddell and Neil Glen Davies**
(45) Registration Date: **09 June 2015**
(30) Convention priority data:
(31) Number (32) Date (33) Country
419308 12 Sep 2014 NEW ZEALAND
(56) Related Art Documents: **Not Applicable**
(57) Statement of Newness and Distinctiveness: **The design is to be applied to a protector and novelty resides in the features of shape and/or configuration as applied to the article as shown in the accompanying representations. No novelty is claimed in respect of the portions depicted in broken lines.**



(21) Design Number: **11357/2015**
(22) Date of Filing Application: **12 March 2015**
(24) Date from which industrial property rights may have effect: **12 March 2015**
(54) Product in respect of which the design is registered: **Mascara bottle**
(51) International Design Classification: **09-01G**
(74) Name(s) of Attorney(s): **WATERMARK PATENT AND TRADE MARKS ATTORNEYS**
(71) Name(s) and Address(s) of Applicant(s):
Sephora
65 Avenue Edouard Valliant Boulogne-Billancourt 92100 France
(72) Name(s) of Designer(s): **Stephanie Medioni**
(45) Registration Date: **09 June 2015**
(30) Convention priority data:
(31) Number (32) Date (33) Country
002536821-0001 12 Sep 2014 OFFICE FOR HARMONISATION IN THE INTERNAL MARKET (OHIM)
(56) Related Art Documents: **Not Applicable**
(57) Statement of Newness and Distinctiveness: **Nil**



(21) Design Number: **11358/2015**
(22) Date of Filing Application: **12 March 2015**
(24) Date from which industrial property rights may have effect: **12 March 2015**
(54) Product in respect of which the design is registered: **Deodorizer**
(51) International Design Classification: **28-99**
(74) Name(s) of Attorney(s): **PIZZEYS**
(71) Name(s) and Address(s) of Applicant(s):
Remodeez LLC
18 Division Street, Suite 301 Saratoga Springs NY, 12866 United States of America
(72) Name(s) of Designer(s): **Scott Newlin and Jason D Jacobs**
(45) Registration Date: **09 June 2015**
(30) Convention priority data:
(31) Number (32) Date (33) Country
29/502,156 12 Sep 2014 UNITED STATES OF AMERICA
(56) Related Art Documents: **Not Applicable**
(57) Statement of Newness and Distinctiveness: **Nil**



(21) Design Number: **11368/2015**

(22) Date of Filing Application: **12 March 2015**

(24) Date from which industrial property rights may have effect: **12 March 2015**

(54) Product in respect of which the design is registered: **Deodorizer**

(51) International Design Classification: **28-99**

(74) Name(s) of Attorney(s): **PIZZEYS**

(71) Name(s) and Address(s) of Applicant(s):

Remodeez LLC

18 Division Street Suite 301 Saratoga Springs NY 12866 United States of America

(72) Name(s) of Designer(s): **Scott Newlin and Jason D Jacobs**

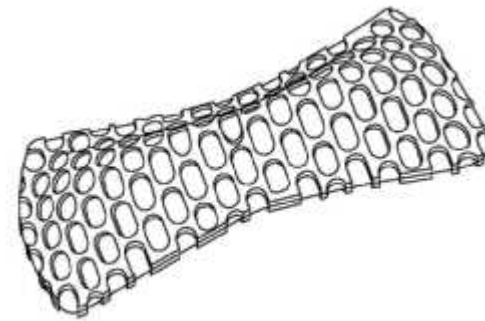
(45) Registration Date: **09 June 2015**

(30) Convention priority data:

(31) Number	(32) Date	(33) Country
29/502,157	12 Sep 2014	UNITED STATES OF AMERICA

(56) Related Art Documents: **Not Applicable**

(57) Statement of Newness and Distinctiveness: **Nil**



(21) Design Number: **12064/2015**

(22) Date of Filing Application: **20 April 2015**

(24) Date from which industrial property rights may have effect: **20 April 2015**

(54) Product in respect of which the design is registered: **Dry pipe**

(51) International Design Classification: **27-02**

(74) Name(s) of Attorney(s):

(71) Name(s) and Address(s) of Applicant(s):

TRIO BROTHERS TRADING PTY LTD

18 Beal St Meadowbrook QLD 4131 Australia

(72) Name(s) of Designer(s): **Jack Qin**

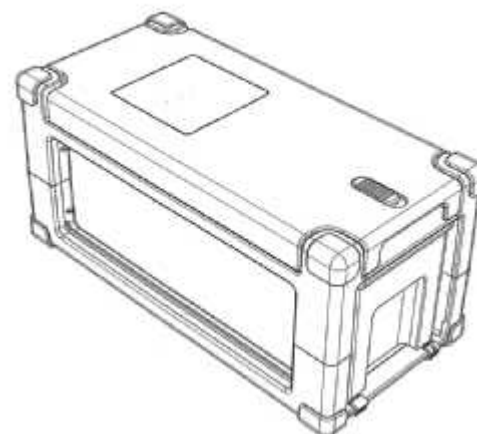
(45) Registration Date: **09 June 2015**

(56) Related Art Documents: **Not Applicable**

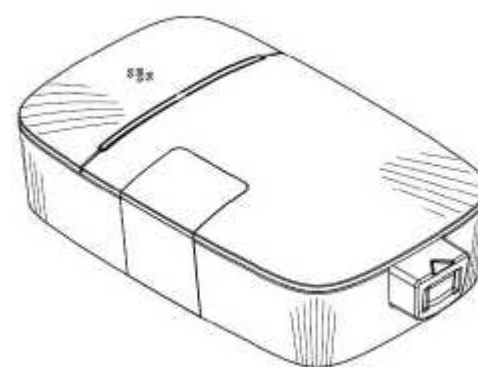
(57) Statement of Newness and Distinctiveness: **Ned Kelly helmet novelty dry pipe**



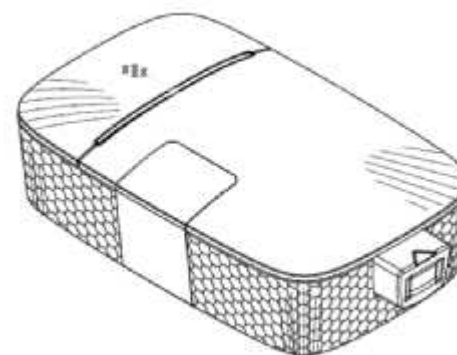
(21) Design Number: **12274/2015**
(22) Date of Filing Application: **01 May 2015**
(24) Date from which industrial property rights may have effect: **01 May 2015**
(54) Product in respect of which the design is registered: **Non electrical household cutting device**
(51) International Design Classification: **07-04**
(74) Name(s) of Attorney(s): **PIPERS**
(71) Name(s) and Address(s) of Applicant(s):
Genius GmbH
Im Dachsstuck 8 Limburg 65549 Germany
(72) Name(s) of Designer(s): **Cedomir Repac**
(45) Registration Date: **09 June 2015**
(30) Convention priority data:
(31) Number (32) Date (33) Country
002573956-0001 07 Nov 2014 OFFICE FOR HARMONISATION IN THE INTERNAL MARKET (OHIM)
(56) Related Art Documents: **Not Applicable**
(57) Statement of Newness and Distinctiveness: **Novelty is claimed in the shape and configuration of a non electrical household cutting device as shown in the accompanying representations.**



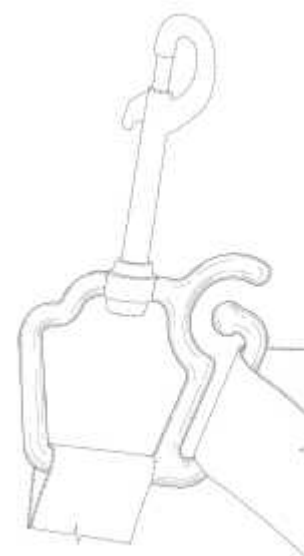
(21) Design Number: **12282/2015**
(22) Date of Filing Application: **01 May 2015**
(24) Date from which industrial property rights may have effect: **01 May 2015**
(54) Product in respect of which the design is registered: **Drug delivery device**
(51) International Design Classification: **24-01**
(74) Name(s) of Attorney(s): **PHILLIPS ORMONDE FITZPATRICK**
(71) Name(s) and Address(s) of Applicant(s):
Unitract Syringe Pty Ltd
SE3 L11 1 Chifley Sq Sydney NSW 2000 Australia
(72) Name(s) of Designer(s): **Kun-Chi Wu and Nicholas J. Ciccarelli and Conall Joseph Dempsey and John Burke**
(45) Registration Date: **09 June 2015**
(30) Convention priority data:
(31) Number (32) Date (33) Country
29/508,588 07 Nov 2014 UNITED STATES OF AMERICA
(56) Related Art Documents: **Not Applicable**
(57) Statement of Newness and Distinctiveness: **Those features of the drug delivery device depicted in the representations that are new and distinctive are the shape and/or configuration. The features shown in broken lines are not part of the design and are to be disregarded when considering the overall impression of the design.**



(21) Design Number: **12283/2015**
(22) Date of Filing Application: **01 May 2015**
(24) Date from which industrial property rights may have effect: **01 May 2015**
(54) Product in respect of which the design is registered: **Drug delivery device**
(51) International Design Classification: **24-01**
(74) Name(s) of Attorney(s): **PHILLIPS ORMONDE FITZPATRICK**
(71) Name(s) and Address(s) of Applicant(s):
Unitract Syringe Pty Ltd
SE3 L11 1 Chifley Sq Sydney NSW 2000 Australia
(72) Name(s) of Designer(s): **Kun-Chi Wu and Nicholas J. Ciccarelli and Conall Joseph Dempsey and John Burke**
(45) Registration Date: **09 June 2015**
(30) Convention priority data:
(31) Number (32) Date (33) Country
29/508,588 07 Nov 2014 UNITED STATES OF AMERICA
(56) Related Art Documents: **Not Applicable**
(57) Statement of Newness and Distinctiveness: **Those features of the drug delivery device depicted in the representations that are new and distinctive are the shape and/or configuration and/or pattern and/or ornamentation. The features shown in broken lines are not part of the design and are to be disregarded when considering the overall impression of the design. The circle provided in Figure 3 indicates a magnified portion of the design shown in Fig. 8.**



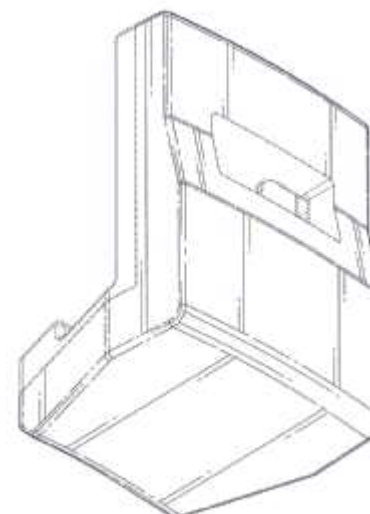
(21) Design Number: **12289/2015**
(22) Date of Filing Application: **01 May 2015**
(24) Date from which industrial property rights may have effect: **01 May 2015**
(54) Product in respect of which the design is registered: **Harness and leash adapter**
(51) International Design Classification: **30-04**
(74) Name(s) of Attorney(s): **PHILLIPS ORMONDE FITZPATRICK**
(71) Name(s) and Address(s) of Applicant(s):
Thundershirt, LLC
905 Jackie Robinson Drive Durham North Carolina 27701 United States of America
(72) Name(s) of Designer(s): **Philip J. Blizzard**
(45) Registration Date: **09 June 2015**
(30) Convention priority data:
(31) Number (32) Date (33) Country
29/508,087 03 Nov 2014 UNITED STATES OF AMERICA
(56) Related Art Documents: **Not Applicable**
(57) Statement of Newness and Distinctiveness: **Those features of the harness and leash adapter depicted in the representations that are new and distinctive are the shape and/or configuration. The features shown in broken lines are not part of the design and are to be disregarded when considering the overall impression of the design.**



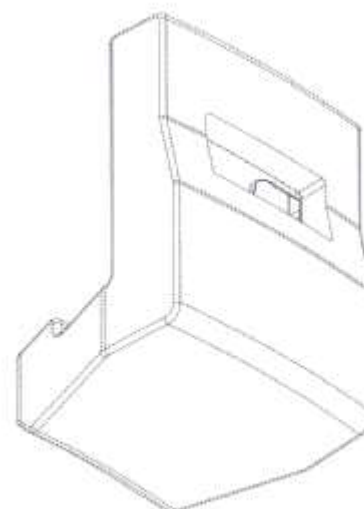
- (21) Design Number: **12293/2015**
(22) Date of Filing Application: **02 May 2015**
(24) Date from which industrial property rights may have effect: **02 May 2015**
(54) Product in respect of which the design is registered: **Device to carry a bottle to be fastened to a belt**
(51) International Design Classification: **03-01B**
(74) Name(s) of Attorney(s):
(71) Name(s) and Address(s) of Applicant(s):
INNOVATIVE WAYS PTY LTD
PO BOX 315 125 Homer St Earlwood NSW 2206 Australia
(72) Name(s) of Designer(s): **Peter Stojkovski and Kristina Stojkovski**
(45) Registration Date: **09 June 2015**
(56) Related Art Documents: **Not Applicable**
(57) Statement of Newness and Distinctiveness: **Flat ergonomically shaped flexible panel for logo &/ or advertisement. Press stud clips lock flat panel together in a looped position to secure to a users belt. Ring attached to panel with two end fittings. Pressing the two end fittings allows for adjustable ring to hold various size bottles. Ring moves freely vertically. The newness and distinctiveness of the design resides in the rings ability to conceal within the flat flexible shaped panel when looped (fig 1). The pattern lines on the panel material are not part of the design and are to be disregarded when considering the overall impression of the design.**



- (21) Design Number: **12328/2015**
(22) Date of Filing Application: **06 May 2015**
(24) Date from which industrial property rights may have effect: **06 May 2015**
(54) Product in respect of which the design is registered: **Heel shroud**
(51) International Design Classification: **15-99**
(74) Name(s) of Attorney(s): **IP Gateway Patent & Trademark Attorneys Pty Ltd**
(71) Name(s) and Address(s) of Applicant(s):
Caterpillar, Inc.
100 NE Adams Street Peoria Illinois, 61629 United States of America
(72) Name(s) of Designer(s): **Douglas Serrurier and Arun Venugopal**
(45) Registration Date: **09 June 2015**
(30) Convention priority data:
(31) Number (32) Date (33) Country
29/508,614 07 Nov 2014 UNITED STATES OF AMERICA
(56) Related Art Documents: **Not Applicable**
(57) Statement of Newness and Distinctiveness: **Newness and distinctiveness reside in the visual features of shape and configuration of the product as shown in solid lines in the representations. Visual features shown in broken dashed lines should be given minimum regard. The broken dot-and-dash lines illustrate boundaries between parts of the product which include the features stated herein to be new and distinctive, and parts of the product which do not include those features; the boundaries themselves do not form part of the design. The drawings include shading that represents contour and not surface ornamentation.**



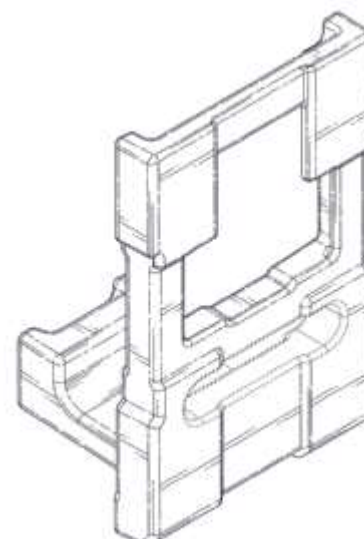
(21) Design Number: **12329/2015**
 (22) Date of Filing Application: **06 May 2015**
 (24) Date from which industrial property rights may have effect: **06 May 2015**
 (54) Product in respect of which the design is registered: **Heel shroud**
 (51) International Design Classification: **15-99**
 (74) Name(s) of Attorney(s): **IP Gateway Patent & Trademark Attorneys Pty Ltd**
 (71) Name(s) and Address(s) of Applicant(s):
Caterpillar, Inc.
100 N E Adams Street Peoria Illinois, 61629 United States of America



(72) Name(s) of Designer(s): **Douglas Serrurier and Arun Venugopal**
 (45) Registration Date: **09 June 2015**
 (30) Convention priority data:
 (31) Number (32) Date (33) Country
29/508,614 07 Nov 2014 UNITED STATES OF AMERICA

(56) Related Art Documents: **Not Applicable**
 (57) Statement of Newness and Distinctiveness: **Newness and distinctiveness reside in the visual features of shape and configuration of the product as shown in solid lines in the representations. Visual features shown in broken dashed lines should be given minimum regard. The broken dot-and-dash lines illustrate boundaries between parts of the product which include the features stated herein to be new and distinctive, and parts of the product which do not include those features; the boundaries themselves do not form part of the design. The drawings include shading that represents contour and not surface ornamentation.**

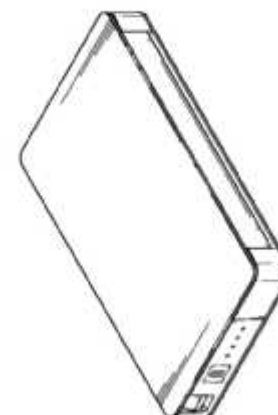
(21) Design Number: **12330/2015**
 (22) Date of Filing Application: **06 May 2015**
 (24) Date from which industrial property rights may have effect: **06 May 2015**
 (54) Product in respect of which the design is registered: **Heel shroud base**
 (51) International Design Classification: **15-99**
 (74) Name(s) of Attorney(s): **IP Gateway Patent & Trademark Attorneys Pty Ltd**
 (71) Name(s) and Address(s) of Applicant(s):
Caterpillar, Inc.
100 NE Adams Street Peoria Illinois, 61629 United States of America



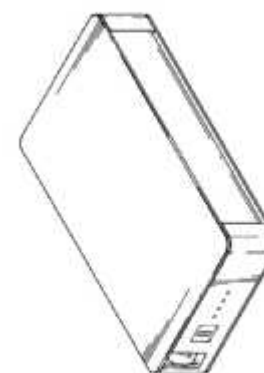
(72) Name(s) of Designer(s): **Douglas Serrurier and Arun Venugopal**
 (45) Registration Date: **09 June 2015**
 (30) Convention priority data:
 (31) Number (32) Date (33) Country
29/508,614 07 Nov 2014 UNITED STATES OF AMERICA

(56) Related Art Documents: **Not Applicable**
 (57) Statement of Newness and Distinctiveness: **Newness and distinctiveness reside in the visual features of shape and configuration of the product as shown in solid lines in the representations. Visual features shown in broken dashed lines should be given minimum regard. The drawings include shading that represents contour and not surface ornamentation.**

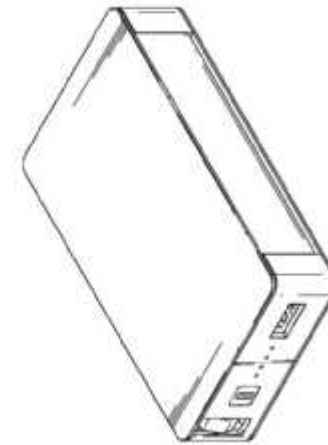
(21) Design Number: **11285/2015**
(22) Date of Filing Application: **06 March 2015**
(24) Date from which industrial property rights may have effect: **06 March 2015**
(54) Product in respect of which the design is registered: **Battery pack**
(51) International Design Classification: **13-02**
(74) Name(s) of Attorney(s): **PIZZEYS**
(71) Name(s) and Address(s) of Applicant(s):
Mophie, Inc.
15101 Red Hill Avenue Tustin CA, 92780 United States of America
(72) Name(s) of Designer(s): **Erik John Gjovik and Sai Kong Frank Lee and Soo Youn Park**
(45) Registration Date: **09 June 2015**
(30) Convention priority data:
(31) Number (32) Date (33) Country
No 29/501,885 09 Sep 2014 UNITED STATES OF AMERICA
(56) Related Art Documents: **Not Applicable**
(57) Statement of Newness and Distinctiveness: **Nil**



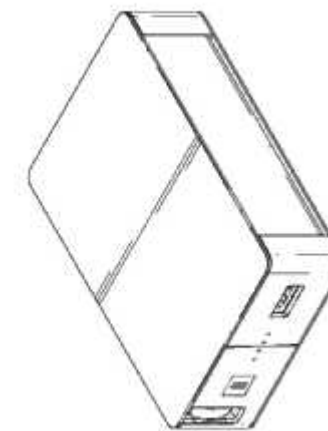
(21) Design Number: **11288/2015**
(22) Date of Filing Application: **06 March 2015**
(24) Date from which industrial property rights may have effect: **06 March 2015**
(54) Product in respect of which the design is registered: **Battery pack**
(51) International Design Classification: **13-02**
(74) Name(s) of Attorney(s): **PIZZEYS**
(71) Name(s) and Address(s) of Applicant(s):
Mophie, Inc.
15101 Red Hill Avenue Tustin CA, 92780 United States of America
(72) Name(s) of Designer(s): **Erik John Gjovik and Soo Youn Park and Sai Kong Frank Lee**
(45) Registration Date: **09 June 2015**
(30) Convention priority data:
(31) Number (32) Date (33) Country
29/501,885 09 Sep 2014 UNITED STATES OF AMERICA
(56) Related Art Documents: **Not Applicable**
(57) Statement of Newness and Distinctiveness: **Nil**



(21) Design Number: **11292/2015**
(22) Date of Filing Application: **08 March 2015**
(24) Date from which industrial property rights may have effect: **08 March 2015**
(54) Product in respect of which the design is registered: **Battery pack**
(51) International Design Classification: **13-02**
(74) Name(s) of Attorney(s): **PIZZEYS**
(71) Name(s) and Address(s) of Applicant(s):
Mophie, Inc.
15101 Red Hill Avenue Tustin CA, 92780 United States of America
(72) Name(s) of Designer(s): **Erik John Gjovik and Soo Youn Park and Sai Kong Frank Lee**
(45) Registration Date: **09 June 2015**
(30) Convention priority data:
(31) Number (32) Date (33) Country
29/501,885 09 Sep 2014 UNITED STATES OF AMERICA
(56) Related Art Documents: **Not Applicable**
(57) Statement of Newness and Distinctiveness: **Nil**



(21) Design Number: **11293/2015**
(22) Date of Filing Application: **08 March 2015**
(24) Date from which industrial property rights may have effect: **08 March 2015**
(54) Product in respect of which the design is registered: **Battery pack**
(51) International Design Classification: **13-02**
(74) Name(s) of Attorney(s): **PIZZEYS**
(71) Name(s) and Address(s) of Applicant(s):
Mophie, Inc.
15101 Red Hill Avenue Tustin CA, 92780 United States of America
(72) Name(s) of Designer(s): **Erik John Gjovik and Soo Youn Park and Sai Kong Frank Lee**
(45) Registration Date: **09 June 2015**
(30) Convention priority data:
(31) Number (32) Date (33) Country
29/501,885 09 Sep 2014 UNITED STATES OF AMERICA
(56) Related Art Documents: **Not Applicable**
(57) Statement of Newness and Distinctiveness: **Nil**



- (21) Design Number: **12185/2015**
(22) Date of Filing Application: **27 April 2015**
(24) Date from which industrial property rights may have effect: **27 April 2015**
(54) Product in respect of which the design is registered: **1-seater chair; 2-seater chair; 3-seater chair**
(51) International Design Classification: **06-01G**
(74) Name(s) of Attorney(s): **FB Rice**
(71) Name(s) and Address(s) of Applicant(s):
King Furniture Australia Pty Ltd
123 Turrella St Turrella NSW 2205 Australia
(72) Name(s) of Designer(s): **David King and Ryan Lawson**
(45) Registration Date: **09 June 2015**
(56) Related Art Documents: **Not Applicable**
(57) Statement of Newness and Distinctiveness: **Newness and distinctiveness reside in those features of shape and/or configuration and/or pattern and/or ornamentation of the design as shown in unbroken lines in the accompanying representations.**



- (21) Design Number: **12331/2015**
(22) Date of Filing Application: **06 May 2015**
(24) Date from which industrial property rights may have effect: **06 May 2015**
(54) Product in respect of which the design is registered: **Container in the shape of a chili pepper**
(51) International Design Classification: **09-03C**
(74) Name(s) of Attorney(s): **PHILLIPS ORMONDE FITZPATRICK**
(71) Name(s) and Address(s) of Applicant(s):
Dart Industries Inc.
14901 S. Orange Blossom Trail Orlando Florida, 32837 United States of America
(72) Name(s) of Designer(s): **Beatrice M Lorans**
(45) Registration Date: **09 June 2015**
(30) Convention priority data:
(31) Number (32) Date (33) Country
29/510,693 02 Dec 2014 UNITED STATES OF AMERICA
(56) Related Art Documents: **Not Applicable**
(57) Statement of Newness and Distinctiveness: **Those features of the container in the shape of a chili pepper depicted in the representations that are new and distinctive are the shape and/or configuration.**



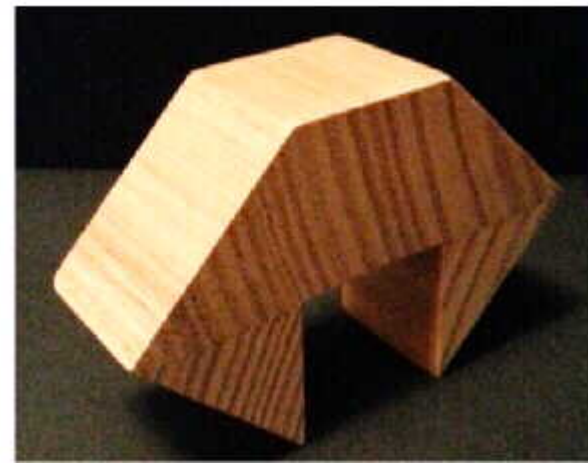
- (21) Design Number: **12332/2015**
(22) Date of Filing Application: **06 May 2015**
(24) Date from which industrial property rights may have effect: **06 May 2015**
(54) Product in respect of which the design is registered: **Dress**
(51) International Design Classification: **02-02C**
(74) Name(s) of Attorney(s):
(71) Name(s) and Address(s) of Applicant(s):
Artemides Holdings Pty Ltd
63 Victoria Cres Abbotsford VIC 3067 Australia
(72) Name(s) of Designer(s): **Dianne Grgat**
(45) Registration Date: **09 June 2015**
(56) Related Art Documents: **Not Applicable**
(57) Statement of Newness and Distinctiveness: **Newness and distinctiveness resides in the print, shape and configuration of the product including the lace up neckline.**



- (21) Design Number: **12333/2015**
(22) Date of Filing Application: **06 May 2015**
(24) Date from which industrial property rights may have effect: **06 May 2015**
(54) Product in respect of which the design is registered: **Skirt**
(51) International Design Classification: **02-02C**
(74) Name(s) of Attorney(s):
(71) Name(s) and Address(s) of Applicant(s):
Artemides Holdings Pty Ltd
63 Victoria Cres Abbotsford VIC 3067 Australia
(72) Name(s) of Designer(s): **Dianne Grgat**
(45) Registration Date: **09 June 2015**
(56) Related Art Documents: **Not Applicable**
(57) Statement of Newness and Distinctiveness: **Newness and distinctiveness resides in the shape and configuration of the product including the asymmetrical hemline, and the side lace up embellishment.**



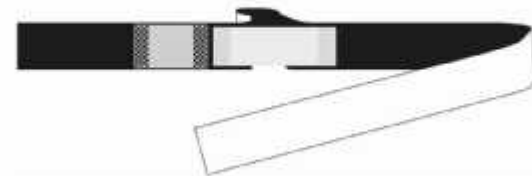
- (21) Design Number: **12336/2015**
(22) Date of Filing Application: **06 May 2015**
(24) Date from which industrial property rights may have effect: **06 May 2015**
(54) Product in respect of which the design is registered: **Puzzle**
(51) International Design Classification: **21-01M**
(74) Name(s) of Attorney(s): **WATERMARK PATENT AND TRADE MARKS ATTORNEYS**
(71) Name(s) and Address(s) of Applicant(s):
Redbird Toys Pty Ltd
14/78 Queens Rd Melbourne VIC 3004 Australia
(72) Name(s) of Designer(s): **Ebony Gamble**
(45) Registration Date: **09 June 2015**
(56) Related Art Documents: **Not Applicable**
(57) Statement of Newness and Distinctiveness: **Newness and distinctiveness resides in the features of shape and configuration of each puzzle piece as shown in the attached representations.**



- (21) Design Number: **11924/2015**
(22) Date of Filing Application: **13 April 2015**
(24) Date from which industrial property rights may have effect: **13 April 2015**
(54) Product in respect of which the design is registered: **Caravan**
(51) International Design Classification: **12-10**
(74) Name(s) of Attorney(s): **Pointon Partners Pty Ltd**
(71) Name(s) and Address(s) of Applicant(s):
New Age Caravans Pty Ltd
29 Shirley Way Epping Victoria 3076 Australia
(72) Name(s) of Designer(s): **Adrian DiVincenzo**
(45) Registration Date: **09 June 2015**
(56) Related Art Documents: **Not Applicable**
(57) Statement of Newness and Distinctiveness: **Nil**

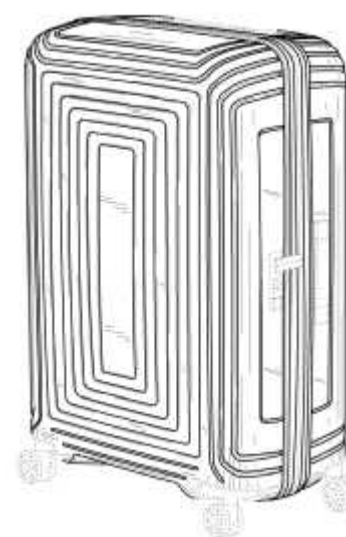


(21) Design Number: **12003/2015**
(22) Date of Filing Application: **15 April 2015**
(24) Date from which industrial property rights may have effect: **15 April 2015**
(54) Product in respect of which the design is registered: **Tourniquet**
(51) International Design Classification: **24-04**
(74) Name(s) of Attorney(s): **Griffith Hack**
(71) Name(s) and Address(s) of Applicant(s):
Kimetec GmbH
Gerlinger Strasse 36/38 Ditzingen 71254 Germany
(72) Name(s) of Designer(s): **Hansjorg Kirchner**
(45) Registration Date: **09 June 2015**
(30) Convention priority data:
(31) Number (32) Date (33) Country
002562900-0001 23 Oct 2014 OFFICE FOR HARMONISATION IN
THE INTERNAL MARKET (OHIM)



(56) Related Art Documents: **Not Applicable**
(57) Statement of Newness and Distinctiveness: **Newness and distinctiveness resides in the visual features, including the shape and configuration of the product shown by means of solid lines in Figures 1 to 6. As indicated by the broken lines in Figures 1 to 6, the product may be of any length. Figure 7 has been included for illustrative purposes and does not form part of the design.**

(21) Design Number: **12337/2015**
(22) Date of Filing Application: **06 May 2015**
(24) Date from which industrial property rights may have effect: **06 May 2015**
(54) Product in respect of which the design is registered: **Luggage**
(51) International Design Classification: **03-01A**
(74) Name(s) of Attorney(s): **Griffith Hack**
(71) Name(s) and Address(s) of Applicant(s):
Samsonite IP Holdings S.a r.l.
13-15 Avenue de la Liberte Luxembourg L-1931 Luxembourg
(72) Name(s) of Designer(s): **Erik Sijmons**
(45) Registration Date: **10 June 2015**
(30) Convention priority data:
(31) Number (32) Date (33) Country
002576728-0001 12 Nov 2014 OFFICE FOR HARMONISATION IN
THE INTERNAL MARKET (OHIM)



(56) Related Art Documents: **Not Applicable**
(57) Statement of Newness and Distinctiveness: **Newness and distinctiveness resides in the shape and configuration of the product as represented by the solid lines in the drawings.**

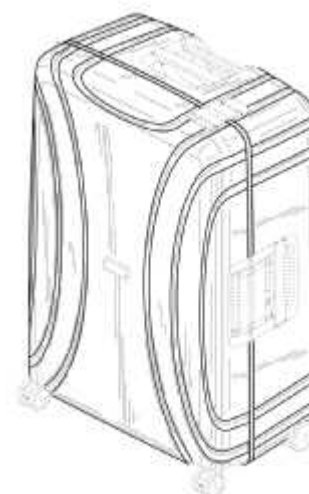
(21) Design Number: **12338/2015**
(22) Date of Filing Application: **06 May 2015**
(24) Date from which industrial property rights may have effect: **06 May 2015**
(54) Product in respect of which the design is registered: **Luggage**
(51) International Design Classification: **03-01A**
(74) Name(s) of Attorney(s): **Griffith Hack**
(71) Name(s) and Address(s) of Applicant(s):
Samsonite IP Holdings S.a r.l.
13-15 Avenue de la Liberte Luxembourg L-1931 Luxembourg
(72) Name(s) of Designer(s): **Diego Recchia**
(45) Registration Date: **10 June 2015**
(30) Convention priority data:
(31) Number (32) Date (33) Country
**002576728-0002 12 Nov 2014 OFFICE FOR HARMONISATION IN
THE INTERNAL MARKET (OHIM)**
(56) Related Art Documents: **Not Applicable**
(57) Statement of Newness and Distinctiveness: **Newness and distinctiveness
resides in the shape and configuration of the product as represented by
the solid lines in the drawings.**



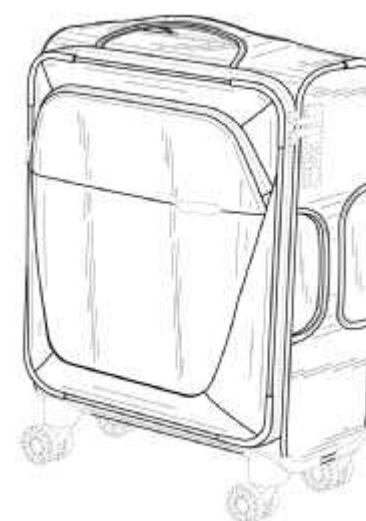
(21) Design Number: **12339/2015**
(22) Date of Filing Application: **06 May 2015**
(24) Date from which industrial property rights may have effect: **06 May 2015**
(54) Product in respect of which the design is registered: **Luggage handle**
(51) International Design Classification: **03-01A**
(74) Name(s) of Attorney(s): **Griffith Hack**
(71) Name(s) and Address(s) of Applicant(s):
Samsonite IP Holdings S.a r.l.
13-15 Avenue de la Liberte Luxembourg L-1931 Luxembourg
(72) Name(s) of Designer(s): **Diego Recchia**
(45) Registration Date: **10 June 2015**
(30) Convention priority data:
(31) Number (32) Date (33) Country
**002576728-0003 12 Nov 2014 OFFICE FOR HARMONISATION IN
THE INTERNAL MARKET (OHIM)**
(56) Related Art Documents: **Not Applicable**
(57) Statement of Newness and Distinctiveness: **Newness and distinctiveness
resides in the shape and configuration of the product as represented by
the solid lines in the drawings.**



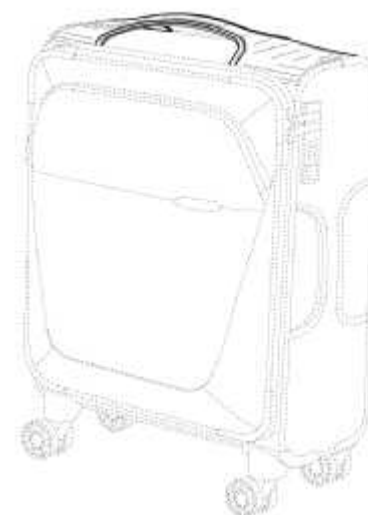
(21) Design Number: **12340/2015**
(22) Date of Filing Application: **06 May 2015**
(24) Date from which industrial property rights may have effect: **06 May 2015**
(54) Product in respect of which the design is registered: **Luggage**
(51) International Design Classification: **03-01A**
(74) Name(s) of Attorney(s): **Griffith Hack**
(71) Name(s) and Address(s) of Applicant(s):
Samsonite IP Holdings S.a r.l.
13-15 Avenue de la Liberte Luxembourg L-1931 Luxembourg
(72) Name(s) of Designer(s): **Richard Miles and Ryuta Shigematsu and Craig Drummond and Anthony Nicholas Pond**
(45) Registration Date: **10 June 2015**
(30) Convention priority data:
(31) Number (32) Date (33) Country
002576728-0011 12 Nov 2014 OFFICE FOR HARMONISATION IN THE INTERNAL MARKET (OHIM)
(56) Related Art Documents: **Not Applicable**
(57) Statement of Newness and Distinctiveness: **Newness and distinctiveness resides in the shape and configuration of the product as represented by the solid lines in the drawings.**



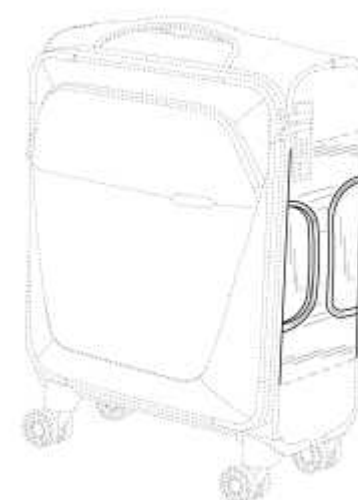
(21) Design Number: **12341/2015**
(22) Date of Filing Application: **06 May 2015**
(24) Date from which industrial property rights may have effect: **06 May 2015**
(54) Product in respect of which the design is registered: **Luggage**
(51) International Design Classification: **03-01A**
(74) Name(s) of Attorney(s): **Griffith Hack**
(71) Name(s) and Address(s) of Applicant(s):
Samsonite IP Holdings S.a r.l.
13-15 Avenue de la Liberte Luxembourg L-1931 Luxembourg
(72) Name(s) of Designer(s): **Diego Recchia and Ana Carolina Luciw Frossard**
(45) Registration Date: **10 June 2015**
(30) Convention priority data:
(31) Number (32) Date (33) Country
002576728-0008 12 Nov 2014 OFFICE FOR HARMONISATION IN THE INTERNAL MARKET (OHIM)
(56) Related Art Documents: **Not Applicable**
(57) Statement of Newness and Distinctiveness: **Newness and distinctiveness resides in the shape and configuration of the product as represented by the solid lines in the drawings.**



- (21) Design Number: **12342/2015**
(22) Date of Filing Application: **06 May 2015**
(24) Date from which industrial property rights may have effect: **06 May 2015**
(54) Product in respect of which the design is registered: **Luggage handle**
(51) International Design Classification: **03-01A**
(74) Name(s) of Attorney(s): **Griffith Hack**
(71) Name(s) and Address(s) of Applicant(s):
Samsonite IP Holdings S.a r.l.
13-15 Avenue de la Liberte Luxembourg L-1931 Luxembourg
(72) Name(s) of Designer(s): **Diego Recchia and Ana Carolina Luciw Frossard**
(45) Registration Date: **10 June 2015**
(30) Convention priority data:
(31) Number (32) Date (33) Country
**002576728-0009 12 Nov 2014 OFFICE FOR HARMONISATION IN
THE INTERNAL MARKET (OHIM)**
(56) Related Art Documents: **Not Applicable**
(57) Statement of Newness and Distinctiveness: **Newness and distinctiveness
resides in the shape and configuration of the product as represented by
the solid lines in the drawings.**



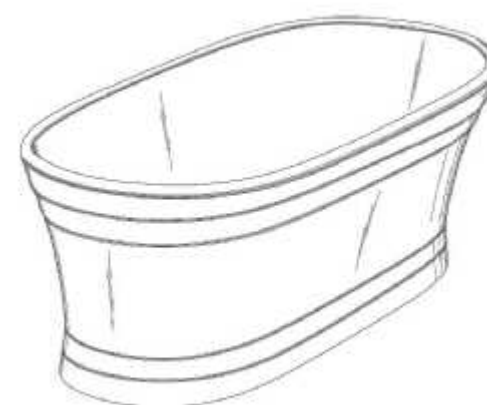
- (21) Design Number: **12343/2015**
(22) Date of Filing Application: **06 May 2015**
(24) Date from which industrial property rights may have effect: **06 May 2015**
(54) Product in respect of which the design is registered: **Luggage handle**
(51) International Design Classification: **03-01A**
(74) Name(s) of Attorney(s): **Griffith Hack**
(71) Name(s) and Address(s) of Applicant(s):
Samsonite IP Holdings S.a r.l.
13-15 Avenue de la Liberte Luxembourg L-1931 Luxembourg
(72) Name(s) of Designer(s): **Diego Recchia and Ana Carolina Luciw Frossard**
(45) Registration Date: **10 June 2015**
(30) Convention priority data:
(31) Number (32) Date (33) Country
**002576728-0010 12 Nov 2014 OFFICE FOR HARMONISATION IN
THE INTERNAL MARKET (OHIM)**
(56) Related Art Documents: **Not Applicable**
(57) Statement of Newness and Distinctiveness: **Newness and distinctiveness
resides in the shape and configuration of the product as represented by
the solid lines in the drawings.**



(21) Design Number: **12344/2015**
(22) Date of Filing Application: **06 May 2015**
(24) Date from which industrial property rights may have effect: **06 May 2015**
(54) Product in respect of which the design is registered: **Bottle**
(51) International Design Classification: **09-01NES**
(74) Name(s) of Attorney(s):
(71) Name(s) and Address(s) of Applicant(s):
United Plastics (Australasia) Pty Ltd
22 Somerton Park Dr Campbellfield VIC 3061 Australia
(72) Name(s) of Designer(s): **Shane Quinlan**
(45) Registration Date: **10 June 2015**
(56) Related Art Documents: **Not Applicable**
(57) Statement of Newness and Distinctiveness: **Those features of the bottle depicted in the representations that are new and distinctive are the shape and/or configuration. The features shown in broken line are not part of the design and are to be disregarded when considering the overall impression of the design.**



(21) Design Number: **12296/2015**
(22) Date of Filing Application: **04 May 2015**
(24) Date from which industrial property rights may have effect: **04 May 2015**
(54) Product in respect of which the design is registered: **Bath**
(51) International Design Classification: **23-02B**
(74) Name(s) of Attorney(s): **Shelston IP**
(71) Name(s) and Address(s) of Applicant(s):
Victoria & Albert Baths Limited
Unit B, Hortonwood 37 Telford Shropshire TF1 7XT United Kingdom
(72) Name(s) of Designer(s): **Tom Burke**
(45) Registration Date: **10 June 2015**
(30) Convention priority data:
(31) Number (32) Date (33) Country
001424816-0001 11 Nov 2014 OFFICE FOR HARMONISATION IN THE INTERNAL MARKET (OHIM)
(56) Related Art Documents: **Not Applicable**
(57) Statement of Newness and Distinctiveness: **Newness and distinctiveness resides in the features of shape and configuration of the detail of the bath at and adjacent the rim, both internally and externally, and at and adjacent the bottom perimeter, as illustrated in the accompanying representations. The features shown in broken line do not form part of the design.**



(21) Design Number: **12297/2015**

(22) Date of Filing Application: **04 May 2015**

(24) Date from which industrial property rights may have effect: **04 May 2015**

(54) Product in respect of which the design is registered: **Bath**

(51) International Design Classification: **23-02B**

(74) Name(s) of Attorney(s): **Shelston IP**

(71) Name(s) and Address(s) of Applicant(s):

Victoria & Albert Baths Ltd

Unit B, Hortonwood 37 Telford Shropshire TF1 7XT United Kingdom

(72) Name(s) of Designer(s): **Tom Burke**

(45) Registration Date: **10 June 2015**

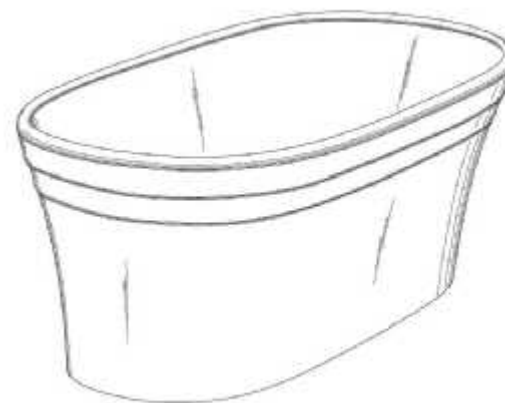
(30) Convention priority data:

(31) Number (32) Date
001424816-0002 11 Nov 2014

(33) Country
**OFFICE FOR HARMONISATION IN
THE INTERNAL MARKET (OHIM)**

(56) Related Art Documents: **Not Applicable**

(57) Statement of Newness and Distinctiveness: **Nil**



(21) Design Number: **12300/2015**

(22) Date of Filing Application: **05 May 2015**

(24) Date from which industrial property rights may have effect: **05 May 2015**

(54) Product in respect of which the design is registered: **Planter box**

(51) International Design Classification: **11-02B**

(74) Name(s) of Attorney(s):

(71) Name(s) and Address(s) of Applicant(s):

Glowpear Pty Ltd

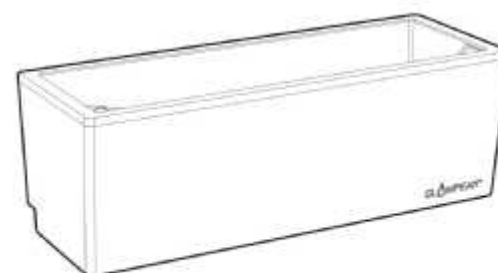
206 Montague St South Melbourne VIC 3205 Australia

(72) Name(s) of Designer(s): **Lloyd Michael Fenn and Simon David Lockrey and
Nathan Anderson Pollock and Joel David Anderson**

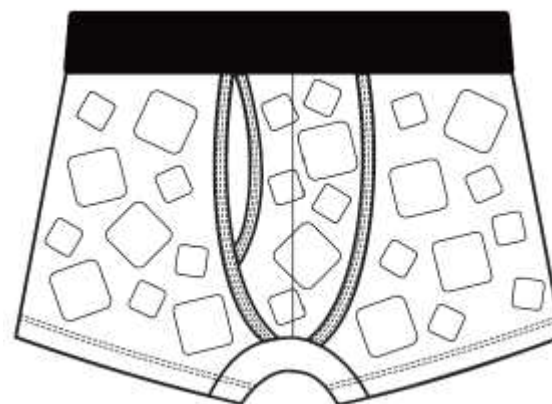
(45) Registration Date: **10 June 2015**

(56) Related Art Documents: **Not Applicable**

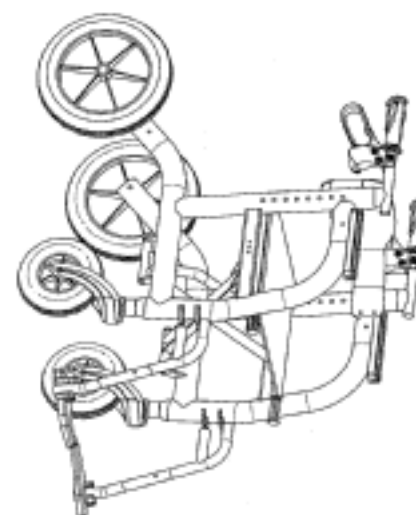
(57) Statement of Newness and Distinctiveness: **Newness and distinctiveness
is claimed in the features of shape and configuration of the planter box
as shown in the representations.**



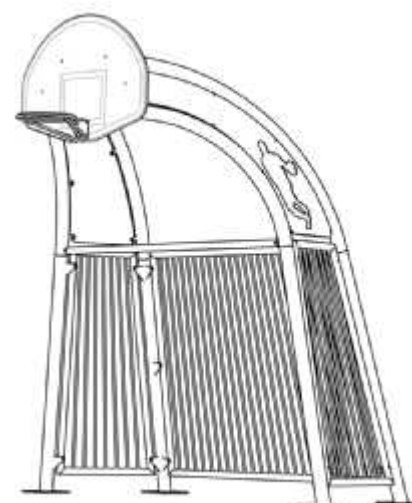
- (21) Design Number: **12301/2015**
(22) Date of Filing Application: **05 May 2015**
(24) Date from which industrial property rights may have effect: **05 May 2015**
(54) Product in respect of which the design is registered: **Clothing**
(51) International Design Classification: **02-01NES**
(74) Name(s) of Attorney(s):
(71) Name(s) and Address(s) of Applicant(s):
Obsession Clothing Pty Ltd
C/- Patentec Patent Attorneys PO BOX A1172 Sydney South NSW 1235
Australia
(72) Name(s) of Designer(s): **Martin Meli**
(45) Registration Date: **10 June 2015**
(56) Related Art Documents: **Not Applicable**
(57) Statement of Newness and Distinctiveness: **Newness and distinctiveness is claimed in the pattern of the icons on clothing as shown in the attached representations, the icons being icons relating to various Internet companies including social media platforms. The particular shape and configuration of the clothing and the location and sizing of the icons is not claimed as part of the design.**



- (21) Design Number: **12346/2015**
(22) Date of Filing Application: **07 May 2015**
(24) Date from which industrial property rights may have effect: **07 May 2015**
(54) Product in respect of which the design is registered: **3 in 1 wheelie walker, wheelchair, walking tutor**
(51) International Design Classification: **12-12**
(74) Name(s) of Attorney(s):
(71) Name(s) and Address(s) of Applicant(s):
Mohamed Ismail Cajee
88 Parramatta Rd Underwood QLD 4119 Australia
(72) Name(s) of Designer(s): **Mohamed Ismail Cajee**
(45) Registration Date: **10 June 2015**
(56) Related Art Documents: **Not Applicable**
(57) Statement of Newness and Distinctiveness: **This unit is designed as a 3 in 1 combination, 4 wheel walker, Wheelchair and a Walking Tutor simply by removing the gutter arm rests and swinging the foot rests into place. The design incorporates oval tubing, foldable seat, swivel front wheels, adjustable gutter arm rests, push-button height adjustment for handles, hand brakes, swing away and removable foot rests. The design is fitted with a crossbar frame for compact folding and storage.**



(21) Design Number: **12347/2015**
(22) Date of Filing Application: **07 May 2015**
(24) Date from which industrial property rights may have effect: **07 May 2015**
(54) Product in respect of which the design is registered: **Basketball soccer goal**
(51) International Design Classification: **21-02NES**
(74) Name(s) of Attorney(s):
(71) Name(s) and Address(s) of Applicant(s):
Angus McDonald
PO BOX 5062 Cheltenham East VIC 3192 Australia
(72) Name(s) of Designer(s): **Angus McDonald**
(45) Registration Date: **10 June 2015**
(56) Related Art Documents: **Not Applicable**
(57) Statement of Newness and Distinctiveness: **The design is new and distinctive in both its visual appearance and construction and also how this new and distinctive construction allows the design to be used (its function).**



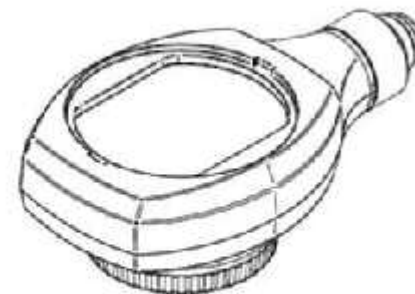
(21) Design Number: **12306/2015**
(22) Date of Filing Application: **05 May 2015**
(24) Date from which industrial property rights may have effect: **05 May 2015**
(54) Product in respect of which the design is registered: **Clip-on lens carrier for smart eyewear**
(51) International Design Classification: **16-06**
(74) Name(s) of Attorney(s): **PHILLIPS ORMONDE FITZPATRICK**
(71) Name(s) and Address(s) of Applicant(s):
Alpha Primitus, Inc
30 de Castro Street Wickham's Cay 1 Road Town P.O. Box 4519 Tortola
British Virgin Islands
(72) Name(s) of Designer(s): **Patrick C. Ho**
(45) Registration Date: **10 June 2015**
(30) Convention priority data:
(31) Number (32) Date (33) Country
29/513,462 31 Dec 2014 UNITED STATES OF AMERICA
(56) Related Art Documents: **Not Applicable**
(57) Statement of Newness and Distinctiveness: **Nil**



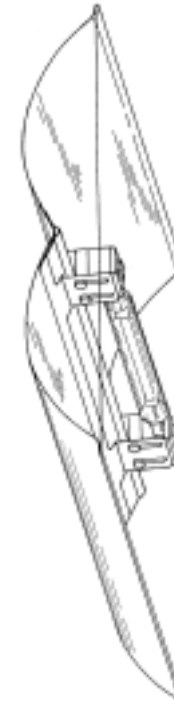
(21) Design Number: **12307/2015**
(22) Date of Filing Application: **05 May 2015**
(24) Date from which industrial property rights may have effect: **05 May 2015**
(54) Product in respect of which the design is registered: **Clip-on lens carrier for Smart eyewear**
(51) International Design Classification: **16-06**
(74) Name(s) of Attorney(s): **PHILLIPS ORMONDE FITZPATRICK**
(71) Name(s) and Address(s) of Applicant(s):
Alpha Primitus, Inc
30 de Castro Street Wickham's Cay 1 Road Town P.O. Box 4519 Tortola
British Virgin Islands
(72) Name(s) of Designer(s): **Patrick C Ho**
(45) Registration Date: **10 June 2015**
(30) Convention priority data:
(31) Number (32) Date (33) Country
29/513,464 31 Dec 2014 UNITED STATES OF AMERICA
(56) Related Art Documents: **Not Applicable**
(57) Statement of Newness and Distinctiveness: **Nil**



(21) Design Number: **12308/2015**
(22) Date of Filing Application: **05 May 2015**
(24) Date from which industrial property rights may have effect: **05 May 2015**
(54) Product in respect of which the design is registered: **Diagnostic instruments and apparatus: dermatoscope**
(51) International Design Classification: **24-02**
(74) Name(s) of Attorney(s): **WATERMARK PATENT AND TRADE MARKS ATTORNEYS**
(71) Name(s) and Address(s) of Applicant(s):
Heine Optotechnik GmbH & Co. KG
Kientalstr. 7 Herrsching 82211 Germany
(72) Name(s) of Designer(s): **Wolfgang Behrendt**
(45) Registration Date: **10 June 2015**
(30) Convention priority data:
(31) Number (32) Date (33) Country
002573220-0001 07 Nov 2014 EUROPEAN PATENT OFFICE (EPO)
(56) Related Art Documents: **Not Applicable**
(57) Statement of Newness and Distinctiveness: **Nil**



- (21) Design Number: **12315/2015**
(22) Date of Filing Application: **05 May 2015**
(24) Date from which industrial property rights may have effect: **05 May 2015**
(54) Product in respect of which the design is registered: **A luminaire**
(51) International Design Classification: **26-05C**
(74) Name(s) of Attorney(s): **Fraser Old & Sohn**
(71) Name(s) and Address(s) of Applicant(s):
Hygro International Pty Limited
U3/15 Orchard Rd Brookvale NSW 2100 Australia
(72) Name(s) of Designer(s): **Paul Andrew Cronk**
(45) Registration Date: **10 June 2015**
(56) Related Art Documents: **Not Applicable**
(57) Statement of Newness and Distinctiveness: **Newness and distinctiveness is claimed in respect of the shape and/or configuration of the luminaire illustrated in the accompanying representations.**



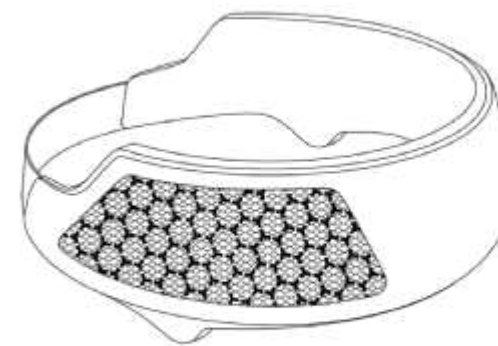
- (21) Design Number: **12318/2015**
(22) Date of Filing Application: **05 May 2015**
(24) Date from which industrial property rights may have effect: **05 May 2015**
(54) Product in respect of which the design is registered: **Bottle**
(51) International Design Classification: **09-01D**
(74) Name(s) of Attorney(s):
(71) Name(s) and Address(s) of Applicant(s):
Aquarush Pty Ltd
C/- Patentec Patent Attorneys PO BOX A1172 Sydney South NSW 1235
Australia
(72) Name(s) of Designer(s): **Roshan Chelvaratnam**
(45) Registration Date: **10 June 2015**
(56) Related Art Documents: **Not Applicable**
(57) Statement of Newness and Distinctiveness: **Newness and distinctiveness resides in the kangaroo-shape of the bottle as shown in the accompanying representations.**



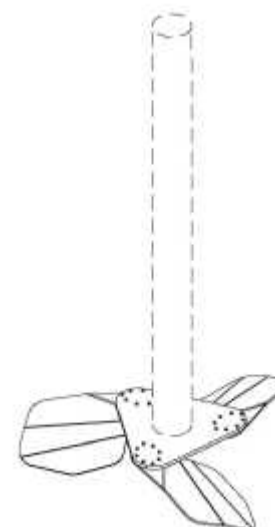
- (21) Design Number: **12319/2015**
(22) Date of Filing Application: **05 May 2015**
(24) Date from which industrial property rights may have effect: **05 May 2015**
(54) Product in respect of which the design is registered: **Bottle**
(51) International Design Classification: **09-01D**
(74) Name(s) of Attorney(s):
(71) Name(s) and Address(s) of Applicant(s):
Aquarush Pty Ltd
C/- Patentec Patent Attorneys PO BOX A1172 Sydney South NSW 1235
Australia
(72) Name(s) of Designer(s): **Roshan Chelvaratnam**
(45) Registration Date: **10 June 2015**
(56) Related Art Documents: **Not Applicable**
(57) Statement of Newness and Distinctiveness: **Newness and distinctiveness resides in the koala-shape of the bottle as shown in the accompanying representations.**



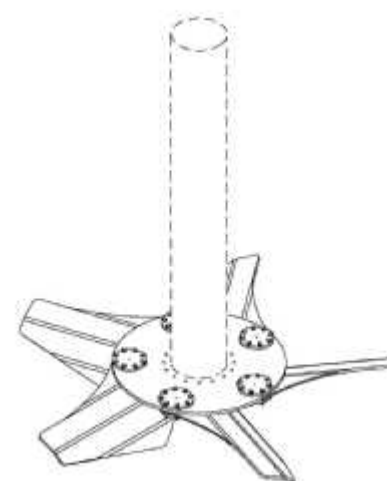
- (21) Design Number: **12322/2015**
(22) Date of Filing Application: **06 May 2015**
(24) Date from which industrial property rights may have effect: **06 May 2015**
(54) Product in respect of which the design is registered: **Head protector**
(51) International Design Classification: **02-03**
(74) Name(s) of Attorney(s): **Spruson & Ferguson**
(71) Name(s) and Address(s) of Applicant(s):
Pinwrest Development Group, LLC
767 Third Avenue, 17th Floor, New York New York, 10017 United States
of America
(72) Name(s) of Designer(s): **Bruce C. Foster and Mark S. Panko and Stacy D. Weiland**
(45) Registration Date: **10 June 2015**
(56) Related Art Documents: **Not Applicable**
(57) Statement of Newness and Distinctiveness: **Newness and distinctiveness is claimed in the features of shape and/or configuration of a head protector as illustrated in the accompanying representations.**



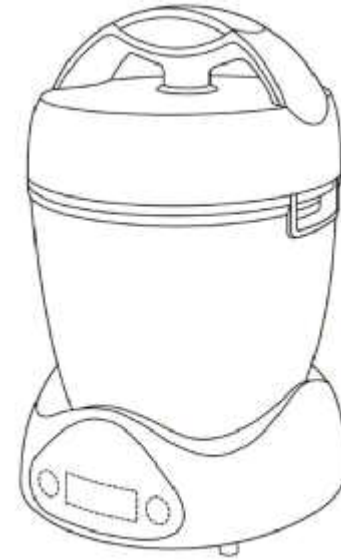
- (21) Design Number: **12323/2015**
(22) Date of Filing Application: **06 May 2015**
(24) Date from which industrial property rights may have effect: **06 May 2015**
(54) Product in respect of which the design is registered: **Impeller for hydrometallurgical mixer**
(51) International Design Classification: **15-04**
(74) Name(s) of Attorney(s): **Griffith Hack**
(71) Name(s) and Address(s) of Applicant(s):
Outotec (Finland) Oy
Rauhalanpuisto 9 Espoo FI-02230 Finland
(72) Name(s) of Designer(s): **Markus Lehtonen and Tuomas Hirsi and Marko Latva-Kokko and Ville Stroemmer**
(45) Registration Date: **10 June 2015**
(30) Convention priority data:
(31) Number (32) Date (33) Country
001425243-0001 06 Nov 2014 OFFICE FOR HARMONISATION IN THE INTERNAL MARKET (OHIM)
(56) Related Art Documents: **Not Applicable**
(57) Statement of Newness and Distinctiveness: **Newness and distinctiveness resides in the visual features, including the shape and configuration of the product shown in the representations. Those parts shown by dashed lines do not form part of the product and have been included for illustrative purposes only.**



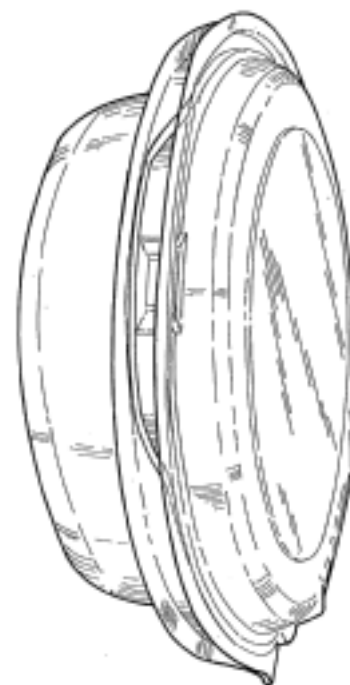
- (21) Design Number: **12324/2015**
(22) Date of Filing Application: **06 May 2015**
(24) Date from which industrial property rights may have effect: **06 May 2015**
(54) Product in respect of which the design is registered: **Impeller for hydrometallurgical mixer**
(51) International Design Classification: **15-04**
(74) Name(s) of Attorney(s): **Griffith Hack**
(71) Name(s) and Address(s) of Applicant(s):
Outotec (Finland) Oy
Rauhalanpuisto 9 Espoo FI-02230 Finland
(72) Name(s) of Designer(s): **Markus Lehtonen and Tuomas Hirsi and Marko Latva-Kokko and Ville Stroemmer**
(45) Registration Date: **10 June 2015**
(30) Convention priority data:
(31) Number (32) Date (33) Country
001425243-0002 06 Nov 2014 OFFICE FOR HARMONISATION IN THE INTERNAL MARKET (OHIM)
(56) Related Art Documents: **Not Applicable**
(57) Statement of Newness and Distinctiveness: **Newness and distinctiveness resides in the visual features, including the shape and configuration of the product shown in the representations. Those parts shown by dashed lines do not form part of the product and have been included for illustrative purposes only.**



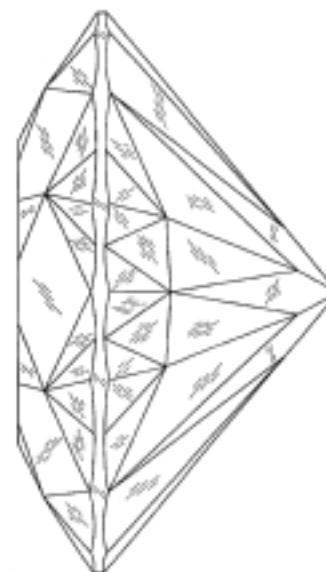
- (21) Design Number: **12327/2015**
(22) Date of Filing Application: **06 May 2015**
(24) Date from which industrial property rights may have effect: **06 May 2015**
(54) Product in respect of which the design is registered: **Pressure cooker**
(51) International Design Classification: **07-02N**
(74) Name(s) of Attorney(s): **Baldwins**
(71) Name(s) and Address(s) of Applicant(s):
Homeland Housewares, LLC
11755 Wilshire Blvd Ste 1200 Los Angeles CA, 90025 United States of America
(72) Name(s) of Designer(s): **Lenny Sands**
(45) Registration Date: **10 June 2015**
(30) Convention priority data:
(31) Number (32) Date (33) Country
USSN: 29/515,779 27 Jan 2015 UNITED STATES OF AMERICA
(56) Related Art Documents: **Not Applicable**
(57) Statement of Newness and Distinctiveness: **Newness and distinctiveness resides in the features of shape and/or configuration of the pressure cooker, excluding those portions shown in dashed line.**



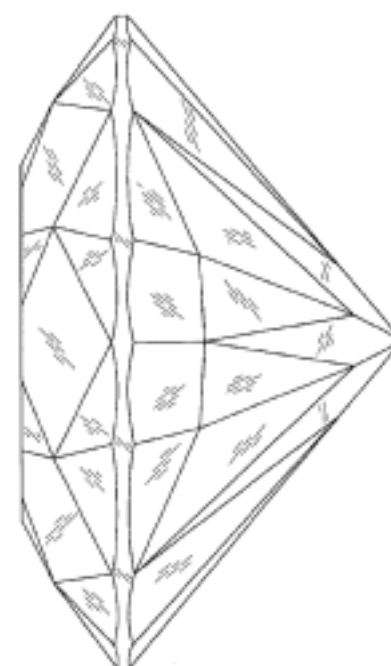
- (21) Design Number: **12348/2015**
(22) Date of Filing Application: **07 May 2015**
(24) Date from which industrial property rights may have effect: **07 May 2015**
(54) Product in respect of which the design is registered: **A produce container**
(51) International Design Classification: **09-03F**
(74) Name(s) of Attorney(s): **Chrysiliou IP**
(71) Name(s) and Address(s) of Applicant(s):
Multisteps Pty Ltd
U1 & 2 4 Richmond Rd Homebush West NSW 2140 Australia
(72) Name(s) of Designer(s): **John Lam**
(45) Registration Date: **10 June 2015**
(56) Related Art Documents: **Not Applicable**
(57) Statement of Newness and Distinctiveness: **Newness and distinctiveness reside in the features of the shape and configuration of the produce container as shown in the accompanying representations.**



- (21) Design Number: **12349/2015**
(22) Date of Filing Application: **07 May 2015**
(24) Date from which industrial property rights may have effect: **07 May 2015**
(54) Product in respect of which the design is registered: **Modified oval shaped gemstone**
(51) International Design Classification: **11-01NES**
(74) Name(s) of Attorney(s): **Spruson & Ferguson**
(71) Name(s) and Address(s) of Applicant(s):
Worldwide Diamond Trademarks Ltd.
1066 West Hastings Street Suite 2160 Vancouver British Columbia V6E 3X1 Canada
(72) Name(s) of Designer(s): **Roni Rydlewicz**
(45) Registration Date: **10 June 2015**
(30) Convention priority data:
(31) Number (32) Date (33) Country
29/514081 08 Jan 2015 UNITED STATES OF AMERICA
(56) Related Art Documents: **Not Applicable**
(57) Statement of Newness and Distinctiveness: **Newness and distinctiveness is claimed in the features of shape and/or configuration of a modified oval shaped gemstone as illustrated in the accompanying representations.**



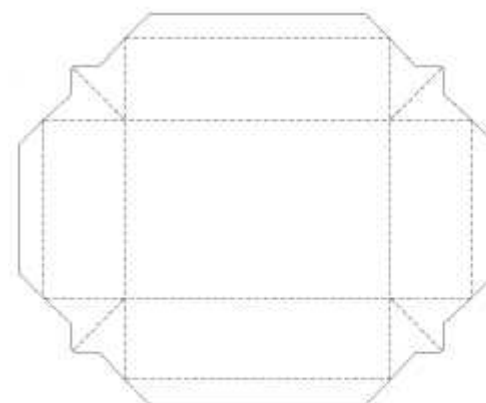
- (21) Design Number: **12350/2015**
(22) Date of Filing Application: **07 May 2015**
(24) Date from which industrial property rights may have effect: **07 May 2015**
(54) Product in respect of which the design is registered: **Oval shaped gemstone**
(51) International Design Classification: **11-01NES**
(74) Name(s) of Attorney(s): **Spruson & Ferguson**
(71) Name(s) and Address(s) of Applicant(s):
Worldwide Diamond Trademarks Ltd.
1066 West Hastings Street Suite 2160 Vancouver British Columbia V6E 3X1 Canada
(72) Name(s) of Designer(s): **Roni Rydlewicz**
(45) Registration Date: **10 June 2015**
(30) Convention priority data:
(31) Number (32) Date (33) Country
29/514078 08 Jan 2015 UNITED STATES OF AMERICA
(56) Related Art Documents: **Not Applicable**
(57) Statement of Newness and Distinctiveness: **Newness and distinctiveness is claimed in the features of shape and/or configuration of an oval shaped gemstone as illustrated in the accompanying representations.**



- (21) Design Number: **12353/2015**
(22) Date of Filing Application: **07 May 2015**
(24) Date from which industrial property rights may have effect: **07 May 2015**
(54) Product in respect of which the design is registered: **Ride on toy**
(51) International Design Classification: **21-01F**
(74) Name(s) of Attorney(s):
(71) Name(s) and Address(s) of Applicant(s):
Wildchild Design Pty. Ltd.
PO BOX 373 Kuranda QLD 4881 Australia
(72) Name(s) of Designer(s): **Christiane Child**
(45) Registration Date: **10 June 2015**
(56) Related Art Documents: **Not Applicable**
(57) Statement of Newness and Distinctiveness: **The newness and distinctiveness of the design resides in the shape of the ride on toy as shown in the accompanying photographic representations.**



- (21) Design Number: **11518/2015**
(22) Date of Filing Application: **19 March 2015**
(24) Date from which industrial property rights may have effect: **19 March 2015**
(54) Product in respect of which the design is registered: **Blank for forming a container**
(51) International Design Classification: **09-03M**
(74) Name(s) of Attorney(s): **Davies Collison Cave**
(71) Name(s) and Address(s) of Applicant(s):
Visy R & D Pty Ltd
L11 2 Southbank Bvd Southbank VIC 3006 Australia
(72) Name(s) of Designer(s): **Alan Thomas Hartley**
(45) Registration Date: **11 June 2015**
(56) Related Art Documents: **Not Applicable**
(57) Statement of Newness and Distinctiveness: **The features of shape and configuration of the blank shown in the accompanying representation are considered to be new and distinctive. In particular, the features marked "A" and "B" in each corner of the blank are considered to be new and distinctive. The broken lines within the boundary of the blank are lines of deformation that facilitate folding of the blank.**



(21) Design Number: **11529/2015**

(22) Date of Filing Application: **20 March 2015**

(24) Date from which industrial property rights may have effect: **20 March 2015**

(54) Product in respect of which the design is registered: **Part of axe**

(51) International Design Classification: **08-03**

(74) Name(s) of Attorney(s): **Davies Collison Cave**

(71) Name(s) and Address(s) of Applicant(s):

**Fiskars Garden Oy Ab
10330 Billnas Finland**

(72) Name(s) of Designer(s): **Aaro Huttunen**

(45) Registration Date: **11 June 2015**

(30) Convention priority data:

(31) Number (32) Date
002542365-0001 22 Sep 2014

(33) Country
**OFFICE FOR HARMONISATION IN
THE INTERNAL MARKET (OHIM)**

(56) Related Art Documents: **Not Applicable**

(57) Statement of Newness and Distinctiveness: **Newness and distinctiveness is claimed in the visual features shown in solid lines in the representations. In considering the extent of the design rights, the broken lines shown in the representations are for illustrative purposes only and do not form part of the design.**



(21) Design Number: **11925/2015**

(22) Date of Filing Application: **13 April 2015**

(24) Date from which industrial property rights may have effect: **13 April 2015**

(54) Product in respect of which the design is registered: **Caravan**

(51) International Design Classification: **12-10**

(74) Name(s) of Attorney(s): **Pointon Partners Pty Ltd**

(71) Name(s) and Address(s) of Applicant(s):

**New Age Caravans Pty Ltd
29 Shirley Way Epping Victoria 3076 Australia**

(72) Name(s) of Designer(s): **Adrian DiVincenzo**

(45) Registration Date: **11 June 2015**

(56) Related Art Documents: **Not Applicable**

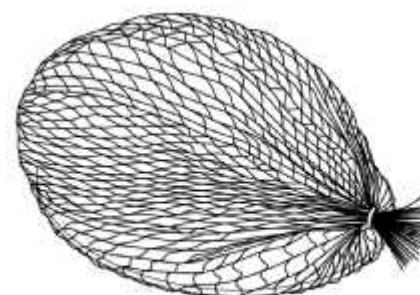
(57) Statement of Newness and Distinctiveness: **Nil**



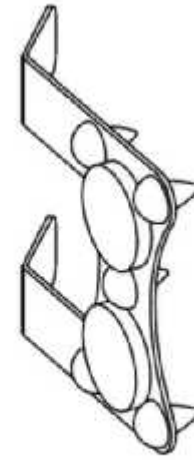
- (21) Design Number: **11975/2015**
(22) Date of Filing Application: **13 April 2015**
(24) Date from which industrial property rights may have effect: **13 April 2015**
(54) Product in respect of which the design is registered: **Smart watch**
(51) International Design Classification: **10-02**
(74) Name(s) of Attorney(s):
(71) Name(s) and Address(s) of Applicant(s):
Gangcai Zhou
NO. 123, PINGNING PINGNING VILLAGE BANGSHAN TOWN, LONGHAI
FUJIAN CHINA
Yongjie Xu
NO. 39, DONGXING DONGMEI VILLAGE JIAOMEI TOWN, LONGHAI
FUJIAN CHINA
(72) Name(s) of Designer(s): **Gangcai Zhou and Yongjie Xu**
(45) Registration Date: **11 June 2015**
(56) Related Art Documents: **Not Applicable**
(57) Statement of Newness and Distinctiveness: **Nil**



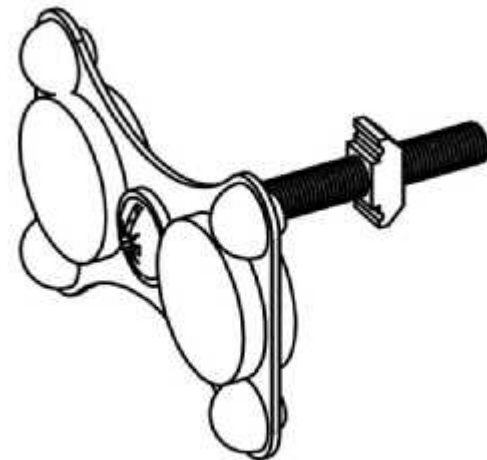
- (21) Design Number: **12312/2015**
(22) Date of Filing Application: **05 May 2015**
(24) Date from which industrial property rights may have effect: **05 May 2015**
(54) Product in respect of which the design is registered: **Abalone packaging**
(51) International Design Classification: **09-05**
(74) Name(s) of Attorney(s): **Lesicar Maynard Andrews Pty Ltd**
(71) Name(s) and Address(s) of Applicant(s):
Wild Harvest Fisheries Pty Ltd
PO BOX 946 Mount Gambier SA 5290 Australia
(72) Name(s) of Designer(s): **John Charles Reeves and Tony Lee**
(45) Registration Date: **11 June 2015**
(56) Related Art Documents: **Not Applicable**
(57) Statement of Newness and Distinctiveness: **Newness and distinctiveness is claimed in the shape and configuration of the packaging, consisting of a base to which a mollusc can be attached and a net enclosing the same, as depicted in the accompanying representations.**



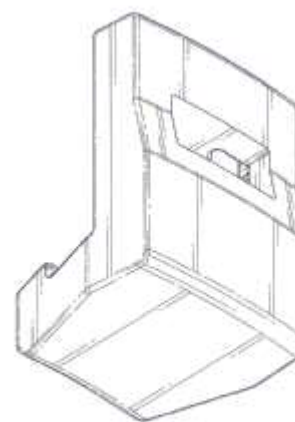
- (21) Design Number: **12320/2015**
(22) Date of Filing Application: **06 May 2015**
(24) Date from which industrial property rights may have effect: **06 May 2015**
(54) Product in respect of which the design is registered: **Car mount for mobile device**
(51) International Design Classification: **14-03A**
(74) Name(s) of Attorney(s):
(71) Name(s) and Address(s) of Applicant(s):
Ulrike Unterlechner EasyMount
Unterer Seitweg 24 Fritzens 6122 Austria
(72) Name(s) of Designer(s): **Ulrike Unterlechner**
(45) Registration Date: **11 June 2015**
(56) Related Art Documents: **Not Applicable**
(57) Statement of Newness and Distinctiveness: **Car mount for mobile device.**



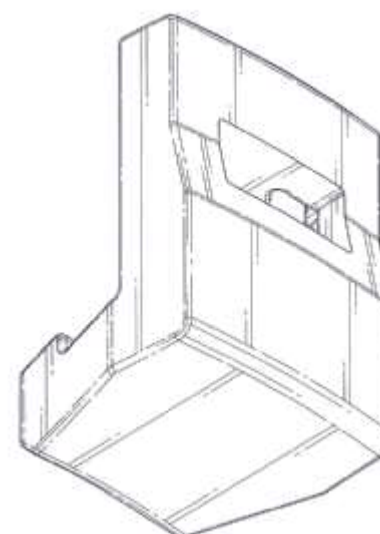
- (21) Design Number: **12321/2015**
(22) Date of Filing Application: **06 May 2015**
(24) Date from which industrial property rights may have effect: **06 May 2015**
(54) Product in respect of which the design is registered: **Car mount for mobile device**
(51) International Design Classification: **14-03A**
(74) Name(s) of Attorney(s):
(71) Name(s) and Address(s) of Applicant(s):
Ulrike Unterlechner EasyMount
Unterer Seitweg 24 Fritzens 6122 Austria
(72) Name(s) of Designer(s): **Ulrike Unterlechner**
(45) Registration Date: **11 June 2015**
(56) Related Art Documents: **Not Applicable**
(57) Statement of Newness and Distinctiveness: **Car mount for mobile device.**



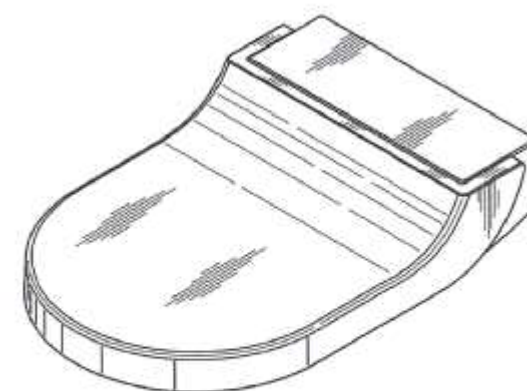
- (21) Design Number: **12325/2015**
(22) Date of Filing Application: **06 May 2015**
(24) Date from which industrial property rights may have effect: **06 May 2015**
(54) Product in respect of which the design is registered: **Heel shroud**
(51) International Design Classification: **15-99**
(74) Name(s) of Attorney(s): **IP Gateway Patent & Trademark Attorneys Pty Ltd**
(71) Name(s) and Address(s) of Applicant(s):
Caterpillar, Inc.
100 NE Adams Street Peoria Illinois, 61629 United States of America
(72) Name(s) of Designer(s): **Douglas Serrurier and Arun Venugopal**
(45) Registration Date: **11 June 2015**
(30) Convention priority data:
(31) Number (32) Date (33) Country
29/508,614 07 Nov 2014 UNITED STATES OF AMERICA
(56) Related Art Documents: **Not Applicable**
(57) Statement of Newness and Distinctiveness: **Newness and distinctiveness reside in the visual features of shape and configuration of the product as shown in solid lines in the representations. The drawings include shading that represents contour and not surface ornamentation.**



- (21) Design Number: **12326/2015**
(22) Date of Filing Application: **06 May 2015**
(24) Date from which industrial property rights may have effect: **06 May 2015**
(54) Product in respect of which the design is registered: **Heel shroud**
(51) International Design Classification: **15-99**
(74) Name(s) of Attorney(s): **IP Gateway Patent & Trademark Attorneys Pty Ltd**
(71) Name(s) and Address(s) of Applicant(s):
Caterpillar, Inc.
100 NE Adams Street Peoria Illinois, 61629 United States of America
(72) Name(s) of Designer(s): **Douglas Serrurier and Arun Venugopal**
(45) Registration Date: **11 June 2015**
(30) Convention priority data:
(31) Number (32) Date (33) Country
29/508,614 07 Nov 2014 UNITED STATES OF AMERICA
(56) Related Art Documents: **Not Applicable**
(57) Statement of Newness and Distinctiveness: **Newness and distinctiveness reside in the visual features of shape and configuration of the product as shown in solid lines in the representations. Visual features shown in broken dashed lines should be given minimum regard. The drawings include shading that represents contour and not surface ornamentation.**



(21) Design Number: **12362/2015**
(22) Date of Filing Application: **07 May 2015**
(24) Date from which industrial property rights may have effect: **07 May 2015**
(54) Product in respect of which the design is registered: **Toilet seat**
(51) International Design Classification: **23-02C**
(74) Name(s) of Attorney(s): **Fisher Adams Kelly Pty Ltd**
(71) Name(s) and Address(s) of Applicant(s):



Geberit International AG
Schachenstrasse 77 Jona 8645 Switzerland

(72) Name(s) of Designer(s): **Christoph Behling**

(45) Registration Date: **11 June 2015**

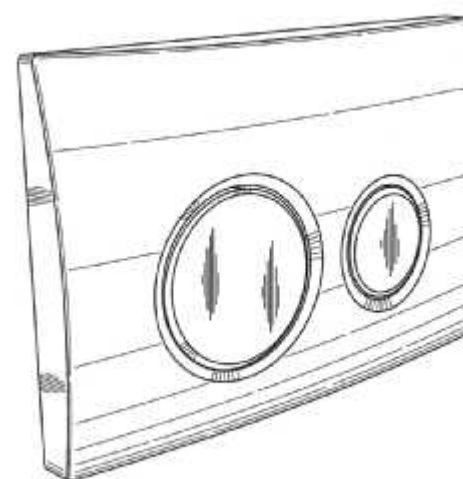
(30) Convention priority data:

(31) Number	(32) Date	(33) Country
DM/085 135	12 Dec 2014	WORLD INTELLECTUAL PROPERTY ORGANIZATION (WIPO)

(56) Related Art Documents: **Not Applicable**

(57) Statement of Newness and Distinctiveness: **The newness and distinctiveness of the design resides in the shape and/or configuration of a toilet seat as shown in the accompanying representations.**

(21) Design Number: **12364/2015**
(22) Date of Filing Application: **07 May 2015**
(24) Date from which industrial property rights may have effect: **07 May 2015**
(54) Product in respect of which the design is registered: **Control panel for toilets and/or urinals**
(51) International Design Classification: **23-02C**
(74) Name(s) of Attorney(s): **Fisher Adams Kelly Pty Ltd**
(71) Name(s) and Address(s) of Applicant(s):



Geberit International AG
Schachenstrasse 77 Jona 8645 Switzerland

(72) Name(s) of Designer(s): **Christoph Behling**

(45) Registration Date: **11 June 2015**

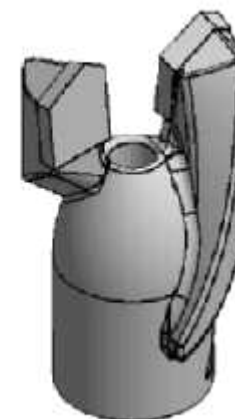
(30) Convention priority data:

(31) Number	(32) Date	(33) Country
DM/084 925	25 Nov 2014	WORLD INTELLECTUAL PROPERTY ORGANIZATION (WIPO)

(56) Related Art Documents: **Not Applicable**

(57) Statement of Newness and Distinctiveness: **The newness and distinctiveness of the design resides in the shape and/or configuration of a control panel for toilets and/or urinals as shown in the accompanying representations.**

- (21) Design Number: **12396/2015**
(22) Date of Filing Application: **09 May 2015**
(24) Date from which industrial property rights may have effect: **09 May 2015**
(54) Product in respect of which the design is registered: **Drill bit**
(51) International Design Classification: **08-01**
(74) Name(s) of Attorney(s): **Caska IP**
(71) Name(s) and Address(s) of Applicant(s):
Quarry Mining and Construction Equipment Pty Ltd
9/14 Yangan Dr Beresfield NSW 2322 Australia
(72) Name(s) of Designer(s): **David Alexander McCloskey**
(45) Registration Date: **11 June 2015**
(56) Related Art Documents: **Not Applicable**
(57) Statement of Newness and Distinctiveness: **Newness and distinctiveness resides in the overall shape and configuration of the visual features as shown in the accompanying representations.**



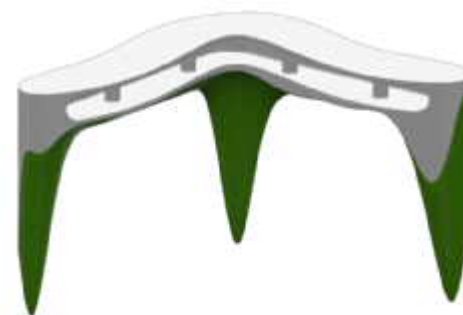
- (21) Design Number: **12413/2015**
(22) Date of Filing Application: **10 May 2015**
(24) Date from which industrial property rights may have effect: **10 May 2015**
(54) Product in respect of which the design is registered: **Table**
(51) International Design Classification: **06-03B**
(74) Name(s) of Attorney(s):
(71) Name(s) and Address(s) of Applicant(s):
Zhu Gong
Room 2408, Building No.55 Binshui Community, Jimei District Xiamen
361021 China
(72) Name(s) of Designer(s): **Zhu Gong**
(45) Registration Date: **11 June 2015**
(56) Related Art Documents: **Not Applicable**
(57) Statement of Newness and Distinctiveness: **Newness and distinctiveness resides in the features of shape and/or configuration of a table as shown in the accompanying representations.**



- (21) Design Number: **12414/2015**
(22) Date of Filing Application: **10 May 2015**
(24) Date from which industrial property rights may have effect: **10 May 2015**
(54) Product in respect of which the design is registered: **Table**
(51) International Design Classification: **06-03B**
(74) Name(s) of Attorney(s):
(71) Name(s) and Address(s) of Applicant(s):

Zhu Gong
Room 2408, Building No.55 Binshui Community, Jimei District Xiamen
361021 China

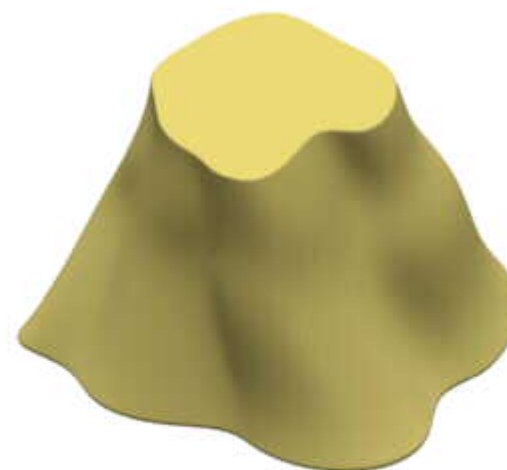
- (72) Name(s) of Designer(s): **Zhu Gong**
(45) Registration Date: **11 June 2015**
(56) Related Art Documents: **Not Applicable**
(57) Statement of Newness and Distinctiveness: **Newness and distinctiveness resides in the features of shape and/or configuration of a table as shown in the accompanying representations.**



- (21) Design Number: **12415/2015**
(22) Date of Filing Application: **10 May 2015**
(24) Date from which industrial property rights may have effect: **10 May 2015**
(54) Product in respect of which the design is registered: **Stool**
(51) International Design Classification: **06-01E**
(74) Name(s) of Attorney(s):
(71) Name(s) and Address(s) of Applicant(s):

Zhu Gong
Room 2408, Building No.55 Binshui Community, Jimei District Xiamen
361021 China

- (72) Name(s) of Designer(s): **Zhu Gong**
(45) Registration Date: **11 June 2015**
(56) Related Art Documents: **Not Applicable**
(57) Statement of Newness and Distinctiveness: **Newness and distinctiveness resides in the features of shape and/or configuration of a stool as shown in the accompanying representations.**



(21) Design Number: **12416/2015**

(22) Date of Filing Application: **10 May 2015**

(24) Date from which industrial property rights may have effect: **10 May 2015**

(54) Product in respect of which the design is registered: **Stool**

(51) International Design Classification: **06-01E**

(74) Name(s) of Attorney(s):

(71) Name(s) and Address(s) of Applicant(s):

Zhu Gong

**Room 2408, Building No.55 Binshui Community, Jimei District Xiamen
361021 China**

(72) Name(s) of Designer(s): **Zhu Gong**

(45) Registration Date: **11 June 2015**

(56) Related Art Documents: **Not Applicable**

(57) Statement of Newness and Distinctiveness: **Newness and distinctiveness resides in the features of shape and/or configuration of a stool as shown in the accompanying representations.**



(21) Design Number: **12417/2015**

(22) Date of Filing Application: **10 May 2015**

(24) Date from which industrial property rights may have effect: **10 May 2015**

(54) Product in respect of which the design is registered: **Bottle**

(51) International Design Classification: **09-01NES**

(74) Name(s) of Attorney(s):

(71) Name(s) and Address(s) of Applicant(s):

Zhu Gong

**Room 2408, Building No.55 Binshui Community, Jimei District Xiamen
361021 China**

(72) Name(s) of Designer(s): **Zhu Gong**

(45) Registration Date: **11 June 2015**

(56) Related Art Documents: **Not Applicable**

(57) Statement of Newness and Distinctiveness: **Newness and distinctiveness resides in the features of shape and/or configuration of a bottle as shown in the accompanying representations.**



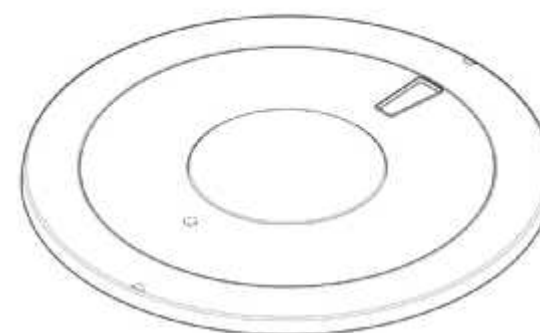
- (21) Design Number: **12026/2015**
(22) Date of Filing Application: **16 April 2015**
(24) Date from which industrial property rights may have effect: **16 April 2015**
(54) Product in respect of which the design is registered: **Banner**
(51) International Design Classification: **11-05**
(74) Name(s) of Attorney(s):
(71) Name(s) and Address(s) of Applicant(s):



India Fest Townsville Inc.
PO BOX 1155 A Singh Aitkenvale QLD 4814 Australia

- (72) Name(s) of Designer(s): **Sarish Shashidhar and Biju Akkamparambil**
(45) Registration Date: **11 June 2015**
(56) Related Art Documents: **Not Applicable**
(57) Statement of Newness and Distinctiveness: **The banner of India Fest was created as part of a competition and the condition for entry was that the banner should represent India but not used by other organizations or similar associations. This way always India Fest Townsville Inc. will have a unique appearance in its promotional materials.**

- (21) Design Number: **12160/2015**
(22) Date of Filing Application: **24 April 2015**
(24) Date from which industrial property rights may have effect: **24 April 2015**
(54) Product in respect of which the design is registered: **Indicating device**
(51) International Design Classification: **21-01G**
(74) Name(s) of Attorney(s): **Walker IP**
(71) Name(s) and Address(s) of Applicant(s):



Darts Peg Wheel Pty Ltd
1/139 Underwood Rd Ferntree Gully VIC 3156

- (72) Name(s) of Designer(s): **Ben McNair**
(45) Registration Date: **11 June 2015**
(56) Related Art Documents: **Not Applicable**
(57) Statement of Newness and Distinctiveness: **Newness and distinctiveness resides in the features of shape and/or configuration of the design as shown in solid lines in the accompanying representations. The features shown in broken lines in the representations are for illustrative purposes only and should not be considered when construing visual features of the design.**

(21) Design Number: **12418/2015**
(22) Date of Filing Application: **10 May 2015**
(24) Date from which industrial property rights may have effect: **10 May 2015**
(54) Product in respect of which the design is registered: **Bottle**
(51) International Design Classification: **09-01NES**
(74) Name(s) of Attorney(s):
(71) Name(s) and Address(s) of Applicant(s):
Zhu Gong
Room 2408, Building No.55 Binshui Community, Jimei District Xiamen
361021 China
(72) Name(s) of Designer(s): **Zhu Gong**
(45) Registration Date: **11 June 2015**
(56) Related Art Documents: **Not Applicable**
(57) Statement of Newness and Distinctiveness: **Newness and distinctiveness resides in the features of shape and/or configuration of a bottle as shown in the accompanying representations.**



(21) Design Number: **11380/2015**
(22) Date of Filing Application: **13 March 2015**
(24) Date from which industrial property rights may have effect: **13 March 2015**
(54) Product in respect of which the design is registered: **Bow tie wine label range**
(51) International Design Classification: **19-08**
(74) Name(s) of Attorney(s):
(71) Name(s) and Address(s) of Applicant(s):
Alana Spears
2/377 Military Rd Largs Bay SA 5016 Australia
(72) Name(s) of Designer(s): **Alana Spears**
(45) Registration Date: **11 June 2015**
(56) Related Art Documents: **Not Applicable**
(57) Statement of Newness and Distinctiveness: **Bow Tie Wine Label design range**

BOW TIE
WINE LABEL RANGE



(21) Design Number: **11531/2015**

(22) Date of Filing Application: **20 March 2015**

(24) Date from which industrial property rights may have effect: **20 March 2015**

(54) Product in respect of which the design is registered: **Part of axe**

(51) International Design Classification: **08-03**

(74) Name(s) of Attorney(s): **Davies Collison Cave**

(71) Name(s) and Address(s) of Applicant(s):

**Fiskars Garden Oy Ab
10330 Billnas Finland**

(72) Name(s) of Designer(s): **Aaro Huttunen**

(45) Registration Date: **11 June 2015**

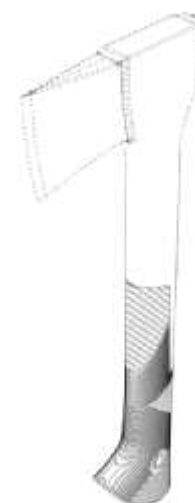
(30) Convention priority data:

(31) Number (32) Date
002542365-0002 22 Sep 2014

(33) Country
**OFFICE FOR HARMONISATION IN
THE INTERNAL MARKET (OHIM)**

(56) Related Art Documents: **Not Applicable**

(57) Statement of Newness and Distinctiveness: **Newness and distinctiveness is claimed in the visual features shown in solid lines in the representations. In considering the extent of the design rights, the broken lines shown in the representations are for illustrative purposes only and do not form part of the design.**



(21) Design Number: **11533/2015**

(22) Date of Filing Application: **20 March 2015**

(24) Date from which industrial property rights may have effect: **20 March 2015**

(54) Product in respect of which the design is registered: **Part of axe**

(51) International Design Classification: **08-03**

(74) Name(s) of Attorney(s): **Davies Collison Cave**

(71) Name(s) and Address(s) of Applicant(s):

**Fiskars Garden Oy Ab
10330 Billnas Finland**

(72) Name(s) of Designer(s): **Aaro Huttunen**

(45) Registration Date: **11 June 2015**

(30) Convention priority data:

(31) Number (32) Date
002542365-0003 22 Sep 2014

(33) Country
**OFFICE FOR HARMONISATION IN
THE INTERNAL MARKET (OHIM)**

(56) Related Art Documents: **Not Applicable**

(57) Statement of Newness and Distinctiveness: **Newness and distinctiveness is claimed in the visual features shown in solid lines in the representations. In considering the extent of the design rights, the broken lines shown in the representations are for illustrative purposes only and do not form part of the design.**



(21) Design Number: **11634/2015**
(22) Date of Filing Application: **26 March 2015**
(24) Date from which industrial property rights may have effect: **26 March 2015**
(54) Product in respect of which the design is registered: **Bag**
(51) International Design Classification: **03-01B**
(74) Name(s) of Attorney(s): **Davies Collison Cave**
(71) Name(s) and Address(s) of Applicant(s):



Hermes Sellier
24 rue du Faubourg Saint Honore Paris 75008 France

(72) Name(s) of Designer(s): **Pierre-Alexis Dumas**

(45) Registration Date: **11 June 2015**

(30) Convention priority data:

(31) Number	(32) Date	(33) Country
84254601	30 Sep 2014	WORLD INTELLECTUAL PROPERTY ORGANIZATION (WIPO)

(56) Related Art Documents: **Not Applicable**

(57) Statement of Newness and Distinctiveness: **Nil**

(21) Design Number: **12419/2015**
(22) Date of Filing Application: **10 May 2015**
(24) Date from which industrial property rights may have effect: **10 May 2015**
(54) Product in respect of which the design is registered: **Bottle**
(51) International Design Classification: **09-01H**
(74) Name(s) of Attorney(s):
(71) Name(s) and Address(s) of Applicant(s):



Zhu Gong
**Room 2408, Building No.55 Binshui Community, Jimei District Xiamen
361021 China**

(72) Name(s) of Designer(s): **Zhu Gong**

(45) Registration Date: **11 June 2015**

(56) Related Art Documents: **Not Applicable**

(57) Statement of Newness and Distinctiveness: **Newness and distinctiveness resides in the features of shape and/or configuration of a bottle as shown in the accompanying representations.**

- (21) Design Number: **12420/2015**
(22) Date of Filing Application: **10 May 2015**
(24) Date from which industrial property rights may have effect: **10 May 2015**
(54) Product in respect of which the design is registered: **Bottle**
(51) International Design Classification: **09-01H**
(74) Name(s) of Attorney(s):
(71) Name(s) and Address(s) of Applicant(s):
Zhu Gong
Room 2408, Building No.55 Binshui Community, Jimei District Xiamen
361021 China
(72) Name(s) of Designer(s): **Zhu Gong**
(45) Registration Date: **11 June 2015**
(56) Related Art Documents: **Not Applicable**
(57) Statement of Newness and Distinctiveness: **Newness and distinctiveness resides in the features of shape and/or configuration of a bottle as shown in the accompanying representations.**



- (21) Design Number: **12421/2015**
(22) Date of Filing Application: **10 May 2015**
(24) Date from which industrial property rights may have effect: **10 May 2015**
(54) Product in respect of which the design is registered: **Sofa**
(51) International Design Classification: **06-01G**
(74) Name(s) of Attorney(s):
(71) Name(s) and Address(s) of Applicant(s):
Zhu Gong
Room 2408, Building No.55 Binshui Community, Jimei District Xiamen
361021 China
(72) Name(s) of Designer(s): **Zhu Gong**
(45) Registration Date: **11 June 2015**
(56) Related Art Documents: **Not Applicable**
(57) Statement of Newness and Distinctiveness: **Newness and distinctiveness resides in the features of shape and/or configuration of a sofa as shown in the accompanying representations.**



- (21) Design Number: **12422/2015**
(22) Date of Filing Application: **10 May 2015**
(24) Date from which industrial property rights may have effect: **10 May 2015**
(54) Product in respect of which the design is registered: **Sofa**
(51) International Design Classification: **06-01G**
(74) Name(s) of Attorney(s):
(71) Name(s) and Address(s) of Applicant(s):

Zhu Gong
Room 2408, Building No.55 Binshui Community, Jimei District Xiamen
361021 China

- (72) Name(s) of Designer(s): **Zhu Gong**
(45) Registration Date: **11 June 2015**
(56) Related Art Documents: **Not Applicable**
(57) Statement of Newness and Distinctiveness: **Newness and distinctiveness resides in the features of shape and/or configuration of a sofa as shown in the accompanying representations.**



- (21) Design Number: **12423/2015**
(22) Date of Filing Application: **10 May 2015**
(24) Date from which industrial property rights may have effect: **10 May 2015**
(54) Product in respect of which the design is registered: **Cruet**
(51) International Design Classification: **07-06C**
(74) Name(s) of Attorney(s):
(71) Name(s) and Address(s) of Applicant(s):

Zhu Gong
Room 2408, Building No.55 Binshui Community, Jimei District Xiamen
361021 China

- (72) Name(s) of Designer(s): **Zhu Gong**
(45) Registration Date: **11 June 2015**
(56) Related Art Documents: **Not Applicable**
(57) Statement of Newness and Distinctiveness: **Newness and distinctiveness resides in the features of shape and/or configuration of a cruet as shown in the accompanying representations.**



- (21) Design Number: **12424/2015**
(22) Date of Filing Application: **10 May 2015**
(24) Date from which industrial property rights may have effect: **10 May 2015**
(54) Product in respect of which the design is registered: **Cruet**
(51) International Design Classification: **07-06C**
(74) Name(s) of Attorney(s):
(71) Name(s) and Address(s) of Applicant(s):
Zhu Gong
Room 2408, Building No.55 Binshui Community, Jimei District Xiamen
361021 China
(72) Name(s) of Designer(s): **Zhu Gong**
(45) Registration Date: **11 June 2015**
(56) Related Art Documents: **Not Applicable**
(57) Statement of Newness and Distinctiveness: **Newness and distinctiveness resides in the features of shape and/or configuration of a cruet as shown in the accompanying representations.**



- (21) Design Number: **12425/2015**
(22) Date of Filing Application: **10 May 2015**
(24) Date from which industrial property rights may have effect: **10 May 2015**
(54) Product in respect of which the design is registered: **Chair**
(51) International Design Classification: **06-01F**
(74) Name(s) of Attorney(s):
(71) Name(s) and Address(s) of Applicant(s):
Zhu Gong
Room 2408, Building No.55 Binshui Community, Jimei District Xiamen
361021 China
(72) Name(s) of Designer(s): **Zhu Gong**
(45) Registration Date: **11 June 2015**
(56) Related Art Documents: **Not Applicable**
(57) Statement of Newness and Distinctiveness: **Newness and distinctiveness resides in the features of shape and/or configuration of a chair as shown in the accompanying representations.**



(21) Design Number: **12426/2015**
(22) Date of Filing Application: **10 May 2015**
(24) Date from which industrial property rights may have effect: **10 May 2015**
(54) Product in respect of which the design is registered: **Chair**
(51) International Design Classification: **06-01F**
(74) Name(s) of Attorney(s):
(71) Name(s) and Address(s) of Applicant(s):
Zhu Gong
Room 2408, Building No.55 Binshui Community, Jimei District Xiamen
361021 China
(72) Name(s) of Designer(s): **Zhu Gong**
(45) Registration Date: **11 June 2015**
(56) Related Art Documents: **Not Applicable**
(57) Statement of Newness and Distinctiveness: **Newness and distinctiveness resides in the features of shape and/or configuration of a chair as shown in the accompanying representations.**



(21) Design Number: **12427/2015**
(22) Date of Filing Application: **10 May 2015**
(24) Date from which industrial property rights may have effect: **10 May 2015**
(54) Product in respect of which the design is registered: **Chair**
(51) International Design Classification: **06-01F**
(74) Name(s) of Attorney(s):
(71) Name(s) and Address(s) of Applicant(s):
Zhu Gong
Room 2408, Building No.55 Binshui Community, Jimei District Xiamen
361021 China
(72) Name(s) of Designer(s): **Zhu Gong**
(45) Registration Date: **11 June 2015**
(56) Related Art Documents: **Not Applicable**
(57) Statement of Newness and Distinctiveness: **Newness and distinctiveness resides in the features of shape and/or configuration of a chair as shown in the accompanying representations.**



- (21) Design Number: **12428/2015**
(22) Date of Filing Application: **10 May 2015**
(24) Date from which industrial property rights may have effect: **10 May 2015**
(54) Product in respect of which the design is registered: **Chair**
(51) International Design Classification: **06-01F**
(74) Name(s) of Attorney(s):
(71) Name(s) and Address(s) of Applicant(s):
Zhu Gong
Room 2408, Building No.55 Binshui Community, Jimei District Xiamen
361021 China
(72) Name(s) of Designer(s): **Zhu Gong**
(45) Registration Date: **11 June 2015**
(56) Related Art Documents: **Not Applicable**
(57) Statement of Newness and Distinctiveness: **Newness and distinctiveness resides in the features of shape and/or configuration of a chair as shown in the accompanying representations.**



- (21) Design Number: **12429/2015**
(22) Date of Filing Application: **10 May 2015**
(24) Date from which industrial property rights may have effect: **10 May 2015**
(54) Product in respect of which the design is registered: **Chair**
(51) International Design Classification: **06-01F**
(74) Name(s) of Attorney(s):
(71) Name(s) and Address(s) of Applicant(s):
Zhu Gong
Room 2408, Building No.55 Binshui Community, Jimei District Xiamen
361021 China
(72) Name(s) of Designer(s): **Zhu Gong**
(45) Registration Date: **11 June 2015**
(56) Related Art Documents: **Not Applicable**
(57) Statement of Newness and Distinctiveness: **Newness and distinctiveness resides in the features of shape and/or configuration of a chair as shown in the accompanying representations.**



(21) Design Number: **12430/2015**
(22) Date of Filing Application: **10 May 2015**
(24) Date from which industrial property rights may have effect: **10 May 2015**
(54) Product in respect of which the design is registered: **Chair**
(51) International Design Classification: **06-01F**
(74) Name(s) of Attorney(s):
(71) Name(s) and Address(s) of Applicant(s):
Zhu Gong
Room 2408, Building No.55 Binshui Community, Jimei District Xiamen
361021 China
(72) Name(s) of Designer(s): **Zhu Gong**
(45) Registration Date: **11 June 2015**
(56) Related Art Documents: **Not Applicable**
(57) Statement of Newness and Distinctiveness: **Newness and distinctiveness resides in the features of shape and/or configuration of a chair as shown in the accompanying representations.**



(21) Design Number: **12431/2015**
(22) Date of Filing Application: **10 May 2015**
(24) Date from which industrial property rights may have effect: **10 May 2015**
(54) Product in respect of which the design is registered: **Chair**
(51) International Design Classification: **06-01F**
(74) Name(s) of Attorney(s):
(71) Name(s) and Address(s) of Applicant(s):
Zhu Gong
Room 2408, Building No.55 Binshui Community, Jimei District Xiamen
361021 China
(72) Name(s) of Designer(s): **Zhu Gong**
(45) Registration Date: **11 June 2015**
(56) Related Art Documents: **Not Applicable**
(57) Statement of Newness and Distinctiveness: **Newness and distinctiveness resides in the features of shape and/or configuration of a chair as shown in the accompanying representations.**



(21) Design Number: **12432/2015**

(22) Date of Filing Application: **10 May 2015**

(24) Date from which industrial property rights may have effect: **10 May 2015**

(54) Product in respect of which the design is registered: **Chair**

(51) International Design Classification: **06-01F**

(74) Name(s) of Attorney(s):

(71) Name(s) and Address(s) of Applicant(s):

Zhu Gong

**Room 2408, Building No.55 Binshui Community, Jimei District Xiamen
361021 China**

(72) Name(s) of Designer(s): **Zhu Gong**

(45) Registration Date: **11 June 2015**

(56) Related Art Documents: **Not Applicable**

(57) Statement of Newness and Distinctiveness: **Newness and distinctiveness resides in the features of shape and/or configuration of a chair as shown in the accompanying representations.**



(21) Design Number: **12433/2015**

(22) Date of Filing Application: **10 May 2015**

(24) Date from which industrial property rights may have effect: **10 May 2015**

(54) Product in respect of which the design is registered: **Chair**

(51) International Design Classification: **06-01F**

(74) Name(s) of Attorney(s):

(71) Name(s) and Address(s) of Applicant(s):

Zhu Gong

**Room 2408, Building No.55 Binshui Community, Jimei District Xiamen
361021 China**

(72) Name(s) of Designer(s): **Zhu Gong**

(45) Registration Date: **11 June 2015**

(56) Related Art Documents: **Not Applicable**

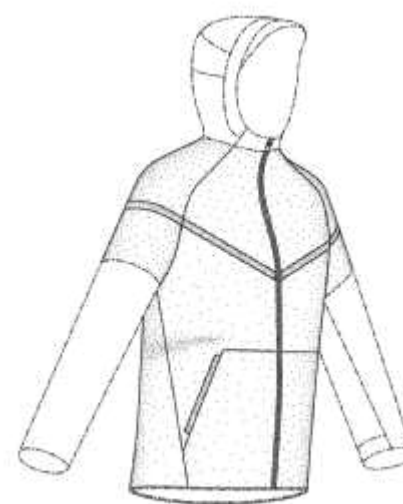
(57) Statement of Newness and Distinctiveness: **Newness and distinctiveness resides in the features of shape and/or configuration of a chair as shown in the accompanying representations.**



- (21) Design Number: **12434/2015**
(22) Date of Filing Application: **10 May 2015**
(24) Date from which industrial property rights may have effect: **10 May 2015**
(54) Product in respect of which the design is registered: **Speaker**
(51) International Design Classification: **14-01**
(74) Name(s) of Attorney(s):
(71) Name(s) and Address(s) of Applicant(s):
Zhu Gong
Room 2408, Building No.55 Binshui Community, Jimei District Xiamen
361021 China
(72) Name(s) of Designer(s): **Zhu Gong**
(45) Registration Date: **11 June 2015**
(56) Related Art Documents: **Not Applicable**
(57) Statement of Newness and Distinctiveness: **Newness and distinctiveness resides in the features of shape and/or configuration of a speaker as shown in the accompanying representations.**



- (21) Design Number: **11680/2015**
(22) Date of Filing Application: **30 March 2015**
(24) Date from which industrial property rights may have effect: **30 March 2015**
(54) Product in respect of which the design is registered: **Garment**
(51) International Design Classification: **02-02NES**
(74) Name(s) of Attorney(s): **Davies Collison Cave**
(71) Name(s) and Address(s) of Applicant(s):
NIKE Innovate C.V.
One Bowerman Drive Beaverton Oregon, 97005-6453 United States of
America
(72) Name(s) of Designer(s): **Jeff Ingram**
(45) Registration Date: **12 June 2015**
(56) Related Art Documents: **Not Applicable**
(57) Statement of Newness and Distinctiveness: **Newness and distinctiveness is claimed in the visual features shown in solid lines in the representations. The contrast in shading represents a contrast of appearance and does not represent any colour, material or texture.**



- (21) Design Number: **11682/2015**
(22) Date of Filing Application: **30 March 2015**
(24) Date from which industrial property rights may have effect: **30 March 2015**
(54) Product in respect of which the design is registered: **Shirt**
(51) International Design Classification: **02-02NES**
(74) Name(s) of Attorney(s): **Davies Collison Cave**
(71) Name(s) and Address(s) of Applicant(s):
NIKE Innovate C.V.
One Bowerman Drive Beaverton Oregon, 97005-6453 United States of America
(72) Name(s) of Designer(s): **Jeff Darmour**
(45) Registration Date: **12 June 2015**
(56) Related Art Documents: **Not Applicable**
(57) Statement of Newness and Distinctiveness: **Newness and distinctiveness is claimed in the visual features shown in solid lines in the representations. The contrast in shading represents a contrast of appearance and does not represent any colour, material or texture.**



- (21) Design Number: **11684/2015**
(22) Date of Filing Application: **30 March 2015**
(24) Date from which industrial property rights may have effect: **30 March 2015**
(54) Product in respect of which the design is registered: **Shirt**
(51) International Design Classification: **02-02NES**
(74) Name(s) of Attorney(s): **Davies Collison Cave**
(71) Name(s) and Address(s) of Applicant(s):
NIKE Innovate C.V.
One Bowerman Drive Beaverton Oregon, 97005-6453 United States of America
(72) Name(s) of Designer(s): **Jeff Darmour**
(45) Registration Date: **12 June 2015**
(56) Related Art Documents: **Not Applicable**
(57) Statement of Newness and Distinctiveness: **Newness and distinctiveness is claimed in the visual features shown in solid lines in the representations. The contrast in shading represents a contrast of appearance and does not represent any colour, material or texture.**



(21) Design Number: **12435/2015**

(22) Date of Filing Application: **10 May 2015**

(24) Date from which industrial property rights may have effect: **10 May 2015**

(54) Product in respect of which the design is registered: **Speaker**

(51) International Design Classification: **14-01**

(74) Name(s) of Attorney(s):

(71) Name(s) and Address(s) of Applicant(s):

Zhu Gong

**Room 2408, Building No.55 Binshui Community, Jimei District Xiamen
361021 China**

(72) Name(s) of Designer(s): **Zhu Gong**

(45) Registration Date: **12 June 2015**

(56) Related Art Documents: **Not Applicable**

(57) Statement of Newness and Distinctiveness: **Newness and distinctiveness resides in the features of shape and/or configuration of a speaker as shown in the accompanying representations.**



(21) Design Number: **12437/2015**

(22) Date of Filing Application: **10 May 2015**

(24) Date from which industrial property rights may have effect: **10 May 2015**

(54) Product in respect of which the design is registered: **Tray**

(51) International Design Classification: **07-99A**

(74) Name(s) of Attorney(s):

(71) Name(s) and Address(s) of Applicant(s):

Zhu Gong

**Room 2408, Building No.55 Binshui Community, Jimei District Xiamen
361021 China**

(72) Name(s) of Designer(s): **Zhu Gong**

(45) Registration Date: **12 June 2015**

(56) Related Art Documents: **Not Applicable**

(57) Statement of Newness and Distinctiveness: **Newness and distinctiveness resides in the features of shape and/or configuration of a tray as shown in the accompanying representations.**



(21) Design Number: **12438/2015**

(22) Date of Filing Application: **10 May 2015**

(24) Date from which industrial property rights may have effect: **10 May 2015**

(54) Product in respect of which the design is registered: **Teapot**

(51) International Design Classification: **07-02K**

(74) Name(s) of Attorney(s):

(71) Name(s) and Address(s) of Applicant(s):

Zhu Gong

**Room 2408, Building No.55 Binshui Community, Jimei District Xiamen
361021 China**

(72) Name(s) of Designer(s): **Zhu Gong**

(45) Registration Date: **12 June 2015**

(56) Related Art Documents: **Not Applicable**

(57) Statement of Newness and Distinctiveness: **Newness and distinctiveness resides in the features of shape and/or configuration of a teapot as shown in the accompanying representations.**



(21) Design Number: **12439/2015**

(22) Date of Filing Application: **10 May 2015**

(24) Date from which industrial property rights may have effect: **10 May 2015**

(54) Product in respect of which the design is registered: **Ceiling lamp**

(51) International Design Classification: **23-04**

(74) Name(s) of Attorney(s):

(71) Name(s) and Address(s) of Applicant(s):

Zhu Gong

**Room 2408, Building No.55 Binshui Community, Jimei District Xiamen
361021 China**

(72) Name(s) of Designer(s): **Zhu Gong**

(45) Registration Date: **12 June 2015**

(56) Related Art Documents: **Not Applicable**

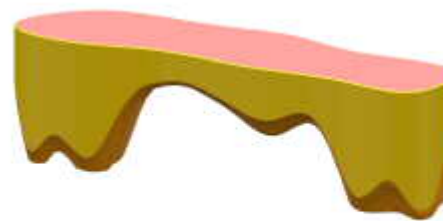
(57) Statement of Newness and Distinctiveness: **Newness and distinctiveness resides in the features of shape and/or configuration of a ceiling lamp as shown in the accompanying representations.**



- (21) Design Number: **12440/2015**
(22) Date of Filing Application: **10 May 2015**
(24) Date from which industrial property rights may have effect: **10 May 2015**
(54) Product in respect of which the design is registered: **Bench**
(51) International Design Classification: **06-01C**
(74) Name(s) of Attorney(s):
(71) Name(s) and Address(s) of Applicant(s):

Zhu Gong
Room 2408, Building No.55 Binshui Community, Jimei District Xiamen
361021 China

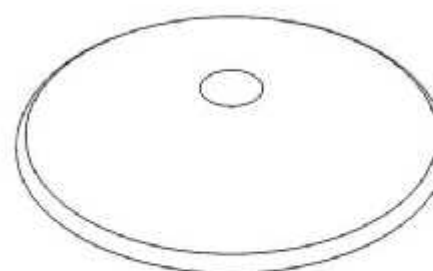
- (72) Name(s) of Designer(s): **Zhu Gong**
(45) Registration Date: **12 June 2015**
(56) Related Art Documents: **Not Applicable**
(57) Statement of Newness and Distinctiveness: **Newness and distinctiveness resides in the features of shape and/or configuration of a bench as shown in the accompanying representations.**



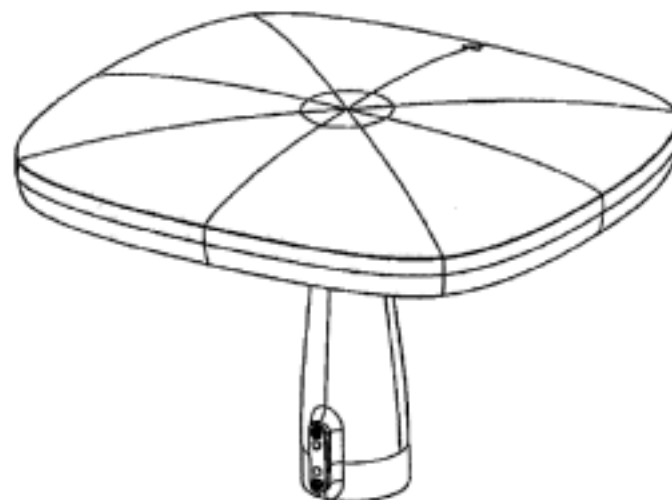
- (21) Design Number: **12443/2015**
(22) Date of Filing Application: **11 May 2015**
(24) Date from which industrial property rights may have effect: **11 May 2015**
(54) Product in respect of which the design is registered: **A sensing device**
(51) International Design Classification: **10-04**
(74) Name(s) of Attorney(s): **Catalyst Intellectual Property**
(71) Name(s) and Address(s) of Applicant(s):

Farmshed Labs Limited
39 Thackeray Street Hamilton Lake Hamilton 3204 New Zealand

- (72) Name(s) of Designer(s): **Bartel Christiaan Dinger**
(45) Registration Date: **12 June 2015**
(30) Convention priority data:
(31) Number (32) Date (33) Country
419543 14 Nov 2014 NEW ZEALAND
(56) Related Art Documents: **Not Applicable**
(57) Statement of Newness and Distinctiveness: **Newness and distinctiveness resides in the features of shape and/or configuration of the product, as shown in the accompanying drawings.**



- (21) Design Number: **12445/2015**
(22) Date of Filing Application: **11 May 2015**
(24) Date from which industrial property rights may have effect: **11 May 2015**
(54) Product in respect of which the design is registered: **Street light**
(51) International Design Classification: **26-03**
(74) Name(s) of Attorney(s): **Spruson & Ferguson**
(71) Name(s) and Address(s) of Applicant(s):
Thorn Europhane S.A.
Route de Paix - BP 504, Les Andelys 27700 France
(72) Name(s) of Designer(s): **Frederic Strubi and Felicien Bergere and Joseph Mazoyer**
(45) Registration Date: **12 June 2015**
(30) Convention priority data:
(31) Number (32) Date (33) Country
001 424 808 11 Nov 2014 OFFICE FOR HARMONISATION IN THE INTERNAL MARKET (OHIM)
(56) Related Art Documents: **Not Applicable**
(57) Statement of Newness and Distinctiveness: **Newness and distinctiveness is claimed in the features of shape and/or configuration of a street light as illustrated in the accompanying representations.**



- (21) Design Number: **11311/2015**
(22) Date of Filing Application: **10 March 2015**
(24) Date from which industrial property rights may have effect: **10 March 2015**
(54) Product in respect of which the design is registered: **Shelving (furniture)**
(51) International Design Classification: **06-04NES**
(74) Name(s) of Attorney(s):
(71) Name(s) and Address(s) of Applicant(s):
Philip Hills
6/2a Bradley Street Randwick NSW 2031
(72) Name(s) of Designer(s): **Philip Hills**
(45) Registration Date: **15 June 2015**
(56) Related Art Documents: **Not Applicable**
(57) Statement of Newness and Distinctiveness: **An interlocking single vertical support element upon which the shelves are cantilevered directly onto these uprights with no mechanical fastenings. Shelves of various lengths can added or removed with shelf in situ. Shelves have no interference beyond where they junction with the uprights This allows for objects to use the full shelf width without being obstructed by the uprights. Entire assembly flatpacks.**



(21) Design Number: **12397/2015**

(22) Date of Filing Application: **09 May 2015**

(24) Date from which industrial property rights may have effect: **09 May 2015**

(54) Product in respect of which the design is registered: **Bowl**

(51) International Design Classification: **07-01B**

(74) Name(s) of Attorney(s):

(71) Name(s) and Address(s) of Applicant(s):

Zhu Gong

**Room 2408, Building No.55 Binshui Community, Jimei District Xiamen
361021 China**

(72) Name(s) of Designer(s): **Zhu Gong**

(45) Registration Date: **15 June 2015**

(56) Related Art Documents: **Not Applicable**

(57) Statement of Newness and Distinctiveness: **Newness and distinctiveness resides in the features of shape and/or configuration of a bowl as shown in the accompanying representations.**



(21) Design Number: **12398/2015**

(22) Date of Filing Application: **09 May 2015**

(24) Date from which industrial property rights may have effect: **09 May 2015**

(54) Product in respect of which the design is registered: **Bowl**

(51) International Design Classification: **07-01B**

(74) Name(s) of Attorney(s):

(71) Name(s) and Address(s) of Applicant(s):

Zhu Gong

**Room 2408, Building No.55 Binshui Community, Jimei District Xiamen
361021 China**

(72) Name(s) of Designer(s): **Zhu Gong**

(45) Registration Date: **15 June 2015**

(56) Related Art Documents: **Not Applicable**

(57) Statement of Newness and Distinctiveness: **Newness and distinctiveness resides in the features of shape and/or configuration of a bowl as shown in the accompanying representations.**



- (21) Design Number: **12399/2015**
(22) Date of Filing Application: **09 May 2015**
(24) Date from which industrial property rights may have effect: **09 May 2015**
(54) Product in respect of which the design is registered: **Bowl**
(51) International Design Classification: **07-01B**
(74) Name(s) of Attorney(s):
(71) Name(s) and Address(s) of Applicant(s):
Zhu Gong
Room 2408, Building No.55 Binshui Community, Jimei District Xiamen
361021 China
(72) Name(s) of Designer(s): **Zhu Gong**
(45) Registration Date: **15 June 2015**
(56) Related Art Documents: **Not Applicable**
(57) Statement of Newness and Distinctiveness: **Newness and distinctiveness resides in the features of shape and/or configuration of a bowl as shown in the accompanying representations.**



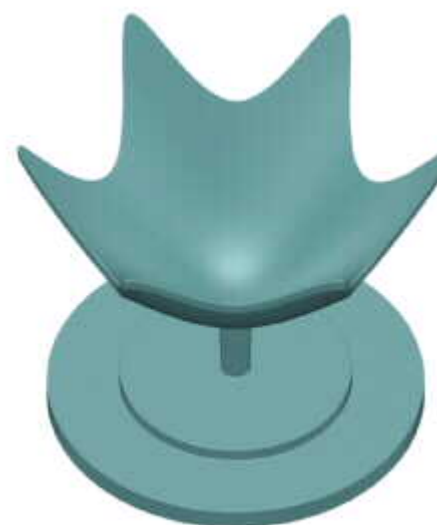
- (21) Design Number: **12400/2015**
(22) Date of Filing Application: **09 May 2015**
(24) Date from which industrial property rights may have effect: **09 May 2015**
(54) Product in respect of which the design is registered: **Bowl**
(51) International Design Classification: **07-01B**
(74) Name(s) of Attorney(s):
(71) Name(s) and Address(s) of Applicant(s):
Zhu Gong
Room 2408, Building No.55 Binshui Community, Jimei District Xiamen
361021 China
(72) Name(s) of Designer(s): **Zhu Gong**
(45) Registration Date: **15 June 2015**
(56) Related Art Documents: **Not Applicable**
(57) Statement of Newness and Distinctiveness: **Newness and distinctiveness resides in the features of shape and/or configuration of a bowl as shown in the accompanying representations.**



(21) Design Number: **12401/2015**
(22) Date of Filing Application: **10 May 2015**
(24) Date from which industrial property rights may have effect: **10 May 2015**
(54) Product in respect of which the design is registered: **Bowl**
(51) International Design Classification: **07-01B**
(74) Name(s) of Attorney(s):
(71) Name(s) and Address(s) of Applicant(s):
Zhu Gong
Tel:15960810310 Room 2408, Building No.55 Binshui Community, Jimei District, Xiamen 361021 China
(72) Name(s) of Designer(s): **Zhu Gong**
(45) Registration Date: **15 June 2015**
(56) Related Art Documents: **Not Applicable**
(57) Statement of Newness and Distinctiveness: **Newness and distinctiveness resides in the features of shape and/or configuration of a bowl as shown in the accompanying representations.**



(21) Design Number: **12402/2015**
(22) Date of Filing Application: **10 May 2015**
(24) Date from which industrial property rights may have effect: **10 May 2015**
(54) Product in respect of which the design is registered: **Bowl**
(51) International Design Classification: **07-01B**
(74) Name(s) of Attorney(s):
(71) Name(s) and Address(s) of Applicant(s):
Zhu Gong
Room 2408, Building No.55 Binshui Community, Jimei District Xiamen 361021 China
(72) Name(s) of Designer(s): **Zhu Gong**
(45) Registration Date: **15 June 2015**
(56) Related Art Documents: **Not Applicable**
(57) Statement of Newness and Distinctiveness: **Newness and distinctiveness resides in the features of shape and/or configuration of a bowl as shown in the accompanying representations.**



(21) Design Number: **12403/2015**
(22) Date of Filing Application: **10 May 2015**
(24) Date from which industrial property rights may have effect: **10 May 2015**
(54) Product in respect of which the design is registered: **Bowl**
(51) International Design Classification: **07-01B**
(74) Name(s) of Attorney(s):
(71) Name(s) and Address(s) of Applicant(s):
Zhu Gong
Room 2408, Building No.55 Binshui Community, Jimei District Xiamen
361021 China
(72) Name(s) of Designer(s): **Zhu Gong**
(45) Registration Date: **15 June 2015**
(56) Related Art Documents: **Not Applicable**
(57) Statement of Newness and Distinctiveness: **Newness and distinctiveness resides in the features of shape and/or configuration of a bowl as shown in the accompanying representations.**



(21) Design Number: **12404/2015**
(22) Date of Filing Application: **10 May 2015**
(24) Date from which industrial property rights may have effect: **10 May 2015**
(54) Product in respect of which the design is registered: **Bowl**
(51) International Design Classification: **07-01B**
(74) Name(s) of Attorney(s):
(71) Name(s) and Address(s) of Applicant(s):
Zhu Gong
Room 2408, Building No.55 Binshui Community, Jimei District Xiamen
361021 China
(72) Name(s) of Designer(s): **Zhu Gong**
(45) Registration Date: **15 June 2015**
(56) Related Art Documents: **Not Applicable**
(57) Statement of Newness and Distinctiveness: **Newness and distinctiveness resides in the features of shape and/or configuration of a bowl as shown in the accompanying representations.**



(21) Design Number: **12447/2015**
(22) Date of Filing Application: **11 May 2015**
(24) Date from which industrial property rights may have effect: **11 May 2015**
(54) Product in respect of which the design is registered: **Drinking glass sleeve**
(51) International Design Classification: **07-06A**
(74) Name(s) of Attorney(s): **PHILLIPS ORMONDE FITZPATRICK**
(71) Name(s) and Address(s) of Applicant(s):
Lifefactory, Inc.
3 Harbor Drive Suite 215 Sausalito California, 94965 United States of America

(72) Name(s) of Designer(s): **Daren Joy**
(45) Registration Date: **15 June 2015**

(30) Convention priority data:

(31) Number	(32) Date	(33) Country
29/511,293	09 Dec 2014	UNITED STATES OF AMERICA

(56) Related Art Documents: **Not Applicable**

(57) Statement of Newness and Distinctiveness: **Nil**



(21) Design Number: **12448/2015**
(22) Date of Filing Application: **11 May 2015**
(24) Date from which industrial property rights may have effect: **11 May 2015**
(54) Product in respect of which the design is registered: **Drinking glass sleeve**
(51) International Design Classification: **07-06A**
(74) Name(s) of Attorney(s): **PHILLIPS ORMONDE FITZPATRICK**
(71) Name(s) and Address(s) of Applicant(s):
Lifefactory, Inc.
3 Harbor Drive Suite 215 Sausalito California, 94965 United States of America

(72) Name(s) of Designer(s): **Daren Joy**
(45) Registration Date: **15 June 2015**

(30) Convention priority data:

(31) Number	(32) Date	(33) Country
29/511,296	09 Dec 2014	UNITED STATES OF AMERICA

(56) Related Art Documents: **Not Applicable**

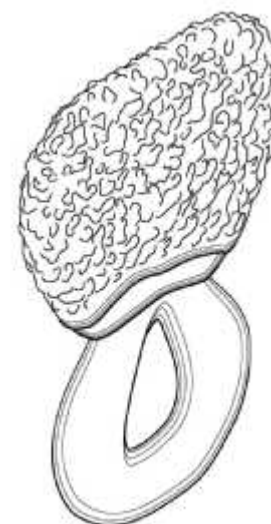
(57) Statement of Newness and Distinctiveness: **Nil**



(21) Design Number: **12377/2015**
(22) Date of Filing Application: **08 May 2015**
(24) Date from which industrial property rights may have effect: **08 May 2015**
(54) Product in respect of which the design is registered: **Beverage bottle including a ball agitator**
(51) International Design Classification: **09-01NES**
(74) Name(s) of Attorney(s): **WADESON**
(71) Name(s) and Address(s) of Applicant(s):
Paul Carrington
110 Rugby Dr Tytherington Macclesfield SK10 2JF United Kingdom
(72) Name(s) of Designer(s): **Paul Carrington and Richard Chapman**
(45) Registration Date: **15 June 2015**
(30) Convention priority data:
(31) Number (32) Date (33) Country
002574947-0001 10 Nov 2014 OFFICE FOR HARMONISATION IN THE INTERNAL MARKET (OHIM)
(56) Related Art Documents: **Not Applicable**
(57) Statement of Newness and Distinctiveness: **Nil**



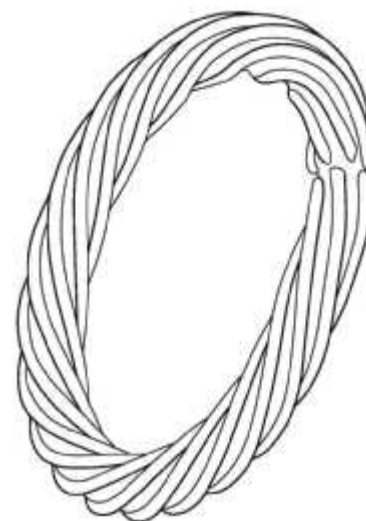
(21) Design Number: **12384/2015**
(22) Date of Filing Application: **09 May 2015**
(24) Date from which industrial property rights may have effect: **09 May 2015**
(54) Product in respect of which the design is registered: **Infant teething toy**
(51) International Design Classification: **24-04**
(74) Name(s) of Attorney(s):
(71) Name(s) and Address(s) of Applicant(s):
Lori Bredemeier
1968 Bayshore Blvd Dunedin FL, 34698-2500 United States of America
Michael Bredemeier
1968 Bayshore Blvd Dunedin FL, 34698-2500 United States of America
(72) Name(s) of Designer(s): **Lori Bredemeier and Michael Bredemeier**
(45) Registration Date: **15 June 2015**
(30) Convention priority data:
(31) Number (32) Date (33) Country
29519168 03 Mar 2015 UNITED STATES OF AMERICA
(56) Related Art Documents: **Not Applicable**
(57) Statement of Newness and Distinctiveness: **A teething toy for infant having an irregular surface reminiscent of caramel disposed covering a majority of a portion of the toy that is rubberlike and reminiscent of an apple. The surface is rubberlike, durable yet yielding, irregular and lumpy having a plurality of angular, irregular projections dispositional for engagement against an infant's gums and teeth. The surface and portion are disposed apically atop a rubberlike ring hoop for wielding by an infant.**



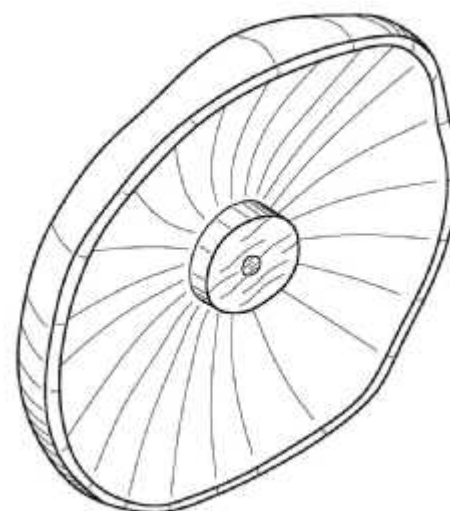
(21) Design Number: **12385/2015**
(22) Date of Filing Application: **09 May 2015**
(24) Date from which industrial property rights may have effect: **09 May 2015**
(54) Product in respect of which the design is registered: **Infant teething toy**
(51) International Design Classification: **24-04**
(74) Name(s) of Attorney(s):
(71) Name(s) and Address(s) of Applicant(s):
 Lori Bredemeier
 1968 Bayshore Blvd Dunedin FL, 34698-2500 United States of America
 Michael Bredemeier
 1968 Bayshore Blvd Dunedin FL, 34698-2500 United States of America
(72) Name(s) of Designer(s): **Michael Bredemeier and Lori Bredemeier**
(45) Registration Date: **15 June 2015**
(30) Convention priority data:
 (31) Number (32) Date (33) Country
 29519171 03 Mar 2015 UNITED STATES OF AMERICA
(56) Related Art Documents: **Not Applicable**
(57) Statement of Newness and Distinctiveness: **A teething toy for infant in the form of a pair of polymeric oblong members disposed conjunct and overlapping together to cross at a center point. each of the pair of polymeric oblong members is rubberlike, durable yet yielding, and marbled reminiscent of a pair of strips of bacon.**



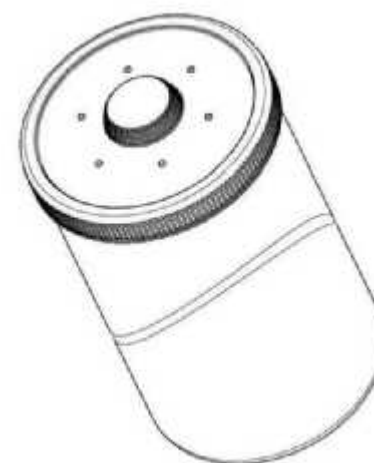
(21) Design Number: **12386/2015**
(22) Date of Filing Application: **09 May 2015**
(24) Date from which industrial property rights may have effect: **09 May 2015**
(54) Product in respect of which the design is registered: **Infant teething toy**
(51) International Design Classification: **24-04**
(74) Name(s) of Attorney(s):
(71) Name(s) and Address(s) of Applicant(s):
 Lori Bredemeier
 1968 Bayshore Blvd Dunedin FL, 34698-2500 United States of America
 Michael Bredemeier
 1968 Bayshore Blvd Dunedin FL, 34698-2500 United States of America
(72) Name(s) of Designer(s): **Lori Bredemeier and Michael Bredemeier**
(45) Registration Date: **15 June 2015**
(30) Convention priority data:
 (31) Number (32) Date (33) Country
 29519172 03 Mar 2015 UNITED STATES OF AMERICA
(56) Related Art Documents: **Not Applicable**
(57) Statement of Newness and Distinctiveness: **A teething toy for infant disposed as a rubberlike ring wearable around an infant's wrist, said ring having a plurality of spiral ridges disposed whorled thereabouts, said ring durable yet yielding for engagement against an infant's gums and teeth, said ring reminiscent of a string of licorice candy looped and joined together endwise.**



- (21) Design Number: **12387/2015**
(22) Date of Filing Application: **09 May 2015**
(24) Date from which industrial property rights may have effect: **09 May 2015**
(54) Product in respect of which the design is registered: **Infant teething toy**
(51) International Design Classification: **24-04**
(74) Name(s) of Attorney(s):
(71) Name(s) and Address(s) of Applicant(s):
Lori Bredemeier
1968 Bayshore Blvd Dunedin FL, 34698-2500 United States of America
Michael Bredemeier
1968 Bayshore Blvd Dunedin FL, 34698-2500 United States of America
(72) Name(s) of Designer(s): **Lori Bredemeier and Michael Bredemeier**
(45) Registration Date: **15 June 2015**
(30) Convention priority data:
(31) Number (32) Date (33) Country
29519173 03 Mar 2015 UNITED STATES OF AMERICA
(56) Related Art Documents: **Not Applicable**
(57) Statement of Newness and Distinctiveness: **An infant teething toy disposed in the form of a rubberlike mushroom cap having a cambered undersurface disposed inset within an irregular circumferential edge, said undersurface having a plurality of ridges reminiscent of mushroom gills and a truncated stem disposed centrally projected therein.**



- (21) Design Number: **12454/2015**
(22) Date of Filing Application: **11 May 2015**
(24) Date from which industrial property rights may have effect: **11 May 2015**
(54) Product in respect of which the design is registered: **Storage container with lid**
(51) International Design Classification: **07-01NES**
(74) Name(s) of Attorney(s): **PHILLIPS ORMONDE FITZPATRICK**
(71) Name(s) and Address(s) of Applicant(s):
SMS Elap GmbH & Co. KG
Am Kohlersgehau 50 98544 Zella-Mehlis Germany
(72) Name(s) of Designer(s): **Sven Schlegel and Andreas Muhs**
(45) Registration Date: **15 June 2015**
(30) Convention priority data:
(31) Number (32) Date (33) Country
29/509,364 17 Nov 2014 UNITED STATES OF AMERICA
(56) Related Art Documents: **Not Applicable**
(57) Statement of Newness and Distinctiveness: **Those features of the storage container with lid depicted in the representations that are new and distinctive are the shape and/or configuration. The container may be of indefinite length.**



(21) Design Number: **12455/2015**
(22) Date of Filing Application: **11 May 2015**
(24) Date from which industrial property rights may have effect: **11 May 2015**
(54) Product in respect of which the design is registered: **Storage container with lid**
(51) International Design Classification: **07-01NES**
(74) Name(s) of Attorney(s): **PHILLIPS ORMONDE FITZPATRICK**
(71) Name(s) and Address(s) of Applicant(s):
SMS Elap GmbH & Co. KG
Am Kohlersgehau 50 98544 Zella-Mehlis Germany
(72) Name(s) of Designer(s): **Sven Schlegel and Andreas Muhs**
(45) Registration Date: **15 June 2015**
(30) Convention priority data:
(31) Number (32) Date (33) Country
29/509,360 17 Nov 2014 UNITED STATES OF AMERICA
(56) Related Art Documents: **Not Applicable**
(57) Statement of Newness and Distinctiveness: **Those features of the storage container with lid depicted in the representations that are new and distinctive are the shape and/or configuration. The container may be of indefinite length.**



(21) Design Number: **12457/2015**
(22) Date of Filing Application: **11 May 2015**
(24) Date from which industrial property rights may have effect: **11 May 2015**
(54) Product in respect of which the design is registered: **Exercise device**
(51) International Design Classification: **21-02F**
(74) Name(s) of Attorney(s): **HODGKINSON McINNES PATENTS**
(71) Name(s) and Address(s) of Applicant(s):
Oak Lawn Marketing, Inc.
1-13-3 Higashi Sakura, Higashi-ku Nagoya-shi Aichi 461-0005 Japan
(72) Name(s) of Designer(s): **Takashi Kusatsugu**
(45) Registration Date: **15 June 2015**
(30) Convention priority data:
(31) Number (32) Date (33) Country
2014-026462 27 Nov 2014 JAPAN
(56) Related Art Documents: **Not Applicable**
(57) Statement of Newness and Distinctiveness: **Newness and distinctiveness is claimed in the shape and configuration of an Exercise Device as shown in the representations.**



(21) Design Number: **12458/2015**
(22) Date of Filing Application: **11 May 2015**
(24) Date from which industrial property rights may have effect: **11 May 2015**
(54) Product in respect of which the design is registered: **Mascara brush head**
(51) International Design Classification: **04-02**
(74) Name(s) of Attorney(s): **PHILLIPS ORMONDE FITZPATRICK**
(71) Name(s) and Address(s) of Applicant(s):
ELC Management LLC
155 Pinelawn Road Suite 345 South Melville New York 11747 United States of America
(72) Name(s) of Designer(s): **Herve F. Bouix and Christophe Jacob**
(45) Registration Date: **15 June 2015**
(30) Convention priority data:
(31) Number (32) Date (33) Country
29/509,577 19 Nov 2014 UNITED STATES OF AMERICA
(56) Related Art Documents: **Not Applicable**
(57) Statement of Newness and Distinctiveness: **Nil**



(21) Design Number: **12459/2015**
(22) Date of Filing Application: **11 May 2015**
(24) Date from which industrial property rights may have effect: **11 May 2015**
(54) Product in respect of which the design is registered: **Mascara brush head**
(51) International Design Classification: **04-02**
(74) Name(s) of Attorney(s): **PHILLIPS ORMONDE FITZPATRICK**
(71) Name(s) and Address(s) of Applicant(s):
ELC Management LLC
155 Pinelawn Road Suite 345 South Melville New York 11747 United States of America
(72) Name(s) of Designer(s): **Herve F. Bouix and Christophe Jacob**
(45) Registration Date: **15 June 2015**
(30) Convention priority data:
(31) Number (32) Date (33) Country
29/509,578 19 Nov 2014 UNITED STATES OF AMERICA
(56) Related Art Documents: **Not Applicable**
(57) Statement of Newness and Distinctiveness: **Nil**



(21) Design Number: **12460/2015**
(22) Date of Filing Application: **11 May 2015**
(24) Date from which industrial property rights may have effect: **11 May 2015**
(54) Product in respect of which the design is registered: **Mascara brush head**
(51) International Design Classification: **04-02**
(74) Name(s) of Attorney(s): **PHILLIPS ORMONDE FITZPATRICK**
(71) Name(s) and Address(s) of Applicant(s):
ELC Management LLC
155 Pinelawn Road Suite 345 South Melville New York 11747 United States of America
(72) Name(s) of Designer(s): **Christophe Jacob and Herve F. Bouix**
(45) Registration Date: **15 June 2015**
(30) Convention priority data:
(31) Number (32) Date (33) Country
29/509,580 19 Nov 2014 UNITED STATES OF AMERICA
(56) Related Art Documents: **Not Applicable**
(57) Statement of Newness and Distinctiveness: **Nil**



(21) Design Number: **12461/2015**
(22) Date of Filing Application: **11 May 2015**
(24) Date from which industrial property rights may have effect: **11 May 2015**
(54) Product in respect of which the design is registered: **Insecticide dispenser**
(51) International Design Classification: **22-06**
(74) Name(s) of Attorney(s): **Shelston IP**
(71) Name(s) and Address(s) of Applicant(s):
Reckitt Benckiser (Brands) Limited
103-105 Bath Road Slough Berkshire SL1 3UH United Kingdom
(72) Name(s) of Designer(s): **Sumit Saraswati and Boopalan M**
(45) Registration Date: **15 June 2015**
(30) Convention priority data:
(31) Number (32) Date (33) Country
002575167-0002 10 Nov 2014 OFFICE FOR HARMONISATION IN THE INTERNAL MARKET (OHIM)
(56) Related Art Documents: **Not Applicable**
(57) Statement of Newness and Distinctiveness: **Newness and distinctiveness reside in the features of shape and configuration of an insecticide dispenser as illustrated in solid lines in the accompanying representations. The features shown in broken lines are shown for illustrative purposes only and do not form part of the design.**

