



Australian Government

IP Australia

AUSTRALIAN OFFICIAL JOURNAL

OF

DESIGNS

Did you know a searchable version of this journal is now available online?

It's FREE and EASY to SEARCH.

Find it on our website (www.ipaustralia.gov.au)

by using the "Journals" link on the home page.

This Page Left Intentionally Blank

Contents

General Information & Notices

**Proceedings Under the Designs Act 1906 preserved as a result of the provisions of Chapter 12
Part 2 of the Designs Act 2003**

Extension of Period of Registration of Designs	1774
Registrations Ceased	1774
Subsequent Owners Registered	1774

Proceedings Under the Designs Act 2003

Applications for Extension of Time Under Section 137	1787
Applications Lapsed	1785
Applications Lodged	1778
Certificate of Examination	1789
Extension of Period of Registration of Design	1787
Extension of Time Granted Under Section 137	1788
Publication and Registration Proceedings	
Designs Registered 362284 to 362410.....	1790
Registrations Ceased	1787
Subsequent Owners Registered	1788

This Page Left Intentionally Blank

For information on the following please see our website www.ipaustralia.gov.au or contact our Customer Service Network on 1300651010

[Editorial enquiries](#)

[Contact information](#)

[Freedom of Information ACT](#)

[Professional Standards Board](#)

[Sales](#)

[Requests for Information under Section 194 \(c\)](#)

[Country Codes](#)

[Trade Mark and Designs Hearing Sessions](#)

[INID \(Internationally agreed Numbers for the Identification of Data\)](#)

“INID” NUMBERS in use on Australian Design Documents

“INID” is an acronym for “Internationally agreed Numbers for the Identification of Data”.

(10) Data concerning the registration/renewal

- (11) Serial number of the registration and/or number of the design document
- (12) Plain language designation of the kind of published document
- (19) Identification, using the two-letter code according to WIPO Standard ST.3, of the authority publishing or registering the industrial design

(20) Data concerning the application

- (21) Serial number of the application
- (22) Date of filing of the application
- (24) Date from which the industrial design right has effect

(30) Data relating to priority under the Paris Convention

- (31) Serial number assigned to the priority application
- (32) Date of filing of the priority application
- (33) Two-letter code, according to WIPO Standard ST.3, identifying the authority with which the priority application was made

(40) Date(s) of making information available to the public

- (45) Date of publication of the registered industrial design by printing or similar process, or making it available to the public by any other means

(50) Miscellaneous Information

- (51) International Classification for Industrial Designs (class and subclass of the Locarno Classification)
- (54) Designation of article(s) or product(s) covered by the industrial design or title of the industrial design
- (55) Reproduction of the industrial design (e.g., drawing, photograph) and explanations relating to the reproduction
- (56) List of prior art documents, if separate from descriptive text
- (57) Description of characteristic features of the industrial design including indication of colours

(60) References to other legally related application(s) and registration(s)

- (62) Serial number(s) and, if available, filing date(s) of application(s), registration(s) or document(s) related by division
- (66) Serial number(s) of the application, or the registration, of the design(s) which is (are) a variant(s) of the present one

(70) Identification of parties concerned with the application or registration

- (71) Name(s) and address(es) of the applicant(s)
- (72) Name(s) of the creator(s) if known to be such
- (74) Name(s) and address(es) of the representative(s)

This Page Left Intentionally Blank

Nil notices for this journal issue.

Proceedings under the Designs Act 1906 preserved as a result of the provisions of Chapter 12 Part 2 of the Designs Act 2003.

This Page Left Intentionally Blank

Applications Lapsed

There were no Applications Lapsed under this section

Extension of Period of Registration of Designs

1st Period (Section 27A(8))

2nd Period (Section 27A(12))

3rd Period (Section 27A(13))

157243	157300	157301
157302	157495	157667
158137		

Registrations Ceased

Note: Some of the following Registrations may have been previously advertised as ceased. In this instance, the previous advertisement still prevails.

139042	139043	139044
139045	139046	139047
139048	139071	139072
139105	139107	139110
139325	139329	139340
139343	139348	139354
139355	139360	139361
139418	139457	139489
139526	139556	139612
139613	139691	139692
139693	139697	139728
139759	139778	139779
139796	139862	139863
139881	139882	139883
139884	139900	139924
139992	140068	140168
140270	140271	140272
140522	140559	140579
141023	141389	141544
141599	141905	141906
141907	142419	142592
142742	143894	145423
154101	154361	154418
154419	154580	154895
154896	154911	154991
155070	155109	155170
155198	155227	155229
155230	155237	155308
155309	155346	155356
155358	155417	155456
155580	155743	155769
155858	155920	155921
155922	156052	156147
156148	156411	156425
156426	156427	156428

156429	156450	156564
156565	156566	156567
156568	156569	156570
157796	157935	157965
157984	158043	158044
158045	158046	158113
158187		

Subsequent Owners Registered

(The name in parentheses is that of the subsequent owner)

142016	(CARTER HOLT HARVEY PULP & PAPER LIMITED a New Zealand company) Carter Holt Harvey Limited
142283	(CARTER HOLT HARVEY PULP & PAPER LIMITED a New Zealand company) Carter Holt Harvey Limited
144667	(CARTER HOLT HARVEY PULP & PAPER LIMITED a New Zealand company) Carter Holt Harvey Limited
153747	(CARTER HOLT HARVEY PULP & PAPER LIMITED a New Zealand company) Carter Holt Harvey Limited
154252	(CARTER HOLT HARVEY PULP & PAPER LIMITED a New Zealand company) Carter Holt Harvey Limited

This Page Left Intentionally Blank

Proceedings under the Designs Act 2003.

This Page Left Intentionally Blank

Applications Lodged

Lodgement information is in the following order: **Applicant's Name**; International Classification, Name of Product, Lodgement Date and **Design Number**. If the applicant claims an earlier priority date under an International Convention, the Convention Country and the associated filing date are shown in parentheses before the Lodgement Date. Divisional information will also appear in parentheses before the Lodgement Date.

Actuant Corporation; 12-05, Portable lift system, (Divisional of 11443/2015) 12 Jun 2015	12964/2015	Barrier Reef Pools (W.A.) Pty Ltd;Barrier Reef Pools Pty Ltd; 25-03, Swimming pool with spa, 22 Jun 2015	13161/2015
Albert, Chris John;C.J.ALBERT BUILDERS PTY LTD; 10-06, Driver warning device, 12 Jun 2015	12952/2015	Barrier Reef Pools (W.A.) Pty Ltd;Barrier Reef Pools Pty Ltd; 25-03, Swimming pool with spa, 22 Jun 2015	13160/2015
Arllec Australia Pty Ltd; 13-03D, Electrical switch button, (Divisional of 15087/2014) 15 Jun 2015	12999/2015	Barrier Reef Pools Pty Ltd;Barrier Reef Pools (W.A.) Pty Ltd; 25-03, Swimming pool with spa, 22 Jun 2015	13161/2015
Ary Pty Ltd; 12-16P, An anchor, 04 Jun 2015	12972/2015	Barrier Reef Pools Pty Ltd;Barrier Reef Pools (W.A.) Pty Ltd; 25-03, Swimming pool with spa, 22 Jun 2015	13160/2015
Australian UGG Boots Pty Ltd; 02-04NES, Boot, 15 Jun 2015	13010/2015	Bell, Bruce Edward Ker; 06-01H, Chair shade canopy, 10 Jun 2015	12898/2015
Australian UGG Boots Pty Ltd; 02-04NES, Boot, 15 Jun 2015	13013/2015	Blewett, Antoinette Nicole; 02-02NES, 24-04, A medical garment, 19 Jun 2015	13104/2015
Australian UGG Boots Pty Ltd; 02-04NES, Boot, 15 Jun 2015	13011/2015	Bloomberg Finance L.P.; 14-02, Keyboard, (US, 15 Dec 2014) 15 Jun 2015	12996/2015
Australian UGG Boots Pty Ltd; 02-04NES, Boot, 12 Jun 2015	12967/2015	Bloomberg Finance L.P.; 14-03NES, Fob carrier, (US, 15 Dec 2014) 15 Jun 2015	13003/2015
ACCO AUSTRALIA PTY LTD; 19-06, Highlighter pen, 22 Jun 2015	13150/2015	Bloomberg Finance L.P.; 14-03NES, Electronic fob, (US, 15 Dec 2014) 15 Jun 2015	12998/2015
ASAP BreatheAssist Limited; 24-04, Nasal dilator device, 05 Jun 2015	12973/2015	Bloomberg Finance L.P.; 14-02, Keyboard and dock for a keyboard, (US, 15 Dec 2014) 15 Jun 2015	12997/2015
AUSTRALIAN FASHION LABELS PTY LTD; 05-05NES, A textile print, 23 Jun 2015	13177/2015	Bloomberg Finance L.P.; 14-02, Dock for a keyboard, (US, 15 Dec 2014) 15 Jun 2015	12995/2015
AUSTRALIAN FASHION LABELS PTY LTD; 05-05D, A textile print, 23 Jun 2015	13178/2015	Bloomberg Finance L.P.; 14-03NES, Electronic fob and fob carrier, (US, 15 Dec 2014) 15 Jun 2015	13004/2015
AUSTRALIAN FASHION LABELS PTY LTD; 05-05A, A textile print, 23 Jun 2015	13173/2015	Bloomberg Finance L.P.; 03-01NES, 14-03NES, Mobile telephone case and electronic fob, (US, 15 Dec 2014) 15 Jun 2015	13006/2015
AUSTRALIAN FASHION LABELS PTY LTD; 05-05NES, A textile print, 23 Jun 2015	13169/2015	Bloomberg Finance L.P.; 03-01NES, Mobile telephone case, (US, 15 Dec 2014) 15 Jun 2015	13005/2015
AUSTRALIAN UGG BOOTS PTY LTD; 02-04NES, Boot, 15 Jun 2015	13016/2015	Bosch Automotive Products (Nanjing) Co. Ltd.; 12-16NES, Adaptive calibrating control, (CN, 18 Dec 2014) 16 Jun 2015	13033/2015
AUSTRALIAN UGG BOOTS PTY LTD; 02-04NES, Boot, 16 Jun 2015	13028/2015	Bose Corporation; 14-01, Speaker, (US, 15 Jan 2015) 12 Jun 2015	12949/2015
AUSTRALIAN UGG BOOTS PTY LTD; 02-04NES, Boot, 15 Jun 2015	13017/2015		
AUSTRALIAN UGG BOOTS PTY LTD; 02-04NES, Boot, 15 Jun 2015	13020/2015		
AUSTRALIAN UGG BOOTS PTY LTD; 02-04NES, Boot, 15 Jun 2015	13018/2015		
AUSTRALIAN UGG BOOTS PTY LTD; 02-04NES, Boot, 15 Jun 2015	13019/2015		

Burton, Richard; 06-11, 21-02NES, Cricket mat with strokes, (EM, 27 May 2015) 12 Jun 2015	12965/2015	Cie Europe; 09-03M, Storage box, (EM, 07 Jan 2015) 15 Jun 2015	12975/2015
BLUESCOPE STEEL LIMITED; 25-01K, Edge strip for steel decking, 12 Jun 2015	12958/2015	Cie Europe; 09-03M, Storage box, (EM, 07 Jan 2015) 15 Jun 2015	12976/2015
BLUESCOPE STEEL LIMITED; 25-01K, Edge strip for steel decking, 12 Jun 2015	12960/2015	Cie Europe; 09-03M, Storage box, (EM, 07 Jan 2015) 15 Jun 2015	12974/2015
BLUESCOPE STEEL LIMITED; 25-01K, Edge strip for steel decking, 12 Jun 2015	12959/2015	Cie Europe; 09-03M, Storage box, (EM, 07 Jan 2015) 15 Jun 2015	12978/2015
BRIDGESTONE CORPORATION; 12-15B, Tyre, (JP, 25 Dec 2014) 22 Jun 2015	13159/2015	Cie Europe; 09-03M, Storage box, (EM, 07 Jan 2015) 15 Jun 2015	12979/2015
C.J.ALBERT BUILDERS PTY LTD;Albert, Chris John; 10-06, Driver warning device, 12 Jun 2015	12952/2015	Cie Europe; 09-03M, Storage box, (EM, 07 Jan 2015) 15 Jun 2015	12991/2015
Ceragem Co., Ltd; 08-08L, Supporting member for mattress, (KR, 30 Jan 2015) 17 Jun 2015	13058/2015	Colgate-Palmolive Company; 04-02, Oral care implement, (US, 23 Dec 2014) 22 Jun 2015	13114/2015
Ceragem Co., Ltd; 08-08L, 06-06E, Supportimg member for mattress, (KR, 30 Jan 2015) 17 Jun 2015	13070/2015	Colgate-Palmolive Company; 04-02, Handle portion of an oral care implement, (US, 23 Dec 2014) 22 Jun 2015	13116/2015
Chan, Wai Keung; 26-05A, Luminaire, 15 Jun 2015	13008/2015	Colgate-Palmolive Company; 04-02, Cleanser portion of an oral care implement, (US, 23 Dec 2014) 22 Jun 2015	13120/2015
Chan, Wai Keung; 26-05A, Luminaire, 15 Jun 2015	13014/2015	Colgate-Palmolive Company; 04-02, Cleanser portion of an oral care implement, (US, 23 Dec 2014) 22 Jun 2015	13117/2015
Charles Parsons (Holdings) Pty Limited; 21-04, A tent, 12 Jun 2015	12954/2015	Colgate-Palmolive Company; 04-02, Handle portion of an oral care implement, (US, 23 Dec 2014) 22 Jun 2015	13115/2015
Charles Parsons (Holdings) Pty Limited; 21-04, A tent, 12 Jun 2015	12953/2015	Colgate-Palmolive Company; 04-02, Tooth cleaning element of an oral care implement, (US, 23 Dec 2014) 22 Jun 2015	13122/2015
Charles Parsons (Holdings) Pty Limited; 21-04, A tent, 12 Jun 2015	12956/2015	Company of Motion, LLC; 21-02F, Work platform, (US, 19 Dec 2014) 18 Jun 2015	13085/2015
Chuango Security Technology Corporation; 10-05, Signal alarm device, 16 Jun 2015	13048/2015	Cryovac Australia Pty Ltd; 09-03NES, Container, 18 Jun 2015	13084/2015
Chuango Security Technology Corporation; 10-05, Signal alarm device, 16 Jun 2015	13049/2015	Cryovac Australia Pty Ltd; 09-03NES, Container, 18 Jun 2015	13081/2015
Cie Europe; 09-03M, Storage box, (EM, 07 Jan 2015) 15 Jun 2015	12981/2015	Cubic Corporation; 14-02, Interactive terminal, (US, 10 Jun 2015) 17 Jun 2015	13064/2015
Cie Europe; 09-03M, Storage box, (EM, 07 Jan 2015) 15 Jun 2015	12982/2015	COMPAGNIE GENERALE DES ETABLISSEMENTS MICHELIN;Michelin Recherche et Technique S.A.; 12-15B, A tyre, (EM, 16 Dec 2014) 15 Jun 2015	13012/2015
Cie Europe; 09-03M, Storage box, (EM, 07 Jan 2015) 15 Jun 2015	12983/2015		
Cie Europe; 09-03M, Storage box, (EM, 07 Jan 2015) 15 Jun 2015	12988/2015		
Cie Europe; 09-03M, Storage box, (EM, 07 Jan 2015) 15 Jun 2015	12980/2015		

COMPAGNIE GENERALE DES ETABLISSEMENTS MICHELIN; Michelin Recherche et Technique S.A.; 12-15B, A tyre, (EM, 16 Dec 2014) 10 Jun 2015	12901/2015	DAVID STUCKEY INVESTMENTS PTY LTD; 07-01NES, Dish, 12 Jun 2015	12957/2015
COMPAGNIE GENERALE DES ETABLISSEMENTS MICHELIN; Michelin Recherche et Technique S.A.; 12-15B, A tyre, (US, 22 Dec 2014) 10 Jun 2015	12903/2015	E.D. Oates Pty Ltd; 04-01, Ferrule, 23 Jun 2015	13192/2015
COMPAGNIE GENERALE DES ETABLISSEMENTS MICHELIN; Michelin Recherche et Technique S.A.; 12-15B, A tyre, (US, 22 Dec 2014) 10 Jun 2015	12903/2015	Elfa International AB; 06-04NES, Rack system, (EM, 15 Dec 2014) 11 Jun 2015	13021/2015
CSR Building Products Limited; 08-08M, Mounting clip for panel wall, 23 Jun 2015	13193/2015	Elfa International AB; 06-04NES, 08-08M, Rack system, (EM, 15 Dec 2014) 11 Jun 2015	13052/2015
Daikin Industries Ltd.; 23-04, Air conditioner, (JP, 27 Jan 2015) 23 Jun 2015	13186/2015	Elfa International AB; 09-03M, Storage box, (EM, 15 Dec 2014) 11 Jun 2015	13055/2015
Daikin Industries Ltd.; 23-04, Air conditioner, (JP, 27 Jan 2015) 23 Jun 2015	13185/2015	Elfa International AB; 09-03M, Storage box, (EM, 15 Dec 2014) 11 Jun 2015	13056/2015
Daikin Industries Ltd.; 23-04, Air conditioner, (JP, 27 Jan 2015) 23 Jun 2015	13189/2015	Elfa International AB; 06-04NES, Rack system, (EM, 15 Dec 2014) 11 Jun 2015	13053/2015
Daikin Industries Ltd.; 23-04, Air conditioner, (JP, 27 Jan 2015) 23 Jun 2015	13187/2015	Elfa International AB; 06-04NES, Rack system, (EM, 15 Dec 2014) 11 Jun 2015	13054/2015
Daikin Industries Ltd.; 23-04, Air conditioner, (JP, 27 Jan 2015) 23 Jun 2015	13188/2015	Elmich Pte Ltd; 25-01NES, Support for floor board, 15 Jun 2015	12994/2015
Daikin Industries Ltd.; 23-04, Air conditioner, (JP, 06 Feb 2015) 22 Jun 2015	13154/2015	Enders Colman AG; 07-02NES, 31-00, Grilling appliance, (DE, 23 Dec 2014) 21 Jun 2015	13108/2015
Daikin Industries Ltd.; 23-04, Air conditioner, (JP, 27 Jan 2015) 22 Jun 2015	13153/2015	Enders Colman AG; 07-02NES, 31-00, Grilling appliance, (DE, 23 Dec 2014) 21 Jun 2015	13109/2015
Danby Products Limited; 15-07, Refrigerator, (US, 27 Mar 2015) 25 Jun 2015	13233/2015	Enders Colman AG; 07-02NES, 31-00, Grilling appliance, (DE, 23 Dec 2014) 21 Jun 2015	13110/2015
Davalor Salud, S L; 24-01, Ophthalmic analysis machine, (EM, 22 Dec 2014) 22 Jun 2015	13111/2015	F.B.T. Enterprises, Inc.; 12-15A, Tyre, (US, 18 Dec 2014) 18 Jun 2015	13079/2015
Dunlop Sports Co. Ltd.; 21-02C, Golf club head, (JP, 30 Mar 2015) 24 Jun 2015	13196/2015	F.B.T. Enterprises, Inc.; 12-15C, Tyre, (US, 18 Dec 2014) 18 Jun 2015	13080/2015
Dunlop Sports Co. Ltd.; 21-02C, Golf club head, (JP, 30 Mar 2015) 24 Jun 2015	13195/2015	Fethers Glazing Systems Pty Ltd; 06-06G, Spider fitting, 18 Jun 2015	13073/2015
Dunlop Sports Co. Ltd.; 21-02C, Golf club head, (JP, 30 Mar 2015) 24 Jun 2015	13197/2015	Fitness Engineers Pty Ltd; 21-02F, An exercise platform, 19 Jun 2015	13093/2015
Dunlop Sports Co. Ltd.; 21-02C, Golf club head, (JP, 30 Mar 2015) 24 Jun 2015	13198/2015	Fitness Engineers Pty Ltd; 21-02F, An exercise platform, 19 Jun 2015	13094/2015
Dunlop Sports Co. Ltd.; 21-02C, Putter club head, 17 Jun 2015	13061/2015	Ford, Justin Henry; 26-05B, Floor standing lamp, 25 Jun 2015	13235/2015
		Forever New Clothing Pty Ltd; 02-02C, Article of clothing, 23 Jun 2015	13190/2015
		Fraser, Mark; 21-04, Beach and sun shelters, 18 Jun 2015	13076/2015

Gambit Gaming, LLC; 14-02, Graphical user interface for display screen, (US, 27 May 2015) 18 Jun 2015	13074/2015	I & S Co., Ltd; 06-06NES, Safety fence for babies, (KR, 09 Jan 2015) 16 Jun 2015	13040/2015
Geigtech East Bay LLC; 25-03, Recessed shade storage and deployment system, (US, 16 Dec 2014) 15 Jun 2015	12992/2015	Illinois Tool Works Inc.; 08-08NES, Blank foldable to form a bracket, 12 Jun 2015	12955/2015
GlaxoSmithKline Consumer Healthcare GmbH & Co. KG; 04-02, Toothbrush, (GB, 12 Dec 2014) 12 Jun 2015	12950/2015	Integrated Recycling Pty Ltd; 08-08NES, Dunnage, 19 Jun 2015	13102/2015
Greenslade, Keith; 08-08NES, Pole stand, 18 Jun 2015	13088/2015	Integrated Recycling Pty Ltd; 08-08NES, Dunnage, 19 Jun 2015	13101/2015
Groundwater, Lisa;Groundwater, Ian; 22-05, Shrimp fishing lure body, 16 Jun 2015	13050/2015	IKAREM PTY LTD; 12-16B, 12-16NES, Mudguards, cycle mudguards, fenders, cycle Fenders, 25 Jun 2015	13237/2015
Groundwater, Ian;Groundwater, Lisa; 22-05, Shrimp fishing lure body, 16 Jun 2015	13050/2015	Jemella Group Limited; 28-03B, Hair iron, (EM, 22 May 2015) 22 Jun 2015	13128/2015
GM Global Technology Operations LLC; 26-06, Left-side and right-side vehicle rear quarter lamp, 24 Jun 2015	13216/2015	Jemella Group Limited; 28-03B, Hair iron, (EM, 22 May 2015) 22 Jun 2015	13139/2015
Helen of Troy Limited; 07-01NES, Lid for food container, (US, 18 Jan 2015) 15 Jun 2015	12989/2015	Jemella Group Limited; 28-03B, Hair iron, (EM, 22 May 2015) 22 Jun 2015	13138/2015
Helen of Troy Limited; 09-04, Basket for fruit and vegetables, (US, 18 Jan 2015) 15 Jun 2015	12990/2015	Jemella Group Limited; 28-03B, Hair iron, (EM, 22 May 2015) 22 Jun 2015	13127/2015
Helen of Troy Limited; 07-01NES, Food container, (US, 18 Jan 2015) 15 Jun 2015	12985/2015	Johnson, Christine Elizabeth;Wait, Jim; 24-99, Dental extractor, (US, 22 Dec 2014) 22 Jun 2015	13149/2015
Helen of Troy Limited; 07-01NES, Food container, (US, 18 Jan 2015) 15 Jun 2015	12984/2015	JETS Swimwear Pty Ltd; 02-02A, Swimwear, 24 Jun 2015	13200/2015
Henry, Miria Lovey; 03-01B, Pink shoulder bag, 22 Jun 2015	13145/2015	JETS Swimwear Pty Ltd; 02-02A, Swimwear, 24 Jun 2015	13220/2015
Henry, Miria Lovey; 03-01B, Red shoulder bag, 22 Jun 2015	13146/2015	JETS Swimwear Pty Ltd; 02-02A, Swimwear, 24 Jun 2015	13221/2015
Henry, Miria Lovey; 06-13B, Pillow case, 22 Jun 2015	13143/2015	JETS Swimwear Pty Ltd; 02-02A, Swimwear, 24 Jun 2015	13217/2015
Henry, Miria Lovey; 03-01B, Green shoulder bag, 22 Jun 2015	13144/2015	JETS Swimwear Pty Ltd; 02-02A, Swimwear, 24 Jun 2015	13202/2015
Henry, Miria Lovey; 06-13B, Cushion cover, 22 Jun 2015	13141/2015	JETS Swimwear Pty Ltd; 02-02A, Swimwear, 24 Jun 2015	13218/2015
Henry, Miria Lovey; 03-01B, Red, black and white swirl shoulder bag, 22 Jun 2015	13147/2015	JETS Swimwear Pty Ltd; 02-02A, Swimwear, 24 Jun 2015	13219/2015
Henry, Miria Lovey; 03-01B, Teal shoulder bag, 22 Jun 2015	13148/2015	JETS Swimwear Pty Ltd; 02-02A, Swimwear, 24 Jun 2015	13225/2015
Henry, Miria Lovey; 06-13B, Duvet cover, 22 Jun 2015	13142/2015	JETS Swimwear Pty Ltd; 02-02A, Swimwear, 24 Jun 2015	13199/2015
Homax Products, Inc.; 09-07A, Actuator assembly for an aerosol assembly, 12 Jun 2015	12963/2015	JETS Swimwear Pty Ltd; 02-02A, Swimwear, 24 Jun 2015	13223/2015
Howells, Graham Stuart; 11-01NES, Pendant, 19 Jun 2015	13105/2015	JETS Swimwear Pty Ltd; 02-02A, Swimwear, 24 Jun 2015	13224/2015
		JETS Swimwear Pty Ltd; 02-02A, Swimwear, 24 Jun 2015	13222/2015

JETS Swimwear Pty Ltd; 02-02A, Swimwear, 24 Jun 2015	13201/2015	Menkin, Jessica; 09-99, Credit card shaped container and applicator, (US, 29 Jan 2015) 18 Jun 2015	13072/2015
JETS Swimwear Pty Ltd; 02-02A, Swimwear, 24 Jun 2015	13203/2015	Michelin Recherche et Technique S.A.;COMPAGNIE GENERALE DES ETABLISSEMENTS MICHELIN; 12-15B, A tyre, (EM, 16 Dec 2014) 15 Jun 2015	13012/2015
Kenu, Inc.; 16-05, Ball head of a tripod for an electronic device, (US, 17 Oct 2014) (Divisional of 12053/2015) 22 Jun 2015	13158/2015	Michelin Recherche et Technique S.A.;COMPAGNIE GENERALE DES ETABLISSEMENTS MICHELIN; 12-15B, A tyre, (US, 22 Dec 2014) 10 Jun 2015	12903/2015
Kim Meller Imports Pty Ltd; 02-04NES, Shoe, 19 Jun 2015	13103/2015	Michelin Recherche et Technique S.A.;COMPAGNIE GENERALE DES ETABLISSEMENTS MICHELIN; 12-15B, A tyre, (EM, 16 Dec 2014) 10 Jun 2015	12901/2015
Kmart Australia Limited; 09-01NES, Flexible dispensing container, 17 Jun 2015	13063/2015	Microsoft Corporation; 14-03E, Handset, (US, 31 Dec 2014) 23 Jun 2015	13171/2015
Kumho Tire Co., Inc.; 12-15B, Tire for a car, (KR, 30 Mar 2015) 22 Jun 2015	13157/2015	Microsoft Corporation; 14-03E, Handset, (US, 12 Jan 2015) 23 Jun 2015	13176/2015
KRAFT FOODS R&D, INC.; 15-09, Chocolate mould, (EM, 12 Jan 2015) 17 Jun 2015	13059/2015	Misfit Wearables Corporation; 10-04, Activity monitoring device, (US, 16 Dec 2014) 16 Jun 2015	13044/2015
Leatherman Tool Group, Inc.; 08-05NES, Multipurpose tool, (US, 19 Dec 2014) 15 Jun 2015	13002/2015	MTG Co., Ltd.; 21-02NES, Training apparatus, (JP, 19 Feb 2015) 22 Jun 2015	13155/2015
Liddell, Malcolm; 17-02, Trumpet, 23 Jun 2015	13194/2015	MTG Co., Ltd.; 21-02NES, Training apparatus, (JP, 27 Feb 2015) 22 Jun 2015	13156/2015
Liu, Ching-Wen; 23-04, 26-05C, Combination ceiling fan and lamp, 23 Jun 2015	13170/2015	National Chemical Company; 26-04, LED lamp, (RU, 31 Dec 2014) 16 Jun 2015	13038/2015
Lorenzetto, Antony; 12-11, Motorcycle cushion hub, 21 Jun 2015	13106/2015	National Chemical Company; 26-04, LED lamp, (RU, 31 Dec 2014) 16 Jun 2015	13039/2015
Lorna Jane Pty Ltd; 02-02C, Clothing, 15 Jun 2015	13026/2015	National Chemical Company; 26-04, LED lamp, (RU, 31 Dec 2014) 16 Jun 2015	13034/2015
Marine Safety Innovations Pty Ltd; 12-06B, A fishing dinghy, 22 Jun 2015	13113/2015	National Chemical Company; 26-04, LED lamp, (RU, 31 Dec 2014) 16 Jun 2015	13037/2015
McDonald, Angus; 21-02NES, Recreation climbing structure wall, 16 Jun 2015	13043/2015	National Chemical Company; 26-04, LED lamp, (RU, 31 Dec 2014) 16 Jun 2015	13035/2015
McDonald, Angus; 21-02NES, Recreation climbing structure wall, 16 Jun 2015	13041/2015	Nongfu Spring Co., Ltd.; 19-08, Bottle label, (CN, 09 Jan 2015) 12 Jun 2015	12968/2015
McDonald, Angus; 21-02NES, Recreation climbing structure wall, 16 Jun 2015	13042/2015	Nongfu Spring Co., Ltd.; 19-08, Bottle label, (CN, 02 Feb 2015) 19 Jun 2015	13090/2015
McIntosh, Jason; 12-16NES, Motor vehicle suspension adaptor, 23 Jun 2015	13182/2015	Nongfu Spring Co., Ltd.; 19-08, Bottle label, (CN, 09 Jan 2015) 12 Jun 2015	12969/2015
McNeil-PPC, Inc.; 24-04, Absorbent article, (US, 30 Sep 2014) (Divisional of 11578/2015) 25 Jun 2015	13236/2015		
McNeil-PPC, Inc.; 24-04, Absorbent article, (US, 30 Sep 2014) (Divisional of 11578/2015) 25 Jun 2015	13239/2015		
McNeil-PPC, Inc.; 24-04, Absorbent article, (US, 30 Sep 2014) (Divisional of 11578/2015) 25 Jun 2015	13238/2015		

Omega SA (Omega AG) (Omega Ltd); 10-07, Oscillating mass, (WO, 13 Jan 2015) 24 Jun 2015	13205/2015	Ramtaps Pty Ltd; 23-01H, A tap, 19 Jun 2015	13100/2015
Omega SA (Omega AG) (Omega Ltd); 10-07, Dial, (WO, 13 Jan 2015) 24 Jun 2015	13204/2015	Razer (Asia-Pacific) Pte Ltd; 11-01C, Wristband, (US, 29 Dec 2014) 22 Jun 2015	13162/2015
Oregon Precision Industries, Inc; 09-03E, Stackable bottle carrier with raised handle, (US, 30 Dec 2014) 10 Jun 2015	12905/2015	Razer (Asia-Pacific) Pte Ltd; 14-02, Lapboard, (US, 23 Dec 2014) 22 Jun 2015	13152/2015
Pateman, Brett William; 06-08, Garnment hanger, 25 Jun 2015	13234/2015	Reckitt Benckiser (Brands) Limited; 09-05, Blister package, (EM, 23 Dec 2014) 22 Jun 2015	13163/2015
Peppermint Grove Australia Pty Limited; 09-01NES, A bottle, 15 Jun 2015	13009/2015	Reckitt Benckiser (Brands) Limited; 09-05, Blister package, (EM, 23 Dec 2014) 22 Jun 2015	13164/2015
Peppermint Grove Pty Limited; 09-01NES, A plastic bottle, 15 Jun 2015	13007/2015	Reckitt Benckiser (Brands) Limited; 09-05, Blister package, (EM, 23 Dec 2014) 22 Jun 2015	13166/2015
Philip Morris Products S.A.; 13-02, Charging unit, (Divisional of 11812/2015) 16 Jun 2015	13024/2015	Reckitt Benckiser (Brands) Limited; 09-05, Blister package, (EM, 23 Dec 2014) 22 Jun 2015	13165/2015
Philip Morris Products S.A.; 13-02, Charging unit, (Divisional of 11812/2015) 16 Jun 2015	13025/2015	Reckitt Benckiser (Brands) Limited; 22-06, Mouse bait box, (EM, 06 Jan 2015) 23 Jun 2015	13183/2015
Plastec Australia Pty Ltd; 23-01A, Y pipe fitting, 17 Jun 2015	13068/2015	Reckitt Benckiser (Brands) Limited; 22-06, Mouse bait box, (EM, 06 Jan 2015) 23 Jun 2015	13184/2015
Plastec Australia Pty Ltd; 23-01B, Pipe fitting, 17 Jun 2015	13062/2015	Reckitt Benckiser (Brands) Limited; 22-06, Mouse bait box, (EM, 06 Jan 2015) 23 Jun 2015	13181/2015
Plastec Australia Pty Ltd; 23-01A, Pipe fitting, 17 Jun 2015	13069/2015	Reckitt Benckiser (Brands) Limited; 28-99, Air freshener, (EM, 23 Dec 2014) 10 Jun 2015	12904/2015
Plastec Australia Pty Ltd; 23-01A, Pipe fitting, 17 Jun 2015	13066/2015	Reckitt Benckiser (Brands) Limited; 07-01NES, Containers, (EM, 15 Dec 2014) 15 Jun 2015	13000/2015
Plastec Australia Pty Ltd; 23-01A, Pipe fitting, 17 Jun 2015	13067/2015	Reckitt Benckiser (Brands) Limited; 07-01NES, Containers, (EM, 15 Dec 2014) 15 Jun 2015	13001/2015
Plastec Australia Pty Ltd; 23-01A, Pipe fitting, 17 Jun 2015	13065/2015	Revolutionary Medical Devices, Inc.; 24-01, Surgical mask, (US, 12 Dec 2014) 12 Jun 2015	12962/2015
PBK Golf Pty Ltd; 21-02C, Golf club, 12 Jun 2015	12970/2015	Revolutionary Medical Devices, Inc.; 24-01, Surgical mask, (US, 12 Dec 2014) 12 Jun 2015	12961/2015
Quarry Mining and Construction Equipment Pty Ltd; 08-01, Apparatus for guiding a drill rod or conduit, 16 Jun 2015	13051/2015	Rich, John Francis; 07-05C, Clothes peg, 13 Jun 2015	12971/2015
QUICK BUILT SYSTEMS PTY LTD; 25-01D, Structural insulated panel system, 16 Jun 2015	13036/2015	Rose, Alfred;Rose, Samuel; 20-03NES, Alphabetical representation of a plant, 21 Jun 2015	13107/2015
Rado Uhren A.G. (Rado Watch Co. Ltd) (Montres Rado S.A.); 10-02, Wristwatch, (WO, 16 Dec 2014) 15 Jun 2015	12987/2015	Rose, Samuel;Rose, Alfred; 20-03NES, Alphabetical representation of a plant, 21 Jun 2015	13107/2015
Rado Uhren AG (Rado Watch Co. Ltd.) (Montres Rado SA); 10-02, Wristwatch, (WO, 16 Dec 2014) 15 Jun 2015	12986/2015	Runway Blue, LLC; 09-07B, Lid for a container, (US, 15 Jan 2015) 17 Jun 2015	13060/2015
Rado Uhren AG (Rado Watch Co. Ltd.) (Montres Rado SA); 10-02, Wristwatch, (WO, 17 Dec 2014) 16 Jun 2015	13027/2015		

RANDL Industries, Inc.; 13-03C, Polymeric junction box, (US, 16 Dec 2014) 16 Jun 2015	13029/2015	The Gillette Company; 09-03H, Razor package, (US, 26 Dec 2014) 24 Jun 2015	13213/2015
RANDL Industries, Inc.; 13-03C, Polymeric junction box, (US, 16 Dec 2014) 16 Jun 2015	13032/2015	The Gillette Company; 09-03H, Razor package, (US, 26 Dec 2014) 24 Jun 2015	13214/2015
RANDL Industries, Inc.; 13-03C, Polymeric junction box, (US, 16 Dec 2014) 16 Jun 2015	13030/2015	The Gillette Company; 09-03H, Razor package, (US, 26 Dec 2014) 24 Jun 2015	13215/2015
RANDL Industries, Inc.; 13-03C, Polymeric junction box, (US, 16 Dec 2014) 16 Jun 2015	13031/2015	The Gillette Company; 09-03H, Razor package, (US, 26 Dec 2014) 24 Jun 2015	13212/2015
Samsung Electronics Co., Ltd; 15-05, Washing Machine, (KR, 24 Dec 2014) 15 Jun 2015	12993/2015	The Gillette Company; 09-05, Razor package layout, (US, 26 Dec 2014) 24 Jun 2015	13211/2015
Scott Health & Safety Limited; 19-08, Reflective sticker kit, (EM, 18 Dec 2014) 18 Jun 2015	13082/2015	The Gillette Company; 09-03H, Razor package element, (US, 29 Dec 2014) 24 Jun 2015	13210/2015
Scott Health & Safety Limited; 19-08, Reflective sticker kit, (EM, 18 Dec 2014) 18 Jun 2015	13083/2015	The Goodyear Tire & Rubber Company; 12-15C, Tyre for automobile, (JP, 24 Dec 2014) 10 Jun 2015	12902/2015
Sonder Design Pty Ltd; 14-02, Keyboard, (Divisional of 11555/2015) 23 Jun 2015	13179/2015	Titan Trailers Inc.; 12-16NES, Catwalk for a trailer, (CA, 18 Dec 2014) 18 Jun 2015	13075/2015
Spaceleft Pty Ltd; 26-05B, Table lamp, 18 Jun 2015	13078/2015	Townsin, Paul; 26-05D, Pendant light, 24 Jun 2015	13226/2015
Spaceleft Pty Ltd; 26-05D, Pendant light, 18 Jun 2015	13077/2015	Trade Box, LLC; 28-03B, Automatic hair styling device, 11 Jun 2015	13022/2015
Sphinx Electronics GmbH & Co KG; 08-06, Fittings for doors, (EM, 17 Dec 2014) 17 Jun 2015	13057/2015	Trade Box, LLC; 28-03B, Automatic hair styling device, 11 Jun 2015	13023/2015
Still Engineering Pty Ltd; 15-02, Suction strainer of indefinite length, 19 Jun 2015	13091/2015	THE TRUSTEE FOR E & A FOWLER FAMILY TRUST THE TRUSTEE FOR THE GRACE FAMILY;TRUST THE TRUSTEE FOR THE R & D FAMILY TRUST & THE TRUSTEE FOR THE GAVIN;GRACE FAMILY TRUST; 09-07C, Stopper, 18 Jun 2015	13086/2015
SCA Hygiene Products AB; 24-04, Sanitary article, (EM, 26 Sep 2014) (Divisional of 11630/2015) 16 Jun 2015	13047/2015	THE TRUSTEE FOR E & A FOWLER FAMILY TRUST THE TRUSTEE FOR THE GRACE FAMILY;TRUST THE TRUSTEE FOR THE R & D FAMILY TRUST & THE TRUSTEE FOR THE GAVIN;GRACE FAMILY TRUST; 09-07C, Stopper, 18 Jun 2015	13087/2015
The trustee for Candle Corner Trading Trust; 26-01, Candle Holder, 15 Jun 2015	13015/2015	Unilever PLC; 09-07A, Spraying devices, (EM, 16 Dec 2014) 15 Jun 2015	12977/2015
The Fountainhead Group, Inc.; 08-05A, A sprayer tank, (US, 17 Dec 2014) 10 Jun 2015	12900/2015	Unistraw Holdings Pte. Ltd.; 07-06NES, A Straw, (GB, 09 Jan 2015) 12 Jun 2015	12966/2015
The Fountainhead Group, Inc.; 08-05A, A sprayer tank, (US, 26 Feb 2015) 23 Jun 2015	13172/2015	VARIDESK, LLC; 06-03C, A desk, (US, 19 Dec 2014) 19 Jun 2015	13092/2015
The Fountainhead Group, Inc.; 08-05A, A sprayer tank, (US, 26 Feb 2015) 23 Jun 2015	13180/2015		
The Fountainhead Group, Inc.; 08-05A, A sprayer tank, (US, 26 Feb 2015) 23 Jun 2015	13167/2015		
The Fountainhead Group, Inc.; 08-05A, A sprayer tank, (US, 17 Dec 2014) 10 Jun 2015	12899/2015		

VARIDESK, LLC; 06-03C, A desk, (US, 23 Dec 2014) 23 Jun 2015	13174/2015	Wm. Wrigley Jr. Company; 01-01, Chewing gum, (US, 22 Dec 2014) 22 Jun 2015	13132/2015
VARIDESK, LLC; 06-03C, A desk, (US, 23 Dec 2014) 23 Jun 2015	13175/2015	Wm. Wrigley Jr. Company; 01-01, Chewing gum, (US, 22 Dec 2014) 22 Jun 2015	13118/2015
Wait, Jim;Johnson, Christine Elizabeth; 24-99, Dental extractor, (US, 22 Dec 2014) 22 Jun 2015	13149/2015	Wm. Wrigley Jr. Company; 01-01, Chewing gum, (US, 22 Dec 2014) 22 Jun 2015	13119/2015
Wm. Wrigley Jr. Company; 01-01, Chewing gum, (US, 22 Dec 2014) 22 Jun 2015	13151/2015	Wm. Wrigley Jr. Company; 01-01, Chewing gum, (US, 22 Dec 2014) 22 Jun 2015	13112/2015
Wm. Wrigley Jr. Company; 09-99, Package for consumable products, (US, 19 Dec 2014) 19 Jun 2015	13095/2015	Wm. Wrigley Jr. Company; 01-01, Chewing gum, (US, 22 Dec 2014) 22 Jun 2015	13123/2015
Wm. Wrigley Jr. Company; 01-01, Chewing gum, (US, 22 Dec 2014) 22 Jun 2015	13124/2015	Wm. Wrigley Jr. Company; 01-01, Chewing gum, (US, 22 Dec 2014) 22 Jun 2015	13135/2015
Wm. Wrigley Jr. Company; 01-01, Chewing gum, (US, 22 Dec 2014) 22 Jun 2015	13133/2015	Wm. Wrigley Jr. Company; 01-01, Chewing gum, (US, 22 Dec 2014) 22 Jun 2015	13136/2015
Wm. Wrigley Jr. Company; 01-01, Chewing gum, (US, 22 Dec 2014) 22 Jun 2015	13134/2015	Wm. Wrigley Jr. Company; 09-99, Package for consumable products, (US, 19 Dec 2014) 19 Jun 2015	13097/2015
Wm. Wrigley Jr. Company; 01-01, Chewing gum, (US, 22 Dec 2014) 22 Jun 2015	13129/2015	Wm. Wrigley Jr. Company; 09-99, Package for consumable products, (US, 19 Dec 2014) 19 Jun 2015	13098/2015
Wm. Wrigley Jr. Company; 01-01, Chewing gum, (US, 22 Dec 2014) 22 Jun 2015	13140/2015	Wm. Wrigley Jr. Company; 09-99, Package for consumable products, (US, 19 Dec 2014) 19 Jun 2015	13099/2015
Wm. Wrigley Jr. Company; 01-01, Chewing gum, (US, 22 Dec 2014) 22 Jun 2015	13125/2015	Wm. Wrigley Jr. Company; 09-99, Package for consumable products, (US, 19 Dec 2014) 19 Jun 2015	13096/2015
Wm. Wrigley Jr. Company; 01-01, Chewing gum, (US, 22 Dec 2014) 22 Jun 2015	13121/2015	Zampa, Tamara; 02-02B, Women's apparel, 17 Jun 2015	13071/2015
Wm. Wrigley Jr. Company; 01-01, Chewing gum, (US, 22 Dec 2014) 22 Jun 2015	13137/2015	Zhejiang Wanma Hizhen Optoelectronics Technology CO., LTD.; 26-05E, LED light, (CN, 29 May 2015) 23 Jun 2015	13168/2015
Wm. Wrigley Jr. Company; 01-01, Chewing gum, (US, 22 Dec 2014) 22 Jun 2015	13126/2015	Zhejiang Zhengte Group Co., Ltd; 21-04, Awning, (CN, 10 Apr 2015) 24 Jun 2015	13209/2015
Wm. Wrigley Jr. Company; 01-01, Chewing gum, (US, 22 Dec 2014) 22 Jun 2015	13130/2015	ZIH Corp.; 14-02, Media cartridge, (US, 16 Dec 2014) 12 Jun 2015	12951/2015

Applications Lapsed

14880 / 2014 (03-01B)

16338 / 2014 (02-02C)	16225 / 2014 (06-01NES)
10819 / 2015 (02-03)	10562 / 2015 (20-03C)
10826 / 2015 (03-01B)	10824 / 2015 (06-01E)
10964 / 2015 (25-01NES)	10956 / 2015 (14-99)
10976 / 2015 (02-02C)	10973 / 2015 (02-02NES)
10995 / 2015 (32-03)	10977 / 2015 (02-02C)
11028 / 2015 (06-03A)	11017 / 2015 (06-03B)
11032 / 2015 (06-03A)	11029 / 2015 (06-03A)
11047 / 2015 (13-03E)	11037 / 2015 (08-05A)
11066 / 2015 (08-10)	11048 / 2015 (12-16NES)
11094 / 2015 (06-02)	11085 / 2015 (06-03NES)
11156 / 2015 (05-05NES)	11148 / 2015 (05-05NES)

Extension of Period of Registration of Designs

326647	328345	328350
331745	331746	331767
331808	331810	331811
331812	331858	331862
331864	331866	331894
331940	331943	331944
331945	331946	331947
331951	331952	331953
331973	331987	332002
332019	332024	332025
332028	332053	332055
332080	332081	332101
332149	332166	332237
332238	332243	332247
332250	332253	332254
332286	332288	332292
332293	332294	332295
332296	332297	332298
332313	332318	332320
332329	332330	332331
332336	332355	332356
332376	332381	332382
332389	332392	332420
332421	332467	332484
332511	332512	332513
332514	332515	332516
332517	332518	332590
332593	332594	332595
332614	332645	332674
332690	332700	332754
332755	332756	332757
332774	332794	332818
332819	332820	332821
332822	332823	332825
332826	332856	333006
333019	333224	333700
333701	334302	

Registrations Ceased

302382	302383	303845
303846	303847	303859
303860	303903	303904
303914	303915	303917
303963	303967	303968
303971	303972	303973
303974	303986	303987
303989	303990	303991
303993	303994	303995
303998	303999	304000

304007	304019	304021
304022	304054	304055
304056	304057	304058
304076	304077	304078
304079	304080	304081
304083	304092	304096
304097	304101	304102
304103	304173	304174
304175	304177	304178
304217	304218	304219
304220	304221	304222
304223	304224	304225
304228	304236	304237
304239	304240	304276
304504	304505	304535
304640	304643	304750
304751	304802	304805
304806	304807	304914
305020	305077	305154
305319	305645	306091
306600	306734	307336
308059	326911	329087
329104	329105	329107
329108	329110	329111
329112	329113	329114
329120	329122	329123
329124	329125	329126
329127	329128	329129
329130	329134	329135
329137	329138	329140
329144	329154	329155
329156	329157	329160
329164	329167	329168
329175	329178	329179
329185	329194	329195
329206	329208	329209
329210	329221	329248
329252	329266	329283
329287	329307	329318
329347	329348	329357
329422	329424	329455
329469	329475	329513
329573	329574	329621
329622	329641	329652
329654	329673	329756
329757	329758	329820
329924	329925	330141
330285	330373	331393
331499	331533	331534
332108	348330	

Applications for Extension of time under Section 137

Applications under section 137 for extension of time have been lodged. Objections must be lodged within 1 month from the date of this journal.

324020 (**Logan Wolf Properties Pty Ltd**) Patti Wolf Holdings Pty Limited

16154/2014 **Christian Louboutin** Address for Service: Corrs Chambers Westgarth National Trade Mark Group GPO Box 9925 MELBOURNE VIC 3001

16155/2014 **Christian Louboutin** Address for Service: Corrs Chambers Westgarth National Trade Mark Group GPO Box 9925 MELBOURNE VIC 3001

16155/2014 **Christian Louboutin** Address for Service: Corrs Chambers Westgarth National Trade Mark Group GPO Box 9925 MELBOURNE VIC 3001

16155/2014 **Christian Louboutin** Address for Service: Corrs Chambers Westgarth National Trade Mark Group GPO Box 9925 MELBOURNE VIC 3001

16156/2014 **Christian Louboutin** Address for Service: Corrs Chambers Westgarth National Trade Mark Group GPO Box 9925 MELBOURNE VIC 3001

16156/2014 **Christian Louboutin** Address for Service: Corrs Chambers Westgarth National Trade Mark Group GPO Box 9925 MELBOURNE VIC 3001

Extensions of time granted under Section 137

Applications lodged under section 137 for extension of time have been granted.

326647 **Harlequin International Group Pty Ltd**

328350 **The Garage Organisers Pty Ltd**

328345 **The Garage Organisers Pty Ltd**

355028 **AUSTRALIAN BRUSHWARE CORPORATION PTY LTD**

16155/2014 **Christian Louboutin**

16155/2014 **Christian Louboutin**

16156/2014 **Christian Louboutin**

362398 **Interactive Memories, Inc.**

10211/2015 **DIVERSIPAK PTY LTD**

362399 **Bill Miller**

362397 **Artis LLC**

362400 **Artis LLC**

Subsequent Owners Registered

(The name in parentheses is that of the subsequent owner)

331031 (**CARTER HOLT HARVEY PULP & PAPER LIMITED a New Zealand company**) Carter Holt Harvey Limited

309784 (**VIP Plastic Packaging Pty Ltd**) A & C Packers Pty Ltd

330742 (**VIP Plastic Packaging Pty Ltd**) A & C Packers Pty Ltd

338531 (**VIP Plastic Packaging Pty Ltd**) A & C Packers Pty Ltd

338857 (**VIP Plastic Packaging Pty Ltd**) A & C Packers Pty Ltd

Certificate(s) of Examination

Examination of the following Design Registration(s) has been completed. Infringement proceedings may now be commenced.

319602	25-01K	16/06/2015
319603	08-06	16/06/2015
322864	07-01NES	19/06/2015
331045	07-01NES	19/06/2015
341446	25-03	15/06/2015
349414	21-04	16/06/2015
354455	12-11	17/06/2015
355028	08-05N	22/06/2015
355641	12-16A	24/06/2015
355642	12-16A	24/06/2015
357691	21-01M	19/06/2015
358483	06-02	22/06/2015
359073	25-01NES	19/06/2015
359104	15-99	15/06/2015
359695	12-16A	24/06/2015
359696	12-16A	24/06/2015
359697	12-16A	24/06/2015
359698	12-16A	24/06/2015
360052	23-01A	18/06/2015
360075	24-02	25/06/2015
360222	24-02	25/06/2015
360430	14-03A	16/06/2015
360621	21-01K	17/06/2015
360639	19-08	17/06/2015
360660	23-01A	15/06/2015
360661	23-01A	17/06/2015
360709	28-02	16/06/2015
360710	28-02	16/06/2015
360711	28-02	16/06/2015
360714	28-02	16/06/2015
360715	28-02	16/06/2015
360716	28-02	16/06/2015
361447	24-04	17/06/2015
361448	24-04	17/06/2015
361450	09-01NES	18/06/2015
361451	09-01NES	18/06/2015
361452	09-01NES	19/06/2015
361454	09-01NES	19/06/2015

Publication and Registration Proceedings

Designs Registered

This section provides a concordance between design number and registration number of Designs covered in this journal. It also shows the main class and registration date.

This section covers Registration numbers 362284 to 362410 .

The registration number shown below should be used in all future correspondence.

Design Number	Registration Number	International Classification Code (IDC)	Registration Date	Design Number	Registration Number	International Classification Code (IDC)	Registration Date
14754/2014	362326	08-03	17/06/2015	12406/2015	362294	07-01B	15/06/2015
15041/2014	362352	12-16L	17/06/2015	12449/2015	362337	07-04	17/06/2015
15087/2014	362353	13-03D	17/06/2015	12450/2015	362338	12-16K	17/06/2015
16670/2014	362354	08-05K	17/06/2015	12451/2015	362303	07-01NES	15/06/2015
10210/2015	362398	19-04	23/06/2015	12452/2015	362304	07-01NES	15/06/2015
10466/2015	362399	23-01E	23/06/2015	12453/2015	362305	07-01NES	15/06/2015
10503/2015	362364	08-07	18/06/2015	12456/2015	362295	22-06	15/06/2015
10988/2015	362397	04-02	23/06/2015	12462/2015	362317	24-01	16/06/2015
10990/2015	362400	04-02	23/06/2015	12468/2015	362318	03-01B	16/06/2015
11314/2015	362401	02-04B	23/06/2015	12469/2015	362358	01-06	17/06/2015
11402/2015	362402	02-02C	23/06/2015	12470/2015	362319	01-06	16/06/2015
11443/2015	362403	12-05	23/06/2015	12471/2015	362320	06-01F	16/06/2015
11449/2015	362404	12-02	23/06/2015	12472/2015	362321	09-01A	16/06/2015
11450/2015	362405	14-02	23/06/2015	12473/2015	362322	02-02NES	16/06/2015
11506/2015	362355	15-05	17/06/2015	12474/2015	362323	02-02NES	16/06/2015
11528/2015	362299	23-03H	15/06/2015	12475/2015	362324	02-02C	16/06/2015
11685/2015	362311	02-02NES	16/06/2015	12476/2015	362325	02-02C	16/06/2015
11686/2015	362312	02-02NES	16/06/2015	12477/2015	362339	02-02NES	17/06/2015
11687/2015	362313	03-01A	16/06/2015	12478/2015	362340	12-08	17/06/2015
11688/2015	362314	02-02NES	16/06/2015	12479/2015	362341	12-08	17/06/2015
11695/2015	362300	14-01	15/06/2015	12482/2015	362296	23-02NES	15/06/2015
11759/2015	362315	06-03C	16/06/2015	12483/2015	362297	23-02NES	15/06/2015
11760/2015	362316	06-03A	16/06/2015	12484/2015	362298	23-02NES	15/06/2015
11865/2015	362301	21-02D	15/06/2015	12485/2015	362306	23-02NES	15/06/2015
11908/2015	362406	07-02M	23/06/2015	12486/2015	362307	12-16A	15/06/2015
12008/2015	362327	08-01	17/06/2015	12487/2015	362308	09-05	15/06/2015
12050/2015	362365	24-04	18/06/2015	12488/2015	362309	09-05	15/06/2015
12077/2015	362356	21-01M	17/06/2015	12490/2015	362310	14-01	15/06/2015
12107/2015	362407	30-04	23/06/2015	12501/2015	362342	14-03D	17/06/2015
12275/2015	362328	07-04	17/06/2015	12502/2015	362343	14-03D	17/06/2015
12276/2015	362329	07-04	17/06/2015	12503/2015	362344	07-07A	17/06/2015
12354/2015	362284	24-01	15/06/2015	12504/2015	362345	20-02E	17/06/2015
12355/2015	362285	24-01	15/06/2015	12505/2015	362346	24-02	17/06/2015
12356/2015	362286	24-01	15/06/2015	12508/2015	362359	14-01	17/06/2015
12357/2015	362357	24-01	17/06/2015	12510/2015	362366	12-16NES	18/06/2015
12358/2015	362287	24-01	15/06/2015	12511/2015	362347	24-01	17/06/2015
12359/2015	362288	24-01	15/06/2015	12512/2015	362348	14-02	17/06/2015
12360/2015	362289	24-01	15/06/2015	12513/2015	362349	03-01B	17/06/2015
12378/2015	362290	25-01K	15/06/2015	12515/2015	362360	10-04	17/06/2015
12379/2015	362291	25-01K	15/06/2015	12516/2015	362350	08-05NES	17/06/2015
12380/2015	362292	23-01K	15/06/2015	12517/2015	362351	08-08NES	17/06/2015
12381/2015	362293	23-01K	15/06/2015	12523/2015	362361	12-12	17/06/2015
12389/2015	362330	30-99	17/06/2015	12524/2015	362408	12-12	23/06/2015
12390/2015	362331	30-99	17/06/2015	12526/2015	362362	09-05	17/06/2015
12391/2015	362332	30-99	17/06/2015	12527/2015	362363	09-05	17/06/2015
12392/2015	362333	30-99	17/06/2015	12529/2015	362409	14-03B	23/06/2015
12393/2015	362334	30-99	17/06/2015	12539/2015	362410	23-02A	23/06/2015
12394/2015	362335	30-99	17/06/2015	12543/2015	362367	23-02A	18/06/2015
12395/2015	362336	30-99	17/06/2015	12544/2015	362368	23-02A	18/06/2015
12405/2015	362302	07-01B	15/06/2015	12545/2015	362369	23-02A	18/06/2015

Publication and Registration Proceedings - Designs Registered cont'd

Design Number	Registration Number	International Classification Code (IDC)	Registration Date	Design Number	Registration Number	International Classification Code (IDC)	Registration Date
12546/2015	362370	23-02A	18/06/2015	12577/2015	362385	02-02C	18/06/2015
12549/2015	362371	26-05E	18/06/2015	12578/2015	362386	02-02C	18/06/2015
12550/2015	362372	26-05E	18/06/2015	12579/2015	362387	02-02C	18/06/2015
12551/2015	362373	26-05E	18/06/2015	12580/2015	362388	02-02NES	18/06/2015
12552/2015	362374	23-01H	18/06/2015	12581/2015	362389	02-02NES	18/06/2015
12566/2015	362375	02-02C	18/06/2015	12582/2015	362390	02-02NES	18/06/2015
12567/2015	362376	02-02C	18/06/2015	12583/2015	362391	02-02NES	18/06/2015
12568/2015	362377	02-02C	18/06/2015	12584/2015	362392	02-02C	18/06/2015
12569/2015	362378	02-02NES	18/06/2015	12585/2015	362393	02-02NES	18/06/2015
12570/2015	362379	02-02NES	18/06/2015	12596/2015	362394	24-02	18/06/2015
12571/2015	362380	02-02C	18/06/2015	12598/2015	362395	24-02	18/06/2015
12572/2015	362381	02-02C	18/06/2015	12599/2015	362396	24-02	18/06/2015
12573/2015	362382	02-02C	18/06/2015				
12574/2015	362383	02-02C	18/06/2015				
12575/2015	362384	02-02C	18/06/2015				

Publication and Registration Proceedings

Class Listing of Designs Published or Registered

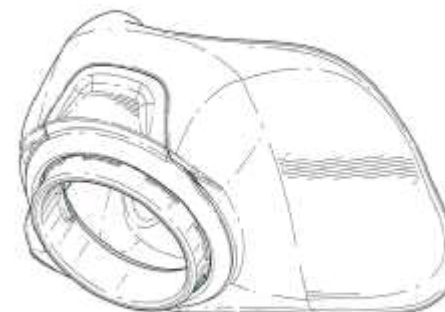
The following section shows an International Classification Code listing of the Registered or Published Designs covered in this supplement.

Classification	Registration Number	Design Number	Classification	Registration Number	Design Number
01-06	362319	12470/2015	08-07	362364	10503/2015
01-06	362358	12469/2015	08-08NES	362351	12517/2015
02-02C	362324	12475/2015	09-01A	362321	12472/2015
02-02C	362325	12476/2015	09-05	362308	12487/2015
02-02C	362375	12566/2015	09-05	362309	12488/2015
02-02C	362376	12567/2015	09-05	362362	12526/2015
02-02C	362377	12568/2015	09-05	362363	12527/2015
02-02C	362380	12571/2015	10-04	362360	12515/2015
02-02C	362381	12572/2015	12-02	362404	11449/2015
02-02C	362382	12573/2015	12-05	362403	11443/2015
02-02C	362383	12574/2015	12-08	362340	12478/2015
02-02C	362384	12575/2015	12-08	362341	12479/2015
02-02C	362385	12577/2015	12-12	362361	12523/2015
02-02C	362386	12578/2015	12-12	362408	12524/2015
02-02C	362387	12579/2015	12-16A	362307	12486/2015
02-02C	362392	12584/2015	12-16K	362338	12450/2015
02-02C	362402	11402/2015	12-16L	362352	15041/2014
02-02NES	362311	11685/2015	12-16NES	362366	12510/2015
02-02NES	362312	11686/2015	13-03D	362353	15087/2014
02-02NES	362314	11688/2015	14-01	362300	11695/2015
02-02NES	362322	12473/2015	14-01	362310	12490/2015
02-02NES	362323	12474/2015	14-01	362359	12508/2015
02-02NES	362339	12477/2015	14-02	362348	12512/2015
02-02NES	362378	12569/2015	14-02	362405	11450/2015
02-02NES	362379	12570/2015	14-03B	362409	12529/2015
02-02NES	362388	12580/2015	14-03D	362342	12501/2015
02-02NES	362389	12581/2015	14-03D	362343	12502/2015
02-02NES	362390	12582/2015	14-04	362405	11450/2015
02-02NES	362391	12583/2015	15-05	362355	11506/2015
02-02NES	362393	12585/2015	19-04	362398	10210/2015
02-04B	362401	11314/2015	20-02E	362345	12504/2015
03-01A	362313	11687/2015	21-01M	362356	12077/2015
03-01B	362318	12468/2015	21-02D	362301	11865/2015
03-01B	362349	12513/2015	22-06	362295	12456/2015
04-02	362397	10988/2015	23-01E	362399	10466/2015
04-02	362400	10990/2015	23-01H	362374	12552/2015
06-01F	362320	12471/2015	23-01K	362292	12380/2015
06-03A	362316	11760/2015	23-01K	362293	12381/2015
06-03C	362315	11759/2015	23-02A	362367	12543/2015
07-01B	362294	12406/2015	23-02A	362368	12544/2015
07-01B	362302	12405/2015	23-02A	362369	12545/2015
07-01NES	362303	12451/2015	23-02A	362370	12546/2015
07-01NES	362304	12452/2015	23-02A	362410	12539/2015
07-01NES	362305	12453/2015	23-02NES	362296	12482/2015
07-02M	362406	11908/2015	23-02NES	362297	12483/2015
07-04	362328	12275/2015	23-02NES	362298	12484/2015
07-04	362329	12276/2015	23-02NES	362306	12485/2015
07-04	362337	12449/2015	23-03H	362299	11528/2015
07-07A	362344	12503/2015	24-01	362284	12354/2015
08-01	362327	12008/2015	24-01	362285	12355/2015
08-03	362326	14754/2014	24-01	362286	12356/2015
08-05K	362354	16670/2014	24-01	362287	12358/2015
08-05NES	362350	12516/2015	24-01	362288	12359/2015

Registration Proceedings - Class Listing of Designs Published or Registered cont'd

Classification	Registration Number	Design Number	Classification	Registration Number	Design Number
24-01	362289	12360/2015	26-05E	362372	12550/2015
24-01	362317	12462/2015	26-05E	362373	12551/2015
24-01	362347	12511/2015	30-04	362407	12107/2015
24-01	362357	12357/2015	30-99	362330	12389/2015
24-02	362346	12505/2015	30-99	362331	12390/2015
24-02	362394	12596/2015	30-99	362332	12391/2015
24-02	362395	12598/2015	30-99	362333	12392/2015
24-02	362396	12599/2015	30-99	362334	12393/2015
24-04	362365	12050/2015	30-99	362335	12394/2015
25-01K	362290	12378/2015	30-99	362336	12395/2015
25-01K	362291	12379/2015			
26-05E	362371	12549/2015			

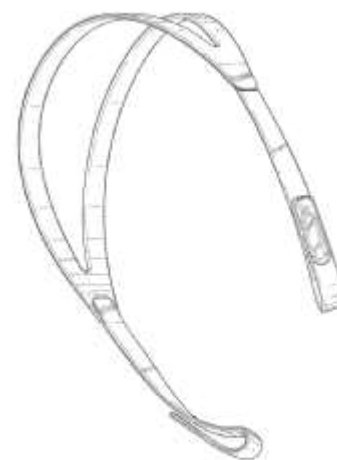
(21) Design Number: **12354/2015**
(22) Date of Filing Application: **07 May 2015**
(24) Date from which industrial property rights may have effect: **07 May 2015**
(54) Product in respect of which the design is registered: **A seal for a breathing apparatus**
(51) International Design Classification: **24-01**
(74) Name(s) of Attorney(s): **AJ Park**
(71) Name(s) and Address(s) of Applicant(s):
Fisher & Paykel Healthcare Limited
15 Maurice Paykel Place East Tamaki Auckland 2013 New Zealand
(72) Name(s) of Designer(s): **Wen Dong Huang and Arvin San Jose Gardiola and Matthew Roger Stephenson and Toong Lim and Bruce Michael Walls and Jeremy Owen Young**
(45) Registration Date: **15 June 2015**
(30) Convention priority data:
(31) Number (32) Date (33) Country
29/508,627 07 Nov 2014 UNITED STATES OF AMERICA
(56) Related Art Documents: **Not Applicable**
(57) Statement of Newness and Distinctiveness: **Newness and distinctiveness resides in the features of shape and/or configuration of the seal for a breathing apparatus as shown in the representations.**



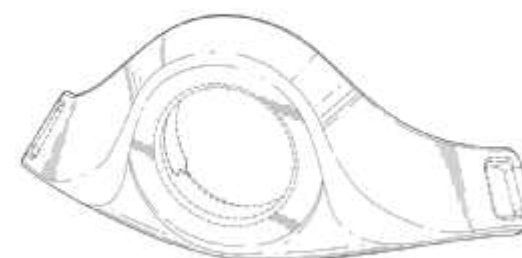
(21) Design Number: **12355/2015**
(22) Date of Filing Application: **07 May 2015**
(24) Date from which industrial property rights may have effect: **07 May 2015**
(54) Product in respect of which the design is registered: **A frame for a breathing apparatus**
(51) International Design Classification: **24-01**
(74) Name(s) of Attorney(s): **AJ Park**
(71) Name(s) and Address(s) of Applicant(s):
Fisher & Paykel Healthcare Limited
15 Maurice Paykel Place East Tamaki Auckland 2013 New Zealand
(72) Name(s) of Designer(s): **Wen Dong Huang and Matthew Roger Stephenson and Arvin San Jose Gardiola and Toong Lim and Bruce Michael Walls and Jeremy Owen Young**
(45) Registration Date: **15 June 2015**
(30) Convention priority data:
(31) Number (32) Date (33) Country
29/508,627 07 Nov 2014 UNITED STATES OF AMERICA
(56) Related Art Documents: **Not Applicable**
(57) Statement of Newness and Distinctiveness: **Newness and distinctiveness resides in the features of shape and/or configuration of the frame for a breathing apparatus as shown in the representations.**



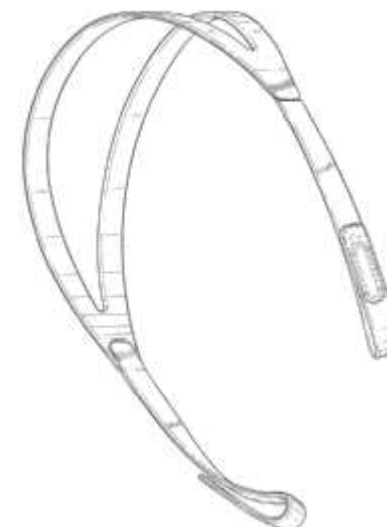
- (21) Design Number: **12356/2015**
(22) Date of Filing Application: **07 May 2015**
(24) Date from which industrial property rights may have effect: **07 May 2015**
(54) Product in respect of which the design is registered: **A headgear for a breathing apparatus**
(51) International Design Classification: **24-01**
(74) Name(s) of Attorney(s): **AJ Park**
(71) Name(s) and Address(s) of Applicant(s):
Fisher & Paykel Healthcare Limited
15 Maurice Paykel Place East Tamaki Auckland 2013 New Zealand
(72) Name(s) of Designer(s): **Wen Dong Huang and Arvin San Jose Gardiola and Matthew Roger Stephenson and Toong Lim and Bruce Michael Walls and Jeremy Owen Young**
(45) Registration Date: **15 June 2015**
(30) Convention priority data:
(31) Number (32) Date (33) Country
29/508,627 07 Nov 2014 UNITED STATES OF AMERICA
(56) Related Art Documents: **Not Applicable**
(57) Statement of Newness and Distinctiveness: **Newness and distinctiveness resides in the features of shape and/or configuration of the headgear for a breathing apparatus as shown in the representations.**



- (21) Design Number: **12358/2015**
(22) Date of Filing Application: **07 May 2015**
(24) Date from which industrial property rights may have effect: **07 May 2015**
(54) Product in respect of which the design is registered: **A frame for a breathing apparatus**
(51) International Design Classification: **24-01**
(74) Name(s) of Attorney(s): **AJ Park**
(71) Name(s) and Address(s) of Applicant(s):
Fisher & Paykel Healthcare Limited
15 Maurice Paykel Place East Tamaki Auckland 2013 New Zealand
(72) Name(s) of Designer(s): **Wen Dong Huang and Arvin San Jose Gardiola and Matthew Roger Stephenson and Toong Lim and Bruce Michael Walls and Jeremy Owen Young**
(45) Registration Date: **15 June 2015**
(30) Convention priority data:
(31) Number (32) Date (33) Country
29/508,627 07 Nov 2014 UNITED STATES OF AMERICA
(56) Related Art Documents: **Not Applicable**
(57) Statement of Newness and Distinctiveness: **Newness and distinctiveness resides in the features of shape and/or configuration of the frame for a breathing apparatus as shown in the representations. No newness and distinctiveness resides in any features shown in broken (phantom) lines.**



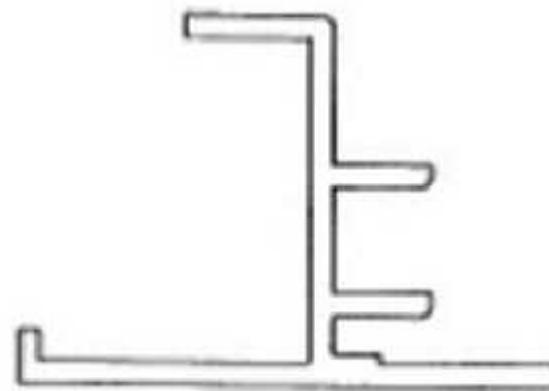
- (21) Design Number: **12359/2015**
(22) Date of Filing Application: **07 May 2015**
(24) Date from which industrial property rights may have effect: **07 May 2015**
(54) Product in respect of which the design is registered: **A headgear for a breathing apparatus**
(51) International Design Classification: **24-01**
(74) Name(s) of Attorney(s): **AJ Park**
(71) Name(s) and Address(s) of Applicant(s):
Fisher & Paykel Healthcare Limited
15 Maurice Paykel Place East Tamaki Auckland 2013 New Zealand
(72) Name(s) of Designer(s): **Wen Dong Huang and Arvin San Jose Gardiola and Matthew Roger Stephenson and Toong Lim and Bruce Michael Walls and Jeremy Owen Young**
(45) Registration Date: **15 June 2015**
(30) Convention priority data:
(31) Number (32) Date (33) Country
29/508,627 07 Nov 2014 UNITED STATES OF AMERICA
(56) Related Art Documents: **Not Applicable**
(57) Statement of Newness and Distinctiveness: **Newness and distinctiveness resides in the features of shape and/or configuration of the headgear for a breathing apparatus as shown in the representations. No newness and distinctiveness resides in any features shown in broken (phantom) lines.**



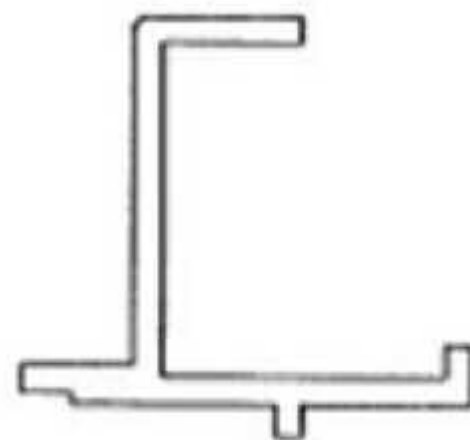
- (21) Design Number: **12360/2015**
(22) Date of Filing Application: **07 May 2015**
(24) Date from which industrial property rights may have effect: **07 May 2015**
(54) Product in respect of which the design is registered: **A breathing apparatus**
(51) International Design Classification: **24-01**
(74) Name(s) of Attorney(s): **AJ Park**
(71) Name(s) and Address(s) of Applicant(s):
Fisher & Paykel Healthcare Limited
15 Maurice Paykel Place East Tamaki Auckland 2013 New Zealand
(72) Name(s) of Designer(s): **Wen Dong Huang and Arvin San Jose Gardiola and Matthew Roger Stephenson and Toong Lim and Bruce Michael Walls and Jeremy Owen Young**
(45) Registration Date: **15 June 2015**
(30) Convention priority data:
(31) Number (32) Date (33) Country
29/508,627 07 Nov 2014 UNITED STATES OF AMERICA
(56) Related Art Documents: **Not Applicable**
(57) Statement of Newness and Distinctiveness: **Newness and distinctiveness resides in the features of shape and/or configuration of the breathing apparatus as shown in the representations. No newness and distinctiveness resides in any features shown in broken (phantom) lines.**



(21) Design Number: **12378/2015**
(22) Date of Filing Application: **08 May 2015**
(24) Date from which industrial property rights may have effect: **08 May 2015**
(54) Product in respect of which the design is registered: **Extrusion**
(51) International Design Classification: **25-01K**
(74) Name(s) of Attorney(s): **Ellis Terry**
(71) Name(s) and Address(s) of Applicant(s):
Cameron David Nelson
18 Trevellyan St Cronulla NSW 2230 Australia
(72) Name(s) of Designer(s): **Cameron David Nelson**
(45) Registration Date: **15 June 2015**
(56) Related Art Documents: **Not Applicable**
(57) Statement of Newness and Distinctiveness: **Nil**



(21) Design Number: **12379/2015**
(22) Date of Filing Application: **08 May 2015**
(24) Date from which industrial property rights may have effect: **08 May 2015**
(54) Product in respect of which the design is registered: **Extrusion**
(51) International Design Classification: **25-01K**
(74) Name(s) of Attorney(s): **Ellis Terry**
(71) Name(s) and Address(s) of Applicant(s):
Cameron David Nelson
18 Trevellyan St Cronulla NSW 2230 Australia
(72) Name(s) of Designer(s): **Cameron David Nelson**
(45) Registration Date: **15 June 2015**
(56) Related Art Documents: **Not Applicable**
(57) Statement of Newness and Distinctiveness: **Nil**



- (21) Design Number: **12380/2015**
(22) Date of Filing Application: **08 May 2015**
(24) Date from which industrial property rights may have effect: **08 May 2015**
(54) Product in respect of which the design is registered: **A flush valve controller**
(51) International Design Classification: **23-01K**
(74) Name(s) of Attorney(s): **Spruson & Ferguson**
(71) Name(s) and Address(s) of Applicant(s):

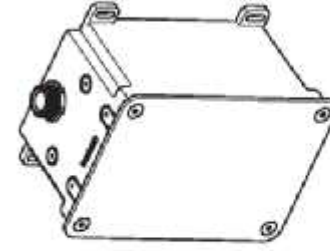
Caroma Industries Limited
L2 HQ South Tower 520 Wickham St Fortitude Valley QLD 4006 Australia

- (72) Name(s) of Designer(s): **Stephen John Cummings and Dragan Music**

(45) Registration Date: **15 June 2015**

(56) Related Art Documents: **Not Applicable**

- (57) Statement of Newness and Distinctiveness: **Newness and distinctiveness is claimed in the features of shape and/or configuration of a flush valve controller as illustrated in the accompanying representations.**



- (21) Design Number: **12381/2015**
(22) Date of Filing Application: **08 May 2015**
(24) Date from which industrial property rights may have effect: **08 May 2015**
(54) Product in respect of which the design is registered: **A flush valve controller**
(51) International Design Classification: **23-01K**
(74) Name(s) of Attorney(s): **Spruson & Ferguson**
(71) Name(s) and Address(s) of Applicant(s):

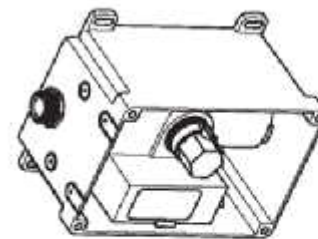
Caroma Industries Limited
L2 HQ South Tower 520 Wickham St Fortitude Valley QLD 4006 Australia

- (72) Name(s) of Designer(s): **Stephen John Cummings and Dragan Music**

(45) Registration Date: **15 June 2015**

(56) Related Art Documents: **Not Applicable**

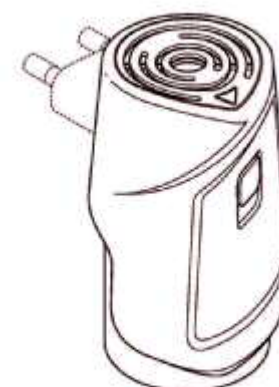
- (57) Statement of Newness and Distinctiveness: **Newness and distinctiveness is claimed in the features of shape and/or configuration of a flush valve controller as illustrated in the accompanying representations.**



(21) Design Number: **12406/2015**
(22) Date of Filing Application: **10 May 2015**
(24) Date from which industrial property rights may have effect: **10 May 2015**
(54) Product in respect of which the design is registered: **Bowl**
(51) International Design Classification: **07-01B**
(74) Name(s) of Attorney(s):
(71) Name(s) and Address(s) of Applicant(s):
Zhu Gong
Room 2408, Building No.55 Binshui Community, Jimei District Xiamen
361021 China
(72) Name(s) of Designer(s): **Zhu Gong**
(45) Registration Date: **15 June 2015**
(56) Related Art Documents: **Not Applicable**
(57) Statement of Newness and Distinctiveness: **Newness and distinctiveness resides in the features of shape and/or configuration of a bowl as shown in the accompanying representations.**



(21) Design Number: **12456/2015**
(22) Date of Filing Application: **11 May 2015**
(24) Date from which industrial property rights may have effect: **11 May 2015**
(54) Product in respect of which the design is registered: **Insecticide dispenser**
(51) International Design Classification: **22-06**
(74) Name(s) of Attorney(s): **Shelston IP**
(71) Name(s) and Address(s) of Applicant(s):
Reckitt Benckiser (Brands) Limited
103-105 Bath Road Slough Berkshire SL1 3UH United Kingdom
(72) Name(s) of Designer(s): **Sumit Saraswati and Boopalan M**
(45) Registration Date: **15 June 2015**
(30) Convention priority data:
(31) Number (32) Date (33) Country
002575167-0001 10 Nov 2014 OFFICE FOR HARMONISATION IN
THE INTERNAL MARKET (OHIM)
(56) Related Art Documents: **Not Applicable**
(57) Statement of Newness and Distinctiveness: **Newness and distinctiveness reside in the features of shape and configuration of an insecticide dispenser as illustrated in solid lines in the accompanying representations. The features shown in broken lines are shown for illustrative purposes only and do not form part of the design.**



(21) Design Number: **12482/2015**
(22) Date of Filing Application: **13 May 2015**
(24) Date from which industrial property rights may have effect: **13 May 2015**
(54) Product in respect of which the design is registered: **Toilet tablet holder**
(51) International Design Classification: **23-02NES**
(74) Name(s) of Attorney(s): **Spruson & Ferguson**
(71) Name(s) and Address(s) of Applicant(s):

Henkel AG & Co. KGaA
Henkelstrasse 67, Dusseldorf/Deutschland 40589 Germany

(72) Name(s) of Designer(s): **Katja Gerhards and Bodo Warden**

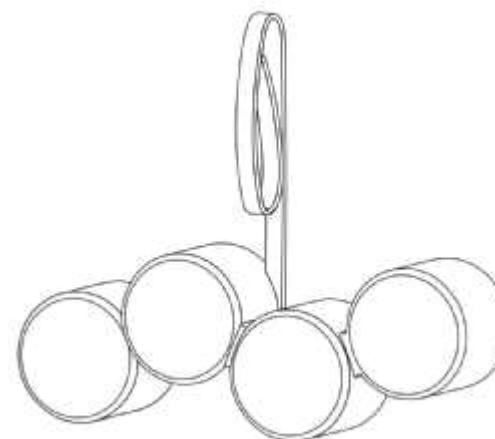
(45) Registration Date: **15 June 2015**

(30) Convention priority data:

(31) Number	(32) Date	(33) Country
002597542	15 Dec 2014	OFFICE FOR HARMONISATION IN THE INTERNAL MARKET (OHIM)

(56) Related Art Documents: **Not Applicable**

(57) Statement of Newness and Distinctiveness: **Newness and distinctiveness is claimed in the features of shape and/or configuration of a toilet tablet holder as illustrated in the accompanying representations.**



(21) Design Number: **12483/2015**
(22) Date of Filing Application: **13 May 2015**
(24) Date from which industrial property rights may have effect: **13 May 2015**
(54) Product in respect of which the design is registered: **Toilet tablet holder**
(51) International Design Classification: **23-02NES**
(74) Name(s) of Attorney(s): **Spruson & Ferguson**
(71) Name(s) and Address(s) of Applicant(s):

Henkel AG & Co. KGaA
Henkelstrasse 67, Dusseldorf/Deutschland 40589 Germany

(72) Name(s) of Designer(s): **Katja Gerhards and Bodo Warden**

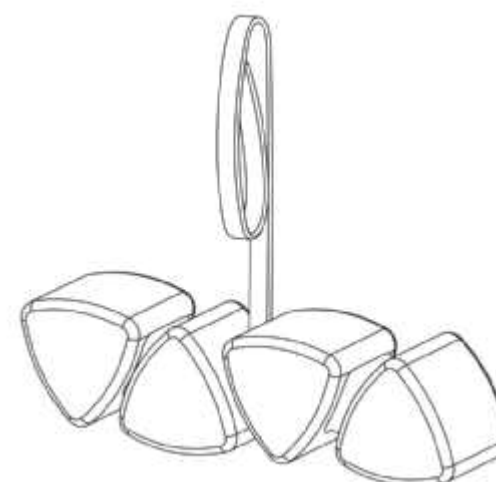
(45) Registration Date: **15 June 2015**

(30) Convention priority data:

(31) Number	(32) Date	(33) Country
002597542	15 Dec 2014	OFFICE FOR HARMONISATION IN THE INTERNAL MARKET (OHIM)

(56) Related Art Documents: **Not Applicable**

(57) Statement of Newness and Distinctiveness: **Newness and distinctiveness is claimed in the features of shape and/or configuration of a toilet tablet holder as illustrated in the accompanying representations.**



(21) Design Number: **12484/2015**

(22) Date of Filing Application: **13 May 2015**

(24) Date from which industrial property rights may have effect: **13 May 2015**

(54) Product in respect of which the design is registered: **Toilet tablet holder**

(51) International Design Classification: **23-02NES**

(74) Name(s) of Attorney(s): **Spruson & Ferguson**

(71) Name(s) and Address(s) of Applicant(s):

Henkel AG & Co. KGaA
Henkelstrasse 67, Dusseldorf/Deutschland 40589 Germany

(72) Name(s) of Designer(s): **Katja Gerhards and Bodo Warden**

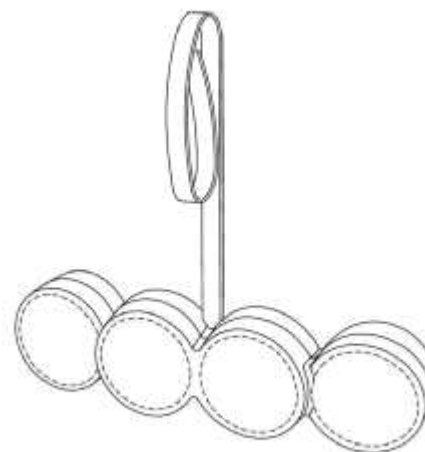
(45) Registration Date: **15 June 2015**

(30) Convention priority data:

(31) Number	(32) Date	(33) Country
EU 002586008	27 Nov 2014	OFFICE FOR HARMONISATION IN THE INTERNAL MARKET (OHIM)

(56) Related Art Documents: **Not Applicable**

(57) Statement of Newness and Distinctiveness: **Newness and distinctiveness is claimed in the features of shape and/or configuration of a toilet tablet holder as illustrated in the accompanying representations.**



(21) Design Number: **11528/2015**

(22) Date of Filing Application: **20 March 2015**

(24) Date from which industrial property rights may have effect: **20 March 2015**

(54) Product in respect of which the design is registered: **Hot water heater**

(51) International Design Classification: **23-03H**

(74) Name(s) of Attorney(s):

(71) Name(s) and Address(s) of Applicant(s):

AUSTRALIAN RV ACCESSORIES PTY LTD
924 Burwood Hwy Ferntree Gully VIC 3156 Australia

(72) Name(s) of Designer(s): **Franco Consadori**

(45) Registration Date: **15 June 2015**

(56) Related Art Documents: **Not Applicable**

(57) Statement of Newness and Distinctiveness: **"The Endless Hot Water System is an instant hot water service that is used in caravans and recreational vehicles. It supplies an unlimited amount of water on demand. It uses an induced draft system where the flame ignites on water flow to the system. It has no holding tank and no continuous flame. "caravan Industry's First On-Demand Induced Draft LP Gas Tankless Water Heater specifically designed for caravan use.**



(21) Design Number: **11695/2015**

(22) Date of Filing Application: **30 March 2015**

(24) Date from which industrial property rights may have effect: **30 March 2015**

(54) Product in respect of which the design is registered: **Speaker system**

(51) International Design Classification: **14-01**

(74) Name(s) of Attorney(s): **PHILLIPS ORMONDE FITZPATRICK**

(71) Name(s) and Address(s) of Applicant(s):

Bose Corporation

The Mountain, MS 3B1 Framingham Massachusetts, 01701-9168 United States of America

(72) Name(s) of Designer(s): **Richard J Carbone and Richard Arthur Grebe and Thomas Nilsen**

(45) Registration Date: **15 June 2015**

(30) Convention priority data:

(31) Number	(32) Date	(33) Country
29/504,061	01 Oct 2014	UNITED STATES OF AMERICA

(56) Related Art Documents: **Not Applicable**

(57) Statement of Newness and Distinctiveness: **Those features of the speaker system depicted in the representations that are new and distinctive are the shape and/or configuration. The features shown in broken lines are not part of the design and are to be disregarded when considering the overall impression of the design.**



(21) Design Number: **11865/2015**

(22) Date of Filing Application: **08 April 2015**

(24) Date from which industrial property rights may have effect: **08 April 2015**

(54) Product in respect of which the design is registered: **Aquatic exercise pressurised weight**

(51) International Design Classification: **21-02D**

(74) Name(s) of Attorney(s):

(71) Name(s) and Address(s) of Applicant(s):

Antony Zarafa

20 Gwynne St Mt Waverley VIC 3149 Australia

(72) Name(s) of Designer(s): **Antony Zarafa**

(45) Registration Date: **15 June 2015**

(56) Related Art Documents: **Not Applicable**

(57) Statement of Newness and Distinctiveness: **The Aqua Weight is a hollow ball / sphere shaped piece of equipment that has a flat bottom with diagonally spaced dimples around it, that is designed to use air pressure to create resistance underwater. Thus giving the user a low impact high resistance workout. The design also has an opening for the user to add water to lower the air pressure resistance so that all levels of fitness can use it. The device also includes a see through water guage so the user can see how much water they have added. It is made out of High Density Polyethylene (HDPE) to make it a strong product that will not buckle under pressure and also has a Velcro strap for the user to strap there hand / foot in. The design also features a hollowed out area at the base. This will be for the attachment of a rod to connect the spheres together to form a barbell like piece of equipment This is a product designed for a number of targets including being young adults, seniors and people going through rehabilitation.**



(21) Design Number: **12405/2015**
(22) Date of Filing Application: **10 May 2015**
(24) Date from which industrial property rights may have effect: **10 May 2015**
(54) Product in respect of which the design is registered: **Bowl**
(51) International Design Classification: **07-01B**
(74) Name(s) of Attorney(s):
(71) Name(s) and Address(s) of Applicant(s):
Zhu Gong
Room 2408, Building No.55 Binshui Community, Jimei District Xiamen
361021 China
(72) Name(s) of Designer(s): **Zhu Gong**
(45) Registration Date: **15 June 2015**
(56) Related Art Documents: **Not Applicable**
(57) Statement of Newness and Distinctiveness: **Newness and distinctiveness resides in the features of shape and/or configuration of a bowl as shown in the accompanying representations.**



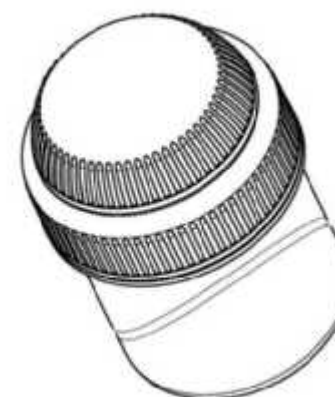
(21) Design Number: **12451/2015**
(22) Date of Filing Application: **11 May 2015**
(24) Date from which industrial property rights may have effect: **11 May 2015**
(54) Product in respect of which the design is registered: **Storage container with lid**
(51) International Design Classification: **07-01NES**
(74) Name(s) of Attorney(s): **PHILLIPS ORMONDE FITZPATRICK**
(71) Name(s) and Address(s) of Applicant(s):
SMS Elap GmbH & Co. KG
Am Kohlersgehau 50 98544 Zella-Mehlis Germany
(72) Name(s) of Designer(s): **Sven Schlegel and Andreas Muhs**
(45) Registration Date: **15 June 2015**
(30) Convention priority data:
(31) Number (32) Date (33) Country
29/509,350 17 Nov 2014 UNITED STATES OF AMERICA
(56) Related Art Documents: **Not Applicable**
(57) Statement of Newness and Distinctiveness: **Those features of the storage container with lid depicted in the representations that are new and distinctive are the shape and/or configuration. The container may be of indefinite length.**



(21) Design Number: **12452/2015**
(22) Date of Filing Application: **11 May 2015**
(24) Date from which industrial property rights may have effect: **11 May 2015**
(54) Product in respect of which the design is registered: **Storage container with lid**
(51) International Design Classification: **07-01NES**
(74) Name(s) of Attorney(s): **PHILLIPS ORMONDE FITZPATRICK**
(71) Name(s) and Address(s) of Applicant(s):
SMS Elap GmbH & Co. KG
Am Kohlersgehau 50 98544 Zella-Mehlis Germany
(72) Name(s) of Designer(s): **Sven Schlegel and Andreas Muhs**
(45) Registration Date: **15 June 2015**
(30) Convention priority data:
(31) Number (32) Date (33) Country
29/509,356 17 Nov 2014 UNITED STATES OF AMERICA
(56) Related Art Documents: **Not Applicable**
(57) Statement of Newness and Distinctiveness: **Those features of the storage container with lid depicted in the representations that are new and distinctive are the shape and/or configuration. The container may be of indefinite length.**



(21) Design Number: **12453/2015**
(22) Date of Filing Application: **11 May 2015**
(24) Date from which industrial property rights may have effect: **11 May 2015**
(54) Product in respect of which the design is registered: **Storage container with lid**
(51) International Design Classification: **07-01NES**
(74) Name(s) of Attorney(s): **PHILLIPS ORMONDE FITZPATRICK**
(71) Name(s) and Address(s) of Applicant(s):
SMS Elap GmbH & Co. KG
Am Kohlersgehau 50 98544 Zella-Mehlis Germany
(72) Name(s) of Designer(s): **Sven Schlegel and Andreas Muhs**
(45) Registration Date: **15 June 2015**
(30) Convention priority data:
(31) Number (32) Date (33) Country
29/509,346 17 Nov 2014 UNITED STATES OF AMERICA
(56) Related Art Documents: **Not Applicable**
(57) Statement of Newness and Distinctiveness: **Those features of the storage container with lid depicted in the representations that are new and distinctive are the shape and/or configuration. The container may be of indefinite length.**



(21) Design Number: **12485/2015**
(22) Date of Filing Application: **13 May 2015**
(24) Date from which industrial property rights may have effect: **13 May 2015**
(54) Product in respect of which the design is registered: **Toilet tablet holder**
(51) International Design Classification: **23-02NES**
(74) Name(s) of Attorney(s): **Spruson & Ferguson**
(71) Name(s) and Address(s) of Applicant(s):

Henkel AG & Co. KGaA
Henkelstrasse 67, Dusseldorf/Deutschland 40589 Germany

(72) Name(s) of Designer(s): **Katja Gerhards and Bodo Warden**

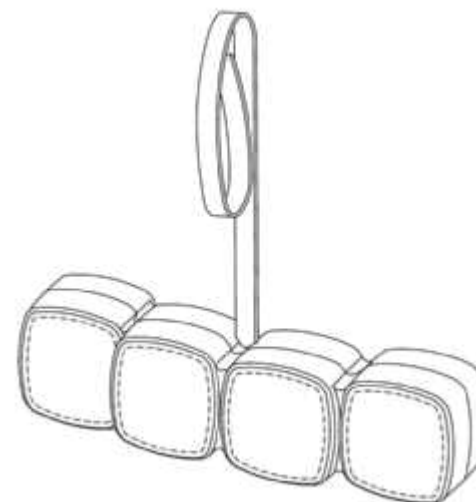
(45) Registration Date: **15 June 2015**

(30) Convention priority data:

(31) Number	(32) Date	(33) Country
EU 002586008	27 Nov 2014	OFFICE FOR HARMONISATION IN THE INTERNAL MARKET (OHIM)

(56) Related Art Documents: **Not Applicable**

(57) Statement of Newness and Distinctiveness: **Newness and distinctiveness is claimed in the features of shape and/or configuration of a toilet tablet holder as illustrated in the accompanying representations.**



(21) Design Number: **12486/2015**
(22) Date of Filing Application: **13 May 2015**
(24) Date from which industrial property rights may have effect: **13 May 2015**
(54) Product in respect of which the design is registered: **Wheels for vehicle**
(51) International Design Classification: **12-16A**
(74) Name(s) of Attorney(s): **Spruson & Ferguson**
(71) Name(s) and Address(s) of Applicant(s):

Daimler AG
Mercedesstrasse 137 Stuttgart D-70327 Germany

(72) Name(s) of Designer(s): **Edgar Chu and Bernhard Hans**

(45) Registration Date: **15 June 2015**

(30) Convention priority data:

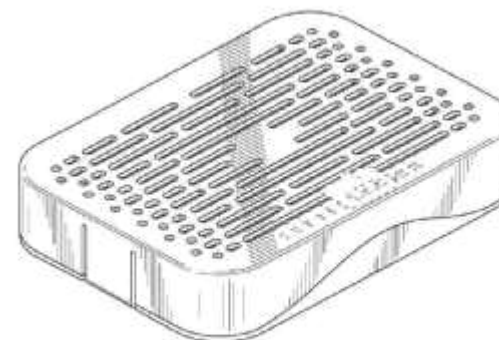
(31) Number	(32) Date	(33) Country
002588335-0005	01 Dec 2014	OFFICE FOR HARMONISATION IN THE INTERNAL MARKET (OHIM)

(56) Related Art Documents: **Not Applicable**

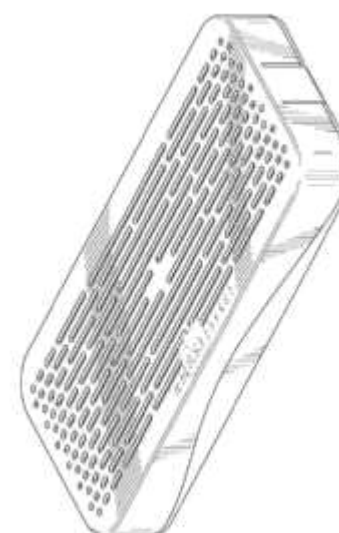
(57) Statement of Newness and Distinctiveness: **Newness and distinctiveness is claimed in the features of shape and/or configuration of a wheel for vehicle as illustrated in the accompanying representations.**



- (21) Design Number: **12487/2015**
(22) Date of Filing Application: **13 May 2015**
(24) Date from which industrial property rights may have effect: **13 May 2015**
(54) Product in respect of which the design is registered: **Device for enclosing a freshening packet**
(51) International Design Classification: **09-05**
(74) Name(s) of Attorney(s): **Cullens Patent and Trade Mark Attorneys**
(71) Name(s) and Address(s) of Applicant(s):
Helen of Troy Limited
The Phoenix Centre George Street Belleville St. Michael Barbados
(72) Name(s) of Designer(s): **Reid Andersen Schlegel and Heidi Serene Farrell**
(45) Registration Date: **15 June 2015**
(30) Convention priority data:
(31) Number (32) Date (33) Country
29/512674 22 Dec 2014 UNITED STATES OF AMERICA
(56) Related Art Documents: **Not Applicable**
(57) Statement of Newness and Distinctiveness: **Newness and distinctiveness reside in the shape and configuration of a device for enclosing a freshening packet as illustrated in the accompanying drawings.**



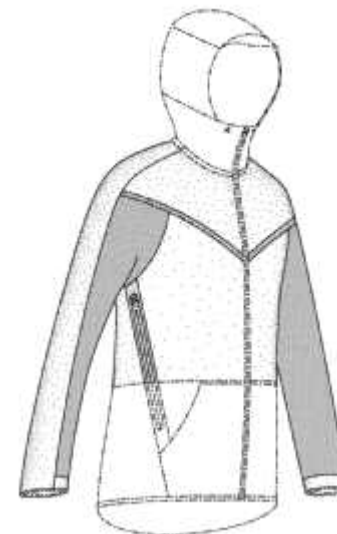
- (21) Design Number: **12488/2015**
(22) Date of Filing Application: **13 May 2015**
(24) Date from which industrial property rights may have effect: **13 May 2015**
(54) Product in respect of which the design is registered: **Device for enclosing a freshening packet**
(51) International Design Classification: **09-05**
(74) Name(s) of Attorney(s): **Cullens Patent and Trade Mark Attorneys**
(71) Name(s) and Address(s) of Applicant(s):
Helen of Troy Limited
The Phoenix Centre George Street Belleville St. Michael Barbados
(72) Name(s) of Designer(s): **Reid Andersen Schlegel and Heidi Serene Farrell**
(45) Registration Date: **15 June 2015**
(30) Convention priority data:
(31) Number (32) Date (33) Country
29/512672 22 Dec 2014 UNITED STATES OF AMERICA
(56) Related Art Documents: **Not Applicable**
(57) Statement of Newness and Distinctiveness: **Newness and distinctiveness reside in the shape and configuration of a device for enclosing a freshening packet as illustrated in the accompanying drawings.**



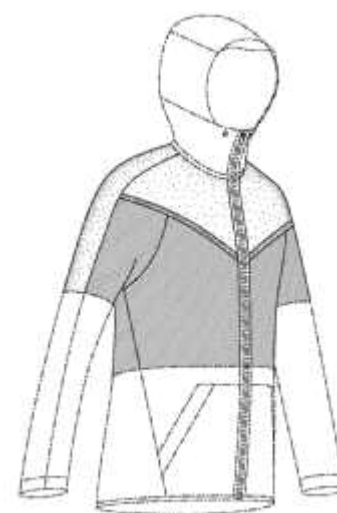
- (21) Design Number: **12490/2015**
(22) Date of Filing Application: **13 May 2015**
(24) Date from which industrial property rights may have effect: **30 March 2015**
(54) Product in respect of which the design is registered: **Speaker system**
(51) International Design Classification: **14-01**
(74) Name(s) of Attorney(s): **PHILLIPS ORMONDE FITZPATRICK**
(71) Name(s) and Address(s) of Applicant(s):
Bose Corporation
The Mountain, MS 3B1 Framingham Massachusetts, 01701-9168 United States of America
(72) Name(s) of Designer(s): **Richard J Carbone and Richard Arthur Grebe and Thomas Nilsen**
(45) Registration Date: **15 June 2015**
(30) Convention priority data:
(31) Number (32) Date (33) Country
29/504,061 01 Oct 2014 UNITED STATES OF AMERICA
(62) Divisional of: **362300**
(56) Related Art Documents: **Not Applicable**
(57) Statement of Newness and Distinctiveness: **Those features of the speaker system depicted in the representations that are new and distinctive are the shape and/or configuration. The features shown in broken lines are not part of the design and are to be disregarded when considering the overall impression of the design.**



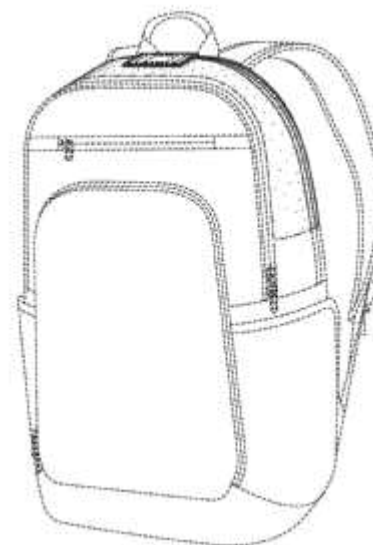
- (21) Design Number: **11685/2015**
(22) Date of Filing Application: **30 March 2015**
(24) Date from which industrial property rights may have effect: **30 March 2015**
(54) Product in respect of which the design is registered: **Hooded garment**
(51) International Design Classification: **02-02NES**
(74) Name(s) of Attorney(s): **Davies Collison Cave**
(71) Name(s) and Address(s) of Applicant(s):
NIKE Innovate C.V.
One Bowerman Drive Beaverton Oregon, 97005-6453 United States of America
(72) Name(s) of Designer(s): **Rob Darmour**
(45) Registration Date: **16 June 2015**
(56) Related Art Documents: **Not Applicable**
(57) Statement of Newness and Distinctiveness: **Newness and distinctiveness is claimed in the visual features shown in solid lines in the representations. The contrast in shading represents a contrast of appearance and does not represent any colour, material or texture.**



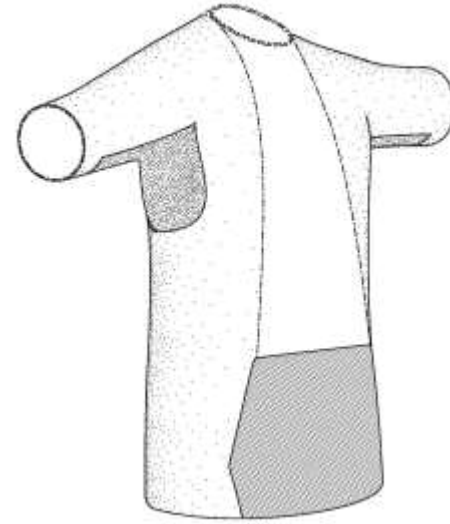
- (21) Design Number: **11686/2015**
(22) Date of Filing Application: **30 March 2015**
(24) Date from which industrial property rights may have effect: **30 March 2015**
(54) Product in respect of which the design is registered: **Hooded garment**
(51) International Design Classification: **02-02NES**
(74) Name(s) of Attorney(s): **Davies Collison Cave**
(71) Name(s) and Address(s) of Applicant(s):
NIKE Innovate C.V.
One Bowerman Drive Beaverton Oregon, 97005-6453 United States of America
(72) Name(s) of Designer(s): **Rob Darmour**
(45) Registration Date: **16 June 2015**
(56) Related Art Documents: **Not Applicable**
(57) Statement of Newness and Distinctiveness: **Newness and distinctiveness is claimed in the visual features shown in solid lines in the representations. The contrast in shading represents a contrast of appearance and does not represent any colour, material or texture.**



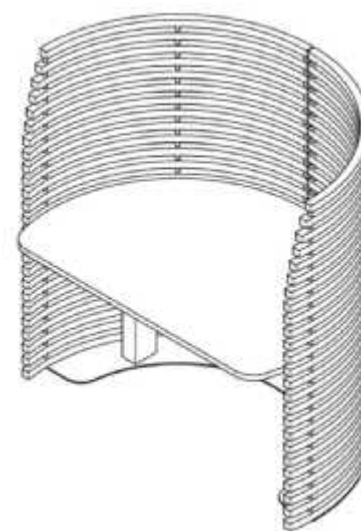
- (21) Design Number: **11687/2015**
(22) Date of Filing Application: **30 March 2015**
(24) Date from which industrial property rights may have effect: **30 March 2015**
(54) Product in respect of which the design is registered: **Bag**
(51) International Design Classification: **03-01A**
(74) Name(s) of Attorney(s): **Davies Collison Cave**
(71) Name(s) and Address(s) of Applicant(s):
NIKE Innovate C.V.
One Bowerman Drive Beaverton Oregon, 97005-6453 United States of America
(72) Name(s) of Designer(s): **Justin Amago**
(45) Registration Date: **16 June 2015**
(56) Related Art Documents: **Not Applicable**
(57) Statement of Newness and Distinctiveness: **Newness and distinctiveness is claimed in the visual features shown in solid lines in the representations. The contrast in shading represents a contrast of appearance and does not represent any colour, material or texture.**



- (21) Design Number: **11688/2015**
(22) Date of Filing Application: **30 March 2015**
(24) Date from which industrial property rights may have effect: **30 March 2015**
(54) Product in respect of which the design is registered: **Shirt**
(51) International Design Classification: **02-02NES**
(74) Name(s) of Attorney(s): **Davies Collison Cave**
(71) Name(s) and Address(s) of Applicant(s):
NIKE Innovate C.V.
One Bowerman Drive Beaverton Oregon, 97005-6453 United States of America
(72) Name(s) of Designer(s): **Rob Darmour**
(45) Registration Date: **16 June 2015**
(56) Related Art Documents: **Not Applicable**
(57) Statement of Newness and Distinctiveness: **Newness and distinctiveness is claimed in the visual features shown in solid lines in the representations. The contrast in shading represents a contrast of appearance and does not represent any colour, material or texture.**



- (21) Design Number: **11759/2015**
(22) Date of Filing Application: **01 April 2015**
(24) Date from which industrial property rights may have effect: **01 April 2015**
(54) Product in respect of which the design is registered: **Furniture**
(51) International Design Classification: **06-03C**
(74) Name(s) of Attorney(s): **Davies Collison Cave**
(71) Name(s) and Address(s) of Applicant(s):
Zenith Interiors Pty Ltd
101 Tulip St Sandringham VIC 3191 Australia
(72) Name(s) of Designer(s): **Carlo Paoli**
(45) Registration Date: **16 June 2015**
(56) Related Art Documents: **Not Applicable**
(57) Statement of Newness and Distinctiveness: **Newness and distinctiveness is claimed in the visual features shown in solid lines in the representations. In considering the extent of the design rights, the broken lines shown in the representations are for illustrative purposes only and do not form part of the design.**



- (21) Design Number: **11760/2015**
(22) Date of Filing Application: **01 April 2015**
(24) Date from which industrial property rights may have effect: **01 April 2015**
(54) Product in respect of which the design is registered: **Furniture**
(51) International Design Classification: **06-03A**
(74) Name(s) of Attorney(s): **Davies Collison Cave**
(71) Name(s) and Address(s) of Applicant(s):
Zenith Interiors Pty Ltd
101 Tulip St Sandringham VIC 3191 Australia
(72) Name(s) of Designer(s): **Brendan Rosevear**
(45) Registration Date: **16 June 2015**
(56) Related Art Documents: **Not Applicable**
(57) Statement of Newness and Distinctiveness: **Newness and distinctiveness is claimed in the visual features shown in solid lines in the representations. In considering the extent of the design rights, the broken lines shown in the representations are for illustrative purposes only and do not form part of the design.**



- (21) Design Number: **12462/2015**
(22) Date of Filing Application: **11 May 2015**
(24) Date from which industrial property rights may have effect: **09 March 2015**
(54) Product in respect of which the design is registered: **Pressurized air delivery console**
(51) International Design Classification: **24-01**
(74) Name(s) of Attorney(s): **Halfords IP**
(71) Name(s) and Address(s) of Applicant(s):
ResMed Limited
1 Elizabeth Macarthur Dr Bella Vista NSW 2153 Australia
(72) Name(s) of Designer(s): **Mark Bertinetti and Justin John Formica**
(45) Registration Date: **16 June 2015**
(62) Divisional of: **362045**
(56) Related Art Documents: **Not Applicable**
(57) Statement of Newness and Distinctiveness: **Nil**



(21) Design Number: **12468/2015**
(22) Date of Filing Application: **12 May 2015**
(24) Date from which industrial property rights may have effect: **12 May 2015**
(54) Product in respect of which the design is registered: **Magnetic hidden storage box**
(51) International Design Classification: **03-01B**
(74) Name(s) of Attorney(s):
(71) Name(s) and Address(s) of Applicant(s):
Trio Brothers Trading Pty Ltd
18 Beal St Meadowbrook QLD 4131 Australia
(72) Name(s) of Designer(s): **Jack Qin**
(45) Registration Date: **16 June 2015**
(56) Related Art Documents: **Not Applicable**
(57) Statement of Newness and Distinctiveness: **Magnetic storage box, stick to the underside of a car while travelling at 110km/hour.**



(21) Design Number: **12470/2015**
(22) Date of Filing Application: **12 May 2015**
(24) Date from which industrial property rights may have effect: **12 May 2015**
(54) Product in respect of which the design is registered: **Pet treat**
(51) International Design Classification: **01-06**
(74) Name(s) of Attorney(s): **Baker & McKenzie**
(71) Name(s) and Address(s) of Applicant(s):
Mars, Incorporated
6885 Elm Street McLean VA 22101 United States of America
(72) Name(s) of Designer(s): **Peter Sebastian Slusarczyk and Vinod Gumudavelli and Seema Gosai and Michael Herman**
(45) Registration Date: **16 June 2015**
(30) Convention priority data:
(31) Number (32) Date (33) Country
29/512024 16 Dec 2014 UNITED STATES OF AMERICA
(56) Related Art Documents: **Not Applicable**
(57) Statement of Newness and Distinctiveness: **The new and distinctive features of the design are the features depicted in solid lines.**



(21) Design Number: **12471/2015**
(22) Date of Filing Application: **12 May 2015**
(24) Date from which industrial property rights may have effect: **12 May 2015**
(54) Product in respect of which the design is registered: **Chair**
(51) International Design Classification: **06-01F**
(74) Name(s) of Attorney(s): **PHILLIPS ORMONDE FITZPATRICK**
(71) Name(s) and Address(s) of Applicant(s):

FAST S.p.A.
Via Gargna, 8 Vestone Brescia, I-25078 Italy

(72) Name(s) of Designer(s): **Robby Cantarutti and Francesca Cantarutti**

(45) Registration Date: **16 June 2015**

(30) Convention priority data:

(31) Number	(32) Date	(33) Country
856833001	03 Dec 2014	WORLD INTELLECTUAL PROPERTY ORGANIZATION (WIPO)



(56) Related Art Documents: **Not Applicable**

(57) Statement of Newness and Distinctiveness: **Nil**

(21) Design Number: **12472/2015**
(22) Date of Filing Application: **12 May 2015**
(24) Date from which industrial property rights may have effect: **12 May 2015**
(54) Product in respect of which the design is registered: **Shave preparation container**
(51) International Design Classification: **09-01A**
(74) Name(s) of Attorney(s): **PHILLIPS ORMONDE FITZPATRICK**
(71) Name(s) and Address(s) of Applicant(s):

The Gillette Company
One Gillette Park Boston Massachusetts 02127 United States of America

(72) Name(s) of Designer(s): **Michael David Skrzelowski**

(45) Registration Date: **16 June 2015**

(30) Convention priority data:

(31) Number	(32) Date	(33) Country
29/508,880	12 Nov 2014	UNITED STATES OF AMERICA



(56) Related Art Documents: **Not Applicable**

(57) Statement of Newness and Distinctiveness: **Those features of the shave preparation container depicted in the representations that are new and distinctive are the shape and/or configuration and/or ornamentation.**

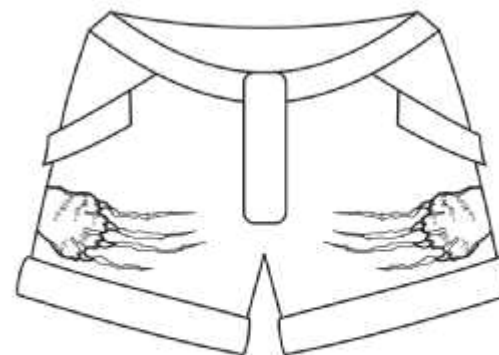
- (21) Design Number: **12473/2015**
(22) Date of Filing Application: **12 May 2015**
(24) Date from which industrial property rights may have effect: **12 May 2015**
(54) Product in respect of which the design is registered: **T-shirt**
(51) International Design Classification: **02-02NES**
(74) Name(s) of Attorney(s): **Golja Haines & Friend**
(71) Name(s) and Address(s) of Applicant(s):
Mark Stirling
15 Portrush Way Mindarie WA 6030 Australia
(72) Name(s) of Designer(s): **Kristen King**
(45) Registration Date: **16 June 2015**
(56) Related Art Documents: **Not Applicable**
(57) Statement of Newness and Distinctiveness: **Newness and distinctiveness resides in the visual features of pattern and/or ornamentation and shape and/or configuration of the graphics and claw rips in the garment fabric applied to a T-Shirt as illustrated in the accompanying representations.**



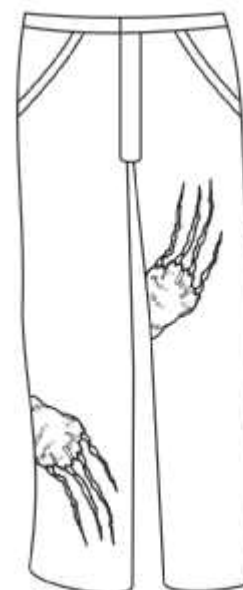
- (21) Design Number: **12474/2015**
(22) Date of Filing Application: **12 May 2015**
(24) Date from which industrial property rights may have effect: **12 May 2015**
(54) Product in respect of which the design is registered: **T-shirt**
(51) International Design Classification: **02-02NES**
(74) Name(s) of Attorney(s): **Golja Haines & Friend**
(71) Name(s) and Address(s) of Applicant(s):
Mark Stirling
15 Portrush Way Mindarie WA 6030 Australia
(72) Name(s) of Designer(s): **Kristen King**
(45) Registration Date: **16 June 2015**
(56) Related Art Documents: **Not Applicable**
(57) Statement of Newness and Distinctiveness: **Newness and distinctiveness resides in the visual features of pattern and/or ornamentation and shape and/or configuration of the graphics and claw rips in the garment fabric applied to a T-Shirt as illustrated in the accompanying representations.**



- (21) Design Number: **12475/2015**
(22) Date of Filing Application: **12 May 2015**
(24) Date from which industrial property rights may have effect: **12 May 2015**
(54) Product in respect of which the design is registered: **Shorts**
(51) International Design Classification: **02-02C**
(74) Name(s) of Attorney(s): **Golja Haines & Friend**
(71) Name(s) and Address(s) of Applicant(s):
Mark Stirling
15 Portrush Way Mindarie WA 6030 Australia
(72) Name(s) of Designer(s): **Kristen King**
(45) Registration Date: **16 June 2015**
(56) Related Art Documents: **Not Applicable**
(57) Statement of Newness and Distinctiveness: **Newness and distinctiveness resides in the visual features of pattern and/or ornamentation and shape and/or configuration of the graphics and claw rips in the garment fabric applied to Shorts as illustrated in the accompanying representations.**



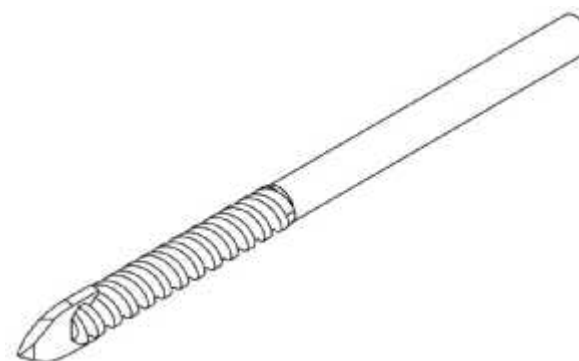
- (21) Design Number: **12476/2015**
(22) Date of Filing Application: **12 May 2015**
(24) Date from which industrial property rights may have effect: **12 May 2015**
(54) Product in respect of which the design is registered: **Pants**
(51) International Design Classification: **02-02C**
(74) Name(s) of Attorney(s): **Golja Haines & Friend**
(71) Name(s) and Address(s) of Applicant(s):
Mark Stirling
15 Portrush Way Mindarie WA 6030 Australia
(72) Name(s) of Designer(s): **Kristen King**
(45) Registration Date: **16 June 2015**
(56) Related Art Documents: **Not Applicable**
(57) Statement of Newness and Distinctiveness: **Newness and distinctiveness resides in the visual features of pattern and/or ornamentation and shape and/or configuration of the graphics and claw rips in the garment fabric applied to Pants as illustrated in the accompanying representations.**



(21) Design Number: **14754/2014**
(22) Date of Filing Application: **18 September 2014**
(24) Date from which industrial property rights may have effect: **18 September 2014**
(54) Product in respect of which the design is registered: **Tool**
(51) International Design Classification: **08-03**
(74) Name(s) of Attorney(s): **Davies Collison Cave**
(71) Name(s) and Address(s) of Applicant(s):
Cyclone Tools Pty Ltd
317-323 Abbots Rd Dandenong South VIC 3175 Australia
(72) Name(s) of Designer(s): **Nathan Anderson Pollock and Michael Rossignuolo and Bradley Peter Ryan and Lee Anthony Rodezno**
(45) Registration Date: **17 June 2015**
(56) Related Art Documents: **Not Applicable**
(57) Statement of Newness and Distinctiveness: **Newness and distinctiveness is claimed in the visual features of shape and configuration of a tool having handles with changing cross-sectional profiles, as shown in the representations.**



(21) Design Number: **12008/2015**
(22) Date of Filing Application: **15 April 2015**
(24) Date from which industrial property rights may have effect: **15 April 2015**
(54) Product in respect of which the design is registered: **Drills**
(51) International Design Classification: **08-01**
(74) Name(s) of Attorney(s): **Corrs Chambers Westgarth**
(71) Name(s) and Address(s) of Applicant(s):
DIAGER
Rue Henri Moissan Poligny 39800 France
(72) Name(s) of Designer(s): **Francois Defougeres**
(45) Registration Date: **17 June 2015**
(30) Convention priority data:
(31) Number (32) Date (33) Country
**002577668 13 Nov 2014 OFFICE FOR HARMONISATION IN
THE INTERNAL MARKET (OHIM)**
(56) Related Art Documents: **Not Applicable**
(57) Statement of Newness and Distinctiveness: **Nil**



(21) Design Number: **12275/2015**

(22) Date of Filing Application: **01 May 2015**

(24) Date from which industrial property rights may have effect: **01 May 2015**

(54) Product in respect of which the design is registered: **Non electrical household cutting device**

(51) International Design Classification: **07-04**

(74) Name(s) of Attorney(s): **PIPERS**

(71) Name(s) and Address(s) of Applicant(s):

Genius GmbH

Im Dachsstuck 8 Limburg 65549 Germany

(72) Name(s) of Designer(s): **Cedomir Repac**

(45) Registration Date: **17 June 2015**

(30) Convention priority data:

(31) Number
002573956

(32) Date
07 Nov 2014

(33) Country
**OFFICE FOR HARMONISATION IN
THE INTERNAL MARKET (OHIM)**

(56) Related Art Documents: **Not Applicable**

(57) Statement of Newness and Distinctiveness: **Novelty is claimed in the shape and configuration of a non electrical household cutting device as shown in the accompanying representations.**



(21) Design Number: **12276/2015**

(22) Date of Filing Application: **01 May 2015**

(24) Date from which industrial property rights may have effect: **01 May 2015**

(54) Product in respect of which the design is registered: **Non electrical household cutting device**

(51) International Design Classification: **07-04**

(74) Name(s) of Attorney(s): **PIPERS**

(71) Name(s) and Address(s) of Applicant(s):

Genius GmbH

Im Dachsstuck 8 Limburg 65549 Germany

(72) Name(s) of Designer(s): **Cedomir Repac**

(45) Registration Date: **17 June 2015**

(30) Convention priority data:

(31) Number
002573956

(32) Date
07 Nov 2014

(33) Country
**OFFICE FOR HARMONISATION IN
THE INTERNAL MARKET (OHIM)**

(56) Related Art Documents: **Not Applicable**

(57) Statement of Newness and Distinctiveness: **Novelty is claimed in the shape and configuration of a non electrical household cutting device as shown in the accompanying representations.**



(21) Design Number: **12389/2015**
(22) Date of Filing Application: **09 May 2015**
(24) Date from which industrial property rights may have effect: **09 May 2015**
(54) Product in respect of which the design is registered: **Pet toy**
(51) International Design Classification: **30-99**
(74) Name(s) of Attorney(s): **Marshall Legal**
(71) Name(s) and Address(s) of Applicant(s):

Global Dog Pty Ltd
20 William Beach Rd Kanahooka NSW 2530 Australia

(72) Name(s) of Designer(s): **Danny Wilson**

(45) Registration Date: **17 June 2015**

(56) Related Art Documents: **Not Applicable**

(57) Statement of Newness and Distinctiveness: **Newness and distinctiveness is claimed in the shape and configuration of a pet toy as shown in the representations. By way of explanation, the small circles (appearing as ovals in the perspective views) depict holes or apertures that extend into the product which is hollow. The four holes or apertures on the top and bottom of the product, as shown in the "side views", are shown as being aligned to one another; however, they may not be so arranged in the product.**



(21) Design Number: **12390/2015**
(22) Date of Filing Application: **09 May 2015**
(24) Date from which industrial property rights may have effect: **09 May 2015**
(54) Product in respect of which the design is registered: **Pet toy**
(51) International Design Classification: **30-99**
(74) Name(s) of Attorney(s): **Marshall Legal**
(71) Name(s) and Address(s) of Applicant(s):

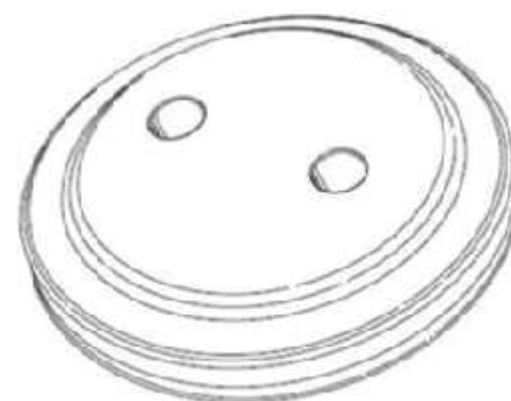
Global Dog Pty Ltd
20 William Beach Rd Kanahooka NSW 2530 Australia

(72) Name(s) of Designer(s): **Danny Wilson**

(45) Registration Date: **17 June 2015**

(56) Related Art Documents: **Not Applicable**

(57) Statement of Newness and Distinctiveness: **Newness and distinctiveness is claimed in the shape and configuration of a pet toy as shown in the representations. By way of explanation, the small circles (appearing as ovals in the perspective views) depict holes or apertures that extend into the product which is hollow. The two holes or apertures on the top and bottom of the product, as shown in the "side views", are shown as being perpendicular to one another such that on the side view, only one of the two holes on the top or the bottom is visible in the side view; however, they may not be so arranged in the product and one hole of the two holes on the top and/or the bottom of the product may be visible on the side view.**



- (21) Design Number: **12391/2015**
(22) Date of Filing Application: **09 May 2015**
(24) Date from which industrial property rights may have effect: **09 May 2015**
(54) Product in respect of which the design is registered: **Pet toy**
(51) International Design Classification: **30-99**
(74) Name(s) of Attorney(s): **Marshall Legal**
(71) Name(s) and Address(s) of Applicant(s):
Global Dog Pty Ltd
20 William Beach Rd Kanahooka NSW 2530 Australia
(72) Name(s) of Designer(s): **Danny Wilson**
(45) Registration Date: **17 June 2015**
(56) Related Art Documents: **Not Applicable**
(57) Statement of Newness and Distinctiveness: **Newness and distinctiveness is claimed in the shape and configuration of a pet toy as shown in the representations.**



- (21) Design Number: **12392/2015**
(22) Date of Filing Application: **09 May 2015**
(24) Date from which industrial property rights may have effect: **09 May 2015**
(54) Product in respect of which the design is registered: **Pet toy**
(51) International Design Classification: **30-99**
(74) Name(s) of Attorney(s): **Marshall Legal**
(71) Name(s) and Address(s) of Applicant(s):
Global Dog Pty Ltd
20 William Beach Rd Kanahooka NSW 2530 Australia
(72) Name(s) of Designer(s): **Danny Wilson**
(45) Registration Date: **17 June 2015**
(56) Related Art Documents: **Not Applicable**
(57) Statement of Newness and Distinctiveness: **Newness and distinctiveness is claimed in the shape and configuration of a pet toy as shown in the representations.**



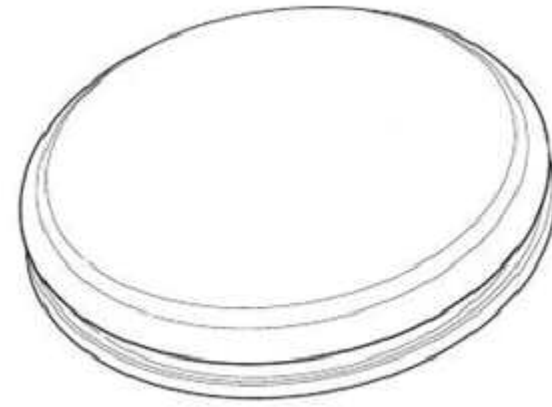
- (21) Design Number: **12393/2015**
(22) Date of Filing Application: **09 May 2015**
(24) Date from which industrial property rights may have effect: **09 May 2015**
(54) Product in respect of which the design is registered: **Pet toy**
(51) International Design Classification: **30-99**
(74) Name(s) of Attorney(s): **Marshall Legal**
(71) Name(s) and Address(s) of Applicant(s):
Global Dog Pty Ltd
20 William Beach Rd Kanahooka NSW 2530 Australia
(72) Name(s) of Designer(s): **Danny Wilson**
(45) Registration Date: **17 June 2015**
(56) Related Art Documents: **Not Applicable**
(57) Statement of Newness and Distinctiveness: **Newness and distinctiveness is claimed in the shape and configuration of a pet toy as shown in the representations.**



- (21) Design Number: **12394/2015**
(22) Date of Filing Application: **09 May 2015**
(24) Date from which industrial property rights may have effect: **09 May 2015**
(54) Product in respect of which the design is registered: **Pet toy**
(51) International Design Classification: **30-99**
(74) Name(s) of Attorney(s): **Marshall Legal**
(71) Name(s) and Address(s) of Applicant(s):
Global Dog Pty Ltd
20 William Beach Rd Kanahooka NSW 2530 Australia
(72) Name(s) of Designer(s): **Danny Wilson**
(45) Registration Date: **17 June 2015**
(56) Related Art Documents: **Not Applicable**
(57) Statement of Newness and Distinctiveness: **Newness and distinctiveness is claimed in the shape and configuration of a pet toy as shown in the representations.**



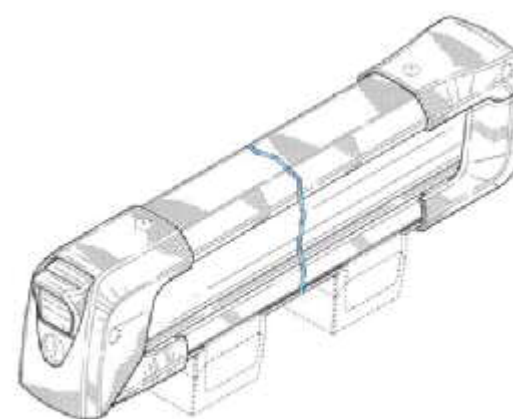
(21) Design Number: **12395/2015**
(22) Date of Filing Application: **09 May 2015**
(24) Date from which industrial property rights may have effect: **09 May 2015**
(54) Product in respect of which the design is registered: **Pet toy**
(51) International Design Classification: **30-99**
(74) Name(s) of Attorney(s): **Marshall Legal**
(71) Name(s) and Address(s) of Applicant(s):
Global Dog Pty Ltd
20 William Beach Rd Kanahooka NSW 2530 Australia
(72) Name(s) of Designer(s): **Danny Wilson**
(45) Registration Date: **17 June 2015**
(56) Related Art Documents: **Not Applicable**
(57) Statement of Newness and Distinctiveness: **Newness and distinctiveness is claimed in the shape and configuration of a pet toy as shown in the representations.**



(21) Design Number: **12449/2015**
(22) Date of Filing Application: **11 May 2015**
(24) Date from which industrial property rights may have effect: **11 May 2015**
(54) Product in respect of which the design is registered: **Coconut tap**
(51) International Design Classification: **07-04**
(74) Name(s) of Attorney(s): **Armour IP**
(71) Name(s) and Address(s) of Applicant(s):
Anthony Bruce Clarke
28 Burke Dr Attadale WA 6156 Australia
Tracey Leeann Clarke
28 Burke Dr Attadale WA 6156 Australia
(72) Name(s) of Designer(s): **Anthony Bruce Clarke and Tracey Leeann Clarke and Edward Khoury**
(45) Registration Date: **17 June 2015**
(56) Related Art Documents: **Not Applicable**
(57) Statement of Newness and Distinctiveness: **Nil**



(21) Design Number: **12450/2015**
(22) Date of Filing Application: **11 May 2015**
(24) Date from which industrial property rights may have effect: **11 May 2015**
(54) Product in respect of which the design is registered: **Ski and snowboard carrier**
(51) International Design Classification: **12-16K**
(74) Name(s) of Attorney(s): **James & Wells**
(71) Name(s) and Address(s) of Applicant(s):
Thule Sweden AB
Box 69 Hillerstorp Joenkoepings Laen, 330 33 Sweden
(72) Name(s) of Designer(s): **Henrik Eriksson and Fredrik Eriksson**
(45) Registration Date: **17 June 2015**
(30) Convention priority data:
(31) Number (32) Date (33) Country
29/513,355 30 Dec 2014 UNITED STATES OF AMERICA



(56) Related Art Documents: **Not Applicable**
(57) Statement of Newness and Distinctiveness: **The design is to be applied to a Ski and Snowboard Carrier and its novelty resides in features of shape and configuration. Features in dashed lines are not part of the design in which protection is sought. The portion of the article in blue wash may be of variable length.**

(21) Design Number: **12477/2015**
(22) Date of Filing Application: **12 May 2015**
(24) Date from which industrial property rights may have effect: **12 May 2015**
(54) Product in respect of which the design is registered: **Article of clothing**
(51) International Design Classification: **02-02NES**
(74) Name(s) of Attorney(s): **Clayton Utz**
(71) Name(s) and Address(s) of Applicant(s):
Marielle Veronica Suhood
5/37 Stanton Rd Mosman NSW 2088 Australia
(72) Name(s) of Designer(s): **Marielle Veronica Suhood**
(45) Registration Date: **17 June 2015**
(56) Related Art Documents: **Not Applicable**



(57) Statement of Newness and Distinctiveness: **The particular visual features of the design that are new and distinctive are: a. The entire upper edge of the garment is curved and continues curving upwards from each side of the centre rear of the garment to the two tie sections of the garment; and b. The two sides of the piece of fabric comprising the garment are joined by some means along the front of the garment, with the joined section being abutted at either end with a substantial section along the height of the garment where the two sides of the piece of fabric are not joined.**

(21) Design Number: **12478/2015**
(22) Date of Filing Application: **12 May 2015**
(24) Date from which industrial property rights may have effect: **12 May 2015**
(54) Product in respect of which the design is registered: **An automobile**
(51) International Design Classification: **12-08**
(74) Name(s) of Attorney(s): **Banki Haddock Fiora**
(71) Name(s) and Address(s) of Applicant(s):
Suzuki Motor Corporation
300 Takatsuka-cho Minami-ku Hamamatsu-shi, Shizuoka-Pref. 432-8611
Japan
(72) Name(s) of Designer(s): **Yoshio Takeuchi**
(45) Registration Date: **17 June 2015**
(30) Convention priority data:
(31) Number (32) Date (33) Country
2014-026521 28 Nov 2014 JAPAN
(56) Related Art Documents: **Not Applicable**
(57) Statement of Newness and Distinctiveness: **The visual features of the automobile depicted in the representations that are new and distinctive are the shape and/or configuration.**



(21) Design Number: **12479/2015**
(22) Date of Filing Application: **12 May 2015**
(24) Date from which industrial property rights may have effect: **12 May 2015**
(54) Product in respect of which the design is registered: **An automobile**
(51) International Design Classification: **12-08**
(74) Name(s) of Attorney(s): **Banki Haddock Fiora**
(71) Name(s) and Address(s) of Applicant(s):
Suzuki Motor Corporation
300 Takatsuka-cho Minami-ku Hamamatsu-shi, Shizuoka-Pref. 432-8611
Japan
(72) Name(s) of Designer(s): **Yoshio Takeuchi**
(45) Registration Date: **17 June 2015**
(30) Convention priority data:
(31) Number (32) Date (33) Country
2015-002674 11 Feb 2015 JAPAN
(56) Related Art Documents: **Not Applicable**
(57) Statement of Newness and Distinctiveness: **The visual features of the automobile depicted in the representations that are new and distinctive are the shape and/or configuration.**



(21) Design Number: **12501/2015**

(22) Date of Filing Application: **14 May 2015**

(24) Date from which industrial property rights may have effect: **14 May 2015**

(54) Product in respect of which the design is registered: **Digital music player**

(51) International Design Classification: **14-03D**

(74) Name(s) of Attorney(s): **K&L Gates**

(71) Name(s) and Address(s) of Applicant(s):

Bang & Olufsen A/S

Peter Bangs Vej 15 7600 Struer Denmark

(72) Name(s) of Designer(s): **Andre Poulheim**

(45) Registration Date: **17 June 2015**

(30) Convention priority data:

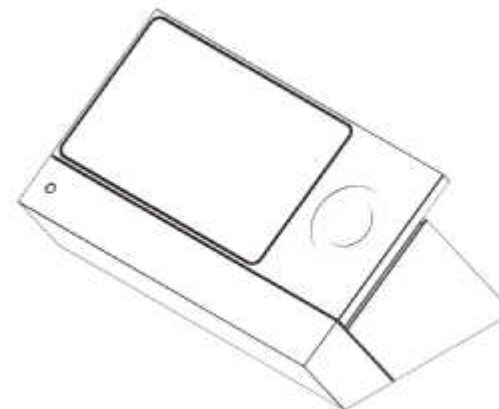
(31) Number
002579417

(32) Date
17 Nov 2014

(33) Country
**OFFICE FOR HARMONISATION IN
THE INTERNAL MARKET (OHIM)**

(56) Related Art Documents: **Not Applicable**

(57) Statement of Newness and Distinctiveness: **Nil**



(21) Design Number: **12502/2015**

(22) Date of Filing Application: **14 May 2015**

(24) Date from which industrial property rights may have effect: **14 May 2015**

(54) Product in respect of which the design is registered: **Part for digital music player**

(51) International Design Classification: **14-03D**

(74) Name(s) of Attorney(s): **K&L Gates**

(71) Name(s) and Address(s) of Applicant(s):

Bang & Olufsen A/S

Peter Bangs Vej 15 7600 Struer Denmark

(72) Name(s) of Designer(s): **Andre Poulheim**

(45) Registration Date: **17 June 2015**

(30) Convention priority data:

(31) Number
002579417

(32) Date
17 Nov 2014

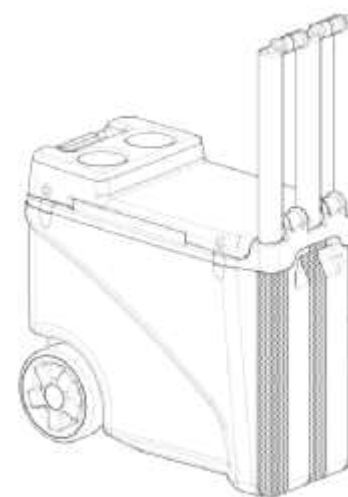
(33) Country
**OFFICE FOR HARMONISATION IN
THE INTERNAL MARKET (OHIM)**

(56) Related Art Documents: **Not Applicable**

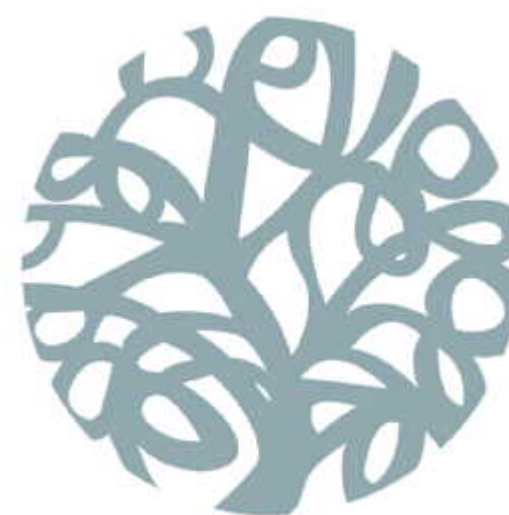
(57) Statement of Newness and Distinctiveness: **Nil**



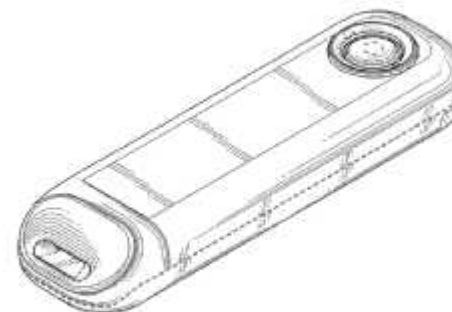
- (21) Design Number: **12503/2015**
(22) Date of Filing Application: **14 May 2015**
(24) Date from which industrial property rights may have effect: **14 May 2015**
(54) Product in respect of which the design is registered: **Insulated container**
(51) International Design Classification: **07-07A**
(74) Name(s) of Attorney(s):
(71) Name(s) and Address(s) of Applicant(s):
Sunscreen Umbrella Pty Ltd
45 Victor Rd Paradise SA 5075 Australia
(72) Name(s) of Designer(s): **Leigh Warren**
(45) Registration Date: **17 June 2015**
(56) Related Art Documents: **Not Applicable**
(57) Statement of Newness and Distinctiveness: **Newness and distinctiveness in claimed in the shape and configuration of the INSULATED CONTAINER as shown in the accompanying representations, in particular the shape and configuration of the lid.**



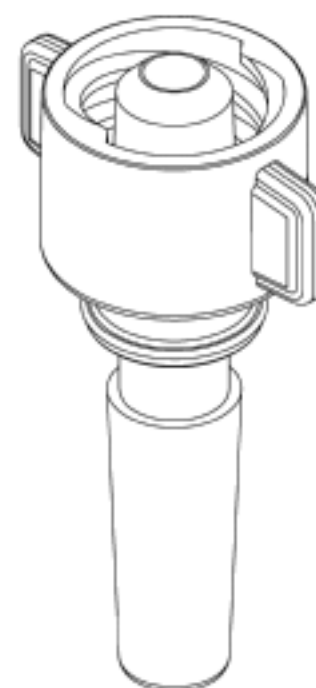
- (21) Design Number: **12504/2015**
(22) Date of Filing Application: **14 May 2015**
(24) Date from which industrial property rights may have effect: **14 May 2015**
(54) Product in respect of which the design is registered: **Jewellery tree shaped pendent**
(51) International Design Classification: **20-02E**
(74) Name(s) of Attorney(s):
(71) Name(s) and Address(s) of Applicant(s):
Violeta Jovcevski
2 Turvey St Revesby NSW 2212 Australia
(72) Name(s) of Designer(s): **Violeta Jovcevski**
(45) Registration Date: **17 June 2015**
(56) Related Art Documents: **Not Applicable**
(57) Statement of Newness and Distinctiveness: **four distinct letter V are drawn in the design;tear drop soft flowing shapes around the the circle;base of circle is a tree stump;not symmetrical design each shape is different in size;**



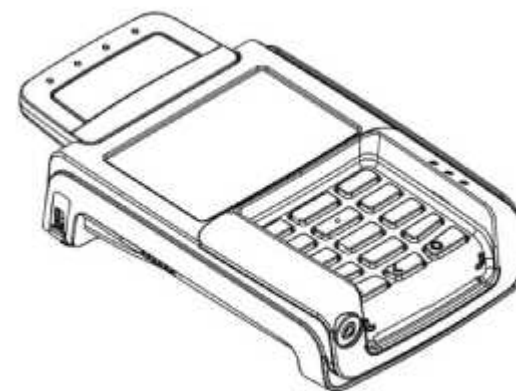
(21) Design Number: **12505/2015**
(22) Date of Filing Application: **14 May 2015**
(24) Date from which industrial property rights may have effect: **14 May 2015**
(54) Product in respect of which the design is registered: **Analyte meter**
(51) International Design Classification: **24-02**
(74) Name(s) of Attorney(s): **Spruson & Ferguson**
(71) Name(s) and Address(s) of Applicant(s):
Bayer Healthcare LLC
100 Bayer Boulevard, Whippany New Jersey, 07981 United States of America
(72) Name(s) of Designer(s): **Raymond Yao and Kuen Chang and Ross Lockwood**
(45) Registration Date: **17 June 2015**
(30) Convention priority data:
(31) Number (32) Date (33) Country
29/509336 17 Nov 2014 UNITED STATES OF AMERICA
(56) Related Art Documents: **Not Applicable**
(57) Statement of Newness and Distinctiveness: **Newness and distinctiveness is claimed in those features of shape and/or configuration of an analyte meter as illustrated in continuous lines in the accompanying representations.**



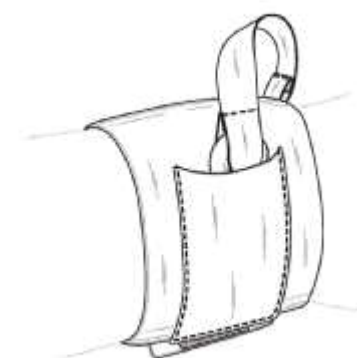
(21) Design Number: **12511/2015**
(22) Date of Filing Application: **14 May 2015**
(24) Date from which industrial property rights may have effect: **14 May 2015**
(54) Product in respect of which the design is registered: **Connector for a medical adapter assembly**
(51) International Design Classification: **24-01**
(74) Name(s) of Attorney(s): **Spruson & Ferguson**
(71) Name(s) and Address(s) of Applicant(s):
Covidien LP
15 Hampshire Street, Mansfield Massachusetts, 02048 United States of America
(72) Name(s) of Designer(s): **David Swisher and Michael Dorsey and Sandra Walker**
(45) Registration Date: **17 June 2015**
(30) Convention priority data:
(31) Number (32) Date (33) Country
29/510708 02 Dec 2014 UNITED STATES OF AMERICA
(56) Related Art Documents: **Not Applicable**
(57) Statement of Newness and Distinctiveness: **Newness and distinctiveness is claimed in the features of shape and/or configuration of a connector for a medical adapter assembly as illustrated in the accompanying representations.**



(21) Design Number: **12512/2015**
(22) Date of Filing Application: **14 May 2015**
(24) Date from which industrial property rights may have effect: **14 May 2015**
(54) Product in respect of which the design is registered: **Payment terminal**
(51) International Design Classification: **14-02**
(74) Name(s) of Attorney(s): **Griffith Hack**
(71) Name(s) and Address(s) of Applicant(s):
"COMPAGNIE INDUSTRIELLE ET FINANCIERE D'INGENIERIE" INGENICO
28-32 BOULEVARD DE GRENELLE PARIS 75015 France
(72) Name(s) of Designer(s): **Olivier Blanc**
(45) Registration Date: **17 June 2015**
(30) Convention priority data:
(31) Number (32) Date (33) Country
002586917-001 27 Nov 2014 OFFICE FOR HARMONISATION IN
THE INTERNAL MARKET (OHIM)
(56) Related Art Documents: **Not Applicable**
(57) Statement of Newness and Distinctiveness: **Newness and distinctiveness**
resides in the visual features, including the shape and configuration of
the product shown in the representations.



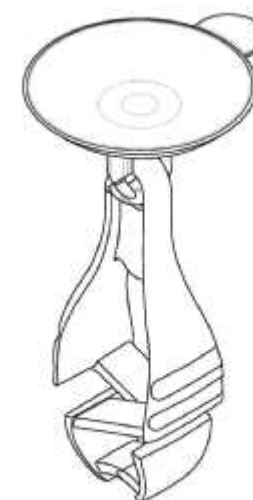
(21) Design Number: **12513/2015**
(22) Date of Filing Application: **14 May 2015**
(24) Date from which industrial property rights may have effect: **14 May 2015**
(54) Product in respect of which the design is registered: **Wrist lanyard**
(51) International Design Classification: **03-01B**
(74) Name(s) of Attorney(s): **PHILLIPS ORMONDE FITZPATRICK**
(71) Name(s) and Address(s) of Applicant(s):
Tenacious Holdings, Inc.
1021 Bandana Boulevard East Suite 220 St. Paul Minnesota 55108 United
States of America
(72) Name(s) of Designer(s): **Thomas F. Votel and Nathan Bohmbach and Brent**
Velenchenko
(45) Registration Date: **17 June 2015**
(30) Convention priority data:
(31) Number (32) Date (33) Country
29/519,276 04 Mar 2015 UNITED STATES OF AMERICA
(56) Related Art Documents: **Not Applicable**
(57) Statement of Newness and Distinctiveness: **When considering the newness**
and distinctiveness of the design shown in the representations it should
be noted that the large dashed lines as appearing on the wrist lanyard
represent stitching and form part of the design, whereas the smaller
dashed lines represent the wrist of a person wearing the wrist lanyard
and form no part of the design.



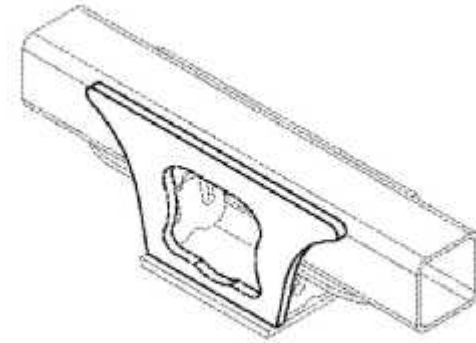
(21) Design Number: **12516/2015**
(22) Date of Filing Application: **14 May 2015**
(24) Date from which industrial property rights may have effect: **14 May 2015**
(54) Product in respect of which the design is registered: **Magnet grabber**
(51) International Design Classification: **08-05NES**
(74) Name(s) of Attorney(s): **PHILLIPS ORMONDE FITZPATRICK**
(71) Name(s) and Address(s) of Applicant(s):
Tenacious Holdings, Inc.
1021 Bandana Boulevard East Suite 220 St. Paul Minnesota 55108 United States of America
(72) Name(s) of Designer(s): **Thomas F. Votel and Nathan Bohmbach and Jeffrey Popowski**
(45) Registration Date: **17 June 2015**
(30) Convention priority data:
(31) Number (32) Date (33) Country
29/522,596 01 Apr 2015 UNITED STATES OF AMERICA
(56) Related Art Documents: **Not Applicable**
(57) Statement of Newness and Distinctiveness: **When considering the newness and distinctiveness of the design, it should be noted that the features illustrated by the broken lines in the representations form no part of the design.**



(21) Design Number: **12517/2015**
(22) Date of Filing Application: **14 May 2015**
(24) Date from which industrial property rights may have effect: **14 May 2015**
(54) Product in respect of which the design is registered: **Suction cup grabber**
(51) International Design Classification: **08-08NES**
(74) Name(s) of Attorney(s): **PHILLIPS ORMONDE FITZPATRICK**
(71) Name(s) and Address(s) of Applicant(s):
Tenacious Holdings, Inc.
1021 Bandana Boulevard East Suite 220 St. Paul Minnesota 55108 United States of America
(72) Name(s) of Designer(s): **Thomas F. Votel and Nathan Bohmbach and Jeffrey Popowski**
(45) Registration Date: **17 June 2015**
(30) Convention priority data:
(31) Number (32) Date (33) Country
29/522,597 01 Apr 2015 UNITED STATES OF AMERICA
(56) Related Art Documents: **Not Applicable**
(57) Statement of Newness and Distinctiveness: **When considering the newness and distinctiveness of the design, it should be noted that the features illustrated by the broken lines in the representations form no part of the design.**



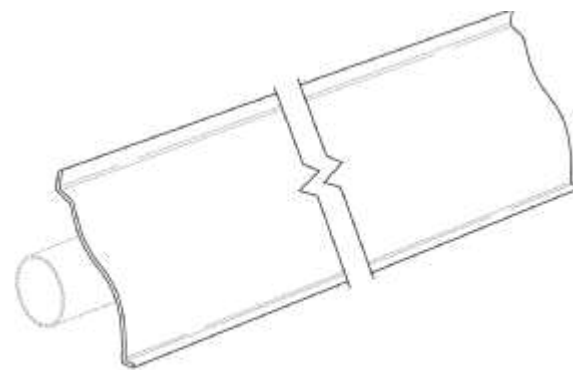
- (21) Design Number: **15041/2014**
(22) Date of Filing Application: **01 October 2014**
(24) Date from which industrial property rights may have effect: **01 October 2014**
(54) Product in respect of which the design is registered: **Towbar**
(51) International Design Classification: **12-16L**
(74) Name(s) of Attorney(s): **Davies Collison Cave**
(71) Name(s) and Address(s) of Applicant(s):
Bartlett Transport Improvements Pty Ltd
6-8 Abbott Rd Hallam VIC 3803 Australia
(72) Name(s) of Designer(s): **Allan Bartlett and Wayne Baker**
(45) Registration Date: **17 June 2015**
(56) Related Art Documents: **Not Applicable**
(57) Statement of Newness and Distinctiveness: **Newness and distinctiveness is claimed in the shape and configuration of what is shown in solid lines in the accompanying representations.**



- (21) Design Number: **15087/2014**
(22) Date of Filing Application: **03 October 2014**
(24) Date from which industrial property rights may have effect: **03 October 2014**
(54) Product in respect of which the design is registered: **Electrical switch button**
(51) International Design Classification: **13-03D**
(74) Name(s) of Attorney(s): **Davies Collison Cave**
(71) Name(s) and Address(s) of Applicant(s):
Arlec Australia Pty Ltd
Building 3 31-41 Joseph St Blackburn North VIC 3130 Australia
(72) Name(s) of Designer(s): **Murray Johnson and Kar Lun Tam**
(45) Registration Date: **17 June 2015**
(56) Related Art Documents: **Not Applicable**
(57) Statement of Newness and Distinctiveness: **Newness and distinctiveness is claimed in the shape and configuration of what is shown in solid lines.**



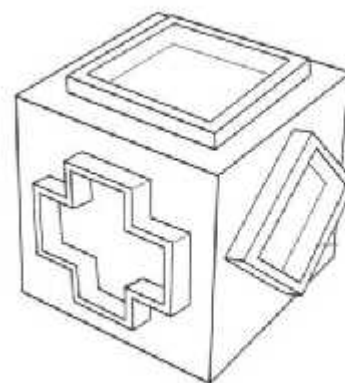
- (21) Design Number: **16670/2014**
(22) Date of Filing Application: **23 December 2014**
(24) Date from which industrial property rights may have effect: **23 December 2014**
(54) Product in respect of which the design is registered: **Cornice trowel**
(51) International Design Classification: **08-05K**
(74) Name(s) of Attorney(s): **O'Sullivan's**
(71) Name(s) and Address(s) of Applicant(s):
Zhi Gang Cui
9 Elstree Ct Lynwood WA 6147 Australia
(72) Name(s) of Designer(s): **Zhi Gang Cui**
(45) Registration Date: **17 June 2015**
(56) Related Art Documents: **Not Applicable**
(57) Statement of Newness and Distinctiveness: **Monopoly is claimed in the shape and configuration of a cornice trowel of indefinite length as shown in the attached drawings. No monopoly is claimed in the shape or configuration of the handle shown in broken lines in the attached drawings.**



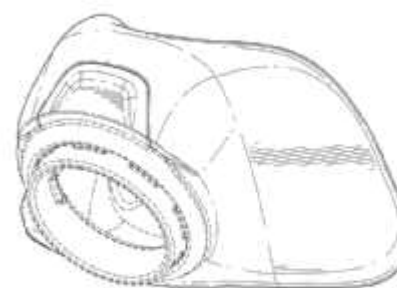
- (21) Design Number: **11506/2015**
(22) Date of Filing Application: **18 March 2015**
(24) Date from which industrial property rights may have effect: **18 March 2015**
(54) Product in respect of which the design is registered: **Surface-treatment apparatus**
(51) International Design Classification: **15-05**
(74) Name(s) of Attorney(s): **PIZZEYS**
(71) Name(s) and Address(s) of Applicant(s):
The Kirby Company / Scott Fetzer Company
1920 West 114th Street Cleveland OH, 44102 United States of America
(72) Name(s) of Designer(s): **Daniel L Steele and Joseph S Gardner and Kenneth C Rutter**
(45) Registration Date: **17 June 2015**
(30) Convention priority data:
(31) Number (32) Date (33) Country
29/506,776 20 Oct 2014 UNITED STATES OF AMERICA
(56) Related Art Documents: **Not Applicable**
(57) Statement of Newness and Distinctiveness: **Nil**



- (21) Design Number: **12077/2015**
(22) Date of Filing Application: **20 April 2015**
(24) Date from which industrial property rights may have effect: **20 April 2015**
(54) Product in respect of which the design is registered: **Kids block puzzle**
(51) International Design Classification: **21-01M**
(74) Name(s) of Attorney(s):
(71) Name(s) and Address(s) of Applicant(s):
Moises Petilla
1 London Crt Cecil Hills NSW 2171 Australia
(72) Name(s) of Designer(s): **Moises Petilla**
(45) Registration Date: **17 June 2015**
(56) Related Art Documents: **Not Applicable**
(57) Statement of Newness and Distinctiveness: **Kids Block Puzzle comprises of 8 square Blocks of the same size, design and configuration. There are 3 design shapes on each block; Square, Diamond, and Cross. Each design shape is either a 'Catch' or a 'Protrusion'. The objective is to connect all 8 blocks by attaching same shapes, ie. Square Protrusion to the Square Catch, Diamond Protrusion to the Diamond Catch, the Cross Protrusion to the Cross Catch..**



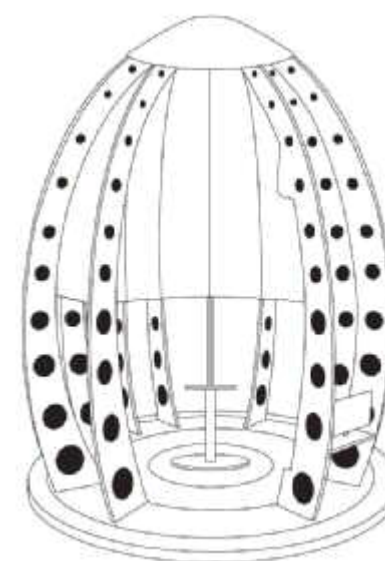
- (21) Design Number: **12357/2015**
(22) Date of Filing Application: **07 May 2015**
(24) Date from which industrial property rights may have effect: **07 May 2015**
(54) Product in respect of which the design is registered: **A seal for a breathing apparatus**
(51) International Design Classification: **24-01**
(74) Name(s) of Attorney(s): **AJ Park**
(71) Name(s) and Address(s) of Applicant(s):
Fisher & Paykel Healthcare Limited
15 Maurice Paykel Place East Tamaki Auckland 2013 New Zealand
(72) Name(s) of Designer(s): **Wen Dong Huang and Arvin San Jose Gardiola and Matthew Roger Stephenson and Toong Lim and Bruce Michael Walls and Jeremy Owen Young**
(45) Registration Date: **17 June 2015**
(30) Convention priority data:
(31) Number (32) Date (33) Country
29/508,627 07 Nov 2014 UNITED STATES OF AMERICA
(56) Related Art Documents: **Not Applicable**
(57) Statement of Newness and Distinctiveness: **Newness and distinctiveness resides in the features of shape and/or configuration of the seal for a breathing apparatus as shown in the representations. No newness and distinctiveness resides in any features shown in broken (phantom) lines.**



(21) Design Number: **12469/2015**
(22) Date of Filing Application: **12 May 2015**
(24) Date from which industrial property rights may have effect: **12 May 2015**
(54) Product in respect of which the design is registered: **Pet treat**
(51) International Design Classification: **01-06**
(74) Name(s) of Attorney(s): **Baker & McKenzie**
(71) Name(s) and Address(s) of Applicant(s):
Mars, Incorporated
6885 Elm Street McLean VA 22101 United States of America
(72) Name(s) of Designer(s): **Peter Sebastian Slusarczyk and Vinod Gumudavelli and Seema Gosai and Michael Herman**
(45) Registration Date: **17 June 2015**
(30) Convention priority data:
(31) Number (32) Date (33) Country
29/512024 16 Dec 2014 UNITED STATES OF AMERICA
(56) Related Art Documents: **Not Applicable**
(57) Statement of Newness and Distinctiveness: **Nil**



(21) Design Number: **12508/2015**
(22) Date of Filing Application: **14 May 2015**
(24) Date from which industrial property rights may have effect: **14 May 2015**
(54) Product in respect of which the design is registered: **Image capture device**
(51) International Design Classification: **14-01**
(74) Name(s) of Attorney(s): **WATERMARK PATENT AND TRADE MARKS ATTORNEYS**
(71) Name(s) and Address(s) of Applicant(s):
Pro Capture 360 Pty Ltd
610 South Rd Moorabbin VIC 3189 Australia
(72) Name(s) of Designer(s): **Barry Francis Pullar**
(45) Registration Date: **17 June 2015**
(56) Related Art Documents: **Not Applicable**
(57) Statement of Newness and Distinctiveness: **Newness and distinctiveness reside in the features of shape and/or configuration of an image capture device as shown in the accompanying representations; the upper wall screen panels of the image capture device are removable and repositionable.**



(21) Design Number: **12515/2015**

(22) Date of Filing Application: **14 May 2015**

(24) Date from which industrial property rights may have effect: **14 May 2015**

(54) Product in respect of which the design is registered: **Tape measure harness**

(51) International Design Classification: **10-04**

(74) Name(s) of Attorney(s): **PHILLIPS ORMONDE FITZPATRICK**

(71) Name(s) and Address(s) of Applicant(s):

Tenacious Holdings, Inc.

1021 Bandana Boulevard East Suite 220 St. Paul Minnesota 55108 United States of America

(72) Name(s) of Designer(s): **Thomas F. Votel and Nathan Bohmbach and Brent Velenchenko**

(45) Registration Date: **17 June 2015**

(30) Convention priority data:

(31) Number	(32) Date	(33) Country
29/522,598	01 Apr 2015	UNITED STATES OF AMERICA

(56) Related Art Documents: **Not Applicable**

(57) Statement of Newness and Distinctiveness: **When considering the newness and distinctiveness of the design, it should be noted that the features illustrated by the broken lines on the harness as shown in the representations form no part of the design. Further, the tape measure shown in broken lines within the harness, forms no part of the design.**



(21) Design Number: **12523/2015**

(22) Date of Filing Application: **14 May 2015**

(24) Date from which industrial property rights may have effect: **14 May 2015**

(54) Product in respect of which the design is registered: **Wheelchair**

(51) International Design Classification: **12-12**

(74) Name(s) of Attorney(s): **Acacia Law**

(71) Name(s) and Address(s) of Applicant(s):

Freetrack Pty Ltd

PO Box 211 Pinjarra WA 6208 Australia

(72) Name(s) of Designer(s): **Darren Green**

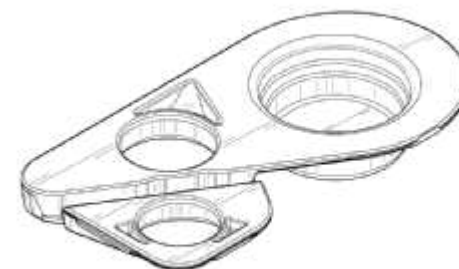
(45) Registration Date: **17 June 2015**

(56) Related Art Documents: **Not Applicable**

(57) Statement of Newness and Distinctiveness: **Novelty lies in the overall combination of shape and configuration of a wheelchair with a track. The lipped nature of the track and the wheels, the curved profile of the external ribs of the track, the caster wheels and the relatively large bottom portion compared with the rest of the wheelchair are particularly new and distinctive.**



(21) Design Number: **12526/2015**
(22) Date of Filing Application: **15 May 2015**
(24) Date from which industrial property rights may have effect: **15 May 2015**
(54) Product in respect of which the design is registered: **Pharmaceutical package**
(51) International Design Classification: **09-05**
(74) Name(s) of Attorney(s): **Shelston IP**
(71) Name(s) and Address(s) of Applicant(s):



McNeil-ppc, Inc.
199 Grandview Road Skillman New Jersey, 08558 United States of America

(72) Name(s) of Designer(s): **Harry S Sowden**

(45) Registration Date: **17 June 2015**

(30) Convention priority data:

(31) Number	(32) Date	(33) Country
29/509558	19 Nov 2014	UNITED STATES OF AMERICA

(56) Related Art Documents: **Not Applicable**

(57) Statement of Newness and Distinctiveness: **Newness and Distinctiveness reside in the shape and configuration of a design for a Pharmaceutical Package as shown in solid line. The faint contour lines display surface curves and contours and do not represent marking of the surface.**

(21) Design Number: **12527/2015**
(22) Date of Filing Application: **15 May 2015**
(24) Date from which industrial property rights may have effect: **15 May 2015**
(54) Product in respect of which the design is registered: **Pharmaceutical package**
(51) International Design Classification: **09-05**
(74) Name(s) of Attorney(s): **Shelston IP**
(71) Name(s) and Address(s) of Applicant(s):



McNeil-ppc, Inc.
199 Grandview Road Skillman New Jersey, 08558 United States of America

(72) Name(s) of Designer(s): **Harry S Sowden**

(45) Registration Date: **17 June 2015**

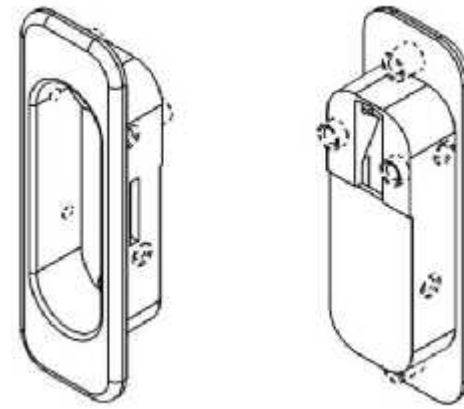
(30) Convention priority data:

(31) Number	(32) Date	(33) Country
29/509598	19 Nov 2014	UNITED STATES OF AMERICA

(56) Related Art Documents: **Not Applicable**

(57) Statement of Newness and Distinctiveness: **Newness and Distinctiveness reside in the shape and configuration of a design for a Pharmaceutical Package as shown in solid line. The faint contour lines display surface curves and contours and do not represent marking of the surface.**

- (21) Design Number: **10503/2015**
(22) Date of Filing Application: **30 January 2015**
(24) Date from which industrial property rights may have effect: **30 January 2015**
(54) Product in respect of which the design is registered: **Plane lock**
(51) International Design Classification: **08-07**
(74) Name(s) of Attorney(s): **Houlihan2**
(71) Name(s) and Address(s) of Applicant(s):
DAVID STUCKEY INVESTMENTS PTY LTD
C/- Pitcher Partners L19/15 William St Melbourne VIC 3000 Australia
(72) Name(s) of Designer(s): **Asidin**
(45) Registration Date: **18 June 2015**
(56) Related Art Documents: **Not Applicable**
(57) Statement of Newness and Distinctiveness: **Newness and distinctiveness reside in the shape and/or configuration of a PLANE LOCK as illustrated in the accompanying representations.**



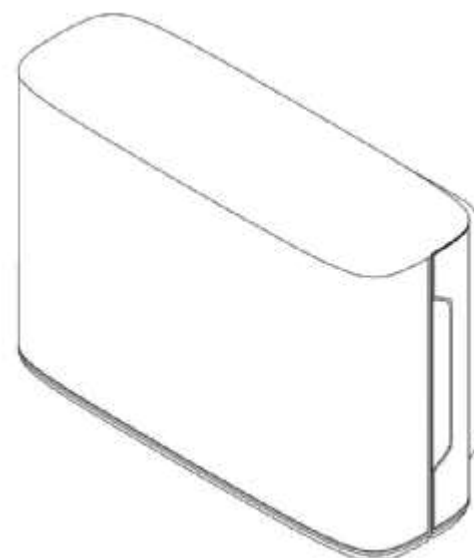
- (21) Design Number: **12050/2015**
(22) Date of Filing Application: **17 April 2015**
(24) Date from which industrial property rights may have effect: **17 April 2015**
(54) Product in respect of which the design is registered: **Ear plugs**
(51) International Design Classification: **24-04**
(74) Name(s) of Attorney(s): **Davies Collison Cave**
(71) Name(s) and Address(s) of Applicant(s):
Jim Vlaskis
16 Caroline Cr Georges Hall NSW 2189 Australia
(72) Name(s) of Designer(s): **Jim Vlaskis**
(45) Registration Date: **18 June 2015**
(56) Related Art Documents: **Not Applicable**
(57) Statement of Newness and Distinctiveness: **Newness and distinctiveness is provided by the bullet shell like shape of the body of the ear plugs. In determining the scope of the monopoly, the connecting cord and bulbous plug part of the ear plugs should be disregarded.**



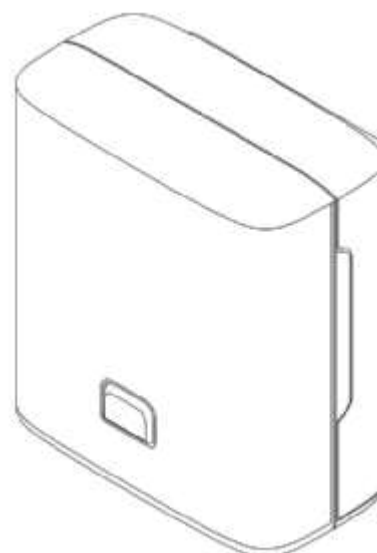
- (21) Design Number: **12510/2015**
(22) Date of Filing Application: **14 May 2015**
(24) Date from which industrial property rights may have effect: **14 May 2015**
(54) Product in respect of which the design is registered: **Awning**
(51) International Design Classification: **12-16NES**
(74) Name(s) of Attorney(s): **HODGKINSON McINNES PATENTS**
(71) Name(s) and Address(s) of Applicant(s):
Rhino Rack Australia Pty Limited
3 Pike St Rydalmere NSW 2116 Australia
(72) Name(s) of Designer(s): **Christopher John Murty and Richard Oswald**
Cropley and Ernesto Fidel Fernandez
(45) Registration Date: **18 June 2015**
(56) Related Art Documents: **Not Applicable**
(57) Statement of Newness and Distinctiveness: **Newness and distinctiveness is claimed in the shape and configuration of an Awning as shown in the representations.**



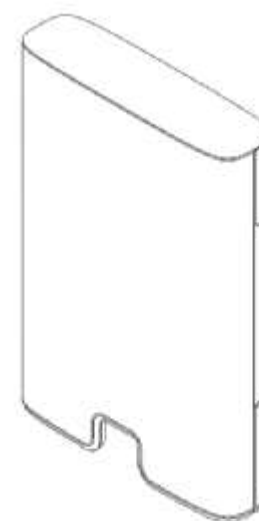
- (21) Design Number: **12543/2015**
(22) Date of Filing Application: **15 May 2015**
(24) Date from which industrial property rights may have effect: **15 May 2015**
(54) Product in respect of which the design is registered: **Tissue dispenser**
(51) International Design Classification: **23-02A**
(74) Name(s) of Attorney(s): **WATERMARK PATENT AND TRADE MARKS**
ATTORNEYS
(71) Name(s) and Address(s) of Applicant(s):
SCA Hygiene Products AB
S-405 03 Goteborg Sweden
(72) Name(s) of Designer(s): **Peter Johnson**
(45) Registration Date: **18 June 2015**
(30) Convention priority data:
(31) Number (32) Date (33) Country
002601922 19 Dec 2014 OFFICE FOR HARMONISATION IN
THE INTERNAL MARKET (OHIM)
(56) Related Art Documents: **Not Applicable**
(57) Statement of Newness and Distinctiveness: **Newness and Distinctiveness is claimed in the shape and configuration of a tissue dispenser as shown in the accompanying representations.**



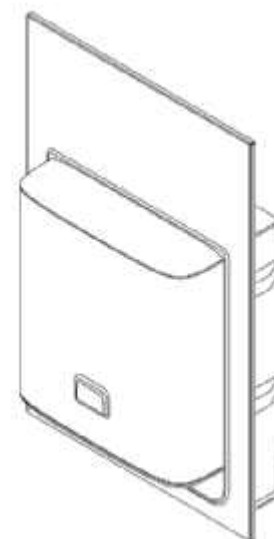
(21) Design Number: **12544/2015**
(22) Date of Filing Application: **15 May 2015**
(24) Date from which industrial property rights may have effect: **15 May 2015**
(54) Product in respect of which the design is registered: **Tissue dispenser**
(51) International Design Classification: **23-02A**
(74) Name(s) of Attorney(s): **WATERMARK PATENT AND TRADE MARKS ATTORNEYS**
(71) Name(s) and Address(s) of Applicant(s):
SCA Hygiene Products AB
S-405 03 Goteborg Sweden
(72) Name(s) of Designer(s): **Peter Johnson**
(45) Registration Date: **18 June 2015**
(30) Convention priority data:
(31) Number (32) Date (33) Country
002601922 19 Dec 2014 OFFICE FOR HARMONISATION IN THE INTERNAL MARKET (OHIM)
(56) Related Art Documents: **Not Applicable**
(57) Statement of Newness and Distinctiveness: **Newness and Distinctiveness is claimed in the shape and configuration of a tissue dispenser as shown in the accompanying representations.**



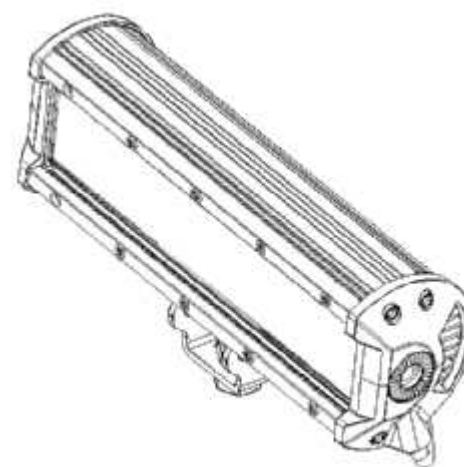
(21) Design Number: **12545/2015**
(22) Date of Filing Application: **15 May 2015**
(24) Date from which industrial property rights may have effect: **15 May 2015**
(54) Product in respect of which the design is registered: **Tissue dispenser**
(51) International Design Classification: **23-02A**
(74) Name(s) of Attorney(s): **WATERMARK PATENT AND TRADE MARKS ATTORNEYS**
(71) Name(s) and Address(s) of Applicant(s):
SCA Hygiene Products AB
S-405 03 Goteborg Sweden
(72) Name(s) of Designer(s): **Peter Johnson**
(45) Registration Date: **18 June 2015**
(30) Convention priority data:
(31) Number (32) Date (33) Country
002601922 19 Dec 2014 OFFICE FOR HARMONISATION IN THE INTERNAL MARKET (OHIM)
(56) Related Art Documents: **Not Applicable**
(57) Statement of Newness and Distinctiveness: **Newness and Distinctiveness is claimed in the shape and configuration of a tissue dispenser as shown in the accompanying representations.**



- (21) Design Number: **12546/2015**
(22) Date of Filing Application: **15 May 2015**
(24) Date from which industrial property rights may have effect: **15 May 2015**
(54) Product in respect of which the design is registered: **Tissue dispenser**
(51) International Design Classification: **23-02A**
(74) Name(s) of Attorney(s): **WATERMARK PATENT AND TRADE MARKS ATTORNEYS**
(71) Name(s) and Address(s) of Applicant(s):
SCA Hygiene Products AB
S-405 03 Goteborg Sweden
(72) Name(s) of Designer(s): **Peter Johnson**
(45) Registration Date: **18 June 2015**
(30) Convention priority data:
(31) Number (32) Date (33) Country
002601922 19 Dec 2014 OFFICE FOR HARMONISATION IN THE INTERNAL MARKET (OHIM)
(56) Related Art Documents: **Not Applicable**
(57) Statement of Newness and Distinctiveness: **Newness and Distinctiveness is claimed in the shape and configuration of a tissue dispenser as shown in the accompanying representations.**



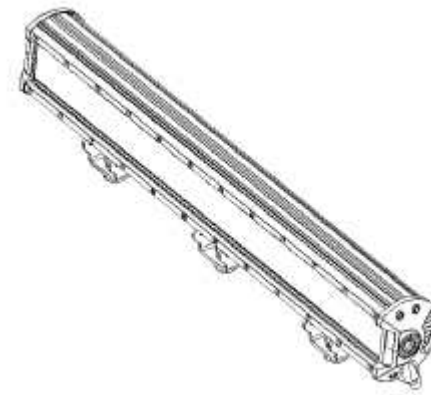
- (21) Design Number: **12549/2015**
(22) Date of Filing Application: **16 May 2015**
(24) Date from which industrial property rights may have effect: **16 May 2015**
(54) Product in respect of which the design is registered: **LED light bar**
(51) International Design Classification: **26-05E**
(74) Name(s) of Attorney(s):
(71) Name(s) and Address(s) of Applicant(s):
Ben Tan
18 Irving St Mount Waverley VIC 3149 Australia
(72) Name(s) of Designer(s): **Ben Tan**
(45) Registration Date: **18 June 2015**
(56) Related Art Documents: **Not Applicable**
(57) Statement of Newness and Distinctiveness: **Brand new bold cross stripe profile design is at the rear of the Led light. Also, the base of the light are rounded from the side views.**



- (21) Design Number: **12550/2015**
(22) Date of Filing Application: **16 May 2015**
(24) Date from which industrial property rights may have effect: **16 May 2015**
(54) Product in respect of which the design is registered: **LED light bar**
(51) International Design Classification: **26-05E**
(74) Name(s) of Attorney(s):
(71) Name(s) and Address(s) of Applicant(s):

Ben Tan
18 Irving St Mount Waverley VIC 3149 Australia

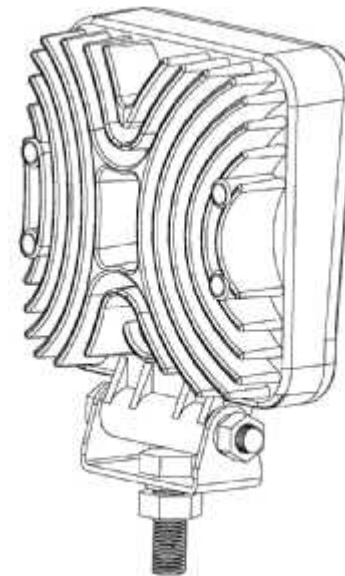
- (72) Name(s) of Designer(s): **Ben Tan**
(45) Registration Date: **18 June 2015**
(56) Related Art Documents: **Not Applicable**
(57) Statement of Newness and Distinctiveness: **Brand new bold cross stripe profile design is at the rear of the Led light. Also, the two bases of the light are rounded from the side views.**



- (21) Design Number: **12551/2015**
(22) Date of Filing Application: **16 May 2015**
(24) Date from which industrial property rights may have effect: **16 May 2015**
(54) Product in respect of which the design is registered: **LED work light**
(51) International Design Classification: **26-05E**
(74) Name(s) of Attorney(s):
(71) Name(s) and Address(s) of Applicant(s):

Ben Tan
18 Irving St Mt Waverley VIC 3149 Australia

- (72) Name(s) of Designer(s): **Ben Tan**
(45) Registration Date: **18 June 2015**
(56) Related Art Documents: **Not Applicable**
(57) Statement of Newness and Distinctiveness: **The new design of curve and circle are at the rear view. Also, the base is distinctive.**



- (21) Design Number: **12552/2015**
(22) Date of Filing Application: **17 May 2015**
(24) Date from which industrial property rights may have effect: **17 May 2015**
(54) Product in respect of which the design is registered: **Mixer tap**
(51) International Design Classification: **23-01H**
(74) Name(s) of Attorney(s):
(71) Name(s) and Address(s) of Applicant(s):
Anthony Leonard Alder
64 Philip Rd Dalkeith WA 6009 Australia
(72) Name(s) of Designer(s): **Anthony Leonard Alder**
(45) Registration Date: **18 June 2015**
(56) Related Art Documents: **Not Applicable**
(57) Statement of Newness and Distinctiveness: **Complete natural, organic shape with an unobtrusive concealed water outlet and an extra low profile handle with a distinctive tapered design.**



- (21) Design Number: **12566/2015**
(22) Date of Filing Application: **18 May 2015**
(24) Date from which industrial property rights may have effect: **25 September 2014**
(54) Product in respect of which the design is registered: **Article of clothing**
(51) International Design Classification: **02-02C**
(74) Name(s) of Attorney(s): **Allens Patent & Trade Mark Attorneys**
(71) Name(s) and Address(s) of Applicant(s):
Forever New Clothing Pty Ltd
L4 Building 8 576 Swan St Richmond VIC 3121 Australia
(72) Name(s) of Designer(s): **Anna Pham**
(45) Registration Date: **18 June 2015**
(62) Divisional of: **361882**
(56) Related Art Documents: **Not Applicable**
(57) Statement of Newness and Distinctiveness: **Newness and distinctiveness resides in the visual features of shape, configuration, pattern and/or ornamentation of an article of clothing as shown in the accompanying representations.**



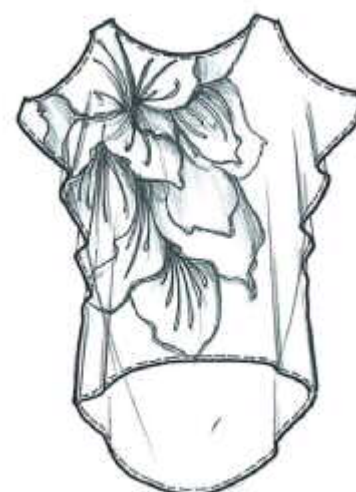
- (21) Design Number: **12567/2015**
(22) Date of Filing Application: **18 May 2015**
(24) Date from which industrial property rights may have effect: **25 September 2014**
(54) Product in respect of which the design is registered: **Article of clothing**
(51) International Design Classification: **02-02C**
(74) Name(s) of Attorney(s): **Allens Patent & Trade Mark Attorneys**
(71) Name(s) and Address(s) of Applicant(s):
Forever New Clothing Pty Ltd
L4 Building 8 576 Swan St Richmond VIC 3121 Australia
(72) Name(s) of Designer(s): **Chloe Atkinson**
(45) Registration Date: **18 June 2015**
(62) Divisional of: **361882**
(56) Related Art Documents: **Not Applicable**
(57) Statement of Newness and Distinctiveness: **Newness and distinctiveness resides in the visual features of shape, configuration, pattern and/or ornamentation of an article of clothing as shown in the accompanying representations.**



- (21) Design Number: **12568/2015**
(22) Date of Filing Application: **18 May 2015**
(24) Date from which industrial property rights may have effect: **25 September 2014**
(54) Product in respect of which the design is registered: **Article of clothing**
(51) International Design Classification: **02-02C**
(74) Name(s) of Attorney(s): **Allens Patent & Trade Mark Attorneys**
(71) Name(s) and Address(s) of Applicant(s):
Forever New Clothing Pty Ltd
L4 Building 8 576 Swan St Richmond VIC 3121 Australia
(72) Name(s) of Designer(s): **Mantra Ahrendt**
(45) Registration Date: **18 June 2015**
(62) Divisional of: **361882**
(56) Related Art Documents: **Not Applicable**
(57) Statement of Newness and Distinctiveness: **Newness and distinctiveness resides in the visual features of shape, configuration, pattern and/or ornamentation of an article of clothing as shown in the accompanying representations.**



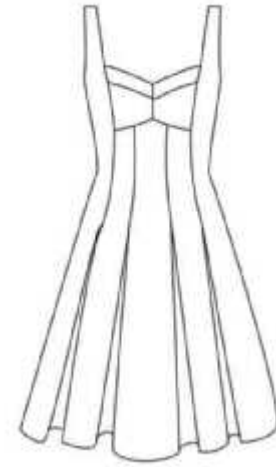
- (21) Design Number: **12569/2015**
(22) Date of Filing Application: **18 May 2015**
(24) Date from which industrial property rights may have effect: **25 September 2014**
(54) Product in respect of which the design is registered: **Article of clothing**
(51) International Design Classification: **02-02NES**
(74) Name(s) of Attorney(s): **Allens Patent & Trade Mark Attorneys**
(71) Name(s) and Address(s) of Applicant(s):
Forever New Clothing Pty Ltd
L4 Building 8 576 Swan St Richmond VIC 3121 Australia
(72) Name(s) of Designer(s): **Octavia Miller**
(45) Registration Date: **18 June 2015**
(62) Divisional of: **361882**
(56) Related Art Documents: **Not Applicable**
(57) Statement of Newness and Distinctiveness: **Newness and distinctiveness resides in the visual features of shape, configuration, pattern and/or ornamentation of an article of clothing as shown in the accompanying representations.**



- (21) Design Number: **12570/2015**
(22) Date of Filing Application: **18 May 2015**
(24) Date from which industrial property rights may have effect: **25 September 2014**
(54) Product in respect of which the design is registered: **Article of clothing**
(51) International Design Classification: **02-02NES**
(74) Name(s) of Attorney(s): **Allens Patent & Trade Mark Attorneys**
(71) Name(s) and Address(s) of Applicant(s):
Forever New Clothing Pty Ltd
L4 Building 8 576 Swan St Richmond VIC 3121 Australia
(72) Name(s) of Designer(s): **Octavia Miller**
(45) Registration Date: **18 June 2015**
(62) Divisional of: **361882**
(56) Related Art Documents: **Not Applicable**
(57) Statement of Newness and Distinctiveness: **Newness and distinctiveness resides in the visual features of shape, configuration, pattern and/or ornamentation of an article of clothing as shown in the accompanying representations.**



- (21) Design Number: **12571/2015**
(22) Date of Filing Application: **18 May 2015**
(24) Date from which industrial property rights may have effect: **25 September 2014**
(54) Product in respect of which the design is registered: **Article of clothing**
(51) International Design Classification: **02-02C**
(74) Name(s) of Attorney(s): **Allens Patent & Trade Mark Attorneys**
(71) Name(s) and Address(s) of Applicant(s):
Forever New Clothing Pty Ltd
L4 Building 8 576 Swan St Richmond VIC 3121 Australia
(72) Name(s) of Designer(s): **Mantra Ahrendt**
(45) Registration Date: **18 June 2015**
(62) Divisional of: **361882**
(56) Related Art Documents: **Not Applicable**
(57) Statement of Newness and Distinctiveness: **Newness and distinctiveness resides in the visual features of shape, configuration, pattern and/or ornamentation of an article of clothing as shown in the accompanying representations.**



- (21) Design Number: **12572/2015**
(22) Date of Filing Application: **18 May 2015**
(24) Date from which industrial property rights may have effect: **25 September 2014**
(54) Product in respect of which the design is registered: **Article of clothing**
(51) International Design Classification: **02-02C**
(74) Name(s) of Attorney(s): **Allens Patent & Trade Mark Attorneys**
(71) Name(s) and Address(s) of Applicant(s):
Forever New Clothing Pty Ltd
L4 Building 8 576 Swan St Richmond VIC 3121 Australia
(72) Name(s) of Designer(s): **Mantra Ahrendt**
(45) Registration Date: **18 June 2015**
(62) Divisional of: **361882**
(56) Related Art Documents: **Not Applicable**
(57) Statement of Newness and Distinctiveness: **Newness and distinctiveness resides in the visual features of shape, configuration, pattern and/or ornamentation of an article of clothing as shown in the accompanying representations.**



- (21) Design Number: **12573/2015**
(22) Date of Filing Application: **18 May 2015**
(24) Date from which industrial property rights may have effect: **25 September 2014**
(54) Product in respect of which the design is registered: **Article of clothing**
(51) International Design Classification: **02-02C**
(74) Name(s) of Attorney(s): **Allens Patent & Trade Mark Attorneys**
(71) Name(s) and Address(s) of Applicant(s):
Forever New Clothing Pty Ltd
L4 Building 8 576 Swan St Richmond VIC 3121 Australia
(72) Name(s) of Designer(s): **Gemma Henderson**
(45) Registration Date: **18 June 2015**
(62) Divisional of: **361882**
(56) Related Art Documents: **Not Applicable**
(57) Statement of Newness and Distinctiveness: **Newness and distinctiveness resides in the visual features of shape, configuration, pattern and/or ornamentation of an article of clothing as shown in the accompanying representations.**



- (21) Design Number: **12574/2015**
(22) Date of Filing Application: **18 May 2015**
(24) Date from which industrial property rights may have effect: **25 September 2014**
(54) Product in respect of which the design is registered: **Article of clothing**
(51) International Design Classification: **02-02C**
(74) Name(s) of Attorney(s): **Allens Patent & Trade Mark Attorneys**
(71) Name(s) and Address(s) of Applicant(s):
Forever New Clothing Pty Ltd
L4 Building 8 576 Swan St Richmond VIC 3121 Australia
(72) Name(s) of Designer(s): **Mantra Ahrendt**
(45) Registration Date: **18 June 2015**
(62) Divisional of: **361882**
(56) Related Art Documents: **Not Applicable**
(57) Statement of Newness and Distinctiveness: **Newness and distinctiveness resides in the visual features of shape, configuration, pattern and/or ornamentation of an article of clothing as shown in the accompanying representations.**



- (21) Design Number: **12575/2015**
(22) Date of Filing Application: **18 May 2015**
(24) Date from which industrial property rights may have effect: **25 September 2014**
(54) Product in respect of which the design is registered: **Article of clothing**
(51) International Design Classification: **02-02C**
(74) Name(s) of Attorney(s): **Allens Patent & Trade Mark Attorneys**
(71) Name(s) and Address(s) of Applicant(s):
Forever New Clothing Pty Ltd
L4 Building 8 576 Swan St Richmond VIC 3121 Australia
(72) Name(s) of Designer(s): **Gemma Henderson**
(45) Registration Date: **18 June 2015**
(62) Divisional of: **361882**
(56) Related Art Documents: **Not Applicable**
(57) Statement of Newness and Distinctiveness: **Newness and distinctiveness resides in the visual features of shape, configuration, pattern and/or ornamentation of an article of clothing as shown in the accompanying representations.**



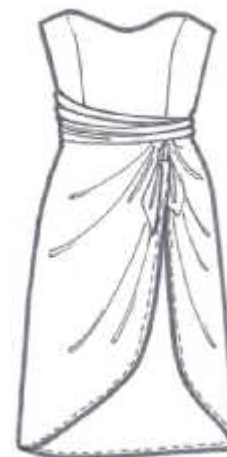
- (21) Design Number: **12577/2015**
(22) Date of Filing Application: **18 May 2015**
(24) Date from which industrial property rights may have effect: **25 September 2014**
(54) Product in respect of which the design is registered: **Article of clothing**
(51) International Design Classification: **02-02C**
(74) Name(s) of Attorney(s): **Allens Patent & Trade Mark Attorneys**
(71) Name(s) and Address(s) of Applicant(s):
Forever New Clothing Pty Ltd
L4 Building 8 576 Swan St Richmond VIC 3121 Australia
(72) Name(s) of Designer(s): **Gemma Henderson**
(45) Registration Date: **18 June 2015**
(62) Divisional of: **361882**
(56) Related Art Documents: **Not Applicable**
(57) Statement of Newness and Distinctiveness: **Newness and distinctiveness resides in the visual features of shape, configuration, pattern and/or ornamentation of an article of clothing as shown in the accompanying representations.**



- (21) Design Number: **12578/2015**
(22) Date of Filing Application: **18 May 2015**
(24) Date from which industrial property rights may have effect: **25 September 2014**
(54) Product in respect of which the design is registered: **Article of clothing**
(51) International Design Classification: **02-02C**
(74) Name(s) of Attorney(s): **Allens Patent & Trade Mark Attorneys**
(71) Name(s) and Address(s) of Applicant(s):
Forever New Clothing Pty Ltd
L4 Building 8 576 Swan St Richmond VIC 3121 Australia
(72) Name(s) of Designer(s): **Gemma Henderson**
(45) Registration Date: **18 June 2015**
(62) Divisional of: **361882**
(56) Related Art Documents: **Not Applicable**
(57) Statement of Newness and Distinctiveness: **Newness and distinctiveness resides in the visual features of shape, configuration, pattern and/or ornamentation of an article of clothing as shown in the accompanying representations.**



- (21) Design Number: **12579/2015**
(22) Date of Filing Application: **18 May 2015**
(24) Date from which industrial property rights may have effect: **25 September 2014**
(54) Product in respect of which the design is registered: **Article of clothing**
(51) International Design Classification: **02-02C**
(74) Name(s) of Attorney(s): **Allens Patent & Trade Mark Attorneys**
(71) Name(s) and Address(s) of Applicant(s):
Forever New Clothing Pty Ltd
L4 Building 8 576 Swan St Richmond VIC 3121 Australia
(72) Name(s) of Designer(s): **Mantra Ahrendt**
(45) Registration Date: **18 June 2015**
(62) Divisional of: **361882**
(56) Related Art Documents: **Not Applicable**
(57) Statement of Newness and Distinctiveness: **Newness and distinctiveness resides in the visual features of shape, configuration, pattern and/or ornamentation of an article of clothing as shown in the accompanying representations.**



- (21) Design Number: **12580/2015**
(22) Date of Filing Application: **18 May 2015**
(24) Date from which industrial property rights may have effect: **25 September 2014**
(54) Product in respect of which the design is registered: **Article of clothing**
(51) International Design Classification: **02-02NES**
(74) Name(s) of Attorney(s): **Allens Patent & Trade Mark Attorneys**
(71) Name(s) and Address(s) of Applicant(s):
Forever New Clothing Pty Ltd
L4 Building 8 576 Swan St Richmond VIC 3121 Australia
(72) Name(s) of Designer(s): **Jennifer Hall**
(45) Registration Date: **18 June 2015**
(62) Divisional of: **361882**
(56) Related Art Documents: **Not Applicable**
(57) Statement of Newness and Distinctiveness: **Newness and distinctiveness resides in the visual features of shape, configuration, pattern and/or ornamentation of an article of clothing as shown in the accompanying representations.**



- (21) Design Number: **12581/2015**
(22) Date of Filing Application: **18 May 2015**
(24) Date from which industrial property rights may have effect: **25 September 2014**
(54) Product in respect of which the design is registered: **Article of clothing**
(51) International Design Classification: **02-02NES**
(74) Name(s) of Attorney(s): **Allens Patent & Trade Mark Attorneys**
(71) Name(s) and Address(s) of Applicant(s):
Forever New Clothing Pty Ltd
L4 Building 8 576 Swan St Richmond VIC 3121 Australia
(72) Name(s) of Designer(s): **Jennifer Hall**
(45) Registration Date: **18 June 2015**
(62) Divisional of: **361882**
(56) Related Art Documents: **Not Applicable**
(57) Statement of Newness and Distinctiveness: **Newness and distinctiveness resides in the visual features of shape, configuration, pattern and/or ornamentation of an article of clothing as shown in the accompanying representations.**



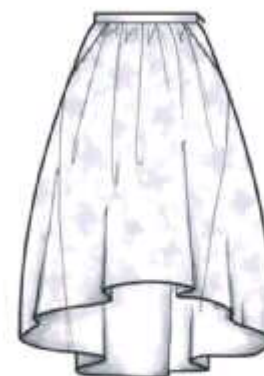
- (21) Design Number: **12582/2015**
(22) Date of Filing Application: **18 May 2015**
(24) Date from which industrial property rights may have effect: **25 September 2014**
(54) Product in respect of which the design is registered: **Article of clothing**
(51) International Design Classification: **02-02NES**
(74) Name(s) of Attorney(s): **Allens Patent & Trade Mark Attorneys**
(71) Name(s) and Address(s) of Applicant(s):
Forever New Clothing Pty Ltd
L4 Building 8 576 Swan St Richmond VIC 3121 Australia
(72) Name(s) of Designer(s): **Jennifer Hall**
(45) Registration Date: **18 June 2015**
(62) Divisional of: **361882**
(56) Related Art Documents: **Not Applicable**
(57) Statement of Newness and Distinctiveness: **Newness and distinctiveness resides in the visual features of shape, configuration, pattern and/or ornamentation of an article of clothing as shown in the accompanying representations.**



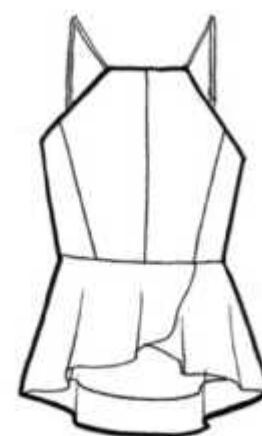
- (21) Design Number: **12583/2015**
(22) Date of Filing Application: **18 May 2015**
(24) Date from which industrial property rights may have effect: **25 September 2014**
(54) Product in respect of which the design is registered: **Article of clothing**
(51) International Design Classification: **02-02NES**
(74) Name(s) of Attorney(s): **Allens Patent & Trade Mark Attorneys**
(71) Name(s) and Address(s) of Applicant(s):
Forever New Clothing Pty Ltd
L4 Building 8 576 Swan St Richmond VIC 3121 Australia
(72) Name(s) of Designer(s): **Jennifer Hall**
(45) Registration Date: **18 June 2015**
(62) Divisional of: **361882**
(56) Related Art Documents: **Not Applicable**
(57) Statement of Newness and Distinctiveness: **Newness and distinctiveness resides in the visual features of shape, configuration, pattern and/or ornamentation of an article of clothing as shown in the accompanying representations.**



- (21) Design Number: **12584/2015**
(22) Date of Filing Application: **18 May 2015**
(24) Date from which industrial property rights may have effect: **25 September 2014**
(54) Product in respect of which the design is registered: **Article of clothing**
(51) International Design Classification: **02-02C**
(74) Name(s) of Attorney(s): **Allens Patent & Trade Mark Attorneys**
(71) Name(s) and Address(s) of Applicant(s):
Forever New Clothing Pty Ltd
L4 Building 8 576 Swan St Richmond VIC 3121 Australia
(72) Name(s) of Designer(s): **Chloe Atkinson**
(45) Registration Date: **18 June 2015**
(62) Divisional of: **361882**
(56) Related Art Documents: **Not Applicable**
(57) Statement of Newness and Distinctiveness: **Newness and distinctiveness resides in the visual features of shape, configuration, pattern and/or ornamentation of an article of clothing as shown in the accompanying representations.**



- (21) Design Number: **12585/2015**
(22) Date of Filing Application: **18 May 2015**
(24) Date from which industrial property rights may have effect: **25 September 2014**
(54) Product in respect of which the design is registered: **Article of clothing**
(51) International Design Classification: **02-02NES**
(74) Name(s) of Attorney(s): **Allens Patent & Trade Mark Attorneys**
(71) Name(s) and Address(s) of Applicant(s):
Forever New Clothing Pty Ltd
L4 Building 8 576 Swan St Richmond VIC 3121 Australia
(72) Name(s) of Designer(s): **Octavia Miller**
(45) Registration Date: **18 June 2015**
(62) Divisional of: **361882**
(56) Related Art Documents: **Not Applicable**
(57) Statement of Newness and Distinctiveness: **Newness and distinctiveness resides in the visual features of shape, configuration, pattern and/or ornamentation of an article of clothing as shown in the accompanying representations.**



(19) AU

- (21) Design Number: **12596/2015**
- (22) Date of Filing Application: **19 May 2015**
- (24) Date from which industrial property rights may have effect: **23 February 2015**
- (54) Product in respect of which the design is registered: **Medical injector device**
- (51) International Design Classification: **24-02**
- (74) Name(s) of Attorney(s): **Shelston IP**
- (71) Name(s) and Address(s) of Applicant(s):
Merck Sharp & Dohme Corp.
126 East Lincoln Avenue Rahway New Jersey, 07065-0907 United States of America
- (72) Name(s) of Designer(s): **Angela M Amend Kwasnik and Benjamin R Bartfeld and Peter Basile and Jeffrey C Givand and Philip G Green and Sharad Gupta and Christin L O'Neill and Steven Carl Persak and Robert Stianchi and Ari Tao Adler and Florian Altmann and Thomas Junk and Florian Kossler and Martin Meier and Scott Mackie and Pernilla Danielsson**
- (45) Registration Date: **18 June 2015**
- (30) Convention priority data:

(31) Number	(32) Date	(33) Country
29/500636	27 Aug 2014	UNITED STATES OF AMERICA
- (62) Divisional of: **361944**
- (56) Related Art Documents: **Not Applicable**
- (57) Statement of Newness and Distinctiveness: **Newness and distinctiveness reside in the features of shape and/or configuration and/or colour of a MEDICAL INJECTOR DEVICE as illustrated in solid lines in the accompanying representations. The colour of the body is Pantone 538C, the colour of the dosage knob is Pantone 2766C, and the colour of the dosage window bezel and actuator button is Pantone 272C. The features shown in broken lines do not form part of the design.**



(19) AU

- (21) Design Number: **12598/2015**
- (22) Date of Filing Application: **19 May 2015**
- (24) Date from which industrial property rights may have effect: **23 February 2015**
- (54) Product in respect of which the design is registered: **Medical injector device**
- (51) International Design Classification: **24-02**
- (74) Name(s) of Attorney(s): **Shelston IP**
- (71) Name(s) and Address(s) of Applicant(s):
Merck Sharp & Dohme Corp.
126 East Lincoln Avenue Rahway New Jersey, 07065 United States of America
- (72) Name(s) of Designer(s): **Angela M Amend Kwasnik and Benjamin R Bartfeld and Peter Basile and Jeffrey C Givand and Philip G Green and Sharad Gupta and Christin L O'Neill and Steven Carl Persak and Robert Stianchi and Ari Tao Adler and Florian Altmann and Thomas Junk and Florian Kossler and Martin Meier and Scott Mackie and Pernilla Danielsson**
- (45) Registration Date: **18 June 2015**
- (30) Convention priority data:

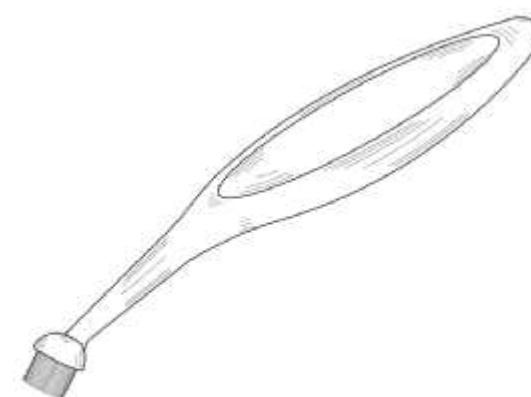
(31) Number	(32) Date	(33) Country
29/500640	27 Aug 2014	UNITED STATES OF AMERICA
- (62) Divisional of: **361935**
- (56) Related Art Documents: **Not Applicable**
- (57) Statement of Newness and Distinctiveness: **Newness and distinctiveness reside in the features of shape and/or configuration of a MEDICAL INJECTOR DEVICE as illustrated in solid lines in the accompanying representations. The features shown in broken or discontinuous lines are illustrative only and do not form part of the design.**



- (21) Design Number: **12599/2015**
(22) Date of Filing Application: **19 May 2015**
(24) Date from which industrial property rights may have effect: **23 February 2015**
(54) Product in respect of which the design is registered: **Medical injector device**
(51) International Design Classification: **24-02**
(74) Name(s) of Attorney(s): **Shelston IP**
(71) Name(s) and Address(s) of Applicant(s):
Merck Sharp & Dohme Corp.
126 East Lincoln Avenue Rahway New Jersey, 07065 United States of America
- (72) Name(s) of Designer(s): **Angela M Amend Kwasnik and Benjamin R Bartfeld and Peter Basile and Jeffrey C Givand and Philip G Green and Sharad Gupta and Christin L O'Neill and Steven Carl Persak and Robert Stianchi and Ari Tao Adler and Florian Altmann and Thomas Junk and Florian Kossler and Martin Meier and Scott Mackie and Pernilla Danielsson**
- (45) Registration Date: **18 June 2015**
- (30) Convention priority data:
- | | | |
|------------------|--------------------|---------------------------------|
| (31) Number | (32) Date | (33) Country |
| 29/500644 | 27 Aug 2014 | UNITED STATES OF AMERICA |
- (62) Divisional of: **361935**
- (56) Related Art Documents: **Not Applicable**
- (57) Statement of Newness and Distinctiveness: **Newness and distinctiveness reside in the features of shape and/or configuration of a MEDICAL INJECTOR DEVICE as illustrated in solid lines in the accompanying representations. The features shown in broken or discontinuous lines are illustrative only and do not form part of the design.**



- (21) Design Number: **10988/2015**
(22) Date of Filing Application: **24 February 2015**
(24) Date from which industrial property rights may have effect: **24 February 2015**
(54) Product in respect of which the design is registered: **Cosmetic brush**
(51) International Design Classification: **04-02**
(74) Name(s) of Attorney(s): **Freehills Patent Attorneys**
(71) Name(s) and Address(s) of Applicant(s):
Artis LLC
299 Pavonia Avenue Suite 2-5 Jersey City New Jersey, 07302 United States of America
- (72) Name(s) of Designer(s): **Matthew Waitesmith**
- (45) Registration Date: **23 June 2015**
- (56) Related Art Documents: **Not Applicable**
- (57) Statement of Newness and Distinctiveness: **Newness and distinctiveness of the design resides in the features of shape and configuration of the cosmetic brush as shown in the accompanying representations.**



(21) Design Number: **10210/2015**
(22) Date of Filing Application: **15 January 2015**
(24) Date from which industrial property rights may have effect: **15 January 2015**
(54) Product in respect of which the design is registered: **Photobook**
(51) International Design Classification: **19-04**
(74) Name(s) of Attorney(s): **Wrays**
(71) Name(s) and Address(s) of Applicant(s):
Interactive Memories, Inc.
409 Sherman Avenue Palo Alto California 94306 United States of America

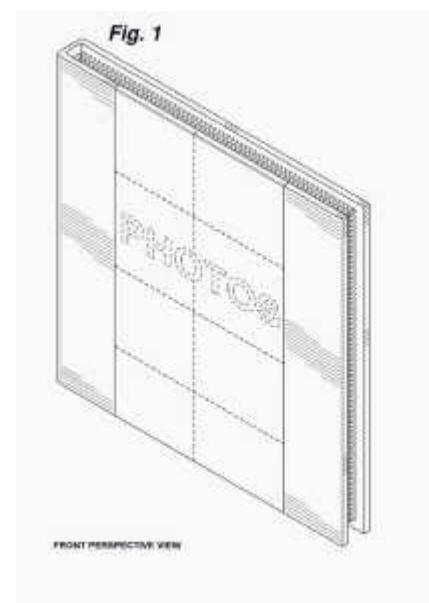
(72) Name(s) of Designer(s): **Yedidya Medina and Aryk Erwin Grosz**
(45) Registration Date: **23 June 2015**

(30) Convention priority data:

(31) Number	(32) Date	(33) Country
29/500,033	21 Aug 2014	UNITED STATES OF AMERICA

(56) Related Art Documents: **Not Applicable**

(57) Statement of Newness and Distinctiveness: **Newness and distinctiveness is claimed in the features of shape, configuration, pattern, and/or ornamentation of the Photobook as shown in the accompanying representations. The features depicted by broken lines are for illustrative purposes only and form no part of the claimed design.**



(21) Design Number: **10466/2015**
(22) Date of Filing Application: **29 January 2015**
(24) Date from which industrial property rights may have effect: **29 January 2015**
(54) Product in respect of which the design is registered: **Drain cleaning nozzle**
(51) International Design Classification: **23-01E**
(74) Name(s) of Attorney(s):
(71) Name(s) and Address(s) of Applicant(s):
Bill Miller
PO BOX 645 Terrey Hills NSW 2084 Australia

(72) Name(s) of Designer(s): **Bill Miller**

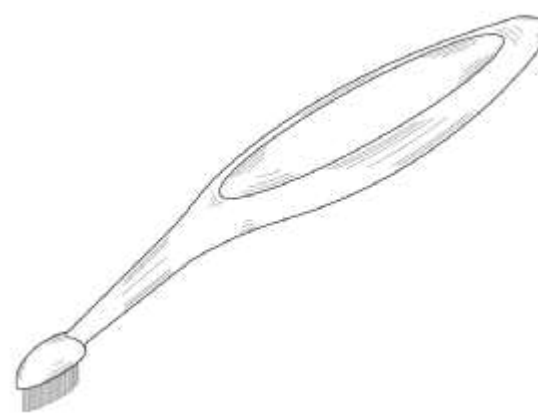
(45) Registration Date: **23 June 2015**

(56) Related Art Documents: **Not Applicable**

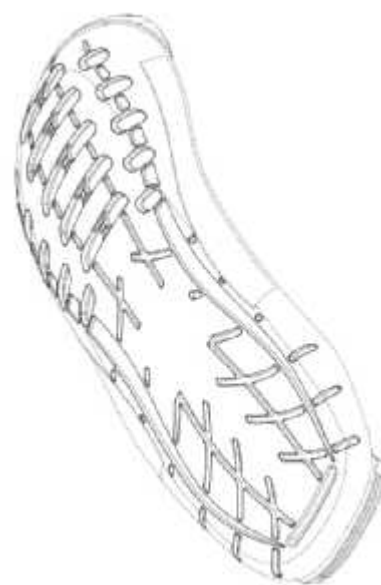
(57) Statement of Newness and Distinctiveness: **A controlled rotation nozzle used for cleaning pipes with sealed bearings and a viscous fluid made from hardened stainless steel with 2 rear jets and optional front jet. Can be made in any size of from any material. Has wear grooves in the head and sides to extend its life.**



- (21) Design Number: **10990/2015**
(22) Date of Filing Application: **24 February 2015**
(24) Date from which industrial property rights may have effect: **24 February 2015**
(54) Product in respect of which the design is registered: **Cosmetic brush**
(51) International Design Classification: **04-02**
(74) Name(s) of Attorney(s): **Freehills Patent Attorneys**
(71) Name(s) and Address(s) of Applicant(s):
Artis LLC
299 Pavonia Avenue Suite 2-5 Jersey City New Jersey, 07302 United States of America
(72) Name(s) of Designer(s): **Matthew Waitesmith**
(45) Registration Date: **23 June 2015**
(56) Related Art Documents: **Not Applicable**
(57) Statement of Newness and Distinctiveness: **Newness and distinctiveness of the design resides in the features of shape and configuration of the cosmetic brush as shown in the accompanying representations.**



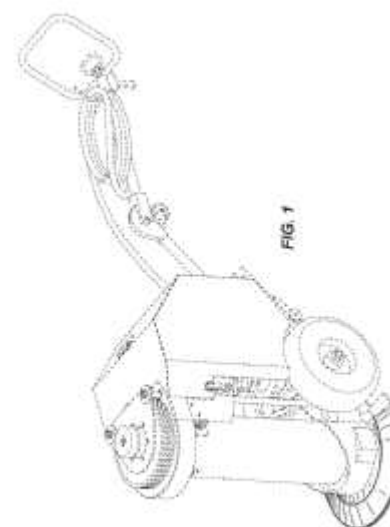
- (21) Design Number: **11314/2015**
(22) Date of Filing Application: **10 March 2015**
(24) Date from which industrial property rights may have effect: **10 March 2015**
(54) Product in respect of which the design is registered: **Sole for orthopedic boot**
(51) International Design Classification: **02-04B**
(74) Name(s) of Attorney(s): **FB Rice**
(71) Name(s) and Address(s) of Applicant(s):
Ortho Systems
5155 Clareton Drive Agoura Hills California, 91301 US
(72) Name(s) of Designer(s): **Ryan C Cohn and Steven Eastwood and Tracy E Grim and Steven L Hecker and Kenji Watabe and Tim Crowley**
(45) Registration Date: **23 June 2015**
(30) Convention priority data:
(31) Number (32) Date (33) Country
29/502009 10 Sep 2014 UNITED STATES OF AMERICA
(56) Related Art Documents: **Not Applicable**
(57) Statement of Newness and Distinctiveness: **Newness and distinctiveness reside in the features of shape and configuration of the design shown in solid lines in the representations excluding those features shown in broken lines.**



- (21) Design Number: **11402/2015**
(22) Date of Filing Application: **13 March 2015**
(24) Date from which industrial property rights may have effect: **13 March 2015**
(54) Product in respect of which the design is registered: **Active wear leggings**
(51) International Design Classification: **02-02C**
(74) Name(s) of Attorney(s):
(71) Name(s) and Address(s) of Applicant(s):
SECRET YOGI PTY LTD
PO BOX 392 Bondi Junction NSW 1355 Australia
(72) Name(s) of Designer(s): **Alice Kurien and Zoe Richardson and Abigail Plummer**
(45) Registration Date: **23 June 2015**
(56) Related Art Documents: **Not Applicable**
(57) Statement of Newness and Distinctiveness: **The distinctiveness and newness of the design resides in the double layer back panels which cover the buttocks and back of the legs, and double layer gusset which covers the crotch and inner thigh. No other Active wear leggings has these features. These panels prevent the garment from becoming transparent during exercises where the fabric becomes stretched. They also provide support. The features are depicted in the annotated line drawings and photographs submitted. The double layer back panels are shaped to contour the legs and the seams connect to the gusset panel seam between the legs. The leggings are sublimation printed with patterns and images In addition no other Active wear leggings has the combination of the following four features which make the design new and distinctive also 1. double layer back panel 2. double layer gusset 3. double layer fold down waist band 4. flat lock cover stitch seams joining all seams.**



- (21) Design Number: **11443/2015**
(22) Date of Filing Application: **17 March 2015**
(24) Date from which industrial property rights may have effect: **17 March 2015**
(54) Product in respect of which the design is registered: **Portable lift system**
(51) International Design Classification: **12-05**
(74) Name(s) of Attorney(s): **Griffith Hack**
(71) Name(s) and Address(s) of Applicant(s):
Actuant Corporation
N86 W12500 Westbrook Crossing Menomonee Falls Wisconsin, 53051
United States of America
(72) Name(s) of Designer(s): **Arnold Decker**
(45) Registration Date: **23 June 2015**
(30) Convention priority data:
(31) Number (32) Date (33) Country
29/502,564 17 Sep 2014 UNITED STATES OF AMERICA
(56) Related Art Documents: **Not Applicable**
(57) Statement of Newness and Distinctiveness: **Newness and distinctiveness resides in the visual features, including the shape and configuration of the product shown by means of the solid lines in the representations. The bottom views of the product shown in Figures 7, 14, 21, 28, 35 and 42 have been included for illustrative purposes and do not form part of the design.**



- (21) Design Number: **11449/2015**
(22) Date of Filing Application: **17 March 2015**
(24) Date from which industrial property rights may have effect: **11 April 2014**
(54) Product in respect of which the design is registered: **Cart for shopping**
(51) International Design Classification: **12-02**
(74) Name(s) of Attorney(s): **Griffith Hack**
(71) Name(s) and Address(s) of Applicant(s):
BEMIS MANUFACTURING COMPANY
300 Mill Street Sheboygan Falls Wisconsin, 53085 United States of America
(72) Name(s) of Designer(s): **Richard Stauff and Gary Vande Berg and Roy Watson**
(45) Registration Date: **23 June 2015**
(62) Divisional of: **360751**
(56) Related Art Documents: **Not Applicable**
(57) Statement of Newness and Distinctiveness: **Newness and distinctiveness resides in the visual features, including the shape and configuration of the product shown by means of the solid lines in the representations.**



(19) AU

(21) Design Number: **11450/2015**

(22) Date of Filing Application: **17 March 2015**

(24) Date from which industrial property rights may have effect: **17 March 2015**

(54) Product in respect of which the design is registered: **Biometric scanner having a user interface**

(51) International Design Classification: **14-02, 14-04**

(74) Name(s) of Attorney(s): **Spruson & Ferguson**

(71) Name(s) and Address(s) of Applicant(s):

Fariborz R Beroukhim

2905 Corda Ln., Los Angeles California, 90049 United States of America

John B Dowden

2732 E. Del Mar Blvd., Pasadena California, 91107 United States of America

Shashidar Subbarao

11718 Arete way, Rancho Cordova California, 95742 United States of America

Travis S Cochran

820 Santiago Rd., Costa Mesa California, 92626 United States of America

Jonathan R Lucas

1100 Euclid Ave. #308, Long Beach California, 90804 United States of America

Sam Iravantchi

17361 Newhope St., Fountain Valley California, 92708 United States of America

Yukinobu Kimoto

Shirokane 1-25-11-1405, Minato-ku Tokyo, 108-0072 Japan

(72) Name(s) of Designer(s): **Fariborz R Beroukhim and John B Dowden and Shashidar Subbarao and Travis S Cochran and Jonathan R Lucas and Sam Iravantchi and Yukinobu Kimoto**

(45) Registration Date: **23 June 2015**

(30) Convention priority data:

(31) Number

(32) Date

(33) Country

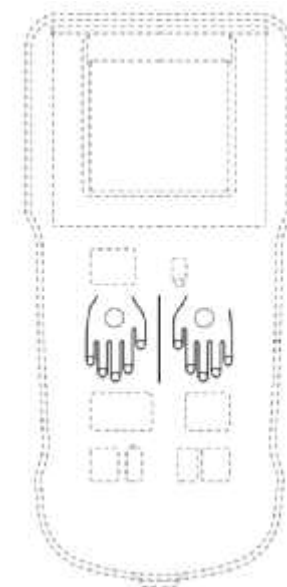
29/502575

17 Sep 2014

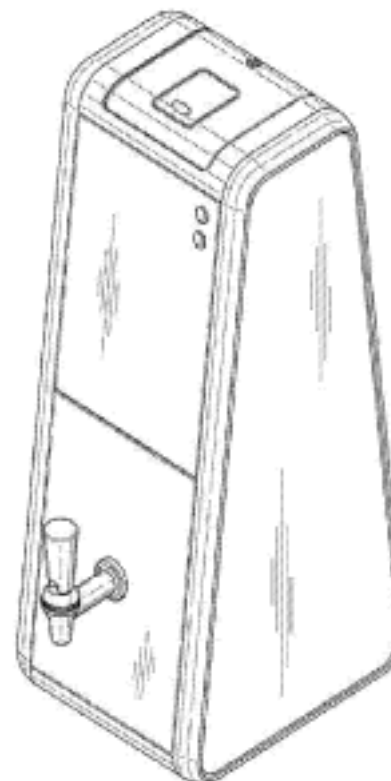
UNITED STATES OF AMERICA

(56) Related Art Documents: **Not Applicable**

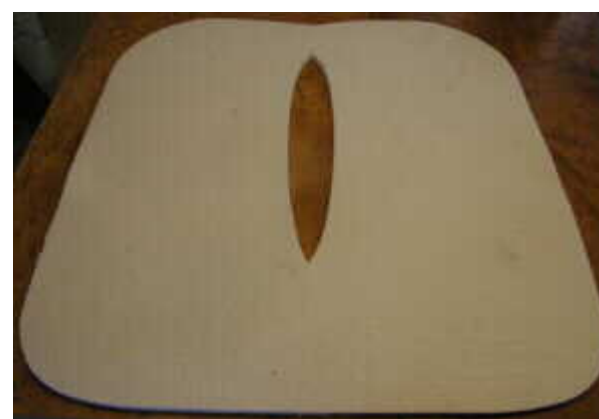
(57) Statement of Newness and Distinctiveness: **Newness and distinctiveness is claimed in those features of pattern and/or ornamentation of a biometric scanner having a user interface illustrated in continuous lines in the accompanying representations.**



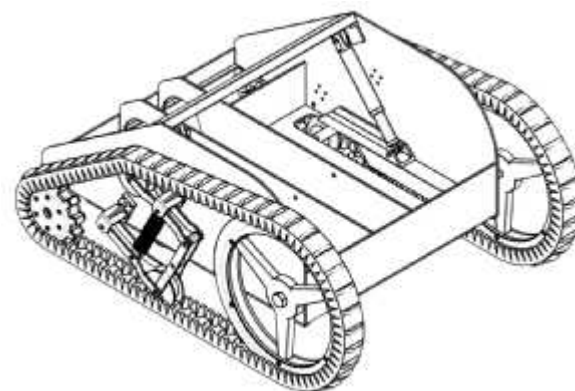
- (21) Design Number: **11908/2015**
(22) Date of Filing Application: **10 April 2015**
(24) Date from which industrial property rights may have effect: **10 April 2015**
(54) Product in respect of which the design is registered: **Boiler**
(51) International Design Classification: **07-02M**
(74) Name(s) of Attorney(s): **Davies Collison Cave**
(71) Name(s) and Address(s) of Applicant(s):
Unilever PLC
100 Victoria Embankment London EC4Y 0DY United Kingdom
(72) Name(s) of Designer(s): **Robert Wim Bronwasser**
(45) Registration Date: **23 June 2015**
(30) Convention priority data:
(31) Number (32) Date (33) Country
**002554766-0001 10 Oct 2014 OFFICE FOR HARMONISATION IN
THE INTERNAL MARKET (OHIM)**
(56) Related Art Documents: **Not Applicable**
(57) Statement of Newness and Distinctiveness: **Newness and distinctiveness is
claimed in the visual features shown in solid lines in the representations.**



- (21) Design Number: **12107/2015**
(22) Date of Filing Application: **21 April 2015**
(24) Date from which industrial property rights may have effect: **21 April 2015**
(54) Product in respect of which the design is registered: **Saddle pad**
(51) International Design Classification: **30-04**
(74) Name(s) of Attorney(s):
(71) Name(s) and Address(s) of Applicant(s):
C A Lavender
14 Gerber Rd Widgee QLD 4570 Australia
H Lavender
14 Gerber Rd Widgee QLD 4570 Australia
(72) Name(s) of Designer(s): **Clayton Anthony Lavender and Hayley Lavender**
(45) Registration Date: **23 June 2015**
(56) Related Art Documents: **Not Applicable**
(57) Statement of Newness and Distinctiveness: **The new and distinct shape of
this saddle pad is due to the contour created in the shape of the backline
by an appropriately placed hole in the centre of one square piece of
felt, making it a contoured shape to fit a horses back correctly while
remaining whole as one piece of felt. The newness and distinctiveness
is claimed in the features of shape and configuration of the saddle pad
as shown in the accompanying photographs.**



- (21) Design Number: **12524/2015**
(22) Date of Filing Application: **14 May 2015**
(24) Date from which industrial property rights may have effect: **14 May 2015**
(54) Product in respect of which the design is registered: **Track of wheelchair**
(51) International Design Classification: **12-12**
(74) Name(s) of Attorney(s): **Acacia Law**
(71) Name(s) and Address(s) of Applicant(s):
Freetrack Pty Ltd
PO Box 211 Pinjarra WA 6208 Australia
(72) Name(s) of Designer(s): **Darren Green**
(45) Registration Date: **23 June 2015**
(56) Related Art Documents: **Not Applicable**
(57) Statement of Newness and Distinctiveness: **Novelty lies in the overall combination of shape and configuration of a wheelchair track. The lipped nature of the track and the wheels, the curved profile of the external ribs of the track and the caster wheels are particularly new and distinctive.**



- (21) Design Number: **12529/2015**
(22) Date of Filing Application: **15 May 2015**
(24) Date from which industrial property rights may have effect: **15 May 2015**
(54) Product in respect of which the design is registered: **Home theatre receiver**
(51) International Design Classification: **14-03B**
(74) Name(s) of Attorney(s): **Allens Patent & Trade Mark Attorneys**
(71) Name(s) and Address(s) of Applicant(s):
LG Electronics Inc.
128, Yeoui-daero Yeongdeungpo-gu Seoul, 150-721 Republic of Korea
(72) Name(s) of Designer(s): **Hyung Yuel Kim and He Won Kihl and Jun Ki Kim and Seon Kyu Kim**
(45) Registration Date: **23 June 2015**
(30) Convention priority data:
(31) Number (32) Date (33) Country
30-2014-0055790 19 Nov 2014 REPUBLIC OF KOREA
(56) Related Art Documents: **Not Applicable**
(57) Statement of Newness and Distinctiveness: **Newness and distinctiveness resides in the visual features of shape and/or configuration of a home theatre receiver as illustrated in the accompanying representations.**



- (21) Design Number: **12539/2015**
(22) Date of Filing Application: **15 May 2015**
(24) Date from which industrial property rights may have effect: **15 May 2015**
(54) Product in respect of which the design is registered: **Soap dispenser**
(51) International Design Classification: **23-02A**
(74) Name(s) of Attorney(s): **WATERMARK PATENT AND TRADE MARKS ATTORNEYS**
(71) Name(s) and Address(s) of Applicant(s):
SCA Hygiene Products AB
S-405 03 Goteborg Sweden
(72) Name(s) of Designer(s): **Peter Johnson**
(45) Registration Date: **23 June 2015**
(30) Convention priority data:
(31) Number (32) Date (33) Country
002601922 19 Dec 2014 OFFICE FOR HARMONISATION IN THE INTERNAL MARKET (OHIM)
(56) Related Art Documents: **Not Applicable**
(57) Statement of Newness and Distinctiveness: **Newness and Distinctiveness is claimed in the shape and configuration of a soap dispenser as shown in the accompanying representations.**

