



Australian Government

IP Australia

AUSTRALIAN OFFICIAL JOURNAL

OF

DESIGNS

Did you know a searchable version of this journal is now available online?

It's FREE and EASY to SEARCH.

Find it on our website (www.ipaustralia.gov.au)
by using the "Journals" link on the home page.

This Page Left Intentionally Blank

Contents

General Information & Notices

**Proceedings Under the Designs Act 1906 preserved as a result of the provisions of Chapter 12
Part 2 of the Designs Act 2003**

Registrations Ceased 1860

Subsequent Owners Registered 1860

Proceedings Under the Designs Act 2003

Applications Assigned 1873

Applications Lapsed 1870

Applications Lodged 1864

Certificate of Examination 1874

Extension of Period of Registration of Design 1872

Extension of Time Granted Under Section 137 1873

Names Registered - Alterations and Amendments 1873

Publication and Registration Proceedings

Designs Registered 362411 to 362501..... 1875

Registrations Ceased 1872

Subsequent Owners Registered 1873

Corrigenda 1873

This Page Left Intentionally Blank

For information on the following please see our website www.ipaustralia.gov.au or contact our Customer Service Network on 1300651010

[Editorial enquiries](#)

[Contact information](#)

[Freedom of Information ACT](#)

[Professional Standards Board](#)

[Sales](#)

[Requests for Information under Section 194 \(c\)](#)

[Country Codes](#)

[Trade Mark and Designs Hearing Sessions](#)

[INID \(Internationally agreed Numbers for the Identification of Data\)](#)

“INID” NUMBERS in use on Australian Design Documents

“INID” is an acronym for “Internationally agreed Numbers for the Identification of Data”.

(10) Data concerning the registration/renewal

- (11) Serial number of the registration and/or number of the design document
- (12) Plain language designation of the kind of published document
- (19) Identification, using the two-letter code according to WIPO Standard ST.3, of the authority publishing or registering the industrial design

(20) Data concerning the application

- (21) Serial number of the application
- (22) Date of filing of the application
- (24) Date from which the industrial design right has effect

(30) Data relating to priority under the Paris Convention

- (31) Serial number assigned to the priority application
- (32) Date of filing of the priority application
- (33) Two-letter code, according to WIPO Standard ST.3, identifying the authority with which the priority application was made

(40) Date(s) of making information available to the public

- (45) Date of publication of the registered industrial design by printing or similar process, or making it available to the public by any other means

(50) Miscellaneous Information

- (51) International Classification for Industrial Designs (class and subclass of the Locarno Classification)
- (54) Designation of article(s) or product(s) covered by the industrial design or title of the industrial design
- (55) Reproduction of the industrial design (e.g., drawing, photograph) and explanations relating to the reproduction
- (56) List of prior art documents, if separate from descriptive text
- (57) Description of characteristic features of the industrial design including indication of colours

(60) References to other legally related application(s) and registration(s)

- (62) Serial number(s) and, if available, filing date(s) of application(s), registration(s) or document(s) related by division
- (66) Serial number(s) of the application, or the registration, of the design(s) which is (are) a variant(s) of the present one

(70) Identification of parties concerned with the application or registration

- (71) Name(s) and address(es) of the applicant(s)
- (72) Name(s) of the creator(s) if known to be such
- (74) Name(s) and address(es) of the representative(s)

This Page Left Intentionally Blank

Official Notice

Olympic Insignia Protection Act 1987

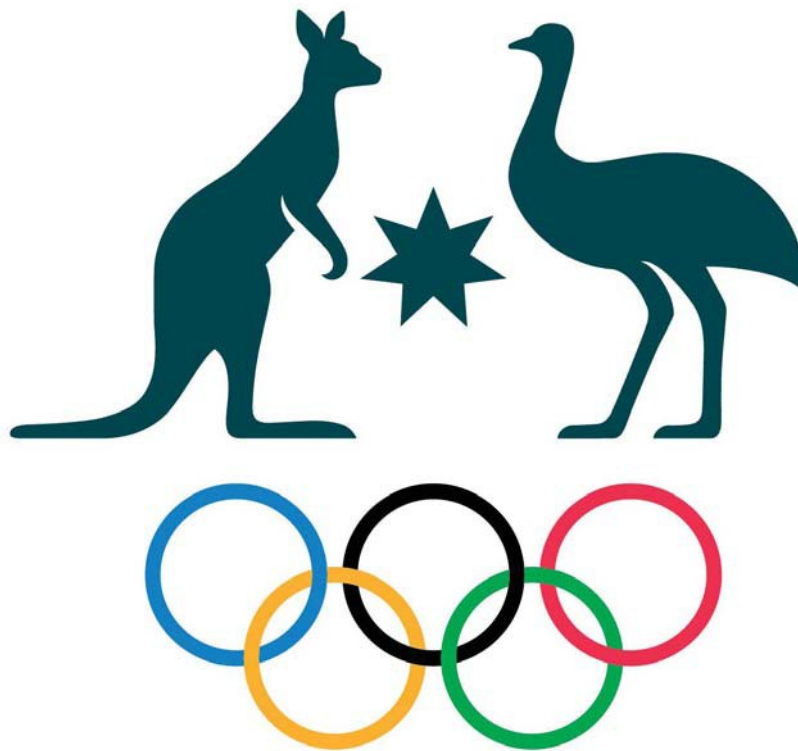
NOTICE OF APPLICATION FOR REGISTRATION OF AN OLYMPIC DESIGN

Notice is hereby given pursuant to sub-section 10(3) of the Olympic Insignia Protection Act 1987 of the following application made by the Australian Olympic Committee Incorporated under sub-section 10(1) of the Act for the registration of an Olympic design.

APPLICATION NO: OD 019

Date of application: 09 July 2015

Design for which registration is sought:



Any person who wishes to object to the grant of the application on any relevant grounds is invited to make representations in connection with the application by the date shown below. Representations should be made in accordance with the approved form (Form OD3) and sent to the Registrar of Designs, PO Box 200, Woden, ACT, 2606. Copies of Form OD3 may be obtained from the Registrar.

Date by which representations objecting to the grant of the application must be made:
23 September 2015.



MINISTER FOR INDUSTRY AND SCIENCE

COMMONWEALTH OF AUSTRALIA

PATENTS ACT 1990

**APPOINTMENT OF THE PATENT AND TRADE MARKS ATTORNEYS
DISCIPLINARY TRIBUNAL**

WHEREAS regulations 20.61 and 20.62 of the *Patents Regulations 1991* provide that there shall be a Tribunal to be known as the Patent and Trade Marks Attorneys Disciplinary Tribunal, which shall be constituted by a person appointed by instrument signed by the Minister:

NOW THEREFORE I, **IAN MACFARLANE**, Minister for Industry and Science, acting in accordance with regulation 20.62 of the *Patents Regulations 1991*, **do hereby appoint **KATRINA JANE HOWARD**** as the Patent and Trade Marks Attorneys Disciplinary Tribunal for three years from the date of this instrument.

DATED this **23rd** day of **June** 2015

The Hon Ian Macfarlane MP
Minister for Industry and Science

Proceedings under the Designs Act 1906 preserved as a result of the provisions of Chapter 12 Part 2 of the Designs Act 2003.

This Page Left Intentionally Blank

Applications Lapsed

There were no Applications Lapsed under this section

Registrations Ceased

Note: Some of the following Registrations may have been previously advertised as ceased. In this instance, the previous advertisement still prevails.

137916	139051	139365
139388	139389	139390
139392	139396	139397
139398	139419	139420
139436	139437	139438
139465	139490	139491
139497	139520	139521
139528	139529	139530
139532	139533	139537
139560	139574	139615
139657	139660	139710
139761	139762	139763
139764	139765	139782
140010	140011	140046
140091	140106	140107
140131	140357	140450
140471	141207	141227
141315	141904	141958
141959	142198	142373
142421	142422	142554
142611	142694	142781
143142	143143	143301
143302	143401	143921
148345	148491	148500
149709	154501	154705
155199	155201	155202
155241	155267	155311
155330	155363	155398
155400	155457	155537
155538	155581	155607
155655	155688	155689
155749	155782	155785
155804	155826	155880
156372	156527	156528
156529	156530	156531
156532	156646	156958
157057	157184	157892
157944	158047	158271

Subsequent Owners Registered

(The name in parentheses is that of the subsequent owner)

158543 (Monde Nissin (Australia) Pty Limited) Real
Juice Pty Limited

This Page Left Intentionally Blank

Proceedings under the Designs Act 2003.

This Page Left Intentionally Blank

Applications Lodged

Lodgement information is in the following order: **Applicant's Name**; International Classification, Name of Product, Lodgement Date and **Design Number**. If the applicant claims an earlier priority date under an International Convention, the Convention Country and the associated filing date are shown in parentheses before the Lodgement Date. Divisional information will also appear in parentheses before the Lodgement Date.

AbbVie Inc.; 24-01, Pump, (US, 30 Dec 2014) 30 Jun 2015	13280/2015	Ball Corporation; 09-01H, Metal bottle, (US, 05 Jan 2015) 01 Jul 2015	13320/2015
AbbVie Inc.; 24-01, Pump, (US, 30 Dec 2014) 30 Jun 2015	13283/2015	Ball Corporation; 09-01H, Metal bottle, (US, 05 Jan 2015) 01 Jul 2015	13321/2015
AbbVie Inc.; 24-01, Cassette, (US, 30 Dec 2014) 30 Jun 2015	13284/2015	Banko, Joshua David;Golnik, Timothy;Chang, Diana; 26-04, Light Bulb, (US, 02 Jan 2015) 30 Jun 2015	13287/2015
AbbVie Inc.; 24-01, Delivery device including pump and cassette, (US, 30 Dec 2014) 30 Jun 2015	13278/2015	Barwick, Paul David;Pascoe, Andrew John; 25-99, Washer for load indication, 03 Jul 2015	13381/2015
AbbVie Inc.; 24-01, Cassette, (US, 30 Dec 2014) 30 Jun 2015	13279/2015	Barwick, Paul David;Pascoe, Andrew John; 25-99, Anchor body for an anchor point, 03 Jul 2015	13380/2015
Absolute International Pty Ltd; 21-02E, Skateboard deck, 07 Jul 2015	13426/2015	Barwick, Paul David;Pascoe, Andrew John; 25-99, Apparatus for anchoring, 03 Jul 2015	13379/2015
Ager, Gavin;The Trustee for AGER FAMILY TRUST; 12-16K, Kayak carrier bracket, 01 Jul 2015	13326/2015	Black & Decker Inc.; 15-05, Steam cleaning accessory, (Divisional of 12302/2015) 01 Jul 2015	13324/2015
Antelco Pty Ltd; 23-01E, Hand held irrigation tool, 25 Jun 2015	13243/2015	Black & Decker Inc.; 15-05, Steam cleaning accessory, (Divisional of 12302/2015) 01 Jul 2015	13325/2015
Apple Inc.; 14-02, Electronic device, (US, 06 Jan 2015) 02 Jul 2015	13342/2015	BlackBerry Limited; 14-02, Electronic device, (US, 05 Jan 2015) 03 Jul 2015	13352/2015
Apple Inc.; 14-02, Electronic device, (US, 06 Jan 2015) 02 Jul 2015	13341/2015	BlackBerry Limited; 14-02, Electronic device, (US, 05 Jan 2015) 03 Jul 2015	13353/2015
Apple Inc.; 14-02, Electronic device, (US, 06 Jan 2015) 02 Jul 2015	13345/2015	BARRON & RAWSON PTY LTD; 23-01F, 45 litre plastic tank, 26 Jun 2015	13249/2015
Apple Inc.; 14-02, Electronic device, (US, 06 Jan 2015) 02 Jul 2015	13346/2015	C. Rafin & Co. Pty Ltd; 14-03NES, Health information communications device, 26 Jun 2015	13255/2015
Apple Inc.; 14-02, Electronic device, (US, 06 Jan 2015) 02 Jul 2015	13338/2015	Capral Limited; 25-01K, Frame profile, 09 Jul 2015	13460/2015
Apple Inc.; 14-02, Electronic device, (US, 06 Jan 2015) 02 Jul 2015	13339/2015	Capral Limited; 25-01K, Frame profile, 09 Jul 2015	13454/2015
Apple Inc.; 14-02, Electronic device, (US, 06 Jan 2015) 02 Jul 2015	13340/2015	Capral Limited; 25-01K, Frame profile, 09 Jul 2015	13455/2015
AutoCoach Pty Ltd; 14-02, Headworn electronic device, (Divisional of 15311/2014) 02 Jul 2015	13328/2015	Capral Limited; 25-01K, Frame profile, 09 Jul 2015	13461/2015
Ball Corporation; 09-01H, Metal bottle, (US, 05 Jan 2015) 01 Jul 2015	13322/2015	Capral Limited; 25-01K, Frame profile, 09 Jul 2015	13458/2015
		Capral Limited; 25-01K, Frame profile, 09 Jul 2015	13459/2015

Capral Limited; 25-01K, Frame profile, 09 Jul 2015	13457/2015	Dow, James;Litchfield, Peter Graham; 21-02C, Putter head, 01 Jul 2015	13306/2015
Caroma Industries Limited; 23-02F, A basin, 01 Jul 2015	13311/2015	Dunlop, Colin; 24-01, Anaesthetic breathing circuit component, (Divisional of 11896/2015) 06 Jul 2015	13400/2015
Caroma Industries Limited; 23-02F, A basin, 01 Jul 2015	13313/2015	Dyson Technology Limited; 28-03B, Part of a hair appliance, (EM, 12 Jan 2015) 06 Jul 2015	13391/2015
Caroma Industries Limited; 23-02F, A basin, 01 Jul 2015	13319/2015	Dyson Technology Limited; 28-03B, Part of a hair appliance, (EM, 12 Jan 2015) 06 Jul 2015	13392/2015
Caroma Industries Limited; 23-02F, A basin, 01 Jul 2015	13316/2015	Dyson Technology Limited; 28-03B, Part of a hair appliance, (EM, 12 Jan 2015) 06 Jul 2015	13393/2015
Caroma Industries Limited; 23-02F, A basin, 01 Jul 2015	13315/2015	Dyson Technology Limited; 28-03B, Part of a hair appliance, (EM, 12 Jan 2015) 06 Jul 2015	13394/2015
Chang, Diana;Golnik, Timothy;Banko, Joshua David; 26-04, Light Bulb, (US, 02 Jan 2015) 30 Jun 2015	13287/2015	Dyson Technology Limited; 28-03B, A hair appliance, (EM, 12 Jan 2015) 06 Jul 2015	13395/2015
Cie Ltd; 06-03C, The design relates to a desk., 26 Jun 2015	13252/2015	Dyson Technology Limited; 28-03B, A hair appliance, (EM, 12 Jan 2015) 06 Jul 2015	13286/2015
Coca-Cola Amatil (Aust) Limited; 09-01NES, Bottle, (Divisional of 11910/2015) 29 Jun 2015	13269/2015	Dyson Technology Limited; 28-03B, A hair appliance, (EM, 12 Jan 2015) 30 Jun 2015	13281/2015
Coca-Cola Amatil (Aust) Limited; 09-01NES, Bottle, (Divisional of 11910/2015) 29 Jun 2015	13275/2015	Dyson Technology Limited; 28-03B, A hair appliance, (EM, 12 Jan 2015) 30 Jun 2015	13282/2015
Coca-Cola Amatil (Aust) Limited; 09-01NES, Bottle, (Divisional of 11910/2015) 29 Jun 2015	13272/2015	DAVID STUCKEY INVESTMENTS PTY LTD; 08-06, Dish, 25 Jun 2015	13240/2015
Coca-Cola Amatil (Aust) Limited; 09-01NES, Bottle, (Divisional of 11910/2015) 29 Jun 2015	13270/2015	DAVID STUCKEY INVESTMENTS PTY LTD; 08-06, Dish, 25 Jun 2015	13241/2015
Cotton, Edward John Raine; 21-01M, Modular play system, 06 Jul 2015	13416/2015	DD Karma LLC; 14-02, Hand-held electronic device, 26 Jun 2015	13250/2015
CONSOL SERVICES PTY LTD; 08-05F, 25-02NES, Concrete wheelstop, 26 Jun 2015	13257/2015	DNA Lifestyle Products Limited; 08-08K, A fence standard carrier, 03 Jul 2015	13348/2015
CROWN EQUIPMENT CORPORATION; 12-16K, 12-16NES, Armrest with handhold element, (US, 06 Feb 2015) 09 Jul 2015	13446/2015	Emerson Electric Co.; 09-09, Food waste disposer, (US, 12 Jan 2015) 26 Jun 2015	13256/2015
CROWN EQUIPMENT CORPORATION; 12-16K, 12-16NES, Armrest with handhold element, (US, 06 Feb 2015) 09 Jul 2015	13448/2015	Emerson Electric Co.; 09-09, Food waste disposer, (US, 12 Jan 2015) 01 Jul 2015	13303/2015
Dave Hopper, The Trustee for The Quikstix Foundation; 19-08, Credit card, 28 Jun 2015	13261/2015	Emerson Electric Co.; 09-09, Food waste disposer, (US, 12 Jan 2015) 29 Jun 2015	13266/2015
Diamond, Jason;The Trustee for SEAMLESS MERCHANDISING MATTERS; 14-02, USB drive housing, 30 Jun 2015	13285/2015	Emerson Electric Co.; 09-09, Food waste disposer, (US, 12 Jan 2015) 30 Jun 2015	13288/2015
Dias Aluminium Products Pty. Ltd.; 08-09, 06-04C, Wardrobe stile, 23 Jun 2015	13274/2015		
Dow, James;Litchfield, Peter Graham; 21-02C, Attachment for a putter head, 01 Jul 2015	13307/2015		

Emerson Electric Co.; 09-09, Food waste disposer, (US, 12 Jan 2015) 30 Jun 2015	13289/2015	Folli-Follie Commercial Manufacturing and Technical Societe Anonyme; 03-01B, Clutch bag, (EM, 07 Jan 2015) 06 Jul 2015	13408/2015
ELECTRICAL TRAINING ACADEMY PTY LTD; 13-03A, Electrical conductor barrier used for switchboards, 08 Jul 2015	13441/2015	Folli-Follie Commercial Manufacturing and Technical Societe Anonyme; 03-01B, Clutch bag, (EM, 07 Jan 2015) 06 Jul 2015	13406/2015
ELECTRICAL TRAINING ACADEMY PTY LTD; 13-03A, Electrical trade conductor barrier for switchboard, 08 Jul 2015	13439/2015	Folli-Follie Commercial Manufacturing and Technical Societe Anonyme; 11-01E, Jewellery, (EM, 07 Jan 2015) 06 Jul 2015	13403/2015
ELECTRICAL TRAINING ACADEMY PTY LTD; 13-03A, Electrical trade conductor barrier for switchboard, 08 Jul 2015	13440/2015	Folli-Follie Commercial Manufacturing and Technical Societe Anonyme; 03-01B, Purse, (EM, 07 Jan 2015) 06 Jul 2015	13409/2015
EZ Living Manufactory Limited;Linhai Sunrise Leisure Products Co., Ltd.; 06-01H, Double wicker sofa, 25 Jun 2015	13245/2015	Folli-Follie Commercial Manufacturing and Technical Societe Anonyme; 03-01B, Purse, (EM, 07 Jan 2015) 06 Jul 2015	13410/2015
EZ Living Manufactory Limited;Linhai Sunrise Leisure Products Co., Ltd.; 06-01H, Single wicker sofa, 25 Jun 2015	13244/2015	Folli-Follie Commercial Manufacturing and Technical Societe Anonyme; 11-01E, Jewellery, (EM, 07 Jan 2015) 06 Jul 2015	13404/2015
Fifty-Fourth Rischell Pty Ltd; 02-02C, Men's clothing, 01 Jul 2015	13323/2015	Folli-Follie Commercial Manufacturing and Technical Societe Anonyme; 03-01B, Round purse, (EM, 07 Jan 2015) 06 Jul 2015	13401/2015
Flexible Steel Lacing Company; 12-05, Scraper blade for conveyor belts, (US, 13 Jan 2015) 07 Jul 2015	13421/2015	Folli-Follie Commercial Manufacturing and Technical Societe Anonyme; 11-01E, Jewellery, (EM, 07 Jan 2015) 06 Jul 2015	13402/2015
Flexible Steel Lacing Company; 12-05, Scraper blade for conveyor belts, (US, 13 Jan 2015) 07 Jul 2015	13422/2015	Forever New Clothing Pty Ltd; 02-02C, Article of clothing, (Divisional of 15545/2014) 03 Jul 2015	13373/2015
Folli-Follie Commercial Manufacturing and Technical Societe Anonyme; 03-01B, Purse, (EM, 07 Jan 2015) 06 Jul 2015	13411/2015	Forever New Clothing Pty Ltd; 02-02C, Article of clothing, (Divisional of 15545/2014) 03 Jul 2015	13374/2015
Folli-Follie Commercial Manufacturing and Technical Societe Anonyme; 03-01B, Bag, (EM, 07 Jan 2015) 06 Jul 2015	13415/2015	Forever New Clothing Pty Ltd; 02-02C, Article of clothing, (Divisional of 15545/2014) 03 Jul 2015	13367/2015
Folli-Follie Commercial Manufacturing and Technical Societe Anonyme; 03-01B, Bag, (EM, 07 Jan 2015) 06 Jul 2015	13413/2015	Forever New Clothing Pty Ltd; 02-02C, Article of clothing, (Divisional of 15545/2014) 03 Jul 2015	13368/2015
Folli-Follie Commercial Manufacturing and Technical Societe Anonyme; 03-01B, Bag, (EM, 07 Jan 2015) 06 Jul 2015	13414/2015	Forever New Clothing Pty Ltd; 02-02C, Article of clothing, (Divisional of 15545/2014) 03 Jul 2015	13365/2015
Folli-Follie Commercial Manufacturing and Technical Societe Anonyme; 03-01B, Purse, (EM, 07 Jan 2015) 06 Jul 2015	13412/2015	Forever New Clothing Pty Ltd; 02-02NES, Article of clothing, (Divisional of 15545/2014) 03 Jul 2015	13375/2015
Folli-Follie Commercial Manufacturing and Technical Societe Anonyme; 03-01B, Clutch bag, (EM, 07 Jan 2015) 06 Jul 2015	13405/2015	Forever New Clothing Pty Ltd; 02-02C, Article of clothing, (Divisional of 15452/2014) 03 Jul 2015	13366/2015
Folli-Follie Commercial Manufacturing and Technical Societe Anonyme; 03-01B, Clutch bag, (EM, 07 Jan 2015) 06 Jul 2015	13407/2015	Forever New Clothing Pty Ltd; 02-02NES, Article of clothing, (Divisional of 15545/2014) 03 Jul 2015	13364/2015

Forever New Clothing Pty Ltd; 02-02C, Article of clothing, (Divisional of 15545/2014) 03 Jul 2015	13377/2015	GAMMA ILLUMINATION PTY LTD; 08-08L, Spacer bracket, 11 Jul 2015	13486/2015
Forever New Clothing Pty Ltd; 02-02C, Article of clothing, (Divisional of 15545/2014) 03 Jul 2015	13369/2015	Hagleitner, Hans Georg; 09-07NES, Slidable closure, (EM, 07 Nov 2014) (Divisional of 12303/2015) 24 Jun 2015	13349/2015
Forever New Clothing Pty Ltd; 02-02C, Article of clothing, (Divisional of 15545/2014) 03 Jul 2015	13370/2015	Hagleitner, Hans Georg; 09-07NES, Slidable closure, (Divisional of 12303/2015) 24 Jun 2015	13350/2015
Forever New Clothing Pty Ltd; 02-02C, Article of clothing, (Divisional of 15545/2014) 03 Jul 2015	13378/2015	Hagleitner, Hans Georg; 09-07NES, Slidable closure, (EM, 07 Nov 2014) (Divisional of 12303/2015) 24 Jun 2015	13309/2015
Forever New Clothing Pty Ltd; 02-02C, Article of clothing, (Divisional of 15545/2014) 03 Jul 2015	13376/2015	Hagleitner, Hans Georg; 09-07NES, Slidable closure, (EM, 07 Nov 2014) (Divisional of 12303/2015) 24 Jun 2015	13312/2015
Forever New Clothing Pty Ltd; 02-02C, Article of clothing, (Divisional of 15545/2014) 03 Jul 2015	13371/2015	Hagleitner, Hans Georg; 09-07NES, Slidable closure, (EM, 07 Nov 2014) (Divisional of 12303/2015) 24 Jun 2015	13310/2015
Forever New Clothing Pty Ltd; 02-02C, Article of clothing, (Divisional of 15545/2014) 03 Jul 2015	13372/2015	Hermes Sellier (Societe Par Actions Simplifiee); 03-01B, Bag (WO 13 Mar 2015) 07 Jul 2015	13418/2015
Forever New Pty Ltd; 02-02NES, Article of clothing, (Divisional of 15545/2014) 03 Jul 2015	13363/2015	High Street TV (Group) Limited; 21-02F, Exercise apparatus, (EM, 31 Mar 2015) 29 Jun 2015	13264/2015
Fraser, Belinda Mary; 06-04C, Portable wardrobe, 06 Jul 2015	13438/2015	Hill's Pet Nutrition, Inc.; 08-05NES, Die cutter, (US, 21 Jan 2015) 06 Jul 2015	13396/2015
Freedom Motors Australia Pty Ltd; 29-02, Seat belt buckle adapter, 08 Jul 2015	13442/2015	Hill's Pet Nutrition, Inc.; 01-06, Pet food piece, (US, 21 Jan 2015) 06 Jul 2015	13397/2015
FACULTY OF HEALTH, AARUS UNIVERSITY; 25-03, Building, (EM, 08 Jan 2015) 02 Jul 2015	13330/2015	Hills Pet Nutrition, Inc.; 01-06, Pet food piece, (US, 21 Jan 2015) 08 Jul 2015	13430/2015
FGS Sweden AB; 05-05D, Textile material with a surface pattern, (EM, 12 Jan 2015) 10 Jul 2015	13467/2015	Honda Motor Co., Ltd.; 12-08, Automobile, (JP, 14 Jan 2015) 07 Jul 2015	13419/2015
FUNTON HOLDINGS PTY LTD; 32-03, All milk powder products, 08 Jul 2015	13433/2015	Hunt, Ethan; 14-02, 31-00, 3D chocolate printer, 04 Jul 2015	13385/2015
General Innovation Australia Pty Ltd; 26-05D, Eagle track light / decorative light, 29 Jun 2015	13305/2015	Husqvarna AB; 15-03B, Bagging blade, (US, 02 Jan 2015) 29 Jun 2015	13267/2015
Genzyme Corporation; 24-02, Syringe plunger and finger grip, (US, 12 Mar 2015) 30 Jun 2015	13295/2015	Husqvarna AB; 15-03B, 08-03, Mulching blade, (US, 02 Jan 2015) 29 Jun 2015	13268/2015
Genzyme Corporation; 24-02, Syringe plunger and finger grip, (US, 12 Mar 2015) 30 Jun 2015	13296/2015	Industrie IP Pty Limited; 02-02B, Pocket, 08 Jul 2015	13432/2015
Golnik, Timothy;Chang, Diana;Banko, Joshua David; 26-04, Light Bulb, (US, 02 Jan 2015) 30 Jun 2015	13287/2015	IWASAKI ELECTRIC CO., LTD.; 26-04, Discharge lamp, (JP, 26 Dec 2014) 26 Jun 2015	13248/2015
Goodrum, Adam; 06-01E, Stool, side table, 06 Jul 2015	13399/2015		
Gustav Paulig Ltd; 07-01D, 14-02, Thermomug with a display, (EM, 01 Jun 2015) 09 Jul 2015	13447/2015		

Kairos Watches Limited; 10-07, Wrist watch bands, (Divisional of 10812/2015) 02 Jul 2015	13331/2015	Lucas, Kain;UTE AUSTRALIA PTY. LTD.; 06-06NES, Screening device, 04 Jul 2015	13383/2015
Kairos Watches Limited; 10-07, Wrist watch bands, (Divisional of 10812/2015) 02 Jul 2015	13335/2015	Magi Enterprises Pty Ltd; 02-02C, Clothing, 22 Jun 2015	13273/2015
Kairos Watches Limited; 10-07, Wrist watch bands, (Divisional of 10812/2015) 02 Jul 2015	13336/2015	Manutec Pty Ltd; 12-16L, A swivel bracket for a jockey wheel, 07 Jul 2015	13424/2015
Kairos Watches Limited; 10-07, Wrist watch bands, (Divisional of 10812/2015) 02 Jul 2015	13333/2015	Murphy, Tom; 12-99, A support skate for a motorcycle, 03 Jul 2015	13351/2015
Kairos Watches Limited; 10-07, Wrist watch bands, (Divisional of 10812/2015) 02 Jul 2015	13337/2015	MyTrolley Pty Ltd; 12-02, A trolley, 08 Jul 2015	13434/2015
Kairos Watches Limited; 10-07, Wrist watch bands, (Divisional of 10812/2015) 02 Jul 2015	13334/2015	MASTERBAIT (AUST) PTY LTD; 20-03NES, 22-05, Fishing bait & tackle, 26 Jun 2015	13260/2015
Kairos Watches Limited; 10-07, Wrist watch bands, (Divisional of 10812/2015) 02 Jul 2015	13332/2015	Nehme, Youssef; 08-08C, A fence clip, 01 Jul 2015	13317/2015
Karsten Manufacturing Corporation; 21-02C, Golf club head, (US, 09 Jan 2015) 02 Jul 2015	13329/2015	Nicholls, Deborah; 28-03C, Deborahair a device for promoting hair growth, 23 Jun 2015	13271/2015
Karsten Manufacturing Corporation; 21-02C, Golf club head, (US, 05 Jan 2015) 30 Jun 2015	13291/2015	Nipro Corporation; 24-02, Liquid medicine injection device, 26 Jun 2015	13259/2015
Kenu, Inc.; 13-03NES, Triple headed charging cable, (US, 19 Jun 2015) 07 Jul 2015	13423/2015	Normand, Gaudry; 17-04, Musical instrument, 03 Jul 2015	13382/2015
Kimberly-Clark Worldwide, Inc.; 15-06, Embossed nonwoven web material, (US, 09 Jan 2015) 26 Jun 2015	13253/2015	Nova Hardware Pty Ltd; 08-06, 08-08NES, Spigot, 29 Jun 2015	13276/2015
Legendre, Alice Marie Anne; 21-01L, Board Game, 26 Jun 2015	13254/2015	NUC Electronics Co., Ltd.; 31-00, Body for juice extractor, (KR, 27 Dec 2014) 26 Jun 2015	13246/2015
Linhai Sunrise Leisure Products Co., Ltd.;EZ Living Manufactory Limited; 06-01H, Double wicker sofa, 25 Jun 2015	13245/2015	Pascoe, Andrew John;Barwick, Paul David; 25-99, Washer for load indication, 03 Jul 2015	13381/2015
Linhai Sunrise Leisure Products Co., Ltd.;EZ Living Manufactory Limited; 06-01H, Single wicker sofa, 25 Jun 2015	13244/2015	Pascoe, Andrew John;Barwick, Paul David; 25-99, Anchor body for an anchor point, 03 Jul 2015	13380/2015
Litchfield, Peter Graham; 21-02C, Putter trainer, 08 Jul 2015	13431/2015	Pascoe, Andrew John;Barwick, Paul David; 25-99, Apparatus for anchoring, 03 Jul 2015	13379/2015
Litchfield, Peter Graham;Dow, James; 21-02C, Putter head, 01 Jul 2015	13306/2015	Paulson, Nathan Grant; 19-04, Album; or folder; or binder, 09 Jul 2015	13445/2015
Litchfield, Peter Graham;Dow, James; 21-02C, Attachment for a putter head, 01 Jul 2015	13307/2015	Paz, Fidel Dela; 15-05, Laundry aid, 25 Jun 2015	13232/2015
Local Tree Care Pty Ltd; 11-02B, Plant container, 01 Jul 2015	13314/2015	Pneumatic Components Limited; 10-04, Gauges, (EM, 14 Apr 2015) 01 Jul 2015	13318/2015
Lorna Jane Pty Ltd; 02-02C, 02-02NES, Clothing, 09 Jul 2015	13450/2015	Procson Pty Ltd; 06-06NES, Lectern, 28 Jun 2015	13262/2015
Lucas, Kain;UTE AUSTRALIA PTY. LTD.; 06-06NES, Screening device, 04 Jul 2015	13384/2015	Procson Pty Ltd; 06-03B, Table, 28 Jun 2015	13263/2015

PHILIP MORRIS PRODUCTS S.A.; 09-01A, Hand held aerosol generating device, (Divisional of 11809/2015) 03 Jul 2015	13360/2015	Seafolly Pty Ltd; 02-02A, Swimwear, 11 Feb 2015	13484/2015
R. M. Williams Pty Ltd; 02-04NES, Boot, 03 Jul 2015	13361/2015	Seafolly Pty Ltd; 02-02A, Swimwear, 11 Feb 2015	13482/2015
Reckitt Benckiser LLC; 09-01NES, Dispenser, (EM, 06 Jan 2015) 25 Jun 2015	13230/2015	Shanghai Aodian Hardware & Mechanism Co., Ltd; 07-05D, Portable clothes line, 30 Jun 2015	13292/2015
Reckitt Benckiser LLC; 09-01NES, Dispenser, (EM, 06 Jan 2015) 25 Jun 2015	13228/2015	Shanghai Aodian Hardware & Mechanism Co., Ltd; 07-05D, Retractable clothes line, 30 Jun 2015	13293/2015
Reckitt Benckiser LLC; 09-01NES, Dispenser, (EM, 06 Jan 2015) 25 Jun 2015	13229/2015	Shanghai Aodian Hardware & Mechanism Co., Ltd; 07-05D, Fold down clothes line, 30 Jun 2015	13294/2015
Reckitt Benckiser LLC; 09-01NES, Dispenser, (EM, 06 Jan 2015) 25 Jun 2015	13227/2015	Shaw, Keith Moffatt; 10-04, Thermometer stand, 29 Jun 2015	13304/2015
Reschke, Dru; 07-01C, Glassware, 25 Jun 2015	13242/2015	Shiny Health Import & Export Co. Limited; 24-01, Transfer chair with flipping seat, 09 Jul 2015	13463/2015
Runway Blue, LLC; 07-01NES, Container, (US, 08 Jan 2015) 29 Jun 2015	13277/2015	Smith, Rowena Suzanne; 21-01A, Stuffed toy, 30 Jun 2015	13297/2015
RMD Industries Pty Ltd; 08-08NES, Corner bracket for a duct, 29 Jun 2015	13265/2015	Steendyk Holdings Pty Ltd; 11-02B, 06-01H, Planter/seat, 30 Jun 2015	13298/2015
ROOFUS AUSTRALIA PTY LTD; 05-05A, Wall art, cushion, blanket, fabric, bag, tea towel, 05 Jul 2015	13387/2015	Steendyk Holdings Pty Ltd; 06-01F, 06-03A, Seat/table, 30 Jun 2015	13301/2015
ROOFUS AUSTRALIA PTY LTD; 05-05A, Wall art, cushion, blanket, fabric, bag, tea towel, 05 Jul 2015	13389/2015	Steendyk Holdings Pty Ltd; 06-01F, 06-03A, Seat/table, 30 Jun 2015	13302/2015
ROOFUS AUSTRALIA PTY LTD; 05-05A, Wall art, cushion, blanket, fabric, bag, tea towel, 05 Jul 2015	13388/2015	Steendyk Holdings Pty Ltd; 06-01F, 06-03A, Seat/table, 30 Jun 2015	13300/2015
ROOFUS AUSTRALIA PTY LTD; 05-05A, Wall art, cushion, blanket, fabric, bag, tea towel, 05 Jul 2015	13388/2015	Steendyk Holdings Pty Ltd; 06-01F, Seat, 30 Jun 2015	13299/2015
ROOFUS AUSTRALIA PTY LTD; 32-04, Wall art, cushion, blanket, fabric, bag, tea towel, 04 Jul 2015	13386/2015	Sterling International Inc.; 22-06, Wearable semiochemical retainer, (US, 09 Jan 2015) 30 Jun 2015	13290/2015
Scott Health & Safety Limited; 02-03, Cap, (EM, 08 Jan 2015) 06 Jul 2015	13390/2015	Sterling International Inc.; 22-06, Semiochemical retainer, 08 Jul 2015	13435/2015
Seafolly Pty Ltd; 02-02A, Swimwear, 11 Feb 2015	13481/2015	Sun, David; 24-01, Incubator, (CN, 10 Jun 2015) 02 Jul 2015	13347/2015
Seafolly Pty Ltd; 02-02A, Swimwear, 11 Feb 2015	13479/2015	SPIRAXJOP PTY LTD; 19-06, felt-tip marker, 09 Jul 2015	13462/2015
Seafolly Pty Ltd; 02-02A, Swimwear, 11 Feb 2015	13480/2015	SPIRAXJOP PTY LTD; 19-06, Felt-tip marker, 09 Jul 2015	13456/2015
Seafolly Pty Ltd; 02-02A, Swimwear, 11 Feb 2015	13477/2015	SPIRAXJOP PTY LTD; 19-06, Ballpoint pen, 09 Jul 2015	13453/2015
Seafolly Pty Ltd; 02-02A, Swimwear, 11 Feb 2015	13478/2015	SPIRAXJOP PTY LTD; 19-06, Felt-tip marker, 09 Jul 2015	13451/2015
Seafolly Pty Ltd; 02-02A, Swimwear, 11 Feb 2015	13485/2015	T.F.H. Publications, Inc.; 01-06, Antler pet chew, (US, 17 Feb 2015) 10 Jul 2015	13466/2015
Seafolly Pty Ltd; 02-02A, Swimwear, 11 Feb 2015	13483/2015	Taiwan Fu Hsing Industrial Co., Ltd.; 08-06, Lever, (TW, 24 Feb 2015) 08 Jul 2015	13436/2015

Taiwan Fu Hsing Industrial Co., Ltd.; 08-06, Lever, (TW, 24 Feb 2015) 08 Jul 2015	13437/2015	Vinidex Pty Limited; 12-10, A trailer, 26 Jun 2015	13258/2015
The trustee for Moeraki Trust; 23-03E, Pot belly, wood heater, patio heater, outdoor heater, 08 Jul 2015	13443/2015	Wallworth, Tasman James; 06-01NES, A set of street furniture, 07 Jul 2015	13427/2015
The trustee for Moeraki Trust; 12-16C, Caravans, Rear Bumper, Chassis, 10 Jul 2015	13464/2015	Wallworth, Tasman James; 06-01C, A set of street furniture, 07 Jul 2015	13425/2015
The Trustee for AGER FAMILY TRUST;Ager, Gavin; 12-16K, Kayak carrier bracket, 01 Jul 2015	13326/2015	Wallworth, Tasman James; 06-01C, 06-05, A set of street furniture, 07 Jul 2015	13428/2015
The Trustee for SEAMLESS MERCHANDISING MATTERS;Diamond, Jason; 14-02, USB drive housing, 30 Jun 2015	13285/2015	Wallworth, Tasman James; 06-01C, 06-05, A a set of street furniture, 07 Jul 2015	13429/2015
The Trustee for The Exodus Unit Trust; 02-02NES, Jacket, 03 Jul 2015	13358/2015	Wenatex Forschung Entwicklung Produktion GmbH; 06-09, Mattress, (EM, 22 Jan 2015) 25 Jun 2015	13231/2015
Thomson Reuters (Markets) LLC; 14-02, Display screen, (US, 18 Jun 2015) 26 Jun 2015	13251/2015	William, Tate; 12-15F, 15-04, Skid steer tracks / loader tracks / bobcat tracks, 09 Jul 2015	13444/2015
TomTom International B.V.; 12-11, Bike mount, (EM, 12 Jan 2015) 10 Jul 2015	13465/2015	Wolnik, Maja; 19-08, Bottle gift tag/card for wine, champagne, liquor., 01 Jul 2015	13327/2015
Tronac Pty Ltd; 10-04, Thermostat/hub for climate control and monitoring, (Divisional of 11635/2015) 23 Jun 2015	13191/2015	Wright, Vanessa Jane; 06-13NES, 06-01NES, Portable seating apparatus, 03 Jul 2015	13362/2015
TIC (Retail Accessories) Pty Ltd; 06-08, Garment hanger, 03 Jul 2015	13354/2015	Yakima Australia Pty Limited; 12-16NES, A roof rack fishing rod holder, 07 Jul 2015	13420/2015
TROPICANA IMPORTS PTY LIMITED; 06-01NES, Wooden arc hammock frame, 01 Jul 2015	13308/2015	Yakima Australia Pty Limited; 12-16C, 12-16K, 12-16NES, Vehicle crossbar cover, 09 Jul 2015	13449/2015
UTE AUSTRALIA PTY. LTD.;Lucas, Kain; 06-06NES, Screening device, 04 Jul 2015	13383/2015	Zettabeam Pty Ltd; 14-02, A data storage device, 02 Jul 2015	13344/2015
UTE AUSTRALIA PTY. LTD.;Lucas, Kain; 06-06NES, Screening device, 04 Jul 2015	13384/2015	Zettabeam Pty Ltd; 14-03NES, A control device, 02 Jul 2015	13343/2015
Vincent, Lukas; 02-02B, Denim jeans, 07 Jul 2015	13417/2015	314HORNET CO., LTD.; 02-04NES, Shoe, 26 Jun 2015	13247/2015
Vinidex Pty Limited; 23-01A, A reinforcing collar for a pipe fitting, 03 Jul 2015	13359/2015		

Applications Lapsed

16638 / 2014 (08-99)

	16639 / 2014 (08-99)
16729 / 2014 (02-02C)	11144 / 2015 (13-03B)
11161 / 2015 (32-03)	11166 / 2015 (06-03B)
11167 / 2015 (06-03A)	11168 / 2015 (06-04F)
11169 / 2015 (06-04F)	11306 / 2015 (32-01)
11330 / 2015 (16-01)	11345 / 2015 (06-02)
11349 / 2015 (23-02C)	11369 / 2015 (14-02)
11407 / 2015 (31-00)	11409 / 2015 (15-03B)
11457 / 2015 (32-03)	11466 / 2015 (01-99)
11495 / 2015 (32-03)	11496 / 2015 (32-03)
11526 / 2015 (26-03)	11551 / 2015 (02-04C)
11582 / 2015 (02-02NES)	11586 / 2015 (07-05C)
11589 / 2015 (09-03M)	11603 / 2015 (32-03)

Extension of Period of Registration of Designs

Registrations Ceased

328424	329870	329871	303805	303861	303920
330185	331285	331659	304023	304028	304030
331660	331871	331969	304063	304065	304084
331975	331977	331978	304085	304099	304100
331979	331980	331981	304104	304105	304121
331982	331992	331993	304124	304125	304126
332056	332079	332106	304229	304238	304277
332116	332117	332118	304287	304288	304289
332123	332136	332137	304290	304291	304292
332146	332151	332156	304303	304304	304305
332172	332177	332182	304306	304307	304322
332184	332188	332215	304323	304324	304325
332216	332217	332218	304326	304327	304329
332220	332231	332232	304330	304331	304332
332239	332241	332284	304333	304334	304336
332285	332303	332374	304337	304338	304339
332385	332394	332398	304340	304380	304381
332399	332400	332520	304403	304405	304406
332521	332523	332525	304407	304409	304423
332526	332528	332529	304424	304425	304426
332540	332541	332542	304432	304446	304506
332543	332544	332545	304569	304570	304571
332546	332547	332548	304715	304753	305128
332658	332664	332665	305320	305321	305323
332782	332783	332784	305324	305325	305326
332864	332865	332866	305327	305328	305329
332893	332894	332895	305330	305331	305343
332896	332897	332900	305351	305352	305353
332915	332916	332917	305354	305355	305454
332918	332919	332920	305455	305456	306092
332921	332924	332932	306450	307039	307186
332946	332956	332957	307277	307278	317235
332958	332959	332960	329217	329249	329250
332961	332978	332979	329258	329267	329268
332980	333000	333001	329269	329270	329271
333002	333003	333004	329272	329274	329275
333005	333014	333015	329284	329291	329292
333016	333017	333018	329297	329299	329300
333023	333025	333026	329302	329312	329322
333027	333028	333029	329324	329325	329326
333063	333064	333071	329349	329358	329361
333072	333073	333074	329365	329425	329515
333095	333136	333137	329591	329674	329676
333138	333139	333190	329847	329889	329931
333264	333600	333601	329934	329936	329937
333744	333799	333800	329938	329971	330172
333801	334172	334173	330173	330290	330291
334174	334175	334176	330441	330759	332432
335035	335036	335040	332433	332434	332435
335110	335114		332436	332437	332438
			332439	332440	332441
			332442	332443	332444

332445	332446	332447
332448	332449	332450
332451	332452	332453
332454	332455	332456
332457	332458	332459
332790	332791	332792
355204	357088	

Extensions of time granted under Section 137

Applications lodged under section 137 for extension of time have been granted.

328424 **Schitech Pty Ltd**

12367/2015 **mitsubishi electric corporation**

Applications Assigned

(The name in parentheses is that of the subsequent applicant)

12548/2015 **(MJN U.S. Holdings LLC)** Mead Johnson Nutrition Company

Subsequent Owners Registered

(The name in parentheses is that of the subsequent owner)

307758	(Home Control Singapore Pte Ltd) Koninklijke Philips Electronics N.V.
331167	(Home Control Singapore Pte Ltd) Koninklijke Philips Electronics N.V.
331168	(Home Control Singapore Pte Ltd) Koninklijke Philips Electronics N.V.
331169	(Home Control Singapore Pte Ltd) Koninklijke Philips Electronics N.V.
334929	(Home Control Singapore Pte Ltd) Koninklijke Philips Electronics N.V.
344694	(Pental Limited) Alto Packaging Limited
345582	(OOF DESIGN LIMITED a company incorporated under the law of England and Wales) George Liarikos
347123	(Opus RV Pty Ltd) Purple Line Pty Ltd
347139	(Opus RV Pty Ltd) Purple Line Pty Ltd
350555	(Sulzer Management AG) Sulzer Pumpen AG
360945	(Home Control Singapore Pte Ltd) Koninklijke Philips N.V.
351565	(Home Control Singapore Pte Ltd) Koninklijke Philips N.V.

Names Registered - Alterations and Amendments

(The name in parentheses is that of the subsequent applicant)

357368 **(Eveready Battery Company, Inc.)** Eveready Battery Company

Corrigenda

11066/2015 advertised on 2 July 2015 under the heading: Applications Lapsed: Application Lapsed in Error.

Certificate(s) of Examination

Examination of the following Design Registration(s) has been completed. Infringement proceedings may now be commenced.

314103	19-04	01/07/2015	360941	15-05	09/07/2015
314303	19-04	01/07/2015	360942	15-05	09/07/2015
314304	19-04	01/07/2015	360948	20-02C	01/07/2015
333206	24-01	06/07/2015	360963	21-02C	01/07/2015
336429	13-03E	11/07/2015	360973	15-04	01/07/2015
340020	12-10	29/06/2015	360974	12-05	06/07/2015
347070	07-07B	06/07/2015	360979	15-05	06/07/2015
354686	12-12	01/07/2015	360979	15-05	06/07/2015
354833	12-12	01/07/2015	360987	09-01G	07/07/2015
355204	24-04	07/07/2015	360991	05-05C	03/07/2015
356261	09-03M	06/07/2015	361014	09-03M	03/07/2015
356262	09-03M	07/07/2015	361015	09-03M	03/07/2015
356265	09-03M	07/07/2015	361016	09-03M	03/07/2015
356266	09-03H	07/07/2015	361017	09-03M	03/07/2015
356267	09-03H	07/07/2015	361018	20-02NES	08/07/2015
356268	09-03M	07/07/2015	361019	20-02NES	08/07/2015
356269	09-03M	07/07/2015	361053	30-99	06/07/2015
356552	24-01	30/06/2015	361067	02-02NES	08/07/2015
357279	09-05	29/06/2015	361138	05-05NES	06/07/2015
357314	07-02R	07/07/2015	361139	05-05D	03/07/2015
358636	26-06	30/06/2015	361140	05-05A	03/07/2015
358719	12-14	01/07/2015	361165	09-01NES	07/07/2015
359525	14-03A	07/07/2015	361166	09-01NES	07/07/2015
359564	14-03A	07/07/2015	361193	09-01NES	07/07/2015
359685	09-03M	07/07/2015	361207	15-04	09/07/2015
359714	23-01NES	06/07/2015	361208	15-04	09/07/2015
359754	25-01K	02/07/2015	361209	15-04	09/07/2015
359755	25-01K	02/07/2015	361210	15-04	09/07/2015
359763	26-06	07/07/2015	361235	09-01NES	07/07/2015
359827	14-01	09/07/2015	361303	12-06C	08/07/2015
359871	21-02C	08/07/2015	361316	09-01NES	07/07/2015
360054	25-03	01/07/2015	361318	09-01NES	07/07/2015
360214	13-99	30/06/2015	361319	05-05NES	10/07/2015
360429	12-08	02/07/2015	361345	15-99	09/07/2015
360471	29-02	26/06/2015	361346	15-99	09/07/2015
360472	29-02	26/06/2015	361348	08-05N	11/07/2015
360473	29-02	26/06/2015	361349	08-05N	11/07/2015
360493	09-01NES	09/07/2015	361350	15-99	09/07/2015
360495	09-01NES	09/07/2015	361453	14-02	13/07/2015
360531	24-04	06/07/2015	361786	09-07C	01/07/2015
360532	24-04	06/07/2015			
360608	20-02E	07/07/2015			
360770	09-03M	08/07/2015			
360807	15-05	03/07/2015			
360823	15-05	03/07/2015			
360824	15-05	03/07/2015			
360825	15-05	03/07/2015			
360827	15-05	06/07/2015			
360829	15-05	06/07/2015			
360831	15-05	06/07/2015			
360854	08-05A	07/07/2015			
360855	08-05A	07/07/2015			
360856	08-05A	07/07/2015			
360860	15-05	09/07/2015			
360887	15-05	09/07/2015			
360888	15-05	09/07/2015			
360890	15-05	09/07/2015			
360919	09-03M	03/07/2015			
360930	13-03NES	01/07/2015			

Publication and Registration Proceedings

Designs Registered

This section provides a concordance between design number and registration number of Designs covered in this journal. It also shows the main class and registration date.

This section covers Registration numbers 362411 to 362501 .

The registration number shown below should be used in all future correspondence.

Design Number	Registration Number	International Classification Code (IDC)	Registration Date	Design Number	Registration Number	International Classification Code (IDC)	Registration Date
15311/2014	362497	14-02	13/07/2015	11873/2015	362475	06-10	09/07/2015
15545/2014	362498	02-02C	13/07/2015	11910/2015	362445	09-01NES	08/07/2015
16261/2014	362417	07-07NES	03/07/2015	11917/2015	362451	26-05D	08/07/2015
16699/2014	362418	24-02	03/07/2015	11991/2015	362416	25-02H	02/07/2015
10025/2015	362424	02-02NES	07/07/2015	11994/2015	362452	12-10	08/07/2015
10051/2015	362419	15-07	03/07/2015	12119/2015	362453	15-01	08/07/2015
10052/2015	362420	25-01K	03/07/2015	12186/2015	362454	16-01	08/07/2015
10054/2015	362421	25-01K	03/07/2015	12193/2015	362476	25-01K	09/07/2015
10055/2015	362422	26-05A	03/07/2015	12252/2015	362477	20-02E	09/07/2015
10056/2015	362423	25-01K	03/07/2015	12302/2015	362484	15-05	10/07/2015
10147/2015	362425	12-08	07/07/2015	12303/2015	362485	09-07NES	10/07/2015
10148/2015	362426	12-08	07/07/2015	12335/2015	362486	23-02A	10/07/2015
10150/2015	362427	12-08	07/07/2015	12407/2015	362487	07-99A	10/07/2015
10152/2015	362429	26-06	07/07/2015	12411/2015	362488	06-03B	10/07/2015
10153/2015	362430	12-16NES	07/07/2015	12556/2015	362473	07-01B	09/07/2015
10154/2015	362431	12-16C	07/07/2015	12558/2015	362474	07-01B	09/07/2015
10155/2015	362432	12-08	07/07/2015	12559/2015	362478	26-06	10/07/2015
10156/2015	362434	26-06	07/07/2015	12561/2015	362479	26-06	10/07/2015
10157/2015	362455	26-06	08/07/2015	12564/2015	362463	08-08L	08/07/2015
10158/2015	362456	12-16C	08/07/2015	12565/2015	362464	08-08L	08/07/2015
10159/2015	362457	12-08	08/07/2015	12590/2015	362465	15-02	08/07/2015
10164/2015	362458	12-08	08/07/2015	12595/2015	362466	06-06NES	08/07/2015
10211/2015	362411	09-02NES	30/06/2015	12600/2015	362480	12-15B	10/07/2015
10808/2015	362436	26-03	07/07/2015	12601/2015	362481	06-06G	10/07/2015
10809/2015	362449	26-03	08/07/2015	12603/2015	362459	07-01C	08/07/2015
10812/2015	362499	10-07	13/07/2015	12604/2015	362460	07-01C	08/07/2015
11362/2015	362443	29-02	07/07/2015	12605/2015	362461	07-01C	08/07/2015
11364/2015	362437	29-02	07/07/2015	12606/2015	362462	07-01C	08/07/2015
11464/2015	362438	14-02	07/07/2015	12607/2015	362482	12-16NES	10/07/2015
11492/2015	362412	24-04	30/06/2015	12611/2015	362483	12-16C	10/07/2015
11542/2015	362439	08-03	07/07/2015	12612/2015	362489	12-16C	10/07/2015
11543/2015	362440	23-04	07/07/2015	12613/2015	362490	12-16C	13/07/2015
11544/2015	362441	08-03	07/07/2015	12614/2015	362491	14-01	13/07/2015
11545/2015	362442	08-03	07/07/2015	12617/2015	362492	23-01F	13/07/2015
11555/2015	362413	14-02	30/06/2015	12618/2015	362493	03-99	13/07/2015
11578/2015	362428	24-04	07/07/2015	12619/2015	362494	03-01A	13/07/2015
11611/2015	362444	12-08	08/07/2015	12624/2015	362467	15-05	08/07/2015
11616/2015	362433	02-03	07/07/2015	12625/2015	362468	21-01E	09/07/2015
11630/2015	362414	24-04	30/06/2015	12626/2015	362469	21-01E	09/07/2015
11635/2015	362435	10-04	07/07/2015	12627/2015	362470	04-02	09/07/2015
11645/2015	362446	09-01NES	08/07/2015	12628/2015	362471	09-01D	09/07/2015
11658/2015	362447	09-01K	08/07/2015	12630/2015	362472	21-01E	09/07/2015
11663/2015	362448	09-01NES	08/07/2015	12647/2015	362495	05-05C	13/07/2015
11768/2015	362450	24-02	08/07/2015	12650/2015	362496	24-01	13/07/2015
11792/2015	362500	09-01H	13/07/2015				
11809/2015	362501	09-01A	13/07/2015				
11812/2015	362415	13-02	30/06/2015				

Publication and Registration Proceedings

Class Listing of Designs Published or Registered

The following section shows an International Classification Code listing of the Registered or Published Designs covered in this supplement.

Classification	Registration Number	Design Number	Classification	Registration Number	Design Number
02-02C	362498	15545/2014	12-16C	362489	12612/2015
02-02NES	362424	10025/2015	12-16C	362490	12613/2015
02-03	362433	11616/2015	12-16NES	362430	10153/2015
03-01A	362494	12619/2015	12-16NES	362482	12607/2015
03-99	362493	12618/2015	13-02	362415	11812/2015
04-02	362470	12627/2015	14-01	362491	12614/2015
05-05C	362495	12647/2015	14-02	362413	11555/2015
06-03B	362488	12411/2015	14-02	362438	11464/2015
06-06G	362481	12601/2015	14-02	362497	15311/2014
06-06NES	362466	12595/2015	15-01	362453	12119/2015
06-10	362475	11873/2015	15-02	362465	12590/2015
06-13B	362475	11873/2015	15-05	362467	12624/2015
07-01B	362473	12556/2015	15-05	362484	12302/2015
07-01B	362474	12558/2015	15-07	362419	10051/2015
07-01C	362459	12603/2015	16-01	362454	12186/2015
07-01C	362460	12604/2015	20-02E	362477	12252/2015
07-01C	362461	12605/2015	21-01E	362468	12625/2015
07-01C	362462	12606/2015	21-01E	362469	12626/2015
07-07NES	362417	16261/2014	21-01E	362472	12630/2015
07-99A	362487	12407/2015	23-01F	362492	12617/2015
08-03	362439	11542/2015	23-02A	362486	12335/2015
08-03	362441	11544/2015	23-04	362435	11635/2015
08-03	362442	11545/2015	23-04	362440	11543/2015
08-08L	362463	12564/2015	24-01	362496	12650/2015
08-08L	362464	12565/2015	24-02	362418	16699/2014
09-01A	362501	11809/2015	24-02	362450	11768/2015
09-01D	362471	12628/2015	24-04	362412	11492/2015
09-01H	362500	11792/2015	24-04	362414	11630/2015
09-01K	362447	11658/2015	24-04	362428	11578/2015
09-01NES	362445	11910/2015	25-01K	362420	10052/2015
09-01NES	362446	11645/2015	25-01K	362421	10054/2015
09-01NES	362448	11663/2015	25-01K	362423	10056/2015
09-02NES	362411	10211/2015	25-01K	362476	12193/2015
09-07NES	362485	12303/2015	25-02H	362416	11991/2015
10-04	362435	11635/2015	26-03	362436	10808/2015
10-07	362499	10812/2015	26-03	362449	10809/2015
12-08	362425	10147/2015	26-05A	362422	10055/2015
12-08	362426	10148/2015	26-05D	362451	11917/2015
12-08	362427	10150/2015	26-06	362429	10152/2015
12-08	362432	10155/2015	26-06	362434	10156/2015
12-08	362444	11611/2015	26-06	362455	10157/2015
12-08	362457	10159/2015	26-06	362478	12559/2015
12-08	362458	10164/2015	26-06	362479	12561/2015
12-10	362452	11994/2015	29-02	362437	11364/2015
12-15B	362480	12600/2015	29-02	362443	11362/2015
12-16C	362431	10154/2015			
12-16C	362456	10158/2015			
12-16C	362483	12611/2015			

- (21) Design Number: **10211/2015**
(22) Date of Filing Application: **15 January 2015**
(24) Date from which industrial property rights may have effect: **15 January 2015**
(54) Product in respect of which the design is registered: **10L tapered triple tight can**
(51) International Design Classification: **09-02NES**
(74) Name(s) of Attorney(s):
(71) Name(s) and Address(s) of Applicant(s):
DIVERSIPAK PTY LTD
1A/10 Allen PI Wetherill Park NSW 2164 Australia
(72) Name(s) of Designer(s): **Zhi Min Chen**
(45) Registration Date: **30 June 2015**
(56) Related Art Documents: **Not Applicable**
(57) Statement of Newness and Distinctiveness: **The design of our 10 litre Tapered Triple Tight ("TTT") can is new and distinctive for the following reasons: 1. It is 'slightly' narrower on the bottom (i.e. 228mm) and wider on the top (i.e. 247mm). There is 1.5 degree difference between top and bottom of TTT can. It is a conical design. The common 10L TTT can in the market is cylindrical. 2. From the side view, the TTT can body has two steps in the top third of TTT can which makes this design further new and distinct comparing to the common TTT can in the market.**



- (21) Design Number: **11492/2015**
(22) Date of Filing Application: **18 March 2015**
(24) Date from which industrial property rights may have effect: **18 March 2015**
(54) Product in respect of which the design is registered: **Pieces for nostril insertion to aid breathing**
(51) International Design Classification: **24-04**
(74) Name(s) of Attorney(s):
(71) Name(s) and Address(s) of Applicant(s):
Your Money Mistress Pty Ltd
PO BOX 1008 Casino NSW 2470 Australia
(72) Name(s) of Designer(s): **Ronald Zimmerman**
(45) Registration Date: **30 June 2015**
(56) Related Art Documents: **Not Applicable**
(57) Statement of Newness and Distinctiveness: **Resides with the narrow top and wider base for the lower nostril, along with the centre circular support. A chain connecting the cones prevents inhalation and there may be 4, 5 or 6 long supports joining the top to the base. They may also be made out of any metal.**



(21) Design Number: **11555/2015**

(22) Date of Filing Application: **23 March 2015**

(24) Date from which industrial property rights may have effect: **23 March 2015**

(54) Product in respect of which the design is registered: **Keyboard**

(51) International Design Classification: **14-02**

(74) Name(s) of Attorney(s):

(71) Name(s) and Address(s) of Applicant(s):

Sonder Design Pty Ltd
C/-Patentec Patent Attorneys PO BOX A1172 Sydney South NSW 1235
AUSTRALIA

(72) Name(s) of Designer(s): **Francisco Serra-Martins and Felipe Serra-Martins**

(45) Registration Date: **30 June 2015**

(56) Related Art Documents: **Not Applicable**

(57) Statement of Newness and Distinctiveness: **Newness and distinctiveness is claimed in the configuration of the computer keyboard comprising substantially transparent key caps comprising at least substantially centrally located transparent portions as shown in the representations by those key caps having crosshatching, the transparent key caps overlaid a dynamic display device so as to allow the viewing of the dynamically displayed key characters through the transparent key caps. The shape, layout, location and displayed characters of the keys are not claimed as part of the design.**



(21) Design Number: **11630/2015**

(22) Date of Filing Application: **26 March 2015**

(24) Date from which industrial property rights may have effect: **26 March 2015**

(54) Product in respect of which the design is registered: **Sanitary article**

(51) International Design Classification: **24-04**

(74) Name(s) of Attorney(s): **WATERMARK PATENT AND TRADE MARKS ATTORNEYS**

(71) Name(s) and Address(s) of Applicant(s):

SCA Hygiene Products AB
S-405 03 Goteborg Sweden

(72) Name(s) of Designer(s): **Shadi Stahl**

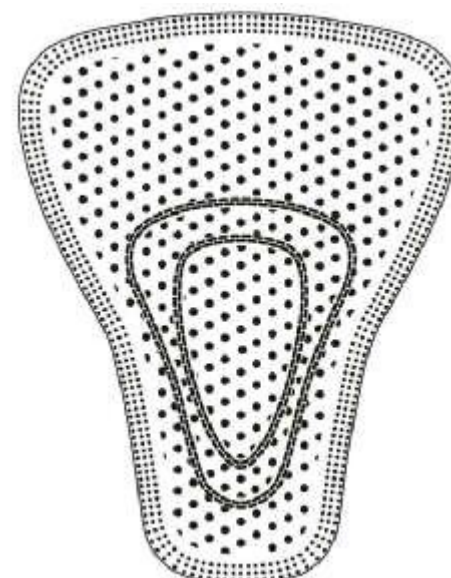
(45) Registration Date: **30 June 2015**

(30) Convention priority data:

(31) Number	(32) Date	(33) Country
2546077	26 Sep 2014	OFFICE FOR HARMONISATION IN THE INTERNAL MARKET (OHIM)

(56) Related Art Documents: **Not Applicable**

(57) Statement of Newness and Distinctiveness: **Newness and Distinctiveness resides in the shape and configuration, pattern and ornamentation of a sanitary article as shown in the accompanying representations.**



(21) Design Number: **11812/2015**

(22) Date of Filing Application: **07 April 2015**

(24) Date from which industrial property rights may have effect: **07 April 2015**

(54) Product in respect of which the design is registered: **Charging unit**

(51) International Design Classification: **13-02**

(74) Name(s) of Attorney(s): **Callinans**

(71) Name(s) and Address(s) of Applicant(s):

Philip Morris Products S.A.

Quai Jeanrenaud 3 Neuchatel 2000 Switzerland

(72) Name(s) of Designer(s): **Rory McGarry and George Barrett and Florent Cuchet and Cathal Loughnane**

(45) Registration Date: **30 June 2015**

(30) Convention priority data:

(31) Number

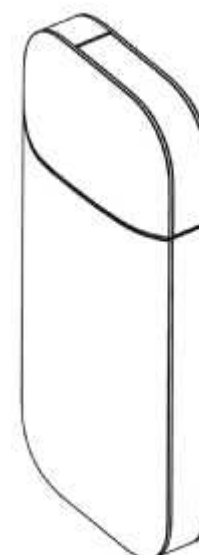
002615112

(32) Date

16 Jan 2015

(33) Country

**OFFICE FOR HARMONISATION IN
THE INTERNAL MARKET (OHIM)**



(56) Related Art Documents: **Not Applicable**

(57) Statement of Newness and Distinctiveness: **Nil**

(21) Design Number: **11991/2015**

(22) Date of Filing Application: **14 April 2015**

(24) Date from which industrial property rights may have effect: **14 April 2015**

(54) Product in respect of which the design is registered: **Awning winder**

(51) International Design Classification: **25-02H**

(74) Name(s) of Attorney(s): **Davies Collison Cave**

(71) Name(s) and Address(s) of Applicant(s):

A & L Windows Pty Ltd

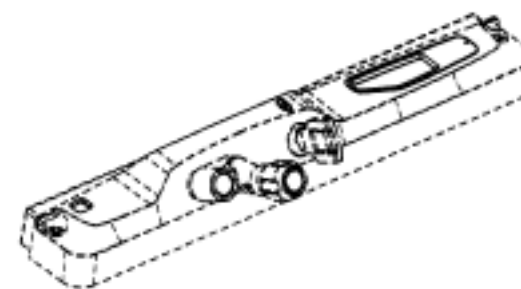
131-149 National Dr Dandenong South VIC 3175 Australia

(72) Name(s) of Designer(s): **Sion Netzler and Marcus New**

(45) Registration Date: **02 July 2015**

(56) Related Art Documents: **Not Applicable**

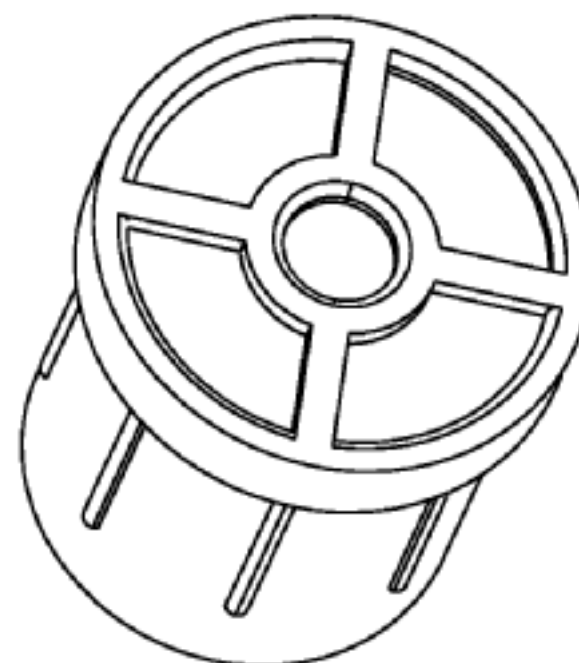
(57) Statement of Newness and Distinctiveness: **Newness and distinctiveness is claimed in the features of shape and configuration of the awning winder shown in unbroken lines in the accompanying representations.**



(21) Design Number: **16261/2014**
(22) Date of Filing Application: **02 December 2014**
(24) Date from which industrial property rights may have effect: **02 December 2014**
(54) Product in respect of which the design is registered: **Receptacles carrier**
(51) International Design Classification: **07-07NES**
(74) Name(s) of Attorney(s): **Davies Collison Cave**
(71) Name(s) and Address(s) of Applicant(s):
Sidarth Umesh
2 Otterburn Dr Berwick VIC 3806 Australia
(72) Name(s) of Designer(s): **Sidarth Umesh**
(45) Registration Date: **03 July 2015**
(56) Related Art Documents: **Not Applicable**
(57) Statement of Newness and Distinctiveness: **Newness and distinctiveness is claimed in the shape and configuration of a handheld carrier, suitable for carrying drinks, as shown in the accompanying representations.**



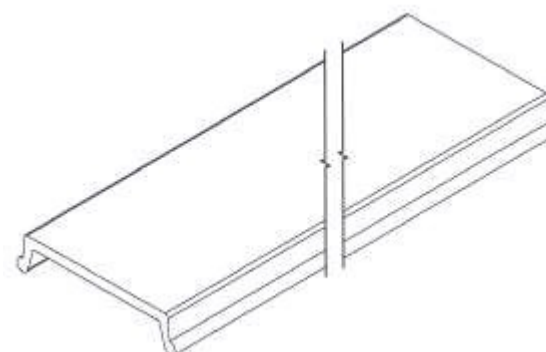
(21) Design Number: **16699/2014**
(22) Date of Filing Application: **24 December 2014**
(24) Date from which industrial property rights may have effect: **24 December 2014**
(54) Product in respect of which the design is registered: **A syringe cap**
(51) International Design Classification: **24-02**
(74) Name(s) of Attorney(s): **Lord & Company**
(71) Name(s) and Address(s) of Applicant(s):
SDI Limited
PO BOX 314 Bayswater VIC 3153 Australia
(72) Name(s) of Designer(s): **Joshua James Cheetham**
(45) Registration Date: **03 July 2015**
(56) Related Art Documents: **Not Applicable**
(57) Statement of Newness and Distinctiveness: **The particular visual features of the design which are new and distinctive are shape OR configuration.**



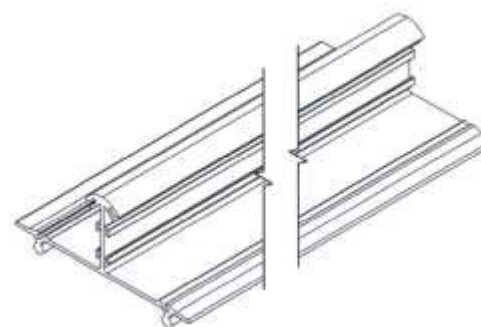
- (21) Design Number: **10051/2015**
(22) Date of Filing Application: **07 January 2015**
(24) Date from which industrial property rights may have effect: **07 January 2015**
(54) Product in respect of which the design is registered: **Removable refrigeration package**
(51) International Design Classification: **15-07**
(74) Name(s) of Attorney(s): **IP Gateway Patent & Trademark Attorneys Pty Ltd**
(71) Name(s) and Address(s) of Applicant(s):
TrainNorman Assets Pty Ltd
U5 1 Gardner Ct Quantum Business Park Wilsonton QLD 4350 Australia
(72) Name(s) of Designer(s): **Kerron James Martin**
(45) Registration Date: **03 July 2015**
(56) Related Art Documents: **Not Applicable**
(57) Statement of Newness and Distinctiveness: **Newness and distinctiveness resides in the features of shape and/or configuration a removable refrigeration package as illustrated in the representations. The indicia on the display are for illustrative purposes only and form no part of the design.**



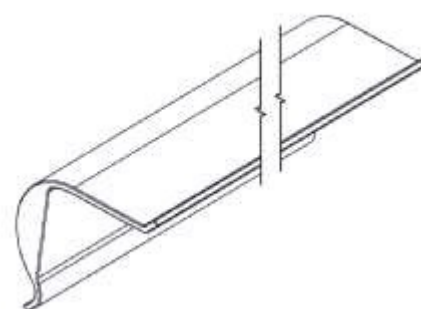
- (21) Design Number: **10052/2015**
(22) Date of Filing Application: **07 January 2015**
(24) Date from which industrial property rights may have effect: **07 January 2015**
(54) Product in respect of which the design is registered: **Extrusion**
(51) International Design Classification: **25-01K**
(74) Name(s) of Attorney(s): **IP Gateway Patent & Trademark Attorneys Pty Ltd**
(71) Name(s) and Address(s) of Applicant(s):
TrainNorman Assets Pty Ltd
U5 1 Gardner Ct Quantum Business Park Wilsonton QLD 4350 Australia
(72) Name(s) of Designer(s): **Kerron James Martin**
(45) Registration Date: **03 July 2015**
(56) Related Art Documents: **Not Applicable**
(57) Statement of Newness and Distinctiveness: **Newness and distinctiveness resides in the features of shape and/or configuration of an extrusion of indefinite length and constant cross section as illustrated in the representations.**



- (21) Design Number: **10054/2015**
(22) Date of Filing Application: **07 January 2015**
(24) Date from which industrial property rights may have effect: **07 January 2015**
(54) Product in respect of which the design is registered: **Extrusion**
(51) International Design Classification: **25-01K**
(74) Name(s) of Attorney(s): **IP Gateway Patent & Trademark Attorneys Pty Ltd**
(71) Name(s) and Address(s) of Applicant(s):
TrainNorman Assets Pty Ltd
U5 1 Gardner Ct Quantum Business Park Wilsonton QLD 4350 Australia
(72) Name(s) of Designer(s): **Kerron James Martin**
(45) Registration Date: **03 July 2015**
(56) Related Art Documents: **Not Applicable**
(57) Statement of Newness and Distinctiveness: **Newness and distinctiveness resides in the features of shape and/or configuration of an extrusion of indefinite length and constant cross section as illustrated in the representations.**



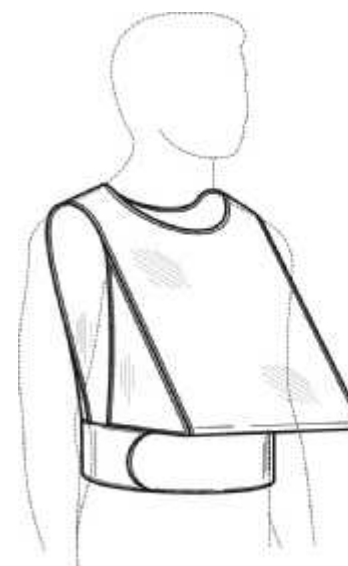
- (21) Design Number: **10055/2015**
(22) Date of Filing Application: **07 January 2015**
(24) Date from which industrial property rights may have effect: **07 January 2015**
(54) Product in respect of which the design is registered: **Light diffuser**
(51) International Design Classification: **26-05A**
(74) Name(s) of Attorney(s): **IP Gateway Patent & Trademark Attorneys Pty Ltd**
(71) Name(s) and Address(s) of Applicant(s):
TrainNorman Assets Pty Ltd
U5 1 Gardner Ct Quantum Business Park Wilsonton QLD 4350 Australia
(72) Name(s) of Designer(s): **Kerron James Martin**
(45) Registration Date: **03 July 2015**
(56) Related Art Documents: **Not Applicable**
(57) Statement of Newness and Distinctiveness: **Newness and distinctiveness resides in the features of shape and/or configuration of a light diffuser having a midsection of indeterminate length as illustrated in the representations.**



- (21) Design Number: **10056/2015**
(22) Date of Filing Application: **07 January 2015**
(24) Date from which industrial property rights may have effect: **07 January 2015**
(54) Product in respect of which the design is registered: **Extrusion**
(51) International Design Classification: **25-01K**
(74) Name(s) of Attorney(s): **IP Gateway Patent & Trademark Attorneys Pty Ltd**
(71) Name(s) and Address(s) of Applicant(s):
TrainNorman Assets Pty Ltd
U5 Gardner Ct Quantum Business Park Wilsonton QLD 4350 Australia
(72) Name(s) of Designer(s): **Kerron James Martin**
(45) Registration Date: **03 July 2015**
(56) Related Art Documents: **Not Applicable**
(57) Statement of Newness and Distinctiveness: **Newness and distinctiveness resides in the features of shape and/or configuration of an extrusion of indefinite length and constant cross section as illustrated in the solid lines in the representations.**



- (21) Design Number: **10025/2015**
(22) Date of Filing Application: **06 January 2015**
(24) Date from which industrial property rights may have effect: **06 January 2015**
(54) Product in respect of which the design is registered: **Training garment**
(51) International Design Classification: **02-02NES**
(74) Name(s) of Attorney(s): **O'Sullivan's**
(71) Name(s) and Address(s) of Applicant(s):
Danmi Australia Pty Ltd
8 Farman Pl Hamersley WA 6022 Australia
(72) Name(s) of Designer(s): **Mihail Avram and Dan Avraham**
(45) Registration Date: **07 July 2015**
(56) Related Art Documents: **Not Applicable**
(57) Statement of Newness and Distinctiveness: **Monopoly is claimed in the shape and configuration of a training garment as shown in the attached drawings.**



- (21) Design Number: **10147/2015**
(22) Date of Filing Application: **14 January 2015**
(24) Date from which industrial property rights may have effect: **14 January 2015**
(54) Product in respect of which the design is registered: **Automobile**
(51) International Design Classification: **12-08**
(74) Name(s) of Attorney(s): **Spruson & Ferguson**
(71) Name(s) and Address(s) of Applicant(s):
Toyota Jidosha Kabushiki Kaisha
1, Toyota-cho, Toyota-shi Aichi-ken, 471-8571 Japan
(72) Name(s) of Designer(s): **Hideki Hayashi and Yukihiro Koide and Ryota Nakai**
(45) Registration Date: **07 July 2015**
(56) Related Art Documents: **Not Applicable**
(57) Statement of Newness and Distinctiveness: **Newness and distinctiveness is claimed in the features of the shape and/or configuration of an automobile as illustrated in the accompanying representations, apart from Toyota emblems.**



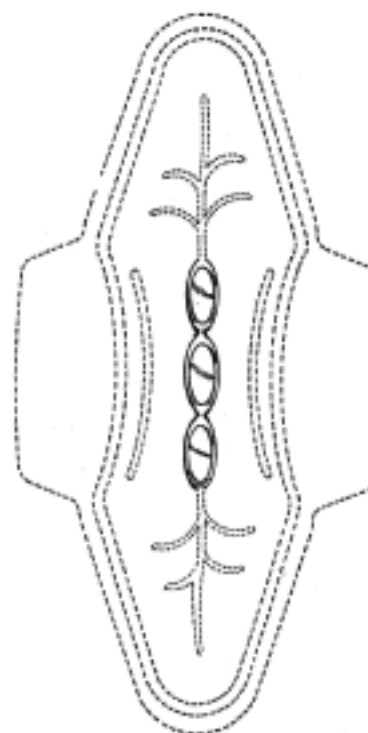
- (21) Design Number: **10148/2015**
(22) Date of Filing Application: **14 January 2015**
(24) Date from which industrial property rights may have effect: **14 January 2015**
(54) Product in respect of which the design is registered: **Automobile**
(51) International Design Classification: **12-08**
(74) Name(s) of Attorney(s): **Spruson & Ferguson**
(71) Name(s) and Address(s) of Applicant(s):
Toyota Jidosha Kabushiki Kaisha
1, Toyota-cho, Toyota-shi Aichi-ken, 471-8571 Japan
(72) Name(s) of Designer(s): **Ryota Nakai and Yukihiro Koide and Hideki Hayashi**
(45) Registration Date: **07 July 2015**
(56) Related Art Documents: **Not Applicable**
(57) Statement of Newness and Distinctiveness: **Newness and distinctiveness is claimed in the features of the shape and/or configuration of an automobile as illustrated in the accompanying representations, apart from Toyota emblems.**



- (21) Design Number: **10150/2015**
(22) Date of Filing Application: **14 January 2015**
(24) Date from which industrial property rights may have effect: **14 January 2015**
(54) Product in respect of which the design is registered: **Automobile**
(51) International Design Classification: **12-08**
(74) Name(s) of Attorney(s): **Spruson & Ferguson**
(71) Name(s) and Address(s) of Applicant(s):
Toyota Jidosha Kabushiki Kaisha
1 Toyota-cho Toyota-shi Aichi-ken 471-8571 Japan
(72) Name(s) of Designer(s): **Ryota Nakai and Yukihiro Koide and Tien-Tzu Lin**
(45) Registration Date: **07 July 2015**
(56) Related Art Documents: **Not Applicable**
(57) Statement of Newness and Distinctiveness: **Newness and distinctiveness is claimed in those features of the shape and/or configuration of an automobile that are illustrated in dense colours in the additional views of the accompanying representations.**



- (21) Design Number: **11578/2015**
(22) Date of Filing Application: **24 March 2015**
(24) Date from which industrial property rights may have effect: **24 March 2015**
(54) Product in respect of which the design is registered: **Absorbent article**
(51) International Design Classification: **24-04**
(74) Name(s) of Attorney(s): **Shelston IP**
(71) Name(s) and Address(s) of Applicant(s):
McNeil-PPC, Inc.
199 Grandview Road Skillman New Jersey, 08558 United States of America
(72) Name(s) of Designer(s): **Livea Fujita Barbosa and Felipe Boni Rezende and Leonard Rosenfeld**
(45) Registration Date: **07 July 2015**
(30) Convention priority data:
(31) Number (32) Date (33) Country
29/503898 30 Sep 2014 UNITED STATES OF AMERICA
(56) Related Art Documents: **Not Applicable**
(57) Statement of Newness and Distinctiveness: **Newness and distinctiveness reside in the features of an ABSORBENT ARTICLE as illustrated in solid lines in the accompanying representations.**



- (21) Design Number: **10152/2015**
(22) Date of Filing Application: **14 January 2015**
(24) Date from which industrial property rights may have effect: **14 January 2015**
(54) Product in respect of which the design is registered: **Front combination lamp for an automobile**
(51) International Design Classification: **26-06**
(74) Name(s) of Attorney(s): **Spruson & Ferguson**
(71) Name(s) and Address(s) of Applicant(s):
Toyota Jidosha Kabushiki Kaisha
1, Toyota-cho, Toyota-shi Aichi-ken, 471-8571 Japan
(72) Name(s) of Designer(s): **Takuya Watabe**
(45) Registration Date: **07 July 2015**
(56) Related Art Documents: **Not Applicable**
(57) Statement of Newness and Distinctiveness: **Newness and distinctiveness is claimed in the features of the shape and/or configuration of a front combination lamp for an automobile as illustrated in the accompanying representations, apart from attachment lugs.**



- (21) Design Number: **10153/2015**
(22) Date of Filing Application: **14 January 2015**
(24) Date from which industrial property rights may have effect: **14 January 2015**
(54) Product in respect of which the design is registered: **Instrument panel for an automobile**
(51) International Design Classification: **12-16NES**
(74) Name(s) of Attorney(s): **Spruson & Ferguson**
(71) Name(s) and Address(s) of Applicant(s):
Toyota Jidosha Kabushiki Kaisha
1, Toyota-cho, Toyota-shi Aichi-ken, 471-8571 Japan
(72) Name(s) of Designer(s): **Koji Inoue and Yoshiki Ito**
(45) Registration Date: **07 July 2015**
(56) Related Art Documents: **Not Applicable**
(57) Statement of Newness and Distinctiveness: **Newness and distinctiveness is claimed in the features of shape and/or configuration of an instrument panel for an automobile as illustrated in the accompanying representations.**



- (21) Design Number: **10154/2015**
(22) Date of Filing Application: **14 January 2015**
(24) Date from which industrial property rights may have effect: **14 January 2015**
(54) Product in respect of which the design is registered: **Rear bumper for an automobile**
(51) International Design Classification: **12-16C**
(74) Name(s) of Attorney(s): **Spruson & Ferguson**
(71) Name(s) and Address(s) of Applicant(s):
Toyota Jidosha Kabushiki Kaisha
1, Toyota-cho, Toyota-shi Aichi-ken, 471-8571 Japan
(72) Name(s) of Designer(s): **Tien-Tzu Lin**
(45) Registration Date: **07 July 2015**
(56) Related Art Documents: **Not Applicable**
(57) Statement of Newness and Distinctiveness: **Newness and distinctiveness is claimed in the features of the shape and/or configuration of a rear bumper for an automobile as illustrated in the accompanying representations, apart from attachment lugs.**



- (21) Design Number: **10155/2015**
(22) Date of Filing Application: **14 January 2015**
(24) Date from which industrial property rights may have effect: **14 January 2015**
(54) Product in respect of which the design is registered: **Automobile**
(51) International Design Classification: **12-08**
(74) Name(s) of Attorney(s): **Spruson & Ferguson**
(71) Name(s) and Address(s) of Applicant(s):
Toyota Jidosha Kabushiki Kaisha
1, Toyota-cho, Toyota-shi Aichi-ken, 471-8571 Japan
(72) Name(s) of Designer(s): **Yukihiro Koide and Takuya Watabe and Ryota Nakai**
(45) Registration Date: **07 July 2015**
(56) Related Art Documents: **Not Applicable**
(57) Statement of Newness and Distinctiveness: **Newness and distinctiveness is claimed in those features of the shape and/or configuration of an automobile that are illustrated in dense colours in the additional views of the accompanying representations, apart from Toyota emblems.**



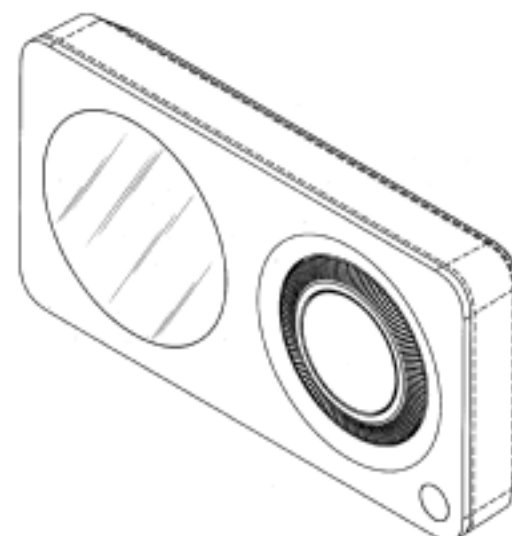
- (21) Design Number: **11616/2015**
(22) Date of Filing Application: **25 March 2015**
(24) Date from which industrial property rights may have effect: **25 March 2015**
(54) Product in respect of which the design is registered: **Cap**
(51) International Design Classification: **02-03**
(74) Name(s) of Attorney(s):
(71) Name(s) and Address(s) of Applicant(s):
Peter Manus Strain
23 Lamrock Ave Bondi Beach NSW 2026 Australia
(72) Name(s) of Designer(s): **Peter Manus Strain**
(45) Registration Date: **07 July 2015**
(56) Related Art Documents: **Not Applicable**
(57) Statement of Newness and Distinctiveness: **The design consists of a baseball cap (or a similar style cap) with a woolen (or similar material) lining on the inside. It is basically a beanie lining inside a cap to make the cap cozy and warm. The lining is not so thick as to make the cap too bulky or heavy but thick enough to make it comfortable and warm.**



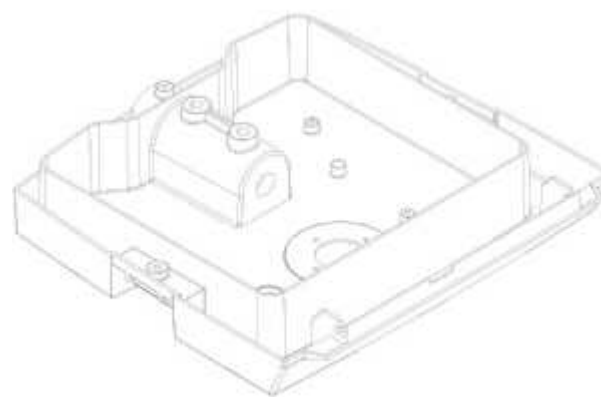
- (21) Design Number: **10156/2015**
(22) Date of Filing Application: **14 January 2015**
(24) Date from which industrial property rights may have effect: **14 January 2015**
(54) Product in respect of which the design is registered: **Rear combination lamp for an automobile**
(51) International Design Classification: **26-06**
(74) Name(s) of Attorney(s): **Spruson & Ferguson**
(71) Name(s) and Address(s) of Applicant(s):
Toyota Jidosha Kabushiki Kaisha
1, Toyota-cho, Toyota-shi Aichi-ken, 471-8571 Japan
(72) Name(s) of Designer(s): **Tien-Tzu Lin**
(45) Registration Date: **07 July 2015**
(56) Related Art Documents: **Not Applicable**
(57) Statement of Newness and Distinctiveness: **Newness and distinctiveness is claimed in the features of the shape and/or configuration of a rear combination lamp for an automobile as illustrated in the accompanying representations, apart from attachment lugs.**



- (21) Design Number: **11635/2015**
(22) Date of Filing Application: **26 March 2015**
(24) Date from which industrial property rights may have effect: **26 March 2015**
(54) Product in respect of which the design is registered: **Thermostat/hub for air-conditioning system**
(51) International Design Classification: **10-04, 23-04**
(74) Name(s) of Attorney(s): **Davies Collison Cave**
(71) Name(s) and Address(s) of Applicant(s):
Tronac Pty Ltd
9 Sandpiper PI Kenthurst NSW 2156 Australia
(72) Name(s) of Designer(s): **David Mansueto and David Jones and Angus Bean and Kevin Brian Mundy**
(45) Registration Date: **07 July 2015**
(56) Related Art Documents: **Not Applicable**
(57) Statement of Newness and Distinctiveness: **Newness and distinctiveness is claimed in the visual features shown in solid lines in the representations. In considering the extent of the design rights, the broken lines shown in the representations are for illustrative purposes only and do not form part of the design.**



- (21) Design Number: **10808/2015**
(22) Date of Filing Application: **13 February 2015**
(24) Date from which industrial property rights may have effect: **13 February 2015**
(54) Product in respect of which the design is registered: **Base for a luminaire**
(51) International Design Classification: **26-03**
(74) Name(s) of Attorney(s): **Smooenburg Patent & Trade Mark Attorneys**
(71) Name(s) and Address(s) of Applicant(s):
Streetworx Pty Ltd
185-191 Liverpool Rd Kilsyth VIC 3137 Australia
(72) Name(s) of Designer(s): **Gunter M Gassner**
(45) Registration Date: **07 July 2015**
(56) Related Art Documents: **Not Applicable**
(57) Statement of Newness and Distinctiveness: **Newness and distinctiveness is claimed in features of shape and/or configuration of a base as illustrated in the accompanying representations. No regard is to be had to the dashed lines in the Assembly View, they are for environmental purposes only and form no part of the claimed design.**



(21) Design Number: **11364/2015**

(22) Date of Filing Application: **12 March 2015**

(24) Date from which industrial property rights may have effect: **12 March 2015**

(54) Product in respect of which the design is registered: **Respiratory mask**

(51) International Design Classification: **29-02**

(74) Name(s) of Attorney(s): **Freehills Patent Attorneys**

(71) Name(s) and Address(s) of Applicant(s):

JSP Limited

Worsham Mill Minster Lovell Oxfordshire OX29 OTA United Kingdom

(72) Name(s) of Designer(s): **David Lee Pratley and Tommy Malloy and Richard James Fleming**

(45) Registration Date: **07 July 2015**

(30) Convention priority data:

(31) Number

002612358

(32) Date

14 Jan 2015

(33) Country

**OFFICE FOR HARMONISATION IN
THE INTERNAL MARKET (OHIM)**



(56) Related Art Documents: **Not Applicable**

(57) Statement of Newness and Distinctiveness: **Newness and distinctiveness of the design resides in the portions of the respiratory mask shown in Figures 1 to Figures 7 that have been highlighted or circled in the colour red in Figure 8.**

(19) AU

(21) Design Number: **11464/2015**

(22) Date of Filing Application: **17 March 2015**

(24) Date from which industrial property rights may have effect: **17 March 2015**

(54) Product in respect of which the design is registered: **Portable biometric scanner**

(51) International Design Classification: **14-02**

(74) Name(s) of Attorney(s): **Spruson & Ferguson**

(71) Name(s) and Address(s) of Applicant(s):

Fariborz R Beroukhim
2905 Corda Ln., Los Angeles California, 90049 United States of America

John B Dowden
2732 E. Del Mar Blvd., Pasadena California, 91107 United States of America

Hideo Abe
3-22-7 Chigasaki-minami Tsuzuki-ku, Yokohama 224-0037 Japan

Hiroshi Takeba
1-1-56-303 Kitayamata, Tsuzuki-Ku, Yokohama 224-0021 Japan

Travis S Cochran
820 Santiago Rd., Costa Mesa California, 92626 United States of America

Jonathan R Lucas
1100 Euclid Ave. #308, Long Beach California, 90804 United States of America

Sam Iravantchi
17361 Newhope St., Fountain Valley California, 92708 United States of America

Yukinobu Kimoto
Shirokane 1-25-11-1405, Minato-ku Tokyo, 108-0072 Japan

(72) Name(s) of Designer(s): **Fariborz R Beroukhim and John B Dowden and Hideo Abe and Hiroshi Takeba and Travis S Cochran and Jonathan R Lucas and Sam Iravantchi and Yukinobu Kimoto**

(45) Registration Date: **07 July 2015**

(30) Convention priority data:

(31) Number	(32) Date	(33) Country
29/502573	17 Sep 2014	UNITED STATES OF AMERICA

(56) Related Art Documents: **Not Applicable**

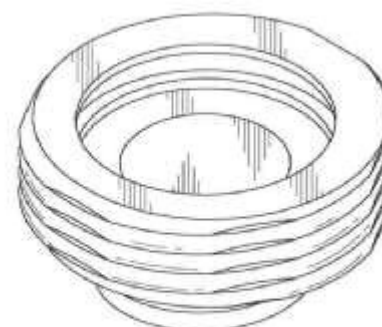
(57) Statement of Newness and Distinctiveness: **Newness and distinctiveness is claimed in those features of shape and/or configuration of a portable biometric scanner illustrated in continuous lines in the accompanying representations.**



(21) Design Number: **11542/2015**
(22) Date of Filing Application: **20 March 2015**
(24) Date from which industrial property rights may have effect: **20 March 2015**
(54) Product in respect of which the design is registered: **Part of axe**
(51) International Design Classification: **08-03**
(74) Name(s) of Attorney(s): **Davies Collison Cave**
(71) Name(s) and Address(s) of Applicant(s):
Fiskars Garden Oy Ab
10330 Billnas Finland
(72) Name(s) of Designer(s): **Aaro Huttunen**
(45) Registration Date: **07 July 2015**
(30) Convention priority data:
(31) Number (32) Date (33) Country
002542365-0004 22 Sep 2014 OFFICE FOR HARMONISATION IN
THE INTERNAL MARKET (OHIM)
(56) Related Art Documents: **Not Applicable**
(57) Statement of Newness and Distinctiveness: **Newness and distinctiveness is claimed in the visual features shown in solid lines in the representations. In considering the extent of the design rights, the broken lines shown in the representations are for illustrative purposes only and do not form part of the design.**



(21) Design Number: **11543/2015**
(22) Date of Filing Application: **20 March 2015**
(24) Date from which industrial property rights may have effect: **20 March 2015**
(54) Product in respect of which the design is registered: **A tube fitting for a water cooling tube**
(51) International Design Classification: **23-04**
(74) Name(s) of Attorney(s): **Collison & Co**
(71) Name(s) and Address(s) of Applicant(s):
BITSPower INTERNATIONAL CO., LTD.
No.6-8, Sec. 1, Zhangshui Rd. Puyan Township Changhua County 516
Taiwan
(72) Name(s) of Designer(s): **Vincent Yu**
(45) Registration Date: **07 July 2015**
(56) Related Art Documents: **Not Applicable**
(57) Statement of Newness and Distinctiveness: **Nil**



(21) Design Number: **11544/2015**

(22) Date of Filing Application: **20 March 2015**

(24) Date from which industrial property rights may have effect: **20 March 2015**

(54) Product in respect of which the design is registered: **Part of axe**

(51) International Design Classification: **08-03**

(74) Name(s) of Attorney(s): **Davies Collison Cave**

(71) Name(s) and Address(s) of Applicant(s):

**Fiskars Garden Oy Ab
10330 Billnas Finland**

(72) Name(s) of Designer(s): **Aaro Huttunen**

(45) Registration Date: **07 July 2015**

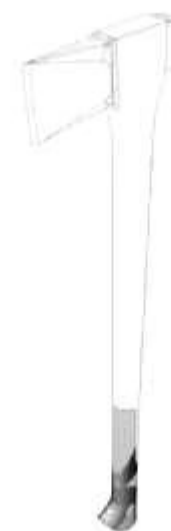
(30) Convention priority data:

(31) Number (32) Date
002542365-0007 22 Sep 2014

(33) Country
**OFFICE FOR HARMONISATION IN
THE INTERNAL MARKET (OHIM)**

(56) Related Art Documents: **Not Applicable**

(57) Statement of Newness and Distinctiveness: **Newness and distinctiveness is claimed in the visual features shown in solid lines in the representations. In considering the extent of the design rights, the broken lines shown in the representations are for illustrative purposes only and do not form part of the design.**



(21) Design Number: **11545/2015**

(22) Date of Filing Application: **20 March 2015**

(24) Date from which industrial property rights may have effect: **20 March 2015**

(54) Product in respect of which the design is registered: **Part of axe**

(51) International Design Classification: **08-03**

(74) Name(s) of Attorney(s): **Davies Collison Cave**

(71) Name(s) and Address(s) of Applicant(s):

**Fiskars Garden Oy Ab
10330 Billnas Finland**

(72) Name(s) of Designer(s): **Aaro Huttunen**

(45) Registration Date: **07 July 2015**

(30) Convention priority data:

(31) Number (32) Date
002542365-0005 22 Sep 2014

(33) Country
**OFFICE FOR HARMONISATION IN
THE INTERNAL MARKET (OHIM)**

(56) Related Art Documents: **Not Applicable**

(57) Statement of Newness and Distinctiveness: **Newness and distinctiveness is claimed in the visual features shown in solid lines in the representations. In considering the extent of the design rights, the broken lines shown in the representations are for illustrative purposes only and do not form part of the design.**



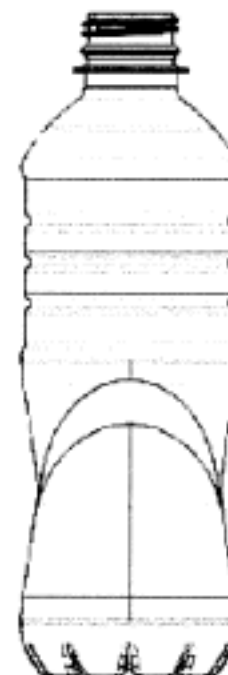
(21) Design Number: **11362/2015**
(22) Date of Filing Application: **12 March 2015**
(24) Date from which industrial property rights may have effect: **12 March 2015**
(54) Product in respect of which the design is registered: **Respiratory mask component**
(51) International Design Classification: **29-02**
(74) Name(s) of Attorney(s): **Freehills Patent Attorneys**
(71) Name(s) and Address(s) of Applicant(s):
JSP Limited
Worsham Mill Minster Lovell Oxfordshire OX29 OTA United Kingdom
(72) Name(s) of Designer(s): **David Lee Pratley and Tommy Malloy and Richard James Fleming**
(45) Registration Date: **07 July 2015**
(30) Convention priority data:
(31) Number (32) Date (33) Country
002612358 14 Jan 2015 OFFICE FOR HARMONISATION IN THE INTERNAL MARKET (OHIM)
(56) Related Art Documents: **Not Applicable**
(57) Statement of Newness and Distinctiveness: **Newness and distinctiveness of the design resides in the shape and configuration of the respiratory mask component as shown in the accompanying representations.**



(21) Design Number: **11611/2015**
(22) Date of Filing Application: **25 March 2015**
(24) Date from which industrial property rights may have effect: **20 January 2015**
(54) Product in respect of which the design is registered: **Truck cab body**
(51) International Design Classification: **12-08**
(74) Name(s) of Attorney(s): **Davies Collison Cave**
(71) Name(s) and Address(s) of Applicant(s):
Hino Motors, Ltd.
3-1-1 Hinodai Hino-shi Tokyo 191-8660 Japan
(72) Name(s) of Designer(s): **Hitoshi Takayama and Teruo Satou**
(45) Registration Date: **08 July 2015**
(30) Convention priority data:
(31) Number (32) Date (33) Country
D2014-016245 25 Jul 2014 JAPAN
(62) Divisional of: **361006**
(56) Related Art Documents: **Not Applicable**
(57) Statement of Newness and Distinctiveness: **Newness and distinctiveness is claimed in the visual features shown in the representations. In considering the extent of the design rights, in the reference front view, reference rear view and reference right side view, the parts with the oblique parallel lines are transparent parts. In the reference front view and reference right side view, the parts with oblique cross-hatched lines are semi-transparent parts.**



(21) Design Number: **11910/2015**
(22) Date of Filing Application: **10 April 2015**
(24) Date from which industrial property rights may have effect: **10 April 2015**
(54) Product in respect of which the design is registered: **Bottle**
(51) International Design Classification: **09-01NES**
(74) Name(s) of Attorney(s): **Ashurst Australia**
(71) Name(s) and Address(s) of Applicant(s):
Coca-Cola Amatil (Aust) Limited
Coca Cola Place 40 Mount St North Sydney NSW 2060 Australia
(72) Name(s) of Designer(s): **Arnie Grainger**
(45) Registration Date: **08 July 2015**
(56) Related Art Documents: **Not Applicable**
(57) Statement of Newness and Distinctiveness: **Newness and distinctiveness is shown in the features of shape and configuration showing in solid lines in the accompanying representations.**



(21) Design Number: **11645/2015**
(22) Date of Filing Application: **27 March 2015**
(24) Date from which industrial property rights may have effect: **27 March 2015**
(54) Product in respect of which the design is registered: **Bottle**
(51) International Design Classification: **09-01NES**
(74) Name(s) of Attorney(s): **Davies Collison Cave**
(71) Name(s) and Address(s) of Applicant(s):
Nongfu Spring Co., Ltd.
No. 181, Geyazhuang Xihu District, Hangzhou Zhejiang, 310024 China
(72) Name(s) of Designer(s): **Chun Fan**
(45) Registration Date: **08 July 2015**
(30) Convention priority data:
(31) Number (32) Date (33) Country
201430366828.X 29 Sep 2014 CHINA
(56) Related Art Documents: **Not Applicable**
(57) Statement of Newness and Distinctiveness: **Nil**



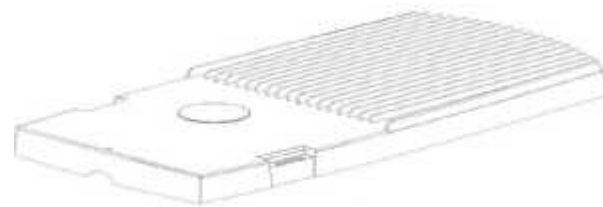
(21) Design Number: **11658/2015**
(22) Date of Filing Application: **27 March 2015**
(24) Date from which industrial property rights may have effect: **27 March 2015**
(54) Product in respect of which the design is registered: **Bottle**
(51) International Design Classification: **09-01K**
(74) Name(s) of Attorney(s): **Davies Collison Cave**
(71) Name(s) and Address(s) of Applicant(s):
Nongfu Spring Co., Ltd.
No. 181, Geyazhuang Xihu District, Hangzhou Zhejiang, 310024 China
(72) Name(s) of Designer(s): **Chun Fan**
(45) Registration Date: **08 July 2015**
(30) Convention priority data:
(31) Number (32) Date (33) Country
201430366826.0 29 Sep 2014 CHINA
(56) Related Art Documents: **Not Applicable**
(57) Statement of Newness and Distinctiveness: **Nil**



(21) Design Number: **11663/2015**
(22) Date of Filing Application: **27 March 2015**
(24) Date from which industrial property rights may have effect: **27 March 2015**
(54) Product in respect of which the design is registered: **Bottle**
(51) International Design Classification: **09-01NES**
(74) Name(s) of Attorney(s): **Davies Collison Cave**
(71) Name(s) and Address(s) of Applicant(s):
Nongfu Spring Co., Ltd.
No. 181, Geyazhuang Xihu District, Hangzhou Zhejiang, 310024 China
(72) Name(s) of Designer(s): **Chun Fan**
(45) Registration Date: **08 July 2015**
(30) Convention priority data:
(31) Number (32) Date (33) Country
201430366983.1 29 Sep 2014 CHINA
(56) Related Art Documents: **Not Applicable**
(57) Statement of Newness and Distinctiveness: **Nil**



- (21) Design Number: **10809/2015**
(22) Date of Filing Application: **13 February 2015**
(24) Date from which industrial property rights may have effect: **13 February 2015**
(54) Product in respect of which the design is registered: **Head for a luminaire**
(51) International Design Classification: **26-03**
(74) Name(s) of Attorney(s): **Smootenburg Patent & Trade Mark Attorneys**
(71) Name(s) and Address(s) of Applicant(s):
Streetworx Pty Ltd
185-191 Liverpool Rd Kilsyth VIC 3137 Australia
(72) Name(s) of Designer(s): **Gunter M Gassner**
(45) Registration Date: **08 July 2015**
(56) Related Art Documents: **Not Applicable**
(57) Statement of Newness and Distinctiveness: **Newness and distinctiveness is claimed in features of shape and/or configuration of a head as illustrated in the accompanying representations. No regard is to be had to the dashed lines in the Assembly View, they are for environmental purposes only and form no part of the claimed design.**



- (21) Design Number: **11768/2015**
(22) Date of Filing Application: **02 April 2015**
(24) Date from which industrial property rights may have effect: **02 April 2015**
(54) Product in respect of which the design is registered: **Mask to use for ventilation of newborns**
(51) International Design Classification: **24-02**
(74) Name(s) of Attorney(s): **Davies Collison Cave**
(71) Name(s) and Address(s) of Applicant(s):
Laerdal Medical AS
Tanke Svilands gate 30 4007 Stavanger Norway
(72) Name(s) of Designer(s): **Kjell Ove Korneliussen and Jens Petter lanke**
(45) Registration Date: **08 July 2015**
(30) Convention priority data:
(31) Number (32) Date (33) Country
20140988 07 Nov 2014 NORWAY
(56) Related Art Documents: **Not Applicable**
(57) Statement of Newness and Distinctiveness: **Newness and distinctiveness is claimed in the visual features shown in solid lines in the representations.**



- (21) Design Number: **11917/2015**
(22) Date of Filing Application: **10 April 2015**
(24) Date from which industrial property rights may have effect: **10 April 2015**
(54) Product in respect of which the design is registered: **Pendant light**
(51) International Design Classification: **26-05D**
(74) Name(s) of Attorney(s):
(71) Name(s) and Address(s) of Applicant(s):
Viktor Legin
255-259 Johnston St Abbotsford VIC 3067 Australia
(72) Name(s) of Designer(s): **Viktor Legin**
(45) Registration Date: **08 July 2015**
(56) Related Art Documents: **Not Applicable**
(57) Statement of Newness and Distinctiveness: **The shape profile and detailing of the pendant light.**



- (21) Design Number: **11994/2015**
(22) Date of Filing Application: **14 April 2015**
(24) Date from which industrial property rights may have effect: **14 April 2015**
(54) Product in respect of which the design is registered: **Caravan**
(51) International Design Classification: **12-10**
(74) Name(s) of Attorney(s): **Pointon Partners Pty Ltd**
(71) Name(s) and Address(s) of Applicant(s):
New Age Caravans Pty Ltd
29 Shirley Way Epping Victoria 3076 Australia
(72) Name(s) of Designer(s): **Adrian DiVincenzo**
(45) Registration Date: **08 July 2015**
(56) Related Art Documents: **Not Applicable**
(57) Statement of Newness and Distinctiveness: **Nil**



- (21) Design Number: **12119/2015**
(22) Date of Filing Application: **22 April 2015**
(24) Date from which industrial property rights may have effect: **22 April 2015**
(54) Product in respect of which the design is registered: **A forward/reverse marine gearbox**
(51) International Design Classification: **15-01**
(74) Name(s) of Attorney(s):
(71) Name(s) and Address(s) of Applicant(s):
Colin Robert Zadow
4 Cedar Ct Palm Beach QLD 4221 Australia
(72) Name(s) of Designer(s): **Colin Robert Zadow**
(45) Registration Date: **08 July 2015**
(56) Related Art Documents: **Not Applicable**
(57) Statement of Newness and Distinctiveness: **A mechanical forward/reverse gearbox, electrically activated, fitted to the rear of a soft or ski clutch which is installed onto an inboard motor mounted in a boat. Reverse is selected but pressing a button installed on the clutch handle, facilitating a "one hand" operation, activating the selection solenoid on the gearbox. A thermal time-out permits adequate time to engage the clutch once the selection button has been depressed, and once the thermal unit has timed out, the reverse gears are kept engaged by the power applied through the gearbox with the clutch engaged. When the clutch is disengaged, forward is automatically selected.**



- (21) Design Number: **12186/2015**
(22) Date of Filing Application: **27 April 2015**
(24) Date from which industrial property rights may have effect: **27 April 2015**
(54) Product in respect of which the design is registered: **Camera pod for aerial photography**
(51) International Design Classification: **16-01**
(74) Name(s) of Attorney(s):
(71) Name(s) and Address(s) of Applicant(s):
Daryl Jones
36 Bucknor Dr Deception Bay QLD 4508 Australia
(72) Name(s) of Designer(s): **Daryl Jones**
(45) Registration Date: **08 July 2015**
(56) Related Art Documents: **Not Applicable**
(57) Statement of Newness and Distinctiveness: **Aerodynamic camera holder attaches to the wing strut of a Cessna 172 aircraft.**



- (21) Design Number: **10157/2015**
(22) Date of Filing Application: **14 January 2015**
(24) Date from which industrial property rights may have effect: **14 January 2015**
(54) Product in respect of which the design is registered: **Front combination lamp for an automobile**
(51) International Design Classification: **26-06**
(74) Name(s) of Attorney(s): **Spruson & Ferguson**
(71) Name(s) and Address(s) of Applicant(s):
Toyota Jidosha Kabushiki Kaisha
1, Toyota-cho, Toyota-shi, Aichi-ken 471-8571 Japan
(72) Name(s) of Designer(s): **Takuya Watabe**
(45) Registration Date: **08 July 2015**
(56) Related Art Documents: **Not Applicable**
(57) Statement of Newness and Distinctiveness: **Newness and distinctiveness is claimed in the features of the shape and/or configuration of a front combination lamp for an automobile as illustrated in the accompanying representations, apart from attachment lugs.**



- (21) Design Number: **10158/2015**
(22) Date of Filing Application: **14 January 2015**
(24) Date from which industrial property rights may have effect: **14 January 2015**
(54) Product in respect of which the design is registered: **Front bumper for an automobile**
(51) International Design Classification: **12-16C**
(74) Name(s) of Attorney(s): **Spruson & Ferguson**
(71) Name(s) and Address(s) of Applicant(s):
Toyota Jidosha Kabushiki Kaisha
1, Toyota-cho, Toyota-shi, Aichi-ken 471-8571 Japan
(72) Name(s) of Designer(s): **Yukihiro Koide and Takuya Watabe**
(45) Registration Date: **08 July 2015**
(56) Related Art Documents: **Not Applicable**
(57) Statement of Newness and Distinctiveness: **Newness and distinctiveness is claimed in the features of the shape and/or configuration of a front bumper for an automobile as illustrated in the accompanying representations, apart from attachment lugs.**



- (21) Design Number: **10159/2015**
(22) Date of Filing Application: **14 January 2015**
(24) Date from which industrial property rights may have effect: **14 January 2015**
(54) Product in respect of which the design is registered: **Automobile**
(51) International Design Classification: **12-08**
(74) Name(s) of Attorney(s): **Spruson & Ferguson**
(71) Name(s) and Address(s) of Applicant(s):
Toyota Jidosha Kabushiki Kaisha
1, Toyota-cho, Toyota-shi, Aichi-ken 471-8571 Japan
(72) Name(s) of Designer(s): **Yukihiro Koide and Takuya Watabe and Ryota Nakai**
(45) Registration Date: **08 July 2015**
(56) Related Art Documents: **Not Applicable**
(57) Statement of Newness and Distinctiveness: **Newness and distinctiveness is claimed in those features of the shape and/or configuration of an automobile that are illustrated in dense colours in the additional views of the accompanying representations, apart from Toyota emblems.**



- (21) Design Number: **10164/2015**
(22) Date of Filing Application: **14 January 2015**
(24) Date from which industrial property rights may have effect: **14 January 2015**
(54) Product in respect of which the design is registered: **Automobile**
(51) International Design Classification: **12-08**
(74) Name(s) of Attorney(s): **Spruson & Ferguson**
(71) Name(s) and Address(s) of Applicant(s):
Toyota Jidosha Kabushiki Kaisha
1, Toyota-cho, Toyota-shi, Aichi-ken 471-8571 Japan
(72) Name(s) of Designer(s): **Ryota Nakai and Yukihiro Koide and Tien-Tzu Lin**
(45) Registration Date: **08 July 2015**
(56) Related Art Documents: **Not Applicable**
(57) Statement of Newness and Distinctiveness: **Newness and distinctiveness is claimed in those features of the shape and/or configuration of an automobile that are illustrated in dense colours in the additional views of the accompanying representations.**



(21) Design Number: **12603/2015**

(22) Date of Filing Application: **20 May 2015**

(24) Date from which industrial property rights may have effect: **20 May 2015**

(54) Product in respect of which the design is registered: **A tumbler**

(51) International Design Classification: **07-01C**

(74) Name(s) of Attorney(s): **Banki Haddock Fiora**

(71) Name(s) and Address(s) of Applicant(s):

Pi-Design AG

Kantonsstrasse 100 Triengen CH-6234 Switzerland

(72) Name(s) of Designer(s): **Jorgen Bodum**

(45) Registration Date: **08 July 2015**

(30) Convention priority data:

(31) Number

(32) Date

(33) Country

DM/085 091

11 Dec 2014

**WORLD INTELLECTUAL
PROPERTY ORGANIZATION
(WIPO)**



(56) Related Art Documents: **Not Applicable**

(57) Statement of Newness and Distinctiveness: **The visual features of the tumbler depicted in the representations that are new and distinctive are the shape and/or configuration.**

(21) Design Number: **12604/2015**

(22) Date of Filing Application: **20 May 2015**

(24) Date from which industrial property rights may have effect: **20 May 2015**

(54) Product in respect of which the design is registered: **A tumbler**

(51) International Design Classification: **07-01C**

(74) Name(s) of Attorney(s): **Banki Haddock Fiora**

(71) Name(s) and Address(s) of Applicant(s):

Pi-Design AG

Kantonsstrasse 100 Triengen CH-6234 Switzerland

(72) Name(s) of Designer(s): **Jorgen Bodum**

(45) Registration Date: **08 July 2015**

(30) Convention priority data:

(31) Number

(32) Date

(33) Country

DM/085 091

11 Dec 2014

**WORLD INTELLECTUAL
PROPERTY ORGANIZATION
(WIPO)**



(56) Related Art Documents: **Not Applicable**

(57) Statement of Newness and Distinctiveness: **The visual features of the tumbler depicted in the representations that are new and distinctive are the shape and/or configuration.**

(21) Design Number: **12605/2015**
(22) Date of Filing Application: **20 May 2015**
(24) Date from which industrial property rights may have effect: **20 May 2015**
(54) Product in respect of which the design is registered: **A tumbler**
(51) International Design Classification: **07-01C**
(74) Name(s) of Attorney(s): **Banki Haddock Fiora**
(71) Name(s) and Address(s) of Applicant(s):

Pi-Design AG
Kantonsstrasse 100 Triengen CH-6234 Switzerland

(72) Name(s) of Designer(s): **Jorgen Bodum**

(45) Registration Date: **08 July 2015**

(30) Convention priority data:

(31) Number	(32) Date	(33) Country
DM/085 091	11 Dec 2014	WORLD INTELLECTUAL PROPERTY ORGANIZATION (WIPO)

(56) Related Art Documents: **Not Applicable**

(57) Statement of Newness and Distinctiveness: **The visual features of the tumbler depicted in the representations that are new and distinctive are the shape and/or configuration.**



(21) Design Number: **12606/2015**
(22) Date of Filing Application: **20 May 2015**
(24) Date from which industrial property rights may have effect: **20 May 2015**
(54) Product in respect of which the design is registered: **A tumbler**
(51) International Design Classification: **07-01C**
(74) Name(s) of Attorney(s): **Banki Haddock Fiora**
(71) Name(s) and Address(s) of Applicant(s):

Pi-Design AG
Kantonsstrasse 100 Triengen CH-6234 Switzerland

(72) Name(s) of Designer(s): **Jorgen Bodum**

(45) Registration Date: **08 July 2015**

(30) Convention priority data:

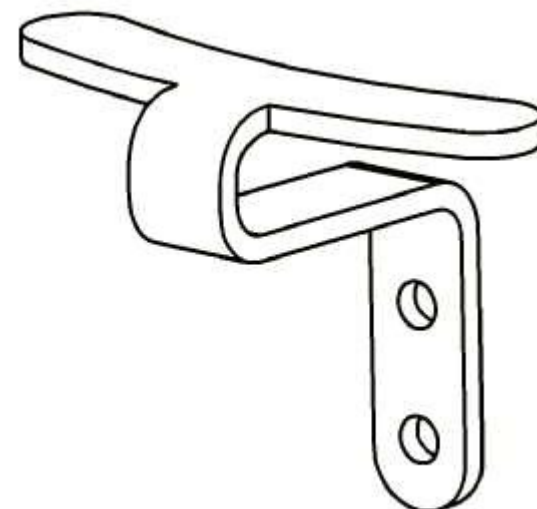
(31) Number	(32) Date	(33) Country
DM/085 091	11 Dec 2014	WORLD INTELLECTUAL PROPERTY ORGANIZATION (WIPO)

(56) Related Art Documents: **Not Applicable**

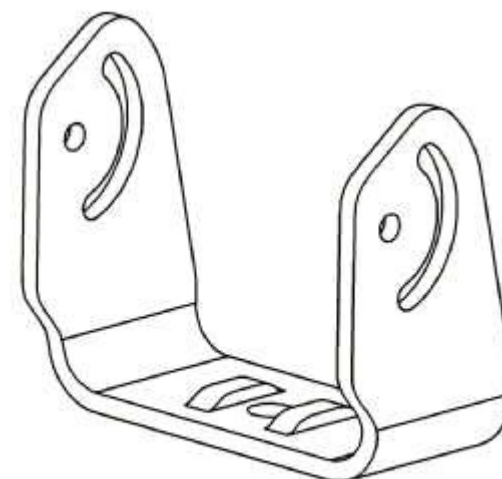
(57) Statement of Newness and Distinctiveness: **The visual features of the tumbler depicted in the representations that are new and distinctive are the shape and/or configuration.**



(21) Design Number: **12564/2015**
(22) Date of Filing Application: **18 May 2015**
(24) Date from which industrial property rights may have effect: **18 May 2015**
(54) Product in respect of which the design is registered: **Bracket for lighting equipment for vehicles**
(51) International Design Classification: **08-08L**
(74) Name(s) of Attorney(s): **Acacia Law**
(71) Name(s) and Address(s) of Applicant(s):
VISION X ASIA CO., LTD
23-7, Dongtansandan 9-gil Dongtan-myeon Hwaseong-si Gyeonggi-do
445-811 Korea
IN-HONG KO
No. A-2803, Daelim Acrovill 13, Eonju-ro 30-gil Gangnam-ku Seoul 135-
856 Korea
(72) Name(s) of Designer(s): **In-Hong Ko**
(45) Registration Date: **08 July 2015**
(30) Convention priority data:
(31) Number (32) Date (33) Country
30-2014-0055690 19 Nov 2014 REPUBLIC OF KOREA
(56) Related Art Documents: **Not Applicable**
(57) Statement of Newness and Distinctiveness: **Novelty lies in the combination of shape and configuration of a bracket for lighting equipment for vehicles.**

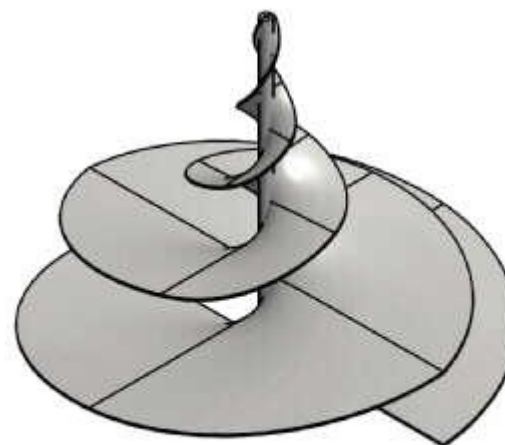


(21) Design Number: **12565/2015**
(22) Date of Filing Application: **18 May 2015**
(24) Date from which industrial property rights may have effect: **18 May 2015**
(54) Product in respect of which the design is registered: **Bracket for lighting equipment for vehicles**
(51) International Design Classification: **08-08L**
(74) Name(s) of Attorney(s): **Acacia Law**
(71) Name(s) and Address(s) of Applicant(s):
VISION X ASIA CO., LTD
23-7, Dongtansandan 9-gil Dongtan-myeon Hwaseong-si Gyeonggi-do
445-811 Korea
IN-HONG KO
No. A-2803, Daelim Acrovill 13, Eonju-ro 30-gil Gangnam-ku Seoul 135-
856 Korea
(72) Name(s) of Designer(s): **In-Hong Ko**
(45) Registration Date: **08 July 2015**
(30) Convention priority data:
(31) Number (32) Date (33) Country
30-2014-0055691 19 Nov 2014 REPUBLIC OF KOREA
(56) Related Art Documents: **Not Applicable**
(57) Statement of Newness and Distinctiveness: **Novelty lies in the combination of shape and configuration of the bracket for lighting equipment for vehicles.**



(19) AU

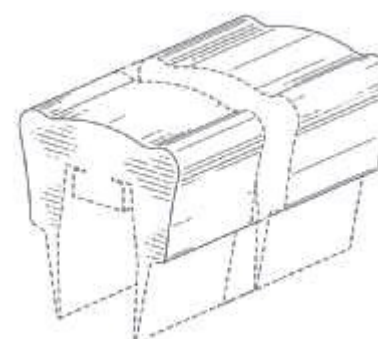
- (21) Design Number: **12590/2015**
- (22) Date of Filing Application: **18 May 2015**
- (24) Date from which industrial property rights may have effect: **18 May 2015**
- (54) Product in respect of which the design is registered: **A two blade impeller**
- (51) International Design Classification: **15-02**
- (74) Name(s) of Attorney(s):
- (71) Name(s) and Address(s) of Applicant(s):
Newera Energy Developments Pty Ltd
c/- Michael Buck IP PO BOX 4361 St Lucia QLD 4067 Australia
- (72) Name(s) of Designer(s): **Paul Anthony Camilleri**
- (45) Registration Date: **08 July 2015**
- (56) Related Art Documents: **Not Applicable**
- (57) Statement of Newness and Distinctiveness: **The shape and configuration of two blade impeller as shown in the accompanying representations.**



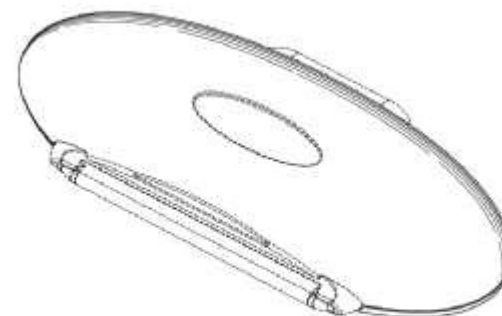
(19) AU

- (21) Design Number: **12595/2015**
- (22) Date of Filing Application: **19 May 2015**
- (24) Date from which industrial property rights may have effect: **19 May 2015**
- (54) Product in respect of which the design is registered: **Furniture edging**
- (51) International Design Classification: **06-06NES**
- (74) Name(s) of Attorney(s): **IP Gateway Patent & Trademark Attorneys Pty Ltd**
- (71) Name(s) and Address(s) of Applicant(s):
Gasser Chair Company, Inc.
4136 Loganway Youngstown Ohio, 44505 United States of America
- (72) Name(s) of Designer(s): **Mark E. Gasser**
- (45) Registration Date: **08 July 2015**
- (30) Convention priority data:

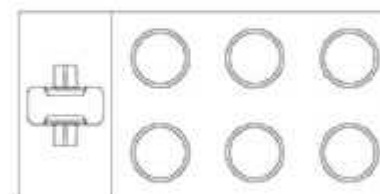
(31) Number	(32) Date	(33) Country
29/509,612	19 Nov 2014	UNITED STATES OF AMERICA
- (56) Related Art Documents: **Not Applicable**
- (57) Statement of Newness and Distinctiveness: **Newness and distinctiveness reside in the visual features of shape and configuration of the transverse cross sectional shape of the product as shown in solid lines in accompanying representations Figures 1 to 5. The product is of indefinite length, and the transverse cross sectional shape remains the same throughout. Features shown in broken lines, and any curvature or lack thereof of the product in the direction of elongation, should be given minimum regard.**



(21) Design Number: **12624/2015**
(22) Date of Filing Application: **21 May 2015**
(24) Date from which industrial property rights may have effect: **21 May 2015**
(54) Product in respect of which the design is registered: **Fabric care device**
(51) International Design Classification: **15-05**
(74) Name(s) of Attorney(s): **Shelston IP**
(71) Name(s) and Address(s) of Applicant(s):
Gleener Marketing Inc.
2765, Chemin Bates, Suite 200 Montreal Quebec, H3S 1B3 Canada
(72) Name(s) of Designer(s): **Kim Cole**
(45) Registration Date: **08 July 2015**
(30) Convention priority data:
(31) Number (32) Date (33) Country
160888 13 Feb 2015 CANADA
(56) Related Art Documents: **Not Applicable**
(57) Statement of Newness and Distinctiveness: **Newness and distinctiveness reside in the features of shape and/or configuration of a FABRIC CARE DEVICE as illustrated in solid lines the accompanying representations. The features shown in broken or discontinuous lines are illustrative only and do not form part of the design.**



(21) Design Number: **12625/2015**
(22) Date of Filing Application: **21 May 2015**
(24) Date from which industrial property rights may have effect: **21 May 2015**
(54) Product in respect of which the design is registered: **Toy**
(51) International Design Classification: **21-01E**
(74) Name(s) of Attorney(s): **Griffith Hack**
(71) Name(s) and Address(s) of Applicant(s):
Lego A/S
Aastvej 1 Billund DK-7190 Denmark
(72) Name(s) of Designer(s): **Jan Ryaa**
(45) Registration Date: **09 July 2015**
(30) Convention priority data:
(31) Number (32) Date (33) Country
DM/084982 25 Nov 2014 WORLD INTELLECTUAL PROPERTY ORGANIZATION (WIPO)
(56) Related Art Documents: **Not Applicable**
(57) Statement of Newness and Distinctiveness: **Newness and distinctiveness resides in the visual features including the shape and configuration of the product as shown in the representations.**



(21) Design Number: **12626/2015**
(22) Date of Filing Application: **21 May 2015**
(24) Date from which industrial property rights may have effect: **21 May 2015**
(54) Product in respect of which the design is registered: **Toy**
(51) International Design Classification: **21-01E**
(74) Name(s) of Attorney(s): **Griffith Hack**
(71) Name(s) and Address(s) of Applicant(s):

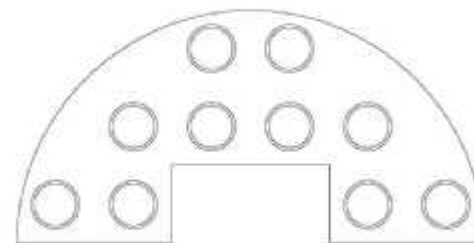
Lego A/S
Aastvej 1 Billund DK-7190 Denmark

(72) Name(s) of Designer(s): **Jan Ryaa**

(45) Registration Date: **09 July 2015**

(30) Convention priority data:

(31) Number	(32) Date	(33) Country
DM/084982	25 Nov 2014	WORLD INTELLECTUAL PROPERTY ORGANIZATION (WIPO)



(56) Related Art Documents: **Not Applicable**

(57) Statement of Newness and Distinctiveness: **Newness and distinctiveness resides in the visual features including the shape and configuration of the product as shown in the representations.**

(21) Design Number: **12627/2015**
(22) Date of Filing Application: **21 May 2015**
(24) Date from which industrial property rights may have effect: **21 May 2015**
(54) Product in respect of which the design is registered: **Mascara brush head**
(51) International Design Classification: **04-02**
(74) Name(s) of Attorney(s): **PHILLIPS ORMONDE FITZPATRICK**
(71) Name(s) and Address(s) of Applicant(s):

ELC Management LLC
**155 Pinelawn Road Suite 345 South Melville New York 11747 United
States of America**

(72) Name(s) of Designer(s): **Christophe Jacob and Herve F. Bouix**

(45) Registration Date: **09 July 2015**

(30) Convention priority data:

(31) Number	(32) Date	(33) Country
29/514,582	14 Jan 2015	UNITED STATES OF AMERICA



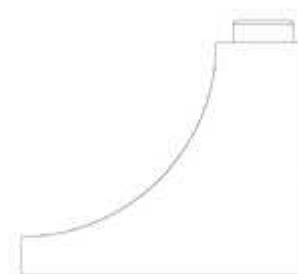
(56) Related Art Documents: **Not Applicable**

(57) Statement of Newness and Distinctiveness: **Nil**

(21) Design Number: **12628/2015**
(22) Date of Filing Application: **21 May 2015**
(24) Date from which industrial property rights may have effect: **21 May 2015**
(54) Product in respect of which the design is registered: **Bottle with rabbit shape**
(51) International Design Classification: **09-01D**
(74) Name(s) of Attorney(s): **PHILLIPS ORMONDE FITZPATRICK**
(71) Name(s) and Address(s) of Applicant(s):
Dart Industries Inc.
14901 S. Orange Blossom Trail Orlando Florida, 32837 United States of America
(72) Name(s) of Designer(s): **Sara L Delgado Carmona**
(45) Registration Date: **09 July 2015**
(30) Convention priority data:
(31) Number (32) Date (33) Country
29/512,133 17 Dec 2014 UNITED STATES OF AMERICA
(56) Related Art Documents: **Not Applicable**
(57) Statement of Newness and Distinctiveness: **Nil**



(21) Design Number: **12630/2015**
(22) Date of Filing Application: **21 May 2015**
(24) Date from which industrial property rights may have effect: **21 May 2015**
(54) Product in respect of which the design is registered: **Toy**
(51) International Design Classification: **21-01E**
(74) Name(s) of Attorney(s): **Griffith Hack**
(71) Name(s) and Address(s) of Applicant(s):
Lego A/S
Aastvej 1 Billund DK-7190 Denmark
(72) Name(s) of Designer(s): **Jan Ryaa**
(45) Registration Date: **09 July 2015**
(30) Convention priority data:
(31) Number (32) Date (33) Country
DM/084982 25 Nov 2014 WORLD INTELLECTUAL PROPERTY ORGANIZATION (WIPO)
(56) Related Art Documents: **Not Applicable**
(57) Statement of Newness and Distinctiveness: **Newness and distinctiveness resides in the visual features including the shape and configuration of the product as shown in the representations.**



- (21) Design Number: **12556/2015**
(22) Date of Filing Application: **18 May 2015**
(24) Date from which industrial property rights may have effect: **18 May 2015**
(54) Product in respect of which the design is registered: **Bowl**
(51) International Design Classification: **07-01B**
(74) Name(s) of Attorney(s):
(71) Name(s) and Address(s) of Applicant(s):
Zhu Gong
Room 2408, Building No.55 Binshui Community, Jimei District Xiamen
361021 China
(72) Name(s) of Designer(s): **Zhu Gong**
(45) Registration Date: **09 July 2015**
(56) Related Art Documents: **Not Applicable**
(57) Statement of Newness and Distinctiveness: **Newness and distinctiveness resides in the features of shape and/or configuration of a bowl as shown in the accompanying representations.**



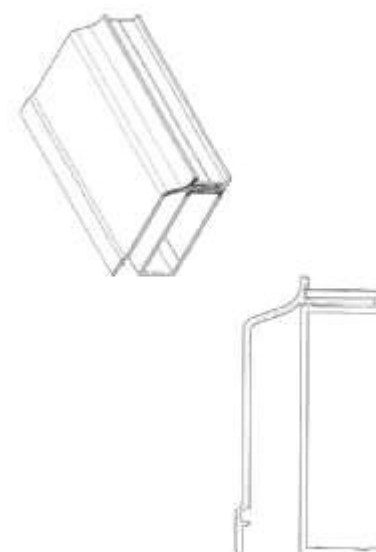
- (21) Design Number: **12558/2015**
(22) Date of Filing Application: **18 May 2015**
(24) Date from which industrial property rights may have effect: **18 May 2015**
(54) Product in respect of which the design is registered: **Bowl**
(51) International Design Classification: **07-01B**
(74) Name(s) of Attorney(s):
(71) Name(s) and Address(s) of Applicant(s):
Zhu Gong
Room 2408, Building No.55 Binshui Community, Jimei District Xiamen
361021 China
(72) Name(s) of Designer(s): **Zhu Gong**
(45) Registration Date: **09 July 2015**
(56) Related Art Documents: **Not Applicable**
(57) Statement of Newness and Distinctiveness: **Newness and distinctiveness resides in the features of shape and/or configuration of a bowl as shown in the accompanying representations.**



- (21) Design Number: **11873/2015**
- (22) Date of Filing Application: **08 April 2015**
- (24) Date from which industrial property rights may have effect: **08 April 2015**
- (54) Product in respect of which the design is registered: **Curtain, cot bumper**
- (51) International Design Classification: **06-10, 06-13B**
- (74) Name(s) of Attorney(s):
- (71) Name(s) and Address(s) of Applicant(s):
Manes Brothers Pty Ltd
38 Swallowtail Cres Springfield Lakes QLD 4300 Australia
- (72) Name(s) of Designer(s): **Swayam India**
- (45) Registration Date: **09 July 2015**
- (56) Related Art Documents: **Not Applicable**
- (57) Statement of Newness and Distinctiveness: **Newness and distinctiveness of the design lies how many of jungle creatures are portrayed in one frame, greenness in the overall design makes things looks as real as the actual jungle.**



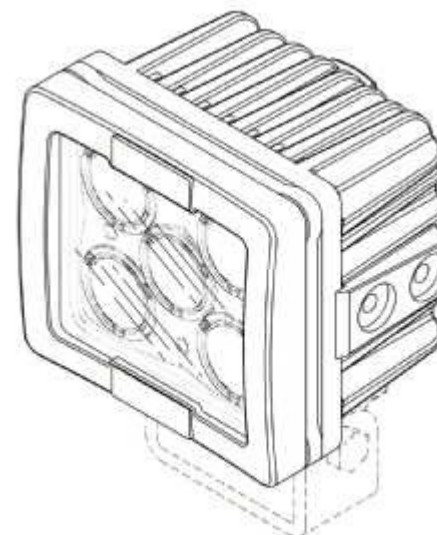
- (21) Design Number: **12193/2015**
- (22) Date of Filing Application: **27 April 2015**
- (24) Date from which industrial property rights may have effect: **27 April 2015**
- (54) Product in respect of which the design is registered: **Wing frame assembly**
- (51) International Design Classification: **25-01K**
- (74) Name(s) of Attorney(s):
- (71) Name(s) and Address(s) of Applicant(s):
Jorgenson-Watts IP Pty Ltd
10 Ross St South Melbourne VIC 3205 Australia
- (72) Name(s) of Designer(s): **John Russell Watts**
- (45) Registration Date: **09 July 2015**
- (56) Related Art Documents: **Not Applicable**
- (57) Statement of Newness and Distinctiveness: **Nil**



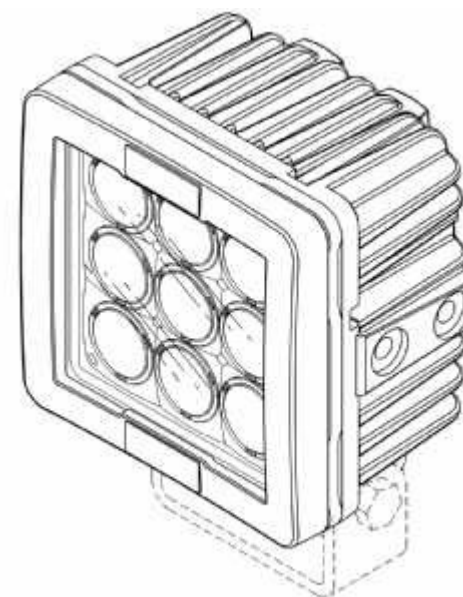
- (21) Design Number: **12252/2015**
(22) Date of Filing Application: **30 April 2015**
(24) Date from which industrial property rights may have effect: **30 April 2015**
(54) Product in respect of which the design is registered: **Modular display board**
(51) International Design Classification: **20-02E**
(74) Name(s) of Attorney(s):
(71) Name(s) and Address(s) of Applicant(s):
Gestaltix Pty Ltd
7 North Esk Dr Seaham NSW 2324 Australia
(72) Name(s) of Designer(s): **Stuart Ewin and Craig Browne**
(45) Registration Date: **09 July 2015**
(56) Related Art Documents: **Not Applicable**
(57) Statement of Newness and Distinctiveness: **Newness and distinctiveness resides in the features of shape and configuration of the modular display board having an indeterminate width and height as shown in the accompanying representations.**



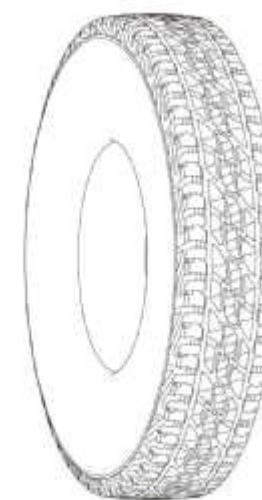
- (21) Design Number: **12559/2015**
(22) Date of Filing Application: **18 May 2015**
(24) Date from which industrial property rights may have effect: **18 May 2015**
(54) Product in respect of which the design is registered: **Lighting equipment for vehicles**
(51) International Design Classification: **26-06**
(74) Name(s) of Attorney(s): **Acacia Law**
(71) Name(s) and Address(s) of Applicant(s):
VISION X ASIA CO., LTD
23-7, Dongtansandan 9-gil Dongtan-myeon Hwaseong-si Gyeonggi-do
445-811 Korea
IN-HONG KO
No. A-2803, Daelim Acrovill 13, Eonju-ro 30-gil Gangnam-ku Seoul 135-856 Korea
(72) Name(s) of Designer(s): **In-Hong Ko**
(45) Registration Date: **10 July 2015**
(30) Convention priority data:
(31) Number (32) Date (33) Country
30-2014-0055692 19 Nov 2014 REPUBLIC OF KOREA
(56) Related Art Documents: **Not Applicable**
(57) Statement of Newness and Distinctiveness: **Novelty lies in the combination of shape and configuration of a body and lens cover for lighting equipment for vehicles, particularly the shape of the radiation fins formed in the body and the shape of the lens cover. Anything drawn in dashed lines is not intended to be part of the design and is for context and reference purposes only.**



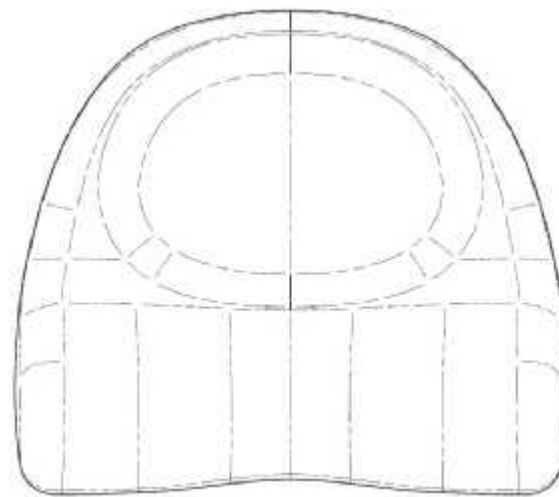
(21) Design Number: **12561/2015**
(22) Date of Filing Application: **18 May 2015**
(24) Date from which industrial property rights may have effect: **18 May 2015**
(54) Product in respect of which the design is registered: **Lighting equipment for vehicles**
(51) International Design Classification: **26-06**
(74) Name(s) of Attorney(s): **Acacia Law**
(71) Name(s) and Address(s) of Applicant(s):
VISION X ASIA CO., LTD
23-7, Dongtansandan 9-gil Dongtan-myeon Hwaseong-si Gyeonggi-do
445-811 Korea
IN-HONG KO
No. A-2803, Daelim Acrovill 13, Eonju-ro 30-gil Gangnam-ku Seoul 135-
856 Korea
(72) Name(s) of Designer(s): **In-Hong Ko**
(45) Registration Date: **10 July 2015**
(30) Convention priority data:
(31) Number (32) Date (33) Country
30-2014-0055693 19 Nov 2014 REPUBLIC OF KOREA
(56) Related Art Documents: **Not Applicable**
(57) Statement of Newness and Distinctiveness: **Novelty lies in the combination of shape and configuration of a body and lens cover for lighting equipment for vehicles, particularly the shape of the radiation fins formed in the body and the shape of the lens cover. Anything drawn in dashed lines is not intended to be part of the design and is for context and reference purposes only.**



(21) Design Number: **12600/2015**
(22) Date of Filing Application: **19 May 2015**
(24) Date from which industrial property rights may have effect: **19 May 2015**
(54) Product in respect of which the design is registered: **Automobile tyre**
(51) International Design Classification: **12-15B**
(74) Name(s) of Attorney(s): **Griffith Hack**
(71) Name(s) and Address(s) of Applicant(s):
BRIDGESTONE CORPORATION
1-1, Kyobashi 3-chome Chuo-ku Tokyo, 104-8340 Japan
(72) Name(s) of Designer(s): **Masahiro Yabishi**
(45) Registration Date: **10 July 2015**
(30) Convention priority data:
(31) Number (32) Date (33) Country
2014-025906 20 Nov 2014 JAPAN
(56) Related Art Documents: **Not Applicable**
(57) Statement of Newness and Distinctiveness: **Newness and distinctiveness resides in the visual features, including shape and configuration of the product as shown in the accompanying representations. Figure 10 has been included for illustrative purposes and does not form part of the design, the darkness of the shading in Figure 10 represents the depth of the channels.**



- (21) Design Number: **12601/2015**
(22) Date of Filing Application: **19 May 2015**
(24) Date from which industrial property rights may have effect: **19 May 2015**
(54) Product in respect of which the design is registered: **Headrest**
(51) International Design Classification: **06-06G**
(74) Name(s) of Attorney(s): **Cullens Patent and Trade Mark Attorneys**
(71) Name(s) and Address(s) of Applicant(s):
CJ Albert Builders Pty Ltd
Lot 2 Gericke Rd Woondum QLD 4570 Australia
(72) Name(s) of Designer(s): **Christopher John Albert**
(45) Registration Date: **10 July 2015**
(56) Related Art Documents: **Not Applicable**
(57) Statement of Newness and Distinctiveness: **Newness and distinctiveness is claimed in the features of the shape and configuration of the headrest as illustrated in the accompanying representations. No weight should be given to the contour lines illustrated in broken lines.**



- (21) Design Number: **12607/2015**
(22) Date of Filing Application: **20 May 2015**
(24) Date from which industrial property rights may have effect: **20 May 2015**
(54) Product in respect of which the design is registered: **Operation panel for working vehicle**
(51) International Design Classification: **12-16NES**
(74) Name(s) of Attorney(s): **Madderns**
(71) Name(s) and Address(s) of Applicant(s):
Iseki & Co., Ltd.
700 Umaki-cho Matsuyama-shi Ehime-ken 799-2692 Japan
(72) Name(s) of Designer(s): **Masami Kinoshita and Takashi Kawaharada**
(45) Registration Date: **10 July 2015**
(30) Convention priority data:

(31) Number	(32) Date	(33) Country
2014-026363	26 Nov 2014	JAPAN

(56) Related Art Documents: **Not Applicable**
(57) Statement of Newness and Distinctiveness: **Nil**

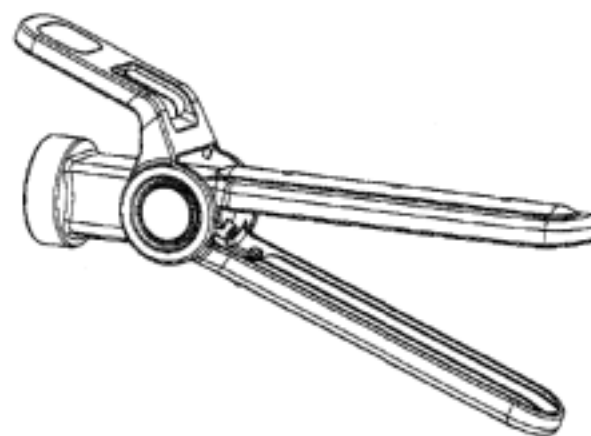


(21) Design Number: **12611/2015**
(22) Date of Filing Application: **20 May 2015**
(24) Date from which industrial property rights may have effect: **20 May 2015**
(54) Product in respect of which the design is registered: **Sidebar protector**
(51) International Design Classification: **12-16C**
(74) Name(s) of Attorney(s): **IP Gateway Patent & Trademark Attorneys Pty Ltd**
(71) Name(s) and Address(s) of Applicant(s):
Caterpillar Inc.
100 NE Adams Street Peoria Illinois, 61629 United States of America
(72) Name(s) of Designer(s): **Douglas Serrurier and Madhukar Maguluru**
(45) Registration Date: **10 July 2015**
(30) Convention priority data:
(31) Number (32) Date (33) Country
29/511,072 05 Dec 2014 UNITED STATES OF AMERICA



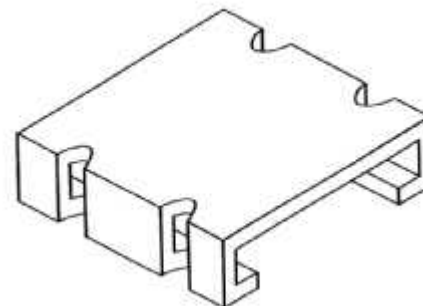
(56) Related Art Documents: **Not Applicable**
(57) Statement of Newness and Distinctiveness: **Newness and distinctiveness reside in the visual features of shape and configuration of the product as shown in solid lines in the representations. Visual features shown in broken dashed lines and broken dot-and-dash lines should be given minimum regard. The broken dot-and-dash lines illustrate boundaries of parts of the product which include the features stated herein to be new and distinctive and parts of the product which do not include those features; the dot-and-dash lines illustrating the boundaries do not represent parts of the design other than where they represent a peripheral edge of the product.**

(21) Design Number: **12302/2015**
(22) Date of Filing Application: **05 May 2015**
(24) Date from which industrial property rights may have effect: **05 May 2015**
(54) Product in respect of which the design is registered: **Steam cleaning accessory**
(51) International Design Classification: **15-05**
(74) Name(s) of Attorney(s): **Davies Collison Cave**
(71) Name(s) and Address(s) of Applicant(s):
Black & Decker Inc.
1207 Drummond Plaza Newark Delaware, 19711 United States of America
(72) Name(s) of Designer(s): **Graeme Crawley and Bojun Shi**
(45) Registration Date: **10 July 2015**
(30) Convention priority data:
(31) Number (32) Date (33) Country
001424444-0001 06 Nov 2014 OFFICE FOR HARMONISATION IN THE INTERNAL MARKET (OHIM)



(56) Related Art Documents: **Not Applicable**
(57) Statement of Newness and Distinctiveness: **Nil**

(21) Design Number: **12303/2015**
(22) Date of Filing Application: **05 May 2015**
(24) Date from which industrial property rights may have effect: **05 May 2015**
(54) Product in respect of which the design is registered: **Slidable closure**
(51) International Design Classification: **09-07NES**
(74) Name(s) of Attorney(s): **Callinans**
(71) Name(s) and Address(s) of Applicant(s):
Hans Georg Hagleitner
Lindenallee 11 Zell am See 5700 Austria
(72) Name(s) of Designer(s): **Hans Georg Hagleitner**
(45) Registration Date: **10 July 2015**
(30) Convention priority data:
(31) Number (32) Date (33) Country
2573725 07 Nov 2014 OFFICE FOR HARMONISATION IN
THE INTERNAL MARKET (OHIM)
(56) Related Art Documents: **Not Applicable**
(57) Statement of Newness and Distinctiveness: **Nil**



(21) Design Number: **12335/2015**
(22) Date of Filing Application: **06 May 2015**
(24) Date from which industrial property rights may have effect: **06 May 2015**
(54) Product in respect of which the design is registered: **A container**
(51) International Design Classification: **23-02A**
(74) Name(s) of Attorney(s): **WATERMARK PATENT AND TRADE MARKS**
ATTORNEYS
(71) Name(s) and Address(s) of Applicant(s):
Bathox Australia Pty Ltd
4/26 Barry Rd Chipping Norton NSW 2170 Australia
(72) Name(s) of Designer(s): **Victor Than-Aye**
(45) Registration Date: **10 July 2015**
(56) Related Art Documents: **Not Applicable**
(57) Statement of Newness and Distinctiveness: **Newness and distinctiveness**
arises from the appearance of the top of the container as shown in the
annexed drawings.



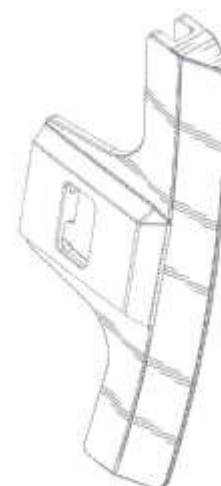
- (21) Design Number: **12407/2015**
(22) Date of Filing Application: **10 May 2015**
(24) Date from which industrial property rights may have effect: **10 May 2015**
(54) Product in respect of which the design is registered: **Tea tray**
(51) International Design Classification: **07-99A**
(74) Name(s) of Attorney(s):
(71) Name(s) and Address(s) of Applicant(s):
Zhu Gong
Room 2408, Building No.55 Binshui Community, Jimei District Xiamen
361021 China
(72) Name(s) of Designer(s): **Zhu Gong**
(45) Registration Date: **10 July 2015**
(56) Related Art Documents: **Not Applicable**
(57) Statement of Newness and Distinctiveness: **Newness and distinctiveness resides in the features of shape and/or configuration of a bowl as shown in the accompanying representations.**



- (21) Design Number: **12411/2015**
(22) Date of Filing Application: **10 May 2015**
(24) Date from which industrial property rights may have effect: **10 May 2015**
(54) Product in respect of which the design is registered: **Tea table**
(51) International Design Classification: **06-03B**
(74) Name(s) of Attorney(s):
(71) Name(s) and Address(s) of Applicant(s):
Zhu Gong
Room 2408, Building No.55 Binshui Community, Jimei District Xiamen
361021 China
(72) Name(s) of Designer(s): **Zhu Gong**
(45) Registration Date: **10 July 2015**
(56) Related Art Documents: **Not Applicable**
(57) Statement of Newness and Distinctiveness: **Newness and distinctiveness resides in the features of shape and/or configuration of a tea table as shown in the accompanying representations. The cups and teapot shown in red-brown color are not part of the design and are to be disregarded when considering the overall impression of the design.**

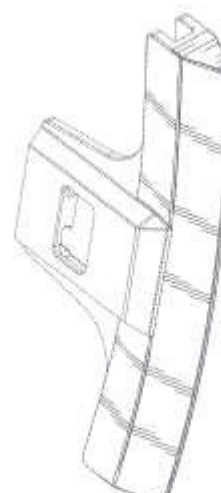


(21) Design Number: **12612/2015**
 (22) Date of Filing Application: **20 May 2015**
 (24) Date from which industrial property rights may have effect: **20 May 2015**
 (54) Product in respect of which the design is registered: **Sidebar protector**
 (51) International Design Classification: **12-16C**
 (74) Name(s) of Attorney(s): **IP Gateway Patent & Trademark Attorneys Pty Ltd**
 (71) Name(s) and Address(s) of Applicant(s):
Caterpillar Inc.
100 NE Adams Street Peoria Illinois, 61629 United States of America
 (72) Name(s) of Designer(s): **Douglas Serrurier and Madhukar Maguluru**
 (45) Registration Date: **10 July 2015**
 (30) Convention priority data:
 (31) Number (32) Date (33) Country
29/511,072 05 Dec 2014 UNITED STATES OF AMERICA



(56) Related Art Documents: **Not Applicable**
 (57) Statement of Newness and Distinctiveness: **Newness and distinctiveness reside in the visual features of shape and configuration of the product as shown in solid lines in the representations. Visual features shown in broken dashed lines and broken dot-and-dash lines should be given minimum regard. The broken dot-and-dash lines illustrate boundaries of parts of the product which include the features stated herein to be new and distinctive and parts of the product which do not include those features; the dot-and-dash lines illustrating the boundaries do not represent parts of the design other than where they represent a peripheral edge of the product.**

(21) Design Number: **12613/2015**
 (22) Date of Filing Application: **20 May 2015**
 (24) Date from which industrial property rights may have effect: **20 May 2015**
 (54) Product in respect of which the design is registered: **Sidebar protector**
 (51) International Design Classification: **12-16C**
 (74) Name(s) of Attorney(s): **IP Gateway Patent & Trademark Attorneys Pty Ltd**
 (71) Name(s) and Address(s) of Applicant(s):
Caterpillar Inc.
100 NE Adams Street Peoria Illinois, 61629 United States of America
 (72) Name(s) of Designer(s): **Douglas Serrurier and Madhukar Maguluru**
 (45) Registration Date: **13 July 2015**
 (30) Convention priority data:
 (31) Number (32) Date (33) Country
29/511,072 05 Dec 2014 UNITED STATES OF AMERICA



(56) Related Art Documents: **Not Applicable**
 (57) Statement of Newness and Distinctiveness: **Newness and distinctiveness reside in the visual features of shape and configuration of the product as shown in solid lines in the representations. Visual features shown in broken dashed lines and broken dot-and-dash lines should be given minimum regard. The broken dot-and-dash lines illustrate boundaries of parts of the product which include the features stated herein to be new and distinctive and parts of the product which do not include those features; the dot-and-dash lines illustrating the boundaries do not represent parts of the design other than where they represent a peripheral edge of the product.**

(21) Design Number: **12614/2015**

(22) Date of Filing Application: **20 May 2015**

(24) Date from which industrial property rights may have effect: **20 May 2015**

(54) Product in respect of which the design is registered: **A loudspeaker**

(51) International Design Classification: **14-01**

(74) Name(s) of Attorney(s): **Banki Haddock Fiora**

(71) Name(s) and Address(s) of Applicant(s):

Harman International Industries, Incorporated
8500 Balboa Blvd Northridge CA, 91329 United States of America

(72) Name(s) of Designer(s): **Hyungwoo Yoon and Alexander Demin**

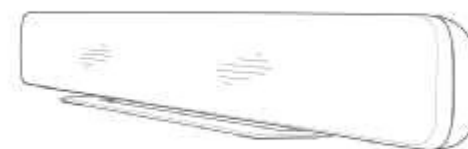
(45) Registration Date: **13 July 2015**

(30) Convention priority data:

(31) Number	(32) Date	(33) Country
29/513581	02 Jan 2015	UNITED STATES OF AMERICA

(56) Related Art Documents: **Not Applicable**

(57) Statement of Newness and Distinctiveness: **Nil**



(21) Design Number: **12617/2015**

(22) Date of Filing Application: **20 May 2015**

(24) Date from which industrial property rights may have effect: **20 May 2015**

(54) Product in respect of which the design is registered: **Tank**

(51) International Design Classification: **23-01F**

(74) Name(s) of Attorney(s):

(71) Name(s) and Address(s) of Applicant(s):

Lester Ferry
14 Nans Rd Helidon Spa QLD 4344 Australia

(72) Name(s) of Designer(s): **Lester Ferry**

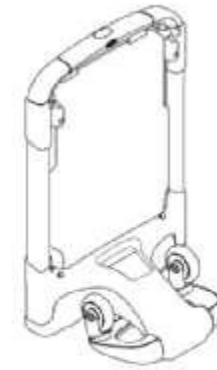
(45) Registration Date: **13 July 2015**

(56) Related Art Documents: **Not Applicable**

(57) Statement of Newness and Distinctiveness: **The design is new and distinctive by its overall appearance and general shape including angled lug features underneath upper rim, slightly tapered side wall and small hole in side wall underneath the upper rim as shown.**



(21) Design Number: **12618/2015**
(22) Date of Filing Application: **20 May 2015**
(24) Date from which industrial property rights may have effect: **20 May 2015**
(54) Product in respect of which the design is registered: **Luggage accessory**
(51) International Design Classification: **03-99**
(74) Name(s) of Attorney(s): **Corrs Chambers Westgarth**
(71) Name(s) and Address(s) of Applicant(s):
Royalty Bugaboo GmbH
Schmidgasse 3 Zug 6300 Switzerland
(72) Name(s) of Designer(s): **Max Barenbrug**
(45) Registration Date: **13 July 2015**
(56) Related Art Documents: **Not Applicable**
(57) Statement of Newness and Distinctiveness: **Nil**



(21) Design Number: **12619/2015**
(22) Date of Filing Application: **20 May 2015**
(24) Date from which industrial property rights may have effect: **20 May 2015**
(54) Product in respect of which the design is registered: **Luggage case**
(51) International Design Classification: **03-01A**
(74) Name(s) of Attorney(s): **Corrs Chambers Westgarth**
(71) Name(s) and Address(s) of Applicant(s):
Royalty Bugaboo GmbH
Schmidgasse 3 Zug 6300 Switzerland
(72) Name(s) of Designer(s): **Max Barenbrug**
(45) Registration Date: **13 July 2015**
(56) Related Art Documents: **Not Applicable**
(57) Statement of Newness and Distinctiveness: **Nil**



- (21) Design Number: **12647/2015**
(22) Date of Filing Application: **22 May 2015**
(24) Date from which industrial property rights may have effect: **22 May 2015**
(54) Product in respect of which the design is registered: **Flocked fabric**
(51) International Design Classification: **05-05C**
(74) Name(s) of Attorney(s): **Collison & Co**
(71) Name(s) and Address(s) of Applicant(s):
WINCOM FLOCK WUXI CO., LTD.
Yuanqu Road, Tianshou Village, Shitangwan Town, Huishan District,
Wuxi City, Jiangsu Province, China
(72) Name(s) of Designer(s): **Tom Cheung**
(45) Registration Date: **13 July 2015**
(30) Convention priority data:
(31) Number (32) Date (33) Country
201530098461.2 14 Apr 2015 CHINA
(56) Related Art Documents: **Not Applicable**
(57) Statement of Newness and Distinctiveness: **Newness and distinctiveness is claimed in the features of pattern and/or ornamentation of the flocked fabric as shown in the representation but disclaiming the colours/colour combination shown which are merely illustrative of the design. The flocked fabric is of indefinite length and width, and the pattern may be repeated.**



- (21) Design Number: **12650/2015**
(22) Date of Filing Application: **22 May 2015**
(24) Date from which industrial property rights may have effect: **22 May 2015**
(54) Product in respect of which the design is registered: **External defibrillator**
(51) International Design Classification: **24-01**
(74) Name(s) of Attorney(s): **Shelston IP**
(71) Name(s) and Address(s) of Applicant(s):
HeartSine Technologies Limited
203 Airport Road West Belfast BT3 9ED United Kingdom
(72) Name(s) of Designer(s): **Johnny Anderson and Dymphna Donaghy and Declan O Mahoney**
(45) Registration Date: **13 July 2015**
(56) Related Art Documents: **Not Applicable**
(57) Statement of Newness and Distinctiveness: **Nil**



(21) Design Number: **15311/2014**
(22) Date of Filing Application: **20 October 2014**
(24) Date from which industrial property rights may have effect: **20 October 2014**
(54) Product in respect of which the design is registered: **Headworn electronic device**
(51) International Design Classification: **14-02**
(74) Name(s) of Attorney(s): **Freehills Patent Attorneys**
(71) Name(s) and Address(s) of Applicant(s):
AUTOCOACH PTY. LTD.
SE1508 1 Queens Rd Melbourne VIC 3004 Australia
(72) Name(s) of Designer(s): **Dean Sharples**
(45) Registration Date: **13 July 2015**
(56) Related Art Documents: **Not Applicable**
(57) Statement of Newness and Distinctiveness: **Nil**



(21) Design Number: **15545/2014**
(22) Date of Filing Application: **03 November 2014**
(24) Date from which industrial property rights may have effect: **03 November 2014**
(54) Product in respect of which the design is registered: **Article of clothing**
(51) International Design Classification: **02-02C**
(74) Name(s) of Attorney(s): **Allens Patent & Trade Mark Attorneys**
(71) Name(s) and Address(s) of Applicant(s):
Forever New Clothing Pty Ltd
714-716 High St Kew East VIC 3102 Australia
(72) Name(s) of Designer(s): **Anna Pham**
(45) Registration Date: **13 July 2015**
(56) Related Art Documents: **Not Applicable**
(57) Statement of Newness and Distinctiveness: **Newness and distinctiveness resides in the visual features of shape, configuration pattern and/or ornamentation of an article of clothing as shown in the accompanying representations.**



- (21) Design Number: **10812/2015**
(22) Date of Filing Application: **13 February 2015**
(24) Date from which industrial property rights may have effect: **13 February 2015**
(54) Product in respect of which the design is registered: **Wrist watch bands**
(51) International Design Classification: **10-07**
(74) Name(s) of Attorney(s): **Cullens Patent and Trade Mark Attorneys**
(71) Name(s) and Address(s) of Applicant(s):
Kairos Watches Limited
10 Raeburn Park -02-08 Tanjong Pagar 088702 Singapore
(72) Name(s) of Designer(s): **Sun Jong Yang**
(45) Registration Date: **13 July 2015**
(56) Related Art Documents: **Not Applicable**
(57) Statement of Newness and Distinctiveness: **Newness and distinctiveness is claimed in the features of the shape and configuration of the wrist watch bands as illustrated in the accompanying representations**



- (21) Design Number: **11792/2015**
(22) Date of Filing Application: **02 April 2015**
(24) Date from which industrial property rights may have effect: **02 April 2015**
(54) Product in respect of which the design is registered: **Bottle**
(51) International Design Classification: **09-01H**
(74) Name(s) of Attorney(s): **Freehills Patent Attorneys**
(71) Name(s) and Address(s) of Applicant(s):
Chatam International Incorporated
1105 N. Market Street Suite 1300 Wilmington Delaware 19801 United States of America
(72) Name(s) of Designer(s): **Norton J. Cooper**
(45) Registration Date: **13 July 2015**
(30) Convention priority data:
(31) Number (32) Date (33) Country
29/515531 23 Jan 2015 UNITED STATES OF AMERICA
(56) Related Art Documents: **Not Applicable**
(57) Statement of Newness and Distinctiveness: **Newness and distinctiveness of the design resides in the features of shape and configuration of the bottle as shown in solid outline and contour lines in the accompanying representations.**



(19) AU

(21) Design Number: **11809/2015**

(22) Date of Filing Application: **07 April 2015**

(24) Date from which industrial property rights may have effect: **07 April 2015**

(54) Product in respect of which the design is registered: **Hand held aerosol generating device**

(51) International Design Classification: **09-01A**

(74) Name(s) of Attorney(s): **Callinans**

(71) Name(s) and Address(s) of Applicant(s):

**Philip Morris Products S.A.
Quai Jeanrenaud 3 Neuchatel 2000 Switzerland**

(72) Name(s) of Designer(s): **Rory McGarry and George Barrett and Florent Cuchet and Cathal Loughnane**

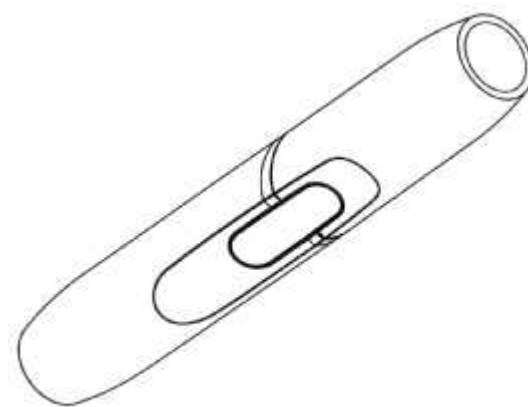
(45) Registration Date: **13 July 2015**

(30) Convention priority data:

(31) Number
001428379

(32) Date
16 Jan 2015

(33) Country
**OFFICE FOR HARMONISATION IN
THE INTERNAL MARKET (OHIM)**



(56) Related Art Documents: **Not Applicable**

(57) Statement of Newness and Distinctiveness: **Nil**