



Australian Government

IP Australia

AUSTRALIAN OFFICIAL JOURNAL

OF

DESIGNS

Did you know a searchable version of this journal is now available online?

It's FREE and EASY to SEARCH.

Find it on our website (www.ipaustralia.gov.au)

by using the "Journals" link on the home page.

This Page Left Intentionally Blank

Contents

General Information & Notices

**Proceedings Under the Designs Act 1906 preserved as a result of the provisions of Chapter 12
Part 2 of the Designs Act 2003**

Registrations Ceased 2152

Subsequent Owners Registered 2152

Proceedings Under the Designs Act 2003

Applications for Extension of Time Under Section 137 2168

Applications Assigned 2168

Applications Lapsed 2166

Applications Lodged 2156

Applications Withdrawn 2166

Certificate of Examination 2172

Extension of Period of Registration of Design 2167

Extension of Time Granted Under Section 137 2168

Names Registered - Alterations and Amendments 2170

Publication and Registration Proceedings

Designs Registered 362911 to 363259..... 2173

Registrations Ceased 2167

Revocation of Design Registrations 2167

Subsequent Owners Registered 2168

This Page Left Intentionally Blank

For information on the following please see our website www.ipaustralia.gov.au or contact our Customer Service Network on 1300651010

[Editorial enquiries](#)

[Contact information](#)

[Freedom of Information ACT](#)

[Professional Standards Board](#)

[Sales](#)

[Requests for Information under Section 194 \(c\)](#)

[Country Codes](#)

[Trade Mark and Designs Hearing Sessions](#)

[INID \(Internationally agreed Numbers for the Identification of Data\)](#)

“INID” NUMBERS in use on Australian Design Documents

“INID” is an acronym for “Internationally agreed Numbers for the Identification of Data”.

(10) Data concerning the registration/renewal

- (11) Serial number of the registration and/or number of the design document
- (12) Plain language designation of the kind of published document
- (19) Identification, using the two-letter code according to WIPO Standard ST.3, of the authority publishing or registering the industrial design

(20) Data concerning the application

- (21) Serial number of the application
- (22) Date of filing of the application
- (24) Date from which the industrial design right has effect

(30) Data relating to priority under the Paris Convention

- (31) Serial number assigned to the priority application
- (32) Date of filing of the priority application
- (33) Two-letter code, according to WIPO Standard ST.3, identifying the authority with which the priority application was made

(40) Date(s) of making information available to the public

- (45) Date of publication of the registered industrial design by printing or similar process, or making it available to the public by any other means

(50) Miscellaneous Information

- (51) International Classification for Industrial Designs (class and subclass of the Locarno Classification)
- (54) Designation of article(s) or product(s) covered by the industrial design or title of the industrial design
- (55) Reproduction of the industrial design (e.g., drawing, photograph) and explanations relating to the reproduction
- (56) List of prior art documents, if separate from descriptive text
- (57) Description of characteristic features of the industrial design including indication of colours

(60) References to other legally related application(s) and registration(s)

- (62) Serial number(s) and, if available, filing date(s) of application(s), registration(s) or document(s) related by division
- (66) Serial number(s) of the application, or the registration, of the design(s) which is (are) a variant(s) of the present one

(70) Identification of parties concerned with the application or registration

- (71) Name(s) and address(es) of the applicant(s)
- (72) Name(s) of the creator(s) if known to be such
- (74) Name(s) and address(es) of the representative(s)

This Page Left Intentionally Blank

Nil notices for this journal issue.

Proceedings under the Designs Act 1906 preserved as a result of the provisions of Chapter 12 Part 2 of the Designs Act 2003.

This Page Left Intentionally Blank

Applications Lapsed

There were no Applications Lapsed under this section

Registrations Ceased

Note: Some of the following Registrations may have been previously advertised as ceased. In this instance, the previous advertisement still prevails.

138160	138199	138316
138709	139593	139677
139678	139711	139718
139719	139784	139787
139790	139832	139833
139842	139843	139844
139845	139849	139889
139890	139903	139937
140017	140153	140169
140170	140192	140228
140372	140414	140472
140523	140582	140660
140670	140723	140795
140816	141001	141126
141127	141591	141695
141861	142271	142633
142662	142723	142804
143024	143144	143444
143446	143681	143701
143881	143994	144021
146600	154872	155385
155595	155597	155663
155927	155928	155929
155930	155932	155953
155996	156054	156055
156067	156068	156170
156171	156172	156173
156174	156208	156279
156333	156464	157011
157012	157109	157985
158103	158163	158252
158312	158365	

Subsequent Owners Registered

149097	(Energizer Brands, LLC) Eveready Battery Company Inc.
149098	(Energizer Brands, LLC) Eveready Battery Company Inc.
150816	(Energizer Brands, LLC) Eveready Battery Company Inc.
151183	(Energizer Brands, LLC) Eveready Battery Company Inc.
151635	(Energizer Brands, LLC) Eveready Battery Company Inc.
152305	(Energizer Brands, LLC) Eveready Battery Company Inc.
156744	(Energizer Brands, LLC) Eveready Battery Company Inc.
156745	(Energizer Brands, LLC) Eveready Battery Company Inc.
150059	(Global Trade Supplies Pty Ltd) Redback Tools Pty Ltd
155079	(Australia Ramp Systems Pty Ltd) Trevor Ross Suggate
156185	(Australia Ramp Systems Pty Ltd) Trevor Ross Suggate
156186	(Australia Ramp Systems Pty Ltd) Trevor Ross Suggate

Subsequent Owners Registered

(The name in parentheses is that of the subsequent owner)

141041	(Energizer Brands, LLC) Eveready Battery Company Inc.
142787	(Energizer Brands, LLC) Eveready Battery Company Inc.
142788	(Energizer Brands, LLC) Eveready Battery Company Inc.
142831	(Energizer Brands, LLC) Eveready Battery Company Inc.
145508	(Energizer Brands, LLC) Eveready Battery Company Inc.
145509	(Energizer Brands, LLC) Eveready Battery Company Inc.

This Page Left Intentionally Blank

Proceedings under the Designs Act 2003.

This Page Left Intentionally Blank

Applications Lodged

Lodgement information is in the following order: **Applicant's Name**; International Classification, Name of Product, Lodgement Date and **Design Number**. If the applicant claims an earlier priority date under an International Convention, the Convention Country and the associated filing date are shown in parentheses before the Lodgement Date. Divisional information will also appear in parentheses before the Lodgement Date.

b.box for kids developments Pty Ltd; 07-01A, Plate, 06 Aug 2015	14001/2015	AliphCom; 10-04, Activity tracking band, (US, 28 Jan 2015) 27 Jul 2015	13740/2015
iRobot Corporation; 15-05, Floor cleaning roller core, (US, 03 Mar 2015) 06 Aug 2015	14027/2015	AliphCom; 10-07, Activity tracking band, (US, 09 Feb 2015) 27 Jul 2015	13753/2015
iRobot Corporation; 10-06, Robot confinement beacon, (US, 10 Feb 2015) 06 Aug 2015	14002/2015	AliphCom; 10-04, Activity tracking band, (US, 09 Feb 2015) 27 Jul 2015	13737/2015
iRobot Corporation; 10-06, Robot confinement beacon, (US, 10 Feb 2015) 06 Aug 2015	14008/2015	AliphCom; 10-04, Activity tracking band, (US, 09 Feb 2015) 27 Jul 2015	13738/2015
iRobot Corporation; 15-05, Robot, (US, 12 Feb 2015) 06 Aug 2015	14035/2015	AliphCom; 10-04, Activity tracking band, (US, 28 Jan 2015) 27 Jul 2015	13734/2015
iRobot Corporation; 15-05, Robot, (US, 12 Feb 2015) 06 Aug 2015	14024/2015	AliphCom; 10-04, Activity tracking band, (US, 28 Jan 2015) 27 Jul 2015	13733/2015
iRobot Corporation; 15-05, Robot, (US, 12 Feb 2015) 06 Aug 2015	13996/2015	Anki, Inc.; 21-01C, Toy car, (US, 09 Feb 2015) 06 Aug 2015	14028/2015
iRobot Corporation; 15-05, Floor cleaning roller core, (US, 13 Feb 2015) 06 Aug 2015	14031/2015	Anki, Inc.; 21-01C, Toy car, (US, 09 Feb 2015) 06 Aug 2015	14007/2015
iRobot Corporation; 15-05, Robot, (US, 12 Feb 2015) 06 Aug 2015	13985/2015	Anki, Inc.; 23-01A, Coupling member, (US, 09 Feb 2015) 06 Aug 2015	13994/2015
Actervis GmbH; 24-04, Compression bandage, (EM, 10 Feb 2015) 31 Jul 2015	13880/2015	Anki, Inc.; 21-01C, Toy car, (US, 09 Feb 2015) 06 Aug 2015	14026/2015
Actervis GmbH; 24-04, Compression bandage, (EM, 10 Feb 2015) 31 Jul 2015	13879/2015	Apple Inc.; 25-02B, Doors, (US, 09 Feb 2015) 06 Aug 2015	14004/2015
Adherium (NZ) Limited; 24-01, A Compliance monitor for a medicament inhaler, (NZ, 02 Feb 2015) 31 Jul 2015	13888/2015	Apple Inc.; 25-03, Room, (US, 09 Feb 2015) 07 Aug 2015	14051/2015
Airpocket Pty Ltd; 03-01A, Bag, 03 Aug 2015	13924/2015	Apple Inc.; 25-03, Room, (US, 09 Feb 2015) 07 Aug 2015	14050/2015
Alexopoulos, William;Argiridakis, Nick; 08-08L, A paint brush holder, 31 Jul 2015	13870/2015	Apple Inc.; 25-03, Room, (US, 09 Feb 2015) 07 Aug 2015	14048/2015
AliphCom; 10-04, Activity tracking band, (US, 28 Jan 2015) 27 Jul 2015	13735/2015	Apple Inc.; 25-03, Room, (US, 09 Feb 2015) 07 Aug 2015	14047/2015
AliphCom; 10-04, Activity tracking band, (US, 09 Feb 2015) 27 Jul 2015	13736/2015	Apple Inc.; 25-03, Room, (US, 09 Feb 2015) 07 Aug 2015	14049/2015
AliphCom; 10-04, Activity tracking band, (US, 28 Jan 2015) 27 Jul 2015	13739/2015		

Apple Inc.; 25-03, Room, (US, 09 Feb 2015) 07 Aug 2015	14045/2015	BROTHER INDUSTRIES, LTD.; 14-02, Toner cartridge, (JP, 09 Feb 2015) 05 Aug 2015	13976/2015
Apple Inc.; 25-03, Room, (US, 09 Feb 2015) 07 Aug 2015	14044/2015	Cambridge, Mitchell Blair; 16-99, 08-08NES, Camera mount, 03 Aug 2015	13939/2015
Apple Inc.; 06-03A, Table, (US, 06 Feb 2015) 06 Aug 2015	14005/2015	Caterpillar Global Mining LLC; 15-04, Take-up device for a rope shovel, (US, 13 Feb 2015) 04 Aug 2015	13964/2015
Apple Inc.; 06-03A, Table, (US, 06 Feb 2015) 06 Aug 2015	14006/2015	Chiasma Inc.; 09-05, Overlay for medication card, (US, 03 Feb 2015) 03 Aug 2015	13937/2015
Aquabay Marine Pty Limited; 12-10, 12-16NES, Trailer storage box, 05 Aug 2015	13978/2015	Chiesi Farmaceutici S.p.A.; 24-02, Catheter, (EM, 13 Feb 2015) 24 Jul 2015	13700/2015
Aquabay Marine Pty Limited; 12-10, 12-16NES, Trailer storage box, 05 Aug 2015	13979/2015	Climate Technologies Pty Ltd; 23-04, A fan, 29 Jul 2015	13795/2015
Aquabay Marine Pty Limited; 12-10, 12-16NES, Trailer storage box, 05 Aug 2015	13977/2015	Colgate-Palmolive Company; 09-05, Oral care implement package, (US, 03 Mar 2015) 31 Jul 2015	13858/2015
Argiridakis, Nick;Alexopoulos, William; 08-08L, A paint brush holder, 31 Jul 2015	13870/2015	Colgate-Palmolive Company; 09-05, Oral care implement package, (US, 03 Mar 2015) 31 Jul 2015	13859/2015
Art Plastics Pty Ltd; 08-08L, Downpipe joiner, 04 Aug 2015	13946/2015	Colgate-Palmolive Company; 09-03M, Oral care implement package, (US, 03 Mar 2015) 31 Jul 2015	13856/2015
Auto Parts Group Pty Ltd; 26-06, Tail light, 29 Jul 2015	13784/2015	Colgate-Palmolive Company; 09-05, Oral care implement package, (US, 03 Mar 2015) 31 Jul 2015	13857/2015
AUSTRALIAN FASHION LABELS PTY LTD; 05-05NES, A textile print, 29 Jul 2015	13801/2015	Cool Gear International, LLC; 07-07NES, Freezer stick, (US, 28 Oct 2014) (Divisional of 12196/2015) 24 Jul 2015	13687/2015
Babluki, Yigal;Dahan, Zion; 25-01C, In place formwall, formwork or shuttering system, (IL, 01 Feb 2015) 31 Jul 2015	13891/2015	COMPAGNIE GENERALE DES ETABLISSEMENTS MICHELIN;Michelin Recherche et Technique S.A.; 12-15B, A tyre, (FR, 11 Feb 2015) 03 Aug 2015	13930/2015
Blancheton, Benoit; 32-03, Logo, neon, signs, stamps, menu, merchandising, cup, 29 Jul 2015	13778/2015	CT Project Designs Pty Ltd; 21-02NES, Weightlifting platform, 06 Aug 2015	14036/2015
Bulgari S.p.A.; 11-01D, Earring, (WO, 04 Feb 2015) 04 Aug 2015	13947/2015	Dahan, Zion;Babluki, Yigal; 25-01C, In place formwall, formwork or shuttering system, (IL, 01 Feb 2015) 31 Jul 2015	13891/2015
Bulgari S.p.A.; 11-01E, Necklace, (WO, 04 Feb 2015) 04 Aug 2015	13953/2015	Dalex Products Pty Ltd; 13-03E, Electrical connector assembly, 27 Jul 2015	13713/2015
Bulgari S.p.A.; 11-01NES, Pendant, (WO, 04 Feb 2015) 04 Aug 2015	13956/2015	Dart Industries Inc.; 07-04, Salad spinner, (US, 10 Feb 2015) 29 Jul 2015	13780/2015
Bulgari S.p.A.; 11-01NES, Pendant, (WO, 04 Feb 2015) 04 Aug 2015	13948/2015	Decorative Imaging Pty Limited; 25-01K, Decking extrusion, 02 Aug 2015	13916/2015
Busby, Shane Conrad; 06-04NES, Surfboard rack, 25 Jul 2015	13705/2015	Decorative Imaging Pty Limited; 25-01K, Cladding extrusion, 02 Aug 2015	13915/2015
BISSELL Homecare, Inc.; 09-01NES, Bottle, (US, 12 Feb 2015) 07 Aug 2015	14053/2015		

Deutsche Extrakt Kaffee GmbH; 07-01NES, Waisted container, (EM, 04 Feb 2015) 03 Aug 2015	13917/2015	Dudkiewicz, Dariusz;Dudkiewicz, Rosalie; 24-99, Back pain treatment and spinal protection device, (US, 06 Feb 2015) 04 Aug 2015	13957/2015
Diener, Rudy;Milner, Wayne; 25-02C, Fence Sheet and/or panel, 07 Aug 2015	14043/2015	Dyson Technology Limited; 23-04, A fan, (EM, 30 Jan 2015) 27 Jul 2015	13709/2015
Dtac Pty Ltd;RAVEN PRODUCTS PTY. LTD.; 25-01NES, Metal and plastic edging strips and stair edgings, 06 Aug 2015	14010/2015	Dyson Technology Limited; 23-04, A fan, (EM, 30 Jan 2015) 27 Jul 2015	13715/2015
Dtac Pty Ltd;RAVEN PRODUCTS PTY. LTD.; 25-01NES, Metal and plastic edging strips and stair edgings, 06 Aug 2015	14012/2015	Dyson Technology Limited; 23-04, A fan, (EM, 30 Jan 2015) 27 Jul 2015	13714/2015
Dtac Pty Ltd;RAVEN PRODUCTS PTY. LTD.; 25-01NES, Metal and plastic edging strips and stair edgings, 06 Aug 2015	14013/2015	Dyson Technology Limited; 23-04, A fan, (EM, 30 Jan 2015) 27 Jul 2015	13711/2015
Dtac Pty Ltd;RAVEN PRODUCTS PTY. LTD.; 25-01NES, Metal and plastic edging strips and stair edgings, 06 Aug 2015	14009/2015	Dyson Technology Limited; 23-04, A fan, (EM, 30 Jan 2015) 27 Jul 2015	13712/2015
Dtac Pty Ltd;RAVEN PRODUCTS PTY. LTD.; 25-01NES, Metal and plastic edging strips and stair edgings, 06 Aug 2015	14014/2015	DKB Household UK Limited; 07-04, 07-01B, Basket for salad spinner, (EM, 04 Feb 2015) 04 Aug 2015	13955/2015
Dtac Pty Ltd;RAVEN PRODUCTS PTY. LTD.; 25-01NES, Metal and plastic edging strips and stair edgings, 06 Aug 2015	14011/2015	DKB Household UK Limited; 07-06NES, Non-electric foodstuff mill, (EM, 04 Feb 2015) 04 Aug 2015	13954/2015
Dudkiewicz, Rosalie;Dudkiewicz, Dariusz; 24-04, Back pain treatment and spinal protection device, (US, 06 Feb 2015) 04 Aug 2015	13951/2015	DKB Household UK Limited; 08-05NES, Oyster opener, (EM, 04 Feb 2015) 04 Aug 2015	13952/2015
Dudkiewicz, Dariusz;Dudkiewicz, Rosalie; 24-04, Back pain treatment and spinal protection device, (US, 06 Feb 2015) 04 Aug 2015	13951/2015	E.D. Oates Pty Ltd; 07-99NES, Lint roller, 05 Aug 2015	13981/2015
Dudkiewicz, Rosalie;Dudkiewicz, Dariusz; 24-04, Back pain treatment and spinal protection device, 04 Aug 2015	13949/2015	Efficient Lighting Systems Pty Ltd; 26-05D, Housing for light emitting diode(s), 04 Aug 2015	13961/2015
Dudkiewicz, Dariusz;Dudkiewicz, Rosalie; 24-04, Back pain treatment and spinal protection device, 04 Aug 2015	13949/2015	Efficient Lighting Systems Pty Ltd; 26-05D, Housing for light emitting diode(s), 04 Aug 2015	13962/2015
Dudkiewicz, Rosalie;Dudkiewicz, Dariusz; 24-99, Back pain treatment and spinal protection device, (US, 06 Feb 2015) 04 Aug 2015	13957/2015	Efficient Lighting Systems Pty Ltd; 26-05E, Housing for light emitting diode(s), 04 Aug 2015	13963/2015
Dudkiewicz, Rosalie;Dudkiewicz, Dariusz; 24-04, Back pain treatment and spinal protection device, (US, 06 Feb 2015) 04 Aug 2015	13950/2015	Ellison, Joshua Michael; 06-04NES, Bookshelf, 09 Aug 2015	14073/2015
Dudkiewicz, Dariusz;Dudkiewicz, Rosalie; 24-04, Back pain treatment and spinal protection device, (US, 06 Feb 2015) 04 Aug 2015	13950/2015	EverHeart Systems Inc.; 13-03NES, Mobile wireless power source, (US, 18 Feb 2015) 28 Jul 2015	13761/2015
		EARTHLY GUARDIANS 888 PTY LTD; 21-01NES, Figurine, toy, merchandise, apparel, books, video, 31 Jul 2015	13905/2015
		EARTHLY GUARDIANS 888 PTY LTD; 21-01NES, Figurine, toy, merchandise, apparel, books, video, 31 Jul 2015	13906/2015
		EARTHLY GUARDIANS 888 PTY LTD; 21-01NES, Figurine, toy, merchandise, apparel, books, video, 31 Jul 2015	13903/2015
		EARTHLY GUARDIANS 888 PTY LTD; 21-01NES, Figurine, toy, merchandise, apparel, books, video, 31 Jul 2015	13904/2015

ELC Management LLC; 09-01NES, Bottle, (US, 03 Jun 2015) 29 Jul 2015	13779/2015	Frommelt, Marc;Westside Solutions Sarl; 14-99, Multimedia book, (CH, 09 Feb 2015) 07 Aug 2015	14064/2015
ELC Management LLC; 09-01NES, Bottle, (US, 03 Jun 2015) 29 Jul 2015	13781/2015	Frommelt, Marc;Westside Solutions Sarl; 14-99, Multimedia book, (CH, 09 Feb 2015) 07 Aug 2015	14063/2015
Ferrari S.p.A.; 12-08, Car and toy-car, 31 Jul 2015	13887/2015	Fujitsu General Limited; 23-04, Air conditioner, (JP, 05 Feb 2015) 03 Aug 2015	13936/2015
Ferrari S.p.A.; 12-08, Car and toy-car, (EM, 03 Feb 2015) 31 Jul 2015	13860/2015	FIRE EATERS PTY LTD;Netz, Max Eric; 12-13, Fight fires directly as well building protection., 29 Jul 2015	13788/2015
Fiorelli, Serena; 12-10, 19-02, Mobile home/office, 31 Jul 2015	13890/2015	FRANKIEB PTY LTD; 02-04A, A pair of footbeds, 27 Jul 2015	13756/2015
Forever New Clothing Pty Ltd; 02-02C, 02-02NES, Article of clothing, 30 Jul 2015	13810/2015	Gerard Lighting Pty Ltd; 26-03, 26-05A, Luminaire body, 29 Jul 2015	13792/2015
Forever New Clothing Pty Ltd; 02-02C, Article of clothing, (Divisional of 16243/2014) 27 Jul 2015	13750/2015	Gillette Company, The; 04-02, Toothbrush, (WO, 06 Feb 2015) 31 Jul 2015	13868/2015
Forever New Clothing Pty Ltd; 02-02C, Article of clothing, (Divisional of 16243/2014) 27 Jul 2015	13747/2015	Global Grain Handling Solutions Pty Ltd; 08-05F, Clamping device, 27 Jul 2015	13757/2015
Forever New Clothing Pty Ltd; 02-02NES, Article of clothing, (Divisional of 16243/2014) 27 Jul 2015	13751/2015	Gordon, Robby; 12-05, Ramp, 31 Jul 2015	13863/2015
Forever New Clothing Pty Ltd; 02-02NES, Article of clothing, (Divisional of 16243/2014) 27 Jul 2015	13752/2015	Gordon, Robby; 12-05, Ramp, 31 Jul 2015	13866/2015
Forever New Clothing Pty Ltd; 02-02C, Article of clothing, (Divisional of 16243/2014) 27 Jul 2015	13749/2015	Gordon, Robby; 12-05, Ramp, 31 Jul 2015	13865/2015
Forever New Clothing Pty Ltd; 02-02C, Article of clothing, (Divisional of 16243/2014) 27 Jul 2015	13741/2015	Gordon, Robby; 12-05, Ramp, 31 Jul 2015	13864/2015
Forever New Clothing Pty Ltd; 02-02C, Article of clothing, (Divisional of 16243/2014) 27 Jul 2015	13742/2015	Gresham, Brett; 31-00, An adaptor for food processor, 04 Aug 2015	13965/2015
Forever New Clothing Pty Ltd; 02-02C, Article of clothing, (Divisional of 16243/2014) 27 Jul 2015	13748/2015	Guy, Peter David; 12-10, Trailer, 03 Aug 2015	13925/2015
Forever New Clothing Pty Ltd; 02-02C, Article of clothing, (Divisional of 16243/2014) 27 Jul 2015	13745/2015	Gyrus Acmi, Inc. (d/b/a Olympus Surgical Technologies America); 24-02, Drill bit holder for an angled drill, (US, 23 Apr 2015) 04 Aug 2015	13943/2015
Forever New Clothing Pty Ltd; 02-02C, Article of clothing, (Divisional of 16243/2014) 27 Jul 2015	13746/2015	Gyrus Acmi, Inc. (d/b/a Olympus Surgical Technologies America); 24-02, Bone drill, (US, 23 Apr 2015) 04 Aug 2015	13945/2015
Forever New Clothing Pty Ltd; 02-02C, Article of clothing, (Divisional of 16243/2014) 27 Jul 2015	13743/2015	Gyrus Acmi, Inc. (d/b/a Olympus Surgical Technologies America); 24-02, Drill bit holder of a bone drill, (US, 23 Apr 2015) 04 Aug 2015	13944/2015
Forever New Clothing Pty Ltd; 02-02NES, Article of clothing, (Divisional of 16243/2014) 27 Jul 2015	13744/2015	GIBSON Innovations Belgium NV; 14-01, Zenit cinema speakers, (EM, 27 Jan 2015) 24 Jul 2015	13691/2015
Frommelt, Marc;Westside Solutions Sarl; 14-99, Multimedia book, (CH, 09 Feb 2015) 07 Aug 2015	14065/2015	GIBSON Innovations Belgium NV; 14-01, Zenit cinema speakers, (EM, 27 Jan 2015) 24 Jul 2015	13699/2015
		GIBSON Innovations Belgium NV; 14-01, Zenit cinema speakers, (EM, 27 Jan 2015) 24 Jul 2015	13692/2015

GIBSON Innovations Belgium NV; 14-01, Zenit cinema speakers, (EM, 27 Jan 2015) 24 Jul 2015	13693/2015	Industrie IP Pty Limited; 02-02C, A pair of pants, 27 Jul 2015	13723/2015
GIBSON Innovations Belgium NV; 14-01, Zenit cinema speakers, (EM, 27 Jan 2015) 24 Jul 2015	13698/2015	Industrie IP Pty Limited; 02-02C, A pair of pants, 27 Jul 2015	13724/2015
GM Global Technology Operations LLC; 12-16NES, Left-side and right-side vehicle hood vents, 04 Aug 2015	13958/2015	Industrie IP Pty Limited; 02-02C, A pair of shorts, 27 Jul 2015	13722/2015
GM Global Technology Operations LLC; 12-16B, Vehicle hood, 04 Aug 2015	13959/2015	Industrie IP Pty Limited; 02-02NES, A t-shirt, 27 Jul 2015	13717/2015
Haasse, Willem Hendrick; 12-16K, Cargo net, 03 Aug 2015	13938/2015	Industrie IP Pty Limited; 02-02C, A pair of shorts, 27 Jul 2015	13720/2015
Hansgrohe SE; 23-01H, Sanitary faucet, (EM, 02 Feb 2015) 28 Jul 2015	13766/2015	Industrie IP Pty Limited; 02-02C, A pair of shorts, 27 Jul 2015	13719/2015
Hard Metals Australia Pty Limited; 15-03A, A disc harrow blade, 28 Jul 2015	13762/2015	Industrie IP Pty Limited; 02-02NES, A jumper, 27 Jul 2015	13718/2015
Harnischfeger Technologies, Inc.; 12-08, Cab for mining machine, (Divisional of 12489/2015) 07 Aug 2015	14058/2015	Intercontinental Great Brands LLC; 09-03M, Confectionery package, (US, 20 Feb 2015) 29 Jul 2015	13802/2015
Harnischfeger Technologies, Inc.; 12-08, Cab for mining machine, (Divisional of 12489/2015) 07 Aug 2015	14062/2015	IDAZ09 PTY.LTD.; 25-03, IDAZ09 building - architecture, 26 Jul 2015	13706/2015
Harnischfeger Technologies, Inc.; 12-08, Cab for mining machine, (Divisional of 12489/2015) 07 Aug 2015	14060/2015	INTERNATIONAL MULCH COMPANY; 25-01A, Rubber landscape paver, (US, 02 Feb 2015) 31 Jul 2015	13874/2015
Harnischfeger Technologies, Inc.; 12-08, Cab for mining machine, (Divisional of 12489/2015) 07 Aug 2015	14056/2015	Jamak Fabrication-Tex, LLC.; 22-03, Firearm suppressor cover, (US, 28 Jan 2015) 28 Jul 2015	13765/2015
Horizon Global Pty Ltd; 25-02G, Wind noise reducing adhesive, 30 Jul 2015	13851/2015	Jamak Fabrication-Tex, LLC.; 22-02, 09-99, Firearm suppressor cover, (US, 28 Jan 2015) 28 Jul 2015	13764/2015
Hosking, Peter John; 15-03B, Lawnmower, 04 Aug 2015	13968/2015	Janome Sewing Machine Co., Ltd.; 15-06, Sewing machine, (JP, 20 Feb 2015) 06 Aug 2015	14017/2015
Hutton Group Holdings Pty Ltd; 15-03NES, Trailers, agricultural implements, 06 Aug 2015	14016/2015	Jardin Netherlands B.V.; 06-03A, Table, 05 Aug 2015	13975/2015
HASTINGS HOME MODIFICATION & MAINTENANCE SERVICE INC.; 10-99, aged care assessment tool, 22 Jul 2015	13664/2015	JT Roofing Pty Ltd; 25-01G, Roofing flashing, 28 Jul 2015	13776/2015
HDT SPECIAL VEHICLES PTY LTD; 12-08, Car, 30 Jul 2015	13818/2015	JT Roofing Pty Ltd; 25-02F, Roof vent assembly, 28 Jul 2015	13777/2015
HDT SPECIAL VEHICLES PTY LTD; 12-08, Car, 30 Jul 2015	13819/2015	Kairos Watches Limited; 10-02, Watch with a band adapter, (Divisional of 10813/2015) 30 Jul 2015	13841/2015
Indian Ocean Medical Inc.; 24-01, Airway device, (EM, 02 Feb 2015) 31 Jul 2015	13893/2015	Kairos Watches Limited; 10-02, Watch with a band adapter, (Divisional of 10813/2015) 30 Jul 2015	13842/2015
Industrie IP Pty Limited; 02-02C, A pair of shorts, 27 Jul 2015	13721/2015	Kairos Watches Limited; 10-02, Watch with a band adapter, (Divisional of 10813/2015) 30 Jul 2015	13839/2015
Industrie IP Pty Limited; 02-02NES, A t-shirt, 27 Jul 2015	13716/2015	Kairos Watches Limited; 10-02, Watch with a band adapter, (Divisional of 10813/2015) 30 Jul 2015	13843/2015
		Kairos Watches Limited; 10-02, Watch with a band adapter, (Divisional of 10813/2015) 30 Jul 2015	13844/2015

Kairos Watches Limited; 10-02, Watch with a band adapter, (Divisional of 10813/2015) 30 Jul 2015	13840/2015	King Furniture Australia Pty Ltd; 06-01G, A sofa, 31 Jul 2015	13876/2015
Kairos Watches Limited; 10-02, Watch with a band adapter, (Divisional of 10813/2015) 30 Jul 2015	13837/2015	King Furniture Australia Pty Ltd; 06-01G, A sofa, 31 Jul 2015	13889/2015
Kairos Watches Limited; 10-02, Watch with a band adapter, (Divisional of 10813/2015) 30 Jul 2015	13845/2015	King Furniture Australia Pty Ltd; 06-01G, A chair, 31 Jul 2015	13869/2015
Kairos Watches Limited; 10-02, Watch with a band adapter, (Divisional of 10813/2015) 30 Jul 2015	13838/2015	King Furniture Australia Pty Ltd; 06-01G, A chair, 31 Jul 2015	13877/2015
Kairos Watches Limited; 10-02, Watch with a band adapter, (Divisional of 10813/2015) 30 Jul 2015	13838/2015	King Furniture Australia Pty Ltd; 06-01G, A sofa, 31 Jul 2015	13875/2015
Kamel Dawahry and Sons Ltd; 11-02B, Flowerpot, 21 Jul 2015	13638/2015	King Furniture Australia Pty Ltd; 06-01G, A sofa, 31 Jul 2015	13878/2015
KeepCup Pty Ltd; 07-01C, Cup, 06 Aug 2015	14033/2015	King Furniture Australia Pty Ltd; 06-01G, A sofa, 31 Jul 2015	13881/2015
Kim Meller Imports Pty Ltd; 02-04NES, Shoe, 27 Jul 2015	13755/2015	King Furniture Australia Pty Ltd; 06-01G, A chair, 31 Jul 2015	13862/2015
Kim Meller Imports Pty Ltd; 02-04NES, Shoe, 03 Aug 2015	13929/2015	King Furniture Australia Pty Ltd; 06-01G, A chair, 31 Jul 2015	13872/2015
King Furniture Australia Pty Ltd; 06-01G, A sofa, 31 Jul 2015	13895/2015	King Furniture Australia Pty Ltd; 06-01G, A sofa, 31 Jul 2015	13873/2015
King Furniture Australia Pty Ltd; 06-06E, A table accessory, 03 Aug 2015	13923/2015	King Furniture Australia Pty Ltd; 06-01G, A sofa, 31 Jul 2015	13871/2015
King Furniture Australia Pty Ltd; 06-06E, A leg for an article of furniture, 03 Aug 2015	13919/2015	King Furniture Australia Pty Ltd; 06-01G, A chair, 31 Jul 2015	13861/2015
King Furniture Australia Pty Ltd; 06-01G, A chaise, 31 Jul 2015	13901/2015	King Furniture Australia Pty Ltd; 06-01G, A chair, 31 Jul 2015	13867/2015
King Furniture Australia Pty Ltd; 06-01G, A chaise, 31 Jul 2015	13899/2015	King Furniture Australia Pty Ltd; 06-01G, Chair, 2-seater sofa, 3-seater sofa and chaise, 30 Jul 2015	13847/2015
King Furniture Australia Pty Ltd; 06-06E, A leg for an article of furniture, 03 Aug 2015	13920/2015	King Furniture Australia Pty Ltd; 06-01G, A chair, 30 Jul 2015	13848/2015
King Furniture Australia Pty Ltd; 06-01G, A chaise, 31 Jul 2015	13900/2015	Knew Pod Systems Pty Ltd; 25-01D, A building element, 30 Jul 2015	13835/2015
King Furniture Australia Pty Ltd; 06-01G, A sofa, 31 Jul 2015	13897/2015	Knew Pod Systems Pty Ltd; 21-01D, A building element, 30 Jul 2015	13846/2015
King Furniture Australia Pty Ltd; 06-01G, A sofa, 31 Jul 2015	13898/2015	Knew Pod Systems Pty Ltd; 21-01D, A building element, 30 Jul 2015	13836/2015
King Furniture Australia Pty Ltd; 06-01G, A sofa, 31 Jul 2015	13896/2015	Koninklijke Philips Electronics N.V.; 07-05A, Garment steamer, (EM, 29 Jan 2015) 24 Jul 2015	13703/2015
King Furniture Australia Pty Ltd; 06-01G, A chaise, 31 Jul 2015	13894/2015	Koninklijke Philips N.V.; 28-03A, Handle for grooming apparatus, (EM, 05 Feb 2015) 04 Aug 2015	13940/2015
King Furniture Australia Pty Ltd; 06-06C, A leg for an article of furniture, 03 Aug 2015	13921/2015	Koninklijke Philips N.V.; 28-03A, Shaving unit, (EM, 05 Feb 2015) 04 Aug 2015	13941/2015
King Furniture Australia Pty Ltd; 06-06E, A table accessory, 03 Aug 2015	13922/2015	Koninklijke Philips N.V.; 28-03A, Handle for grooming apparatus, (EM, 05 Feb 2015) 04 Aug 2015	13942/2015
King Furniture Australia Pty Ltd; 06-01G, A sofa, 31 Jul 2015	13885/2015	Landscape Forms, Inc.; 06-01C, Bench, (US, 04 Mar 2015) 30 Jul 2015	13829/2015
King Furniture Australia Pty Ltd; 06-01G, A sofa, 31 Jul 2015	13883/2015		

Landscape Forms, Inc.; 06-99, Support element for a bench, (US, 04 Mar 2015) 30 Jul 2015	13830/2015	M&M Ventures (2014) Limited; 21-01L, Game tile, 27 Jul 2015	13731/2015
Landscape Forms, Inc.; 06-99, Support element for a bench, (US, 04 Mar 2015) 30 Jul 2015	13832/2015	M&M Ventures (2014) Limited; 21-01L, Board game, 27 Jul 2015	13730/2015
Landscape Forms, Inc.; 08-10, Bicycle rack, (US, 05 Mar 2015) 30 Jul 2015	13833/2015	McCormick & Company, Incorporated; 09-05, Pouch, (US, 02 Feb 2015) 31 Jul 2015	13907/2015
Landscape Forms, Inc.; 06-01C, Bench, (US, 04 Mar 2015) 30 Jul 2015	13831/2015	McCormick & Company, Incorporated; 09-05, Pouch, (US, 02 Feb 2015) 31 Jul 2015	13909/2015
Landscape Forms, Inc.; 09-09, Litter receptacle, (US, 05 Mar 2015) 30 Jul 2015	13834/2015	McCredie, Donald; 21-02D, Leash for surf craft, 07 Aug 2015	14069/2015
Lee, Pui-Yu; 06-03NES, 26-05NES, Side table and light, 06 Aug 2015	14037/2015	Menelaus B.V.; 22-06, Insect barrier device, (EM, 27 Jan 2015) 24 Jul 2015	13701/2015
Lorna Jane Pty Ltd; 02-02C, Clothing, 05 Aug 2015	14039/2015	Menelaus B.V.; 22-06, Insect repellent device, (EM, 06 Feb 2015) 06 Aug 2015	14034/2015
LAURENT-PERRIER; 09-99, Cage for bottle, (EM, 03 Feb 2015) 31 Jul 2015	13882/2015	Menelaus B.V.; 22-06, Insect barrier device, (EM, 27 Jan 2015) 24 Jul 2015	13702/2015
LINPAC Packaging Limited; 09-03F, Tray, (EM, 13 Feb 2015) 06 Aug 2015	14030/2015	Metro Industries Inc.; 12-02, 06-04E, Mobile food storage cabinet, (US, 17 Feb 2015) 06 Aug 2015	14018/2015
LINPAC Packaging Limited; 09-03F, Tray, (EM, 13 Feb 2015) 06 Aug 2015	13998/2015	Michelin Recherche et Technique S.A.;COMPAGNIE GENERALE DES ETABLISSEMENTS MICHELIN; 12-15B, A tyre, (FR, 11 Feb 2015) 03 Aug 2015	13930/2015
LINPAC Packaging Limited; 09-03F, Tray, (EM, 13 Feb 2015) 06 Aug 2015	14025/2015	Milner, Wayne;Diener, Rudy; 25-02C, Fence Sheet and/or panel, 07 Aug 2015	14043/2015
LINPAC Packaging Limited; 09-03F, Tray, (EM, 13 Feb 2015) 06 Aug 2015	13997/2015	MARCOPOLO S.A.; 12-08, Configuration applied to bodies for buses, (BR, 05 Feb 2015) 29 Jul 2015	13785/2015
LINPAC Packaging Limited; 09-03F, Tray, (EM, 13 Feb 2015) 06 Aug 2015	14022/2015	MITSUBISHI ELECTRIC CORPORATION; 23-04, 1) Air conditioner 2) air conditioner cassette, (JP, 29 Jan 2015) 29 Jul 2015	13794/2015
LINPAC Packaging Limited; 09-03F, Tray, (EM, 13 Feb 2015) 06 Aug 2015	13990/2015	MITSUBISHI ELECTRIC CORPORATION; 23-04, 1) Airconditioner 2) air conditioner cassette, (JP, 29 Jan 2015) 29 Jul 2015	13786/2015
LINPAC Packaging Limited; 09-03F, Tray, (EM, 13 Feb 2015) 06 Aug 2015	13991/2015	MITSUBISHI ELECTRIC CORPORATION; 23-04, 1) Air conditioner 2) air conditioner cassette, (JP, 29 Jan 2015) 29 Jul 2015	13787/2015
LINPAC Packaging Limited; 09-03F, Tray, (EM, 13 Feb 2015) 06 Aug 2015	13989/2015	MITSUBISHI ELECTRIC CORPORATION; 23-04, 1) Air conditioner 2) air conditioner cassette, (JP, 29 Jan 2015) 29 Jul 2015	13798/2015
LINPAC Packaging Limited; 09-03F, Tray, (EM, 13 Feb 2015) 06 Aug 2015	14032/2015	MITSUBISHI ELECTRIC CORPORATION; 23-04, 1) Air conditioner 2) air conditioner cassette, (JP, 29 Jan 2015) 29 Jul 2015	13791/2015
LINPAC Packaging Limited; 09-03F, Tray, (EM, 13 Feb 2015) 06 Aug 2015	13988/2015	MITSUBISHI ELECTRIC CORPORATION; 23-04, 1) Air conditioner 2) air conditioner cassette, (JP, 29 Jan 2015) 29 Jul 2015	13782/2015
M&M Ventures (2014) Limited; 21-01L, Game tile, 27 Jul 2015	13732/2015	Nadin, Peter; 08-05L, A paint pail, 31 Jul 2015	13908/2015

Neoz Pty Ltd; 13-02, Recharging tray, 31 Jul 2015	13892/2015	ResMed Limited; 24-01, Patient interface and/or components, (Divisional of 12701/2015) 24 Jul 2015	13758/2015
Netz, Max Eric;FIRE EATERS PTY LTD; 12-13, Fight fires directly as well building protection., 29 Jul 2015	13788/2015	Rinnai New Zealand Limited; 23-03B, Heater, 24 Jul 2015	13688/2015
New Chapter, Inc.; 09-03M, Supplement container with surface ornamentation, (US, 27 Jan 2015) 24 Jul 2015	13696/2015	Rinnai New Zealand Limited; 23-03NES, Artificial log arrangement for a heater., 24 Jul 2015	13690/2015
New Chapter, Inc.; 09-03M, Supplement container with surface ornamentation, (US, 27 Jan 2015) 24 Jul 2015	13697/2015	Ripple Iron Pty Ltd; 06-01C, Seat, 31 Jul 2015	13902/2015
New Chapter, Inc.; 09-03M, Supplement container with surface ornamentation, (US, 27 Jan 2015) 24 Jul 2015	13694/2015	Ryder, David; 02-07C, Cufflinks, 09 Aug 2015	14072/2015
New Chapter, Inc.; 09-03M, Supplement container with surface ornamentation, (US, 27 Jan 2015) 24 Jul 2015	13695/2015	RAVEN PRODUCTS PTY. LTD.;Dtac Pty Ltd; 25-01NES, Metal and plastic edging strips and stair edgings, 06 Aug 2015	14011/2015
Newman, Benjamin John; 09-04, Storage crate designed to hold unused cabling., 30 Jul 2015	13820/2015	RAVEN PRODUCTS PTY. LTD.;Dtac Pty Ltd; 25-01NES, Metal and plastic edging strips and stair edgings, 06 Aug 2015	14010/2015
NAUTILUS, INC.; 21-02F, Exercise bike, (US, 02 Feb 2015) 29 Jul 2015	13804/2015	RAVEN PRODUCTS PTY. LTD.;Dtac Pty Ltd; 25-01NES, Metal and plastic edging strips and stair edgings, 06 Aug 2015	14012/2015
NCE Pty Ltd; 25-02B, Door frame extrusion, 06 Aug 2015	14023/2015	RAVEN PRODUCTS PTY. LTD.;Dtac Pty Ltd; 25-01NES, Metal and plastic edging strips and stair edgings, 06 Aug 2015	14009/2015
O'Brien, Michael Leo; 12-10, Trailer, 07 Aug 2015	14068/2015	RAVEN PRODUCTS PTY. LTD.;Dtac Pty Ltd; 25-01NES, Metal and plastic edging strips and stair edgings, 06 Aug 2015	14013/2015
Payless Shoesource Worldwide, Inc.; 02-04NES, Shoe, (Divisional of 12525/2015) 07 Aug 2015	14066/2015	RAVEN PRODUCTS PTY. LTD.;Dtac Pty Ltd; 25-01NES, Metal and plastic edging strips and stair edgings, 06 Aug 2015	14014/2015
Polymer Logistics (Israel) Ltd.; 09-04, Crate, (US, 30 Jan 2015) 22 Jul 2015	13663/2015	REDSBABY PTY. LTD.; 12-12, Pram/ stroller, 30 Jul 2015	13817/2015
R Khamitova & A Pourasgheri; 05-05NES, 02-02NES, 02-02C, 02-05, 02-02B, textile, kaftan, dress, top, fabric, scarf, shawl, 06 Aug 2015	14038/2015	REDSBABY PTY. LTD.; 12-12, Pram / stroller, 30 Jul 2015	13816/2015
Ramtaps Pty Ltd; 23-01H, A shelf incorporating a tap, 06 Aug 2015	14015/2015	REDSBABY PTY. LTD.; 12-12, Pram / stroller, 30 Jul 2015	13815/2015
Reckitt Benckiser (Brands) Limited; 28-03NES, Nail care instruments, (EM, 13 Jul 2015) 06 Aug 2015	13995/2015	REDSBABY PTY. LTD.; 12-12, Pram / stroller, 30 Jul 2015	13813/2015
Reckitt Benckiser (Brands) Limited; 28-03NES, Nail care instruments, (EM, 05 Mar 2015) 06 Aug 2015	13986/2015	REDSBABY PTY. LTD.; 12-12, Pram / stroller, 30 Jul 2015	13814/2015
Reckitt Benckiser (Brands) Limited; 28-03NES, Nail care instruments, (EM, 15 Mar 2015) 06 Aug 2015	13992/2015	REDSBABY PTY. LTD.; 12-12, Pram / stroller, 30 Jul 2015	13811/2015
Reckitt Benckiser (Brands) Limited; 28-03NES, Nail care instruments, (EM, 05 Mar 2015) 06 Aug 2015	13987/2015	REDSBABY PTY. LTD.; 12-12, Pram / stroller, 30 Jul 2015	13812/2015
		ROK Technology Pty Ltd; 25-01D, Hole patterns for the mounting of sub-systems, 01 Aug 2015	13913/2015

ROK Technology Pty Ltd; 25-01D, Hole patterns for the mounting of sub-systems, 01 Aug 2015	13912/2015	Steelcase Inc.; 06-06NES, Personal workspace, (US, 13 Feb 2015) 05 Aug 2015	13973/2015
Sandeman Allen, Nicholas; 24-01, Patient manual handling device to facilitate standing and walking transfers for the less able., 18 Jun 2015	13089/2015	Steelcase Inc.; 06-06NES, Personal workplace, (US, 13 Feb 2015) 05 Aug 2015	13970/2015
Scanlon, Brendan Terence; 32-04, Periodic table using Australian sports teams, 02 Aug 2015	13914/2015	Steelcase Inc.; 06-03A, Table top, (US, 13 Feb 2015) 05 Aug 2015	13983/2015
Seventh Generation Ventures, Inc.; 07-01F, 09-01K, Bottle with lid, (US, 13 Feb 2015) 08 Aug 2015	14071/2015	Steelcase Inc.; 06-06NES, Personal workspace, (US, 13 Feb 2015) 05 Aug 2015	13972/2015
Seventh Generation Ventures, Inc.; 09-01NES, Bottle, (US, 13 Feb 2015) 08 Aug 2015	14070/2015	Stramit Corporation Pty Limited; 25-01B, Support device, 07 Aug 2015	14067/2015
Shanghai Terin Co., Ltd.; 31-00, Pasta machine/maker (with suction base), 31 Jul 2015	13910/2015	Strategies Unleashed Pty Ltd; 11-99, Fountain, 04 Aug 2015	13966/2015
Shelby Group International, Inc.; 02-06, Glove, (US, 29 Jan 2015) 29 Jul 2015	13783/2015	Strategies Unleashed Pty Ltd; 30-02, Aquarium, 04 Aug 2015	13967/2015
Shelverton, Caroline; 09-03M, Packaging container, 30 Jul 2015	13852/2015	Studco Building Systems US, LLC; 25-02B, Door frame, (US, 29 Jan 2015) 29 Jul 2015	13789/2015
Shelverton, Caroline; 09-03M, Packaging container, 30 Jul 2015	13853/2015	Studco Building Systems US, LLC; 25-02B, Door frame, (US, 29 Jan 2015) 29 Jul 2015	13790/2015
Shelverton, Caroline; 09-03M, Packaging container, 30 Jul 2015	13854/2015	Sub-Base Building Technologies Limited; 25-02A, Post support, (NZ, 23 Jan 2015) 22 Jul 2015	13662/2015
Shelverton, Caroline; 09-03M, Packaging container, 30 Jul 2015	13855/2015	Sympafix BV; 09-02NES, A fuel canister, (EM, 07 Nov 2014) (Divisional of 12345/2015) 31 Jul 2015	13886/2015
Shelverton, Caroline; 09-03M, Packaging container, 30 Jul 2015	13849/2015	SEB; 07-02N, Electric low fat fryer, (EM, 16 Feb 2015) 03 Aug 2015	13932/2015
Shelverton, Caroline; 09-03M, Packaging container, 30 Jul 2015	13850/2015	SEB; 07-02N, Electric low fat fryer, (EM, 16 Feb 2015) 03 Aug 2015	13934/2015
ShenZhen DiKai Industrial Co., Ltd.; 03-01NES, Jewelry boxes, (CN, 09 Feb 2015) 03 Aug 2015	13918/2015	SEB; 07-02N, Electric low fat fryer, (EM, 16 Feb 2015) 03 Aug 2015	13933/2015
Slatyer, Judy; 25-03, Pergola, 24 Jul 2015	13704/2015	SEIMA PTY LTD; 23-02F, Stainelss steel sinks, 05 Aug 2015	13984/2015
Societe des Produits Nestle S.A.; 07-02L, A coffee machine, (CH, 31 Mar 2015) 30 Jul 2015	13821/2015	SUMMIT LED ENERGY AUSTRALIA PTY LTD; 26-05C, LED Luminaire design, 28 Jul 2015	13769/2015
Societe des Produits Nestle S.A.; 07-02L, A coffee machine, (CH, 31 Mar 2015) 30 Jul 2015	13822/2015	T.G.ENTERPRISE PTY LTD; 12-02, Pot plant trolley, 01 Aug 2015	13911/2015
Sony Computer Entertainment Inc.; 14-01, Head-mounted display, (JP, 27 Feb 2015) 07 Aug 2015	14061/2015	Tan, Ben; 26-06, LED Work Light, 07 Aug 2015	14042/2015
Spectrum Brands, Inc.; 07-02H, Grill, (US, 26 Jan 2015) 27 Jul 2015	13727/2015	Tan, Ben; 26-06, LED light bar, 07 Aug 2015	14040/2015
Spectrum Brands, Inc.; 07-02B, Pizza oven, (US, 30 Jan 2015) 27 Jul 2015	13726/2015	Tan, Ben; 26-06, LED work light, 07 Aug 2015	14041/2015
Spectrum Brands, Inc.; 07-02H, Grill, 27 Jul 2015	13728/2015	Tan, Ben; 26-06, LED light bar, 22 Jul 2015	13660/2015

Tan, Ben; 26-06, LED light bar, 22 Jul 2015	13661/2015	Traeger Pellet Grills LLC; 06-99, Grill skirt, (US, 11 Mar 2015) 04 Aug 2015	13960/2015
Tecmen Electronics CO., LTD.; 15-99, Welding filter, (CN, 07 Apr 2015) 03 Aug 2015	13935/2015	Truss Forte Pty. Ltd.; 25-01C, Structural support web, 27 Jul 2015	13725/2015
The Gillette Company; 04-02, Toothbrush, (WO, 06 Feb 2015) 30 Jul 2015	13827/2015	TBA Industries Pty Ltd ATF The TBA Industries Unit Trust; 12-05, Ship loader, 03 Aug 2015	13928/2015
The Gillette Company; 04-02, Toothbrush, (WO, 06 Feb 2015) 30 Jul 2015	13823/2015	TBA Industries Pty Ltd ATF The TBA Industries Unit Trust; 09-02A, Hopper, 03 Aug 2015	13927/2015
The Gillette Company; 04-02, Toothbrush, (WO, 06 Feb 2015) 30 Jul 2015	13825/2015	TBA Industries Pty Ltd ATF The TBA Industries Unit Trust; 15-99, Sizer, 03 Aug 2015	13926/2015
The Gillette Company; 04-02, Toothbrush, (WO, 06 Feb 2015) 30 Jul 2015	13826/2015	Uber Technologies, Inc.; 14-02, Computing device display screen, (US, 07 Nov 2014) (Divisional of 12361/2015) 06 Aug 2015	14019/2015
The Gillette Company; 04-02, Toothbrush, (WO, 06 Feb 2015) 30 Jul 2015	13824/2015	Uber Technologies, Inc.; 14-02, Computing device display screen, 06 Aug 2015	14021/2015
The Gillette Company; 04-02, Toothbrush, (WO, 06 Feb 2015) 30 Jul 2015	13828/2015	Uber Technologies, Inc.; 14-02, Computing device display screen, 06 Aug 2015	14020/2015
Thermo Scientific Portable Analytical Instruments Inc.; 24-02, Handheld analyzer, 05 Aug 2015	13971/2015	Unilever PLC; 07-01NES, Ice cream container, (EM, 12 Feb 2015) 05 Aug 2015	13969/2015
Thorn Europhane S.A.; 26-03, Street light, (EM, 27 Jan 2015) 24 Jul 2015	13689/2015	Urban Armor Gear, LLC; 14-02, Cover for an electronic device, (US, 09 Feb 2015) 05 Aug 2015	13982/2015
Torr, Anthony; 30-02, An aquarium in the shape of an old fashioned TV, 29 Jul 2015	13805/2015	Urban Armor Gear, LLC; 14-02, Cover for an electronic device, (US, 09 Feb 2015) 05 Aug 2015	13980/2015
Toyota Jidosha Kabushiki Kaisha; 12-16C, Front bumper for an automobile, 28 Jul 2015	13770/2015	Valentino, Nadia; 04-02, Hair brush, (US, 30 Jan 2015) 30 Jul 2015	13809/2015
Toyota Jidosha Kabushiki Kaisha; 12-08, Automobile, 28 Jul 2015	13774/2015	Vierate Pty Ltd; 25-99, Trunion link, 07 Aug 2015	14059/2015
Toyota Jidosha Kabushiki Kaisha; 26-06, Rear combination lamp for an automobile, 28 Jul 2015	13775/2015	Vinidex Pty Limited; 23-01B, A pipe, 27 Jul 2015	13754/2015
Toyota Jidosha Kabushiki Kaisha; 12-16NES, Instrument panel for an automobile, 28 Jul 2015	13772/2015	Visy R & D Pty Ltd; 09-01B, Container, 23 Jul 2015	13685/2015
Toyota Jidosha Kabushiki Kaisha; 26-06, Front combination lamp for an automobile, 28 Jul 2015	13773/2015	Wasley, Jason; 08-08B, Mining mark up laser anchor, 23 Jul 2015	13686/2015
Toyota Jidosha Kabushiki Kaisha; 12-08, Automobile, 28 Jul 2015	13771/2015	Westside Solutions Sarl;Frommelt, Marc; 14-99, Multimedia book, (CH, 09 Feb 2015) 07 Aug 2015	14065/2015
Toyota Jidosha Kabushiki Kaisha; 12-16C, Rear bumper for an automobile, 28 Jul 2015	13767/2015	Westside Solutions Sarl;Frommelt, Marc; 14-99, Multimedia book, (CH, 09 Feb 2015) 07 Aug 2015	14064/2015
Toyota Jidosha Kabushiki Kaisha; 12-08, Automobile, 28 Jul 2015	13768/2015	Westside Solutions Sarl;Frommelt, Marc; 14-99, Multimedia book, (CH, 09 Feb 2015) 07 Aug 2015	14063/2015

Wilson, Martyn Stanley; 08-10, Bike parking rail/rack, 23 Jul 2015	13684/2015	3M Innovative Properties Company; 29-02, Hearing protector headband, (US, 30 Jan 2015) 27 Jul 2015	13708/2015
Witherow, Blake; 21-02F, Gym and fitness equipment, 26 Jul 2015	13707/2015	3M Innovative Properties Company; 29-02, Respirator mask, (US, 30 Jan 2015) 29 Jul 2015	13799/2015
Yale Security Inc.; 08-07, Smart lock front panel, (US, 04 Feb 2015) 30 Jul 2015	13807/2015	3M Innovative Properties Company; 29-02, Respirator mask, (US, 30 Jan 2015) 29 Jul 2015	13800/2015
Yale Security Inc.; 08-07, Interior housing for a door lock, (US, 04 Feb 2015) 30 Jul 2015	13808/2015	3M Innovative Properties Company; 29-02, Hearing protector, (US, 02 Feb 2015) 27 Jul 2015	13729/2015
Zip Heaters (Australia) Pty Limited; 23-01NES, A filter key, 28 Jul 2015	13763/2015	3M Innovative Properties Company; 02-03, Helmet, (US, 04 Feb 2015) 03 Aug 2015	13931/2015
Zombori, Zsolt; 13-99, Solar powered public art flower, 05 Aug 2015	13974/2015	3M Innovative Properties Company; 29-02, Respirator mask, (US, 30 Jan 2015) 29 Jul 2015	13793/2015
Zumtobel Lighting GmbH; 26-05E, Luminaire, (EM, 05 Feb 2015) 28 Jul 2015	13759/2015	3M Innovative Properties Company; 29-02, Respirator mask, (US, 30 Jan 2015) 29 Jul 2015	13796/2015
Zumtobel Lighting GmbH; 26-05E, Luminaire, (EM, 05 Feb 2015) 28 Jul 2015	13760/2015	3M Innovative Properties Company; 29-02, Respirator mask, (US, 30 Jan 2015) 29 Jul 2015	13797/2015

Applications Withdrawn

13452 / 2015 (19-06)	13472 / 2015 (01-06)
13861 / 2015 (06-01G)	

Applications Lapsed

15561 / 2014 (03-01B)	10218 / 2015 (02-02C)
10356 / 2015 (21-02D)	11709 / 2015 (20-02E)
11801 / 2015 (29-02)	11802 / 2015 (32-03)
11871 / 2015 (08-07)	11872 / 2015 (08-07)
11890 / 2015 (32-03)	12012 / 2015 (15-03B)
12091 / 2015 (25-02H)	12123 / 2015 (24-02)
12146 / 2015 (32-02)	

Extension of Period of Registration of Designs

329788	331517	332229
332352	332353	332377
332397	332422	332427
332428	332486	332519
332530	332572	332573
332574	332596	332597
332598	332604	332607
332608	332621	332622
332623	332643	332711
332712	332800	332872
332873	332933	332934
332935	332967	332973
332974	333046	333051
333052	333054	333055
333056	333081	333082
333083	333084	333096
333202	333215	333236
333237	333238	333241
333289	333290	333291
333292	333301	333302
333324	333420	333451
333452	333459	333482
333483	333484	333485
333495	333558	333559
333560	333561	333562
333563	333564	333565
333566	333567	333708
333730	333828	333829
333848	333991	335041
335042	335351	335679
336472	336787	336788
336793	336794	336800
336803		

304196	304197	304198
304199	304200	304201
304202	304293	304311
304312	304313	304350
304351	304352	304390
304392	304395	304396
304399	304414	304456
304457	304458	304459
304460	304461	304583
304644	304645	304657
304658	304660	304662
304663	304664	304719
304720	304721	304722
304724	304725	304726
304727	304728	304729
304756	304758	304759
304760	304761	304762
304763	304764	304765
304766	304770	304771
304814	304815	304816
304822	304824	304826
304867	304884	304885
305067	305068	305069
305070	305226	305230
305231	305232	305233
305389	305390	305457
305458	305507	305518
305519	305543	305544
305545	305546	305751
305816	305943	305944
305945	305946	305947
305948	305949	305950
305951	305952	305953
305956	306050	306051
306164	306185	306214
306601	306720	306721
306737	306906	306928
306972	307180	307181
307183	307185	307480
307481	307521	317236
317237	317238	329411
329412	329517	329519
329530	329534	329535
329536	329537	329546
329547	329548	329549
329551	329552	329553
329554	329555	329556
329557	329558	329559
329562	329566	329567
329572	329592	329593
329594	329596	329608
329609	329610	329611
329612	329613	329617
329619	329624	329625

Revocation of Design Registrations

The following Design Registration(s) have been revoked and are taken never to have been registered:

358680 23-01H

Registrations Ceased

302812	303449	303789
303790	303791	303792
303793	303794	303795
303796	303797	303798
304153	304180	304181
304182	304183	304186
304187	304194	304195

329630	329633	329634
329635	329636	329637
329638	329639	329640
329656	329657	329658
329702	329705	329718
329782	329783	329784
329785	329786	329849
329850	329917	329920
329921	329926	329950
329951	329990	330018
330019	330020	330030
330112	330113	330114
330115	330120	330143
330144	330286	330287
330288	330292	330293
330328	330329	330344
330461	331345	332738
332739	332981	357516
359470	359472	359474
359476	359478	359480
359481		

Applications for Extension of time under Section 137

Applications under section 137 for extension of time have been lodged. Objections must be lodged within 1 month from the date of this journal.

304960 **Enviro Pak Pty Ltd** Address for Service: Allens Patent and Trade Marks Attorneys GPO Box 50 SYDNEY NSW 2001 DX 105 SYDNEY

324727 **Christopher David Wilson** Address for Service: Lesicar Maynard Andrews Pty Ltd PO Box 2545 KENT TOWN SA 5071

Extensions of time granted under Section 137

Applications lodged under section 137 for extension of time have been granted.

363081 **C & A Marketing LLC**

363239 **Pauline Ahola**

363082 **All4Ella Pty Ltd**

Applications Assigned

(The name in parentheses is that of the subsequent applicant)

12597/2015 **(MJN U.S. Holdings LLC)** Mead Johnson Nutrition Company

Subsequent Owners Registered

(The name in parentheses is that of the subsequent owner)

343839 **(Heller Tools GmbH)** ITW Heller GmbH
 343840 **(Heller Tools GmbH)** ITW Heller GmbH
 343841 **(Heller Tools GmbH)** ITW Heller GmbH

306529 **(Energizer Brands, LLC)** Eveready Battery Company, Inc.
 309393 **(Energizer Brands, LLC)** Eveready Battery Company, Inc.
 313444 **(Energizer Brands, LLC)** Eveready Battery Company, Inc.
 313487 **(Energizer Brands, LLC)** Eveready Battery Company, Inc.
 314198 **(Energizer Brands, LLC)** Eveready Battery Company, Inc.
 314264 **(Energizer Brands, LLC)** Eveready Battery Company, Inc.
 314788 **(Energizer Brands, LLC)** Eveready Battery Company, Inc.
 316046 **(Energizer Brands, LLC)** Eveready Battery Company, Inc.
 316226 **(Energizer Brands, LLC)** Eveready Battery Company, Inc.
 316227 **(Energizer Brands, LLC)** Eveready Battery Company, Inc.
 316708 **(Energizer Brands, LLC)** Eveready Battery Company, Inc.
 317021 **(Energizer Brands, LLC)** Eveready Battery Company, Inc.
 317333 **(Energizer Brands, LLC)** Eveready Battery Company, Inc.
 318078 **(Energizer Brands, LLC)** Eveready Battery Company, Inc.
 318079 **(Energizer Brands, LLC)** Eveready Battery Company, Inc.
 318080 **(Energizer Brands, LLC)** Eveready Battery Company, Inc.
 318081 **(Energizer Brands, LLC)** Eveready Battery Company, Inc.
 318328 **(Energizer Brands, LLC)** Eveready Battery Company, Inc.
 318545 **(Energizer Brands, LLC)** Eveready Battery Company, Inc.
 318606 **(Energizer Brands, LLC)** Eveready Battery Company, Inc.
 318607 **(Energizer Brands, LLC)** Eveready Battery Company, Inc.
 318745 **(Energizer Brands, LLC)** Eveready Battery Company, Inc.
 318765 **(Energizer Brands, LLC)** Eveready Battery Company, Inc.
 318839 **(Energizer Brands, LLC)** Eveready Battery Company, Inc.
 319044 **(Energizer Brands, LLC)** Eveready Battery Company, Inc.
 319045 **(Energizer Brands, LLC)** Eveready Battery Company, Inc.
 319046 **(Energizer Brands, LLC)** Eveready Battery Company, Inc.
 319047 **(Energizer Brands, LLC)** Eveready Battery Company, Inc.
 319048 **(Energizer Brands, LLC)** Eveready Battery Company, Inc.
 319049 **(Energizer Brands, LLC)** Eveready Battery Company, Inc.
 319050 **(Energizer Brands, LLC)** Eveready Battery Company, Inc.
 319051 **(Energizer Brands, LLC)** Eveready Battery Company, Inc.
 319054 **(Energizer Brands, LLC)** Eveready Battery Company, Inc.

341413	(Energizer Brands, LLC) Eveready Battery Company, Inc.	357666	(Energizer Brands, LLC) Eveready Battery Company, Inc.
341414	(Energizer Brands, LLC) Eveready Battery Company, Inc.	357668	(Energizer Brands, LLC) Eveready Battery Company, Inc.
343502	(Energizer Brands, LLC) Eveready Battery Company, Inc.	357669	(Energizer Brands, LLC) Eveready Battery Company, Inc.
343503	(Energizer Brands, LLC) Eveready Battery Company, Inc.	357670	(Energizer Brands, LLC) Eveready Battery Company, Inc.
345388	(Energizer Brands, LLC) Eveready Battery Company, Inc.	357726	(Energizer Brands, LLC) Eveready Battery Company, Inc.
346294	(Energizer Brands, LLC) Eveready Battery Company, Inc.	357827	(Energizer Brands, LLC) Eveready Battery Company, Inc.
346295	(Energizer Brands, LLC) Eveready Battery Company, Inc.	357829	(Energizer Brands, LLC) Eveready Battery Company, Inc.
346399	(Energizer Brands, LLC) Eveready Battery Company, Inc.	357830	(Energizer Brands, LLC) Eveready Battery Company, Inc.
346515	(Energizer Brands, LLC) Eveready Battery Company, Inc.	358409	(Energizer Brands, LLC) Eveready Battery Company, Inc.
347611	(Energizer Brands, LLC) Eveready Battery Company, Inc.	358410	(Energizer Brands, LLC) Eveready Battery Company, Inc.
347675	(Energizer Brands, LLC) Eveready Battery Company, Inc.	359952	(Energizer Brands, LLC) Eveready Battery Company, Inc.
347689	(Energizer Brands, LLC) Eveready Battery Company, Inc.	359953	(Energizer Brands, LLC) Eveready Battery Company, Inc.
347716	(Energizer Brands, LLC) Eveready Battery Company, Inc.	359954	(Energizer Brands, LLC) Eveready Battery Company, Inc.
347717	(Energizer Brands, LLC) Eveready Battery Company, Inc.	359955	(Energizer Brands, LLC) Eveready Battery Company, Inc.
347862	(Energizer Brands, LLC) Eveready Battery Company, Inc.	361481	(Energizer Brands, LLC) Eveready Battery Company, Inc.
348401	(Energizer Brands, LLC) Eveready Battery Company, Inc.	361671	(Energizer Brands, LLC) Eveready Battery Company, Inc.
348452	(Energizer Brands, LLC) Eveready Battery Company, Inc.	361867	(Energizer Brands, LLC) Eveready Battery Company, Inc.
349035	(Energizer Brands, LLC) Eveready Battery Company, Inc.	361868	(Energizer Brands, LLC) Eveready Battery Company, Inc.
349036	(Energizer Brands, LLC) Eveready Battery Company, Inc.	361869	(Energizer Brands, LLC) Eveready Battery Company, Inc.
349037	(Energizer Brands, LLC) Eveready Battery Company, Inc.	361870	(Energizer Brands, LLC) Eveready Battery Company, Inc.
349038	(Energizer Brands, LLC) Eveready Battery Company, Inc.	361871	(Energizer Brands, LLC) Eveready Battery Company, Inc.
349039	(Energizer Brands, LLC) Eveready Battery Company, Inc.	320774	(Energizer Brands, LLC) Streamlight Inc.;Energizer Brands, LLC
349040	(Energizer Brands, LLC) Eveready Battery Company, Inc.	338745	(Energizer Brands, LLC) Eveready Battery Company, Inc.
349227	(Energizer Brands, LLC) Eveready Battery Company, Inc.	307707	(Stable 4 Distribution Inc.) Downunder Distribution Group Pty Ltd
351660	(Energizer Brands, LLC) Eveready Battery Company, Inc.	354845	(Katco Holdings Pty Ltd) Kathleen Patricia Holmes
351688	(Energizer Brands, LLC) Eveready Battery Company, Inc.	355261	(Katco Holdings Pty Ltd) Kathleen Patricia Holmes
352203	(Energizer Brands, LLC) Eveready Battery Company, Inc.	Names Registered - Alterations and Amendments	
354423	(Energizer Brands, LLC) Eveready Battery Company, Inc.	(The name in parentheses is that of the subsequent applicant)	
354944	(Energizer Brands, LLC) Eveready Battery Company, Inc.	356057	(INVENTORYTECH LIMITED) Inventory Technologies Limited
355305	(Energizer Brands, LLC) Eveready Battery Company, Inc.	362445	(Coca-Cola Amatil (Aust) Pty Ltd) Coca-Cola Amatil (Aust) Limited
355464	(Energizer Brands, LLC) Eveready Battery Company, Inc.	363071	(Coca-Cola Amatil (Aust) Pty Ltd) Coca-Cola Amatil (Aust) Limited
356597	(Energizer Brands, LLC) Eveready Battery Company, Inc.	363107	(Coca-Cola Amatil (Aust) Pty Ltd) Coca-Cola Amatil (Aust) Limited
357368	(Energizer Brands, LLC) Eveready Battery Company, Inc.		

363108 (Coca-Cola Amatil (Aust) Pty Ltd) Coca-Cola Amatil
(Aust) Limited

Certificate(s) of Examination

Examination of the following Design Registration(s) has been completed. Infringement proceedings may now be commenced.

314313	12-16K	27/07/2015	361981	20-02NES	08/08/2015
314314	12-16K	27/07/2015	362006	06-01C	30/07/2015
334158	03-99	11/08/2015	362007	06-01C	30/07/2015
349249	23-02C	10/08/2015	362161	28-99	08/08/2015
349394	25-03	04/08/2015	362162	28-99	08/08/2015
349446	25-03	10/08/2015	362195	12-12	03/08/2015
352779	06-01D	10/08/2015	362355	15-05	07/08/2015
356239	25-03	04/08/2015	362398	19-04	06/08/2015
358051	02-06	07/08/2015	362459	07-01C	10/08/2015
359181	06-03A	27/07/2015	362460	07-01C	10/08/2015
359889	08-01	28/07/2015	362461	07-01C	10/08/2015
360431	13-99	06/08/2015	362462	07-01C	10/08/2015
360482	15-07	06/08/2015			
360483	15-07	06/08/2015			
360494	12-08	31/07/2015			
360964	24-01	06/08/2015			
360965	24-01	06/08/2015			
360986	12-16A	04/08/2015			
361137	12-08	03/08/2015			
361197	15-04	10/08/2015			
361292	13-99	06/08/2015			
361460	30-99	29/07/2015			
361519	09-07A	10/08/2015			
361534	09-03F	07/08/2015			
361582	21-02C	07/08/2015			
361583	21-02C	07/08/2015			
361631	07-01C	29/07/2015			
361632	02-03	29/07/2015			
361672	02-03	29/07/2015			
361672	02-03	29/07/2015			
361673	02-03	29/07/2015			
361674	02-03	29/07/2015			
361681	09-03M	10/08/2015			
361682	09-03M	10/08/2015			
361684	09-03M	08/08/2015			
361697	07-01C	29/07/2015			
361734	09-03M	08/08/2015			
361750	07-02R	27/07/2015			
361752	09-03M	27/07/2015			
361765	25-02A	10/08/2015			
361875	05-05A	29/07/2015			
361876	05-05A	29/07/2015			
361877	05-05NES	29/07/2015			
361878	05-05D	29/07/2015			
361894	07-02L	30/07/2015			
361896	07-02L	30/07/2015			
361905	06-06D	27/07/2015			
361906	19-08	29/07/2015			
361907	19-08	29/07/2015			
361908	19-08	29/07/2015			
361909	19-08	29/07/2015			
361910	19-08	29/07/2015			
361911	19-08	29/07/2015			
361930	07-05C	01/08/2015			
361931	02-06	01/08/2015			
361962	06-06D	27/07/2015			
361963	03-01NES	06/08/2015			
361968	10-04	07/08/2015			
361980	20-02NES	08/08/2015			

Publication and Registration Proceedings

Designs Registered

This section provides a concordance between design number and registration number of Designs covered in this journal. It also shows the main class and registration date.

This section covers Registration numbers 362911 to 363259 .

The registration number shown below should be used in all future correspondence.

Design Number	Registration Number	International Classification Code (IDC)	Registration Date	Design Number	Registration Number	International Classification Code (IDC)	Registration Date
16243/2014	363238	02-02C	10/08/2015	12260/2015	363172	06-01NES	06/08/2015
10496/2015	363147	12-16K	05/08/2015	12273/2015	363211	09-03M	07/08/2015
10499/2015	362956	09-03M	29/07/2015	12280/2015	363006	13-02	29/07/2015
10501/2015	362957	09-03M	29/07/2015	12281/2015	363008	13-02	30/07/2015
10507/2015	362958	09-03M	29/07/2015	12284/2015	363009	13-02	30/07/2015
10508/2015	362959	09-03M	29/07/2015	12285/2015	363010	13-02	30/07/2015
10509/2015	362978	09-03M	29/07/2015	12292/2015	363196	09-03M	07/08/2015
10510/2015	362979	09-03M	29/07/2015	12294/2015	362968	12-06NES	29/07/2015
10511/2015	362980	09-03M	29/07/2015	12295/2015	363040	09-01K	31/07/2015
10591/2015	363153	08-06	05/08/2015	12299/2015	362969	06-11	29/07/2015
10592/2015	363114	08-06	04/08/2015	12305/2015	362970	14-02	29/07/2015
10594/2015	363115	07-06NES	04/08/2015	12313/2015	362926	09-03M	28/07/2015
10595/2015	363116	08-06	04/08/2015	12314/2015	362927	09-07B	28/07/2015
10654/2015	362931	08-08NES	28/07/2015	12345/2015	363241	09-07A	10/08/2015
10766/2015	363223	02-02A	10/08/2015	12467/2015	363242	10-04	10/08/2015
10813/2015	363133	10-02	05/08/2015	12480/2015	363258	02-02NES	10/08/2015
10964/2015	362986	25-02B	29/07/2015	12499/2015	363259	25-01NES	11/08/2015
11330/2015	363081	16-01	03/08/2015	12520/2015	362971	23-04	29/07/2015
11349/2015	362960	23-02C	29/07/2015	12521/2015	362972	23-04	29/07/2015
11369/2015	363146	14-02	05/08/2015	12528/2015	363192	20-02NES	06/08/2015
11466/2015	363239	19-08	10/08/2015	12531/2015	363180	23-02A	06/08/2015
11586/2015	363082	07-05C	03/08/2015	12532/2015	363181	23-02A	06/08/2015
12014/2015	362961	06-04NES	29/07/2015	12533/2015	363182	23-02A	06/08/2015
12015/2015	362962	06-04NES	29/07/2015	12534/2015	363185	06-07	06/08/2015
12040/2015	362963	25-02C	29/07/2015	12535/2015	363183	23-02A	06/08/2015
12052/2015	363088	16-05	03/08/2015	12536/2015	363184	23-02A	06/08/2015
12053/2015	363087	16-05	03/08/2015	12537/2015	363186	07-05D	06/08/2015
12095/2015	362964	02-04NES	29/07/2015	12541/2015	362973	12-08	29/07/2015
12151/2015	363188	12-11	06/08/2015	12548/2015	363132	09-07A	05/08/2015
12152/2015	363189	12-11	06/08/2015	12588/2015	363109	25-01A	04/08/2015
12153/2015	363191	12-11	06/08/2015	12589/2015	363110	25-01A	04/08/2015
12157/2015	363012	12-15B	30/07/2015	12591/2015	363111	25-01A	04/08/2015
12174/2015	362965	09-01NES	29/07/2015	12593/2015	363112	25-01A	04/08/2015
12196/2015	362966	07-07NES	29/07/2015	12594/2015	363113	25-01A	04/08/2015
12202/2015	362993	13-02	29/07/2015	12691/2015	363123	08-06	05/08/2015
12203/2015	362994	13-02	29/07/2015	12699/2015	363199	23-01K	07/08/2015
12223/2015	363240	13-03D	10/08/2015	12701/2015	362974	24-01	29/07/2015
12231/2015	362999	13-02	29/07/2015	12792/2015	362937	23-02A	28/07/2015
12232/2015	363000	13-02	29/07/2015	12796/2015	362947	22-05	28/07/2015
12235/2015	363002	13-02	29/07/2015	12813/2015	362975	09-05	29/07/2015
12237/2015	363005	13-02	29/07/2015	12814/2015	362977	14-01	29/07/2015
12239/2015	363039	13-02	31/07/2015	12824/2015	363050	06-04NES	31/07/2015
12247/2015	363126	09-05	05/08/2015	12847/2015	363237	02-02A	10/08/2015
12248/2015	363127	09-05	05/08/2015	12851/2015	363179	02-02A	06/08/2015
12253/2015	363030	12-11	30/07/2015	12879/2015	363075	24-01	03/08/2015
12254/2015	362967	14-02	29/07/2015	12897/2015	363036	06-03B	30/07/2015
12255/2015	363031	12-11	30/07/2015	12925/2015	363038	11-01NES	30/07/2015
12256/2015	363032	12-11	30/07/2015	12926/2015	363037	09-01NES	30/07/2015
12257/2015	363033	12-11	30/07/2015	12949/2015	363187	14-01	06/08/2015
12259/2015	363034	12-11	30/07/2015	12950/2015	363212	04-02	07/08/2015

Publication and Registration Proceedings - Designs Registered cont'd

Design Number	Registration Number	International Classification Code (IDC)	Registration Date	Design Number	Registration Number	International Classification Code (IDC)	Registration Date
12961/2015	363213	24-01	07/08/2015	13198/2015	362955	21-02C	29/07/2015
12977/2015	363193	09-07A	06/08/2015	13199/2015	362981	02-02A	29/07/2015
13025/2015	362932	13-02	28/07/2015	13200/2015	362982	02-02A	29/07/2015
13029/2015	362933	13-03C	28/07/2015	13201/2015	362983	02-02A	29/07/2015
13033/2015	362938	12-16NES	28/07/2015	13202/2015	362984	02-02A	29/07/2015
13058/2015	362976	08-08L	29/07/2015	13203/2015	362985	02-02A	29/07/2015
13092/2015	363051	06-03C	31/07/2015	13204/2015	362988	10-07	29/07/2015
13098/2015	362939	09-03M	28/07/2015	13205/2015	362948	10-07	28/07/2015
13099/2015	362940	09-03M	28/07/2015	13209/2015	362949	21-04	28/07/2015
13108/2015	363208	07-02D	07/08/2015	13210/2015	362951	09-03H	28/07/2015
13109/2015	363209	07-02D	07/08/2015	13211/2015	363015	09-05	30/07/2015
13110/2015	363210	07-02D	07/08/2015	13212/2015	363016	09-03H	30/07/2015
13112/2015	362934	01-01	28/07/2015	13213/2015	363020	09-03H	30/07/2015
13113/2015	363190	22-05	06/08/2015	13214/2015	363021	09-03H	30/07/2015
13122/2015	362941	04-02	28/07/2015	13215/2015	363022	09-03H	30/07/2015
13135/2015	362942	01-01	28/07/2015	13217/2015	362989	02-02A	29/07/2015
13141/2015	363200	06-13B	07/08/2015	13218/2015	363011	02-02A	30/07/2015
13142/2015	363201	06-13B	07/08/2015	13219/2015	363007	02-02A	29/07/2015
13143/2015	363202	06-13B	07/08/2015	13220/2015	363001	02-02A	29/07/2015
13144/2015	363203	03-01B	07/08/2015	13221/2015	363003	02-02A	29/07/2015
13145/2015	363204	03-01B	07/08/2015	13222/2015	363004	02-02A	29/07/2015
13146/2015	363205	03-01B	07/08/2015	13223/2015	362995	02-02A	29/07/2015
13147/2015	363206	03-01B	07/08/2015	13224/2015	362996	02-02A	29/07/2015
13148/2015	363207	03-01B	07/08/2015	13225/2015	362997	02-02A	29/07/2015
13151/2015	362943	01-01	28/07/2015	13227/2015	363041	07-05NES	31/07/2015
13152/2015	362944	14-02	28/07/2015	13228/2015	362998	07-05NES	29/07/2015
13161/2015	362911	25-03	27/07/2015	13229/2015	362990	07-05NES	29/07/2015
13162/2015	362912	11-01C	27/07/2015	13230/2015	362991	07-05NES	29/07/2015
13163/2015	362913	09-05	27/07/2015	13231/2015	362992	06-09	29/07/2015
13164/2015	362914	09-05	27/07/2015	13233/2015	363013	15-07	30/07/2015
13165/2015	362915	09-05	27/07/2015	13234/2015	363014	06-08	30/07/2015
13166/2015	362919	09-05	28/07/2015	13235/2015	363035	26-05B	30/07/2015
13168/2015	362916	26-05E	27/07/2015	13236/2015	363017	24-04	30/07/2015
13169/2015	362917	05-05NES	27/07/2015	13238/2015	363018	24-04	30/07/2015
13170/2015	362918	23-04	27/07/2015	13239/2015	363019	24-04	30/07/2015
13173/2015	362920	05-05A	28/07/2015	13243/2015	363024	08-05A	30/07/2015
13174/2015	363052	06-03C	31/07/2015	13244/2015	363023	06-01H	30/07/2015
13175/2015	363053	06-03C	31/07/2015	13245/2015	363025	06-01H	30/07/2015
13176/2015	362945	14-03E	28/07/2015	13246/2015	363026	31-00	30/07/2015
13177/2015	362922	05-05NES	28/07/2015	13247/2015	363027	02-04NES	30/07/2015
13178/2015	362921	05-05D	28/07/2015	13251/2015	363028	14-02	30/07/2015
13179/2015	362923	14-02	28/07/2015	13252/2015	363029	06-03C	30/07/2015
13181/2015	362946	22-06	28/07/2015	13253/2015	363076	05-99	03/08/2015
13183/2015	362924	22-06	28/07/2015	13255/2015	363077	14-03NES	03/08/2015
13184/2015	362925	22-06	28/07/2015	13256/2015	363068	09-09	03/08/2015
13185/2015	362928	23-04	28/07/2015	13257/2015	363069	25-02NES	03/08/2015
13186/2015	362929	23-04	28/07/2015	13258/2015	363070	12-10	03/08/2015
13187/2015	362930	23-04	28/07/2015	13264/2015	363065	21-02F	03/08/2015
13188/2015	362935	23-04	28/07/2015	13266/2015	363066	09-09	03/08/2015
13189/2015	362936	23-04	28/07/2015	13267/2015	363096	15-03B	04/08/2015
13191/2015	362987	10-04	29/07/2015	13268/2015	363067	15-03B	03/08/2015
13194/2015	362950	17-02	28/07/2015	13269/2015	363071	09-01NES	03/08/2015
13195/2015	362952	21-02C	29/07/2015	13272/2015	363107	09-01NES	04/08/2015
13196/2015	362953	21-02C	29/07/2015	13275/2015	363108	09-01NES	04/08/2015
13197/2015	362954	21-02C	29/07/2015	13276/2015	363054	08-06	31/07/2015

Publication and Registration Proceedings - Designs Registered cont'd

Design Number	Registration Number	International Classification Code (IDC)	Registration Date	Design Number	Registration Number	International Classification Code (IDC)	Registration Date
13278/2015	363047	24-01	31/07/2015	13360/2015	363128	09-01A	05/08/2015
13279/2015	363048	24-01	31/07/2015	13361/2015	363129	02-04NES	05/08/2015
13280/2015	363043	24-01	31/07/2015	13362/2015	363134	06-01L	05/08/2015
13281/2015	363044	28-03B	31/07/2015	13363/2015	363135	02-02NES	05/08/2015
13282/2015	363045	28-03B	31/07/2015	13364/2015	363136	02-02NES	05/08/2015
13283/2015	363046	24-01	31/07/2015	13365/2015	363137	02-02C	05/08/2015
13284/2015	363049	24-01	31/07/2015	13366/2015	363138	02-02C	05/08/2015
13286/2015	363042	28-03B	31/07/2015	13367/2015	363139	02-02NES	05/08/2015
13288/2015	363057	09-09	03/08/2015	13368/2015	363140	02-02C	05/08/2015
13289/2015	363101	09-09	04/08/2015	13369/2015	363141	02-02C	05/08/2015
13291/2015	363055	21-02C	31/07/2015	13371/2015	363142	02-02C	05/08/2015
13292/2015	363056	07-05D	31/07/2015	13372/2015	363143	02-02C	05/08/2015
13293/2015	363058	07-05D	03/08/2015	13374/2015	363144	02-02C	05/08/2015
13294/2015	363059	07-05D	03/08/2015	13375/2015	363145	02-02NES	05/08/2015
13295/2015	363060	24-02	03/08/2015	13377/2015	363148	02-02NES	05/08/2015
13296/2015	363099	24-02	04/08/2015	13378/2015	363149	02-02C	05/08/2015
13298/2015	363078	11-02B	03/08/2015	13382/2015	363150	17-04	05/08/2015
13299/2015	363061	06-01F	03/08/2015	13390/2015	363167	02-03	06/08/2015
13303/2015	363062	09-09	03/08/2015	13391/2015	363168	28-03B	06/08/2015
13309/2015	363072	09-07NES	03/08/2015	13392/2015	363169	28-03B	06/08/2015
13310/2015	363073	09-07NES	03/08/2015	13393/2015	363170	28-03B	06/08/2015
13311/2015	363100	23-02F	04/08/2015	13394/2015	363243	28-03B	10/08/2015
13312/2015	363074	09-07NES	03/08/2015	13395/2015	363171	28-03B	06/08/2015
13313/2015	363063	23-02F	03/08/2015	13396/2015	363173	08-03	06/08/2015
13315/2015	363064	23-02F	03/08/2015	13397/2015	363195	01-06	06/08/2015
13316/2015	363079	23-02F	03/08/2015	13400/2015	363174	24-01	06/08/2015
13318/2015	363102	10-04	04/08/2015	13401/2015	363154	03-01B	06/08/2015
13319/2015	363080	23-02F	03/08/2015	13402/2015	363151	11-01E	05/08/2015
13320/2015	363083	09-01NES	03/08/2015	13403/2015	363155	11-01E	06/08/2015
13321/2015	363093	09-01H	04/08/2015	13404/2015	363152	11-01E	05/08/2015
13322/2015	363094	09-01H	04/08/2015	13405/2015	363156	03-01B	06/08/2015
13329/2015	363103	21-02C	04/08/2015	13406/2015	363157	03-01B	06/08/2015
13330/2015	363104	25-03	04/08/2015	13407/2015	363158	03-01B	06/08/2015
13331/2015	363095	10-07	04/08/2015	13408/2015	363159	03-01B	06/08/2015
13332/2015	363105	10-07	04/08/2015	13409/2015	363160	03-01B	06/08/2015
13333/2015	363097	10-07	04/08/2015	13410/2015	363161	03-01B	06/08/2015
13334/2015	363098	10-07	04/08/2015	13411/2015	363162	03-01B	06/08/2015
13335/2015	363089	10-07	04/08/2015	13412/2015	363163	03-01B	06/08/2015
13336/2015	363090	10-07	04/08/2015	13413/2015	363164	03-01B	06/08/2015
13337/2015	363091	10-07	04/08/2015	13414/2015	363165	03-01B	06/08/2015
13338/2015	363084	14-02	03/08/2015	13415/2015	363166	03-01B	06/08/2015
13339/2015	363085	14-02	03/08/2015	13420/2015	363175	22-05	06/08/2015
13340/2015	363086	14-02	03/08/2015	13421/2015	363176	12-05	06/08/2015
13341/2015	363106	14-02	04/08/2015	13422/2015	363177	12-05	06/08/2015
13342/2015	363092	14-02	04/08/2015	13424/2015	363178	12-16A	06/08/2015
13345/2015	363117	14-02	04/08/2015	13442/2015	363214	29-02	10/08/2015
13346/2015	363118	14-02	04/08/2015	13451/2015	363194	19-06	06/08/2015
13347/2015	363119	24-01	04/08/2015	13453/2015	363197	19-06	07/08/2015
13348/2015	363124	08-08K	05/08/2015	13456/2015	363198	19-06	07/08/2015
13349/2015	363130	09-07NES	05/08/2015	13461/2015	363215	25-01K	10/08/2015
13350/2015	363131	09-07NES	05/08/2015	13463/2015	363216	06-01NES	10/08/2015
13351/2015	363120	12-99	04/08/2015	13465/2015	363217	12-11	10/08/2015
13352/2015	363121	14-02	04/08/2015	13466/2015	363218	01-06	10/08/2015
13353/2015	363122	14-02	05/08/2015	13467/2015	363219	05-05D	10/08/2015
13357/2015	363125	23-01B	05/08/2015	13468/2015	363220	05-05D	10/08/2015

Publication and Registration Proceedings - Designs Registered cont'd

Design Number	Registration Number	International Classification Code (IDC)	Registration Date	Design Number	Registration Number	International Classification Code (IDC)	Registration Date
13469/2015	363221	06-13A	10/08/2015	13488/2015	363245	22-06	10/08/2015
13471/2015	363222	03-01B	10/08/2015	13490/2015	363246	21-02D	10/08/2015
13473/2015	363224	02-02A	10/08/2015	13491/2015	363247	28-03NES	10/08/2015
13474/2015	363225	02-02A	10/08/2015	13492/2015	363248	12-11	10/08/2015
13475/2015	363226	02-02A	10/08/2015	13493/2015	363249	12-15C	10/08/2015
13476/2015	363227	02-02A	10/08/2015	13496/2015	363250	06-01E	10/08/2015
13477/2015	363228	02-02A	10/08/2015	13497/2015	363251	21-01NES	10/08/2015
13478/2015	363229	02-02A	10/08/2015	13498/2015	363252	02-02C	10/08/2015
13479/2015	363230	02-02A	10/08/2015	13499/2015	363253	12-11	10/08/2015
13480/2015	363231	02-02A	10/08/2015	13500/2015	363254	08-07	10/08/2015
13481/2015	363232	02-02A	10/08/2015	13501/2015	363255	24-02	10/08/2015
13482/2015	363233	02-02A	10/08/2015	13502/2015	363256	16-06	10/08/2015
13483/2015	363234	02-02A	10/08/2015	13503/2015	363257	16-06	10/08/2015
13484/2015	363235	02-02A	10/08/2015				
13485/2015	363236	02-02A	10/08/2015				
13487/2015	363244	14-03NES	10/08/2015				

Publication and Registration Proceedings

Class Listing of Designs Published or Registered

The following section shows an International Classification Code listing of the Registered or Published Designs covered in this supplement.

Classification	Registration Number	Design Number	Classification	Registration Number	Design Number
01-01	362934	13112/2015	02-04NES	363027	13247/2015
01-01	362942	13135/2015	02-04NES	363129	13361/2015
01-01	362943	13151/2015	03-01B	363154	13401/2015
01-06	363195	13397/2015	03-01B	363156	13405/2015
01-06	363218	13466/2015	03-01B	363157	13406/2015
02-02A	362981	13199/2015	03-01B	363158	13407/2015
02-02A	362982	13200/2015	03-01B	363159	13408/2015
02-02A	362983	13201/2015	03-01B	363160	13409/2015
02-02A	362984	13202/2015	03-01B	363161	13410/2015
02-02A	362985	13203/2015	03-01B	363162	13411/2015
02-02A	362989	13217/2015	03-01B	363163	13412/2015
02-02A	362995	13223/2015	03-01B	363164	13413/2015
02-02A	362996	13224/2015	03-01B	363165	13414/2015
02-02A	362997	13225/2015	03-01B	363166	13415/2015
02-02A	363001	13220/2015	03-01B	363203	13144/2015
02-02A	363003	13221/2015	03-01B	363204	13145/2015
02-02A	363004	13222/2015	03-01B	363205	13146/2015
02-02A	363007	13219/2015	03-01B	363206	13147/2015
02-02A	363011	13218/2015	03-01B	363207	13148/2015
02-02A	363179	12851/2015	03-01B	363222	13471/2015
02-02A	363223	10766/2015	04-02	362941	13122/2015
02-02A	363224	13473/2015	04-02	363212	12950/2015
02-02A	363225	13474/2015	05-04	363076	13253/2015
02-02A	363226	13475/2015	05-05A	362920	13173/2015
02-02A	363227	13476/2015	05-05D	362921	13178/2015
02-02A	363228	13477/2015	05-05D	363219	13467/2015
02-02A	363229	13478/2015	05-05D	363220	13468/2015
02-02A	363230	13479/2015	05-05NES	362917	13169/2015
02-02A	363231	13480/2015	05-05NES	362922	13177/2015
02-02A	363232	13481/2015	05-05NES	363076	13253/2015
02-02A	363233	13482/2015	05-06NES	363076	13253/2015
02-02A	363234	13483/2015	05-99	363076	13253/2015
02-02A	363235	13484/2015	06-01E	363250	13496/2015
02-02A	363236	13485/2015	06-01F	363061	13299/2015
02-02A	363237	12847/2015	06-01H	363023	13244/2015
02-02C	363137	13365/2015	06-01H	363025	13245/2015
02-02C	363138	13366/2015	06-01H	363078	13298/2015
02-02C	363140	13368/2015	06-01L	363134	13362/2015
02-02C	363141	13369/2015	06-01NES	363172	12260/2015
02-02C	363142	13371/2015	06-01NES	363216	13463/2015
02-02C	363143	13372/2015	06-03B	363036	12897/2015
02-02C	363144	13374/2015	06-03C	363029	13252/2015
02-02C	363149	13378/2015	06-03C	363051	13092/2015
02-02C	363238	16243/2014	06-03C	363052	13174/2015
02-02C	363252	13498/2015	06-03C	363053	13175/2015
02-02NES	363135	13363/2015	06-04NES	362961	12014/2015
02-02NES	363136	13364/2015	06-04NES	362962	12015/2015
02-02NES	363139	13367/2015	06-04NES	363050	12824/2015
02-02NES	363145	13375/2015	06-07	363185	12534/2015
02-02NES	363148	13377/2015	06-08	363014	13234/2015
02-02NES	363258	12480/2015	06-09	362992	13231/2015
02-03	363167	13390/2015	06-11	362969	12299/2015
02-04NES	362964	12095/2015	06-13A	363221	13469/2015

Registration Proceedings - Class Listing of Designs Published or Registered cont'd

Classification	Registration Number	Design Number	Classification	Registration Number	Design Number
06-13B	363200	13141/2015	09-03M	362979	10510/2015
06-13B	363201	13142/2015	09-03M	362980	10511/2015
06-13B	363202	13143/2015	09-03M	363016	13212/2015
07-01B	362969	12299/2015	09-03M	363196	12292/2015
07-02D	363208	13108/2015	09-03M	363211	12273/2015
07-02D	363209	13109/2015	09-05	362913	13163/2015
07-02D	363210	13110/2015	09-05	362914	13164/2015
07-05C	363082	11586/2015	09-05	362915	13165/2015
07-05D	363056	13292/2015	09-05	362919	13166/2015
07-05D	363058	13293/2015	09-05	362975	12813/2015
07-05D	363059	13294/2015	09-05	363015	13211/2015
07-05D	363186	12537/2015	09-05	363020	13213/2015
07-05NES	362990	13229/2015	09-05	363021	13214/2015
07-05NES	362991	13230/2015	09-05	363022	13215/2015
07-05NES	362998	13228/2015	09-05	363126	12247/2015
07-05NES	363041	13227/2015	09-05	363127	12248/2015
07-06NES	363115	10594/2015	09-07A	363132	12548/2015
07-07NES	362966	12196/2015	09-07A	363193	12977/2015
08-03	363173	13396/2015	09-07A	363241	12345/2015
08-05A	363024	13243/2015	09-07B	362927	12314/2015
08-06	363054	13276/2015	09-07NES	363072	13309/2015
08-06	363114	10592/2015	09-07NES	363073	13310/2015
08-06	363116	10595/2015	09-07NES	363074	13312/2015
08-06	363123	12691/2015	09-07NES	363130	13349/2015
08-06	363153	10591/2015	09-07NES	363131	13350/2015
08-07	363254	13500/2015	09-09	363057	13288/2015
08-08K	363124	13348/2015	09-09	363062	13303/2015
08-08L	362976	13058/2015	09-09	363066	13266/2015
08-08NES	362931	10654/2015	09-09	363068	13256/2015
08-08NES	363054	13276/2015	09-09	363101	13289/2015
09-01A	363128	13360/2015	10-02	363133	10813/2015
09-01H	363093	13321/2015	10-04	362987	13191/2015
09-01H	363094	13322/2015	10-04	363102	13318/2015
09-01K	363040	12295/2015	10-04	363242	12467/2015
09-01NES	362965	12174/2015	10-07	362948	13205/2015
09-01NES	363037	12926/2015	10-07	362988	13204/2015
09-01NES	363071	13269/2015	10-07	363089	13335/2015
09-01NES	363083	13320/2015	10-07	363090	13336/2015
09-01NES	363107	13272/2015	10-07	363091	13337/2015
09-01NES	363108	13275/2015	10-07	363095	13331/2015
09-03C	363015	13211/2015	10-07	363097	13333/2015
09-03F	363126	12247/2015	10-07	363098	13334/2015
09-03F	363127	12248/2015	10-07	363105	13332/2015
09-03H	362951	13210/2015	10-07	363133	10813/2015
09-03H	363016	13212/2015	11-01C	362912	13162/2015
09-03H	363020	13213/2015	11-01E	363151	13402/2015
09-03H	363021	13214/2015	11-01E	363152	13404/2015
09-03H	363022	13215/2015	11-01E	363155	13403/2015
09-03M	362926	12313/2015	11-01NES	363038	12925/2015
09-03M	362939	13098/2015	11-02B	363078	13298/2015
09-03M	362940	13099/2015	12-05	363176	13421/2015
09-03M	362956	10499/2015	12-05	363177	13422/2015
09-03M	362957	10501/2015	12-06NES	362968	12294/2015
09-03M	362958	10507/2015	12-08	362973	12541/2015
09-03M	362959	10508/2015	12-10	363070	13258/2015
09-03M	362978	10509/2015	12-11	363030	12253/2015

Registration Proceedings - Class Listing of Designs Published or Registered cont'd

Classification	Registration Number	Design Number	Classification	Registration Number	Design Number
12-11	363031	12255/2015	15-07	363013	13233/2015
12-11	363032	12256/2015	16-01	363081	11330/2015
12-11	363033	12257/2015	16-05	363087	12053/2015
12-11	363034	12259/2015	16-05	363088	12052/2015
12-11	363188	12151/2015	16-06	363256	13502/2015
12-11	363189	12152/2015	16-06	363257	13503/2015
12-11	363191	12153/2015	17-02	362950	13194/2015
12-11	363217	13465/2015	17-04	363150	13382/2015
12-11	363248	13492/2015	19-06	363194	13451/2015
12-11	363253	13499/2015	19-06	363197	13453/2015
12-15B	363012	12157/2015	19-06	363198	13456/2015
12-15C	363249	13493/2015	19-08	363239	11466/2015
12-16A	363178	13424/2015	20-02NES	363192	12528/2015
12-16B	363188	12151/2015	21-01NES	363251	13497/2015
12-16B	363191	12153/2015	21-02C	362952	13195/2015
12-16K	363147	10496/2015	21-02C	362953	13196/2015
12-16NES	362938	13033/2015	21-02C	362954	13197/2015
12-99	363120	13351/2015	21-02C	362955	13198/2015
13-02	362932	13025/2015	21-02C	363055	13291/2015
13-02	362993	12202/2015	21-02C	363103	13329/2015
13-02	362994	12203/2015	21-02D	363246	13490/2015
13-02	362999	12231/2015	21-02F	363065	13264/2015
13-02	363000	12232/2015	21-04	362949	13209/2015
13-02	363002	12235/2015	22-05	362947	12796/2015
13-02	363005	12237/2015	22-05	363175	13420/2015
13-02	363006	12280/2015	22-05	363190	13113/2015
13-02	363008	12281/2015	22-06	362924	13183/2015
13-02	363009	12284/2015	22-06	362925	13184/2015
13-02	363010	12285/2015	22-06	362946	13181/2015
13-02	363039	12239/2015	22-06	363245	13488/2015
13-03C	362933	13029/2015	23-01B	363125	13357/2015
13-03D	363240	12223/2015	23-01K	363199	12699/2015
14-01	362977	12814/2015	23-02A	362937	12792/2015
14-01	363187	12949/2015	23-02A	363180	12531/2015
14-02	362923	13179/2015	23-02A	363181	12532/2015
14-02	362944	13152/2015	23-02A	363182	12533/2015
14-02	362967	12254/2015	23-02A	363183	12535/2015
14-02	362970	12305/2015	23-02A	363184	12536/2015
14-02	363028	13251/2015	23-02C	362960	11349/2015
14-02	363084	13338/2015	23-02F	363063	13313/2015
14-02	363085	13339/2015	23-02F	363064	13315/2015
14-02	363086	13340/2015	23-02F	363079	13316/2015
14-02	363092	13342/2015	23-02F	363080	13319/2015
14-02	363106	13341/2015	23-02F	363100	13311/2015
14-02	363117	13345/2015	23-04	362918	13170/2015
14-02	363118	13346/2015	23-04	362928	13185/2015
14-02	363121	13352/2015	23-04	362929	13186/2015
14-02	363122	13353/2015	23-04	362930	13187/2015
14-02	363146	11369/2015	23-04	362935	13188/2015
14-03E	362945	13176/2015	23-04	362936	13189/2015
14-03E	363121	13352/2015	23-04	362971	12520/2015
14-03E	363122	13353/2015	23-04	362972	12521/2015
14-03NES	363077	13255/2015	24-01	362974	12701/2015
14-03NES	363244	13487/2015	24-01	363043	13280/2015
15-03B	363067	13268/2015	24-01	363046	13283/2015
15-03B	363096	13267/2015	24-01	363047	13278/2015

Registration Proceedings - Class Listing of Designs Published or Registered cont'd

Classification	Registration Number	Design Number	Classification	Registration Number	Design Number
24-01	363048	13279/2015	25-02C	362963	12040/2015
24-01	363049	13284/2015	25-02NES	363069	13257/2015
24-01	363075	12879/2015	25-03	362911	13161/2015
24-01	363119	13347/2015	25-03	363104	13330/2015
24-01	363174	13400/2015	26-05B	363035	13235/2015
24-01	363199	12699/2015	26-05C	362918	13170/2015
24-01	363213	12961/2015	26-05E	362916	13168/2015
24-02	363060	13295/2015	28-03B	363042	13286/2015
24-02	363099	13296/2015	28-03B	363044	13281/2015
24-02	363255	13501/2015	28-03B	363045	13282/2015
24-04	363017	13236/2015	28-03B	363168	13391/2015
24-04	363018	13238/2015	28-03B	363169	13392/2015
24-04	363019	13239/2015	28-03B	363170	13393/2015
25-01A	363109	12588/2015	28-03B	363171	13395/2015
25-01A	363110	12589/2015	28-03B	363243	13394/2015
25-01A	363111	12591/2015	28-03NES	363247	13491/2015
25-01A	363112	12593/2015	29-02	363214	13442/2015
25-01A	363113	12594/2015	31-00	363026	13246/2015
25-01K	363215	13461/2015			
25-01NES	363259	12499/2015			
25-02B	362986	10964/2015			

- (21) Design Number: **13161/2015**
(22) Date of Filing Application: **22 June 2015**
(24) Date from which industrial property rights may have effect: **22 June 2015**
(54) Product in respect of which the design is registered: **Swimming pool with spa**
(51) International Design Classification: **25-03**
(74) Name(s) of Attorney(s): **GO trademarks**
(71) Name(s) and Address(s) of Applicant(s):

Barrier Reef Pools Pty Ltd
9 Doug Sullivan Ct Beaudesert QLD 4285 Australia

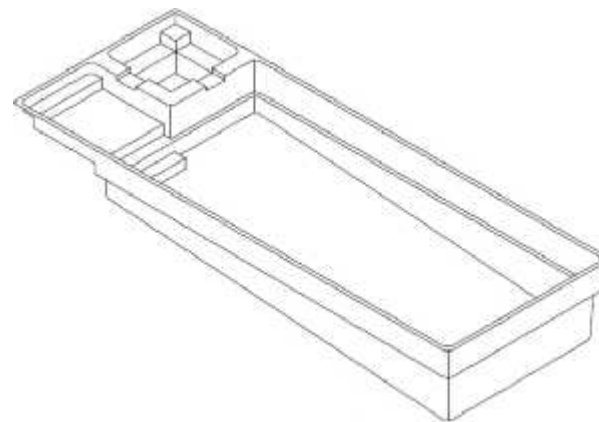
Barrier Reef Pools (W.A.) Pty Ltd
9 Doug Sullivan Ct Beaudesert QLD 4285 Australia

- (72) Name(s) of Designer(s): **Michael Crooks and Brad Hilbert**

- (45) Registration Date: **27 July 2015**

- (56) Related Art Documents: **Not Applicable**

- (57) Statement of Newness and Distinctiveness: **The newness and distinctiveness of the design resides in the shape and/or configuration of the swimming pool with spa as shown in the accompanying representations.**



- (21) Design Number: **13162/2015**
(22) Date of Filing Application: **22 June 2015**
(24) Date from which industrial property rights may have effect: **22 June 2015**
(54) Product in respect of which the design is registered: **Wristband**
(51) International Design Classification: **11-01C**
(74) Name(s) of Attorney(s): **Pizzeys**
(71) Name(s) and Address(s) of Applicant(s):

Razer (Asia-Pacific) Pte Ltd
514 Chai Chee Lane #07-05 Singapore 469029 Singapore

- (72) Name(s) of Designer(s): **Min-Liang Tan and Francois Lane and Stephane J. Blanchard and Yusuf Ali Roland**

- (45) Registration Date: **27 July 2015**

- (30) Convention priority data:

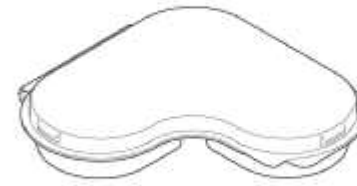
(31) Number	(32) Date	(33) Country
29/513,210	29 Dec 2014	UNITED STATES OF AMERICA

- (56) Related Art Documents: **Not Applicable**

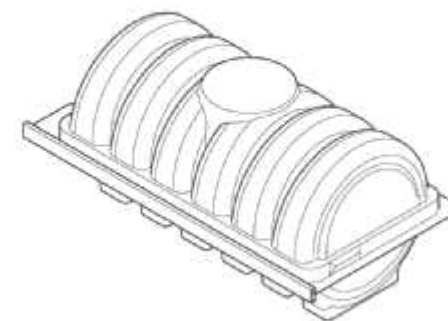
- (57) Statement of Newness and Distinctiveness: **Nil**



(21) Design Number: **13163/2015**
(22) Date of Filing Application: **22 June 2015**
(24) Date from which industrial property rights may have effect: **22 June 2015**
(54) Product in respect of which the design is registered: **Blister package**
(51) International Design Classification: **09-05**
(74) Name(s) of Attorney(s): **Madderns**
(71) Name(s) and Address(s) of Applicant(s):
Reckitt Benckiser (Brands) Limited
103-105 Bath Road Slough Berkshire SL1 3UH United Kingdom
(72) Name(s) of Designer(s): **Alberto Buogo and Carl Dibnah and Jon Faye**
(45) Registration Date: **27 July 2015**
(30) Convention priority data:
(31) Number (32) Date (33) Country
002605402-0001 23 Dec 2014 OFFICE FOR HARMONISATION IN
THE INTERNAL MARKET (OHIM)
(56) Related Art Documents: **Not Applicable**
(57) Statement of Newness and Distinctiveness: **Nil**



(21) Design Number: **13164/2015**
(22) Date of Filing Application: **22 June 2015**
(24) Date from which industrial property rights may have effect: **22 June 2015**
(54) Product in respect of which the design is registered: **Blister package**
(51) International Design Classification: **09-05**
(74) Name(s) of Attorney(s): **Madderns**
(71) Name(s) and Address(s) of Applicant(s):
Reckitt Benckiser (Brands) Limited
103-105 Bath Road Slough Berkshire SL1 3UH United Kingdom
(72) Name(s) of Designer(s): **Carl Dibnah and Jon Faye**
(45) Registration Date: **27 July 2015**
(30) Convention priority data:
(31) Number (32) Date (33) Country
002605402-0006 23 Dec 2014 OFFICE FOR HARMONISATION IN
THE INTERNAL MARKET (OHIM)
(56) Related Art Documents: **Not Applicable**
(57) Statement of Newness and Distinctiveness: **Nil**



(21) Design Number: **13165/2015**

(22) Date of Filing Application: **22 June 2015**

(24) Date from which industrial property rights may have effect: **22 June 2015**

(54) Product in respect of which the design is registered: **Blister package**

(51) International Design Classification: **09-05**

(74) Name(s) of Attorney(s): **Madderns**

(71) Name(s) and Address(s) of Applicant(s):

Reckitt Benckiser (Brands) Limited
103-105 Bath Road Slough Berkshire SL1 3UH United Kingdom

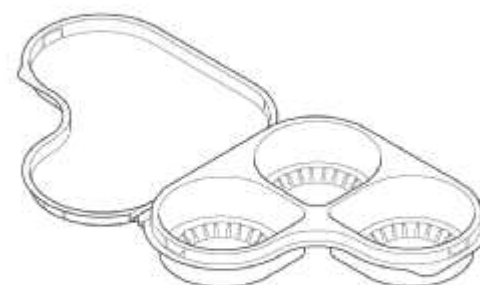
(72) Name(s) of Designer(s): **Alberto Buogo and Carl Dibnah and Jon Faye**

(45) Registration Date: **27 July 2015**

(30) Convention priority data:

(31) Number (32) Date
002605402-0002 23 Dec 2014

(33) Country
**OFFICE FOR HARMONISATION IN
THE INTERNAL MARKET (OHIM)**



(56) Related Art Documents: **Not Applicable**

(57) Statement of Newness and Distinctiveness: **Nil**

(21) Design Number: **13168/2015**

(22) Date of Filing Application: **23 June 2015**

(24) Date from which industrial property rights may have effect: **23 June 2015**

(54) Product in respect of which the design is registered: **LED light**

(51) International Design Classification: **26-05E**

(74) Name(s) of Attorney(s): **Shelston IP**

(71) Name(s) and Address(s) of Applicant(s):

Zhejiang Wanma Hizhen Optoelectronics Technology CO., LTD.
No. 1501, Yishan Road Wuxing District Huzhou City Zhejiang Province,
313000 China

(72) Name(s) of Designer(s): **Jun Liu and Binbin Yao and Xiaowei Luo**

(45) Registration Date: **27 July 2015**

(30) Convention priority data:

(31) Number (32) Date (33) Country
201530169615.2 29 May 2015 CHINA



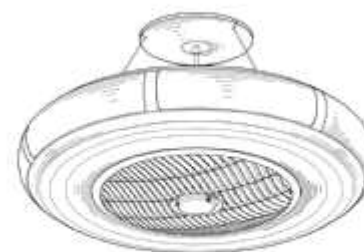
(56) Related Art Documents: **Not Applicable**

(57) Statement of Newness and Distinctiveness: **Nil**

- (21) Design Number: **13169/2015**
(22) Date of Filing Application: **23 June 2015**
(24) Date from which industrial property rights may have effect: **23 June 2015**
(54) Product in respect of which the design is registered: **A textile print**
(51) International Design Classification: **05-05NES**
(74) Name(s) of Attorney(s):
(71) Name(s) and Address(s) of Applicant(s):
AUSTRALIAN FASHION LABELS PTY LTD
106 Currie St Adelaide SA 5000 Australia
(72) Name(s) of Designer(s): **Carmen Dugan and Cyd Beard**
(45) Registration Date: **27 July 2015**
(56) Related Art Documents: **Not Applicable**
(57) Statement of Newness and Distinctiveness: **Newness and distinctiveness resides in the features of pattern and ornamentation of a textile print as shown in the accompanying representations. In considering the scope of monopoly, no regard is to be had to colour and the scope of monopoly is not restricted to the particular colour or colours depicted in the accompanying representations.**



- (21) Design Number: **13170/2015**
(22) Date of Filing Application: **23 June 2015**
(24) Date from which industrial property rights may have effect: **23 June 2015**
(54) Product in respect of which the design is registered: **Combination ceiling fan and lamp**
(51) International Design Classification: **23-04, 26-05C**
(74) Name(s) of Attorney(s): **Collison & Co**
(71) Name(s) and Address(s) of Applicant(s):
Ching-Wen Liu
No.490, Shuiyuan Rd. Fengyuan Dist. Taichung City 420 Taiwan
(72) Name(s) of Designer(s): **Ching-Wen Liu and Wen-Hong Luo**
(45) Registration Date: **27 July 2015**
(56) Related Art Documents: **Not Applicable**
(57) Statement of Newness and Distinctiveness: **Nil**



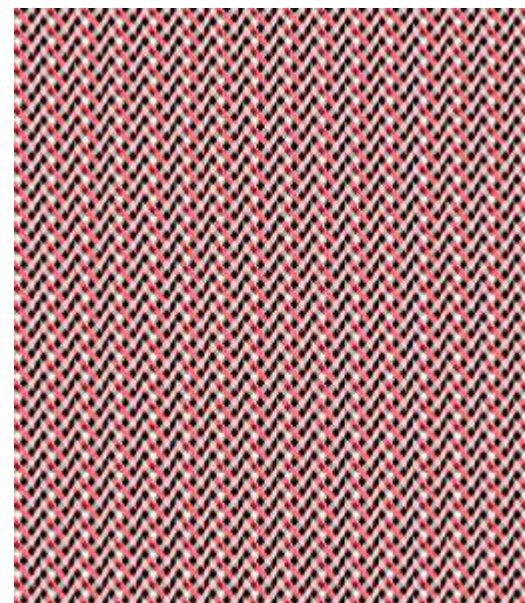
(21) Design Number: **13166/2015**
(22) Date of Filing Application: **22 June 2015**
(24) Date from which industrial property rights may have effect: **22 June 2015**
(54) Product in respect of which the design is registered: **Blister package**
(51) International Design Classification: **09-05**
(74) Name(s) of Attorney(s): **Madderns**
(71) Name(s) and Address(s) of Applicant(s):
Reckitt Benckiser (Brands) Limited
103-105 Bath Road Slough Berkshire SL1 3UH United Kingdom
(72) Name(s) of Designer(s): **Carl Dibnah and Jon Faye**
(45) Registration Date: **28 July 2015**
(30) Convention priority data:
(31) Number (32) Date (33) Country
002605402-0007 23 Dec 2014 OFFICE FOR HARMONISATION IN
THE INTERNAL MARKET (OHIM)
(56) Related Art Documents: **Not Applicable**
(57) Statement of Newness and Distinctiveness: **Nil**



(21) Design Number: **13173/2015**
(22) Date of Filing Application: **23 June 2015**
(24) Date from which industrial property rights may have effect: **23 June 2015**
(54) Product in respect of which the design is registered: **A textile print**
(51) International Design Classification: **05-05A**
(74) Name(s) of Attorney(s):
(71) Name(s) and Address(s) of Applicant(s):
AUSTRALIAN FASHION LABELS PTY LTD
106 Currie St Adelaide SA 5000 Australia
(72) Name(s) of Designer(s): **Carmen Dugan and Cyd Beard**
(45) Registration Date: **28 July 2015**
(56) Related Art Documents: **Not Applicable**
(57) Statement of Newness and Distinctiveness: **Newness and distinctiveness resides in the features of pattern and ornamentation of a textile print as shown in the accompanying representations. In considering the scope of monopoly, no regard is to be had to colour and the scope of monopoly is not restricted to the particular colour or colours depicted in the accompanying representations.**



- (21) Design Number: **13178/2015**
(22) Date of Filing Application: **23 June 2015**
(24) Date from which industrial property rights may have effect: **23 June 2015**
(54) Product in respect of which the design is registered: **A textile print**
(51) International Design Classification: **05-05D**
(74) Name(s) of Attorney(s):
(71) Name(s) and Address(s) of Applicant(s):
AUSTRALIAN FASHION LABELS PTY LTD
106 Currie St Adelaide SA 5000 Australia
(72) Name(s) of Designer(s): **Siham Elmawey and Hayley Dawson**
(45) Registration Date: **28 July 2015**
(56) Related Art Documents: **Not Applicable**
(57) Statement of Newness and Distinctiveness: **Newness and distinctiveness resides in the features of pattern and ornamentation of a textile print as shown in the accompanying representations. In considering the scope of monopoly, no regard is to be had to colour and the scope of monopoly is not restricted to the particular colour or colours depicted in the accompanying representations.**



- (21) Design Number: **13177/2015**
(22) Date of Filing Application: **23 June 2015**
(24) Date from which industrial property rights may have effect: **23 June 2015**
(54) Product in respect of which the design is registered: **A textile print**
(51) International Design Classification: **05-05NES**
(74) Name(s) of Attorney(s):
(71) Name(s) and Address(s) of Applicant(s):
AUSTRALIAN FASHION LABELS PTY LTD
106 Currie St Adelaide SA 5000 Australia
(72) Name(s) of Designer(s): **Siham Elmawey and Hayley Dawson**
(45) Registration Date: **28 July 2015**
(56) Related Art Documents: **Not Applicable**
(57) Statement of Newness and Distinctiveness: **Newness and distinctiveness resides in the features of pattern and ornamentation of a textile print as shown in the accompanying representations. In considering the scope of monopoly, no regard is to be had to colour and the scope of monopoly is not restricted to the particular colour or colours depicted in the accompanying representations.**



(21) Design Number: **13179/2015**
(22) Date of Filing Application: **23 June 2015**
(24) Date from which industrial property rights may have effect: **23 March 2015**
(54) Product in respect of which the design is registered: **Keyboard**
(51) International Design Classification: **14-02**
(74) Name(s) of Attorney(s):
(71) Name(s) and Address(s) of Applicant(s):
Sonder Design Pty Ltd
C/-Patentec Patent Attorneys PO BOX A1172 Sydney South NSW 1235
AUSTRALIA



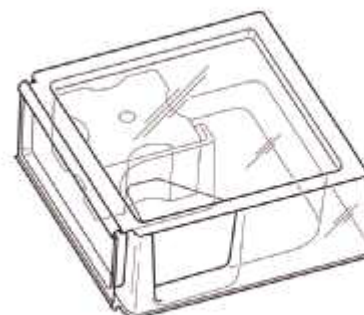
(72) Name(s) of Designer(s): **Francisco Serra-Martins and Felipe Serra-Martins**
(45) Registration Date: **28 July 2015**
(62) Divisional of: **362413**
(56) Related Art Documents: **Not Applicable**
(57) Statement of Newness and Distinctiveness: **Newness and distinctiveness is claimed in the configuration of the computer keyboard comprising substantially transparent key caps comprising at least substantially centrally located transparent portions as shown in the representations by those key caps having crosshatching, the transparent key caps overlaid a dynamic display device so as to allow the viewing of the dynamically displayed key characters through the transparent key caps. The shape, layout, location and displayed characters of the keys are not claimed as part of the design.**

(21) Design Number: **13183/2015**
(22) Date of Filing Application: **23 June 2015**
(24) Date from which industrial property rights may have effect: **23 June 2015**
(54) Product in respect of which the design is registered: **Mouse bait box**
(51) International Design Classification: **22-06**
(74) Name(s) of Attorney(s): **Shelston IP**
(71) Name(s) and Address(s) of Applicant(s):
Reckitt Benckiser (Brands) Limited
103-105 Bath Road Slough Berkshire SL1 3UH United Kingdom
(72) Name(s) of Designer(s): **Don Bubar and Don Seydel**
(45) Registration Date: **28 July 2015**
(30) Convention priority data:
(31) Number (32) Date (33) Country
002608752-0002 06 Jan 2015 OFFICE FOR HARMONISATION IN
THE INTERNAL MARKET (OHIM)

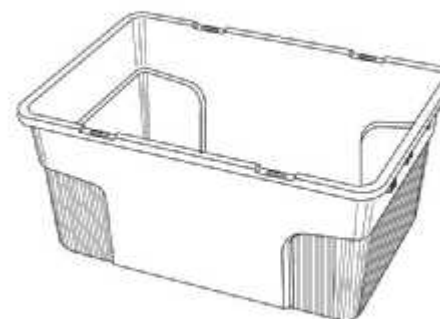


(56) Related Art Documents: **Not Applicable**
(57) Statement of Newness and Distinctiveness: **Nil**

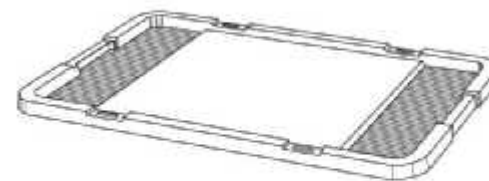
(21) Design Number: **13184/2015**
(22) Date of Filing Application: **23 June 2015**
(24) Date from which industrial property rights may have effect: **23 June 2015**
(54) Product in respect of which the design is registered: **Mouse bait box**
(51) International Design Classification: **22-06**
(74) Name(s) of Attorney(s): **Shelston IP**
(71) Name(s) and Address(s) of Applicant(s):
Reckitt Benckiser (Brands) Limited
103-105 Bath Road Slough Berkshire SL1 3UH United Kingdom
(72) Name(s) of Designer(s): **Don Bubar and Don Seydel**
(45) Registration Date: **28 July 2015**
(30) Convention priority data:
(31) Number (32) Date (33) Country
002608752-0003 06 Jan 2015 OFFICE FOR HARMONISATION IN
THE INTERNAL MARKET (OHIM)
(56) Related Art Documents: **Not Applicable**
(57) Statement of Newness and Distinctiveness: **Nil**



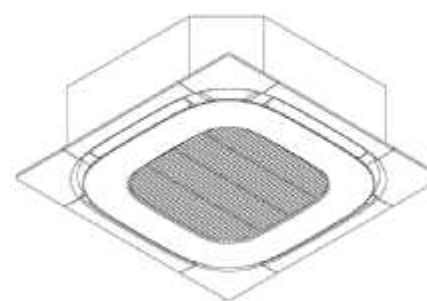
(21) Design Number: **12313/2015**
(22) Date of Filing Application: **05 May 2015**
(24) Date from which industrial property rights may have effect: **05 May 2015**
(54) Product in respect of which the design is registered: **Container base**
(51) International Design Classification: **09-03M**
(74) Name(s) of Attorney(s): **Griffith Hack**
(71) Name(s) and Address(s) of Applicant(s):
Henledar Co., Ltd
13 Madden St North Balwyn VIC 3104 Australia
(72) Name(s) of Designer(s): **Meng Chun**
(45) Registration Date: **28 July 2015**
(56) Related Art Documents: **Not Applicable**
(57) Statement of Newness and Distinctiveness: **Newness and distinctiveness resides in the visual features, including shape, configuration, pattern and/or ornamentation in any combination of the container base as shown in the accompanying representations.**



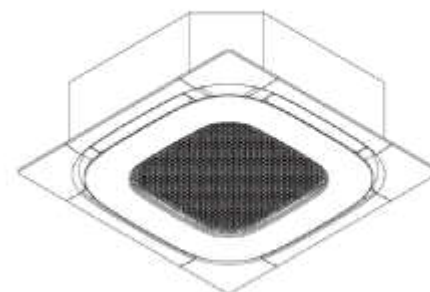
(21) Design Number: **12314/2015**
(22) Date of Filing Application: **05 May 2015**
(24) Date from which industrial property rights may have effect: **05 May 2015**
(54) Product in respect of which the design is registered: **Container lid**
(51) International Design Classification: **09-07B**
(74) Name(s) of Attorney(s): **Griffith Hack**
(71) Name(s) and Address(s) of Applicant(s):
Henledar Co., Ltd
13 Madden St North Balwyn VIC 3104 Australia
(72) Name(s) of Designer(s): **Meng Chun**
(45) Registration Date: **28 July 2015**
(56) Related Art Documents: **Not Applicable**
(57) Statement of Newness and Distinctiveness: **Newness and distinctiveness resides in the visual features, including shape, configuration, pattern and/or ornamentation in any combination of the container lid as shown in the accompanying representations.**



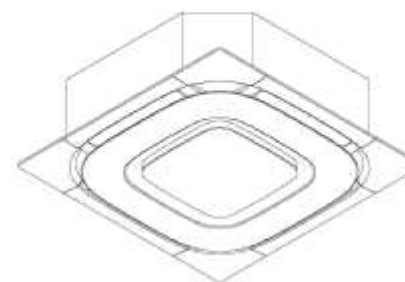
(21) Design Number: **13185/2015**
(22) Date of Filing Application: **23 June 2015**
(24) Date from which industrial property rights may have effect: **23 June 2015**
(54) Product in respect of which the design is registered: **Air conditioner**
(51) International Design Classification: **23-04**
(74) Name(s) of Attorney(s): **Freehills Patent Attorneys**
(71) Name(s) and Address(s) of Applicant(s):
Daikin Industries Ltd.
Umeda Center Building 4-12 Nakazaki-Nishi 2-chome Kita-Ku Osaka-shi
Osaka-fu 530-8323 Japan
(72) Name(s) of Designer(s): **Kentarou Niki and Hiroyasu Kosuge**
(45) Registration Date: **28 July 2015**
(30) Convention priority data:
(31) Number (32) Date (33) Country
2015-001440 27 Jan 2015 JAPAN
(56) Related Art Documents: **Not Applicable**
(57) Statement of Newness and Distinctiveness: **Newness and distinctiveness of the design resides in the features of shape and configuration of the air conditioner as shown in the accompanying representations.**



(21) Design Number: **13186/2015**
(22) Date of Filing Application: **23 June 2015**
(24) Date from which industrial property rights may have effect: **23 June 2015**
(54) Product in respect of which the design is registered: **Air conditioner**
(51) International Design Classification: **23-04**
(74) Name(s) of Attorney(s): **Freehills Patent Attorneys**
(71) Name(s) and Address(s) of Applicant(s):
Daikin Industries Ltd
Umeda Centre Building 4-12 Nakazaki-Nishi 2-Chome Kita-ku Osaka-Shi
Osaka-Fu 530-8323 Japan
(72) Name(s) of Designer(s): **Kentarou Niki and Hiroyasu Kosuge**
(45) Registration Date: **28 July 2015**
(30) Convention priority data:
(31) Number (32) Date (33) Country
2015-001432 27 Jan 2015 JAPAN
(56) Related Art Documents: **Not Applicable**
(57) Statement of Newness and Distinctiveness: **Newness and distinctiveness of the design resides in the features of shape and configuration of the air conditioner as shown in the accompanying representations.**



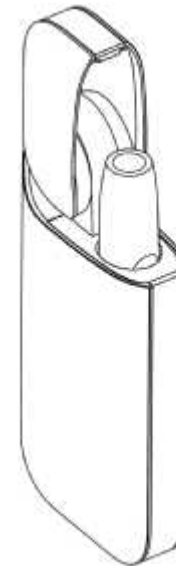
(21) Design Number: **13187/2015**
(22) Date of Filing Application: **23 June 2015**
(24) Date from which industrial property rights may have effect: **23 June 2015**
(54) Product in respect of which the design is registered: **Air conditioner**
(51) International Design Classification: **23-04**
(74) Name(s) of Attorney(s): **Freehills Patent Attorneys**
(71) Name(s) and Address(s) of Applicant(s):
Daikin Industries Ltd.
Umeda Center Building 4-12 Nakazaki-Nishi 2-chome Kita-Ku Osaka-shi
Osaka-fu 530-8323 Japan
(72) Name(s) of Designer(s): **Kentarou Niki and Hiroyasu Kosuge**
(45) Registration Date: **28 July 2015**
(30) Convention priority data:
(31) Number (32) Date (33) Country
2015-001433 27 Jan 2015 JAPAN
(56) Related Art Documents: **Not Applicable**
(57) Statement of Newness and Distinctiveness: **Newness and distinctiveness of the design resides in the features of shape and configuration of the air conditioner as shown in the accompanying representations.**



- (21) Design Number: **10654/2015**
(22) Date of Filing Application: **10 February 2015**
(24) Date from which industrial property rights may have effect: **10 February 2015**
(54) Product in respect of which the design is registered: **A clip for holding a strap**
(51) International Design Classification: **08-08NES**
(74) Name(s) of Attorney(s):
(71) Name(s) and Address(s) of Applicant(s):
CHILL-RITE REFRIGERATION PTY. LTD.
36 Kingsgate Dr Tinbeerwah QLD 4563
(72) Name(s) of Designer(s): **Paul Hinchcliffe**
(45) Registration Date: **28 July 2015**
(56) Related Art Documents: **Not Applicable**
(57) Statement of Newness and Distinctiveness: **Newness and distinctiveness resides in the visual features of shape and/or configuration of a clip for holding a strap as shown in the accompanying representations.**



- (21) Design Number: **13025/2015**
(22) Date of Filing Application: **16 June 2015**
(24) Date from which industrial property rights may have effect: **07 April 2015**
(54) Product in respect of which the design is registered: **Charging unit**
(51) International Design Classification: **13-02**
(74) Name(s) of Attorney(s): **Callinans**
(71) Name(s) and Address(s) of Applicant(s):
Philip Morris Products S.A.
Quai Jeanrenaud 3 Neuchatel 2000 Switzerland
(72) Name(s) of Designer(s): **Rory McGarry and George Barrett and Florent Cuchet and Cathal Loughnane**
(45) Registration Date: **28 July 2015**
(62) Divisional of: **362415**
(56) Related Art Documents: **Not Applicable**
(57) Statement of Newness and Distinctiveness: **Nil**



(21) Design Number: **13029/2015**
(22) Date of Filing Application: **16 June 2015**
(24) Date from which industrial property rights may have effect: **16 June 2015**
(54) Product in respect of which the design is registered: **Polymeric junction box**
(51) International Design Classification: **13-03C**
(74) Name(s) of Attorney(s): **Freehills Patent Attorneys**
(71) Name(s) and Address(s) of Applicant(s):

RANDL Industries, Inc.
3808 North Sullivan Road Building 10 Suite P Spokane Valley
Washington 99216 United States of America

(72) Name(s) of Designer(s): **Robert J. Hagarty**

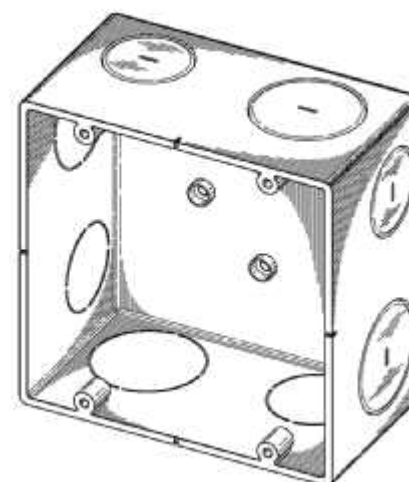
(45) Registration Date: **28 July 2015**

(30) Convention priority data:

(31) Number	(32) Date	(33) Country
29/512092	16 Dec 2014	UNITED STATES OF AMERICA

(56) Related Art Documents: **Not Applicable**

(57) Statement of Newness and Distinctiveness: **Newness and distinctiveness of the design resides in the features of shape and configuration of the polymeric junction box as shown in solid outline in the accompanying representations.**



(21) Design Number: **13112/2015**
(22) Date of Filing Application: **22 June 2015**
(24) Date from which industrial property rights may have effect: **22 June 2015**
(54) Product in respect of which the design is registered: **Chewing gum**
(51) International Design Classification: **01-01**
(74) Name(s) of Attorney(s): **Spruson & Ferguson**
(71) Name(s) and Address(s) of Applicant(s):

Wm. Wrigley Jr. Company
1132 West Blackhawk Street Chicago Illinois 60642 United States of
America

(72) Name(s) of Designer(s): **Yang Gao**

(45) Registration Date: **28 July 2015**

(30) Convention priority data:

(31) Number	(32) Date	(33) Country
29/512752	22 Dec 2014	UNITED STATES OF AMERICA

(56) Related Art Documents: **Not Applicable**

(57) Statement of Newness and Distinctiveness: **Newness and distinctiveness is claimed in the features of pattern and/or ornamentation of a chewing gum as illustrated in the accompanying representations, apart from the relative length, width and height of the chewing gum.**



(21) Design Number: **13188/2015**

(22) Date of Filing Application: **23 June 2015**

(24) Date from which industrial property rights may have effect: **23 June 2015**

(54) Product in respect of which the design is registered: **Air conditioner**

(51) International Design Classification: **23-04**

(74) Name(s) of Attorney(s): **Freehills Patent Attorneys**

(71) Name(s) and Address(s) of Applicant(s):

Daikin Industries Ltd.

**Umeda Center Building 4-12 Nakazaki-Nishi 2-chome Kita-Ku Osaka-shi
Osaka-fu 530-8323 Japan**

(72) Name(s) of Designer(s): **Kentarou Niki and Hiroyasu Kosuge**

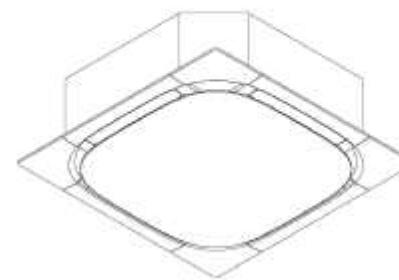
(45) Registration Date: **28 July 2015**

(30) Convention priority data:

(31) Number	(32) Date	(33) Country
2015-001441	27 Jan 2015	JAPAN

(56) Related Art Documents: **Not Applicable**

(57) Statement of Newness and Distinctiveness: **Newness and distinctiveness of the design resides in the features of shape and configuration of the air conditioner as shown in the accompanying representations.**



(21) Design Number: **13189/2015**

(22) Date of Filing Application: **23 June 2015**

(24) Date from which industrial property rights may have effect: **23 June 2015**

(54) Product in respect of which the design is registered: **Air conditioner**

(51) International Design Classification: **23-04**

(74) Name(s) of Attorney(s): **Freehills Patent Attorneys**

(71) Name(s) and Address(s) of Applicant(s):

Daikin Industries Ltd.

**Umeda Center Building 4-12 Nakazaki-Nishi 2-chome Kita-Ku Osaka-shi
Osaka-fu 530-8323 Japan**

(72) Name(s) of Designer(s): **Kentarou Niki and Hiroyasu Kosuge**

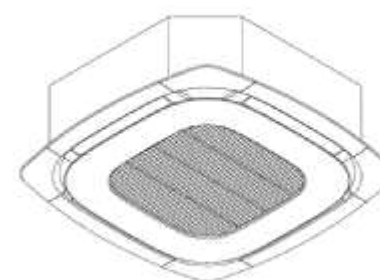
(45) Registration Date: **28 July 2015**

(30) Convention priority data:

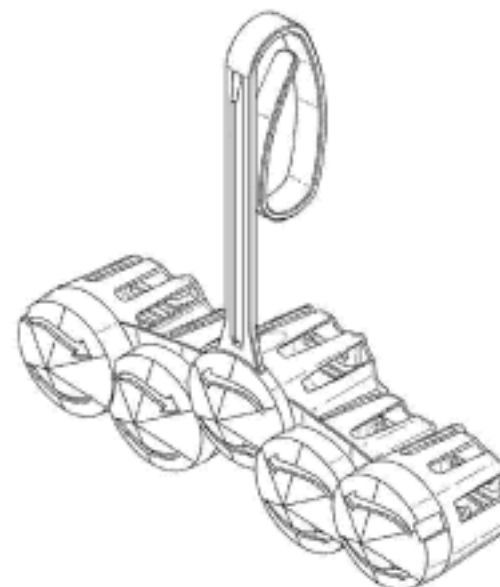
(31) Number	(32) Date	(33) Country
2015-001434	27 Jan 2015	JAPAN

(56) Related Art Documents: **Not Applicable**

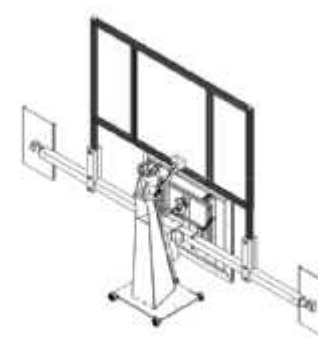
(57) Statement of Newness and Distinctiveness: **Newness and distinctiveness of the design resides in the features of shape and configuration of the air conditioner as shown in the accompanying representations.**



(21) Design Number: **12792/2015**
(22) Date of Filing Application: **29 May 2015**
(24) Date from which industrial property rights may have effect: **29 May 2015**
(54) Product in respect of which the design is registered: **Toilet cage block**
(51) International Design Classification: **23-02A**
(74) Name(s) of Attorney(s): **Davies Collison Cave**
(71) Name(s) and Address(s) of Applicant(s):
Unilever PLC
Unilever House 100 Victoria Embankment London EC4Y 0DY United Kingdom
(72) Name(s) of Designer(s): **Enrico Lomi and Adele Maraboli and Samuele Soccodato**
(45) Registration Date: **28 July 2015**
(30) Convention priority data:
(31) Number (32) Date (33) Country
002599746-0001 17 Dec 2014 OFFICE FOR HARMONISATION IN THE INTERNAL MARKET (OHIM)
(56) Related Art Documents: **Not Applicable**
(57) Statement of Newness and Distinctiveness: **Newness and distinctiveness is claimed in the visual features shown in solid lines in the representations. In considering the extent of the design rights, the broken lines shown in the representations are for illustrative purposes only and do not form part of the design.**



(21) Design Number: **13033/2015**
(22) Date of Filing Application: **16 June 2015**
(24) Date from which industrial property rights may have effect: **16 June 2015**
(54) Product in respect of which the design is registered: **Adaptive calibrating control**
(51) International Design Classification: **12-16NES**
(74) Name(s) of Attorney(s): **Callinans**
(71) Name(s) and Address(s) of Applicant(s):
Bosch Automotive Products (Nanjing) Co. Ltd.
No. 1 Runbo Road Qixia District Nanjing 210034 China
(72) Name(s) of Designer(s): **Chunliang Wang**
(45) Registration Date: **28 July 2015**
(30) Convention priority data:
(31) Number (32) Date (33) Country
201430534868.0 18 Dec 2014 CHINA
(56) Related Art Documents: **Not Applicable**
(57) Statement of Newness and Distinctiveness: **Nil**



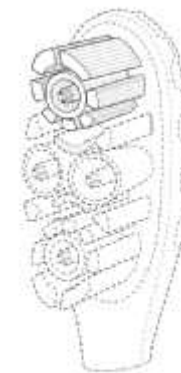
- (21) Design Number: **13098/2015**
(22) Date of Filing Application: **19 June 2015**
(24) Date from which industrial property rights may have effect: **19 June 2015**
(54) Product in respect of which the design is registered: **Package for consumable products**
(51) International Design Classification: **09-03M**
(74) Name(s) of Attorney(s): **Spruson & Ferguson**
(71) Name(s) and Address(s) of Applicant(s):
Wm. Wrigley Jr. Company
1132 West Blackhawk Street Chicago Illinois 60642 United States of America
(72) Name(s) of Designer(s): **Stephanie L Rotar and Emily K Schwegman and Steven J Leder and Katherine L Carter**
(45) Registration Date: **28 July 2015**
(30) Convention priority data:
(31) Number (32) Date (33) Country
29/512578 19 Dec 2014 UNITED STATES OF AMERICA
(56) Related Art Documents: **Not Applicable**
(57) Statement of Newness and Distinctiveness: **Newness and distinctiveness is claimed in the features of pattern and/or ornamentation of the front face of a package as illustrated in the accompanying representations.**



- (21) Design Number: **13099/2015**
(22) Date of Filing Application: **19 June 2015**
(24) Date from which industrial property rights may have effect: **19 June 2015**
(54) Product in respect of which the design is registered: **Package for consumable products**
(51) International Design Classification: **09-03M**
(74) Name(s) of Attorney(s): **Spruson & Ferguson**
(71) Name(s) and Address(s) of Applicant(s):
Wm. Wrigley Jr. Company
1132 West Blackhawk Street Chicago Illinois 60642 United States of America
(72) Name(s) of Designer(s): **Stephanie L Rotar and Emily K Schwegman and Steven J Leder and Katherine L Carter**
(45) Registration Date: **28 July 2015**
(30) Convention priority data:
(31) Number (32) Date (33) Country
29/512578 19 Dec 2014 UNITED STATES OF AMERICA
(56) Related Art Documents: **Not Applicable**
(57) Statement of Newness and Distinctiveness: **Newness and distinctiveness is claimed in the features of pattern and/or ornamentation of the front face of a package as illustrated in the accompanying representations.**



- (21) Design Number: **13122/2015**
(22) Date of Filing Application: **22 June 2015**
(24) Date from which industrial property rights may have effect: **22 June 2015**
(54) Product in respect of which the design is registered: **Tooth cleaning element of an oral care implement**
(51) International Design Classification: **04-02**
(74) Name(s) of Attorney(s): **FB Rice**
(71) Name(s) and Address(s) of Applicant(s):
Colgate-Palmolive Company
300 Park Avenue New York New York 10022 United States of America
(72) Name(s) of Designer(s): **Eduardo Jimenez and Kenneth Waguespack and Robert Moskovich and Roger Kirchhofer and Kurt Bieri and Joachim Storz and Andreas Wechsler**
(45) Registration Date: **28 July 2015**
(30) Convention priority data:
(31) Number (32) Date (33) Country
29/512833 23 Dec 2014 UNITED STATES OF AMERICA
(56) Related Art Documents: **Not Applicable**
(57) Statement of Newness and Distinctiveness: **Newness and distinctiveness reside in the features of shape and configuration of the design shown in solid lines in the representations excluding those features shown in broken lines.**



- (21) Design Number: **13135/2015**
(22) Date of Filing Application: **22 June 2015**
(24) Date from which industrial property rights may have effect: **22 June 2015**
(54) Product in respect of which the design is registered: **Chewing gum**
(51) International Design Classification: **01-01**
(74) Name(s) of Attorney(s): **Spruson & Ferguson**
(71) Name(s) and Address(s) of Applicant(s):
Wm. Wrigley Jr. Company
1132 W. Blackhawk Street, Chicago Illinois, 60642 United States of America
(72) Name(s) of Designer(s): **Yang Gao**
(45) Registration Date: **28 July 2015**
(30) Convention priority data:
(31) Number (32) Date (33) Country
29/512752 22 Dec 2014 UNITED STATES OF AMERICA
(56) Related Art Documents: **Not Applicable**
(57) Statement of Newness and Distinctiveness: **Newness and distinctiveness is claimed in the features of pattern and/or ornamentation of a chewing gum as illustrated in the accompanying representations, apart from the relative length, width and height of the chewing gum.**



(21) Design Number: **13151/2015**

(22) Date of Filing Application: **22 June 2015**

(24) Date from which industrial property rights may have effect: **22 June 2015**

(54) Product in respect of which the design is registered: **Chewing gum**

(51) International Design Classification: **01-01**

(74) Name(s) of Attorney(s): **Spruson & Ferguson**

(71) Name(s) and Address(s) of Applicant(s):

Wm. Wrigley Jr. Company

1132 W. Blackhawk Street, Chicago Illinois, 60642 United States of America

(72) Name(s) of Designer(s): **Yang Gao**

(45) Registration Date: **28 July 2015**

(30) Convention priority data:

(31) Number	(32) Date	(33) Country
29/512736	22 Dec 2014	UNITED STATES OF AMERICA

(56) Related Art Documents: **Not Applicable**

(57) Statement of Newness and Distinctiveness: **Newness and distinctiveness is claimed in the features of pattern and/or ornamentation of a chewing gum as illustrated in the accompanying representations, apart from the relative length, width and height of the chewing gum.**



(21) Design Number: **13152/2015**

(22) Date of Filing Application: **22 June 2015**

(24) Date from which industrial property rights may have effect: **22 June 2015**

(54) Product in respect of which the design is registered: **Lapboard**

(51) International Design Classification: **14-02**

(74) Name(s) of Attorney(s): **Pizzeys**

(71) Name(s) and Address(s) of Applicant(s):

Razer (Asia-Pacific) Pte Ltd

514 Chai Chee Lane #07-05 Singapore 469029 Singapore

(72) Name(s) of Designer(s): **Brandon A. Warren and Stephane J. Blanchard**

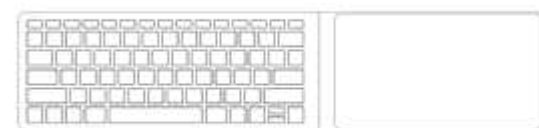
(45) Registration Date: **28 July 2015**

(30) Convention priority data:

(31) Number	(32) Date	(33) Country
29/512,812	23 Dec 2014	UNITED STATES OF AMERICA

(56) Related Art Documents: **Not Applicable**

(57) Statement of Newness and Distinctiveness: **Nil**



(21) Design Number: **13176/2015**

(22) Date of Filing Application: **23 June 2015**

(24) Date from which industrial property rights may have effect: **23 June 2015**

(54) Product in respect of which the design is registered: **Handset**

(51) International Design Classification: **14-03E**

(74) Name(s) of Attorney(s): **Shelston IP**

(71) Name(s) and Address(s) of Applicant(s):

Microsoft Corporation

One Microsoft Way Redmond Washington 98052 United States of America

(72) Name(s) of Designer(s): **Yong Kyou Lee and Wei Wang**

(45) Registration Date: **28 July 2015**

(30) Convention priority data:

(31) Number	(32) Date	(33) Country
29/514373	12 Jan 2015	UNITED STATES OF AMERICA

(56) Related Art Documents: **Not Applicable**

(57) Statement of Newness and Distinctiveness: **Newness and distinctiveness reside in the features of shape and/or configuration of a handset as illustrated by solid lines in the accompanying representations. The features shown in broken outline are for contextual purposes only and do not form part of the design.**



(21) Design Number: **13181/2015**

(22) Date of Filing Application: **23 June 2015**

(24) Date from which industrial property rights may have effect: **23 June 2015**

(54) Product in respect of which the design is registered: **Mouse bait box**

(51) International Design Classification: **22-06**

(74) Name(s) of Attorney(s): **Shelston IP**

(71) Name(s) and Address(s) of Applicant(s):

Reckitt Benckiser (Brands) Limited

103-105 Bath Road Slough Berkshire SL1 3UH United Kingdom

(72) Name(s) of Designer(s): **Don Bubar and Don Seydel**

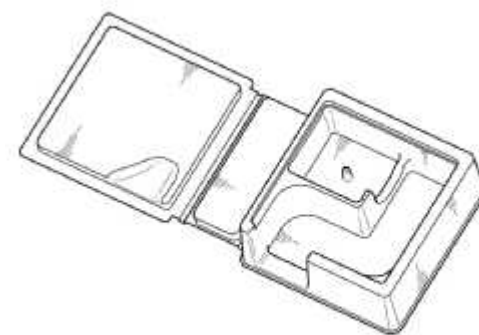
(45) Registration Date: **28 July 2015**

(30) Convention priority data:

(31) Number	(32) Date	(33) Country
002608752-0001	06 Jan 2015	OFFICE FOR HARMONISATION IN THE INTERNAL MARKET (OHIM)

(56) Related Art Documents: **Not Applicable**

(57) Statement of Newness and Distinctiveness: **Nil**



(21) Design Number: **12796/2015**
(22) Date of Filing Application: **31 May 2015**
(24) Date from which industrial property rights may have effect: **31 May 2015**
(54) Product in respect of which the design is registered: **Fishing lure**
(51) International Design Classification: **22-05**
(74) Name(s) of Attorney(s):
(71) Name(s) and Address(s) of Applicant(s):

Stephen John Davies
Seashell Dr Deception Bay QLD 4508

(72) Name(s) of Designer(s): **Stephen Davies**

(45) Registration Date: **28 July 2015**

(56) Related Art Documents: **Not Applicable**

(57) Statement of Newness and Distinctiveness: **These blades fishing lure are the very first to use the "glow in the dark" eyes and special custom painted finishes yet to be seen in Australia. As we are the very first to use glow in the dark eyes and special custom paint finishes that took months to design on our range of blades (fishing lure), we would like to protect this against others copying this please.**



(21) Design Number: **13205/2015**
(22) Date of Filing Application: **24 June 2015**
(24) Date from which industrial property rights may have effect: **24 June 2015**
(54) Product in respect of which the design is registered: **Oscillating mass**
(51) International Design Classification: **10-07**
(74) Name(s) of Attorney(s): **WATERMARK PATENT AND TRADE MARKS ATTORNEYS**
(71) Name(s) and Address(s) of Applicant(s):

Omega SA (Omega AG) (Omega Ltd)
Jakob-Staempfli-Strasse 96 Biel/Bienne 2502 Switzerland

(72) Name(s) of Designer(s): **Jean-Claude Monachon**

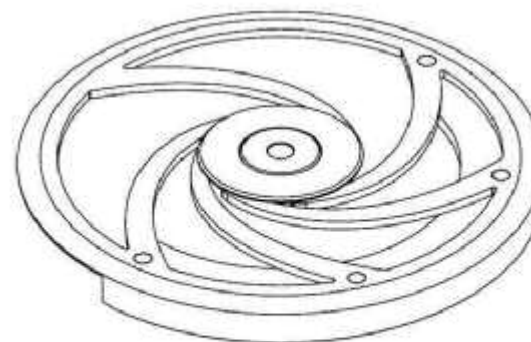
(45) Registration Date: **28 July 2015**

(30) Convention priority data:

(31) Number	(32) Date	(33) Country
DM/085 318	13 Jan 2015	WORLD INTELLECTUAL PROPERTY ORGANIZATION (WIPO)

(56) Related Art Documents: **Not Applicable**

(57) Statement of Newness and Distinctiveness: **Nil**



- (21) Design Number: **13209/2015**
(22) Date of Filing Application: **24 June 2015**
(24) Date from which industrial property rights may have effect: **24 June 2015**
(54) Product in respect of which the design is registered: **Awning**
(51) International Design Classification: **21-04**
(74) Name(s) of Attorney(s): **PHILLIPS ORMONDE FITZPATRICK**
(71) Name(s) and Address(s) of Applicant(s):
Zhejiang Zhengte Group Co., Ltd
811 Oriental Avenue Linhai Taizhou Zhejiang 317004 China
(72) Name(s) of Designer(s): **Cong Lin and Xiaobo Wang**
(45) Registration Date: **28 July 2015**
(30) Convention priority data:
(31) Number (32) Date (33) Country
CN201530092669310 Apr 2015 CHINA
(56) Related Art Documents: **Not Applicable**
(57) Statement of Newness and Distinctiveness: **Those features of the awning depicted in the representations that are new and distinctive are the shape and/or configuration.**



- (21) Design Number: **13194/2015**
(22) Date of Filing Application: **23 June 2015**
(24) Date from which industrial property rights may have effect: **23 June 2015**
(54) Product in respect of which the design is registered: **Trumpet**
(51) International Design Classification: **17-02**
(74) Name(s) of Attorney(s): **IP Service International**
(71) Name(s) and Address(s) of Applicant(s):
Malcolm Liddell
PO BOX 160 Sherwood QLD 4075 Australia
(72) Name(s) of Designer(s): **Malcolm Liddell**
(45) Registration Date: **28 July 2015**
(56) Related Art Documents: **Not Applicable**
(57) Statement of Newness and Distinctiveness: **Nil**



(21) Design Number: **13210/2015**

(22) Date of Filing Application: **24 June 2015**

(24) Date from which industrial property rights may have effect: **24 June 2015**

(54) Product in respect of which the design is registered: **Razor package element**

(51) International Design Classification: **09-03H**

(74) Name(s) of Attorney(s): **PHILLIPS ORMONDE FITZPATRICK**

(71) Name(s) and Address(s) of Applicant(s):

The Gillette Company

One Gillette Park Boston Massachusetts 02127 United States of America

(72) Name(s) of Designer(s): **Todd Armand Damon and Andrew Anthony Markle**

(45) Registration Date: **28 July 2015**

(30) Convention priority data:

(31) Number

(32) Date

(33) Country

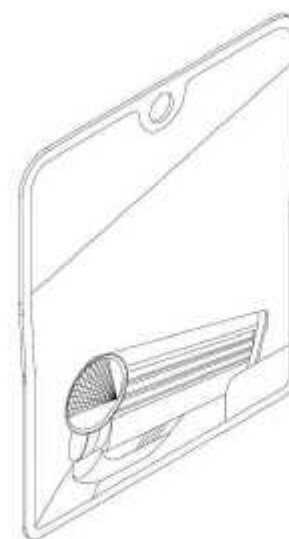
29/513,187

29 Dec 2014

UNITED STATES OF AMERICA

(56) Related Art Documents: **Not Applicable**

(57) Statement of Newness and Distinctiveness: **Nil**



(21) Design Number: **13195/2015**

(22) Date of Filing Application: **24 June 2015**

(24) Date from which industrial property rights may have effect: **24 June 2015**

(54) Product in respect of which the design is registered: **Golf club head**

(51) International Design Classification: **21-02C**

(74) Name(s) of Attorney(s): **Spruson & Ferguson**

(71) Name(s) and Address(s) of Applicant(s):

Dunlop Sports Co. Ltd.

6-9, Wakinohama-cho 3-chome Chuo-ku, Kobe-shi Hyogo, 651-0072

Japan

(72) Name(s) of Designer(s): **Hajime Asatsuma**

(45) Registration Date: **29 July 2015**

(30) Convention priority data:

(31) Number

(32) Date

(33) Country

2015-006819

30 Mar 2015

JAPAN

(56) Related Art Documents: **Not Applicable**

(57) Statement of Newness and Distinctiveness: **Newness and distinctiveness is claimed in the features of shape and/or configuration of a golf club head as illustrated in the accompanying representations.**



(21) Design Number: **13196/2015**

(22) Date of Filing Application: **24 June 2015**

(24) Date from which industrial property rights may have effect: **24 June 2015**

(54) Product in respect of which the design is registered: **Golf club head**

(51) International Design Classification: **21-02C**

(74) Name(s) of Attorney(s): **Spruson & Ferguson**

(71) Name(s) and Address(s) of Applicant(s):

Dunlop Sports Co. Ltd.

6-9, Wakinohama-cho 3-chome Chuo-ku, Kobe-shi Hyogo, 651-0072

Japan

(72) Name(s) of Designer(s): **Hajime Asatsuma**

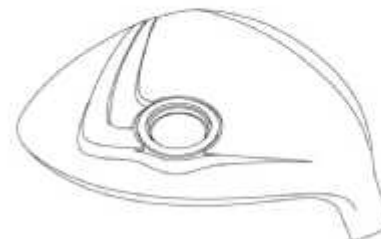
(45) Registration Date: **29 July 2015**

(30) Convention priority data:

(31) Number	(32) Date	(33) Country
2015-006818	30 Mar 2015	JAPAN

(56) Related Art Documents: **Not Applicable**

(57) Statement of Newness and Distinctiveness: **Newness and distinctiveness is claimed in the features of shape and/or configuration of a golf club head as illustrated in the accompanying representations.**



(21) Design Number: **13197/2015**

(22) Date of Filing Application: **24 June 2015**

(24) Date from which industrial property rights may have effect: **24 June 2015**

(54) Product in respect of which the design is registered: **Golf club head**

(51) International Design Classification: **21-02C**

(74) Name(s) of Attorney(s): **Spruson & Ferguson**

(71) Name(s) and Address(s) of Applicant(s):

Dunlop Sports Co. Ltd.

6-9, Wakinohama-cho 3-chome Chuo-ku, Kobe-shi Hyogo, 651-0072

Japan

(72) Name(s) of Designer(s): **Hajime Asatsuma**

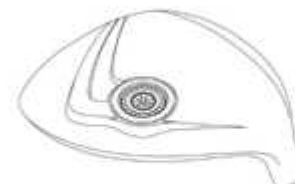
(45) Registration Date: **29 July 2015**

(30) Convention priority data:

(31) Number	(32) Date	(33) Country
2015-006821	30 Mar 2015	JAPAN

(56) Related Art Documents: **Not Applicable**

(57) Statement of Newness and Distinctiveness: **Newness and distinctiveness is claimed in the features of shape and/or configuration of a golf club head as illustrated in the accompanying representations.**



(21) Design Number: **13198/2015**

(22) Date of Filing Application: **24 June 2015**

(24) Date from which industrial property rights may have effect: **24 June 2015**

(54) Product in respect of which the design is registered: **Golf club head**

(51) International Design Classification: **21-02C**

(74) Name(s) of Attorney(s): **Spruson & Ferguson**

(71) Name(s) and Address(s) of Applicant(s):

Dunlop Sports Co. Ltd.

**6-9, Wakinohama-cho 3-chome Chuo-ku, Kobe-shi Hyogo, 651-0072
Japan**

(72) Name(s) of Designer(s): **Hajime Asatsuma**

(45) Registration Date: **29 July 2015**

(30) Convention priority data:

(31) Number	(32) Date	(33) Country
2015-006820	30 Mar 2015	JAPAN

(56) Related Art Documents: **Not Applicable**

(57) Statement of Newness and Distinctiveness: **Newness and distinctiveness is claimed in the features of shape and/or configuration of a golf club head as illustrated in the accompanying representations.**



(21) Design Number: **10499/2015**

(22) Date of Filing Application: **30 January 2015**

(24) Date from which industrial property rights may have effect: **30 January 2015**

(54) Product in respect of which the design is registered: **Storage container**

(51) International Design Classification: **09-03M**

(74) Name(s) of Attorney(s): **FB Rice**

(71) Name(s) and Address(s) of Applicant(s):

FBA International Pty Ltd

35-77 Emu Rd Maidstone VIC 3012 Australia

(72) Name(s) of Designer(s): **Marcus Krigsman and Lorrin Windahl and Steven Martinuzzo and Fadde Ali**

(45) Registration Date: **29 July 2015**

(56) Related Art Documents: **Not Applicable**

(57) Statement of Newness and Distinctiveness: **Features of shape and configuration of the assembled container, the container lid and the container base as shown in the representations.**



- (21) Design Number: **10501/2015**
(22) Date of Filing Application: **30 January 2015**
(24) Date from which industrial property rights may have effect: **30 January 2015**
(54) Product in respect of which the design is registered: **Storage container**
(51) International Design Classification: **09-03M**
(74) Name(s) of Attorney(s): **FB Rice**
(71) Name(s) and Address(s) of Applicant(s):
FBA International Pty Ltd
35-77 Emu Rd Maidstone VIC 3012 Australia
(72) Name(s) of Designer(s): **Marcus Krigsman and Lorrin Windahl and Steven Martinuzzo and Fadde Ali**
(45) Registration Date: **29 July 2015**
(56) Related Art Documents: **Not Applicable**
(57) Statement of Newness and Distinctiveness: **Features of shape and configuration of the assembled container, the container lid and the container base as shown in the representations.**



- (21) Design Number: **10507/2015**
(22) Date of Filing Application: **30 January 2015**
(24) Date from which industrial property rights may have effect: **30 January 2015**
(54) Product in respect of which the design is registered: **Storage container**
(51) International Design Classification: **09-03M**
(74) Name(s) of Attorney(s): **FB Rice**
(71) Name(s) and Address(s) of Applicant(s):
FBA International Pty Ltd
35-77 Emu Rd Maidstone VIC 3012 Australia
(72) Name(s) of Designer(s): **Lorrin Windahl and Steven Martinuzzo and Marcus Krigsman and Chris Morrish and Robert Cuzner and Bernard Walsh and Graeme Marshall and Joseph La Delfa and Andrew Fanning and Fadde Ali**
(45) Registration Date: **29 July 2015**
(56) Related Art Documents: **Not Applicable**
(57) Statement of Newness and Distinctiveness: **Features of shape and configuration of the assembled container, the container lid and the container base as shown in the representations**



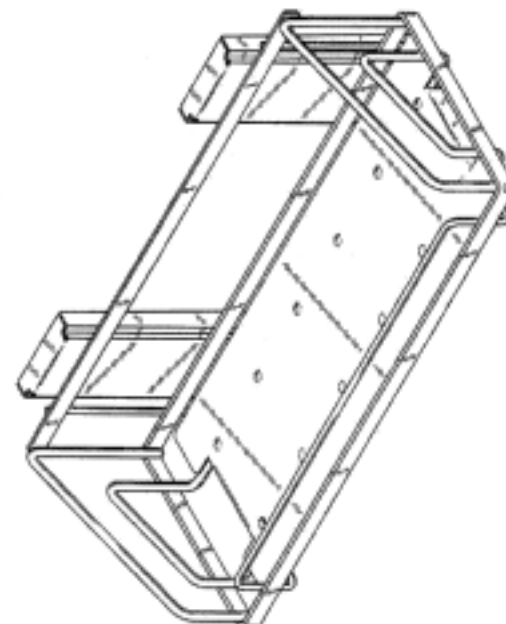
- (21) Design Number: **10508/2015**
(22) Date of Filing Application: **30 January 2015**
(24) Date from which industrial property rights may have effect: **30 January 2015**
(54) Product in respect of which the design is registered: **Storage container**
(51) International Design Classification: **09-03M**
(74) Name(s) of Attorney(s): **FB Rice**
(71) Name(s) and Address(s) of Applicant(s):
FBA International Pty Ltd
35-77 Emu Rd Maidstone VIC 3012 Australia
(72) Name(s) of Designer(s): **Lorin Windahl and Steven Martinuzzo and Marcus Krigsman and Chris Morrish and Robert Cuzner and Bernard Walsh and Graeme Marshall and Joseph La Delfa and Andrew Fanning and Fadde Ali**
(45) Registration Date: **29 July 2015**
(56) Related Art Documents: **Not Applicable**
(57) Statement of Newness and Distinctiveness: **Features of shape and configuration of the assembled container, the container lid and the container base as shown in the representations**



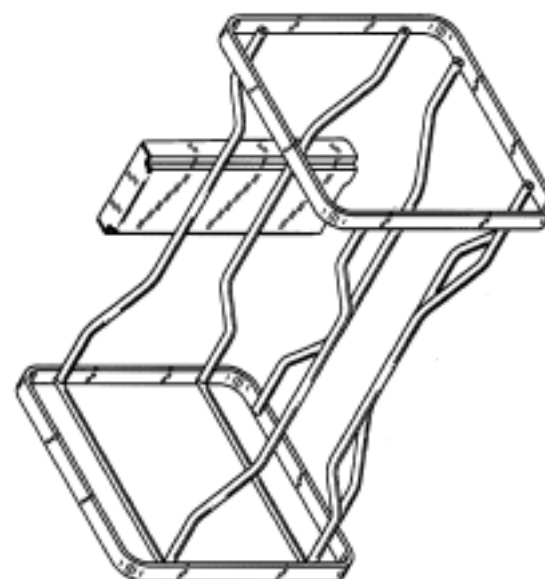
- (21) Design Number: **11349/2015**
(22) Date of Filing Application: **11 March 2015**
(24) Date from which industrial property rights may have effect: **11 March 2015**
(54) Product in respect of which the design is registered: **Composting toilet pedestal**
(51) International Design Classification: **23-02C**
(74) Name(s) of Attorney(s):
(71) Name(s) and Address(s) of Applicant(s):
R N Bowen
222 Charlotte Bay St Charlotte Bay NSW 2428 Australia
C E Bowen
222 Charlotte Bay St Charlotte Bay NSW 2428 Australia
(72) Name(s) of Designer(s): **Ross Bowen**
(45) Registration Date: **29 July 2015**
(56) Related Art Documents: **Not Applicable**
(57) Statement of Newness and Distinctiveness: **The Ultimate Pedestal is the culmination of 25 years development. The uniqueness of the Pedestal is the ability close off the view down the waste chute as well as allowing for a urine bowl that diverts the urine away from the solids bin into a separate trench. This feature increases the capacity of the composter and speeds up the decomposition process. A further feature is that the pedestal breaks into 2 halves to allow complete access for cleaning purposes. In addition there are no hoses that complicate the urine's flow into the gravel trench.**



(21) Design Number: **12014/2015**
(22) Date of Filing Application: **16 April 2015**
(24) Date from which industrial property rights may have effect: **16 April 2015**
(54) Product in respect of which the design is registered: **Caddy**
(51) International Design Classification: **06-04NES**
(74) Name(s) of Attorney(s): **Davies Collison Cave**
(71) Name(s) and Address(s) of Applicant(s):
3M Innovative Properties Company
3M Center Saint Paul Minnesota 55133-3427 United States of America
(72) Name(s) of Designer(s): **Pei-Chun Chang and Hsi Che Cheng and Hui-Lin Wang**
(45) Registration Date: **29 July 2015**
(30) Convention priority data:
(31) Number (32) Date (33) Country
29/506502 16 Oct 2014 UNITED STATES OF AMERICA
(56) Related Art Documents: **Not Applicable**
(57) Statement of Newness and Distinctiveness: **Newness and distinctiveness is claimed in the visual features shown in solid lines in the representations.**



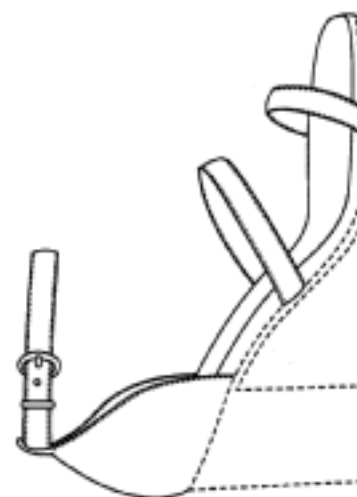
(21) Design Number: **12015/2015**
(22) Date of Filing Application: **16 April 2015**
(24) Date from which industrial property rights may have effect: **16 April 2015**
(54) Product in respect of which the design is registered: **Caddy**
(51) International Design Classification: **06-04NES**
(74) Name(s) of Attorney(s): **Davies Collison Cave**
(71) Name(s) and Address(s) of Applicant(s):
3M Innovative Properties Company
3M Center Saint Paul Minnesota 55133-3427 United States of America
(72) Name(s) of Designer(s): **Pei-Chun Chang and Hsi Che Cheng and Hui-Lin Wang**
(45) Registration Date: **29 July 2015**
(30) Convention priority data:
(31) Number (32) Date (33) Country
29/506496 16 Oct 2014 UNITED STATES OF AMERICA
(56) Related Art Documents: **Not Applicable**
(57) Statement of Newness and Distinctiveness: **Newness and distinctiveness is claimed in the visual features shown in solid lines in the representations.**



- (21) Design Number: **12040/2015**
(22) Date of Filing Application: **17 April 2015**
(24) Date from which industrial property rights may have effect: **17 April 2015**
(54) Product in respect of which the design is registered: **Access gates**
(51) International Design Classification: **25-02C**
(74) Name(s) of Attorney(s): **PHILLIPS ORMONDE FITZPATRICK**
(71) Name(s) and Address(s) of Applicant(s):
Gunnebo Entrance Control Ltd
Bellbrook Business Park Uckfield TN22 1 QQ United Kingdom
(72) Name(s) of Designer(s): **Stephen John Bates and Thomas Britton and Nicholas Peter Elkins**
(45) Registration Date: **29 July 2015**
(30) Convention priority data:
(31) Number (32) Date (33) Country
002623876 30 Jan 2015 OFFICE FOR HARMONISATION IN THE INTERNAL MARKET (OHIM)
(56) Related Art Documents: **Not Applicable**
(57) Statement of Newness and Distinctiveness: **Nil**



- (21) Design Number: **12095/2015**
(22) Date of Filing Application: **21 April 2015**
(24) Date from which industrial property rights may have effect: **21 April 2015**
(54) Product in respect of which the design is registered: **Shoe**
(51) International Design Classification: **02-04NES**
(74) Name(s) of Attorney(s): **Davies Collison Cave**
(71) Name(s) and Address(s) of Applicant(s):
Kim Meller Imports Pty Ltd
20 Hutchinson St Surry Hills NSW 2010 Australia
(72) Name(s) of Designer(s): **Skye Elizabeth Meller**
(45) Registration Date: **29 July 2015**
(56) Related Art Documents: **Not Applicable**
(57) Statement of Newness and Distinctiveness: **Newness and distinctiveness is claimed in the visual features shown in solid lines in the representations. In considering the extent of the design rights, the broken lines shown in the representations are for illustrative purposes only and do not form part of the design.**



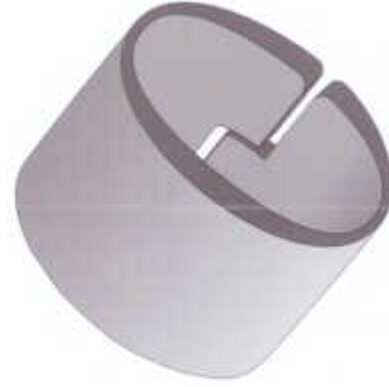
(21) Design Number: **12174/2015**
(22) Date of Filing Application: **27 April 2015**
(24) Date from which industrial property rights may have effect: **27 April 2015**
(54) Product in respect of which the design is registered: **Bottle**
(51) International Design Classification: **09-01NES**
(74) Name(s) of Attorney(s): **Davies Collison Cave**
(71) Name(s) and Address(s) of Applicant(s):
Nongfu Spring Co., Ltd.
No. 181, Geyazhuang Xihu District, Hangzhou Zhejiang, 310024 China
(72) Name(s) of Designer(s): **Chun Fan**
(45) Registration Date: **29 July 2015**
(30) Convention priority data:
(31) Number (32) Date (33) Country
201430519570.2 12 Dec 2014 CHINA
(56) Related Art Documents: **Not Applicable**
(57) Statement of Newness and Distinctiveness: **Nil**



(21) Design Number: **12196/2015**
(22) Date of Filing Application: **27 April 2015**
(24) Date from which industrial property rights may have effect: **27 April 2015**
(54) Product in respect of which the design is registered: **Freezer stick**
(51) International Design Classification: **07-07NES**
(74) Name(s) of Attorney(s): **Pizzeys**
(71) Name(s) and Address(s) of Applicant(s):
Cool Gear International, LLC
10 Cordage Park Circle Plymouth Massachusetts 02360 United States of America
(72) Name(s) of Designer(s): **Troy Kyle**
(45) Registration Date: **29 July 2015**
(30) Convention priority data:
(31) Number (32) Date (33) Country
29/507,484 28 Oct 2014 UNITED STATES OF AMERICA
(56) Related Art Documents: **Not Applicable**
(57) Statement of Newness and Distinctiveness: **Nil**



- (21) Design Number: **12254/2015**
(22) Date of Filing Application: **01 May 2015**
(24) Date from which industrial property rights may have effect: **01 May 2015**
(54) Product in respect of which the design is registered: **Apparatus to control a personal electronic device**
(51) International Design Classification: **14-02**
(74) Name(s) of Attorney(s):
(71) Name(s) and Address(s) of Applicant(s):
Bruce Allen
PO BOX 2110 Hawthorn VIC 3122 Australia
(72) Name(s) of Designer(s): **Bruce Allen**
(45) Registration Date: **29 July 2015**
(56) Related Art Documents: **Not Applicable**
(57) Statement of Newness and Distinctiveness: **Newness and distinctiveness is claimed in the visual features of shape and configuration of a wearable apparatus for controlling a personal electronic device as shown in the drawings. The apparatus may be worn, for example, around the wrist of a user.**



- (21) Design Number: **12294/2015**
(22) Date of Filing Application: **04 May 2015**
(24) Date from which industrial property rights may have effect: **04 May 2015**
(54) Product in respect of which the design is registered: **Latch for a boat trailer**
(51) International Design Classification: **12-06NES**
(74) Name(s) of Attorney(s):
(71) Name(s) and Address(s) of Applicant(s):
John Robert Pomper
46 Cove Bvd River Heads QLD 4655 Australia
(72) Name(s) of Designer(s): **John Robert Pomper**
(45) Registration Date: **29 July 2015**
(56) Related Art Documents: **Not Applicable**
(57) Statement of Newness and Distinctiveness: **The newness and distinctiveness of the design resides in the shape and/or configuration of the LATCH FOR A BOAT TRAILER shown in the representations.**



(21) Design Number: **12299/2015**
(22) Date of Filing Application: **05 May 2015**
(24) Date from which industrial property rights may have effect: **05 May 2015**
(54) Product in respect of which the design is registered: **Integrated tableware and dining mat**
(51) International Design Classification: **06-11, 07-01B**
(74) Name(s) of Attorney(s):
(71) Name(s) and Address(s) of Applicant(s):

Lindsey Laurain
17011 Lincoln Ave # 434 Parker CO, 80134-3144 United States of America

(72) Name(s) of Designer(s): **Lindsey Laurain**

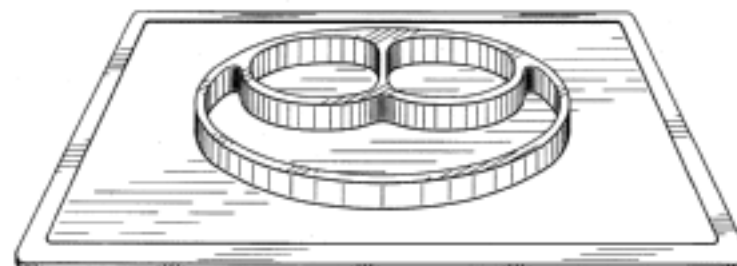
(45) Registration Date: **29 July 2015**

(30) Convention priority data:

(31) Number	(32) Date	(33) Country
29510775	03 Dec 2014	UNITED STATES OF AMERICA

(56) Related Art Documents: **Not Applicable**

(57) Statement of Newness and Distinctiveness: **The present Integrated Tablewear and Dining Mat, as set forth herein, includes a planar portion having an upper surface and a suffuse undersurface, disposed for sealable contact with an underlying surface upon which the mat is disposed. A plurality of receptacles is disposed above the upper surface delimited by a raised perimeter integrated with the upper surface. The plurality of receptacles is juxtaposed to be reminiscent of a smiling face with enlarged eyes. The plurality of receptacles is usable for holding foodstuffs therein for ingestion. The undersurface effects sealable engagement with an underlying surface and resists displacement of the Integrated Tablewear and Dining Mat therefrom during use. Removal of the Mat from the underlying surface is effected by peeling the Mat up at a corner or edge of the planar portion.**



(21) Design Number: **12305/2015**
(22) Date of Filing Application: **01 May 2015**
(24) Date from which industrial property rights may have effect: **27 November 2014**
(54) Product in respect of which the design is registered: **Display screen with graphical user interface**
(51) International Design Classification: **14-02**
(74) Name(s) of Attorney(s): **Halfords IP**
(71) Name(s) and Address(s) of Applicant(s):

ResMed Limited
1 Elizabeth Macarthur Dr Bella Vista NSW 2153 Australia

(72) Name(s) of Designer(s): **Mark Bertinetti and Jose Ignacio Romagnoli and Jamie Graeme Wehbeh**

(45) Registration Date: **29 July 2015**

(62) Divisional of: **361592**

(56) Related Art Documents: **Not Applicable**

(57) Statement of Newness and Distinctiveness: **Nil**



(21) Design Number: **12520/2015**
(22) Date of Filing Application: **14 May 2015**
(24) Date from which industrial property rights may have effect: **16 February 2015**
(54) Product in respect of which the design is registered: **Filter for an air filtration device**
(51) International Design Classification: **23-04**
(74) Name(s) of Attorney(s): **Davies Collison Cave**
(71) Name(s) and Address(s) of Applicant(s):
Illinois Tool Works Inc.
155 Harlem Ave Glenview IL 60025-4075 United States of America
(72) Name(s) of Designer(s): **Ryan L. Francis and Stephen Patrick Moore**
(45) Registration Date: **29 July 2015**
(30) Convention priority data:
(31) Number (32) Date (33) Country
29/502243 12 Sep 2014 UNITED STATES OF AMERICA
(62) Divisional of: **361885**
(56) Related Art Documents: **Not Applicable**
(57) Statement of Newness and Distinctiveness: **Newness and distinctiveness is claimed in the visual features shown in solid lines in the representations. In considering the extent of the design rights, the broken lines shown in the representations are for illustrative purposes only and do not form part of the design.**



(21) Design Number: **12521/2015**
(22) Date of Filing Application: **14 May 2015**
(24) Date from which industrial property rights may have effect: **16 February 2015**
(54) Product in respect of which the design is registered: **Filter for an air filtration device**
(51) International Design Classification: **23-04**
(74) Name(s) of Attorney(s): **Davies Collison Cave**
(71) Name(s) and Address(s) of Applicant(s):
Illinois Tool Works Inc.
155 Harlem Ave Glenview IL 60025-4075 United States of America
(72) Name(s) of Designer(s): **Ryan L. Francis and Stephen Patrick Moore**
(45) Registration Date: **29 July 2015**
(30) Convention priority data:
(31) Number (32) Date (33) Country
29/502243 12 Sep 2014 UNITED STATES OF AMERICA
(62) Divisional of: **361885**
(56) Related Art Documents: **Not Applicable**
(57) Statement of Newness and Distinctiveness: **Newness and distinctiveness is claimed in the visual features shown in solid lines in the representations. In considering the extent of the design rights, the broken lines shown in the representations are for illustrative purposes only and do not form part of the design.**



(21) Design Number: **12541/2015**
(22) Date of Filing Application: **15 May 2015**
(24) Date from which industrial property rights may have effect: **15 May 2015**
(54) Product in respect of which the design is registered: **Vehicle and vehicle replica**
(51) International Design Classification: **12-08**
(74) Name(s) of Attorney(s): **Spruson & Ferguson**
(71) Name(s) and Address(s) of Applicant(s):
Honda Motor Co., Ltd.
1-1, 2-chome, Minami-Aoyama, Minato-ku Tokyo, 107-8556 Japan
(72) Name(s) of Designer(s): **Benjamin R. Davidson and William R. Yex**
(45) Registration Date: **29 July 2015**
(30) Convention priority data:
(31) Number (32) Date (33) Country
29/509587 19 Nov 2014 UNITED STATES OF AMERICA
(56) Related Art Documents: **Not Applicable**
(57) Statement of Newness and Distinctiveness: **Newness and distinctiveness is claimed in those features of the shape and/or configuration of a vehicle and vehicle replica that are illustrated in solid lines in the accompanying representations.**



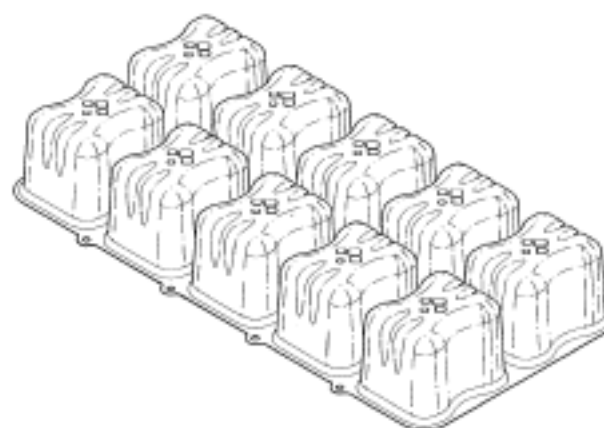
(21) Design Number: **12701/2015**
(22) Date of Filing Application: **26 May 2015**
(24) Date from which industrial property rights may have effect: **28 April 2014**
(54) Product in respect of which the design is registered: **Swivel connector for patient interface**
(51) International Design Classification: **24-01**
(74) Name(s) of Attorney(s): **Halfords IP**
(71) Name(s) and Address(s) of Applicant(s):
ResMed Limited
1 Elizabeth Macarthur Dr Bella Vista NSW 2153 Australia
(72) Name(s) of Designer(s): **Frederick Arlet May and Lachlan Richard Goldspink and Stewart Joseph Wagner**
(45) Registration Date: **29 July 2015**
(62) Divisional of: **362043**
(56) Related Art Documents: **Not Applicable**
(57) Statement of Newness and Distinctiveness: **Nil**



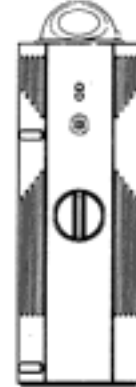
(21) Design Number: **12813/2015**
(22) Date of Filing Application: **01 June 2015**
(24) Date from which industrial property rights may have effect: **01 June 2015**
(54) Product in respect of which the design is registered: **Toiletry holder**
(51) International Design Classification: **09-05**
(74) Name(s) of Attorney(s): **Cullens Patent and Trade Mark Attorneys**
(71) Name(s) and Address(s) of Applicant(s):
Josh Cockburn
L32 239 George St Brisbane QLD 4000 Australia
Saul Cockburn
L32 239 George St Brisbane QLD 4000 Australia
(72) Name(s) of Designer(s): **Josh Cockburn and Saul Cockburn and Angus Chapman**
(45) Registration Date: **29 July 2015**
(56) Related Art Documents: **Not Applicable**
(57) Statement of Newness and Distinctiveness: **Nil**



(21) Design Number: **13058/2015**
(22) Date of Filing Application: **17 June 2015**
(24) Date from which industrial property rights may have effect: **17 June 2015**
(54) Product in respect of which the design is registered: **Supporting member for mattress**
(51) International Design Classification: **08-08L**
(74) Name(s) of Attorney(s): **PIZZEYS**
(71) Name(s) and Address(s) of Applicant(s):
Ceragem Co., Ltd
10, Jeongja 1-gil Seonggeo-eup Seobuk-gu Cheonan-si
Chungcheongnam-do, 331831 Republic of Korea
(72) Name(s) of Designer(s): **Yu Young Jun and Lee Dong Hun and Park Ji Hoon**
(45) Registration Date: **29 July 2015**
(30) Convention priority data:
(31) Number (32) Date (33) Country
30-2015-0005392 30 Jan 2015 REPUBLIC OF KOREA
(56) Related Art Documents: **Not Applicable**
(57) Statement of Newness and Distinctiveness: **Nil**



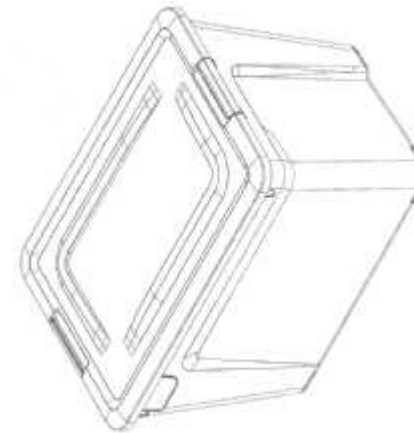
- (21) Design Number: **12814/2015**
(22) Date of Filing Application: **01 June 2015**
(24) Date from which industrial property rights may have effect: **01 June 2015**
(54) Product in respect of which the design is registered: **Speaker**
(51) International Design Classification: **14-01**
(74) Name(s) of Attorney(s): **Griffith Hack**
(71) Name(s) and Address(s) of Applicant(s):
IFI H.K. Limited
14/F Sang Woo Building No. 227-228 Gloucester Rd Wan Chai Hong Kong Island Hong Kong
(72) Name(s) of Designer(s): **Hip Choi Kwong and Dan ISSERSTEDT**
(45) Registration Date: **29 July 2015**
(56) Related Art Documents: **Not Applicable**
(57) Statement of Newness and Distinctiveness: **The shape and configuration of the product as shown in the accompanying representations is new and distinctive. The details shown on the control panel should not be regarded as new and distinctive and do not form part of the design.**



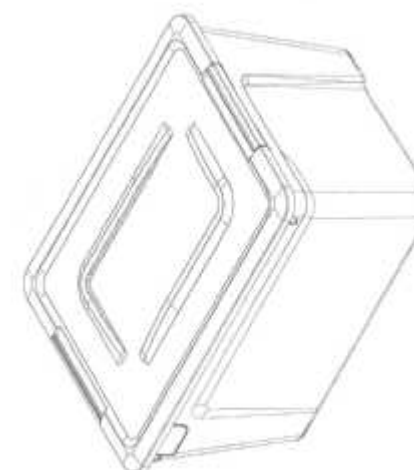
- (21) Design Number: **10509/2015**
(22) Date of Filing Application: **30 January 2015**
(24) Date from which industrial property rights may have effect: **30 January 2015**
(54) Product in respect of which the design is registered: **Storage container**
(51) International Design Classification: **09-03M**
(74) Name(s) of Attorney(s): **FB Rice**
(71) Name(s) and Address(s) of Applicant(s):
FBA International Pty Ltd
35-77 Emu Rd Maidstone VIC 3012 Australia
(72) Name(s) of Designer(s): **Lorrin Windahl and Steven Martinuzzo and Marcus Krigsman and Chris Morrish and Robert Cuzner and Bernard Walsh and Graeme Marshall and Joseph La Delfa and Andrew Fanning and Fadde Ali**
(45) Registration Date: **29 July 2015**
(56) Related Art Documents: **Not Applicable**
(57) Statement of Newness and Distinctiveness: **Features of shape and configuration of the assembled container, the container lid and the container base as shown in the representations**



- (21) Design Number: **10510/2015**
(22) Date of Filing Application: **30 January 2015**
(24) Date from which industrial property rights may have effect: **30 January 2015**
(54) Product in respect of which the design is registered: **Storage container**
(51) International Design Classification: **09-03M**
(74) Name(s) of Attorney(s): **FB Rice**
(71) Name(s) and Address(s) of Applicant(s):
FBA International Pty Ltd
35-77 Emu Rd Maidstone VIC 3012 Australia
(72) Name(s) of Designer(s): **Lorrin Windahl and Steven Martinuzzo and Marcus Krigsman and Chris Morrish and Robert Cuzner and Bernard Walsh and Graeme Marshall and Joseph La Delfa and Andrew Fanning and Fadde Ali**
(45) Registration Date: **29 July 2015**
(56) Related Art Documents: **Not Applicable**
(57) Statement of Newness and Distinctiveness: **Features of shape and configuration of the assembled container, the container lid and the container base as shown in the representations**



- (21) Design Number: **10511/2015**
(22) Date of Filing Application: **30 January 2015**
(24) Date from which industrial property rights may have effect: **30 January 2015**
(54) Product in respect of which the design is registered: **Storage container**
(51) International Design Classification: **09-03M**
(74) Name(s) of Attorney(s): **FB Rice**
(71) Name(s) and Address(s) of Applicant(s):
FBA International Pty Ltd
35-77 Emu Rd Maidstone VIC 3012 Australia
(72) Name(s) of Designer(s): **Lorrin Windahl and Steven Martinuzzo and Marcus Krigsman and Chris Morrish and Robert Cuzner and Bernard Walsh and Graeme Marshall and Joseph La Delfa and Andrew Fanning and Fadde Ali**
(45) Registration Date: **29 July 2015**
(56) Related Art Documents: **Not Applicable**
(57) Statement of Newness and Distinctiveness: **Features of shape and configuration of the assembled container, the container lid and the container base as shown in the representations**



- (21) Design Number: **13199/2015**
(22) Date of Filing Application: **24 June 2015**
(24) Date from which industrial property rights may have effect: **24 June 2015**
(54) Product in respect of which the design is registered: **Swimwear**
(51) International Design Classification: **02-02A**
(74) Name(s) of Attorney(s): **Thomson Geer**
(71) Name(s) and Address(s) of Applicant(s):
JETS Swimwear Pty Ltd
8-18 Bowden St Alexandria NSW 2015 Australia
(72) Name(s) of Designer(s): **Jessika Allen**
(45) Registration Date: **29 July 2015**
(56) Related Art Documents: **Not Applicable**
(57) Statement of Newness and Distinctiveness: **Newness and distinctiveness is claimed in the shape, configuration, pattern and/or ornamentation of the swimwear garment depicted in the accompanying representations. The grey shaded sections represent contrast fabric of a different colour, texture or design to the balance of the garment. In considering the newness & distinctiveness of the design the outline of the wearer and the straps and ties in the back view, all shown in broken lines, form no part of the design.**



- (21) Design Number: **13200/2015**
(22) Date of Filing Application: **24 June 2015**
(24) Date from which industrial property rights may have effect: **24 June 2015**
(54) Product in respect of which the design is registered: **Swimwear**
(51) International Design Classification: **02-02A**
(74) Name(s) of Attorney(s): **Thomson Geer**
(71) Name(s) and Address(s) of Applicant(s):
JETS Swimwear Pty Ltd
8-18 Bowden St Alexandria NSW 2015 Australia
(72) Name(s) of Designer(s): **Jessika Allen**
(45) Registration Date: **29 July 2015**
(56) Related Art Documents: **Not Applicable**
(57) Statement of Newness and Distinctiveness: **Newness and distinctiveness is claimed in the shape, configuration, pattern and/or ornamentation of the bust design in the accompanying representations when used in a swimwear garment that is any of a bra, a one piece costume or a singlet. In considering the newness & distinctiveness the feature marked 'A' is to be disregarded. The bottom edge of the bust design in the front and back view and the front and back straps in the back view and the outline of the wearer, all shown in broken lines, form no part of the design.**



- (21) Design Number: **13201/2015**
(22) Date of Filing Application: **24 June 2015**
(24) Date from which industrial property rights may have effect: **24 June 2015**
(54) Product in respect of which the design is registered: **Swimwear**
(51) International Design Classification: **02-02A**
(74) Name(s) of Attorney(s): **Thomson Geer**
(71) Name(s) and Address(s) of Applicant(s):

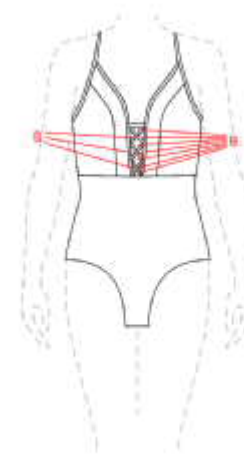
JETS Swimwear Pty Ltd
8-18 Bowden St Alexandria NSW 2015 Australia

- (72) Name(s) of Designer(s): **Jessika Allen**

(45) Registration Date: **29 July 2015**

(56) Related Art Documents: **Not Applicable**

- (57) Statement of Newness and Distinctiveness: **Newness and distinctiveness is claimed in the shape, configuration, pattern and/or ornamentation of the swimwear garment depicted in the accompanying representations. The sections marked "B" in front and back views are cut out panels. In considering the newness & distinctiveness of the design the back straps and tie in the back view and the outline of the wearer, all shown in broken lines, form no part of the design.**



- (21) Design Number: **13202/2015**
(22) Date of Filing Application: **24 June 2015**
(24) Date from which industrial property rights may have effect: **24 June 2015**
(54) Product in respect of which the design is registered: **Swimwear**
(51) International Design Classification: **02-02A**
(74) Name(s) of Attorney(s): **Thomson Geer**
(71) Name(s) and Address(s) of Applicant(s):

JETS Swimwear Pty Ltd
8-18 Bowden St Alexandria NSW 2015 Australia

- (72) Name(s) of Designer(s): **Jessika Allen**

(45) Registration Date: **29 July 2015**

(56) Related Art Documents: **Not Applicable**

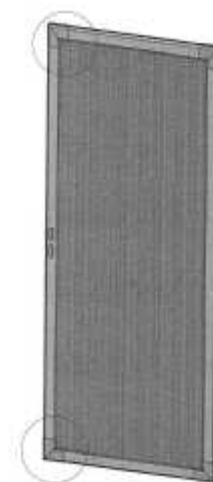
- (57) Statement of Newness and Distinctiveness: **Newness and distinctiveness is claimed in the shape, configuration, pattern and/or ornamentation of the swimwear garment depicted in the accompanying representations. The grey shaded sections represent contrast fabric of a different colour, texture or design to the balance of the garment. The section marked "B" in the back view is a cut out panel. In considering the newness & distinctiveness of the design the feature marked "A" is to be disregarded. The outline of the wearer and the straps and tie in the back view, all shown in broken lines, form no part of the**



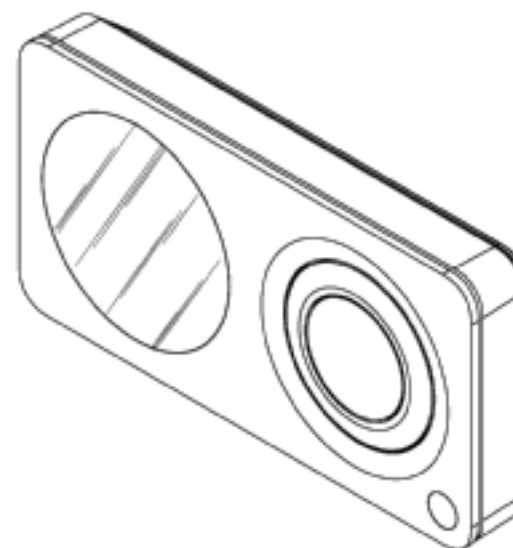
- (21) Design Number: **13203/2015**
(22) Date of Filing Application: **24 June 2015**
(24) Date from which industrial property rights may have effect: **24 June 2015**
(54) Product in respect of which the design is registered: **Swimwear**
(51) International Design Classification: **02-02A**
(74) Name(s) of Attorney(s): **Thomson Geer**
(71) Name(s) and Address(s) of Applicant(s):
JETS Swimwear Pty Ltd
8-18 Bowden St Alexandria NSW 2015 Australia
(72) Name(s) of Designer(s): **Jessika Allen**
(45) Registration Date: **29 July 2015**
(56) Related Art Documents: **Not Applicable**
(57) Statement of Newness and Distinctiveness: **Newness and distinctiveness is claimed in the shape, configuration, pattern and/or ornamentation of the swimwear garment depicted in the accompanying representations. The sections marked "B" in front and back views are cut out panels. The feature marked "C" in the front and back view is binding. In considering the newness & distinctiveness of the design the outline of the wearer, shown in broken lines, form no part of the design.**



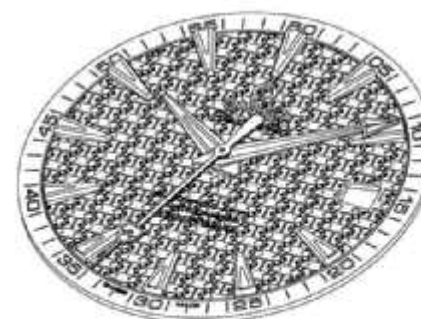
- (21) Design Number: **10964/2015**
(22) Date of Filing Application: **23 February 2015**
(24) Date from which industrial property rights may have effect: **23 February 2015**
(54) Product in respect of which the design is registered: **Door**
(51) International Design Classification: **25-02B**
(74) Name(s) of Attorney(s):
(71) Name(s) and Address(s) of Applicant(s):
JORGENSON-WATTS IP PTY LTD
10 Ross St South Melbourne VIC 3205 Australia
(72) Name(s) of Designer(s): **John Russell Watts**
(45) Registration Date: **29 July 2015**
(56) Related Art Documents: **Not Applicable**
(57) Statement of Newness and Distinctiveness: **Nil**



- (21) Design Number: **13191/2015**
(22) Date of Filing Application: **23 June 2015**
(24) Date from which industrial property rights may have effect: **26 March 2015**
(54) Product in respect of which the design is registered: **Thermostat/hub for climate control and monitoring**
(51) International Design Classification: **10-04**
(74) Name(s) of Attorney(s): **Davies Collison Cave**
(71) Name(s) and Address(s) of Applicant(s):
Tronac Pty Ltd
9 Sandpiper PI Kenthurst NSW 2156 Australia
(72) Name(s) of Designer(s): **David Mansueto and David Jones and Angus Bean and Kevin Brian Mundy**
(45) Registration Date: **29 July 2015**
(62) Divisional of: **362435**
(56) Related Art Documents: **Not Applicable**
(57) Statement of Newness and Distinctiveness: **Newness and distinctiveness is claimed in the visual features shown in solid lines in the representations. In considering the extent of the design rights, the broken lines shown in the representations are for illustrative purposes only and do not form part of the design.**



- (21) Design Number: **13204/2015**
(22) Date of Filing Application: **24 June 2015**
(24) Date from which industrial property rights may have effect: **24 June 2015**
(54) Product in respect of which the design is registered: **Dial**
(51) International Design Classification: **10-07**
(74) Name(s) of Attorney(s): **WATERMARK PATENT AND TRADE MARKS ATTORNEYS**
(71) Name(s) and Address(s) of Applicant(s):
Omega SA (Omega AG) (Omega Ltd)
Jakob-Staempfli-Strasse 96 Biel/Bienne 2502 Switzerland
(72) Name(s) of Designer(s): **Jean-Claude Monachon**
(45) Registration Date: **29 July 2015**
(30) Convention priority data:
(31) Number (32) Date (33) Country
DM/085 318 13 Jan 2015 WORLD INTELLECTUAL PROPERTY ORGANIZATION (WIPO)
(56) Related Art Documents: **Not Applicable**
(57) Statement of Newness and Distinctiveness: **Nil**



(21) Design Number: **13217/2015**
(22) Date of Filing Application: **24 June 2015**
(24) Date from which industrial property rights may have effect: **24 June 2015**
(54) Product in respect of which the design is registered: **Swimwear**
(51) International Design Classification: **02-02A**
(74) Name(s) of Attorney(s): **Thomson Geer**
(71) Name(s) and Address(s) of Applicant(s):

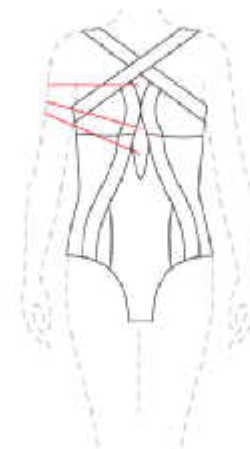
JETS Swimwear Pty Ltd
8-18 Bowden St Alexandria NSW 2015 Australia

(72) Name(s) of Designer(s): **Jessika Allen**

(45) Registration Date: **29 July 2015**

(56) Related Art Documents: **Not Applicable**

(57) Statement of Newness and Distinctiveness: **Newness and distinctiveness is claimed in the shape, configuration, pattern and/or ornamentation of the swimwear garment depicted in the accompanying representations. The sections marked "B" in the front and back views are cut out panels. In considering the newness & distinctiveness of the design the feature marked "A" should be disregarded, and the outline of the wearer shown in broken lines, forms no part of the design.**



(21) Design Number: **13229/2015**
(22) Date of Filing Application: **25 June 2015**
(24) Date from which industrial property rights may have effect: **25 June 2015**
(54) Product in respect of which the design is registered: **Dispenser**
(51) International Design Classification: **07-05NES**
(74) Name(s) of Attorney(s): **Shelston IP**
(71) Name(s) and Address(s) of Applicant(s):

Reckitt Benckiser LLC
Morris Corporate Center IV 399 Interpace Parkway Parsippany New Jersey 07054 United States of America

(72) Name(s) of Designer(s): **Sebastiaan Bruining**

(45) Registration Date: **29 July 2015**

(30) Convention priority data:

(31) Number	(32) Date	(33) Country
002608588-0002	06 Jan 2015	OFFICE FOR HARMONISATION IN THE INTERNAL MARKET (OHIM)

(56) Related Art Documents: **Not Applicable**

(57) Statement of Newness and Distinctiveness: **Newness and distinctiveness reside in the features of shape and configuration of a dispenser as illustrated in solid lines in the accompanying representations. The features shown in broken lines are shown for illustrative purposes only and do not form part of the design.**



(21) Design Number: **13230/2015**

(22) Date of Filing Application: **25 June 2015**

(24) Date from which industrial property rights may have effect: **25 June 2015**

(54) Product in respect of which the design is registered: **Dispenser**

(51) International Design Classification: **07-05NES**

(74) Name(s) of Attorney(s): **Shelston IP**

(71) Name(s) and Address(s) of Applicant(s):

Reckitt Benckiser LLC

**Morris Corporate Center IV 399 Interpace Parkway Parsippany New
Jersey 07054 United States of America**

(72) Name(s) of Designer(s): **Sebastiaan Bruining**

(45) Registration Date: **29 July 2015**

(30) Convention priority data:

(31) Number

(32) Date

(33) Country

002608588-0001 06 Jan 2015

**OFFICE FOR HARMONISATION IN
THE INTERNAL MARKET (OHIM)**

(56) Related Art Documents: **Not Applicable**

(57) Statement of Newness and Distinctiveness: **Newness and distinctiveness reside in the features of shape and configuration of a dispenser as illustrated in solid lines in the accompanying representations. The features shown in broken lines are shown for illustrative purposes only and do not form part of the design.**



(21) Design Number: **13231/2015**

(22) Date of Filing Application: **25 June 2015**

(24) Date from which industrial property rights may have effect: **25 June 2015**

(54) Product in respect of which the design is registered: **Mattress**

(51) International Design Classification: **06-09**

(74) Name(s) of Attorney(s): **Griffith Hack**

(71) Name(s) and Address(s) of Applicant(s):

Wenatex Forschung - Entwicklung - Produktion GmbH

Muenchner Bundesstrasse 17 Salzburg 5020 Austria

(72) Name(s) of Designer(s): **Hans-Gerd Wernicke**

(45) Registration Date: **29 July 2015**

(30) Convention priority data:

(31) Number

(32) Date

(33) Country

002618546 22 Jan 2015

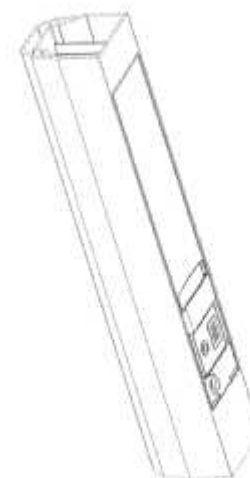
**OFFICE FOR HARMONISATION IN
THE INTERNAL MARKET (OHIM)**

(56) Related Art Documents: **Not Applicable**

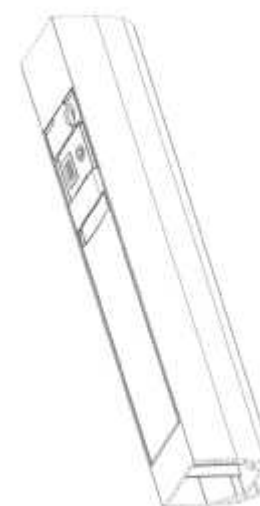
(57) Statement of Newness and Distinctiveness: **Newness and distinctiveness resides in the visual features, including the shape and configuration of the product shown in the representations.**



(21) Design Number: **12202/2015**
(22) Date of Filing Application: **29 April 2015**
(24) Date from which industrial property rights may have effect: **29 April 2015**
(54) Product in respect of which the design is registered: **Frame element with accumulator**
(51) International Design Classification: **13-02**
(74) Name(s) of Attorney(s): **Callinans**
(71) Name(s) and Address(s) of Applicant(s):
ROBERT BOSCH GMBH
Postfach 30 02 20 Stuttgart 70442 Germany
(72) Name(s) of Designer(s): **Rinaldo Greiner**
(45) Registration Date: **29 July 2015**
(30) Convention priority data:
(31) Number (32) Date (33) Country
002573154 07 Nov 2014 OFFICE FOR HARMONISATION IN THE INTERNAL MARKET (OHIM)
(56) Related Art Documents: **Not Applicable**
(57) Statement of Newness and Distinctiveness: **Newness and distinctiveness are provided by the shape and/or configuration of the design shown in the representations. The frame element is of indefinite length as shown by the broken lines in the representations.**



(21) Design Number: **12203/2015**
(22) Date of Filing Application: **29 April 2015**
(24) Date from which industrial property rights may have effect: **29 April 2015**
(54) Product in respect of which the design is registered: **Frame element with accumulator**
(51) International Design Classification: **13-02**
(74) Name(s) of Attorney(s): **Callinans**
(71) Name(s) and Address(s) of Applicant(s):
ROBERT BOSCH GMBH
Postfach 30 02 20 Stuttgart 70442 Germany
(72) Name(s) of Designer(s): **Rinaldo Greiner**
(45) Registration Date: **29 July 2015**
(30) Convention priority data:
(31) Number (32) Date (33) Country
002573154 07 Nov 2014 OFFICE FOR HARMONISATION IN THE INTERNAL MARKET (OHIM)
(56) Related Art Documents: **Not Applicable**
(57) Statement of Newness and Distinctiveness: **Newness and distinctiveness are provided by the shape and/or configuration of the design shown in the representations. The frame element is of indefinite length as shown by the broken lines in the representations.**



- (21) Design Number: **13223/2015**
(22) Date of Filing Application: **24 June 2015**
(24) Date from which industrial property rights may have effect: **24 June 2015**
(54) Product in respect of which the design is registered: **Swimwear**
(51) International Design Classification: **02-02A**
(74) Name(s) of Attorney(s): **Thomson Geer**
(71) Name(s) and Address(s) of Applicant(s):

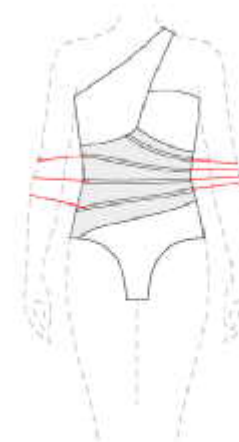
JETS Swimwear Pty Ltd
8-18 Bowden St Alexandria NSW 2015 Australia

(72) Name(s) of Designer(s): **Jessika Allen**

(45) Registration Date: **29 July 2015**

(56) Related Art Documents: **Not Applicable**

(57) Statement of Newness and Distinctiveness: **Newness and distinctiveness is claimed in the shape, configuration, pattern and/or ornamentation of the swimwear garment depicted in the accompanying representations. The design features marked "B" in the front and back views are taping attached to the outside of the garment. The grey shaded sections represent contrast fabric of a different colour, texture or design to the balance of the garment. The outline of the wearer, shown in broken lines, forms no part of the design.**



- (21) Design Number: **13224/2015**
(22) Date of Filing Application: **24 June 2015**
(24) Date from which industrial property rights may have effect: **24 June 2015**
(54) Product in respect of which the design is registered: **Swimwear**
(51) International Design Classification: **02-02A**
(74) Name(s) of Attorney(s): **Thomson Geer**
(71) Name(s) and Address(s) of Applicant(s):

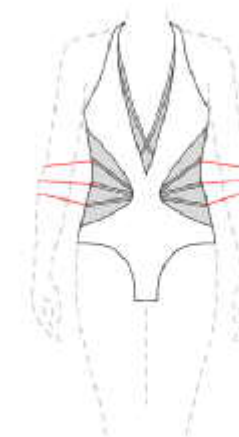
JETS Swimwear Pty Ltd
8-18 Bowden St Alexandria NSW 2015 Australia

(72) Name(s) of Designer(s): **Jessika Allen**

(45) Registration Date: **29 July 2015**

(56) Related Art Documents: **Not Applicable**

(57) Statement of Newness and Distinctiveness: **Newness and distinctiveness is claimed in the shape, configuration, pattern and/or ornamentation of the swimwear garment depicted in the accompanying representations. The design features marked "B" in the front and back views are taping attached to the outside of the garment. The grey shaded sections represent contrast fabric of a different colour, texture or design to the balance of the garment. In considering the newness and distinctiveness of the design the featured marked "A" should be disregarded. The outline of the wearer, shown in broken lines, forms no part of the design.**



(21) Design Number: **13225/2015**
(22) Date of Filing Application: **24 June 2015**
(24) Date from which industrial property rights may have effect: **24 June 2015**
(54) Product in respect of which the design is registered: **Swimwear**
(51) International Design Classification: **02-02A**
(74) Name(s) of Attorney(s): **Thomson Geer**
(71) Name(s) and Address(s) of Applicant(s):

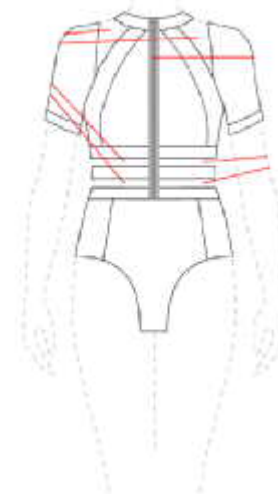
JETS Swimwear Pty Ltd
8-18 Bowden St Alexandria NSW 2015 Australia

(72) Name(s) of Designer(s): **Jessika Allen**

(45) Registration Date: **29 July 2015**

(56) Related Art Documents: **Not Applicable**

(57) Statement of Newness and Distinctiveness: **Newness and distinctiveness is claimed in the shape, configuration, pattern and/or ornamentation of the swimwear garment depicted in the accompanying representations. The sections marked "B" in the front and back views are cut out panels. The design feature marked "C" is a zip. The outline of the wearer, shown in broken lines, forms no part of the design.**



(21) Design Number: **13228/2015**
(22) Date of Filing Application: **25 June 2015**
(24) Date from which industrial property rights may have effect: **25 June 2015**
(54) Product in respect of which the design is registered: **Dispenser**
(51) International Design Classification: **07-05NES**
(74) Name(s) of Attorney(s): **Shelston IP**
(71) Name(s) and Address(s) of Applicant(s):

Reckitt Benckiser LLC
Morris Corporate Center IV 399 Interpace Parkway Parsippany New Jersey 07054 United States of America

(72) Name(s) of Designer(s): **Sebastiaan Bruining**

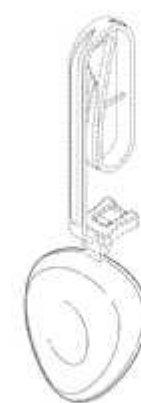
(45) Registration Date: **29 July 2015**

(30) Convention priority data:

(31) Number	(32) Date	(33) Country
002608588-0003	06 Jan 2015	OFFICE FOR HARMONISATION IN THE INTERNAL MARKET (OHIM)

(56) Related Art Documents: **Not Applicable**

(57) Statement of Newness and Distinctiveness: **Newness and distinctiveness reside in the features of shape and configuration of a dispenser as illustrated in solid lines in the accompanying representations. The features shown in broken lines are shown for illustrative purposes only and do not form part of the design.**



- (21) Design Number: **12231/2015**
(22) Date of Filing Application: **30 April 2015**
(24) Date from which industrial property rights may have effect: **30 April 2015**
(54) Product in respect of which the design is registered: **Frame Element**
(51) International Design Classification: **13-02**
(74) Name(s) of Attorney(s): **Callinans**
(71) Name(s) and Address(s) of Applicant(s):
ROBERT BOSCH GMBH
Postfach 30 02 20 Stuttgart 70442 Germany
(72) Name(s) of Designer(s): **Rinaldo Greiner**
(45) Registration Date: **29 July 2015**
(30) Convention priority data:
(31) Number (32) Date (33) Country
**002574186 07 Nov 2014 OFFICE FOR HARMONISATION IN
THE INTERNAL MARKET (OHIM)**
(56) Related Art Documents: **Not Applicable**
(57) Statement of Newness and Distinctiveness: **Newness and distinctiveness
are provided by the shape and/or configuration of the design shown in
the representations. The frame element is of indefinite length as shown
by the broken lines in the representations.**



- (21) Design Number: **12232/2015**
(22) Date of Filing Application: **30 April 2015**
(24) Date from which industrial property rights may have effect: **30 April 2015**
(54) Product in respect of which the design is registered: **Frame element**
(51) International Design Classification: **13-02**
(74) Name(s) of Attorney(s): **Callinans**
(71) Name(s) and Address(s) of Applicant(s):
ROBERT BOSCH GMBH
Postfach 30 02 20 Stuttgart 70442 Germany
(72) Name(s) of Designer(s): **Rinaldo Greiner**
(45) Registration Date: **29 July 2015**
(30) Convention priority data:
(31) Number (32) Date (33) Country
**002574186 07 Nov 2014 OFFICE FOR HARMONISATION IN
THE INTERNAL MARKET (OHIM)**
(56) Related Art Documents: **Not Applicable**
(57) Statement of Newness and Distinctiveness: **Newness and distinctiveness
are provided by the shape and/or configuration of the design shown in
the representations. The frame element is of indefinite length as shown
by the broken lines in the representations.**



- (21) Design Number: **13220/2015**
(22) Date of Filing Application: **24 June 2015**
(24) Date from which industrial property rights may have effect: **24 June 2015**
(54) Product in respect of which the design is registered: **Swimwear**
(51) International Design Classification: **02-02A**
(74) Name(s) of Attorney(s): **Thomson Geer**
(71) Name(s) and Address(s) of Applicant(s):

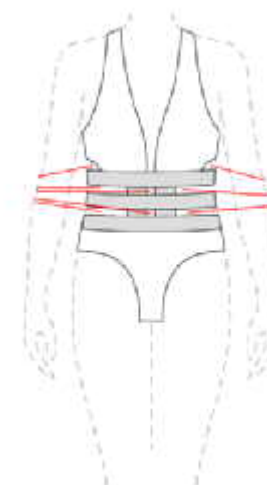
JETS Swimwear Pty Ltd
8-18 Bowden St Alexandria NSW 2015 Australia

- (72) Name(s) of Designer(s): **Jessika Allen**

(45) Registration Date: **29 July 2015**

(56) Related Art Documents: **Not Applicable**

- (57) Statement of Newness and Distinctiveness: **Newness and distinctiveness is claimed in the shape, configuration, pattern and/or ornamentation of the swimwear garment depicted in the accompanying representations. The grey shaded sections represent contrast fabric of a different colour, texture or design to the balance of the garment. The sections marked "B" in the front and back views are cut out panels. In considering the newness & distinctiveness of the design the outline of the wearer shown in broken lines, forms no part of the design.**



- (21) Design Number: **12235/2015**
(22) Date of Filing Application: **30 April 2015**
(24) Date from which industrial property rights may have effect: **30 April 2015**
(54) Product in respect of which the design is registered: **Frame element**
(51) International Design Classification: **13-02**
(74) Name(s) of Attorney(s): **Callinans**
(71) Name(s) and Address(s) of Applicant(s):

ROBERT BOSCH GMBH
Postfach 30 02 20 Stuttgart 70442 Germany

- (72) Name(s) of Designer(s): **Rinaldo Greiner**

(45) Registration Date: **29 July 2015**

(30) Convention priority data:

(31) Number	(32) Date	(33) Country
002574186	07 Nov 2014	OFFICE FOR HARMONISATION IN THE INTERNAL MARKET (OHIM)

(56) Related Art Documents: **Not Applicable**

- (57) Statement of Newness and Distinctiveness: **Newness and distinctiveness are provided by the shape and/or configuration of the design shown in the representations. The frame element is of indefinite length as shown by the broken lines in the representations.**



- (21) Design Number: **13221/2015**
(22) Date of Filing Application: **24 June 2015**
(24) Date from which industrial property rights may have effect: **24 June 2015**
(54) Product in respect of which the design is registered: **Swimwear**
(51) International Design Classification: **02-02A**
(74) Name(s) of Attorney(s): **Thomson Geer**
(71) Name(s) and Address(s) of Applicant(s):

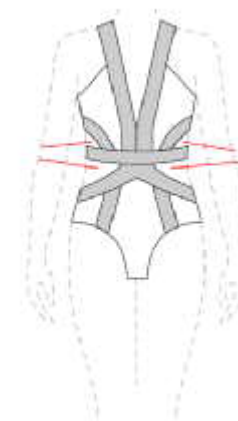
JETS Swimwear Pty Ltd
8-18 Bowden St Alexandria NSW 2015 Australia

- (72) Name(s) of Designer(s): **Jessika Allen**

(45) Registration Date: **29 July 2015**

(56) Related Art Documents: **Not Applicable**

- (57) Statement of Newness and Distinctiveness: **Newness and distinctiveness is claimed in the shape, configuration, pattern and/or ornamentation of the swimwear garment depicted in the accompanying representations. The grey shaded sections represent contrast fabric of a different colour, texture or design to the balance of the garment. The sections marked "B" in the front and back views are cut out panels. In considering the newness & distinctiveness of the design the feature marked "A" should be disregarded, and the outline of the wearer shown in broken lines, forms no part of the design.**



- (21) Design Number: **13222/2015**
(22) Date of Filing Application: **24 June 2015**
(24) Date from which industrial property rights may have effect: **24 June 2015**
(54) Product in respect of which the design is registered: **Swimwear**
(51) International Design Classification: **02-02A**
(74) Name(s) of Attorney(s): **Thomson Geer**
(71) Name(s) and Address(s) of Applicant(s):

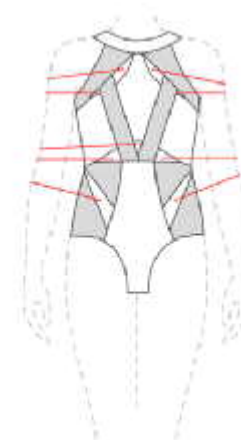
JETS Swimwear Pty Ltd
8-18 Bowden St Alexandria NSW 2015 Australia

- (72) Name(s) of Designer(s): **Jessika Allen**

(45) Registration Date: **29 July 2015**

(56) Related Art Documents: **Not Applicable**

- (57) Statement of Newness and Distinctiveness: **Newness and distinctiveness is claimed in the shape, configuration, pattern and/or ornamentation of the swimwear garment depicted in the accompanying representations. The grey shaded sections represent contrast fabric of a different colour, texture or design to the balance of the garment. The grey shaded sections represent contrast fabric of a different colour, texture or design to the balance of the garment. The sections marked "B" in the front and back views are cut out panels. In considering the newness & distinctiveness of the design the feature marked "A" should be disregarded, and the outline of the wearer shown in broken lines, forms no part of the design.**



- (21) Design Number: **12237/2015**
(22) Date of Filing Application: **30 April 2015**
(24) Date from which industrial property rights may have effect: **30 April 2015**
(54) Product in respect of which the design is registered: **Frame element**
(51) International Design Classification: **13-02**
(74) Name(s) of Attorney(s): **Callinans**
(71) Name(s) and Address(s) of Applicant(s):
ROBERT BOSCH GMBH
Postfach 30 02 20 Stuttgart 70442 Germany
(72) Name(s) of Designer(s): **Rinaldo Greiner**
(45) Registration Date: **29 July 2015**
(30) Convention priority data:
(31) Number (32) Date (33) Country
002574186 07 Nov 2014 OFFICE FOR HARMONISATION IN
THE INTERNAL MARKET (OHIM)
(56) Related Art Documents: **Not Applicable**
(57) Statement of Newness and Distinctiveness: **Newness and distinctiveness are provided by the shape and/or configuration of the design shown in the representations. The frame element is of indefinite length as shown by the broken lines in the representations.**



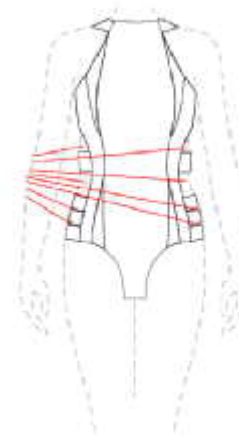
- (21) Design Number: **12280/2015**
(22) Date of Filing Application: **01 May 2015**
(24) Date from which industrial property rights may have effect: **01 May 2015**
(54) Product in respect of which the design is registered: **Frame element**
(51) International Design Classification: **13-02**
(74) Name(s) of Attorney(s): **Callinans**
(71) Name(s) and Address(s) of Applicant(s):
ROBERT BOSCH GMBH
Postfach 30 02 20 Stuttgart 70442 Germany
(72) Name(s) of Designer(s): **Rinaldo Greiner**
(45) Registration Date: **29 July 2015**
(30) Convention priority data:
(31) Number (32) Date (33) Country
002574186 07 Nov 2014 OFFICE FOR HARMONISATION IN
THE INTERNAL MARKET (OHIM)
(56) Related Art Documents: **Not Applicable**
(57) Statement of Newness and Distinctiveness: **Newness and distinctiveness are provided by the shape and/or configuration of the design shown in the representations. The frame element is of indefinite length as shown by the broken lines in the representations.**



- (21) Design Number: **13219/2015**
(22) Date of Filing Application: **24 June 2015**
(24) Date from which industrial property rights may have effect: **24 June 2015**
(54) Product in respect of which the design is registered: **Swimwear**
(51) International Design Classification: **02-02A**
(74) Name(s) of Attorney(s): **Thomson Geer**
(71) Name(s) and Address(s) of Applicant(s):

JETS Swimwear Pty Ltd
8-18 Bowden St Alexandria NSW 2015 Australia

- (72) Name(s) of Designer(s): **Jessika Allen**
(45) Registration Date: **29 July 2015**
(56) Related Art Documents: **Not Applicable**
(57) Statement of Newness and Distinctiveness: **Newness and distinctiveness is claimed in the shape, configuration, pattern and/or ornamentation of the swimwear garment depicted in the accompanying representations. The sections marked "B" in the front and back views are cut out panels. In considering the newness & distinctiveness of the design the feature marked "A" should be disregarded, and the outline of the wearer, shown in broken lines, forms no part of the design.**



- (21) Design Number: **12281/2015**
(22) Date of Filing Application: **01 May 2015**
(24) Date from which industrial property rights may have effect: **01 May 2015**
(54) Product in respect of which the design is registered: **Frame element**
(51) International Design Classification: **13-02**
(74) Name(s) of Attorney(s): **Callinans**
(71) Name(s) and Address(s) of Applicant(s):

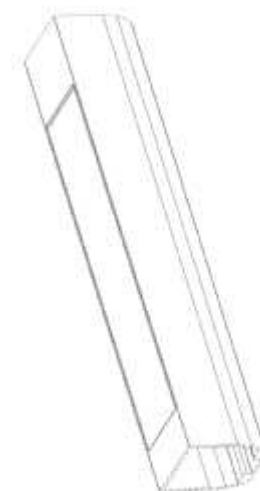
ROBERT BOSCH GMBH
Postfach 30 02 20 Stuttgart 70442 Germany

- (72) Name(s) of Designer(s): **Rinaldo Greiner**
(45) Registration Date: **30 July 2015**
(30) Convention priority data:
(31) Number (32) Date (33) Country
**002574186 07 Nov 2014 OFFICE FOR HARMONISATION IN
THE INTERNAL MARKET (OHIM)**

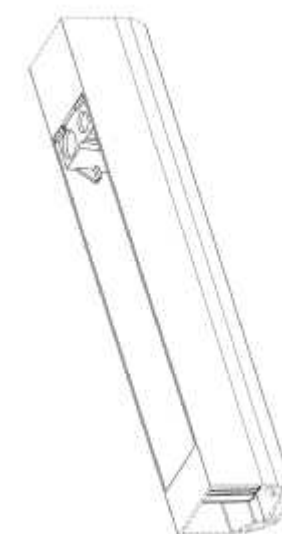
- (56) Related Art Documents: **Not Applicable**
(57) Statement of Newness and Distinctiveness: **Newness and distinctiveness are provided by the shape and/or configuration of the design shown in the representations. The frame element is of indefinite length as shown by the broken lines in the representations.**



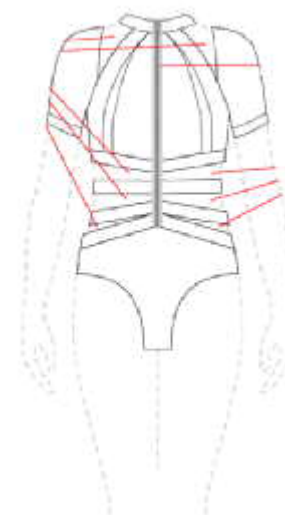
- (21) Design Number: **12284/2015**
(22) Date of Filing Application: **01 May 2015**
(24) Date from which industrial property rights may have effect: **01 May 2015**
(54) Product in respect of which the design is registered: **Frame element**
(51) International Design Classification: **13-02**
(74) Name(s) of Attorney(s): **Callinans**
(71) Name(s) and Address(s) of Applicant(s):
ROBERT BOSCH GMBH
Postfach 30 02 20 Stuttgart 70442 Germany
(72) Name(s) of Designer(s): **Rinaldo Greiner**
(45) Registration Date: **30 July 2015**
(30) Convention priority data:
(31) Number (32) Date (33) Country
**002574186 07 Nov 2014 OFFICE FOR HARMONISATION IN
THE INTERNAL MARKET (OHIM)**
(56) Related Art Documents: **Not Applicable**
(57) Statement of Newness and Distinctiveness: **Newness and distinctiveness
are provided by the shape and/or configuration of the design shown in
the representations. The frame element is of indefinite length as shown
by the broken lines in the representations.**



- (21) Design Number: **12285/2015**
(22) Date of Filing Application: **01 May 2015**
(24) Date from which industrial property rights may have effect: **01 May 2015**
(54) Product in respect of which the design is registered: **Frame element and
accumulator**
(51) International Design Classification: **13-02**
(74) Name(s) of Attorney(s): **Callinans**
(71) Name(s) and Address(s) of Applicant(s):
ROBERT BOSCH GMBH
Postfach 30 02 20 Stuttgart 70442 Germany
(72) Name(s) of Designer(s): **Rinaldo Greiner**
(45) Registration Date: **30 July 2015**
(30) Convention priority data:
(31) Number (32) Date (33) Country
**002574186 07 Nov 2014 OFFICE FOR HARMONISATION IN
THE INTERNAL MARKET (OHIM)**
(56) Related Art Documents: **Not Applicable**
(57) Statement of Newness and Distinctiveness: **Newness and distinctiveness
are provided by the shape and/or configuration of the design shown in
the representations. The frame element is of indefinite length as shown
by the broken lines in the representations.**



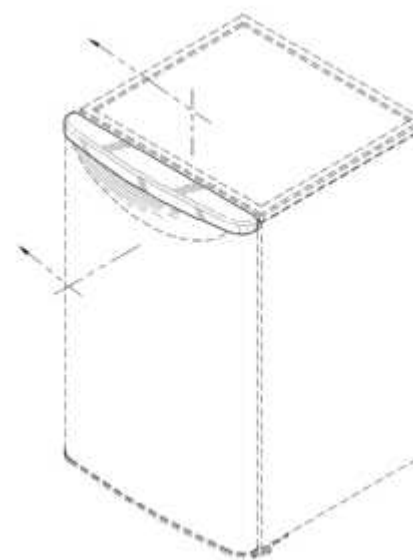
- (21) Design Number: **13218/2015**
(22) Date of Filing Application: **24 June 2015**
(24) Date from which industrial property rights may have effect: **24 June 2015**
(54) Product in respect of which the design is registered: **Swimwear**
(51) International Design Classification: **02-02A**
(74) Name(s) of Attorney(s): **Thomson Geer**
(71) Name(s) and Address(s) of Applicant(s):
JETS Swimwear Pty Ltd
8-18 Bowden St Alexandria NSW 2015 Australia
(72) Name(s) of Designer(s): **Jessika Allen**
(45) Registration Date: **30 July 2015**
(56) Related Art Documents: **Not Applicable**
(57) Statement of Newness and Distinctiveness: **Newness and distinctiveness is claimed in the shape, configuration, pattern and/or ornamentation of the swimwear garment depicted in the accompanying representations. The sections marked "B" in the front and back views are cut out panels. The design feature marked "C" is a zip. The outline of the wearer, shown in broken lines, forms no part of the design.**



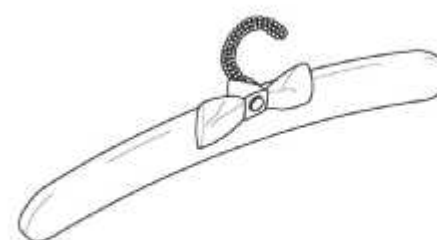
- (21) Design Number: **12157/2015**
(22) Date of Filing Application: **24 April 2015**
(24) Date from which industrial property rights may have effect: **24 April 2015**
(54) Product in respect of which the design is registered: **Tire**
(51) International Design Classification: **12-15B**
(74) Name(s) of Attorney(s): **PHILLIPS ORMONDE FITZPATRICK**
(71) Name(s) and Address(s) of Applicant(s):
Cooper Tire & Rubber Company
701 Lima Avenue Findlay Ohio, 45840 United States of America
(72) Name(s) of Designer(s): **Bin Chen and Jason Q Fu**
(45) Registration Date: **30 July 2015**
(30) Convention priority data:
(31) Number (32) Date (33) Country
29/512,616 29 Dec 2014 UNITED STATES OF AMERICA
(56) Related Art Documents: **Not Applicable**
(57) Statement of Newness and Distinctiveness: **Those features of the tire depicted in the representations that are new and distinctive are the shape and/or configuration of the tread of the tire. The other side of the tire is identical to Fig. 2. The broken line showings of the sidewall, inner bead, and the peripheral boundary between the tire tread and the sidewall, are included for the purpose of illustrating environment and are to be disregarded when considering the overall impression of the design.**



(21) Design Number: **13233/2015**
(22) Date of Filing Application: **25 June 2015**
(24) Date from which industrial property rights may have effect: **25 June 2015**
(54) Product in respect of which the design is registered: **Refrigerator**
(51) International Design Classification: **15-07**
(74) Name(s) of Attorney(s): **FB Rice**
(71) Name(s) and Address(s) of Applicant(s):
Danby Products Limited
5070 Whitelaw Road Guelph Ontario, N1H 6J4 Canada
(72) Name(s) of Designer(s): **Bryan Stuart Cunningham**
(45) Registration Date: **30 July 2015**
(30) Convention priority data:
(31) Number (32) Date (33) Country
29/522175 27 Mar 2015 UNITED STATES OF AMERICA
(56) Related Art Documents: **Not Applicable**
(57) Statement of Newness and Distinctiveness: **Newness and distinctiveness reside in those features of shape and/or configuration of the design shown in solid unbroken lines, excluding those features shown in broken lines.**



(21) Design Number: **13234/2015**
(22) Date of Filing Application: **25 June 2015**
(24) Date from which industrial property rights may have effect: **25 June 2015**
(54) Product in respect of which the design is registered: **GARMENT HANGER**
(51) International Design Classification: **06-08**
(74) Name(s) of Attorney(s): **Griffith Hack**
(71) Name(s) and Address(s) of Applicant(s):
Brett William Pateman
12 Porlock Way Karrinyup WA 6018 Australia
(72) Name(s) of Designer(s): **Brett William Pateman**
(45) Registration Date: **30 July 2015**
(56) Related Art Documents: **Not Applicable**
(57) Statement of Newness and Distinctiveness: **Nil**



(21) Design Number: **13211/2015**

(22) Date of Filing Application: **24 June 2015**

(24) Date from which industrial property rights may have effect: **24 June 2015**

(54) Product in respect of which the design is registered: **Razor package layout**

(51) International Design Classification: **09-05, 09-03C**

(74) Name(s) of Attorney(s): **PHILLIPS ORMONDE FITZPATRICK**

(71) Name(s) and Address(s) of Applicant(s):

The Gillette Company

One Gillette Park Boston Massachusetts 02127 United States of America

(72) Name(s) of Designer(s): **Todd Armand Damon and Andrew Anthony Markle**

(45) Registration Date: **30 July 2015**

(30) Convention priority data:

(31) Number

(32) Date

(33) Country

29/513,079

26 Dec 2014

UNITED STATES OF AMERICA

(56) Related Art Documents: **Not Applicable**

(57) Statement of Newness and Distinctiveness: **Nil**



(21) Design Number: **13212/2015**

(22) Date of Filing Application: **24 June 2015**

(24) Date from which industrial property rights may have effect: **24 June 2015**

(54) Product in respect of which the design is registered: **Razor package**

(51) International Design Classification: **09-03H, 09-03M**

(74) Name(s) of Attorney(s): **PHILLIPS ORMONDE FITZPATRICK**

(71) Name(s) and Address(s) of Applicant(s):

The Gillette Company

One Gillette Park Boston Massachusetts 02127 United States of America

(72) Name(s) of Designer(s): **Todd Armand Damon and Andrew Anthony Markle**

(45) Registration Date: **30 July 2015**

(30) Convention priority data:

(31) Number

(32) Date

(33) Country

29/513,080

26 Dec 2014

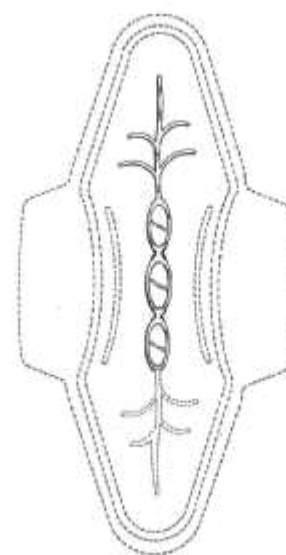
UNITED STATES OF AMERICA

(56) Related Art Documents: **Not Applicable**

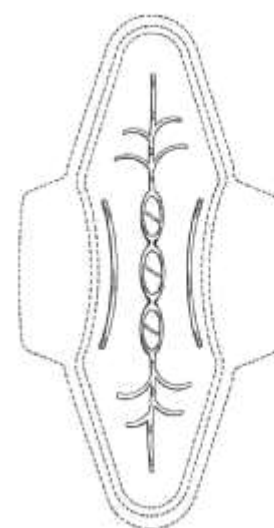
(57) Statement of Newness and Distinctiveness: **Nil**



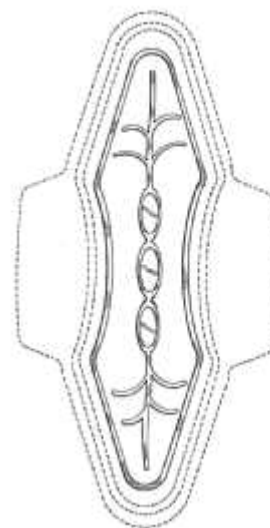
- (21) Design Number: **13236/2015**
(22) Date of Filing Application: **25 June 2015**
(24) Date from which industrial property rights may have effect: **24 March 2015**
(54) Product in respect of which the design is registered: **Absorbent article**
(51) International Design Classification: **24-04**
(74) Name(s) of Attorney(s): **Shelston IP**
(71) Name(s) and Address(s) of Applicant(s):
McNeil-PPC, Inc.
199 Grandview Road Skillman New Jersey, 08558 United States of America
(72) Name(s) of Designer(s): **Livea Fujita Barbosa and Felipe Boni Rezende and Leonard Rosenfeld**
(45) Registration Date: **30 July 2015**
(30) Convention priority data:
(31) Number (32) Date (33) Country
29/503898 30 Sep 2014 UNITED STATES OF AMERICA
(62) Divisional of: **362428**
(56) Related Art Documents: **Not Applicable**
(57) Statement of Newness and Distinctiveness: **Newness and distinctiveness reside in the features of an ABSORBENT ARTICLE illustrated in solid lines in the accompanying representations.**



- (21) Design Number: **13238/2015**
(22) Date of Filing Application: **25 June 2015**
(24) Date from which industrial property rights may have effect: **24 March 2015**
(54) Product in respect of which the design is registered: **Absorbent article**
(51) International Design Classification: **24-04**
(74) Name(s) of Attorney(s): **Shelston IP**
(71) Name(s) and Address(s) of Applicant(s):
McNeil-PPC, Inc.
199 Grandview Road Skillman New Jersey, 08558 United States of America
(72) Name(s) of Designer(s): **Livea Fujita Barbosa and Felipe Boni Rezende and Leonard Rosenfeld**
(45) Registration Date: **30 July 2015**
(30) Convention priority data:
(31) Number (32) Date (33) Country
29/503898 30 Sep 2014 UNITED STATES OF AMERICA
(62) Divisional of: **362428**
(56) Related Art Documents: **Not Applicable**
(57) Statement of Newness and Distinctiveness: **Newness and distinctiveness reside in the features of an ABSORBENT ARTICLE illustrated in solid lines in the accompanying representations.**



(21) Design Number: **13239/2015**
 (22) Date of Filing Application: **25 June 2015**
 (24) Date from which industrial property rights may have effect: **24 March 2015**
 (54) Product in respect of which the design is registered: **Absorbent article**
 (51) International Design Classification: **24-04**
 (74) Name(s) of Attorney(s): **Shelston IP**
 (71) Name(s) and Address(s) of Applicant(s):
McNeil-PPC, Inc.
199 Grandview Road Skillman New Jersey, 08558 United States of America
 (72) Name(s) of Designer(s): **Livea Fujita Barbosa and Felipe Boni Rezende and Leonard Rosenfeld**
 (45) Registration Date: **30 July 2015**
 (30) Convention priority data:
 (31) Number (32) Date (33) Country
29/503898 30 Sep 2014 UNITED STATES OF AMERICA
 (62) Divisional of: **362428**
 (56) Related Art Documents: **Not Applicable**
 (57) Statement of Newness and Distinctiveness: **Newness and distinctiveness reside in the features of an ABSORBENT ARTICLE illustrated in solid lines in the accompanying representations.**



(21) Design Number: **13213/2015**
 (22) Date of Filing Application: **24 June 2015**
 (24) Date from which industrial property rights may have effect: **24 June 2015**
 (54) Product in respect of which the design is registered: **Razor package**
 (51) International Design Classification: **09-03H, 09-05**
 (74) Name(s) of Attorney(s): **PHILLIPS ORMONDE FITZPATRICK**
 (71) Name(s) and Address(s) of Applicant(s):
The Gillette Company
One Gillette Park Boston Massachusetts 02127 United States of America
 (72) Name(s) of Designer(s): **Todd Armand Damon and Andrew Anthony Markle**
 (45) Registration Date: **30 July 2015**
 (30) Convention priority data:
 (31) Number (32) Date (33) Country
29/513,080 26 Dec 2014 UNITED STATES OF AMERICA
 (56) Related Art Documents: **Not Applicable**
 (57) Statement of Newness and Distinctiveness: **Nil**



(21) Design Number: **13214/2015**

(22) Date of Filing Application: **24 June 2015**

(24) Date from which industrial property rights may have effect: **24 June 2015**

(54) Product in respect of which the design is registered: **Razor package**

(51) International Design Classification: **09-03H, 09-05**

(74) Name(s) of Attorney(s): **PHILLIPS ORMONDE FITZPATRICK**

(71) Name(s) and Address(s) of Applicant(s):

The Gillette Company

One Gillette Park Boston Massachusetts 02127 United States of America

(72) Name(s) of Designer(s): **Todd Armand Damon and Andrew Anthony Markle**

(45) Registration Date: **30 July 2015**

(30) Convention priority data:

(31) Number

(32) Date

(33) Country

29/513,083

26 Dec 2014

UNITED STATES OF AMERICA

(56) Related Art Documents: **Not Applicable**

(57) Statement of Newness and Distinctiveness: **Nil**



(21) Design Number: **13215/2015**

(22) Date of Filing Application: **24 June 2015**

(24) Date from which industrial property rights may have effect: **24 June 2015**

(54) Product in respect of which the design is registered: **Razor package**

(51) International Design Classification: **09-03H, 09-05**

(74) Name(s) of Attorney(s): **PHILLIPS ORMONDE FITZPATRICK**

(71) Name(s) and Address(s) of Applicant(s):

The Gillette Company

One Gillette Park Boston Massachusetts 02127 United States of America

(72) Name(s) of Designer(s): **Todd Armand Damon and Andrew Anthony Markle**

(45) Registration Date: **30 July 2015**

(30) Convention priority data:

(31) Number

(32) Date

(33) Country

29/513,080

26 Dec 2014

UNITED STATES OF AMERICA

(56) Related Art Documents: **Not Applicable**

(57) Statement of Newness and Distinctiveness: **Nil**



(21) Design Number: **13244/2015**

(22) Date of Filing Application: **25 June 2015**

(24) Date from which industrial property rights may have effect: **25 June 2015**

(54) Product in respect of which the design is registered: **Single wicker sofa**

(51) International Design Classification: **06-01H**

(74) Name(s) of Attorney(s):

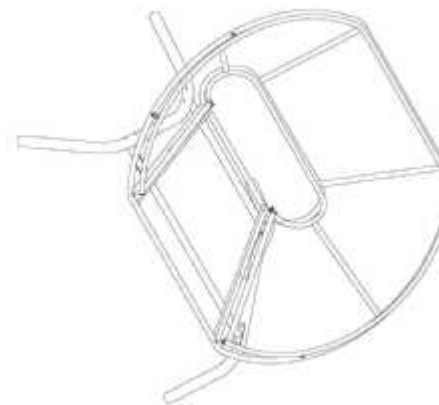
(71) Name(s) and Address(s) of Applicant(s):

Linhai Sunrise Leisure Products Co., Ltd.
Fangjianong Village, Datian Street Linhai City, Zhejiang province China
EZ Living Manufactory Limited
Rm907, Tower A, Greenland Center No. 596 Mid Longhua Road
Shanghai China

(72) Name(s) of Designer(s): **Andy Shen**

(45) Registration Date: **30 July 2015**

(57) Statement of Newness and Distinctiveness: **The Design Points of the design resides in the overall shape of the Wicker of the Sofa as shown in the representations.**



(21) Design Number: **13243/2015**

(22) Date of Filing Application: **25 June 2015**

(24) Date from which industrial property rights may have effect: **25 June 2015**

(54) Product in respect of which the design is registered: **Hand held irrigation tool**

(51) International Design Classification: **08-05A**

(74) Name(s) of Attorney(s): **Madderns**

(71) Name(s) and Address(s) of Applicant(s):

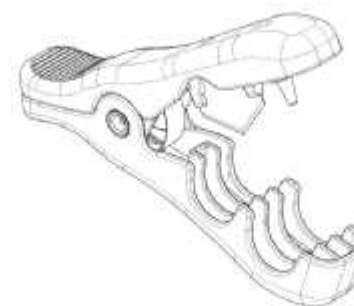
Antelco Pty Ltd
14-18 Rosslyn St Mile End SA 5031 Australia

(72) Name(s) of Designer(s): **William Eric Antel and Robert Sigston and Malcolm Barry Fry and Lyall John Causby**

(45) Registration Date: **30 July 2015**

(56) Related Art Documents: **Not Applicable**

(57) Statement of Newness and Distinctiveness: **Nil**



(21) Design Number: **13245/2015**

(22) Date of Filing Application: **25 June 2015**

(24) Date from which industrial property rights may have effect: **25 June 2015**

(54) Product in respect of which the design is registered: **Double wicker sofa**

(51) International Design Classification: **06-01H**

(74) Name(s) of Attorney(s):

(71) Name(s) and Address(s) of Applicant(s):

Linhai Sunrise Leisure Products Co., Ltd.
Fangjianong Village, Datian Street Linhai City, Zhejiang province 317000
China

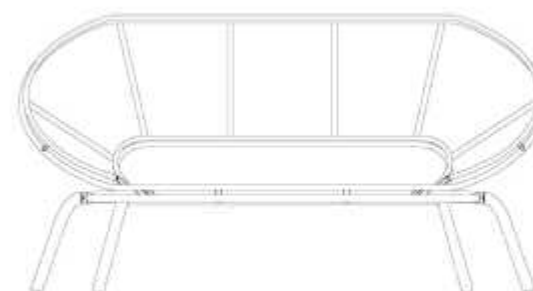
EZ Living Manufactory Limited
Rm907, Tower A, Greenland Center No. 596 Mid Longhua Road
Shanghai China

(72) Name(s) of Designer(s): **Andy Shen**

(45) Registration Date: **30 July 2015**

(56) Related Art Documents: **Not Applicable**

(57) Statement of Newness and Distinctiveness: **The Design Points of the design resides in the overall shape of the Wicker of the Sofa as shown in the representations.**



(21) Design Number: **13246/2015**

(22) Date of Filing Application: **26 June 2015**

(24) Date from which industrial property rights may have effect: **26 June 2015**

(54) Product in respect of which the design is registered: **Body for juice extractor**

(51) International Design Classification: **31-00**

(74) Name(s) of Attorney(s): **FB Rice**

(71) Name(s) and Address(s) of Applicant(s):

NUC Electronics Co., Ltd.
280 Nowon-ro Buk-gu Daegu 702-053 Republic of Korea

(72) Name(s) of Designer(s): **In Young Kim and Jong Boo Kim**

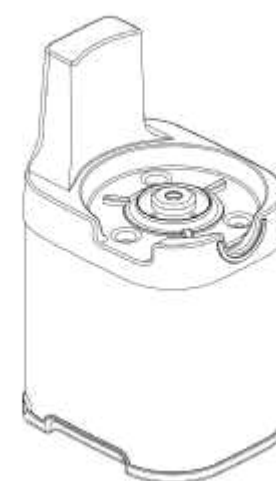
(45) Registration Date: **30 July 2015**

(30) Convention priority data:

(31) Number	(32) Date	(33) Country
30-2014-0063556	27 Dec 2014	REPUBLIC OF KOREA

(56) Related Art Documents: **Not Applicable**

(57) Statement of Newness and Distinctiveness: **Newness and distinctiveness reside in the features of the design as shown in the representations.**



- (21) Design Number: **13247/2015**
(22) Date of Filing Application: **26 June 2015**
(24) Date from which industrial property rights may have effect: **26 June 2015**
(54) Product in respect of which the design is registered: **Shoe**
(51) International Design Classification: **02-04NES**
(74) Name(s) of Attorney(s): **Shelston IP**
(71) Name(s) and Address(s) of Applicant(s):
314HORNET CO., LTD.
1-3, Sajik-ro 8-gil Jongno-gu Seoul, 110-044 Republic of Korea
(72) Name(s) of Designer(s): **Kyung Wan Son**
(45) Registration Date: **30 July 2015**
(56) Related Art Documents: **Not Applicable**
(57) Statement of Newness and Distinctiveness: **Newness and distinctiveness reside in the features of shape and/or configuration of a SHOE as illustrated in the accompanying representations.**



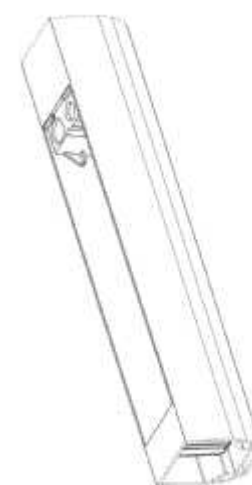
- (21) Design Number: **13251/2015**
(22) Date of Filing Application: **26 June 2015**
(24) Date from which industrial property rights may have effect: **26 June 2015**
(54) Product in respect of which the design is registered: **Display screen**
(51) International Design Classification: **14-02**
(74) Name(s) of Attorney(s): **Marks & Clerk Australia**
(71) Name(s) and Address(s) of Applicant(s):
Thomson Reuters (Markets) LLC
195 Broadway New York New York, 10007 United States of America
(72) Name(s) of Designer(s): **Haraldur Ingi Thorleifsson**
(45) Registration Date: **30 July 2015**
(30) Convention priority data:
(31) Number (32) Date (33) Country
29/530,615 18 Jun 2015 UNITED STATES OF AMERICA
(56) Related Art Documents: **Not Applicable**
(57) Statement of Newness and Distinctiveness: **In considering the newness or distinctiveness of the design, regard is to be given to the overall ornamentation, pattern and configuration of the display screen as shown in figure 1. The portions of figure 1 shown in broken lines do not form part of the design.**



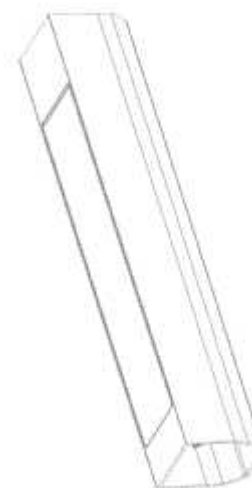
- (21) Design Number: **13252/2015**
(22) Date of Filing Application: **26 June 2015**
(24) Date from which industrial property rights may have effect: **26 June 2015**
(54) Product in respect of which the design is registered: **The design relates to a desk.**
(51) International Design Classification: **06-03C**
(74) Name(s) of Attorney(s):
(71) Name(s) and Address(s) of Applicant(s):
Cie Ltd
PO BOX 3218 Erina NSW 2250 Australia
(72) Name(s) of Designer(s): **Paul Gregory White**
(45) Registration Date: **30 July 2015**
(56) Related Art Documents: **Not Applicable**
(57) Statement of Newness and Distinctiveness: **The newness and distinctiveness resides in the shape and configuration of the desk.**



- (21) Design Number: **12253/2015**
(22) Date of Filing Application: **01 May 2015**
(24) Date from which industrial property rights may have effect: **01 May 2015**
(54) Product in respect of which the design is registered: **Frame element**
(51) International Design Classification: **12-11**
(74) Name(s) of Attorney(s): **Callinans**
(71) Name(s) and Address(s) of Applicant(s):
ROBERT BOSCH GMBH
Postfach 30 02 20 Stuttgart 70442 Germany
(72) Name(s) of Designer(s): **Rinaldo Greiner**
(45) Registration Date: **30 July 2015**
(30) Convention priority data:
(31) Number (32) Date (33) Country
002574186 07 Nov 2014 OFFICE FOR HARMONISATION IN THE INTERNAL MARKET (OHIM)
(56) Related Art Documents: **Not Applicable**
(57) Statement of Newness and Distinctiveness: **Newness and distinctiveness are provided by the shape and/or configuration of the design shown in the representations. The frame element is of indefinite length as shown by the broken lines in the representations.**



- (21) Design Number: **12255/2015**
(22) Date of Filing Application: **01 May 2015**
(24) Date from which industrial property rights may have effect: **01 May 2015**
(54) Product in respect of which the design is registered: **Frame element**
(51) International Design Classification: **12-11**
(74) Name(s) of Attorney(s): **Callinans**
(71) Name(s) and Address(s) of Applicant(s):
ROBERT BOSCH GMBH
Postfach 30 02 20 Stuttgart 70442 Germany
(72) Name(s) of Designer(s): **Rinaldo Greiner**
(45) Registration Date: **30 July 2015**
(30) Convention priority data:
(31) Number (32) Date (33) Country
**002574186 07 Nov 2014 OFFICE FOR HARMONISATION IN
THE INTERNAL MARKET (OHIM)**
(56) Related Art Documents: **Not Applicable**
(57) Statement of Newness and Distinctiveness: **Newness and distinctiveness
are provided by the shape and/or configuration of the design shown in
the representations. The frame element is of indefinite length as shown
by the broken lines in the representations.**



- (21) Design Number: **12256/2015**
(22) Date of Filing Application: **01 May 2015**
(24) Date from which industrial property rights may have effect: **01 May 2015**
(54) Product in respect of which the design is registered: **Frame element**
(51) International Design Classification: **12-11**
(74) Name(s) of Attorney(s): **Callinans**
(71) Name(s) and Address(s) of Applicant(s):
ROBERT BOSCH GMBH
Postfach 30 02 20 Stuttgart 70442 Germany
(72) Name(s) of Designer(s): **Rinaldo Greiner**
(45) Registration Date: **30 July 2015**
(30) Convention priority data:
(31) Number (32) Date (33) Country
**002574186 07 Nov 2014 OFFICE FOR HARMONISATION IN
THE INTERNAL MARKET (OHIM)**
(56) Related Art Documents: **Not Applicable**
(57) Statement of Newness and Distinctiveness: **Newness and distinctiveness
are provided by the shape and/or configuration of the design shown in
the representations. The frame element is of indefinite length as shown
by the broken lines in the representations.**



- (21) Design Number: **12257/2015**
(22) Date of Filing Application: **01 May 2015**
(24) Date from which industrial property rights may have effect: **01 May 2015**
(54) Product in respect of which the design is registered: **Frame element**
(51) International Design Classification: **12-11**
(74) Name(s) of Attorney(s): **Callinans**
(71) Name(s) and Address(s) of Applicant(s):
ROBERT BOSCH GMBH
Postfach 30 02 20 Stuttgart 70442 Germany
(72) Name(s) of Designer(s): **Rinaldo Greiner**
(45) Registration Date: **30 July 2015**
(30) Convention priority data:
(31) Number (32) Date (33) Country
002574186 07 Nov 2014 OFFICE FOR HARMONISATION IN
THE INTERNAL MARKET (OHIM)
(56) Related Art Documents: **Not Applicable**
(57) Statement of Newness and Distinctiveness: **Newness and distinctiveness are provided by the shape and/or configuration of the design shown in the representations. The frame element is of indefinite length as shown by the broken lines in the representations.**



- (21) Design Number: **12259/2015**
(22) Date of Filing Application: **01 May 2015**
(24) Date from which industrial property rights may have effect: **01 May 2015**
(54) Product in respect of which the design is registered: **Frame element**
(51) International Design Classification: **12-11**
(74) Name(s) of Attorney(s): **Callinans**
(71) Name(s) and Address(s) of Applicant(s):
ROBERT BOSCH GMBH
Postfach 30 02 20 Stuttgart 70442 Germany
(72) Name(s) of Designer(s): **Rinaldo Greiner**
(45) Registration Date: **30 July 2015**
(30) Convention priority data:
(31) Number (32) Date (33) Country
002574186 07 Nov 2014 OFFICE FOR HARMONISATION IN
THE INTERNAL MARKET (OHIM)
(56) Related Art Documents: **Not Applicable**
(57) Statement of Newness and Distinctiveness: **Newness and distinctiveness are provided by the shape and/or configuration of the design shown in the representations. The frame element is of indefinite length as shown by the broken lines in the representations.**



(21) Design Number: **13235/2015**

(22) Date of Filing Application: **25 June 2015**

(24) Date from which industrial property rights may have effect: **25 June 2015**

(54) Product in respect of which the design is registered: **Floor standing lamp**

(51) International Design Classification: **26-05B**

(74) Name(s) of Attorney(s):

(71) Name(s) and Address(s) of Applicant(s):

Justin Henry Ford

32 Charles St Maitland NSW 2320 Australia

(72) Name(s) of Designer(s): **Justin Henry Ford**

(45) Registration Date: **30 July 2015**

(56) Related Art Documents: **Not Applicable**

(57) Statement of Newness and Distinctiveness: **This lamp is a flat pack lamp and comes packages in a bag which can also be used as the lampshade. The lamp has four legs and four uprights which are sandwiched between three grooved discs which are held together by four bolts. It has a unique series of circles which are place on the stepped uprights and they get larger in diameter as they go up the uprights. These as act as the shade and cast an amazing array of shadows on the wall. It is made out of plywood, however it can be made in a variety of materials. The bag it comes in which can also be used as a lamp shade, if the circles aren't used, can be made out of a variety of materials, colours and patterns giving it a lot of variations.**



(21) Design Number: **12897/2015**

(22) Date of Filing Application: **05 June 2015**

(24) Date from which industrial property rights may have effect: **05 June 2015**

(54) Product in respect of which the design is registered: **A table**

(51) International Design Classification: **06-03B**

(74) Name(s) of Attorney(s): **Stone Lawyers Pty Ltd**

(71) Name(s) and Address(s) of Applicant(s):

Ian James Burden

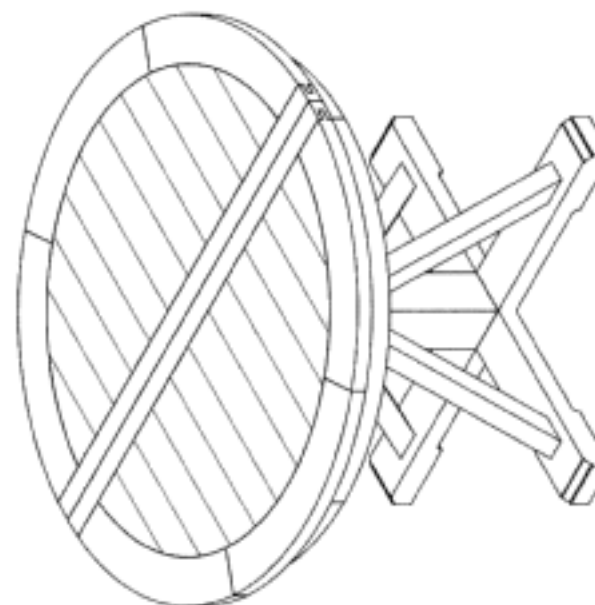
17 Excalibur Ct Sovereign Islands QLD 4216 Australia

(72) Name(s) of Designer(s): **Ian James Burden**

(45) Registration Date: **30 July 2015**

(56) Related Art Documents: **Not Applicable**

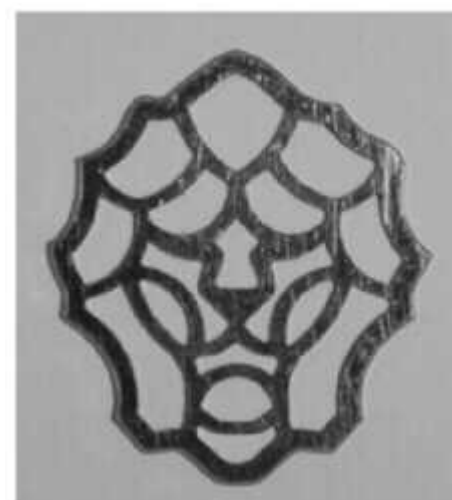
(57) Statement of Newness and Distinctiveness: **The design relates to a table and the novelty resides in the features of shape and configuration of the article as shown in the accompanying representations.**



(21) Design Number: **12926/2015**
(22) Date of Filing Application: **10 June 2015**
(24) Date from which industrial property rights may have effect: **10 June 2015**
(54) Product in respect of which the design is registered: **Bottle**
(51) International Design Classification: **09-01NES**
(74) Name(s) of Attorney(s): **Corrs Chambers Westgarth**
(71) Name(s) and Address(s) of Applicant(s):
SOCIETE DES EAUX DE VOLVIC
Zone Industrielle du Chancet VOLVIC 63530 France
(72) Name(s) of Designer(s): **Team Creatif**
(45) Registration Date: **30 July 2015**
(30) Convention priority data:
(31) Number (32) Date (33) Country
002599670-0001 17 Dec 2014 OFFICE FOR HARMONISATION IN
THE INTERNAL MARKET (OHIM)
(56) Related Art Documents: **Not Applicable**
(57) Statement of Newness and Distinctiveness: **Nil**



(21) Design Number: **12925/2015**
(22) Date of Filing Application: **10 June 2015**
(24) Date from which industrial property rights may have effect: **10 June 2015**
(54) Product in respect of which the design is registered: **Decorative plate for jewellery**
(51) International Design Classification: **11-01NES**
(74) Name(s) of Attorney(s): **Shelston IP**
(71) Name(s) and Address(s) of Applicant(s):
Chanel Limited
Queensway Croydon Surrey CR9 4DL United Kingdom
(72) Name(s) of Designer(s): **Marianna Nitsch**
(45) Registration Date: **30 July 2015**
(30) Convention priority data:
(31) Number (32) Date (33) Country
4038593 12 Dec 2014 UNITED KINGDOM
(56) Related Art Documents: **Not Applicable**
(57) Statement of Newness and Distinctiveness: **Nil**



- (21) Design Number: **12239/2015**
(22) Date of Filing Application: **30 April 2015**
(24) Date from which industrial property rights may have effect: **30 April 2015**
(54) Product in respect of which the design is registered: **Frame element**
(51) International Design Classification: **13-02**
(74) Name(s) of Attorney(s): **Callinans**
(71) Name(s) and Address(s) of Applicant(s):
ROBERT BOSCH GMBH
Postfach 30 02 20 Stuttgart 70442 Germany
(72) Name(s) of Designer(s): **Rinaldo Greiner**
(45) Registration Date: **31 July 2015**
(30) Convention priority data:
(31) Number (32) Date (33) Country
002574186 07 Nov 2014 OFFICE FOR HARMONISATION IN
THE INTERNAL MARKET (OHIM)
(56) Related Art Documents: **Not Applicable**
(57) Statement of Newness and Distinctiveness: **Newness and distinctiveness**
are provided by the shape and/or configuration of the design shown in
the representations. The frame element is of indefinite length as shown
by the broken lines in the representations.



- (21) Design Number: **12295/2015**
(22) Date of Filing Application: **04 May 2015**
(24) Date from which industrial property rights may have effect: **04 May 2015**
(54) Product in respect of which the design is registered: **Proprietary bottle**
(51) International Design Classification: **09-01K**
(74) Name(s) of Attorney(s): **WATERMARK PATENT AND TRADE MARKS**
ATTORNEYS
(71) Name(s) and Address(s) of Applicant(s):
Vapiano Franchising GmbH & Co. KG
Willy-Brandt-Platz 2 Schönefeld 12529 Germany
(72) Name(s) of Designer(s): **Peter Schmidt**
(45) Registration Date: **31 July 2015**
(30) Convention priority data:
(31) Number (32) Date (33) Country
002571836 05 Nov 2014 EUROPEAN PATENT OFFICE (EPO)
(56) Related Art Documents: **Not Applicable**
(57) Statement of Newness and Distinctiveness: **Nil**



(21) Design Number: **13227/2015**

(22) Date of Filing Application: **25 June 2015**

(24) Date from which industrial property rights may have effect: **25 June 2015**

(54) Product in respect of which the design is registered: **Dispenser**

(51) International Design Classification: **07-05NES**

(74) Name(s) of Attorney(s): **Shelston IP**

(71) Name(s) and Address(s) of Applicant(s):

Reckitt Benckiser LLC

Morris Corporate Center IV 399 Interpace Parkway Parsippany New Jersey 07054 United States of America

(72) Name(s) of Designer(s): **Sebastiaan Bruining**

(45) Registration Date: **31 July 2015**

(30) Convention priority data:

(31) Number

(32) Date

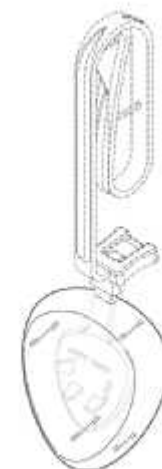
(33) Country

002608588-0004 06 Jan 2015

OFFICE FOR HARMONISATION IN THE INTERNAL MARKET (OHIM)

(56) Related Art Documents: **Not Applicable**

(57) Statement of Newness and Distinctiveness: **Newness and distinctiveness reside in the features of shape and configuration of a dispenser as illustrated in solid lines in the accompanying representations. The features shown in broken lines are shown for illustrative purposes only and do not form part of the design.**



(21) Design Number: **13286/2015**

(22) Date of Filing Application: **30 June 2015**

(24) Date from which industrial property rights may have effect: **30 June 2015**

(54) Product in respect of which the design is registered: **A hair appliance**

(51) International Design Classification: **28-03B**

(74) Name(s) of Attorney(s): **Shelston IP**

(71) Name(s) and Address(s) of Applicant(s):

Dyson Technology Limited

Tetbury Hill Malmesbury Wiltshire SN16 0RP United Kingdom

(72) Name(s) of Designer(s): **Stephen Farrar Smith and Philip Jonathan Stephens and Andrea Ee-Va Lim and Christopher William Hedges and Thomas James Kerr**

(45) Registration Date: **31 July 2015**

(30) Convention priority data:

(31) Number

(32) Date

(33) Country

001428080-0003 12 Jan 2015

OFFICE FOR HARMONISATION IN THE INTERNAL MARKET (OHIM)

(56) Related Art Documents: **Not Applicable**

(57) Statement of Newness and Distinctiveness: **Newness and distinctiveness reside in the features of shape and/or configuration of A HAIR APPLIANCE as illustrated in solid lines the accompanying representations. The features shown in broken or discontinuous lines are illustrative only and do not form part of the design**



(21) Design Number: **13280/2015**
(22) Date of Filing Application: **30 June 2015**
(24) Date from which industrial property rights may have effect: **30 June 2015**
(54) Product in respect of which the design is registered: **Pump**
(51) International Design Classification: **24-01**
(74) Name(s) of Attorney(s): **Spruson & Ferguson**
(71) Name(s) and Address(s) of Applicant(s):
AbbVie Inc.
1 North Waukegan Road, North Chicago Illinois, 60064 United States of America
(72) Name(s) of Designer(s): **Phil D. Anderson and Kevin Novak and Gurjinder Dhani and Scott Smieja and Matthew Svacina and Gary Friederichs**
(45) Registration Date: **31 July 2015**
(30) Convention priority data:
(31) Number (32) Date (33) Country
29/513434 30 Dec 2014 UNITED STATES OF AMERICA
(56) Related Art Documents: **Not Applicable**
(57) Statement of Newness and Distinctiveness: **Newness and distinctiveness is claimed in the features of shape and/or configuration of a pump as illustrated in continuous lines in the accompanying representations.**



(21) Design Number: **13281/2015**
(22) Date of Filing Application: **30 June 2015**
(24) Date from which industrial property rights may have effect: **30 June 2015**
(54) Product in respect of which the design is registered: **A hair appliance**
(51) International Design Classification: **28-03B**
(74) Name(s) of Attorney(s): **Shelston IP**
(71) Name(s) and Address(s) of Applicant(s):
Dyson Technology Limited
Tetbury Hill Malmesbury Wiltshire SN16 0RP United Kingdom
(72) Name(s) of Designer(s): **Stephen Farrar Smith and Philip Jonathan Stephens and Andrea Ee-Va Lim and Christopher William Hedges and Thomas James Kerr**
(45) Registration Date: **31 July 2015**
(30) Convention priority data:
(31) Number (32) Date (33) Country
001428080-0002 12 Jan 2015 OFFICE FOR HARMONISATION IN THE INTERNAL MARKET (OHIM)
(56) Related Art Documents: **Not Applicable**
(57) Statement of Newness and Distinctiveness: **Newness and distinctiveness reside in the features of shape and/or configuration of A HAIR APPLIANCE as illustrated in solid lines the accompanying representations. The features shown in broken or discontinuous lines are illustrative only and do not form part of the design.**



(21) Design Number: **13282/2015**

(22) Date of Filing Application: **30 June 2015**

(24) Date from which industrial property rights may have effect: **30 June 2015**

(54) Product in respect of which the design is registered: **A hair appliance**

(51) International Design Classification: **28-03B**

(74) Name(s) of Attorney(s): **Shelston IP**

(71) Name(s) and Address(s) of Applicant(s):

Dyson Technology Limited

Tetbury Hill Malmesbury Wiltshire SN16 0RP United Kingdom

(72) Name(s) of Designer(s): **Stephen Farrar Smith and Philip Jonathan Stephens and Andrea Ee-Va Lim and Christopher William Hedges and Thomas James Kerr**

(45) Registration Date: **31 July 2015**

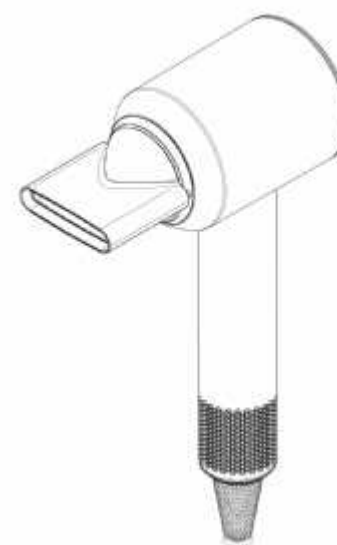
(30) Convention priority data:

(31) Number (32) Date
001428080-0001 12 Jan 2015

(33) Country
**OFFICE FOR HARMONISATION IN
THE INTERNAL MARKET (OHIM)**

(56) Related Art Documents: **Not Applicable**

(57) Statement of Newness and Distinctiveness: **Newness and distinctiveness reside in the features of shape and/or configuration of A HAIR APPLIANCE as illustrated in solid lines the accompanying representations. The features shown in broken or discontinuous lines are illustrative only and do not form part of the design.**



(21) Design Number: **13283/2015**

(22) Date of Filing Application: **30 June 2015**

(24) Date from which industrial property rights may have effect: **30 June 2015**

(54) Product in respect of which the design is registered: **Pump**

(51) International Design Classification: **24-01**

(74) Name(s) of Attorney(s): **Spruson & Ferguson**

(71) Name(s) and Address(s) of Applicant(s):

AbbVie Inc.

1 North Waukegan Road, North Chicago Illinois, 60064 United States of America

(72) Name(s) of Designer(s): **Phil D. Anderson and Kevin Novak and Gurjinder Dhami and Scott Smieja and Matthew Svacina and Gary Friederichs**

(45) Registration Date: **31 July 2015**

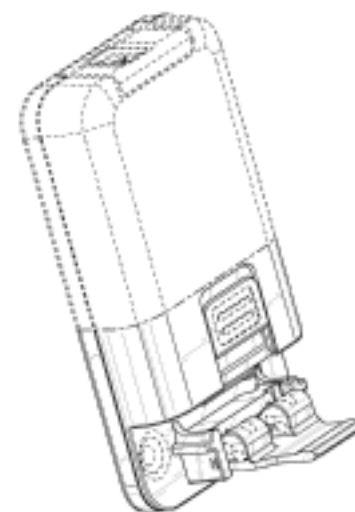
(30) Convention priority data:

(31) Number (32) Date
29/513436 30 Dec 2014

(33) Country
UNITED STATES OF AMERICA

(56) Related Art Documents: **Not Applicable**

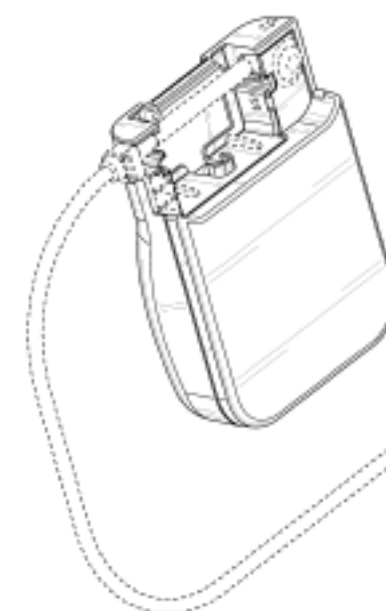
(57) Statement of Newness and Distinctiveness: **Newness and distinctiveness is claimed in the features of shape and/or configuration of a pump as illustrated in continuous lines in the accompanying representations.**



- (21) Design Number: **13278/2015**
(22) Date of Filing Application: **30 June 2015**
(24) Date from which industrial property rights may have effect: **30 June 2015**
(54) Product in respect of which the design is registered: **Delivery device including pump and cassette**
(51) International Design Classification: **24-01**
(74) Name(s) of Attorney(s): **Spruson & Ferguson**
(71) Name(s) and Address(s) of Applicant(s):
AbbVie Inc.
1 North Waukegan Road, North Chicago Illinois, 60064 United States of America
(72) Name(s) of Designer(s): **Phil D. Anderson and Ted Hanagan and Kevin Novak and Scott Smieja and Matthew Svacina and Gary Friederichs**
(45) Registration Date: **31 July 2015**
(30) Convention priority data:
(31) Number (32) Date (33) Country
29/513438 30 Dec 2014 UNITED STATES OF AMERICA
(56) Related Art Documents: **Not Applicable**
(57) Statement of Newness and Distinctiveness: **Newness and distinctiveness is claimed in the features of shape and/or configuration of a delivery device including pump and cassette as illustrated in continuous lines in the accompanying representations.**



- (21) Design Number: **13279/2015**
(22) Date of Filing Application: **30 June 2015**
(24) Date from which industrial property rights may have effect: **30 June 2015**
(54) Product in respect of which the design is registered: **Cassette**
(51) International Design Classification: **24-01**
(74) Name(s) of Attorney(s): **Spruson & Ferguson**
(71) Name(s) and Address(s) of Applicant(s):
AbbVie Inc.
1 North Waukegan Road, North Chicago Illinois, 60064 United States of America
(72) Name(s) of Designer(s): **Phil D. Anderson and Ted Hanagan and Kevin Novak and Gurjinder Dhami and Scott Smieja and Jeff Schacherl and Gary Friederichs**
(45) Registration Date: **31 July 2015**
(30) Convention priority data:
(31) Number (32) Date (33) Country
29/513435 30 Dec 2014 UNITED STATES OF AMERICA
(56) Related Art Documents: **Not Applicable**
(57) Statement of Newness and Distinctiveness: **Newness and distinctiveness is claimed in the features of shape and/or configuration of a cassette as illustrated in continuous lines in the accompanying representations.**



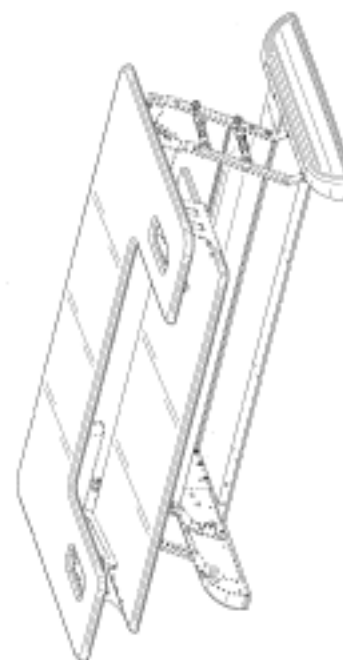
(21) Design Number: **13284/2015**
(22) Date of Filing Application: **30 June 2015**
(24) Date from which industrial property rights may have effect: **30 June 2015**
(54) Product in respect of which the design is registered: **Cassette**
(51) International Design Classification: **24-01**
(74) Name(s) of Attorney(s): **Spruson & Ferguson**
(71) Name(s) and Address(s) of Applicant(s):
AbbVie Inc.
1 North Waukegan Road, North Chicago Illinois, 60064 United States of America
(72) Name(s) of Designer(s): **Phil D. Anderson and Kevin Novak and Gurjinder Dhami and Scott Smieja and Jeff Schacherl and Gary Friederichs**
(45) Registration Date: **31 July 2015**
(30) Convention priority data:
(31) Number (32) Date (33) Country
29/513437 30 Dec 2014 UNITED STATES OF AMERICA
(56) Related Art Documents: **Not Applicable**
(57) Statement of Newness and Distinctiveness: **Newness and distinctiveness is claimed in the features of shape and/or configuration of a cassette as illustrated in continuous lines in the accompanying representations.**



(21) Design Number: **12824/2015**
(22) Date of Filing Application: **01 June 2015**
(24) Date from which industrial property rights may have effect: **01 June 2015**
(54) Product in respect of which the design is registered: **A Shelf**
(51) International Design Classification: **06-04NES**
(74) Name(s) of Attorney(s): **Freehills Patent Attorneys**
(71) Name(s) and Address(s) of Applicant(s):
Elfa International AB
Elfagatan 5, Vastervik, S-593 87 Sweden
(72) Name(s) of Designer(s): **Peter Nilsson and Rolf Henriksson**
(45) Registration Date: **31 July 2015**
(30) Convention priority data:
(31) Number (32) Date (33) Country
002588426 01 Dec 2014 OFFICE FOR HARMONISATION IN THE INTERNAL MARKET (OHIM)
(56) Related Art Documents: **Not Applicable**
(57) Statement of Newness and Distinctiveness: **Newness and distinctiveness of the design resides in the shape and configuration of the cabinet as shown in the accompanying representations.**



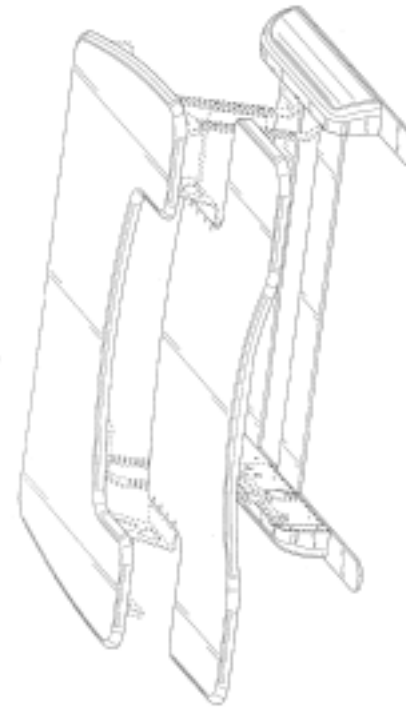
(21) Design Number: **13092/2015**
(22) Date of Filing Application: **19 June 2015**
(24) Date from which industrial property rights may have effect: **19 June 2015**
(54) Product in respect of which the design is registered: **A desk**
(51) International Design Classification: **06-03C**
(74) Name(s) of Attorney(s): **Fraser Old & Sohn**
(71) Name(s) and Address(s) of Applicant(s):
VARIDESK, LLC
117 Wrangler Drive COPPELL TEXAS, 7519 United States of America
(72) Name(s) of Designer(s): **Daniel G Flaherty**
(45) Registration Date: **31 July 2015**
(30) Convention priority data:
(31) Number (32) Date (33) Country
29/512585 19 Dec 2014 UNITED STATES OF AMERICA
(56) Related Art Documents: **Not Applicable**
(57) Statement of Newness and Distinctiveness: **Newness and distinctiveness is claimed in respect of the shape and/or configuration of the desk illustrated in Figs. 1-7 of the accompanying representations. In carrying out a consideration in accordance with Section 19 the shape and/or configuration of the portions illustrated by broken lines in Figs. 1-7 of the representations is/are not to be considered either new or distinctive and do/does not form part of the design. Appendices 1.1 - 1.7 reproduce Figs. 1-7 respectively but with the portions illustrated by broken lines being illustrated in solid lines.**



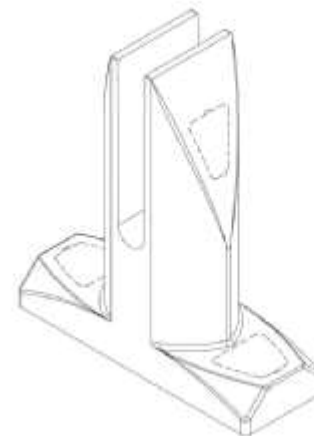
(21) Design Number: **13174/2015**
(22) Date of Filing Application: **23 June 2015**
(24) Date from which industrial property rights may have effect: **23 June 2015**
(54) Product in respect of which the design is registered: **A desk**
(51) International Design Classification: **06-03C**
(74) Name(s) of Attorney(s): **Fraser Old & Sohn**
(71) Name(s) and Address(s) of Applicant(s):
VARIDESK, LLC
117 Wrangler Drive Coppell, Texas, 75019 United States of America
(72) Name(s) of Designer(s): **Daniel G Flaherty and David Patton**
(45) Registration Date: **31 July 2015**
(30) Convention priority data:
(31) Number (32) Date (33) Country
29/512926 23 Dec 2014 UNITED STATES OF AMERICA
(56) Related Art Documents: **Not Applicable**
(57) Statement of Newness and Distinctiveness: **Newness and distinctiveness is claimed in respect of the shape and/or configuration of the desk illustrated in Figs. 1-7 of the accompanying representations. In carrying out a consideration in accordance with Section 19 the shape and/or configuration of the portions illustrated by broken lines in Figs. 1-7 of the representations do/does not form part of the design. Appendices 1.1 - 1.7 reproduce Figs. 1-7 respectively but with the portions illustrated by broken lines being illustrated in solid lines.**



- (21) Design Number: **13175/2015**
(22) Date of Filing Application: **23 June 2015**
(24) Date from which industrial property rights may have effect: **23 June 2015**
(54) Product in respect of which the design is registered: **A desk**
(51) International Design Classification: **06-03C**
(74) Name(s) of Attorney(s): **Fraser Old & Sohn**
(71) Name(s) and Address(s) of Applicant(s):
VARIDESK, LLC
117 Wrangler Drive Coppell, Texas, 75019 United States of America
(72) Name(s) of Designer(s): **Daniel G Flaherty and David Patton**
(45) Registration Date: **31 July 2015**
(30) Convention priority data:
(31) Number (32) Date (33) Country
29/512873 23 Dec 2014 UNITED STATES OF AMERICA
(56) Related Art Documents: **Not Applicable**
(57) Statement of Newness and Distinctiveness: **Newness and distinctiveness is claimed in respect of the shape and/or configuration of the desk illustrated in Figs. 1-7 of the accompanying representations. In carrying out a consideration in accordance with Section 19 the shape and/or configuration of the portions illustrated by broken lines in Figs. 1-7 of the representations do/does not form part of the design. Appendices 1.1 - 1.7 reproduce Figs. 1-7 respectively but with the portions illustrated by broken lines being illustrated in solid lines.**



- (21) Design Number: **13276/2015**
(22) Date of Filing Application: **29 June 2015**
(24) Date from which industrial property rights may have effect: **29 June 2015**
(54) Product in respect of which the design is registered: **Spigot**
(51) International Design Classification: **08-06, 08-08NES**
(74) Name(s) of Attorney(s): **Griffith Hack**
(71) Name(s) and Address(s) of Applicant(s):
Nova Hardware Pty Ltd
U4 5 Becon Ct Hallam VIC 3803 Australia
(72) Name(s) of Designer(s): **Ming Yu**
(45) Registration Date: **31 July 2015**
(56) Related Art Documents: **Not Applicable**
(57) Statement of Newness and Distinctiveness: **The shape and configuration of the product as shown by solid lines in the accompanying representations is new and distinctive.**



(21) Design Number: **13291/2015**

(22) Date of Filing Application: **30 June 2015**

(24) Date from which industrial property rights may have effect: **30 June 2015**

(54) Product in respect of which the design is registered: **Golf club head**

(51) International Design Classification: **21-02C**

(74) Name(s) of Attorney(s): **Davies Collison Cave**

(71) Name(s) and Address(s) of Applicant(s):

Karsten Manufacturing Corporation
2201 West Desert Cove Phoenix Arizona, 85029 United States of America

(72) Name(s) of Designer(s): **Cory S. Bacon and Xiaojian Chen**

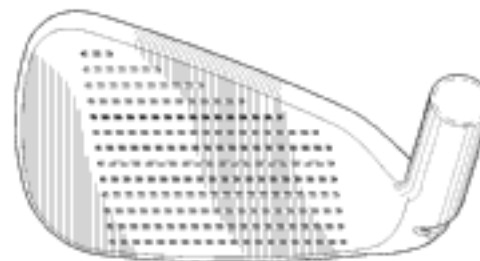
(45) Registration Date: **31 July 2015**

(30) Convention priority data:

(31) Number	(32) Date	(33) Country
29/513757	05 Jan 2015	UNITED STATES OF AMERICA

(56) Related Art Documents: **Not Applicable**

(57) Statement of Newness and Distinctiveness: **Newness and distinctiveness is claimed in the visual features shown in solid lines in the representations.**



(21) Design Number: **13292/2015**

(22) Date of Filing Application: **30 June 2015**

(24) Date from which industrial property rights may have effect: **30 June 2015**

(54) Product in respect of which the design is registered: **Portable clothes line**

(51) International Design Classification: **07-05D**

(74) Name(s) of Attorney(s): **Lesicar Maynard Andrews Pty Ltd**

(71) Name(s) and Address(s) of Applicant(s):

Shanghai Aodian Hardware & Mechanism Co., Ltd
Room 703, 7th Floor, Huafu Haijing Busin 88 Hangzhouwan Avenue
Jinshan, P.R. 200540 Shanghai China

(72) Name(s) of Designer(s): **Daoyuan Wang**

(45) Registration Date: **31 July 2015**

(56) Related Art Documents: **Not Applicable**

(57) Statement of Newness and Distinctiveness: **Newness and distinctiveness reside in the shape and/or configuration of the portable clothes line as shown in accompanying drawings**



(21) Design Number: **13288/2015**

(22) Date of Filing Application: **30 June 2015**

(24) Date from which industrial property rights may have effect: **30 June 2015**

(54) Product in respect of which the design is registered: **Food waste disposer**

(51) International Design Classification: **09-09**

(74) Name(s) of Attorney(s): **FB Rice**

(71) Name(s) and Address(s) of Applicant(s):

Emerson Electric Co.

8000 West Florissant Avenue St. Louis Missouri, 63136 United States of America

(72) Name(s) of Designer(s): **Kelly T. Gamble and Deborah R. Groshek and Eric J. Schultz and Randall E. Hammer and Grey B. Parker and Josiah J. LaColla**

(45) Registration Date: **03 August 2015**

(30) Convention priority data:

(31) Number

(32) Date

(33) Country

29/514363

12 Jan 2015

UNITED STATES OF AMERICA

(56) Related Art Documents: **Not Applicable**

(57) Statement of Newness and Distinctiveness: **Newness and distinctiveness reside in the features of shape and/or configuration of the design shown in solid lines in the representations excluding those features shown in broken lines.**



(21) Design Number: **13293/2015**

(22) Date of Filing Application: **30 June 2015**

(24) Date from which industrial property rights may have effect: **30 June 2015**

(54) Product in respect of which the design is registered: **Retractable clothes line**

(51) International Design Classification: **07-05D**

(74) Name(s) of Attorney(s): **Lesicar Maynard Andrews Pty Ltd**

(71) Name(s) and Address(s) of Applicant(s):

Shanghai Aodian Hardware & Mechanism Co., Ltd

Room 703, 7th Floor, Huafu Haijing Busin 88 Hangzhouwan Avenue Jinshan, P.R. 200540 Shanghai China

(72) Name(s) of Designer(s): **Zongji Lu**

(45) Registration Date: **03 August 2015**

(56) Related Art Documents: **Not Applicable**

(57) Statement of Newness and Distinctiveness: **Newness and distinctiveness reside in the shape and/or configuration of the retractable clothes line as shown in accompanying drawings**



- (21) Design Number: **13294/2015**
(22) Date of Filing Application: **30 June 2015**
(24) Date from which industrial property rights may have effect: **30 June 2015**
(54) Product in respect of which the design is registered: **Fold down clothes line**
(51) International Design Classification: **07-05D**
(74) Name(s) of Attorney(s): **Lesicar Maynard Andrews Pty Ltd**
(71) Name(s) and Address(s) of Applicant(s):
Shanghai Aodian Hardware & Mechanism Co., Ltd
Room 703, 7th Floor, Huafu Haijing Busin 88 Hangzhouwan Avenue
Jinshan, P.R. 200540 Shanghai China
(72) Name(s) of Designer(s): **Daoyuan Wang and Huiji Hui**
(45) Registration Date: **03 August 2015**
(56) Related Art Documents: **Not Applicable**
(57) Statement of Newness and Distinctiveness: **Newness and distinctiveness reside in the shape and/or configuration of the fold down clothes line as shown in accompanying drawings**



- (21) Design Number: **13295/2015**
(22) Date of Filing Application: **30 June 2015**
(24) Date from which industrial property rights may have effect: **30 June 2015**
(54) Product in respect of which the design is registered: **Syringe plunger and finger grip**
(51) International Design Classification: **24-02**
(74) Name(s) of Attorney(s): **WATERMARK PATENT AND TRADE MARKS ATTORNEYS**
(71) Name(s) and Address(s) of Applicant(s):
Genzyme Corporation
500 Kendall Street Cambridge MA, 02142 United States of America
(72) Name(s) of Designer(s): **Robin Cameron Larson and Barbara Yu-Fong Wan and Daniel John Zuniga and Manikandan Namasivayam and Leticia Fabiano and Frederic Daniel Blankaert and Anthony John Franchino**
(45) Registration Date: **03 August 2015**
(30) Convention priority data:
(31) Number (32) Date (33) Country
29/520,198 12 Mar 2015 UNITED STATES OF AMERICA
(56) Related Art Documents: **Not Applicable**
(57) Statement of Newness and Distinctiveness: **In considering newness and distinctiveness, no regard is to be had to the portion of the representation, the barrel of the syringe, shown in broken outline.**



- (21) Design Number: **13299/2015**
(22) Date of Filing Application: **30 June 2015**
(24) Date from which industrial property rights may have effect: **30 June 2015**
(54) Product in respect of which the design is registered: **Seat**
(51) International Design Classification: **06-01F**
(74) Name(s) of Attorney(s):
(71) Name(s) and Address(s) of Applicant(s):
Steendyk Holdings Pty Ltd
27 Isaac St Spring Hill QLD 4000 Australia
(72) Name(s) of Designer(s): **Brian John Steendyk**
(45) Registration Date: **03 August 2015**
(56) Related Art Documents: **Not Applicable**
(57) Statement of Newness and Distinctiveness: **Monopoly is claimed in the features of shape and/or configuration of the seat as illustrated in the representations accompanying this application.**



- (21) Design Number: **13303/2015**
(22) Date of Filing Application: **01 July 2015**
(24) Date from which industrial property rights may have effect: **01 July 2015**
(54) Product in respect of which the design is registered: **Food waste disposer**
(51) International Design Classification: **09-09**
(74) Name(s) of Attorney(s): **FB Rice**
(71) Name(s) and Address(s) of Applicant(s):
Emerson Electric Co.
8000 West Florissant Avenue St. Louis Missouri, 63136 United States of America
(72) Name(s) of Designer(s): **Kelly T. Gamble and Deborah R. Groshek and Eric J. Schultz and Randall E. Hammer and Grey B. Parker and Josiah J. LaColla**
(45) Registration Date: **03 August 2015**
(30) Convention priority data:
(31) Number (32) Date (33) Country
29/514363 12 Jan 2015 UNITED STATES OF AMERICA
(56) Related Art Documents: **Not Applicable**
(57) Statement of Newness and Distinctiveness: **Newness and distinctiveness reside in the features of shape and/or configuration of the design shown in solid lines in the representations excluding those features shown in broken lines.**



- (21) Design Number: **13313/2015**
(22) Date of Filing Application: **01 July 2015**
(24) Date from which industrial property rights may have effect: **01 July 2015**
(54) Product in respect of which the design is registered: **A basin**
(51) International Design Classification: **23-02F**
(74) Name(s) of Attorney(s): **Spruson & Ferguson**
(71) Name(s) and Address(s) of Applicant(s):

Caroma Industries Limited
L2 HQ South Tower 520 Wickham St Fortitude Valley QLD 4006 Australia

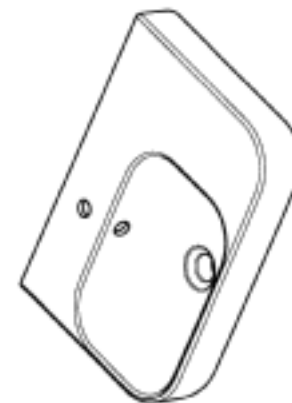
- (72) Name(s) of Designer(s): **Stephen John Cummings and Vincent Kai Hong Ho and Leonie Carolyn Brickwood**
(45) Registration Date: **03 August 2015**
(56) Related Art Documents: **Not Applicable**
(57) Statement of Newness and Distinctiveness: **Newness and distinctiveness is claimed in the features of shape and/or configuration of a basin as illustrated in the accompanying representations.**



- (21) Design Number: **13315/2015**
(22) Date of Filing Application: **01 July 2015**
(24) Date from which industrial property rights may have effect: **01 July 2015**
(54) Product in respect of which the design is registered: **A basin**
(51) International Design Classification: **23-02F**
(74) Name(s) of Attorney(s): **Spruson & Ferguson**
(71) Name(s) and Address(s) of Applicant(s):

Caroma Industries Limited
L2 HQ South Tower 520 Wickham St Fortitude Valley QLD 4006 Australia

- (72) Name(s) of Designer(s): **Stephen John Cummings and Vincent Kai Hong Ho and Leonie Carolyn Brickwood**
(45) Registration Date: **03 August 2015**
(56) Related Art Documents: **Not Applicable**
(57) Statement of Newness and Distinctiveness: **Newness and distinctiveness is claimed in the features of shape and/or configuration of a basin as illustrated in the accompanying representations.**



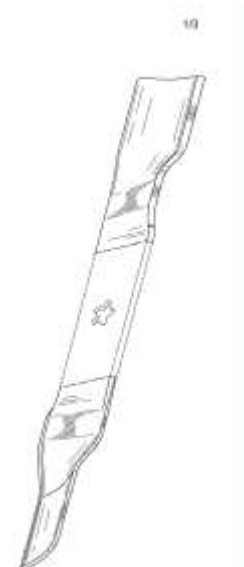
(21) Design Number: **13264/2015**
(22) Date of Filing Application: **29 June 2015**
(24) Date from which industrial property rights may have effect: **29 June 2015**
(54) Product in respect of which the design is registered: **Exercise apparatus**
(51) International Design Classification: **21-02F**
(74) Name(s) of Attorney(s): **WATERMARK PATENT AND TRADE MARKS ATTORNEYS**
(71) Name(s) and Address(s) of Applicant(s):
High Street TV (Group) Limited
Central House Beckwith Knowle Otley Road Harrogate, North Yorkshire
HG3 1UF United Kingdom
(72) Name(s) of Designer(s): **Yi-Tzu Chen**
(45) Registration Date: **03 August 2015**
(30) Convention priority data:
(31) Number (32) Date (33) Country
002673368 31 Mar 2015 OFFICE FOR HARMONISATION IN
THE INTERNAL MARKET (OHIM)
(56) Related Art Documents: **Not Applicable**
(57) Statement of Newness and Distinctiveness: **Nil**



(21) Design Number: **13266/2015**
(22) Date of Filing Application: **29 June 2015**
(24) Date from which industrial property rights may have effect: **29 June 2015**
(54) Product in respect of which the design is registered: **Food waste disposer**
(51) International Design Classification: **09-09**
(74) Name(s) of Attorney(s): **FB Rice**
(71) Name(s) and Address(s) of Applicant(s):
Emerson Electric Co.
8000 West Florissant Avenue St. Louis Missouri, 63136 United States of
America
(72) Name(s) of Designer(s): **Kelly T Gamble and Deborah R Groshek and Eric**
J Schultz and Randall E Hammer and Grey B Parker and Josiah J LaColla
(45) Registration Date: **03 August 2015**
(30) Convention priority data:
(31) Number (32) Date (33) Country
29/514361 12 Jan 2015 UNITED STATES OF AMERICA
(56) Related Art Documents: **Not Applicable**
(57) Statement of Newness and Distinctiveness: **Newness and distinctiveness**
reside in the features of shape and/or configuration of the design shown
in solid lines in the representations excluding those features shown in
broken lines.



- (21) Design Number: **13268/2015**
(22) Date of Filing Application: **29 June 2015**
(24) Date from which industrial property rights may have effect: **29 June 2015**
(54) Product in respect of which the design is registered: **Mulching blade**
(51) International Design Classification: **15-03B**
(74) Name(s) of Attorney(s): **Spruson & Ferguson**
(71) Name(s) and Address(s) of Applicant(s):
Husqvarna AB
Drottninggatan 2 Huskvarna 56182 Sweden
(72) Name(s) of Designer(s): **James R. Poole and David Briney**
(45) Registration Date: **03 August 2015**
(30) Convention priority data:
(31) Number (32) Date (33) Country
29/513603 02 Jan 2015 UNITED STATES OF AMERICA
(56) Related Art Documents: **Not Applicable**
(57) Statement of Newness and Distinctiveness: **Newness and distinctiveness is claimed in those features of shape and/or configuration of a mulching blade illustrated in continuous lines in the accompanying representations.**



- (21) Design Number: **13256/2015**
(22) Date of Filing Application: **26 June 2015**
(24) Date from which industrial property rights may have effect: **26 June 2015**
(54) Product in respect of which the design is registered: **Food waste disposer**
(51) International Design Classification: **09-09**
(74) Name(s) of Attorney(s): **FB Rice**
(71) Name(s) and Address(s) of Applicant(s):
Emerson Electric Co.
8000 West Florissant Avenue St. Louis Missouri, 63136 United States of America
(72) Name(s) of Designer(s): **Kelly T. Gamble and Deborah R. Groshek and Eric J. Schultz and Randall E. Hammer and Grey B. Parker and Josiah J. LaColla**
(45) Registration Date: **03 August 2015**
(30) Convention priority data:
(31) Number (32) Date (33) Country
29/514356 12 Jan 2015 UNITED STATES OF AMERICA
(56) Related Art Documents: **Not Applicable**
(57) Statement of Newness and Distinctiveness: **Newness and distinctiveness reside in the features of shape and/or configuration of the design shown in solid lines in the representations excluding those features shown in broken lines.**



(21) Design Number: **13257/2015**

(22) Date of Filing Application: **26 June 2015**

(24) Date from which industrial property rights may have effect: **26 June 2015**

(54) Product in respect of which the design is registered: **Concrete wheelstop**

(51) International Design Classification: **25-02NES**

(74) Name(s) of Attorney(s):

(71) Name(s) and Address(s) of Applicant(s):

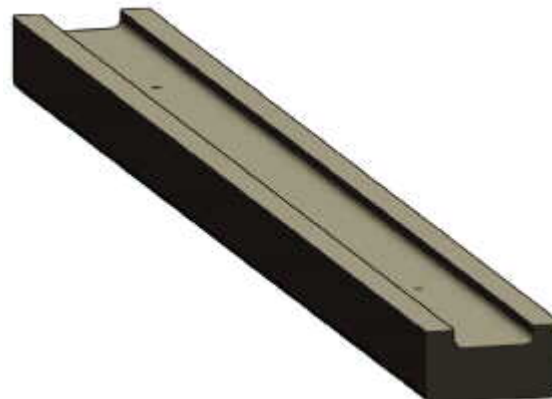
**CONSOL SERVICES PTY LTD
PO BOX 1294 Bundoora VIC 3083 Australia**

(72) Name(s) of Designer(s): **John Ibrahim**

(45) Registration Date: **03 August 2015**

(56) Related Art Documents: **Not Applicable**

(57) Statement of Newness and Distinctiveness: **This concrete wheelstop has a unique profile which allows the installer to easily place their fingers under the wheelstop and avoid injury due to crushing. This profile also greatly reduces the weight of the wheelstop, therefore only requiring one person to install it instead of two.**



(21) Design Number: **13258/2015**

(22) Date of Filing Application: **26 June 2015**

(24) Date from which industrial property rights may have effect: **26 June 2015**

(54) Product in respect of which the design is registered: **A trailer**

(51) International Design Classification: **12-10**

(74) Name(s) of Attorney(s): **Halfords IP**

(71) Name(s) and Address(s) of Applicant(s):

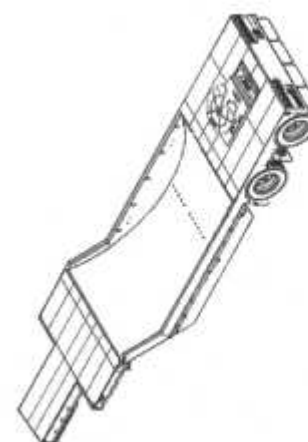
**Vinidex Pty Limited
PO BOX 4990 North Rocks NSW 2151 Australia**

(72) Name(s) of Designer(s): **Nicholas Feros**

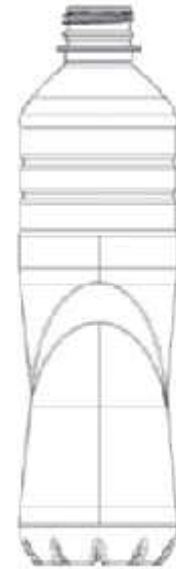
(45) Registration Date: **03 August 2015**

(56) Related Art Documents: **Not Applicable**

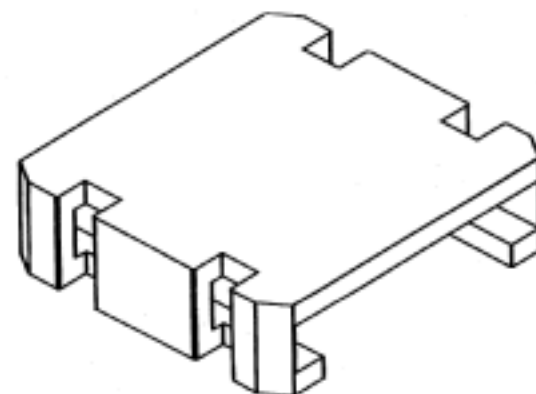
(57) Statement of Newness and Distinctiveness: **Newness and distinctiveness resides in the visual features, including shape and/or configuration, of the curved support surface from the lower bed to the goose neck. When determining whether the design is substantially similar in overall impression to another design, no regard is to be had to those features shown in dotted outline in the accompanying drawings, which features are provided for illustrative purposes only.**



(21) Design Number: **13269/2015**
(22) Date of Filing Application: **29 June 2015**
(24) Date from which industrial property rights may have effect: **10 April 2015**
(54) Product in respect of which the design is registered: **Bottle**
(51) International Design Classification: **09-01NES**
(74) Name(s) of Attorney(s): **Ashurst Australia**
(71) Name(s) and Address(s) of Applicant(s):
Coca-Cola Amatil (Aust) Pty Ltd
Level 14 40 Mount Street North Sydney New South Wales 2060 Australia
(72) Name(s) of Designer(s): **Arnie Grainger**
(45) Registration Date: **03 August 2015**
(62) Divisional of: **362445**
(56) Related Art Documents: **Not Applicable**
(57) Statement of Newness and Distinctiveness: **Newness and distinctiveness is shown in the features of shape and configuration showing in solid lines in the accompanying representations.**



(21) Design Number: **13309/2015**
(22) Date of Filing Application: **24 June 2015**
(24) Date from which industrial property rights may have effect: **05 May 2015**
(54) Product in respect of which the design is registered: **Slidable closure**
(51) International Design Classification: **09-07NES**
(74) Name(s) of Attorney(s): **Callinans**
(71) Name(s) and Address(s) of Applicant(s):
Hans Georg Hagleitner
Lindenallee 11 Zell am See 5700 Austria
(72) Name(s) of Designer(s): **Hans Georg Hagleitner**
(45) Registration Date: **03 August 2015**
(30) Convention priority data:
(31) Number (32) Date (33) Country
2573725 **07 Nov 2014** **OFFICE FOR HARMONISATION IN
THE INTERNAL MARKET (OHIM)**
(62) Divisional of: **362485**
(56) Related Art Documents: **Not Applicable**
(57) Statement of Newness and Distinctiveness: **Nil**



(21) Design Number: **13310/2015**
(22) Date of Filing Application: **24 June 2015**
(24) Date from which industrial property rights may have effect: **05 May 2015**
(54) Product in respect of which the design is registered: **Slidable closure**
(51) International Design Classification: **09-07NES**
(74) Name(s) of Attorney(s): **Callinans**
(71) Name(s) and Address(s) of Applicant(s):

Hans Georg Hagleitner
Lindenallee 11 Zell am See 5700 Austria

(72) Name(s) of Designer(s): **Hans Georg Hagleitner**
(45) Registration Date: **03 August 2015**

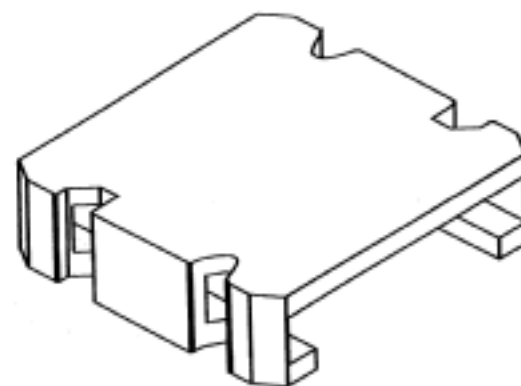
(30) Convention priority data:

(31) Number	(32) Date	(33) Country
2573725	07 Nov 2014	OFFICE FOR HARMONISATION IN THE INTERNAL MARKET (OHIM)

(62) Divisional of: **362485**

(56) Related Art Documents: **Not Applicable**

(57) Statement of Newness and Distinctiveness: **Nil**



(21) Design Number: **13312/2015**
(22) Date of Filing Application: **24 June 2015**
(24) Date from which industrial property rights may have effect: **05 May 2015**
(54) Product in respect of which the design is registered: **Slidable closure**
(51) International Design Classification: **09-07NES**
(74) Name(s) of Attorney(s): **Callinans**
(71) Name(s) and Address(s) of Applicant(s):

Hans Georg Hagleitner
Lindenallee 11 Zell am See 5700 Austria

(72) Name(s) of Designer(s): **Hans Georg Hagleitner**
(45) Registration Date: **03 August 2015**

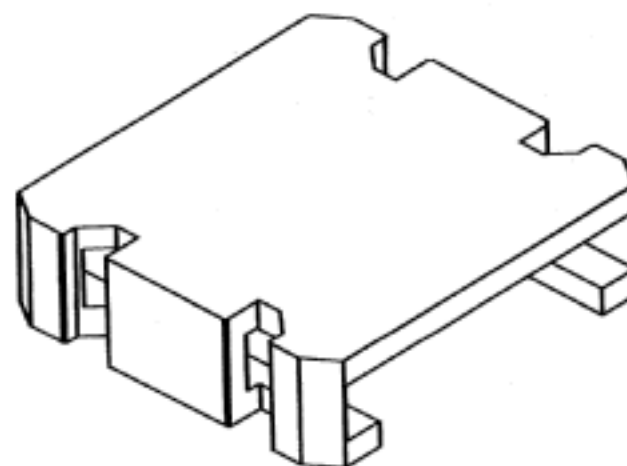
(30) Convention priority data:

(31) Number	(32) Date	(33) Country
2573725	07 Nov 2014	OFFICE FOR HARMONISATION IN THE INTERNAL MARKET (OHIM)

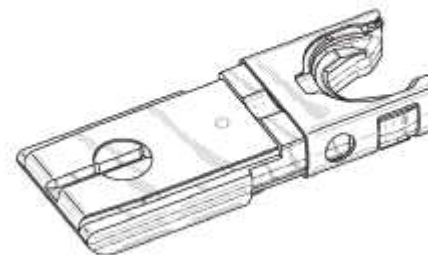
(62) Divisional of: **362485**

(56) Related Art Documents: **Not Applicable**

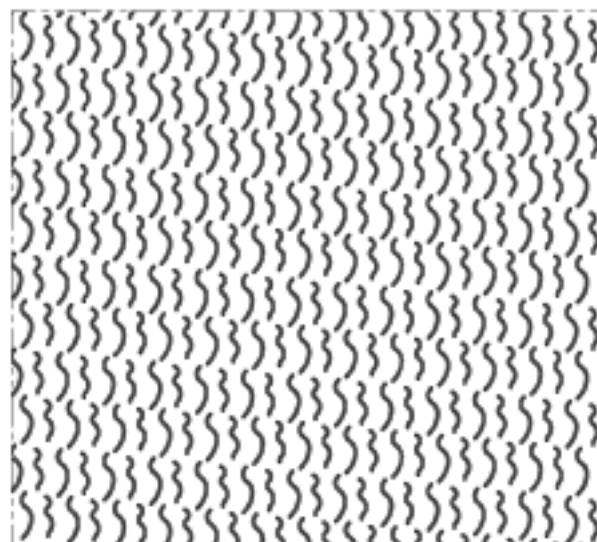
(57) Statement of Newness and Distinctiveness: **Nil**



(21) Design Number: **12879/2015**
(22) Date of Filing Application: **09 June 2015**
(24) Date from which industrial property rights may have effect: **09 June 2015**
(54) Product in respect of which the design is registered: **Suture cartridge**
(51) International Design Classification: **24-01**
(74) Name(s) of Attorney(s): **Freehills Patent Attorneys**
(71) Name(s) and Address(s) of Applicant(s):
Ethicon Endo-Surgery, Inc.
4545 Creek Road Cincinnati Ohio, 45242 United States of America
(72) Name(s) of Designer(s): **David T. Martin and William J. White**
(45) Registration Date: **03 August 2015**
(30) Convention priority data:
(31) Number (32) Date (33) Country
29/515300 21 Jan 2015 UNITED STATES OF AMERICA
(56) Related Art Documents: **Not Applicable**
(57) Statement of Newness and Distinctiveness: **Newness and distinctiveness of the design resides in the features of shape and configuration of the suture cartridge as shown in solid outline in the accompanying representations.**



(21) Design Number: **13253/2015**
(22) Date of Filing Application: **26 June 2015**
(24) Date from which industrial property rights may have effect: **26 June 2015**
(54) Product in respect of which the design is registered: **Embossed nonwoven web material**
(51) International Design Classification: **05-99, 05-05NES, 05-04, 05-06NES**
(74) Name(s) of Attorney(s): **Spruson & Ferguson**
(71) Name(s) and Address(s) of Applicant(s):
Kimberly-Clark Worldwide, Inc.
401 North Lake Street Neenah Wisconsin 54957 United States of America
(72) Name(s) of Designer(s): **David A Palzewicz**
(45) Registration Date: **03 August 2015**
(30) Convention priority data:
(31) Number (32) Date (33) Country
29/514274 09 Jan 2015 UNITED STATES OF AMERICA
(56) Related Art Documents: **Not Applicable**
(57) Statement of Newness and Distinctiveness: **Newness and distinctiveness is claimed in the features of an embossed nonwoven web material as illustrated in the accompanying representation, wherein the embossed nonwoven web material has an embossing pattern that repeats itself and an element of the embossing pattern is shown bounded by broken lines in the accompanying representation.**



- (21) Design Number: **13255/2015**
(22) Date of Filing Application: **26 June 2015**
(24) Date from which industrial property rights may have effect: **26 June 2015**
(54) Product in respect of which the design is registered: **Health information communications device**
(51) International Design Classification: **14-03NES**
(74) Name(s) of Attorney(s): **Griffith Hack**
(71) Name(s) and Address(s) of Applicant(s):
C. Rafin & Co. Pty Ltd
11 West St Wollongong NSW 2500 Australia
(72) Name(s) of Designer(s): **Victor Stawski and Joshua Rafin and Anna Cooper and Claude Rafin and Massimo Celima**
(45) Registration Date: **03 August 2015**
(56) Related Art Documents: **Not Applicable**
(57) Statement of Newness and Distinctiveness: **Newness and distinctiveness resides in the visual features, including shape and configuration, of a Health Information Communications Device as shown in the accompanying representations. When determining whether the design is substantially similar in overall impression to another design, no regard is to be had to the alpha and/or numeric characters or keypad configuration as shown in the accompanying representations, which features are provided for illustrative purposes only.**



- (21) Design Number: **13298/2015**
(22) Date of Filing Application: **30 June 2015**
(24) Date from which industrial property rights may have effect: **30 June 2015**
(54) Product in respect of which the design is registered: **Planter/seat**
(51) International Design Classification: **11-02B, 06-01H**
(74) Name(s) of Attorney(s):
(71) Name(s) and Address(s) of Applicant(s):
Steendyk Holdings Pty Ltd
27 Isaac St Spring Hill QLD 4000 Australia
(72) Name(s) of Designer(s): **Brian John Steendyk**
(45) Registration Date: **03 August 2015**
(56) Related Art Documents: **Not Applicable**
(57) Statement of Newness and Distinctiveness: **Monopoly is claimed in the features of shape and/or configuration of the seat/planter as illustrated in the representations accompanying this application.**



(21) Design Number: **13316/2015**

(22) Date of Filing Application: **01 July 2015**

(24) Date from which industrial property rights may have effect: **01 July 2015**

(54) Product in respect of which the design is registered: **A basin**

(51) International Design Classification: **23-02F**

(74) Name(s) of Attorney(s): **Spruson & Ferguson**

(71) Name(s) and Address(s) of Applicant(s):

Caroma Industries Limited

L2 HQ South Tower 520 Wickham St Fortitude Valley QLD 4006 Australia

(72) Name(s) of Designer(s): **Stephen John Cummings and Vincent Kai Hong Ho and Leonie Carolyn Brickwood**

(45) Registration Date: **03 August 2015**

(56) Related Art Documents: **Not Applicable**

(57) Statement of Newness and Distinctiveness: **Newness and distinctiveness is claimed in the features of shape and/or configuration of a basin as illustrated in the accompanying representations.**



(21) Design Number: **13319/2015**

(22) Date of Filing Application: **01 July 2015**

(24) Date from which industrial property rights may have effect: **01 July 2015**

(54) Product in respect of which the design is registered: **A basin**

(51) International Design Classification: **23-02F**

(74) Name(s) of Attorney(s): **Spruson & Ferguson**

(71) Name(s) and Address(s) of Applicant(s):

Caroma Industries Limited

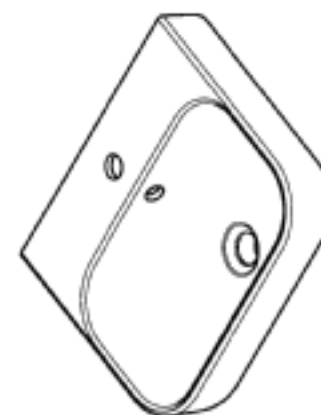
L2 HQ South Tower 520 Wickham St Fortitude Valley QLD 4006 Australia

(72) Name(s) of Designer(s): **Stephen John Cummings and Vincent Kai Hong Ho and Leonie Carolyn Brickwood**

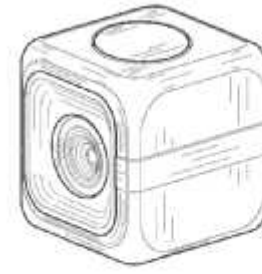
(45) Registration Date: **03 August 2015**

(56) Related Art Documents: **Not Applicable**

(57) Statement of Newness and Distinctiveness: **Newness and distinctiveness is claimed in the features of shape and/or configuration of a basin as illustrated in the accompanying representations.**



- (21) Design Number: **11330/2015**
(22) Date of Filing Application: **11 March 2015**
(24) Date from which industrial property rights may have effect: **11 March 2015**
(54) Product in respect of which the design is registered: **Cubic action camera**
(51) International Design Classification: **16-01**
(74) Name(s) of Attorney(s):
(71) Name(s) and Address(s) of Applicant(s):
C & A Marketing LLC
2 Bergen Tpke Ridgefield Park NJ, 07660-2340 United States of America
(72) Name(s) of Designer(s): **Gregoire Vandebussche**
(45) Registration Date: **03 August 2015**
(56) Related Art Documents: **Not Applicable**
(57) Statement of Newness and Distinctiveness: **Newness and distinctiveness resides in the ornamental design for a cubic action camera**



- (21) Design Number: **11586/2015**
(22) Date of Filing Application: **24 March 2015**
(24) Date from which industrial property rights may have effect: **24 March 2015**
(54) Product in respect of which the design is registered: **A peg**
(51) International Design Classification: **07-05C**
(74) Name(s) of Attorney(s):
(71) Name(s) and Address(s) of Applicant(s):
All4Ella Pty Ltd
PO BOX 774 Moorabbin VIC 3189 Australia
(72) Name(s) of Designer(s): **Bruce Song**
(45) Registration Date: **03 August 2015**
(56) Related Art Documents: **Not Applicable**
(57) Statement of Newness and Distinctiveness: **The peg has a large, rounded mouth and overall shape. It also has large levers at back for opening the peg. Wide and round overall shape when closed. Large opening in the middle of the peg when closed. Opens wide. Large hinge. Curved/rounded edges. Contains and enclosed spring within the hinge. Colour is to be disregarded.**



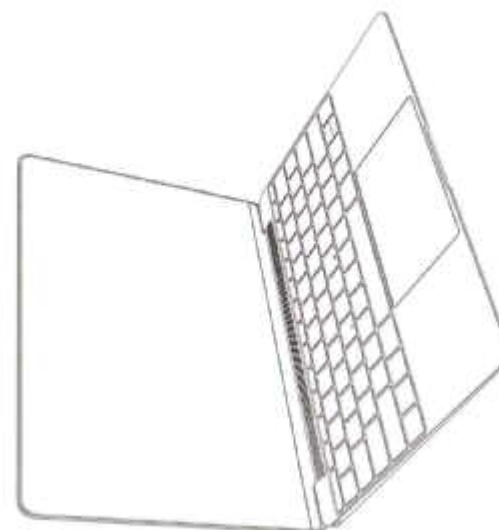
(21) Design Number: **13320/2015**
(22) Date of Filing Application: **01 July 2015**
(24) Date from which industrial property rights may have effect: **01 July 2015**
(54) Product in respect of which the design is registered: **Metal bottle**
(51) International Design Classification: **09-01NES**
(74) Name(s) of Attorney(s): **Madderns**
(71) Name(s) and Address(s) of Applicant(s):
Ball Corporation
10 Longs Peak Drive Broomfield Colorado, 80021-2510 United States of America
(72) Name(s) of Designer(s): **Linda A Hines**
(45) Registration Date: **03 August 2015**
(30) Convention priority data:
(31) Number (32) Date (33) Country
29/513,745 05 Jan 2015 UNITED STATES OF AMERICA
(56) Related Art Documents: **Not Applicable**
(57) Statement of Newness and Distinctiveness: **Newness and distinctiveness resides in the shape and/or configuration of a metal bottle as depicted in the accompanying drawings.**



(21) Design Number: **13338/2015**
(22) Date of Filing Application: **02 July 2015**
(24) Date from which industrial property rights may have effect: **02 July 2015**
(54) Product in respect of which the design is registered: **Electronic device**
(51) International Design Classification: **14-02**
(74) Name(s) of Attorney(s): **Freehills Patent Attorneys**
(71) Name(s) and Address(s) of Applicant(s):
Apple Inc.
1 Infinite Loop Cupertino California, 95014 United States of America
(72) Name(s) of Designer(s): **Jody Akana and Bartley K Andre and Shota Aoyagi and Anthony Michael Ashcroft and Jeremy Bataillou and Daniel J Coster and Daniele De Iuliis and M Evans Hankey and Julian Hoenig and Richard P Howarth and Jonathan P Ive and Duncan Robert Kerr and Matthew Dean Rohrbach and Peter Russell-Clarke and Benjamin Andrew Shaffer and Mikael Silvanto and Christopher J Stringer and Eugene Antony Whang and Rico Zorkendorfer**
(45) Registration Date: **03 August 2015**
(30) Convention priority data:
(31) Number (32) Date (33) Country
29/513920 06 Jan 2015 UNITED STATES OF AMERICA
(56) Related Art Documents: **Not Applicable**
(57) Statement of Newness and Distinctiveness: **Newness and distinctiveness of the design resides in the ratio of the width to maximum thickness of the electronic device, with each side of the electronic device having a single input port towards the rear, as shown in the accompanying representations.**



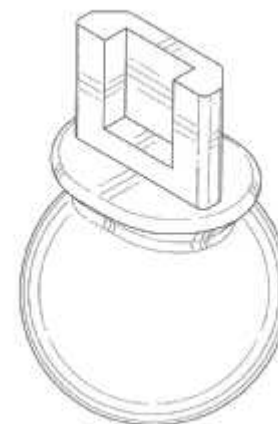
- (21) Design Number: **13339/2015**
(22) Date of Filing Application: **02 July 2015**
(24) Date from which industrial property rights may have effect: **02 July 2015**
(54) Product in respect of which the design is registered: **Electronic device**
(51) International Design Classification: **14-02**
(74) Name(s) of Attorney(s): **Freehills Patent Attorneys**
(71) Name(s) and Address(s) of Applicant(s):
Apple Inc.
1 Infinite Loop Cupertino California, 95014 United States of America
(72) Name(s) of Designer(s): **Jody Akana and Bartley K Andre and Shota Aoyagi and Anthony Michael Ashcroft and Jeremy Bataillou and Daniel J Coster and Daniele De Iuliis and M Evans Hankey and Julian Hoenig and Richard P Howarth and Jonathan P Ive and Duncan Robert Kerr and Matthew Dean Rohrbach and Peter Russell-Clarke and Benjamin Andrew Shaffer and Mikael Silvano and Christopher J Stringer and Eugene Antony Whang and Rico Zorkendorfer**
(45) Registration Date: **03 August 2015**
(30) Convention priority data:
(31) Number (32) Date (33) Country
29/513920 06 Jan 2015 UNITED STATES OF AMERICA
(56) Related Art Documents: **Not Applicable**
(57) Statement of Newness and Distinctiveness: **Newness and distinctiveness of the electronic device design resides in the features of the screen extending the width of the lid, the horizontal frame immediately below the screen, the shape and location of the speaker grille, the keyboard extending the width of the body, the relative size and location of the track pad, and with each side of the electronic device having a single input port towards the rear, as shown in the accompanying representations.**



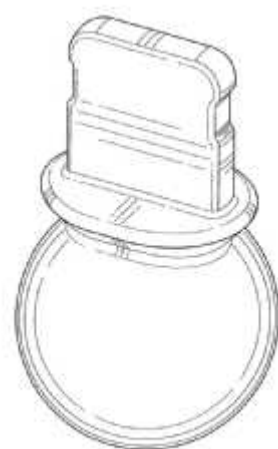
- (21) Design Number: **13340/2015**
(22) Date of Filing Application: **02 July 2015**
(24) Date from which industrial property rights may have effect: **02 July 2015**
(54) Product in respect of which the design is registered: **Electronic device**
(51) International Design Classification: **14-02**
(74) Name(s) of Attorney(s): **Freehills Patent Attorneys**
(71) Name(s) and Address(s) of Applicant(s):
Apple Inc.
1 Infinite Loop Cupertino California, 95014 United States of America
(72) Name(s) of Designer(s): **Jody Akana and Bartley K Andre and Shota Aoyagi and Anthony Michael Ashcroft and Jeremy Bataillou and Daniele De Iuliis and M Evans Hankey and Julian Hoenig and Richard P Howarth and Jonathan P Ive and Duncan Robert Kerr and Matthew Dean Rohrbach and Peter Russell-Clarke and Benjamin Andrew Shaffer and Mikael Silvano and Christopher J Stringer and Eugene Antony Whang and Rico Zorkendorfer and Daniel J Coster**
(45) Registration Date: **03 August 2015**
(30) Convention priority data:
(31) Number (32) Date (33) Country
29/513920 06 Jan 2015 UNITED STATES OF AMERICA
(56) Related Art Documents: **Not Applicable**
(57) Statement of Newness and Distinctiveness: **Newness and distinctiveness of the design resides in the features of shape and configuration of the horizontal frame immediately below the screen as shown in solid outline in the accompanying representations.**



(21) Design Number: **12053/2015**
(22) Date of Filing Application: **17 April 2015**
(24) Date from which industrial property rights may have effect: **17 April 2015**
(54) Product in respect of which the design is registered: **Ball head of a tripod for an electronic device**
(51) International Design Classification: **16-05**
(74) Name(s) of Attorney(s): **PIPERS**
(71) Name(s) and Address(s) of Applicant(s):
Kenu, Inc.
236 8th St Unit A San Francisco CA 94103 United States of America
(72) Name(s) of Designer(s): **David E Yao and Leonard John Duran and Kenneth Y Minn**
(45) Registration Date: **03 August 2015**
(30) Convention priority data:
(31) Number (32) Date (33) Country
29506667 17 Oct 2014 UNITED STATES OF AMERICA
(56) Related Art Documents: **Not Applicable**
(57) Statement of Newness and Distinctiveness: **This design is to be applied to a ball head and the novelty resides in the features of shape and configuration of the article shown in the accompanying representations. No novelty is claimed for the features shown in broken lines - those are for illustrative purpose only and depict the environment of the design.**



(21) Design Number: **12052/2015**
(22) Date of Filing Application: **17 April 2015**
(24) Date from which industrial property rights may have effect: **17 April 2015**
(54) Product in respect of which the design is registered: **Ball head of a tripod for an electronic device**
(51) International Design Classification: **16-05**
(74) Name(s) of Attorney(s): **PIPERS**
(71) Name(s) and Address(s) of Applicant(s):
Kenu, Inc.
236 8th Street Suite A San Francisco California, 94103 United States of America
(72) Name(s) of Designer(s): **David E Yao and Leonard John Duran and Kenneth Y Minn**
(45) Registration Date: **03 August 2015**
(30) Convention priority data:
(31) Number (32) Date (33) Country
29506667 17 Oct 2014 UNITED STATES OF AMERICA
(56) Related Art Documents: **Not Applicable**
(57) Statement of Newness and Distinctiveness: **This design is to be applied to a ball head and the novelty resides in the features of shape and configuration of the article shown in the accompanying representations. No novelty is claimed for the features shown in broken lines - those are for illustrative purpose only and depict the environment of the design.**



- (21) Design Number: **13335/2015**
(22) Date of Filing Application: **02 July 2015**
(24) Date from which industrial property rights may have effect: **13 February 2015**
(54) Product in respect of which the design is registered: **Wrist watch bands**
(51) International Design Classification: **10-07**
(74) Name(s) of Attorney(s): **Cullens Patent and Trade Mark Attorneys**
(71) Name(s) and Address(s) of Applicant(s):
Kairos Watches Limited
10 Raeburn Park -02-08 Tanjong Pagar 088702 Singapore
(72) Name(s) of Designer(s): **Sun Jong Yang**
(45) Registration Date: **04 August 2015**
(62) Divisional of: **362499**
(56) Related Art Documents: **Not Applicable**
(57) Statement of Newness and Distinctiveness: **Newness and distinctiveness is claimed in the features of the shape and configuration of the wrist watch bands as illustrated in the accompanying representations.**



- (21) Design Number: **13336/2015**
(22) Date of Filing Application: **02 July 2015**
(24) Date from which industrial property rights may have effect: **13 February 2015**
(54) Product in respect of which the design is registered: **Wrist watch bands**
(51) International Design Classification: **10-07**
(74) Name(s) of Attorney(s): **Cullens Patent and Trade Mark Attorneys**
(71) Name(s) and Address(s) of Applicant(s):
Kairos Watches Limited
10 Raeburn Park -02-08 Tanjong Pagar 088702 Singapore
(72) Name(s) of Designer(s): **Sun Jong Yang**
(45) Registration Date: **04 August 2015**
(62) Divisional of: **362499**
(56) Related Art Documents: **Not Applicable**
(57) Statement of Newness and Distinctiveness: **Newness and distinctiveness is claimed in the features of the shape and configuration of the wrist watch bands as illustrated in the accompanying representations.**



- (21) Design Number: **13337/2015**
(22) Date of Filing Application: **02 July 2015**
(24) Date from which industrial property rights may have effect: **13 February 2015**
(54) Product in respect of which the design is registered: **Wrist watch bands**
(51) International Design Classification: **10-07**
(74) Name(s) of Attorney(s): **Cullens Patent and Trade Mark Attorneys**
(71) Name(s) and Address(s) of Applicant(s):
Kairos Watches Limited
10 Raeburn Park -02-08 Tanjong Pagar 088702 Singapore
(72) Name(s) of Designer(s): **Sun Jong Yang**
(45) Registration Date: **04 August 2015**
(62) Divisional of: **362499**
(56) Related Art Documents: **Not Applicable**
(57) Statement of Newness and Distinctiveness: **Newness and distinctiveness is claimed in the features of the shape and configuration of the wrist watch bands as illustrated in the accompanying representations.**



- (21) Design Number: **13342/2015**
(22) Date of Filing Application: **02 July 2015**
(24) Date from which industrial property rights may have effect: **02 July 2015**
(54) Product in respect of which the design is registered: **Electronic device**
(51) International Design Classification: **14-02**
(74) Name(s) of Attorney(s): **Freehills Patent Attorneys**
(71) Name(s) and Address(s) of Applicant(s):
Apple Inc.
1 Infinite Loop Cupertino California, 95014 United States of America
(72) Name(s) of Designer(s): **Jody Akana and Bartley K Andre and Shota Aoyagi and Anthony Michael Ashcroft and Jeremy Bataillou and Daniel J Coster and Daniele De Iuliis and Evans Hankey and Julian Hoenig and Richard P Howarth and Jonathan P Ive and Duncan Robert Kerr and Matthew Dean Rohrbach and Peter Russel-Clarke and Benjamin Andrew Shaffer and Mikael Silvano and Christopher J Stringer and Eugene Antony Whang and Rico Zorkendorfer**
(45) Registration Date: **04 August 2015**
(30) Convention priority data:
(31) Number (32) Date (33) Country
29/513920 06 Jan 2015 UNITED STATES OF AMERICA
(56) Related Art Documents: **Not Applicable**
(57) Statement of Newness and Distinctiveness: **Newness and distinctiveness of the electronic device design resides in the features of the shape and configuration of the speaker grille, the keyboard and the track pad, as shown in the accompanying representations.**



(21) Design Number: **13321/2015**
(22) Date of Filing Application: **01 July 2015**
(24) Date from which industrial property rights may have effect: **01 July 2015**
(54) Product in respect of which the design is registered: **Metal bottle**
(51) International Design Classification: **09-01H**
(74) Name(s) of Attorney(s): **Madderns**
(71) Name(s) and Address(s) of Applicant(s):
Ball Corporation
10 Longs Peak Drive Broomfield Colorado 80021-2510 United States of America
(72) Name(s) of Designer(s): **Linda A. Hines**
(45) Registration Date: **04 August 2015**
(30) Convention priority data:
(31) Number (32) Date (33) Country
29/513,745 05 Jan 2015 UNITED STATES OF AMERICA
(56) Related Art Documents: **Not Applicable**
(57) Statement of Newness and Distinctiveness: **Newness and distinctiveness resides in the shape and/or configuration of a metal bottle as depicted in the accompanying drawings**



(21) Design Number: **13322/2015**
(22) Date of Filing Application: **01 July 2015**
(24) Date from which industrial property rights may have effect: **01 July 2015**
(54) Product in respect of which the design is registered: **Metal bottle**
(51) International Design Classification: **09-01H**
(74) Name(s) of Attorney(s): **Madderns**
(71) Name(s) and Address(s) of Applicant(s):
Ball Corporation
10 Longs Peak Drive Broomfield Colorado 80021-2510 United States of America
(72) Name(s) of Designer(s): **Linda A. Hines**
(45) Registration Date: **04 August 2015**
(30) Convention priority data:
(31) Number (32) Date (33) Country
29/513,745 05 Jan 2015 UNITED STATES OF AMERICA
(56) Related Art Documents: **Not Applicable**
(57) Statement of Newness and Distinctiveness: **Newness and distinctiveness resides in the shape and/or configuration of a metal bottle as depicted in the accompanying drawings**



- (21) Design Number: **13331/2015**
(22) Date of Filing Application: **02 July 2015**
(24) Date from which industrial property rights may have effect: **13 February 2015**
(54) Product in respect of which the design is registered: **Wrist watch bands**
(51) International Design Classification: **10-07**
(74) Name(s) of Attorney(s): **Cullens Patent and Trade Mark Attorneys**
(71) Name(s) and Address(s) of Applicant(s):
Kairos Watches Limited
10 Raeburn Park -02-08 Tanjong Pagar 088702 Singapore
(72) Name(s) of Designer(s): **Sun Jong Yang**
(45) Registration Date: **04 August 2015**
(62) Divisional of: **362499**
(57) Statement of Newness and Distinctiveness: **Newness and distinctiveness is claimed in the features of the shape and configuration of the wrist watch bands as illustrated in the accompanying representations**



- (21) Design Number: **13267/2015**
(22) Date of Filing Application: **29 June 2015**
(24) Date from which industrial property rights may have effect: **29 June 2015**
(54) Product in respect of which the design is registered: **Bagging blade**
(51) International Design Classification: **15-03B**
(74) Name(s) of Attorney(s): **Spruson & Ferguson**
(71) Name(s) and Address(s) of Applicant(s):
Husqvarna AB
Drottninggatan 2, Huskvarna 56182 Sweden
(72) Name(s) of Designer(s): **James R Poole and David Briney**
(45) Registration Date: **04 August 2015**
(30) Convention priority data:
(31) Number (32) Date (33) Country
29/513600 02 Jan 2015 UNITED STATES OF AMERICA
(56) Related Art Documents: **Not Applicable**
(57) Statement of Newness and Distinctiveness: **Newness and distinctiveness is claimed in those features of shape and/or configuration of a bagging blade illustrated in continuous lines in the accompanying representations.**



- (21) Design Number: **13333/2015**
(22) Date of Filing Application: **02 July 2015**
(24) Date from which industrial property rights may have effect: **13 February 2015**
(54) Product in respect of which the design is registered: **Wrist watch bands**
(51) International Design Classification: **10-07**
(74) Name(s) of Attorney(s): **Cullens Patent and Trade Mark Attorneys**
(71) Name(s) and Address(s) of Applicant(s):
Kairos Watches Limited
10 Raeburn Park -02-08 Tanjong Pagar 088702 Singapore
(72) Name(s) of Designer(s): **Sun Jong Yang**
(45) Registration Date: **04 August 2015**
(62) Divisional of: **362499**
(56) Related Art Documents: **Not Applicable**
(57) Statement of Newness and Distinctiveness: **Newness and distinctiveness is claimed in the features of the shape and configuration of the wrist watch bands as illustrated in the accompanying representations**



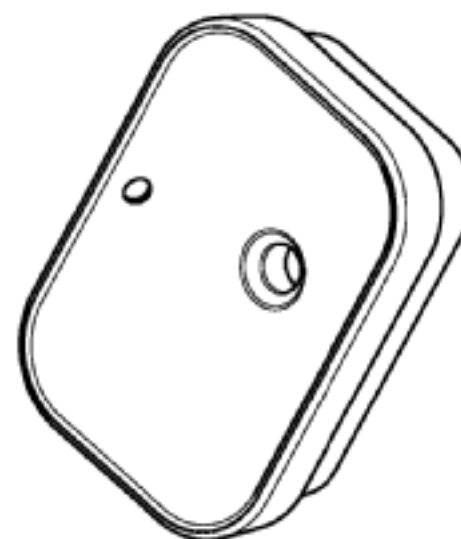
- (21) Design Number: **13334/2015**
(22) Date of Filing Application: **02 July 2015**
(24) Date from which industrial property rights may have effect: **13 February 2015**
(54) Product in respect of which the design is registered: **Wrist watch bands**
(51) International Design Classification: **10-07**
(74) Name(s) of Attorney(s): **Cullens Patent and Trade Mark Attorneys**
(71) Name(s) and Address(s) of Applicant(s):
Kairos Watches Limited
10 Raeburn Park -02-08 Tanjong Pagar 088702 Singapore
(72) Name(s) of Designer(s): **Sun Jong Yang**
(45) Registration Date: **04 August 2015**
(62) Divisional of: **362499**
(56) Related Art Documents: **Not Applicable**
(57) Statement of Newness and Distinctiveness: **Newness and distinctiveness is claimed in the features of the shape and configuration of the wrist watch bands as illustrated in the accompanying representations**



- (21) Design Number: **13296/2015**
(22) Date of Filing Application: **30 June 2015**
(24) Date from which industrial property rights may have effect: **30 June 2015**
(54) Product in respect of which the design is registered: **Syringe plunger and finger grip**
(51) International Design Classification: **24-02**
(74) Name(s) of Attorney(s): **WATERMARK PATENT AND TRADE MARKS ATTORNEYS**
(71) Name(s) and Address(s) of Applicant(s):
Genzyme Corporation
500 Kendall Street Cambridge MA, 02142 United States of America
(72) Name(s) of Designer(s): **Robin Cameron Larson and Barbara Yu-Fong Wan and Daniel John Zuniga and Manikandan Namasivayam and Leticia Fabiano and Frederic Daniel Blanquaert and Anthony John Franchino**
(45) Registration Date: **04 August 2015**
(30) Convention priority data:
(31) Number (32) Date (33) Country
29/520,199 12 Mar 2015 UNITED STATES OF AMERICA
(56) Related Art Documents: **Not Applicable**
(57) Statement of Newness and Distinctiveness: **In considering newness and distinctiveness, no regard is to be had to the portion of the representation, the barrel of the syringe, shown in broken outline.**



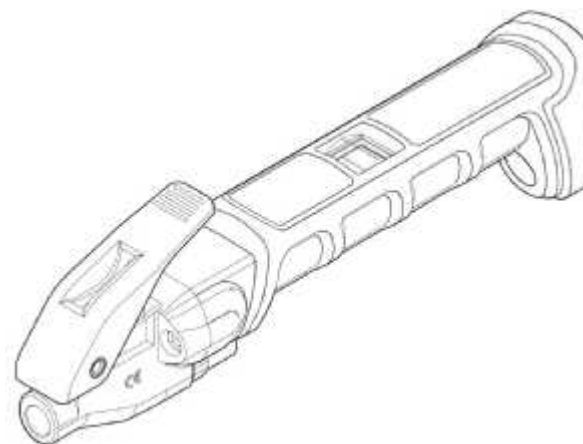
- (21) Design Number: **13311/2015**
(22) Date of Filing Application: **01 July 2015**
(24) Date from which industrial property rights may have effect: **01 July 2015**
(54) Product in respect of which the design is registered: **A basin**
(51) International Design Classification: **23-02F**
(74) Name(s) of Attorney(s): **Spruson & Ferguson**
(71) Name(s) and Address(s) of Applicant(s):
Caroma Industries Limited
L2 HQ South Tower 520 Wickham St Fortitude Valley QLD 4006 Australia
(72) Name(s) of Designer(s): **Stephen John Cummings and Vincent Kai Hong Ho and Leonie Carolyn Brickwood**
(45) Registration Date: **04 August 2015**
(56) Related Art Documents: **Not Applicable**
(57) Statement of Newness and Distinctiveness: **Newness and distinctiveness is claimed in the features of shape and/or configuration of a basin as illustrated in the accompanying representations.**



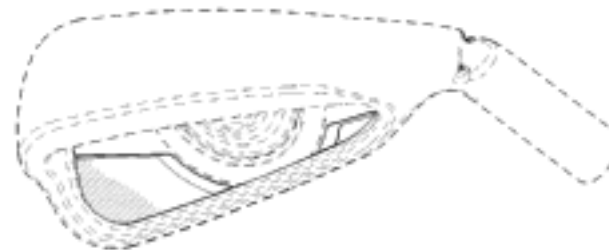
- (21) Design Number: **13289/2015**
(22) Date of Filing Application: **30 June 2015**
(24) Date from which industrial property rights may have effect: **30 June 2015**
(54) Product in respect of which the design is registered: **Food waste disposer**
(51) International Design Classification: **09-09**
(74) Name(s) of Attorney(s): **FB Rice**
(71) Name(s) and Address(s) of Applicant(s):
Emerson Electric Co.
8000 West Florissant Avenue St. Louis Missouri, 63136 United States of America
(72) Name(s) of Designer(s): **Kelly T. Gamble and Deborah R. Groshek and Eric J. Schultz and Randall E. Hammer and Grey B. Parker and Josiah J. LaColla**
(45) Registration Date: **04 August 2015**
(30) Convention priority data:
(31) Number (32) Date (33) Country
29/514361 12 Jan 2015 UNITED STATES OF AMERICA
(56) Related Art Documents: **Not Applicable**
(57) Statement of Newness and Distinctiveness: **Newness and distinctiveness reside in the features of shape and/or configuration of the design shown in solid lines in the representations excluding those features shown in broken lines.**



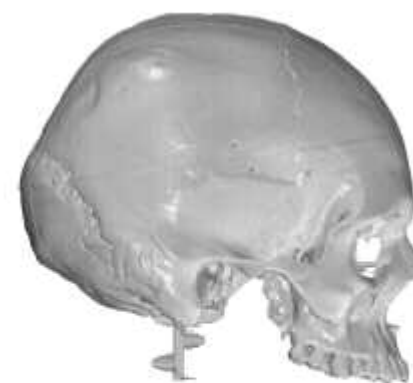
- (21) Design Number: **13318/2015**
(22) Date of Filing Application: **01 July 2015**
(24) Date from which industrial property rights may have effect: **01 July 2015**
(54) Product in respect of which the design is registered: **Gauges**
(51) International Design Classification: **10-04**
(74) Name(s) of Attorney(s): **Cullens Patent and Trade Mark Attorneys**
(71) Name(s) and Address(s) of Applicant(s):
Pneumatic Components Limited
Holbrook Rise Holbrook Industrial Estate Sheffield South Yorkshire S20 3GE United Kingdom
(72) Name(s) of Designer(s): **Mark McCaughey**
(45) Registration Date: **04 August 2015**
(30) Convention priority data:
(31) Number (32) Date (33) Country
002681163-0001 14 Apr 2015 OFFICE FOR HARMONISATION IN THE INTERNAL MARKET (OHIM)
(56) Related Art Documents: **Not Applicable**
(57) Statement of Newness and Distinctiveness: **Nil**



(21) Design Number: **13329/2015**
(22) Date of Filing Application: **02 July 2015**
(24) Date from which industrial property rights may have effect: **02 July 2015**
(54) Product in respect of which the design is registered: **Golf club head**
(51) International Design Classification: **21-02C**
(74) Name(s) of Attorney(s): **Davies Collison Cave**
(71) Name(s) and Address(s) of Applicant(s):
Karsten Manufacturing Corporation
2201 West Desert Cove Phoenix Arizona, 85029 United States of America
(72) Name(s) of Designer(s): **Ryan M. Stokke and Daniel K. Lee and Xiaojian Chen**
(45) Registration Date: **04 August 2015**
(30) Convention priority data:
(31) Number (32) Date (33) Country
29/514283 09 Jan 2015 UNITED STATES OF AMERICA
(56) Related Art Documents: **Not Applicable**
(57) Statement of Newness and Distinctiveness: **Newness and distinctiveness is claimed in the visual features shown in solid lines in the representations. In considering the extent of the design rights, the broken lines shown in the representations are for illustrative purposes only and do not form part of the design.**



(21) Design Number: **13330/2015**
(22) Date of Filing Application: **02 July 2015**
(24) Date from which industrial property rights may have effect: **02 July 2015**
(54) Product in respect of which the design is registered: **Building**
(51) International Design Classification: **25-03**
(74) Name(s) of Attorney(s): **Collison & Co**
(71) Name(s) and Address(s) of Applicant(s):
FACULTY OF HEALTH, AARUS UNIVERSITY
Faculty, Health Nordre Ringgade 1 Aarhus C DK-8000 Denmark
(72) Name(s) of Designer(s): **Jan Hejle**
(45) Registration Date: **04 August 2015**
(30) Convention priority data:
(31) Number (32) Date (33) Country
002610121 08 Jan 2015 OFFICE FOR HARMONISATION IN THE INTERNAL MARKET (OHIM)
(56) Related Art Documents: **Not Applicable**
(57) Statement of Newness and Distinctiveness: **Newness and distinctiveness reside in the features of shape and/or configuration of a BUILDING as illustrated in the accompanying representations.**



- (21) Design Number: **13332/2015**
(22) Date of Filing Application: **02 July 2015**
(24) Date from which industrial property rights may have effect: **13 February 2015**
(54) Product in respect of which the design is registered: **Wrist watch bands**
(51) International Design Classification: **10-07**
(74) Name(s) of Attorney(s): **Cullens Patent and Trade Mark Attorneys**
(71) Name(s) and Address(s) of Applicant(s):
Kairos Watches Limited
10 Raeburn Park -02-08 Tanjong Pagar 088702 Singapore
(72) Name(s) of Designer(s): **Sun Jong Yang**
(45) Registration Date: **04 August 2015**
(62) Divisional of: **362499**
(56) Related Art Documents: **Not Applicable**
(57) Statement of Newness and Distinctiveness: **Newness and distinctiveness is claimed in the features of the shape and configuration of the wrist watch bands as illustrated in the accompanying representations**



- (21) Design Number: **13341/2015**
(22) Date of Filing Application: **02 July 2015**
(24) Date from which industrial property rights may have effect: **02 July 2015**
(54) Product in respect of which the design is registered: **Electronic device**
(51) International Design Classification: **14-02**
(74) Name(s) of Attorney(s): **Freehills Patent Attorneys**
(71) Name(s) and Address(s) of Applicant(s):
Apple Inc.
1 Infinite Loop Cupertino California, 95014 United States of America
(72) Name(s) of Designer(s): **Jody Akana and Bartley K Andre and Shota Aoyagi and Anthony Michael Ashcroft and Jeremy Bataillou and Daniel J Coster and Daniele De Iuliis and M Evans Hankey and Julian Hoenig and Richard P Howarth and Jonathan P Ive and Duncan Robert Kerr and Matthew Dean Rohrbach and Peter Russell-Clarke and Benjamin Andrew Shaffer and Mikael Silvano and Christopher J Stringer and Eugene Antony Whang and Rico Zorkendorfer**
(45) Registration Date: **04 August 2015**
(30) Convention priority data:
(31) Number (32) Date (33) Country
29/513920 06 Jan 2015 UNITED STATES OF AMERICA
(56) Related Art Documents: **Not Applicable**
(57) Statement of Newness and Distinctiveness: **Newness and distinctiveness of the design resides in the features of shape and configuration of the speaker grille as shown in solid outline in the accompanying representations.**



(21) Design Number: **13272/2015**

(22) Date of Filing Application: **29 June 2015**

(24) Date from which industrial property rights may have effect: **10 April 2015**

(54) Product in respect of which the design is registered: **Bottle**

(51) International Design Classification: **09-01NES**

(74) Name(s) of Attorney(s): **Ashurst Australia**

(71) Name(s) and Address(s) of Applicant(s):

Coca-Cola Amatil (Aust) Pty Ltd

Level 14 40 Mount Street North Sydney New South Wales 2060 Australia

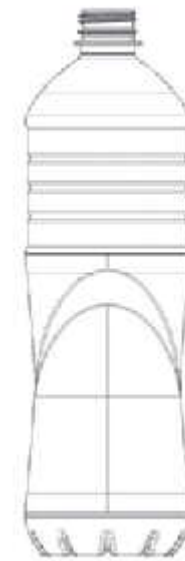
(72) Name(s) of Designer(s): **Arnie Grainger**

(45) Registration Date: **04 August 2015**

(62) Divisional of: **362445**

(56) Related Art Documents: **Not Applicable**

(57) Statement of Newness and Distinctiveness: **Newness and distinctiveness is shown in the features of shape and configuration showing in solid lines in the accompanying representations.**



(21) Design Number: **13275/2015**

(22) Date of Filing Application: **29 June 2015**

(24) Date from which industrial property rights may have effect: **10 April 2015**

(54) Product in respect of which the design is registered: **Bottle**

(51) International Design Classification: **09-01NES**

(74) Name(s) of Attorney(s): **Ashurst Australia**

(71) Name(s) and Address(s) of Applicant(s):

Coca-Cola Amatil (Aust) Pty Ltd

Level 14 40 Mount Street North Sydney New South Wales 2060 Australia

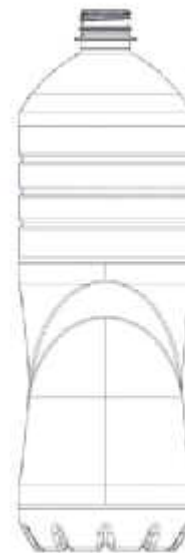
(72) Name(s) of Designer(s): **Arnie Grainger**

(45) Registration Date: **04 August 2015**

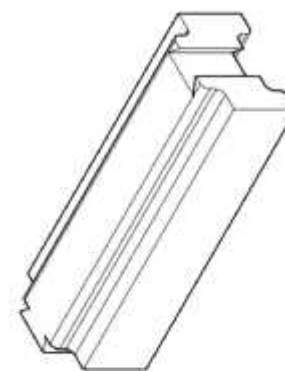
(62) Divisional of: **362445**

(56) Related Art Documents: **Not Applicable**

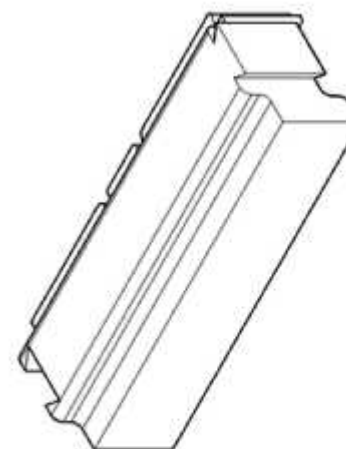
(57) Statement of Newness and Distinctiveness: **Newness and distinctiveness is shown in the features of shape and configuration showing in solid lines in the accompanying representations.**



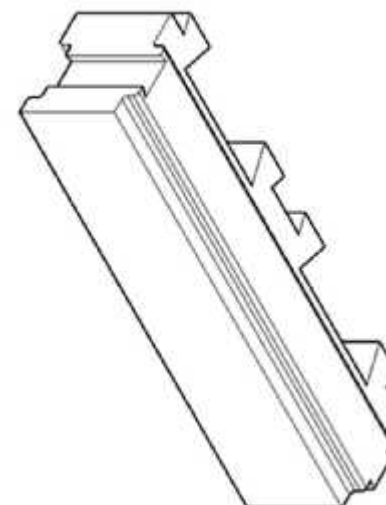
(21) Design Number: **12588/2015**
(22) Date of Filing Application: **18 May 2015**
(24) Date from which industrial property rights may have effect: **18 May 2015**
(54) Product in respect of which the design is registered: **Bricks**
(51) International Design Classification: **25-01A**
(74) Name(s) of Attorney(s): **Collison & Co**
(71) Name(s) and Address(s) of Applicant(s):
CERAMICA MALPESA, S.A.
Autovia N-IV, Km. 303 D.P. Apartado, 24 23710 Bailen, Jaen Spain
(72) Name(s) of Designer(s): **Jose Malpesa Guerrero and Antonio Jose Escribano Baeyens**
(45) Registration Date: **04 August 2015**
(30) Convention priority data:
(31) Number (32) Date (33) Country
**002580167 18 Nov 2014 OFFICE FOR HARMONISATION IN
THE INTERNAL MARKET (OHIM)**
(56) Related Art Documents: **Not Applicable**
(57) Statement of Newness and Distinctiveness: **Nil**



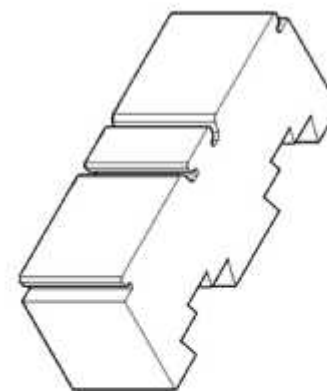
(21) Design Number: **12589/2015**
(22) Date of Filing Application: **18 May 2015**
(24) Date from which industrial property rights may have effect: **18 May 2015**
(54) Product in respect of which the design is registered: **Bricks**
(51) International Design Classification: **25-01A**
(74) Name(s) of Attorney(s): **Collison & Co**
(71) Name(s) and Address(s) of Applicant(s):
CERAMICA MALPESA, S.A.
Autovia N-IV, Km. 303 D.P. Apartado, 24 23710 Bailen, Jaen Spain
(72) Name(s) of Designer(s): **Jose Malpesa Guerrero and Antonio Jose Escribano Baeyens**
(45) Registration Date: **04 August 2015**
(30) Convention priority data:
(31) Number (32) Date (33) Country
**002580167 18 Nov 2014 OFFICE FOR HARMONISATION IN
THE INTERNAL MARKET (OHIM)**
(56) Related Art Documents: **Not Applicable**
(57) Statement of Newness and Distinctiveness: **Nil**



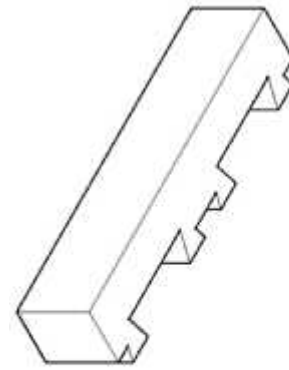
(21) Design Number: **12591/2015**
(22) Date of Filing Application: **18 May 2015**
(24) Date from which industrial property rights may have effect: **18 May 2015**
(54) Product in respect of which the design is registered: **Bricks**
(51) International Design Classification: **25-01A**
(74) Name(s) of Attorney(s): **Collison & Co**
(71) Name(s) and Address(s) of Applicant(s):
CERAMICA MALPESA, S.A.
Autovia N-IV, Km. 303 D.P. Apartado, 24 23710 Bailen, Jaen Spain
(72) Name(s) of Designer(s): **Jose Malpesa Guerrero and Antonio Jose Escribano Baeyens**
(45) Registration Date: **04 August 2015**
(30) Convention priority data:
(31) Number (32) Date (33) Country
**002580167 18 Nov 2014 OFFICE FOR HARMONISATION IN
THE INTERNAL MARKET (OHIM)**
(56) Related Art Documents: **Not Applicable**
(57) Statement of Newness and Distinctiveness: **Nil**



(21) Design Number: **12593/2015**
(22) Date of Filing Application: **18 May 2015**
(24) Date from which industrial property rights may have effect: **18 May 2015**
(54) Product in respect of which the design is registered: **Bricks**
(51) International Design Classification: **25-01A**
(74) Name(s) of Attorney(s): **Collison & Co**
(71) Name(s) and Address(s) of Applicant(s):
CER#MICA MALPESA, S.A.
Autov#a N-IV, Km. 303 D.P. Apartado, 24 23710 Bail#n, Ja#n Spain
(72) Name(s) of Designer(s): **Jos# Malpesa Guerrero and Antonio Jos# Escribano Baeyens**
(45) Registration Date: **04 August 2015**
(30) Convention priority data:
(31) Number (32) Date (33) Country
**002580167-0012 18 Nov 2014 OFFICE FOR HARMONISATION IN
THE INTERNAL MARKET (OHIM)**
(56) Related Art Documents: **Not Applicable**
(57) Statement of Newness and Distinctiveness: **Nil**



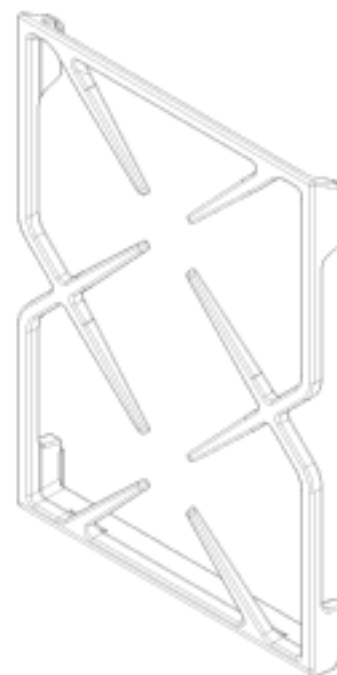
(21) Design Number: **12594/2015**
(22) Date of Filing Application: **18 May 2015**
(24) Date from which industrial property rights may have effect: **18 May 2015**
(54) Product in respect of which the design is registered: **Bricks**
(51) International Design Classification: **25-01A**
(74) Name(s) of Attorney(s): **Collison & Co**
(71) Name(s) and Address(s) of Applicant(s):
CERAMICA MALPESA, S.A.
Autovia N-IV, Km. 303 D.P. Apartado, 24 23710 Bailen, Jaen Spain
(72) Name(s) of Designer(s): **Jose Malpesa Guerrero and Antonio Jose Escribano Baeyens**
(45) Registration Date: **04 August 2015**
(30) Convention priority data:
(31) Number (32) Date (33) Country
002580167-0012 18 Nov 2014 OFFICE FOR HARMONISATION IN THE INTERNAL MARKET (OHIM)
(56) Related Art Documents: **Not Applicable**
(57) Statement of Newness and Distinctiveness: **Nil**



(21) Design Number: **10592/2015**
(22) Date of Filing Application: **06 February 2015**
(24) Date from which industrial property rights may have effect: **06 February 2015**
(54) Product in respect of which the design is registered: **Handle**
(51) International Design Classification: **08-06**
(74) Name(s) of Attorney(s): **Halfords IP**
(71) Name(s) and Address(s) of Applicant(s):
Electrolux Home Products Pty Limited
163 O'Riordan St Mascot NSW 2020 Australia
(72) Name(s) of Designer(s): **Robert Jurgens and Alex Gray and Daniel Virgona**
(45) Registration Date: **04 August 2015**
(56) Related Art Documents: **Not Applicable**
(57) Statement of Newness and Distinctiveness: **Newness and distinctiveness resides in those features of shape and or configuration of a HANDLE as depicted in the representations**



- (21) Design Number: **10594/2015**
(22) Date of Filing Application: **06 February 2015**
(24) Date from which industrial property rights may have effect: **06 February 2015**
(54) Product in respect of which the design is registered: **Trivet**
(51) International Design Classification: **07-06NES**
(74) Name(s) of Attorney(s): **Halfords IP**
(71) Name(s) and Address(s) of Applicant(s):
Electrolux Home Products Pty Limited
163 O'Riordan St Mascot NSW 2020 Australia
(72) Name(s) of Designer(s): **Robert Jurgens and Alex Gray and Daniel Virgona**
(45) Registration Date: **04 August 2015**
(56) Related Art Documents: **Not Applicable**
(57) Statement of Newness and Distinctiveness: **Newness and distinctiveness resides in those features of shape and or configuration of a TRIVET as depicted in the representations**



- (21) Design Number: **10595/2015**
(22) Date of Filing Application: **06 February 2015**
(24) Date from which industrial property rights may have effect: **06 February 2015**
(54) Product in respect of which the design is registered: **Knob**
(51) International Design Classification: **08-06**
(74) Name(s) of Attorney(s): **Halfords IP**
(71) Name(s) and Address(s) of Applicant(s):
Electrolux Home Products Pty Limited
163 O'Riordan St Mascot NSW 2020 Australia
(72) Name(s) of Designer(s): **Robert Jurgens and Alex Gray and Daniel Virgona**
(45) Registration Date: **04 August 2015**
(56) Related Art Documents: **Not Applicable**
(57) Statement of Newness and Distinctiveness: **Newness and distinctiveness resides in those features of shape and or configuration of a KNOB as depicted in the representations**



- (21) Design Number: **13345/2015**
(22) Date of Filing Application: **02 July 2015**
(24) Date from which industrial property rights may have effect: **02 July 2015**
(54) Product in respect of which the design is registered: **Electronic device**
(51) International Design Classification: **14-02**
(74) Name(s) of Attorney(s): **Freehills Patent Attorneys**
(71) Name(s) and Address(s) of Applicant(s):
Apple Inc.
1 Infinite Loop Cupertino California, 95014 United States of America
- (72) Name(s) of Designer(s): **Jody Akana and Bartley K Andre and Shota Aoyagi and Anthony Michael Ashcroft and Jeremy Bataillou and Daniel J Coster and Daniele De Iuliis and M Evans Hankey and Julian Hoenig and Richard P Howarth and Jonathan P Ive and Duncan Robert Kerr and Matthew Dean Rohrbach and Peter Russell-Clarke and Benjamin Andrew Shaffer and Mikael Silvano and Christopher J Stringer and Eugene Anthony Whang and Rico Zorkendorfer**
- (45) Registration Date: **04 August 2015**
- (30) Convention priority data:
- | (31) Number | (32) Date | (33) Country |
|------------------|--------------------|---------------------------------|
| 29/513920 | 06 Jan 2015 | UNITED STATES OF AMERICA |
- (56) Related Art Documents: **Not Applicable**
- (57) Statement of Newness and Distinctiveness: **Newness and distinctiveness of the design resides in the seamless transition between the lid and hinge of the electronic device and a metallic surface appearance on the portions shaded grey, in the accompanying representations.**



- (21) Design Number: **13346/2015**
(22) Date of Filing Application: **02 July 2015**
(24) Date from which industrial property rights may have effect: **02 July 2015**
(54) Product in respect of which the design is registered: **Electronic device**
(51) International Design Classification: **14-02**
(74) Name(s) of Attorney(s): **Freehills Patent Attorneys**
(71) Name(s) and Address(s) of Applicant(s):
Apple Inc.
1 Infinite Loop Cupertino California, 95014 United States of America
- (72) Name(s) of Designer(s): **Jody Akana and Bartley K Andre and Shota Aoyagi and Anthony Michael Ashcroft and Jeremy Bataillou and Daniel J Coster and Daniele De Iullis and M Evans Hankey and Julian Hoenig and Richard P Howarth and Jonathan P Ive and Duncan Robert Kerr and Matthew Dean Rohrbach and Peter Russell-Clarke and Benjamin Andrew Shaffer and Mikael Silvano and Christopher J Stringer and Eugene Anthony Whang and Rico Zorkendorfer**
- (45) Registration Date: **04 August 2015**
- (30) Convention priority data:
- | (31) Number | (32) Date | (33) Country |
|------------------|--------------------|---------------------------------|
| 29/513920 | 06 Jan 2015 | UNITED STATES OF AMERICA |
- (56) Related Art Documents: **Not Applicable**
- (57) Statement of Newness and Distinctiveness: **Newness and distinctiveness of the electronic device design resides in the features of the screen extending the width of the lid, the horizontal frame immediately below the screen, the shape and location of the speaker grille, the keyboard extending the width of the body, the relative size and location of the track pad, and with each side of the electronic device having a single input port towards the rear, as shown in the accompanying representations, and having a metallic appearance on the portions shaded grey.**



(21) Design Number: **13347/2015**
(22) Date of Filing Application: **02 July 2015**
(24) Date from which industrial property rights may have effect: **02 July 2015**
(54) Product in respect of which the design is registered: **Incubator**
(51) International Design Classification: **24-01**
(74) Name(s) of Attorney(s):
(71) Name(s) and Address(s) of Applicant(s):

David Sun
No. 20, Donghua Road, Nanchang City, Jiangxi Province 330000 China

(72) Name(s) of Designer(s): **David Sun**

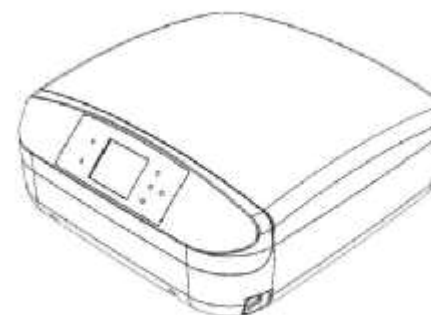
(45) Registration Date: **04 August 2015**

(30) Convention priority data:

(31) Number	(32) Date	(33) Country
201530188196.7	10 Jun 2015	CHINA

(56) Related Art Documents: **Not Applicable**

(57) Statement of Newness and Distinctiveness: **Nil**



(21) Design Number: **13351/2015**
(22) Date of Filing Application: **03 July 2015**
(24) Date from which industrial property rights may have effect: **03 July 2015**
(54) Product in respect of which the design is registered: **A support skate for a motorcycle**
(51) International Design Classification: **12-99**
(74) Name(s) of Attorney(s):
(71) Name(s) and Address(s) of Applicant(s):

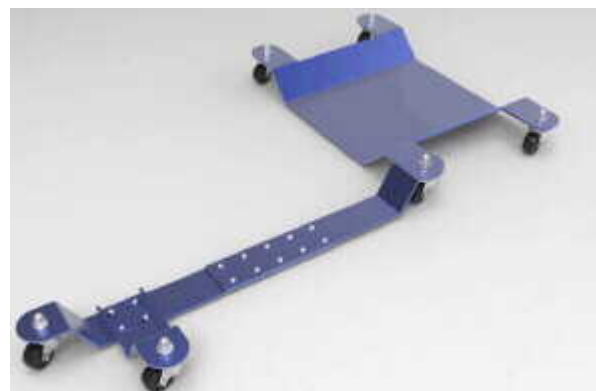
Tom Murphy
C/-Patentec Patent Attorneys PO BOX A1172 Sydney South NSW 1235
Australia

(72) Name(s) of Designer(s): **Tom Murphy**

(45) Registration Date: **04 August 2015**

(56) Related Art Documents: **Not Applicable**

(57) Statement of Newness and Distinctiveness: **Nil**

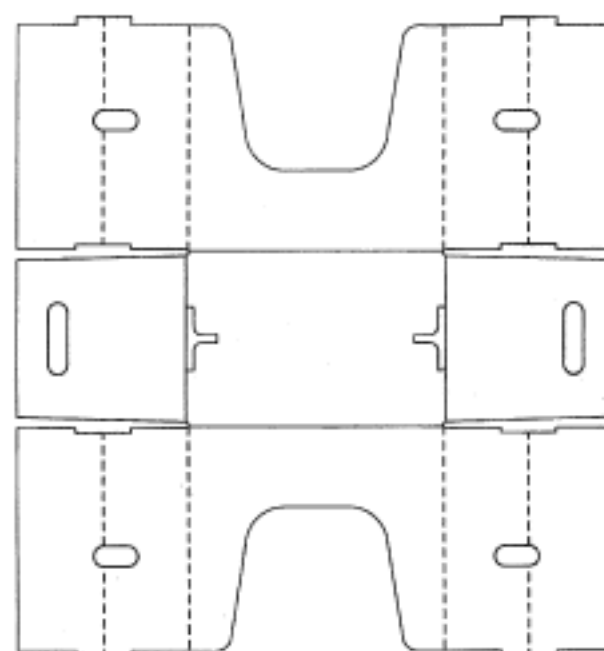


(21) Design Number: **13352/2015**
(22) Date of Filing Application: **03 July 2015**
(24) Date from which industrial property rights may have effect: **03 July 2015**
(54) Product in respect of which the design is registered: **Electronic device**
(51) International Design Classification: **14-02, 14-03E**
(74) Name(s) of Attorney(s): **Spruson & Ferguson**
(71) Name(s) and Address(s) of Applicant(s):
BlackBerry Limited
2200 University Avenue East, Waterloo Ontario, N2K 0A7 Canada
(72) Name(s) of Designer(s): **Michael Joseph Defazio and Cortez Corley and Alison Phillips and Brian Dennis Paschke and Joseph Michael Hofer**
(45) Registration Date: **04 August 2015**
(30) Convention priority data:
(31) Number (32) Date (33) Country
29/513720 05 Jan 2015 UNITED STATES OF AMERICA
(56) Related Art Documents: **Not Applicable**
(57) Statement of Newness and Distinctiveness: **Newness and distinctiveness is claimed in the features of shape and/or configuration of an electronic device as illustrated in the accompanying representations.**



FIG. 1
PERSPECTIVE VIEW SHOWING FRONT, TOP

(21) Design Number: **13353/2015**
(22) Date of Filing Application: **03 July 2015**
(24) Date from which industrial property rights may have effect: **03 July 2015**
(54) Product in respect of which the design is registered: **Electronic device**
(51) International Design Classification: **14-02, 14-03E**
(74) Name(s) of Attorney(s): **Spruson & Ferguson**
(71) Name(s) and Address(s) of Applicant(s):
BlackBerry Limited
2200 University Avenue East, Waterloo Ontario, N2K 0A7 Canada
(72) Name(s) of Designer(s): **Michael Joseph Defazio and Cortez Corley and Alison Phillips and Brian Dennis Paschke and Joseph Michael Hofer**
(45) Registration Date: **05 August 2015**
(30) Convention priority data:
(31) Number (32) Date (33) Country
29/513721 05 Jan 2015 UNITED STATES OF AMERICA
(56) Related Art Documents: **Not Applicable**
(57) Statement of Newness and Distinctiveness: **Newness and distinctiveness is claimed in the features of shape and/or configuration of an electronic device as illustrated in the accompanying representations.**



- (21) Design Number: **12691/2015**
(22) Date of Filing Application: **25 May 2015**
(24) Date from which industrial property rights may have effect: **25 May 2015**
(54) Product in respect of which the design is registered: **Tool handle**
(51) International Design Classification: **08-06**
(74) Name(s) of Attorney(s): **Davies Collison Cave**
(71) Name(s) and Address(s) of Applicant(s):

Cyclone Tools Pty Ltd
317-323 Abbots Rd Dandenong South VIC 3175 Australia

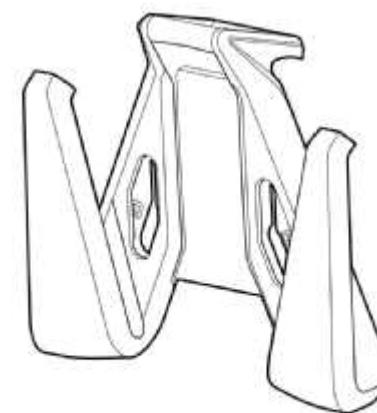
- (72) Name(s) of Designer(s): **David Boies**
(45) Registration Date: **05 August 2015**
(56) Related Art Documents: **Not Applicable**
(57) Statement of Newness and Distinctiveness: **Newness and distinctiveness is claimed in the visual features shown in solid lines in the representations. The portions of the tool and tool handle shown in broken lines have been included for the purpose of illustrating environmental structure and do not form part of the claimed design.**



- (21) Design Number: **13348/2015**
(22) Date of Filing Application: **03 July 2015**
(24) Date from which industrial property rights may have effect: **03 July 2015**
(54) Product in respect of which the design is registered: **A fence standard carrier**
(51) International Design Classification: **08-08K**
(74) Name(s) of Attorney(s): **Ellis Terry**
(71) Name(s) and Address(s) of Applicant(s):

DNA Lifestyle Products Limited
257 State Highway 1 RD 12 Levin 5572 New Zealand

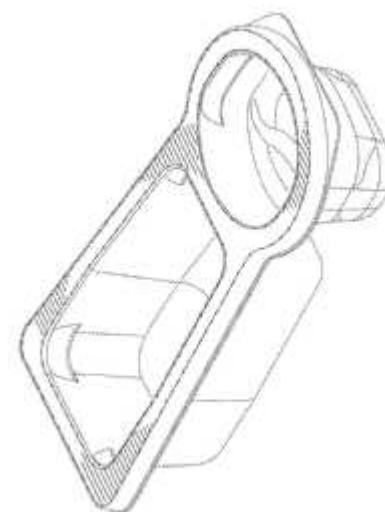
- (72) Name(s) of Designer(s): **Malcolm Brown and David Kim Scott**
(45) Registration Date: **05 August 2015**
(56) Related Art Documents: **Not Applicable**
(57) Statement of Newness and Distinctiveness: **Nil**



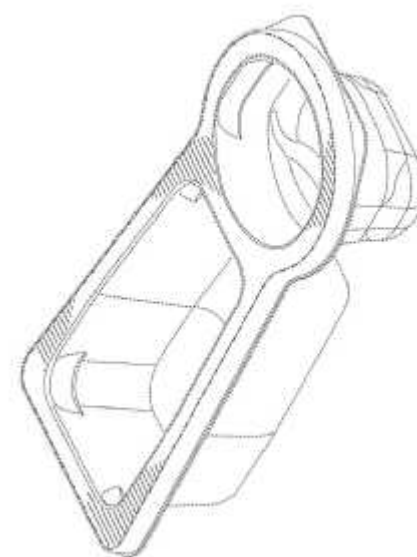
- (21) Design Number: **13357/2015**
(22) Date of Filing Application: **03 July 2015**
(24) Date from which industrial property rights may have effect: **03 July 2015**
(54) Product in respect of which the design is registered: **A pipe tee with a reinforcing collar**
(51) International Design Classification: **23-01B**
(74) Name(s) of Attorney(s): **Halfords IP**
(71) Name(s) and Address(s) of Applicant(s):
Vinidex Pty Limited
PO BOX 4990 North Rocks NSW 2151 Australia
(72) Name(s) of Designer(s): **Nicholas Feros and Ben Andrew Pokorny**
(45) Registration Date: **05 August 2015**
(56) Related Art Documents: **Not Applicable**
(57) Statement of Newness and Distinctiveness: **Newness and distinctiveness resides in the visual features, including shape and/or configuration, of the pipe tee, having a reinforcing collar at the junction of the branch portion and the main portion as illustrated.**



- (21) Design Number: **12247/2015**
(22) Date of Filing Application: **30 April 2015**
(24) Date from which industrial property rights may have effect: **30 April 2015**
(54) Product in respect of which the design is registered: **Snack package**
(51) International Design Classification: **09-05, 09-03F**
(74) Name(s) of Attorney(s): **Griffith Hack**
(71) Name(s) and Address(s) of Applicant(s):
Kraft Foods Group Brands LLC
Three Lakes Drive Northfield Illinois 60093 United States of America
(72) Name(s) of Designer(s): **Muluken Tilahun and Paris Lowitz and Stacy Castro and Thad Fisher**
(45) Registration Date: **05 August 2015**
(30) Convention priority data:
(31) Number (32) Date (33) Country
29/508,476 06 Nov 2014 UNITED STATES OF AMERICA
(56) Related Art Documents: **Not Applicable**
(57) Statement of Newness and Distinctiveness: **Newness and distinctiveness resides in the visual features, including shape and configuration, of a SNACK PACKAGE as shown in solid outline in the accompanying drawings. When determining whether the design is substantially similar in overall impression to another design, no regard is to be had to those features shown in equal length dashed outline in the accompanying drawings, which features are provided for illustrative purposes only.**

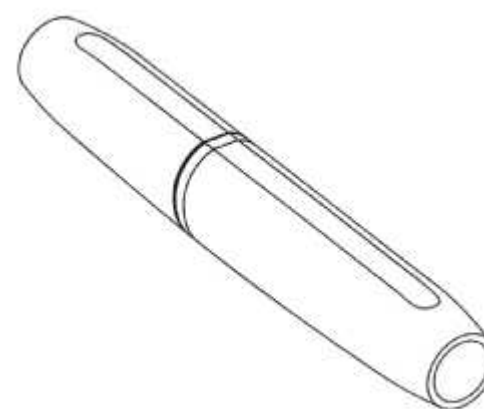


(21) Design Number: **12248/2015**
(22) Date of Filing Application: **30 April 2015**
(24) Date from which industrial property rights may have effect: **30 April 2015**
(54) Product in respect of which the design is registered: **Snack package**
(51) International Design Classification: **09-05, 09-03F**
(74) Name(s) of Attorney(s): **Griffith Hack**
(71) Name(s) and Address(s) of Applicant(s):
Kraft Foods Group Brands LLC
Three Lakes Drive Northfield Illinois 60093 United States of America
(72) Name(s) of Designer(s): **Muluken Tilahun and Paris Lowitz and Stacy Castro and Thad Fisher**
(45) Registration Date: **05 August 2015**
(30) Convention priority data:
(31) Number (32) Date (33) Country
29/508,476 06 Nov 2014 UNITED STATES OF AMERICA



(56) Related Art Documents: **Not Applicable**
(57) Statement of Newness and Distinctiveness: **Newness and distinctiveness resides in the visual features, including shape and configuration, of a SNACK PACKAGE as shown in solid outline in the accompanying drawings. When determining whether the design is substantially similar in overall impression to another design, no regard is to be had to those features shown in equal length dashed outline in the accompanying drawings, which features are provided for illustrative purposes only.**

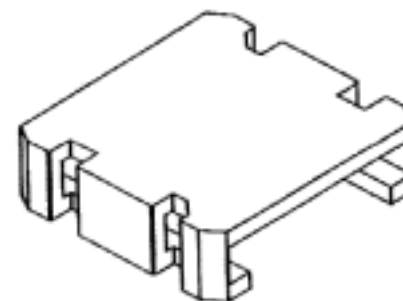
(21) Design Number: **13360/2015**
(22) Date of Filing Application: **03 July 2015**
(24) Date from which industrial property rights may have effect: **07 April 2015**
(54) Product in respect of which the design is registered: **Hand held aerosol generating device**
(51) International Design Classification: **09-01A**
(74) Name(s) of Attorney(s): **Callinans**
(71) Name(s) and Address(s) of Applicant(s):
PHILIP MORRIS PRODUCTS S.A.
Quai Jeanrenaud 3, Neuchatel 2000 Switzerland
(72) Name(s) of Designer(s): **Rory McGarry and George Barrett and Florent Cuchet and Cathal Loughnane**
(45) Registration Date: **05 August 2015**
(62) Divisional of: **362501**
(56) Related Art Documents: **Not Applicable**
(57) Statement of Newness and Distinctiveness: **Nil**



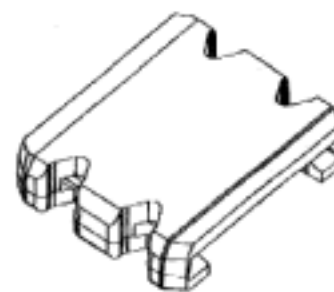
(21) Design Number: **13361/2015**
(22) Date of Filing Application: **03 July 2015**
(24) Date from which industrial property rights may have effect: **03 July 2015**
(54) Product in respect of which the design is registered: **Boot**
(51) International Design Classification: **02-04NES**
(74) Name(s) of Attorney(s): **K&L Gates**
(71) Name(s) and Address(s) of Applicant(s):
R. M. Williams Pty Ltd
121 Frost Rd Salisbury SA 5108 Australia
(72) Name(s) of Designer(s): **David Cook**
(45) Registration Date: **05 August 2015**
(56) Related Art Documents: **Not Applicable**
(57) Statement of Newness and Distinctiveness: **The words "R.M. Williams", "EST. 1932 Australia", "9D", "Made in Australia" and "5 Percy St, Prospect, Australia" as shown in the accompanying representations are not claimed as visual features of the design.**



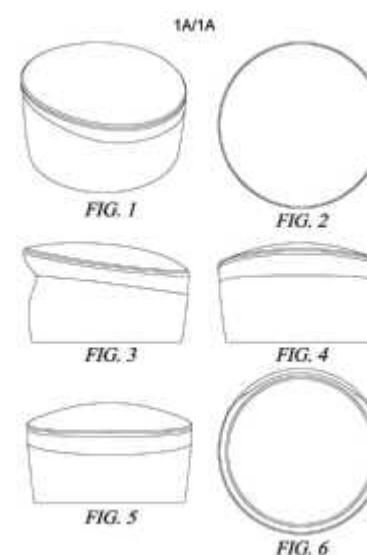
(21) Design Number: **13349/2015**
(22) Date of Filing Application: **24 June 2015**
(24) Date from which industrial property rights may have effect: **05 May 2015**
(54) Product in respect of which the design is registered: **Slidable closure**
(51) International Design Classification: **09-07NES**
(74) Name(s) of Attorney(s): **Callinans**
(71) Name(s) and Address(s) of Applicant(s):
Hans Georg Hagleitner
Lindenallee 11 Zell am See 5700 Austria
(72) Name(s) of Designer(s): **Hans Georg Hagleitner**
(45) Registration Date: **05 August 2015**
(30) Convention priority data:
(31) Number (32) Date (33) Country
2573725 **07 Nov 2014** **OFFICE FOR HARMONISATION IN**
THE INTERNAL MARKET (OHIM)
(62) Divisional of: **362485**
(56) Related Art Documents: **Not Applicable**
(57) Statement of Newness and Distinctiveness: **Nil**



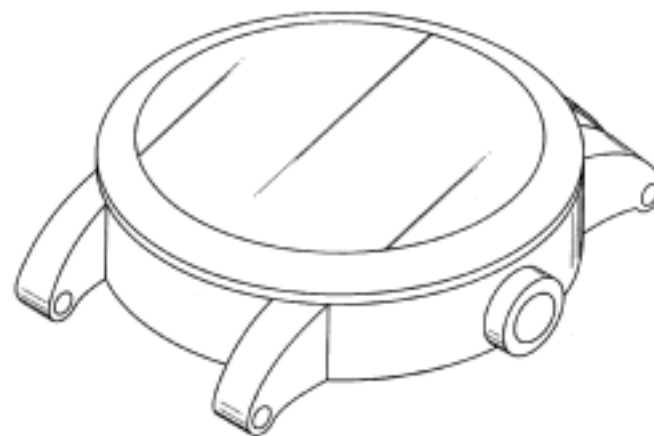
(21) Design Number: **13350/2015**
(22) Date of Filing Application: **24 June 2015**
(24) Date from which industrial property rights may have effect: **05 May 2015**
(54) Product in respect of which the design is registered: **Slidable closure**
(51) International Design Classification: **09-07NES**
(74) Name(s) of Attorney(s): **Callinans**
(71) Name(s) and Address(s) of Applicant(s):
Hans Georg Hagleitner
Lindenallee 11 Zell am See 5700 Austria
(72) Name(s) of Designer(s): **Hans Georg Hagleitner**
(45) Registration Date: **05 August 2015**
(62) Divisional of: **362485**
(56) Related Art Documents: **Not Applicable**
(57) Statement of Newness and Distinctiveness: **Nil**



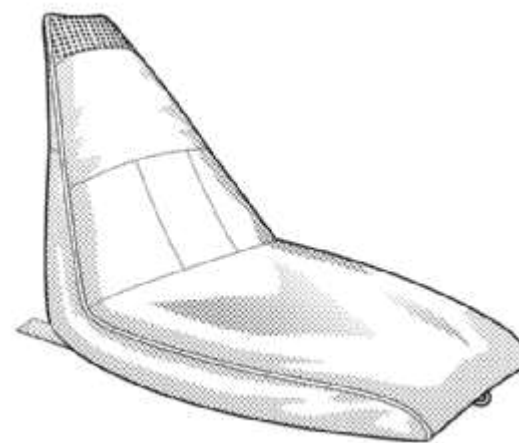
(21) Design Number: **12548/2015**
(22) Date of Filing Application: **15 May 2015**
(24) Date from which industrial property rights may have effect: **15 May 2015**
(54) Product in respect of which the design is registered: **Closure**
(51) International Design Classification: **09-07A**
(74) Name(s) of Attorney(s): **Pizzeys**
(71) Name(s) and Address(s) of Applicant(s):
MJN U.S. Holdings LLC
2701 Patriot Blvd., 4th Floor, Glenview, IL 60026 United States of America
(72) Name(s) of Designer(s): **Marc S. Velmer and Thomas C. Horton and Patrick E. McCallister**
(45) Registration Date: **05 August 2015**
(30) Convention priority data:
(31) Number (32) Date (33) Country
29/514,620 14 Jan 2015 UNITED STATES OF AMERICA
(56) Related Art Documents: **Not Applicable**
(57) Statement of Newness and Distinctiveness: **Nil**



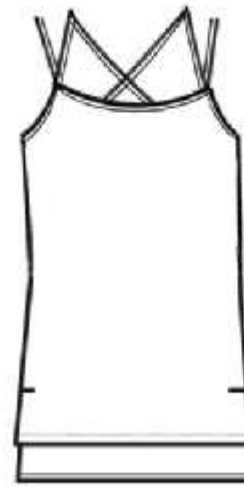
- (21) Design Number: **10813/2015**
(22) Date of Filing Application: **13 February 2015**
(24) Date from which industrial property rights may have effect: **13 February 2015**
(54) Product in respect of which the design is registered: **Watch with a band adapter**
(51) International Design Classification: **10-02, 10-07**
(74) Name(s) of Attorney(s): **Cullens Patent and Trade Mark Attorneys**
(71) Name(s) and Address(s) of Applicant(s):
Kairos Watches Limited
10 Raeburn Park -02-08 Tanjong Pagar 088702 Singapore
(72) Name(s) of Designer(s): **Sun Jong Yang**
(45) Registration Date: **05 August 2015**
(56) Related Art Documents: **Not Applicable**
(57) Statement of Newness and Distinctiveness: **Newness and distinctiveness is claimed in the features of the shape and configuration of the watch with a band adapter as illustrated in the accompanying representations**



- (21) Design Number: **13362/2015**
(22) Date of Filing Application: **03 July 2015**
(24) Date from which industrial property rights may have effect: **03 July 2015**
(54) Product in respect of which the design is registered: **Portable seating apparatus**
(51) International Design Classification: **06-01L**
(74) Name(s) of Attorney(s): **Caska IP**
(71) Name(s) and Address(s) of Applicant(s):
Vanessa Jane Wright
22 High St Waverley NSW 2024 Australia
(72) Name(s) of Designer(s): **Vanessa Jane Wright**
(45) Registration Date: **05 August 2015**
(56) Related Art Documents: **Not Applicable**
(57) Statement of Newness and Distinctiveness: **Newness and distinctiveness resides in the overall shape and configuration of the visual features as shown in solid lines in the representations.**



- (21) Design Number: **13363/2015**
(22) Date of Filing Application: **03 July 2015**
(24) Date from which industrial property rights may have effect: **03 November 2014**
(54) Product in respect of which the design is registered: **Article of clothing**
(51) International Design Classification: **02-02NES**
(74) Name(s) of Attorney(s): **Allens Patent & Trade Mark Attorneys**
(71) Name(s) and Address(s) of Applicant(s):
Forever New Pty Ltd
L4 Building 8 576 Swan St Richmond VIC 3121
(72) Name(s) of Designer(s): **Octavia Miller**
(45) Registration Date: **05 August 2015**
(62) Divisional of: **362498**
(56) Related Art Documents: **Not Applicable**
(57) Statement of Newness and Distinctiveness: **Newness and distinctiveness resides in the visual features of shape, configuration, pattern and/or ornamentation of an article of clothing as shown in the accompanying representations.**



- (21) Design Number: **13364/2015**
(22) Date of Filing Application: **03 July 2015**
(24) Date from which industrial property rights may have effect: **03 November 2014**
(54) Product in respect of which the design is registered: **Article of clothing**
(51) International Design Classification: **02-02NES**
(74) Name(s) of Attorney(s): **Allens Patent & Trade Mark Attorneys**
(71) Name(s) and Address(s) of Applicant(s):
Forever New Clothing Pty Ltd
L4 Building 8 576 Swan St Richmond VIC 3121 Australia
(72) Name(s) of Designer(s): **Octavia Miller**
(45) Registration Date: **05 August 2015**
(62) Divisional of: **362498**
(56) Related Art Documents: **Not Applicable**
(57) Statement of Newness and Distinctiveness: **Newness and distinctiveness resides in the visual features of shape, configuration, pattern and/or ornamentation of an article of clothing as shown in the accompanying representations.**



- (21) Design Number: **13365/2015**
(22) Date of Filing Application: **03 July 2015**
(24) Date from which industrial property rights may have effect: **03 November 2014**
(54) Product in respect of which the design is registered: **Article of clothing**
(51) International Design Classification: **02-02C**
(74) Name(s) of Attorney(s): **Allens Patent & Trade Mark Attorneys**
(71) Name(s) and Address(s) of Applicant(s):
Forever New Clothing Pty Ltd
L4 Building 8 576 Swan St Richmond VIC 3121 Australia
(72) Name(s) of Designer(s): **Octavia Miller**
(45) Registration Date: **05 August 2015**
(62) Divisional of: **362498**
(56) Related Art Documents: **Not Applicable**
(57) Statement of Newness and Distinctiveness: **Newness and distinctiveness resides in the visual features of shape, configuration, pattern and/or ornamentation of an article of clothing as shown in the accompanying representations.**



- (21) Design Number: **13366/2015**
(22) Date of Filing Application: **03 July 2015**
(24) Date from which industrial property rights may have effect: **29 October 2014**
(54) Product in respect of which the design is registered: **Article of clothing**
(51) International Design Classification: **02-02C**
(74) Name(s) of Attorney(s): **Allens Patent & Trade Mark Attorneys**
(71) Name(s) and Address(s) of Applicant(s):
Forever New Clothing Pty Ltd
L4 Building 8 576 Swan St Richmond VIC 3121 Australia
(72) Name(s) of Designer(s): **Octavia Miller**
(45) Registration Date: **05 August 2015**
(62) Divisional of: **358792**
(56) Related Art Documents: **Not Applicable**
(57) Statement of Newness and Distinctiveness: **Newness and distinctiveness resides in the visual features of shape, configuration, pattern and/or ornamentation of an article of clothing as shown in the accompanying representations.**



- (21) Design Number: **13367/2015**
(22) Date of Filing Application: **03 July 2015**
(24) Date from which industrial property rights may have effect: **03 November 2014**
(54) Product in respect of which the design is registered: **Article of clothing**
(51) International Design Classification: **02-02NES**
(74) Name(s) of Attorney(s): **Allens Patent & Trade Mark Attorneys**
(71) Name(s) and Address(s) of Applicant(s):
Forever New Clothing Pty Ltd
L4 Building 8 576 Swan St Richmond VIC 3121 Australia
(72) Name(s) of Designer(s): **Octavia Miller**
(45) Registration Date: **05 August 2015**
(62) Divisional of: **362498**
(56) Related Art Documents: **Not Applicable**
(57) Statement of Newness and Distinctiveness: **Newness and distinctiveness resides in the visual features of shape, configuration, pattern and/or ornamentation of an article of clothing as shown in the accompanying representations.**



- (21) Design Number: **13368/2015**
(22) Date of Filing Application: **03 July 2015**
(24) Date from which industrial property rights may have effect: **03 November 2014**
(54) Product in respect of which the design is registered: **Article of clothing**
(51) International Design Classification: **02-02C**
(74) Name(s) of Attorney(s): **Allens Patent & Trade Mark Attorneys**
(71) Name(s) and Address(s) of Applicant(s):
Forever New Clothing Pty Ltd
L4 Building 8 576 Swan St Richmond VIC 3121 Australia
(72) Name(s) of Designer(s): **Dulcie Flynn**
(45) Registration Date: **05 August 2015**
(62) Divisional of: **362498**
(56) Related Art Documents: **Not Applicable**
(57) Statement of Newness and Distinctiveness: **Newness and distinctiveness resides in the visual features of shape, configuration, pattern and/or ornamentation of an article of clothing as shown in the accompanying representation.**



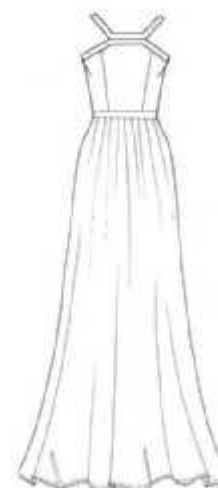
- (21) Design Number: **13369/2015**
(22) Date of Filing Application: **03 July 2015**
(24) Date from which industrial property rights may have effect: **03 November 2014**
(54) Product in respect of which the design is registered: **Article of clothing**
(51) International Design Classification: **02-02C**
(74) Name(s) of Attorney(s): **Allens Patent & Trade Mark Attorneys**
(71) Name(s) and Address(s) of Applicant(s):
Forever New Clothing Pty Ltd
L4 Building 8 576 Swan St Richmond VIC 3121 Australia
(72) Name(s) of Designer(s): **Gemma Henderson**
(45) Registration Date: **05 August 2015**
(62) Divisional of: **362498**
(56) Related Art Documents: **Not Applicable**
(57) Statement of Newness and Distinctiveness: **Newness and distinctiveness resides in the visual features of shape, configuration, pattern and/or ornamentation of an article of clothing as shown in the accompanying representation.**



- (21) Design Number: **13371/2015**
(22) Date of Filing Application: **03 July 2015**
(24) Date from which industrial property rights may have effect: **03 November 2014**
(54) Product in respect of which the design is registered: **Article of clothing**
(51) International Design Classification: **02-02C**
(74) Name(s) of Attorney(s): **Allens Patent & Trade Mark Attorneys**
(71) Name(s) and Address(s) of Applicant(s):
Forever New Clothing Pty Ltd
L4 Building 8 576 Swan St Richmond VIC 3121 Australia
(72) Name(s) of Designer(s): **Gemma Henderson**
(45) Registration Date: **05 August 2015**
(62) Divisional of: **362498**
(56) Related Art Documents: **Not Applicable**
(57) Statement of Newness and Distinctiveness: **Newness and distinctiveness resides in the visual features of shape, configuration, pattern and/or ornamentation of an article of clothing as shown in the accompanying representation.**



- (21) Design Number: **13372/2015**
(22) Date of Filing Application: **03 July 2015**
(24) Date from which industrial property rights may have effect: **03 November 2014**
(54) Product in respect of which the design is registered: **Article of clothing**
(51) International Design Classification: **02-02C**
(74) Name(s) of Attorney(s): **Allens Patent & Trade Mark Attorneys**
(71) Name(s) and Address(s) of Applicant(s):
Forever New Clothing Pty Ltd
L4 Building 8 576 Swan St Richmond VIC 3121 Australia
(72) Name(s) of Designer(s): **Gemma Henderson**
(45) Registration Date: **05 August 2015**
(62) Divisional of: **362498**
(56) Related Art Documents: **Not Applicable**
(57) Statement of Newness and Distinctiveness: **Newness and distinctiveness resides in the visual features of shape, configuration, pattern and/or ornamentation of an article of clothing as shown in the accompanying representation.**



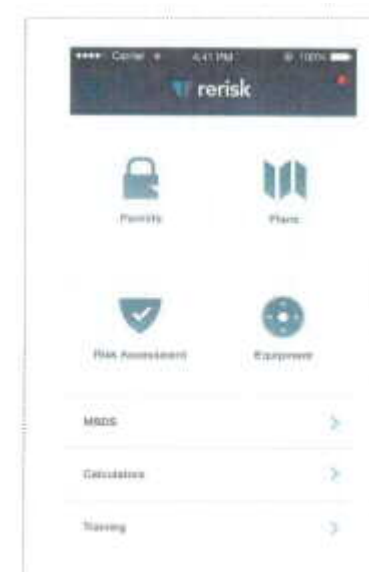
- (21) Design Number: **13374/2015**
(22) Date of Filing Application: **03 July 2015**
(24) Date from which industrial property rights may have effect: **03 November 2014**
(54) Product in respect of which the design is registered: **Article of clothing**
(51) International Design Classification: **02-02C**
(74) Name(s) of Attorney(s): **Allens Patent & Trade Mark Attorneys**
(71) Name(s) and Address(s) of Applicant(s):
Forever New Clothing Pty Ltd
L4 Building 8 576 Swan St Richmond VIC 3121 Australia
(72) Name(s) of Designer(s): **Mantra Ahrendt**
(45) Registration Date: **05 August 2015**
(62) Divisional of: **362498**
(56) Related Art Documents: **Not Applicable**
(57) Statement of Newness and Distinctiveness: **Newness and distinctiveness resides in the visual features of shape, configuration, pattern and/or ornamentation of an article of clothing as shown in the accompanying representation.**



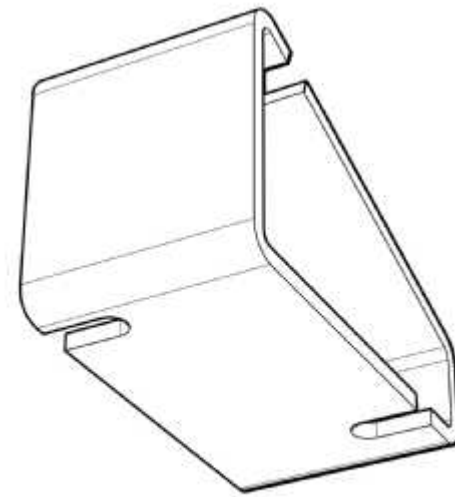
- (21) Design Number: **13375/2015**
(22) Date of Filing Application: **03 July 2015**
(24) Date from which industrial property rights may have effect: **03 November 2014**
(54) Product in respect of which the design is registered: **Article of clothing**
(51) International Design Classification: **02-02NES**
(74) Name(s) of Attorney(s): **Allens Patent & Trade Mark Attorneys**
(71) Name(s) and Address(s) of Applicant(s):
Forever New Clothing Pty Ltd
L4 Building 8 576 Swan St Richmond VIC 3121 Australia
(72) Name(s) of Designer(s): **Jennifer Hall**
(45) Registration Date: **05 August 2015**
(62) Divisional of: **362498**
(56) Related Art Documents: **Not Applicable**
(57) Statement of Newness and Distinctiveness: **Newness and distinctiveness resides in the visual features of shape, configuration, pattern and/or ornamentation of an article of clothing as shown in the accompanying representations.**



- (21) Design Number: **11369/2015**
(22) Date of Filing Application: **12 March 2015**
(24) Date from which industrial property rights may have effect: **12 March 2015**
(54) Product in respect of which the design is registered: **Display screen for an electronic device**
(51) International Design Classification: **14-02**
(74) Name(s) of Attorney(s): **Wrays**
(71) Name(s) and Address(s) of Applicant(s):
RePipe Pty Ltd
RePipe Pty Ltd 34 Portmarnock Dr The Vines WA 6069
(72) Name(s) of Designer(s): **Jaqueline Outram and Kamil Kolodziejczyk and Adam Jeziorski and Chrystian Kaczorek**
(45) Registration Date: **05 August 2015**
(56) Related Art Documents: **Not Applicable**
(57) Statement of Newness and Distinctiveness: **Newness and distinctiveness is claimed in the features of shape, configuration, pattern, and/or ornamentation of the Display Screen for an Electronic Device as shown in the accompanying representations. The features depicted by broken lines and alphanumeric characters are for illustrative purposes only and form no part of the claimed design.**



- (21) Design Number: **10496/2015**
(22) Date of Filing Application: **30 January 2015**
(24) Date from which industrial property rights may have effect: **30 January 2015**
(54) Product in respect of which the design is registered: **Bracket for fixing to a vehicle roof rack**
(51) International Design Classification: **12-16K**
(74) Name(s) of Attorney(s): **Davies Collison Cave**
(71) Name(s) and Address(s) of Applicant(s):
Steve Anderson
18 Monash St Lalor VIC 3075 Australia
(72) Name(s) of Designer(s): **Steve Anderson**
(45) Registration Date: **05 August 2015**
(56) Related Art Documents: **Not Applicable**
(57) Statement of Newness and Distinctiveness: **The following visual features of the design shown in the representations are new and distinctive: the lateral slots in the front and rear faces of the mounting bracket.**



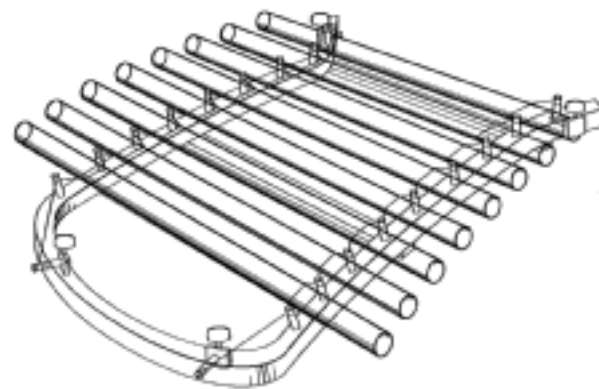
- (21) Design Number: **13377/2015**
(22) Date of Filing Application: **03 July 2015**
(24) Date from which industrial property rights may have effect: **03 November 2014**
(54) Product in respect of which the design is registered: **Article of clothing**
(51) International Design Classification: **02-02NES**
(74) Name(s) of Attorney(s): **Allens Patent & Trade Mark Attorneys**
(71) Name(s) and Address(s) of Applicant(s):
Forever New Clothing Pty Ltd
L4 Bldg 8 576 Swan St Richmond VIC 3121 Australia
(72) Name(s) of Designer(s): **Octavia Miller**
(45) Registration Date: **05 August 2015**
(62) Divisional of: **362498**
(56) Related Art Documents: **Not Applicable**
(57) Statement of Newness and Distinctiveness: **Newness and distinctiveness resides in the visual features of shape, configuration, pattern and/or ornamentation of an article of clothing as shown in the accompanying representations.**



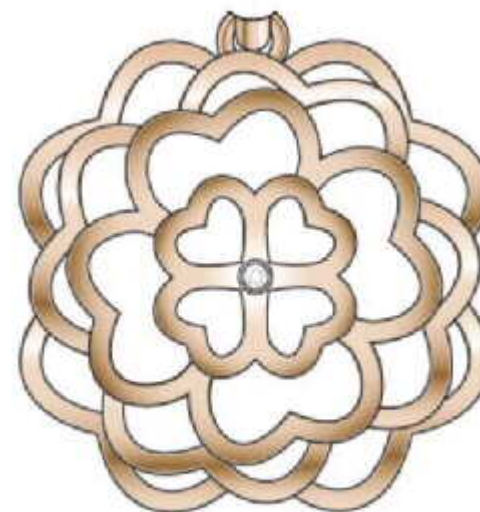
- (21) Design Number: **13378/2015**
(22) Date of Filing Application: **03 July 2015**
(24) Date from which industrial property rights may have effect: **03 November 2014**
(54) Product in respect of which the design is registered: **Article of clothing**
(51) International Design Classification: **02-02C**
(74) Name(s) of Attorney(s): **Allens Patent & Trade Mark Attorneys**
(71) Name(s) and Address(s) of Applicant(s):
Forever New Clothing Pty Ltd
L4 Bldg 8 576 Swan St Richmond VIC 3121 Australia
(72) Name(s) of Designer(s): **Gemma Henderson**
(45) Registration Date: **05 August 2015**
(62) Divisional of: **362498**
(56) Related Art Documents: **Not Applicable**
(57) Statement of Newness and Distinctiveness: **Newness and distinctiveness resides in the visual features of shape, configuration, pattern and/or ornamentation of an article of clothing as shown in the accompanying representations.**



- (21) Design Number: **13382/2015**
(22) Date of Filing Application: **03 July 2015**
(24) Date from which industrial property rights may have effect: **03 July 2015**
(54) Product in respect of which the design is registered: **Musical instrument**
(51) International Design Classification: **17-04**
(74) Name(s) of Attorney(s): **PATENT ATTORNEY SERVICES**
(71) Name(s) and Address(s) of Applicant(s):
Gaudry Normand
430, Rang 11 Bonsecours Quebec, J0E 1H0 Canada
(72) Name(s) of Designer(s): **Gaudry Normand**
(45) Registration Date: **05 August 2015**
(56) Related Art Documents: **Not Applicable**
(57) Statement of Newness and Distinctiveness: **Newness and distinctiveness reside in the features of shape, configuration and ornamentation of the musical instrument shown in the representations.**



(21) Design Number: **13402/2015**
(22) Date of Filing Application: **06 July 2015**
(24) Date from which industrial property rights may have effect: **06 July 2015**
(54) Product in respect of which the design is registered: **Jewellery**
(51) International Design Classification: **11-01E**
(74) Name(s) of Attorney(s): **WATERMARK PATENT AND TRADE MARKS ATTORNEYS**
(71) Name(s) and Address(s) of Applicant(s):
Folli-Follie Commercial Manufacturing and Technical Societe Anonyme
23rd km. Athens-Lamia Highway Athens GR 145 65 Greece
(72) Name(s) of Designer(s): **Dimitrios Koutsolioutsos**
(45) Registration Date: **05 August 2015**
(30) Convention priority data:
(31) Number (32) Date (33) Country
002609339-0001 07 Jan 2015 OFFICE FOR HARMONISATION IN THE INTERNAL MARKET (OHIM)
(56) Related Art Documents: **Not Applicable**
(57) Statement of Newness and Distinctiveness: **Nil**



(21) Design Number: **13404/2015**
(22) Date of Filing Application: **06 July 2015**
(24) Date from which industrial property rights may have effect: **06 July 2015**
(54) Product in respect of which the design is registered: **Jewellery**
(51) International Design Classification: **11-01E**
(74) Name(s) of Attorney(s): **WATERMARK PATENT AND TRADE MARKS ATTORNEYS**
(71) Name(s) and Address(s) of Applicant(s):
Folli-Follie Commercial Manufacturing and Technical Societe Anonyme
23rd km. Athens-Lamia Highway Athens GR 145 65 Greece
(72) Name(s) of Designer(s): **Dimitrios Koutsolioutsos**
(45) Registration Date: **05 August 2015**
(30) Convention priority data:
(31) Number (32) Date (33) Country
002609339-0003 07 Jan 2015 OFFICE FOR HARMONISATION IN THE INTERNAL MARKET (OHIM)
(56) Related Art Documents: **Not Applicable**
(57) Statement of Newness and Distinctiveness: **Nil**



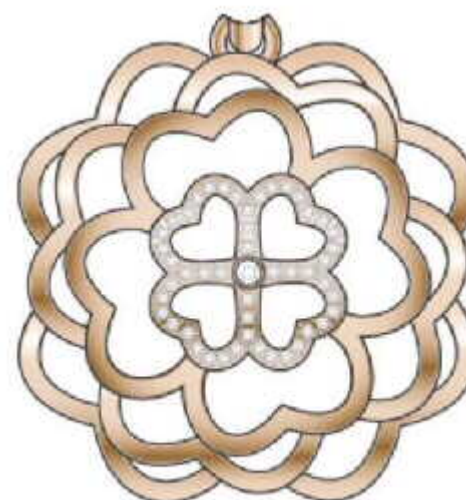
- (21) Design Number: **10591/2015**
(22) Date of Filing Application: **06 February 2015**
(24) Date from which industrial property rights may have effect: **06 February 2015**
(54) Product in respect of which the design is registered: **Knob**
(51) International Design Classification: **08-06**
(74) Name(s) of Attorney(s): **Halfords IP**
(71) Name(s) and Address(s) of Applicant(s):
Electrolux Home Products Pty Limited
163 O'Riordan St Mascot NSW 2020 Australia
(72) Name(s) of Designer(s): **Robert Jurgens and Alex Gray and Daniel Virgona**
(45) Registration Date: **05 August 2015**
(56) Related Art Documents: **Not Applicable**
(57) Statement of Newness and Distinctiveness: **Newness and distinctiveness resides in those features of shape and or configuration of a KNOB as depicted in the representations.**



- (21) Design Number: **13401/2015**
(22) Date of Filing Application: **06 July 2015**
(24) Date from which industrial property rights may have effect: **06 July 2015**
(54) Product in respect of which the design is registered: **Round purse**
(51) International Design Classification: **03-01B**
(74) Name(s) of Attorney(s): **WATERMARK PATENT AND TRADE MARKS ATTORNEYS**
(71) Name(s) and Address(s) of Applicant(s):
Folli-Follie Commercial Manufacturing and Technical Societe Anonyme
23rd km. Athens-Lamia Highway Athens GR 145 65 Greece
(72) Name(s) of Designer(s): **Dimitrios Koutsolioutsos**
(45) Registration Date: **06 August 2015**
(30) Convention priority data:
(31) Number (32) Date (33) Country
002609404-0008 07 Jan 2015 OFFICE FOR HARMONISATION IN THE INTERNAL MARKET (OHIM)
(56) Related Art Documents: **Not Applicable**
(57) Statement of Newness and Distinctiveness: **Nil**



(21) Design Number: **13403/2015**
(22) Date of Filing Application: **06 July 2015**
(24) Date from which industrial property rights may have effect: **06 July 2015**
(54) Product in respect of which the design is registered: **Jewellery**
(51) International Design Classification: **11-01E**
(74) Name(s) of Attorney(s): **WATERMARK PATENT AND TRADE MARKS ATTORNEYS**
(71) Name(s) and Address(s) of Applicant(s):
Folli-Follie Commercial Manufacturing and Technical Societe Anonyme
23rd km. Athens-Lamia Highway Athens GR 145 65 Greece
(72) Name(s) of Designer(s): **Dimitrios Koutsolioutsos**
(45) Registration Date: **06 August 2015**
(30) Convention priority data:
(31) Number (32) Date (33) Country
002609339-0002 07 Jan 2015 OFFICE FOR HARMONISATION IN THE INTERNAL MARKET (OHIM)
(56) Related Art Documents: **Not Applicable**
(57) Statement of Newness and Distinctiveness: **Nil**



(21) Design Number: **13405/2015**
(22) Date of Filing Application: **06 July 2015**
(24) Date from which industrial property rights may have effect: **06 July 2015**
(54) Product in respect of which the design is registered: **Clutch bag**
(51) International Design Classification: **03-01B**
(74) Name(s) of Attorney(s): **WATERMARK PATENT AND TRADE MARKS ATTORNEYS**
(71) Name(s) and Address(s) of Applicant(s):
Folli-Follie Commercial Manufacturing and Technical Societe Anonyme
23rd km. Athens-Lamia Highway Athens GR 145 65 Greece
(72) Name(s) of Designer(s): **Dimitrios Koutsolioutsos**
(45) Registration Date: **06 August 2015**
(30) Convention priority data:
(31) Number (32) Date (33) Country
002609404-0004 07 Jan 2015 OFFICE FOR HARMONISATION IN THE INTERNAL MARKET (OHIM)
(56) Related Art Documents: **Not Applicable**
(57) Statement of Newness and Distinctiveness: **Nil**



(21) Design Number: **13406/2015**
(22) Date of Filing Application: **06 July 2015**
(24) Date from which industrial property rights may have effect: **06 July 2015**
(54) Product in respect of which the design is registered: **Clutch bag**
(51) International Design Classification: **03-01B**
(74) Name(s) of Attorney(s): **WATERMARK PATENT AND TRADE MARKS ATTORNEYS**
(71) Name(s) and Address(s) of Applicant(s):
Folli-Follie Commercial Manufacturing and Technical Societe Anonyme
23rd km. Athens-Lamia Highway Athens GR 145 65 Greece
(72) Name(s) of Designer(s): **Dimitrios Koutsolioutsos**
(45) Registration Date: **06 August 2015**
(30) Convention priority data:
(31) Number (32) Date (33) Country
002609404-0005 07 Jan 2015 OFFICE FOR HARMONISATION IN THE INTERNAL MARKET (OHIM)
(56) Related Art Documents: **Not Applicable**
(57) Statement of Newness and Distinctiveness: **Nil**



(21) Design Number: **13407/2015**
(22) Date of Filing Application: **06 July 2015**
(24) Date from which industrial property rights may have effect: **06 July 2015**
(54) Product in respect of which the design is registered: **Clutch bag**
(51) International Design Classification: **03-01B**
(74) Name(s) of Attorney(s): **WATERMARK PATENT AND TRADE MARKS ATTORNEYS**
(71) Name(s) and Address(s) of Applicant(s):
Folli-Follie Commercial Manufacturing and Technical Societe Anonyme
23rd km. Athens-Lamia Highway Athens GR 145 65 Greece
(72) Name(s) of Designer(s): **Dimitrios Koutsolioutsos**
(45) Registration Date: **06 August 2015**
(30) Convention priority data:
(31) Number (32) Date (33) Country
002609404-0012 07 Jan 2015 OFFICE FOR HARMONISATION IN THE INTERNAL MARKET (OHIM)
(56) Related Art Documents: **Not Applicable**
(57) Statement of Newness and Distinctiveness: **Nil**



(21) Design Number: **13408/2015**
(22) Date of Filing Application: **06 July 2015**
(24) Date from which industrial property rights may have effect: **06 July 2015**
(54) Product in respect of which the design is registered: **Clutch bag**
(51) International Design Classification: **03-01B**
(74) Name(s) of Attorney(s): **WATERMARK PATENT AND TRADE MARKS ATTORNEYS**
(71) Name(s) and Address(s) of Applicant(s):
Folli-Follie Commercial Manufacturing and Technical Societe Anonyme
23rd km. Athens-Lamia Highway Athens GR 145 65 Greece
(72) Name(s) of Designer(s): **Dimitrios Koutsolioutsos**
(45) Registration Date: **06 August 2015**
(30) Convention priority data:
(31) Number (32) Date (33) Country
002609404-0011 07 Jan 2015 OFFICE FOR HARMONISATION IN THE INTERNAL MARKET (OHIM)
(56) Related Art Documents: **Not Applicable**
(57) Statement of Newness and Distinctiveness: **Nil**



(21) Design Number: **13409/2015**
(22) Date of Filing Application: **06 July 2015**
(24) Date from which industrial property rights may have effect: **06 July 2015**
(54) Product in respect of which the design is registered: **Purse**
(51) International Design Classification: **03-01B**
(74) Name(s) of Attorney(s): **WATERMARK PATENT AND TRADE MARKS ATTORNEYS**
(71) Name(s) and Address(s) of Applicant(s):
Folli-Follie Commercial Manufacturing and Technical Societe Anonyme
23rd km. Athens-Lamia Highway Athens GR 145 65 Greece
(72) Name(s) of Designer(s): **Dimitrios Koutsolioutsos**
(45) Registration Date: **06 August 2015**
(30) Convention priority data:
(31) Number (32) Date (33) Country
002609404-0007 07 Jan 2015 OFFICE FOR HARMONISATION IN THE INTERNAL MARKET (OHIM)
(56) Related Art Documents: **Not Applicable**
(57) Statement of Newness and Distinctiveness: **Nil**



(21) Design Number: **13410/2015**
(22) Date of Filing Application: **06 July 2015**
(24) Date from which industrial property rights may have effect: **06 July 2015**
(54) Product in respect of which the design is registered: **Purse**
(51) International Design Classification: **03-01B**
(74) Name(s) of Attorney(s): **WATERMARK PATENT AND TRADE MARKS ATTORNEYS**
(71) Name(s) and Address(s) of Applicant(s):
Folli-Follie Commercial Manufacturing and Technical Societe Anonyme
23rd km. Athens-Lamia Highway Athens GR 145 65 Greece
(72) Name(s) of Designer(s): **Dimitrios Koutsolioutsos**
(45) Registration Date: **06 August 2015**
(30) Convention priority data:
(31) Number (32) Date (33) Country
002609404-0009 07 Jan 2015 OFFICE FOR HARMONISATION IN THE INTERNAL MARKET (OHIM)
(56) Related Art Documents: **Not Applicable**
(57) Statement of Newness and Distinctiveness: **Nil**



(21) Design Number: **13411/2015**
(22) Date of Filing Application: **06 July 2015**
(24) Date from which industrial property rights may have effect: **06 July 2015**
(54) Product in respect of which the design is registered: **Purse**
(51) International Design Classification: **03-01B**
(74) Name(s) of Attorney(s): **WATERMARK PATENT AND TRADE MARKS ATTORNEYS**
(71) Name(s) and Address(s) of Applicant(s):
Folli-Follie Commercial Manufacturing and Technical Societe Anonyme
23rd km. Athens-Lamia Highway Athens GR 145 65 Greece
(72) Name(s) of Designer(s): **Dimitrios Koutsolioutsos**
(45) Registration Date: **06 August 2015**
(30) Convention priority data:
(31) Number (32) Date (33) Country
002609404-0010 07 Jan 2015 OFFICE FOR HARMONISATION IN THE INTERNAL MARKET (OHIM)
(56) Related Art Documents: **Not Applicable**
(57) Statement of Newness and Distinctiveness: **Nil**



(21) Design Number: **13412/2015**
(22) Date of Filing Application: **06 July 2015**
(24) Date from which industrial property rights may have effect: **06 July 2015**
(54) Product in respect of which the design is registered: **Purse**
(51) International Design Classification: **03-01B**
(74) Name(s) of Attorney(s): **WATERMARK PATENT AND TRADE MARKS ATTORNEYS**
(71) Name(s) and Address(s) of Applicant(s):
Folli-Follie Commercial Manufacturing and Technical Societe Anonyme
23rd km. Athens-Lamia Highway Athens GR 145 65 Greece
(72) Name(s) of Designer(s): **Dimitrios Koutsolioutsos**
(45) Registration Date: **06 August 2015**
(30) Convention priority data:
(31) Number (32) Date (33) Country
002609404-0006 07 Jan 2015 OFFICE FOR HARMONISATION IN THE INTERNAL MARKET (OHIM)
(56) Related Art Documents: **Not Applicable**
(57) Statement of Newness and Distinctiveness: **Nil**



(21) Design Number: **13413/2015**
(22) Date of Filing Application: **06 July 2015**
(24) Date from which industrial property rights may have effect: **06 July 2015**
(54) Product in respect of which the design is registered: **Bag**
(51) International Design Classification: **03-01B**
(74) Name(s) of Attorney(s): **WATERMARK PATENT AND TRADE MARKS ATTORNEYS**
(71) Name(s) and Address(s) of Applicant(s):
Folli-Follie Commercial Manufacturing and Technical Societe Anonyme
23rd km. Athens-Lamia Highway Athens GR 145 65 Greece
(72) Name(s) of Designer(s): **Dimitrios Koutsolioutsos**
(45) Registration Date: **06 August 2015**
(30) Convention priority data:
(31) Number (32) Date (33) Country
002609404-0003 07 Jan 2015 OFFICE FOR HARMONISATION IN THE INTERNAL MARKET (OHIM)
(56) Related Art Documents: **Not Applicable**
(57) Statement of Newness and Distinctiveness: **Nil**



(21) Design Number: **13414/2015**
(22) Date of Filing Application: **06 July 2015**
(24) Date from which industrial property rights may have effect: **06 July 2015**
(54) Product in respect of which the design is registered: **Bag**
(51) International Design Classification: **03-01B**
(74) Name(s) of Attorney(s): **WATERMARK PATENT AND TRADE MARKS ATTORNEYS**
(71) Name(s) and Address(s) of Applicant(s):
Folli-Follie Commercial Manufacturing and Technical Societe Anonyme
23rd km. Athens-Lamia Highway Athens GR 145 65 Greece
(72) Name(s) of Designer(s): **Dimitrios Koutsolioutsos**
(45) Registration Date: **06 August 2015**
(30) Convention priority data:
(31) Number (32) Date (33) Country
002609404-0002 07 Jan 2015 OFFICE FOR HARMONISATION IN THE INTERNAL MARKET (OHIM)
(56) Related Art Documents: **Not Applicable**
(57) Statement of Newness and Distinctiveness: **Nil**



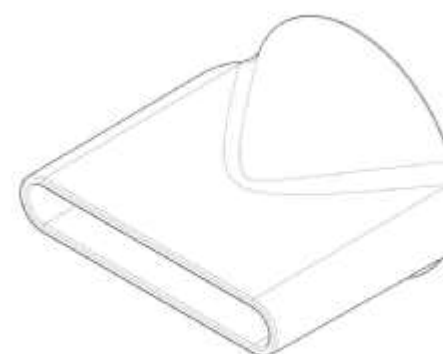
(21) Design Number: **13415/2015**
(22) Date of Filing Application: **06 July 2015**
(24) Date from which industrial property rights may have effect: **06 July 2015**
(54) Product in respect of which the design is registered: **Bag**
(51) International Design Classification: **03-01B**
(74) Name(s) of Attorney(s): **WATERMARK PATENT AND TRADE MARKS ATTORNEYS**
(71) Name(s) and Address(s) of Applicant(s):
Folli-Follie Commercial Manufacturing and Technical Societe Anonyme
23rd km. Athens-Lamia Highway Athens GR 145 65 Greece
(72) Name(s) of Designer(s): **Dimitrios Koutsolioutsos**
(45) Registration Date: **06 August 2015**
(30) Convention priority data:
(31) Number (32) Date (33) Country
002609404-0001 07 Jan 2015 OFFICE FOR HARMONISATION IN THE INTERNAL MARKET (OHIM)
(56) Related Art Documents: **Not Applicable**
(57) Statement of Newness and Distinctiveness: **Nil**



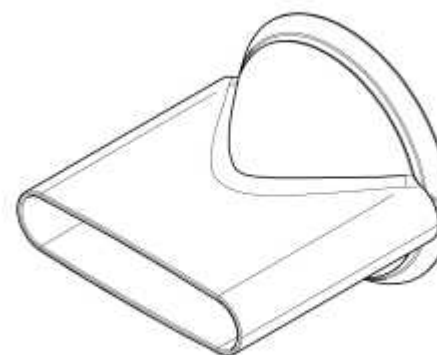
(21) Design Number: **13390/2015**
(22) Date of Filing Application: **06 July 2015**
(24) Date from which industrial property rights may have effect: **06 July 2015**
(54) Product in respect of which the design is registered: **Cap**
(51) International Design Classification: **02-03**
(74) Name(s) of Attorney(s): **Spruson & Ferguson**
(71) Name(s) and Address(s) of Applicant(s):
Scott Health & Safety Limited
Pimbo Road, West Pimbo, Skelmersdale Lancashire WN8 9RA United Kingdom
(72) Name(s) of Designer(s): **Andrew Reeves and Christopher Ellerby**
(45) Registration Date: **06 August 2015**
(30) Convention priority data:
(31) Number (32) Date (33) Country
001428171-0001 08 Jan 2015 OFFICE FOR HARMONISATION IN THE INTERNAL MARKET (OHIM)
(56) Related Art Documents: **Not Applicable**
(57) Statement of Newness and Distinctiveness: **Newness and distinctiveness is claimed in the features of a cap as illustrated in the accompanying representations.**



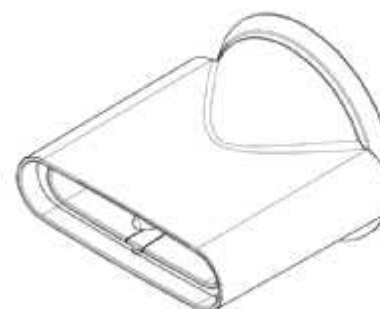
(21) Design Number: **13391/2015**
(22) Date of Filing Application: **06 July 2015**
(24) Date from which industrial property rights may have effect: **06 July 2015**
(54) Product in respect of which the design is registered: **Part of a hair appliance**
(51) International Design Classification: **28-03B**
(74) Name(s) of Attorney(s): **Shelston IP**
(71) Name(s) and Address(s) of Applicant(s):
Dyson Technology Limited
Tetbury Hill Malmesbury Wiltshire SN16 0RP United Kingdom
(72) Name(s) of Designer(s): **Catriona Ann Crawley Sutter and Andrea Ee-Va Lim**
(45) Registration Date: **06 August 2015**
(30) Convention priority data:
(31) Number (32) Date (33) Country
001428056-0001 12 Jan 2015 OFFICE FOR HARMONISATION IN THE INTERNAL MARKET (OHIM)
(56) Related Art Documents: **Not Applicable**
(57) Statement of Newness and Distinctiveness: **Newness and distinctiveness reside in the features of shape and/or configuration of PART OF A HAIR APPLIANCE as illustrated in solid lines the accompanying representations. The features shown in broken or discontinuous lines are illustrative only and do not form part of the design.**



(21) Design Number: **13392/2015**
(22) Date of Filing Application: **06 July 2015**
(24) Date from which industrial property rights may have effect: **06 July 2015**
(54) Product in respect of which the design is registered: **Part of a hair appliance**
(51) International Design Classification: **28-03B**
(74) Name(s) of Attorney(s): **Shelston IP**
(71) Name(s) and Address(s) of Applicant(s):
Dyson Technology Limited
Tetbury Hill Malmesbury Wiltshire SN16 0RP United Kingdom
(72) Name(s) of Designer(s): **Stephen Farrar Smith and Philip Jonathan Stephens and Andrea Ee-Va Lim**
(45) Registration Date: **06 August 2015**
(30) Convention priority data:
(31) Number (32) Date (33) Country
001428098-0002 12 Jan 2015 OFFICE FOR HARMONISATION IN THE INTERNAL MARKET (OHIM)
(56) Related Art Documents: **Not Applicable**
(57) Statement of Newness and Distinctiveness: **Newness and distinctiveness reside in the features of shape and/or configuration of PART OF A HAIR APPLIANCE as illustrated in the accompanying representations.**



(21) Design Number: **13393/2015**
(22) Date of Filing Application: **06 July 2015**
(24) Date from which industrial property rights may have effect: **06 July 2015**
(54) Product in respect of which the design is registered: **Part of a hair appliance**
(51) International Design Classification: **28-03B**
(74) Name(s) of Attorney(s): **Shelston IP**
(71) Name(s) and Address(s) of Applicant(s):
Dyson Technology Limited
Tetbury Hill Malmesbury Wiltshire SN16 0RP United Kingdom
(72) Name(s) of Designer(s): **Stephen Farrar Smith and Philip Jonathan Stephens and Andrea Ee-Va Lim**
(45) Registration Date: **06 August 2015**
(30) Convention priority data:
(31) Number (32) Date (33) Country
001428064-0001 12 Jan 2015 OFFICE FOR HARMONISATION IN THE INTERNAL MARKET (OHIM)
(56) Related Art Documents: **Not Applicable**
(57) Statement of Newness and Distinctiveness: **Newness and distinctiveness reside in the features of shape and/or configuration of PART OF A HAIR APPLIANCE as illustrated in the accompanying representations.**



- (21) Design Number: **13395/2015**
(22) Date of Filing Application: **06 July 2015**
(24) Date from which industrial property rights may have effect: **06 July 2015**
(54) Product in respect of which the design is registered: **A hair appliance**
(51) International Design Classification: **28-03B**
(74) Name(s) of Attorney(s): **Shelston IP**
(71) Name(s) and Address(s) of Applicant(s):

Dyson Technology Limited
Tetbury Hill Malmesbury Wiltshire SN16 0RP United Kingdom

- (72) Name(s) of Designer(s): **Stephen Farrar Smith and Philip Jonathan Stephens and Andrea Ee-Va Lim and Christopher William Hedges and Thomas James Kerr**

(45) Registration Date: **06 August 2015**

(30) Convention priority data:

(31) Number	(32) Date	(33) Country
001428072-0001	12 Jan 2015	OFFICE FOR HARMONISATION IN THE INTERNAL MARKET (OHIM)



(56) Related Art Documents: **Not Applicable**

- (57) Statement of Newness and Distinctiveness: **Newness and distinctiveness reside in the features of shape and/or configuration of A HAIR APPLIANCE as illustrated in solid lines the accompanying representations. The features shown in broken or discontinuous lines are illustrative only and do not form part of the design.**

- (21) Design Number: **12260/2015**
(22) Date of Filing Application: **01 May 2015**
(24) Date from which industrial property rights may have effect: **01 May 2015**
(54) Product in respect of which the design is registered: **Hammock**
(51) International Design Classification: **06-01NES**
(74) Name(s) of Attorney(s):
(71) Name(s) and Address(s) of Applicant(s):

Matthew Guy
7/1644 Pittwater Rd Mona Vale NSW 2103 Australia

(72) Name(s) of Designer(s): **Matthew Guy**

(45) Registration Date: **06 August 2015**

(56) Related Art Documents: **Not Applicable**

- (57) Statement of Newness and Distinctiveness: **The most common and conventional hammock design available is a simple rectangular piece of fabric with a channel at the end in order for a rope to thread through and gather the ends to create a tie point. The shape of the Dynammock hammock is different to any other hammock because it is not a rectangle. The shape is formed by using three separate pieces of fabric. There are two triangular pieces and a rectangular piece of fabric. A triangular piece is stitched to one long side of the rectangular piece. Another triangular of the same dimensions is rotated 180 degrees and attached to the other long side of the rectangle. A straight line is cut at the opposite end points of each triangular pieces of fabrics (not stitched to the rectangular piece) to accommodate for a rope to pass through a channel and gather the material to create the tie point. The final shape has 8 sides and is asymmetrical.**



(21) Design Number: **13396/2015**

(22) Date of Filing Application: **06 July 2015**

(24) Date from which industrial property rights may have effect: **06 July 2015**

(54) Product in respect of which the design is registered: **Die cutter**

(51) International Design Classification: **08-03**

(74) Name(s) of Attorney(s): **FB Rice**

(71) Name(s) and Address(s) of Applicant(s):

Hill's Pet Nutrition, Inc.

400 Southwest 8th Avenue Topeka KS, 66603 United States of America

(72) Name(s) of Designer(s): **Craig Cowley**

(45) Registration Date: **06 August 2015**

(30) Convention priority data:

(31) Number

(32) Date

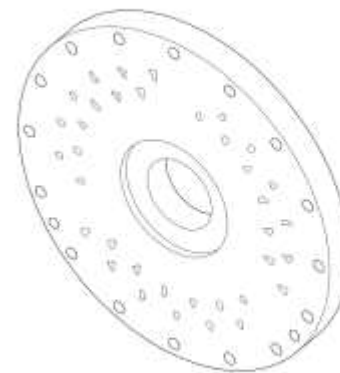
(33) Country

29/515309

21 Jan 2015

UNITED STATES OF AMERICA

(57) Statement of Newness and Distinctiveness: **Newness and distinctiveness reside in the features of shape and configuration of the design as shown in the representations.**



(21) Design Number: **13400/2015**

(22) Date of Filing Application: **06 July 2015**

(24) Date from which industrial property rights may have effect: **09 April 2015**

(54) Product in respect of which the design is registered: **Anaesthetic breathing circuit component**

(51) International Design Classification: **24-01**

(74) Name(s) of Attorney(s): **Griffith Hack**

(71) Name(s) and Address(s) of Applicant(s):

Colin Dunlop

132A Cressy Rd East Ryde NSW 2113 Australia

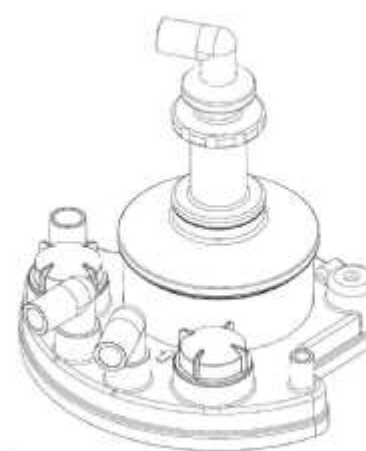
(72) Name(s) of Designer(s): **Colin Dunlop and Tony Wallace and James Dunlop**

(45) Registration Date: **06 August 2015**

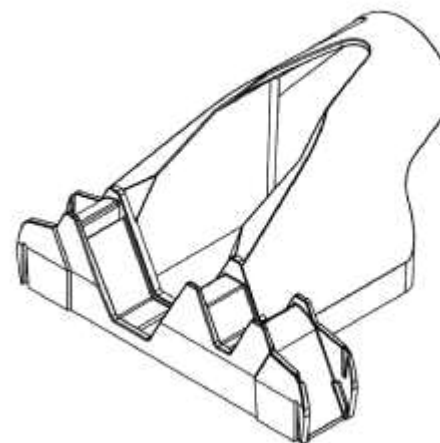
(62) Divisional of: **362574**

(56) Related Art Documents: **Not Applicable**

(57) Statement of Newness and Distinctiveness: **The shape and configuration of the Anaesthetic Breathing Circuit Component is new and distinctive with the shape and orientation of the caps and hose connectors being variable within the scope of the design. In the context of the design as a whole particular regard should be given to the shape and configuration of the base and arrangement of ports on the base than to the shape and orientation of the caps and hose connectors. The height cylindrical canister may be varied within the scope of the design.**



- (21) Design Number: **13420/2015**
(22) Date of Filing Application: **07 July 2015**
(24) Date from which industrial property rights may have effect: **07 July 2015**
(54) Product in respect of which the design is registered: **A roof rack fishing rod holder**
(51) International Design Classification: **22-05**
(74) Name(s) of Attorney(s):
(71) Name(s) and Address(s) of Applicant(s):
Yakima Australia Pty Limited
17 Hinkler Ct Brendale QLD 4500 Australia
(72) Name(s) of Designer(s): **Robert Norman Johnstone and Bradley Matthew Minnis and Emma Crouch**
(45) Registration Date: **06 August 2015**
(56) Related Art Documents: **Not Applicable**
(57) Statement of Newness and Distinctiveness: **The design is to be applied to a roof rack fishing rod holder, and the novelty resides in the features of shape and configuration as shown in the accompanying representations. The features shown in phantom lines when the roof rack fishing rod holder is in use are disclaimed from the design**



- (21) Design Number: **13421/2015**
(22) Date of Filing Application: **07 July 2015**
(24) Date from which industrial property rights may have effect: **07 July 2015**
(54) Product in respect of which the design is registered: **Scraper blade for conveyor belts**
(51) International Design Classification: **12-05**
(74) Name(s) of Attorney(s): **PHILLIPS ORMONDE FITZPATRICK**
(71) Name(s) and Address(s) of Applicant(s):
Flexible Steel Lacing Company
2525 Wisconsin Avenue Downers Grove Illinois, 60515 United States of America
(72) Name(s) of Designer(s): **Marcus Lee Krosschell**
(45) Registration Date: **06 August 2015**
(30) Convention priority data:
(31) Number (32) Date (33) Country
29/514,460 13 Jan 2015 UNITED STATES OF AMERICA
(56) Related Art Documents: **Not Applicable**
(57) Statement of Newness and Distinctiveness: **Those features of the scraper blade for conveyor belts depicted in the representations that are new and distinctive are the shape and/or configuration. The features shown in broken line are not part of the design and are to be disregarded when considering the overall impression of the design.**



(21) Design Number: **13422/2015**

(22) Date of Filing Application: **07 July 2015**

(24) Date from which industrial property rights may have effect: **07 July 2015**

(54) Product in respect of which the design is registered: **Scraper blade for conveyor belts**

(51) International Design Classification: **12-05**

(74) Name(s) of Attorney(s): **PHILLIPS ORMONDE FITZPATRICK**

(71) Name(s) and Address(s) of Applicant(s):

Flexible Steel Lacing Company
2525 Wisconsin Avenue Downers Grove Illinois, 60515 United States of America

(72) Name(s) of Designer(s): **Marcus Lee Krosschell**

(45) Registration Date: **06 August 2015**

(30) Convention priority data:

(31) Number	(32) Date	(33) Country
29/514,460	13 Jan 2015	UNITED STATES OF AMERICA

(56) Related Art Documents: **Not Applicable**

(57) Statement of Newness and Distinctiveness: **Those features of the scraper blade for conveyor belts depicted in the representations that are new and distinctive are the shape and/or configuration. The features shown in broken line are not part of the design and are to be disregarded when considering the overall impression of the design.**



(21) Design Number: **13424/2015**

(22) Date of Filing Application: **07 July 2015**

(24) Date from which industrial property rights may have effect: **07 July 2015**

(54) Product in respect of which the design is registered: **A swivel bracket for a jockey wheel**

(51) International Design Classification: **12-16A**

(74) Name(s) of Attorney(s): **Madderns**

(71) Name(s) and Address(s) of Applicant(s):

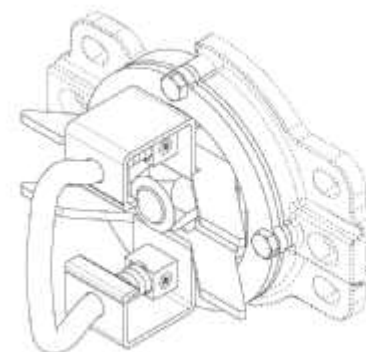
Manutec Pty Ltd
30 Jonal Dr Cavan SA 5094 Australia

(72) Name(s) of Designer(s): **Kym Andrew O'Brien**

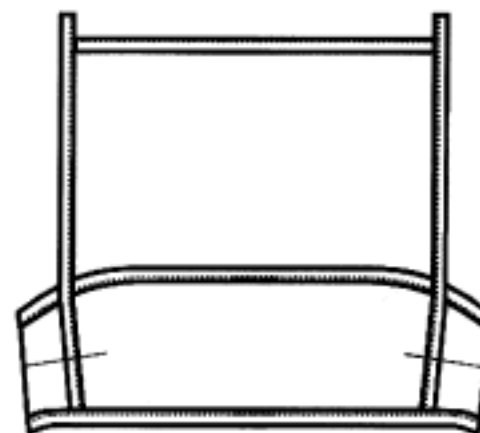
(45) Registration Date: **06 August 2015**

(56) Related Art Documents: **Not Applicable**

(57) Statement of Newness and Distinctiveness: **Nil**



(21) Design Number: **12851/2015**
(22) Date of Filing Application: **07 June 2015**
(24) Date from which industrial property rights may have effect: **07 June 2015**
(54) Product in respect of which the design is registered: **Swimwsuit**
(51) International Design Classification: **02-02A**
(74) Name(s) of Attorney(s):
(71) Name(s) and Address(s) of Applicant(s):
Zimmermann Wear Pty Limited
120 Dunning Ave Rosebery NSW 2018 Australia
(72) Name(s) of Designer(s): **Nicole Zimmermann**
(45) Registration Date: **06 August 2015**
(56) Related Art Documents: **Not Applicable**
(57) Statement of Newness and Distinctiveness: **Newness and distinctiveness is claimed in the shape, configuration, pattern and/or ornamentation of the swimwear garment as depicted in the accompanying representation and in particular the front mesh panel overlay.**



(21) Design Number: **12531/2015**
(22) Date of Filing Application: **15 May 2015**
(24) Date from which industrial property rights may have effect: **15 May 2015**
(54) Product in respect of which the design is registered: **Bathroom large shelf**
(51) International Design Classification: **23-02A**
(74) Name(s) of Attorney(s):
(71) Name(s) and Address(s) of Applicant(s):
EVOLVE LIFEWARES PTY LIMITED
U3/ 1A Bessemer St Blacktown NSW 2148 Australia
(72) Name(s) of Designer(s): **Alex Arciga**
(45) Registration Date: **06 August 2015**
(56) Related Art Documents: **Not Applicable**
(57) Statement of Newness and Distinctiveness: **New design different to any products on the market.**



(21) Design Number: **12532/2015**

(22) Date of Filing Application: **15 May 2015**

(24) Date from which industrial property rights may have effect: **15 May 2015**

(54) Product in respect of which the design is registered: **Bathroom soap dish**

(51) International Design Classification: **23-02A**

(74) Name(s) of Attorney(s):

(71) Name(s) and Address(s) of Applicant(s):

EVOLVE LIFEWARES PTY LIMITED

U3/ 1A Bessemer St Blacktown NSW 2148 Australia

(72) Name(s) of Designer(s): **Alex Arciga**

(45) Registration Date: **06 August 2015**

(56) Related Art Documents: **Not Applicable**

(57) Statement of Newness and Distinctiveness: **New design differs from any product on the market.**



(21) Design Number: **12533/2015**

(22) Date of Filing Application: **15 May 2015**

(24) Date from which industrial property rights may have effect: **15 May 2015**

(54) Product in respect of which the design is registered: **Utensils cup**

(51) International Design Classification: **23-02A**

(74) Name(s) of Attorney(s):

(71) Name(s) and Address(s) of Applicant(s):

EVOLVE LIFEWARES PTY LIMITED

U3/ 1A Bessemer St Blacktown NSW 2148 Australia

(72) Name(s) of Designer(s): **Alex Arciga**

(45) Registration Date: **06 August 2015**

(56) Related Art Documents: **Not Applicable**

(57) Statement of Newness and Distinctiveness: **New design differs from any product on the market.**



(21) Design Number: **12535/2015**

(22) Date of Filing Application: **15 May 2015**

(24) Date from which industrial property rights may have effect: **15 May 2015**

(54) Product in respect of which the design is registered: **Shower caddy suction**

(51) International Design Classification: **23-02A**

(74) Name(s) of Attorney(s):

(71) Name(s) and Address(s) of Applicant(s):

EVOLVE LIFEWARES PTY LIMITED
U3/ 1A Bessemer St Blacktown NSW 2148 Australia

(72) Name(s) of Designer(s): **Alex Arciga**

(45) Registration Date: **06 August 2015**

(56) Related Art Documents: **Not Applicable**

(57) Statement of Newness and Distinctiveness: **New design differs from products in the market.**



(21) Design Number: **12536/2015**

(22) Date of Filing Application: **15 May 2015**

(24) Date from which industrial property rights may have effect: **15 May 2015**

(54) Product in respect of which the design is registered: **Toilet roll holder suction**

(51) International Design Classification: **23-02A**

(74) Name(s) of Attorney(s):

(71) Name(s) and Address(s) of Applicant(s):

EVOLVE LIFEWARES PTY LIMITED
U3/ 1A Bessemer St Blacktown NSW 2148 Australia

(72) Name(s) of Designer(s): **Alex Arciga**

(45) Registration Date: **06 August 2015**

(56) Related Art Documents: **Not Applicable**

(57) Statement of Newness and Distinctiveness: **New design differs from what is in market.**



(21) Design Number: **12534/2015**

(22) Date of Filing Application: **15 May 2015**

(24) Date from which industrial property rights may have effect: **15 May 2015**

(54) Product in respect of which the design is registered: **Bathroom mirror suction**

(51) International Design Classification: **06-07**

(74) Name(s) of Attorney(s):

(71) Name(s) and Address(s) of Applicant(s):

EVOLVE LIFEWARES PTY LIMITED
U3/ 1A Bessemer St Blacktown NSW 2148 Australia

(72) Name(s) of Designer(s): **Alex Arciga**

(45) Registration Date: **06 August 2015**

(56) Related Art Documents: **Not Applicable**

(57) Statement of Newness and Distinctiveness: **New design differs from products in the market.**



(21) Design Number: **12537/2015**

(22) Date of Filing Application: **15 May 2015**

(24) Date from which industrial property rights may have effect: **15 May 2015**

(54) Product in respect of which the design is registered: **Towel ring suction**

(51) International Design Classification: **07-05D**

(74) Name(s) of Attorney(s):

(71) Name(s) and Address(s) of Applicant(s):

EVOLVE LIFEWARES PTY LIMITED
U3/ 1A Bessemer St Blacktown NSW 2148 Australia

(72) Name(s) of Designer(s): **Alex Arciga**

(45) Registration Date: **06 August 2015**

(56) Related Art Documents: **Not Applicable**

(57) Statement of Newness and Distinctiveness: **New design differs from products in market.**



(21) Design Number: **12949/2015**
(22) Date of Filing Application: **12 June 2015**
(24) Date from which industrial property rights may have effect: **12 June 2015**
(54) Product in respect of which the design is registered: **Speaker**
(51) International Design Classification: **14-01**
(74) Name(s) of Attorney(s): **PHILLIPS ORMONDE FITZPATRICK**
(71) Name(s) and Address(s) of Applicant(s):
Bose Corporation
The Mountain, MS 3B1 Framingham Massachusetts, 01701-9168 United States of America

(72) Name(s) of Designer(s): **Lee Zamir and Darius Darayes Mobed and Michael Andrew Zalisk and Gustavo Fontana**

(45) Registration Date: **06 August 2015**

(30) Convention priority data:

(31) Number	(32) Date	(33) Country
29/514,747	15 Jan 2015	UNITED STATES OF AMERICA

(56) Related Art Documents: **Not Applicable**

(57) Statement of Newness and Distinctiveness: **Those features of the speaker depicted in the representations that are new and distinctive are the shape and/or configuration. The features shown in dotted lines are not part of the design and are to be disregarded when considering the overall impression of the design.**

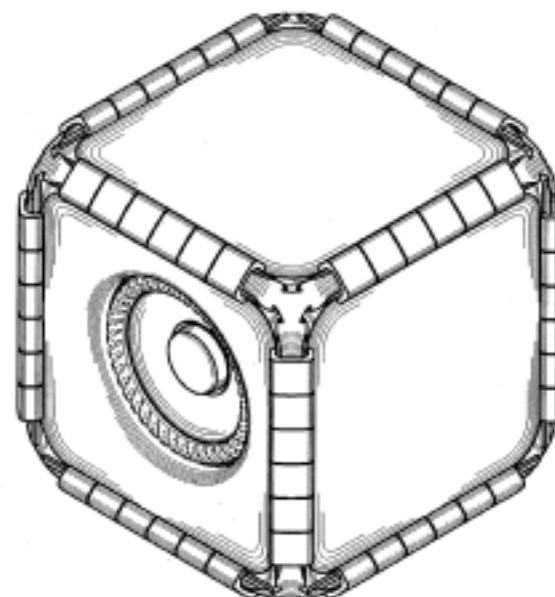


FIG. 1

(21) Design Number: **12151/2015**
(22) Date of Filing Application: **24 April 2015**
(24) Date from which industrial property rights may have effect: **24 April 2015**
(54) Product in respect of which the design is registered: **A rear cover for a motorcycle**
(51) International Design Classification: **12-11, 12-16B**
(74) Name(s) of Attorney(s): **Spruson & Ferguson**
(71) Name(s) and Address(s) of Applicant(s):
Honda Motor Co., Ltd.
1-1, Minami-Aoyama 2-Chome, Minato-ku Tokyo Japan

(72) Name(s) of Designer(s): **Martin Petersson and Daisuke Soeno**

(45) Registration Date: **06 August 2015**

(30) Convention priority data:

(31) Number	(32) Date	(33) Country
2014-024441	31 Oct 2014	JAPAN

(56) Related Art Documents: **Not Applicable**

(57) Statement of Newness and Distinctiveness: **Newness and distinctiveness is claimed in the features of shape and/or configuration of a rear cover for a motorcycle as illustrated in the accompanying representations.**



(21) Design Number: **12152/2015**
(22) Date of Filing Application: **24 April 2015**
(24) Date from which industrial property rights may have effect: **24 April 2015**
(54) Product in respect of which the design is registered: **A motorcycle**
(51) International Design Classification: **12-11**
(74) Name(s) of Attorney(s): **Spruson & Ferguson**
(71) Name(s) and Address(s) of Applicant(s):

Honda Motor Co., Ltd.
1-1, Minami-Aoyama 2-chome, Minato-ku, Tokyo Japan

(72) Name(s) of Designer(s): **Martin Petersson and Daisuke Soeno**

(45) Registration Date: **06 August 2015**

(30) Convention priority data:

(31) Number	(32) Date	(33) Country
2014-024439	31 Oct 2014	JAPAN

(56) Related Art Documents: **Not Applicable**

(57) Statement of Newness and Distinctiveness: **Newness and distinctiveness is claimed in the features of shape and/or configuration of a motorcycle as illustrated in the accompanying representations.**



(21) Design Number: **13113/2015**
(22) Date of Filing Application: **22 June 2015**
(24) Date from which industrial property rights may have effect: **22 June 2015**
(54) Product in respect of which the design is registered: **Crab pot holder for fishing boat**
(51) International Design Classification: **22-05**
(74) Name(s) of Attorney(s):

(71) Name(s) and Address(s) of Applicant(s):

Marine Safety Innovations Pty Ltd
310 Nambour-Mapleton Rd Nambour QLD 4560 Australia

(72) Name(s) of Designer(s): **Patrick Jones**

(45) Registration Date: **06 August 2015**

(56) Related Art Documents: **Not Applicable**

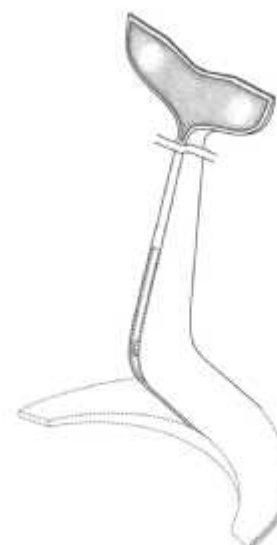
(57) Statement of Newness and Distinctiveness: **The crab pot holder is a frame that holds round collapsible crab pots, onto the inside of a dinghy, hinged slightly off centre to allow it to swing into the horizontal position to become a table from which the crab pot can be worked on and pushed into the water. The base has a 90 degrees extension that the pot sits into preventing it from rolling. The base allows the user to lean against it while working on the crab pot as a safety bar. The frame has a retractable drop down leg to hold the frame in the horizontal position from the vertical position. The frame allows the crab pots to be loaded and secured for travel in the boat while being towed by a car without breaking the law.**



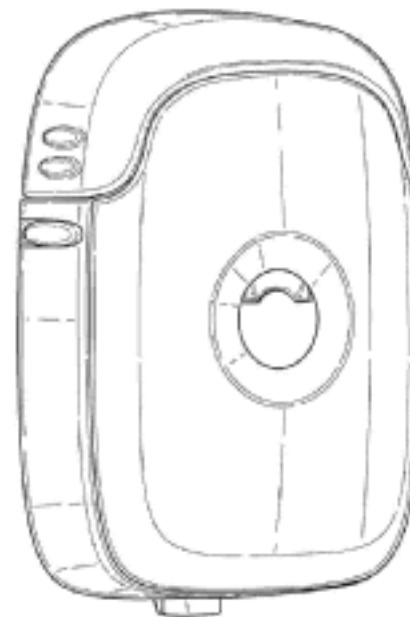
- (21) Design Number: **12153/2015**
(22) Date of Filing Application: **24 April 2015**
(24) Date from which industrial property rights may have effect: **24 April 2015**
(54) Product in respect of which the design is registered: **A front side cowl for a motorcycle**
(51) International Design Classification: **12-11, 12-16B**
(74) Name(s) of Attorney(s): **Spruson & Ferguson**
(71) Name(s) and Address(s) of Applicant(s):
Honda Motor Co., Ltd.
1-1, Minami-Aoyama 2-Chome, Minato-ku Tokyo Japan
(72) Name(s) of Designer(s): **Martin Petersson and Daisuke Soeno**
(45) Registration Date: **06 August 2015**
(30) Convention priority data:
(31) Number (32) Date (33) Country
2014-024440 31 Oct 2014 JAPAN
(56) Related Art Documents: **Not Applicable**
(57) Statement of Newness and Distinctiveness: **Newness and distinctiveness is claimed in the features of shape and/or configuration of a front side cowl for a motorcycle as illustrated in the accompanying representations.**



- (21) Design Number: **12528/2015**
(22) Date of Filing Application: **15 May 2015**
(24) Date from which industrial property rights may have effect: **15 May 2015**
(54) Product in respect of which the design is registered: **Board Stand**
(51) International Design Classification: **20-02NES**
(74) Name(s) of Attorney(s): **Collison & Co**
(71) Name(s) and Address(s) of Applicant(s):
NINETY DEGREES LTD.
53 Derech Ha'atzmaut Street Haifa Israel
(72) Name(s) of Designer(s): **Ori Dadoosh and Liran Nakache and Uri Shaham and Lior Munitz**
(45) Registration Date: **06 August 2015**
(30) Convention priority data:
(31) Number (32) Date (33) Country
29509681 20 Nov 2014 UNITED STATES OF AMERICA
(56) Related Art Documents: **Not Applicable**
(57) Statement of Newness and Distinctiveness: **Newness and distinctiveness resides in the shape and configuration of the BOARD STAND as shown in the accompanying representations, excluding the portions represented by broken. The break lines indicate indeterminate length.**



- (21) Design Number: **12977/2015**
(22) Date of Filing Application: **15 June 2015**
(24) Date from which industrial property rights may have effect: **15 June 2015**
(54) Product in respect of which the design is registered: **Spraying devices**
(51) International Design Classification: **09-07A**
(74) Name(s) of Attorney(s): **Davies Collison Cave**
(71) Name(s) and Address(s) of Applicant(s):
Unilever PLC
Unilever House 100 Victoria Embankment London EC4Y 0DY United Kingdom
(72) Name(s) of Designer(s): **John Cowan-Hughes and Michael Unwin**
(45) Registration Date: **06 August 2015**
(30) Convention priority data:
(31) Number (32) Date (33) Country
002598409-0001 16 Dec 2014 OFFICE FOR HARMONISATION IN THE INTERNAL MARKET (OHIM)
(56) Related Art Documents: **Not Applicable**
(57) Statement of Newness and Distinctiveness: **Newness and distinctiveness is claimed in the visual features shown in solid lines in the representations.**



- (21) Design Number: **13451/2015**
(22) Date of Filing Application: **09 July 2015**
(24) Date from which industrial property rights may have effect: **09 July 2015**
(54) Product in respect of which the design is registered: **Felt-tip marker**
(51) International Design Classification: **19-06**
(74) Name(s) of Attorney(s): **HODGKINSON McINNES PATENTS**
(71) Name(s) and Address(s) of Applicant(s):
SPIRAXJOP PTY LTD
2 Coronation Ave Kings Park NSW 2148 Australia
(72) Name(s) of Designer(s): **Andy Whitting**
(45) Registration Date: **06 August 2015**
(56) Related Art Documents: **Not Applicable**
(57) Statement of Newness and Distinctiveness: **Newness and distinctiveness is claimed in the shape and configuration of a felt-tip marker as shown in the representations.**



(21) Design Number: **13397/2015**

(22) Date of Filing Application: **06 July 2015**

(24) Date from which industrial property rights may have effect: **06 July 2015**

(54) Product in respect of which the design is registered: **Pet food piece**

(51) International Design Classification: **01-06**

(74) Name(s) of Attorney(s): **FB Rice**

(71) Name(s) and Address(s) of Applicant(s):

Hill's Pet Nutrition, Inc.

400 Southwest 8th Avenue Topeka KS, 66603 United States of America

(72) Name(s) of Designer(s): **Kathy Gross and Shannon Morey and Craig Cowley and Geoff Bednar**

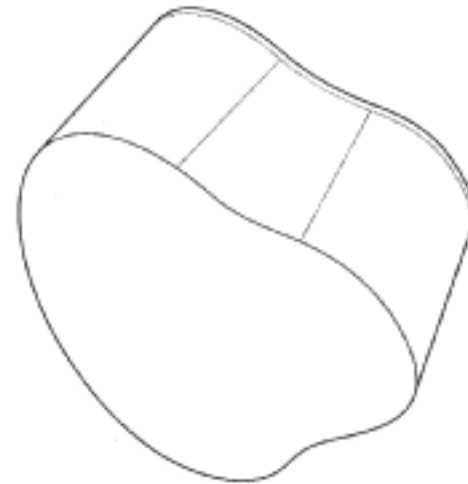
(45) Registration Date: **06 August 2015**

(30) Convention priority data:

(31) Number	(32) Date	(33) Country
29/515306	21 Jan 2015	UNITED STATES OF AMERICA

(56) Related Art Documents: **Not Applicable**

(57) Statement of Newness and Distinctiveness: **Newness and distinctiveness reside in the features of shape and configuration of the design as shown in the representations.**



(21) Design Number: **12292/2015**

(22) Date of Filing Application: **01 May 2015**

(24) Date from which industrial property rights may have effect: **01 May 2015**

(54) Product in respect of which the design is registered: **Carton**

(51) International Design Classification: **09-03M**

(74) Name(s) of Attorney(s): **Corrs Chambers Westgarth**

(71) Name(s) and Address(s) of Applicant(s):

MBBC Pty Ltd

77-87 Southbank Bvd Southbank VIC 3006 Australia

(72) Name(s) of Designer(s): **Andy Audsley and Rachel Kennelly and Tanya Thorogood**

(45) Registration Date: **07 August 2015**

(56) Related Art Documents: **Not Applicable**

(57) Statement of Newness and Distinctiveness: **Newness and distinctiveness is claimed in the woodgrain pattern as shown in the representations**



- (21) Design Number: **13453/2015**
(22) Date of Filing Application: **09 July 2015**
(24) Date from which industrial property rights may have effect: **09 July 2015**
(54) Product in respect of which the design is registered: **Ballpoint pen**
(51) International Design Classification: **19-06**
(74) Name(s) of Attorney(s): **HODGKINSON McINNES PATENTS**
(71) Name(s) and Address(s) of Applicant(s):
SPIRAXJOP PTY LTD
2 Coronation Ave Kings Park NSW 2148 Australia
(72) Name(s) of Designer(s): **Andy Whitting**
(45) Registration Date: **07 August 2015**
(56) Related Art Documents: **Not Applicable**
(57) Statement of Newness and Distinctiveness: **Newness and distinctiveness is claimed in the shape and configuration of a ballpoint pen as shown in the representations.**



- (21) Design Number: **13456/2015**
(22) Date of Filing Application: **09 July 2015**
(24) Date from which industrial property rights may have effect: **09 July 2015**
(54) Product in respect of which the design is registered: **Felt-tip marker**
(51) International Design Classification: **19-06**
(74) Name(s) of Attorney(s): **HODGKINSON McINNES PATENTS**
(71) Name(s) and Address(s) of Applicant(s):
SPIRAXJOP PTY LTD
2 Coronation Ave Kings Park NSW 2148 Australia
(72) Name(s) of Designer(s): **Andy Whitting**
(45) Registration Date: **07 August 2015**
(56) Related Art Documents: **Not Applicable**
(57) Statement of Newness and Distinctiveness: **Newness and distinctiveness is claimed in the shape and configuration of a felt-tip marker as shown in the representations.**



(21) Design Number: **12699/2015**
(22) Date of Filing Application: **26 May 2015**
(24) Date from which industrial property rights may have effect: **12 March 2015**
(54) Product in respect of which the design is registered: **Fluid manifold**
(51) International Design Classification: **23-01K, 24-01**
(74) Name(s) of Attorney(s): **Davies Collison Cave**
(71) Name(s) and Address(s) of Applicant(s):
ICU Medical, Inc.
951 Calle Amanecer San Clemente CA 92673-6212 United States of America



(72) Name(s) of Designer(s): **David Nelson**
(45) Registration Date: **07 August 2015**
(62) Divisional of: **362046**
(56) Related Art Documents: **Not Applicable**
(57) Statement of Newness and Distinctiveness: **Applicant notes that a number of possible combinations and subcombinations are possible with respect to various aspects of other embodiments of the claimed design. With reference to the embodiments shown in the priority application for example, in some embodiments, the claimed design may not include 1 or both tube connectors on the right and left. Also by way of example, in some embodiments, the claimed design could include 1 or more ports without the shoulder stop ring and/or could include fewer part lines than shown.**

(21) Design Number: **13141/2015**
(22) Date of Filing Application: **22 June 2015**
(24) Date from which industrial property rights may have effect: **22 June 2015**
(54) Product in respect of which the design is registered: **Cushion cover**
(51) International Design Classification: **06-13B**
(74) Name(s) of Attorney(s):
(71) Name(s) and Address(s) of Applicant(s):
Miria Lovey Henry
9 Landini Ct Burpengary QLD 4505 Australia
(72) Name(s) of Designer(s): **Miria Lovey Henry**
(45) Registration Date: **07 August 2015**
(56) Related Art Documents: **Not Applicable**
(57) Statement of Newness and Distinctiveness: **Cushion Cover with single strip of teal, black and white koru design across the front of the cushion cover**



(21) Design Number: **13142/2015**

(22) Date of Filing Application: **22 June 2015**

(24) Date from which industrial property rights may have effect: **22 June 2015**

(54) Product in respect of which the design is registered: **Duvet cover**

(51) International Design Classification: **06-13B**

(74) Name(s) of Attorney(s):

(71) Name(s) and Address(s) of Applicant(s):

Miria Lovey Henry

9 Landini Ct Burpengary QLD 4505 Australia

(72) Name(s) of Designer(s): **Miria Lovey Henry**

(45) Registration Date: **07 August 2015**

(56) Related Art Documents: **Not Applicable**

(57) Statement of Newness and Distinctiveness: **King duvet cover, fabric strip of teal, black and white koru design across the width of the duvet. The design is sewn on 70cm from the top of the duvet cover. Duvet size is 245cm in width and 215cm in length.**



(21) Design Number: **13143/2015**

(22) Date of Filing Application: **22 June 2015**

(24) Date from which industrial property rights may have effect: **22 June 2015**

(54) Product in respect of which the design is registered: **Pillow case**

(51) International Design Classification: **06-13B**

(74) Name(s) of Attorney(s):

(71) Name(s) and Address(s) of Applicant(s):

Miria Lovey Henry

9 Landini Ct Burpengary QLD 4505 Australia

(72) Name(s) of Designer(s): **Miria Lovey Henry**

(45) Registration Date: **07 August 2015**

(56) Related Art Documents: **Not Applicable**

(57) Statement of Newness and Distinctiveness: **Pillow case with fabric strip of teal, black and white koru design across the width of the pillow case.**



(21) Design Number: **13144/2015**

(22) Date of Filing Application: **22 June 2015**

(24) Date from which industrial property rights may have effect: **22 June 2015**

(54) Product in respect of which the design is registered: **Green shoulder bag**

(51) International Design Classification: **03-01B**

(74) Name(s) of Attorney(s):

(71) Name(s) and Address(s) of Applicant(s):

Miria Lovey Henry

9 Landini Ct Burpengary QLD 4505 Australia

(72) Name(s) of Designer(s): **Miria Lovey Henry**

(45) Registration Date: **07 August 2015**

(56) Related Art Documents: **Not Applicable**

(57) Statement of Newness and Distinctiveness: **2 in 1 shoulder bag with a strip of the green, black and white koru design up the middle section of the flap. When the flap is open the design is also down the middle sections of the front and back of the two bags that are attached together. There is a zip opening 3/4 from the top of the front bag and another zip opening from the top for the back bag.**



(21) Design Number: **13145/2015**

(22) Date of Filing Application: **22 June 2015**

(24) Date from which industrial property rights may have effect: **22 June 2015**

(54) Product in respect of which the design is registered: **Pink shoulder bag**

(51) International Design Classification: **03-01B**

(74) Name(s) of Attorney(s):

(71) Name(s) and Address(s) of Applicant(s):

Miria Lovey Henry

9 Landini Ct Burpengary QLD 4505 Australia

(72) Name(s) of Designer(s): **Miria Lovey Henry**

(45) Registration Date: **07 August 2015**

(56) Related Art Documents: **Not Applicable**

(57) Statement of Newness and Distinctiveness: **2 in 1 shoulder bag with a strip of the pink, black and white koru design up the middle section of the flap. When the flap is open the design is also down the middle sections of the front and back of the two bags that are attached together. There is a zip opening 3/4 from the top of the front bag and another zip opening from the top for the back bag.**



- (21) Design Number: **13146/2015**
(22) Date of Filing Application: **22 June 2015**
(24) Date from which industrial property rights may have effect: **22 June 2015**
(54) Product in respect of which the design is registered: **Red shoulder bag**
(51) International Design Classification: **03-01B**
(74) Name(s) of Attorney(s):
(71) Name(s) and Address(s) of Applicant(s):
Miria Lovey Henry
9 Landini Ct Burpengary QLD 4505 Australia
(72) Name(s) of Designer(s): **Miria Lovey Henry**
(45) Registration Date: **07 August 2015**
(56) Related Art Documents: **Not Applicable**
(57) Statement of Newness and Distinctiveness: **2 in 1 shoulder bag with a strip of the red, black and white koru design up the middle section of the flap. When the flap is open the design is also down the middle sections of the front and back of the two bags that are attached together. There is a zip opening 3/4 from the top of the front bag and another zip opening from the top for the back bag.**



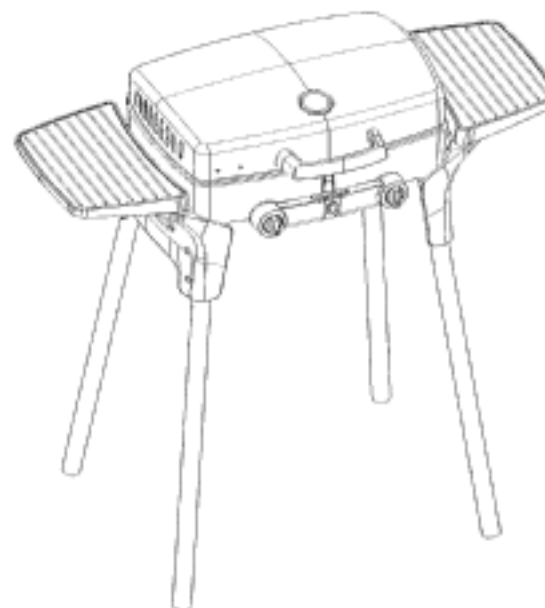
- (21) Design Number: **13147/2015**
(22) Date of Filing Application: **22 June 2015**
(24) Date from which industrial property rights may have effect: **22 June 2015**
(54) Product in respect of which the design is registered: **Red, black and white swirl shoulder bag**
(51) International Design Classification: **03-01B**
(74) Name(s) of Attorney(s):
(71) Name(s) and Address(s) of Applicant(s):
Miria Lovey Henry
9 Landini Ct Burpengary QLD 4505 Australia
(72) Name(s) of Designer(s): **Miria Lovey Henry**
(45) Registration Date: **07 August 2015**
(56) Related Art Documents: **Not Applicable**
(57) Statement of Newness and Distinctiveness: **2 in 1 shoulder bag red, black and white swirl design on front section of the flap. When the flap is open it is white and red across the middle section of the front. There is a zip opening 3/4 from the top of the front bag and another zip opening from the top for the back bag.**



- (21) Design Number: **13148/2015**
(22) Date of Filing Application: **22 June 2015**
(24) Date from which industrial property rights may have effect: **22 June 2015**
(54) Product in respect of which the design is registered: **Teal shoulder bag**
(51) International Design Classification: **03-01B**
(74) Name(s) of Attorney(s):
(71) Name(s) and Address(s) of Applicant(s):
Miria Lovey Henry
9 Landini Ct Burpengary QLD 4505 Australia
(72) Name(s) of Designer(s): **Miria Lovey Henry**
(45) Registration Date: **07 August 2015**
(56) Related Art Documents: **Not Applicable**
(57) Statement of Newness and Distinctiveness: **2 in 1 shoulder bag with a strip of the teal, black and white koru design up the middle section of the flap. When the flap is open the design is also down the middle sections of the front and back of the two bags that are attached together. There is a zip opening 3/4 from the top of the front bag and another zip opening from the top for the back bag.**



- (21) Design Number: **13108/2015**
(22) Date of Filing Application: **21 June 2015**
(24) Date from which industrial property rights may have effect: **21 June 2015**
(54) Product in respect of which the design is registered: **Grilling appliance**
(51) International Design Classification: **07-02D**
(74) Name(s) of Attorney(s): **PATENT ATTORNEY SERVICES**
(71) Name(s) and Address(s) of Applicant(s):
Enders Colman AG
Brauck 1 Werdohl 58791 Germany
(72) Name(s) of Designer(s): **Michael Gloger**
(45) Registration Date: **07 August 2015**
(30) Convention priority data:
(31) Number (32) Date (33) Country
40 2014 101 263.6 23 Dec 2014 GERMANY
(56) Related Art Documents: **Not Applicable**
(57) Statement of Newness and Distinctiveness: **Newness and distinctiveness is claimed in the shape and configuration of the grilling appliance shown in the representations. The provision of legs, and (if provided) the lengths of the legs, are not part of the design and are to be disregarded.**



(21) Design Number: **13109/2015**
(22) Date of Filing Application: **21 June 2015**
(24) Date from which industrial property rights may have effect: **21 June 2015**
(54) Product in respect of which the design is registered: **Grilling appliance**
(51) International Design Classification: **07-02D**
(74) Name(s) of Attorney(s): **PATENT ATTORNEY SERVICES**
(71) Name(s) and Address(s) of Applicant(s):

Enders Colman AG
Brauck 1 Werdohl 58791 Germany

(72) Name(s) of Designer(s): **Michael Gloger**

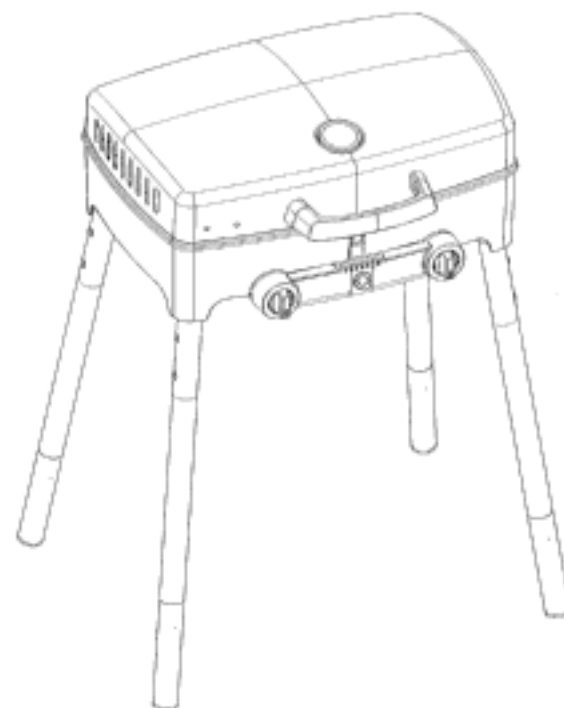
(45) Registration Date: **07 August 2015**

(30) Convention priority data:

(31) Number	(32) Date	(33) Country
40 2014 101 263.6	23 Dec 2014	GERMANY

(56) Related Art Documents: **Not Applicable**

(57) Statement of Newness and Distinctiveness: **Newness and distinctiveness is claimed in the shape and configuration of the grilling appliance shown in the representations. The provision of the legs shown in the representations, and (if provided) the lengths of the legs, are not part of the design and are to be disregarded.**



(21) Design Number: **13110/2015**
(22) Date of Filing Application: **21 June 2015**
(24) Date from which industrial property rights may have effect: **21 June 2015**
(54) Product in respect of which the design is registered: **Grilling appliance**
(51) International Design Classification: **07-02D**
(74) Name(s) of Attorney(s): **PATENT ATTORNEY SERVICES**
(71) Name(s) and Address(s) of Applicant(s):

Enders Colman AG
Brauck 1 Werdohl 58791 Germany

(72) Name(s) of Designer(s): **Michael Gloger**

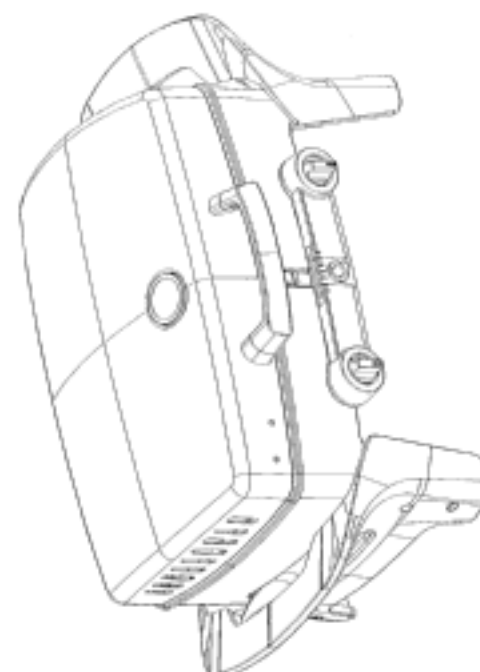
(45) Registration Date: **07 August 2015**

(30) Convention priority data:

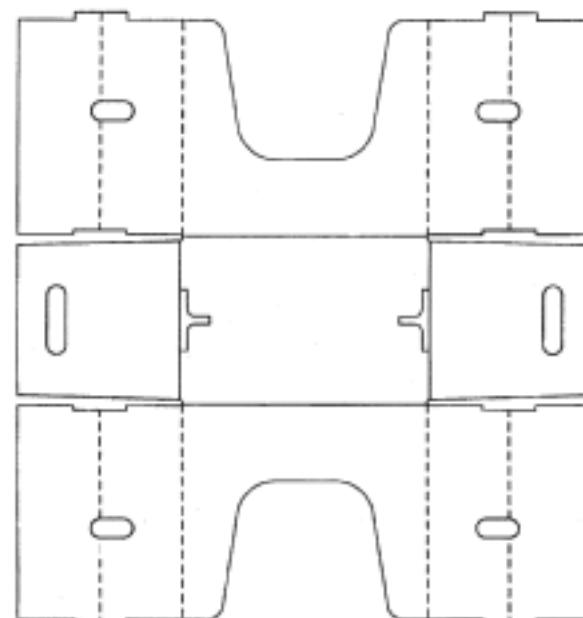
(31) Number	(32) Date	(33) Country
40 2014 101 263.6	23 Dec 2014	GERMANY

(56) Related Art Documents: **Not Applicable**

(57) Statement of Newness and Distinctiveness: **Newness and distinctiveness is claimed in the shape and configuration of the grilling appliance shown in the representations. The provision of the legs shown in the representations, and (if provided) the lengths of the legs, are not part of the design and are to be disregarded.**



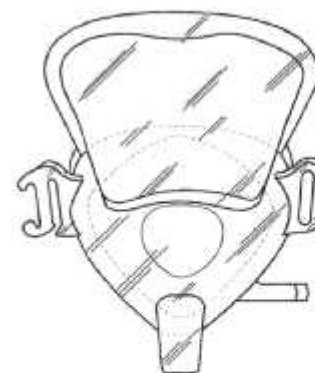
- (21) Design Number: **12273/2015**
(22) Date of Filing Application: **28 April 2015**
(24) Date from which industrial property rights may have effect: **28 April 2015**
(54) Product in respect of which the design is registered: **Blank for a tray**
(51) International Design Classification: **09-03M**
(74) Name(s) of Attorney(s): **Davies Collison Cave**
(71) Name(s) and Address(s) of Applicant(s):
Visy R & D Pty Ltd
13 Reo Cres Campbellfield VIC 3061 Australia
(72) Name(s) of Designer(s): **Clint Moka**
(45) Registration Date: **07 August 2015**
(56) Related Art Documents: **Not Applicable**
(57) Statement of Newness and Distinctiveness: **Newness and distinctiveness is claimed in the features of shape and configuration of the blank shown in the accompanying drawing with the broken lines indicative of lines of deformation.**



- (21) Design Number: **12950/2015**
(22) Date of Filing Application: **12 June 2015**
(24) Date from which industrial property rights may have effect: **12 June 2015**
(54) Product in respect of which the design is registered: **Toothbrush**
(51) International Design Classification: **04-02**
(74) Name(s) of Attorney(s): **PHILLIPS ORMONDE FITZPATRICK**
(71) Name(s) and Address(s) of Applicant(s):
GlaxoSmithKline Consumer Healthcare GmbH & Co. KG
Bussmatten 1 D-77815 Buehl (Baden) Germany
(72) Name(s) of Designer(s): **Hans Kraemer**
(45) Registration Date: **07 August 2015**
(30) Convention priority data:
(31) Number (32) Date (33) Country
4038598 12 Dec 2014 UNITED KINGDOM
(56) Related Art Documents: **Not Applicable**
(57) Statement of Newness and Distinctiveness: **Newness and distinctiveness resides in the shape and/or configuration of the head of the toothbrush shown in the continuous lines in the accompanying representations. The features shown in broken lines are not part of the design and are to be disregarded when considering the overall impression of the design. The stipple shown in the representations illustrate a material that is different from the non-stipple areas.**



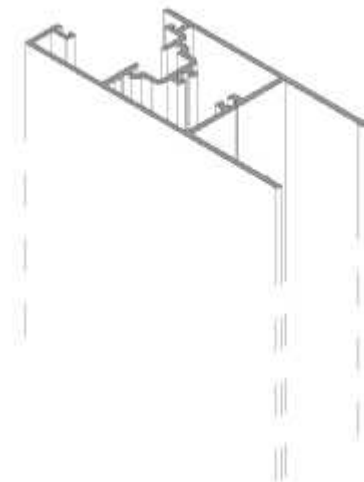
(21) Design Number: **12961/2015**
(22) Date of Filing Application: **12 June 2015**
(24) Date from which industrial property rights may have effect: **12 June 2015**
(54) Product in respect of which the design is registered: **Surgical mask**
(51) International Design Classification: **24-01**
(74) Name(s) of Attorney(s): **Spruson & Ferguson**
(71) Name(s) and Address(s) of Applicant(s):
Revolutionary Medical Devices, Inc.
4090 E. Bujia Primera, Tucson Arizona, 85718 United States of America
(72) Name(s) of Designer(s): **Thomas M. Reilly and Michael J. Pedro and Steven H. Cataldo and Ryan G. Redford and Peter Kronos and David M. Kane**
(45) Registration Date: **07 August 2015**
(30) Convention priority data:
(31) Number (32) Date (33) Country
29/511716 12 Dec 2014 UNITED STATES OF AMERICA
(56) Related Art Documents: **Not Applicable**
(57) Statement of Newness and Distinctiveness: **Newness and distinctiveness is claimed in the features of shape and/or configuration of a surgical mask as illustrated in the accompanying representations.**



(21) Design Number: **13442/2015**
(22) Date of Filing Application: **08 July 2015**
(24) Date from which industrial property rights may have effect: **08 July 2015**
(54) Product in respect of which the design is registered: **Seat belt buckle adapter**
(51) International Design Classification: **29-02**
(74) Name(s) of Attorney(s):
(71) Name(s) and Address(s) of Applicant(s):
Freedom Motors Australia Pty Ltd
17 Plasser Cres North St Marys NSW 2760 Australia
(72) Name(s) of Designer(s): **John Wilson and Ian Carpenter**
(45) Registration Date: **10 August 2015**
(56) Related Art Documents: **Not Applicable**
(57) Statement of Newness and Distinctiveness: **The device is a single unit that can be used to modify the tongue part of a number of seat belt fasteners and allow them to connect directly to a preferred buckle part of a seat belt fastening system.**



- (21) Design Number: **13461/2015**
(22) Date of Filing Application: **09 July 2015**
(24) Date from which industrial property rights may have effect: **09 July 2015**
(54) Product in respect of which the design is registered: **Frame profile**
(51) International Design Classification: **25-01K**
(74) Name(s) of Attorney(s): **Griffith Hack**
(71) Name(s) and Address(s) of Applicant(s):
Capral Limited
PO BOX 209 Parramatta CBD BC NSW 2124 Australia
(72) Name(s) of Designer(s): **Benjamin Ian Tilley**
(45) Registration Date: **10 August 2015**
(56) Related Art Documents: **Not Applicable**
(57) Statement of Newness and Distinctiveness: **Newness and distinctiveness is claimed in the shape and configuration of the product, which is of indefinite length, as illustrated in the drawings.**



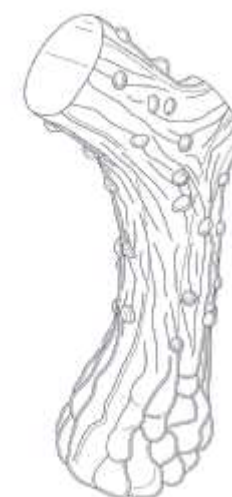
- (21) Design Number: **13463/2015**
(22) Date of Filing Application: **09 July 2015**
(24) Date from which industrial property rights may have effect: **09 July 2015**
(54) Product in respect of which the design is registered: **Transfer chair with flipping seat**
(51) International Design Classification: **06-01NES**
(74) Name(s) of Attorney(s): **WADESON**
(71) Name(s) and Address(s) of Applicant(s):
Shiny Health Import & Export Co. Limited
Room 3104, 31st Floor 69 Jervois Street Sheung Wan Hong Kong
(72) Name(s) of Designer(s): **Jian Bin Jerry Lee**
(45) Registration Date: **10 August 2015**
(56) Related Art Documents: **Not Applicable**
(57) Statement of Newness and Distinctiveness: **Newness and distinctiveness reside in the shape and configuration of the Transfer Chair with Flipping Seat**



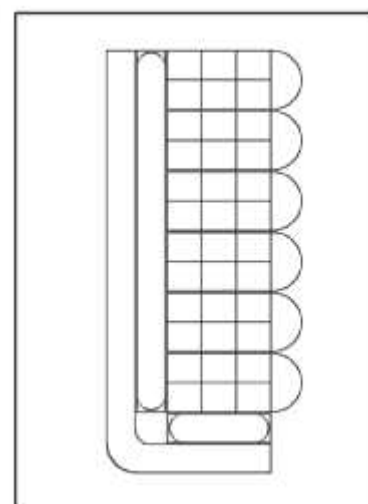
(21) Design Number: **13465/2015**
(22) Date of Filing Application: **10 July 2015**
(24) Date from which industrial property rights may have effect: **10 July 2015**
(54) Product in respect of which the design is registered: **Bike mount**
(51) International Design Classification: **12-11**
(74) Name(s) of Attorney(s): **Spruson & Ferguson**
(71) Name(s) and Address(s) of Applicant(s):
TomTom International B.V.
De Ruijterkade 154, Amsterdam 1011 AC The Netherlands
(72) Name(s) of Designer(s): **Daniel Browning and Mark Lee Dempsey and Nicholas Alexander Evans and Reinier Tijssen and Isaac Teece and Kyle Loughlin and Marcus Hoggarth**
(45) Registration Date: **10 August 2015**
(30) Convention priority data:
(31) Number (32) Date (33) Country
002611822 12 Jan 2015 OFFICE FOR HARMONISATION IN THE INTERNAL MARKET (OHIM)
(56) Related Art Documents: **Not Applicable**
(57) Statement of Newness and Distinctiveness: **Newness and distinctiveness is claimed in the features of shape and/or configuration of a bike mount as illustrated in continuous lines in the accompanying representations.**



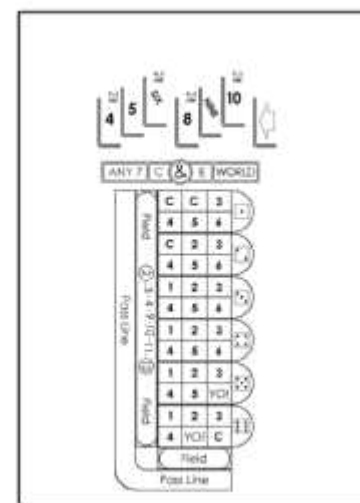
(21) Design Number: **13466/2015**
(22) Date of Filing Application: **10 July 2015**
(24) Date from which industrial property rights may have effect: **10 July 2015**
(54) Product in respect of which the design is registered: **Antler pet chew**
(51) International Design Classification: **01-06**
(74) Name(s) of Attorney(s): **IP Gateway Patent & Trademark Attorneys Pty Ltd**
(71) Name(s) and Address(s) of Applicant(s):
T.F.H. Publications, Inc.
One TFH Plaza Third and Union Avenues Neptune City New Jersey, 07753 United States of America
(72) Name(s) of Designer(s): **Glen S. Axelrod and Ajay Gajria**
(45) Registration Date: **10 August 2015**
(30) Convention priority data:
(31) Number (32) Date (33) Country
29/517,795 17 Feb 2015 UNITED STATES OF AMERICA
(56) Related Art Documents: **Not Applicable**
(57) Statement of Newness and Distinctiveness: **Newness and distinctiveness reside in the visual features of shape and/or configuration of the product as shown in the representations.**



(21) Design Number: **13467/2015**
(22) Date of Filing Application: **10 July 2015**
(24) Date from which industrial property rights may have effect: **10 July 2015**
(54) Product in respect of which the design is registered: **Textile material with a surface pattern**
(51) International Design Classification: **05-05D**
(74) Name(s) of Attorney(s): **Collison & Co**
(71) Name(s) and Address(s) of Applicant(s):
FGS Sweden AB
Box 579 Vasteras SE-721 10 Sweden
(72) Name(s) of Designer(s): **Robert Andersson**
(45) Registration Date: **10 August 2015**
(30) Convention priority data:
(31) Number (32) Date (33) Country
002611848 12 Jan 2015 OFFICE FOR HARMONISATION IN THE INTERNAL MARKET (OHIM)
(56) Related Art Documents: **Not Applicable**
(57) Statement of Newness and Distinctiveness: **Newness and distinctiveness resides in the features of the surface pattern of the material as shown in the accompanying representation.**



(21) Design Number: **13468/2015**
(22) Date of Filing Application: **10 July 2015**
(24) Date from which industrial property rights may have effect: **10 July 2015**
(54) Product in respect of which the design is registered: **Textile material with a surface pattern**
(51) International Design Classification: **05-05D**
(74) Name(s) of Attorney(s): **Collison & Co**
(71) Name(s) and Address(s) of Applicant(s):
FGS Sweden AB
Box 579 Vasteras SE-721 10 Sweden
(72) Name(s) of Designer(s): **Robert Andersson**
(45) Registration Date: **10 August 2015**
(30) Convention priority data:
(31) Number (32) Date (33) Country
002611848 12 Jan 2015 OFFICE FOR HARMONISATION IN THE INTERNAL MARKET (OHIM)
(56) Related Art Documents: **Not Applicable**
(57) Statement of Newness and Distinctiveness: **Newness and distinctiveness resides in the features of surface pattern of the material as shown in the accompanying representation.**



- (21) Design Number: **13469/2015**
(22) Date of Filing Application: **10 July 2015**
(24) Date from which industrial property rights may have effect: **10 July 2015**
(54) Product in respect of which the design is registered: **A demountable linen servery**
(51) International Design Classification: **06-13A**
(74) Name(s) of Attorney(s): **Pegasus IP**
(71) Name(s) and Address(s) of Applicant(s):
Salvina Maria Charles
72 Cascade Dr Forest Lake QLD 4078 Australia
(72) Name(s) of Designer(s): **Salvina Maria Charles**
(45) Registration Date: **10 August 2015**
(56) Related Art Documents: **Not Applicable**
(57) Statement of Newness and Distinctiveness: **The newness and distinctiveness resides in the features of shape and/or configuration of the product shown in the reps.**



- (21) Design Number: **13471/2015**
(22) Date of Filing Application: **10 July 2015**
(24) Date from which industrial property rights may have effect: **10 July 2015**
(54) Product in respect of which the design is registered: **Bag**
(51) International Design Classification: **03-01B**
(74) Name(s) of Attorney(s): **Shelston IP**
(71) Name(s) and Address(s) of Applicant(s):
314HORNET CO., LTD.
1-3, Sajik-ro 8-gil Jongno-gu Seoul, 110-044 Republic of Korea
(72) Name(s) of Designer(s): **Kyung Wan Son**
(45) Registration Date: **10 August 2015**
(56) Related Art Documents: **Not Applicable**
(57) Statement of Newness and Distinctiveness: **Newness and distinctiveness reside in the features of shape and/or configuration of a BAG as illustrated in the accompanying representations.**



(21) Design Number: **10766/2015**
(22) Date of Filing Application: **11 February 2015**
(24) Date from which industrial property rights may have effect: **11 February 2015**
(54) Product in respect of which the design is registered: **Swimwear**
(51) International Design Classification: **02-02A**
(74) Name(s) of Attorney(s): **K&L Gates**
(71) Name(s) and Address(s) of Applicant(s):
Seafolly Pty Ltd
247 King St Mascot NSW 2020 Australia
(72) Name(s) of Designer(s): **Genelle Walkom**
(45) Registration Date: **10 August 2015**
(56) Related Art Documents: **Not Applicable**
(57) Statement of Newness and Distinctiveness: **Nil**



(21) Design Number: **13473/2015**
(22) Date of Filing Application: **11 February 2015**
(24) Date from which industrial property rights may have effect: **11 February 2015**
(54) Product in respect of which the design is registered: **Swimwear**
(51) International Design Classification: **02-02A**
(74) Name(s) of Attorney(s): **K&L Gates**
(71) Name(s) and Address(s) of Applicant(s):
Seafolly Pty Ltd
247 King St Mascot NSW 2020 Australia
(72) Name(s) of Designer(s): **Genelle Walkom**
(45) Registration Date: **10 August 2015**
(56) Related Art Documents: **Not Applicable**
(57) Statement of Newness and Distinctiveness: **Nil**



(21) Design Number: **13474/2015**
(22) Date of Filing Application: **11 February 2015**
(24) Date from which industrial property rights may have effect: **11 February 2015**
(54) Product in respect of which the design is registered: **Swimwear**
(51) International Design Classification: **02-02A**
(74) Name(s) of Attorney(s): **K&L Gates**
(71) Name(s) and Address(s) of Applicant(s):
Seafolly Pty Ltd
247 King St Mascot NSW 2020 Australia
(72) Name(s) of Designer(s): **Genelle Walkom**
(45) Registration Date: **10 August 2015**
(56) Related Art Documents: **Not Applicable**
(57) Statement of Newness and Distinctiveness: **Nil**



(21) Design Number: **13475/2015**
(22) Date of Filing Application: **11 February 2015**
(24) Date from which industrial property rights may have effect: **11 February 2015**
(54) Product in respect of which the design is registered: **Swimwear**
(51) International Design Classification: **02-02A**
(74) Name(s) of Attorney(s): **K&L Gates**
(71) Name(s) and Address(s) of Applicant(s):
Seafolly Pty Ltd
247 King St Mascot NSW 2020 Australia
(72) Name(s) of Designer(s): **Genelle Walkom**
(45) Registration Date: **10 August 2015**
(56) Related Art Documents: **Not Applicable**
(57) Statement of Newness and Distinctiveness: **Nil**



(21) Design Number: **13476/2015**
(22) Date of Filing Application: **11 February 2015**
(24) Date from which industrial property rights may have effect: **11 February 2015**
(54) Product in respect of which the design is registered: **Swimwear**
(51) International Design Classification: **02-02A**
(74) Name(s) of Attorney(s): **K&L Gates**
(71) Name(s) and Address(s) of Applicant(s):
Seafolly Pty Ltd
247 King St Mascot NSW 2020 Australia
(72) Name(s) of Designer(s): **Genelle Walkom**
(45) Registration Date: **10 August 2015**
(56) Related Art Documents: **Not Applicable**
(57) Statement of Newness and Distinctiveness: **Nil**



(21) Design Number: **13477/2015**
(22) Date of Filing Application: **11 February 2015**
(24) Date from which industrial property rights may have effect: **11 February 2015**
(54) Product in respect of which the design is registered: **Swimwear**
(51) International Design Classification: **02-02A**
(74) Name(s) of Attorney(s): **K&L Gates**
(71) Name(s) and Address(s) of Applicant(s):
Seafolly Pty Ltd
247 King St Mascot NSW 2020 Australia
(72) Name(s) of Designer(s): **Genelle Walkom**
(45) Registration Date: **10 August 2015**
(56) Related Art Documents: **Not Applicable**
(57) Statement of Newness and Distinctiveness: **Nil**



(21) Design Number: **13478/2015**
(22) Date of Filing Application: **11 February 2015**
(24) Date from which industrial property rights may have effect: **11 February 2015**
(54) Product in respect of which the design is registered: **Swimwear**
(51) International Design Classification: **02-02A**
(74) Name(s) of Attorney(s): **K&L Gates**
(71) Name(s) and Address(s) of Applicant(s):
Seafolly Pty Ltd
247 King St Mascot NSW 2020 Australia
(72) Name(s) of Designer(s): **Genelle Walkom**
(45) Registration Date: **10 August 2015**
(56) Related Art Documents: **Not Applicable**
(57) Statement of Newness and Distinctiveness: **Nil**



(21) Design Number: **13479/2015**
(22) Date of Filing Application: **11 February 2015**
(24) Date from which industrial property rights may have effect: **11 February 2015**
(54) Product in respect of which the design is registered: **Swimwear**
(51) International Design Classification: **02-02A**
(74) Name(s) of Attorney(s): **K&L Gates**
(71) Name(s) and Address(s) of Applicant(s):
Seafolly Pty Ltd
247 King St Mascot NSW 2020 Australia
(72) Name(s) of Designer(s): **Genelle Walkom**
(45) Registration Date: **10 August 2015**
(56) Related Art Documents: **Not Applicable**
(57) Statement of Newness and Distinctiveness: **Nil**



(21) Design Number: **13480/2015**
(22) Date of Filing Application: **11 February 2015**
(24) Date from which industrial property rights may have effect: **11 February 2015**
(54) Product in respect of which the design is registered: **Swimwear**
(51) International Design Classification: **02-02A**
(74) Name(s) of Attorney(s): **K&L Gates**
(71) Name(s) and Address(s) of Applicant(s):
Seafolly Pty Ltd
247 King St Mascot NSW 2020 Australia
(72) Name(s) of Designer(s): **Genelle Walkom**
(45) Registration Date: **10 August 2015**
(56) Related Art Documents: **Not Applicable**
(57) Statement of Newness and Distinctiveness: **Nil**



(21) Design Number: **13481/2015**
(22) Date of Filing Application: **11 February 2015**
(24) Date from which industrial property rights may have effect: **11 February 2015**
(54) Product in respect of which the design is registered: **Swimwear**
(51) International Design Classification: **02-02A**
(74) Name(s) of Attorney(s): **K&L Gates**
(71) Name(s) and Address(s) of Applicant(s):
Seafolly Pty Ltd
247 King St Mascot NSW 2020 Australia
(72) Name(s) of Designer(s): **Genelle Walkom**
(45) Registration Date: **10 August 2015**
(56) Related Art Documents: **Not Applicable**
(57) Statement of Newness and Distinctiveness: **Nil**



(21) Design Number: **13482/2015**
(22) Date of Filing Application: **11 February 2015**
(24) Date from which industrial property rights may have effect: **11 February 2015**
(54) Product in respect of which the design is registered: **Swimwear**
(51) International Design Classification: **02-02A**
(74) Name(s) of Attorney(s): **K&L Gates**
(71) Name(s) and Address(s) of Applicant(s):
Seafolly Pty Ltd
247 King St Mascot NSW 2020 Australia
(72) Name(s) of Designer(s): **Genelle Walkom**
(45) Registration Date: **10 August 2015**
(56) Related Art Documents: **Not Applicable**
(57) Statement of Newness and Distinctiveness: **Nil**



(21) Design Number: **13483/2015**
(22) Date of Filing Application: **11 February 2015**
(24) Date from which industrial property rights may have effect: **11 February 2015**
(54) Product in respect of which the design is registered: **Swimwear**
(51) International Design Classification: **02-02A**
(74) Name(s) of Attorney(s): **K&L Gates**
(71) Name(s) and Address(s) of Applicant(s):
Seafolly Pty Ltd
247 King St Mascot NSW 2020 Australia
(72) Name(s) of Designer(s): **Genelle Walkom**
(45) Registration Date: **10 August 2015**
(56) Related Art Documents: **Not Applicable**
(57) Statement of Newness and Distinctiveness: **Nil**



(21) Design Number: **13484/2015**
(22) Date of Filing Application: **11 February 2015**
(24) Date from which industrial property rights may have effect: **11 February 2015**
(54) Product in respect of which the design is registered: **Swimwear**
(51) International Design Classification: **02-02A**
(74) Name(s) of Attorney(s): **K&L Gates**
(71) Name(s) and Address(s) of Applicant(s):
Seafolly Pty Ltd
247 King St Mascot NSW 2020 Australia
(72) Name(s) of Designer(s): **Genelle Walkom**
(45) Registration Date: **10 August 2015**
(56) Related Art Documents: **Not Applicable**
(57) Statement of Newness and Distinctiveness: **Nil**



(21) Design Number: **13485/2015**
(22) Date of Filing Application: **11 February 2015**
(24) Date from which industrial property rights may have effect: **11 February 2015**
(54) Product in respect of which the design is registered: **Swimwear**
(51) International Design Classification: **02-02A**
(74) Name(s) of Attorney(s): **K&L Gates**
(71) Name(s) and Address(s) of Applicant(s):
Seafolly Pty Ltd
247 King St Mascot NSW 2020 Australia
(72) Name(s) of Designer(s): **Genelle Walkom**
(45) Registration Date: **10 August 2015**
(56) Related Art Documents: **Not Applicable**
(57) Statement of Newness and Distinctiveness: **Nil**



(21) Design Number: **12847/2015**
(22) Date of Filing Application: **07 June 2015**
(24) Date from which industrial property rights may have effect: **07 June 2015**
(54) Product in respect of which the design is registered: **Swimsuit**
(51) International Design Classification: **02-02A**
(74) Name(s) of Attorney(s):
(71) Name(s) and Address(s) of Applicant(s):
Zimmermann Wear Pty Limited
120 Dunning Ave Rosebery NSW 2018 Australia
(72) Name(s) of Designer(s): **Nicole Zimmermann**
(45) Registration Date: **10 August 2015**
(56) Related Art Documents: **Not Applicable**
(57) Statement of Newness and Distinctiveness: **Newness and distinctiveness is claimed in the shape, configuration, pattern and/or ornamentation of the swimwear garment as depicted in the accompanying representation and in particular the waist strap.**



(21) Design Number: **16243/2014**
(22) Date of Filing Application: **01 December 2014**
(24) Date from which industrial property rights may have effect: **01 December 2014**
(54) Product in respect of which the design is registered: **Article of clothing**
(51) International Design Classification: **02-02C**
(74) Name(s) of Attorney(s): **Allens Patent & Trade Mark Attorneys**
(71) Name(s) and Address(s) of Applicant(s):
Forever New Clothing Pty Ltd
714 - 716 High St Kew East VIC 3102 Australia
(72) Name(s) of Designer(s): **Anna Pham**
(45) Registration Date: **10 August 2015**
(56) Related Art Documents: **Not Applicable**
(57) Statement of Newness and Distinctiveness: **Newness and distinctiveness resides in the visual features of shape, configuration, pattern and/or ornamentation of an article of clothing as shown in the accompanying representations.**



- (21) Design Number: **11466/2015**
(22) Date of Filing Application: **17 March 2015**
(24) Date from which industrial property rights may have effect: **17 March 2015**
(54) Product in respect of which the design is registered: **Label**
(51) International Design Classification: **19-08**
(74) Name(s) of Attorney(s):
(71) Name(s) and Address(s) of Applicant(s):
Pauline Ahola
131 Davies St Brunswick VIC 3056 Australia
(72) Name(s) of Designer(s): **Pauline Ahola**
(45) Registration Date: **10 August 2015**
(56) Related Art Documents: **Not Applicable**
(57) Statement of Newness and Distinctiveness: **Diamond shape label with yellow border, black background with hexagon honey comb, fluid lettering for "Honey" and stylised bee.**



- (21) Design Number: **12223/2015**
(22) Date of Filing Application: **29 April 2015**
(24) Date from which industrial property rights may have effect: **29 April 2015**
(54) Product in respect of which the design is registered: **Caravan electrical inlet & protection housing**
(51) International Design Classification: **13-03D**
(74) Name(s) of Attorney(s): **Davies Collison Cave**
(71) Name(s) and Address(s) of Applicant(s):
Safelec Technology Holdings Pty. Ltd.
Lot 25 Macwood Rd Smith Lake NSW 2428 Australia
(72) Name(s) of Designer(s): **Richard Ian Martin**
(45) Registration Date: **10 August 2015**
(56) Related Art Documents: **Not Applicable**
(57) Statement of Newness and Distinctiveness: **Newness and distinctiveness is claimed in the visual features of shape and configuration of the housing shown in solid lines in the representations. In considering the extent of the design rights, the colour of the housing, the securing screws and holes, the background, the electrical inlet, the electrical protection device, the electrical cables and components, in electrical protection device securing arrangement, holes in the mounting wall, and the textual indicia do not form part of the design.**



- (21) Design Number: **12345/2015**
(22) Date of Filing Application: **06 May 2015**
(24) Date from which industrial property rights may have effect: **06 May 2015**
(54) Product in respect of which the design is registered: **A nozzle for a fuel canister**
(51) International Design Classification: **09-07A**
(74) Name(s) of Attorney(s): **Halfords IP**
(71) Name(s) and Address(s) of Applicant(s):
Sympafix BV
Fluorietweg 25E Alkmaar 1812RR Netherlands
(72) Name(s) of Designer(s): **Paul Geuvers**
(45) Registration Date: **10 August 2015**
(30) Convention priority data:
(31) Number (32) Date (33) Country
002574251 07 Nov 2014 EUROPEAN PATENT OFFICE (EPO)
(56) Related Art Documents: **Not Applicable**
(57) Statement of Newness and Distinctiveness: **Newness and distinctiveness resides in those features of shape and or configuration of a nozzle for a fuel canister as depicted in the representations. Colour where colour images are used does not form part of the design.**



PERSPECTIVE VIEW

- (21) Design Number: **12467/2015**
(22) Date of Filing Application: **12 May 2015**
(24) Date from which industrial property rights may have effect: **12 May 2015**
(54) Product in respect of which the design is registered: **Handheld analyzer**
(51) International Design Classification: **10-04**
(74) Name(s) of Attorney(s): **Davies Collison Cave**
(71) Name(s) and Address(s) of Applicant(s):
Thermo Scientific Portable Analytical Instruments Inc.
2 Radcliff Road Tewksbury Massachusetts, 01876 United States of America
(72) Name(s) of Designer(s): **Neil Bacon**
(45) Registration Date: **10 August 2015**
(30) Convention priority data:
(31) Number (32) Date (33) Country
29/509001 13 Nov 2014 UNITED STATES OF AMERICA
(56) Related Art Documents: **Not Applicable**
(57) Statement of Newness and Distinctiveness: **Newness and distinctiveness is claimed in the visual features shown in solid lines in the representations. In considering the extent of the design rights, the broken lines shown in the representations are for illustrative purposes only and do not form part of the design.**

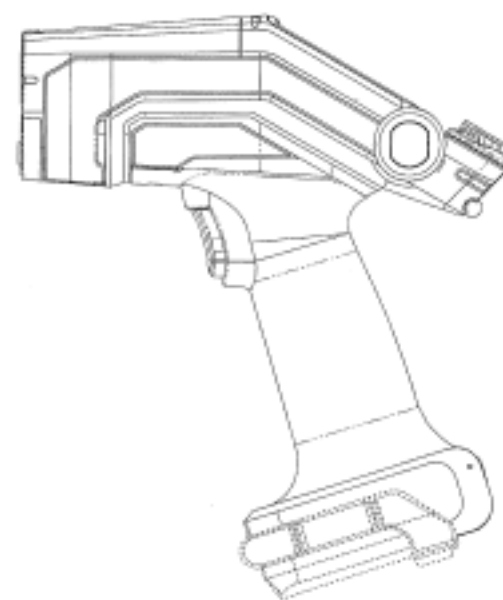
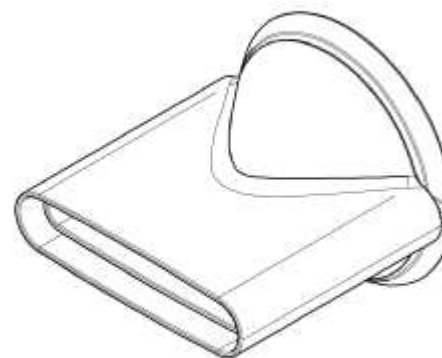


FIG. 1

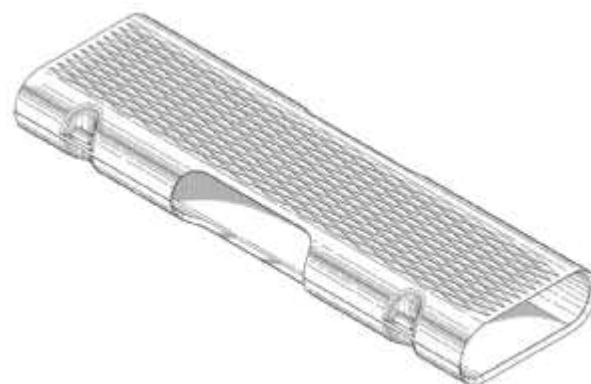
(21) Design Number: **13394/2015**
(22) Date of Filing Application: **06 July 2015**
(24) Date from which industrial property rights may have effect: **06 July 2015**
(54) Product in respect of which the design is registered: **Part of a hair appliance**
(51) International Design Classification: **28-03B**
(74) Name(s) of Attorney(s): **Shelston IP**
(71) Name(s) and Address(s) of Applicant(s):
Dyson Technology Limited
Tetbury Hill Malmesbury Wiltshire SN16 0RP United Kingdom
(72) Name(s) of Designer(s): **Stephen Farrar Smith and Philip Jonathan Stephens and Andrea Ee-Va Lim**
(45) Registration Date: **10 August 2015**
(30) Convention priority data:
(31) Number (32) Date (33) Country
001428098-0001 12 Jan 2015 OFFICE FOR HARMONISATION IN THE INTERNAL MARKET (OHIM)
(56) Related Art Documents: **Not Applicable**
(57) Statement of Newness and Distinctiveness: **Newness and distinctiveness reside in the features of shape and/or configuration of PART OF A HAIR APPLIANCE as illustrated in the accompanying representations.**



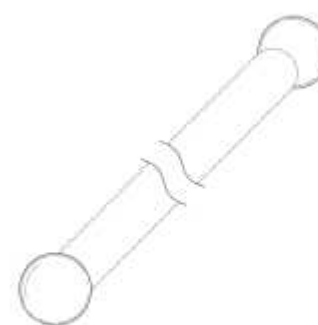
(21) Design Number: **13487/2015**
(22) Date of Filing Application: **13 July 2015**
(24) Date from which industrial property rights may have effect: **13 July 2015**
(54) Product in respect of which the design is registered: **Set top box**
(51) International Design Classification: **14-03NES**
(74) Name(s) of Attorney(s): **FB Rice**
(71) Name(s) and Address(s) of Applicant(s):
HUMAX Co., Ltd.
2, Yeongmun-ro, Cheoin-gu, Yongin-si Gyeonggi-do 449-934 Republic of Korea
(72) Name(s) of Designer(s): **Kyoung Woo Lee**
(45) Registration Date: **10 August 2015**
(30) Convention priority data:
(31) Number (32) Date (33) Country
30-2015-0029666 12 Jun 2015 REPUBLIC OF KOREA
(56) Related Art Documents: **Not Applicable**
(57) Statement of Newness and Distinctiveness: **Newness and distinctiveness reside in the features of the design as shown in the representations.**



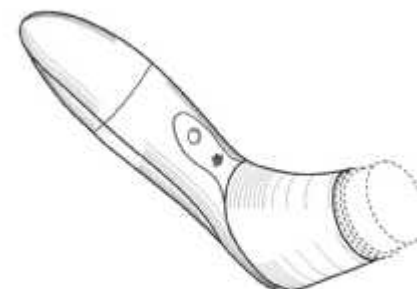
- (21) Design Number: **13488/2015**
(22) Date of Filing Application: **13 July 2015**
(24) Date from which industrial property rights may have effect: **13 July 2015**
(54) Product in respect of which the design is registered: **Spider trap**
(51) International Design Classification: **22-06**
(74) Name(s) of Attorney(s): **Baldwins**
(71) Name(s) and Address(s) of Applicant(s):
Sterling International Inc.
3808 North Sullivan Road Bldg. 16BV Spokane Washington, 99216
United States of America
(72) Name(s) of Designer(s): **Qing-He Zhang and Marc Chapin and Rodney G**
Schneidmiller
(45) Registration Date: **10 August 2015**
(30) Convention priority data:
(31) Number (32) Date (33) Country
29/516,639 04 Feb 2015 UNITED STATES OF AMERICA
(56) Related Art Documents: **Not Applicable**
(57) Statement of Newness and Distinctiveness: **Newness and distinctiveness**
resides in the features of shape and/or configuration of the spider trap.



- (21) Design Number: **13490/2015**
(22) Date of Filing Application: **13 July 2015**
(24) Date from which industrial property rights may have effect: **13 July 2015**
(54) Product in respect of which the design is registered: **Ball cap for a**
recreational flotation device.
(51) International Design Classification: **21-02D**
(74) Name(s) of Attorney(s): **Cotters Patent & Trade Mark Attorneys**
(71) Name(s) and Address(s) of Applicant(s):
I Candy By JW LLC
123 Wheatley Road Old Westbury New York, 11568 United States of
America
(72) Name(s) of Designer(s): **Jaclyn Wachter**
(45) Registration Date: **10 August 2015**
(56) Related Art Documents: **Not Applicable**
(57) Statement of Newness and Distinctiveness: **Newness and distinctiveness**
is claimed in the features of shape and/or configuration of a ball cap
for a recreational flotation device as illustrated in solid lines in the
accompanying drawings. Features shown in phantom represent the
elongated recreational flotation device and are to be disregarded.



(21) Design Number: **13491/2015**
(22) Date of Filing Application: **13 July 2015**
(24) Date from which industrial property rights may have effect: **13 July 2015**
(54) Product in respect of which the design is registered: **Skin care device**
(51) International Design Classification: **28-03NES**
(74) Name(s) of Attorney(s): **PHILLIPS ORMONDE FITZPATRICK**
(71) Name(s) and Address(s) of Applicant(s):
Epicare, Ltd
255 West 36th St Suite 504 New York, New York, 10018 United States of America



(72) Name(s) of Designer(s): **Evan J Phillips**
(45) Registration Date: **10 August 2015**
(30) Convention priority data:
(31) Number (32) Date (33) Country
29/514,509 13 Jan 2015 UNITED STATES OF AMERICA
(56) Related Art Documents: **Not Applicable**
(57) Statement of Newness and Distinctiveness: **Those features of skin care device depicted in the representations that are new and distinctive are the shape and/or configuration. The features shown in broken line are not part of the design and are to be disregarded when considering the overall impression of the design.**

(21) Design Number: **13492/2015**
(22) Date of Filing Application: **13 July 2015**
(24) Date from which industrial property rights may have effect: **13 July 2015**
(54) Product in respect of which the design is registered: **Motorcycle**
(51) International Design Classification: **12-11**
(74) Name(s) of Attorney(s): **WATERMARK PATENT AND TRADE MARKS ATTORNEYS**
(71) Name(s) and Address(s) of Applicant(s):
Zhejiang CFMOTO Power Co., Ltd.
No. 116, Wuzhou Road Yuhang Economic Development Zone Hangzhou Zhejiang, 311100 China



(72) Name(s) of Designer(s): **Guogui Lai and Zhangping Yuan and Zhiyong Chen and Xiuju Yang and Mingyue Zhou and Qingzun Ji and Dong Ding and Zhiwei Feng**
(45) Registration Date: **10 August 2015**
(30) Convention priority data:
(31) Number (32) Date (33) Country
201530170426.7 29 May 2015 CHINA
(56) Related Art Documents: **Not Applicable**
(57) Statement of Newness and Distinctiveness: **Nil**

(21) Design Number: **13493/2015**
(22) Date of Filing Application: **13 July 2015**
(24) Date from which industrial property rights may have effect: **13 July 2015**
(54) Product in respect of which the design is registered: **A tyre**
(51) International Design Classification: **12-15C**
(74) Name(s) of Attorney(s): **WATERMARK PATENT AND TRADE MARKS ATTORNEYS**

(71) Name(s) and Address(s) of Applicant(s):
COMPAGNIE GENERALE DES ETABLISSEMENTS MICHELIN
12 cours Sablon Clermont-Ferrand 63000 France
Michelin Recherche et Technique S.A.
Route Louis Braille 10 Granges-Paccot 1763 CH Switzerland

(72) Name(s) of Designer(s): **Kevin Ray Reim and Patrick Jon Buresh**

(45) Registration Date: **10 August 2015**

(30) Convention priority data:

(31) Number	(32) Date	(33) Country
29/517,687	16 Feb 2015	UNITED STATES OF AMERICA

(56) Related Art Documents: **Not Applicable**

(57) Statement of Newness and Distinctiveness: **Newness and distinctiveness resides in the appearance of the tread region of the tyre, the remainder of the tyre shown in dashed outline not forming part of the design**



(21) Design Number: **13496/2015**
(22) Date of Filing Application: **13 July 2015**
(24) Date from which industrial property rights may have effect: **13 July 2015**
(54) Product in respect of which the design is registered: **Baby sitter**
(51) International Design Classification: **06-01E**
(74) Name(s) of Attorney(s): **Spruson & Ferguson**
(71) Name(s) and Address(s) of Applicant(s):

BabyBjorn AB
Box 913, SOLNA 170 09 Sweden

(72) Name(s) of Designer(s): **Ulrika Vejbrink and Peter Ejvinsson and Kim De Bruin Lyckman and Thomas Aleblad**

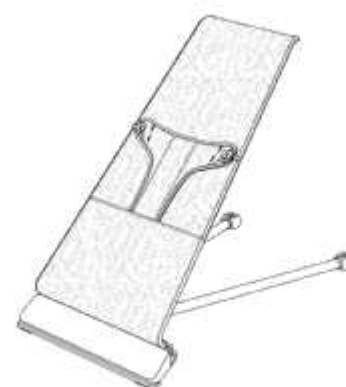
(45) Registration Date: **10 August 2015**

(30) Convention priority data:

(31) Number	(32) Date	(33) Country
0002651463	12 Mar 2015	OFFICE FOR HARMONISATION IN THE INTERNAL MARKET (OHIM)

(56) Related Art Documents: **Not Applicable**

(57) Statement of Newness and Distinctiveness: **Newness and distinctiveness is claimed in the features of shape and/or configuration of a baby sitter as illustrated in the accompanying representations.**



(21) Design Number: **13497/2015**
(22) Date of Filing Application: **13 July 2015**
(24) Date from which industrial property rights may have effect: **13 July 2015**
(54) Product in respect of which the design is registered: **Toy for baby sitter**
(51) International Design Classification: **21-01NES**
(74) Name(s) of Attorney(s): **Spruson & Ferguson**
(71) Name(s) and Address(s) of Applicant(s):



BabyBjorn AB
Box 913, SOLNA 170 09 Sweden

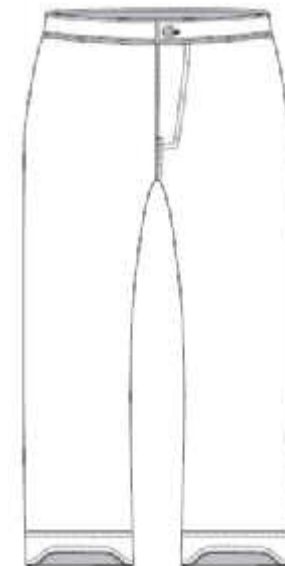
(72) Name(s) of Designer(s): **Marten Andren**
(45) Registration Date: **10 August 2015**

(30) Convention priority data:

(31) Number	(32) Date	(33) Country
002651588	12 Mar 2015	OFFICE FOR HARMONISATION IN THE INTERNAL MARKET (OHIM)

(56) Related Art Documents: **Not Applicable**
(57) Statement of Newness and Distinctiveness: **Newness and distinctiveness is claimed in the features of shape and/or configuration of a toy for baby sitter as illustrated in the accompanying representations.**

(21) Design Number: **13498/2015**
(22) Date of Filing Application: **13 July 2015**
(24) Date from which industrial property rights may have effect: **13 July 2015**
(54) Product in respect of which the design is registered: **A pair of pant featuring hem boot cut out cuff**
(51) International Design Classification: **02-02C**
(74) Name(s) of Attorney(s): **Ashurst Australia**
(71) Name(s) and Address(s) of Applicant(s):



Gazal Apparel Pty Limited
3-7 McPherson St Banksmeadow NSW 2019 Australia

(72) Name(s) of Designer(s): **Gilbert Huynh**

(45) Registration Date: **10 August 2015**

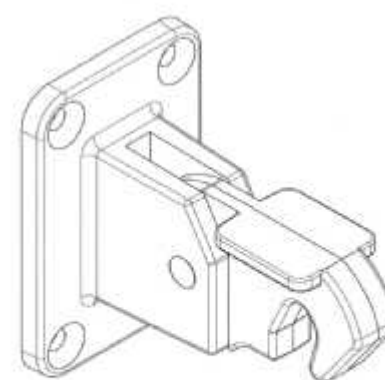
(56) Related Art Documents: **Not Applicable**

(57) Statement of Newness and Distinctiveness: **Newness and distinctiveness resides in the front cut out shape of the hem cuff. The cut out shape was strategically applied so that the front hem will mould over the boot when worn. No other workwear garment in the market offers this unique and practical design feature.**

(21) Design Number: **13499/2015**
(22) Date of Filing Application: **13 July 2015**
(24) Date from which industrial property rights may have effect: **13 July 2015**
(54) Product in respect of which the design is registered: **Motorcycle**
(51) International Design Classification: **12-11**
(74) Name(s) of Attorney(s): **PIZZEYS**
(71) Name(s) and Address(s) of Applicant(s):
Sims International Co., Ltd.
737-1 Amago Kora-cho Inukami-gun Shiga, 522-024 Japan
(72) Name(s) of Designer(s): **Shuei Morita**
(45) Registration Date: **10 August 2015**
(30) Convention priority data:
(31) Number (32) Date (33) Country
2015-001870 14 Jan 2015 JAPAN
(56) Related Art Documents: **Not Applicable**
(57) Statement of Newness and Distinctiveness: **Nil**



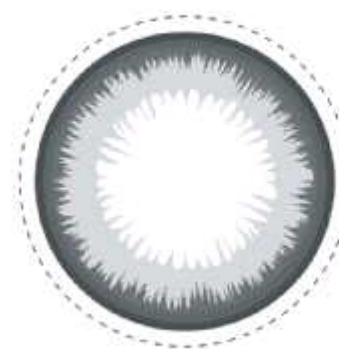
(21) Design Number: **13500/2015**
(22) Date of Filing Application: **14 July 2015**
(24) Date from which industrial property rights may have effect: **14 July 2015**
(54) Product in respect of which the design is registered: **A catch**
(51) International Design Classification: **08-07**
(74) Name(s) of Attorney(s): **James & Wells**
(71) Name(s) and Address(s) of Applicant(s):
Miles Nelson Manufacturing Co Limited
5 Lovell Court Albany North Shore City 0632 New Zealand
(72) Name(s) of Designer(s): **Paul Gary McKinney**
(45) Registration Date: **10 August 2015**
(56) Related Art Documents: **Not Applicable**
(57) Statement of Newness and Distinctiveness: **This design is to be applied to a CATCH and the novelty resides in features of shape and configuration of the article, all as shown in the accompanying representations. The shape and configuration of the hook shown as dashed lines are not part of the design in which novelty is claimed.**



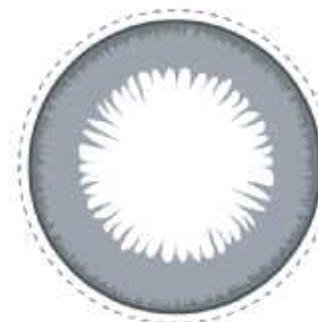
(21) Design Number: **13501/2015**
(22) Date of Filing Application: **14 July 2015**
(24) Date from which industrial property rights may have effect: **14 July 2015**
(54) Product in respect of which the design is registered: **Analyte Meter Design**
(51) International Design Classification: **24-02**
(74) Name(s) of Attorney(s): **Callinans**
(71) Name(s) and Address(s) of Applicant(s):
Cilag GmbH International
Gubelstrasse 34 Zug 6300 Switzerland
(72) Name(s) of Designer(s): **Jonathan Nelson and Brian Guthrie and Kevin Chong**
(45) Registration Date: **10 August 2015**
(30) Convention priority data:
(31) Number (32) Date (33) Country
29/519,290 04 Mar 2015 UNITED STATES OF AMERICA
(56) Related Art Documents: **Not Applicable**
(57) Statement of Newness and Distinctiveness: **Nil**



(21) Design Number: **13502/2015**
(22) Date of Filing Application: **14 July 2015**
(24) Date from which industrial property rights may have effect: **14 July 2015**
(54) Product in respect of which the design is registered: **Contact lens**
(51) International Design Classification: **16-06**
(74) Name(s) of Attorney(s): **Callinans**
(71) Name(s) and Address(s) of Applicant(s):
Johnson & Johnson Vision Care, Inc.
7500 Centurion Parkway Jacksonville, Florida, 32256 United States of America
(72) Name(s) of Designer(s): **Dawn D. Wright and Jeffrey H. Roffman and Angie Bowers**
(45) Registration Date: **10 August 2015**
(30) Convention priority data:
(31) Number (32) Date (33) Country
29/517275 11 Feb 2015 UNITED STATES OF AMERICA
(56) Related Art Documents: **Not Applicable**
(57) Statement of Newness and Distinctiveness: **Newness and distinctiveness reside in the features of pattern and/or ornamentation of the design shown in the representations. The features shown in broken lines in the representations are for illustrative purposes only and should not be considered when construing visual features of the design.**



- (21) Design Number: **13503/2015**
(22) Date of Filing Application: **14 July 2015**
(24) Date from which industrial property rights may have effect: **14 July 2015**
(54) Product in respect of which the design is registered: **Contact lens**
(51) International Design Classification: **16-06**
(74) Name(s) of Attorney(s): **Callinans**
(71) Name(s) and Address(s) of Applicant(s):
Johnson & Johnson Vision Care, Inc.
7500 Centurion Parkway Jacksonville, Florida, 32256 United States of America
(72) Name(s) of Designer(s): **Dawn D. Wright and Jeffrey H. Roffman and Angie Bowers**
(45) Registration Date: **10 August 2015**
(30) Convention priority data:
(31) Number (32) Date (33) Country
29/517283 11 Feb 2015 UNITED STATES OF AMERICA
(56) Related Art Documents: **Not Applicable**
(57) Statement of Newness and Distinctiveness: **Newness and distinctiveness reside in the features of pattern and/or ornamentation of the design shown in the representations. The features shown in broken lines in the representations are for illustrative purposes only and should not be considered when construing visual features of the design.**



- (21) Design Number: **12480/2015**
(22) Date of Filing Application: **13 May 2015**
(24) Date from which industrial property rights may have effect: **13 May 2015**
(54) Product in respect of which the design is registered: **Shirt**
(51) International Design Classification: **02-02NES**
(74) Name(s) of Attorney(s):
(71) Name(s) and Address(s) of Applicant(s):
David Rodney Arnott
5 Mission Street Katoomba New South Wales 2780 Australia
(72) Name(s) of Designer(s): **David Rodney Arnott**
(45) Registration Date: **10 August 2015**
(56) Related Art Documents: **Not Applicable**
(57) Statement of Newness and Distinctiveness: **YOUR SPORTS CLUB HI-VIZ SUPPORTER WORKWEAR is a design concept whereby sporting codes club playing apparel is made/manufactured in/with fluorescent colours combined with reflective tape to produce hi -visibility industry compliant safety Workwear for individual club supporters to wear in the workplace.**



(21) Design Number: **12499/2015**

(22) Date of Filing Application: **13 May 2015**

(24) Date from which industrial property rights may have effect: **13 May 2015**

(54) Product in respect of which the design is registered: **Learn to swim platform**

(51) International Design Classification: **25-01NES**

(74) Name(s) of Attorney(s): **IP Service International**

(71) Name(s) and Address(s) of Applicant(s):

George Nicolaides

3 Taroona Ave Berkeley Vale NSW 2261 Australia

(72) Name(s) of Designer(s): **George Nicolaides**

(45) Registration Date: **11 August 2015**

(56) Related Art Documents: **Not Applicable**

(57) Statement of Newness and Distinctiveness: - **Top 6mm lexan clear or tinted can be used - Stainless steel cup-head bolts and nuts - rubber placed under lexan where bolts are - 50 mm high pressure pipe class 9 or 12 can be used - All joints are glued and stainless steel screws are used - holes to be drilled into pipe work to allow water to drain and also allows filling when lowered into the water.**

