



**Australian Government**

---

**IP Australia**

**AUSTRALIAN OFFICIAL JOURNAL**

**OF**

**DESIGNS**

Did you know a searchable version of this journal is now available online?

It's FREE and EASY to SEARCH.

Find it on our website ([www.ipaustralia.gov.au](http://www.ipaustralia.gov.au))

by using the "Journals" link on the home page.

This Page Left Intentionally Blank

**Contents**

**General Information & Notices**

**Proceedings Under the Designs Act 1906 preserved as a result of the provisions of Chapter 12  
Part 2 of the Designs Act 2003**

<b>Names Registered - Alterations and Amendments .....</b>	<b>2358</b>
<b>Registrations Ceased .....</b>	<b>2358</b>
<b>Subsequent Owners Registered .....</b>	<b>2358</b>

**Proceedings Under the Designs Act 2003**

<b>Applications Lapsed .....</b>	<b>2368</b>
<b>Applications Lodged .....</b>	<b>2362</b>
<b>Applications Withdrawn .....</b>	<b>2368</b>
<b>Certificate of Examination .....</b>	<b>2372</b>
<b>Extension of Period of Registration of Design .....</b>	<b>2369</b>
<b>Extension of Time Granted Under Section 137 .....</b>	<b>2370</b>
<b>Names Registered - Alterations and Amendments .....</b>	<b>2370</b>
<b>Publication and Registration Proceedings</b>	
<b>Designs Registered 363260 to 363783.....</b>	<b>2373</b>
<b>Registrations Ceased .....</b>	<b>2369</b>
<b>Subsequent Owners Registered .....</b>	<b>2370</b>

This Page Left Intentionally Blank

For information on the following please see our website [www.ipaustralia.gov.au](http://www.ipaustralia.gov.au) or contact our Customer Service Network on 1300651010

[Editorial enquiries](#)

[Contact information](#)

[Freedom of Information ACT](#)

[Professional Standards Board](#)

[Sales](#)

[Requests for Information under Section 194 \(c\)](#)

[Country Codes](#)

[Trade Mark and Designs Hearing Sessions](#)

[INID \(Internationally agreed Numbers for the Identification of Data\)](#)

## “INID” NUMBERS in use on Australian Design Documents

“INID” is an acronym for “Internationally agreed Numbers for the Identification of Data”.

### (10) Data concerning the registration/renewal

- (11) Serial number of the registration and/or number of the design document
- (12) Plain language designation of the kind of published document
- (19) Identification, using the two-letter code according to WIPO Standard ST.3, of the authority publishing or registering the industrial design

### (20) Data concerning the application

- (21) Serial number of the application
- (22) Date of filing of the application
- (24) Date from which the industrial design right has effect

### (30) Data relating to priority under the Paris Convention

- (31) Serial number assigned to the priority application
- (32) Date of filing of the priority application
- (33) Two-letter code, according to WIPO Standard ST.3, identifying the authority with which the priority application was made

### (40) Date(s) of making information available to the public

- (45) Date of publication of the registered industrial design by printing or similar process, or making it available to the public by any other means

### (50) Miscellaneous Information

- (51) International Classification for Industrial Designs (class and subclass of the Locarno Classification)
- (54) Designation of article(s) or product(s) covered by the industrial design or title of the industrial design
- (55) Reproduction of the industrial design (e.g., drawing, photograph) and explanations relating to the reproduction
- (56) List of prior art documents, if separate from descriptive text
- (57) Description of characteristic features of the industrial design including indication of colours

### (60) References to other legally related application(s) and registration(s)

- (62) Serial number(s) and, if available, filing date(s) of application(s), registration(s) or document(s) related by division
- (66) Serial number(s) of the application, or the registration, of the design(s) which is (are) a variant(s) of the present one

### (70) Identification of parties concerned with the application or registration

- (71) Name(s) and address(es) of the applicant(s)
- (72) Name(s) of the creator(s) if known to be such
- (74) Name(s) and address(es) of the representative(s)

This Page Left Intentionally Blank

**Nil notices for this journal issue.**

**Proceedings under the Designs Act 1906 preserved as a result of the provisions of Chapter 12 Part 2 of the Designs Act 2003.**

This Page Left Intentionally Blank

**Applications Lapsed**

There were no Applications Lapsed under this section

**Registrations Ceased**

Note: Some of the following Registrations may have been previously advertised as ceased. In this instance, the previous advertisement still prevails.

138334	138335	139399
139808	139906	139908
139909	139910	139928
140048	140049	140154
140277	140391	140451
140452	140585	140760
140957	141167	141290
141291	141292	141293
141960	142033	142075
142205	143095	143201
143448	143843	144001
144081	144128	144129
155073	155261	156072
156076	156211	156296
156297	156467	156506
157170	157171	157268
157349	157765	158265
158361		

**Subsequent Owners Registered**

156677 ( **Kimberly-Clark Worldwide, Inc. a Wisconsin Corporation** ) Kimberly-Clark Worldwide, Inc.

**Names Registered - Alterations and Amendments**

(The name in parentheses is the new name of the proprietor)

152861 ( **Edgewell Personal Care Brands, LLC** ) Eveready Battery Company Inc.  
 152862 ( **Edgewell Personal Care Brands, LLC** ) Eveready Battery Company Inc.  
 152863 ( **Edgewell Personal Care Brands, LLC** ) Eveready Battery Company Inc.  
 152864 ( **Edgewell Personal Care Brands, LLC** ) Eveready Battery Company Inc.

**Subsequent Owners Registered**

(The name in parentheses is that of the subsequent owner)

143849 ( **Kimberly-Clark Worldwide, Inc a Delaware Corporation** ) Kimberly-Clark Worldwide Inc.  
 145687 ( **Kimberly-Clark Worldwide, Inc a Delaware Corporation** ) Kimberly-Clark Worldwide Inc.  
 145068 ( **Kimberly-Clark Worldwide, Inc a Delaware Corporation** ) Kimberly-Clark Worldwide Inc.  
 143472 ( **Kimberly-Clark Worldwide, Inc a Delaware Corporation** ) Kimberly-Clark Worldwide Inc.  
 143635 ( **Kimberly-Clark Worldwide, Inc a Delaware Corporation** ) Kimberly-Clark Worldwide Inc.  
 144309 ( **Kimberly-Clark Worldwide, Inc a Delaware Corporation** ) Kimberly-Clark Worldwide Inc.  
 145686 ( **Kimberly-Clark Worldwide, Inc. a Wisconsin Corporation** ) Kimberly-Clark Worldwide Inc.  
 143851 ( **Kimberly-Clark Worldwide, Inc. a Wisconsin Corporation** ) Kimberly-Clark Worldwide Inc.  
 146615 ( **Kimberly-Clark Worldwide, Inc. a Wisconsin Corporation** ) Kimberly-Clark Worldwide Inc.  
 150084 ( **Kimberly-Clark Worldwide, Inc. a Wisconsin Corporation** ) Kimberly-Clark Worldwide Inc.  
 150176 ( **Kimberly-Clark Worldwide, Inc. a Wisconsin Corporation** ) Kimberly-Clark Worldwide Inc.  
 149611 ( **Kimberly-Clark Worldwide, Inc. a Wisconsin Corporation** ) Kimberly-Clark Worldwide, Inc.  
 152422 ( **Kimberly-Clark Worldwide, Inc. a Wisconsin Corporation** ) Kimberly-Clark Worldwide, Inc.  
 156676 ( **Kimberly-Clark Worldwide, Inc. a Wisconsin Corporation** ) Kimberly-Clark Worldwide, Inc.

This Page Left Intentionally Blank

**Proceedings under the Designs Act 2003.**

This Page Left Intentionally Blank

**Applications Lodged**

Lodgement information is in the following order: **Applicant's Name**; International Classification, Name of Product, Lodgement Date and **Design Number**. If the applicant claims an earlier priority date under an International Convention, the Convention Country and the associated filing date are shown in parentheses before the Lodgement Date. Divisional information will also appear in parentheses before the Lodgement Date.

<b>Anki, Inc.;</b> 21-01C, Toy track and coupling element, (US, 09 Feb 2015) 06 Aug 2015	<b>14003/2015</b>	<b>Concept Fasteners Pty Ltd;</b> 08-08A, Fastening device, 18 Aug 2015	<b>14239/2015</b>
<b>Aquabay Marine Pty Limited;</b> 12-16NES, A trailer side guard, 20 Aug 2015	<b>14280/2015</b>	<b>COMPAGNIE GENERALE DES ETABLISSEMENTS MICHELIN; Michelin Recherche et Technique S.A.;</b> 12-15C, A tyre, (FR, 24 Feb 2015) 21 Aug 2015	<b>14307/2015</b>
<b>Auldist, Jack; The trustee for The Growndhogg Family Trust;</b> 15-03A, Seeding equipment, 21 Aug 2015	<b>14290/2015</b>	<b>COMPETENT STRATA ASSISTANCE PTY LTD.;</b> 32-03, Corporate branding, 16 Aug 2015	<b>14199/2015</b>
<b>ALUMINIUM INDUSTRIES OF AUSTRALIA PTY. LTD.;</b> 25-01K, Shower screen frame, 19 Aug 2015	<b>14257/2015</b>	<b>CURVER Luxembourg Sarl;</b> 09-04, Basket, (IL, 12 Feb 2015) 11 Aug 2015	<b>14123/2015</b>
<b>ALUMINIUM INDUSTRIES OF AUSTRALIA PTY. LTD.;</b> 25-01K, Shower screen frame, 19 Aug 2015	<b>14256/2015</b>	<b>CURVER Luxembourg Sarl;</b> 09-04, Basket, (IL, 12 Feb 2015) 11 Aug 2015	<b>14121/2015</b>
<b>ANIMALISTIC PET PRODUCTS PTY. LTD.;</b> 25-02B, Patio pet door insert, 11 Aug 2015	<b>14098/2015</b>	<b>CURVER Luxembourg Sarl;</b> 09-04, Basket, (IL, 12 Feb 2015) 11 Aug 2015	<b>14122/2015</b>
<b>ANIMALISTIC PET PRODUCTS PTY. LTD.;</b> 25-02B, Patio pet door insert, 11 Aug 2015	<b>14099/2015</b>	<b>CURVER Luxembourg Sarl;</b> 09-04, Basket, (IL, 12 Feb 2015) 11 Aug 2015	<b>14118/2015</b>
<b>AUSTRALIAN LOCK COMPANY PTY LTD.;</b> 08-07, Key blank, 11 Aug 2015	<b>14120/2015</b>	<b>CURVER Luxembourg Sarl;</b> 09-04, 03-01A, Basket, (IL, 12 Feb 2015) 11 Aug 2015	<b>14114/2015</b>
<b>AUSWITCH PTY LTD.;</b> 13-03D, Slim double power point, 20 Aug 2015	<b>14271/2015</b>	<b>Daimler AG;</b> 12-16A, Wheel for vehicle, (CH, 26 Feb 2015) 20 Aug 2015	<b>14277/2015</b>
<b>AUSWITCH PTY LTD.;</b> 13-03D, Standard double power point, 20 Aug 2015	<b>14272/2015</b>	<b>Dart Industries Inc.;</b> 07-01NES, Container with stacking tabs, (US, 17 Mar 2015) 21 Aug 2015	<b>14299/2015</b>
<b>Black &amp; Decker Inc.;</b> 15-05, Steam mop, (EM, 25 Feb 2015) 21 Aug 2015	<b>14306/2015</b>	<b>Dart Industries Inc.;</b> 07-01NES, Container seal with tabs, (US, 17 Mar 2015) 21 Aug 2015	<b>14301/2015</b>
<b>Blandford, Travis;</b> 11-02B, Plant holder, 23 Aug 2015	<b>14318/2015</b>	<b>Dart Industries Inc.;</b> 07-02R, Detachable container handle, (US, 17 Mar 2015) 21 Aug 2015	<b>14302/2015</b>
<b>Bloch, Guido;</b> 25-01NES, Tongue strip for tongue and groove connections, 14 Aug 2015	<b>14174/2015</b>	<b>Dart Industries Inc.;</b> 09-03M, Food container with handle, (US, 17 Mar 2015) 21 Aug 2015	<b>14175/2015</b>
<b>Broder, Jamie A.;</b> 29-02, Harness patch, (US, 19 Feb 2015) 18 Aug 2015	<b>14229/2015</b>	<b>Dart Industries Inc.;</b> 07-99NES, Knife block, (US, 05 Mar 2015) 14 Aug 2015	<b>14161/2015</b>
<b>BISSELL Homecare, Inc.;</b> 09-01NES, Bottle, (US, 12 Feb 2015) 11 Aug 2015	<b>14097/2015</b>	<b>Design Construct Industries Pty Ltd;</b> 25-01B, A pergola truss, 20 Aug 2015	<b>14269/2015</b>
<b>BRAND DEVELOPERS LIMITED;</b> 08-01, Power tool, 12 Aug 2015	<b>14139/2015</b>	<b>Didier, Ross;</b> 06-01G, chair, 21 Aug 2015	<b>14312/2015</b>
<b>Caterpillar Global Mining LLC;</b> 12-05, Anchor hoist drum, (US, 27 Feb 2015) 14 Aug 2015	<b>14171/2015</b>		
<b>Colgate-Palmolive Company;</b> 04-02, Electric toothbrush, (JP, 27 Feb 2015) 13 Aug 2015	<b>14150/2015</b>		

<b>Didier, Ross;</b> 06-01G, Sofa, 21 Aug 2015	<b>14309/2015</b>	<b>Greenface Packaging Ltd.;</b> 07-01C, Cup, (TW, 06 Apr 2015) 14 Aug 2015	<b>14179/2015</b>
<b>DENTAL IMAGING TECHNOLOGIES CORPORATION;</b> 24-02, Bitewing holder, (US, 16 Feb 2015) 14 Aug 2015	<b>14178/2015</b>	<b>Griffith Hack (Melbourne);</b> 14-99, Tracking device, (US, 13 Feb 2015) 13 Aug 2015	<b>14154/2015</b>
<b>E. Mishan &amp; Sons, Inc.;</b> 12-16NES, Car handle, (US, 19 Feb 2015) 11 Aug 2015	<b>14108/2015</b>	<b>Guangzhou T.K. Medical Instrument Co., Ltd.;</b> 24-02, Trocar needle, (CN, 19 Mar 2015) (Divisional of 12804/2015) 14 Aug 2015	<b>14181/2015</b>
<b>E. Mishan &amp; Sons, Inc.;</b> 12-16NES, Car hoop handle, (US, 06 May 2015) 11 Aug 2015	<b>14112/2015</b>	<b>Guangzhou T.K. Medical Instrument Co., Ltd.;</b> 24-02, Trocar sheath, (CN, 19 Mar 2015) (Divisional of 12806/2015) 14 Aug 2015	<b>14182/2015</b>
<b>E. Mishan &amp; Sons, Inc.;</b> 12-16NES, Car handle, (US, 19 Feb 2015) 11 Aug 2015	<b>14110/2015</b>	<b>Guangzhou T.K. Medical Instrument Co., Ltd.;</b> 24-02, Trocar, (CN, 02 Dec 2014) (Divisional of 12805/2015) 14 Aug 2015	<b>14187/2015</b>
<b>E. Mishan &amp; Sons, Inc.;</b> 12-16NES, Car hoop handle, (US, 06 May 2015) 11 Aug 2015	<b>14111/2015</b>	<b>Guangzhou T.K. Medical Instrument Co., Ltd.;</b> 24-02, Trocar sheath, (CN, 19 Mar 2015) (Divisional of 12806/2015) 14 Aug 2015	<b>14183/2015</b>
<b>Engineered to Design;</b> 07-99NES, A scoop, 19 Aug 2015	<b>14252/2015</b>	<b>Guangzhou T.K. Medical Instrument Co., Ltd.;</b> 24-02, Trocar, (CN, 02 Dec 2014) (Divisional of 12805/2015) 14 Aug 2015	<b>14189/2015</b>
<b>Ericksen, Sven Kristian Frederick;</b> 05-05NES, Sheet material, (NZ, 31 Jul 2015) 24 Aug 2015	<b>14319/2015</b>	<b>Guangzhou T.K. Medical Instrument Co., Ltd.;</b> 24-02, Trocar, (CN, 02 Dec 2014) (Divisional of 12805/2015) 14 Aug 2015	<b>14188/2015</b>
<b>Falecki, Dylan;</b> 06-05, furniture, table, bench, stool or coffee table, 12 Aug 2015	<b>14125/2015</b>	<b>Guangzhou T.K. Medical Instrument Co., Ltd.;</b> 24-02, Trocar, (CN, 02 Dec 2014) (Divisional of 12805/2015) 14 Aug 2015	<b>14184/2015</b>
<b>Fuji Xerox Co., Ltd.;</b> 14-02, Toner cartridge, 19 Aug 2015	<b>14258/2015</b>	<b>Guangzhou T.K. Medical Instrument Co., Ltd.;</b> 24-02, Trocar sheath, (CN, 19 Mar 2015) (Divisional of 12806/2015) 14 Aug 2015	<b>14185/2015</b>
<b>Gaykema, Mark;</b> 23-01F, 06-01G, 06-01H, Water tank; lounge; outdoor furniture;, 12 Aug 2015	<b>14137/2015</b>	<b>Guangzhou T.K. Medical Instrument Co., Ltd.;</b> 24-02, Trocar, (CN, 02 Dec 2014) (Divisional of 12805/2015) 14 Aug 2015	<b>14186/2015</b>
<b>Gaykema, Mark;</b> 23-01F, 06-01G, 06-01H, Water tank; daybed; outdoor furniture;, 12 Aug 2015	<b>14138/2015</b>	<b>GENERAL MILLS, INC.;</b> 09-05, Food package with integrated spout, (Divisional of 12236/2015) 10 Aug 2015	<b>14093/2015</b>
<b>Geberit International AG;</b> 23-02C, Control panel for toilets and/or urinals, (WO, 24 Jun 2015) 18 Aug 2015	<b>14234/2015</b>	<b>GENERAL MILLS, INC.;</b> 09-05, Food package with integrated spout, (Divisional of 12236/2015) 10 Aug 2015	<b>14094/2015</b>
<b>Giaroli, Marco Lorenzo;</b> 02-06, A glove, 21 Aug 2015	<b>14293/2015</b>	<b>Haigh Tooling Limited;</b> 23-01A, Seal, 11 Aug 2015	<b>14105/2015</b>
<b>Giaroli, Marco Lorenzo;</b> 02-06, A glove, 21 Aug 2015	<b>14292/2015</b>	<b>Hall, Belinda May;</b> 26-05D, Chandelier, 21 Aug 2015	<b>14295/2015</b>
<b>Giaroli, Marco Lorenzo;</b> 02-06, A glove, 21 Aug 2015	<b>14296/2015</b>	<b>Hansgrohe SE;</b> 23-01H, Sanitary faucet, (EM, 18 Feb 2015) 17 Aug 2015	<b>14213/2015</b>
<b>Giaroli, Marco Lorenzo;</b> 02-06, A glove, 21 Aug 2015	<b>14294/2015</b>		
<b>Goulder, Jon;Design By Them Pty Ltd;</b> 06-01G, Chair, seat, lounge, 13 Aug 2015	<b>14161/2015</b>		
<b>Graham Packaging Company, L.P.;</b> 09-01H, Bottle, (US, 10 Apr 2015) 12 Aug 2015	<b>14129/2015</b>		
<b>Graham Packaging Company, L.P.;</b> 09-01H, Bottle, (US, 10 Apr 2015) 12 Aug 2015	<b>14128/2015</b>		

<b>Helen of Troy Limited;</b> 28-03B, Hair styling appliance, (US, 22 Feb 2015) 14 Aug 2015	<b>14176/2015</b>	<b>HILBERT INVESTMENTS PTY. LTD.;</b> 12-05, Lifting anchors, 12 Aug 2015	<b>14126/2015</b>
<b>Helen of Troy Limited;</b> 07-04, Handheld spiralizing device, (US, 22 Feb 2015) 14 Aug 2015	<b>14177/2015</b>	<b>I&amp;P Co., Ltd.;Sumitomo Seika Chemicals Co., Ltd.;National Institute of Advanced Industrial Science and Technology;</b> 13-99, Molded coil, (JP, 21 Jan 2015) 20 Jul 2015	<b>13607/2015</b>
<b>Henkel AG &amp; Co. KGaA;</b> 09-01NES, Bottle, (EM, 17 Feb 2015) 17 Aug 2015	<b>14202/2015</b>	<b>Infinit Corp Pty Ltd;</b> 21-02F, A four trampoline volleyball style apparatus, 17 Aug 2015	<b>14218/2015</b>
<b>Henkel AG &amp; Co. KGaA;</b> 09-01NES, Bottle, (EM, 17 Feb 2015) 17 Aug 2015	<b>14201/2015</b>	<b>Infinit Corp Pty Ltd;</b> 21-02F, A four trampoline volleyball style apparatus, 17 Aug 2015	<b>14219/2015</b>
<b>Henkel AG &amp; Co. KGaA;</b> 09-07C, Bottle cap, (EM, 17 Feb 2015) 17 Aug 2015	<b>14200/2015</b>	<b>Infinit Corp Pty Ltd;</b> 21-02F, A four trampoline volleyball style apparatus, 17 Aug 2015	<b>14220/2015</b>
<b>Henkel AG &amp; Co. KGaA;</b> 09-01NES, Bottle, (EM, 17 Feb 2015) 17 Aug 2015	<b>14203/2015</b>	<b>Infinit Corp Pty Ltd;</b> 21-02F, A four trampoline volleyball style apparatus, 17 Aug 2015	<b>14217/2015</b>
<b>Hilbert Investments Pty Ltd;</b> 12-05, Lifting anchors, 12 Aug 2015	<b>14134/2015</b>	<b>Infinit Corp Pty Ltd;</b> 21-02F, A four trampoline volleyball style apparatus, 17 Aug 2015	<b>14216/2015</b>
<b>Hollister Incorporated;</b> 03-01NES, Package for ostomy flange extenders, (US, 06 Mar 2015) 20 Aug 2015	<b>14281/2015</b>	<b>Infinit Corp Pty Ltd;</b> 21-02F, , 17 Aug 2015	<b>14215/2015</b>
<b>Honda Motor Co., Ltd.;</b> 26-06, A rear combination lamp for an automobile, (JP, 20 Feb 2015) 19 Aug 2015	<b>14255/2015</b>	<b>ICS Investments S.a r.l.;</b> 07-05A, 08-08NES, Clip for clothes, (EM, 18 Feb 2015) 18 Aug 2015	<b>14238/2015</b>
<b>Honda Motor Co., Ltd.;</b> 26-06, A front combination lamp for an automobile, (JP, 20 Feb 2015) 19 Aug 2015	<b>14253/2015</b>	<b>ISM OBJECTS PTY LTD;</b> 26-05B, Light fitting, 11 Aug 2015	<b>14103/2015</b>
<b>Honda Motor Co., Ltd.;</b> 26-06, A front combination lamp for an automobile, (JP, 20 Feb 2015) 19 Aug 2015	<b>14254/2015</b>	<b>ISM OBJECTS PTY LTD;</b> 26-05B, Light fitting, 11 Aug 2015	<b>14104/2015</b>
<b>Honda Motor Co., Ltd.;</b> 12-16B, A grill for an automobile, (JP, 20 Feb 2015) 19 Aug 2015	<b>14251/2015</b>	<b>ISM OBJECTS PTY LTD;</b> 26-05B, Light fitting, 11 Aug 2015	<b>14101/2015</b>
<b>Honda Motor Co., Ltd.;</b> 12-16C, A rear bumper for an automobile, (JP, 20 Feb 2015) 19 Aug 2015	<b>14250/2015</b>	<b>ISM OBJECTS PTY LTD;</b> 26-05B, Light fitting, 11 Aug 2015	<b>14102/2015</b>
<b>Honda Motor Co., Ltd.;</b> 12-16C, A front bumper for an automobile, (JP, 20 Feb 2015) 19 Aug 2015	<b>14249/2015</b>	<b>ISM OBJECTS PTY LTD;</b> 26-05B, Light fitting, 11 Aug 2015	<b>14100/2015</b>
<b>Hunter Douglas Inc.;</b> 14-03NES, Remote control housing, (US, 13 Feb 2015) 13 Aug 2015	<b>14155/2015</b>	<b>Jinlin MA;</b> 12-15C, Tyre, 10 Aug 2015	<b>14084/2015</b>
<b>Huntleigh Technology Limited;</b> 15-02, Pump, (US, 19 Feb 2015) 19 Aug 2015	<b>14247/2015</b>	<b>Johnson &amp; Johnson Consumer Inc.;</b> 24-04, An absorbent article having an embossed design, (US, 11 Feb 2015) 10 Aug 2015	<b>14087/2015</b>
<b>HAULOTTE GROUP;</b> 12-16NES, Panel for vehicle with lifting boom, (FR, 12 Feb 2015) 12 Aug 2015	<b>14133/2015</b>	<b>Johnson &amp; Johnson Consumer Inc.;</b> 24-04, Release liner/paper having a printed design, (US, 11 Feb 2015) 10 Aug 2015	<b>14090/2015</b>
<b>HAULOTTE GROUP;</b> 12-05, Vehicle with lifting boom, (FR, 12 Feb 2015) 12 Aug 2015	<b>14131/2015</b>	<b>Johnson &amp; Johnson Consumer Inc.;</b> 24-04, Absorbent article having a surface printed design, (US, 11 Feb 2015) 10 Aug 2015	<b>14091/2015</b>
<b>HAULOTTE GROUP;</b> 12-16NES, Panel for vehicle with lifting boom, (FR, 12 Feb 2015) 12 Aug 2015	<b>14132/2015</b>	<b>Johnson &amp; Johnson Consumer Inc.;</b> 24-04, Absorbent article having a surface printed design, (US, 11 Feb 2015) 10 Aug 2015	<b>14089/2015</b>

<b>Kenwood Limited;</b> 31-00, Control knob for a blender, (EM, 19 Feb 2015) 18 Aug 2015	<b>14231/2015</b>	<b>KENWOOD LIMITED;</b> 31-00, Blender base, (EM, 19 Feb 2015) 18 Aug 2015	<b>14242/2015</b>
<b>Keter Plastic Ltd.;</b> 06-03B, Table, (IL, 10 Feb 2015) 10 Aug 2015	<b>14079/2015</b>	<b>KENWOOD LIMITED;</b> 31-00, Blender base, (EM, 19 Feb 2015) 18 Aug 2015	<b>14233/2015</b>
<b>Keter Plastic Ltd.;</b> 03-01A, Basket, (IL, 10 Feb 2015) 10 Aug 2015	<b>14077/2015</b>	<b>KENWOOD LIMITED;</b> 31-00, Blender blade support, (EM, 19 Feb 2015) 18 Aug 2015	<b>14227/2015</b>
<b>Keter Plastic Ltd.;</b> 11-02B, Flowerpot, (IL, 10 Feb 2015) 10 Aug 2015	<b>14076/2015</b>	<b>Laerdal Medical AS;</b> 24-01, MOYO fetal heart rate monitor, (NO, 18 Mar 2015) 11 Aug 2015	<b>14107/2015</b>
<b>Keter Plastic Ltd.;</b> 11-02B, Flowerpot, (IL, 10 Feb 2015) 10 Aug 2015	<b>14075/2015</b>	<b>Lammi Trading Company Limited;</b> 08-10, Bicycle rack, 18 Aug 2015	<b>14243/2015</b>
<b>Keter Plastic Ltd.;</b> 03-01A, Basket, (IL, 10 Feb 2015) 10 Aug 2015	<b>14080/2015</b>	<b>Landscape Forms, Inc.;</b> 26-05B, Light, (US, 26 Feb 2015) 11 Aug 2015	<b>14113/2015</b>
<b>Keter Plastic Ltd.;</b> 09-04, Basket, (IL, 10 Feb 2015) 10 Aug 2015	<b>14082/2015</b>	<b>Landscape Forms, Inc.;</b> 26-05NES, 26-03, Path light, (US, 26 Feb 2015) 11 Aug 2015	<b>14119/2015</b>
<b>Keter Plastic Ltd.;</b> 06-01E, Stool, (IL, 10 Feb 2015) 10 Aug 2015	<b>14078/2015</b>	<b>Landscape Forms, Inc.;</b> 26-05D, Light, (US, 26 Feb 2015) 11 Aug 2015	<b>14117/2015</b>
<b>Kim Meller Imports Pty Ltd;</b> 02-04NES, Shoe, (Divisional of 13103/2015) 10 Aug 2015	<b>14092/2015</b>	<b>Lazar, Christopher;</b> 21-02NES, Combined punching bag and heavy bag, 21 Aug 2015	<b>14304/2015</b>
<b>Kim Meller Imports Pty Ltd;</b> 02-04NES, Shoe, (Divisional of 13103/2015) 10 Aug 2015	<b>14088/2015</b>	<b>Li, Shuo;</b> 09-07C, Caps [for Bottles], 23 Aug 2015	<b>14317/2015</b>
<b>Kim Meller Imports Pty Ltd;</b> 02-04NES, Shoe, (Divisional of 13103/2015) 10 Aug 2015	<b>14086/2015</b>	<b>Liberation Developments Pty Ltd;</b> 08-06, A weight, 18 Aug 2015	<b>14232/2015</b>
<b>Kim Meller Imports Pty Ltd;</b> 02-04NES, Shoe, (Divisional of 13103/2015) 10 Aug 2015	<b>14085/2015</b>	<b>Liberation Developments Pty Ltd;</b> 10-04, A weight, 18 Aug 2015	<b>14244/2015</b>
<b>Kimberly-Clark Worldwide, Inc.;</b> 23-02A, Dispenser for quarter-folded wipers, (US, 25 Feb 2015) 10 Aug 2015	<b>14081/2015</b>	<b>LAMMI TRADING COMAPNY LIMITED;</b> 09-02B, Foldable jerry can holder for convient storage, 11 Aug 2015	<b>14145/2015</b>
<b>Koninklijke Philips N.V.;</b> 24-04, Pacifier, (EM, 11 Feb 2015) 12 Aug 2015	<b>14130/2015</b>	<b>LG Electronics Inc.;</b> 14-02, Tablet computer, (KR, 23 Feb 2015) 21 Aug 2015	<b>14288/2015</b>
<b>Koninklijke Philips N.V.;</b> 24-04, Pacifier, 12 Aug 2015	<b>14135/2015</b>	<b>LG Electronics Inc.;</b> 14-02, Tablet computer, (KR, 23 Feb 2015) 21 Aug 2015	<b>14289/2015</b>
<b>Krosakiharima Corporation;</b> 08-05NES, Coupling tool for a gate valve decice, (JP, 20 Feb 2015) 18 Aug 2015	<b>14226/2015</b>	<b>LG Electronics Inc.;</b> 14-01, Earphone, (KR, 25 Feb 2015) 21 Aug 2015	<b>14300/2015</b>
<b>Kumho Tire Co., Inc.;</b> 12-15A, Tire for a car, 11 Aug 2015	<b>14124/2015</b>	<b>Marble Basics Pty Ltd;</b> 26-01, Candle holder, 18 Aug 2015	<b>14235/2015</b>
<b>KENWOOD LIMITED;</b> 31-00, Control knob with collar, (EM, 18 Feb 2015) 18 Aug 2015	<b>14236/2015</b>	<b>Mayberry, Ben Michael;</b> 08-05L, Paint caddy, 13 Aug 2015	<b>14146/2015</b>
<b>KENWOOD LIMITED;</b> 31-00, Blender base, (EM, 19 Feb 2015) 18 Aug 2015	<b>14241/2015</b>	<b>Mazda Motor Corporation;</b> 12-16B, Garnishment for motor vehicle, (CN, 16 Feb 2015) 17 Aug 2015	<b>14204/2015</b>
		<b>Mazda Motor Corporation;</b> 12-16B, Garnishment for motor vehicle, (CN, 16 Feb 2015) 17 Aug 2015	<b>14205/2015</b>

<b>Medela Holding AG;</b> 24-02, Membrane for a breastshield of a breast pump, (WO, 20 Feb 2015) 20 Aug 2015	<b>14275/2015</b>	<b>Office Portfolio Pty Ltd;</b> 06-01NES, 06-06G, Chair control mechanism, 19 Aug 2015	<b>14265/2015</b>
<b>Medela Holding AG;</b> 24-02, Breastshield-connector for breast pump, (WO, 20 Feb 2015) 20 Aug 2015	<b>14276/2015</b>	<b>PepsiCo, Inc.;</b> 31-00, Dispenser, (US, 15 Feb 2015) 14 Aug 2015	<b>14165/2015</b>
<b>Medela Holding AG;</b> 24-02, Breastshield for a breastpump, (WO, 20 Feb 2015) 20 Aug 2015	<b>14270/2015</b>	<b>PepsiCo, Inc.;</b> 31-00, Dispenser, (US, 15 Feb 2015) 14 Aug 2015	<b>14169/2015</b>
<b>Medela Holding AG;</b> 24-02, Breastshield for a breastpump, (WO, 20 Feb 2015) 20 Aug 2015	<b>14273/2015</b>	<b>PepsiCo, Inc.;</b> 31-00, Dispenser, (US, 16 Feb 2015) 14 Aug 2015	<b>14170/2015</b>
<b>Medela Holding AG;</b> 24-02, Breastshield for a breastpump, (WO, 20 Feb 2015) 20 Aug 2015	<b>14274/2015</b>	<b>PepsiCo, Inc.;</b> 31-00, Dispenser, (US, 15 Feb 2015) 14 Aug 2015	<b>14167/2015</b>
<b>Meshlift Pty Ltd;</b> 12-05, Gridmesh lifting device, 18 Aug 2015	<b>14246/2015</b>	<b>PepsiCo, Inc.;</b> 31-00, Dispenser, (US, 15 Feb 2015) 14 Aug 2015	<b>14168/2015</b>
<b>Michelin Recherche et Technique S.A.;COMPAGNIE GENERALE DES ETABLISSEMENTS MICHELIN;</b> 12-15C, A tyre, (FR, 24 Feb 2015) 21 Aug 2015	<b>14307/2015</b>	<b>PepsiCo, Inc.;</b> 31-00, Dispenser, (US, 15 Feb 2015) 14 Aug 2015	<b>14166/2015</b>
<b>Miles, Troy;</b> 21-01NES, Toy, 17 Aug 2015	<b>14221/2015</b>	<b>Pfizer Inc.;</b> 09-01NES, Bottle, (US, 23 Feb 2015) 18 Aug 2015	<b>14223/2015</b>
<b>Molnar, Andrew;</b> 12-16NES, 20-03C, Vehicle specification stand, 11 Aug 2015	<b>14116/2015</b>	<b>Pfizer Inc.;</b> 09-01NES, Bottle, (US, 23 Feb 2015) 18 Aug 2015	<b>14224/2015</b>
<b>Monkey Business design Israel Ltd.;</b> 31-00, 07-04, Fruit cutter, (EM, 28 May 2015) 18 Aug 2015	<b>14245/2015</b>	<b>Pfizer Inc.;</b> 09-01NES, Bottle, (US, 23 Feb 2015) 18 Aug 2015	<b>14222/2015</b>
<b>Monkey Toe Systems Limited;</b> 25-01K, An extrusion of indefinite length, (NZ, 23 Mar 2015) 13 Aug 2015	<b>14140/2015</b>	<b>Pi-Design AG;</b> 07-01D, A travel mug, (WO, 19 Mar 2015) 17 Aug 2015	<b>14207/2015</b>
<b>Moore, Brian Leonard;</b> 25-99, An insert for a panel, (NZ, 18 Feb 2015) 18 Aug 2015	<b>14230/2015</b>	<b>Pi-Design AG;</b> 07-01D, A travel mug, (WO, 19 Mar 2015) 17 Aug 2015	<b>14209/2015</b>
<b>Multigate Medical Products Pty Limited;</b> 24-01, A receptacle, 21 Aug 2015	<b>14311/2015</b>	<b>Pi-Design AG;</b> 07-01D, A travel mug, (WO, 19 Mar 2015) 17 Aug 2015	<b>14208/2015</b>
<b>Multigate Medical Products Pty Ltd;</b> 24-04, A clip for a tourniquet, 20 Aug 2015	<b>14283/2015</b>	<b>Pi-Design AG;</b> 07-02L, A coffee maker, (WO, 12 Mar 2015) 13 Aug 2015	<b>14163/2015</b>
<b>MOLLI PTY LTD;</b> 03-01B, A hand held pouch bag, 13 Aug 2015	<b>14152/2015</b>	<b>Pidcock, David Anthony;</b> 06-01E, A stool, 11 Aug 2015	<b>14109/2015</b>
<b>MONKEY TOE SYSTEMS LIMITED;</b> 25-01K, An extrusion of indefinite length, (NZ, 23 Mar 2015) 13 Aug 2015	<b>14141/2015</b>	<b>Point-n-Putt Pty. Ltd.;</b> 21-02C, Golf club head, 20 Aug 2015	<b>14286/2015</b>
<b>Nantong ANT Machinery Co. Ltd.;</b> 12-02, Powered barrow, 20 Aug 2015	<b>14285/2015</b>	<b>Point-n-Putt Pty. Ltd.;</b> 21-02C, Golf club head, 20 Aug 2015	<b>14287/2015</b>
<b>Nantong ANT Machinery Co. Ltd.;</b> 12-02, Powered barrow, 20 Aug 2015	<b>14284/2015</b>	<b>Polycom, Inc.;</b> 14-01, 14-02, Speakerphone, (US, 20 Feb 2015) 20 Aug 2015	<b>14279/2015</b>
<b>National Institute of Advanced Industrial Science and Technology;Sumitomo Seika Chemicals Co., Ltd.;I&amp;P Co., Ltd.;</b> 13-99, Molded coil, (JP, 21 Jan 2015) 20 Jul 2015	<b>13607/2015</b>	<b>Pomper, John Robert;</b> 08-08NES, Hook for a boat, 19 Aug 2015	<b>14248/2015</b>
		<b>PUMP FACTORY PTY LTD;</b> 06-09, Mattress, 12 Aug 2015	<b>14127/2015</b>

<b>Railblaza Limited;</b> 25-02A, A pole, (NZ, 20 Feb 2015) 10 Aug 2015	<b>14083/2015</b>	<b>Societe des Produits Nestle S.A.;</b> 09-03M, A packaging with ornamentation, 11 Aug 2015	<b>14115/2015</b>
<b>Realworld Investments Pty Ltd;</b> 07-01NES, Super clear square food container and lid, 13 Aug 2015	<b>14157/2015</b>	<b>Sumitomo Seika Chemicals Co., Ltd.;</b> <b>National Institute of Advanced Industrial Science and Technology;I&amp;P Co., Ltd.;</b> 13-99, Molded coil, (JP, 21 Jan 2015) 20 Jul 2015	<b>13607/2015</b>
<b>Reflex Technology International Pty Ltd;</b> 23-01NES, Fluids capture apparatus, 14 Aug 2015	<b>14173/2015</b>	<b>Swatch AG (Swatch SA) (Swatch Ltd.);</b> 11-01C, 10-02, Bracelet, (WO, 23 Feb 2015) 19 Aug 2015	<b>14266/2015</b>
<b>Reflex Technology International Pty Ltd;</b> 23-01NES, Fluids capture apparatus, 14 Aug 2015	<b>14172/2015</b>	<b>Swatch AG (Swatch SA) (Swatch Ltd.);</b> 10-02, Watch, (WO, 23 Feb 2015) 19 Aug 2015	<b>14267/2015</b>
<b>RCM PLASTICS CC;</b> 15-99, Ore screening panel, 13 Aug 2015	<b>14147/2015</b>	<b>SIG Technology AG;</b> 09-01NES, Bottle, (DE, 15 Apr 2015) 13 Aug 2015	<b>14158/2015</b>
<b>RCM PLASTICS CC;</b> 15-99, Ore screening panel, 13 Aug 2015	<b>14148/2015</b>	<b>SIG Technology AG;</b> 09-01K, Bottle, (DE, 15 Apr 2015) 13 Aug 2015	<b>14153/2015</b>
<b>RCM PLASTICS CC;</b> 15-99, Ore screening panel, 13 Aug 2015	<b>14149/2015</b>	<b>SIG Technology AG;</b> 09-01NES, Bottle, (DE, 15 Apr 2015) 13 Aug 2015	<b>14156/2015</b>
<b>REDSBABY PTY. LTD.;</b> 12-12, Stroller, 19 Aug 2015	<b>14261/2015</b>	<b>SIG Technology AG;</b> 09-01NES, Bottle, (DE, 15 Apr 2015) 13 Aug 2015	<b>14159/2015</b>
<b>REDSBABY PTY. LTD.;</b> 12-12, Pram/ stroller, 19 Aug 2015	<b>14260/2015</b>	<b>SIG Technology AG;</b> 09-01H, Bottle, (DE, 15 Apr 2015) 13 Aug 2015	<b>14151/2015</b>
<b>REDSCHLAG HOLDING GmbH;</b> 28-03NES, Stimulation device, (EM, 01 Jun 2015) 19 Aug 2015	<b>14259/2015</b>	<b>STREET &amp; GARDEN FURNITURE COMPANY PTY. LTD.;</b> 06-03A, 06-01C, Street furniture - bench seats and tables, 18 Aug 2015	<b>14240/2015</b>
<b>ROCKIN ROOS PTY LTD;</b> 21-01A, Bobble head doll figurine, 13 Aug 2015	<b>14144/2015</b>	<b>Technology Assisting Disability WA Inc (TADWA);</b> 15-03B, A wheel assembly, 21 Aug 2015	<b>14310/2015</b>
<b>ROCKIN ROOS PTY LTD;</b> 21-01A, Bobble head doll figurine, 13 Aug 2015	<b>14142/2015</b>	<b>The trustee for The Growndhogg Family Trust;Auldist, Jack;</b> 15-03A, Seeding equipment, 21 Aug 2015	<b>14290/2015</b>
<b>ROCKIN ROOS PTY LTD;</b> 21-01A, Bobble head doll figurine, 13 Aug 2015	<b>14143/2015</b>	<b>The Decor Corporation Pty. Ltd.;</b> 07-02C, 07-02NES, Base of bacon cooker, 19 Aug 2015	<b>14263/2015</b>
<b>Seafolly Pty Ltd;</b> 02-02A, Swimwear, 19 Aug 2015	<b>14268/2015</b>	<b>The Decor Corporation Pty. Ltd.;</b> 07-02NES, Lid of bacon cooker, 19 Aug 2015	<b>14264/2015</b>
<b>Seventh Generation Ventures, Inc;</b> 09-01NES, Bottle, (US, 13 Feb 2015) 11 Aug 2015	<b>14095/2015</b>	<b>The Returned and Services League of Australia (New South Wales Branch);</b> 11-01NES, Ornament for jewellery, broach, pin or cuff link, 19 Aug 2015	<b>14262/2015</b>
<b>Seventh Generation Ventures, Inc;</b> 09-07C, Bottle top with filter, (US, 13 Feb 2015) 11 Aug 2015	<b>14096/2015</b>	<b>The Stanley Works Israel Ltd.;</b> 03-01D, Toolbox, (EM, 20 Feb 2015) 18 Aug 2015	<b>14228/2015</b>
<b>Siemens Aktiengesellschaft;</b> 12-99, Sand discharge pipe for vehicles, especially rail vehicles, (EM, 20 Feb 2015) 10 Aug 2015	<b>14074/2015</b>	<b>Times Flys Design;</b> 02-07C, cufflinks, 12 Aug 2015	<b>14136/2015</b>
<b>Simplehuman, LLC;</b> 23-02A, Shower caddy, (US, 23 Feb 2015) 21 Aug 2015	<b>14308/2015</b>		
<b>Simplehuman, LLC;</b> 23-02A, Shower caddy, (US, 23 Feb 2015) 21 Aug 2015	<b>14305/2015</b>		
<b>Smith's Consumer Products, Inc.;</b> 07-04, Food slicer, (US, 23 Feb 2015) 22 Aug 2015	<b>14315/2015</b>		

<b>Tiver, Benjamin David;</b> 02-02C, Trouser, 17 Aug 2015	<b>14211/2015</b>	<b>VARIDESK, LLC;</b> 06-03C, A desk, (US, 17 Jul 2015) 17 Aug 2015	<b>14206/2015</b>
<b>Travis, Bradley Douglas;</b> 09-03G, Plastic pot, with specific drainage design, also consisting of a centre canister for the habitat of composting worms., The plastic pot is a wormfarm., 07 Aug 2015	<b>14106/2015</b>	<b>Westdyk, Alan Michael;</b> 24-04, Sacral support, (ZA, 24 Feb 2015) 13 Aug 2015	<b>14162/2015</b>
<b>TNBT Holdings Pty Ltd;</b> 08-07, A key blank, 17 Aug 2015	<b>14214/2015</b>	<b>Westdyk, Alan Michael;</b> 24-04, Anatomical support, (ZA, 24 Feb 2015) 13 Aug 2015	<b>14160/2015</b>
<b>TRIO BROTHERS TRADING PTY LTD;</b> 27-02, Dry pipe vapourizer, 20 Aug 2015	<b>14278/2015</b>	<b>WES Alliance Pty Ltd;</b> 13-03D, Power outlet, 13 Aug 2015	<b>14164/2015</b>
<b>Uber Technologies, Inc.;</b> 26-06, Illuminatable device, (US, 13 Nov 2014) 11 May 2015	<b>14046/2015</b>	<b>X TEC Pty Ltd;</b> 03-99, Bag carrier, 14 Aug 2015	<b>14180/2015</b>
<b>Uber Technologies, Inc.;</b> 26-06, Illuminatable device, (US, 13 Nov 2014) 11 May 2015	<b>14052/2015</b>	<b>X TEC Pty Ltd;</b> 03-99, Bag carrier, 21 Aug 2015	<b>14291/2015</b>
<b>Uber Technologies, Inc.;</b> 26-06, Illuminatable device, (US, 13 Nov 2014) 11 May 2015	<b>14054/2015</b>	<b>Zhejiang Auarita Pneumatic Tools L.L.C.;</b> 08-05L, Digital spray gun, 20 Aug 2015	<b>14282/2015</b>
<b>Variant Technology Ptd Ltd;</b> 09-01K, Bottle, 22 Aug 2015	<b>14316/2015</b>	<b>Zhejiang Xkeshi Network Technology Co., Ltd.;</b> 18-01, Cash register, (CN, 06 Aug 2015) 17 Aug 2015	<b>14212/2015</b>
		<b>Zhejiang Zhengte Group Co., Ltd.;</b> 18-01, Cash register, (CN, 17 Feb 2015) 17 Aug 2015	<b>14210/2015</b>

**Applications Withdrawn**

14055 / 2015	14056 / 2015 (12-08)
14060 / 2015 (12-08)	14062 / 2015 (12-08)
14180 / 2015 (03-99)	

**Applications Lapsed**

16236 / 2014 (03-01B)	10774 / 2015 (02-02C)
12063 / 2015 (12-08)	12158 / 2015 (19-08)
12208 / 2015 (32-03)	12213 / 2015 (12-10)
12243 / 2015 (24-01)	12278 / 2015 (25-01K)
12279 / 2015 (08-06)	12298 / 2015 (07-05E)

**Extension of Period of Registration of Designs**

**Registrations Ceased**

331374	331449	331450	303563	303888	303889
331688	331689	331691	303890	304509	304510
331692	331860	332159	304511	304732	304768
332589	332666	332667	304831	304834	304836
332668	332685	332686	304838	304840	304842
332687	332714	332736	304843	304844	304845
332750	332799	332804	304846	304847	304848
332853	332854	332855	304849	304858	304859
332857	332913	332914	304860	304861	304862
332925	332926	332927	304863	304870	304903
332928	332929	332939	304904	304905	304939
332940	332949	333010	304940	304941	304944
333011	333012	333013	304946	304947	305025
333024	333048	333094	305027	305046	305047
333099	333100	333101	305157	305158	305242
333102	333103	333104	305244	305365	305391
333105	333114	333115	305392	305393	305394
333119	333120	333121	305395	305397	305509
333122	333128	333131	305510	305669	305670
333147	333175	333176	305671	305689	305717
333177	333178	333203	305718	305720	305721
333225	333226	333227	305773	305775	305776
333228	333231	333232	306027	306028	306094
333233	333243	333263	306095	306096	306097
333268	333274	333275	306110	306111	306136
333285	333287	333296	306137	306301	306307
333297	333298	333299	306714	312818	329659
333300	333307	333338	329660	329679	329680
333339	333365	333366	329681	329682	329691
333367	333373	333388	329707	329708	329709
333407	333531	333550	329710	329714	329715
333551	333552	333553	329716	329724	329725
333629	333631	333632	329726	329727	329734
333772	333773	333774	329735	329736	329738
333775	333776	333777	329739	329740	329741
333778	333779	333780	329742	329744	329750
333781	333802	333803	329742	329744	329750
333843	333856	333857	329759	329761	329762
333897	333898	333899	329764	329765	329766
333900	333960	333961	329770	329771	329774
333964	334041	334042	329775	329776	329777
334046	334047	334097	329787	329791	329792
334177	334285	334295	329793	329794	329797
334296	334297	334298	329798	329803	329804
334299	334300	334301	329805	329806	329813
334449	334538	334539	329814	329815	329816
335043	335148	335149	329824	329828	329831
335573	335574	336174	329842	329852	329853
337751	338004	338005	329864	329922	329923
338006	338007		329946	330034	330145
			330146	330234	330262
			330275	330276	330295
			330376	330377	330378

330462	330544	330629
332339	332341	332342
332345	332348	332349
332414	332415	332416
332417	332418	332419
333151	359149	359483

**Extensions of time granted under Section 137**

Applications lodged under section 137 for extension of time have been granted.

328808 **Bayer Aktiengesellschaft**

363512 **Step Fitness & Recreation, Inc.**

**Subsequent Owners Registered**

(The name in parentheses is that of the subsequent owner)

315978	( <b>Winners Pte Ltd</b> ) Kok Boon Tan
341728	( <b>Winners Pte Ltd</b> ) Kok Boon Tan
322450	( <b>V.I.P. PetFoods (Aus) Pty Ltd</b> ) Zanquinn Pty Ltd
324495	( <b>V.I.P. PetFoods (Aus) Pty Ltd</b> ) Zanquinn Pty Ltd
324496	( <b>V.I.P. PetFoods (Aus) Pty Ltd</b> ) Zanquinn Pty Ltd
324497	( <b>V.I.P. PetFoods (Aus) Pty Ltd</b> ) Zanquinn Pty Ltd
344294	( <b>Daniel Berkovic</b> ) Cleverbuild.Com Pty.Limited
344295	( <b>Daniel Berkovic</b> ) Cleverbuild.Com Pty.Limited
344296	( <b>Daniel Berkovic</b> ) Cleverbuild.Com Pty.Limited
305558	( <b>Kimberly-Clark Worldwide, Inc. a Wisconsin Corporation</b> ) Kimberly-Clark Worldwide, Inc.
309007	( <b>Kimberly-Clark Worldwide, Inc. a Wisconsin Corporation</b> ) Kimberly-Clark Worldwide, Inc.
317094	( <b>Kimberly-Clark Worldwide, Inc. a Wisconsin Corporation</b> ) Kimberly-Clark Worldwide, Inc.
323709	( <b>Kimberly-Clark Worldwide, Inc. a Wisconsin Corporation</b> ) Kimberly-Clark Worldwide, Inc.
323708	( <b>Kimberly-Clark Worldwide, Inc. a Wisconsin Corporation</b> ) Kimberly-Clark Worldwide, Inc.
323707	( <b>Kimberly-Clark Worldwide, Inc. a Wisconsin Corporation</b> ) Kimberly-Clark Worldwide, Inc.
323711	( <b>Kimberly-Clark Worldwide, Inc. a Wisconsin Corporation</b> ) Kimberly-Clark Worldwide, Inc.
323710	( <b>Kimberly-Clark Worldwide, Inc. a Wisconsin Corporation</b> ) Kimberly-Clark Worldwide, Inc.
324587	( <b>Kimberly-Clark Worldwide, Inc. a Wisconsin Corporation</b> ) Kimberly-Clark Worldwide, Inc.
324586	( <b>Kimberly-Clark Worldwide, Inc. a Wisconsin Corporation</b> ) Kimberly-Clark Worldwide, Inc.
324585	( <b>Kimberly-Clark Worldwide, Inc. a Wisconsin Corporation</b> ) Kimberly-Clark Worldwide, Inc.
324584	( <b>Kimberly-Clark Worldwide, Inc. a Wisconsin Corporation</b> ) Kimberly-Clark Worldwide, Inc.

**Names Registered - Alterations and Amendments**

(The name in parentheses is that of the subsequent applicant)

303817	( <b>Edgewell Personal Care Brands, LLC</b> ) Eveready Battery Company, Inc.
303818	( <b>Edgewell Personal Care Brands, LLC</b> ) Eveready Battery Company, Inc.

303819	( <b>Edgewell Personal Care Brands, LLC</b> ) Eveready Battery Company, Inc.
303820	( <b>Edgewell Personal Care Brands, LLC</b> ) Eveready Battery Company, Inc.
303821	( <b>Edgewell Personal Care Brands, LLC</b> ) Eveready Battery Company, Inc.
304929	( <b>Edgewell Personal Care Brands, LLC</b> ) Eveready Battery Company, Inc.
304930	( <b>Edgewell Personal Care Brands, LLC</b> ) Eveready Battery Company, Inc.
304931	( <b>Edgewell Personal Care Brands, LLC</b> ) Eveready Battery Company, Inc.
304932	( <b>Edgewell Personal Care Brands, LLC</b> ) Eveready Battery Company, Inc.
306064	( <b>Edgewell Personal Care Brands, LLC</b> ) Eveready Battery Company, Inc.
306114	( <b>Edgewell Personal Care Brands, LLC</b> ) Eveready Battery Company, Inc.
309361	( <b>Edgewell Personal Care Brands, LLC</b> ) Eveready Battery Company, Inc.
309362	( <b>Edgewell Personal Care Brands, LLC</b> ) Eveready Battery Company, Inc.
312865	( <b>Edgewell Personal Care Brands, LLC</b> ) Eveready Battery Company, Inc.
312875	( <b>Edgewell Personal Care Brands, LLC</b> ) Eveready Battery Company, Inc.
317323	( <b>Edgewell Personal Care Brands, LLC</b> ) Eveready Battery Company, Inc.
317324	( <b>Edgewell Personal Care Brands, LLC</b> ) Eveready Battery Company, Inc.
317325	( <b>Edgewell Personal Care Brands, LLC</b> ) Eveready Battery Company, Inc.
317326	( <b>Edgewell Personal Care Brands, LLC</b> ) Eveready Battery Company, Inc.
317327	( <b>Edgewell Personal Care Brands, LLC</b> ) Eveready Battery Company, Inc.
315758	( <b>Edgewell Personal Care Brands, LLC</b> ) Eveready Battery Company, Inc.
318476	( <b>Edgewell Personal Care Brands, LLC</b> ) Eveready Battery Company, Inc.
318477	( <b>Edgewell Personal Care Brands, LLC</b> ) Eveready Battery Company, Inc.
318478	( <b>Edgewell Personal Care Brands, LLC</b> ) Eveready Battery Company, Inc.
318479	( <b>Edgewell Personal Care Brands, LLC</b> ) Eveready Battery Company, Inc.
318480	( <b>Edgewell Personal Care Brands, LLC</b> ) Eveready Battery Company, Inc.
318481	( <b>Edgewell Personal Care Brands, LLC</b> ) Eveready Battery Company, Inc.
318482	( <b>Edgewell Personal Care Brands, LLC</b> ) Eveready Battery Company, Inc.
318483	( <b>Edgewell Personal Care Brands, LLC</b> ) Eveready Battery Company, Inc.
318484	( <b>Edgewell Personal Care Brands, LLC</b> ) Eveready Battery Company, Inc.
318485	( <b>Edgewell Personal Care Brands, LLC</b> ) Eveready Battery Company, Inc.
324349	( <b>Edgewell Personal Care Brands, LLC</b> ) Eveready Battery Company, Inc.
324350	( <b>Edgewell Personal Care Brands, LLC</b> ) Eveready Battery Company, Inc.
325429	( <b>Edgewell Personal Care Brands, LLC</b> ) Eveready Battery Company, Inc.
325430	( <b>Edgewell Personal Care Brands, LLC</b> ) Eveready Battery Company, Inc.

325431	( <b>Edgewell Personal Care Brands, LLC</b> ) Eveready Battery Company, Inc.	347544	( <b>Edgewell Personal Care Brands, LLC</b> ) Eveready Battery Company, Inc.
325634	( <b>Edgewell Personal Care Brands, LLC</b> ) Eveready Battery Company, Inc.	347760	( <b>Edgewell Personal Care Brands, LLC</b> ) Eveready Battery Company, Inc.
325635	( <b>Edgewell Personal Care Brands, LLC</b> ) Eveready Battery Company, Inc.	354252	( <b>Edgewell Personal Care Brands, LLC</b> ) Eveready Battery Company, Inc.
325649	( <b>Edgewell Personal Care Brands, LLC</b> ) Eveready Battery Company, Inc.	362568	( <b>Edgewell Personal Care Brands, LLC</b> ) Eveready Battery Company, Inc.
325755	( <b>Edgewell Personal Care Brands, LLC</b> ) Eveready Battery Company, Inc.	353358	( <b>Horizon Global Pty Ltd</b> ) TriMas Corporation Pty Ltd
325756	( <b>Edgewell Personal Care Brands, LLC</b> ) Eveready Battery Company, Inc.	353357	( <b>Horizon Global Pty Ltd</b> ) TriMas Corporation Pty Ltd
325837	( <b>Edgewell Personal Care Brands, LLC</b> ) Eveready Battery Company, Inc.	355833	( <b>Horizon Global Pty Ltd</b> ) TriMas Corporation Pty Ltd
325838	( <b>Edgewell Personal Care Brands, LLC</b> ) Eveready Battery Company, Inc.	361214	( <b>Horizon Global Pty Ltd</b> ) Horizon Global Pty Ltd
325921	( <b>Edgewell Personal Care Brands, LLC</b> ) Eveready Battery Company, Inc.	361215	( <b>Horizon Global Pty Ltd</b> ) TriMas Corporation Pty Ltd
328243	( <b>Edgewell Personal Care Brands, LLC</b> ) Eveready Battery Company, Inc.	361216	( <b>Horizon Global Pty Ltd</b> ) TriMas Corporation Pty Ltd
328244	( <b>Edgewell Personal Care Brands, LLC</b> ) Eveready Battery Company, Inc.	362960	( <b>Ross Noice Bowen;Christine Elizabeth Bowen</b> ) R N Bowen;C E Bowen
329994	( <b>Edgewell Personal Care Brands, LLC</b> ) Eveready Battery Company, Inc.		
329995	( <b>Edgewell Personal Care Brands, LLC</b> ) Eveready Battery Company, Inc.		
330641	( <b>Edgewell Personal Care Brands, LLC</b> ) Eveready Battery Company, Inc.		
331395	( <b>Edgewell Personal Care Brands, LLC</b> ) Eveready Battery Company, Inc.		
331396	( <b>Edgewell Personal Care Brands, LLC</b> ) Eveready Battery Company, Inc.		
331397	( <b>Edgewell Personal Care Brands, LLC</b> ) Eveready Battery Company, Inc.		
331398	( <b>Edgewell Personal Care Brands, LLC</b> ) Eveready Battery Company, Inc.		
331399	( <b>Edgewell Personal Care Brands, LLC</b> ) Eveready Battery Company, Inc.		
331400	( <b>Edgewell Personal Care Brands, LLC</b> ) Eveready Battery Company, Inc.		
332143	( <b>Edgewell Personal Care Brands, LLC</b> ) Eveready Battery Company, Inc.		
332144	( <b>Edgewell Personal Care Brands, LLC</b> ) Eveready Battery Company, Inc.		
338380	( <b>Edgewell Personal Care Brands, LLC</b> ) Eveready Battery Company, Inc.		
338381	( <b>Edgewell Personal Care Brands, LLC</b> ) Eveready Battery Company, Inc.		
339221	( <b>Edgewell Personal Care Brands, LLC</b> ) Eveready Battery Company, Inc.		
339222	( <b>Edgewell Personal Care Brands, LLC</b> ) Eveready Battery Company, Inc.		
342230	( <b>Edgewell Personal Care Brands, LLC</b> ) Eveready Battery Company, Inc.		
342241	( <b>Edgewell Personal Care Brands, LLC</b> ) Eveready Battery Company, Inc.		
346157	( <b>Edgewell Personal Care Brands, LLC</b> ) Eveready Battery Company, Inc.		
346169	( <b>Edgewell Personal Care Brands, LLC</b> ) Eveready Battery Company, Inc.		
346170	( <b>Edgewell Personal Care Brands, LLC</b> ) Eveready Battery Company, Inc.		
346172	( <b>Edgewell Personal Care Brands, LLC</b> ) Eveready Battery Company, Inc.		
346173	( <b>Edgewell Personal Care Brands, LLC</b> ) Eveready Battery Company, Inc.		

**Certificate(s) of Examination**

Examination of the following Design Registration(s) has been completed. Infringement proceedings may now be commenced.

328015	23-04	21/08/2015	362501	09-01A	17/08/2015
335437	13-03D	13/08/2015	362656	08-03	24/08/2015
337867	08-05K	17/08/2015	362688	02-07D	14/08/2015
344440	23-04	21/08/2015	362700	09-03NES	13/08/2015
344442	23-04	21/08/2015	362705	28-99	13/08/2015
344694	28-99	13/08/2015	362721	08-03	24/08/2015
346100	08-07	18/08/2015	362722	08-03	24/08/2015
349255	07-01C	18/08/2015	362739	24-01	18/08/2015
349256	07-01C	18/08/2015	362753	02-07D	14/08/2015
351105	21-01H	24/08/2015	362825	22-05	17/08/2015
351231	12-08	17/08/2015	362831	06-09	18/08/2015
351549	08-07	18/08/2015	362877	04-02	19/08/2015
351818	08-05K	17/08/2015	362879	04-02	19/08/2015
356254	08-09	11/08/2015	362880	04-02	19/08/2015
358388	14-01	14/08/2015	362884	04-02	19/08/2015
358516	25-01E	14/08/2015	362887	04-02	19/08/2015
359768	13-03NES	24/08/2015	362941	04-02	19/08/2015
359769	13-03NES	24/08/2015	362966	07-07NES	21/08/2015
360450	25-02C	12/08/2015	362976	06-09	18/08/2015
360451	25-02C	12/08/2015	363042	28-03B	24/08/2015
360452	25-02C	12/08/2015	363044	28-03B	24/08/2015
360526	18-01	11/08/2015	363045	28-03B	24/08/2015
361010	13-99	18/08/2015	363052	06-03C	19/08/2015
361132	26-05A	14/08/2015	363071	09-01NES	17/08/2015
361133	26-05A	14/08/2015	363107	09-01NES	17/08/2015
361263	23-01H	11/08/2015	363108	09-01NES	17/08/2015
361266	20-02E	13/08/2015	363151	11-01E	20/08/2015
361469	01-01	17/08/2015	363152	11-01E	20/08/2015
361475	12-10	13/08/2015	363155	11-01E	20/08/2015
361476	12-10	18/08/2015	363156	03-01B	21/08/2015
361483	14-01	11/08/2015	363160	03-01B	21/08/2015
361661	28-03A	15/08/2015	363161	03-01B	21/08/2015
361680	28-03A	15/08/2015	363162	03-01B	21/08/2015
361732	04-02	13/08/2015	363163	03-01B	24/08/2015
361767	20-02E	13/08/2015	363164	03-01B	24/08/2015
361776	26-06	12/08/2015	363165	03-01B	24/08/2015
361787	26-06	11/08/2015	363166	03-01B	24/08/2015
361788	26-06	11/08/2015	363323	13-99	24/08/2015
361791	26-06	12/08/2015	363349	26-06	19/08/2015
361822	26-06	11/08/2015	363350	26-06	19/08/2015
361823	26-06	12/08/2015	363355	05-05A	20/08/2015
361831	26-06	12/08/2015	363356	05-05NES	20/08/2015
361858	09-05	18/08/2015	363392	07-07NES	21/08/2015
361859	09-05	19/08/2015			
361861	09-05	19/08/2015			
362056	20-02NES	13/08/2015			
362057	20-02NES	13/08/2015			
362058	20-02NES	13/08/2015			
362059	20-02NES	13/08/2015			
362060	20-02NES	13/08/2015			
362062	09-01NES	15/08/2015			
362063	09-01NES	15/08/2015			
362122	13-02	13/08/2015			
362123	13-02	13/08/2015			
362279	21-02F	18/08/2015			
362339	02-02C	13/08/2015			
362437	29-02	13/08/2015			
362443	29-02	13/08/2015			
362445	09-01NES	11/08/2015			

**Publication and Registration Proceedings**

**Designs Registered**

This section provides a concordance between design number and registration number of Designs covered in this journal. It also shows the main class and registration date.

This section covers Registration numbers 363260 to 363783 .

The registration number shown below should be used in all future correspondence.

<b>Design Number</b>	<b>Registration Number</b>	<b>International Classification Code (IDC)</b>	<b>Registration Date</b>	<b>Design Number</b>	<b>Registration Number</b>	<b>International Classification Code (IDC)</b>	<b>Registration Date</b>
10406/2015	363475	02-02C	17/08/2015	12945/2015	363760	19-08	24/08/2015
10593/2015	363435	07-06NES	14/08/2015	12946/2015	363765	19-08	24/08/2015
11513/2015	363410	12-16NES	13/08/2015	12947/2015	363761	19-08	24/08/2015
12074/2015	363774	23-02A	24/08/2015	12948/2015	363762	19-08	24/08/2015
12109/2015	363481	22-05	17/08/2015	12962/2015	363307	24-01	11/08/2015
12110/2015	363482	22-05	17/08/2015	12973/2015	363373	24-99	12/08/2015
12206/2015	363636	13-03D	20/08/2015	12999/2015	363500	13-03D	18/08/2015
12236/2015	363388	09-05	13/08/2015	13002/2015	363272	08-05NES	11/08/2015
12238/2015	363567	13-02	19/08/2015	13082/2015	363609	19-08	19/08/2015
12286/2015	363389	13-02	13/08/2015	13083/2015	363617	19-08	19/08/2015
12317/2015	363395	07-02E	13/08/2015	13150/2015	363273	19-06	11/08/2015
12351/2015	363521	21-02F	18/08/2015	13249/2015	363593	23-01F	19/08/2015
12361/2015	363401	14-02	13/08/2015	13250/2015	363308	28-03NES	11/08/2015
12363/2015	363645	26-05D	20/08/2015	13254/2015	363618	21-01L	19/08/2015
12383/2015	363332	09-03L	12/08/2015	13265/2015	363402	08-08L	13/08/2015
12441/2015	363562	12-06C	18/08/2015	13314/2015	363559	11-02B	18/08/2015
12464/2015	363362	26-04	12/08/2015	13317/2015	363764	08-08C	24/08/2015
12465/2015	363363	23-01NES	12/08/2015	13359/2015	363260	23-01A	11/08/2015
12466/2015	363525	30-02	18/08/2015	13379/2015	363404	25-99	13/08/2015
12489/2015	363568	12-08	19/08/2015	13380/2015	363405	25-99	13/08/2015
12525/2015	363372	02-04NES	12/08/2015	13381/2015	363406	25-99	13/08/2015
12540/2015	363403	20-99	13/08/2015	13383/2015	363270	06-06NES	11/08/2015
12562/2015	363574	26-06	19/08/2015	13384/2015	363269	06-06NES	11/08/2015
12563/2015	363390	15-03B	13/08/2015	13399/2015	363288	06-01E	11/08/2015
12576/2015	363576	26-06	19/08/2015	13426/2015	363264	21-02E	11/08/2015
12620/2015	363411	24-01	13/08/2015	13430/2015	363275	01-06	11/08/2015
12621/2015	363396	24-01	13/08/2015	13431/2015	363436	21-02C	17/08/2015
12655/2015	363545	03-01NES	18/08/2015	13435/2015	363276	22-06	11/08/2015
12656/2015	363546	03-01NES	18/08/2015	13436/2015	363277	08-06	11/08/2015
12685/2015	363592	03-01NES	19/08/2015	13437/2015	363278	08-06	11/08/2015
12687/2015	363781	20-03C	24/08/2015	13447/2015	363261	07-01F	11/08/2015
12722/2015	363428	28-03NES	13/08/2015	13449/2015	363262	12-16C	11/08/2015
12723/2015	363429	28-03NES	13/08/2015	13454/2015	363302	25-01K	11/08/2015
12742/2015	363561	19-07	18/08/2015	13455/2015	363309	25-01K	11/08/2015
12800/2015	363476	09-01K	17/08/2015	13457/2015	363296	25-01K	11/08/2015
12822/2015	363745	24-99	24/08/2015	13458/2015	363303	25-01K	11/08/2015
12834/2015	363746	24-01	24/08/2015	13459/2015	363304	25-01K	11/08/2015
12845/2015	363607	02-02A	19/08/2015	13460/2015	363305	25-01K	11/08/2015
12848/2015	363646	02-02A	20/08/2015	13462/2015	363306	19-06	11/08/2015
12849/2015	363777	02-02A	24/08/2015	13486/2015	363319	08-08M	12/08/2015
12850/2015	363776	02-02A	24/08/2015	13504/2015	363263	16-06	11/08/2015
12863/2015	363608	13-03D	19/08/2015	13505/2015	363284	16-06	11/08/2015
12869/2015	363379	09-03H	12/08/2015	13506/2015	363285	16-06	11/08/2015
12881/2015	363563	14-01	18/08/2015	13507/2015	363422	12-08	13/08/2015
12912/2015	363775	02-02NES	24/08/2015	13508/2015	363423	12-08	13/08/2015
12913/2015	363773	02-02NES	24/08/2015	13509/2015	363424	09-03M	13/08/2015
12920/2015	363271	02-02A	11/08/2015	13510/2015	363512	21-02NES	18/08/2015
12929/2015	363498	06-06E	17/08/2015	13511/2015	363425	09-03M	13/08/2015
12943/2015	363758	19-08	24/08/2015	13512/2015	363426	15-03B	13/08/2015
12944/2015	363759	19-08	24/08/2015	13513/2015	363417	06-04D	13/08/2015

Publication and Registration Proceedings - Designs Registered cont'd

Design Number	Registration Number	International Classification Code (IDC)	Registration Date	Design Number	Registration Number	International Classification Code (IDC)	Registration Date
13519/2015	363418	23-01H	13/08/2015	13594/2015	363324	11-02B	12/08/2015
13520/2015	363419	23-01H	13/08/2015	13595/2015	363397	11-02B	13/08/2015
13521/2015	363420	23-01H	13/08/2015	13596/2015	363328	11-02B	12/08/2015
13522/2015	363421	23-01H	13/08/2015	13597/2015	363325	11-02B	12/08/2015
13523/2015	363427	23-01H	13/08/2015	13598/2015	363329	11-02B	12/08/2015
13524/2015	363412	26-05E	13/08/2015	13599/2015	363330	11-02B	12/08/2015
13525/2015	363413	26-05E	13/08/2015	13600/2015	363341	14-02	12/08/2015
13526/2015	363414	23-01F	13/08/2015	13601/2015	363331	19-06	12/08/2015
13527/2015	363783	02-02C	24/08/2015	13602/2015	363493	14-02	17/08/2015
13528/2015	363415	21-01B	13/08/2015	13603/2015	363494	14-02	17/08/2015
13530/2015	363280	21-01B	11/08/2015	13604/2015	363326	05-05C	12/08/2015
13531/2015	363279	12-16NES	11/08/2015	13605/2015	363322	05-05C	12/08/2015
13532/2015	363281	31-00	11/08/2015	13606/2015	363327	05-05C	12/08/2015
13533/2015	363282	26-05D	11/08/2015	13608/2015	363342	09-01K	12/08/2015
13534/2015	363283	06-03A	11/08/2015	13610/2015	363343	23-02C	12/08/2015
13535/2015	363265	24-01	11/08/2015	13612/2015	363344	05-05NES	12/08/2015
13536/2015	363266	01-06	11/08/2015	13613/2015	363345	05-05D	12/08/2015
13538/2015	363267	23-02A	11/08/2015	13614/2015	363346	05-05A	12/08/2015
13539/2015	363268	23-02A	11/08/2015	13615/2015	363347	21-02D	12/08/2015
13541/2015	363297	29-02	11/08/2015	13616/2015	363348	03-01A	12/08/2015
13542/2015	363274	23-02C	11/08/2015	13617/2015	363349	26-06	12/08/2015
13544/2015	363291	29-02	11/08/2015	13618/2015	363350	26-06	12/08/2015
13545/2015	363292	29-02	11/08/2015	13619/2015	363351	06-01E	12/08/2015
13546/2015	363289	24-02	11/08/2015	13620/2015	363352	06-01E	12/08/2015
13547/2015	363290	13-03D	11/08/2015	13621/2015	363353	22-05	12/08/2015
13548/2015	363293	12-16B	11/08/2015	13623/2015	363547	02-02NES	18/08/2015
13550/2015	363294	26-03	11/08/2015	13624/2015	363548	02-02NES	18/08/2015
13551/2015	363295	25-02C	11/08/2015	13625/2015	363549	02-02NES	18/08/2015
13552/2015	363286	25-02C	11/08/2015	13626/2015	363550	02-02NES	18/08/2015
13555/2015	363736	07-01NES	24/08/2015	13627/2015	363551	02-02NES	18/08/2015
13556/2015	363287	03-01A	11/08/2015	13628/2015	363552	02-02NES	18/08/2015
13557/2015	363416	01-01	13/08/2015	13629/2015	363553	02-02NES	18/08/2015
13558/2015	363333	06-09	12/08/2015	13630/2015	363554	02-02NES	18/08/2015
13559/2015	363334	06-09	12/08/2015	13631/2015	363555	02-02NES	18/08/2015
13560/2015	363335	06-09	12/08/2015	13632/2015	363354	12-08	12/08/2015
13564/2015	363298	08-01	11/08/2015	13633/2015	363355	05-05A	12/08/2015
13565/2015	363323	13-99	12/08/2015	13634/2015	363356	05-05NES	12/08/2015
13566/2015	363320	06-03B	12/08/2015	13638/2015	363357	11-02B	12/08/2015
13567/2015	363321	21-02C	12/08/2015	13640/2015	363358	09-05	12/08/2015
13568/2015	363299	10-04	11/08/2015	13645/2015	363359	24-04	12/08/2015
13569/2015	363300	10-04	11/08/2015	13646/2015	363360	06-01E	12/08/2015
13570/2015	363301	10-04	11/08/2015	13647/2015	363361	25-03	12/08/2015
13571/2015	363310	06-01D	11/08/2015	13650/2015	363382	11-01NES	13/08/2015
13572/2015	363311	06-01D	11/08/2015	13651/2015	363380	26-05E	12/08/2015
13573/2015	363312	11-02B	11/08/2015	13652/2015	363381	23-03H	12/08/2015
13574/2015	363313	11-02B	12/08/2015	13653/2015	363374	12-16A	12/08/2015
13575/2015	363314	11-02B	12/08/2015	13654/2015	363375	24-01	12/08/2015
13576/2015	363315	11-02B	12/08/2015	13656/2015	363376	22-03	12/08/2015
13577/2015	363316	11-02B	12/08/2015	13659/2015	363377	26-05E	12/08/2015
13578/2015	363317	11-02B	12/08/2015	13660/2015	363336	26-06	12/08/2015
13579/2015	363318	11-02B	12/08/2015	13661/2015	363337	26-06	12/08/2015
13590/2015	363492	14-02	17/08/2015	13663/2015	363495	09-04	17/08/2015
13591/2015	363407	14-02	13/08/2015	13665/2015	363338	23-01H	12/08/2015
13592/2015	363409	14-02	13/08/2015	13666/2015	363339	23-01H	12/08/2015
13593/2015	363408	14-02	13/08/2015	13667/2015	363364	23-01H	12/08/2015

Publication and Registration Proceedings - Designs Registered cont'd

Design Number	Registration Number	International Classification Code (IDC)	Registration Date	Design Number	Registration Number	International Classification Code (IDC)	Registration Date
13668/2015	363340	23-01H	12/08/2015	13735/2015	363430	10-04	13/08/2015
13669/2015	363365	23-01H	12/08/2015	13736/2015	363431	10-04	13/08/2015
13670/2015	363366	23-01H	12/08/2015	13737/2015	363432	10-04	13/08/2015
13672/2015	363367	23-01H	12/08/2015	13738/2015	363433	10-04	13/08/2015
13673/2015	363368	23-01H	12/08/2015	13739/2015	363502	10-04	18/08/2015
13674/2015	363378	15-01	12/08/2015	13740/2015	363434	10-04	13/08/2015
13675/2015	363369	23-02A	12/08/2015	13741/2015	363441	02-02C	17/08/2015
13676/2015	363370	09-01NES	12/08/2015	13742/2015	363442	02-02C	17/08/2015
13677/2015	363483	31-00	17/08/2015	13743/2015	363443	02-02C	17/08/2015
13678/2015	363371	02-07A	12/08/2015	13744/2015	363444	02-02NES	17/08/2015
13682/2015	363496	10-04	17/08/2015	13745/2015	363445	02-02C	17/08/2015
13684/2015	363391	08-10	13/08/2015	13746/2015	363451	02-02C	17/08/2015
13687/2015	363392	07-07NES	13/08/2015	13747/2015	363452	02-02C	17/08/2015
13688/2015	363398	23-03B	13/08/2015	13748/2015	363446	02-02C	17/08/2015
13689/2015	363393	26-03	13/08/2015	13749/2015	363447	02-02C	17/08/2015
13690/2015	363399	23-03NES	13/08/2015	13750/2015	363455	02-02C	17/08/2015
13691/2015	363383	14-01	13/08/2015	13751/2015	363503	02-02NES	18/08/2015
13692/2015	363384	14-01	13/08/2015	13752/2015	363456	02-02NES	17/08/2015
13693/2015	363385	14-01	13/08/2015	13753/2015	363461	10-07	17/08/2015
13694/2015	363394	09-03M	13/08/2015	13757/2015	363462	08-05F	17/08/2015
13695/2015	363497	09-03M	17/08/2015	13759/2015	363484	26-05E	17/08/2015
13696/2015	363400	09-03M	13/08/2015	13760/2015	363485	26-05E	17/08/2015
13697/2015	363386	09-03M	13/08/2015	13761/2015	363486	13-03NES	17/08/2015
13698/2015	363387	14-01	13/08/2015	13762/2015	363487	15-03A	17/08/2015
13700/2015	363469	24-02	17/08/2015	13763/2015	363488	23-01NES	17/08/2015
13701/2015	363477	22-06	17/08/2015	13764/2015	363489	22-02	17/08/2015
13702/2015	363478	22-06	17/08/2015	13765/2015	363490	22-03	17/08/2015
13703/2015	363501	07-05A	18/08/2015	13766/2015	363491	23-01H	17/08/2015
13704/2015	363479	25-03	17/08/2015	13776/2015	363522	25-01G	18/08/2015
13707/2015	363480	21-02F	17/08/2015	13777/2015	363523	25-02F	18/08/2015
13709/2015	363470	23-04	17/08/2015	13779/2015	363513	09-01G	18/08/2015
13710/2015	363471	23-04	17/08/2015	13780/2015	363506	07-04	18/08/2015
13711/2015	363472	23-04	17/08/2015	13781/2015	363507	09-01G	18/08/2015
13712/2015	363473	23-04	17/08/2015	13782/2015	363508	23-04	18/08/2015
13713/2015	363474	13-03E	17/08/2015	13786/2015	363509	23-04	18/08/2015
13714/2015	363463	23-04	17/08/2015	13787/2015	363510	23-04	18/08/2015
13715/2015	363464	23-04	17/08/2015	13788/2015	363782	12-13	24/08/2015
13716/2015	363465	02-02NES	17/08/2015	13789/2015	363504	25-02B	18/08/2015
13717/2015	363466	02-02NES	17/08/2015	13790/2015	363505	25-02B	18/08/2015
13718/2015	363467	02-02NES	17/08/2015	13791/2015	363569	23-04	19/08/2015
13719/2015	363468	02-02C	17/08/2015	13792/2015	363564	26-03	18/08/2015
13720/2015	363457	02-02C	17/08/2015	13793/2015	363565	29-02	18/08/2015
13721/2015	363458	02-02C	17/08/2015	13794/2015	363570	23-04	19/08/2015
13722/2015	363459	02-02C	17/08/2015	13795/2015	363566	23-04	18/08/2015
13723/2015	363460	02-02C	17/08/2015	13796/2015	363571	29-02	19/08/2015
13724/2015	363453	02-02C	17/08/2015	13797/2015	363572	29-02	19/08/2015
13725/2015	363454	25-01C	17/08/2015	13798/2015	363573	23-04	19/08/2015
13726/2015	363448	07-02B	17/08/2015	13799/2015	363594	29-02	19/08/2015
13727/2015	363449	07-02H	17/08/2015	13800/2015	363532	29-02	18/08/2015
13728/2015	363450	07-02H	17/08/2015	13801/2015	363533	05-05NES	18/08/2015
13730/2015	363437	21-01L	17/08/2015	13804/2015	363534	21-02F	18/08/2015
13731/2015	363438	21-01L	17/08/2015	13809/2015	363524	04-02	18/08/2015
13732/2015	363439	21-01L	17/08/2015	13821/2015	363511	07-02L	18/08/2015
13733/2015	363440	10-04	17/08/2015	13822/2015	363514	07-02L	18/08/2015
13734/2015	363499	10-04	17/08/2015	13823/2015	363515	04-02	18/08/2015

Publication and Registration Proceedings - Designs Registered cont'd

Design Number	Registration Number	International Classification Code (IDC)	Registration Date	Design Number	Registration Number	International Classification Code (IDC)	Registration Date
13824/2015	363516	04-02	18/08/2015	13893/2015	363622	24-01	20/08/2015
13825/2015	363517	04-02	18/08/2015	13894/2015	363647	06-01G	20/08/2015
13826/2015	363518	04-02	18/08/2015	13895/2015	363623	06-01G	20/08/2015
13827/2015	363519	04-02	18/08/2015	13896/2015	363624	06-01G	20/08/2015
13828/2015	363520	04-02	18/08/2015	13897/2015	363625	06-01G	20/08/2015
13829/2015	363526	06-01C	18/08/2015	13898/2015	363626	06-01G	20/08/2015
13830/2015	363527	06-06G	18/08/2015	13899/2015	363648	06-01G	20/08/2015
13831/2015	363528	06-01C	18/08/2015	13900/2015	363627	06-01G	20/08/2015
13832/2015	363529	06-06G	18/08/2015	13901/2015	363628	06-01G	20/08/2015
13833/2015	363530	08-10	18/08/2015	13907/2015	363639	09-05	20/08/2015
13834/2015	363531	09-09	18/08/2015	13908/2015	363640	08-05L	20/08/2015
13837/2015	363535	10-02	18/08/2015	13909/2015	363629	09-05	20/08/2015
13838/2015	363536	10-02	18/08/2015	13910/2015	363635	31-00	20/08/2015
13839/2015	363595	10-02	19/08/2015	13911/2015	363641	12-02	20/08/2015
13840/2015	363537	10-02	18/08/2015	13912/2015	363662	25-01D	21/08/2015
13841/2015	363538	10-02	18/08/2015	13913/2015	363663	25-01D	21/08/2015
13842/2015	363539	10-02	18/08/2015	13919/2015	363642	06-06E	20/08/2015
13843/2015	363540	10-02	18/08/2015	13920/2015	363644	06-06E	20/08/2015
13844/2015	363541	10-02	18/08/2015	13921/2015	363649	06-06C	20/08/2015
13845/2015	363542	10-02	18/08/2015	13922/2015	363650	06-06E	20/08/2015
13847/2015	363556	06-01G	18/08/2015	13923/2015	363651	06-06E	20/08/2015
13848/2015	363543	06-01G	18/08/2015	13924/2015	363652	03-01A	20/08/2015
13849/2015	363596	09-03M	19/08/2015	13925/2015	363653	12-10	20/08/2015
13850/2015	363544	09-03M	18/08/2015	13930/2015	363601	12-15C	19/08/2015
13852/2015	363557	09-03M	18/08/2015	13931/2015	363679	02-03	21/08/2015
13853/2015	363560	09-03M	18/08/2015	13932/2015	363680	07-02N	21/08/2015
13854/2015	363558	09-03M	18/08/2015	13933/2015	363602	07-02N	19/08/2015
13856/2015	363585	09-05	19/08/2015	13934/2015	363603	07-02N	19/08/2015
13857/2015	363597	09-05	19/08/2015	13935/2015	363737	15-99	24/08/2015
13858/2015	363598	09-05	19/08/2015	13936/2015	363604	23-04	19/08/2015
13859/2015	363599	09-05	19/08/2015	13938/2015	363681	12-16K	21/08/2015
13862/2015	363600	06-01G	19/08/2015	13939/2015	363605	16-05	19/08/2015
13864/2015	363575	12-05	19/08/2015	13940/2015	363606	28-03A	19/08/2015
13865/2015	363577	12-05	19/08/2015	13941/2015	363614	28-03A	19/08/2015
13867/2015	363578	06-01G	19/08/2015	13942/2015	363693	28-03A	21/08/2015
13868/2015	363579	04-02	19/08/2015	13943/2015	363615	24-02	19/08/2015
13869/2015	363580	06-01G	19/08/2015	13944/2015	363616	24-02	19/08/2015
13870/2015	363586	08-08L	19/08/2015	13946/2015	363630	23-01A	20/08/2015
13871/2015	363581	06-01G	19/08/2015	13947/2015	363631	11-01D	20/08/2015
13872/2015	363582	06-01G	19/08/2015	13948/2015	363632	11-01NES	20/08/2015
13873/2015	363583	06-01G	19/08/2015	13952/2015	363633	07-03	20/08/2015
13875/2015	363584	06-01G	19/08/2015	13953/2015	363634	11-01E	20/08/2015
13876/2015	363587	06-01G	19/08/2015	13954/2015	363643	07-06C	20/08/2015
13877/2015	363588	06-01G	19/08/2015	13955/2015	363721	07-04	24/08/2015
13878/2015	363589	06-01G	19/08/2015	13956/2015	363638	11-01NES	20/08/2015
13879/2015	363590	24-04	19/08/2015	13957/2015	363654	24-04	21/08/2015
13880/2015	363591	24-04	19/08/2015	13960/2015	363655	07-02E	21/08/2015
13881/2015	363610	06-01G	19/08/2015	13961/2015	363664	26-05E	21/08/2015
13883/2015	363611	06-01G	19/08/2015	13962/2015	363665	26-05E	21/08/2015
13885/2015	363637	06-01G	20/08/2015	13963/2015	363666	26-05E	21/08/2015
13886/2015	363612	09-02NES	19/08/2015	13964/2015	363667	15-04	21/08/2015
13888/2015	363613	24-01	19/08/2015	13965/2015	363668	31-00	21/08/2015
13889/2015	363619	06-01G	20/08/2015	13968/2015	363656	15-03B	21/08/2015
13891/2015	363620	25-01C	20/08/2015	13969/2015	363657	07-01NES	21/08/2015
13892/2015	363621	13-02	20/08/2015	13970/2015	363658	06-06NES	21/08/2015

Publication and Registration Proceedings - Designs Registered cont'd

Design Number	Registration Number	International Classification Code (IDC)	Registration Date	Design Number	Registration Number	International Classification Code (IDC)	Registration Date
13972/2015	363659	06-06NES	21/08/2015	14054/2015	363708	26-06	21/08/2015
13973/2015	363660	06-06NES	21/08/2015	14057/2015	363709	26-06	21/08/2015
13974/2015	363661	13-99	21/08/2015	14059/2015	363714	25-99	21/08/2015
13975/2015	363669	06-03A	21/08/2015	14061/2015	363738	14-01	24/08/2015
13976/2015	363670	14-02	21/08/2015	14063/2015	363722	14-99	24/08/2015
13980/2015	363694	03-01NES	21/08/2015	14064/2015	363723	14-99	24/08/2015
13983/2015	363695	06-03A	21/08/2015	14065/2015	363724	14-99	24/08/2015
13988/2015	363715	09-03F	21/08/2015	14067/2015	363757	25-01B	24/08/2015
13989/2015	363716	09-03F	21/08/2015	14068/2015	363756	12-10	24/08/2015
13990/2015	363717	09-03F	21/08/2015	14069/2015	363755	21-02D	24/08/2015
13991/2015	363718	09-03F	21/08/2015	14074/2015	363754	12-99	24/08/2015
13997/2015	363719	09-03F	21/08/2015	14075/2015	363739	11-02B	24/08/2015
13998/2015	363720	09-03F	21/08/2015	14076/2015	363740	11-02B	24/08/2015
14001/2015	363671	07-01A	21/08/2015	14077/2015	363741	03-01A	24/08/2015
14004/2015	363682	25-02B	21/08/2015	14078/2015	363742	06-01E	24/08/2015
14005/2015	363672	06-03A	21/08/2015	14079/2015	363743	06-03B	24/08/2015
14006/2015	363673	06-03A	21/08/2015	14080/2015	363744	03-01A	24/08/2015
14009/2015	363683	25-01NES	21/08/2015	14081/2015	363725	23-02A	24/08/2015
14010/2015	363684	25-01NES	21/08/2015	14082/2015	363726	09-04	24/08/2015
14011/2015	363685	25-01NES	21/08/2015	14084/2015	363727	12-15C	24/08/2015
14012/2015	363686	25-01NES	21/08/2015	14089/2015	363728	24-04	24/08/2015
14013/2015	363687	25-01NES	21/08/2015	14090/2015	363729	24-04	24/08/2015
14014/2015	363688	25-01NES	21/08/2015	14091/2015	363730	24-04	24/08/2015
14015/2015	363674	23-01H	21/08/2015	14093/2015	363731	09-05	24/08/2015
14018/2015	363675	12-02	21/08/2015	14094/2015	363732	09-05	24/08/2015
14019/2015	363676	14-02	21/08/2015	14095/2015	363733	09-01NES	24/08/2015
14020/2015	363677	14-02	21/08/2015	14096/2015	363734	09-07C	24/08/2015
14021/2015	363678	14-02	21/08/2015	14097/2015	363735	09-01NES	24/08/2015
14022/2015	363689	09-03F	21/08/2015	14109/2015	363766	06-01E	24/08/2015
14023/2015	363690	25-02B	21/08/2015	14113/2015	363767	26-05B	24/08/2015
14025/2015	363691	09-03F	21/08/2015	14114/2015	363768	09-04	24/08/2015
14030/2015	363692	09-03F	21/08/2015	14136/2015	363769	02-07C	24/08/2015
14032/2015	363696	09-03F	21/08/2015	14139/2015	363770	08-01	24/08/2015
14033/2015	363697	07-01C	21/08/2015	14140/2015	363771	25-01K	24/08/2015
14034/2015	363698	22-06	21/08/2015	14141/2015	363772	25-01K	24/08/2015
14036/2015	363699	21-02NES	21/08/2015	14158/2015	363747	09-01NES	24/08/2015
14040/2015	363700	26-06	21/08/2015	14159/2015	363748	09-01NES	24/08/2015
14041/2015	363701	26-06	21/08/2015	14160/2015	363749	24-04	24/08/2015
14042/2015	363702	26-06	21/08/2015	14161/2015	363763	06-01G	24/08/2015
14043/2015	363703	25-02C	21/08/2015	14162/2015	363751	24-04	24/08/2015
14044/2015	363704	25-03	21/08/2015	14163/2015	363750	07-02L	24/08/2015
14045/2015	363705	25-03	21/08/2015	14164/2015	363752	13-03D	24/08/2015
14046/2015	363706	26-06	21/08/2015	14171/2015	363753	12-05	24/08/2015
14047/2015	363710	25-03	21/08/2015	14175/2015	363778	07-99NES	24/08/2015
14048/2015	363711	25-03	21/08/2015	14176/2015	363779	28-03B	24/08/2015
14051/2015	363712	25-03	21/08/2015	14177/2015	363780	07-04	24/08/2015
14052/2015	363707	26-06	21/08/2015				
14053/2015	363713	09-01NES	21/08/2015				

**Publication and Registration Proceedings**

**Class Listing of Designs Published or Registered**

The following section shows an International Classification Code listing of the Registered or Published Designs covered in this supplement.

<b>Classification</b>	<b>Registration Number</b>	<b>Design Number</b>	<b>Classification</b>	<b>Registration Number</b>	<b>Design Number</b>
01-01	363416	13557/2015	03-01A	363744	14080/2015
01-06	363266	13536/2015	03-01NES	363545	12655/2015
01-06	363275	13430/2015	03-01NES	363546	12656/2015
02-02A	363271	12920/2015	03-01NES	363592	12685/2015
02-02A	363607	12845/2015	03-01NES	363694	13980/2015
02-02A	363646	12848/2015	04-02	363515	13823/2015
02-02A	363776	12850/2015	04-02	363516	13824/2015
02-02A	363777	12849/2015	04-02	363517	13825/2015
02-02C	363441	13741/2015	04-02	363518	13826/2015
02-02C	363442	13742/2015	04-02	363519	13827/2015
02-02C	363443	13743/2015	04-02	363520	13828/2015
02-02C	363445	13745/2015	04-02	363524	13809/2015
02-02C	363446	13748/2015	04-02	363579	13868/2015
02-02C	363447	13749/2015	05-05A	363346	13614/2015
02-02C	363451	13746/2015	05-05A	363355	13633/2015
02-02C	363452	13747/2015	05-05C	363322	13605/2015
02-02C	363453	13724/2015	05-05C	363326	13604/2015
02-02C	363455	13750/2015	05-05C	363327	13606/2015
02-02C	363457	13720/2015	05-05D	363345	13613/2015
02-02C	363458	13721/2015	05-05NES	363344	13612/2015
02-02C	363459	13722/2015	05-05NES	363356	13634/2015
02-02C	363460	13723/2015	05-05NES	363533	13801/2015
02-02C	363468	13719/2015	06-01C	363526	13829/2015
02-02C	363475	10406/2015	06-01C	363528	13831/2015
02-02C	363783	13527/2015	06-01D	363310	13571/2015
02-02NES	363444	13744/2015	06-01D	363311	13572/2015
02-02NES	363456	13752/2015	06-01E	363288	13399/2015
02-02NES	363465	13716/2015	06-01E	363351	13619/2015
02-02NES	363466	13717/2015	06-01E	363352	13620/2015
02-02NES	363467	13718/2015	06-01E	363360	13646/2015
02-02NES	363475	10406/2015	06-01E	363742	14078/2015
02-02NES	363503	13751/2015	06-01E	363766	14109/2015
02-02NES	363547	13623/2015	06-01G	363543	13848/2015
02-02NES	363548	13624/2015	06-01G	363556	13847/2015
02-02NES	363549	13625/2015	06-01G	363578	13867/2015
02-02NES	363550	13626/2015	06-01G	363580	13869/2015
02-02NES	363551	13627/2015	06-01G	363581	13871/2015
02-02NES	363552	13628/2015	06-01G	363582	13872/2015
02-02NES	363553	13629/2015	06-01G	363583	13873/2015
02-02NES	363554	13630/2015	06-01G	363584	13875/2015
02-02NES	363555	13631/2015	06-01G	363587	13876/2015
02-02NES	363773	12913/2015	06-01G	363588	13877/2015
02-02NES	363775	12912/2015	06-01G	363589	13878/2015
02-02NES	363783	13527/2015	06-01G	363600	13862/2015
02-03	363679	13931/2015	06-01G	363610	13881/2015
02-03	363783	13527/2015	06-01G	363611	13883/2015
02-04NES	363372	12525/2015	06-01G	363619	13889/2015
02-07A	363371	13678/2015	06-01G	363623	13895/2015
02-07C	363769	14136/2015	06-01G	363624	13896/2015
03-01A	363287	13556/2015	06-01G	363625	13897/2015
03-01A	363348	13616/2015	06-01G	363626	13898/2015
03-01A	363652	13924/2015	06-01G	363627	13900/2015
03-01A	363741	14077/2015	06-01G	363628	13901/2015

Registration Proceedings - Class Listing of Designs Published or Registered cont'd

Classification	Registration Number	Design Number	Classification	Registration Number	Design Number
06-01G	363637	13885/2015	08-05F	363462	13757/2015
06-01G	363647	13894/2015	08-05L	363640	13908/2015
06-01G	363648	13899/2015	08-05NES	363272	13002/2015
06-01G	363763	14161/2015	08-06	363277	13436/2015
06-03A	363283	13534/2015	08-06	363278	13437/2015
06-03A	363669	13975/2015	08-08C	363764	13317/2015
06-03A	363672	14005/2015	08-08L	363402	13265/2015
06-03A	363673	14006/2015	08-08L	363586	13870/2015
06-03A	363695	13983/2015	08-08M	363319	13486/2015
06-03B	363320	13566/2015	08-10	363391	13684/2015
06-03B	363743	14079/2015	08-10	363530	13833/2015
06-04D	363417	13513/2015	09-01G	363507	13781/2015
06-04E	363675	14018/2015	09-01G	363513	13779/2015
06-06C	363649	13921/2015	09-01K	363342	13608/2015
06-06E	363498	12929/2015	09-01K	363476	12800/2015
06-06E	363642	13919/2015	09-01NES	363370	13676/2015
06-06E	363644	13920/2015	09-01NES	363713	14053/2015
06-06E	363650	13922/2015	09-01NES	363733	14095/2015
06-06E	363651	13923/2015	09-01NES	363735	14097/2015
06-06G	363527	13830/2015	09-01NES	363747	14158/2015
06-06G	363529	13832/2015	09-01NES	363748	14159/2015
06-06NES	363269	13384/2015	09-02NES	363612	13886/2015
06-06NES	363270	13383/2015	09-03F	363689	14022/2015
06-06NES	363658	13970/2015	09-03F	363691	14025/2015
06-06NES	363659	13972/2015	09-03F	363692	14030/2015
06-06NES	363660	13973/2015	09-03F	363696	14032/2015
06-09	363333	13558/2015	09-03F	363715	13988/2015
06-09	363334	13559/2015	09-03F	363716	13989/2015
06-09	363335	13560/2015	09-03F	363717	13990/2015
07-01A	363671	14001/2015	09-03F	363718	13991/2015
07-01C	363697	14033/2015	09-03F	363719	13997/2015
07-01F	363261	13447/2015	09-03F	363720	13998/2015
07-01NES	363657	13969/2015	09-03H	363379	12869/2015
07-01NES	363736	13555/2015	09-03L	363332	12383/2015
07-02B	363448	13726/2015	09-03M	363386	13697/2015
07-02E	363395	12317/2015	09-03M	363394	13694/2015
07-02E	363655	13960/2015	09-03M	363400	13696/2015
07-02H	363449	13727/2015	09-03M	363424	13509/2015
07-02H	363450	13728/2015	09-03M	363425	13511/2015
07-02L	363511	13821/2015	09-03M	363497	13695/2015
07-02L	363514	13822/2015	09-03M	363544	13850/2015
07-02L	363750	14163/2015	09-03M	363557	13852/2015
07-02N	363602	13933/2015	09-03M	363558	13854/2015
07-02N	363603	13934/2015	09-03M	363560	13853/2015
07-02N	363680	13932/2015	09-03M	363596	13849/2015
07-03	363633	13952/2015	09-04	363495	13663/2015
07-04	363506	13780/2015	09-04	363726	14082/2015
07-04	363721	13955/2015	09-04	363768	14114/2015
07-04	363780	14177/2015	09-05	363358	13640/2015
07-05A	363501	13703/2015	09-05	363388	12236/2015
07-06C	363643	13954/2015	09-05	363585	13856/2015
07-06NES	363435	10593/2015	09-05	363597	13857/2015
07-07NES	363392	13687/2015	09-05	363598	13858/2015
07-99NES	363778	14175/2015	09-05	363599	13859/2015
08-01	363298	13564/2015	09-05	363629	13909/2015
08-01	363770	14139/2015	09-05	363639	13907/2015

Registration Proceedings - Class Listing of Designs Published or Registered cont'd

Classification	Registration Number	Design Number	Classification	Registration Number	Design Number
09-05	363731	14093/2015	12-08	363354	13632/2015
09-05	363732	14094/2015	12-08	363422	13507/2015
09-07C	363734	14096/2015	12-08	363423	13508/2015
09-09	363531	13834/2015	12-08	363568	12489/2015
09-99	363489	13764/2015	12-10	363361	13647/2015
10-02	363535	13837/2015	12-10	363653	13925/2015
10-02	363536	13838/2015	12-10	363756	14068/2015
10-02	363537	13840/2015	12-13	363782	13788/2015
10-02	363538	13841/2015	12-15C	363601	13930/2015
10-02	363539	13842/2015	12-15C	363727	14084/2015
10-02	363540	13843/2015	12-16A	363374	13653/2015
10-02	363541	13844/2015	12-16B	363293	13548/2015
10-02	363542	13845/2015	12-16C	363262	13449/2015
10-02	363595	13839/2015	12-16K	363262	13449/2015
10-04	363299	13568/2015	12-16K	363681	13938/2015
10-04	363300	13569/2015	12-16NES	363262	13449/2015
10-04	363301	13570/2015	12-16NES	363279	13531/2015
10-04	363430	13735/2015	12-16NES	363410	11513/2015
10-04	363431	13736/2015	12-99	363754	14074/2015
10-04	363432	13737/2015	13-02	363389	12286/2015
10-04	363433	13738/2015	13-02	363567	12238/2015
10-04	363434	13740/2015	13-02	363621	13892/2015
10-04	363440	13733/2015	13-03D	363290	13547/2015
10-04	363496	13682/2015	13-03D	363500	12999/2015
10-04	363499	13734/2015	13-03D	363608	12863/2015
10-04	363502	13739/2015	13-03D	363636	12206/2015
10-07	363461	13753/2015	13-03D	363752	14164/2015
11-01D	363631	13947/2015	13-03E	363474	13713/2015
11-01E	363634	13953/2015	13-03NES	363486	13761/2015
11-01NES	363382	13650/2015	13-99	363323	13565/2015
11-01NES	363632	13948/2015	13-99	363661	13974/2015
11-01NES	363638	13956/2015	14-01	363383	13691/2015
11-02B	363312	13573/2015	14-01	363384	13692/2015
11-02B	363313	13574/2015	14-01	363385	13693/2015
11-02B	363314	13575/2015	14-01	363387	13698/2015
11-02B	363315	13576/2015	14-01	363563	12881/2015
11-02B	363316	13577/2015	14-01	363738	14061/2015
11-02B	363317	13578/2015	14-02	363341	13600/2015
11-02B	363318	13579/2015	14-02	363401	12361/2015
11-02B	363324	13594/2015	14-02	363407	13591/2015
11-02B	363325	13597/2015	14-02	363408	13593/2015
11-02B	363328	13596/2015	14-02	363409	13592/2015
11-02B	363329	13598/2015	14-02	363492	13590/2015
11-02B	363330	13599/2015	14-02	363493	13602/2015
11-02B	363357	13638/2015	14-02	363494	13603/2015
11-02B	363397	13595/2015	14-02	363670	13976/2015
11-02B	363559	13314/2015	14-02	363676	14019/2015
11-02B	363739	14075/2015	14-02	363677	14020/2015
11-02B	363740	14076/2015	14-02	363678	14021/2015
12-02	363641	13911/2015	14-99	363722	14063/2015
12-02	363675	14018/2015	14-99	363723	14064/2015
12-05	363575	13864/2015	14-99	363724	14065/2015
12-05	363577	13865/2015	15-01	363378	13674/2015
12-05	363714	14059/2015	15-03A	363487	13762/2015
12-05	363753	14171/2015	15-03B	363390	12563/2015
12-06C	363562	12441/2015	15-03B	363426	13512/2015

Registration Proceedings - Class Listing of Designs Published or Registered cont'd

Classification	Registration Number	Design Number	Classification	Registration Number	Design Number
15-03B	363656	13968/2015	23-01H	363339	13666/2015
15-04	363667	13964/2015	23-01H	363340	13668/2015
15-04	363714	14059/2015	23-01H	363364	13667/2015
15-07	363414	13526/2015	23-01H	363365	13669/2015
15-99	363737	13935/2015	23-01H	363366	13670/2015
16-05	363605	13939/2015	23-01H	363367	13672/2015
16-06	363263	13504/2015	23-01H	363368	13673/2015
16-06	363284	13505/2015	23-01H	363418	13519/2015
16-06	363285	13506/2015	23-01H	363419	13520/2015
19-06	363273	13150/2015	23-01H	363420	13521/2015
19-06	363306	13462/2015	23-01H	363421	13522/2015
19-06	363331	13601/2015	23-01H	363427	13523/2015
19-07	363561	12742/2015	23-01H	363491	13766/2015
19-08	363609	13082/2015	23-01H	363674	14015/2015
19-08	363617	13083/2015	23-01NES	363363	12465/2015
19-08	363758	12943/2015	23-01NES	363488	13763/2015
19-08	363759	12944/2015	23-02A	363267	13538/2015
19-08	363760	12945/2015	23-02A	363268	13539/2015
19-08	363761	12947/2015	23-02A	363369	13675/2015
19-08	363762	12948/2015	23-02A	363725	14081/2015
19-08	363765	12946/2015	23-02A	363774	12074/2015
20-03C	363781	12687/2015	23-02C	363274	13542/2015
20-03NES	363783	13527/2015	23-02C	363343	13610/2015
20-99	363403	12540/2015	23-03B	363398	13688/2015
21-01B	363280	13530/2015	23-03H	363381	13652/2015
21-01B	363415	13528/2015	23-03NES	363399	13690/2015
21-01C	363354	13632/2015	23-04	363463	13714/2015
21-01L	363437	13730/2015	23-04	363464	13715/2015
21-01L	363438	13731/2015	23-04	363470	13709/2015
21-01L	363439	13732/2015	23-04	363471	13710/2015
21-01L	363618	13254/2015	23-04	363472	13711/2015
21-02C	363321	13567/2015	23-04	363473	13712/2015
21-02C	363436	13431/2015	23-04	363508	13782/2015
21-02D	363347	13615/2015	23-04	363509	13786/2015
21-02D	363755	14069/2015	23-04	363510	13787/2015
21-02E	363264	13426/2015	23-04	363566	13795/2015
21-02F	363480	13707/2015	23-04	363569	13791/2015
21-02F	363521	12351/2015	23-04	363570	13794/2015
21-02F	363534	13804/2015	23-04	363573	13798/2015
21-02NES	363512	13510/2015	23-04	363604	13936/2015
21-02NES	363699	14036/2015	24-01	363265	13535/2015
22-02	363489	13764/2015	24-01	363307	12962/2015
22-03	363376	13656/2015	24-01	363375	13654/2015
22-03	363490	13765/2015	24-01	363396	12621/2015
22-05	363353	13621/2015	24-01	363411	12620/2015
22-05	363481	12109/2015	24-01	363613	13888/2015
22-05	363482	12110/2015	24-01	363622	13893/2015
22-06	363276	13435/2015	24-01	363746	12834/2015
22-06	363477	13701/2015	24-02	363289	13546/2015
22-06	363478	13702/2015	24-02	363469	13700/2015
22-06	363698	14034/2015	24-02	363615	13943/2015
23-01A	363260	13359/2015	24-02	363616	13944/2015
23-01A	363630	13946/2015	24-04	363359	13645/2015
23-01F	363414	13526/2015	24-04	363590	13879/2015
23-01F	363593	13249/2015	24-04	363591	13880/2015
23-01H	363338	13665/2015	24-04	363654	13957/2015

Registration Proceedings - Class Listing of Designs Published or Registered cont'd

Classification	Registration Number	Design Number	Classification	Registration Number	Design Number
24-04	363728	14089/2015	26-05A	363564	13792/2015
24-04	363729	14090/2015	26-05B	363767	14113/2015
24-04	363730	14091/2015	26-05D	363282	13533/2015
24-04	363749	14160/2015	26-05D	363645	12363/2015
24-04	363751	14162/2015	26-05E	363377	13659/2015
24-99	363373	12973/2015	26-05E	363380	13651/2015
24-99	363745	12822/2015	26-05E	363412	13524/2015
25-01B	363757	14067/2015	26-05E	363413	13525/2015
25-01C	363454	13725/2015	26-05E	363484	13759/2015
25-01C	363620	13891/2015	26-05E	363485	13760/2015
25-01D	363662	13912/2015	26-05E	363664	13961/2015
25-01D	363663	13913/2015	26-05E	363665	13962/2015
25-01G	363522	13776/2015	26-05E	363666	13963/2015
25-01K	363296	13457/2015	26-06	363336	13660/2015
25-01K	363302	13454/2015	26-06	363337	13661/2015
25-01K	363303	13458/2015	26-06	363349	13617/2015
25-01K	363304	13459/2015	26-06	363350	13618/2015
25-01K	363305	13460/2015	26-06	363574	12562/2015
25-01K	363309	13455/2015	26-06	363576	12576/2015
25-01K	363771	14140/2015	26-06	363700	14040/2015
25-01K	363772	14141/2015	26-06	363701	14041/2015
25-01NES	363683	14009/2015	26-06	363702	14042/2015
25-01NES	363684	14010/2015	26-06	363706	14046/2015
25-01NES	363685	14011/2015	26-06	363707	14052/2015
25-01NES	363686	14012/2015	26-06	363708	14054/2015
25-01NES	363687	14013/2015	26-06	363709	14057/2015
25-01NES	363688	14014/2015	28-03A	363606	13940/2015
25-02B	363504	13789/2015	28-03A	363614	13941/2015
25-02B	363505	13790/2015	28-03A	363693	13942/2015
25-02B	363682	14004/2015	28-03B	363779	14176/2015
25-02B	363690	14023/2015	28-03NES	363308	13250/2015
25-02C	363286	13552/2015	28-03NES	363428	12722/2015
25-02C	363295	13551/2015	28-03NES	363429	12723/2015
25-02C	363703	14043/2015	29-02	363291	13544/2015
25-02F	363523	13777/2015	29-02	363292	13545/2015
25-03	363361	13647/2015	29-02	363297	13541/2015
25-03	363479	13704/2015	29-02	363532	13800/2015
25-03	363704	14044/2015	29-02	363565	13793/2015
25-03	363705	14045/2015	29-02	363571	13796/2015
25-03	363710	14047/2015	29-02	363572	13797/2015
25-03	363711	14048/2015	29-02	363594	13799/2015
25-03	363712	14051/2015	30-02	363525	12466/2015
25-99	363404	13379/2015	31-00	363281	13532/2015
25-99	363405	13380/2015	31-00	363363	12465/2015
25-99	363406	13381/2015	31-00	363483	13677/2015
25-99	363714	14059/2015	31-00	363635	13910/2015
26-03	363294	13550/2015	31-00	363668	13965/2015
26-03	363393	13689/2015			
26-03	363564	13792/2015			
26-04	363362	12464/2015			

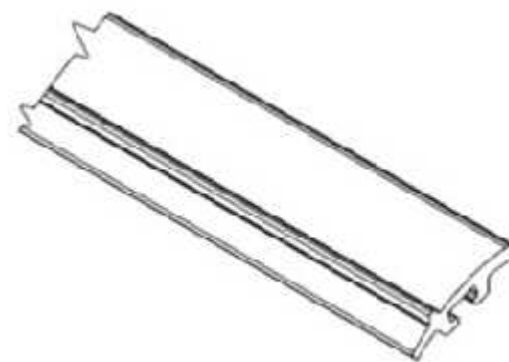
- (21) Design Number: **13359/2015**  
(22) Date of Filing Application: **03 July 2015**  
(24) Date from which industrial property rights may have effect: **03 July 2015**  
(54) Product in respect of which the design is registered: **A reinforcing collar for a pipe fitting**  
(51) International Design Classification: **23-01A**  
(74) Name(s) of Attorney(s): **Halfords IP**  
(71) Name(s) and Address(s) of Applicant(s):  
**Vinidex Pty Limited**  
**PO BOX 4990 North Rocks NSW 2151 Australia**  
(72) Name(s) of Designer(s): **Nicholas Feros and Ben Andrew Pokorny**  
(45) Registration Date: **11 August 2015**  
(56) Related Art Documents: **Not Applicable**  
(57) Statement of Newness and Distinctiveness: **Newness and distinctiveness resides in the visual features, including shape and/or configuration, of the reinforcing collar for a pipe fitting, as illustrated. When determining whether the design is substantially similar in overall impression to another design, no regard is to be had to those features shown in dashed outline in the accompanying drawings, which features are provided for environmental context only.**



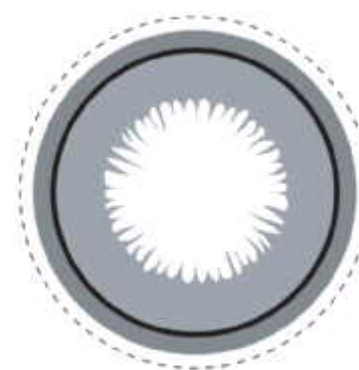
- (21) Design Number: **13447/2015**  
(22) Date of Filing Application: **09 July 2015**  
(24) Date from which industrial property rights may have effect: **09 July 2015**  
(54) Product in respect of which the design is registered: **Thermomug with a display**  
(51) International Design Classification: **07-01F**  
(74) Name(s) of Attorney(s): **FB Rice**  
(71) Name(s) and Address(s) of Applicant(s):  
**Gustav Paulig Ltd**  
**Satamakaari 20 00980 Helsinki Finland**  
(72) Name(s) of Designer(s): **Daniel Julier and Lauri Kakela**  
(45) Registration Date: **11 August 2015**  
(30) Convention priority data:  
(31) Number      (32) Date      (33) Country  
**002710798      01 Jun 2015      OFFICE FOR HARMONISATION IN  
THE INTERNAL MARKET (OHIM)**  
(56) Related Art Documents: **Not Applicable**  
(57) Statement of Newness and Distinctiveness: **Newness and distinctiveness reside in the features of the design as shown in the representations and in particular in the provision of a display device on the external wall of the mug and excluding any labels on the mug and the lid.**



(21) Design Number: **13449/2015**  
(22) Date of Filing Application: **09 July 2015**  
(24) Date from which industrial property rights may have effect: **09 July 2015**  
(54) Product in respect of which the design is registered: **Vehicle crossbar cover**  
(51) International Design Classification: **12-16C, 12-16K, 12-16NES**  
(74) Name(s) of Attorney(s):  
(71) Name(s) and Address(s) of Applicant(s):  
**Yakima Australia Pty Limited**  
**17 Hinkler Ct Brendale QLD 4500 Australia**  
(72) Name(s) of Designer(s): **Sean Martin Cochrane**  
(45) Registration Date: **11 August 2015**  
(56) Related Art Documents: **Not Applicable**  
(57) Statement of Newness and Distinctiveness: **The design is to be applied to a vehicle crossbar cover of indefinite length and fixed cross-section, and the novelty resides in the features of shape and configuration as shown in the accompanying representations. The features shown in dotted lines are disclaimed from the design.**



(21) Design Number: **13504/2015**  
(22) Date of Filing Application: **14 July 2015**  
(24) Date from which industrial property rights may have effect: **14 July 2015**  
(54) Product in respect of which the design is registered: **Contact lens**  
(51) International Design Classification: **16-06**  
(74) Name(s) of Attorney(s): **Callinans**  
(71) Name(s) and Address(s) of Applicant(s):  
**Johnson & Johnson Vision Care, Inc.**  
**7500 Centurion Parkway Jacksonville, Florida, 32256 United States of America**  
(72) Name(s) of Designer(s): **Dawn D. Wright and Jeffrey H. Roffman and Angie Bowers**  
(45) Registration Date: **11 August 2015**  
(30) Convention priority data:  
(31) Number (32) Date (33) Country  
**29/517257 11 Feb 2015 UNITED STATES OF AMERICA**  
(56) Related Art Documents: **Not Applicable**  
(57) Statement of Newness and Distinctiveness: **Newness and distinctiveness reside in the features of pattern and/or ornamentation of the design shown in the representations. The features shown in broken lines in the representations are for illustrative purposes only and should not be considered when construing visual features of the design.**



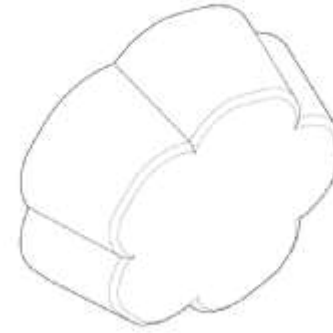
- (21) Design Number: **13426/2015**  
(22) Date of Filing Application: **07 July 2015**  
(24) Date from which industrial property rights may have effect: **07 July 2015**  
(54) Product in respect of which the design is registered: **Skateboard deck**  
(51) International Design Classification: **21-02E**  
(74) Name(s) of Attorney(s):  
(71) Name(s) and Address(s) of Applicant(s):  
**Absolute International Pty Ltd**  
**PO BOX 5331 Daisy Hill QLD 4127 Australia**  
(72) Name(s) of Designer(s): **Benjamin Alastair Mackay**  
(45) Registration Date: **11 August 2015**  
(56) Related Art Documents: **Not Applicable**  
(57) Statement of Newness and Distinctiveness: **Newness and distinctiveness is claimed in the features of shape and configuration of a skateboard deck as illustrated in the accompanying representations.**



- (21) Design Number: **13535/2015**  
(22) Date of Filing Application: **15 July 2015**  
(24) Date from which industrial property rights may have effect: **15 July 2015**  
(54) Product in respect of which the design is registered: **Dental Appliance**  
(51) International Design Classification: **24-01**  
(74) Name(s) of Attorney(s): **WALSH & ASSOCIATES**  
(71) Name(s) and Address(s) of Applicant(s):  
**DAVID PENN CONSULTING PTY LTD**  
**PO BOX 664 Double Bay NSW 1360 Australia**  
(72) Name(s) of Designer(s): **David Penn**  
(45) Registration Date: **11 August 2015**  
(56) Related Art Documents: **Not Applicable**  
(57) Statement of Newness and Distinctiveness: **Novelty and Distinctiveness resides in the shape and configuration of the Dental Appliance as depicted in the accompanying illustrations.**



(21) Design Number: **13536/2015**  
(22) Date of Filing Application: **15 July 2015**  
(24) Date from which industrial property rights may have effect: **15 July 2015**  
(54) Product in respect of which the design is registered: **Pet food piece**  
(51) International Design Classification: **01-06**  
(74) Name(s) of Attorney(s): **FB Rice**  
(71) Name(s) and Address(s) of Applicant(s):  
**Hill's Pet Nutrition, Inc.**  
**400 Southwest 8th Avenue Topeka KS, 66603 United States of America**  
(72) Name(s) of Designer(s): **Kathy Gross and Shannon Morey and Craig Cowley and Geoff Bednar**  
(45) Registration Date: **11 August 2015**  
(30) Convention priority data:  
(31) Number (32) Date (33) Country  
**29/515306 21 Jan 2015 UNITED STATES OF AMERICA**  
(56) Related Art Documents: **Not Applicable**  
(57) Statement of Newness and Distinctiveness: **Newness and distinctiveness reside in the features of shape and configuration of the design as shown in the representations.**



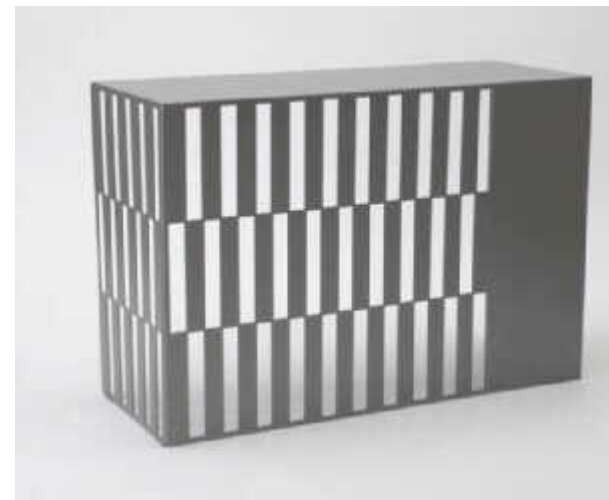
(21) Design Number: **13538/2015**  
(22) Date of Filing Application: **15 July 2015**  
(24) Date from which industrial property rights may have effect: **15 July 2015**  
(54) Product in respect of which the design is registered: **Shower caddy**  
(51) International Design Classification: **23-02A**  
(74) Name(s) of Attorney(s):  
(71) Name(s) and Address(s) of Applicant(s):  
**EVOLVE LIFEWARES PTY LIMITED**  
**U3/ 1A Bessemer St Blacktown NSW 2148 Australia**  
(72) Name(s) of Designer(s): **Alex Arciga**  
(45) Registration Date: **11 August 2015**  
(56) Related Art Documents: **Not Applicable**  
(57) Statement of Newness and Distinctiveness: **New Design of Shelves. Using Design Patent 361179 registered to our company in a new arrangement. Made from Stainless Steel & Polypropylene. Differs to what is in market.**



- (21) Design Number: **13539/2015**  
(22) Date of Filing Application: **15 July 2015**  
(24) Date from which industrial property rights may have effect: **15 July 2015**  
(54) Product in respect of which the design is registered: **Shower caddy**  
(51) International Design Classification: **23-02A**  
(74) Name(s) of Attorney(s):  
(71) Name(s) and Address(s) of Applicant(s):  
**Alex Arciga**  
**U3/1A Bessemer St Blacktown NSW 2148 Australia**  
(72) Name(s) of Designer(s): **EVOLVE LIFEWARES PTY LIMITED**  
(45) Registration Date: **11 August 2015**  
(56) Related Art Documents: **Not Applicable**  
(57) Statement of Newness and Distinctiveness: **New Design of Shelves. Using Design Patents 361118 and 361178 registered to our company in a new arrangement. Made from Stainless Steel & Polypropylene. Differs to what is in market.**



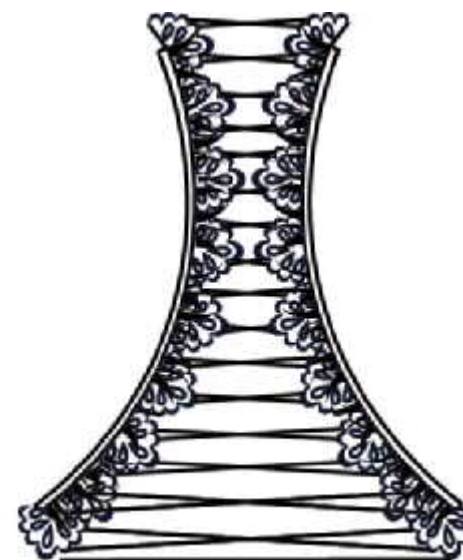
- (21) Design Number: **13384/2015**  
(22) Date of Filing Application: **04 July 2015**  
(24) Date from which industrial property rights may have effect: **04 July 2015**  
(54) Product in respect of which the design is registered: **Screening device**  
(51) International Design Classification: **06-06NES**  
(74) Name(s) of Attorney(s):  
(71) Name(s) and Address(s) of Applicant(s):  
**UTE AUSTRALIA PTY. LTD.**  
**7 Dalgety Dr Ascot Vale VIC 3032 Australia**  
**Kain Lucas**  
**8/122 Maribyrnong Road Moonee Ponds VIC 3039 Australia**  
(72) Name(s) of Designer(s): **Kain Lucas**  
(45) Registration Date: **11 August 2015**  
(56) Related Art Documents: **Not Applicable**  
(57) Statement of Newness and Distinctiveness: **newness and distinctiveness is claimed in respect of the shape and/or configuration of the product shown in the accompanying representations**



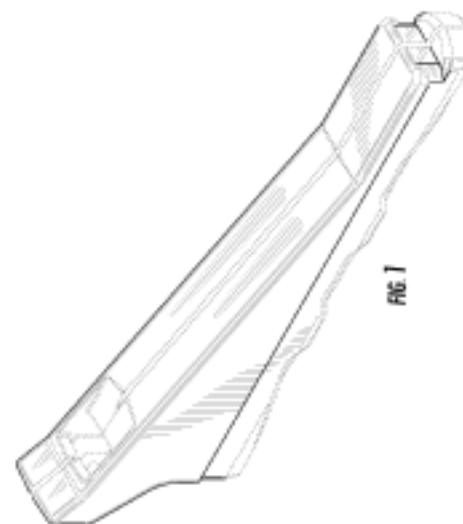
- (21) Design Number: **13383/2015**  
(22) Date of Filing Application: **04 July 2015**  
(24) Date from which industrial property rights may have effect: **04 July 2015**  
(54) Product in respect of which the design is registered: **Screening device**  
(51) International Design Classification: **06-06NES**  
(74) Name(s) of Attorney(s):  
(71) Name(s) and Address(s) of Applicant(s):  
**UTE AUSTRALIA PTY. LTD.**  
**7 Dalgety Dr Ascot Vale VIC 3032 Australia**  
**Kain Lucas**  
**8/122 Maribyrnong Road Moonee Ponds VIC 3039 Australia**  
(72) Name(s) of Designer(s): **Kain Lucas**  
(45) Registration Date: **11 August 2015**  
(56) Related Art Documents: **Not Applicable**  
(57) Statement of Newness and Distinctiveness: **Newness and distinctiveness is claimed in respect of the shape and/or configuration of the product shown in the accompanying representations.**



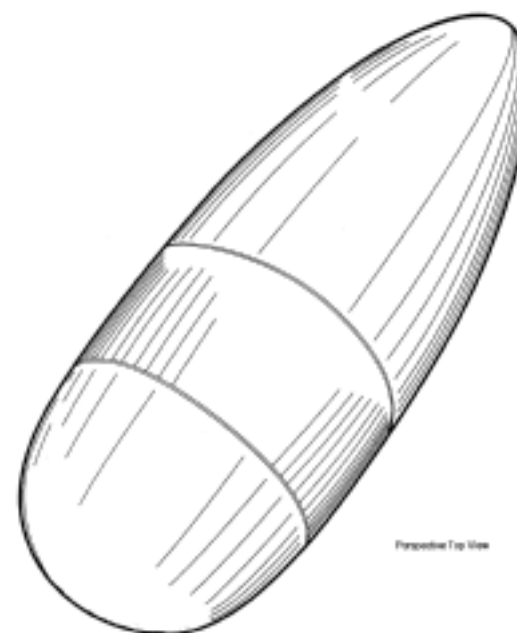
- (21) Design Number: **12920/2015**  
(22) Date of Filing Application: **10 June 2015**  
(24) Date from which industrial property rights may have effect: **10 June 2015**  
(54) Product in respect of which the design is registered: **Swimwear**  
(51) International Design Classification: **02-02A**  
(74) Name(s) of Attorney(s):  
(71) Name(s) and Address(s) of Applicant(s):  
**Zimmermann Wear Pty Limited**  
**120 Dunning Ave Rosebery NSW 2018 Australia**  
(72) Name(s) of Designer(s): **Nicole Zimmermann**  
(45) Registration Date: **11 August 2015**  
(56) Related Art Documents: **Not Applicable**  
(57) Statement of Newness and Distinctiveness: **Newness and distinctiveness is claimed in the shape, configuration, pattern and/or ornamentation of the upper back of the swimsuit which features laced crossing elastic in a racer shape with scalloped or gathered frill edging as depicted in the accompanying representation. The trunk of the swimsuit forms no part of this design.**



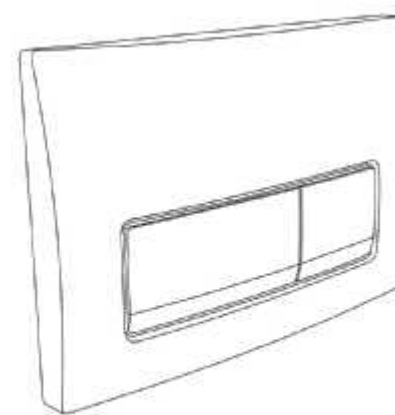
- (21) Design Number: **13002/2015**  
(22) Date of Filing Application: **15 June 2015**  
(24) Date from which industrial property rights may have effect: **15 June 2015**  
(54) Product in respect of which the design is registered: **Multipurpose tool for removable insertion into another multipurpose tool**  
(51) International Design Classification: **08-05NES**  
(74) Name(s) of Attorney(s): **Pizeys Patent and Trade Mark Attorneys Pty Ltd**  
(71) Name(s) and Address(s) of Applicant(s):  
**Leatherman Tool Group, Inc.**  
**12106 NE Ainsworth Circle Portland OR, 97220 United States of America**  
(72) Name(s) of Designer(s): **Zach Heise**  
(45) Registration Date: **11 August 2015**  
(30) Convention priority data:  
(31) Number (32) Date (33) Country  
**29/512,571 19 Dec 2014 UNITED STATES OF AMERICA**  
(56) Related Art Documents: **Not Applicable**  
(57) Statement of Newness and Distinctiveness: **Nil**



- (21) Design Number: **13150/2015**  
(22) Date of Filing Application: **22 June 2015**  
(24) Date from which industrial property rights may have effect: **22 June 2015**  
(54) Product in respect of which the design is registered: **Highlighter pen**  
(51) International Design Classification: **19-06**  
(74) Name(s) of Attorney(s): **Griffith Hack**  
(71) Name(s) and Address(s) of Applicant(s):  
**ACCO AUSTRALIA PTY LTD**  
**The Lakes Business Park L2 8 Lord St Botany NSW 2019 Australia**  
(72) Name(s) of Designer(s): **Adam Shields**  
(45) Registration Date: **11 August 2015**  
(56) Related Art Documents: **Not Applicable**  
(57) Statement of Newness and Distinctiveness: **Newness and distinctiveness resides in the shape and configuration of the highlighter pen as shown in the representations. Particular attention should be paid to the pens 3D shape and overall profile.**



(21) Design Number: **13542/2015**  
(22) Date of Filing Application: **15 July 2015**  
(24) Date from which industrial property rights may have effect: **15 July 2015**  
(54) Product in respect of which the design is registered: **Control panels for toilets and/or urinals**  
(51) International Design Classification: **23-02C**  
(74) Name(s) of Attorney(s): **Fisher Adams Kelly Pty Ltd**  
(71) Name(s) and Address(s) of Applicant(s):  
**Geberit International AG**  
**Schachenstrasse 77 Jona 8645 Switzerland**  
(72) Name(s) of Designer(s): **Christoph Behling**  
(45) Registration Date: **11 August 2015**  
(30) Convention priority data:  
(31) Number (32) Date (33) Country  
**891517601 06 May 2015 WORLD INTELLECTUAL**  
**PROPERTY ORGANIZATION**  
**(WIPO)**



PERSPECTIVE VIEW

(56) Related Art Documents: **Not Applicable**  
(57) Statement of Newness and Distinctiveness: **The newness and distinctiveness of the design resides in the shape and/or configuration of a control panel for a toilet and/or urinal as shown in the accompanying representations**

(21) Design Number: **13430/2015**  
(22) Date of Filing Application: **08 July 2015**  
(24) Date from which industrial property rights may have effect: **08 July 2015**  
(54) Product in respect of which the design is registered: **Pet food piece**  
(51) International Design Classification: **01-06**  
(74) Name(s) of Attorney(s): **FB Rice**  
(71) Name(s) and Address(s) of Applicant(s):  
**Hills Pet Nutrition, Inc.**  
**400 Southwest 8th Avenue Topeka KS, 66603 United States of America**  
(72) Name(s) of Designer(s): **Kathy Gross and Shannon Morey and Craig Cowley and Geoff Bednar**  
(45) Registration Date: **11 August 2015**  
(30) Convention priority data:  
(31) Number (32) Date (33) Country  
**29/515306 21 Jan 2015 UNITED STATES OF AMERICA**

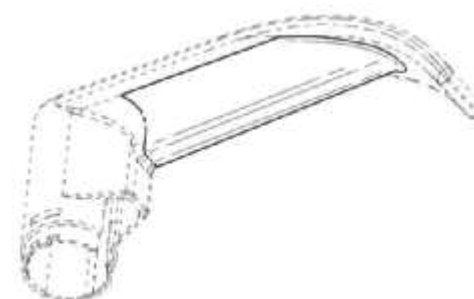


(56) Related Art Documents: **Not Applicable**  
(57) Statement of Newness and Distinctiveness: **Newness and distinctiveness reside in the features of shape and configuration of the design as shown in the representations.**

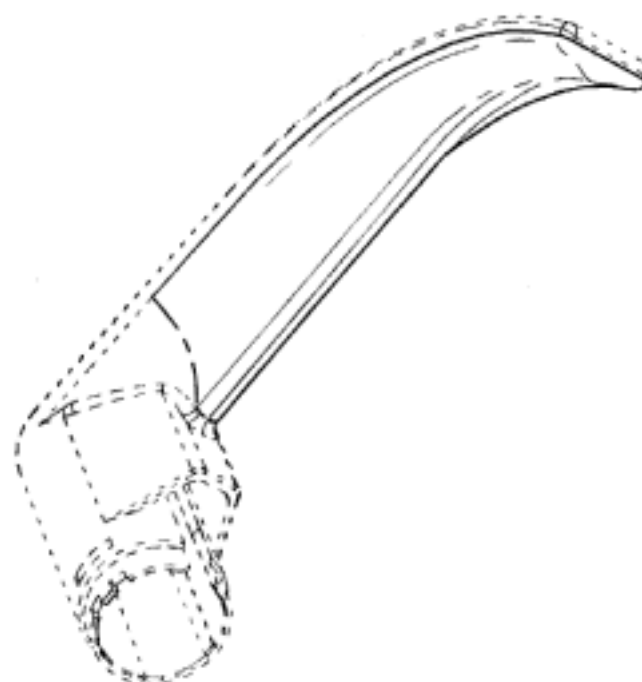
- (21) Design Number: **13435/2015**  
(22) Date of Filing Application: **08 July 2015**  
(24) Date from which industrial property rights may have effect: **08 July 2015**  
(54) Product in respect of which the design is registered: **Semiochemical retainer**  
(51) International Design Classification: **22-06**  
(74) Name(s) of Attorney(s): **Baldwins**  
(71) Name(s) and Address(s) of Applicant(s):  
**Sterling International Inc.**  
**3808 North Sullivan Road Bldg. 16BV Spokane Washington, 99216**  
**United States of America**  
(72) Name(s) of Designer(s): **Qing-He Zhang and Marc Chapin and Rodney G**  
**Schneidmiller**  
(45) Registration Date: **11 August 2015**  
(56) Related Art Documents: **Not Applicable**  
(57) Statement of Newness and Distinctiveness: **Newness and distinctiveness**  
**resides in the features of shape and/or configuration of the**  
**semiochemical retainer.**



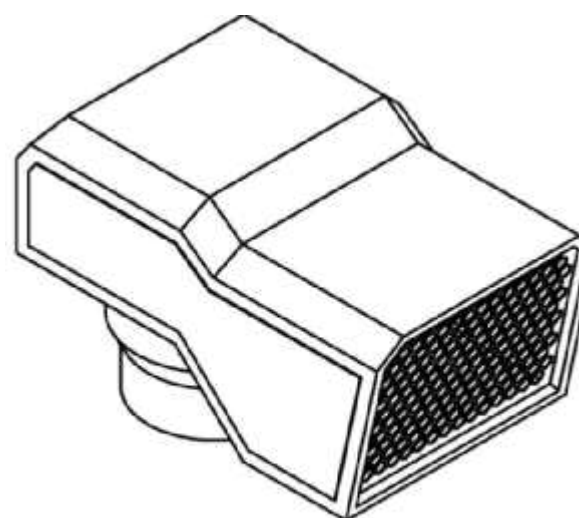
- (21) Design Number: **13436/2015**  
(22) Date of Filing Application: **08 July 2015**  
(24) Date from which industrial property rights may have effect: **08 July 2015**  
(54) Product in respect of which the design is registered: **Lever**  
(51) International Design Classification: **08-06**  
(74) Name(s) of Attorney(s): **WATERMARK PATENT AND TRADE MARKS**  
**ATTORNEYS**  
(71) Name(s) and Address(s) of Applicant(s):  
**Taiwan Fu Hsing Industrial Co., Ltd.**  
**No.88 Yucai Road Gangshan District Kaohsiung City Taiwan, R.O.C, 820**  
**Taiwan**  
(72) Name(s) of Designer(s): **Wen-Chieh Lee**  
(45) Registration Date: **11 August 2015**  
(30) Convention priority data:  
(31) Number      (32) Date      (33) Country  
**TW 104300980    24 Feb 2015    TAIWAN**  
(56) Related Art Documents: **Not Applicable**  
(57) Statement of Newness and Distinctiveness: **Newness and distinctiveness**  
**resides in the features of shape and configuration of a portion of the**  
**lever shown in solid lines in the accompanying drawings. The portions**  
**of the lever shown in stippled lines do not form part of the design.**



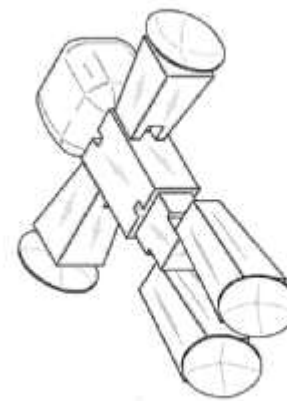
- (21) Design Number: **13437/2015**  
(22) Date of Filing Application: **08 July 2015**  
(24) Date from which industrial property rights may have effect: **08 July 2015**  
(54) Product in respect of which the design is registered: **Lever**  
(51) International Design Classification: **08-06**  
(74) Name(s) of Attorney(s): **WATERMARK PATENT AND TRADE MARKS ATTORNEYS**  
(71) Name(s) and Address(s) of Applicant(s):  
**Taiwan Fu Hsing Industrial Co., Ltd.**  
**No.88 Yucai Road Gangshan District Kaohsiung City Taiwan, R.O.C, 820 Taiwan**  
(72) Name(s) of Designer(s): **Wen-Chieh Lee**  
(45) Registration Date: **11 August 2015**  
(30) Convention priority data:  
(31) Number (32) Date (33) Country  
**TW 104300981 24 Feb 2015 TAIWAN**  
(56) Related Art Documents: **Not Applicable**  
(57) Statement of Newness and Distinctiveness: **Newness and distinctiveness resides in the features of shape and configuration of a portion of the lever shown in solid lines in the accompanying drawings. The portions of the lever shown in stippled lines do not form part of the design.**



- (21) Design Number: **13531/2015**  
(22) Date of Filing Application: **15 July 2015**  
(24) Date from which industrial property rights may have effect: **15 July 2015**  
(54) Product in respect of which the design is registered: **Air ram**  
(51) International Design Classification: **12-16NES**  
(74) Name(s) of Attorney(s):  
(71) Name(s) and Address(s) of Applicant(s):  
**Wayne Simpson**  
**49 Orchard PI Inverell NSW 2360 Australia**  
(72) Name(s) of Designer(s): **Wayne Simpson**  
(45) Registration Date: **11 August 2015**  
(56) Related Art Documents: **Not Applicable**  
(57) Statement of Newness and Distinctiveness: **Newness and distinctiveness is claimed in the features of shape and/or configuration of an air ram intake for a vehicle as illustrated in the accompanying representations.**



(21) Design Number: **13530/2015**  
(22) Date of Filing Application: **15 July 2015**  
(24) Date from which industrial property rights may have effect: **15 July 2015**  
(54) Product in respect of which the design is registered: **Toy character**  
(51) International Design Classification: **21-01B**  
(74) Name(s) of Attorney(s): **Fisher Adams Kelly Pty Ltd**  
(71) Name(s) and Address(s) of Applicant(s):  
**KMA Concepts Limited**  
**Suite 1003 Silvercord Tower 1 30 Canton Road KOWLOON Hong Kong**  
(72) Name(s) of Designer(s): **Peter Cummings**  
(45) Registration Date: **11 August 2015**  
(30) Convention priority data:  
(31) Number (32) Date (33) Country  
**201530013345.6 16 Jan 2015 CHINA**  
(56) Related Art Documents: **Not Applicable**  
(57) Statement of Newness and Distinctiveness: **The newness and distinctiveness of the design resides in the shape and/or configuration of the Toy Character shown in the representations. The first and second poses are provided for illustrative purposes only.**



(21) Design Number: **13532/2015**  
(22) Date of Filing Application: **15 July 2015**  
(24) Date from which industrial property rights may have effect: **15 July 2015**  
(54) Product in respect of which the design is registered: **Body for juice extractor**  
(51) International Design Classification: **31-00**  
(74) Name(s) of Attorney(s): **FB Rice**  
(71) Name(s) and Address(s) of Applicant(s):  
**NUC Electronics Co., Ltd.**  
**280 Nowon-ro Buk-gu Daegu 702-053 Republic of Korea**  
(72) Name(s) of Designer(s): **Jong Boo Kim and Gun Wook Jo**  
(45) Registration Date: **11 August 2015**  
(30) Convention priority data:  
(31) Number (32) Date (33) Country  
**30-2015-0003360 22 Jan 2015 REPUBLIC OF KOREA**  
(56) Related Art Documents: **Not Applicable**  
(57) Statement of Newness and Distinctiveness: **Newness and distinctiveness reside in the features of the design as shown in the representations.**



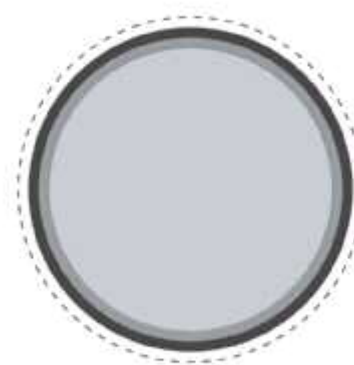
- (21) Design Number: **13533/2015**  
(22) Date of Filing Application: **15 July 2015**  
(24) Date from which industrial property rights may have effect: **15 July 2015**  
(54) Product in respect of which the design is registered: **Pendant light**  
(51) International Design Classification: **26-05D**  
(74) Name(s) of Attorney(s):  
(71) Name(s) and Address(s) of Applicant(s):  
**Seaton Drew Mckeon**  
**Palmer St Darlinghurst NSW 2017 Australia**  
**Seaton McKeon**  
**118 Old Hume Hwy Yerrinbool NSW 2575 Australia**  
(72) Name(s) of Designer(s): **Seaton McKeon**  
(45) Registration Date: **11 August 2015**  
(56) Related Art Documents: **Not Applicable**  
(57) Statement of Newness and Distinctiveness: **New in form and aesthetic.**



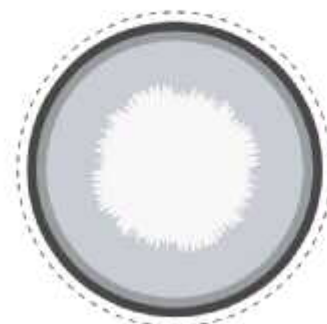
- (21) Design Number: **13534/2015**  
(22) Date of Filing Application: **15 July 2015**  
(24) Date from which industrial property rights may have effect: **15 July 2015**  
(54) Product in respect of which the design is registered: **Table**  
(51) International Design Classification: **06-03A**  
(74) Name(s) of Attorney(s):  
(71) Name(s) and Address(s) of Applicant(s):  
**Bernabei Freeman Pty Ltd**  
**12 Nicholls Ave Haberfield NSW 2045 Australia**  
(72) Name(s) of Designer(s): **Rina Bernabei and Kelly Freeman**  
(45) Registration Date: **11 August 2015**  
(56) Related Art Documents: **Not Applicable**  
(57) Statement of Newness and Distinctiveness: **Metal table with decorative perforated legs.**



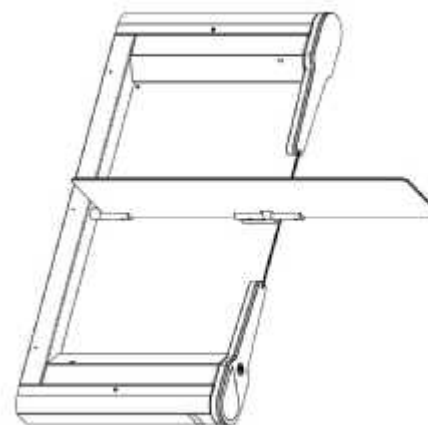
(21) Design Number: **13505/2015**  
(22) Date of Filing Application: **14 July 2015**  
(24) Date from which industrial property rights may have effect: **14 July 2015**  
(54) Product in respect of which the design is registered: **Contact lens**  
(51) International Design Classification: **16-06**  
(74) Name(s) of Attorney(s): **Callinans**  
(71) Name(s) and Address(s) of Applicant(s):  
**Johnson & Johnson Vision Care, Inc.**  
**7500 Centurion Parkway Jacksonville, Florida, 32256 United States of America**  
(72) Name(s) of Designer(s): **Dawn D. Wright and Jeffrey H. Roffman and Angie Bowers**  
(45) Registration Date: **11 August 2015**  
(30) Convention priority data:  
(31) Number (32) Date (33) Country  
**29/517297 11 Feb 2015 UNITED STATES OF AMERICA**  
(56) Related Art Documents: **Not Applicable**  
(57) Statement of Newness and Distinctiveness: **Newness and distinctiveness reside in the features of pattern and/or ornamentation of the design shown in the representations. The features shown in broken lines in the representations are for illustrative purposes only and should not be considered when construing visual features of the design.**



(21) Design Number: **13506/2015**  
(22) Date of Filing Application: **14 July 2015**  
(24) Date from which industrial property rights may have effect: **14 July 2015**  
(54) Product in respect of which the design is registered: **Contact lens**  
(51) International Design Classification: **16-06**  
(74) Name(s) of Attorney(s): **Callinans**  
(71) Name(s) and Address(s) of Applicant(s):  
**Johnson & Johnson Vision Care, Inc.**  
**7500 Centurion Parkway Jacksonville, Florida, 32256 United States of America**  
(72) Name(s) of Designer(s): **Dawn D. Wright and Jeffrey H. Roffman and Angie Bowers**  
(45) Registration Date: **11 August 2015**  
(30) Convention priority data:  
(31) Number (32) Date (33) Country  
**29/517288 11 Feb 2015 UNITED STATES OF AMERICA**  
(56) Related Art Documents: **Not Applicable**  
(57) Statement of Newness and Distinctiveness: **Newness and distinctiveness reside in the features of pattern and/or ornamentation of the design shown in the representations. The features shown in broken lines in the representations are for illustrative purposes only and should not be considered when construing visual features of the design.**



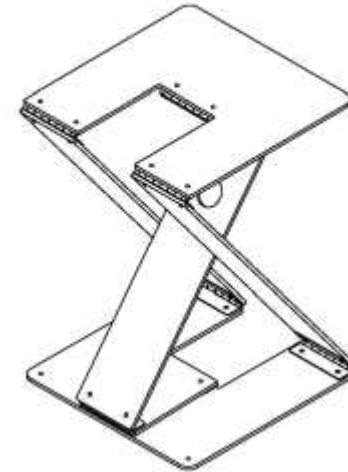
(21) Design Number: **13552/2015**  
(22) Date of Filing Application: **16 July 2015**  
(24) Date from which industrial property rights may have effect: **17 April 2015**  
(54) Product in respect of which the design is registered: **Access gate**  
(51) International Design Classification: **25-02C**  
(74) Name(s) of Attorney(s): **PHILLIPS ORMONDE FITZPATRICK**  
(71) Name(s) and Address(s) of Applicant(s):  
**Gunnebo Entrance Control Ltd**  
**Bellbrook Business Park Uckfield TN22 1 QQ United Kingdom**  
(72) Name(s) of Designer(s): **Thomas Britton and Stephen John Bates and Nicholas Peter Elkins**  
(45) Registration Date: **11 August 2015**  
(62) Divisional of: **362963**  
(56) Related Art Documents: **Not Applicable**  
(57) Statement of Newness and Distinctiveness: **Nil**



(21) Design Number: **13556/2015**  
(22) Date of Filing Application: **16 July 2015**  
(24) Date from which industrial property rights may have effect: **16 July 2015**  
(54) Product in respect of which the design is registered: **Suitcase**  
(51) International Design Classification: **03-01A**  
(74) Name(s) of Attorney(s): **FB Rice**  
(71) Name(s) and Address(s) of Applicant(s):  
**RIMOWA GmbH**  
**Richard-Byrd-Strasse 13 Cologne 50829 Germany**  
(72) Name(s) of Designer(s): **Dieter Morszeck**  
(45) Registration Date: **11 August 2015**  
(30) Convention priority data:  
(31) Number      (32) Date      (33) Country  
**002619353-0003    23 Jan 2015      OFFICE FOR HARMONISATION IN  
THE INTERNAL MARKET (OHIM)**  
(56) Related Art Documents: **Not Applicable**  
(57) Statement of Newness and Distinctiveness: **Newness and distinctiveness reside in the features of the design as shown in the representations.**



- (21) Design Number: **13399/2015**  
(22) Date of Filing Application: **06 July 2015**  
(24) Date from which industrial property rights may have effect: **06 July 2015**  
(54) Product in respect of which the design is registered: **Stool, side table**  
(51) International Design Classification: **06-01E**  
(74) Name(s) of Attorney(s):  
(71) Name(s) and Address(s) of Applicant(s):  
**Adam Goodrum**  
**25 John St Waterloo NSW 2017 Australia**  
(72) Name(s) of Designer(s): **Adam Goodrum**  
(45) Registration Date: **11 August 2015**  
(56) Related Art Documents: **Not Applicable**  
(57) Statement of Newness and Distinctiveness: **A folding stool that is constructed from flat sheet material and joining hinges. Folds from one flat sheet into a stool or side table.**



- (21) Design Number: **13546/2015**  
(22) Date of Filing Application: **15 July 2015**  
(24) Date from which industrial property rights may have effect: **15 July 2015**  
(54) Product in respect of which the design is registered: **Tool for wound care**  
(51) International Design Classification: **24-02**  
(74) Name(s) of Attorney(s): **Krouzer IP**  
(71) Name(s) and Address(s) of Applicant(s):  
**Mundipharma Pty Limited**  
**L33 50 Bridge St Sydney NSW 2000 Australia**  
(72) Name(s) of Designer(s): **John Charles Price**  
(45) Registration Date: **11 August 2015**  
(56) Related Art Documents: **Not Applicable**  
(57) Statement of Newness and Distinctiveness: **The visual features of the shape and configuration of the head portion of the tool and its relative configuration relative to the handle as shown in the representations are regarded as new and distinctive. The shape and configuration of the graduations shown along the handle are to be disregarded or diminished in importance when considering the newness and distinctiveness of the design.**



(21) Design Number: **13547/2015**  
(22) Date of Filing Application: **15 July 2015**  
(24) Date from which industrial property rights may have effect: **15 July 2015**  
(54) Product in respect of which the design is registered: **Wall plate adapter**  
(51) International Design Classification: **13-03D**  
(74) Name(s) of Attorney(s):  
(71) Name(s) and Address(s) of Applicant(s):

**PRK Partners Pty Ltd**  
**4/15 Airdrie Rd Caulfield North VIC 3161 Australia**

(72) Name(s) of Designer(s): **Paul David Rodgerson**  
(45) Registration Date: **11 August 2015**  
(56) Related Art Documents: **Not Applicable**  
(57) Statement of Newness and Distinctiveness: **Newness and distinctiveness is claimed in the features of shape and/or configuration of a wall plate adapter as shown in the accompanying representations, in particular the recess in the rear section of the adapter.**

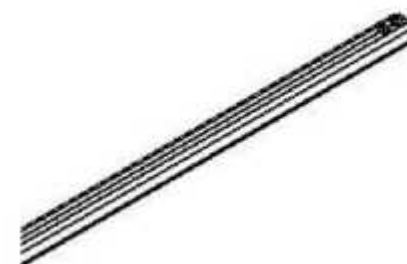


(21) Design Number: **13544/2015**  
(22) Date of Filing Application: **15 July 2015**  
(24) Date from which industrial property rights may have effect: **15 July 2015**  
(54) Product in respect of which the design is registered: **Protective device**  
(51) International Design Classification: **29-02**  
(74) Name(s) of Attorney(s): **Shelston IP**  
(71) Name(s) and Address(s) of Applicant(s):

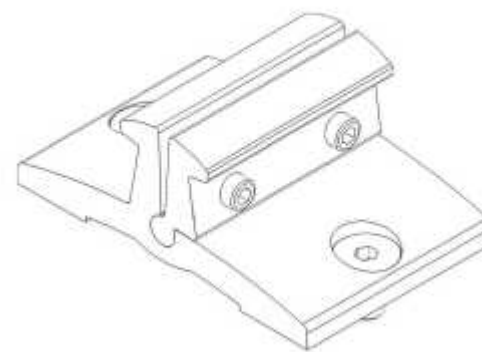
**SKYLOTEC GmbH**  
**Im Muhlengrund 6-8 Neuwied 56566 Germany**

(72) Name(s) of Designer(s): **Kai Rinklake**  
(45) Registration Date: **11 August 2015**  
(30) Convention priority data:  
(31) Number      (32) Date      (33) Country  
**002623090      29 Jan 2015      EUROPEAN PATENT OFFICE (EPO)**

(56) Related Art Documents: **Not Applicable**  
(57) Statement of Newness and Distinctiveness: **Newness and distinctiveness reside in the features of shape and/or configuration of the Protective Device of indefinite length as shown in the accompanying representations.**



- (21) Design Number: **13545/2015**  
(22) Date of Filing Application: **15 July 2015**  
(24) Date from which industrial property rights may have effect: **15 July 2015**  
(54) Product in respect of which the design is registered: **Protective device**  
(51) International Design Classification: **29-02**  
(74) Name(s) of Attorney(s): **Shelston IP**  
(71) Name(s) and Address(s) of Applicant(s):  
**SKYLOTEC GmbH**  
**Im Muhlengrund 6-8 Neuwied 56566 Germany**  
(72) Name(s) of Designer(s): **Kai Rinklake**  
(45) Registration Date: **11 August 2015**  
(30) Convention priority data:  
(31) Number (32) Date (33) Country  
**002623090 29 Jan 2015 EUROPEAN PATENT OFFICE (EPO)**  
(56) Related Art Documents: **Not Applicable**  
(57) Statement of Newness and Distinctiveness: **Newness and distinctiveness reside in the features of shape and/or configuration of the Protective Device as shown in the accompanying representations.**



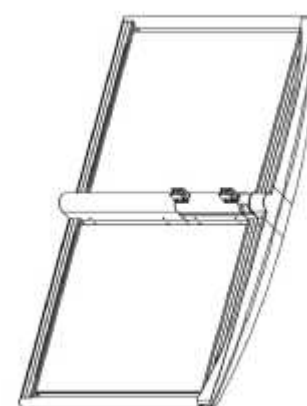
- (21) Design Number: **13548/2015**  
(22) Date of Filing Application: **16 July 2015**  
(24) Date from which industrial property rights may have effect: **16 July 2015**  
(54) Product in respect of which the design is registered: **Scoop design for a automotive bonnet**  
(51) International Design Classification: **12-16B**  
(74) Name(s) of Attorney(s):  
(71) Name(s) and Address(s) of Applicant(s):  
**Mike Savage**  
**5/280 Great Southern Rd Bargo NSW 2574 Australia**  
(72) Name(s) of Designer(s): **Mike Savage**  
(45) Registration Date: **11 August 2015**  
(56) Related Art Documents: **Not Applicable**  
(57) Statement of Newness and Distinctiveness: **This is a new design consisting of two scoops in the front section of a automotive bonnet.**



- (21) Design Number: **13550/2015**  
(22) Date of Filing Application: **16 July 2015**  
(24) Date from which industrial property rights may have effect: **16 July 2015**  
(54) Product in respect of which the design is registered: **A street light**  
(51) International Design Classification: **26-03**  
(74) Name(s) of Attorney(s): **PIPERS**  
(71) Name(s) and Address(s) of Applicant(s):  
**OMA LIGHTING CO. LTD.**  
**11F., No.90, Xingde Rd. Sanchong Dist New Taipei City 241 Taiwan**  
(72) Name(s) of Designer(s): **Chia-Chen Wang and Peng Hui Wang**  
(45) Registration Date: **11 August 2015**  
(56) Related Art Documents: **Not Applicable**  
(57) Statement of Newness and Distinctiveness: **The design is to be applied to a STREET LIGHT and the novelty resides in the features of shape and configuration of the STREET LIGHT as shown in the accompanying representations.**



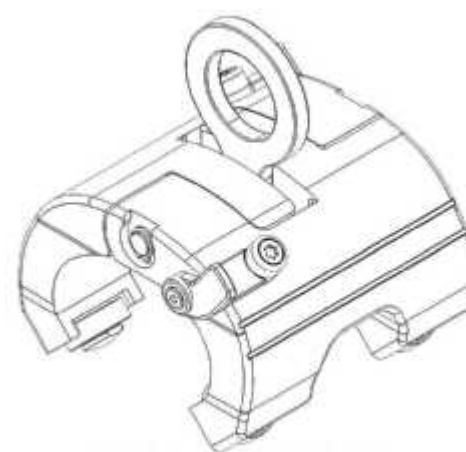
- (21) Design Number: **13551/2015**  
(22) Date of Filing Application: **16 July 2015**  
(24) Date from which industrial property rights may have effect: **16 July 2015**  
(54) Product in respect of which the design is registered: **Access gate**  
(51) International Design Classification: **25-02C**  
(74) Name(s) of Attorney(s): **PHILLIPS ORMONDE FITZPATRICK**  
(71) Name(s) and Address(s) of Applicant(s):  
**Gunnebo Entrance Control Ltd**  
**Bellbrook Business Park Uckfield TN22 1 QQ United Kingdom**  
(72) Name(s) of Designer(s): **Thomas Britton and Stephen John Bates and Nicholas Peter Elkins**  
(45) Registration Date: **11 August 2015**  
(56) Related Art Documents: **Not Applicable**  
(57) Statement of Newness and Distinctiveness: **Nil**



- (21) Design Number: **13457/2015**  
(22) Date of Filing Application: **09 July 2015**  
(24) Date from which industrial property rights may have effect: **09 July 2015**  
(54) Product in respect of which the design is registered: **Frame profile**  
(51) International Design Classification: **25-01K**  
(74) Name(s) of Attorney(s): **Griffith Hack**  
(71) Name(s) and Address(s) of Applicant(s):  
**Capral Limited**  
**PO BOX 209 Parramatta CBD BC NSW 2124 Australia**  
(72) Name(s) of Designer(s): **Benjamin Ian Tilley**  
(45) Registration Date: **11 August 2015**  
(56) Related Art Documents: **Not Applicable**  
(57) Statement of Newness and Distinctiveness: **Newness and distinctiveness is claimed in the shape and configuration of the product, which is of indefinite length, as illustrated in the drawings.**



- (21) Design Number: **13541/2015**  
(22) Date of Filing Application: **15 July 2015**  
(24) Date from which industrial property rights may have effect: **15 July 2015**  
(54) Product in respect of which the design is registered: **Protective Device**  
(51) International Design Classification: **29-02**  
(74) Name(s) of Attorney(s): **Shelston IP**  
(71) Name(s) and Address(s) of Applicant(s):  
**SKYLOTEC GmbH**  
**Im Muhlengrund 6-8 Neuwied 56566 Germany**  
(72) Name(s) of Designer(s): **Kai Rinklake**  
(45) Registration Date: **11 August 2015**  
(30) Convention priority data:  
(31) Number      (32) Date      (33) Country  
**002623090      29 Jan 2015      EUROPEAN PATENT OFFICE (EPO)**  
(56) Related Art Documents: **Not Applicable**  
(57) Statement of Newness and Distinctiveness: **Newness and distinctiveness reside in the features of shape and/or configuration of the Protective Device as shown in the accompanying representations.**

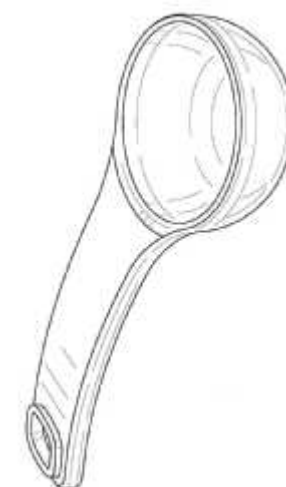


(21) Design Number: **13564/2015**  
(22) Date of Filing Application: **17 July 2015**  
(24) Date from which industrial property rights may have effect: **17 July 2015**  
(54) Product in respect of which the design is registered: **Drill corer**  
(51) International Design Classification: **08-01**  
(74) Name(s) of Attorney(s): **Fisher Adams Kelly Pty Ltd**  
(71) Name(s) and Address(s) of Applicant(s):  
**The State of Queensland Through Its Department of Agriculture and Fisheries**  
**Ecosciences Precinct Level 3.C West 41 Boggo Rd Dutton Park QLD 4102 Australia**



(72) Name(s) of Designer(s): **Henri Bailleres**  
(45) Registration Date: **11 August 2015**  
(56) Related Art Documents: **Not Applicable**  
(57) Statement of Newness and Distinctiveness: **The newness and distinctiveness of the design resides in the shape and/or configuration of a DRILL CORER as shown in the accompanying representations. When considering the newness and distinctiveness of the design, the lines shown in phantom should be disregarded.**

(21) Design Number: **13568/2015**  
(22) Date of Filing Application: **17 July 2015**  
(24) Date from which industrial property rights may have effect: **17 July 2015**  
(54) Product in respect of which the design is registered: **Measuring spoon**  
(51) International Design Classification: **10-04**  
(74) Name(s) of Attorney(s): **PHILLIPS ORMONDE FITZPATRICK**  
(71) Name(s) and Address(s) of Applicant(s):  
**Dart Industries Inc.**  
**14901 S. Orange Blossom Trail Orlando Florida, 32837 United States of America**



(72) Name(s) of Designer(s): **James Michael Wiggins**  
(45) Registration Date: **11 August 2015**  
(30) Convention priority data:  
(31) Number      (32) Date      (33) Country  
**29/474,795      10 Feb 2015      UNITED STATES OF AMERICA**  
(56) Related Art Documents: **Not Applicable**  
(57) Statement of Newness and Distinctiveness: **Those features of the measuring spoon depicted in the representations that are new and distinctive are the shape and/or configuration.**

(21) Design Number: **13569/2015**  
(22) Date of Filing Application: **17 July 2015**  
(24) Date from which industrial property rights may have effect: **17 July 2015**  
(54) Product in respect of which the design is registered: **Measuring spoon**  
(51) International Design Classification: **10-04**  
(74) Name(s) of Attorney(s): **PHILLIPS ORMONDE FITZPATRICK**  
(71) Name(s) and Address(s) of Applicant(s):  
**Dart Industries Inc.**  
**14901 S. Orange Blossom Trail Orlando Florida, 32837 United States of America**

(72) Name(s) of Designer(s): **James Michael Wiggins**

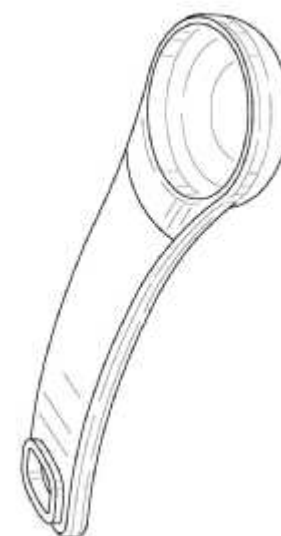
(45) Registration Date: **11 August 2015**

(30) Convention priority data:

(31) Number	(32) Date	(33) Country
<b>29/474,795</b>	<b>10 Feb 2015</b>	<b>UNITED STATES OF AMERICA</b>

(56) Related Art Documents: **Not Applicable**

(57) Statement of Newness and Distinctiveness: **Those features of the measuring spoon depicted in the representations that are new and distinctive are the shape and/or configuration.**



(21) Design Number: **13570/2015**  
(22) Date of Filing Application: **17 July 2015**  
(24) Date from which industrial property rights may have effect: **17 July 2015**  
(54) Product in respect of which the design is registered: **Measuring spoon**  
(51) International Design Classification: **10-04**  
(74) Name(s) of Attorney(s): **PHILLIPS ORMONDE FITZPATRICK**  
(71) Name(s) and Address(s) of Applicant(s):  
**Dart Industries Inc.**  
**14901 S. Orange Blossom Trail Orlando Florida, 32837 United States of America**

(72) Name(s) of Designer(s): **James Michael Wiggins**

(45) Registration Date: **11 August 2015**

(30) Convention priority data:

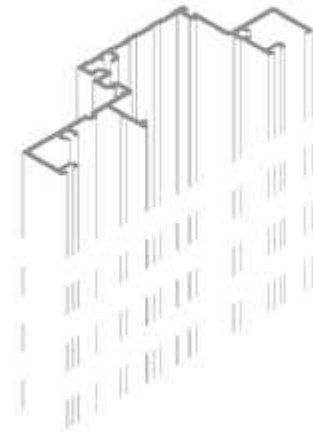
(31) Number	(32) Date	(33) Country
<b>29/474,795</b>	<b>10 Feb 2015</b>	<b>UNITED STATES OF AMERICA</b>

(56) Related Art Documents: **Not Applicable**

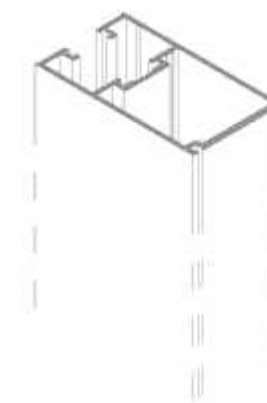
(57) Statement of Newness and Distinctiveness: **Those features of the measuring spoon depicted in the representations that are new and distinctive are the shape and/or configuration.**



- (21) Design Number: **13454/2015**  
(22) Date of Filing Application: **09 July 2015**  
(24) Date from which industrial property rights may have effect: **09 July 2015**  
(54) Product in respect of which the design is registered: **Frame profile**  
(51) International Design Classification: **25-01K**  
(74) Name(s) of Attorney(s): **Griffith Hack**  
(71) Name(s) and Address(s) of Applicant(s):  
**Capral Limited**  
**PO BOX 209 Parramatta CBD BC NSW 2124 Australia**  
(72) Name(s) of Designer(s): **Benjamin Ian Tilley**  
(45) Registration Date: **11 August 2015**  
(56) Related Art Documents: **Not Applicable**  
(57) Statement of Newness and Distinctiveness: **Newness and distinctiveness is claimed in the shape and configuration of the product, which is of indefinite length, as illustrated in the drawings.**



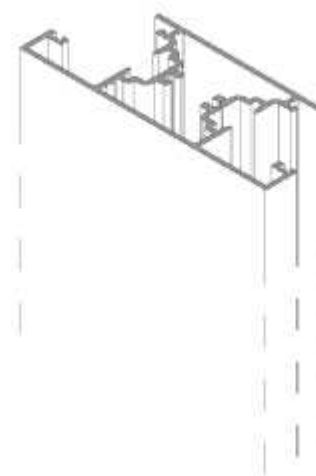
- (21) Design Number: **13458/2015**  
(22) Date of Filing Application: **09 July 2015**  
(24) Date from which industrial property rights may have effect: **09 July 2015**  
(54) Product in respect of which the design is registered: **Frame profile**  
(51) International Design Classification: **25-01K**  
(74) Name(s) of Attorney(s): **Griffith Hack**  
(71) Name(s) and Address(s) of Applicant(s):  
**Capral Limited**  
**PO BOX 209 Parramatta CBD BC NSW 2124 Australia**  
(72) Name(s) of Designer(s): **Benjamin Ian Tilley**  
(45) Registration Date: **11 August 2015**  
(56) Related Art Documents: **Not Applicable**  
(57) Statement of Newness and Distinctiveness: **Newness and distinctiveness is claimed in the shape and configuration of the product, which is of indefinite length, as illustrated in the drawings.**



- (21) Design Number: **13459/2015**  
(22) Date of Filing Application: **09 July 2015**  
(24) Date from which industrial property rights may have effect: **09 July 2015**  
(54) Product in respect of which the design is registered: **Frame profile**  
(51) International Design Classification: **25-01K**  
(74) Name(s) of Attorney(s): **Griffith Hack**  
(71) Name(s) and Address(s) of Applicant(s):  
**Capral Limited**  
**PO BOX 209 Parramatta CBD BC NSW 2124 Australia**  
(72) Name(s) of Designer(s): **Benjamin Ian Tilley**  
(45) Registration Date: **11 August 2015**  
(56) Related Art Documents: **Not Applicable**  
(57) Statement of Newness and Distinctiveness: **Newness and distinctiveness is claimed in the shape and configuration of the product, which is of indefinite length, as illustrated in the drawings.**



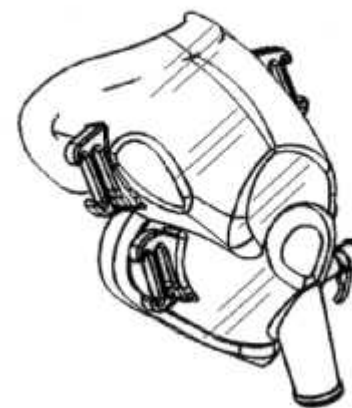
- (21) Design Number: **13460/2015**  
(22) Date of Filing Application: **09 July 2015**  
(24) Date from which industrial property rights may have effect: **09 July 2015**  
(54) Product in respect of which the design is registered: **Frame profile**  
(51) International Design Classification: **25-01K**  
(74) Name(s) of Attorney(s): **Griffith Hack**  
(71) Name(s) and Address(s) of Applicant(s):  
**Capral Limited**  
**PO BOX 209 Parramatta CBD BC NSW 2124 Australia**  
(72) Name(s) of Designer(s): **Benjamin Ian Tilley**  
(45) Registration Date: **11 August 2015**  
(56) Related Art Documents: **Not Applicable**  
(57) Statement of Newness and Distinctiveness: **Newness and distinctiveness is claimed in the shape and configuration of the product, which is of indefinite length, as illustrated in the drawings.**



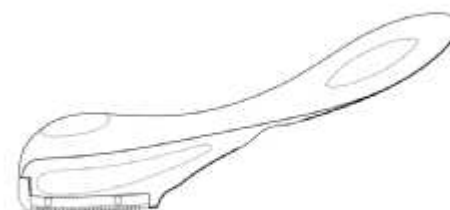
- (21) Design Number: **13462/2015**  
(22) Date of Filing Application: **09 July 2015**  
(24) Date from which industrial property rights may have effect: **09 July 2015**  
(54) Product in respect of which the design is registered: **felt-tip marker**  
(51) International Design Classification: **19-06**  
(74) Name(s) of Attorney(s): **HODGKINSON McINNES PATENTS**  
(71) Name(s) and Address(s) of Applicant(s):  
**SPIRAXJOP PTY LTD**  
**2 Coronation Ave Kings Park NSW 2148 Australia**  
(72) Name(s) of Designer(s): **Andy Whitting**  
(45) Registration Date: **11 August 2015**  
(56) Related Art Documents: **Not Applicable**  
(57) Statement of Newness and Distinctiveness: **Newness and distinctiveness is claimed in the shape and configuration of a felt-tip marker as shown in the representations.**



- (21) Design Number: **12962/2015**  
(22) Date of Filing Application: **12 June 2015**  
(24) Date from which industrial property rights may have effect: **12 June 2015**  
(54) Product in respect of which the design is registered: **Surgical mask**  
(51) International Design Classification: **24-01**  
(74) Name(s) of Attorney(s): **Spruson & Ferguson**  
(71) Name(s) and Address(s) of Applicant(s):  
**Revolutionary Medical Devices, Inc.**  
**4090 E. Bujia Primera, Tucson Arizona, 85718 United States of America**  
(72) Name(s) of Designer(s): **Thomas M. Reilly and Michael J. Pedro and Steven H. Cataldo and Ryan G. Redford and Peter Krones and David M. Kane**  
(45) Registration Date: **11 August 2015**  
(30) Convention priority data:  
(31) Number      (32) Date      (33) Country  
**29/511716      12 Dec 2014      UNITED STATES OF AMERICA**  
(56) Related Art Documents: **Not Applicable**  
(57) Statement of Newness and Distinctiveness: **Newness and distinctiveness is claimed in the features of shape and/or configuration of a surgical mask as illustrated in the accompanying representations.**



- (21) Design Number: **13250/2015**  
(22) Date of Filing Application: **26 June 2015**  
(24) Date from which industrial property rights may have effect: **26 June 2015**  
(54) Product in respect of which the design is registered: **Hand-held electronic device**  
(51) International Design Classification: **28-03NES**  
(74) Name(s) of Attorney(s): **Callinans**  
(71) Name(s) and Address(s) of Applicant(s):  
**DD Karma LLC**  
**844 Kimballwood Lane Highland Park, Illinois, 60035 United States of America**  
(72) Name(s) of Designer(s): **Dara Levy**  
(45) Registration Date: **11 August 2015**  
(56) Related Art Documents: **Not Applicable**  
(57) Statement of Newness and Distinctiveness: **Newness and distinctiveness are provided by the shape and/or configuration of the design shown in the representations. The features shown in broken lines in the representations are for illustrative purposes only and should not be considered when construing visual features of the design.**



- (21) Design Number: **13455/2015**  
(22) Date of Filing Application: **09 July 2015**  
(24) Date from which industrial property rights may have effect: **09 July 2015**  
(54) Product in respect of which the design is registered: **Frame profile**  
(51) International Design Classification: **25-01K**  
(74) Name(s) of Attorney(s): **Griffith Hack**  
(71) Name(s) and Address(s) of Applicant(s):  
**Capral Limited**  
**PO BOX 209 Parramatta CBD BC NSW 2124 Australia**  
(72) Name(s) of Designer(s): **Benjamin Ian Tilley**  
(45) Registration Date: **11 August 2015**  
(56) Related Art Documents: **Not Applicable**  
(57) Statement of Newness and Distinctiveness: **Newness and distinctiveness is claimed in the shape and configuration of the product, which is of indefinite length, as illustrated in the drawings.**

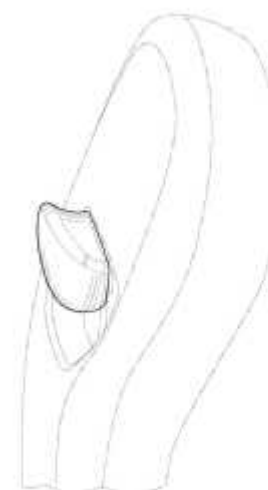


(21) Design Number: **13571/2015**  
(22) Date of Filing Application: **17 July 2015**  
(24) Date from which industrial property rights may have effect: **17 July 2015**  
(54) Product in respect of which the design is registered: **Palm rest for armrest**  
(51) International Design Classification: **06-01D**  
(74) Name(s) of Attorney(s): **Griffith Hack**  
(71) Name(s) and Address(s) of Applicant(s):  
**CROWN EQUIPMENT CORPORATION**  
**40 South Washington Street New Bremen Ohio, 45869 United States of America**



(72) Name(s) of Designer(s): **Christoph Babel and James V Kraimer**  
(45) Registration Date: **11 August 2015**  
(30) Convention priority data:  
(31) Number (32) Date (33) Country  
**29/516,897 06 Feb 2015 UNITED STATES OF AMERICA**  
(56) Related Art Documents: **Not Applicable**  
(57) Statement of Newness and Distinctiveness: **Newness and distinctiveness resides in the visual features, including the shape and configuration of the product shown in the representations. Those parts shown in dashed lines do not form part of the product and have been included from illustrative purposes only.**

(21) Design Number: **13572/2015**  
(22) Date of Filing Application: **17 July 2015**  
(24) Date from which industrial property rights may have effect: **17 July 2015**  
(54) Product in respect of which the design is registered: **Palm rest for armrest**  
(51) International Design Classification: **06-01D**  
(74) Name(s) of Attorney(s): **Griffith Hack**  
(71) Name(s) and Address(s) of Applicant(s):  
**CROWN EQUIPMENT CORPORATION**  
**40 South Washington Street New Bremen Ohio, 45869 United States of America**



(72) Name(s) of Designer(s): **Christoph Babel and James V Kraimer**  
(45) Registration Date: **11 August 2015**  
(30) Convention priority data:  
(31) Number (32) Date (33) Country  
**29/516,897 06 Feb 2015 UNITED STATES OF AMERICA**  
(56) Related Art Documents: **Not Applicable**  
(57) Statement of Newness and Distinctiveness: **Newness and distinctiveness resides in the visual features, including the shape and configuration of the product shown in the representations. Those parts shown in dashed lines do not form part of the product and have been included from illustrative purposes only.**

- (21) Design Number: **13573/2015**  
(22) Date of Filing Application: **17 July 2015**  
(24) Date from which industrial property rights may have effect: **17 July 2015**  
(54) Product in respect of which the design is registered: **Garden pot**  
(51) International Design Classification: **11-02B**  
(74) Name(s) of Attorney(s):  
(71) Name(s) and Address(s) of Applicant(s):  
**Home Leisure Corp Pty Ltd**  
**31 Dunlop Rd Mulgrave VIC 3170 Australia**  
(72) Name(s) of Designer(s): **Michael Westwood**  
(45) Registration Date: **11 August 2015**  
(56) Related Art Documents: **Not Applicable**  
(57) Statement of Newness and Distinctiveness: **The newness and distinctiveness of the design resides in the gentle angled sine curve used on the sides and its integrated broad horizontal flange. The base features decorative slotted drain holes arranged in a geometric pattern.**



- (21) Design Number: **13574/2015**  
(22) Date of Filing Application: **17 July 2015**  
(24) Date from which industrial property rights may have effect: **17 July 2015**  
(54) Product in respect of which the design is registered: **Garden Pot**  
(51) International Design Classification: **11-02B**  
(74) Name(s) of Attorney(s):  
(71) Name(s) and Address(s) of Applicant(s):  
**Home Leisure Corp Pty Ltd**  
**31 Dunlop Rd Mulgrave VIC 3170 Australia**  
(72) Name(s) of Designer(s): **Michael Westwood**  
(45) Registration Date: **12 August 2015**  
(56) Related Art Documents: **Not Applicable**  
(57) Statement of Newness and Distinctiveness: **The newness and distinctiveness of the design resides in the angled rising soft convex curve that integrates with the broad horizontal flange. Additionally the tight radii of the square profile at the base increase to become larger radii immediately below the flange. The base features decorative slotted drain holes arranged in a geometric pattern.**



(21) Design Number: **13575/2015**

(22) Date of Filing Application: **17 July 2015**

(24) Date from which industrial property rights may have effect: **17 July 2015**

(54) Product in respect of which the design is registered: **Garden pot saucer**

(51) International Design Classification: **11-02B**

(74) Name(s) of Attorney(s):

(71) Name(s) and Address(s) of Applicant(s):

**Home Leisure Corp Pty Ltd**

**31 Dunlop Rd Mulgrave VIC 3170 Australia**

(72) Name(s) of Designer(s): **Michael Westwood**

(45) Registration Date: **12 August 2015**

(56) Related Art Documents: **Not Applicable**

(57) Statement of Newness and Distinctiveness: **The newness and distinctiveness of the design resides in the shape of the soft over hemispherical curve of the flange and the geometric orientation of the linear shaped feet of the saucer.**



(21) Design Number: **13576/2015**

(22) Date of Filing Application: **17 July 2015**

(24) Date from which industrial property rights may have effect: **17 July 2015**

(54) Product in respect of which the design is registered: **Garden pot saucer**

(51) International Design Classification: **11-02B**

(74) Name(s) of Attorney(s):

(71) Name(s) and Address(s) of Applicant(s):

**Home Leisure Corp Pty Ltd**

**31 Dunlop Rd Mulgrave VIC 3170 Australia**

(72) Name(s) of Designer(s): **Michael Westwood**

(45) Registration Date: **12 August 2015**

(56) Related Art Documents: **Not Applicable**

(57) Statement of Newness and Distinctiveness: **The newness and distinctiveness of the design resides in the over hemispherical shape of the flange and the geometric pattern of the linear shaped feet.**



- (21) Design Number: **13577/2015**  
(22) Date of Filing Application: **17 July 2015**  
(24) Date from which industrial property rights may have effect: **17 July 2015**  
(54) Product in respect of which the design is registered: **Garden pot with water reservoir**  
(51) International Design Classification: **11-02B**  
(74) Name(s) of Attorney(s):  
(71) Name(s) and Address(s) of Applicant(s):  
**Home Leisure Corp Pty Ltd**  
**31 Dunlop Rd Mulgrave VIC 3170 Australia**  
(72) Name(s) of Designer(s): **Michael Westwood**  
(45) Registration Date: **12 August 2015**  
(56) Related Art Documents: **Not Applicable**  
(57) Statement of Newness and Distinctiveness: **The newness and distinctiveness of the design resides in the angled soft sine curve of the side integrated with the over hemispherical shape of the flange. There is also newness and distinctiveness in the geometric shape of the linear slots of the insert.**



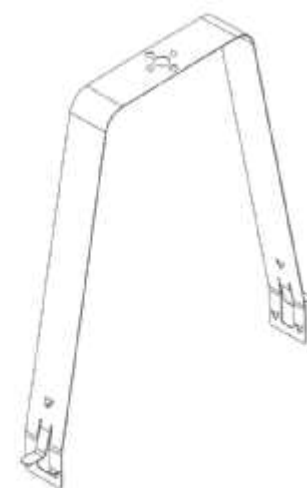
- (21) Design Number: **13578/2015**  
(22) Date of Filing Application: **17 July 2015**  
(24) Date from which industrial property rights may have effect: **17 July 2015**  
(54) Product in respect of which the design is registered: **Insert for garden pot with reservoir**  
(51) International Design Classification: **11-02B**  
(74) Name(s) of Attorney(s):  
(71) Name(s) and Address(s) of Applicant(s):  
**Home Leisure Corp Pty Ltd**  
**31 Dunlop Rd Mulgrave VIC 3170 Australia**  
(72) Name(s) of Designer(s): **Michael Westwood**  
(45) Registration Date: **12 August 2015**  
(56) Related Art Documents: **Not Applicable**  
(57) Statement of Newness and Distinctiveness: **The newness and distinctiveness of the design resides in the geometric pattern of the linear slots and the multiple wells to facilitate capillary action.**



- (21) Design Number: **13579/2015**  
(22) Date of Filing Application: **17 July 2015**  
(24) Date from which industrial property rights may have effect: **17 July 2015**  
(54) Product in respect of which the design is registered: **Rectangular garden pot with reservoir**  
(51) International Design Classification: **11-02B**  
(74) Name(s) of Attorney(s):  
(71) Name(s) and Address(s) of Applicant(s):  
**Home Leisure Corp Pty Ltd**  
**31 Dunlop Rd Mulgrave VIC 3170 Australia**  
(72) Name(s) of Designer(s): **Michael Westwood**  
(45) Registration Date: **12 August 2015**  
(56) Related Art Documents: **Not Applicable**  
(57) Statement of Newness and Distinctiveness: **The newness and distinctiveness of the design resides in the soft convex curved sides which rise to a curved step which in turn integrates into the broad horizontal rim. In addition the linear slots and the capillary tubes in the insert form a patterned geometric design.**



- (21) Design Number: **13486/2015**  
(22) Date of Filing Application: **11 July 2015**  
(24) Date from which industrial property rights may have effect: **11 July 2015**  
(54) Product in respect of which the design is registered: **Spacer bracket**  
(51) International Design Classification: **08-08M**  
(74) Name(s) of Attorney(s): **WALSH & ASSOCIATES**  
(71) Name(s) and Address(s) of Applicant(s):  
**GAMMA ILLUMINATION PTY LTD**  
**42-46 Scrivener St Warwick Farm NSW 2170 Australia**  
(72) Name(s) of Designer(s): **Michael Calabro**  
(45) Registration Date: **12 August 2015**  
(56) Related Art Documents: **Not Applicable**  
(57) Statement of Newness and Distinctiveness: **Novelty resides in the shape and configuration of the bracket as depicted in the accompanying illustrations.**



(21) Design Number: **13566/2015**  
(22) Date of Filing Application: **17 July 2015**  
(24) Date from which industrial property rights may have effect: **17 July 2015**  
(54) Product in respect of which the design is registered: **Table**  
(51) International Design Classification: **06-03B**  
(74) Name(s) of Attorney(s):  
(71) Name(s) and Address(s) of Applicant(s):  
**Spaceleft Pty Ltd**  
**U2/15-19 Anthony St Melbourne VIC 3000 Australia**  
(72) Name(s) of Designer(s): **Ross Gardam**  
(45) Registration Date: **12 August 2015**  
(56) Related Art Documents: **Not Applicable**  
(57) Statement of Newness and Distinctiveness: **The form and angle of the upright legs is new and distinctive. The six sided form of the base is new and distinctive.**



(21) Design Number: **13567/2015**  
(22) Date of Filing Application: **17 July 2015**  
(24) Date from which industrial property rights may have effect: **17 July 2015**  
(54) Product in respect of which the design is registered: **Portion of a golf club hosel insert**  
(51) International Design Classification: **21-02C**  
(74) Name(s) of Attorney(s): **Davies Collison Cave**  
(71) Name(s) and Address(s) of Applicant(s):  
**Karsten Manufacturing Corporation**  
**2201 West Desert Cove Phoenix Arizona, 85029 United States of America**  
(72) Name(s) of Designer(s): **Ryan M. Stokke and Jacob Clarke**  
(45) Registration Date: **12 August 2015**  
(30) Convention priority data:  
(31) Number      (32) Date      (33) Country  
**29/515574      23 Jan 2015      UNITED STATES OF AMERICA**  
(56) Related Art Documents: **Not Applicable**  
(57) Statement of Newness and Distinctiveness: **Newness and distinctiveness is claimed in the visual features shown in solid lines in the representations.**



- (21) Design Number: **13605/2015**  
(22) Date of Filing Application: **20 July 2015**  
(24) Date from which industrial property rights may have effect: **20 July 2015**  
(54) Product in respect of which the design is registered: **Textile**  
(51) International Design Classification: **05-05C**  
(74) Name(s) of Attorney(s): **WATERMARK PATENT AND TRADE MARKS ATTORNEYS**  
(71) Name(s) and Address(s) of Applicant(s):  
**Orion Holdings (Overseas) Limited**  
**13/F Pico Tower 66 Gloucester Road Wan Chai Hong Kong**  
(72) Name(s) of Designer(s): **Trish Burke**  
(45) Registration Date: **12 August 2015**  
(56) Related Art Documents: **Not Applicable**  
(57) Statement of Newness and Distinctiveness: **Newness and distinctiveness is claimed in the features of pattern and/or ornamentation as applied to textiles as shown in the accompanying representation but not limited to any colours or colour combination.**



- (21) Design Number: **13565/2015**  
(22) Date of Filing Application: **17 July 2015**  
(24) Date from which industrial property rights may have effect: **17 July 2015**  
(54) Product in respect of which the design is registered: **Solar powered enclosure**  
(51) International Design Classification: **13-99**  
(74) Name(s) of Attorney(s):  
(71) Name(s) and Address(s) of Applicant(s):  
**Derek Williams**  
**110 Borton Rd Tullera NSW 2480 Australia**  
(72) Name(s) of Designer(s): **Derek Williams**  
(45) Registration Date: **12 August 2015**  
(56) Related Art Documents: **Not Applicable**  
(57) Statement of Newness and Distinctiveness: **Portable solar powered enclosure with corner impact absorbing bumpers (1), hand grips (2)(3), solar panel angled to the horizontal between 15 and 25 degrees (4), rear mounting to a post with a retractable locking pin (5)(6)(7)(8) which may also prevent theft and only be opened by the user using a special provision (e.g. key) (9) . Monopoly is claimed in shape, configuration, pattern and ornamentation.**



- (21) Design Number: **13594/2015**  
(22) Date of Filing Application: **20 July 2015**  
(24) Date from which industrial property rights may have effect: **20 July 2015**  
(54) Product in respect of which the design is registered: **Garden pot reservoir insert**  
(51) International Design Classification: **11-02B**  
(74) Name(s) of Attorney(s):  
(71) Name(s) and Address(s) of Applicant(s):  
**Home Leisure Corp Pty Ltd**  
**31 Dunlop Rd Mulgrave VIC 3170 Australia**  
(72) Name(s) of Designer(s): **Michael Westwood**  
(45) Registration Date: **12 August 2015**  
(56) Related Art Documents: **Not Applicable**  
(57) Statement of Newness and Distinctiveness: **The newness and distinctiveness of the design resides in the geometric shape of the linear slots and capillary tubes.**



- (21) Design Number: **13597/2015**  
(22) Date of Filing Application: **20 July 2015**  
(24) Date from which industrial property rights may have effect: **20 July 2015**  
(54) Product in respect of which the design is registered: **Garden pot with reservoir**  
(51) International Design Classification: **11-02B**  
(74) Name(s) of Attorney(s):  
(71) Name(s) and Address(s) of Applicant(s):  
**Home Leisure Corp Pty Ltd**  
**31 Dunlop Rd Mulgrave VIC 3170 Australia**  
(72) Name(s) of Designer(s): **Michael Westwood**  
(45) Registration Date: **12 August 2015**  
(56) Related Art Documents: **Not Applicable**  
(57) Statement of Newness and Distinctiveness: **Newness and distinctiveness of the design reside in the decorative element of the wave form line created by the top of the reservoir moulding in relation to the main pot moulding and in the side of the pot comprising the reservoir moulding and the main pot moulding which are aligned to form a continuous curve. There is also distinctiveness in the parabolic curve that forms the shape of the water fill point and overflow profile. Newness and distinctiveness also reside in the contrasting rim with broad curve and matched gloss surface of the rim and reservoir contrasting with the texture of the main pot moulding. Furthermore the base reservoir moulding is a flat plane allowing the product to sit flush on the supporting surface.**



- 
- (21) Design Number: **13604/2015**  
(22) Date of Filing Application: **20 July 2015**  
(24) Date from which industrial property rights may have effect: **20 July 2015**  
(54) Product in respect of which the design is registered: **Textile**  
(51) International Design Classification: **05-05C**  
(74) Name(s) of Attorney(s): **WATERMARK PATENT AND TRADE MARKS ATTORNEYS**  
(71) Name(s) and Address(s) of Applicant(s):  
**Orion Holdings (Overseas) Limited**  
**13/F Pico Tower 66 Gloucester Road Wan Chai Hong Kong**  
(72) Name(s) of Designer(s): **Trish Burke**  
(45) Registration Date: **12 August 2015**  
(56) Related Art Documents: **Not Applicable**  
(57) Statement of Newness and Distinctiveness: **Newness and distinctiveness is claimed in the features of pattern and/or ornamentation as applied to textiles as shown in the accompanying representation but not limited to any colours or colour combination.**



- 
- (21) Design Number: **13606/2015**  
(22) Date of Filing Application: **20 July 2015**  
(24) Date from which industrial property rights may have effect: **20 July 2015**  
(54) Product in respect of which the design is registered: **Textile**  
(51) International Design Classification: **05-05C**  
(74) Name(s) of Attorney(s): **WATERMARK PATENT AND TRADE MARKS ATTORNEYS**  
(71) Name(s) and Address(s) of Applicant(s):  
**Orion Holdings (Overseas) Limited**  
**13/F Pico Tower 66 Gloucester Road Wan Chai Hong Kong**  
(72) Name(s) of Designer(s): **Trish Burke**  
(45) Registration Date: **12 August 2015**  
(56) Related Art Documents: **Not Applicable**  
(57) Statement of Newness and Distinctiveness: **Newness and distinctiveness is claimed in the features of pattern and/or ornamentation as applied to textiles as shown in the accompanying representation but not limited to any colours or colour combination.**



- (21) Design Number: **13596/2015**  
(22) Date of Filing Application: **20 July 2015**  
(24) Date from which industrial property rights may have effect: **20 July 2015**  
(54) Product in respect of which the design is registered: **Garden pot reservoir insert**  
(51) International Design Classification: **11-02B**  
(74) Name(s) of Attorney(s):  
(71) Name(s) and Address(s) of Applicant(s):  
**Home Leisure Corp Pty Ltd**  
**31 Dunlop Rd Mulgrave VIC 3170 Australia**  
(72) Name(s) of Designer(s): **Michael Westwood**  
(45) Registration Date: **12 August 2015**  
(56) Related Art Documents: **Not Applicable**  
(57) Statement of Newness and Distinctiveness: **The newness and distinctiveness of the design resides in the geometric pattern of the linear slots and the capillary tubes.**



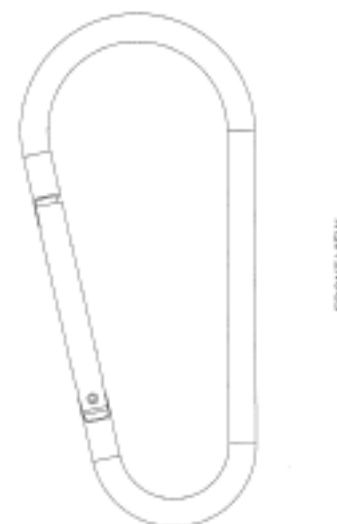
- (21) Design Number: **13598/2015**  
(22) Date of Filing Application: **20 July 2015**  
(24) Date from which industrial property rights may have effect: **20 July 2015**  
(54) Product in respect of which the design is registered: **Garden pot with reservoir**  
(51) International Design Classification: **11-02B**  
(74) Name(s) of Attorney(s):  
(71) Name(s) and Address(s) of Applicant(s):  
**Home Leisure Corp Pty Ltd**  
**31 Dunlop Rd Mulgrave VIC 3170 Australia**  
(72) Name(s) of Designer(s): **Michael Westwood**  
(45) Registration Date: **12 August 2015**  
(56) Related Art Documents: **Not Applicable**  
(57) Statement of Newness and Distinctiveness: **Newness and distinctiveness of the design reside in the decorative element of the wave form line created by the top of the reservoir moulding in relation to the main pot moulding and in the side of the pot comprising the reservoir moulding and the main pot moulding which are aligned to form a continuous curve. There is also distinctiveness in the parabolic curve that forms the shape of the water fill point and overflow profile. Newness and distinctiveness also reside in the contrasting rim with broad curve and matched gloss surface of the rim and reservoir contrasting with the texture of the main pot moulding. Furthermore the base reservoir moulding is a flat plane allowing the product to sit flush on the supporting surface.**



- (21) Design Number: **13599/2015**  
(22) Date of Filing Application: **20 July 2015**  
(24) Date from which industrial property rights may have effect: **20 July 2015**  
(54) Product in respect of which the design is registered: **Garden pot with reservoir**  
(51) International Design Classification: **11-02B**  
(74) Name(s) of Attorney(s):  
(71) Name(s) and Address(s) of Applicant(s):  
**Home Leisure Corp Pty Ltd**  
**31 Dunlop Rd Mulgrave VIC 3170 Australia**  
(72) Name(s) of Designer(s): **Michael Westwood**  
(45) Registration Date: **12 August 2015**  
(56) Related Art Documents: **Not Applicable**  
(57) Statement of Newness and Distinctiveness: **Newness and distinctiveness of the design reside in the decorative element of the wave form line created by the top of the reservoir moulding in relation to the main pot moulding and in the side of the pot comprising the reservoir moulding and the main pot moulding which are aligned to form a continuous curve. There is also distinctiveness in the parabolic curve that forms the shape of the water fill point and overflow profile. Newness and distinctiveness also reside in the contrasting rim with broad curve and matched gloss surface of the rim and reservoir contrasting with the texture of the main pot moulding. Furthermore the base reservoir moulding is a flat plane allowing the product to sit flush on the supporting surface.**



- (21) Design Number: **13601/2015**  
(22) Date of Filing Application: **20 July 2015**  
(24) Date from which industrial property rights may have effect: **20 July 2015**  
(54) Product in respect of which the design is registered: **Pen clip**  
(51) International Design Classification: **19-06**  
(74) Name(s) of Attorney(s): **HODGKINSON McINNES PATENTS**  
(71) Name(s) and Address(s) of Applicant(s):  
**Spiraxjop Pty Ltd**  
**2 Coronation Ave Kings Park NSW 2148 Australia**  
(72) Name(s) of Designer(s): **Andy Whitting**  
(45) Registration Date: **12 August 2015**  
(56) Related Art Documents: **Not Applicable**  
(57) Statement of Newness and Distinctiveness: **The newness and distinctiveness claimed for the design resides in the features of shape and/or configuration of a retainer for pens as shown the representations.**



- (21) Design Number: **12383/2015**  
(22) Date of Filing Application: **08 May 2015**  
(24) Date from which industrial property rights may have effect: **08 May 2015**  
(54) Product in respect of which the design is registered: **Container for food packing**  
(51) International Design Classification: **09-03L**  
(74) Name(s) of Attorney(s): **FB Rice**  
(71) Name(s) and Address(s) of Applicant(s):  
**CJ Cheiljedang Corp.**  
**(Ssangnim-dong) 330 Dongho-ro, Jung-gu Seoul 100-400 Republic of Korea**  
(72) Name(s) of Designer(s): **Kang Kook Lee and Hyuk Lyul Kwon and Young Ki Kim and Eun Hye Seo and Chae Won Song and Seong Min Jeon**  
(45) Registration Date: **12 August 2015**  
(30) Convention priority data:  
(31) Number (32) Date (33) Country  
**30-2015-0000733 07 Jan 2015 REPUBLIC OF KOREA**  
(56) Related Art Documents: **Not Applicable**  
(57) Statement of Newness and Distinctiveness: **Newness and distinctiveness reside in the features of the design as shown in the representations excluding the features of written text.**



- (21) Design Number: **13558/2015**  
(22) Date of Filing Application: **16 July 2015**  
(24) Date from which industrial property rights may have effect: **16 July 2015**  
(54) Product in respect of which the design is registered: **Mini pillow**  
(51) International Design Classification: **06-09**  
(74) Name(s) of Attorney(s):  
(71) Name(s) and Address(s) of Applicant(s):  
**Linda Privitelli**  
**40 Rows Rd Werribee VIC 3030 Australia**  
(72) Name(s) of Designer(s): **Linda Privitelli**  
(45) Registration Date: **12 August 2015**  
(56) Related Art Documents: **Not Applicable**  
(57) Statement of Newness and Distinctiveness: **A mini pillow created in the shape of a sausage dog (with a unique sausage dog design printed to the front). The front of the pillow is made using cotton fabric; the back of the pillow is made from minky fabric. The red heart on the design is embroidered in red cotton. The pillow is filled with recycled plastic fill.**



- (21) Design Number: **13559/2015**  
(22) Date of Filing Application: **16 July 2015**  
(24) Date from which industrial property rights may have effect: **16 July 2015**  
(54) Product in respect of which the design is registered: **Mini pillow**  
(51) International Design Classification: **06-09**  
(74) Name(s) of Attorney(s):  
(71) Name(s) and Address(s) of Applicant(s):

**Linda Privitelli**  
**40 Rowes Rd Werribee VIC 3030 Australia**

(72) Name(s) of Designer(s): **Linda Privitelli**

(45) Registration Date: **12 August 2015**

(56) Related Art Documents: **Not Applicable**

(57) Statement of Newness and Distinctiveness: **A mini pillow created in the shape of a sausage dog (with a unique sausage dog design printed to the front). The front of the pillow is made using cotton fabric; the back of the pillow is made from minky fabric. The red heart on the design is embroidered in red cotton. The pillow is filled with recycled plastic fill.**



- (21) Design Number: **13560/2015**  
(22) Date of Filing Application: **16 July 2015**  
(24) Date from which industrial property rights may have effect: **16 July 2015**  
(54) Product in respect of which the design is registered: **Mini pillow**  
(51) International Design Classification: **06-09**  
(74) Name(s) of Attorney(s):  
(71) Name(s) and Address(s) of Applicant(s):

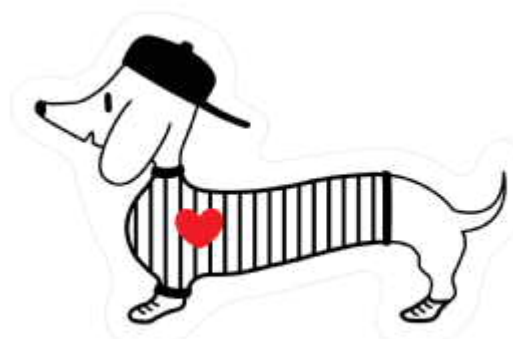
**Linda Privitelli**  
**40 Rowes Rd Werribee VIC 3030 Australia**

(72) Name(s) of Designer(s): **Linda Privitelli**

(45) Registration Date: **12 August 2015**

(56) Related Art Documents: **Not Applicable**

(57) Statement of Newness and Distinctiveness: **A mini pillow created in the shape of a sausage dog (with a unique sausage dog design printed to the front). The front of the pillow is made using cotton fabric; the back of the pillow is made from minky fabric. The red heart on the design is embroidered in red cotton. The pillow is filled with recycled plastic fill.**



- (21) Design Number: **13660/2015**  
(22) Date of Filing Application: **22 July 2015**  
(24) Date from which industrial property rights may have effect: **22 July 2015**  
(54) Product in respect of which the design is registered: **LED light bar**  
(51) International Design Classification: **26-06**  
(74) Name(s) of Attorney(s):  
(71) Name(s) and Address(s) of Applicant(s):

**Ben Tan**  
**18 Irving St Mount Waverley VIC 3149 Australia**

- (72) Name(s) of Designer(s): **Ben Tan**  
(45) Registration Date: **12 August 2015**  
(56) Related Art Documents: **Not Applicable**  
(57) Statement of Newness and Distinctiveness: **Brand new innovative telescopic adjustable brackets on both sides of the led light. And the profile design are with horizontal parallel stripes at the rear of the light.**



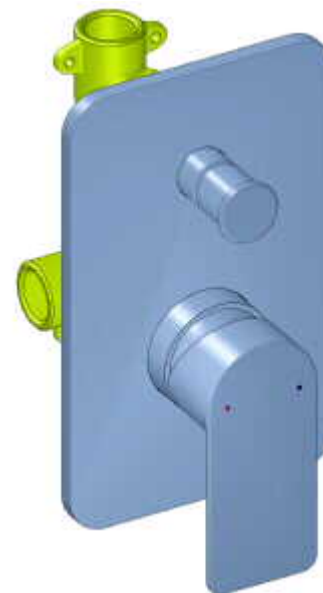
- (21) Design Number: **13661/2015**  
(22) Date of Filing Application: **22 July 2015**  
(24) Date from which industrial property rights may have effect: **22 July 2015**  
(54) Product in respect of which the design is registered: **LED light bar**  
(51) International Design Classification: **26-06**  
(74) Name(s) of Attorney(s):  
(71) Name(s) and Address(s) of Applicant(s):

**Ben Tan**  
**18 Irving St Mount Waverley VIC 3149 Australia**

- (72) Name(s) of Designer(s): **Ben Tan**  
(45) Registration Date: **12 August 2015**  
(56) Related Art Documents: **Not Applicable**  
(57) Statement of Newness and Distinctiveness: **Brand new horizontal parallel stripe profile design is at the rear of the Led light. Moreover, the stand brackets on both sides are with 2 screws.**



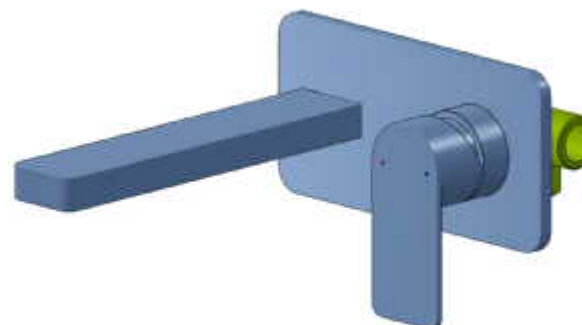
(21) Design Number: **13665/2015**  
(22) Date of Filing Application: **22 July 2015**  
(24) Date from which industrial property rights may have effect: **22 July 2015**  
(54) Product in respect of which the design is registered: **Bathtub faucet**  
(51) International Design Classification: **23-01H**  
(74) Name(s) of Attorney(s): **Cullens Patent and Trade Mark Attorneys**  
(71) Name(s) and Address(s) of Applicant(s):  
**Yuhuan AMG Just Valve Co., Ltd.**  
**M&E industrial zone Yuhuan Zhejiang Province 317600 China**  
(72) Name(s) of Designer(s): **Milin Chen**  
(45) Registration Date: **12 August 2015**  
(56) Related Art Documents: **Not Applicable**  
(57) Statement of Newness and Distinctiveness: **Nil**



(21) Design Number: **13666/2015**  
(22) Date of Filing Application: **22 July 2015**  
(24) Date from which industrial property rights may have effect: **22 July 2015**  
(54) Product in respect of which the design is registered: **Basin faucet**  
(51) International Design Classification: **23-01H**  
(74) Name(s) of Attorney(s): **Cullens Patent and Trade Mark Attorneys**  
(71) Name(s) and Address(s) of Applicant(s):  
**Yuhuan AMG Just Valve Co., Ltd.**  
**M&E industrial zone Yuhuan Zhejiang Province 317600 China**  
(72) Name(s) of Designer(s): **Milin Chen**  
(45) Registration Date: **12 August 2015**  
(56) Related Art Documents: **Not Applicable**  
(57) Statement of Newness and Distinctiveness: **Nil**



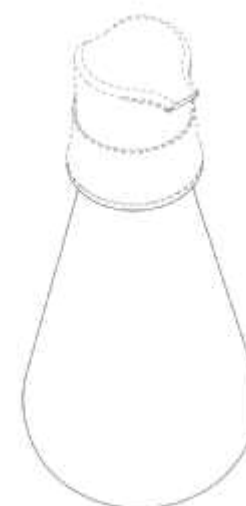
(21) Design Number: **13668/2015**  
(22) Date of Filing Application: **22 July 2015**  
(24) Date from which industrial property rights may have effect: **22 July 2015**  
(54) Product in respect of which the design is registered: **Basin faucet**  
(51) International Design Classification: **23-01H**  
(74) Name(s) of Attorney(s): **Cullens Patent and Trade Mark Attorneys**  
(71) Name(s) and Address(s) of Applicant(s):  
**Yuhuan AMG Just Valve Co., Ltd.**  
**M&E industrial zone Yuhuan Zhejiang Province 317600 China**  
(72) Name(s) of Designer(s): **Milin Chen**  
(45) Registration Date: **12 August 2015**  
(56) Related Art Documents: **Not Applicable**  
(57) Statement of Newness and Distinctiveness: **Nil**



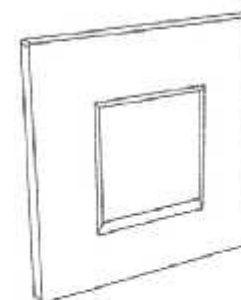
(21) Design Number: **13600/2015**  
(22) Date of Filing Application: **20 July 2015**  
(24) Date from which industrial property rights may have effect: **20 July 2015**  
(54) Product in respect of which the design is registered: **Display screen with graphical user interface**  
(51) International Design Classification: **14-02**  
(74) Name(s) of Attorney(s): **Shelston IP**  
(71) Name(s) and Address(s) of Applicant(s):  
**Microsoft Corporation**  
**One Microsoft Way Redmond Washington, 98052 United States of America**  
(72) Name(s) of Designer(s): **Sergey Kisseley and Jiwon Choi**  
(45) Registration Date: **12 August 2015**  
(30) Convention priority data:  
(31) Number      (32) Date      (33) Country  
**29/515103      20 Jan 2015      UNITED STATES OF AMERICA**  
(56) Related Art Documents: **Not Applicable**  
(57) Statement of Newness and Distinctiveness: **Newness and distinctiveness reside in the features of pattern and/or ornamentation of a display screen with graphical user interface as illustrated by solid lines in the accompanying representations. The features shown in broken outline are for contextual purposes only and do not form part of the design. The symbols and alphabetic characters depicted are indicative only, and may be substituted by alternative symbols or alphanumeric characters.**



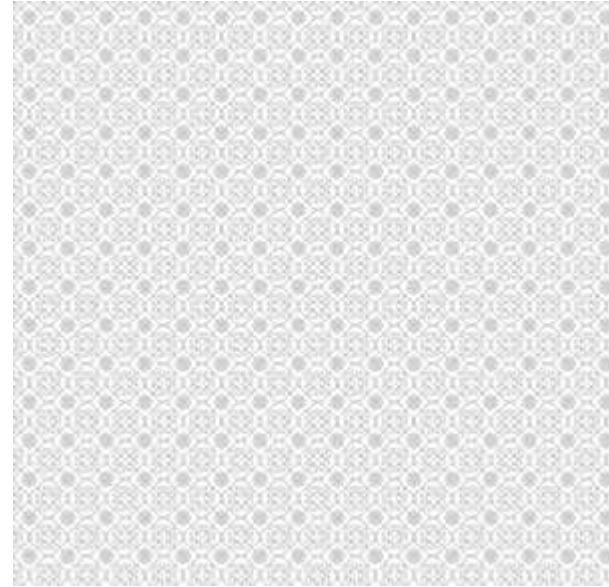
(21) Design Number: **13608/2015**  
(22) Date of Filing Application: **20 July 2015**  
(24) Date from which industrial property rights may have effect: **20 July 2015**  
(54) Product in respect of which the design is registered: **Bottle**  
(51) International Design Classification: **09-01K**  
(74) Name(s) of Attorney(s): **Freehills Patent Attorneys**  
(71) Name(s) and Address(s) of Applicant(s):  
**Method Products, PBC**  
**637 Commercial Street Suite 300 San Francisco California 94111 United States of America**  
(72) Name(s) of Designer(s): **Sean McGreevy and Francis J Handy and Stephanie Intelisano**  
(45) Registration Date: **12 August 2015**  
(30) Convention priority data:  
(31) Number (32) Date (33) Country  
**29/515031 20 Jan 2015 UNITED STATES OF AMERICA**  
(56) Related Art Documents: **Not Applicable**  
(57) Statement of Newness and Distinctiveness: **Newness and distinctiveness is shown in the features of shape and configuration as shown in solid lines in the accompanying representations.**



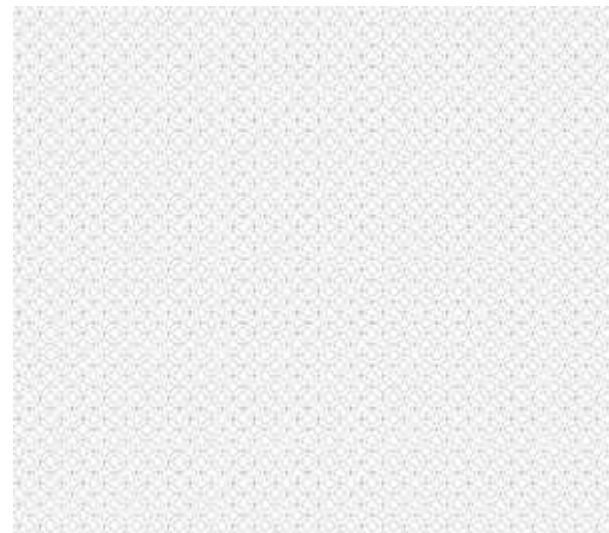
(21) Design Number: **13610/2015**  
(22) Date of Filing Application: **20 July 2015**  
(24) Date from which industrial property rights may have effect: **20 July 2015**  
(54) Product in respect of which the design is registered: **Control panel for toilets and/or urinals**  
(51) International Design Classification: **23-02C**  
(74) Name(s) of Attorney(s): **Fisher Adams Kelly Pty Ltd**  
(71) Name(s) and Address(s) of Applicant(s):  
**Geberit International AG**  
**Schachenstrasse 77 Jona SG 8645 Switzerland**  
(72) Name(s) of Designer(s): **Christoph Behling**  
(45) Registration Date: **12 August 2015**  
(30) Convention priority data:  
(31) Number (32) Date (33) Country  
**893972401 19 May 2015 OFFICE FOR HARMONISATION IN THE INTERNAL MARKET (OHIM)**  
(56) Related Art Documents: **Not Applicable**  
(57) Statement of Newness and Distinctiveness: **The newness and distinctiveness of the design resides in the shape and/or configuration of a control panel for toilets and/or urinals as shown in the accompanying representations.**



- (21) Design Number: **13612/2015**  
(22) Date of Filing Application: **20 July 2015**  
(24) Date from which industrial property rights may have effect: **20 July 2015**  
(54) Product in respect of which the design is registered: **Textile**  
(51) International Design Classification: **05-05NES**  
(74) Name(s) of Attorney(s): **WATERMARK PATENT AND TRADE MARKS ATTORNEYS**  
(71) Name(s) and Address(s) of Applicant(s):  
**Orion Holdings (Overseas) Limited**  
**13/F Pico Tower 66 Gloucester Road Wan Chai Hong Kong**  
(72) Name(s) of Designer(s): **Trish Burke**  
(45) Registration Date: **12 August 2015**  
(56) Related Art Documents: **Not Applicable**  
(57) Statement of Newness and Distinctiveness: **Newness and distinctiveness is claimed in the features of pattern and/or ornamentation as applied to textiles as shown in the accompanying representation but not limited to any colours or colour combination.**



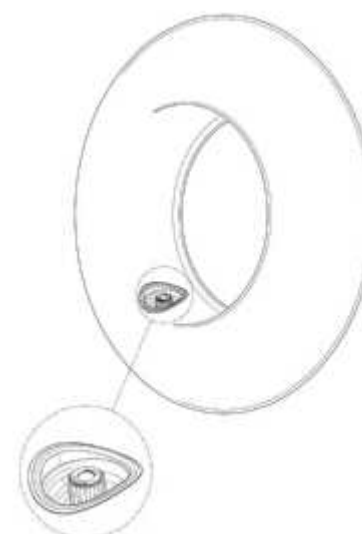
- (21) Design Number: **13613/2015**  
(22) Date of Filing Application: **20 July 2015**  
(24) Date from which industrial property rights may have effect: **20 July 2015**  
(54) Product in respect of which the design is registered: **Textile**  
(51) International Design Classification: **05-05D**  
(74) Name(s) of Attorney(s): **WATERMARK PATENT AND TRADE MARKS ATTORNEYS**  
(71) Name(s) and Address(s) of Applicant(s):  
**Orion Holdings (Overseas) Limited**  
**13/F Pico Tower 66 Gloucester Road Wan Chai Hong Kong**  
(72) Name(s) of Designer(s): **Trish Burke**  
(45) Registration Date: **12 August 2015**  
(56) Related Art Documents: **Not Applicable**  
(57) Statement of Newness and Distinctiveness: **Newness and distinctiveness is claimed in the features of pattern and/or ornamentation as applied to textiles as shown in the accompanying representation but not limited to any colours or colour combination.**



- (21) Design Number: **13614/2015**  
(22) Date of Filing Application: **20 July 2015**  
(24) Date from which industrial property rights may have effect: **20 July 2015**  
(54) Product in respect of which the design is registered: **Textile**  
(51) International Design Classification: **05-05A**  
(74) Name(s) of Attorney(s): **WATERMARK PATENT AND TRADE MARKS ATTORNEYS**  
(71) Name(s) and Address(s) of Applicant(s):  
**Orion Holdings (Overseas) Limited**  
**13/F Pico Tower 66 Gloucester Road Wan Chai Hong Kong**  
(72) Name(s) of Designer(s): **Trish Burke**  
(45) Registration Date: **12 August 2015**  
(56) Related Art Documents: **Not Applicable**  
(57) Statement of Newness and Distinctiveness: **Newness and distinctiveness is claimed in the features of pattern and/or ornamentation as applied to textiles as shown in the accompanying representation but not limited to any colours or colour combination.**



- (21) Design Number: **13615/2015**  
(22) Date of Filing Application: **20 July 2015**  
(24) Date from which industrial property rights may have effect: **20 July 2015**  
(54) Product in respect of which the design is registered: **Inflatable recreational device**  
(51) International Design Classification: **21-02D**  
(74) Name(s) of Attorney(s): **PHILLIPS ORMONDE FITZPATRICK**  
(71) Name(s) and Address(s) of Applicant(s):  
**Ubertub Inc.**  
**29 Priest Avenue Minesing Ontario L0L1Y3 Canada**  
(72) Name(s) of Designer(s): **Iain Scott McCrindle and Steven Earl Miller**  
(45) Registration Date: **12 August 2015**  
(30) Convention priority data:  
(31) Number      (32) Date      (33) Country  
**29/514,955      19 Jan 2015      UNITED STATES OF AMERICA**  
(56) Related Art Documents: **Not Applicable**  
(57) Statement of Newness and Distinctiveness: **Those features of the inflatable recreational device depicted in the representations that are new and distinctive are the shape and/or configuration. The portion shown in broken lines in the perspective view represents an area of the design highlighted to signify an enlarged view of those features to better depict the design.**



- (21) Design Number: **13616/2015**  
(22) Date of Filing Application: **20 July 2015**  
(24) Date from which industrial property rights may have effect: **20 July 2015**  
(54) Product in respect of which the design is registered: **Backpack**  
(51) International Design Classification: **03-01A**  
(74) Name(s) of Attorney(s): **IP Sentinels Patent and Trademark Attorneys**  
(71) Name(s) and Address(s) of Applicant(s):

**June Kelly**  
**10 Cox Cres Quinns Rocks WA 6030 Australia**

- (72) Name(s) of Designer(s): **June Kelly**  
(45) Registration Date: **12 August 2015**  
(56) Related Art Documents: **Not Applicable**  
(57) Statement of Newness and Distinctiveness: **The features of shape and/or configuration are claimed to be new and distinctive. The shape and /or configuration of the "animal head", shown in dashed lines, is disclaimed and may take a different form. The portion shown in dashed lines is not to be regarded as contributing to the newness and distinctiveness of the design.**

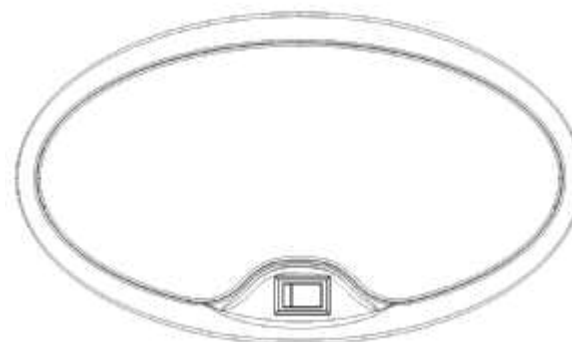


- (21) Design Number: **13617/2015**  
(22) Date of Filing Application: **20 July 2015**  
(24) Date from which industrial property rights may have effect: **20 July 2015**  
(54) Product in respect of which the design is registered: **Lighting fixture**  
(51) International Design Classification: **26-06**  
(74) Name(s) of Attorney(s):  
(71) Name(s) and Address(s) of Applicant(s):

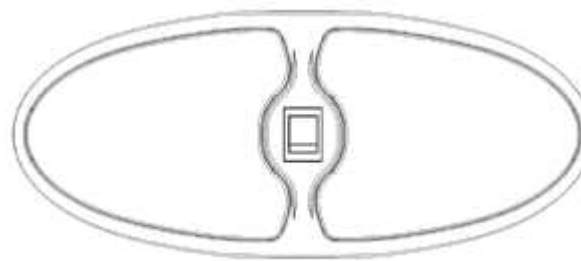
**Qing Yuan**  
**2 Aminta St Sunnybank QLD 4109 Australia**

**Power Panda Pty Ltd**  
**Unit 2 3405 Pacific Hwy Slacks Creek QLD 4127 Australia**

- (72) Name(s) of Designer(s): **Qing Yuan**  
(45) Registration Date: **12 August 2015**  
(56) Related Art Documents: **Not Applicable**  
(57) Statement of Newness and Distinctiveness: **The newness and distinctiveness of the design resides in the upgraded and redesigned appearance of the pancake light fixture as shown in the drawings. The typical pancake light or pancake dome light for recreational vehicles applications includes an appearance like shoes which include an adaptor for replace bulb inserting and plastic surface mounting bottom base and PC lens. But the lighting distribution of this design has some drawbacks, not even light distribution and shadow exists for example. And our design makes an improvement over the typical pancake dome light design. A more slim line body and improved optical lens is designed for even and max lighting distribution. An inbuilt circuit board has replaced the replace bulb design. The drawings show both a single pancake version and a double pancake version of the claimed design. There are multi embodiments, and the drawings show the best mode embodiments.**



- (21) Design Number: **13618/2015**  
(22) Date of Filing Application: **20 July 2015**  
(24) Date from which industrial property rights may have effect: **20 July 2015**  
(54) Product in respect of which the design is registered: **Lighting fixture**  
(51) International Design Classification: **26-06**  
(74) Name(s) of Attorney(s):  
(71) Name(s) and Address(s) of Applicant(s):



**Qing Yuan**  
**2 Aminta St Sunnybank QLD 4109 Australia**  
**Power Panda Pty Ltd**  
**Unit 2 3405 Pacific Hwy Slacks Creek QLD 4127 Australia**

- (72) Name(s) of Designer(s): **Qing Yuan**  
(45) Registration Date: **12 August 2015**  
(56) Related Art Documents: **Not Applicable**  
(57) Statement of Newness and Distinctiveness: **The newness and distinctiveness of the design resides in the upgraded and redesigned appearance of the pancake light fixture as shown in the drawings. The typical pancake light or pancake dome light for recreational vehicles applications includes an appearance like shoes which include an adaptor for replace bulb inserting and plastic surface mounting bottom base and PC lens. But the lighting distribution of this design has some drawbacks, not even light distribution and shadow exists for example. And our design makes an improvement over the typical pancake dome light design. A more slim line body and improved optical lens is designed for even and max lighting distribution. An inbuilt circuit board has replaced the replace bulb design. The drawings show both a single pancake version and a double pancake version of the claimed design. There are multi embodiments, and the drawings show the best mode embodiments.**

- (21) Design Number: **13619/2015**  
(22) Date of Filing Application: **21 July 2015**  
(24) Date from which industrial property rights may have effect: **21 July 2015**  
(54) Product in respect of which the design is registered: **Stool**  
(51) International Design Classification: **06-01E**  
(74) Name(s) of Attorney(s):  
(71) Name(s) and Address(s) of Applicant(s):



**Guy Eddington**  
**378 Stirling Hwy Claremont WA 6010 Australia**

- (72) Name(s) of Designer(s): **Guy Eddington**  
(45) Registration Date: **12 August 2015**  
(56) Related Art Documents: **Not Applicable**  
(57) Statement of Newness and Distinctiveness: **The newness and distinctiveness of the design resides predominately in the construction of the stool, in that it is essentially four identical steel components riveted together that comprise the legs and frame, with a timber seat top that includes a rectangular hole that serves as a handle. Newness and distinctiveness also resides in the visual features (including manufacture in various base colours) and the shape and configuration of the product shown in the representations.**

- (21) Design Number: **13620/2015**  
(22) Date of Filing Application: **21 July 2015**  
(24) Date from which industrial property rights may have effect: **21 July 2015**  
(54) Product in respect of which the design is registered: **Stool**  
(51) International Design Classification: **06-01E**  
(74) Name(s) of Attorney(s):  
(71) Name(s) and Address(s) of Applicant(s):

**Guy Eddington**  
**378 Stirling Hwy Claremont WA 6010 Australia**

(72) Name(s) of Designer(s): **Guy Eddington**

(45) Registration Date: **12 August 2015**

(56) Related Art Documents: **Not Applicable**

- (57) Statement of Newness and Distinctiveness: **The newness and distinctiveness of the design resides predominately in the construction of the stool, in that it is essentially four identical steel components riveted together that comprise the legs and frame, with a timber seat top that includes a rectangular hole that serves as a handle. Newness and distinctiveness also resides in the visual features (including manufacture in various base colours) and the shape and configuration of the product shown in the representations.**



- (21) Design Number: **13621/2015**  
(22) Date of Filing Application: **21 July 2015**  
(24) Date from which industrial property rights may have effect: **21 July 2015**  
(54) Product in respect of which the design is registered: **Fishing lure**  
(51) International Design Classification: **22-05**  
(74) Name(s) of Attorney(s):  
(71) Name(s) and Address(s) of Applicant(s):

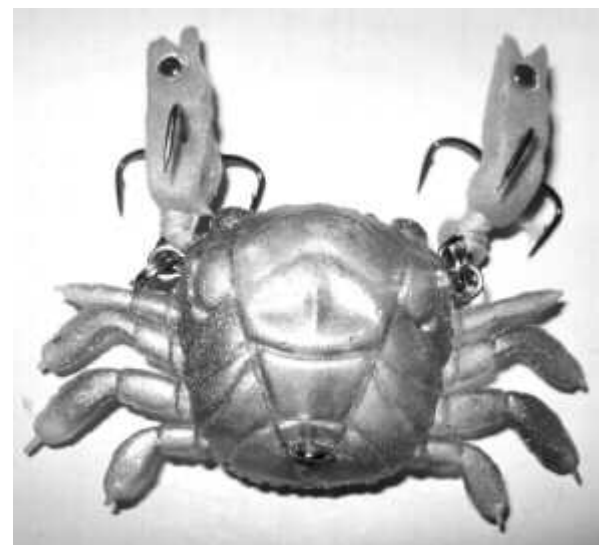
**Robert William Stevens**  
**67 Yallabee Rd Jindalee QLD 4074 Australia**

(72) Name(s) of Designer(s): **Robert William Stevens**

(45) Registration Date: **12 August 2015**

(56) Related Art Documents: **Not Applicable**

- (57) Statement of Newness and Distinctiveness: **Newness and distinctiveness is claimed in the pattern and shape displayed with emphasis on cocktail bait appearance, the general shape appearing as a crab and 2 fish making up the lure. Newness and distinctiveness is claimed for the part appearing as a crab in relation to the legs joining to the body in a raised position on the body parallel to the eyelet loops at the front of its body, unlike a real crabs appearance. newness and distinctiveness is also claimed in the way the hooks are fitted into the small fish with 1 point of the treble hook passed through as shown.**



- (21) Design Number: **13632/2015**  
(22) Date of Filing Application: **21 July 2015**  
(24) Date from which industrial property rights may have effect: **21 July 2015**  
(54) Product in respect of which the design is registered: **Car and toy-car**  
(51) International Design Classification: **12-08, 21-01C**  
(74) Name(s) of Attorney(s): **PHILLIPS ORMONDE FITZPATRICK**  
(71) Name(s) and Address(s) of Applicant(s):  
**Automobili Lamborghini S.p.A.**  
**via Modena 12 40019 Sant'Agata Bolognese (BO) Italy**  
(72) Name(s) of Designer(s): **Filippo Perini**  
(45) Registration Date: **12 August 2015**  
(30) Convention priority data:  
(31) Number      (32) Date      (33) Country  
**002618728      23 Jan 2015      OFFICE FOR HARMONISATION IN  
THE INTERNAL MARKET (OHIM)**  
(56) Related Art Documents: **Not Applicable**  
(57) Statement of Newness and Distinctiveness: **Those features of the car and toy-car depicted in the representations that are new and distinctive are the shape and/or configuration.**



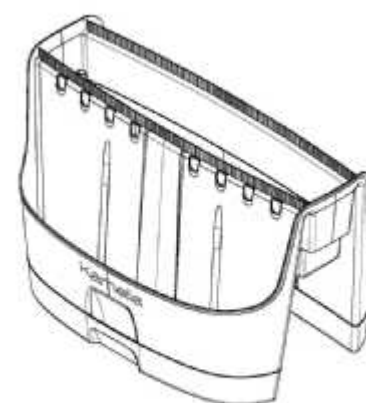
- (21) Design Number: **13633/2015**  
(22) Date of Filing Application: **21 July 2015**  
(24) Date from which industrial property rights may have effect: **21 July 2015**  
(54) Product in respect of which the design is registered: **A textile print**  
(51) International Design Classification: **05-05A**  
(74) Name(s) of Attorney(s):  
(71) Name(s) and Address(s) of Applicant(s):  
**AUSTRALIAN FASHION LABELS PTY LTD**  
**106 Currie St Adelaide SA 5000 Australia**  
(72) Name(s) of Designer(s): **Carmen Dugan and Cyd Beard**  
(45) Registration Date: **12 August 2015**  
(56) Related Art Documents: **Not Applicable**  
(57) Statement of Newness and Distinctiveness: **Newness and distinctiveness resides in the features of pattern and ornamentation of a textile print as shown in the accompanying representations. In considering the scope of monopoly, no regard is to be had to colour and the scope of monopoly is not restricted to the particular colour or colours depicted in the accompanying representations.**



- (21) Design Number: **13634/2015**  
(22) Date of Filing Application: **21 July 2015**  
(24) Date from which industrial property rights may have effect: **21 July 2015**  
(54) Product in respect of which the design is registered: **A textile print**  
(51) International Design Classification: **05-05NES**  
(74) Name(s) of Attorney(s):  
(71) Name(s) and Address(s) of Applicant(s):  
**AUSTRALIAN FASHION LABELS PTY LTD**  
**106 Currie St Adelaide SA 5000 Australia**  
(72) Name(s) of Designer(s): **Carmen Dugan and Cyd Beard**  
(45) Registration Date: **12 August 2015**  
(56) Related Art Documents: **Not Applicable**  
(57) Statement of Newness and Distinctiveness: **Newness and distinctiveness resides in the features of pattern and ornamentation of a textile print as shown in the accompanying representations. In considering the scope of monopoly, no regard is to be had to colour and the scope of monopoly is not restricted to the particular colour or colours depicted in the accompanying representations.**



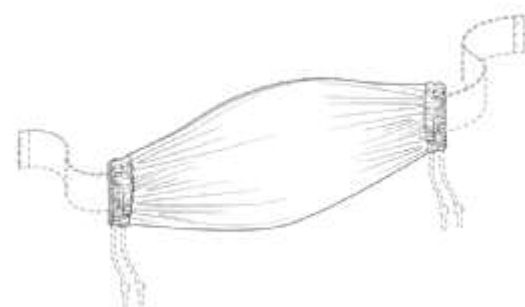
- (21) Design Number: **13638/2015**  
(22) Date of Filing Application: **21 July 2015**  
(24) Date from which industrial property rights may have effect: **21 July 2015**  
(54) Product in respect of which the design is registered: **Flowerpot**  
(51) International Design Classification: **11-02B**  
(74) Name(s) of Attorney(s): **A.P.T. Patent and Trade Mark Attorneys**  
(71) Name(s) and Address(s) of Applicant(s):  
**Kamel Dawahry and Sons Ltd**  
**St. 6039/4a P.O. Box 115 Nazareth 16100 Israel**  
(72) Name(s) of Designer(s): **Harry Piaskowski**  
(45) Registration Date: **12 August 2015**  
(56) Related Art Documents: **Not Applicable**  
(57) Statement of Newness and Distinctiveness: **Newness and distinctiveness resides in the shape and configuration of the flowerpot as shown in the accompanying representations.**



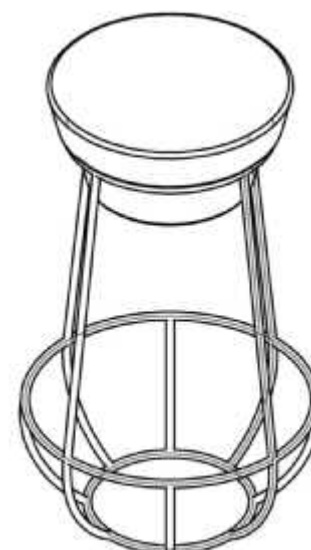
(21) Design Number: **13640/2015**  
(22) Date of Filing Application: **21 July 2015**  
(24) Date from which industrial property rights may have effect: **21 July 2015**  
(54) Product in respect of which the design is registered: **Pouch**  
(51) International Design Classification: **09-05**  
(74) Name(s) of Attorney(s): **PHILLIPS ORMONDE FITZPATRICK**  
(71) Name(s) and Address(s) of Applicant(s):  
**Guala Pack S.p.A.**  
**Via Carlo Mussa 266 Castellazzo Bormida Alessandria I-15073 Italy**  
(72) Name(s) of Designer(s): **Alexandre Basson**  
(45) Registration Date: **12 August 2015**  
(30) Convention priority data:  
(31) Number (32) Date (33) Country  
**BS2015O000004 26 Jan 2015 ITALY**  
(56) Related Art Documents: **Not Applicable**  
(57) Statement of Newness and Distinctiveness: **Those features of the pouch depicted in the representations that are new and distinctive are the shape and/or configuration. The features shown in broken lines are not part of the design and are to be disregarded when considering the overall impression of the design.**



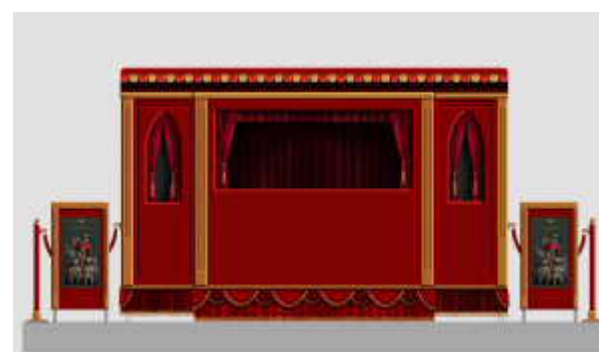
(21) Design Number: **13645/2015**  
(22) Date of Filing Application: **21 July 2015**  
(24) Date from which industrial property rights may have effect: **21 July 2015**  
(54) Product in respect of which the design is registered: **Belt for an ostomy bag**  
(51) International Design Classification: **24-04**  
(74) Name(s) of Attorney(s): **Caska IP**  
(71) Name(s) and Address(s) of Applicant(s):  
**Lesley Frendo**  
**275 Corrie Pde Corlette NSW 2315 Australia**  
(72) Name(s) of Designer(s): **Christine Cave and Lesley Frendo**  
(45) Registration Date: **12 August 2015**  
(56) Related Art Documents: **Not Applicable**  
(57) Statement of Newness and Distinctiveness: **Newness and distinctiveness resides in the overall shape and configuration of the visual features as shown in solid lines in the representations.**



- (21) Design Number: **13646/2015**  
(22) Date of Filing Application: **21 July 2015**  
(24) Date from which industrial property rights may have effect: **21 July 2015**  
(54) Product in respect of which the design is registered: **Stool**  
(51) International Design Classification: **06-01E**  
(74) Name(s) of Attorney(s):  
(71) Name(s) and Address(s) of Applicant(s):  
**Gabriella Audrey Aliwarga**  
**507/32 Bray St South Yarra VIC 3141 Australia**  
(72) Name(s) of Designer(s): **Gabriella Audrey Aliwarga**  
(45) Registration Date: **12 August 2015**  
(56) Related Art Documents: **Not Applicable**  
(57) Statement of Newness and Distinctiveness: **Newness and distinctiveness resides in the visual features, including the shape and configuration of the product shown in the representations.**



- (21) Design Number: **13647/2015**  
(22) Date of Filing Application: **21 July 2015**  
(24) Date from which industrial property rights may have effect: **21 July 2015**  
(54) Product in respect of which the design is registered: **Theatre with 3 stages**  
(51) International Design Classification: **25-03, 12-10**  
(74) Name(s) of Attorney(s):  
(71) Name(s) and Address(s) of Applicant(s):  
**ACT LEISURE PROGRAM PTY LTD**  
**9 Dinah St Bonner ACT 2914 Australia**  
**Jovan Maricic**  
**31/11 Howitt St Kingston ACT 2604 Australia**  
(72) Name(s) of Designer(s): **Jovan Maricic**  
(45) Registration Date: **12 August 2015**  
(56) Related Art Documents: **Not Applicable**  
(57) Statement of Newness and Distinctiveness: **Statement of Monopoly Monopoly is claimed in the shape and/or configuration of a THEATRE having a transport configuration and a use configuration said THEATRE being as illustrated in the representations accompanying the application. That said THEATRE is unique in design and intellectual property given the follow; 1) Three separate stage theatre. 2) Left and Right extension stages will close off the surrounding environment to direct the viewers towards the centre stage. 3) Left and right stages can be expansions or fixed extensions. 4) Theatre can be transported on a trailer or fixed in one spot. 5) Awning at the top controls sunlight. 6) Bottom curtain hides it as a vehicle and adds to the decor of both portable and fixed theatre.**



(21) Design Number: **12464/2015**

(22) Date of Filing Application: **11 May 2015**

(24) Date from which industrial property rights may have effect: **11 May 2015**

(54) Product in respect of which the design is registered: **Illuminatable device**

(51) International Design Classification: **26-04**

(74) Name(s) of Attorney(s): **WRAYS PTY LTD**

(71) Name(s) and Address(s) of Applicant(s):

**Uber Technologies, Inc.**

**1455 Market Street 4th Floor San Francisco California, 94103 United States of America**

(72) Name(s) of Designer(s): **Travis Kalanick and Shalin Amin and Strahan McMullen and Yves Behar and Noah Murphy-Reinhertz and Liam Adelman and Naoya Edahiro and William Clark and Stephen Braitsch**

(45) Registration Date: **12 August 2015**

(30) Convention priority data:

(31) Number	(32) Date	(33) Country
<b>29/509,004</b>	<b>13 Nov 2014</b>	<b>UNITED STATES OF AMERICA</b>

(56) Related Art Documents: **Not Applicable**

(57) Statement of Newness and Distinctiveness: **Newness and distinctiveness is claimed in the features of shape, configuration, pattern, and/or ornamentation of the Illuminatable Device as shown in the accompanying representations. The features depicted by broken lines are for illustrative purposes only and form no part of the claimed design.**



(21) Design Number: **12465/2015**

(22) Date of Filing Application: **11 May 2015**

(24) Date from which industrial property rights may have effect: **11 May 2015**

(54) Product in respect of which the design is registered: **Beverage dispense tower font**

(51) International Design Classification: **23-01NES, 31-00**

(74) Name(s) of Attorney(s):

(71) Name(s) and Address(s) of Applicant(s):

**BRACTON INDUSTRIES (NSW) PTY LTD**

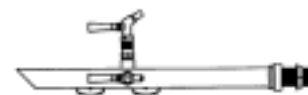
**50-52 Chard Rd Brookvale NSW 2100 Australia**

(72) Name(s) of Designer(s): **Joel Michael Hunter**

(45) Registration Date: **12 August 2015**

(56) Related Art Documents: **Not Applicable**

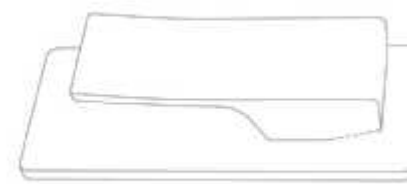
(57) Statement of Newness and Distinctiveness: **New diamond shape beverage dispense tower design. Design includes decal signage fixed at front of tower and 45 degree cut at top of tower.**



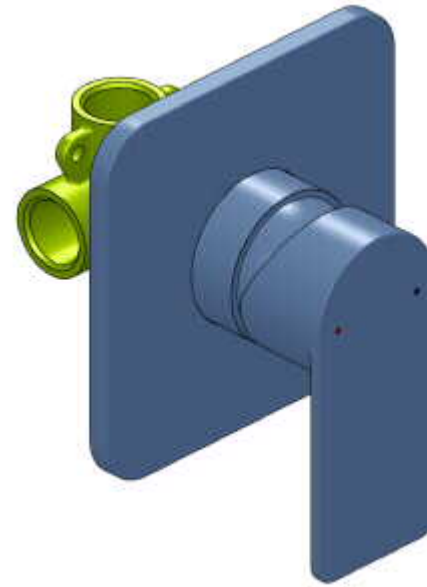
- (21) Design Number: **13667/2015**  
(22) Date of Filing Application: **22 July 2015**  
(24) Date from which industrial property rights may have effect: **22 July 2015**  
(54) Product in respect of which the design is registered: **Tap**  
(51) International Design Classification: **23-01H**  
(74) Name(s) of Attorney(s): **Griffith Hack**  
(71) Name(s) and Address(s) of Applicant(s):  
**Infinite Supplies Australia Pty Ltd**  
**212 Whitehorse Rd Blackburn VIC 3130 Australia**  
(72) Name(s) of Designer(s): **Ioannis Bougioukos**  
(45) Registration Date: **12 August 2015**  
(56) Related Art Documents: **Not Applicable**  
(57) Statement of Newness and Distinctiveness: **Newness and distinctiveness resides in the shape and configuration of the product, including the relative lengths of the handle and spout, and the height and orientation of the stem of the product as shown in the representations.**



- (21) Design Number: **13669/2015**  
(22) Date of Filing Application: **22 July 2015**  
(24) Date from which industrial property rights may have effect: **22 July 2015**  
(54) Product in respect of which the design is registered: **Tap**  
(51) International Design Classification: **23-01H**  
(74) Name(s) of Attorney(s): **Griffith Hack**  
(71) Name(s) and Address(s) of Applicant(s):  
**Infinite Supplies Australia Pty Ltd**  
**212 Whitehorse Rd Blackburn VIC 3130 Australia**  
(72) Name(s) of Designer(s): **Ioannis Bougioukos**  
(45) Registration Date: **12 August 2015**  
(56) Related Art Documents: **Not Applicable**  
(57) Statement of Newness and Distinctiveness: **Newness and distinctiveness resides in the visual features, including the shape and configuration of the product shown in the representations.**



(21) Design Number: **13670/2015**  
(22) Date of Filing Application: **22 July 2015**  
(24) Date from which industrial property rights may have effect: **22 July 2015**  
(54) Product in respect of which the design is registered: **Shower faucet**  
(51) International Design Classification: **23-01H**  
(74) Name(s) of Attorney(s): **Cullens Patent and Trade Mark Attorneys**  
(71) Name(s) and Address(s) of Applicant(s):  
**Yuhuan AMG Just Valve Co., Ltd.**  
**M&E industrial zone Yuhuan Zhejiang Province 317600 China**  
(72) Name(s) of Designer(s): **Milin Chen**  
(45) Registration Date: **12 August 2015**  
(56) Related Art Documents: **Not Applicable**  
(57) Statement of Newness and Distinctiveness: **Nil**



(21) Design Number: **13672/2015**  
(22) Date of Filing Application: **22 July 2015**  
(24) Date from which industrial property rights may have effect: **22 July 2015**  
(54) Product in respect of which the design is registered: **Tap**  
(51) International Design Classification: **23-01H**  
(74) Name(s) of Attorney(s): **Griffith Hack**  
(71) Name(s) and Address(s) of Applicant(s):  
**Infinite Supplies Australia Pty Ltd**  
**212 Whitehorse Rd Blackburn VIC 3130 Australia**  
(72) Name(s) of Designer(s): **Ioannis Bougioukos**  
(45) Registration Date: **12 August 2015**  
(56) Related Art Documents: **Not Applicable**  
(57) Statement of Newness and Distinctiveness: **Newness and distinctiveness resides in the shape and configuration of the product, including the relative lengths of the handle and spout, and the height and orientation of the stem of the product as shown in the representations.**



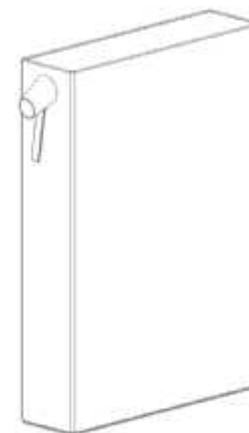
(21) Design Number: **13673/2015**  
(22) Date of Filing Application: **22 July 2015**  
(24) Date from which industrial property rights may have effect: **22 July 2015**  
(54) Product in respect of which the design is registered: **Basin faucet**  
(51) International Design Classification: **23-01H**  
(74) Name(s) of Attorney(s): **Cullens Patent and Trade Mark Attorneys**  
(71) Name(s) and Address(s) of Applicant(s):  
**Yuhuan AMG Just Valve Co., Ltd.**  
**M&E industrial zone Yuhuan Zhejiang Province 317600 China**  
(72) Name(s) of Designer(s): **Milin Chen**  
(45) Registration Date: **12 August 2015**  
(56) Related Art Documents: **Not Applicable**  
(57) Statement of Newness and Distinctiveness: **Nil**



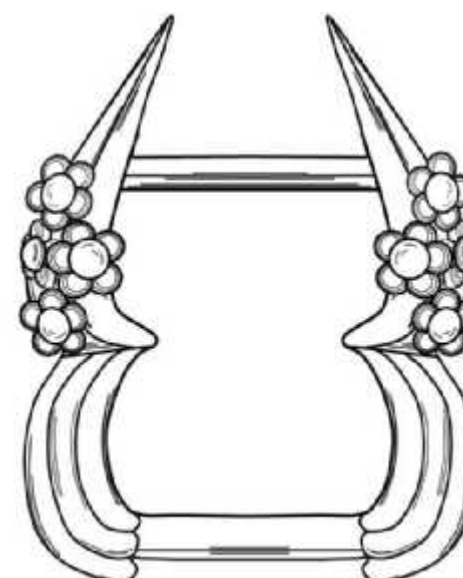
(21) Design Number: **13675/2015**  
(22) Date of Filing Application: **22 July 2015**  
(24) Date from which industrial property rights may have effect: **22 July 2015**  
(54) Product in respect of which the design is registered: **Shower caddy**  
(51) International Design Classification: **23-02A**  
(74) Name(s) of Attorney(s):  
(71) Name(s) and Address(s) of Applicant(s):  
**EVOLVE LIFEWARES PTY LIMITED**  
**U3/ 1A Bessemer St Blacktown NSW 2148 Australia**  
(72) Name(s) of Designer(s): **Alex Arciga**  
(45) Registration Date: **12 August 2015**  
(56) Related Art Documents: **Not Applicable**  
(57) Statement of Newness and Distinctiveness: **New Design of Shelves. Using Design Patent 361179 registered to our company. Made from Stainless Steel, Polypropylene & ABS. Differs to what is in the market.**



- (21) Design Number: **13676/2015**  
(22) Date of Filing Application: **22 July 2015**  
(24) Date from which industrial property rights may have effect: **22 July 2015**  
(54) Product in respect of which the design is registered: **Beverage container**  
(51) International Design Classification: **09-01NES**  
(74) Name(s) of Attorney(s): **Griffith Hack**  
(71) Name(s) and Address(s) of Applicant(s):  
**Pernod Ricard, societe anonyme**  
**12 place des Etats-Unis Paris 75016 France**  
(72) Name(s) of Designer(s): **Joao Andre Grancho Seco and Morten Villiers**  
**Warren and Marcus Andrew Hoggarth**  
(45) Registration Date: **12 August 2015**  
(30) Convention priority data:  
(31) Number (32) Date (33) Country  
**002621326-0001 27 Jan 2015 OFFICE FOR HARMONISATION IN**  
**THE INTERNAL MARKET (OHIM)**  
(56) Related Art Documents: **Not Applicable**  
(57) Statement of Newness and Distinctiveness: **The shape and configuration**  
**of the product as shown by solid lines in the accompanying**  
**representations is new and distinctive.**



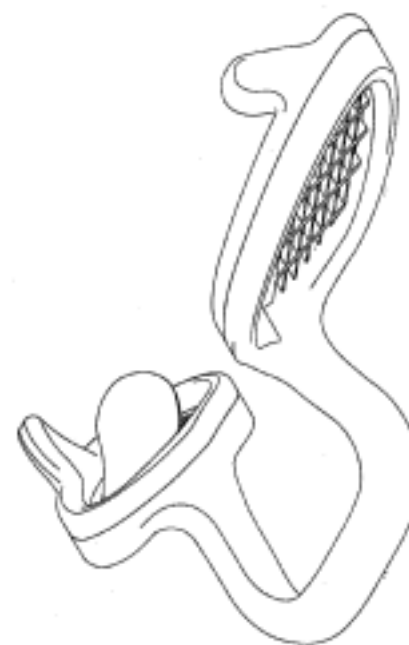
- (21) Design Number: **13678/2015**  
(22) Date of Filing Application: **22 July 2015**  
(24) Date from which industrial property rights may have effect: **22 July 2015**  
(54) Product in respect of which the design is registered: **Buckle**  
(51) International Design Classification: **02-07A**  
(74) Name(s) of Attorney(s):  
(71) Name(s) and Address(s) of Applicant(s):  
**Embelli Pty Ltd**  
**70 River Rd Greenwich NSW 2065 Australia**  
(72) Name(s) of Designer(s): **Caroline Naran**  
(45) Registration Date: **12 August 2015**  
(56) Related Art Documents: **Not Applicable**  
(57) Statement of Newness and Distinctiveness: **The novelty of the design lies**  
**in the shape and configuration of the buckle in its unadorned state in**  
**SHEET 1 and in its adorned state wherein the novel decorative floral**  
**cluster of SHEET 2 is attached to the buckle in SHEET 1 to produce the**  
**article depicted in SHEET 3.**



- (21) Design Number: **12525/2015**  
(22) Date of Filing Application: **15 May 2015**  
(24) Date from which industrial property rights may have effect: **15 May 2015**  
(54) Product in respect of which the design is registered: **Shoe**  
(51) International Design Classification: **02-04NES**  
(74) Name(s) of Attorney(s): **Davies Collison Cave**  
(71) Name(s) and Address(s) of Applicant(s):  
**Payless ShoeSource Worldwide, Inc.**  
**3231 S.E. 6th Avenue Topeka Kansas, 66607 United States of America**  
(72) Name(s) of Designer(s): **David Grosko and John Ozereko**  
(45) Registration Date: **12 August 2015**  
(30) Convention priority data:  
(31) Number (32) Date (33) Country  
**29/523,810 14 Apr 2015 UNITED STATES OF AMERICA**  
(56) Related Art Documents: **Not Applicable**  
(57) Statement of Newness and Distinctiveness: **Newness and distinctiveness is claimed in the visual features shown in solid lines in the representations. In considering the extent of the design rights, the broken lines shown in the representations are for illustrative purposes only and do not form part of the design.**



- (21) Design Number: **12973/2015**  
(22) Date of Filing Application: **05 June 2015**  
(24) Date from which industrial property rights may have effect: **05 June 2015**  
(54) Product in respect of which the design is registered: **Nasal dilator device**  
(51) International Design Classification: **24-99**  
(74) Name(s) of Attorney(s): **FB Rice**  
(71) Name(s) and Address(s) of Applicant(s):  
**ASAP BreatheAssist Limited**  
**SE1 1233 High St Armadale VIC 3143 Australia**  
(72) Name(s) of Designer(s): **Toby Hartley**  
(45) Registration Date: **12 August 2015**  
(56) Related Art Documents: **Not Applicable**  
(57) Statement of Newness and Distinctiveness: **Nil**



(21) Design Number: **13653/2015**  
(22) Date of Filing Application: **22 July 2015**  
(24) Date from which industrial property rights may have effect: **22 July 2015**  
(54) Product in respect of which the design is registered: **Vehicle wheel rim**  
(51) International Design Classification: **12-16A**  
(74) Name(s) of Attorney(s): **PHILLIPS ORMONDE FITZPATRICK**  
(71) Name(s) and Address(s) of Applicant(s):

**Automobili Lamborghini S.p.A.**  
**via Modena 12 40019 Sant'Agata Bolognese (BO) Italy**

(72) Name(s) of Designer(s): **Filippo Perini**

(45) Registration Date: **12 August 2015**

(30) Convention priority data:

(31) Number (32) Date  
**002618751-0001 23 Jan 2015**

(33) Country  
**OFFICE FOR HARMONISATION IN  
THE INTERNAL MARKET (OHIM)**



(56) Related Art Documents: **Not Applicable**

(57) Statement of Newness and Distinctiveness: **Nil**

(21) Design Number: **13654/2015**  
(22) Date of Filing Application: **22 July 2015**  
(24) Date from which industrial property rights may have effect: **22 July 2015**  
(54) Product in respect of which the design is registered: **Medical diagnostic equipment**  
(51) International Design Classification: **24-01**  
(74) Name(s) of Attorney(s): **WATERMARK PATENT AND TRADE MARKS ATTORNEYS**  
(71) Name(s) and Address(s) of Applicant(s):

**Kibion GmbH**  
**Haferwende 21 Bremen 28357 Germany**

(72) Name(s) of Designer(s): **Asa Jonsson**

(45) Registration Date: **12 August 2015**

(30) Convention priority data:

(31) Number (32) Date  
**2 618 330 22 Jan 2015**

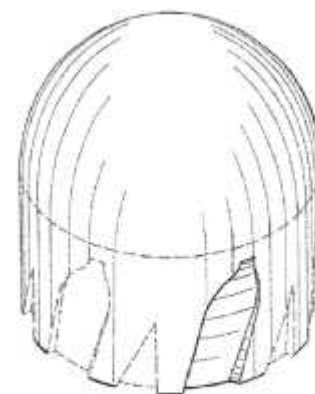
(33) Country  
**OFFICE FOR HARMONISATION IN  
THE INTERNAL MARKET (OHIM)**



(56) Related Art Documents: **Not Applicable**

(57) Statement of Newness and Distinctiveness: **Nil**

(21) Design Number: **13656/2015**  
(22) Date of Filing Application: **22 July 2015**  
(24) Date from which industrial property rights may have effect: **22 July 2015**  
(54) Product in respect of which the design is registered: **Non-lethal projectile**  
(51) International Design Classification: **22-03**  
(74) Name(s) of Attorney(s): **Spruson & Ferguson**  
(71) Name(s) and Address(s) of Applicant(s):  
**United Tactical Systems, LLC**  
**28101 Ballard drive, Ste. F, Lake Forest Illinois, 60045 United States of America**  
(72) Name(s) of Designer(s): **Gary E. Gibson and Michael A. Varacins and Jon Willson**  
(45) Registration Date: **12 August 2015**  
(30) Convention priority data:  
(31) Number (32) Date (33) Country  
**29/515406 22 Jan 2015 UNITED STATES OF AMERICA**  
(56) Related Art Documents: **Not Applicable**  
(57) Statement of Newness and Distinctiveness: **Newness and distinctiveness is claimed in those features of shape and/or configuration of a non-lethal projectile illustrated in continuous lines in the accompanying representations.**



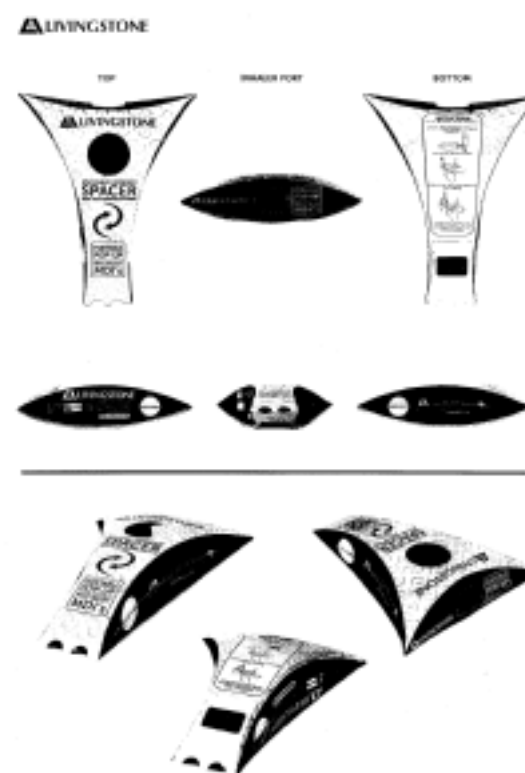
(21) Design Number: **13659/2015**  
(22) Date of Filing Application: **22 July 2015**  
(24) Date from which industrial property rights may have effect: **22 July 2015**  
(54) Product in respect of which the design is registered: **LED light bar**  
(51) International Design Classification: **26-05E**  
(74) Name(s) of Attorney(s):  
(71) Name(s) and Address(s) of Applicant(s):  
**Ben Tan**  
**18 Irving St Mount Waverley VIC 3149 Australia**  
(72) Name(s) of Designer(s): **Ben Tan**  
(45) Registration Date: **12 August 2015**  
(56) Related Art Documents: **Not Applicable**  
(57) Statement of Newness and Distinctiveness: **Brand new curved parallel strips profile design at the rear of the led light from the bottom and the top view. Also the stand brackets of both sides are innovated.**



- (21) Design Number: **13674/2015**  
(22) Date of Filing Application: **22 July 2015**  
(24) Date from which industrial property rights may have effect: **22 July 2015**  
(54) Product in respect of which the design is registered: **Filter unit**  
(51) International Design Classification: **15-01**  
(74) Name(s) of Attorney(s): **IP Gateway Patent & Trade Mark Attorneys Pty Ltd**  
(71) Name(s) and Address(s) of Applicant(s):  
**Caterpillar Inc.**  
**100 NE Adams Street Peoria Illinois, 61629 United States of America**  
(72) Name(s) of Designer(s): **Bryant Morris and Jeffrey Ries and Darrell Morehouse and Brian Sutton**  
(45) Registration Date: **12 August 2015**  
(30) Convention priority data:  
(31) Number (32) Date (33) Country  
**29/515,706 26 Jan 2015 UNITED STATES OF AMERICA**  
(56) Related Art Documents: **Not Applicable**  
(57) Statement of Newness and Distinctiveness: **Newness and distinctiveness reside in the visual features of shape and configuration of the cap of a filter unit which are as shown in solid lines in the representations. Visual features shown in broken dashed lines should be given minimum regard. The broken dot-and-dash lines illustrate boundaries between the front of the cap which includes features stated herein to be new and distinctive, and the rest of the product which does not include those features; the boundaries themselves do not form part of the design. The relatively thin lines represent contour, not surface ornamentation.**



- (21) Design Number: **12869/2015**  
(22) Date of Filing Application: **04 June 2015**  
(24) Date from which industrial property rights may have effect: **04 June 2015**  
(54) Product in respect of which the design is registered: **Disposable cardboard spacer**  
(51) International Design Classification: **09-03H**  
(74) Name(s) of Attorney(s):  
(71) Name(s) and Address(s) of Applicant(s):  
**Livingstone International Pty Ltd**  
**106-116 Epsom Rd Rosebery NSW 2018**  
(72) Name(s) of Designer(s): **Daniel Lim**  
(45) Registration Date: **12 August 2015**  
(56) Related Art Documents: **Not Applicable**  
(57) Statement of Newness and Distinctiveness: **Nil**



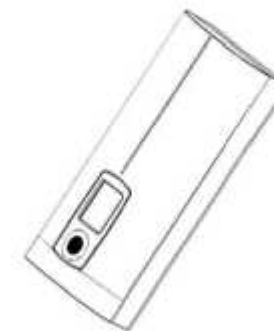
- (21) Design Number: **13651/2015**  
(22) Date of Filing Application: **22 July 2015**  
(24) Date from which industrial property rights may have effect: **22 July 2015**  
(54) Product in respect of which the design is registered: **LED work light**  
(51) International Design Classification: **26-05E**  
(74) Name(s) of Attorney(s):  
(71) Name(s) and Address(s) of Applicant(s):



**Ben Tan**  
**18 Irving St Mount Waverley VIC 3149 Australia**

- (72) Name(s) of Designer(s): **Ben Tan**  
(45) Registration Date: **12 August 2015**  
(56) Related Art Documents: **Not Applicable**  
(57) Statement of Newness and Distinctiveness: **Brand new bold cross stripe profile design is at the rear of the Led light. Also, the brackets of both sides are newly designed.**

- (21) Design Number: **13652/2015**  
(22) Date of Filing Application: **22 July 2015**  
(24) Date from which industrial property rights may have effect: **22 July 2015**  
(54) Product in respect of which the design is registered: **Water heater**  
(51) International Design Classification: **23-03H**  
(74) Name(s) of Attorney(s): **PHILLIPS ORMONDE FITZPATRICK**  
(71) Name(s) and Address(s) of Applicant(s):



**Stiebel Eltron GmbH & Co. KG.**  
**Dr.-Stiebel-Strasse 37603 Holzminden Germany**

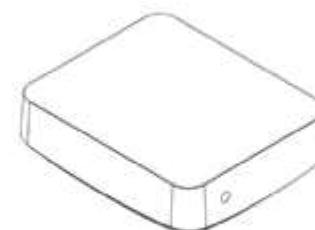
- (72) Name(s) of Designer(s): **Dirk Schumann**  
(45) Registration Date: **12 August 2015**  
(30) Convention priority data:  
(31) Number      (32) Date      (33) Country  
**001430797      26 Feb 2015      OFFICE FOR HARMONISATION IN  
THE INTERNAL MARKET (OHIM)**

- (56) Related Art Documents: **Not Applicable**  
(57) Statement of Newness and Distinctiveness: **Nil**

- (21) Design Number: **13650/2015**  
(22) Date of Filing Application: **22 July 2015**  
(24) Date from which industrial property rights may have effect: **22 July 2015**  
(54) Product in respect of which the design is registered: **Ornament for jewellery**  
(51) International Design Classification: **11-01NES**  
(74) Name(s) of Attorney(s): **Spruson & Ferguson**  
(71) Name(s) and Address(s) of Applicant(s):  
**Christian Dior Couture**  
**30 Avenue Montaigne, Paris 75008 France**  
(72) Name(s) of Designer(s): **Victoire De Casstellane**  
(45) Registration Date: **13 August 2015**  
(30) Convention priority data:  
(31) Number (32) Date (33) Country  
**Int. Deposit WIPO 18 Mar 2015 FRANCE**  
**42**  
(56) Related Art Documents: **Not Applicable**  
(57) Statement of Newness and Distinctiveness: **Newness and distinctiveness is claimed in the features of shape and/or configuration of an ornament for jewellery as illustrated in the accompanying representations.**



- (21) Design Number: **13691/2015**  
(22) Date of Filing Application: **24 July 2015**  
(24) Date from which industrial property rights may have effect: **24 July 2015**  
(54) Product in respect of which the design is registered: **Zenit cinema speakers**  
(51) International Design Classification: **14-01**  
(74) Name(s) of Attorney(s): **FB Rice**  
(71) Name(s) and Address(s) of Applicant(s):  
**GIBSON Innovations Belgium NV**  
**Interleuvenlaan 76 3001 Leuven Belgium**  
(72) Name(s) of Designer(s): **Lawrence Chuen Tak Koo**  
(45) Registration Date: **13 August 2015**  
(30) Convention priority data:  
(31) Number (32) Date (33) Country  
**002621003-0004 27 Jan 2015 OFFICE FOR HARMONISATION IN THE INTERNAL MARKET (OHIM)**  
(56) Related Art Documents: **Not Applicable**  
(57) Statement of Newness and Distinctiveness: **Newness and distinctiveness reside in the features of the design as shown in the representations.**



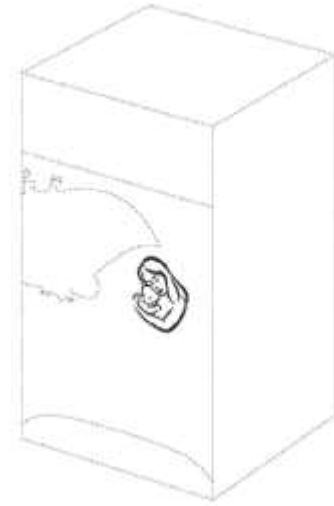
(21) Design Number: **13692/2015**  
(22) Date of Filing Application: **24 July 2015**  
(24) Date from which industrial property rights may have effect: **24 July 2015**  
(54) Product in respect of which the design is registered: **Zenit cinema speakers**  
(51) International Design Classification: **14-01**  
(74) Name(s) of Attorney(s): **FB Rice**  
(71) Name(s) and Address(s) of Applicant(s):  
**GIBSON Innovations Belgium NV**  
**Interleuvenlaan 76 3001 Leuven Belgium**  
(72) Name(s) of Designer(s): **Lawrence Chuen Tak Koo**  
(45) Registration Date: **13 August 2015**  
(30) Convention priority data:  
(31) Number (32) Date (33) Country  
**002621003-0001 27 Jan 2015 OFFICE FOR HARMONISATION IN**  
**THE INTERNAL MARKET (OHIM)**  
(56) Related Art Documents: **Not Applicable**  
(57) Statement of Newness and Distinctiveness: **Newness and distinctiveness**  
**reside in the features of the design as shown in the representations.**



(21) Design Number: **13693/2015**  
(22) Date of Filing Application: **24 July 2015**  
(24) Date from which industrial property rights may have effect: **24 July 2015**  
(54) Product in respect of which the design is registered: **Zenit cinema speakers**  
(51) International Design Classification: **14-01**  
(74) Name(s) of Attorney(s): **FB Rice**  
(71) Name(s) and Address(s) of Applicant(s):  
**GIBSON Innovations Belgium NV**  
**Interleuvenlaan 76 3001 Leuven Belgium**  
(72) Name(s) of Designer(s): **Lawrence Chuen Tak Koo**  
(45) Registration Date: **13 August 2015**  
(30) Convention priority data:  
(31) Number (32) Date (33) Country  
**002621003-0005 27 Jan 2015 OFFICE FOR HARMONISATION IN**  
**THE INTERNAL MARKET (OHIM)**  
(56) Related Art Documents: **Not Applicable**  
(57) Statement of Newness and Distinctiveness: **Newness and distinctiveness**  
**reside in the features of the design as shown in the representations.**



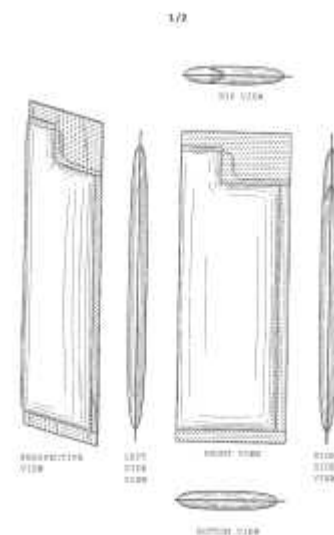
- (21) Design Number: **13697/2015**  
(22) Date of Filing Application: **24 July 2015**  
(24) Date from which industrial property rights may have effect: **24 July 2015**  
(54) Product in respect of which the design is registered: **Supplement container with surface ornamentation**  
(51) International Design Classification: **09-03M**  
(74) Name(s) of Attorney(s): **PHILLIPS ORMONDE FITZPATRICK**  
(71) Name(s) and Address(s) of Applicant(s):  
**New Chapter, Inc.**  
**90 Technology Drive Brattleboro Vermont, 05301 United States of America**  
(72) Name(s) of Designer(s): **Todd Spenceman and Jade Crystal Harmon and Trevor Isaac Guido-Williams and Jieun Choi**  
(45) Registration Date: **13 August 2015**  
(30) Convention priority data:  
(31) Number (32) Date (33) Country  
**29/515,764 27 Jan 2015 UNITED STATES OF AMERICA**  
(56) Related Art Documents: **Not Applicable**  
(57) Statement of Newness and Distinctiveness: **Those features of the supplement container with surface ornamentation depicted in the representations that are new and distinctive are the ornamentation. The features shown in broken lines are not part of the design and are to be disregarded when considering the overall impression of the design.**



- (21) Design Number: **13698/2015**  
(22) Date of Filing Application: **24 July 2015**  
(24) Date from which industrial property rights may have effect: **24 July 2015**  
(54) Product in respect of which the design is registered: **Zenit cinema speakers**  
(51) International Design Classification: **14-01**  
(74) Name(s) of Attorney(s): **FB Rice**  
(71) Name(s) and Address(s) of Applicant(s):  
**GIBSON Innovations Belgium NV**  
**Interleuvenlaan 76 3001 Leuven Belgium**  
(72) Name(s) of Designer(s): **Lawrence Chuen Tak Koo**  
(45) Registration Date: **13 August 2015**  
(30) Convention priority data:  
(31) Number (32) Date (33) Country  
**002621003-0002 27 Jan 2015 OFFICE FOR HARMONISATION IN THE INTERNAL MARKET (OHIM)**  
(56) Related Art Documents: **Not Applicable**  
(57) Statement of Newness and Distinctiveness: **Newness and distinctiveness reside in the features of the design as shown in the representations.**

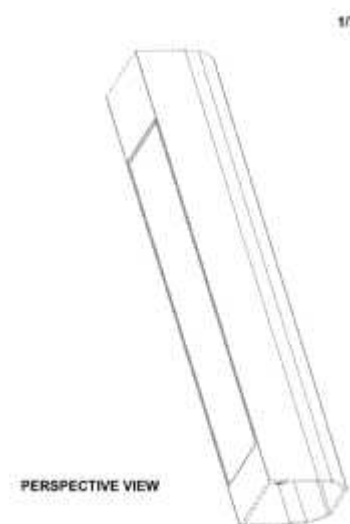


(21) Design Number: **12236/2015**  
(22) Date of Filing Application: **30 April 2015**  
(24) Date from which industrial property rights may have effect: **30 April 2015**  
(54) Product in respect of which the design is registered: **Food package with integrated spout**  
(51) International Design Classification: **09-05**  
(74) Name(s) of Attorney(s): **Callinans**  
(71) Name(s) and Address(s) of Applicant(s):  
**GENERAL MILLS, INC.**  
**Number One General Mills Boulevard Minneapolis MN, 55426 United States of America**  
(72) Name(s) of Designer(s): **Scott F Gillespie**  
(45) Registration Date: **13 August 2015**  
(30) Convention priority data:  
(31) Number (32) Date (33) Country  
**29/508,100 13 Nov 2014 UNITED STATES OF AMERICA**



(56) Related Art Documents: **Not Applicable**  
(57) Statement of Newness and Distinctiveness: **Newness and distinctiveness resides in the features of shape and/or configuration as applied to a FOOD PACKAGE WITH INTEGRATED SPOUT as shown in the accompanying representations. Features shown in dotted lines do not constitute part of the design.**

(21) Design Number: **12286/2015**  
(22) Date of Filing Application: **01 May 2015**  
(24) Date from which industrial property rights may have effect: **01 May 2015**  
(54) Product in respect of which the design is registered: **Frame element**  
(51) International Design Classification: **13-02**  
(74) Name(s) of Attorney(s): **Callinans**  
(71) Name(s) and Address(s) of Applicant(s):  
**ROBERT BOSCH GMBH**  
**Postfach 30 02 20 Stuttgart 70442 Germany**  
(72) Name(s) of Designer(s): **Rinaldo Greiner**  
(45) Registration Date: **13 August 2015**  
(30) Convention priority data:  
(31) Number (32) Date (33) Country  
**002574186 07 Nov 2014 OFFICE FOR HARMONISATION IN THE INTERNAL MARKET (OHIM)**

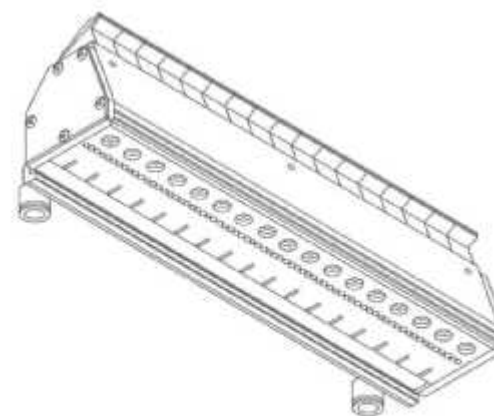


(56) Related Art Documents: **Not Applicable**  
(57) Statement of Newness and Distinctiveness: **Newness and distinctiveness are provided by the shape and/or configuration of the design shown in the representations. The frame element is of indefinite length as shown by the broken lines in the representations.**

- (21) Design Number: **12563/2015**  
(22) Date of Filing Application: **18 May 2015**  
(24) Date from which industrial property rights may have effect: **18 May 2015**  
(54) Product in respect of which the design is registered: **Nozzle apparatus**  
(51) International Design Classification: **15-03B**  
(74) Name(s) of Attorney(s): **PHILLIPS ORMONDE FITZPATRICK**  
(71) Name(s) and Address(s) of Applicant(s):

**Satake Corporation**  
**7-2 Sotokanda 4-Chome Chiyoda-Ku Tokyo 101-0021 Japan**  
**Mechano Transformer Corporation**  
**3F., Mikasa First Bldg. 1-10-10, Kajicho, Chiyoda-ku Tokyo, 101-0044**  
**Japan**  
**Kuroda Pneumatics Ltd.**  
**10243, Kamakazu Asahi-shi Chiba, 289-2505 Japan**

- (72) Name(s) of Designer(s): **Takafumi Ito and Yoshinori Kawawa and Toshitada Hirata and Sze Keat Chee and Toshiro Higuchi**  
(45) Registration Date: **13 August 2015**  
(30) Convention priority data:  
(31) Number      (32) Date      (33) Country  
**2014-026100      21 Nov 2014      JAPAN**  
(56) Related Art Documents: **Not Applicable**  
(57) Statement of Newness and Distinctiveness: **Nil**



- (21) Design Number: **13684/2015**  
(22) Date of Filing Application: **23 July 2015**  
(24) Date from which industrial property rights may have effect: **23 July 2015**  
(54) Product in respect of which the design is registered: **Bike parking rail/rack**  
(51) International Design Classification: **08-10**  
(74) Name(s) of Attorney(s):  
(71) Name(s) and Address(s) of Applicant(s):

**Martyn Stanley Wilson**  
**PO BOX 6346 Silverwater NSW 1811 Australia**

- (72) Name(s) of Designer(s): **Martyn Stanley Wilson**  
(45) Registration Date: **13 August 2015**  
(56) Related Art Documents: **Not Applicable**  
(57) Statement of Newness and Distinctiveness: **The shape and configuration of the bicycle hanging rail or rack in the representation is claimed as new and distinctive. No claim is made in the shape of the fixing portion and the bike hanging pin both shown in the dotted outline.**



(21) Design Number: **13687/2015**  
(22) Date of Filing Application: **24 July 2015**  
(24) Date from which industrial property rights may have effect: **27 April 2015**  
(54) Product in respect of which the design is registered: **Freezer stick**  
(51) International Design Classification: **07-07NES**  
(74) Name(s) of Attorney(s): **Pizzeys Patent and Trade Mark Attorneys Pty Ltd**  
(71) Name(s) and Address(s) of Applicant(s):  
**Cool Gear International, LLC**  
**10 Cordage Park Circle, Suite 212 Plymouth MA, 02360 United States of America**  
(72) Name(s) of Designer(s): **Troy Kyle**  
(45) Registration Date: **13 August 2015**  
(30) Convention priority data:  
(31) Number (32) Date (33) Country  
**29/507,484 28 Oct 2014 UNITED STATES OF AMERICA**  
(62) Divisional of: **362966**  
(56) Related Art Documents: **Not Applicable**  
(57) Statement of Newness and Distinctiveness: **Nil**



(21) Design Number: **13689/2015**  
(22) Date of Filing Application: **24 July 2015**  
(24) Date from which industrial property rights may have effect: **24 July 2015**  
(54) Product in respect of which the design is registered: **Street light**  
(51) International Design Classification: **26-03**  
(74) Name(s) of Attorney(s): **Spruson & Ferguson**  
(71) Name(s) and Address(s) of Applicant(s):  
**Thorn Europhane S.A.**  
**Route de la Paix - BP 504 Les Andelys 27700 France**  
(72) Name(s) of Designer(s): **Daniel Libeskind**  
(45) Registration Date: **13 August 2015**  
(30) Convention priority data:  
(31) Number (32) Date (33) Country  
**002 620 641 27 Jan 2015 OFFICE FOR HARMONISATION IN THE INTERNAL MARKET (OHIM)**  
(56) Related Art Documents: **Not Applicable**  
(57) Statement of Newness and Distinctiveness: **Newness and distinctiveness is claimed in the features of shape and/or configuration of a street light as illustrated in the accompanying representations.**

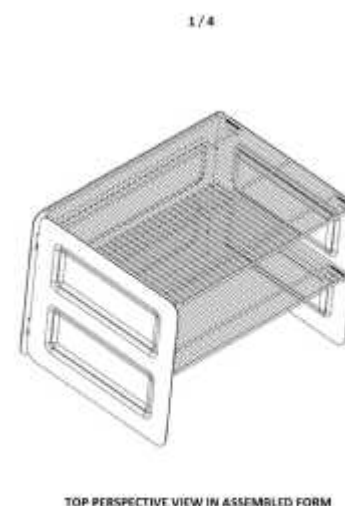


(21) Design Number: **13694/2015**  
(22) Date of Filing Application: **24 July 2015**  
(24) Date from which industrial property rights may have effect: **24 July 2015**  
(54) Product in respect of which the design is registered: **Supplement container with surface ornamentation**  
(51) International Design Classification: **09-03M**  
(74) Name(s) of Attorney(s): **PHILLIPS ORMONDE FITZPATRICK**  
(71) Name(s) and Address(s) of Applicant(s):  
**New Chapter, Inc.**  
**90 Technology Drive Brattleboro Vermont, 05301 United States of America**  
(72) Name(s) of Designer(s): **Todd Spenceman and Jade Crystal Harmon and Trevor Isaac Guido-Williams and Jieun Choi**  
(45) Registration Date: **13 August 2015**  
(30) Convention priority data:  
(31) Number (32) Date (33) Country  
**29/515,763 27 Jan 2015 UNITED STATES OF AMERICA**

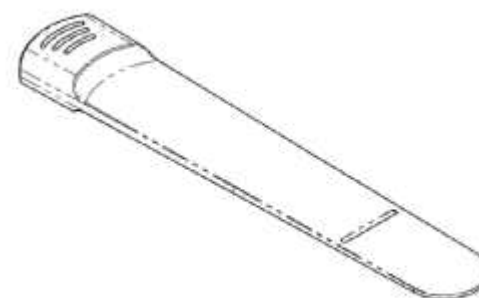


(56) Related Art Documents: **Not Applicable**  
(57) Statement of Newness and Distinctiveness: **Those features of the supplement container with surface ornamentation depicted in the representations that are new and distinctive are the ornamentation. The features shown in broken lines are not part of the design and are to be disregarded when considering the overall impression of the design.**

(21) Design Number: **12317/2015**  
(22) Date of Filing Application: **05 May 2015**  
(24) Date from which industrial property rights may have effect: **05 May 2015**  
(54) Product in respect of which the design is registered: **Dismantlable barbeque**  
(51) International Design Classification: **07-02E**  
(74) Name(s) of Attorney(s): **Baxter Patent Attorneys Pty Ltd**  
(71) Name(s) and Address(s) of Applicant(s):  
**Christopher Robert Matts**  
**50 Barrenjoey Rd Mona Vale NSW 2103 Australia**  
(72) Name(s) of Designer(s): **Christopher Robert Matts**  
(45) Registration Date: **13 August 2015**  
(56) Related Art Documents: **Not Applicable**  
(57) Statement of Newness and Distinctiveness: **Nil**



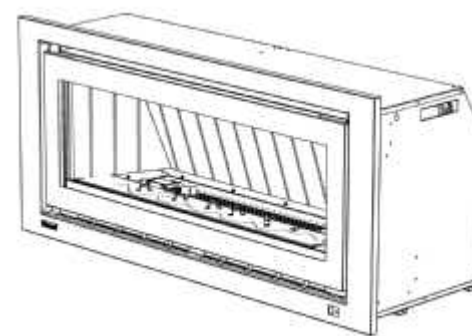
- (21) Design Number: **12621/2015**  
(22) Date of Filing Application: **20 May 2015**  
(24) Date from which industrial property rights may have effect: **20 May 2015**  
(54) Product in respect of which the design is registered: **Tongue depressor blade**  
(51) International Design Classification: **24-01**  
(74) Name(s) of Attorney(s): **Cullens Patent and Trade Mark Attorneys**  
(71) Name(s) and Address(s) of Applicant(s):  
**Throat Scope Pty Ltd**  
**PO BOX 7027 Redhead NSW 2290 Australia**  
(72) Name(s) of Designer(s): **Jennifer Louise Holland and Huw Umberto Wallis and Alison Ruth Norcott**  
(45) Registration Date: **13 August 2015**  
(56) Related Art Documents: **Not Applicable**  
(57) Statement of Newness and Distinctiveness: **Newness and distinctiveness resides in the shape or configuration of the tongue depressor blade as shown in the representations.**



- (21) Design Number: **13595/2015**  
(22) Date of Filing Application: **20 July 2015**  
(24) Date from which industrial property rights may have effect: **20 July 2015**  
(54) Product in respect of which the design is registered: **Garden pot with reservoir**  
(51) International Design Classification: **11-02B**  
(74) Name(s) of Attorney(s):  
(71) Name(s) and Address(s) of Applicant(s):  
**Home Leisure Corp Pty Ltd**  
**31 Dunlop Rd Mulgrave VIC 3170 Australia**  
(72) Name(s) of Designer(s): **Michael Westwood**  
(45) Registration Date: **13 August 2015**  
(56) Related Art Documents: **Not Applicable**  
(57) Statement of Newness and Distinctiveness: **The newness and distinctiveness of the design resides in the rising soft curve of each side which straightens and angles up to a curved step which then leads to a further increased angled plane that transitions with a small radius to a horizontal flange.**



- (21) Design Number: **13688/2015**  
(22) Date of Filing Application: **24 July 2015**  
(24) Date from which industrial property rights may have effect: **24 July 2015**  
(54) Product in respect of which the design is registered: **Heater**  
(51) International Design Classification: **23-03B**  
(74) Name(s) of Attorney(s): **HODGKINSON McINNES PATENTS**  
(71) Name(s) and Address(s) of Applicant(s):  
**Rinnai New Zealand Limited**  
**105 Pavilion Drive Airport Oaks Mangere Auckland New Zealand**  
(72) Name(s) of Designer(s): **Gregory Grant Brinsden and John Sigfrid Johansson and William Benjamin Hawkins and Guoping Chen**  
(45) Registration Date: **13 August 2015**  
(56) Related Art Documents: **Not Applicable**  
(57) Statement of Newness and Distinctiveness: **Newness and distinctiveness is claimed in the shape and configuration of a heater as shown in the representations.**



- (21) Design Number: **13690/2015**  
(22) Date of Filing Application: **24 July 2015**  
(24) Date from which industrial property rights may have effect: **24 July 2015**  
(54) Product in respect of which the design is registered: **Artificial log arrangement for a heater.**  
(51) International Design Classification: **23-03NES**  
(74) Name(s) of Attorney(s): **HODGKINSON McINNES PATENTS**  
(71) Name(s) and Address(s) of Applicant(s):  
**Rinnai New Zealand Limited**  
**PO BOX 53177 Auckland Airport Auckland 2150 New Zealand**  
(72) Name(s) of Designer(s): **Gregory Grant Brinsden and John Sigfrid Johansson and William Benjamin Hawkins and Guoping Chen**  
(45) Registration Date: **13 August 2015**  
(56) Related Art Documents: **Not Applicable**  
(57) Statement of Newness and Distinctiveness: **Newness and distinctiveness is claimed in the shape and configuration of an artificial log arrangement for a heater as shown in the representations.**



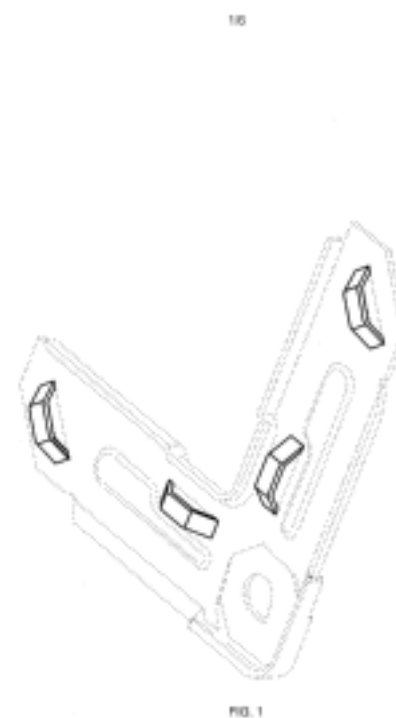
- (21) Design Number: **13696/2015**  
(22) Date of Filing Application: **24 July 2015**  
(24) Date from which industrial property rights may have effect: **24 July 2015**  
(54) Product in respect of which the design is registered: **Supplement container with surface ornamentation**  
(51) International Design Classification: **09-03M**  
(74) Name(s) of Attorney(s): **PHILLIPS ORMONDE FITZPATRICK**  
(71) Name(s) and Address(s) of Applicant(s):  
**New Chapter, Inc.**  
**90 Technology Drive Brattleboro Vermont, 05301 United States of America**  
(72) Name(s) of Designer(s): **Todd Spenceman and Jade Crystal Harmon and Trevor Isaac Guido-Williams and Jieun Choi**  
(45) Registration Date: **13 August 2015**  
(30) Convention priority data:  
(31) Number (32) Date (33) Country  
**29/515,762 27 Jan 2015 UNITED STATES OF AMERICA**  
(56) Related Art Documents: **Not Applicable**  
(57) Statement of Newness and Distinctiveness: **Those features of the supplement container with surface ornamentation depicted in the representations that are new and distinctive are the ornamentation. The features shown in broken lines are not part of the design and are to be disregarded when considering the overall impression of the design.**



- (21) Design Number: **12361/2015**  
(22) Date of Filing Application: **07 May 2015**  
(24) Date from which industrial property rights may have effect: **07 May 2015**  
(54) Product in respect of which the design is registered: **Computing device display screen**  
(51) International Design Classification: **14-02**  
(74) Name(s) of Attorney(s): **WRAYS PTY LTD**  
(71) Name(s) and Address(s) of Applicant(s):  
**Uber Technologies, Inc.**  
**1455 Market Street 4th Floor San Francisco California, 94103 United States of America**  
(72) Name(s) of Designer(s): **John Stephen Francis and Lorenzo Riccardo Calvani and Michael Aaron Eton York**  
(45) Registration Date: **13 August 2015**  
(30) Convention priority data:  
(31) Number (32) Date (33) Country  
**29/508,615 07 Nov 2014 UNITED STATES OF AMERICA**  
(56) Related Art Documents: **Not Applicable**  
(57) Statement of Newness and Distinctiveness: **Newness and distinctiveness is claimed in the features of shape, configuration, pattern, and/or ornamentation of the Computing Device Display Screen With Transport Service Summary Graphical User Interface as shown in the accompanying representations. The features depicted by broken lines, as well as the outer most rectangle (intended to reflect a portion of the computing device), are for illustrative purposes only and form no part of the claimed design.**



- (21) Design Number: **13265/2015**  
(22) Date of Filing Application: **29 June 2015**  
(24) Date from which industrial property rights may have effect: **29 June 2015**  
(54) Product in respect of which the design is registered: **Corner bracket for a duct**  
(51) International Design Classification: **08-08L**  
(74) Name(s) of Attorney(s): **Davies Collison Cave**  
(71) Name(s) and Address(s) of Applicant(s):  
**RMD Industries Pty Ltd**  
**6-10 Market Rd Sunshine VIC 3020 Australia**  
(72) Name(s) of Designer(s): **Michael Hadley and John Price**  
(45) Registration Date: **13 August 2015**  
(56) Related Art Documents: **Not Applicable**  
(57) Statement of Newness and Distinctiveness: **Nil**



- (21) Design Number: **12540/2015**  
(22) Date of Filing Application: **15 May 2015**  
(24) Date from which industrial property rights may have effect: **13 February 2015**  
(54) Product in respect of which the design is registered: **Display device with a create new dialog box for a user interface**  
(51) International Design Classification: **20-99**  
(74) Name(s) of Attorney(s): **Davies Collison Cave**  
(71) Name(s) and Address(s) of Applicant(s):  
**Intuit Inc.**  
**2632 Marine Way Mountain View CA, 94043-1126 United States of America**  
(72) Name(s) of Designer(s): **Rebecca Zhu and Ariel I. Alvarez and Dorelle Rabinowitz and Joseph Davidchik and Erica Joy Katrak and Hetal A. Soni**  
(45) Registration Date: **13 August 2015**  
(30) Convention priority data:  
(31) Number      (32) Date      (33) Country  
**29/499328      13 Aug 2014      UNITED STATES OF AMERICA**  
(62) Divisional of: **361952**  
(56) Related Art Documents: **Not Applicable**  
(57) Statement of Newness and Distinctiveness: **Newness and distinctiveness is claimed in the visual features shown in the representations. The elements shown with dashed lines are for illustrative purposes only showing an example interface environment and form no part of the claimed design. The dot dashed line are for illustrative purposes only showing an example boundary of the create new dialog box and form no part of the claimed design.**



- (21) Design Number: **13379/2015**  
(22) Date of Filing Application: **03 July 2015**  
(24) Date from which industrial property rights may have effect: **03 July 2015**  
(54) Product in respect of which the design is registered: **Apparatus for anchoring**  
(51) International Design Classification: **25-99**  
(74) Name(s) of Attorney(s): **Caska IP**  
(71) Name(s) and Address(s) of Applicant(s):  
**Paul David Barwick**  
**PO BOX 111 Parkes NSW 2870 Australia**  
**Andrew John Pascoe**  
**PO BOX 111 Parkes NSW 2870 Australia**  
(72) Name(s) of Designer(s): **Paul David Barwick**  
(45) Registration Date: **13 August 2015**  
(56) Related Art Documents: **Not Applicable**  
(57) Statement of Newness and Distinctiveness: **Newness and Distinctiveness resides in the overall shape and configuration of the visual features as shown in solid lines the accompanying representations.**



- (21) Design Number: **13380/2015**  
(22) Date of Filing Application: **03 July 2015**  
(24) Date from which industrial property rights may have effect: **03 July 2015**  
(54) Product in respect of which the design is registered: **Anchor body for an anchor point**  
(51) International Design Classification: **25-99**  
(74) Name(s) of Attorney(s): **Caska IP**  
(71) Name(s) and Address(s) of Applicant(s):  
**Paul David Barwick**  
**PO BOX 111 Parkes NSW 2870 Australia**  
**Andrew John Pascoe**  
**PO BOX 111 Parkes NSW 2870 Australia**  
(72) Name(s) of Designer(s): **Paul David Barwick**  
(45) Registration Date: **13 August 2015**  
(56) Related Art Documents: **Not Applicable**  
(57) Statement of Newness and Distinctiveness: **Newness and Distinctiveness resides in the overall shape and configuration of the visual features shown in the accompanying representations.**



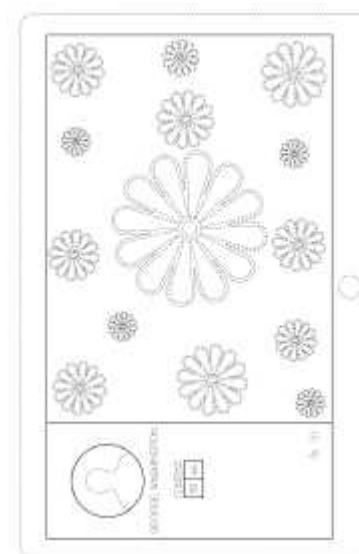
- (21) Design Number: **13381/2015**  
(22) Date of Filing Application: **03 July 2015**  
(24) Date from which industrial property rights may have effect: **03 July 2015**  
(54) Product in respect of which the design is registered: **Washer for load indication**  
(51) International Design Classification: **25-99**  
(74) Name(s) of Attorney(s): **Caska IP**  
(71) Name(s) and Address(s) of Applicant(s):  
**Paul David Barwick**  
**PO BOX 111 Parkes NSW 2870 Australia**  
**Andrew John Pascoe**  
**PO BOX 111 Parkes NSW 2870 Australia**  
(72) Name(s) of Designer(s): **Paul David Barwick**  
(45) Registration Date: **13 August 2015**  
(56) Related Art Documents: **Not Applicable**  
(57) Statement of Newness and Distinctiveness: **Newness and Distinctiveness resides in the overall shape and configuration of the visual features shown in the accompanying representations.**



- (21) Design Number: **13591/2015**  
(22) Date of Filing Application: **20 July 2015**  
(24) Date from which industrial property rights may have effect: **20 July 2015**  
(54) Product in respect of which the design is registered: **Display screen with graphical user interface**  
(51) International Design Classification: **14-02**  
(74) Name(s) of Attorney(s): **Shelston IP**  
(71) Name(s) and Address(s) of Applicant(s):  
**Microsoft Corporation**  
**One Microsoft Way Redmond Washington 98052 United States of America**  
(72) Name(s) of Designer(s): **Dana Lee and Jose Alberto Rodriguez and Conroy Williamson**  
(45) Registration Date: **13 August 2015**  
(30) Convention priority data:  
(31) Number      (32) Date      (33) Country  
**29/515065      20 Jan 2015      UNITED STATES OF AMERICA**  
(56) Related Art Documents: **Not Applicable**  
(57) Statement of Newness and Distinctiveness: **Newness and distinctiveness reside in the features of pattern and/or ornamentation of a display screen with graphical user interface as illustrated by solid lines in the accompanying representation. The features shown in broken outline are for contextual purposes only and do not form part of the design. The symbols and alphabetic characters depicted are indicative only, and may be substituted by alternative symbols or alphanumeric characters.**

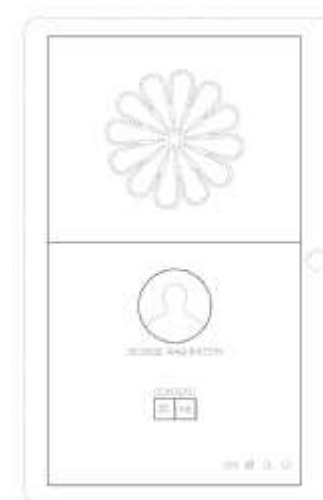


(21) Design Number: **13593/2015**  
(22) Date of Filing Application: **20 July 2015**  
(24) Date from which industrial property rights may have effect: **20 July 2015**  
(54) Product in respect of which the design is registered: **Display screen with graphical user interface**  
(51) International Design Classification: **14-02**  
(74) Name(s) of Attorney(s): **Shelston IP**  
(71) Name(s) and Address(s) of Applicant(s):  
**Microsoft Corporation**  
**One Microsoft Way Redmond Washington 98052 United States of America**  
(72) Name(s) of Designer(s): **Aaron Naoyoshi Sheung Yan Woo**  
(45) Registration Date: **13 August 2015**  
(30) Convention priority data:  
(31) Number (32) Date (33) Country  
**29/515064 20 Jan 2015 UNITED STATES OF AMERICA**



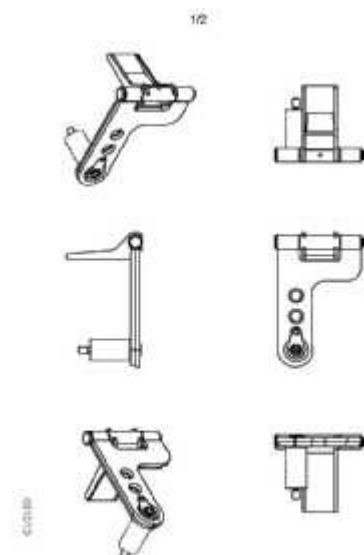
(56) Related Art Documents: **Not Applicable**  
(57) Statement of Newness and Distinctiveness: **Newness and distinctiveness reside in the features of pattern and/or ornamentation of a display screen with graphical user interface as illustrated by solid lines in the accompanying representation. The features shown in broken outline are for contextual purposes only and do not form part of the design. The symbols and alphabetic characters depicted are indicative only, and may be substituted by alternative symbols or alphanumeric characters.**

(21) Design Number: **13592/2015**  
(22) Date of Filing Application: **20 July 2015**  
(24) Date from which industrial property rights may have effect: **20 July 2015**  
(54) Product in respect of which the design is registered: **Display screen with graphical user interface**  
(51) International Design Classification: **14-02**  
(74) Name(s) of Attorney(s): **Shelston IP**  
(71) Name(s) and Address(s) of Applicant(s):  
**Microsoft Corporation**  
**One Microsoft Way Redmond Washington 98052 United States of America**  
(72) Name(s) of Designer(s): **Aaron Naoyoshi Sheung Yan Woo**  
(45) Registration Date: **13 August 2015**  
(30) Convention priority data:  
(31) Number (32) Date (33) Country  
**29/515109 20 Jan 2015 UNITED STATES OF AMERICA**

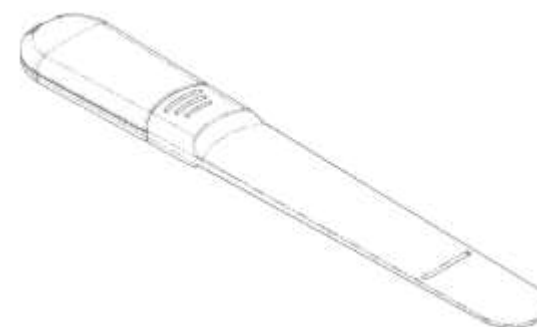


(56) Related Art Documents: **Not Applicable**  
(57) Statement of Newness and Distinctiveness: **Newness and distinctiveness reside in the features of pattern and/or ornamentation of a display screen with graphical user interface as illustrated by solid lines in the accompanying representation. The features shown in broken outline are for contextual purposes only and do not form part of the design. The symbols and alphabetic characters depicted are indicative only, and may be substituted by alternative symbols or alphanumeric characters.**

- (21) Design Number: **11513/2015**  
(22) Date of Filing Application: **19 March 2015**  
(24) Date from which industrial property rights may have effect: **19 March 2015**  
(54) Product in respect of which the design is registered: **Pivot suitable for mounting a tailgate of a freight vehicle**  
(51) International Design Classification: **12-16NES**  
(74) Name(s) of Attorney(s): **PHILLIPS ORMONDE FITZPATRICK**  
(71) Name(s) and Address(s) of Applicant(s):  
**Transtech Research Pty Ltd**  
**346 Boundary Rd Derrimut VIC 3030 Australia**  
(72) Name(s) of Designer(s): **Christopher Graham Lusty and Matthew Karl Lechte**  
(45) Registration Date: **13 August 2015**  
(56) Related Art Documents: **Not Applicable**  
(57) Statement of Newness and Distinctiveness: **Those features of the pivot suitable for mounting a tailgate of a freight vehicle depicted in the representations that are new and distinctive are the shape and/or configuration. The feature shown in broken line is not part of the design and is to be disregarded when considering the overall impression of the design.**



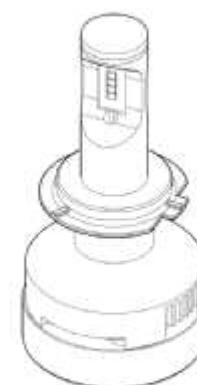
- (21) Design Number: **12620/2015**  
(22) Date of Filing Application: **20 May 2015**  
(24) Date from which industrial property rights may have effect: **20 May 2015**  
(54) Product in respect of which the design is registered: **Tongue depressor**  
(51) International Design Classification: **24-01**  
(74) Name(s) of Attorney(s): **Cullens Patent and Trade Mark Attorneys**  
(71) Name(s) and Address(s) of Applicant(s):  
**Throat Scope Pty Ltd**  
**PO BOX 7027 Redhead NSW 2290 Australia**  
(72) Name(s) of Designer(s): **Jennifer Louise Holland and Huw Umberto Wallis and Alison Ruth Norcott**  
(45) Registration Date: **13 August 2015**  
(56) Related Art Documents: **Not Applicable**  
(57) Statement of Newness and Distinctiveness: **Newness and distinctiveness resides in the shape or configuration of the tongue depressor as shown in the representations.**



(21) Design Number: **13524/2015**  
(22) Date of Filing Application: **15 July 2015**  
(24) Date from which industrial property rights may have effect: **15 July 2015**  
(54) Product in respect of which the design is registered: **LED retrofit bulb**  
(51) International Design Classification: **26-05E**  
(74) Name(s) of Attorney(s): **FB Rice**  
(71) Name(s) and Address(s) of Applicant(s):  
**Koninklijke Philips N.V.**  
**High Tech Campus 5 5656 AE Eindhoven The Netherlands**  
(72) Name(s) of Designer(s): **Shingjin Chen and Hui Ling Pan and Xiaobo Zhang and Chunheng Kang and Shichun Liu**  
(45) Registration Date: **13 August 2015**  
(30) Convention priority data:  
(31) Number (32) Date (33) Country  
**002614610-0001 16 Jan 2015 OFFICE FOR HARMONISATION IN THE INTERNAL MARKET (OHIM)**  
(56) Related Art Documents: **Not Applicable**  
(57) Statement of Newness and Distinctiveness: **Newness and distinctiveness reside in the features of shape and configuration of the design as shown in the representations.**



(21) Design Number: **13525/2015**  
(22) Date of Filing Application: **15 July 2015**  
(24) Date from which industrial property rights may have effect: **15 July 2015**  
(54) Product in respect of which the design is registered: **LED retrofit bulb**  
(51) International Design Classification: **26-05E**  
(74) Name(s) of Attorney(s): **FB Rice**  
(71) Name(s) and Address(s) of Applicant(s):  
**Koninklijke Philips N.V.**  
**High Tech Campus 5 AE Eindhoven 5656 The Netherlands**  
(72) Name(s) of Designer(s): **Shengjin Chen and Hui Ling Pan and Xiaobo Zhang and Chunheng Kang and Shichun Liu**  
(45) Registration Date: **13 August 2015**  
(30) Convention priority data:  
(31) Number (32) Date (33) Country  
**002614628-0001 16 Jan 2015 OFFICE FOR HARMONISATION IN THE INTERNAL MARKET (OHIM)**  
(56) Related Art Documents: **Not Applicable**  
(57) Statement of Newness and Distinctiveness: **Newness and distinctiveness reside in the features of shape and configuration of the design as shown in the representations.**



(21) Design Number: **13526/2015**  
(22) Date of Filing Application: **15 July 2015**  
(24) Date from which industrial property rights may have effect: **15 July 2015**  
(54) Product in respect of which the design is registered: **Water tank**  
(51) International Design Classification: **23-01F, 15-07**  
(74) Name(s) of Attorney(s): **Shelston IP**  
(71) Name(s) and Address(s) of Applicant(s):

**Arcelik Anonim Sirketi**  
**E5 Ankara Asfalti Uzeri Tuzia Istanbul, 34950 Turkey**

(72) Name(s) of Designer(s): **Ridvan Kadir Celik**

(45) Registration Date: **13 August 2015**

(30) Convention priority data:

(31) Number	(32) Date	(33) Country
<b>002647412-0001</b>	<b>24 Mar 2015</b>	<b>OFFICE FOR HARMONISATION IN THE INTERNAL MARKET (OHIM)</b>

(56) Related Art Documents: **Not Applicable**

(57) Statement of Newness and Distinctiveness: **Newness and distinctiveness reside in the features of shape and/or configuration of a WATER TANK as illustrated in the accompanying representations.**



(21) Design Number: **13528/2015**  
(22) Date of Filing Application: **15 July 2015**  
(24) Date from which industrial property rights may have effect: **15 July 2015**  
(54) Product in respect of which the design is registered: **Toy character**  
(51) International Design Classification: **21-01B**  
(74) Name(s) of Attorney(s): **Fisher Adams Kelly Pty Ltd**  
(71) Name(s) and Address(s) of Applicant(s):

**KMA Concepts Limited**  
**Suite 1003 Silvercord Tower 1 30 Canton Road KOWLOON Hong Kong**

(72) Name(s) of Designer(s): **Peter Cummings**

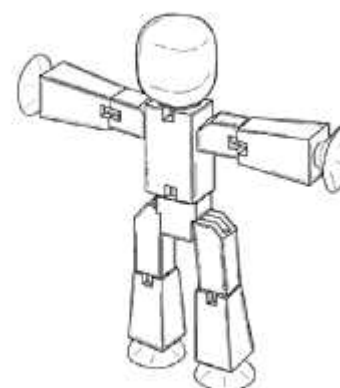
(45) Registration Date: **13 August 2015**

(30) Convention priority data:

(31) Number	(32) Date	(33) Country
<b>201530013345.6</b>	<b>16 Jan 2015</b>	<b>CHINA</b>

(56) Related Art Documents: **Not Applicable**

(57) Statement of Newness and Distinctiveness: **The newness and distinctiveness of the design resides in the shape and/or configuration of the Toy Character shown in the representations. The first and second poses are provided for illustrative purposes only.**



(21) Design Number: **13557/2015**  
(22) Date of Filing Application: **16 July 2015**  
(24) Date from which industrial property rights may have effect: **16 July 2015**  
(54) Product in respect of which the design is registered: **Confectionery Product**  
(51) International Design Classification: **01-01**  
(74) Name(s) of Attorney(s): **PHILLIPS ORMONDE FITZPATRICK**  
(71) Name(s) and Address(s) of Applicant(s):

**Soremartec S.A.**  
**Findel Business Center Complexe B Rue de Treves L-2632 Findel**  
**Luxembourg**

(72) Name(s) of Designer(s): **Giuseppe Terrasi**

(45) Registration Date: **13 August 2015**

(30) Convention priority data:

(31) Number	(32) Date	(33) Country
<b>867717301</b>	<b>22 Jan 2015</b>	<b>WORLD INTELLECTUAL PROPERTY ORGANIZATION (WIPO)</b>

(56) Related Art Documents: **Not Applicable**

(57) Statement of Newness and Distinctiveness: **Nil**



(21) Design Number: **13513/2015**  
(22) Date of Filing Application: **14 July 2015**  
(24) Date from which industrial property rights may have effect: **14 July 2015**  
(54) Product in respect of which the design is registered: **Mobile bar**  
(51) International Design Classification: **06-04D**  
(74) Name(s) of Attorney(s): **IP Guardian**  
(71) Name(s) and Address(s) of Applicant(s):

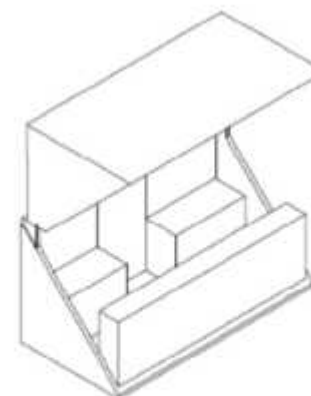
**Krisztian Kulcsar**  
**5/222 Old South Head Rd Vaucluse NSW 2030 Australia**

(72) Name(s) of Designer(s): **Krisztian Kulcsar**

(45) Registration Date: **13 August 2015**

(56) Related Art Documents: **Not Applicable**

(57) Statement of Newness and Distinctiveness: **Nil**



(21) Design Number: **13519/2015**

(22) Date of Filing Application: **15 July 2015**

(24) Date from which industrial property rights may have effect: **15 July 2015**

(54) Product in respect of which the design is registered: **Tap backplate**

(51) International Design Classification: **23-01H**

(74) Name(s) of Attorney(s):

(71) Name(s) and Address(s) of Applicant(s):

**Ian Shirliff**

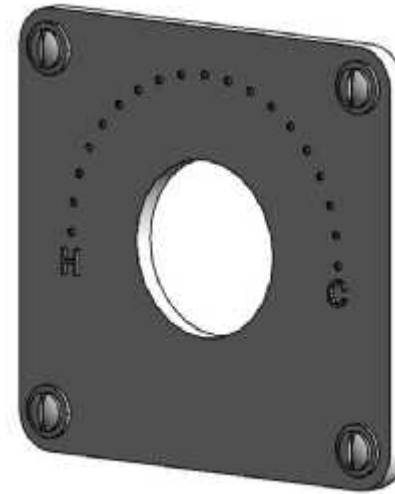
**Brodware Industries PO BOX 610 Seven Hills NSW 1730 Australia**

(72) Name(s) of Designer(s): **Ian Shirliff**

(45) Registration Date: **13 August 2015**

(56) Related Art Documents: **Not Applicable**

(57) Statement of Newness and Distinctiveness: **Newness and distinctiveness is claimed in the shape of the tap backplate as illustrated in the accompanying representations.**



(21) Design Number: **13520/2015**

(22) Date of Filing Application: **15 July 2015**

(24) Date from which industrial property rights may have effect: **15 July 2015**

(54) Product in respect of which the design is registered: **Tap flange**

(51) International Design Classification: **23-01H**

(74) Name(s) of Attorney(s):

(71) Name(s) and Address(s) of Applicant(s):

**Ian Shirliff**

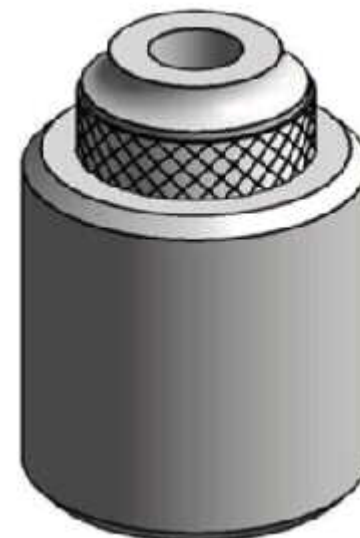
**Brodware Industries PO BOX 610 Seven Hills NSW 1730 Australia**

(72) Name(s) of Designer(s): **Ian Shirliff**

(45) Registration Date: **13 August 2015**

(56) Related Art Documents: **Not Applicable**

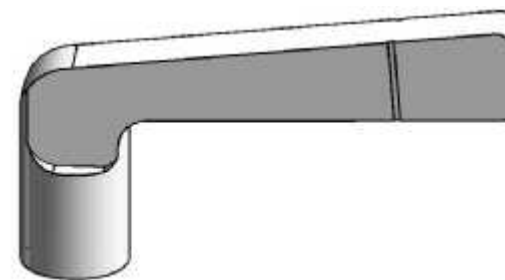
(57) Statement of Newness and Distinctiveness: **Newness and distinctiveness is claimed in the shape of the tap flange as illustrated in the accompanying representations.**



(21) Design Number: **13521/2015**  
(22) Date of Filing Application: **15 July 2015**  
(24) Date from which industrial property rights may have effect: **15 July 2015**  
(54) Product in respect of which the design is registered: **Tap handle**  
(51) International Design Classification: **23-01H**  
(74) Name(s) of Attorney(s):  
(71) Name(s) and Address(s) of Applicant(s):  
**Ian Shirliff**  
**Brodware Industries PO BOX 610 Seven Hills NSW 1730 Australia**  
(72) Name(s) of Designer(s): **Ian Shirliff**  
(45) Registration Date: **13 August 2015**  
(56) Related Art Documents: **Not Applicable**  
(57) Statement of Newness and Distinctiveness: **Newness and distinctiveness is claimed in the shape of the tap handle as illustrated in the accompanying representations.**



(21) Design Number: **13522/2015**  
(22) Date of Filing Application: **15 July 2015**  
(24) Date from which industrial property rights may have effect: **15 July 2015**  
(54) Product in respect of which the design is registered: **Tap handle**  
(51) International Design Classification: **23-01H**  
(74) Name(s) of Attorney(s):  
(71) Name(s) and Address(s) of Applicant(s):  
**Ian Shirliff**  
**Brodware Industries PO BOX 610 Seven Hills NSW 1730 Australia**  
(72) Name(s) of Designer(s): **Ian Shirliff**  
(45) Registration Date: **13 August 2015**  
(56) Related Art Documents: **Not Applicable**  
(57) Statement of Newness and Distinctiveness: **Newness and distinctiveness is claimed in the shape of the tap handle as illustrated in the accompanying representations.**



(21) Design Number: **13507/2015**  
(22) Date of Filing Application: **14 July 2015**  
(24) Date from which industrial property rights may have effect: **14 July 2015**  
(54) Product in respect of which the design is registered: **Car**  
(51) International Design Classification: **12-08**  
(74) Name(s) of Attorney(s): **WATERMARK PATENT AND TRADE MARKS ATTORNEYS**  
(71) Name(s) and Address(s) of Applicant(s):  
**Erminia La Vecchia**  
**Monte Verita Via Collina 93 Ascona 6612 Switzerland**  
**Carmine La Vecchia**  
**Monte Verita Via Collina 93 Ascona 6612 Switzerland**  
(72) Name(s) of Designer(s): **Erminia La Vecchia and Carmine La Vecchia**  
(45) Registration Date: **13 August 2015**  
(30) Convention priority data:  
(31) Number (32) Date (33) Country  
**DM/085 525 23 Jan 2015 WORLD INTELLECTUAL PROPERTY ORGANIZATION (WIPO)**  
(56) Related Art Documents: **Not Applicable**  
(57) Statement of Newness and Distinctiveness: **Nil**



(21) Design Number: **13508/2015**  
(22) Date of Filing Application: **14 July 2015**  
(24) Date from which industrial property rights may have effect: **14 July 2015**  
(54) Product in respect of which the design is registered: **Car**  
(51) International Design Classification: **12-08**  
(74) Name(s) of Attorney(s): **WATERMARK PATENT AND TRADE MARKS ATTORNEYS**  
(71) Name(s) and Address(s) of Applicant(s):  
**Erminia La Vecchia**  
**Monte Verita Via Collina 93 Ascona 6612 Switzerland**  
**Carmine La Vecchia**  
**Monte Verita Via Collina 93 Ascona 6612 Switzerland**  
(72) Name(s) of Designer(s): **Erminia La Vecchia and Carmine La Vecchia**  
(45) Registration Date: **13 August 2015**  
(30) Convention priority data:  
(31) Number (32) Date (33) Country  
**DM/085 524 23 Jan 2015 WORLD INTELLECTUAL PROPERTY ORGANIZATION (WIPO)**  
(56) Related Art Documents: **Not Applicable**  
(57) Statement of Newness and Distinctiveness: **Nil**



(21) Design Number: **13509/2015**  
(22) Date of Filing Application: **14 July 2015**  
(24) Date from which industrial property rights may have effect: **14 July 2015**  
(54) Product in respect of which the design is registered: **Container**  
(51) International Design Classification: **09-03M**  
(74) Name(s) of Attorney(s): **Baldwins**  
(71) Name(s) and Address(s) of Applicant(s):  
**Progressive International Corporation**  
**6111 S 228th St Kent WA, 98032-1849 United States of America**  
(72) Name(s) of Designer(s): **Justin Bagley and Sul Gi Myoung**  
(45) Registration Date: **13 August 2015**  
(56) Related Art Documents: **Not Applicable**  
(57) Statement of Newness and Distinctiveness: **The design is to be applied to a CONTAINER and the newness and distinctiveness of the design resides in the features of shape and/or configuration of the article as shown in the accompanying representations.**



(21) Design Number: **13511/2015**  
(22) Date of Filing Application: **14 July 2015**  
(24) Date from which industrial property rights may have effect: **14 July 2015**  
(54) Product in respect of which the design is registered: **Container**  
(51) International Design Classification: **09-03M**  
(74) Name(s) of Attorney(s): **Baldwins**  
(71) Name(s) and Address(s) of Applicant(s):  
**Progressive International Corporation**  
**6111 S 228th St Kent WA, 98032-1849 United States of America**  
(72) Name(s) of Designer(s): **Sul Gi Myoung**  
(45) Registration Date: **13 August 2015**  
(30) Convention priority data:  
(31) Number      (32) Date      (33) Country  
**29/514,614      14 Jan 2015      UNITED STATES OF AMERICA**  
(56) Related Art Documents: **Not Applicable**  
(57) Statement of Newness and Distinctiveness: **The design is to be applied to a CONTAINER and the newness and distinctiveness of the design resides in the features of shape and/or configuration of the article as shown in the accompanying representations.**



(21) Design Number: **13512/2015**  
(22) Date of Filing Application: **14 July 2015**  
(24) Date from which industrial property rights may have effect: **14 July 2015**  
(54) Product in respect of which the design is registered: **Cotton picker spindle**  
(51) International Design Classification: **15-03B**  
(74) Name(s) of Attorney(s): **Davies Collison Cave**  
(71) Name(s) and Address(s) of Applicant(s):

**Deere & Company**  
**One John Deere Place Moline IL 61265 United States of America**

(72) Name(s) of Designer(s): **Alexander Goldberg**

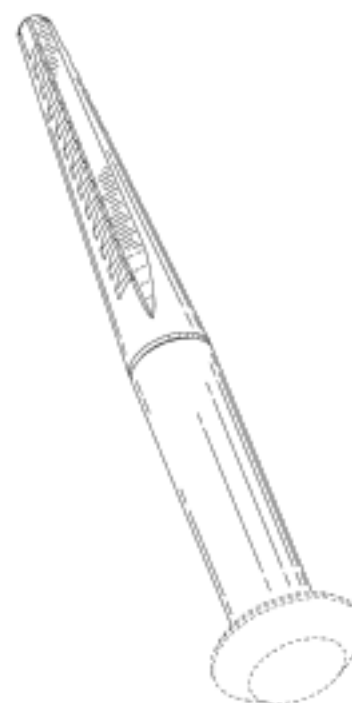
(45) Registration Date: **13 August 2015**

(30) Convention priority data:

(31) Number	(32) Date	(33) Country
<b>29/515389</b>	<b>22 Jan 2015</b>	<b>UNITED STATES OF AMERICA</b>

(56) Related Art Documents: **Not Applicable**

(57) Statement of Newness and Distinctiveness: **Newness and distinctiveness is claimed in the visual features shown in solid lines in the representations. In considering the extent of the design rights, the broken lines shown in the representations are for illustrative purposes only and do not form part of the design.**



(21) Design Number: **13523/2015**  
(22) Date of Filing Application: **15 July 2015**  
(24) Date from which industrial property rights may have effect: **15 July 2015**  
(54) Product in respect of which the design is registered: **Tap handle**  
(51) International Design Classification: **23-01H**  
(74) Name(s) of Attorney(s):  
(71) Name(s) and Address(s) of Applicant(s):

**Ian Shirliff**  
**Brodware Industries PO BOX 610 Seven Hills NSW 1730 Australia**

(72) Name(s) of Designer(s): **Ian Shirliff**

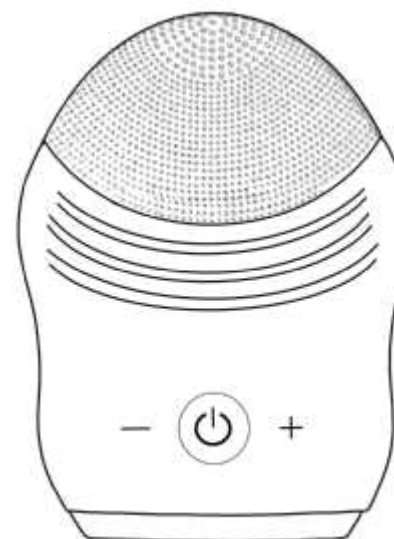
(45) Registration Date: **13 August 2015**

(56) Related Art Documents: **Not Applicable**

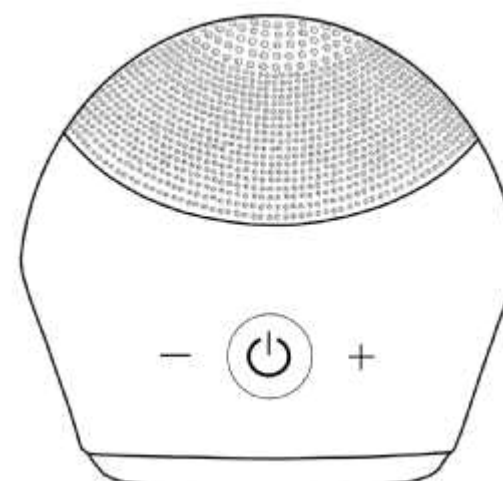
(57) Statement of Newness and Distinctiveness: **Newness and distinctiveness is claimed in the shape of the tap handle as illustrated in the accompanying representations.**



- (21) Design Number: **12722/2015**  
(22) Date of Filing Application: **27 May 2015**  
(24) Date from which industrial property rights may have effect: **27 May 2015**  
(54) Product in respect of which the design is registered: **Skin care and skin cleaning device**  
(51) International Design Classification: **28-03NES**  
(74) Name(s) of Attorney(s):  
(71) Name(s) and Address(s) of Applicant(s):  
**Brandpoint Services Pty Ltde**  
**22 Central Park Ave Ashmore QLD 4214 Australia**  
(72) Name(s) of Designer(s): **Ryan McCarthy**  
(45) Registration Date: **13 August 2015**  
(56) Related Art Documents: **Not Applicable**  
(57) Statement of Newness and Distinctiveness: **The newness and effectiveness in the design resides in the ergonomic and user friendly shape of the product. The shape has been optimised to make the device effective in hard to reach crevices on the face such as around the lips, and the folds where the nose meets the cheek. Concurrent with this, the design is made to comfortably fit the hand and not slip out during use with soap or while utilised under running water or in the shower.**



- (21) Design Number: **12723/2015**  
(22) Date of Filing Application: **27 May 2015**  
(24) Date from which industrial property rights may have effect: **27 May 2015**  
(54) Product in respect of which the design is registered: **Skin care and skin cleaning device**  
(51) International Design Classification: **28-03NES**  
(74) Name(s) of Attorney(s):  
(71) Name(s) and Address(s) of Applicant(s):  
**Brandpoint Services Pty Ltd**  
**22 Central Park Ave Ashmore QLD 4214 Australia**  
(72) Name(s) of Designer(s): **Ryan McCarthy**  
(45) Registration Date: **13 August 2015**  
(56) Related Art Documents: **Not Applicable**  
(57) Statement of Newness and Distinctiveness: **The newness and distinctiveness in the design resides in the ergonomic and user friendly shape of the product. The shape has been optimised to make the device effective in hard to reach crevices on the face, such as around the lips, and the folds where the nose meets the cheek. Concurrent with this, the design is made to comfortably fit the hand and not slip out during use with soap or while utilised under running water or in the shower.**



(21) Design Number: **13735/2015**

(22) Date of Filing Application: **27 July 2015**

(24) Date from which industrial property rights may have effect: **27 July 2015**

(54) Product in respect of which the design is registered: **Activity tracking band**

(51) International Design Classification: **10-04**

(74) Name(s) of Attorney(s): **Spruson & Ferguson**

(71) Name(s) and Address(s) of Applicant(s):

**AliphCom**

**99 Rhode Island Street 3rd Floor San Francisco California 94103 United States of America**

(72) Name(s) of Designer(s): **Yves Albert Behar and Qin Li and Erik Kreider and Alex Farrow and Ilyas Mohammed and Piyush Savalia and Sumit Sharma and Jayanth Chakravarthy and Eric Martin and Chung Chuan Tseng**

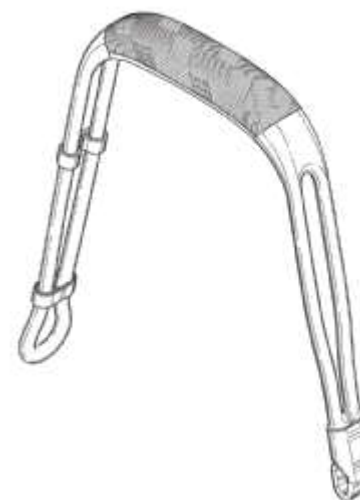
(45) Registration Date: **13 August 2015**

(30) Convention priority data:

(31) Number	(32) Date	(33) Country
<b>29/516016</b>	<b>28 Jan 2015</b>	<b>UNITED STATES OF AMERICA</b>

(56) Related Art Documents: **Not Applicable**

(57) Statement of Newness and Distinctiveness: **Newness and distinctiveness is claimed in the features of an activity tracking band as illustrated in continuous lines in the accompanying representations.**



(21) Design Number: **13736/2015**

(22) Date of Filing Application: **27 July 2015**

(24) Date from which industrial property rights may have effect: **27 July 2015**

(54) Product in respect of which the design is registered: **Activity tracking band**

(51) International Design Classification: **10-04**

(74) Name(s) of Attorney(s): **Spruson & Ferguson**

(71) Name(s) and Address(s) of Applicant(s):

**AliphCom**

**99 Rhode Island Street 3rd Floor San Francisco California 94103 United States of America**

(72) Name(s) of Designer(s): **Yves Albert Behar and Qin Li and Erik Kreider and Alex Farrow and Ilyas Mohammed and Piyush Savalia and Sumit Sharma and Jayanth Chakravarthy and Eric Martin and Chung Chuan Tseng**

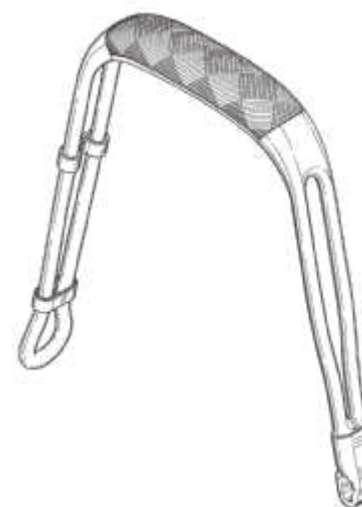
(45) Registration Date: **13 August 2015**

(30) Convention priority data:

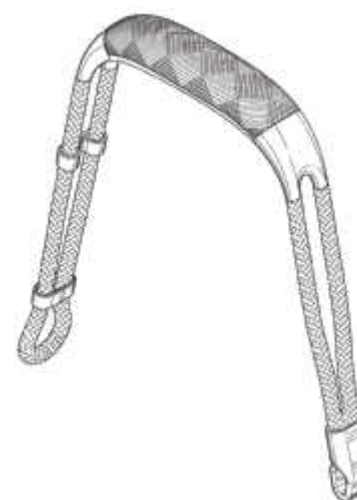
(31) Number	(32) Date	(33) Country
<b>29/517056</b>	<b>09 Feb 2015</b>	<b>UNITED STATES OF AMERICA</b>

(56) Related Art Documents: **Not Applicable**

(57) Statement of Newness and Distinctiveness: **Newness and distinctiveness is claimed in the features of an activity tracking band as illustrated in continuous lines in the accompanying representations.**



- (21) Design Number: **13737/2015**  
(22) Date of Filing Application: **27 July 2015**  
(24) Date from which industrial property rights may have effect: **27 July 2015**  
(54) Product in respect of which the design is registered: **Activity tracking band**  
(51) International Design Classification: **10-04**  
(74) Name(s) of Attorney(s): **Spruson & Ferguson**  
(71) Name(s) and Address(s) of Applicant(s):  
**AliphCom**  
**99 Rhode Island Street 3rd Floor San Francisco California 94103 United States of America**  
(72) Name(s) of Designer(s): **Yves Albert Behar and Qin Li and Erik Kreider and Alex Farrow and Ilyas Mohammed and Piyush Savalia and Sumit Sharma and Jayanth Chakravarthy and Eric Martin and Chung Chuan Tseng**  
(45) Registration Date: **13 August 2015**  
(30) Convention priority data:  
(31) Number (32) Date (33) Country  
**29/517056 09 Feb 2015 UNITED STATES OF AMERICA**  
(56) Related Art Documents: **Not Applicable**  
(57) Statement of Newness and Distinctiveness: **Newness and distinctiveness is claimed in the features of an activity tracking band as illustrated in the accompanying representations.**



- (21) Design Number: **13738/2015**  
(22) Date of Filing Application: **27 July 2015**  
(24) Date from which industrial property rights may have effect: **27 July 2015**  
(54) Product in respect of which the design is registered: **Activity tracking band**  
(51) International Design Classification: **10-04**  
(74) Name(s) of Attorney(s): **Spruson & Ferguson**  
(71) Name(s) and Address(s) of Applicant(s):  
**AliphCom**  
**99 Rhode Island Street 3rd Floor San Francisco California 94103 United States of America**  
(72) Name(s) of Designer(s): **Yves Albert Behar and Qin Li and Erik Kreider and Alex Farrow and Ilyas Mohammed and Piyush Savalia and Sumit Sharma and Jayanth Chakravarthy and Eric Martin and Chung Chuan Tseng**  
(45) Registration Date: **13 August 2015**  
(30) Convention priority data:  
(31) Number (32) Date (33) Country  
**29/517054 09 Feb 2015 UNITED STATES OF AMERICA**  
(56) Related Art Documents: **Not Applicable**  
(57) Statement of Newness and Distinctiveness: **Newness and distinctiveness is claimed in the features of an activity tracking band as illustrated in continuous lines in the accompanying representations.**



(21) Design Number: **13740/2015**

(22) Date of Filing Application: **27 July 2015**

(24) Date from which industrial property rights may have effect: **27 July 2015**

(54) Product in respect of which the design is registered: **Activity tracking band**

(51) International Design Classification: **10-04**

(74) Name(s) of Attorney(s): **Spruson & Ferguson**

(71) Name(s) and Address(s) of Applicant(s):

**AliphCom**

**99 Rhode Island Street 3rd Floor San Francisco California 94103 United States of America**

(72) Name(s) of Designer(s): **Yves Albert Behar and Qin Li and Erik Kreider and Alex Farrow and Ilyas Mohammed and Piyush Savalia and Sumit Sharma and Jayanth Chakravarthy and Eric Martin and Chung Chuan Tseng**

(45) Registration Date: **13 August 2015**

(30) Convention priority data:

(31) Number

(32) Date

(33) Country

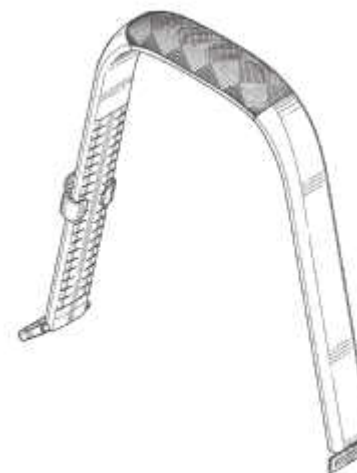
**29/516014**

**28 Jan 2015**

**UNITED STATES OF AMERICA**

(56) Related Art Documents: **Not Applicable**

(57) Statement of Newness and Distinctiveness: **Newness and distinctiveness is claimed in the features of an activity tracking band as illustrated in continuous lines in the accompanying representations.**



(21) Design Number: **10593/2015**

(22) Date of Filing Application: **06 February 2015**

(24) Date from which industrial property rights may have effect: **06 February 2015**

(54) Product in respect of which the design is registered: **Trivet**

(51) International Design Classification: **07-06NES**

(74) Name(s) of Attorney(s): **Halfords IP**

(71) Name(s) and Address(s) of Applicant(s):

**Electrolux Home Products Pty Limited**

**163 O'Riordan St Mascot NSW 2020 Australia**

(72) Name(s) of Designer(s): **Robert Jurgens and Alex Gray and Daniel Virgona**

(45) Registration Date: **14 August 2015**

(56) Related Art Documents: **Not Applicable**

(57) Statement of Newness and Distinctiveness: **Newness and distinctiveness resides in those features of shape and or configuration of a TRIVET as depicted in the representations**



- (21) Design Number: **13431/2015**  
(22) Date of Filing Application: **08 July 2015**  
(24) Date from which industrial property rights may have effect: **08 July 2015**  
(54) Product in respect of which the design is registered: **Putter trainer**  
(51) International Design Classification: **21-02C**  
(74) Name(s) of Attorney(s): **John Christiansen**  
(71) Name(s) and Address(s) of Applicant(s):

**Peter Graham Litchfield**  
**6 Ella Gr Chelsea VIC 3196 Australia**

**James Dow**  
**6 Ella Gr Chelsea VIC 3196 Australia**

- (72) Name(s) of Designer(s): **James Dow and Peter Graham Litchfield**

- (45) Registration Date: **17 August 2015**

- (56) Related Art Documents: **Not Applicable**

- (57) Statement of Newness and Distinctiveness: **Newness and distinctiveness is claimed in the visual features shown in the representations. The golf club shaft shown in broken lines in one of the representations, and in solid lines in another of the representations, forms no part of the design.**



SHADED PERSPECTIVE

- (21) Design Number: **13730/2015**  
(22) Date of Filing Application: **27 July 2015**  
(24) Date from which industrial property rights may have effect: **27 July 2015**  
(54) Product in respect of which the design is registered: **Board game**  
(51) International Design Classification: **21-01L**  
(74) Name(s) of Attorney(s): **Freehills Patent Attorneys**  
(71) Name(s) and Address(s) of Applicant(s):

**M&M Ventures (2014) Limited**  
**Suites 7B & 8B 50 Town Range Gibraltar Greenland**

- (72) Name(s) of Designer(s): **Shlomi Eiger**

- (45) Registration Date: **17 August 2015**

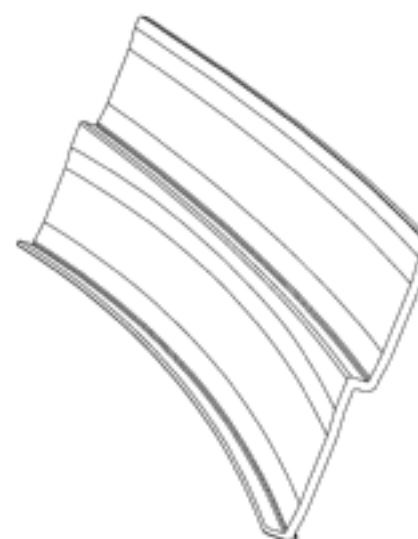
- (30) Convention priority data:

(31) Number      (32) Date  
**001429344-0002    26 Jan 2015**

(33) Country  
**OFFICE FOR HARMONISATION IN  
THE INTERNAL MARKET (OHIM)**

- (56) Related Art Documents: **Not Applicable**

- (57) Statement of Newness and Distinctiveness: **Newness and distinctiveness of the design resides in the shape and configuration of the board game as shown in solid outline in the accompanying representations.**



(21) Design Number: **13731/2015**  
(22) Date of Filing Application: **27 July 2015**  
(24) Date from which industrial property rights may have effect: **27 July 2015**  
(54) Product in respect of which the design is registered: **Game tile**  
(51) International Design Classification: **21-01L**  
(74) Name(s) of Attorney(s): **Freehills Patent Attorneys**  
(71) Name(s) and Address(s) of Applicant(s):  
**M&M Ventures (2014) Limited**  
**Suites 7B & 8B 50 Town Range Gibraltar Greenland**  
(72) Name(s) of Designer(s): **Shlomi Eiger**  
(45) Registration Date: **17 August 2015**  
(30) Convention priority data:  
(31) Number (32) Date (33) Country  
**001429344-0003 26 Jan 2015 OFFICE FOR HARMONISATION IN**  
**THE INTERNAL MARKET (OHIM)**  
(56) Related Art Documents: **Not Applicable**  
(57) Statement of Newness and Distinctiveness: **Newness and distinctiveness**  
**of the design resides in the shape and configuration of the game tile as**  
**shown in solid outline in the accompanying representations.**



(21) Design Number: **13732/2015**  
(22) Date of Filing Application: **27 July 2015**  
(24) Date from which industrial property rights may have effect: **27 July 2015**  
(54) Product in respect of which the design is registered: **Game tile**  
(51) International Design Classification: **21-01L**  
(74) Name(s) of Attorney(s): **Freehills Patent Attorneys**  
(71) Name(s) and Address(s) of Applicant(s):  
**M&M Ventures (2014) Limited**  
**Suites 7B & 8B 50 Town Range Gibraltar Greenland**  
(72) Name(s) of Designer(s): **Shlomi Eiger**  
(45) Registration Date: **17 August 2015**  
(30) Convention priority data:  
(31) Number (32) Date (33) Country  
**001429344-0004 26 Jan 2015 OFFICE FOR HARMONISATION IN**  
**THE INTERNAL MARKET (OHIM)**  
(56) Related Art Documents: **Not Applicable**  
(57) Statement of Newness and Distinctiveness: **Newness and distinctiveness**  
**of the design resides in the ornamentation of the game tile including**  
**the position of a digit as shown in broken outline in the accompanying**  
**representations.**



(21) Design Number: **13733/2015**

(22) Date of Filing Application: **27 July 2015**

(24) Date from which industrial property rights may have effect: **27 July 2015**

(54) Product in respect of which the design is registered: **Activity tracking band**

(51) International Design Classification: **10-04**

(74) Name(s) of Attorney(s): **Spruson & Ferguson**

(71) Name(s) and Address(s) of Applicant(s):

**AliphCom**

**99 Rhode Island Street 3rd Floor San Francisco California 94103 United States of America**

(72) Name(s) of Designer(s): **Yves Albert Behar and Qin Li and Erik Kreider and Alex Farrow and Ilyas Mohammed and Piyush Savalia and Sumit Sharma and Jayanth Chakravarthy and Eric Martin and Chung Chuan Tseng**

(45) Registration Date: **17 August 2015**

(30) Convention priority data:

(31) Number	(32) Date	(33) Country
<b>29/516015</b>	<b>28 Jan 2015</b>	<b>UNITED STATES OF AMERICA</b>

(56) Related Art Documents: **Not Applicable**

(57) Statement of Newness and Distinctiveness: **Newness and distinctiveness is claimed in the features of an activity tracking band as illustrated in continuous lines in the accompanying representations.**



(21) Design Number: **13741/2015**

(22) Date of Filing Application: **27 July 2015**

(24) Date from which industrial property rights may have effect: **01 December 2014**

(54) Product in respect of which the design is registered: **Article of clothing**

(51) International Design Classification: **02-02C**

(74) Name(s) of Attorney(s): **Allens Patent & Trade Mark Attorneys**

(71) Name(s) and Address(s) of Applicant(s):

**Forever New Clothing Pty Ltd**

**L4 Bldg 8 576 Swan St Richmond VIC 3121 Australia**

(72) Name(s) of Designer(s): **Chole Atkinson**

(45) Registration Date: **17 August 2015**

(62) Divisional of: **363238**

(56) Related Art Documents: **Not Applicable**

(57) Statement of Newness and Distinctiveness: **Newness and distinctiveness resides in the visual features of shape, configuration, pattern and/or ornamentation of an article of clothing as shown in the accompanying representations.**



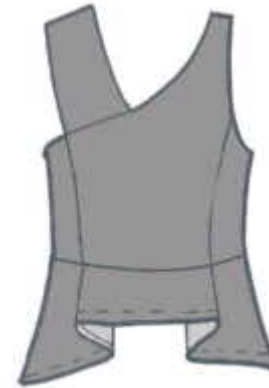
- (21) Design Number: **13742/2015**  
(22) Date of Filing Application: **27 July 2015**  
(24) Date from which industrial property rights may have effect: **01 December 2014**  
(54) Product in respect of which the design is registered: **Article of clothing**  
(51) International Design Classification: **02-02C**  
(74) Name(s) of Attorney(s): **Allens Patent & Trade Mark Attorneys**  
(71) Name(s) and Address(s) of Applicant(s):  
**Forever New Clothing Pty Ltd**  
**L4 Bldg 8 576 Swan St Richmond VIC 3121 Australia**  
(72) Name(s) of Designer(s): **Mantra Ahrendt**  
(45) Registration Date: **17 August 2015**  
(62) Divisional of: **363238**  
(56) Related Art Documents: **Not Applicable**  
(57) Statement of Newness and Distinctiveness: **Newness and distinctiveness resides in the visual features of shape, configuration, pattern and/or ornamentation of an article of clothing as shown in the accompanying representations.**



- (21) Design Number: **13743/2015**  
(22) Date of Filing Application: **27 July 2015**  
(24) Date from which industrial property rights may have effect: **01 December 2014**  
(54) Product in respect of which the design is registered: **Article of clothing**  
(51) International Design Classification: **02-02C**  
(74) Name(s) of Attorney(s): **Allens Patent & Trade Mark Attorneys**  
(71) Name(s) and Address(s) of Applicant(s):  
**Forever New Clothing Pty Ltd**  
**L4 Bldg 8 576 Swan St Richmond VIC 3121 Australia**  
(72) Name(s) of Designer(s): **Mantra Ahrendt**  
(45) Registration Date: **17 August 2015**  
(62) Divisional of: **363238**  
(56) Related Art Documents: **Not Applicable**  
(57) Statement of Newness and Distinctiveness: **Newness and distinctiveness resides in the visual features of shape, configuration, pattern and/or ornamentation of an article of clothing as shown in the accompanying representations.**



- (21) Design Number: **13744/2015**  
(22) Date of Filing Application: **27 July 2015**  
(24) Date from which industrial property rights may have effect: **01 December 2014**  
(54) Product in respect of which the design is registered: **Article of clothing**  
(51) International Design Classification: **02-02NES**  
(74) Name(s) of Attorney(s): **Allens Patent & Trade Mark Attorneys**  
(71) Name(s) and Address(s) of Applicant(s):  
**Forever New Clothing Pty Ltd**  
**L4 Bldg 8 576 Swan St Richmond VIC 3121 Australia**  
(72) Name(s) of Designer(s): **Octavia Miller**  
(45) Registration Date: **17 August 2015**  
(62) Divisional of: **363238**  
(56) Related Art Documents: **Not Applicable**  
(57) Statement of Newness and Distinctiveness: **Newness and distinctiveness resides in the visual features of shape, configuration, pattern and/or ornamentation of an article of clothing as shown in the accompanying representations.**



- (21) Design Number: **13745/2015**  
(22) Date of Filing Application: **27 July 2015**  
(24) Date from which industrial property rights may have effect: **01 December 2014**  
(54) Product in respect of which the design is registered: **Article of clothing**  
(51) International Design Classification: **02-02C**  
(74) Name(s) of Attorney(s): **Allens Patent & Trade Mark Attorneys**  
(71) Name(s) and Address(s) of Applicant(s):  
**Forever New Clothing Pty Ltd**  
**L4 Bldg 8 576 Swan St Richmond VIC 3121 Australia**  
(72) Name(s) of Designer(s): **Mantra Ahrendt**  
(45) Registration Date: **17 August 2015**  
(62) Divisional of: **363238**  
(56) Related Art Documents: **Not Applicable**  
(57) Statement of Newness and Distinctiveness: **Newness and distinctiveness resides in the visual features of shape, configuration, pattern and/or ornamentation of an article of clothing as shown in the accompanying representations.**



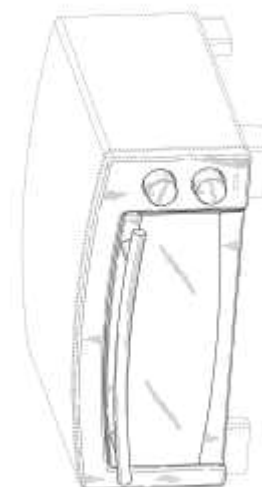
- (21) Design Number: **13748/2015**  
(22) Date of Filing Application: **27 July 2015**  
(24) Date from which industrial property rights may have effect: **01 December 2014**  
(54) Product in respect of which the design is registered: **Article of clothing**  
(51) International Design Classification: **02-02C**  
(74) Name(s) of Attorney(s): **Allens Patent & Trade Mark Attorneys**  
(71) Name(s) and Address(s) of Applicant(s):  
**Forever New Clothing Pty Ltd**  
**L4 Bldg 8 576 Swan St Richmond VIC 3121 Australia**  
(72) Name(s) of Designer(s): **Jennifer Hall**  
(45) Registration Date: **17 August 2015**  
(62) Divisional of: **363238**  
(56) Related Art Documents: **Not Applicable**  
(57) Statement of Newness and Distinctiveness: **Newness and distinctiveness resides in the visual features of shape, configuration, pattern and/or ornamentation of an article of clothing as shown in the accompanying representations.**



- (21) Design Number: **13749/2015**  
(22) Date of Filing Application: **27 July 2015**  
(24) Date from which industrial property rights may have effect: **01 December 2014**  
(54) Product in respect of which the design is registered: **Article of clothing**  
(51) International Design Classification: **02-02C**  
(74) Name(s) of Attorney(s): **Allens Patent & Trade Mark Attorneys**  
(71) Name(s) and Address(s) of Applicant(s):  
**Forever New Clothing Pty Ltd**  
**L4 Bldg 8 576 Swan St Richmond VIC 3121 Australia**  
(72) Name(s) of Designer(s): **Jennifer Hall**  
(45) Registration Date: **17 August 2015**  
(62) Divisional of: **363238**  
(56) Related Art Documents: **Not Applicable**  
(57) Statement of Newness and Distinctiveness: **Newness and distinctiveness resides in the visual features of shape, configuration, pattern and/or ornamentation of an article of clothing as shown in the accompanying representations.**



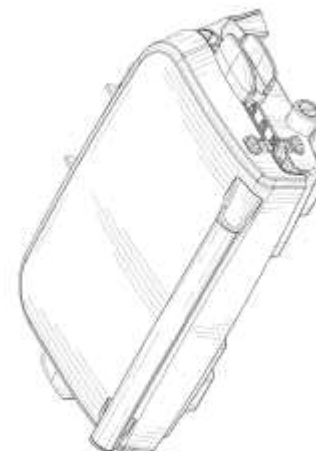
(21) Design Number: **13726/2015**  
(22) Date of Filing Application: **27 July 2015**  
(24) Date from which industrial property rights may have effect: **27 July 2015**  
(54) Product in respect of which the design is registered: **Pizza oven**  
(51) International Design Classification: **07-02B**  
(74) Name(s) of Attorney(s): **FB Rice**  
(71) Name(s) and Address(s) of Applicant(s):  
**Spectrum Brands, Inc.**  
**3001 Deming Way Middleton Wisconsin, 53562 United States of America**  
(72) Name(s) of Designer(s): **Randy Scott Miller and Francisco Javier Barquin**  
(45) Registration Date: **17 August 2015**  
(30) Convention priority data:  
(31) Number      (32) Date      (33) Country  
**29/516,372      30 Jan 2015      UNITED STATES OF AMERICA**  
(56) Related Art Documents: **Not Applicable**  
(57) Statement of Newness and Distinctiveness: **Newness and distinctiveness reside in the features of the design shown in solid lines in the representations excluding those features shown in broken lines.**



(21) Design Number: **13727/2015**  
(22) Date of Filing Application: **27 July 2015**  
(24) Date from which industrial property rights may have effect: **27 July 2015**  
(54) Product in respect of which the design is registered: **Grill**  
(51) International Design Classification: **07-02H**  
(74) Name(s) of Attorney(s): **FB Rice**  
(71) Name(s) and Address(s) of Applicant(s):  
**Spectrum Brands, Inc.**  
**3001 Deming Way Middleton Wisconsin, 53562 United States of America**  
(72) Name(s) of Designer(s): **Darek Koszylko**  
(45) Registration Date: **17 August 2015**  
(30) Convention priority data:  
(31) Number      (32) Date      (33) Country  
**29/515,682      26 Jan 2015      UNITED STATES OF AMERICA**  
(56) Related Art Documents: **Not Applicable**  
(57) Statement of Newness and Distinctiveness: **Newness and distinctiveness reside in the features of the design shown in solid lines in the representations excluding those features shown in broken lines.**



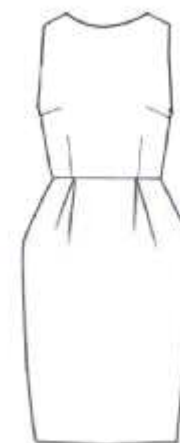
(21) Design Number: **13728/2015**  
(22) Date of Filing Application: **27 July 2015**  
(24) Date from which industrial property rights may have effect: **27 July 2015**  
(54) Product in respect of which the design is registered: **Grill**  
(51) International Design Classification: **07-02H**  
(74) Name(s) of Attorney(s): **FB Rice**  
(71) Name(s) and Address(s) of Applicant(s):  
**Spectrum Brands, Inc.**  
**3001 Deming Way Middleton Wisconsin, 53562 United States of America**  
(72) Name(s) of Designer(s): **Darek Koszylko**  
(45) Registration Date: **17 August 2015**  
(30) Convention priority data:  
(31) Number (32) Date (33) Country  
**29/515,682 26 Jan 2015 UNITED STATES OF AMERICA**  
(56) Related Art Documents: **Not Applicable**  
(57) Statement of Newness and Distinctiveness: **Newness and distinctiveness reside in the features of the design as shown in the representations.**



(21) Design Number: **13746/2015**  
(22) Date of Filing Application: **27 July 2015**  
(24) Date from which industrial property rights may have effect: **01 December 2014**  
(54) Product in respect of which the design is registered: **Article of clothing**  
(51) International Design Classification: **02-02C**  
(74) Name(s) of Attorney(s): **Allens Patent & Trade Mark Attorneys**  
(71) Name(s) and Address(s) of Applicant(s):  
**Forever New Clothing Pty Ltd**  
**L4 Bldg 8 576 Swan St Richmond VIC 3121 Australia**  
(72) Name(s) of Designer(s): **Mantra Ahrendt**  
(45) Registration Date: **17 August 2015**  
(62) Divisional of: **363238**  
(56) Related Art Documents: **Not Applicable**  
(57) Statement of Newness and Distinctiveness: **Newness and distinctiveness resides in the visual features of shape, configuration, pattern and/or ornamentation of an article of clothing as shown in the accompanying representations.**



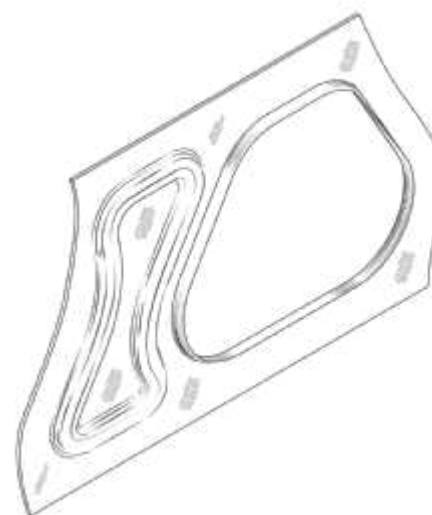
- (21) Design Number: **13747/2015**  
(22) Date of Filing Application: **27 July 2015**  
(24) Date from which industrial property rights may have effect: **01 December 2014**  
(54) Product in respect of which the design is registered: **Article of clothing**  
(51) International Design Classification: **02-02C**  
(74) Name(s) of Attorney(s): **Allens Patent & Trade Mark Attorneys**  
(71) Name(s) and Address(s) of Applicant(s):  
**Forever New Clothing Pty Ltd**  
**L4 Bldg 8 576 Swan St Richmond VIC 3121 Australia**  
(72) Name(s) of Designer(s): **Mantra Ahrendt**  
(45) Registration Date: **17 August 2015**  
(62) Divisional of: **363238**  
(56) Related Art Documents: **Not Applicable**  
(57) Statement of Newness and Distinctiveness: **Newness and distinctiveness resides in the visual features of shape, configuration, pattern and/or ornamentation of an article of clothing as shown in the accompanying representations.**



- (21) Design Number: **13724/2015**  
(22) Date of Filing Application: **27 July 2015**  
(24) Date from which industrial property rights may have effect: **27 July 2015**  
(54) Product in respect of which the design is registered: **A pair of pants**  
(51) International Design Classification: **02-02C**  
(74) Name(s) of Attorney(s):  
(71) Name(s) and Address(s) of Applicant(s):  
**Industrie IP Pty Limited**  
**55 Railway Pde Marrickville NSW 2204 Australia**  
(72) Name(s) of Designer(s): **Nicholas Kelly**  
(45) Registration Date: **17 August 2015**  
(56) Related Art Documents: **Not Applicable**  
(57) Statement of Newness and Distinctiveness: **Newness and distinctiveness is claimed in the shape, configuration, pattern and/or ornamentation of the design as depicted in the accompanying representations.**



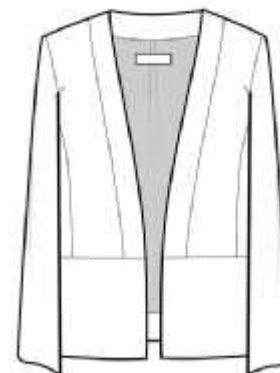
- (21) Design Number: **13725/2015**  
(22) Date of Filing Application: **27 July 2015**  
(24) Date from which industrial property rights may have effect: **27 July 2015**  
(54) Product in respect of which the design is registered: **Structural support web**  
(51) International Design Classification: **25-01C**  
(74) Name(s) of Attorney(s): **Murray Trento & Associates**  
(71) Name(s) and Address(s) of Applicant(s):  
**Truss Forte Pty. Ltd.**  
**16 Gaine RD Dandenong South VIC, 3175 Australia**  
(72) Name(s) of Designer(s): **Alessandro Bernado and Karl Papp**  
(45) Registration Date: **17 August 2015**  
(56) Related Art Documents: **Not Applicable**  
(57) Statement of Newness and Distinctiveness: **Newness and distinctiveness reside in the shape and/or configuration of the series of alternating apertures and pressed regions in the structural support web as shown in the accompanying drawings.**



- (21) Design Number: **13750/2015**  
(22) Date of Filing Application: **27 July 2015**  
(24) Date from which industrial property rights may have effect: **01 December 2014**  
(54) Product in respect of which the design is registered: **Article of clothing**  
(51) International Design Classification: **02-02C**  
(74) Name(s) of Attorney(s): **Allens Patent & Trade Mark Attorneys**  
(71) Name(s) and Address(s) of Applicant(s):  
**Forever New Clothing Pty Ltd**  
**L4 Bldg 8 576 Swan St Richmond VIC 3121 Australia**  
(72) Name(s) of Designer(s): **Jennifer Hall**  
(45) Registration Date: **17 August 2015**  
(62) Divisional of: **363238**  
(56) Related Art Documents: **Not Applicable**  
(57) Statement of Newness and Distinctiveness: **Nil of shape, configuration, pattern and/or ornamentation of an article of clothing as shown in the accompanying representations.**



- (21) Design Number: **13752/2015**  
(22) Date of Filing Application: **27 July 2015**  
(24) Date from which industrial property rights may have effect: **01 December 2014**  
(54) Product in respect of which the design is registered: **Article of clothing**  
(51) International Design Classification: **02-02NES**  
(74) Name(s) of Attorney(s): **Allens Patent & Trade Mark Attorneys**  
(71) Name(s) and Address(s) of Applicant(s):  
**Forever New Clothing Pty Ltd**  
**L4 Bldg 8 576 Swan St Richmond VIC 3121 Australia**  
(72) Name(s) of Designer(s): **Alana Dinse**  
(45) Registration Date: **17 August 2015**  
(62) Divisional of: **363238**  
(56) Related Art Documents: **Not Applicable**  
(57) Statement of Newness and Distinctiveness: **Newness and distinctiveness resides in the visual features of shape, configuration, pattern and/or ornamentation of an article of clothing as shown in the accompanying representations.**



- (21) Design Number: **13720/2015**  
(22) Date of Filing Application: **27 July 2015**  
(24) Date from which industrial property rights may have effect: **27 July 2015**  
(54) Product in respect of which the design is registered: **A pair of shorts**  
(51) International Design Classification: **02-02C**  
(74) Name(s) of Attorney(s):  
(71) Name(s) and Address(s) of Applicant(s):  
**Industrie IP Pty Limited**  
**55 Railway Pde Marrickville NSW 2204 Australia**  
(72) Name(s) of Designer(s): **Nicholas Kelly**  
(45) Registration Date: **17 August 2015**  
(56) Related Art Documents: **Not Applicable**  
(57) Statement of Newness and Distinctiveness: **Newness and distinctiveness is claimed in the shape, configuration, pattern and/or ornamentation of the design as depicted in the accompanying representations.**



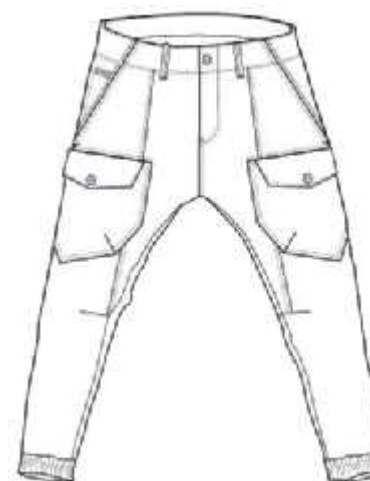
- (21) Design Number: **13721/2015**  
(22) Date of Filing Application: **27 July 2015**  
(24) Date from which industrial property rights may have effect: **27 July 2015**  
(54) Product in respect of which the design is registered: **A pair of shorts**  
(51) International Design Classification: **02-02C**  
(74) Name(s) of Attorney(s):  
(71) Name(s) and Address(s) of Applicant(s):  
**Industrie IP Pty Limited**  
**55 Railway Pde Marrickville NSW 2204 Australia**  
(72) Name(s) of Designer(s): **Nicholas Kelly**  
(45) Registration Date: **17 August 2015**  
(56) Related Art Documents: **Not Applicable**  
(57) Statement of Newness and Distinctiveness: **Newness and distinctiveness is claimed in the shape, configuration, pattern and/or ornamentation of the design as depicted in the accompanying representations.**



- (21) Design Number: **13722/2015**  
(22) Date of Filing Application: **27 July 2015**  
(24) Date from which industrial property rights may have effect: **27 July 2015**  
(54) Product in respect of which the design is registered: **A pair of shorts**  
(51) International Design Classification: **02-02C**  
(74) Name(s) of Attorney(s):  
(71) Name(s) and Address(s) of Applicant(s):  
**Industrie IP Pty Limited**  
**55 Railway Pde Marrickville NSW 2204 Australia**  
(72) Name(s) of Designer(s): **Nicholas Kelly**  
(45) Registration Date: **17 August 2015**  
(56) Related Art Documents: **Not Applicable**  
(57) Statement of Newness and Distinctiveness: **Newness and distinctiveness is claimed in the shape, configuration, pattern and/or ornamentation of the design as depicted in the accompanying representations.**



- (21) Design Number: **13723/2015**  
(22) Date of Filing Application: **27 July 2015**  
(24) Date from which industrial property rights may have effect: **27 July 2015**  
(54) Product in respect of which the design is registered: **A pair of pants**  
(51) International Design Classification: **02-02C**  
(74) Name(s) of Attorney(s):  
(71) Name(s) and Address(s) of Applicant(s):  
**Industrie IP Pty Limited**  
**55 Railway Pde Marrickville NSW 2204 Australia**  
(72) Name(s) of Designer(s): **Nicholas Kelly**  
(45) Registration Date: **17 August 2015**  
(56) Related Art Documents: **Not Applicable**  
(57) Statement of Newness and Distinctiveness: **Newness and distinctiveness is claimed in the shape, configuration, pattern and/or ornamentation of the design as depicted in the accompanying representations.**



- (21) Design Number: **13753/2015**  
(22) Date of Filing Application: **27 July 2015**  
(24) Date from which industrial property rights may have effect: **27 July 2015**  
(54) Product in respect of which the design is registered: **Activity tracking band**  
(51) International Design Classification: **10-07**  
(74) Name(s) of Attorney(s): **Spruson & Ferguson**  
(71) Name(s) and Address(s) of Applicant(s):  
**AliphCom**  
**99 Rhode Island Street 3rd Floor San Francisco California 94103 United States of America**  
(72) Name(s) of Designer(s): **Yves Albert Behar and Qin Li and Erik Kreider and Alex Farrow and Ilyas Mohammed and Piyush Savalia and Sumit Sharma and Jayanth Chakravarthy and Eric Martin and Chung Chuan Tseng**  
(45) Registration Date: **17 August 2015**  
(30) Convention priority data:  
(31) Number      (32) Date      (33) Country  
**29/517054      09 Feb 2015      UNITED STATES OF AMERICA**  
(56) Related Art Documents: **Not Applicable**  
(57) Statement of Newness and Distinctiveness: **Newness and distinctiveness is claimed in the features of an activity tracking band as illustrated in the accompanying representations.**



(21) Design Number: **13757/2015**  
(22) Date of Filing Application: **27 July 2015**  
(24) Date from which industrial property rights may have effect: **27 July 2015**  
(54) Product in respect of which the design is registered: **Clamping device**  
(51) International Design Classification: **08-05F**  
(74) Name(s) of Attorney(s): **FB Rice**  
(71) Name(s) and Address(s) of Applicant(s):  
**Global Grain Handling Solutions Pty Ltd**  
**22/369 Hay St Perth WA 6000 Australia**  
(72) Name(s) of Designer(s): **Luke James Gamble**  
(45) Registration Date: **17 August 2015**  
(56) Related Art Documents: **Not Applicable**  
(57) Statement of Newness and Distinctiveness: **Nil**



(21) Design Number: **13714/2015**  
(22) Date of Filing Application: **27 July 2015**  
(24) Date from which industrial property rights may have effect: **27 July 2015**  
(54) Product in respect of which the design is registered: **A fan**  
(51) International Design Classification: **23-04**  
(74) Name(s) of Attorney(s): **Shelston IP**  
(71) Name(s) and Address(s) of Applicant(s):  
**Dyson Technology Limited**  
**Tetbury Hill Malmesbury Wiltshire SN16 0RP United Kingdom**  
(72) Name(s) of Designer(s): **Steven Eduard Peet and Jack Johnson and Leanne Joyce Garner and Adam James Bates and Peter David Gammack and Andrea Ee-Va Lim and Jonathan George Marsh**  
(45) Registration Date: **17 August 2015**  
(30) Convention priority data:  
(31) Number      (32) Date      (33) Country  
**001429252-0001    30 Jan 2015      OFFICE FOR HARMONISATION IN THE INTERNAL MARKET (OHIM)**  
(56) Related Art Documents: **Not Applicable**  
(57) Statement of Newness and Distinctiveness: **Newness and distinctiveness reside in the features of shape and/or configuration of A FAN as illustrated in the accompanying representations.**



- (21) Design Number: **13715/2015**  
(22) Date of Filing Application: **27 July 2015**  
(24) Date from which industrial property rights may have effect: **27 July 2015**  
(54) Product in respect of which the design is registered: **A fan**  
(51) International Design Classification: **23-04**  
(74) Name(s) of Attorney(s): **Shelston IP**  
(71) Name(s) and Address(s) of Applicant(s):  
**Dyson Technology Limited**  
**Tetbury Hill Malmesbury Wiltshire SN16 0RP United Kingdom**  
(72) Name(s) of Designer(s): **Steven Eduard Peet and Jack Johnson and Leanne Joyce Garner and Adam James Bates and Peter David Gammack and Andrea Ee-Va Lim and Jonathan George Marsh**  
(45) Registration Date: **17 August 2015**  
(30) Convention priority data:  
(31) Number (32) Date (33) Country  
**001429252-0002 30 Jan 2015 OFFICE FOR HARMONISATION IN THE INTERNAL MARKET (OHIM)**  
(56) Related Art Documents: **Not Applicable**  
(57) Statement of Newness and Distinctiveness: **Newness and distinctiveness reside in the features of shape and/or configuration of A FAN as illustrated in the accompanying representations.**



- (21) Design Number: **13716/2015**  
(22) Date of Filing Application: **27 July 2015**  
(24) Date from which industrial property rights may have effect: **27 July 2015**  
(54) Product in respect of which the design is registered: **A t-shirt**  
(51) International Design Classification: **02-02NES**  
(74) Name(s) of Attorney(s):  
(71) Name(s) and Address(s) of Applicant(s):  
**Industrie IP Pty Limited**  
**55 Railway Pde Marrickville NSW 2204 Australia**  
(72) Name(s) of Designer(s): **Nicholas Kelly**  
(45) Registration Date: **17 August 2015**  
(56) Related Art Documents: **Not Applicable**  
(57) Statement of Newness and Distinctiveness: **Newness and distinctiveness is claimed in the shape, configuration, pattern and/or ornamentation of the t-shirt as depicted in the accompanying representations.**



- (21) Design Number: **13717/2015**  
(22) Date of Filing Application: **27 July 2015**  
(24) Date from which industrial property rights may have effect: **27 July 2015**  
(54) Product in respect of which the design is registered: **A t-shirt**  
(51) International Design Classification: **02-02NES**  
(74) Name(s) of Attorney(s):  
(71) Name(s) and Address(s) of Applicant(s):  
**Industrie IP Pty Limited**  
**55 Railway Pde Marrickville NSW 2204 Australia**  
(72) Name(s) of Designer(s): **Nicholas Kelly**  
(45) Registration Date: **17 August 2015**  
(56) Related Art Documents: **Not Applicable**  
(57) Statement of Newness and Distinctiveness: **Newness and distinctiveness is claimed in the shape, configuration, pattern and/or ornamentation of the t-shirt as depicted in the accompanying representations.**



- (21) Design Number: **13718/2015**  
(22) Date of Filing Application: **27 July 2015**  
(24) Date from which industrial property rights may have effect: **27 July 2015**  
(54) Product in respect of which the design is registered: **A jumper**  
(51) International Design Classification: **02-02NES**  
(74) Name(s) of Attorney(s):  
(71) Name(s) and Address(s) of Applicant(s):  
**Industrie IP Pty Limited**  
**55 Railway Pde Marrickville NSW 2204 Australia**  
(72) Name(s) of Designer(s): **Nicholas Kelly**  
(45) Registration Date: **17 August 2015**  
(56) Related Art Documents: **Not Applicable**  
(57) Statement of Newness and Distinctiveness: **Newness and distinctiveness is claimed in the shape, configuration, pattern and/or ornamentation of the garment as depicted in the accompanying representations. The words "L'histoire se repete" and the colours shown in the accompanying representations are not claimed as visual features of the design.**



- (21) Design Number: **13719/2015**  
(22) Date of Filing Application: **27 July 2015**  
(24) Date from which industrial property rights may have effect: **27 July 2015**  
(54) Product in respect of which the design is registered: **A pair of shorts**  
(51) International Design Classification: **02-02C**  
(74) Name(s) of Attorney(s):  
(71) Name(s) and Address(s) of Applicant(s):  
**Industrie IP Pty Limited**  
**55 Railway Pde Marrickville NSW 2204 Australia**  
(72) Name(s) of Designer(s): **Nicholas Kelly**  
(45) Registration Date: **17 August 2015**  
(56) Related Art Documents: **Not Applicable**  
(57) Statement of Newness and Distinctiveness: **Newness and distinctiveness is claimed in the shape, configuration, pattern and/or ornamentation of the garment as depicted in the accompanying representations.**



- (21) Design Number: **13700/2015**  
(22) Date of Filing Application: **24 July 2015**  
(24) Date from which industrial property rights may have effect: **24 July 2015**  
(54) Product in respect of which the design is registered: **Catheter**  
(51) International Design Classification: **24-02**  
(74) Name(s) of Attorney(s): **Allens Patent & Trade Mark Attorneys**  
(71) Name(s) and Address(s) of Applicant(s):  
**Chiesi Farmaceutici S.p.A.**  
**Via Palermo 26/A Parma 43122 Italy**  
(72) Name(s) of Designer(s): **Mats Blennow and Kajsa Bohlin and Peter Anderson Dargaville and Linda Storari and Valentina Comito**  
(45) Registration Date: **17 August 2015**  
(30) Convention priority data:  
(31) Number (32) Date (33) Country  
**002633362-0001 13 Feb 2015 OFFICE FOR HARMONISATION IN THE INTERNAL MARKET (OHIM)**  
(56) Related Art Documents: **Not Applicable**  
(57) Statement of Newness and Distinctiveness: **Newness and distinctiveness resides in the visual features of shape and/or configuration of a catheter as illustrated in the accompanying representations.**



- (21) Design Number: **13709/2015**  
(22) Date of Filing Application: **27 July 2015**  
(24) Date from which industrial property rights may have effect: **27 July 2015**  
(54) Product in respect of which the design is registered: **A fan**  
(51) International Design Classification: **23-04**  
(74) Name(s) of Attorney(s): **Shelston IP**  
(71) Name(s) and Address(s) of Applicant(s):  
**Dyson Technology Limited**  
**Tetbury Hill Malmesbury Wiltshire SN16 0RP United Kingdom**  
(72) Name(s) of Designer(s): **Steven Eduard Peet and Jack Johnson and Leanne Joyce Garner and Adam James Bates and Peter David Gammack and Andrea Ee-Va Lim and Jonathan George Marsh**  
(45) Registration Date: **17 August 2015**  
(30) Convention priority data:  
(31) Number (32) Date (33) Country  
**001429252-0006 30 Jan 2015 OFFICE FOR HARMONISATION IN THE INTERNAL MARKET (OHIM)**  
(56) Related Art Documents: **Not Applicable**  
(57) Statement of Newness and Distinctiveness: **Newness and distinctiveness reside in the features of shape and/or configuration of A FAN as illustrated in solid lines in the accompanying representations. The features shown in broken or discontinuous lines are illustrative only and do not form part of the design.**



- (21) Design Number: **13710/2015**  
(22) Date of Filing Application: **27 July 2015**  
(24) Date from which industrial property rights may have effect: **27 July 2015**  
(54) Product in respect of which the design is registered: **A fan**  
(51) International Design Classification: **23-04**  
(74) Name(s) of Attorney(s): **Shelston IP**  
(71) Name(s) and Address(s) of Applicant(s):  
**Dyson Technology Limited**  
**Tetbury Hill Malmesbury Wiltshire SN16 0RP United Kingdom**  
(72) Name(s) of Designer(s): **Steven Eduard Peet and Jack Johnson and Leanne Joyce Garner and Adam James Bates and Peter David Gammack and Andrea Ee-Va Lim and Jonathan George Marsh**  
(45) Registration Date: **17 August 2015**  
(30) Convention priority data:  
(31) Number (32) Date (33) Country  
**001429252-0005 30 Jan 2015 OFFICE FOR HARMONISATION IN THE INTERNAL MARKET (OHIM)**  
(56) Related Art Documents: **Not Applicable**  
(57) Statement of Newness and Distinctiveness: **Newness and distinctiveness reside in the features of shape and/or configuration of A FAN as illustrated in solid lines in the accompanying representations. The features shown in broken or discontinuous lines are illustrative only and do not form part of the design.**



- (21) Design Number: **13711/2015**  
(22) Date of Filing Application: **27 July 2015**  
(24) Date from which industrial property rights may have effect: **27 July 2015**  
(54) Product in respect of which the design is registered: **A fan**  
(51) International Design Classification: **23-04**  
(74) Name(s) of Attorney(s): **Shelston IP**  
(71) Name(s) and Address(s) of Applicant(s):  
**Dyson Technology Limited**  
**Tetbury Hill Malmesbury Wiltshire SN16 0RP United Kingdom**  
(72) Name(s) of Designer(s): **Steven Eduard Peet and Jack Johnson and Leanne Joyce Garner and Adam James Bates and Peter David Gammack and Andrea Ee-Va Lim and Jonathan George Marsh**  
(45) Registration Date: **17 August 2015**  
(30) Convention priority data:  
(31) Number (32) Date (33) Country  
**001429252-0004 30 Jan 2015 OFFICE FOR HARMONISATION IN THE INTERNAL MARKET (OHIM)**  
(56) Related Art Documents: **Not Applicable**  
(57) Statement of Newness and Distinctiveness: **Newness and distinctiveness reside in the features of shape and/or configuration of A FAN as illustrated in solid lines in the accompanying representations. The features shown in broken or discontinuous lines are illustrative only and do not form part of the design.**



- (21) Design Number: **13712/2015**  
(22) Date of Filing Application: **27 July 2015**  
(24) Date from which industrial property rights may have effect: **27 July 2015**  
(54) Product in respect of which the design is registered: **A fan**  
(51) International Design Classification: **23-04**  
(74) Name(s) of Attorney(s): **Shelston IP**  
(71) Name(s) and Address(s) of Applicant(s):  
**Dyson Technology Limited**  
**Tetbury Hill Malmesbury Wiltshire SN16 0RP United Kingdom**  
(72) Name(s) of Designer(s): **Steven Eduard Peet and Jack Johnson and Leanne Joyce Garner and Adam James Bates and Peter David Gammack and Andrea Ee-Va Lim**  
(45) Registration Date: **17 August 2015**  
(30) Convention priority data:  
(31) Number (32) Date (33) Country  
**001429252-0003 30 Jan 2015 OFFICE FOR HARMONISATION IN THE INTERNAL MARKET (OHIM)**  
(56) Related Art Documents: **Not Applicable**  
(57) Statement of Newness and Distinctiveness: **Newness and distinctiveness reside in the features of shape and/or configuration of A FAN as illustrated in solid lines in the accompanying representations. The features shown in broken or discontinuous lines are illustrative only and do not form part of the design.**



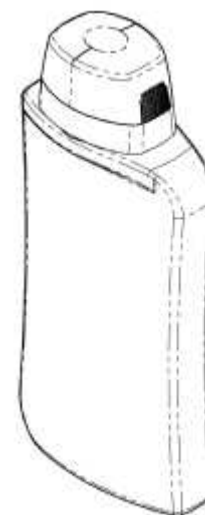
(21) Design Number: **13713/2015**  
(22) Date of Filing Application: **27 July 2015**  
(24) Date from which industrial property rights may have effect: **27 July 2015**  
(54) Product in respect of which the design is registered: **Electrical connector assembly**  
(51) International Design Classification: **13-03E**  
(74) Name(s) of Attorney(s): **Lesicar Maynard Andrews Pty Ltd**  
(71) Name(s) and Address(s) of Applicant(s):  
**Dalex Products Pty Ltd**  
**PO BOX 246 Prospect SA 5082 Australia**  
(72) Name(s) of Designer(s): **Athan Lekkas**  
(45) Registration Date: **17 August 2015**  
(56) Related Art Documents: **Not Applicable**  
(57) Statement of Newness and Distinctiveness: **Newness and distinctiveness reside in the shape and/or configuration of the Electrical Connector Assembly, particularly the shape and/or configuration of the two bottom end connectors.**



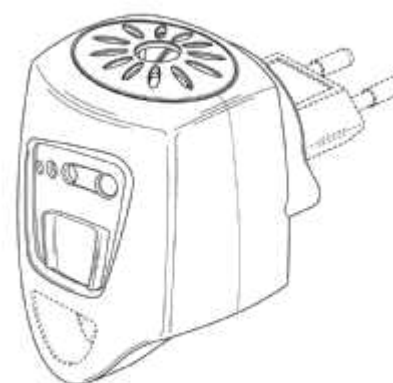
(21) Design Number: **10406/2015**  
(22) Date of Filing Application: **21 January 2015**  
(24) Date from which industrial property rights may have effect: **21 January 2015**  
(54) Product in respect of which the design is registered: **Men's clothing**  
(51) International Design Classification: **02-02C, 02-02NES**  
(74) Name(s) of Attorney(s):  
(71) Name(s) and Address(s) of Applicant(s):  
**Fifty-Fourth Rischell Pty Ltd**  
**29 Simmons St South Yarra VIC 3141 Australia**  
(72) Name(s) of Designer(s): **Ty Henschke**  
(45) Registration Date: **17 August 2015**  
(56) Related Art Documents: **Not Applicable**  
(57) Statement of Newness and Distinctiveness: **Nil**



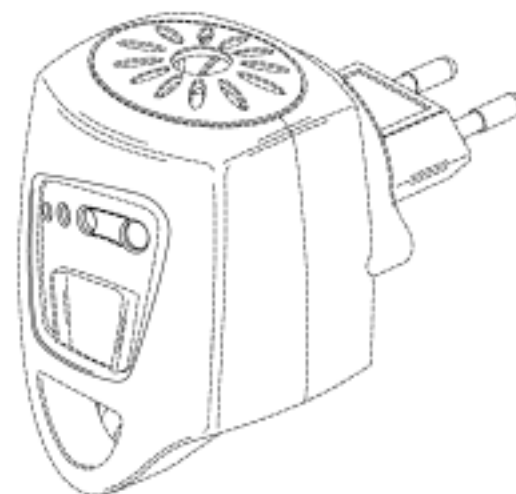
- (21) Design Number: **12800/2015**  
(22) Date of Filing Application: **01 June 2015**  
(24) Date from which industrial property rights may have effect: **30 September 2014**  
(54) Product in respect of which the design is registered: **Bottle**  
(51) International Design Classification: **09-01K**  
(74) Name(s) of Attorney(s): **Davies Collison Cave**  
(71) Name(s) and Address(s) of Applicant(s):  
**Dulux Group (Australia) Pty Ltd**  
**1956 Dandenong Rd Clayton VIC 3168 Australia**  
(72) Name(s) of Designer(s): **Sean Lewis**  
(45) Registration Date: **17 August 2015**  
(62) Divisional of: **362135**  
(56) Related Art Documents: **Not Applicable**  
(57) Statement of Newness and Distinctiveness: **The shape and configuration of the bottles shown in the representations is new and distinctive. Where used in the representations, broken lines indicate surface contour (and not surface decoration).**



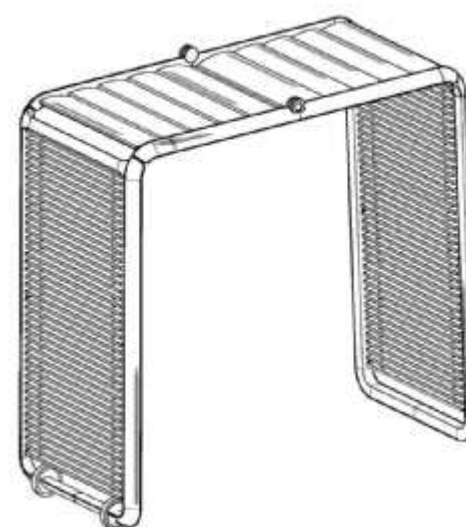
- (21) Design Number: **13701/2015**  
(22) Date of Filing Application: **24 July 2015**  
(24) Date from which industrial property rights may have effect: **24 July 2015**  
(54) Product in respect of which the design is registered: **Insect barrier device**  
(51) International Design Classification: **22-06**  
(74) Name(s) of Attorney(s): **Spruson & Ferguson**  
(71) Name(s) and Address(s) of Applicant(s):  
**Menelaus B.V.**  
**Archimedesbaan 18D NL-3439 ME, Nieuwegein Netherlands Antilles**  
(72) Name(s) of Designer(s): **Frederic Arnal Dalmau and Carles Marti Perez**  
(45) Registration Date: **17 August 2015**  
(30) Convention priority data:  
(31) Number      (32) Date      (33) Country  
**EU 002620708      27 Jan 2015      OFFICE FOR HARMONISATION IN  
THE INTERNAL MARKET (OHIM)**  
(56) Related Art Documents: **Not Applicable**  
(57) Statement of Newness and Distinctiveness: **Newness and distinctiveness is claimed in those features of shape and/or configuration of an insect barrier device as illustrated in continuous lines in the accompanying representations.**



- (21) Design Number: **13702/2015**  
(22) Date of Filing Application: **24 July 2015**  
(24) Date from which industrial property rights may have effect: **24 July 2015**  
(54) Product in respect of which the design is registered: **Insect barrier device**  
(51) International Design Classification: **22-06**  
(74) Name(s) of Attorney(s): **Spruson & Ferguson**  
(71) Name(s) and Address(s) of Applicant(s):  
**Menelaus B.V.**  
**Archimedesbaan 18D NL-3439 ME, Nieuwegein Netherlands Antilles**  
(72) Name(s) of Designer(s): **Frederic Arnal Dalmau and Carles Marti Perez**  
(45) Registration Date: **17 August 2015**  
(30) Convention priority data:  
(31) Number (32) Date (33) Country  
**EU 002620708 27 Jan 2015 OFFICE FOR HARMONISATION IN  
THE INTERNAL MARKET (OHIM)**  
(56) Related Art Documents: **Not Applicable**  
(57) Statement of Newness and Distinctiveness: **Newness and distinctiveness  
is claimed in those features of shape and/or configuration of an insect  
barrier device as illustrated in continuous lines in the accompanying  
representations.**



- (21) Design Number: **13704/2015**  
(22) Date of Filing Application: **24 July 2015**  
(24) Date from which industrial property rights may have effect: **24 July 2015**  
(54) Product in respect of which the design is registered: **Pergola**  
(51) International Design Classification: **25-03**  
(74) Name(s) of Attorney(s): **Alder IP Pty Ltd**  
(71) Name(s) and Address(s) of Applicant(s):  
**Judy Slatyer**  
**G5 544 Mowbray Rd Lane Cove NSW 2066 Australia**  
(72) Name(s) of Designer(s): **Judy Slatyer**  
(45) Registration Date: **17 August 2015**  
(56) Related Art Documents: **Not Applicable**  
(57) Statement of Newness and Distinctiveness: **Newness and distinctiveness  
of the design resides in the feature of shape and configuration of a  
pergola depicted in the accompanying representations.**



- (21) Design Number: **13707/2015**  
(22) Date of Filing Application: **26 July 2015**  
(24) Date from which industrial property rights may have effect: **26 July 2015**  
(54) Product in respect of which the design is registered: **Gym and fitness equipment**  
(51) International Design Classification: **21-02F**  
(74) Name(s) of Attorney(s):  
(71) Name(s) and Address(s) of Applicant(s):  
**Blake Witherow**  
**5 Tyrrell Ave Blackburn VIC 3130 Australia**  
(72) Name(s) of Designer(s): **Blake Witherow**  
(45) Registration Date: **17 August 2015**  
(56) Related Art Documents: **Not Applicable**  
(57) Statement of Newness and Distinctiveness: **This dumbbell handle is a novel method of attaching a dumbbell (or barbell) with the express purpose of improving contraction and hypertrophy of a specific muscle(s).**



- (21) Design Number: **12109/2015**  
(22) Date of Filing Application: **22 April 2015**  
(24) Date from which industrial property rights may have effect: **22 April 2015**  
(54) Product in respect of which the design is registered: **Wood duck silhouette decoy**  
(51) International Design Classification: **22-05**  
(74) Name(s) of Attorney(s):  
(71) Name(s) and Address(s) of Applicant(s):  
**Anthony Tsakmakis**  
**PO BOX 283 Doreen VIC 3754 Australia**  
(72) Name(s) of Designer(s): **Anthony Tsakmakis**  
(45) Registration Date: **17 August 2015**  
(56) Related Art Documents: **Not Applicable**  
(57) Statement of Newness and Distinctiveness: **A 2 dimensional waterfowl silhouette with true outline and image of an actual Australian Wood Duck which will be made out of coreflute or similar lite weight material .Images will be digitally printed to the silhouette material or maybe printed to pvc or similar materials and laminated to the silhouette. These digital images are of real ducks and will be mirror imaged on both sides of the silhouette, be exceptionally high in detail of both male and female ducks. The silhouettes will be mounted on a metal stake which can be pushed into the ground to hold the silhouette upright. A second staking method will be an adjustable stake which consists of a metal rod sliding into a hollow metal tube with a nut welded to it. The metal tube is attached to the silhouette, it can slide up and down the metal rod and tightened in place with a butterfly screw via the nut. The silhouettes will come in 3 body positions of both male and female ducks, these are sitting, standing and feeding positions.**



- (21) Design Number: **12110/2015**  
(22) Date of Filing Application: **22 April 2015**  
(24) Date from which industrial property rights may have effect: **22 April 2015**  
(54) Product in respect of which the design is registered: **Australian black duck silhouette decoy**  
(51) International Design Classification: **22-05**  
(74) Name(s) of Attorney(s):  
(71) Name(s) and Address(s) of Applicant(s):  
**Anthony Tsakmakis**  
**PO BOX 283 Doreen VIC 3754 Australia**  
(72) Name(s) of Designer(s): **Anthony Tsakmakis**  
(45) Registration Date: **17 August 2015**  
(56) Related Art Documents: **Not Applicable**  
(57) Statement of Newness and Distinctiveness: **A 2 dimensional waterfowl silhouette with true outline and image of an actual Australian Black Duck which will be made out of coreflute or similar lite weight material. Images will be digitally printed to the silhouette or maybe printed to pvc or similar material and laminated to the silhouette. These digital images are of real ducks and will be mirror imaged on both sides of the silhouette, and be exceptionally high in detail. The silhouettes will be mounted on a metal stake which can be pushed into the ground to hold the silhouette upright. A second staking method will be an adjustable stake which consists of a metal rod sliding into a hollow metal tube with a nut welded to it. The metal tube is attached to the silhouette, it can slide up and down the metal rod and be tightened in place with a butterfly screw via the nut. The silhouettes will come in 3 body positions, these are sitting, standing and feeding positions.**



- (21) Design Number: **13677/2015**  
(22) Date of Filing Application: **22 July 2015**  
(24) Date from which industrial property rights may have effect: **22 July 2015**  
(54) Product in respect of which the design is registered: **Base unit for a beverage container**  
(51) International Design Classification: **31-00**  
(74) Name(s) of Attorney(s): **Griffith Hack**  
(71) Name(s) and Address(s) of Applicant(s):  
**Pernod Ricard, societe anonyme**  
**12 place des Etats-Unis Paris 75016 France**  
(72) Name(s) of Designer(s): **Joao Andre Grancho Seco and Morten Villiers Warren and Marcus Andrew Hoggarth**  
(45) Registration Date: **17 August 2015**  
(30) Convention priority data:  
(31) Number (32) Date (33) Country  
**002621326-0025 27 Jan 2015 OFFICE FOR HARMONISATION IN THE INTERNAL MARKET (OHIM)**  
(56) Related Art Documents: **Not Applicable**  
(57) Statement of Newness and Distinctiveness: **The shape and configuration of the product as shown by solid lines in the accompanying representations is new and distinctive.**



(21) Design Number: **13759/2015**  
(22) Date of Filing Application: **28 July 2015**  
(24) Date from which industrial property rights may have effect: **28 July 2015**  
(54) Product in respect of which the design is registered: **Luminaire**  
(51) International Design Classification: **26-05E**  
(74) Name(s) of Attorney(s): **Spruson & Ferguson**  
(71) Name(s) and Address(s) of Applicant(s):

**Zumtobel Lighting GmbH**  
**Schweizer Strasse 30, Dornbirn 6850 Austria**

(72) Name(s) of Designer(s): **Stefan Ambrozus**

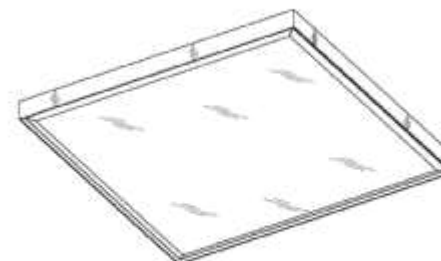
(45) Registration Date: **17 August 2015**

(30) Convention priority data:

(31) Number	(32) Date	(33) Country
<b>002 627 216</b>	<b>05 Feb 2015</b>	<b>OFFICE FOR HARMONISATION IN THE INTERNAL MARKET (OHIM)</b>

(56) Related Art Documents: **Not Applicable**

(57) Statement of Newness and Distinctiveness: **Newness and distinctiveness is claimed in the features of shape and/or configuration of a luminaire as illustrated in the accompanying representations.**



(21) Design Number: **13760/2015**  
(22) Date of Filing Application: **28 July 2015**  
(24) Date from which industrial property rights may have effect: **28 July 2015**  
(54) Product in respect of which the design is registered: **Luminaire**  
(51) International Design Classification: **26-05E**  
(74) Name(s) of Attorney(s): **Spruson & Ferguson**  
(71) Name(s) and Address(s) of Applicant(s):

**Zumtobel Lighting GmbH**  
**Schweizer Strasse 30, Dornbirn 6850 Austria**

(72) Name(s) of Designer(s): **Stefan Ambrozus**

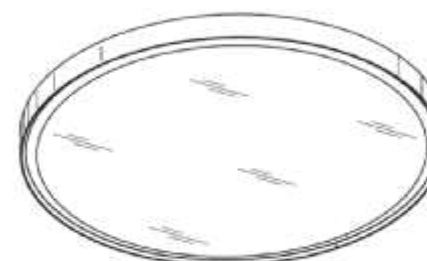
(45) Registration Date: **17 August 2015**

(30) Convention priority data:

(31) Number	(32) Date	(33) Country
<b>002 627 216</b>	<b>05 Feb 2015</b>	<b>OFFICE FOR HARMONISATION IN THE INTERNAL MARKET (OHIM)</b>

(56) Related Art Documents: **Not Applicable**

(57) Statement of Newness and Distinctiveness: **Newness and distinctiveness is claimed in the features of shape and/or configuration of a luminaire as illustrated in the accompanying representations.**

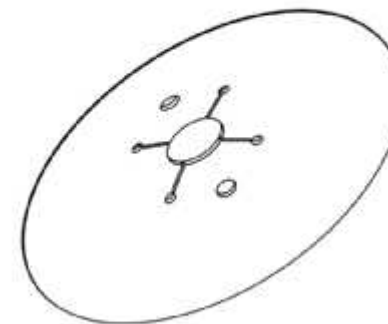


(21) Design Number: **13761/2015**  
(22) Date of Filing Application: **28 July 2015**  
(24) Date from which industrial property rights may have effect: **28 July 2015**  
(54) Product in respect of which the design is registered: **Mobile wireless power source**  
(51) International Design Classification: **13-03NES**  
(74) Name(s) of Attorney(s): **Fisher Adams Kelly Pty Ltd**  
(71) Name(s) and Address(s) of Applicant(s):  
**EverHeart Systems Inc.**  
**16910 N. Texas Avenue Suite A6 Webster Texas, 77598 United States of America**  
(72) Name(s) of Designer(s): **Greg S Aber**  
(45) Registration Date: **17 August 2015**  
(30) Convention priority data:  
(31) Number (32) Date (33) Country  
**29/517952 18 Feb 2015 UNITED STATES OF AMERICA**

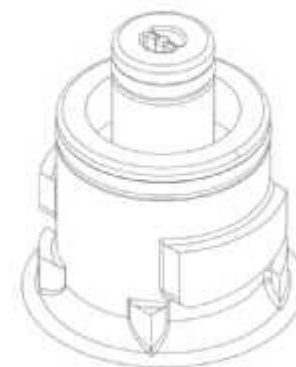


(56) Related Art Documents: **Not Applicable**  
(57) Statement of Newness and Distinctiveness: **The newness and distinctiveness of the design resides in the shape and/or configuration of the MOBILE WIRELESS POWER SOURCE shown in the representations. When assessing the newness and distinctiveness of the design, features shown in broken lines are to be disregarded.**

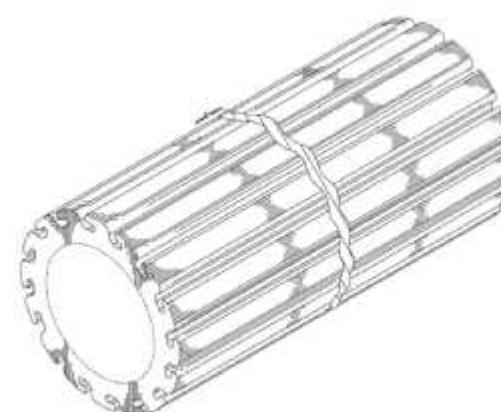
(21) Design Number: **13762/2015**  
(22) Date of Filing Application: **28 July 2015**  
(24) Date from which industrial property rights may have effect: **28 July 2015**  
(54) Product in respect of which the design is registered: **A disc harrow blade**  
(51) International Design Classification: **15-03A**  
(74) Name(s) of Attorney(s): **FB Rice**  
(71) Name(s) and Address(s) of Applicant(s):  
**Hard Metals Australia Pty Limited**  
**40 Peter Brock Dr Eastern Creek NSW 2766 Australia**  
(72) Name(s) of Designer(s): **Stephen Ainge**  
(45) Registration Date: **17 August 2015**  
(56) Related Art Documents: **Not Applicable**  
(57) Statement of Newness and Distinctiveness: **Newness and distinctiveness reside in the features of the design as shown in the representations.**



(21) Design Number: **13763/2015**  
(22) Date of Filing Application: **28 July 2015**  
(24) Date from which industrial property rights may have effect: **28 July 2015**  
(54) Product in respect of which the design is registered: **A filter key**  
(51) International Design Classification: **23-01NES**  
(74) Name(s) of Attorney(s): **Spruson & Ferguson**  
(71) Name(s) and Address(s) of Applicant(s):  
**Zip Heaters (Australia) Pty Limited**  
**67 Allingham St Condell Park NSW 2200 Australia**  
(72) Name(s) of Designer(s): **Simon Bryant and Kevin Moul**  
(45) Registration Date: **17 August 2015**  
(56) Related Art Documents: **Not Applicable**  
(57) Statement of Newness and Distinctiveness: **Newness and distinctiveness is claimed in the features of shape and/or configuration of a filter key as illustrated in the accompanying representations.**



(21) Design Number: **13764/2015**  
(22) Date of Filing Application: **28 July 2015**  
(24) Date from which industrial property rights may have effect: **28 July 2015**  
(54) Product in respect of which the design is registered: **Firearm suppressor cover**  
(51) International Design Classification: **22-02, 09-99**  
(74) Name(s) of Attorney(s): **Spruson & Ferguson**  
(71) Name(s) and Address(s) of Applicant(s):  
**Jamak Fabrication-Tex, LLC.**  
**1401 N. Bowie Drive, Weatherford Texas, 76086 United States of America**  
(72) Name(s) of Designer(s): **Michael Lee Dulisse and Steven Dean Henrickson**  
(45) Registration Date: **17 August 2015**  
(30) Convention priority data:  
(31) Number (32) Date (33) Country  
**29/515988 28 Jan 2015 UNITED STATES OF AMERICA**  
(56) Related Art Documents: **Not Applicable**  
(57) Statement of Newness and Distinctiveness: **Newness and distinctiveness is claimed in those features of shape and/or configuration of a firearm suppressor cover as illustrated in continuous lines in the accompanying representations, apart from the length of the cover.**



(21) Design Number: **13765/2015**

(22) Date of Filing Application: **28 July 2015**

(24) Date from which industrial property rights may have effect: **28 July 2015**

(54) Product in respect of which the design is registered: **Firearm suppressor cover**

(51) International Design Classification: **22-03**

(74) Name(s) of Attorney(s): **Spruson & Ferguson**

(71) Name(s) and Address(s) of Applicant(s):

**Jamak Fabrication-Tex, LLC.**

**1401 N. Bowie Drive, Weatherford Texas, 76086 United States of America**

(72) Name(s) of Designer(s): **Michael Lee Dulisse and Michael Lee Henrickson**

(45) Registration Date: **17 August 2015**

(30) Convention priority data:

(31) Number

(32) Date

(33) Country

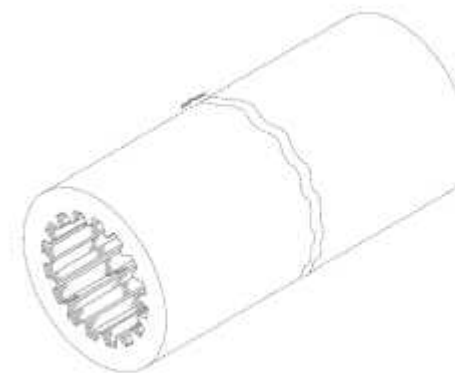
**29/515988**

**28 Jan 2015**

**UNITED STATES OF AMERICA**

(56) Related Art Documents: **Not Applicable**

(57) Statement of Newness and Distinctiveness: **Newness and distinctiveness is claimed in those features of shape and/or configuration of a firearm suppressor cover as illustrated in continuous lines in the accompanying representations, apart from the length of the cover.**



(21) Design Number: **13766/2015**

(22) Date of Filing Application: **28 July 2015**

(24) Date from which industrial property rights may have effect: **28 July 2015**

(54) Product in respect of which the design is registered: **Sanitary faucet**

(51) International Design Classification: **23-01H**

(74) Name(s) of Attorney(s): **Griffith Hack**

(71) Name(s) and Address(s) of Applicant(s):

**Hansgrohe SE**

**Auestr. 5-9 Schiltach 77761 Germany**

(72) Name(s) of Designer(s): **Tom Schoenherr and Andreas Diefenbach**

(45) Registration Date: **17 August 2015**

(30) Convention priority data:

(31) Number

(32) Date

(33) Country

**002625244-0002**

**02 Feb 2015**

**OFFICE FOR HARMONISATION IN  
THE INTERNAL MARKET (OHIM)**

(56) Related Art Documents: **Not Applicable**

(57) Statement of Newness and Distinctiveness: **Newness and distinctiveness resides in the visual features of the shape and configuration of the product as shown in the representations.**

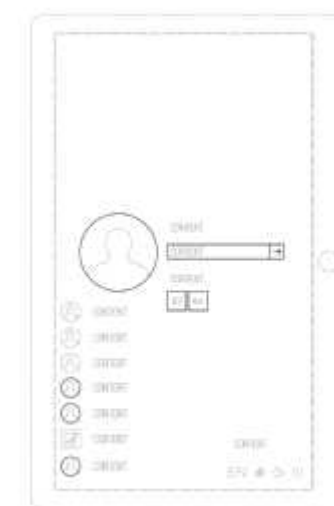


(21) Design Number: **13590/2015**  
(22) Date of Filing Application: **20 July 2015**  
(24) Date from which industrial property rights may have effect: **20 July 2015**  
(54) Product in respect of which the design is registered: **Display screen with graphical user interface**  
(51) International Design Classification: **14-02**  
(74) Name(s) of Attorney(s): **Shelston IP**  
(71) Name(s) and Address(s) of Applicant(s):  
**Microsoft Corporation**  
**One Microsoft Way Redmond Washington 98052 United States of America**  
(72) Name(s) of Designer(s): **Joseph Bernard Tobens III**  
(45) Registration Date: **17 August 2015**  
(30) Convention priority data:  
(31) Number (32) Date (33) Country  
**29/515138 20 Jan 2015 UNITED STATES OF AMERICA**



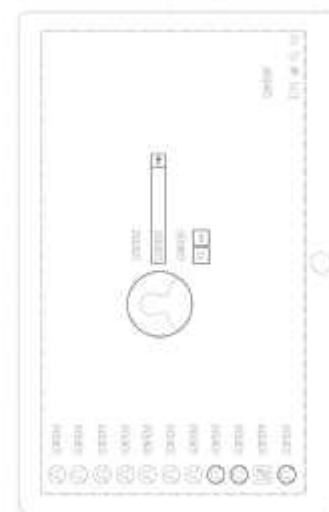
(56) Related Art Documents: **Not Applicable**  
(57) Statement of Newness and Distinctiveness: **Newness and distinctiveness reside in the features of pattern and/or ornamentation of a display screen with graphical user interface as illustrated by solid lines in the accompanying representations. The features shown in broken outline are for contextual purposes only and do not form part of the design. The symbols and alphabetic characters depicted are indicative only, and may be substituted by alternative symbols or alphanumeric characters.**

(21) Design Number: **13602/2015**  
(22) Date of Filing Application: **20 July 2015**  
(24) Date from which industrial property rights may have effect: **20 July 2015**  
(54) Product in respect of which the design is registered: **Display screen with graphical user interface**  
(51) International Design Classification: **14-02**  
(74) Name(s) of Attorney(s): **Shelston IP**  
(71) Name(s) and Address(s) of Applicant(s):  
**Microsoft Corporation**  
**One Microsoft Way Redmond Washington, 98052 United States of America**  
(72) Name(s) of Designer(s): **Aaron Naoyoshi Sheung Yan Woo**  
(45) Registration Date: **17 August 2015**  
(30) Convention priority data:  
(31) Number (32) Date (33) Country  
**29/515061 20 Jan 2015 UNITED STATES OF AMERICA**



(56) Related Art Documents: **Not Applicable**  
(57) Statement of Newness and Distinctiveness: **Newness and distinctiveness reside in the features of pattern and/or ornamentation of a display screen with graphical user interface as illustrated by solid lines in the accompanying representation. The features shown in broken outline are for contextual purposes only and do not form part of the design. The symbols and alphabetic characters depicted are indicative only, and may be substituted by alternative symbols or alphanumeric characters.**

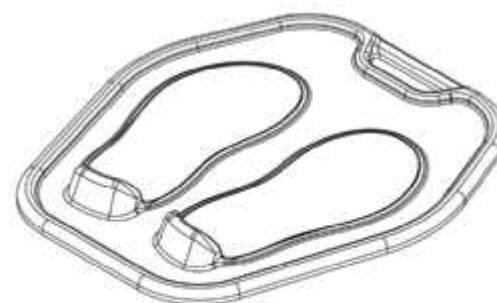
- (21) Design Number: **13603/2015**  
(22) Date of Filing Application: **20 July 2015**  
(24) Date from which industrial property rights may have effect: **20 July 2015**  
(54) Product in respect of which the design is registered: **Display screen with graphical user interface**  
(51) International Design Classification: **14-02**  
(74) Name(s) of Attorney(s): **Shelston IP**  
(71) Name(s) and Address(s) of Applicant(s):  
**Microsoft Corporation**  
**One Microsoft Way Redmond Washington, 98052 United States of America**  
(72) Name(s) of Designer(s): **Aaron Naoyoshi Sheung Yan Woo and Conroy Williamson**  
(45) Registration Date: **17 August 2015**  
(30) Convention priority data:  
(31) Number (32) Date (33) Country  
**29/515040 20 Jan 2015 UNITED STATES OF AMERICA**  
(56) Related Art Documents: **Not Applicable**  
(57) Statement of Newness and Distinctiveness: **Newness and distinctiveness reside in the features of pattern and/or ornamentation of a display screen with graphical user interface as illustrated by solid lines in the accompanying representation. The features shown in broken outline are for contextual purposes only and do not form part of the design. The symbols and alphabetic characters depicted are indicative only, and may be substituted by alternative symbols or alphanumeric characters.**



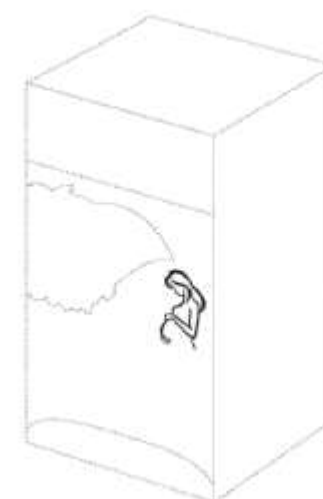
- (21) Design Number: **13663/2015**  
(22) Date of Filing Application: **22 July 2015**  
(24) Date from which industrial property rights may have effect: **22 July 2015**  
(54) Product in respect of which the design is registered: **Crate**  
(51) International Design Classification: **09-04**  
(74) Name(s) of Attorney(s): **WALLINGTON-DUMMER**  
(71) Name(s) and Address(s) of Applicant(s):  
**Polymer Logistics (Israel) Ltd.**  
**4 Ha'harash St., P.O.B. 7362 Hod Hasharon Petach-Tikva 45250 Israel**  
(72) Name(s) of Designer(s): **Matan Feiner**  
(45) Registration Date: **17 August 2015**  
(30) Convention priority data:  
(31) Number (32) Date (33) Country  
**29/516,188 30 Jan 2015 UNITED STATES OF AMERICA**  
(56) Related Art Documents: **Not Applicable**  
(57) Statement of Newness and Distinctiveness: **Nil**



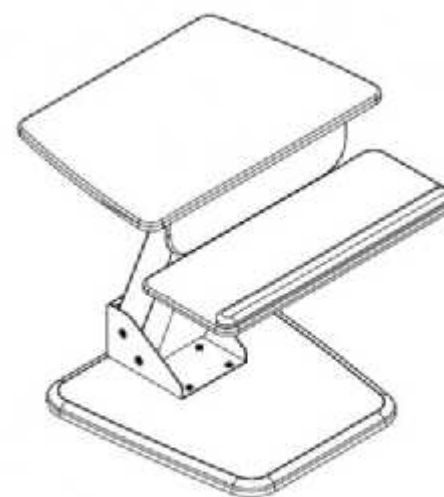
- (21) Design Number: **13682/2015**  
(22) Date of Filing Application: **23 July 2015**  
(24) Date from which industrial property rights may have effect: **23 July 2015**  
(54) Product in respect of which the design is registered: **Foot profiling device**  
(51) International Design Classification: **10-04**  
(74) Name(s) of Attorney(s): **FB Rice**  
(71) Name(s) and Address(s) of Applicant(s):  
**Re-Align Performance Pty Ltd**  
**U1 3 Weld St Prestons NSW 2170 Australia**  
(72) Name(s) of Designer(s): **Paul Boudville and Adrian Cursio**  
(45) Registration Date: **17 August 2015**  
(56) Related Art Documents: **Not Applicable**  
(57) Statement of Newness and Distinctiveness: **Newness and distinctiveness reside in those features of shape and/or configuration of the design shown without yellow highlighting in the accompanying representations.**



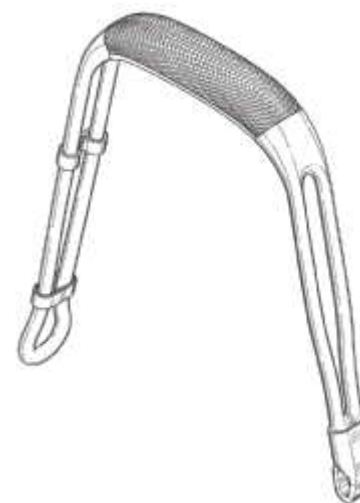
- (21) Design Number: **13695/2015**  
(22) Date of Filing Application: **24 July 2015**  
(24) Date from which industrial property rights may have effect: **24 July 2015**  
(54) Product in respect of which the design is registered: **Supplement container with surface ornamentation**  
(51) International Design Classification: **09-03M**  
(74) Name(s) of Attorney(s): **PHILLIPS ORMONDE FITZPATRICK**  
(71) Name(s) and Address(s) of Applicant(s):  
**New Chapter, Inc.**  
**90 Technology Drive Brattleboro Vermont, 05301 United States of America**  
(72) Name(s) of Designer(s): **Todd Spenceman and Jade Crystal Harmon and Trevor Isaac Guido-Williams and Jieun Choi**  
(45) Registration Date: **17 August 2015**  
(30) Convention priority data:  
(31) Number (32) Date (33) Country  
**29/515,765 27 Jan 2015 UNITED STATES OF AMERICA**  
(56) Related Art Documents: **Not Applicable**  
(57) Statement of Newness and Distinctiveness: **Those features of the supplement container with surface ornamentation depicted in the representations that are new and distinctive are the ornamentation. The features shown in broken lines are not part of the design and are to be disregarded when considering the overall impression of the design.**



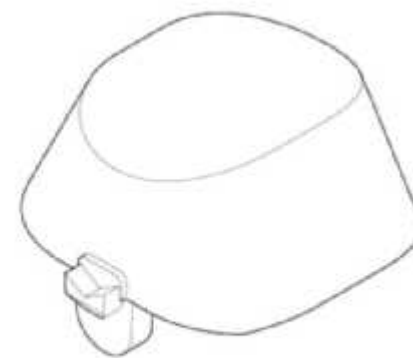
- (21) Design Number: **12929/2015**  
(22) Date of Filing Application: **10 June 2015**  
(24) Date from which industrial property rights may have effect: **10 June 2015**  
(54) Product in respect of which the design is registered: **Adjustable desk - desktop station**  
(51) International Design Classification: **06-06E**  
(74) Name(s) of Attorney(s):  
(71) Name(s) and Address(s) of Applicant(s):  
**Sunset Lifestyle Pty Ltd**  
**15 Creswell St Newstead QLD 4006 Australia**  
(72) Name(s) of Designer(s): **Paul Chuang**  
(45) Registration Date: **17 August 2015**  
(56) Related Art Documents: **Not Applicable**  
(57) Statement of Newness and Distinctiveness: **Adjustable work space with separate keyboard and work platform with single arc action . Item is freestanding and can be adjusted and fixed in position by using the side paddle which releases the gas strut .The design is distinctive as it has a single centre column and raises upwards and away as the product is raised once the single gas paddle is depressed.**



- (21) Design Number: **13734/2015**  
(22) Date of Filing Application: **27 July 2015**  
(24) Date from which industrial property rights may have effect: **27 July 2015**  
(54) Product in respect of which the design is registered: **Activity tracking band**  
(51) International Design Classification: **10-04**  
(74) Name(s) of Attorney(s): **Spruson & Ferguson**  
(71) Name(s) and Address(s) of Applicant(s):  
**AliphCom**  
**99 Rhode Island Street 3rd Floor San Francisco California 94103 United States of America**  
(72) Name(s) of Designer(s): **Yves Albert Behar and Qin Li and Erik Kreider and Alex Farrow and Ilyas Mohammed and Piyush Savalia and Sumit Sharma and Jayanth Chakravarthy and Eric Martin and Chung Chuan Tseng**  
(45) Registration Date: **17 August 2015**  
(30) Convention priority data:  
(31) Number (32) Date (33) Country  
**29/516017 28 Jan 2015 UNITED STATES OF AMERICA**  
(56) Related Art Documents: **Not Applicable**  
(57) Statement of Newness and Distinctiveness: **Newness and distinctiveness is claimed in the features of an activity tracking band as illustrated in continuous lines in the accompanying representations.**



(21) Design Number: **12999/2015**  
(22) Date of Filing Application: **15 June 2015**  
(24) Date from which industrial property rights may have effect: **03 October 2014**  
(54) Product in respect of which the design is registered: **Electrical switch button**  
(51) International Design Classification: **13-03D**  
(74) Name(s) of Attorney(s): **Davies Collison Cave**  
(71) Name(s) and Address(s) of Applicant(s):  
**Arlec Australia Pty Ltd**  
**Building 3 31-41 Joseph St Blackburn VIC 3130 Australia**  
(72) Name(s) of Designer(s): **Murray Johnson and Kar Lun Tam**  
(45) Registration Date: **18 August 2015**  
(62) Divisional of: **362353**  
(56) Related Art Documents: **Not Applicable**  
(57) Statement of Newness and Distinctiveness: **Nil**



(21) Design Number: **13703/2015**  
(22) Date of Filing Application: **24 July 2015**  
(24) Date from which industrial property rights may have effect: **24 July 2015**  
(54) Product in respect of which the design is registered: **Garment steamer**  
(51) International Design Classification: **07-05A**  
(74) Name(s) of Attorney(s): **FB Rice**  
(71) Name(s) and Address(s) of Applicant(s):  
**Koninklijke Philips N.V.**  
**High Tech Campus 5 5656 AE Eindhoven The Netherlands**  
(72) Name(s) of Designer(s): **Mui Luang Tan**  
(45) Registration Date: **18 August 2015**  
(30) Convention priority data:  
(31) Number (32) Date (33) Country  
**002622407-0001 29 Jan 2015 OFFICE FOR HARMONISATION IN  
THE INTERNAL MARKET (OHIM)**  
(56) Related Art Documents: **Not Applicable**  
(57) Statement of Newness and Distinctiveness: **Newness and distinctiveness  
reside in the features of shape and configuration of the design as shown  
in the representations.**



(21) Design Number: **13739/2015**

(22) Date of Filing Application: **27 July 2015**

(24) Date from which industrial property rights may have effect: **27 July 2015**

(54) Product in respect of which the design is registered: **Activity tracking band**

(51) International Design Classification: **10-04**

(74) Name(s) of Attorney(s): **Spruson & Ferguson**

(71) Name(s) and Address(s) of Applicant(s):

**AliphCom**

**99 Rhode Island Street 3rd Floor San Francisco California 94103 United States of America**

(72) Name(s) of Designer(s): **Yves Albert Behar and Qin Li and Erik Kreider and Alex Farrow and Ilyas Mohammed and Piyush Savalia and Sumit Sharma and Jayanth Chakravarthy and Eric Martin and Chung Chuan Tseng**

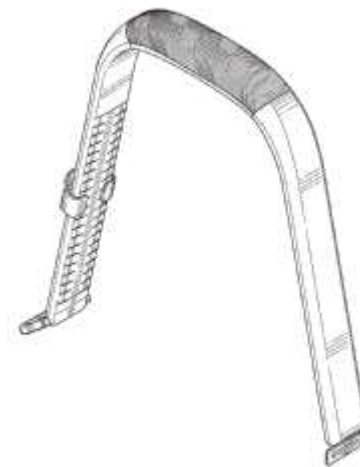
(45) Registration Date: **18 August 2015**

(30) Convention priority data:

(31) Number	(32) Date	(33) Country
<b>29/516012</b>	<b>28 Jan 2015</b>	<b>UNITED STATES OF AMERICA</b>

(56) Related Art Documents: **Not Applicable**

(57) Statement of Newness and Distinctiveness: **Newness and distinctiveness is claimed in the features of an activity tracking band as illustrated in continuous lines in the accompanying representations.**



(21) Design Number: **13751/2015**

(22) Date of Filing Application: **27 July 2015**

(24) Date from which industrial property rights may have effect: **01 December 2014**

(54) Product in respect of which the design is registered: **Article of clothing**

(51) International Design Classification: **02-02NES**

(74) Name(s) of Attorney(s): **Allens Patent & Trade Mark Attorneys**

(71) Name(s) and Address(s) of Applicant(s):

**Forever New Clothing Pty Ltd**

**L4 Bldg 8 576 Swan St Richmond VIC 3121 Australia**

(72) Name(s) of Designer(s): **Alana Dinse**

(45) Registration Date: **18 August 2015**

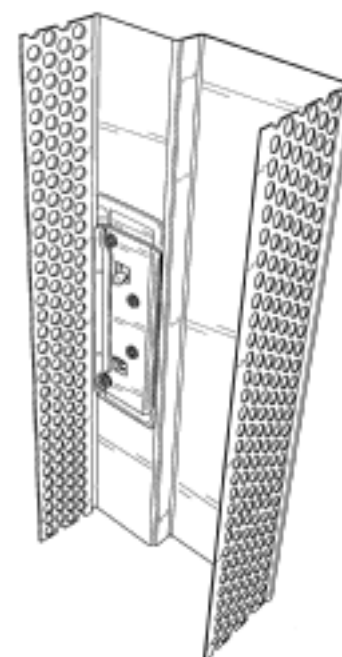
(62) Divisional of: **363238**

(56) Related Art Documents: **Not Applicable**

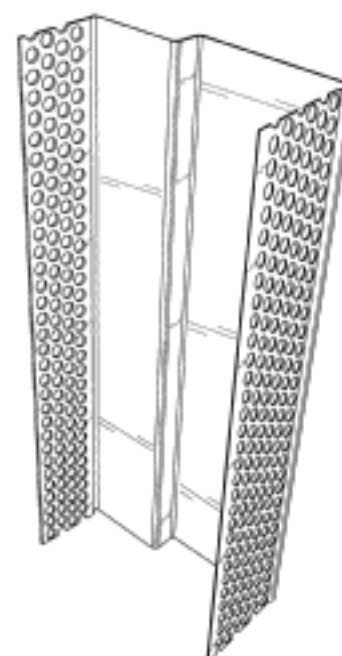
(57) Statement of Newness and Distinctiveness: **Newness and distinctiveness resides in the visual features of shape, configuration, pattern and/or ornamentation of an article of clothing as shown in the accompanying representations.**



- (21) Design Number: **13789/2015**  
(22) Date of Filing Application: **29 July 2015**  
(24) Date from which industrial property rights may have effect: **29 July 2015**  
(54) Product in respect of which the design is registered: **Door frame**  
(51) International Design Classification: **25-02B**  
(74) Name(s) of Attorney(s): **PATENT ATTORNEY SERVICES**  
(71) Name(s) and Address(s) of Applicant(s):  
**Studco Building Systems US, LLC**  
**1700 Boulter Industrial Parkway Webster New York, 14580 United States of America**  
(72) Name(s) of Designer(s): **Gordon Stevens and Ben Stevens and James Rowden and Ian Rowden**  
(45) Registration Date: **18 August 2015**  
(30) Convention priority data:  
(31) Number (32) Date (33) Country  
**29/516,072 29 Jan 2015 UNITED STATES OF AMERICA**  
(56) Related Art Documents: **Not Applicable**  
(57) Statement of Newness and Distinctiveness: **Newness and originality is claimed in the features of shape of the door frame shown in the representations. Apart from the features and elements provided where a latch is in use located, the door frame is of indefinite length and is of constant cross sectional shape throughout its length.**



- (21) Design Number: **13790/2015**  
(22) Date of Filing Application: **29 July 2015**  
(24) Date from which industrial property rights may have effect: **29 July 2015**  
(54) Product in respect of which the design is registered: **Door frame**  
(51) International Design Classification: **25-02B**  
(74) Name(s) of Attorney(s): **PATENT ATTORNEY SERVICES**  
(71) Name(s) and Address(s) of Applicant(s):  
**Studco Building Systems US, LLC**  
**1700 Boulter Industrial Parkway Webster New York, 14580 United States of America**  
(72) Name(s) of Designer(s): **Gordon Stevens and Ben Stevens and James Rowden and Ian Rowden**  
(45) Registration Date: **18 August 2015**  
(30) Convention priority data:  
(31) Number (32) Date (33) Country  
**29/516,072 29 Jan 2015 UNITED STATES OF AMERICA**  
(56) Related Art Documents: **Not Applicable**  
(57) Statement of Newness and Distinctiveness: **Newness and originality is claimed in the features of shape of the door frame shown in the representations. The door frame is of indefinite length and is of constant cross sectional shape throughout its length.**



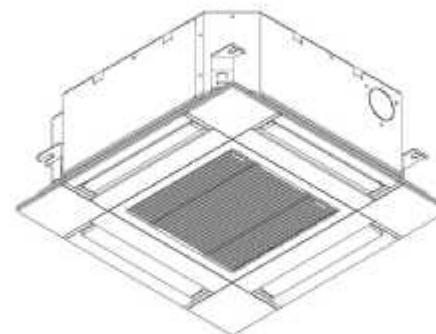
(21) Design Number: **13780/2015**  
(22) Date of Filing Application: **29 July 2015**  
(24) Date from which industrial property rights may have effect: **29 July 2015**  
(54) Product in respect of which the design is registered: **Salad spinner**  
(51) International Design Classification: **07-04**  
(74) Name(s) of Attorney(s): **PHILLIPS ORMONDE FITZPATRICK**  
(71) Name(s) and Address(s) of Applicant(s):  
**Dart Industries Inc.**  
**14901 S. Orange Blossom Trail Orlando Florida, 32837 United States of America**  
(72) Name(s) of Designer(s): **Judicael Cornu and Kris Schoukens**  
(45) Registration Date: **18 August 2015**  
(30) Convention priority data:  
(31) Number (32) Date (33) Country  
**29/474,790 10 Feb 2015 UNITED STATES OF AMERICA**  
(56) Related Art Documents: **Not Applicable**  
(57) Statement of Newness and Distinctiveness: **Those features of the salad spinner depicted in the representations that are new and distinctive are the shape and/or configuration.**



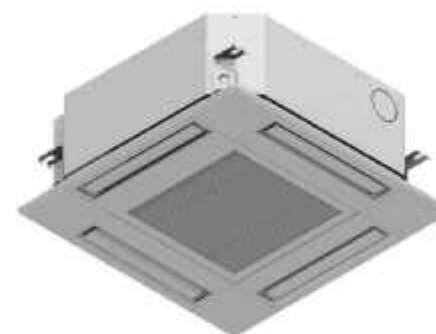
(21) Design Number: **13781/2015**  
(22) Date of Filing Application: **29 July 2015**  
(24) Date from which industrial property rights may have effect: **29 July 2015**  
(54) Product in respect of which the design is registered: **Bottle**  
(51) International Design Classification: **09-01G**  
(74) Name(s) of Attorney(s): **PHILLIPS ORMONDE FITZPATRICK**  
(71) Name(s) and Address(s) of Applicant(s):  
**ELC Management LLC**  
**155 Pinelawn Road Suite 345 South Melville New York 11747 United States of America**  
(72) Name(s) of Designer(s): **Lance Colin McGregor**  
(45) Registration Date: **18 August 2015**  
(30) Convention priority data:  
(31) Number (32) Date (33) Country  
**29/529,035 03 Jun 2015 UNITED STATES OF AMERICA**  
(56) Related Art Documents: **Not Applicable**  
(57) Statement of Newness and Distinctiveness: **Nil**



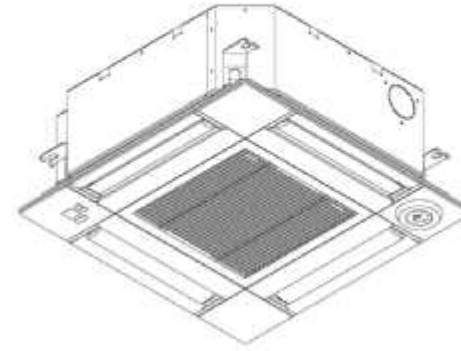
(21) Design Number: **13782/2015**  
(22) Date of Filing Application: **29 July 2015**  
(24) Date from which industrial property rights may have effect: **29 July 2015**  
(54) Product in respect of which the design is registered: **1) Air conditioner 2) air conditioner cassette**  
(51) International Design Classification: **23-04**  
(74) Name(s) of Attorney(s): **Griffith Hack**  
(71) Name(s) and Address(s) of Applicant(s):  
**MITSUBISHI ELECTRIC CORPORATION**  
**7-3 Marunouchi 2-chome Chiyoda-ku TOKYO 100-8310 Japan**  
(72) Name(s) of Designer(s): **Jangryul Rim**  
(45) Registration Date: **18 August 2015**  
(30) Convention priority data:  
(31) Number      (32) Date      (33) Country  
**2015-001578      29 Jan 2015      JAPAN**  
(56) Related Art Documents: **Not Applicable**  
(57) Statement of Newness and Distinctiveness: **The shape and configuration of the products are new and distinctive.**



(21) Design Number: **13786/2015**  
(22) Date of Filing Application: **29 July 2015**  
(24) Date from which industrial property rights may have effect: **29 July 2015**  
(54) Product in respect of which the design is registered: **1) Airconditioner 2) air conditioner cassette**  
(51) International Design Classification: **23-04**  
(74) Name(s) of Attorney(s): **Griffith Hack**  
(71) Name(s) and Address(s) of Applicant(s):  
**MITSUBISHI ELECTRIC CORPORATION**  
**7-3 Marunouchi 2-chome Chiyoda-ku TOKYO 100-8310 Japan**  
(72) Name(s) of Designer(s): **Jangryul Rim**  
(45) Registration Date: **18 August 2015**  
(30) Convention priority data:  
(31) Number      (32) Date      (33) Country  
**2015-001579      29 Jan 2015      JAPAN**  
(56) Related Art Documents: **Not Applicable**  
(57) Statement of Newness and Distinctiveness: **The shape and configuration of the products are new and distinctive.**



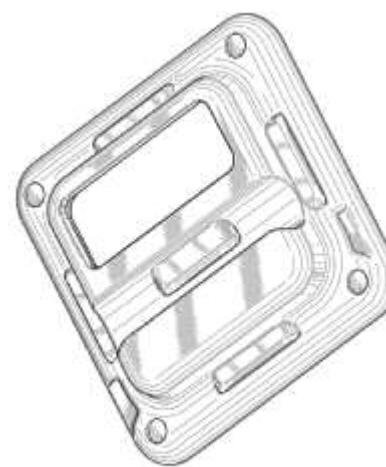
- (21) Design Number: **13787/2015**  
(22) Date of Filing Application: **29 July 2015**  
(24) Date from which industrial property rights may have effect: **29 July 2015**  
(54) Product in respect of which the design is registered: **1) Air conditioner 2) air conditioner cassette**  
(51) International Design Classification: **23-04**  
(74) Name(s) of Attorney(s): **Griffith Hack**  
(71) Name(s) and Address(s) of Applicant(s):  
**MITSUBISHI ELECTRIC CORPORATION**  
**7-3 Marunouchi 2-chome Chiyoda-ku TOKYO 100-8310 Japan**  
(72) Name(s) of Designer(s): **Jangryul Rim**  
(45) Registration Date: **18 August 2015**  
(30) Convention priority data:  
(31) Number      (32) Date      (33) Country  
**2015-001580      29 Jan 2015      JAPAN**  
(56) Related Art Documents: **Not Applicable**  
(57) Statement of Newness and Distinctiveness: **The shape and configuration of the products are new and distinctive.**



- (21) Design Number: **13821/2015**  
(22) Date of Filing Application: **30 July 2015**  
(24) Date from which industrial property rights may have effect: **30 July 2015**  
(54) Product in respect of which the design is registered: **A coffee machine**  
(51) International Design Classification: **07-02L**  
(74) Name(s) of Attorney(s): **Banki Haddock Fiora**  
(71) Name(s) and Address(s) of Applicant(s):  
**Societe des Produits Nestle S.A.**  
**Vevey Canton of Vaud 1800 Switzerland**  
(72) Name(s) of Designer(s): **Antoine Cahen**  
(45) Registration Date: **18 August 2015**  
(30) Convention priority data:  
(31) Number      (32) Date      (33) Country  
**141343      31 Mar 2015      SWITZERLAND**  
(56) Related Art Documents: **Not Applicable**  
(57) Statement of Newness and Distinctiveness: **Nil**



- (21) Design Number: **13510/2015**  
(22) Date of Filing Application: **14 July 2015**  
(24) Date from which industrial property rights may have effect: **14 July 2015**  
(54) Product in respect of which the design is registered: **Riser**  
(51) International Design Classification: **21-02NES**  
(74) Name(s) of Attorney(s): **FB Rice**  
(71) Name(s) and Address(s) of Applicant(s):  
**Step Fitness & Recreation, Inc.**  
**2130 Newmarket Parkway Marietta Georgia, 30067 United States of America**  
(72) Name(s) of Designer(s): **Lyle Ray Irwin and Bradley Workman and Sam Crosby**  
(45) Registration Date: **18 August 2015**  
(56) Related Art Documents: **Not Applicable**  
(57) Statement of Newness and Distinctiveness: **Newness and distinctiveness reside in the features of the design as shown in solid lines in the representations excluding those features shown in broken lines.**



- (21) Design Number: **13779/2015**  
(22) Date of Filing Application: **29 July 2015**  
(24) Date from which industrial property rights may have effect: **29 July 2015**  
(54) Product in respect of which the design is registered: **Bottle**  
(51) International Design Classification: **09-01G**  
(74) Name(s) of Attorney(s): **PHILLIPS ORMONDE FITZPATRICK**  
(71) Name(s) and Address(s) of Applicant(s):  
**ELC Management LLC**  
**155 Pinelawn Road Suite 345 South Melville New York 11747 United States of America**  
(72) Name(s) of Designer(s): **Lance Colin McGregor**  
(45) Registration Date: **18 August 2015**  
(30) Convention priority data:  
(31) Number      (32) Date      (33) Country  
**29/529,035      03 Jun 2015      UNITED STATES OF AMERICA**  
(56) Related Art Documents: **Not Applicable**  
(57) Statement of Newness and Distinctiveness: **Those features of the bottle depicted in the representations that are new and distinctive are the shape and/or configuration and/or pattern and/or ornamentation. The area inside the broken line is not part of the design and is to be disregarded when considering the overall impression of the design. The stippled surface shading represents a contrast in appearance with the transparent portion at the base of the bottle.**



(21) Design Number: **13822/2015**  
(22) Date of Filing Application: **30 July 2015**  
(24) Date from which industrial property rights may have effect: **30 July 2015**  
(54) Product in respect of which the design is registered: **A coffee machine**  
(51) International Design Classification: **07-02L**  
(74) Name(s) of Attorney(s): **Banki Haddock Fiora**  
(71) Name(s) and Address(s) of Applicant(s):  
**Societe des Produits Nestle S.A.**  
**Vevey Canton of Vaud 1800 Switzerland**  
(72) Name(s) of Designer(s): **Antoine Cahen**  
(45) Registration Date: **18 August 2015**  
(30) Convention priority data:  
(31) Number (32) Date (33) Country  
**141343 31 Mar 2015 SWITZERLAND**  
(56) Related Art Documents: **Not Applicable**  
(57) Statement of Newness and Distinctiveness: **Nil**



(21) Design Number: **13823/2015**  
(22) Date of Filing Application: **30 July 2015**  
(24) Date from which industrial property rights may have effect: **30 July 2015**  
(54) Product in respect of which the design is registered: **Toothbrush**  
(51) International Design Classification: **04-02**  
(74) Name(s) of Attorney(s): **WATERMARK PATENT AND TRADE MARKS ATTORNEYS**  
(71) Name(s) and Address(s) of Applicant(s):  
**The Gillette Company**  
**One Gillette Park Boston MA, 02127 United States of America**  
(72) Name(s) of Designer(s): **Franziska Schmid and Tilmann Winkler**  
(45) Registration Date: **18 August 2015**  
(30) Convention priority data:  
(31) Number (32) Date (33) Country  
**871440401 06 Feb 2015 WORLD INTELLECTUAL PROPERTY ORGANIZATION (WIPO)**  
(56) Related Art Documents: **Not Applicable**  
(57) Statement of Newness and Distinctiveness: **Nil**



(21) Design Number: **13824/2015**  
(22) Date of Filing Application: **30 July 2015**  
(24) Date from which industrial property rights may have effect: **30 July 2015**  
(54) Product in respect of which the design is registered: **Toothbrush**  
(51) International Design Classification: **04-02**  
(74) Name(s) of Attorney(s): **WATERMARK PATENT AND TRADE MARKS ATTORNEYS**  
(71) Name(s) and Address(s) of Applicant(s):  
**The Gillette Company**  
**One Gillette Park Boston MA, 02127 United States of America**  
(72) Name(s) of Designer(s): **Franziska Schmid and Tilmann Winkler**  
(45) Registration Date: **18 August 2015**  
(30) Convention priority data:  
(31) Number (32) Date (33) Country  
**871440401 06 Feb 2015 WORLD INTELLECTUAL**  
**(DM/085 68 PROPERTY ORGANIZATION**  
**(WIPO)**  
(56) Related Art Documents: **Not Applicable**  
(57) Statement of Newness and Distinctiveness: **Nil**



(21) Design Number: **13825/2015**  
(22) Date of Filing Application: **30 July 2015**  
(24) Date from which industrial property rights may have effect: **30 July 2015**  
(54) Product in respect of which the design is registered: **Toothbrush**  
(51) International Design Classification: **04-02**  
(74) Name(s) of Attorney(s): **WATERMARK PATENT AND TRADE MARKS ATTORNEYS**  
(71) Name(s) and Address(s) of Applicant(s):  
**The Gillette Company**  
**One Gillette Park Boston MA, 02127 United States of America**  
(72) Name(s) of Designer(s): **Franziska Schmid and Tilmann Winkler**  
(45) Registration Date: **18 August 2015**  
(30) Convention priority data:  
(31) Number (32) Date (33) Country  
**871440401 06 Feb 2015 WORLD INTELLECTUAL**  
**(DM/085 68 PROPERTY ORGANIZATION**  
**(WIPO)**  
(56) Related Art Documents: **Not Applicable**  
(57) Statement of Newness and Distinctiveness: **Nil**



(21) Design Number: **13826/2015**  
(22) Date of Filing Application: **30 July 2015**  
(24) Date from which industrial property rights may have effect: **30 July 2015**  
(54) Product in respect of which the design is registered: **Toothbrush**  
(51) International Design Classification: **04-02**  
(74) Name(s) of Attorney(s): **WATERMARK PATENT AND TRADE MARKS ATTORNEYS**  
(71) Name(s) and Address(s) of Applicant(s):  
**The Gillette Company**  
**One Gillette Park Boston MA, 02127 United States of America**  
(72) Name(s) of Designer(s): **Franziska Schmid and Tilmann Winkler**  
(45) Registration Date: **18 August 2015**  
(30) Convention priority data:  
(31) Number (32) Date (33) Country  
**871440401 06 Feb 2015 WORLD INTELLECTUAL**  
**(DM/085 68 PROPERTY ORGANIZATION**  
**(WIPO)**  
(56) Related Art Documents: **Not Applicable**  
(57) Statement of Newness and Distinctiveness: **Nil**



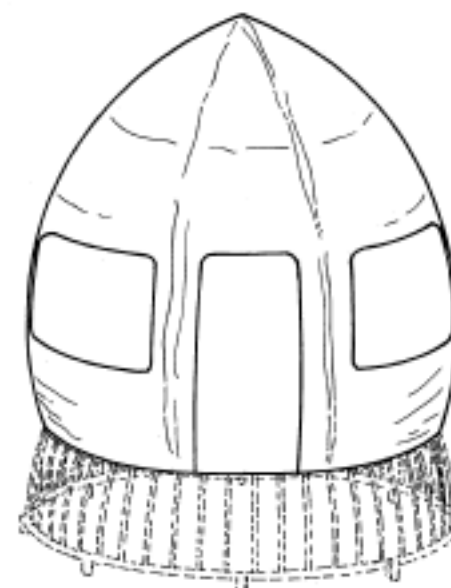
(21) Design Number: **13827/2015**  
(22) Date of Filing Application: **30 July 2015**  
(24) Date from which industrial property rights may have effect: **30 July 2015**  
(54) Product in respect of which the design is registered: **Toothbrush**  
(51) International Design Classification: **04-02**  
(74) Name(s) of Attorney(s): **WATERMARK PATENT AND TRADE MARKS ATTORNEYS**  
(71) Name(s) and Address(s) of Applicant(s):  
**The Gillette Company**  
**One Gillette Park Boston Massachusetts 02127 United States of America**  
(72) Name(s) of Designer(s): **Franziska Schmid and Tilmann Winkler**  
(45) Registration Date: **18 August 2015**  
(30) Convention priority data:  
(31) Number (32) Date (33) Country  
**871440401(DM/085)6 Feb 2015 WORLD INTELLECTUAL**  
**680 PROPERTY ORGANIZATION**  
**(WIPO)**  
(56) Related Art Documents: **Not Applicable**  
(57) Statement of Newness and Distinctiveness: **Nil**



(21) Design Number: **13828/2015**  
(22) Date of Filing Application: **30 July 2015**  
(24) Date from which industrial property rights may have effect: **30 July 2015**  
(54) Product in respect of which the design is registered: **Toothbrush**  
(51) International Design Classification: **04-02**  
(74) Name(s) of Attorney(s): **WATERMARK PATENT AND TRADE MARKS ATTORNEYS**  
(71) Name(s) and Address(s) of Applicant(s):  
**The Gillette Company**  
**One Gillette Park Boston Massachusetts 02127 United States of America**  
(72) Name(s) of Designer(s): **Franziska Schmid and Tilmann Winkler**  
(45) Registration Date: **18 August 2015**  
(30) Convention priority data:  
(31) Number (32) Date (33) Country  
**871440401(DM/08306 Feb 2015 WORLD INTELLECTUAL PROPERTY ORGANIZATION (WIPO)**  
(56) Related Art Documents: **Not Applicable**  
(57) Statement of Newness and Distinctiveness: **Nil**

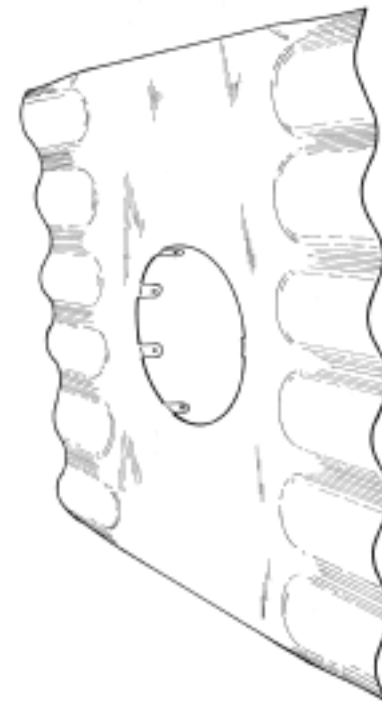


(21) Design Number: **12351/2015**  
(22) Date of Filing Application: **07 May 2015**  
(24) Date from which industrial property rights may have effect: **07 May 2015**  
(54) Product in respect of which the design is registered: **Trampoline tent**  
(51) International Design Classification: **21-02F**  
(74) Name(s) of Attorney(s): **Ahearn Fox**  
(71) Name(s) and Address(s) of Applicant(s):  
**Vuly Pty Ltd**  
**1/95 Ingleston Rd Wakerley QLD 4154 Australia**  
(72) Name(s) of Designer(s): **Joe Andon**  
(45) Registration Date: **18 August 2015**  
(30) Convention priority data:  
(31) Number (32) Date (33) Country  
**419523 07 Nov 2014 NEW ZEALAND**  
(56) Related Art Documents: **Not Applicable**  
(57) Statement of Newness and Distinctiveness: **Novelty resides in the shape of configuration of the tent trampoline as illustrated in the representations. In considering the scope of the registration, the shape or configuration of the trampoline springs around the base, if any, is to be disregarded.**

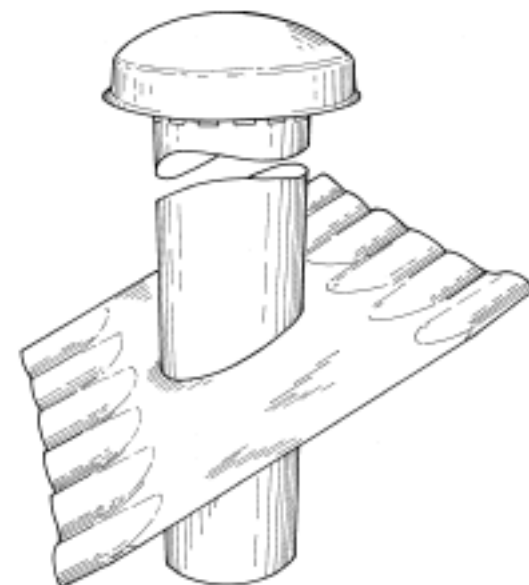


PERSPECTIVE VIEW

- (21) Design Number: **13776/2015**  
(22) Date of Filing Application: **28 July 2015**  
(24) Date from which industrial property rights may have effect: **28 July 2015**  
(54) Product in respect of which the design is registered: **Roofing flashing**  
(51) International Design Classification: **25-01G**  
(74) Name(s) of Attorney(s): **FB Rice**  
(71) Name(s) and Address(s) of Applicant(s):  
**JT Roofing Pty Ltd**  
**16 Kundryl Ct Kelmscott WA 6111 Australia**  
(72) Name(s) of Designer(s): **James Anthony Ainger**  
(45) Registration Date: **18 August 2015**  
(56) Related Art Documents: **Not Applicable**  
(57) Statement of Newness and Distinctiveness: **Newness and distinctiveness reside in the visual features, including the shape and configuration of the product shown in the accompanying representations.**



- (21) Design Number: **13777/2015**  
(22) Date of Filing Application: **28 July 2015**  
(24) Date from which industrial property rights may have effect: **28 July 2015**  
(54) Product in respect of which the design is registered: **Roof vent assembly**  
(51) International Design Classification: **25-02F**  
(74) Name(s) of Attorney(s): **FB Rice**  
(71) Name(s) and Address(s) of Applicant(s):  
**JT Roofing Pty Ltd**  
**16 Kundryl Ct Kelmscott WA 6111 Australia**  
(72) Name(s) of Designer(s): **James Anthony Ainger**  
(45) Registration Date: **18 August 2015**  
(56) Related Art Documents: **Not Applicable**  
(57) Statement of Newness and Distinctiveness: **Newness and distinctiveness reside in the visual features, including the shape and configuration of the product shown in the accompanying representations. The exploded view of the product shown in the perspective, side and front elevation views indicate that this particular feature of the product is of indefinite length.**



(21) Design Number: **13809/2015**  
(22) Date of Filing Application: **30 July 2015**  
(24) Date from which industrial property rights may have effect: **30 July 2015**  
(54) Product in respect of which the design is registered: **Hair brush**  
(51) International Design Classification: **04-02**  
(74) Name(s) of Attorney(s): **Pizzeys Patent and Trade Mark Attorneys Pty Ltd**  
(71) Name(s) and Address(s) of Applicant(s):

**Nadia Valentino**  
**9663 Santa Monica Blvd, Suite 818 Beverly Hills, CA 90210 United States of America**

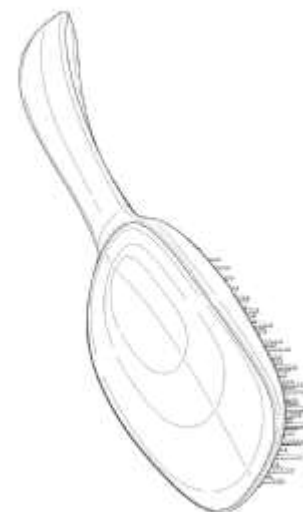
(72) Name(s) of Designer(s): **Nadia Valentino and David Morelock**  
(45) Registration Date: **18 August 2015**

(30) Convention priority data:

(31) Number	(32) Date	(33) Country
<b>29/516,327</b>	<b>30 Jan 2015</b>	<b>UNITED STATES OF AMERICA</b>

(56) Related Art Documents: **Not Applicable**

(57) Statement of Newness and Distinctiveness: **Nil**



(21) Design Number: **12466/2015**  
(22) Date of Filing Application: **11 May 2015**  
(24) Date from which industrial property rights may have effect: **11 May 2015**  
(54) Product in respect of which the design is registered: **A pig farrowing pen**  
(51) International Design Classification: **30-02**  
(74) Name(s) of Attorney(s): **Griffith Hack**  
(71) Name(s) and Address(s) of Applicant(s):

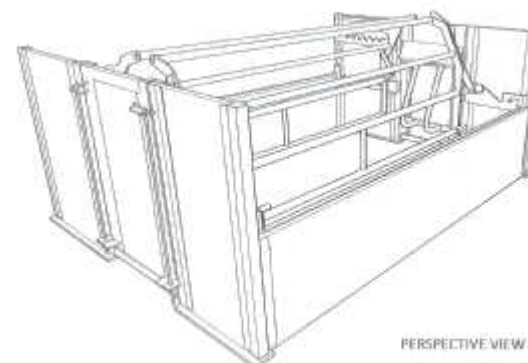
**Midland Pig Producers Limited**  
**Ryknield House Alrewas Burton on Trent Derbyshire DE13 7AB United Kingdom**

(72) Name(s) of Designer(s): **Martin James Barker**

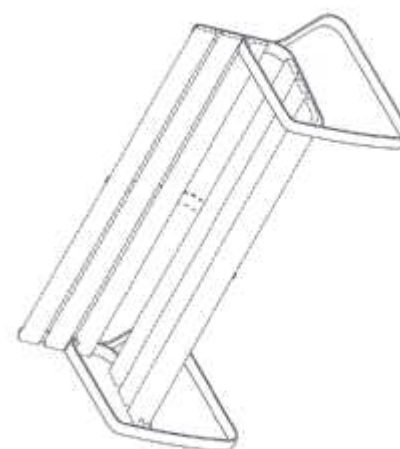
(45) Registration Date: **18 August 2015**

(56) Related Art Documents: **Not Applicable**

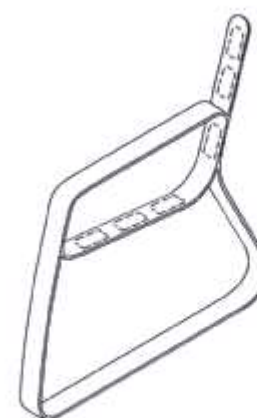
(57) Statement of Newness and Distinctiveness: **Nil**



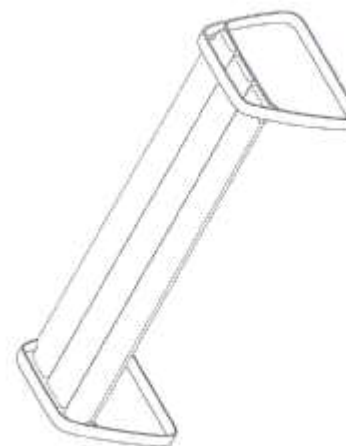
(21) Design Number: **13829/2015**  
(22) Date of Filing Application: **30 July 2015**  
(24) Date from which industrial property rights may have effect: **30 July 2015**  
(54) Product in respect of which the design is registered: **Bench**  
(51) International Design Classification: **06-01C**  
(74) Name(s) of Attorney(s): **IP Gateway Patent & Trade Mark Attorneys Pty Ltd**  
(71) Name(s) and Address(s) of Applicant(s):  
**Landscape Forms, Inc.**  
**431 Lawndale Avenue Kalamazoo Michigan, 49048 United States Of America**  
(72) Name(s) of Designer(s): **Francisco Gomez Paz**  
(45) Registration Date: **18 August 2015**  
(30) Convention priority data:  
(31) Number (32) Date (33) Country  
**29/519,384 04 Mar 2015 UNITED STATES OF AMERICA**  
(56) Related Art Documents: **Not Applicable**  
(57) Statement of Newness and Distinctiveness: **Newness and distinctiveness reside in the visual features of shape and configuration of the product as shown in solid lines in the representations. Visual features shown in broken dashed lines should be given minimum regard. The slats of the bench, shown in broken dashed lines, are of indefinite length.**



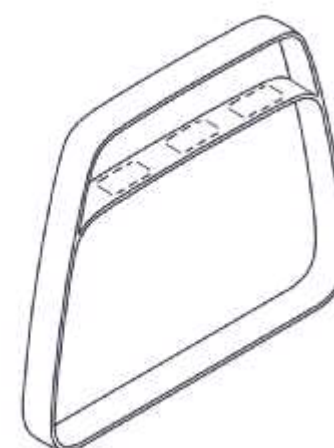
(21) Design Number: **13830/2015**  
(22) Date of Filing Application: **30 July 2015**  
(24) Date from which industrial property rights may have effect: **30 July 2015**  
(54) Product in respect of which the design is registered: **Support element for a bench**  
(51) International Design Classification: **06-06G**  
(74) Name(s) of Attorney(s): **IP Gateway Patent & Trade Mark Attorneys Pty Ltd**  
(71) Name(s) and Address(s) of Applicant(s):  
**Landscape Forms, Inc.**  
**431 Lawndale Avenue Kalamazoo Michigan, 49048 United States Of America**  
(72) Name(s) of Designer(s): **Francisco Gomez Paz**  
(45) Registration Date: **18 August 2015**  
(30) Convention priority data:  
(31) Number (32) Date (33) Country  
**29/519,384 04 Mar 2015 UNITED STATES OF AMERICA**  
(56) Related Art Documents: **Not Applicable**  
(57) Statement of Newness and Distinctiveness: **Newness and distinctiveness reside in the visual features of shape and configuration of the product as shown in solid lines in the representations. Visual features shown in broken dashed lines should be given minimum regard.**



(21) Design Number: **13831/2015**  
(22) Date of Filing Application: **30 July 2015**  
(24) Date from which industrial property rights may have effect: **30 July 2015**  
(54) Product in respect of which the design is registered: **Bench**  
(51) International Design Classification: **06-01C**  
(74) Name(s) of Attorney(s): **IP Gateway Patent & Trade Mark Attorneys Pty Ltd**  
(71) Name(s) and Address(s) of Applicant(s):  
**Landscape Forms, Inc.**  
**431 Lawndale Avenue Kalamazoo Michigan, 49048 United States Of America**  
(72) Name(s) of Designer(s): **Francisco Gomez Paz**  
(45) Registration Date: **18 August 2015**  
(30) Convention priority data:  
(31) Number (32) Date (33) Country  
**29/519,368 04 Mar 2015 UNITED STATES OF AMERICA**  
(56) Related Art Documents: **Not Applicable**  
(57) Statement of Newness and Distinctiveness: **Newness and distinctiveness reside in the visual features of shape and configuration of the product as shown in solid lines in the representations. Visual features shown in broken dashed lines should be given minimum regard. The slats of the bench, shown in broken dashed lines, are of indefinite length.**



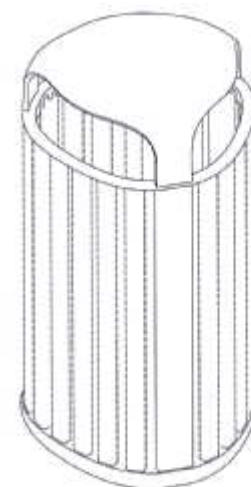
(21) Design Number: **13832/2015**  
(22) Date of Filing Application: **30 July 2015**  
(24) Date from which industrial property rights may have effect: **30 July 2015**  
(54) Product in respect of which the design is registered: **Support element for a bench**  
(51) International Design Classification: **06-06G**  
(74) Name(s) of Attorney(s): **IP Gateway Patent & Trade Mark Attorneys Pty Ltd**  
(71) Name(s) and Address(s) of Applicant(s):  
**Landscape Forms, Inc.**  
**431 Lawndale Avenue Kalamazoo Michigan, 49048 United States Of America**  
(72) Name(s) of Designer(s): **Francisco Gomez Paz**  
(45) Registration Date: **18 August 2015**  
(30) Convention priority data:  
(31) Number (32) Date (33) Country  
**29/519,368 04 Mar 2015 UNITED STATES OF AMERICA**  
(56) Related Art Documents: **Not Applicable**  
(57) Statement of Newness and Distinctiveness: **Newness and distinctiveness reside in the visual features of shape and configuration of the product as shown in solid lines in the representations. Visual features shown in broken dashed lines should be given minimum regard.**



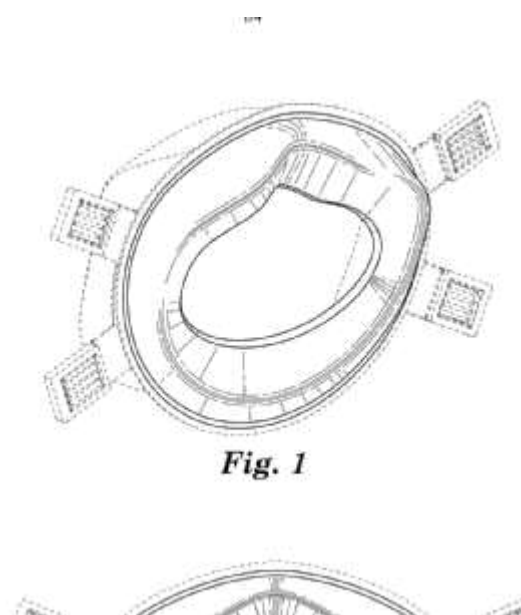
(21) Design Number: **13833/2015**  
(22) Date of Filing Application: **30 July 2015**  
(24) Date from which industrial property rights may have effect: **30 July 2015**  
(54) Product in respect of which the design is registered: **Bicycle rack**  
(51) International Design Classification: **08-10**  
(74) Name(s) of Attorney(s): **IP Gateway Patent & Trade Mark Attorneys Pty Ltd**  
(71) Name(s) and Address(s) of Applicant(s):  
**Landscape Forms, Inc.**  
**431 Lawndale Avenue Kalamazoo Michigan, 49048 United States Of America**  
(72) Name(s) of Designer(s): **Francisco Gomez Paz**  
(45) Registration Date: **18 August 2015**  
(30) Convention priority data:  
(31) Number (32) Date (33) Country  
**29/519,502 05 Mar 2015 UNITED STATES OF AMERICA**  
(56) Related Art Documents: **Not Applicable**  
(57) Statement of Newness and Distinctiveness: **Newness and distinctiveness reside in the visual features of shape and configuration of the product as shown in the representations.**



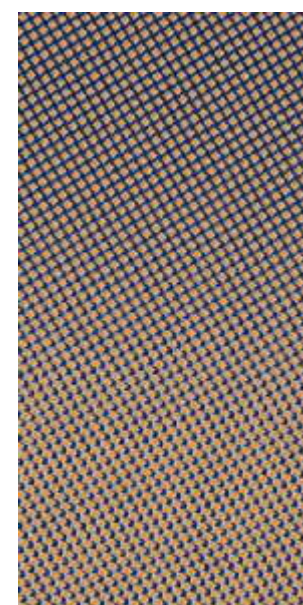
(21) Design Number: **13834/2015**  
(22) Date of Filing Application: **30 July 2015**  
(24) Date from which industrial property rights may have effect: **30 July 2015**  
(54) Product in respect of which the design is registered: **Litter receptacle**  
(51) International Design Classification: **09-09**  
(74) Name(s) of Attorney(s): **IP Gateway Patent & Trade Mark Attorneys Pty Ltd**  
(71) Name(s) and Address(s) of Applicant(s):  
**Landscape Forms, Inc.**  
**431 Lawndale Avenue Kalamazoo Michigan, 49048 United States Of America**  
(72) Name(s) of Designer(s): **Francisco Gomez Paz**  
(45) Registration Date: **18 August 2015**  
(30) Convention priority data:  
(31) Number (32) Date (33) Country  
**29/519,435 05 Mar 2015 UNITED STATES OF AMERICA**  
(56) Related Art Documents: **Not Applicable**  
(57) Statement of Newness and Distinctiveness: **Newness and distinctiveness reside in the visual features of shape and configuration of the product as shown in solid lines in the representations. Visual features shown in broken dashed lines should be given minimum regard.**



- (21) Design Number: **13800/2015**  
(22) Date of Filing Application: **29 July 2015**  
(24) Date from which industrial property rights may have effect: **29 July 2015**  
(54) Product in respect of which the design is registered: **Respirator mask**  
(51) International Design Classification: **29-02**  
(74) Name(s) of Attorney(s): **Freehills Patent Attorneys**  
(71) Name(s) and Address(s) of Applicant(s):  
**3M Innovative Properties Company**  
**3M Center, Post Office Box 33427 Saint Paul MN, 55133-3427 United States of America**  
(72) Name(s) of Designer(s): **Garry J Walker and Peter Masters**  
(45) Registration Date: **18 August 2015**  
(30) Convention priority data:  
(31) Number      (32) Date      (33) Country  
**29/516295      30 Jan 2015      UNITED STATES OF AMERICA**  
(56) Related Art Documents: **Not Applicable**  
(57) Statement of Newness and Distinctiveness: **Newness and distinctiveness of the design resides in the shape and configuration of the respirator mask as shown in solid outline in the accompanying representations.**



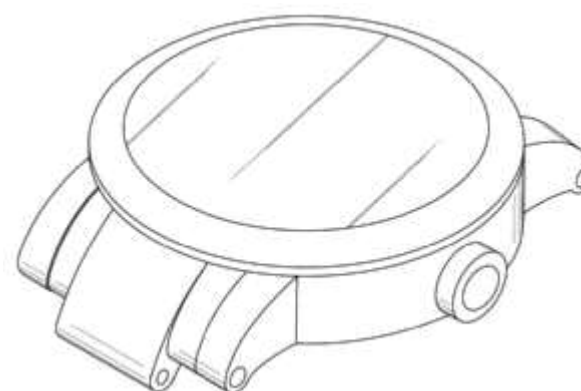
- (21) Design Number: **13801/2015**  
(22) Date of Filing Application: **29 July 2015**  
(24) Date from which industrial property rights may have effect: **29 July 2015**  
(54) Product in respect of which the design is registered: **A textile print**  
(51) International Design Classification: **05-05NES**  
(74) Name(s) of Attorney(s):  
(71) Name(s) and Address(s) of Applicant(s):  
**AUSTRALIAN FASHION LABELS PTY LTD**  
**106 Currie St Adelaide SA 5000 Australia**  
(72) Name(s) of Designer(s): **Siham Elmawey and Hayley Dawson**  
(45) Registration Date: **18 August 2015**  
(56) Related Art Documents: **Not Applicable**  
(57) Statement of Newness and Distinctiveness: **Newness and distinctiveness resides in the features of pattern and ornamentation of a textile print as shown in the accompanying representations. In considering the scope of monopoly, no regard is to be had to colour and the scope of monopoly is not restricted to the particular colour or colours depicted in the accompanying representations.**



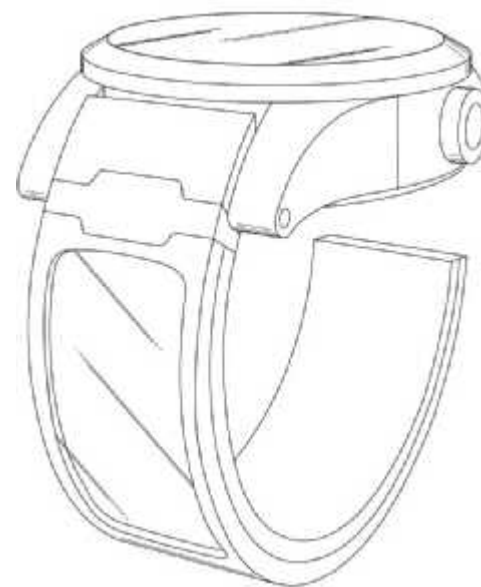
- (21) Design Number: **13804/2015**  
(22) Date of Filing Application: **29 July 2015**  
(24) Date from which industrial property rights may have effect: **29 July 2015**  
(54) Product in respect of which the design is registered: **Exercise bike**  
(51) International Design Classification: **21-02F**  
(74) Name(s) of Attorney(s): **Griffith Hack**  
(71) Name(s) and Address(s) of Applicant(s):  
**NAUTILUS, INC.**  
**17750 SE 6th Way Vancouver WA, 98683 United States of America**  
(72) Name(s) of Designer(s): **Edward L Flick and Bryce C Baker and Bryan W Hamilton and Rasmey Yim**  
(45) Registration Date: **18 August 2015**  
(30) Convention priority data:  
(31) Number (32) Date (33) Country  
**29/516,441 02 Feb 2015 UNITED STATES OF AMERICA**  
(56) Related Art Documents: **Not Applicable**  
(57) Statement of Newness and Distinctiveness: **The shape and configuration of the parts of the product shown by solid lines in the accompanying representations are new and distinctive.**



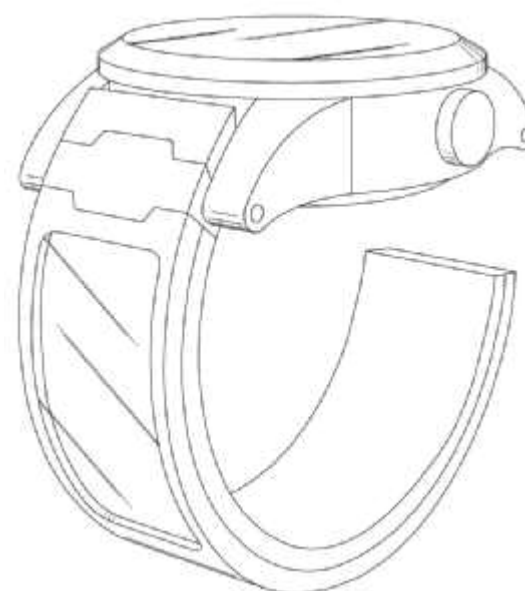
- (21) Design Number: **13837/2015**  
(22) Date of Filing Application: **30 July 2015**  
(24) Date from which industrial property rights may have effect: **13 February 2015**  
(54) Product in respect of which the design is registered: **Watch with a band adapter**  
(51) International Design Classification: **10-02**  
(74) Name(s) of Attorney(s): **Cullens Patent and Trade Mark Attorneys**  
(71) Name(s) and Address(s) of Applicant(s):  
**Kairos Watches Limited**  
**10 Raeburn Park #02-08 Singapore 088702 Singapore**  
(72) Name(s) of Designer(s): **Sun Jong Yang**  
(45) Registration Date: **18 August 2015**  
(62) Divisional of: **363133**  
(56) Related Art Documents: **Not Applicable**  
(57) Statement of Newness and Distinctiveness: **Newness and distinctiveness is claimed in the features of the shape and configuration of the watch with band adapter as illustrated in the accompanying representations.**



- (21) Design Number: **13838/2015**  
(22) Date of Filing Application: **30 July 2015**  
(24) Date from which industrial property rights may have effect: **13 February 2015**  
(54) Product in respect of which the design is registered: **Watch with a band adapter**  
(51) International Design Classification: **10-02**  
(74) Name(s) of Attorney(s): **Cullens Patent and Trade Mark Attorneys**  
(71) Name(s) and Address(s) of Applicant(s):  
**Kairos Watches Limited**  
**10 Raeburn Park #02-08 Singapore 088702 Singapore**  
(72) Name(s) of Designer(s): **Sun Jong Yang**  
(45) Registration Date: **18 August 2015**  
(62) Divisional of: **363133**  
(56) Related Art Documents: **Not Applicable**  
(57) Statement of Newness and Distinctiveness: **Newness and distinctiveness is claimed in the features of the shape and configuration of the watch with band adapter as illustrated in the accompanying representations.**



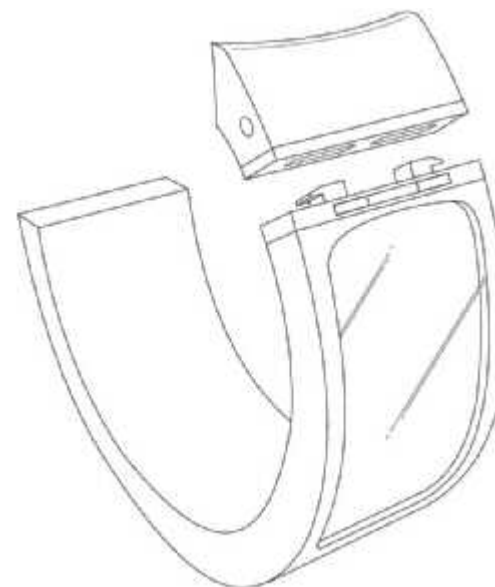
- (21) Design Number: **13840/2015**  
(22) Date of Filing Application: **30 July 2015**  
(24) Date from which industrial property rights may have effect: **13 February 2015**  
(54) Product in respect of which the design is registered: **Watch with a band adapter**  
(51) International Design Classification: **10-02**  
(74) Name(s) of Attorney(s): **Cullens Patent and Trade Mark Attorneys**  
(71) Name(s) and Address(s) of Applicant(s):  
**Kairos Watches Limited**  
**10 Raeburn Park #02-08 Singapore 088702 Singapore**  
(72) Name(s) of Designer(s): **Sun Jong Yang**  
(45) Registration Date: **18 August 2015**  
(62) Divisional of: **363133**  
(56) Related Art Documents: **Not Applicable**  
(57) Statement of Newness and Distinctiveness: **Newness and distinctiveness is claimed in the features of the shape and configuration of the watch with band adapter as illustrated in the accompanying representations.**



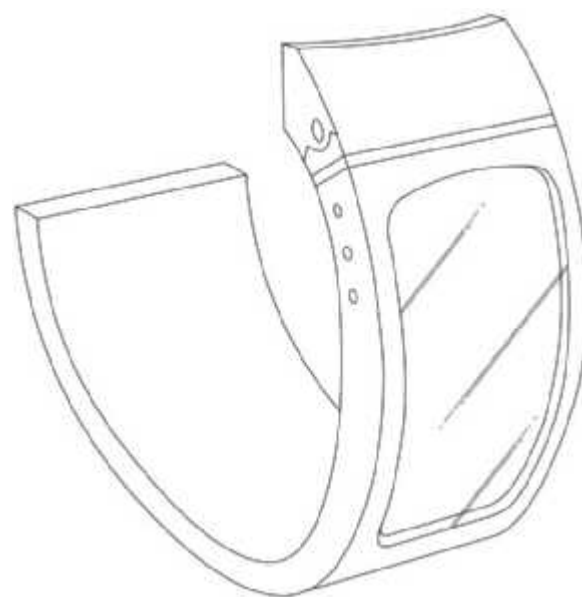
- (21) Design Number: **13841/2015**  
(22) Date of Filing Application: **30 July 2015**  
(24) Date from which industrial property rights may have effect: **13 February 2015**  
(54) Product in respect of which the design is registered: **Watch with a band adapter**  
(51) International Design Classification: **10-02**  
(74) Name(s) of Attorney(s): **Cullens Patent and Trade Mark Attorneys**  
(71) Name(s) and Address(s) of Applicant(s):  
**Kairos Watches Limited**  
**10 Raeburn Park #02-08 Singapore 088702 Singapore**  
(72) Name(s) of Designer(s): **Sun Jong Yang**  
(45) Registration Date: **18 August 2015**  
(62) Divisional of: **363133**  
(56) Related Art Documents: **Not Applicable**  
(57) Statement of Newness and Distinctiveness: **Newness and distinctiveness is claimed in the features of the shape and configuration of the watch with band adapter as illustrated in the accompanying representations.**



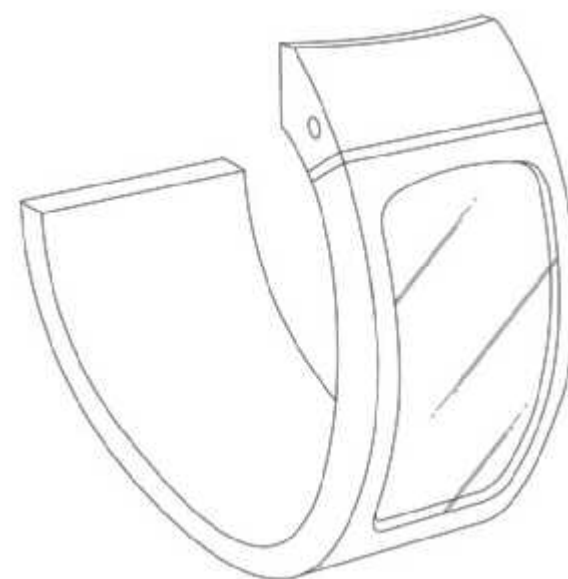
- (21) Design Number: **13842/2015**  
(22) Date of Filing Application: **30 July 2015**  
(24) Date from which industrial property rights may have effect: **13 February 2015**  
(54) Product in respect of which the design is registered: **Watch with a band adapter**  
(51) International Design Classification: **10-02**  
(74) Name(s) of Attorney(s): **Cullens Patent and Trade Mark Attorneys**  
(71) Name(s) and Address(s) of Applicant(s):  
**Kairos Watches Limited**  
**10 Raeburn Park #02-08 Singapore 088702 Singapore**  
(72) Name(s) of Designer(s): **Sun Jong Yang**  
(45) Registration Date: **18 August 2015**  
(62) Divisional of: **363133**  
(56) Related Art Documents: **Not Applicable**  
(57) Statement of Newness and Distinctiveness: **Newness and distinctiveness is claimed in the features of the shape and configuration of the watch with band adapter as illustrated in the accompanying representations.**



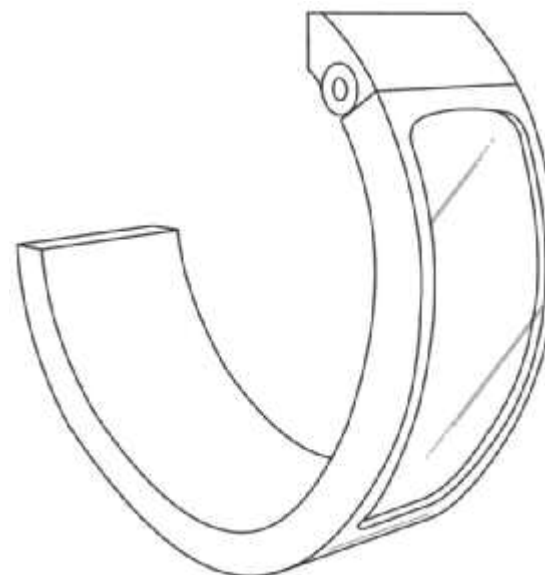
- (21) Design Number: **13843/2015**  
(22) Date of Filing Application: **30 July 2015**  
(24) Date from which industrial property rights may have effect: **13 February 2015**  
(54) Product in respect of which the design is registered: **Watch with a band adapter**  
(51) International Design Classification: **10-02**  
(74) Name(s) of Attorney(s): **Cullens Patent and Trade Mark Attorneys**  
(71) Name(s) and Address(s) of Applicant(s):  
**Kairos Watches Limited**  
**10 Raeburn Park #02-08 Singapore 088702 Singapore**  
(72) Name(s) of Designer(s): **Sun Jong Yang**  
(45) Registration Date: **18 August 2015**  
(62) Divisional of: **363133**  
(56) Related Art Documents: **Not Applicable**  
(57) Statement of Newness and Distinctiveness: **Newness and distinctiveness is claimed in the features of the shape and configuration of the watch with band adapter as illustrated in the accompanying representations.**



- (21) Design Number: **13844/2015**  
(22) Date of Filing Application: **30 July 2015**  
(24) Date from which industrial property rights may have effect: **13 February 2015**  
(54) Product in respect of which the design is registered: **Watch with a band adapter**  
(51) International Design Classification: **10-02**  
(74) Name(s) of Attorney(s): **Cullens Patent and Trade Mark Attorneys**  
(71) Name(s) and Address(s) of Applicant(s):  
**Kairos Watches Limited**  
**10 Raeburn Park #02-08 Singapore 088702 Singapore**  
(72) Name(s) of Designer(s): **Sun Jong Yang**  
(45) Registration Date: **18 August 2015**  
(62) Divisional of: **363133**  
(56) Related Art Documents: **Not Applicable**  
(57) Statement of Newness and Distinctiveness: **Newness and distinctiveness is claimed in the features of the shape and configuration of the watch with band adapter as illustrated in the accompanying representations.**



- (21) Design Number: **13845/2015**  
(22) Date of Filing Application: **30 July 2015**  
(24) Date from which industrial property rights may have effect: **13 February 2015**  
(54) Product in respect of which the design is registered: **Watch with a band adapter**  
(51) International Design Classification: **10-02**  
(74) Name(s) of Attorney(s): **Cullens Patent and Trade Mark Attorneys**  
(71) Name(s) and Address(s) of Applicant(s):  
**Kairos Watches Limited**  
**10 Raeburn Park #02-08 Singapore 088702 Singapore**  
(72) Name(s) of Designer(s): **Sueng Yang**  
(45) Registration Date: **18 August 2015**  
(62) Divisional of: **363133**  
(56) Related Art Documents: **Not Applicable**  
(57) Statement of Newness and Distinctiveness: **Newness and distinctiveness is claimed in the features of the shape and configuration of the watch with band adapter as illustrated in the accompanying representations.**



- (21) Design Number: **13848/2015**  
(22) Date of Filing Application: **30 July 2015**  
(24) Date from which industrial property rights may have effect: **30 July 2015**  
(54) Product in respect of which the design is registered: **A chair**  
(51) International Design Classification: **06-01G**  
(74) Name(s) of Attorney(s): **FB Rice**  
(71) Name(s) and Address(s) of Applicant(s):  
**King Furniture Australia Pty Ltd**  
**123 Turrella St Turrella NSW 2205 Australia**  
(72) Name(s) of Designer(s): **Ryan Lawson and David King and Anuj Dhawan and Tanya Rechberger**  
(45) Registration Date: **18 August 2015**  
(56) Related Art Documents: **Not Applicable**  
(57) Statement of Newness and Distinctiveness: **Newness and distinctiveness reside in the features of the design shown in solid lines in the representations excluding those features shown in broken lines, with greater weight to be given to the backrest.**



(21) Design Number: **13850/2015**  
(22) Date of Filing Application: **30 July 2015**  
(24) Date from which industrial property rights may have effect: **30 July 2015**  
(54) Product in respect of which the design is registered: **Packaging container**  
(51) International Design Classification: **09-03M**  
(74) Name(s) of Attorney(s): **IP Gateway Patent & Trade Mark Attorneys Pty Ltd**  
(71) Name(s) and Address(s) of Applicant(s):  
**Caroline Shelverton**  
**133 Cedar Creek Rd Upper Kedron QLD 4055 Australia**  
(72) Name(s) of Designer(s): **Caroline Shelverton**  
(45) Registration Date: **18 August 2015**  
(56) Related Art Documents: **Not Applicable**  
(57) Statement of Newness and Distinctiveness: **Newness and distinctiveness reside in visual features of pattern and ornamentation of the packaging container as shown in the accompanying representations. The specific words and specific letters which make up the monogram/s shown in the representations are not considered to be visual features contributing to the overall impression of the design.**



(21) Design Number: **12655/2015**  
(22) Date of Filing Application: **25 May 2015**  
(24) Date from which industrial property rights may have effect: **25 May 2015**  
(54) Product in respect of which the design is registered: **Case for a mobile electronic device**  
(51) International Design Classification: **03-01NES**  
(74) Name(s) of Attorney(s): **Pizeys Patent and Trade Mark Attorneys Pty Ltd**  
(71) Name(s) and Address(s) of Applicant(s):  
**Mophie, Inc.**  
**15101 Red Hill Avenue Tustin CA, 92780 United States of America**  
(72) Name(s) of Designer(s): **Nguyen To and Dat Dang and Ming Chiao Chiang and Jiayong Ye**  
(45) Registration Date: **18 August 2015**  
(30) Convention priority data:  
(31) Number (32) Date (33) Country  
**29/510,153 25 Nov 2014 UNITED STATES OF AMERICA**  
(56) Related Art Documents: **Not Applicable**  
(57) Statement of Newness and Distinctiveness: **Nil**



FIG. 3

(21) Design Number: **12656/2015**  
(22) Date of Filing Application: **25 May 2015**  
(24) Date from which industrial property rights may have effect: **25 May 2015**  
(54) Product in respect of which the design is registered: **Case for a mobile electronic device**  
(51) International Design Classification: **03-01NES**  
(74) Name(s) of Attorney(s): **Pizeys Patent and Trade Mark Attorneys Pty Ltd**  
(71) Name(s) and Address(s) of Applicant(s):  
**Mophie, Inc.**  
**15101 Red Hill Avenue Tustin CA, 92780 United States of America**  
(72) Name(s) of Designer(s): **Nguyen To and Dat Dang and Ming Chiao Chiang and Fanpeng Zeng**  
(45) Registration Date: **18 August 2015**  
(30) Convention priority data:  
(31) Number (32) Date (33) Country  
**29/510,154 25 Nov 2014 UNITED STATES OF AMERICA**  
(56) Related Art Documents: **Not Applicable**  
(57) Statement of Newness and Distinctiveness: **Nil**

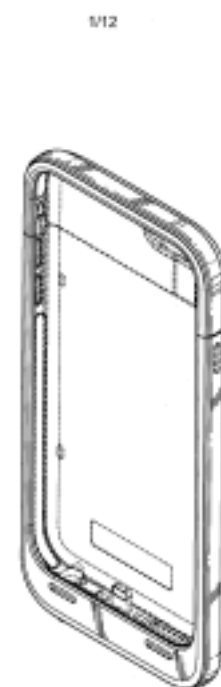


FIG. 1

(21) Design Number: **13623/2015**  
(22) Date of Filing Application: **21 January 2015**  
(24) Date from which industrial property rights may have effect: **21 January 2015**  
(54) Product in respect of which the design is registered: **A shirt**  
(51) International Design Classification: **02-02NES**  
(74) Name(s) of Attorney(s): **K&L Gates**  
(71) Name(s) and Address(s) of Applicant(s):  
**Fifty-Fourth Rischell Pty Ltd**  
**29 Simmons St South Yarra VIC 3141 Australia**  
(72) Name(s) of Designer(s): **Ty Henschke**  
(45) Registration Date: **18 August 2015**  
(56) Related Art Documents: **Not Applicable**  
(57) Statement of Newness and Distinctiveness: **The word CALIBRE as shown in the accompanying representations is not claimed as a visual feature of the design.**



- (21) Design Number: **13624/2015**  
(22) Date of Filing Application: **21 January 2015**  
(24) Date from which industrial property rights may have effect: **21 January 2015**  
(54) Product in respect of which the design is registered: **A shirt**  
(51) International Design Classification: **02-02NES**  
(74) Name(s) of Attorney(s): **K&L Gates**  
(71) Name(s) and Address(s) of Applicant(s):  
**Fifty-Fourth Rischell Pty Ltd**  
**29 Simmons St South Yarra VIC 3141 Australia**  
(72) Name(s) of Designer(s): **Ty Henschke**  
(45) Registration Date: **18 August 2015**  
(56) Related Art Documents: **Not Applicable**  
(57) Statement of Newness and Distinctiveness: **Nil**



- (21) Design Number: **13625/2015**  
(22) Date of Filing Application: **21 January 2015**  
(24) Date from which industrial property rights may have effect: **21 January 2015**  
(54) Product in respect of which the design is registered: **A shirt**  
(51) International Design Classification: **02-02NES**  
(74) Name(s) of Attorney(s): **K&L Gates**  
(71) Name(s) and Address(s) of Applicant(s):  
**Fifty-Fourth Rischell Pty Ltd**  
**29 Simmons St South Yarra VIC 3141 Australia**  
(72) Name(s) of Designer(s): **Ty Henschke**  
(45) Registration Date: **18 August 2015**  
(56) Related Art Documents: **Not Applicable**  
(57) Statement of Newness and Distinctiveness: **The word CALIBRE as shown in the accompanying representations is not claimed as a visual feature of the design.**



(21) Design Number: **13626/2015**  
(22) Date of Filing Application: **21 January 2015**  
(24) Date from which industrial property rights may have effect: **21 January 2015**  
(54) Product in respect of which the design is registered: **A jumper**  
(51) International Design Classification: **02-02NES**  
(74) Name(s) of Attorney(s): **K&L Gates**  
(71) Name(s) and Address(s) of Applicant(s):  
**Fifty-Fourth Rischell Pty Ltd**  
**29 Simmons St South Yarra VIC 3141 Australia**  
(72) Name(s) of Designer(s): **Ty Henschke**  
(45) Registration Date: **18 August 2015**  
(56) Related Art Documents: **Not Applicable**  
(57) Statement of Newness and Distinctiveness: **Nil**



(21) Design Number: **13627/2015**  
(22) Date of Filing Application: **21 January 2015**  
(24) Date from which industrial property rights may have effect: **21 January 2015**  
(54) Product in respect of which the design is registered: **A jumper**  
(51) International Design Classification: **02-02NES**  
(74) Name(s) of Attorney(s): **K&L Gates**  
(71) Name(s) and Address(s) of Applicant(s):  
**Fifty-Fourth Rischell Pty Ltd**  
**29 Simmons St South Yarra VIC 3141 Australia**  
(72) Name(s) of Designer(s): **Ty Henschke**  
(45) Registration Date: **18 August 2015**  
(56) Related Art Documents: **Not Applicable**  
(57) Statement of Newness and Distinctiveness: **Nil**



(21) Design Number: **13628/2015**  
(22) Date of Filing Application: **21 January 2015**  
(24) Date from which industrial property rights may have effect: **21 January 2015**  
(54) Product in respect of which the design is registered: **A t-shirt**  
(51) International Design Classification: **02-02NES**  
(74) Name(s) of Attorney(s): **K&L Gates**  
(71) Name(s) and Address(s) of Applicant(s):  
**Fifty-Fourth Rischell Pty Ltd**  
**29 Simmons St South Yarra VIC 3141 Australia**  
(72) Name(s) of Designer(s): **Ty Henschke**  
(45) Registration Date: **18 August 2015**  
(56) Related Art Documents: **Not Applicable**  
(57) Statement of Newness and Distinctiveness: **Nil**



(21) Design Number: **13629/2015**  
(22) Date of Filing Application: **21 January 2015**  
(24) Date from which industrial property rights may have effect: **21 January 2015**  
(54) Product in respect of which the design is registered: **A t-shirt**  
(51) International Design Classification: **02-02NES**  
(74) Name(s) of Attorney(s): **K&L Gates**  
(71) Name(s) and Address(s) of Applicant(s):  
**Fifty-Fourth Rischell Pty Ltd**  
**29 Simmons St South Yarra VIC 3141 Australia**  
(72) Name(s) of Designer(s): **Ty Henschke**  
(45) Registration Date: **18 August 2015**  
(56) Related Art Documents: **Not Applicable**  
(57) Statement of Newness and Distinctiveness: **The word CALIBRE and the letter M as shown in the accompanying representations are not claimed as visual features of the design.**



(21) Design Number: **13630/2015**  
(22) Date of Filing Application: **21 January 2015**  
(24) Date from which industrial property rights may have effect: **21 January 2015**  
(54) Product in respect of which the design is registered: **A t-shirt**  
(51) International Design Classification: **02-02NES**  
(74) Name(s) of Attorney(s): **K&L Gates**  
(71) Name(s) and Address(s) of Applicant(s):  
**Fifty-Fourth Rischell Pty Ltd**  
**29 Simmons St South Yarra VIC 3141 Australia**  
(72) Name(s) of Designer(s): **Ty Henschke**  
(45) Registration Date: **18 August 2015**  
(56) Related Art Documents: **Not Applicable**  
(57) Statement of Newness and Distinctiveness: **Nil**



(21) Design Number: **13631/2015**  
(22) Date of Filing Application: **21 January 2015**  
(24) Date from which industrial property rights may have effect: **21 January 2015**  
(54) Product in respect of which the design is registered: **A t-shirt**  
(51) International Design Classification: **02-02NES**  
(74) Name(s) of Attorney(s): **K&L Gates**  
(71) Name(s) and Address(s) of Applicant(s):  
**Fifty-Fourth Rischell Pty Ltd**  
**29 Simmons St South Yarra VIC 3141 Australia**  
(72) Name(s) of Designer(s): **Ty Henschke**  
(45) Registration Date: **18 August 2015**  
(56) Related Art Documents: **Not Applicable**  
(57) Statement of Newness and Distinctiveness: **The word CALIBRE and the letter M as shown in the accompanying representations are not claimed as visual features of the design.**



- (21) Design Number: **13847/2015**  
(22) Date of Filing Application: **30 July 2015**  
(24) Date from which industrial property rights may have effect: **30 July 2015**  
(54) Product in respect of which the design is registered: **Chair, 2-seater sofa, 3-seater sofa and chaise**  
(51) International Design Classification: **06-01G**  
(74) Name(s) of Attorney(s): **FB Rice**  
(71) Name(s) and Address(s) of Applicant(s):  
**King Furniture Australia Pty Ltd**  
**123 Turrella St Turrella NSW 2205 Australia**  
(72) Name(s) of Designer(s): **Ryan Lawson and David King and Anuj Dhawan and Tanya Rechberger**  
(45) Registration Date: **18 August 2015**  
(56) Related Art Documents: **Not Applicable**  
(57) Statement of Newness and Distinctiveness: **Newness and distinctiveness reside in those features of shape and/or configuration and/or pattern and/or ornamentation of the design as shown in solid lines in the accompanying representations, the design as shown in unbroken lines being common to the products.**



- (21) Design Number: **13852/2015**  
(22) Date of Filing Application: **30 July 2015**  
(24) Date from which industrial property rights may have effect: **30 July 2015**  
(54) Product in respect of which the design is registered: **Packaging container**  
(51) International Design Classification: **09-03M**  
(74) Name(s) of Attorney(s): **IP Gateway Patent & Trade Mark Attorneys Pty Ltd**  
(71) Name(s) and Address(s) of Applicant(s):  
**Caroline Shelverton**  
**133 Cedar Creek Rd Upper Kedron QLD 4055 Australia**  
(72) Name(s) of Designer(s): **Caroline Shelverton**  
(45) Registration Date: **18 August 2015**  
(56) Related Art Documents: **Not Applicable**  
(57) Statement of Newness and Distinctiveness: **Newness and distinctiveness reside in visual features of pattern and ornamentation of the packaging container as shown in the accompanying representations. The specific words and specific letters which make up the monogram/s shown in the representations are not considered to be visual features contributing to the overall impression of the design.**



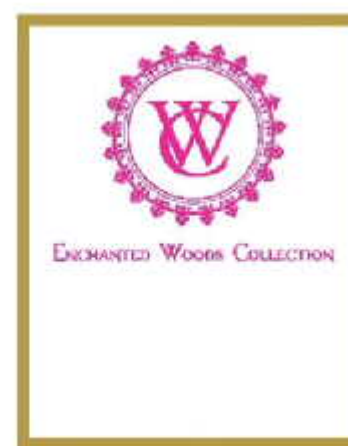
- (21) Design Number: **13854/2015**  
(22) Date of Filing Application: **30 July 2015**  
(24) Date from which industrial property rights may have effect: **30 July 2015**  
(54) Product in respect of which the design is registered: **Packaging container**  
(51) International Design Classification: **09-03M**  
(74) Name(s) of Attorney(s): **IP Gateway Patent & Trade Mark Attorneys Pty Ltd**  
(71) Name(s) and Address(s) of Applicant(s):  
**Caroline Shelverton**  
**133 Cedar Creek Rd Upper Kedron QLD 4055 Australia**  
(72) Name(s) of Designer(s): **Caroline Shelverton**  
(45) Registration Date: **18 August 2015**  
(56) Related Art Documents: **Not Applicable**  
(57) Statement of Newness and Distinctiveness: **Newness and distinctiveness reside in visual features of pattern and ornamentation of the packaging container as shown in the accompanying representations. The specific words and specific letters which make up the monogram/s shown in the representations are not considered to be visual features contributing to the overall impression of the design.**



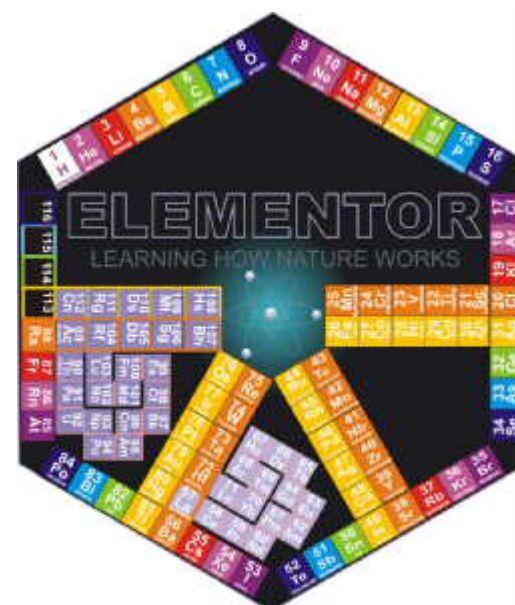
- (21) Design Number: **13314/2015**  
(22) Date of Filing Application: **01 July 2015**  
(24) Date from which industrial property rights may have effect: **01 July 2015**  
(54) Product in respect of which the design is registered: **Plant container**  
(51) International Design Classification: **11-02B**  
(74) Name(s) of Attorney(s): **Davies Collison Cave**  
(71) Name(s) and Address(s) of Applicant(s):  
**Local Tree Care Pty Ltd**  
**165 Lawrence St Wodonga VIC 3690 Australia**  
(72) Name(s) of Designer(s): **Colin Patrick Kramer and Sandra Leanne Kramer**  
(45) Registration Date: **18 August 2015**  
(56) Related Art Documents: **Not Applicable**  
(57) Statement of Newness and Distinctiveness: **The features of shape and configuration of the plant container shown in the accompanying representations are considered to be new and distinctive.**



- (21) Design Number: **13853/2015**  
(22) Date of Filing Application: **30 July 2015**  
(24) Date from which industrial property rights may have effect: **30 July 2015**  
(54) Product in respect of which the design is registered: **Packaging container**  
(51) International Design Classification: **09-03M**  
(74) Name(s) of Attorney(s): **IP Gateway Patent & Trade Mark Attorneys Pty Ltd**  
(71) Name(s) and Address(s) of Applicant(s):  
**Caroline Shelverton**  
**133 Cedar Creek Rd Upper Kedron QLD 4055 Australia**  
(72) Name(s) of Designer(s): **Caroline Shelverton**  
(45) Registration Date: **18 August 2015**  
(56) Related Art Documents: **Not Applicable**  
(57) Statement of Newness and Distinctiveness: **Newness and distinctiveness reside in visual features of pattern and ornamentation of the packaging container as shown in the accompanying representations. The specific words and specific letters which make up the monogram/s shown in the representations are not considered to be visual features contributing to the overall impression of the design.**



- (21) Design Number: **12742/2015**  
(22) Date of Filing Application: **28 May 2015**  
(24) Date from which industrial property rights may have effect: **28 May 2015**  
(54) Product in respect of which the design is registered: **Science teaching aid for school children**  
(51) International Design Classification: **19-07**  
(74) Name(s) of Attorney(s):  
(71) Name(s) and Address(s) of Applicant(s):  
**Joanne Williams**  
**54/36 Village Dr Breakfast Point Sydney NSW 2137 Australia**  
**Michael Dunne**  
**54/36 Village Dr Breakfast Point Sydney NSW 2137 Australia**  
(72) Name(s) of Designer(s): **Michael Dunne and Joanne Williams**  
(45) Registration Date: **18 August 2015**  
(56) Related Art Documents: **Not Applicable**  
(57) Statement of Newness and Distinctiveness: **New Design for The Periodic Table of the Elements.**



(21) Design Number: **12441/2015**  
(22) Date of Filing Application: **11 May 2015**  
(24) Date from which industrial property rights may have effect: **11 May 2015**  
(54) Product in respect of which the design is registered: **Surf ski**  
(51) International Design Classification: **12-06C**  
(74) Name(s) of Attorney(s):  
(71) Name(s) and Address(s) of Applicant(s):

**OCEAN SURF SPORTS PTY. LTD.**  
**7 Lauff Rd Smiths Lake NSW 2428 Australia**

(72) Name(s) of Designer(s): **Mario Vesely**

(45) Registration Date: **18 August 2015**

(56) Related Art Documents: **Not Applicable**

(57) Statement of Newness and Distinctiveness: **A reverse bow for surf skis - at ski speeds, frictional resistance comprises more than 75 per cent of the total, with wave making and eddy resistance comprising most of the remainder. Wave making is the curl size and characteristics of the water as it leaves the hull, while eddies are low pressure swirls or vortices appearing behind protrusions in the hull below the waterline. Air resistance makes up the last part of the resistance, in most slow-speed cases it rarely rises above three per cent. Because wave making drag is reduced for long thin structures, hulls that have longer waterlines as a percentage of their overall length will go faster with less power than will shorter, beamier hulls with flared bows. Plus, the longer a hull is, the greater its top speed in the displacement mode according to Froude's law which states that displacement speed is directly proportional to the square root of the waterline length**



(21) Design Number: **12881/2015**  
(22) Date of Filing Application: **09 June 2015**  
(24) Date from which industrial property rights may have effect: **09 June 2015**  
(54) Product in respect of which the design is registered: **Display unit**  
(51) International Design Classification: **14-01**  
(74) Name(s) of Attorney(s): **IP Gateway Patent & Trade Mark Attorneys Pty Ltd**  
(71) Name(s) and Address(s) of Applicant(s):

**Caterpillar Inc.**  
**100 NE Adams Street Peoria Illinois, 61629 United States of America**

(72) Name(s) of Designer(s): **Terril Johnson and Scott Larson**

(45) Registration Date: **18 August 2015**

(30) Convention priority data:

(31) Number	(32) Date	(33) Country
<b>29/511,387</b>	<b>10 Dec 2014</b>	<b>UNITED STATES OF AMERICA</b>

(56) Related Art Documents: **Not Applicable**

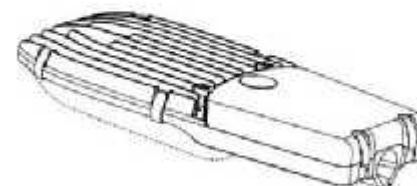
(57) Statement of Newness and Distinctiveness: **Newness and distinctiveness reside in the shape and configuration of the product as shown in solid lines in the accompanying representations. Features shown in dashed broken lines should be given minimum regard. The drawings include surface shading that represents contour and not surface ornamentation. The dot dash broken line in the perspective view designates a region shown enlarged in a following drawing.**



(21) Design Number: **13792/2015**  
(22) Date of Filing Application: **29 July 2015**  
(24) Date from which industrial property rights may have effect: **29 July 2015**  
(54) Product in respect of which the design is registered: **Luminaire body**  
(51) International Design Classification: **26-03, 26-05A**  
(74) Name(s) of Attorney(s): **PHILLIPS ORMONDE FITZPATRICK**  
(71) Name(s) and Address(s) of Applicant(s):

**Gerard Lighting Pty Ltd**  
**142-144 Fullarton Rd Rose Park SA 5067 Australia**

(72) Name(s) of Designer(s): **Elizabeth Fernandes**  
(45) Registration Date: **18 August 2015**  
(56) Related Art Documents: **Not Applicable**  
(57) Statement of Newness and Distinctiveness: **Newness and distinctiveness is claimed in the shape and/or configuration of a luminaire body as shown in the accompanying drawings. In considering the scope of monopoly, no regard is to be had of the features indicated in dotted lines.**

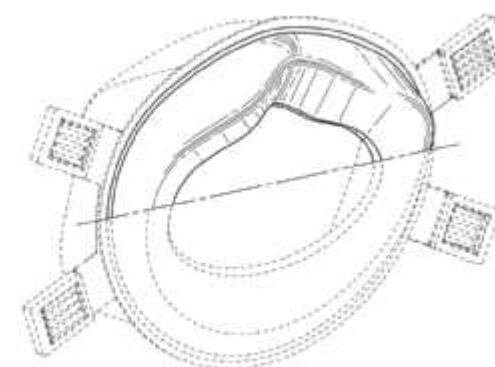


(21) Design Number: **13793/2015**  
(22) Date of Filing Application: **29 July 2015**  
(24) Date from which industrial property rights may have effect: **29 July 2015**  
(54) Product in respect of which the design is registered: **Respirator mask**  
(51) International Design Classification: **29-02**  
(74) Name(s) of Attorney(s): **Freehills Patent Attorneys**  
(71) Name(s) and Address(s) of Applicant(s):

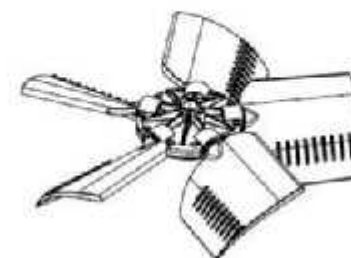
**3M Innovative Properties Company**  
**3M Center Post Office Box 33427 Saint Paul MN, 55133-3427 United States of America**

(72) Name(s) of Designer(s): **Garry J. Walker and Peter Masters**  
(45) Registration Date: **18 August 2015**  
(30) Convention priority data:  
(31) Number      (32) Date      (33) Country  
**29/516258      30 Jan 2015      UNITED STATES OF AMERICA**

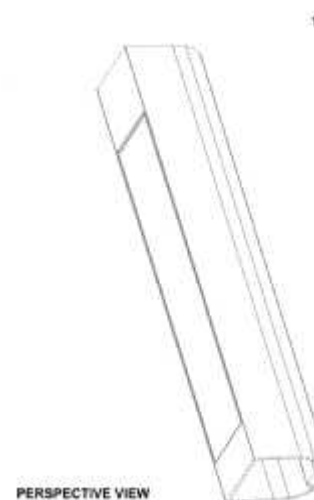
(56) Related Art Documents: **Not Applicable**  
(57) Statement of Newness and Distinctiveness: **Newness and distinctiveness of the design resides in the shape and configuration of the respirator mask as shown in solid outline in the accompanying representations.**



- (21) Design Number: **13795/2015**  
(22) Date of Filing Application: **29 July 2015**  
(24) Date from which industrial property rights may have effect: **29 July 2015**  
(54) Product in respect of which the design is registered: **A fan**  
(51) International Design Classification: **23-04**  
(74) Name(s) of Attorney(s): **PHILLIPS ORMONDE FITZPATRICK**  
(71) Name(s) and Address(s) of Applicant(s):  
**Climate Technologies Pty Ltd**  
**26 Nylex Ave Salisbury SA 5108 Australia**  
(72) Name(s) of Designer(s): **Santo Celi and Piyushkumar Rameshbhai Patel**  
(45) Registration Date: **18 August 2015**  
(56) Related Art Documents: **Not Applicable**  
(57) Statement of Newness and Distinctiveness: **Newness and distinctiveness is claimed in the inclusion of the ribs on the fan blade as shown in the representations and the shape and configuration of the hub of the fan as shown in the representations.**



- (21) Design Number: **12238/2015**  
(22) Date of Filing Application: **30 April 2015**  
(24) Date from which industrial property rights may have effect: **30 April 2015**  
(54) Product in respect of which the design is registered: **Frame element**  
(51) International Design Classification: **13-02**  
(74) Name(s) of Attorney(s): **Callinans**  
(71) Name(s) and Address(s) of Applicant(s):  
**ROBERT BOSCH GMBH**  
**Postfach 30 02 20 Stuttgart 70442 Germany**  
(72) Name(s) of Designer(s): **Rinaldo Greiner**  
(45) Registration Date: **19 August 2015**  
(30) Convention priority data:  
(31) Number      (32) Date      (33) Country  
**002574186      07 Nov 2014      OFFICE FOR HARMONISATION IN  
THE INTERNAL MARKET (OHIM)**  
(56) Related Art Documents: **Not Applicable**  
(57) Statement of Newness and Distinctiveness: **Newness and distinctiveness are provided by the shape and/or configuration of the design shown in the representations. The frame element is of indefinite length as shown by the broken lines in the representations.**



(21) Design Number: **12489/2015**

(22) Date of Filing Application: **13 May 2015**

(24) Date from which industrial property rights may have effect: **13 May 2015**

(54) Product in respect of which the design is registered: **Cab for mining machine**

(51) International Design Classification: **12-08**

(74) Name(s) of Attorney(s): **Griffith Hack**

(71) Name(s) and Address(s) of Applicant(s):

**Harnischfeger Technologies, Inc.**

**2751 Centerville Road Suite 342 Wilmington Delaware, 19808 United States of America**

(72) Name(s) of Designer(s): **Tyler M. Steinhardt and Joseph J. Colwell and Dan De Lay and Ryan M. Boyd and Rikos A. Kasim**

(45) Registration Date: **19 August 2015**

(30) Convention priority data:

(31) Number	(32) Date	(33) Country
<b>29/510,849</b>	<b>03 Dec 2014</b>	<b>UNITED STATES OF AMERICA</b>

(56) Related Art Documents: **Not Applicable**

(57) Statement of Newness and Distinctiveness: **Newness and distinctiveness resides in the visual features, including the shape and configuration of the product shown by means of solid lines in the representations.**

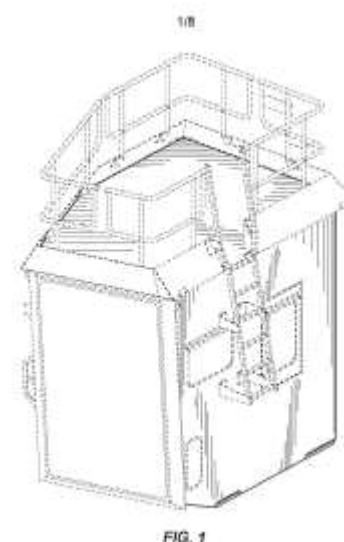


FIG. 1

(21) Design Number: **13791/2015**

(22) Date of Filing Application: **29 July 2015**

(24) Date from which industrial property rights may have effect: **29 July 2015**

(54) Product in respect of which the design is registered: **1) Air conditioner 2) air conditioner cassette**

(51) International Design Classification: **23-04**

(74) Name(s) of Attorney(s): **Griffith Hack**

(71) Name(s) and Address(s) of Applicant(s):

**MITSUBISHI ELECTRIC CORPORATION**

**7-3 Marunouchi 2-chome Chiyoda-ku TOKYO 100-8310 Japan**

(72) Name(s) of Designer(s): **Jangryul Rim**

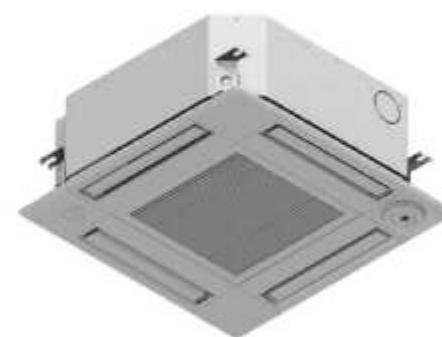
(45) Registration Date: **19 August 2015**

(30) Convention priority data:

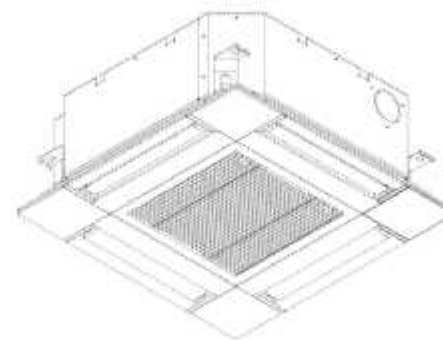
(31) Number	(32) Date	(33) Country
<b>2015-001581</b>	<b>29 Jan 2015</b>	<b>JAPAN</b>

(56) Related Art Documents: **Not Applicable**

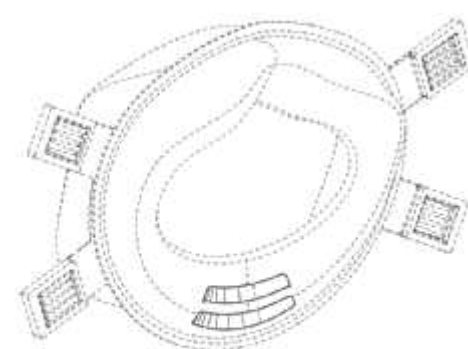
(57) Statement of Newness and Distinctiveness: **The shape and configuration of the products are new and distinctive.**



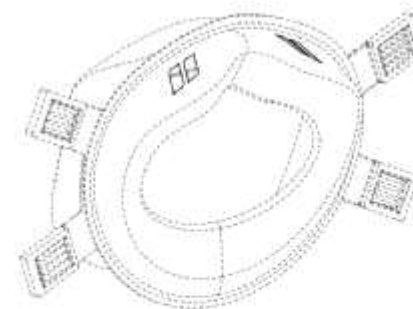
- (21) Design Number: **13794/2015**  
(22) Date of Filing Application: **29 July 2015**  
(24) Date from which industrial property rights may have effect: **29 July 2015**  
(54) Product in respect of which the design is registered: **1) Air conditioner 2) air conditioner cassette**  
(51) International Design Classification: **23-04**  
(74) Name(s) of Attorney(s): **Griffith Hack**  
(71) Name(s) and Address(s) of Applicant(s):  
**MITSUBISHI ELECTRIC CORPORATION**  
**7-3 Marunouchi 2-chome Chiyoda-ku TOKYO 100-8310 Japan**  
(72) Name(s) of Designer(s): **Jangryul Rim**  
(45) Registration Date: **19 August 2015**  
(30) Convention priority data:  
(31) Number      (32) Date      (33) Country  
**2015-001582      29 Jan 2015      JAPAN**  
(56) Related Art Documents: **Not Applicable**  
(57) Statement of Newness and Distinctiveness: **The shape and configuration of the products, and in particular of the portion of the products shown in solid lines, are new and distinctive.**



- (21) Design Number: **13796/2015**  
(22) Date of Filing Application: **29 July 2015**  
(24) Date from which industrial property rights may have effect: **29 July 2015**  
(54) Product in respect of which the design is registered: **Respirator mask**  
(51) International Design Classification: **29-02**  
(74) Name(s) of Attorney(s): **Freehills Patent Attorneys**  
(71) Name(s) and Address(s) of Applicant(s):  
**3M Innovative Properties Company**  
**3M Center Post Office Box 33427 Saint Paul MN, 55133-3427 United States of America**  
(72) Name(s) of Designer(s): **Garry J. Walker and Steven Bailey and Peter Masters**  
(45) Registration Date: **19 August 2015**  
(30) Convention priority data:  
(31) Number      (32) Date      (33) Country  
**29/516289      30 Jan 2015      UNITED STATES OF AMERICA**  
(56) Related Art Documents: **Not Applicable**  
(57) Statement of Newness and Distinctiveness: **Newness and distinctiveness of the design resides in the pattern of the respirator mask as shown in solid outline in the accompanying representations.**

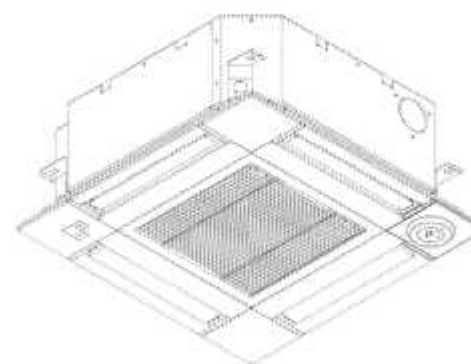


- (21) Design Number: **13797/2015**  
(22) Date of Filing Application: **29 July 2015**  
(24) Date from which industrial property rights may have effect: **29 July 2015**  
(54) Product in respect of which the design is registered: **Respirator mask**  
(51) International Design Classification: **29-02**  
(74) Name(s) of Attorney(s): **Freehills Patent Attorneys**  
(71) Name(s) and Address(s) of Applicant(s):  
**3M Innovative Properties Company**  
**3M Center Post Office Box 33427 Saint Paul MN, 55133-3427 United States of America**  
(72) Name(s) of Designer(s): **Garry J. Walker and Peter Masters and Steven Bailey**  
(45) Registration Date: **19 August 2015**  
(30) Convention priority data:  
(31) Number (32) Date (33) Country  
**29/516284 30 Jan 2015 UNITED STATES OF AMERICA**  
(56) Related Art Documents: **Not Applicable**  
(57) Statement of Newness and Distinctiveness: **Newness and distinctiveness of the design resides in the pattern of the respirator mask as shown in solid outline in the accompanying representations.**

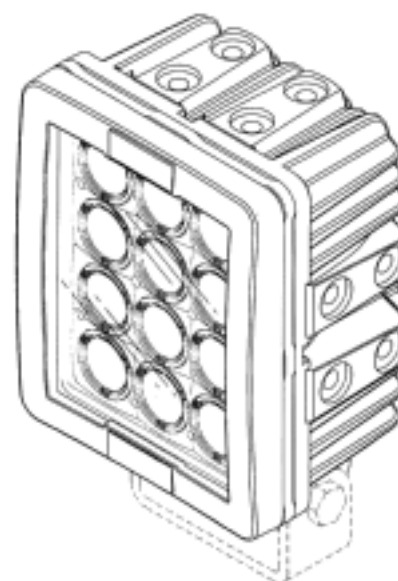


- (21) Design Number: **13798/2015**  
(22) Date of Filing Application: **29 July 2015**  
(24) Date from which industrial property rights may have effect: **29 July 2015**  
(54) Product in respect of which the design is registered: **1) Air conditioner 2) air conditioner cassette**  
(51) International Design Classification: **23-04**  
(74) Name(s) of Attorney(s): **Griffith Hack**  
(71) Name(s) and Address(s) of Applicant(s):  
**MITSUBISHI ELECTRIC CORPORATION**  
**7-3 Marunouchi 2-chome Chiyoda-ku TOKYO 100-8310 Japan**  
(72) Name(s) of Designer(s): **Jangryul Rim**  
(45) Registration Date: **19 August 2015**  
(30) Convention priority data:  
(31) Number (32) Date (33) Country  
**2015-001583 29 Jan 2015 JAPAN**  
(56) Related Art Documents: **Not Applicable**  
(57) Statement of Newness and Distinctiveness: **The shape and configuration of the products, and in particular of the portion of the products shown in solid lines, are new and distinctive.**

Fig. 1

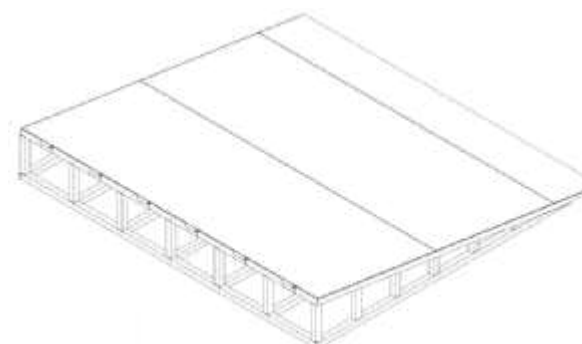


- (21) Design Number: **12562/2015**  
(22) Date of Filing Application: **18 May 2015**  
(24) Date from which industrial property rights may have effect: **18 May 2015**  
(54) Product in respect of which the design is registered: **Lighting equipment for vehicles**  
(51) International Design Classification: **26-06**  
(74) Name(s) of Attorney(s): **Acacia Law**  
(71) Name(s) and Address(s) of Applicant(s):  
**VISION X ASIA CO., LTD**  
**23-7, Dongtansandan 9-gil Dongtan-myeon Hwaseong-si Gyeonggi-do**  
**445-811 Korea**  
**IN-HONG KO**  
**No. A-2803, Daelim Acrovill 13, Eonju-ro 30-gil Gangnam-ku Seoul**  
**135-856 Korea**  
(72) Name(s) of Designer(s): **In-Hong Ko**  
(45) Registration Date: **19 August 2015**  
(30) Convention priority data:  
(31) Number (32) Date (33) Country  
**30-2014-0055694 19 Nov 2014 REPUBLIC OF KOREA**  
(56) Related Art Documents: **Not Applicable**  
(57) Statement of Newness and Distinctiveness: **Novelty lies in the combination of shape and configuration of a body and lens cover for lighting equipment for vehicles, particularly the shape of the radiation fins formed in the body and the shape of the lens cover. Anything drawn in dashed lines is not intended to be part of the design and is for context and reference purposes only.**

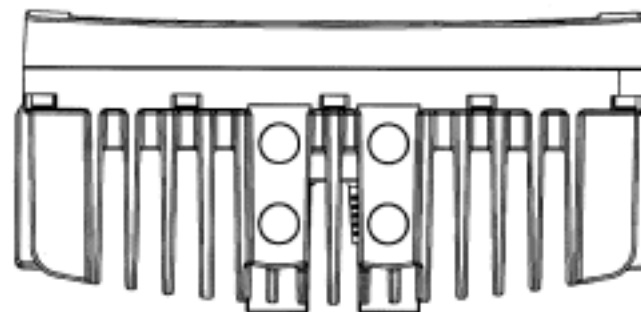


Reference  
Perspective  
View 1

- (21) Design Number: **13864/2015**  
(22) Date of Filing Application: **31 July 2015**  
(24) Date from which industrial property rights may have effect: **31 July 2015**  
(54) Product in respect of which the design is registered: **Ramp**  
(51) International Design Classification: **12-05**  
(74) Name(s) of Attorney(s): **Finlaysons**  
(71) Name(s) and Address(s) of Applicant(s):  
**Robby Gordon**  
**10615 Twin Lakes Pkwy Charlotte NC, 28269 United States of America**  
(72) Name(s) of Designer(s): **Robby Gordon**  
(45) Registration Date: **19 August 2015**  
(56) Related Art Documents: **Not Applicable**  
(57) Statement of Newness and Distinctiveness: **Nil**

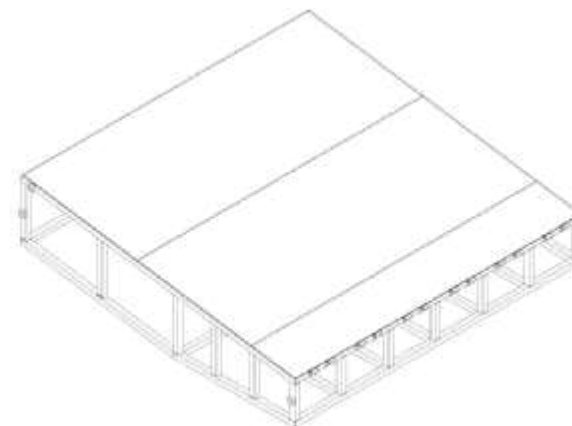


(21) Design Number: **12576/2015**  
(22) Date of Filing Application: **18 May 2015**  
(24) Date from which industrial property rights may have effect: **18 May 2015**  
(54) Product in respect of which the design is registered: **Lighting equipment for vehicles**  
(51) International Design Classification: **26-06**  
(74) Name(s) of Attorney(s): **Acacia Law**  
(71) Name(s) and Address(s) of Applicant(s):  
**VISION X ASIA CO., LTD**  
**23-7, Dongtansandan 9-gil Dongtan-myeon Hwaseong-si Gyeonggi-do**  
**445-811 Korea**  
**IN-HONG KO**  
**No. A-2803, Daelim Acrovill 13, Eonju-ro 30-gil Gangnam-ku Seoul**  
**135-856 Korea**  
(72) Name(s) of Designer(s): **In-Hong Ko**  
(45) Registration Date: **19 August 2015**  
(30) Convention priority data:  
(31) Number (32) Date (33) Country  
**30-2015-0021599 27 Apr 2015 REPUBLIC OF KOREA**  
(56) Related Art Documents: **Not Applicable**  
(57) Statement of Newness and Distinctiveness: **Novelty lies in the combination of shape and configuration of a body and lens cover for lighting equipment for vehicles, particularly the shape of the radiation fins formed in the body and the shape of the lens cover. Anything drawn in dashed lines is not intended to be part of the design and is for context and reference purposes only.**



Bottom Plane View

(21) Design Number: **13865/2015**  
(22) Date of Filing Application: **31 July 2015**  
(24) Date from which industrial property rights may have effect: **31 July 2015**  
(54) Product in respect of which the design is registered: **Ramp**  
(51) International Design Classification: **12-05**  
(74) Name(s) of Attorney(s): **Finlaysons**  
(71) Name(s) and Address(s) of Applicant(s):  
**Robby Gordon**  
**10615 Twin Lakes Pkwy Charlotte NC, 28269 United States of America**  
(72) Name(s) of Designer(s): **Robby Gordon**  
(45) Registration Date: **19 August 2015**  
(56) Related Art Documents: **Not Applicable**  
(57) Statement of Newness and Distinctiveness: **Nil**



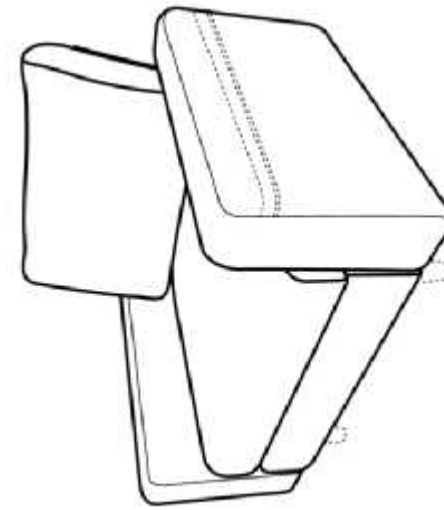
- (21) Design Number: **13867/2015**  
(22) Date of Filing Application: **31 July 2015**  
(24) Date from which industrial property rights may have effect: **31 July 2015**  
(54) Product in respect of which the design is registered: **A chair**  
(51) International Design Classification: **06-01G**  
(74) Name(s) of Attorney(s): **FB Rice**  
(71) Name(s) and Address(s) of Applicant(s):  
**King Furniture Australia Pty Ltd**  
**123 Turrella St Turrella NSW 2205 Australia**  
(72) Name(s) of Designer(s): **Ryan Lawson and David King and Anuj Dhawan and Tanya Rechberger**  
(45) Registration Date: **19 August 2015**  
(56) Related Art Documents: **Not Applicable**  
(57) Statement of Newness and Distinctiveness: **Newness and distinctiveness reside in the features of the design shown in solid lines in the representations excluding those features shown in broken lines, with greater weight to be given to the backrest, it being understood that the armrest can be arranged on either side of the base of the chair.**



- (21) Design Number: **13868/2015**  
(22) Date of Filing Application: **31 July 2015**  
(24) Date from which industrial property rights may have effect: **31 July 2015**  
(54) Product in respect of which the design is registered: **Toothbrush**  
(51) International Design Classification: **04-02**  
(74) Name(s) of Attorney(s): **WATERMARK PATENT AND TRADE MARKS ATTORNEYS**  
(71) Name(s) and Address(s) of Applicant(s):  
**The Gillette Company**  
**One Gillette Park Boston MA, 02127 United States of America**  
(72) Name(s) of Designer(s): **Franziska Schmid and Tilmann Winkler**  
(45) Registration Date: **19 August 2015**  
(30) Convention priority data:  
(31) Number (32) Date (33) Country  
**871440401 06 Feb 2015 WORLD INTELLECTUAL**  
**(DM/085 68) PROPERTY ORGANIZATION**  
**(WIPO)**  
(56) Related Art Documents: **Not Applicable**  
(57) Statement of Newness and Distinctiveness: **Newness and distinctiveness resides in the features of shape and configuration of a toothbrush as shown in the accompanying representations. The handle portion shown in broken lines does not form part of the design and is to be disregarded when considering the overall impression of the design.**



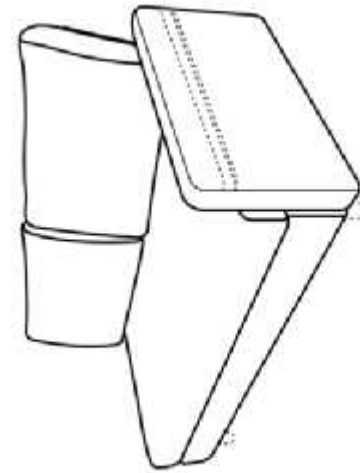
- (21) Design Number: **13869/2015**  
(22) Date of Filing Application: **31 July 2015**  
(24) Date from which industrial property rights may have effect: **31 July 2015**  
(54) Product in respect of which the design is registered: **A chair**  
(51) International Design Classification: **06-01G**  
(74) Name(s) of Attorney(s): **FB Rice**  
(71) Name(s) and Address(s) of Applicant(s):  
**King Furniture Australia Pty Ltd**  
**123 Turrella St Turrella NSW 2205 Australia**  
(72) Name(s) of Designer(s): **Ryan Lawson and David King and Anuj Dhawan**  
**and Tanya Rechberger**  
(45) Registration Date: **19 August 2015**  
(56) Related Art Documents: **Not Applicable**  
(57) Statement of Newness and Distinctiveness: **Newness and distinctiveness**  
**reside in the features of the design shown in solid lines in the**  
**representations excluding those features shown in broken lines, with**  
**greater weight to be given to the backrest.**



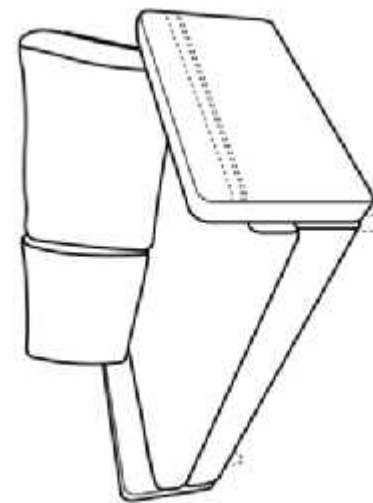
- (21) Design Number: **13871/2015**  
(22) Date of Filing Application: **31 July 2015**  
(24) Date from which industrial property rights may have effect: **31 July 2015**  
(54) Product in respect of which the design is registered: **A sofa**  
(51) International Design Classification: **06-01G**  
(74) Name(s) of Attorney(s): **FB Rice**  
(71) Name(s) and Address(s) of Applicant(s):  
**King Furniture Australia Pty Ltd**  
**123 Turrella St Turrella NSW 2205 Australia**  
(72) Name(s) of Designer(s): **Ryan Lawson and David King and Anuj Dhawan**  
**and Tanya Rechberger**  
(45) Registration Date: **19 August 2015**  
(56) Related Art Documents: **Not Applicable**  
(57) Statement of Newness and Distinctiveness: **Newness and distinctiveness**  
**reside in the features of the design shown in solid lines in the**  
**representations excluding those features shown in broken lines, with**  
**greater weight to be given to the backrests.**



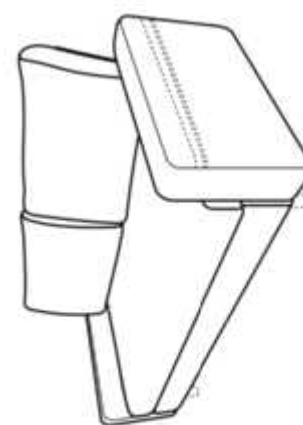
- (21) Design Number: **13872/2015**  
(22) Date of Filing Application: **31 July 2015**  
(24) Date from which industrial property rights may have effect: **31 July 2015**  
(54) Product in respect of which the design is registered: **A sofa**  
(51) International Design Classification: **06-01G**  
(74) Name(s) of Attorney(s): **FB Rice**  
(71) Name(s) and Address(s) of Applicant(s):  
**King Furniture Australia Pty Ltd**  
**123 Turrella St Turrella NSW 2205 Australia**  
(72) Name(s) of Designer(s): **Ryan Lawson and David King and Anuj Dhawan**  
**and Tanya Rechberger**  
(45) Registration Date: **19 August 2015**  
(56) Related Art Documents: **Not Applicable**  
(57) Statement of Newness and Distinctiveness: **Newness and distinctiveness**  
**reside in the features of the design shown in solid lines in the**  
**representations excluding those features shown in broken lines, with**  
**greater weight to be given to the backrests, it being understood that the**  
**armrest can be arranged on either side of the base of the sofa.**



- (21) Design Number: **13873/2015**  
(22) Date of Filing Application: **31 July 2015**  
(24) Date from which industrial property rights may have effect: **31 July 2015**  
(54) Product in respect of which the design is registered: **A sofa**  
(51) International Design Classification: **06-01G**  
(74) Name(s) of Attorney(s): **FB Rice**  
(71) Name(s) and Address(s) of Applicant(s):  
**King Furniture Australia Pty Ltd**  
**123 Turrella St Turrella NSW 2205 Australia**  
(72) Name(s) of Designer(s): **Ryan Lawson and David King and Anuj Dhawan**  
**and Tanya Rechberger**  
(45) Registration Date: **19 August 2015**  
(56) Related Art Documents: **Not Applicable**  
(57) Statement of Newness and Distinctiveness: **Newness and distinctiveness**  
**reside in the features of the design shown in solid lines in the**  
**representations excluding those features shown in broken lines, with**  
**greater weight to be given to the backrests.**



- (21) Design Number: **13875/2015**  
(22) Date of Filing Application: **31 July 2015**  
(24) Date from which industrial property rights may have effect: **31 July 2015**  
(54) Product in respect of which the design is registered: **A sofa**  
(51) International Design Classification: **06-01G**  
(74) Name(s) of Attorney(s): **FB Rice**  
(71) Name(s) and Address(s) of Applicant(s):  
**King Furniture Australia Pty Ltd**  
**123 Turrella St Turrella NSW 2205 Australia**  
(72) Name(s) of Designer(s): **Ryan Lawson and David King and Anuj Dhawan**  
**and Tanya Rechberger**  
(45) Registration Date: **19 August 2015**  
(56) Related Art Documents: **Not Applicable**  
(57) Statement of Newness and Distinctiveness: **Newness and distinctiveness**  
**reside in the features of the design shown in solid lines in the**  
**representations excluding those features shown in broken lines, with**  
**greater weight to be given to the backrests.**



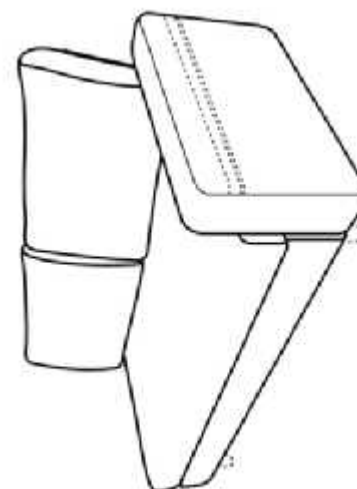
- (21) Design Number: **13856/2015**  
(22) Date of Filing Application: **31 July 2015**  
(24) Date from which industrial property rights may have effect: **31 July 2015**  
(54) Product in respect of which the design is registered: **Oral care implement**  
**package**  
(51) International Design Classification: **09-05**  
(74) Name(s) of Attorney(s): **FB Rice**  
(71) Name(s) and Address(s) of Applicant(s):  
**Colgate-Palmolive Company**  
**300 Park Avenue New York New York 10022 United States of America**  
(72) Name(s) of Designer(s): **Robert Moskovich and Wenjin Xi and Yanmei Ji**  
**and Jifen Yang and Yuanqiang Fang**  
(45) Registration Date: **19 August 2015**  
(30) Convention priority data:  
(31) Number (32) Date (33) Country  
**29/519,160 03 Mar 2015 UNITED STATES OF AMERICA**  
(56) Related Art Documents: **Not Applicable**  
(57) Statement of Newness and Distinctiveness: **Newness and distinctiveness**  
**reside in the features of shape and configuration of the design as shown**  
**in the representations.**



- (21) Design Number: **13870/2015**  
(22) Date of Filing Application: **31 July 2015**  
(24) Date from which industrial property rights may have effect: **31 July 2015**  
(54) Product in respect of which the design is registered: **A paint brush holder**  
(51) International Design Classification: **08-08L**  
(74) Name(s) of Attorney(s): **Spruson & Ferguson**  
(71) Name(s) and Address(s) of Applicant(s):  
**Nick Argiridakis**  
**10/19 Ron Scott Cct Greenacre NSW 2190 Australia**  
**William Alexopoulos**  
**9 Mcintosh Ave Padstow Heights NSW 2211 Australia**  
(72) Name(s) of Designer(s): **Nick Argiridakis and William Alexopoulos**  
(45) Registration Date: **19 August 2015**  
(56) Related Art Documents: **Not Applicable**  
(57) Statement of Newness and Distinctiveness: **Newness and distinctiveness is claimed in the features of shape and/or configuration of a paint brush holder as illustrated in the accompanying representations.**



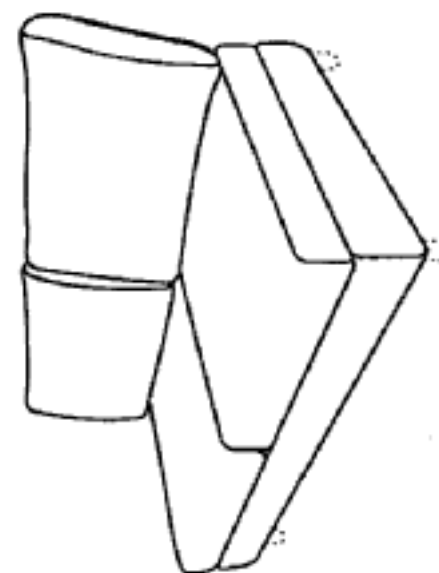
- (21) Design Number: **13876/2015**  
(22) Date of Filing Application: **31 July 2015**  
(24) Date from which industrial property rights may have effect: **31 July 2015**  
(54) Product in respect of which the design is registered: **A sofa**  
(51) International Design Classification: **06-01G**  
(74) Name(s) of Attorney(s): **FB Rice**  
(71) Name(s) and Address(s) of Applicant(s):  
**King Furniture Australia Pty Ltd**  
**123 Turrella St Turrella NSW 2205 Australia**  
(72) Name(s) of Designer(s): **Ryan Lawson and David King and Anuj Dhawan and Tanya Rechberger**  
(45) Registration Date: **19 August 2015**  
(56) Related Art Documents: **Not Applicable**  
(57) Statement of Newness and Distinctiveness: **Newness and distinctiveness reside in the features of the design shown in solid lines in the representations excluding those features shown in broken lines, with greater weight to be given to the backrests, it being understood that the armrest can be arranged on either side of the base of the sofa.**



- (21) Design Number: **13877/2015**  
(22) Date of Filing Application: **31 July 2015**  
(24) Date from which industrial property rights may have effect: **31 July 2015**  
(54) Product in respect of which the design is registered: **A chair**  
(51) International Design Classification: **06-01G**  
(74) Name(s) of Attorney(s): **FB Rice**  
(71) Name(s) and Address(s) of Applicant(s):  
**King Furniture Australia Pty Ltd**  
**123 Turrella St Turrella NSW 2205 Australia**  
(72) Name(s) of Designer(s): **Ryan Lawson and David King and Anuj Dhawan and Tanya Rechberger**  
(45) Registration Date: **19 August 2015**  
(56) Related Art Documents: **Not Applicable**  
(57) Statement of Newness and Distinctiveness: **Newness and distinctiveness reside in the features of the design shown in solid lines in the representations excluding those features shown in broken lines, with greater weight to be given to the backrest, it being understood that the armrest can be arranged on either side of the base of the chair.**



- (21) Design Number: **13878/2015**  
(22) Date of Filing Application: **31 July 2015**  
(24) Date from which industrial property rights may have effect: **31 July 2015**  
(54) Product in respect of which the design is registered: **A sofa**  
(51) International Design Classification: **06-01G**  
(74) Name(s) of Attorney(s): **FB Rice**  
(71) Name(s) and Address(s) of Applicant(s):  
**King Furniture Australia Pty Ltd**  
**123 Turrella St Turrella NSW 2205 Australia**  
(72) Name(s) of Designer(s): **Ryan Lawson and David King and Anuj Dhawan and Tanya Rechberger**  
(45) Registration Date: **19 August 2015**  
(56) Related Art Documents: **Not Applicable**  
(57) Statement of Newness and Distinctiveness: **Newness and distinctiveness reside in the features of the design shown in solid lines in the representations excluding those features shown in broken lines, with greater weight to be given to the backrests.**



(21) Design Number: **13879/2015**

(22) Date of Filing Application: **31 July 2015**

(24) Date from which industrial property rights may have effect: **31 July 2015**

(54) Product in respect of which the design is registered: **Compression bandage**

(51) International Design Classification: **24-04**

(74) Name(s) of Attorney(s): **PHILLIPS ORMONDE FITZPATRICK**

(71) Name(s) and Address(s) of Applicant(s):

**Actervis GmbH**

**c/o Prv Provides Treuhandgesellschaft Lindenhof Dorfstr.38 CH-6341  
Baar (Zug) Switzerland**

(72) Name(s) of Designer(s): **Juan Ramon Torress Martin**

(45) Registration Date: **19 August 2015**

(30) Convention priority data:

(31) Number  
**002630574**

(32) Date  
**10 Feb 2015**

(33) Country  
**OFFICE FOR HARMONISATION IN  
THE INTERNAL MARKET (OHIM)**

(56) Related Art Documents: **Not Applicable**

(57) Statement of Newness and Distinctiveness: **Newness and distinctiveness resides in the ornamentation of the compression bandage shown in the continuous lines in the accompanying representations.**



(21) Design Number: **13880/2015**

(22) Date of Filing Application: **31 July 2015**

(24) Date from which industrial property rights may have effect: **31 July 2015**

(54) Product in respect of which the design is registered: **Compression bandage**

(51) International Design Classification: **24-04**

(74) Name(s) of Attorney(s): **PHILLIPS ORMONDE FITZPATRICK**

(71) Name(s) and Address(s) of Applicant(s):

**Actervis GmbH**

**c/o Prv Provides Treuhandgesellschaft Lindenhof Dorfstr.38 CH-6341  
Baar (Zug) Switzerland**

(72) Name(s) of Designer(s): **Juan Ramon Torres Martin**

(45) Registration Date: **19 August 2015**

(30) Convention priority data:

(31) Number  
**002630574**

(32) Date  
**10 Feb 2015**

(33) Country  
**OFFICE FOR HARMONISATION IN  
THE INTERNAL MARKET (OHIM)**

(56) Related Art Documents: **Not Applicable**

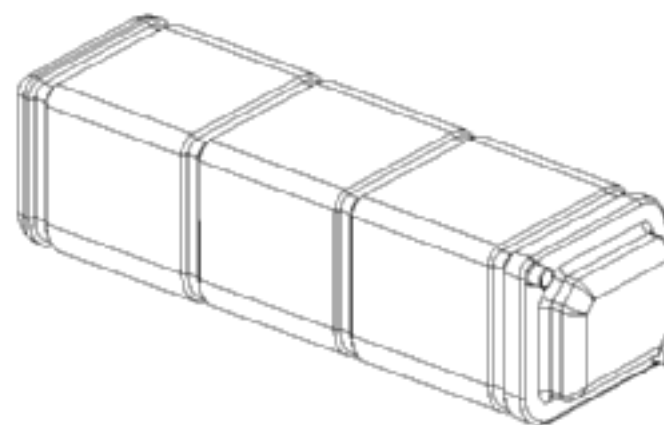
(57) Statement of Newness and Distinctiveness: **Newness and distinctiveness resides in the shape and configuration of the compression bandage shown in the accompanying representations.**



(21) Design Number: **12685/2015**  
(22) Date of Filing Application: **25 May 2015**  
(24) Date from which industrial property rights may have effect: **25 May 2015**  
(54) Product in respect of which the design is registered: **Case for a mobile electronic device**  
(51) International Design Classification: **03-01NES**  
(74) Name(s) of Attorney(s): **Pizzeys Patent and Trade Mark Attorneys Pty Ltd**  
(71) Name(s) and Address(s) of Applicant(s):  
**Mophie, Inc.**  
**15101 Red Hill Avenue Tustin CA, 92780 United States of America**  
(72) Name(s) of Designer(s): **Nguyen To and Chee-Wui Loke and Jian Shen and Brian Kim**  
(45) Registration Date: **19 August 2015**  
(30) Convention priority data:  
(31) Number (32) Date (33) Country  
**29/510839 03 Dec 2014 UNITED STATES OF AMERICA**  
(56) Related Art Documents: **Not Applicable**  
(57) Statement of Newness and Distinctiveness: **Nil**



(21) Design Number: **13249/2015**  
(22) Date of Filing Application: **26 June 2015**  
(24) Date from which industrial property rights may have effect: **26 June 2015**  
(54) Product in respect of which the design is registered: **45 litre plastic tank**  
(51) International Design Classification: **23-01F**  
(74) Name(s) of Attorney(s):  
(71) Name(s) and Address(s) of Applicant(s):  
**BARRON & RAWSON PTY LTD**  
**35-37 Marigold St Revesby NSW 2212 Australia**  
(72) Name(s) of Designer(s): **Ken Maxwell**  
(45) Registration Date: **19 August 2015**  
(56) Related Art Documents: **Not Applicable**  
(57) Statement of Newness and Distinctiveness: **Nil**



(21) Design Number: **13799/2015**

(22) Date of Filing Application: **29 July 2015**

(24) Date from which industrial property rights may have effect: **29 July 2015**

(54) Product in respect of which the design is registered: **Respirator mask**

(51) International Design Classification: **29-02**

(74) Name(s) of Attorney(s): **Freehills Patent Attorneys**

(71) Name(s) and Address(s) of Applicant(s):

**3M Innovative Properties Company**  
**3M Center Post Office Box 33427 Saint Paul MN, 55133-3427 United States of America**

(72) Name(s) of Designer(s): **Garry J Walker and Peter Masters**

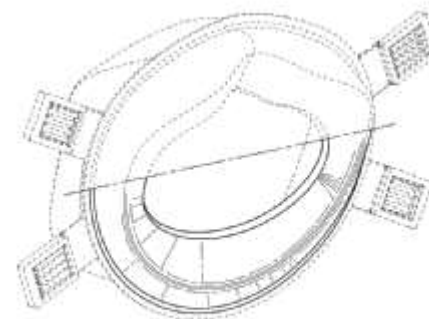
(45) Registration Date: **19 August 2015**

(30) Convention priority data:

(31) Number	(32) Date	(33) Country
<b>29/516276</b>	<b>30 Jan 2015</b>	<b>UNITED STATES OF AMERICA</b>

(56) Related Art Documents: **Not Applicable**

(57) Statement of Newness and Distinctiveness: **Newness and distinctiveness of the design resides in the shape and configuration of the respirator mask as shown in solid outline in the accompanying representations.**



(21) Design Number: **13839/2015**

(22) Date of Filing Application: **30 July 2015**

(24) Date from which industrial property rights may have effect: **13 February 2015**

(54) Product in respect of which the design is registered: **Watch with a band adapter**

(51) International Design Classification: **10-02**

(74) Name(s) of Attorney(s): **Cullens Patent and Trade Mark Attorneys**

(71) Name(s) and Address(s) of Applicant(s):

**Kairos Watches Limited**  
**10 Raeburn Park #02-08 Singapore 088702 Singapore**

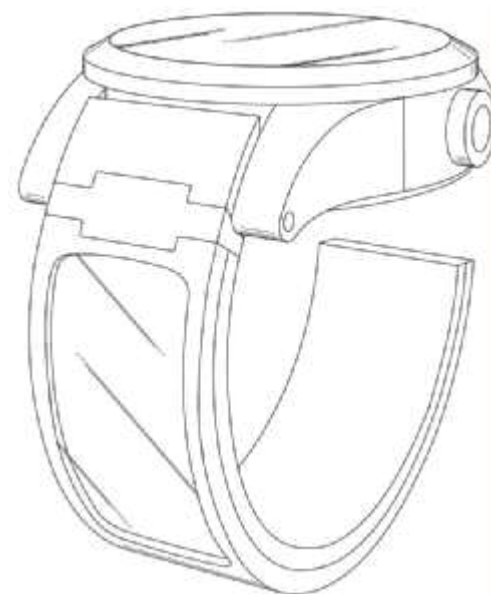
(72) Name(s) of Designer(s): **Sun Jong Yang**

(45) Registration Date: **19 August 2015**

(62) Divisional of: **363133**

(56) Related Art Documents: **Not Applicable**

(57) Statement of Newness and Distinctiveness: **Newness and distinctiveness is claimed in the features of the shape and configuration of the watch with band adapter as illustrated in the accompanying representations.**



- (21) Design Number: **13849/2015**  
(22) Date of Filing Application: **30 July 2015**  
(24) Date from which industrial property rights may have effect: **30 July 2015**  
(54) Product in respect of which the design is registered: **Packaging container**  
(51) International Design Classification: **09-03M**  
(74) Name(s) of Attorney(s): **IP Gateway Patent & Trade Mark Attorneys Pty Ltd**  
(71) Name(s) and Address(s) of Applicant(s):  
**Caroline Shelverton**  
**133 Cedar Creek Rd Upper Kedron QLD 4055 Australia**  
(72) Name(s) of Designer(s): **Caroline Shelverton**  
(45) Registration Date: **19 August 2015**  
(56) Related Art Documents: **Not Applicable**  
(57) Statement of Newness and Distinctiveness: **Newness and distinctiveness reside in visual features of pattern and ornamentation of the packaging container as shown in the accompanying representations. The specific words and specific letters which make up the monogram/s shown in the representations are not considered to be visual features contributing to the overall impression of the design.**



- (21) Design Number: **13857/2015**  
(22) Date of Filing Application: **31 July 2015**  
(24) Date from which industrial property rights may have effect: **31 July 2015**  
(54) Product in respect of which the design is registered: **Oral care implement package**  
(51) International Design Classification: **09-05**  
(74) Name(s) of Attorney(s): **FB Rice**  
(71) Name(s) and Address(s) of Applicant(s):  
**Colgate-Palmolive Company**  
**300 Park Avenue New York New York 10022 United States of America**  
(72) Name(s) of Designer(s): **Robert Moskovich and Wenjin Xi and Yanmei Ji and Jifen Yang and Yuanqiang Fang**  
(45) Registration Date: **19 August 2015**  
(30) Convention priority data:  
(31) Number      (32) Date      (33) Country  
**29/519,160      03 Mar 2015      UNITED STATES OF AMERICA**  
(56) Related Art Documents: **Not Applicable**  
(57) Statement of Newness and Distinctiveness: **Newness and distinctiveness reside in the features of shape and configuration of the design shown in solid lines in the representations excluding those features shown in broken lines.**



(21) Design Number: **13858/2015**  
(22) Date of Filing Application: **31 July 2015**  
(24) Date from which industrial property rights may have effect: **31 July 2015**  
(54) Product in respect of which the design is registered: **Oral care implement package**  
(51) International Design Classification: **09-05**  
(74) Name(s) of Attorney(s): **FB Rice**  
(71) Name(s) and Address(s) of Applicant(s):  
**Colgate-Palmolive Company**  
**300 Park Avenue New York New York 10022 United States of America**  
(72) Name(s) of Designer(s): **Robert Moskovich and Wenjin Xi and Yanmei Ji and Jifen Yang and Yuanqiang Fang**  
(45) Registration Date: **19 August 2015**  
(30) Convention priority data:  
(31) Number (32) Date (33) Country  
**29/519,166 03 Mar 2015 UNITED STATES OF AMERICA**  
(56) Related Art Documents: **Not Applicable**  
(57) Statement of Newness and Distinctiveness: **Newness and distinctiveness reside in the features of shape and configuration of the design as shown in the representations.**



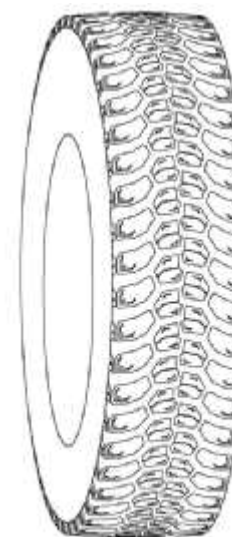
(21) Design Number: **13859/2015**  
(22) Date of Filing Application: **31 July 2015**  
(24) Date from which industrial property rights may have effect: **31 July 2015**  
(54) Product in respect of which the design is registered: **Oral care implement package**  
(51) International Design Classification: **09-05**  
(74) Name(s) of Attorney(s): **FB Rice**  
(71) Name(s) and Address(s) of Applicant(s):  
**Colgate-Palmolive Company**  
**300 Park Avenue New York New York 10022 United States of America**  
(72) Name(s) of Designer(s): **Robert Moskovich and Wenjin Xi and Yanmei Ji and Jifen Yang and Yuanqiang Fang**  
(45) Registration Date: **19 August 2015**  
(30) Convention priority data:  
(31) Number (32) Date (33) Country  
**29/516,166 03 Mar 2015 UNITED STATES OF AMERICA**  
(56) Related Art Documents: **Not Applicable**  
(57) Statement of Newness and Distinctiveness: **Newness and distinctiveness reside in the features of shape and configuration of the design shown in solid lines in the representations excluding those features shown in broken lines.**



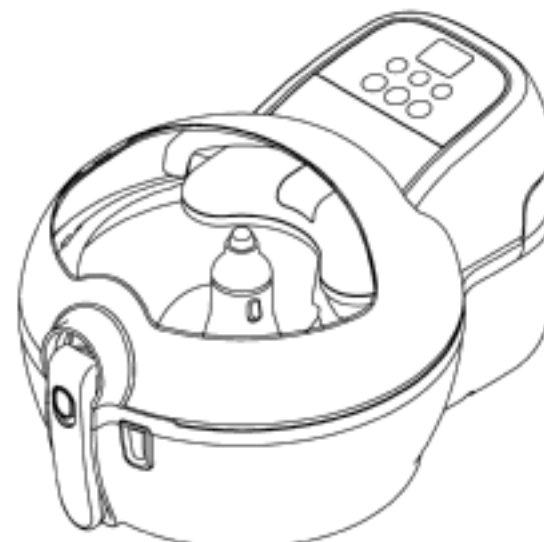
- (21) Design Number: **13862/2015**  
(22) Date of Filing Application: **31 July 2015**  
(24) Date from which industrial property rights may have effect: **31 July 2015**  
(54) Product in respect of which the design is registered: **A chair**  
(51) International Design Classification: **06-01G**  
(74) Name(s) of Attorney(s): **FB Rice**  
(71) Name(s) and Address(s) of Applicant(s):  
**King Furniture Australia Pty Ltd**  
**123 Turrella St Turrella NSW 2205 Australia**  
(72) Name(s) of Designer(s): **Ryan Lawson and David King and Anuj Dhawan**  
**and Tanya Rechberger**  
(45) Registration Date: **19 August 2015**  
(56) Related Art Documents: **Not Applicable**  
(57) Statement of Newness and Distinctiveness: **Newness and distinctiveness**  
**reside in the features of the design shown in solid lines in the**  
**representations excluding those features shown in broken lines, with**  
**greater weight to be given to the backrest.**



- (21) Design Number: **13930/2015**  
(22) Date of Filing Application: **03 August 2015**  
(24) Date from which industrial property rights may have effect: **03 August 2015**  
(54) Product in respect of which the design is registered: **A tyre**  
(51) International Design Classification: **12-15C**  
(74) Name(s) of Attorney(s): **WATERMARK PATENT AND TRADE MARKS**  
**ATTORNEYS**  
(71) Name(s) and Address(s) of Applicant(s):  
**COMPAGNIE GENERALE DES ETABLISSEMENTS MICHELIN**  
**12 cours Sablon Clermont-Ferrand 63000 France**  
**Michelin Recherche et Technique S.A.**  
**Route Louis-Braille 10 Granges-Paccot 1763 Switzerland**  
(72) Name(s) of Designer(s): **Stephane Oraison and Alexandre Carloni**  
(45) Registration Date: **19 August 2015**  
(30) Convention priority data:  
(31) Number      (32) Date      (33) Country  
**15/0681      11 Feb 2015      FRANCE**  
(56) Related Art Documents: **Not Applicable**  
(57) Statement of Newness and Distinctiveness: **Newness and distinctiveness**  
**resides in the appearance of the tread region of the tyre, the remainder**  
**of the tyre not forming part of the design.**



- (21) Design Number: **13933/2015**  
(22) Date of Filing Application: **03 August 2015**  
(24) Date from which industrial property rights may have effect: **03 August 2015**  
(54) Product in respect of which the design is registered: **Electric low fat fryer**  
(51) International Design Classification: **07-02N**  
(74) Name(s) of Attorney(s): **Spruson & Ferguson**  
(71) Name(s) and Address(s) of Applicant(s):  
**SEB**  
**Selongey 21260 France**  
(72) Name(s) of Designer(s): **Luc Jozancy**  
(45) Registration Date: **19 August 2015**  
(30) Convention priority data:  
(31) Number (32) Date (33) Country  
**002634584-0002 16 Feb 2015 OFFICE FOR HARMONISATION IN  
THE INTERNAL MARKET (OHIM)**  
(56) Related Art Documents: **Not Applicable**  
(57) Statement of Newness and Distinctiveness: **Newness and distinctiveness  
is claimed in the features of shape and/or configuration of an electric low  
fat fryer as illustrated in the accompanying representations.**



- (21) Design Number: **13934/2015**  
(22) Date of Filing Application: **03 August 2015**  
(24) Date from which industrial property rights may have effect: **03 August 2015**  
(54) Product in respect of which the design is registered: **Electric low fat fryer**  
(51) International Design Classification: **07-02N**  
(74) Name(s) of Attorney(s): **Spruson & Ferguson**  
(71) Name(s) and Address(s) of Applicant(s):  
**SEB**  
**Selongey 21260 France**  
(72) Name(s) of Designer(s): **Luc Jozancy**  
(45) Registration Date: **19 August 2015**  
(30) Convention priority data:  
(31) Number (32) Date (33) Country  
**002634584-0003 16 Feb 2015 OFFICE FOR HARMONISATION IN  
THE INTERNAL MARKET (OHIM)**  
(56) Related Art Documents: **Not Applicable**  
(57) Statement of Newness and Distinctiveness: **Newness and distinctiveness  
is claimed in the features of shape and/or configuration of an electric low  
fat fryer as illustrated in the accompanying representations.**



(21) Design Number: **13936/2015**

(22) Date of Filing Application: **03 August 2015**

(24) Date from which industrial property rights may have effect: **03 August 2015**

(54) Product in respect of which the design is registered: **Air conditioner**

(51) International Design Classification: **23-04**

(74) Name(s) of Attorney(s): **Spruson & Ferguson**

(71) Name(s) and Address(s) of Applicant(s):

**Fujitsu General Limited**

**3-3-17, Suenaga, Takatsu-ku, Kawasaki-shi Kanagawa, 213-8502 Japan**

(72) Name(s) of Designer(s): **Hiroshi Kobayashi and Shintaro Ueno**

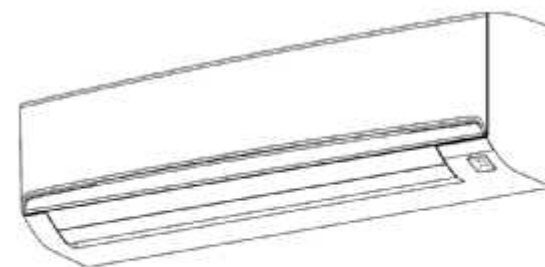
(45) Registration Date: **19 August 2015**

(30) Convention priority data:

(31) Number	(32) Date	(33) Country
<b>2015-002188</b>	<b>05 Feb 2015</b>	<b>JAPAN</b>

(56) Related Art Documents: **Not Applicable**

(57) Statement of Newness and Distinctiveness: **Newness and distinctiveness is claimed in the features of shape and/or configuration of an air conditioner as illustrated in the accompanying representations.**



(21) Design Number: **13939/2015**

(22) Date of Filing Application: **03 August 2015**

(24) Date from which industrial property rights may have effect: **03 August 2015**

(54) Product in respect of which the design is registered: **Camera mount**

(51) International Design Classification: **16-05**

(74) Name(s) of Attorney(s):

(71) Name(s) and Address(s) of Applicant(s):

**Mitchell Blair Cambridge**

**104/278 Marine Pde Kingscliff NSW 2487 Australia**

(72) Name(s) of Designer(s): **Mitchell Blair Cambridge**

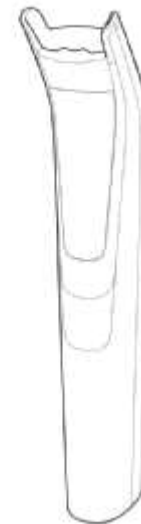
(45) Registration Date: **19 August 2015**

(56) Related Art Documents: **Not Applicable**

(57) Statement of Newness and Distinctiveness: **The newness and distinctiveness of the camera mount resides in its design and the novelty of its shape and various configurations, as shown in the accompanying representations.**



(21) Design Number: **13940/2015**  
(22) Date of Filing Application: **04 August 2015**  
(24) Date from which industrial property rights may have effect: **04 August 2015**  
(54) Product in respect of which the design is registered: **Handle for grooming apparatus**  
(51) International Design Classification: **28-03A**  
(74) Name(s) of Attorney(s): **FB Rice**  
(71) Name(s) and Address(s) of Applicant(s):  
**Koninklijke Philips N.V.**  
**High Tech Campus 5 5656 AE Eindhoven Netherlands**  
(72) Name(s) of Designer(s): **Nicole Louisa De Klein**  
(45) Registration Date: **19 August 2015**  
(30) Convention priority data:  
(31) Number (32) Date (33) Country  
**002627372-0003 05 Feb 2015 OFFICE FOR HARMONISATION IN THE INTERNAL MARKET (OHIM)**  
(56) Related Art Documents: **Not Applicable**  
(57) Statement of Newness and Distinctiveness: **Newness and distinctiveness reside in the features of shape and configuration of the design as shown in the representations.**



(21) Design Number: **12845/2015**  
(22) Date of Filing Application: **07 June 2015**  
(24) Date from which industrial property rights may have effect: **07 June 2015**  
(54) Product in respect of which the design is registered: **Bikini**  
(51) International Design Classification: **02-02A**  
(74) Name(s) of Attorney(s):  
(71) Name(s) and Address(s) of Applicant(s):  
**Zimmermann Wear Pty Limited**  
**120 Dunning Ave Rosebery NSW 2018 Australia**  
(72) Name(s) of Designer(s): **Nicole Zimmermann**  
(45) Registration Date: **19 August 2015**  
(56) Related Art Documents: **Not Applicable**  
(57) Statement of Newness and Distinctiveness: **Newness and distinctiveness is claimed in the shape, configuration and pattern of the elongated triangle bikini top depicted in the accompanying representations.**



(21) Design Number: **12863/2015**  
(22) Date of Filing Application: **04 June 2015**  
(24) Date from which industrial property rights may have effect: **04 June 2015**  
(54) Product in respect of which the design is registered: **Electrical power outlet**  
(51) International Design Classification: **13-03D**  
(74) Name(s) of Attorney(s): **Baxter Patent Attorneys Pty Ltd**  
(71) Name(s) and Address(s) of Applicant(s):

**Ralph Weaver**  
**U2/2 Bronti St Mascot NSW 2020 Australia**

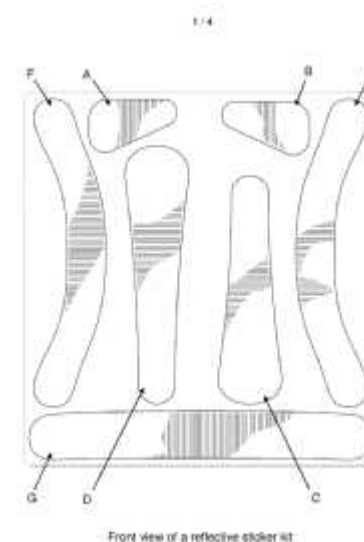
(72) Name(s) of Designer(s): **Ralph Weaver**  
(45) Registration Date: **19 August 2015**  
(56) Related Art Documents: **Not Applicable**  
(57) Statement of Newness and Distinctiveness: **Newness and distinctiveness is claimed in those features of shape and/or configuration of an electrical power outlet as illustrated in continuous lines in the accompanying representations.**



(21) Design Number: **13082/2015**  
(22) Date of Filing Application: **18 June 2015**  
(24) Date from which industrial property rights may have effect: **18 June 2015**  
(54) Product in respect of which the design is registered: **Reflective sticker kit**  
(51) International Design Classification: **19-08**  
(74) Name(s) of Attorney(s): **Spruson & Ferguson**  
(71) Name(s) and Address(s) of Applicant(s):

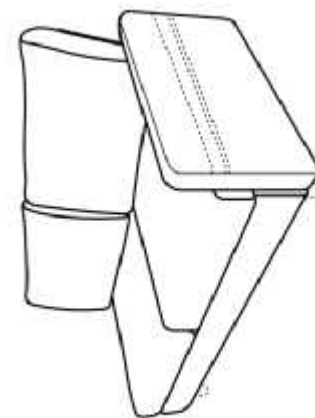
**Scott Health & Safety Limited**  
**Primbo Road, West Primbo, Skelmersdale Lancashire WN8 9RA United Kingdom**

(72) Name(s) of Designer(s): **Kevin Dolan and Christopher Ellerby**  
(45) Registration Date: **19 August 2015**  
(30) Convention priority data:  
(31) Number (32) Date (33) Country  
**001427678-0001 18 Dec 2014 OFFICE FOR HARMONISATION IN THE INTERNAL MARKET (OHIM)**



(56) Related Art Documents: **Not Applicable**  
(57) Statement of Newness and Distinctiveness: **Newness and distinctiveness is claimed in the features of the reflective stickers of a reflective sticker kit illustrated in continuous lines in the accompanying representations, apart from the relative arrangement of the reflective stickers.**

- (21) Design Number: **13881/2015**  
(22) Date of Filing Application: **31 July 2015**  
(24) Date from which industrial property rights may have effect: **31 July 2015**  
(54) Product in respect of which the design is registered: **A sofa**  
(51) International Design Classification: **06-01G**  
(74) Name(s) of Attorney(s): **FB Rice**  
(71) Name(s) and Address(s) of Applicant(s):  
**King Furniture Australia Pty Ltd**  
**123 Turrella St Turrella NSW 2205 Australia**  
(72) Name(s) of Designer(s): **Ryan Lawson and David King and Anuj Dhawan**  
**and Tanya Rechberger**  
(45) Registration Date: **19 August 2015**  
(56) Related Art Documents: **Not Applicable**  
(57) Statement of Newness and Distinctiveness: **Newness and distinctiveness**  
**resides in the shape and configuration of the compression bandage**  
**shown in the accompanying representations.**



- (21) Design Number: **13883/2015**  
(22) Date of Filing Application: **31 July 2015**  
(24) Date from which industrial property rights may have effect: **31 July 2015**  
(54) Product in respect of which the design is registered: **A sofa**  
(51) International Design Classification: **06-01G**  
(74) Name(s) of Attorney(s): **FB Rice**  
(71) Name(s) and Address(s) of Applicant(s):  
**King Furniture Australia Pty Ltd**  
**123 Turrella St Turrella NSW 2205 Australia**  
(72) Name(s) of Designer(s): **Ryan Lawson and David King and Anuj Dhawan**  
**and Tanya Rechberger**  
(45) Registration Date: **19 August 2015**  
(56) Related Art Documents: **Not Applicable**  
(57) Statement of Newness and Distinctiveness: **Newness and distinctiveness**  
**reside in the features of the design shown in solid lines in the**  
**representations excluding those features shown in broken lines, with**  
**greater weight to be given to the backrests.**



(21) Design Number: **13886/2015**  
(22) Date of Filing Application: **31 July 2015**  
(24) Date from which industrial property rights may have effect: **06 May 2015**  
(54) Product in respect of which the design is registered: **A fuel canister**  
(51) International Design Classification: **09-02NES**  
(74) Name(s) of Attorney(s): **Halfords IP**  
(71) Name(s) and Address(s) of Applicant(s):  
**Sympafix BV**  
**Fluorietweg 25E Alkmaar 1812RR Netherlands**  
(72) Name(s) of Designer(s): **Paul Geuvers**  
(45) Registration Date: **19 August 2015**  
(30) Convention priority data:  
(31) Number      (32) Date      (33) Country  
**002574251      07 Nov 2014      OFFICE FOR HARMONISATION IN**  
**THE INTERNAL MARKET (OHIM)**  
(62) Divisional of: **363241**  
(56) Related Art Documents: **Not Applicable**  
(57) Statement of Newness and Distinctiveness: **Newness and distinctiveness resides in those features of shape and or configuration of a fuel canister as depicted in the representations. Shading lines and features shown in broken lines do not form part of the design.**



(21) Design Number: **13888/2015**  
(22) Date of Filing Application: **31 July 2015**  
(24) Date from which industrial property rights may have effect: **31 July 2015**  
(54) Product in respect of which the design is registered: **A Compliance monitor for a medicament inhaler**  
(51) International Design Classification: **24-01**  
(74) Name(s) of Attorney(s):  
(71) Name(s) and Address(s) of Applicant(s):  
**Adherium (NZ) Limited**  
**Suite 205 Level 2 8 Commerce Street Auckland Central Auckland 1010**  
**New Zealand**  
(72) Name(s) of Designer(s): **Garth Campbell Sutherland**  
(45) Registration Date: **19 August 2015**  
(30) Convention priority data:  
(31) Number      (32) Date      (33) Country  
**419829      02 Feb 2015      NEW ZEALAND**  
(56) Related Art Documents: **Not Applicable**  
(57) Statement of Newness and Distinctiveness: **The design is to be applied to a Compliance Monitor for a Medicament Inhaler, and the novelty resides in the features of shape and configuration of the article as illustrated in accompanying representations. No novelty is claimed with respect to the medicament inhaler itself.**



(21) Design Number: **13941/2015**

(22) Date of Filing Application: **04 August 2015**

(24) Date from which industrial property rights may have effect: **04 August 2015**

(54) Product in respect of which the design is registered: **Shaving unit**

(51) International Design Classification: **28-03A**

(74) Name(s) of Attorney(s): **FB Rice**

(71) Name(s) and Address(s) of Applicant(s):

**Koninklijke Philips N.V.  
High Tech Campus 5 5656 AE Eindhoven The Netherlands**

(72) Name(s) of Designer(s): **Nicole Louisa De Klein and Jens Peter Kophmann Andersson**

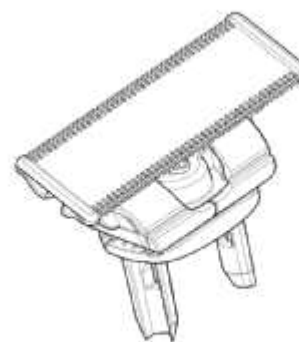
(45) Registration Date: **19 August 2015**

(30) Convention priority data:

(31) Number	(32) Date	(33) Country
<b>002627372-0002</b>	<b>05 Feb 2015</b>	<b>OFFICE FOR HARMONISATION IN THE INTERNAL MARKET (OHIM)</b>

(56) Related Art Documents: **Not Applicable**

(57) Statement of Newness and Distinctiveness: **Newness and distinctiveness reside in the features of shape and configuration of the design as shown in the representations.**



(21) Design Number: **13943/2015**

(22) Date of Filing Application: **04 August 2015**

(24) Date from which industrial property rights may have effect: **04 August 2015**

(54) Product in respect of which the design is registered: **Drill bit holder for an angled drill**

(51) International Design Classification: **24-02**

(74) Name(s) of Attorney(s): **Freehills Patent Attorneys**

(71) Name(s) and Address(s) of Applicant(s):

**Gyrus Acmi, Inc. (d/b/a Olympus Surgical Technologies America)  
136 Turnpike Rd. Southborough Massachusetts, 01772 United States of America**

(72) Name(s) of Designer(s): **Kevin C. Edwards and Jay A. Casey and Peter Wong and Jesse Conrad**

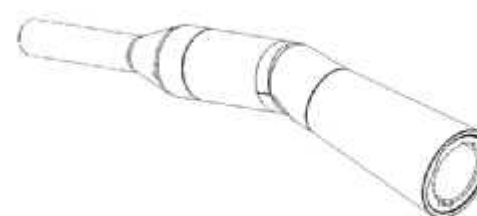
(45) Registration Date: **19 August 2015**

(30) Convention priority data:

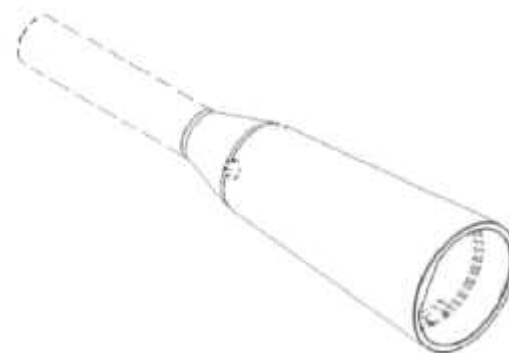
(31) Number	(32) Date	(33) Country
<b>29/524746</b>	<b>23 Apr 2015</b>	<b>UNITED STATES OF AMERICA</b>

(56) Related Art Documents: **Not Applicable**

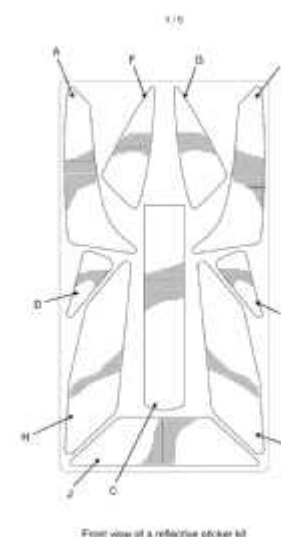
(57) Statement of Newness and Distinctiveness: **Newness and distinctiveness of the design resides in the features of shape and configuration of the drill bit holder as shown in solid outline in the accompanying representations**



- (21) Design Number: **13944/2015**  
(22) Date of Filing Application: **04 August 2015**  
(24) Date from which industrial property rights may have effect: **04 August 2015**  
(54) Product in respect of which the design is registered: **Drill bit holder of a bone drill**  
(51) International Design Classification: **24-02**  
(74) Name(s) of Attorney(s): **Freehills Patent Attorneys**  
(71) Name(s) and Address(s) of Applicant(s):  
**Gyrus Acmi, Inc. (d/b/a Olympus Surgical Technologies America)**  
**136 Turnpike Rd. Southborough Massachusetts, 01772 United States of America**  
(72) Name(s) of Designer(s): **Kevin C. Edwards and Jay A. Casey and Peter Wong and Jesse Conrad and Manfred Held and Ronny Staps**  
(45) Registration Date: **19 August 2015**  
(30) Convention priority data:  
(31) Number (32) Date (33) Country  
**29/524744 23 Apr 2015 UNITED STATES OF AMERICA**  
(56) Related Art Documents: **Not Applicable**  
(57) Statement of Newness and Distinctiveness: **Newness and distinctiveness of the design resides in the features of shape and configuration of the drill bit holder as shown in solid outline in the accompanying representations.**



- (21) Design Number: **13083/2015**  
(22) Date of Filing Application: **18 June 2015**  
(24) Date from which industrial property rights may have effect: **18 June 2015**  
(54) Product in respect of which the design is registered: **Reflective sticker kit**  
(51) International Design Classification: **19-08**  
(74) Name(s) of Attorney(s): **Spruson & Ferguson**  
(71) Name(s) and Address(s) of Applicant(s):  
**Scott Health & Safety Limited**  
**Primbo Road, West Primbo, Skelmersdale Lancashire WN8 9RA United Kingdom**  
(72) Name(s) of Designer(s): **Kevin Dolan and Christopher Ellerby**  
(45) Registration Date: **19 August 2015**  
(30) Convention priority data:  
(31) Number (32) Date (33) Country  
**001427678-0002 18 Dec 2014 OFFICE FOR HARMONISATION IN THE INTERNAL MARKET (OHIM)**  
(56) Related Art Documents: **Not Applicable**  
(57) Statement of Newness and Distinctiveness: **Newness and distinctiveness is claimed in the features of the reflective stickers of a reflective sticker kit illustrated in continuous lines in the accompanying representations, apart from the relative arrangement of the reflective stickers.**



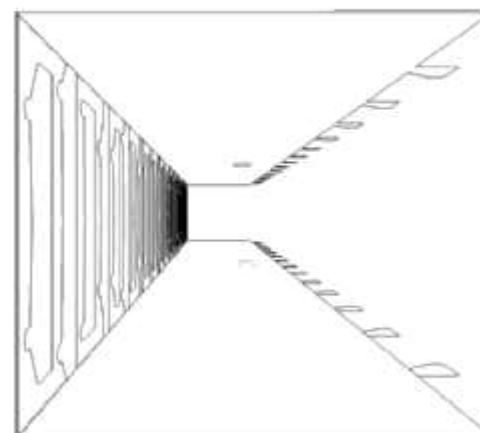
- (21) Design Number: **13254/2015**  
(22) Date of Filing Application: **26 June 2015**  
(24) Date from which industrial property rights may have effect: **26 June 2015**  
(54) Product in respect of which the design is registered: **Board Game**  
(51) International Design Classification: **21-01L**  
(74) Name(s) of Attorney(s):  
(71) Name(s) and Address(s) of Applicant(s):  
**Alice Marie Anne Legendre**  
**44 Robinlee Ave BURWOOD EAST VIC 3151**  
(72) Name(s) of Designer(s): **Alice Marie Anne Legendre**  
(45) Registration Date: **19 August 2015**  
(56) Related Art Documents: **Not Applicable**  
(57) Statement of Newness and Distinctiveness: **The newness and distinctiveness of the design reside in the set up and rules of the game as well as the style of the drawings.**



- (21) Design Number: **13889/2015**  
(22) Date of Filing Application: **31 July 2015**  
(24) Date from which industrial property rights may have effect: **31 July 2015**  
(54) Product in respect of which the design is registered: **A sofa**  
(51) International Design Classification: **06-01G**  
(74) Name(s) of Attorney(s): **FB Rice**  
(71) Name(s) and Address(s) of Applicant(s):  
**King Furniture Australia Pty Ltd**  
**123 Turrella St Turrella NSW 2205 Australia**  
(72) Name(s) of Designer(s): **Ryan Lawson and David King and Anuj Dhawan and Tanya Rechberger**  
(45) Registration Date: **20 August 2015**  
(56) Related Art Documents: **Not Applicable**  
(57) Statement of Newness and Distinctiveness: **Newness and distinctiveness reside in the features of the design shown in solid lines in the representations excluding those features shown in broken lines, with greater weight to be given to the backrests.**

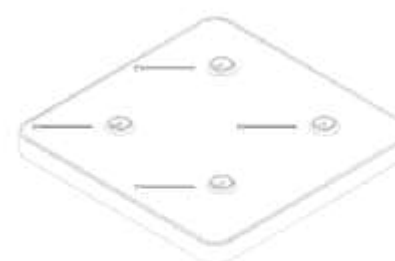


(21) Design Number: **13891/2015**  
(22) Date of Filing Application: **31 July 2015**  
(24) Date from which industrial property rights may have effect: **31 July 2015**  
(54) Product in respect of which the design is registered: **In place formwall, formwork or shuttering system**  
(51) International Design Classification: **25-01C**  
(74) Name(s) of Attorney(s): **EKM patent & trade marks**  
(71) Name(s) and Address(s) of Applicant(s):  
**Zion Dahan**  
**5A Kehilat Sophia Street Tel-Aviv 6901805 Israel**  
**Yigal Babluki**  
**20/22 Zalman Shazar Street Natania 4249312 Israel**  
(72) Name(s) of Designer(s): **Zion Dahan and Yigal Babluki**  
(45) Registration Date: **20 August 2015**  
(30) Convention priority data:  
(31) Number (32) Date (33) Country  
**56521 01 Feb 2015 ISRAEL**



(56) Related Art Documents: **Not Applicable**  
(57) Statement of Newness and Distinctiveness: **Newness and distinctiveness is claimed in the features of shape, configuration, pattern and/or ornamentation of an elongate building component of U-shape in transverse cross-section and in the nature of a form-wall system, a form-work system or shuttering system or the like, such as a building component able to be used as a stay-in-place system. The component is of an indefinite length in which the number of repeating features shown in the rear view varies with the length of the component, while the respective elongate feature shown in each of the left and the right view is to be disregarded.**

(21) Design Number: **13892/2015**  
(22) Date of Filing Application: **31 July 2015**  
(24) Date from which industrial property rights may have effect: **31 July 2015**  
(54) Product in respect of which the design is registered: **Recharging tray**  
(51) International Design Classification: **13-02**  
(74) Name(s) of Attorney(s): **FB Rice**  
(71) Name(s) and Address(s) of Applicant(s):  
**Neoz Pty Ltd**  
**20 Tepko Rd Terrey Hills NSW 2084 Australia**  
(72) Name(s) of Designer(s): **Peter Ellis and Gabriel Tam**  
(45) Registration Date: **20 August 2015**  
(56) Related Art Documents: **Not Applicable**  
(57) Statement of Newness and Distinctiveness: **Newness and distinctiveness reside in the features of shape and/or configuration of the recharging tray as shown in the representations, with particular emphasis on the circular docking points extending from the top of the tray, but noting that the number of docking points may vary from four.**



(21) Design Number: **13893/2015**  
(22) Date of Filing Application: **31 July 2015**  
(24) Date from which industrial property rights may have effect: **31 July 2015**  
(54) Product in respect of which the design is registered: **Airway device**  
(51) International Design Classification: **24-01**  
(74) Name(s) of Attorney(s): **Griffith Hack**  
(71) Name(s) and Address(s) of Applicant(s):

**Indian Ocean Medical Inc.**  
**Revolution Avenue PO Box 18 Mahe Seychelles**

(72) Name(s) of Designer(s): **PeterJ Young**

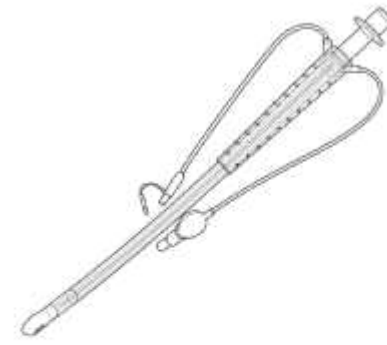
(45) Registration Date: **20 August 2015**

(30) Convention priority data:

(31) Number	(32) Date	(33) Country
<b>001429815</b>	<b>02 Feb 2015</b>	<b>OFFICE FOR HARMONISATION IN THE INTERNAL MARKET (OHIM)</b>

(56) Related Art Documents: **Not Applicable**

(57) Statement of Newness and Distinctiveness: **Nil**



(21) Design Number: **13895/2015**  
(22) Date of Filing Application: **31 July 2015**  
(24) Date from which industrial property rights may have effect: **31 July 2015**  
(54) Product in respect of which the design is registered: **A sofa**  
(51) International Design Classification: **06-01G**  
(74) Name(s) of Attorney(s): **FB Rice**  
(71) Name(s) and Address(s) of Applicant(s):

**King Furniture Australia Pty Ltd**  
**123 Turrella St Turrella NSW 2205 Australia**

(72) Name(s) of Designer(s): **Ryan Lawson and David King and Anuj Dhawan  
and Tanya Rechberger**

(45) Registration Date: **20 August 2015**

(56) Related Art Documents: **Not Applicable**

(57) Statement of Newness and Distinctiveness: **Newness and distinctiveness  
reside in the features of the design shown in solid lines in the  
representations excluding those features shown in broken lines, with  
greater weight to be given to the backrests.**



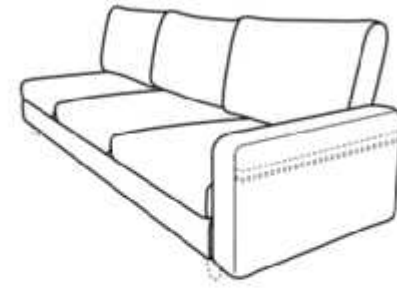
- (21) Design Number: **13896/2015**  
(22) Date of Filing Application: **31 July 2015**  
(24) Date from which industrial property rights may have effect: **31 July 2015**  
(54) Product in respect of which the design is registered: **A sofa**  
(51) International Design Classification: **06-01G**  
(74) Name(s) of Attorney(s): **FB Rice**  
(71) Name(s) and Address(s) of Applicant(s):  
**King Furniture Australia Pty Ltd**  
**123 Turrella St Turrella NSW 2205 Australia**  
(72) Name(s) of Designer(s): **Ryan Lawson and David King and Anuj Dhawan**  
**and Tanya Rechberger**  
(45) Registration Date: **20 August 2015**  
(56) Related Art Documents: **Not Applicable**  
(57) Statement of Newness and Distinctiveness: **Newness and distinctiveness**  
**reside in the features of the design shown in solid lines in the**  
**representations excluding those features shown in broken lines, with**  
**greater weight to be given to the backrests, it being understood that the**  
**armrest can be arranged on either side of the base of the sofa.**



- (21) Design Number: **13897/2015**  
(22) Date of Filing Application: **31 July 2015**  
(24) Date from which industrial property rights may have effect: **31 July 2015**  
(54) Product in respect of which the design is registered: **A sofa**  
(51) International Design Classification: **06-01G**  
(74) Name(s) of Attorney(s): **FB Rice**  
(71) Name(s) and Address(s) of Applicant(s):  
**King Furniture Australia Pty Ltd**  
**123 Turrella St Turrella NSW 2205 Australia**  
(72) Name(s) of Designer(s): **Ryan Lawson and David King and Anuj Dhawan**  
**and Tanya Rechberger**  
(45) Registration Date: **20 August 2015**  
(56) Related Art Documents: **Not Applicable**  
(57) Statement of Newness and Distinctiveness: **Newness and distinctiveness**  
**reside in the features of the design shown in solid lines in the**  
**representations excluding those features shown in broken lines, with**  
**greater weight to be given to the backrests.**



- (21) Design Number: **13898/2015**  
(22) Date of Filing Application: **31 July 2015**  
(24) Date from which industrial property rights may have effect: **31 July 2015**  
(54) Product in respect of which the design is registered: **A sofa**  
(51) International Design Classification: **06-01G**  
(74) Name(s) of Attorney(s): **FB Rice**  
(71) Name(s) and Address(s) of Applicant(s):  
**King Furniture Australia Pty Ltd**  
**123 Turrella St Turrella NSW 2205 Australia**  
(72) Name(s) of Designer(s): **Ryan Lawson and David King and Anuj Dhawan and Tanya Rechberger**  
(45) Registration Date: **20 August 2015**  
(56) Related Art Documents: **Not Applicable**  
(57) Statement of Newness and Distinctiveness: **Newness and distinctiveness reside in the features of the design shown in solid lines in the representations excluding those features shown in broken lines, with greater weight to be given to the backrests, it being understood that the armrest can be arranged on either side of the base of the sofa.**



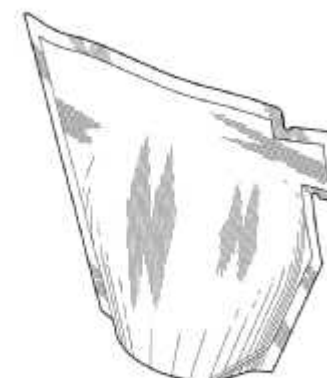
- (21) Design Number: **13900/2015**  
(22) Date of Filing Application: **31 July 2015**  
(24) Date from which industrial property rights may have effect: **31 July 2015**  
(54) Product in respect of which the design is registered: **A chaise**  
(51) International Design Classification: **06-01G**  
(74) Name(s) of Attorney(s): **FB Rice**  
(71) Name(s) and Address(s) of Applicant(s):  
**King Furniture Australia Pty Ltd**  
**123 Turrella St Turrella NSW 2205 Australia**  
(72) Name(s) of Designer(s): **Ryan Lawson and David King and Anuj Dhawan and Tanya Rechberger**  
(45) Registration Date: **20 August 2015**  
(56) Related Art Documents: **Not Applicable**  
(57) Statement of Newness and Distinctiveness: **Newness and distinctiveness reside in the features of the design shown in solid lines in the representations excluding those features shown in broken lines, with greater weight to be given to the backrest.**



(21) Design Number: **13901/2015**  
(22) Date of Filing Application: **31 July 2015**  
(24) Date from which industrial property rights may have effect: **31 July 2015**  
(54) Product in respect of which the design is registered: **A chaise**  
(51) International Design Classification: **06-01G**  
(74) Name(s) of Attorney(s): **FB Rice**  
(71) Name(s) and Address(s) of Applicant(s):  
**King Furniture Australia Pty Ltd**  
**123 Turrella St Turrella NSW 2205 Australia**  
(72) Name(s) of Designer(s): **Ryan Lawson and David King and Anuj Dhawan**  
**and Tanya Rechberger**  
(45) Registration Date: **20 August 2015**  
(56) Related Art Documents: **Not Applicable**  
(57) Statement of Newness and Distinctiveness: **Newness and distinctiveness**  
**reside in the features of the design shown in solid lines in the**  
**representations excluding those features shown in broken lines, with**  
**greater weight to be given to the backrest, it being understood that the**  
**armrest can be arranged on either side of the base of the chaise.**



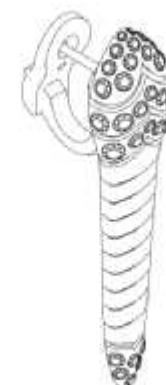
(21) Design Number: **13909/2015**  
(22) Date of Filing Application: **31 July 2015**  
(24) Date from which industrial property rights may have effect: **31 July 2015**  
(54) Product in respect of which the design is registered: **Pouch**  
(51) International Design Classification: **09-05**  
(74) Name(s) of Attorney(s): **Pizzeys Patent and Trade Mark Attorneys Pty Ltd**  
(71) Name(s) and Address(s) of Applicant(s):  
**McCormick & Company, Incorporated**  
**18 Loveton Circle Sparks MD 21152-6000 United States of America**  
(72) Name(s) of Designer(s): **Jessica Meek and Mark Jenkins and Tracie Wilson**  
(45) Registration Date: **20 August 2015**  
(30) Convention priority data:  
(31) Number (32) Date (33) Country  
**29/516,417 02 Feb 2015 UNITED STATES OF AMERICA**  
(56) Related Art Documents: **Not Applicable**  
(57) Statement of Newness and Distinctiveness: **Nil**



(21) Design Number: **13946/2015**  
(22) Date of Filing Application: **04 August 2015**  
(24) Date from which industrial property rights may have effect: **04 August 2015**  
(54) Product in respect of which the design is registered: **Downpipe joiner**  
(51) International Design Classification: **23-01A**  
(74) Name(s) of Attorney(s):  
(71) Name(s) and Address(s) of Applicant(s):  
**Art Plastics Pty Ltd**  
**PO BOX 610 Wentworthville NSW 2145 Australia**  
(72) Name(s) of Designer(s): **Tim Lucas**  
(45) Registration Date: **20 August 2015**  
(56) Related Art Documents: **Not Applicable**  
(57) Statement of Newness and Distinctiveness: **Nil**



(21) Design Number: **13947/2015**  
(22) Date of Filing Application: **04 August 2015**  
(24) Date from which industrial property rights may have effect: **04 August 2015**  
(54) Product in respect of which the design is registered: **Earring**  
(51) International Design Classification: **11-01D**  
(74) Name(s) of Attorney(s): **Callinans**  
(71) Name(s) and Address(s) of Applicant(s):  
**Bulgari S.p.A.**  
**11 Lungotevere Marzio Rome 00186 Italy**  
(72) Name(s) of Designer(s): **Lucia Silvestri**  
(45) Registration Date: **20 August 2015**  
(30) Convention priority data:  
(31) Number      (32) Date      (33) Country  
**870761401      04 Feb 2015      WORLD INTELLECTUAL  
PROPERTY ORGANIZATION  
(WIPO)**  
(56) Related Art Documents: **Not Applicable**  
(57) Statement of Newness and Distinctiveness: **Nil**



(21) Design Number: **13948/2015**  
(22) Date of Filing Application: **04 August 2015**  
(24) Date from which industrial property rights may have effect: **04 August 2015**  
(54) Product in respect of which the design is registered: **Pendant**  
(51) International Design Classification: **11-01NES**  
(74) Name(s) of Attorney(s): **Callinans**  
(71) Name(s) and Address(s) of Applicant(s):

**Bulgari S.p.A.**  
**11 Lungotevere Marzio Rome 00186 Italy**

(72) Name(s) of Designer(s): **Lucia Silvestri**

(45) Registration Date: **20 August 2015**

(30) Convention priority data:

(31) Number	(32) Date	(33) Country
<b>870761401</b>	<b>04 Feb 2015</b>	<b>WORLD INTELLECTUAL PROPERTY ORGANIZATION (WIPO)</b>



(56) Related Art Documents: **Not Applicable**

(57) Statement of Newness and Distinctiveness: **Nil**

(21) Design Number: **13952/2015**  
(22) Date of Filing Application: **04 August 2015**  
(24) Date from which industrial property rights may have effect: **04 August 2015**  
(54) Product in respect of which the design is registered: **Oyster opener**  
(51) International Design Classification: **07-03**  
(74) Name(s) of Attorney(s): **Spruson & Ferguson**  
(71) Name(s) and Address(s) of Applicant(s):

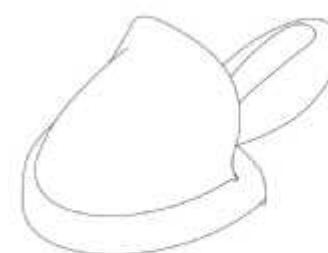
**DKB Household UK Limited**  
**Bridge House Eelmoor Road Farnborough Hampshire GU14 7UE United  
Kingdom**

(72) Name(s) of Designer(s): **Julian Sanders and Matthew Blofeld**

(45) Registration Date: **20 August 2015**

(30) Convention priority data:

(31) Number	(32) Date	(33) Country
<b>002626358-0012</b>	<b>04 Feb 2015</b>	<b>OFFICE FOR HARMONISATION IN THE INTERNAL MARKET (OHIM)</b>



(56) Related Art Documents: **Not Applicable**

(57) Statement of Newness and Distinctiveness: **Newness and distinctiveness is  
claimed in the features of shape and/or configuration of an oyster opener  
as illustrated in the accompanying representations.**

(21) Design Number: **13953/2015**

(22) Date of Filing Application: **04 August 2015**

(24) Date from which industrial property rights may have effect: **04 August 2015**

(54) Product in respect of which the design is registered: **Necklace**

(51) International Design Classification: **11-01E**

(74) Name(s) of Attorney(s): **Callinans**

(71) Name(s) and Address(s) of Applicant(s):

**Bulgari S.p.A.**

**11 Lungotevere Marzio Rome 00186 Italy**

(72) Name(s) of Designer(s): **Lucia Silvestri**

(45) Registration Date: **20 August 2015**

(30) Convention priority data:

(31) Number  
**870761401**

(32) Date  
**04 Feb 2015**

(33) Country  
**WORLD INTELLECTUAL  
PROPERTY ORGANIZATION  
(WIPO)**



(56) Related Art Documents: **Not Applicable**

(57) Statement of Newness and Distinctiveness: **Nil**

(21) Design Number: **13910/2015**

(22) Date of Filing Application: **31 July 2015**

(24) Date from which industrial property rights may have effect: **31 July 2015**

(54) Product in respect of which the design is registered: **Pasta machine/maker  
(with suction base)**

(51) International Design Classification: **31-00**

(74) Name(s) of Attorney(s):

(71) Name(s) and Address(s) of Applicant(s):

**Shanghai Terin Co., Ltd.**

**ROOM 306, JINMAO GARDEN 2515 PUDONG AVE SHANGHAI, China**

(72) Name(s) of Designer(s): **Ruiling Zhang**

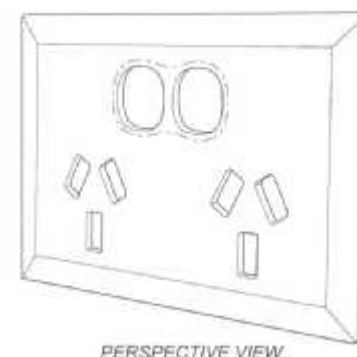
(45) Registration Date: **20 August 2015**

(56) Related Art Documents: **Not Applicable**

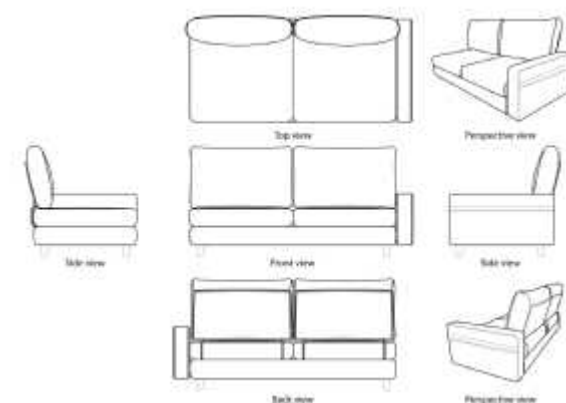
(57) Statement of Newness and Distinctiveness: **Nil**



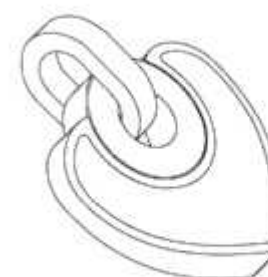
- (21) Design Number: **12206/2015**  
(22) Date of Filing Application: **29 April 2015**  
(24) Date from which industrial property rights may have effect: **29 April 2015**  
(54) Product in respect of which the design is registered: **Front panel for a power socket**  
(51) International Design Classification: **13-03D**  
(74) Name(s) of Attorney(s): **PETER MAXWELL & ASSOCIATES**  
(71) Name(s) and Address(s) of Applicant(s):  
**Kollex Pty Limited**  
**199 Parramatta Rd Homebush West NSW 2140 Australia**  
(72) Name(s) of Designer(s): **Paul Lin**  
(45) Registration Date: **20 August 2015**  
(56) Related Art Documents: **Not Applicable**  
(57) Statement of Newness and Distinctiveness: **Newness and distinctiveness is claimed in the shape and/or configuration of the product illustrated in the accompanying representations. In carrying out a consideration in accordance with Section 19 the shape and/or configuration of the portions of the product illustrated by broken lines in the representations is/are not to be considered either new or distinctive and do/does not form part of the design.**



- (21) Design Number: **13885/2015**  
(22) Date of Filing Application: **31 July 2015**  
(24) Date from which industrial property rights may have effect: **31 July 2015**  
(54) Product in respect of which the design is registered: **A sofa**  
(51) International Design Classification: **06-01G**  
(74) Name(s) of Attorney(s): **FB Rice**  
(71) Name(s) and Address(s) of Applicant(s):  
**King Furniture Australia Pty Ltd**  
**123 Turrella St Turrella NSW 2205 Australia**  
(72) Name(s) of Designer(s): **Ryan Lawson and David King and Anuj Dhawan and Tanya Rechberger**  
(45) Registration Date: **20 August 2015**  
(56) Related Art Documents: **Not Applicable**  
(57) Statement of Newness and Distinctiveness: **Newness and distinctiveness reside in the feature design shown in solid lines in the representation excluding those features shown in broken lines, w greater weight to be given to the backrests.**



(21) Design Number: **13956/2015**  
(22) Date of Filing Application: **04 August 2015**  
(24) Date from which industrial property rights may have effect: **04 August 2015**  
(54) Product in respect of which the design is registered: **Pendant**  
(51) International Design Classification: **11-01NES**  
(74) Name(s) of Attorney(s): **Callinans**  
(71) Name(s) and Address(s) of Applicant(s):  
**Bulgari S.p.A.**  
**11 Lungotevere Marzio Rome 00186 Italy**  
(72) Name(s) of Designer(s): **Lucia Silvestri**  
(45) Registration Date: **20 August 2015**  
(30) Convention priority data:  
(31) Number (32) Date (33) Country  
**870761401 04 Feb 2015 WORLD INTELLECTUAL  
PROPERTY ORGANIZATION  
(WIPO)**  
(56) Related Art Documents: **Not Applicable**  
(57) Statement of Newness and Distinctiveness: **Nil**



(21) Design Number: **13907/2015**  
(22) Date of Filing Application: **31 July 2015**  
(24) Date from which industrial property rights may have effect: **31 July 2015**  
(54) Product in respect of which the design is registered: **Pouch**  
(51) International Design Classification: **09-05**  
(74) Name(s) of Attorney(s): **Pizzey's Patent and Trade Mark Attorneys Pty Ltd**  
(71) Name(s) and Address(s) of Applicant(s):  
**McCormick & Company, Incorporated**  
**18 Loveton Circle Sparks MD 21152-6000 United States of America**  
(72) Name(s) of Designer(s): **Tracie Wilson**  
(45) Registration Date: **20 August 2015**  
(30) Convention priority data:  
(31) Number (32) Date (33) Country  
**29/516,412 02 Feb 2015 UNITED STATES OF AMERICA**  
(56) Related Art Documents: **Not Applicable**  
(57) Statement of Newness and Distinctiveness: **Nil**



- (21) Design Number: **13908/2015**  
(22) Date of Filing Application: **31 July 2015**  
(24) Date from which industrial property rights may have effect: **31 July 2015**  
(54) Product in respect of which the design is registered: **A paint pail**  
(51) International Design Classification: **08-05L**  
(74) Name(s) of Attorney(s): **FB Rice**  
(71) Name(s) and Address(s) of Applicant(s):

**Peter Nadin**  
**1 Imperial Ave Gladesville NSW 2111 Australia**

- (72) Name(s) of Designer(s): **Peter Nadin**  
(45) Registration Date: **20 August 2015**  
(56) Related Art Documents: **Not Applicable**  
(57) Statement of Newness and Distinctiveness: **Newness and distinctiveness reside in the features of shape and/or configuration of the paint pail shown in the representations, with particular emphasis on the flange extending upwardly from the rim of the pail and the spouts being located on the same side of the pail.**



- (21) Design Number: **13911/2015**  
(22) Date of Filing Application: **01 August 2015**  
(24) Date from which industrial property rights may have effect: **01 August 2015**  
(54) Product in respect of which the design is registered: **Pot plant trolley**  
(51) International Design Classification: **12-02**  
(74) Name(s) of Attorney(s):  
(71) Name(s) and Address(s) of Applicant(s):

**T.G.ENTERPRISE PTY LTD**  
**267 West St Harristown QLD 4350 Australia**

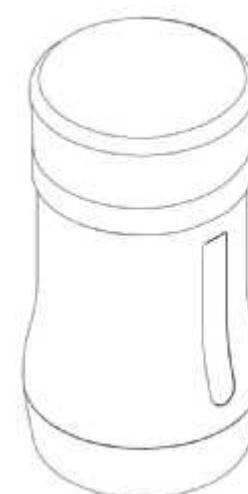
- (72) Name(s) of Designer(s): **Geoffrey Albert Moran**  
(45) Registration Date: **20 August 2015**  
(56) Related Art Documents: **Not Applicable**  
(57) Statement of Newness and Distinctiveness: **Made from Galvanized steel to be unobtrusive under the pot, made with four tow points for easy movement without bending over, and making it very unlikely to tip over. Made to travel over lawns, cobble stones, decking etc. Supplied with a driving stick for ease of use.**



(21) Design Number: **13919/2015**  
(22) Date of Filing Application: **03 August 2015**  
(24) Date from which industrial property rights may have effect: **03 August 2015**  
(54) Product in respect of which the design is registered: **A leg for an article of furniture**  
(51) International Design Classification: **06-06E**  
(74) Name(s) of Attorney(s): **FB Rice**  
(71) Name(s) and Address(s) of Applicant(s):  
**King Furniture Australia Pty Ltd**  
**123 Turrella St Turrella NSW 2205 Australia**  
(72) Name(s) of Designer(s): **Ryan Lawson and David King and Anuj Dhawan and Tanya Rechberger**  
(45) Registration Date: **20 August 2015**  
(56) Related Art Documents: **Not Applicable**  
(57) Statement of Newness and Distinctiveness: **Newness and distinctiveness reside in the features of the design as shown in the representations.**



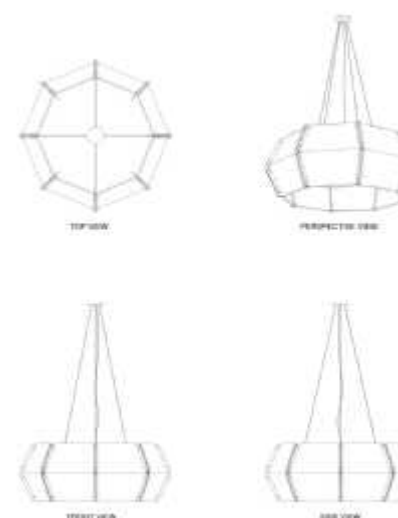
(21) Design Number: **13954/2015**  
(22) Date of Filing Application: **04 August 2015**  
(24) Date from which industrial property rights may have effect: **04 August 2015**  
(54) Product in respect of which the design is registered: **Non-electric foodstuff mill**  
(51) International Design Classification: **07-06C**  
(74) Name(s) of Attorney(s): **Spruson & Ferguson**  
(71) Name(s) and Address(s) of Applicant(s):  
**DKB Household UK Limited**  
**Bridge House Eelmoor Road Farnborough Hampshire GU14 7UE United Kingdom**  
(72) Name(s) of Designer(s): **Clare Cranston**  
(45) Registration Date: **20 August 2015**  
(30) Convention priority data:  
(31) Number (32) Date (33) Country  
**002626358-003 04 Feb 2015 OFFICE FOR HARMONISATION IN THE INTERNAL MARKET (OHIM)**  
(56) Related Art Documents: **Not Applicable**  
(57) Statement of Newness and Distinctiveness: **Newness and distinctiveness is claimed in the features of shape and/or configuration of a non-electric foodstuff mill as illustrated in the accompanying representations.**



- (21) Design Number: **13920/2015**  
(22) Date of Filing Application: **03 August 2015**  
(24) Date from which industrial property rights may have effect: **03 August 2015**  
(54) Product in respect of which the design is registered: **A leg for an article of furniture**  
(51) International Design Classification: **06-06E**  
(74) Name(s) of Attorney(s): **FB Rice**  
(71) Name(s) and Address(s) of Applicant(s):  
**King Furniture Australia Pty Ltd**  
**123 Turrella St Turrella NSW 2205 Australia**  
(72) Name(s) of Designer(s): **Ryan Lawson and David King and Anuj Dhawan and Tanya Rechberger**  
(45) Registration Date: **20 August 2015**  
(56) Related Art Documents: **Not Applicable**  
(57) Statement of Newness and Distinctiveness: **Newness and distinctiveness reside in the features of the design as shown in the representations.**



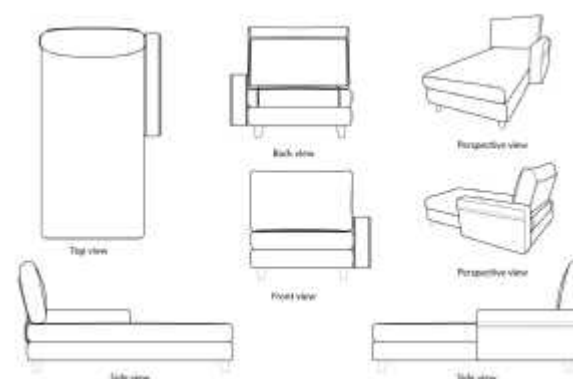
- (21) Design Number: **12363/2015**  
(22) Date of Filing Application: **07 May 2015**  
(24) Date from which industrial property rights may have effect: **07 May 2015**  
(54) Product in respect of which the design is registered: **Pendant light**  
(51) International Design Classification: **26-05D**  
(74) Name(s) of Attorney(s):  
(71) Name(s) and Address(s) of Applicant(s):  
**Duncan James Fraser Ward**  
**96 Hudsons Rd Spotswood VIC 3015 Australia**  
(72) Name(s) of Designer(s): **Duncan James Fraser Ward**  
(45) Registration Date: **20 August 2015**  
(56) Related Art Documents: **Not Applicable**  
(57) Statement of Newness and Distinctiveness: **The design possesses a distinctive visual connection, by folding out the edge of the material between each individual panel to make the whole form of the light. The panel is designed to be reversible so the detail can be on the interior or exterior of the pendant light fitting. The design of the fitting also allows additional panels to be added while maintaining the same look of the design.**



- (21) Design Number: **12848/2015**  
(22) Date of Filing Application: **07 June 2015**  
(24) Date from which industrial property rights may have effect: **07 June 2015**  
(54) Product in respect of which the design is registered: **Swimsuit**  
(51) International Design Classification: **02-02A**  
(74) Name(s) of Attorney(s):  
(71) Name(s) and Address(s) of Applicant(s):  
**Zimmermann Wear Pty Limited**  
**120 Dunning Ave Rosebery NSW 2018 Australia**  
(72) Name(s) of Designer(s): **Nicole Zimmermann**  
(45) Registration Date: **20 August 2015**  
(56) Related Art Documents: **Not Applicable**  
(57) Statement of Newness and Distinctiveness: **Newness and distinctiveness is claimed in the shape, configuration, pattern and/or ornamentation of the double parallel backstops as depicted in the accompanying representations.**



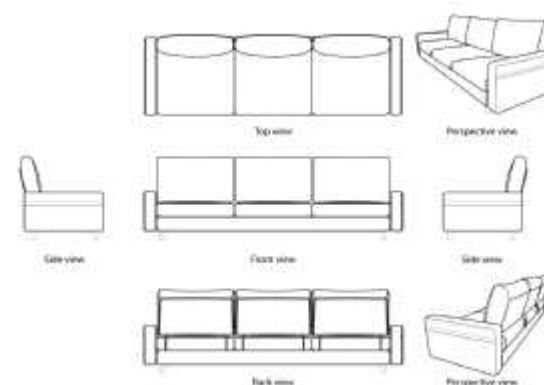
- (21) Design Number: **13894/2015**  
(22) Date of Filing Application: **31 July 2015**  
(24) Date from which industrial property rights may have effect: **31 July 2015**  
(54) Product in respect of which the design is registered: **A chaise**  
(51) International Design Classification: **06-01G**  
(74) Name(s) of Attorney(s): **FB Rice**  
(71) Name(s) and Address(s) of Applicant(s):  
**King Furniture Australia Pty Ltd**  
**123 Turrella St Turrella NSW 2205 Australia**  
(72) Name(s) of Designer(s): **Ryan Lawson and David King and Anuj Dhawan and Tanya Rechberger**  
(45) Registration Date: **20 August 2015**  
(56) Related Art Documents: **Not Applicable**  
(57) Statement of Newness and Distinctiveness: **Newness and distinctiveness reside in the features of the design shown in solid lines in the representations excluding those features shown in broken lines, with greater weight to be given to the backrest, it being understood that the armrest can be arranged on either side of the base of the chaise.**



- (21) Design Number: **13899/2015**  
(22) Date of Filing Application: **31 July 2015**  
(24) Date from which industrial property rights may have effect: **31 July 2015**  
(54) Product in respect of which the design is registered: **A sofa**  
(51) International Design Classification: **06-01G**  
(74) Name(s) of Attorney(s): **FB Rice**  
(71) Name(s) and Address(s) of Applicant(s):

**King Furniture Australia Pty Ltd**  
**123 Turrella St Turrella NSW 2205 Australia**

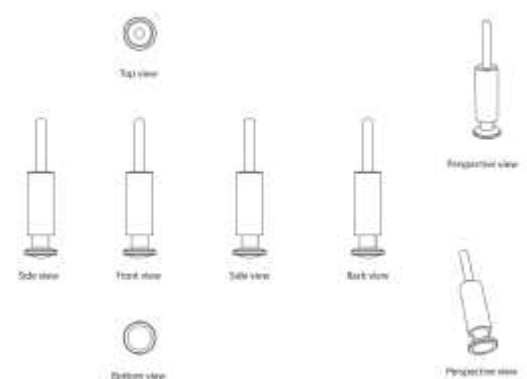
- (72) Name(s) of Designer(s): **Ryan Lawson and David King and Anuj Dhawan and Tanya Rechberger**  
(45) Registration Date: **20 August 2015**  
(56) Related Art Documents: **Not Applicable**  
(57) Statement of Newness and Distinctiveness: **Newness and distinctiveness reside in the features of the design shown in solid lines in the representations excluding those features shown in broken lines, with greater weight to be given to the backrests.**



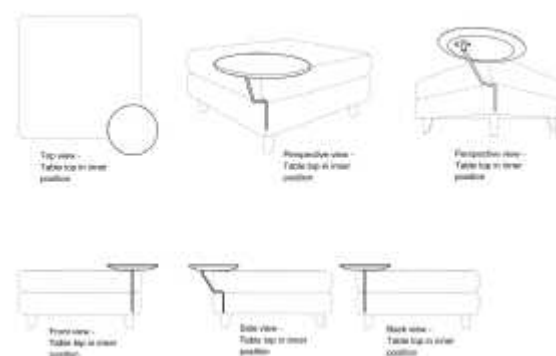
- (21) Design Number: **13921/2015**  
(22) Date of Filing Application: **03 August 2015**  
(24) Date from which industrial property rights may have effect: **03 August 2015**  
(54) Product in respect of which the design is registered: **A leg for an article of furniture**  
(51) International Design Classification: **06-06C**  
(74) Name(s) of Attorney(s): **FB Rice**  
(71) Name(s) and Address(s) of Applicant(s):

**King Furniture Australia Pty Ltd**  
**123 Turrella St Turrella NSW 2205 Australia**

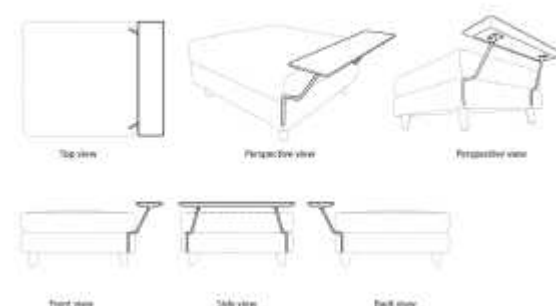
- (72) Name(s) of Designer(s): **Ryan Lawson and David King and Anuj Dhawan and Tanya Rechberger**  
(45) Registration Date: **20 August 2015**  
(56) Related Art Documents: **Not Applicable**  
(57) Statement of Newness and Distinctiveness: **Newness and distinctiveness reside in the features of the design as shown in the representations.**



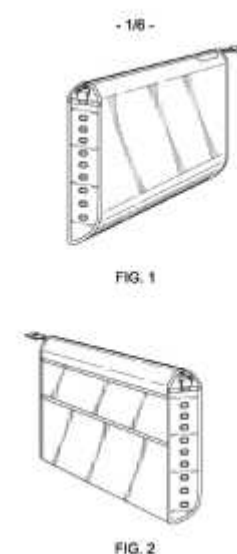
- (21) Design Number: **13922/2015**  
(22) Date of Filing Application: **03 August 2015**  
(24) Date from which industrial property rights may have effect: **03 August 2015**  
(54) Product in respect of which the design is registered: **A table accessory**  
(51) International Design Classification: **06-06E**  
(74) Name(s) of Attorney(s): **FB Rice**  
(71) Name(s) and Address(s) of Applicant(s):  
**King Furniture Australia Pty Ltd**  
**123 Turrella St Turrella NSW 2205 Australia**  
(72) Name(s) of Designer(s): **Ryan Lawson and David King and Anuj Dhawan and Tanya Rechberger**  
(45) Registration Date: **20 August 2015**  
(56) Related Art Documents: **Not Applicable**  
(57) Statement of Newness and Distinctiveness: **Newness and distinctiveness reside in the features of the design shown in solid lines in the representations excluding those features shown in broken lines, the parts shown in broken lines being provided for reference purposes only and not forming part of the design. Greater weight is to be given to the shape and configuration of the leg and its attachment to a table top of the table, it being understood that the table top can be positioned on the leg at any position between its outer position and its inner position.**



- (21) Design Number: **13923/2015**  
(22) Date of Filing Application: **03 August 2015**  
(24) Date from which industrial property rights may have effect: **03 August 2015**  
(54) Product in respect of which the design is registered: **A table accessory**  
(51) International Design Classification: **06-06E**  
(74) Name(s) of Attorney(s): **FB Rice**  
(71) Name(s) and Address(s) of Applicant(s):  
**King Furniture Australia Pty Ltd**  
**123 Turrella St Turrella NSW 2205 Australia**  
(72) Name(s) of Designer(s): **Ryan Lawson and David King and Anuj Dhawan and Tanya Rechberger**  
(45) Registration Date: **20 August 2015**  
(56) Related Art Documents: **Not Applicable**  
(57) Statement of Newness and Distinctiveness: **Newness and distinctiveness reside in the features of the design shown in solid lines in the representations excluding those features shown in broken lines, the parts shown in broken lines being provided for reference purposes only and not forming part of the design. Greater weight is to be given to the shape and configuration of the legs and their attachment to a table top of the table.**



- (21) Design Number: **13924/2015**  
(22) Date of Filing Application: **03 August 2015**  
(24) Date from which industrial property rights may have effect: **03 August 2015**  
(54) Product in respect of which the design is registered: **Bag**  
(51) International Design Classification: **03-01A**  
(74) Name(s) of Attorney(s): **Alder IP Pty Ltd**  
(71) Name(s) and Address(s) of Applicant(s):  
**Airpocket Pty Ltd**  
**15 Westgarth St O'Connor ACT 2602 Australia**  
(72) Name(s) of Designer(s): **Patricia Smith**  
(45) Registration Date: **20 August 2015**  
(56) Related Art Documents: **Not Applicable**  
(57) Statement of Newness and Distinctiveness: **Newness and distinctiveness of the design resides in the shape and configuration of a bag shown in the accompanying representations.**



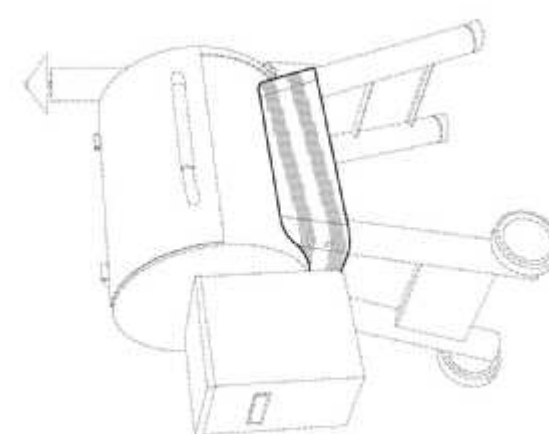
- (21) Design Number: **13925/2015**  
(22) Date of Filing Application: **03 August 2015**  
(24) Date from which industrial property rights may have effect: **03 August 2015**  
(54) Product in respect of which the design is registered: **Trailer**  
(51) International Design Classification: **12-10**  
(74) Name(s) of Attorney(s): **AJ Park**  
(71) Name(s) and Address(s) of Applicant(s):  
**Peter David Guy**  
**30 Hau Road Motueka 7120 New Zealand**  
(72) Name(s) of Designer(s): **Peter David Guy**  
(45) Registration Date: **20 August 2015**  
(56) Related Art Documents: **Not Applicable**  
(57) Statement of Newness and Distinctiveness: **Newness and distinctiveness reside in the features of shape and/or configuration of the trailer, including the shape and/or configuration of the components of the trailer when the forks are in the side-shifted positions, all as shown in the representations. The features shown in phantom lines in the representations are shown for illustrative purposes only, and are to be disregarded when considering the overall impression of the design. The side frame members and forks are of indefinite length.**



(21) Design Number: **13957/2015**  
(22) Date of Filing Application: **04 August 2015**  
(24) Date from which industrial property rights may have effect: **04 August 2015**  
(54) Product in respect of which the design is registered: **Back pain treatment and spinal protection device**  
(51) International Design Classification: **24-04**  
(74) Name(s) of Attorney(s): **EAGAR & MARTIN PTY LTD**  
(71) Name(s) and Address(s) of Applicant(s):  
**Rosalie Dudkiewicz**  
**101 Warren Road West Orange NJ 07052 NJ, 07052 United States of America**  
**Dariusz Dudkiewicz**  
**101 Warren Road West Orange NJ, 07052 United States of America**  
(72) Name(s) of Designer(s): **Dariusz Dudkiewicz and Rosalie Dudkiewicz**  
(45) Registration Date: **21 August 2015**  
(30) Convention priority data:  
(31) Number (32) Date (33) Country  
**29/516851 06 Feb 2015 UNITED STATES OF AMERICA**  
(56) Related Art Documents: **Not Applicable**  
(57) Statement of Newness and Distinctiveness: **Nil**



(21) Design Number: **13960/2015**  
(22) Date of Filing Application: **04 August 2015**  
(24) Date from which industrial property rights may have effect: **04 August 2015**  
(54) Product in respect of which the design is registered: **Grill skirt**  
(51) International Design Classification: **07-02E**  
(74) Name(s) of Attorney(s): **PHILLIPS ORMONDE FITZPATRICK**  
(71) Name(s) and Address(s) of Applicant(s):  
**Traeger Pellet Grills LLC**  
**9445 SW Ridder Road Wilsonville Oregon, 97070 United States of America**  
(72) Name(s) of Designer(s): **Michael Colston**  
(45) Registration Date: **21 August 2015**  
(30) Convention priority data:  
(31) Number (32) Date (33) Country  
**29/474,954 11 Mar 2015 UNITED STATES OF AMERICA**  
(56) Related Art Documents: **Not Applicable**  
(57) Statement of Newness and Distinctiveness: **Those features of the grill skirt depicted in the representations that are new and distinctive are the shape and/or configuration. The features shown in broken line are for illustrative purposes and form no part of the design.**



(21) Design Number: **13968/2015**  
(22) Date of Filing Application: **04 August 2015**  
(24) Date from which industrial property rights may have effect: **04 August 2015**  
(54) Product in respect of which the design is registered: **Lawnmower**  
(51) International Design Classification: **15-03B**  
(74) Name(s) of Attorney(s):  
(71) Name(s) and Address(s) of Applicant(s):  
**Peter John Hosking**  
**26 Berry Street East Melbourne VIC 3002 Australia**  
(72) Name(s) of Designer(s): **Peter John Hosking**  
(45) Registration Date: **21 August 2015**  
(56) Related Art Documents: **Not Applicable**  
(57) Statement of Newness and Distinctiveness: **The new product has a combination of streamlined design facets to provide a distinctive look. Including shape of wheels, catcher, and deck in this design.**



(21) Design Number: **13969/2015**  
(22) Date of Filing Application: **05 August 2015**  
(24) Date from which industrial property rights may have effect: **05 August 2015**  
(54) Product in respect of which the design is registered: **Ice cream container**  
(51) International Design Classification: **07-01NES**  
(74) Name(s) of Attorney(s): **Griffith Hack**  
(71) Name(s) and Address(s) of Applicant(s):  
**Unilever PLC**  
**Unilever House 100 Victoria Embankment London EC4Y 0DY United Kingdom**  
(72) Name(s) of Designer(s): **William John Maskell**  
(45) Registration Date: **21 August 2015**  
(30) Convention priority data:  
(31) Number (32) Date (33) Country  
**002632448-0001 12 Feb 2015 OFFICE FOR HARMONISATION IN THE INTERNAL MARKET (OHIM)**  
(56) Related Art Documents: **Not Applicable**  
(57) Statement of Newness and Distinctiveness: **Newness and distinctiveness resides in the visual features, including shape and configuration, of an ICE CREAM CONTAINER as shown in the accompanying drawings.**



(21) Design Number: **13970/2015**

(22) Date of Filing Application: **05 August 2015**

(24) Date from which industrial property rights may have effect: **05 August 2015**

(54) Product in respect of which the design is registered: **Personal workplace**

(51) International Design Classification: **06-06NES**

(74) Name(s) of Attorney(s): **Pizzeys Patent and Trade Mark Attorneys Pty Ltd**

(71) Name(s) and Address(s) of Applicant(s):

**Steelcase Inc.**

**901 44th Street S.E. P.O. Box 1967 Grand Rapids MI, 49508 United States of America**

(72) Name(s) of Designer(s): **Keith Robert Machin and Mark McKenna and Mark William Spoelhof and Duck Young Kong**

(45) Registration Date: **21 August 2015**

(30) Convention priority data:

(31) Number	(32) Date	(33) Country
<b>29/517,534</b>	<b>13 Feb 2015</b>	<b>UNITED STATES OF AMERICA</b>

(56) Related Art Documents: **Not Applicable**

(57) Statement of Newness and Distinctiveness: **Nil including shape and configuration, of an ICE CREAM CONTAINER as shown in the accompanying drawings.**



(21) Design Number: **13972/2015**

(22) Date of Filing Application: **05 August 2015**

(24) Date from which industrial property rights may have effect: **05 August 2015**

(54) Product in respect of which the design is registered: **Personal workspace**

(51) International Design Classification: **06-06NES**

(74) Name(s) of Attorney(s): **Pizzeys Patent and Trade Mark Attorneys Pty Ltd**

(71) Name(s) and Address(s) of Applicant(s):

**Steelcase Inc.**

**901 44th Street S.E. P.O. Box 1967 Grand Rapids MI, 49508 United States of America**

(72) Name(s) of Designer(s): **Mark McKenna and Mark William Spoelhof and Duck Young Kong**

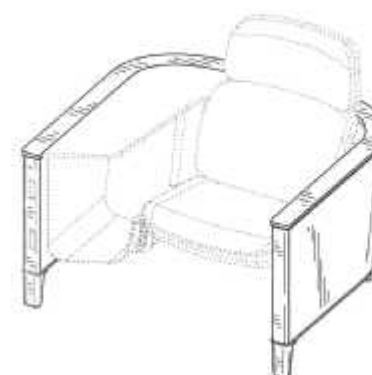
(45) Registration Date: **21 August 2015**

(30) Convention priority data:

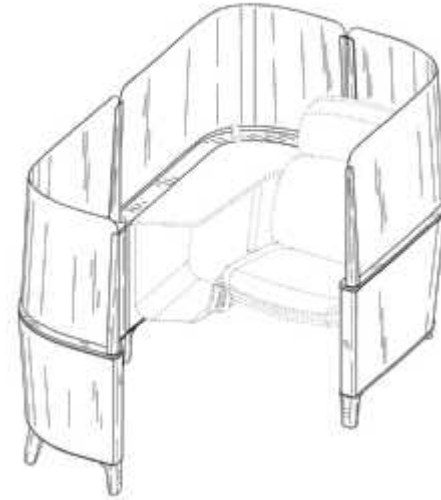
(31) Number	(32) Date	(33) Country
<b>29/517,529</b>	<b>13 Feb 2015</b>	<b>UNITED STATES OF AMERICA</b>

(56) Related Art Documents: **Not Applicable**

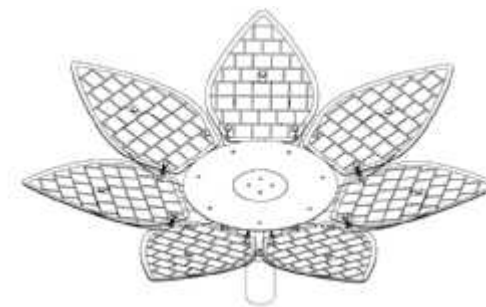
(57) Statement of Newness and Distinctiveness: **Nil**



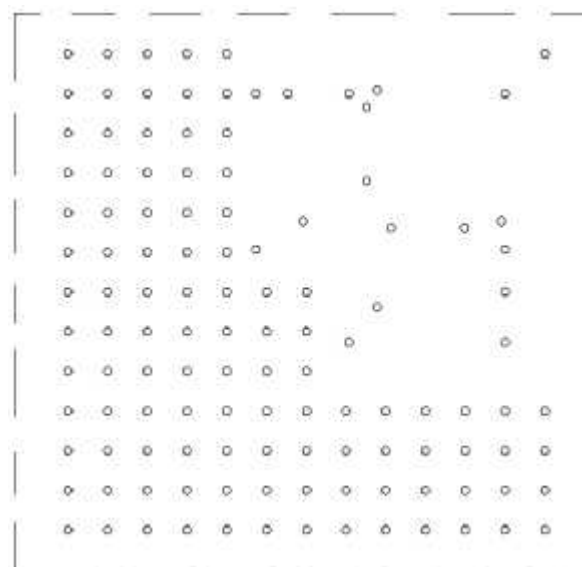
(21) Design Number: **13973/2015**  
(22) Date of Filing Application: **05 August 2015**  
(24) Date from which industrial property rights may have effect: **05 August 2015**  
(54) Product in respect of which the design is registered: **Personal workspace**  
(51) International Design Classification: **06-06NES**  
(74) Name(s) of Attorney(s): **Pizzseys Patent and Trade Mark Attorneys Pty Ltd**  
(71) Name(s) and Address(s) of Applicant(s):  
**Steelcase Inc.**  
**901 44th Street S.E. PO Box 1967 Grand Rapids MI 49508 United States of America**  
(72) Name(s) of Designer(s): **Keith Robert Machin and Mark McKenna and Mark William Spoelhof and Duck Young Kong**  
(45) Registration Date: **21 August 2015**  
(30) Convention priority data:  
(31) Number (32) Date (33) Country  
**29/517,531 13 Feb 2015 UNITED STATES OF AMERICA**  
(56) Related Art Documents: **Not Applicable**  
(57) Statement of Newness and Distinctiveness: **Nil**



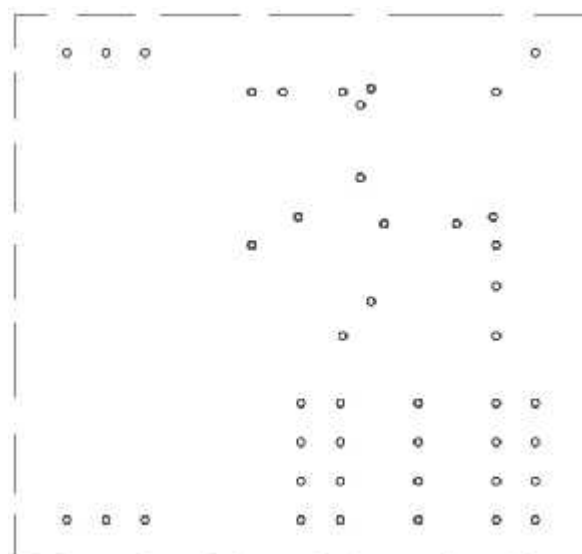
(21) Design Number: **13974/2015**  
(22) Date of Filing Application: **05 August 2015**  
(24) Date from which industrial property rights may have effect: **05 August 2015**  
(54) Product in respect of which the design is registered: **Solar powered public art flower**  
(51) International Design Classification: **13-99**  
(74) Name(s) of Attorney(s):  
(71) Name(s) and Address(s) of Applicant(s):  
**Zsolt Zombori**  
**E409/183 West Coast Hwy Scarborough WA 6019 Australia**  
(72) Name(s) of Designer(s): **Zsolt Zombori**  
(45) Registration Date: **21 August 2015**  
(56) Related Art Documents: **Not Applicable**  
(57) Statement of Newness and Distinctiveness: **It is a visible statement to encourage sustainable future and to raise public awareness through Public Art. Solar flowers generate electricity and provide additional services.**



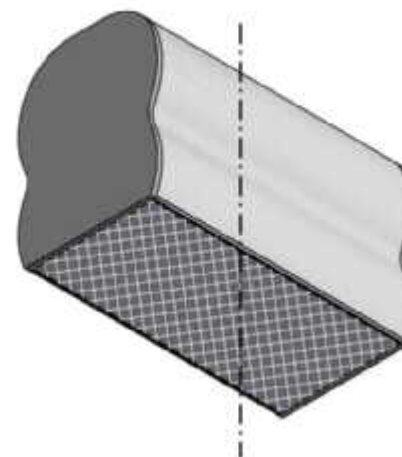
- (21) Design Number: **13912/2015**  
(22) Date of Filing Application: **01 August 2015**  
(24) Date from which industrial property rights may have effect: **01 August 2015**  
(54) Product in respect of which the design is registered: **Hole patterns for the mounting of sub-systems**  
(51) International Design Classification: **25-01D**  
(74) Name(s) of Attorney(s):  
(71) Name(s) and Address(s) of Applicant(s):  
**ROK Technology Pty Ltd**  
**PO BOX 999 Mount Eliza VIC 3930 Australia**  
(72) Name(s) of Designer(s): **Jason Edward Tolley**  
(45) Registration Date: **21 August 2015**  
(56) Related Art Documents: **Not Applicable**  
(57) Statement of Newness and Distinctiveness: **Newness and distinctiveness resides in the combination of a one or more areas of a fixed pitch, matrix of holes and one or more areas of variable hole patterns. The broken lines of the accompanying drawing indicate that the overall size of the design, including the total number of holes is not limited and may be of any size and dimension.**



- (21) Design Number: **13913/2015**  
(22) Date of Filing Application: **01 August 2015**  
(24) Date from which industrial property rights may have effect: **01 August 2015**  
(54) Product in respect of which the design is registered: **Hole patterns for the mounting of sub-systems**  
(51) International Design Classification: **25-01D**  
(74) Name(s) of Attorney(s):  
(71) Name(s) and Address(s) of Applicant(s):  
**ROK Technology Pty Ltd**  
**PO BOX 999 Mount Eliza VIC 3930 Australia**  
(72) Name(s) of Designer(s): **Jason Edward Tolley**  
(45) Registration Date: **21 August 2015**  
(56) Related Art Documents: **Not Applicable**  
(57) Statement of Newness and Distinctiveness: **Newness and distinctiveness resides in the combination of a one or more areas of a fixed pitch, matrix of holes and one or more areas of variable hole patterns. The broken lines of the accompanying drawing indicate that the overall size of the design, including the total number of holes is not limited and may be of any size and dimension.**



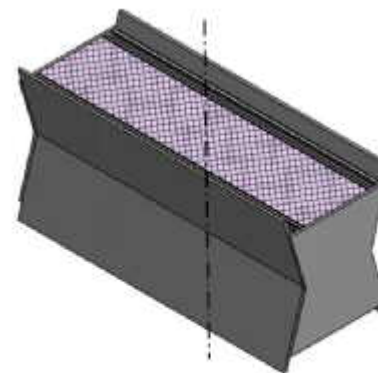
- (21) Design Number: **13961/2015**  
(22) Date of Filing Application: **04 August 2015**  
(24) Date from which industrial property rights may have effect: **04 August 2015**  
(54) Product in respect of which the design is registered: **Housing for light emitting diode(s)**  
(51) International Design Classification: **26-05E**  
(74) Name(s) of Attorney(s): **Griffith Hack**  
(71) Name(s) and Address(s) of Applicant(s):  
**Efficient Lighting Systems Pty Ltd**  
**39 Tinning St Brunswick VIC 3056 Australia**  
(72) Name(s) of Designer(s): **Kate Alexander**  
(45) Registration Date: **21 August 2015**  
(56) Related Art Documents: **Not Applicable**  
(57) Statement of Newness and Distinctiveness: **Newness and distinctiveness resides in the visual features including the shape and configuration of the product as shown in the figures. The dashed line in the figures represents that the product may be of any length. The light diffuser represented by the grid in the representations does not form part of the product.**



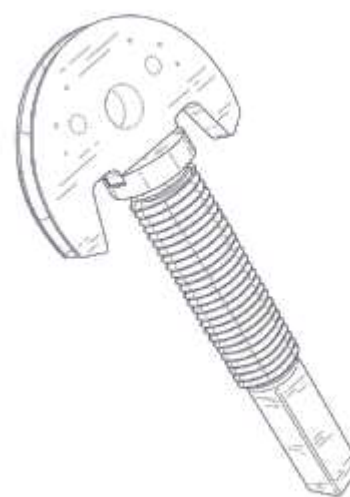
- (21) Design Number: **13962/2015**  
(22) Date of Filing Application: **04 August 2015**  
(24) Date from which industrial property rights may have effect: **04 August 2015**  
(54) Product in respect of which the design is registered: **Housing for light emitting diode(s)**  
(51) International Design Classification: **26-05E**  
(74) Name(s) of Attorney(s): **Griffith Hack**  
(71) Name(s) and Address(s) of Applicant(s):  
**Efficient Lighting Systems Pty Ltd**  
**39 Tinning St Brunswick VIC 3056 Australia**  
(72) Name(s) of Designer(s): **Kate Alexander**  
(45) Registration Date: **21 August 2015**  
(56) Related Art Documents: **Not Applicable**  
(57) Statement of Newness and Distinctiveness: **Newness and distinctiveness resides in the visual features including the shape and configuration of the product as shown in the figures. The dashed line in the figures represents that the product may be of any length. The light diffuser represented by the grid in the representations does not form part of the product.**



(21) Design Number: **13963/2015**  
(22) Date of Filing Application: **04 August 2015**  
(24) Date from which industrial property rights may have effect: **04 August 2015**  
(54) Product in respect of which the design is registered: **Housing for light emitting diode(s)**  
(51) International Design Classification: **26-05E**  
(74) Name(s) of Attorney(s): **Griffith Hack**  
(71) Name(s) and Address(s) of Applicant(s):  
**Efficient Lighting Systems Pty Ltd**  
**39 Tinning St Brunswick VIC 3056 Australia**  
(72) Name(s) of Designer(s): **Kate Alexander**  
(45) Registration Date: **21 August 2015**  
(56) Related Art Documents: **Not Applicable**  
(57) Statement of Newness and Distinctiveness: **Newness and distinctiveness resides in the visual features including the shape and configuration of the product as shown in the figures. The dashed line in the figures represents that the product may be of any length. The light diffusers represented by the grid in the representations do not form part of the product.**



(21) Design Number: **13964/2015**  
(22) Date of Filing Application: **04 August 2015**  
(24) Date from which industrial property rights may have effect: **04 August 2015**  
(54) Product in respect of which the design is registered: **Take-up device for a rope shovel**  
(51) International Design Classification: **15-04**  
(74) Name(s) of Attorney(s): **IP Gateway Patent & Trade Mark Attorneys Pty Ltd**  
(71) Name(s) and Address(s) of Applicant(s):  
**Caterpillar Global Mining LLC**  
**6744 S. Howell Avenue Oak Creek WI 53154 United States of America**  
(72) Name(s) of Designer(s): **Dallas L. Reinert and Michael J. Burkard**  
(45) Registration Date: **21 August 2015**  
(30) Convention priority data:  
(31) Number      (32) Date      (33) Country  
**29/517,535      13 Feb 2015      UNITED STATES OF AMERICA**  
(56) Related Art Documents: **Not Applicable**  
(57) Statement of Newness and Distinctiveness: **Newness and distinctiveness reside in the visual features of the shape and configuration of the product as shown in solid lines in the representations. Visual features shown in broken dashed lines should be given minimum regard.**



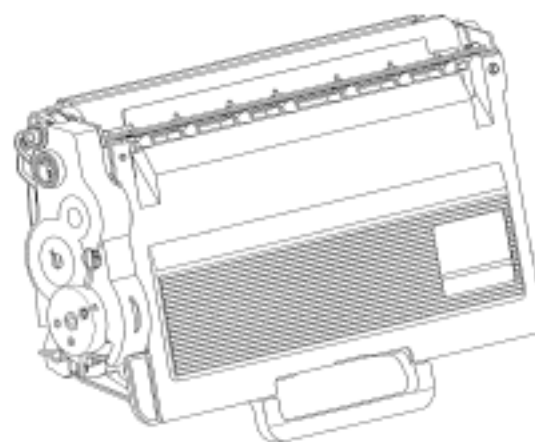
(21) Design Number: **13965/2015**  
(22) Date of Filing Application: **04 August 2015**  
(24) Date from which industrial property rights may have effect: **04 August 2015**  
(54) Product in respect of which the design is registered: **An adaptor for food processor**  
(51) International Design Classification: **31-00**  
(74) Name(s) of Attorney(s): **Madderns**  
(71) Name(s) and Address(s) of Applicant(s):  
**Brett Gresham**  
**8 Glenburnie Tce Plympton SA 5038 Australia**  
(72) Name(s) of Designer(s): **Brett Gresham**  
(45) Registration Date: **21 August 2015**  
(56) Related Art Documents: **Not Applicable**  
(57) Statement of Newness and Distinctiveness: **Nil**



(21) Design Number: **13975/2015**  
(22) Date of Filing Application: **05 August 2015**  
(24) Date from which industrial property rights may have effect: **05 August 2015**  
(54) Product in respect of which the design is registered: **Table**  
(51) International Design Classification: **06-03A**  
(74) Name(s) of Attorney(s): **Shelston IP**  
(71) Name(s) and Address(s) of Applicant(s):  
**Jardin Netherlands B.V.**  
**Ericssonstraat 17 Rijen 5121MK The Netherlands**  
(72) Name(s) of Designer(s): **Ayala Bougay**  
(45) Registration Date: **21 August 2015**  
(56) Related Art Documents: **Not Applicable**  
(57) Statement of Newness and Distinctiveness: **Newness and distinctiveness reside in the features of shape and/or configuration of a TABLE as illustrated in the accompanying representations.**



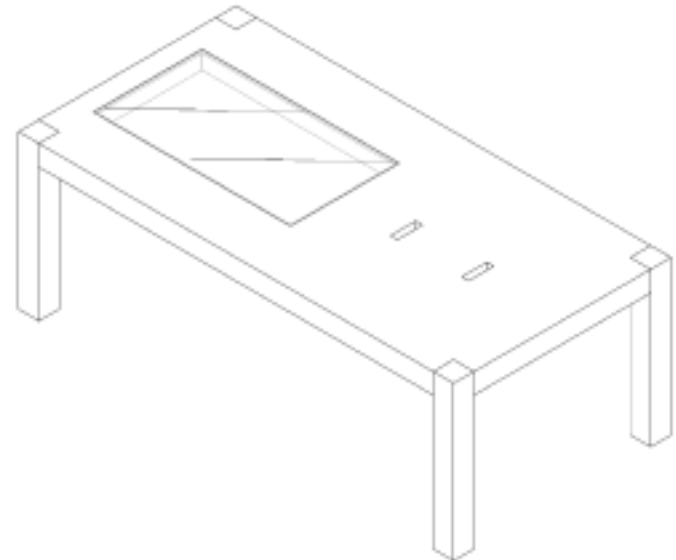
- (21) Design Number: **13976/2015**  
(22) Date of Filing Application: **05 August 2015**  
(24) Date from which industrial property rights may have effect: **05 August 2015**  
(54) Product in respect of which the design is registered: **Toner cartridge**  
(51) International Design Classification: **14-02**  
(74) Name(s) of Attorney(s): **Collison & Co**  
(71) Name(s) and Address(s) of Applicant(s):  
**BROTHER INDUSTRIES, LTD.**  
**15-1 Naeshiro-cho Mizuho-ku Nagoya-shi Aichi-ken, 467-8561 Japan**  
(72) Name(s) of Designer(s): **Yasuo Fukamachi and Motoaki Mushika and Koji Abe and Takuya Kanda and Kazuna Taguchi**  
(45) Registration Date: **21 August 2015**  
(30) Convention priority data:  
(31) Number      (32) Date      (33) Country  
**2015-002399      09 Feb 2015      JAPAN**  
(56) Related Art Documents: **Not Applicable**  
(57) Statement of Newness and Distinctiveness: **Nil**



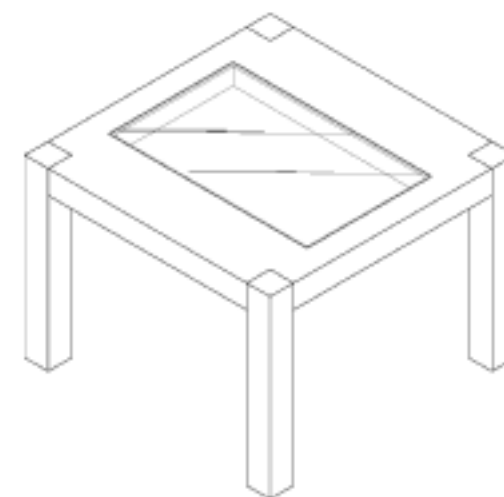
- (21) Design Number: **14001/2015**  
(22) Date of Filing Application: **06 August 2015**  
(24) Date from which industrial property rights may have effect: **06 August 2015**  
(54) Product in respect of which the design is registered: **Plate**  
(51) International Design Classification: **07-01A**  
(74) Name(s) of Attorney(s):  
(71) Name(s) and Address(s) of Applicant(s):  
**b.box for kids developments Pty Ltd**  
**73 Emo Rd Malvern East VIC 3145 Australia**  
(72) Name(s) of Designer(s): **Danielle Michaels and Monique Filer**  
(45) Registration Date: **21 August 2015**  
(56) Related Art Documents: **Not Applicable**  
(57) Statement of Newness and Distinctiveness: **The b.box plate is designed to enable children to hold the edges easily with a soft curved edge. It is also shaped in such a way that enables children to divide food into different sections while still scooping the food easily. Non slip base gives kids greater control. Dishwasher and microwave safe.**



(21) Design Number: **14005/2015**  
(22) Date of Filing Application: **06 August 2015**  
(24) Date from which industrial property rights may have effect: **06 August 2015**  
(54) Product in respect of which the design is registered: **Table**  
(51) International Design Classification: **06-03A**  
(74) Name(s) of Attorney(s): **Freehills Patent Attorneys**  
(71) Name(s) and Address(s) of Applicant(s):  
**Apple Inc.**  
**1 Infinite Loop Cupertino California, 95014 United States of America**  
(72) Name(s) of Designer(s): **Charles A. Schwalbach and David Samuel Kumka and Russell John Kaaihue Heirakuji and Carly Lynn Marasco and Frank Craig Thaler**  
(45) Registration Date: **21 August 2015**  
(30) Convention priority data:  
(31) Number (32) Date (33) Country  
**29/516911 06 Feb 2015 UNITED STATES OF AMERICA**  
(56) Related Art Documents: **Not Applicable**  
(57) Statement of Newness and Distinctiveness: **Nil**



(21) Design Number: **14006/2015**  
(22) Date of Filing Application: **06 August 2015**  
(24) Date from which industrial property rights may have effect: **06 August 2015**  
(54) Product in respect of which the design is registered: **Table**  
(51) International Design Classification: **06-03A**  
(74) Name(s) of Attorney(s): **Freehills Patent Attorneys**  
(71) Name(s) and Address(s) of Applicant(s):  
**Apple Inc.**  
**1 Infinite Loop Cupertino California, 95014 United States of America**  
(72) Name(s) of Designer(s): **Charles A. Schwalbach and David Samuel Kumka and Russell John Kaaihue Heirakuji and Carly Lynn Marasco and Frank Craig Thaler**  
(45) Registration Date: **21 August 2015**  
(30) Convention priority data:  
(31) Number (32) Date (33) Country  
**29/516911 06 Feb 2015 UNITED STATES OF AMERICA**  
(56) Related Art Documents: **Not Applicable**  
(57) Statement of Newness and Distinctiveness: **Nil**



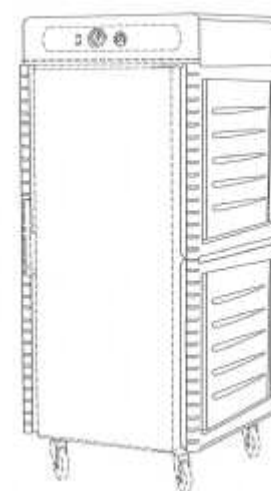
(21) Design Number: **14015/2015**  
(22) Date of Filing Application: **06 August 2015**  
(24) Date from which industrial property rights may have effect: **06 August 2015**  
(54) Product in respect of which the design is registered: **A shelf incorporating a tap**  
(51) International Design Classification: **23-01H**  
(74) Name(s) of Attorney(s): **Cullens Patent and Trade Mark Attorneys**  
(71) Name(s) and Address(s) of Applicant(s):  
**Ramtaps Pty Ltd**  
**556 Curtin Ave East Eagle Farm QLD 4009 Australia**  
(72) Name(s) of Designer(s): **Gary Raymond Stevens**  
(45) Registration Date: **21 August 2015**  
(56) Related Art Documents: **Not Applicable**

(57) Statement of Newness and Distinctiveness: **In considering the newness and distinctiveness of the design, the following should be taken into consideration: (i) newness and distinctiveness lie in the shape and configuration of a shelf incorporating a tap ("the product") as shown in the accompanying representations; (ii) parts of the product that are not visible when the product is installed, and the shape and configuration thereof, do not form part of the design; and (iii) the product may have one or more letters (e.g. "H" or "C") or lettering (e.g. the word "HOT" or "COLD") or temperature indicator markings or flow indicator markings provided on, in or as part of the surface somewhere on the product that is visible when the product is installed; however none of these form part of the design.**



(21) Design Number: **14018/2015**  
(22) Date of Filing Application: **06 August 2015**  
(24) Date from which industrial property rights may have effect: **06 August 2015**  
(54) Product in respect of which the design is registered: **Mobile food storage cabinet**  
(51) International Design Classification: **12-02, 06-04E**  
(74) Name(s) of Attorney(s): **Spruson & Ferguson**  
(71) Name(s) and Address(s) of Applicant(s):  
**Metro Industries Inc.**  
**One East First Street, Suite 1141, Reno Nevada, 89501 United States of America**  
(72) Name(s) of Designer(s): **Jeffrey C Olson**  
(45) Registration Date: **21 August 2015**  
(30) Convention priority data:  
(31) Number (32) Date (33) Country  
**29/517829 17 Feb 2015 UNITED STATES OF AMERICA**  
(56) Related Art Documents: **Not Applicable**

(57) Statement of Newness and Distinctiveness: **Newness and distinctiveness is claimed in the features of shape and/or configuration of a mobile food storage cabinet as illustrated in continuous lines in the accompanying representations.**



- (21) Design Number: **14019/2015**  
(22) Date of Filing Application: **06 August 2015**  
(24) Date from which industrial property rights may have effect: **07 May 2015**  
(54) Product in respect of which the design is registered: **Computing device display screen**  
(51) International Design Classification: **14-02**  
(74) Name(s) of Attorney(s): **WRAYS PTY LTD**  
(71) Name(s) and Address(s) of Applicant(s):  
**Uber Technologies, Inc.**  
**1455 Market Street 4th Floor San Francisco California, 94103 United States of America**  
(72) Name(s) of Designer(s): **John Stephen Francis and Lorenzo Riccardo Calvani and Michael Aaron Eton York**  
(45) Registration Date: **21 August 2015**  
(30) Convention priority data:  
(31) Number (32) Date (33) Country  
**29/508,615 07 Nov 2014 UNITED STATES OF AMERICA**  
(62) Divisional of: **363401**  
(56) Related Art Documents: **Not Applicable**  
(57) Statement of Newness and Distinctiveness: **Newness and distinctiveness is claimed in the features of shape, configuration, pattern, and/or ornamentation of the Computing Device Display Screen With Transport Service Summary Graphical User Interface as shown in the accompanying representations. The features depicted by broken lines, as well as the outer most rectangle (intended to reflect a portion of the computing device), are for illustrative purposes only and form no part of the claimed design.**



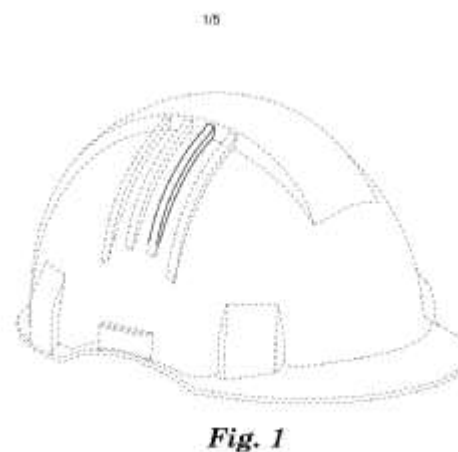
- (21) Design Number: **14020/2015**  
(22) Date of Filing Application: **06 August 2015**  
(24) Date from which industrial property rights may have effect: **06 August 2015**  
(54) Product in respect of which the design is registered: **Computing device display screen**  
(51) International Design Classification: **14-02**  
(74) Name(s) of Attorney(s): **WRAYS PTY LTD**  
(71) Name(s) and Address(s) of Applicant(s):  
**Uber Technologies, Inc.**  
**1455 Market Street 4th Floor San Francisco California, 94103 United States of America**  
(72) Name(s) of Designer(s): **John Stephen Francis and Lorenzo Riccardo Calvani and Michael Aaron Eton York**  
(45) Registration Date: **21 August 2015**  
(56) Related Art Documents: **Not Applicable**  
(57) Statement of Newness and Distinctiveness: **Newness and distinctiveness is claimed in the features of shape, configuration, pattern, and/or ornamentation of the Computing Device Display Screen With Transport Service Summary Graphical User Interface as shown in the accompanying representations. The features depicted by broken lines, as well as the outer most rectangle (intended to reflect a portion of the computing device), are for illustrative purposes only and form no part of the claimed design.**



- (21) Design Number: **14021/2015**  
(22) Date of Filing Application: **06 August 2015**  
(24) Date from which industrial property rights may have effect: **06 August 2015**  
(54) Product in respect of which the design is registered: **Computing device display screen**  
(51) International Design Classification: **14-02**  
(74) Name(s) of Attorney(s): **WRAYS PTY LTD**  
(71) Name(s) and Address(s) of Applicant(s):  
**Uber Technologies, Inc.**  
**1455 Market Street 4th Floor San Francisco California, 94103 United States of America**  
(72) Name(s) of Designer(s): **John Stephen Francis and Lorenzo Riccardo Calvani and Michael Aaron Eton York**  
(45) Registration Date: **21 August 2015**  
(56) Related Art Documents: **Not Applicable**  
(57) Statement of Newness and Distinctiveness: **Newness and distinctiveness is claimed in the features of shape, configuration, pattern, and/or ornamentation of the Computing Device Display Screen With Transport Service Summary Graphical User Interface as shown in the accompanying representations. The features depicted by broken lines, as well as the outer most rectangle (intended to reflect a portion of the computing device), are for illustrative purposes only and form no part of the claimed design.**



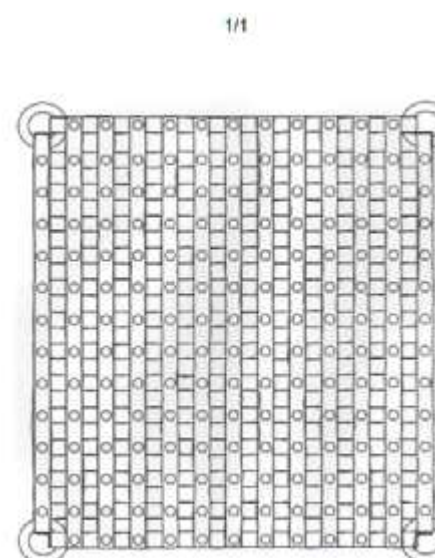
- (21) Design Number: **13931/2015**  
(22) Date of Filing Application: **03 August 2015**  
(24) Date from which industrial property rights may have effect: **03 August 2015**  
(54) Product in respect of which the design is registered: **Helmet**  
(51) International Design Classification: **02-03**  
(74) Name(s) of Attorney(s): **Freehills Patent Attorneys**  
(71) Name(s) and Address(s) of Applicant(s):  
**3M Innovative Properties Company**  
**3M Center Post Office Box 33427 Saint Paul MN, 55133-3427 United States of America**  
(72) Name(s) of Designer(s): **Peter Axelsson and Pernilla M. Nolakers**  
(45) Registration Date: **21 August 2015**  
(30) Convention priority data:  
(31) Number      (32) Date      (33) Country  
**29/516605      04 Feb 2015      UNITED STATES OF AMERICA**  
(56) Related Art Documents: **Not Applicable**  
(57) Statement of Newness and Distinctiveness: **Newness and distinctiveness of the design resides in the shape and configuration of the helmet as shown in solid outline in the accompanying representations.**



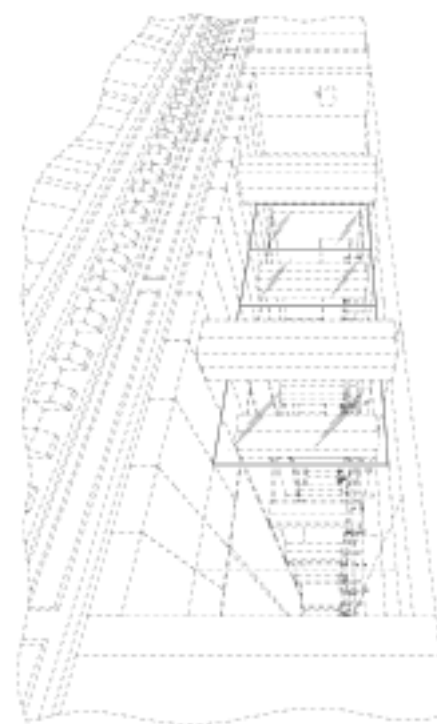
- (21) Design Number: **13932/2015**  
(22) Date of Filing Application: **03 August 2015**  
(24) Date from which industrial property rights may have effect: **03 August 2015**  
(54) Product in respect of which the design is registered: **Electric low fat fryer**  
(51) International Design Classification: **07-02N**  
(74) Name(s) of Attorney(s): **Spruson & Ferguson**  
(71) Name(s) and Address(s) of Applicant(s):  
**SEB**  
**Selongey 21260 France**  
(72) Name(s) of Designer(s): **Luc Jozancy**  
(45) Registration Date: **21 August 2015**  
(30) Convention priority data:  
(31) Number (32) Date (33) Country  
**002634584-0001 16 Feb 2015 OFFICE FOR HARMONISATION IN  
THE INTERNAL MARKET (OHIM)**  
(56) Related Art Documents: **Not Applicable**  
(57) Statement of Newness and Distinctiveness: **Newness and distinctiveness  
is claimed in the features of shape and/or configuration of an electric low  
fat fryer as illustrated in the accompanying representations.**



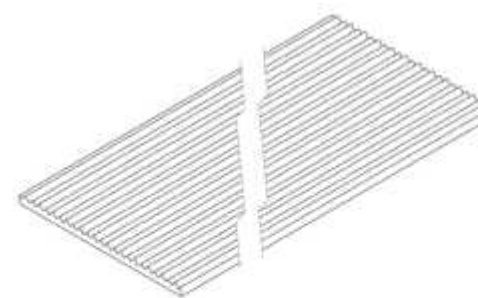
- (21) Design Number: **13938/2015**  
(22) Date of Filing Application: **03 August 2015**  
(24) Date from which industrial property rights may have effect: **03 August 2015**  
(54) Product in respect of which the design is registered: **Cargo net**  
(51) International Design Classification: **12-16K**  
(74) Name(s) of Attorney(s): **WATERMARK PATENT AND TRADE MARKS  
ATTORNEYS**  
(71) Name(s) and Address(s) of Applicant(s):  
**Willem Hendrick Haasse**  
**36 Coralvine Grange Stirling WA, 6021 Australia**  
(72) Name(s) of Designer(s): **Willem Hendrick Haasse**  
(45) Registration Date: **21 August 2015**  
(56) Related Art Documents: **Not Applicable**  
(57) Statement of Newness and Distinctiveness: **Newness and distinctiveness  
are claimed in the visual features of shape and configuration of a  
cargo net having corner attachment rings and attachment grommets  
at the crossing points of overlapping webbing straps as shown in the  
accompanying representation.**



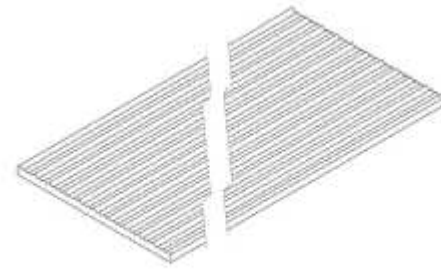
- (21) Design Number: **14004/2015**  
(22) Date of Filing Application: **06 August 2015**  
(24) Date from which industrial property rights may have effect: **06 August 2015**  
(54) Product in respect of which the design is registered: **Doors**  
(51) International Design Classification: **25-02B**  
(74) Name(s) of Attorney(s): **Freehills Patent Attorneys**  
(71) Name(s) and Address(s) of Applicant(s):  
**Apple Inc.**  
**1 Infinite Loop Cupertino California, 95014 United States of America**  
(72) Name(s) of Designer(s): **Christopher M. Green and James Andrus and David de Villar Fernandez and David Nelson and Stefan Behling and David Summerfield and James McGrath and Ed Wright and Bo Yoon and Ton Men Banh and Jonathan P. Siegel**  
(45) Registration Date: **21 August 2015**  
(30) Convention priority data:  
(31) Number (32) Date (33) Country  
**29/517044 09 Feb 2015 UNITED STATES OF AMERICA**  
(56) Related Art Documents: **Not Applicable**  
(57) Statement of Newness and Distinctiveness: **Newness and distinctiveness resides of the features of shape and configuration as shown in solid outline in the accompanying figures.**



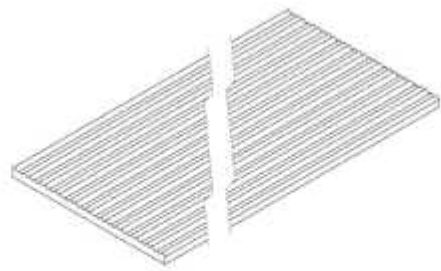
- (21) Design Number: **14009/2015**  
(22) Date of Filing Application: **06 August 2015**  
(24) Date from which industrial property rights may have effect: **06 August 2015**  
(54) Product in respect of which the design is registered: **Metal and plastic edging strips and stair edgings**  
(51) International Design Classification: **25-01NES**  
(74) Name(s) of Attorney(s):  
(71) Name(s) and Address(s) of Applicant(s):  
**RAVEN PRODUCTS PTY. LTD.**  
**PO BOX 67 Lonsdale SA 5160 Australia**  
**Dtac Pty Ltd**  
**PO BOX 5059 South Melbourne VIC 3205 Australia**  
(72) Name(s) of Designer(s): **Benjamin Pfitzner**  
(45) Registration Date: **21 August 2015**  
(56) Related Art Documents: **Not Applicable**  
(57) Statement of Newness and Distinctiveness: **The profile shape on the top surface of the strip.**



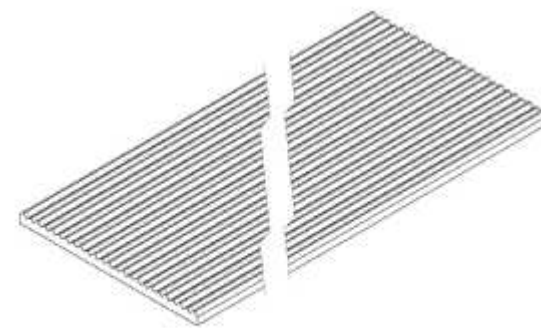
- (21) Design Number: **14010/2015**  
(22) Date of Filing Application: **06 August 2015**  
(24) Date from which industrial property rights may have effect: **06 August 2015**  
(54) Product in respect of which the design is registered: **Metal and plastic edging strips and stair edgings**  
(51) International Design Classification: **25-01NES**  
(74) Name(s) of Attorney(s):  
(71) Name(s) and Address(s) of Applicant(s):  
**RAVEN PRODUCTS PTY. LTD.**  
**PO BOX 67 Lonsdale SA 5160 Australia**  
**Dtac Pty Ltd**  
**PO BOX 5059 South Melbourne VIC 3205 Australia**  
(72) Name(s) of Designer(s): **Benjamin Pfitzner**  
(45) Registration Date: **21 August 2015**  
(56) Related Art Documents: **Not Applicable**  
(57) Statement of Newness and Distinctiveness: **The profile shape on the top surface of the strip.**



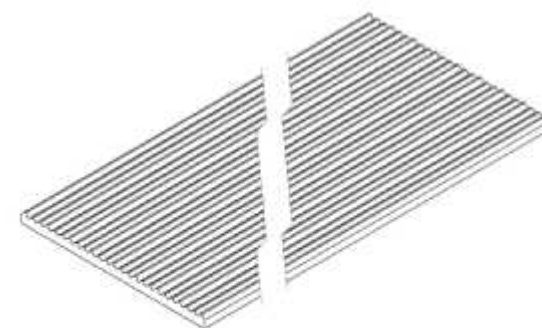
- (21) Design Number: **14011/2015**  
(22) Date of Filing Application: **06 August 2015**  
(24) Date from which industrial property rights may have effect: **06 August 2015**  
(54) Product in respect of which the design is registered: **Metal and plastic edging strips and stair edgings**  
(51) International Design Classification: **25-01NES**  
(74) Name(s) of Attorney(s):  
(71) Name(s) and Address(s) of Applicant(s):  
**RAVEN PRODUCTS PTY. LTD.**  
**PO BOX 67 Lonsdale SA 5160 Australia**  
**Dtac Pty Ltd**  
**PO BOX 5059 South Melbourne VIC 3205 Australia**  
(72) Name(s) of Designer(s): **Benjamin Pfitzner**  
(45) Registration Date: **21 August 2015**  
(56) Related Art Documents: **Not Applicable**  
(57) Statement of Newness and Distinctiveness: **The profile shape on the top surface of the strip. Kind regards.**



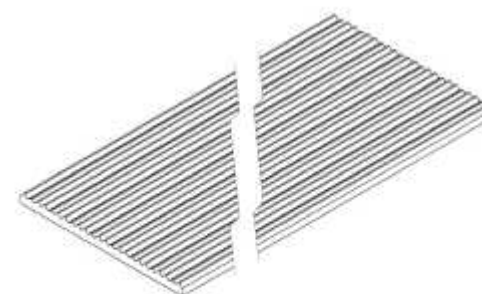
- (21) Design Number: **14012/2015**  
(22) Date of Filing Application: **06 August 2015**  
(24) Date from which industrial property rights may have effect: **06 August 2015**  
(54) Product in respect of which the design is registered: **Metal and plastic edging strips and stair edgings**  
(51) International Design Classification: **25-01NES**  
(74) Name(s) of Attorney(s):  
(71) Name(s) and Address(s) of Applicant(s):  
**RAVEN PRODUCTS PTY. LTD.**  
**PO BOX 67 Lonsdale SA 5160 Australia**  
**Dtac Pty Ltd**  
**PO BOX 5059 South Melbourne VIC 3205 Australia**  
(72) Name(s) of Designer(s): **Benjamin Pfitzner**  
(45) Registration Date: **21 August 2015**  
(56) Related Art Documents: **Not Applicable**  
(57) Statement of Newness and Distinctiveness: **The profile shape on the top surface of the strip.**



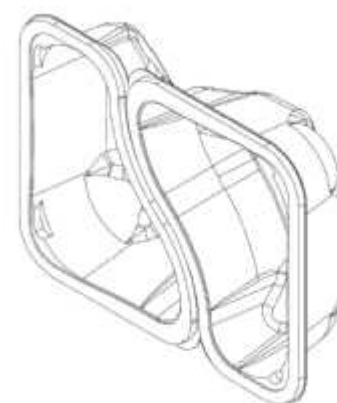
- (21) Design Number: **14013/2015**  
(22) Date of Filing Application: **06 August 2015**  
(24) Date from which industrial property rights may have effect: **06 August 2015**  
(54) Product in respect of which the design is registered: **Metal and plastic edging strips and stair edgings**  
(51) International Design Classification: **25-01NES**  
(74) Name(s) of Attorney(s):  
(71) Name(s) and Address(s) of Applicant(s):  
**RAVEN PRODUCTS PTY. LTD.**  
**PO BOX 67 Lonsdale SA 5160 Australia**  
**Dtac Pty Ltd**  
**PO BOX 5059 South Melbourne VIC 3205 Australia**  
(72) Name(s) of Designer(s): **Benjamin Pfitzner**  
(45) Registration Date: **21 August 2015**  
(56) Related Art Documents: **Not Applicable**  
(57) Statement of Newness and Distinctiveness: **The profile shape on the top surface of the strip.**



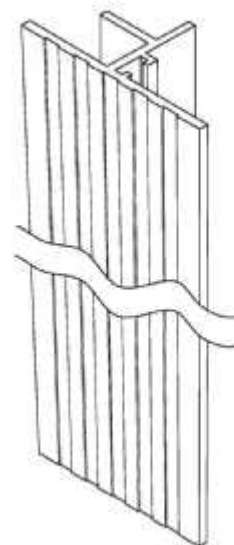
- (21) Design Number: **14014/2015**  
(22) Date of Filing Application: **06 August 2015**  
(24) Date from which industrial property rights may have effect: **06 August 2015**  
(54) Product in respect of which the design is registered: **Metal and plastic edging strips and stair edgings**  
(51) International Design Classification: **25-01NES**  
(74) Name(s) of Attorney(s):  
(71) Name(s) and Address(s) of Applicant(s):  
**RAVEN PRODUCTS PTY. LTD.**  
**PO BOX 67 Lonsdale SA 5160 Australia**  
**Dtac Pty Ltd**  
**PO BOX 5059 South Melbourne VIC 3205 Australia**  
(72) Name(s) of Designer(s): **Benjamin Pfitzner**  
(45) Registration Date: **21 August 2015**  
(56) Related Art Documents: **Not Applicable**  
(57) Statement of Newness and Distinctiveness: **The profile shape on the top surface of the strip.**



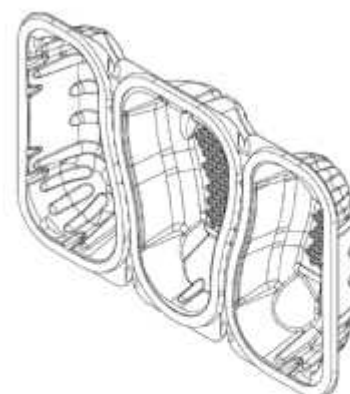
- (21) Design Number: **14022/2015**  
(22) Date of Filing Application: **06 August 2015**  
(24) Date from which industrial property rights may have effect: **06 August 2015**  
(54) Product in respect of which the design is registered: **Tray**  
(51) International Design Classification: **09-03F**  
(74) Name(s) of Attorney(s): **Spruson & Ferguson**  
(71) Name(s) and Address(s) of Applicant(s):  
**LINPAC Packaging Limited**  
**LINPAC Wakefield Road, Featherstone, Pontefract West Yorkshire, WF7**  
**5DE United Kingdom**  
(72) Name(s) of Designer(s): **Martin Lewis Jordan**  
(45) Registration Date: **21 August 2015**  
(30) Convention priority data:  
(31) Number      (32) Date      (33) Country  
**001430524-0007**    **13 Feb 2015**      **OFFICE FOR HARMONISATION IN**  
**THE INTERNAL MARKET (OHIM)**  
(56) Related Art Documents: **Not Applicable**  
(57) Statement of Newness and Distinctiveness: **Newness and distinctiveness is claimed in the features of shape and/or configuration of the undulated separation line of a tray as illustrated in the accompanying representations.**



- (21) Design Number: **14023/2015**  
(22) Date of Filing Application: **06 August 2015**  
(24) Date from which industrial property rights may have effect: **06 August 2015**  
(54) Product in respect of which the design is registered: **Door frame extrusion**  
(51) International Design Classification: **25-02B**  
(74) Name(s) of Attorney(s): **FB Rice**  
(71) Name(s) and Address(s) of Applicant(s):  
**NCE Pty Ltd**  
**34-48 Stanley Dr Somerton VIC 3062 Australia**  
(72) Name(s) of Designer(s): **Natale Schiavello**  
(45) Registration Date: **21 August 2015**  
(56) Related Art Documents: **Not Applicable**  
(57) Statement of Newness and Distinctiveness: **Newness and distinctiveness is claimed in the extrusion of indefinite length depicted in the attached drawings.**



- (21) Design Number: **14025/2015**  
(22) Date of Filing Application: **06 August 2015**  
(24) Date from which industrial property rights may have effect: **06 August 2015**  
(54) Product in respect of which the design is registered: **Tray**  
(51) International Design Classification: **09-03F**  
(74) Name(s) of Attorney(s): **Spruson & Ferguson**  
(71) Name(s) and Address(s) of Applicant(s):  
**LINPAC Packaging Limited**  
**LINPAC Wakefield Road, Featherstone, Pontefract West Yorkshire, WF7**  
**5DE United Kingdom**  
(72) Name(s) of Designer(s): **Martin Lewis Jordan**  
(45) Registration Date: **21 August 2015**  
(30) Convention priority data:  
(31) Number (32) Date (33) Country  
**001430524-0005 13 Feb 2015 OFFICE FOR HARMONISATION IN**  
**THE INTERNAL MARKET (OHIM)**  
(56) Related Art Documents: **Not Applicable**  
(57) Statement of Newness and Distinctiveness: **Newness and distinctiveness is claimed in the features of shape and/or configuration of the undulated separation lines of a tray as illustrated in the accompanying representations.**



(21) Design Number: **14030/2015**

(22) Date of Filing Application: **06 August 2015**

(24) Date from which industrial property rights may have effect: **06 August 2015**

(54) Product in respect of which the design is registered: **Tray**

(51) International Design Classification: **09-03F**

(74) Name(s) of Attorney(s): **Spruson & Ferguson**

(71) Name(s) and Address(s) of Applicant(s):

**LINPAC Packaging Limited**

**LINPAC Wakefield Road, Featherstone, Pontefract West Yorkshire, WF7  
5DE United Kingdom**

(72) Name(s) of Designer(s): **Martin Lewis Jordan**

(45) Registration Date: **21 August 2015**

(30) Convention priority data:

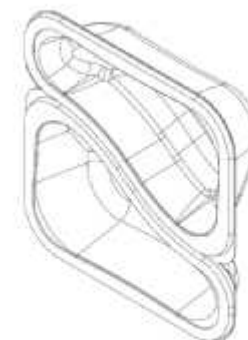
(31) Number

(32) Date

(33) Country

**001430524-0008 13 Feb 2015**

**OFFICE FOR HARMONISATION IN  
THE INTERNAL MARKET (OHIM)**



(56) Related Art Documents: **Not Applicable**

(57) Statement of Newness and Distinctiveness: **Newness and distinctiveness is claimed in the features of shape and/or configuration of the undulated separation line of a tray as illustrated in the accompanying representations.**

(21) Design Number: **13942/2015**

(22) Date of Filing Application: **04 August 2015**

(24) Date from which industrial property rights may have effect: **04 August 2015**

(54) Product in respect of which the design is registered: **Handle for grooming apparatus**

(51) International Design Classification: **28-03A**

(74) Name(s) of Attorney(s): **FB Rice**

(71) Name(s) and Address(s) of Applicant(s):

**Koninklijke Philips N.V.**

**High Tech Campus 5 5656 AE Eindhoven The Netherlands**

(72) Name(s) of Designer(s): **Jens Peter Kophmann Andersson**

(45) Registration Date: **21 August 2015**

(30) Convention priority data:

(31) Number

(32) Date

(33) Country

**002627372-0001 05 Feb 2015**

**OFFICE FOR HARMONISATION IN  
THE INTERNAL MARKET (OHIM)**

381NDP000012

1/3



1

(56) Related Art Documents: **Not Applicable**

(57) Statement of Newness and Distinctiveness: **Newness and distinctiveness reside in the features of shape and configuration of the design as shown in the representations.**

(21) Design Number: **13980/2015**  
(22) Date of Filing Application: **05 August 2015**  
(24) Date from which industrial property rights may have effect: **05 August 2015**  
(54) Product in respect of which the design is registered: **Cover for an electronic device**  
(51) International Design Classification: **03-01NES**  
(74) Name(s) of Attorney(s): **Griffith Hack**  
(71) Name(s) and Address(s) of Applicant(s):  
**Urban Armor Gear, LLC**  
**28202 Cabot Road, Suite 300 Laguna Niguel, California, 92677 United States of America**

(72) Name(s) of Designer(s): **Steve Armstrong and Jay Veltz**

(45) Registration Date: **21 August 2015**

(30) Convention priority data:

(31) Number	(32) Date	(33) Country
<b>29/517,026</b>	<b>09 Feb 2015</b>	<b>UNITED STATES OF AMERICA</b>

(56) Related Art Documents: **Not Applicable**

(57) Statement of Newness and Distinctiveness: **Newness and distinctiveness resides in the visual features, including the shape and configuration of the product shown by means of the solid lines in the representations. Those parts shown by means of the dashed lines have been included for illustrative purposes.**

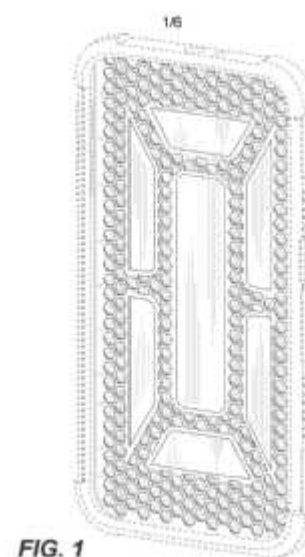


FIG. 1

(21) Design Number: **13983/2015**  
(22) Date of Filing Application: **05 August 2015**  
(24) Date from which industrial property rights may have effect: **05 August 2015**  
(54) Product in respect of which the design is registered: **Table top**  
(51) International Design Classification: **06-03A**  
(74) Name(s) of Attorney(s): **Pizeys Patent and Trade Mark Attorneys Pty Ltd**  
(71) Name(s) and Address(s) of Applicant(s):  
**Steelcase Inc.**  
**901 44th Street S.E. P.O. Box 1967 Grand Rapids MI, 49508 United States of America**

(72) Name(s) of Designer(s): **Sean M. Corcoran and Mark McKenna and Mark William Spoelhof and Russell T. Holdredge and Pradeep Mydur Mydur**

(45) Registration Date: **21 August 2015**

(30) Convention priority data:

(31) Number	(32) Date	(33) Country
<b>29/517,533</b>	<b>13 Feb 2015</b>	<b>UNITED STATES OF AMERICA</b>

(56) Related Art Documents: **Not Applicable**

(57) Statement of Newness and Distinctiveness: **Nil**

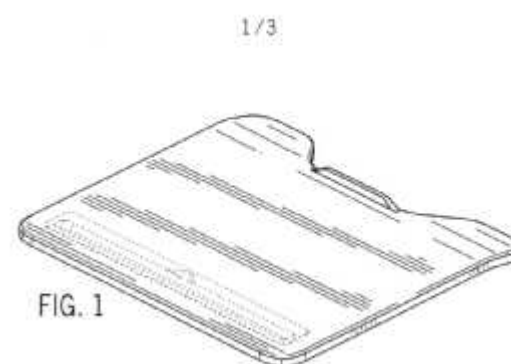
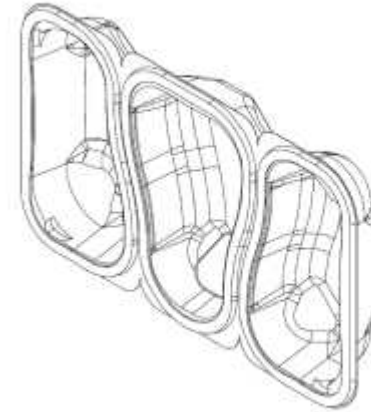


FIG. 1

(21) Design Number: **14032/2015**  
(22) Date of Filing Application: **06 August 2015**  
(24) Date from which industrial property rights may have effect: **06 August 2015**  
(54) Product in respect of which the design is registered: **Tray**  
(51) International Design Classification: **09-03F**  
(74) Name(s) of Attorney(s): **Spruson & Ferguson**  
(71) Name(s) and Address(s) of Applicant(s):  
**LINPAC Packaging Limited**  
**LINPAC Wakefield Road, Featherstone, Pontefract West Yorkshire, WF7**  
**5DE United Kingdom**



(72) Name(s) of Designer(s): **Martin Lewis Jordan**  
(45) Registration Date: **21 August 2015**  
(30) Convention priority data:  
(31) Number (32) Date (33) Country  
**001430524-0010 13 Feb 2015 OFFICE FOR HARMONISATION IN**  
**THE INTERNAL MARKET (OHIM)**

(56) Related Art Documents: **Not Applicable**  
(57) Statement of Newness and Distinctiveness: **Newness and distinctiveness is claimed in the features of shape and/or configuration of the undulated separation lines of a tray as illustrated in the accompanying representations.**

(21) Design Number: **14033/2015**  
(22) Date of Filing Application: **06 August 2015**  
(24) Date from which industrial property rights may have effect: **06 August 2015**  
(54) Product in respect of which the design is registered: **Cup**  
(51) International Design Classification: **07-01C**  
(74) Name(s) of Attorney(s): **Griffith Hack**  
(71) Name(s) and Address(s) of Applicant(s):  
**KeepCup Pty Ltd**  
**156 Westgarth St Fitzroy VIC 3065 Australia**



(72) Name(s) of Designer(s): **Abigail Forsyth and Jamie Forsyth**  
(45) Registration Date: **21 August 2015**  
(56) Related Art Documents: **Not Applicable**  
(57) Statement of Newness and Distinctiveness: **The shape and configuration of the product shown in the accompanying representations is new and distinctive.**

(21) Design Number: **14034/2015**

(22) Date of Filing Application: **06 August 2015**

(24) Date from which industrial property rights may have effect: **06 August 2015**

(54) Product in respect of which the design is registered: **Insect repellent device**

(51) International Design Classification: **22-06**

(74) Name(s) of Attorney(s): **Spruson & Ferguson**

(71) Name(s) and Address(s) of Applicant(s):

**Menelaus B.V.**

**Archimedesbaan 18D NL-3439 ME, Nieuwegein Netherlands Antilles**

(72) Name(s) of Designer(s): **Carles Marti Perez and Jordi Cortes and Frederic Dalmau Arnal**

(45) Registration Date: **21 August 2015**

(30) Convention priority data:

(31) Number  
**002627976**

(32) Date  
**06 Feb 2015**

(33) Country  
**OFFICE FOR HARMONISATION IN  
THE INTERNAL MARKET (OHIM)**

(56) Related Art Documents: **Not Applicable**

(57) Statement of Newness and Distinctiveness: **Newness and distinctiveness is claimed in the features of shape and/or configuration of an insect repellent device as illustrated in the accompanying representations, including but not limited to: the flat overall shape; the generally oval shape with tapered minor side of the top view; and the elongated central aperture in the top face.**



(21) Design Number: **14036/2015**

(22) Date of Filing Application: **06 August 2015**

(24) Date from which industrial property rights may have effect: **06 August 2015**

(54) Product in respect of which the design is registered: **Weightlifting platform**

(51) International Design Classification: **21-02NES**

(74) Name(s) of Attorney(s):

(71) Name(s) and Address(s) of Applicant(s):

**CT Project Designs Pty Ltd**

**4/1271 The Horsley Drive Wetherill Park NSW, 2164 Australia**

(72) Name(s) of Designer(s): **Nicholas Selby and Gavin Crown and Andrew Taylor**

(45) Registration Date: **21 August 2015**

(56) Related Art Documents: **Not Applicable**

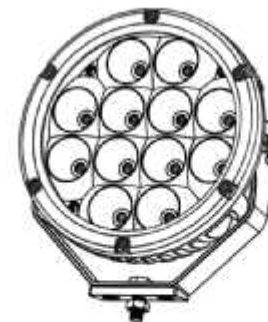
(57) Statement of Newness and Distinctiveness: **This new design of platform uses a different style of side and front rails, along with variance in material, and how the unit is attached together that is different as a whole design to how other products of similar purpose are currently being designed and manufactured in Australia. The uniqueness of using angled rail pieces and angled attachment pieces is what creates the newness and uniqueness of this design.**



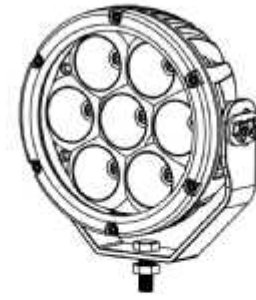
- (21) Design Number: **14040/2015**  
(22) Date of Filing Application: **07 August 2015**  
(24) Date from which industrial property rights may have effect: **07 August 2015**  
(54) Product in respect of which the design is registered: **LED light bar**  
(51) International Design Classification: **26-06**  
(74) Name(s) of Attorney(s):  
(71) Name(s) and Address(s) of Applicant(s):  
    **Ben Tan**  
    **18 Irving St Mt Waverley VIC 3149 Australia**  
(72) Name(s) of Designer(s): **Ben Tan**  
(45) Registration Date: **21 August 2015**  
(56) Related Art Documents: **Not Applicable**  
(57) Statement of Newness and Distinctiveness: **Brand new curved parallel strips profile design at the rear of the led light from the bottom and the top view. What's more, there is double row led lights array in order from front view.**



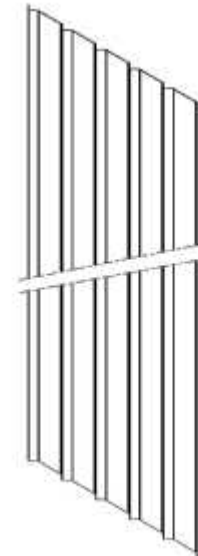
- (21) Design Number: **14041/2015**  
(22) Date of Filing Application: **07 August 2015**  
(24) Date from which industrial property rights may have effect: **07 August 2015**  
(54) Product in respect of which the design is registered: **LED work light**  
(51) International Design Classification: **26-06**  
(74) Name(s) of Attorney(s):  
(71) Name(s) and Address(s) of Applicant(s):  
    **Ben Tan**  
    **18 Irving St Mt Waverley VIC 3149 Australia**  
(72) Name(s) of Designer(s): **Ben Tan**  
(45) Registration Date: **21 August 2015**  
(56) Related Art Documents: **Not Applicable**  
(57) Statement of Newness and Distinctiveness: **Brand new round shape from the front and rear view of the led light. What's more, the profile design is with parallel vertical stripes at the back of the light. And there have 12pcs led light from the front view.**



- (21) Design Number: **14042/2015**  
(22) Date of Filing Application: **07 August 2015**  
(24) Date from which industrial property rights may have effect: **07 August 2015**  
(54) Product in respect of which the design is registered: **LED Work Light**  
(51) International Design Classification: **26-06**  
(74) Name(s) of Attorney(s):  
(71) Name(s) and Address(s) of Applicant(s):  
**Ben Tan**  
**18 Irving St Mt Waverley VIC 3149 Australia**  
(72) Name(s) of Designer(s): **Ben Tan**  
(45) Registration Date: **21 August 2015**  
(56) Related Art Documents: **Not Applicable**  
(57) Statement of Newness and Distinctiveness: **Brand new round shape from the front and rear view of the led light. Moreover, the profile design is with parallel vertical stripes at the back of the light. And there have 7pcs led lamp from the front view.**



- (21) Design Number: **14043/2015**  
(22) Date of Filing Application: **07 August 2015**  
(24) Date from which industrial property rights may have effect: **07 August 2015**  
(54) Product in respect of which the design is registered: **Fence Sheet and/or panel**  
(51) International Design Classification: **25-02C**  
(74) Name(s) of Attorney(s): **PHILLIPS ORMONDE FITZPATRICK**  
(71) Name(s) and Address(s) of Applicant(s):  
**Wayne Milner**  
**15 Ryans Ct Burnside Hts VIC 3023 Australia**  
**Rudy Diener**  
**2 Myall St Doonside NSW 2767 Australia**  
(72) Name(s) of Designer(s): **Wayne Milner and Rudy Diener**  
(45) Registration Date: **21 August 2015**  
(56) Related Art Documents: **Not Applicable**  
(57) Statement of Newness and Distinctiveness: **Newness and distinctiveness is claimed in the visual features of shape and configuration of a fence sheet and/or panel of indefinite length, the sheet/ panel having a constant cross-section along its length, as shown in the representations.**



- (21) Design Number: **14044/2015**  
(22) Date of Filing Application: **07 August 2015**  
(24) Date from which industrial property rights may have effect: **07 August 2015**  
(54) Product in respect of which the design is registered: **Room**  
(51) International Design Classification: **25-03**  
(74) Name(s) of Attorney(s): **Freehills Patent Attorneys**  
(71) Name(s) and Address(s) of Applicant(s):  
**Apple Inc.**  
**1 Infinite Loop Cupertino California, 95014 United States of America**  
(72) Name(s) of Designer(s): **Jonathan P. Siegel and Christopher M. Green and Robert Bridger and Christopher Daniel Peak and Vasco Agnoli and Casey Feeney and Kully Kraig Mandon and Collin Manning and James Andrus and Sam Brown and Ryan Wong and Jenn Wynn and Peter White and Andrea Fender and Megan Suyehira and David Nelson and Stefan Behling and David Summerfield and James McGrath and Rafe Bertram and Oliver Mould and Lorenzo Poli and Ed Wright and Bo Yoon and Vas Bakas and Ton Men Banh**  
(45) Registration Date: **21 August 2015**  
(30) Convention priority data:  
(31) Number (32) Date (33) Country  
**29/517061 09 Feb 2015 UNITED STATES OF AMERICA**  
(56) Related Art Documents: **Not Applicable**  
(57) Statement of Newness and Distinctiveness: **Newness and distinctiveness resides in the features shown in solid lines in the accompanying figures.**



- (21) Design Number: **14045/2015**  
(22) Date of Filing Application: **07 August 2015**  
(24) Date from which industrial property rights may have effect: **07 August 2015**  
(54) Product in respect of which the design is registered: **Room**  
(51) International Design Classification: **25-03**  
(74) Name(s) of Attorney(s): **Freehills Patent Attorneys**  
(71) Name(s) and Address(s) of Applicant(s):  
**Apple Inc.**  
**1 Infinite Loop Cupertino California, 95014 United States of America**  
(72) Name(s) of Designer(s): **Jonathan P. Siegel and Christopher M. Green and Robert Bridger and Christopher Daniel Peak and Vasco Agnoli and Casey Feeney and Kully Kraig Mandon and Collin Manning and James Andrus and Sam Brown and Ryan Wong and Jenn Wynn and Peter White and Andrea Fender and Megan Suyehira and David Nelson and Stefan Behling and David Summerfield and James McGrath and Rafe Bertram and Oliver Mould and Lorenzo Poli and Ed Wright and Bo Yoon and Vas Bakas and Ton Men Banh**  
(45) Registration Date: **21 August 2015**  
(30) Convention priority data:  
(31) Number (32) Date (33) Country  
**29/517061 09 Feb 2015 UNITED STATES OF AMERICA**  
(56) Related Art Documents: **Not Applicable**  
(57) Statement of Newness and Distinctiveness: **Newness and distinctiveness resides in the features shown in solid lines in the accompanying figures.**



(21) Design Number: **14046/2015**

(22) Date of Filing Application: **11 May 2015**

(24) Date from which industrial property rights may have effect: **11 May 2015**

(54) Product in respect of which the design is registered: **Illuminatable device**

(51) International Design Classification: **26-06**

(74) Name(s) of Attorney(s): **WRAYS PTY LTD**

(71) Name(s) and Address(s) of Applicant(s):

**Uber Technologies, Inc.**

**1455 Market Street 4th Floor San Francisco California, 94103 United States of America**

(72) Name(s) of Designer(s): **Travis Kalanick and Shalin Amin and Strahan McMullen and Yves Behar and Noah Murphy-Reinhertz and Liam Adelman and Naoya Edahiro and William Clark and Stephen Braitsch**

(45) Registration Date: **21 August 2015**

(30) Convention priority data:

(31) Number	(32) Date	(33) Country
<b>29/509,004</b>	<b>13 Nov 2014</b>	<b>UNITED STATES OF AMERICA</b>

(56) Related Art Documents: **Not Applicable**

(57) Statement of Newness and Distinctiveness: **Newness and distinctiveness is claimed in the features of shape, configuration, pattern, and/or ornamentation of the Illuminatable Device as shown in the accompanying representations. The features depicted by broken lines are for illustrative purposes only and form no part of the claimed design.**



(21) Design Number: **14052/2015**

(22) Date of Filing Application: **11 May 2015**

(24) Date from which industrial property rights may have effect: **11 May 2015**

(54) Product in respect of which the design is registered: **Illuminatable device**

(51) International Design Classification: **26-06**

(74) Name(s) of Attorney(s): **WRAYS PTY LTD**

(71) Name(s) and Address(s) of Applicant(s):

**Uber Technologies, Inc.**

**1455 Market Street 4th Floor San Francisco California, 94103 United States of America**

(72) Name(s) of Designer(s): **Travis Kalanick and Shalin Amin and Strahan McMullen and Yves Behar and Noah Murphy-Reinhertz and Liam Adelman and Naoya Edahiro and William Clark and Stephen Braitsch**

(45) Registration Date: **21 August 2015**

(30) Convention priority data:

(31) Number	(32) Date	(33) Country
<b>29/509,004</b>	<b>13 Nov 2014</b>	<b>UNITED STATES OF AMERICA</b>

(56) Related Art Documents: **Not Applicable**

(57) Statement of Newness and Distinctiveness: **Newness and distinctiveness is claimed in the features of shape, configuration, pattern, and/or ornamentation of the Illuminatable Device as shown in the accompanying representations. The features depicted by broken lines are for illustrative purposes only and form no part of the claimed design.**



(21) Design Number: **14054/2015**

(22) Date of Filing Application: **11 May 2015**

(24) Date from which industrial property rights may have effect: **11 May 2015**

(54) Product in respect of which the design is registered: **Illuminatable device**

(51) International Design Classification: **26-06**

(74) Name(s) of Attorney(s): **WRAYS PTY LTD**

(71) Name(s) and Address(s) of Applicant(s):

**Uber Technologies, Inc.**

**1455 Market Street 4th Floor San Francisco California, 94103 United States of America**

(72) Name(s) of Designer(s): **Travis Kalanick and Shalin Amin and Strahan McMullen and Yves Behar and Noah Murphy-Reinhertz and Liam Adelman and Naoya Edahiro and William Clark and Stephen Braitsch**

(45) Registration Date: **21 August 2015**

(30) Convention priority data:

(31) Number	(32) Date	(33) Country
<b>29/509,004</b>	<b>13 Nov 2014</b>	<b>UNITED STATES OF AMERICA</b>

(56) Related Art Documents: **Not Applicable**

(57) Statement of Newness and Distinctiveness: **Newness and distinctiveness is claimed in the features of shape, configuration, pattern, and/or ornamentation of the Illuminatable Device as shown in the accompanying representations. The features depicted by broken lines are for illustrative purposes only and form no part of the claimed design.**



(21) Design Number: **14057/2015**

(22) Date of Filing Application: **11 May 2015**

(24) Date from which industrial property rights may have effect: **11 May 2015**

(54) Product in respect of which the design is registered: **Illuminatable device**

(51) International Design Classification: **26-06**

(74) Name(s) of Attorney(s): **WRAYS PTY LTD**

(71) Name(s) and Address(s) of Applicant(s):

**Uber Technologies, Inc.**

**1455 Market Street 4th Floor San Francisco California, 94103 United States of America**

(72) Name(s) of Designer(s): **Travis Kalanick and Shalin Amin and Strahan McMullen and Yves Behar and Noah Murphy-Reinhertz and Liam Adelman and Naoya Edahiro and William Clark and Stephen Braitsch**

(45) Registration Date: **21 August 2015**

(30) Convention priority data:

(31) Number	(32) Date	(33) Country
<b>29/509,004</b>	<b>13 Nov 2014</b>	<b>UNITED STATES OF AMERICA</b>

(56) Related Art Documents: **Not Applicable**

(57) Statement of Newness and Distinctiveness: **Newness and distinctiveness is claimed in the features of shape, configuration, pattern, and/or ornamentation of the Illuminatable Device as shown in the accompanying representations. The features depicted by broken lines are for illustrative purposes only and form no part of the claimed design.**



- (21) Design Number: **14047/2015**  
(22) Date of Filing Application: **07 August 2015**  
(24) Date from which industrial property rights may have effect: **07 August 2015**  
(54) Product in respect of which the design is registered: **Room**  
(51) International Design Classification: **25-03**  
(74) Name(s) of Attorney(s): **Freehills Patent Attorneys**  
(71) Name(s) and Address(s) of Applicant(s):  
**Apple Inc.**  
**1 Infinite Loop Cupertino California, 95014 United States of America**  
(72) Name(s) of Designer(s): **Jonathan P. Siegel and Christopher M. Green and Robert Bridger and Christopher Daniel Peak and Vasco Agnoli and Casey Feeney and Kully Kraig Mandon and Collin Manning and James Andrus and Sam Brown and Ryan Wong and Jenn Wynn and Peter White and Andrea Fender and Megan Suyehira and David Nelson and Stefan Behling and David Summerfield and James McGrath and Rafe Bertram and Oliver Mould and Lorenzo Poli and Ed Wright and Bo Yoon and Vas Bakas and Ton Men Banh**  
(45) Registration Date: **21 August 2015**  
(30) Convention priority data:  
(31) Number (32) Date (33) Country  
**29/517061 09 Feb 2015 UNITED STATES OF AMERICA**  
(56) Related Art Documents: **Not Applicable**  
(57) Statement of Newness and Distinctiveness: **Newness and distinctiveness resides in the features shown in solid lines in the accompanying figures.**



- (21) Design Number: **14048/2015**  
(22) Date of Filing Application: **07 August 2015**  
(24) Date from which industrial property rights may have effect: **07 August 2015**  
(54) Product in respect of which the design is registered: **Room**  
(51) International Design Classification: **25-03**  
(74) Name(s) of Attorney(s): **Freehills Patent Attorneys**  
(71) Name(s) and Address(s) of Applicant(s):  
**Apple Inc.**  
**1 Infinite Loop Cupertino California, 95014 United States of America**  
(72) Name(s) of Designer(s): **Jonathan P. Siegel and Christopher M. Green and Robert Bridger and Christopher Daniel Peak and Vasco Agnoli and Casey Feeney and Kully Kraig Mandon and Collin Manning and James Andrus and Sam Brown and Ryan Wong and Jenn Wynn and Peter White and Andrea Fender and Megan Suyehira and David Nelson and Stefan Behling and David Summerfield and James McGrath and Rafe Bertram and Oliver Mould and Lorenzo Poli and Ed Wright and Bo Yoon and Vas Bakas and Ton Men Banh**  
(45) Registration Date: **21 August 2015**  
(30) Convention priority data:  
(31) Number (32) Date (33) Country  
**29/517061 09 Feb 2015 UNITED STATES OF AMERICA**  
(56) Related Art Documents: **Not Applicable**  
(57) Statement of Newness and Distinctiveness: **Newness and distinctiveness resides in the features of shape and configuration shown in solid lines in the accompanying figures.**



- (21) Design Number: **14051/2015**  
(22) Date of Filing Application: **07 August 2015**  
(24) Date from which industrial property rights may have effect: **07 August 2015**  
(54) Product in respect of which the design is registered: **Room**  
(51) International Design Classification: **25-03**  
(74) Name(s) of Attorney(s): **Freehills Patent Attorneys**  
(71) Name(s) and Address(s) of Applicant(s):  
**Apple Inc.**  
**1 Infinite Loop Cupertino California, 95014 United States of America**  
(72) Name(s) of Designer(s): **Jonathan P. Siegel and Christopher M. Green and Robert Bridger and Christopher Daniel Peak and Vasco Agnoli and Casey Feeney and Kully Kraig Mandon and Collin Manning and James Andrus and Sam Brown and Ryan Wong and Jenn Wynn and Peter White and Andrea Fender and Megan Suyehira and David Nelson and Stefan Behling and David Summerfield and James McGrath and Rafe Bertram and Oliver Mould and Lorenzo Poli and Ed Wright and Bo Yoon and Vas Bakas and Ton Men Banh**  
(45) Registration Date: **21 August 2015**  
(30) Convention priority data:  
(31) Number (32) Date (33) Country  
**29/517061 09 Feb 2015 UNITED STATES OF AMERICA**  
(56) Related Art Documents: **Not Applicable**  
(57) Statement of Newness and Distinctiveness: **Newness and distinctiveness resides in the features shown in solid lines in the accompanying figures.**



- (21) Design Number: **14053/2015**  
(22) Date of Filing Application: **07 August 2015**  
(24) Date from which industrial property rights may have effect: **07 August 2015**  
(54) Product in respect of which the design is registered: **Bottle**  
(51) International Design Classification: **09-01NES**  
(74) Name(s) of Attorney(s): **Griffith Hack**  
(71) Name(s) and Address(s) of Applicant(s):  
**BISSELL Homecare, Inc.**  
**2345 Walker Avenue N.W. GRAND RAPIDS, Michigan, 49544-2516 United States of America**  
(72) Name(s) of Designer(s): **Rury Vizcarra and Michael Luyckx and Mitchell Dejonge**  
(45) Registration Date: **21 August 2015**  
(30) Convention priority data:  
(31) Number (32) Date (33) Country  
**29/517,438 12 Feb 2015 UNITED STATES OF AMERICA**  
(56) Related Art Documents: **Not Applicable**  
(57) Statement of Newness and Distinctiveness: **Newness and distinctiveness resides in the visual features, including the shape and configuration of the product shown in the representations.**





(21) Design Number: **13989/2015**  
(22) Date of Filing Application: **06 August 2015**  
(24) Date from which industrial property rights may have effect: **06 August 2015**  
(54) Product in respect of which the design is registered: **Tray**  
(51) International Design Classification: **09-03F**  
(74) Name(s) of Attorney(s): **Spruson & Ferguson**  
(71) Name(s) and Address(s) of Applicant(s):  
**LINPAC Packaging Limited**  
**LINPAC Wakefield Road, Featherstone, Pontefract West Yorkshire, WF7**  
**5DE United Kingdom**

(72) Name(s) of Designer(s): **Martin Lewis Jordan**

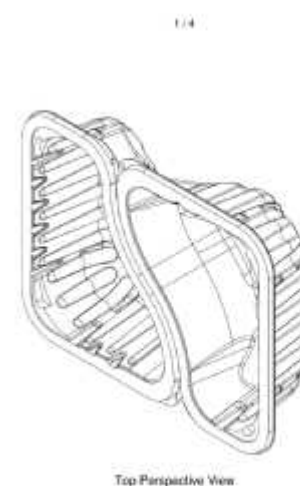
(45) Registration Date: **21 August 2015**

(30) Convention priority data:

(31) Number	(32) Date	(33) Country
<b>001430524-0002</b>	<b>13 Feb 2015</b>	<b>OFFICE FOR HARMONISATION IN THE INTERNAL MARKET (OHIM)</b>

(56) Related Art Documents: **Not Applicable**

(57) Statement of Newness and Distinctiveness: **Newness and distinctiveness is claimed in the features of shape and/or configuration of the undulated separation line of a tray as illustrated in the accompanying representations.**



(21) Design Number: **13990/2015**  
(22) Date of Filing Application: **06 August 2015**  
(24) Date from which industrial property rights may have effect: **06 August 2015**  
(54) Product in respect of which the design is registered: **Tray**  
(51) International Design Classification: **09-03F**  
(74) Name(s) of Attorney(s): **Spruson & Ferguson**  
(71) Name(s) and Address(s) of Applicant(s):  
**LINPAC Packaging Limited**  
**LINPAC Wakefield Road, Featherstone, Pontefract West Yorkshire, WF7**  
**5DE United Kingdom**

(72) Name(s) of Designer(s): **Martin Lewis Jordan**

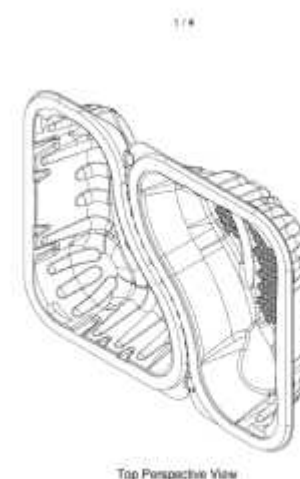
(45) Registration Date: **21 August 2015**

(30) Convention priority data:

(31) Number	(32) Date	(33) Country
<b>001430524-0004</b>	<b>13 Feb 2015</b>	<b>OFFICE FOR HARMONISATION IN THE INTERNAL MARKET (OHIM)</b>

(56) Related Art Documents: **Not Applicable**

(57) Statement of Newness and Distinctiveness: **Newness and distinctiveness is claimed in the features of shape and/or configuration of the undulated separation line of a tray as illustrated in the accompanying representations.**



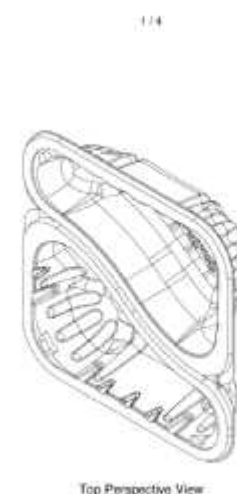
(21) Design Number: **13991/2015**  
(22) Date of Filing Application: **06 August 2015**  
(24) Date from which industrial property rights may have effect: **06 August 2015**  
(54) Product in respect of which the design is registered: **Tray**  
(51) International Design Classification: **09-03F**  
(74) Name(s) of Attorney(s): **Spruson & Ferguson**  
(71) Name(s) and Address(s) of Applicant(s):  
**LINPAC Packaging Limited**  
**LINPAC Wakefield Road, Featherstone, Pontefract West Yorkshire, WF7**  
**5DE United Kingdom**

(72) Name(s) of Designer(s): **Martin Lewis Jordan**  
(45) Registration Date: **21 August 2015**

(30) Convention priority data:  
(31) Number (32) Date (33) Country  
**001430524-0003 13 Feb 2015 OFFICE FOR HARMONISATION IN**  
**THE INTERNAL MARKET (OHIM)**

(56) Related Art Documents: **Not Applicable**

(57) Statement of Newness and Distinctiveness: **Newness and distinctiveness is claimed in the features of shape and/or configuration of the undulated separation line of a tray as illustrated in the accompanying representations.**



(21) Design Number: **13997/2015**  
(22) Date of Filing Application: **06 August 2015**  
(24) Date from which industrial property rights may have effect: **06 August 2015**  
(54) Product in respect of which the design is registered: **Tray**  
(51) International Design Classification: **09-03F**  
(74) Name(s) of Attorney(s): **Spruson & Ferguson**  
(71) Name(s) and Address(s) of Applicant(s):  
**LINPAC Packaging Limited**  
**LINPAC Wakefield Road, Featherstone, Pontefract West Yorkshire, WF7**  
**5DE United Kingdom**

(72) Name(s) of Designer(s): **Martin Lewis Jordan**  
(45) Registration Date: **21 August 2015**

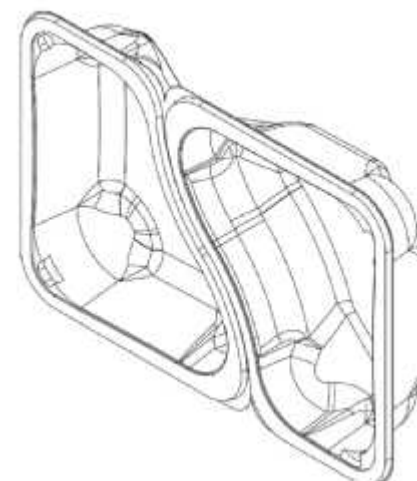
(30) Convention priority data:  
(31) Number (32) Date (33) Country  
**001430524-0009 13 Feb 2015 OFFICE FOR HARMONISATION IN**  
**THE INTERNAL MARKET (OHIM)**

(56) Related Art Documents: **Not Applicable**

(57) Statement of Newness and Distinctiveness: **Newness and distinctiveness is claimed in the features of shape and/or configuration of the undulated separation line of a tray as illustrated in the accompanying representations.**



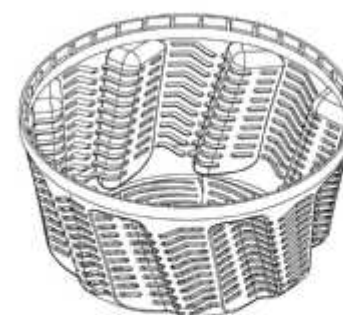
(21) Design Number: **13998/2015**  
(22) Date of Filing Application: **06 August 2015**  
(24) Date from which industrial property rights may have effect: **06 August 2015**  
(54) Product in respect of which the design is registered: **Tray**  
(51) International Design Classification: **09-03F**  
(74) Name(s) of Attorney(s): **Spruson & Ferguson**  
(71) Name(s) and Address(s) of Applicant(s):  
**LINPAC Packaging Limited**  
**LINPAC Wakefield Road, Featherstone, Pontefract West Yorkshire, WF7**  
**5DE United Kingdom**



(72) Name(s) of Designer(s): **Martin Lewis Jordan**  
(45) Registration Date: **21 August 2015**  
(30) Convention priority data:  
(31) Number (32) Date (33) Country  
**001430524-0006 13 Feb 2015 OFFICE FOR HARMONISATION IN**  
**THE INTERNAL MARKET (OHIM)**

(56) Related Art Documents: **Not Applicable**  
(57) Statement of Newness and Distinctiveness: **Newness and distinctiveness is claimed in the features of shape and/or configuration of the undulated separation line of a tray as illustrated in the accompanying representations.**

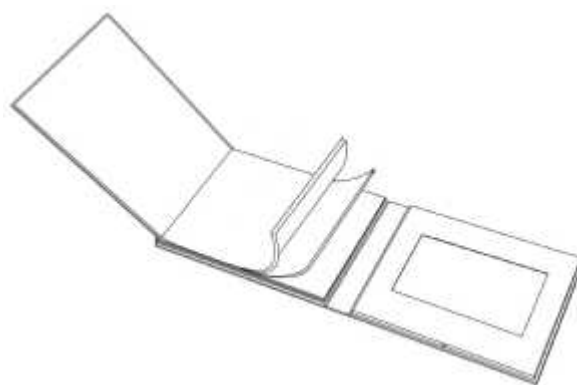
(21) Design Number: **13955/2015**  
(22) Date of Filing Application: **04 August 2015**  
(24) Date from which industrial property rights may have effect: **04 August 2015**  
(54) Product in respect of which the design is registered: **Basket for salad spinner**  
(51) International Design Classification: **07-04**  
(74) Name(s) of Attorney(s): **Spruson & Ferguson**  
(71) Name(s) and Address(s) of Applicant(s):  
**DKB Household UK Limited**  
**Bridge House Eelmoor Road Farnborough Hampshire GU14 7UE United**  
**Kingdom**



(72) Name(s) of Designer(s): **Jason Yap and Oliver Breit**  
(45) Registration Date: **24 August 2015**  
(30) Convention priority data:  
(31) Number (32) Date (33) Country  
**002626358-0014 04 Feb 2015 OFFICE FOR HARMONISATION IN**  
**THE INTERNAL MARKET (OHIM)**

(56) Related Art Documents: **Not Applicable**  
(57) Statement of Newness and Distinctiveness: **Newness and distinctiveness is claimed in the features of shape and/or configuration of a basket for salad spinner as illustrated in the accompanying representations.**

(21) Design Number: **14063/2015**  
(22) Date of Filing Application: **07 August 2015**  
(24) Date from which industrial property rights may have effect: **07 August 2015**  
(54) Product in respect of which the design is registered: **Multimedia book**  
(51) International Design Classification: **14-99**  
(74) Name(s) of Attorney(s):  
(71) Name(s) and Address(s) of Applicant(s):



**Marc Frommelt**  
**Chemin de Prahis 24 Grandvaux 1091 Switzerland**  
**Westside Solutions Sarl**  
**Rue Verdaine 5 Lutry 1095 Switzerland**

(72) Name(s) of Designer(s): **Marc Frommelt**

(45) Registration Date: **24 August 2015**

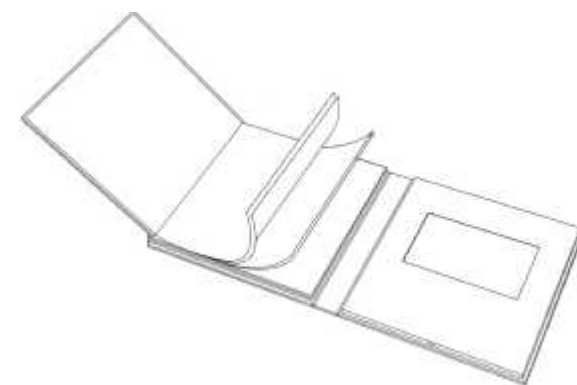
(30) Convention priority data:

(31) Number	(32) Date	(33) Country
<b>141322</b>	<b>09 Feb 2015</b>	<b>SWITZERLAND</b>

(56) Related Art Documents: **Not Applicable**

(57) Statement of Newness and Distinctiveness: **Nil**

(21) Design Number: **14064/2015**  
(22) Date of Filing Application: **07 August 2015**  
(24) Date from which industrial property rights may have effect: **07 August 2015**  
(54) Product in respect of which the design is registered: **Multimedia book**  
(51) International Design Classification: **14-99**  
(74) Name(s) of Attorney(s):  
(71) Name(s) and Address(s) of Applicant(s):



**Marc Frommelt**  
**Chemin de Prahis 24 Grandvaux 1091 Switzerland**  
**Westside Solutions Sarl**  
**Rue Verdaine 5 Lutry 1095 Switzerland**

(72) Name(s) of Designer(s): **Marc Frommelt**

(45) Registration Date: **24 August 2015**

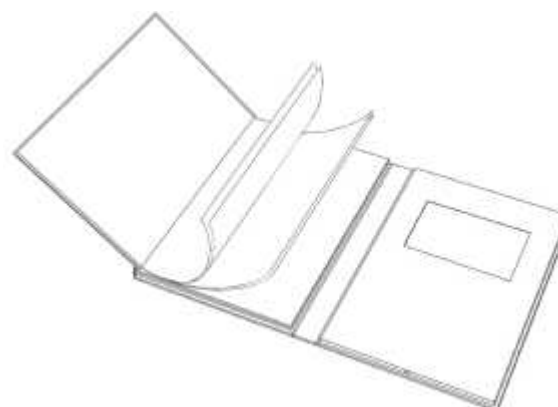
(30) Convention priority data:

(31) Number	(32) Date	(33) Country
<b>141322</b>	<b>09 Feb 2015</b>	<b>SWITZERLAND</b>

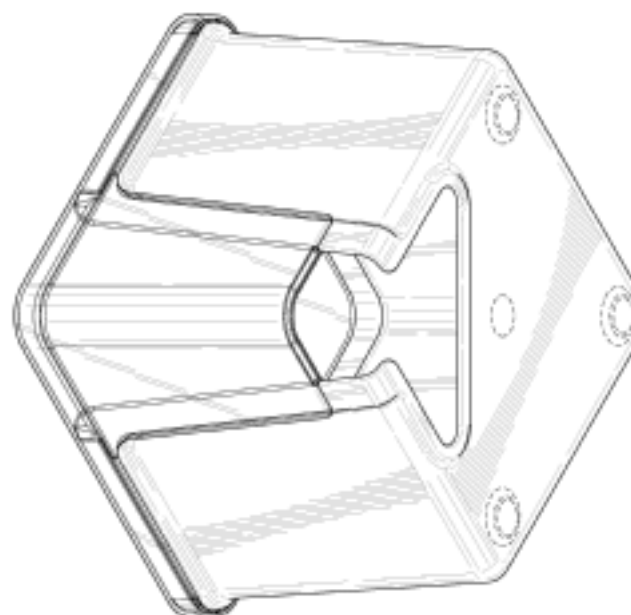
(56) Related Art Documents: **Not Applicable**

(57) Statement of Newness and Distinctiveness: **Nil**

(21) Design Number: **14065/2015**  
(22) Date of Filing Application: **07 August 2015**  
(24) Date from which industrial property rights may have effect: **07 August 2015**  
(54) Product in respect of which the design is registered: **Multimedia book**  
(51) International Design Classification: **14-99**  
(74) Name(s) of Attorney(s):  
(71) Name(s) and Address(s) of Applicant(s):  
**Marc Frommelt**  
**Chemin de Prahis 24 Grandvaux 1091 Switzerland**  
**Westside Solutions Sarl**  
**Rue Verdaine 5 Lutry 1095 Switzerland**  
(72) Name(s) of Designer(s): **Marc Frommelt**  
(45) Registration Date: **24 August 2015**  
(30) Convention priority data:  
(31) Number      (32) Date      (33) Country  
**141322      09 Feb 2015      SWITZERLAND**  
(56) Related Art Documents: **Not Applicable**  
(57) Statement of Newness and Distinctiveness: **Nil**



(21) Design Number: **14081/2015**  
(22) Date of Filing Application: **10 August 2015**  
(24) Date from which industrial property rights may have effect: **10 August 2015**  
(54) Product in respect of which the design is registered: **Dispenser for quarter-folded wipers**  
(51) International Design Classification: **23-02A**  
(74) Name(s) of Attorney(s): **Spruson & Ferguson**  
(71) Name(s) and Address(s) of Applicant(s):  
**Kimberly-Clark Worldwide, Inc.**  
**2300 Winchester Road Neenah Wisconsin 54956 United States of America**  
(72) Name(s) of Designer(s): **Jonathan Green and Elise A. Gouveia and Joseph E. Oberdorf**  
(45) Registration Date: **24 August 2015**  
(30) Convention priority data:  
(31) Number      (32) Date      (33) Country  
**29/518628      25 Feb 2015      UNITED STATES OF AMERICA**  
(56) Related Art Documents: **Not Applicable**  
(57) Statement of Newness and Distinctiveness: **Newness and distinctiveness is claimed in the features of shape and/or configuration of a dispenser as illustrated in continuous lines in the accompanying representations.**



(21) Design Number: **14082/2015**  
(22) Date of Filing Application: **10 August 2015**  
(24) Date from which industrial property rights may have effect: **10 August 2015**  
(54) Product in respect of which the design is registered: **Basket**  
(51) International Design Classification: **09-04**  
(74) Name(s) of Attorney(s): **Shelston IP**  
(71) Name(s) and Address(s) of Applicant(s):

**Keter Plastic Ltd.**  
**2 Sapir Street Industrial Zone Herzelyia 4685206 Israel**

(72) Name(s) of Designer(s): **Reut Itzhak-Sigron and Zvi Zak**

(45) Registration Date: **24 August 2015**

(30) Convention priority data:

(31) Number	(32) Date	(33) Country
<b>56568</b>	<b>10 Feb 2015</b>	<b>ISRAEL</b>

(56) Related Art Documents: **Not Applicable**

(57) Statement of Newness and Distinctiveness: **Newness and distinctiveness reside in the features of shape and/or configuration of a BASKET as illustrated in the accompanying representations.**



(21) Design Number: **14084/2015**  
(22) Date of Filing Application: **10 August 2015**  
(24) Date from which industrial property rights may have effect: **10 August 2015**  
(54) Product in respect of which the design is registered: **Tyre**  
(51) International Design Classification: **12-15C**  
(74) Name(s) of Attorney(s):  
(71) Name(s) and Address(s) of Applicant(s):

**Jinlin MA**  
**RM. 701, BLOCK 1, ANHUAXUAN RUIHUAYUANNEI ST. MIDDLE JIEJIN**  
**RD. PANYU DIST., GUANGZHOU CITY GUANGDONG PROVINCE CHINA**

(72) Name(s) of Designer(s): **Jinlin Ma**

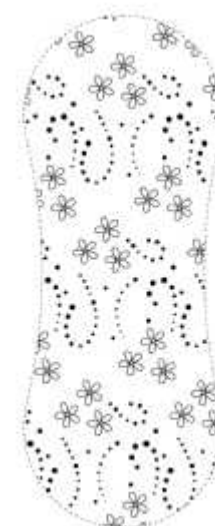
(45) Registration Date: **24 August 2015**

(56) Related Art Documents: **Not Applicable**

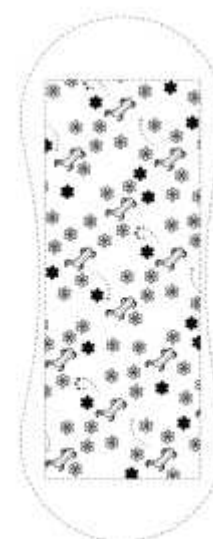
(57) Statement of Newness and Distinctiveness: **Nil**



(21) Design Number: **14089/2015**  
 (22) Date of Filing Application: **10 August 2015**  
 (24) Date from which industrial property rights may have effect: **10 August 2015**  
 (54) Product in respect of which the design is registered: **Absorbent article having a surface printed design**  
 (51) International Design Classification: **24-04**  
 (74) Name(s) of Attorney(s): **Shelston IP**  
 (71) Name(s) and Address(s) of Applicant(s):  
**Johnson & Johnson Consumer Inc.**  
**199 Grandview Road Skillman New Jersey, 08858 United States of America**  
 (72) Name(s) of Designer(s): **Agnes Narimatsu and Marcelo Neves Pitta**  
 (45) Registration Date: **24 August 2015**  
 (30) Convention priority data:  
 (31) Number (32) Date (33) Country  
**29/517273 11 Feb 2015 UNITED STATES OF AMERICA**  
 (56) Related Art Documents: **Not Applicable**  
 (57) Statement of Newness and Distinctiveness: **Newness and distinctiveness reside in the pattern and ornamentation of a surface printed design for an absorbent article. The features shown in broken line in the figures are displayed for illustrative purposes only and are not considered part of the design.**



(21) Design Number: **14090/2015**  
 (22) Date of Filing Application: **10 August 2015**  
 (24) Date from which industrial property rights may have effect: **10 August 2015**  
 (54) Product in respect of which the design is registered: **Release liner/paper having a printed design**  
 (51) International Design Classification: **24-04**  
 (74) Name(s) of Attorney(s): **Shelston IP**  
 (71) Name(s) and Address(s) of Applicant(s):  
**Johnson & Johnson Consumer Inc.**  
**199 Grandview Road Skillman New Jersey, 08858 United States of America**  
 (72) Name(s) of Designer(s): **Agnes Narimatsu and Jed Skillins and Shelby Spears Carroll**  
 (45) Registration Date: **24 August 2015**  
 (30) Convention priority data:  
 (31) Number (32) Date (33) Country  
**29/517279 11 Feb 2015 UNITED STATES OF AMERICA**  
 (56) Related Art Documents: **Not Applicable**  
 (57) Statement of Newness and Distinctiveness: **Newness and distinctiveness reside in the pattern and ornamentation of a printed design for a release liner/paper for attachment to an absorbent article. The features shown in broken line are displayed for illustrative purposes only and are not considered part of the claimed design. The absorbent article shown in broken line, to which the release liner/paper is shown attached, is displayed for contextual purposes only and is not considered part of the claimed product.**



(21) Design Number: **14091/2015**  
(22) Date of Filing Application: **10 August 2015**  
(24) Date from which industrial property rights may have effect: **10 August 2015**  
(54) Product in respect of which the design is registered: **Absorbent article having a surface printed design**  
(51) International Design Classification: **24-04**  
(74) Name(s) of Attorney(s): **Shelston IP**  
(71) Name(s) and Address(s) of Applicant(s):  
**Johnson & Johnson Consumer Inc.**  
**199 Grandview Road Skillman New Jersey, 08858 United States of America**  
(72) Name(s) of Designer(s): **Agnes Narimatsu and Marcelo Neves Pitta**  
(45) Registration Date: **24 August 2015**  
(30) Convention priority data:  
(31) Number (32) Date (33) Country  
**29/517269 11 Feb 2015 UNITED STATES OF AMERICA**  
(56) Related Art Documents: **Not Applicable**  
(57) Statement of Newness and Distinctiveness: **Newness and distinctiveness reside in the pattern and ornamentation of a surface printed design for an absorbent article. The features shown in broken line in the figures are displayed for illustrative purposes only and are not considered part of the design.**



(21) Design Number: **14093/2015**  
(22) Date of Filing Application: **10 August 2015**  
(24) Date from which industrial property rights may have effect: **30 April 2015**  
(54) Product in respect of which the design is registered: **Food package with integrated spout**  
(51) International Design Classification: **09-05**  
(74) Name(s) of Attorney(s): **Callinans**  
(71) Name(s) and Address(s) of Applicant(s):  
**GENERAL MILLS, INC.**  
**Number One General Mills Boulevard Minneapolis MN, 55426 United States of America**  
(72) Name(s) of Designer(s): **Scott F. Gillespie**  
(45) Registration Date: **24 August 2015**  
(62) Divisional of: **363388**  
(56) Related Art Documents: **Not Applicable**  
(57) Statement of Newness and Distinctiveness: **Newness and distinctiveness reside in the features of shape and/or configuration as applied to a FOOD PACKAGE WITH INTEGRATED SPOUT as shown in the accompanying representations. Features shown in dotted lines do not constitute part of the design.**



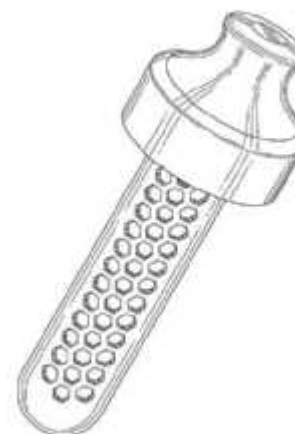
- (21) Design Number: **14094/2015**  
(22) Date of Filing Application: **10 August 2015**  
(24) Date from which industrial property rights may have effect: **30 April 2015**  
(54) Product in respect of which the design is registered: **Food package with integrated spout**  
(51) International Design Classification: **09-05**  
(74) Name(s) of Attorney(s): **Callinans**  
(71) Name(s) and Address(s) of Applicant(s):  
**GENERAL MILLS, INC.**  
**Number One General Mills Boulevard Minneapolis MN, 55426 United States of America**  
(72) Name(s) of Designer(s): **Scott F. Gillespie**  
(45) Registration Date: **24 August 2015**  
(62) Divisional of: **363388**  
(56) Related Art Documents: **Not Applicable**  
(57) Statement of Newness and Distinctiveness: **Newness and distinctiveness reside in the features of shape and/or configuration as applied to a FOOD PACKAGE WITH INTEGRATED SPOUT as shown in the accompanying representations. Features shown in dotted lines do not constitute part of the design.**



- (21) Design Number: **14095/2015**  
(22) Date of Filing Application: **11 August 2015**  
(24) Date from which industrial property rights may have effect: **11 August 2015**  
(54) Product in respect of which the design is registered: **Bottle**  
(51) International Design Classification: **09-01NES**  
(74) Name(s) of Attorney(s): **Pizzeys Patent and Trade Mark Attorneys Pty Ltd**  
(71) Name(s) and Address(s) of Applicant(s):  
**Seventh Generation Ventures, Inc**  
**50 Late St Burlington VT, 05401 United States of America**  
(72) Name(s) of Designer(s): **Karim Rashid and Brian D. Schumacher and Derrick Paul Lawrence**  
(45) Registration Date: **24 August 2015**  
(30) Convention priority data:  
(31) Number      (32) Date      (33) Country  
**29/517,575      13 Feb 2015      UNITED STATES OF AMERICA**  
(56) Related Art Documents: **Not Applicable**  
(57) Statement of Newness and Distinctiveness: **Nil**



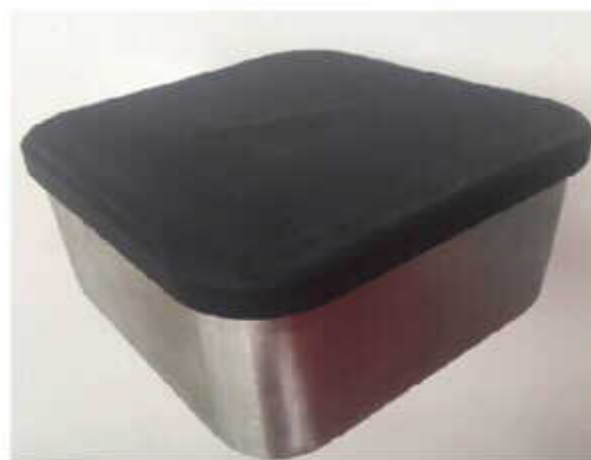
(21) Design Number: **14096/2015**  
(22) Date of Filing Application: **11 August 2015**  
(24) Date from which industrial property rights may have effect: **11 August 2015**  
(54) Product in respect of which the design is registered: **Bottle top with filter**  
(51) International Design Classification: **09-07C**  
(74) Name(s) of Attorney(s): **Pizzeys Patent and Trade Mark Attorneys Pty Ltd**  
(71) Name(s) and Address(s) of Applicant(s):  
**Seventh Generation Ventures, Inc**  
**50 Late St Burlington VT, 05401 United States of America**  
(72) Name(s) of Designer(s): **Karim Rashid and Brian D. Schumacher and**  
**Derrick Paul Lawrence**  
(45) Registration Date: **24 August 2015**  
(30) Convention priority data:  
(31) Number (32) Date (33) Country  
**29/517,574 13 Feb 2015 UNITED STATES OF AMERICA**  
(56) Related Art Documents: **Not Applicable**  
(57) Statement of Newness and Distinctiveness: **Nil**



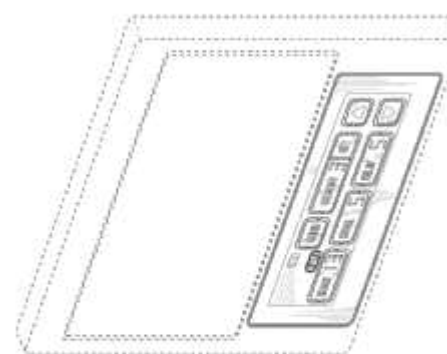
(21) Design Number: **14097/2015**  
(22) Date of Filing Application: **11 August 2015**  
(24) Date from which industrial property rights may have effect: **11 August 2015**  
(54) Product in respect of which the design is registered: **Bottle**  
(51) International Design Classification: **09-01NES**  
(74) Name(s) of Attorney(s): **Griffith Hack**  
(71) Name(s) and Address(s) of Applicant(s):  
**BISSELL Homecare, Inc.**  
**2345 Walker Avenue N.W. GRAND RAPIDS, Michigan, 49544-2516 United**  
**States of America**  
(72) Name(s) of Designer(s): **Rury Vizcarra and Michael Luyckx and Timothy**  
**A. Field**  
(45) Registration Date: **24 August 2015**  
(30) Convention priority data:  
(31) Number (32) Date (33) Country  
**29/517,439 12 Feb 2015 UNITED STATES OF AMERICA**  
(56) Related Art Documents: **Not Applicable**  
(57) Statement of Newness and Distinctiveness: **Newness and distinctiveness**  
**resides in the visual features, including the shape and configuration of**  
**the product shown in the representations. The part shown in dashed**  
**lines does not form part of the product and has been included for**  
**illustrative purposes.**



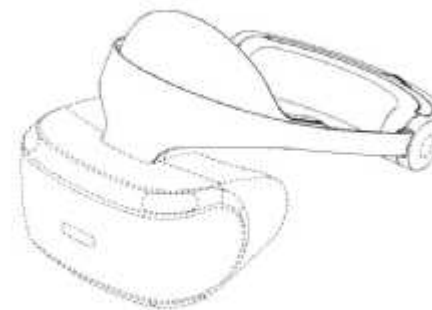
(21) Design Number: **13555/2015**  
(22) Date of Filing Application: **16 July 2015**  
(24) Date from which industrial property rights may have effect: **16 July 2015**  
(54) Product in respect of which the design is registered: **Container with lid**  
(51) International Design Classification: **07-01NES**  
(74) Name(s) of Attorney(s): **Davies Collison Cave**  
(71) Name(s) and Address(s) of Applicant(s):  
**Thermo Boutique Pty Ltd**  
**4 Lambert Ave Newtown VIC 3220 Australia**  
(72) Name(s) of Designer(s): **Chris Chalmers**  
(45) Registration Date: **24 August 2015**  
(56) Related Art Documents: **Not Applicable**  
(57) Statement of Newness and Distinctiveness: **Newness and distinctiveness is claimed in the features of shape and configuration of a container with a lid as shown in the representations and in which the color, feel and material do not form part of the design.**



(21) Design Number: **13935/2015**  
(22) Date of Filing Application: **03 August 2015**  
(24) Date from which industrial property rights may have effect: **03 August 2015**  
(54) Product in respect of which the design is registered: **Welding filter**  
(51) International Design Classification: **15-99**  
(74) Name(s) of Attorney(s): **FB Rice**  
(71) Name(s) and Address(s) of Applicant(s):  
**Tecmen Electronics CO., LTD.**  
**Building D No. 21 North Liuzhou Road Xiaoliu Industry Park Nanjing**  
**210031 China**  
(72) Name(s) of Designer(s): **Ziqian Wu**  
(45) Registration Date: **24 August 2015**  
(30) Convention priority data:  
(31) Number (32) Date (33) Country  
**201530087743.2 07 Apr 2015 CHINA**  
(56) Related Art Documents: **Not Applicable**  
(57) Statement of Newness and Distinctiveness: **Newness and distinctiveness reside in the features of the design shown in solid lines in the representations excluding those features shown in broken lines.**



(21) Design Number: **14061/2015**  
(22) Date of Filing Application: **07 August 2015**  
(24) Date from which industrial property rights may have effect: **07 August 2015**  
(54) Product in respect of which the design is registered: **Head-mounted display**  
(51) International Design Classification: **14-01**  
(74) Name(s) of Attorney(s): **Shelston IP**  
(71) Name(s) and Address(s) of Applicant(s):  
**Sony Computer Entertainment Inc.**  
**1-7-1 Konan Minato-ku Toyko 107-0052 Japan**  
(72) Name(s) of Designer(s): **Taichi Nokuo**  
(45) Registration Date: **24 August 2015**  
(30) Convention priority data:  
(31) Number (32) Date (33) Country  
**2015/004105 27 Feb 2015 JAPAN**  
(56) Related Art Documents: **Not Applicable**  
(57) Statement of Newness and Distinctiveness: **Newness and distinctiveness reside in the features of shape and/or configuration of the Head-mounted Display as shown in solid lines in the accompanying representations. The features shown in broken lines are included for illustrative purposes only and form no part of the design.**



(21) Design Number: **14075/2015**  
(22) Date of Filing Application: **10 August 2015**  
(24) Date from which industrial property rights may have effect: **10 August 2015**  
(54) Product in respect of which the design is registered: **Flowerpot**  
(51) International Design Classification: **11-02B**  
(74) Name(s) of Attorney(s): **Shelston IP**  
(71) Name(s) and Address(s) of Applicant(s):  
**Keter Plastic Ltd.**  
**2 Sapir Street Industrial Zone Herzelyia 4685206 Israel**  
(72) Name(s) of Designer(s): **Reut Itzhak-Sigron and Zvi Zak**  
(45) Registration Date: **24 August 2015**  
(30) Convention priority data:  
(31) Number (32) Date (33) Country  
**56568 10 Feb 2015 ISRAEL**  
(56) Related Art Documents: **Not Applicable**  
(57) Statement of Newness and Distinctiveness: **Newness and distinctiveness reside in the features of shape and/or configuration of a FLOWERPOT as illustrated in the accompanying representations.**



- (21) Design Number: **14076/2015**  
(22) Date of Filing Application: **10 August 2015**  
(24) Date from which industrial property rights may have effect: **10 August 2015**  
(54) Product in respect of which the design is registered: **Flowerpot**  
(51) International Design Classification: **11-02B**  
(74) Name(s) of Attorney(s): **Shelston IP**  
(71) Name(s) and Address(s) of Applicant(s):  
**Keter Plastic Ltd.**  
**2 Sapir Street Industrial Zone Herzelyia 4685206 Israel**  
(72) Name(s) of Designer(s): **Reut Itzhak-Sigron and Zvi Zak**  
(45) Registration Date: **24 August 2015**  
(30) Convention priority data:  
(31) Number (32) Date (33) Country  
**56568 10 Feb 2015 ISRAEL**  
(56) Related Art Documents: **Not Applicable**  
(57) Statement of Newness and Distinctiveness: **Newness and distinctiveness reside in the features of shape and/or configuration of a FLOWERPOT as illustrated in the accompanying representations.**



- (21) Design Number: **14077/2015**  
(22) Date of Filing Application: **10 August 2015**  
(24) Date from which industrial property rights may have effect: **10 August 2015**  
(54) Product in respect of which the design is registered: **Basket**  
(51) International Design Classification: **03-01A**  
(74) Name(s) of Attorney(s): **Shelston IP**  
(71) Name(s) and Address(s) of Applicant(s):  
**Keter Plastic Ltd.**  
**2 Sapir Street Industrial Zone Herzelyia 4685206 Israel**  
(72) Name(s) of Designer(s): **Reut Itzhak-Sigron and Zvi Zak**  
(45) Registration Date: **24 August 2015**  
(30) Convention priority data:  
(31) Number (32) Date (33) Country  
**56568 10 Feb 2015 ISRAEL**  
(56) Related Art Documents: **Not Applicable**  
(57) Statement of Newness and Distinctiveness: **Newness and distinctiveness reside in the features of shape and/or configuration of a BASKET as illustrated in the accompanying representations.**



(21) Design Number: **14078/2015**  
(22) Date of Filing Application: **10 August 2015**  
(24) Date from which industrial property rights may have effect: **10 August 2015**  
(54) Product in respect of which the design is registered: **Stool**  
(51) International Design Classification: **06-01E**  
(74) Name(s) of Attorney(s): **Shelston IP**  
(71) Name(s) and Address(s) of Applicant(s):

**Keter Plastic Ltd.**  
**2 Sapir Street Industrial Zone Herzelyia 4685206 Israel**

(72) Name(s) of Designer(s): **Reut Itzhak-Sigron and Zvi Zak**

(45) Registration Date: **24 August 2015**

(30) Convention priority data:

(31) Number	(32) Date	(33) Country
<b>56568</b>	<b>10 Feb 2015</b>	<b>ISRAEL</b>

(56) Related Art Documents: **Not Applicable**

(57) Statement of Newness and Distinctiveness: **Newness and distinctiveness reside in the features of shape and/or configuration of a STOOL as illustrated in solid lines in the accompanying representations. The features bounded by red dashed lines are illustrative only and do not form part of the design.**



(21) Design Number: **14079/2015**  
(22) Date of Filing Application: **10 August 2015**  
(24) Date from which industrial property rights may have effect: **10 August 2015**  
(54) Product in respect of which the design is registered: **Table**  
(51) International Design Classification: **06-03B**  
(74) Name(s) of Attorney(s): **Shelston IP**  
(71) Name(s) and Address(s) of Applicant(s):

**Keter Plastic Ltd.**  
**2 Sapir Street Industrial Zone Herzelyia 4685206 Israel**

(72) Name(s) of Designer(s): **Reut Itzhak-Sigron and Zvi Zak**

(45) Registration Date: **24 August 2015**

(30) Convention priority data:

(31) Number	(32) Date	(33) Country
<b>56568</b>	<b>10 Feb 2015</b>	<b>ISRAEL</b>

(56) Related Art Documents: **Not Applicable**

(57) Statement of Newness and Distinctiveness: **Newness and distinctiveness reside in the features of shape and/or configuration of a TABLE as illustrated in the accompanying representations.**



(21) Design Number: **14080/2015**  
(22) Date of Filing Application: **10 August 2015**  
(24) Date from which industrial property rights may have effect: **10 August 2015**  
(54) Product in respect of which the design is registered: **Basket**  
(51) International Design Classification: **03-01A**  
(74) Name(s) of Attorney(s): **Shelston IP**  
(71) Name(s) and Address(s) of Applicant(s):

**Keter Plastic Ltd.**  
**2 Sapir Street Industrial Zone Herzelyia 4685206 Israel**

(72) Name(s) of Designer(s): **Reut Itzhak-Sigron and Zvi Zak**

(45) Registration Date: **24 August 2015**

(30) Convention priority data:

(31) Number	(32) Date	(33) Country
<b>56568</b>	<b>10 Feb 2015</b>	<b>ISRAEL</b>

(56) Related Art Documents: **Not Applicable**

(57) Statement of Newness and Distinctiveness: **Newness and distinctiveness reside in the features of shape and/or configuration of a BASKET as illustrated in the accompanying representations.**



(21) Design Number: **12822/2015**  
(22) Date of Filing Application: **03 June 2015**  
(24) Date from which industrial property rights may have effect: **03 June 2015**  
(54) Product in respect of which the design is registered: **Fluid reservoir for use with a patient interface device in an ophthalmic surgical laser system.**  
(51) International Design Classification: **24-99**  
(74) Name(s) of Attorney(s): **Pizeys Patent and Trade Mark Attorneys Pty Ltd**  
(71) Name(s) and Address(s) of Applicant(s):

**Optimedica Corporation**  
**1310 Moffett Park Drive Sunnyvale CA 94089 United States of America**

(72) Name(s) of Designer(s): **Phillip Gooding and Brent Eikanas and Christine Beltran and Carlos Castro**

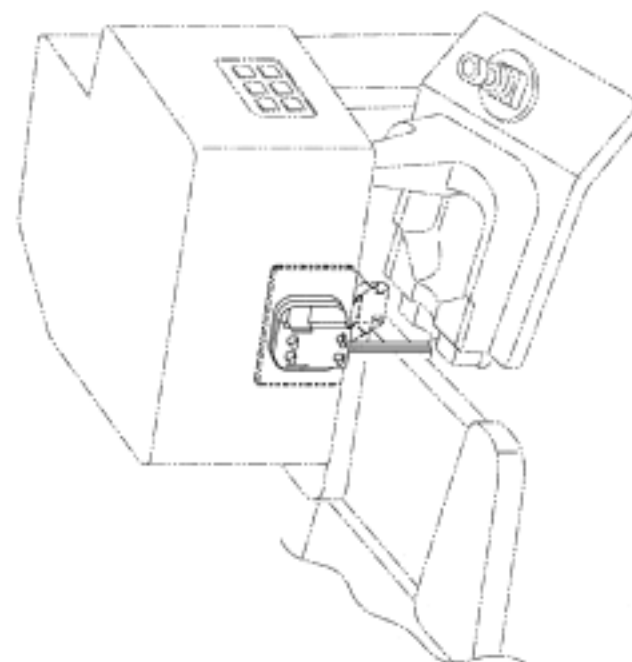
(45) Registration Date: **24 August 2015**

(30) Convention priority data:

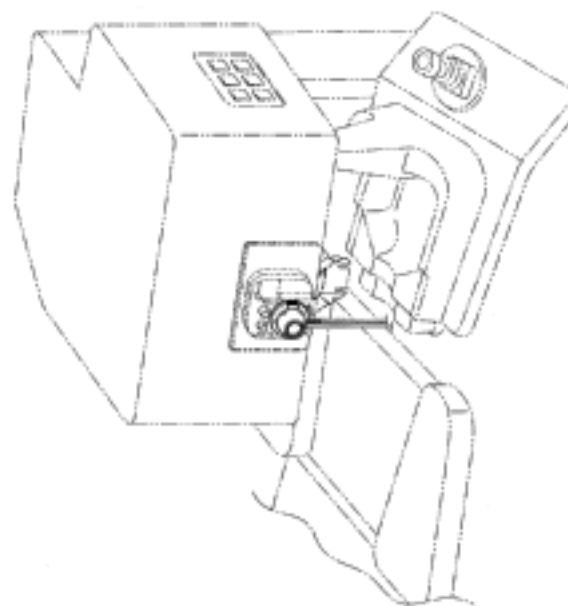
(31) Number	(32) Date	(33) Country
<b>29/510,842</b>	<b>03 Dec 2014</b>	<b>UNITED STATES OF AMERICA</b>

(56) Related Art Documents: **Not Applicable**

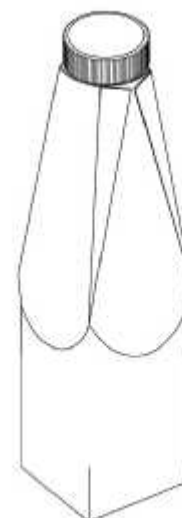
(57) Statement of Newness and Distinctiveness: **Nil**



(21) Design Number: **12834/2015**  
(22) Date of Filing Application: **03 June 2015**  
(24) Date from which industrial property rights may have effect: **03 June 2015**  
(54) Product in respect of which the design is registered: **Suction ring for a patient interface for coupling a patient's eye to an ophthalmic surgical laser system**  
(51) International Design Classification: **24-01**  
(74) Name(s) of Attorney(s): **Pizeys Patent and Trade Mark Attorneys Pty Ltd**  
(71) Name(s) and Address(s) of Applicant(s):  
**Optimedica Corporation**  
**1310 Moffett Park Drive Sunnyvale CA 94089 United States of America**  
(72) Name(s) of Designer(s): **Phillip Gooding and Brent Eikanas and Christine Beltran**  
(45) Registration Date: **24 August 2015**  
(30) Convention priority data:  
(31) Number (32) Date (33) Country  
**29/510,844 03 Dec 2014 UNITED STATES OF AMERICA**  
(56) Related Art Documents: **Not Applicable**  
(57) Statement of Newness and Distinctiveness: **Nil**



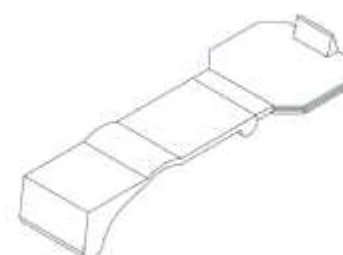
(21) Design Number: **14158/2015**  
(22) Date of Filing Application: **13 August 2015**  
(24) Date from which industrial property rights may have effect: **13 August 2015**  
(54) Product in respect of which the design is registered: **Bottle**  
(51) International Design Classification: **09-01NES**  
(74) Name(s) of Attorney(s): **HODGKINSON McINNES PATENTS**  
(71) Name(s) and Address(s) of Applicant(s):  
**SIG Technology AG**  
**Laufengasse 18 Neuhausen am Rheinflall 8212 Switzerland**  
(72) Name(s) of Designer(s): **Matthias Dammers**  
(45) Registration Date: **24 August 2015**  
(30) Convention priority data:  
(31) Number (32) Date (33) Country  
**DE 40 2015 100 15 Apr 2015 GERMANY**  
**345.1**  
(56) Related Art Documents: **Not Applicable**  
(57) Statement of Newness and Distinctiveness: **Newness and distinctiveness is claimed in the shape and configuration of a bottle as shown in the representations.**



- (21) Design Number: **14159/2015**  
(22) Date of Filing Application: **13 August 2015**  
(24) Date from which industrial property rights may have effect: **13 August 2015**  
(54) Product in respect of which the design is registered: **Bottle**  
(51) International Design Classification: **09-01NES**  
(74) Name(s) of Attorney(s): **HODGKINSON McINNES PATENTS**  
(71) Name(s) and Address(s) of Applicant(s):  
**SIG Technology AG**  
**Laufengasse 18 Neuhausen am Rheinfall 8212 Switzerland**  
(72) Name(s) of Designer(s): **Matthias Dammers**  
(45) Registration Date: **24 August 2015**  
(30) Convention priority data:  
(31) Number (32) Date (33) Country  
**DE 40 2015 100 15 Apr 2015 GERMANY**  
**345.1**  
(56) Related Art Documents: **Not Applicable**  
(57) Statement of Newness and Distinctiveness: **Newness and distinctiveness is claimed in the shape and configuration of a bottle as shown in the representations.**



- (21) Design Number: **14160/2015**  
(22) Date of Filing Application: **13 August 2015**  
(24) Date from which industrial property rights may have effect: **13 August 2015**  
(54) Product in respect of which the design is registered: **Anatomical support**  
(51) International Design Classification: **24-04**  
(74) Name(s) of Attorney(s): **Churchill Attorneys**  
(71) Name(s) and Address(s) of Applicant(s):  
**Alan Michael Westdyk**  
**20 Welgelegen Glenwood Rd Faerie Glen Pretoria South Africa**  
(72) Name(s) of Designer(s): **Alan Michael Westdyk**  
(45) Registration Date: **24 August 2015**  
(30) Convention priority data:  
(31) Number (32) Date (33) Country  
**F2015/00276 24 Feb 2015 SOUTH AFRICA**  
(56) Related Art Documents: **Not Applicable**  
(57) Statement of Newness and Distinctiveness: **The newness and distinctiveness of the design resides in the shape of the anatomical support as shown in the continuous lines in the accompanying representations. The broken lines are not part of the design and are to be disregarded when considering the overall impression of the design.**



(21) Design Number: **14163/2015**  
(22) Date of Filing Application: **13 August 2015**  
(24) Date from which industrial property rights may have effect: **13 August 2015**  
(54) Product in respect of which the design is registered: **A coffee maker**  
(51) International Design Classification: **07-02L**  
(74) Name(s) of Attorney(s): **Banki Haddock Fiora**  
(71) Name(s) and Address(s) of Applicant(s):

**Pi-Design AG**  
**Kantonsstrasse 100 Triengen CH - 6234 Switzerland**

(72) Name(s) of Designer(s): **Jorgen Bodum**

(45) Registration Date: **24 August 2015**

(30) Convention priority data:

(31) Number	(32) Date	(33) Country
<b>DM/085 858</b>	<b>12 Mar 2015</b>	<b>WORLD INTELLECTUAL PROPERTY ORGANIZATION (WIPO)</b>

(56) Related Art Documents: **Not Applicable**

(57) Statement of Newness and Distinctiveness: **The visual features of the coffee maker depicted in the representations that are new and distinctive are the shape and/or configuration.**



(21) Design Number: **14162/2015**  
(22) Date of Filing Application: **13 August 2015**  
(24) Date from which industrial property rights may have effect: **13 August 2015**  
(54) Product in respect of which the design is registered: **Sacral support**  
(51) International Design Classification: **24-04**  
(74) Name(s) of Attorney(s): **Churchill Attorneys**  
(71) Name(s) and Address(s) of Applicant(s):

**Alan Michael Westdyk**  
**20 Welgelegen Glenwood Rd Faerie Glen Pretoria South Africa**

(72) Name(s) of Designer(s): **Alan Michael Westdyk**

(45) Registration Date: **24 August 2015**

(30) Convention priority data:

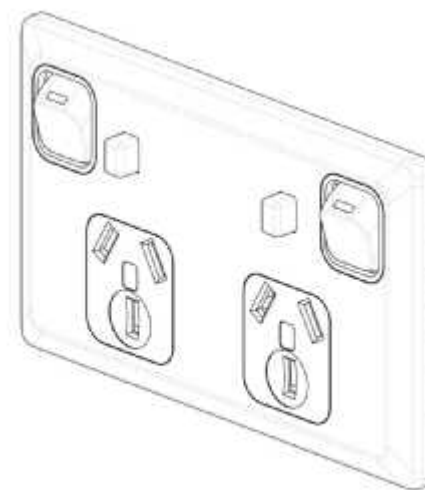
(31) Number	(32) Date	(33) Country
<b>F2015/00275</b>	<b>24 Feb 2015</b>	<b>SOUTH AFRICA</b>

(56) Related Art Documents: **Not Applicable**

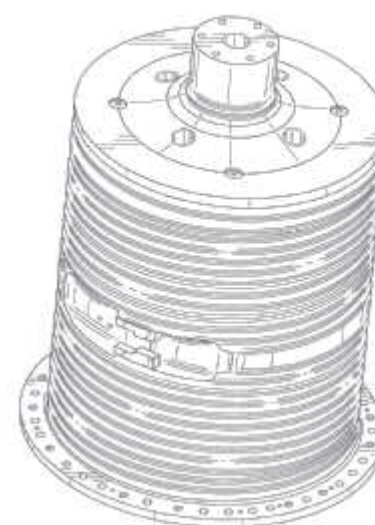
(57) Statement of Newness and Distinctiveness: **The newness and distinctiveness of the design resides in the shape of the sacral support as shown in the accompanying representations**



- (21) Design Number: **14164/2015**  
(22) Date of Filing Application: **13 August 2015**  
(24) Date from which industrial property rights may have effect: **13 August 2015**  
(54) Product in respect of which the design is registered: **Power outlet**  
(51) International Design Classification: **13-03D**  
(74) Name(s) of Attorney(s):  
(71) Name(s) and Address(s) of Applicant(s):  
**WES Alliance Pty Ltd**  
**138 Liverpool Rd Ashfield NSW 2131 Australia**  
(72) Name(s) of Designer(s): **Santo Carlini and Alexander Richardson and**  
**Shane Talbot and Alfonso Najera**  
(45) Registration Date: **24 August 2015**  
(56) Related Art Documents: **Not Applicable**  
(57) Statement of Newness and Distinctiveness: **Newness and distinctiveness**  
**resides in the features of shape and configuration of a power outlet as**  
**shown in solid lines in the accompanying representations.**



- (21) Design Number: **14171/2015**  
(22) Date of Filing Application: **14 August 2015**  
(24) Date from which industrial property rights may have effect: **14 August 2015**  
(54) Product in respect of which the design is registered: **Anchor hoist drum**  
(51) International Design Classification: **12-05**  
(74) Name(s) of Attorney(s): **IP Gateway Patent & Trade Mark Attorneys Pty**  
**Ltd**  
(71) Name(s) and Address(s) of Applicant(s):  
**Caterpillar Global Mining LLC**  
**6744 S. Howell Avenue Oak Creek Wisconsin, 53154 United States of**  
**America**  
(72) Name(s) of Designer(s): **Jason J. Trotnow and Gurbachan S. Bumraw**  
(45) Registration Date: **24 August 2015**  
(30) Convention priority data:  
(31) Number (32) Date (33) Country  
**29/518,824 27 Feb 2015 UNITED STATES OF AMERICA**  
(56) Related Art Documents: **Not Applicable**  
(57) Statement of Newness and Distinctiveness: **Newness and distinctiveness**  
**reside in the visual features of shape and configuration of the product**  
**as shown in the accompanying representations.**



(21) Design Number: **14074/2015**

(22) Date of Filing Application: **10 August 2015**

(24) Date from which industrial property rights may have effect: **10 August 2015**

(54) Product in respect of which the design is registered: **Sand discharge pipe for vehicles, especially rail vehicles**

(51) International Design Classification: **12-99**

(74) Name(s) of Attorney(s): **Spruson & Ferguson**

(71) Name(s) and Address(s) of Applicant(s):

**Siemens Aktiengesellschaft  
Wittelsbacherplatz 2 Munchen 80333 Germany**

(72) Name(s) of Designer(s): **Hans-Joachim Gronau**

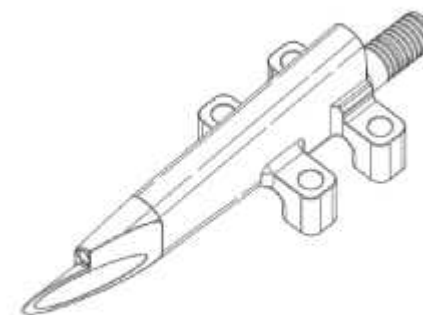
(45) Registration Date: **24 August 2015**

(30) Convention priority data:

(31) Number	(32) Date	(33) Country
<b>001430870</b>	<b>20 Feb 2015</b>	<b>OFFICE FOR HARMONISATION IN THE INTERNAL MARKET (OHIM)</b>

(56) Related Art Documents: **Not Applicable**

(57) Statement of Newness and Distinctiveness: **Newness and distinctiveness is claimed in the features of shape and/or configuration of a sand discharge pipe for vehicles, especially rail vehicles as illustrated in the accompanying representations.**



Perspective View

(21) Design Number: **14069/2015**

(22) Date of Filing Application: **07 August 2015**

(24) Date from which industrial property rights may have effect: **07 August 2015**

(54) Product in respect of which the design is registered: **Leash for surf craft**

(51) International Design Classification: **21-02D**

(74) Name(s) of Attorney(s):

(71) Name(s) and Address(s) of Applicant(s):

**Donald McCredie  
32 Central Rd Avalon Beach NSW 2107 Australia**

(72) Name(s) of Designer(s): **Donald McCredie**

(45) Registration Date: **24 August 2015**

(56) Related Art Documents: **Not Applicable**

(57) Statement of Newness and Distinctiveness: **The newness and distinctiveness of the design resides in the shape of the leash components as shown in the continuous lines in the accompanying representations.**



(21) Design Number: **14068/2015**  
(22) Date of Filing Application: **07 August 2015**  
(24) Date from which industrial property rights may have effect: **07 August 2015**  
(54) Product in respect of which the design is registered: **Trailer**  
(51) International Design Classification: **12-10**  
(74) Name(s) of Attorney(s):  
(71) Name(s) and Address(s) of Applicant(s):

**Michael Leo O'Brien**  
**6 Summer PI Nambucca Heads NSW 2448 Australia**

(72) Name(s) of Designer(s): **Michael Leo O'Brien**

(45) Registration Date: **24 August 2015**

(56) Related Art Documents: **Not Applicable**

(57) Statement of Newness and Distinctiveness: **The trailer is the world's first, full size, factory galvanised adaptable trailer unit that converts from the basic 7' x 4' (2100mm x 1200mm) Flat Bed configuration to a Box Trailer; Box Trailer with Cage; Motorcycle Trailer with wheel channels; Small Boat Trailer with winch, keel rollers and channel plus bespoke hull support brackets and hull slides. The trailer is built with a sub-frame and full floor glued and riveted to the frame. The trailer is fitted with a two-position extendable centre draw bar when carrying longer loads on the open Flat Bed or when carrying a Boat. All attachments can be removed and replaced with minimal tools. The suspension consists of a single parabolic spring on each side. The trailer comes complete with all fixtures and fittings as standard.**



(21) Design Number: **14067/2015**  
(22) Date of Filing Application: **07 August 2015**  
(24) Date from which industrial property rights may have effect: **07 August 2015**  
(54) Product in respect of which the design is registered: **Support device**  
(51) International Design Classification: **25-01B**  
(74) Name(s) of Attorney(s): **PHILLIPS ORMONDE FITZPATRICK**  
(71) Name(s) and Address(s) of Applicant(s):

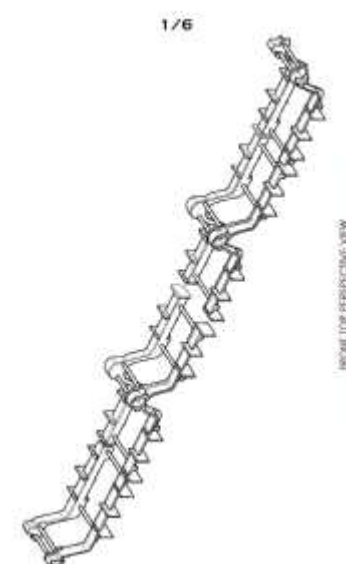
**Stramit Corporation Pty Limited**  
**L11 Twr B Zenith Ctr 821 Pacific Hwy Chatswood NSW 2067 Australia**

(72) Name(s) of Designer(s): **John Richard Bugh**

(45) Registration Date: **24 August 2015**

(56) Related Art Documents: **Not Applicable**

(57) Statement of Newness and Distinctiveness: **Newness and distinctiveness are claimed in a support device for use with a sealing device for overlapping profiled sheets, the support device consisting of a plurality of support modules of a shape and/or configuration as shown in the accompanying drawings.**



(21) Design Number: **12943/2015**  
(22) Date of Filing Application: **11 June 2015**  
(24) Date from which industrial property rights may have effect: **11 June 2015**  
(54) Product in respect of which the design is registered: **Bottle label**  
(51) International Design Classification: **19-08**  
(74) Name(s) of Attorney(s): **Davies Collison Cave**  
(71) Name(s) and Address(s) of Applicant(s):  
**Nongfu Spring Co., Ltd.**  
**No. 181, Geyazhuang Xihu District, Hangzhou Zhejiang, 310024 China**  
(72) Name(s) of Designer(s): **Shanshan Zhong**  
(45) Registration Date: **24 August 2015**  
(30) Convention priority data:  
(31) Number (32) Date (33) Country  
**201530006471.9 09 Jan 2015 CHINA**  
(56) Related Art Documents: **Not Applicable**  
(57) Statement of Newness and Distinctiveness: **Newness and distinctiveness is claimed in the visual features of a bottle label as shown in the representation, but not in the colour of the bottle label.**



(21) Design Number: **12944/2015**  
(22) Date of Filing Application: **11 June 2015**  
(24) Date from which industrial property rights may have effect: **11 June 2015**  
(54) Product in respect of which the design is registered: **Bottle label**  
(51) International Design Classification: **19-08**  
(74) Name(s) of Attorney(s): **Davies Collison Cave**  
(71) Name(s) and Address(s) of Applicant(s):  
**Nongfu Spring Co., Ltd.**  
**No. 181, Geyazhuang Xihu District, Hangzhou Zhejiang, 310024 China**  
(72) Name(s) of Designer(s): **Yi Lu**  
(45) Registration Date: **24 August 2015**  
(30) Convention priority data:  
(31) Number (32) Date (33) Country  
**201530006483.1 09 Jan 2015 CHINA**  
(56) Related Art Documents: **Not Applicable**  
(57) Statement of Newness and Distinctiveness: **Newness and distinctiveness is claimed in the visual features of a bottle label as shown in the representation, but not in the colour of the bottle label.**



(21) Design Number: **12945/2015**

(22) Date of Filing Application: **11 June 2015**

(24) Date from which industrial property rights may have effect: **11 June 2015**

(54) Product in respect of which the design is registered: **Bottle label**

(51) International Design Classification: **19-08**

(74) Name(s) of Attorney(s): **Davies Collison Cave**

(71) Name(s) and Address(s) of Applicant(s):

**Nongfu Spring Co., Ltd.**

**No. 181, Geyazhuang Xihu District, Hangzhou Zhejiang, 310024 China**

(72) Name(s) of Designer(s): **Shanshan Zhong**

(45) Registration Date: **24 August 2015**

(30) Convention priority data:

(31) Number	(32) Date	(33) Country
<b>201530006484.6</b>	<b>09 Jan 2015</b>	<b>CHINA</b>

(56) Related Art Documents: **Not Applicable**

(57) Statement of Newness and Distinctiveness: **Newness and distinctiveness is claimed in the visual features of a bottle label as shown in the representation, but not in the colour of the bottle label.**



(21) Design Number: **12947/2015**

(22) Date of Filing Application: **11 June 2015**

(24) Date from which industrial property rights may have effect: **11 June 2015**

(54) Product in respect of which the design is registered: **Bottle label**

(51) International Design Classification: **19-08**

(74) Name(s) of Attorney(s): **Davies Collison Cave**

(71) Name(s) and Address(s) of Applicant(s):

**Nongfu Spring Co., Ltd.**

**No. 181, Geyazhuang Xihu District, Hangzhou Zhejiang, 310024 China**

(72) Name(s) of Designer(s): **Shanshan Zhong**

(45) Registration Date: **24 August 2015**

(30) Convention priority data:

(31) Number	(32) Date	(33) Country
<b>201530006232.3</b>	<b>09 Jan 2015</b>	<b>CHINA</b>

(56) Related Art Documents: **Not Applicable**

(57) Statement of Newness and Distinctiveness: **Newness and distinctiveness is claimed in the visual features of a bottle label as shown in the representation, but not in the colour of the bottle label.**



(21) Design Number: **12948/2015**  
(22) Date of Filing Application: **11 June 2015**  
(24) Date from which industrial property rights may have effect: **11 June 2015**  
(54) Product in respect of which the design is registered: **Bottle label**  
(51) International Design Classification: **19-08**  
(74) Name(s) of Attorney(s): **Davies Collison Cave**  
(71) Name(s) and Address(s) of Applicant(s):  
**Nongfu Spring Co., Ltd.**  
**No. 181, Geyazhuang Xihu District, Hangzhou Zhejiang, 310024 China**  
(72) Name(s) of Designer(s): **Shanshan Zhong**  
(45) Registration Date: **24 August 2015**  
(30) Convention priority data:  
(31) Number (32) Date (33) Country  
**201530006237.6 09 Jan 2015 CHINA**  
(56) Related Art Documents: **Not Applicable**  
(57) Statement of Newness and Distinctiveness: **Newness and distinctiveness is claimed in the visual features of a bottle label as shown in the representation, but not in the colour of the bottle label.**



(21) Design Number: **14161/2015**  
(22) Date of Filing Application: **13 August 2015**  
(24) Date from which industrial property rights may have effect: **13 August 2015**  
(54) Product in respect of which the design is registered: **Chair, seat, lounge**  
(51) International Design Classification: **06-01G**  
(74) Name(s) of Attorney(s):  
(71) Name(s) and Address(s) of Applicant(s):  
**Design By Them Pty Ltd**  
**109 Shepherd St Chippendale NSW 2008 Australia**  
**Jon Goulder**  
**15A Marine Pde Seacliff SA 5049 Australia**  
(72) Name(s) of Designer(s): **Jon Goulder and Nicholas Karlovasitis and Sarah Gibson**  
(45) Registration Date: **24 August 2015**  
(56) Related Art Documents: **Not Applicable**  
(57) Statement of Newness and Distinctiveness: **Nil**



- (21) Design Number: **13317/2015**  
(22) Date of Filing Application: **01 July 2015**  
(24) Date from which industrial property rights may have effect: **01 July 2015**  
(54) Product in respect of which the design is registered: **A fence clip**  
(51) International Design Classification: **08-08C**  
(74) Name(s) of Attorney(s): **Davies Collison Cave**  
(71) Name(s) and Address(s) of Applicant(s):  
**Youssef Nehme**  
**6 Macquarie Rd Earlwood NSW 2006 Australia**  
(72) Name(s) of Designer(s): **Youssef Nehme**  
(45) Registration Date: **24 August 2015**  
(56) Related Art Documents: **Not Applicable**  
(57) Statement of Newness and Distinctiveness: **Newness and distinctiveness is claimed in the visual features shown in solid lines in the representations.**

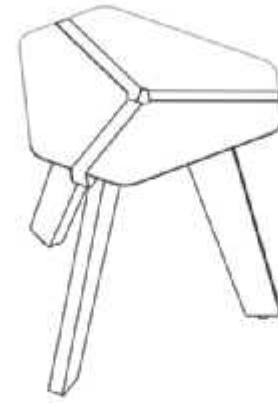


FIG. 1

- (21) Design Number: **12946/2015**  
(22) Date of Filing Application: **11 June 2015**  
(24) Date from which industrial property rights may have effect: **11 June 2015**  
(54) Product in respect of which the design is registered: **Bottle label**  
(51) International Design Classification: **19-08**  
(74) Name(s) of Attorney(s): **Davies Collison Cave**  
(71) Name(s) and Address(s) of Applicant(s):  
**Nongfu Spring Co., Ltd.**  
**No. 181, Geyazhuang Xihu District, Hangzhou Zhejiang, 310024 China**  
(72) Name(s) of Designer(s): **Shanshan Zhong**  
(45) Registration Date: **24 August 2015**  
(30) Convention priority data:  
(31) Number      (32) Date      (33) Country  
**201530006485.0    09 Jan 2015      CHINA**  
(56) Related Art Documents: **Not Applicable**  
(57) Statement of Newness and Distinctiveness: **Newness and distinctiveness is claimed in the visual features of a bottle label as shown in the representation, but not in the colour of the bottle label.**



- (21) Design Number: **14109/2015**  
(22) Date of Filing Application: **11 August 2015**  
(24) Date from which industrial property rights may have effect: **11 August 2015**  
(54) Product in respect of which the design is registered: **A stool**  
(51) International Design Classification: **06-01E**  
(74) Name(s) of Attorney(s):  
(71) Name(s) and Address(s) of Applicant(s):  
**David Anthony Pidcock**  
**2/7 Waine St Freshwater NSW 2096 Australia**  
(72) Name(s) of Designer(s): **David Anthony Pidcock**  
(45) Registration Date: **24 August 2015**  
(56) Related Art Documents: **Not Applicable**  
(57) Statement of Newness and Distinctiveness: **The newness and distinctiveness of the design resides in the shape and configuration of the design as shown in the representations.**



- (21) Design Number: **14113/2015**  
(22) Date of Filing Application: **11 August 2015**  
(24) Date from which industrial property rights may have effect: **11 August 2015**  
(54) Product in respect of which the design is registered: **Light**  
(51) International Design Classification: **26-05B**  
(74) Name(s) of Attorney(s): **IP Gateway Patent & Trade Mark Attorneys Pty Ltd**  
(71) Name(s) and Address(s) of Applicant(s):  
**Landscape Forms, Inc.**  
**431 Lawndale Avenue Kalamazoo Michigan, 49048 United States Of America**  
(72) Name(s) of Designer(s): **Francisco Gomez Paz**  
(45) Registration Date: **24 August 2015**  
(30) Convention priority data:  
(31) Number (32) Date (33) Country  
**29/518,730 26 Feb 2015 UNITED STATES OF AMERICA**  
(56) Related Art Documents: **Not Applicable**  
(57) Statement of Newness and Distinctiveness: **Newness and distinctiveness reside in the visual features of shape and configuration of the product as shown in solid lines in the representations. Visual features shown in broken dashed lines should be given minimum regard.**



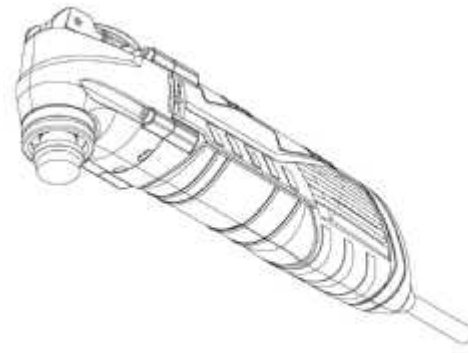
- (21) Design Number: **14114/2015**  
(22) Date of Filing Application: **11 August 2015**  
(24) Date from which industrial property rights may have effect: **11 August 2015**  
(54) Product in respect of which the design is registered: **Basket**  
(51) International Design Classification: **09-04**  
(74) Name(s) of Attorney(s): **Shelston IP**  
(71) Name(s) and Address(s) of Applicant(s):  
**CURVER Luxembourg Sarl**  
**Z.I. Haneboesch Neidercorn L4562 Luxembourg**  
(72) Name(s) of Designer(s): **Nikolai Duvigneau**  
(45) Registration Date: **24 August 2015**  
(30) Convention priority data:  
(31) Number (32) Date (33) Country  
**56589 12 Feb 2015 ISRAEL**  
(56) Related Art Documents: **Not Applicable**  
(57) Statement of Newness and Distinctiveness: **Newness and distinctiveness reside in the features of shape and/or configuration of a BASKET as illustrated in the accompanying representations.**



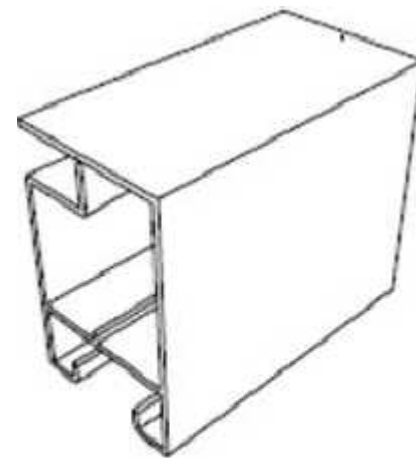
- (21) Design Number: **14136/2015**  
(22) Date of Filing Application: **12 August 2015**  
(24) Date from which industrial property rights may have effect: **12 August 2015**  
(54) Product in respect of which the design is registered: **cufflinks**  
(51) International Design Classification: **02-07C**  
(74) Name(s) of Attorney(s):  
(71) Name(s) and Address(s) of Applicant(s):  
**Times Flys Design**  
**75 High St Mascot NSW 2020 Australia**  
(72) Name(s) of Designer(s): **Olivia Serre**  
(45) Registration Date: **24 August 2015**  
(56) Related Art Documents: **Not Applicable**  
(57) Statement of Newness and Distinctiveness: **Newness and distinctiveness is claimed in the features of the shape and configuration of the cufflink as illustrated in the accompanying representations.**



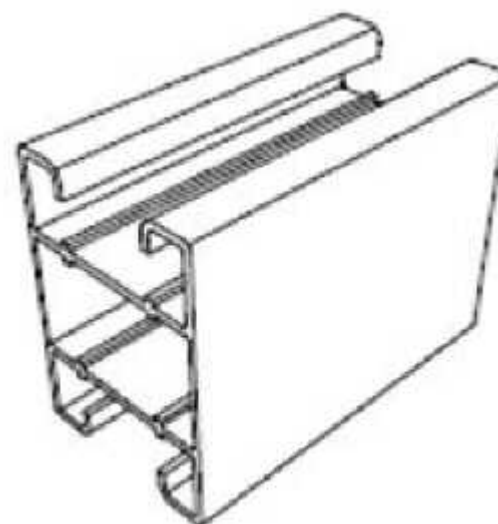
- (21) Design Number: **14139/2015**  
(22) Date of Filing Application: **12 August 2015**  
(24) Date from which industrial property rights may have effect: **12 August 2015**  
(54) Product in respect of which the design is registered: **Power tool**  
(51) International Design Classification: **08-01**  
(74) Name(s) of Attorney(s): **Griffith Hack**  
(71) Name(s) and Address(s) of Applicant(s):  
**BRAND DEVELOPERS LIMITED**  
**Levels 1 - 3 519 - 521 Lake Rd Takapuna 0622 New Zealand**  
(72) Name(s) of Designer(s): **James Fisher**  
(45) Registration Date: **24 August 2015**  
(56) Related Art Documents: **Not Applicable**  
(57) Statement of Newness and Distinctiveness: **Newness and distinctiveness resides in the visual features, including shape and configuration, of a POWER TOOL as shown in the accompanying drawings.**



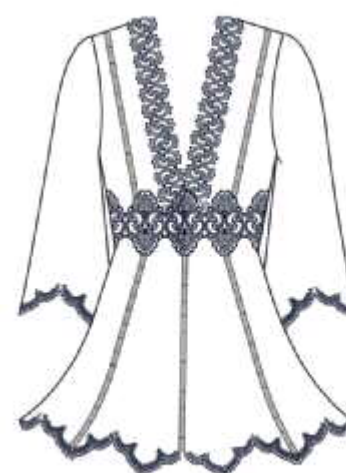
- (21) Design Number: **14140/2015**  
(22) Date of Filing Application: **13 August 2015**  
(24) Date from which industrial property rights may have effect: **13 August 2015**  
(54) Product in respect of which the design is registered: **An extrusion of indefinite length**  
(51) International Design Classification: **25-01K**  
(74) Name(s) of Attorney(s): **Ellis Terry**  
(71) Name(s) and Address(s) of Applicant(s):  
**Monkey Toe Systems Limited**  
**369 Devon Street East Strandon New Plymouth 4312 NEW ZEALAND**  
(72) Name(s) of Designer(s): **Vernon Prestidge**  
(45) Registration Date: **24 August 2015**  
(30) Convention priority data:  
(31) Number      (32) Date      (33) Country  
**420062      23 Mar 2015      NEW ZEALAND**  
(56) Related Art Documents: **Not Applicable**  
(57) Statement of Newness and Distinctiveness: **Nil**



(21) Design Number: **14141/2015**  
(22) Date of Filing Application: **13 August 2015**  
(24) Date from which industrial property rights may have effect: **13 August 2015**  
(54) Product in respect of which the design is registered: **An extrusion of indefinite length**  
(51) International Design Classification: **25-01K**  
(74) Name(s) of Attorney(s): **Ellis Terry**  
(71) Name(s) and Address(s) of Applicant(s):  
**MONKEY TOE SYSTEMS LIMITED**  
**369 Devon Street East Strandon New Plymouth 4312 New Zealand**  
(72) Name(s) of Designer(s): **Vernon Prestidge**  
(45) Registration Date: **24 August 2015**  
(30) Convention priority data:  
(31) Number (32) Date (33) Country  
**420063 23 Mar 2015 NEW ZEALAND**  
(56) Related Art Documents: **Not Applicable**  
(57) Statement of Newness and Distinctiveness: **Nil**



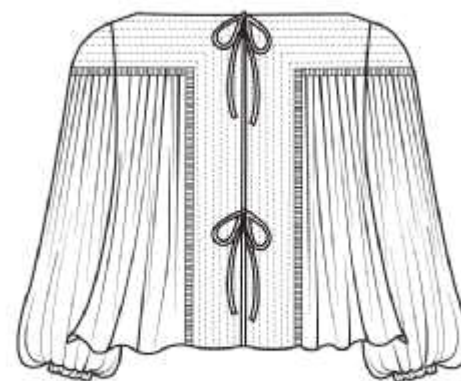
(21) Design Number: **12913/2015**  
(22) Date of Filing Application: **10 June 2015**  
(24) Date from which industrial property rights may have effect: **10 June 2015**  
(54) Product in respect of which the design is registered: **Blouse**  
(51) International Design Classification: **02-02NES**  
(74) Name(s) of Attorney(s):  
(71) Name(s) and Address(s) of Applicant(s):  
**Zimmermann Wear Pty Limited**  
**120 Dunning Ave Rosebery NSW 2018 Australia**  
(72) Name(s) of Designer(s): **Nicole Zimmermann**  
(45) Registration Date: **24 August 2015**  
(56) Related Art Documents: **Not Applicable**  
(57) Statement of Newness and Distinctiveness: **Nil**



(21) Design Number: **12074/2015**  
(22) Date of Filing Application: **20 April 2015**  
(24) Date from which industrial property rights may have effect: **20 April 2015**  
(54) Product in respect of which the design is registered: **Toilet roll holder**  
(51) International Design Classification: **23-02A**  
(74) Name(s) of Attorney(s):  
(71) Name(s) and Address(s) of Applicant(s):  
**Martin Roth**  
**20 Enterprise St Caloundra QLD 4551 Australia**  
**Emro Products Pty Ltd**  
**20 Enterprise St Caloundra QLD 4551 Australia**  
(72) Name(s) of Designer(s): **Martin Roth**  
(45) Registration Date: **24 August 2015**  
(56) Related Art Documents: **Not Applicable**  
(57) Statement of Newness and Distinctiveness: **Unique fixing mechanism**



(21) Design Number: **12912/2015**  
(22) Date of Filing Application: **10 June 2015**  
(24) Date from which industrial property rights may have effect: **10 June 2015**  
(54) Product in respect of which the design is registered: **Blouse**  
(51) International Design Classification: **02-02NES**  
(74) Name(s) of Attorney(s):  
(71) Name(s) and Address(s) of Applicant(s):  
**Zimmermann Wear Pty Limited**  
**120 Dunning Ave Rosebery NSW 2018 Australia**  
(72) Name(s) of Designer(s): **Nicole Zimmermann**  
(45) Registration Date: **24 August 2015**  
(56) Related Art Documents: **Not Applicable**  
(57) Statement of Newness and Distinctiveness: **Nil**



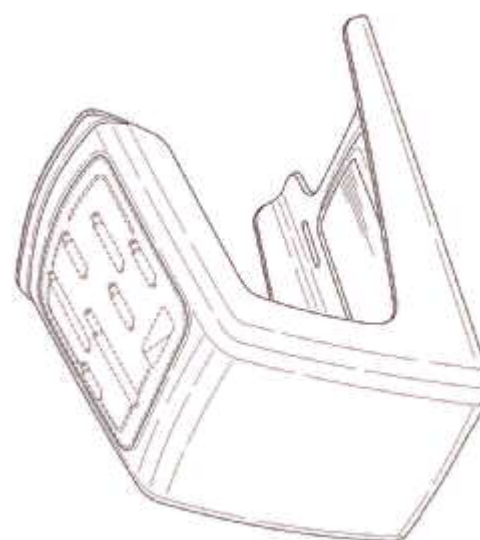
- (21) Design Number: **12850/2015**  
(22) Date of Filing Application: **07 June 2015**  
(24) Date from which industrial property rights may have effect: **07 June 2015**  
(54) Product in respect of which the design is registered: **Swimsuit**  
(51) International Design Classification: **02-02A**  
(74) Name(s) of Attorney(s):  
(71) Name(s) and Address(s) of Applicant(s):  
**Zimmermann Wear Pty Limited**  
**120 Dunning Ave Rosebery NSW 2018 Australia**  
(72) Name(s) of Designer(s): **Nicole Zimmermann**  
(45) Registration Date: **24 August 2015**  
(56) Related Art Documents: **Not Applicable**  
(57) Statement of Newness and Distinctiveness: **Newness and distinctiveness is claimed in the shape, configuration, pattern and/or ornamentation of the swimwear garment as depicted in the accompanying representations.**



- (21) Design Number: **12849/2015**  
(22) Date of Filing Application: **07 June 2015**  
(24) Date from which industrial property rights may have effect: **07 June 2015**  
(54) Product in respect of which the design is registered: **Swimwear**  
(51) International Design Classification: **02-02A**  
(74) Name(s) of Attorney(s):  
(71) Name(s) and Address(s) of Applicant(s):  
**Zimmermann Wear Pty Limited**  
**120 Dunning Ave Rosebery NSW 2018 Australia**  
(72) Name(s) of Designer(s): **Nicole Zimmermann**  
(45) Registration Date: **24 August 2015**  
(56) Related Art Documents: **Not Applicable**  
(57) Statement of Newness and Distinctiveness: **Newness and distinctiveness is claimed in the shape, configuration, pattern and/or ornamentation of the bikini top as depicted in the accompanying representations.**



(21) Design Number: **14175/2015**  
(22) Date of Filing Application: **14 August 2015**  
(24) Date from which industrial property rights may have effect: **14 August 2015**  
(54) Product in respect of which the design is registered: **Knife block**  
(51) International Design Classification: **07-99NES**  
(74) Name(s) of Attorney(s): **PHILLIPS ORMONDE FITZPATRICK**  
(71) Name(s) and Address(s) of Applicant(s):  
**Dart Industries Inc.**  
**14901 S. Orange Blossom Trail Orlando Florida, 32837 United States of America**



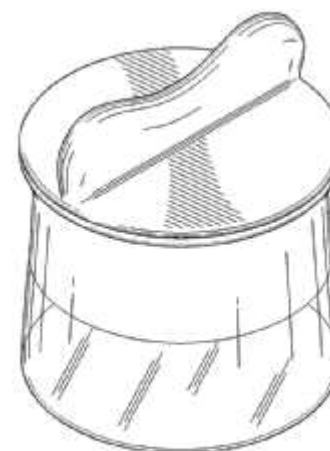
(72) Name(s) of Designer(s): **Simone Pallotto**  
(45) Registration Date: **24 August 2015**  
(30) Convention priority data:  
(31) Number      (32) Date      (33) Country  
**29/519,468      05 Mar 2015      UNITED STATES OF AMERICA**  
(56) Related Art Documents: **Not Applicable**  
(57) Statement of Newness and Distinctiveness: **Those features of the knife block depicted in the representations that are new and distinctive are the shape and/or configuration. The features shown in broken lines are not part of the design and are to be disregarded when considering the overall impression of the design.**

(21) Design Number: **14176/2015**  
(22) Date of Filing Application: **14 August 2015**  
(24) Date from which industrial property rights may have effect: **14 August 2015**  
(54) Product in respect of which the design is registered: **Hair styling appliance**  
(51) International Design Classification: **28-03B**  
(74) Name(s) of Attorney(s): **Cullens Patent and Trade Mark Attorneys**  
(71) Name(s) and Address(s) of Applicant(s):  
**Helen of Troy Limited**  
**The Phoenix Centre George Street Belleville St. Michael Barbados**  
(72) Name(s) of Designer(s): **Mathieu Zastawny and Paul Robert Lacotta and Tom Dooley and Gary Koenemann and Bill Fiebel**  
(45) Registration Date: **24 August 2015**  
(30) Convention priority data:  
(31) Number      (32) Date      (33) Country  
**29/518295      22 Feb 2015      UNITED STATES OF AMERICA**  
(56) Related Art Documents: **Not Applicable**



(57) Statement of Newness and Distinctiveness: **Newness and distinctiveness reside in the shape and configuration of a hair styling appliance as shown in the representations. No newness or distinctiveness is claimed in the portions shown in broken lines, which are for illustrative purposes only and do not form part of the registered design.**

(21) Design Number: **14177/2015**  
(22) Date of Filing Application: **14 August 2015**  
(24) Date from which industrial property rights may have effect: **14 August 2015**  
(54) Product in respect of which the design is registered: **Handheld spiralizing device**  
(51) International Design Classification: **07-04**  
(74) Name(s) of Attorney(s): **Cullens Patent and Trade Mark Attorneys**  
(71) Name(s) and Address(s) of Applicant(s):  
**Helen of Troy Limited**  
**The Phoenix Centre George Street Belleville St. Michael Barbados**  
(72) Name(s) of Designer(s): **Mackenzie Mor and Melissa Scagnelli and Sunny Kim**  
(45) Registration Date: **24 August 2015**  
(30) Convention priority data:  
(31) Number (32) Date (33) Country  
**29/518294 22 Feb 2015 UNITED STATES OF AMERICA**  
(56) Related Art Documents: **Not Applicable**  
(57) Statement of Newness and Distinctiveness: **Newness and distinctiveness reside in the shape and configuration of a handheld spiralizing device as shown in the representations. No newness or distinctiveness is claimed in the portions shown in broken lines, which are for illustrative purposes only and do not form part of the registered design.**



(21) Design Number: **12687/2015**  
(22) Date of Filing Application: **25 May 2015**  
(24) Date from which industrial property rights may have effect: **25 May 2015**  
(54) Product in respect of which the design is registered: **Sign**  
(51) International Design Classification: **20-03C**  
(74) Name(s) of Attorney(s): **Davies Collison Cave**  
(71) Name(s) and Address(s) of Applicant(s):  
**Bartco Traffic Equipment Pty. Ltd.**  
**1 Westside Ave Port Melbourne VIC 3207 Australia**  
(72) Name(s) of Designer(s): **Troy Raymond Wollard**  
(45) Registration Date: **24 August 2015**  
(56) Related Art Documents: **Not Applicable**  
(57) Statement of Newness and Distinctiveness: **Newness and distinctiveness is claimed in the visual features shown in the representations. The areas shown in grey and labelled A, B and C represent electronic display portions which are capable of variation according to the message being displayed. The specific text shown at the portion of the sign labelled D is also capable of**

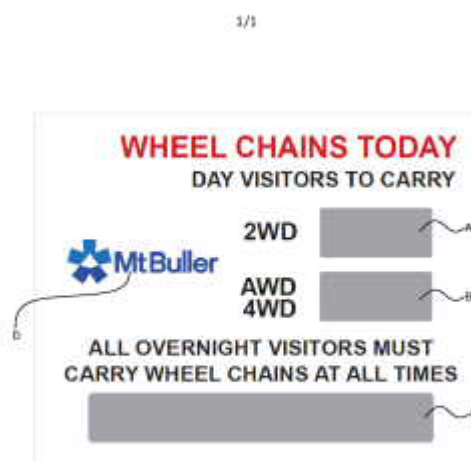


FIGURE 1

- (21) Design Number: **13788/2015**  
(22) Date of Filing Application: **29 July 2015**  
(24) Date from which industrial property rights may have effect: **29 July 2015**  
(54) Product in respect of which the design is registered: **Fire fighting machine**  
(51) International Design Classification: **12-13**  
(74) Name(s) of Attorney(s):  
(71) Name(s) and Address(s) of Applicant(s):

**FIRE EATERS PTY LTD**  
**16 Banksia St Caboolture QLD 4510**  
**Max Eric Netz**  
**50 Quarry Rd Moodlu QLD 4510 Australia**

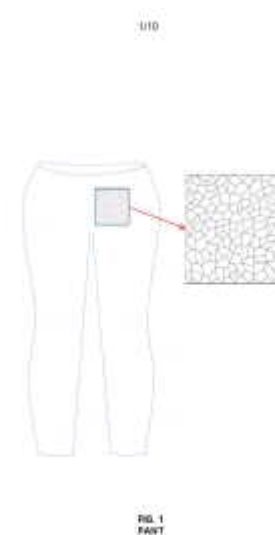
- (72) Name(s) of Designer(s): **Max Eric Netz**  
(45) Registration Date: **24 August 2015**  
(56) Related Art Documents: **Not Applicable**  
(57) Statement of Newness and Distinctiveness: **The machine can also provide extra protection and survivability capability for the crew. It can fight a fire with or without water, it can also utilise fire retardants to smother fire. It has other applications such as crop dusting, fog blowing, dust suppression, positive pressurization of high rise buildings and crowd cooling.**



- (21) Design Number: **13527/2015**  
(22) Date of Filing Application: **15 July 2015**  
(24) Date from which industrial property rights may have effect: **15 July 2015**  
(54) Product in respect of which the design is registered: **Pant, skirt, shorts, sweater, t-shirt, singlet, hat, cap, shirt and display panel**  
(51) International Design Classification: **02-02C, 02-02NES, 02-03, 20-03NES**  
(74) Name(s) of Attorney(s): **Griffith Hack**  
(71) Name(s) and Address(s) of Applicant(s):

**Denim AB**  
**Kungsgatan 7A, 4tr Goeteborg 41119 Sweden**

- (72) Name(s) of Designer(s): **Daniel Kvist**  
(45) Registration Date: **24 August 2015**  
(30) Convention priority data:  
(31) Number      (32) Date      (33) Country  
**002713917      05 Jun 2015      OFFICE FOR HARMONISATION IN  
THE INTERNAL MARKET (OHIM)**



- (56) Related Art Documents: **Not Applicable**  
(57) Statement of Newness and Distinctiveness: **Newness and distinctiveness resides in the pattern and ornamentation of the graphical feature which is common to each of the products. The graphical feature may be repeated over part of the products, or over all of the products.**