



Australian Government

IP Australia

AUSTRALIAN OFFICIAL JOURNAL

OF

DESIGNS

Did you know a searchable version of this journal is now available online?

It's FREE and EASY to SEARCH.

Find it on our website (www.ipaustralia.gov.au)

by using the "Journals" link on the home page.

This Page Left Intentionally Blank

Contents

General Information & Notices

**Proceedings Under the Designs Act 1906 preserved as a result of the provisions of Chapter 12
Part 2 of the Designs Act 2003**

Applications for Extension of Time	2986
Extension of Period of Registration of Designs	2986
Registrations Ceased	2986

Proceedings Under the Designs Act 2003

Applications for Extension of Time Under Section 137	2997
Applications Lapsed	2995
Applications Lodged	2990
Certificate of Examination	2998
Extension of Period of Registration of Design	2996
Names Registered - Alterations and Amendments	2997
Publication and Registration Proceedings	
Designs Registered 364356 to 364527.....	2999
Registrations Ceased	2996
Subsequent Owners Registered	2997

This Page Left Intentionally Blank

For information on the following please see our website www.ipaustralia.gov.au or contact our Customer Service Network on 1300651010

[Editorial enquiries](#)

[Contact information](#)

[Freedom of Information ACT](#)

[Professional Standards Board](#)

[Sales](#)

[Requests for Information under Section 194 \(c\)](#)

[Country Codes](#)

[Trade Mark and Designs Hearing Sessions](#)

[INID \(Internationally agreed Numbers for the Identification of Data\)](#)

“INID” NUMBERS in use on Australian Design Documents

“INID” is an acronym for “Internationally agreed Numbers for the Identification of Data”.

(10) Data concerning the registration/renewal

- (11) Serial number of the registration and/or number of the design document
- (12) Plain language designation of the kind of published document
- (19) Identification, using the two-letter code according to WIPO Standard ST.3, of the authority publishing or registering the industrial design

(20) Data concerning the application

- (21) Serial number of the application
- (22) Date of filing of the application
- (24) Date from which the industrial design right has effect

(30) Data relating to priority under the Paris Convention

- (31) Serial number assigned to the priority application
- (32) Date of filing of the priority application
- (33) Two-letter code, according to WIPO Standard ST.3, identifying the authority with which the priority application was made

(40) Date(s) of making information available to the public

- (45) Date of publication of the registered industrial design by printing or similar process, or making it available to the public by any other means

(50) Miscellaneous Information

- (51) International Classification for Industrial Designs (class and subclass of the Locarno Classification)
- (54) Designation of article(s) or product(s) covered by the industrial design or title of the industrial design
- (55) Reproduction of the industrial design (e.g., drawing, photograph) and explanations relating to the reproduction
- (56) List of prior art documents, if separate from descriptive text
- (57) Description of characteristic features of the industrial design including indication of colours

(60) References to other legally related application(s) and registration(s)

- (62) Serial number(s) and, if available, filing date(s) of application(s), registration(s) or document(s) related by division
- (66) Serial number(s) of the application, or the registration, of the design(s) which is (are) a variant(s) of the present one

(70) Identification of parties concerned with the application or registration

- (71) Name(s) and address(es) of the applicant(s)
- (72) Name(s) of the creator(s) if known to be such
- (74) Name(s) and address(es) of the representative(s)

This Page Left Intentionally Blank

Nil notices for this journal issue.

Proceedings under the Designs Act 1906 preserved as a result of the provisions of Chapter 12 Part 2 of the Designs Act 2003.

This Page Left Intentionally Blank

Applications Lapsed

There were no Applications Lapsed under this section

Extension of Period of Registration of Designs

1st Period (Section 27A(8))

2nd Period (Section 27A(12))

3rd Period (Section 27A(13))

156600	156612	156913
--------	--------	--------

Registrations Ceased

Note: Some of the following Registrations may have been previously advertised as ceased. In this instance, the previous advertisement still prevails.

140157	140158	140159
140175	140218	140231
140232	140237	140238
140239	140252	140343
140497	141128	142782
142783	142862	143161
144022	149853	156437
156438	156495	156511
156512	156513	156554
156649	157662	157755
157908	158049	158155
158246		

Applications for Extension of time

Applications for extension of time have been lodged. Objections must be lodged within 1 month from the date of this journal.

152178 **Mauricio Bayred Velez** Extension of time to extend a registration. Address for Service: M.B. Velez 5/13 Harriette St Neutral Bay NSW 2089

155687 **Mauricio Bayred Velez** Extension of time to extend a registration. Address for Service: M.B. Velez 5/13 Harriette St Neutral Bay NSW 2089

This Page Left Intentionally Blank

Proceedings under the Designs Act 2003.

This Page Left Intentionally Blank

Applications Lodged

Lodgement information is in the following order: **Applicant's Name**; International Classification, Name of Product, Lodgement Date and **Design Number**. If the applicant claims an earlier priority date under an International Convention, the Convention Country and the associated filing date are shown in parentheses before the Lodgement Date. Divisional information will also appear in parentheses before the Lodgement Date.

iRobot Corporation; 13-02, Battery, (US, 01 Jun 2015) 23 Sep 2015	14981/2015	AUSWITCH PTY. LTD.; 13-03D, Single / double weatherproof power point, 02 Oct 2015	15150/2015
iRobot Corporation; 13-02, Battery, (US, 01 Jun 2015) 23 Sep 2015	14992/2015	Bainbridge, James R.; 08-08B, 09-06, Cord lock with screw in base feature, (US, 30 Mar 2015) 24 Sep 2015	15004/2015
Adakale, Firat;Karakas, Abdullah; 20-99, Fast food stand, 25 Sep 2015	15045/2015	Barsby, Peter;Barsby, Kylie; 02-02C, Medical garment for a baby, 29 Sep 2015	15082/2015
Ainsworth Game Technology Limited; 20-01, Display screen with graphical user interface, 23 Sep 2015	14994/2015	Barsby, Kylie;Barsby, Peter; 02-02C, Medical garment for a baby, 29 Sep 2015	15082/2015
Ainsworth Game Technology Limited; 20-01, Display screen with graphical user interface, 23 Sep 2015	14995/2015	Bayer Consumer Care AG; 09-01NES, Bottle, (US, 31 Mar 2015) 28 Sep 2015	15064/2015
Ainsworth Game Technology Limited; 20-01, Display screen with graphical user interface, 23 Sep 2015	14993/2015	Bayer Consumer Care AG; 09-01NES, Bottle, (US, 31 Mar 2015) 28 Sep 2015	15069/2015
Ainsworth Game Technology Limited; 20-01, Display screen with graphical user interface, 23 Sep 2015	14991/2015	Bayer Consumer Care AG; 09-01NES, Bottle, (US, 31 Mar 2015) 28 Sep 2015	15066/2015
Apple Inc.; 06-03A, Table, (US, 03 Apr 2015) 01 Oct 2015	15130/2015	BlueAnt Wireless Pty Ltd; 13-02, A charging battery, 22 Sep 2015	14962/2015
Apple Inc.; 06-03A, Table, (US, 03 Apr 2015) 01 Oct 2015	15129/2015	Boddam, Daniel; 06-03B, A table, 29 Sep 2015	15076/2015
Apple Inc.; 06-03A, Table, (US, 03 Apr 2015) 01 Oct 2015	15127/2015	Boddam, Daniel; 06-03A, A table, 29 Sep 2015	15081/2015
Apple Inc.; 06-03A, Table, (US, 03 Apr 2015) 01 Oct 2015	15128/2015	Bose Corporation; 14-01, Headphones, (US, 24 Apr 2015) 28 Sep 2015	15065/2015
Apple Inc.; 09-03H, Packaging, (US, 09 Apr 2015) 01 Oct 2015	15124/2015	Bulgari S.p.A.; 09-01G, Perfume bottle, (IB, 23 Apr 2015) 24 Sep 2015	14998/2015
Apple Inc.; 20-02NES, Display structure, (US, 03 Apr 2015) 01 Oct 2015	15126/2015	BARE ESCENTUALS BEAUTY, INC.; 04-02, Brush, (US, 15 Sep 2015) 25 Sep 2015	15050/2015
Apple Inc.; 09-03H, Packaging, (US, 09 Apr 2015) 01 Oct 2015	15123/2015	BJB Industries Pty Ltd; 25-02C, Fence sheet, 22 Sep 2015	14967/2015
Architectural Window Systems Pty Ltd; 25-01K, An extrusion, 02 Oct 2015	15152/2015	BJB Industries Pty Ltd; 25-02C, Fence sheet, 29 Sep 2015	15083/2015
Aussie Electrical Pty Limited; 02-03, Helmet guard, 22 Sep 2015	14959/2015	Canon Kabushiki Kaisha; 16-01, Digital camera, (JP, 23 Mar 2015) 22 Sep 2015	14966/2015
ACCO Australia Pty Ltd; 06-04NES, Rack, 01 Oct 2015	15134/2015	Caterpillar Inc.; 15-04, Track links, (US, 01 Apr 2015) 01 Oct 2015	15135/2015
ACCO Australia Pty Ltd; 19-02, Pen holder, 01 Oct 2015	15131/2015	Clifton Development and Designs Pty Ltd; 08-08L, A bracket for attachment to roof sheeting, 05 Oct 2015	15160/2015

Coates Signco Pty Limited; 23-99, Wall-mounted self order kiosk, 02 Oct 2015	15144/2015	Forever New Clothing Pty Ltd; 02-02C, Article of clothing, 05 Oct 2015	15164/2015
Coates Signco Pty Limited; 06-04NES, Freestanding self order kiosk, 02 Oct 2015	15143/2015	Forever New Clothing Pty Ltd; 02-02NES, Article of clothing, 05 Oct 2015	15181/2015
Coates Technology Labs Pty Limited; 14-02, Display housing for a digital display screen, 22 Sep 2015	14968/2015	Forever New Clothing Pty Ltd; 02-02NES, Article of clothing, 05 Oct 2015	15184/2015
Coates Technology Labs Pty Limited; 14-02, Display housing for a digital display screen, 22 Sep 2015	14969/2015	Forever New Clothing Pty Ltd; 02-02NES, Article of clothing, 05 Oct 2015	15185/2015
Cyplex Pty Limited; 25-01K, Shelf Data/info strip extrusion, 22 Sep 2015	14961/2015	Forever New Clothing Pty Ltd; 02-02NES, Article of clothing, 05 Oct 2015	15173/2015
CALOR; 07-05A, Steam generator for an iron, (EM, 16 Jul 2015) 02 Oct 2015	15145/2015	Forever New Clothing Pty Ltd; 02-02C, Article of clothing, 05 Oct 2015	15186/2015
CHANG INTERNATIONAL CO., LTD.;THAI BEVERAGE RECYCLE CO., LTD.; 09-01H, Bottle, (TH, 24 Mar 2015) 23 Sep 2015	14974/2015	Forever New Clothing Pty Ltd; 02-02C, Article of clothing, 05 Oct 2015	15187/2015
CHANG INTERNATIONAL CO., LTD.;THAI BEVERAGE RECYCLE CO., LTD.; 09-01H, Bottle, (TH, 24 Mar 2015) 23 Sep 2015	14973/2015	Forever New Clothing Pty Ltd; 02-02NES, Article of clothing, 05 Oct 2015	15182/2015
COMPAGNIE GENERALE DES ETABLISSEMENTS MICHELIN;Michelin Recherche et Technique S.A.; 12-15B, A tyre, (FR, 24 Mar 2015) 22 Sep 2015	14960/2015	Forever New Clothing Pty Ltd; 02-02NES, Article of clothing, 05 Oct 2015	15183/2015
CREWT Medical Systems, Inc.; 25-99, Perimeter, (JP, 09 Apr 2015) 28 Sep 2015	15070/2015	Forever New Clothing Pty Ltd; 02-02C, Article of clothing, 05 Oct 2015	15174/2015
Dart Industries Inc.; 09-01NES, Bottle with monkey shape, (US, 29 Apr 2015) 05 Oct 2015	15161/2015	Forever New Clothing Pty Ltd; 02-02C, Article of clothing, 05 Oct 2015	15175/2015
Delandre, Aimee; 03-01B, Handbag and clutch bag, 28 Sep 2015	15060/2015	Forever New Clothing Pty Ltd; 02-02NES, Article of clothing, 05 Oct 2015	15176/2015
Electronic Controls Company; 26-06, Track for a light bar, (US, 13 Apr 2015) 25 Sep 2015	15039/2015	Forever New Clothing Pty Ltd; 02-02NES, Article of clothing, 05 Oct 2015	15177/2015
Electronic Controls Company; 26-06, Module for a light bar, (US, 13 Apr 2015) 25 Sep 2015	15040/2015	Forever New Clothing Pty Ltd; 02-02NES, Article of clothing, 05 Oct 2015	15178/2015
Electronic Controls Company; 14-02, Keypad, (US, 13 Apr 2015) 25 Sep 2015	15041/2015	Forever New Clothing Pty Ltd; 02-02NES, Article of clothing, 05 Oct 2015	15179/2015
Ewing, Iain; 23-01H, Tap handle, 29 Sep 2015	15074/2015	Forever New Clothing Pty Ltd; 02-02NES, Article of clothing, 05 Oct 2015	15180/2015
Flavour Creations Pty Ltd; 07-01D, Cup, 30 Sep 2015	15105/2015	Forever New Clothing Pty Ltd; 02-02C, Article of clothing, 05 Oct 2015	15172/2015
Forever New Clothing Pty Ltd; 02-02C, 02-02NES, Article of clothing, 24 Sep 2015	15001/2015	Forever New Clothing Pty Ltd; 02-02C, Article of clothing, 05 Oct 2015	15170/2015
		Forever New Clothing Pty Ltd; 02-02C, Article of clothing, 05 Oct 2015	15171/2015
		Forever New Clothing Pty Ltd; 02-02C, Article of clothing, 05 Oct 2015	15168/2015
		Forever New Clothing Pty Ltd; 02-02C, Article of clothing, 05 Oct 2015	15169/2015
		Forever New Clothing Pty Ltd; 02-02C, Article of clothing, 05 Oct 2015	15166/2015
		Forever New Clothing Pty Ltd; 02-02C, Article of clothing, 05 Oct 2015	15167/2015
		Forever New Clothing Pty Ltd; 02-02C, Article of clothing, 05 Oct 2015	15165/2015
		Forever New Clothing Pty Ltd; 02-02C, Article of clothing, 05 Oct 2015	15162/2015
		Forever New Clothing Pty Ltd; 02-02C, Article of clothing, 05 Oct 2015	15163/2015

Fortescue Metals Group Ltd; 25-01K, Rotary drawbar, 23 Sep 2015	14986/2015	Karakas, Abdullah;Adakale, Firat; 20-99, Fast food stand, 25 Sep 2015	15045/2015
Fortescue Metals Group Ltd; 25-01K, Rotary drawbar, 23 Sep 2015	14989/2015	Kerpelis, Aristidis; 10-04, Measuring apparatus, 23 Sep 2015	14984/2015
Gamblit Gaming, LLC; 21-03, Interactive gaming device, (US, 15 Jul 2015) 24 Sep 2015	14999/2015	Kerpelis, Aristidis; 10-04, Measuring apparatus, 23 Sep 2015	14982/2015
Great Wall Motor Company Limited; 12-08, Vehicle, (CN, 17 Apr 2015) 23 Sep 2015	14972/2015	Kerpelis, Aristidis; 10-04, Measuring apparatus, 23 Sep 2015	14983/2015
Honda Motor Co., Ltd.; 26-06, Headlight for four-wheeled vehicle, (US, 06 Apr 2015) 30 Sep 2015	15095/2015	King Furniture Australia Pty Ltd; 06-01G, A sofa, 25 Sep 2015	15046/2015
Honda Motor Co., Ltd.; 12-08, Four-wheeled vehicle, (US, 06 Apr 2015) 30 Sep 2015	15092/2015	King Furniture Australia Pty Ltd; 06-03A, A table, 30 Sep 2015	15104/2015
Honda Motor Co., Ltd.; 12-08, Four-wheeled vehicle, (US, 06 Apr 2015) 30 Sep 2015	15091/2015	King Furniture Australia Pty Ltd; 06-01F, A chair, 30 Sep 2015	15103/2015
Honda Motor Co., Ltd.; 12-16B, Front fender for four-wheeled vehicle, (US, 06 Apr 2015) 30 Sep 2015	15093/2015	King Furniture Australia Pty Ltd; 06-03A, A table, 30 Sep 2015	15102/2015
Honda Motor Co., Ltd.; 12-16B, Rear gate for four-wheeled vehicle, (US, 06 Apr 2015) 30 Sep 2015	15094/2015	King Furniture Australia Pty Ltd; 06-01G, A sofa, 25 Sep 2015	15047/2015
Horizon Global Pty Ltd; 12-16M, Mechanical coupling brake arm, 24 Sep 2015	15007/2015	King Furniture Australia Pty Ltd; 06-01G, A sofa, 25 Sep 2015	15042/2015
Horizon Global Pty Ltd; 12-16M, Mechanical coupling brake lever, 24 Sep 2015	15008/2015	King Furniture Australia Pty Ltd; 06-01G, A sofa, 25 Sep 2015	15048/2015
Hozelock Limited; 23-01E, Garden irrigation needle connector, (EM, 02 Apr 2015) 30 Sep 2015	15096/2015	King Furniture Australia Pty Ltd; 06-01G, A sofa, 25 Sep 2015	15049/2015
Hozelock Limited; 23-01E, Garden irrigation multi-function spike, (EM, 02 Apr 2015) 30 Sep 2015	15097/2015	King Furniture Australia Pty Ltd; 06-01G, A sofa, 25 Sep 2015	15043/2015
Hozelock Limited; 23-01E, Garden irrigation micro dripper, (EM, 02 Apr 2015) 30 Sep 2015	15098/2015	King Furniture Australia Pty Ltd; 06-01G, A sofa, 25 Sep 2015	15044/2015
Hunter Douglas Inc.; 08-99, Button for a Window Covering, (US, 27 Mar 2015) 28 Sep 2015	15073/2015	King Furniture Australia Pty Ltd; 06-01G, A sofa, 25 Sep 2015	15038/2015
Intellectual Property Energy Mad Limited; 26-05A, A light fitting, (NZ, 25 Sep 2015) 02 Oct 2015	15149/2015	King Furniture Australia Pty Ltd; 06-01G, A sofa, 25 Sep 2015	15034/2015
Intercontinental Great Brands LLC; 09-03F, Confectionery package, (Divisional of 13802/2015) 24 Sep 2015	15010/2015	King Furniture Australia Pty Ltd; 06-01G, A sofa, 25 Sep 2015	15035/2015
J.S. STAEDTLER GmbH & Co. KG; 09-03M, Packaging, (EM, 01 Apr 2015) 29 Sep 2015	15086/2015	King Furniture Australia Pty Ltd; 06-01G, A sofa, 25 Sep 2015	15032/2015
J.S. STAEDTLER GmbH & Co. KG; 09-03M, Packaging, (EM, 01 Apr 2015) 29 Sep 2015	15087/2015	King Furniture Australia Pty Ltd; 06-01G, A sofa, 25 Sep 2015	15033/2015
		King Furniture Australia Pty Ltd; 06-01G, A sofa, 25 Sep 2015	15031/2015
		King Furniture Australia Pty Ltd; 06-01G, A sofa, 25 Sep 2015	15036/2015
		King Furniture Australia Pty Ltd; 06-01G, A sofa, 25 Sep 2015	15037/2015
		King Furniture Australia Pty Ltd; 06-01G, A sofa, 25 Sep 2015	15028/2015
		King Furniture Australia Pty Ltd; 06-01G, A sofa, 25 Sep 2015	15029/2015
		King Furniture Australia Pty Ltd; 06-01G, A sofa, 25 Sep 2015	15026/2015
		King Furniture Australia Pty Ltd; 06-01G, 06-03NES, A sofa, 25 Sep 2015	15018/2015

King Furniture Australia Pty Ltd; 06-01G, 06-03NES, A sofa, 25 Sep 2015	15019/2015	Medtronic PS Medical, Inc.; 24-02, Surgical tool, (US, 25 Mar 2015) 22 Sep 2015	14964/2015
King Furniture Australia Pty Ltd; 06-01G, 06-03NES, A sofa, 25 Sep 2015	15016/2015	Michael Deane Fencing Pty Ltd; 25-01NES, Foundation sleeve, 02 Oct 2015	15142/2015
King Furniture Australia Pty Ltd; 06-01G, 06-03NES, A sofa, 25 Sep 2015	15020/2015	Michelin Recherche et Technique S.A.;COMPAGNIE GENERALE DES ETABLISSEMENTS MICHELIN; 12-15B, A tyre, (FR, 24 Mar 2015) 22 Sep 2015	14960/2015
King Furniture Australia Pty Ltd; 06-01G, 06-03NES, A sofa, 25 Sep 2015	15021/2015		
King Furniture Australia Pty Ltd; 06-01G, 06-03NES, A sofa, 25 Sep 2015	15017/2015	Naschem Co., Ltd; 02-06, Arm warmers, 05 Oct 2015	15158/2015
King Furniture Australia Pty Ltd; 06-01G, 06-03NES, A sofa, 25 Sep 2015	15014/2015	Naschem Co., Ltd; 02-06, Arm warmers, 05 Oct 2015	15159/2015
King Furniture Australia Pty Ltd; 06-01G, 06-03NES, A sofa, 25 Sep 2015	15022/2015	Nguyen, Thanh Son; 12-10, Auto lift trailer, 23 Sep 2015	14980/2015
King Furniture Australia Pty Ltd; 06-01G, 06-03NES, A sofa, 25 Sep 2015	15023/2015	Nojerm Limited; 06-06NES, Partition screen., 29 Sep 2015	15077/2015
King Furniture Australia Pty Ltd; 06-01G, 06-03NES, A sofa, 25 Sep 2015	15015/2015	NEW ZEALAND ARTESIAN MINERAL WATER LIMITED; 09-01NES, A bottle, (NZ, 25 Mar 2015) 24 Sep 2015	15009/2015
King Furniture Australia Pty Ltd; 06-01G, 06-03NES, A sofa, 25 Sep 2015	15012/2015		
King Furniture Australia Pty Ltd; 06-06E, 06-06G, A leg for an article of furniture, 25 Sep 2015	15024/2015	O'Brien, James; 06-01K, Ergonomic rocking chair, 26 Sep 2015	15056/2015
King Furniture Australia Pty Ltd; 06-06G, A backrest for an article of furniture, 25 Sep 2015	15025/2015	OfficePOD Limited; 25-01D, A building panel, (EM, 08 Apr 2015) 05 Oct 2015	15155/2015
King Furniture Australia Pty Ltd; 06-01G, 06-03NES, A sofa, 25 Sep 2015	15013/2015	OfficePOD Limited; 25-01D, A building panel, (EM, 08 Apr 2015) 05 Oct 2015	15156/2015
Korea United Pharm. Inc.; 24-02, Medicine inhaler, (KR, 20 May 2015) 29 Sep 2015	15075/2015	OfficePOD Limited; 25-03, A portable cabin, (EM, 08 Apr 2015) 05 Oct 2015	15157/2015
Lucis Technologies Holdings Limited; 09-03M, Packing box, (CN, 03 Apr 2015) 30 Sep 2015	15100/2015	Ooluroo, LLC; 14-02, Interactive display system, 28 Sep 2015	15071/2015
Lucis Technologies Holdings Limited; 13-03NES, Smart switch panel with graphical user interface, (CN, 03 Apr 2015) 02 Oct 2015	15146/2015	OSIM International Ltd; 06-01NES, Massage chair, (SG, 23 Mar 2015) 23 Sep 2015	14990/2015
Lucis Technologies Holdings Limited; 03-01NES, Phone with graphical user interface, (CN, 03 Apr 2015) 02 Oct 2015	15151/2015	Pacific Trends International Pty Ltd; 23-03B, Column heater, 23 Sep 2015	14988/2015
LBP Manufacturing LLC; 09-01B, Beverage container, (US, 30 Mar 2015) 25 Sep 2015	15051/2015	Pengo Corporation; 25-99, Step shank tooth holder, (US, 26 Jun 2015) 01 Oct 2015	15133/2015
Mackay, Jeanette; 11-01NES, 19-08, Jewellery, product labels, published articles, 30 Sep 2015	15090/2015	Perrigo Diabetes Care, LLC; 24-01, Container for flowable materials, (US, 02 Apr 2015) 29 Sep 2015	15088/2015
Mascull, Roger Thomas; 25-99, A set of contouring units, 30 Sep 2015	15099/2015	Profinish Products; 25-01C, Top hat purlins, 24 Sep 2015	14996/2015
Medtronic PS Medical, Inc.; 24-02, Surgical tool, (US, 25 Mar 2015) 22 Sep 2015	14965/2015	PRODUCT OF AUSTRALIA TRADE PTY. LTD.; 21-01A, Stuffed toy & ornamental, 27 Sep 2015	15057/2015

PRODUCT OF AUSTRALIA TRADE PTY. LTD.; 21-01A, Stuffed toy & ornamental, 27 Sep 2015	15058/2015	Shauns Custom Alloy Pty Ltd; 12-16NES, Air intake manifold, 25 Sep 2015	15030/2015
RatingBox Pty Ltd; 24-01, Feedback console, 30 Sep 2015	15106/2015	Shiny Health Import & Export Co. Limited; 06-01NES, Transfer chair with flipping seat & leg expansion, 28 Sep 2015	15061/2015
Ratke, John;Ratke, Ella; 11-02B, Raised (elevated) garden bed metal container, 25 Sep 2015	15053/2015	Somna AB; 24-04, Shoulder wrap, (EM, 13 May 2015) 30 Sep 2015	15101/2015
Ratke, Ella;Ratke, John; 11-02B, Raised (elevated) garden bed metal container, 25 Sep 2015	15053/2015	Sparo Inc.; 24-02, Spirometer device, (US, 23 Mar 2015) 22 Sep 2015	14970/2015
Revegetize Unit Trust; 32-03, Take away bowls and cups, 28 Sep 2015	15059/2015	Steer, Gavin Milton; 20-03NES, Advertisement display frame, (ZA, 02 Apr 2015) 02 Oct 2015	15147/2015
Revlon Consumer Products Corporation; 28-02, Cosmetic applicator, (US, 31 Aug 2015) 01 Oct 2015	15118/2015	Stockbrands Co. Pty Ltd; 23-01K, 09-03NES, Valve box lid assembly, 24 Sep 2015	15006/2015
Revlon Consumer Products Corporation; 28-02, Cosmetic applicator, (US, 31 Aug 2015) 01 Oct 2015	15120/2015	Supercart South Africa (Pty) Ltd; 12-02, Trolley, (ZA, 09 Sep 2015) 23 Sep 2015	14987/2015
Revlon Consumer Products Corporation; 28-02, Cosmetic applicator, (US, 31 Aug 2015) 01 Oct 2015	15119/2015	Supercart South Africa (Pty) Ltd; 12-02, Trolley, (ZA, 24 Mar 2015) 23 Sep 2015	14985/2015
Revlon Consumer Products Corporation; 28-02, Cosmetic applicator, (US, 31 Aug 2015) 01 Oct 2015	15117/2015	SPC Ardmona Operations Limited; 07-01NES, Cup with lid, 01 Oct 2015	15132/2015
Robinson, Kylie; 02-03, Headwear, 24 Sep 2015	15005/2015	T LIU & A TRAN; 03-01B, Handbag, 01 Oct 2015	15122/2015
Romak Hardware Distributors (Australia) Pty Ltd; 08-07, Sliding window lock, 23 Sep 2015	14975/2015	T LIU & A TRAN; 03-01B, Handbag, 01 Oct 2015	15136/2015
Romak Hardware Distributors (Australia) Pty Ltd; 08-07, Sliding window lock, 23 Sep 2015	14976/2015	T LIU & A TRAN; 03-01B, Handbag, clutch, 01 Oct 2015	15137/2015
Romak Hardware Distributors (Australia) Pty Ltd; 08-07, Sliding window lock, 23 Sep 2015	14977/2015	T LIU & A TRAN; 03-01B, Clutch, 01 Oct 2015	15138/2015
Roux Investments Pty Ltd; 25-03, Pool, 22 Sep 2015	14963/2015	T LIU & A TRAN; 03-01NES, Laptop case, 01 Oct 2015	15139/2015
ROBERT BOSCH GMBH; 13-03NES, Electric housing, (EM, 27 Mar 2015) 25 Sep 2015	15027/2015	T LIU & A TRAN; 03-01NES, Laptop case, 01 Oct 2015	15140/2015
ROBERT BOSCH GMBH; 13-03NES, Electric housing, (EM, 27 Mar 2015) 25 Sep 2015	15011/2015	T LIU & A TRAN; 03-01B, Handbag, 01 Oct 2015	15121/2015
Sayfa R & D Pty Ltd; 25-04, Tread of Indeterminate length for a stairway, 01 Oct 2015	15125/2015	The Absolut Company Aktiebolag; 09-01NES, Bottle, (EM, 10 Apr 2015) 02 Oct 2015	15141/2015
Scatterbrain Pty Ltd; 06-04NES, Device for hanging a longboard, 05 Oct 2015	15154/2015	The Decor Corporation Pty. Ltd.; 07-02NES, Cup for egg poacher, 24 Sep 2015	15003/2015
Scatterbrain Pty Ltd; 06-04NES, Device for hanging a surfboard, 05 Oct 2015	15153/2015	The Decor Corporation Pty. Ltd.; 07-02H, Egg poacher, 24 Sep 2015	15000/2015
		The Stanley Works Israel Limited; 03-01D, Tool boxes, (EM, 25 Mar 2015) 25 Sep 2015	15055/2015
		Thripp, Megan; 07-01NES, Lunch box, 24 Sep 2015	14997/2015

Tomil s.r.o.; 28-99, Dispenser for toilet cleansing, (EM, 26 Mar 2015) 25 Sep 2015	15052/2015	TRIO BROTHERS TRADING PTY LTD; 27-05, Gas lighter, 22 Sep 2015	14958/2015
Tooletries Pty Ltd; 28-03A, Razor holder, 23 Sep 2015	14978/2015	Up-Shine Lighting Co., Limited; 26-05C, Ceiling lamp, 25 Sep 2015	15054/2015
Tooletries Pty Ltd; 06-07, Portable bathroom mirror, 23 Sep 2015	14979/2015	V.S. Industry Berhad; 23-04, Automotive ionizer, (US, 25 Mar 2015) 24 Sep 2015	15002/2015
Toyota Motor Corporation Australia Limited; 12-16C, Front bull bar for vehicle, 29 Sep 2015	15078/2015	Valentino, Sergio; 25-01K, An extrusion, 29 Sep 2015	15084/2015
Toyota Motor Corporation Australia Limited; 12-16L, Tow bar, 29 Sep 2015	15079/2015	Valentino, Sergio; 25-01K, An extrusion, 30 Sep 2015	15089/2015
Toyota Motor Corporation Australia Limited; 12-16NES, Air intake snorkel for vehicle, 29 Sep 2015	15080/2015	Valentino, Sergio; 25-01K, An extrusion, 29 Sep 2015	15085/2015
THAI BEVERAGE RECYCLE CO., LTD.;CHANG INTERNATIONAL CO., LTD.; 09-01H, Bottle, (TH, 24 Mar 2015) 23 Sep 2015	14973/2015	W. Granowski Pty Ltd; 15-09, Containerised shot blasting machine, 28 Sep 2015	15067/2015
THAI BEVERAGE RECYCLE CO., LTD.;CHANG INTERNATIONAL CO., LTD.; 09-01H, Bottle, (TH, 24 Mar 2015) 23 Sep 2015	14974/2015	W. Granowski Pty Ltd; 15-09, Shot blasting machine, 28 Sep 2015	15062/2015
TNBT HOLDINGS PTY LTD; 08-07, A key blank, 28 Sep 2015	15072/2015	W. Granowski Pty Ltd; 15-09, Shot hopper module for shot blasting machine, 28 Sep 2015	15068/2015
		W. Granowski Pty Ltd; 15-09, Shot blasting machine, 28 Sep 2015	15063/2015
		Yaghoubpour, Pauline; 21-02B, Cricket bat, 02 Oct 2015	15148/2015
		3M Innovative Properties Company; 14-01, Decorative display, (US, 26 Mar 2015) 22 Sep 2015	14971/2015

Applications Lapsed

11406 / 2015 (08-07)	12753 / 2015 (02-02A)
12842 / 2015 (02-02A)	12878 / 2015 (26-02)
12919 / 2015 (02-02A)	12964 / 2015 (12-05)
13015 / 2015 (26-01)	

Extension of Period of Registration of Designs

332208	332304	332305
332306	332307	332769
333085	333092	333267
333305	333323	333397
333398	333414	333415
333437	333438	333441
333442	333443	333444
333453	333457	333467
333468	333472	333476
333477	333478	333479
333481	333490	333491
333492	333496	333502
333510	333511	333512
333513	333514	333515
333518	333519	333520
333534	333543	333544
333554	333585	333604
333605	333620	333621
333622	333623	333624
333647	333657	333715
333731	333747	333748
333749	333752	333753
333789	333790	333791
333806	333809	333810
333813	333814	333818
333821	333822	333850
333925	333926	333934
333935	333936	333937
333938	333939	333943
333944	333945	333953
333954	333955	333957
333969	333977	334009
334010	334064	334065
334066	334067	334068
334069	334070	334071
334072	334073	334074
334075	334076	334099
334100	334101	334102
334103	334104	334113
334143	334155	334156
334157	334163	334204
334205	334206	334211
334213	334214	334260
334261	334269	334277
334291	334292	334293
334294	334324	334325
334326	334366	334393
334394	334397	334398
334399	334400	334401
334402	334405	334438
334439	334451	334452

334453	334454	334457
334506	334507	334551
334890	334941	334955
334962	334963	335044
335086	336913	

Registrations Ceased

303816	303817	303818
303819	303820	303821
303924	304004	304012
304543	305072	305625
305626	305632	305633
305640	305692	305729
305733	305734	305738
305740	305741	305766
305767	305768	305809
305810	305823	305827
305828	305830	305831
305989	305992	306103
306114	306150	306167
306193	306194	306195
306239	306240	306241
306242	306267	306328
306432	306825	306855
306873	306973	307124
307200	308684	308685
311457	311458	312590
312591	312592	312593
312594	312595	312596
312597	312598	312599
312600	315712	315713
315714	315758	330116
330169	330199	330200
330202	330207	330212
330238	330239	330240
330242	330252	330253
330254	330255	330260
330261	330265	330267
330268	330269	330270
330303	330305	330306
330307	330309	330310
330315	330317	330318
330320	330321	330322
330325	330332	330334
330335	330339	330361
330370	330385	330386
330387	330393	330394
330395	330446	330448
330464	330465	330466
330467	330483	330546
330640	330655	330680
330725	330731	330889

330890	330969	330970
331064	331097	331231
331549	331618	332223
333140	333148	333149
360026	360144	360159

Applications for Extension of time under Section 137

Applications under section 137 for extension of time have been lodged. Objections must be lodged within 1 month from the date of this journal.

11115/2015 **Apple Inc.** Address for Service: Freehills Patent Attorneys ANZ Tower 161 Castlereagh Street SYDNEY NSW 2000

Subsequent Owners Registered

(The name in parentheses is that of the subsequent owner)

314490	(PLAN S.r.l.) BRIX S.r.l
359573	(Retractable Roof Systems Limited) Interbloc Limited
359574	(Retractable Roof Systems Limited) Interbloc Limited
348776	(Silver Gull Innovation Inc.) Flat Tyre Pursuits Pty Ltd
306001	(Edgewell Personal Care Brands, LLC) Playtex Products Inc.

Names Registered - Alterations and Amendments

(The name in parentheses is that of the subsequent applicant)

355951	(FlexPro Industries, LLC) HMB Products, LLC
355954	(FlexPro Industries, LLC) HMB Products, LLC
363883	(Pod Trackers Pty Ltd) Griffith Hack (Melbourne)
362534	(Hally Labels Limited) James & Wells Intellectual Property

Certificate(s) of Examination

Examination of the following Design Registration(s) has been completed. Infringement proceedings may now be commenced.

323808	08-06	25/09/2015
361202	12-16K	23/09/2015
362833	07-02P	01/10/2015
363117	14-02	29/09/2015
363118	14-02	29/09/2015
363280	21-01B	25/09/2015
363287	03-01A	24/09/2015
363374	12-16A	02/10/2015
363386	09-03M	29/09/2015
363394	09-03M	29/09/2015
363400	09-03M	29/09/2015
363415	21-01B	25/09/2015
363497	09-03M	29/09/2015
363533	05-05NES	24/09/2015
363733	09-01NES	29/09/2015
363750	07-02L	29/09/2015
363811	06-09	23/09/2015
363812	09-01H	01/10/2015
363820	02-02B	02/10/2015
363834	09-01H	01/10/2015
363846	09-07A	24/09/2015
363881	28-03C	24/09/2015
363955	23-02C	25/09/2015

Publication and Registration Proceedings

Designs Registered

This section provides a concordance between design number and registration number of Designs covered in this journal. It also shows the main class and registration date.

This section covers Registration numbers 364356 to 364527 .

The registration number shown below should be used in all future correspondence.

Design Number	Registration Number	International Classification Code (IDC)	Registration Date	Design Number	Registration Number	International Classification Code (IDC)	Registration Date
10356/2015	364366	21-02D	23/09/2015	14634/2015	364360	01-01	23/09/2015
11724/2015	364420	09-07NES	25/09/2015	14635/2015	364361	01-01	23/09/2015
11726/2015	364421	07-07NES	25/09/2015	14636/2015	364362	01-01	23/09/2015
12941/2015	364462	12-16P	25/09/2015	14637/2015	364363	01-01	23/09/2015
12942/2015	364380	12-16P	23/09/2015	14638/2015	364408	25-01NES	24/09/2015
13044/2015	364502	10-04	01/10/2015	14647/2015	364402	21-01NES	24/09/2015
13057/2015	364398	08-06	24/09/2015	14651/2015	364382	12-99	23/09/2015
13060/2015	364441	09-07B	25/09/2015	14652/2015	364383	12-99	23/09/2015
13149/2015	364372	24-99	23/09/2015	14659/2015	364403	02-02C	24/09/2015
13167/2015	364484	08-05A	30/09/2015	14668/2015	364364	24-01	23/09/2015
13172/2015	364485	08-05A	30/09/2015	14669/2015	364365	12-16NES	23/09/2015
13180/2015	364367	08-05A	23/09/2015	14673/2015	364404	24-04	24/09/2015
13274/2015	364471	08-09	29/09/2015	14678/2015	364384	23-03NES	23/09/2015
13386/2015	364373	19-08	23/09/2015	14679/2015	364472	09-01NES	30/09/2015
13387/2015	364374	19-08	23/09/2015	14680/2015	364405	15-99	24/09/2015
13388/2015	364379	19-08	23/09/2015	14682/2015	364385	09-01NES	23/09/2015
13389/2015	364375	19-08	23/09/2015	14686/2015	364409	14-02	24/09/2015
13398/2015	364442	24-01	25/09/2015	14688/2015	364410	12-15B	24/09/2015
13445/2015	364376	19-04	23/09/2015	14689/2015	364422	12-15B	25/09/2015
13494/2015	364453	25-02B	25/09/2015	14690/2015	364411	12-15B	24/09/2015
13495/2015	364454	25-02B	25/09/2015	14692/2015	364412	25-02B	24/09/2015
13641/2015	364513	12-05	02/10/2015	14693/2015	364413	25-04	24/09/2015
13644/2015	364455	08-07	25/09/2015	14695/2015	364414	14-02	24/09/2015
13649/2015	364377	02-02B	23/09/2015	14696/2015	364423	10-02	25/09/2015
13658/2015	364368	10-06	23/09/2015	14697/2015	364415	10-07	24/09/2015
13683/2015	364463	14-01	29/09/2015	14698/2015	364416	19-08	24/09/2015
13754/2015	364369	23-01B	23/09/2015	14700/2015	364424	10-02	25/09/2015
13756/2015	364378	02-04A	23/09/2015	14701/2015	364417	10-02	24/09/2015
13820/2015	364370	09-04	23/09/2015	14702/2015	364418	10-07	24/09/2015
13890/2015	364381	25-03	23/09/2015	14707/2015	364386	12-16NES	23/09/2015
14050/2015	364371	25-03	23/09/2015	14708/2015	364387	12-16NES	23/09/2015
14137/2015	364514	23-01F	02/10/2015	14711/2015	364425	14-03NES	25/09/2015
14138/2015	364515	23-01F	02/10/2015	14712/2015	364426	14-03NES	25/09/2015
14145/2015	364486	09-02B	30/09/2015	14715/2015	364427	26-05B	25/09/2015
14157/2015	364395	07-01NES	24/09/2015	14716/2015	364428	02-04NES	25/09/2015
14215/2015	364456	21-02F	25/09/2015	14727/2015	364429	07-02H	25/09/2015
14216/2015	364457	21-02F	25/09/2015	14728/2015	364430	07-02H	25/09/2015
14217/2015	364458	21-02F	25/09/2015	14731/2015	364388	07-02G	23/09/2015
14218/2015	364459	21-02F	25/09/2015	14732/2015	364389	07-02G	23/09/2015
14219/2015	364460	21-02F	25/09/2015	14733/2015	364390	07-02H	23/09/2015
14220/2015	364461	21-02F	25/09/2015	14735/2015	364391	07-02G	23/09/2015
14252/2015	364487	07-99NES	30/09/2015	14736/2015	364392	07-02H	23/09/2015
14361/2015	364520	09-03M	06/10/2015	14737/2015	364396	07-02H	24/09/2015
14459/2015	364400	21-01E	24/09/2015	14738/2015	364397	07-02G	24/09/2015
14461/2015	364401	09-03NES	24/09/2015	14739/2015	364419	28-03A	24/09/2015
14625/2015	364399	08-06	24/09/2015	14740/2015	364406	28-03A	24/09/2015
14630/2015	364356	01-01	23/09/2015	14743/2015	364407	07-02H	24/09/2015
14631/2015	364357	01-01	23/09/2015	14744/2015	364431	08-10	25/09/2015
14632/2015	364358	01-01	23/09/2015	14745/2015	364516	25-01NES	02/10/2015
14633/2015	364359	01-01	23/09/2015	14747/2015	364517	25-01NES	02/10/2015

Publication and Registration Proceedings - Designs Registered cont'd

Design Number	Registration Number	International Classification Code (IDC)	Registration Date	Design Number	Registration Number	International Classification Code (IDC)	Registration Date
14748/2015	364432	06-01E	25/09/2015	14811/2015	364497	04-03	01/10/2015
14754/2015	364473	02-02A	30/09/2015	14812/2015	364481	04-03	30/09/2015
14762/2015	364474	24-04	30/09/2015	14813/2015	364482	26-03	30/09/2015
14766/2015	364475	04-02	30/09/2015	14814/2015	364483	04-03	30/09/2015
14767/2015	364495	14-03E	01/10/2015	14816/2015	364503	02-04NES	01/10/2015
14768/2015	364476	02-02NES	30/09/2015	14817/2015	364504	02-04NES	01/10/2015
14769/2015	364496	14-03E	01/10/2015	14819/2015	364505	02-04NES	01/10/2015
14771/2015	364443	14-01	25/09/2015	14820/2015	364506	09-01G	01/10/2015
14773/2015	364433	06-01F	25/09/2015	14823/2015	364518	03-01NES	02/10/2015
14774/2015	364434	06-01F	25/09/2015	14825/2015	364519	06-06G	02/10/2015
14775/2015	364435	12-16K	25/09/2015	14826/2015	364489	06-01H	01/10/2015
14776/2015	364436	12-16K	25/09/2015	14828/2015	364490	06-01H	01/10/2015
14777/2015	364437	12-16K	25/09/2015	14830/2015	364491	06-01H	01/10/2015
14778/2015	364438	12-16K	25/09/2015	14831/2015	364492	06-01H	01/10/2015
14779/2015	364439	12-16L	25/09/2015	14832/2015	364493	06-01H	01/10/2015
14780/2015	364440	12-11	25/09/2015	14834/2015	364507	09-05	01/10/2015
14781/2015	364444	14-03E	25/09/2015	14835/2015	364508	25-04	01/10/2015
14782/2015	364445	25-01F	25/09/2015	14836/2015	364509	24-04	01/10/2015
14783/2015	364488	12-15B	01/10/2015	14837/2015	364510	24-04	01/10/2015
14784/2015	364446	14-01	25/09/2015	14839/2015	364511	06-01F	01/10/2015
14787/2015	364447	14-01	25/09/2015	14840/2015	364498	13-02	01/10/2015
14788/2015	364448	12-16P	25/09/2015	14841/2015	364494	06-03A	01/10/2015
14790/2015	364449	07-02N	25/09/2015	14842/2015	364499	13-02	01/10/2015
14791/2015	364450	09-05	25/09/2015	14843/2015	364500	06-03A	01/10/2015
14792/2015	364451	09-05	25/09/2015	14844/2015	364512	23-01L	01/10/2015
14795/2015	364452	09-03H	25/09/2015	14845/2015	364501	13-02	01/10/2015
14796/2015	364464	09-03H	29/09/2015	14847/2015	364521	25-01NES	06/10/2015
14798/2015	364465	09-01NES	29/09/2015	14849/2015	364522	09-03NES	06/10/2015
14801/2015	364466	26-05C	29/09/2015	14851/2015	364523	06-06G	06/10/2015
14803/2015	364467	15-02	29/09/2015	14853/2015	364524	25-01NES	06/10/2015
14804/2015	364468	15-02	29/09/2015	14854/2015	364525	20-02E	06/10/2015
14805/2015	364469	15-02	29/09/2015	14855/2015	364526	08-05N	06/10/2015
14806/2015	364470	15-02	29/09/2015	14856/2015	364527	20-02A	06/10/2015
14807/2015	364477	15-02	30/09/2015	14929/2015	364393	24-99	24/09/2015
14808/2015	364478	15-02	30/09/2015	14931/2015	364394	24-99	24/09/2015
14809/2015	364479	26-04	30/09/2015				
14810/2015	364480	12-16C	30/09/2015				

Publication and Registration Proceedings

Class Listing of Designs Published or Registered

The following section shows an International Classification Code listing of the Registered or Published Designs covered in this supplement.

Classification	Registration Number	Design Number	Classification	Registration Number	Design Number
01-01	364356	14630/2015	07-02H	364390	14733/2015
01-01	364357	14631/2015	07-02H	364392	14736/2015
01-01	364358	14632/2015	07-02H	364396	14737/2015
01-01	364359	14633/2015	07-02H	364407	14743/2015
01-01	364360	14634/2015	07-02H	364429	14727/2015
01-01	364361	14635/2015	07-02H	364430	14728/2015
01-01	364362	14636/2015	07-02N	364449	14790/2015
01-01	364363	14637/2015	07-07NES	364421	11726/2015
02-02A	364473	14754/2015	07-99NES	364487	14252/2015
02-02B	364377	13649/2015	08-05A	364367	13180/2015
02-02B	364473	14754/2015	08-05A	364484	13167/2015
02-02C	364403	14659/2015	08-05A	364485	13172/2015
02-02NES	364476	14768/2015	08-05N	364526	14855/2015
02-04A	364378	13756/2015	08-06	364398	13057/2015
02-04NES	364428	14716/2015	08-06	364399	14625/2015
02-04NES	364503	14816/2015	08-07	364455	13644/2015
02-04NES	364504	14817/2015	08-09	364471	13274/2015
02-04NES	364505	14819/2015	08-10	364431	14744/2015
03-01NES	364518	14823/2015	09-01G	364506	14820/2015
04-02	364475	14766/2015	09-01NES	364385	14682/2015
04-03	364481	14812/2015	09-01NES	364465	14798/2015
04-03	364483	14814/2015	09-01NES	364472	14679/2015
04-03	364497	14811/2015	09-02B	364486	14145/2015
06-01E	364432	14748/2015	09-03H	364452	14795/2015
06-01F	364373	13386/2015	09-03H	364464	14796/2015
06-01F	364374	13387/2015	09-03M	364520	14361/2015
06-01F	364375	13389/2015	09-03NES	364401	14461/2015
06-01F	364379	13388/2015	09-03NES	364522	14849/2015
06-01F	364433	14773/2015	09-04	364370	13820/2015
06-01F	364434	14774/2015	09-05	364450	14791/2015
06-01F	364511	14839/2015	09-05	364451	14792/2015
06-01H	364489	14826/2015	09-05	364507	14834/2015
06-01H	364490	14828/2015	09-07B	364441	13060/2015
06-01H	364491	14830/2015	09-07NES	364420	11724/2015
06-01H	364492	14831/2015	10-02	364417	14701/2015
06-01H	364493	14832/2015	10-02	364423	14696/2015
06-03A	364494	14841/2015	10-02	364424	14700/2015
06-03A	364500	14843/2015	10-04	364502	13044/2015
06-06G	364519	14825/2015	10-06	364368	13658/2015
06-06G	364523	14851/2015	10-07	364415	14697/2015
06-09	364373	13386/2015	10-07	364417	14701/2015
06-09	364374	13387/2015	10-07	364418	14702/2015
06-09	364375	13389/2015	10-07	364423	14696/2015
06-09	364379	13388/2015	10-07	364424	14700/2015
06-13C	364373	13386/2015	12-05	364513	13641/2015
06-13C	364374	13387/2015	12-10	364381	13890/2015
06-13C	364375	13389/2015	12-11	364440	14780/2015
06-13C	364379	13388/2015	12-15B	364410	14688/2015
07-01NES	364395	14157/2015	12-15B	364411	14690/2015
07-02G	364388	14731/2015	12-15B	364422	14689/2015
07-02G	364389	14732/2015	12-15B	364488	14783/2015
07-02G	364391	14735/2015	12-16C	364480	14810/2015
07-02G	364397	14738/2015	12-16K	364435	14775/2015

Registration Proceedings - Class Listing of Designs Published or Registered cont'd

Classification	Registration Number	Design Number	Classification	Registration Number	Design Number
12-16K	364436	14776/2015	21-02D	364366	10356/2015
12-16K	364437	14777/2015	21-02F	364456	14215/2015
12-16K	364438	14778/2015	21-02F	364457	14216/2015
12-16L	364439	14779/2015	21-02F	364458	14217/2015
12-16NES	364365	14669/2015	21-02F	364459	14218/2015
12-16NES	364386	14707/2015	21-02F	364460	14219/2015
12-16NES	364387	14708/2015	21-02F	364461	14220/2015
12-16P	364380	12942/2015	23-01B	364369	13754/2015
12-16P	364448	14788/2015	23-01F	364514	14137/2015
12-16P	364462	12941/2015	23-01F	364515	14138/2015
12-99	364382	14651/2015	23-01L	364512	14844/2015
12-99	364383	14652/2015	23-03NES	364384	14678/2015
13-02	364498	14840/2015	24-01	364364	14668/2015
13-02	364499	14842/2015	24-01	364442	13398/2015
13-02	364501	14845/2015	24-04	364404	14673/2015
14-01	364443	14771/2015	24-04	364474	14762/2015
14-01	364446	14784/2015	24-04	364509	14836/2015
14-01	364447	14787/2015	24-04	364510	14837/2015
14-01	364463	13683/2015	24-99	364372	13149/2015
14-02	364409	14686/2015	24-99	364393	14929/2015
14-02	364414	14695/2015	24-99	364394	14931/2015
14-03E	364444	14781/2015	25-01F	364445	14782/2015
14-03E	364495	14767/2015	25-01NES	364408	14638/2015
14-03E	364496	14769/2015	25-01NES	364516	14745/2015
14-03NES	364425	14711/2015	25-01NES	364517	14747/2015
14-03NES	364426	14712/2015	25-01NES	364521	14847/2015
15-02	364467	14803/2015	25-01NES	364524	14853/2015
15-02	364468	14804/2015	25-02B	364412	14692/2015
15-02	364469	14805/2015	25-02B	364453	13494/2015
15-02	364470	14806/2015	25-02B	364454	13495/2015
15-02	364477	14807/2015	25-03	364371	14050/2015
15-02	364478	14808/2015	25-03	364381	13890/2015
15-99	364405	14680/2015	25-04	364413	14693/2015
19-04	364376	13445/2015	25-04	364508	14835/2015
19-08	364373	13386/2015	26-03	364482	14813/2015
19-08	364374	13387/2015	26-04	364479	14809/2015
19-08	364375	13389/2015	26-05B	364427	14715/2015
19-08	364379	13388/2015	26-05C	364466	14801/2015
19-08	364416	14698/2015	28-03A	364406	14740/2015
20-02A	364527	14856/2015	28-03A	364419	14739/2015
20-02E	364525	14854/2015			
21-01E	364400	14459/2015			
21-01NES	364402	14647/2015			

(21) Design Number: **14630/2015**
(22) Date of Filing Application: **02 September 2015**
(24) Date from which industrial property rights may have effect: **02 September 2015**
(54) Product in respect of which the design is registered: **Chocolate tablet**
(51) International Design Classification: **01-01**
(74) Name(s) of Attorney(s):
(71) Name(s) and Address(s) of Applicant(s):
Ivanova Holdings Pty Ltd
7208/323 Bayview St Hollywell QLD 4216 Australia
(72) Name(s) of Designer(s): **Irina Ivanova**
(45) Registration Date: **23 September 2015**
(56) Related Art Documents: **Not Applicable**
(57) Statement of Newness and Distinctiveness: **Designer 3D Australian indigenous animals on chocolate tablet**



(21) Design Number: **14631/2015**
(22) Date of Filing Application: **02 September 2015**
(24) Date from which industrial property rights may have effect: **02 September 2015**
(54) Product in respect of which the design is registered: **Chocolate tablet**
(51) International Design Classification: **01-01**
(74) Name(s) of Attorney(s):
(71) Name(s) and Address(s) of Applicant(s):
Ivanova Holdings Pty Ltd
7208/323 Bayview St Hollywell QLD 4216 Australia
(72) Name(s) of Designer(s): **Irina Ivanova**
(45) Registration Date: **23 September 2015**
(56) Related Art Documents: **Not Applicable**
(57) Statement of Newness and Distinctiveness: **Designer 3D Australian indigenous animals on chocolate tablet**



(21) Design Number: **14632/2015**

(22) Date of Filing Application: **02 September 2015**

(24) Date from which industrial property rights may have effect: **02 September 2015**

(54) Product in respect of which the design is registered: **Chocolate tablet**

(51) International Design Classification: **01-01**

(74) Name(s) of Attorney(s):

(71) Name(s) and Address(s) of Applicant(s):

Ivanova Holdings Pty Ltd
7208/323 Bayview St Hollywell QLD 4216 Australia

(72) Name(s) of Designer(s): **Irina Ivanova**

(45) Registration Date: **23 September 2015**

(56) Related Art Documents: **Not Applicable**

(57) Statement of Newness and Distinctiveness: **Designer 3D Australian indigenous animals on chocolate tablet**



(21) Design Number: **14633/2015**

(22) Date of Filing Application: **02 September 2015**

(24) Date from which industrial property rights may have effect: **02 September 2015**

(54) Product in respect of which the design is registered: **Chocolate tablet**

(51) International Design Classification: **01-01**

(74) Name(s) of Attorney(s):

(71) Name(s) and Address(s) of Applicant(s):

Ivanova Holdings Pty Ltd
7208/323 Bayview St Hollywell QLD 4216 Australia

(72) Name(s) of Designer(s): **Irina Ivanova**

(45) Registration Date: **23 September 2015**

(56) Related Art Documents: **Not Applicable**

(57) Statement of Newness and Distinctiveness: **Designer 3D Australian indigenous animals on chocolate tablet**



(21) Design Number: **14634/2015**
(22) Date of Filing Application: **02 September 2015**
(24) Date from which industrial property rights may have effect: **02 September 2015**
(54) Product in respect of which the design is registered: **Chocolate tablet**
(51) International Design Classification: **01-01**
(74) Name(s) of Attorney(s):
(71) Name(s) and Address(s) of Applicant(s):
Ivanova Holdings Pty Ltd
7208/323 Bayview St Hollywell QLD 4216 Australia
(72) Name(s) of Designer(s): **Irina Ivanova**
(45) Registration Date: **23 September 2015**
(56) Related Art Documents: **Not Applicable**
(57) Statement of Newness and Distinctiveness: **Designer 3D Australian indigenous animals on chocolate tablet**



(21) Design Number: **14635/2015**
(22) Date of Filing Application: **02 September 2015**
(24) Date from which industrial property rights may have effect: **02 September 2015**
(54) Product in respect of which the design is registered: **Chocolate tablet**
(51) International Design Classification: **01-01**
(74) Name(s) of Attorney(s):
(71) Name(s) and Address(s) of Applicant(s):
Ivanova Holdings Pty Ltd
7208/323 Bayview St Hollywell QLD 4216 Australia
(72) Name(s) of Designer(s): **Irina Ivanova**
(45) Registration Date: **23 September 2015**
(56) Related Art Documents: **Not Applicable**
(57) Statement of Newness and Distinctiveness: **Designer 3D Australian indigenous animals on chocolate tablet**



(21) Design Number: **14636/2015**
(22) Date of Filing Application: **02 September 2015**
(24) Date from which industrial property rights may have effect: **02 September 2015**
(54) Product in respect of which the design is registered: **Chocolate tablet**
(51) International Design Classification: **01-01**
(74) Name(s) of Attorney(s):
(71) Name(s) and Address(s) of Applicant(s):
Ivanova Holdings Pty Ltd
7208/323 Bayview St Hollywell QLD 4216 Australia
(72) Name(s) of Designer(s): **Irina Ivanova**
(45) Registration Date: **23 September 2015**
(56) Related Art Documents: **Not Applicable**
(57) Statement of Newness and Distinctiveness: **Designer 3D Australian indigenous animals on chocolate tablet**



(21) Design Number: **14637/2015**
(22) Date of Filing Application: **02 September 2015**
(24) Date from which industrial property rights may have effect: **02 September 2015**
(54) Product in respect of which the design is registered: **Chocolate tablet**
(51) International Design Classification: **01-01**
(74) Name(s) of Attorney(s):
(71) Name(s) and Address(s) of Applicant(s):
Ivanova Holdings Pty Ltd
7208/323 Bayview St Hollywell QLD 4216 Australia
(72) Name(s) of Designer(s): **Irina Ivanova**
(45) Registration Date: **23 September 2015**
(56) Related Art Documents: **Not Applicable**
(57) Statement of Newness and Distinctiveness: **Designer 3D Australian indigenous animals on chocolate tablet**



(21) Design Number: **14668/2015**
(22) Date of Filing Application: **03 September 2015**
(24) Date from which industrial property rights may have effect: **03 September 2015**
(54) Product in respect of which the design is registered: **A compliance monitor for a medicament inhaler**
(51) International Design Classification: **24-01**
(74) Name(s) of Attorney(s):
(71) Name(s) and Address(s) of Applicant(s):
Adherium (NZ) Ltd (formerly Nexus6 Ltd)
Level 2 Suite 205 8 Commerce Street Auckland Central Auckland 1010
New Zealand
(72) Name(s) of Designer(s): **Garth Campbell Sutherland**
(45) Registration Date: **23 September 2015**
(30) Convention priority data:
(31) Number (32) Date (33) Country
002645259-0005 03 Mar 2015 OFFICE FOR HARMONISATION IN
THE INTERNAL MARKET (OHIM)



(56) Related Art Documents: **Not Applicable**
(57) Statement of Newness and Distinctiveness: **The design is to be applied to a Compliance Monitor for a Medicament Inhaler, and the novelty resides in the features of shape and configuration of the article as illustrated in the accompanying representations. No novelty is claimed with respect to the generic USB logo.**

(21) Design Number: **14669/2015**
(22) Date of Filing Application: **03 September 2015**
(24) Date from which industrial property rights may have effect: **23 June 2015**
(54) Product in respect of which the design is registered: **Vehicle suspension component**
(51) International Design Classification: **12-16NES**
(74) Name(s) of Attorney(s):
(71) Name(s) and Address(s) of Applicant(s):
Jason McIntosh
212 Rivergum Dr Burpengary QLD 4505 Australia
(72) Name(s) of Designer(s): **Jason McIntosh**
(45) Registration Date: **23 September 2015**
(62) Divisional of: **13182/2015**
(56) Related Art Documents: **Not Applicable**
(57) Statement of Newness and Distinctiveness: **Nil**



(21) Design Number: **10356/2015**

(22) Date of Filing Application: **22 January 2015**

(24) Date from which industrial property rights may have effect: **22 January 2015**

(54) Product in respect of which the design is registered: **Kite boarding spread bar**

(51) International Design Classification: **21-02D**

(74) Name(s) of Attorney(s):

(71) Name(s) and Address(s) of Applicant(s):

Oscar Valdes

15 Kunari St Buddina QLD 4575

(72) Name(s) of Designer(s): **Oscar Valdes**

(45) Registration Date: **23 September 2015**

(56) Related Art Documents: **Not Applicable**

(57) Statement of Newness and Distinctiveness: **A standard spread bar uses a stationary hook (latch) that, when a person is kite surfing, the pull of the kite pulls the harness from side to side, causing friction, and skin rash. our spread bar (the hook) slides freely from side to side (from hip to hip) on a stainless steel bar. this movement creates freedom and comfort when kite surfing, keeping the harness stationary. the bend of the bar shape makes the hook slow as it approaches the hip area, which makes the transition, slide from hip to hip an extremely smooth motion.**



(21) Design Number: **13180/2015**

(22) Date of Filing Application: **23 June 2015**

(24) Date from which industrial property rights may have effect: **23 June 2015**

(54) Product in respect of which the design is registered: **A sprayer tank**

(51) International Design Classification: **08-05A**

(74) Name(s) of Attorney(s): **Spruson & Ferguson**

(71) Name(s) and Address(s) of Applicant(s):

The Fountainhead Group, Inc.

23 Garden Street, New York Mills New York, 13417 United States of America

(72) Name(s) of Designer(s): **Andrew C. Clarey**

(45) Registration Date: **23 September 2015**

(30) Convention priority data:

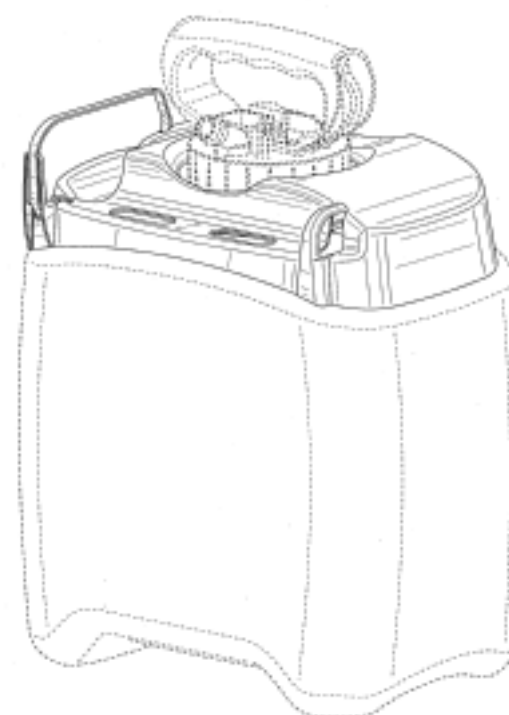
(31) Number
29/518686

(32) Date
26 Feb 2015

(33) Country
UNITED STATES OF AMERICA

(56) Related Art Documents: **Not Applicable**

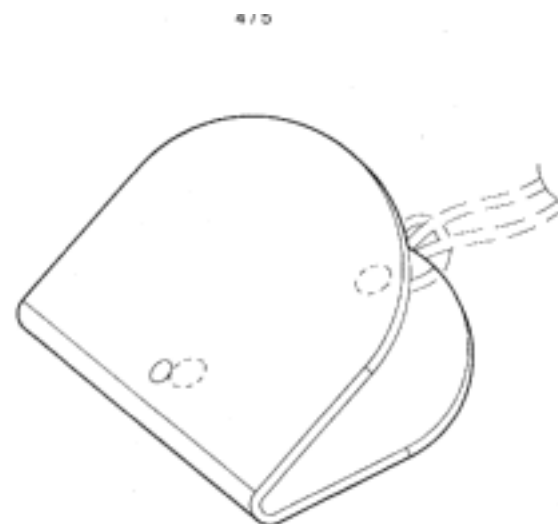
(57) Statement of Newness and Distinctiveness: **Newness and distinctiveness is claimed in the features of shape and/or configuration of a skirt of a sprayer tank as illustrated in continuous lines in the accompanying representations.**



- (21) Design Number: **13658/2015**
(22) Date of Filing Application: **22 July 2015**
(24) Date from which industrial property rights may have effect: **22 July 2015**
(54) Product in respect of which the design is registered: **A whistle**
(51) International Design Classification: **10-06**
(74) Name(s) of Attorney(s): **Spruson & Ferguson**
(71) Name(s) and Address(s) of Applicant(s):

John Cooper
6 Coombar CI Coffs Harbour NSW 2450 Australia

- (72) Name(s) of Designer(s): **John Cooper**
(45) Registration Date: **23 September 2015**
(56) Related Art Documents: **Not Applicable**
(57) Statement of Newness and Distinctiveness: **Newness and distinctiveness is claimed in the features of shape and/or configuration of a whistle as illustrated in the accompanying representations apart from the lanyard shown in the perspective views.**



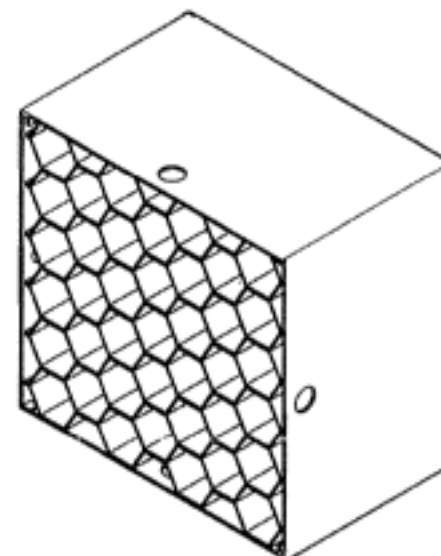
- (21) Design Number: **13754/2015**
(22) Date of Filing Application: **27 July 2015**
(24) Date from which industrial property rights may have effect: **27 July 2015**
(54) Product in respect of which the design is registered: **A pipe**
(51) International Design Classification: **23-01B**
(74) Name(s) of Attorney(s): **Halfords IP**
(71) Name(s) and Address(s) of Applicant(s):

Vinidex Pty Limited
PO BOX 4990 North Rocks NSW 2151 Australia

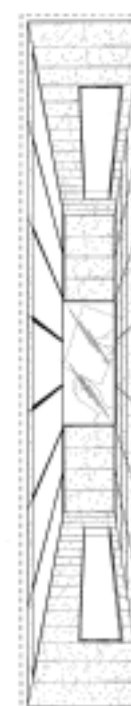
- (72) Name(s) of Designer(s): **Nicholas Feros**
(45) Registration Date: **23 September 2015**
(56) Related Art Documents: **Not Applicable**
(57) Statement of Newness and Distinctiveness: **Newness and distinctiveness resides in the pattern of six narrow stripes and one wider stripe extending along the length of the pipe as shown in the accompanying representations.**



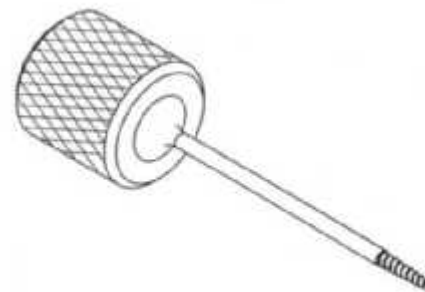
- (21) Design Number: **13820/2015**
(22) Date of Filing Application: **30 July 2015**
(24) Date from which industrial property rights may have effect: **30 July 2015**
(54) Product in respect of which the design is registered: **Storage crate designed to hold unused cabling.**
(51) International Design Classification: **09-04**
(74) Name(s) of Attorney(s):
(71) Name(s) and Address(s) of Applicant(s):
Benjamin John Newman
110 St Kilda Road St Kilda VIC 3182 Australia
(72) Name(s) of Designer(s): **Benjamin John Newman**
(45) Registration Date: **23 September 2015**
(56) Related Art Documents: **Not Applicable**
(57) Statement of Newness and Distinctiveness: **This is the world's first product purposefully designed for the storage and separation of cabling to prevent tangles. The design has a unique distinctive hexagonal structure to separate loose computer cabling.**



- (21) Design Number: **14050/2015**
(22) Date of Filing Application: **07 August 2015**
(24) Date from which industrial property rights may have effect: **07 August 2015**
(54) Product in respect of which the design is registered: **Room**
(51) International Design Classification: **25-03**
(74) Name(s) of Attorney(s): **Freehills Patent Attorneys**
(71) Name(s) and Address(s) of Applicant(s):
Apple Inc.
1 Infinite Loop Cupertino California, 95014 United States of America
(72) Name(s) of Designer(s): **Jonathan P. Siegel and Christopher M. Green and Robert Bridger and Christopher Daniel Peak and Vasco Agnoli and Casey Feeney and Kully Kraig Mandon and Collin Manning and James Andrus and Sam Brown and Ryan Wong and Jenn Wynn and Peter White and Andrea Fender and Megan Suyehira and David Nelson and Stefan Behling and David Summerfield and James McGrath and Rafe Bertram and Oliver Mould and Lorenzo Poli and Ed Wright and Bo Yoon and Vas Bakas and Ton Men Banh**
(45) Registration Date: **23 September 2015**
(30) Convention priority data:
(31) Number (32) Date (33) Country
29/517061 09 Feb 2015 UNITED STATES OF AMERICA
(56) Related Art Documents: **Not Applicable**
(57) Statement of Newness and Distinctiveness: **Newness and distinctiveness resides in the features shown in solid lines and stippling in the accompanying figures.**



- (21) Design Number: **13149/2015**
(22) Date of Filing Application: **22 June 2015**
(24) Date from which industrial property rights may have effect: **22 June 2015**
(54) Product in respect of which the design is registered: **Dental extractor**
(51) International Design Classification: **24-99**
(74) Name(s) of Attorney(s): **HODGKINSON McINNIS PATENTS**
(71) Name(s) and Address(s) of Applicant(s):
Christine Elizabeth Johnson
5012 3rd Avenue NW Seattle Washington, 98107 United States of America
Jim Wait
303 South McKay Avenue Spring Valley Wisconsin 54767 United States of America
(72) Name(s) of Designer(s): **Christine Elizabeth Johnson and Jim Wait**
(45) Registration Date: **23 September 2015**
(30) Convention priority data:
(31) Number (32) Date (33) Country
29/512,662 22 Dec 2014 UNITED STATES OF AMERICA
(56) Related Art Documents: **Not Applicable**
(57) Statement of Newness and Distinctiveness: **Newness and distinctiveness is claimed in the shape and configuration of a Dental Extractor as shown in the representations.**



- (21) Design Number: **13386/2015**
(22) Date of Filing Application: **04 July 2015**
(24) Date from which industrial property rights may have effect: **04 July 2015**
(54) Product in respect of which the design is registered: **Art poster, Furniture fabric, Cushion, Tea towel**
(51) International Design Classification: **19-08, 06-01F, 06-09, 06-13C**
(74) Name(s) of Attorney(s):
(71) Name(s) and Address(s) of Applicant(s):
ROOFUS AUSTRALIA PTY LTD
PO BOX 70 Yarraville VIC 3013 Australia
(72) Name(s) of Designer(s): **Catriona Ann Broadbent**
(45) Registration Date: **23 September 2015**
(56) Related Art Documents: **Not Applicable**
(57) Statement of Newness and Distinctiveness: **The design is described as 'Pop Australiana' in style. The newness and distinctiveness of the design resides in its simple and bold stylised expression of Australiana. It is a bold, graphic, brightly coloured rendition of Australian iconography. It is not illustrative or painterly; but utilises strong, flat, bright colours. In this case the motif is Australian Flora Flowering Gum.**



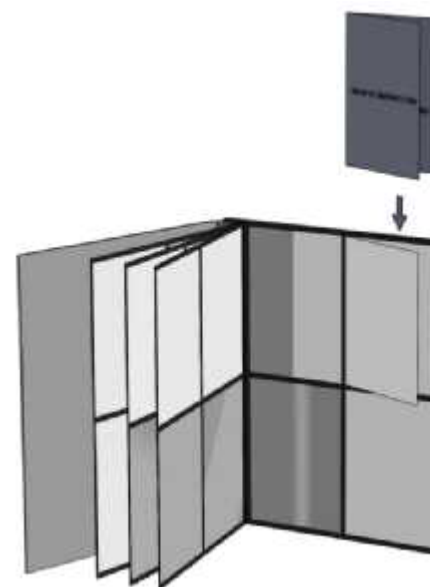
- (21) Design Number: **13387/2015**
(22) Date of Filing Application: **05 July 2015**
(24) Date from which industrial property rights may have effect: **05 July 2015**
(54) Product in respect of which the design is registered: **Art poster, Furniture fabric, Cushion, Tea towel**
(51) International Design Classification: **19-08, 06-01F, 06-09, 06-13C**
(74) Name(s) of Attorney(s):
(71) Name(s) and Address(s) of Applicant(s):
ROOFUS AUSTRALIA PTY LTD
PO BOX 70 Yarraville VIC 3013 Australia
(72) Name(s) of Designer(s): **Catriona Ann Broadbent**
(45) Registration Date: **23 September 2015**
(56) Related Art Documents: **Not Applicable**
(57) Statement of Newness and Distinctiveness: **The design is described as 'Pop Australiana' in style. The newness and distinctiveness of the design resides in its simple and bold stylised expression of Australiana. It is a bold, graphic, brightly coloured rendition of Australian iconography. It is not illustrative or painterly; but utilises strong, flat, bright colours. In this case the motif is Australian Flora Bottlebrush.**



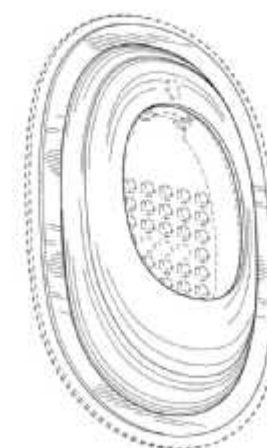
- (21) Design Number: **13389/2015**
(22) Date of Filing Application: **05 July 2015**
(24) Date from which industrial property rights may have effect: **05 July 2015**
(54) Product in respect of which the design is registered: **Art poster, Furniture fabric, Cushion, Tea towel**
(51) International Design Classification: **19-08, 06-01F, 06-09, 06-13C**
(74) Name(s) of Attorney(s):
(71) Name(s) and Address(s) of Applicant(s):
ROOFUS AUSTRALIA PTY LTD
PO BOX 70 Yarraville VIC 3013 Australia
(72) Name(s) of Designer(s): **Catriona Ann Broadbent**
(45) Registration Date: **23 September 2015**
(56) Related Art Documents: **Not Applicable**
(57) Statement of Newness and Distinctiveness: **The design is described as 'Pop Australiana' in style. The newness and distinctiveness of the design resides in its simple and bold stylised expression of Australiana. It is a bold, graphic, brightly coloured rendition of Australian iconography. It is not illustrative or painterly; but utilises strong, flat, bright colours. In this case the motif is Australian Flora Waratah.**



- (21) Design Number: **13445/2015**
(22) Date of Filing Application: **09 July 2015**
(24) Date from which industrial property rights may have effect: **09 July 2015**
(54) Product in respect of which the design is registered: **Greeting card album**
(51) International Design Classification: **19-04**
(74) Name(s) of Attorney(s):
(71) Name(s) and Address(s) of Applicant(s):
Nathan Grant Paulson
PO BOX 1005 North Haven SA 5018 Australia
(72) Name(s) of Designer(s): **Nathan Grant Paulson**
(45) Registration Date: **23 September 2015**
(56) Related Art Documents: **Not Applicable**
(57) Statement of Newness and Distinctiveness: **Newness and distinctiveness reside in the features of shape and/or configuration of a greeting card album illustrated by solid lines in the accompanying representations. The card shown is for contextual purposes only and does not form part of the design.**



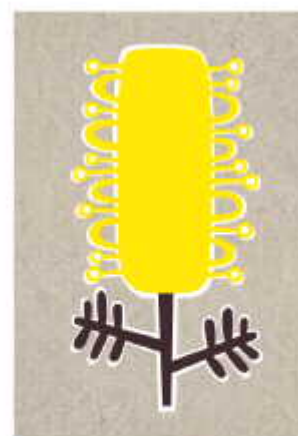
- (21) Design Number: **13649/2015**
(22) Date of Filing Application: **22 July 2015**
(24) Date from which industrial property rights may have effect: **22 July 2015**
(54) Product in respect of which the design is registered: **A garment pocket**
(51) International Design Classification: **02-02B**
(74) Name(s) of Attorney(s): **PIPERS Melbourne**
(71) Name(s) and Address(s) of Applicant(s):
MAD APPAREL, INC.
201 Arch St Redwood City CA, 94062-1305 United States of America
(72) Name(s) of Designer(s): **Josh Morenstein and Nick Cronan and James Berg and Matthew Malone and Christian Scott Ross and Drew Putterman and Chris Glaister**
(45) Registration Date: **23 September 2015**
(56) Related Art Documents: **Not Applicable**
(57) Statement of Newness and Distinctiveness: **This design is to be applied to a GARMENT POCKET and the novelty resides in the features of shape and configuration of the GARMENT POCKET, all as shown in the accompanying representations, whereby the features shown in broken lines are hereby disclaimed and form no part of the design.**



- (21) Design Number: **13756/2015**
(22) Date of Filing Application: **27 July 2015**
(24) Date from which industrial property rights may have effect: **27 July 2015**
(54) Product in respect of which the design is registered: **A pair of footbeds**
(51) International Design Classification: **02-04A**
(74) Name(s) of Attorney(s):
(71) Name(s) and Address(s) of Applicant(s):
FRANKIEB PTY LTD
c/- Michael Buck IP PO BOX 4361 St Lucia QLD 4067 Australia
(72) Name(s) of Designer(s): **Caroline Rose Haire**
(45) Registration Date: **23 September 2015**
(56) Related Art Documents: **Not Applicable**
(57) Statement of Newness and Distinctiveness: **The shape and configuration of a pair of left and right footbeds as shown in the accompanying representations with particular emphasis on the raised upper surface of the footbeds along the B-B1 cross section.**



- (21) Design Number: **13388/2015**
(22) Date of Filing Application: **05 July 2015**
(24) Date from which industrial property rights may have effect: **05 July 2015**
(54) Product in respect of which the design is registered: **Art poster, Furniture fabric, Cushion, Tea towel**
(51) International Design Classification: **19-08, 06-01F, 06-09, 06-13C**
(74) Name(s) of Attorney(s):
(71) Name(s) and Address(s) of Applicant(s):
ROOFUS AUSTRALIA PTY LTD
PO BOX 70 Yarraville VIC 3013 Australia
(72) Name(s) of Designer(s): **Catriona Ann Broadbent**
(45) Registration Date: **23 September 2015**
(56) Related Art Documents: **Not Applicable**
(57) Statement of Newness and Distinctiveness: **The design is described as 'Pop Australiana' in style. The newness and distinctiveness of the design resides in its simple and bold stylised expression of Australiana. It is a bold, graphic, brightly coloured rendition of Australian iconography. It is not illustrative or painterly; but utilises strong, flat, bright colours. In this case the motif is Australian Flora Grevillea.**



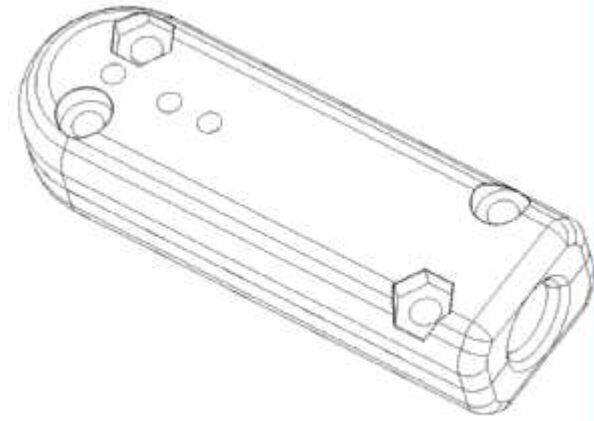
- (21) Design Number: **12942/2015**
(22) Date of Filing Application: **04 June 2015**
(24) Date from which industrial property rights may have effect: **04 June 2015**
(54) Product in respect of which the design is registered: **An anchor**
(51) International Design Classification: **12-16P**
(74) Name(s) of Attorney(s): **Knightsbridge Patent Attorneys**
(71) Name(s) and Address(s) of Applicant(s):
Ary Pty Ltd
We3 16 Malibu Ct Carrum Downs VIC 3201 Australia
(72) Name(s) of Designer(s): **Malki Allan Aboud Ary**
(45) Registration Date: **23 September 2015**
(56) Related Art Documents: **Not Applicable**
(57) Statement of Newness and Distinctiveness: **The applicant claims that newness and distinctiveness reside in the features of shape and configuration of an anchor, as depicted in the accompanying representations. The features of shape and configuration shown in broken lines in the accompanying representations do not form part of the design of the product.**



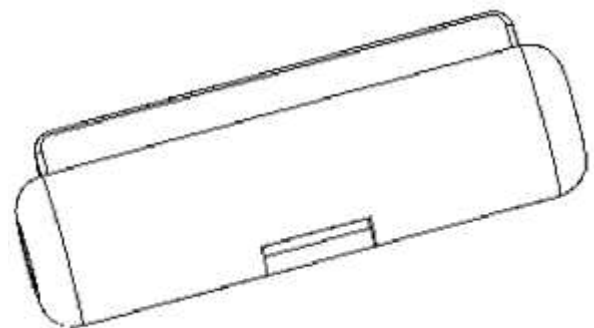
- (21) Design Number: **13890/2015**
(22) Date of Filing Application: **31 July 2015**
(24) Date from which industrial property rights may have effect: **31 July 2015**
(54) Product in respect of which the design is registered: **Portable building**
(51) International Design Classification: **25-03, 12-10**
(74) Name(s) of Attorney(s): **IP Service International**
(71) Name(s) and Address(s) of Applicant(s):
Serena Fiorelli
U22/3A Farrell Ave Darlinghurst NSW 2010 Australia
(72) Name(s) of Designer(s): **Serena Fiorelli**
(45) Registration Date: **23 September 2015**
(56) Related Art Documents: **Not Applicable**
(57) Statement of Newness and Distinctiveness: **Minimal capsule, dynamic volume, 2 rounded oblo covered with photovoltaic films open electrically upward as seagull wings and 2 opposite platforms slide outwards from trailer and two inflateable membranes/ waterproof tents can be blown out from the wings.**



(21) Design Number: **14651/2015**
(22) Date of Filing Application: **02 September 2015**
(24) Date from which industrial property rights may have effect: **02 September 2015**
(54) Product in respect of which the design is registered: **Sail batton receiver**
(51) International Design Classification: **12-99**
(74) Name(s) of Attorney(s): **IP Sentinels Patent and Trademark Attorneys**
(71) Name(s) and Address(s) of Applicant(s):
Gregory Johnston
19 Bristol Ave Bicton WA, 6157 Australia
(72) Name(s) of Designer(s): **Gregory Johnston**
(45) Registration Date: **23 September 2015**
(56) Related Art Documents: **Not Applicable**
(57) Statement of Newness and Distinctiveness: **Nil**



(21) Design Number: **14652/2015**
(22) Date of Filing Application: **02 September 2015**
(24) Date from which industrial property rights may have effect: **02 September 2015**
(54) Product in respect of which the design is registered: **Sail track slider**
(51) International Design Classification: **12-99**
(74) Name(s) of Attorney(s): **IP Sentinels Patent and Trademark Attorneys**
(71) Name(s) and Address(s) of Applicant(s):
Gregory Johnston
19 Bristol Ave Bicton WA, 6157 Australia
(72) Name(s) of Designer(s): **Gregory Johnston**
(45) Registration Date: **23 September 2015**
(56) Related Art Documents: **Not Applicable**
(57) Statement of Newness and Distinctiveness: **Nil**



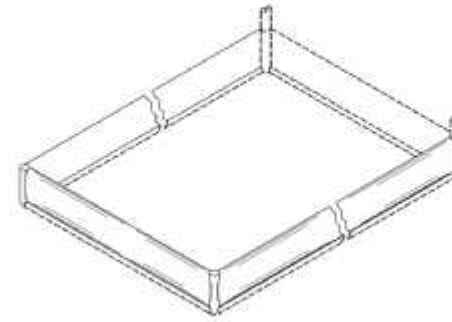
- (21) Design Number: **14678/2015**
(22) Date of Filing Application: **03 September 2015**
(24) Date from which industrial property rights may have effect: **03 September 2015**
(54) Product in respect of which the design is registered: **Fire pit**
(51) International Design Classification: **23-03NES**
(74) Name(s) of Attorney(s):
(71) Name(s) and Address(s) of Applicant(s):
Paal Benjamine Grant
2 Miles St Bentleigh VIC 3204 Australia
(72) Name(s) of Designer(s): **Paal Benjamine Grant**
(45) Registration Date: **23 September 2015**
(56) Related Art Documents: **Not Applicable**
(57) Statement of Newness and Distinctiveness: **The Fire Ball sculpture was custom designed and built for the Japan flower and Garden Show It is a new, unique and individual artwork by sculptor Paal Grant Designs Patterns ,detail shape and engineering details are all new and unseen This work has not been seen until IP registered I will be making this piece in different colours and material finishes including Core ten steel with a rust finish, stainless steel, aluminium and different powder coated colours.**



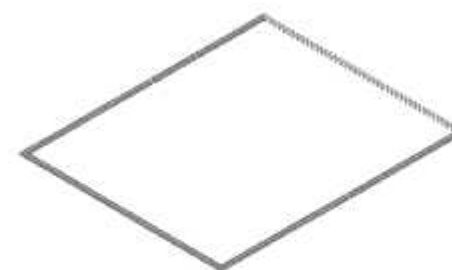
- (21) Design Number: **14682/2015**
(22) Date of Filing Application: **03 September 2015**
(24) Date from which industrial property rights may have effect: **03 September 2015**
(54) Product in respect of which the design is registered: **Bottle**
(51) International Design Classification: **09-01NES**
(74) Name(s) of Attorney(s): **Madderns**
(71) Name(s) and Address(s) of Applicant(s):
Reckitt Benckiser (Brands) Limited
103-105 Bath Road Slough Berkshire SL1 3UH United Kingdom
(72) Name(s) of Designer(s): **Marcus James Blachford and Peter Kay**
(45) Registration Date: **23 September 2015**
(30) Convention priority data:
(31) Number (32) Date (33) Country
**002647685-0002 06 Mar 2015 OFFICE FOR HARMONISATION IN
THE INTERNAL MARKET (OHIM)**
(56) Related Art Documents: **Not Applicable**
(57) Statement of Newness and Distinctiveness: **The features shown in broken lines are not part of the design and are to be disregarded when considering the overall impression of the design.**



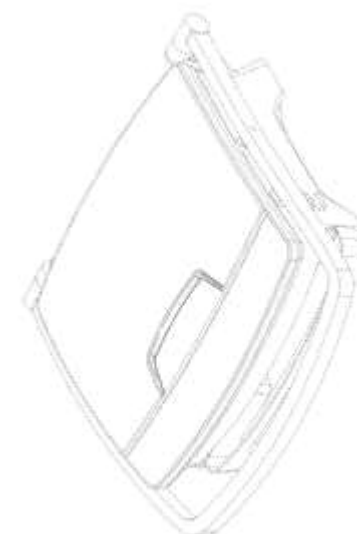
- (21) Design Number: **14707/2015**
(22) Date of Filing Application: **04 September 2015**
(24) Date from which industrial property rights may have effect: **04 September 2015**
(54) Product in respect of which the design is registered: **Ute tray barrier**
(51) International Design Classification: **12-16NES**
(74) Name(s) of Attorney(s): **Fisher Adams Kelly Pty Ltd**
(71) Name(s) and Address(s) of Applicant(s):
Whitworth Ute Trays Pty Ltd
3/79 Amelia St Nundah QLD 4012 Australia
(72) Name(s) of Designer(s): **Barry Leslie Whitworth**
(45) Registration Date: **23 September 2015**
(56) Related Art Documents: **Not Applicable**
(57) Statement of Newness and Distinctiveness: **Newness and distinctiveness of the design resides in the shape and/or configuration of a ute tray barrier as shown in the representations. Particular regard is to be given to the features shown in solid lines. The features shown in broken lines are for context and example only, and should be given less weight for the purpose of assessing newness and distinctiveness.**



- (21) Design Number: **14708/2015**
(22) Date of Filing Application: **04 September 2015**
(24) Date from which industrial property rights may have effect: **04 September 2015**
(54) Product in respect of which the design is registered: **Ute tray floor**
(51) International Design Classification: **12-16NES**
(74) Name(s) of Attorney(s): **Fisher Adams Kelly Pty Ltd**
(71) Name(s) and Address(s) of Applicant(s):
Whitworth Ute Trays Pty Ltd
3/79 Amelia St Nundah QLD 4012 Australia
(72) Name(s) of Designer(s): **Barry Leslie Whitworth**
(45) Registration Date: **23 September 2015**
(56) Related Art Documents: **Not Applicable**
(57) Statement of Newness and Distinctiveness: **Newness and distinctiveness of the design resides in the shape and/or configuration of a ute tray floor as shown in the representations. Particular regard is to be given to the features shown in solid lines. The features shown in broken lines are for context and example only, and should be given less weight for the purpose of assessing newness and distinctiveness.**



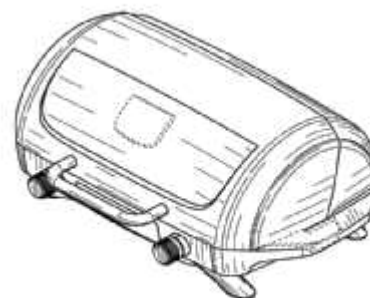
(21) Design Number: **14731/2015**
(22) Date of Filing Application: **07 September 2015**
(24) Date from which industrial property rights may have effect: **07 September 2015**
(54) Product in respect of which the design is registered: **Grill with illuminable region**
(51) International Design Classification: **07-02G**
(74) Name(s) of Attorney(s): **FB Rice**
(71) Name(s) and Address(s) of Applicant(s):
Spectrum Brands, Inc.
3001 Deming Way Middleton, WI, 53562 United States of America
(72) Name(s) of Designer(s): **Darek J. Koszylko**
(45) Registration Date: **23 September 2015**
(30) Convention priority data:
(31) Number (32) Date (33) Country
29/519,563 05 Mar 2015 UNITED STATES OF AMERICA
(56) Related Art Documents: **Not Applicable**
(57) Statement of Newness and Distinctiveness: **Newness and distinctiveness reside in the illuminable region of the grill, the illuminable region being indicated in solid unbroken lines in the accompanying**



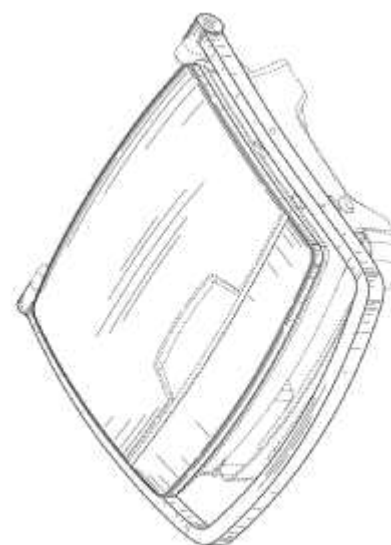
(21) Design Number: **14732/2015**
(22) Date of Filing Application: **07 September 2015**
(24) Date from which industrial property rights may have effect: **07 September 2015**
(54) Product in respect of which the design is registered: **Grill**
(51) International Design Classification: **07-02G**
(74) Name(s) of Attorney(s): **FB Rice**
(71) Name(s) and Address(s) of Applicant(s):
Spectrum Brands, Inc.
3001 Deming Way Middleton, WI, 53562 United States of America
(72) Name(s) of Designer(s): **Darek J Koszylko**
(45) Registration Date: **23 September 2015**
(30) Convention priority data:
(31) Number (32) Date (33) Country
29/519567 05 Mar 2015 UNITED STATES OF AMERICA
(56) Related Art Documents: **Not Applicable**
(57) Statement of Newness and Distinctiveness: **Newness and distinctiveness reside in the features of shape and/or configuration of the grill shown in solid unbroken lines in the representations.**



(21) Design Number: **14733/2015**
 (22) Date of Filing Application: **07 September 2015**
 (24) Date from which industrial property rights may have effect: **07 September 2015**
 (54) Product in respect of which the design is registered: **Grill**
 (51) International Design Classification: **07-02H**
 (74) Name(s) of Attorney(s): **FB Rice**
 (71) Name(s) and Address(s) of Applicant(s):
Spectrum Brands, Inc.
3001 Deming Way Middleton, WI, 53562 United States of America
 (72) Name(s) of Designer(s): **Javier Barquin and Claudia Del Conte and Andres Moline**
 (45) Registration Date: **23 September 2015**
 (30) Convention priority data:
 (31) Number (32) Date (33) Country
26/519568 05 Mar 2015 UNITED STATES OF AMERICA
 (56) Related Art Documents: **Not Applicable**
 (57) Statement of Newness and Distinctiveness: **Newness and distinctiveness reside in the features of shape and/or configuration of the grill shown in solid unbroken lines in the representations.**



(21) Design Number: **14735/2015**
 (22) Date of Filing Application: **07 September 2015**
 (24) Date from which industrial property rights may have effect: **07 September 2015**
 (54) Product in respect of which the design is registered: **Grill**
 (51) International Design Classification: **07-02G**
 (74) Name(s) of Attorney(s): **FB Rice**
 (71) Name(s) and Address(s) of Applicant(s):
Spectrum Brands, Inc.
3001 Deming Way Middleton, WI, 53562 United States of America
 (72) Name(s) of Designer(s): **Darek J Koszylko**
 (45) Registration Date: **23 September 2015**
 (30) Convention priority data:
 (31) Number (32) Date (33) Country
29/519576 06 Mar 2015 UNITED STATES OF AMERICA
 (56) Related Art Documents: **Not Applicable**
 (57) Statement of Newness and Distinctiveness: **Newness and distinctiveness reside in the features of shape and/or configuration of the grill shown in solid unbroken lines in the representations.**



(21) Design Number: **14736/2015**
(22) Date of Filing Application: **07 September 2015**
(24) Date from which industrial property rights may have effect: **07 September 2015**
(54) Product in respect of which the design is registered: **Grill**
(51) International Design Classification: **07-02H**
(74) Name(s) of Attorney(s): **FB Rice**
(71) Name(s) and Address(s) of Applicant(s):
Spectrum Brands, Inc.
3001 Deming Way Middleton, WI, 53562 United States of America
(72) Name(s) of Designer(s): **Javier Barquin and Claudia Del Conte and Andres Moline**
(45) Registration Date: **23 September 2015**
(30) Convention priority data:
(31) Number (32) Date (33) Country
29/519577 06 Mar 2015 UNITED STATES OF AMERICA
(56) Related Art Documents: **Not Applicable**
(57) Statement of Newness and Distinctiveness: **Newness and distinctiveness reside in the features of shape and/or configuration of the grill shown in solid unbroken lines in the representations.**



(21) Design Number: **14929/2015**
(22) Date of Filing Application: **22 June 2015**
(24) Date from which industrial property rights may have effect: **22 June 2015**
(54) Product in respect of which the design is registered: **Dental extractor**
(51) International Design Classification: **24-99**
(74) Name(s) of Attorney(s): **HODGKINSON McINNES PATENTS**
(71) Name(s) and Address(s) of Applicant(s):
Christine Elizabeth Johnson
5012 3rd Avenue NW Seattle Washington, 98107 United States of America
Jim Wait
303 South McKay Avenue Spring Valley Wisconsin 54767 United States of America
(72) Name(s) of Designer(s): **Christine Elizabeth Johnson and Jim Wait**
(45) Registration Date: **24 September 2015**
(56) Related Art Documents: **Not Applicable**
(57) Statement of Newness and Distinctiveness: **Newness and distinctiveness is claimed in the shape and configuration of a Dental Extractor as shown in the representations.**



(21) Design Number: **14931/2015**

(22) Date of Filing Application: **22 June 2015**

(24) Date from which industrial property rights may have effect: **22 June 2015**

(54) Product in respect of which the design is registered: **Dental extractor**

(51) International Design Classification: **24-99**

(74) Name(s) of Attorney(s): **HODGKINSON McINNES PATENTS**

(71) Name(s) and Address(s) of Applicant(s):

Christine Elizabeth Johnson

5012 3rd Avenue NW Seattle Washington, 98107 United States of America

Jim Wait

303 South McKay Avenue Spring Valley Wisconsin 54767 United States of America

(72) Name(s) of Designer(s): **Christine Elizabeth Johnson and Jim Wait**

(45) Registration Date: **24 September 2015**

(56) Related Art Documents: **Not Applicable**

(57) Statement of Newness and Distinctiveness: **Newness and distinctiveness is claimed in the shape and configuration of a Dental Extractor as shown in the representations.**



(21) Design Number: **14157/2015**

(22) Date of Filing Application: **13 August 2015**

(24) Date from which industrial property rights may have effect: **13 August 2015**

(54) Product in respect of which the design is registered: **Lid**

(51) International Design Classification: **07-01NES**

(74) Name(s) of Attorney(s):

(71) Name(s) and Address(s) of Applicant(s):

Realworld Investments Pty Ltd

24 Wilkinson Gardens Winthrop WA 6150 Australia

(72) Name(s) of Designer(s): **Bryan Tandianus**

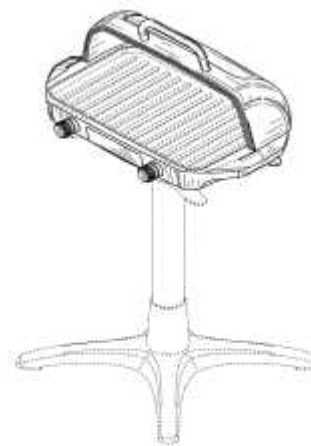
(45) Registration Date: **24 September 2015**

(56) Related Art Documents: **Not Applicable**

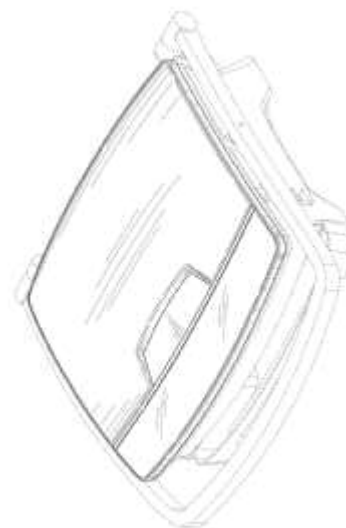
(57) Statement of Newness and Distinctiveness: **Newness and distinctiveness resides in the visual features, including shape, configuration, pattern and/or ornamentation in any combination of the container base and lid as shown in the accompanying representations.**



(21) Design Number: **14737/2015**
(22) Date of Filing Application: **07 September 2015**
(24) Date from which industrial property rights may have effect: **07 September 2015**
(54) Product in respect of which the design is registered: **Grill**
(51) International Design Classification: **07-02H**
(74) Name(s) of Attorney(s): **FB Rice**
(71) Name(s) and Address(s) of Applicant(s):
Spectrum Brands, Inc.
3001 Deming Way Middleton, WI, 53562 United States of America
(72) Name(s) of Designer(s): **Javier Barquin and Claudia Del Conte and Andres Moline**
(45) Registration Date: **24 September 2015**
(30) Convention priority data:
(31) Number (32) Date (33) Country
29/519575 06 Mar 2015 UNITED STATES OF AMERICA
(56) Related Art Documents: **Not Applicable**
(57) Statement of Newness and Distinctiveness: **Newness and distinctiveness reside in the features of shape and/or configuration of the grill shown in solid unbroken lines in the representations.**



(21) Design Number: **14738/2015**
(22) Date of Filing Application: **07 September 2015**
(24) Date from which industrial property rights may have effect: **07 September 2015**
(54) Product in respect of which the design is registered: **Grill**
(51) International Design Classification: **07-02G**
(74) Name(s) of Attorney(s): **FB Rice**
(71) Name(s) and Address(s) of Applicant(s):
Spectrum Brands, Inc.
3001 Deming Way Middleton, WI, 53562 United States of America
(72) Name(s) of Designer(s): **Darek J Koszylko**
(45) Registration Date: **24 September 2015**
(30) Convention priority data:
(31) Number (32) Date (33) Country
29/519573 06 Mar 2015 UNITED STATES OF AMERICA
(56) Related Art Documents: **Not Applicable**
(57) Statement of Newness and Distinctiveness: **Newness and distinctiveness reside in the features of shape and/or configuration of the grill shown in solid unbroken lines in the representations.**



(21) Design Number: **13057/2015**

(22) Date of Filing Application: **17 June 2015**

(24) Date from which industrial property rights may have effect: **17 June 2015**

(54) Product in respect of which the design is registered: **Fittings for doors**

(51) International Design Classification: **08-06**

(74) Name(s) of Attorney(s): **Cullens Patent and Trade Mark Attorneys**

(71) Name(s) and Address(s) of Applicant(s):

**Sphinx Electronics GmbH & Co KG
Tullastrasse 3 Kenzingen 79341 Germany**

(72) Name(s) of Designer(s): **Eckhard Ruoff**

(45) Registration Date: **24 September 2015**

(30) Convention priority data:

(31) Number (32) Date
002599548-00009 17 Dec 2014

(33) Country
**OFFICE FOR HARMONISATION IN
THE INTERNAL MARKET (OHIM)**

(56) Related Art Documents: **Not Applicable**

(57) Statement of Newness and Distinctiveness: **The new and distinctive features are the features of shape The new and distinctive features are the features of shape and configuration or pattern and ornamentation of fittings for doors as shown in the attached representations.**



(21) Design Number: **14625/2015**

(22) Date of Filing Application: **17 June 2015**

(24) Date from which industrial property rights may have effect: **17 June 2015**

(54) Product in respect of which the design is registered: **Fittings for doors**

(51) International Design Classification: **08-06**

(74) Name(s) of Attorney(s): **Cullens Patent and Trade Mark Attorneys**

(71) Name(s) and Address(s) of Applicant(s):

**Sphinx Electronics GmbH & Co KG
Tullastrasse 3 Kenzingen 79341 Denmark**

(72) Name(s) of Designer(s): **Eckhard Ruoff**

(45) Registration Date: **24 September 2015**

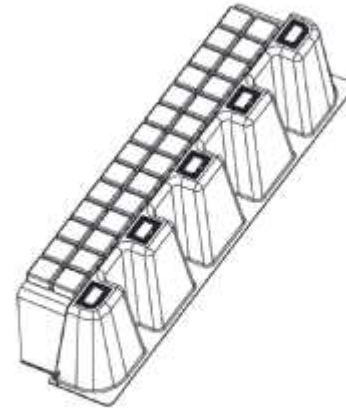
(62) Divisional of: **364398**

(56) Related Art Documents: **Not Applicable**

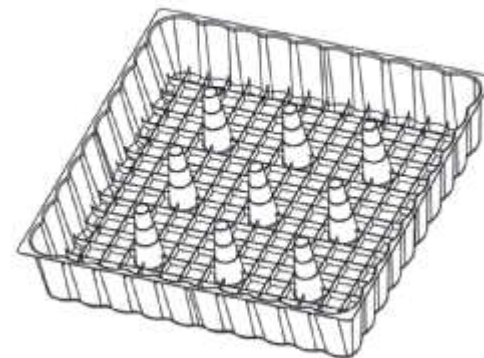
(57) Statement of Newness and Distinctiveness: **The new and distinctive features are the features of shape and configuration or pattern and ornamentation of fittings for doors as shown in the attached representations.**



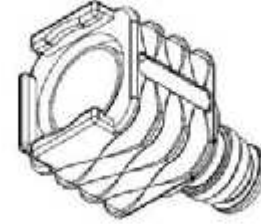
- (21) Design Number: **14459/2015**
(22) Date of Filing Application: **26 August 2015**
(24) Date from which industrial property rights may have effect: **26 August 2015**
(54) Product in respect of which the design is registered: **A cap**
(51) International Design Classification: **21-01E**
(74) Name(s) of Attorney(s): **Spruson & Ferguson**
(71) Name(s) and Address(s) of Applicant(s):
A Plus Plastics & Tooling Pty Ltd
4 Huntsmore Rd Minto NSW 2566 Australia
(72) Name(s) of Designer(s): **Matthew Holloway**
(45) Registration Date: **24 September 2015**
(56) Related Art Documents: **Not Applicable**
(57) Statement of Newness and Distinctiveness: **Newness and distinctiveness is claimed in the features of shape and/or configuration of a cap as illustrated in the accompanying representations.**



- (21) Design Number: **14461/2015**
(22) Date of Filing Application: **26 August 2015**
(24) Date from which industrial property rights may have effect: **26 August 2015**
(54) Product in respect of which the design is registered: **A pod**
(51) International Design Classification: **09-03NES**
(74) Name(s) of Attorney(s): **Spruson & Ferguson**
(71) Name(s) and Address(s) of Applicant(s):
A Plus Plastics & Tooling Pty Ltd
4 Huntsmore Rd Minto NSW 2566 Australia
(72) Name(s) of Designer(s): **Matthew Holloway**
(45) Registration Date: **24 September 2015**
(56) Related Art Documents: **Not Applicable**
(57) Statement of Newness and Distinctiveness: **Newness and distinctiveness is claimed in the features of shape and/or configuration of a pod as illustrated in the accompanying representations.**



- (21) Design Number: **14647/2015**
(22) Date of Filing Application: **02 September 2015**
(24) Date from which industrial property rights may have effect: **02 September 2015**
(54) Product in respect of which the design is registered: **Balloon filling connector**
(51) International Design Classification: **21-01NES**
(74) Name(s) of Attorney(s): **Griffith Hack**
(71) Name(s) and Address(s) of Applicant(s):
Brand Developers Limited
Levels 1-3 519 - 521 Lake Road Takapuna Auckland, 0622 New Zealand
(72) Name(s) of Designer(s): **James Fisher**
(45) Registration Date: **24 September 2015**
(56) Related Art Documents: **Not Applicable**
(57) Statement of Newness and Distinctiveness: **Newness and distinctiveness resides in the shape and configuration of a balloon filling connector as shown in the figures.**



- (21) Design Number: **14659/2015**
(22) Date of Filing Application: **03 September 2015**
(24) Date from which industrial property rights may have effect: **03 September 2015**
(54) Product in respect of which the design is registered: **A playsuit**
(51) International Design Classification: **02-02C**
(74) Name(s) of Attorney(s):
(71) Name(s) and Address(s) of Applicant(s):
Zimmermann Wear Pty Limited
120 Dunning Ave Rosebery NSW 2018 Australia
(72) Name(s) of Designer(s): **Nicole Zimmermann**
(45) Registration Date: **24 September 2015**
(56) Related Art Documents: **Not Applicable**
(57) Statement of Newness and Distinctiveness: **Newness and distinctiveness is claimed in the shape, configuration, pattern and/or ornamentation of the garment depicted in the accompanying representation.**



(21) Design Number: **14673/2015**
(22) Date of Filing Application: **03 September 2015**
(24) Date from which industrial property rights may have effect: **03 September 2015**
(54) Product in respect of which the design is registered: **A compliance monitor for a medicament inhaler**
(51) International Design Classification: **24-04**
(74) Name(s) of Attorney(s):
(71) Name(s) and Address(s) of Applicant(s):
Adherium (NZ) Ltd (formerly Nexus6 Ltd)
Level 2 Suite 205 8 Commerce Street Auckland Central Auckland 1010
New Zealand
(72) Name(s) of Designer(s): **Garth Campbell Sutherland**
(45) Registration Date: **24 September 2015**
(30) Convention priority data:
(31) Number (32) Date (33) Country
002645259-0009 03 Mar 2015 OFFICE FOR HARMONISATION IN
THE INTERNAL MARKET (OHIM)



(56) Related Art Documents: **Not Applicable**
(57) Statement of Newness and Distinctiveness: **The design is to be applied to a Compliance Monitor for a Medicament Inhaler, and the novelty resides in the features of shape and configuration of the article as illustrated in the accompanying representations. No novelty is claimed with respect to the medicament inhaler itself or the graphic material shown in dotted outline.**

(21) Design Number: **14680/2015**
(22) Date of Filing Application: **03 September 2015**
(24) Date from which industrial property rights may have effect: **03 September 2015**
(54) Product in respect of which the design is registered: **Cartridge**
(51) International Design Classification: **15-99**
(74) Name(s) of Attorney(s): **Fisher Adams Kelly Pty Ltd**
(71) Name(s) and Address(s) of Applicant(s):
Ideal Warehouse Innovations, Inc.
181 Regina Rd Vaughan Ontario, L4L 8M3 Canada
(72) Name(s) of Designer(s): **Sean Michael Miller**
(45) Registration Date: **24 September 2015**
(30) Convention priority data:
(31) Number (32) Date (33) Country
161391 03 Mar 2015 CANADA



(56) Related Art Documents: **Not Applicable**
(57) Statement of Newness and Distinctiveness: **Newness and distinctiveness of the design resides in the shape and/or configuration of a CARTRIDGE as shown in the representations. Particular regard is to be given to the features shown in solid lines. The features shown in broken lines are for context and example only, and should be given less weight when assessing newness and distinctiveness.**

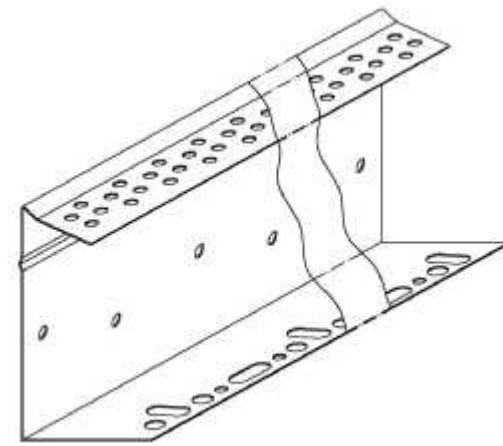
(21) Design Number: **14740/2015**
(22) Date of Filing Application: **07 September 2015**
(24) Date from which industrial property rights may have effect: **07 September 2015**
(54) Product in respect of which the design is registered: **Shaving aid adaptor for razor head**
(51) International Design Classification: **28-03A**
(74) Name(s) of Attorney(s): **PHILLIPS ORMONDE FITZPATRICK**
(71) Name(s) and Address(s) of Applicant(s):
Societe Bic
14 rue Jeanne d'Asnieres 92110 Clichy France
(72) Name(s) of Designer(s): **Maria Petratou and Giorgos Georgakis and Ioannis Bozikis**
(45) Registration Date: **24 September 2015**
(30) Convention priority data:
(31) Number (32) Date (33) Country
29/521,719 26 Mar 2015 UNITED STATES OF AMERICA
(56) Related Art Documents: **Not Applicable**
(57) Statement of Newness and Distinctiveness: **Newness and distinctiveness is claimed in the shape and configuration of the shaving adaptor for a razor head as represented in solid lines in the drawings. In assessing newness and distinctiveness, no regard should be had of the features represented in broken lines.**



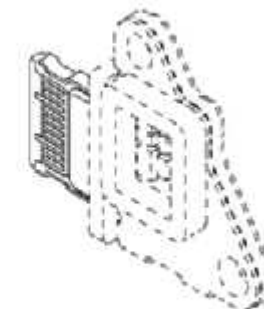
(21) Design Number: **14743/2015**
(22) Date of Filing Application: **07 September 2015**
(24) Date from which industrial property rights may have effect: **07 September 2015**
(54) Product in respect of which the design is registered: **Grill**
(51) International Design Classification: **07-02H**
(74) Name(s) of Attorney(s): **FB Rice**
(71) Name(s) and Address(s) of Applicant(s):
Spectrum Brands, Inc.
3001 Deming Way Middleton, WI, 53562 United States of America
(72) Name(s) of Designer(s): **Javier Barquin and Claudia Del Conte and Andres Moline**
(45) Registration Date: **24 September 2015**
(30) Convention priority data:
(31) Number (32) Date (33) Country
29/519578 06 Mar 2015 UNITED STATES OF AMERICA
(56) Related Art Documents: **Not Applicable**
(57) Statement of Newness and Distinctiveness: **Newness and distinctiveness reside in the features of shape and/or configuration of the grill shown in solid unbroken lines in the representations.**



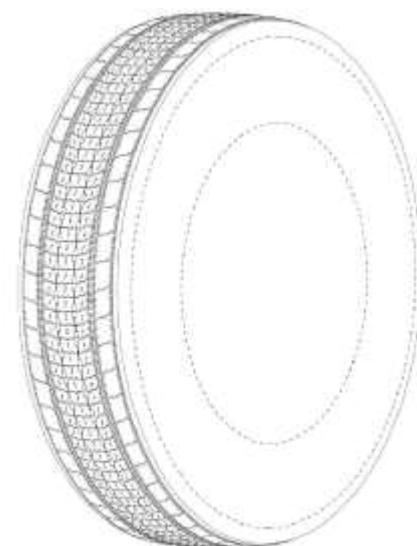
- (21) Design Number: **14638/2015**
(22) Date of Filing Application: **02 September 2015**
(24) Date from which industrial property rights may have effect: **02 September 2015**
(54) Product in respect of which the design is registered: **A flashing**
(51) International Design Classification: **25-01NES**
(74) Name(s) of Attorney(s):
(71) Name(s) and Address(s) of Applicant(s):
Intex Group International Pty Ltd
91-115 Link Dr Campbellfield VIC, 3061 Australia
(72) Name(s) of Designer(s): **Rohan Lister Salisbury and Royce Ashton Salisbury**
(45) Registration Date: **24 September 2015**
(56) Related Art Documents: **Not Applicable**
(57) Statement of Newness and Distinctiveness: **Statement of newness and distinctiveness reside in a manufactured article of indefinite length as depicted in the drawings.**



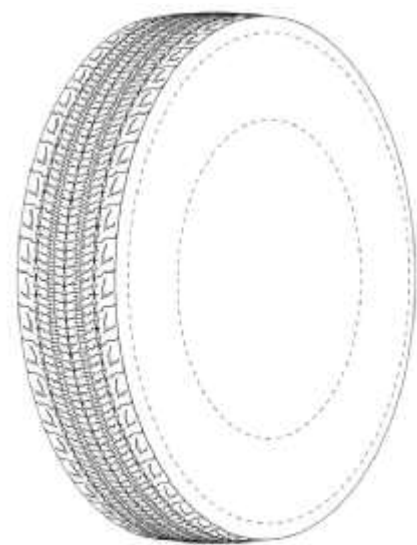
- (21) Design Number: **14686/2015**
(22) Date of Filing Application: **03 September 2015**
(24) Date from which industrial property rights may have effect: **03 September 2015**
(54) Product in respect of which the design is registered: **Connector**
(51) International Design Classification: **14-02**
(74) Name(s) of Attorney(s): **Freehills Patent Attorneys**
(71) Name(s) and Address(s) of Applicant(s):
Apple Inc.
1 Infinite Loop Cupertino California, 95014 United States of America
(72) Name(s) of Designer(s): **Bartley K Andre and Mikael Silvano and Christopher J Stringer and Matthew William Blum and Houtan R Farahani and Stephen Jayanathan**
(45) Registration Date: **24 September 2015**
(30) Convention priority data:
(31) Number (32) Date (33) Country
29/519725 06 Mar 2015 UNITED STATES OF AMERICA
(56) Related Art Documents: **Not Applicable**
(57) Statement of Newness and Distinctiveness: **Newness and distinctiveness resides in the features of shape and configuration of the connector as shown in solid lines in the accompanying representations.**



- (21) Design Number: **14688/2015**
(22) Date of Filing Application: **03 September 2015**
(24) Date from which industrial property rights may have effect: **03 September 2015**
(54) Product in respect of which the design is registered: **A tyre**
(51) International Design Classification: **12-15B**
(74) Name(s) of Attorney(s): **WATERMARK PATENT AND TRADE MARKS ATTORNEYS**
(71) Name(s) and Address(s) of Applicant(s):
COMPAGNIE GENERALE DES ETABLISSEMENTS MICHELIN
12 cours Sablon Clermont-Ferrand 63000 France
Michelin Recherche et Technique S.A.
Route Louis Braille 10 Granges-Paccot 1763 Switzerland
(72) Name(s) of Designer(s): **Fang Zhu and Shilpa Varahagiri and Kai Chun Yang and Lee Montgomery**
(45) Registration Date: **24 September 2015**
(30) Convention priority data:
(31) Number (32) Date (33) Country
29/525,386 29 Apr 2015 UNITED STATES OF AMERICA
(56) Related Art Documents: **Not Applicable**
(57) Statement of Newness and Distinctiveness: **Newness and distinctiveness resides in the appearance of the tread region of the tyre, the remainder of the tyre shown in broken outline not forming part of the design.**



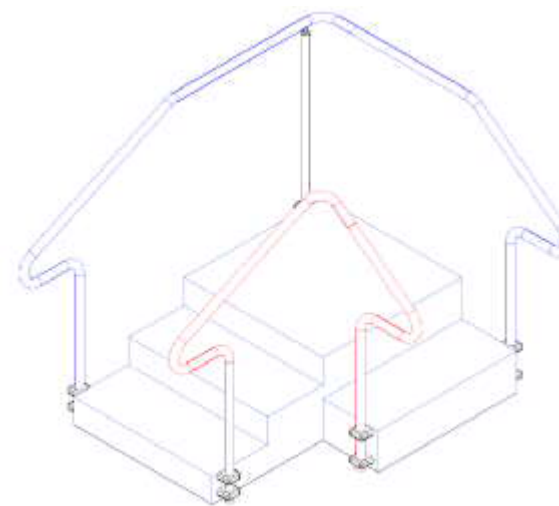
- (21) Design Number: **14690/2015**
(22) Date of Filing Application: **03 September 2015**
(24) Date from which industrial property rights may have effect: **03 September 2015**
(54) Product in respect of which the design is registered: **A tyre**
(51) International Design Classification: **12-15B**
(74) Name(s) of Attorney(s): **WATERMARK PATENT AND TRADE MARKS ATTORNEYS**
(71) Name(s) and Address(s) of Applicant(s):
COMPAGNIE GENERALE DES ETABLISSEMENTS MICHELIN
12 cours Sablon Clermont-Ferrand 63000 France
Michelin Recherche et Technique S.A.
Route Louis Braille 10 Granges-Paccot 1763 Switzerland
(72) Name(s) of Designer(s): **Fang Zhu and Terence Wallace and Kai Chun Yang and Lee Montgomery and Stefan Voss**
(45) Registration Date: **24 September 2015**
(30) Convention priority data:
(31) Number (32) Date (33) Country
29/525,397 29 Apr 2015 UNITED STATES OF AMERICA
(56) Related Art Documents: **Not Applicable**
(57) Statement of Newness and Distinctiveness: **Newness and distinctiveness resides in the appearance of the tread region of the tyre, the remainder of the tyre shown in broken outline not forming part of the design.**



- (21) Design Number: **14692/2015**
(22) Date of Filing Application: **04 September 2015**
(24) Date from which industrial property rights may have effect: **04 September 2015**
(54) Product in respect of which the design is registered: **A cold room door panel**
(51) International Design Classification: **25-02B**
(74) Name(s) of Attorney(s):
(71) Name(s) and Address(s) of Applicant(s):
AUSCOOL CONTRACTORS PTY LTD
c/- Michael Buck IP PO Box 4361 St Lucia QLD, 4067 Australia
(72) Name(s) of Designer(s): **Terry Barrett Peterken**
(45) Registration Date: **24 September 2015**
(56) Related Art Documents: **Not Applicable**
(57) Statement of Newness and Distinctiveness: **The shape and configuration of a cold room door panel as depicted in the accompanying representations.**



- (21) Design Number: **14693/2015**
(22) Date of Filing Application: **04 September 2015**
(24) Date from which industrial property rights may have effect: **04 September 2015**
(54) Product in respect of which the design is registered: **Stairs**
(51) International Design Classification: **25-04**
(74) Name(s) of Attorney(s): **IP Wealth Pty Ltd**
(71) Name(s) and Address(s) of Applicant(s):
IAN GROOM
PO Box 611 Willunga SA, 5172 Australia
(72) Name(s) of Designer(s): **IAN GROOM**
(45) Registration Date: **24 September 2015**
(56) Related Art Documents: **Not Applicable**
(57) Statement of Newness and Distinctiveness: **Newness and distinctiveness of the design resides in the features of shape and configuration of the design as shown in the representations**



(21) Design Number: **14695/2015**
(22) Date of Filing Application: **04 September 2015**
(24) Date from which industrial property rights may have effect: **04 September 2015**
(54) Product in respect of which the design is registered: **Display screen with icon**
(51) International Design Classification: **14-02**
(74) Name(s) of Attorney(s): **FB Rice**
(71) Name(s) and Address(s) of Applicant(s):

Koninklijke Philips N.V.
High Tech Campus 5 5656 AE Eindhoven The Netherlands

(72) Name(s) of Designer(s): **Jessica Sunshine Barnes**

(45) Registration Date: **24 September 2015**

(30) Convention priority data:

(31) Number	(32) Date	(33) Country
002646158-0002	05 Mar 2015	OFFICE FOR HARMONISATION IN THE INTERNAL MARKET (OHIM)



(56) Related Art Documents: **Not Applicable**

(57) Statement of Newness and Distinctiveness: **Newness and distinctiveness reside in the features of ornamentation of the design as shown in the representation.**

(21) Design Number: **14697/2015**
(22) Date of Filing Application: **04 September 2015**
(24) Date from which industrial property rights may have effect: **04 September 2015**
(54) Product in respect of which the design is registered: **Dial**
(51) International Design Classification: **10-07**
(74) Name(s) of Attorney(s): **WATERMARK PATENT AND TRADE MARKS ATTORNEYS**
(71) Name(s) and Address(s) of Applicant(s):

Omega SA (Omega AG) (Omega Ltd.)
Jakob-Stampfli-Strasse 96 Biel/Bienne 2502 Switzerland

(72) Name(s) of Designer(s): **Jean-Claude Monachon**

(45) Registration Date: **24 September 2015**

(30) Convention priority data:

(31) Number	(32) Date	(33) Country
DM/085 820	10 Mar 2015	WORLD INTELLECTUAL PROPERTY ORGANIZATION (WIPO)



(56) Related Art Documents: **Not Applicable**

(57) Statement of Newness and Distinctiveness: **Nil**

(21) Design Number: **14698/2015**
(22) Date of Filing Application: **04 September 2015**
(24) Date from which industrial property rights may have effect: **04 September 2015**
(54) Product in respect of which the design is registered: **Sticker**
(51) International Design Classification: **19-08**
(74) Name(s) of Attorney(s): **FB Rice**
(71) Name(s) and Address(s) of Applicant(s):

Koninklijke Philips N.V.
High Tech Campus 5 5656 AE Eindhoven The Netherlands

(72) Name(s) of Designer(s): **Jessica Sunshine Barnes**

(45) Registration Date: **24 September 2015**

(30) Convention priority data:

(31) Number	(32) Date	(33) Country
002646158-0001	05 Mar 2015	OFFICE FOR HARMONISATION IN THE INTERNAL MARKET (OHIM)



(56) Related Art Documents: **Not Applicable**

(57) Statement of Newness and Distinctiveness: **Newness and distinctiveness reside in the features of ornamentation of the design as shown in the representation.**

(21) Design Number: **14701/2015**
(22) Date of Filing Application: **04 September 2015**
(24) Date from which industrial property rights may have effect: **04 September 2015**
(54) Product in respect of which the design is registered: **Back of the case**
(51) International Design Classification: **10-02, 10-07**
(74) Name(s) of Attorney(s): **WATERMARK PATENT AND TRADE MARKS ATTORNEYS**
(71) Name(s) and Address(s) of Applicant(s):

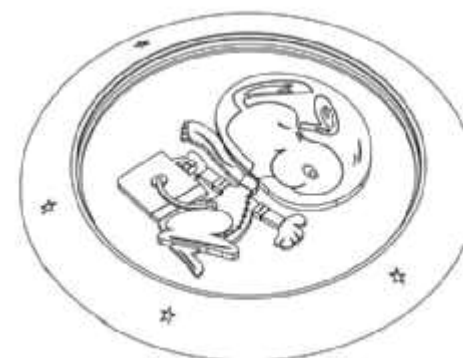
Omega SA (Omega AG) (Omega Ltd.)
Jakob-Stampfli-Strasse 96 Biel/Bienne 2502 Switzerland

(72) Name(s) of Designer(s): **Jean-Claude Monachon**

(45) Registration Date: **24 September 2015**

(30) Convention priority data:

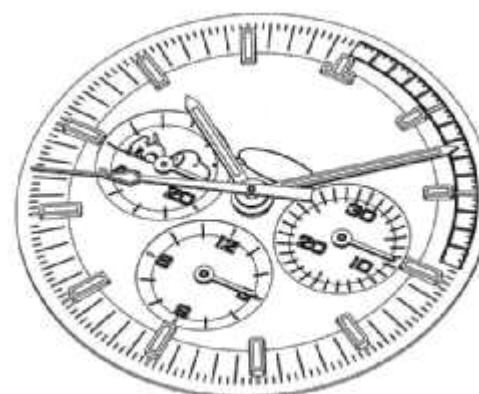
(31) Number	(32) Date	(33) Country
DM/086 420	10 Mar 2015	WORLD INTELLECTUAL PROPERTY ORGANIZATION (WIPO)



(56) Related Art Documents: **Not Applicable**

(57) Statement of Newness and Distinctiveness: **Nil**

(21) Design Number: **14702/2015**
(22) Date of Filing Application: **04 September 2015**
(24) Date from which industrial property rights may have effect: **04 September 2015**
(54) Product in respect of which the design is registered: **Dial**
(51) International Design Classification: **10-07**
(74) Name(s) of Attorney(s): **WATERMARK PATENT AND TRADE MARKS ATTORNEYS**
(71) Name(s) and Address(s) of Applicant(s):
Omega SA (Omega AG) (Omega Ltd.)
Jakob-Stampfli-Strasse 96 Biel/Bienne 2502 Switzerland
(72) Name(s) of Designer(s): **Jean-Claude Monachon**
(45) Registration Date: **24 September 2015**
(30) Convention priority data:
(31) Number (32) Date (33) Country
DM/086 420 10 Mar 2015 WORLD INTELLECTUAL PROPERTY ORGANIZATION (WIPO)
(56) Related Art Documents: **Not Applicable**
(57) Statement of Newness and Distinctiveness: **Nil**



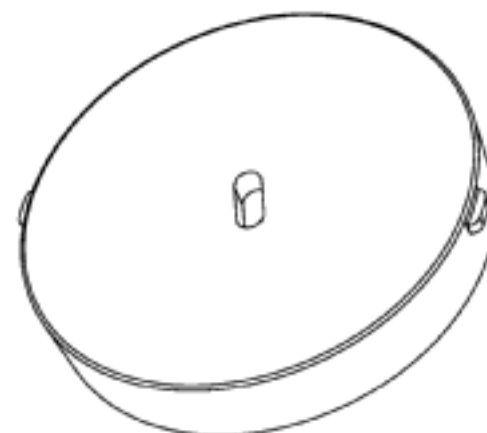
(21) Design Number: **14739/2015**
(22) Date of Filing Application: **07 September 2015**
(24) Date from which industrial property rights may have effect: **07 September 2015**
(54) Product in respect of which the design is registered: **Shaving aid adaptor for razor head**
(51) International Design Classification: **28-03A**
(74) Name(s) of Attorney(s): **PHILLIPS ORMONDE FITZPATRICK**
(71) Name(s) and Address(s) of Applicant(s):
Societe Bic
14 rue Jeanne d'Asnieres 92110 Clichy France
(72) Name(s) of Designer(s): **Maria Petratou and Giorgos Georgakis and Ioannis Bozikis**
(45) Registration Date: **24 September 2015**
(30) Convention priority data:
(31) Number (32) Date (33) Country
29/521,719 26 Mar 2015 UNITED STATES OF AMERICA
(56) Related Art Documents: **Not Applicable**
(57) Statement of Newness and Distinctiveness: **Newness and distinctiveness is claimed in the shape and configuration of the shaving adaptor for a razor head as represented in the drawings.**



- (21) Design Number: **11724/2015**
(22) Date of Filing Application: **31 March 2015**
(24) Date from which industrial property rights may have effect: **31 March 2015**
(54) Product in respect of which the design is registered: **Lid**
(51) International Design Classification: **09-07NES**
(74) Name(s) of Attorney(s): **Lord & Company**
(71) Name(s) and Address(s) of Applicant(s):

Stockbrands Co. Pty Ltd
53 Edward St Osborne Park WA 6017 Australia

- (72) Name(s) of Designer(s): **Ron Duyvestein**
(45) Registration Date: **25 September 2015**
(56) Related Art Documents: **Not Applicable**
(57) Statement of Newness and Distinctiveness: **Newness and distinctiveness is claimed in the shape and/or configuration of a lid for a cylindrical body having the features shown in solid lines in the representations. In considering the extent of the design rights, the broken lines shown in the representations are for illustrative purposes only and do not form part of the design**



- (21) Design Number: **11726/2015**
(22) Date of Filing Application: **31 March 2015**
(24) Date from which industrial property rights may have effect: **31 March 2015**
(54) Product in respect of which the design is registered: **Lid surround**
(51) International Design Classification: **07-07NES**
(74) Name(s) of Attorney(s): **Lord & Company**
(71) Name(s) and Address(s) of Applicant(s):

Stockbrands Co. Pty Ltd
53 Edward St Osborne Park WA 6017 Australia

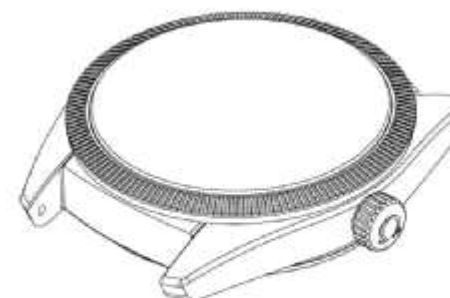
- (72) Name(s) of Designer(s): **Ron Duyvestein**
(45) Registration Date: **25 September 2015**
(56) Related Art Documents: **Not Applicable**
(57) Statement of Newness and Distinctiveness: **Newness and distinctiveness is claimed in the shape and/or configuration of a lid surround for a cylindrical body having the features shown in solid lines in the representations. In considering the extent of the design rights, the broken lines shown in the representations are for illustrative purposes only and do not form part of the design.**



- (21) Design Number: **14689/2015**
(22) Date of Filing Application: **03 September 2015**
(24) Date from which industrial property rights may have effect: **03 September 2015**
(54) Product in respect of which the design is registered: **A tyre**
(51) International Design Classification: **12-15B**
(74) Name(s) of Attorney(s): **WATERMARK PATENT AND TRADE MARKS ATTORNEYS**
(71) Name(s) and Address(s) of Applicant(s):
COMPAGNIE GENERALE DES ETABLISSEMENTS MICHELIN
12 cours Sablon Clermont-Ferrand 63000 France
Michelin Recherche et Technique S.A.
Route Louis Braille 10 Granges-Paccot 1763 Switzerland
(72) Name(s) of Designer(s): **Fang Zhu and Praveen-Kumar Verma and Kai Chun Yang and Lee Montgomery and Jeremy Trowbridge**
(45) Registration Date: **25 September 2015**
(30) Convention priority data:
(31) Number (32) Date (33) Country
29/525,391 29 Apr 2015 UNITED STATES OF AMERICA
(56) Related Art Documents: **Not Applicable**
(57) Statement of Newness and Distinctiveness: **Newness and distinctiveness resides in the appearance of the tread region of the tyre, the remainder of the tyre shown in broken outline not forming part of the design.**



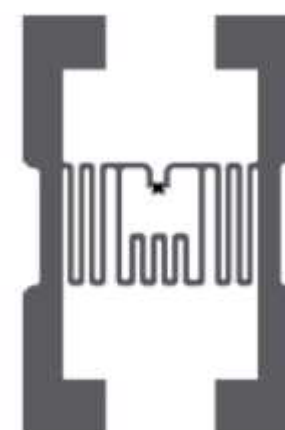
- (21) Design Number: **14696/2015**
(22) Date of Filing Application: **04 September 2015**
(24) Date from which industrial property rights may have effect: **04 September 2015**
(54) Product in respect of which the design is registered: **Watchcase**
(51) International Design Classification: **10-02, 10-07**
(74) Name(s) of Attorney(s): **WATERMARK PATENT AND TRADE MARKS ATTORNEYS**
(71) Name(s) and Address(s) of Applicant(s):
Omega SA (Omega AG) (Omega Ltd.)
Jakob-Stampfli-Strasse 96 Biel/Bienne 2502 Switzerland
(72) Name(s) of Designer(s): **Jean-Claude Monachon**
(45) Registration Date: **25 September 2015**
(30) Convention priority data:
(31) Number (32) Date (33) Country
DM/085 820 10 Mar 2015 WORLD INTELLECTUAL PROPERTY ORGANIZATION (WIPO)
(56) Related Art Documents: **Not Applicable**
(57) Statement of Newness and Distinctiveness: **Nil**



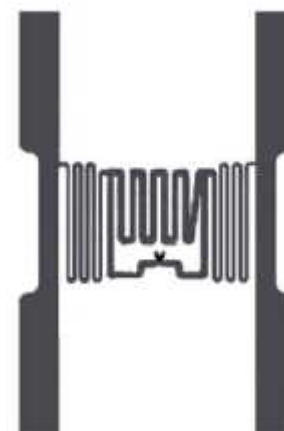
(21) Design Number: **14700/2015**
(22) Date of Filing Application: **04 September 2015**
(24) Date from which industrial property rights may have effect: **04 September 2015**
(54) Product in respect of which the design is registered: **Watchcase**
(51) International Design Classification: **10-02, 10-07**
(74) Name(s) of Attorney(s): **WATERMARK PATENT AND TRADE MARKS ATTORNEYS**
(71) Name(s) and Address(s) of Applicant(s):
Omega SA (Omega AG) (Omega Ltd.)
Jakob-Stampfli-Strasse 96 Biel/Bienne 2502 Switzerland
(72) Name(s) of Designer(s): **Jean-Claude Monachon**
(45) Registration Date: **25 September 2015**
(30) Convention priority data:
(31) Number (32) Date (33) Country
DM/086 420 10 Mar 2015 WORLD INTELLECTUAL PROPERTY ORGANIZATION (WIPO)
(56) Related Art Documents: **Not Applicable**
(57) Statement of Newness and Distinctiveness: **Nil**



(21) Design Number: **14711/2015**
(22) Date of Filing Application: **05 September 2015**
(24) Date from which industrial property rights may have effect: **05 September 2015**
(54) Product in respect of which the design is registered: **RFID tag inlay**
(51) International Design Classification: **14-03NES**
(74) Name(s) of Attorney(s): **Elliptic Legal & Patent Services**
(71) Name(s) and Address(s) of Applicant(s):
Megabyte Limited
Unit 301-302, 3/F Building 12W No. 12 Science Park West Avenue Hong Kong Science Park Shatin N.T. Hong Kong
(72) Name(s) of Designer(s): **Chun Sing Matthew Man**
(45) Registration Date: **25 September 2015**
(30) Convention priority data:
(31) Number (32) Date (33) Country
1500594.5M001 05 Mar 2015 HONG KONG
(56) Related Art Documents: **Not Applicable**
(57) Statement of Newness and Distinctiveness: **Nil**



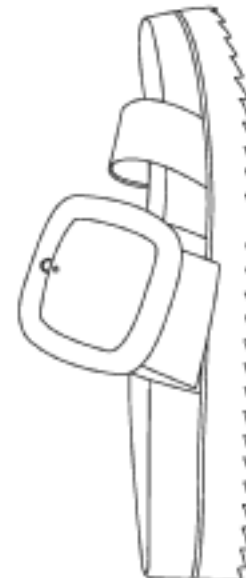
(21) Design Number: **14712/2015**
(22) Date of Filing Application: **05 September 2015**
(24) Date from which industrial property rights may have effect: **05 September 2015**
(54) Product in respect of which the design is registered: **RFID tag inlay**
(51) International Design Classification: **14-03NES**
(74) Name(s) of Attorney(s): **Elliptic Legal & Patent Services**
(71) Name(s) and Address(s) of Applicant(s):
Megabyte Limited
Unit 301-302, 3/F Building 12W No. 12 Science Park West Avenue Hong
Kong Science Park Shatin N.T. Hong Kong
(72) Name(s) of Designer(s): **Chun Sing Matthew Man**
(45) Registration Date: **25 September 2015**
(30) Convention priority data:
(31) Number (32) Date (33) Country
500594.5M002 05 Mar 2015 HONG KONG
(56) Related Art Documents: **Not Applicable**
(57) Statement of Newness and Distinctiveness: **Nil**



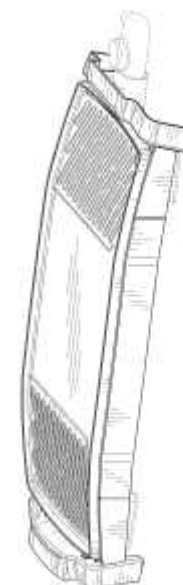
(21) Design Number: **14715/2015**
(22) Date of Filing Application: **06 September 2015**
(24) Date from which industrial property rights may have effect: **06 September 2015**
(54) Product in respect of which the design is registered: **Light stand**
(51) International Design Classification: **26-05B**
(74) Name(s) of Attorney(s):
(71) Name(s) and Address(s) of Applicant(s):
Alexander Andrew Lesniowski
103 O'Hea St Coburg VIC 3058 Australia
(72) Name(s) of Designer(s): **Alexander Andrew Lesniowski**
(45) Registration Date: **25 September 2015**
(56) Related Art Documents: **Not Applicable**
(57) Statement of Newness and Distinctiveness: **A light stand consisting of 3 discs and a number of slats. The base disc is oval and the largest of the 3, it has a number of slotts which accommodate the slats to about half their width. The slotts slant inwards anti clockwise away from the centre. The middle disc is circular and is the smallest of the 3 it also has the same amount of slotts which radiate from the centre. The top disc is similar to the base except smaller and it's slotts slant inwards clockwise away from the centre. The three discs are held together by the slats dropping into there slotts, which intern are locked in place by the torsional forces exerted by the opposing directions of the slatts in the top and base discs.**



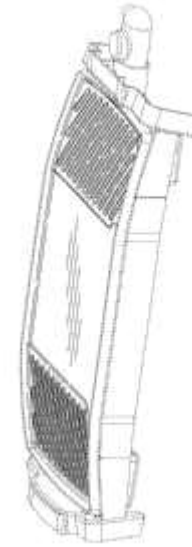
- (21) Design Number: **14716/2015**
(22) Date of Filing Application: **07 September 2015**
(24) Date from which industrial property rights may have effect: **07 September 2015**
(54) Product in respect of which the design is registered: **Shoe**
(51) International Design Classification: **02-04NES**
(74) Name(s) of Attorney(s): **Davies Collison Cave**
(71) Name(s) and Address(s) of Applicant(s):
Kim Meller Imports Pty Ltd
20 Hutchinson St Surry Hills NSW 2010 Australia
(72) Name(s) of Designer(s): **Skye Elizabeth Meller**
(45) Registration Date: **25 September 2015**
(56) Related Art Documents: **Not Applicable**
(57) Statement of Newness and Distinctiveness: **Newness and distinctiveness is claimed in the visual features shown in solid lines in the representations.**



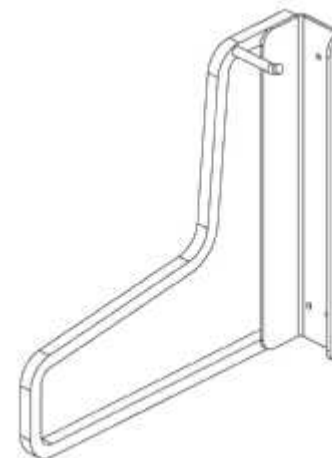
- (21) Design Number: **14727/2015**
(22) Date of Filing Application: **07 September 2015**
(24) Date from which industrial property rights may have effect: **07 September 2015**
(54) Product in respect of which the design is registered: **Griddle**
(51) International Design Classification: **07-02H**
(74) Name(s) of Attorney(s): **FB Rice**
(71) Name(s) and Address(s) of Applicant(s):
Spectrum Brands, Inc.
3001 Deming Way Middleton, WI, 53562 United States of America
(72) Name(s) of Designer(s): **Darek J Koszylko**
(45) Registration Date: **25 September 2015**
(30) Convention priority data:
(31) Number (32) Date (33) Country
29/519564 05 Mar 2015 UNITED STATES OF AMERICA
(56) Related Art Documents: **Not Applicable**
(57) Statement of Newness and Distinctiveness: **Newness and distinctiveness reside in the features of shape and/or configuration of the griddle shown in solid unbroken lines in the representations**



- (21) Design Number: **14728/2015**
(22) Date of Filing Application: **07 September 2015**
(24) Date from which industrial property rights may have effect: **07 September 2015**
(54) Product in respect of which the design is registered: **Griddle**
(51) International Design Classification: **07-02H**
(74) Name(s) of Attorney(s): **FB Rice**
(71) Name(s) and Address(s) of Applicant(s):
Spectrum Brands, Inc.
3001 Deming Way Middleton, WI, 53562 United States of America
(72) Name(s) of Designer(s): **Darek J Koszylko**
(45) Registration Date: **25 September 2015**
(30) Convention priority data:
(31) Number (32) Date (33) Country
29/519565 05 Mar 2015 UNITED STATES OF AMERICA
(56) Related Art Documents: **Not Applicable**
(57) Statement of Newness and Distinctiveness: **Newness and distinctiveness reside in the features of shape and/or configuration of the griddle shown in solid unbroken lines in the representations.**



- (21) Design Number: **14744/2015**
(22) Date of Filing Application: **07 September 2015**
(24) Date from which industrial property rights may have effect: **07 September 2015**
(54) Product in respect of which the design is registered: **Bicycle rack**
(51) International Design Classification: **08-10**
(74) Name(s) of Attorney(s):
(71) Name(s) and Address(s) of Applicant(s):
Jon Rutledge
GPO Box 634 Sydney NSW, 2001 Australia
(72) Name(s) of Designer(s): **Jon Rutledge**
(45) Registration Date: **25 September 2015**
(56) Related Art Documents: **Not Applicable**
(57) Statement of Newness and Distinctiveness: **The newness and distinctiveness of the design resides in the shape and configuration of the bicycle rack as shown in the representations.**



(21) Design Number: **14748/2015**
(22) Date of Filing Application: **07 September 2015**
(24) Date from which industrial property rights may have effect: **07 September 2015**
(54) Product in respect of which the design is registered: **Modular chair**
(51) International Design Classification: **06-01E**
(74) Name(s) of Attorney(s): **WATERMARK PATENT AND TRADE MARKS ATTORNEYS**
(71) Name(s) and Address(s) of Applicant(s):
Orion Holdings (Overseas) Limited
13/F Pico Tower 66 Gloucester Road Wan Chai Hong Kong Island Hong Kong
(72) Name(s) of Designer(s): **Justin Chui**
(45) Registration Date: **25 September 2015**
(56) Related Art Documents: **Not Applicable**
(57) Statement of Newness and Distinctiveness: **Nil**



(21) Design Number: **14773/2015**
(22) Date of Filing Application: **08 September 2015**
(24) Date from which industrial property rights may have effect: **08 September 2015**
(54) Product in respect of which the design is registered: **Armchair**
(51) International Design Classification: **06-01F**
(74) Name(s) of Attorney(s): **Armour IP**
(71) Name(s) and Address(s) of Applicant(s):
Tribu N.V.
Langendijkstraat 5A Zutendaal 3690 Belgium
(72) Name(s) of Designer(s): **Piergiorgio Cazzaniga**
(45) Registration Date: **25 September 2015**
(30) Convention priority data:
(31) Number (32) Date (33) Country
002679829-0001 13 Apr 2015 OFFICE FOR HARMONISATION IN THE INTERNAL MARKET (OHIM)
(56) Related Art Documents: **Not Applicable**
(57) Statement of Newness and Distinctiveness: **Nil**



(21) Design Number: **14774/2015**
(22) Date of Filing Application: **08 September 2015**
(24) Date from which industrial property rights may have effect: **08 September 2015**
(54) Product in respect of which the design is registered: **Chair**
(51) International Design Classification: **06-01F**
(74) Name(s) of Attorney(s): **Armour IP**
(71) Name(s) and Address(s) of Applicant(s):
Tribu N.V.
Langendijkstraat 5A Zutendaal 3690 Belgium
(72) Name(s) of Designer(s): **Piergiorgio Cazzaniga**
(45) Registration Date: **25 September 2015**
(30) Convention priority data:
(31) Number (32) Date (33) Country
**002679829-0002 13 Apr 2015 OFFICE FOR HARMONISATION IN
THE INTERNAL MARKET (OHIM)**
(56) Related Art Documents: **Not Applicable**
(57) Statement of Newness and Distinctiveness: **Nil**



(21) Design Number: **14775/2015**
(22) Date of Filing Application: **08 September 2015**
(24) Date from which industrial property rights may have effect: **08 September 2015**
(54) Product in respect of which the design is registered: **Track for securing a
roof rack to a vehicle roof**
(51) International Design Classification: **12-16K**
(74) Name(s) of Attorney(s): **HODGKINSON McINNES PATENTS**
(71) Name(s) and Address(s) of Applicant(s):
Rhino Rack Australia Pty Limited
3 Pike St Rydalmere NSW 2116 Australia
(72) Name(s) of Designer(s): **Richard Oswald Cropley and Christopher John
Murty and William John Gissing Davis**
(45) Registration Date: **25 September 2015**
(56) Related Art Documents: **Not Applicable**
(57) Statement of Newness and Distinctiveness: **Newness and distinctiveness
is claimed in the cross-sectional profile of the track design, as best seen
in the "End View" representation.**



- (21) Design Number: **14776/2015**
(22) Date of Filing Application: **08 September 2015**
(24) Date from which industrial property rights may have effect: **08 September 2015**
(54) Product in respect of which the design is registered: **Track for securing a roof rack to a vehicle roof**
(51) International Design Classification: **12-16K**
(74) Name(s) of Attorney(s): **HODGKINSON McINNES PATENTS**
(71) Name(s) and Address(s) of Applicant(s):
Rhino Rack Australia Pty Limited
3 Pike St Rydalmere NSW 2116 Australia
(72) Name(s) of Designer(s): **Richard Oswald Cropley and Christopher John Murty and William John Gissing Davis**
(45) Registration Date: **25 September 2015**
(56) Related Art Documents: **Not Applicable**
(57) Statement of Newness and Distinctiveness: **Newness and distinctiveness is claimed in the cross-sectional profile of the track design, as best seen in the "End View" representation.**



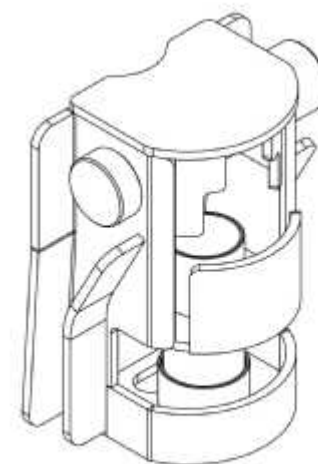
- (21) Design Number: **14777/2015**
(22) Date of Filing Application: **08 September 2015**
(24) Date from which industrial property rights may have effect: **08 September 2015**
(54) Product in respect of which the design is registered: **Track for securing a roof rack to a vehicle roof**
(51) International Design Classification: **12-16K**
(74) Name(s) of Attorney(s): **HODGKINSON McINNES PATENTS**
(71) Name(s) and Address(s) of Applicant(s):
Rhino Rack Australia Pty Limited
3 Pike St Rydalmere NSW 2116 Australia
(72) Name(s) of Designer(s): **Richard Oswald Cropley and Christopher John Murty**
(45) Registration Date: **25 September 2015**
(56) Related Art Documents: **Not Applicable**
(57) Statement of Newness and Distinctiveness: **Newness and distinctiveness is claimed in the cross-sectional profile of the track design, as best seen in the "End View" representation.**



- (21) Design Number: **14778/2015**
(22) Date of Filing Application: **08 September 2015**
(24) Date from which industrial property rights may have effect: **08 September 2015**
(54) Product in respect of which the design is registered: **Track for securing a roof rack to a vehicle roof**
(51) International Design Classification: **12-16K**
(74) Name(s) of Attorney(s): **HODGKINSON McINNES PATENTS**
(71) Name(s) and Address(s) of Applicant(s):
Rhino Rack Australia Pty Limited
3 Pike St Rydalmere NSW 2116 Australia
(72) Name(s) of Designer(s): **Richard Oswald Cropley and Christopher John Murty**
(45) Registration Date: **25 September 2015**
(56) Related Art Documents: **Not Applicable**
(57) Statement of Newness and Distinctiveness: **Newness and distinctiveness is claimed in the cross-sectional profile of the track design, as best seen in the "End View" representation.**



- (21) Design Number: **14779/2015**
(22) Date of Filing Application: **09 September 2015**
(24) Date from which industrial property rights may have effect: **09 September 2015**
(54) Product in respect of which the design is registered: **Trailer hitch lock**
(51) International Design Classification: **12-16L**
(74) Name(s) of Attorney(s): **Lesicar Maynard Andrews Pty Ltd**
(71) Name(s) and Address(s) of Applicant(s):
Opus RV Pty Ltd
246A Governor Rd Braeside VIC 3195 Australia
(72) Name(s) of Designer(s): **Malcolm Hill and Douglas Dickinson and Vernon Bruce**
(45) Registration Date: **25 September 2015**
(56) Related Art Documents: **Not Applicable**
(57) Statement of Newness and Distinctiveness: **Newness and distinctiveness lie in the shape and/or configuration of the Trailer Hitch Lock as seen in the accompanying drawings**



(21) Design Number: **14780/2015**
(22) Date of Filing Application: **09 September 2015**
(24) Date from which industrial property rights may have effect: **09 September 2015**
(54) Product in respect of which the design is registered: **Motorcycle**
(51) International Design Classification: **12-11**
(74) Name(s) of Attorney(s): **Spruson & Ferguson**
(71) Name(s) and Address(s) of Applicant(s):
Honda Motor Co., Ltd.
1-1, Minami-Aoyama, 2-chome Minato-ku, Tokyo 107-8556 Japan
(72) Name(s) of Designer(s): **Koji Miwa and Osami Inomata and Yumio Shibata**
(45) Registration Date: **25 September 2015**
(30) Convention priority data:
(31) Number (32) Date (33) Country
2015-005440 12 Mar 2015 JAPAN
(56) Related Art Documents: **Not Applicable**
(57) Statement of Newness and Distinctiveness: **Newness and distinctiveness is claimed in the features of shape and/or configuration of a motorcycle as illustrated in the accompanying representations.**



(21) Design Number: **13060/2015**
(22) Date of Filing Application: **17 June 2015**
(24) Date from which industrial property rights may have effect: **17 June 2015**
(54) Product in respect of which the design is registered: **Lid for a container**
(51) International Design Classification: **09-07B**
(74) Name(s) of Attorney(s): **Griffith Hack**
(71) Name(s) and Address(s) of Applicant(s):
Runway Blue, LLC
250 South 850 East Lehi UT, 84043 United States of America
(72) Name(s) of Designer(s): **Steven M Sorensen and David O Meyers**
(45) Registration Date: **25 September 2015**
(30) Convention priority data:
(31) Number (32) Date (33) Country
29/514,766 15 Jan 2015 UNITED STATES OF AMERICA
(56) Related Art Documents: **Not Applicable**
(57) Statement of Newness and Distinctiveness: **The shape and configuration of the product as shown by solid lines in the accompanying representations is new and distinctive.**



(21) Design Number: **13398/2015**
(22) Date of Filing Application: **06 July 2015**
(24) Date from which industrial property rights may have effect: **06 July 2015**
(54) Product in respect of which the design is registered: **Dental unit**
(51) International Design Classification: **24-01**
(74) Name(s) of Attorney(s): **Cullens Patent and Trade Mark Attorneys**
(71) Name(s) and Address(s) of Applicant(s):

Heka Dental A/S
Baldershoj 38 DK-2635 Ishoj Denmark

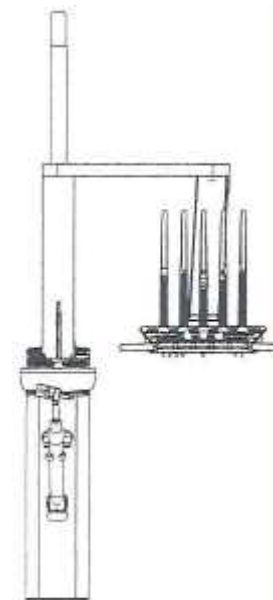
(72) Name(s) of Designer(s): **Thomas Steen Nielsen**
(45) Registration Date: **25 September 2015**

(30) Convention priority data:

(31) Number	(32) Date	(33) Country
001428726-0001	14 Jan 2015	OFFICE FOR HARMONISATION IN THE INTERNAL MARKET (OHIM)

(56) Related Art Documents: **Not Applicable**

(57) Statement of Newness and Distinctiveness: **Nil**



(21) Design Number: **14771/2015**
(22) Date of Filing Application: **08 September 2015**
(24) Date from which industrial property rights may have effect: **08 September 2015**
(54) Product in respect of which the design is registered: **Headset**
(51) International Design Classification: **14-01**
(74) Name(s) of Attorney(s): **FB Rice**
(71) Name(s) and Address(s) of Applicant(s):

LG Electronics, Inc.
128, Yeoui-daero, Yeongdeungpo-gu Seoul 150-721 Republic of Korea

(72) Name(s) of Designer(s): **Hwitae Lim and Youngho Kim**
(45) Registration Date: **25 September 2015**

(30) Convention priority data:

(31) Number	(32) Date	(33) Country
30-2015-0011805	09 Mar 2015	REPUBLIC OF KOREA

(56) Related Art Documents: **Not Applicable**

(57) Statement of Newness and Distinctiveness: **Newness and distinctiveness reside in the features of the design shown in solid lines in the representations excluding those features shown in broken lines.**



(21) Design Number: **14781/2015**
(22) Date of Filing Application: **09 September 2015**
(24) Date from which industrial property rights may have effect: **09 September 2015**
(54) Product in respect of which the design is registered: **Handset**
(51) International Design Classification: **14-03E**
(74) Name(s) of Attorney(s): **Shelston IP**
(71) Name(s) and Address(s) of Applicant(s):

Microsoft Corporation
One Microsoft Way Redmond Washington, 98052 United States of America

(72) Name(s) of Designer(s): **Seed Yang and Saemee Yoon**

(45) Registration Date: **25 September 2015**

(30) Convention priority data:

(31) Number	(32) Date	(33) Country
29/521013	19 Mar 2015	UNITED STATES OF AMERICA

(56) Related Art Documents: **Not Applicable**

(57) Statement of Newness and Distinctiveness: **Newness and distinctiveness reside in the features of the contrast in shading of a handset as illustrated by solid lines in the accompanying representations. The contrast in shading in the figures represent a contrast in appearance only and does not represent any particular color, material, texture or finish. The features shown in broken outline and discontinuous lines are for contextual purposes only and do not form part of the design.**



(21) Design Number: **14782/2015**
(22) Date of Filing Application: **09 September 2015**
(24) Date from which industrial property rights may have effect: **09 September 2015**
(54) Product in respect of which the design is registered: **Ribbed support slab**
(51) International Design Classification: **25-01F**
(74) Name(s) of Attorney(s):
(71) Name(s) and Address(s) of Applicant(s):

Art Plastics Pty Ltd
PO BOX 610 Wentworthville NSW 2145 Australia

(72) Name(s) of Designer(s): **Tim Lucas**

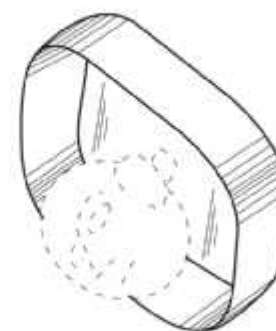
(45) Registration Date: **25 September 2015**

(56) Related Art Documents: **Not Applicable**

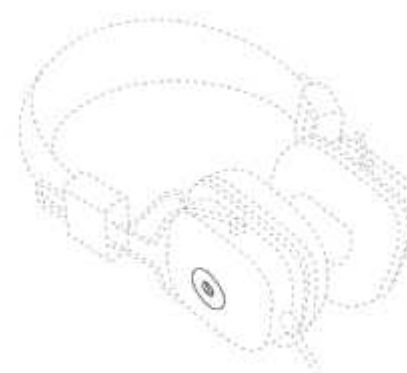
(57) Statement of Newness and Distinctiveness: **Nil**



- (21) Design Number: **14784/2015**
(22) Date of Filing Application: **09 September 2015**
(24) Date from which industrial property rights may have effect: **09 September 2015**
(54) Product in respect of which the design is registered: **Headphones detachable ear cup ornament**
(51) International Design Classification: **14-01**
(74) Name(s) of Attorney(s):
(71) Name(s) and Address(s) of Applicant(s):
THOUGHTS ON BOX PTY LTD
Office 1 L1 29A Portman St Oakleigh VIC 3166 Australia
Felipe Azevedo Ludwig
11 George St Oakleigh VIC 3166 Australia
Silvy Tanamas
PO BOX 5364 Clayton VIC 3168 Australia
(72) Name(s) of Designer(s): **Felipe Azevedo Ludwig**
(45) Registration Date: **25 September 2015**
(56) Related Art Documents: **Not Applicable**
(57) Statement of Newness and Distinctiveness: **The newness and distinctiveness of the design resides in the shape of the case (shell), shown in continuous lines in the accompanying representations, that surrounds (partially encloses) a three dimensional head of a doll. The head of the doll, in broken lines in the accompanying representations, is to be considered as a generic representation of any 3 dimensional head of a doll or character. The broken lines in the Referential View Showing a State in Use of the Article (except for the head of the doll, which was explained above), and the broken lines in the Back Perspective View, in the accompanying representations, are not part of the design and are to be disregarded when considering the overall impression of the design.**



- (21) Design Number: **14787/2015**
(22) Date of Filing Application: **09 September 2015**
(24) Date from which industrial property rights may have effect: **09 September 2015**
(54) Product in respect of which the design is registered: **Headphones**
(51) International Design Classification: **14-01**
(74) Name(s) of Attorney(s):
(71) Name(s) and Address(s) of Applicant(s):
THOUGHTS ON BOX PTY LTD
Office 1 L1 29A Portman St Oakleigh VIC 3166 Australia
Felipe Azevedo Ludwig
11 George St Oakleigh VIC 3166 Australia
Silvy Tanamas
PO BOX 5364 Clayton VIC 3168 Australia
(72) Name(s) of Designer(s): **Felipe Azevedo Ludwig**
(45) Registration Date: **25 September 2015**
(56) Related Art Documents: **Not Applicable**
(57) Statement of Newness and Distinctiveness: **The newness and distinctiveness of the design resides in the shape of the circular structure with a cylindrical die cavity (passageway closed in the inner end) in the centre, in the ear cups of the headphones, as shown in the continuous lines in the accompanying representations. The broken lines are not part of the design and are to be disregarded when considering the overall impression of the design.**



- (21) Design Number: **14788/2015**
(22) Date of Filing Application: **09 September 2015**
(24) Date from which industrial property rights may have effect: **09 September 2015**
(54) Product in respect of which the design is registered: **An anchor**
(51) International Design Classification: **12-16P**
(74) Name(s) of Attorney(s): **Knightsbridge Patent Attorneys**
(71) Name(s) and Address(s) of Applicant(s):

ARY PTY LTD
Warehouse 3 16 Malibu Ct Carrum Downs VIC 3201 Australia

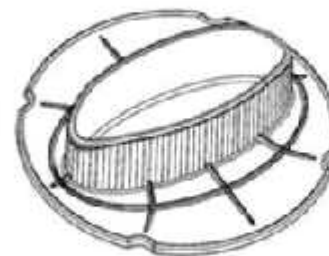
- (72) Name(s) of Designer(s): **Malki Allan Aboud Ary**
(45) Registration Date: **25 September 2015**
(56) Related Art Documents: **Not Applicable**
(57) Statement of Newness and Distinctiveness: **The applicant claims that newness and distinctiveness reside in the features of shape and configuration of an anchor, as depicted in the accompanying representations.**



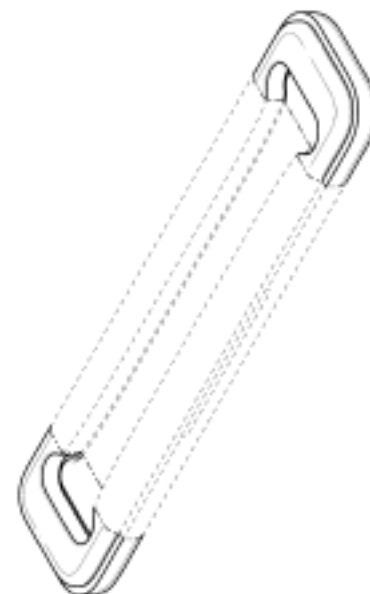
- (21) Design Number: **14790/2015**
(22) Date of Filing Application: **09 September 2015**
(24) Date from which industrial property rights may have effect: **09 September 2015**
(54) Product in respect of which the design is registered: **Vegetable retainer for vegetable cooking utensil**
(51) International Design Classification: **07-02N**
(74) Name(s) of Attorney(s): **Callinans**
(71) Name(s) and Address(s) of Applicant(s):

Benriner Co., Ltd.
101-10, 2-Chome Tada Iwakuni-shi Yamaguchi 741-0092 Japan

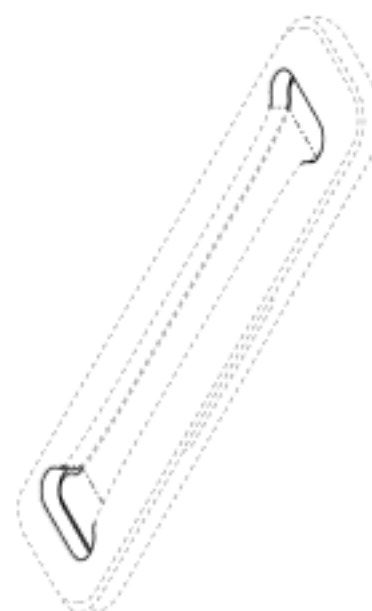
- (72) Name(s) of Designer(s): **Hajime Yamamoto**
(45) Registration Date: **25 September 2015**
(30) Convention priority data:
(31) Number (32) Date (33) Country
2015-10840 19 May 2015 JAPAN
(56) Related Art Documents: **Not Applicable**
(57) Statement of Newness and Distinctiveness: **Nil**



- (21) Design Number: **14791/2015**
(22) Date of Filing Application: **09 September 2015**
(24) Date from which industrial property rights may have effect: **09 September 2015**
(54) Product in respect of which the design is registered: **Packaging**
(51) International Design Classification: **09-05**
(74) Name(s) of Attorney(s): **Freehills Patent Attorneys**
(71) Name(s) and Address(s) of Applicant(s):
Apple Inc.
1 Infinite Loop Cupertino California, 95014 United States of America
(72) Name(s) of Designer(s): **Alissa Anderson and Jonathan Berk and Margaret Madigan Burke and Jack Wanderman and Kevin Scott Fetterman**
(45) Registration Date: **25 September 2015**
(30) Convention priority data:
(31) Number (32) Date (33) Country
29/519811 09 Mar 2015 UNITED STATES OF AMERICA
(56) Related Art Documents: **Not Applicable**
(57) Statement of Newness and Distinctiveness: **Newness and distinctiveness resides in the features of shape and configuration of the portions shown in solid outline in the accompanying figures.**



- (21) Design Number: **14792/2015**
(22) Date of Filing Application: **09 September 2015**
(24) Date from which industrial property rights may have effect: **09 September 2015**
(54) Product in respect of which the design is registered: **Packaging**
(51) International Design Classification: **09-05**
(74) Name(s) of Attorney(s): **Freehills Patent Attorneys**
(71) Name(s) and Address(s) of Applicant(s):
Apple Inc.
1 Infinite Loop Cupertino California, 95014 United States of America
(72) Name(s) of Designer(s): **Alissa Anderson and Jonathan Berk and Margaret Madigan Burke and Jack Wanderman and Kevin Scott Fetterman**
(45) Registration Date: **25 September 2015**
(30) Convention priority data:
(31) Number (32) Date (33) Country
29/519811 09 Mar 2015 UNITED STATES OF AMERICA
(56) Related Art Documents: **Not Applicable**
(57) Statement of Newness and Distinctiveness: **Newness and distinctiveness resides in the features of shape and configuration of the portions shown in solid outline in the accompanying figures.**



- (21) Design Number: **14795/2015**
(22) Date of Filing Application: **09 September 2015**
(24) Date from which industrial property rights may have effect: **09 September 2015**
(54) Product in respect of which the design is registered: **Packaging**
(51) International Design Classification: **09-03H**
(74) Name(s) of Attorney(s): **Freehills Patent Attorneys**
(71) Name(s) and Address(s) of Applicant(s):

Apple Inc.

1 Infinite Loop Cupertino California, 95014 United States of America

- (72) Name(s) of Designer(s): **Lorrain Y. Tang and Bhautik H. Mehta and Mark T. Uyeda and Alissa Anderson and Jonathan Berk and Margaret Madigan Burke and Jack Wanderman and Kevin Scott Fetterman and Francesca Amor Delle Cese**

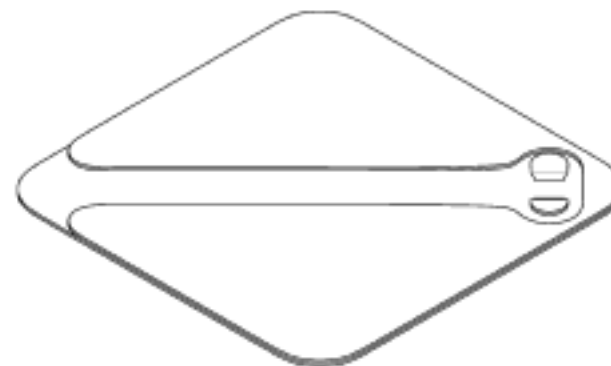
- (45) Registration Date: **25 September 2015**

- (30) Convention priority data:

(31) Number	(32) Date	(33) Country
29/519821	09 Mar 2015	UNITED STATES OF AMERICA

- (56) Related Art Documents: **Not Applicable**

- (57) Statement of Newness and Distinctiveness: **Newness and distinctiveness resides in the features of shape and configuration as shown in the accompanying figures.**



- (21) Design Number: **13494/2015**
(22) Date of Filing Application: **13 July 2015**
(24) Date from which industrial property rights may have effect: **13 July 2015**
(54) Product in respect of which the design is registered: **Patio pet door flap**
(51) International Design Classification: **25-02B**
(74) Name(s) of Attorney(s):
(71) Name(s) and Address(s) of Applicant(s):

ANIMALISTIC PET PRODUCTS PTY. LTD.

U1/ 26-28 Link Cres Collum Beach QLD 4573 Australia

- (72) Name(s) of Designer(s): **David Brailsford**

- (45) Registration Date: **25 September 2015**

- (56) Related Art Documents: **Not Applicable**

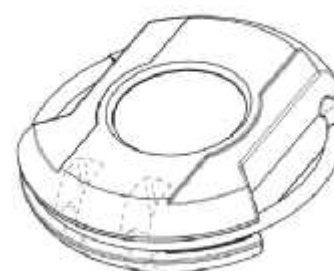
- (57) Statement of Newness and Distinctiveness: **The newness and distinctiveness of the design resides in the following: The mohair around the flap which is not present in any other patio pet door and the profile used to hold the mohair in place. The mohair closes any small gaps around the flap for a better weather and bug protection.**



- (21) Design Number: **13495/2015**
(22) Date of Filing Application: **13 July 2015**
(24) Date from which industrial property rights may have effect: **13 July 2015**
(54) Product in respect of which the design is registered: **Patio pet door
accessoires**
(51) International Design Classification: **25-02B**
(74) Name(s) of Attorney(s):
(71) Name(s) and Address(s) of Applicant(s):
ANIMALISTIC PET PRODUCTS PTY. LTD.
U1/ 26-28 Link Cres Collum Beach QLD 4573 Australia
(72) Name(s) of Designer(s): **David Brailsford**
(45) Registration Date: **25 September 2015**
(56) Related Art Documents: **Not Applicable**
(57) Statement of Newness and Distinctiveness: **The newness and
distinctiveness of the design resides in the following: The bar lock and
its entire design. It is a metal adjustable bar that is on a hinge and it
bridges the gap behind the sliding door to the frame effectively locking
your sliding door.**



- (21) Design Number: **13644/2015**
(22) Date of Filing Application: **21 July 2015**
(24) Date from which industrial property rights may have effect: **21 July 2015**
(54) Product in respect of which the design is registered: **Lock**
(51) International Design Classification: **08-07**
(74) Name(s) of Attorney(s): **Davies Collison Cave**
(71) Name(s) and Address(s) of Applicant(s):
Airbolt Pty Ltd
59 Yarra Valley Blvd Bulleen VIC 3105 Australia
(72) Name(s) of Designer(s): **Lee Baker**
(45) Registration Date: **25 September 2015**
(56) Related Art Documents: **Not Applicable**
(57) Statement of Newness and Distinctiveness: **Newness and distinctiveness
is claimed in the features of shape and configuration of a lock as shown
in solid lines in the representations.**



- (21) Design Number: **14215/2015**
(22) Date of Filing Application: **17 August 2015**
(24) Date from which industrial property rights may have effect: **17 August 2015**
(54) Product in respect of which the design is registered: **A four trampoline volleyball style apparatus**
(51) International Design Classification: **21-02F**
(74) Name(s) of Attorney(s):
(71) Name(s) and Address(s) of Applicant(s):
Infinit Corp Pty Ltd
11th Fl 63 Exhibition St Melbourne VIC, 3000 Australia
(72) Name(s) of Designer(s): **Anton Czane**
(45) Registration Date: **25 September 2015**
(56) Related Art Documents: **Not Applicable**
(57) Statement of Newness and Distinctiveness: **Nil**



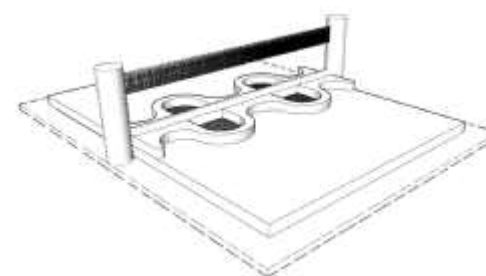
- (21) Design Number: **14216/2015**
(22) Date of Filing Application: **17 August 2015**
(24) Date from which industrial property rights may have effect: **17 August 2015**
(54) Product in respect of which the design is registered: **A four trampoline volleyball style apparatus**
(51) International Design Classification: **21-02F**
(74) Name(s) of Attorney(s):
(71) Name(s) and Address(s) of Applicant(s):
Infinit Corp Pty Ltd
11th Fl 63 Exhibition St Melbourne VIC, 3000 Australia
(72) Name(s) of Designer(s): **Anton Czane**
(45) Registration Date: **25 September 2015**
(56) Related Art Documents: **Not Applicable**
(57) Statement of Newness and Distinctiveness: **Those features of the Volleyball Apparatus depicted in the representations that are new and distinctive are the shape and /or configuration. The features shown in broken lines are not part of the design and are to be disregarded when considering the overall impression of the design.**



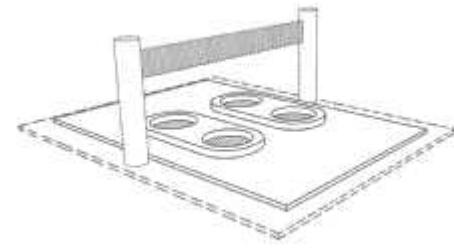
- (21) Design Number: **14217/2015**
(22) Date of Filing Application: **17 August 2015**
(24) Date from which industrial property rights may have effect: **17 August 2015**
(54) Product in respect of which the design is registered: **A four trampoline volleyball style apparatus**
(51) International Design Classification: **21-02F**
(74) Name(s) of Attorney(s):
(71) Name(s) and Address(s) of Applicant(s):
Infinit Corp Pty Ltd
11th Fl 63 Exhibition St Melbourne VIC, 3000 Australia
(72) Name(s) of Designer(s): **Anton Czane**
(45) Registration Date: **25 September 2015**
(56) Related Art Documents: **Not Applicable**
(57) Statement of Newness and Distinctiveness: **Those features of the Volleyball Apparatus depicted in the representations that are new and distinctive are the shape and /or configuration. The features shown in broken lines are not part of the design and are to be disregarded when considering the overall impression of the design.**



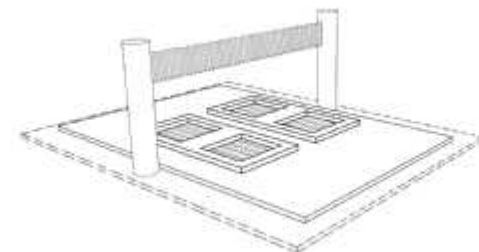
- (21) Design Number: **14218/2015**
(22) Date of Filing Application: **17 August 2015**
(24) Date from which industrial property rights may have effect: **17 August 2015**
(54) Product in respect of which the design is registered: **A four trampoline volleyball style apparatus**
(51) International Design Classification: **21-02F**
(74) Name(s) of Attorney(s):
(71) Name(s) and Address(s) of Applicant(s):
Infinit Corp Pty Ltd
11th Fl 63 Exhibition St Melbourne VIC, 3000 Australia
(72) Name(s) of Designer(s): **Anton Czane**
(45) Registration Date: **25 September 2015**
(56) Related Art Documents: **Not Applicable**
(57) Statement of Newness and Distinctiveness: **Those features of the Volleyball Apparatus depicted in the representations that are new and distinctive are the shape and /or configuration. The features shown in broken lines are not part of the design and are to be disregarded when considering the overall impression of the design.**



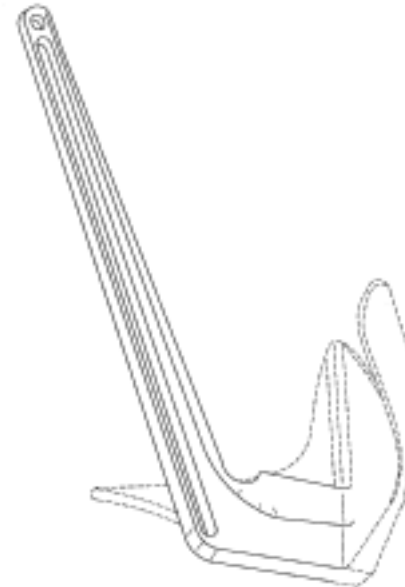
- (21) Design Number: **14219/2015**
(22) Date of Filing Application: **17 August 2015**
(24) Date from which industrial property rights may have effect: **17 August 2015**
(54) Product in respect of which the design is registered: **A four trampoline volleyball style apparatus**
(51) International Design Classification: **21-02F**
(74) Name(s) of Attorney(s):
(71) Name(s) and Address(s) of Applicant(s):
Infinit Corp Pty Ltd
11th Fl 63 Exhibition St Melbourne VIC, 3000 Australia
(72) Name(s) of Designer(s): **Anton Czane**
(45) Registration Date: **25 September 2015**
(56) Related Art Documents: **Not Applicable**
(57) Statement of Newness and Distinctiveness: **Those features of the Volleyball Apparatus depicted in the representations that are new and distinctive are the shape and /or configuration. The features shown in broken lines are not part of the design and are to be disregarded when considering the overall impression of the design.**



- (21) Design Number: **14220/2015**
(22) Date of Filing Application: **17 August 2015**
(24) Date from which industrial property rights may have effect: **17 August 2015**
(54) Product in respect of which the design is registered: **A four trampoline volleyball style apparatus**
(51) International Design Classification: **21-02F**
(74) Name(s) of Attorney(s):
(71) Name(s) and Address(s) of Applicant(s):
Infinit Corp Pty Ltd
11th Fl 63 Exhibition St Melbourne VIC, 3000 Australia
(72) Name(s) of Designer(s): **Anton Czane**
(45) Registration Date: **25 September 2015**
(56) Related Art Documents: **Not Applicable**
(57) Statement of Newness and Distinctiveness: **Those features of the Volleyball Apparatus depicted in the representations that are new and distinctive are the shape and /or configuration. The features shown in broken lines are not part of the design and are to be disregarded when considering the overall impression of the design.**



- (21) Design Number: **12941/2015**
(22) Date of Filing Application: **04 June 2015**
(24) Date from which industrial property rights may have effect: **04 June 2015**
(54) Product in respect of which the design is registered: **An anchor**
(51) International Design Classification: **12-16P**
(74) Name(s) of Attorney(s): **Knightsbridge Patent Attorneys**
(71) Name(s) and Address(s) of Applicant(s):
Ary Pty Ltd
We3 16 Malibu Ct Carrum Downs VIC 3201 Australia
(72) Name(s) of Designer(s): **Malki Allan Aboud Ary**
(45) Registration Date: **25 September 2015**
(56) Related Art Documents: **Not Applicable**
(57) Statement of Newness and Distinctiveness: **The applicant claims that newness and distinctiveness reside in the features of shape and configuration of an anchor, as depicted in the accompanying representations. The features of shape and configuration shown in broken lines in the accompanying representations do not form part of the design of the product.**



- (21) Design Number: **13683/2015**
(22) Date of Filing Application: **23 July 2015**
(24) Date from which industrial property rights may have effect: **23 July 2015**
(54) Product in respect of which the design is registered: **A handheld sound producing device**
(51) International Design Classification: **14-01**
(74) Name(s) of Attorney(s): **Cullens Patent and Trade Mark Attorneys**
(71) Name(s) and Address(s) of Applicant(s):
Gro-Group International Ltd
Malvern House Matford Court, Yeoford Way Exeter Devon EX2 8LB
United Kingdom
(72) Name(s) of Designer(s): **Paul Connisbee and Haydn Thomas**
(45) Registration Date: **29 September 2015**
(30) Convention priority data:
(31) Number (32) Date (33) Country
002621599 28 Jan 2015 OFFICE FOR HARMONISATION IN
THE INTERNAL MARKET (OHIM)
(56) Related Art Documents: **Not Applicable**
(57) Statement of Newness and Distinctiveness: **In considering the newness and distinctiveness of the design, the following should be taken into consideration: (i) newness and distinctiveness lie in the shape and/or configuration of the design as shown in the accompanying representations; (ii) the design (and any parts thereof) may be of any colour, and may have any surface texture and surface finish, because colour, surface texture and surface finish do not form part of the design# and (iii) the design (and any parts thereof) may have writing or other surface decoration provided thereon; however such writing or other surface decoration does not form part of the design.**



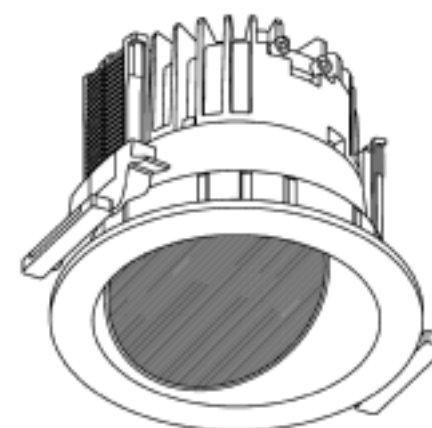
- (21) Design Number: **14796/2015**
(22) Date of Filing Application: **09 September 2015**
(24) Date from which industrial property rights may have effect: **09 September 2015**
(54) Product in respect of which the design is registered: **Packaging**
(51) International Design Classification: **09-03H**
(74) Name(s) of Attorney(s): **Freehills Patent Attorneys**
(71) Name(s) and Address(s) of Applicant(s):
Apple Inc.
1 Infinite Loop Cupertino California, 95014 United States of America
(72) Name(s) of Designer(s): **Lorrain Y. Tang and Bhautik H. Mehta and Mark T. Uyeda and Alissa Anderson and Jonathan Berk and Margaret Madigan Burke and Jack Wanderman and Kevin Scott Fetterman and Francesca Amor Delle Cese**
(45) Registration Date: **29 September 2015**
(30) Convention priority data:
(31) Number (32) Date (33) Country
29/519821 09 Mar 2015 UNITED STATES OF AMERICA
(56) Related Art Documents: **Not Applicable**
(57) Statement of Newness and Distinctiveness: **Newness and distinctiveness resides in the features of shape and configuration as shown in the accompanying figures.**



- (21) Design Number: **14798/2015**
(22) Date of Filing Application: **09 September 2015**
(24) Date from which industrial property rights may have effect: **09 September 2015**
(54) Product in respect of which the design is registered: **Bottle**
(51) International Design Classification: **09-01NES**
(74) Name(s) of Attorney(s):
(71) Name(s) and Address(s) of Applicant(s):
Container Pty Ltd
SE64 61 Marlborough St Surry Hills NSW 2010 Australia
(72) Name(s) of Designer(s): **Mark Evans**
(45) Registration Date: **29 September 2015**
(56) Related Art Documents: **Not Applicable**
(57) Statement of Newness and Distinctiveness: **Shape**



(21) Design Number: **14801/2015**
(22) Date of Filing Application: **10 September 2015**
(24) Date from which industrial property rights may have effect: **10 September 2015**
(54) Product in respect of which the design is registered: **Luminaire**
(51) International Design Classification: **26-05C**
(74) Name(s) of Attorney(s): **Spruson & Ferguson**
(71) Name(s) and Address(s) of Applicant(s):



Zumtobel Lighting GmbH
Grevenmarschstrasse 74-78 Lemgo 32657 Germany

(72) Name(s) of Designer(s): **Christopher Redfern**

(45) Registration Date: **29 September 2015**

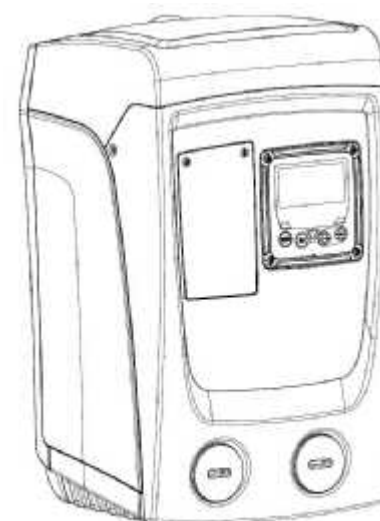
(30) Convention priority data:

(31) Number	(32) Date	(33) Country
002 652 966	13 Mar 2015	OFFICE FOR HARMONISATION IN THE INTERNAL MARKET (OHIM)

(56) Related Art Documents: **Not Applicable**

(57) Statement of Newness and Distinctiveness: **Newness and distinctiveness is claimed in the features of shape and/or configuration of a luminaire as illustrated in the accompanying representations.**

(21) Design Number: **14803/2015**
(22) Date of Filing Application: **10 September 2015**
(24) Date from which industrial property rights may have effect: **10 September 2015**
(54) Product in respect of which the design is registered: **Pump**
(51) International Design Classification: **15-02**
(74) Name(s) of Attorney(s): **WATERMARK PATENT AND TRADE MARKS ATTORNEYS**
(71) Name(s) and Address(s) of Applicant(s):



DWT Holding S.P.A
Via Marco Polo, 14 Mestrino 35035 Italy

(72) Name(s) of Designer(s): **Francesco Sinico**

(45) Registration Date: **29 September 2015**

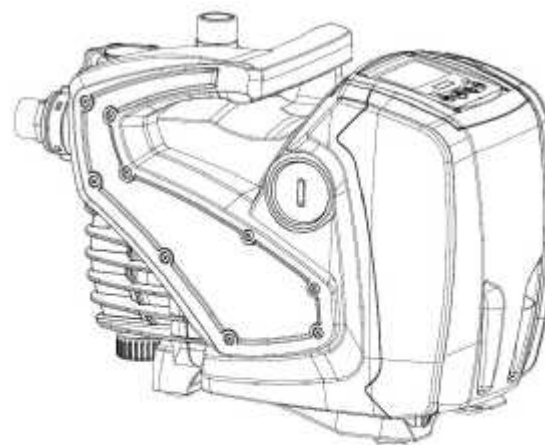
(30) Convention priority data:

(31) Number	(32) Date	(33) Country
002650085	10 Mar 2015	OFFICE FOR HARMONISATION IN THE INTERNAL MARKET (OHIM)

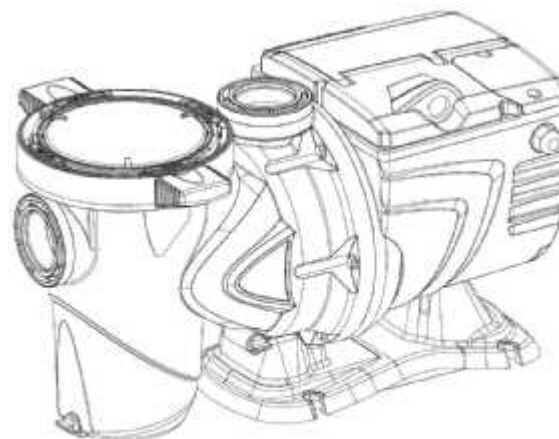
(56) Related Art Documents: **Not Applicable**

(57) Statement of Newness and Distinctiveness: **Nil**

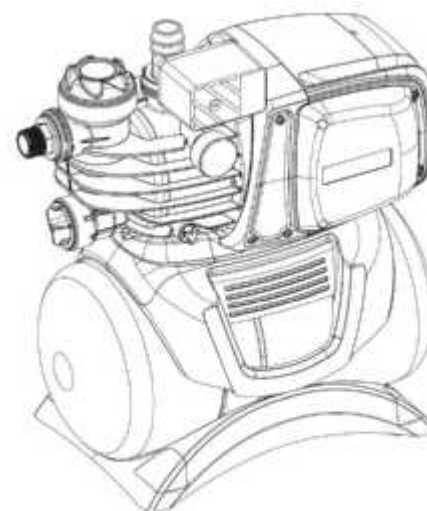
(21) Design Number: **14804/2015**
(22) Date of Filing Application: **10 September 2015**
(24) Date from which industrial property rights may have effect: **10 September 2015**
(54) Product in respect of which the design is registered: **Pump**
(51) International Design Classification: **15-02**
(74) Name(s) of Attorney(s): **WATERMARK PATENT AND TRADE MARKS ATTORNEYS**
(71) Name(s) and Address(s) of Applicant(s):
DWT Holding S.P.A
Via Marco Polo, 14 Mestrino 35035 Italy
(72) Name(s) of Designer(s): **Francesco Sinico**
(45) Registration Date: **29 September 2015**
(30) Convention priority data:
(31) Number (32) Date (33) Country
002650085 10 Mar 2015 OFFICE FOR HARMONISATION IN THE INTERNAL MARKET (OHIM)
(56) Related Art Documents: **Not Applicable**
(57) Statement of Newness and Distinctiveness: **Nil**



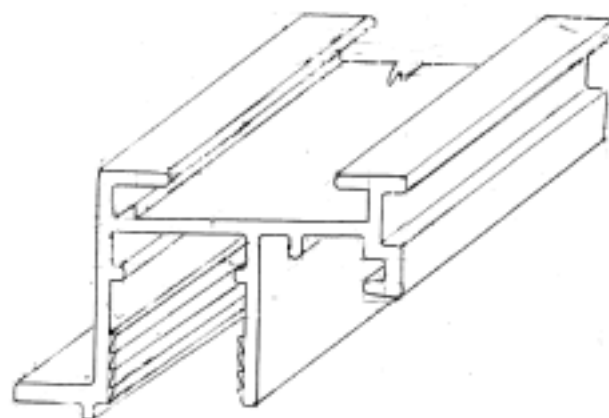
(21) Design Number: **14805/2015**
(22) Date of Filing Application: **10 September 2015**
(24) Date from which industrial property rights may have effect: **10 September 2015**
(54) Product in respect of which the design is registered: **Pump**
(51) International Design Classification: **15-02**
(74) Name(s) of Attorney(s): **WATERMARK PATENT AND TRADE MARKS ATTORNEYS**
(71) Name(s) and Address(s) of Applicant(s):
DWT Holding S.P.A
Via Marco Polo, 14 Mestrino 35035 Italy
(72) Name(s) of Designer(s): **Francesco Sinico**
(45) Registration Date: **29 September 2015**
(30) Convention priority data:
(31) Number (32) Date (33) Country
002650085 10 Mar 2015 OFFICE FOR HARMONISATION IN THE INTERNAL MARKET (OHIM)
(56) Related Art Documents: **Not Applicable**
(57) Statement of Newness and Distinctiveness: **Nil**



(21) Design Number: **14806/2015**
(22) Date of Filing Application: **10 September 2015**
(24) Date from which industrial property rights may have effect: **10 September 2015**
(54) Product in respect of which the design is registered: **Pump**
(51) International Design Classification: **15-02**
(74) Name(s) of Attorney(s): **WATERMARK PATENT AND TRADE MARKS ATTORNEYS**
(71) Name(s) and Address(s) of Applicant(s):
DWT Holding S.P.A
Via Marco Polo, 14 Mestrino 35035 Italy
(72) Name(s) of Designer(s): **Francesco Sinico**
(45) Registration Date: **29 September 2015**
(30) Convention priority data:
(31) Number (32) Date (33) Country
002650085 10 Mar 2015 OFFICE FOR HARMONISATION IN THE INTERNAL MARKET (OHIM)
(56) Related Art Documents: **Not Applicable**
(57) Statement of Newness and Distinctiveness: **Nil**



(21) Design Number: **13274/2015**
(22) Date of Filing Application: **23 June 2015**
(24) Date from which industrial property rights may have effect: **23 June 2015**
(54) Product in respect of which the design is registered: **Wardrobe stile**
(51) International Design Classification: **08-09**
(74) Name(s) of Attorney(s):
(71) Name(s) and Address(s) of Applicant(s):
Dias Aluminium Products Pty. Ltd.
201-205 Browns Rd Noble Park VIC 3174 Australia
(72) Name(s) of Designer(s): **Ian David Paterson**
(45) Registration Date: **29 September 2015**
(56) Related Art Documents: **Not Applicable**
(57) Statement of Newness and Distinctiveness: **Nil**

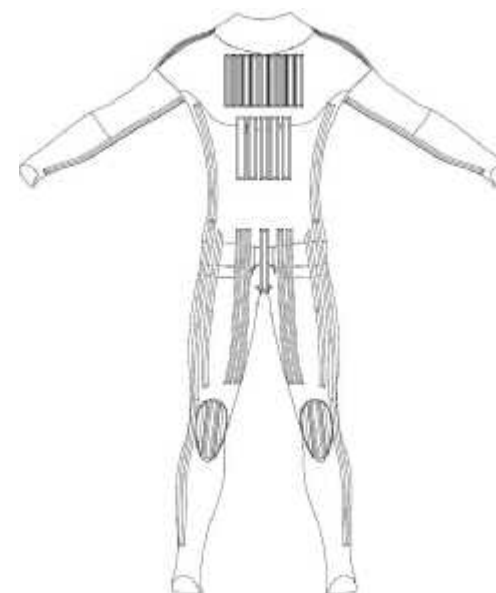


(21) Design Number: **14679/2015**
(22) Date of Filing Application: **03 September 2015**
(24) Date from which industrial property rights may have effect: **03 September 2015**
(54) Product in respect of which the design is registered: **Bottle**
(51) International Design Classification: **09-01NES**
(74) Name(s) of Attorney(s): **Madderns**
(71) Name(s) and Address(s) of Applicant(s):
Reckitt Benckiser (Brands) Limited
103-105 Bath Road Slough Berkshire SL1 3UH United Kingdom
(72) Name(s) of Designer(s): **Marcus James Blachford and Peter Kay**
(45) Registration Date: **30 September 2015**
(30) Convention priority data:
(31) Number (32) Date (33) Country
002647685-0001 06 Mar 2015 OFFICE FOR HARMONISATION IN
THE INTERNAL MARKET (OHIM)

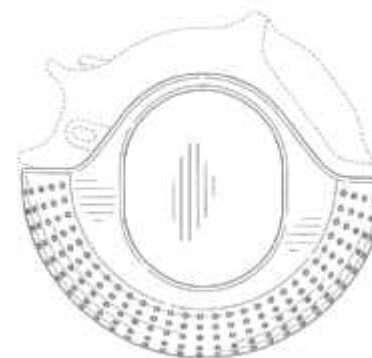


(56) Related Art Documents: **Not Applicable**
(57) Statement of Newness and Distinctiveness: **The features shown in broken lines are not part of the design and are to be disregarded when considering the overall impression of the design.**

(21) Design Number: **14754/2015**
(22) Date of Filing Application: **07 September 2015**
(24) Date from which industrial property rights may have effect: **07 September 2015**
(54) Product in respect of which the design is registered: **Body surf suit**
(51) International Design Classification: **02-02A, 02-02B**
(74) Name(s) of Attorney(s):
(71) Name(s) and Address(s) of Applicant(s):
Donald McCredie
32 Central Rd Avalon Beach NSW 2107 Australia
(72) Name(s) of Designer(s): **Donald McCredie**
(45) Registration Date: **30 September 2015**
(56) Related Art Documents: **Not Applicable**
(57) Statement of Newness and Distinctiveness: **The newness and distinctiveness of the design resides in the shape and position of the padding elements on the suit as shown in the continuous lines in the accompanying representations.**



(21) Design Number: **14762/2015**
(22) Date of Filing Application: **08 September 2015**
(24) Date from which industrial property rights may have effect: **08 September 2015**
(54) Product in respect of which the design is registered: **Inhalation device**
(51) International Design Classification: **24-04**
(74) Name(s) of Attorney(s): **FB Rice**
(71) Name(s) and Address(s) of Applicant(s):
Amneal Pharmaceuticals Company GmbH
4 Towers-Turmstrasse 30 Zug 6300 CH Switzerland
(72) Name(s) of Designer(s): **John S. White and Daniel Joseph Greene and Michael H. Lau and Edward Cox III**
(45) Registration Date: **30 September 2015**
(30) Convention priority data:
(31) Number (32) Date (33) Country
29/520806 18 Mar 2015 UNITED STATES OF AMERICA
(56) Related Art Documents: **Not Applicable**
(57) Statement of Newness and Distinctiveness: **Newness and distinctiveness reside in the features of the design shown in solid lines in the representations excluding those features shown in broken lines.**



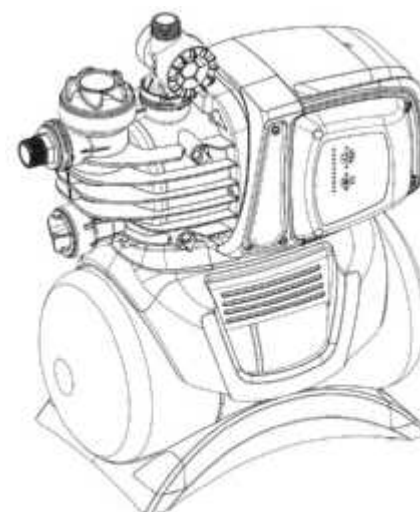
(21) Design Number: **14766/2015**
(22) Date of Filing Application: **08 September 2015**
(24) Date from which industrial property rights may have effect: **08 September 2015**
(54) Product in respect of which the design is registered: **Oral care implement**
(51) International Design Classification: **04-02**
(74) Name(s) of Attorney(s): **FB Rice**
(71) Name(s) and Address(s) of Applicant(s):
Colgate-Palmolive Company
300 Park Avenue New York New York, 10022 United States of America
(72) Name(s) of Designer(s): **Wenjin Xi and Guang Sheng Guo and Fan Gang Xie and Cun Zhang**
(45) Registration Date: **30 September 2015**
(30) Convention priority data:
(31) Number (32) Date (33) Country
201530076635.5 27 Mar 2015 CHINA
(56) Related Art Documents: **Not Applicable**
(57) Statement of Newness and Distinctiveness: **Newness and distinctiveness reside in the features of the design shown in solid lines in the representations excluding those features shown in broken lines.**



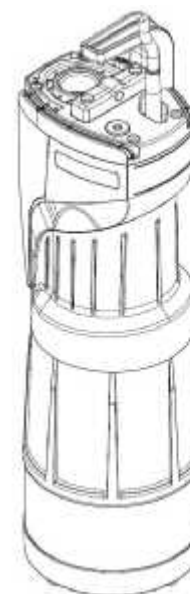
(21) Design Number: **14768/2015**
(22) Date of Filing Application: **08 September 2015**
(24) Date from which industrial property rights may have effect: **08 September 2015**
(54) Product in respect of which the design is registered: **Garment**
(51) International Design Classification: **02-02NES**
(74) Name(s) of Attorney(s): **Griffith Hack**
(71) Name(s) and Address(s) of Applicant(s):
Leanne Christine Owen
2 Priory Way Beveridge VIC, 3753 Australia
(72) Name(s) of Designer(s): **Leanne Christine Owen**
(45) Registration Date: **30 September 2015**
(56) Related Art Documents: **Not Applicable**
(57) Statement of Newness and Distinctiveness: **Newness and distinctiveness resides in the visual features, including shape and configuration of the product as shown in the accompanying representations.**



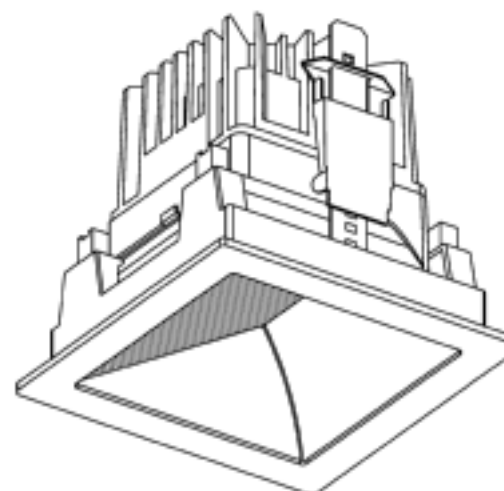
(21) Design Number: **14807/2015**
(22) Date of Filing Application: **10 September 2015**
(24) Date from which industrial property rights may have effect: **10 September 2015**
(54) Product in respect of which the design is registered: **Pump**
(51) International Design Classification: **15-02**
(74) Name(s) of Attorney(s): **WATERMARK PATENT AND TRADE MARKS ATTORNEYS**
(71) Name(s) and Address(s) of Applicant(s):
DWT Holding S.P.A
Via Marco Polo, 14 Mestrino 35035 Italy
(72) Name(s) of Designer(s): **Francesco Sinico**
(45) Registration Date: **30 September 2015**
(30) Convention priority data:
(31) Number (32) Date (33) Country
002650085 10 Mar 2015 OFFICE FOR HARMONISATION IN THE INTERNAL MARKET (OHIM)
(56) Related Art Documents: **Not Applicable**
(57) Statement of Newness and Distinctiveness: **Nil**



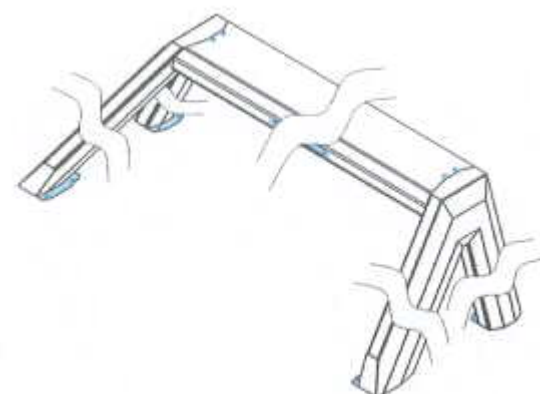
(21) Design Number: **14808/2015**
(22) Date of Filing Application: **10 September 2015**
(24) Date from which industrial property rights may have effect: **10 September 2015**
(54) Product in respect of which the design is registered: **Pump**
(51) International Design Classification: **15-02**
(74) Name(s) of Attorney(s): **WATERMARK PATENT AND TRADE MARKS ATTORNEYS**
(71) Name(s) and Address(s) of Applicant(s):
DWT Holding S.P.A
Via Marco Polo, 14 Mestrino 35035 Italy
(72) Name(s) of Designer(s): **Francesco Sinico**
(45) Registration Date: **30 September 2015**
(30) Convention priority data:
(31) Number (32) Date (33) Country
002650085 10 Mar 2015 OFFICE FOR HARMONISATION IN THE INTERNAL MARKET (OHIM)
(56) Related Art Documents: **Not Applicable**
(57) Statement of Newness and Distinctiveness: **Nil**



(21) Design Number: **14809/2015**
(22) Date of Filing Application: **10 September 2015**
(24) Date from which industrial property rights may have effect: **10 September 2015**
(54) Product in respect of which the design is registered: **Luminaire**
(51) International Design Classification: **26-04**
(74) Name(s) of Attorney(s): **Spruson & Ferguson**
(71) Name(s) and Address(s) of Applicant(s):
Zumtobel Lighting GmbH
Grevenmarschstrasse 74-78 Lemgo 32657 Germany
(72) Name(s) of Designer(s): **Christopher Redfern**
(45) Registration Date: **30 September 2015**
(30) Convention priority data:
(31) Number (32) Date (33) Country
002 652 966 13 Mar 2015 OFFICE FOR HARMONISATION IN THE INTERNAL MARKET (OHIM)
(56) Related Art Documents: **Not Applicable**
(57) Statement of Newness and Distinctiveness: **Newness and distinctiveness is claimed in the features of shape and/or configuration of a luminaire as illustrated in the accompanying representations.**



(21) Design Number: **14810/2015**
(22) Date of Filing Application: **10 September 2015**
(24) Date from which industrial property rights may have effect: **10 September 2015**
(54) Product in respect of which the design is registered: **Rollbar for a vehicle**
(51) International Design Classification: **12-16C**
(74) Name(s) of Attorney(s): **James & Wells**
(71) Name(s) and Address(s) of Applicant(s):



IPS Limited
3 Kopu Road Rd 1 Thames 3578 New Zealand
(72) Name(s) of Designer(s): **Tony Cartwright and Jacob Cartwright and Fraser Miller**

(45) Registration Date: **30 September 2015**

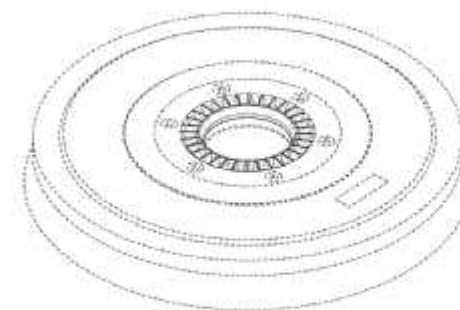
(30) Convention priority data:

(31) Number	(32) Date	(33) Country
420056	20 Mar 2015	NEW ZEALAND

(56) Related Art Documents: **Not Applicable**

(57) Statement of Newness and Distinctiveness: **This design is to be applied to a Rollbar for a Vehicle and the novelty resides in features of shape and configuration, all as shown in the accompanying representations. The portions of the Rollbar may be of variable length as indicated. The features of the Rollbar marked in blue wash are not part of the design in which novelty is claimed.**

(21) Design Number: **14812/2015**
(22) Date of Filing Application: **10 September 2015**
(24) Date from which industrial property rights may have effect: **10 September 2015**
(54) Product in respect of which the design is registered: **Interchangeable scrub brush or scrub pad for a floor maintenance vehicle**
(51) International Design Classification: **04-03**
(74) Name(s) of Attorney(s): **Fisher Adams Kelly Pty Ltd**
(71) Name(s) and Address(s) of Applicant(s):



Tennant Company
701 North Lilac Drive P.O. Box 1452 MINNEAPOLIS MN, 55440 United States of America

(72) Name(s) of Designer(s): **Leo J. Baker and Jeremy C. Stoddard and Steven J. Leibrandt and Nathan Scott Meyer and Justin M. Clark**

(45) Registration Date: **30 September 2015**

(30) Convention priority data:

(31) Number	(32) Date	(33) Country
29/521388	23 Mar 2015	UNITED STATES OF AMERICA

(56) Related Art Documents: **Not Applicable**

(57) Statement of Newness and Distinctiveness: **The newness and distinctiveness of the design resides in the shape and/or configuration of the INTERCHANGEABLE SCRUB BRUSH OR SCRUB PAD FOR A FLOOR MAINTENANCE VEHICLE shown in the representations. When considering the newness and distinctiveness of the design, the lines shown in phantom should be disregarded.**

(21) Design Number: **14813/2015**
(22) Date of Filing Application: **10 September 2015**
(24) Date from which industrial property rights may have effect: **10 September 2015**
(54) Product in respect of which the design is registered: **Outdoor lighting fixture**
(51) International Design Classification: **26-03**
(74) Name(s) of Attorney(s): **PHILLIPS ORMONDE FITZPATRICK**
(71) Name(s) and Address(s) of Applicant(s):

Schreder S.A.
Rue de Lusambo 67 B-1190 Brussels Belgium

(72) Name(s) of Designer(s): **Sandro Galloppa**

(45) Registration Date: **30 September 2015**

(30) Convention priority data:

(31) Number	(32) Date	(33) Country
002674861	02 Apr 2015	OFFICE FOR HARMONISATION IN THE INTERNAL MARKET (OHIM)



(56) Related Art Documents: **Not Applicable**

(57) Statement of Newness and Distinctiveness: **Nil**

(21) Design Number: **14814/2015**
(22) Date of Filing Application: **10 September 2015**
(24) Date from which industrial property rights may have effect: **10 September 2015**
(54) Product in respect of which the design is registered: **Interchangeable scrub brush or scrub pad for a floor maintenance vehicle**
(51) International Design Classification: **04-03**
(74) Name(s) of Attorney(s): **Fisher Adams Kelly Pty Ltd**
(71) Name(s) and Address(s) of Applicant(s):

Tennant Company
**701 North Lilac Drive P.O. Box 1452 MINNEAPOLIS MN, 55440 United
States of America**

(72) Name(s) of Designer(s): **Leo J. Baker and Jeremy C. Stoddard and Steven
J. Leibrandt and Nathan Scott Meyer and Justin M. Clark**

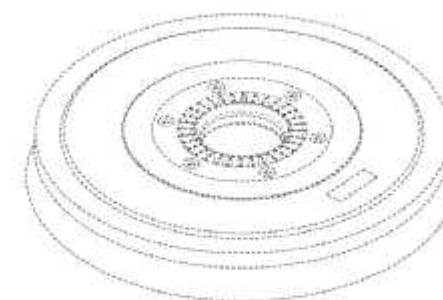
(45) Registration Date: **30 September 2015**

(30) Convention priority data:

(31) Number	(32) Date	(33) Country
29/521388	23 Mar 2015	UNITED STATES OF AMERICA

(56) Related Art Documents: **Not Applicable**

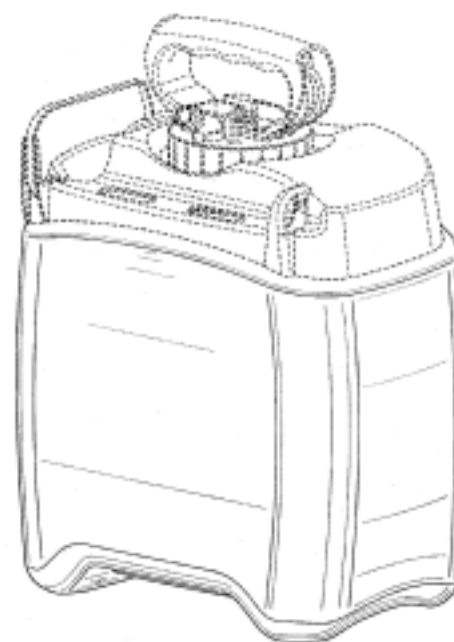
(57) Statement of Newness and Distinctiveness: **The newness and distinctiveness of the design resides in the shape and/or configuration of the INTERCHANGEABLE SCRUB BRUSH OR SCRUB PAD FOR A FLOOR MAINTENANCE VEHICLE shown in the representations. When considering the newness and distinctiveness of the design, the lines shown in phantom should be disregarded.**



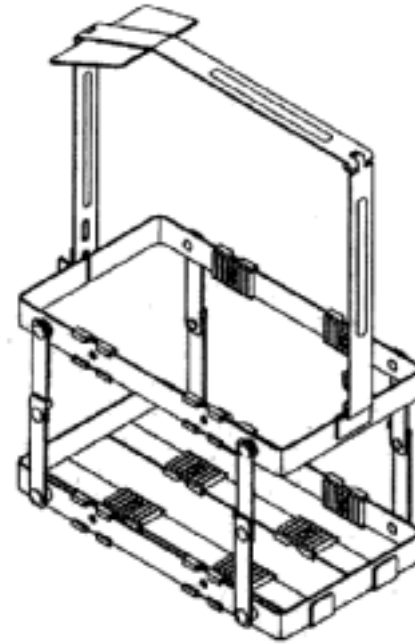
(21) Design Number: **13167/2015**
(22) Date of Filing Application: **23 June 2015**
(24) Date from which industrial property rights may have effect: **23 June 2015**
(54) Product in respect of which the design is registered: **A sprayer tank**
(51) International Design Classification: **08-05A**
(74) Name(s) of Attorney(s): **Spruson & Ferguson**
(71) Name(s) and Address(s) of Applicant(s):
The Fountainhead Group, Inc.
23 Garden Street, New York Mills New York, 13417 United States of America
(72) Name(s) of Designer(s): **Andrew C. Clarey**
(45) Registration Date: **30 September 2015**
(30) Convention priority data:
(31) Number (32) Date (33) Country
29/518721 26 Feb 2015 UNITED STATES OF AMERICA
(56) Related Art Documents: **Not Applicable**
(57) Statement of Newness and Distinctiveness: **Newness and distinctiveness is claimed in the features of shape and/or configuration of a spray tank of a sprayer tank as illustrated in continuous lines in the accompanying representations.**



(21) Design Number: **13172/2015**
(22) Date of Filing Application: **23 June 2015**
(24) Date from which industrial property rights may have effect: **23 June 2015**
(54) Product in respect of which the design is registered: **A sprayer tank**
(51) International Design Classification: **08-05A**
(74) Name(s) of Attorney(s): **Spruson & Ferguson**
(71) Name(s) and Address(s) of Applicant(s):
The Fountainhead Group, Inc.
23 Garden Street, New York Mills New York, 13417 United States of America
(72) Name(s) of Designer(s): **Andrew C Clarey**
(45) Registration Date: **30 September 2015**
(30) Convention priority data:
(31) Number (32) Date (33) Country
29/518707 26 Feb 2015 UNITED STATES OF AMERICA
(56) Related Art Documents: **Not Applicable**
(57) Statement of Newness and Distinctiveness: **Newness and distinctiveness is claimed in the features of shape and/or configuration of a spray tank body of a sprayer tank as illustrated in continuous lines in the accompanying representations.**



- (21) Design Number: **14145/2015**
(22) Date of Filing Application: **11 August 2015**
(24) Date from which industrial property rights may have effect: **11 August 2015**
(54) Product in respect of which the design is registered: **Foldable jerry can holder for convient storage**
(51) International Design Classification: **09-02B**
(74) Name(s) of Attorney(s):
(71) Name(s) and Address(s) of Applicant(s):
LAMMI TRADING COMAPNY LIMITED
2909-2910, HONG KONG PLAZA, 188 CONNAUGHT ROAD WEST , Ai
YING PUN, HONG KONG HONG KONG
(72) Name(s) of Designer(s): **LAMMI TRADING COMAPNY LIMITED**
(45) Registration Date: **30 September 2015**
(56) Related Art Documents: **Not Applicable**
(57) Statement of Newness and Distinctiveness: **FOLDABLE STRUCTURE OF JERRY CAN HOLDER FOR CONVIENT**



- (21) Design Number: **14252/2015**
(22) Date of Filing Application: **19 August 2015**
(24) Date from which industrial property rights may have effect: **19 August 2015**
(54) Product in respect of which the design is registered: **A scoop**
(51) International Design Classification: **07-99NES**
(74) Name(s) of Attorney(s): **Spruson & Ferguson**
(71) Name(s) and Address(s) of Applicant(s):
Samuel Priestly
PO Box 1201 Meadowbank NSW 2121
(72) Name(s) of Designer(s): **Karl Priestly and Samuel Priestly**
(45) Registration Date: **30 September 2015**
(56) Related Art Documents: **Not Applicable**
(57) Statement of Newness and Distinctiveness: **Newness and distinctiveness is claimed in the features of shape and/or configuration of a scoop as illustrated in the accompanying representations.**



- (21) Design Number: **14783/2015**
(22) Date of Filing Application: **09 September 2015**
(24) Date from which industrial property rights may have effect: **09 September 2015**
(54) Product in respect of which the design is registered: **Tire for a car**
(51) International Design Classification: **12-15B**
(74) Name(s) of Attorney(s): **WATERMARK PATENT AND TRADE MARKS ATTORNEYS**
(71) Name(s) and Address(s) of Applicant(s):
Kumho Tire Co., Inc
(Sochong-dong) 658 Eodeung-daero Gwangsan-gu Gwangju 62392
Korea
(72) Name(s) of Designer(s): **Hyung-Ju Seo and Jong-Seo Lee**
(45) Registration Date: **01 October 2015**
(56) Related Art Documents: **Not Applicable**
(57) Statement of Newness and Distinctiveness: **Newness and distinctiveness resides in the visual features of shape and configuration and/or pattern and ornamentation of the tread pattern of a tire as shown in the accompanying representations.**



- (21) Design Number: **14826/2015**
(22) Date of Filing Application: **11 September 2015**
(24) Date from which industrial property rights may have effect: **11 September 2015**
(54) Product in respect of which the design is registered: **Sofa**
(51) International Design Classification: **06-01H**
(74) Name(s) of Attorney(s): **Shelston IP**
(71) Name(s) and Address(s) of Applicant(s):
Jardin Netherlands B.V.
Ericssonstraat 17 Rijen 5121MK The Netherlands
(72) Name(s) of Designer(s): **Ayala Bougay**
(45) Registration Date: **01 October 2015**
(56) Related Art Documents: **Not Applicable**
(57) Statement of Newness and Distinctiveness: **Newness and distinctiveness reside in the features of shape and/or configuration of a SOFA as illustrated in the accompanying representations.**



- (21) Design Number: **14828/2015**
(22) Date of Filing Application: **11 September 2015**
(24) Date from which industrial property rights may have effect: **11 September 2015**
(54) Product in respect of which the design is registered: **Sofa**
(51) International Design Classification: **06-01H**
(74) Name(s) of Attorney(s): **Shelston IP**
(71) Name(s) and Address(s) of Applicant(s):
Jardin Netherlands B.V.
Ericssonstraat 17 Rijen 5121MK The Netherlands
(72) Name(s) of Designer(s): **Ayala Bougay**
(45) Registration Date: **01 October 2015**
(56) Related Art Documents: **Not Applicable**
(57) Statement of Newness and Distinctiveness: **Newness and distinctiveness reside in the features of shape and/or configuration of a SOFA as illustrated in the accompanying representations.**



- (21) Design Number: **14830/2015**
(22) Date of Filing Application: **11 September 2015**
(24) Date from which industrial property rights may have effect: **11 September 2015**
(54) Product in respect of which the design is registered: **Seat**
(51) International Design Classification: **06-01H**
(74) Name(s) of Attorney(s): **Shelston IP**
(71) Name(s) and Address(s) of Applicant(s):
Jardin Netherlands B.V.
Ericssonstraat 17 Rijen 5121MK The Netherlands
(72) Name(s) of Designer(s): **Ayala Bougay**
(45) Registration Date: **01 October 2015**
(56) Related Art Documents: **Not Applicable**
(57) Statement of Newness and Distinctiveness: **Newness and distinctiveness reside in the features of shape and/or configuration of a SEAT as illustrated in the accompanying representations.**



- (21) Design Number: **14831/2015**
(22) Date of Filing Application: **11 September 2015**
(24) Date from which industrial property rights may have effect: **11 September 2015**
(54) Product in respect of which the design is registered: **Sofa**
(51) International Design Classification: **06-01H**
(74) Name(s) of Attorney(s): **Shelston IP**
(71) Name(s) and Address(s) of Applicant(s):
Jardin Netherlands B.V.
Ericssonstraat 17 Rijen 5121MK The Netherlands
(72) Name(s) of Designer(s): **Ayala Bougay**
(45) Registration Date: **01 October 2015**
(56) Related Art Documents: **Not Applicable**
(57) Statement of Newness and Distinctiveness: **Newness and distinctiveness reside in the features of shape and/or configuration of a SOFA as illustrated in the accompanying representations.**



- (21) Design Number: **14832/2015**
(22) Date of Filing Application: **11 September 2015**
(24) Date from which industrial property rights may have effect: **11 September 2015**
(54) Product in respect of which the design is registered: **Sofa**
(51) International Design Classification: **06-01H**
(74) Name(s) of Attorney(s): **Shelston IP**
(71) Name(s) and Address(s) of Applicant(s):
Jardin Netherlands B.V.
Ericssonstraat 17 Rijen 5121MK The Netherlands
(72) Name(s) of Designer(s): **Ayala Bougay**
(45) Registration Date: **01 October 2015**
(56) Related Art Documents: **Not Applicable**
(57) Statement of Newness and Distinctiveness: **Newness and distinctiveness reside in the features of shape and/or configuration of a SOFA as illustrated in the accompanying representations.**



- (21) Design Number: **14841/2015**
(22) Date of Filing Application: **11 September 2015**
(24) Date from which industrial property rights may have effect: **11 September 2015**
(54) Product in respect of which the design is registered: **Table**
(51) International Design Classification: **06-03A**
(74) Name(s) of Attorney(s): **Shelston IP**
(71) Name(s) and Address(s) of Applicant(s):
Jardin Netherlands B.V.
Ericssonstraat 17 Rijen 5121MK The Netherlands
(72) Name(s) of Designer(s): **Ayala Bougay**
(45) Registration Date: **01 October 2015**
(56) Related Art Documents: **Not Applicable**
(57) Statement of Newness and Distinctiveness: **Newness and distinctiveness reside in the features of shape and/or configuration of a TABLE as illustrated in the accompanying representations.**



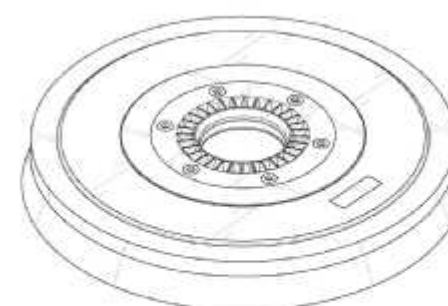
- (21) Design Number: **14767/2015**
(22) Date of Filing Application: **08 September 2015**
(24) Date from which industrial property rights may have effect: **08 September 2015**
(54) Product in respect of which the design is registered: **Mobile phone**
(51) International Design Classification: **14-03E**
(74) Name(s) of Attorney(s): **FB Rice**
(71) Name(s) and Address(s) of Applicant(s):
LG Electronics, Inc.
128, Yeoui-daero, Yeongdeungpo-gu Seoul 150-721 Republic of Korea
(72) Name(s) of Designer(s): **Eunsang Lee and Seongchan Byun and Sanghyun Eim**
(45) Registration Date: **01 October 2015**
(30) Convention priority data:
(31) Number (32) Date (33) Country
30-2015-0011803 09 Mar 2015 REPUBLIC OF KOREA
(56) Related Art Documents: **Not Applicable**
(57) Statement of Newness and Distinctiveness: **Newness and distinctiveness reside in the features of the design shown in solid lines in the representations excluding those features shown in broken lines.**



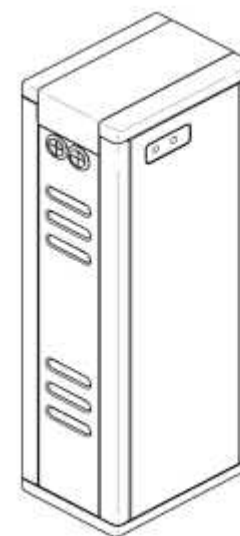
(21) Design Number: **14769/2015**
(22) Date of Filing Application: **08 September 2015**
(24) Date from which industrial property rights may have effect: **08 September 2015**
(54) Product in respect of which the design is registered: **Mobile phone**
(51) International Design Classification: **14-03E**
(74) Name(s) of Attorney(s): **FB Rice**
(71) Name(s) and Address(s) of Applicant(s):
LG Electronics, Inc.
128, Yeoui-daero, Yeongdeungpo-gu Seoul 150-721 Republic of Korea
(72) Name(s) of Designer(s): **Eunsang Lee and Seongchan Byun and Sanghyun Eim**
(45) Registration Date: **01 October 2015**
(30) Convention priority data:
(31) Number (32) Date (33) Country
30-2015-0011804 09 Mar 2015 REPUBLIC OF KOREA
(56) Related Art Documents: **Not Applicable**
(57) Statement of Newness and Distinctiveness: **Newness and distinctiveness reside in the features of the design shown in solid lines in the representations excluding those features shown in broken lines.**



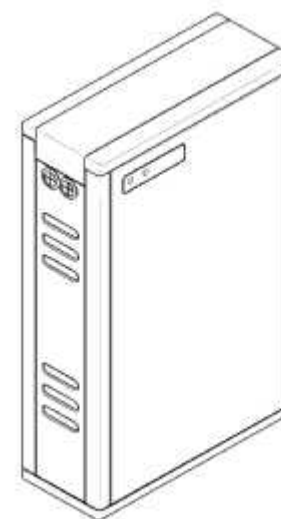
(21) Design Number: **14811/2015**
(22) Date of Filing Application: **10 September 2015**
(24) Date from which industrial property rights may have effect: **10 September 2015**
(54) Product in respect of which the design is registered: **Interchangeable scrub brush or scrub pad for a floor maintenance vehicle**
(51) International Design Classification: **04-03**
(74) Name(s) of Attorney(s): **Fisher Adams Kelly Pty Ltd**
(71) Name(s) and Address(s) of Applicant(s):
Tennant Company
701 North Lilac Drive P.O. Box 1452 MINNEAPOLIS MN, 55440 United States of America
(72) Name(s) of Designer(s): **Leo J Baker and Jeremy C. Stoddard and Steven J. Leibrandt and Nathan Scott Meyer and Justin M. Clark**
(45) Registration Date: **01 October 2015**
(30) Convention priority data:
(31) Number (32) Date (33) Country
29/521388 23 Mar 2015 UNITED STATES OF AMERICA
(56) Related Art Documents: **Not Applicable**
(57) Statement of Newness and Distinctiveness: **The newness and distinctiveness of the design resides in the shape and/or configuration of the INTERCHANGEABLE SCRUB BRUSH OR SCRUB PAD FOR A FLOOR MAINTENANCE VEHICLE shown in the representations. When considering the newness and distinctiveness of the design, the lines shown in phantom should be disregarded.**



- (21) Design Number: **14840/2015**
(22) Date of Filing Application: **11 September 2015**
(24) Date from which industrial property rights may have effect: **11 September 2015**
(54) Product in respect of which the design is registered: **Battery pack**
(51) International Design Classification: **13-02**
(74) Name(s) of Attorney(s): **FB Rice**
(71) Name(s) and Address(s) of Applicant(s):
LG Chem, Ltd.
128, Yeoui-daero, Yeongdeungpo-gu Seoul 150-721 Republic of Korea
(72) Name(s) of Designer(s): **Hyeon-Kyu Kim and Bum-Hyun Lee and In-Jae Gang**
(45) Registration Date: **01 October 2015**
(30) Convention priority data:
(31) Number (32) Date (33) Country
30-2015-0012222 11 Mar 2015 REPUBLIC OF KOREA
(56) Related Art Documents: **Not Applicable**
(57) Statement of Newness and Distinctiveness: **Newness and distinctiveness reside in the features of the design as shown in the representations.**



- (21) Design Number: **14842/2015**
(22) Date of Filing Application: **11 September 2015**
(24) Date from which industrial property rights may have effect: **11 September 2015**
(54) Product in respect of which the design is registered: **Battery pack**
(51) International Design Classification: **13-02**
(74) Name(s) of Attorney(s): **FB Rice**
(71) Name(s) and Address(s) of Applicant(s):
LG Chem, Ltd.
128, Yeoui-daero, Yeongdeungpo-gu Seoul 150-721 Republic of Korea
(72) Name(s) of Designer(s): **Hyeon-Kyu Kim and Bum-Hyun Lee and In-Jae Gang**
(45) Registration Date: **01 October 2015**
(30) Convention priority data:
(31) Number (32) Date (33) Country
30-2015-0012221 11 Mar 2015 REPUBLIC OF KOREA
(56) Related Art Documents: **Not Applicable**
(57) Statement of Newness and Distinctiveness: **Newness and distinctiveness reside in the features of the design as shown in the representations.**



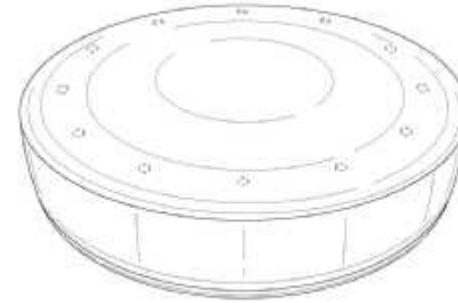
- (21) Design Number: **14843/2015**
(22) Date of Filing Application: **11 September 2015**
(24) Date from which industrial property rights may have effect: **11 September 2015**
(54) Product in respect of which the design is registered: **Table**
(51) International Design Classification: **06-03A**
(74) Name(s) of Attorney(s): **Shelston IP**
(71) Name(s) and Address(s) of Applicant(s):
Jardin Netherlands B.V.
Ericssonstraat 17 Rijen 5121MK The Netherlands
(72) Name(s) of Designer(s): **Ayala Bougay**
(45) Registration Date: **01 October 2015**
(56) Related Art Documents: **Not Applicable**
(57) Statement of Newness and Distinctiveness: **Newness and distinctiveness reside in the features of shape and/or configuration of a TABLE as illustrated in the accompanying representations.**



- (21) Design Number: **14845/2015**
(22) Date of Filing Application: **11 September 2015**
(24) Date from which industrial property rights may have effect: **11 September 2015**
(54) Product in respect of which the design is registered: **Battery pack**
(51) International Design Classification: **13-02**
(74) Name(s) of Attorney(s): **FB Rice**
(71) Name(s) and Address(s) of Applicant(s):
LG Chem, Ltd.
128, Yeoui-daero, Yeongdeungpo-gu Seoul 150-721 Republic of Korea
(72) Name(s) of Designer(s): **Hye-Ryung Kim and Bum-Hyun Lee and In-Jae Gang**
(45) Registration Date: **01 October 2015**
(30) Convention priority data:
(31) Number (32) Date (33) Country
30-2015-0012219 11 Mar 2015 REPUBLIC OF KOREA
(56) Related Art Documents: **Not Applicable**
(57) Statement of Newness and Distinctiveness: **Newness and distinctiveness reside in the features of the design as shown in the representations.**



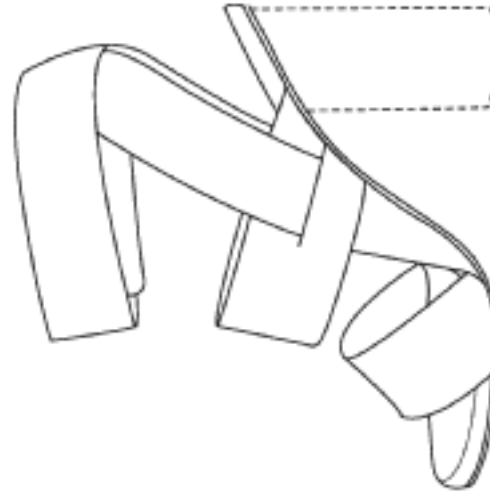
(21) Design Number: **13044/2015**
(22) Date of Filing Application: **16 June 2015**
(24) Date from which industrial property rights may have effect: **16 June 2015**
(54) Product in respect of which the design is registered: **Activity monitoring device**
(51) International Design Classification: **10-04**
(74) Name(s) of Attorney(s): **Pizzeys Patent and Trade Mark Attorneys Pty Ltd**
(71) Name(s) and Address(s) of Applicant(s):
Misfit Wearables Corporation
5 Brookdale Road Salem NH, 03079 United States of America
(72) Name(s) of Designer(s): **Tim Golnik and James Toggweiler**
(45) Registration Date: **01 October 2015**
(30) Convention priority data:
(31) Number (32) Date (33) Country
29/512,056 16 Dec 2014 UNITED STATES OF AMERICA
(56) Related Art Documents: **Not Applicable**
(57) Statement of Newness and Distinctiveness: **Nil**



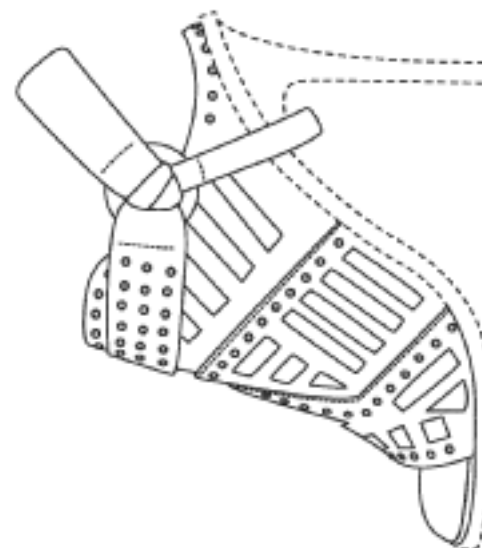
(21) Design Number: **14816/2015**
(22) Date of Filing Application: **10 September 2015**
(24) Date from which industrial property rights may have effect: **27 July 2015**
(54) Product in respect of which the design is registered: **Shoe**
(51) International Design Classification: **02-04NES**
(74) Name(s) of Attorney(s): **Davies Collison Cave**
(71) Name(s) and Address(s) of Applicant(s):
Kim Meller Imports Pty Ltd
20 Hutchinson St Surry Hills NSW 2010 Australia
(72) Name(s) of Designer(s): **Skye Elizabeth Meller**
(45) Registration Date: **01 October 2015**
(62) Divisional of: **364286**
(56) Related Art Documents: **Not Applicable**
(57) Statement of Newness and Distinctiveness: **Newness and distinctiveness is claimed in the visual features shown in solid lines in the representations.**



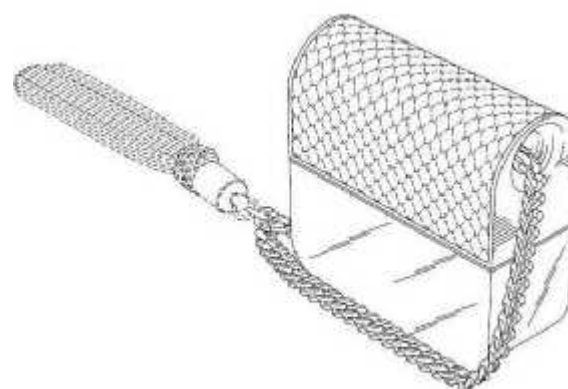
- (21) Design Number: **14817/2015**
(22) Date of Filing Application: **10 September 2015**
(24) Date from which industrial property rights may have effect: **27 July 2015**
(54) Product in respect of which the design is registered: **Shoe**
(51) International Design Classification: **02-04NES**
(74) Name(s) of Attorney(s): **Davies Collison Cave**
(71) Name(s) and Address(s) of Applicant(s):
Kim Meller Imports Pty Ltd
20 Hutchinson St Surry Hills NSW 2010 Australia
(72) Name(s) of Designer(s): **Skye Elizabeth Meller**
(45) Registration Date: **01 October 2015**
(62) Divisional of: **364286**
(56) Related Art Documents: **Not Applicable**
(57) Statement of Newness and Distinctiveness: **Newness and distinctiveness is claimed in the visual features shown in solid lines in the representations.**



- (21) Design Number: **14819/2015**
(22) Date of Filing Application: **10 September 2015**
(24) Date from which industrial property rights may have effect: **27 July 2015**
(54) Product in respect of which the design is registered: **Shoe**
(51) International Design Classification: **02-04NES**
(74) Name(s) of Attorney(s): **Davies Collison Cave**
(71) Name(s) and Address(s) of Applicant(s):
Kim Meller Imports Pty Ltd
20 Hutchinson St Surry Hills NSW 2010 Australia
(72) Name(s) of Designer(s): **Skye Elizabeth Meller**
(45) Registration Date: **01 October 2015**
(62) Divisional of: **364286**
(56) Related Art Documents: **Not Applicable**
(57) Statement of Newness and Distinctiveness: **Newness and distinctiveness is claimed in the visual features shown in solid lines in the representations.**

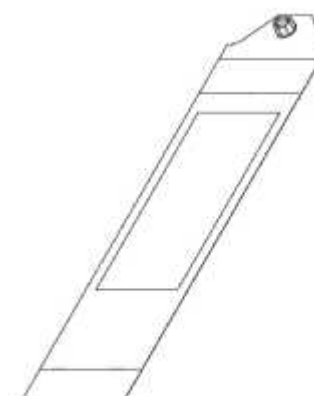


(21) Design Number: **14820/2015**
(22) Date of Filing Application: **10 September 2015**
(24) Date from which industrial property rights may have effect: **10 September 2015**
(54) Product in respect of which the design is registered: **Perfume bottle**
(51) International Design Classification: **09-01G**
(74) Name(s) of Attorney(s): **Corrs Chambers Westgarth**
(71) Name(s) and Address(s) of Applicant(s):
MARC JACOBS TRADEMARKS, L.L.C.
2nd Floor, 72 Spring Street New York NY, 10012 United States of America
(72) Name(s) of Designer(s): **Sam O'Donahue**
(45) Registration Date: **01 October 2015**
(30) Convention priority data:
(31) Number (32) Date (33) Country
29/520,227 12 Mar 2015 UNITED STATES OF AMERICA



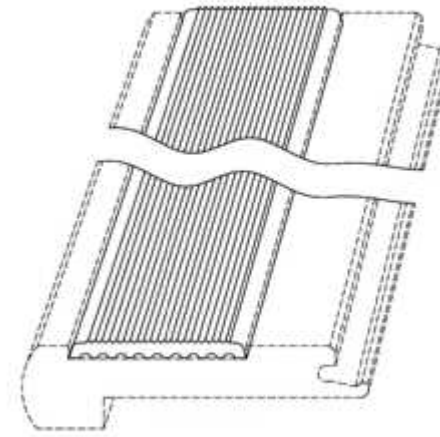
(56) Related Art Documents: **Not Applicable**
(57) Statement of Newness and Distinctiveness: **Newness and distinctiveness is claimed in the visual features of pattern and ornamentation shown in the representations. The broken lines in the representations showing the tassel and the pattern applied to the perfume bottle cap are included for the purposes of illustrating the environment in which the design is used and form no part of the claimed design.**

(21) Design Number: **14834/2015**
(22) Date of Filing Application: **11 September 2015**
(24) Date from which industrial property rights may have effect: **11 September 2015**
(54) Product in respect of which the design is registered: **Light-inhibiting transfer bag**
(51) International Design Classification: **09-05**
(74) Name(s) of Attorney(s): **Spruson & Ferguson**
(71) Name(s) and Address(s) of Applicant(s):
Covidien LP
15 Hampshire Street, Mansfield Massachusetts, 02048 United States of America
(72) Name(s) of Designer(s): **David Rork Swisher**
(45) Registration Date: **01 October 2015**
(30) Convention priority data:
(31) Number (32) Date (33) Country
29/520329 13 Mar 2015 UNITED STATES OF AMERICA

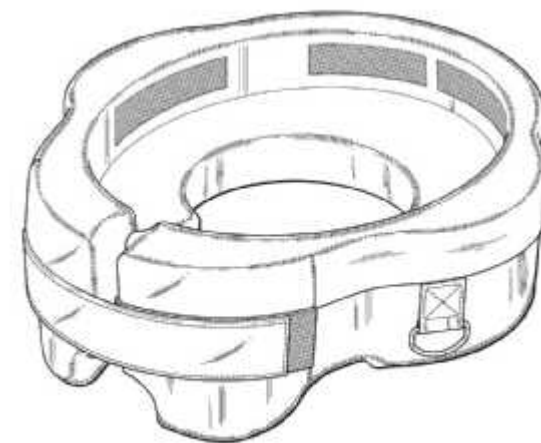


(56) Related Art Documents: **Not Applicable**
(57) Statement of Newness and Distinctiveness: **Newness and distinctiveness is claimed in the features of shape and/or configuration of a light-inhibiting transfer bag as illustrated in the accompanying representations.**

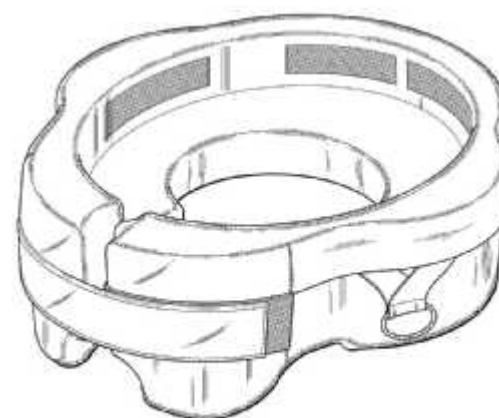
- (21) Design Number: **14835/2015**
(22) Date of Filing Application: **11 September 2015**
(24) Date from which industrial property rights may have effect: **11 September 2015**
(54) Product in respect of which the design is registered: **Stair tread**
(51) International Design Classification: **25-04**
(74) Name(s) of Attorney(s):
(71) Name(s) and Address(s) of Applicant(s):
Carpet Resto Pty Ltd
104 Gaffney Street Coburg VIC 3058 Australia
(72) Name(s) of Designer(s): **Paul Mark De Giorgio**
(45) Registration Date: **01 October 2015**
(56) Related Art Documents: **Not Applicable**
(57) Statement of Newness and Distinctiveness: **Newness and distinctiveness reside in the features of shape and configuration of the stair tread as shown in the accompanying representations.**



- (21) Design Number: **14836/2015**
(22) Date of Filing Application: **11 September 2015**
(24) Date from which industrial property rights may have effect: **11 September 2015**
(54) Product in respect of which the design is registered: **Protective collar**
(51) International Design Classification: **24-04**
(74) Name(s) of Attorney(s): **WATERMARK PATENT AND TRADE MARKS ATTORNEYS**
(71) Name(s) and Address(s) of Applicant(s):
Brase Yourself Pty Ltd
C/- MTA Optima 24 Doveton St N BallaratVIC, 3350 Australia
(72) Name(s) of Designer(s): **Paul Cleveland**
(45) Registration Date: **01 October 2015**
(56) Related Art Documents: **Not Applicable**
(57) Statement of Newness and Distinctiveness: **Nil**



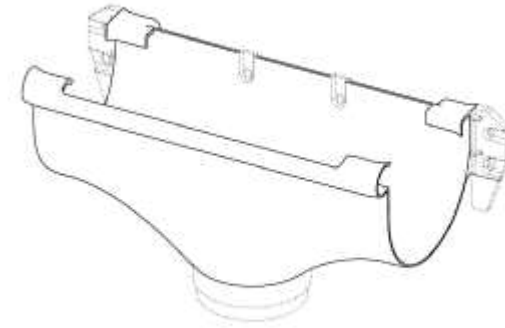
(21) Design Number: **14837/2015**
(22) Date of Filing Application: **11 September 2015**
(24) Date from which industrial property rights may have effect: **11 September 2015**
(54) Product in respect of which the design is registered: **Protective collar**
(51) International Design Classification: **24-04**
(74) Name(s) of Attorney(s): **WATERMARK PATENT AND TRADE MARKS ATTORNEYS**
(71) Name(s) and Address(s) of Applicant(s):
Brase Yourself Pty Ltd
C/- MTA Optima 24 Doveton St N BallaratVIC, 3350 Australia
(72) Name(s) of Designer(s): **Paul Cleveland**
(45) Registration Date: **01 October 2015**
(56) Related Art Documents: **Not Applicable**
(57) Statement of Newness and Distinctiveness: **Nil**



(21) Design Number: **14839/2015**
(22) Date of Filing Application: **11 September 2015**
(24) Date from which industrial property rights may have effect: **11 September 2015**
(54) Product in respect of which the design is registered: **Chair**
(51) International Design Classification: **06-01F**
(74) Name(s) of Attorney(s): **FB Rice**
(71) Name(s) and Address(s) of Applicant(s):
Steelcase Inc.
901 44th Street, S.E. Grand Rapids Michigan, 49508 United States of America
(72) Name(s) of Designer(s): **Bruce M. Smith and Gordon Jay Peterson and Robert J. Battey and John A. Colasanti and Fredric J. Biddle**
(45) Registration Date: **01 October 2015**
(30) Convention priority data:
(31) Number (32) Date (33) Country
29/524,963 24 Apr 2015 UNITED STATES OF AMERICA
(56) Related Art Documents: **Not Applicable**
(57) Statement of Newness and Distinctiveness: **Newness and distinctiveness reside in the shape and configuration of the upper support of the chair as shown in the representations.**



(21) Design Number: **14844/2015**
(22) Date of Filing Application: **11 September 2015**
(24) Date from which industrial property rights may have effect: **11 September 2015**
(54) Product in respect of which the design is registered: **Spouting outlet**
(51) International Design Classification: **23-01L**
(74) Name(s) of Attorney(s): **Baldwins**
(71) Name(s) and Address(s) of Applicant(s):
Marley New Zealand Limited
32 Mahia Road Manurewa Auckland 2102 New Zealand
(72) Name(s) of Designer(s): **Robert William Stretton and Neil Glen Davies**
(45) Registration Date: **01 October 2015**
(30) Convention priority data:
(31) Number (32) Date (33) Country
420022 11 Mar 2015 NEW ZEALAND



(56) Related Art Documents: **Not Applicable**
(57) Statement of Newness and Distinctiveness: **The design is to be applied to a spouting outlet and the newness and distinctiveness of the design resides in the features of shape and/or configuration of the article as shown in the accompanying representations. No novelty is claimed in respect of the portions depicted in broken**

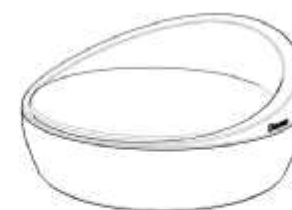
(21) Design Number: **13641/2015**
(22) Date of Filing Application: **21 July 2015**
(24) Date from which industrial property rights may have effect: **21 July 2015**
(54) Product in respect of which the design is registered: **Truck unloader**
(51) International Design Classification: **12-05**
(74) Name(s) of Attorney(s): **Fisher Adams Kelly Pty Ltd**
(71) Name(s) and Address(s) of Applicant(s):
TBA Industries Pty Ltd
3-7 Steel Street Narangba QLD 4504 Australia
(72) Name(s) of Designer(s): **Graeme Cooney**
(45) Registration Date: **02 October 2015**
(56) Related Art Documents: **Not Applicable**
(57) Statement of Newness and Distinctiveness: **Newness and distinctiveness of the design resides in the shape and/or configuration of a truck unloader as shown in the representations, with particular regard to be given to the dual bays of the truck unloader (seen most clearly in the top view).**



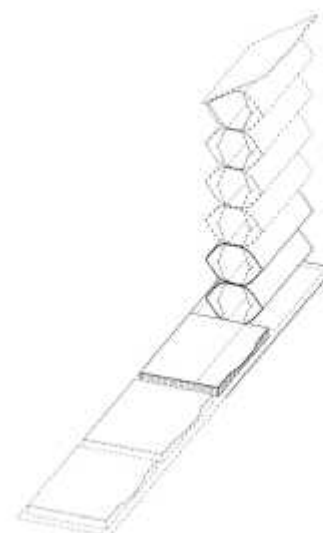
- (21) Design Number: **14137/2015**
(22) Date of Filing Application: **12 August 2015**
(24) Date from which industrial property rights may have effect: **12 August 2015**
(54) Product in respect of which the design is registered: **Water tank**
(51) International Design Classification: **23-01F**
(74) Name(s) of Attorney(s):
(71) Name(s) and Address(s) of Applicant(s):
 Mark Gaykema
 203 Namatjira Dr Fisher ACT 2611 Australia
(72) Name(s) of Designer(s): **Mark Gaykema**
(45) Registration Date: **02 October 2015**
(56) Related Art Documents: **Not Applicable**
(57) Statement of Newness and Distinctiveness: **Newness and distinctiveness is claimed in the features of shape and/or configuration of a water tank as illustrated in the accompanying representations.**



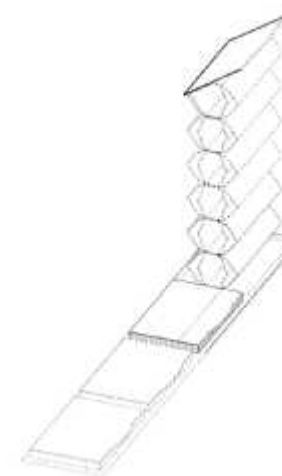
- (21) Design Number: **14138/2015**
(22) Date of Filing Application: **12 August 2015**
(24) Date from which industrial property rights may have effect: **12 August 2015**
(54) Product in respect of which the design is registered: **Water tank**
(51) International Design Classification: **23-01F**
(74) Name(s) of Attorney(s):
(71) Name(s) and Address(s) of Applicant(s):
 Mark Gaykema
 203 Namatjira Dr Fisher ACT 2611 Australia
(72) Name(s) of Designer(s): **Mark Gaykema**
(45) Registration Date: **02 October 2015**
(56) Related Art Documents: **Not Applicable**
(57) Statement of Newness and Distinctiveness: **Newness and distinctiveness is claimed in the features of shape and/or configuration of a water tank as illustrated in the accompanying representations.**



(21) Design Number: **14745/2015**
(22) Date of Filing Application: **07 September 2015**
(24) Date from which industrial property rights may have effect: **09 June 2015**
(54) Product in respect of which the design is registered: **Sample deck for selecting a covering for an architectural opening**
(51) International Design Classification: **25-01NES**
(74) Name(s) of Attorney(s): **Shelston IP**
(71) Name(s) and Address(s) of Applicant(s):
Hunter Douglas Inc.
1 Blue Hill Plaza Pearl River New York 10965 United States of America
(72) Name(s) of Designer(s): **Sheryl Wisecup and Linnea Wolken**
(45) Registration Date: **02 October 2015**
(30) Convention priority data:
(31) Number (32) Date (33) Country
29/511313 09 Dec 2014 UNITED STATES OF AMERICA
(62) Divisional of: **364051**
(56) Related Art Documents: **Not Applicable**
(57) Statement of Newness and Distinctiveness: **Newness and distinctiveness reside in the features of shape and/or configuration of a sample deck for selecting a covering for an architectural opening as shown in solid lines in the accompanying representations. The features of the sample deck for selecting a covering for an architectural opening shown in broken lines in the accompanying representations form no part of the design.**



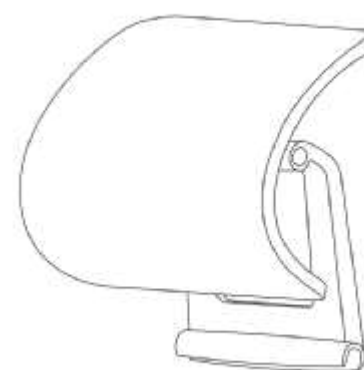
(21) Design Number: **14747/2015**
(22) Date of Filing Application: **07 September 2015**
(24) Date from which industrial property rights may have effect: **09 June 2015**
(54) Product in respect of which the design is registered: **Sample deck for selecting a covering for an architectural opening**
(51) International Design Classification: **25-01NES**
(74) Name(s) of Attorney(s): **Shelston IP**
(71) Name(s) and Address(s) of Applicant(s):
Hunter Douglas Inc.
1 Blue Hill Plaza Pearl River New York 10965 United States of America
(72) Name(s) of Designer(s): **Sheryl Wisecup and Linnea Wolken**
(45) Registration Date: **02 October 2015**
(30) Convention priority data:
(31) Number (32) Date (33) Country
29/511313 09 Dec 2014 UNITED STATES OF AMERICA
(62) Divisional of: **364051**
(56) Related Art Documents: **Not Applicable**
(57) Statement of Newness and Distinctiveness: **Newness and distinctiveness reside in the features of shape and/or configuration of a sample deck for selecting a covering for an architectural opening as shown in solid lines in the accompanying representations. The features of the sample deck for selecting a covering for an architectural opening shown in broken lines in the accompanying representations form no part of the design.**



- (21) Design Number: **14823/2015**
(22) Date of Filing Application: **11 September 2015**
(24) Date from which industrial property rights may have effect: **11 September 2015**
(54) Product in respect of which the design is registered: **Case for a tablet computer**
(51) International Design Classification: **03-01NES**
(74) Name(s) of Attorney(s):
(71) Name(s) and Address(s) of Applicant(s):
STM Management Pty Ltd
U21 34-36 Ralph St Alexandria NSW 2015 Australia
(72) Name(s) of Designer(s): **Ethan Nyholm**
(45) Registration Date: **02 October 2015**
(56) Related Art Documents: **Not Applicable**
(57) Statement of Newness and Distinctiveness: **Nil**



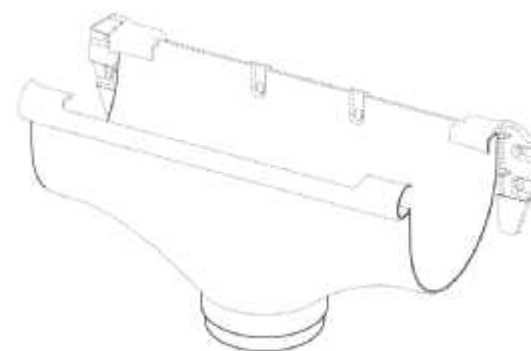
- (21) Design Number: **14825/2015**
(22) Date of Filing Application: **11 September 2015**
(24) Date from which industrial property rights may have effect: **11 September 2015**
(54) Product in respect of which the design is registered: **Headrest**
(51) International Design Classification: **06-06G**
(74) Name(s) of Attorney(s): **FB Rice**
(71) Name(s) and Address(s) of Applicant(s):
Steelcase Inc.
901 44th Street, S.E. Grand Rapids Michigan, 49508 United States of America
(72) Name(s) of Designer(s): **Bruce M. Smith and Gordon Jay Peterson and Robert J. Battey and John A. Colasanti and Fredric J. Biddle**
(45) Registration Date: **02 October 2015**
(30) Convention priority data:
(31) Number (32) Date (33) Country
29/524,960 24 Apr 2015 UNITED STATES OF AMERICA
(56) Related Art Documents: **Not Applicable**
(57) Statement of Newness and Distinctiveness: **Newness and distinctiveness reside in the shape and configuration of the headrest as shown in the representations.**



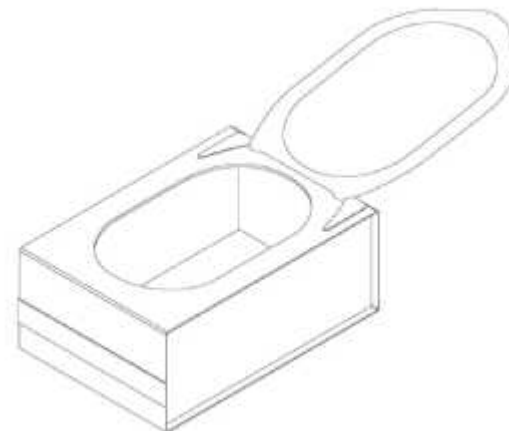
(21) Design Number: **14361/2015**
(22) Date of Filing Application: **25 August 2015**
(24) Date from which industrial property rights may have effect: **25 August 2015**
(54) Product in respect of which the design is registered: **Beef leg bone extract-food packaging**
(51) International Design Classification: **09-03M**
(74) Name(s) of Attorney(s):
(71) Name(s) and Address(s) of Applicant(s):
SHIN MI (BRISBANE) PTY LTD
U4 28 Nevilles St Underwood QLD 4119 Australia
(72) Name(s) of Designer(s): **Heejeong Jeong**
(45) Registration Date: **06 October 2015**
(56) Related Art Documents: **Not Applicable**
(57) Statement of Newness and Distinctiveness: **Nil**



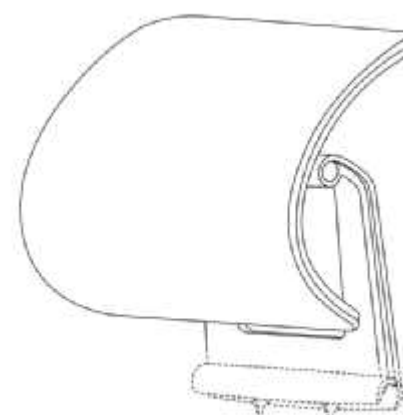
(21) Design Number: **14847/2015**
(22) Date of Filing Application: **11 September 2015**
(24) Date from which industrial property rights may have effect: **11 September 2015**
(54) Product in respect of which the design is registered: **Spouting outlet**
(51) International Design Classification: **25-01NES**
(74) Name(s) of Attorney(s): **Baldwins**
(71) Name(s) and Address(s) of Applicant(s):
Marley New Zealand Limited
32 Mahia Road Manurewa Auckland 2102 New Zealand
(72) Name(s) of Designer(s): **Robert William Stretton and Neil Glen Davies**
(45) Registration Date: **06 October 2015**
(30) Convention priority data:
(31) Number (32) Date (33) Country
420022 11 Mar 2015 NEW ZEALAND
(56) Related Art Documents: **Not Applicable**
(57) Statement of Newness and Distinctiveness: **The design is to be applied to a spouting outlet and the newness and distinctiveness of the design resides in the features of shape and/or configuration of the article as shown in the accompanying representations. No novelty is claimed in respect of the portions depicted in broken**



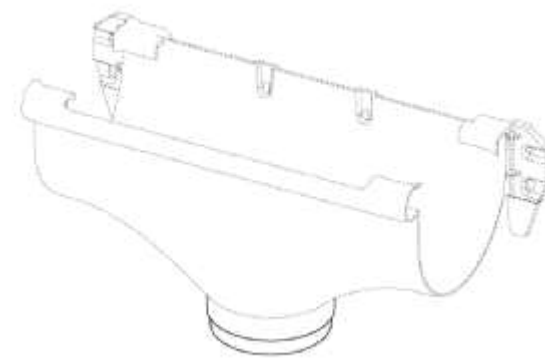
(21) Design Number: **14849/2015**
(22) Date of Filing Application: **11 September 2015**
(24) Date from which industrial property rights may have effect: **11 September 2015**
(54) Product in respect of which the design is registered: **Package**
(51) International Design Classification: **09-03NES**
(74) Name(s) of Attorney(s): **Griffith Hack**
(71) Name(s) and Address(s) of Applicant(s):
CLEAR LAM PACKAGING, INC.
1950 Pratt Boulevard Elk Grove Village IL, 60007 United States of America
(72) Name(s) of Designer(s): **James J. Sanfilippo and Milorad Radenovic**
(45) Registration Date: **06 October 2015**
(30) Convention priority data:
(31) Number (32) Date (33) Country
29/522,243 27 Mar 2015 UNITED STATES OF AMERICA
(56) Related Art Documents: **Not Applicable**
(57) Statement of Newness and Distinctiveness: **Nil**



(21) Design Number: **14851/2015**
(22) Date of Filing Application: **11 September 2015**
(24) Date from which industrial property rights may have effect: **11 September 2015**
(54) Product in respect of which the design is registered: **Headrest assembly**
(51) International Design Classification: **06-06G**
(74) Name(s) of Attorney(s): **FB Rice**
(71) Name(s) and Address(s) of Applicant(s):
Steelcase Inc.
901 44th Street, S.E. Grand Rapids Michigan, 49508 United States of America
(72) Name(s) of Designer(s): **Bruce M. Smith and Gordon Jay Peterson and Robert J. Battey and John A. Colasanti and Fredric J. Biddle**
(45) Registration Date: **06 October 2015**
(30) Convention priority data:
(31) Number (32) Date (33) Country
29/524,967 24 Apr 2015 UNITED STATES OF AMERICA
(56) Related Art Documents: **Not Applicable**
(57) Statement of Newness and Distinctiveness: **Newness and distinctiveness reside in the shape and configuration of the headrest of the chair as shown in the solid lines in the representations, but excluding those parts shown in dashed lines, which are disclaimed.**

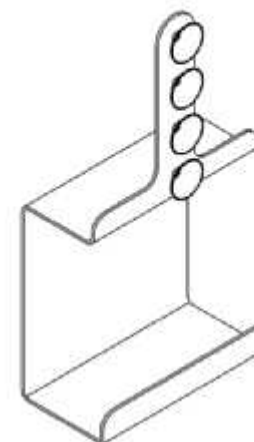


(21) Design Number: **14853/2015**
(22) Date of Filing Application: **11 September 2015**
(24) Date from which industrial property rights may have effect: **11 September 2015**
(54) Product in respect of which the design is registered: **Spouting outlet**
(51) International Design Classification: **25-01NES**
(74) Name(s) of Attorney(s): **Baldwins**
(71) Name(s) and Address(s) of Applicant(s):
Marley New Zealand Limited
32 Mahia Road Manurewa Auckland 2102 New Zealand
(72) Name(s) of Designer(s): **Robert William Stretton and Neil Glen Davies**
(45) Registration Date: **06 October 2015**
(30) Convention priority data:
(31) Number (32) Date (33) Country
420022 11 Mar 2015 NEW ZEALAND



(56) Related Art Documents: **Not Applicable**
(57) Statement of Newness and Distinctiveness: **The design is to be applied to a spouting outlet and the newness and distinctiveness of the design resides in the features of shape and/or configuration of the article as shown in the accompanying representations. No novelty is claimed in respect of the portions depicted in broken**

(21) Design Number: **14854/2015**
(22) Date of Filing Application: **11 September 2015**
(24) Date from which industrial property rights may have effect: **11 September 2015**
(54) Product in respect of which the design is registered: **Window display & point of sale**
(51) International Design Classification: **20-02E**
(74) Name(s) of Attorney(s):
(71) Name(s) and Address(s) of Applicant(s):
Container Pty Ltd
SE64 61 Marlborough St Surry Hills NSW 2010 Australia
(72) Name(s) of Designer(s): **Brenan Liston**
(45) Registration Date: **06 October 2015**
(56) Related Art Documents: **Not Applicable**
(57) Statement of Newness and Distinctiveness: **Shape**



- (21) Design Number: **14855/2015**
(22) Date of Filing Application: **12 September 2015**
(24) Date from which industrial property rights may have effect: **12 September 2015**
(54) Product in respect of which the design is registered: **Diamond abrasive grinding cup wheel**
(51) International Design Classification: **08-05N**
(74) Name(s) of Attorney(s):
(71) Name(s) and Address(s) of Applicant(s):
Mathew Raymund Norton
24 Dapper St Sunnybank Hills QLD 4109 Australia
(72) Name(s) of Designer(s): **Mathew Raymund Norton**
(45) Registration Date: **06 October 2015**
(56) Related Art Documents: **Not Applicable**
(57) Statement of Newness and Distinctiveness: **Monopoly is claimed for the combined shape configuration pattern and combination use of a sharp tooth turbo diamond pattern segment and a multiple pronged diamond segment pattern onto a diamond grinding tool plate as shown in picture representation. Monopoly is also claimed for a similar combination of turbo pattern and multiple pronged segment shape and pattern used to overcome this design registration.**



- (21) Design Number: **14856/2015**
(22) Date of Filing Application: **13 September 2015**
(24) Date from which industrial property rights may have effect: **13 September 2015**
(54) Product in respect of which the design is registered: **Fuel pump hanger**
(51) International Design Classification: **20-02A**
(74) Name(s) of Attorney(s):
(71) Name(s) and Address(s) of Applicant(s):
Julian Austin
13 Holbrook St Bossley Park NSW 2176 Australia
(72) Name(s) of Designer(s): **Julian Austin**
(45) Registration Date: **06 October 2015**
(56) Related Art Documents: **Not Applicable**
(57) Statement of Newness and Distinctiveness: **Oval shape fuel pump hanger and assembly which features a height adjustable fuel baffle plate, functional fuel tubes which support the fuel pump bracket, fuel cap design. Design also features unique fuel pump manifold which incorporates up to three fuel pumps to a single fuel port.**

