



**Australian Government**

---

**IP Australia**

**AUSTRALIAN OFFICIAL JOURNAL**

**OF**

**DESIGNS**

Did you know a searchable version of this journal is now available online?

It's FREE and EASY to SEARCH.

Find it on our website ([www.ipaustralia.gov.au](http://www.ipaustralia.gov.au))

by using the "Journals" link on the home page.

This Page Left Intentionally Blank

**Contents**

**General Information & Notices**

**Proceedings Under the Designs Act 1906 preserved as a result of the provisions of Chapter 12  
Part 2 of the Designs Act 2003**

**Extension of Period of Registration of Designs ..... 3090**

**Registrations Ceased ..... 3090**

**Proceedings Under the Designs Act 2003**

**Applications Assigned ..... 3104**

**Applications Lapsed ..... 3101**

**Applications Lodged ..... 3094**

**Certificate of Examination ..... 3105**

**Extension of Period of Registration of Design ..... 3103**

**Publication and Registration Proceedings**

**Designs Registered 364528 to 364813. .... 3106**

**Registrations Ceased ..... 3103**

**Subsequent Owners Registered ..... 3104**

**Corrigenda ..... 3104**

This Page Left Intentionally Blank

For information on the following please see our website [www.ipaustralia.gov.au](http://www.ipaustralia.gov.au) or contact our Customer Service Network on 1300651010

[Editorial enquiries](#)

[Contact information](#)

[Freedom of Information ACT](#)

[Professional Standards Board](#)

[Sales](#)

[Requests for Information under Section 194 \(c\)](#)

[Country Codes](#)

[Trade Mark and Designs Hearing Sessions](#)

[INID \(Internationally agreed Numbers for the Identification of Data\)](#)

## “INID” NUMBERS in use on Australian Design Documents

“INID” is an acronym for “Internationally agreed Numbers for the Identification of Data”.

### (10) Data concerning the registration/renewal

- (11) Serial number of the registration and/or number of the design document
- (12) Plain language designation of the kind of published document
- (19) Identification, using the two-letter code according to WIPO Standard ST.3, of the authority publishing or registering the industrial design

### (20) Data concerning the application

- (21) Serial number of the application
- (22) Date of filing of the application
- (24) Date from which the industrial design right has effect

### (30) Data relating to priority under the Paris Convention

- (31) Serial number assigned to the priority application
- (32) Date of filing of the priority application
- (33) Two-letter code, according to WIPO Standard ST.3, identifying the authority with which the priority application was made

### (40) Date(s) of making information available to the public

- (45) Date of publication of the registered industrial design by printing or similar process, or making it available to the public by any other means

### (50) Miscellaneous Information

- (51) International Classification for Industrial Designs (class and subclass of the Locarno Classification)
- (54) Designation of article(s) or product(s) covered by the industrial design or title of the industrial design
- (55) Reproduction of the industrial design (e.g., drawing, photograph) and explanations relating to the reproduction
- (56) List of prior art documents, if separate from descriptive text
- (57) Description of characteristic features of the industrial design including indication of colours

### (60) References to other legally related application(s) and registration(s)

- (62) Serial number(s) and, if available, filing date(s) of application(s), registration(s) or document(s) related by division
- (66) Serial number(s) of the application, or the registration, of the design(s) which is (are) a variant(s) of the present one

### (70) Identification of parties concerned with the application or registration

- (71) Name(s) and address(es) of the applicant(s)
- (72) Name(s) of the creator(s) if known to be such
- (74) Name(s) and address(es) of the representative(s)

This Page Left Intentionally Blank

**Official Notice****Trade Marks and Designs Hearings Sessions in 2016**

Date: 22 October 2015

IP Australia is committed to improving the turn-around timeframes of opposition matters. The Trade Marks and Designs Group conduct hearings in Canberra and in other capitals on a regular basis. No additional fees are currently charged for hearings which are conducted outside of Canberra.

The IP Australia Customer Service Charter commitment for patents, trade marks and designs hearings is to issue a decision within 12 weeks of holding a hearing, unless further submissions or evidence is provided. However, providing a timely service to other customers awaiting a hearing can be hampered when parties withdraw from the opposition process at short notice.

The hearings withdrawal rate is impacting on the availability and efficiency of hearings to customers with most withdrawal actions occurring in the fortnight leading up to a hearing.

As such, in order to address the unnecessary procedural delays and costs to both IP Australia and its customers, **no** interstate hearings will be set down for 2016 and subsequent years. Furthermore, the current schedule of interstate hearings will expire at the end of 2015.

Canberra based hearings, in person, by phone or video conferencing, will continue to be offered throughout the year, as will the option of a hearing by way of written submissions only. The Registrar will also continue her practice of holding hearings at locations outside Canberra, at a convenient time, where the parties bear the travel costs of the hearing officer.

More information will be available on the IP Australia website shortly.

Contact: Assistant Director, Opposition and Hearings, Trade Marks and Designs Group, Mr Terry George.

Email: [Terry.George@ipaustralia.gov.au](mailto:Terry.George@ipaustralia.gov.au)

Phone: (02) 6283 2047

**Proceedings under the Designs Act 1906 preserved as a result of the provisions of Chapter 12 Part 2 of the Designs Act 2003.**



This Page Left Intentionally Blank

**Applications Lapsed**

There were no Applications Lapsed under this section

**Extension of Period of Registration of Designs**

**1st Period (Section 27A(8))**

**2nd Period (Section 27A(12))**

**3rd Period (Section 27A(13))**

158546

**Registrations Ceased**

Note: Some of the following Registrations may have been previously advertised as ceased. In this instance, the previous advertisement still prevails.

140176	140179	140200
140286	140300	140322
140324	140345	140379
140380	140474	140475
140535	140560	140619
140694	140707	140708
140818	140838	140859
140880	140881	141084
141171	141480	141569
141631	141802	143425
143624	143625	143627
143941	144441	144958
146165	148676	149179
151749	155250	155302
155729	155730	155731
155732	155733	155734
155735	155736	155737
156051	156589	156610
156639	156653	156708
156735	156767	156836
156999	157206	157208
157209	157309	157339
157340	157881	157882
157956	157968	157979
157980	158132	158199
158201	158275	158276
158277	158278	158279
158280	158339	158345
158346	158469	158542

This Page Left Intentionally Blank

**Proceedings under the Designs Act 2003.**

This Page Left Intentionally Blank

**Applications Lodged**

Lodgement information is in the following order: **Applicant's Name**; International Classification, Name of Product, Lodgement Date and **Design Number**. If the applicant claims an earlier priority date under an International Convention, the Convention Country and the associated filing date are shown in parentheses before the Lodgement Date. Divisional information will also appear in parentheses before the Lodgement Date.

<b>inSleep Technologies, LLC;</b> 24-99, Coupling for nasal interface hose, (US, 03 Apr 2015) 06 Oct 2015	<b>15189/2015</b>	<b>Arper S.p.A.;</b> 06-01G, Sofa, (WO, 17 Apr 2015) 13 Oct 2015	<b>15410/2015</b>
<b>inSleep Technologies, LLC;</b> 24-99, Bases for nasal interfaces, (US, 08 Apr 2015) 06 Oct 2015	<b>15194/2015</b>	<b>Arper S.p.A.;</b> 06-01G, Sofa, (WO, 17 Apr 2015) 13 Oct 2015	<b>15412/2015</b>
<b>AbbVie Inc.;</b> 03-01NES, Carrying case for medical delivery device, (US, 15 Apr 2015) 09 Oct 2015	<b>15305/2015</b>	<b>ARKISTRUCT LIMITED;</b> 25-01C, Stud channel section, 12 Oct 2015	<b>15387/2015</b>
<b>AbbVie Inc.;</b> 24-99, Carrying case for medical delivery device, (US, 15 Apr 2015) 09 Oct 2015	<b>15308/2015</b>	<b>AUSTRALIAN FASHION LABELS PTY LTD;</b> 05-05A, A textile print, 12 Oct 2015	<b>15383/2015</b>
<b>AbbVie Inc.;</b> 02-02B, Garment with carrying case for medical delivery device, (US, 15 Apr 2015) 09 Oct 2015	<b>15309/2015</b>	<b>AUSTRALIAN FASHION LABELS PTY LTD;</b> 05-05NES, A textile print, 12 Oct 2015	<b>15385/2015</b>
<b>AbbVie Inc.;</b> 02-02B, Garment with carrying case for medical delivery device, (US, 15 Apr 2015) 09 Oct 2015	<b>15307/2015</b>	<b>B&amp;B Italia S.p.A.;</b> 06-01F, Chair, (IT, 10 Apr 2015) 12 Oct 2015	<b>15367/2015</b>
<b>AbbVie Inc.;</b> 03-01NES, Carrying case for medical delivery device, (US, 15 Apr 2015) 09 Oct 2015	<b>15306/2015</b>	<b>B&amp;B Italia S.p.A.;</b> 06-01F, Chair, (IT, 10 Apr 2015) 12 Oct 2015	<b>15368/2015</b>
<b>Agridry International Pty Ltd;</b> 23-04, Aspirator, 13 Oct 2015	<b>15401/2015</b>	<b>B&amp;B Italia S.p.A.;</b> 06-01F, Chair, (IT, 10 Apr 2015) 12 Oct 2015	<b>15369/2015</b>
<b>Apex Industrial Technologies LLC;</b> 20-02E, Display rack for modular bin system, (US, 10 Apr 2015) 08 Oct 2015	<b>15266/2015</b>	<b>Bandalong International Pty Ltd;</b> 23-01F, Litter trap, 15 Oct 2015	<b>15472/2015</b>
<b>Apple Inc.;</b> 20-02C, Display structure, (US, 08 May 2015) 07 Oct 2015	<b>15225/2015</b>	<b>Bayer HealthCare LLC;</b> 24-04, Ankle brace, (US, 09 Apr 2015) 09 Oct 2015	<b>15300/2015</b>
<b>Apple Inc.;</b> 14-02, Connector, (US, 09 Apr 2015) 08 Oct 2015	<b>15288/2015</b>	<b>Bayer HealthCare LLC;</b> 24-04, Knee brace, (US, 09 Apr 2015) 09 Oct 2015	<b>15301/2015</b>
<b>Apple Inc.;</b> 20-02E, Display structure, (US, 08 May 2015) 07 Oct 2015	<b>15227/2015</b>	<b>Bayer Pharma Aktiengesellschaft;</b> 24-02, Tamper evident cap for prefilled syringe, (EM, 21 Apr 2015) 14 Oct 2015	<b>15418/2015</b>
<b>Apple Inc.;</b> 14-02, Display screen with graphical user interface, (US, 13 Apr 2015) 12 Oct 2015	<b>15374/2015</b>	<b>Bayer Pharma Aktiengesellschaft;</b> 24-02, Tamper evident cap for prefilled syringe, (EM, 21 Jul 2015) 14 Oct 2015	<b>15422/2015</b>
<b>Apple Inc.;</b> 20-02E, Display structure, (US, 08 May 2015) 07 Oct 2015	<b>15226/2015</b>	<b>Bayer Pharma Aktiengesellschaft;</b> 24-02, Tamper evident cap for prefilled syringe, (EM, 21 Apr 2015) 14 Oct 2015	<b>15420/2015</b>
<b>Apple Inc.;</b> 20-02NES, Display structure, (US, 08 May 2015) 07 Oct 2015	<b>15229/2015</b>	<b>Bayer Pharma Aktiengesellschaft;</b> 24-02, Tamper evident cap for prefilled syringe, (EM, 21 Apr 2015) 14 Oct 2015	<b>15421/2015</b>
<b>Arper S.p.A.;</b> 06-01G, Sofa, (WO, 17 Apr 2015) 13 Oct 2015	<b>15411/2015</b>	<b>Bayer Pharma Aktiengesellschaft;</b> 24-02, Tamper evident cap for prefilled syringe, (EM, 21 Apr 2015) 14 Oct 2015	<b>15419/2015</b>
		<b>Bayer Pharma Aktiengesellschaft;</b> 24-02, Tamper evident cap for prefilled syringe, (EM, 21 Apr 2015) 14 Oct 2015	<b>15417/2015</b>

<b>Beaute Prestige International;</b> 09-01G, Flask, (EM, 13 Apr 2015) 06 Oct 2015	<b>15190/2015</b>	<b>Caterpillar Inc.;</b> 15-04, WING SHROUDS FOR GROUND ENGAGING MACHINE IMPLEMENT., (US, 17 Apr 2015) 15 Oct 2015	<b>15470/2015</b>
<b>Bernadette, Scarfe;</b> 24-04, Female sanitary pads with wings, 09 Oct 2015	<b>15310/2015</b>	<b>Caterpillar Inc.;</b> 15-04, Track link assembly, (US, 01 Apr 2015) 01 Oct 2015	<b>15111/2015</b>
<b>Bisschops, Wayne Cornelis;</b> 25-01NES, Top hat, 06 Oct 2015	<b>15207/2015</b>	<b>Celgene Corporation;</b> 28-01, Pharmaceutical tablet, (US, 15 Apr 2015) 14 Oct 2015	<b>15423/2015</b>
<b>Boag, Victoria Llewellyn;</b> 03-99, Water baby carrier, 14 Oct 2015	<b>15429/2015</b>	<b>Chiasma Inc.;</b> 09-05, Overlay for medication card, (US, 03 Feb 2015) (Divisional of 13937/2015) 08 Oct 2015	<b>15271/2015</b>
<b>BRITA GMBH;</b> 07-01F, A flask with closure, (DE, 17 Apr 2015) 15 Oct 2015	<b>15458/2015</b>	<b>Chiasma Inc.;</b> 09-05, Overlay for medication card, (US, 03 Feb 2015) (Divisional of 13937/2015) 08 Oct 2015	<b>15272/2015</b>
<b>BRITA GMBH;</b> 07-01F, A closure for a flask, (DE, 17 Apr 2015) 15 Oct 2015	<b>15464/2015</b>	<b>Chiasma Inc.;</b> 09-05, Overlay for medication card, (US, 03 Feb 2015) (Divisional of 13937/2015) 08 Oct 2015	<b>15269/2015</b>
<b>BRITA GMBH;</b> 07-01F, A flask with closure, (DE, 17 Apr 2015) 15 Oct 2015	<b>15462/2015</b>	<b>Chiasma Inc.;</b> 09-05, Overlay for medication card, (US, 03 Feb 2015) (Divisional of 13937/2015) 08 Oct 2015	<b>15273/2015</b>
<b>BRITA GMBH;</b> 07-01F, A closure for a flask, (DE, 17 Apr 2015) 15 Oct 2015	<b>15459/2015</b>	<b>Chiasma Inc.;</b> 09-05, Overlay for Medication Card, (US, 03 Feb 2015) (Divisional of 13937/2015) 08 Oct 2015	<b>15270/2015</b>
<b>BRITA GMBH;</b> 07-01F, A FLASK WITH CLOSURE, (DE, 17 Apr 2015) 15 Oct 2015	<b>15465/2015</b>	<b>Chiasma Inc.;</b> 09-05, Overlay for medication card, (US, 03 Feb 2015) (Divisional of 13937/2015) 08 Oct 2015	<b>15267/2015</b>
<b>BRITA GMBH;</b> 07-01F, A closure for a flask, (DE, 17 Apr 2015) 15 Oct 2015	<b>15457/2015</b>	<b>Chiasma Inc.;</b> 09-05, Overlay for medication card, (US, 03 Feb 2015) (Divisional of 13937/2015) 08 Oct 2015	<b>15268/2015</b>
<b>BRITA GMBH;</b> 07-01F, A closure for a flask, (DE, 17 Apr 2015) 15 Oct 2015	<b>15454/2015</b>	<b>Cie Europe;</b> 06-04NES, Modular storage rack, (EM, 14 Apr 2015) 09 Oct 2015	<b>15299/2015</b>
<b>BRITA GMBH;</b> 07-01F, A flask with closure, (DE, 17 Apr 2015) 15 Oct 2015	<b>15455/2015</b>	<b>Cie Europe;</b> 06-04NES, Modular storage rack, (EM, 14 Apr 2015) 09 Oct 2015	<b>15296/2015</b>
<b>BRITA GMBH;</b> 07-01F, A flask with closure, (DE, 17 Apr 2015) 15 Oct 2015	<b>15452/2015</b>	<b>Clarity Consulting Group, LLC;</b> 03-01NES, Cpu holder, (US, 23 Apr 2015) 15 Oct 2015	<b>15461/2015</b>
<b>BRITA GMBH;</b> 07-01F, A flask with closure, (DE, 17 Apr 2015) 15 Oct 2015	<b>15453/2015</b>	<b>Combilift;</b> 12-05, A fork lift truck, (EM, 08 Apr 2015) 07 Oct 2015	<b>15213/2015</b>
<b>BRITA GMBH;</b> 07-01F, A FLASK WITH CLOSURE, (DE, 17 Apr 2015) 15 Oct 2015	<b>15468/2015</b>	<b>Comtec Industries Pty Ltd;</b> 07-99NES, Pin pile, 13 Oct 2015	<b>15406/2015</b>
<b>BRITA GMBH;</b> 07-01F, A CLOSURE FOR A FLASK, (DE, 17 Apr 2015) 15 Oct 2015	<b>15466/2015</b>	<b>Concetta Antonina Riemelmoser;Giuseppe Antonio Gerardis;</b> 25-02G, Noise reducing pipe grate, 08 Oct 2015	<b>15286/2015</b>
<b>Caterpillar Inc.;</b> 15-04, Lip Shroud for ground engaging Machine Implement., (US, 17 Apr 2015) 15 Oct 2015	<b>15471/2015</b>		
<b>Caterpillar Inc.;</b> 15-04, LIP FOR GROUND ENGAGING MACHINE IMPLEMENT, (US, 17 Apr 2015) 15 Oct 2015	<b>15469/2015</b>		



<b>Cossio, Caroline;</b> 14-03NES, Stand, 08 Oct 2015	<b>15276/2015</b>	<b>Eti Gida Sanayi Ve Ticaret Anonim Sirketi;</b> 01-01, Confection, 14 Oct 2015	<b>15440/2015</b>
<b>CALLINANS;</b> 12-05, Lifting Anchors, (Divisional of 14126/2015) 12 Oct 2015	<b>15359/2015</b>	<b>ELC Management LLC;</b> 09-01G, Fragrance bottle, (US, 10 Apr 2015) 06 Oct 2015	<b>15198/2015</b>
<b>CALLINANS;</b> 12-05, Lifting anchors, (Divisional of 14126/2015) 12 Oct 2015	<b>15360/2015</b>	<b>EPC Power Corporation;</b> 13-02, Power inverter, (US, 09 Apr 2015) 07 Oct 2015	<b>15223/2015</b>
<b>CALLINANS;</b> 12-05, Lifting anchors, (Divisional of 14126/2015) 12 Oct 2015	<b>15361/2015</b>	<b>Falecki, Dylan;</b> 06-01E, Stool, (Divisional of 14125/2015) 14 Oct 2015	<b>15437/2015</b>
<b>CORPORATE CULTURE AUSTRALIA PTY LTD;</b> 25-02NES, Screen, 14 Oct 2015	<b>15426/2015</b>	<b>Falecki, Dylan;</b> 06-03A, Bench, (Divisional of 14125/2015) 14 Oct 2015	<b>15436/2015</b>
<b>CORPORATE CULTURE AUSTRALIA PTY LTD;</b> 06-03C, Booth desk, 14 Oct 2015	<b>15425/2015</b>	<b>Flamagas, S.A.;</b> 27-05, Lighter, (EM, 07 Apr 2015) 06 Oct 2015	<b>15200/2015</b>
<b>CORPORATE CULTURE AUSTRALIA PTY LTD;</b> 06-01G, Sofa, 14 Oct 2015	<b>15428/2015</b>	<b>Flamagas, S.A.;</b> 27-05, Lighter, (EM, 07 Apr 2015) 06 Oct 2015	<b>15199/2015</b>
<b>Daikin Industries Ltd.;</b> 14-03NES, Remote controller for air conditioner, (JP, 09 Jun 2015) 06 Oct 2015	<b>15192/2015</b>	<b>Flavour Creations Pty Ltd;</b> 07-01C, Cup, 12 Oct 2015	<b>15390/2015</b>
<b>Daikin Industries Ltd.;</b> 14-03NES, Remote controller for air conditioner, (JP, 09 Jun 2015) 06 Oct 2015	<b>15193/2015</b>	<b>Fonterra Brands (Australia) PTY Limited;</b> 09-05, A pouch, 09 Oct 2015	<b>15292/2015</b>
<b>Daikin Industries Ltd.;</b> 23-04, Panel of air conditioner, (CN, 29 Apr 2015) 06 Oct 2015	<b>15191/2015</b>	<b>Fonterra Brands (Australia) PTY Limited;</b> 09-05, A pouch, 09 Oct 2015	<b>15293/2015</b>
<b>Daimler AG;</b> 12-16A, Wheel for vehicle, 14 Oct 2015	<b>15430/2015</b>	<b>Fratelli Fantini S.p.A.;</b> 23-01H, Mixing tap, (EM, 13 Apr 2015) 13 Oct 2015	<b>15414/2015</b>
<b>Daimler AG;</b> 12-16A, Wheel for vehicle, 14 Oct 2015	<b>15432/2015</b>	<b>Fratelli Fantini S.p.A.;</b> 23-01H, Mixing tap and spout, (EM, 13 Apr 2015) 13 Oct 2015	<b>15415/2015</b>
<b>Daimler AG;</b> 12-16A, Wheel for vehicle, 14 Oct 2015	<b>15431/2015</b>	<b>Fratelli Fantini S.p.A.;</b> 23-01H, Mixing tap, (EM, 13 Apr 2015) 13 Oct 2015	<b>15413/2015</b>
<b>Daimler AG;</b> 12-16A, Wheel for vehicle, (EM, 29 Apr 2015) 12 Oct 2015	<b>15347/2015</b>	<b>FLSmith A/S;</b> 12-16NES, Leaf spring, 01 Oct 2015	<b>15112/2015</b>
<b>Daimler AG;</b> 12-16A, Wheel for vehicle, (EM, 29 Apr 2015) 12 Oct 2015	<b>15348/2015</b>	<b>FORGESTEEL PTY LTD;</b> 25-02G, Grate, 07 Oct 2015	<b>15231/2015</b>
<b>Derlot IP Pty Ltd;</b> 06-01E, A stool, 14 Oct 2015	<b>15442/2015</b>	<b>Gibus S.P.A.;</b> 21-04, Awning, (EM, 30 Apr 2015) 10 Oct 2015	<b>15342/2015</b>
<b>DVR Engineering Pty Ltd;</b> 14-02, Digital content hub with advertising & payphone, 07 Oct 2015	<b>15263/2015</b>	<b>Giuseppe Antonio Gerardis;Concetta Antonina Riemelmoser;</b> 25-02G, Noise reducing pipe grate, 08 Oct 2015	<b>15286/2015</b>
<b>Eleko Pty Ltd;</b> 23-01B, Conduit assembly, 06 Oct 2015	<b>15203/2015</b>	<b>Glud &amp; Marstrand A/S;</b> 03-01NES, Box, (EP, 15 Apr 2015) 15 Oct 2015	<b>15448/2015</b>
<b>Eti Gida Sanayi Ve Ticaret Anonim Sirketi;</b> 01-01, Confection, 14 Oct 2015	<b>15438/2015</b>	<b>Gravolin, Dennis Ronald;Gravolin, Sandra Lorraine;</b> 08-99, Weatherproof cover assembly, 08 Oct 2015	<b>15291/2015</b>
<b>Eti Gida Sanayi Ve Ticaret Anonim Sirketi;</b> 01-01, Confection, 14 Oct 2015	<b>15441/2015</b>		
<b>Eti Gida Sanayi Ve Ticaret Anonim Sirketi;</b> 01-01, Confection, 14 Oct 2015	<b>15439/2015</b>		

<b>Gravolin, Dennis Ronald;Gravolin, Sandra Lorraine;</b> 08-06, A locking tab handle, 12 Oct 2015	<b>15389/2015</b>	<b>Husqvarna AB;</b> 23-01D, Sprayer handle, (EM, 10 Apr 2015) 12 Oct 2015	<b>15354/2015</b>
<b>Gravolin, Sandra Lorraine;Gravolin, Dennis Ronald;</b> 08-06, A locking tab handle, 12 Oct 2015	<b>15389/2015</b>	<b>Husqvarna AB;</b> 23-01D, Spray lance, (EM, 10 Apr 2015) 12 Oct 2015	<b>15351/2015</b>
<b>Gravolin, Sandra Lorraine;Gravolin, Dennis Ronald;</b> 08-99, Weatherproof cover assembly, 08 Oct 2015	<b>15291/2015</b>	<b>Husqvarna AB;</b> 23-01NES, Sensor, (EM, 10 Apr 2015) 12 Oct 2015	<b>15357/2015</b>
<b>Gregory Commercial Furniture Pty Limited;</b> 06-09, Seat cushion, 12 Oct 2015	<b>15376/2015</b>	<b>Husqvarna AB;</b> 23-01D, Sprayer, (EM, 10 Apr 2015) 12 Oct 2015	<b>15352/2015</b>
<b>Groundwater Imaging Pty Ltd;</b> 10-04, Geophysical equipment, 15 Oct 2015	<b>15476/2015</b>	<b>Hutzler Manufacturing Co., Inc.;</b> 07-01NES, Container, (US, 24 Aug 2015) 09 Oct 2015	<b>15297/2015</b>
<b>GENTOS Co., Ltd.;</b> 26-02, Headlamp, (JP, 15 Apr 2015) 14 Oct 2015	<b>15435/2015</b>	<b>HDT SPECIAL VEHICLES PTY LTD;</b> 12-16B, VF commodore grille, 07 Oct 2015	<b>15221/2015</b>
<b>Hargrave, Fiona;</b> 06-08, Clothes Hanger, 08 Oct 2015	<b>15280/2015</b>	<b>HDT SPECIAL VEHICLES PTY LTD;</b> 12-16B, VF commodore bonnet scoop, 07 Oct 2015	<b>15222/2015</b>
<b>Harley, David;</b> 23-01A, Gasket, 12 Oct 2015	<b>15346/2015</b>	<b>Isuzu Motors Limited;</b> 12-16B, Grille for a vehicle, (JP, 14 Apr 2015) 07 Oct 2015	<b>15216/2015</b>
<b>Hubbell Incorporated;</b> 26-04, Lighting fixture, (US, 10 Apr 2015) 09 Oct 2015	<b>15294/2015</b>	<b>Isuzu Motors Limited;</b> 12-08, Truck, (JP, 14 Apr 2015) 07 Oct 2015	<b>15220/2015</b>
<b>Hubbell Incorporated;</b> 26-03, 25-02NES, Illuminating bollard, (US, 15 Apr 2015) 14 Oct 2015	<b>15416/2015</b>	<b>Isuzu Motors Limited;</b> 12-16E, Combination lamp for a vehicle, (JP, 14 Apr 2015) 07 Oct 2015	<b>15218/2015</b>
<b>Hubbell Incorporated;</b> 26-04, Lighting fixture, 09 Oct 2015	<b>15295/2015</b>	<b>Isuzu Motors Limited;</b> 12-16E, Combination lamp for a vehicle, (JP, 14 Apr 2015) 07 Oct 2015	<b>15219/2015</b>
<b>Hunter Douglas Inc.;</b> 14-03NES, Remote control housing, (US, 13 Feb 2015) (Divisional of 14155/2015) 07 Oct 2015	<b>15230/2015</b>	<b>Isuzu Motors Limited;</b> 12-16C, Front bumper for a vehicle, (JP, 14 Apr 2015) 07 Oct 2015	<b>15217/2015</b>
<b>Hunter Douglas Inc.;</b> 14-03NES, Remote control housing, (US, 13 Feb 2015) (Divisional of 14155/2015) 07 Oct 2015	<b>15224/2015</b>	<b>Ivanova Holdings Pty Ltd;</b> 01-01, Chocolate tablets, 07 Oct 2015	<b>15253/2015</b>
<b>Hunter Douglas Inc.;</b> 14-03NES, Remote control housing, (US, 13 Feb 2015) (Divisional of 14155/2015) 07 Oct 2015	<b>15232/2015</b>	<b>Ivanova Holdings Pty Ltd;</b> 01-01, Chocolate tablets, 07 Oct 2015	<b>15245/2015</b>
<b>Husqvarna AB;</b> 14-02, Gateway, (EM, 10 Apr 2015) 12 Oct 2015	<b>15350/2015</b>	<b>Ivanova Holdings Pty Ltd;</b> 01-01, Chocolate tablets, 07 Oct 2015	<b>15248/2015</b>
<b>Husqvarna AB;</b> 23-01D, Sprayer handle, (EM, 10 Apr 2015) 12 Oct 2015	<b>15353/2015</b>	<b>Ivanova Holdings Pty Ltd;</b> 01-01, Chocolate tablets, 07 Oct 2015	<b>15249/2015</b>
<b>Husqvarna AB;</b> 23-01E, Water controller, (EM, 10 Apr 2015) 12 Oct 2015	<b>15355/2015</b>	<b>Ivanova Holdings Pty Ltd;</b> 01-01, Chocolate Tablets, 07 Oct 2015	<b>15243/2015</b>
<b>Husqvarna AB;</b> 23-01D, Spray lance, (EM, 10 Apr 2015) 12 Oct 2015	<b>15356/2015</b>	<b>Ivanova Holdings Pty Ltd;</b> 01-01, Chocolate tablets, 07 Oct 2015	<b>15250/2015</b>
		<b>Ivanova Holdings Pty Ltd;</b> 01-01, Chocolate tablets, 07 Oct 2015	<b>15246/2015</b>
		<b>Ivanova Holdings Pty Ltd;</b> 01-01, Chocolate tablets, 07 Oct 2015	<b>15254/2015</b>
		<b>Ivanova Holdings Pty Ltd;</b> 01-01, Chocolate tablets, 07 Oct 2015	<b>15247/2015</b>
		<b>Ivanova Holdings Pty Ltd;</b> 01-01, Chocolate tablets, 07 Oct 2015	<b>15244/2015</b>

<b>Ivanova Holdings Pty Ltd;</b> 01-01, Chocolate tablets, 07 Oct 2015	<b>15241/2015</b>	<b>JOSEPH JOSEPH LTD;</b> 07-02N, Kitchenware, (EP, 10 Apr 2015) 07 Oct 2015	<b>15256/2015</b>
<b>Ivanova Holdings Pty Ltd;</b> 01-01, Chocolate tablets, 07 Oct 2015	<b>15251/2015</b>	<b>JOSEPH JOSEPH LTD;</b> 07-02NES, Kitchenware, (EM, 10 Apr 2015) 07 Oct 2015	<b>15236/2015</b>
<b>Ivanova Holdings Pty Ltd;</b> 01-01, Chocolate tablets, 07 Oct 2015	<b>15252/2015</b>	<b>JOSEPH JOSEPH LTD;</b> 07-02NES, Kitchenware, (EP, 10 Apr 2015) 07 Oct 2015	<b>15235/2015</b>
<b>Ivanova Holdings Pty Ltd;</b> 01-01, Chocolate tablets, 07 Oct 2015	<b>15242/2015</b>	<b>JOSEPH JOSEPH LTD;</b> 07-01NES, Kitchenware, (GB, 10 Apr 2015) 07 Oct 2015	<b>15260/2015</b>
<b>Ivanova Holdings Pty Ltd;</b> 01-01, Chocolate tablets, 07 Oct 2015	<b>15240/2015</b>	<b>JOSEPH JOSEPH LTD;</b> 07-02NES, Kitchenware, (EP, 13 Apr 2015) 07 Oct 2015	<b>15234/2015</b>
<b>INTERNATIONAL MULCH COMPANY;</b> 25-01A, Rubber landscape paver, (US, 02 Feb 2015) (Divisional of 13874/2015) 07 Oct 2015	<b>15215/2015</b>	<b>JOSEPH JOSEPH LTD;</b> 07-02H, Kitchenware, (GB, 10 Apr 2015) 07 Oct 2015	<b>15259/2015</b>
<b>INTERNATIONAL MULCH COMPANY;</b> 25-01A, Rubber landscape paver, (US, 02 Feb 2015) (Divisional of 13874/2015) 07 Oct 2015	<b>15214/2015</b>	<b>Karadjian, Simon;</b> 22-05, Fishing rod holder ground and boat, 12 Oct 2015	<b>15377/2015</b>
<b>Jacobson, Errol Brett;</b> 28-02, A hair fastening device, 15 Oct 2015	<b>15450/2015</b>	<b>Koninklijke Philips N.V.;</b> 23-04, Air purifier, (EM, 16 Apr 2015) 15 Oct 2015	<b>15445/2015</b>
<b>Jacobson, Errol Brett;</b> 28-02, A hair fastening device, 15 Oct 2015	<b>15451/2015</b>	<b>KENNETH AYRES (AUST.) PTY. LTD.;</b> 03-01A, Packaging product with cover, 08 Oct 2015	<b>15289/2015</b>
<b>James Jeffrey Herbst;</b> 21-02F, Fitness and martial arts training equipment., 09 Oct 2015	<b>15341/2015</b>	<b>L &amp; L SULLIVAN;</b> 24-99, Intraocular lens guide, 09 Oct 2015	<b>15302/2015</b>
<b>Johansen, Tune Eliot;</b> 25-02B, Heat and fire proof door, 16 Oct 2015	<b>15478/2015</b>	<b>Laboratoires La Prairie SA;</b> 09-01G, Cosmetic container, 12 Oct 2015	<b>15378/2015</b>
<b>Johansen, Tune Eliot;</b> 25-03, Shelter, 16 Oct 2015	<b>15479/2015</b>	<b>Laboratoires La Prairie SA;</b> 09-01G, Cosmetic container, 12 Oct 2015	<b>15379/2015</b>
<b>Johnson &amp; Johnson Consumer Inc.;</b> 24-04, An absorbent article having an embossed design, (US, 11 Feb 2015) (Divisional of 14087/2015) 06 Oct 2015	<b>15195/2015</b>	<b>Lessing, Stefanus Christian;SITRO GROUP AUSTRALIA Pty Ltd;</b> 06-01H, Folding chair with power and heat source, 06 Oct 2015	<b>15201/2015</b>
<b>JLM INVESTMENT GROUP PTY LTD;</b> 07-01NES, Lunchbox, 09 Oct 2015	<b>15313/2015</b>	<b>Madison Technologies Pty Ltd;</b> 07-02F, Telecommunications pillar expansion skirt, 08 Oct 2015	<b>15275/2015</b>
<b>JLM INVESTMENT GROUP PTY LTD;</b> 07-01NES, Lunchbox, 09 Oct 2015	<b>15312/2015</b>	<b>Madison Technologies Pty Ltd;</b> 14-03NES, Telecommunications Pillar Cover, 08 Oct 2015	<b>15279/2015</b>
<b>JOSEPH JOSEPH LTD;</b> 07-02H, Kitchenware, (GB, 10 Apr 2015) 07 Oct 2015	<b>15258/2015</b>	<b>Madison Technologies Pty Ltd;</b> 14-03NES, Telecommunications pillar expansion base, 08 Oct 2015	<b>15277/2015</b>
<b>JOSEPH JOSEPH LTD;</b> 07-05E, Kitchenware, (EP, 09 Apr 2015) 07 Oct 2015	<b>15238/2015</b>	<b>Madison Technologies Pty Ltd;</b> 14-03NES, Telecommunications pillar expansion module, 08 Oct 2015	<b>15278/2015</b>
<b>JOSEPH JOSEPH LTD;</b> 07-03, Kitchenware, (EP, 10 Apr 2015) 07 Oct 2015	<b>15262/2015</b>	<b>Magi Enterprises Pty Ltd;</b> 02-02C, Dress, 22 Jun 2015	<b>15329/2015</b>
<b>JOSEPH JOSEPH LTD;</b> 07-02N, Kitchenware, (EP, 10 Apr 2015) 07 Oct 2015	<b>15239/2015</b>	<b>Magi Enterprises Pty Ltd;</b> 02-02NES, Top, 22 Jun 2015	<b>15321/2015</b>
<b>JOSEPH JOSEPH LTD;</b> 07-02NES, Kitchenware, (EP, 10 Apr 2015) 07 Oct 2015	<b>15257/2015</b>	<b>Magi Enterprises Pty Ltd;</b> 02-02NES, T-shirt, 22 Jun 2015	<b>15327/2015</b>

<b>Magi Enterprises Pty Ltd;</b> 02-02A, Swimwear, 22 Jun 2015	<b>15328/2015</b>	<b>Medline Industries, Inc.;</b> 24-04, Bonded dual layer sterile wrap, (US, 09 Apr 2015) 09 Oct 2015	<b>15339/2015</b>
<b>Magi Enterprises Pty Ltd;</b> 02-02NES, Top, 22 Jun 2015	<b>15326/2015</b>	<b>Medline Industries, Inc.;</b> 24-04, Bonded dual layer sterile wrap, (US, 09 Apr 2015) 09 Oct 2015	<b>15340/2015</b>
<b>Magi Enterprises Pty Ltd;</b> 02-02NES, Top, 22 Jun 2015	<b>15319/2015</b>	<b>Medline Industries, Inc.;</b> 24-04, Bonded dual layer sterile wrap, (US, 09 Apr 2015) 09 Oct 2015	<b>15336/2015</b>
<b>Magi Enterprises Pty Ltd;</b> 02-02NES, Top, 22 Jun 2015	<b>15320/2015</b>	<b>Medline Industries, Inc.;</b> 24-04, Bonded dual layer sterile wrap, (US, 09 Apr 2015) 09 Oct 2015	<b>15334/2015</b>
<b>Magi Enterprises Pty Ltd;</b> 02-02C, Shorts, 22 Jun 2015	<b>15324/2015</b>	<b>Medline Industries, Inc.;</b> 24-04, Bonded dual layer sterile wrap, (US, 09 Apr 2015) 09 Oct 2015	<b>15337/2015</b>
<b>Magi Enterprises Pty Ltd;</b> 02-02C, Skirt, 22 Jun 2015	<b>15325/2015</b>	<b>Medline Industries, Inc.;</b> 24-04, Bonded dual layer sterile wrap, (US, 09 Apr 2015) 09 Oct 2015	<b>15338/2015</b>
<b>Magi Enterprises Pty Ltd;</b> 02-02NES, Top, 22 Jun 2015	<b>15322/2015</b>	<b>Medline Industries, Inc.;</b> 24-04, Bonded dual layer sterile wrap, (US, 09 Apr 2015) 09 Oct 2015	<b>15333/2015</b>
<b>Magi Enterprises Pty Ltd;</b> 02-02C, Playsuit, 22 Jun 2015	<b>15323/2015</b>	<b>Medline Industries, Inc.;</b> 24-04, Bonded dual layer sterile wrap, (US, 09 Apr 2015) 09 Oct 2015	<b>15287/2015</b>
<b>Matthews, Jeremy;</b> 11-05, Flag, 15 Oct 2015	<b>15475/2015</b>	<b>Medline Industries, Inc.;</b> 24-04, Bonded dual layer sterile wrap, (US, 09 Apr 2015) 09 Oct 2015	<b>15460/2015</b>
<b>Medela Holding AG;</b> 24-04, Junction for a vacuum circuit, (US, 13 Apr 2015) 12 Oct 2015	<b>15366/2015</b>	<b>Medline Industries, Inc.;</b> 12-12, A rollator, (US, 09 Apr 2015) 08 Oct 2015	<b>15290/2015</b>
<b>Medela Holding AG;</b> 24-02, Housing with interface panel for a pressure source., (US, 13 Apr 2015) 13 Oct 2015	<b>15394/2015</b>	<b>Meyerhoffer, Thomas E;</b> 08-07, Door locking mechanism, (US, 16 Apr 2015) 15 Oct 2015	<b>15285/2015</b>
<b>Medela Holding AG;</b> 24-02, Housing with interface panel for a pressure source., (US, 13 Oct 2015) 13 Oct 2015	<b>15395/2015</b>	<b>MicroDose Therapeutx, Inc.;</b> 24-04, Cartridge for inhaler, (US, 01 Oct 2015) 08 Oct 2015	<b>15283/2015</b>
<b>Medela Holding AG;</b> 24-02, Valve component for a breastmilk collection system., (US, 13 Apr 2015) 13 Oct 2015	<b>15392/2015</b>	<b>Mimco Pty Ltd;</b> 03-01B, Handbag, 15 Oct 2015	<b>15477/2015</b>
<b>Medela Holding AG;</b> 24-02, Breastmilk collection apparatus., (US, 13 Apr 2015) 13 Oct 2015	<b>15393/2015</b>	<b>ModuleX Inc.;</b> 26-03, A spotlight, (JP, 24 Apr 2015) 15 Oct 2015	<b>15463/2015</b>
<b>Medela Holding AG;</b> 03-01B, Shoulder bag, (US, 13 Apr 2015) 13 Oct 2015	<b>15391/2015</b>	<b>Moiescu, Mihnea Alexandru;</b> 21-02NES, Gymnastics rings, fitness rings, 10 Oct 2015	<b>15109/2015</b>
<b>Medela Holding AG;</b> 24-04, Breastmilk collection apparatus, (US, 13 Apr 2015) 12 Oct 2015	<b>15370/2015</b>	<b>Mophie, Inc.;</b> 03-01NES, Protective battery case, (US, 06 Apr 2015) 01 Oct 2015	<b>15202/2015</b>
<b>Medela Holding AG;</b> 24-04, Tubing connector for a breastmilk system, (US, 13 Apr 2015) 12 Oct 2015	<b>15364/2015</b>	<b>Morgan Metal Corp. Pty Ptd;</b> 12-10, Camper trailer, 06 Oct 2015	<b>15443/2015</b>
<b>Medela Holding AG;</b> 24-04, Housing with interface panel for a pressure source, (US, 13 Apr 2015) 12 Oct 2015	<b>15372/2015</b>	<b>Morley, Matthew;</b> 32-03, Cryptographically protected virtual currency unit, (GB, 04 Sep 2015) 15 Oct 2015	
<b>Medela Holding AG;</b> 24-04, Breastmilk collection apparatus, (US, 13 Apr 2015) 12 Oct 2015	<b>15375/2015</b>		
<b>Medline Industries, Inc.;</b> 24-04, Bonded dual layer sterile wrap, (US, 09 Apr 2015) 09 Oct 2015	<b>15335/2015</b>		

<b>Morley, Matthew;</b> 32-03, Internet based social network and virtual nation, (GB, 04 Sep 2015) 15 Oct 2015	<b>15444/2015</b>	<b>ResMed Limited;</b> 14-02, Display screen or graphical user interface or portion thereof, with animated images and/or icon(s), (Divisional of 13561/2015) 06 Oct 2015	<b>15212/2015</b>
<b>MILLON WINES PTY LTD;</b> 09-01H, Wine bottle, 13 Oct 2015	<b>15404/2015</b>	<b>ResMed Limited;</b> 24-01, Patient interface and/or components, (Divisional of 13758/2015) 02 Oct 2015	<b>15197/2015</b>
<b>MILLON WINES PTY LTD;</b> 09-01H, Wine bottle, 13 Oct 2015	<b>15405/2015</b>	<b>Revlon Consumer Products Corporation;</b> 28-03NES, Cosmetic applicator, (US, 31 Aug 2015) 01 Oct 2015	<b>15115/2015</b>
<b>MOEBE ApS;</b> 06-07, Picture frame, (DK, 10 Apr 2015) 08 Oct 2015	<b>15284/2015</b>	<b>Revlon Consumer Products Corporation;</b> 28-03NES, Cosmetic applicator, (US, 31 Aug 2015) 01 Oct 2015	<b>15116/2015</b>
<b>MTG Co., Ltd.;</b> 24-04, Posture holding device, (JP, 14 Apr 2015) 13 Oct 2015	<b>15407/2015</b>	<b>Revlon Consumer Products Corporation;</b> 28-03NES, Cosmetic applicator, (US, 31 Aug 2015) 01 Oct 2015	<b>15114/2015</b>
<b>MTG Co., Ltd.;</b> 24-04, Posture holding device, (JP, 14 Apr 2015) 13 Oct 2015	<b>15408/2015</b>	<b>Revlon Consumer Products Corporation;</b> 28-03NES, Cosmetic applicator, (US, 31 Aug 2015) 01 Oct 2015	<b>15113/2015</b>
<b>Nittel, Ken;</b> 21-01L, 4 player chess board, 07 Oct 2015	<b>15237/2015</b>	<b>REIZIGER PTY LTD;</b> 09-01K, Liquid fertiliser bottle, 08 Oct 2015	<b>15264/2015</b>
<b>Oakley, Inc.;</b> 16-06, Eyeglass, (US, 11 May 2015) 12 Oct 2015	<b>15373/2015</b>	<b>RKC Holdings Pty Ltd;</b> 12-16NES, Airbag sleeve end, 06 Oct 2015	<b>15204/2015</b>
<b>Oakley, Inc.;</b> 16-06, Eyeglass, (US, 11 May 2015) 12 Oct 2015	<b>15349/2015</b>	<b>RKC Holdings Pty Ltd;</b> 12-16NES, Airbag sleeve, 06 Oct 2015	<b>15205/2015</b>
<b>ORMESA S.R.L.;</b> 12-12, Wheelchair, 13 Oct 2015	<b>15400/2015</b>	<b>Samsung Electronics Co., Ltd;</b> 03-01NES, Cover for portable device, (KR, 15 Jul 2015) 09 Oct 2015	<b>15314/2015</b>
<b>Peddie, Julie Doris;</b> 11-02A, Wood vase, 09 Oct 2015	<b>15298/2015</b>	<b>Samsung Electronics Co., Ltd;</b> 14-03E, Portable device, (KR, 15 Jul 2015) 09 Oct 2015	<b>15317/2015</b>
<b>Pi-Design AG;</b> 07-02F, A toaster, (WO, 05 May 2015) 13 Oct 2015	<b>15398/2015</b>	<b>Samsung Electronics Co., Ltd;</b> 14-03E, Portable device, (KR, 15 Jun 2015) 09 Oct 2015	<b>15315/2015</b>
<b>Pi-Design AG;</b> 07-02L, A coffee maker, (WO, 07 May 2015) 14 Oct 2015	<b>15424/2015</b>	<b>Samsung Electronics Co., Ltd;</b> 03-01NES, Cover for portable device, (KR, 15 Jul 2015) 09 Oct 2015	<b>15316/2015</b>
<b>Pi-Design AG;</b> 07-02F, A toaster, (WO, 05 May 2015) 13 Oct 2015	<b>15399/2015</b>	<b>Scheppach Fabrikation von Holzbearbeitungsmaschinen GmbH;</b> 08-05A, Spraying device, (EM, 22 Sep 2015) 08 Oct 2015	<b>15265/2015</b>
<b>Porter, Warwick;</b> 17-04, Musical instrument, 06 Oct 2015	<b>15206/2015</b>	<b>Stevens, Kelly Jane;</b> 21-01A, Rainbow embroidery bear, personalised rainbow bear, 15 Oct 2015	<b>15473/2015</b>
<b>PARKER-HANNIFIN CORPORATION;</b> 24-01, NASAL MASK, (US, 21 Apr 2015) 13 Oct 2015	<b>15397/2015</b>	<b>Stevens, Kelly Jane;</b> 21-01A, Rainbow embroidery bear blankie, 15 Oct 2015	<b>15474/2015</b>
<b>Reckitt Benckiser (Brands) Limited;</b> 07-05NES, Capsule containing washing products, (EM, 13 Apr 2015) 12 Oct 2015	<b>15380/2015</b>	<b>Stig Bundgaard;</b> 09-03M, Packaging, 06 Oct 2015	<b>15208/2015</b>
<b>Reckitt Benckiser (Brands) Limited;</b> 07-05NES, Capsule containing washing products, (EM, 13 Apr 2015) 12 Oct 2015	<b>15386/2015</b>	<b>Stig Bundgaard;</b> 09-03M, Packaging, 06 Oct 2015	<b>15210/2015</b>
<b>Reckitt Benckiser (Brands) Limited;</b> 07-05NES, Capsule containing washing products, (EM, 13 Apr 2015) 12 Oct 2015	<b>15381/2015</b>	<b>Stig Bundgaard;</b> 09-03M, Packaging, 06 Oct 2015	<b>15211/2015</b>
<b>Reckitt Benckiser (Brands) Limited;</b> 07-05NES, Capsule containing washing products, (EM, 13 Apr 2015) 12 Oct 2015	<b>15382/2015</b>		

<b>Stig Bundgaard;</b> 09-03M, Packaging, 06 Oct 2015	<b>15209/2015</b>	<b>Vattaca, LLC;</b> 21-02C, Golf club ferrule, (US, 10 Apr 2015) 09 Oct 2015	<b>15318/2015</b>
<b>Sutcliffe, Olga;</b> 28-04, Hair attachment device, 08 Oct 2015	<b>15274/2015</b>	<b>Victaulic Company;</b> 23-01A, Pipe coupling segment, (US, 12 May 2015) 14 Oct 2015	<b>15433/2015</b>
<b>SBA Precious Metals Pty Ltd;</b> 11-03, Lapel Pin, Lapel Pin Keyring, 13 Oct 2015	<b>15396/2015</b>	<b>Victaulic Company;</b> 23-01A, Pipe coupling segment, (US, 12 May 2015) 14 Oct 2015	<b>15434/2015</b>
<b>SDI Plastics;</b> 09-03F, 5 cavity plastic disposable food tray, 11 Oct 2015	<b>15345/2015</b>	<b>Victaulic Company;</b> 23-01B, Pipe fitting segment, (US, 04 May 2015) 12 Oct 2015	<b>15362/2015</b>
<b>SDI Plastics;</b> 25-02NES, Plastic injection moulded sliding gate block, 11 Oct 2015	<b>15344/2015</b>	<b>Victaulic Company;</b> 23-01A, Pipe fitting, (US, 04 May 2015) 08 Oct 2015	<b>15282/2015</b>
<b>SITRO GROUP AUSTRALIA Pty Ltd;Lessing, Stefanus Christian;</b> 06-01H, Folding chair with power and heat source, 06 Oct 2015	<b>15201/2015</b>	<b>Visa International Service Association;</b> 14-02, A display screen or portion thereof with an image from a sequence of images forming an animated grap, (US, 10 Apr 2015) 09 Oct 2015	<b>15311/2015</b>
<b>SMOKE &amp; MIRRORS BOUTIQUE PTY LTD;</b> 02-02C, A dress, 12 Oct 2015	<b>15358/2015</b>	<b>Visy R &amp; D Pty Ltd;</b> 09-03NES, Blank for forming a container, 12 Oct 2015	<b>15363/2015</b>
<b>T LIU &amp; A TRAN;</b> 03-01B, Wallet, 09 Oct 2015	<b>15331/2015</b>	<b>Visy R &amp; D Pty Ltd;</b> 09-07B, Blank for forming a lid of a container, 12 Oct 2015	<b>15365/2015</b>
<b>T LIU &amp; A TRAN;</b> 03-01B, Keyring, 09 Oct 2015	<b>15332/2015</b>	<b>Vuly Property Pty Ltd;</b> 21-02F, Trampolines, (NZ, 12 May 2015) 12 Oct 2015	<b>15388/2015</b>
<b>T LIU &amp; A TRAN;</b> 03-01B, Travel accessories, 09 Oct 2015	<b>15330/2015</b>	<b>VIP Plastic Packaging Pty Ltd;</b> 23-02A, Dispenser, 14 Oct 2015	<b>15427/2015</b>
<b>T LIU &amp; A TRAN;</b> 03-01NES, Laptop case, 09 Oct 2015	<b>15304/2015</b>	<b>Wet Leopard PTY LTD;</b> 02-02A, Rash guard, (Divisional of 12753/2015) 15 Oct 2015	<b>15449/2015</b>
<b>T LIU &amp; A TRAN;</b> 03-01B, Bag, 09 Oct 2015	<b>15303/2015</b>	<b>Whitlock Bull Bars Pty Ltd;</b> 12-16C, Truck bull bar, 01 Oct 2015	<b>15110/2015</b>
<b>Tang, Danny;</b> 02-07A, Stress-relieving button cover, (US, 06 Apr 2015) 06 Oct 2015	<b>15188/2015</b>	<b>Wilson, Grahame Robert;</b> 08-05K, Bricklaying tool, 07 Oct 2015	<b>15233/2015</b>
<b>Thane International, Inc.;</b> 07-05E, Head for a steam mop, 01 Oct 2015	<b>15107/2015</b>	<b>Yale Security Inc.;</b> 08-07, Smart lock front panel, (Divisional of 13807/2015) 15 Oct 2015	<b>15447/2015</b>
<b>Thane International, Inc.;</b> 07-05E, Head for a steam mop, 01 Oct 2015	<b>15108/2015</b>	<b>Yale Security Inc.;</b> 08-07, Interior housing for a door lock, (Divisional of 13808/2015) 15 Oct 2015	<b>15456/2015</b>
<b>Trademark Works;</b> 07-02H, Kitchenware, (EP, 10 Apr 2015) 07 Oct 2015	<b>15255/2015</b>	<b>Zenith Gulf Security Systems LLC;</b> 26-05A, Vehicle mounted lightbar with integrated cameras, 12 Oct 2015	<b>15384/2015</b>
<b>Tzu-Li HSU;</b> 24-02, Tongue Anteriorizor, (TW, 05 May 2015) 15 Oct 2015	<b>15467/2015</b>	<b>3M Innovative Properties Company;</b> 26-05C, Light fixture, (US, 24 Apr 2015) 15 Oct 2015	<b>15446/2015</b>
<b>TRAC GROUP HOLDINGS LTD;</b> 25-01NES, Roof batten, 13 Oct 2015	<b>15402/2015</b>		
<b>TRAC GROUP HOLDINGS LTD;</b> 25-01NES, Roof batten, 13 Oct 2015	<b>15403/2015</b>		

---

**Applications Lapsed**

11744 / 2015 (13-03NES)

12023 / 2015 (25-01E)	11745 / 2015 (13-03E)
13036 / 2015 (25-01D)	12747 / 2015 (20-99)
13076 / 2015 (21-04)	13071 / 2015 (02-02B)
13087 / 2015 (09-07C)	13086 / 2015 (09-07C)
13300 / 2015 (06-01F)	13242 / 2015 (07-01C)
13302 / 2015 (06-01F)	13301 / 2015 (06-01F)
13423 / 2015 (13-02)	13385 / 2015 (14-02)
	13444 / 2015 (12-15F)

**Extension of Period of Registration of Designs**

331799	333460	333504
333505	333521	333522
333526	333527	333528
333529	333536	333547
333548	333549	333578
333580	333581	333587
333588	333589	333590
333617	333645	333663
333664	333665	333666
333667	333674	333675
333676	333751	333927
333974	333975	334003
334020	334021	334022
334023	334024	334025
334026	334027	334048
334078	334079	334080
334081	334082	334087
334105	334106	334158
334170	334184	334228
334229	334245	334246
334303	334358	334359
334395	334396	334426
334430	334431	334456
334500	334525	334554
334557	334592	334593
334602	334654	334659
334682	334683	334684
334718	334719	334720
334737	334742	334748
334749	334750	334751
334766	334768	334770
334772	334911	335055
335218	335344	335345
335431	335432	335681
336564	336565	336566
336567	336568	

**Registrations Ceased**

304013	304014	304108
305639	305742	305781
305784	305786	305787
305801	305811	305826
305832	305845	305847
305848	305849	305850
305851	305852	305896
305897	305898	305920
305921	305922	305997
305998	305999	306000
306001	306003	306007

306008	306009	306010
306011	306012	306013
306014	306016	306019
306035	306036	306037
306038	306041	306042
306058	306060	306061
306081	306082	306115
306116	306117	306118
306119	306120	306121
306122	306123	306124
306128	306129	306130
306131	306132	306133
306157	306168	306170
306171	306172	306175
306176	306200	306201
306202	306215	306216
306217	306219	306268
306269	306279	306281
306282	306283	306305
306306	306311	306312
306313	306314	306315
306330	306331	306332
306333	306334	306336
306337	306338	306339
306340	306342	306344
306345	306346	306347
306348	306349	306350
306351	306352	306353
306354	306355	306356
306357	306358	306359
306360	306361	306396
306397	306398	306399
306400	306401	306402
306403	306404	306405
306406	306407	306433
306434	306435	306436
306437	306573	306574
306575	306583	306604
306698	306699	306700
306702	306739	306740
306756	306777	306778
306779	306780	306781
306782	306783	306856
306857	306881	306885
306888	306907	306910
306911	306912	306913
306914	306915	306949
307044	307082	307083
307084	307085	307086
307087	307139	307140
307141	307157	307164
307771	307772	307777
309629	310117	330170
330296	330362	330363



330364	330402	330406
330410	330411	330413
330414	330415	330423
330424	330425	330426
330427	330429	330433
330434	330435	330436
330450	330451	330452
330454	330455	330456
330468	330471	330472
330475	330478	330479
330480	330481	330482
330490	330491	330492
330493	330502	330503
330504	330507	330508
330509	330510	330511
330512	330513	330514
330515	330520	330521
330522	330524	330525
330527	330542	330567
330568	330569	330588
330589	330590	330681
330718	330733	330894
330895	330896	330899
330913	330922	330974
330975	330976	330977
331101	331131	331132
331209	331312	331320
331408	331409	331410
331411	331412	331505
331506	331521	331522
331558	331559	331560
331561	331562	331563
331966	331967	332009
332010	332011	332066
332067	332068	332071
332084	332125	333254
333596	333627	333976
334004	334005	334006
334007	357283	359648
359726	360145	360377

**Corrigenda**

201512919 advertised on 8 October 2015 under the heading: Applications lapsed: Application Lapsed in Error.

**Applications Assigned**

(The name in parentheses is that of the subsequent applicant)

14541/2015 ( **PAL Enterprises Pty Ltd** ) AUSTRALIAN BALING SUPPLIES PTY LTD; Willem Willem Haasse

**Subsequent Owners Registered**

(The name in parentheses is that of the subsequent owner)

343633 ( **Dragerwerk AG & Co. KGaA** ) Draeger Medical GmbH  
 343953 ( **Dragerwerk AG & Co. KGaA** ) Draeger Medical GmbH

**Certificate(s) of Examination**

Examination of the following Design Registration(s) has been completed. Infringement proceedings may now be commenced.

351578	06-13B	16/10/2015
361076	15-04	09/10/2015
361573	24-01	08/10/2015
362321	09-01A	09/10/2015
362951	09-03H	16/10/2015
363217	14-99	08/10/2015
363690	25-02B	07/10/2015
363803	07-01F	08/10/2015
363882	26-04	07/10/2015
363975	09-01NES	07/10/2015
363978	13-03D	08/10/2015
363979	13-03D	08/10/2015
363995	12-16B	13/10/2015
363999	10-04	15/10/2015
364000	10-04	15/10/2015
364011	26-04	07/10/2015
364012	26-04	07/10/2015
364013	26-04	07/10/2015
364173	06-04C	15/10/2015
364201	04-02	13/10/2015
364202	04-02	13/10/2015
364203	04-02	13/10/2015
364258	04-02	14/10/2015
364260	03-01D	14/10/2015
364311	26-04	07/10/2015
364502	10-04	15/10/2015

**Publication and Registration Proceedings**

**Designs Registered**

This section provides a concordance between design number and registration number of Designs covered in this journal. It also shows the main class and registration date.

This section covers Registration numbers 364528 to 364813 .

The registration number shown below should be used in all future correspondence.

<b>Design Number</b>	<b>Registration Number</b>	<b>International Classification Code (IDC)</b>	<b>Registration Date</b>	<b>Design Number</b>	<b>Registration Number</b>	<b>International Classification Code (IDC)</b>	<b>Registration Date</b>
11049/2015	364798	02-05	16/10/2015	14083/2015	364660	22-05	14/10/2015
11787/2015	364658	12-16A	14/10/2015	14087/2015	364687	24-04	14/10/2015
11788/2015	364691	12-16B	14/10/2015	14098/2015	364681	25-02B	14/10/2015
11789/2015	364692	12-16B	14/10/2015	14099/2015	364682	25-02B	14/10/2015
11790/2015	364693	12-16B	14/10/2015	14106/2015	364755	09-03G	15/10/2015
12149/2015	364659	12-11	14/10/2015	14126/2015	364756	12-05	15/10/2015
12898/2015	364581	06-01H	08/10/2015	14149/2015	364804	15-99	19/10/2015
12910/2015	364580	11-01E	08/10/2015	14155/2015	364688	14-03NES	14/10/2015
12918/2015	364762	02-02A	16/10/2015	14225/2015	364759	12-10	15/10/2015
12919/2015	364763	02-02A	16/10/2015	14312/2015	364805	06-01G	19/10/2015
13182/2015	364690	12-16NES	14/10/2015	14317/2015	364689	09-07C	14/10/2015
13226/2015	364587	26-05D	09/10/2015	14319/2015	364790	05-06NES	16/10/2015
13307/2015	364583	21-02C	09/10/2015	14324/2015	364586	24-01	09/10/2015
13308/2015	364584	06-01NES	09/10/2015	14359/2015	364532	15-03A	07/10/2015
13326/2015	364684	12-16K	14/10/2015	14363/2015	364807	13-02	19/10/2015
13419/2015	364613	12-08	12/10/2015	14364/2015	364808	13-02	19/10/2015
13433/2015	364757	19-08	15/10/2015	14365/2015	364809	13-02	19/10/2015
13446/2015	364533	06-01D	07/10/2015	14366/2015	364810	13-02	19/10/2015
13448/2015	364534	06-01D	07/10/2015	14367/2015	364811	13-02	19/10/2015
13514/2015	364603	24-01	09/10/2015	14368/2015	364812	13-02	19/10/2015
13515/2015	364614	24-01	12/10/2015	14369/2015	364813	13-02	19/10/2015
13516/2015	364615	24-01	12/10/2015	14420/2015	364593	09-01NES	09/10/2015
13517/2015	364616	24-01	12/10/2015	14533/2015	364707	25-01C	14/10/2015
13549/2015	364585	25-01D	09/10/2015	14534/2015	364661	25-01C	14/10/2015
13553/2015	364604	10-04	09/10/2015	14614/2015	364537	08-08L	08/10/2015
13561/2015	364588	14-02	09/10/2015	14667/2015	364589	12-10	09/10/2015
13563/2015	364685	14-01	14/10/2015	14687/2015	364530	12-15B	07/10/2015
13607/2015	364806	13-02	19/10/2015	14718/2015	364683	06-04NES	14/10/2015
13662/2015	364720	25-02A	14/10/2015	14720/2015	364570	24-04	08/10/2015
13664/2015	364686	10-99	14/10/2015	14722/2015	364566	12-02	08/10/2015
13671/2015	364535	15-01	07/10/2015	14741/2015	364567	24-04	08/10/2015
13685/2015	364764	09-01B	16/10/2015	14742/2015	364568	24-04	08/10/2015
13758/2015	364590	24-01	09/10/2015	14764/2015	364694	04-02	14/10/2015
13769/2015	364721	26-05C	14/10/2015	14818/2015	364538	02-04NES	08/10/2015
13802/2015	364536	09-03M	07/10/2015	14827/2015	364528	06-06NES	07/10/2015
13860/2015	364582	12-08	08/10/2015	14829/2015	364539	06-01H	08/10/2015
13863/2015	364799	12-05	16/10/2015	14838/2015	364540	21-02A	08/10/2015
13874/2015	364758	25-01A	15/10/2015	14846/2015	364765	13-02	16/10/2015
13977/2015	364800	12-10	16/10/2015	14859/2015	364531	13-03E	07/10/2015
13978/2015	364801	12-10	16/10/2015	14860/2015	364529	30-99	07/10/2015
13979/2015	364802	12-10	16/10/2015	14861/2015	364545	09-05	08/10/2015
13985/2015	364776	15-05	16/10/2015	14863/2015	364546	09-03M	08/10/2015
13996/2015	364777	15-05	16/10/2015	14864/2015	364547	14-03E	08/10/2015
14002/2015	364787	10-06	16/10/2015	14865/2015	364554	09-03M	08/10/2015
14008/2015	364788	10-06	16/10/2015	14866/2015	364548	14-03E	08/10/2015
14016/2015	364703	15-03NES	14/10/2015	14867/2015	364549	01-01	08/10/2015
14024/2015	364704	15-05	14/10/2015	14868/2015	364550	12-15A	08/10/2015
14027/2015	364705	15-05	14/10/2015	14869/2015	364551	12-08	08/10/2015
14031/2015	364706	15-05	14/10/2015	14871/2015	364552	09-03A	08/10/2015
14066/2015	364789	02-04NES	16/10/2015	14873/2015	364553	09-05	08/10/2015

Publication and Registration Proceedings - Designs Registered cont'd

Design Number	Registration Number	International Classification Code (IDC)	Registration Date	Design Number	Registration Number	International Classification Code (IDC)	Registration Date
14874/2015	364541	09-07B	08/10/2015	14973/2015	364646	09-01H	14/10/2015
14876/2015	364542	14-02	08/10/2015	14974/2015	364647	09-01H	14/10/2015
14878/2015	364766	12-99	16/10/2015	14975/2015	364648	08-07	14/10/2015
14879/2015	364767	12-16A	16/10/2015	14976/2015	364649	08-07	14/10/2015
14880/2015	364569	12-16A	08/10/2015	14977/2015	364650	08-07	14/10/2015
14881/2015	364591	12-16A	09/10/2015	14978/2015	364651	28-03A	14/10/2015
14882/2015	364571	14-03B	08/10/2015	14979/2015	364709	06-07	14/10/2015
14883/2015	364572	14-03E	08/10/2015	14980/2015	364636	12-10	13/10/2015
14884/2015	364555	14-02	08/10/2015	14982/2015	364621	10-04	12/10/2015
14885/2015	364556	14-02	08/10/2015	14983/2015	364622	10-04	12/10/2015
14886/2015	364791	08-07	16/10/2015	14985/2015	364637	12-02	13/10/2015
14887/2015	364557	14-02	08/10/2015	14987/2015	364623	12-02	12/10/2015
14888/2015	364558	14-02	08/10/2015	14988/2015	364638	23-03B	13/10/2015
14889/2015	364559	09-07C	08/10/2015	14990/2015	364639	06-01NES	13/10/2015
14892/2015	364543	06-01F	08/10/2015	14997/2015	364592	07-01NES	09/10/2015
14893/2015	364544	06-06G	08/10/2015	14998/2015	364624	09-01G	12/10/2015
14907/2015	364560	10-02	08/10/2015	14999/2015	364625	21-03	12/10/2015
14908/2015	364561	10-07	08/10/2015	15002/2015	364652	23-04	14/10/2015
14909/2015	364562	26-03	08/10/2015	15004/2015	364653	08-07	14/10/2015
14910/2015	364563	10-02	08/10/2015	15005/2015	364654	02-03	14/10/2015
14911/2015	364564	15-02	08/10/2015	15007/2015	364655	12-16M	14/10/2015
14912/2015	364573	25-01E	08/10/2015	15008/2015	364656	12-16M	14/10/2015
14913/2015	364565	28-03B	08/10/2015	15009/2015	364710	09-01NES	14/10/2015
14916/2015	364574	29-02	08/10/2015	15011/2015	364657	13-03NES	14/10/2015
14917/2015	364575	02-02NES	08/10/2015	15012/2015	364626	06-01G	13/10/2015
14918/2015	364576	02-03	08/10/2015	15013/2015	364627	06-01G	13/10/2015
14919/2015	364577	02-03	08/10/2015	15014/2015	364628	06-01G	13/10/2015
14920/2015	364578	02-03	08/10/2015	15015/2015	364629	06-01G	13/10/2015
14921/2015	364579	11-01E	08/10/2015	15016/2015	364630	06-01G	13/10/2015
14922/2015	364594	11-01E	09/10/2015	15017/2015	364631	06-01G	13/10/2015
14924/2015	364595	07-02N	09/10/2015	15018/2015	364632	06-01G	13/10/2015
14925/2015	364596	07-02N	09/10/2015	15019/2015	364633	06-01G	13/10/2015
14926/2015	364597	24-02	09/10/2015	15020/2015	364634	06-01G	13/10/2015
14927/2015	364598	06-06A	09/10/2015	15021/2015	364635	06-01G	13/10/2015
14940/2015	364599	20-02E	09/10/2015	15022/2015	364640	06-01G	13/10/2015
14941/2015	364600	14-02	09/10/2015	15023/2015	364641	06-01G	13/10/2015
14943/2015	364605	19-08	09/10/2015	15024/2015	364642	06-06E	13/10/2015
14945/2015	364601	04-02	09/10/2015	15025/2015	364643	06-06G	13/10/2015
14946/2015	364602	04-02	09/10/2015	15026/2015	364644	06-01G	13/10/2015
14947/2015	364708	02-02B	14/10/2015	15029/2015	364662	06-01G	14/10/2015
14948/2015	364606	31-00	09/10/2015	15030/2015	364711	12-16NES	14/10/2015
14949/2015	364607	31-00	09/10/2015	15031/2015	364663	06-01G	14/10/2015
14950/2015	364608	31-00	09/10/2015	15032/2015	364664	06-01G	14/10/2015
14951/2015	364609	03-01B	09/10/2015	15033/2015	364665	06-01G	14/10/2015
14953/2015	364610	03-99	09/10/2015	15034/2015	364666	06-01G	14/10/2015
14955/2015	364611	23-04	09/10/2015	15035/2015	364667	06-01G	14/10/2015
14957/2015	364803	12-11	16/10/2015	15036/2015	364670	06-01G	14/10/2015
14960/2015	364612	12-15B	09/10/2015	15037/2015	364671	06-01G	14/10/2015
14962/2015	364617	13-02	12/10/2015	15038/2015	364672	06-01G	14/10/2015
14964/2015	364618	24-02	12/10/2015	15040/2015	364712	26-06	14/10/2015
14965/2015	364619	24-02	12/10/2015	15041/2015	364713	14-02	14/10/2015
14966/2015	364620	16-01	12/10/2015	15042/2015	364714	06-01G	14/10/2015
14968/2015	364768	14-02	16/10/2015	15043/2015	364668	06-01G	14/10/2015
14969/2015	364769	14-02	16/10/2015	15044/2015	364669	06-01G	14/10/2015
14970/2015	364645	24-02	14/10/2015	15045/2015	364673	20-99	14/10/2015

Publication and Registration Proceedings - Designs Registered cont'd

Design Number	Registration Number	International Classification Code (IDC)	Registration Date	Design Number	Registration Number	International Classification Code (IDC)	Registration Date
15046/2015	364674	06-01G	14/10/2015	15116/2015	364748	28-03NES	15/10/2015
15047/2015	364675	06-01G	14/10/2015	15117/2015	364749	28-02	15/10/2015
15048/2015	364676	06-01G	14/10/2015	15118/2015	364750	28-02	15/10/2015
15049/2015	364677	06-01G	14/10/2015	15119/2015	364751	28-02	15/10/2015
15050/2015	364715	04-02	14/10/2015	15120/2015	364727	28-03NES	15/10/2015
15051/2015	364678	09-01B	14/10/2015	15123/2015	364728	09-03M	15/10/2015
15054/2015	364679	26-05C	14/10/2015	15124/2015	364729	09-03M	15/10/2015
15056/2015	364680	06-01K	14/10/2015	15125/2015	364730	25-04	15/10/2015
15061/2015	364716	06-01NES	14/10/2015	15126/2015	364731	20-02C	15/10/2015
15072/2015	364717	08-07	14/10/2015	15127/2015	364732	06-03A	15/10/2015
15074/2015	364718	23-01H	14/10/2015	15128/2015	364733	06-03A	15/10/2015
15075/2015	364719	24-02	14/10/2015	15129/2015	364734	06-03A	15/10/2015
15077/2015	364695	06-06NES	14/10/2015	15130/2015	364735	06-03A	15/10/2015
15078/2015	364696	12-16C	14/10/2015	15131/2015	364752	19-02	15/10/2015
15079/2015	364697	12-16L	14/10/2015	15132/2015	364753	07-01NES	15/10/2015
15080/2015	364698	12-16NES	14/10/2015	15134/2015	364754	06-04NES	15/10/2015
15082/2015	364699	02-02C	14/10/2015	15142/2015	364780	25-01E	16/10/2015
15086/2015	364700	09-03M	14/10/2015	15143/2015	364781	06-04NES	16/10/2015
15087/2015	364701	09-03M	14/10/2015	15144/2015	364782	23-99	16/10/2015
15088/2015	364702	09-05	14/10/2015	15145/2015	364783	07-05A	16/10/2015
15091/2015	364736	12-08	15/10/2015	15152/2015	364770	25-01K	16/10/2015
15092/2015	364737	12-08	15/10/2015	15153/2015	364760	06-04NES	15/10/2015
15093/2015	364738	12-16B	15/10/2015	15154/2015	364761	06-04NES	15/10/2015
15094/2015	364739	12-16B	15/10/2015	15155/2015	364771	25-01D	16/10/2015
15095/2015	364740	26-06	15/10/2015	15156/2015	364772	25-01D	16/10/2015
15096/2015	364741	23-01E	15/10/2015	15157/2015	364773	25-03	16/10/2015
15097/2015	364742	23-01E	15/10/2015	15158/2015	364774	02-06	16/10/2015
15098/2015	364743	23-01E	15/10/2015	15159/2015	364775	02-06	16/10/2015
15101/2015	364722	24-04	15/10/2015	15160/2015	364784	08-08L	16/10/2015
15102/2015	364723	06-03A	15/10/2015	15189/2015	364785	24-99	16/10/2015
15103/2015	364724	06-01F	15/10/2015	15190/2015	364786	09-01G	16/10/2015
15104/2015	364725	06-03A	15/10/2015	15191/2015	364792	23-04	16/10/2015
15105/2015	364726	07-01D	15/10/2015	15192/2015	364793	14-03NES	16/10/2015
15109/2015	364778	03-01NES	16/10/2015	15193/2015	364794	14-03NES	16/10/2015
15111/2015	364779	15-04	16/10/2015	15198/2015	364795	09-01G	16/10/2015
15112/2015	364744	12-16NES	15/10/2015	15199/2015	364796	27-05	16/10/2015
15113/2015	364745	28-03NES	15/10/2015	15200/2015	364797	27-05	16/10/2015
15114/2015	364746	28-03NES	15/10/2015				
15115/2015	364747	28-03NES	15/10/2015				

**Publication and Registration Proceedings**

**Class Listing of Designs Published or Registered**

The following section shows an International Classification Code listing of the Registered or Published Designs covered in this supplement.

<b>Classification</b>	<b>Registration Number</b>	<b>Design Number</b>	<b>Classification</b>	<b>Registration Number</b>	<b>Design Number</b>
01-01	364549	14867/2015	06-01G	364675	15047/2015
02-02A	364762	12918/2015	06-01G	364676	15048/2015
02-02A	364763	12919/2015	06-01G	364677	15049/2015
02-02B	364708	14947/2015	06-01G	364714	15042/2015
02-02C	364699	15082/2015	06-01G	364805	14312/2015
02-02NES	364575	14917/2015	06-01H	364539	14829/2015
02-03	364576	14918/2015	06-01H	364581	12898/2015
02-03	364577	14919/2015	06-01K	364680	15056/2015
02-03	364578	14920/2015	06-01NES	364584	13308/2015
02-03	364654	15005/2015	06-01NES	364639	14990/2015
02-04NES	364538	14818/2015	06-01NES	364716	15061/2015
02-04NES	364789	14066/2015	06-03A	364723	15102/2015
02-05	364798	11049/2015	06-03A	364725	15104/2015
02-06	364774	15158/2015	06-03A	364732	15127/2015
02-06	364775	15159/2015	06-03A	364733	15128/2015
03-01B	364609	14951/2015	06-03A	364734	15129/2015
03-01NES	364778	15109/2015	06-03A	364735	15130/2015
03-99	364610	14953/2015	06-03NES	364626	15012/2015
04-02	364559	14889/2015	06-03NES	364627	15013/2015
04-02	364601	14945/2015	06-03NES	364628	15014/2015
04-02	364602	14946/2015	06-03NES	364629	15015/2015
04-02	364694	14764/2015	06-03NES	364630	15016/2015
04-02	364715	15050/2015	06-03NES	364631	15017/2015
05-06NES	364790	14319/2015	06-03NES	364632	15018/2015
06-01D	364533	13446/2015	06-03NES	364633	15019/2015
06-01D	364534	13448/2015	06-03NES	364634	15020/2015
06-01F	364543	14892/2015	06-03NES	364635	15021/2015
06-01F	364724	15103/2015	06-03NES	364640	15022/2015
06-01G	364626	15012/2015	06-03NES	364641	15023/2015
06-01G	364627	15013/2015	06-04NES	364683	14718/2015
06-01G	364628	15014/2015	06-04NES	364754	15134/2015
06-01G	364629	15015/2015	06-04NES	364760	15153/2015
06-01G	364630	15016/2015	06-04NES	364761	15154/2015
06-01G	364631	15017/2015	06-04NES	364781	15143/2015
06-01G	364632	15018/2015	06-06A	364598	14927/2015
06-01G	364633	15019/2015	06-06E	364642	15024/2015
06-01G	364634	15020/2015	06-06G	364544	14893/2015
06-01G	364635	15021/2015	06-06G	364642	15024/2015
06-01G	364640	15022/2015	06-06G	364643	15025/2015
06-01G	364641	15023/2015	06-06NES	364528	14827/2015
06-01G	364644	15026/2015	06-06NES	364695	15077/2015
06-01G	364662	15029/2015	06-07	364709	14979/2015
06-01G	364663	15031/2015	07-01D	364726	15105/2015
06-01G	364664	15032/2015	07-01NES	364592	14997/2015
06-01G	364665	15033/2015	07-01NES	364753	15132/2015
06-01G	364666	15034/2015	07-02N	364595	14924/2015
06-01G	364667	15035/2015	07-02N	364596	14925/2015
06-01G	364668	15043/2015	07-05A	364783	15145/2015
06-01G	364669	15044/2015	08-07	364648	14975/2015
06-01G	364670	15036/2015	08-07	364649	14976/2015
06-01G	364671	15037/2015	08-07	364650	14977/2015
06-01G	364672	15038/2015	08-07	364653	15004/2015
06-01G	364674	15046/2015	08-07	364717	15072/2015

Registration Proceedings - Class Listing of Designs Published or Registered cont'd

Classification	Registration Number	Design Number	Classification	Registration Number	Design Number
08-07	364791	14886/2015	12-10	364801	13978/2015
08-08L	364537	14614/2015	12-10	364802	13979/2015
08-08L	364784	15160/2015	12-11	364659	12149/2015
09-01B	364678	15051/2015	12-11	364803	14957/2015
09-01B	364764	13685/2015	12-15A	364550	14868/2015
09-01G	364624	14998/2015	12-15B	364530	14687/2015
09-01G	364786	15190/2015	12-15B	364612	14960/2015
09-01G	364795	15198/2015	12-16A	364569	14880/2015
09-01H	364646	14973/2015	12-16A	364591	14881/2015
09-01H	364647	14974/2015	12-16A	364658	11787/2015
09-01NES	364593	14420/2015	12-16A	364767	14879/2015
09-01NES	364710	15009/2015	12-16B	364691	11788/2015
09-03A	364552	14871/2015	12-16B	364692	11789/2015
09-03G	364755	14106/2015	12-16B	364693	11790/2015
09-03M	364536	13802/2015	12-16B	364738	15093/2015
09-03M	364546	14863/2015	12-16B	364739	15094/2015
09-03M	364554	14865/2015	12-16C	364696	15078/2015
09-03M	364700	15086/2015	12-16K	364684	13326/2015
09-03M	364701	15087/2015	12-16L	364697	15079/2015
09-03M	364728	15123/2015	12-16M	364655	15007/2015
09-03M	364729	15124/2015	12-16M	364656	15008/2015
09-05	364545	14861/2015	12-16NES	364690	13182/2015
09-05	364553	14873/2015	12-16NES	364698	15080/2015
09-05	364702	15088/2015	12-16NES	364711	15030/2015
09-07B	364541	14874/2015	12-16NES	364744	15112/2015
09-07C	364559	14889/2015	12-16NES	364800	13977/2015
09-07C	364689	14317/2015	12-16NES	364801	13978/2015
10-02	364560	14907/2015	12-16NES	364802	13979/2015
10-02	364563	14910/2015	12-99	364766	14878/2015
10-04	364604	13553/2015	13-02	364617	14962/2015
10-04	364621	14982/2015	13-02	364765	14846/2015
10-04	364622	14983/2015	13-02	364806	13607/2015
10-06	364787	14002/2015	13-02	364807	14363/2015
10-06	364788	14008/2015	13-02	364808	14364/2015
10-07	364561	14908/2015	13-02	364809	14365/2015
10-99	364686	13664/2015	13-02	364810	14366/2015
11-01E	364579	14921/2015	13-02	364811	14367/2015
11-01E	364580	12910/2015	13-02	364812	14368/2015
11-01E	364594	14922/2015	13-02	364813	14369/2015
11-02B	364755	14106/2015	13-03E	364531	14859/2015
12-02	364566	14722/2015	13-03NES	364657	15011/2015
12-02	364623	14987/2015	14-01	364685	13563/2015
12-02	364637	14985/2015	14-02	364542	14876/2015
12-02	364803	14957/2015	14-02	364555	14884/2015
12-05	364756	14126/2015	14-02	364556	14885/2015
12-05	364799	13863/2015	14-02	364557	14887/2015
12-06C	364660	14083/2015	14-02	364558	14888/2015
12-08	364551	14869/2015	14-02	364588	13561/2015
12-08	364582	13860/2015	14-02	364600	14941/2015
12-08	364613	13419/2015	14-02	364713	15041/2015
12-08	364736	15091/2015	14-02	364768	14968/2015
12-08	364737	15092/2015	14-02	364769	14969/2015
12-10	364589	14667/2015	14-03B	364571	14882/2015
12-10	364636	14980/2015	14-03E	364547	14864/2015
12-10	364759	14225/2015	14-03E	364548	14866/2015
12-10	364800	13977/2015	14-03E	364572	14883/2015

Registration Proceedings - Class Listing of Designs Published or Registered cont'd

Classification	Registration Number	Design Number	Classification	Registration Number	Design Number
14-03NES	364688	14155/2015	24-02	364719	15075/2015
14-03NES	364793	15192/2015	24-04	364567	14741/2015
14-03NES	364794	15193/2015	24-04	364568	14742/2015
15-01	364535	13671/2015	24-04	364570	14720/2015
15-02	364564	14911/2015	24-04	364687	14087/2015
15-03A	364532	14359/2015	24-04	364722	15101/2015
15-03NES	364703	14016/2015	24-99	364785	15189/2015
15-04	364779	15111/2015	25-01A	364758	13874/2015
15-05	364704	14024/2015	25-01C	364661	14534/2015
15-05	364705	14027/2015	25-01C	364707	14533/2015
15-05	364706	14031/2015	25-01D	364585	13549/2015
15-05	364776	13985/2015	25-01D	364771	15155/2015
15-05	364777	13996/2015	25-01D	364772	15156/2015
15-99	364804	14149/2015	25-01E	364573	14912/2015
16-01	364620	14966/2015	25-01E	364780	15142/2015
19-02	364752	15131/2015	25-01K	364770	15152/2015
19-06	364752	15131/2015	25-02A	364720	13662/2015
19-08	364605	14943/2015	25-02B	364681	14098/2015
19-08	364757	13433/2015	25-02B	364682	14099/2015
20-02C	364731	15126/2015	25-03	364773	15157/2015
20-02E	364599	14940/2015	25-04	364730	15125/2015
20-99	364673	15045/2015	26-03	364562	14909/2015
21-02A	364540	14838/2015	26-05C	364679	15054/2015
21-02C	364583	13307/2015	26-05C	364721	13769/2015
21-03	364625	14999/2015	26-05D	364587	13226/2015
22-05	364660	14083/2015	26-06	364712	15040/2015
23-01A	364791	14886/2015	26-06	364740	15095/2015
23-01E	364741	15096/2015	27-05	364796	15199/2015
23-01E	364742	15097/2015	27-05	364797	15200/2015
23-01E	364743	15098/2015	28-02	364749	15117/2015
23-01H	364718	15074/2015	28-02	364750	15118/2015
23-03B	364638	14988/2015	28-02	364751	15119/2015
23-04	364611	14955/2015	28-03A	364651	14978/2015
23-04	364652	15002/2015	28-03B	364565	14913/2015
23-04	364792	15191/2015	28-03NES	364727	15120/2015
23-99	364782	15144/2015	28-03NES	364745	15113/2015
24-01	364586	14324/2015	28-03NES	364746	15114/2015
24-01	364590	13758/2015	28-03NES	364747	15115/2015
24-01	364603	13514/2015	28-03NES	364748	15116/2015
24-01	364614	13515/2015	29-02	364574	14916/2015
24-01	364615	13516/2015	30-99	364529	14860/2015
24-01	364616	13517/2015	31-00	364606	14948/2015
24-02	364597	14926/2015	31-00	364607	14949/2015
24-02	364618	14964/2015	31-00	364608	14950/2015
24-02	364619	14965/2015			
24-02	364645	14970/2015			



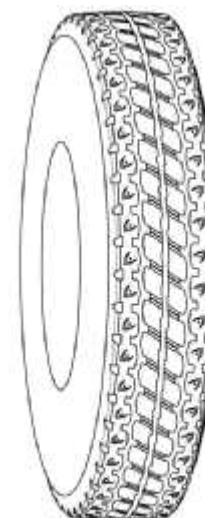
(21) Design Number: **14827/2015**  
(22) Date of Filing Application: **11 September 2015**  
(24) Date from which industrial property rights may have effect: **11 September 2015**  
(54) Product in respect of which the design is registered: **Lectern**  
(51) International Design Classification: **06-06NES**  
(74) Name(s) of Attorney(s):  
(71) Name(s) and Address(s) of Applicant(s):  
    **Andrew Molnar**  
    **8 Westpool Dr Hallam VIC 3803 Australia**  
(72) Name(s) of Designer(s): **Andrew Molnar**  
(45) Registration Date: **07 October 2015**  
(56) Related Art Documents: **Not Applicable**  
(57) Statement of Newness and Distinctiveness: **Nil**



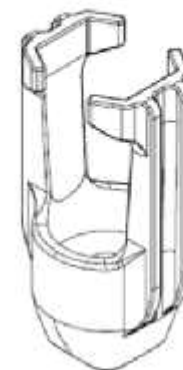
(21) Design Number: **14860/2015**  
(22) Date of Filing Application: **14 September 2015**  
(24) Date from which industrial property rights may have effect: **14 September 2015**  
(54) Product in respect of which the design is registered: **Noise maker**  
(51) International Design Classification: **30-99**  
(74) Name(s) of Attorney(s): **Spruson & Ferguson**  
(71) Name(s) and Address(s) of Applicant(s):  
    **Starmark Pet Products, Inc.**  
    **200 County Road 197 Hutto Texas, 78634 United States of America**  
(72) Name(s) of Designer(s): **Jerry J. Wolfe and Harold Keith Benson**  
(45) Registration Date: **07 October 2015**  
(30) Convention priority data:  
    (31) Number      (32) Date      (33) Country  
    **29/525374      29 Apr 2015      UNITED STATES OF AMERICA**  
(56) Related Art Documents: **Not Applicable**  
(57) Statement of Newness and Distinctiveness: **Newness and distinctiveness is claimed in those features of shape and/or configuration of a noise maker as illustrated in continuous lines in the accompanying representations.**



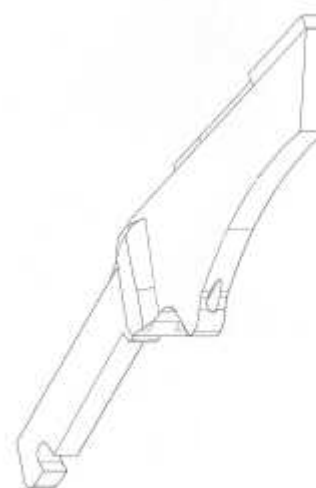
- (21) Design Number: **14687/2015**  
(22) Date of Filing Application: **03 September 2015**  
(24) Date from which industrial property rights may have effect: **03 September 2015**  
(54) Product in respect of which the design is registered: **A tyre**  
(51) International Design Classification: **12-15B**  
(74) Name(s) of Attorney(s): **WATERMARK PATENT AND TRADE MARKS ATTORNEYS**  
(71) Name(s) and Address(s) of Applicant(s):  
**Michelin Recherche et Technique S.A.**  
**Route Louis-Braille 10 Granges-Paccot 1763 Switzerland**  
**COMPAGNIE GENERALE DES ETABLISSEMENTS MICHELIN**  
**12 cours Sablon Clermont-Ferrand 63000 France**  
(72) Name(s) of Designer(s): **Christophe Gayton and Walid Djabour**  
(45) Registration Date: **07 October 2015**  
(30) Convention priority data:  
(31) Number      (32) Date      (33) Country  
**2015-1516      24 Mar 2015      FRANCE**  
(56) Related Art Documents: **Not Applicable**  
(57) Statement of Newness and Distinctiveness: **Newness and distinctiveness resides in the appearance of the tread region of the tyre, the remainder of the tyre not forming part of the design.**



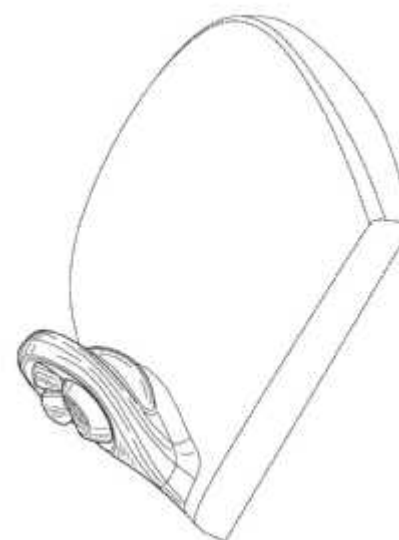
- (21) Design Number: **14859/2015**  
(22) Date of Filing Application: **14 September 2015**  
(24) Date from which industrial property rights may have effect: **14 September 2015**  
(54) Product in respect of which the design is registered: **Socket**  
(51) International Design Classification: **13-03E**  
(74) Name(s) of Attorney(s): **WRAYS PTY LTD**  
(71) Name(s) and Address(s) of Applicant(s):  
**Bryan Albert Jefferson**  
**261 Lennard St Herne Hill WA 6056 Australia**  
(72) Name(s) of Designer(s): **Bryan Albert Jefferson**  
(45) Registration Date: **07 October 2015**  
(56) Related Art Documents: **Not Applicable**  
(57) Statement of Newness and Distinctiveness: **Nil**



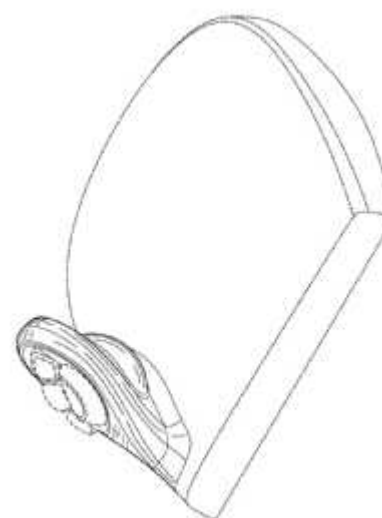
(21) Design Number: **14359/2015**  
(22) Date of Filing Application: **24 August 2015**  
(24) Date from which industrial property rights may have effect: **24 August 2015**  
(54) Product in respect of which the design is registered: **Seeding equipment**  
(51) International Design Classification: **15-03A**  
(74) Name(s) of Attorney(s):  
(71) Name(s) and Address(s) of Applicant(s):  
**Jack Auldist**  
**PO BOX 291 South Fremantle WA 6162 Australia**  
(72) Name(s) of Designer(s): **Jack Auldist**  
(45) Registration Date: **07 October 2015**  
(56) Related Art Documents: **Not Applicable**  
(57) Statement of Newness and Distinctiveness: **Newness and distinctiveness is claimed in the features of shape and/or configuration of a Full Boar Knife as illustrated in the accompanying representations.**



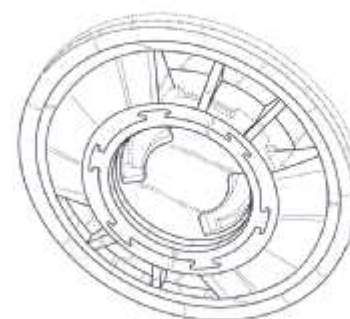
(21) Design Number: **13446/2015**  
(22) Date of Filing Application: **09 July 2015**  
(24) Date from which industrial property rights may have effect: **09 July 2015**  
(54) Product in respect of which the design is registered: **Armrest with handhold element**  
(51) International Design Classification: **06-01D**  
(74) Name(s) of Attorney(s): **Griffith Hack**  
(71) Name(s) and Address(s) of Applicant(s):  
**CROWN EQUIPMENT CORPORATION**  
**40 South Washington Street New Bremen Ohio, 45869 United States of America**  
(72) Name(s) of Designer(s): **Christoph Babel and James V. Kraimer**  
(45) Registration Date: **07 October 2015**  
(30) Convention priority data:  
(31) Number      (32) Date      (33) Country  
**29/516,874      06 Feb 2015      UNITED STATES OF AMERICA**  
(56) Related Art Documents: **Not Applicable**  
(57) Statement of Newness and Distinctiveness: **Newness and distinctiveness resides in the visual features, including the shape and configuration of the product as shown by means of the solid lines in the representations. Those parts shown in dashed lines have been included for illustrative purposes.**



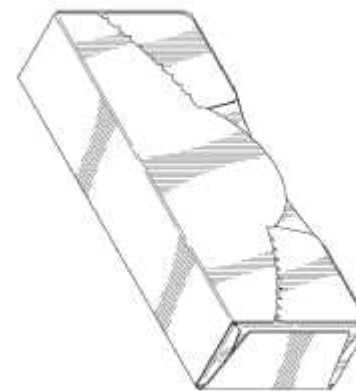
(21) Design Number: **13448/2015**  
(22) Date of Filing Application: **09 July 2015**  
(24) Date from which industrial property rights may have effect: **09 July 2015**  
(54) Product in respect of which the design is registered: **Armrest with handhold element**  
(51) International Design Classification: **06-01D**  
(74) Name(s) of Attorney(s): **Griffith Hack**  
(71) Name(s) and Address(s) of Applicant(s):  
**CROWN EQUIPMENT CORPORATION**  
**40 South Washington Street New Bremen Ohio, 45869 United States of America**  
(72) Name(s) of Designer(s): **Christoph Babel and James V. Kraimer**  
(45) Registration Date: **07 October 2015**  
(30) Convention priority data:  
(31) Number (32) Date (33) Country  
**29/516,874 06 Feb 2015 UNITED STATES OF AMERICA**  
(56) Related Art Documents: **Not Applicable**  
(57) Statement of Newness and Distinctiveness: **Newness and distinctiveness resides in the visual features, including the shape and configuration of the product as shown by means of the solid lines in the representations. Those parts shown by means of dashed lines have been included for illustrative purposes.**



(21) Design Number: **13671/2015**  
(22) Date of Filing Application: **22 July 2015**  
(24) Date from which industrial property rights may have effect: **22 July 2015**  
(54) Product in respect of which the design is registered: **Cap for a filter unit**  
(51) International Design Classification: **15-01**  
(74) Name(s) of Attorney(s): **IP Gateway Patent & Trade Mark Attorneys Pty Ltd**  
(71) Name(s) and Address(s) of Applicant(s):  
**Caterpillar Inc.**  
**100 NE Adams Street Peoria Illinois, 61629 United States of America**  
(72) Name(s) of Designer(s): **Bryant Morris and Jeffrey Ries and Darrell Morehouse and Brian Sutton**  
(45) Registration Date: **07 October 2015**  
(30) Convention priority data:  
(31) Number (32) Date (33) Country  
**29/515,706 26 Jan 2015 UNITED STATES OF AMERICA**  
(56) Related Art Documents: **Not Applicable**  
(57) Statement of Newness and Distinctiveness: **Newness and distinctiveness reside in the visual features of shape and configuration of the product as shown in solid lines in the representations. Visual features shown in broken dashed lines should be given minimum regard. The broken dot-and-dash lines illustrate boundaries between the front of the product which includes the features stated herein to be new and distinctive, and the rear of the product which does not include those features; the boundaries themselves do not form part of the design. The relatively thin lines represent contour, not surface ornamentation.**



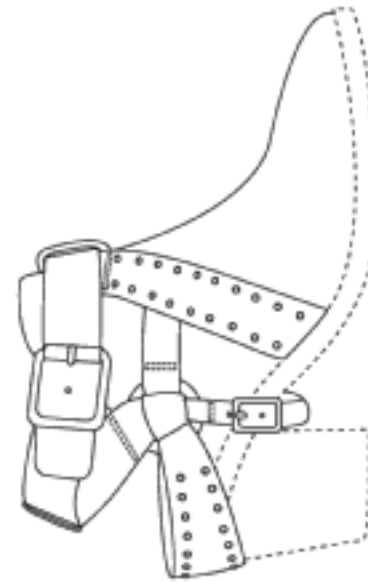
- (21) Design Number: **13802/2015**  
(22) Date of Filing Application: **29 July 2015**  
(24) Date from which industrial property rights may have effect: **29 July 2015**  
(54) Product in respect of which the design is registered: **Confectionery package**  
(51) International Design Classification: **09-03M**  
(74) Name(s) of Attorney(s): **Griffith Hack**  
(71) Name(s) and Address(s) of Applicant(s):  
**Intercontinental Great Brands LLC**  
**100 Deforest Avenue East Hanover NJ, 07936 United States of America**  
(72) Name(s) of Designer(s): **Ornuma Wangtaveesab and Mary Jane Delapena Calma**  
(45) Registration Date: **07 October 2015**  
(30) Convention priority data:  
(31) Number (32) Date (33) Country  
**29/518129 20 Feb 2015 UNITED STATES OF AMERICA**  
(56) Related Art Documents: **Not Applicable**  
(57) Statement of Newness and Distinctiveness: **The shape and configuration of the parts of the product shown by solid lines in the accompanying representations are new and distinctive.**



- (21) Design Number: **14614/2015**  
(22) Date of Filing Application: **01 September 2015**  
(24) Date from which industrial property rights may have effect: **01 September 2015**  
(54) Product in respect of which the design is registered: **Support bracket**  
(51) International Design Classification: **08-08L**  
(74) Name(s) of Attorney(s): **Sandercock & Cowie**  
(71) Name(s) and Address(s) of Applicant(s):  
**JHRW Pty Ltd**  
**C/- Greenfield Partners 15A Hancock Street South Bank VIC, 3006**  
(72) Name(s) of Designer(s): **John Gert Hanson**  
(45) Registration Date: **08 October 2015**  
(56) Related Art Documents: **Not Applicable**  
(57) Statement of Newness and Distinctiveness: **Newness and distinctiveness is claimed in the features of shape and/or configuration of the Support Bracket (used to suspend ceiling panels) as illustrated in the accompanying representations. In considering the scope of the registration, the features shown in broken lines are to be disregarded.**



- (21) Design Number: **14818/2015**  
(22) Date of Filing Application: **10 September 2015**  
(24) Date from which industrial property rights may have effect: **27 July 2015**  
(54) Product in respect of which the design is registered: **Shoe**  
(51) International Design Classification: **02-04NES**  
(74) Name(s) of Attorney(s): **Davies Collison Cave**  
(71) Name(s) and Address(s) of Applicant(s):  
**Kim Meller Imports Pty Ltd**  
**20 Hutchinson St Surry Hills NSW 2010 Australia**  
(72) Name(s) of Designer(s): **Skye Elizabeth Meller**  
(45) Registration Date: **08 October 2015**  
(62) Divisional of: **364286**  
(56) Related Art Documents: **Not Applicable**  
(57) Statement of Newness and Distinctiveness: **Newness and distinctiveness is claimed in the visual features shown in solid lines in the representations.**



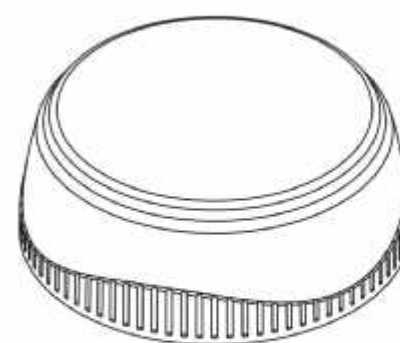
- (21) Design Number: **14829/2015**  
(22) Date of Filing Application: **11 September 2015**  
(24) Date from which industrial property rights may have effect: **11 September 2015**  
(54) Product in respect of which the design is registered: **Seat**  
(51) International Design Classification: **06-01H**  
(74) Name(s) of Attorney(s): **Shelston IP**  
(71) Name(s) and Address(s) of Applicant(s):  
**Jardin Netherlands B.V.**  
**Ericssonstraat 17 Rijen 5121MK The Netherlands**  
(72) Name(s) of Designer(s): **Ayala Bougay**  
(45) Registration Date: **08 October 2015**  
(56) Related Art Documents: **Not Applicable**  
(57) Statement of Newness and Distinctiveness: **Newness and distinctiveness reside in the features of shape and/or configuration of a SEAT as illustrated in the accompanying representations.**



(21) Design Number: **14838/2015**  
(22) Date of Filing Application: **11 September 2015**  
(24) Date from which industrial property rights may have effect: **11 September 2015**  
(54) Product in respect of which the design is registered: **Medicine ball**  
(51) International Design Classification: **21-02A**  
(74) Name(s) of Attorney(s): **Spruson & Ferguson**  
(71) Name(s) and Address(s) of Applicant(s):  
**Pro Performance Sports, L.L.C.**  
**2081 Faraday Ave., Carlsbad California, 92008 United States of America**  
(72) Name(s) of Designer(s): **Allen Keith Holland and Daniel John Wray**  
(45) Registration Date: **08 October 2015**  
(30) Convention priority data:  
(31) Number      (32) Date      (33) Country  
**29/520287      12 Mar 2015      UNITED STATES OF AMERICA**  
(56) Related Art Documents: **Not Applicable**  
(57) Statement of Newness and Distinctiveness: **Newness and distinctiveness is claimed in the features of shape and/or configuration and/or pattern and/or ornamentation of a medicine ball as illustrated in the accompanying representations.**



(21) Design Number: **14874/2015**  
(22) Date of Filing Application: **15 September 2015**  
(24) Date from which industrial property rights may have effect: **15 September 2015**  
(54) Product in respect of which the design is registered: **Container cap**  
(51) International Design Classification: **09-07B**  
(74) Name(s) of Attorney(s): **Spruson & Ferguson**  
(71) Name(s) and Address(s) of Applicant(s):  
**Henkel AG & Co. KGaA**  
**Henkelstrasse 67, Dusseldorf 40589 Germany**  
(72) Name(s) of Designer(s): **Katja Gerhards**  
(45) Registration Date: **08 October 2015**  
(30) Convention priority data:  
(31) Number      (32) Date      (33) Country  
**002672048      30 Mar 2015      OFFICE FOR HARMONISATION IN  
THE INTERNAL MARKET (OHIM)**  
(56) Related Art Documents: **Not Applicable**  
(57) Statement of Newness and Distinctiveness: **Newness and distinctiveness is claimed in the features of shape and/or configuration of a container cap as illustrated in the accompanying representations.**



(21) Design Number: **14876/2015**  
(22) Date of Filing Application: **15 September 2015**  
(24) Date from which industrial property rights may have effect: **15 September 2015**  
(54) Product in respect of which the design is registered: **Display screen with icon**  
(51) International Design Classification: **14-02**  
(74) Name(s) of Attorney(s): **Shelston IP**  
(71) Name(s) and Address(s) of Applicant(s):  
**Microsoft Corporation**  
**One Microsoft Way Redmond Washington, 98052-5321 United States of America**  
(72) Name(s) of Designer(s): **Oscar E. Murillo and Matthew Hartman**  
(45) Registration Date: **08 October 2015**  
(30) Convention priority data:  
(31) Number (32) Date (33) Country  
**29/520866 18 Mar 2015 UNITED STATES OF AMERICA**  
(56) Related Art Documents: **Not Applicable**  
(57) Statement of Newness and Distinctiveness: **Newness and distinctiveness reside in the pattern and/or ornamentation of a display screen with icon as illustrated by solid lines in the accompanying representations. The features shown in broken outline are for illustrative purposes only and do not form part of the design.**



(21) Design Number: **14892/2015**  
(22) Date of Filing Application: **16 September 2015**  
(24) Date from which industrial property rights may have effect: **16 September 2015**  
(54) Product in respect of which the design is registered: **Chair**  
(51) International Design Classification: **06-01F**  
(74) Name(s) of Attorney(s): **FB Rice**  
(71) Name(s) and Address(s) of Applicant(s):  
**Steelcase Inc.**  
**901 44th Street, S.E. Grand Rapids Michigan, 49508 United States of America**  
(72) Name(s) of Designer(s): **Bruce M. Smith and Gordon Jay Peterson and Robert J. Battey and John A. Colasanti and Fredric J. Biddle**  
(45) Registration Date: **08 October 2015**  
(30) Convention priority data:  
(31) Number (32) Date (33) Country  
**29/524,956 24 Apr 2015 UNITED STATES OF AMERICA**  
(56) Related Art Documents: **Not Applicable**  
(57) Statement of Newness and Distinctiveness: **Newness and distinctiveness reside in the shape and configuration of the upper support of the chair as shown in the representations.**





(21) Design Number: **14893/2015**  
(22) Date of Filing Application: **16 September 2015**  
(24) Date from which industrial property rights may have effect: **16 September 2015**  
(54) Product in respect of which the design is registered: **Headrest assembly**  
(51) International Design Classification: **06-06G**  
(74) Name(s) of Attorney(s): **FB Rice**  
(71) Name(s) and Address(s) of Applicant(s):



**Steelcase Inc.**  
**901 44th Street, S.E. Grand Rapids Michigan, 49508 United States of America**

(72) Name(s) of Designer(s): **Bruce M. Smith and Gordon Jay Peterson and Robert J. Battey and John A. Colasanti and Fredric J. Biddle**

(45) Registration Date: **08 October 2015**

(30) Convention priority data:

(31) Number	(32) Date	(33) Country
<b>29/524,959</b>	<b>24 Apr 2015</b>	<b>UNITED STATES OF AMERICA</b>

(56) Related Art Documents: **Not Applicable**

(57) Statement of Newness and Distinctiveness: **Newness and distinctiveness reside in the shape and configuration of the headrest of the chair as shown in the solid lines in the representation, but excluding those parts shown in dashed lines, which are disclaimed.**

(21) Design Number: **14861/2015**  
(22) Date of Filing Application: **14 September 2015**  
(24) Date from which industrial property rights may have effect: **14 September 2015**  
(54) Product in respect of which the design is registered: **Waste bags**  
(51) International Design Classification: **09-05**  
(74) Name(s) of Attorney(s): **Madderns**  
(71) Name(s) and Address(s) of Applicant(s):



**Loopeeze Limited**  
**35 Paul St London EC2 4UQ United Kingdom**

(72) Name(s) of Designer(s): **Martha Silcott**

(45) Registration Date: **08 October 2015**

(30) Convention priority data:

(31) Number	(32) Date	(33) Country
<b>002653063-0002</b>	<b>13 Mar 2015</b>	<b>OFFICE FOR HARMONISATION IN THE INTERNAL MARKET (OHIM)</b>

(56) Related Art Documents: **Not Applicable**

(57) Statement of Newness and Distinctiveness: **Nil**

- (21) Design Number: **14863/2015**  
(22) Date of Filing Application: **14 September 2015**  
(24) Date from which industrial property rights may have effect: **14 September 2015**  
(54) Product in respect of which the design is registered: **Hard shell, multi-article, reclosable packaging**  
(51) International Design Classification: **09-03M**  
(74) Name(s) of Attorney(s): **Spruson & Ferguson**  
(71) Name(s) and Address(s) of Applicant(s):  
**Wm. Wrigley Jr. Company**  
**1132 W. Blackhawk Street, Chicago Illinois, 60642 United States of America**  
(72) Name(s) of Designer(s): **Paul J. Angeloni and Christopher H. Cunningham and Allen S. Aldridge and Peter Muller and William Tham and David Jaggi and Ross Bartels**  
(45) Registration Date: **08 October 2015**  
(30) Convention priority data:  
(31) Number (32) Date (33) Country  
**29/520280 12 Mar 2015 UNITED STATES OF AMERICA**  
(56) Related Art Documents: **Not Applicable**  
(57) Statement of Newness and Distinctiveness: **Newness and distinctiveness is claimed in the features of shape and/or configuration of a hard shell, multi-article, reclosable packaging as illustrated in the accompanying representations.**



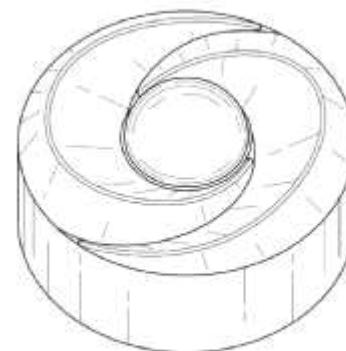
- (21) Design Number: **14864/2015**  
(22) Date of Filing Application: **14 September 2015**  
(24) Date from which industrial property rights may have effect: **14 September 2015**  
(54) Product in respect of which the design is registered: **Telephone**  
(51) International Design Classification: **14-03E**  
(74) Name(s) of Attorney(s): **Griffith Hack**  
(71) Name(s) and Address(s) of Applicant(s):  
**NEC Platforms, Ltd.**  
**6-1, Kitamikata 2-chome Takatsu-ku, Kawasaki-shi Kanagawa 213-8511 Japan**  
(72) Name(s) of Designer(s): **Yutaka Takei and Eiichi Taniguchi and Wataru Kuwajima and Yuichiro Shibata and Eiji Hikino and Masaru Kunii and Jun Tamatsu and Kyota Kubo and Chiaki Terao**  
(45) Registration Date: **08 October 2015**  
(30) Convention priority data:  
(31) Number (32) Date (33) Country  
**2015-009648 28 Apr 2015 JAPAN**  
(56) Related Art Documents: **Not Applicable**  
(57) Statement of Newness and Distinctiveness: **Newness and distinctiveness resides in the visual features, including the shape and configuration of the product shown in the representations.**



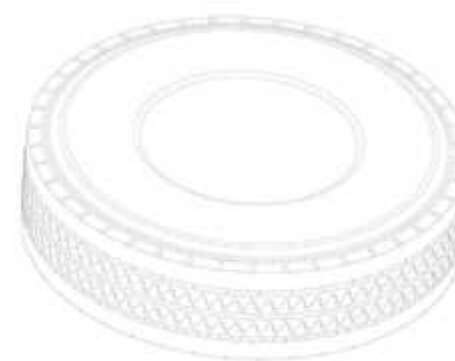
- (21) Design Number: **14866/2015**  
(22) Date of Filing Application: **14 September 2015**  
(24) Date from which industrial property rights may have effect: **14 September 2015**  
(54) Product in respect of which the design is registered: **Telephone**  
(51) International Design Classification: **14-03E**  
(74) Name(s) of Attorney(s): **Griffith Hack**  
(71) Name(s) and Address(s) of Applicant(s):  
**NEC Platforms, Ltd.**  
**6-1, Kitamikata 2-chome Takatsu-ku, Kawasaki-shi Kanagawa 213-8511**  
**Japan**  
(72) Name(s) of Designer(s): **Yutaka Takei and Eiichi Taniguchi and Wataru Kuwajima and Yuichiro Shibata and Eiji Hikino and Masaru Kunii and Jun Tamatsu and Kyota Kubo and Chiaki Terao**  
(45) Registration Date: **08 October 2015**  
(30) Convention priority data:  
(31) Number (32) Date (33) Country  
**2015-009642 28 Apr 2015 JAPAN**  
(56) Related Art Documents: **Not Applicable**  
(57) Statement of Newness and Distinctiveness: **Newness and distinctiveness resides in the visual features, including the shape and configuration of the product shown in the representations.**



- (21) Design Number: **14867/2015**  
(22) Date of Filing Application: **14 September 2015**  
(24) Date from which industrial property rights may have effect: **14 September 2015**  
(54) Product in respect of which the design is registered: **Compressed confectionery tablet**  
(51) International Design Classification: **01-01**  
(74) Name(s) of Attorney(s): **Spruson & Ferguson**  
(71) Name(s) and Address(s) of Applicant(s):  
**Wm. Wrigley Jr. Company**  
**1132 W. Blackhawk Street, Chicago Illinois, 60642 United States of America**  
(72) Name(s) of Designer(s): **Kyle Gati**  
(45) Registration Date: **08 October 2015**  
(30) Convention priority data:  
(31) Number (32) Date (33) Country  
**29/520763 17 Mar 2015 UNITED STATES OF AMERICA**  
(56) Related Art Documents: **Not Applicable**  
(57) Statement of Newness and Distinctiveness: **Newness and distinctiveness is claimed in the features of shape and/or configuration of a compressed confectionery tablet as illustrated in the accompanying representations.**



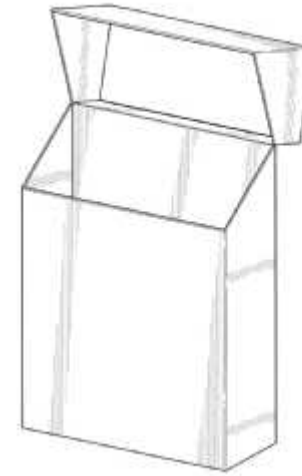
(21) Design Number: **14868/2015**  
(22) Date of Filing Application: **14 September 2015**  
(24) Date from which industrial property rights may have effect: **14 September 2015**  
(54) Product in respect of which the design is registered: **Tire**  
(51) International Design Classification: **12-15A**  
(74) Name(s) of Attorney(s): **Baxter Patent Attorneys Pty Ltd**  
(71) Name(s) and Address(s) of Applicant(s):  
**Hankook Tire Co., Ltd.**  
**133, Teheran-ro Gangnam-gu Seoul 06133 Republic of Korea**  
(72) Name(s) of Designer(s): **Suk Young Lee**  
(45) Registration Date: **08 October 2015**  
(56) Related Art Documents: **Not Applicable**  
(57) Statement of Newness and Distinctiveness: **The newness and distinctiveness of the design resides in the pattern and/or shape and/or configuration of the TYRE TREAD shown in the representations, the TYRE TREAD being repeated uniformly around the circumference of the tyre, and irrespective of the shape and/or configuration of the tyre shown in broken lines.**



(21) Design Number: **14869/2015**  
(22) Date of Filing Application: **15 September 2015**  
(24) Date from which industrial property rights may have effect: **15 September 2015**  
(54) Product in respect of which the design is registered: **Coach**  
(51) International Design Classification: **12-08**  
(74) Name(s) of Attorney(s): **Callinans**  
(71) Name(s) and Address(s) of Applicant(s):  
**IRIZAR, S. COOP.**  
**Zumarraga Bidea, 8 ORMAIZTEGI (Guipuzcoa) Spain**  
(72) Name(s) of Designer(s): **Pedro Urteaga Iparraguirre**  
(45) Registration Date: **08 October 2015**  
(30) Convention priority data:  
(31) Number      (32) Date      (33) Country  
**002700609      14 May 2015      OFFICE FOR HARMONISATION IN  
THE INTERNAL MARKET (OHIM)**  
(56) Related Art Documents: **Not Applicable**  
(57) Statement of Newness and Distinctiveness: **Nil**



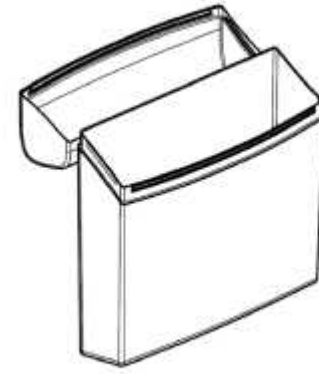
(21) Design Number: **14871/2015**  
(22) Date of Filing Application: **15 September 2015**  
(24) Date from which industrial property rights may have effect: **15 September 2015**  
(54) Product in respect of which the design is registered: **Outer packaging (cover) for cigarette packs**  
(51) International Design Classification: **09-03A**  
(74) Name(s) of Attorney(s): **Raven IP**  
(71) Name(s) and Address(s) of Applicant(s):  
**Anand Roy Cats-Djasai**  
**Spiegelklokje 11 NL-6971 MS Brummen The Netherlands**  
(72) Name(s) of Designer(s): **Anand Roy Cats-Djasai**  
(45) Registration Date: **08 October 2015**  
(56) Related Art Documents: **Not Applicable**  
(57) Statement of Newness and Distinctiveness: **Nil**



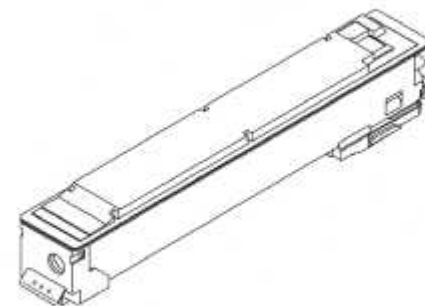
(21) Design Number: **14873/2015**  
(22) Date of Filing Application: **15 September 2015**  
(24) Date from which industrial property rights may have effect: **15 September 2015**  
(54) Product in respect of which the design is registered: **Shaver packaging**  
(51) International Design Classification: **09-05**  
(74) Name(s) of Attorney(s): **PHILLIPS ORMONDE FITZPATRICK**  
(71) Name(s) and Address(s) of Applicant(s):  
**Societe Bic**  
**14 rue Jeanne d'Asnieres F-92110 Clichy France**  
(72) Name(s) of Designer(s): **Andreas Vasiliadis and Argyro Kallivertaki**  
(45) Registration Date: **08 October 2015**  
(30) Convention priority data:  
(31) Number      (32) Date      (33) Country  
**002676460**      **07 Apr 2015**      **OFFICE FOR HARMONISATION IN**  
**THE INTERNAL MARKET (OHIM)**  
(56) Related Art Documents: **Not Applicable**  
(57) Statement of Newness and Distinctiveness: **Newness and distinctiveness resides in the shape and/or configuration of the shaver packaging shown in the continuous lines in the accompanying representations. The features shown in broken lines are not part of the design and are to be disregarded when considering the overall impression of the design.**



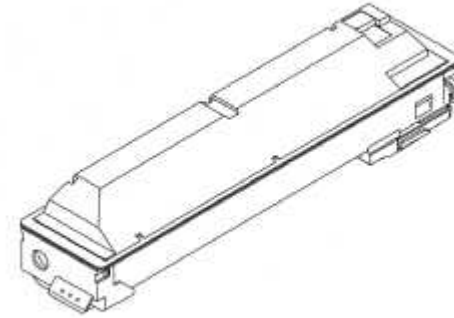
- (21) Design Number: **14865/2015**  
(22) Date of Filing Application: **14 September 2015**  
(24) Date from which industrial property rights may have effect: **14 September 2015**  
(54) Product in respect of which the design is registered: **Hard shell, multi-article, reclosable packaging**  
(51) International Design Classification: **09-03M**  
(74) Name(s) of Attorney(s): **Spruson & Ferguson**  
(71) Name(s) and Address(s) of Applicant(s):  
**Wm. Wrigley Jr. Company**  
**1132 W. Blackhawk Street, Chicago Illinois, 60642 United States of America**  
(72) Name(s) of Designer(s): **Paul J. Angeloni and Christopher H. Cunningham and Allen S. Aldridge and Peter Muller and William Tham and David Jaggi and Ross Bartels**  
(45) Registration Date: **08 October 2015**  
(30) Convention priority data:  
(31) Number (32) Date (33) Country  
**29/520280 12 Mar 2015 UNITED STATES OF AMERICA**  
(56) Related Art Documents: **Not Applicable**  
(57) Statement of Newness and Distinctiveness: **Newness and distinctiveness is claimed in the features of shape and/or configuration of a hard shell, multi-article, reclosable packaging as illustrated in the accompanying representations.**



- (21) Design Number: **14884/2015**  
(22) Date of Filing Application: **15 September 2015**  
(24) Date from which industrial property rights may have effect: **15 September 2015**  
(54) Product in respect of which the design is registered: **Toner cartridge**  
(51) International Design Classification: **14-02**  
(74) Name(s) of Attorney(s): **Pizeys Patent and Trade Mark Attorneys Pty Ltd**  
(71) Name(s) and Address(s) of Applicant(s):  
**KYOCERA Document Solutions Inc.**  
**1-2-28 Tamatsukuri Chuo-ku Osaka-shi Osaka 540-8585 Japan**  
(72) Name(s) of Designer(s): **Tatsuhiko Yoshii**  
(45) Registration Date: **08 October 2015**  
(30) Convention priority data:  
(31) Number (32) Date (33) Country  
**2015-007087 31 Mar 2015 JAPAN**  
(56) Related Art Documents: **Not Applicable**  
(57) Statement of Newness and Distinctiveness: **Nil**



(21) Design Number: **14885/2015**  
(22) Date of Filing Application: **15 September 2015**  
(24) Date from which industrial property rights may have effect: **15 September 2015**  
(54) Product in respect of which the design is registered: **Toner cartridge**  
(51) International Design Classification: **14-02**  
(74) Name(s) of Attorney(s): **Pizzeys Patent and Trade Mark Attorneys Pty Ltd**  
(71) Name(s) and Address(s) of Applicant(s):  
**KYOCERA Document Solutions Inc.**  
**1-2-28 Tamatsukuri Chuo-ku Osaka-shi Osaka 540-8585 Japan**  
(72) Name(s) of Designer(s): **Tatsuhiko Yoshii**  
(45) Registration Date: **08 October 2015**  
(30) Convention priority data:  
(31) Number      (32) Date      (33) Country  
**2015-007094      31 Mar 2015      JAPAN**  
(56) Related Art Documents: **Not Applicable**  
(57) Statement of Newness and Distinctiveness: **Nil**



(21) Design Number: **14887/2015**  
(22) Date of Filing Application: **15 September 2015**  
(24) Date from which industrial property rights may have effect: **15 September 2015**  
(54) Product in respect of which the design is registered: **Palm vein biometric identification device**  
(51) International Design Classification: **14-02**  
(74) Name(s) of Attorney(s):  
(71) Name(s) and Address(s) of Applicant(s):  
**Insfin Insurance & Financial Group Pty Ltd**  
**PO BOX 428 Elsternwick VIC 3185 Australia**  
(72) Name(s) of Designer(s): **Walter Ripper**  
(45) Registration Date: **08 October 2015**  
(56) Related Art Documents: **Not Applicable**  
(57) Statement of Newness and Distinctiveness: **The features of shape and configuration of the palm vein identification device shown in the accompanying representations are considered to be new and distinctive.**



- (21) Design Number: **14888/2015**  
(22) Date of Filing Application: **16 September 2015**  
(24) Date from which industrial property rights may have effect: **16 September 2015**  
(54) Product in respect of which the design is registered: **Mobile authentication and sales terminal**  
(51) International Design Classification: **14-02**  
(74) Name(s) of Attorney(s):  
(71) Name(s) and Address(s) of Applicant(s):  
**Insfin Insurance & Financial Group Pty Ltd**  
**PO BOX 428 Elsternwick VIC 3185 Australia**  
(72) Name(s) of Designer(s): **Walter Ripper**  
(45) Registration Date: **08 October 2015**  
(56) Related Art Documents: **Not Applicable**  
(57) Statement of Newness and Distinctiveness: **The features of shape and configuration of the mobile authentication and sales terminal shown in the accompanying representations are considered to be new and distinctive.**



- (21) Design Number: **14889/2015**  
(22) Date of Filing Application: **16 September 2015**  
(24) Date from which industrial property rights may have effect: **16 September 2015**  
(54) Product in respect of which the design is registered: **Brush incorporated in bottle cap**  
(51) International Design Classification: **09-07C, 04-02**  
(74) Name(s) of Attorney(s): **Spruson & Ferguson**  
(71) Name(s) and Address(s) of Applicant(s):  
**Henkel AG & Co. KGaA**  
**Henkelstrasse 67, Dusseldorf 40589 Germany**  
(72) Name(s) of Designer(s): **Katja Gerhards and Bodo Warden**  
(45) Registration Date: **08 October 2015**  
(30) Convention priority data:  
(31) Number      (32) Date      (33) Country  
**002674424      02 Apr 2015      EUROPEAN PATENT OFFICE (EPO)**  
(56) Related Art Documents: **Not Applicable**  
(57) Statement of Newness and Distinctiveness: **Newness and distinctiveness is claimed in the features of shape and/or configuration of a brush incorporated in bottle cap as illustrated in the accompanying representations.**





(21) Design Number: **14907/2015**  
(22) Date of Filing Application: **17 September 2015**  
(24) Date from which industrial property rights may have effect: **17 September 2015**  
(54) Product in respect of which the design is registered: **Watch**  
(51) International Design Classification: **10-02**  
(74) Name(s) of Attorney(s): **Callinans**  
(71) Name(s) and Address(s) of Applicant(s):



**Bulgari Horlogerie S.A.**  
**34 rue du Monruz Neuchatel, 2000 Switzerland**

(72) Name(s) of Designer(s): **Fabrizio Buonamassa**  
(45) Registration Date: **08 October 2015**

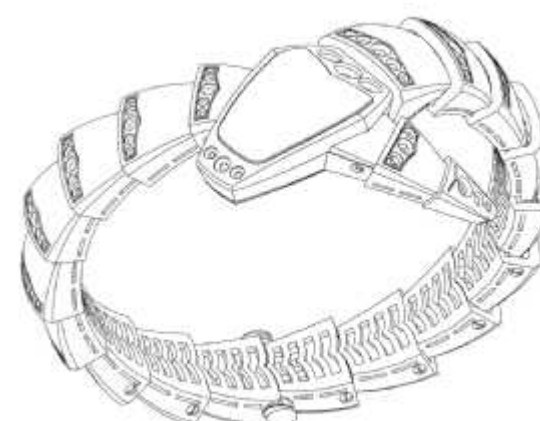
(30) Convention priority data:

(31) Number	(32) Date	(33) Country
<b>879743901</b>	<b>17 Mar 2015</b>	<b>WORLD INTELLECTUAL PROPERTY ORGANIZATION (WIPO)</b>

(56) Related Art Documents: **Not Applicable**

(57) Statement of Newness and Distinctiveness: **Nil**

(21) Design Number: **14908/2015**  
(22) Date of Filing Application: **17 September 2015**  
(24) Date from which industrial property rights may have effect: **17 September 2015**  
(54) Product in respect of which the design is registered: **Watch**  
(51) International Design Classification: **10-07**  
(74) Name(s) of Attorney(s): **Callinans**  
(71) Name(s) and Address(s) of Applicant(s):



**Bulgari Horlogerie S.A.**  
**34 rue du Monruz Neuchatel, 2000 Switzerland**

(72) Name(s) of Designer(s): **Fabrizio Buonamassa**  
(45) Registration Date: **08 October 2015**

(30) Convention priority data:

(31) Number	(32) Date	(33) Country
<b>879743901</b>	<b>17 Mar 2015</b>	<b>WORLD INTELLECTUAL PROPERTY ORGANIZATION (WIPO)</b>

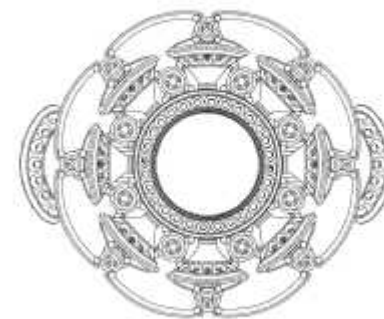
(56) Related Art Documents: **Not Applicable**

(57) Statement of Newness and Distinctiveness: **Nil**

- (21) Design Number: **14909/2015**  
(22) Date of Filing Application: **17 September 2015**  
(24) Date from which industrial property rights may have effect: **17 September 2015**  
(54) Product in respect of which the design is registered: **A street light**  
(51) International Design Classification: **26-03**  
(74) Name(s) of Attorney(s): **PIPERS**  
(71) Name(s) and Address(s) of Applicant(s):  
**OMA LIGHTING CO. LTD.**  
**11F., No.90, Xingde Rd. Sanchong Dist New Taipei City 241 Taiwan**  
(72) Name(s) of Designer(s): **Chia Chen Wang and Peng Hui Wang**  
(45) Registration Date: **08 October 2015**  
(56) Related Art Documents: **Not Applicable**  
(57) Statement of Newness and Distinctiveness: **The design is to be applied to a STREET LIGHT and the novelty resides in the features of shape and configuration of the STREET LIGHT as shown in the accompanying representations.**



- (21) Design Number: **14910/2015**  
(22) Date of Filing Application: **17 September 2015**  
(24) Date from which industrial property rights may have effect: **17 September 2015**  
(54) Product in respect of which the design is registered: **Watch**  
(51) International Design Classification: **10-02**  
(74) Name(s) of Attorney(s): **Callinans**  
(71) Name(s) and Address(s) of Applicant(s):  
**Bulgari Horlogerie S.A.**  
**34 rue de Monruz Neuchatel, 2000 Switzerland**  
(72) Name(s) of Designer(s): **Fabrizio Buonamassa**  
(45) Registration Date: **08 October 2015**  
(30) Convention priority data:  
(31) Number      (32) Date      (33) Country  
**879743901      17 Mar 2015      WORLD INTELLECTUAL  
PROPERTY ORGANIZATION  
(WIPO)**  
(56) Related Art Documents: **Not Applicable**  
(57) Statement of Newness and Distinctiveness: **Nil**



(21) Design Number: **14911/2015**  
(22) Date of Filing Application: **17 September 2015**  
(24) Date from which industrial property rights may have effect: **17 September 2015**  
(54) Product in respect of which the design is registered: **Vacuum pump**  
(51) International Design Classification: **15-02**  
(74) Name(s) of Attorney(s): **FB Rice**  
(71) Name(s) and Address(s) of Applicant(s):  
**Vacuum Group S.a.s. di Lana Emanuele & C.**  
**Via Acqua Rossa 15 Perugia 06126 Italy**  
(72) Name(s) of Designer(s): **Emanuele Lana**  
(45) Registration Date: **08 October 2015**  
(30) Convention priority data:  
(31) Number (32) Date (33) Country  
**002657031-0001 17 Mar 2015 OFFICE FOR HARMONISATION IN  
THE INTERNAL MARKET (OHIM)**  
(56) Related Art Documents: **Not Applicable**  
(57) Statement of Newness and Distinctiveness: **Newness and distinctiveness  
reside in the features of shape and configuration of the design as shown  
in the representations.**



(21) Design Number: **14913/2015**  
(22) Date of Filing Application: **17 September 2015**  
(24) Date from which industrial property rights may have effect: **17 September 2015**  
(54) Product in respect of which the design is registered: **Mixer**  
(51) International Design Classification: **28-03B**  
(74) Name(s) of Attorney(s): **Freehills Patent Attorneys**  
(71) Name(s) and Address(s) of Applicant(s):  
**UNIL Electronics Corp.**  
**9, Sinnae-ro 23-Gil, Jungnang-gu Seoul 131-846 Republic of Korea**  
(72) Name(s) of Designer(s): **Ok-nam Cho**  
(45) Registration Date: **08 October 2015**  
(30) Convention priority data:  
(31) Number (32) Date (33) Country  
**30-2015-0032318 26 Jun 2015 REPUBLIC OF KOREA**  
(56) Related Art Documents: **Not Applicable**  
(57) Statement of Newness and Distinctiveness: **Newness and distinctiveness  
of the design resides in the features of shape and configuration of the  
mixer as shown in the accompanying drawings.**



(21) Design Number: **14722/2015**  
(22) Date of Filing Application: **07 September 2015**  
(24) Date from which industrial property rights may have effect: **07 September 2015**  
(54) Product in respect of which the design is registered: **Hand trolley**  
(51) International Design Classification: **12-02**  
(74) Name(s) of Attorney(s):  
(71) Name(s) and Address(s) of Applicant(s):  
**Breon Winslow Moore**  
**590 Clayton Road Clayton South Victoria 3169 Australia**  
(72) Name(s) of Designer(s): **David Timothy Powell**  
(45) Registration Date: **08 October 2015**  
(56) Related Art Documents: **Not Applicable**  
(57) Statement of Newness and Distinctiveness: **Newness and distinctiveness is claimed on the design of the interchangeability of the hand trolley toe plate as shown in the accompanying illustrations. When determining whether the design is similar in overall impression to another design, of note is the detachable / interchangeable type toe plate design and also the significant structural changes needed to the trolley. The claim does not include wheels fitted to this trolley. This claim does not include the trolley shape or handle type.**



(21) Design Number: **14741/2015**  
(22) Date of Filing Application: **07 September 2015**  
(24) Date from which industrial property rights may have effect: **07 September 2015**  
(54) Product in respect of which the design is registered: **Aspirator**  
(51) International Design Classification: **24-04**  
(74) Name(s) of Attorney(s): **PATENT ATTORNEY SERVICES**  
(71) Name(s) and Address(s) of Applicant(s):  
**Ketan C Mehta**  
**601 Aviation Boulevard Santa Rosa California, 95403 United States of America**  
(72) Name(s) of Designer(s): **Ketan C Mehta**  
(45) Registration Date: **08 October 2015**  
(30) Convention priority data:  
(31) Number (32) Date (33) Country  
**29/520,032 10 Mar 2015 UNITED STATES OF AMERICA**  
(56) Related Art Documents: **Not Applicable**  
(57) Statement of Newness and Distinctiveness: **Nil**



(21) Design Number: **14742/2015**  
(22) Date of Filing Application: **07 September 2015**  
(24) Date from which industrial property rights may have effect: **07 September 2015**  
(54) Product in respect of which the design is registered: **Aspirator**  
(51) International Design Classification: **24-04**  
(74) Name(s) of Attorney(s): **PATENT ATTORNEY SERVICES**  
(71) Name(s) and Address(s) of Applicant(s):

**Ketan C Mehta**  
**601 Aviation Boulevard Santa Rosa California, 95403 United States of America**

(72) Name(s) of Designer(s): **Ketan C Mehta**

(45) Registration Date: **08 October 2015**

(30) Convention priority data:

(31) Number	(32) Date	(33) Country
<b>29/520,032</b>	<b>10 Mar 2015</b>	<b>UNITED STATES OF AMERICA</b>

(56) Related Art Documents: **Not Applicable**

(57) Statement of Newness and Distinctiveness: **Visual features of the design which are new and distinctive are the features of shape and configuration of the aspirator as shown in the representations. The features shown in broken lines are not part of the design and are to be disregarded.**



(21) Design Number: **14880/2015**  
(22) Date of Filing Application: **15 September 2015**  
(24) Date from which industrial property rights may have effect: **15 September 2015**  
(54) Product in respect of which the design is registered: **Vehicle wheel and cap**  
(51) International Design Classification: **12-16A**  
(74) Name(s) of Attorney(s): **Allens Patent & Trade Mark Attorneys**  
(71) Name(s) and Address(s) of Applicant(s):

**Wheel Pros, LLC**  
**5347 S. Valentia Way Suite 200 Greenwood Village CO 80111 United States of America**

(72) Name(s) of Designer(s): **Hans Lickliter**

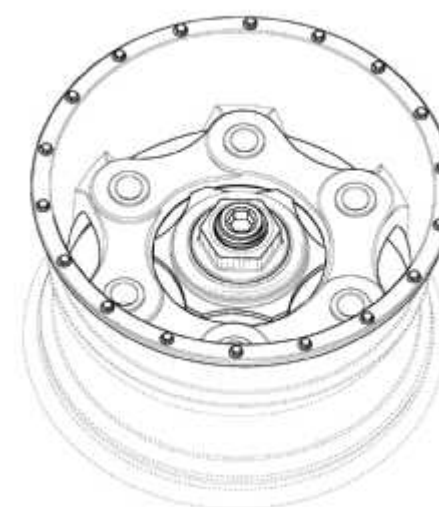
(45) Registration Date: **08 October 2015**

(30) Convention priority data:

(31) Number	(32) Date	(33) Country
<b>29/535,509</b>	<b>06 Aug 2015</b>	<b>UNITED STATES OF AMERICA</b>

(56) Related Art Documents: **Not Applicable**

(57) Statement of Newness and Distinctiveness: **Newness and distinctiveness resides in the visual features of shape and/or configuration of a vehicle wheel and cap as illustrated in the accompanying representations. The broken lines in the representations are for illustrative purposes only and do not constitute part of the design.**



(21) Design Number: **14720/2015**  
(22) Date of Filing Application: **07 September 2015**  
(24) Date from which industrial property rights may have effect: **07 September 2015**  
(54) Product in respect of which the design is registered: **Inhalation device**  
(51) International Design Classification: **24-04**  
(74) Name(s) of Attorney(s): **FB Rice**  
(71) Name(s) and Address(s) of Applicant(s):  
**Amneal Pharmaceuticals Company GmbH**  
**4 Towers-Turmstrasse 30 Zug 6300 CH Switzerland**  
(72) Name(s) of Designer(s): **John S. White and Daniel Joseph Greene and Michael H. Lau and Edward Cox III**  
(45) Registration Date: **08 October 2015**  
(30) Convention priority data:  
(31) Number (32) Date (33) Country  
**29/520,841 18 Mar 2015 UNITED STATES OF AMERICA**  
(56) Related Art Documents: **Not Applicable**  
(57) Statement of Newness and Distinctiveness: **Newness and distinctiveness reside in the features of shape and configuration of the design as shown in the representations.**



(21) Design Number: **14882/2015**  
(22) Date of Filing Application: **15 September 2015**  
(24) Date from which industrial property rights may have effect: **15 September 2015**  
(54) Product in respect of which the design is registered: **TV receiver with graphical user interface**  
(51) International Design Classification: **14-03B**  
(74) Name(s) of Attorney(s): **FB Rice**  
(71) Name(s) and Address(s) of Applicant(s):  
**LG Electronics, Inc.**  
**128, Yeoui-daero, Yeongdeungpo-gu Seoul 07336 Republic of Korea**  
(72) Name(s) of Designer(s): **Kunsik Lee and Uniyong kim and Byunghun Lee and Hana Yoo**  
(45) Registration Date: **08 October 2015**  
(30) Convention priority data:  
(31) Number (32) Date (33) Country  
**30-2015-0013645 18 Mar 2015 REPUBLIC OF KOREA**  
(56) Related Art Documents: **Not Applicable**  
(57) Statement of Newness and Distinctiveness: **Newness and distinctiveness reside in the features of shape and configuration of a display screen with graphical user interface as illustrated by solid lines in the accompanying representation. The features shown in broken outline are for contextual purposes only and do not form part of the design.**



(21) Design Number: **14883/2015**

(22) Date of Filing Application: **15 September 2015**

(24) Date from which industrial property rights may have effect: **23 June 2015**

(54) Product in respect of which the design is registered: **Handset**

(51) International Design Classification: **14-03E**

(74) Name(s) of Attorney(s): **Shelston IP**

(71) Name(s) and Address(s) of Applicant(s):

**Microsoft Corporation**

**One Microsoft Way Redmond Washington, 98052 United States of America**

(72) Name(s) of Designer(s): **Ilkka Husgafvel and Jenny Cui**

(45) Registration Date: **08 October 2015**

(30) Convention priority data:

(31) Number	(32) Date	(33) Country
<b>29/513463</b>	<b>31 Dec 2014</b>	<b>UNITED STATES OF AMERICA</b>

(62) Divisional of: **364302**

(56) Related Art Documents: **Not Applicable**

(57) Statement of Newness and Distinctiveness: **Newness and distinctiveness reside in the features of shape and/or configuration of a handset as illustrated by solid lines in the accompanying representations. The features shown in broken outline are for contextual purposes only and do not form part of the design.**



(21) Design Number: **14912/2015**

(22) Date of Filing Application: **17 September 2015**

(24) Date from which industrial property rights may have effect: **17 September 2015**

(54) Product in respect of which the design is registered: **A fence post**

(51) International Design Classification: **25-01E**

(74) Name(s) of Attorney(s):

(71) Name(s) and Address(s) of Applicant(s):

**Daveles Limited**

**6 Corsican Grove Parklands Christchurch 8083 New Zealand**

(72) Name(s) of Designer(s): **David John Quartly**

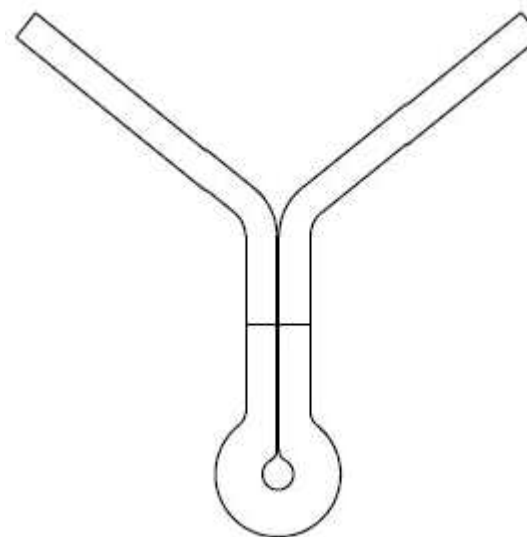
(45) Registration Date: **08 October 2015**

(30) Convention priority data:

(31) Number	(32) Date	(33) Country
<b>420560</b>	<b>21 Aug 2015</b>	<b>NEW ZEALAND</b>

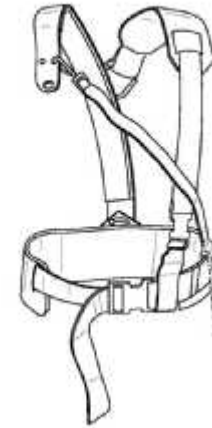
(56) Related Art Documents: **Not Applicable**

(57) Statement of Newness and Distinctiveness: **The design is to be applied to a Fence Post and the novelty resides in the features of shape and configuration of the article shown in the accompanying representations. No novelty is claimed in the wires and connectors shown in the "Perspective View Of Fence Section" representation.**





- (21) Design Number: **14916/2015**  
(22) Date of Filing Application: **17 September 2015**  
(24) Date from which industrial property rights may have effect: **17 September 2015**  
(54) Product in respect of which the design is registered: **A harness**  
(51) International Design Classification: **29-02**  
(74) Name(s) of Attorney(s): **Griffith Hack**  
(71) Name(s) and Address(s) of Applicant(s):  
**ROBERT JOHN ANDERSON**  
**Lot 43 Craigie St Bunbury WA, 6230 Australia**  
(72) Name(s) of Designer(s): **Gino Charles Garbellini**  
(45) Registration Date: **08 October 2015**  
(56) Related Art Documents: **Not Applicable**  
(57) Statement of Newness and Distinctiveness: **Newness and distinctiveness resides in the shape and configuration of the product shown by those parts illustrated in solid lines in the representations.**



- (21) Design Number: **14917/2015**  
(22) Date of Filing Application: **17 September 2015**  
(24) Date from which industrial property rights may have effect: **17 September 2015**  
(54) Product in respect of which the design is registered: **Hood**  
(51) International Design Classification: **02-02NES**  
(74) Name(s) of Attorney(s): **Madderns**  
(71) Name(s) and Address(s) of Applicant(s):  
**CAPHAT HOLDINGS PTY LTD**  
**533 Ackland Hill Rd Ironbank SA, 5153 Australia**  
(72) Name(s) of Designer(s): **Bernard John Sharrad**  
(45) Registration Date: **08 October 2015**  
(56) Related Art Documents: **Not Applicable**  
(57) Statement of Newness and Distinctiveness: **Newness and distinctiveness resides in the visual features of shape and configuration of a headwear article as shown in the accompanying representations, in particular the aperture in the hood. The mannequin/person, hat and the clothing below the hood, as shown are not part of the design and are to be disregarded when considering the overall impression of the design.**





- (21) Design Number: **14918/2015**  
(22) Date of Filing Application: **17 September 2015**  
(24) Date from which industrial property rights may have effect: **17 September 2015**  
(54) Product in respect of which the design is registered: **Headwear**  
(51) International Design Classification: **02-03**  
(74) Name(s) of Attorney(s): **Madderns**  
(71) Name(s) and Address(s) of Applicant(s):  
**CAPHAT HOLDINGS PTY LTD**  
**533 Ackland Hill Rd Ironbank SA, 5153 Australia**  
(72) Name(s) of Designer(s): **Bernard John Sharrad**  
(45) Registration Date: **08 October 2015**  
(56) Related Art Documents: **Not Applicable**  
(57) Statement of Newness and Distinctiveness: **Newness and distinctiveness resides in the visual features of shape and configuration of a headwear article as shown in the accompanying representations, in particular the aperture in the headwear. The mannequin/person and hat, as shown are not part of the design and are to be disregarded when considering the overall impression of the design.**



- (21) Design Number: **14919/2015**  
(22) Date of Filing Application: **17 September 2015**  
(24) Date from which industrial property rights may have effect: **17 September 2015**  
(54) Product in respect of which the design is registered: **Headwear with flyscreen**  
(51) International Design Classification: **02-03**  
(74) Name(s) of Attorney(s): **Madderns**  
(71) Name(s) and Address(s) of Applicant(s):  
**CAPHAT HOLDINGS PTY LTD**  
**533 Ackland Hill Rd Ironbank SA, 5153 Australia**  
(72) Name(s) of Designer(s): **Bernard John Sharrad**  
(45) Registration Date: **08 October 2015**  
(56) Related Art Documents: **Not Applicable**  
(57) Statement of Newness and Distinctiveness: **Newness and distinctiveness resides in the visual features of shape and configuration of a headwear article as shown in the accompanying representations, in particular the aperture in the headwear and the fly screen material. The mannequin and hat shown are not part of the design and are to be disregarded when considering the overall impression of the design.**



(21) Design Number: **14920/2015**  
(22) Date of Filing Application: **17 September 2015**  
(24) Date from which industrial property rights may have effect: **17 September 2015**  
(54) Product in respect of which the design is registered: **Headwear with compartment**  
(51) International Design Classification: **02-03**  
(74) Name(s) of Attorney(s): **Madderns**  
(71) Name(s) and Address(s) of Applicant(s):  
**CAPHAT HOLDINGS PTY LTD**  
**533 Ackland Hill Rd Ironbank SA, 5153 Australia**  
(72) Name(s) of Designer(s): **Bernard John Sharrad**  
(45) Registration Date: **08 October 2015**  
(56) Related Art Documents: **Not Applicable**  
(57) Statement of Newness and Distinctiveness: **Newness and distinctiveness resides in the visual features of shape and configuration of a headwear article as shown in the accompanying representations, in particular the aperture in the headwear. The mannequin and hat shown are not part of the design and are to be disregarded when considering the overall impression of the design.**



(21) Design Number: **14921/2015**  
(22) Date of Filing Application: **17 September 2015**  
(24) Date from which industrial property rights may have effect: **17 September 2015**  
(54) Product in respect of which the design is registered: **Article of jewelry**  
(51) International Design Classification: **11-01E**  
(74) Name(s) of Attorney(s): **Pizeys Patent and Trade Mark Attorneys Pty Ltd**  
(71) Name(s) and Address(s) of Applicant(s):  
**Alex and Ani, LLC**  
**2000 Chapel View Boulevard Suite 360 Cranston RI, 02920 United States of America**  
(72) Name(s) of Designer(s): **Carolyn A. Rafaelian**  
(45) Registration Date: **08 October 2015**  
(30) Convention priority data:  
(31) Number      (32) Date      (33) Country  
**29/521,776      26 Mar 2015      UNITED STATES OF AMERICA**  
(56) Related Art Documents: **Not Applicable**  
(57) Statement of Newness and Distinctiveness: **Nil**



(21) Design Number: **12910/2015**  
(22) Date of Filing Application: **10 June 2015**  
(24) Date from which industrial property rights may have effect: **10 June 2015**  
(54) Product in respect of which the design is registered: **Decorative jewellery**  
(51) International Design Classification: **11-01E**  
(74) Name(s) of Attorney(s): **Shelston IP**  
(71) Name(s) and Address(s) of Applicant(s):

**Chanel Limited**  
**Queensway Croydon Surrey England CR9 4DL United Kingdom**

(72) Name(s) of Designer(s): **Marianna Nitsch**

(45) Registration Date: **08 October 2015**

(30) Convention priority data:

(31) Number	(32) Date	(33) Country
<b>4038595</b>	<b>12 Dec 2014</b>	<b>UNITED KINGDOM</b>

(56) Related Art Documents: **Not Applicable**

(57) Statement of Newness and Distinctiveness: **Newness and distinctiveness reside in a common design of a face adorned with gemstones and embodied in various items of decorative jewellery. The circles displayed on the face represent portions adorned with gemstones, the number, size and distribution of which is not part of the claimed design. The features shown in broken line in the figures are displayed for illustrative purposes only and are not considered part of the design.**



(21) Design Number: **12898/2015**  
(22) Date of Filing Application: **10 June 2015**  
(24) Date from which industrial property rights may have effect: **10 June 2015**  
(54) Product in respect of which the design is registered: **Chair shade canopy**  
(51) International Design Classification: **06-01H**  
(74) Name(s) of Attorney(s):  
(71) Name(s) and Address(s) of Applicant(s):

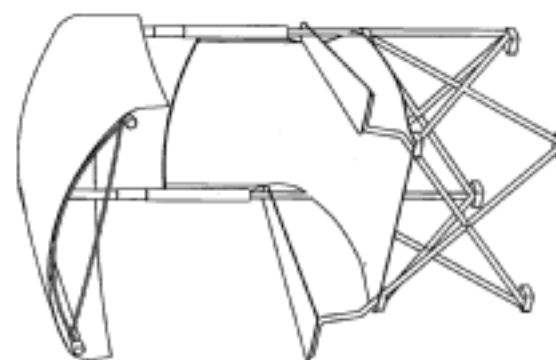
**Bruce Edward Ker Bell**  
**15 Phoenix St Nightcliff NT 0810 Australia**

(72) Name(s) of Designer(s): **Bruce Edward Ker Bell**

(45) Registration Date: **08 October 2015**

(56) Related Art Documents: **Not Applicable**

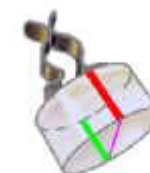
(57) Statement of Newness and Distinctiveness: **When considering newness and distinctiveness no regard is to be had to the chair which is shown in the isometric view, which chair is provided for illustrative purposes only**



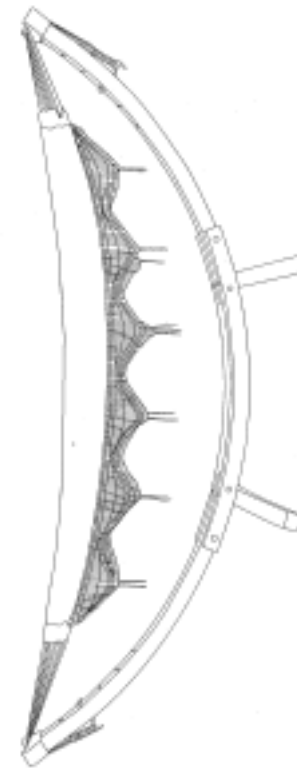
(21) Design Number: **13860/2015**  
(22) Date of Filing Application: **31 July 2015**  
(24) Date from which industrial property rights may have effect: **31 July 2015**  
(54) Product in respect of which the design is registered: **Car and toy-car**  
(51) International Design Classification: **12-08**  
(74) Name(s) of Attorney(s): **PHILLIPS ORMONDE FITZPATRICK**  
(71) Name(s) and Address(s) of Applicant(s):  
**Ferrari S.p.A.**  
**Via Emilia Est 1163 Modena Italy**  
(72) Name(s) of Designer(s): **Flavio Manzoni and Andrea Militello**  
(45) Registration Date: **08 October 2015**  
(30) Convention priority data:  
(31) Number (32) Date (33) Country  
**002625749 03 Feb 2015 OFFICE FOR HARMONISATION IN  
THE INTERNAL MARKET (OHIM)**  
(56) Related Art Documents: **Not Applicable**  
(57) Statement of Newness and Distinctiveness: **Those features of the car and toy-car depicted in the representations that are new and distinctive are the shape and/or configuration. The wheels of the car and toy-car do not form part of the design.**



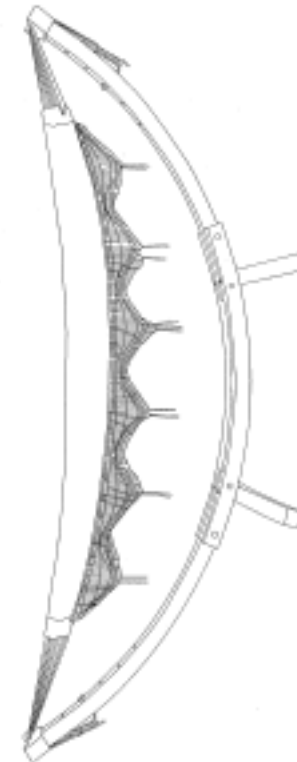
(21) Design Number: **13307/2015**  
(22) Date of Filing Application: **01 July 2015**  
(24) Date from which industrial property rights may have effect: **01 July 2015**  
(54) Product in respect of which the design is registered: **Attachment for a putter head**  
(51) International Design Classification: **21-02C**  
(74) Name(s) of Attorney(s): **John Christiansen**  
(71) Name(s) and Address(s) of Applicant(s):  
**James Dow**  
**6 Ella Gr Chelsea VIC 3196 Australia**  
**Peter Graham Litchfield**  
**6 Ella Gr Chelsea VIC 3196 Australia**  
(72) Name(s) of Designer(s): **James Dow and Peter Graham Litchfield**  
(45) Registration Date: **09 October 2015**  
(56) Related Art Documents: **Not Applicable**  
(57) Statement of Newness and Distinctiveness: **Newness and distinctiveness s claimed in the visual features features shown in the representations. The elements of the attachments shown in red and green form part of the design. The clip shown in broken lines in the "Plan", "Elevation" and "Side"Elevation" representations and in solid form in the "Shaded" Perspective 1", "Shaded Perspective 2" and "Putter Attachment Attached to a Putter" representations forms no part of the design. The putter shown in the "Putter s no Attachment Attached to a Putter" representation forms no part of the design.**



- (21) Design Number: **13308/2015**  
(22) Date of Filing Application: **01 July 2015**  
(24) Date from which industrial property rights may have effect: **01 July 2015**  
(54) Product in respect of which the design is registered: **Wooden arc hammock frame**  
(51) International Design Classification: **06-01NES**  
(74) Name(s) of Attorney(s):  
(71) Name(s) and Address(s) of Applicant(s):  
**TROPICANA IMPORTS PTY LIMITED**  
**3/9 Mogo PI Billinudgel NSW 2483 Australia**  
(72) Name(s) of Designer(s): **Richard Cassidy**  
(45) Registration Date: **09 October 2015**  
(56) Related Art Documents: **Not Applicable**  
(57) Statement of Newness and Distinctiveness: **Putting a horn on the top of the arc arm of the wooden hammock frame where the strings can go over the horn making the height adjustable.**



- (21) Design Number: **13549/2015**  
(22) Date of Filing Application: **16 July 2015**  
(24) Date from which industrial property rights may have effect: **16 July 2015**  
(54) Product in respect of which the design is registered: **Horizontal sliding panels**  
(51) International Design Classification: **25-01D**  
(74) Name(s) of Attorney(s): **IP Service International**  
(71) Name(s) and Address(s) of Applicant(s):  
**Nagaur Holdings Pty Ltd**  
**PO BOX 149 BALLINA NSW 2478 Australia**  
(72) Name(s) of Designer(s): **Brett Bowman**  
(45) Registration Date: **09 October 2015**  
(56) Related Art Documents: **Not Applicable**  
(57) Statement of Newness and Distinctiveness: **Nil**



(21) Design Number: **14324/2015**  
(22) Date of Filing Application: **24 August 2015**  
(24) Date from which industrial property rights may have effect: **24 August 2015**  
(54) Product in respect of which the design is registered: **Medical pump bracket**  
(51) International Design Classification: **24-01**  
(74) Name(s) of Attorney(s): **A.P.T. Patent and Trade Mark Attorneys**  
(71) Name(s) and Address(s) of Applicant(s):

**Biomedical Industry Group Inc.**  
**532 Montreal Road, Suite 362 Ottawa Ontario, K1K 4R4 Canada**

(72) Name(s) of Designer(s): **Mark Sunderland**

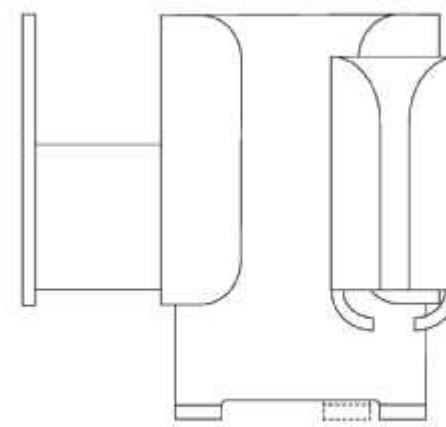
(45) Registration Date: **09 October 2015**

(30) Convention priority data:

(31) Number	(32) Date	(33) Country
<b>161043</b>	<b>23 Feb 2015</b>	<b>CANADA</b>

(56) Related Art Documents: **Not Applicable**

(57) Statement of Newness and Distinctiveness: **Newness and distinctiveness of the design lies in the shape and/or configuration of the Medical Pump Bracket as shown in the accompanying drawings. In assessing the newness and distinctiveness no regard is to be had of the position of the clamp and fasteners, shown in the drawings in broken outline, relative to the remainder of the Medical Pump Bracket.**



(21) Design Number: **13226/2015**  
(22) Date of Filing Application: **24 June 2015**  
(24) Date from which industrial property rights may have effect: **24 June 2015**  
(54) Product in respect of which the design is registered: **Pendant light**  
(51) International Design Classification: **26-05D**  
(74) Name(s) of Attorney(s):  
(71) Name(s) and Address(s) of Applicant(s):

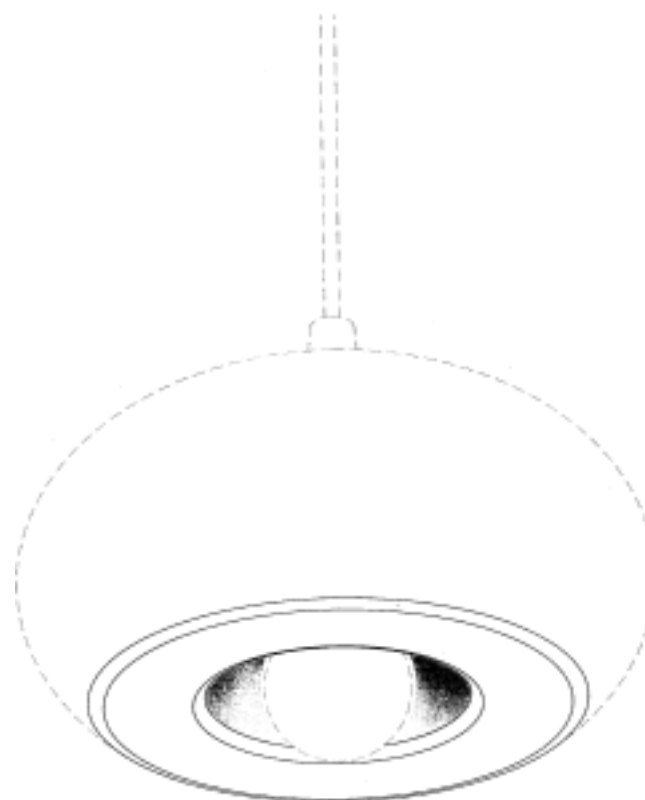
**Paul Townsin**  
**45 Albert St Clarence Gardens South Australia 5039 Australia**

(72) Name(s) of Designer(s): **Paul Townsin**

(45) Registration Date: **09 October 2015**

(56) Related Art Documents: **Not Applicable**

(57) Statement of Newness and Distinctiveness: **Pendant lights in geometric solid forms that have a flat base that domes up around the globe, appearing as carved around the globe and appearing as a solid form. The application is for the flat base with curved dome surface wrapping around the globe which is new and unique. This surface arrangement is applied as the bottom face to various solid shapes. The solids shapes themselves are not part of the application.**





- (21) Design Number: **13561/2015**  
(22) Date of Filing Application: **15 July 2015**  
(24) Date from which industrial property rights may have effect: **27 November 2014**  
(54) Product in respect of which the design is registered: **Display screen with graphical user interface**  
(51) International Design Classification: **14-02**  
(74) Name(s) of Attorney(s): **Halfords IP**  
(71) Name(s) and Address(s) of Applicant(s):  
**ResMed Limited**  
**1 Elizabeth Macarthur Dr Bella Vista NSW 2153 Australia**  
(72) Name(s) of Designer(s): **Mark Bertinetti and Jose Ignacio Romagnoli and Jamie Graeme Wehbeh**  
(45) Registration Date: **09 October 2015**  
(62) Divisional of: **362970**  
(56) Related Art Documents: **Not Applicable**  
(57) Statement of Newness and Distinctiveness: **Nil**



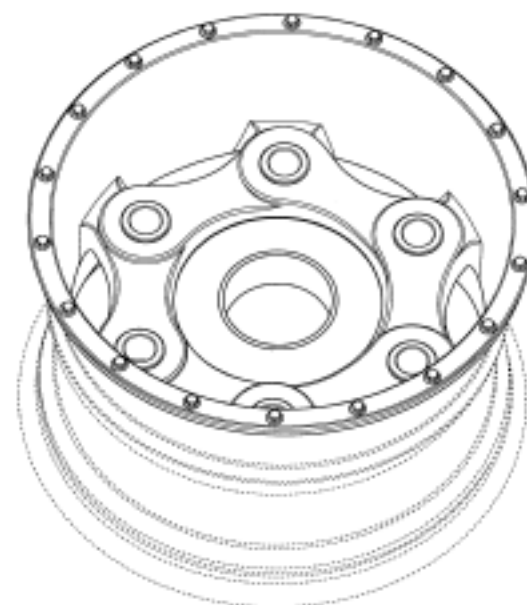
- (21) Design Number: **14667/2015**  
(22) Date of Filing Application: **03 September 2015**  
(24) Date from which industrial property rights may have effect: **03 September 2015**  
(54) Product in respect of which the design is registered: **Trailer**  
(51) International Design Classification: **12-10**  
(74) Name(s) of Attorney(s): **IP Service International**  
(71) Name(s) and Address(s) of Applicant(s):  
**Decked Out Trailers Pty Ltd**  
**116 Huntingdale Dr Greenbank QLD 4124 Australia**  
(72) Name(s) of Designer(s): **Clinton Gayton**  
(45) Registration Date: **09 October 2015**  
(56) Related Art Documents: **Not Applicable**  
(57) Statement of Newness and Distinctiveness: **Nil**



(21) Design Number: **13758/2015**  
(22) Date of Filing Application: **24 July 2015**  
(24) Date from which industrial property rights may have effect: **01 July 2014**  
(54) Product in respect of which the design is registered: **Clip for patient interface**  
(51) International Design Classification: **24-01**  
(74) Name(s) of Attorney(s): **Halfords IP**  
(71) Name(s) and Address(s) of Applicant(s):  
**ResMed Limited**  
**1 Elizabeth Macarthur Dr Bella Vista NSW 2153 Australia**  
(72) Name(s) of Designer(s): **Craig David Edwards**  
(45) Registration Date: **09 October 2015**  
(62) Divisional of: **362974**  
(56) Related Art Documents: **Not Applicable**  
(57) Statement of Newness and Distinctiveness: **Nil**



(21) Design Number: **14881/2015**  
(22) Date of Filing Application: **15 September 2015**  
(24) Date from which industrial property rights may have effect: **15 September 2015**  
(54) Product in respect of which the design is registered: **Vehicle wheel**  
(51) International Design Classification: **12-16A**  
(74) Name(s) of Attorney(s): **Allens Patent & Trade Mark Attorneys**  
(71) Name(s) and Address(s) of Applicant(s):  
**Wheel Pros, LLC**  
**5347 S. Valentia Way Suite 200 Greenwood Village CO 80111 United States of America**  
(72) Name(s) of Designer(s): **Hans Lickliter**  
(45) Registration Date: **09 October 2015**  
(30) Convention priority data:  
(31) Number      (32) Date      (33) Country  
**29/535,508      06 Aug 2015      UNITED STATES OF AMERICA**  
(56) Related Art Documents: **Not Applicable**  
(57) Statement of Newness and Distinctiveness: **Newness and distinctiveness resides in the visual features of shape and/or configuration of a vehicle wheel as illustrated in the accompanying representations. The broken lines in the representations are for illustrative purposes only and do not constitute part of the design.**





- (21) Design Number: **14997/2015**  
(22) Date of Filing Application: **24 September 2015**  
(24) Date from which industrial property rights may have effect: **24 September 2015**  
(54) Product in respect of which the design is registered: **Lunch box**  
(51) International Design Classification: **07-01NES**  
(74) Name(s) of Attorney(s): **Griffith Hack**  
(71) Name(s) and Address(s) of Applicant(s):  
**Megan Thrupp**  
**21 Mt Eliza Way Mt Eliza VIC 3930 Australia**  
(72) Name(s) of Designer(s): **Megan Thrupp**  
(45) Registration Date: **09 October 2015**  
(56) Related Art Documents: **Not Applicable**  
(57) Statement of Newness and Distinctiveness: **The shape and configuration of the parts of the product shown by solid lines in the accompanying representations are new and distinctive.**



- (21) Design Number: **14420/2015**  
(22) Date of Filing Application: **25 August 2015**  
(24) Date from which industrial property rights may have effect: **25 August 2015**  
(54) Product in respect of which the design is registered: **Bottle**  
(51) International Design Classification: **09-01NES**  
(74) Name(s) of Attorney(s): **Davies Collison Cave**  
(71) Name(s) and Address(s) of Applicant(s):  
**Intertrading Australia Pty Ltd**  
**157 Hartley Rd Smeaton Grange NSW 2567 Australia**  
(72) Name(s) of Designer(s): **Harold Neumann**  
(45) Registration Date: **09 October 2015**  
(56) Related Art Documents: **Not Applicable**  
(57) Statement of Newness and Distinctiveness: **Newness and distinctiveness is claimed in the visual features shown in solid lines in the representations.**



(21) Design Number: **14922/2015**

(22) Date of Filing Application: **17 September 2015**

(24) Date from which industrial property rights may have effect: **17 September 2015**

(54) Product in respect of which the design is registered: **Article of jewelry**

(51) International Design Classification: **11-01E**

(74) Name(s) of Attorney(s): **Pizzeys Patent and Trade Mark Attorneys Pty Ltd**

(71) Name(s) and Address(s) of Applicant(s):

**Alex and Ani, LLC**

**2000 Chapel View Boulevard Suite 360 Cranston RI, 02920 United States of America**

(72) Name(s) of Designer(s): **Carolyn A. Rafaelian**

(45) Registration Date: **09 October 2015**

(30) Convention priority data:

(31) Number

(32) Date

(33) Country

**29/521,794**

**26 Mar 2015**

**UNITED STATES OF AMERICA**

(56) Related Art Documents: **Not Applicable**

(57) Statement of Newness and Distinctiveness: **Nil**



(21) Design Number: **14924/2015**

(22) Date of Filing Application: **18 September 2015**

(24) Date from which industrial property rights may have effect: **18 September 2015**

(54) Product in respect of which the design is registered: **Steam basket**

(51) International Design Classification: **07-02N**

(74) Name(s) of Attorney(s): **Spruson & Ferguson**

(71) Name(s) and Address(s) of Applicant(s):

**SEB S.A.**

**Chemin du Petit Bois - Les 4 M, Ecully 69130 France**

(72) Name(s) of Designer(s): **Nicolas Blaise**

(45) Registration Date: **09 October 2015**

(30) Convention priority data:

(31) Number

(32) Date

(33) Country

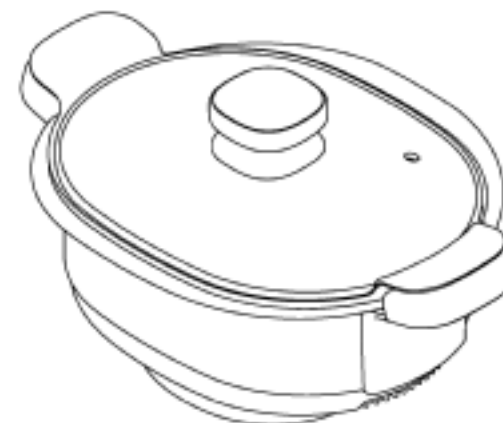
**002671750-0001**

**30 Mar 2015**

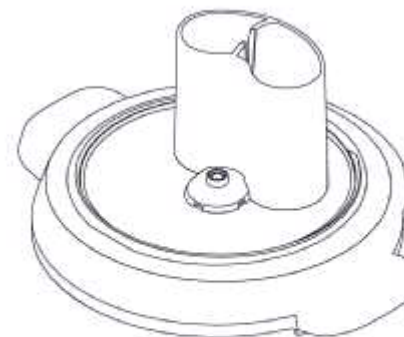
**OFFICE FOR HARMONISATION IN THE INTERNAL MARKET (OHIM)**

(56) Related Art Documents: **Not Applicable**

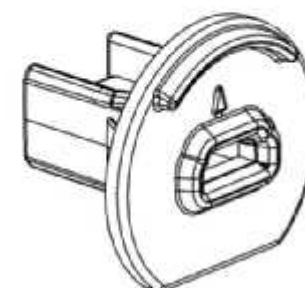
(57) Statement of Newness and Distinctiveness: **Newness and distinctiveness is claimed in the features of shape and/or configuration of a steam basket as illustrated in the accompanying representations.**



(21) Design Number: **14925/2015**  
(22) Date of Filing Application: **18 September 2015**  
(24) Date from which industrial property rights may have effect: **18 September 2015**  
(54) Product in respect of which the design is registered: **Accessory for cutting vegetables**  
(51) International Design Classification: **07-02N**  
(74) Name(s) of Attorney(s): **Spruson & Ferguson**  
(71) Name(s) and Address(s) of Applicant(s):  
**SEB S.A.**  
**Chemin du Petit Bois - Les 4 M, Ecully 69130 France**  
(72) Name(s) of Designer(s): **Laurent Dutruel**  
(45) Registration Date: **09 October 2015**  
(30) Convention priority data:  
(31) Number (32) Date (33) Country  
**002675520-0001 03 Apr 2015 OFFICE FOR HARMONISATION IN THE INTERNAL MARKET (OHIM)**  
(56) Related Art Documents: **Not Applicable**  
(57) Statement of Newness and Distinctiveness: **Newness and distinctiveness is claimed in the features of shape and/or configuration of an accessory for cutting vegetables as illustrated in the accompanying representations.**



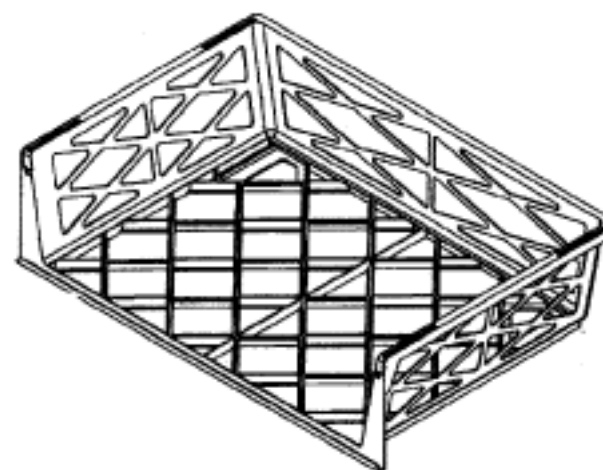
(21) Design Number: **14926/2015**  
(22) Date of Filing Application: **18 September 2015**  
(24) Date from which industrial property rights may have effect: **18 September 2015**  
(54) Product in respect of which the design is registered: **Scalpel blade removing device, one-piece**  
(51) International Design Classification: **24-02**  
(74) Name(s) of Attorney(s):  
(71) Name(s) and Address(s) of Applicant(s):  
**John Dawson**  
**PO Box 2298 Malvern East VIC, 3145 Australia**  
**Barry Dawson**  
**PO Box 2298 Malvern East VIC, 3145 Australia**  
(72) Name(s) of Designer(s): **John Dawson and Barry Dawson**  
(45) Registration Date: **09 October 2015**  
(56) Related Art Documents: **Not Applicable**  
(57) Statement of Newness and Distinctiveness: **THE DESIGN IS OF COMPACT UNITARY CONSTRUCTION AND ONE-PIECE WITH NO MOVING PARTS**



- (21) Design Number: **14927/2015**  
(22) Date of Filing Application: **18 September 2015**  
(24) Date from which industrial property rights may have effect: **18 September 2015**  
(54) Product in respect of which the design is registered: **Stand**  
(51) International Design Classification: **06-06A**  
(74) Name(s) of Attorney(s):  
(71) Name(s) and Address(s) of Applicant(s):  
**Veeraj Ajit Lal**  
**5 Majorca St St. Albans VIC, 3021 Australia**  
(72) Name(s) of Designer(s): **Veeraj Ajit Lal**  
(45) Registration Date: **09 October 2015**  
(56) Related Art Documents: **Not Applicable**  
(57) Statement of Newness and Distinctiveness: **The newness and distinctiveness of the design resides in the shape and arrangement of the stand legs as shown in the continuous lines in the accompanying representations.**



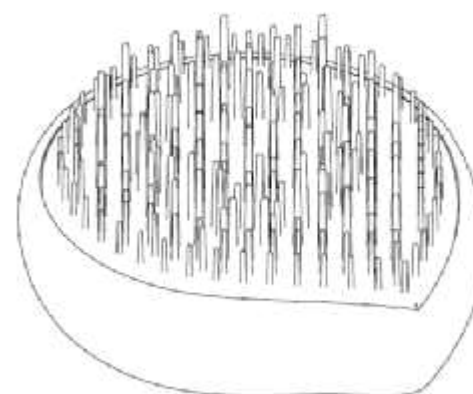
- (21) Design Number: **14940/2015**  
(22) Date of Filing Application: **18 September 2015**  
(24) Date from which industrial property rights may have effect: **18 September 2015**  
(54) Product in respect of which the design is registered: **Display stand**  
(51) International Design Classification: **20-02E**  
(74) Name(s) of Attorney(s): **FB Rice**  
(71) Name(s) and Address(s) of Applicant(s):  
**Creative Instore Solutions Pty Ltd**  
**1 Tepko Rd Terry Hills NSW 2084 Australia**  
(72) Name(s) of Designer(s): **Gareth Jones**  
(45) Registration Date: **09 October 2015**  
(56) Related Art Documents: **Not Applicable**  
(57) Statement of Newness and Distinctiveness: **Newness and distinctiveness reside in the features of the design as shown in the representations and in particular in the shape and configuration of the tray component forming part of the display stand noting that the number of shelves in the stand is not critical.**



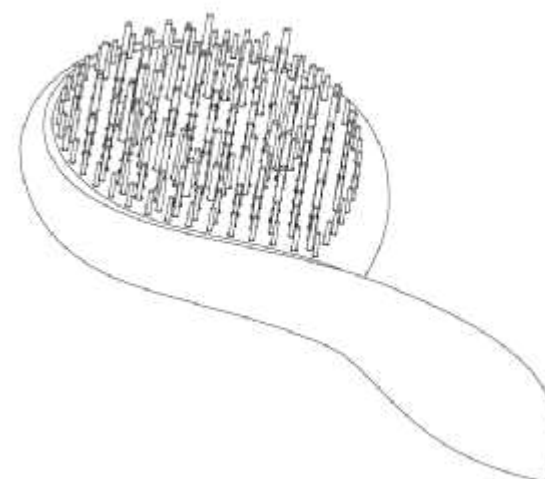
- (21) Design Number: **14941/2015**  
(22) Date of Filing Application: **18 September 2015**  
(24) Date from which industrial property rights may have effect: **18 September 2015**  
(54) Product in respect of which the design is registered: **Display unit**  
(51) International Design Classification: **14-02**  
(74) Name(s) of Attorney(s): **Baxter Patent Attorneys Pty Ltd**  
(71) Name(s) and Address(s) of Applicant(s):  
**PositiveG Investments Pty Ltd ATF The PositiveG Trust**  
**51 Aberfeldie St Aberfeldie VIC 3040 Australia**  
(72) Name(s) of Designer(s): **Peter Hill**  
(45) Registration Date: **09 October 2015**  
(56) Related Art Documents: **Not Applicable**  
(57) Statement of Newness and Distinctiveness: **The newness and distinctiveness of the design resides in the shape and/or configuration of a DISPLAY UNIT as shown in the accompanying representations, and irrespective of the shape and/or configuration of the rear features of the DISPLAY UNIT shown in broken lines, and irrespective of the lettering on the front face.**



- (21) Design Number: **14945/2015**  
(22) Date of Filing Application: **20 September 2015**  
(24) Date from which industrial property rights may have effect: **20 September 2015**  
(54) Product in respect of which the design is registered: **Hair brush**  
(51) International Design Classification: **04-02**  
(74) Name(s) of Attorney(s):  
(71) Name(s) and Address(s) of Applicant(s):  
**KAMPALOOK LTD**  
**6 HaNehoshet Street Tel Aviv 6971070 Israel**  
(72) Name(s) of Designer(s): **Lior Munitz and Meytal Baron and Eitan Shiloh**  
(45) Registration Date: **09 October 2015**  
(30) Convention priority data:  
(31) Number      (32) Date      (33) Country  
**29521112      19 Mar 2015      UNITED STATES OF AMERICA**  
(56) Related Art Documents: **Not Applicable**  
(57) Statement of Newness and Distinctiveness: **The newness and distinctiveness of the design resides in the shape and/or configuration of the hairbrush shown in the accompanying drawings. The bristles are to be disregarded when considering the overall impression of the design.**



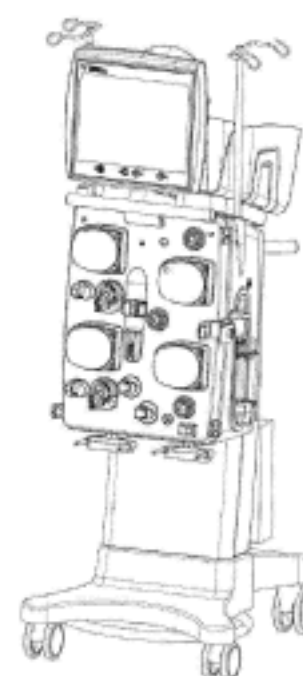
(21) Design Number: **14946/2015**  
(22) Date of Filing Application: **20 September 2015**  
(24) Date from which industrial property rights may have effect: **20 September 2015**  
(54) Product in respect of which the design is registered: **Hairbrush**  
(51) International Design Classification: **04-02**  
(74) Name(s) of Attorney(s):  
(71) Name(s) and Address(s) of Applicant(s):



**KAMPALOOK LTD**  
**6 HaNehoshet Street Tel Aviv 6971070 Israel**  
(72) Name(s) of Designer(s): **Lior Munitz and Meytal Baron and Eitan Shiloh**  
(45) Registration Date: **09 October 2015**  
(30) Convention priority data:  
(31) Number      (32) Date      (33) Country  
**29521112      19 Mar 2015      UNITED STATES OF AMERICA**

(56) Related Art Documents: **Not Applicable**  
(57) Statement of Newness and Distinctiveness: **The newness and distinctiveness of the design resides in the shape and/or configuration of the hairbrush shown in the accompanying drawings. The bristles are to be disregarded when considering the overall impression of the design.**

(21) Design Number: **13514/2015**  
(22) Date of Filing Application: **14 July 2015**  
(24) Date from which industrial property rights may have effect: **14 July 2015**  
(54) Product in respect of which the design is registered: **Dialysis apparatus**  
(51) International Design Classification: **24-01**  
(74) Name(s) of Attorney(s): **Davies Collison Cave**  
(71) Name(s) and Address(s) of Applicant(s):



**Fresenius Medical Care Deutschland GmbH**  
**Else-Kroener-Strasse 1 Bad Homburg 61352 Germany**  
(72) Name(s) of Designer(s): **Fabio Rezzonico and Sabine Kipp and Thomas Pusinelli and Josef Beden and Martin Herklotz and Goekhan Oerter and Stefan Oesterreich and Nicolas Beisser and Andre Eicker and Juergen Klewinghaus and Georg Verch and Christine Nachbaur-Sturm**  
(45) Registration Date: **09 October 2015**  
(30) Convention priority data:  
(31) Number      (32) Date      (33) Country  
**2 631 341      11 Feb 2015      OFFICE FOR HARMONISATION IN THE INTERNAL MARKET (OHIM)**

(56) Related Art Documents: **Not Applicable**  
(57) Statement of Newness and Distinctiveness: **Newness and distinctiveness is claimed in the visual features shown in the representations.**

(21) Design Number: **13553/2015**

(22) Date of Filing Application: **16 July 2015**

(24) Date from which industrial property rights may have effect: **16 July 2015**

(54) Product in respect of which the design is registered: **Weighing machine**

(51) International Design Classification: **10-04**

(74) Name(s) of Attorney(s): **WADESON**

(71) Name(s) and Address(s) of Applicant(s):

**Cashmaster International Limited**  
**Innovation Buildings Fairykirk Rd Rosyth KY11 2QQ United Kingdom**

(72) Name(s) of Designer(s): **William Wright Hamilton and Robert Gordon McKie**

(45) Registration Date: **09 October 2015**

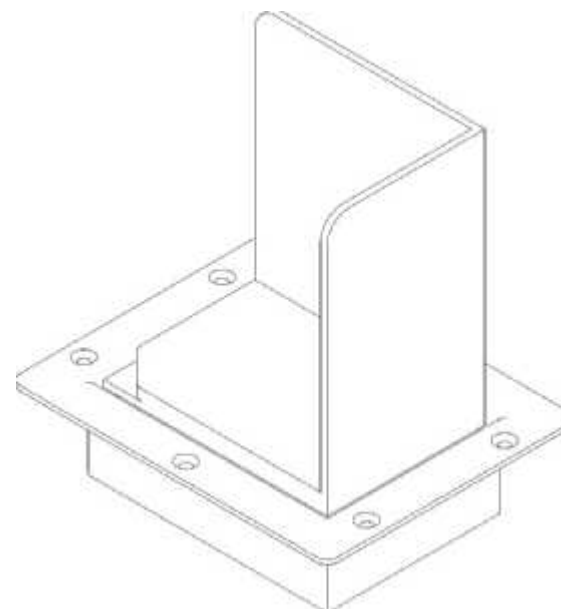
(30) Convention priority data:

(31) Number (32) Date  
**002616144-0001 19 Jan 2015**

(33) Country  
**OFFICE FOR HARMONISATION IN  
THE INTERNAL MARKET (OHIM)**

(56) Related Art Documents: **Not Applicable**

(57) Statement of Newness and Distinctiveness: **Nil**



(21) Design Number: **14943/2015**

(22) Date of Filing Application: **18 September 2015**

(24) Date from which industrial property rights may have effect: **18 September 2015**

(54) Product in respect of which the design is registered: **Growscroll - growth chart**

(51) International Design Classification: **19-08**

(74) Name(s) of Attorney(s):

(71) Name(s) and Address(s) of Applicant(s):

**Nathan Grant Paulson**  
**PO BOX 1005 North Haven SA 5018 Australia**

(72) Name(s) of Designer(s): **Nathan Grant Paulson**

(45) Registration Date: **09 October 2015**

(56) Related Art Documents: **Not Applicable**

(57) Statement of Newness and Distinctiveness: **Monopoly is claimed in the features of shape and/or configuration of a growth chart scroll as illustrated in the accompanying representations.**



- (21) Design Number: **14948/2015**  
(22) Date of Filing Application: **21 September 2015**  
(24) Date from which industrial property rights may have effect: **21 September 2015**  
(54) Product in respect of which the design is registered: **Dispenser**  
(51) International Design Classification: **31-00**  
(74) Name(s) of Attorney(s): **Spruson & Ferguson**  
(71) Name(s) and Address(s) of Applicant(s):

**PepsiCo, Inc.**  
**700 Anderson Hill Road, Purchase New York, 10577 United States of America**

- (72) Name(s) of Designer(s): **Martin Eduardo Broen and Christian Stolarz and David Jennings Lucas**

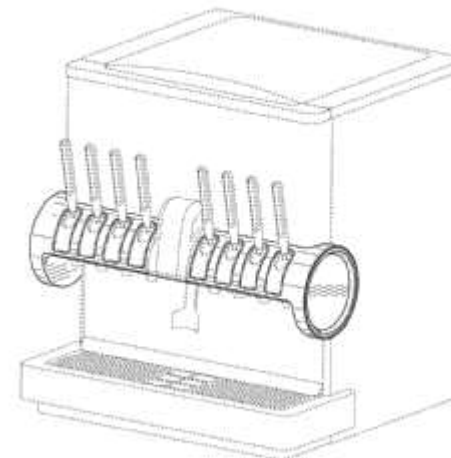
(45) Registration Date: **09 October 2015**

(30) Convention priority data:

(31) Number	(32) Date	(33) Country
<b>29/521249</b>	<b>20 Mar 2015</b>	<b>UNITED STATES OF AMERICA</b>

(56) Related Art Documents: **Not Applicable**

(57) Statement of Newness and Distinctiveness: **Newness and distinctiveness is claimed in those features of shape and/or configuration of a dispenser as illustrated in continuous lines in the accompanying representations.**



- (21) Design Number: **14949/2015**  
(22) Date of Filing Application: **21 September 2015**  
(24) Date from which industrial property rights may have effect: **21 September 2015**  
(54) Product in respect of which the design is registered: **Dispenser**  
(51) International Design Classification: **31-00**  
(74) Name(s) of Attorney(s): **Spruson & Ferguson**  
(71) Name(s) and Address(s) of Applicant(s):

**PepsiCo, Inc.**  
**700 Anderson Hill Road, Purchase New York, 10577 United States of America**

- (72) Name(s) of Designer(s): **Martin Eduardo Broen and Christian Stolarz and David Jennings Lucas**

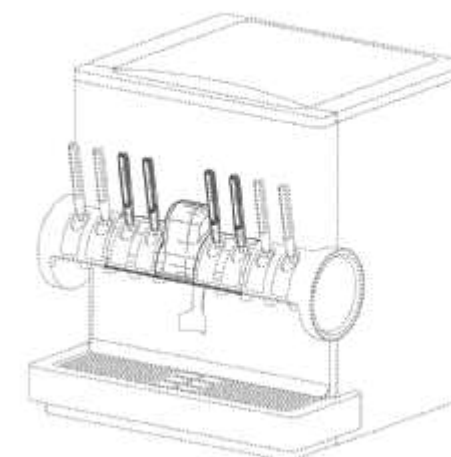
(45) Registration Date: **09 October 2015**

(30) Convention priority data:

(31) Number	(32) Date	(33) Country
<b>29/521251</b>	<b>20 Mar 2015</b>	<b>UNITED STATES OF AMERICA</b>

(56) Related Art Documents: **Not Applicable**

(57) Statement of Newness and Distinctiveness: **Newness and distinctiveness is claimed in those features of shape and/or configuration of a dispenser as illustrated in continuous lines in the accompanying representations.**





(21) Design Number: **14950/2015**  
(22) Date of Filing Application: **21 September 2015**  
(24) Date from which industrial property rights may have effect: **21 September 2015**  
(54) Product in respect of which the design is registered: **Dispenser**  
(51) International Design Classification: **31-00**  
(74) Name(s) of Attorney(s): **Spruson & Ferguson**  
(71) Name(s) and Address(s) of Applicant(s):

**PepsiCo, Inc.**  
**700 Anderson Hill Road, Purchase New York, 10577 United States of America**

(72) Name(s) of Designer(s): **Martin Eduardo Broen and Christian Stolarz and David Jennings Lucas**

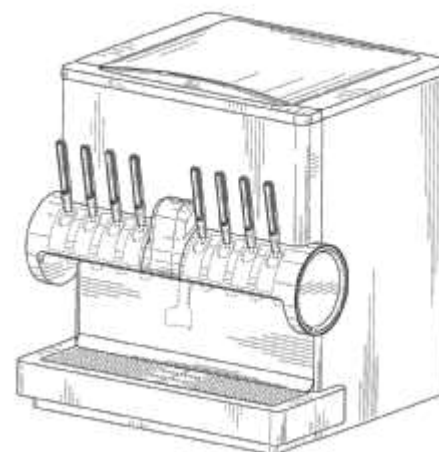
(45) Registration Date: **09 October 2015**

(30) Convention priority data:

(31) Number	(32) Date	(33) Country
<b>29/521255</b>	<b>20 Mar 2015</b>	<b>UNITED STATES OF AMERICA</b>

(56) Related Art Documents: **Not Applicable**

(57) Statement of Newness and Distinctiveness: **Newness and distinctiveness is claimed in those features of shape and/or configuration of a dispenser as illustrated in continuous lines in the accompanying representations.**



(21) Design Number: **14951/2015**  
(22) Date of Filing Application: **21 September 2015**  
(24) Date from which industrial property rights may have effect: **21 September 2015**  
(54) Product in respect of which the design is registered: **Bag**  
(51) International Design Classification: **03-01B**  
(74) Name(s) of Attorney(s): **A.P.T. Patent and Trade Mark Attorneys**  
(71) Name(s) and Address(s) of Applicant(s):

**Ben Gal Maytal**  
**24 Amishav, Apartment 7 Tel Aviv 67942 Israel**

(72) Name(s) of Designer(s): **Ben Gal Maytal**

(45) Registration Date: **09 October 2015**

(30) Convention priority data:

(31) Number	(32) Date	(33) Country
<b>56780</b>	<b>26 Mar 2015</b>	<b>ISRAEL</b>

(56) Related Art Documents: **Not Applicable**

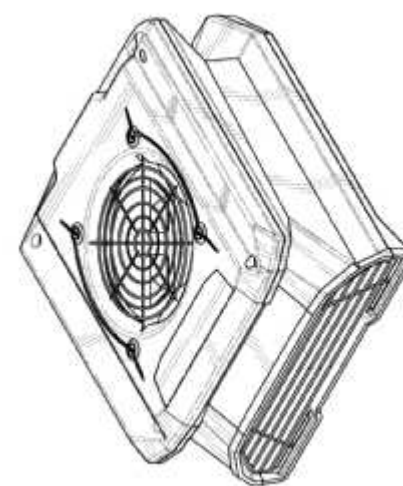
(57) Statement of Newness and Distinctiveness: **Nil**



(21) Design Number: **14953/2015**  
(22) Date of Filing Application: **21 September 2015**  
(24) Date from which industrial property rights may have effect: **21 September 2015**  
(54) Product in respect of which the design is registered: **Baby carrier**  
(51) International Design Classification: **03-99**  
(74) Name(s) of Attorney(s): **Spruson & Ferguson**  
(71) Name(s) and Address(s) of Applicant(s):  
**BabyBjorn AB**  
**Box 913, Solna 170 09 Sweden**  
(72) Name(s) of Designer(s): **Lisen Elmberg and Marten Andr#n and Ulrika Vejbrink and Elisabeth Ramel-Wahrberg**  
(45) Registration Date: **09 October 2015**  
(30) Convention priority data:  
(31) Number (32) Date (33) Country  
**002666271-0002 24 Mar 2015 OFFICE FOR HARMONISATION IN THE INTERNAL MARKET (OHIM)**  
(56) Related Art Documents: **Not Applicable**  
(57) Statement of Newness and Distinctiveness: **Newness and distinctiveness is claimed in the features of shape and/or configuration of a baby carrier as illustrated in the accompanying representations.**



(21) Design Number: **14955/2015**  
(22) Date of Filing Application: **21 September 2015**  
(24) Date from which industrial property rights may have effect: **21 September 2015**  
(54) Product in respect of which the design is registered: **Air mover**  
(51) International Design Classification: **23-04**  
(74) Name(s) of Attorney(s): **Pizzey's Patent and Trade Mark Attorneys Pty Ltd**  
(71) Name(s) and Address(s) of Applicant(s):  
**Technologies Holdings Corp.**  
**3737 Willowick Road Houston Texas 77019 United States of America**  
(72) Name(s) of Designer(s): **Marco A. Tejada and Steffes Michael J. and James A. Scharping Jr and Richard G. Giallombardo and Jared M. Stearns**  
(45) Registration Date: **09 October 2015**  
(30) Convention priority data:  
(31) Number (32) Date (33) Country  
**29/526,434 08 May 2015 UNITED STATES OF AMERICA**  
(56) Related Art Documents: **Not Applicable**  
(57) Statement of Newness and Distinctiveness: **Nil**



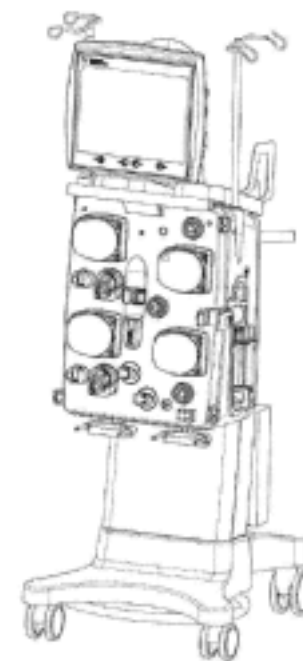
- (21) Design Number: **14960/2015**  
(22) Date of Filing Application: **22 September 2015**  
(24) Date from which industrial property rights may have effect: **22 September 2015**  
(54) Product in respect of which the design is registered: **A tyre**  
(51) International Design Classification: **12-15B**  
(74) Name(s) of Attorney(s): **WATERMARK PATENT AND TRADE MARKS ATTORNEYS**  
(71) Name(s) and Address(s) of Applicant(s):  
**COMPAGNIE GENERALE DES ETABLISSEMENTS MICHELIN**  
**12 cours Sablon Clermont-Ferrand 63000 France**  
**Michelin Recherche et Technique S.A.**  
**Route Louis Braille 10 Granges-Paccot 1763 Switzerland**  
(72) Name(s) of Designer(s): **Saliou Dieng and Walid Djabour and Jean-Marc Meslot**  
(45) Registration Date: **09 October 2015**  
(30) Convention priority data:  
(31) Number      (32) Date      (33) Country  
**2015-1519      24 Mar 2015      FRANCE**  
(56) Related Art Documents: **Not Applicable**  
(57) Statement of Newness and Distinctiveness: **Newness and distinctiveness resides in the appearance of the tread region of the tyre, the remainder of the tyre not forming part of the design.**



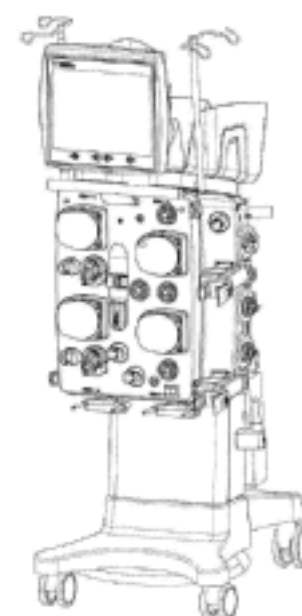
- (21) Design Number: **13419/2015**  
(22) Date of Filing Application: **07 July 2015**  
(24) Date from which industrial property rights may have effect: **07 July 2015**  
(54) Product in respect of which the design is registered: **Automobile**  
(51) International Design Classification: **12-08**  
(74) Name(s) of Attorney(s): **Spruson & Ferguson**  
(71) Name(s) and Address(s) of Applicant(s):  
**Honda Motor Co., Ltd.**  
**1-1, Minami-Aoyama 2-chome, Minato-ku Tokyo, 107-8556 Japan**  
(72) Name(s) of Designer(s): **Satoshi Kazama**  
(45) Registration Date: **12 October 2015**  
(30) Convention priority data:  
(31) Number      (32) Date      (33) Country  
**2015-000454      14 Jan 2015      JAPAN**  
(56) Related Art Documents: **Not Applicable**  
(57) Statement of Newness and Distinctiveness: **Newness and distinctiveness is claimed in the features of shape and/or configuration of an automobile as illustrated in the accompanying representations.**



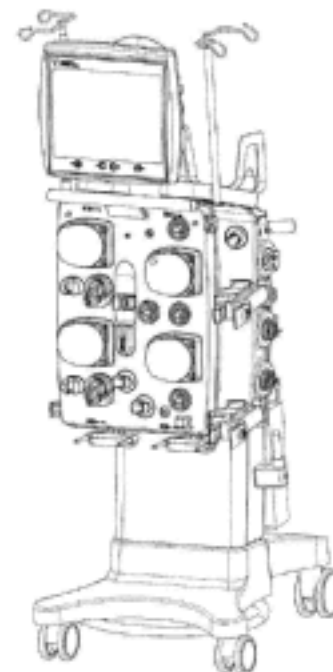
- (21) Design Number: **13515/2015**  
(22) Date of Filing Application: **14 July 2015**  
(24) Date from which industrial property rights may have effect: **14 July 2015**  
(54) Product in respect of which the design is registered: **Dialysis apparatus**  
(51) International Design Classification: **24-01**  
(74) Name(s) of Attorney(s): **Davies Collison Cave**  
(71) Name(s) and Address(s) of Applicant(s):  
**Fresenius Medical Care Deutschland GmbH**  
**Else-Kroener-Strasse 1 Bad Homburg 61352 Germany**  
(72) Name(s) of Designer(s): **Fabio Rezzonico and Sabine Kipp and Thomas Pusinelli and Josef Beden and Martin Herklotz and Goekhan Oerter and Stefan Oesterreich and Nicolas Beisser and Andre Eicker and Juergen Klewinghaus and Georg Verch and Christine Nachbaur-Sturm**  
(45) Registration Date: **12 October 2015**  
(30) Convention priority data:  
(31) Number (32) Date (33) Country  
**2 631 358 11 Feb 2015 OFFICE FOR HARMONISATION IN THE INTERNAL MARKET (OHIM)**  
(56) Related Art Documents: **Not Applicable**  
(57) Statement of Newness and Distinctiveness: **Newness and distinctiveness is claimed in the visual features shown in the representations.**



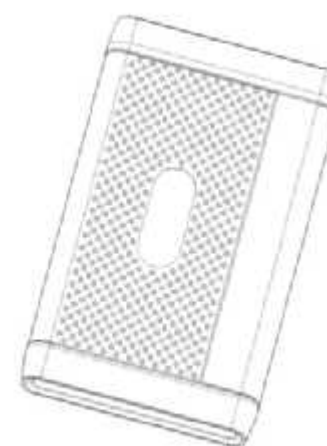
- (21) Design Number: **13516/2015**  
(22) Date of Filing Application: **14 July 2015**  
(24) Date from which industrial property rights may have effect: **14 July 2015**  
(54) Product in respect of which the design is registered: **Blood treatment device**  
(51) International Design Classification: **24-01**  
(74) Name(s) of Attorney(s): **Davies Collison Cave**  
(71) Name(s) and Address(s) of Applicant(s):  
**Fresenius Medical Care Deutschland GmbH**  
**Else-Kroener-Strasse 1 Bad Homburg 61352 Germany**  
(72) Name(s) of Designer(s): **Fabio Rezzonico and Sabine Kipp and Thomas Pusinelli and Josef Beden and Martin Herklotz and Goekhan Oerter and Stefan Oesterreich and Nicolas Beisser and Andre Eicker and Juergen Klewinghaus and Georg Verch and Christine Nachbaur-Sturm**  
(45) Registration Date: **12 October 2015**  
(30) Convention priority data:  
(31) Number (32) Date (33) Country  
**2 631 366 11 Feb 2015 OFFICE FOR HARMONISATION IN THE INTERNAL MARKET (OHIM)**  
(57) Statement of Newness and Distinctiveness: **Newness and distinctiveness is claimed in the visual features shown in the representations.**



- (21) Design Number: **13517/2015**  
(22) Date of Filing Application: **14 July 2015**  
(24) Date from which industrial property rights may have effect: **14 July 2015**  
(54) Product in respect of which the design is registered: **Blood treatment device**  
(51) International Design Classification: **24-01**  
(74) Name(s) of Attorney(s): **Davies Collison Cave**  
(71) Name(s) and Address(s) of Applicant(s):  
**Fresenius Medical Care Deutschland GmbH**  
**Else-Kroener-Strasse 1 Bad Homburg 61352 Germany**  
(72) Name(s) of Designer(s): **Fabio Rezzonico and Sabine Kipp and Thomas Pusinelli and Josef Beden and Martin Herklotz and Goekhan Oerter and Stefan Oesterreich and Nicolas Beisser and Andre Eicker and Juergen Klewinghaus and Georg Verch and Christine Nachbaur-Sturm**  
(45) Registration Date: **12 October 2015**  
(30) Convention priority data:  
(31) Number      (32) Date      (33) Country  
**2 631 374      11 Feb 2015      OFFICE FOR HARMONISATION IN THE INTERNAL MARKET (OHIM)**  
(56) Related Art Documents: **Not Applicable**  
(57) Statement of Newness and Distinctiveness: **Newness and distinctiveness is claimed in the visual features shown in the representations.**



- (21) Design Number: **14962/2015**  
(22) Date of Filing Application: **22 September 2015**  
(24) Date from which industrial property rights may have effect: **22 September 2015**  
(54) Product in respect of which the design is registered: **A charging battery**  
(51) International Design Classification: **13-02**  
(74) Name(s) of Attorney(s): **Cullens Patent and Trade Mark Attorneys**  
(71) Name(s) and Address(s) of Applicant(s):  
**BlueAnt Wireless Pty Ltd**  
**C/- L32 239 George St Brisbane Brisbane QLD 4000 Australia**  
(72) Name(s) of Designer(s): **Taisen Maddern**  
(45) Registration Date: **12 October 2015**  
(56) Related Art Documents: **Not Applicable**  
(57) Statement of Newness and Distinctiveness: **Nil**



(21) Design Number: **14964/2015**  
(22) Date of Filing Application: **22 September 2015**  
(24) Date from which industrial property rights may have effect: **22 September 2015**  
(54) Product in respect of which the design is registered: **Surgical tool**  
(51) International Design Classification: **24-02**  
(74) Name(s) of Attorney(s): **FB Rice**  
(71) Name(s) and Address(s) of Applicant(s):  
**Medtronic PS Medical, Inc.**  
**826 Coal Creek Circle Louisville CO, 80027 United States of America**  
(72) Name(s) of Designer(s): **Paul Cihak**  
(45) Registration Date: **12 October 2015**  
(30) Convention priority data:  
(31) Number (32) Date (33) Country  
**29/521688 25 Mar 2015 UNITED STATES OF AMERICA**  
(56) Related Art Documents: **Not Applicable**  
(57) Statement of Newness and Distinctiveness: **Newness and distinctiveness reside in the shape and configuration of the portion of the design shown in solid lines in the representations and excluding the shape and configuration of the portion shown in broken lines.**



(21) Design Number: **14965/2015**  
(22) Date of Filing Application: **22 September 2015**  
(24) Date from which industrial property rights may have effect: **22 September 2015**  
(54) Product in respect of which the design is registered: **Surgical tool**  
(51) International Design Classification: **24-02**  
(74) Name(s) of Attorney(s): **FB Rice**  
(71) Name(s) and Address(s) of Applicant(s):  
**Medtronic PS Medical, Inc.**  
**826 Coal Creek Circle Louisville CO, 80027 United States of America**  
(72) Name(s) of Designer(s): **Paul Cihak**  
(45) Registration Date: **12 October 2015**  
(30) Convention priority data:  
(31) Number (32) Date (33) Country  
**29/521692 25 Mar 2015 UNITED STATES OF AMERICA**  
(56) Related Art Documents: **Not Applicable**  
(57) Statement of Newness and Distinctiveness: **Newness and distinctiveness reside in the shape and configuration of the portion of the design shown in solid lines in the representations and excluding the shape and configuration of the portion shown in broken lines.**





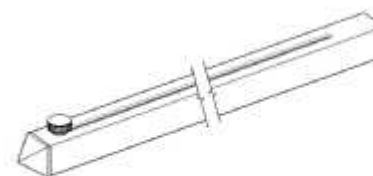
(21) Design Number: **14966/2015**  
(22) Date of Filing Application: **22 September 2015**  
(24) Date from which industrial property rights may have effect: **22 September 2015**  
(54) Product in respect of which the design is registered: **Digital camera**  
(51) International Design Classification: **16-01**  
(74) Name(s) of Attorney(s): **Spruson & Ferguson**  
(71) Name(s) and Address(s) of Applicant(s):  
**Canon Kabushiki Kaisha**  
**30-2, Shimomaruko 3-chome, Ohta-ku, Tokyo 146-8501 Japan**  
(72) Name(s) of Designer(s): **Soushi Takita and Takeshi Kikkawa and Takuma Abe and Sogo Kuroiwa**  
(45) Registration Date: **12 October 2015**  
(30) Convention priority data:  
(31) Number      (32) Date      (33) Country  
**2015-006213      23 Mar 2015      JAPAN**  
(56) Related Art Documents: **Not Applicable**  
(57) Statement of Newness and Distinctiveness: **Newness and Distinctiveness is claimed in the pattern and/or ornamentation of iconic features reproduced in a viewfinder of a digital camera, in particular as shown in any one or more of Fig. 7, Fig. 8, Fig.9, Fig. 10, Fig. 11 and Fig. 12 of the accompanying representations.**



(21) Design Number: **14982/2015**  
(22) Date of Filing Application: **23 September 2015**  
(24) Date from which industrial property rights may have effect: **23 September 2015**  
(54) Product in respect of which the design is registered: **Measuring apparatus**  
(51) International Design Classification: **10-04**  
(74) Name(s) of Attorney(s):  
(71) Name(s) and Address(s) of Applicant(s):  
**Aristidis Kerpelis**  
**PO BOX 202 Brompton SA 5007 Australia**  
(72) Name(s) of Designer(s): **Aristidis Kerpelis and Lina Salandra-Kerpelis**  
(45) Registration Date: **12 October 2015**  
(56) Related Art Documents: **Not Applicable**  
(57) Statement of Newness and Distinctiveness: **Nil**



(21) Design Number: **14983/2015**  
(22) Date of Filing Application: **23 September 2015**  
(24) Date from which industrial property rights may have effect: **23 September 2015**  
(54) Product in respect of which the design is registered: **Measuring apparatus**  
(51) International Design Classification: **10-04**  
(74) Name(s) of Attorney(s):  
(71) Name(s) and Address(s) of Applicant(s):  
**Aristidis Kerpelis**  
**PO BOX 202 Brompton SA 5007 Australia**  
(72) Name(s) of Designer(s): **Aristidis Kerpelis and Lina Salandra-Kerpelis**  
(45) Registration Date: **12 October 2015**  
(56) Related Art Documents: **Not Applicable**  
(57) Statement of Newness and Distinctiveness: **Nil**



(21) Design Number: **14987/2015**  
(22) Date of Filing Application: **23 September 2015**  
(24) Date from which industrial property rights may have effect: **23 September 2015**  
(54) Product in respect of which the design is registered: **Trolley**  
(51) International Design Classification: **12-02**  
(74) Name(s) of Attorney(s): **FB Rice**  
(71) Name(s) and Address(s) of Applicant(s):  
**Supercart South Africa (Pty) Ltd**  
**32 Prospecton Road Prospecton Durban Kwazulu-Natal, 4115 South Africa**  
(72) Name(s) of Designer(s): **Michael Castledine Wolfe**  
(45) Registration Date: **12 October 2015**  
(30) Convention priority data:  
(31) Number      (32) Date      (33) Country  
**A2015/01379      09 Sep 2015      SOUTH AFRICA**  
(56) Related Art Documents: **Not Applicable**  
(57) Statement of Newness and Distinctiveness: **Newness and distinctiveness reside in the features of shape and/or configuration and/or pattern and/or ornamentation of the trolley as shown in the representations.**

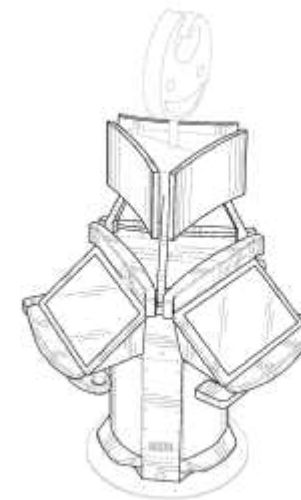




(21) Design Number: **14998/2015**  
(22) Date of Filing Application: **24 September 2015**  
(24) Date from which industrial property rights may have effect: **24 September 2015**  
(54) Product in respect of which the design is registered: **Perfume bottle**  
(51) International Design Classification: **09-01G**  
(74) Name(s) of Attorney(s): **Callinans**  
(71) Name(s) and Address(s) of Applicant(s):  
**Bulgari S.p.A.**  
**11 Lungotevere Marzio Rome 00186 Italy**  
(72) Name(s) of Designer(s): **Aurel Aebi**  
(45) Registration Date: **12 October 2015**  
(30) Convention priority data:  
(31) Number (32) Date (33) Country  
**888451301 23 Apr 2015 INTERNATIONAL BUREAU (WIPO)**  
(56) Related Art Documents: **Not Applicable**  
(57) Statement of Newness and Distinctiveness: **Nil**



(21) Design Number: **14999/2015**  
(22) Date of Filing Application: **24 September 2015**  
(24) Date from which industrial property rights may have effect: **24 September 2015**  
(54) Product in respect of which the design is registered: **Interactive gaming device**  
(51) International Design Classification: **21-03**  
(74) Name(s) of Attorney(s): **Pizeys Patent and Trade Mark Attorneys Pty Ltd**  
(71) Name(s) and Address(s) of Applicant(s):  
**Gamblit Gaming, LLC**  
**700 N. Central Blvd. 7th Floor Glendale CA, 91203 United States of America**  
(72) Name(s) of Designer(s): **Milton Sharp and Wayne Loynes and Eric Meyerhofer**  
(45) Registration Date: **12 October 2015**  
(30) Convention priority data:  
(31) Number (32) Date (33) Country  
**29/533,294 15 Jul 2015 UNITED STATES OF AMERICA**  
(56) Related Art Documents: **Not Applicable**  
(57) Statement of Newness and Distinctiveness: **Nil**



- (21) Design Number: **15012/2015**  
(22) Date of Filing Application: **25 September 2015**  
(24) Date from which industrial property rights may have effect: **25 September 2015**  
(54) Product in respect of which the design is registered: **A sofa**  
(51) International Design Classification: **06-01G, 06-03NES**  
(74) Name(s) of Attorney(s): **FB Rice**  
(71) Name(s) and Address(s) of Applicant(s):  
**King Furniture Australia Pty Ltd**  
**123 Turrella St Turrella NSW 2205 Australia**  
(72) Name(s) of Designer(s): **David King and Tanya Rechberger and Ryan Lawson**  
(45) Registration Date: **13 October 2015**  
(56) Related Art Documents: **Not Applicable**



- (57) Statement of Newness and Distinctiveness: **Newness and distinctiveness reside in the features of the design as shown in the representations with less weight to be given to those features shown in dotted lines. Less weight is also to be given to the angle of the base of the sofa between the top and bottom surfaces of the base. It will be understood that the sofa is modular with backrests, seat cushions and shelf (the "components) being removably mounted on the base so that the relative positions of the seat cushions, backrests and the shelf on the base are able to be varied.**

- (21) Design Number: **15013/2015**  
(22) Date of Filing Application: **25 September 2015**  
(24) Date from which industrial property rights may have effect: **25 September 2015**  
(54) Product in respect of which the design is registered: **A sofa**  
(51) International Design Classification: **06-01G, 06-03NES**  
(74) Name(s) of Attorney(s): **FB Rice**  
(71) Name(s) and Address(s) of Applicant(s):  
**King Furniture Australia Pty Ltd**  
**123 Turrella St Turrella NSW 2205 Australia**  
(72) Name(s) of Designer(s): **David King and Tanya Rechberger and Ryan Lawson**  
(45) Registration Date: **13 October 2015**  
(56) Related Art Documents: **Not Applicable**



- (57) Statement of Newness and Distinctiveness: **Newness and distinctiveness reside in the features of the design as shown in the representations with less weight to be given to those features shown in dotted lines. Less weight is also to be given to the angle of the base of the sofa between the top and bottom surfaces of the base. It will be understood that the sofa is modular with backrests, seat cushions and shelf (the "components) being removably mounted on the base so that the relative positions of the seat cushions, backrests and the shelf on the base are able to be varied.**

- (21) Design Number: **15014/2015**  
(22) Date of Filing Application: **25 September 2015**  
(24) Date from which industrial property rights may have effect: **25 September 2015**  
(54) Product in respect of which the design is registered: **A sofa**  
(51) International Design Classification: **06-01G, 06-03NES**  
(74) Name(s) of Attorney(s): **FB Rice**  
(71) Name(s) and Address(s) of Applicant(s):  
**King Furniture Australia Pty Ltd**  
**123 Turrella St Turrella NSW 2205 Australia**  
(72) Name(s) of Designer(s): **David King and Tanya Rechberger and Ryan Lawson**  
(45) Registration Date: **13 October 2015**  
(56) Related Art Documents: **Not Applicable**  
(57) Statement of Newness and Distinctiveness: **Newness and distinctiveness reside in the features of the design as shown in the representations with less weight to be given to those features shown in dotted lines. Less weight is also to be given to the angle of the base of the sofa between the top and bottom surfaces of the base. It will be understood that the sofa is modular with backrests, seat cushions and shelf (the "components) being removably mounted on the base so that the relative positions of the seat cushions, backrests and the shelf on the base are able to be varied.**



- (21) Design Number: **15015/2015**  
(22) Date of Filing Application: **25 September 2015**  
(24) Date from which industrial property rights may have effect: **25 September 2015**  
(54) Product in respect of which the design is registered: **A sofa**  
(51) International Design Classification: **06-01G, 06-03NES**  
(74) Name(s) of Attorney(s): **FB Rice**  
(71) Name(s) and Address(s) of Applicant(s):  
**King Furniture Australia Pty Ltd**  
**123 Turrella St Turrella NSW, 2205 Australia**  
(72) Name(s) of Designer(s): **David King and Tanya Rechberger and Ryan Lawson**  
(45) Registration Date: **13 October 2015**  
(56) Related Art Documents: **Not Applicable**  
(57) Statement of Newness and Distinctiveness: **Newness and distinctiveness reside in the features of the design as shown in the representations with less weight to be given to those features shown in dotted lines. Less weight is also to be given to the angle of the base of the sofa between the top and bottom surfaces of the base. It will be understood that the sofa is modular with backrests, seat cushions and shelf (the "components) being removably mounted on the base so that the relative positions of the seat cushions, backrests and the shelf on the base are able to be varied.**



- (21) Design Number: **15016/2015**  
(22) Date of Filing Application: **25 September 2015**  
(24) Date from which industrial property rights may have effect: **25 September 2015**  
(54) Product in respect of which the design is registered: **A sofa**  
(51) International Design Classification: **06-01G, 06-03NES**  
(74) Name(s) of Attorney(s): **FB Rice**  
(71) Name(s) and Address(s) of Applicant(s):  
**King Furniture Australia Pty Ltd**  
**123 Turrella St Turrella NSW, 2205 Australia**  
(72) Name(s) of Designer(s): **David King and Tanya Rechberger and Ryan Lawson**  
(45) Registration Date: **13 October 2015**  
(56) Related Art Documents: **Not Applicable**  
(57) Statement of Newness and Distinctiveness: **Newness and distinctiveness reside in the features of the design as shown in the representations with less weight to be given to those features shown in dotted lines. Less weight is also to be given to the angle of the base of the sofa between the top and bottom surfaces of the base. It will be understood that the sofa is modular with backrests, seat cushions and shelves (the "components") being removably mounted on the base so that the relative positions of the seat cushions, backrests and the shelves on the base are able to be varied.**



- (21) Design Number: **15017/2015**  
(22) Date of Filing Application: **25 September 2015**  
(24) Date from which industrial property rights may have effect: **25 September 2015**  
(54) Product in respect of which the design is registered: **A sofa**  
(51) International Design Classification: **06-01G, 06-03NES**  
(74) Name(s) of Attorney(s): **FB Rice**  
(71) Name(s) and Address(s) of Applicant(s):  
**King Furniture Australia Pty Ltd**  
**123 Turrella St Turrella NSW, 2205 Australia**  
(72) Name(s) of Designer(s): **David King and Tanya Rechberger and Ryan Lawson**  
(45) Registration Date: **13 October 2015**  
(56) Related Art Documents: **Not Applicable**  
(57) Statement of Newness and Distinctiveness: **Newness and distinctiveness reside in the features of the design as shown in the representations with less weight to be given to those features shown in dotted lines. Less weight is also to be given to the angle of the base of the sofa between the top and bottom surfaces of the base. It will be understood that the sofa is modular with backrests, seat cushions and shelves (the "components") being removably mounted on the base so that the relative positions of the seat cushions, backrests and the shelves on the base are able to be varied.**



- (21) Design Number: **15018/2015**  
(22) Date of Filing Application: **25 September 2015**  
(24) Date from which industrial property rights may have effect: **25 September 2015**  
(54) Product in respect of which the design is registered: **A sofa**  
(51) International Design Classification: **06-01G, 06-03NES**  
(74) Name(s) of Attorney(s): **FB Rice**  
(71) Name(s) and Address(s) of Applicant(s):  
**King Furniture Australia Pty Ltd**  
**123 Turrella St Turrella NSW, 2205 Australia**  
(72) Name(s) of Designer(s): **David King and Tanya Rechberger and Ryan Lawson**  
(45) Registration Date: **13 October 2015**  
(56) Related Art Documents: **Not Applicable**



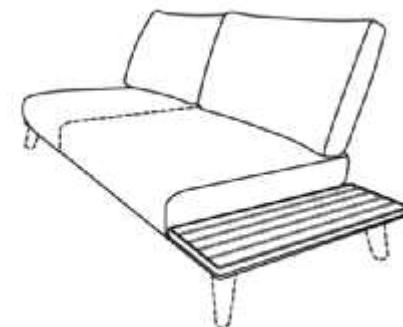
- (57) Statement of Newness and Distinctiveness: **Newness and distinctiveness reside in the features of the design as shown in the representations with less weight to be given to those features shown in dotted lines. Less weight is also to be given to the angle of the base of the sofa between the top and bottom surfaces of the base. It will be understood that the sofa is modular with backrests, seat cushions and shelves (the "components) being removably mounted on the base so that the relative positions of the seat cushions, backrests and the shelves on the base are able to be varied.**

- (21) Design Number: **15019/2015**  
(22) Date of Filing Application: **25 September 2015**  
(24) Date from which industrial property rights may have effect: **25 September 2015**  
(54) Product in respect of which the design is registered: **A sofa**  
(51) International Design Classification: **06-01G, 06-03NES**  
(74) Name(s) of Attorney(s): **FB Rice**  
(71) Name(s) and Address(s) of Applicant(s):  
**King Furniture Australia Pty Ltd**  
**123 Turrella St Turrella NSW, 2205 Australia**  
(72) Name(s) of Designer(s): **David King and Tanya Rechberger and Ryan Lawson**  
(45) Registration Date: **13 October 2015**  
(56) Related Art Documents: **Not Applicable**



- (57) Statement of Newness and Distinctiveness: **Newness and distinctiveness reside in the features of the design as shown in the representations with less weight to be given to those features shown in dotted lines. Less weight is also to be given to the angle of the base of the sofa between the top and bottom surfaces of the base. It will be understood that the sofa is modular with backrests, seat cushions and shelves (the "components) being removably mounted on the base so that the relative positions of the seat cushions, backrests and the shelves on the base are able to be varied.**

- (21) Design Number: **15020/2015**  
(22) Date of Filing Application: **25 September 2015**  
(24) Date from which industrial property rights may have effect: **25 September 2015**  
(54) Product in respect of which the design is registered: **A sofa**  
(51) International Design Classification: **06-01G, 06-03NES**  
(74) Name(s) of Attorney(s): **FB Rice**  
(71) Name(s) and Address(s) of Applicant(s):  
**King Furniture Australia Pty Ltd**  
**123 Turrella St Turrella NSW, 2205 Australia**  
(72) Name(s) of Designer(s): **David King and Tanya Rechberger and Ryan Lawson**  
(45) Registration Date: **13 October 2015**  
(56) Related Art Documents: **Not Applicable**



- (57) Statement of Newness and Distinctiveness: **Newness and distinctiveness reside in the features of the design as shown in the representations with less weight to be given to those features shown in dotted lines. Less weight is also to be given to the angle of the base of the sofa between the top and bottom surfaces of the base. It will be understood that the sofa is modular with backrests, seat cushion/s and shelf (the "components) being removably mounted on the base so that the relative positions of the seat cushion/s, backrests and the shelf on the base are able to be varied.**

- (21) Design Number: **15021/2015**  
(22) Date of Filing Application: **25 September 2015**  
(24) Date from which industrial property rights may have effect: **25 September 2015**  
(54) Product in respect of which the design is registered: **A sofa**  
(51) International Design Classification: **06-01G, 06-03NES**  
(74) Name(s) of Attorney(s): **FB Rice**  
(71) Name(s) and Address(s) of Applicant(s):  
**King Furniture Australia Pty Ltd**  
**123 Turrella St Turrella NSW, 2205 Australia**  
(72) Name(s) of Designer(s): **David King and Tanya Rechberger and Ryan Lawson**  
(45) Registration Date: **13 October 2015**  
(56) Related Art Documents: **Not Applicable**

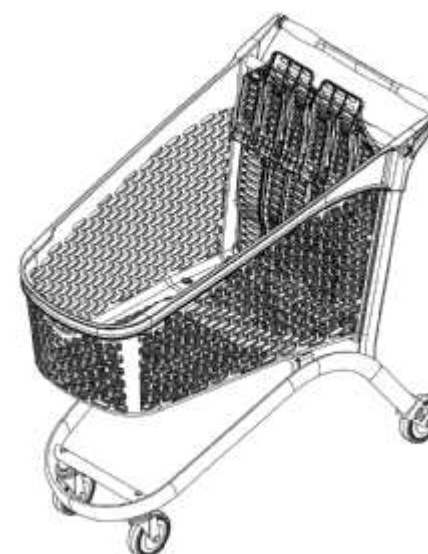


- (57) Statement of Newness and Distinctiveness: **Newness and distinctiveness reside in the features of the design as shown in the representations with less weight to be given to those features shown in dotted lines. Less weight is also to be given to the angle of the base of the sofa between the top and bottom surfaces of the base. It will be understood that the sofa is modular with backrests, seat cushion/s and shelf (the "components) being removably mounted on the base so that the relative positions of the seat cushion/s, backrests and the shelf on the base are able to be varied.**

- (21) Design Number: **14980/2015**  
(22) Date of Filing Application: **23 September 2015**  
(24) Date from which industrial property rights may have effect: **23 September 2015**  
(54) Product in respect of which the design is registered: **Auto lift trailer**  
(51) International Design Classification: **12-10**  
(74) Name(s) of Attorney(s):  
(71) Name(s) and Address(s) of Applicant(s):  
**Thanh Son Nguyen**  
**219 Waterford Rd Ellen Grove QLD 4078 Australia**  
(72) Name(s) of Designer(s): **Thanh Son Nguyen**  
(45) Registration Date: **13 October 2015**  
(56) Related Art Documents: **Not Applicable**  
(57) Statement of Newness and Distinctiveness: **Within this new design the suspension of the trailer is lowered which allows the car door open and close without obstruction.**



- (21) Design Number: **14985/2015**  
(22) Date of Filing Application: **23 September 2015**  
(24) Date from which industrial property rights may have effect: **23 September 2015**  
(54) Product in respect of which the design is registered: **Trolley**  
(51) International Design Classification: **12-02**  
(74) Name(s) of Attorney(s): **FB Rice**  
(71) Name(s) and Address(s) of Applicant(s):  
**Supercart South Africa (Pty) Ltd**  
**32 Prospecton Road Prospecton Durban Kwazulu-Natal, 4115 South Africa**  
(72) Name(s) of Designer(s): **Michael Castledine Wolfe**  
(45) Registration Date: **13 October 2015**  
(30) Convention priority data:  
(31) Number      (32) Date      (33) Country  
**A2015/00477      24 Mar 2015      SOUTH AFRICA**  
(56) Related Art Documents: **Not Applicable**  
(57) Statement of Newness and Distinctiveness: **Newness and distinctiveness reside in the features of shape and/or configuration and/or pattern and/or ornamentation of the trolley as shown in the representations.**



- (21) Design Number: **14988/2015**  
(22) Date of Filing Application: **23 September 2015**  
(24) Date from which industrial property rights may have effect: **23 September 2015**  
(54) Product in respect of which the design is registered: **Column heater**  
(51) International Design Classification: **23-03B**  
(74) Name(s) of Attorney(s): **WATERMARK PATENT AND TRADE MARKS ATTORNEYS**  
(71) Name(s) and Address(s) of Applicant(s):  
**Pacific Trends International Pty Ltd**  
**U 8 19-23 Clarinda Rd Oakleigh South Vic 3167 Australia**  
(72) Name(s) of Designer(s): **Colin Bourke**  
(45) Registration Date: **13 October 2015**  
(56) Related Art Documents: **Not Applicable**  
(57) Statement of Newness and Distinctiveness: **Newness and distinctiveness resides in the visual features of shape and configuration of the column heater as shown in the accompanying representations.**



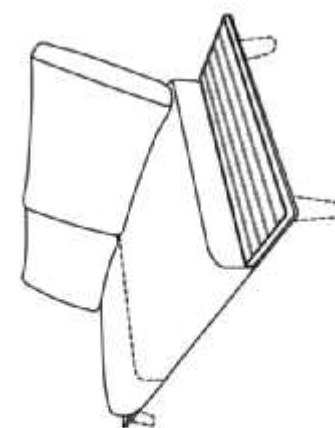
- (21) Design Number: **14990/2015**  
(22) Date of Filing Application: **23 September 2015**  
(24) Date from which industrial property rights may have effect: **23 September 2015**  
(54) Product in respect of which the design is registered: **Massage chair**  
(51) International Design Classification: **06-01NES**  
(74) Name(s) of Attorney(s): **Baker & McKenzie**  
(71) Name(s) and Address(s) of Applicant(s):  
**OSIM International Ltd**  
**65 Ubi Avenue 1 OSIM Headquarters Singapore 408939 Singapore**  
(72) Name(s) of Designer(s): **Ronald Lek Shao Hui**  
(45) Registration Date: **13 October 2015**  
(30) Convention priority data:  
(31) Number (32) Date (33) Country  
**30201500700P 23 Mar 2015 SINGAPORE**  
(56) Related Art Documents: **Not Applicable**  
(57) Statement of Newness and Distinctiveness: **The newness and distinctiveness of the design resides in the features of shape and configuration as depicted in the attached representations.**





- (21) Design Number: **15022/2015**  
(22) Date of Filing Application: **25 September 2015**  
(24) Date from which industrial property rights may have effect: **25 September 2015**  
(54) Product in respect of which the design is registered: **A sofa**  
(51) International Design Classification: **06-01G, 06-03NES**  
(74) Name(s) of Attorney(s): **FB Rice**  
(71) Name(s) and Address(s) of Applicant(s):  
**King Furniture Australia Pty Ltd**  
**123 Turrella St Turrella NSW, 2205 Australia**  
(72) Name(s) of Designer(s): **David King and Tanya Rechberger and Ryan Lawson**  
(45) Registration Date: **13 October 2015**  
(56) Related Art Documents: **Not Applicable**

(57) Statement of Newness and Distinctiveness: **Newness and distinctiveness reside in the features of the design as shown in the representations with less weight to be given to those features shown in dotted lines. Less weight is also to be given to the angle of the base of the sofa between the top and bottom surfaces of the base. It will be understood that the sofa is modular with backrests, seat cushion/s and shelves (the "components) being removably mounted on the base so that the relative positions of the seat cushion/s, backrests and the shelves on the base are able to be varied.**



- (21) Design Number: **15023/2015**  
(22) Date of Filing Application: **25 September 2015**  
(24) Date from which industrial property rights may have effect: **25 September 2015**  
(54) Product in respect of which the design is registered: **A sofa**  
(51) International Design Classification: **06-01G, 06-03NES**  
(74) Name(s) of Attorney(s): **FB Rice**  
(71) Name(s) and Address(s) of Applicant(s):  
**King Furniture Australia Pty Ltd**  
**123 Turrella St Turrella NSW, 2205 Australia**  
(72) Name(s) of Designer(s): **David King and Tanya Rechberger and Ryan Lawson**  
(45) Registration Date: **13 October 2015**  
(56) Related Art Documents: **Not Applicable**

(57) Statement of Newness and Distinctiveness: **Newness and distinctiveness reside in the features of the design as shown in the representations with less weight to be given to those features shown in dotted lines. Less weight is also to be given to the angle of the base of the sofa between the top and bottom surfaces of the base. It will be understood that the sofa is modular with backrests, seat cushion/s and shelves (the "components) being removably mounted on the base so that the relative positions of the seat cushion/s, backrests and the shelves on the base are able to be varied.**



- (21) Design Number: **15024/2015**  
(22) Date of Filing Application: **25 September 2015**  
(24) Date from which industrial property rights may have effect: **25 September 2015**  
(54) Product in respect of which the design is registered: **A leg for an article of furniture**  
(51) International Design Classification: **06-06E, 06-06G**  
(74) Name(s) of Attorney(s): **FB Rice**  
(71) Name(s) and Address(s) of Applicant(s):  
**King Furniture Australia Pty Ltd**  
**123 Turrella St Turrella NSW, 2205 Australia**  
(72) Name(s) of Designer(s): **David King and Tanya Rechberger and Ryan Lawson**  
(45) Registration Date: **13 October 2015**  
(56) Related Art Documents: **Not Applicable**  
(57) Statement of Newness and Distinctiveness: **Newness and distinctiveness reside in the features of the design as shown in the representations excluding those features shown in dotted lines, the features shown in dotted lines being provided for reference purposes only.**



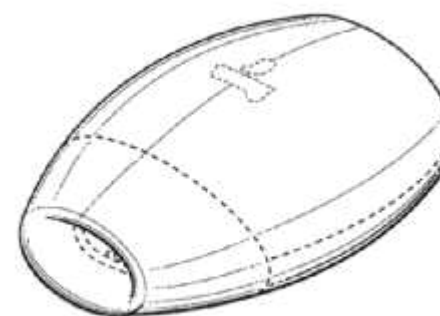
- (21) Design Number: **15025/2015**  
(22) Date of Filing Application: **25 September 2015**  
(24) Date from which industrial property rights may have effect: **25 September 2015**  
(54) Product in respect of which the design is registered: **A backrest for an article of furniture**  
(51) International Design Classification: **06-06G**  
(74) Name(s) of Attorney(s): **FB Rice**  
(71) Name(s) and Address(s) of Applicant(s):  
**King Furniture Australia Pty Ltd**  
**123 Turrella St Turrella NSW, 2205 Australia**  
(72) Name(s) of Designer(s): **David King and Tanya Rechberger and Ryan Lawson**  
(45) Registration Date: **13 October 2015**  
(56) Related Art Documents: **Not Applicable**  
(57) Statement of Newness and Distinctiveness: **Newness and distinctiveness reside in the features of the design as shown in the representations with the backrest being of indefinite length excluding those features shown in dotted lines, the features shown in dotted lines being provided for reference purposes only.**



- (21) Design Number: **15026/2015**  
(22) Date of Filing Application: **25 September 2015**  
(24) Date from which industrial property rights may have effect: **25 September 2015**  
(54) Product in respect of which the design is registered: **A sofa**  
(51) International Design Classification: **06-01G**  
(74) Name(s) of Attorney(s): **FB Rice**  
(71) Name(s) and Address(s) of Applicant(s):  
**King Furniture Australia Pty Ltd**  
**123 Turrella St Turrella NSW, 2205 Australia**  
(72) Name(s) of Designer(s): **David King and Tanya Rechberger and Ryan Lawson**  
(45) Registration Date: **13 October 2015**  
(56) Related Art Documents: **Not Applicable**  
(57) Statement of Newness and Distinctiveness: **Newness and distinctiveness reside in the features of the design as shown in the representations with less weight to be given to those features shown in dotted lines. Less weight is also to be given to the angle of the base of the sofa between the top and bottom surfaces of the base.**



- (21) Design Number: **14970/2015**  
(22) Date of Filing Application: **22 September 2015**  
(24) Date from which industrial property rights may have effect: **22 September 2015**  
(54) Product in respect of which the design is registered: **Spirometer device**  
(51) International Design Classification: **24-02**  
(74) Name(s) of Attorney(s): **FB Rice**  
(71) Name(s) and Address(s) of Applicant(s):  
**Sparo Inc.**  
**911 Washington Avenue, Suite 809 St. Louis Missouri, 63101 United States of America**  
(72) Name(s) of Designer(s): **Andrew Brimer and Philip Frank**  
(45) Registration Date: **14 October 2015**  
(30) Convention priority data:  
(31) Number      (32) Date      (33) Country  
**28/521,376      23 Mar 2015      UNITED STATES OF AMERICA**  
(56) Related Art Documents: **Not Applicable**  
(57) Statement of Newness and Distinctiveness: **Newness and distinctiveness reside in the features of the design shown in solid lines in the representations excluding those features shown in broken lines.**



(21) Design Number: **14973/2015**

(22) Date of Filing Application: **23 September 2015**

(24) Date from which industrial property rights may have effect: **23 September 2015**

(54) Product in respect of which the design is registered: **Bottle**

(51) International Design Classification: **09-01H**

(74) Name(s) of Attorney(s): **Griffith Hack**

(71) Name(s) and Address(s) of Applicant(s):

**THAI BEVERAGE RECYCLE CO., LTD.**

**15 Moo 14, Vibhavadi Rangsit Road Chomphon Sub-District Chatuchak  
District Bangkok 10900 Thailand**

**CHANG INTERNATIONAL CO., LTD.**

**15 Moo 14, Vibhavadi Rangsit Road Chomphon Sub-District Chatuchak  
District, Bangkok, 10900 Thailand**

(72) Name(s) of Designer(s): **Jason Glassick**

(45) Registration Date: **14 October 2015**

(30) Convention priority data:

(31) Number	(32) Date	(33) Country
<b>1502000858</b>	<b>24 Mar 2015</b>	<b>THAILAND</b>

(56) Related Art Documents: **Not Applicable**

(57) Statement of Newness and Distinctiveness: **Newness and distinctiveness resides in the visual features, including the shape and configuration of the product shown in the representations.**



(21) Design Number: **14974/2015**

(22) Date of Filing Application: **23 September 2015**

(24) Date from which industrial property rights may have effect: **23 September 2015**

(54) Product in respect of which the design is registered: **Bottle**

(51) International Design Classification: **09-01H**

(74) Name(s) of Attorney(s): **Griffith Hack**

(71) Name(s) and Address(s) of Applicant(s):

**THAI BEVERAGE RECYCLE CO., LTD.**

**15 Moo 14, Vibhavadi Rangsit Road Chomphon Sub-District Chatuchak  
District Bangkok 10900 Thailand**

**CHANG INTERNATIONAL CO., LTD.**

**15 Moo 14, Vibhavadi Rangsit Road Chomphon Sub-District Chatuchak  
District, Bangkok, 10900 Thailand**

(72) Name(s) of Designer(s): **Jason Glassick**

(45) Registration Date: **14 October 2015**

(30) Convention priority data:

(31) Number	(32) Date	(33) Country
<b>1502000859</b>	<b>24 Mar 2015</b>	<b>THAILAND</b>

(56) Related Art Documents: **Not Applicable**

(57) Statement of Newness and Distinctiveness: **Newness and distinctiveness resides in the visual features, including the shape and configuration of the product shown in the representations.**



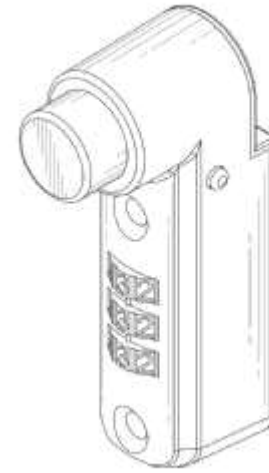
- (21) Design Number: **14975/2015**  
(22) Date of Filing Application: **23 September 2015**  
(24) Date from which industrial property rights may have effect: **23 September 2015**  
(54) Product in respect of which the design is registered: **Sliding window lock**  
(51) International Design Classification: **08-07**  
(74) Name(s) of Attorney(s): **Collison & Co**  
(71) Name(s) and Address(s) of Applicant(s):  
**Romak Hardware Distributors (Australia) Pty Ltd**  
**177-187 Atlantic Dr Keysborough VIC 3173 Australia**  
(72) Name(s) of Designer(s): **Yang Yao-Kun**  
(45) Registration Date: **14 October 2015**  
(56) Related Art Documents: **Not Applicable**  
(57) Statement of Newness and Distinctiveness: **Nil**



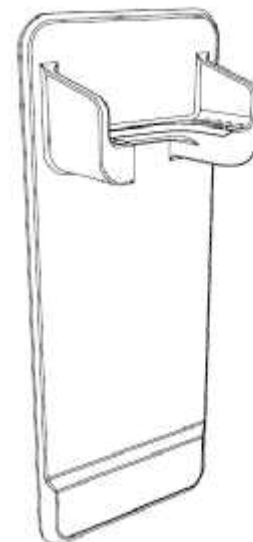
- (21) Design Number: **14976/2015**  
(22) Date of Filing Application: **23 September 2015**  
(24) Date from which industrial property rights may have effect: **23 September 2015**  
(54) Product in respect of which the design is registered: **Sliding window lock**  
(51) International Design Classification: **08-07**  
(74) Name(s) of Attorney(s): **Collison & Co**  
(71) Name(s) and Address(s) of Applicant(s):  
**Romak Hardware Distributors (Australia) Pty Ltd**  
**177-187 Atlantic Dr Keysborough VIC 3173 Australia**  
(72) Name(s) of Designer(s): **Yang Yao-Kun**  
(45) Registration Date: **14 October 2015**  
(56) Related Art Documents: **Not Applicable**  
(57) Statement of Newness and Distinctiveness: **Nil**



(21) Design Number: **14977/2015**  
(22) Date of Filing Application: **23 September 2015**  
(24) Date from which industrial property rights may have effect: **23 September 2015**  
(54) Product in respect of which the design is registered: **Sliding window lock**  
(51) International Design Classification: **08-07**  
(74) Name(s) of Attorney(s): **Collison & Co**  
(71) Name(s) and Address(s) of Applicant(s):  
**Romak Hardware Distributors (Australia) Pty Ltd**  
**177-187 Atlantic Dr Keysborough VIC 3173 Australia**  
(72) Name(s) of Designer(s): **Yang Yao-Kun**  
(45) Registration Date: **14 October 2015**  
(56) Related Art Documents: **Not Applicable**  
(57) Statement of Newness and Distinctiveness: **Nil**



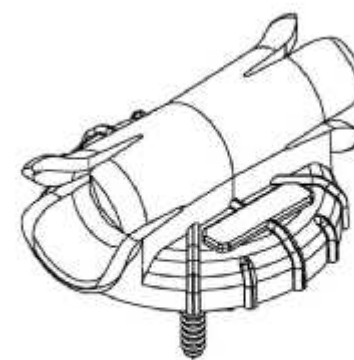
(21) Design Number: **14978/2015**  
(22) Date of Filing Application: **23 September 2015**  
(24) Date from which industrial property rights may have effect: **23 September 2015**  
(54) Product in respect of which the design is registered: **Razor holder**  
(51) International Design Classification: **28-03A**  
(74) Name(s) of Attorney(s): **Cullens Patent and Trade Mark Attorneys**  
(71) Name(s) and Address(s) of Applicant(s):  
**Tooletries Pty Ltd**  
**C/- L32 239 George St Brisbane QLD 4000 Australia**  
(72) Name(s) of Designer(s): **Saul Cockburn and Joshua Cockburn and Angus Chapman**  
(45) Registration Date: **14 October 2015**  
(56) Related Art Documents: **Not Applicable**  
(57) Statement of Newness and Distinctiveness: **Nil**



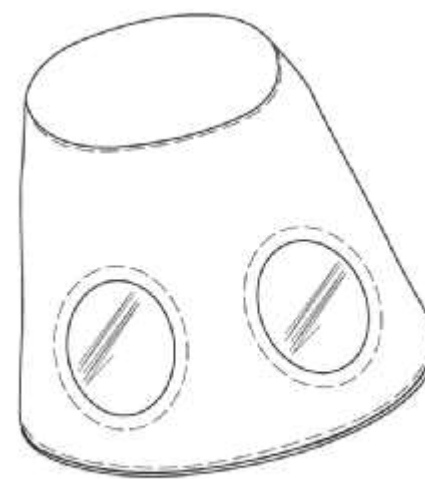
(21) Design Number: **15002/2015**  
(22) Date of Filing Application: **24 September 2015**  
(24) Date from which industrial property rights may have effect: **24 September 2015**  
(54) Product in respect of which the design is registered: **Automotive ionizer**  
(51) International Design Classification: **23-04**  
(74) Name(s) of Attorney(s): **Griffith Hack**  
(71) Name(s) and Address(s) of Applicant(s):  
**V.S. Industry Berhad**  
**PTD 86556 Jalan Murni 12 Murni Industrial Estate Senai, Johor, 81400**  
**Malaysia**  
(72) Name(s) of Designer(s): **Choon Meng Teo and Sem Yam Gan**  
(45) Registration Date: **14 October 2015**  
(30) Convention priority data:  
(31) Number (32) Date (33) Country  
**29/521,618 25 Mar 2015 UNITED STATES OF AMERICA**  
(56) Related Art Documents: **Not Applicable**  
(57) Statement of Newness and Distinctiveness: **Newness and distinctiveness resides in the visual features, including the shape and configuration of the product as shown by means of the solid lines in the accompanying representations.**



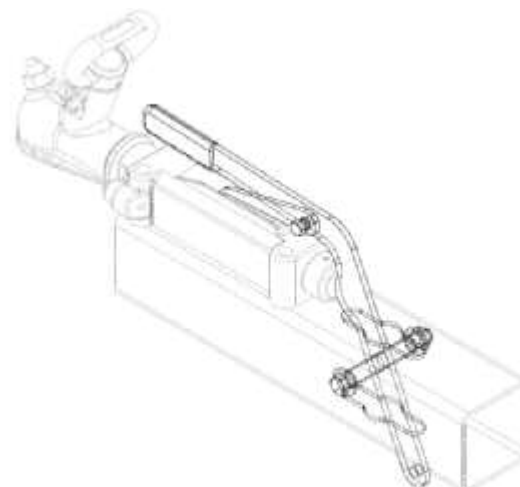
(21) Design Number: **15004/2015**  
(22) Date of Filing Application: **24 September 2015**  
(24) Date from which industrial property rights may have effect: **24 September 2015**  
(54) Product in respect of which the design is registered: **Cord lock with screw in base feature**  
(51) International Design Classification: **08-07**  
(74) Name(s) of Attorney(s): **Pizeys Patent and Trade Mark Attorneys Pty Ltd**  
(71) Name(s) and Address(s) of Applicant(s):  
**James R. Bainbridge**  
**22724 96th Avenue Marcellus MI, 49067 United States of America**  
(72) Name(s) of Designer(s): **James R. Bainbridge**  
(45) Registration Date: **14 October 2015**  
(30) Convention priority data:  
(31) Number (32) Date (33) Country  
**29/522,256 30 Mar 2015 UNITED STATES OF AMERICA**  
(56) Related Art Documents: **Not Applicable**  
(57) Statement of Newness and Distinctiveness: **Nil**



- (21) Design Number: **15005/2015**  
(22) Date of Filing Application: **24 September 2015**  
(24) Date from which industrial property rights may have effect: **24 September 2015**  
(54) Product in respect of which the design is registered: **Headwear**  
(51) International Design Classification: **02-03**  
(74) Name(s) of Attorney(s): **Shelston IP**  
(71) Name(s) and Address(s) of Applicant(s):  
**Kylie Robinson**  
**8B Beatty St Balgowlah NSW, 2093 Australia**  
(72) Name(s) of Designer(s): **Kylie Robinson**  
(45) Registration Date: **14 October 2015**  
(56) Related Art Documents: **Not Applicable**  
(57) Statement of Newness and Distinctiveness: **Newness and distinctiveness reside in the features of shape and configuration of headwear as illustrated in solid lines in the accompanying representations. The features shown in broken lines are shown for illustrative purposes only and do not form part of the design.**

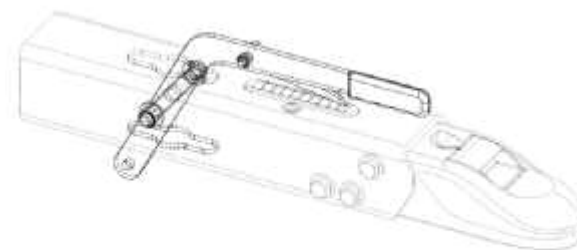


- (21) Design Number: **15007/2015**  
(22) Date of Filing Application: **24 September 2015**  
(24) Date from which industrial property rights may have effect: **24 September 2015**  
(54) Product in respect of which the design is registered: **Mechanical coupling brake arm**  
(51) International Design Classification: **12-16M**  
(74) Name(s) of Attorney(s): **Macpherson + Kelley**  
(71) Name(s) and Address(s) of Applicant(s):  
**Horizon Global Pty Ltd**  
**49 Pacific Dr Keysborough VIC 3173 Australia**  
(72) Name(s) of Designer(s): **Matthew O'Neill**  
(45) Registration Date: **14 October 2015**  
(56) Related Art Documents: **Not Applicable**  
(57) Statement of Newness and Distinctiveness: **Newness and distinctiveness resides in the features of shape and/or configuration of a Mechanical coupling brake arm as illustrated in the continuous lines in the accompanying representations.**

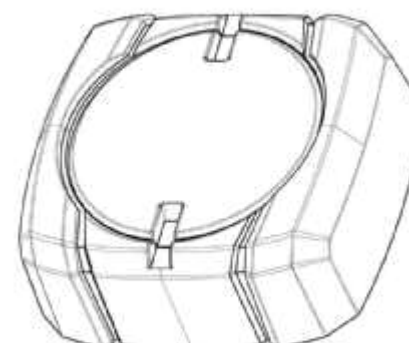




- (21) Design Number: **15008/2015**  
(22) Date of Filing Application: **24 September 2015**  
(24) Date from which industrial property rights may have effect: **24 September 2015**  
(54) Product in respect of which the design is registered: **Mechanical coupling brake lever**  
(51) International Design Classification: **12-16M**  
(74) Name(s) of Attorney(s): **Macpherson + Kelley**  
(71) Name(s) and Address(s) of Applicant(s):  
**Horizon Global Pty Ltd**  
**49 Pacific Dr Keysborough VIC 3173 Australia**  
(72) Name(s) of Designer(s): **Matthew O'Neill**  
(45) Registration Date: **14 October 2015**  
(56) Related Art Documents: **Not Applicable**  
(57) Statement of Newness and Distinctiveness: **Newness and distinctiveness resides in the features of shape and/or configuration of a Mechanical coupling brake lever as illustrated in the continuous lines in the accompanying representations.**



- (21) Design Number: **15011/2015**  
(22) Date of Filing Application: **25 September 2015**  
(24) Date from which industrial property rights may have effect: **25 September 2015**  
(54) Product in respect of which the design is registered: **Electric housing**  
(51) International Design Classification: **13-03NES**  
(74) Name(s) of Attorney(s): **Callinans**  
(71) Name(s) and Address(s) of Applicant(s):  
**ROBERT BOSCH GMBH**  
**Postfach 30 02 20 Stuttgart 70442 Germany**  
(72) Name(s) of Designer(s): **Benjamin Visel and Christian Haupt and Janina Zeller and Vincent Hasenmayer**  
(45) Registration Date: **14 October 2015**  
(30) Convention priority data:  
(31) Number      (32) Date      (33) Country  
**002670745      27 Mar 2015      OFFICE FOR HARMONISATION IN  
THE INTERNAL MARKET (OHIM)**  
(56) Related Art Documents: **Not Applicable**  
(57) Statement of Newness and Distinctiveness: **Nil**



(21) Design Number: **11787/2015**  
(22) Date of Filing Application: **02 April 2015**  
(24) Date from which industrial property rights may have effect: **02 April 2015**  
(54) Product in respect of which the design is registered: **Vehicle wheel**  
(51) International Design Classification: **12-16A**  
(74) Name(s) of Attorney(s): **K&L Gates**  
(71) Name(s) and Address(s) of Applicant(s):  
**GM Global Technology Operations LLC**  
**300 Renaissance Centre Detroit Michigan 48265-3000 United States of America**  
(72) Name(s) of Designer(s): **Martin Love**  
(45) Registration Date: **14 October 2015**  
(56) Related Art Documents: **Not Applicable**  
(57) Statement of Newness and Distinctiveness: **Nil**



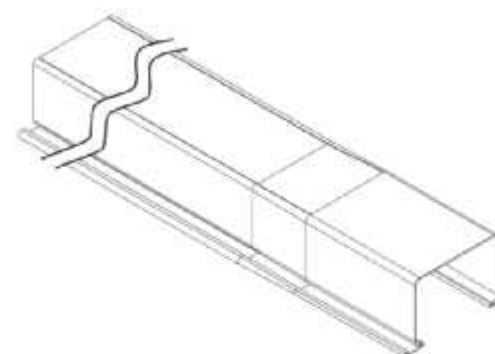
(21) Design Number: **12149/2015**  
(22) Date of Filing Application: **24 April 2015**  
(24) Date from which industrial property rights may have effect: **24 April 2015**  
(54) Product in respect of which the design is registered: **Bicycle frame support**  
(51) International Design Classification: **12-11**  
(74) Name(s) of Attorney(s): **Smootenburg Patent & Trade Mark Attorneys**  
(71) Name(s) and Address(s) of Applicant(s):  
**David Lugton**  
**30 Kathleen St Pascoe Vale South VIC 3044 Australia**  
(72) Name(s) of Designer(s): **David Lugton**  
(45) Registration Date: **14 October 2015**  
(56) Related Art Documents: **Not Applicable**  
(57) Statement of Newness and Distinctiveness: **Newness and distinctiveness is claimed in the features of shape and/or configuration of the bicycle frame support as shown in the representations.**



(21) Design Number: **14083/2015**  
(22) Date of Filing Application: **10 August 2015**  
(24) Date from which industrial property rights may have effect: **10 August 2015**  
(54) Product in respect of which the design is registered: **Extendible pole**  
(51) International Design Classification: **22-05, 12-06C**  
(74) Name(s) of Attorney(s):  
(71) Name(s) and Address(s) of Applicant(s):  
**Railblaza Limited**  
**6 Tavern Road Silverdale Auckland 0932 New Zealand**  
(72) Name(s) of Designer(s): **Steve Pugh**  
(45) Registration Date: **14 October 2015**  
(30) Convention priority data:  
(31) Number (32) Date (33) Country  
**419901 20 Feb 2015 NEW ZEALAND**  
(56) Related Art Documents: **Not Applicable**  
(57) Statement of Newness and Distinctiveness: **The design relates to a pole and the novelty resides in the features of shape and configuration shown in the drawings.**



(21) Design Number: **14534/2015**  
(22) Date of Filing Application: **28 August 2015**  
(24) Date from which industrial property rights may have effect: **28 August 2015**  
(54) Product in respect of which the design is registered: **Furring channel**  
(51) International Design Classification: **25-01C**  
(74) Name(s) of Attorney(s): **Davies Collison Cave**  
(71) Name(s) and Address(s) of Applicant(s):  
**Nashco Holdings NSW Pty Ltd**  
**28 Carrington St Queanbeyan East NSW, 2620 Australia**  
(72) Name(s) of Designer(s): **Michael Charles Dunlop and Brenton Craig Brewer**  
(45) Registration Date: **14 October 2015**  
(56) Related Art Documents: **Not Applicable**  
(57) Statement of Newness and Distinctiveness: **Newness and distinctiveness is claimed in the features of shape and configuration of a furring channel as shown in the representations, the furring channel being of indefinite length in it's length direction as indicated by the wavy lines as shown in the figures.**



- (21) Design Number: **15029/2015**  
(22) Date of Filing Application: **25 September 2015**  
(24) Date from which industrial property rights may have effect: **25 September 2015**  
(54) Product in respect of which the design is registered: **A sofa**  
(51) International Design Classification: **06-01G**  
(74) Name(s) of Attorney(s): **FB Rice**  
(71) Name(s) and Address(s) of Applicant(s):  
**King Furniture Australia Pty Ltd**  
**123 Turrella St Turrella NSW, 2205 Australia**  
(72) Name(s) of Designer(s): **David King and Tanya Rechberger and Ryan Lawson**  
(45) Registration Date: **14 October 2015**  
(56) Related Art Documents: **Not Applicable**  
(57) Statement of Newness and Distinctiveness: **Newness and distinctiveness reside in the features of the design as shown in the representations with less weight to be given to those features shown in dotted lines. Less weight is also to be given to the angle of the base of the sofa between the top and bottom surfaces of the base.**



- (21) Design Number: **15031/2015**  
(22) Date of Filing Application: **25 September 2015**  
(24) Date from which industrial property rights may have effect: **25 September 2015**  
(54) Product in respect of which the design is registered: **A sofa**  
(51) International Design Classification: **06-01G**  
(74) Name(s) of Attorney(s): **FB Rice**  
(71) Name(s) and Address(s) of Applicant(s):  
**King Furniture Australia Pty Ltd**  
**123 Turrella St Turrella NSW, 2205 Australia**  
(72) Name(s) of Designer(s): **David King and Tanya Rechberger and Ryan Lawson**  
(45) Registration Date: **14 October 2015**  
(56) Related Art Documents: **Not Applicable**  
(57) Statement of Newness and Distinctiveness: **Newness and distinctiveness reside in the features of the design as shown in the representations with less weight to be given to those features shown in dotted lines. Less weight is also to be given to the angle of the base of the sofa between the top and bottom surfaces of the base.**



- (21) Design Number: **15032/2015**  
(22) Date of Filing Application: **25 September 2015**  
(24) Date from which industrial property rights may have effect: **25 September 2015**  
(54) Product in respect of which the design is registered: **A sofa**  
(51) International Design Classification: **06-01G**  
(74) Name(s) of Attorney(s): **FB Rice**  
(71) Name(s) and Address(s) of Applicant(s):  
**King Furniture Australia Pty Ltd**  
**123 Turrella St Turrella NSW, 2205 Australia**  
(72) Name(s) of Designer(s): **David King and Tanya Rechberger and Ryan Lawson**  
(45) Registration Date: **14 October 2015**  
(56) Related Art Documents: **Not Applicable**  
(57) Statement of Newness and Distinctiveness: **Newness and distinctiveness reside in the features of the design as shown in the representations with less weight to be given to those features shown in dotted lines. Less weight is also to be given to the angle of the base of the sofa between the top and bottom surfaces of the base.**



- (21) Design Number: **15033/2015**  
(22) Date of Filing Application: **25 September 2015**  
(24) Date from which industrial property rights may have effect: **25 September 2015**  
(54) Product in respect of which the design is registered: **A sofa**  
(51) International Design Classification: **06-01G**  
(74) Name(s) of Attorney(s): **FB Rice**  
(71) Name(s) and Address(s) of Applicant(s):  
**King Furniture Australia Pty Ltd**  
**123 Turrella St Turrella NSW, 2205 Australia**  
(72) Name(s) of Designer(s): **David King and Tanya Rechberger and Ryan Lawson**  
(45) Registration Date: **14 October 2015**  
(56) Related Art Documents: **Not Applicable**  
(57) Statement of Newness and Distinctiveness: **Newness and distinctiveness reside in the features of the design as shown in the representations with less weight to be given to those features shown in dotted lines. Less weight is also to be given to the angle of the base of the sofa between the top and bottom surfaces of the base. It will be understood that the sofa is modular with backrests, seat cushions and shelf (the "components") being removably mounted on the base so that the relative positions of the seat cushions, backrests and the shelf on the base are able to be varied.**



- (21) Design Number: **15034/2015**  
(22) Date of Filing Application: **25 September 2015**  
(24) Date from which industrial property rights may have effect: **25 September 2015**  
(54) Product in respect of which the design is registered: **A sofa**  
(51) International Design Classification: **06-01G**  
(74) Name(s) of Attorney(s): **FB Rice**  
(71) Name(s) and Address(s) of Applicant(s):  
**King Furniture Australia Pty Ltd**  
**123 Turrella St Turrella NSW, 2205 Australia**  
(72) Name(s) of Designer(s): **David King and Tanya Rechberger and Ryan Lawson**  
(45) Registration Date: **14 October 2015**  
(56) Related Art Documents: **Not Applicable**



- (57) Statement of Newness and Distinctiveness: **Newness and distinctiveness reside in the features of the design as shown in the representations with less weight to be given to those features shown in dotted lines. Less weight is also to be given to the angle of the base of the sofa between the top and bottom surfaces of the base. It will be understood that the sofa is modular with backrests, seat cushions and shelf (the "components") being removably mounted on the base so that the relative positions of the seat cushions, backrests and the shelf on the base are able to be varied.**

- (21) Design Number: **15035/2015**  
(22) Date of Filing Application: **25 September 2015**  
(24) Date from which industrial property rights may have effect: **25 September 2015**  
(54) Product in respect of which the design is registered: **A sofa**  
(51) International Design Classification: **06-01G**  
(74) Name(s) of Attorney(s): **FB Rice**  
(71) Name(s) and Address(s) of Applicant(s):  
**King Furniture Australia Pty Ltd**  
**123 Turrella St Turrella NSW 2205 Australia**  
(72) Name(s) of Designer(s): **David King and Tanya Rechberger and Ryan Lawson**  
(45) Registration Date: **14 October 2015**  
(56) Related Art Documents: **Not Applicable**



- (57) Statement of Newness and Distinctiveness: **Newness and distinctiveness reside in the features of the design as shown in the representations with less weight to be given to those features shown in dotted lines. Less weight is also to be given to the angle of the base of the sofa between the top and bottom surfaces of the base. It will be understood that the sofa is modular with backrests, seat cushions and shelf (the "components") being removably mounted on the base so that the relative positions of the seat cushions, backrests and the shelf on the base are able to be varied.**

- (21) Design Number: **15043/2015**  
(22) Date of Filing Application: **25 September 2015**  
(24) Date from which industrial property rights may have effect: **25 September 2015**  
(54) Product in respect of which the design is registered: **A sofa**  
(51) International Design Classification: **06-01G**  
(74) Name(s) of Attorney(s): **FB Rice**  
(71) Name(s) and Address(s) of Applicant(s):  
**King Furniture Australia Pty Ltd**  
**123 Turrella St Turrella NSW 2205 Australia**  
(72) Name(s) of Designer(s): **David King and Tanya Rechberger and Ryan Lawson**  
(45) Registration Date: **14 October 2015**  
(56) Related Art Documents: **Not Applicable**  
(57) Statement of Newness and Distinctiveness: **Newness and distinctiveness reside in the features of the design as shown in the representations with less weight to be given to those features shown in dotted lines. Less weight is also to be given to the angle of the base of the sofa between the top and bottom surfaces of the base. It will be understood that the sofa is modular with backrests, seat cushions and shelves (the "components") being removably mounted on the base so that the relative positions of the seat cushions, backrests and the shelves on the base are able to be varied.**



- (21) Design Number: **15044/2015**  
(22) Date of Filing Application: **25 September 2015**  
(24) Date from which industrial property rights may have effect: **25 September 2015**  
(54) Product in respect of which the design is registered: **A sofa**  
(51) International Design Classification: **06-01G**  
(74) Name(s) of Attorney(s): **FB Rice**  
(71) Name(s) and Address(s) of Applicant(s):  
**King Furniture Australia Pty Ltd**  
**123 Turrella St Turrella NSW 2205 Australia**  
(72) Name(s) of Designer(s): **David King and Tanya Rechberger and Ryan Lawson**  
(45) Registration Date: **14 October 2015**  
(56) Related Art Documents: **Not Applicable**  
(57) Statement of Newness and Distinctiveness: **Newness and distinctiveness reside in the features of the design as shown in the representations with less weight to be given to those features shown in dotted lines. Less weight is also to be given to the angle of the base of the sofa between the top and bottom surfaces of the base.**



- (21) Design Number: **15036/2015**  
(22) Date of Filing Application: **25 September 2015**  
(24) Date from which industrial property rights may have effect: **25 September 2015**  
(54) Product in respect of which the design is registered: **A sofa**  
(51) International Design Classification: **06-01G**  
(74) Name(s) of Attorney(s): **FB Rice**  
(71) Name(s) and Address(s) of Applicant(s):  
**King Furniture Australia Pty Ltd**  
**123 Turrella St Turrella NSW 2205 Australia**  
(72) Name(s) of Designer(s): **David King and Tanya Rechberger and Ryan Lawson**  
(45) Registration Date: **14 October 2015**  
(56) Related Art Documents: **Not Applicable**  
(57) Statement of Newness and Distinctiveness: **Newness and distinctiveness reside in the features of the design as shown in the representations with less weight to be given to those features shown in dotted lines. Less weight is also to be given to the angle of the base of the sofa between the top and bottom surfaces of the base. It will be understood that the sofa is modular with backrests, seat cushions and shelf (the "components") being removably mounted on the base so that the relative positions of the seat cushions, backrests and the shelf on the base are able to be varied.**



- (21) Design Number: **15037/2015**  
(22) Date of Filing Application: **25 September 2015**  
(24) Date from which industrial property rights may have effect: **25 September 2015**  
(54) Product in respect of which the design is registered: **A sofa**  
(51) International Design Classification: **06-01G**  
(74) Name(s) of Attorney(s): **FB Rice**  
(71) Name(s) and Address(s) of Applicant(s):  
**King Furniture Australia Pty Ltd**  
**123 Turrella St Turrella NSW 2205 Australia**  
(72) Name(s) of Designer(s): **David King and Tanya Rechberger and Ryan Lawson**  
(45) Registration Date: **14 October 2015**  
(56) Related Art Documents: **Not Applicable**  
(57) Statement of Newness and Distinctiveness: **Newness and distinctiveness reside in the features of the design as shown in the representations with less weight to be given to those features shown in dotted lines. Less weight is also to be given to the angle of the base of the sofa between the top and bottom surfaces of the base. It will be understood that the sofa is modular with backrests, seat cushions and shelves (the "components") being removably mounted on the base so that the relative positions of the seat cushions, backrests and the shelves on the base are able to be varied.**





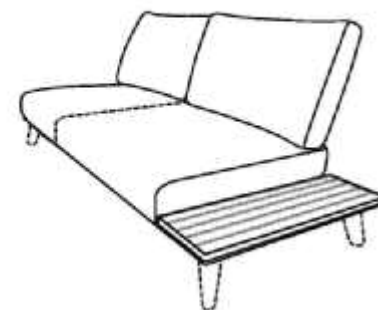
- (21) Design Number: **15038/2015**  
(22) Date of Filing Application: **25 September 2015**  
(24) Date from which industrial property rights may have effect: **25 September 2015**  
(54) Product in respect of which the design is registered: **A sofa**  
(51) International Design Classification: **06-01G**  
(74) Name(s) of Attorney(s): **FB Rice**  
(71) Name(s) and Address(s) of Applicant(s):  
**King Furniture Australia Pty Ltd**  
**123 Turrella St Turrella NSW 2205 Australia**  
(72) Name(s) of Designer(s): **David King and Tanya Rechberger and Ryan Lawson**  
(45) Registration Date: **14 October 2015**  
(56) Related Art Documents: **Not Applicable**  
(57) Statement of Newness and Distinctiveness: **Newness and distinctiveness reside in the features of the design as shown in the representations with less weight to be given to those features shown in dotted lines. Less weight is also to be given to the angle of the base of the sofa between the top and bottom surfaces of the base. It will be understood that the sofa is modular with backrests, seat cushions and shelves (the "components") being removably mounted on the base so that the relative positions of the seat cushions, backrests and the shelves on the base are able to be varied.**



- (21) Design Number: **15045/2015**  
(22) Date of Filing Application: **25 September 2015**  
(24) Date from which industrial property rights may have effect: **25 September 2015**  
(54) Product in respect of which the design is registered: **Fast food stand**  
(51) International Design Classification: **20-99**  
(74) Name(s) of Attorney(s):  
(71) Name(s) and Address(s) of Applicant(s):  
**Abdullah Karakas**  
**C/-Patentec Patent Attorneys PO Box A1172 Sydney South NSW, 1235 Australia**  
**Firat Adakale**  
**C/-Patentec Patent Attorneys PO Box A1172 Sydney South NSW, 1235 Australia**  
(72) Name(s) of Designer(s): **Abdullah Karakas and Firat Adakale**  
(45) Registration Date: **14 October 2015**  
(56) Related Art Documents: **Not Applicable**  
(57) Statement of Newness and Distinctiveness: **Newness and distinctiveness is claimed in the shape and configuration of the inverted corn shaped fast food stand as is substantially shown in the representation.**



- (21) Design Number: **15046/2015**  
(22) Date of Filing Application: **25 September 2015**  
(24) Date from which industrial property rights may have effect: **25 September 2015**  
(54) Product in respect of which the design is registered: **A sofa**  
(51) International Design Classification: **06-01G**  
(74) Name(s) of Attorney(s): **FB Rice**  
(71) Name(s) and Address(s) of Applicant(s):  
**King Furniture Australia Pty Ltd**  
**123 Turrella St Turrella NSW, 2205 Australia**  
(72) Name(s) of Designer(s): **David King and Tanya Rechberger and Ryan Lawson**  
(45) Registration Date: **14 October 2015**  
(56) Related Art Documents: **Not Applicable**  
(57) Statement of Newness and Distinctiveness: **Newness and distinctiveness reside in the features of the design as shown in the representations with less weight to be given to those features shown in dotted lines. Less weight is also to be given to the angle of the base of the sofa between the top and bottom surfaces of the base. It will be understood that the sofa is modular with backrests, seat cushion/s and shelf (the "components") being removably mounted on the base so that the relative positions of the seat cushion/s, backrests and the shelf on the base are able to be varied.**



- (21) Design Number: **15047/2015**  
(22) Date of Filing Application: **25 September 2015**  
(24) Date from which industrial property rights may have effect: **25 September 2015**  
(54) Product in respect of which the design is registered: **A sofa**  
(51) International Design Classification: **06-01G**  
(74) Name(s) of Attorney(s): **FB Rice**  
(71) Name(s) and Address(s) of Applicant(s):  
**King Furniture Australia Pty Ltd**  
**123 Turrella St Turrella NSW, 2205 Australia**  
(72) Name(s) of Designer(s): **David King and Tanya Rechberger and Ryan Lawson**  
(45) Registration Date: **14 October 2015**  
(56) Related Art Documents: **Not Applicable**  
(57) Statement of Newness and Distinctiveness: **Newness and distinctiveness reside in the features of the design as shown in the representations with less weight to be given to those features shown in dotted lines. Less weight is also to be given to the angle of the base of the sofa between the top and bottom surfaces of the base. It will be understood that the sofa is modular with backrests, seat cushion/s and shelf (the "components") being removably mounted on the base so that the relative positions of the seat cushion/s, backrests and the shelf on the base are able to be varied.**



- (21) Design Number: **15048/2015**  
(22) Date of Filing Application: **25 September 2015**  
(24) Date from which industrial property rights may have effect: **25 September 2015**  
(54) Product in respect of which the design is registered: **A sofa**  
(51) International Design Classification: **06-01G**  
(74) Name(s) of Attorney(s): **FB Rice**  
(71) Name(s) and Address(s) of Applicant(s):  
**King Furniture Australia Pty Ltd**  
**123 Turrella St Turrella NSW, 2205 Australia**  
(72) Name(s) of Designer(s): **David King and Tanya Rechberger and Ryan Lawson**  
(45) Registration Date: **14 October 2015**  
(56) Related Art Documents: **Not Applicable**



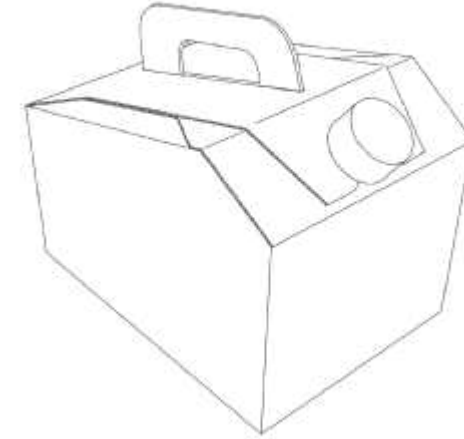
- (57) Statement of Newness and Distinctiveness: **Newness and distinctiveness reside in the features of the design as shown in the representations with less weight to be given to those features shown in dotted lines. Less weight is also to be given to the angle of the base of the sofa between the top and bottom surfaces of the base. It will be understood that the sofa is modular with backrests, seat cushion/s and shelves (the "components") being removably mounted on the base so that the relative positions of the seat cushion/s, backrests and the shelves on the base are able to be varied.**

- (21) Design Number: **15049/2015**  
(22) Date of Filing Application: **25 September 2015**  
(24) Date from which industrial property rights may have effect: **25 September 2015**  
(54) Product in respect of which the design is registered: **A sofa**  
(51) International Design Classification: **06-01G**  
(74) Name(s) of Attorney(s): **FB Rice**  
(71) Name(s) and Address(s) of Applicant(s):  
**King Furniture Australia Pty Ltd**  
**123 Turrella St Turrella NSW, 2205 Australia**  
(72) Name(s) of Designer(s): **David King and Tanya Rechberger and Ryan Lawson**  
(45) Registration Date: **14 October 2015**  
(56) Related Art Documents: **Not Applicable**



- (57) Statement of Newness and Distinctiveness: **Newness and distinctiveness reside in the features of the design as shown in the representations with less weight to be given to those features shown in dotted lines. Less weight is also to be given to the angle of the base of the sofa between the top and bottom surfaces of the base. It will be understood that the sofa is modular with backrests, seat cushion/s and shelves (the "components") being removably mounted on the base so that the relative positions of the seat cushion/s, backrests and the shelves on the base are able to be varied.**

(21) Design Number: **15051/2015**  
(22) Date of Filing Application: **25 September 2015**  
(24) Date from which industrial property rights may have effect: **25 September 2015**  
(54) Product in respect of which the design is registered: **Beverage container**  
(51) International Design Classification: **09-01B**  
(74) Name(s) of Attorney(s): **Spruson & Ferguson**  
(71) Name(s) and Address(s) of Applicant(s):



**LBP Manufacturing LLC**  
**1325 South Cicero Avenue, Cicero Illinois, 60804 United States of America**

(72) Name(s) of Designer(s): **Kurt Wolf**  
(45) Registration Date: **14 October 2015**  
(30) Convention priority data:  
(31) Number      (32) Date      (33) Country  
**29/522373      30 Mar 2015      UNITED STATES OF AMERICA**  
(56) Related Art Documents: **Not Applicable**  
(57) Statement of Newness and Distinctiveness: **Newness and distinctiveness is claimed in the features of shape and/or configuration of a beverage container as illustrated in the accompanying representations.**

(21) Design Number: **15054/2015**  
(22) Date of Filing Application: **25 September 2015**  
(24) Date from which industrial property rights may have effect: **25 September 2015**  
(54) Product in respect of which the design is registered: **Ceiling lamp**  
(51) International Design Classification: **26-05C**  
(74) Name(s) of Attorney(s): **A.P.T. Patent and Trade Mark Attorneys**  
(71) Name(s) and Address(s) of Applicant(s):



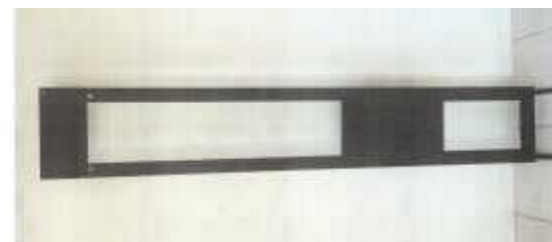
**Up-Shine Lighting Co., Limited**  
**2nd Building, Runheng Industrial Zone Fuyuan 1st Road (West side) Fu Yong District, Bao'an Shenzhen Guangdong Province China**

(72) Name(s) of Designer(s): **Xie Zuhua**  
(45) Registration Date: **14 October 2015**  
(56) Related Art Documents: **Not Applicable**  
(57) Statement of Newness and Distinctiveness: **Nil**

- (21) Design Number: **15056/2015**  
(22) Date of Filing Application: **26 September 2015**  
(24) Date from which industrial property rights may have effect: **26 September 2015**  
(54) Product in respect of which the design is registered: **Ergonomic rocking chair**  
(51) International Design Classification: **06-01K**  
(74) Name(s) of Attorney(s):  
(71) Name(s) and Address(s) of Applicant(s):  
**James O'Brien**  
**29 Laura PI North Fitzroy VIC 3068 Australia**  
(72) Name(s) of Designer(s): **James O'Brien**  
(45) Registration Date: **14 October 2015**  
(56) Related Art Documents: **Not Applicable**  
(57) Statement of Newness and Distinctiveness: **The Chair takes on the shape of a human kneeling. The name of the rocking chair is called the 'Kneeling Chair'. It has an ergonomically designed horizontal bar that runs under the knees for maximum comfort. The chairs overall form is fluid and clean in it's form.**



- (21) Design Number: **14098/2015**  
(22) Date of Filing Application: **11 August 2015**  
(24) Date from which industrial property rights may have effect: **11 August 2015**  
(54) Product in respect of which the design is registered: **Patio pet door insert**  
(51) International Design Classification: **25-02B**  
(74) Name(s) of Attorney(s):  
(71) Name(s) and Address(s) of Applicant(s):  
**ANIMALISTIC PET PRODUCTS PTY. LTD.**  
**U1/ 26-28 Link Cres Collum Beach QLD 4573 Australia**  
(72) Name(s) of Designer(s): **David Brailsford**  
(45) Registration Date: **14 October 2015**  
(56) Related Art Documents: **Not Applicable**  
(57) Statement of Newness and Distinctiveness: **The newness and distinctiveness of the design resides in the following: The way the extension pieces are located and fixed onto the support bars instead of on the very top. You simply pull out the top piece and slide the extension pieces onto the support bars. You then use the screws provided to screw them in place with the pre drilled holes. Other designs put extension pieces on top on the patio pet door which is much less secure and severely compromises the doors security and strength. The support bars will take up to 4 extension pieces to accommodate for tall sliding**



- (21) Design Number: **14099/2015**  
(22) Date of Filing Application: **11 August 2015**  
(24) Date from which industrial property rights may have effect: **11 August 2015**  
(54) Product in respect of which the design is registered: **Patio pet door insert**  
(51) International Design Classification: **25-02B**  
(74) Name(s) of Attorney(s):  
(71) Name(s) and Address(s) of Applicant(s):  
**ANIMALISTIC PET PRODUCTS PTY. LTD.**  
**U1/ 26-28 Link Cres Collum Beach QLD 4573 Australia**  
(72) Name(s) of Designer(s): **David Brailsford**  
(45) Registration Date: **14 October 2015**  
(56) Related Art Documents: **Not Applicable**  
(57) Statement of Newness and Distinctiveness: **The newness and distinctiveness of the design resides in the following: The pop button that locks the flap locking plate and also holds the flap locking plate in the open position. Also the hole in the flap locking plate that holds it in the open position and the slight bend in the locking plate.**



- (21) Design Number: **14718/2015**  
(22) Date of Filing Application: **07 September 2015**  
(24) Date from which industrial property rights may have effect: **07 September 2015**  
(54) Product in respect of which the design is registered: **Surfboard rack**  
(51) International Design Classification: **06-04NES**  
(74) Name(s) of Attorney(s):  
(71) Name(s) and Address(s) of Applicant(s):  
**Shane Conrad Busby**  
**316/218 Bay Rd Sandringham VIC 3191 Australia**  
(72) Name(s) of Designer(s): **Shane Conrad Busby**  
(45) Registration Date: **14 October 2015**  
(56) Related Art Documents: **Not Applicable**  
(57) Statement of Newness and Distinctiveness: **The newness and distinctiveness of the design resides in: The shape of the rack as shown in the continuous, curved line, which flows from the front of the rack into the feet of the rack as shown in figure 5. The design of the spines are carved from a single piece, rather than multiple components as shown in figure 5. The carved out hook, which resides at the back, at the top of the rack, adding to the aesthetics & for surfboard leashes to be held in as shown in figure 5. The multiple holes drilled into the base of the rack, adding to the aesthetics as well as adjust-ability of the base rods, as represented in figure 2 & figure 5. The rack is not limited to a number of boards, as it can be added to (modular) as represented in figure 2.**





(21) Design Number: **13326/2015**  
(22) Date of Filing Application: **01 July 2015**  
(24) Date from which industrial property rights may have effect: **01 July 2015**  
(54) Product in respect of which the design is registered: **Kayak carrier bracket**  
(51) International Design Classification: **12-16K**  
(74) Name(s) of Attorney(s):  
(71) Name(s) and Address(s) of Applicant(s):

**Gavin Ager**  
**34 Boronia Rd Banjup WA 6164 Australia**

(72) Name(s) of Designer(s): **Gavin Ager**

(45) Registration Date: **14 October 2015**

(56) Related Art Documents: **Not Applicable**

(57) Statement of Newness and Distinctiveness: **A bracket consisting of two parallel arms in a near horizontal position. These parallel arms are fixed at a common end to a vertically oriented post or form part of a vertically oriented post. The two parallel arms can be able to swivel laterally from the vertically oriented post, or be positively fixed to the said post and bent apart at the opposite end. This variable angle formed between the parallel arms is able to accommodate and support the front or rear of various marine craft that have a tapered front or rear shape. Typical craft being kayaks, canoes, dinghys and yachts etc.**



(21) Design Number: **13563/2015**  
(22) Date of Filing Application: **16 July 2015**  
(24) Date from which industrial property rights may have effect: **16 July 2015**  
(54) Product in respect of which the design is registered: **A loudspeaker**  
(51) International Design Classification: **14-01**  
(74) Name(s) of Attorney(s): **Banki Haddock Fiora**  
(71) Name(s) and Address(s) of Applicant(s):

**Harman International Industries, Incorporated**  
**8500 Balboa Blvd Northridge CA, 91329 United States of America**

(72) Name(s) of Designer(s): **Tim Nugent and Andy Flint and Derrick Rodgers**

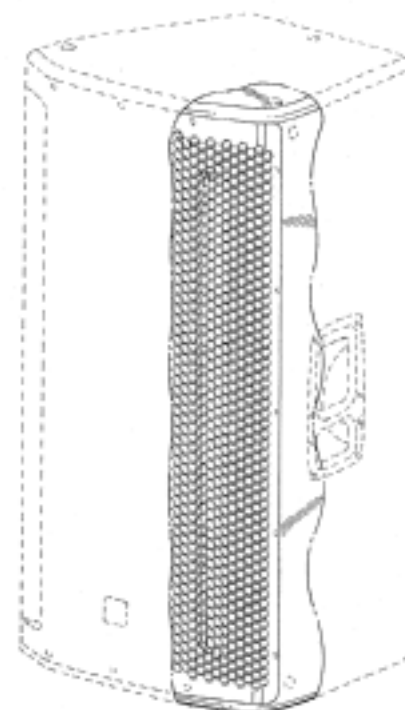
(45) Registration Date: **14 October 2015**

(30) Convention priority data:

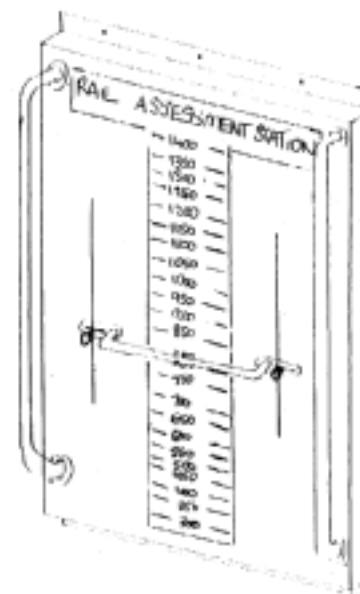
(31) Number	(32) Date	(33) Country
<b>29/514839</b>	<b>16 Jan 2015</b>	<b>UNITED STATES OF AMERICA</b>

(56) Related Art Documents: **Not Applicable**

(57) Statement of Newness and Distinctiveness: **The visual features of the loudspeaker depicted in the representations that are new and distinctive are the features of shape and/or configuration shown in solid outline within the dot-dash lines in the accompanying representations. The features shown in broken lines are not part of the design and should be disregarded when considering the overall impression of the design.**



- (21) Design Number: **13664/2015**  
(22) Date of Filing Application: **22 July 2015**  
(24) Date from which industrial property rights may have effect: **22 July 2015**  
(54) Product in respect of which the design is registered: **aged care assessment tool**  
(51) International Design Classification: **10-99**  
(74) Name(s) of Attorney(s):  
(71) Name(s) and Address(s) of Applicant(s):  
**HASTINGS HOME MODIFICATION & MAINTENANCE SERVICE INC**  
**PO BOX 5574 Port Macquarie NSW 2444 Australia**  
(72) Name(s) of Designer(s): **Paul Martin and Jamie Mathews**  
(45) Registration Date: **14 October 2015**  
(56) Related Art Documents: **Not Applicable**  
(57) Statement of Newness and Distinctiveness: **brand new innovation**

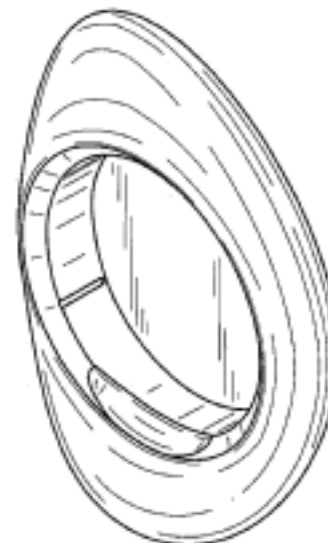


- (21) Design Number: **14087/2015**  
(22) Date of Filing Application: **10 August 2015**  
(24) Date from which industrial property rights may have effect: **10 August 2015**  
(54) Product in respect of which the design is registered: **An absorbent article having an embossed design**  
(51) International Design Classification: **24-04**  
(74) Name(s) of Attorney(s): **Shelston IP**  
(71) Name(s) and Address(s) of Applicant(s):  
**Johnson & Johnson Consumer Inc.**  
**199 Grandview Road Skillman New Jersey, 08858 United States of America**  
(72) Name(s) of Designer(s): **Marco Antonio Alkmin and Thiago C Alves and Maria Marcia Reis Caldas Salles and Gilson Philigret Sardinha**  
(45) Registration Date: **14 October 2015**  
(30) Convention priority data:  
(31) Number (32) Date (33) Country  
**29/517262 11 Feb 2015 UNITED STATES OF AMERICA**  
(56) Related Art Documents: **Not Applicable**  
(57) Statement of Newness and Distinctiveness: **Newness and distinctiveness reside in an embossed design on a body facing surface of an absorbent article. The features shown in broken line in the figures are displayed for illustrative purposes only and are not considered part of the design.**





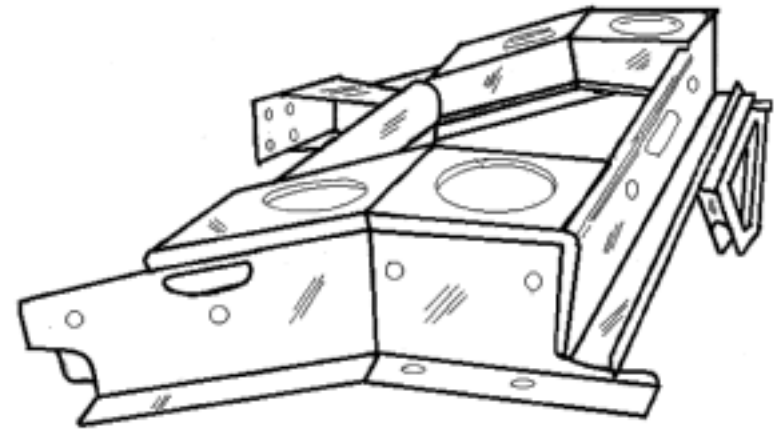
- (21) Design Number: **14155/2015**  
(22) Date of Filing Application: **13 August 2015**  
(24) Date from which industrial property rights may have effect: **13 August 2015**  
(54) Product in respect of which the design is registered: **Remote control housing**  
(51) International Design Classification: **14-03NES**  
(74) Name(s) of Attorney(s): **Shelston IP**  
(71) Name(s) and Address(s) of Applicant(s):  
**Hunter Douglas Inc.**  
**1 Blue Hill Plaza Pearl River New York 10965 United States of America**  
(72) Name(s) of Designer(s): **Ronald R. Kass and Douglas J. Barr and Joseph E. Kovach and Kevin M. Dann and David J. Parrett and Clark Brace and Fred Bould and Jaime Caso**  
(45) Registration Date: **14 October 2015**  
(30) Convention priority data:  
(31) Number (32) Date (33) Country  
**29/517,620 13 Feb 2015 UNITED STATES OF AMERICA**  
(56) Related Art Documents: **Not Applicable**  
(57) Statement of Newness and Distinctiveness: **Newness and distinctiveness reside in the features of shape and/or configuration of the Remote Control Housing as shown in solid lines in the accompanying representations.**



- (21) Design Number: **14317/2015**  
(22) Date of Filing Application: **23 August 2015**  
(24) Date from which industrial property rights may have effect: **23 August 2015**  
(54) Product in respect of which the design is registered: **A cap for a bottle**  
(51) International Design Classification: **09-07C**  
(74) Name(s) of Attorney(s):  
(71) Name(s) and Address(s) of Applicant(s):  
**Shuo Li**  
**PO BOX 280 Preston VIC 3073 Australia**  
(72) Name(s) of Designer(s): **Shuo Li**  
(45) Registration Date: **14 October 2015**  
(56) Related Art Documents: **Not Applicable**  
(57) Statement of Newness and Distinctiveness: **The visual features of this design: 1, Newness - the 3D Cartoon Shaped Bottle Cap designed with 3D fruits shaped, animals shaped, poultry shaped and hats shaped bottle cap that made by variety materials that including cotton fabric/flannelette fabric and soft gum. These fruit/animal/poultry/hat shaped 3D Bottle Cap has a great visual impact, it will effectively draw consumers attention and boost young kid's interest in consuming healthy drink/food. It is also an excellent teaching aid for children to combine education with pleasure. 2, Distinctiveness: The bottle cap of 3D of fruit/animal/poultry/hat shaped Bottle Cap it will helps to open the cap of the bottle and reduce the risk of hand/finger cut that occurred by opening bottle cap.**



- (21) Design Number: **13182/2015**  
(22) Date of Filing Application: **23 June 2015**  
(24) Date from which industrial property rights may have effect: **23 June 2015**  
(54) Product in respect of which the design is registered: **Motor vehicle suspension adaptor**  
(51) International Design Classification: **12-16NES**  
(74) Name(s) of Attorney(s):  
(71) Name(s) and Address(s) of Applicant(s):  
**Jason McIntosh**  
**212 Rivergum Dr Burpengary QLD 4505 Australia**  
(72) Name(s) of Designer(s): **Jason McIntosh**  
(45) Registration Date: **14 October 2015**  
(56) Related Art Documents: **Not Applicable**  
(57) Statement of Newness and Distinctiveness: **The newness and distinctiveness of the design resides in the shapes of the adaptor unit and control arm locator for a vehicle suspension, as shown in the accompanying representations.**



- (21) Design Number: **11788/2015**  
(22) Date of Filing Application: **02 April 2015**  
(24) Date from which industrial property rights may have effect: **02 April 2015**  
(54) Product in respect of which the design is registered: **Vehicle lower grille**  
(51) International Design Classification: **12-16B**  
(74) Name(s) of Attorney(s): **K&L Gates**  
(71) Name(s) and Address(s) of Applicant(s):  
**GM Global Technology Operations LLC**  
**300 Renaissance Centre Detroit Michigan 48265-3000 United States of America**  
(72) Name(s) of Designer(s): **Martin Love**  
(45) Registration Date: **14 October 2015**  
(56) Related Art Documents: **Not Applicable**  
(57) Statement of Newness and Distinctiveness: **Nil**



FRONT

(21) Design Number: **11789/2015**

(22) Date of Filing Application: **02 April 2015**

(24) Date from which industrial property rights may have effect: **02 April 2015**

(54) Product in respect of which the design is registered: **Vehicle upper grille**

(51) International Design Classification: **12-16B**

(74) Name(s) of Attorney(s): **K&L Gates**

(71) Name(s) and Address(s) of Applicant(s):

**GM Global Technology Operations LLC  
300 Renaissance Centre Detroit Michigan 48265-3000 United States of  
America**

(72) Name(s) of Designer(s): **Martin Love**

(45) Registration Date: **14 October 2015**

(56) Related Art Documents: **Not Applicable**

(57) Statement of Newness and Distinctiveness: **Nil**



(21) Design Number: **11790/2015**

(22) Date of Filing Application: **02 April 2015**

(24) Date from which industrial property rights may have effect: **02 April 2015**

(54) Product in respect of which the design is registered: **Vehicle front fascia**

(51) International Design Classification: **12-16B**

(74) Name(s) of Attorney(s): **K&L Gates**

(71) Name(s) and Address(s) of Applicant(s):

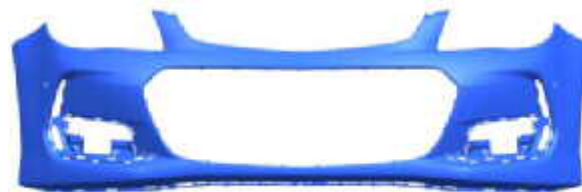
**GM Global Technology Operations LLC  
300 Renaissance Centre Detroit Michigan 48265-3000 United States of  
America**

(72) Name(s) of Designer(s): **Martin Love**

(45) Registration Date: **14 October 2015**

(56) Related Art Documents: **Not Applicable**

(57) Statement of Newness and Distinctiveness: **Nil**



(21) Design Number: **14764/2015**  
(22) Date of Filing Application: **08 September 2015**  
(24) Date from which industrial property rights may have effect: **08 September 2015**  
(54) Product in respect of which the design is registered: **Oral care implement**  
(51) International Design Classification: **04-02**  
(74) Name(s) of Attorney(s): **FB Rice**  
(71) Name(s) and Address(s) of Applicant(s):  
**Colgate-Palmolive Company**  
**300 Park Avenue New York New York, 10022 United States of America**  
(72) Name(s) of Designer(s): **Wenjin Xi and Guang Sheng Guo and Fan Gang Xie and Cun Zhang**  
(45) Registration Date: **14 October 2015**  
(30) Convention priority data:  
(31) Number (32) Date (33) Country  
**201530076635.5 27 Mar 2015 CHINA**  
(56) Related Art Documents: **Not Applicable**  
(57) Statement of Newness and Distinctiveness: **Newness and distinctiveness reside in the features of shape and configuration of the design as shown in the representations.**



(21) Design Number: **15077/2015**  
(22) Date of Filing Application: **29 September 2015**  
(24) Date from which industrial property rights may have effect: **29 September 2015**  
(54) Product in respect of which the design is registered: **Partition screen.**  
(51) International Design Classification: **06-06NES**  
(74) Name(s) of Attorney(s): **Actuate IP**  
(71) Name(s) and Address(s) of Applicant(s):  
**Nojerm Limited**  
**Innovation House Tunnel Bank Bourne Lincolnshire PE10 0DJ United Kingdom**  
(72) Name(s) of Designer(s): **Frederick Ambrose Munster Kingston and Ian Michael Poole**  
(45) Registration Date: **14 October 2015**  
(56) Related Art Documents: **Not Applicable**  
(57) Statement of Newness and Distinctiveness: **The newness and distinctiveness of the design resides in the shape and/or configuration of the partition screen, as shown in the representations.**



(21) Design Number: **15078/2015**

(22) Date of Filing Application: **29 September 2015**

(24) Date from which industrial property rights may have effect: **29 September 2015**

(54) Product in respect of which the design is registered: **Front bull bar for vehicle**

(51) International Design Classification: **12-16C**

(74) Name(s) of Attorney(s): **Clayton Utz**

(71) Name(s) and Address(s) of Applicant(s):

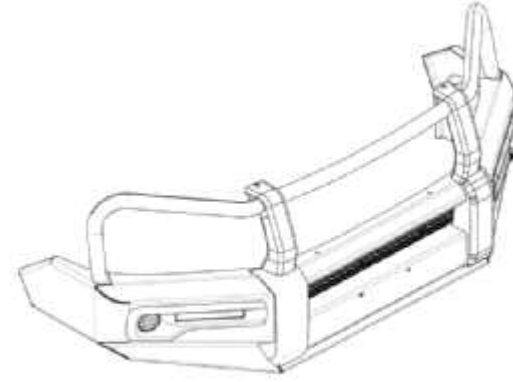
**Toyota Motor Corporation Australia Limited  
155 Bertie St Port Melbourne Victoria 3207 Australia**

(72) Name(s) of Designer(s): **Peter Hutchinson**

(45) Registration Date: **14 October 2015**

(56) Related Art Documents: **Not Applicable**

(57) Statement of Newness and Distinctiveness: **Nil**



(21) Design Number: **15079/2015**

(22) Date of Filing Application: **29 September 2015**

(24) Date from which industrial property rights may have effect: **29 September 2015**

(54) Product in respect of which the design is registered: **Tow bar**

(51) International Design Classification: **12-16L**

(74) Name(s) of Attorney(s): **Clayton Utz**

(71) Name(s) and Address(s) of Applicant(s):

**Toyota Motor Corporation Australia Limited  
155 Bertie St Port Melbourne Victoria 3207 Australia**

(72) Name(s) of Designer(s): **Peter Hutchinson**

(45) Registration Date: **14 October 2015**

(56) Related Art Documents: **Not Applicable**

(57) Statement of Newness and Distinctiveness: **Nil**



- (21) Design Number: **15080/2015**  
(22) Date of Filing Application: **29 September 2015**  
(24) Date from which industrial property rights may have effect: **29 September 2015**  
(54) Product in respect of which the design is registered: **Air intake snorkel for vehicle**  
(51) International Design Classification: **12-16NES**  
(74) Name(s) of Attorney(s): **Clayton Utz**  
(71) Name(s) and Address(s) of Applicant(s):  
**Toyota Motor Corporation Australia Limited**  
**155 Bertie St Port Melbourne Victoria 3207 Australia**  
(72) Name(s) of Designer(s): **Peter Hutchinson**  
(45) Registration Date: **14 October 2015**  
(56) Related Art Documents: **Not Applicable**  
(57) Statement of Newness and Distinctiveness: **Nil**



- (21) Design Number: **15082/2015**  
(22) Date of Filing Application: **29 September 2015**  
(24) Date from which industrial property rights may have effect: **29 September 2015**  
(54) Product in respect of which the design is registered: **Medical garment for a baby**  
(51) International Design Classification: **02-02C**  
(74) Name(s) of Attorney(s): **Spruson & Ferguson**  
(71) Name(s) and Address(s) of Applicant(s):  
**Kylie Barsby**  
**PO BOX 1280 Barwon Heads VIC 3227 Australia**  
**Peter Barsby**  
**PO BOX 1280 Barwon Heads VIC 3227 Australia**  
(72) Name(s) of Designer(s): **Kylie Barsby**  
(45) Registration Date: **14 October 2015**  
(56) Related Art Documents: **Not Applicable**  
(57) Statement of Newness and Distinctiveness: **Newness and distinctiveness is claimed in the features of shape and/or configuration of a medical garment for a baby, in particular the fastenings along the upper portions of the garment arms and along the inner portions of the garment legs that allow the garment to be fully opened up and/or to provide access for cables or tubes to be inserted; the pocket in the right side of the torso of the garment and the pocket in the lower left leg of the garment for storage of cables or tubes; and the v-shaped neck for ease of accessibility.**





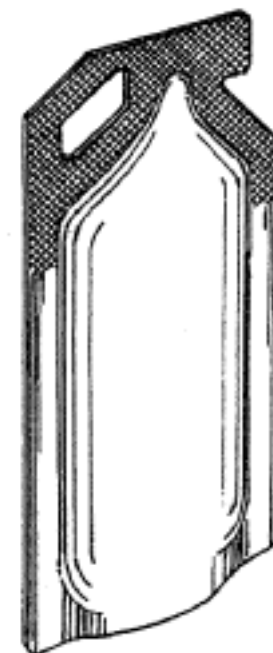
- (21) Design Number: **15086/2015**  
(22) Date of Filing Application: **29 September 2015**  
(24) Date from which industrial property rights may have effect: **29 September 2015**  
(54) Product in respect of which the design is registered: **Packaging**  
(51) International Design Classification: **09-03M**  
(74) Name(s) of Attorney(s): **WATERMARK PATENT AND TRADE MARKS ATTORNEYS**  
(71) Name(s) and Address(s) of Applicant(s):  
**J.S. STAEDTLER GmbH & Co. KG**  
**Moosackerstrasse 3 Nurnberg 90427 Germany**  
(72) Name(s) of Designer(s): **Darius Gondor**  
(45) Registration Date: **14 October 2015**  
(30) Convention priority data:  
(31) Number (32) Date (33) Country  
**002673806-0004 01 Apr 2015 OFFICE FOR HARMONISATION IN THE INTERNAL MARKET (OHIM)**  
(56) Related Art Documents: **Not Applicable**  
(57) Statement of Newness and Distinctiveness: **Newness and distinctiveness subsists in the pattern and ornamentation applied to packaging as shown in the accompanying representations.**



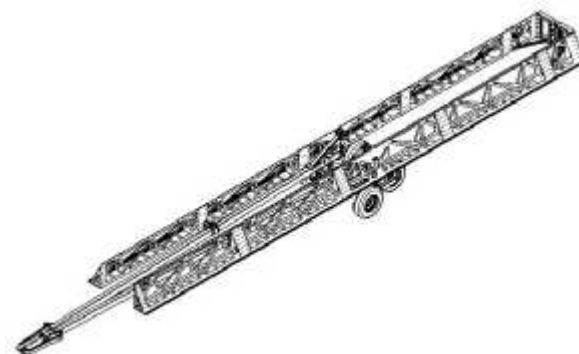
- (21) Design Number: **15087/2015**  
(22) Date of Filing Application: **29 September 2015**  
(24) Date from which industrial property rights may have effect: **29 September 2015**  
(54) Product in respect of which the design is registered: **Packaging**  
(51) International Design Classification: **09-03M**  
(74) Name(s) of Attorney(s): **WATERMARK PATENT AND TRADE MARKS ATTORNEYS**  
(71) Name(s) and Address(s) of Applicant(s):  
**J.S. STAEDTLER GmbH & Co. KG**  
**Moosackerstrasse 3 Nurnberg 90427 Germany**  
(72) Name(s) of Designer(s): **Darius Gondor**  
(45) Registration Date: **14 October 2015**  
(30) Convention priority data:  
(31) Number (32) Date (33) Country  
**002673806-0004 01 Apr 2015 OFFICE FOR HARMONISATION IN THE INTERNAL MARKET (OHIM)**  
(56) Related Art Documents: **Not Applicable**  
(57) Statement of Newness and Distinctiveness: **Newness and distinctiveness subsists in the pattern and ornamentation applied to packaging as shown in the accompanying representations.**



(21) Design Number: **15088/2015**  
(22) Date of Filing Application: **29 September 2015**  
(24) Date from which industrial property rights may have effect: **29 September 2015**  
(54) Product in respect of which the design is registered: **Container for flowable materials**  
(51) International Design Classification: **09-05**  
(74) Name(s) of Attorney(s): **WATERMARK PATENT AND TRADE MARKS ATTORNEYS**  
(71) Name(s) and Address(s) of Applicant(s):  
**Perrigo Diabetes Care, LLC**  
**515 Eastern Avenue Allegan Michigan, 49010 United States of America**  
(72) Name(s) of Designer(s): **Melissa Kristen Timm**  
(45) Registration Date: **14 October 2015**  
(30) Convention priority data:  
(31) Number (32) Date (33) Country  
**29/522,821 02 Apr 2015 UNITED STATES OF AMERICA**  
(56) Related Art Documents: **Not Applicable**  
(57) Statement of Newness and Distinctiveness: **Nil**



(21) Design Number: **14016/2015**  
(22) Date of Filing Application: **06 August 2015**  
(24) Date from which industrial property rights may have effect: **06 August 2015**  
(54) Product in respect of which the design is registered: **Agricultural sprayer**  
(51) International Design Classification: **15-03NES**  
(74) Name(s) of Attorney(s):  
(71) Name(s) and Address(s) of Applicant(s):  
**Hutton Group Holdings Pty Ltd**  
**11 Marryat Ct Hamilton Hill WA 6163 Australia**  
(72) Name(s) of Designer(s): **Adam Hutton and Warren Tarboten**  
(45) Registration Date: **14 October 2015**  
(56) Related Art Documents: **Not Applicable**  
(57) Statement of Newness and Distinctiveness: **Traditional trailers/implements have wheels that are connected to the main trailer body and are fixed by an axle assembly. This design places the wheels on the 'wings' of the trailer/implement. When these 'wings' are opened the wheels spread apart. This provides increased stability and variable wheel distance spread widths. This design also includes, but is not limited to, the ability for the wheels to remain controlled throughout the unfolding and folding process of the trailer/implement.**





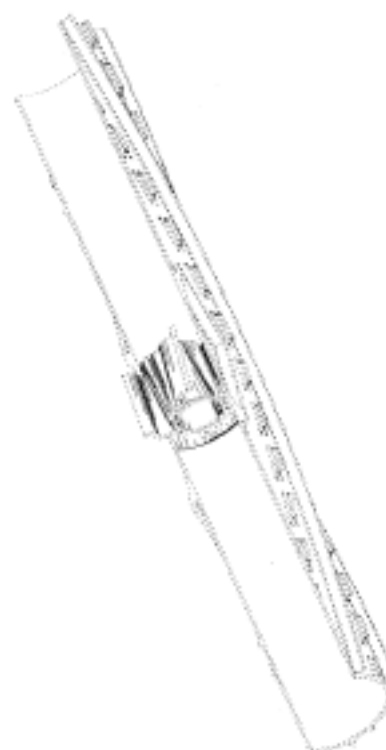
(21) Design Number: **14024/2015**  
(22) Date of Filing Application: **06 August 2015**  
(24) Date from which industrial property rights may have effect: **06 August 2015**  
(54) Product in respect of which the design is registered: **Robot**  
(51) International Design Classification: **15-05**  
(74) Name(s) of Attorney(s): **Davies Collison Cave**  
(71) Name(s) and Address(s) of Applicant(s):  
**iRobot Corporation**  
**8 Crosby Drive Bedford Massachusetts, 01730 United States of America**  
(72) Name(s) of Designer(s): **Derek Verhoorn and Stuart Jang**  
(45) Registration Date: **14 October 2015**  
(30) Convention priority data:  
(31) Number (32) Date (33) Country  
**29/517,442 12 Feb 2015 UNITED STATES OF AMERICA**  
(56) Related Art Documents: **Not Applicable**  
(57) Statement of Newness and Distinctiveness: **Newness and distinctiveness is claimed in the visual features of a robot, for example a floor-cleaning robot shown in solid lines in the representations. The broken lines indicate environmental features and bounds of the claimed design and form no part thereof.**



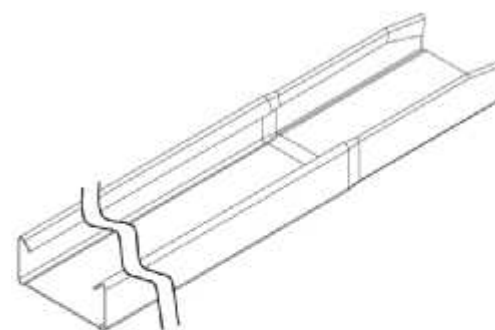
(21) Design Number: **14027/2015**  
(22) Date of Filing Application: **06 August 2015**  
(24) Date from which industrial property rights may have effect: **06 August 2015**  
(54) Product in respect of which the design is registered: **Floor cleaning roller core**  
(51) International Design Classification: **15-05**  
(74) Name(s) of Attorney(s): **Davies Collison Cave**  
(71) Name(s) and Address(s) of Applicant(s):  
**iRobot Corporation**  
**8 Crosby Drive Bedford Massachusetts, 01730 United States of America**  
(72) Name(s) of Designer(s): **Andrew Scott Reichel and Geo Ke Ting and Matthew Blouin**  
(45) Registration Date: **14 October 2015**  
(30) Convention priority data:  
(31) Number (32) Date (33) Country  
**29/519,200 03 Mar 2015 UNITED STATES OF AMERICA**  
(56) Related Art Documents: **Not Applicable**  
(57) Statement of Newness and Distinctiveness: **Newness and distinctiveness is claimed in the visual features shown in solid lines in the representations. The broken lines illustrate environmental features that form no part of the claimed design.**



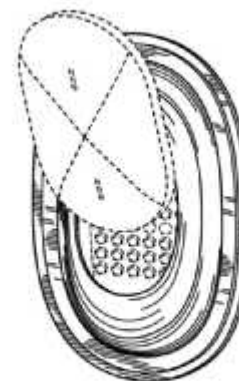
- (21) Design Number: **14031/2015**  
(22) Date of Filing Application: **06 August 2015**  
(24) Date from which industrial property rights may have effect: **06 August 2015**  
(54) Product in respect of which the design is registered: **Floor cleaning roller core**  
(51) International Design Classification: **15-05**  
(74) Name(s) of Attorney(s): **Davies Collison Cave**  
(71) Name(s) and Address(s) of Applicant(s):  
**iRobot Corporation**  
**8 Crosby Drive Bedford Massachusetts, 01730 United States of America**  
(72) Name(s) of Designer(s): **Matthew Blouin and Geo Ke Ting**  
(45) Registration Date: **14 October 2015**  
(30) Convention priority data:  
(31) Number (32) Date (33) Country  
**29/517,617 13 Feb 2015 UNITED STATES OF AMERICA**  
(56) Related Art Documents: **Not Applicable**  
(57) Statement of Newness and Distinctiveness: **Newness and distinctiveness is claimed in the visual features shown in solid lines in the representations. The broken lines illustrate environmental features that form no part of the claimed design.**



- (21) Design Number: **14533/2015**  
(22) Date of Filing Application: **28 August 2015**  
(24) Date from which industrial property rights may have effect: **28 August 2015**  
(54) Product in respect of which the design is registered: **Furring channel**  
(51) International Design Classification: **25-01C**  
(74) Name(s) of Attorney(s): **Davies Collison Cave**  
(71) Name(s) and Address(s) of Applicant(s):  
**Nashco Holdings NSW Pty Ltd**  
**28 Carrington St Queanbeyan East NSW, 2620 Australia**  
(72) Name(s) of Designer(s): **Michael Charles Dunlop and Brenton Craig Brewer**  
(45) Registration Date: **14 October 2015**  
(56) Related Art Documents: **Not Applicable**  
(57) Statement of Newness and Distinctiveness: **Newness and distinctiveness is claimed in the features of shape and configuration of a furring channel as shown in the representations, the furring channel being of indefinite length in it's length direction as indicated by the wavy lines as shown in the figures.**



- (21) Design Number: **14947/2015**  
(22) Date of Filing Application: **21 September 2015**  
(24) Date from which industrial property rights may have effect: **22 July 2015**  
(54) Product in respect of which the design is registered: **A garment pocket**  
(51) International Design Classification: **02-02B**  
(74) Name(s) of Attorney(s): **PIPERS**  
(71) Name(s) and Address(s) of Applicant(s):  
**MAD APPAREL, INC.**  
**201 Arch St Redwood City CA 94062 United States of America**  
(72) Name(s) of Designer(s): **Josh Morenstein and Nick Cronan and James Berg and Matthew Malone and Christian Scott Ross and Drew Putterman and Chris Glaister**  
(45) Registration Date: **14 October 2015**  
(30) Convention priority data:  
(31) Number (32) Date (33) Country  
**29/516,610 04 Feb 2015 UNITED STATES OF AMERICA**  
(62) Divisional of: **364377**  
(56) Related Art Documents: **Not Applicable**  
(57) Statement of Newness and Distinctiveness: **The design is to be applied to a GARMENT POCKET and the novelty resides in the features of shape and configuration of the GARMENT POCKET as shown in the accompanying representations.**



- (21) Design Number: **14979/2015**  
(22) Date of Filing Application: **23 September 2015**  
(24) Date from which industrial property rights may have effect: **23 September 2015**  
(54) Product in respect of which the design is registered: **Portable bathroom mirror**  
(51) International Design Classification: **06-07**  
(74) Name(s) of Attorney(s): **Cullens Patent and Trade Mark Attorneys**  
(71) Name(s) and Address(s) of Applicant(s):  
**Tooletries Pty Ltd**  
**C/- L32 239 George St Brisbane QLD 4000 Australia**  
(72) Name(s) of Designer(s): **Saul Cockburn and Joshua Cockburn and Angus Chapman**  
(45) Registration Date: **14 October 2015**  
(56) Related Art Documents: **Not Applicable**  
(57) Statement of Newness and Distinctiveness: **Nil**



(21) Design Number: **15009/2015**  
(22) Date of Filing Application: **24 September 2015**  
(24) Date from which industrial property rights may have effect: **24 September 2015**  
(54) Product in respect of which the design is registered: **A bottle**  
(51) International Design Classification: **09-01NES**  
(74) Name(s) of Attorney(s): **AJ Park**  
(71) Name(s) and Address(s) of Applicant(s):  
**NEW ZEALAND ARTESIAN MINERAL WATER LIMITED**  
**RWCA 7 Alma Street Whitby House Level 3 Nelson 7010 New Zealand**  
(72) Name(s) of Designer(s): **Andrew Paul Strang**  
(45) Registration Date: **14 October 2015**  
(30) Convention priority data:  
(31) Number (32) Date (33) Country  
**420071 25 Mar 2015 NEW ZEALAND**  
(56) Related Art Documents: **Not Applicable**  
(57) Statement of Newness and Distinctiveness: **Application is for a design to be applied to a BOTTLE. The novelty claimed for the design resides in the features of shape and/or configuration all as shown in the representations, except that the features shown in broken lines are shown for illustrative purposes only and form no part of the design for which novelty is being claimed.**



(21) Design Number: **15030/2015**  
(22) Date of Filing Application: **25 September 2015**  
(24) Date from which industrial property rights may have effect: **25 September 2015**  
(54) Product in respect of which the design is registered: **Air intake manifold**  
(51) International Design Classification: **12-16NES**  
(74) Name(s) of Attorney(s):  
(71) Name(s) and Address(s) of Applicant(s):  
**Shauns Custom Alloy Pty Ltd**  
**7 Lilyfield CL Catherine Field NSW, 2557 Australia**  
(72) Name(s) of Designer(s): **Shaun Mellish**  
(45) Registration Date: **14 October 2015**  
(56) Related Art Documents: **Not Applicable**  
(57) Statement of Newness and Distinctiveness: **Intake design features unique curved runners and trumpets. Protruding internal runners which are flush mounted on plenum face. Also includes burst panel.**



(21) Design Number: **15040/2015**  
(22) Date of Filing Application: **25 September 2015**  
(24) Date from which industrial property rights may have effect: **25 September 2015**  
(54) Product in respect of which the design is registered: **Module for a light bar**  
(51) International Design Classification: **26-06**  
(74) Name(s) of Attorney(s): **E F Wellington & Co**  
(71) Name(s) and Address(s) of Applicant(s):

**Electronic Controls Company**  
**833 W. Diamond Street Boise Idaho 83705 United States of America**

(72) Name(s) of Designer(s): **Nicholaus M. Thompson**

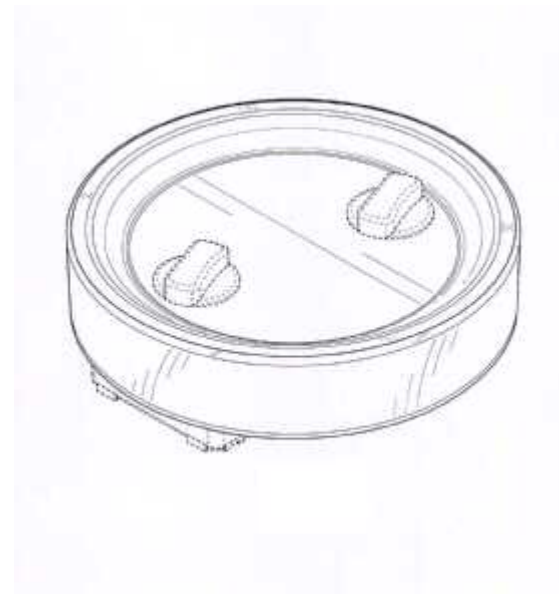
(45) Registration Date: **14 October 2015**

(30) Convention priority data:

(31) Number	(32) Date	(33) Country
<b>29/523731</b>	<b>13 Apr 2015</b>	<b>UNITED STATES OF AMERICA</b>

(56) Related Art Documents: **Not Applicable**

(57) Statement of Newness and Distinctiveness: **The newness and distinctiveness of the design resides in the shape and/or configuration of the MODULE FOR A LIGHT BAR shown in the representations, with: FIG 1 being a top isometric view; FIGs 2 and 3 being rear and front views, respectively; FIGs 4 and 5 being left and right side views, respectively; and FIGs 6 and 7 being top and bottom views, respectively. The features shown in broken lines are for illustrative purposes only and do not form part of the design.**



(21) Design Number: **15041/2015**  
(22) Date of Filing Application: **25 September 2015**  
(24) Date from which industrial property rights may have effect: **25 September 2015**  
(54) Product in respect of which the design is registered: **Keypad**  
(51) International Design Classification: **14-02**  
(74) Name(s) of Attorney(s): **E F Wellington & Co**  
(71) Name(s) and Address(s) of Applicant(s):

**Electronic Controls Company**  
**833 W. Diamond Street Boise Idaho 83705 United States of America**

(72) Name(s) of Designer(s): **Nicholaus M. Thompson and Jennifer A. Marvin**

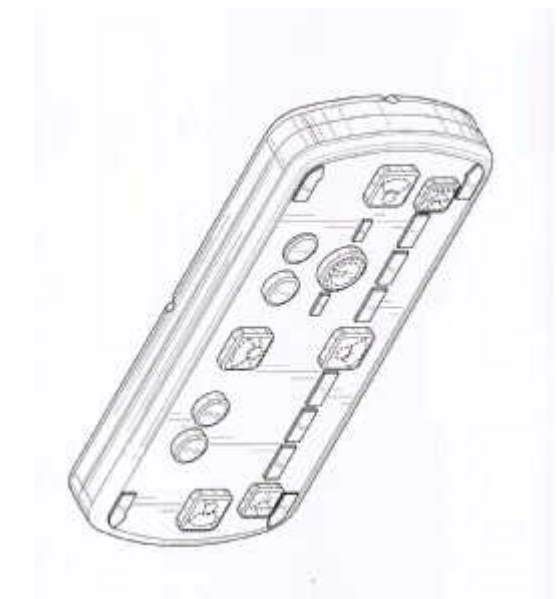
(45) Registration Date: **14 October 2015**

(30) Convention priority data:

(31) Number	(32) Date	(33) Country
<b>29/523734</b>	<b>13 Apr 2015</b>	<b>UNITED STATES OF AMERICA</b>

(56) Related Art Documents: **Not Applicable**

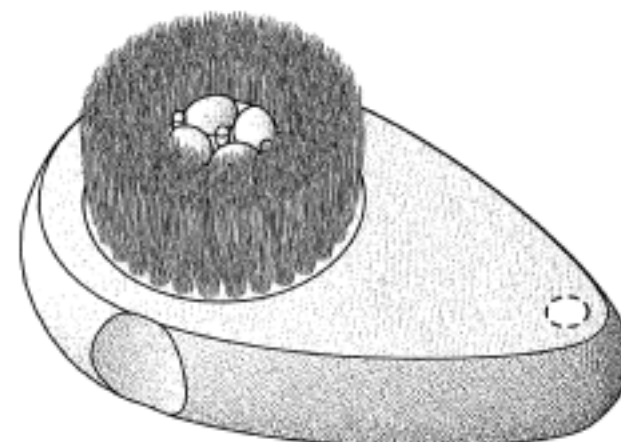
(57) Statement of Newness and Distinctiveness: **The newness and distinctiveness of the design resides in the shape and/or configuration of the KEYPAD shown in the representations, with: FIG 1 being a top isometric view; FIGs 2 and 3 being front and rear views, respectively; FIGs 4 and 5 being left and right side views, respectively; and FIGs 6 and 7 being top and bottom views, respectively. The features shown in broken lines are for illustrative purposes only and do not form part of the design.**



(21) Design Number: **15042/2015**  
(22) Date of Filing Application: **25 September 2015**  
(24) Date from which industrial property rights may have effect: **25 September 2015**  
(54) Product in respect of which the design is registered: **A sofa**  
(51) International Design Classification: **06-01G**  
(74) Name(s) of Attorney(s): **FB Rice**  
(71) Name(s) and Address(s) of Applicant(s):  
**King Furniture Australia Pty Ltd**  
**123 Turrella St Turrella NSW 2205 Australia**  
(72) Name(s) of Designer(s): **David King and Tanya Rechberger and Ryan Lawson**  
(45) Registration Date: **14 October 2015**  
(56) Related Art Documents: **Not Applicable**  
(57) Statement of Newness and Distinctiveness: **Newness and distinctiveness reside in the features of the design as shown in the representations with less weight to be given to those features shown in dotted lines. Less weight is also to be given to the angle of the base of the sofa between the top and bottom surfaces of the base. It will be understood that the sofa is modular with backrests, seat cushions and shelves (the "components") being removably mounted on the base so that the relative positions of the seat cushions, backrests and the shelves on the base are able to be varied.**



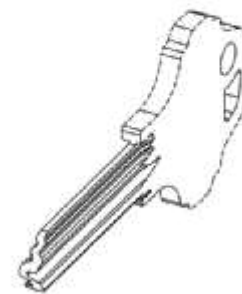
(21) Design Number: **15050/2015**  
(22) Date of Filing Application: **25 September 2015**  
(24) Date from which industrial property rights may have effect: **25 September 2015**  
(54) Product in respect of which the design is registered: **Brush**  
(51) International Design Classification: **04-02**  
(74) Name(s) of Attorney(s): **PIPERS**  
(71) Name(s) and Address(s) of Applicant(s):  
**BARE ESCENTUALS BEAUTY, INC.**  
**71 Stevenson Street, 22nd Floor San Francisco California, 94105 United States of America**  
(72) Name(s) of Designer(s): **Sandy Saputo and Jing Zhu and Hiroko Nakagawa and Melissa Dudum-maya**  
(45) Registration Date: **14 October 2015**  
(30) Convention priority data:  
(31) Number (32) Date (33) Country  
**29539488 15 Sep 2015 UNITED STATES OF AMERICA**  
(56) Related Art Documents: **Not Applicable**  
(57) Statement of Newness and Distinctiveness: **Nil**



- (21) Design Number: **15061/2015**  
(22) Date of Filing Application: **28 September 2015**  
(24) Date from which industrial property rights may have effect: **28 September 2015**  
(54) Product in respect of which the design is registered: **Transfer chair with flipping seat & leg expansion**  
(51) International Design Classification: **06-01NES**  
(74) Name(s) of Attorney(s): **WADESON**  
(71) Name(s) and Address(s) of Applicant(s):  
**Shiny Health Import & Export Co. Limited**  
**Room 3104, 31st Floor No. 69 Jervois Street Sheung Wan Hong Kong**  
(72) Name(s) of Designer(s): **Jian Bin Jerry Lee**  
(45) Registration Date: **14 October 2015**  
(56) Related Art Documents: **Not Applicable**  
(57) Statement of Newness and Distinctiveness: **Newness and distinctiveness reside in the shape and configuration of the Transfer Chair with Flipping Seat and Leg Expansion.**



- (21) Design Number: **15072/2015**  
(22) Date of Filing Application: **28 September 2015**  
(24) Date from which industrial property rights may have effect: **28 September 2015**  
(54) Product in respect of which the design is registered: **A key blank**  
(51) International Design Classification: **08-07**  
(74) Name(s) of Attorney(s):  
(71) Name(s) and Address(s) of Applicant(s):  
**TNBT HOLDINGS PTY LTD**  
**1B/2-6 Greenhills Ave Moorebank NSW, 2170 Australia**  
(72) Name(s) of Designer(s): **Zsolt Szarka-Kovacs and Thippasandra Gangappa Chandrashekar**  
(45) Registration Date: **14 October 2015**  
(56) Related Art Documents: **Not Applicable**  
(57) Statement of Newness and Distinctiveness: **The newness and distinctiveness resides in the features of the shape of the shank of the key blank as shown in the accompanying representations. In considering the scope of monopoly, the portion defined by broken lines is to be ignored.**





- (21) Design Number: **15074/2015**  
(22) Date of Filing Application: **29 September 2015**  
(24) Date from which industrial property rights may have effect: **29 September 2015**  
(54) Product in respect of which the design is registered: **Tap handle**  
(51) International Design Classification: **23-01H**  
(74) Name(s) of Attorney(s):  
(71) Name(s) and Address(s) of Applicant(s):  
**Iain Ewing**  
**PO BOX 5446 Brendale BC QLD 4500 Australia**  
(72) Name(s) of Designer(s): **Iain Ewing**  
(45) Registration Date: **14 October 2015**  
(56) Related Art Documents: **Not Applicable**  
(57) Statement of Newness and Distinctiveness: **Newness and distinctiveness are claimed in the shape and configuration of the tap handle depicted in the accompanying representations.**

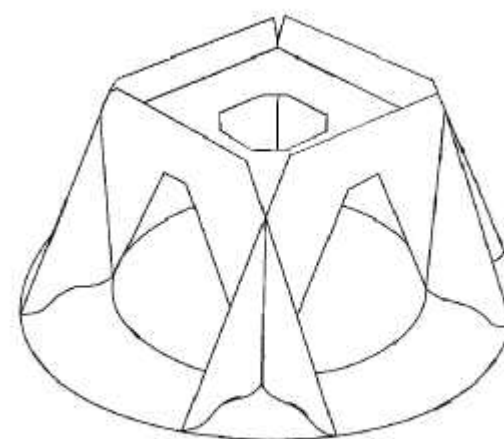


- (21) Design Number: **15075/2015**  
(22) Date of Filing Application: **29 September 2015**  
(24) Date from which industrial property rights may have effect: **29 September 2015**  
(54) Product in respect of which the design is registered: **Medicine inhaler**  
(51) International Design Classification: **24-02**  
(74) Name(s) of Attorney(s): **Freehills Patent Attorneys**  
(71) Name(s) and Address(s) of Applicant(s):  
**Korea United Pharm. Inc.**  
**25-23, Nojanggongdan-gil Jeondong-myeon Sejong-si Republic of Korea**  
(72) Name(s) of Designer(s): **Won Ho Kang**  
(45) Registration Date: **14 October 2015**  
(30) Convention priority data:  
(31) Number      (32) Date      (33) Country  
**30-2015-0025606 20 May 2015      REPUBLIC OF KOREA**  
(56) Related Art Documents: **Not Applicable**  
(57) Statement of Newness and Distinctiveness: **Newness and distinctiveness of the design resides in the features of shape and configuration of the medicine inhaler as shown in the accompanying representations.**





(21) Design Number: **13662/2015**  
(22) Date of Filing Application: **22 July 2015**  
(24) Date from which industrial property rights may have effect: **22 July 2015**  
(54) Product in respect of which the design is registered: **Post support**  
(51) International Design Classification: **25-02A**  
(74) Name(s) of Attorney(s):  
(71) Name(s) and Address(s) of Applicant(s):



**Sub-Base Building Technologies Limited**  
**277 Wainui Road Kaeo 0478 New Zealand**

(72) Name(s) of Designer(s): **Paul Hayman**

(45) Registration Date: **14 October 2015**

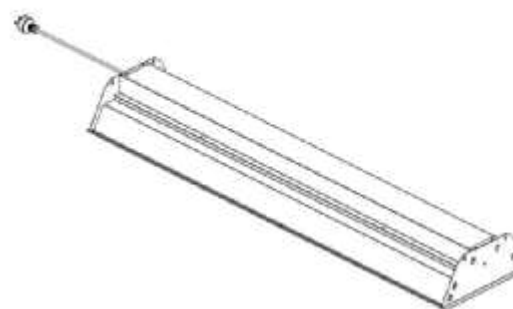
(30) Convention priority data:

(31) Number	(32) Date	(33) Country
<b>419786</b>	<b>23 Jan 2015</b>	<b>NEW ZEALAND</b>

(56) Related Art Documents: **Not Applicable**

(57) Statement of Newness and Distinctiveness: **The design is to be applied to a post support and the novelty resides in the features of shape and configuration of the post support as shown in the accompanying representations.**

(21) Design Number: **13769/2015**  
(22) Date of Filing Application: **28 July 2015**  
(24) Date from which industrial property rights may have effect: **28 July 2015**  
(54) Product in respect of which the design is registered: **LED Luminaire design**  
(51) International Design Classification: **26-05C**  
(74) Name(s) of Attorney(s):  
(71) Name(s) and Address(s) of Applicant(s):



**SUMMIT LED ENERGY AUSTRALIA PTY LTD**  
**U5F 256 New Line Rd Dural NSW 2158 Australia**

(72) Name(s) of Designer(s): **Peter John Guest**

(45) Registration Date: **14 October 2015**

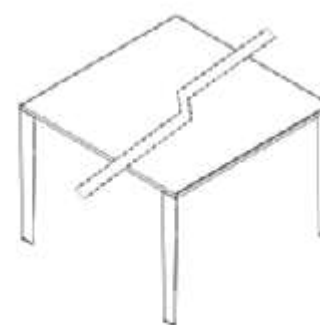
(56) Related Art Documents: **Not Applicable**

(57) Statement of Newness and Distinctiveness: **The newness and distinctiveness in the design resides in the shape of the reverse gullwing reflector, mounting position of the light source within and body shape of the luminaire as shown in the accompanying drawings and representations. The broken lines in the drawings and representations or unseen portions of the construction are to be disregarded when considering the overall impression and appearance of the luminaire design.**

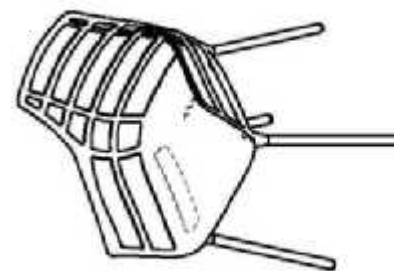
- (21) Design Number: **15101/2015**  
(22) Date of Filing Application: **30 September 2015**  
(24) Date from which industrial property rights may have effect: **30 September 2015**  
(54) Product in respect of which the design is registered: **Shoulder wrap**  
(51) International Design Classification: **24-04**  
(74) Name(s) of Attorney(s): **Adams Pluck**  
(71) Name(s) and Address(s) of Applicant(s):  
**Somna AB**  
**Panelvagen 16 STENKULLEN SE-443 61 Sweden**  
(72) Name(s) of Designer(s): **Katarina Ramer**  
(45) Registration Date: **15 October 2015**  
(30) Convention priority data:  
(31) Number (32) Date (33) Country  
**002699819-0001 13 May 2015 OFFICE FOR HARMONISATION IN**  
**THE INTERNAL MARKET (OHIM)**  
(56) Related Art Documents: **Not Applicable**  
(57) Statement of Newness and Distinctiveness: **Nil**



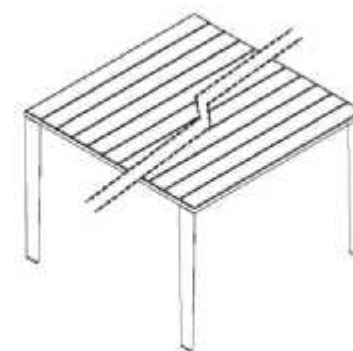
- (21) Design Number: **15102/2015**  
(22) Date of Filing Application: **30 September 2015**  
(24) Date from which industrial property rights may have effect: **30 September 2015**  
(54) Product in respect of which the design is registered: **A table**  
(51) International Design Classification: **06-03A**  
(74) Name(s) of Attorney(s): **FB Rice**  
(71) Name(s) and Address(s) of Applicant(s):  
**King Furniture Australia Pty Ltd**  
**123 Turrella St Turrella NSW 2205 Australia**  
(72) Name(s) of Designer(s): **David King and Tanya Rechberger and Ryan**  
**Lawson and Anastasie Panagopoulos**  
(45) Registration Date: **15 October 2015**  
(56) Related Art Documents: **Not Applicable**  
(57) Statement of Newness and Distinctiveness: **Newness and distinctiveness**  
**reside in the features of the design as shown in the representations with**  
**the table being of indefinite length and excluding those features shown**  
**in dotted lines, the features shown in dotted lines being provided for**  
**reference purposes only.**



- (21) Design Number: **15103/2015**  
(22) Date of Filing Application: **30 September 2015**  
(24) Date from which industrial property rights may have effect: **30 September 2015**  
(54) Product in respect of which the design is registered: **A chair**  
(51) International Design Classification: **06-01F**  
(74) Name(s) of Attorney(s): **FB Rice**  
(71) Name(s) and Address(s) of Applicant(s):  
**King Furniture Australia Pty Ltd**  
**123 Turrella St Turrella NSW 2205 Australia**  
(72) Name(s) of Designer(s): **David King and Ryan Lawson and Tanya Rechberger and Anastasie Panagopulous**  
(45) Registration Date: **15 October 2015**  
(56) Related Art Documents: **Not Applicable**  
(57) Statement of Newness and Distinctiveness: **Newness and distinctiveness reside in the features of the design as shown in the representations excluding those features shown in dotted lines, the features shown in dotted lines being provided for reference purposes only.**



- (21) Design Number: **15104/2015**  
(22) Date of Filing Application: **30 September 2015**  
(24) Date from which industrial property rights may have effect: **30 September 2015**  
(54) Product in respect of which the design is registered: **A table**  
(51) International Design Classification: **06-03A**  
(74) Name(s) of Attorney(s): **FB Rice**  
(71) Name(s) and Address(s) of Applicant(s):  
**King Furniture Australia Pty Ltd**  
**123 Turrella St Turrella NSW 2205 Australia**  
(72) Name(s) of Designer(s): **David King and Ryan Lawson and Tanya Rechberger and Anastasie Panagopulous**  
(45) Registration Date: **15 October 2015**  
(56) Related Art Documents: **Not Applicable**  
(57) Statement of Newness and Distinctiveness: **Newness and distinctiveness reside in the features of the design as shown in the representations with the table being of indefinite length and excluding those features shown in dotted lines, the features shown in dotted lines being provided for reference purposes only.**



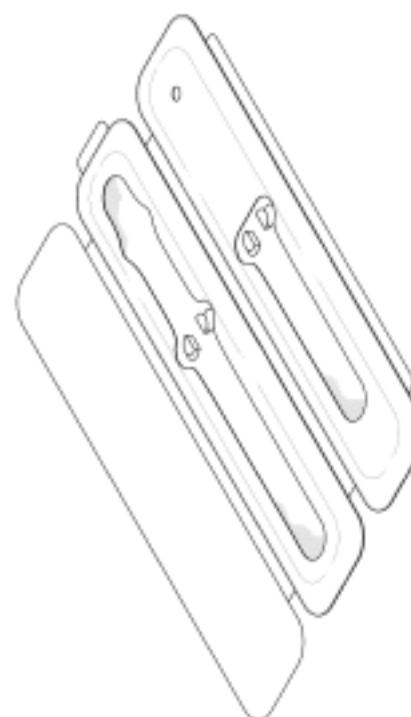
- (21) Design Number: **15105/2015**  
(22) Date of Filing Application: **30 September 2015**  
(24) Date from which industrial property rights may have effect: **30 September 2015**  
(54) Product in respect of which the design is registered: **Cup**  
(51) International Design Classification: **07-01D**  
(74) Name(s) of Attorney(s): **Cullens Patent and Trade Mark Attorneys**  
(71) Name(s) and Address(s) of Applicant(s):  
**Flavour Creations Pty Ltd**  
**17 Curzon St Tennyson QLD 4105 Australia**  
(72) Name(s) of Designer(s): **Bernadette Mary Eriksen**  
(45) Registration Date: **15 October 2015**  
(56) Related Art Documents: **Not Applicable**  
(57) Statement of Newness and Distinctiveness: **The new and distinct features are the features of shape and configuration of a cup as shown in the attached representations.**



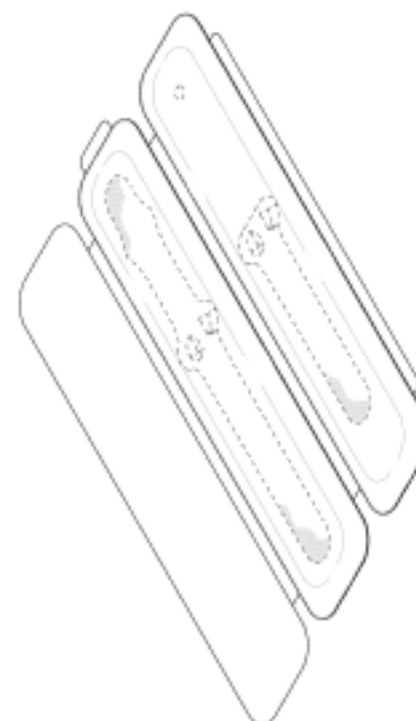
- (21) Design Number: **15120/2015**  
(22) Date of Filing Application: **01 October 2015**  
(24) Date from which industrial property rights may have effect: **01 October 2015**  
(54) Product in respect of which the design is registered: **Cosmetic applicator**  
(51) International Design Classification: **28-03NES**  
(74) Name(s) of Attorney(s): **PHILLIPS ORMONDE FITZPATRICK**  
(71) Name(s) and Address(s) of Applicant(s):  
**Revlon Consumer Products Corporation**  
**1 New York Plaza New York New York, 10004 United States of America**  
(72) Name(s) of Designer(s): **Yuhan Zhang and Martti Johannes Lampela and Carlos Barreto**  
(45) Registration Date: **15 October 2015**  
(30) Convention priority data:  
(31) Number      (32) Date      (33) Country  
**29/537,925      31 Aug 2015      UNITED STATES OF AMERICA**  
(56) Related Art Documents: **Not Applicable**  
(57) Statement of Newness and Distinctiveness: **Those features of the cosmetic applicator depicted in the representations that are new and distinctive are the shape and/or configuration. The features shown in broken line are not part of the design and are to be disregarded when considering the overall impression of the design.**



(21) Design Number: **15123/2015**  
(22) Date of Filing Application: **01 October 2015**  
(24) Date from which industrial property rights may have effect: **01 October 2015**  
(54) Product in respect of which the design is registered: **Packaging**  
(51) International Design Classification: **09-03M**  
(74) Name(s) of Attorney(s): **Freehills Patent Attorneys**  
(71) Name(s) and Address(s) of Applicant(s):  
**Apple Inc.**  
**1 Infinite Loop Cupertino California, 95014 United States of America**  
(72) Name(s) of Designer(s): **Evan Cernokus and Mark T. Uyeda**  
(45) Registration Date: **15 October 2015**  
(30) Convention priority data:  
(31) Number (32) Date (33) Country  
**29/523465 09 Apr 2015 UNITED STATES OF AMERICA**  
(56) Related Art Documents: **Not Applicable**  
(57) Statement of Newness and Distinctiveness: **Newness and distinctiveness is claimed in the features of shape and configuration shown in the accompanying figures.**



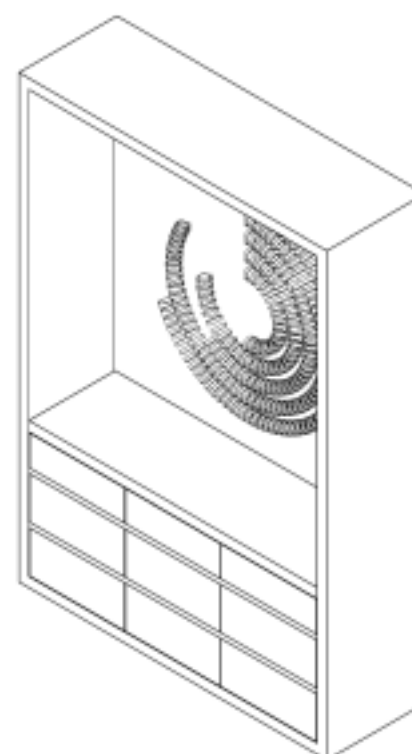
(21) Design Number: **15124/2015**  
(22) Date of Filing Application: **01 October 2015**  
(24) Date from which industrial property rights may have effect: **01 October 2015**  
(54) Product in respect of which the design is registered: **Packaging**  
(51) International Design Classification: **09-03M**  
(74) Name(s) of Attorney(s): **Freehills Patent Attorneys**  
(71) Name(s) and Address(s) of Applicant(s):  
**Apple Inc.**  
**1 Infinite Loop Cupertino California, 95014 United States of America**  
(72) Name(s) of Designer(s): **Evan Cernokus and Mark T. Uyeda**  
(45) Registration Date: **15 October 2015**  
(30) Convention priority data:  
(31) Number (32) Date (33) Country  
**29/523465 09 Apr 2015 UNITED STATES OF AMERICA**  
(56) Related Art Documents: **Not Applicable**  
(57) Statement of Newness and Distinctiveness: **Newness and distinctiveness is claimed in the features of shape and configuration shown in solid lines in the accompanying figures.**



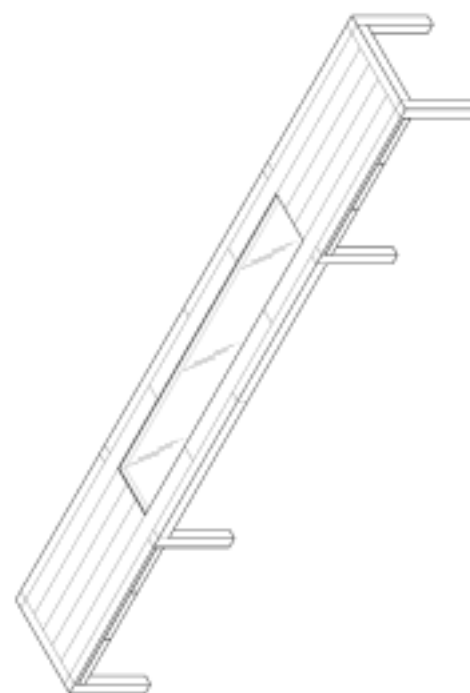
(21) Design Number: **15125/2015**  
(22) Date of Filing Application: **01 October 2015**  
(24) Date from which industrial property rights may have effect: **01 October 2015**  
(54) Product in respect of which the design is registered: **Tread of Indeterminate length for a stairway**  
(51) International Design Classification: **25-04**  
(74) Name(s) of Attorney(s): **Churchill Attorneys**  
(71) Name(s) and Address(s) of Applicant(s):  
**Sayfa R & D Pty Ltd**  
**1029 Mountain Hwy Boronia VIC, 3155 Australia**  
(72) Name(s) of Designer(s): **Roland Stephen Voss and Murray Voss**  
(45) Registration Date: **15 October 2015**  
(56) Related Art Documents: **Not Applicable**  
(57) Statement of Newness and Distinctiveness: **The newness and distinctiveness of the design resides in the shape of the TREAD OF INDETERMINATE LENGTH FOR A STAIRWAY as shown in the accompanying representations.**



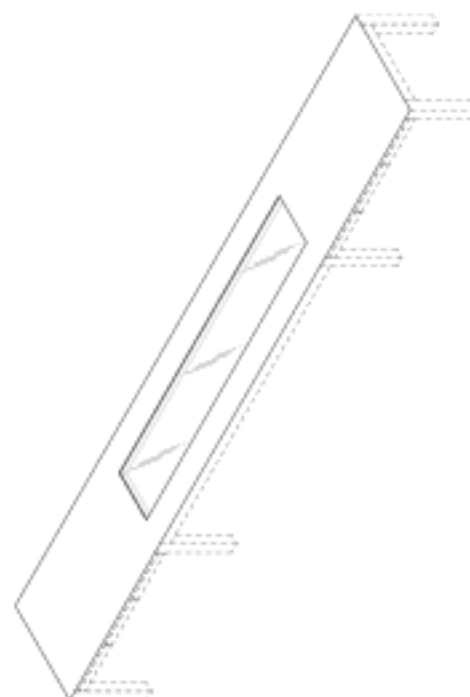
(21) Design Number: **15126/2015**  
(22) Date of Filing Application: **01 October 2015**  
(24) Date from which industrial property rights may have effect: **01 October 2015**  
(54) Product in respect of which the design is registered: **Display structure**  
(51) International Design Classification: **20-02C**  
(74) Name(s) of Attorney(s): **Freehills Patent Attorneys**  
(71) Name(s) and Address(s) of Applicant(s):  
**Apple Inc.**  
**1 Infinite Loop Cupertino California, 95014 United States of America**  
(72) Name(s) of Designer(s): **Jonathan P. Siegel and Christopher M. Green and Sam Brown and Kully Kraig Mandon and Casey Feeny and Bridget Cinquegrano and Jean-Marc Gady and Carsten Goertz**  
(45) Registration Date: **15 October 2015**  
(30) Convention priority data:  
(31) Number (32) Date (33) Country  
**29/522930 03 Apr 2015 UNITED STATES OF AMERICA**  
(56) Related Art Documents: **Not Applicable**  
(57) Statement of Newness and Distinctiveness: **Newness and distinctiveness is claimed in the features of shape and configuration shown in solid lines in the accompanying figures.**



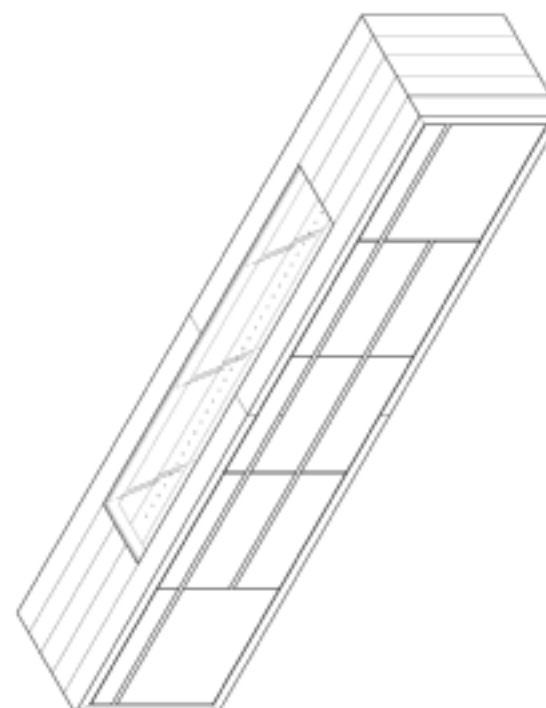
- (21) Design Number: **15127/2015**  
(22) Date of Filing Application: **01 October 2015**  
(24) Date from which industrial property rights may have effect: **01 October 2015**  
(54) Product in respect of which the design is registered: **Table**  
(51) International Design Classification: **06-03A**  
(74) Name(s) of Attorney(s): **Freehills Patent Attorneys**  
(71) Name(s) and Address(s) of Applicant(s):  
**Apple Inc.**  
**1 Infinite Loop Cupertino California, 95014 United States of America**  
(72) Name(s) of Designer(s): **Kully Kraig Mandon and Christopher M. Green and Jonathan P. Siegel and Jody Akana and Bartley K. Andre and Shota Aoyagi and Anthony Michael Ashcroft and Jeremy Bataillou and Daniel J. Coster and Daniele De Iuliis and M. Evans Hankey and Julian Hoenig and Richard P. Howarth and Jonathan P. Ive and Duncan Robert Kerr and Matthew Dean Rohrbach and Peter Russell-Clarke and Benjamin Andrew Shaffer and Mikael Silvanto and Christopher J. Stringer and Eugene Antony Whang and Rico Zorkendorfer**  
(45) Registration Date: **15 October 2015**  
(30) Convention priority data:  
(31) Number (32) Date (33) Country  
**29/522911 03 Apr 2015 UNITED STATES OF AMERICA**  
(56) Related Art Documents: **Not Applicable**  
(57) Statement of Newness and Distinctiveness: **Nil**



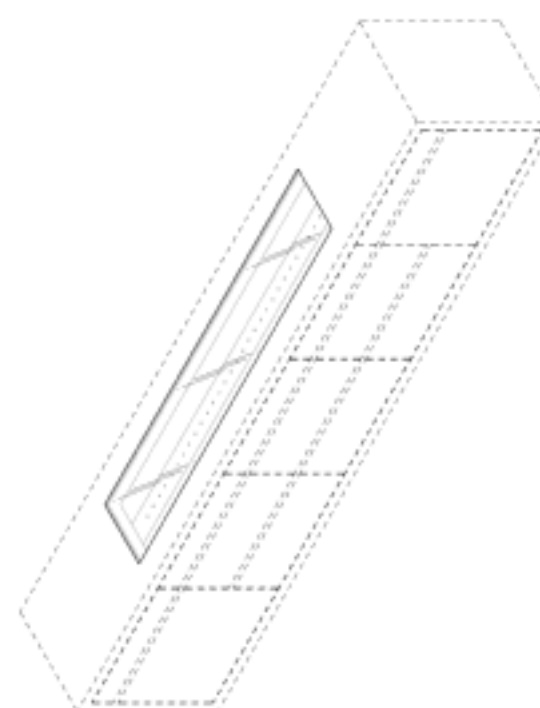
- (21) Design Number: **15128/2015**  
(22) Date of Filing Application: **01 October 2015**  
(24) Date from which industrial property rights may have effect: **01 October 2015**  
(54) Product in respect of which the design is registered: **Table**  
(51) International Design Classification: **06-03A**  
(74) Name(s) of Attorney(s): **Freehills Patent Attorneys**  
(71) Name(s) and Address(s) of Applicant(s):  
**Apple Inc.**  
**1 Infinite Loop Cupertino California, 95014 United States of America**  
(72) Name(s) of Designer(s): **Kully Kraig Mandon and Christopher M. Green and Jonathan P. Siegel and Jody Akana and Bartley K. Andre and Shota Aoyagi and Anthony Michael Ashcroft and Jeremy Bataillou and Daniel J. Coster and Daniele De Iuliis and M. Evans Hankey and Julian Hoenig and Richard P. Howarth and Jonathan P. Ive and Duncan Robert Kerr and Matthew Dean Rohrbach and Peter Russell-Clarke and Benjamin Andrew Shaffer and Mikael Silvanto and Christopher J. Stringer and Eugene Antony Whang and Rico Zorkendorfer**  
(45) Registration Date: **15 October 2015**  
(30) Convention priority data:  
(31) Number (32) Date (33) Country  
**29/522911 03 Apr 2015 UNITED STATES OF AMERICA**  
(56) Related Art Documents: **Not Applicable**  
(57) Statement of Newness and Distinctiveness: **Newness and distinctiveness is claimed in the features shown in solid lines in the accompanying figures.**



- (21) Design Number: **15129/2015**  
(22) Date of Filing Application: **01 October 2015**  
(24) Date from which industrial property rights may have effect: **01 October 2015**  
(54) Product in respect of which the design is registered: **Table**  
(51) International Design Classification: **06-03A**  
(74) Name(s) of Attorney(s): **Freehills Patent Attorneys**  
(71) Name(s) and Address(s) of Applicant(s):  
**Apple Inc.**  
**1 Infinite Loop Cupertino California, 95014 United States of America**  
(72) Name(s) of Designer(s): **Kully Kraig Mandon and Christopher M. Green and Jonathan P. Siegel and Jody Akana and Bartley K. Andre and Shota Aoyagi and Anthony Michael Ashcroft and Jeremy Bataillou and Daniel J. Coster and Daniele De Iuliis and M. Evans Hankey and Julian Hoenig and Richard P. Howarth and Jonathan P. Ive and Duncan Robert Kerr and Matthew Dean Rohrbach and Peter Russell-Clarke and Benjamin Andrew Shaffer and Mikael Silvanto and Christopher J. Stringer and Eugene Antony Whang and Rico Zorkendorfer**  
(45) Registration Date: **15 October 2015**  
(30) Convention priority data:  
(31) Number (32) Date (33) Country  
**29/522911 03 Apr 2015 UNITED STATES OF AMERICA**  
(56) Related Art Documents: **Not Applicable**  
(57) Statement of Newness and Distinctiveness: **Nil**



- (21) Design Number: **15130/2015**  
(22) Date of Filing Application: **01 October 2015**  
(24) Date from which industrial property rights may have effect: **01 October 2015**  
(54) Product in respect of which the design is registered: **Table**  
(51) International Design Classification: **06-03A**  
(74) Name(s) of Attorney(s): **Freehills Patent Attorneys**  
(71) Name(s) and Address(s) of Applicant(s):  
**Apple Inc.**  
**1 Infinite Loop Cupertino California, 95014 United States of America**  
(72) Name(s) of Designer(s): **Kully Kraig Mandon and Christopher M. Green and Jonathan P. Siegel and Jody Akana and Bartley K. Andre and Shota Aoyagi and Anthony Michael Ashcroft and Jeremy Bataillou and Daniel J. Coster and Daniele De Iuliis and M. Evans Hankey and Julian Hoenig and Richard P. Howarth and Jonathan P. Ive and Duncan Robert Kerr and Matthew Dean Rohrbach and Peter Russell-Clarke and Benjamin Andrew Shaffer and Mikael Silvanto and Christopher J. Stringer and Eugene Antony Whang and Rico Zorkendorfer**  
(45) Registration Date: **15 October 2015**  
(30) Convention priority data:  
(31) Number (32) Date (33) Country  
**29/522911 03 Apr 2015 UNITED STATES OF AMERICA**  
(56) Related Art Documents: **Not Applicable**  
(57) Statement of Newness and Distinctiveness: **Newness and distinctiveness is claimed in the features shown in solid lines in the accompanying figures.**





(21) Design Number: **15091/2015**  
(22) Date of Filing Application: **30 September 2015**  
(24) Date from which industrial property rights may have effect: **30 September 2015**  
(54) Product in respect of which the design is registered: **Four-wheeled vehicle**  
(51) International Design Classification: **12-08**  
(74) Name(s) of Attorney(s): **Spruson & Ferguson**  
(71) Name(s) and Address(s) of Applicant(s):  
**Honda Motor Co., Ltd.**  
**1-1, Minami-Aoyama 2-chome, Minato-ku, Tokyo 107-8556 Japan**  
(72) Name(s) of Designer(s): **Erik Dunshee and Jun Tomiyama**  
(45) Registration Date: **15 October 2015**  
(30) Convention priority data:  
(31) Number      (32) Date      (33) Country  
**29/523045      06 Apr 2015      UNITED STATES OF AMERICA**  
(56) Related Art Documents: **Not Applicable**  
(57) Statement of Newness and Distinctiveness: **Newness and distinctiveness is claimed in the features of shape and/or configuration of a four-wheeled vehicle as illustrated in the accompanying representations.**



(21) Design Number: **15092/2015**  
(22) Date of Filing Application: **30 September 2015**  
(24) Date from which industrial property rights may have effect: **30 September 2015**  
(54) Product in respect of which the design is registered: **Four-wheeled vehicle**  
(51) International Design Classification: **12-08**  
(74) Name(s) of Attorney(s): **Spruson & Ferguson**  
(71) Name(s) and Address(s) of Applicant(s):  
**Honda Motor Co., Ltd.**  
**1-1, Minami-Aoyama 2-chome, Minato-ku, Tokyo 107-8556 Japan**  
(72) Name(s) of Designer(s): **Erik Dunshee and Jun Tomiyama**  
(45) Registration Date: **15 October 2015**  
(30) Convention priority data:  
(31) Number      (32) Date      (33) Country  
**29/523045      06 Apr 2015      UNITED STATES OF AMERICA**  
(56) Related Art Documents: **Not Applicable**  
(57) Statement of Newness and Distinctiveness: **Newness and distinctiveness is claimed in the features of shape and/or configuration of a four-wheeled vehicle as illustrated in the accompanying representations.**



- (21) Design Number: **15093/2015**  
(22) Date of Filing Application: **30 September 2015**  
(24) Date from which industrial property rights may have effect: **30 September 2015**  
(54) Product in respect of which the design is registered: **Front fender for four-wheeled vehicle**  
(51) International Design Classification: **12-16B**  
(74) Name(s) of Attorney(s): **Spruson & Ferguson**  
(71) Name(s) and Address(s) of Applicant(s):  
**Honda Motor Co., Ltd.**  
**1-1, Minami-Aoyama 2-chome, Minato-ku, Tokyo 107-8556 Japan**  
(72) Name(s) of Designer(s): **Erik Dunshee and Jun Tomiyama**  
(45) Registration Date: **15 October 2015**  
(30) Convention priority data:  
(31) Number      (32) Date      (33) Country  
**29/523052      06 Apr 2015      UNITED STATES OF AMERICA**  
(56) Related Art Documents: **Not Applicable**  
(57) Statement of Newness and Distinctiveness: **Newness and distinctiveness is claimed in the features of shape and/or configuration of a front fender for four-wheeled vehicle as illustrated in the accompanying representations.**



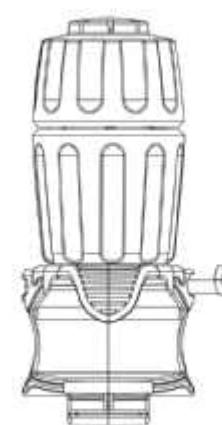
- (21) Design Number: **15094/2015**  
(22) Date of Filing Application: **30 September 2015**  
(24) Date from which industrial property rights may have effect: **30 September 2015**  
(54) Product in respect of which the design is registered: **Rear gate for four-wheeled vehicle**  
(51) International Design Classification: **12-16B**  
(74) Name(s) of Attorney(s): **Spruson & Ferguson**  
(71) Name(s) and Address(s) of Applicant(s):  
**Honda Motor Co., Ltd.**  
**1-1, Minami-Aoyama 2-chome, Minato-ku, Tokyo 107-8556 Japan**  
(72) Name(s) of Designer(s): **Erik Dunshee and Jun Tomiyama**  
(45) Registration Date: **15 October 2015**  
(30) Convention priority data:  
(31) Number      (32) Date      (33) Country  
**29/523040      06 Apr 2015      UNITED STATES OF AMERICA**  
(56) Related Art Documents: **Not Applicable**  
(57) Statement of Newness and Distinctiveness: **Newness and distinctiveness is claimed in the features of shape and/or configuration of a rear gate for four-wheeled vehicle as illustrated in the accompanying representations.**



(21) Design Number: **15095/2015**  
(22) Date of Filing Application: **30 September 2015**  
(24) Date from which industrial property rights may have effect: **30 September 2015**  
(54) Product in respect of which the design is registered: **Headlight for four-wheeled vehicle**  
(51) International Design Classification: **26-06**  
(74) Name(s) of Attorney(s): **Spruson & Ferguson**  
(71) Name(s) and Address(s) of Applicant(s):  
**Honda Motor Co., Ltd.**  
**1-1, Minami-Aoyama 2-chome, Minato-ku, Tokyo 107-8556 Japan**  
(72) Name(s) of Designer(s): **Erik Dunshee and Jun Tomiyama**  
(45) Registration Date: **15 October 2015**  
(30) Convention priority data:  
(31) Number (32) Date (33) Country  
**29/523056 06 Apr 2015 UNITED STATES OF AMERICA**  
(56) Related Art Documents: **Not Applicable**  
(57) Statement of Newness and Distinctiveness: **Newness and distinctiveness is claimed in the features of shape and/or configuration of a headlight for four-wheeled vehicle as illustrated in the accompanying representations.**



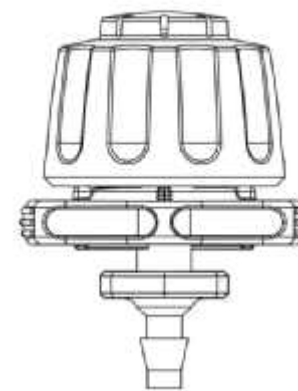
(21) Design Number: **15096/2015**  
(22) Date of Filing Application: **30 September 2015**  
(24) Date from which industrial property rights may have effect: **30 September 2015**  
(54) Product in respect of which the design is registered: **Garden irrigation needle connector**  
(51) International Design Classification: **23-01E**  
(74) Name(s) of Attorney(s): **FB Rice**  
(71) Name(s) and Address(s) of Applicant(s):  
**Hozelock Limited**  
**Midpoint Park, Minworth Sutton Coldfield Birmingham B76 1AB Great Britain**  
(72) Name(s) of Designer(s): **Robert Boughton and Matt Gossington**  
(45) Registration Date: **15 October 2015**  
(30) Convention priority data:  
(31) Number (32) Date (33) Country  
**1433312-0001 02 Apr 2015 OFFICE FOR HARMONISATION IN THE INTERNAL MARKET (OHIM)**  
(56) Related Art Documents: **Not Applicable**  
(57) Statement of Newness and Distinctiveness: **Newness and distinctiveness reside in the features of the design as shown in the representations.**



(21) Design Number: **15097/2015**  
(22) Date of Filing Application: **30 September 2015**  
(24) Date from which industrial property rights may have effect: **30 September 2015**  
(54) Product in respect of which the design is registered: **Garden irrigation multi-function spike**  
(51) International Design Classification: **23-01E**  
(74) Name(s) of Attorney(s): **FB Rice**  
(71) Name(s) and Address(s) of Applicant(s):  
**Hozelock Limited**  
**Midpoint Park, Minworth Sutton Coldfield Birmingham B76 1AB Great Britain**  
(72) Name(s) of Designer(s): **Robert Boughton and Matt Gossington**  
(45) Registration Date: **15 October 2015**  
(30) Convention priority data:  
(31) Number (32) Date (33) Country  
**1433312-0002 02 Apr 2015 OFFICE FOR HARMONISATION IN THE INTERNAL MARKET (OHIM)**  
(56) Related Art Documents: **Not Applicable**  
(57) Statement of Newness and Distinctiveness: **Newness and distinctiveness reside in the features of the design as shown in the representations.**



(21) Design Number: **15098/2015**  
(22) Date of Filing Application: **30 September 2015**  
(24) Date from which industrial property rights may have effect: **30 September 2015**  
(54) Product in respect of which the design is registered: **Garden irrigation micro dripper**  
(51) International Design Classification: **23-01E**  
(74) Name(s) of Attorney(s): **FB Rice**  
(71) Name(s) and Address(s) of Applicant(s):  
**Hozelock Limited**  
**Midpoint Park, Minworth Sutton Coldfield Birmingham B76 1AB Great Britain**  
(72) Name(s) of Designer(s): **Robert Boughton and Matt Gossington**  
(45) Registration Date: **15 October 2015**  
(30) Convention priority data:  
(31) Number (32) Date (33) Country  
**1433312-0003 02 Apr 2015 OFFICE FOR HARMONISATION IN THE INTERNAL MARKET (OHIM)**  
(56) Related Art Documents: **Not Applicable**  
(57) Statement of Newness and Distinctiveness: **Newness and distinctiveness reside in the features of the design as shown in the representations.**



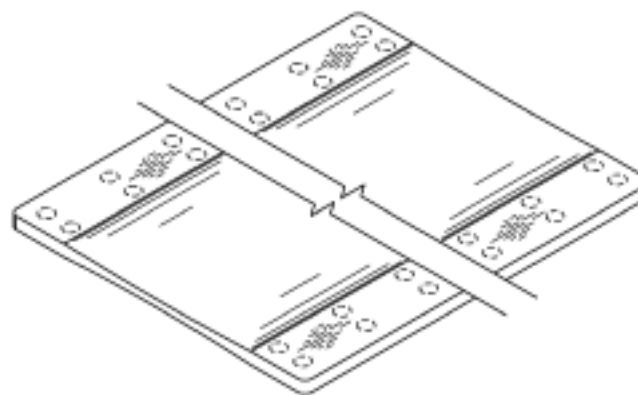
- (21) Design Number: **15112/2015**  
(22) Date of Filing Application: **01 October 2015**  
(24) Date from which industrial property rights may have effect: **01 October 2015**  
(54) Product in respect of which the design is registered: **Leaf spring**  
(51) International Design Classification: **12-16NES**  
(74) Name(s) of Attorney(s): **Freehills Patent Attorneys**  
(71) Name(s) and Address(s) of Applicant(s):

**FLSmith A/S**  
**Vigerslev Alle 77 Valby DK-2500 Denmark**

- (72) Name(s) of Designer(s): **Matthew Walker and Tony Elliot and Michael Gardiner**

- (45) Registration Date: **15 October 2015**  
(56) Related Art Documents: **Not Applicable**

- (57) Statement of Newness and Distinctiveness: **Newness and distinctiveness of the design resides in the shape and/or configuration of a leaf spring for a centrifuge, of indefinite length, as shown in the representations. Particular regard is to be given to the features shown in solid lines, most notably the convex portion of the leaf spring seen most clearly in the end views. The mounting holes shown in broken lines and the shading lines are for context and example only, and should be disregarded for the purpose of assessing newness and distinctiveness.**



- (21) Design Number: **15113/2015**  
(22) Date of Filing Application: **01 October 2015**  
(24) Date from which industrial property rights may have effect: **01 October 2015**  
(54) Product in respect of which the design is registered: **Cosmetic applicator**  
(51) International Design Classification: **28-03NES**  
(74) Name(s) of Attorney(s): **PHILLIPS ORMONDE FITZPATRICK**  
(71) Name(s) and Address(s) of Applicant(s):

**Revlon Consumer Products Corporation**  
**1 New York Plaza New York New York, 10004 United States of America**

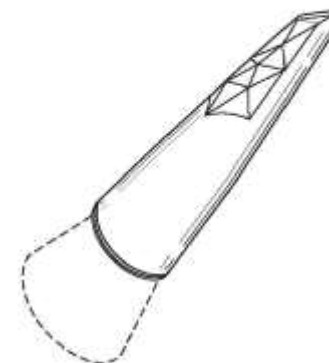
- (72) Name(s) of Designer(s): **Yuhan Zhang and Martti Johannes Lampela and Carlos Barreto**

- (45) Registration Date: **15 October 2015**  
(30) Convention priority data:

(31) Number	(32) Date	(33) Country
<b>29/537,925</b>	<b>31 Aug 2015</b>	<b>UNITED STATES OF AMERICA</b>

- (56) Related Art Documents: **Not Applicable**

- (57) Statement of Newness and Distinctiveness: **Those features of the cosmetic applicator depicted in the representations that are new and distinctive are the shape and/or configuration. The features shown in broken line are not part of the design and are to be disregarded when considering the overall impression of the design.**



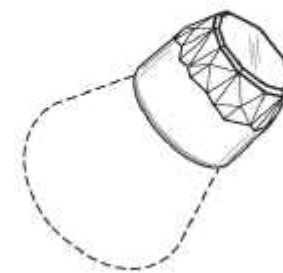
(21) Design Number: **15114/2015**  
(22) Date of Filing Application: **01 October 2015**  
(24) Date from which industrial property rights may have effect: **01 October 2015**  
(54) Product in respect of which the design is registered: **Cosmetic applicator**  
(51) International Design Classification: **28-03NES**  
(74) Name(s) of Attorney(s): **PHILLIPS ORMONDE FITZPATRICK**  
(71) Name(s) and Address(s) of Applicant(s):  
**Revlon Consumer Products Corporation**  
**1 New York Plaza New York New York, 10004 United States of America**  
(72) Name(s) of Designer(s): **Yuhan Zhang and Martti Johannes Lampela and Carlos Barreto**  
(45) Registration Date: **15 October 2015**  
(30) Convention priority data:  
(31) Number (32) Date (33) Country  
**29/537,925 31 Aug 2015 UNITED STATES OF AMERICA**  
(56) Related Art Documents: **Not Applicable**  
(57) Statement of Newness and Distinctiveness: **Those features of the cosmetic applicator depicted in the representations that are new and distinctive are the shape and/or configuration. The features shown in broken line are not part of the design and are to be disregarded when considering the overall impression of the design.**



(21) Design Number: **15115/2015**  
(22) Date of Filing Application: **01 October 2015**  
(24) Date from which industrial property rights may have effect: **01 October 2015**  
(54) Product in respect of which the design is registered: **Cosmetic applicator**  
(51) International Design Classification: **28-03NES**  
(74) Name(s) of Attorney(s): **PHILLIPS ORMONDE FITZPATRICK**  
(71) Name(s) and Address(s) of Applicant(s):  
**Revlon Consumer Products Corporation**  
**1 New York Plaza New York New York, 10004 United States of America**  
(72) Name(s) of Designer(s): **Yuhan Zhang and Martti Johannes Lampela and Carlos Barreto**  
(45) Registration Date: **15 October 2015**  
(30) Convention priority data:  
(31) Number (32) Date (33) Country  
**29/537,925 31 Aug 2015 UNITED STATES OF AMERICA**  
(56) Related Art Documents: **Not Applicable**  
(57) Statement of Newness and Distinctiveness: **Those features of the cosmetic applicator depicted in the representations that are new and distinctive are the shape and/or configuration. The features shown in broken line are not part of the design and are to be disregarded when considering the overall impression of the design.**



(21) Design Number: **15116/2015**  
(22) Date of Filing Application: **01 October 2015**  
(24) Date from which industrial property rights may have effect: **01 October 2015**  
(54) Product in respect of which the design is registered: **Cosmetic applicator**  
(51) International Design Classification: **28-03NES**  
(74) Name(s) of Attorney(s): **PHILLIPS ORMONDE FITZPATRICK**  
(71) Name(s) and Address(s) of Applicant(s):  
**Revlon Consumer Products Corporation**  
**1 New York Plaza New York New York, 10004 United States of America**  
(72) Name(s) of Designer(s): **Yuhan Zhang and Martti Johannes Lampela and Carlos Barreto**  
(45) Registration Date: **15 October 2015**  
(30) Convention priority data:  
(31) Number (32) Date (33) Country  
**29/537,925 31 Aug 2015 UNITED STATES OF AMERICA**  
(56) Related Art Documents: **Not Applicable**  
(57) Statement of Newness and Distinctiveness: **Those features of the cosmetic applicator depicted in the representations that are new and distinctive are the shape and/or configuration. The features shown in broken line are not part of the design and are to be disregarded when considering the overall impression of the design.**



(21) Design Number: **15117/2015**  
(22) Date of Filing Application: **01 October 2015**  
(24) Date from which industrial property rights may have effect: **01 October 2015**  
(54) Product in respect of which the design is registered: **Cosmetic applicator**  
(51) International Design Classification: **28-02**  
(74) Name(s) of Attorney(s): **PHILLIPS ORMONDE FITZPATRICK**  
(71) Name(s) and Address(s) of Applicant(s):  
**Revlon Consumer Products Corporation**  
**1 New York Plaza New York New York, 10004 United States of America**  
(72) Name(s) of Designer(s): **Yuhan Zhang and Martti Johannes Lampela and Carlos Barreto**  
(45) Registration Date: **15 October 2015**  
(30) Convention priority data:  
(31) Number (32) Date (33) Country  
**29/537,925 31 Aug 2015 UNITED STATES OF AMERICA**  
(56) Related Art Documents: **Not Applicable**  
(57) Statement of Newness and Distinctiveness: **Those features of the cosmetic applicator depicted in the representations that are new and distinctive are the shape and/or configuration. The features shown in broken line are not part of the design and are to be disregarded when considering the overall impression of the design.**





(21) Design Number: **15118/2015**  
(22) Date of Filing Application: **01 October 2015**  
(24) Date from which industrial property rights may have effect: **01 October 2015**  
(54) Product in respect of which the design is registered: **Cosmetic applicator**  
(51) International Design Classification: **28-02**  
(74) Name(s) of Attorney(s): **PHILLIPS ORMONDE FITZPATRICK**  
(71) Name(s) and Address(s) of Applicant(s):  
**Revlon Consumer Products Corporation**  
**1 New York Plaza New York New York, 10004 United States of America**  
(72) Name(s) of Designer(s): **Yuhan Zhang and Martti Johannes Lampela and Carlos Barreto**  
(45) Registration Date: **15 October 2015**  
(30) Convention priority data:  
(31) Number (32) Date (33) Country  
**29/537,925 31 Aug 2015 UNITED STATES OF AMERICA**  
(56) Related Art Documents: **Not Applicable**  
(57) Statement of Newness and Distinctiveness: **Those features of the cosmetic applicator depicted in the representations that are new and distinctive are the shape and/or configuration. The features shown in broken line are not part of the design and are to be disregarded when considering the overall impression of the design.**

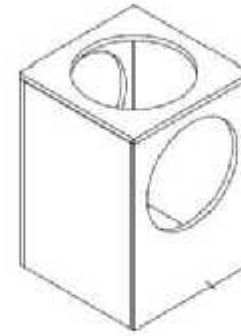


(21) Design Number: **15119/2015**  
(22) Date of Filing Application: **01 October 2015**  
(24) Date from which industrial property rights may have effect: **01 October 2015**  
(54) Product in respect of which the design is registered: **Cosmetic applicator**  
(51) International Design Classification: **28-02**  
(74) Name(s) of Attorney(s): **PHILLIPS ORMONDE FITZPATRICK**  
(71) Name(s) and Address(s) of Applicant(s):  
**Revlon Consumer Products Corporation**  
**1 New York Plaza New York New York, 10004 United States of America**  
(72) Name(s) of Designer(s): **Yuhan Zhang and Martti Johannes Lampela and Carlos Barreto**  
(45) Registration Date: **15 October 2015**  
(30) Convention priority data:  
(31) Number (32) Date (33) Country  
**29/537,925 31 Aug 2015 UNITED STATES OF AMERICA**  
(56) Related Art Documents: **Not Applicable**  
(57) Statement of Newness and Distinctiveness: **Those features of the cosmetic applicator depicted in the representations that are new and distinctive are the shape and/or configuration. The features shown in broken line are not part of the design and are to be disregarded when considering the overall impression of the design.**





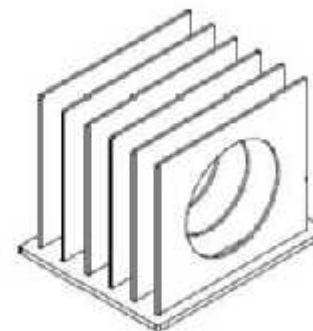
- (21) Design Number: **15131/2015**  
(22) Date of Filing Application: **01 October 2015**  
(24) Date from which industrial property rights may have effect: **01 October 2015**  
(54) Product in respect of which the design is registered: **Pen holder**  
(51) International Design Classification: **19-02, 19-06**  
(74) Name(s) of Attorney(s): **Griffith Hack**  
(71) Name(s) and Address(s) of Applicant(s):  
**ACCO Australia Pty Ltd**  
**L 2 8 Lord St Botany New South Wales, 2019 Australia**  
(72) Name(s) of Designer(s): **Adam Shields**  
(45) Registration Date: **15 October 2015**  
(56) Related Art Documents: **Not Applicable**  
(57) Statement of Newness and Distinctiveness: **Newness and distinctiveness resides in the shape and configuration of a pen holder as shown in the figures. The pen holder may be coloured, uncoloured, opaque, translucent or transparent.**



- (21) Design Number: **15132/2015**  
(22) Date of Filing Application: **01 October 2015**  
(24) Date from which industrial property rights may have effect: **01 October 2015**  
(54) Product in respect of which the design is registered: **Cup with lid**  
(51) International Design Classification: **07-01NES**  
(74) Name(s) of Attorney(s): **Ashurst Australia**  
(71) Name(s) and Address(s) of Applicant(s):  
**SPC Ardmona Operations Limited**  
**L 14 40 Mount St North Sydney NSW, 2060 Australia**  
(72) Name(s) of Designer(s): **Anand Surujpal**  
(45) Registration Date: **15 October 2015**  
(56) Related Art Documents: **Not Applicable**  
(57) Statement of Newness and Distinctiveness: **Newness and distinctiveness is shown in the features of shape and configuration showing in solid lines and markings in the accompanying representations.**



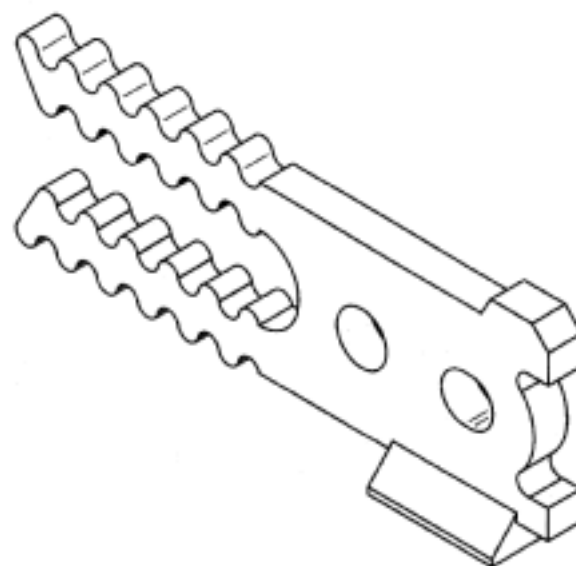
- (21) Design Number: **15134/2015**  
(22) Date of Filing Application: **01 October 2015**  
(24) Date from which industrial property rights may have effect: **01 October 2015**  
(54) Product in respect of which the design is registered: **Rack**  
(51) International Design Classification: **06-04NES**  
(74) Name(s) of Attorney(s): **Griffith Hack**  
(71) Name(s) and Address(s) of Applicant(s):  
**ACCO Australia Pty Ltd**  
**L 2 8 Lord St Botany New South Wales, 2019 Australia**  
(72) Name(s) of Designer(s): **Adam Shields**  
(45) Registration Date: **15 October 2015**  
(56) Related Art Documents: **Not Applicable**  
(57) Statement of Newness and Distinctiveness: **Newness and distinctiveness resides in the shape and configuration of a rack as shown in the figures. The rack may be coloured, uncoloured, opaque, translucent or transparent.**



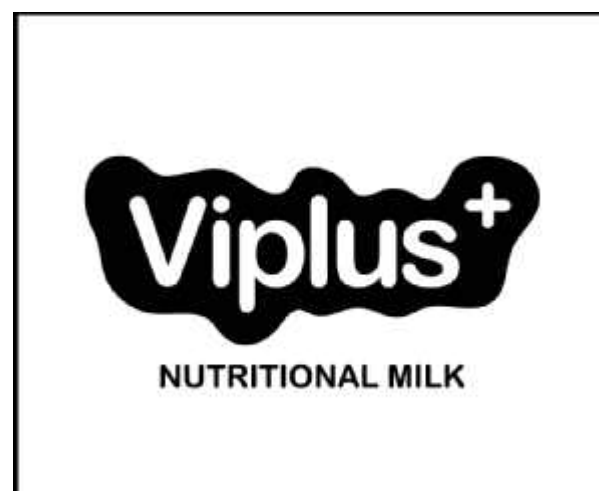
- (21) Design Number: **14106/2015**  
(22) Date of Filing Application: **07 August 2015**  
(24) Date from which industrial property rights may have effect: **07 August 2015**  
(54) Product in respect of which the design is registered: **A plastic pot with plastic centre canister for the keeping of compost worms.**  
(51) International Design Classification: **09-03G, 11-02B**  
(74) Name(s) of Attorney(s):  
(71) Name(s) and Address(s) of Applicant(s):  
**Bradley Douglas Travis**  
**22/1 Warbler Pde Varsity Lakes QLD 4227 Australia**  
(72) Name(s) of Designer(s): **Bradley Douglas Travis**  
(45) Registration Date: **15 October 2015**  
(56) Related Art Documents: **Not Applicable**  
(57) Statement of Newness and Distinctiveness: **Round plastic pot with specific drainage features, and centre canister.**



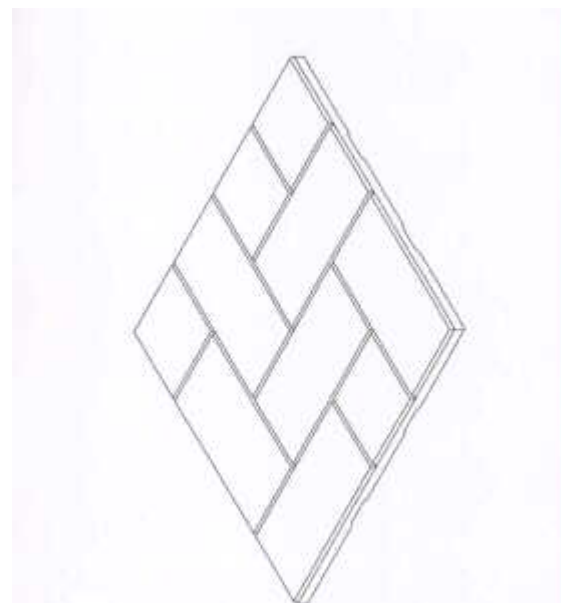
(21) Design Number: **14126/2015**  
(22) Date of Filing Application: **12 August 2015**  
(24) Date from which industrial property rights may have effect: **12 August 2015**  
(54) Product in respect of which the design is registered: **Lifting anchors**  
(51) International Design Classification: **12-05**  
(74) Name(s) of Attorney(s): **Callinans**  
(71) Name(s) and Address(s) of Applicant(s):  
**HILBERT INVESTMENTS PTY. LTD.**  
**U4/25-27 Olive Grove Keysborough VIC 3173 Australia**  
(72) Name(s) of Designer(s): **Mark Hilbert**  
(45) Registration Date: **15 October 2015**  
(56) Related Art Documents: **Not Applicable**  
(57) Statement of Newness and Distinctiveness: **Nil**



(21) Design Number: **13433/2015**  
(22) Date of Filing Application: **08 July 2015**  
(24) Date from which industrial property rights may have effect: **08 July 2015**  
(54) Product in respect of which the design is registered: **A label for all milk powder products**  
(51) International Design Classification: **19-08**  
(74) Name(s) of Attorney(s):  
(71) Name(s) and Address(s) of Applicant(s):  
**FUNTON HOLDINGS PTY LTD**  
**24A Morris St Balwyn North VIC 3104 Australia**  
(72) Name(s) of Designer(s): **Dajian Li**  
(45) Registration Date: **15 October 2015**  
(56) Related Art Documents: **Not Applicable**  
(57) Statement of Newness and Distinctiveness: **VIPLUS WITH + V WITH +**



(21) Design Number: **13874/2015**  
(22) Date of Filing Application: **31 July 2015**  
(24) Date from which industrial property rights may have effect: **31 July 2015**  
(54) Product in respect of which the design is registered: **Rubber landscape paver**  
(51) International Design Classification: **25-01A**  
(74) Name(s) of Attorney(s): **E F Wellington & Co**  
(71) Name(s) and Address(s) of Applicant(s):  
**INTERNATIONAL MULCH COMPANY**  
**1 Mulch Lane St. Louis Missouri, 63044 united States of America**  
(72) Name(s) of Designer(s): **Michael T Miller**  
(45) Registration Date: **15 October 2015**  
(30) Convention priority data:  
(31) Number (32) Date (33) Country  
**29/516442 02 Feb 2015 UNITED STATES OF AMERICA**  
(56) Related Art Documents: **Not Applicable**  
(57) Statement of Newness and Distinctiveness: **The newness and distinctiveness of the design resides in the shape and/or configuration of the RUBBER LANDSCAPE PAVER shown in the representations. The features shown by dashed lines and bounded by phantom lines form no part of the design.**



(21) Design Number: **14225/2015**  
(22) Date of Filing Application: **11 August 2015**  
(24) Date from which industrial property rights may have effect: **11 August 2015**  
(54) Product in respect of which the design is registered: **Food van in a form of a chocolate jar**  
(51) International Design Classification: **12-10**  
(74) Name(s) of Attorney(s):  
(71) Name(s) and Address(s) of Applicant(s):  
**ULKER AZER**  
**13 Morris CT Meadow Heights Vic 3148 Australia**  
(72) Name(s) of Designer(s): **ULKER AZER**  
(45) Registration Date: **15 October 2015**  
(56) Related Art Documents: **Not Applicable**  
(57) Statement of Newness and Distinctiveness: **Nil**



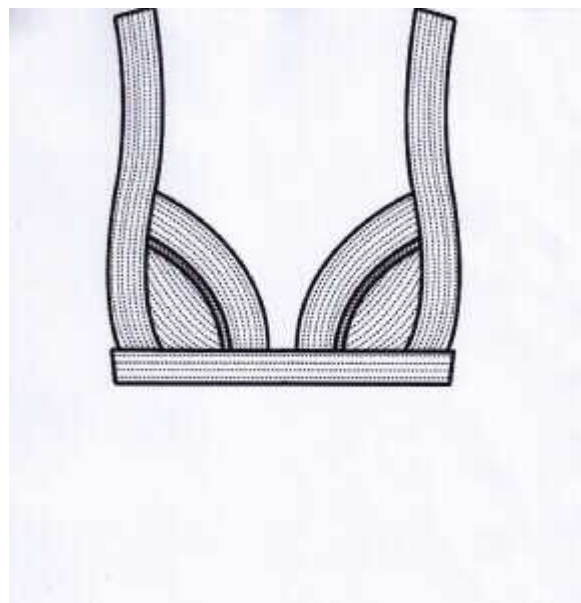
- (21) Design Number: **15153/2015**  
(22) Date of Filing Application: **05 October 2015**  
(24) Date from which industrial property rights may have effect: **05 October 2015**  
(54) Product in respect of which the design is registered: **Device for hanging a surfboard**  
(51) International Design Classification: **06-04NES**  
(74) Name(s) of Attorney(s):  
(71) Name(s) and Address(s) of Applicant(s):  
**Scatterbrain Pty Ltd**  
**C/-Patentec Patent Attorneys PO Box A1172 Sydney South NSW, 1235**  
**Australia**  
(72) Name(s) of Designer(s): **Christopher Clarke**  
(45) Registration Date: **15 October 2015**  
(56) Related Art Documents: **Not Applicable**  
(57) Statement of Newness and Distinctiveness: **Newness and distinctiveness is claimed in the shape and configuration of the hanging means engagement and the flexible skirt adapted for frictionally engaging the nose of a surfboard for hanging.**



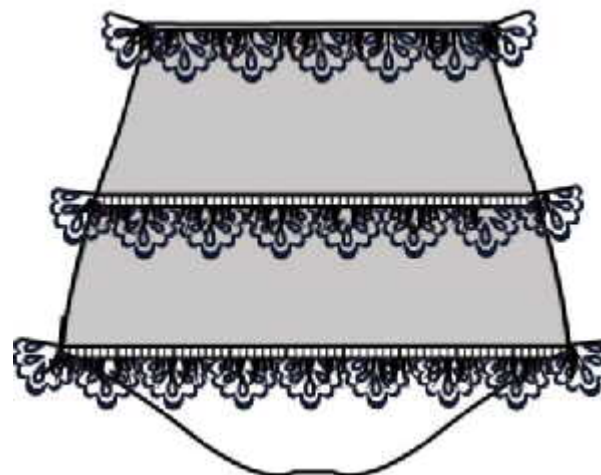
- (21) Design Number: **15154/2015**  
(22) Date of Filing Application: **05 October 2015**  
(24) Date from which industrial property rights may have effect: **05 October 2015**  
(54) Product in respect of which the design is registered: **Device for hanging a longboard**  
(51) International Design Classification: **06-04NES**  
(74) Name(s) of Attorney(s):  
(71) Name(s) and Address(s) of Applicant(s):  
**Scatterbrain Pty Ltd**  
**C/-Patentec Patent Attorneys PO Box A1172 Sydney South NSW, 1235**  
**Australia**  
(72) Name(s) of Designer(s): **Christopher Clarke**  
(45) Registration Date: **15 October 2015**  
(56) Related Art Documents: **Not Applicable**  
(57) Statement of Newness and Distinctiveness: **Newness and distinctiveness is claimed in the shape and configuration of the hanging means engagement and the flexible skirt adapted for frictionally engaging the nose of a longboard for hanging.**



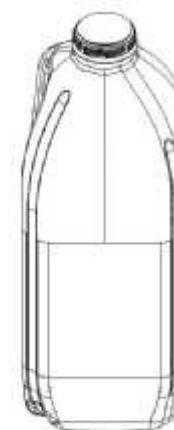
- (21) Design Number: **12918/2015**  
(22) Date of Filing Application: **10 June 2015**  
(24) Date from which industrial property rights may have effect: **10 June 2015**  
(54) Product in respect of which the design is registered: **Swimwear top**  
(51) International Design Classification: **02-02A**  
(74) Name(s) of Attorney(s):  
(71) Name(s) and Address(s) of Applicant(s):  
**Zimmermann Wear Pty Limited**  
**120 Dunning Ave Rosebery NSW 2018 Australia**  
(72) Name(s) of Designer(s): **Nicole Zimmermann**  
(45) Registration Date: **16 October 2015**  
(56) Related Art Documents: **Not Applicable**  
(57) Statement of Newness and Distinctiveness: **Newness and distinctiveness is claimed in the shape, configuration, pattern and/or ornamentation of the panelled and quilted bra top as depicted in the accompanying representations.**



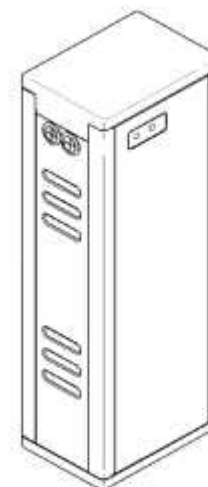
- (21) Design Number: **12919/2015**  
(22) Date of Filing Application: **10 June 2015**  
(24) Date from which industrial property rights may have effect: **10 June 2015**  
(54) Product in respect of which the design is registered: **Swimwear bottom**  
(51) International Design Classification: **02-02A**  
(74) Name(s) of Attorney(s):  
(71) Name(s) and Address(s) of Applicant(s):  
**Zimmermann Wear Pty Limited**  
**120 Dunning Ave Rosebery NSW 2018 Australia**  
(72) Name(s) of Designer(s): **Nicole Zimmermann**  
(45) Registration Date: **16 October 2015**  
(56) Related Art Documents: **Not Applicable**  
(57) Statement of Newness and Distinctiveness: **Newness and distinctiveness is claimed in the shape, configuration, pattern and/or ornamentation of the high waisted swim trunk with frilled panels spliced with faggotting as depicted in the accompanying representations.**



- (21) Design Number: **13685/2015**  
(22) Date of Filing Application: **23 July 2015**  
(24) Date from which industrial property rights may have effect: **23 July 2015**  
(54) Product in respect of which the design is registered: **Container**  
(51) International Design Classification: **09-01B**  
(74) Name(s) of Attorney(s): **Davies Collison Cave**  
(71) Name(s) and Address(s) of Applicant(s):  
**Visy R & D Pty Ltd**  
**L11 2 Southbank Bvd Southbank VIC 3006 Australia**  
(72) Name(s) of Designer(s): **Trevor Pratt and Dale Hogan and Travis Hunter and Regin Anderson**  
(45) Registration Date: **16 October 2015**  
(56) Related Art Documents: **Not Applicable**  
(57) Statement of Newness and Distinctiveness: **The features of shape and configuration of the container shown in the accompanying representations are considered to be new and distinctive. Lines of curvature are shown to further define the features of shape and configuration.**



- (21) Design Number: **14846/2015**  
(22) Date of Filing Application: **11 September 2015**  
(24) Date from which industrial property rights may have effect: **11 September 2015**  
(54) Product in respect of which the design is registered: **Battery pack**  
(51) International Design Classification: **13-02**  
(74) Name(s) of Attorney(s): **FB Rice**  
(71) Name(s) and Address(s) of Applicant(s):  
**LG Chem, Ltd.**  
**128, Yeoui-daero, Yeongdeungpo-gu Seoul 150-721 Republic of Korea**  
(72) Name(s) of Designer(s): **Hyeon-Kyu Kim and Bum-Hyun Lee and In-Jae Gang**  
(45) Registration Date: **16 October 2015**  
(30) Convention priority data:  
(31) Number (32) Date (33) Country  
**30-2015-0012220 11 Mar 2015 REPUBLIC OF KOREA**  
(56) Related Art Documents: **Not Applicable**  
(57) Statement of Newness and Distinctiveness: **Newness and distinctiveness reside in the features of the design as shown in the representations.**

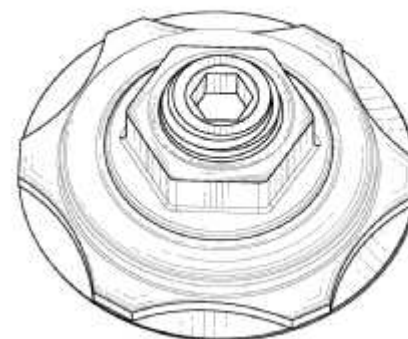




(21) Design Number: **14878/2015**  
(22) Date of Filing Application: **15 September 2015**  
(24) Date from which industrial property rights may have effect: **15 September 2015**  
(54) Product in respect of which the design is registered: **Vehicle wheel design link**  
(51) International Design Classification: **12-99**  
(74) Name(s) of Attorney(s): **Allens Patent & Trade Mark Attorneys**  
(71) Name(s) and Address(s) of Applicant(s):  
**Wheel Pros, LLC**  
**5347 S. Valentia Way Suite 200 Greenwood Village CO 80111 United States of America**  
(72) Name(s) of Designer(s): **Hans Lickliter**  
(45) Registration Date: **16 October 2015**  
(30) Convention priority data:  
(31) Number (32) Date (33) Country  
**29/535,490 06 Aug 2015 UNITED STATES OF AMERICA**  
(56) Related Art Documents: **Not Applicable**  
(57) Statement of Newness and Distinctiveness: **Newness and distinctiveness resides in the visual features of shape and/or configuration of a vehicle wheel design link as illustrated in the accompanying representations. The broken lines in the representations are for illustrative purposes only and do not constitute part of the design.**

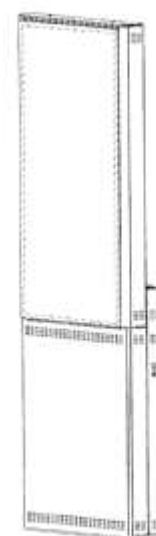


(21) Design Number: **14879/2015**  
(22) Date of Filing Application: **15 September 2015**  
(24) Date from which industrial property rights may have effect: **15 September 2015**  
(54) Product in respect of which the design is registered: **Vehicle wheel cap**  
(51) International Design Classification: **12-16A**  
(74) Name(s) of Attorney(s): **Allens Patent & Trade Mark Attorneys**  
(71) Name(s) and Address(s) of Applicant(s):  
**Wheel Pros, LLC**  
**5347 S. Valentia Way Suite 200 Greenwood Village CO 80111 United States of America**  
(72) Name(s) of Designer(s): **Hans Lickliter**  
(45) Registration Date: **16 October 2015**  
(30) Convention priority data:  
(31) Number (32) Date (33) Country  
**29/535,479 06 Aug 2015 UNITED STATES OF AMERICA**  
(56) Related Art Documents: **Not Applicable**  
(57) Statement of Newness and Distinctiveness: **Newness and distinctiveness resides in the visual features of shape and/or configuration of a vehicle wheel cap as illustrated in the accompanying representations. The broken lines in the representations are for illustrative purposes only and do not constitute part of the design.**

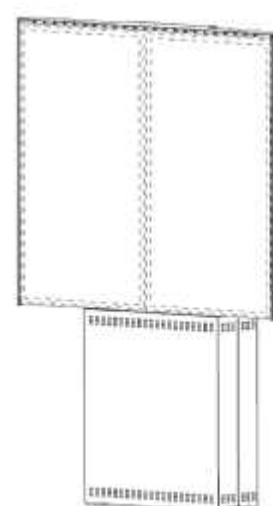




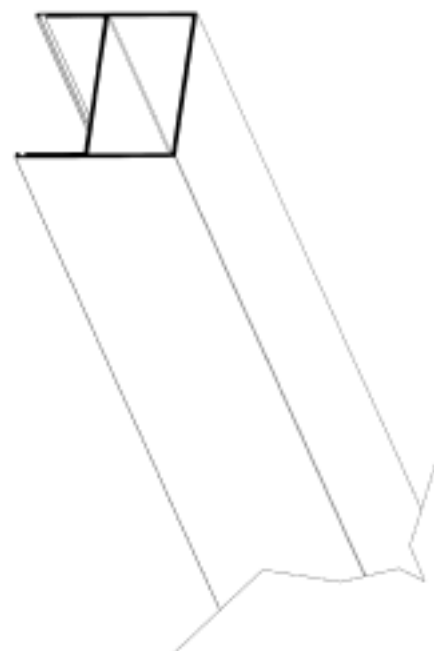
- (21) Design Number: **14968/2015**  
(22) Date of Filing Application: **22 September 2015**  
(24) Date from which industrial property rights may have effect: **22 September 2015**  
(54) Product in respect of which the design is registered: **Display housing for a digital display screen**  
(51) International Design Classification: **14-02**  
(74) Name(s) of Attorney(s): **Spruson & Ferguson**  
(71) Name(s) and Address(s) of Applicant(s):  
**Coates Signco Pty Limited**  
**36 Doody St Alexandria NSW 2015 Australia**  
(72) Name(s) of Designer(s): **Matthew William Simpson and Lachlan Edward Fergusson**  
(45) Registration Date: **16 October 2015**  
(56) Related Art Documents: **Not Applicable**  
(57) Statement of Newness and Distinctiveness: **Newness and distinctiveness is claimed in those features of shape and/or configuration of a display housing for a digital display screen as illustrated in continuous lines in the accompanying representations.**



- (21) Design Number: **14969/2015**  
(22) Date of Filing Application: **22 September 2015**  
(24) Date from which industrial property rights may have effect: **22 September 2015**  
(54) Product in respect of which the design is registered: **Display housing for a digital display screen**  
(51) International Design Classification: **14-02**  
(74) Name(s) of Attorney(s): **Spruson & Ferguson**  
(71) Name(s) and Address(s) of Applicant(s):  
**Coates Signco Pty Limited**  
**36 Doody St Alexandria NSW 2015 Australia**  
(72) Name(s) of Designer(s): **Matthew William Simpson and Lachlan Edward Fergusson**  
(45) Registration Date: **16 October 2015**  
(56) Related Art Documents: **Not Applicable**  
(57) Statement of Newness and Distinctiveness: **Newness and distinctiveness is claimed in those features of shape and/or configuration of a display housing for a digital display screen as illustrated in continuous lines in the accompanying representations.**



- (21) Design Number: **15152/2015**  
(22) Date of Filing Application: **02 October 2015**  
(24) Date from which industrial property rights may have effect: **02 October 2015**  
(54) Product in respect of which the design is registered: **An extrusion**  
(51) International Design Classification: **25-01K**  
(74) Name(s) of Attorney(s): **Spruson & Ferguson**  
(71) Name(s) and Address(s) of Applicant(s):  
**Architectural Window Systems Pty Ltd**  
**76-78 Jedda Rd, Prestons NSW, 2170 Australia**  
(72) Name(s) of Designer(s): **Mark McCleary**  
(45) Registration Date: **16 October 2015**  
(56) Related Art Documents: **Not Applicable**  
(57) Statement of Newness and Distinctiveness: **Newness and distinctiveness is claimed in the features of shape and/or configuration of the cross-section of an extrusion as illustrated in the accompanying representation where the cross-section is consistent along its length.**



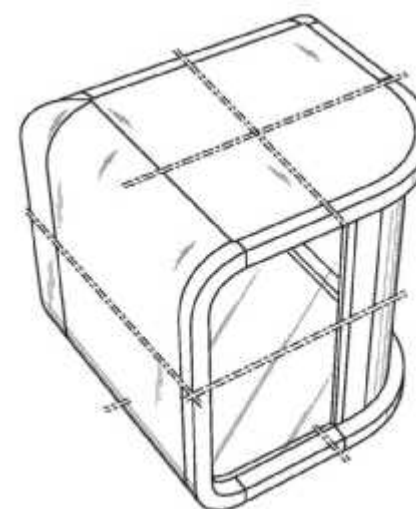
- (21) Design Number: **15155/2015**  
(22) Date of Filing Application: **05 October 2015**  
(24) Date from which industrial property rights may have effect: **05 October 2015**  
(54) Product in respect of which the design is registered: **A building panel**  
(51) International Design Classification: **25-01D**  
(74) Name(s) of Attorney(s): **Henry Hughes IP Ltd**  
(71) Name(s) and Address(s) of Applicant(s):  
**OfficePOD Limited**  
**131-151 Great Titchfield Street London W1W 5BB United Kingdom**  
(72) Name(s) of Designer(s): **Robert Walter**  
(45) Registration Date: **16 October 2015**  
(30) Convention priority data:  
(31) Number      (32) Date      (33) Country  
**002677310-0001   08 Apr 2015      OFFICE FOR HARMONISATION IN  
THE INTERNAL MARKET (OHIM)**  
(56) Related Art Documents: **Not Applicable**  
(57) Statement of Newness and Distinctiveness: **The design is to be applied to A BUILDING PANEL and the novelty resides in the features of shape and / or configuration as shown in the accompanying representations.**



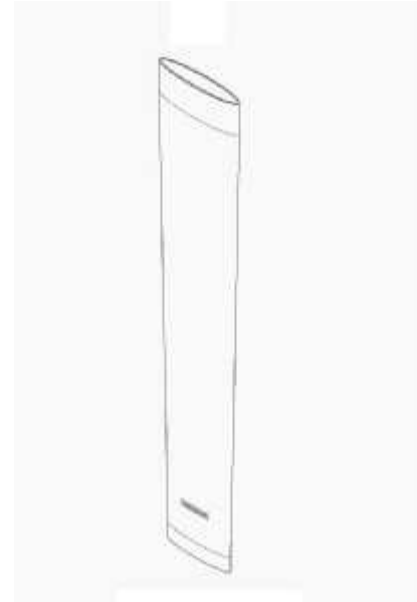
(21) Design Number: **15156/2015**  
(22) Date of Filing Application: **05 October 2015**  
(24) Date from which industrial property rights may have effect: **05 October 2015**  
(54) Product in respect of which the design is registered: **A building panel**  
(51) International Design Classification: **25-01D**  
(74) Name(s) of Attorney(s): **Henry Hughes IP Ltd**  
(71) Name(s) and Address(s) of Applicant(s):  
**OfficePOD Limited**  
**131-151 Great Titchfield Street London W1W 5BB United Kingdom**  
(72) Name(s) of Designer(s): **Robert Walter**  
(45) Registration Date: **16 October 2015**  
(30) Convention priority data:  
(31) Number (32) Date (33) Country  
**002677310-0003 08 Apr 2015 OFFICE FOR HARMONISATION IN**  
**THE INTERNAL MARKET (OHIM)**  
(56) Related Art Documents: **Not Applicable**  
(57) Statement of Newness and Distinctiveness: **The design is to be applied to A BUILDING PANEL and the novelty resides in the features of shape and / or configuration as shown in the accompanying representations.**



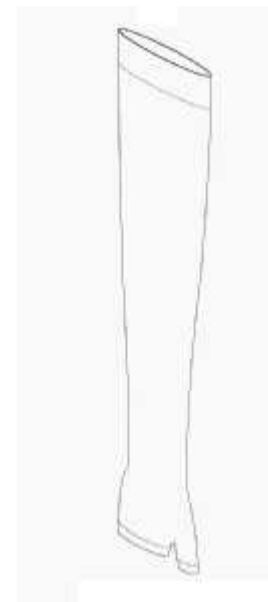
(21) Design Number: **15157/2015**  
(22) Date of Filing Application: **05 October 2015**  
(24) Date from which industrial property rights may have effect: **05 October 2015**  
(54) Product in respect of which the design is registered: **A portable cabin**  
(51) International Design Classification: **25-03**  
(74) Name(s) of Attorney(s): **Henry Hughes IP Ltd**  
(71) Name(s) and Address(s) of Applicant(s):  
**OfficePOD Limited**  
**131-151 Great Titchfield Street London W1W 5BB United Kingdom**  
(72) Name(s) of Designer(s): **Robert Walter**  
(45) Registration Date: **16 October 2015**  
(30) Convention priority data:  
(31) Number (32) Date (33) Country  
**002677310-0004 08 Apr 2015 OFFICE FOR HARMONISATION IN**  
**THE INTERNAL MARKET (OHIM)**  
(56) Related Art Documents: **Not Applicable**  
(57) Statement of Newness and Distinctiveness: **The design is to be applied to A PORTABLE CABIN and the novelty resides in the features of shape and / or configuration as shown in the accompanying representations.**



(21) Design Number: **15158/2015**  
(22) Date of Filing Application: **05 October 2015**  
(24) Date from which industrial property rights may have effect: **05 October 2015**  
(54) Product in respect of which the design is registered: **Arm warmers**  
(51) International Design Classification: **02-06**  
(74) Name(s) of Attorney(s): **WRAYS PTY LTD**  
(71) Name(s) and Address(s) of Applicant(s):  
**Naschem Co., Ltd**  
**133, Geonji-ro Seo-gu Incheon 22774 Republic of Korea**  
(72) Name(s) of Designer(s): **Dae Up Sohn**  
(45) Registration Date: **16 October 2015**  
(56) Related Art Documents: **Not Applicable**  
(57) Statement of Newness and Distinctiveness: **Nil**



(21) Design Number: **15159/2015**  
(22) Date of Filing Application: **05 October 2015**  
(24) Date from which industrial property rights may have effect: **05 October 2015**  
(54) Product in respect of which the design is registered: **Arm warmers**  
(51) International Design Classification: **02-06**  
(74) Name(s) of Attorney(s): **WRAYS PTY LTD**  
(71) Name(s) and Address(s) of Applicant(s):  
**Naschem Co., Ltd**  
**133, Geonji-ro Seo-gu Incheon 22774 Republic of Korea**  
(72) Name(s) of Designer(s): **Dae Up Sohn**  
(45) Registration Date: **16 October 2015**  
(56) Related Art Documents: **Not Applicable**  
(57) Statement of Newness and Distinctiveness: **Nil**



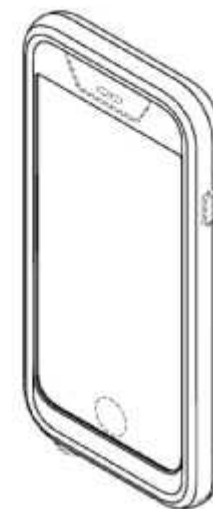
(21) Design Number: **13985/2015**  
(22) Date of Filing Application: **06 August 2015**  
(24) Date from which industrial property rights may have effect: **06 August 2015**  
(54) Product in respect of which the design is registered: **Robot**  
(51) International Design Classification: **15-05**  
(74) Name(s) of Attorney(s): **Davies Collison Cave**  
(71) Name(s) and Address(s) of Applicant(s):  
**iRobot Corporation**  
**8 Crosby Drive Bedford Massachusetts, 01730 United States of America**  
(72) Name(s) of Designer(s): **Derek Verhoorn and Stuart Jang**  
(45) Registration Date: **16 October 2015**  
(30) Convention priority data:  
(31) Number (32) Date (33) Country  
**29/517,432 12 Feb 2015 UNITED STATES OF AMERICA**  
(56) Related Art Documents: **Not Applicable**  
(57) Statement of Newness and Distinctiveness: **Newness and distinctiveness is claimed in the visual features of a robot, for example a floor cleaning robot, shown in solid lines in the representations. The broken lines indicate environmental features and bounds of the claimed design and form no part thereof.**



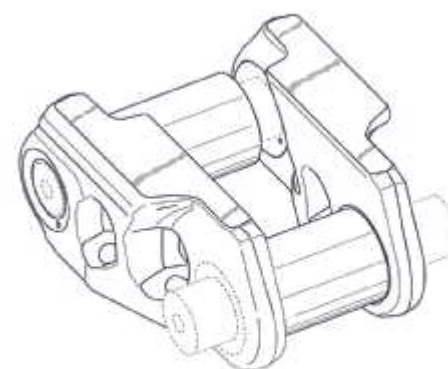
(21) Design Number: **13996/2015**  
(22) Date of Filing Application: **06 August 2015**  
(24) Date from which industrial property rights may have effect: **06 August 2015**  
(54) Product in respect of which the design is registered: **Robot**  
(51) International Design Classification: **15-05**  
(74) Name(s) of Attorney(s): **Davies Collison Cave**  
(71) Name(s) and Address(s) of Applicant(s):  
**iRobot Corporation**  
**8 Crosby Drive Bedford Massachusetts, 01730 United States of America**  
(72) Name(s) of Designer(s): **Derek Verhoorn**  
(45) Registration Date: **16 October 2015**  
(30) Convention priority data:  
(31) Number (32) Date (33) Country  
**29/517,448 12 Feb 2015 UNITED STATES OF AMERICA**  
(56) Related Art Documents: **Not Applicable**  
(57) Statement of Newness and Distinctiveness: **Newness and distinctiveness is claimed in the visual features of a robot, for example a floor-cleaning robot, shown in solid lines in the representations. The broken lines indicate environmental features and bounds of the claimed design and form no part thereof.**



(21) Design Number: **15109/2015**  
(22) Date of Filing Application: **01 October 2015**  
(24) Date from which industrial property rights may have effect: **01 October 2015**  
(54) Product in respect of which the design is registered: **Protective battery case**  
(51) International Design Classification: **03-01NES**  
(74) Name(s) of Attorney(s): **Pizzeys Patent and Trade Mark Attorneys Pty Ltd**  
(71) Name(s) and Address(s) of Applicant(s):  
**Mophie, Inc.**  
**15101 Red Hill Avenue Tustin CA, 92780 United States of America**  
(72) Name(s) of Designer(s): **Erik John Gjovik and Chi Hung Cao and Nguyen To and Denny Tsai**  
(45) Registration Date: **16 October 2015**  
(30) Convention priority data:  
(31) Number (32) Date (33) Country  
**29/522,987 06 Apr 2015 UNITED STATES OF AMERICA**  
(56) Related Art Documents: **Not Applicable**  
(57) Statement of Newness and Distinctiveness: **Nil**



(21) Design Number: **15111/2015**  
(22) Date of Filing Application: **01 October 2015**  
(24) Date from which industrial property rights may have effect: **01 October 2015**  
(54) Product in respect of which the design is registered: **Track link assembly**  
(51) International Design Classification: **15-04**  
(74) Name(s) of Attorney(s): **IP Gateway Patent & Trade Mark Attorneys Pty Ltd**  
(71) Name(s) and Address(s) of Applicant(s):  
**Caterpillar Inc.**  
**100 NE Adams Street Peoria Illinois, 61629 United States of America**  
(72) Name(s) of Designer(s): **Daniel Knobloch and Mark Diekevers and Timothy Thorson and Caroline Brewer and Gregory Kaufmann and Kevin Steiner and Temitope Akinlua and Martin Tagore Joseph Xavier**  
(45) Registration Date: **16 October 2015**  
(30) Convention priority data:  
(31) Number (32) Date (33) Country  
**29/522,680 01 Apr 2015 UNITED STATES OF AMERICA**  
(56) Related Art Documents: **Not Applicable**  
(57) Statement of Newness and Distinctiveness: **Newness and distinctiveness reside in the visual features of shape and configuration as shown by the solid lines in the accompanying representations. The relatively thin shade lines represent contour, not surface ornamentation.**



- (21) Design Number: **15142/2015**  
(22) Date of Filing Application: **02 October 2015**  
(24) Date from which industrial property rights may have effect: **02 October 2015**  
(54) Product in respect of which the design is registered: **Foundation sleeve**  
(51) International Design Classification: **25-01E**  
(74) Name(s) of Attorney(s): **Davies Collison Cave**  
(71) Name(s) and Address(s) of Applicant(s):  
**Michael Deane Fencing Pty Ltd**  
**7 Bussell Cres Cook ACT 2614 Australia**  
(72) Name(s) of Designer(s): **Michael James Deane**  
(45) Registration Date: **16 October 2015**  
(56) Related Art Documents: **Not Applicable**  
(57) Statement of Newness and Distinctiveness: **Nil**



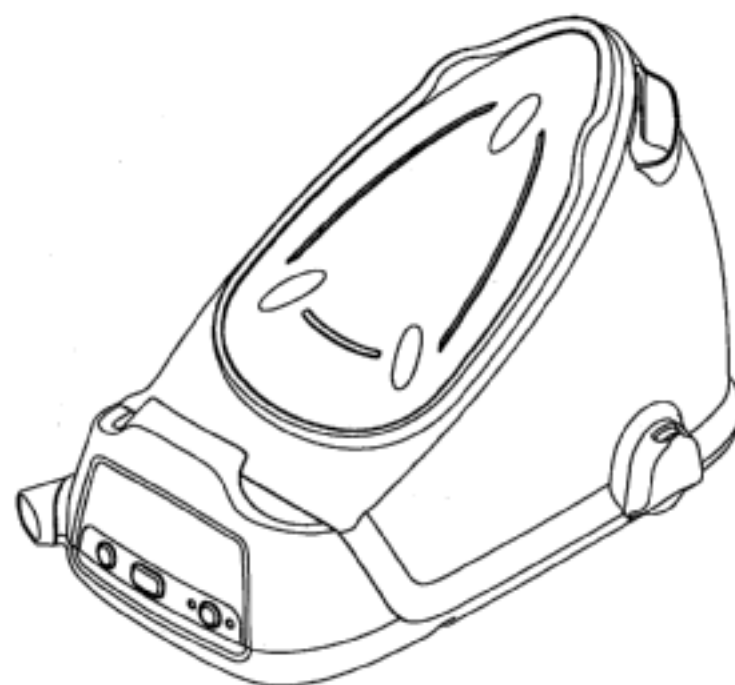
- (21) Design Number: **15143/2015**  
(22) Date of Filing Application: **02 October 2015**  
(24) Date from which industrial property rights may have effect: **02 October 2015**  
(54) Product in respect of which the design is registered: **Freestanding self order kiosk**  
(51) International Design Classification: **06-04NES**  
(74) Name(s) of Attorney(s): **Spruson & Ferguson**  
(71) Name(s) and Address(s) of Applicant(s):  
**Coates Signco Pty Limited**  
**36 Doody St, Alexandria NSW, 2015 Australia**  
(72) Name(s) of Designer(s): **Joshua James Bladwell**  
(45) Registration Date: **16 October 2015**  
(56) Related Art Documents: **Not Applicable**  
(57) Statement of Newness and Distinctiveness: **Newness and distinctiveness is claimed in the features of shape and/or configuration of a freestanding self order kiosk as illustrated in the accompanying representations.**



(21) Design Number: **15144/2015**  
(22) Date of Filing Application: **02 October 2015**  
(24) Date from which industrial property rights may have effect: **02 October 2015**  
(54) Product in respect of which the design is registered: **Wall-mounted self order kiosk**  
(51) International Design Classification: **23-99**  
(74) Name(s) of Attorney(s): **Spruson & Ferguson**  
(71) Name(s) and Address(s) of Applicant(s):  
**Coates Signco Pty Limited**  
**36 Doody St, Alexandria NSW, 2015 Australia**  
(72) Name(s) of Designer(s): **Lachlan Edward Fergusson**  
(45) Registration Date: **16 October 2015**  
(56) Related Art Documents: **Not Applicable**  
(57) Statement of Newness and Distinctiveness: **Newness and distinctiveness is claimed in the features of shape and/or configuration of a wall-mounted self order kiosk as illustrated in the accompanying representations.**

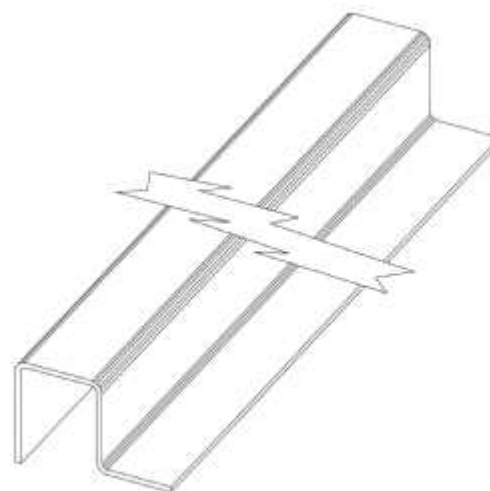


(21) Design Number: **15145/2015**  
(22) Date of Filing Application: **02 October 2015**  
(24) Date from which industrial property rights may have effect: **02 October 2015**  
(54) Product in respect of which the design is registered: **Steam generator for an iron**  
(51) International Design Classification: **07-05A**  
(74) Name(s) of Attorney(s): **Spruson & Ferguson**  
(71) Name(s) and Address(s) of Applicant(s):  
**CALOR**  
**112 Chemin du Moulin Carron, Ecully 69130 France**  
(72) Name(s) of Designer(s): **Stephanie Hary**  
(45) Registration Date: **16 October 2015**  
(30) Convention priority data:  
(31) Number (32) Date (33) Country  
**002737833-0001 16 Jul 2015 OFFICE FOR HARMONISATION IN THE INTERNAL MARKET (OHIM)**  
(56) Related Art Documents: **Not Applicable**  
(57) Statement of Newness and Distinctiveness: **Newness and distinctiveness is claimed in the features of shape and/or configuration of a steam generator for an iron as illustrated in the accompanying representations.**





(21) Design Number: **15160/2015**  
(22) Date of Filing Application: **05 October 2015**  
(24) Date from which industrial property rights may have effect: **05 October 2015**  
(54) Product in respect of which the design is registered: **A bracket for attachment to roof sheeting**  
(51) International Design Classification: **08-08L**  
(74) Name(s) of Attorney(s):  
(71) Name(s) and Address(s) of Applicant(s):  
**Clifton Development and Designs Pty Ltd**  
**c/- Michael Buck IP PO Box 4361 St Lucia QLD, 4067 Australia**  
(72) Name(s) of Designer(s): **Timothy Scott Clifton**  
(45) Registration Date: **16 October 2015**  
(56) Related Art Documents: **Not Applicable**  
(57) Statement of Newness and Distinctiveness: **The shape and configuration of a bracket of constant cross section and indefinite length, for attachment to roof sheeting, as depicted in the accompanying representations.**



(21) Design Number: **15189/2015**  
(22) Date of Filing Application: **06 October 2015**  
(24) Date from which industrial property rights may have effect: **06 October 2015**  
(54) Product in respect of which the design is registered: **Coupling for nasal interface hose**  
(51) International Design Classification: **24-99**  
(74) Name(s) of Attorney(s): **Pizeys Patent and Trade Mark Attorneys Pty Ltd**  
(71) Name(s) and Address(s) of Applicant(s):  
**inSleep Technologies, LLC**  
**12100 Singletree Lane Suite 183 Eden Prairie MN, 55344 United States Of America**  
(72) Name(s) of Designer(s): **Martin W. Kerber and Wayne D. Robens and Paul Piloni and Jacob Stoesz**  
(45) Registration Date: **16 October 2015**  
(30) Convention priority data:  
(31) Number      (32) Date      (33) Country  
**29/522,925      03 Apr 2015      UNITED STATES OF AMERICA**  
(56) Related Art Documents: **Not Applicable**  
(57) Statement of Newness and Distinctiveness: **Nil**



(21) Design Number: **15190/2015**

(22) Date of Filing Application: **06 October 2015**

(24) Date from which industrial property rights may have effect: **06 October 2015**

(54) Product in respect of which the design is registered: **Flask**

(51) International Design Classification: **09-01G**

(74) Name(s) of Attorney(s): **Callinans**

(71) Name(s) and Address(s) of Applicant(s):

**Beaute Prestige International**  
**28/32, avenue Victor Hugo Paris 75116 France**

(72) Name(s) of Designer(s): **Todd Bracher**

(45) Registration Date: **16 October 2015**

(30) Convention priority data:

(31) Number	(32) Date	(33) Country
<b>002680272-0001</b>	<b>13 Apr 2015</b>	<b>OFFICE FOR HARMONISATION IN THE INTERNAL MARKET (OHIM)</b>

(56) Related Art Documents: **Not Applicable**

(57) Statement of Newness and Distinctiveness: **Nil**



(21) Design Number: **14002/2015**

(22) Date of Filing Application: **06 August 2015**

(24) Date from which industrial property rights may have effect: **06 August 2015**

(54) Product in respect of which the design is registered: **Robot confinement beacon**

(51) International Design Classification: **10-06**

(74) Name(s) of Attorney(s): **Davies Collison Cave**

(71) Name(s) and Address(s) of Applicant(s):

**iRobot Corporation**  
**8 Crosby Drive Bedford Massachusetts, 01730 United States of America**

(72) Name(s) of Designer(s): **Cory White and Stuart Jang and Austin Harvey**

(45) Registration Date: **16 October 2015**

(30) Convention priority data:

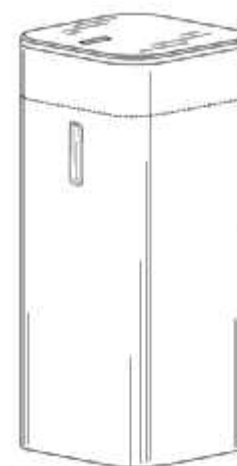
(31) Number	(32) Date	(33) Country
<b>29/517,093</b>	<b>10 Feb 2015</b>	<b>UNITED STATES OF AMERICA</b>

(56) Related Art Documents: **Not Applicable**

(57) Statement of Newness and Distinctiveness: **Newness and distinctiveness is claimed in the visual features shown in solid lines in the representations. The broken lines illustrate environmental features that form no part of the claimed design. The projection extending downward and visible through the upper side portions of the beacon is generally conical.**



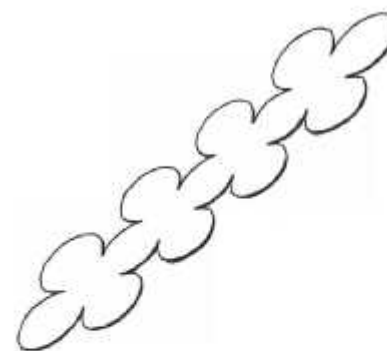
(21) Design Number: **14008/2015**  
(22) Date of Filing Application: **06 August 2015**  
(24) Date from which industrial property rights may have effect: **06 August 2015**  
(54) Product in respect of which the design is registered: **Robot confinement beacon**  
(51) International Design Classification: **10-06**  
(74) Name(s) of Attorney(s): **Davies Collison Cave**  
(71) Name(s) and Address(s) of Applicant(s):  
**iRobot Corporation**  
**8 Crosby Drive Bedford Massachusetts, 01730 United States of America**  
(72) Name(s) of Designer(s): **Cory White and Stuart Jang and Austin Harvey**  
(45) Registration Date: **16 October 2015**  
(30) Convention priority data:  
(31) Number (32) Date (33) Country  
**29/517,104 10 Feb 2015 UNITED STATES OF AMERICA**  
(56) Related Art Documents: **Not Applicable**  
(57) Statement of Newness and Distinctiveness: **Newness and distinctiveness is claimed in the visual features shown in solid lines in the representations. The broke lines illustrate environmental features that form no part of the claimed design.**



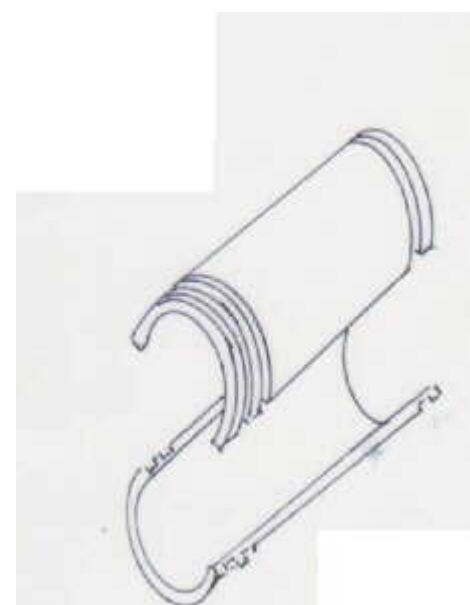
(21) Design Number: **14066/2015**  
(22) Date of Filing Application: **07 August 2015**  
(24) Date from which industrial property rights may have effect: **15 May 2015**  
(54) Product in respect of which the design is registered: **Shoe**  
(51) International Design Classification: **02-04NES**  
(74) Name(s) of Attorney(s): **Davies Collison Cave**  
(71) Name(s) and Address(s) of Applicant(s):  
**Payless Shoesource Worldwide, Inc.**  
**3231 S.E. 6TH Avenue Topeka KS, 66607 United States of America**  
(72) Name(s) of Designer(s): **John Ozereko and David Grosko**  
(45) Registration Date: **16 October 2015**  
(62) Divisional of: **363372**  
(56) Related Art Documents: **Not Applicable**  
(57) Statement of Newness and Distinctiveness: **Nil**



- (21) Design Number: **14319/2015**  
(22) Date of Filing Application: **24 August 2015**  
(24) Date from which industrial property rights may have effect: **24 August 2015**  
(54) Product in respect of which the design is registered: **Sheet material**  
(51) International Design Classification: **05-06NES**  
(74) Name(s) of Attorney(s): **A.J. Pietras & Co**  
(71) Name(s) and Address(s) of Applicant(s):  
**Sven Kristian Frederick Ericksen**  
**11 Koromiko Road Aro Valley Wellington 6012 New Zealand**  
(72) Name(s) of Designer(s): **Sven Kristian Frederick Ericksen**  
(45) Registration Date: **16 October 2015**  
(30) Convention priority data:  
(31) Number (32) Date (33) Country  
**420499 31 Jul 2015 NEW ZEALAND**  
(56) Related Art Documents: **Not Applicable**  
(57) Statement of Newness and Distinctiveness: **Newness and distinctiveness is claimed in the features of shape and configuration.**



- (21) Design Number: **14886/2015**  
(22) Date of Filing Application: **15 September 2015**  
(24) Date from which industrial property rights may have effect: **15 September 2015**  
(54) Product in respect of which the design is registered: **Meter pipe security shroud**  
(51) International Design Classification: **08-07, 23-01A**  
(74) Name(s) of Attorney(s):  
(71) Name(s) and Address(s) of Applicant(s):  
**Michael Charles Barron**  
**PO BOX 377 Guildford WA 6935 Australia**  
**Kathy Tasovac**  
**93 River View Ave South Guildford WA 6055 Australia**  
(72) Name(s) of Designer(s): **Michael Charles Barron and Kathy Tasovac**  
(45) Registration Date: **16 October 2015**  
(56) Related Art Documents: **Not Applicable**  
(57) Statement of Newness and Distinctiveness: **A new water meter connecting pipe shroud to supplement the vandal proof design function of common meter swivel nut lock devices that prevent access to these meter connecting nuts. This is necessary because there is now a range of low cost domestic grade battery electric portable angle grinder units that when fitted with a friction cutting disk can cut through the soft, often copper alloy, meter connecting pipes and remove the meter. These shrouds of hard metal, heat treated, to resist manual cutting are split lengthwise to allow retro fitting, rotate freely, integrate and complete the partial shield protection of existing meter connecting nut lock devices.**



(21) Design Number: **15191/2015**

(22) Date of Filing Application: **06 October 2015**

(24) Date from which industrial property rights may have effect: **06 October 2015**

(54) Product in respect of which the design is registered: **Panel of air conditioner**

(51) International Design Classification: **23-04**

(74) Name(s) of Attorney(s): **Freehills Patent Attorneys**

(71) Name(s) and Address(s) of Applicant(s):

**Daikin Industries Ltd.**

**Umeda Center Building 4-12 Nakazaki-Nishi 2-chome Kita-Ku Osaka-shi  
Osaka-fu, 530-8323 Japan**

(72) Name(s) of Designer(s): **Bin Zhou**

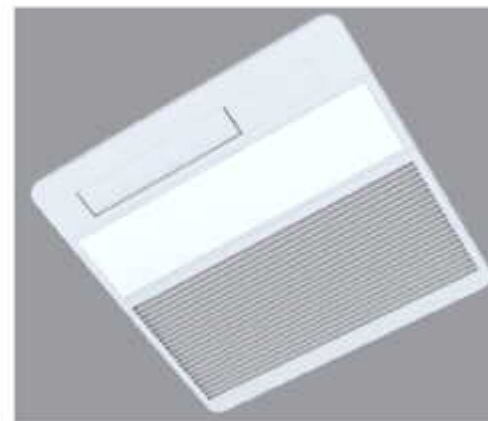
(45) Registration Date: **16 October 2015**

(30) Convention priority data:

(31) Number	(32) Date	(33) Country
<b>201530120817.8</b>	<b>29 Apr 2015</b>	<b>CHINA</b>

(56) Related Art Documents: **Not Applicable**

(57) Statement of Newness and Distinctiveness: **Newness and distinctiveness of the design resides in the features of shape and configuration of the panel of air conditioner as shown in the accompanying representations.**



(21) Design Number: **15192/2015**

(22) Date of Filing Application: **06 October 2015**

(24) Date from which industrial property rights may have effect: **06 October 2015**

(54) Product in respect of which the design is registered: **Remote controller for air conditioner**

(51) International Design Classification: **14-03NES**

(74) Name(s) of Attorney(s): **Freehills Patent Attorneys**

(71) Name(s) and Address(s) of Applicant(s):

**Daikin Industries Ltd.**

**Umeda Center Building 4-12 Nakazaki-Nishi 2-chome Kita-Ku Osaka-shi  
Osaka-fu, 530-8323 Japan**

(72) Name(s) of Designer(s): **Hiroko Kashimoto**

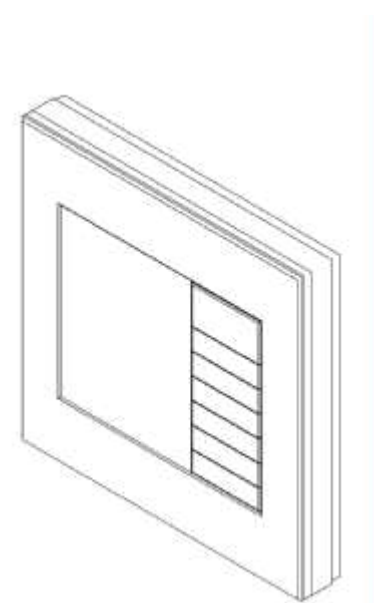
(45) Registration Date: **16 October 2015**

(30) Convention priority data:

(31) Number	(32) Date	(33) Country
<b>2015-012836</b>	<b>09 Jun 2015</b>	<b>JAPAN</b>

(56) Related Art Documents: **Not Applicable**

(57) Statement of Newness and Distinctiveness: **Newness and distinctiveness of the design resides in the features of shape and configuration of the remote controller for air conditioner as shown in the accompanying representations.**



(21) Design Number: **15193/2015**  
(22) Date of Filing Application: **06 October 2015**  
(24) Date from which industrial property rights may have effect: **06 October 2015**  
(54) Product in respect of which the design is registered: **Remote controller for air conditioner**  
(51) International Design Classification: **14-03NES**  
(74) Name(s) of Attorney(s): **Freehills Patent Attorneys**  
(71) Name(s) and Address(s) of Applicant(s):  
**Daikin Industries Ltd.**  
**Umeda Center Building 4-12 Nakazaki-Nishi 2-chome Kita-Ku Osaka-shi**  
**Osaka-fu, 530-8323 Japan**  
(72) Name(s) of Designer(s): **Hiroko Kashimoto**  
(45) Registration Date: **16 October 2015**  
(30) Convention priority data:  
(31) Number (32) Date (33) Country  
**2015-012839 09 Jun 2015 JAPAN**  
(56) Related Art Documents: **Not Applicable**  
(57) Statement of Newness and Distinctiveness: **Newness and distinctiveness of the design resides in the features of shape and configuration of the remote controller for air conditioner as shown in the accompanying representations.**



(21) Design Number: **15198/2015**  
(22) Date of Filing Application: **06 October 2015**  
(24) Date from which industrial property rights may have effect: **06 October 2015**  
(54) Product in respect of which the design is registered: **Fragrance bottle**  
(51) International Design Classification: **09-01G**  
(74) Name(s) of Attorney(s): **PHILLIPS ORMONDE FITZPATRICK**  
(71) Name(s) and Address(s) of Applicant(s):  
**ELC Management LLC**  
**155 Pinelawn Road Suite 345 South Melville New York 11747 United**  
**States of America**  
(72) Name(s) of Designer(s): **Lance Colin McGregor**  
(45) Registration Date: **16 October 2015**  
(30) Convention priority data:  
(31) Number (32) Date (33) Country  
**29/523,493 10 Apr 2015 UNITED STATES OF AMERICA**  
(56) Related Art Documents: **Not Applicable**  
(57) Statement of Newness and Distinctiveness: **Those features of the fragrance bottle depicted in the representations that are new and distinctive are the shape and/or configuration. The feature shown in broken line is not part of the design and is to be disregarded when considering the overall impression of the design.**



(21) Design Number: **15199/2015**  
(22) Date of Filing Application: **06 October 2015**  
(24) Date from which industrial property rights may have effect: **06 October 2015**  
(54) Product in respect of which the design is registered: **Lighter**  
(51) International Design Classification: **27-05**  
(74) Name(s) of Attorney(s): **PHILLIPS ORMONDE FITZPATRICK**  
(71) Name(s) and Address(s) of Applicant(s):  
**Flamagas, S.A.**  
**Metalurgia, 38-42 Barcelona 08038 Spain**  
(72) Name(s) of Designer(s): **Teresa Arcos Bellvehi**  
(45) Registration Date: **16 October 2015**  
(30) Convention priority data:  
(31) Number      (32) Date      (33) Country  
**002676452      07 Apr 2015      OFFICE FOR HARMONISATION IN  
THE INTERNAL MARKET (OHIM)**  
(56) Related Art Documents: **Not Applicable**  
(57) Statement of Newness and Distinctiveness: **Nil**



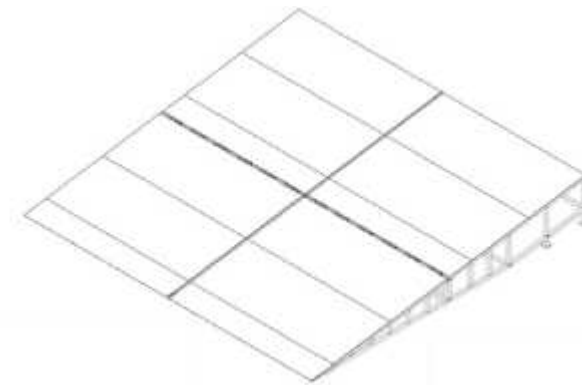
(21) Design Number: **15200/2015**  
(22) Date of Filing Application: **06 October 2015**  
(24) Date from which industrial property rights may have effect: **06 October 2015**  
(54) Product in respect of which the design is registered: **Lighter**  
(51) International Design Classification: **27-05**  
(74) Name(s) of Attorney(s): **PHILLIPS ORMONDE FITZPATRICK**  
(71) Name(s) and Address(s) of Applicant(s):  
**Flamagas, S.A.**  
**Metalurgia, 38-42 Barcelona 08038 Spain**  
(72) Name(s) of Designer(s): **Teresa Arcos Bellvehi**  
(45) Registration Date: **16 October 2015**  
(30) Convention priority data:  
(31) Number      (32) Date      (33) Country  
**002676452      07 Apr 2015      OFFICE FOR HARMONISATION IN  
THE INTERNAL MARKET (OHIM)**  
(56) Related Art Documents: **Not Applicable**  
(57) Statement of Newness and Distinctiveness: **Nil**



(21) Design Number: **11049/2015**  
(22) Date of Filing Application: **26 February 2015**  
(24) Date from which industrial property rights may have effect: **26 February 2015**  
(54) Product in respect of which the design is registered: **Scarf**  
(51) International Design Classification: **02-05**  
(74) Name(s) of Attorney(s): **Lord & Company**  
(71) Name(s) and Address(s) of Applicant(s):  
**Li Liang**  
**22/31 East St Fremantle WA 6162 Australia**  
(72) Name(s) of Designer(s): **Li Liang**  
(45) Registration Date: **16 October 2015**  
(56) Related Art Documents: **Not Applicable**  
(57) Statement of Newness and Distinctiveness: **Nil**

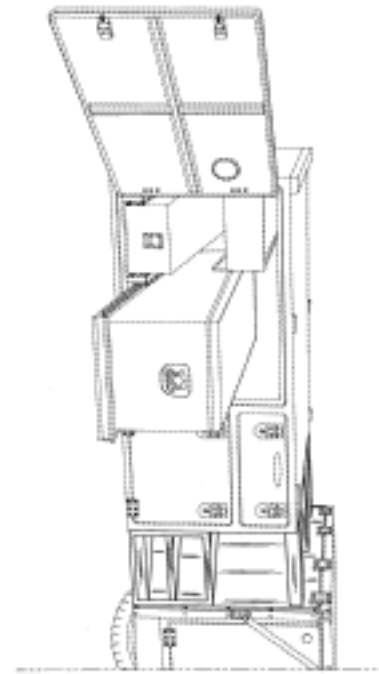


(21) Design Number: **13863/2015**  
(22) Date of Filing Application: **31 July 2015**  
(24) Date from which industrial property rights may have effect: **31 July 2015**  
(54) Product in respect of which the design is registered: **Ramp**  
(51) International Design Classification: **12-05**  
(74) Name(s) of Attorney(s): **Finlaysons**  
(71) Name(s) and Address(s) of Applicant(s):  
**Robby Gordon**  
**10615 Twin Lakes Pkwy Charlotte NC, 28269 United States of America**  
(72) Name(s) of Designer(s): **Robby Gordon**  
(45) Registration Date: **16 October 2015**  
(56) Related Art Documents: **Not Applicable**  
(57) Statement of Newness and Distinctiveness: **Nil**

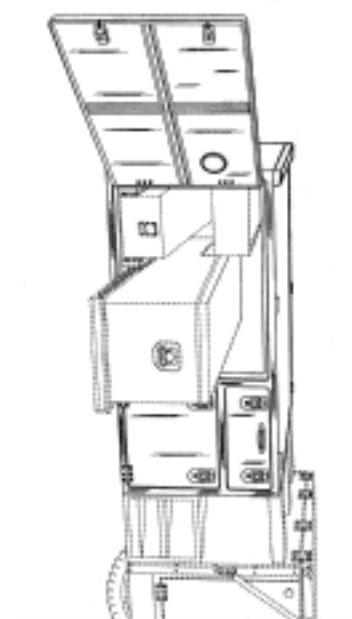




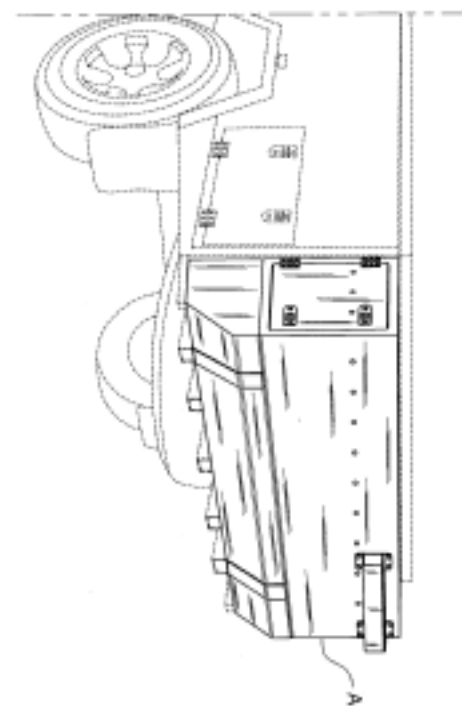
- (21) Design Number: **13977/2015**  
(22) Date of Filing Application: **05 August 2015**  
(24) Date from which industrial property rights may have effect: **05 August 2015**  
(54) Product in respect of which the design is registered: **Trailer storage box**  
(51) International Design Classification: **12-10, 12-16NES**  
(74) Name(s) of Attorney(s): **Spruson & Ferguson**  
(71) Name(s) and Address(s) of Applicant(s):  
**Aquabay Marine Pty Limited**  
**PO BOX 696 Springwood NSW 2777 Australia**  
(72) Name(s) of Designer(s): **Mick Smith**  
(45) Registration Date: **16 October 2015**  
(56) Related Art Documents: **Not Applicable**  
(57) Statement of Newness and Distinctiveness: **Newness and distinctiveness is claimed in the features of shape and/or configuration of a trailer storage box as illustrated in the accompanying representations between the lines A - A, outside the lines A - A forms no part of the design.**



- (21) Design Number: **13978/2015**  
(22) Date of Filing Application: **05 August 2015**  
(24) Date from which industrial property rights may have effect: **05 August 2015**  
(54) Product in respect of which the design is registered: **Trailer storage box**  
(51) International Design Classification: **12-10, 12-16NES**  
(74) Name(s) of Attorney(s): **Spruson & Ferguson**  
(71) Name(s) and Address(s) of Applicant(s):  
**Aquabay Marine Pty Limited**  
**PO BOX 696 Springwood NSW 2777 Australia**  
(72) Name(s) of Designer(s): **Mick Smith**  
(45) Registration Date: **16 October 2015**  
(56) Related Art Documents: **Not Applicable**  
(57) Statement of Newness and Distinctiveness: **Newness and distinctiveness is claimed in the features of shape and/or configuration of a trailer storage box as illustrated in the accompanying representations between the lines A - A, outside the lines A - A forms no part of the design.**



- (21) Design Number: **13979/2015**  
(22) Date of Filing Application: **05 August 2015**  
(24) Date from which industrial property rights may have effect: **05 August 2015**  
(54) Product in respect of which the design is registered: **Trailer storage box**  
(51) International Design Classification: **12-10, 12-16NES**  
(74) Name(s) of Attorney(s): **Spruson & Ferguson**  
(71) Name(s) and Address(s) of Applicant(s):  
**Aquabay Marine Pty Limited**  
**PO BOX 696 Springwood NSW 2777 Australia**  
(72) Name(s) of Designer(s): **Mick Smith**  
(45) Registration Date: **16 October 2015**  
(56) Related Art Documents: **Not Applicable**  
(57) Statement of Newness and Distinctiveness: **Newness and distinctiveness is claimed in the features of shape and/or configuration of a trailer storage box as illustrated in the accompanying representations and labelled A.**



- (21) Design Number: **14957/2015**  
(22) Date of Filing Application: **21 September 2015**  
(24) Date from which industrial property rights may have effect: **21 September 2015**  
(54) Product in respect of which the design is registered: **Motorcycle trolley**  
(51) International Design Classification: **12-11, 12-02**  
(74) Name(s) of Attorney(s):  
(71) Name(s) and Address(s) of Applicant(s):  
**Christopher John Young**  
**C/- PO BOX 86 Point Lonsdale VIC 3225 Australia**  
(72) Name(s) of Designer(s): **Christopher John Young**  
(45) Registration Date: **16 October 2015**  
(56) Related Art Documents: **Not Applicable**  
(57) Statement of Newness and Distinctiveness: **Allows for a motorcycle to be wheeled onto the trolley, motorbike is automatically held upright via a pivot and bracket on the front wheel. Entry ramp is the raised by the action of a foot lever, the ramp is automatically locked into place by an over centre clamp. The motorcycle on the trolley can then be moved in any direction on it's caster wheels. The entry to the trolley can be lowered to remove the motorcycle by moving a lever and releasing with the foot lever, this automatically resets the locking mechanism by the use of another over centre action of the releasing lever.**



(21) Design Number: **14149/2015**

(22) Date of Filing Application: **13 August 2015**

(24) Date from which industrial property rights may have effect: **13 August 2015**

(54) Product in respect of which the design is registered: **Ore screening panel**

(51) International Design Classification: **15-99**

(74) Name(s) of Attorney(s):

(71) Name(s) and Address(s) of Applicant(s):

**RCM PLASTICS CC**

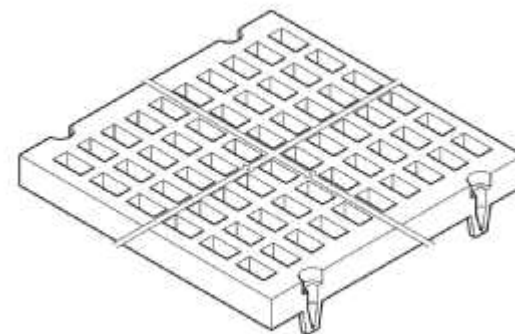
**Corner Main and Dam Roads Anderbolt, Boksburg, 1459 South Africa**

(72) Name(s) of Designer(s): **Johan Theodore Reid-Robertson and Angelo Marietta**

(45) Registration Date: **19 October 2015**

(56) Related Art Documents: **Not Applicable**

(57) Statement of Newness and Distinctiveness: **Newness and distinctiveness is claimed in the features of shape and/or configuration of the screening panel including the apertures as illustrated in the accompanying representations. The length and width of the panel are variable.**



(21) Design Number: **14312/2015**

(22) Date of Filing Application: **21 August 2015**

(24) Date from which industrial property rights may have effect: **21 August 2015**

(54) Product in respect of which the design is registered: **chair**

(51) International Design Classification: **06-01G**

(74) Name(s) of Attorney(s):

(71) Name(s) and Address(s) of Applicant(s):

**Ross Didier**

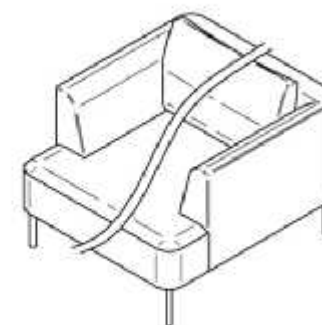
**28 Mologa Rd Heidelberg West VIC 3081 Australia**

(72) Name(s) of Designer(s): **Ross Didier**

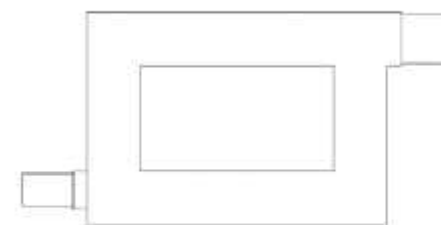
(45) Registration Date: **19 October 2015**

(56) Related Art Documents: **Not Applicable**

(57) Statement of Newness and Distinctiveness: **The newness and distinctiveness of the design resides in the combined shape of the seat and arm rest supported on oval legs at 45 degree angles as shown in the continuous lines in the accompanying representations. The broken lines are not part of the design and are to be disregarded when considering the overall impression of the design.**



- (21) Design Number: **13607/2015**  
(22) Date of Filing Application: **20 July 2015**  
(24) Date from which industrial property rights may have effect: **20 July 2015**  
(54) Product in respect of which the design is registered: **Molded coil**  
(51) International Design Classification: **13-02**  
(74) Name(s) of Attorney(s): **Davies Collison Cave**  
(71) Name(s) and Address(s) of Applicant(s):

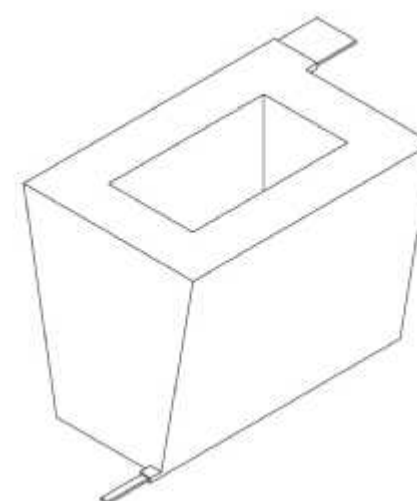


**Sumitomo Seika Chemicals Co., Ltd.**  
**346-1, Miyanishi, Harima-cho Kako-gun Hyogo 675-0145 Japan**  
**National Institute of Advanced Industrial Science and Technology**  
**3-1, Kasumigaseki 1-chome, Chiyodu-ku Tokyo 100-8921 Japan**  
**I&P Co., Ltd.**  
**1050-1, Takasaka, Higashimatsuyama-shi Saitama 355-0047 Japan**

- (72) Name(s) of Designer(s): **Noriyuki Hayashizaka and Daisuke Mishou and Takeo Ebina and Satomi Hattori and Takahiro Ishida and Tomoyuki Yamaguchi**  
(45) Registration Date: **19 October 2015**  
(30) Convention priority data:
- |                     |                    |              |
|---------------------|--------------------|--------------|
| (31) Number         | (32) Date          | (33) Country |
| <b>D2015-001014</b> | <b>21 Jan 2015</b> | <b>JAPAN</b> |

- (56) Related Art Documents: **Not Applicable**  
(57) Statement of Newness and Distinctiveness: **For Figures 1 to 56 newness and distinctiveness is claimed in the visual features shown in solid lines in the representations. The rectangle shown in the middle of the front view and rear view is a hollow. For Figures 57 to 64 newness and distinctiveness is claimed in the visual features shown in solid lines in the representations. The parts shown as dotted lines in the drawings do not form part of our inventive design and are not claimed herein. Also, the broken lines having alternating long and short segments define bounds of the claimed design and form no part thereof.**

- (21) Design Number: **14363/2015**  
(22) Date of Filing Application: **20 July 2015**  
(24) Date from which industrial property rights may have effect: **20 July 2015**  
(54) Product in respect of which the design is registered: **Molded coil**  
(51) International Design Classification: **13-02**  
(74) Name(s) of Attorney(s): **Davies Collison Cave**  
(71) Name(s) and Address(s) of Applicant(s):



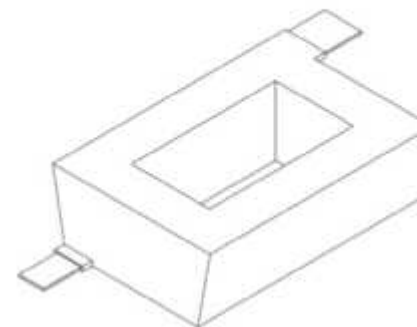
**Sumitomo Seika Chemicals Co., Ltd.**  
**346-1, Miyanishi, Harima-cho Kako-gun Hyogo 675-0145 Japan**  
**National Institute of Advanced Industrial Science and Technology**  
**3-1, Kasumigaseki 1-chome, Chiyodu-ku Tokyo 100-8921 Japan**  
**I&P Co., Ltd.**  
**1050-1, Takasaka, Higashimatsuyama-shi Saitama 355-0047 Japan**

- (72) Name(s) of Designer(s): **Noriyuki Hayashizaka and Daisuke Mishou and Takeo Ebina and Satomi Hattori and Takahiro Ishida and Tomoyuki Yamaguchi**  
(45) Registration Date: **19 October 2015**  
(30) Convention priority data:
- |                     |                    |              |
|---------------------|--------------------|--------------|
| (31) Number         | (32) Date          | (33) Country |
| <b>D2015-001017</b> | <b>21 Jan 2015</b> | <b>JAPAN</b> |

- (56) Related Art Documents: **Not Applicable**  
(57) Statement of Newness and Distinctiveness: **Newness and distinctiveness is claimed in the visual features shown in solid lines in the representations. The rectangle shown in the middle of the front view and rear view is hollow.**

- (21) Design Number: **14364/2015**  
(22) Date of Filing Application: **20 July 2015**  
(24) Date from which industrial property rights may have effect: **20 July 2015**  
(54) Product in respect of which the design is registered: **Molded coil**  
(51) International Design Classification: **13-02**  
(74) Name(s) of Attorney(s): **Davies Collison Cave**  
(71) Name(s) and Address(s) of Applicant(s):

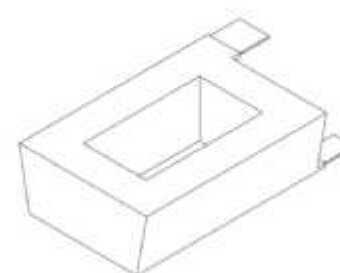
**Sumitomo Seika Chemicals Co., Ltd.**  
**346-1, Miyanishi, Harima-cho Kako-gun Hyogo 675-0145 Japan**  
**National Institute of Advanced Industrial Science and Technology**  
**3-1, Kasumigaseki 1-chome, Chiyodu-ku Tokyo 100-8921 Japan**  
**I&P Co., Ltd.**  
**1050-1, Takasaka, Higashimatsuyama-shi Saitama 355-0047 Japan**



- (72) Name(s) of Designer(s): **Noriyuki Hayashizaka and Daisuke Mishou and Takeo Ebina and Satomi Hattori and Takahiro Ishida and Tomoyuki Yamaguchi**  
(45) Registration Date: **19 October 2015**  
(30) Convention priority data:
- |                     |                    |              |
|---------------------|--------------------|--------------|
| (31) Number         | (32) Date          | (33) Country |
| <b>D2015-001015</b> | <b>21 Jan 2015</b> | <b>JAPAN</b> |
- (56) Related Art Documents: **Not Applicable**  
(57) Statement of Newness and Distinctiveness: **Newness and distinctiveness is claimed in the visual features shown in solid lines in the representations. The rectangle shown in the middle of the front view and rear view is hollow.**

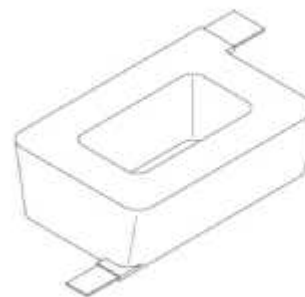
- (21) Design Number: **14365/2015**  
(22) Date of Filing Application: **20 July 2015**  
(24) Date from which industrial property rights may have effect: **20 July 2015**  
(54) Product in respect of which the design is registered: **Molded coil**  
(51) International Design Classification: **13-02**  
(74) Name(s) of Attorney(s): **Davies Collison Cave**  
(71) Name(s) and Address(s) of Applicant(s):

**Sumitomo Seika Chemicals Co., Ltd.**  
**346-1, Miyanishi, Harima-cho Kako-gun Hyogo 675-0145 Japan**  
**National Institute of Advanced Industrial Science and Technology**  
**3-1, Kasumigaseki 1-chome, Chiyodu-ku Tokyo 100-8921 Japan**  
**I&P Co., Ltd.**  
**1050-1, Takasaka, Higashimatsuyama-shi Saitama 355-0047 Japan**

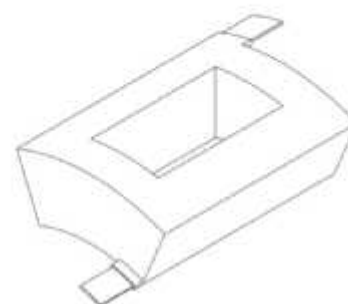


- (72) Name(s) of Designer(s): **Noriyuki Hayashizaka and Daisuke Mishou and Takeo Ebina and Satomi Hattori and Takahiro Ishida and Tomoyuki Yamaguchi**  
(45) Registration Date: **19 October 2015**  
(30) Convention priority data:
- |                     |                    |              |
|---------------------|--------------------|--------------|
| (31) Number         | (32) Date          | (33) Country |
| <b>D2015-001016</b> | <b>21 Jan 2015</b> | <b>JAPAN</b> |
- (56) Related Art Documents: **Not Applicable**  
(57) Statement of Newness and Distinctiveness: **Newness and distinctiveness is claimed in the visual features shown in solid lines in the representations. The rectangle shown in the middle of the front view and rear view is hollow.**

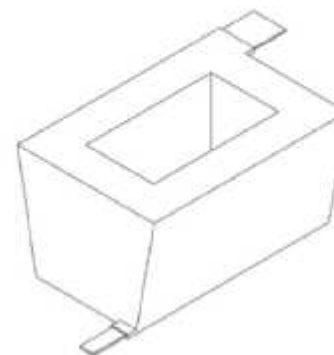
- (21) Design Number: **14366/2015**  
(22) Date of Filing Application: **20 July 2015**  
(24) Date from which industrial property rights may have effect: **20 July 2015**  
(54) Product in respect of which the design is registered: **Molded coil**  
(51) International Design Classification: **13-02**  
(74) Name(s) of Attorney(s): **Davies Collison Cave**  
(71) Name(s) and Address(s) of Applicant(s):  
**Sumitomo Seika Chemicals Co., Ltd.**  
**346-1, Miyanishi, Harima-cho Kako-gun Hyogo 675-0145 Japan**  
**National Institute of Advanced Industrial Science and Technology**  
**3-1, Kasumigaseki 1-chome, Chiyodu-ku Tokyo 100-8921 Japan**  
**I&P Co., Ltd.**  
**1050-1, Takasaka, Higashimatsuyama-shi Saitama 355-0047 Japan**  
(72) Name(s) of Designer(s): **Noriyuki Hayashizaka and Daisuke Mishou and Takeo Ebina and Satomi Hattori and Takahiro Ishida and Tomoyuki Yamaguchi**  
(45) Registration Date: **19 October 2015**  
(30) Convention priority data:  
(31) Number (32) Date (33) Country  
**D2015-008668 16 Apr 2015 JAPAN**  
(56) Related Art Documents: **Not Applicable**  
(57) Statement of Newness and Distinctiveness: **Newness and distinctiveness is claimed in the visual features shown in solid lines in the representations. The rectangle shown in the middle of the front view and rear view is hollow.**



- (21) Design Number: **14367/2015**  
(22) Date of Filing Application: **20 July 2015**  
(24) Date from which industrial property rights may have effect: **20 July 2015**  
(54) Product in respect of which the design is registered: **Molded coil**  
(51) International Design Classification: **13-02**  
(74) Name(s) of Attorney(s): **Davies Collison Cave**  
(71) Name(s) and Address(s) of Applicant(s):  
**Sumitomo Seika Chemicals Co., Ltd.**  
**346-1, Miyanishi, Harima-cho Kako-gun Hyogo 675-0145 Japan**  
**National Institute of Advanced Industrial Science and Technology**  
**3-1, Kasumigaseki 1-chome, Chiyodu-ku Tokyo 100-8921 Japan**  
**I&P Co., Ltd.**  
**1050-1, Takasaka, Higashimatsuyama-shi Saitama 355-0047 Japan**  
(72) Name(s) of Designer(s): **Noriyuki Hayashizaka and Daisuke Mishou and Takeo Ebina and Satomi Hattori and Takahiro Ishida and Tomoyuki Yamaguchi**  
(45) Registration Date: **19 October 2015**  
(30) Convention priority data:  
(31) Number (32) Date (33) Country  
**D2015-012650 08 Jun 2015 JAPAN**  
(56) Related Art Documents: **Not Applicable**  
(57) Statement of Newness and Distinctiveness: **Newness and distinctiveness is claimed in the visual features shown in solid lines in the representations. The rectangle shown in the middle of the front view and rear view is hollow.**



- (21) Design Number: **14368/2015**  
(22) Date of Filing Application: **20 July 2015**  
(24) Date from which industrial property rights may have effect: **20 July 2015**  
(54) Product in respect of which the design is registered: **Molded coil**  
(51) International Design Classification: **13-02**  
(74) Name(s) of Attorney(s): **Davies Collison Cave**  
(71) Name(s) and Address(s) of Applicant(s):  
**Sumitomo Seika Chemicals Co., Ltd.**  
**346-1, Miyanishi, Harima-cho Kako-gun Hyogo 675-0145 Japan**  
**National Institute of Advanced Industrial Science and Technology**  
**3-1, Kasumigaseki 1-chome, Chiyodu-ku Tokyo 100-8921 Japan**  
**I&P Co., Ltd.**  
**1050-1, Takasaka, Higashimatsuyama-shi Saitama 355-0047 Japan**  
(72) Name(s) of Designer(s): **Noriyuki Hayashizaka and Daisuke Mishou and Takeo Ebina and Satomi Hattori and Takahiro Ishida and Tomoyuki Yamaguchi**  
(45) Registration Date: **19 October 2015**  
(30) Convention priority data:  
(31) Number (32) Date (33) Country  
**D2015-012651 08 Jun 2015 JAPAN**  
(56) Related Art Documents: **Not Applicable**  
(57) Statement of Newness and Distinctiveness: **Newness and distinctiveness is claimed in the visual features shown in solid lines in the representations. The rectangle shown in the middle of the front view and rear view is hollow.**



- (21) Design Number: **14369/2015**  
(22) Date of Filing Application: **20 July 2015**  
(24) Date from which industrial property rights may have effect: **20 July 2015**  
(54) Product in respect of which the design is registered: **Molded coil**  
(51) International Design Classification: **13-02**  
(74) Name(s) of Attorney(s): **Davies Collison Cave**  
(71) Name(s) and Address(s) of Applicant(s):  
**Sumitomo Seika Chemicals Co., Ltd.**  
**346-1, Miyanishi, Harima-cho Kako-gun Hyogo 675-0145 Japan**  
**National Institute of Advanced Industrial Science and Technology**  
**3-1, Kasumigaseki 1-chome, Chiyodu-ku Tokyo 100-8921 Japan**  
**I&P Co., Ltd.**  
**1050-1, Takasaka, Higashimatsuyama-shi Saitama 355-0047 Japan**  
(72) Name(s) of Designer(s): **Noriyuki Hayashizaka and Daisuke Mishou and Takeo Ebina and Satomi Hattori and Takahiro Ishida and Tomoyuki Yamaguchi**  
(45) Registration Date: **19 October 2015**  
(30) Convention priority data:  
(31) Number (32) Date (33) Country  
**D2015-001018 21 Jan 2015 JAPAN**  
(56) Related Art Documents: **Not Applicable**  
(57) Statement of Newness and Distinctiveness: **Newness and distinctiveness is claimed in the visual features shown in solid lines in the representations. The parts shown as dotted lines in the drawings do not form part of our inventive design and are not claimed herein. Also, the broken lines having alternating long and short segments define bounds of the claimed design and form no part thereof.**

