



**Australian Government**

---

**IP Australia**

**AUSTRALIAN OFFICIAL JOURNAL**

**OF**

**DESIGNS**

Did you know a searchable version of this journal is now available online?

It's FREE and EASY to SEARCH.

Find it on our website ([www.ipaustralia.gov.au](http://www.ipaustralia.gov.au))

by using the "Journals" link on the home page.

This Page Left Intentionally Blank

**Contents**

**General Information & Notices**

**Proceedings Under the Designs Act 1906 preserved as a result of the provisions of Chapter 12  
Part 2 of the Designs Act 2003**

**Registrations Ceased ..... 3256**

**Subsequent Owners Registered ..... 3256**

**Proceedings Under the Designs Act 2003**

**Applications for Extension of Time Under Section 137 ..... 3271**

**Applications Lapsed ..... 3268**

**Applications Lodged ..... 3260**

**Applications Withdrawn ..... 3268**

**Certificate of Examination ..... 3273**

**Extension of Period of Registration of Design ..... 3270**

**Extension of Time Granted Under Section 137 ..... 3271**

**Names Registered - Alterations and Amendments ..... 3272**

**Publication and Registration Proceedings**

**Designs Registered 364814 to 364993..... 3274**

**Registrations Ceased ..... 3270**

**Subsequent Owners Registered ..... 3271**

This Page Left Intentionally Blank

For information on the following please see our website [www.ipaustralia.gov.au](http://www.ipaustralia.gov.au) or contact our Customer Service Network on 1300651010

[Editorial enquiries](#)

[Contact information](#)

[Freedom of Information ACT](#)

[Professional Standards Board](#)

[Sales](#)

[Requests for Information under Section 194 \(c\)](#)

[Country Codes](#)

[Trade Mark and Designs Hearing Sessions](#)

[INID \(Internationally agreed Numbers for the Identification of Data\)](#)

## “INID” NUMBERS in use on Australian Design Documents

“INID” is an acronym for “Internationally agreed Numbers for the Identification of Data”.

### (10) Data concerning the registration/renewal

- (11) Serial number of the registration and/or number of the design document
- (12) Plain language designation of the kind of published document
- (19) Identification, using the two-letter code according to WIPO Standard ST.3, of the authority publishing or registering the industrial design

### (20) Data concerning the application

- (21) Serial number of the application
- (22) Date of filing of the application
- (24) Date from which the industrial design right has effect

### (30) Data relating to priority under the Paris Convention

- (31) Serial number assigned to the priority application
- (32) Date of filing of the priority application
- (33) Two-letter code, according to WIPO Standard ST.3, identifying the authority with which the priority application was made

### (40) Date(s) of making information available to the public

- (45) Date of publication of the registered industrial design by printing or similar process, or making it available to the public by any other means

### (50) Miscellaneous Information

- (51) International Classification for Industrial Designs (class and subclass of the Locarno Classification)
- (54) Designation of article(s) or product(s) covered by the industrial design or title of the industrial design
- (55) Reproduction of the industrial design (e.g., drawing, photograph) and explanations relating to the reproduction
- (56) List of prior art documents, if separate from descriptive text
- (57) Description of characteristic features of the industrial design including indication of colours

### (60) References to other legally related application(s) and registration(s)

- (62) Serial number(s) and, if available, filing date(s) of application(s), registration(s) or document(s) related by division
- (66) Serial number(s) of the application, or the registration, of the design(s) which is (are) a variant(s) of the present one

### (70) Identification of parties concerned with the application or registration

- (71) Name(s) and address(es) of the applicant(s)
- (72) Name(s) of the creator(s) if known to be such
- (74) Name(s) and address(es) of the representative(s)

This Page Left Intentionally Blank

**Nil notices for this journal issue.**

**Proceedings under the Designs Act 1906 preserved as a result of the provisions of Chapter 12 Part 2 of the Designs Act 2003.**



This Page Left Intentionally Blank

**Applications Lapsed**

There were no Applications Lapsed under this section

**Registrations Ceased**

Note: Some of the following Registrations may have been previously advertised as ceased. In this instance, the previous advertisement still prevails.

139173	140397	140423
140424	140425	140437
140438	140439	140503
140589	140590	140645
140646	140675	140676
140763	140982	141232
141274	141275	141481
141482	141571	141750
142036	142178	143450
143702	143777	143844
144084	145053	145054
146569	151971	156720
156756	156770	156798
156816	156838	156877
156878	156879	157142
157143	157144	157145
157188	157949	157955
158025	158026	158029
158030	158324	158325
158326	158327	158329
158368	158378	158426
158523		

**Subsequent Owners Registered**

(The name in parentheses is that of the subsequent owner)

153882	( <b>Cartier International AG</b> ) Cartier Creation Studio SA
153883	( <b>Cartier International AG</b> ) Cartier Creation Studio SA
156237	( <b>Ridgeback Acquisition LLC</b> ) The Procter & Gamble Company
158373	( <b>Ridgeback Acquisition LLC</b> ) The Procter & Gamble Company
149999	( <b>Innotec Building Systems Pty Ltd</b> ) Peter Francis Layton
152710	( <b>Innotec Building Systems Pty Ltd</b> ) Peter Francis Layton

This Page Left Intentionally Blank

**Proceedings under the Designs Act 2003.**

This Page Left Intentionally Blank

**Applications Lodged**

Lodgement information is in the following order: **Applicant's Name**; International Classification, Name of Product, Lodgement Date and **Design Number**. If the applicant claims an earlier priority date under an International Convention, the Convention Country and the associated filing date are shown in parentheses before the Lodgement Date. Divisional information will also appear in parentheses before the Lodgement Date.

<b>i-glider Limited;</b> 12-12, Invalid chair, (EM, 22 Apr 2015) 21 Oct 2015	<b>15554/2015</b>	<b>AJ Park;</b> 25-01D, An insert for a panel, (Divisional of 14230/2015) 28 Oct 2015	<b>15735/2015</b>
<b>A&amp;SJ International;</b> 32-03, Ceramic & porcelain tiles, 22 Oct 2015	<b>15625/2015</b>	<b>A1 BOTTLED WATERS PTY LTD;</b> 09-01B, 12ltr pet bottle, 19 Oct 2015	<b>15511/2015</b>
<b>A&amp;SJ International;</b> 32-03, Ceramic & porcelain tiles, 22 Oct 2015	<b>15625/2015</b>	<b>Backhouse, Troy;Pigitsaki, John;</b> 07-07B, Bucket, 28 Oct 2015	<b>15732/2015</b>
<b>Actervis GmbH;</b> 08-03, Cutting tool, (EM, 24 Apr 2015) 26 Oct 2015	<b>15697/2015</b>	<b>Bayer HealthCare LLC;</b> 23-02A, Dispensing device with engagement means, 28 Oct 2015	<b>15754/2015</b>
<b>Actervis GmbH;</b> 08-03, Cutting tool, (EM, 24 Apr 2015) 26 Oct 2015	<b>15698/2015</b>	<b>Bayer HealthCare LLC;</b> 23-02A, Dispensing device with engagement means, 28 Oct 2015	<b>15755/2015</b>
<b>Alfred Karcher GmbH &amp; Co. KG;</b> 15-05, Floor cleaning machine, (WO, 27 Apr 2015) 22 Oct 2015	<b>15621/2015</b>	<b>Bayer HealthCare LLC;</b> 24-04, 09-01A, Dispensing device with engagement means, 28 Oct 2015	<b>15749/2015</b>
<b>Allen &amp; Heath Limited;</b> 14-01, Audio equipment, (EM, 24 Apr 2015) 23 Oct 2015	<b>15667/2015</b>	<b>Bayer HealthCare LLC;</b> 24-04, 09-01A, Dispensing device with engagement means, 28 Oct 2015	<b>15747/2015</b>
<b>Allen &amp; Heath Limited;</b> 14-01, Audio equipment, (EM, 24 Apr 2015) 23 Oct 2015	<b>15670/2015</b>	<b>Belfiore, Joseph Paul;</b> 26-01, Candle, 23 Oct 2015	<b>15663/2015</b>
<b>Allen &amp; Heath Limited;</b> 14-01, Audio equipment, (EM, 24 Apr 2015) 23 Oct 2015	<b>15668/2015</b>	<b>Bilfinger Water Technologies Pty Ltd;</b> 06-04NES, A wire structure, 26 Oct 2015	<b>15689/2015</b>
<b>Andrea, Vincenzi;Francesco, Schenetti;</b> 09-01D, A bottle, (EM, 08 May 2015) 22 Oct 2015	<b>15629/2015</b>	<b>Bilfinger Water Technologies Pty Ltd;</b> 06-04NES, A wire structure, 26 Oct 2015	<b>15696/2015</b>
<b>Anki, Inc.;</b> 23-01A, Coupling member, 06 Aug 2015	<b>15518/2015</b>	<b>Bilfinger Water Technologies Pty Ltd;</b> 06-04NES, A wire structure, 26 Oct 2015	<b>15694/2015</b>
<b>Anki, Inc.;</b> 21-01C, Toy track and coupling element, 06 Aug 2015	<b>15514/2015</b>	<b>Bilfinger Water Technologies Pty Ltd;</b> 06-04NES, A wire structure, 26 Oct 2015	<b>15695/2015</b>
<b>Anki, Inc.;</b> 21-01C, Toy track and coupling element, 06 Aug 2015	<b>15515/2015</b>	<b>Bilfinger Water Technologies Pty Ltd;</b> 06-04NES, A wire structure, 26 Oct 2015	<b>15693/2015</b>
<b>Apple Inc.;</b> 20-02E, Display structure, (US, 08 May 2015) 07 Oct 2015	<b>15228/2015</b>	<b>Bilfinger Water Technologies Pty Ltd;</b> 06-04NES, A wire structure, 26 Oct 2015	<b>15691/2015</b>
<b>Archline Products Pty Ltd;</b> 02-04NES, A pair of thongs, 16 Oct 2015	<b>15486/2015</b>	<b>Bilfinger Water Technologies Pty Ltd;</b> 06-04NES, A wire structure, 26 Oct 2015	<b>15692/2015</b>
<b>Ark Corporation;</b> 12-16L, A cover for a tow ball and tow ball mount, 23 Oct 2015	<b>15672/2015</b>	<b>Bilfinger Water Technologies Pty Ltd;</b> 06-04NES, A wire structure, 26 Oct 2015	<b>15690/2015</b>
<b>AJ Park;</b> 25-01D, An insert for a panel, (Divisional of 14230/2015) 28 Oct 2015	<b>15734/2015</b>	<b>Blin, Christine Cheng;Cheng, Allan Blin;</b> 21-01NES, An educational toy, (EM, 22 May 2015) 27 Oct 2015	<b>15688/2015</b>
		<b>Blunt, James;</b> 07-06A, Stubby cooler, 03 Oct 2015	<b>15710/2015</b>
		<b>Bromic Pty Limited;</b> 23-03B, Heater, 23 Oct 2015	<b>15509/2015</b>
			<b>15669/2015</b>

<b>Brookes Engraving Pty Ltd;</b> 11-02NES, My tree of life family tree ornament, 26 Oct 2015	<b>15676/2015</b>	<b>Capi Europe B.V.;</b> 11-02B, A pot, (EM, 19 May 2015) 28 Oct 2015	<b>15748/2015</b>
<b>Bulgari S.p.A.;</b> 11-01A, Ring, (WO, 23 Apr 2015) 22 Oct 2015	<b>15606/2015</b>	<b>Capi Europe B.V.;</b> 11-02B, A pot, (EM, 19 May 2015) 28 Oct 2015	<b>15737/2015</b>
<b>Bulgari S.p.A.;</b> 11-01C, Bracelet, (WO, 23 Apr 2015) 22 Oct 2015	<b>15613/2015</b>	<b>Capi Europe B.V.;</b> 11-02B, A pot, (EM, 19 May 2015) 28 Oct 2015	<b>15738/2015</b>
<b>Bulgari S.p.A.;</b> 11-01E, Necklace, (WO, 23 Apr 2015) 22 Oct 2015	<b>15611/2015</b>	<b>Carter, Michael W.;Butler, Pamela A.;</b> 09-05, Marine trash receptacle, (US, 27 Apr 2015) 27 Oct 2015	<b>15707/2015</b>
<b>Bulgari S.p.A.;</b> 11-01E, Necklace, (WO, 23 Apr 2015) 22 Oct 2015	<b>15612/2015</b>	<b>Casper Sleep Inc.;</b> 06-09, Mattress, (US, 17 Apr 2015) 16 Oct 2015	<b>15490/2015</b>
<b>Bulgari S.p.A.;</b> 11-01NES, Pendant, (WO, 23 Apr 2015) 22 Oct 2015	<b>15607/2015</b>	<b>Casper Sleep Inc.;</b> 06-09, Mattress, (US, 17 Apr 2015) 16 Oct 2015	<b>15497/2015</b>
<b>Bulgari S.p.A.;</b> 11-01D, Earring, (WO, 23 Apr 2015) 22 Oct 2015	<b>15609/2015</b>	<b>Casper Sleep Inc.;</b> 06-09, Mattress, (US, 17 Apr 2015) 16 Oct 2015	<b>15498/2015</b>
<b>Bulgari S.p.A.;</b> 11-01D, Earring, (WO, 23 Apr 2015) 22 Oct 2015	<b>15610/2015</b>	<b>Casper Sleep Inc.;</b> 06-09, Mattress, (US, 17 Apr 2015) 16 Oct 2015	<b>15492/2015</b>
<b>Bulgari S.p.A.;</b> 11-01C, Bracelet, (WO, 23 Apr 2015) 22 Oct 2015	<b>15608/2015</b>	<b>Casper Sleep Inc.;</b> 06-09, Mattress, (US, 17 Apr 2015) 16 Oct 2015	<b>15495/2015</b>
<b>Buster and Punch Limited;</b> 13-03D, Dimmer toggle switch, (EM, 23 Apr 2015) 23 Oct 2015	<b>15658/2015</b>	<b>Casper Sleep Inc.;</b> 06-09, Mattress, (US, 17 Apr 2015) 16 Oct 2015	<b>15491/2015</b>
<b>Buster and Punch Limited;</b> 13-03D, Dimmer switch, (EM, 23 Apr 2015) 23 Oct 2015	<b>15659/2015</b>	<b>Celgene Corporation;</b> 28-01, Pharmaceutical tablet, (US, 28 Apr 2015) 26 Oct 2015	<b>15700/2015</b>
<b>Butler, Pamela A.;Carter, Michael W.;</b> 09-05, Marine trash receptacle, (US, 27 Apr 2015) 27 Oct 2015	<b>15707/2015</b>	<b>Cheng, Allan Blin;Blin, Christine Cheng;</b> 21-01NES, An educational toy, (EM, 22 May 2015) 27 Oct 2015	<b>15710/2015</b>
<b>BISSELL Homecare, Inc.;</b> 15-05, Vacuum cleaner upright portion, (US, 05 May 2015) 27 Oct 2015	<b>15719/2015</b>	<b>Clic Goggles, Inc.;</b> 16-06, Eyewear, (US, 29 May 2015) 29 Oct 2015	<b>15784/2015</b>
<b>BISSELL Homecare, Inc.;</b> 08-05NES, Accessory tool, (US, 05 May 2015) 27 Oct 2015	<b>15724/2015</b>	<b>Cottell, Samuel Charles;</b> 09-03NES, Packing box, 26 Oct 2015	<b>15701/2015</b>
<b>BISSELL Homecare, Inc.;</b> 15-05, Valve portion, (US, 05 May 2015) 27 Oct 2015	<b>15723/2015</b>	<b>CERAMICA MALPESA, S.A.;</b> 25-01A, Bricks, (EM, 22 Apr 2015) 22 Oct 2015	<b>15599/2015</b>
<b>BISSELL Homecare, Inc.;</b> 15-05, Surface cleaner base, (US, 05 May 2015) 27 Oct 2015	<b>15721/2015</b>	<b>CERAMICA MALPESA, S.A.;</b> 25-01A, Bricks, (EM, 22 Apr 2015) 22 Oct 2015	<b>15595/2015</b>
<b>BISSELL Homecare, Inc.;</b> 15-05, Vacuum cleaner tank, (US, 05 May 2015) 27 Oct 2015	<b>15722/2015</b>	<b>CERAMICA MALPESA, S.A.;</b> 25-01A, Bricks, (EM, 22 Apr 2015) 22 Oct 2015	<b>15592/2015</b>
<b>C.E. &amp; A. CO. PTY. LTD.;Matthews, Phillip;</b> 12-06B, A keyless rudder carrier bearing with tiller arm, 23 Oct 2015	<b>15664/2015</b>	<b>CERAMICA MALPESA, S.A.;</b> 25-01A, Bricks, (EM, 22 Apr 2015) 22 Oct 2015	<b>15594/2015</b>
		<b>CERAMICA MALPESA, S.A.;</b> 25-01A, Bricks, (EM, 22 Apr 2015) 22 Oct 2015	<b>15597/2015</b>



<b>CURVER Luxembourg Sarl;</b> 07-02NES, Divider for container, (IL, 16 Apr 2015) 16 Oct 2015	<b>15485/2015</b>	<b>Fiskars Garden Oy Ab;</b> 08-01, Weeder, 22 Oct 2015	<b>15590/2015</b>
<b>CURVER Luxembourg Sarl;</b> 07-01NES, Container, (IL, 16 Apr 2015) 16 Oct 2015	<b>15488/2015</b>	<b>Fiskars Garden Oy Ab;</b> 08-01, Weeder, 22 Oct 2015	<b>15603/2015</b>
<b>CURVER Luxembourg Sarl;</b> 07-01NES, Container, (IL, 16 Apr 2015) 16 Oct 2015	<b>15494/2015</b>	<b>Fiskars Garden Oy Ab;</b> 08-01, Weeder, 22 Oct 2015	<b>15601/2015</b>
<b>CURVER Luxembourg Sarl;</b> 07-01NES, Container, (IL, 16 Apr 2015) 16 Oct 2015	<b>15487/2015</b>	<b>Fiskars Garden Oy Ab;</b> 08-03, Pruner, for example a tree pruner, 21 Oct 2015	<b>15585/2015</b>
<b>CURVER Luxembourg Sarl;</b> 07-01NES, Container, (IL, 16 Apr 2015) 16 Oct 2015	<b>15484/2015</b>	<b>Fiskars Garden Oy Ab;</b> 08-03, Pruner, for example a tree pruner, 21 Oct 2015	<b>15570/2015</b>
<b>CURVER Luxembourg Sarl;</b> 07-01NES, Container, (IL, 16 Apr 2015) 16 Oct 2015	<b>15484/2015</b>	<b>Fiskars Garden Oy Ab;</b> 08-03, Sheath for a gardening tool, 22 Oct 2015	<b>15622/2015</b>
<b>CURVER Luxembourg Sarl;</b> 07-01NES, Container, (IL, 16 Apr 2015) 16 Oct 2015	<b>15493/2015</b>	<b>Fiskars Garden Oy Ab;</b> 08-01, Weeder, 22 Oct 2015	<b>15598/2015</b>
<b>CURVER Luxembourg Sarl;</b> 07-01NES, Container, (IL, 16 Apr 2015) 16 Oct 2015	<b>15496/2015</b>	<b>Fiskars Garden Oy Ab;</b> 08-03, Pruner, for example a tree pruner, 21 Oct 2015	<b>15561/2015</b>
<b>Dart Industries Inc.;</b> 09-01D, Bottle with owl shape, (US, 29 May 2015) 19 Oct 2015	<b>15516/2015</b>	<b>Fiskars Garden Oy Ab;</b> 08-03, Saw, 21 Oct 2015	<b>15571/2015</b>
<b>Dart Industries Inc.;</b> 10-04, Measuring cup, 26 Oct 2015	<b>15702/2015</b>	<b>Fiskars Garden Oy Ab;</b> 08-03, Saw, 21 Oct 2015	<b>15567/2015</b>
<b>Dias Aluminium Products Pty.Ltd.;</b> 08-09, Concealed fixing channel frame and cover, 21 Oct 2015	<b>15605/2015</b>	<b>Fiskars Garden Oy Ab;</b> 08-01, Weeder, 22 Oct 2015	<b>15624/2015</b>
<b>Diaz, Sandra;</b> 06-03C, Standing up desk, 20 Oct 2015	<b>15533/2015</b>	<b>Fiskars Garden Oy Ab;</b> 08-03, Pruner, for example a tree pruner, 21 Oct 2015	<b>15574/2015</b>
<b>Einhell Germany AG;</b> 26-02, Lamp, (EM, 23 Apr 2015) 01 Oct 2015	<b>15196/2015</b>	<b>Fiskars Garden Oy Ab;</b> 08-03, Pruner, for example a tree pruner, 21 Oct 2015	<b>15575/2015</b>
<b>EI-Hajj Enterprises Pty Ltd;</b> 27-99, Disposable shisha, 20 Oct 2015	<b>15549/2015</b>	<b>Fiskars Garden Oy Ab;</b> 08-03, Saw, 21 Oct 2015	<b>15580/2015</b>
<b>Erken, Jacob;WAGTAIL CLEANING TOOLS PTY LTD;</b> 07-05E, Window cleaning squeegees, 17 Oct 2015	<b>15508/2015</b>	<b>Fiskars Garden Oy Ab;</b> 08-03, Saw, 21 Oct 2015	<b>15581/2015</b>
<b>Ferrari S.p.A.;</b> 12-08, Car and toy-car, (EM, 24 Apr 2015) 21 Oct 2015	<b>15584/2015</b>	<b>Fiskars Garden Oy Ab;</b> 08-03, Pruner, for example a tree pruner, 21 Oct 2015	<b>15675/2015</b>
<b>Fiskars Garden Oy Ab;</b> 08-03, Saw, 21 Oct 2015	<b>15583/2015</b>	<b>Ford, Peter Robert;</b> 30-02, Chicken coop, 25 Oct 2015	<b>15675/2015</b>
<b>Fiskars Garden Oy Ab;</b> 08-01, Weeder, 22 Oct 2015	<b>15588/2015</b>	<b>Forever New Clothing Pty Ltd;</b> 02-02NES, Article of clothing, (Divisional of 11074/2015) 26 Oct 2015	<b>15679/2015</b>
<b>Fiskars Garden Oy Ab;</b> 08-01, Weeder, 22 Oct 2015	<b>15619/2015</b>	<b>Forever New Clothing Pty Ltd;</b> 02-02NES, Article of clothing, (Divisional of 11074/2015) 26 Oct 2015	<b>15682/2015</b>
<b>Fiskars Garden Oy Ab;</b> 08-01, Weeder, 22 Oct 2015	<b>15593/2015</b>	<b>Forever New Clothing Pty Ltd;</b> 02-02C, Article of clothing, (Divisional of 11074/2015) 26 Oct 2015	<b>15683/2015</b>
<b>Fiskars Garden Oy Ab;</b> 08-01, Weeder, 22 Oct 2015	<b>15631/2015</b>	<b>Forever New Clothing Pty Ltd;</b> 02-02NES, Article of clothing, (Divisional of 11074/2015) 26 Oct 2015	<b>15684/2015</b>
<b>Fiskars Garden Oy Ab;</b> 08-01, Weeder, 22 Oct 2015	<b>15630/2015</b>	<b>Forever New Clothing Pty Ltd;</b> 02-02NES, Article of clothing, (Divisional of 11074/2015) 26 Oct 2015	<b>15685/2015</b>

<b>Forever New Clothing Pty Ltd;</b> 02-02C, Article of clothing, (Divisional of 11074/2015) 26 Oct 2015	<b>15686/2015</b>	<b>G. S. WORLD PTY LTD;</b> 25-02NES, Rafter design for oztech retractable pergola, 22 Oct 2015	<b>15615/2015</b>
<b>Forever New Clothing Pty Ltd;</b> 02-02C, Article of clothing, 26 Oct 2015	<b>15687/2015</b>	<b>G. S. WORLD PTY LTD;</b> 25-02NES, Fabric bar design for oztech retractable pergola, 22 Oct 2015	<b>15617/2015</b>
<b>Forever New Clothing Pty Ltd;</b> 02-02NES, Article of clothing, (Divisional of 11074/2015) 26 Oct 2015	<b>15681/2015</b>	<b>G. S. WORLD PTY LTD;</b> 25-02NES, Gutter design for oztech retractable pergola, 22 Oct 2015	<b>15614/2015</b>
<b>Forever New Clothing Pty Ltd;</b> 02-02NES, Article of clothing, (Divisional of 11074/2015) 26 Oct 2015	<b>15680/2015</b>	<b>Golden Circle Limited;</b> 09-01K, Bottle, 29 Oct 2015	<b>15786/2015</b>
<b>Forever New Clothing Pty Ltd;</b> 02-02NES, Article of clothing, (Divisional of 11074/2015) 26 Oct 2015	<b>15677/2015</b>	<b>Helen of Troy Limited;</b> 07-05E, Squeegee, (US, 09 May 2015) 27 Oct 2015	<b>15727/2015</b>
<b>Forever New Clothing Pty Ltd;</b> 02-02NES, Article of clothing, (Divisional of 11074/2015) 26 Oct 2015	<b>15678/2015</b>	<b>Helen of Troy Limited;</b> 07-05E, Squeegee, (US, 09 May 2015) 27 Oct 2015	<b>15728/2015</b>
<b>Francesco, Schenetti;Andrea, Vincenzi;</b> 09-01D, A bottle, (EM, 08 May 2015) 22 Oct 2015	<b>15629/2015</b>	<b>Honda Motor Co., Ltd.;</b> 12-08, An automobile, (JP, 27 Apr 2015) 23 Oct 2015	<b>15666/2015</b>
<b>FrigbotPty Ltd;</b> 03-01NES, Enclosure for an electronic device, 23 Oct 2015	<b>15671/2015</b>	<b>Hubbell Incorporated;</b> 26-05NES, Luminaire, (US, 21 Apr 2015) 19 Oct 2015	<b>15513/2015</b>
<b>FD Enterprise (Aust) Pty Ltd;</b> 02-04NES, A boot, 22 Oct 2015	<b>15626/2015</b>	<b>Husqvarna AB;</b> 23-01E, Spray head, (EM, 22 Apr 2015) 22 Oct 2015	<b>15587/2015</b>
<b>FD Enterprise (Aust) Pty Ltd;</b> 02-04NES, A boot, 22 Oct 2015	<b>15627/2015</b>	<b>Husqvarna AB;</b> 23-01D, Spray head, (EM, 22 Apr 2015) 22 Oct 2015	<b>15591/2015</b>
<b>FD Enterprise (Aust) Pty Ltd;</b> 02-04NES, A boot, 22 Oct 2015	<b>15628/2015</b>	<b>Husqvarna AB;</b> 23-01D, Spray lance, (EM, 22 Apr 2015) 20 Oct 2015	<b>15535/2015</b>
<b>G. S. WORLD PTY LTD;</b> 25-02NES, Post design for oztech retractable pergola, 22 Oct 2015	<b>15616/2015</b>	<b>Husqvarna AB;</b> 08-05A, Sprayer, (EM, 22 Apr 2015) 20 Oct 2015	<b>15543/2015</b>
<b>G. S. WORLD PTY LTD;</b> 25-02NES, , 28 Oct 2015	<b>15771/2015</b>	<b>Husqvarna AB;</b> 08-05A, Sprayer, (EM, 22 Apr 2015) 20 Oct 2015	<b>15540/2015</b>
<b>G. S. WORLD PTY LTD;</b> 25-02NES, Trolley for oztech retractable pergola, 28 Oct 2015	<b>15777/2015</b>	<b>Husqvarna AB;</b> 08-05A, Sprayer, (EM, 22 Apr 2015) 20 Oct 2015	<b>15541/2015</b>
<b>G. S. WORLD PTY LTD;</b> 25-02NES, Puller plug for oztech retractable pergola, 28 Oct 2015	<b>15775/2015</b>	<b>Husqvarna AB;</b> 08-05A, Spray lance, (EM, 22 Apr 2015) 20 Oct 2015	<b>15542/2015</b>
<b>G. S. WORLD PTY LTD;</b> 25-02NES, Rafter cap for oztech retractable pergola, 28 Oct 2015	<b>15776/2015</b>	<b>HANKOOK TIRE CO., LTD.;</b> 12-15B, Tire, (KR, 17 Apr 2015) 16 Oct 2015	<b>15483/2015</b>
<b>G. S. WORLD PTY LTD;</b> 25-02NES, Motor support bar for oztech retractable pergola, 28 Oct 2015	<b>15773/2015</b>	<b>HUNTERS AND GATHERERS BAZAAR PTY LTD;</b> 10-02, Watch, 19 Oct 2015	<b>15512/2015</b>
<b>G. S. WORLD PTY LTD;</b> 25-02NES, Post base for oztech retractable pergola, 28 Oct 2015	<b>15774/2015</b>	<b>Jardin Netherlands B.V.;</b> 06-03A, Table, (EM, 20 Apr 2015) 20 Oct 2015	<b>15532/2015</b>
<b>G. S. WORLD PTY LTD;</b> 25-02NES, Motor box for oztech retractable pergola, 28 Oct 2015	<b>15772/2015</b>	<b>Joan-an Ma, Oliver;</b> 03-03, Handle for umbrella shaft, (CA, 29 Apr 2015) 16 Oct 2015	<b>15502/2015</b>
<b>G. S. WORLD PTY LTD;</b> 25-02NES, Fabric tension bar for oztech retractable pergola, 22 Oct 2015	<b>15618/2015</b>		

<b>JETS Swimwear Pty Limited;</b> 02-02A, Swimwear, 28 Oct 2015	<b>15763/2015</b>	<b>Magi Enterprises Pty Ltd;</b> 02-02NES, Sweater, 22 Jun 2015	<b>15505/2015</b>
<b>JETS Swimwear Pty Limited;</b> 02-02A, Swimwear, 28 Oct 2015	<b>15767/2015</b>	<b>Matthews, John;</b> 08-08G, School bag hanging system, 16 Feb 2015	<b>15504/2015</b>
<b>JETS Swimwear Pty Limited;</b> 02-02A, Swimwear, 28 Oct 2015	<b>15769/2015</b>	<b>Matthews, Phillip;C.E. &amp; A. CO. PTY. LTD.;</b> 12-06B, A keyless rudder carrier bearing with tiller arm, 23 Oct 2015	<b>15664/2015</b>
<b>JETS Swimwear Pty Limited;</b> 02-02A, Swimwear, 28 Oct 2015	<b>15770/2015</b>	<b>Mawby, Susan;</b> 08-09, A doorstep, 19 Oct 2015	<b>15519/2015</b>
<b>JETS Swimwear Pty Limited;</b> 02-02A, Swimwear, 28 Oct 2015	<b>15768/2015</b>	<b>Meyerhoffer, Thomas E;</b> 08-07, Door locking mechanism, (US, 16 Apr 2015) 16 Oct 2015	<b>15481/2015</b>
<b>JETS Swimwear Pty Limited;</b> 02-02A, Swimwear, 28 Oct 2015	<b>15765/2015</b>	<b>Meyerhoffer, Thomas E;</b> 08-07, Door locking mechanism, (US, 16 Apr 2015) 16 Oct 2015	<b>15482/2015</b>
<b>JETS Swimwear Pty Limited;</b> 02-02A, Swimwear, 28 Oct 2015	<b>15764/2015</b>	<b>Mitchell Terrace Pty Ltd;</b> 09-07A, Applicator, 16 Oct 2015	<b>15501/2015</b>
<b>JETS Swimwear Pty Limited;</b> 02-02A, Swimwear, 28 Oct 2015	<b>15761/2015</b>	<b>Molnlycke Health Care AB;</b> 24-04, Wound dressing, (EM, 21 Apr 2015) 20 Oct 2015	<b>15537/2015</b>
<b>JETS Swimwear Pty Limited;</b> 02-02A, Swimwear, 28 Oct 2015	<b>15762/2015</b>	<b>Molnlycke Health Care AB;</b> 24-04, Wound dressing, (EM, 21 Apr 2015) 20 Oct 2015	<b>15538/2015</b>
<b>JETS Swimwear Pty Limited;</b> 02-02A, Swimwear, 28 Oct 2015	<b>15759/2015</b>	<b>Moore, Breon Winslow;</b> 12-02, Hand trolley, 20 Oct 2015	<b>15526/2015</b>
<b>JETS Swimwear Pty Limited;</b> 02-02A, Swimwear, 28 Oct 2015	<b>15758/2015</b>	<b>Multigate Medical Products Pty Ltd;</b> 07-01F, A jug, 19 Oct 2015	<b>15521/2015</b>
<b>JETS Swimwear Pty Limited;</b> 02-02A, Swimwear, 28 Oct 2015	<b>15756/2015</b>	<b>MICRO-X LIMITED;</b> 24-01, Mobile x-ray apparatus, 20 Oct 2015	<b>15550/2015</b>
<b>JETS Swimwear Pty Limited;</b> 02-02A, Swimwear, 28 Oct 2015	<b>15757/2015</b>	<b>MICRO-X LIMITED;</b> 24-99, Hand-graspable grip, 20 Oct 2015	<b>15551/2015</b>
<b>JOSEPH JOSEPH LTD;</b> 07-01NES, Kitchenware, (GB, 10 Apr 2015) 07 Oct 2015	<b>15261/2015</b>	<b>M#lnlycke Health Care AB;</b> 24-04, Wound pad, (EM, 21 Apr 2015) 20 Oct 2015	<b>15539/2015</b>
<b>JS Products, Inc.;</b> 08-05P, Pistol Grip Pliers, (CN, 17 Apr 2015) 19 Oct 2015	<b>15517/2015</b>	<b>Nerudia Limited;</b> 27-99, Electronic cigarette component, (EM, 24 Apr 2015) 22 Oct 2015	<b>15638/2015</b>
<b>Kleentek Pty Ltd;</b> 15-05, Cleaning unit, (NZ, 30 Apr 2015) 27 Oct 2015	<b>15720/2015</b>	<b>Nerudia Limited;</b> 27-99, Electronic cigarette component, (EM, 24 Apr 2015) 22 Oct 2015	<b>15639/2015</b>
<b>Kristalia S.r.l.;</b> 06-01E, Stool, (EM, 29 Apr 2015) 29 Oct 2015	<b>15785/2015</b>	<b>Nerudia Limited;</b> 27-99, Electronic cigarette component, (EM, 24 Apr 2015) 22 Oct 2015	<b>15636/2015</b>
<b>KBL HOLDINGS PTY LTD;</b> 25-02F, A ventilator, 16 Oct 2015	<b>15489/2015</b>	<b>Nerudia Limited;</b> 27-99, Electronic cigarette component, (EM, 24 Apr 2015) 22 Oct 2015	<b>15635/2015</b>
<b>Li, Jing;</b> 21-01F, Scooter (folding), 26 Oct 2015	<b>15703/2015</b>	<b>Nerudia Limited;</b> 27-99, Electronic cigarette component, (EM, 24 Apr 2015) 22 Oct 2015	<b>15637/2015</b>
<b>Liftup A/S;</b> 06-01F, Chair, (EM, 22 Apr 2015) 22 Oct 2015	<b>15640/2015</b>	<b>Nerudia Limited;</b> 27-99, Electronic cigarette article, (EM, 24 Apr 2015) 22 Oct 2015	<b>15634/2015</b>
<b>Lin, Pei-Ti;</b> 09-03F, Sandwich box, 22 Oct 2015	<b>15641/2015</b>		
<b>Lorna Jane Pty Ltd;</b> 03-01NES, Accessories, 19 Oct 2015	<b>15510/2015</b>		
<b>Lorna Jane Pty Ltd;</b> 02-02C, 02-02NES, Clothing, 20 Oct 2015	<b>15555/2015</b>		
<b>Magi Enterprises Pty Ltd;</b> 02-02NES, Top, 22 Jun 2015	<b>15506/2015</b>		

<b>Nerudia Limited;</b> 27-99, Electronic cigarette article, (EM, 24 Apr 2015) 22 Oct 2015	<b>15633/2015</b>	<b>PayRange Inc.;</b> 14-02, Animated graphical user interface of interactions with a machine-specific card for a display screen, (US, 22 Apr 2015) 21 Oct 2015	<b>15565/2015</b>
<b>Nerudia Limited;</b> 27-99, Electronic cigarette article, (EM, 24 Apr 2015) 22 Oct 2015	<b>15632/2015</b>	<b>PayRange Inc.;</b> 14-02, Graphical user interface of a machine-specific offers card for a display screen or portion thereof, (US, 22 Apr 2015) 21 Oct 2015	<b>15578/2015</b>
<b>Nova Springwater Pty Ltd;</b> 09-01NES, Water bottle, 22 Oct 2015	<b>15620/2015</b>	<b>PayRange Inc.;</b> 14-02, Graphical user interface of a machine-specific card for a display screen or portion thereof, (US, 22 Apr 2015) 21 Oct 2015	<b>15579/2015</b>
<b>NOAQ Flood Protection AB;</b> 25-02NES, 29-02, Anti-flood barrier, (EM, 29 Apr 2015) 28 Oct 2015	<b>15736/2015</b>	<b>PayRange Inc.;</b> 14-02, Graphical user interface of a machine-specific card for a display screen or portion thereof, (US, 22 Apr 2015) 21 Oct 2015	<b>15527/2015</b>
<b>Ontoline Pty Ltd;</b> 03-01NES, Stationery case, 21 Oct 2015	<b>15572/2015</b>	<b>PepsiCo, Inc.;</b> 09-04, Crate, (US, 21 Apr 2015) 20 Oct 2015	<b>15499/2015</b>
<b>Ontoline Pty Ltd;</b> 03-01NES, Stationery case, 21 Oct 2015	<b>15573/2015</b>	<b>PepsiCo, Inc.;</b> 20-01, Vending machine, (US, 20 Apr 2015) 16 Oct 2015	<b>15500/2015</b>
<b>OXIDE EQUIPMENT &amp; MAINTENANCE PTY LTD;</b> 32-03, Relates to exploration and mining services, 28 Oct 2015	<b>15760/2015</b>	<b>PepsiCo, Inc.;</b> 20-02NES, Display unit, (US, 20 Apr 2015) 16 Oct 2015	<b>15665/2015</b>
<b>Paul Hartmann AG;</b> 32-04, Ornamentation of packaging eg for hygiene articles, 21 Oct 2015	<b>15564/2015</b>	<b>Pesense Pty Ltd;</b> 15-99, A housing, 23 Oct 2015	<b>15733/2015</b>
<b>Paul Hartmann AG;</b> 32-04, Ornamentation of packaging eg for hygiene articles, 21 Oct 2015	<b>15562/2015</b>	<b>Pi Variables, Inc.;</b> 22-03, Electronic traffic safety/guidance flare, (US, 29 Apr 2015) 28 Oct 2015	<b>15732/2015</b>
<b>Paul Hartmann AG;</b> 32-04, Ornamentation of packaging eg, 21 Oct 2015	<b>15563/2015</b>	<b>Pigitsaki, John;Backhouse, Troy;</b> 07-07B, Bucket, 28 Oct 2015	<b>15552/2015</b>
<b>Paul Hartmann AG;</b> 32-04, Ornamentation of packaging eg for hygiene articles, 21 Oct 2015	<b>15558/2015</b>	<b>Pillon, Julie;</b> 07-07A, Beverages, such as juice, wine, water multiply use, 20 Oct 2015	<b>15662/2015</b>
<b>Paul Hartmann AG;</b> 32-04, Ornamentation of packaging eg for hygiene articles, 21 Oct 2015	<b>15559/2015</b>	<b>Ralli, Rohit;</b> 25-02B, 28-01, Pet door powdered chemical applicator, 23 Oct 2015	<b>15660/2015</b>
<b>Paul Hartmann AG;</b> 32-04, Ornamentation of packaging eg for hygiene articles, 21 Oct 2015	<b>15556/2015</b>	<b>Ralli, Rohit;</b> 25-02B, 28-01, Pet door chemical applicator, 23 Oct 2015	<b>15661/2015</b>
<b>Paul Hartmann AG;</b> 32-04, Ornamentation of packaging eg for hygiene articles, 21 Oct 2015	<b>15560/2015</b>	<b>Ralli, Rohit;</b> 25-02B, 28-01, Pet door liquid chemical applicator, 23 Oct 2015	<b>15711/2015</b>
<b>Paul Hartmann AG;</b> 32-04, Ornamentation of packaging eg for hygiene articles, 21 Oct 2015	<b>15557/2015</b>	<b>Reckitt Benckiser (Brands) Limited;</b> 02-04A, Insoles, (EM, 27 Apr 2015) 27 Oct 2015	<b>15725/2015</b>
<b>PayRange Inc.;</b> 14-02, Animated Graphical User Interface of Transitions Between Machine-Specific Card and a Machine-Specific, (US, 22 Apr 2015) 21 Oct 2015	<b>15576/2015</b>	<b>Reckitt Benckiser (Brands) Limited;</b> 02-04A, Insoles, (EM, 27 Apr 2015) 27 Oct 2015	<b>15726/2015</b>
<b>PayRange Inc.;</b> 14-02, Animated Graphical User Interface of Transitions Between Machine-Specific Cards for a Display Screen, (US, 22 Apr 2015) 21 Oct 2015	<b>15577/2015</b>	<b>Reckitt Benckiser (Brands) Limited;</b> 02-04A, Insoles, (EM, 27 Apr 2015) 27 Oct 2015	<b>15712/2015</b>
		<b>Reckitt Benckiser (Brands) Limited;</b> 22-06, Volatile substance dispenser bottle with lid, (EM, 27 Apr 2015) 22 Oct 2015	<b>15600/2015</b>

<b>Reckitt Benckiser (Brands) Limited;</b> 09-01A, Volatile substance dispenser bottle, (EM, 27 Apr 2015) 22 Oct 2015	<b>15596/2015</b>	<b>SharkNinja Operating LLC;</b> 15-05, Floor cleaning device, (US, 29 Apr 2015) 28 Oct 2015	<b>15778/2015</b>
<b>Reckitt Benckiser (Brands) Limited;</b> 22-06, Volatile substance dispenser, (EM, 27 Apr 2015) 22 Oct 2015	<b>15604/2015</b>	<b>SharkNinja Operating LLC;</b> 15-05, Floor cleaning device, (US, 29 Apr 2015) 28 Oct 2015	<b>15779/2015</b>
<b>Reckitt Benckiser (Brands) Limited;</b> 22-06, Volatile substance dispenser, (EM, 27 Apr 2015) 22 Oct 2015	<b>15602/2015</b>	<b>SharkNinja Operating LLC;</b> 15-05, Vacuum cleaner, (US, 15 May 2015) 28 Oct 2015	<b>15780/2015</b>
<b>Reckitt Benckiser (Brands) Limited;</b> 09-01A, Volatile substance dispenser bottle, (EM, 27 Apr 2015) 22 Oct 2015	<b>15589/2015</b>	<b>SharkNinja Operating LLC;</b> 15-05, Caddy for a cleaning appliance, (US, 15 May 2015) 28 Oct 2015	<b>15781/2015</b>
<b>Robovision Limited;</b> 21-99, Swing, (WO, 05 Jun 2015) 29 Oct 2015	<b>15790/2015</b>	<b>SharkNinja Operating LLC;</b> 31-00, Blender container, (US, 21 May 2015) 23 Oct 2015	<b>15656/2015</b>
<b>Robovision Limited;</b> 06-01NES, 21-03, Swing, (WO, 05 Jun 2015) 29 Oct 2015	<b>15808/2015</b>	<b>SharkNinja Operating LLC;</b> 31-00, Blender container, (US, 21 May 2015) 23 Oct 2015	<b>15654/2015</b>
<b>Robovision Limited;</b> 21-03, Swing, (GB, 05 Jun 2015) 29 Oct 2015	<b>15803/2015</b>	<b>SharkNinja Operating LLC;</b> 31-00, Blender container, (US, 21 May 2015) 23 Oct 2015	<b>15657/2015</b>
<b>Robovision Limited;</b> 21-03, Swing, (WO, 05 Jun 2015) 29 Oct 2015	<b>15796/2015</b>	<b>SharkNinja Operating LLC;</b> 31-00, Blender container, (US, 21 May 2015) 23 Oct 2015	<b>15652/2015</b>
<b>Rocky Mountain Vacuum Brokers LLC;</b> 15-05, Vacuum cleaner, (US, 14 Oct 2015) 21 Oct 2015	<b>15586/2015</b>	<b>SharkNinja Operating LLC;</b> 31-00, Blender container, (US, 21 May 2015) 23 Oct 2015	<b>15653/2015</b>
<b>Runway Blue, LLC;</b> 09-07B, Lid for a container, (US, 29 Apr 2015) 29 Oct 2015	<b>15788/2015</b>	<b>Siciliano, Frank Michael;</b> 16-06, Sunglasses, 27 Oct 2015	<b>15706/2015</b>
<b>Runway Blue, LLC;</b> 09-07B, Lid for a container, (US, 29 Apr 2015) 29 Oct 2015	<b>15787/2015</b>	<b>Skimmer Lids Pty Ltd;</b> 23-01NES, A mould for a skimmer box lid, 28 Oct 2015	<b>15739/2015</b>
<b>RIMOWA GmbH;</b> 03-01A, Suitcase, (EM, 07 May 2015) 27 Oct 2015	<b>15705/2015</b>	<b>Skimmer Lids Pty Ltd;</b> 23-01NES, A mould for a skimmer box lid, 28 Oct 2015	<b>15746/2015</b>
<b>RKC Holdings Pty Ltd;</b> 12-16NES, A vehicle suspension bracket end formation, 28 Oct 2015	<b>15753/2015</b>	<b>Skimmer Lids Pty Ltd;</b> 23-01NES, A mould for a skimmer box lid, 28 Oct 2015	<b>15744/2015</b>
<b>RKC Holdings Pty Ltd;</b> 12-16NES, A vehicle suspension bracket, 28 Oct 2015	<b>15751/2015</b>	<b>Skimmer Lids Pty Ltd;</b> 23-01NES, A mould for a skimmer box lid, 28 Oct 2015	<b>15745/2015</b>
<b>RKC Holdings Pty Ltd;</b> 12-16NES, A vehicle suspension bracket hook formation, 28 Oct 2015	<b>15752/2015</b>	<b>Skimmer Lids Pty Ltd;</b> 23-01NES, A mould for a skimmer box lid, 28 Oct 2015	<b>15742/2015</b>
<b>Samsung Electronics Co., Ltd;</b> 14-02, Display screen for an electronic device, (KR, 28 May 2015) 20 Oct 2015	<b>15544/2015</b>	<b>Skimmer Lids Pty Ltd;</b> 23-01NES, A mould for a skimmer box lid, 28 Oct 2015	<b>15743/2015</b>
<b>Sanofi;</b> 20-03NES, Signage disc, 28 Oct 2015	<b>15731/2015</b>	<b>Skimmer Lids Pty Ltd;</b> 23-01NES, A mould for a skimmer box lid, 28 Oct 2015	<b>15740/2015</b>
<b>Sergio, Valentino;</b> 25-01K, An extrusion, 20 Oct 2015	<b>15548/2015</b>	<b>Skimmer Lids Pty Ltd;</b> 23-01NES, A mould for a skimmer box lid, 28 Oct 2015	<b>15741/2015</b>
<b>SharkNinja Operating LLC;</b> 31-00, Blender container, (US, 21 May 2015) 23 Oct 2015	<b>15655/2015</b>	<b>Sprue Safety Products Ltd;</b> 10-05, Fire alarm, (EM, 01 May 2015) 29 Oct 2015	<b>15800/2015</b>

<b>SAFARI R&amp;D PTY LTD;</b> 12-16NES, Air intake snorkel for a vehicle, 29 Oct 2015	<b>15783/2015</b>	<b>The Gillette Company;</b> 28-03A, Razor cartridge, (US, 27 Apr 2015) 27 Oct 2015	<b>15713/2015</b>
<b>SAFARI R&amp;D PTY LTD;</b> 12-16NES, Air intake snorkel for a vehicle, 28 Oct 2015	<b>15750/2015</b>	<b>The Gillette Company;</b> 28-03A, Razor cartridge, (US, 29 Apr 2015) 27 Oct 2015	<b>15715/2015</b>
<b>SAMAD TYRES PTY LTD;</b> 12-16A, Vehicle wheel; alloy wheel; mag wheel, 20 Oct 2015	<b>15534/2015</b>	<b>The Gillette Company;</b> 28-03A, Razor cartridge, (US, 27 Apr 2015) 27 Oct 2015	<b>15714/2015</b>
<b>SAMSUNG ELECTRONICS CO., LTD.;</b> 15-05, Washing machine door, (KR, 29 Apr 2015) 29 Oct 2015	<b>15791/2015</b>	<b>The London Taxi Corporation Limited;</b> 12-08, A motor vehicle, 20 Oct 2015	<b>15528/2015</b>
<b>SAMSUNG ELECTRONICS CO., LTD.;</b> 15-05, Washing machine door, (KR, 29 Apr 2015) 29 Oct 2015	<b>15801/2015</b>	<b>The London Taxi Corporation Limited;</b> 12-16B, Vehicle doors, 20 Oct 2015	<b>15529/2015</b>
<b>SAMSUNG ELECTRONICS CO., LTD.;</b> 15-05, Washing machine door, (KR, 29 Apr 2015) 29 Oct 2015	<b>15792/2015</b>	<b>The London Taxi Corporation Limited;</b> 12-16F, Part for vehicle roof, 20 Oct 2015	<b>15531/2015</b>
<b>SAMSUNG ELECTRONICS CO., LTD.;</b> 15-05, Washing machine door, (KR, 29 Apr 2015) 29 Oct 2015	<b>15793/2015</b>	<b>The London Taxi Corporation Limited;</b> 12-08, A motor vehicle, 20 Oct 2015	<b>15525/2015</b>
<b>SAMSUNG ELECTRONICS CO., LTD.;</b> 15-05, Washing machine door, (KR, 29 Apr 2015) 29 Oct 2015	<b>15802/2015</b>	<b>The London Taxi Corporation Limited;</b> 12-16NES, Vehicle parts, 20 Oct 2015	<b>15530/2015</b>
<b>SAMSUNG ELECTRONICS CO., LTD.;</b> 15-05, Washing machine door, (KR, 29 Apr 2015) 29 Oct 2015	<b>15799/2015</b>	<b>The New Egg Company Limited;</b> 07-01NES, Egg container, (EM, 17 Apr 2015) 16 Oct 2015	<b>15503/2015</b>
<b>SAMSUNG ELECTRONICS CO., LTD.;</b> 15-05, Washing machine door, (KR, 29 Apr 2015) 29 Oct 2015	<b>15804/2015</b>	<b>The Stanley Works Israel Ltd.;</b> 03-01D, Toolbox, (Divisional of 14228/2015) 27 Oct 2015	<b>15708/2015</b>
<b>SAMSUNG ELECTRONICS CO., LTD.;</b> 15-05, Washing machine door, (KR, 29 Apr 2015) 29 Oct 2015	<b>15805/2015</b>	<b>The Stanley Works Israel Ltd.;</b> 03-01D, Toolbox, (Divisional of 14228/2015) 27 Oct 2015	<b>15709/2015</b>
<b>SAMSUNG ELECTRONICS CO., LTD.;</b> 15-05, Washing machine door, (KR, 29 Apr 2015) 29 Oct 2015	<b>15789/2015</b>	<b>The Trustee for GM MOTORSPORT PTY LTD, ATFT PHONSY MULLAN FAMILY TRUST;</b> 12-16N, Automotive exhaust headers & catalytic converters, 20 Oct 2015	<b>15547/2015</b>
<b>SAMSUNG ELECTRONICS CO., LTD.;</b> 15-05, Washing machine Door, (KR, 29 Apr 2015) 29 Oct 2015	<b>15794/2015</b>	<b>The Trustee for SIMON BANDO FAMILY TRUST;</b> 06-01F, Chair, 27 Oct 2015	<b>15716/2015</b>
<b>SAMSUNG ELECTRONICS CO., LTD.;</b> 15-05, Washing machine door, (KR, 29 Apr 2015) 29 Oct 2015	<b>15806/2015</b>	<b>The Trustee for These Little Treasures Unit Trust;</b> 21-01B, Cloth doll, 28 Oct 2015	<b>15766/2015</b>
<b>SAVERGLASS;</b> 09-01H, Bottle, (EM, 10 Jul 2015) 20 Oct 2015	<b>15545/2015</b>	<b>The University of Sydney;</b> 10-05, Environmental monitoring station, 19 Oct 2015	<b>15522/2015</b>
<b>SAVERGLASS;</b> 09-01H, Bottle, (EM, 10 Jul 2015) 20 Oct 2015	<b>15546/2015</b>	<b>The University of Sydney;</b> 10-05, Environmental monitoring station, 19 Oct 2015	<b>15520/2015</b>
<b>SHADESPEC PTY. LTD.;</b> 21-04, Outdoor marquee/tent, 16 Oct 2015	<b>15507/2015</b>	<b>Thomas Pecoraro;</b> 22-06, Mousetrap, (IT, 22 Apr 2015) 22 Oct 2015	<b>15623/2015</b>
<b>SHED BONANZA PTY LTD;</b> 25-01NES, Steel plate, 29 Oct 2015	<b>15782/2015</b>	<b>TomTom International B.V.;</b> 14-02, Removable power and data storage module, (EM, 29 Apr 2015) 29 Oct 2015	<b>15795/2015</b>
<b>The trustee for the Ouellette Family Trust;</b> 12-16NES, Air box for a motor vehicle, 26 Oct 2015	<b>15704/2015</b>		

<b>TomTom International B.V.;</b> 08-08NES, 16-05, Mount for a digital video camera, (EM, 29 Apr 2015) 29 Oct 2015	<b>15807/2015</b>	<b>University of British Columbia;</b> 15-99, Microfluidic cartridge, (US, 28 Apr 2015) 23 Oct 2015	<b>15647/2015</b>
<b>TomTom International B.V.;</b> 16-01, Digital video camera, (EM, 29 Apr 2015) 29 Oct 2015	<b>15797/2015</b>	<b>University of British Columbia;</b> 15-99, Microfluidic cartridge, (US, 28 Apr 2015) 23 Oct 2015	<b>15648/2015</b>
<b>TomTom International B.V.;</b> 16-05, Removable lens cover for a digital video camera, (EM, 29 Apr 2015) 29 Oct 2015	<b>15798/2015</b>	<b>University of British Columbia;</b> 15-99, Microfluidic cartridge, (US, 28 Apr 2015) 23 Oct 2015	<b>15649/2015</b>
<b>Topstar GmbH;</b> 06-01F, Chair, (EM, 24 Apr 2015) 21 Oct 2015	<b>15568/2015</b>	<b>University of British Columbia;</b> 15-99, Microfluidic cartridge, (US, 28 Apr 2015) 23 Oct 2015	<b>15650/2015</b>
<b>Topstar GmbH;</b> 06-01F, Chair, (EM, 24 Apr 2015) 21 Oct 2015	<b>15569/2015</b>	<b>University of British Columbia;</b> 15-99, Microfluidic cartridge, (US, 28 Apr 2015) 23 Oct 2015	<b>15651/2015</b>
<b>Toyota Jidosha Kabushiki Kaisha;</b> 12-08, Automobile, 16 Oct 2015	<b>15480/2015</b>	<b>University of British Columbia;</b> 15-99, Microfluidic cartridge, (US, 28 Apr 2015) 23 Oct 2015	<b>15643/2015</b>
<b>Tran, Brian;</b> 19-08, Car side mirror decal sticker, 20 Oct 2015	<b>15553/2015</b>	<b>University of British Columbia;</b> 15-99, Microfluidic cartridge, (US, 28 Apr 2015) 23 Oct 2015	<b>15644/2015</b>
<b>TruSox, LLC.;</b> 02-04B, Removable non-slip insert for footwear, 21 Oct 2015	<b>15582/2015</b>	<b>University of British Columbia;</b> 15-99, Microfluidic cartridge, (US, 28 Apr 2015) 23 Oct 2015	<b>15642/2015</b>
<b>TIMOTION TECHNOLOGY CO. LTD.;</b> 15-99, A linear actuator, 28 Oct 2015	<b>15729/2015</b>	<b>UBCO Limited;</b> 12-11, Electric motorbike, (NZ, 20 Apr 2015) 20 Oct 2015	<b>15523/2015</b>
<b>TIMOTION TECHNOLOGY CO. LTD.;</b> 13-01, An electrical motor, 28 Oct 2015	<b>15730/2015</b>	<b>Winterworth Pty Ltd;</b> 02-04NES, Shoe, 27 Oct 2015	<b>15718/2015</b>
<b>University of British Columbia;</b> 15-99, Microfluidic cartridge, (US, 28 Apr 2015) 23 Oct 2015	<b>15645/2015</b>	<b>WAGTAIL CLEANING TOOLS PTY LTD;Erken, Jacob;</b> 07-05E, Window cleaning squeegees, 17 Oct 2015	<b>15508/2015</b>
<b>University of British Columbia;</b> 15-99, Microfluidic cartridge, (US, 28 Apr 2015) 23 Oct 2015	<b>15646/2015</b>		

**Applications Withdrawn**

15000 / 2015 (07-02H)	15003 / 2015 (07-02NES)
15310 / 2015 (24-04)	15452 / 2015 (07-01F)
15453 / 2015 (07-01F)	15468 / 2015 (07-01F)

**Applications Lapsed**

10500 / 2015 (11-01E)
-----------------------

13443 / 2015 (23-03E)	11993 / 2015 (23-01E)
13518 / 2015 (21-04)	13464 / 2015 (12-16C)
13586 / 2015 (16-01)	13562 / 2015 (15-09)
13655 / 2015 (02-02A)	13622 / 2015 (26-04)
13679 / 2015 (21-01E)	13657 / 2015 (26-05E)
13778 / 2015 (32-03)	13706 / 2015 (25-03)
13805 / 2015 (30-02)	13784 / 2015 (26-06)
13812 / 2015 (12-12)	13811 / 2015 (12-12)
13814 / 2015 (12-12)	13813 / 2015 (12-12)
13816 / 2015 (12-12)	13815 / 2015 (12-12)
13818 / 2015 (12-16A)	13817 / 2015 (12-12)
13903 / 2015 (21-01NES)	13819 / 2015 (12-16A)
13905 / 2015 (21-01NES)	13904 / 2015 (21-01NES)
13914 / 2015 (32-04)	13906 / 2015 (21-01NES)
14049 / 2015 (25-03)	14038 / 2015 (05-05NES)
	15448 / 2015 (03-01NES)



**Extension of Period of Registration of Designs**

324727	330315	333817
333820	333831	333832
333833	333834	333836
333853	333854	333861
333862	333863	333864
333947	333948	333949
333950	334038	334045
334051	334052	334091
334115	334118	334122
334123	334124	334134
334135	334147	334159
334197	334203	334209
334210	334223	334224
334225	334226	334227
334230	334231	334272
334273	334280	334281
334282	334310	334338
334340	334341	334344
334349	334373	334374
334375	334379	334381
334382	334391	334419
334428	334440	334447
334465	334475	334508
334510	334534	334556
334585	334598	334630
334631	334632	334633
334634	334635	334738
334739	334740	334741
334773	334793	334835
334883	334884	334885
334886	334903	334904
334907	334908	334912
335019	335046	335214
335283	335285	336429
336697	336698	337377
337378	337379	337380
337381	337382	337383
337384	337385	337386

**Registrations Ceased**

304623	305788	306177
306178	306179	306197
306198	306199	306280
306317	306366	306368
306369	306370	306371
306372	306373	306374
306375	306376	306377
306378	306380	306381
306412	306413	306415

306416	306417	306418
306419	306425	306426
306427	306428	306438
306439	306440	306441
306442	306443	306444
306451	306453	306454
306455	306456	306458
306461	306462	306586
306592	306605	306606
306607	306608	306666
306667	306692	306703
306723	306724	306725
306726	306727	306731
306742	306743	306744
306745	306748	306749
306765	306766	306802
306827	306828	306829
306830	306833	306918
306933	306934	306935
306936	306945	306946
306948	306950	306951
306952	306978	307007
307022	307045	307046
307165	307168	307201
307202	307203	307204
307205	307261	307393
307394	307395	307397
307398	307447	307448
307449	308508	308623
308624	308714	308760
314004	330581	330598
330599	330602	330603
330604	330607	330608
330624	330625	330626
330627	330644	330646
330647	330648	330685
330687	330692	330702
330707	330709	330710
330711	330712	330713
330714	330715	330732
330738	330739	330741
330743	330745	330750
330752	330753	330757
330762	330765	330766
330767	330768	330769
330770	330771	330772
330773	330774	330775
330781	330782	330783
330789	330790	330793
330794	330795	330798
330799	330800	330801
330802	330803	330804
330805	330852	330853
330854	330901	330905

330906 330909 330910  
 330963 330980 330981  
 330982 330983 330996  
 331032 331052 331314  
 331315 331316 331317  
 331318 331413 331430  
 331508 331541 331542  
 331543 331680 331735  
 332128 332129 332390  
 332391 332648 332649  
 332678 332679 332680  
 332681 332682 333180  
 333486 333487 333488  
 333798 334689 334690  
 334691 334692 334693  
 334694 334695 334696  
 334697 334721

**Applications for Extension of time under Section 137**

Applications under section 137 for extension of time have been lodged. Objections must be lodged within 1 month from the date of this journal.

329853 **iFitness Inc.** Address for Service: Shifra Pomerantz 1049 NW 1st Court Hallandale Beach Florida 33009-3903 United States of America

**Extensions of time granted under Section 137**

Applications lodged under section 137 for extension of time have been granted.

324727 **Brett Elliott**  
 330315 **Expanded Polystyrene Australia Incorporated**  
 364988 **Outlook Australia Pty Ltd**  
 361142 **Guanzhou SAT Infrared Technology Co. Ltd.**  
 361143 **Guanzhou SAT Infrared Technology Co. Ltd.**  
 364989 **Ian Ramage Alexander**  
 365019 **Wet Leopard PTY LTD**  
 12934/2015 **Outlook Australia Pty Ltd**  
 15071/2015 **Ooluroo, LLC**

**Subsequent Owners Registered**

(The name in parentheses is that of the subsequent owner)

309241 **( Cartier International AG )** Cartier Creation Studio SA  
 330190 **( Cartier International AG )** Cartier Creation Studio S.A.  
 340262 **( Cartier International AG )** Cartier Creation Studio S.A.

340263 **( Cartier International AG )** Cartier Creation Studio S.A.  
 340264 **( Cartier International AG )** Cartier Creation Studio S.A.  
 340265 **( Cartier International AG )** Cartier Creation Studio S.A.  
 310867 **( Ridgeback Acquisition LLC )** The Procter & Gamble Company  
 311971 **( Ridgeback Acquisition LLC )** The Procter & Gamble Company  
 319405 **( Ridgeback Acquisition LLC )** The Procter & Gamble Company  
 319406 **( Ridgeback Acquisition LLC )** The Procter & Gamble Company  
 324396 **( Ridgeback Acquisition LLC )** The Procter & Gamble Company  
 324397 **( Ridgeback Acquisition LLC )** The Procter & Gamble Company  
 324398 **( Ridgeback Acquisition LLC )** The Procter & Gamble Company  
 324399 **( Ridgeback Acquisition LLC )** The Procter & Gamble Company  
 324400 **( Ridgeback Acquisition LLC )** The Procter & Gamble Company  
 324402 **( Ridgeback Acquisition LLC )** The Procter & Gamble Company  
 324403 **( Ridgeback Acquisition LLC )** The Procter & Gamble Company  
 341634 **( Ridgeback Acquisition LLC )** The Procter & Gamble Company  
 353519 **( Ridgeback Acquisition LLC )** The Procter & Gamble Company  
 353534 **( Ridgeback Acquisition LLC )** The Procter & Gamble Company  
 311970 **( Ridgeback Acquisition LLC )** The Procter & Gamble Company  
 352984 **( Ridgeback Acquisition LLC )** The Procter & Gamble Company  
 324727 **( Brett Elliott )** Christopher David Wilson  
 334159 **( Innotec Building Systems Pty Ltd )** Storco Ministorage Systems Pty Ltd  
 346100 **( Innotec Building Systems Pty Ltd )** Peter Francis Layton  
 309298 **( Capbran Holdings, LLC )** Homeland Housewares, LLC  
 351549 **( Innotec Building Systems Pty Ltd )** Peter Francis Layton  
 350641 **( Capbran Holdings, LLC )** Homeland Housewares, LLC  
 357761 **( Capbran Holdings, LLC )** Homeland Housewares, LLC.  
 357762 **( Capbran Holdings, LLC )** Homeland Housewares, LLC.  
 357763 **( Capbran Holdings, LLC )** Homeland Housewares, LLC.  
 362206 **( Capbran Holdings, LLC )** Homeland Housewares, LLC  
 322316 **( Global Icons Pty Ltd )** PRJK Pty Ltd as trustee for PRJK Trust  
 324290 **( Global Icons Pty Ltd )** PRJK Pty Ltd as trustee for PRJK Trust  
 325306 **( Global Icons Pty Ltd )** PRJK Pty Ltd as trustee for PRJK Trust  
 337650 **( Capbran Holdings, LLC )** Baby Bullet, LLC  
 340593 **( Henkel AG & Co. KGaA; Henkel AG & Co. KGaA )** Colgate-Palmolive Company

340609	( <b>Henkel AG &amp; Co. KGaA;Henkel AG &amp; Co. KGaA</b> ) Colgate-Palmolive Company	334434	( <b>Monkey Toe Systems Limited;Monkey Toe Group Limited</b> ) Monkey Toe Systems Limited
340610	( <b>Henkel AG &amp; Co. KGaA;Henkel AG &amp; Co. KGaA</b> ) Colgate-Palmolive Company	334197	( <b>Monkey Toe Group Limited</b> ) Monkey Toe Systems Limited
351606	( <b>Henkel AG &amp; Co. KGaA;Henkel AG &amp; Co. KGaA</b> ) Colgate-Palmolive Company	334534	( <b>Monkey Toe Group Limited</b> ) Monkey Toe Systems Limited
351607	( <b>Henkel AG &amp; Co. KGaA;Henkel AG &amp; Co. KGaA</b> ) Colgate-Palmolive Company	334137	( <b>Monkey Toe Group Limited</b> ) Monkey Toe Systems Limited
351608	( <b>Henkel AG &amp; Co. KGaA;Henkel AG &amp; Co. KGaA</b> ) Colgate-Palmolive Company	334118	( <b>Monkey Toe Group Limited</b> ) Monkey Toe Systems Limited
351609	( <b>Henkel AG &amp; Co. KGaA;Henkel AG &amp; Co. KGaA</b> ) Colgate-Palmolive Company	334115	( <b>Monkey Toe Group Limited</b> ) Monkey Toe Systems Limited
350205	( <b>De Beers UK Limited</b> ) De Beers Centenary AG	334138	( <b>Monkey Toe Group Limited</b> ) Monkey Toe Systems Limited
350204	( <b>De Beers UK Limited</b> ) De Beers Centenary AG	353378	( <b>Monkey Toe Group Limited</b> ) Monkey Toe Systems Limited
350199	( <b>De Beers UK Limited</b> ) De Beers Centenary AG	363771	( <b>Monkey Toe Group Limited</b> ) Monkey Toe Systems Limited
350202	( <b>De Beers UK Limited</b> ) De Beers Centenary AG	363772	( <b>Monkey Toe Group Limited</b> ) MONKEY TOE SYSTEMS LIMITED
350203	( <b>De Beers UK Limited</b> ) De Beers Centenary AG	334434	( <b>Monkey Toe Group Limited</b> ) Monkey Toe Systems Limited;Monkey Toe Group Limited
350201	( <b>De Beers UK Limited</b> ) De Beers Centenary AG	334117	( <b>Monkey Toe Group Limited</b> ) Monkey Toe Systems Limited
350207	( <b>De Beers UK Limited</b> ) De Beers Centenary AG	361257	( <b>Shark Ninja Operating LLC.</b> ) Euro-Pro Operating LLC
350200	( <b>De Beers UK Limited</b> ) De Beers Centenary AG	361258	( <b>Shark Ninja Operating LLC.</b> ) Euro-Pro Operating LLC
350206	( <b>De Beers UK Limited</b> ) De Beers Centenary AG	362625	( <b>Shark Ninja Operating LLC.</b> ) Euro-Pro Operating LLC
363681	( <b>PAL Enterprises (Aust) Pty Ltd</b> ) Willem Hendrick Haasse	362626	( <b>Shark Ninja Operating LLC.</b> ) Euro-Pro Operating LLC

**Names Registered - Alterations and Amendments**

(The name in parentheses is that of the subsequent applicant)

331423	( <b>Tantalum Innovations Limited</b> ) Lysanda Limited	362627	( <b>Shark Ninja Operating LLC.</b> ) Euro-Pro Operating LLC
336028	( <b>Bulldog Folding Trailers Pty Ltd</b> ) PP & L Enterprises Pty Ltd	364205	( <b>Shark Ninja Operating LLC.</b> ) Euro-Pro Operating LLC
336042	( <b>Bulldog Folding Trailers Pty Ltd</b> ) PP & L Enterprises Pty Ltd	364206	( <b>Shark Ninja Operating LLC.</b> ) Euro-Pro Operating LLC
336996	( <b>Bulldog Folding Trailers Pty Ltd</b> ) PP & L Enterprises Pty Ltd	364207	( <b>Shark Ninja Operating LLC.</b> ) Euro-Pro Operating LLC
336999	( <b>Bulldog Folding Trailers Pty Ltd</b> ) PP & L Enterprises Pty Ltd	364208	( <b>Shark Ninja Operating LLC.</b> ) Euro-Pro Operating LLC
354013	( <b>GSA Industries (Aust.) Pty Ltd;Reliance Worldwide Corporation (Aust.) Pty. Ltd.</b> ) GSA Industries (Aust.) Pty Ltd	364209	( <b>Shark Ninja Operating LLC.</b> ) Euro-Pro Operating LLC
354397	( <b>Reliance Worldwide Corporation (Aust.) Pty. Ltd.</b> ) GSA Industries (Aust.) Pty Ltd	364210	( <b>Shark Ninja Operating LLC.</b> ) Euro-Pro Operating LLC
354398	( <b>Reliance Worldwide Corporation (Aust.) Pty. Ltd.</b> ) GSA Industries (Aust.) Pty Ltd	364213	( <b>Shark Ninja Operating LLC.</b> ) Euro-Pro Operating LLC
354399	( <b>Reliance Worldwide Corporation (Aust.) Pty. Ltd.</b> ) GSA Industries (Aust.) Pty Ltd	364222	( <b>Shark Ninja Operating LLC.</b> ) Euro-Pro Operating LLC
354400	( <b>Reliance Worldwide Corporation (Aust.) Pty. Ltd.</b> ) GSA Industries (Aust.) Pty Ltd	364223	( <b>Shark Ninja Operating LLC.</b> ) Euro-Pro Operating LLC
354413	( <b>Reliance Worldwide Corporation (Aust.) Pty. Ltd.</b> ) GSA Industries (Aust.) Pty Ltd		
354415	( <b>Reliance Worldwide Corporation (Aust.) Pty. Ltd.</b> ) GSA Industries (Aust.) Pty Ltd		
354417	( <b>Reliance Worldwide Corporation (Aust.) Pty. Ltd.</b> ) GSA Industries (Aust.) Pty Ltd		
354938	( <b>Reliance Worldwide Corporation (Aust.) Pty. Ltd.</b> ) GSA Industries (Aust.) Pty Ltd		
358035	( <b>Reliance Worldwide Corporation (Aust.) Pty. Ltd.</b> ) GSA Industries (Aust.) Pty Ltd		
354013	( <b>Reliance Worldwide Corporation (Aust.) Pty. Ltd.</b> ) GSA Industries (Aust.) Pty Ltd;Reliance Worldwide Corporation (Aust.) Pty. Ltd.		
322250	( <b>Lipegg Pty Ltd;Bulldog Folding Trailers Pty Ltd</b> ) Lipegg Pty Ltd;PP & L Enterprises Pty Ltd		

**Certificate(s) of Examination**

Examination of the following Design Registration(s) has been completed. Infringement proceedings may now be commenced.

307211	25-99	30/10/2015
346594	06-02	30/10/2015
350773	06-01G	25/10/2015
353434	09-01D	28/10/2015
359854	23-04	20/10/2015
359855	23-04	20/10/2015
361038	15-04	27/10/2015
361049	15-04	27/10/2015
361054	15-04	27/10/2015
362699	09-01NES	19/10/2015
362718	09-01NES	19/10/2015
362726	12-15C	22/10/2015
363015	09-05	20/10/2015
363016	09-03H	21/10/2015
363020	09-03H	21/10/2015
363021	09-03H	21/10/2015
363022	09-03H	21/10/2015
363254	08-07	20/10/2015
363770	08-01	29/10/2015
363911	12-16NES	22/10/2015
363912	12-16NES	22/10/2015
363913	12-16NES	22/10/2015
363914	12-16NES	22/10/2015
364105	05-05NES	20/10/2015
364171	28-02	29/10/2015
364265	14-02	28/10/2015
364266	14-02	28/10/2015
364301	14-02	29/10/2015
364458	21-02F	27/10/2015
364480	12-16C	20/10/2015
364519	06-06G	26/10/2015
364523	06-06G	26/10/2015
364544	06-06G	26/10/2015

**Publication and Registration Proceedings**

**Designs Registered**

This section provides a concordance between design number and registration number of Designs covered in this journal. It also shows the main class and registration date.

This section covers Registration numbers 364814 to 364993 .

The registration number shown below should be used in all future correspondence.

<b>Design Number</b>	<b>Registration Number</b>	<b>International Classification Code (IDC)</b>	<b>Registration Date</b>	<b>Design Number</b>	<b>Registration Number</b>	<b>International Classification Code (IDC)</b>	<b>Registration Date</b>
10487/2015	364876	02-02NES	22/10/2015	14178/2015	364967	24-02	28/10/2015
10521/2015	364988	06-13NES	30/10/2015	14228/2015	364986	03-01D	29/10/2015
10844/2015	364951	08-08G	27/10/2015	14230/2015	364987	25-02E	29/10/2015
11005/2015	364960	12-16C	28/10/2015	14273/2015	364934	24-02	27/10/2015
11006/2015	364961	12-16NES	28/10/2015	14274/2015	364935	24-02	27/10/2015
11008/2015	364962	12-16A	28/10/2015	14275/2015	364936	24-02	27/10/2015
11009/2015	364963	26-06	28/10/2015	14276/2015	364937	24-02	27/10/2015
11010/2015	364964	12-16C	28/10/2015	14280/2015	364874	12-16NES	21/10/2015
11011/2015	364965	12-16C	28/10/2015	14305/2015	364938	23-02A	27/10/2015
11012/2015	364968	12-08	28/10/2015	14306/2015	364928	15-05	23/10/2015
11013/2015	364969	12-08	28/10/2015	14308/2015	364939	23-02A	27/10/2015
11014/2015	364970	12-08	28/10/2015	14313/2015	364940	06-04NES	27/10/2015
11018/2015	364971	26-06	28/10/2015	14331/2015	364981	03-01B	29/10/2015
11019/2015	364972	12-16C	28/10/2015	14347/2015	364875	24-01	21/10/2015
11020/2015	364973	12-16C	28/10/2015	14351/2015	364945	23-02A	27/10/2015
11409/2015	364989	15-03B	30/10/2015	14362/2015	364946	09-05	27/10/2015
11791/2015	364990	12-16B	30/10/2015	14405/2015	364859	30-02	21/10/2015
12150/2015	364910	23-01L	23/10/2015	14450/2015	364956	13-02	27/10/2015
12197/2015	364991	12-08	30/10/2015	14452/2015	364957	13-02	27/10/2015
12277/2015	364992	08-08H	30/10/2015	14613/2015	364906	12-10	22/10/2015
12831/2015	364867	15-99	21/10/2015	14639/2015	364947	02-03	27/10/2015
12992/2015	364868	25-02H	21/10/2015	14643/2015	364948	02-03	27/10/2015
13285/2015	364856	14-02	21/10/2015	14676/2015	364985	27-06	29/10/2015
13324/2015	364857	15-05	21/10/2015	14694/2015	364993	24-01	30/10/2015
13325/2015	364858	15-05	21/10/2015	14760/2015	364974	07-01NES	28/10/2015
13470/2015	364869	06-07	21/10/2015	14761/2015	364975	07-01NES	28/10/2015
13807/2015	364903	08-07	22/10/2015	14794/2015	364911	09-05	23/10/2015
13808/2015	364904	08-07	22/10/2015	14797/2015	364912	09-05	23/10/2015
13882/2015	364979	07-06A	29/10/2015	14799/2015	364913	09-05	23/10/2015
13917/2015	364870	07-01NES	21/10/2015	14824/2015	364814	02-07A	19/10/2015
13937/2015	364871	09-05	21/10/2015	14996/2015	364984	25-01C	29/10/2015
13984/2015	364872	23-02F	21/10/2015	15053/2015	364958	11-02B	27/10/2015
14007/2015	364953	21-01C	27/10/2015	15065/2015	364982	14-01	29/10/2015
14026/2015	364905	21-01C	22/10/2015	15070/2015	364983	24-01	29/10/2015
14028/2015	364954	21-01C	27/10/2015	15147/2015	364978	20-03NES	29/10/2015
14035/2015	364819	15-05	20/10/2015	15150/2015	364959	13-03D	27/10/2015
14037/2015	364873	26-05NES	21/10/2015	15161/2015	364815	09-01NES	19/10/2015
14058/2015	364955	12-08	27/10/2015	15162/2015	364820	02-02NES	20/10/2015
14107/2015	364847	24-01	21/10/2015	15163/2015	364821	02-02NES	20/10/2015
14125/2015	364966	06-03A	28/10/2015	15164/2015	364822	02-02NES	20/10/2015
14131/2015	364943	12-05	27/10/2015	15165/2015	364823	02-02C	20/10/2015
14132/2015	364944	12-16B	27/10/2015	15166/2015	364824	02-02C	20/10/2015
14133/2015	364980	12-16B	29/10/2015	15167/2015	364825	02-02C	20/10/2015
14148/2015	364877	15-99	22/10/2015	15168/2015	364826	02-02C	20/10/2015
14165/2015	364922	31-00	23/10/2015	15169/2015	364828	02-02C	20/10/2015
14166/2015	364923	31-00	23/10/2015	15170/2015	364829	02-02NES	20/10/2015
14167/2015	364924	31-00	23/10/2015	15171/2015	364830	02-02NES	20/10/2015
14168/2015	364925	31-00	23/10/2015	15172/2015	364831	02-02NES	20/10/2015
14169/2015	364926	31-00	23/10/2015	15173/2015	364832	02-02NES	20/10/2015
14170/2015	364927	31-00	23/10/2015	15174/2015	364833	02-02NES	20/10/2015

Publication and Registration Proceedings - Designs Registered cont'd

Design Number	Registration Number	International Classification Code (IDC)	Registration Date	Design Number	Registration Number	International Classification Code (IDC)	Registration Date
15175/2015	364834	02-02NES	20/10/2015	15251/2015	364889	01-01	22/10/2015
15176/2015	364835	02-02NES	20/10/2015	15252/2015	364890	01-01	22/10/2015
15177/2015	364836	02-02NES	20/10/2015	15253/2015	364891	01-01	22/10/2015
15178/2015	364837	02-02NES	20/10/2015	15254/2015	364892	01-01	22/10/2015
15179/2015	364838	02-02NES	20/10/2015	15259/2015	364895	07-02H	22/10/2015
15180/2015	364839	02-02NES	20/10/2015	15260/2015	364896	07-01NES	22/10/2015
15181/2015	364840	02-02NES	20/10/2015	15261/2015	364930	07-01NES	23/10/2015
15182/2015	364841	02-02NES	20/10/2015	15264/2015	364897	09-01K	22/10/2015
15183/2015	364842	02-02NES	20/10/2015	15265/2015	364898	08-05A	22/10/2015
15184/2015	364843	02-02C	20/10/2015	15267/2015	364849	09-05	21/10/2015
15185/2015	364844	02-02C	20/10/2015	15268/2015	364850	09-05	21/10/2015
15186/2015	364845	02-02C	20/10/2015	15269/2015	364851	09-05	21/10/2015
15187/2015	364846	02-02C	20/10/2015	15270/2015	364852	09-05	21/10/2015
15195/2015	364816	24-04	19/10/2015	15271/2015	364853	09-05	21/10/2015
15203/2015	364893	23-01B	22/10/2015	15272/2015	364854	09-05	21/10/2015
15206/2015	364894	17-04	22/10/2015	15273/2015	364855	09-05	21/10/2015
15207/2015	364929	25-01NES	23/10/2015	15280/2015	364899	06-08	22/10/2015
15214/2015	364976	25-01A	28/10/2015	15282/2015	364900	23-01A	22/10/2015
15215/2015	364977	25-01A	28/10/2015	15283/2015	364907	24-04	22/10/2015
15216/2015	364817	12-16B	19/10/2015	15284/2015	364901	06-07	22/10/2015
15217/2015	364818	12-16C	19/10/2015	15285/2015	364908	24-04	22/10/2015
15218/2015	364860	12-16E	21/10/2015	15286/2015	364902	25-02G	22/10/2015
15219/2015	364861	12-16E	21/10/2015	15287/2015	364914	12-12	23/10/2015
15220/2015	364827	12-08	20/10/2015	15288/2015	364915	14-02	23/10/2015
15221/2015	364848	12-16B	21/10/2015	15289/2015	364916	03-01A	23/10/2015
15224/2015	364862	14-03NES	21/10/2015	15290/2015	364909	24-04	22/10/2015
15225/2015	364863	20-02C	21/10/2015	15292/2015	364917	09-05	23/10/2015
15226/2015	364864	20-02E	21/10/2015	15293/2015	364918	09-05	23/10/2015
15227/2015	364865	20-02E	21/10/2015	15296/2015	364919	06-04NES	23/10/2015
15239/2015	364866	07-02N	21/10/2015	15297/2015	364920	07-01NES	23/10/2015
15240/2015	364878	01-01	22/10/2015	15299/2015	364921	06-04NES	23/10/2015
15241/2015	364879	01-01	22/10/2015	15305/2015	364931	03-01NES	23/10/2015
15242/2015	364880	01-01	22/10/2015	15306/2015	364932	03-01NES	23/10/2015
15243/2015	364881	01-01	22/10/2015	15307/2015	364933	02-02B	23/10/2015
15244/2015	364882	01-01	22/10/2015	15308/2015	364941	03-01NES	27/10/2015
15245/2015	364883	01-01	22/10/2015	15309/2015	364942	02-02B	27/10/2015
15246/2015	364884	01-01	22/10/2015	15436/2015	364949	06-01C	27/10/2015
15247/2015	364885	01-01	22/10/2015	15437/2015	364950	06-01E	27/10/2015
15248/2015	364886	01-01	22/10/2015	15504/2015	364952	08-08G	27/10/2015
15249/2015	364887	01-01	22/10/2015				
15250/2015	364888	01-01	22/10/2015				

**Publication and Registration Proceedings**

**Class Listing of Designs Published or Registered**

The following section shows an International Classification Code listing of the Registered or Published Designs covered in this supplement.

<b>Classification</b>	<b>Registration Number</b>	<b>Design Number</b>	<b>Classification</b>	<b>Registration Number</b>	<b>Design Number</b>
01-01	364878	15240/2015	06-01C	364949	15436/2015
01-01	364879	15241/2015	06-01E	364869	13470/2015
01-01	364880	15242/2015	06-01E	364950	15437/2015
01-01	364881	15243/2015	06-03A	364966	14125/2015
01-01	364882	15244/2015	06-04NES	364919	15296/2015
01-01	364883	15245/2015	06-04NES	364921	15299/2015
01-01	364884	15246/2015	06-04NES	364940	14313/2015
01-01	364885	15247/2015	06-07	364869	13470/2015
01-01	364886	15248/2015	06-07	364901	15284/2015
01-01	364887	15249/2015	06-08	364899	15280/2015
01-01	364888	15250/2015	06-13NES	364988	10521/2015
01-01	364889	15251/2015	07-01NES	364870	13917/2015
01-01	364890	15252/2015	07-01NES	364896	15260/2015
01-01	364891	15253/2015	07-01NES	364920	15297/2015
01-01	364892	15254/2015	07-01NES	364930	15261/2015
02-02B	364933	15307/2015	07-01NES	364974	14760/2015
02-02B	364942	15309/2015	07-01NES	364975	14761/2015
02-02C	364823	15165/2015	07-02H	364895	15259/2015
02-02C	364824	15166/2015	07-02N	364866	15239/2015
02-02C	364825	15167/2015	07-06A	364979	13882/2015
02-02C	364826	15168/2015	08-05A	364898	15265/2015
02-02C	364828	15169/2015	08-07	364903	13807/2015
02-02C	364843	15184/2015	08-07	364904	13808/2015
02-02C	364844	15185/2015	08-08G	364951	10844/2015
02-02C	364845	15186/2015	08-08G	364952	15504/2015
02-02C	364846	15187/2015	08-08H	364992	12277/2015
02-02NES	364820	15162/2015	09-01K	364897	15264/2015
02-02NES	364821	15163/2015	09-01NES	364815	15161/2015
02-02NES	364822	15164/2015	09-05	364849	15267/2015
02-02NES	364829	15170/2015	09-05	364850	15268/2015
02-02NES	364830	15171/2015	09-05	364851	15269/2015
02-02NES	364831	15172/2015	09-05	364852	15270/2015
02-02NES	364832	15173/2015	09-05	364853	15271/2015
02-02NES	364833	15174/2015	09-05	364854	15272/2015
02-02NES	364834	15175/2015	09-05	364855	15273/2015
02-02NES	364835	15176/2015	09-05	364871	13937/2015
02-02NES	364836	15177/2015	09-05	364911	14794/2015
02-02NES	364837	15178/2015	09-05	364912	14797/2015
02-02NES	364838	15179/2015	09-05	364913	14799/2015
02-02NES	364839	15180/2015	09-05	364917	15292/2015
02-02NES	364840	15181/2015	09-05	364918	15293/2015
02-02NES	364841	15182/2015	09-05	364946	14362/2015
02-02NES	364842	15183/2015	11-02B	364958	15053/2015
02-02NES	364876	10487/2015	12-05	364943	14131/2015
02-03	364947	14639/2015	12-08	364827	15220/2015
02-03	364948	14643/2015	12-08	364955	14058/2015
02-07A	364814	14824/2015	12-08	364968	11012/2015
03-01A	364916	15289/2015	12-08	364969	11013/2015
03-01B	364981	14331/2015	12-08	364970	11014/2015
03-01D	364986	14228/2015	12-08	364991	12197/2015
03-01NES	364931	15305/2015	12-10	364906	14613/2015
03-01NES	364932	15306/2015	12-12	364914	15287/2015
03-01NES	364941	15308/2015	12-16A	364962	11008/2015

Registration Proceedings - Class Listing of Designs Published or Registered cont'd

Classification	Registration Number	Design Number	Classification	Registration Number	Design Number
12-16B	364817	15216/2015	23-01B	364893	15203/2015
12-16B	364848	15221/2015	23-01L	364910	12150/2015
12-16B	364944	14132/2015	23-02A	364938	14305/2015
12-16B	364980	14133/2015	23-02A	364939	14308/2015
12-16B	364990	11791/2015	23-02A	364945	14351/2015
12-16C	364818	15217/2015	23-02F	364872	13984/2015
12-16C	364960	11005/2015	24-01	364847	14107/2015
12-16C	364964	11010/2015	24-01	364875	14347/2015
12-16C	364965	11011/2015	24-01	364983	15070/2015
12-16C	364972	11019/2015	24-01	364993	14694/2015
12-16C	364973	11020/2015	24-02	364934	14273/2015
12-16E	364860	15218/2015	24-02	364935	14274/2015
12-16E	364861	15219/2015	24-02	364936	14275/2015
12-16NES	364874	14280/2015	24-02	364937	14276/2015
12-16NES	364906	14613/2015	24-02	364967	14178/2015
12-16NES	364961	11006/2015	24-04	364816	15195/2015
13-02	364956	14450/2015	24-04	364907	15283/2015
13-02	364957	14452/2015	24-04	364908	15285/2015
13-03D	364959	15150/2015	24-04	364909	15290/2015
14-01	364982	15065/2015	25-01A	364976	15214/2015
14-02	364856	13285/2015	25-01A	364977	15215/2015
14-02	364915	15288/2015	25-01C	364984	14996/2015
14-03NES	364862	15224/2015	25-01NES	364929	15207/2015
15-03B	364989	11409/2015	25-02E	364987	14230/2015
15-04	364955	14058/2015	25-02G	364902	15286/2015
15-05	364819	14035/2015	25-02H	364868	12992/2015
15-05	364857	13324/2015	26-05NES	364873	14037/2015
15-05	364858	13325/2015	26-06	364963	11009/2015
15-05	364928	14306/2015	26-06	364971	11018/2015
15-99	364867	12831/2015	27-06	364985	14676/2015
15-99	364877	14148/2015	30-02	364859	14405/2015
17-04	364894	15206/2015	31-00	364922	14165/2015
20-02C	364863	15225/2015	31-00	364923	14166/2015
20-02E	364864	15226/2015	31-00	364924	14167/2015
20-02E	364865	15227/2015	31-00	364925	14168/2015
20-03NES	364978	15147/2015	31-00	364926	14169/2015
21-01C	364905	14026/2015	31-00	364927	14170/2015
21-01C	364953	14007/2015			
21-01C	364954	14028/2015			
23-01A	364900	15282/2015			



(21) Design Number: **14824/2015**  
(22) Date of Filing Application: **11 September 2015**  
(24) Date from which industrial property rights may have effect: **11 September 2015**  
(54) Product in respect of which the design is registered: **Eyelet retainer**  
(51) International Design Classification: **02-07A**  
(74) Name(s) of Attorney(s): **Lesicar Maynard Andrews Pty Ltd**  
(71) Name(s) and Address(s) of Applicant(s):  
**Stuart Hollingworth**  
**PO BOX 2122 Goolwa SA 5214 Australia**  
(72) Name(s) of Designer(s): **Stuart Hollingworth**  
(45) Registration Date: **19 October 2015**  
(56) Related Art Documents: **Not Applicable**  
(57) Statement of Newness and Distinctiveness: **Newness and distinctiveness resides in the shape and/or configuration of an eyelet retainer as shown in the accompanying drawings.**



(21) Design Number: **15161/2015**  
(22) Date of Filing Application: **05 October 2015**  
(24) Date from which industrial property rights may have effect: **05 October 2015**  
(54) Product in respect of which the design is registered: **Bottle with monkey shape**  
(51) International Design Classification: **09-01NES**  
(74) Name(s) of Attorney(s): **PHILLIPS ORMONDE FITZPATRICK**  
(71) Name(s) and Address(s) of Applicant(s):  
**Dart Industries Inc.**  
**14901 S. Orange Blossom Trail Orlando Florida, 32837 United States of America**  
(72) Name(s) of Designer(s): **Sara L. Delgado Carmona**  
(45) Registration Date: **19 October 2015**  
(30) Convention priority data:  
(31) Number      (32) Date      (33) Country  
**29/525,364      29 Apr 2015      UNITED STATES OF AMERICA**  
(56) Related Art Documents: **Not Applicable**  
(57) Statement of Newness and Distinctiveness: **Nil**



- (21) Design Number: **15195/2015**  
(22) Date of Filing Application: **06 October 2015**  
(24) Date from which industrial property rights may have effect: **10 August 2015**  
(54) Product in respect of which the design is registered: **An absorbent article having an embossed design**  
(51) International Design Classification: **24-04**  
(74) Name(s) of Attorney(s): **Shelston IP**  
(71) Name(s) and Address(s) of Applicant(s):  
**Johnson & Johnson Consumer Inc.**  
**199 Grandview Road Skillman New Jersey, 08858 United States of America**  
(72) Name(s) of Designer(s): **Marco Antonio Alkmin and Thiago C Alves and Maria Marcia Reis Caldas Salles and Gilson Philigret Sardinha**  
(45) Registration Date: **19 October 2015**  
(30) Convention priority data:  
(31) Number (32) Date (33) Country  
**29/517262 11 Feb 2015 UNITED STATES OF AMERICA**  
(62) Divisional of: **364687**  
(56) Related Art Documents: **Not Applicable**  
(57) Statement of Newness and Distinctiveness: **Newness and distinctiveness reside in an embossed design on a body facing surface of an absorbent article. The features shown in broken line in the figures are displayed for illustrative purposes only and are not considered part of the design.**



- (21) Design Number: **15216/2015**  
(22) Date of Filing Application: **07 October 2015**  
(24) Date from which industrial property rights may have effect: **07 October 2015**  
(54) Product in respect of which the design is registered: **Grille for a vehicle**  
(51) International Design Classification: **12-16B**  
(74) Name(s) of Attorney(s): **Spruson & Ferguson**  
(71) Name(s) and Address(s) of Applicant(s):  
**Isuzu Motors Limited**  
**6-26-1, Minami-Oi Shinagawa-ku, Tokyo 140-8722 Japan**  
(72) Name(s) of Designer(s): **Naoyuki Akashi and Yasuhiro Ookame and Seiya Takahashi and Yoshihisa Fujita and Atsutomo Serizawa and Kei Kawakami**  
(45) Registration Date: **19 October 2015**  
(30) Convention priority data:  
(31) Number (32) Date (33) Country  
**2015-008420 14 Apr 2015 JAPAN**  
(56) Related Art Documents: **Not Applicable**  
(57) Statement of Newness and Distinctiveness: **Newness and distinctiveness is claimed in the features of shape and/or configuration of a grille for a vehicle as illustrated in the accompanying representations.**



- (21) Design Number: **15217/2015**  
(22) Date of Filing Application: **07 October 2015**  
(24) Date from which industrial property rights may have effect: **07 October 2015**  
(54) Product in respect of which the design is registered: **Front bumper for a vehicle**  
(51) International Design Classification: **12-16C**  
(74) Name(s) of Attorney(s): **Spruson & Ferguson**  
(71) Name(s) and Address(s) of Applicant(s):  
**Isuzu Motors Limited**  
**6-26-1, Minami-Oi Shinagawa-ku, Tokyo 140-8722 Japan**  
(72) Name(s) of Designer(s): **Naoyuki Akashi and Kei Kawakami and Yasuhiro Ookame and Seiya Takahashi and Yotsuko Sakae and Mikio Yajima**  
(45) Registration Date: **19 October 2015**  
(30) Convention priority data:  
(31) Number (32) Date (33) Country  
**2015-008422 14 Apr 2015 JAPAN**  
(56) Related Art Documents: **Not Applicable**  
(57) Statement of Newness and Distinctiveness: **Newness and distinctiveness is claimed in the features of shape and/or configuration of a front bumper for a vehicle as illustrated in the accompanying representations.**



- (21) Design Number: **14035/2015**  
(22) Date of Filing Application: **06 August 2015**  
(24) Date from which industrial property rights may have effect: **06 August 2015**  
(54) Product in respect of which the design is registered: **Robot**  
(51) International Design Classification: **15-05**  
(74) Name(s) of Attorney(s): **Davies Collison Cave**  
(71) Name(s) and Address(s) of Applicant(s):  
**iRobot Corporation**  
**8 Crosby Drive Bedford Massachusetts, 01730 United States of America**  
(72) Name(s) of Designer(s): **Rogelio Manfred Neumann and Stuart Jang and Derek Verhoorn**  
(45) Registration Date: **20 October 2015**  
(30) Convention priority data:  
(31) Number (32) Date (33) Country  
**29/517,453 12 Feb 2015 UNITED STATES OF AMERICA**  
(56) Related Art Documents: **Not Applicable**  
(57) Statement of Newness and Distinctiveness: **Newness and distinctiveness is claimed in the visual features of a robot, for example a floor cleaning robot, shown in solid lines in the representations. The broken lines indicate environmental features and bounds of the claimed design and form no part thereof.**



- (21) Design Number: **15162/2015**  
(22) Date of Filing Application: **05 October 2015**  
(24) Date from which industrial property rights may have effect: **30 January 2015**  
(54) Product in respect of which the design is registered: **Article of clothing**  
(51) International Design Classification: **02-02NES**  
(74) Name(s) of Attorney(s): **Allens Patent & Trade Mark Attorneys**  
(71) Name(s) and Address(s) of Applicant(s):  
**Forever New Clothing Pty Ltd**  
**L4 Building 8 576 Swan St Richmond VIC 3121 Australia**  
(72) Name(s) of Designer(s): **Octavia Miller**  
(45) Registration Date: **20 October 2015**  
(62) Divisional of: **364876**  
(56) Related Art Documents: **Not Applicable**  
(57) Statement of Newness and Distinctiveness: **Newness and distinctiveness resides in the visual features of shape, configuration, pattern and/or ornamentation of an article of clothing as shown in the accompanying representations.**



- (21) Design Number: **15163/2015**  
(22) Date of Filing Application: **05 October 2015**  
(24) Date from which industrial property rights may have effect: **30 January 2015**  
(54) Product in respect of which the design is registered: **Article of clothing**  
(51) International Design Classification: **02-02NES**  
(74) Name(s) of Attorney(s): **Allens Patent & Trade Mark Attorneys**  
(71) Name(s) and Address(s) of Applicant(s):  
**Forever New Clothing Pty Ltd**  
**L4 Building 8 576 Swan St Richmond VIC 3121 Australia**  
(72) Name(s) of Designer(s): **Octavia Miller**  
(45) Registration Date: **20 October 2015**  
(62) Divisional of: **364876**  
(56) Related Art Documents: **Not Applicable**  
(57) Statement of Newness and Distinctiveness: **Newness and distinctiveness resides in the visual features of shape, configuration, pattern and/or ornamentation of an article of clothing as shown in the accompanying representations.**



- (21) Design Number: **15164/2015**  
(22) Date of Filing Application: **05 October 2015**  
(24) Date from which industrial property rights may have effect: **30 January 2015**  
(54) Product in respect of which the design is registered: **Article of clothing**  
(51) International Design Classification: **02-02NES**  
(74) Name(s) of Attorney(s): **Allens Patent & Trade Mark Attorneys**  
(71) Name(s) and Address(s) of Applicant(s):  
**Forever New Clothing Pty Ltd**  
**L4 Building 8 576 Swan St Richmond VIC 3121 Australia**  
(72) Name(s) of Designer(s): **Octavia Miller**  
(45) Registration Date: **20 October 2015**  
(62) Divisional of: **364876**  
(56) Related Art Documents: **Not Applicable**  
(57) Statement of Newness and Distinctiveness: **Newness and distinctiveness resides in the visual features of shape, configuration, pattern and/or ornamentation of an article of clothing as shown in the accompanying representations.**



- (21) Design Number: **15165/2015**  
(22) Date of Filing Application: **05 October 2015**  
(24) Date from which industrial property rights may have effect: **30 January 2015**  
(54) Product in respect of which the design is registered: **Article of clothing**  
(51) International Design Classification: **02-02C**  
(74) Name(s) of Attorney(s): **Allens Patent & Trade Mark Attorneys**  
(71) Name(s) and Address(s) of Applicant(s):  
**Forever New Clothing Pty Ltd**  
**L4 Building 8 576 Swan St Richmond VIC 3121 Australia**  
(72) Name(s) of Designer(s): **Gemma Henderson**  
(45) Registration Date: **20 October 2015**  
(62) Divisional of: **364876**  
(56) Related Art Documents: **Not Applicable**  
(57) Statement of Newness and Distinctiveness: **Newness and distinctiveness resides in the visual features of shape, configuration, pattern and/or ornamentation of an article of clothing as shown in the accompanying representations.**





- (21) Design Number: **15166/2015**  
(22) Date of Filing Application: **05 October 2015**  
(24) Date from which industrial property rights may have effect: **30 January 2015**  
(54) Product in respect of which the design is registered: **Article of clothing**  
(51) International Design Classification: **02-02C**  
(74) Name(s) of Attorney(s): **Allens Patent & Trade Mark Attorneys**  
(71) Name(s) and Address(s) of Applicant(s):  
**Forever New Clothing Pty Ltd**  
**L4, Building 8 576 Swan St Richmond VIC, 3121 Australia**  
(72) Name(s) of Designer(s): **Mantra Ahrendt**  
(45) Registration Date: **20 October 2015**  
(62) Divisional of: **364876**  
(56) Related Art Documents: **Not Applicable**  
(57) Statement of Newness and Distinctiveness: **Newness and distinctiveness resides in the visual features of shape, configuration, pattern and/or ornamentation of an article of clothing as shown in the accompanying representations.**



- (21) Design Number: **15167/2015**  
(22) Date of Filing Application: **05 October 2015**  
(24) Date from which industrial property rights may have effect: **30 January 2015**  
(54) Product in respect of which the design is registered: **Article of clothing**  
(51) International Design Classification: **02-02C**  
(74) Name(s) of Attorney(s): **Allens Patent & Trade Mark Attorneys**  
(71) Name(s) and Address(s) of Applicant(s):  
**Forever New Clothing Pty Ltd**  
**L4, Building 8 576 Swan St Richmond VIC, 3121 Australia**  
(72) Name(s) of Designer(s): **Mantra Ahrendt**  
(45) Registration Date: **20 October 2015**  
(62) Divisional of: **364876**  
(56) Related Art Documents: **Not Applicable**  
(57) Statement of Newness and Distinctiveness: **Newness and distinctiveness resides in the visual features of shape, configuration, pattern and/or ornamentation of an article of clothing as shown in the accompanying representations.**



- (21) Design Number: **15168/2015**  
(22) Date of Filing Application: **05 October 2015**  
(24) Date from which industrial property rights may have effect: **30 January 2015**  
(54) Product in respect of which the design is registered: **Article of clothing**  
(51) International Design Classification: **02-02C**  
(74) Name(s) of Attorney(s): **Allens Patent & Trade Mark Attorneys**  
(71) Name(s) and Address(s) of Applicant(s):  
**Forever New Clothing Pty Ltd**  
**L4, Building 8 576 Swan St Richmond VIC, 3121 Australia**  
(72) Name(s) of Designer(s): **Mantra Ahrendt**  
(45) Registration Date: **20 October 2015**  
(62) Divisional of: **364876**  
(56) Related Art Documents: **Not Applicable**  
(57) Statement of Newness and Distinctiveness: **Newness and distinctiveness resides in the visual features of shape, configuration, pattern and/or ornamentation of an article of clothing as shown in the accompanying representations.**



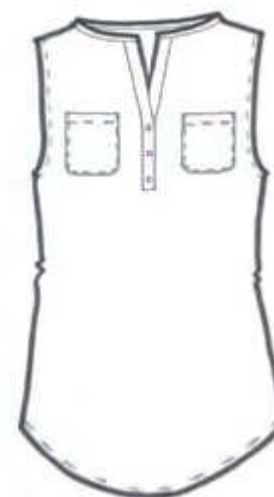
- (21) Design Number: **15220/2015**  
(22) Date of Filing Application: **07 October 2015**  
(24) Date from which industrial property rights may have effect: **07 October 2015**  
(54) Product in respect of which the design is registered: **Truck**  
(51) International Design Classification: **12-08**  
(74) Name(s) of Attorney(s): **Spruson & Ferguson**  
(71) Name(s) and Address(s) of Applicant(s):  
**Isuzu Motors Limited**  
**6-26-1, Minami-Oi Shinagawa-ku, Tokyo 140-8722 Japan**  
(72) Name(s) of Designer(s): **Satomi Maruyama and Naoyuki Akashi and Kei Kawakami and Chikara Sano and Seiya Takahashi and Yui Iwama**  
(45) Registration Date: **20 October 2015**  
(30) Convention priority data:  
(31) Number      (32) Date      (33) Country  
**2015-008417      14 Apr 2015      JAPAN**  
(56) Related Art Documents: **Not Applicable**  
(57) Statement of Newness and Distinctiveness: **Newness and distinctiveness is claimed in the features of shape and/or configuration of a truck as illustrated in the accompanying representations.**



- (21) Design Number: **15169/2015**  
(22) Date of Filing Application: **05 October 2015**  
(24) Date from which industrial property rights may have effect: **30 January 2015**  
(54) Product in respect of which the design is registered: **Article of clothing**  
(51) International Design Classification: **02-02C**  
(74) Name(s) of Attorney(s): **Allens Patent & Trade Mark Attorneys**  
(71) Name(s) and Address(s) of Applicant(s):  
**Forever New Clothing Pty Ltd**  
**L4, Building 8 576 Swan St Richmond VIC, 3121 Australia**  
(72) Name(s) of Designer(s): **Mantra Ahrendt**  
(45) Registration Date: **20 October 2015**  
(62) Divisional of: **364876**  
(56) Related Art Documents: **Not Applicable**  
(57) Statement of Newness and Distinctiveness: **Newness and distinctiveness resides in the visual features of shape, configuration, pattern and/or ornamentation of an article of clothing as shown in the accompanying representations.**



- (21) Design Number: **15170/2015**  
(22) Date of Filing Application: **05 October 2015**  
(24) Date from which industrial property rights may have effect: **30 January 2015**  
(54) Product in respect of which the design is registered: **Article of clothing**  
(51) International Design Classification: **02-02NES**  
(74) Name(s) of Attorney(s): **Allens Patent & Trade Mark Attorneys**  
(71) Name(s) and Address(s) of Applicant(s):  
**Forever New Clothing Pty Ltd**  
**L4, Building 8 576 Swan St Richmond VIC, 3121 Australia**  
(72) Name(s) of Designer(s): **Jennifer Hall**  
(45) Registration Date: **20 October 2015**  
(62) Divisional of: **364876**  
(56) Related Art Documents: **Not Applicable**  
(57) Statement of Newness and Distinctiveness: **Newness and distinctiveness resides in the visual features of shape, configuration, pattern and/or ornamentation of an article of clothing as shown in the accompanying representations.**





- (21) Design Number: **15171/2015**  
(22) Date of Filing Application: **05 October 2015**  
(24) Date from which industrial property rights may have effect: **30 January 2015**  
(54) Product in respect of which the design is registered: **Article of clothing**  
(51) International Design Classification: **02-02NES**  
(74) Name(s) of Attorney(s): **Allens Patent & Trade Mark Attorneys**  
(71) Name(s) and Address(s) of Applicant(s):  
**Forever New Clothing Pty Ltd**  
**L4, Building 8 576 Swan St Richmond VIC, 3121 Australia**  
(72) Name(s) of Designer(s): **Jennifer Hall**  
(45) Registration Date: **20 October 2015**  
(62) Divisional of: **364876**  
(56) Related Art Documents: **Not Applicable**  
(57) Statement of Newness and Distinctiveness: **Newness and distinctiveness resides in the visual features of shape, configuration, pattern and/or ornamentation of an article of clothing as shown in the accompanying representations.**



- (21) Design Number: **15172/2015**  
(22) Date of Filing Application: **05 October 2015**  
(24) Date from which industrial property rights may have effect: **30 January 2015**  
(54) Product in respect of which the design is registered: **Article of clothing**  
(51) International Design Classification: **02-02NES**  
(74) Name(s) of Attorney(s): **Allens Patent & Trade Mark Attorneys**  
(71) Name(s) and Address(s) of Applicant(s):  
**Forever New Clothing Pty Ltd**  
**L4, Building 8 576 Swan St Richmond VIC, 3121 Australia**  
(72) Name(s) of Designer(s): **Jennifer Hall**  
(45) Registration Date: **20 October 2015**  
(62) Divisional of: **364876**  
(56) Related Art Documents: **Not Applicable**  
(57) Statement of Newness and Distinctiveness: **Newness and distinctiveness resides in the visual features of shape, configuration, pattern and/or ornamentation of an article of clothing as shown in the accompanying representations.**



- (21) Design Number: **15173/2015**  
(22) Date of Filing Application: **05 October 2015**  
(24) Date from which industrial property rights may have effect: **30 January 2015**  
(54) Product in respect of which the design is registered: **Article of clothing**  
(51) International Design Classification: **02-02NES**  
(74) Name(s) of Attorney(s): **Allens Patent & Trade Mark Attorneys**  
(71) Name(s) and Address(s) of Applicant(s):  
**Forever New Clothing Pty Ltd**  
**L4, Building 8 576 Swan St Richmond VIC, 3121 Australia**  
(72) Name(s) of Designer(s): **Jennifer Hall**  
(45) Registration Date: **20 October 2015**  
(62) Divisional of: **364876**  
(56) Related Art Documents: **Not Applicable**  
(57) Statement of Newness and Distinctiveness: **Newness and distinctiveness resides in the visual features of shape, configuration, pattern and/or ornamentation of an article of clothing as shown in the accompanying representations.**



- (21) Design Number: **15174/2015**  
(22) Date of Filing Application: **05 October 2015**  
(24) Date from which industrial property rights may have effect: **30 January 2015**  
(54) Product in respect of which the design is registered: **Article of clothing**  
(51) International Design Classification: **02-02NES**  
(74) Name(s) of Attorney(s): **Allens Patent & Trade Mark Attorneys**  
(71) Name(s) and Address(s) of Applicant(s):  
**Forever New Clothing Pty Ltd**  
**L4, Building 8 576 Swan St Richmond VIC, 3121 Australia**  
(72) Name(s) of Designer(s): **Alice Burrow**  
(45) Registration Date: **20 October 2015**  
(62) Divisional of: **364876**  
(56) Related Art Documents: **Not Applicable**  
(57) Statement of Newness and Distinctiveness: **Newness and distinctiveness resides in the visual features of shape, configuration, pattern and/or ornamentation of an article of clothing as shown in the accompanying representations.**



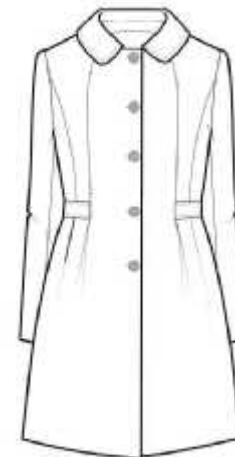
- (21) Design Number: **15175/2015**  
(22) Date of Filing Application: **05 October 2015**  
(24) Date from which industrial property rights may have effect: **30 January 2015**  
(54) Product in respect of which the design is registered: **Article of clothing**  
(51) International Design Classification: **02-02NES**  
(74) Name(s) of Attorney(s): **Allens Patent & Trade Mark Attorneys**  
(71) Name(s) and Address(s) of Applicant(s):  
**Forever New Clothing Pty Ltd**  
**L4, Building 8 576 Swan St Richmond VIC, 3121 Australia**  
(72) Name(s) of Designer(s): **Alice Burrow**  
(45) Registration Date: **20 October 2015**  
(62) Divisional of: **364876**  
(56) Related Art Documents: **Not Applicable**  
(57) Statement of Newness and Distinctiveness: **Newness and distinctiveness resides in the visual features of shape, configuration, pattern and/or ornamentation of an article of clothing as shown in the accompanying representations.**



- (21) Design Number: **15176/2015**  
(22) Date of Filing Application: **05 October 2015**  
(24) Date from which industrial property rights may have effect: **30 January 2015**  
(54) Product in respect of which the design is registered: **Article of clothing**  
(51) International Design Classification: **02-02NES**  
(74) Name(s) of Attorney(s): **Allens Patent & Trade Mark Attorneys**  
(71) Name(s) and Address(s) of Applicant(s):  
**Forever New Clothing Pty Ltd**  
**L4, Building 8 576 Swan St Richmond VIC, 3121 Australia**  
(72) Name(s) of Designer(s): **Alice Burrow**  
(45) Registration Date: **20 October 2015**  
(62) Divisional of: **364876**  
(56) Related Art Documents: **Not Applicable**  
(57) Statement of Newness and Distinctiveness: **Newness and distinctiveness resides in the visual features of shape, configuration, pattern and/or ornamentation of an article of clothing as shown in the accompanying representations.**



- (21) Design Number: **15177/2015**  
(22) Date of Filing Application: **05 October 2015**  
(24) Date from which industrial property rights may have effect: **30 January 2015**  
(54) Product in respect of which the design is registered: **Article of clothing**  
(51) International Design Classification: **02-02NES**  
(74) Name(s) of Attorney(s): **Allens Patent & Trade Mark Attorneys**  
(71) Name(s) and Address(s) of Applicant(s):  
**Forever New Clothing Pty Ltd**  
**L4, Building 8 576 Swan St Richmond VIC, 3121 Australia**  
(72) Name(s) of Designer(s): **Alice Burrow**  
(45) Registration Date: **20 October 2015**  
(62) Divisional of: **364876**  
(56) Related Art Documents: **Not Applicable**  
(57) Statement of Newness and Distinctiveness: **Newness and distinctiveness resides in the visual features of shape, configuration, pattern and/or ornamentation of an article of clothing as shown in the accompanying representations.**



- (21) Design Number: **15178/2015**  
(22) Date of Filing Application: **05 October 2015**  
(24) Date from which industrial property rights may have effect: **30 January 2015**  
(54) Product in respect of which the design is registered: **Article of clothing**  
(51) International Design Classification: **02-02NES**  
(74) Name(s) of Attorney(s): **Allens Patent & Trade Mark Attorneys**  
(71) Name(s) and Address(s) of Applicant(s):  
**Forever New Clothing Pty Ltd**  
**L4, Building 8 576 Swan St Richmond VIC, 3121 Australia**  
(72) Name(s) of Designer(s): **Alice Burrow**  
(45) Registration Date: **20 October 2015**  
(62) Divisional of: **364876**  
(56) Related Art Documents: **Not Applicable**  
(57) Statement of Newness and Distinctiveness: **Newness and distinctiveness resides in the visual features of shape, configuration, pattern and/or ornamentation of an article of clothing as shown in the accompanying representations.**



- (21) Design Number: **15179/2015**  
(22) Date of Filing Application: **05 October 2015**  
(24) Date from which industrial property rights may have effect: **30 January 2015**  
(54) Product in respect of which the design is registered: **Article of clothing**  
(51) International Design Classification: **02-02NES**  
(74) Name(s) of Attorney(s): **Allens Patent & Trade Mark Attorneys**  
(71) Name(s) and Address(s) of Applicant(s):  
**Forever New Clothing Pty Ltd**  
**L4, Building 8 576 Swan St Richmond VIC, 3121 Australia**  
(72) Name(s) of Designer(s): **Alice Burrow**  
(45) Registration Date: **20 October 2015**  
(62) Divisional of: **364876**  
(56) Related Art Documents: **Not Applicable**  
(57) Statement of Newness and Distinctiveness: **Newness and distinctiveness resides in the visual features of shape, configuration, pattern and/or ornamentation of an article of clothing as shown in the accompanying representations.**



- (21) Design Number: **15180/2015**  
(22) Date of Filing Application: **05 October 2015**  
(24) Date from which industrial property rights may have effect: **30 January 2015**  
(54) Product in respect of which the design is registered: **Article of clothing**  
(51) International Design Classification: **02-02NES**  
(74) Name(s) of Attorney(s): **Allens Patent & Trade Mark Attorneys**  
(71) Name(s) and Address(s) of Applicant(s):  
**Forever New Clothing Pty Ltd**  
**L4, Building 8 576 Swan St Richmond VIC, 3121 Australia**  
(72) Name(s) of Designer(s): **Alice Burrow**  
(45) Registration Date: **20 October 2015**  
(62) Divisional of: **364876**  
(56) Related Art Documents: **Not Applicable**  
(57) Statement of Newness and Distinctiveness: **Newness and distinctiveness resides in the visual features of shape, configuration, pattern and/or ornamentation of an article of clothing as shown in the accompanying representations.**



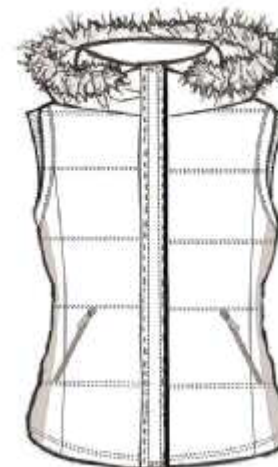
- (21) Design Number: **15181/2015**  
(22) Date of Filing Application: **05 October 2015**  
(24) Date from which industrial property rights may have effect: **30 January 2015**  
(54) Product in respect of which the design is registered: **Article of clothing**  
(51) International Design Classification: **02-02NES**  
(74) Name(s) of Attorney(s): **Allens Patent & Trade Mark Attorneys**  
(71) Name(s) and Address(s) of Applicant(s):  
**Forever New Clothing Pty Ltd**  
**L4, Building 8 576 Swan St Richmond VIC, 3121 Australia**  
(72) Name(s) of Designer(s): **Alice Burrow**  
(45) Registration Date: **20 October 2015**  
(62) Divisional of: **364876**  
(56) Related Art Documents: **Not Applicable**  
(57) Statement of Newness and Distinctiveness: **Newness and distinctiveness resides in the visual features of shape, configuration, pattern and/or ornamentation of an article of clothing as shown in the accompanying representations.**



- (21) Design Number: **15182/2015**  
(22) Date of Filing Application: **05 October 2015**  
(24) Date from which industrial property rights may have effect: **30 January 2015**  
(54) Product in respect of which the design is registered: **Article of clothing**  
(51) International Design Classification: **02-02NES**  
(74) Name(s) of Attorney(s): **Allens Patent & Trade Mark Attorneys**  
(71) Name(s) and Address(s) of Applicant(s):  
**Forever New Clothing Pty Ltd**  
**L4, Building 8 576 Swan St Richmond VIC, 3121 Australia**  
(72) Name(s) of Designer(s): **Alice Burrow**  
(45) Registration Date: **20 October 2015**  
(62) Divisional of: **364876**  
(56) Related Art Documents: **Not Applicable**  
(57) Statement of Newness and Distinctiveness: **Newness and distinctiveness resides in the visual features of shape, configuration, pattern and/or ornamentation of an article of clothing as shown in the accompanying representations.**



- (21) Design Number: **15183/2015**  
(22) Date of Filing Application: **05 October 2015**  
(24) Date from which industrial property rights may have effect: **30 January 2015**  
(54) Product in respect of which the design is registered: **Article of clothing**  
(51) International Design Classification: **02-02NES**  
(74) Name(s) of Attorney(s): **Allens Patent & Trade Mark Attorneys**  
(71) Name(s) and Address(s) of Applicant(s):  
**Forever New Clothing Pty Ltd**  
**L4, Building 8 576 Swan St Richmond VIC, 3121 Australia**  
(72) Name(s) of Designer(s): **Alice Burrow**  
(45) Registration Date: **20 October 2015**  
(62) Divisional of: **364876**  
(56) Related Art Documents: **Not Applicable**  
(57) Statement of Newness and Distinctiveness: **Newness and distinctiveness resides in the visual features of shape, configuration, pattern and/or ornamentation of an article of clothing as shown in the accompanying representations.**



- (21) Design Number: **15184/2015**  
(22) Date of Filing Application: **05 October 2015**  
(24) Date from which industrial property rights may have effect: **30 January 2015**  
(54) Product in respect of which the design is registered: **Article of clothing**  
(51) International Design Classification: **02-02C**  
(74) Name(s) of Attorney(s): **Allens Patent & Trade Mark Attorneys**  
(71) Name(s) and Address(s) of Applicant(s):  
**Forever New Clothing Pty Ltd**  
**L4, Building 8 576 Swan St Richmond VIC, 3121 Australia**  
(72) Name(s) of Designer(s): **Jennifer Hall**  
(45) Registration Date: **20 October 2015**  
(62) Divisional of: **364876**  
(56) Related Art Documents: **Not Applicable**  
(57) Statement of Newness and Distinctiveness: **Newness and distinctiveness resides in the visual features of shape, configuration, pattern and/or ornamentation of an article of clothing as shown in the accompanying representations.**





- (21) Design Number: **15185/2015**  
(22) Date of Filing Application: **05 October 2015**  
(24) Date from which industrial property rights may have effect: **30 January 2015**  
(54) Product in respect of which the design is registered: **Article of clothing**  
(51) International Design Classification: **02-02C**  
(74) Name(s) of Attorney(s): **Allens Patent & Trade Mark Attorneys**  
(71) Name(s) and Address(s) of Applicant(s):  
**Forever New Clothing Pty Ltd**  
**L4, Building 8 576 Swan St Richmond VIC, 3121 Australia**  
(72) Name(s) of Designer(s): **Jennifer Hall**  
(45) Registration Date: **20 October 2015**  
(62) Divisional of: **364876**  
(56) Related Art Documents: **Not Applicable**  
(57) Statement of Newness and Distinctiveness: **Newness and distinctiveness resides in the visual features of shape, configuration, pattern and/or ornamentation of an article of clothing as shown in the accompanying representations.**



- (21) Design Number: **15186/2015**  
(22) Date of Filing Application: **05 October 2015**  
(24) Date from which industrial property rights may have effect: **30 January 2015**  
(54) Product in respect of which the design is registered: **Article of clothing**  
(51) International Design Classification: **02-02C**  
(74) Name(s) of Attorney(s): **Allens Patent & Trade Mark Attorneys**  
(71) Name(s) and Address(s) of Applicant(s):  
**Forever New Clothing Pty Ltd**  
**L4, Building 8 576 Swan St Richmond VIC, 3121 Australia**  
(72) Name(s) of Designer(s): **Jennifer Hall**  
(45) Registration Date: **20 October 2015**  
(62) Divisional of: **364876**  
(56) Related Art Documents: **Not Applicable**  
(57) Statement of Newness and Distinctiveness: **Newness and distinctiveness resides in the visual features of shape, configuration, pattern and/or ornamentation of an article of clothing as shown in the accompanying representations.**





- (21) Design Number: **15187/2015**  
(22) Date of Filing Application: **05 October 2015**  
(24) Date from which industrial property rights may have effect: **30 January 2015**  
(54) Product in respect of which the design is registered: **Article of clothing**  
(51) International Design Classification: **02-02C**  
(74) Name(s) of Attorney(s): **Allens Patent & Trade Mark Attorneys**  
(71) Name(s) and Address(s) of Applicant(s):  
**Forever New Clothing Pty Ltd**  
**L4, Building 8 576 Swan St Richmond VIC, 3121 Australia**  
(72) Name(s) of Designer(s): **Jennifer Hall**  
(45) Registration Date: **20 October 2015**  
(62) Divisional of: **364876**  
(56) Related Art Documents: **Not Applicable**  
(57) Statement of Newness and Distinctiveness: **Newness and distinctiveness resides in the visual features of shape, configuration, pattern and/or ornamentation of an article of clothing as shown in the accompanying representations.**



- (21) Design Number: **14107/2015**  
(22) Date of Filing Application: **11 August 2015**  
(24) Date from which industrial property rights may have effect: **11 August 2015**  
(54) Product in respect of which the design is registered: **MOYO fetal heart rate monitor**  
(51) International Design Classification: **24-01**  
(74) Name(s) of Attorney(s): **Davies Collison Cave**  
(71) Name(s) and Address(s) of Applicant(s):  
**Laerdal Medical AS**  
**Tanke Svilands gate 30 Stavanger 4007 Norway**  
(72) Name(s) of Designer(s): **Naci Cenk Aytekin**  
(45) Registration Date: **21 October 2015**  
(30) Convention priority data:  

(31) Number	(32) Date	(33) Country
<b>20150267</b>	<b>18 Mar 2015</b>	<b>NORWAY</b>

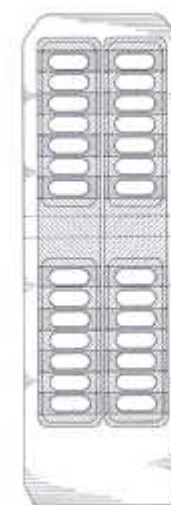
  
(56) Related Art Documents: **Not Applicable**  
(57) Statement of Newness and Distinctiveness: **Newness and distinctiveness is claimed in the visual features shown in solid lines in the representations.**



- (21) Design Number: **15221/2015**  
(22) Date of Filing Application: **07 October 2015**  
(24) Date from which industrial property rights may have effect: **07 October 2015**  
(54) Product in respect of which the design is registered: **VF commodore grille**  
(51) International Design Classification: **12-16B**  
(74) Name(s) of Attorney(s):  
(71) Name(s) and Address(s) of Applicant(s):  
**HDT SPECIAL VEHICLES PTY LTD**  
**PO BOX 323 Yeppoon QLD, 4703 Australia**  
(72) Name(s) of Designer(s): **Peter Champion**  
(45) Registration Date: **21 October 2015**  
(56) Related Art Documents: **Not Applicable**  
(57) Statement of Newness and Distinctiveness: **This is a letterbox styled grille to be used on the VF Commodore Has HDT trademark stamped into the grille.**



- (21) Design Number: **15267/2015**  
(22) Date of Filing Application: **08 October 2015**  
(24) Date from which industrial property rights may have effect: **03 August 2015**  
(54) Product in respect of which the design is registered: **Overlay for medication card**  
(51) International Design Classification: **09-05**  
(74) Name(s) of Attorney(s): **Cullens Patent and Trade Mark Attorneys**  
(71) Name(s) and Address(s) of Applicant(s):  
**Chiasma Inc.**  
**60 Wells Ave Suite 102 Newton MA, 02459 United States Of America**  
(72) Name(s) of Designer(s): **Dana Gelbaum**  
(45) Registration Date: **21 October 2015**  
(30) Convention priority data:  
(31) Number      (32) Date      (33) Country  
**29/516534      03 Feb 2015      UNITED STATES OF AMERICA**  
(62) Divisional of: **364871**  
(56) Related Art Documents: **Not Applicable**  
(57) Statement of Newness and Distinctiveness: **Newness and distinctiveness of the design reside in the visual features of the pattern or ornamentation of an overlay for a medication card as shown in the accompanying representations. When considering the newness and distinctiveness, little or no weight should be given to the shape and configuration of the design.**



(21) Design Number: **15268/2015**  
(22) Date of Filing Application: **08 October 2015**  
(24) Date from which industrial property rights may have effect: **03 August 2015**  
(54) Product in respect of which the design is registered: **Overlay for medication card**  
(51) International Design Classification: **09-05**  
(74) Name(s) of Attorney(s): **Cullens Patent and Trade Mark Attorneys**  
(71) Name(s) and Address(s) of Applicant(s):  
**Chiasma Inc.**  
**60 Wells Ave Suite 102 Newton MA, 02459 United States Of America**

(72) Name(s) of Designer(s): **Dana Gelbaum**

(45) Registration Date: **21 October 2015**

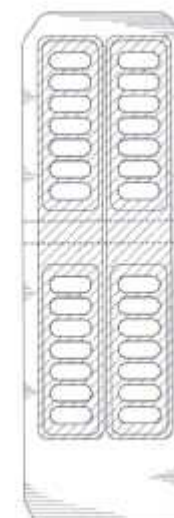
(30) Convention priority data:

(31) Number	(32) Date	(33) Country
<b>29/516534</b>	<b>03 Feb 2015</b>	<b>UNITED STATES OF AMERICA</b>

(62) Divisional of: **364871**

(56) Related Art Documents: **Not Applicable**

(57) Statement of Newness and Distinctiveness: **Newness and distinctiveness of the design reside in the visual features of the pattern or ornamentation of an overlay for a medication card as shown in the accompanying representations. When considering the newness and distinctiveness, little or no weight should be given to the shape and configuration of the design.**



(21) Design Number: **15269/2015**  
(22) Date of Filing Application: **08 October 2015**  
(24) Date from which industrial property rights may have effect: **03 August 2015**  
(54) Product in respect of which the design is registered: **Overlay for medication card**  
(51) International Design Classification: **09-05**  
(74) Name(s) of Attorney(s): **Cullens Patent and Trade Mark Attorneys**  
(71) Name(s) and Address(s) of Applicant(s):  
**Chiasma Inc.**  
**60 Wells Ave Suite 102 Newton MA, 02459 United States Of America**

(72) Name(s) of Designer(s): **Dana Gelbaum**

(45) Registration Date: **21 October 2015**

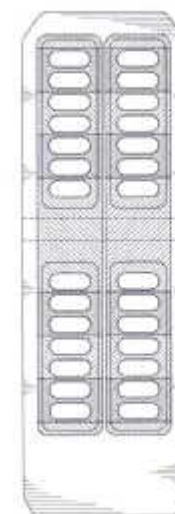
(30) Convention priority data:

(31) Number	(32) Date	(33) Country
<b>29/516534</b>	<b>03 Feb 2015</b>	<b>UNITED STATES OF AMERICA</b>

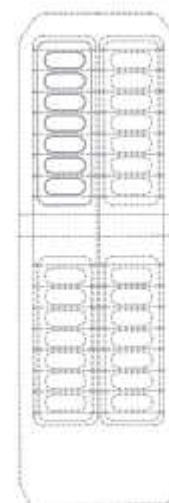
(62) Divisional of: **364871**

(56) Related Art Documents: **Not Applicable**

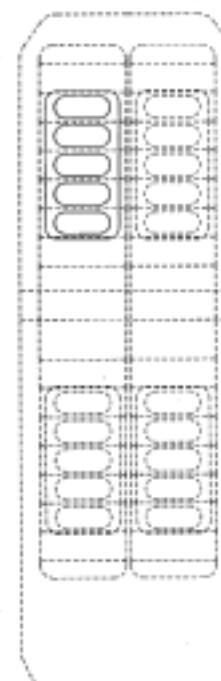
(57) Statement of Newness and Distinctiveness: **Newness and distinctiveness of the design reside in the visual features of the pattern or ornamentation of an overlay for medication card as shown in the accompanying representations. When considering the newness and distinctiveness, little or no weight should be given to the shape and configuration of the design.**



- (21) Design Number: **15270/2015**  
(22) Date of Filing Application: **08 October 2015**  
(24) Date from which industrial property rights may have effect: **03 August 2015**  
(54) Product in respect of which the design is registered: **Overlay for medication card**  
(51) International Design Classification: **09-05**  
(74) Name(s) of Attorney(s): **Cullens Patent and Trade Mark Attorneys**  
(71) Name(s) and Address(s) of Applicant(s):  
**Chiasma Inc.**  
**60 Wells Ave Suite 102 Newton MA, 02459 United States Of America**  
(72) Name(s) of Designer(s): **Dana Gelbaum**  
(45) Registration Date: **21 October 2015**  
(30) Convention priority data:  
(31) Number (32) Date (33) Country  
**29/516534 03 Feb 2015 UNITED STATES OF AMERICA**  
(62) Divisional of: **364871**  
(56) Related Art Documents: **Not Applicable**  
(57) Statement of Newness and Distinctiveness: **Newness and distinctiveness of the design reside in the visual features of the shape or configuration of an overlay for medication card as shown in the accompanying representations. When considering the newness and distinctiveness, little or no weight should be given to the parts of the design shown in broken outline and the pattern and ornamentation of the design.**



- (21) Design Number: **15271/2015**  
(22) Date of Filing Application: **08 October 2015**  
(24) Date from which industrial property rights may have effect: **03 August 2015**  
(54) Product in respect of which the design is registered: **Overlay for medication card**  
(51) International Design Classification: **09-05**  
(74) Name(s) of Attorney(s): **Cullens Patent and Trade Mark Attorneys**  
(71) Name(s) and Address(s) of Applicant(s):  
**Chiasma Inc.**  
**60 Wells Ave Suite 102 Newton MA, 02459 United States Of America**  
(72) Name(s) of Designer(s): **Dana Gelbaum**  
(45) Registration Date: **21 October 2015**  
(30) Convention priority data:  
(31) Number (32) Date (33) Country  
**29/516534 03 Feb 2015 UNITED STATES OF AMERICA**  
(62) Divisional of: **364871**  
(56) Related Art Documents: **Not Applicable**  
(57) Statement of Newness and Distinctiveness: **Newness and distinctiveness of the design reside in the visual features of the shape or configuration of an overlay for medication card as shown in the accompanying representations. When considering the newness and distinctiveness, little or no weight should be given to the parts of the design shown in broken outline and the pattern and ornamentation of the design.**



(21) Design Number: **15272/2015**  
(22) Date of Filing Application: **08 October 2015**  
(24) Date from which industrial property rights may have effect: **03 August 2015**  
(54) Product in respect of which the design is registered: **Overlay for medication card**  
(51) International Design Classification: **09-05**  
(74) Name(s) of Attorney(s): **Cullens Patent and Trade Mark Attorneys**  
(71) Name(s) and Address(s) of Applicant(s):  
**Chiasma Inc.**  
**60 Wells Ave Suite 102 Newton MA, 02459 United States Of America**

(72) Name(s) of Designer(s): **Dana Gelbaum**

(45) Registration Date: **21 October 2015**

(30) Convention priority data:

(31) Number	(32) Date	(33) Country
<b>29/516534</b>	<b>03 Feb 2015</b>	<b>UNITED STATES OF AMERICA</b>

(62) Divisional of: **364871**

(56) Related Art Documents: **Not Applicable**

(57) Statement of Newness and Distinctiveness: **Newness and distinctiveness of the design reside in the visual features of the shape or configuration of an overlay for medication card as shown in the accompanying representations. When considering the newness and distinctiveness, little or no weight should be given to the parts of the design shown in broken outline and the pattern and ornamentation of the design.**



(21) Design Number: **15273/2015**  
(22) Date of Filing Application: **08 October 2015**  
(24) Date from which industrial property rights may have effect: **03 August 2015**  
(54) Product in respect of which the design is registered: **Overlay for Medication Card**  
(51) International Design Classification: **09-05**  
(74) Name(s) of Attorney(s): **Cullens Patent and Trade Mark Attorneys**  
(71) Name(s) and Address(s) of Applicant(s):  
**Chiasma Inc.**  
**60 Wells Ave Suite 102 Newton MA, 02459 United States Of America**

(72) Name(s) of Designer(s): **Dana Gelbaum**

(45) Registration Date: **21 October 2015**

(30) Convention priority data:

(31) Number	(32) Date	(33) Country
<b>29/516534</b>	<b>03 Feb 2015</b>	<b>UNITED STATES OF AMERICA</b>

(62) Divisional of: **364871**

(56) Related Art Documents: **Not Applicable**

(57) Statement of Newness and Distinctiveness: **Newness and distinctiveness of the design reside in the visual features of the shape and configuration of an overlay for medication card as shown in the accompanying representations. When considering the newness and distinctiveness, little or no weight should be given to the parts of the design shown in broken outline and the pattern and ornamentation of the design.**





- (21) Design Number: **13285/2015**  
(22) Date of Filing Application: **30 June 2015**  
(24) Date from which industrial property rights may have effect: **30 June 2015**  
(54) Product in respect of which the design is registered: **USB drive housing**  
(51) International Design Classification: **14-02**  
(74) Name(s) of Attorney(s):  
(71) Name(s) and Address(s) of Applicant(s):

**Jason Diamond**  
**160 Hastings Rd Terrigal NSW 2260 Australia**

(72) Name(s) of Designer(s): **Jason Diamond**

(45) Registration Date: **21 October 2015**

(56) Related Art Documents: **Not Applicable**

(57) Statement of Newness and Distinctiveness: **Cruise ship 3D ocean blue USB Drive end housing is a 3D Cruise ship floating on ocean blue water which has a 3-Dimensional cruise ship, floats on blue coloured water with clear oil on top in a clear D shaped housing specifically designed to allow a product to slip into thin modern computers. Designed by us the 3D cruise ship sits on top of blue ocean coloured water, creating the feel of floating on water, and the clear oil sit on top of that water creating the feel of clear sky. These items sit inside the new D shaped plastic housing specifically designed by us with a flat bottom to allow the item to slip into thin computers. This item can then be added to different housings to all for various uses. Some design examples of how it works with different housings are provided in images. Focus 3D cruiseship, floating on ocean blue water, with clear oil sky, D shaped flat bottom housing specifically designed for USB drives.**



- (21) Design Number: **13324/2015**  
(22) Date of Filing Application: **01 July 2015**  
(24) Date from which industrial property rights may have effect: **05 May 2015**  
(54) Product in respect of which the design is registered: **Steam cleaning accessory**  
(51) International Design Classification: **15-05**  
(74) Name(s) of Attorney(s): **Davies Collison Cave**  
(71) Name(s) and Address(s) of Applicant(s):

**Black & Decker Inc**  
**Plaza Office Park 1423 Kirkwood Highway Newart Delaware 19711 United States of America**

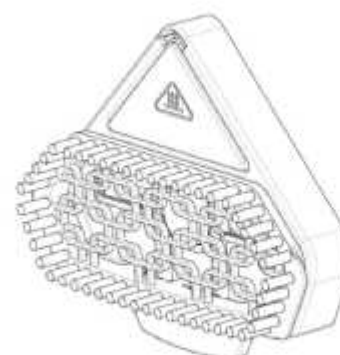
(72) Name(s) of Designer(s): **Graeme Crawley and Bojun Shi**

(45) Registration Date: **21 October 2015**

(62) Divisional of: **362484**

(56) Related Art Documents: **Not Applicable**

(57) Statement of Newness and Distinctiveness: **Nil**



- (21) Design Number: **13325/2015**  
(22) Date of Filing Application: **01 July 2015**  
(24) Date from which industrial property rights may have effect: **05 May 2015**  
(54) Product in respect of which the design is registered: **Steam cleaning accessory**  
(51) International Design Classification: **15-05**  
(74) Name(s) of Attorney(s): **Davies Collison Cave**  
(71) Name(s) and Address(s) of Applicant(s):  
**Black & Decker Inc**  
**Plaza Office Park 1423 Kirkwood Highway Newart Delaware 19711 United States of America**  
(72) Name(s) of Designer(s): **Graeme Crawley and Bojun Shi**  
(45) Registration Date: **21 October 2015**  
(62) Divisional of: **362484**  
(56) Related Art Documents: **Not Applicable**  
(57) Statement of Newness and Distinctiveness: **Nil**



- (21) Design Number: **14405/2015**  
(22) Date of Filing Application: **25 August 2015**  
(24) Date from which industrial property rights may have effect: **25 August 2015**  
(54) Product in respect of which the design is registered: **Animal housing**  
(51) International Design Classification: **30-02**  
(74) Name(s) of Attorney(s): **Davies Collison Cave**  
(71) Name(s) and Address(s) of Applicant(s):  
**Paolo Usatti**  
**112-128 Wallgrove Rd Cecil Park NSW 2178 Australia**  
**Louis Nuner**  
**2/679 Forest Rd Bexley NSW 2207 Australia**  
(72) Name(s) of Designer(s): **Paolo Usatti and Louis Nuner**  
(45) Registration Date: **21 October 2015**  
(56) Related Art Documents: **Not Applicable**  
(57) Statement of Newness and Distinctiveness: **Newness and distinctiveness is claimed in the visual features of shape and configuration of the animal housing shown in solid lines in the representations.**



- (21) Design Number: **15218/2015**  
(22) Date of Filing Application: **07 October 2015**  
(24) Date from which industrial property rights may have effect: **07 October 2015**  
(54) Product in respect of which the design is registered: **Combination lamp for a vehicle**  
(51) International Design Classification: **12-16E**  
(74) Name(s) of Attorney(s): **Spruson & Ferguson**  
(71) Name(s) and Address(s) of Applicant(s):  
**Isuzu Motors Limited**  
**6-26-1, Minami-Oi Shinagawa-ku, Tokyo 140-8722 Japan**  
(72) Name(s) of Designer(s): **Naoyuki Akashi and Kei Kawakami and Tomozumi Endou and Seiya Takahashi and Taiki Watanabe and Hiroshi Shinpo**  
(45) Registration Date: **21 October 2015**  
(30) Convention priority data:  
(31) Number      (32) Date      (33) Country  
**2015-008418      14 Apr 2015      JAPAN**  
(56) Related Art Documents: **Not Applicable**  
(57) Statement of Newness and Distinctiveness: **Newness and distinctiveness is claimed in the features of shape and/or configuration of a combination lamp for a vehicle as illustrated in the accompanying representations.**



- (21) Design Number: **15219/2015**  
(22) Date of Filing Application: **07 October 2015**  
(24) Date from which industrial property rights may have effect: **07 October 2015**  
(54) Product in respect of which the design is registered: **Combination lamp for a vehicle**  
(51) International Design Classification: **12-16E**  
(74) Name(s) of Attorney(s): **Spruson & Ferguson**  
(71) Name(s) and Address(s) of Applicant(s):  
**Isuzu Motors Limited**  
**6-26-1, Minami-Oi Shinagawa-ku, Tokyo 140-8722 Japan**  
(72) Name(s) of Designer(s): **Naoyuki Akashi and Kei Kawakami and Tomozumi Endou and Masayuki Nakai and Kouichi Kawasumi and Hiroshi Shinpo**  
(45) Registration Date: **21 October 2015**  
(30) Convention priority data:  
(31) Number      (32) Date      (33) Country  
**2015-008419      14 Apr 2015      JAPAN**  
(56) Related Art Documents: **Not Applicable**  
(57) Statement of Newness and Distinctiveness: **Newness and distinctiveness is claimed in the features of shape and/or configuration of a combination lamp for a vehicle as illustrated in the accompanying representations.**





(21) Design Number: **15224/2015**

(22) Date of Filing Application: **07 October 2015**

(24) Date from which industrial property rights may have effect: **13 August 2015**

(54) Product in respect of which the design is registered: **Remote control housing**

(51) International Design Classification: **14-03NES**

(74) Name(s) of Attorney(s): **Shelston IP**

(71) Name(s) and Address(s) of Applicant(s):

**Hunter Douglas Inc.**

**1 Blue Hill Plaza P.O. Box 740 Pearl River New York, 10965 United States  
Of America**

(72) Name(s) of Designer(s): **Ronald R Kass and Douglas J. Barr and Joseph  
E. Kovach and Kevin M. Dann and David J. Parrett and Clark Brace and  
Fred Bould and Jaime Caso**

(45) Registration Date: **21 October 2015**

(30) Convention priority data:

(31) Number

(32) Date

(33) Country

**29/517,620**

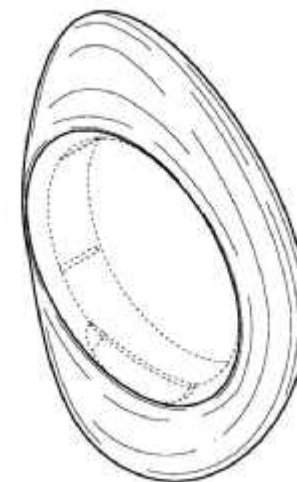
**13 Feb 2015**

**UNITED STATES OF AMERICA**

(62) Divisional of: **364688**

(56) Related Art Documents: **Not Applicable**

(57) Statement of Newness and Distinctiveness: **Newness and distinctiveness  
reside in the features of shape and/or configuration of the Remote  
Control Housing as shown in solid lines in the accompanying  
representations. The features of the Remote Control Housing shown in  
broken lines in the representations form no part of the design.**



(21) Design Number: **15225/2015**

(22) Date of Filing Application: **07 October 2015**

(24) Date from which industrial property rights may have effect: **07 October 2015**

(54) Product in respect of which the design is registered: **Display structure**

(51) International Design Classification: **20-02C**

(74) Name(s) of Attorney(s): **Freehills Patent Attorneys**

(71) Name(s) and Address(s) of Applicant(s):

**Apple Inc.**

**1 Infinite Loop Cupertino California, 95014 United States of America**

(72) Name(s) of Designer(s): **Jonathan P. Siegel and Christopher M. Green  
and Sam Brown and Kully Kraig Mandon and Casey Feeney and Kristen  
Ernst and Bridget Cinquegrano and Taylor Hoff and Jean-Marc Gady  
and Carsten Goertz and David Nelson and Stefan Behling and David  
Summerfield and James McGrath and Rafe Bertram and Oliver Mould  
and Wolfgang Muller and Ed Wright and Bo Yoon**

(45) Registration Date: **21 October 2015**

(30) Convention priority data:

(31) Number

(32) Date

(33) Country

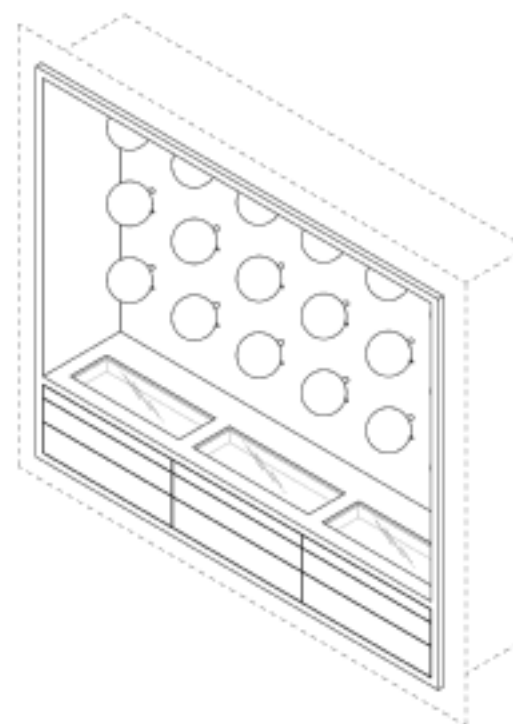
**29/526385**

**08 May 2015**

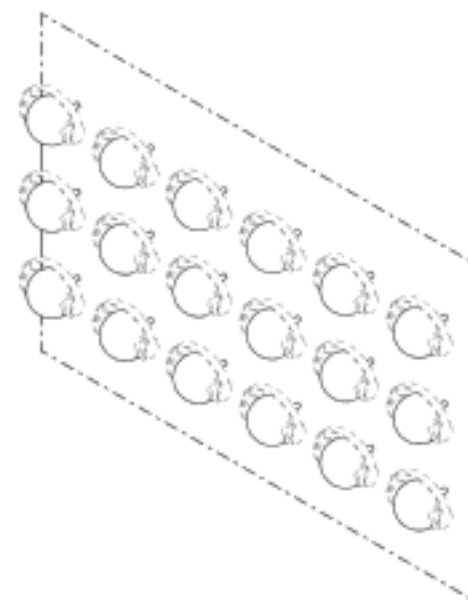
**UNITED STATES OF AMERICA**

(56) Related Art Documents: **Not Applicable**

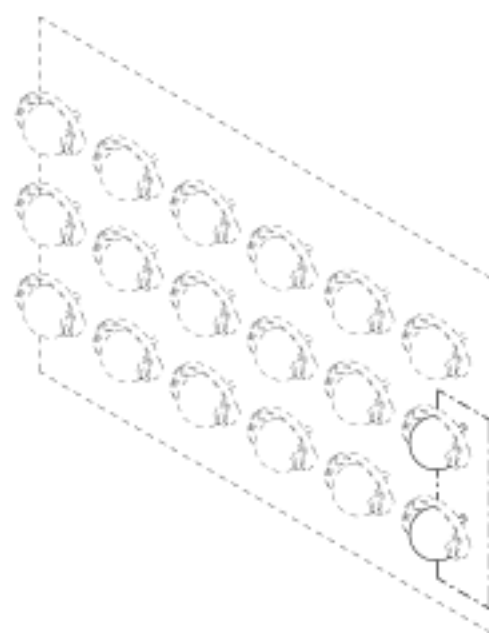
(57) Statement of Newness and Distinctiveness: **Newness and distinctiveness  
is claimed in the features of shape and configuration shown in solid lines  
in the accompanying figures.**



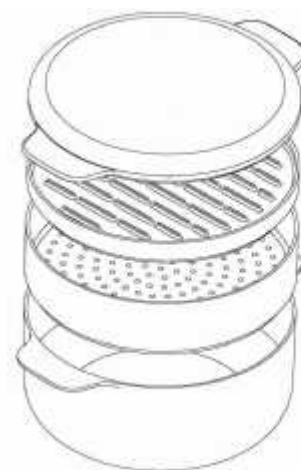
- (21) Design Number: **15226/2015**  
(22) Date of Filing Application: **07 October 2015**  
(24) Date from which industrial property rights may have effect: **07 October 2015**  
(54) Product in respect of which the design is registered: **Display structure**  
(51) International Design Classification: **20-02E**  
(74) Name(s) of Attorney(s): **Freehills Patent Attorneys**  
(71) Name(s) and Address(s) of Applicant(s):  
**Apple Inc.**  
**1 Infinite Loop Cupertino California, 95014 United States of America**  
(72) Name(s) of Designer(s): **Jonathan P. Siegel and Christopher M. Green and Sam Brown and Kully Kraig Mandon and Casey Feeney and Kristen Ernst and Bridget Cinquegrano and Taylor Hoff and Jean-Marc Gady and Carsten Goertz and David Nelson and Stefan Behling and David Summerfield and James McGrath and Rafe Bertram and Oliver Mould and Wolfgang Muller and Ed Wright and Bo Yoon**  
(45) Registration Date: **21 October 2015**  
(30) Convention priority data:  
(31) Number (32) Date (33) Country  
**29/526385 08 May 2015 UNITED STATES OF AMERICA**  
(56) Related Art Documents: **Not Applicable**  
(57) Statement of Newness and Distinctiveness: **Newness and distinctiveness is claimed in the features of shape and configuration shown in solid lines in the accompanying figures.**



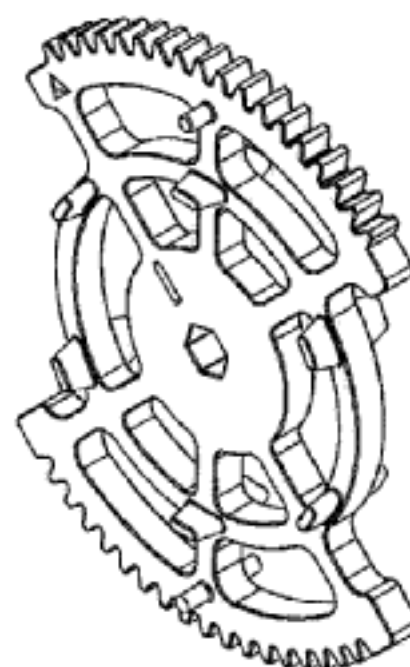
- (21) Design Number: **15227/2015**  
(22) Date of Filing Application: **07 October 2015**  
(24) Date from which industrial property rights may have effect: **07 October 2015**  
(54) Product in respect of which the design is registered: **Display structure**  
(51) International Design Classification: **20-02E**  
(74) Name(s) of Attorney(s): **Freehills Patent Attorneys**  
(71) Name(s) and Address(s) of Applicant(s):  
**Apple Inc.**  
**1 Infinite Loop Cupertino California, 95014 United States of America**  
(72) Name(s) of Designer(s): **Jonathan P. Siegel and Christopher M. Green and Sam Brown and Kully Kraig Mandon and Casey Feeney and Kristen Ernst and Bridget Cinquegrano and Taylor Hoff and Jean-Marc Gady and Carsten Goertz and David Nelson and Stefan Behling and David Summerfield and James McGrath and Rafe Bertram and Oliver Mould and Wolfgang Muller and Ed Wright and Bo Yoon**  
(45) Registration Date: **21 October 2015**  
(30) Convention priority data:  
(31) Number (32) Date (33) Country  
**29/526385 08 May 2015 UNITED STATES OF AMERICA**  
(56) Related Art Documents: **Not Applicable**  
(57) Statement of Newness and Distinctiveness: **Newness and distinctiveness resides in the features of shape and configuration of the portion shown in solid line in the accompanying figures.**



(21) Design Number: **15239/2015**  
(22) Date of Filing Application: **07 October 2015**  
(24) Date from which industrial property rights may have effect: **07 October 2015**  
(54) Product in respect of which the design is registered: **Kitchenware**  
(51) International Design Classification: **07-02N**  
(74) Name(s) of Attorney(s): **Trademark Works**  
(71) Name(s) and Address(s) of Applicant(s):  
**JOSEPH JOSEPH LTD**  
**The Grove 30 Great Guildford LONDON SE1 0HS United Kingdom**  
(72) Name(s) of Designer(s): **Antony Joseph**  
(45) Registration Date: **21 October 2015**  
(30) Convention priority data:  
(31) Number (32) Date (33) Country  
**002678458-0002 10 Apr 2015 EUROPEAN PATENT OFFICE (EPO)**  
(56) Related Art Documents: **Not Applicable**  
(57) Statement of Newness and Distinctiveness: **Nil**



(21) Design Number: **12831/2015**  
(22) Date of Filing Application: **02 June 2015**  
(24) Date from which industrial property rights may have effect: **02 June 2015**  
(54) Product in respect of which the design is registered: **Gear**  
(51) International Design Classification: **15-99**  
(74) Name(s) of Attorney(s): **Smootenburg Patent & Trade Mark Attorneys**  
(71) Name(s) and Address(s) of Applicant(s):  
**Acapulco Investments Pty Ltd**  
**1 Chandos St Cheltenham VIC 3192 Australia**  
(72) Name(s) of Designer(s): **Ashley James Joseph**  
(45) Registration Date: **21 October 2015**  
(56) Related Art Documents: **Not Applicable**  
(57) Statement of Newness and Distinctiveness: **In considering the newness or distinctiveness of the design, regard is to be given to the overall shape and/or configuration of a gear as shown in the representations.**



(21) Design Number: **12992/2015**  
(22) Date of Filing Application: **15 June 2015**  
(24) Date from which industrial property rights may have effect: **15 June 2015**  
(54) Product in respect of which the design is registered: **Recessed shade storage and deployment assembly**  
(51) International Design Classification: **25-02H**  
(74) Name(s) of Attorney(s): **Davies Collison Cave**  
(71) Name(s) and Address(s) of Applicant(s):  
**Geigtech East Bay LLC**  
**143 East Bay Street Charleston South Carolina, 29401 United States of America**

(72) Name(s) of Designer(s): **James Geiger**

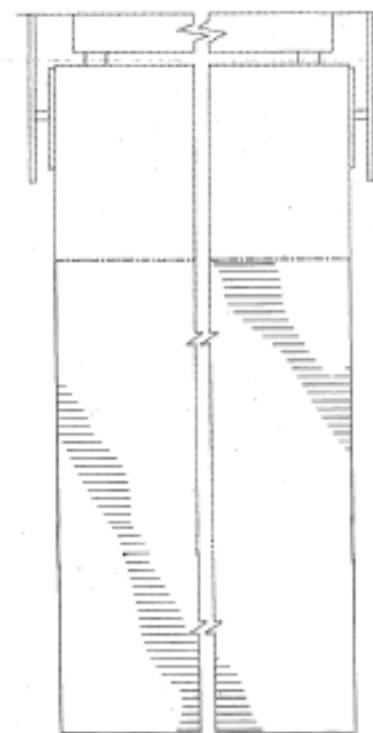
(45) Registration Date: **21 October 2015**

(30) Convention priority data:

(31) Number	(32) Date	(33) Country
<b>29/512,025</b>	<b>16 Dec 2014</b>	<b>UNITED STATES OF AMERICA</b>

(56) Related Art Documents: **Not Applicable**

(57) Statement of Newness and Distinctiveness: **Newness and distinctiveness is claimed in the visual features shown in solid lines in the representations. The ornamental design which is claimed is shown in solid lines in the drawings. The broken lines in the drawings are for illustrative purposes only and form no part of the claimed design. Broken lines formed by equal length dashes show unclaimed portions of the design. Broken lines formed of unequal length dashes (i.e., dash-dot) show boundaries between claimed and unclaimed portions of the design. Lines having a jagged element (i.e., broken-away symbols) are not part of the claimed design and show that no particular length of the portion is claimed.**



(21) Design Number: **13470/2015**  
(22) Date of Filing Application: **10 July 2015**  
(24) Date from which industrial property rights may have effect: **10 July 2015**  
(54) Product in respect of which the design is registered: **Mirror; Ottoman**  
(51) International Design Classification: **06-07, 06-01E**  
(74) Name(s) of Attorney(s):  
(71) Name(s) and Address(s) of Applicant(s):

**Freternity Rusinga**  
**36 Grey Gum PI Anstead QLD 4070 Australia**

**Nectar Rusinga**  
**36 Grey Gum PI Anstead QLD 4070 Australia**

(72) Name(s) of Designer(s): **Freternity Rusinga and Nectar Rusinga**

(45) Registration Date: **21 October 2015**

(56) Related Art Documents: **Not Applicable**

(57) Statement of Newness and Distinctiveness: **Use of woven beads in bead and wire craft for decorating Mirrors, ottoman, coffee table, vases, lamp shades, chandeliers, tables, stools, trays, bowls, plates . The woven beads consist of multiple strands of beaded wire.**



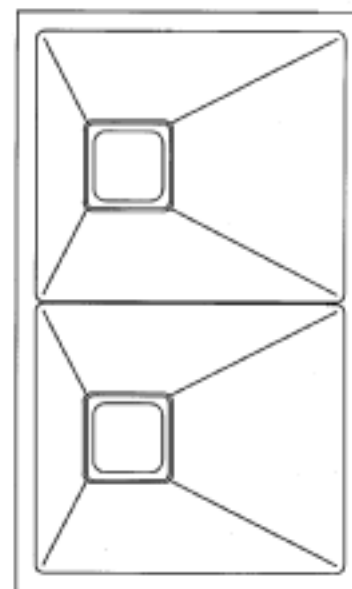
(21) Design Number: **13917/2015**  
(22) Date of Filing Application: **03 August 2015**  
(24) Date from which industrial property rights may have effect: **03 August 2015**  
(54) Product in respect of which the design is registered: **Waisted container**  
(51) International Design Classification: **07-01NES**  
(74) Name(s) of Attorney(s): **Davies Collison Cave**  
(71) Name(s) and Address(s) of Applicant(s):  
**Deutsche Extrakt Kaffee GmbH**  
**Cafeastrasse 1 Hamburg 21107 Germany**  
(72) Name(s) of Designer(s): **Sina Fromberg**  
(45) Registration Date: **21 October 2015**  
(30) Convention priority data:  
(31) Number (32) Date (33) Country  
**002626697-0001 04 Feb 2015 OFFICE FOR HARMONISATION IN**  
**THE INTERNAL MARKET (OHIM)**  
(56) Related Art Documents: **Not Applicable**  
(57) Statement of Newness and Distinctiveness: **Nil**



(21) Design Number: **13937/2015**  
(22) Date of Filing Application: **03 August 2015**  
(24) Date from which industrial property rights may have effect: **03 August 2015**  
(54) Product in respect of which the design is registered: **Overlay for medication card**  
(51) International Design Classification: **09-05**  
(74) Name(s) of Attorney(s): **Cullens Patent and Trade Mark Attorneys**  
(71) Name(s) and Address(s) of Applicant(s):  
**Chiasma Inc.**  
**60 Wells Ave Suite 102 Newton Massachusetts, 02459 United States of**  
**America**  
(72) Name(s) of Designer(s): **Dana Gelbaum**  
(45) Registration Date: **21 October 2015**  
(30) Convention priority data:  
(31) Number (32) Date (33) Country  
**29/516534 03 Feb 2015 UNITED STATES OF AMERICA**  
(56) Related Art Documents: **Not Applicable**  
(57) Statement of Newness and Distinctiveness: **Newness and distinctiveness of the design reside in the visual features of the shape or configuration of an an overlay for medication card as shown in the accompanying representations. The medication card shown in broken lines does not form part of the design. When considering the newness and distinctiveness, little or no weight should be given to the pattern and ornamentation of the design**



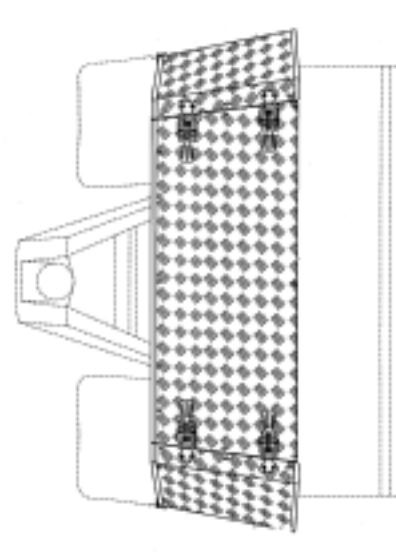
- (21) Design Number: **13984/2015**  
(22) Date of Filing Application: **05 August 2015**  
(24) Date from which industrial property rights may have effect: **05 August 2015**  
(54) Product in respect of which the design is registered: **Stainelss steel sinks**  
(51) International Design Classification: **23-02F**  
(74) Name(s) of Attorney(s):  
(71) Name(s) and Address(s) of Applicant(s):  
**SEIMA PTY LTD**  
**PO BOX 198 Torrensville Plza SA 5031 Australia**  
(72) Name(s) of Designer(s): **Dimitrios Segredos**  
(45) Registration Date: **21 October 2015**  
(56) Related Art Documents: **Not Applicable**  
(57) Statement of Newness and Distinctiveness: **Creating a multiple bowl stainless steel sink with a very thin join between the bowls. Achieved by welding the two edges of the bowls together to provide a join between the sinks that is typically two times the thickness of the bowl sheet.**



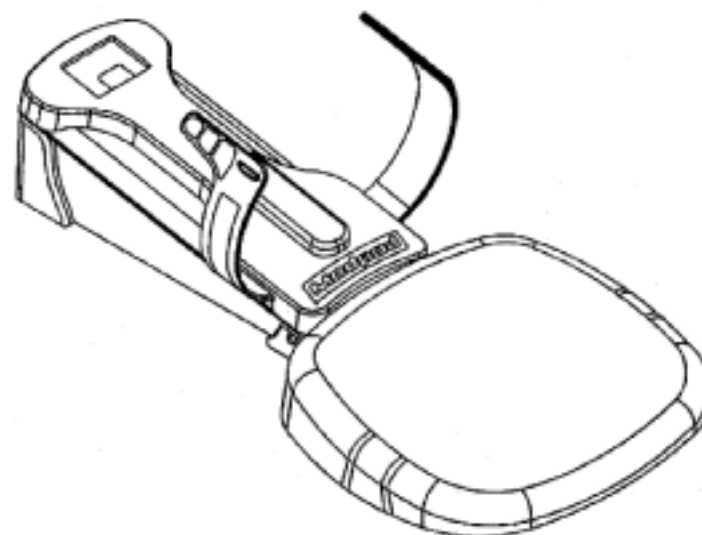
- (21) Design Number: **14037/2015**  
(22) Date of Filing Application: **06 August 2015**  
(24) Date from which industrial property rights may have effect: **06 August 2015**  
(54) Product in respect of which the design is registered: **Side table and light**  
(51) International Design Classification: **26-05NES**  
(74) Name(s) of Attorney(s):  
(71) Name(s) and Address(s) of Applicant(s):  
**Pui-Yu Lee**  
**PO Box 1215 NSW Potts Point NSW, 1335 Australia**  
(72) Name(s) of Designer(s): **Pui-Yu Lee**  
(45) Registration Date: **21 October 2015**  
(56) Related Art Documents: **Not Applicable**  
(57) Statement of Newness and Distinctiveness: **The L1 Side table is a wall hung table with an integrated light. The L1 side table redefines two different products by amalgamating them. The design is also distinct in that it can be mounted to any height and distance to complement the adjacent furniture. It could be used in a range of environments from residential to commercial. The design is also able to be adapted to suit a varied market through the refinement or simplification of the details. The materials, finishes and colour can also be varied. The electrical components are all hidden so the table is very streamlined and unobtrusive.**



- (21) Design Number: **14280/2015**  
(22) Date of Filing Application: **20 August 2015**  
(24) Date from which industrial property rights may have effect: **20 August 2015**  
(54) Product in respect of which the design is registered: **A trailer side guard**  
(51) International Design Classification: **12-16NES**  
(74) Name(s) of Attorney(s): **Spruson & Ferguson**  
(71) Name(s) and Address(s) of Applicant(s):  
**Aquabay Marine Pty Limited**  
**PO BOX 696 Springwood NSW 2777 Australia**  
(72) Name(s) of Designer(s): **Mick Smith**  
(45) Registration Date: **21 October 2015**  
(56) Related Art Documents: **Not Applicable**  
(57) Statement of Newness and Distinctiveness: **Newness and distinctiveness is claimed in the features of shape and/or configuration of a trailer side guard labelled A as illustrated in the accompanying representations; the trailer guard labelled B and other trailer parts are to be disregarded.**



- (21) Design Number: **14347/2015**  
(22) Date of Filing Application: **24 August 2015**  
(24) Date from which industrial property rights may have effect: **24 August 2015**  
(54) Product in respect of which the design is registered: **Portable clinical cervical traction device**  
(51) International Design Classification: **24-01**  
(74) Name(s) of Attorney(s): **WATERMARK PATENT AND TRADE MARKS ATTORNEYS**  
(71) Name(s) and Address(s) of Applicant(s):  
**Hollywog, LLC**  
**2830 Amnicola Highway Chattanooga Tennessee, 37406 United States of America**  
(72) Name(s) of Designer(s): **Charles M. Thomas and D. Keith Hagy and Thu-Ha Thi Duncan and John S. Marshall**  
(45) Registration Date: **21 October 2015**  
(56) Related Art Documents: **Not Applicable**  
(57) Statement of Newness and Distinctiveness: **Nil**

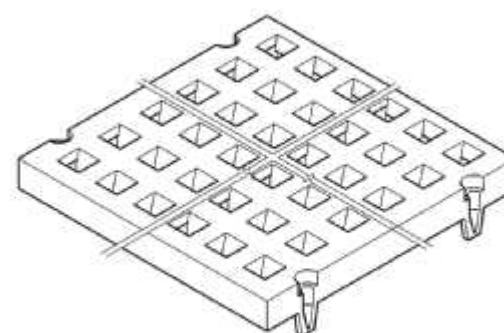




- (21) Design Number: **10487/2015**  
(22) Date of Filing Application: **30 January 2015**  
(24) Date from which industrial property rights may have effect: **30 January 2015**  
(54) Product in respect of which the design is registered: **Article of Clothing**  
(51) International Design Classification: **02-02NES**  
(74) Name(s) of Attorney(s): **Allens Patent & Trade Mark Attorneys**  
(71) Name(s) and Address(s) of Applicant(s):  
**Forever New Clothing Pty Ltd**  
**714-716 High St Kew East VIC 3102 Australia**  
(72) Name(s) of Designer(s): **Octavia Miller**  
(45) Registration Date: **22 October 2015**  
(56) Related Art Documents: **Not Applicable**  
(57) Statement of Newness and Distinctiveness: **Newness and distinctiveness resides in the visual features of shape, configuration, pattern and/or ornamentation of an article of clothing as shown in the accompanying representations.**



- (21) Design Number: **14148/2015**  
(22) Date of Filing Application: **13 August 2015**  
(24) Date from which industrial property rights may have effect: **13 August 2015**  
(54) Product in respect of which the design is registered: **Ore screening panel**  
(51) International Design Classification: **15-99**  
(74) Name(s) of Attorney(s):  
(71) Name(s) and Address(s) of Applicant(s):  
**RCM PLASTICS CC**  
**Corner Main and Dam Roads Anderbolt, Boksburg, 1459 South Africa**  
(72) Name(s) of Designer(s): **Johan Theodore Reid-Robertson and Angelo Marietta**  
(45) Registration Date: **22 October 2015**  
(56) Related Art Documents: **Not Applicable**  
(57) Statement of Newness and Distinctiveness: **Newness and distinctiveness is claimed in the features of shape and/or configuration of the screening panel including the apertures as illustrated in the accompanying representations. The length and width of the panel are variable.**





- (21) Design Number: **15240/2015**  
(22) Date of Filing Application: **07 October 2015**  
(24) Date from which industrial property rights may have effect: **07 October 2015**  
(54) Product in respect of which the design is registered: **Chocolate tablets**  
(51) International Design Classification: **01-01**  
(74) Name(s) of Attorney(s):  
(71) Name(s) and Address(s) of Applicant(s):  
**Ivanova Holdings Pty Ltd**  
**7208/323 Bayview St Hollywell QLD, 4216 Australia**  
(72) Name(s) of Designer(s): **Irina Ivanova**  
(45) Registration Date: **22 October 2015**  
(56) Related Art Documents: **Not Applicable**  
(57) Statement of Newness and Distinctiveness: **3D pictures on chocolate tablet**



- (21) Design Number: **15241/2015**  
(22) Date of Filing Application: **07 October 2015**  
(24) Date from which industrial property rights may have effect: **07 October 2015**  
(54) Product in respect of which the design is registered: **Chocolate tablets**  
(51) International Design Classification: **01-01**  
(74) Name(s) of Attorney(s):  
(71) Name(s) and Address(s) of Applicant(s):  
**Ivanova Holdings Pty Ltd**  
**7208/323 Bayview St Hollywell QLD, 4216 Australia**  
(72) Name(s) of Designer(s): **Irina Ivanova**  
(45) Registration Date: **22 October 2015**  
(56) Related Art Documents: **Not Applicable**  
(57) Statement of Newness and Distinctiveness: **3D pictures on chocolate tablets**



- (21) Design Number: **15242/2015**  
(22) Date of Filing Application: **07 October 2015**  
(24) Date from which industrial property rights may have effect: **07 October 2015**  
(54) Product in respect of which the design is registered: **Chocolate tablets**  
(51) International Design Classification: **01-01**  
(74) Name(s) of Attorney(s):  
(71) Name(s) and Address(s) of Applicant(s):  
**Ivanova Holdings Pty Ltd**  
**7208/323 Bayview St Hollywell QLD, 4216 Australia**  
(72) Name(s) of Designer(s): **Irina Ivanova**  
(45) Registration Date: **22 October 2015**  
(56) Related Art Documents: **Not Applicable**  
(57) Statement of Newness and Distinctiveness: **3D pictures on chocolate tablets**



- (21) Design Number: **15243/2015**  
(22) Date of Filing Application: **07 October 2015**  
(24) Date from which industrial property rights may have effect: **07 October 2015**  
(54) Product in respect of which the design is registered: **Chocolate Tablets**  
(51) International Design Classification: **01-01**  
(74) Name(s) of Attorney(s):  
(71) Name(s) and Address(s) of Applicant(s):  
**Ivanova Holdings Pty Ltd**  
**7208/323 Bayview St Hollywell QLD, 4216 Australia**  
(72) Name(s) of Designer(s): **Irina Ivanova**  
(45) Registration Date: **22 October 2015**  
(56) Related Art Documents: **Not Applicable**  
(57) Statement of Newness and Distinctiveness: **3D pictures on chocolate tablets**



(21) Design Number: **15244/2015**

(22) Date of Filing Application: **07 October 2015**

(24) Date from which industrial property rights may have effect: **07 October 2015**

(54) Product in respect of which the design is registered: **Chocolate tablets**

(51) International Design Classification: **01-01**

(74) Name(s) of Attorney(s):

(71) Name(s) and Address(s) of Applicant(s):

**Ivanova Holdings Pty Ltd**

**7208/323 Bayview St Hollywell QLD, 4216 Australia**

(72) Name(s) of Designer(s): **Irina Ivanova**

(45) Registration Date: **22 October 2015**

(56) Related Art Documents: **Not Applicable**

(57) Statement of Newness and Distinctiveness: **3D pictures on chocolate tablets**



(21) Design Number: **15245/2015**

(22) Date of Filing Application: **07 October 2015**

(24) Date from which industrial property rights may have effect: **07 October 2015**

(54) Product in respect of which the design is registered: **Chocolate tablets**

(51) International Design Classification: **01-01**

(74) Name(s) of Attorney(s):

(71) Name(s) and Address(s) of Applicant(s):

**Ivanova Holdings Pty Ltd**

**7208/323 Bayview St Hollywell QLD, 4216 Australia**

(72) Name(s) of Designer(s): **Irina Ivanova**

(45) Registration Date: **22 October 2015**

(56) Related Art Documents: **Not Applicable**

(57) Statement of Newness and Distinctiveness: **3D pictures on chocolate tablets**





- (21) Design Number: **15246/2015**  
(22) Date of Filing Application: **07 October 2015**  
(24) Date from which industrial property rights may have effect: **07 October 2015**  
(54) Product in respect of which the design is registered: **Chocolate tablets**  
(51) International Design Classification: **01-01**  
(74) Name(s) of Attorney(s):  
(71) Name(s) and Address(s) of Applicant(s):  
**Ivanova Holdings Pty Ltd**  
**7208/323 Bayview St Hollywell QLD, 4216 Australia**  
(72) Name(s) of Designer(s): **Irina Ivanova**  
(45) Registration Date: **22 October 2015**  
(56) Related Art Documents: **Not Applicable**  
(57) Statement of Newness and Distinctiveness: **3D pictures on chocolate tablets**



- (21) Design Number: **15247/2015**  
(22) Date of Filing Application: **07 October 2015**  
(24) Date from which industrial property rights may have effect: **07 October 2015**  
(54) Product in respect of which the design is registered: **Chocolate tablets**  
(51) International Design Classification: **01-01**  
(74) Name(s) of Attorney(s):  
(71) Name(s) and Address(s) of Applicant(s):  
**Ivanova Holdings Pty Ltd**  
**7208/323 Bayview St Hollywell QLD, 4216 Australia**  
(72) Name(s) of Designer(s): **Irina Ivanova**  
(45) Registration Date: **22 October 2015**  
(56) Related Art Documents: **Not Applicable**  
(57) Statement of Newness and Distinctiveness: **3D pictures on chocolate tablets**



(21) Design Number: **15248/2015**

(22) Date of Filing Application: **07 October 2015**

(24) Date from which industrial property rights may have effect: **07 October 2015**

(54) Product in respect of which the design is registered: **Chocolate tablets**

(51) International Design Classification: **01-01**

(74) Name(s) of Attorney(s):

(71) Name(s) and Address(s) of Applicant(s):

**Ivanova Holdings Pty Ltd**

**7208/323 Bayview St Hollywell QLD, 4216 Australia**

(72) Name(s) of Designer(s): **Irina Ivanova**

(45) Registration Date: **22 October 2015**

(56) Related Art Documents: **Not Applicable**

(57) Statement of Newness and Distinctiveness: **3D pictures on chocolate tablets**



(21) Design Number: **15249/2015**

(22) Date of Filing Application: **07 October 2015**

(24) Date from which industrial property rights may have effect: **07 October 2015**

(54) Product in respect of which the design is registered: **Chocolate tablets**

(51) International Design Classification: **01-01**

(74) Name(s) of Attorney(s):

(71) Name(s) and Address(s) of Applicant(s):

**Ivanova Holdings Pty Ltd**

**7208/323 Bayview St Hollywell QLD, 4216 Australia**

(72) Name(s) of Designer(s): **Irina Ivanova**

(45) Registration Date: **22 October 2015**

(56) Related Art Documents: **Not Applicable**

(57) Statement of Newness and Distinctiveness: **3D pictures on chocolate tablets**



(21) Design Number: **15250/2015**  
(22) Date of Filing Application: **07 October 2015**  
(24) Date from which industrial property rights may have effect: **07 October 2015**  
(54) Product in respect of which the design is registered: **Chocolate tablets**  
(51) International Design Classification: **01-01**  
(74) Name(s) of Attorney(s):  
(71) Name(s) and Address(s) of Applicant(s):  
**Ivanova Holdings Pty Ltd**  
**7208/323 Bayview St Hollywell QLD, 4216 Australia**  
(72) Name(s) of Designer(s): **Irina Ivanova**  
(45) Registration Date: **22 October 2015**  
(56) Related Art Documents: **Not Applicable**  
(57) Statement of Newness and Distinctiveness: **3D pictures on chocolate tablets**



(21) Design Number: **15251/2015**  
(22) Date of Filing Application: **07 October 2015**  
(24) Date from which industrial property rights may have effect: **07 October 2015**  
(54) Product in respect of which the design is registered: **Chocolate tablets**  
(51) International Design Classification: **01-01**  
(74) Name(s) of Attorney(s):  
(71) Name(s) and Address(s) of Applicant(s):  
**Ivanova Holdings Pty Ltd**  
**7208/323 Bayview St Hollywell QLD, 4216 Australia**  
(72) Name(s) of Designer(s): **Irina Ivanova**  
(45) Registration Date: **22 October 2015**  
(56) Related Art Documents: **Not Applicable**  
(57) Statement of Newness and Distinctiveness: **3D pictures on chocolate tablets**





- (21) Design Number: **15252/2015**  
(22) Date of Filing Application: **07 October 2015**  
(24) Date from which industrial property rights may have effect: **07 October 2015**  
(54) Product in respect of which the design is registered: **Chocolate tablets**  
(51) International Design Classification: **01-01**  
(74) Name(s) of Attorney(s):  
(71) Name(s) and Address(s) of Applicant(s):  
**Ivanova Holdings Pty Ltd**  
**7208/323 Bayview St Hollywell QLD, 4216 Australia**  
(72) Name(s) of Designer(s): **Irina Ivanova**  
(45) Registration Date: **22 October 2015**  
(56) Related Art Documents: **Not Applicable**  
(57) Statement of Newness and Distinctiveness: **3D pictures on chocolate tablets**



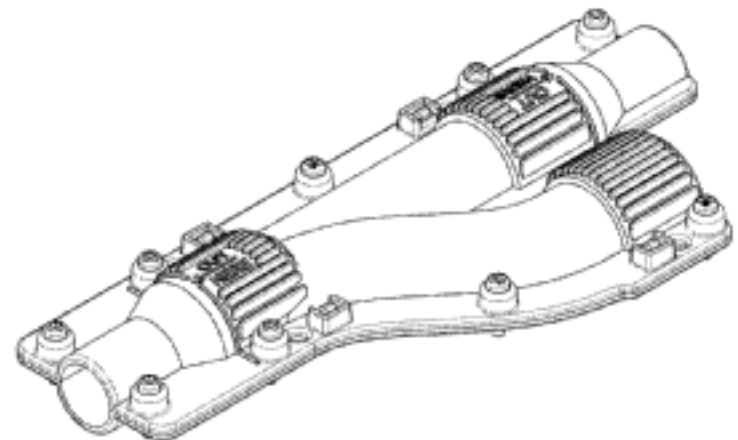
- (21) Design Number: **15253/2015**  
(22) Date of Filing Application: **07 October 2015**  
(24) Date from which industrial property rights may have effect: **07 October 2015**  
(54) Product in respect of which the design is registered: **Chocolate tablets**  
(51) International Design Classification: **01-01**  
(74) Name(s) of Attorney(s):  
(71) Name(s) and Address(s) of Applicant(s):  
**Ivanova Holdings Pty Ltd**  
**7208/323 Bayview St Hollywell QLD, 4216 Australia**  
(72) Name(s) of Designer(s): **Irina Ivanova**  
(45) Registration Date: **22 October 2015**  
(56) Related Art Documents: **Not Applicable**  
(57) Statement of Newness and Distinctiveness: **3D pictures on chocolate tablets**



- (21) Design Number: **15254/2015**  
(22) Date of Filing Application: **07 October 2015**  
(24) Date from which industrial property rights may have effect: **07 October 2015**  
(54) Product in respect of which the design is registered: **Chocolate tablets**  
(51) International Design Classification: **01-01**  
(74) Name(s) of Attorney(s):  
(71) Name(s) and Address(s) of Applicant(s):  
**Ivanova Holdings Pty Ltd**  
**7208/323 Bayview St Hollywell QLD, 4216 Australia**  
(72) Name(s) of Designer(s): **Irina Ivanova**  
(45) Registration Date: **22 October 2015**  
(56) Related Art Documents: **Not Applicable**  
(57) Statement of Newness and Distinctiveness: **3D pictures on chocolate tablets**



- (21) Design Number: **15203/2015**  
(22) Date of Filing Application: **06 October 2015**  
(24) Date from which industrial property rights may have effect: **06 October 2015**  
(54) Product in respect of which the design is registered: **Conduit assembly**  
(51) International Design Classification: **23-01B**  
(74) Name(s) of Attorney(s): **Davies Collison Cave**  
(71) Name(s) and Address(s) of Applicant(s):  
**Eleko Pty Ltd**  
**2 Grantham St Chipping Norton NSW, 2170 Australia**  
(72) Name(s) of Designer(s): **John Condos**  
(45) Registration Date: **22 October 2015**  
(56) Related Art Documents: **Not Applicable**  
(57) Statement of Newness and Distinctiveness: **Newness and distinctiveness is claimed in the visual features shown in solid lines in the representations, with particular emphasis on the three ribbed portions. The screws, text and any dashed or greyed lines are to be disregarded.**

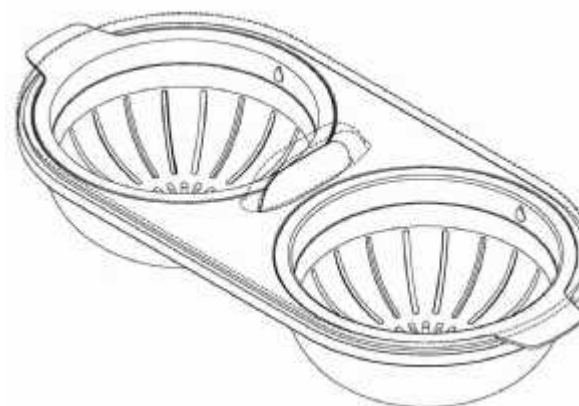




(21) Design Number: **15206/2015**  
(22) Date of Filing Application: **06 October 2015**  
(24) Date from which industrial property rights may have effect: **06 October 2015**  
(54) Product in respect of which the design is registered: **Musical instrument**  
(51) International Design Classification: **17-04**  
(74) Name(s) of Attorney(s):  
(71) Name(s) and Address(s) of Applicant(s):  
**Warwick Porter**  
**1A Burra Burra Close Ocean Shores New South Wales 2483 Australia**  
(72) Name(s) of Designer(s): **Warwick Porter**  
(45) Registration Date: **22 October 2015**  
(56) Related Art Documents: **Not Applicable**  
(57) Statement of Newness and Distinctiveness: **Nil**



(21) Design Number: **15259/2015**  
(22) Date of Filing Application: **07 October 2015**  
(24) Date from which industrial property rights may have effect: **07 October 2015**  
(54) Product in respect of which the design is registered: **Kitchenware**  
(51) International Design Classification: **07-02H**  
(74) Name(s) of Attorney(s): **Trademark Works**  
(71) Name(s) and Address(s) of Applicant(s):  
**JOSEPH JOSEPH LTD**  
**The Grove 30 Great Guildford Street London SE10HS United Kingdom**  
(72) Name(s) of Designer(s): **Antony Joseph**  
(45) Registration Date: **22 October 2015**  
(30) Convention priority data:  
(31) Number      (32) Date      (33) Country  
**002678458-000    10 Apr 2015      UNITED KINGDOM**  
(56) Related Art Documents: **Not Applicable**  
(57) Statement of Newness and Distinctiveness: **Nil**



(21) Design Number: **15260/2015**

(22) Date of Filing Application: **07 October 2015**

(24) Date from which industrial property rights may have effect: **07 October 2015**

(54) Product in respect of which the design is registered: **Kitchenware**

(51) International Design Classification: **07-01NES**

(74) Name(s) of Attorney(s): **Trademark Works**

(71) Name(s) and Address(s) of Applicant(s):

**JOSEPH JOSEPH LTD**

**The Grove 30 Great Guildford Street London SE1 0HS United Kingdom**

(72) Name(s) of Designer(s): **Antony Joseph**

(45) Registration Date: **22 October 2015**

(30) Convention priority data:

(31) Number	(32) Date	(33) Country
<b>002678458-0007</b>	<b>10 Apr 2015</b>	<b>UNITED KINGDOM</b>

(56) Related Art Documents: **Not Applicable**

(57) Statement of Newness and Distinctiveness: **Nil**



(21) Design Number: **15264/2015**

(22) Date of Filing Application: **08 October 2015**

(24) Date from which industrial property rights may have effect: **08 October 2015**

(54) Product in respect of which the design is registered: **Liquid fertiliser bottle**

(51) International Design Classification: **09-01K**

(74) Name(s) of Attorney(s):

(71) Name(s) and Address(s) of Applicant(s):

**REIZIGER PTY LTD**

**PO Box 1816 Subiaco WA, 6904 Australia**

(72) Name(s) of Designer(s): **Jorn Veldhuis**

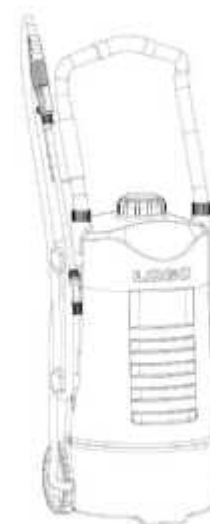
(45) Registration Date: **22 October 2015**

(56) Related Art Documents: **Not Applicable**

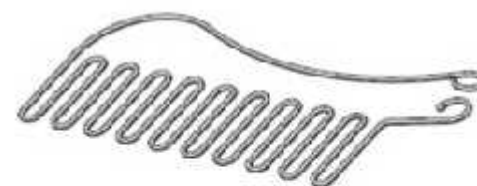
(57) Statement of Newness and Distinctiveness: **Newness and distinctiveness reside in the features of external shape and/or configuration and/or colour of the liquid fertiliser bottle as shown in the representations.**



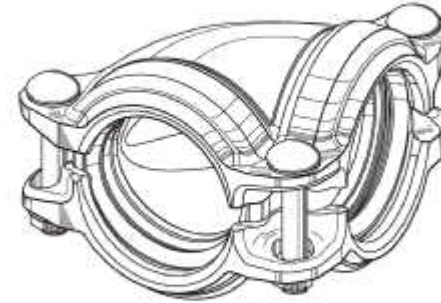
- (21) Design Number: **15265/2015**  
(22) Date of Filing Application: **08 October 2015**  
(24) Date from which industrial property rights may have effect: **08 October 2015**  
(54) Product in respect of which the design is registered: **Spraying device**  
(51) International Design Classification: **08-05A**  
(74) Name(s) of Attorney(s): **A.P.T. Patent and Trade Mark Attorneys**  
(71) Name(s) and Address(s) of Applicant(s):  
**Scheppach Fabrikation von Holzbearbeitungsmaschinen GmbH**  
**Gunzburger Str. 69 Ichenhausen 89335 Germany**  
(72) Name(s) of Designer(s): **Gerhard Arlt**  
(45) Registration Date: **22 October 2015**  
(30) Convention priority data:  
(31) Number (32) Date (33) Country  
**002777094-0001 22 Sep 2015 OFFICE FOR HARMONISATION IN**  
**THE INTERNAL MARKET (OHIM)**  
(56) Related Art Documents: **Not Applicable**  
(57) Statement of Newness and Distinctiveness: **Newness and distinctiveness**  
**resides in the shape and/or configuration of the front of the spraying**  
**device as shown in the front perspective views in the accompanying**



- (21) Design Number: **15280/2015**  
(22) Date of Filing Application: **08 October 2015**  
(24) Date from which industrial property rights may have effect: **08 October 2015**  
(54) Product in respect of which the design is registered: **Clothes Hanger**  
(51) International Design Classification: **06-08**  
(74) Name(s) of Attorney(s): **Cullens Patent and Trade Mark Attorneys**  
(71) Name(s) and Address(s) of Applicant(s):  
**Fiona Hargrave**  
**C/- L32 239 George St Brisbane QLD 4000 Australia**  
(72) Name(s) of Designer(s): **Fiona Hargrave**  
(45) Registration Date: **22 October 2015**  
(56) Related Art Documents: **Not Applicable**  
(57) Statement of Newness and Distinctiveness: **Nil**



(21) Design Number: **15282/2015**  
(22) Date of Filing Application: **08 October 2015**  
(24) Date from which industrial property rights may have effect: **08 October 2015**  
(54) Product in respect of which the design is registered: **Pipe fitting**  
(51) International Design Classification: **23-01A**  
(74) Name(s) of Attorney(s): **Spruson & Ferguson**  
(71) Name(s) and Address(s) of Applicant(s):  
**Victaulic Company**  
**4901 Kesslersville Road, Easton Pennsylvania, 18040 United States Of America**  
(72) Name(s) of Designer(s): **Christopher A. Richards and Matthew A. Bowman and Kathryn E. Yovanovich**  
(45) Registration Date: **22 October 2015**  
(30) Convention priority data:  
(31) Number (32) Date (33) Country  
**29/525822 04 May 2015 UNITED STATES OF AMERICA**  
(56) Related Art Documents: **Not Applicable**  
(57) Statement of Newness and Distinctiveness: **Newness and distinctiveness is claimed in the features of shape and/or configuration of a pipe fitting as illustrated in the accompanying representations.**



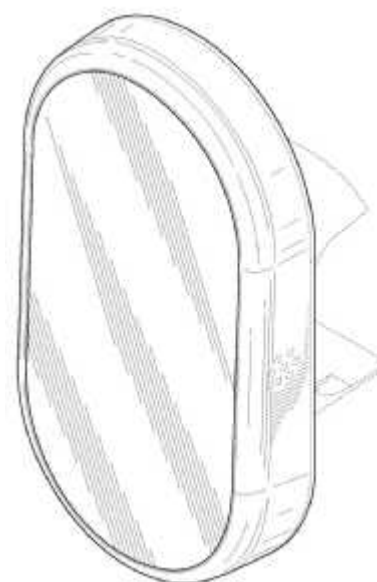
(21) Design Number: **15284/2015**  
(22) Date of Filing Application: **08 October 2015**  
(24) Date from which industrial property rights may have effect: **08 October 2015**  
(54) Product in respect of which the design is registered: **Picture frame**  
(51) International Design Classification: **06-07**  
(74) Name(s) of Attorney(s): **Collison & Co**  
(71) Name(s) and Address(s) of Applicant(s):  
**MOEBE ApS**  
**c/o Moebe Blagardsgade 41, st. Kobenhavn N 2200 Denmark**  
(72) Name(s) of Designer(s): **Anders Thams and Martin D. Christensen**  
(45) Registration Date: **22 October 2015**  
(30) Convention priority data:  
(31) Number (32) Date (33) Country  
**2015 00034 10 Apr 2015 DENMARK**  
(56) Related Art Documents: **Not Applicable**  
(57) Statement of Newness and Distinctiveness: **Nil**



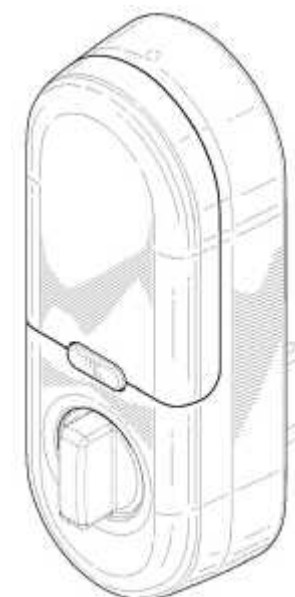
(21) Design Number: **15286/2015**  
 (22) Date of Filing Application: **08 October 2015**  
 (24) Date from which industrial property rights may have effect: **08 October 2015**  
 (54) Product in respect of which the design is registered: **Noise reducing pipe grate**  
 (51) International Design Classification: **25-02G**  
 (74) Name(s) of Attorney(s): **Madderns**  
 (71) Name(s) and Address(s) of Applicant(s):  
**Giuseppe Antonio Gerardis**  
**2 Nina Ct Salisbury Heights SA, 5109 Australia**  
**Concetta Antonina Riemelmoser**  
**2 Nina Ct Salisbury Heights SA, 5109 Australia**  
 (72) Name(s) of Designer(s): **Giuseppe Antonio Gerardis and Concetta Antonina Riemelmoser and Andrew William Whittaker**  
 (45) Registration Date: **22 October 2015**  
 (56) Related Art Documents: **Not Applicable**  
 (57) Statement of Newness and Distinctiveness: **The newness and distinctiveness of the design resides in the general shape and configuration of the grate with an inverted funnel like deflection portion extending from the bottom of the grate, particularly when viewed from the side.**



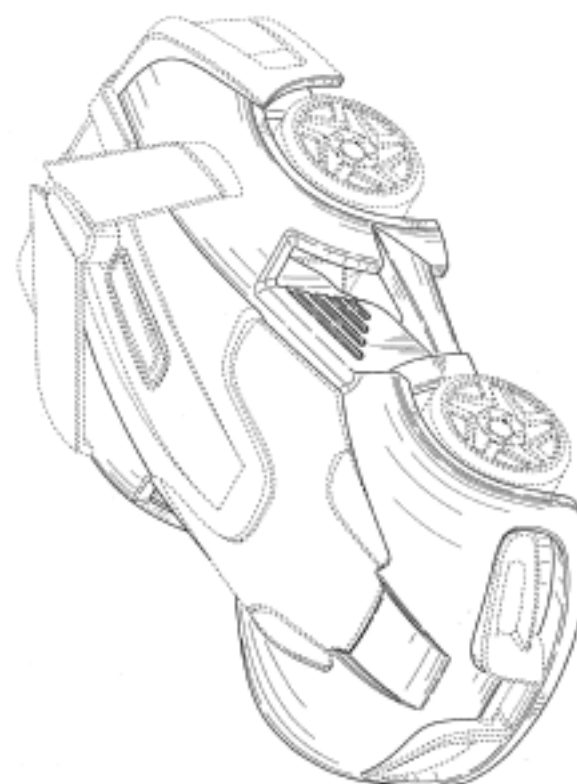
(21) Design Number: **13807/2015**  
 (22) Date of Filing Application: **30 July 2015**  
 (24) Date from which industrial property rights may have effect: **30 July 2015**  
 (54) Product in respect of which the design is registered: **Smart lock front panel**  
 (51) International Design Classification: **08-07**  
 (74) Name(s) of Attorney(s): **Griffith Hack**  
 (71) Name(s) and Address(s) of Applicant(s):  
**Yale Security Inc.**  
**1902 Airport Road Monroe North Carolina 28110 United States of America**  
 (72) Name(s) of Designer(s): **Kevin Kraus and Mark Caterino and Tiffany Mayo and Jason Williams**  
 (45) Registration Date: **22 October 2015**  
 (30) Convention priority data:  
 (31) Number      (32) Date      (33) Country  
**29/516,570      04 Feb 2015      UNITED STATES OF AMERICA**  
 (56) Related Art Documents: **Not Applicable**  
 (57) Statement of Newness and Distinctiveness: **Newness and distinctiveness resides in the shape and configuration as shown by means of the solid lines in the accompanying drawings. The shading lines on the front and side of the product do not form part of the design.**



- (21) Design Number: **13808/2015**  
(22) Date of Filing Application: **30 July 2015**  
(24) Date from which industrial property rights may have effect: **30 July 2015**  
(54) Product in respect of which the design is registered: **Interior housing for a door lock**  
(51) International Design Classification: **08-07**  
(74) Name(s) of Attorney(s): **Griffith Hack**  
(71) Name(s) and Address(s) of Applicant(s):  
**Yale Security Inc.**  
**1902 Airport Road Monroe North Carolina 28110 United States of America**  
(72) Name(s) of Designer(s): **Kevin Kraus and Mark Caterino and Tiffany Mayo and Jason Williams**  
(45) Registration Date: **22 October 2015**  
(30) Convention priority data:  
(31) Number (32) Date (33) Country  
**29/516,573 04 Feb 2015 UNITED STATES OF AMERICA**  
(56) Related Art Documents: **Not Applicable**  
(57) Statement of Newness and Distinctiveness: **Newness and distinctiveness resides in the shape and configuration as shown by means of the solid lines in the accompanying drawings. The shading lines on the front and side of the product do not form part of the design.**



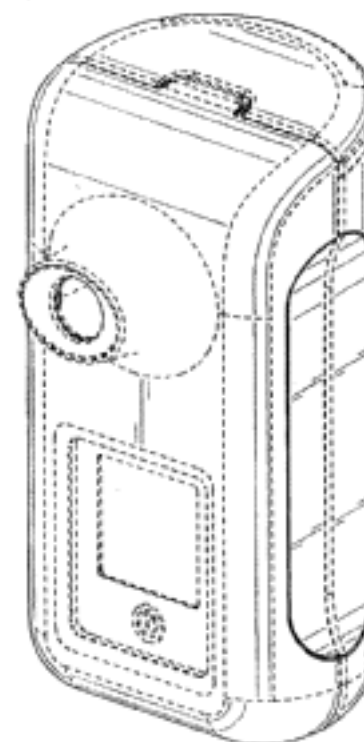
- (21) Design Number: **14026/2015**  
(22) Date of Filing Application: **06 August 2015**  
(24) Date from which industrial property rights may have effect: **06 August 2015**  
(54) Product in respect of which the design is registered: **Toy car**  
(51) International Design Classification: **21-01C**  
(74) Name(s) of Attorney(s): **FB Rice**  
(71) Name(s) and Address(s) of Applicant(s):  
**Anki, Inc.**  
**55 Second Street 15th Floor San Francisco California, 94105 United States of America**  
(72) Name(s) of Designer(s): **Harald Belker and Chris Keller**  
(45) Registration Date: **22 October 2015**  
(30) Convention priority data:  
(31) Number (32) Date (33) Country  
**29/517021 09 Feb 2015 UNITED STATES OF AMERICA**  
(56) Related Art Documents: **Not Applicable**  
(57) Statement of Newness and Distinctiveness: **Newness and distinctiveness reside in the visual features of the product shown in solid lines in the representations, excluding the features shown in dashed lines which are disclaimed.**



- (21) Design Number: **14613/2015**  
(22) Date of Filing Application: **01 September 2015**  
(24) Date from which industrial property rights may have effect: **01 September 2015**  
(54) Product in respect of which the design is registered: **Camper trailer - kitchen**  
(51) International Design Classification: **12-10, 12-16NES**  
(74) Name(s) of Attorney(s): **Etheringtons Solicitors**  
(71) Name(s) and Address(s) of Applicant(s):  
**Global Import Corporation Pty Ltd**  
**81 Milperra Rd Revesby NSW 2212 AUSTRALIA**  
(72) Name(s) of Designer(s): **Robert Grabovac**  
(45) Registration Date: **22 October 2015**  
(56) Related Art Documents: **Not Applicable**  
(57) Statement of Newness and Distinctiveness: **Monopoly is claimed in respect of the extendable kitchen design, which extends outwards from a trailer's body, and which includes a fold out bench on the top and side section of the kitchen area which provide an increased work space.**



- (21) Design Number: **15283/2015**  
(22) Date of Filing Application: **08 October 2015**  
(24) Date from which industrial property rights may have effect: **08 October 2015**  
(54) Product in respect of which the design is registered: **Inhaler**  
(51) International Design Classification: **24-04**  
(74) Name(s) of Attorney(s): **Griffith Hack**  
(71) Name(s) and Address(s) of Applicant(s):  
**MicroDose Therapeutx, Inc.**  
**4262 US Route 1 Monmouth Junction New Jersey, 08852 United States Of America**  
(72) Name(s) of Designer(s): **James Rudolph and Erin Lemieux and Morgan Carlson**  
(45) Registration Date: **22 October 2015**  
(30) Convention priority data:  
(31) Number      (32) Date      (33) Country  
**29/541,227      01 Oct 2015      UNITED STATES OF AMERICA**  
(56) Related Art Documents: **Not Applicable**  
(57) Statement of Newness and Distinctiveness: **Newness and distinctiveness resides in the visual features, including shape and configuration, of an INHALER as shown in solid outline in the accompanying drawings. When determining whether the design is substantially similar in overall impression to another design, no regard is to be had to those features shown in dotted outline in the accompanying drawings, which features are provided for illustrative purposes only.**





(21) Design Number: **15285/2015**  
(22) Date of Filing Application: **08 October 2015**  
(24) Date from which industrial property rights may have effect: **08 October 2015**  
(54) Product in respect of which the design is registered: **Base unit for inhaler**  
(51) International Design Classification: **24-04**  
(74) Name(s) of Attorney(s): **Griffith Hack**  
(71) Name(s) and Address(s) of Applicant(s):  
**MicroDose Therapeutx, Inc.**  
**4262 US Route 1 Monmouth Junction New Jersey, 08852 United States**  
**Of America**

(72) Name(s) of Designer(s): **James Rudolph and Erin Lemieux and Morgan Carlson**

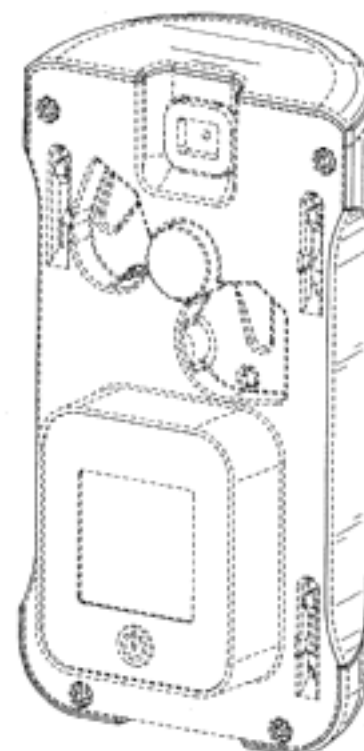
(45) Registration Date: **22 October 2015**

(30) Convention priority data:

(31) Number	(32) Date	(33) Country
<b>29/541,228</b>	<b>01 Oct 2015</b>	<b>UNITED STATES OF AMERICA</b>

(56) Related Art Documents: **Not Applicable**

(57) Statement of Newness and Distinctiveness: **Newness and distinctiveness resides in the visual features, including shape and configuration, of a BASE UNIT FOR INHALER as shown in solid outline in the accompanying drawings. When determining whether the design is substantially similar in overall impression to another design, no regard is to be had to those features shown in dotted outline in the accompanying drawings, which features are provided for illustrative purposes only.**



(21) Design Number: **15290/2015**  
(22) Date of Filing Application: **08 October 2015**  
(24) Date from which industrial property rights may have effect: **08 October 2015**  
(54) Product in respect of which the design is registered: **Cartridge for inhaler**  
(51) International Design Classification: **24-04**  
(74) Name(s) of Attorney(s): **Griffith Hack**  
(71) Name(s) and Address(s) of Applicant(s):  
**MicroDose Therapeutx, Inc.**  
**4262 US Route 1 Monmouth Junction New Jersey, 08852 United States**  
**Of America**

(72) Name(s) of Designer(s): **James Rudolph and Erin Lemieux and Morgan Carlson**

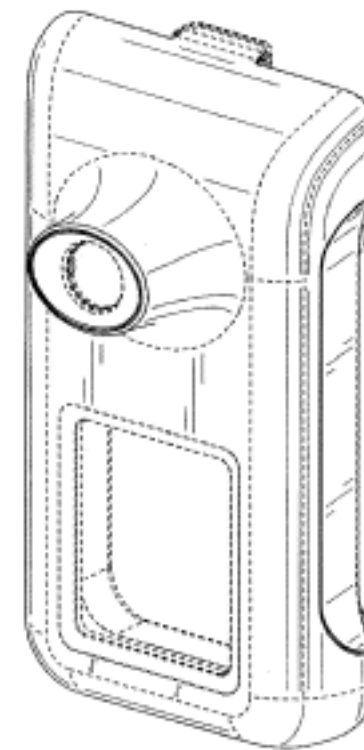
(45) Registration Date: **22 October 2015**

(30) Convention priority data:

(31) Number	(32) Date	(33) Country
<b>29/541,229</b>	<b>01 Oct 2015</b>	<b>UNITED STATES OF AMERICA</b>

(56) Related Art Documents: **Not Applicable**

(57) Statement of Newness and Distinctiveness: **Newness and distinctiveness resides in the visual features, including shape and configuration, of a CARTRIDGE FOR INHALER as shown in solid outline in the accompanying drawings. When determining whether the design is substantially similar in overall impression to another design, no regard is to be had to those features shown in dotted outline in the accompanying drawings, which features are provided for illustrative purposes only.**

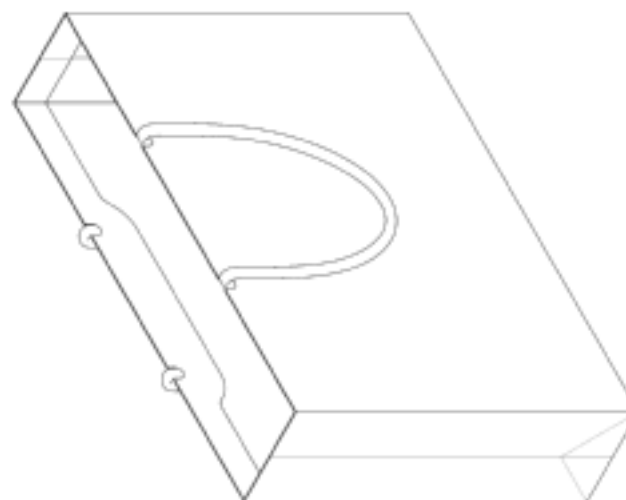




- (21) Design Number: **12150/2015**  
(22) Date of Filing Application: **24 April 2015**  
(24) Date from which industrial property rights may have effect: **24 April 2015**  
(54) Product in respect of which the design is registered: **Gutter guard**  
(51) International Design Classification: **23-01L**  
(74) Name(s) of Attorney(s): **Lord & Company**  
(71) Name(s) and Address(s) of Applicant(s):  
**Glen David Willers**  
**115A Gildercliffe St Scarborough WA 6019 Australia**  
(72) Name(s) of Designer(s): **Glen David Willers**  
(45) Registration Date: **23 October 2015**  
(56) Related Art Documents: **Not Applicable**  
(57) Statement of Newness and Distinctiveness: **The particular visual features of the design which are new and distinctive are shape and/or configuration**



- (21) Design Number: **14794/2015**  
(22) Date of Filing Application: **09 September 2015**  
(24) Date from which industrial property rights may have effect: **09 September 2015**  
(54) Product in respect of which the design is registered: **Bag**  
(51) International Design Classification: **09-05**  
(74) Name(s) of Attorney(s): **Freehills Patent Attorneys**  
(71) Name(s) and Address(s) of Applicant(s):  
**Apple Inc.**  
**1 Infinite Loop Cupertino California, 95014 United States of America**  
(72) Name(s) of Designer(s): **Jody Akana and Molly Anderson and Bartley K. Andre and Shota Aoyagi and Anthony Michael Ashcroft and Jeremy Bataillou and Daniel J. Coster and Daniele De Iuliis and M. Evans Hankey and Julian Hoenig and Richard P. Howarth and Jonathan P. Ive and Duncan Robert Kerr and Michael Korinek and Matthew Dean Rohrbach and Peter Russel-Clarke and Benjamin Andrew Shaffer and Mikael Silvanto and Christopher J. Stringer and Clement Tissandier and Eugene Antony Whang and Rico Zorkendorfer**  
(45) Registration Date: **23 October 2015**  
(30) Convention priority data:  
(31) Number (32) Date (33) Country  
**29/519818 09 Mar 2015 UNITED STATES OF AMERICA**  
(56) Related Art Documents: **Not Applicable**  
(57) Statement of Newness and Distinctiveness: **Newness and distinctiveness resides in the features of shape and configuration of a bag as shown in the accompanying figures.**



- (21) Design Number: **14797/2015**  
(22) Date of Filing Application: **09 September 2015**  
(24) Date from which industrial property rights may have effect: **09 September 2015**  
(54) Product in respect of which the design is registered: **Bag**  
(51) International Design Classification: **09-05**  
(74) Name(s) of Attorney(s): **Freehills Patent Attorneys**  
(71) Name(s) and Address(s) of Applicant(s):

**Apple Inc.**  
**1 Infinite Loop Cupertino California, 95014 United States of America**

- (72) Name(s) of Designer(s): **Jody Akana and Molly Anderson and Bartley K. Andre and Shota Aoyagi and Anthony Michael Ashcroft and Jeremy Bataillou and Daniel J. Coster and Daniele De Iuliis and M. Evans Hankey and Julian Hoenig and Richard P. Howarth and Jonathan P. Ive and Duncan Robert Kerr and Michael Korinek and Matthew Dean Rohrbach and Peter Russel-Clarke and Benjamin Andrew Shaffer and Mikael Silvanto and Christopher J. Stringer and Clement Tissandier and Eugene Antony Whang and Rico Zorkendorfer**

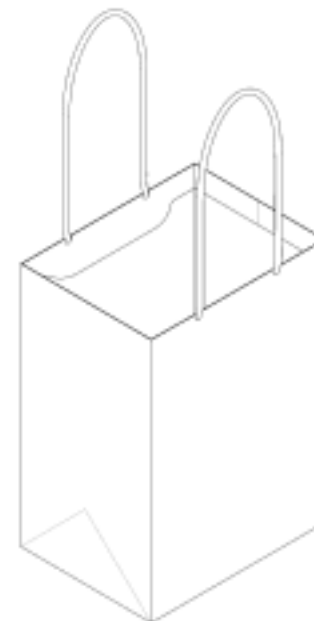
- (45) Registration Date: **23 October 2015**

- (30) Convention priority data:

(31) Number	(32) Date	(33) Country
<b>29/519818</b>	<b>09 Mar 2015</b>	<b>UNITED STATES OF AMERICA</b>

- (56) Related Art Documents: **Not Applicable**

- (57) Statement of Newness and Distinctiveness: **Newness and distinctiveness resides in the features of shape and configuration of a bag as shown in the accompanying figures.**



- (21) Design Number: **14799/2015**  
(22) Date of Filing Application: **09 September 2015**  
(24) Date from which industrial property rights may have effect: **09 September 2015**  
(54) Product in respect of which the design is registered: **Bag**  
(51) International Design Classification: **09-05**  
(74) Name(s) of Attorney(s): **Freehills Patent Attorneys**  
(71) Name(s) and Address(s) of Applicant(s):

**Apple Inc.**  
**1 Infinite Loop Cupertino California, 95014 United States of America**

- (72) Name(s) of Designer(s): **Jody Akana and Molly Anderson and Bartley K. Andre and Shota Aoyagi and Anthony Michael Ashcroft and Jeremy Bataillou and Daniel J. Coster and Daniele De Iuliis and M. Evans Hankey and Julian Hoenig and Richard P. Howarth and Jonathan P. Ive and Duncan Robert Kerr and Michael Korinek and Matthew Dean Rohrbach and Peter Russel-Clarke and Benjamin Andrew Shaffer and Mikael Silvanto and Christopher J. Stringer and Clement Tissandier and Eugene Antony Whang and Rico Zorkendorfer**

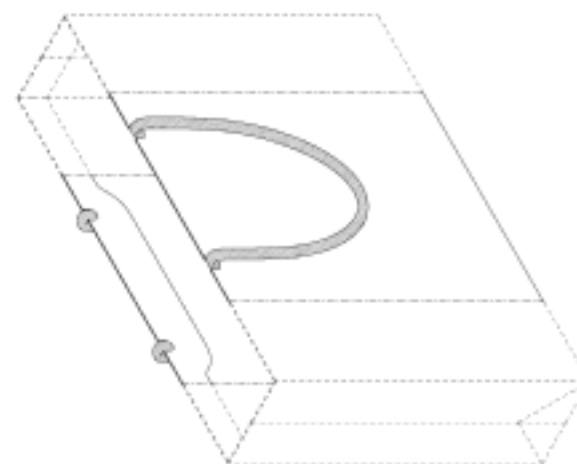
- (45) Registration Date: **23 October 2015**

- (30) Convention priority data:

(31) Number	(32) Date	(33) Country
<b>29/519818</b>	<b>09 Mar 2015</b>	<b>UNITED STATES OF AMERICA</b>

- (56) Related Art Documents: **Not Applicable**

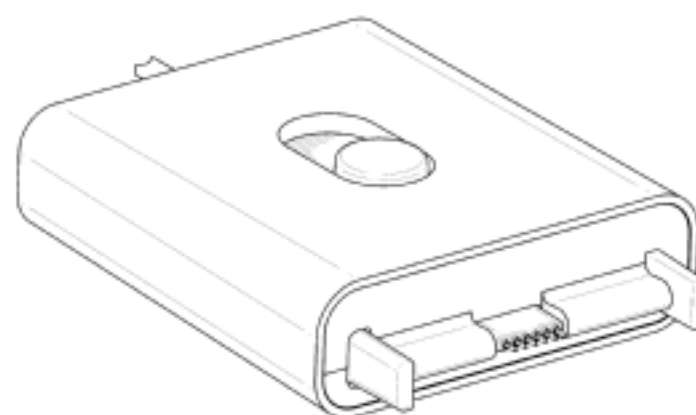
- (57) Statement of Newness and Distinctiveness: **Newness and distinctiveness resides in the features of shape and configuration of the portions shown in solid outline and shading in the accompanying figures.**



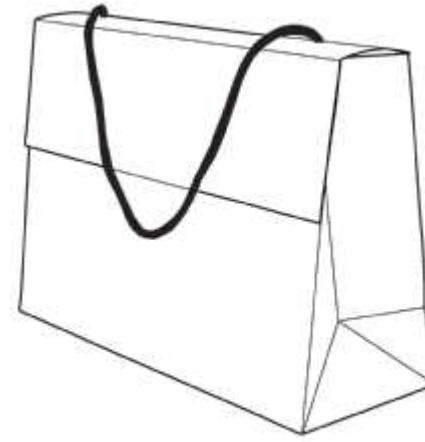
(21) Design Number: **15287/2015**  
(22) Date of Filing Application: **08 October 2015**  
(24) Date from which industrial property rights may have effect: **08 October 2015**  
(54) Product in respect of which the design is registered: **A rollator**  
(51) International Design Classification: **12-12**  
(74) Name(s) of Attorney(s): **Adams Pluck**  
(71) Name(s) and Address(s) of Applicant(s):  
**Medline Industries, Inc.**  
**One Medline Place Mundelein Illinois, 60060 United States of America**  
(72) Name(s) of Designer(s): **Tong Jin Kim and Michael Paterson and Kegan McDaniel and Luke Westra**  
(45) Registration Date: **23 October 2015**  
(30) Convention priority data:  
(31) Number (32) Date (33) Country  
**29/523,431 09 Apr 2015 UNITED STATES OF AMERICA**  
(56) Related Art Documents: **Not Applicable**  
(57) Statement of Newness and Distinctiveness: **Nil**



(21) Design Number: **15288/2015**  
(22) Date of Filing Application: **08 October 2015**  
(24) Date from which industrial property rights may have effect: **08 October 2015**  
(54) Product in respect of which the design is registered: **Connector**  
(51) International Design Classification: **14-02**  
(74) Name(s) of Attorney(s): **Freehills Patent Attorneys**  
(71) Name(s) and Address(s) of Applicant(s):  
**Apple Inc.**  
**1 Infinite Loop Cupertino California, 95014 United States of America**  
(72) Name(s) of Designer(s): **Charles A. Schwalbach and Liane Fang**  
(45) Registration Date: **23 October 2015**  
(30) Convention priority data:  
(31) Number (32) Date (33) Country  
**29/523464 09 Apr 2015 UNITED STATES OF AMERICA**  
(56) Related Art Documents: **Not Applicable**  
(57) Statement of Newness and Distinctiveness: **Newness and distinctiveness is claimed in the features of shape and configuration shown in the accompanying figures.**



- (21) Design Number: **15289/2015**  
(22) Date of Filing Application: **08 October 2015**  
(24) Date from which industrial property rights may have effect: **08 October 2015**  
(54) Product in respect of which the design is registered: **Packaging product with cover**  
(51) International Design Classification: **03-01A**  
(74) Name(s) of Attorney(s): **Franke Hyland**  
(71) Name(s) and Address(s) of Applicant(s):  
**KENNETH AYRES (AUST.) PTY. LTD.**  
**175 Henty St Reservoir VIC, 3073 Australia**  
(72) Name(s) of Designer(s): **Cosimo Graps**  
(45) Registration Date: **23 October 2015**  
(56) Related Art Documents: **Not Applicable**  
(57) Statement of Newness and Distinctiveness: **Newness and originality are claimed in the features of the shape and configuration of a packaging product as shown in the accompanying representations. The handle is flexible.**



- (21) Design Number: **15292/2015**  
(22) Date of Filing Application: **09 October 2015**  
(24) Date from which industrial property rights may have effect: **09 October 2015**  
(54) Product in respect of which the design is registered: **A pouch**  
(51) International Design Classification: **09-05**  
(74) Name(s) of Attorney(s): **AJ Park**  
(71) Name(s) and Address(s) of Applicant(s):  
**Fonterra Brands (Australia) PTY Limited**  
**327 Ferntree Gully Rd Mt Waverley VIC, 3149 Australia**  
(72) Name(s) of Designer(s): **Bernard Waterson and Philip Lim and Sonya Mandeno and Tamara Hain and Sarah Hendy and Chris Stephen**  
(45) Registration Date: **23 October 2015**  
(56) Related Art Documents: **Not Applicable**  
(57) Statement of Newness and Distinctiveness: **Newness and distinctiveness reside in the features of shape and/or configuration of the pouch as shown in the representations, the features shown in broken lines form no part of the claimed design.**



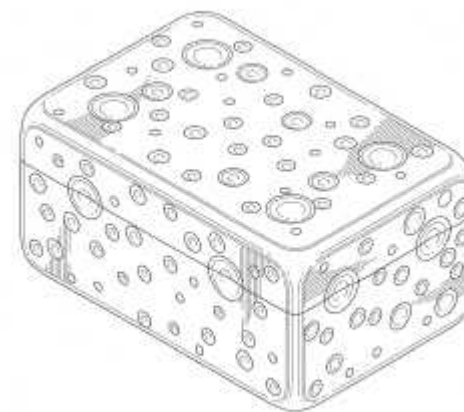
- (21) Design Number: **15293/2015**  
(22) Date of Filing Application: **09 October 2015**  
(24) Date from which industrial property rights may have effect: **09 October 2015**  
(54) Product in respect of which the design is registered: **A pouch**  
(51) International Design Classification: **09-05**  
(74) Name(s) of Attorney(s): **AJ Park**  
(71) Name(s) and Address(s) of Applicant(s):  
**Fonterra Brands (Australia) PTY Limited**  
**327 Ferntree Gully Rd Mt Waverley VIC, 3149 Australia**  
(72) Name(s) of Designer(s): **Bernard Waterson and Philip Lim and Sonya Mandeno and Tamara Hain and Sarah Hendy and Chris Stephen**  
(45) Registration Date: **23 October 2015**  
(56) Related Art Documents: **Not Applicable**  
(57) Statement of Newness and Distinctiveness: **Newness and distinctiveness reside in the features of shape and/or configuration of the pouch as shown in the representations, the features shown in broken lines form no part of the claimed design.**



- (21) Design Number: **15296/2015**  
(22) Date of Filing Application: **09 October 2015**  
(24) Date from which industrial property rights may have effect: **09 October 2015**  
(54) Product in respect of which the design is registered: **Modular storage rack**  
(51) International Design Classification: **06-04NES**  
(74) Name(s) of Attorney(s): **Shelston IP**  
(71) Name(s) and Address(s) of Applicant(s):  
**Cie Europe**  
**Rue des Freres Lumiere Lomme 59160 France**  
(72) Name(s) of Designer(s): **Giulio Epicureo**  
(45) Registration Date: **23 October 2015**  
(30) Convention priority data:  
(31) Number (32) Date (33) Country  
**DM/087 150 14 Apr 2015 OFFICE FOR HARMONISATION IN THE INTERNAL MARKET (OHIM)**  
(56) Related Art Documents: **Not Applicable**  
(57) Statement of Newness and Distinctiveness: **Newness and distinctiveness reside in the shape and/or configuration of a modular storage rack as illustrated in the accompanying representations.**



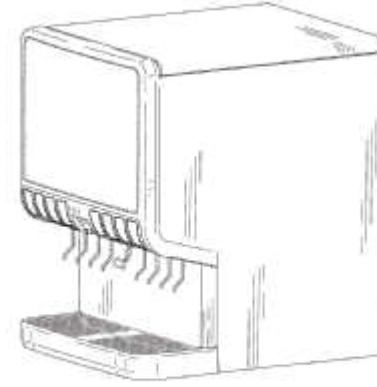
(21) Design Number: **15297/2015**  
(22) Date of Filing Application: **09 October 2015**  
(24) Date from which industrial property rights may have effect: **09 October 2015**  
(54) Product in respect of which the design is registered: **Container**  
(51) International Design Classification: **07-01NES**  
(74) Name(s) of Attorney(s): **FB Rice**  
(71) Name(s) and Address(s) of Applicant(s):  
**Hutzler Manufacturing Co., Inc.**  
**4 Grace Way Canaan CT, 06018 United States Of America**  
(72) Name(s) of Designer(s): **William Kolano**  
(45) Registration Date: **23 October 2015**  
(30) Convention priority data:  
(31) Number (32) Date (33) Country  
**29/537177 24 Aug 2015 UNITED STATES OF AMERICA**  
(56) Related Art Documents: **Not Applicable**  
(57) Statement of Newness and Distinctiveness: **Newness and distinctiveness reside in the features of the design as shown in the representations.**



(21) Design Number: **15299/2015**  
(22) Date of Filing Application: **09 October 2015**  
(24) Date from which industrial property rights may have effect: **09 October 2015**  
(54) Product in respect of which the design is registered: **Modular storage rack**  
(51) International Design Classification: **06-04NES**  
(74) Name(s) of Attorney(s): **Shelston IP**  
(71) Name(s) and Address(s) of Applicant(s):  
**Cie Europe**  
**Rue des Freres Lumiere Lomme 59160 France**  
(72) Name(s) of Designer(s): **Giulio Epicureo**  
(45) Registration Date: **23 October 2015**  
(30) Convention priority data:  
(31) Number (32) Date (33) Country  
**DM/087 150 14 Apr 2015 OFFICE FOR HARMONISATION IN THE INTERNAL MARKET (OHIM)**  
(56) Related Art Documents: **Not Applicable**  
(57) Statement of Newness and Distinctiveness: **Newness and distinctiveness reside in the shape and/or configuration of a modular storage rack as illustrated in the accompanying representations.**

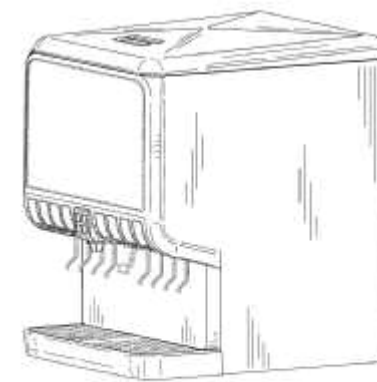


(21) Design Number: **14165/2015**  
(22) Date of Filing Application: **14 August 2015**  
(24) Date from which industrial property rights may have effect: **14 August 2015**  
(54) Product in respect of which the design is registered: **Dispenser**  
(51) International Design Classification: **31-00**  
(74) Name(s) of Attorney(s): **Spruson & Ferguson**  
(71) Name(s) and Address(s) of Applicant(s):  
**PepsiCo, Inc.**  
**700 Anderson Hill Road, Purchase New York, 10577 United States of America**



(72) Name(s) of Designer(s): **Martin Eduardo Broen and Stephen Lim**  
(45) Registration Date: **23 October 2015**  
(30) Convention priority data:  
(31) Number      (32) Date      (33) Country  
**29/517675      15 Feb 2015      UNITED STATES OF AMERICA**  
(56) Related Art Documents: **Not Applicable**  
(57) Statement of Newness and Distinctiveness: **Newness and distinctiveness is claimed in those features of shape and/or configuration of a dispenser as illustrated in continuous lines in the accompanying representations.**

(21) Design Number: **14166/2015**  
(22) Date of Filing Application: **14 August 2015**  
(24) Date from which industrial property rights may have effect: **14 August 2015**  
(54) Product in respect of which the design is registered: **Dispenser**  
(51) International Design Classification: **31-00**  
(74) Name(s) of Attorney(s): **Spruson & Ferguson**  
(71) Name(s) and Address(s) of Applicant(s):  
**PepsiCo, Inc.**  
**700 Anderson Hill Road, Purchase New York, 10577 United States of America**

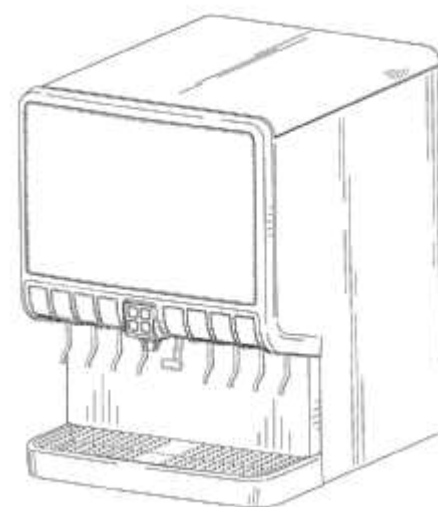


(72) Name(s) of Designer(s): **Martin Eduardo Broen and Stephen Lim**  
(45) Registration Date: **23 October 2015**  
(30) Convention priority data:  
(31) Number      (32) Date      (33) Country  
**29/517675      15 Feb 2015      UNITED STATES OF AMERICA**  
(56) Related Art Documents: **Not Applicable**  
(57) Statement of Newness and Distinctiveness: **Newness and distinctiveness is claimed in those features of shape and/or configuration of a dispenser as illustrated in continuous lines in the accompanying representations.**

- (21) Design Number: **14167/2015**  
(22) Date of Filing Application: **14 August 2015**  
(24) Date from which industrial property rights may have effect: **14 August 2015**  
(54) Product in respect of which the design is registered: **Dispenser**  
(51) International Design Classification: **31-00**  
(74) Name(s) of Attorney(s): **Spruson & Ferguson**  
(71) Name(s) and Address(s) of Applicant(s):  
**PepsiCo, Inc.**  
**700 Anderson Hill Road, Purchase New York, 10577 United States of America**  
(72) Name(s) of Designer(s): **Martin Eduardo Broen and Stephen Lim**  
(45) Registration Date: **23 October 2015**  
(30) Convention priority data:  
(31) Number      (32) Date      (33) Country  
**29/517675      15 Feb 2015      UNITED STATES OF AMERICA**  
(56) Related Art Documents: **Not Applicable**  
(57) Statement of Newness and Distinctiveness: **Newness and distinctiveness is claimed in those features of shape and/or configuration of a dispenser as illustrated in continuous lines in the accompanying representations.**



- (21) Design Number: **14168/2015**  
(22) Date of Filing Application: **14 August 2015**  
(24) Date from which industrial property rights may have effect: **14 August 2015**  
(54) Product in respect of which the design is registered: **Dispenser**  
(51) International Design Classification: **31-00**  
(74) Name(s) of Attorney(s): **Spruson & Ferguson**  
(71) Name(s) and Address(s) of Applicant(s):  
**PepsiCo, Inc.**  
**700 Anderson Hill Road, Purchase New York, 10577 United States of America**  
(72) Name(s) of Designer(s): **Martin Eduardo Broen and Stephen Lim**  
(45) Registration Date: **23 October 2015**  
(30) Convention priority data:  
(31) Number      (32) Date      (33) Country  
**29/517675      15 Feb 2015      UNITED STATES OF AMERICA**  
(56) Related Art Documents: **Not Applicable**  
(57) Statement of Newness and Distinctiveness: **Newness and distinctiveness is claimed in those features of shape and/or configuration of a dispenser as illustrated in continuous lines in the accompanying representations.**



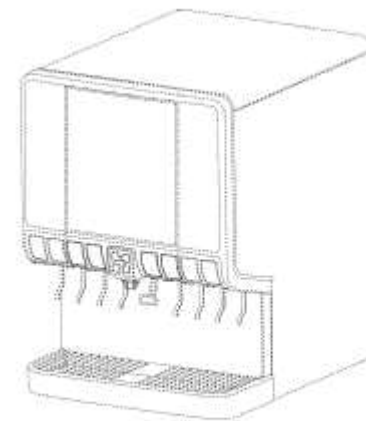


(21) Design Number: **14169/2015**  
(22) Date of Filing Application: **14 August 2015**  
(24) Date from which industrial property rights may have effect: **14 August 2015**  
(54) Product in respect of which the design is registered: **Dispenser**  
(51) International Design Classification: **31-00**  
(74) Name(s) of Attorney(s): **Spruson & Ferguson**  
(71) Name(s) and Address(s) of Applicant(s):  
**PepsiCo, Inc.**  
**700 Anderson Hill Road, Purchase New York, 10577 United States of America**

(72) Name(s) of Designer(s): **Martin Eduardo Broen and Stephen Lim**  
(45) Registration Date: **23 October 2015**

(30) Convention priority data:  
(31) Number      (32) Date      (33) Country  
**29/517676      15 Feb 2015      UNITED STATES OF AMERICA**

(56) Related Art Documents: **Not Applicable**  
(57) Statement of Newness and Distinctiveness: **Newness and distinctiveness is claimed in those features of shape and/or configuration of a dispenser as illustrated in continuous lines in the accompanying representations.**

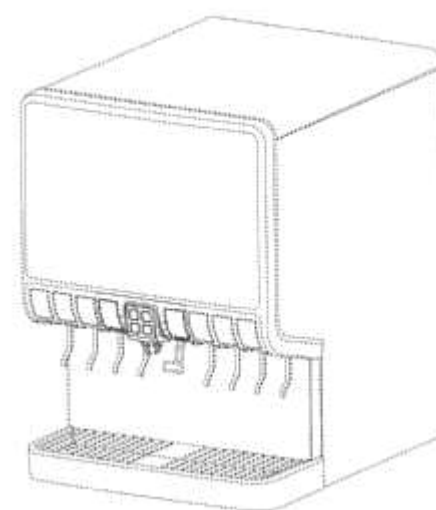


(21) Design Number: **14170/2015**  
(22) Date of Filing Application: **14 August 2015**  
(24) Date from which industrial property rights may have effect: **14 August 2015**  
(54) Product in respect of which the design is registered: **Dispenser**  
(51) International Design Classification: **31-00**  
(74) Name(s) of Attorney(s): **Spruson & Ferguson**  
(71) Name(s) and Address(s) of Applicant(s):  
**PepsiCo, Inc.**  
**700 Anderson Hill Road, Purchase New York, 10577 United States of America**

(72) Name(s) of Designer(s): **Martin Eduardo Broen and Stephen Lim**  
(45) Registration Date: **23 October 2015**

(30) Convention priority data:  
(31) Number      (32) Date      (33) Country  
**29/517677      16 Feb 2015      UNITED STATES OF AMERICA**

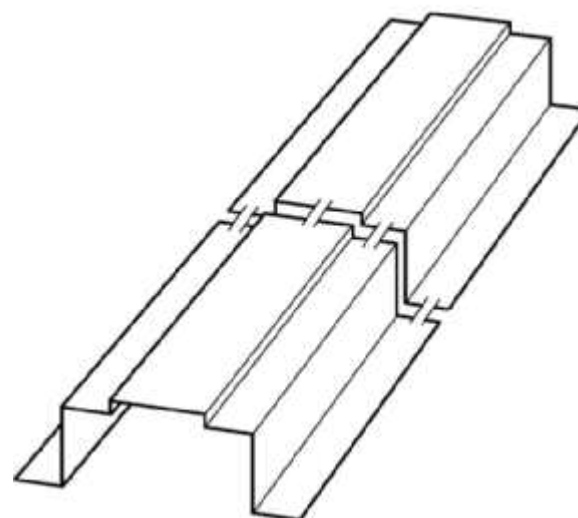
(56) Related Art Documents: **Not Applicable**  
(57) Statement of Newness and Distinctiveness: **Newness and distinctiveness is claimed in those features of shape and/or configuration of a dispenser as illustrated in continuous lines in the accompanying representations.**



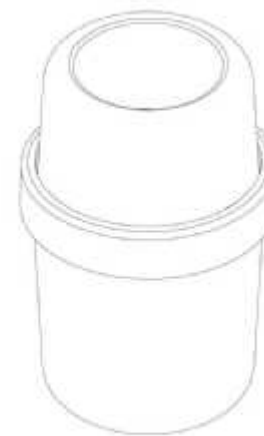
(21) Design Number: **14306/2015**  
(22) Date of Filing Application: **21 August 2015**  
(24) Date from which industrial property rights may have effect: **21 August 2015**  
(54) Product in respect of which the design is registered: **Steam mop**  
(51) International Design Classification: **15-05**  
(74) Name(s) of Attorney(s): **Davies Collison Cave**  
(71) Name(s) and Address(s) of Applicant(s):  
**Black & Decker Inc.**  
**1207 Drummond Plaza Newark Delaware, 19711 United States of America**  
(72) Name(s) of Designer(s): **Graeme Crawley**  
(45) Registration Date: **23 October 2015**  
(30) Convention priority data:  
(31) Number (32) Date (33) Country  
**002640979 25 Feb 2015 OFFICE FOR HARMONISATION IN THE INTERNAL MARKET (OHIM)**  
(56) Related Art Documents: **Not Applicable**  
(57) Statement of Newness and Distinctiveness: **Nil**



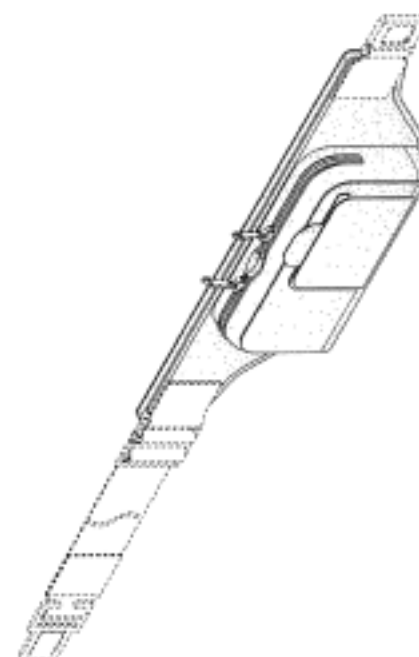
(21) Design Number: **15207/2015**  
(22) Date of Filing Application: **06 October 2015**  
(24) Date from which industrial property rights may have effect: **06 October 2015**  
(54) Product in respect of which the design is registered: **Top hat**  
(51) International Design Classification: **25-01NES**  
(74) Name(s) of Attorney(s): **Golja Haines & Friend**  
(71) Name(s) and Address(s) of Applicant(s):  
**Wayne Cornelis Bisschops**  
**2065 Pechey Rd Swan View WA, 6056 Australia**  
(72) Name(s) of Designer(s): **Wayne Cornelis Bisschops**  
(45) Registration Date: **23 October 2015**  
(56) Related Art Documents: **Not Applicable**  
(57) Statement of Newness and Distinctiveness: **The design resides in the shape and configuration of a top hat section as illustrated in the attached representations. Newness and distinctiveness resides in the visual features of shape and configuration of the longitudinally extending raised platform portion (A) that projects from one surface of the top hat. The top hat section is of constant cross-section throughout its indefinite length.**



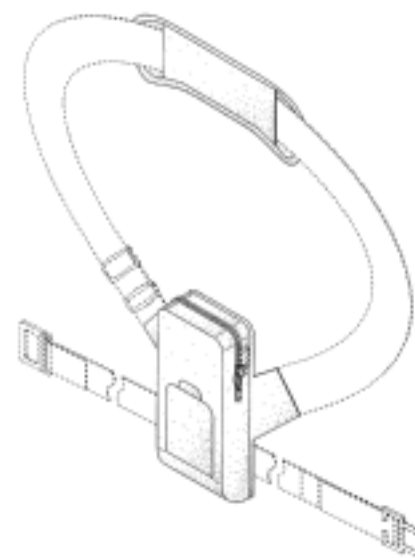
(21) Design Number: **15261/2015**  
(22) Date of Filing Application: **07 October 2015**  
(24) Date from which industrial property rights may have effect: **07 October 2015**  
(54) Product in respect of which the design is registered: **Kitchenware**  
(51) International Design Classification: **07-01NES**  
(74) Name(s) of Attorney(s): **Trademark Works**  
(71) Name(s) and Address(s) of Applicant(s):  
**JOSEPH JOSEPH LTD**  
**The Grove 30 Great Guildford Street London SE1 0HS United Kingdom**  
(72) Name(s) of Designer(s): **Antony Joseph**  
(45) Registration Date: **23 October 2015**  
(30) Convention priority data:  
(31) Number (32) Date (33) Country  
**002678458-0008 10 Apr 2015 UNITED KINGDOM**  
(56) Related Art Documents: **Not Applicable**  
(57) Statement of Newness and Distinctiveness: **Nil**



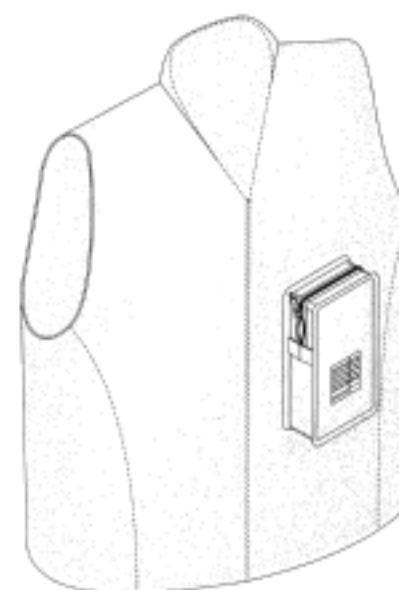
(21) Design Number: **15305/2015**  
(22) Date of Filing Application: **09 October 2015**  
(24) Date from which industrial property rights may have effect: **09 October 2015**  
(54) Product in respect of which the design is registered: **Carrying case for medical delivery device**  
(51) International Design Classification: **03-01NES**  
(74) Name(s) of Attorney(s): **Spruson & Ferguson**  
(71) Name(s) and Address(s) of Applicant(s):  
**AbbVie Inc.**  
**1 North Waukegan Road, North Chicago Illinois, 60064 United States of America**  
(72) Name(s) of Designer(s): **Ji Zhou and Shawn Malloy and Grant Whitney and Rajkumar Conjeevaram and Phil Anderson and David Lacewell and Mehdi Megdoud and Mikael Tutschke-Saettler and Damon Vaughan and Derek Leatzow and Sean Corrigan and John White and Michael Lau**  
(45) Registration Date: **23 October 2015**  
(30) Convention priority data:  
(31) Number (32) Date (33) Country  
**29/524020 15 Apr 2015 UNITED STATES OF AMERICA**  
(56) Related Art Documents: **Not Applicable**  
(57) Statement of Newness and Distinctiveness: **Newness and distinctiveness is claimed in those features of shape and/or configuration of a carrying case for medical delivery device as illustrated in continuous lines in the accompanying representations.**



- (21) Design Number: **15306/2015**  
(22) Date of Filing Application: **09 October 2015**  
(24) Date from which industrial property rights may have effect: **09 October 2015**  
(54) Product in respect of which the design is registered: **Carrying case for medical delivery device**  
(51) International Design Classification: **03-01NES**  
(74) Name(s) of Attorney(s): **Spruson & Ferguson**  
(71) Name(s) and Address(s) of Applicant(s):  
**AbbVie Inc.**  
**1 North Waukegan Road, North Chicago Illinois, 60064 United States of America**  
(72) Name(s) of Designer(s): **Ji Zhou and Shawn Malloy and Grant Whitney and Rajkumar Conjeevaram and Phil Anderson and David Lacewell and Mehdi Megdoud and Mikael Tutschke-Saettler and Damon Vaughan and Derek Leatzow and Sean Corrigan and John White and Michael Lau**  
(45) Registration Date: **23 October 2015**  
(30) Convention priority data:  
(31) Number (32) Date (33) Country  
**29/524026 15 Apr 2015 UNITED STATES OF AMERICA**  
(56) Related Art Documents: **Not Applicable**  
(57) Statement of Newness and Distinctiveness: **Newness and distinctiveness is claimed in those features of shape and/or configuration of a carrying case for medical delivery device as illustrated in continuous lines in the accompanying representations.**



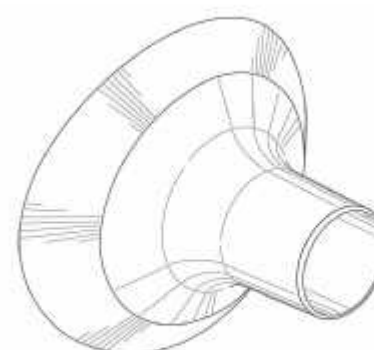
- (21) Design Number: **15307/2015**  
(22) Date of Filing Application: **09 October 2015**  
(24) Date from which industrial property rights may have effect: **09 October 2015**  
(54) Product in respect of which the design is registered: **Garment with carrying case for medical delivery device**  
(51) International Design Classification: **02-02B**  
(74) Name(s) of Attorney(s): **Spruson & Ferguson**  
(71) Name(s) and Address(s) of Applicant(s):  
**AbbVie Inc.**  
**1 North Waukegan Road, North Chicago Illinois, 60064 United States of America**  
(72) Name(s) of Designer(s): **Ji Zhou and Shawn Malloy and Grant Whitney and Rajkumar Conjeevaram and Phil Anderson and David Lacewell and Mehdi Megdoud and Mikael Tutschke-Saettler and Damon Vaughan and Derek Leatzow and Sean Corrigan and John White and Michael Lau**  
(45) Registration Date: **23 October 2015**  
(30) Convention priority data:  
(31) Number (32) Date (33) Country  
**29/524018 15 Apr 2015 UNITED STATES OF AMERICA**  
(56) Related Art Documents: **Not Applicable**  
(57) Statement of Newness and Distinctiveness: **Newness and distinctiveness is claimed in those features of shape and/or configuration of a garment with carrying case for medical delivery device as illustrated in continuous lines in the accompanying representations.**



(21) Design Number: **14273/2015**  
(22) Date of Filing Application: **20 August 2015**  
(24) Date from which industrial property rights may have effect: **20 August 2015**  
(54) Product in respect of which the design is registered: **Breastshield for a breastpump**  
(51) International Design Classification: **24-02**  
(74) Name(s) of Attorney(s): **PHILLIPS ORMONDE FITZPATRICK**  
(71) Name(s) and Address(s) of Applicant(s):  
**Medela Holding AG**  
**Lattichstrasse 4b Baar CH-6340 Switzerland**  
(72) Name(s) of Designer(s): **Bernhard Emmenegger and Daniela Kappeli and Mario Rigert and Andre Schlienger and Etienne Furrer and Marcel Muther**  
(45) Registration Date: **27 October 2015**  
(30) Convention priority data:  
(31) Number (32) Date (33) Country  
**874300501 20 Feb 2015 WORLD INTELLECTUAL PROPERTY ORGANIZATION (WIPO)**  
(56) Related Art Documents: **Not Applicable**  
(57) Statement of Newness and Distinctiveness: **Nil**



(21) Design Number: **14274/2015**  
(22) Date of Filing Application: **20 August 2015**  
(24) Date from which industrial property rights may have effect: **20 August 2015**  
(54) Product in respect of which the design is registered: **Breastshield for a breastpump**  
(51) International Design Classification: **24-02**  
(74) Name(s) of Attorney(s): **PHILLIPS ORMONDE FITZPATRICK**  
(71) Name(s) and Address(s) of Applicant(s):  
**Medela Holding AG**  
**Lattichstrasse 4b Baar CH-6340 Switzerland**  
(72) Name(s) of Designer(s): **Bernhard Emmenegger and Daniela Kappeli and Mario Rigert and Andre Schlienger and Etienne Furrer and Marcel Muther**  
(45) Registration Date: **27 October 2015**  
(30) Convention priority data:  
(31) Number (32) Date (33) Country  
**874300501 20 Feb 2015 WORLD INTELLECTUAL PROPERTY ORGANIZATION (WIPO)**  
(56) Related Art Documents: **Not Applicable**  
(57) Statement of Newness and Distinctiveness: **Nil**



(21) Design Number: **14275/2015**  
(22) Date of Filing Application: **20 August 2015**  
(24) Date from which industrial property rights may have effect: **20 August 2015**  
(54) Product in respect of which the design is registered: **Membrane for a breastshield of a breast pump**  
(51) International Design Classification: **24-02**  
(74) Name(s) of Attorney(s): **PHILLIPS ORMONDE FITZPATRICK**  
(71) Name(s) and Address(s) of Applicant(s):  
**Medela Holding AG**  
**Lattichstrasse 4b Baar CH-6340 Switzerland**  
(72) Name(s) of Designer(s): **Mario Rigert and Bernhard Emmenegger**  
(45) Registration Date: **27 October 2015**  
(30) Convention priority data:  
(31) Number (32) Date (33) Country  
**874300701 20 Feb 2015 WORLD INTELLECTUAL PROPERTY ORGANIZATION (WIPO)**  
(56) Related Art Documents: **Not Applicable**  
(57) Statement of Newness and Distinctiveness: **Nil**



(21) Design Number: **14276/2015**  
(22) Date of Filing Application: **20 August 2015**  
(24) Date from which industrial property rights may have effect: **20 August 2015**  
(54) Product in respect of which the design is registered: **Breastshield-connector for breast pump**  
(51) International Design Classification: **24-02**  
(74) Name(s) of Attorney(s): **PHILLIPS ORMONDE FITZPATRICK**  
(71) Name(s) and Address(s) of Applicant(s):  
**Medela Holding AG**  
**Lattichstrasse 4b Baar CH-6340 Switzerland**  
(72) Name(s) of Designer(s): **Mario Rigert and Bernhard Emmenegger**  
(45) Registration Date: **27 October 2015**  
(30) Convention priority data:  
(31) Number (32) Date (33) Country  
**874300401 20 Feb 2015 WORLD INTELLECTUAL PROPERTY ORGANIZATION (WIPO)**  
(56) Related Art Documents: **Not Applicable**  
(57) Statement of Newness and Distinctiveness: **Nil**



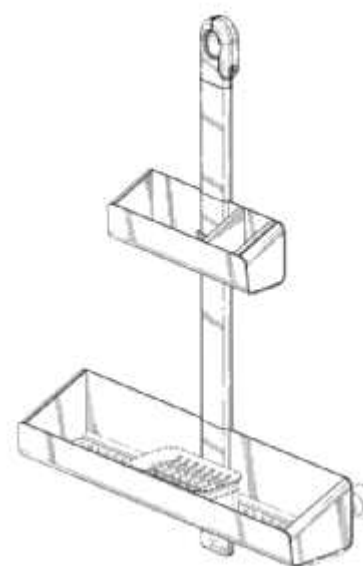
- (21) Design Number: **14305/2015**  
(22) Date of Filing Application: **21 August 2015**  
(24) Date from which industrial property rights may have effect: **21 August 2015**  
(54) Product in respect of which the design is registered: **Shower caddy**  
(51) International Design Classification: **23-02A**  
(74) Name(s) of Attorney(s): **Davies Collison Cave**  
(71) Name(s) and Address(s) of Applicant(s):  
**Simplehuman, LLC**  
**19850 Magellan Drive Torrance California 90502 United States of America**  
(72) Name(s) of Designer(s): **Frank Yang and Zachary Rapoport and Myk Lum and Adam Wade and Ken Sugimoto**  
(45) Registration Date: **27 October 2015**  
(30) Convention priority data:  
(31) Number (32) Date (33) Country  
**29/518,332 23 Feb 2015 UNITED STATES OF AMERICA**  
(56) Related Art Documents: **Not Applicable**  
(57) Statement of Newness and Distinctiveness: **Newness and distinctiveness is claimed in the visual features shown in solid lines in the representations. In considering the extent of the design rights, the broken lines shown in the representations are for illustrative purposes only and do not form part of the design.**



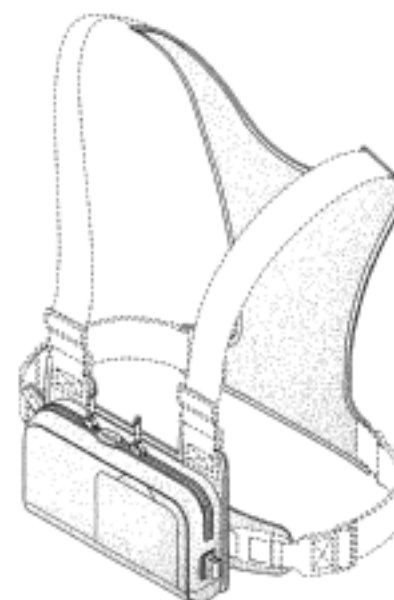
- (21) Design Number: **14308/2015**  
(22) Date of Filing Application: **21 August 2015**  
(24) Date from which industrial property rights may have effect: **21 August 2015**  
(54) Product in respect of which the design is registered: **Shower caddy**  
(51) International Design Classification: **23-02A**  
(74) Name(s) of Attorney(s): **Davies Collison Cave**  
(71) Name(s) and Address(s) of Applicant(s):  
**Simplehuman, LLC**  
**19850 Magellan Drive Torrance California 90502 United States of America**  
(72) Name(s) of Designer(s): **Frank Yang and Zachary Rapoport and Myk Lum and Adam Wade and Ken Sugimoto**  
(45) Registration Date: **27 October 2015**  
(30) Convention priority data:  
(31) Number (32) Date (33) Country  
**29/518,327 23 Feb 2015 UNITED STATES OF AMERICA**  
(56) Related Art Documents: **Not Applicable**  
(57) Statement of Newness and Distinctiveness: **Newness and distinctiveness is claimed in the visual features shown in solid lines in the representations. All features in phantom line form no part of the claimed subject matter.**



- (21) Design Number: **14313/2015**  
(22) Date of Filing Application: **21 August 2015**  
(24) Date from which industrial property rights may have effect: **21 August 2015**  
(54) Product in respect of which the design is registered: **Shelving system**  
(51) International Design Classification: **06-04NES**  
(74) Name(s) of Attorney(s): **Davies Collison Cave**  
(71) Name(s) and Address(s) of Applicant(s):  
**Simplehuman, LLC**  
**19850 Magellan Drive Torrance California 90502 United States of America**  
(72) Name(s) of Designer(s): **Frank Yang and Zachary Rapoport and Daniel Ballou**  
(45) Registration Date: **27 October 2015**  
(30) Convention priority data:  
(31) Number (32) Date (33) Country  
**29/518,582 25 Feb 2015 UNITED STATES OF AMERICA**  
(56) Related Art Documents: **Not Applicable**  
(57) Statement of Newness and Distinctiveness: **Newness and distinctiveness is claimed in the visual features shown in solid lines in the representations. All features in broken lines form no part of the claimed subject matter.**



- (21) Design Number: **15308/2015**  
(22) Date of Filing Application: **09 October 2015**  
(24) Date from which industrial property rights may have effect: **09 October 2015**  
(54) Product in respect of which the design is registered: **Carrying case for medical delivery device**  
(51) International Design Classification: **03-01NES**  
(74) Name(s) of Attorney(s): **Spruson & Ferguson**  
(71) Name(s) and Address(s) of Applicant(s):  
**AbbVie Inc.**  
**1 North Waukegan Road, North Chicago Illinois, 60064 United States of America**  
(72) Name(s) of Designer(s): **Ji Zhou and Shawn Malloy and Grant Whitney and Rajkumar Conjeevaram and Phil Anderson and David Lacewell and Mehdi Megdoud and Mikael Tutschke-Saettler and Damon Vaughan and Derek Leatzow and Sean Corrigan and John White and Michael Lau**  
(45) Registration Date: **27 October 2015**  
(30) Convention priority data:  
(31) Number (32) Date (33) Country  
**29/524017 15 Apr 2015 UNITED STATES OF AMERICA**  
(56) Related Art Documents: **Not Applicable**  
(57) Statement of Newness and Distinctiveness: **Newness and distinctiveness is claimed in those features of shape and/or configuration of a carrying case for medical delivery device as illustrated in continuous lines in the accompanying representations.**





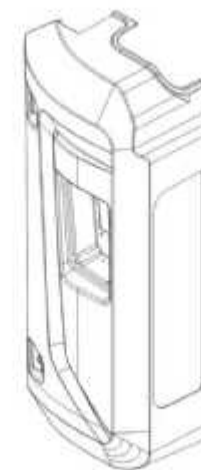
- (21) Design Number: **15309/2015**  
(22) Date of Filing Application: **09 October 2015**  
(24) Date from which industrial property rights may have effect: **09 October 2015**  
(54) Product in respect of which the design is registered: **Garment with carrying case for medical delivery device**  
(51) International Design Classification: **02-02B**  
(74) Name(s) of Attorney(s): **Spruson & Ferguson**  
(71) Name(s) and Address(s) of Applicant(s):  
**AbbVie Inc.**  
**1 North Waukegan Road, North Chicago Illinois, 60064 United States of America**  
(72) Name(s) of Designer(s): **Ji Zhou and Shawn Malloy and Grant Whitney and Rajkumar Conjeevaram and Phil Anderson and David Lacewell and Mehdi Megdoud and Mikael Tutschke-Saettler and Damon Vaughan and Derek Leatzow and Sean Corrigan and John White and Michael Lau**  
(45) Registration Date: **27 October 2015**  
(30) Convention priority data:  
(31) Number (32) Date (33) Country  
**29/524024 15 Apr 2015 UNITED STATES OF AMERICA**  
(56) Related Art Documents: **Not Applicable**  
(57) Statement of Newness and Distinctiveness: **Newness and distinctiveness is claimed in those features of shape and/or configuration of a garment with carrying case for medical delivery device as illustrated in continuous lines in the accompanying representations.**



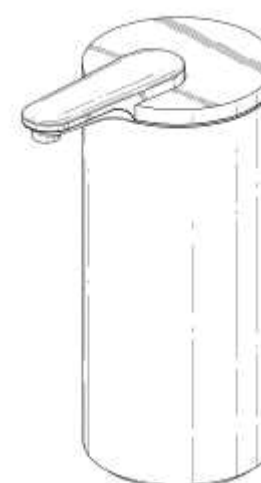
- (21) Design Number: **14131/2015**  
(22) Date of Filing Application: **12 August 2015**  
(24) Date from which industrial property rights may have effect: **12 August 2015**  
(54) Product in respect of which the design is registered: **Vehicle with lifting boom**  
(51) International Design Classification: **12-05**  
(74) Name(s) of Attorney(s): **Griffith Hack**  
(71) Name(s) and Address(s) of Applicant(s):  
**HAULOTTE GROUP**  
**La Peronniere L'HORME 42152 France**  
(72) Name(s) of Designer(s): **Thierry Sauvaget**  
(45) Registration Date: **27 October 2015**  
(30) Convention priority data:  
(31) Number (32) Date (33) Country  
**15/0717 12 Feb 2015 FRANCE**  
(56) Related Art Documents: **Not Applicable**  
(57) Statement of Newness and Distinctiveness: **Newness and distinctiveness resides in the visual features, including the shape and configuration of the product shown in the representations.**



(21) Design Number: **14132/2015**  
(22) Date of Filing Application: **12 August 2015**  
(24) Date from which industrial property rights may have effect: **12 August 2015**  
(54) Product in respect of which the design is registered: **Panel for vehicle with lifting boom**  
(51) International Design Classification: **12-16B**  
(74) Name(s) of Attorney(s): **Griffith Hack**  
(71) Name(s) and Address(s) of Applicant(s):  
**HAULOTTE GROUP**  
**La Peronniere L'HORME 42152 France**  
(72) Name(s) of Designer(s): **Thierry Sauvaget**  
(45) Registration Date: **27 October 2015**  
(30) Convention priority data:  
(31) Number (32) Date (33) Country  
**15/0717 12 Feb 2015 FRANCE**  
(56) Related Art Documents: **Not Applicable**  
(57) Statement of Newness and Distinctiveness: **Newness and distinctiveness resides in the visual features, including the shape and configuration of the product shown in the representations.**



(21) Design Number: **14351/2015**  
(22) Date of Filing Application: **24 August 2015**  
(24) Date from which industrial property rights may have effect: **24 August 2015**  
(54) Product in respect of which the design is registered: **Soap pump**  
(51) International Design Classification: **23-02A**  
(74) Name(s) of Attorney(s): **Davies Collison Cave**  
(71) Name(s) and Address(s) of Applicant(s):  
**Simplehuman, LLC.**  
**19850 Magellan Drive Torrance California, 90502 United States of America**  
(72) Name(s) of Designer(s): **Frank Yang and Kenneth Yen and Myk Lum and Adam Wade**  
(45) Registration Date: **27 October 2015**  
(30) Convention priority data:  
(31) Number (32) Date (33) Country  
**29/518,584 25 Feb 2015 UNITED STATES OF AMERICA**  
(56) Related Art Documents: **Not Applicable**  
(57) Statement of Newness and Distinctiveness: **Newness and distinctiveness is claimed in the visual features shown in solid lines in the representations. All features in broken lines form no part of the claimed subject matter.**



(21) Design Number: **14362/2015**

(22) Date of Filing Application: **25 August 2015**

(24) Date from which industrial property rights may have effect: **25 August 2015**

(54) Product in respect of which the design is registered: **Bowl bag with utensil**

(51) International Design Classification: **09-05**

(74) Name(s) of Attorney(s): **Davies Collison Cave**

(71) Name(s) and Address(s) of Applicant(s):

**Kellogg Company**

**One Kellogg Square PO Box 3599 Battle Creek Michigan 49016-3599  
United States of America**

(72) Name(s) of Designer(s): **Don Joswick and Paul A. Pezzoli and Dave Jones**

(45) Registration Date: **27 October 2015**

(30) Convention priority data:

(31) Number	(32) Date	(33) Country
<b>29/520,508</b>	<b>16 Mar 2015</b>	<b>UNITED STATES OF AMERICA</b>

(56) Related Art Documents: **Not Applicable**

(57) Statement of Newness and Distinctiveness: **Newness and distinctiveness is claimed in the visual features shown in solid lines in the representations. The bowl bag with utensil may be for containing food product and for containing a utensil that allows a user to easily consume the food product. In one configuration, the food product is cereal and the utensil is a spoon. A consumer can open the bowl bag with utensil and consume the cereal using the spoon. In considering the extent of the design rights, the broken lines shown in the representations are for illustrative purposes only and do not form part of the design.**



(21) Design Number: **14639/2015**

(22) Date of Filing Application: **02 September 2015**

(24) Date from which industrial property rights may have effect: **02 September 2015**

(54) Product in respect of which the design is registered: **Bicycle helmet**

(51) International Design Classification: **02-03**

(74) Name(s) of Attorney(s): **Davies Collison Cave**

(71) Name(s) and Address(s) of Applicant(s):

**Lumen Labs, Inc.**

**1 Financial Center Fl 40 Boston Massachusetts, 02111 United States of  
America**

(72) Name(s) of Designer(s): **Haoran Chen and Eu-wen Ding**

(45) Registration Date: **27 October 2015**

(30) Convention priority data:

(31) Number	(32) Date	(33) Country
<b>ZL201530052786.703</b>	<b>Mar 2015</b>	<b>CHINA</b>

(56) Related Art Documents: **Not Applicable**

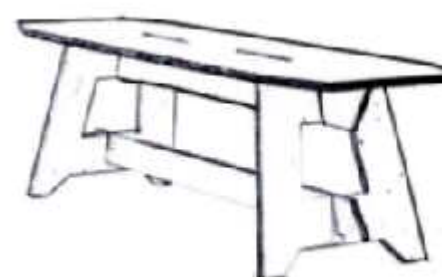
(57) Statement of Newness and Distinctiveness: **Nil**



(21) Design Number: **14643/2015**  
(22) Date of Filing Application: **02 September 2015**  
(24) Date from which industrial property rights may have effect: **02 September 2015**  
(54) Product in respect of which the design is registered: **Bicycle helmet**  
(51) International Design Classification: **02-03**  
(74) Name(s) of Attorney(s): **Davies Collison Cave**  
(71) Name(s) and Address(s) of Applicant(s):  
**Lumen Labs, Inc.**  
**1 Financial Center Fl 40 Boston Massachusetts, 02111 United States of America**  
(72) Name(s) of Designer(s): **Haoran Chen and Eu-wen Ding**  
(45) Registration Date: **27 October 2015**  
(30) Convention priority data:  
(31) Number (32) Date (33) Country  
**ZL201530052786.703 Mar 2015 CHINA**  
(56) Related Art Documents: **Not Applicable**  
(57) Statement of Newness and Distinctiveness: **Nil**



(21) Design Number: **15436/2015**  
(22) Date of Filing Application: **14 October 2015**  
(24) Date from which industrial property rights may have effect: **12 August 2015**  
(54) Product in respect of which the design is registered: **Bench**  
(51) International Design Classification: **06-01C**  
(74) Name(s) of Attorney(s): **Aitken Partners**  
(71) Name(s) and Address(s) of Applicant(s):  
**Dylan Falecki**  
**PO BOX 328 Oatlands NSW 2117 Australia**  
(72) Name(s) of Designer(s): **Dylan Falecki**  
(45) Registration Date: **27 October 2015**  
(62) Divisional of: **364966**  
(56) Related Art Documents: **Not Applicable**  
(57) Statement of Newness and Distinctiveness: **The newness and distinctiveness of the design resides in the two modes that the furniture can and is intended to take: - mode 1: stored in pieces, vertically and flat in a wall mounted housing in a "jigsaw puzzle like" configuration of cut outs and inserts which sits flush in the mounted housing because of its uniform thickness and material; - mode 2: as furniture that can easily and regularly be assembled and disassembled by taking down the pieces of the furniture from the wall mounted housing and slotting the pieces together. No tools or additional parts are required for assembly of the furniture. All the pieces of furniture are assembled using half housing joints that slot together quickly and easily.**



- (21) Design Number: **15437/2015**  
(22) Date of Filing Application: **14 October 2015**  
(24) Date from which industrial property rights may have effect: **12 August 2015**  
(54) Product in respect of which the design is registered: **Stool**  
(51) International Design Classification: **06-01E**  
(74) Name(s) of Attorney(s): **Aitken Partners**  
(71) Name(s) and Address(s) of Applicant(s):

**Dylan Falecki**  
**PO BOX 328 Oatlands NSW 2117 Australia**

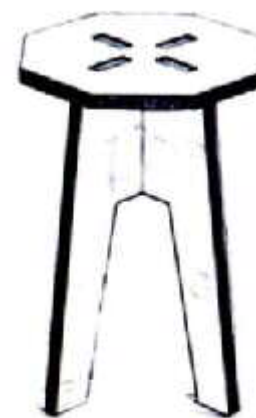
(72) Name(s) of Designer(s): **Dylan Falecki**

(45) Registration Date: **27 October 2015**

(62) Divisional of: **364966**

(56) Related Art Documents: **Not Applicable**

- (57) Statement of Newness and Distinctiveness: **The newness and distinctiveness of the design resides in the two modes that the furniture can and is intended to take: - mode 1: stored in pieces, vertically and flat in a wall mounted housing in a "jigsaw puzzle like" configuration of cut outs and inserts which sits flush in the mounted housing because of its uniform thickness and material; - mode 2: as furniture that can easily and regularly be assembled and disassembled by taking down the pieces of the furniture from the wall mounted housing and slotting the pieces together. No tools or additional parts are required for assembly of the furniture. All the pieces of furniture are assembled using half housing joints that slot together quickly and easily.**



- (21) Design Number: **10844/2015**  
(22) Date of Filing Application: **16 February 2015**  
(24) Date from which industrial property rights may have effect: **16 February 2015**  
(54) Product in respect of which the design is registered: **School bag hanging system**  
(51) International Design Classification: **08-08G**  
(74) Name(s) of Attorney(s):  
(71) Name(s) and Address(s) of Applicant(s):

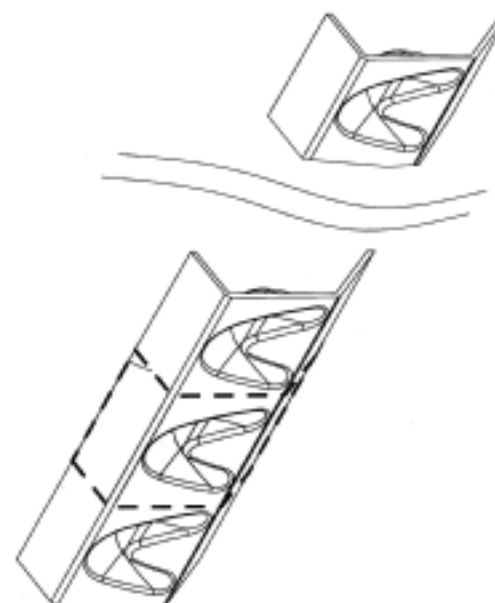
**John Matthews**  
**14 Stewart Grove Mount Nasura WA 6112 Australia**

(72) Name(s) of Designer(s): **John Matthews**

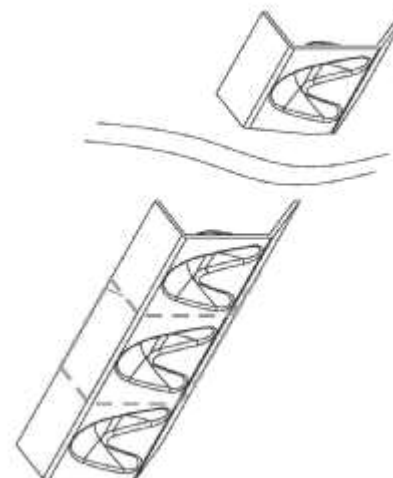
(45) Registration Date: **27 October 2015**

(56) Related Art Documents: **Not Applicable**

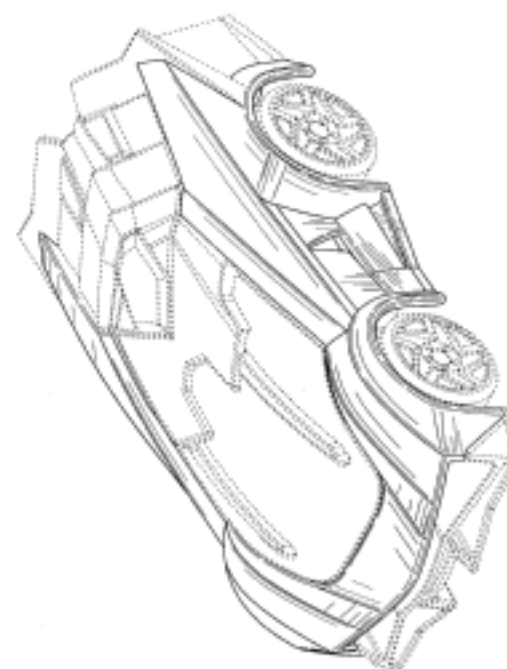
- (57) Statement of Newness and Distinctiveness: **In considering the newness and distinctiveness, the school bag hanging system is of indefinite length and includes a regularly repeating portion 'A' of a fixed spacing as shown in the representations.**



- (21) Design Number: **15504/2015**  
(22) Date of Filing Application: **16 February 2015**  
(24) Date from which industrial property rights may have effect: **16 February 2015**  
(54) Product in respect of which the design is registered: **School bag hanging system**  
(51) International Design Classification: **08-08G**  
(74) Name(s) of Attorney(s):  
(71) Name(s) and Address(s) of Applicant(s):  
**John Matthews**  
**14 Stewart Grove Mount Nasura WA 6112 Australia**  
(72) Name(s) of Designer(s): **John Matthews**  
(45) Registration Date: **27 October 2015**  
(56) Related Art Documents: **Not Applicable**  
(57) Statement of Newness and Distinctiveness: **In considering the newness and distinctiveness, the school bag hanging system is of indefinite length and includes a regularly repeating portion A of a indefinite 'S' spacing as shown in the representations.**



- (21) Design Number: **14007/2015**  
(22) Date of Filing Application: **06 August 2015**  
(24) Date from which industrial property rights may have effect: **06 August 2015**  
(54) Product in respect of which the design is registered: **Toy car**  
(51) International Design Classification: **21-01C**  
(74) Name(s) of Attorney(s): **FB Rice**  
(71) Name(s) and Address(s) of Applicant(s):  
**Anki, Inc.**  
**55 Second Street 15th Floor San Francisco California, 94105 United States of America**  
(72) Name(s) of Designer(s): **Harald Belker and Chris Keller**  
(45) Registration Date: **27 October 2015**  
(30) Convention priority data:  
(31) Number (32) Date (33) Country  
**29/517,017 09 Feb 2015 UNITED STATES OF AMERICA**  
(56) Related Art Documents: **Not Applicable**  
(57) Statement of Newness and Distinctiveness: **Newness and distinctiveness reside in the visual features of the product shown in solid lines in the representations, excluding the features shown in dashed lines which are disclaimed.**

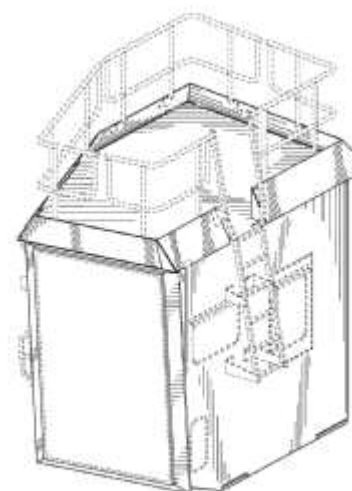




- (21) Design Number: **14028/2015**  
(22) Date of Filing Application: **06 August 2015**  
(24) Date from which industrial property rights may have effect: **06 August 2015**  
(54) Product in respect of which the design is registered: **Toy car**  
(51) International Design Classification: **21-01C**  
(74) Name(s) of Attorney(s): **FB Rice**  
(71) Name(s) and Address(s) of Applicant(s):  
**Anki, Inc.**  
**55 Second Street 15th Floor San Francisco California, 94105 United States of America**  
(72) Name(s) of Designer(s): **Harald Belker and Chris Keller**  
(45) Registration Date: **27 October 2015**  
(30) Convention priority data:  
(31) Number (32) Date (33) Country  
**29/517027 09 Feb 2015 UNITED STATES OF AMERICA**  
(56) Related Art Documents: **Not Applicable**  
(57) Statement of Newness and Distinctiveness: **Newness and distinctiveness reside in the visual features of the product shown in solid lines in the representations, excluding the features shown in dashed lines which are disclaimed.**



- (21) Design Number: **14058/2015**  
(22) Date of Filing Application: **07 August 2015**  
(24) Date from which industrial property rights may have effect: **13 May 2015**  
(54) Product in respect of which the design is registered: **Cab for mining machine**  
(51) International Design Classification: **12-08, 15-04**  
(74) Name(s) of Attorney(s): **Griffith Hack**  
(71) Name(s) and Address(s) of Applicant(s):  
**Harnischfeger Technologies, Inc.**  
**2751 Centerville Road Suite 342 Wilmington, Delaware, 19808 United States of America**  
(72) Name(s) of Designer(s): **Tyler M Steinhardt and Joseph J Colwell and Dan De Lay and Ryan M Boyd and Rikos A Kasim**  
(45) Registration Date: **27 October 2015**  
(62) Divisional of: **363568**  
(56) Related Art Documents: **Not Applicable**  
(57) Statement of Newness and Distinctiveness: **Newness and distinctiveness resides in the visual features, including the shape and configuration of the product as shown by means of the solid lines in the representations.**

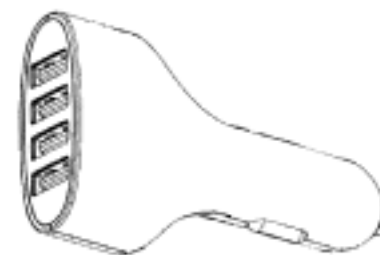




- (21) Design Number: **14450/2015**  
(22) Date of Filing Application: **26 August 2015**  
(24) Date from which industrial property rights may have effect: **26 August 2015**  
(54) Product in respect of which the design is registered: **A car charger**  
(51) International Design Classification: **13-02**  
(74) Name(s) of Attorney(s): **Halfords IP**  
(71) Name(s) and Address(s) of Applicant(s):  
**Shen zhen value in action technology co., ltd**  
**A3 Building, HeKan Industrial Area WuHe Bantian St LongGang District**  
**Shenzhen China**  
(72) Name(s) of Designer(s): **Fei Cheng**  
(45) Registration Date: **27 October 2015**  
(56) Related Art Documents: **Not Applicable**  
(57) Statement of Newness and Distinctiveness: **Newness and distinctiveness resides in the visual features, including shape and/or configuration, of the car charger, as illustrated. The dashed lines in the representations depict lines of contour and are not pattern or ornamentation.**



- (21) Design Number: **14452/2015**  
(22) Date of Filing Application: **26 August 2015**  
(24) Date from which industrial property rights may have effect: **26 August 2015**  
(54) Product in respect of which the design is registered: **A car charger**  
(51) International Design Classification: **13-02**  
(74) Name(s) of Attorney(s): **Halfords IP**  
(71) Name(s) and Address(s) of Applicant(s):  
**Shen zhen value in action technology co., ltd**  
**A3 Building, HeKan Industrial Area WuHe Bantian St LongGang District**  
**Shenzhen China**  
(72) Name(s) of Designer(s): **Fei Cheng**  
(45) Registration Date: **27 October 2015**  
(56) Related Art Documents: **Not Applicable**  
(57) Statement of Newness and Distinctiveness: **Newness and distinctiveness resides in the visual features, including shape and/or configuration, of the car charger, as illustrated. The dashed lines in the representations depict lines of contour and are not pattern or ornamentation.**



(21) Design Number: **15053/2015**  
(22) Date of Filing Application: **25 September 2015**  
(24) Date from which industrial property rights may have effect: **25 September 2015**  
(54) Product in respect of which the design is registered: **Raised (elevated) garden bed metal container**  
(51) International Design Classification: **11-02B**  
(74) Name(s) of Attorney(s):  
(71) Name(s) and Address(s) of Applicant(s):  
**John Ratke**  
**28 Wedgwood Road Modbury Heights South Australia Australia 5092**  
**Ella Ratke**  
**28 Wedgwood Rd Modbury Heights SA, 5092 Australia**

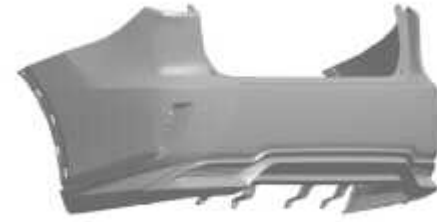


(72) Name(s) of Designer(s): **John Ratke**  
(45) Registration Date: **27 October 2015**  
(56) Related Art Documents: **Not Applicable**  
(57) Statement of Newness and Distinctiveness: **A no bending form of gardening. A container with a working height .930mm. To be filled with soil for the growth of organic vegetables or other plants. A fully welded mild steel frame, hot dip galvanized finish for long service life. Very sturdy construction. Corrugated galvanized/zincalume/colorbond sides and base. Eight tube slots to support removable plastic pipe arches for netting to exclude flying insects, birds or other attacking creatures. Total protection from ground crawling creatures. Can be used to support shade cloth or other sun protection. 2400mm long, .900mm wide, .430mm deep. Supported on six square hollow section steel legs. Designed for yards where space is a premium or to maximize space usage with under unit storage. For people who do not want to bend or kneel or engage in traditional ground level gardening. Suitable for older persons or disabled people who want to engage in gardening activities. Ideal to set up on paved areas to maintain site and shoe cleanliness.**

(21) Design Number: **15150/2015**  
(22) Date of Filing Application: **02 October 2015**  
(24) Date from which industrial property rights may have effect: **02 October 2015**  
(54) Product in respect of which the design is registered: **Double weatherproof power point**  
(51) International Design Classification: **13-03D**  
(74) Name(s) of Attorney(s):  
(71) Name(s) and Address(s) of Applicant(s):  
**AUSWITCH PTY. LTD.**  
**5 waratah Ave Casula NSW, 2170 Australia**  
(72) Name(s) of Designer(s): **Bilal Elakde**  
(45) Registration Date: **27 October 2015**  
(56) Related Art Documents: **Not Applicable**  
(57) Statement of Newness and Distinctiveness: **Nil**



- (21) Design Number: **11005/2015**  
(22) Date of Filing Application: **25 February 2015**  
(24) Date from which industrial property rights may have effect: **25 February 2015**  
(54) Product in respect of which the design is registered: **Rear bumper for an automobile**  
(51) International Design Classification: **12-16C**  
(74) Name(s) of Attorney(s): **Spruson & Ferguson**  
(71) Name(s) and Address(s) of Applicant(s):  
**Toyota Jidosha Kabushiki Kaisha**  
**1, Toyota-cho, Toyota-shi, Aichi-ken 471-8571 Japan**  
(72) Name(s) of Designer(s): **Gen Ikeda and Hideaki Suzuki**  
(45) Registration Date: **28 October 2015**  
(56) Related Art Documents: **Not Applicable**  
(57) Statement of Newness and Distinctiveness: **Newness and distinctiveness is claimed in the features of shape and/or configuration of a rear bumper for an automobile as illustrated in the accompanying representations, apart from attachment lugs.**



- (21) Design Number: **11006/2015**  
(22) Date of Filing Application: **25 February 2015**  
(24) Date from which industrial property rights may have effect: **25 February 2015**  
(54) Product in respect of which the design is registered: **Instrument panel for an automobile**  
(51) International Design Classification: **12-16NES**  
(74) Name(s) of Attorney(s): **Spruson & Ferguson**  
(71) Name(s) and Address(s) of Applicant(s):  
**Toyota Jidosha Kabushiki Kaisha**  
**1, Toyota-cho, Toyota-shi, Aichi-ken 471-8571 Japan**  
(72) Name(s) of Designer(s): **Ben Uk Chang and Yoshiko Hayashi and Yata Nozaki and Yuta Nakano**  
(45) Registration Date: **28 October 2015**  
(56) Related Art Documents: **Not Applicable**  
(57) Statement of Newness and Distinctiveness: **Newness and distinctiveness is claimed in the features of shape and/or configuration of an instrument panel for an automobile as illustrated in the accompanying representations.**



- (21) Design Number: **11008/2015**  
(22) Date of Filing Application: **25 February 2015**  
(24) Date from which industrial property rights may have effect: **25 February 2015**  
(54) Product in respect of which the design is registered: **Steering wheel for an automobile**  
(51) International Design Classification: **12-16A**  
(74) Name(s) of Attorney(s): **Spruson & Ferguson**  
(71) Name(s) and Address(s) of Applicant(s):  
**Toyota Jidosha Kabushiki Kaisha**  
**1, Toyota-cho, Toyota-shi, Aichi-ken 471-8571 Japan**  
(72) Name(s) of Designer(s): **Masaru Maeda and Noriyo Inagaki and Kyoichi Kawahata**  
(45) Registration Date: **28 October 2015**  
(56) Related Art Documents: **Not Applicable**  
(57) Statement of Newness and Distinctiveness: **Newness and distinctiveness is claimed in the features of shape and/or configuration of a steering wheel for an automobile as illustrated in the accompanying representations.**



- (21) Design Number: **11009/2015**  
(22) Date of Filing Application: **25 February 2015**  
(24) Date from which industrial property rights may have effect: **25 February 2015**  
(54) Product in respect of which the design is registered: **Front combination lamp for an automobile**  
(51) International Design Classification: **26-06**  
(74) Name(s) of Attorney(s): **Spruson & Ferguson**  
(71) Name(s) and Address(s) of Applicant(s):  
**Toyota Jidosha Kabushiki Kaisha**  
**1, Toyota-cho, Toyota-shi, Aichi-ken 471-8571 Japan**  
(72) Name(s) of Designer(s): **Tsuneo Kanasugi and Koichi Suga**  
(45) Registration Date: **28 October 2015**  
(56) Related Art Documents: **Not Applicable**  
(57) Statement of Newness and Distinctiveness: **Newness and distinctiveness is claimed in the features of shape and/or configuration of a front combination lamp for an automobile as illustrated in the accompanying representations, apart from attachment lugs.**



- (21) Design Number: **11010/2015**  
(22) Date of Filing Application: **25 February 2015**  
(24) Date from which industrial property rights may have effect: **25 February 2015**  
(54) Product in respect of which the design is registered: **Front bumper for an automobile**  
(51) International Design Classification: **12-16C**  
(74) Name(s) of Attorney(s): **Spruson & Ferguson**  
(71) Name(s) and Address(s) of Applicant(s):  
**Toyota Jidosha Kabushiki Kaisha**  
**1, Toyota-cho, Toyota-shi, Aichi-ken 471-8571 Japan**  
(72) Name(s) of Designer(s): **Tsuneo Kanasugi and Koichi Suga**  
(45) Registration Date: **28 October 2015**  
(56) Related Art Documents: **Not Applicable**  
(57) Statement of Newness and Distinctiveness: **Newness and distinctiveness is claimed in the features of shape and/or configuration of a front bumper for an automobile as illustrated in the accompanying representations, apart from attachment lugs.**



- (21) Design Number: **11011/2015**  
(22) Date of Filing Application: **25 February 2015**  
(24) Date from which industrial property rights may have effect: **25 February 2015**  
(54) Product in respect of which the design is registered: **Front bumper for an automobile**  
(51) International Design Classification: **12-16C**  
(74) Name(s) of Attorney(s): **Spruson & Ferguson**  
(71) Name(s) and Address(s) of Applicant(s):  
**Toyota Jidosha Kabushiki Kaisha**  
**1, Toyota-cho, Toyota-shi, Aichi-ken 471-8571 Japan**  
(72) Name(s) of Designer(s): **Satoshi Kimura and Nozomi Hirai**  
(45) Registration Date: **28 October 2015**  
(56) Related Art Documents: **Not Applicable**  
(57) Statement of Newness and Distinctiveness: **Newness and distinctiveness is claimed in the features of shape and/or configuration of a front bumper for an automobile as illustrated in the accompanying representations, apart from attachment lugs.**



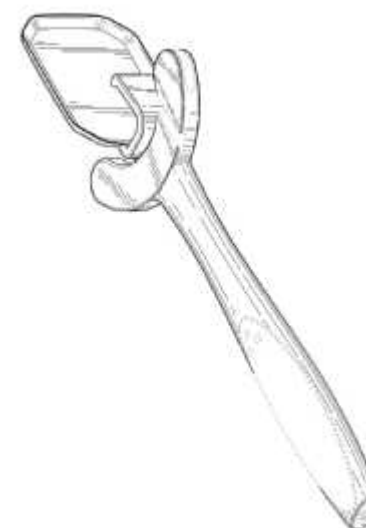
- (21) Design Number: **14125/2015**  
(22) Date of Filing Application: **12 August 2015**  
(24) Date from which industrial property rights may have effect: **12 August 2015**  
(54) Product in respect of which the design is registered: **Table**  
(51) International Design Classification: **06-03A**  
(74) Name(s) of Attorney(s): **Aitken Partners**  
(71) Name(s) and Address(s) of Applicant(s):



**Dylan Falecki**  
**PO BOX 328 Oatlands NSW 2117 Australia**

- (72) Name(s) of Designer(s): **Dylan Falecki**  
(45) Registration Date: **28 October 2015**  
(56) Related Art Documents: **Not Applicable**  
(57) Statement of Newness and Distinctiveness: **The newness and distinctiveness of the design resides in the two modes that the furniture can and is intended to take: - mode 1: stored in pieces, vertically and flat in a wall mounted housing in a "jigsaw puzzle like" configuration of cut outs and inserts which sits flush in the mounted housing because of its uniform thickness and material; - mode 2: as furniture that can easily and regularly be assembled and disassembled by taking down the pieces of the furniture from the wall mounted housing and slotting the pieces together. No tools or additional parts are required for assembly of the furniture. All the pieces of furniture are assembled using half housing joints that slot together quickly and easily.**

- (21) Design Number: **14178/2015**  
(22) Date of Filing Application: **14 August 2015**  
(24) Date from which industrial property rights may have effect: **14 August 2015**  
(54) Product in respect of which the design is registered: **Bitewing holder**  
(51) International Design Classification: **24-02**  
(74) Name(s) of Attorney(s): **Griffith Hack**  
(71) Name(s) and Address(s) of Applicant(s):



**DENTAL IMAGING TECHNOLOGIES CORPORATION**  
**1910 North Penn Road Hatfield Pennsylvania, 19940 United States of America**

- (72) Name(s) of Designer(s): **Lisa Ansorge Ratnow and Carl Anthony Yacono and Christina Ann Adkins and James Paul Frerichs and Scott David Kravis and Erin Norris**  
(45) Registration Date: **28 October 2015**  
(30) Convention priority data:
- |                   |                    |                                 |
|-------------------|--------------------|---------------------------------|
| (31) Number       | (32) Date          | (33) Country                    |
| <b>29/517,755</b> | <b>16 Feb 2015</b> | <b>UNITED STATES OF AMERICA</b> |

- (56) Related Art Documents: **Not Applicable**  
(57) Statement of Newness and Distinctiveness: **Newness and distinctiveness resides in the visual features, including the shape and configuration of the product shown in the representations.**

- (21) Design Number: **11012/2015**  
(22) Date of Filing Application: **25 February 2015**  
(24) Date from which industrial property rights may have effect: **25 February 2015**  
(54) Product in respect of which the design is registered: **Automobile**  
(51) International Design Classification: **12-08**  
(74) Name(s) of Attorney(s): **Spruson & Ferguson**  
(71) Name(s) and Address(s) of Applicant(s):  
**Toyota Jidosha Kabushiki Kaisha**  
**1, Toyota-cho, Toyota-shi, Aichi-ken 471-8571 Japan**  
(72) Name(s) of Designer(s): **Jin Won Kim and Koichi Suga and Mario Majdandzic and Hiroyuki Hatake**  
(45) Registration Date: **28 October 2015**  
(56) Related Art Documents: **Not Applicable**  
(57) Statement of Newness and Distinctiveness: **Newness and distinctiveness is claimed in the features of shape and/or configuration of an automobile as illustrated in the accompanying representations, apart from the Lexus emblems.**



- (21) Design Number: **11013/2015**  
(22) Date of Filing Application: **25 February 2015**  
(24) Date from which industrial property rights may have effect: **25 February 2015**  
(54) Product in respect of which the design is registered: **Automobile**  
(51) International Design Classification: **12-08**  
(74) Name(s) of Attorney(s): **Spruson & Ferguson**  
(71) Name(s) and Address(s) of Applicant(s):  
**Toyota Jidosha Kabushiki Kaisha**  
**1, Toyota-cho, Toyota-shi, Aichi-ken 471-8571 Japan**  
(72) Name(s) of Designer(s): **Jin Won Kim and Koichi Suga and Tsuneo Kanasugi**  
(45) Registration Date: **28 October 2015**  
(56) Related Art Documents: **Not Applicable**  
(57) Statement of Newness and Distinctiveness: **Newness and distinctiveness is claimed in those features of the shape and/or configuration of an automobile that are illustrated in dense colours in the additional views of the accompanying representations, apart from the Lexus emblems.**





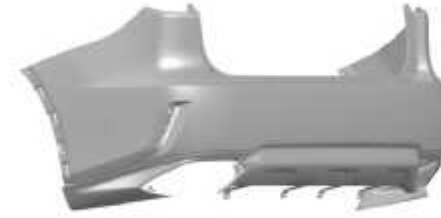
- (21) Design Number: **11014/2015**  
(22) Date of Filing Application: **25 February 2015**  
(24) Date from which industrial property rights may have effect: **25 February 2015**  
(54) Product in respect of which the design is registered: **Automobile**  
(51) International Design Classification: **12-08**  
(74) Name(s) of Attorney(s): **Spruson & Ferguson**  
(71) Name(s) and Address(s) of Applicant(s):  
**Toyota Jidosha Kabushiki Kaisha**  
**1, Toyota-cho, Toyota-shi, Aichi-ken 471-8571 Japan**  
(72) Name(s) of Designer(s): **Koichi Suga and Tatsuya Iwai**  
(45) Registration Date: **28 October 2015**  
(56) Related Art Documents: **Not Applicable**  
(57) Statement of Newness and Distinctiveness: **Newness and distinctiveness is claimed in those features of the shape and/or configuration of an automobile that are illustrated in dense colours in the additional views of the accompanying representations, apart from the Lexus emblems.**



- (21) Design Number: **11018/2015**  
(22) Date of Filing Application: **25 February 2015**  
(24) Date from which industrial property rights may have effect: **25 February 2015**  
(54) Product in respect of which the design is registered: **Rear combination lamp for an automobile**  
(51) International Design Classification: **26-06**  
(74) Name(s) of Attorney(s): **Spruson & Ferguson**  
(71) Name(s) and Address(s) of Applicant(s):  
**Toyota Jidosha Kabushiki Kaisha**  
**1, Toyota-cho, Toyota-shi, Aichi-ken 471-8571 Japan**  
(72) Name(s) of Designer(s): **Tatsuya Iwai and Koichi Suga**  
(45) Registration Date: **28 October 2015**  
(56) Related Art Documents: **Not Applicable**  
(57) Statement of Newness and Distinctiveness: **Newness and distinctiveness is claimed in the features of shape and/or configuration of a rear combination lamp for an automobile as illustrated in the accompanying representations, apart from attachment lugs.**



- (21) Design Number: **11019/2015**  
(22) Date of Filing Application: **25 February 2015**  
(24) Date from which industrial property rights may have effect: **25 February 2015**  
(54) Product in respect of which the design is registered: **Rear bumper for an automobile**  
(51) International Design Classification: **12-16C**  
(74) Name(s) of Attorney(s): **Spruson & Ferguson**  
(71) Name(s) and Address(s) of Applicant(s):  
**Toyota Jidosha Kabushiki Kaisha**  
**1, Toyota-cho, Toyota-shi, Aichi-ken 471-8571 Japan**  
(72) Name(s) of Designer(s): **Koichi Suga and Tatsuya Iwai**  
(45) Registration Date: **28 October 2015**  
(56) Related Art Documents: **Not Applicable**  
(57) Statement of Newness and Distinctiveness: **Newness and distinctiveness is claimed in the features of shape and/or configuration of a rear bumper for an automobile as illustrated in the accompanying representations, apart from attachment lugs.**



- (21) Design Number: **11020/2015**  
(22) Date of Filing Application: **25 February 2015**  
(24) Date from which industrial property rights may have effect: **25 February 2015**  
(54) Product in respect of which the design is registered: **Rear bumper for an automobile**  
(51) International Design Classification: **12-16C**  
(74) Name(s) of Attorney(s): **Spruson & Ferguson**  
(71) Name(s) and Address(s) of Applicant(s):  
**Toyota Jidosha Kabushiki Kaisha**  
**1, Toyota-cho, Toyota-shi, Aichi-ken 471-8571 Japan**  
(72) Name(s) of Designer(s): **Satoshi Kimura**  
(45) Registration Date: **28 October 2015**  
(56) Related Art Documents: **Not Applicable**  
(57) Statement of Newness and Distinctiveness: **Newness and distinctiveness is claimed in the features of shape and/or configuration of a rear bumper for an automobile as illustrated in the accompanying representations, apart from attachment lugs.**



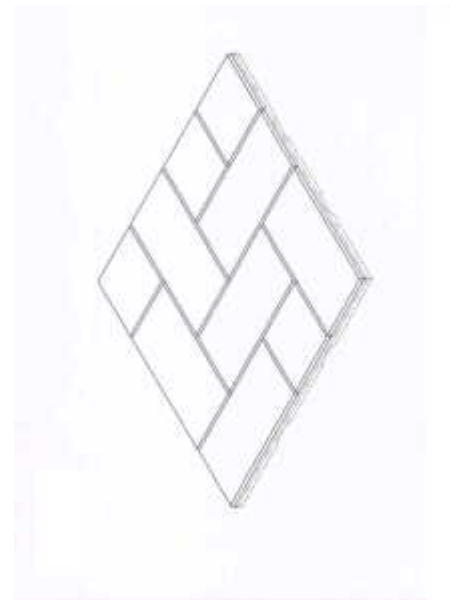
- (21) Design Number: **14760/2015**  
(22) Date of Filing Application: **07 September 2015**  
(24) Date from which industrial property rights may have effect: **07 September 2015**  
(54) Product in respect of which the design is registered: **Super clear square food container**  
(51) International Design Classification: **07-01NES**  
(74) Name(s) of Attorney(s):  
(71) Name(s) and Address(s) of Applicant(s):  
**Realworld investment pty ltd**  
**24 Wilkinson Gdns Winthrop WA 6150 Australia**  
(72) Name(s) of Designer(s): **Bryan Tandianus**  
(45) Registration Date: **28 October 2015**  
(56) Related Art Documents: **Not Applicable**  
(57) Statement of Newness and Distinctiveness: **Newness and distinctiveness resides in the visual features, including shape, configuration, pattern, and/or ornamentation in any combination of the container base as shown in the accompanying representations**



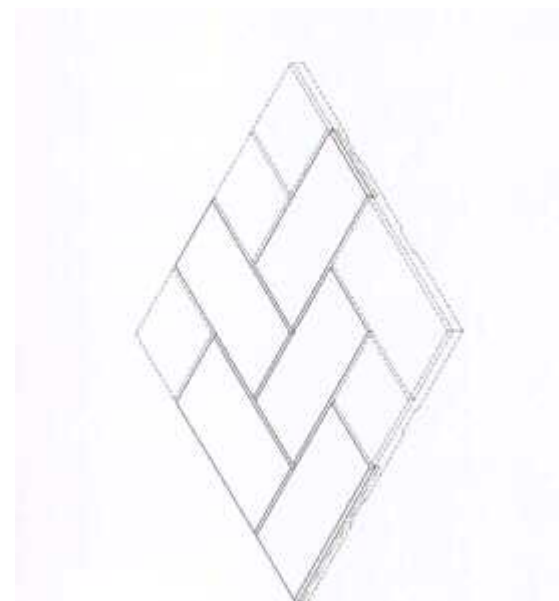
- (21) Design Number: **14761/2015**  
(22) Date of Filing Application: **07 September 2015**  
(24) Date from which industrial property rights may have effect: **07 September 2015**  
(54) Product in respect of which the design is registered: **Super clear square food container**  
(51) International Design Classification: **07-01NES**  
(74) Name(s) of Attorney(s):  
(71) Name(s) and Address(s) of Applicant(s):  
**Realworld investment pty ltd**  
**24 Wilkinson Gdns Winthrop WA 6150 Australia**  
(72) Name(s) of Designer(s): **Bryan Tandianus**  
(45) Registration Date: **28 October 2015**  
(56) Related Art Documents: **Not Applicable**  
(57) Statement of Newness and Distinctiveness: **Newness and distinctiveness resides in the visual features, including shape, configuration, pattern, and/or ornamentation in any combination of the container base as shown in the accompanying representations**



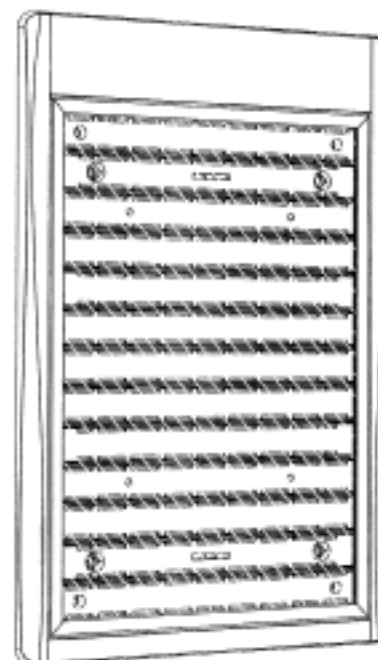
(21) Design Number: **15214/2015**  
(22) Date of Filing Application: **07 October 2015**  
(24) Date from which industrial property rights may have effect: **31 July 2015**  
(54) Product in respect of which the design is registered: **Rubber landscape paver**  
(51) International Design Classification: **25-01A**  
(74) Name(s) of Attorney(s): **E F Wellington & Co**  
(71) Name(s) and Address(s) of Applicant(s):  
**INTERNATIONAL MULCH COMPANY**  
**1 Mulch Lane St. Louis Missouri, 63044 united States of America**  
(72) Name(s) of Designer(s): **Michael T. Miller**  
(45) Registration Date: **28 October 2015**  
(30) Convention priority data:  
(31) Number (32) Date (33) Country  
**29/516442 02 Feb 2015 UNITED STATES OF AMERICA**  
(62) Divisional of: **364758**  
(56) Related Art Documents: **Not Applicable**  
(57) Statement of Newness and Distinctiveness: **The newness and distinctiveness of the design resides in the shape and/or configuration of the RUBBER LANDSCAPE PAVER shown in the representations. The features shown by dashed lines and bounded by phantom lines form no part of the design.**



(21) Design Number: **15215/2015**  
(22) Date of Filing Application: **07 October 2015**  
(24) Date from which industrial property rights may have effect: **31 July 2015**  
(54) Product in respect of which the design is registered: **Rubber landscape paver**  
(51) International Design Classification: **25-01A**  
(74) Name(s) of Attorney(s): **E F Wellington & Co**  
(71) Name(s) and Address(s) of Applicant(s):  
**INTERNATIONAL MULCH COMPANY**  
**1 Mulch Lane St. Louis Missouri, 63044 united States of America**  
(72) Name(s) of Designer(s): **Michael T. Miller**  
(45) Registration Date: **28 October 2015**  
(30) Convention priority data:  
(31) Number (32) Date (33) Country  
**29/516442 02 Feb 2015 UNITED STATES OF AMERICA**  
(62) Divisional of: **364758**  
(56) Related Art Documents: **Not Applicable**  
(57) Statement of Newness and Distinctiveness: **The newness and distinctiveness of the design resides in the shape and/or configuration of the RUBBER LANDSCAPE PAVER shown in the representations. The features shown by dashed lines and bounded by phantom lines form no part of the design.**



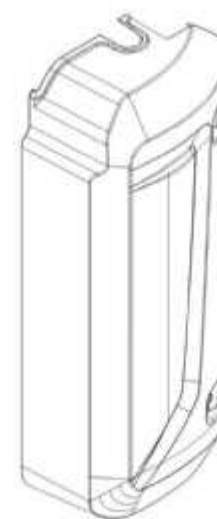
- (21) Design Number: **15147/2015**  
(22) Date of Filing Application: **02 October 2015**  
(24) Date from which industrial property rights may have effect: **02 October 2015**  
(54) Product in respect of which the design is registered: **Advertisement display frame**  
(51) International Design Classification: **20-03NES**  
(74) Name(s) of Attorney(s): **Spruson & Ferguson**  
(71) Name(s) and Address(s) of Applicant(s):  
**Gavin Milton Steer**  
**7 Anton von Wouw Road, Elma Park, Edenvale South Africa**  
(72) Name(s) of Designer(s): **Gavin Milton Steer**  
(45) Registration Date: **29 October 2015**  
(30) Convention priority data:  
(31) Number (32) Date (33) Country  
**A2015/00548 02 Apr 2015 SOUTH AFRICA**  
(56) Related Art Documents: **Not Applicable**  
(57) Statement of Newness and Distinctiveness: **Newness and distinctiveness is claimed in the features of shape and/or configuration of the curved lines forming outer front edges of an advertisement display frame as illustrated in continuous lines in the accompanying representations.**



- (21) Design Number: **13882/2015**  
(22) Date of Filing Application: **31 July 2015**  
(24) Date from which industrial property rights may have effect: **31 July 2015**  
(54) Product in respect of which the design is registered: **Cage for bottle**  
(51) International Design Classification: **07-06A**  
(74) Name(s) of Attorney(s): **Griffith Hack**  
(71) Name(s) and Address(s) of Applicant(s):  
**LAURENT-PERRIER**  
**32 avenue de Champagne Tours-Sur-Marine 51150 France**  
(72) Name(s) of Designer(s): **Members of the Design Department of LAURENT-PERRIER**  
(45) Registration Date: **29 October 2015**  
(30) Convention priority data:  
(31) Number (32) Date (33) Country  
**002625905-0001 03 Feb 2015 OFFICE FOR HARMONISATION IN THE INTERNAL MARKET (OHIM)**  
(56) Related Art Documents: **Not Applicable**  
(57) Statement of Newness and Distinctiveness: **Newness and distinctiveness resides in the visual features, namely the shape and configuration of the product as shown in the representations. The content of the label of the product, namely written words, logo, symbols and numbers do not form part of the design.**



(21) Design Number: **14133/2015**  
(22) Date of Filing Application: **12 August 2015**  
(24) Date from which industrial property rights may have effect: **12 August 2015**  
(54) Product in respect of which the design is registered: **Panel for vehicle with lifting boom**  
(51) International Design Classification: **12-16B**  
(74) Name(s) of Attorney(s): **Griffith Hack**  
(71) Name(s) and Address(s) of Applicant(s):  
**HAULOTTE GROUP**  
**La Peronniere L'HORME 42152 France**  
(72) Name(s) of Designer(s): **Thierry Sauvaget**  
(45) Registration Date: **29 October 2015**  
(30) Convention priority data:  
(31) Number (32) Date (33) Country  
**15/0717 12 Feb 2015 FRANCE**  
(56) Related Art Documents: **Not Applicable**  
(57) Statement of Newness and Distinctiveness: **Newness and distinctiveness resides in the visual features, including the shape and configuration of the product shown in the representations.**



(21) Design Number: **14331/2015**  
(22) Date of Filing Application: **24 August 2015**  
(24) Date from which industrial property rights may have effect: **24 August 2015**  
(54) Product in respect of which the design is registered: **Bag**  
(51) International Design Classification: **03-01B**  
(74) Name(s) of Attorney(s): **Davies Collison Cave**  
(71) Name(s) and Address(s) of Applicant(s):  
**Hermes Sellier (Societe Par Actions Simplifiee)**  
**24, rue du Faubourg Saint Honore Paris 75008 France**  
(72) Name(s) of Designer(s): **Pierre-Alexis Dumas**  
(45) Registration Date: **29 October 2015**  
(30) Convention priority data:  
(31) Number (32) Date (33) Country  
**877274501 05 Mar 2015 WORLD INTELLECTUAL  
PROPERTY ORGANIZATION  
(WIPO)**  
(56) Related Art Documents: **Not Applicable**  
(57) Statement of Newness and Distinctiveness: **Nil**



(21) Design Number: **15065/2015**  
(22) Date of Filing Application: **28 September 2015**  
(24) Date from which industrial property rights may have effect: **28 September 2015**  
(54) Product in respect of which the design is registered: **Headphones**  
(51) International Design Classification: **14-01**  
(74) Name(s) of Attorney(s): **PHILLIPS ORMONDE FITZPATRICK**  
(71) Name(s) and Address(s) of Applicant(s):  
**Bose Corporation**  
**The Mountain, MS 3B1 Framingham Massachusetts, 01701-9168 United States of America**

(72) Name(s) of Designer(s): **Joshua Kevin Dryden and Adam A. Carr and Julie E. Tierney**

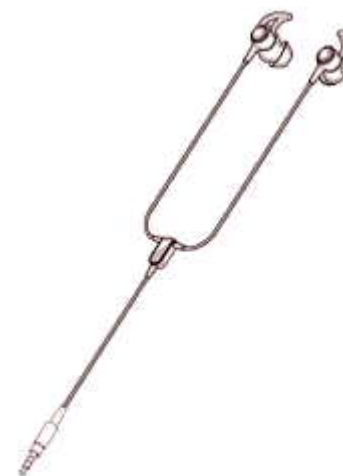
(45) Registration Date: **29 October 2015**

(30) Convention priority data:

(31) Number	(32) Date	(33) Country
<b>29/524,908</b>	<b>24 Apr 2015</b>	<b>UNITED STATES OF AMERICA</b>

(56) Related Art Documents: **Not Applicable**

(57) Statement of Newness and Distinctiveness: **Those features of the headphones depicted in the representations that are new and distinctive are the shape and/or configuration. The feature shown in broken line is not part of the design and is to be disregarded when considering the overall impression of the design.**



(21) Design Number: **15070/2015**  
(22) Date of Filing Application: **28 September 2015**  
(24) Date from which industrial property rights may have effect: **28 September 2015**  
(54) Product in respect of which the design is registered: **Perimeter**  
(51) International Design Classification: **24-01**  
(74) Name(s) of Attorney(s): **Houlihan2**  
(71) Name(s) and Address(s) of Applicant(s):  
**CREWT Medical Systems, Inc.**  
**3F.TH1 Bldg. 3-11 Tsukudocho Shinjuku-ku Tokyo 162-0821 Japan**

(72) Name(s) of Designer(s): **Shinji Kimura**

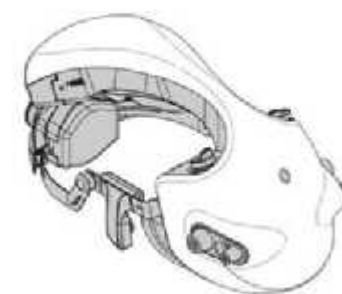
(45) Registration Date: **29 October 2015**

(30) Convention priority data:

(31) Number	(32) Date	(33) Country
<b>JP2015-008016</b>	<b>09 Apr 2015</b>	<b>JAPAN</b>

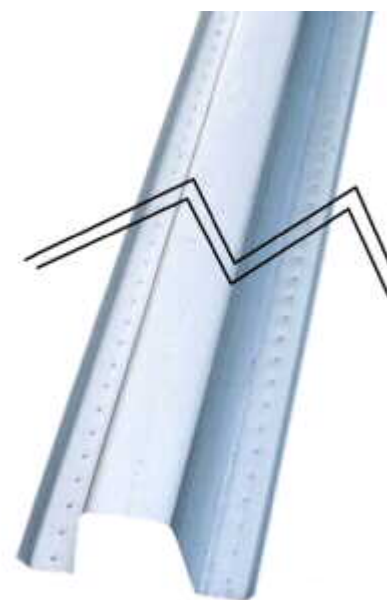
(56) Related Art Documents: **Not Applicable**

(57) Statement of Newness and Distinctiveness: **Newness and distinctiveness reside in the shape and/or configuration of a PERIMETER as illustrated in the accompanying representations. The grey parts of the representations are for illustrative purposes only and form no part of the claimed design.**

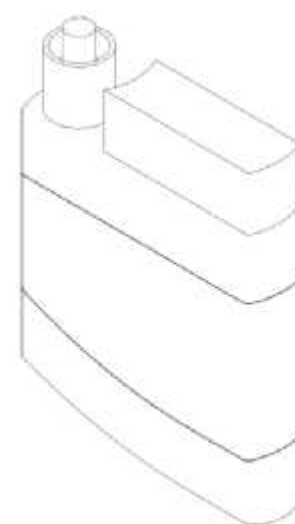




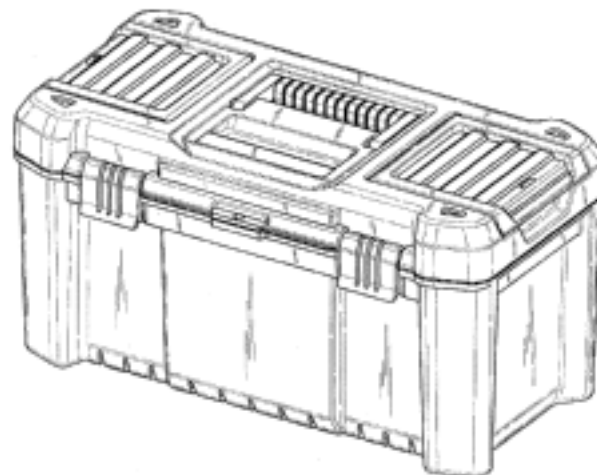
(21) Design Number: **14996/2015**  
(22) Date of Filing Application: **24 September 2015**  
(24) Date from which industrial property rights may have effect: **24 September 2015**  
(54) Product in respect of which the design is registered: **Top hat purlins**  
(51) International Design Classification: **25-01C**  
(74) Name(s) of Attorney(s):  
(71) Name(s) and Address(s) of Applicant(s):  
**Donald McPherson**  
**106 McKinnons Rd Lockwood South VIC 3551 Australia**  
(72) Name(s) of Designer(s): **Donald McPherson**  
(45) Registration Date: **29 October 2015**  
(56) Related Art Documents: **Not Applicable**  
(57) Statement of Newness and Distinctiveness: **The feature that makes this design new & distinctive is the presence of indentations on both sides of the channels. The indentations or 'dimples' are used to help with fastening and are evenly spaced along a continuous length.**



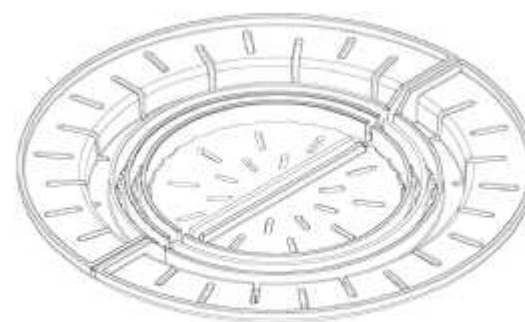
(21) Design Number: **14676/2015**  
(22) Date of Filing Application: **03 September 2015**  
(24) Date from which industrial property rights may have effect: **03 September 2015**  
(54) Product in respect of which the design is registered: **Cartridge for an electronic cigarette case**  
(51) International Design Classification: **27-06**  
(74) Name(s) of Attorney(s): **Davies Collison Cave**  
(71) Name(s) and Address(s) of Applicant(s):  
**Beyond Twenty Ltd**  
**107 Maltings Place 169 Tower Bridge Road London SE1 3LJ United Kingdom**  
(72) Name(s) of Designer(s): **Adrian Bennett and Ian Murison**  
(45) Registration Date: **29 October 2015**  
(30) Convention priority data:  
(31) Number      (32) Date      (33) Country  
**002644930      03 Mar 2015      OFFICE FOR HARMONISATION IN THE INTERNAL MARKET (OHIM)**  
(56) Related Art Documents: **Not Applicable**  
(57) Statement of Newness and Distinctiveness: **Nil**



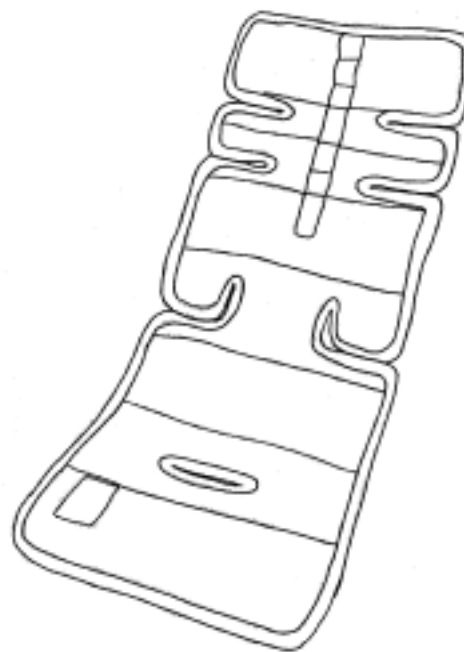
(21) Design Number: **14228/2015**  
(22) Date of Filing Application: **18 August 2015**  
(24) Date from which industrial property rights may have effect: **18 August 2015**  
(54) Product in respect of which the design is registered: **Toolbox**  
(51) International Design Classification: **03-01D**  
(74) Name(s) of Attorney(s): **Davies Collison Cave**  
(71) Name(s) and Address(s) of Applicant(s):  
**The Stanley Works Israel Ltd.**  
**19 Ha'Melacha Street Rosh Ha'Ayin 48091 Israel**  
(72) Name(s) of Designer(s): **Yaron Shpitzer and Yosi Sabbag and Mickey Menirom**  
(45) Registration Date: **29 October 2015**  
(30) Convention priority data:  
(31) Number (32) Date (33) Country  
**002638452 20 Feb 2015 OFFICE FOR HARMONISATION IN THE INTERNAL MARKET (OHIM)**  
(56) Related Art Documents: **Not Applicable**  
(57) Statement of Newness and Distinctiveness: **Nil**



(21) Design Number: **14230/2015**  
(22) Date of Filing Application: **18 August 2015**  
(24) Date from which industrial property rights may have effect: **18 August 2015**  
(54) Product in respect of which the design is registered: **An insert for a panel**  
(51) International Design Classification: **25-02E**  
(74) Name(s) of Attorney(s): **AJ Park**  
(71) Name(s) and Address(s) of Applicant(s):  
**Brian Leonard Moore**  
**634 Remuera Road Remuera Auckland 1050 New Zealand**  
(72) Name(s) of Designer(s): **Brian Leonard Moore**  
(45) Registration Date: **29 October 2015**  
(30) Convention priority data:  
(31) Number (32) Date (33) Country  
**419885 18 Feb 2015 NEW ZEALAND**  
(56) Related Art Documents: **Not Applicable**  
(57) Statement of Newness and Distinctiveness: **The newness and distinctiveness of the INSERT resides in the features of shape and/or configuration as shown in the accompanying drawings. Features shown in broken lines form no part of the claimed design.**



- (21) Design Number: **10521/2015**  
(22) Date of Filing Application: **02 February 2015**  
(24) Date from which industrial property rights may have effect: **02 February 2015**  
(54) Product in respect of which the design is registered: **Baby seat insert**  
(51) International Design Classification: **06-13NES**  
(74) Name(s) of Attorney(s): **A.J. Pietras & Co**  
(71) Name(s) and Address(s) of Applicant(s):  
**Outlook Australia Pty Ltd**  
**PO BOX 7933 Gold Coast MC QLD 9726 Australia**  
(72) Name(s) of Designer(s): **Eileen Marie Hoey-Slocombe**  
(45) Registration Date: **30 October 2015**  
(56) Related Art Documents: **Not Applicable**  
(57) Statement of Newness and Distinctiveness: **Novelty resides in the features of shape and configuration shown in the accompanying representations**



- (21) Design Number: **11409/2015**  
(22) Date of Filing Application: **15 March 2015**  
(24) Date from which industrial property rights may have effect: **15 March 2015**  
(54) Product in respect of which the design is registered: **The champ jnr 2 brushcutter replacement head**  
(51) International Design Classification: **15-03B**  
(74) Name(s) of Attorney(s):  
(71) Name(s) and Address(s) of Applicant(s):  
**Ian Ramage Alexander**  
**1 Kayley Place Glenhaven NSW 2156 Australia**  
**Jennifer Mary Neeves Alexander**  
**1 Kayley Place Glenhaven nsw 2156 Australia**  
(72) Name(s) of Designer(s): **Ian Ramage Alexander**  
(45) Registration Date: **30 October 2015**  
(56) Related Art Documents: **Not Applicable**  
(57) Statement of Newness and Distinctiveness: **The CHAMP Jnr 2 is a compact design comprising only 2 pieces none moving .. Part 1 is the Base Part 2 is the Cutting Cylinder -this part is hollow and has four vertical line slots pierced in its wall. The line slots have rounded leading edges to relieve pressure on the line. The joining edged of each part has a 5 mm line bearing surface to assist in retaining the line. The external surface of the Cutting Cylinder is engineered with a coarse Box style reverse thread. When assembled the Cutting Cylinder is screwed into the Base. The Base is provided with a 25mm spigot recess for centering when installed. Two pieces of cutting line can be inserted through the line slots . Externally 2 x 4 C spanner slots are provided.**



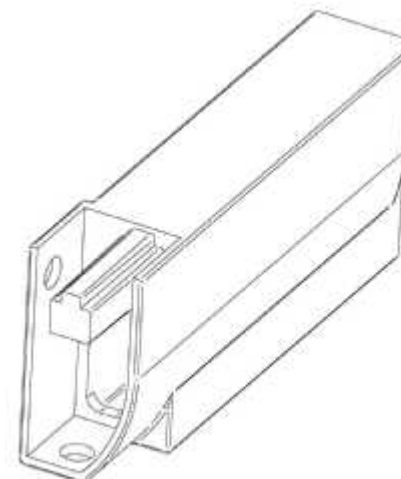
- (21) Design Number: **11791/2015**  
(22) Date of Filing Application: **02 April 2015**  
(24) Date from which industrial property rights may have effect: **02 April 2015**  
(54) Product in respect of which the design is registered: **Left-side and right-side vehicle drl cover**  
(51) International Design Classification: **12-16B**  
(74) Name(s) of Attorney(s): **K&L Gates**  
(71) Name(s) and Address(s) of Applicant(s):  
**GM Global Technology Operations LLC**  
**300 Renaissance Centre Detroit Michigan 48265-3000 United States of America**  
(72) Name(s) of Designer(s): **Martin Love**  
(45) Registration Date: **30 October 2015**  
(56) Related Art Documents: **Not Applicable**  
(57) Statement of Newness and Distinctiveness: **Nil**



- (21) Design Number: **12197/2015**  
(22) Date of Filing Application: **28 April 2015**  
(24) Date from which industrial property rights may have effect: **28 April 2015**  
(54) Product in respect of which the design is registered: **Automobile**  
(51) International Design Classification: **12-08**  
(74) Name(s) of Attorney(s): **Spruson & Ferguson**  
(71) Name(s) and Address(s) of Applicant(s):  
**Toyota Jidosha Kabushiki Kaisha**  
**1, Toyota-cho, Toyota-shi Aichi-ken, 471-8571 Japan**  
(72) Name(s) of Designer(s): **Takanori Ito and Hisataka Tokizane and Kouji Katsuno and Keisuke Matsuno**  
(45) Registration Date: **30 October 2015**  
(56) Related Art Documents: **Not Applicable**  
(57) Statement of Newness and Distinctiveness: **Newness and distinctiveness is claimed in the features of shape and/or configuration of an automobile as illustrated in the accompanying representations, apart from Toyota emblems.**



(21) Design Number: **12277/2015**  
(22) Date of Filing Application: **01 May 2015**  
(24) Date from which industrial property rights may have effect: **01 May 2015**  
(54) Product in respect of which the design is registered: **Adaptor mount for a curtain rail**  
(51) International Design Classification: **08-08H**  
(74) Name(s) of Attorney(s):  
(71) Name(s) and Address(s) of Applicant(s):  
**David Croucher**  
**3 Atlanta Rise Ocean Reef WA 6027 Australia**  
(72) Name(s) of Designer(s): **David Croucher**  
(45) Registration Date: **30 October 2015**  
(56) Related Art Documents: **Not Applicable**  
(57) Statement of Newness and Distinctiveness: **Nil**



(21) Design Number: **14694/2015**  
(22) Date of Filing Application: **04 September 2015**  
(24) Date from which industrial property rights may have effect: **04 September 2015**  
(54) Product in respect of which the design is registered: **Radiosynthesis device**  
(51) International Design Classification: **24-01**  
(74) Name(s) of Attorney(s): **Davies Collison Cave**  
(71) Name(s) and Address(s) of Applicant(s):  
**GE Healthcare Limited**  
**Amersham Place Little Chalfont Buckinghamshire HP7 9NA United Kingdom**  
(72) Name(s) of Designer(s): **Jean-Michel Marteau and Philippe Dumont and Sali Kuci**  
(45) Registration Date: **30 October 2015**  
(30) Convention priority data:  
(31) Number      (32) Date      (33) Country  
**4039730      12 Mar 2015      UNITED KINGDOM**  
(56) Related Art Documents: **Not Applicable**  
(57) Statement of Newness and Distinctiveness: **Newness and distinctiveness is claimed in the visual features shown in the representations, but not in the colouring/shading shown in the representations.**

