



Australian Government

IP Australia

AUSTRALIAN OFFICIAL JOURNAL

OF

DESIGNS

Did you know a searchable version of this journal is now available online?

It's **FREE** and **EASY** to **SEARCH**.

Find it on our website (www.ipaustralia.gov.au)

by using the "Journals" link on the home page.

This Page Left Intentionally Blank

Contents

General Information & Notices

**Proceedings Under the Designs Act 1906 preserved as a result of the provisions of Chapter 12
Part 2 of the Designs Act 2003**

Registrations Ceased 3370

Subsequent Owners Registered 3370

Proceedings Under the Designs Act 2003

Applications Lapsed 3379

Applications Lodged 3374

Certificate of Examination 3382

Extension of Period of Registration of Design 3380

Extension of Time Granted Under Section 137 3380

Names Registered - Alterations and Amendments 3381

Publication and Registration Proceedings

Designs Registered 364994 to 365197..... 3383

Registrations Ceased 3380

Subsequent Owners Registered 3381

Corrigenda..... 3382

This Page Left Intentionally Blank

For information on the following please see our website www.ipaustralia.gov.au or contact our Customer Service Network on 1300651010

[Editorial enquiries](#)

[Contact information](#)

[Freedom of Information ACT](#)

[Professional Standards Board](#)

[Sales](#)

[Requests for Information under Section 194 \(c\)](#)

[Country Codes](#)

[Trade Mark and Designs Hearing Sessions](#)

[INID \(Internationally agreed Numbers for the Identification of Data\)](#)

“INID” NUMBERS in use on Australian Design Documents

“INID” is an acronym for “Internationally agreed Numbers for the Identification of Data”.

(10) Data concerning the registration/renewal

- (11) Serial number of the registration and/or number of the design document
- (12) Plain language designation of the kind of published document
- (19) Identification, using the two-letter code according to WIPO Standard ST.3, of the authority publishing or registering the industrial design

(20) Data concerning the application

- (21) Serial number of the application
- (22) Date of filing of the application
- (24) Date from which the industrial design right has effect

(30) Data relating to priority under the Paris Convention

- (31) Serial number assigned to the priority application
- (32) Date of filing of the priority application
- (33) Two-letter code, according to WIPO Standard ST.3, identifying the authority with which the priority application was made

(40) Date(s) of making information available to the public

- (45) Date of publication of the registered industrial design by printing or similar process, or making it available to the public by any other means

(50) Miscellaneous Information

- (51) International Classification for Industrial Designs (class and subclass of the Locarno Classification)
- (54) Designation of article(s) or product(s) covered by the industrial design or title of the industrial design
- (55) Reproduction of the industrial design (e.g., drawing, photograph) and explanations relating to the reproduction
- (56) List of prior art documents, if separate from descriptive text
- (57) Description of characteristic features of the industrial design including indication of colours

(60) References to other legally related application(s) and registration(s)

- (62) Serial number(s) and, if available, filing date(s) of application(s), registration(s) or document(s) related by division
- (66) Serial number(s) of the application, or the registration, of the design(s) which is (are) a variant(s) of the present one

(70) Identification of parties concerned with the application or registration

- (71) Name(s) and address(es) of the applicant(s)
- (72) Name(s) of the creator(s) if known to be such
- (74) Name(s) and address(es) of the representative(s)

This Page Left Intentionally Blank

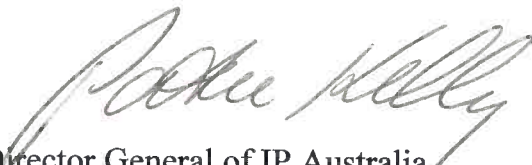
Director General of IP Australia

Declaration of the days when the Designs Office, the Patent Office, the PBR Office and the Trade Marks Office are taken not to be open for business

With effect from 1 January 2016, section 136A of the *Designs Act 2003*, section 14A of the *Olympic Insignia Protection Act 1987*, section 222A of the *Patents Act 1990*, section 76A of the *Plant Breeder's Rights Act 1994* and section 223A of the *Trade Marks Act 1995* provide for the effect of the Designs Office, the Patent Office, the PBR Office and the Trade Marks Office ('the Offices') not being open for business.

The Director General of IP Australia ('Director General') is the person prescribed under paragraph 2(b) of each of those sections. This means that the Director General can declare in writing a day or days on which the Offices are taken not to be open for business for the purposes of those sections. Paragraph (4) (a) of each of those sections provides that such a declaration may be made before, on or after the day on which the Offices are taken to be not open for business.

I, Patricia Margaret Kelly, as the person currently employed as the Director General of IP Australia, declare the days in the period 1 January 2016 to 2 January 2017, when the Offices are taken not to be open for business for the purpose of the sections mentioned above, as specified in the attached Schedule, Part 1.



Director General of IP Australia
10 November 2015

Declaration of the days in the period 1 January 2016 to 2 January 2017 when the Designs Office, the Patent Office, the PBR Office and the Trade Marks Office are taken not to be open for business

AUTHORITY	Director General of IP Australia
REFERENCES	Section 136A of the <i>Designs Act 2003</i>, Section 14A of the <i>Olympic Insignia Protection Act 1987</i>, Section 222A of the <i>Patents Act 1990</i>, Section 76A of the <i>Plant Breeder's Rights Act 1994</i> and Section 223A of the <i>Trade Marks Act 1995</i>

Part 1 Days when the Designs Office, the Patent Office, the PBR Office and the Trade Marks Office—all located in the Australian Capital Territory—are taken not to be open for business

All Saturdays and Sundays in the period

Friday, 1 January 2016	New Year's Day
Tuesday, 26 January 2016	Australia Day
Monday, 14 March 2016	Canberra Day
Friday, 25 March 2016	Good Friday
Monday, 28 March 2016	Easter Monday
Monday, 25 April 2016	ANZAC Day
Monday, 13 June 2016	Queen's Birthday Holiday
Monday, 26 September 2016	Family & Community Day
Monday, 3 October 2016	Labour Day
Monday, 26 December 2016 to Monday, 2 January 2017	Christmas Close Down

Official Notice**Designs Act 2003****Corrections to the Registered Design**

The following corrections have been requested under Designs Regulation 9.05 (2)(a) to correct a clerical error or an obvious mistake.

Registration Numbers	Amendment type	New details
362059	Correct Representations	The requested amendment makes Fig. 6 consistent with Figs 1 and 2.
362060	Correct Representations	The requested amendment makes Fig. 6 consistent with Figs 1 and 2.

Proceedings under the Designs Act 1906 preserved as a result of the provisions of Chapter 12 Part 2 of the Designs Act 2003.

This Page Left Intentionally Blank

Applications Lapsed

There were no Applications Lapsed under this section

Registrations Ceased

Note: Some of the following Registrations may have been previously advertised as ceased. In this instance, the previous advertisement still prevails.

139183	139184	139185
139402	140023	140459
140460	140461	140463
140484	140513	140900
140901	141042	141146
141298	141448	141947
142884	143225	143226
143466	143467	143468
143469	144094	144621
144721	144722	145175
146602	148187	155832
156779	156899	157310
157411	157936	158089
158175	158204	158413
158510	158511	

Subsequent Owners Registered

145075	(Bluescope Steel Limited) Fielders Manufacturing Pty Ltd
150361	(Bluescope Steel Limited) Fielders Manufacturing Pty Ltd
150362	(Bluescope Steel Limited) Fielders Manufacturing Pty Ltd

Subsequent Owners Registered

(The name in parentheses is that of the subsequent owner)

142385	(Fielders Manufacturing Pty Ltd) Fielders Australia Pty Ltd
143297	(Fielders Manufacturing Pty Ltd) Fielders Australia Pty Ltd
143605	(Fielders Manufacturing Pty Ltd) Fielders Australia Pty Ltd
143664	(Fielders Manufacturing Pty Ltd) Fielders Australia Pty Ltd
144672	(Fielders Manufacturing Pty Ltd) Fielders Australia Pty Ltd
145074	(Fielders Manufacturing Pty Ltd) Fielders Australia Pty Ltd
145075	(Fielders Manufacturing Pty Ltd) Fielders Australia Pty Ltd
150361	(Fielders Manufacturing Pty Ltd) Fielders Australia Pty Ltd
150362	(Fielders Manufacturing Pty Ltd) Fielders Australia Pty Ltd
142385	(Bluescope Steel Limited) Fielders Manufacturing Pty Ltd
143297	(Bluescope Steel Limited) Fielders Manufacturing Pty Ltd
143605	(Bluescope Steel Limited) Fielders Manufacturing Pty Ltd
143664	(Bluescope Steel Limited) Fielders Manufacturing Pty Ltd
144672	(Bluescope Steel Limited) Fielders Manufacturing Pty Ltd
145074	(Bluescope Steel Limited) Fielders Manufacturing Pty Ltd

This Page Left Intentionally Blank

Proceedings under the Designs Act 2003.

This Page Left Intentionally Blank

Applications Lodged

Lodgement information is in the following order: **Applicant's Name**; International Classification, Name of Product, Lodgement Date and **Design Number**. If the applicant claims an earlier priority date under an International Convention, the Convention Country and the associated filing date are shown in parentheses before the Lodgement Date. Divisional information will also appear in parentheses before the Lodgement Date.

A & J AUSTRALIA PTY LTD; 09-02C, Anti plug insert for plastic drum, 02 Nov 2015	15857/2015	ASSA ABLOY Australia Pty Limited; 08-07, Control panel for electronic lock, 30 Oct 2015	15836/2015
A Plus Plastics & Tooling Pty Ltd; 25-01D, A panel, 29 Oct 2015	15811/2015	AUST YIEH STAINLESS PTY LTD; 23-01E, Stainless steel tube support, 10 Nov 2015	16003/2015
Abed, Awatef El; 02-02C, Pants, 31 Oct 2015	15847/2015	AUST YIEH STAINLESS PTY LTD; 23-01NES, Stainless steel tube fitting, 10 Nov 2015	16005/2015
Alex Miles Pty Ltd; 05-05NES, Pattern repeat, 09 Nov 2015	15940/2015	AUST YIEH STAINLESS PTY LTD; 23-01NES, Stainless steel tube fitting, 10 Nov 2015	16004/2015
Alex Miles Pty Ltd; 05-05NES, Pattern repeat, 09 Nov 2015	15941/2015	AUSTRALIAN FASHION LABELS PTY LTD; 05-05B, A textile print, 05 Nov 2015	15907/2015
Alex Miles Pty Ltd; 05-05NES, Pattern repeat, 09 Nov 2015	15939/2015	AUSTRALIAN FASHION LABELS PTY LTD; 05-05A, A textile print, 05 Nov 2015	15908/2015
Alex Miles Pty Ltd; 05-05NES, Repeat pattern, 09 Nov 2015	15937/2015	AUSWITCH PTY. LTD.; 13-03D, Single weatherproof power point, 05 Nov 2015	15905/2015
Alex Miles Pty Ltd; 05-05NES, Pattern repeat, 09 Nov 2015	15938/2015	AUSWITCH PTY. LTD.; 13-03D, Slim one gang switch, 04 Nov 2015	15886/2015
Alloy & Stainless Products Pty. Ltd.; 06-03NES, Folding table, 10 Nov 2015	15996/2015	AUSWITCH PTY. LTD.; 13-03D, Slim single power point, 09 Nov 2015	15944/2015
Ark Corporation Pty Ltd; 13-03E, A vehicle electrical socket housing for towing, 30 Oct 2015	15843/2015	Bay Trusses & Frames Pty Ltd;Lemrig Pty Ltd; 08-08L, A bracket, 06 Nov 2015	15925/2015
ABB Oy; 13-02, Inverter, (EM, 13 May 2015) 10 Nov 2015	16002/2015	Bay Trusses & Frames Pty Ltd;Lemrig Pty Ltd; 08-08L, A bracket, 06 Nov 2015	15926/2015
AC (Macao Commercial Offshore) Limited; 15-05, Pressure washer, (CN, 05 May 2015) 02 Nov 2015	15851/2015	BIG BLUE POINT AUSTRALIA PTY LTD; 02-04C, Socks, 31 Oct 2015	15848/2015
AC (Macao Commercial Offshore) Limited; 15-05, Pressure washer, (CN, 08 May 2015) 05 Nov 2015	15900/2015	Carroll, Suzanne Joan; 09-03M, Thermal bag, 31 Oct 2015	15849/2015
AC (Macao Commercial Offshore) Limited; 15-05, Pressure washer, (CN, 08 May 2015) 05 Nov 2015	15901/2015	Colasse, Laurent; 08-02, A glass-breaking hammer, (US, 10 Apr 2015) 02 Nov 2015	15864/2015
AC (Macao Commercial Offshore) Limited; 15-05, Pressure washer, (MO, 05 May 2015) 02 Nov 2015	15852/2015	Continental Reifen Deutschland GmbH; 12-15C, Tyre, (EM, 15 Jun 2015) 10 Nov 2015	15971/2015
ASSA ABLOY Australia Pty Limited; 08-07, A cam for a lock, 02 Nov 2015	15860/2015	Cooper Tire & Rubber Company; 12-15B, Tire, (US, 10 Jun 2015) 30 Oct 2015	15832/2015
ASSA ABLOY Australia Pty Limited; 08-07, A cam for a lock, 02 Nov 2015	15861/2015	Cooper Tire & Rubber Company; 12-15C, Tire, (US, 06 May 2015) 30 Oct 2015	15834/2015
ASSA ABLOY Australia Pty Limited; 08-07, A cam for a lock, 02 Nov 2015	15862/2015	Cooper Tire & Rubber Company; 12-15C, Tire, (US, 25 Jun 2015) 30 Oct 2015	15835/2015

Cooper Tire & Rubber Company; 12-15B, Tire, (US, 24 Jun 2015) 30 Oct 2015	15833/2015	Earthly Guardians 888 Pty Ltd;EARTHLY GUARDIANS 888 PTY LTD; 21-01NES, Figurine, Toy, merchandise, apparel, books, video, 06 Nov 2015	15917/2015
Cooper Tire & Rubber Company; 12-15A, Tire, (US, 25 Jun 2015) 30 Oct 2015	15830/2015	Earthly Guardians 888 Pty Ltd;EARTHLY GUARDIANS 888 PTY LTD; 21-01NES, Figurine, toy, merchandise, apparel, books, video, 06 Nov 2015	15916/2015
Cooper Tire & Rubber Company; 12-15A, Tire, (US, 08 May 2015) 30 Oct 2015	15831/2015	Ember Technologies, Inc.; 07-01C, Drinking container, (US, 05 May 2015) 30 Oct 2015	15829/2015
COMPAGNIE GENERALE DES ETABLISSEMENTS MICHELIN;Michelin Recherche et Technique SA; 12-15C, A tyre, (FR, 18 May 2015) 10 Nov 2015	15967/2015	Energizer Brands, LLC; 26-02, Lighting device, (US, 15 May 2015) 09 Nov 2015	15935/2015
CS Global Co. Ltd; 26-03, Solar garden light, 06 Nov 2015	15932/2015	EARTHLY GUARDIANS 888 PTY LTD;Earthly Guardians 888 Pty Ltd; 21-01NES, Figurine, toy, merchandise, apparel, books, video, 06 Nov 2015	15916/2015
CS Global Co. Ltd; 26-03, Solar garden light, 06 Nov 2015	15931/2015	EARTHLY GUARDIANS 888 PTY LTD;Earthly Guardians 888 Pty Ltd; 21-01NES, Figurine, toy, merchandise, apparel, books, video, 06 Nov 2015	15918/2015
DAY TO DAY SAFETY PTY LTD; 12-16NES, Illuminated, reflective vehicle id number, 05 Nov 2015	15906/2015	EARTHLY GUARDIANS 888 PTY LTD;Earthly Guardians 888 Pty Ltd; 21-01NES, Figurine, Toy, merchandise, apparel, books, video, 06 Nov 2015	15917/2015
DE' LONGHI APPLIANCES SRL CON UNICO SOCIO; 07-02K, Kettle, (EM, 05 May 2015) 04 Nov 2015	15882/2015	EARTHLY GUARDIANS 888 PTY LTD;Earthly Guardians 888 Pty Ltd; 21-01NES, Figurine, toy, merchandise, apparel, books, video, 06 Nov 2015	15915/2015
DE' LONGHI APPLIANCES SRL CON UNICO SOCIO; 07-02K, Kettle, (EM, 05 May 2015) 04 Nov 2015	15880/2015	Fallows, Steven Richard; 08-05NES, Multi-tool, 01 Nov 2015	15850/2015
DE'LONGHI APPLIANCES SRL CON UNICO SOCIO; 07-02G, Grilling apparatus, (EM, 05 May 2015) 04 Nov 2015	15885/2015	Ferman, Michael; 12-16H, Single rear view mirror, 10 Nov 2015	15994/2015
DE'LONGHI APPLIANCES SRL CON UNICO SOCIO; 07-05A, Steam generating base for irons, (EM, 05 May 2015) 04 Nov 2015	15888/2015	Ferman, Michael; 12-16H, Double rear view mirror, 10 Nov 2015	15995/2015
DE'LONGHI APPLIANCES SRL CON UNICO SOCIO; 07-05A, Flat-iron, (EM, 05 May 2015) 04 Nov 2015	15887/2015	Flicksportz Holdings Pty Ltd; 21-01L, Goal posts for a board game, 05 Nov 2015	15909/2015
DE'LONGHI APPLIANCES SRL CON UNICO SOCIO; 07-02F, Toaster, (EM, 05 May 2015) 04 Nov 2015	15884/2015	Forever New Clothing Pty Ltd; 02-02NES, Article of clothing, 02 Nov 2015	15853/2015
DE'LONGHI APPLIANCES SRL CON UNICO SOCIO; 07-02F, Toaster, (EM, 05 May 2015) 04 Nov 2015	15883/2015	FURLA S.p.A.; 03-01B, Bag, (EM, 30 Apr 2015) 30 Oct 2015	15814/2015
Earthly Guardians 888 Pty Ltd;EARTHLY GUARDIANS 888 PTY LTD; 21-01NES, Figurine, toy, merchandise, apparel, books, video, 06 Nov 2015	15915/2015	FURLA S.p.A.; 03-01B, Bag and components for bag, (EM, 30 Apr 2015) 30 Oct 2015	15819/2015
Earthly Guardians 888 Pty Ltd;EARTHLY GUARDIANS 888 PTY LTD; 21-01NES, Figurine, toy, merchandise, apparel, books, video, 06 Nov 2015	15918/2015	FURLA S.p.A.; 03-01B, Bag, (EM, 30 Apr 2015) 30 Oct 2015	15815/2015
		FURLA S.p.A.; 03-01B, Bag and components for bag, (EM, 30 Apr 2015) 30 Oct 2015	15817/2015
		FURLA S.p.A.; 03-01B, Bag and components for bag, (EM, 30 Apr 2015) 30 Oct 2015	15818/2015

FURLA S.p.A.; 03-01B, Bag, (EM, 30 Apr 2015) 30 Oct 2015	15816/2015	HARRIS STABILITY SYSTEMS PTY LTD; 02-07A, Lever buckle, 04 Nov 2015	15877/2015
FURLA S.p.A.; 03-01D, Bag, (EM, 30 Apr 2015) 30 Oct 2015	15813/2015	HUMAX Co., Ltd.; 14-03NES, Set top box, (KR, 25 Aug 2015) 06 Nov 2015	15911/2015
Grech, Aldo; 12-11, Automotive, 09 Nov 2015	15954/2015	International Refills Company Ltd.; 23-02NES, Diaper pail cassette, (Divisional of 14399/2015) 09 Nov 2015	15958/2015
GET KIDS COOKING PTY LIMITED; 06-03NES, Kitchen unit, 10 Nov 2015	15990/2015	IP Reserve Pty Ltd; 25-04, Vehicular ladder, 30 Oct 2015	15844/2015
GNC AUSTRALIA PTY. LTD.; 12-10, Horse trailer., 07 Nov 2015	15929/2015	IP Reserve Pty Ltd; 25-04, Vehicular ladder, 30 Oct 2015	15845/2015
Hansen Developments Limited; 23-01K, A float valve, (NZ, 06 May 2015) 05 Nov 2015	15897/2015	Jones, Craig A.; 20-03NES, Retractable banner and housing, (EM, 12 May 2015) 11 Nov 2015	16013/2015
Healthy Foods, LLC; 31-00, A supply assembly for a food homogenizer, (US, 01 May 2015) 02 Nov 2015	15858/2015	Jones, Craig A.; 20-03NES, Housing for a banner, (EM, 12 May 2015) 11 Nov 2015	16012/2015
Hewlett Packard Enterprise Development LP; 14-99, Computer device, (US, 13 Oct 2015) 30 Oct 2015	15826/2015	JANE, S.A.; 06-01D, Child's seat for vehicle, (EM, 30 Sep 2015) 10 Nov 2015	15973/2015
Hewlett Packard Enterprise Development LP; 14-99, Design element for a computer device, (US, 13 Oct 2015) 30 Oct 2015	15827/2015	Kimberly-Clark Worldwide, Inc.; 19-01, A paper product, (US, 15 May 2015) 10 Nov 2015	16001/2015
Hewlett Packard Enterprise Development LP; 14-02, Computer device, (US, 13 Oct 2015) 30 Oct 2015	15820/2015	Kimberly-Clark Worldwide, Inc.; 19-01, A paper product, (US, 15 May 2015) 10 Nov 2015	15999/2015
Hewlett Packard Enterprise Development LP; 14-99, Design element for a computer device, (US, 13 Oct 2015) 30 Oct 2015	15828/2015	Kimberly-Clark Worldwide, Inc.; 19-01, A paper product, (US, 15 May 2015) 10 Nov 2015	16000/2015
Hewlett Packard Enterprise Development LP; 14-99, Computer device, (US, 13 Oct 2015) 30 Oct 2015	15821/2015	Kimberly-Clark Worldwide, Inc.; 19-01, A paper product, (US, 15 May 2015) 10 Nov 2015	15998/2015
Hewlett Packard Enterprise Development LP; 14-99, Design element for a computer device, (US, 13 Oct 2015) 30 Oct 2015	15822/2015	Kimberly-Clark Worldwide, Inc.; 19-08, Label for an article of manufacture and packaging, (US, 18 May 2015) 06 Nov 2015	15920/2015
Hewlett Packard Enterprise Development LP; 14-99, Computer device, (US, 13 Oct 2015) 30 Oct 2015	15823/2015	Kimberly-Clark Worldwide, Inc.; 19-08, Label for an article of manufacture and packaging, (US, 18 May 2015) 06 Nov 2015	15923/2015
Hewlett Packard Enterprise Development LP; 14-99, Design element for a computer device, (US, 13 Oct 2015) 30 Oct 2015	15824/2015	Kimberly-Clark Worldwide, Inc.; 19-08, Label for an article of manufacture and packaging, (US, 18 May 2015) 06 Nov 2015	15921/2015
Hewlett Packard Enterprise Development LP; 14-99, Computer device, (US, 13 Oct 2015) 30 Oct 2015	15825/2015	Leigh, Russell; 21-02D, Surfboard fin configuration, 03 Nov 2015	15869/2015
Hosking, Peter John; 15-03B, Edger, 04 Nov 2015	15889/2015	Lemrig Pty Ltd;Bay Trusses & Frames Pty Ltd; 08-08L, A bracket, 06 Nov 2015	15925/2015
		Lemrig Pty Ltd;Bay Trusses & Frames Pty Ltd; 08-08L, A bracket, 06 Nov 2015	15926/2015

LES MILLS INTERNATIONAL LIMITED; 21-02F, An exercise device, (NZ, 08 May 2015) 06 Nov 2015	15914/2015	Mitsubishi Heavy Industries, Ltd.; 23-04, Wall-mounted air conditioner, (JP, 02 Jun 2015) 05 Nov 2015	15898/2015
LES MILLS INTERNATIONAL LIMITED; 21-02F, An exercise device, (NZ, 08 May 2015) 06 Nov 2015	15913/2015	Multigate Medical Products Pty Ltd; 09-03M, Packaging with handle, 05 Nov 2015	15904/2015
Mackenzie, Barry McPherson; 17-03, Guitar sound board, 06 Nov 2015	15924/2015	Myosa Pty Ltd; 21-02NES, Oral appliance, 09 Nov 2015	15955/2015
Magee, David B.; 08-07, Universal strike plate saddle, 30 Oct 2015	15842/2015	Myosa Pty Ltd; 21-02NES, Oral appliance, 09 Nov 2015	15956/2015
Magellan Home-Goods, Ltd; 07-02N, Sauce pot, (US, 03 Jun 2015) 11 Nov 2015	16020/2015	Nelson Irrigation Corporation; 23-01E, Pressure regulator, (US, 04 May 2015) 03 Nov 2015	15870/2015
Marshall, Sharayne Cathryn; 23-02C, Toilet, 10 Nov 2015	15975/2015	Nelson Irrigation Corporation; 23-01E, Pressure regulator, (US, 04 May 2015) 03 Nov 2015	15872/2015
McCormick & Company, Incorporated; 09-05, Pouch, 04 Nov 2015	15875/2015	Nelson Irrigation Corporation; 23-01E, Pressure regulator, (US, 04 May 2015) 03 Nov 2015	15871/2015
McDonald, Nicholas; 06-01NES, Suspended seat, 11 Nov 2015	16023/2015	NZ Tube Mills Limited; 25-01E, A post, (NZ, 30 Oct 2015) 02 Nov 2015	15854/2015
McDonald, Nicholas; 06-01NES, Suspended seat, 11 Nov 2015	16024/2015	NZ Tube Mills Limited; 25-02NES, A post, (NZ, 30 Oct 2015) 02 Nov 2015	15855/2015
McGuire, David; 07-01D, A drinking cup, 10 Nov 2015	15974/2015	Oakley, Inc.; 16-06, Set of eyeglass components, (US, 29 Jun 2015) 10 Nov 2015	15970/2015
Miami Stainless Pty Ltd; 25-01NES, 25-02C, Wire balustrade connection fitting, 05 Nov 2015	15899/2015	Oakley, Inc.; 16-06, Eyeglass, (US, 11 May 2015) 10 Nov 2015	15968/2015
Michelin Recherche et Technique SA;COMPAGNIE GENERALE DES ETABLISSEMENTS MICHELIN; 12-15C, A tyre, (FR, 18 May 2015) 10 Nov 2015	15967/2015	OutSol, LLC; 09-03M, 23-01NES, Portable shower system, (US, 13 May 2015) 09 Nov 2015	15936/2015
Microsoft Corporation; 14-02, Display screen with graphical user interface, (US, 01 May 2015) 02 Nov 2015	15863/2015	Pridham, William; 25-01K, An edge extrusion, 03 Nov 2015	15868/2015
Microsoft Corporation; 14-02, Display screen with graphical user interface, (US, 01 May 2015) 02 Nov 2015	15865/2015	Prottey, Andrew; 14-01, Speaker, 06 Nov 2015	15927/2015
Microsoft Corporation; 14-02, Display screen with graphical user interface, (US, 01 May 2015) 02 Nov 2015	15859/2015	PHILIP MORRIS PRODUCTS S.A.; 27-99, Electronic cigarette, (GB, 13 May 2015) 10 Nov 2015	15972/2015
Microsoft Corporation; 14-02, Display screen with graphical user interface, (US, 01 May 2015) 02 Nov 2015	15856/2015	R & E GROUP PTY LTD; 23-03E, Fire place, 02 Nov 2015	15867/2015
Migraine Stopper Pty. Ltd.; 24-01, A medical device, 10 Nov 2015	15969/2015	Railblaza; 22-05, Rod holder, 06 Nov 2015	15910/2015
Milk Holding B.V.; 12-12, Baby carriage, (EM, 04 May 2015) 04 Nov 2015	15876/2015	Railblaza Ltd; 12-16A, A wheel, 05 Nov 2015	15892/2015
Milk Holding B.V.; 12-12, Baby carriage, (EM, 04 May 2015) 04 Nov 2015	15874/2015	Rapid Spray Pty Ltd; 23-01F, Tank, 09 Nov 2015	15934/2015
Milk Holding B.V.; 12-12, Baby carriage, (EM, 04 May 2015) 04 Nov 2015	15873/2015	Razor USA LLC; 21-02E, Skateboard, (US, 04 May 2015) 04 Nov 2015	15878/2015
		Reliance Worldwide Corporation; 08-05NES, Demount tool, (US, 13 May 2015) 09 Nov 2015	15933/2015

Reschke, Dru; 07-01C, Drinking glasses, 09 Nov 2015	15962/2015	Seafolly Pty Ltd; 02-02A, Swimwear, 04 Nov 2015	15881/2015
Reschke, Dru; 07-01C, Drinking glasses - cocktail, 09 Nov 2015	15963/2015	Seafolly Pty Ltd; 02-02A, Swimwear, 18 May 2015	15982/2015
Reschke, Dru; 07-01C, 150m mark on the glass, 09 Nov 2015	15960/2015	Seafolly Pty Ltd; 02-02A, Swimwear, 18 May 2015	15983/2015
Reschke, Dru; 07-01C, 150m mark on the glass, 09 Nov 2015	15961/2015	Seafolly Pty Ltd; 02-02A, Swimwear, 18 May 2015	15980/2015
Revol Porcelaine S.A.; 07-01B, Tableware, (Divisional of 14699/2015) 10 Nov 2015	15991/2015	Seafolly Pty Ltd; 02-02A, Swimwear, 18 May 2015	15981/2015
Revol Porcelaine S.A.; 07-01B, Tableware, (Divisional of 14699/2015) 10 Nov 2015	15992/2015	Seafolly Pty Ltd; 02-02A, Swimwear, 18 May 2015	15978/2015
Revol Porcelaine S.A.; 07-01B, Tableware, (Divisional of 14699/2015) 10 Nov 2015	15993/2015	Seafolly Pty Ltd; 02-02A, Swimwear, 18 May 2015	15984/2015
Road Safety Designs Limited; 10-06, Warning triangle, (EM, 07 May 2015) 06 Nov 2015	15912/2015	Seafolly Pty Ltd; 02-02A, Swimwear, 18 May 2015	15988/2015
RF Surgical Systems, Inc.; 24-02, Hand-held medical scanner, (US, 02 Mar 2015) (Divisional of 14563/2015) 11 Nov 2015	16009/2015	Seafolly Pty Ltd; 02-02A, Swimwear, 18 May 2015	15989/2015
ROBAND Australia Pty Ltd; 07-02N, A fryer, 06 Nov 2015	15922/2015	Seafolly Pty Ltd; 02-02A, Swimwear, 18 May 2015	15985/2015
RPS Corporation, Inc.; 15-05, Floor cleaning implement with a mating interface, (US, 14 May 2015) 09 Nov 2015	15953/2015	Seafolly Pty Ltd; 02-02A, Swimwear, 18 May 2015	15986/2015
Sahatajian, Sarine; 09-01NES, A bottle, (US, 11 Jun 2015) 09 Nov 2015	15930/2015	Seafolly Pty Ltd; 02-02A, Swimwear, 18 May 2015	15987/2015
Sanofi; 24-02, Autoinjector, (US, 30 Apr 2015) 30 Oct 2015	15838/2015	Seafolly Pty Ltd; 02-02A, Swimwear, 18 May 2015	15977/2015
Sanofi; 03-01B, Package, (US, 12 May 2015) 30 Oct 2015	15841/2015	SharkNinja Operating LLC; 07-02L, Coffee carafe, (US, 16 Jun 2015) 11 Nov 2015	16015/2015
Sanofi; 24-02, Autoinjector, (US, 30 Apr 2015) 30 Oct 2015	15839/2015	SharkNinja Operating LLC; 07-02L, Coffee carafe, (US, 16 Jun 2015) 11 Nov 2015	16017/2015
Sanofi; 24-02, Autoinjector, (US, 30 Apr 2015) 30 Oct 2015	15840/2015	SharkNinja Operating LLC; 07-02L, Coffee carafe, (US, 16 Jun 2015) 11 Nov 2015	16018/2015
Sanofi; 24-02, Autoinjector, (US, 30 Apr 2015) 30 Oct 2015	15837/2015	SharkNinja Operating LLC; 15-05, Vacuum cleaner, (US, 15 May 2015) 09 Nov 2015	16016/2015
Schultz, Peter; 07-02NES, Barbeque arm, 11 Nov 2015	16010/2015	SharkNinja Operating LLC; 15-05, Vacuum cleaner body, (US, 14 May 2015) 09 Nov 2015	15964/2015
Schultz, Peter; 07-02NES, Barbeque arm, 11 Nov 2015	16011/2015	Sumitomo Rubber Industries, Ltd.; 12-15B, Tyre for an automobile, 11 Nov 2015	16019/2015
		SAFARI R&D PTY LTD; 12-16NES, Air intake snorkel for a vehicle, 06 Nov 2015	15919/2015

SANSAI JAPAN AUSTRALIA PTY. LTD.; 13-03D, A powerboard, 05 Nov 2015	15902/2015	Unilever PLC; 28-02, Soap bar, (EM, 12 May 2015) 11 Nov 2015	16008/2015
SANSAI JAPAN AUSTRALIA PTY. LTD.; 13-03D, A powerboard, 05 Nov 2015	15903/2015	Unilever PLC; 28-02, Soap bar, (EM, 12 May 2015) 11 Nov 2015	16006/2015
SCA Hygiene Products AB; 23-02A, Tissue dispenser, (EM, 11 May 2015) 10 Nov 2015	15965/2015	Visy R & D Pty Ltd; 09-03K, Box tray, 06 Nov 2015	15928/2015
SCA Hygiene Products AB; 23-02A, Tissue dispenser, (EM, 11 May 2015) 10 Nov 2015	15966/2015	Visy R & D Pty Ltd; 09-03H, A blank for a box divider, 02 Nov 2015	15866/2015
Telebrands Corp.; 16-02, Light projector, (US, 11 May 2015) 09 Nov 2015	15945/2015	VARIANT TECHNOLOGY PTY LTD; 31-00, Carbonating beverage machine, 05 Nov 2015	15891/2015
Tomil s.r.o.; 28-99, Dispenser for toilet cleansing, (EM, 06 May 2015) 05 Nov 2015	15895/2015	VARIANT TECHNOLOGY PTY LTD; 31-00, Carbonating beverage machine, 05 Nov 2015	15890/2015
TomTom International B.V.; 16-05, A mount component for a digital video camera, (EM, 29 Apr 2015) 29 Oct 2015	15809/2015	VOSC PTY. LTD.; 06-01F, Bar stool, 05 Nov 2015	15896/2015
TomTom International B.V.; 16-05, Mount for a digital video camera, (EM, 29 Apr 2015) 29 Oct 2015	15810/2015	Wahl Clipper Corporation; 28-03D, Hair clipper housing, (US, 20 May 2015) 10 Nov 2015	15997/2015
TruSox, LLC.; 02-04C, Sock, 11 Nov 2015	16022/2015	Weber-Stephen Products, LLC; 07-02H, Grill cart, (US, 18 Jun 2015) 09 Nov 2015	15942/2015
TILDY SUPPLIES PTY. LTD.; 10-04, 600ml paint mixing cup, 05 Nov 2015	15893/2015	Weber-Stephen Products, LLC; 07-02H, Grill body, (US, 18 Jun 2015) 09 Nov 2015	15946/2015
TILDY SUPPLIES PTY. LTD.; 10-04, 1l paint mixing cup, 05 Nov 2015	15894/2015	Weber-Stephen Products, LLC; 07-02H, Grill body, (US, 18 Jun 2015) 09 Nov 2015	15947/2015
Uber Technologies, Inc.; 14-02, Computing device display screen, (US, 27 Feb 2015) 26 Aug 2015	15951/2015	Weber-Stephen Products, LLC; 07-02H, Grill stand, (US, 18 Jun 2015) 09 Nov 2015	15943/2015
Uber Technologies, Inc.; 14-02, Computing device display screen, (US, 27 Feb 2015) 26 Aug 2015	15952/2015	Window Weather Systems Pty Ltd; 25-02H, Window weather guard, 29 Oct 2015	15812/2015
Uber Technologies, Inc.; 14-02, Computing device display screen, (US, 27 Feb 2015) 26 Aug 2015	15950/2015	Wu, Cheng Shi; 11-99, A fountain or a birdbath with a trumpet shape, 30 Oct 2015	15846/2015
Uber Technologies, Inc.; 14-02, Computing device display screen, (US, 27 Feb 2015) 26 Aug 2015	15948/2015	Xue, Ming; 08-06, Glass spigot, 11 Nov 2015	16014/2015
Uber Technologies, Inc.; 14-02, Computing device display screen, (US, 27 Feb 2015) 26 Aug 2015	15949/2015	1/4 VIN, SARL; 07-01C, Goblet; drinking glass; wine glass; glasses, (EP, 04 Jun 2015) 09 Nov 2015	15957/2015
Unilever PLC; 28-02, Soap bar, (EM, 12 May 2015) 11 Nov 2015	16007/2015		

Applications Lapsed

11099 / 2015 (03-01B)

14134 / 2015 (12-05)

14240 / 2015 (06-03A)

14262 / 2015 (11-01NES)

Extension of Period of Registration of Designs

331273	333812	333896
333917	333930	333985
333986	334016	334028
334049	334050	334093
334116	334119	334120
334413	334459	334460
334461	334462	334466
334469	334470	334486
334487	334490	334512
334513	334514	334523
334559	334560	334589
334590	334591	334624
334625	334626	334646
334647	334648	334649
334660	334667	334668
334669	334698	334699
334702	334709	334713
334728	334729	334755
334859	334860	334892
334915	334917	334938
334953	334987	335061
335088	335089	335090
335091	335093	335115
335116	335118	335119
335138	335170	335171
335709	336185	336186
336188	336430	336718
337971	337972	

Registrations Ceased

304546	304890	305485
306459	306460	306463
306464	306465	306466
306467	306468	306535
306543	306593	306594
306609	306610	306611
306612	306613	306614
306615	306616	306617
306649	306653	306654
306669	306672	306673
306674	306693	306694
306696	306706	306707
306708	306710	306711
306712	306713	306732
306767	306768	306769
306771	306772	306773
306784	306785	306804
306806	306808	306831
306832	306838	306839

306840	306841	306842
306858	306859	306860
306861	306875	306876
306878	306894	306895
306896	306897	306898
306937	306939	306940
306954	306955	306956
306957	307013	307014
307015	307019	307020
307021	307023	307025
307026	307027	307028
307029	307030	307049
307125	307172	307173
307174	307262	307263
307296	307297	307399
307547	307575	307577
307578	307638	307753
307754	307782	308063
308064	308065	308066
308067	308268	308269
308270	308327	308717
308720	308721	308722
308723	308724	308725
308726	308727	308762
309691	309734	309872
310013	330826	330827
330831	330832	330834
330835	330841	330842
330847	330848	330849
330851	330859	330878
330880	330881	330921
330929	330930	330931
330934	330940	330941
330943	330944	330947
330948	330949	330950
330951	330952	330953
330954	330965	330985
330987	331008	331014
331019	331020	331025
331026	331027	331050
331051	331053	331136
331138	331144	331195
331196	331197	331198
331333	331348	331349
331469	331510	331511
331512	331638	331639
331648	331649	331666
331704	331709	331736
331757	331814	331873
331874	332029	333182

Extensions of time granted under Section 137

Applications lodged under section 137 for extension of time have been granted.

365084 **Nyree Hibbard**

365087 **REDSBABY PTY. LTD.**

365088 **REDSBABY PTY. LTD.**

365089 **REDSBABY PTY. LTD.**

365090 **REDSBABY PTY. LTD.**

365091 **REDSBABY PTY. LTD.**

365092 **REDSBABY PTY. LTD.**

365093 **REDSBABY PTY. LTD.**

15864/2015 **Laurent Colasse**

Subsequent Owners Registered

(The name in parentheses is that of the subsequent owner)

- 325301 (**Ridgeback Acquisition, LLC**) The Procter & Gamble Company
- 343510 (**ARB Corporation Limited**) Stewart Thompson
- 344719 (**ARB Corporation Limited**) Stewart Thompson
- 346413 (**ARB Corporation Limited**) Stewart Thompson
- 346453 (**ARB Corporation Limited**) Stewart Thompson
- 351102 (**ARB Corporation Limited**) Stewart Thompson
- 356506 (**ARB Corporation Limited**) Stewart Thompson
- 359295 (**ARB Corporation Limited**) Stewart Lachlan Thompson
- 356509 (**ARB Corporation Limited**) Stewart Thompson
- 361039 (**ARB Corporation Limited**) Stewart Lachlan Thompson
- 359175 (**ARB Corporation Limited**) Stewart Thompson
- 317510 (**Lucozade Ribena Suntory Limited**) Glaxo Group Limited
- 360886 (**Roger Thomas Mascull as trustees of the RT and EJ Mascull Family Trust;Elizabeth Jocelyn Mascull as trustees of the RT and EJ Mascull Family Trust**) Anil Raman Patel
- 307642 (**Fielders Manufacturing Pty Ltd**) Fielders Australia Pty Ltd;Allthread Industries Pty Ltd
- 321289 (**Fielders Manufacturing Pty Ltd**) Fielders Australia Pty Ltd
- 329486 (**Fielders Manufacturing Pty Ltd**) Fielders Australia Pty Ltd
- 332053 (**Fielders Manufacturing Pty Ltd**) Fielders Australia Pty Ltd
- 332570 (**Fielders Manufacturing Pty Ltd**) Fielders Australia Pty Ltd
- 333367 (**Fielders Manufacturing Pty Ltd**) Fielders Australia Pty Ltd
- 335937 (**Fielders Manufacturing Pty Ltd**) Fielders Australia Pty Ltd
- 345147 (**Fielders Manufacturing Pty Ltd**) Fielders Australia Pty Ltd
- 345148 (**Fielders Manufacturing Pty Ltd**) Fielders Australia Pty Ltd
- 345149 (**Fielders Manufacturing Pty Ltd**) Fielders Australia Pty Ltd
- 345150 (**Fielders Manufacturing Pty Ltd**) Fielders Australia Pty Ltd
- 345224 (**Fielders Manufacturing Pty Ltd**) Fielders Australia Pty Ltd

- 346651 (**Fielders Manufacturing Pty Ltd**) Fielders Australia Pty Ltd
- 347468 (**Fielders Manufacturing Pty Ltd**) Fielders Australia Pty Ltd
- 347469 (**Fielders Manufacturing Pty Ltd**) Fielders Australia Pty Ltd
- 360903 (**Roger Thomas Mascull as trustees for the RT and EJ Mascull Family Trust;Elizabeth Jocelyn Mascull as trustees for the RT and EJ Mascull Family Trust**) Anil Raman Patel
- 360904 (**Roger Thomas Mascull as trustees for the RT and EJ Mascull Family Trust;Elizabeth Jocelyn Mascull as trustees for the RT and EJ Mascull Family Trust**) Anil Raman Patel
- 360981 (**Roger Thomas Mascull as trustees for the RT and EJ Mascull Family Trust;Elizabeth Jocelyn Mascull as trustees for the RT and EJ Mascull Family Trust**) Anil Raman Patel
- 360905 (**Roger Thomas Mascull as trustees for the RT and EJ Mascull Family Trust;Elizabeth Jocelyn Mascull as trustees for the RT and EJ Mascull Family Trust**) Anil Raman Patel
- 360931 (**Roger Thomas Mascull as trustees for the RT and EJ Mascull Family Trust;Elizabeth Jocelyn Mascull as trustees for the RT and EJ Mascull Family Trust**) Anil Raman Patel

Names Registered - Alterations and Amendments

(The name in parentheses is that of the subsequent applicant)

- 361257 (**SharkNinja Operating LLC.**) Shark Ninja Operating LLC.;SharkNinja Operating LLC
- 361258 (**SharkNinja Operating LLC.**) Shark Ninja Operating LLC.
- 362625 (**SharkNinja Operating LLC.**) Shark Ninja Operating LLC.
- 362626 (**SharkNinja Operating LLC.**) Shark Ninja Operating LLC.
- 362627 (**SharkNinja Operating LLC.**) Shark Ninja Operating LLC.
- 364205 (**SharkNinja Operating LLC.**) Shark Ninja Operating LLC.
- 364206 (**SharkNinja Operating LLC.**) Shark Ninja Operating LLC.
- 364207 (**SharkNinja Operating LLC.**) Shark Ninja Operating LLC.
- 364208 (**SharkNinja Operating LLC.**) Shark Ninja Operating LLC.
- 364209 (**SharkNinja Operating LLC.**) Shark Ninja Operating LLC.
- 364210 (**SharkNinja Operating LLC.**) Shark Ninja Operating LLC.
- 364213 (**SharkNinja Operating LLC.**) Shark Ninja Operating LLC.
- 364222 (**SharkNinja Operating LLC.**) Shark Ninja Operating LLC.
- 364223 (**SharkNinja Operating LLC.**) Shark Ninja Operating LLC.

Certificate(s) of Examination

Examination of the following Design Registration(s) has been completed. Infringement proceedings may now be commenced.

362167	30-04	05/11/2015
363622	24-01	11/11/2015
363833	10-04	11/11/2015
363952	09-03NES	04/11/2015
364275	04-02	06/11/2015
364327	14-02	09/11/2015
364328	14-02	09/11/2015
364343	28-03NES	06/11/2015
364371	25-03	02/11/2015
364409	14-02	09/11/2015
364511	06-01F	09/11/2015
364543	06-01F	09/11/2015
364625	21-03	09/11/2015

Corrigenda

201514049 advertised on 5 November 2015 under the heading: Applications Lapsed: Application lapsed in error.

201515448 advertised on 5 November 2015 under the heading: Applications Lapsed: Application lapsed in error.

Publication and Registration Proceedings

Designs Registered

This section provides a concordance between design number and registration number of Designs covered in this journal. It also shows the main class and registration date.

This section covers Registration numbers 364994 to 365197 .

The registration number shown below should be used in all future correspondence.

Design Number	Registration Number	International Classification Code (IDC)	Registration Date	Design Number	Registration Number	International Classification Code (IDC)	Registration Date
11074/2015	365017	02-02NES	03/11/2015	15081/2015	365055	06-03A	05/11/2015
12311/2015	365038	08-08L	04/11/2015	15083/2015	365165	25-02C	12/11/2015
12368/2015	365040	12-16A	04/11/2015	15148/2015	365068	21-02B	05/11/2015
12369/2015	365041	12-16A	04/11/2015	15202/2015	365002	12-10	02/11/2015
12370/2015	365042	12-16A	04/11/2015	15228/2015	365056	20-02E	05/11/2015
12371/2015	365043	12-16A	04/11/2015	15230/2015	365166	14-03NES	12/11/2015
12372/2015	365044	12-16B	04/11/2015	15231/2015	365167	25-02G	12/11/2015
12733/2015	365020	07-01F	03/11/2015	15232/2015	365168	14-03NES	12/11/2015
12753/2015	365019	02-02A	03/11/2015	15233/2015	365169	08-05K	12/11/2015
12889/2015	365158	08-01	11/11/2015	15234/2015	365170	07-04	12/11/2015
12934/2015	365086	06-13B	06/11/2015	15236/2015	365171	07-05D	12/11/2015
13015/2015	365084	26-01	06/11/2015	15238/2015	365181	07-05E	12/11/2015
13089/2015	365185	24-01	12/11/2015	15274/2015	365085	28-04	06/11/2015
13273/2015	365003	02-02C	03/11/2015	15302/2015	365057	24-99	05/11/2015
13811/2015	365087	12-12	06/11/2015	15314/2015	365024	03-01NES	03/11/2015
13812/2015	365088	12-12	06/11/2015	15315/2015	365025	14-03E	03/11/2015
13813/2015	365089	12-12	06/11/2015	15316/2015	365026	03-01NES	03/11/2015
13814/2015	365090	12-12	06/11/2015	15317/2015	365027	14-03E	03/11/2015
13815/2015	365091	12-12	06/11/2015	15319/2015	365004	02-02NES	03/11/2015
13816/2015	365092	12-12	06/11/2015	15320/2015	365005	02-02NES	03/11/2015
13817/2015	365093	12-12	06/11/2015	15321/2015	365006	02-02NES	03/11/2015
13915/2015	365054	25-01K	05/11/2015	15322/2015	365007	02-02NES	03/11/2015
14003/2015	364999	21-01C	02/11/2015	15323/2015	365008	02-02C	03/11/2015
14073/2015	365123	06-04NES	10/11/2015	15324/2015	365009	02-02C	03/11/2015
14270/2015	365021	24-02	03/11/2015	15325/2015	365010	02-02C	03/11/2015
14360/2015	365045	13-03D	04/11/2015	15326/2015	365011	02-02NES	03/11/2015
14477/2015	365075	14-99	06/11/2015	15327/2015	365012	02-02NES	03/11/2015
14478/2015	365076	14-99	06/11/2015	15328/2015	365013	02-02A	03/11/2015
14545/2015	365101	21-02D	06/11/2015	15329/2015	365014	02-02C	03/11/2015
14833/2015	365159	25-02H	11/11/2015	15336/2015	364995	24-04	02/11/2015
14848/2015	365046	09-03NES	04/11/2015	15337/2015	364996	24-04	02/11/2015
14852/2015	365047	09-03M	04/11/2015	15338/2015	364997	24-04	02/11/2015
14894/2015	365160	20-02NES	11/11/2015	15339/2015	364998	24-04	02/11/2015
14895/2015	365161	20-02NES	11/11/2015	15342/2015	365028	21-04	04/11/2015
14896/2015	365162	20-02NES	12/11/2015	15347/2015	365029	12-16A	04/11/2015
14897/2015	365163	20-02NES	12/11/2015	15348/2015	365030	12-16A	04/11/2015
14899/2015	365164	20-02NES	12/11/2015	15362/2015	365031	23-01B	04/11/2015
14930/2015	365176	08-04	12/11/2015	15367/2015	365032	06-01F	04/11/2015
14932/2015	365177	08-04	12/11/2015	15368/2015	365033	06-01F	04/11/2015
14933/2015	365178	14-01	12/11/2015	15369/2015	365034	06-01F	04/11/2015
14934/2015	365179	14-01	12/11/2015	15371/2015	365035	06-01F	04/11/2015
14935/2015	365180	14-01	12/11/2015	15376/2015	365049	06-09	05/11/2015
14938/2015	365022	09-03NES	03/11/2015	15378/2015	365050	09-01G	05/11/2015
14942/2015	365023	09-03M	03/11/2015	15379/2015	365036	09-01G	04/11/2015
14958/2015	365018	27-05	03/11/2015	15380/2015	365037	07-05NES	04/11/2015
14967/2015	365186	25-02C	12/11/2015	15381/2015	365051	07-05NES	05/11/2015
14971/2015	365187	14-01	12/11/2015	15382/2015	365052	07-05NES	05/11/2015
15028/2015	364994	06-01G	02/11/2015	15383/2015	365053	05-05A	05/11/2015
15060/2015	365102	03-01B	06/11/2015	15384/2015	365058	26-05A	05/11/2015
15076/2015	365048	06-03B	04/11/2015	15385/2015	365059	05-05NES	05/11/2015

Publication and Registration Proceedings - Designs Registered cont'd

Design Number	Registration Number	International Classification Code (IDC)	Registration Date	Design Number	Registration Number	International Classification Code (IDC)	Registration Date
15386/2015	365060	07-05NES	05/11/2015	15490/2015	365138	06-09	11/11/2015
15387/2015	365061	25-01C	05/11/2015	15491/2015	365139	06-09	11/11/2015
15389/2015	365062	08-06	05/11/2015	15492/2015	365140	06-09	11/11/2015
15390/2015	365063	07-01C	05/11/2015	15493/2015	365141	07-01NES	11/11/2015
15398/2015	365064	07-02F	05/11/2015	15494/2015	365124	07-01NES	10/11/2015
15399/2015	365065	07-02F	05/11/2015	15495/2015	365125	06-09	10/11/2015
15400/2015	365066	12-12	05/11/2015	15496/2015	365127	07-01NES	10/11/2015
15401/2015	365067	15-03NES	05/11/2015	15497/2015	365126	06-09	10/11/2015
15406/2015	365069	25-01C	05/11/2015	15498/2015	365128	06-09	10/11/2015
15407/2015	365070	24-04	05/11/2015	15499/2015	365129	20-01	10/11/2015
15408/2015	365071	24-04	05/11/2015	15500/2015	365130	20-02NES	10/11/2015
15410/2015	365072	06-01G	05/11/2015	15502/2015	365131	03-03	10/11/2015
15411/2015	365073	06-01G	05/11/2015	15503/2015	365132	07-01NES	10/11/2015
15412/2015	365074	06-01G	05/11/2015	15505/2015	365015	02-02NES	03/11/2015
15413/2015	365077	23-01H	06/11/2015	15506/2015	365016	02-02NES	03/11/2015
15414/2015	365039	23-01H	04/11/2015	15508/2015	365133	07-05E	10/11/2015
15415/2015	365078	23-01H	06/11/2015	15514/2015	365000	21-01C	02/11/2015
15417/2015	365079	24-02	06/11/2015	15515/2015	365001	21-01C	02/11/2015
15418/2015	365080	24-02	06/11/2015	15516/2015	365134	09-01D	10/11/2015
15419/2015	365081	24-02	06/11/2015	15519/2015	365142	08-09	11/11/2015
15420/2015	365082	24-02	06/11/2015	15520/2015	365143	10-05	11/11/2015
15421/2015	365083	24-02	06/11/2015	15521/2015	365144	07-01F	11/11/2015
15422/2015	365094	24-02	06/11/2015	15522/2015	365145	10-05	11/11/2015
15423/2015	365095	28-01	06/11/2015	15524/2015	365146	12-08	11/11/2015
15424/2015	365096	07-02L	06/11/2015	15525/2015	365147	12-08	11/11/2015
15427/2015	365097	23-02A	06/11/2015	15527/2015	365148	09-04	11/11/2015
15433/2015	365098	23-01A	06/11/2015	15528/2015	365149	12-08	11/11/2015
15434/2015	365099	23-01A	06/11/2015	15529/2015	365150	12-16B	11/11/2015
15435/2015	365100	26-02	06/11/2015	15530/2015	365151	12-16NES	11/11/2015
15445/2015	365103	23-04	06/11/2015	15531/2015	365152	12-16F	11/11/2015
15447/2015	365104	08-07	06/11/2015	15532/2015	365153	06-03A	11/11/2015
15450/2015	365105	28-02	06/11/2015	15537/2015	365154	24-04	11/11/2015
15451/2015	365106	28-02	06/11/2015	15538/2015	365155	24-04	11/11/2015
15454/2015	365107	07-01F	06/11/2015	15539/2015	365156	24-04	11/11/2015
15456/2015	365108	08-07	06/11/2015	15545/2015	365157	09-01H	11/11/2015
15457/2015	365109	07-01F	06/11/2015	15546/2015	365172	09-01H	12/11/2015
15458/2015	365110	07-01F	09/11/2015	15549/2015	365173	27-99	12/11/2015
15459/2015	365111	07-01F	09/11/2015	15553/2015	365174	19-08	12/11/2015
15460/2015	365112	08-07	09/11/2015	15554/2015	365175	12-12	12/11/2015
15461/2015	365182	14-99	12/11/2015	15582/2015	365183	02-04A	12/11/2015
15462/2015	365113	07-01F	09/11/2015	15584/2015	365184	12-08	12/11/2015
15463/2015	365114	26-03	09/11/2015	15586/2015	365188	15-05	12/11/2015
15465/2015	365115	07-01F	09/11/2015	15587/2015	365189	08-05A	12/11/2015
15466/2015	365116	09-07C	10/11/2015	15589/2015	365190	09-01A	12/11/2015
15467/2015	365117	24-02	10/11/2015	15652/2015	365191	31-00	13/11/2015
15474/2015	365118	21-01A	10/11/2015	15653/2015	365192	31-00	13/11/2015
15476/2015	365119	10-04	10/11/2015	15654/2015	365193	31-00	13/11/2015
15477/2015	365120	03-01B	10/11/2015	15666/2015	365194	12-08	13/11/2015
15483/2015	365121	12-15B	10/11/2015	15667/2015	365195	14-01	13/11/2015
15484/2015	365122	09-04	10/11/2015	15668/2015	365196	14-01	13/11/2015
15486/2015	365135	02-04NES	11/11/2015	15669/2015	365197	23-03B	13/11/2015
15487/2015	365136	07-01NES	11/11/2015				
15488/2015	365137	07-01NES	11/11/2015				

Publication and Registration Proceedings

Class Listing of Designs Published or Registered

The following section shows an International Classification Code listing of the Registered or Published Designs covered in this supplement.

Classification	Registration Number	Design Number	Classification	Registration Number	Design Number
02-02A	365013	15328/2015	07-01F	365144	15521/2015
02-02A	365019	12753/2015	07-01NES	365124	15494/2015
02-02C	365003	13273/2015	07-01NES	365127	15496/2015
02-02C	365008	15323/2015	07-01NES	365132	15503/2015
02-02C	365009	15324/2015	07-01NES	365136	15487/2015
02-02C	365010	15325/2015	07-01NES	365137	15488/2015
02-02C	365014	15329/2015	07-01NES	365141	15493/2015
02-02NES	365004	15319/2015	07-02F	365064	15398/2015
02-02NES	365005	15320/2015	07-02F	365065	15399/2015
02-02NES	365006	15321/2015	07-02L	365096	15424/2015
02-02NES	365007	15322/2015	07-04	365170	15234/2015
02-02NES	365011	15326/2015	07-05D	365171	15236/2015
02-02NES	365012	15327/2015	07-05E	365133	15508/2015
02-02NES	365015	15505/2015	07-05E	365181	15238/2015
02-02NES	365016	15506/2015	07-05NES	365037	15380/2015
02-02NES	365017	11074/2015	07-05NES	365051	15381/2015
02-04A	365183	15582/2015	07-05NES	365052	15382/2015
02-04NES	365135	15486/2015	07-05NES	365060	15386/2015
03-01B	365102	15060/2015	08-01	365158	12889/2015
03-01B	365120	15477/2015	08-04	365176	14930/2015
03-01NES	365024	15314/2015	08-04	365177	14932/2015
03-01NES	365026	15316/2015	08-05A	365189	15587/2015
03-03	365131	15502/2015	08-05K	365169	15233/2015
05-05A	365053	15383/2015	08-06	365062	15389/2015
05-05NES	365059	15385/2015	08-07	365104	15447/2015
06-01F	365032	15367/2015	08-07	365108	15456/2015
06-01F	365033	15368/2015	08-07	365112	15460/2015
06-01F	365034	15369/2015	08-08L	365038	12311/2015
06-01F	365035	15371/2015	08-09	365142	15519/2015
06-01G	364994	15028/2015	09-01A	365190	15589/2015
06-01G	365072	15410/2015	09-01D	365134	15516/2015
06-01G	365073	15411/2015	09-01G	365036	15379/2015
06-01G	365074	15412/2015	09-01G	365050	15378/2015
06-03A	365055	15081/2015	09-01H	365157	15545/2015
06-03A	365153	15532/2015	09-01H	365172	15546/2015
06-03B	365048	15076/2015	09-03M	365023	14942/2015
06-04NES	365123	14073/2015	09-03M	365047	14852/2015
06-09	365049	15376/2015	09-03NES	365022	14938/2015
06-09	365125	15495/2015	09-03NES	365046	14848/2015
06-09	365126	15497/2015	09-04	365122	15484/2015
06-09	365128	15498/2015	09-04	365148	15527/2015
06-09	365138	15490/2015	09-07C	365116	15466/2015
06-09	365139	15491/2015	10-04	365119	15476/2015
06-09	365140	15492/2015	10-05	365143	15520/2015
06-13B	365086	12934/2015	10-05	365145	15522/2015
07-01C	365063	15390/2015	12-08	365146	15524/2015
07-01F	365020	12733/2015	12-08	365147	15525/2015
07-01F	365107	15454/2015	12-08	365149	15528/2015
07-01F	365109	15457/2015	12-08	365184	15584/2015
07-01F	365110	15458/2015	12-08	365194	15666/2015
07-01F	365111	15459/2015	12-10	365002	15202/2015
07-01F	365113	15462/2015	12-12	365066	15400/2015
07-01F	365115	15465/2015	12-12	365087	13811/2015

Registration Proceedings - Class Listing of Designs Published or Registered cont'd

Classification	Registration Number	Design Number	Classification	Registration Number	Design Number
12-12	365088	13812/2015	21-04	365028	15342/2015
12-12	365089	13813/2015	23-01A	365098	15433/2015
12-12	365090	13814/2015	23-01A	365099	15434/2015
12-12	365091	13815/2015	23-01B	365031	15362/2015
12-12	365092	13816/2015	23-01H	365039	15414/2015
12-12	365093	13817/2015	23-01H	365077	15413/2015
12-12	365175	15554/2015	23-01H	365078	15415/2015
12-15B	365121	15483/2015	23-02A	365097	15427/2015
12-16A	365029	15347/2015	23-03B	365197	15669/2015
12-16A	365030	15348/2015	23-04	365103	15445/2015
12-16A	365040	12368/2015	24-01	365185	13089/2015
12-16A	365041	12369/2015	24-02	365021	14270/2015
12-16A	365042	12370/2015	24-02	365079	15417/2015
12-16A	365043	12371/2015	24-02	365080	15418/2015
12-16B	365042	12370/2015	24-02	365081	15419/2015
12-16B	365043	12371/2015	24-02	365082	15420/2015
12-16B	365044	12372/2015	24-02	365083	15421/2015
12-16B	365150	15529/2015	24-02	365094	15422/2015
12-16F	365152	15531/2015	24-02	365117	15467/2015
12-16NES	365151	15530/2015	24-04	364995	15336/2015
13-03D	365045	14360/2015	24-04	364996	15337/2015
14-01	365178	14933/2015	24-04	364997	15338/2015
14-01	365179	14934/2015	24-04	364998	15339/2015
14-01	365180	14935/2015	24-04	365070	15407/2015
14-01	365187	14971/2015	24-04	365071	15408/2015
14-01	365195	15667/2015	24-04	365154	15537/2015
14-01	365196	15668/2015	24-04	365155	15538/2015
14-03E	365025	15315/2015	24-04	365156	15539/2015
14-03E	365027	15317/2015	24-99	365057	15302/2015
14-03NES	365166	15230/2015	25-01C	365061	15387/2015
14-03NES	365168	15232/2015	25-01C	365069	15406/2015
14-99	365075	14477/2015	25-01K	365054	13915/2015
14-99	365076	14478/2015	25-02C	365165	15083/2015
14-99	365182	15461/2015	25-02C	365186	14967/2015
15-03NES	365067	15401/2015	25-02G	365167	15231/2015
15-05	365188	15586/2015	25-02H	365159	14833/2015
19-08	365174	15553/2015	26-01	365084	13015/2015
20-01	365129	15499/2015	26-02	365100	15435/2015
20-02E	365056	15228/2015	26-03	365114	15463/2015
20-02NES	365130	15500/2015	26-05A	365058	15384/2015
20-02NES	365160	14894/2015	27-05	365018	14958/2015
20-02NES	365161	14895/2015	27-99	365173	15549/2015
20-02NES	365162	14896/2015	28-01	365095	15423/2015
20-02NES	365163	14897/2015	28-02	365105	15450/2015
20-02NES	365164	14899/2015	28-02	365106	15451/2015
21-01A	365118	15474/2015	28-04	365085	15274/2015
21-01C	364999	14003/2015	31-00	365191	15652/2015
21-01C	365000	15514/2015	31-00	365192	15653/2015
21-01C	365001	15515/2015	31-00	365193	15654/2015
21-01C	365184	15584/2015			
21-02B	365068	15148/2015			
21-02D	365101	14545/2015			

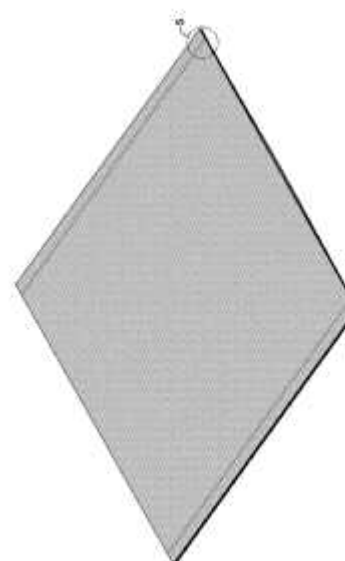
- (21) Design Number: **15028/2015**
(22) Date of Filing Application: **25 September 2015**
(24) Date from which industrial property rights may have effect: **25 September 2015**
(54) Product in respect of which the design is registered: **A sofa**
(51) International Design Classification: **06-01G**
(74) Name(s) of Attorney(s): **FB Rice**
(71) Name(s) and Address(s) of Applicant(s):
King Furniture Australia Pty Ltd
123 Turrella St Turrella NSW, 2205 Australia
(72) Name(s) of Designer(s): **David King and Tanya Rechberger and Ryan Lawson**
(45) Registration Date: **02 November 2015**
(56) Related Art Documents: **Not Applicable**
(57) Statement of Newness and Distinctiveness: **Newness and distinctiveness reside in the features of the design as shown in the representations with less weight to be given to those features shown in dotted lines. Less weight is also to be given to the angle of the base of the sofa between the top and bottom surfaces of the base.**



- (21) Design Number: **15336/2015**
(22) Date of Filing Application: **09 October 2015**
(24) Date from which industrial property rights may have effect: **09 October 2015**
(54) Product in respect of which the design is registered: **Bonded dual layer sterile wrap**
(51) International Design Classification: **24-04**
(74) Name(s) of Attorney(s): **IP Gateway Patent & Trade Mark Attorneys Pty Ltd**
(71) Name(s) and Address(s) of Applicant(s):
Medline Industries, Inc.
One Medline Place Mundelein ILLINOIS, 60060 United States Of America
(72) Name(s) of Designer(s): **Dixit Gandhi and Robert A. Lockwood and Francis A. Czajka**
(45) Registration Date: **02 November 2015**
(30) Convention priority data:
(31) Number (32) Date (33) Country
29/523,443 09 Apr 2015 UNITED STATES OF AMERICA
(56) Related Art Documents: **Not Applicable**
(57) Statement of Newness and Distinctiveness: **Newness and distinctiveness reside in the visual features of pattern and ornamentation of a bonded dual layer sterile wrap as shown in the representations, an embossing pattern; a top rectangular layer of a first colour forming a first side of the wrap; a bottom rectangular layer of a second contrasting colour forming a second side of the wrap; each top and bottom layer having an exterior face, a first and a second set of two opposing edges; each exterior face of the top and bottom layers have two spaced-apart thin and parallel linear bonded sections extending from the first edge of the first set of opposing edges to the second edge of the first set of opposing edges; the area between said thin linear bonded sections being free of bonding; the second set of two opposing edges of both the top and bottom layer being free edges having no bonding. When considering newness and distinctiveness the specific patterning of the bonded sections should be given minimal emphasis.**



(21) Design Number: **15337/2015**
 (22) Date of Filing Application: **09 October 2015**
 (24) Date from which industrial property rights may have effect: **09 October 2015**
 (54) Product in respect of which the design is registered: **Bonded dual layer sterile wrap**
 (51) International Design Classification: **24-04**
 (74) Name(s) of Attorney(s): **IP Gateway Patent & Trade Mark Attorneys Pty Ltd**
 (71) Name(s) and Address(s) of Applicant(s):
Medline Industries, Inc.
One Medline Place Mundelein ILLINOIS, 60060 United States Of America
 (72) Name(s) of Designer(s): **Dixit Gandhi and Robert A. Lockwood and Francis A. Czajka**
 (45) Registration Date: **02 November 2015**
 (30) Convention priority data:
 (31) Number (32) Date (33) Country
29/523,438 09 Apr 2015 UNITED STATES OF AMERICA
 (56) Related Art Documents: **Not Applicable**
 (57) Statement of Newness and Distinctiveness: **Newness and distinctiveness reside in the visual features of pattern and ornamentation of a bonded dual layer sterile wrap as shown in the representations, an embossing pattern; a top rectangular layer forming a first side of the wrap; a bottom rectangular layer forming a second side of the wrap; each top and bottom layer having an exterior face, a first set of two opposing edges, and a second set of two opposing edges; the exterior face of each of the top and bottom layers has two spaced-apart thin and parallel linear bonded sections extending from the first opposing edge to the second opposing edge of the first set of opposing edges; the area between said thin linear bonder sections being free of bonding; the second set of two opposing edges of each of the top and bottom layers being free edges having no bonding; Colour does not form part of the design.**



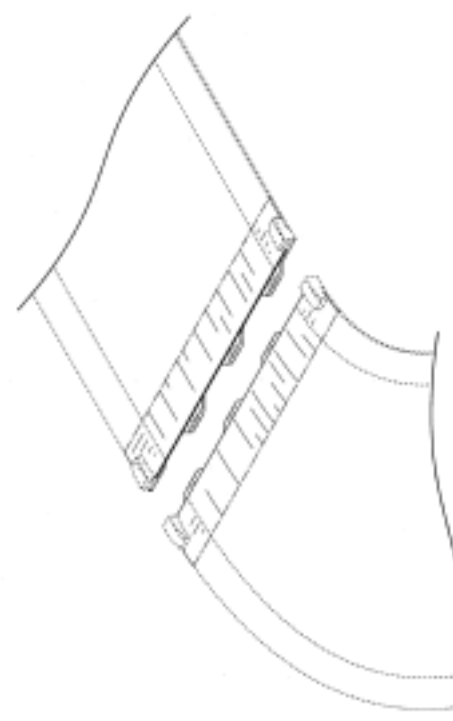
(21) Design Number: **15338/2015**
 (22) Date of Filing Application: **09 October 2015**
 (24) Date from which industrial property rights may have effect: **09 October 2015**
 (54) Product in respect of which the design is registered: **Bonded dual layer sterile wrap**
 (51) International Design Classification: **24-04**
 (74) Name(s) of Attorney(s): **IP Gateway Patent & Trade Mark Attorneys Pty Ltd**
 (71) Name(s) and Address(s) of Applicant(s):
Medline Industries, Inc.
One Medline Place Mundelein ILLINOIS, 60060 United States Of America
 (72) Name(s) of Designer(s): **Dixit Gandhi and Robert A. Lockwood and Francis A. Czajka**
 (45) Registration Date: **02 November 2015**
 (30) Convention priority data:
 (31) Number (32) Date (33) Country
29/523,438 09 Apr 2015 UNITED STATES OF AMERICA
 (56) Related Art Documents: **Not Applicable**
 (57) Statement of Newness and Distinctiveness: **Newness and distinctiveness reside in the visual features of pattern and ornamentation of a bonded dual layer sterile wrap as shown in the representations, an embossing pattern; a top rectangular layer forming a first side of the wrap; a bottom rectangular layer forming a second side of the wrap; each top and bottom layer having an exterior face, a first set of two opposing edges, and a second set of two opposing edges; the exterior face of each of the top and bottom layers has two spaced-apart thin and parallel linear bonded sections extending from the first opposing edge to the second opposing edge of the first set of opposing edges; the area between said thin linear bonder sections being free of bonding; the second set of two opposing edges of each of the top and bottom layers being free edges having no bonding; Colour does not form part of the design. When considering newness and distinctiveness the specific patterning of the bonded sections should be given minimal emphasis.**



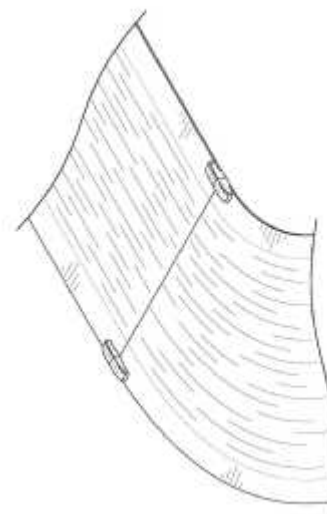
- (21) Design Number: **15339/2015**
(22) Date of Filing Application: **09 October 2015**
(24) Date from which industrial property rights may have effect: **09 October 2015**
(54) Product in respect of which the design is registered: **Bonded dual layer sterile wrap**
(51) International Design Classification: **24-04**
(74) Name(s) of Attorney(s): **IP Gateway Patent & Trade Mark Attorneys Pty Ltd**
(71) Name(s) and Address(s) of Applicant(s):
Medline Industries, Inc.
One Medline Place Mundelein ILLINOIS, 60060 United States Of America
(72) Name(s) of Designer(s): **Dixit Gandhi and Robert A. Lockwood and Francis A. Czajka**
(45) Registration Date: **02 November 2015**
(30) Convention priority data:
(31) Number (32) Date (33) Country
29/523,443 09 Apr 2015 UNITED STATES OF AMERICA
(56) Related Art Documents: **Not Applicable**
(57) Statement of Newness and Distinctiveness: **Newness and distinctiveness reside in the following visual features of pattern and ornamentation of a bonded dual layer sterile wrap, as shown in the representations, a top layer of a first colour forming a first side of the wrap; and a bottom layer of a second contrasting colour forming a second side of the wrap. When considering newness and distinctiveness the specific patterning of the bonded sections should be given minimal emphasis.**



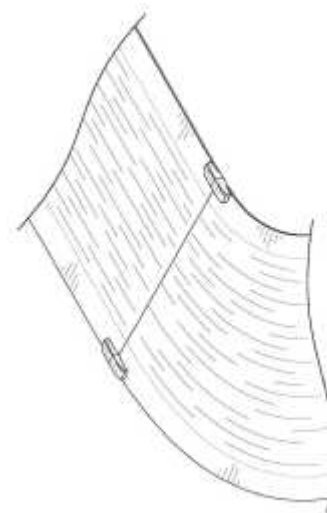
- (21) Design Number: **14003/2015**
(22) Date of Filing Application: **06 August 2015**
(24) Date from which industrial property rights may have effect: **06 August 2015**
(54) Product in respect of which the design is registered: **Toy track and coupling element**
(51) International Design Classification: **21-01C**
(74) Name(s) of Attorney(s): **FB Rice**
(71) Name(s) and Address(s) of Applicant(s):
Anki, Inc.
55 Second Street 15th Floor San Francisco California, 94105 United States of America
(72) Name(s) of Designer(s): **Charles Fiebig and Hanns Tappeiner**
(45) Registration Date: **02 November 2015**
(30) Convention priority data:
(31) Number (32) Date (33) Country
29/516,981 09 Feb 2015 UNITED STATES OF AMERICA
(56) Related Art Documents: **Not Applicable**
(57) Statement of Newness and Distinctiveness: **Newness and distinctiveness reside in the visual features of the product shown in solid lines in the representations, excluding the features shown in dashed lines which are disclaimed.**



- (21) Design Number: **15514/2015**
(22) Date of Filing Application: **07 September 2015**
(24) Date from which industrial property rights may have effect: **06 August 2015**
(54) Product in respect of which the design is registered: **Toy track and coupling element**
(51) International Design Classification: **21-01C**
(74) Name(s) of Attorney(s): **FB Rice**
(71) Name(s) and Address(s) of Applicant(s):
Anki, Inc.
55 Second Street 15th Floor San Francisco California, 94105 United States of America
(72) Name(s) of Designer(s): **Charles Fiebig and Hanns Tappeiner**
(45) Registration Date: **02 November 2015**
(62) Divisional of: **364999**
(56) Related Art Documents: **Not Applicable**
(57) Statement of Newness and Distinctiveness: **Newness and distinctiveness reside in the visual features of the product shown in solid lines in the representations, excluding the features shown in dashed lines which are disclaimed.**



- (21) Design Number: **15515/2015**
(22) Date of Filing Application: **06 August 2015**
(24) Date from which industrial property rights may have effect: **06 August 2015**
(54) Product in respect of which the design is registered: **Toy track and coupling element**
(51) International Design Classification: **21-01C**
(74) Name(s) of Attorney(s): **FB Rice**
(71) Name(s) and Address(s) of Applicant(s):
Anki, Inc.
55 Second Street 15th Floor San Francisco California, 94105 United States of America
(72) Name(s) of Designer(s): **Charles Fiebig and Hanns Tappeiner**
(45) Registration Date: **02 November 2015**
(56) Related Art Documents: **Not Applicable**
(57) Statement of Newness and Distinctiveness: **Newness and distinctiveness reside in the visual features of the product shown in solid lines in the representations, excluding the features shown in dashed lines which are disclaimed.**



(21) Design Number: **15202/2015**

(22) Date of Filing Application: **06 October 2015**

(24) Date from which industrial property rights may have effect: **06 October 2015**

(54) Product in respect of which the design is registered: **Camper trailer**

(51) International Design Classification: **12-10**

(74) Name(s) of Attorney(s): **IP Service International**

(71) Name(s) and Address(s) of Applicant(s):

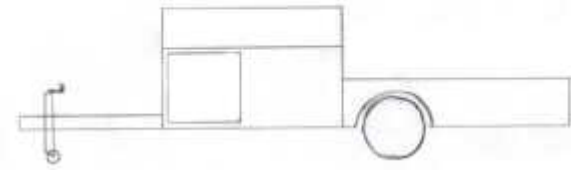
Morgan Metal Corp. Pty Ptd
13/60 Coulson St WACOL QLD, 4076 Australia

(72) Name(s) of Designer(s): **Richard A. Morgan**

(45) Registration Date: **02 November 2015**

(56) Related Art Documents: **Not Applicable**

(57) Statement of Newness and Distinctiveness: **What makes this camper trailer unique is the fact that one can put a wave runner, motorbikes or quads bikes on the back and have the camper at the front and with the wave runner trailer the camper can come off, so one can use the trailer to put your craft in and out of the water.**



(21) Design Number: **13273/2015**

(22) Date of Filing Application: **22 June 2015**

(24) Date from which industrial property rights may have effect: **22 June 2015**

(54) Product in respect of which the design is registered: **A skirt**

(51) International Design Classification: **02-02C**

(74) Name(s) of Attorney(s): **K&L Gates**

(71) Name(s) and Address(s) of Applicant(s):

Magi Enterprises Pty Ltd
34 Garden St South Yarra VIC 3141 Australia

(72) Name(s) of Designer(s): **Edwina Waters and Robert Cromb**

(45) Registration Date: **03 November 2015**

(56) Related Art Documents: **Not Applicable**

(57) Statement of Newness and Distinctiveness: **Nil**



(21) Design Number: **15319/2015**
(22) Date of Filing Application: **22 June 2015**
(24) Date from which industrial property rights may have effect: **22 June 2015**
(54) Product in respect of which the design is registered: **Top**
(51) International Design Classification: **02-02NES**
(74) Name(s) of Attorney(s): **K&L Gates**
(71) Name(s) and Address(s) of Applicant(s):
Magi Enterprises Pty Ltd
34 Garden St South Yarra VIC 3141 Australia
(72) Name(s) of Designer(s): **Edwina Waters and Robert Cromb**
(45) Registration Date: **03 November 2015**
(56) Related Art Documents: **Not Applicable**
(57) Statement of Newness and Distinctiveness: **Nil**



(21) Design Number: **15320/2015**
(22) Date of Filing Application: **22 June 2015**
(24) Date from which industrial property rights may have effect: **22 June 2015**
(54) Product in respect of which the design is registered: **Top**
(51) International Design Classification: **02-02NES**
(74) Name(s) of Attorney(s): **K&L Gates**
(71) Name(s) and Address(s) of Applicant(s):
Magi Enterprises Pty Ltd
34 Garden St South Yarra VIC 3141 Australia
(72) Name(s) of Designer(s): **Edwina Waters and Robert Cromb**
(45) Registration Date: **03 November 2015**
(56) Related Art Documents: **Not Applicable**
(57) Statement of Newness and Distinctiveness: **Nil**



(21) Design Number: **15321/2015**
(22) Date of Filing Application: **22 June 2015**
(24) Date from which industrial property rights may have effect: **22 June 2015**
(54) Product in respect of which the design is registered: **Top**
(51) International Design Classification: **02-02NES**
(74) Name(s) of Attorney(s): **K&L Gates**
(71) Name(s) and Address(s) of Applicant(s):
Magi Enterprises Pty Ltd
34 Garden St South Yarra VIC 3141 Australia
(72) Name(s) of Designer(s): **Edwina Waters and Robert Cromb**
(45) Registration Date: **03 November 2015**
(56) Related Art Documents: **Not Applicable**
(57) Statement of Newness and Distinctiveness: **Nil**



(21) Design Number: **15322/2015**
(22) Date of Filing Application: **22 June 2015**
(24) Date from which industrial property rights may have effect: **22 June 2015**
(54) Product in respect of which the design is registered: **Top**
(51) International Design Classification: **02-02NES**
(74) Name(s) of Attorney(s): **K&L Gates**
(71) Name(s) and Address(s) of Applicant(s):
Magi Enterprises Pty Ltd
34 Garden St South Yarra VIC 3141 Australia
(72) Name(s) of Designer(s): **Edwina Waters and Robert Cromb**
(45) Registration Date: **03 November 2015**
(56) Related Art Documents: **Not Applicable**
(57) Statement of Newness and Distinctiveness: **Nil**



- (21) Design Number: **15323/2015**
(22) Date of Filing Application: **22 June 2015**
(24) Date from which industrial property rights may have effect: **22 June 2015**
(54) Product in respect of which the design is registered: **Playsuit**
(51) International Design Classification: **02-02C**
(74) Name(s) of Attorney(s): **K&L Gates**
(71) Name(s) and Address(s) of Applicant(s):
Magi Enterprises Pty Ltd
34 Garden St South Yarra VIC 3141 Australia
(72) Name(s) of Designer(s): **Edwina Waters and Robert Cromb**
(45) Registration Date: **03 November 2015**
(56) Related Art Documents: **Not Applicable**
(57) Statement of Newness and Distinctiveness: **Nil**



- (21) Design Number: **15324/2015**
(22) Date of Filing Application: **22 June 2015**
(24) Date from which industrial property rights may have effect: **22 June 2015**
(54) Product in respect of which the design is registered: **Shorts**
(51) International Design Classification: **02-02C**
(74) Name(s) of Attorney(s): **K&L Gates**
(71) Name(s) and Address(s) of Applicant(s):
Magi Enterprises Pty Ltd
34 Garden St South Yarra VIC 3141 Australia
(72) Name(s) of Designer(s): **Edwina Waters and Robert Cromb**
(45) Registration Date: **03 November 2015**
(56) Related Art Documents: **Not Applicable**
(57) Statement of Newness and Distinctiveness: **Nil**



(21) Design Number: **15325/2015**
(22) Date of Filing Application: **22 June 2015**
(24) Date from which industrial property rights may have effect: **22 June 2015**
(54) Product in respect of which the design is registered: **Skirt**
(51) International Design Classification: **02-02C**
(74) Name(s) of Attorney(s): **K&L Gates**
(71) Name(s) and Address(s) of Applicant(s):
Magi Enterprises Pty Ltd
34 Garden St South Yarra VIC 3141 Australia
(72) Name(s) of Designer(s): **Edwina Waters and Robert Cromb**
(45) Registration Date: **03 November 2015**
(56) Related Art Documents: **Not Applicable**
(57) Statement of Newness and Distinctiveness: **Nil**



(21) Design Number: **15326/2015**
(22) Date of Filing Application: **22 June 2015**
(24) Date from which industrial property rights may have effect: **22 June 2015**
(54) Product in respect of which the design is registered: **Top**
(51) International Design Classification: **02-02NES**
(74) Name(s) of Attorney(s): **K&L Gates**
(71) Name(s) and Address(s) of Applicant(s):
Magi Enterprises Pty Ltd
34 Garden St South Yarra VIC 3141 Australia
(72) Name(s) of Designer(s): **Edwina Waters and Robert Cromb**
(45) Registration Date: **03 November 2015**
(56) Related Art Documents: **Not Applicable**
(57) Statement of Newness and Distinctiveness: **Nil**



(21) Design Number: **15327/2015**
(22) Date of Filing Application: **22 June 2015**
(24) Date from which industrial property rights may have effect: **22 June 2015**
(54) Product in respect of which the design is registered: **T-shirt**
(51) International Design Classification: **02-02NES**
(74) Name(s) of Attorney(s): **K&L Gates**
(71) Name(s) and Address(s) of Applicant(s):
Magi Enterprises Pty Ltd
34 Garden St South Yarra VIC 3141 Australia
(72) Name(s) of Designer(s): **Edwina Waters and Robert Cromb**
(45) Registration Date: **03 November 2015**
(56) Related Art Documents: **Not Applicable**
(57) Statement of Newness and Distinctiveness: **Nil**



(21) Design Number: **15328/2015**
(22) Date of Filing Application: **22 June 2015**
(24) Date from which industrial property rights may have effect: **22 June 2015**
(54) Product in respect of which the design is registered: **Swimwear**
(51) International Design Classification: **02-02A**
(74) Name(s) of Attorney(s): **K&L Gates**
(71) Name(s) and Address(s) of Applicant(s):
Magi Enterprises Pty Ltd
34 Garden St South Yarra VIC 3141 Australia
(72) Name(s) of Designer(s): **Edwina Waters and Robert Cromb**
(45) Registration Date: **03 November 2015**
(56) Related Art Documents: **Not Applicable**
(57) Statement of Newness and Distinctiveness: **Nil**



(21) Design Number: **15329/2015**
(22) Date of Filing Application: **22 June 2015**
(24) Date from which industrial property rights may have effect: **22 June 2015**
(54) Product in respect of which the design is registered: **Dress**
(51) International Design Classification: **02-02C**
(74) Name(s) of Attorney(s): **K&L Gates**
(71) Name(s) and Address(s) of Applicant(s):
Magi Enterprises Pty Ltd
34 Garden St South Yarra VIC 3141 Australia
(72) Name(s) of Designer(s): **Edwina Waters and Robert Cromb**
(45) Registration Date: **03 November 2015**
(56) Related Art Documents: **Not Applicable**
(57) Statement of Newness and Distinctiveness: **Nil**



(21) Design Number: **15505/2015**
(22) Date of Filing Application: **22 June 2015**
(24) Date from which industrial property rights may have effect: **22 June 2015**
(54) Product in respect of which the design is registered: **Sweater**
(51) International Design Classification: **02-02NES**
(74) Name(s) of Attorney(s): **K&L Gates**
(71) Name(s) and Address(s) of Applicant(s):
Magi Enterprises Pty Ltd
34 Garden St South Yarra VIC 3141 Australia
(72) Name(s) of Designer(s): **Edwina Waters and Robert Cromb**
(45) Registration Date: **03 November 2015**
(56) Related Art Documents: **Not Applicable**
(57) Statement of Newness and Distinctiveness: **Nil**



- (21) Design Number: **15506/2015**
(22) Date of Filing Application: **22 June 2015**
(24) Date from which industrial property rights may have effect: **22 June 2015**
(54) Product in respect of which the design is registered: **Top**
(51) International Design Classification: **02-02NES**
(74) Name(s) of Attorney(s): **K&L Gates**
(71) Name(s) and Address(s) of Applicant(s):
Magi Enterprises Pty Ltd
34 Garden St South Yarra VIC 3141 Australia
(72) Name(s) of Designer(s): **Edwina Waters and Robert Cromb**
(45) Registration Date: **03 November 2015**
(56) Related Art Documents: **Not Applicable**
(57) Statement of Newness and Distinctiveness: **Nil**



- (21) Design Number: **11074/2015**
(22) Date of Filing Application: **27 February 2015**
(24) Date from which industrial property rights may have effect: **27 February 2015**
(54) Product in respect of which the design is registered: **Article of clothing**
(51) International Design Classification: **02-02NES**
(74) Name(s) of Attorney(s): **Allens Patent & Trade Mark Attorneys**
(71) Name(s) and Address(s) of Applicant(s):
Forever New Clothing Pty Ltd
L4 Building 8 576 Swan St Richmond VIC 3121 Australia
(72) Name(s) of Designer(s): **Anna Pham**
(45) Registration Date: **03 November 2015**
(56) Related Art Documents: **Not Applicable**
(57) Statement of Newness and Distinctiveness: **Newness and distinctiveness resides in the visual features of shape, configuration, pattern and/or ornamentation of an article of clothing as shown in the accompanying representations.**



- (21) Design Number: **14958/2015**
(22) Date of Filing Application: **22 September 2015**
(24) Date from which industrial property rights may have effect: **22 September 2015**
(54) Product in respect of which the design is registered: **Gas lighter**
(51) International Design Classification: **27-05**
(74) Name(s) of Attorney(s):
(71) Name(s) and Address(s) of Applicant(s):
TRIO BROTHERS TRADING PTY LTD
18 Beal St Meadowbrook QLD 4131 Australia
(72) Name(s) of Designer(s): **Jack Qin**
(45) Registration Date: **03 November 2015**
(56) Related Art Documents: **Not Applicable**
(57) Statement of Newness and Distinctiveness: **Ned Kelly refillable gas lighter.**



- (21) Design Number: **12753/2015**
(22) Date of Filing Application: **28 May 2015**
(24) Date from which industrial property rights may have effect: **28 May 2015**
(54) Product in respect of which the design is registered: **Rash guard**
(51) International Design Classification: **02-02A**
(74) Name(s) of Attorney(s):
(71) Name(s) and Address(s) of Applicant(s):
Wet Leopard PTY LTD
1701/180 Ocean St Edgecliff NSW 2027 Australia
(72) Name(s) of Designer(s): **Alison Delaney**
(45) Registration Date: **03 November 2015**
(56) Related Art Documents: **Not Applicable**
(57) Statement of Newness and Distinctiveness: **The newness and distinctiveness is claimed in the shape, configuration, pattern and/or enhancement of the bust design as depicted in the accompanying representations of the garment when used in a swimwear garment that is a rash guard. The features on upper chest in the accompanying representations by coloured grey sections which comprise contrast perforated fabric. The hatching in the accompanying representations indicates fabric of one colour and/or design and the remainder of the garment comprise fabric of another colour and/or design.**



(21) Design Number: **12733/2015**
(22) Date of Filing Application: **27 May 2015**
(24) Date from which industrial property rights may have effect: **27 May 2015**
(54) Product in respect of which the design is registered: **Jug**
(51) International Design Classification: **07-01F**
(74) Name(s) of Attorney(s): **Molins & Co Pty Ltd**
(71) Name(s) and Address(s) of Applicant(s):
Breville Pty Limited
Suite 2 170-180 Bourke Rd Alexandria NSW 2015 Australia
(72) Name(s) of Designer(s): **Samuel Adeloju**
(45) Registration Date: **03 November 2015**
(56) Related Art Documents: **Not Applicable**
(57) Statement of Newness and Distinctiveness: **Newness is claimed in the features of shape and configuration of the jug as shown in the accompanying representations. The bottom plan view is not claimed as part of the design.**



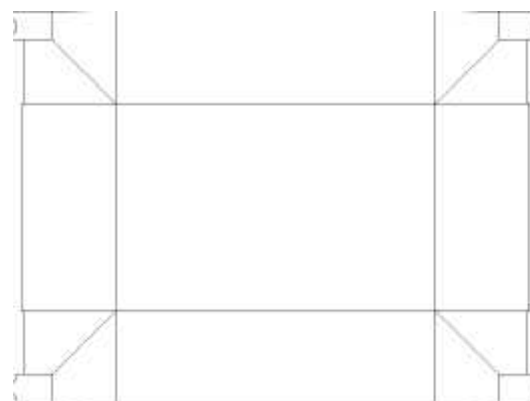
(21) Design Number: **14270/2015**
(22) Date of Filing Application: **20 August 2015**
(24) Date from which industrial property rights may have effect: **20 August 2015**
(54) Product in respect of which the design is registered: **Breastshield for a breastpump**
(51) International Design Classification: **24-02**
(74) Name(s) of Attorney(s): **PHILLIPS ORMONDE FITZPATRICK**
(71) Name(s) and Address(s) of Applicant(s):
Medela Holding AG
Lattichstrasse 4b Baar CH-6340 Switzerland
(72) Name(s) of Designer(s): **Bernhard Emmenegger and Andre Schlienger and Daniela Kappeli and Etienne Furrer and Mario Rigert and Marcel Muther**
(45) Registration Date: **03 November 2015**
(30) Convention priority data:

(31) Number	(32) Date	(33) Country
874300501	20 Feb 2015	WORLD INTELLECTUAL PROPERTY ORGANIZATION (WIPO)

(56) Related Art Documents: **Not Applicable**
(57) Statement of Newness and Distinctiveness: **Nil**



- (21) Design Number: **14938/2015**
(22) Date of Filing Application: **18 September 2015**
(24) Date from which industrial property rights may have effect: **18 September 2015**
(54) Product in respect of which the design is registered: **Blank for forming a container**
(51) International Design Classification: **09-03NES**
(74) Name(s) of Attorney(s): **Davies Collison Cave**
(71) Name(s) and Address(s) of Applicant(s):
Visy R & D Pty Ltd
L11 2 Southbank Bvd Southbank VIC 3006 Australia
(72) Name(s) of Designer(s): **Gary George Gravenall**
(45) Registration Date: **03 November 2015**
(56) Related Art Documents: **Not Applicable**
(57) Statement of Newness and Distinctiveness: **The features of shape and configuration of the blank shown in the accompanying representations are considered to be new and distinctive. Lines falling wholly within the border of the blank are fold lines.**



- (21) Design Number: **14942/2015**
(22) Date of Filing Application: **18 September 2015**
(24) Date from which industrial property rights may have effect: **18 September 2015**
(54) Product in respect of which the design is registered: **Blank for forming a lid for a container**
(51) International Design Classification: **09-03M**
(74) Name(s) of Attorney(s): **Davies Collison Cave**
(71) Name(s) and Address(s) of Applicant(s):
Visy R & D Pty Ltd
L11 2 Southbank Bvd Southbank VIC 3006 Australia
(72) Name(s) of Designer(s): **Gary George Gravenall**
(45) Registration Date: **03 November 2015**
(56) Related Art Documents: **Not Applicable**
(57) Statement of Newness and Distinctiveness: **The features of shape, configuration, pattern and ornamentation of the blank for forming a lid for a container as shown in the accompanying representations are considered to be new and distinctive.**



(21) Design Number: **15314/2015**
(22) Date of Filing Application: **09 October 2015**
(24) Date from which industrial property rights may have effect: **09 October 2015**
(54) Product in respect of which the design is registered: **Cover for portable device**
(51) International Design Classification: **03-01NES**
(74) Name(s) of Attorney(s): **WRAYS PTY LTD**
(71) Name(s) and Address(s) of Applicant(s):
Samsung Electronics Co., Ltd
129, Samsung-ro Yeongtong-gu, Suwon-si Gyeonggi-do 443-742
Republic of Korea
(72) Name(s) of Designer(s): **Minhyouk Lee and Hyoungshin Park and Jooho Seo and Minah Koh**
(45) Registration Date: **03 November 2015**
(30) Convention priority data:
(31) Number (32) Date (33) Country
30-2015-0035549 15 Jul 2015 REPUBLIC OF KOREA
(56) Related Art Documents: **Not Applicable**
(57) Statement of Newness and Distinctiveness: **Newness and distinctiveness is claimed in the features of shape, configuration, pattern, and/or ornamentation of the Cover For Portable Device as shown in the accompanying representations.**



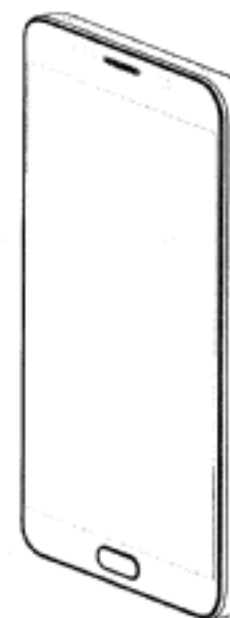
(21) Design Number: **15315/2015**
(22) Date of Filing Application: **09 October 2015**
(24) Date from which industrial property rights may have effect: **09 October 2015**
(54) Product in respect of which the design is registered: **Portable device**
(51) International Design Classification: **14-03E**
(74) Name(s) of Attorney(s): **WRAYS PTY LTD**
(71) Name(s) and Address(s) of Applicant(s):
Samsung Electronics Co., Ltd
129, Samsung-ro Yeongtong-gu, Suwon-si Gyeonggi-do 443-742
Republic of Korea
(72) Name(s) of Designer(s): **Minhyouk Lee and Hyoungshin Park and Jooho Seo**
(45) Registration Date: **03 November 2015**
(30) Convention priority data:
(31) Number (32) Date (33) Country
30-2015-0035544 15 Jun 2015 REPUBLIC OF KOREA
(56) Related Art Documents: **Not Applicable**
(57) Statement of Newness and Distinctiveness: **Newness and distinctiveness is claimed in the features of shape, configuration, pattern, and/or ornamentation of the Portable Device as shown in the accompanying representations. The features depicted by broken lines are for illustrative purposes only and form no part of the claimed design.**



(21) Design Number: **15316/2015**
(22) Date of Filing Application: **09 October 2015**
(24) Date from which industrial property rights may have effect: **09 October 2015**
(54) Product in respect of which the design is registered: **Cover for portable device**
(51) International Design Classification: **03-01NES**
(74) Name(s) of Attorney(s): **WRAYS PTY LTD**
(71) Name(s) and Address(s) of Applicant(s):
Samsung Electronics Co., Ltd
129, Samsung-ro Yeongtong-gu, Suwon-si Gyeonggi-do 443-742
Republic of Korea
(72) Name(s) of Designer(s): **Minhyouk Lee and Seungho Lee and Kisung Kim and Jaewoong Chung and Duyeong Choi and Jisu Hwang**
(45) Registration Date: **03 November 2015**
(30) Convention priority data:
(31) Number (32) Date (33) Country
30-2015-003556 15 Jul 2015 REPUBLIC OF KOREA
(56) Related Art Documents: **Not Applicable**
(57) Statement of Newness and Distinctiveness: **Newness and distinctiveness is claimed in the features of shape, configuration, pattern, and/or ornamentation of the Cover For Portable Device as shown in the accompanying representations.**



(21) Design Number: **15317/2015**
(22) Date of Filing Application: **09 October 2015**
(24) Date from which industrial property rights may have effect: **09 October 2015**
(54) Product in respect of which the design is registered: **Portable device**
(51) International Design Classification: **14-03E**
(74) Name(s) of Attorney(s): **WRAYS PTY LTD**
(71) Name(s) and Address(s) of Applicant(s):
Samsung Electronics Co., Ltd
129, Samsung-ro Yeongtong-gu, Suwon-si Gyeonggi-do 443-742
Republic of Korea
(72) Name(s) of Designer(s): **Minhyouk Lee and Seungho Lee and Kisung Kim and Jaewoong Chung and Duyeong Choi and Jisu Hwang**
(45) Registration Date: **03 November 2015**
(30) Convention priority data:
(31) Number (32) Date (33) Country
30-2015-003556 15 Jul 2015 REPUBLIC OF KOREA
(56) Related Art Documents: **Not Applicable**
(57) Statement of Newness and Distinctiveness: **Newness and distinctiveness is claimed in the features of shape, configuration, pattern, and/or ornamentation of the Portable Device as shown in the accompanying representations. The features depicted by broken lines are for illustrative purposes only and form no part of the claimed design.**



(21) Design Number: **15342/2015**
(22) Date of Filing Application: **10 October 2015**
(24) Date from which industrial property rights may have effect: **10 October 2015**
(54) Product in respect of which the design is registered: **Awning**
(51) International Design Classification: **21-04**
(74) Name(s) of Attorney(s): **A.P.T. Patent and Trade Mark Attorneys**
(71) Name(s) and Address(s) of Applicant(s):
Gibus S.P.A.
Via Einaudi, 35 Saccolongo PD, I-35030 Italy
(72) Name(s) of Designer(s): **Lorenzo Danieli**
(45) Registration Date: **04 November 2015**
(30) Convention priority data:
(31) Number (32) Date (33) Country
**002693192-0001 30 Apr 2015 OFFICE FOR HARMONISATION IN
THE INTERNAL MARKET (OHIM)**
(56) Related Art Documents: **Not Applicable**
(57) Statement of Newness and Distinctiveness: **Nil**



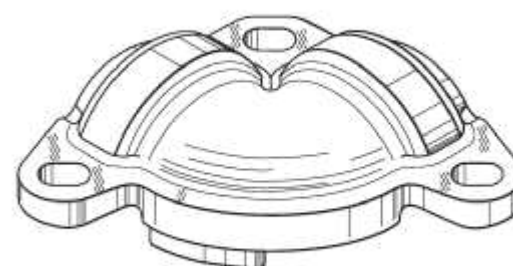
(21) Design Number: **15347/2015**
(22) Date of Filing Application: **12 October 2015**
(24) Date from which industrial property rights may have effect: **12 October 2015**
(54) Product in respect of which the design is registered: **Wheel for vehicle**
(51) International Design Classification: **12-16A**
(74) Name(s) of Attorney(s): **Spruson & Ferguson**
(71) Name(s) and Address(s) of Applicant(s):
Daimler AG
Mercedesstrasse 137, Stuttgart D-70327 Germany
(72) Name(s) of Designer(s): **Bernhard Hans and Daniel Krisch**
(45) Registration Date: **04 November 2015**
(30) Convention priority data:
(31) Number (32) Date (33) Country
**002691402-0001 29 Apr 2015 OFFICE FOR HARMONISATION IN
THE INTERNAL MARKET (OHIM)**
(56) Related Art Documents: **Not Applicable**
(57) Statement of Newness and Distinctiveness: **Newness and distinctiveness
is claimed in the features of shape and/or configuration of a wheel for
vehicle as illustrated in the accompanying representations.**



(21) Design Number: **15348/2015**
(22) Date of Filing Application: **12 October 2015**
(24) Date from which industrial property rights may have effect: **12 October 2015**
(54) Product in respect of which the design is registered: **Wheel for vehicle**
(51) International Design Classification: **12-16A**
(74) Name(s) of Attorney(s): **Spruson & Ferguson**
(71) Name(s) and Address(s) of Applicant(s):
Daimler AG
Mercedesstrasse 137, Stuttgart D-70327 Germany
(72) Name(s) of Designer(s): **Bernhard Hans and Volker Hellwig and Kai Hilpert**
(45) Registration Date: **04 November 2015**
(30) Convention priority data:
(31) Number (32) Date (33) Country
**002691402-0002 29 Apr 2015 OFFICE FOR HARMONISATION IN
THE INTERNAL MARKET (OHIM)**
(56) Related Art Documents: **Not Applicable**
(57) Statement of Newness and Distinctiveness: **Newness and distinctiveness
is claimed in the features of shape and/or configuration of a wheel for
vehicle as illustrated in the accompanying representations.**



(21) Design Number: **15362/2015**
(22) Date of Filing Application: **12 October 2015**
(24) Date from which industrial property rights may have effect: **12 October 2015**
(54) Product in respect of which the design is registered: **Pipe fitting segment**
(51) International Design Classification: **23-01B**
(74) Name(s) of Attorney(s): **Spruson & Ferguson**
(71) Name(s) and Address(s) of Applicant(s):
Victaulic Company
**4901 Kesslersville Road, Easton Pennsylvania, 18040 United States Of
America**
(72) Name(s) of Designer(s): **Kathryn E. Yovanovich and Matthew A. Bowman
and Christopher A. Richards**
(45) Registration Date: **04 November 2015**
(30) Convention priority data:
(31) Number (32) Date (33) Country
29/525825 04 May 2015 UNITED STATES OF AMERICA
(56) Related Art Documents: **Not Applicable**
(57) Statement of Newness and Distinctiveness: **Newness and distinctiveness
is claimed in the features of shape and/or configuration of a pipe fitting
segment as illustrated in the accompanying representations.**



(21) Design Number: **15367/2015**
(22) Date of Filing Application: **12 October 2015**
(24) Date from which industrial property rights may have effect: **12 October 2015**
(54) Product in respect of which the design is registered: **Chair**
(51) International Design Classification: **06-01F**
(74) Name(s) of Attorney(s): **PHILLIPS ORMONDE FITZPATRICK**
(71) Name(s) and Address(s) of Applicant(s):
B&B Italia S.p.A.
Via Durini, 14 Milano I-20122 Italy
(72) Name(s) of Designer(s): **Naoto Fukasawa**
(45) Registration Date: **04 November 2015**
(30) Convention priority data:
(31) Number (32) Date (33) Country
MI2015O000062 10 Apr 2015 ITALY
(56) Related Art Documents: **Not Applicable**
(57) Statement of Newness and Distinctiveness: **Nil**



(21) Design Number: **15368/2015**
(22) Date of Filing Application: **12 October 2015**
(24) Date from which industrial property rights may have effect: **12 October 2015**
(54) Product in respect of which the design is registered: **Chair**
(51) International Design Classification: **06-01F**
(74) Name(s) of Attorney(s): **PHILLIPS ORMONDE FITZPATRICK**
(71) Name(s) and Address(s) of Applicant(s):
B&B Italia S.p.A.
Via Durini, 14 Milano I-20122 Italy
(72) Name(s) of Designer(s): **Naoto Fukasawa**
(45) Registration Date: **04 November 2015**
(30) Convention priority data:
(31) Number (32) Date (33) Country
MI2015O000062 10 Apr 2015 ITALY
(56) Related Art Documents: **Not Applicable**
(57) Statement of Newness and Distinctiveness: **Nil**



(21) Design Number: **15369/2015**
(22) Date of Filing Application: **12 October 2015**
(24) Date from which industrial property rights may have effect: **12 October 2015**
(54) Product in respect of which the design is registered: **Chair**
(51) International Design Classification: **06-01F**
(74) Name(s) of Attorney(s): **PHILLIPS ORMONDE FITZPATRICK**
(71) Name(s) and Address(s) of Applicant(s):
B&B Italia S.p.A.
Via Durini, 14 Milano I-20122 Italy
(72) Name(s) of Designer(s): **Naoto Fukasawa**
(45) Registration Date: **04 November 2015**
(30) Convention priority data:
(31) Number (32) Date (33) Country
MI2015O000062 10 Apr 2015 ITALY
(56) Related Art Documents: **Not Applicable**
(57) Statement of Newness and Distinctiveness: **Nil**



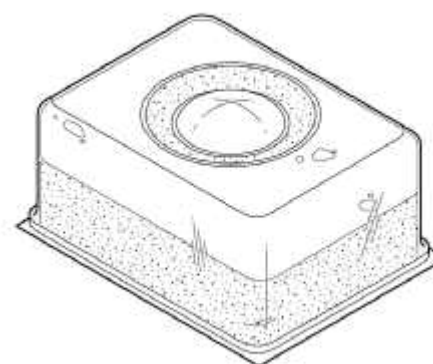
(21) Design Number: **15371/2015**
(22) Date of Filing Application: **12 October 2015**
(24) Date from which industrial property rights may have effect: **12 October 2015**
(54) Product in respect of which the design is registered: **Chair**
(51) International Design Classification: **06-01F**
(74) Name(s) of Attorney(s): **PHILLIPS ORMONDE FITZPATRICK**
(71) Name(s) and Address(s) of Applicant(s):
B&B Italia S.p.A.
Via Durini, 14 Milano I-20122 Italy
(72) Name(s) of Designer(s): **Naoto Fukasawa**
(45) Registration Date: **04 November 2015**
(30) Convention priority data:
(31) Number (32) Date (33) Country
MI2015O000062 10 Apr 2015 ITALY
(56) Related Art Documents: **Not Applicable**
(57) Statement of Newness and Distinctiveness: **Nil**



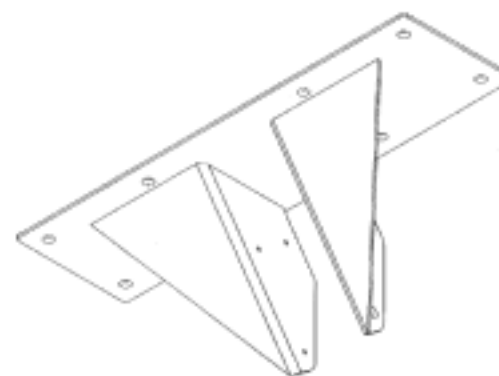
(21) Design Number: **15379/2015**
(22) Date of Filing Application: **12 October 2015**
(24) Date from which industrial property rights may have effect: **12 October 2015**
(54) Product in respect of which the design is registered: **Cosmetic container**
(51) International Design Classification: **09-01G**
(74) Name(s) of Attorney(s): **Spruson & Ferguson**
(71) Name(s) and Address(s) of Applicant(s):
Laboratoires La Prairie SA
Industriestrasse 8, Volketswil 8604 Switzerland
(72) Name(s) of Designer(s): **Anil Kalyanpur and Richard Suhr**
(45) Registration Date: **04 November 2015**
(56) Related Art Documents: **Not Applicable**
(57) Statement of Newness and Distinctiveness: **Newness and distinctiveness is claimed in the features of pattern and/or ornamentation of a cosmetic container as illustrated in the accompanying representations.**



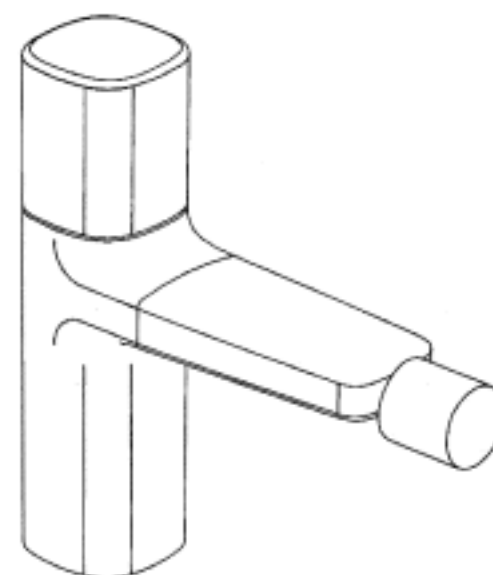
(21) Design Number: **15380/2015**
(22) Date of Filing Application: **12 October 2015**
(24) Date from which industrial property rights may have effect: **12 October 2015**
(54) Product in respect of which the design is registered: **Capsule containing washing products**
(51) International Design Classification: **07-05NES**
(74) Name(s) of Attorney(s): **Shelston IP Pty Ltd.**
(71) Name(s) and Address(s) of Applicant(s):
Reckitt Benckiser (Brands) Limited
103-105 Bath Road Slough Berkshire SL1 3UH United Kingdom
(72) Name(s) of Designer(s): **Taco Dietvorst and Caroline Rigobert and Claudia Schmaelzle**
(45) Registration Date: **04 November 2015**
(30) Convention priority data:
(31) Number (32) Date (33) Country
002680306-0003 13 Apr 2015 OFFICE FOR HARMONISATION IN THE INTERNAL MARKET (OHIM)
(56) Related Art Documents: **Not Applicable**
(57) Statement of Newness and Distinctiveness: **Nil**



- (21) Design Number: **12311/2015**
(22) Date of Filing Application: **05 May 2015**
(24) Date from which industrial property rights may have effect: **05 May 2015**
(54) Product in respect of which the design is registered: **A bracket**
(51) International Design Classification: **08-08L**
(74) Name(s) of Attorney(s): **Halfords IP**
(71) Name(s) and Address(s) of Applicant(s):
Gay Anne Embury
c/- Logan Leigh Benchtops 67 Whitbread St Taree NSW 2430 Australia
David Robert Embury
c/- Logan Leigh Benchtops 67 Whitbread St Taree NSW 2430 Australia
(72) Name(s) of Designer(s): **David Robert Embury and Peter Jeffrey**
(45) Registration Date: **04 November 2015**
(56) Related Art Documents: **Not Applicable**
(57) Statement of Newness and Distinctiveness: **Newness and distinctiveness resides in those features of shape and or configuration of a Bracket and a Staircase as depicted in the representations. Shading lines and features shown in broken lines do not form part of the design.**



- (21) Design Number: **15414/2015**
(22) Date of Filing Application: **13 October 2015**
(24) Date from which industrial property rights may have effect: **13 October 2015**
(54) Product in respect of which the design is registered: **Mixing tap**
(51) International Design Classification: **23-01H**
(74) Name(s) of Attorney(s): **Griffith Hack**
(71) Name(s) and Address(s) of Applicant(s):
Fratelli Fantini S.p.A.
Via M. Buonarroti 4 Pella NO, 28010 Italy
(72) Name(s) of Designer(s): **Matteo Thun and Antonio Rodriguez**
(45) Registration Date: **04 November 2015**
(30) Convention priority data:
(31) Number (32) Date (33) Country
**002680223-0004 13 Apr 2015 OFFICE FOR HARMONISATION IN
THE INTERNAL MARKET (OHIM)**
(56) Related Art Documents: **Not Applicable**
(57) Statement of Newness and Distinctiveness: **Nil**



(21) Design Number: **12368/2015**
(22) Date of Filing Application: **07 May 2015**
(24) Date from which industrial property rights may have effect: **07 May 2015**
(54) Product in respect of which the design is registered: **Vehicle wheel**
(51) International Design Classification: **12-16A**
(74) Name(s) of Attorney(s): **K&L Gates**
(71) Name(s) and Address(s) of Applicant(s):
GM Global Technology Operations LLC
300 Renaissance Centre Detroit Michigan, 48265-3000 United States of America
(72) Name(s) of Designer(s): **Julian Mark Quincey**
(45) Registration Date: **04 November 2015**
(56) Related Art Documents: **Not Applicable**
(57) Statement of Newness and Distinctiveness: **Nil**



(21) Design Number: **12369/2015**
(22) Date of Filing Application: **07 May 2015**
(24) Date from which industrial property rights may have effect: **07 May 2015**
(54) Product in respect of which the design is registered: **Vehicle wheel**
(51) International Design Classification: **12-16A**
(74) Name(s) of Attorney(s): **K&L Gates**
(71) Name(s) and Address(s) of Applicant(s):
GM Global Technology Operations LLC
300 Renaissance Centre Detroit Michigan, 48265-3000 United States of America
(72) Name(s) of Designer(s): **Julian Mark Quincey**
(45) Registration Date: **04 November 2015**
(56) Related Art Documents: **Not Applicable**
(57) Statement of Newness and Distinctiveness: **Nil**



(21) Design Number: **12370/2015**
(22) Date of Filing Application: **07 May 2015**
(24) Date from which industrial property rights may have effect: **07 May 2015**
(54) Product in respect of which the design is registered: **Vehicle lower insert**
(51) International Design Classification: **12-16A, 12-16B**
(74) Name(s) of Attorney(s): **K&L Gates**
(71) Name(s) and Address(s) of Applicant(s):
GM Global Technology Operations LLC
300 Renaissance Centre Detroit Michigan, 48265-3000 United States of America
(72) Name(s) of Designer(s): **Julian Mark Quincey**
(45) Registration Date: **04 November 2015**
(56) Related Art Documents: **Not Applicable**
(57) Statement of Newness and Distinctiveness: **Nil**



(21) Design Number: **12371/2015**
(22) Date of Filing Application: **07 May 2015**
(24) Date from which industrial property rights may have effect: **07 May 2015**
(54) Product in respect of which the design is registered: **Vehicle lower insert**
(51) International Design Classification: **12-16A, 12-16B**
(74) Name(s) of Attorney(s): **K&L Gates**
(71) Name(s) and Address(s) of Applicant(s):
GM Global Technology Operations LLC
300 Renaissance Centre Detroit Michigan, 48265-3000 United States of America
(72) Name(s) of Designer(s): **Julian Mark Quincey**
(45) Registration Date: **04 November 2015**
(56) Related Art Documents: **Not Applicable**
(57) Statement of Newness and Distinctiveness: **Nil**



(21) Design Number: **12372/2015**
(22) Date of Filing Application: **07 May 2015**
(24) Date from which industrial property rights may have effect: **07 May 2015**
(54) Product in respect of which the design is registered: **Vehicle side skirt**
(51) International Design Classification: **12-16B**
(74) Name(s) of Attorney(s): **K&L Gates**
(71) Name(s) and Address(s) of Applicant(s):
GM Global Technology Operations LLC
300 Renaissance Centre Detroit Michigan, 48265-3000 United States of America
(72) Name(s) of Designer(s): **Julian Mark Quincey**
(45) Registration Date: **04 November 2015**
(56) Related Art Documents: **Not Applicable**
(57) Statement of Newness and Distinctiveness: **Nil**



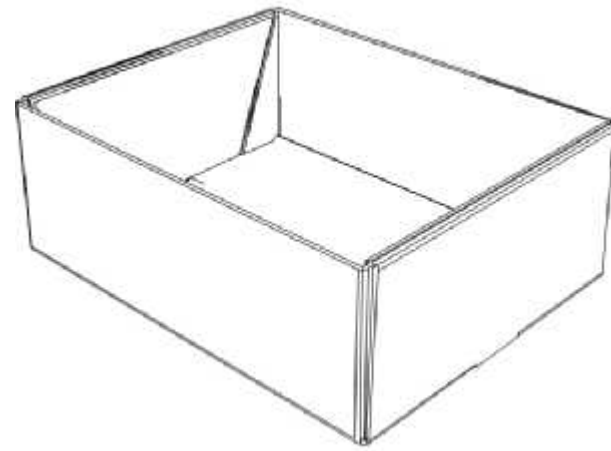
(21) Design Number: **14360/2015**
(22) Date of Filing Application: **25 August 2015**
(24) Date from which industrial property rights may have effect: **25 August 2015**
(54) Product in respect of which the design is registered: **Control knob for a mixer**
(51) International Design Classification: **13-03D**
(74) Name(s) of Attorney(s): **Griffith Hack**
(71) Name(s) and Address(s) of Applicant(s):
KENWOOD LIMITED
1 Kenwood Business Park New Lane Havant Hampshire, PO9 2NH
United Kingdom
(72) Name(s) of Designer(s): **Jamie Weaden**
(45) Registration Date: **04 November 2015**
(30) Convention priority data:

(31) Number	(32) Date	(33) Country
002641423	25 Feb 2015	OFFICE FOR HARMONISATION IN THE INTERNAL MARKET (OHIM)

(56) Related Art Documents: **Not Applicable**
(57) Statement of Newness and Distinctiveness: **Newness and distinctiveness resides in the visual features, including shape, configuration, pattern and ornamentation, of a Control Knob for a Mixer as shown in solid outline and render in the accompanying drawings. When determining whether the design is substantially similar in overall impression to another design, particular regard is to be had to the blue coloured annulus of the Control Knob, and no particular regard is to be had to those features of the Mixer shown in dotted outline in the accompanying drawings, which features are provided for context and illustrative purposes only.**



- (21) Design Number: **14848/2015**
(22) Date of Filing Application: **11 September 2015**
(24) Date from which industrial property rights may have effect: **11 September 2015**
(54) Product in respect of which the design is registered: **Blank for forming a container**
(51) International Design Classification: **09-03NES**
(74) Name(s) of Attorney(s): **Davies Collison Cave**
(71) Name(s) and Address(s) of Applicant(s):
Visy R & D Pty Ltd
L11 2 Southbank Bvd Southbank VIC 3006 Australia
(72) Name(s) of Designer(s): **Sean Meneaud**
(45) Registration Date: **04 November 2015**
(56) Related Art Documents: **Not Applicable**
(57) Statement of Newness and Distinctiveness: **The features of shape and configuration of the blank for forming a container shown in the accompanying representations are considered to be new and distinctive.**



- (21) Design Number: **14852/2015**
(22) Date of Filing Application: **11 September 2015**
(24) Date from which industrial property rights may have effect: **11 September 2015**
(54) Product in respect of which the design is registered: **Blank for forming a lid for a container**
(51) International Design Classification: **09-03M**
(74) Name(s) of Attorney(s): **Davies Collison Cave**
(71) Name(s) and Address(s) of Applicant(s):
Visy R & D Pty Ltd
L11 2 Southbank Bvd Southbank VIC 3006 Australia
(72) Name(s) of Designer(s): **Sean Meneaud**
(45) Registration Date: **04 November 2015**
(56) Related Art Documents: **Not Applicable**
(57) Statement of Newness and Distinctiveness: **The features of shape and configuration of the Blank for forming a lid for a container shown in the accompanying representations are considered to be new and distinctive.**



- (21) Design Number: **15076/2015**
(22) Date of Filing Application: **29 September 2015**
(24) Date from which industrial property rights may have effect: **29 September 2015**
(54) Product in respect of which the design is registered: **A table**
(51) International Design Classification: **06-03B**
(74) Name(s) of Attorney(s): **Davies Collison Cave**
(71) Name(s) and Address(s) of Applicant(s):
Daniel Boddam
PO Box 1946 Potts Point NSW, 1335 Australia
(72) Name(s) of Designer(s): **Daniel Boddam**
(45) Registration Date: **04 November 2015**
(56) Related Art Documents: **Not Applicable**
(57) Statement of Newness and Distinctiveness: **Newness and distinctiveness is claimed in the visual features shown in solid lines in the representations.**



- (21) Design Number: **15376/2015**
(22) Date of Filing Application: **12 October 2015**
(24) Date from which industrial property rights may have effect: **12 October 2015**
(54) Product in respect of which the design is registered: **Seat cushion**
(51) International Design Classification: **06-09**
(74) Name(s) of Attorney(s): **Spruson & Ferguson**
(71) Name(s) and Address(s) of Applicant(s):
Gregory Commercial Furniture Pty Limited
Building 1A, Greystanes Park East, 1-5 Reconciliation Rise, Pemulwuy
NSW, 2145 Australia
(72) Name(s) of Designer(s): **Tony Noun and Scott Downes and Glen De Bono**
(45) Registration Date: **05 November 2015**
(56) Related Art Documents: **Not Applicable**
(57) Statement of Newness and Distinctiveness: **Newness and distinctiveness is claimed in the features of shape and/or configuration of a seat cushion as illustrated in the accompanying representations.**

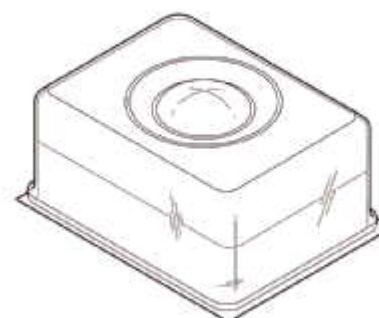


(21) Design Number: **15378/2015**
(22) Date of Filing Application: **12 October 2015**
(24) Date from which industrial property rights may have effect: **12 October 2015**
(54) Product in respect of which the design is registered: **Cosmetic container**
(51) International Design Classification: **09-01G**
(74) Name(s) of Attorney(s): **Spruson & Ferguson**
(71) Name(s) and Address(s) of Applicant(s):
Laboratoires La Prairie SA
Industriestrasse 8, Volketswil 8604 Switzerland
(72) Name(s) of Designer(s): **Anil Kalyanpur and Richard Suhr**
(45) Registration Date: **05 November 2015**
(56) Related Art Documents: **Not Applicable**
(57) Statement of Newness and Distinctiveness: **Newness and distinctiveness is claimed in the features of shape and/or configuration of a cosmetic container as illustrated in the accompanying representations.**



Front Perspective View

(21) Design Number: **15381/2015**
(22) Date of Filing Application: **12 October 2015**
(24) Date from which industrial property rights may have effect: **12 October 2015**
(54) Product in respect of which the design is registered: **Capsule containing washing products**
(51) International Design Classification: **07-05NES**
(74) Name(s) of Attorney(s): **Shelston IP Pty Ltd.**
(71) Name(s) and Address(s) of Applicant(s):
Reckitt Benckiser (Brands) Limited
103-105 Bath Road Slough Berkshire SL1 3UH United Kingdom
(72) Name(s) of Designer(s): **Taco Dietvorst and Caroline Rigobert and Claudia Schmaelzle**
(45) Registration Date: **05 November 2015**
(30) Convention priority data:
(31) Number (32) Date (33) Country
002680306-0007 13 Apr 2015 OFFICE FOR HARMONISATION IN THE INTERNAL MARKET (OHIM)
(56) Related Art Documents: **Not Applicable**
(57) Statement of Newness and Distinctiveness: **Nil**



(21) Design Number: **15382/2015**

(22) Date of Filing Application: **12 October 2015**

(24) Date from which industrial property rights may have effect: **12 October 2015**

(54) Product in respect of which the design is registered: **Capsule containing washing products**

(51) International Design Classification: **07-05NES**

(74) Name(s) of Attorney(s): **Shelston IP Pty Ltd.**

(71) Name(s) and Address(s) of Applicant(s):

Reckitt Benckiser (Brands) Limited
103-105 Bath Road Slough Berkshire SL1 3UH United Kingdom

(72) Name(s) of Designer(s): **Taco Dietvorst and Caroline Rigobert and Claudia Schmaelzle**

(45) Registration Date: **05 November 2015**

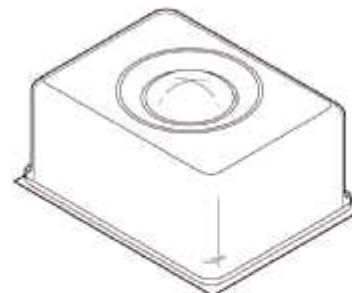
(30) Convention priority data:

(31) Number (32) Date
002680306-0011 13 Apr 2015

(33) Country
**OFFICE FOR HARMONISATION IN
THE INTERNAL MARKET (OHIM)**

(56) Related Art Documents: **Not Applicable**

(57) Statement of Newness and Distinctiveness: **Nil**



(21) Design Number: **15383/2015**

(22) Date of Filing Application: **12 October 2015**

(24) Date from which industrial property rights may have effect: **12 October 2015**

(54) Product in respect of which the design is registered: **A textile print**

(51) International Design Classification: **05-05A**

(74) Name(s) of Attorney(s):

(71) Name(s) and Address(s) of Applicant(s):

AUSTRALIAN FASHION LABELS PTY LTD
106 Currie St Adelaide SA, 5000 Australia

(72) Name(s) of Designer(s): **Carmen Dugan and Cyd Beard**

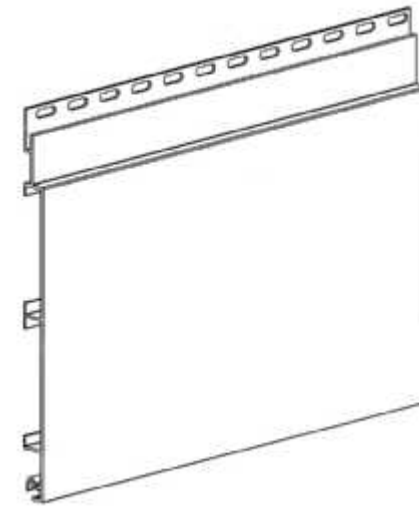
(45) Registration Date: **05 November 2015**

(56) Related Art Documents: **Not Applicable**

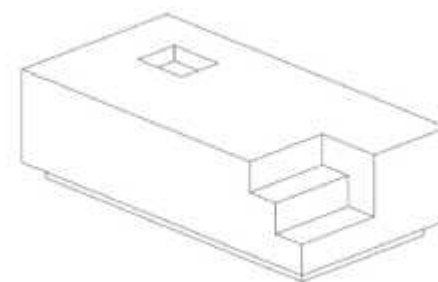
(57) Statement of Newness and Distinctiveness: **Newness and distinctiveness resides in the features of pattern and ornamentation of a textile print as shown in the accompanying representations. In considering the scope of monopoly, no regard is to be had to colour and the scope of monopoly is not restricted to the particular colour or colours depicted in the accompanying representations.**



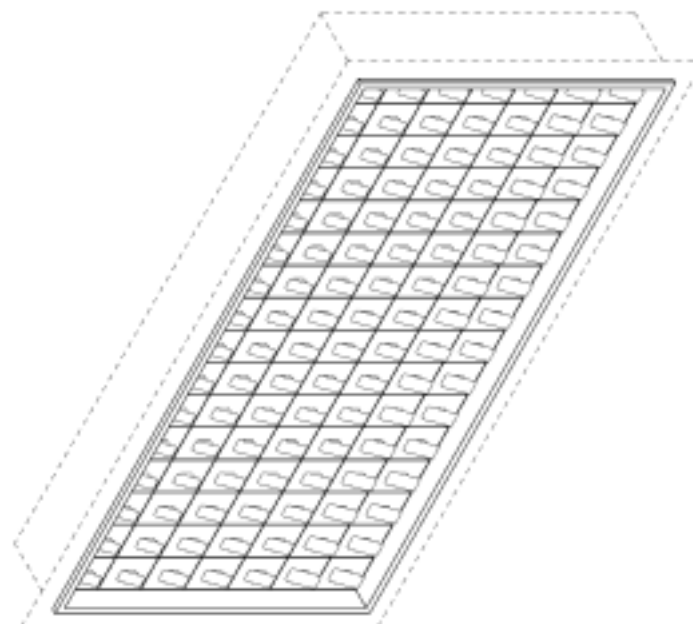
- (21) Design Number: **13915/2015**
(22) Date of Filing Application: **02 August 2015**
(24) Date from which industrial property rights may have effect: **02 August 2015**
(54) Product in respect of which the design is registered: **Cladding extrusion**
(51) International Design Classification: **25-01K**
(74) Name(s) of Attorney(s):
(71) Name(s) and Address(s) of Applicant(s):
 Decorative Imaging Pty Limited
 26 Barry Rd Chipping Norton NSW 2170 Australia
(72) Name(s) of Designer(s): **Ross Doonan**
(45) Registration Date: **05 November 2015**
(56) Related Art Documents: **Not Applicable**
(57) Statement of Newness and Distinctiveness: **Newness and distinctiveness resides in the features of shape and/or configuration of the cladding extrusion of indefinite length as illustrated in the accompanying representations where the cross-section (end view) is constant along its length.**



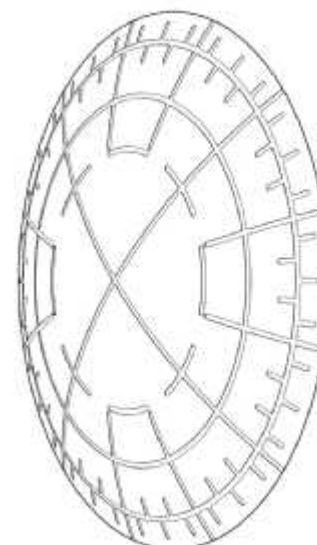
- (21) Design Number: **15081/2015**
(22) Date of Filing Application: **29 September 2015**
(24) Date from which industrial property rights may have effect: **29 September 2015**
(54) Product in respect of which the design is registered: **A table**
(51) International Design Classification: **06-03A**
(74) Name(s) of Attorney(s): **Davies Collison Cave**
(71) Name(s) and Address(s) of Applicant(s):
 Daniel Boddam
 PO BOX 1946 Potts Point NSW 1335 Australia
(72) Name(s) of Designer(s): **Daniel Boddam**
(45) Registration Date: **05 November 2015**
(56) Related Art Documents: **Not Applicable**
(57) Statement of Newness and Distinctiveness: **Newness and distinctiveness is claimed in the visual features shown in solid lines in the representations.**



- (21) Design Number: **15228/2015**
(22) Date of Filing Application: **07 October 2015**
(24) Date from which industrial property rights may have effect: **07 October 2015**
(54) Product in respect of which the design is registered: **Display structure**
(51) International Design Classification: **20-02E**
(74) Name(s) of Attorney(s): **Freehills Patent Attorneys**
(71) Name(s) and Address(s) of Applicant(s):
Apple Inc.
1 Infinite Loop Cupertino California, 95014 United States of America
(72) Name(s) of Designer(s): **Jonathan P. Siegel and Christopher M. Green and Sam Brown and Kully Kraig Mandon and Casey Feeney and Kristen Ernst and Bridget Cinquegrano and Taylor Hoff and Jean-Marc Gady and Carsten Goertz and David Nelson and Stefan Behling and David Summerfield and James McGrath and Rafe Bertram and Oliver Mould and Wolfgang Muller and Ed Wright and Bo Yoon**
(45) Registration Date: **05 November 2015**
(30) Convention priority data:
(31) Number (32) Date (33) Country
29/526385 08 May 2015 UNITED STATES OF AMERICA
(56) Related Art Documents: **Not Applicable**
(57) Statement of Newness and Distinctiveness: **Newness and distinctiveness is claimed in the features of shape and configuration shown in solid lines in the accompanying figures.**



- (21) Design Number: **15302/2015**
(22) Date of Filing Application: **09 October 2015**
(24) Date from which industrial property rights may have effect: **09 October 2015**
(54) Product in respect of which the design is registered: **Intraocular lens guide**
(51) International Design Classification: **24-99**
(74) Name(s) of Attorney(s): **Houlihan2**
(71) Name(s) and Address(s) of Applicant(s):
L & L SULLIVAN
P.O. Box 611 Balwyn North VIC, 3104 Australia
(72) Name(s) of Designer(s): **Laurence John Sullivan**
(45) Registration Date: **05 November 2015**
(56) Related Art Documents: **Not Applicable**
(57) Statement of Newness and Distinctiveness: **Newness and distinctiveness reside in the shape and/or configuration of an Intraocular Lens Guide as illustrated in the accompanying representations.**



- (21) Design Number: **15384/2015**
(22) Date of Filing Application: **12 October 2015**
(24) Date from which industrial property rights may have effect: **12 October 2015**
(54) Product in respect of which the design is registered: **Vehicle mounted lightbar with integrated cameras**
(51) International Design Classification: **26-05A**
(74) Name(s) of Attorney(s): **Ashurst Australia**
(71) Name(s) and Address(s) of Applicant(s):
Zenith Gulf Security Systems LLC
Business Bay Executive Tower PO Box 121832 Dubai United Arab Emirates
(72) Name(s) of Designer(s): **Russell Raslan Hammad**
(45) Registration Date: **05 November 2015**
(56) Related Art Documents: **Not Applicable**
(57) Statement of Newness and Distinctiveness: **Nil**



- (21) Design Number: **15385/2015**
(22) Date of Filing Application: **12 October 2015**
(24) Date from which industrial property rights may have effect: **12 October 2015**
(54) Product in respect of which the design is registered: **A textile print**
(51) International Design Classification: **05-05NES**
(74) Name(s) of Attorney(s):
(71) Name(s) and Address(s) of Applicant(s):
AUSTRALIAN FASHION LABELS PTY LTD
106 Currie St Adelaide SA, 5000 Australia
(72) Name(s) of Designer(s): **Carmen Dugan and Cyd Beard**
(45) Registration Date: **05 November 2015**
(56) Related Art Documents: **Not Applicable**
(57) Statement of Newness and Distinctiveness: **Newness and distinctiveness resides in the features of pattern and ornamentation of a textile print as shown in the accompanying representations. In considering the scope of monopoly, no regard is to be had to colour and the scope of monopoly is not restricted to the particular colour or colours depicted in the accompanying representations.**



(21) Design Number: **15386/2015**

(22) Date of Filing Application: **12 October 2015**

(24) Date from which industrial property rights may have effect: **12 October 2015**

(54) Product in respect of which the design is registered: **Capsule containing washing products**

(51) International Design Classification: **07-05NES**

(74) Name(s) of Attorney(s): **Shelston IP Pty Ltd.**

(71) Name(s) and Address(s) of Applicant(s):

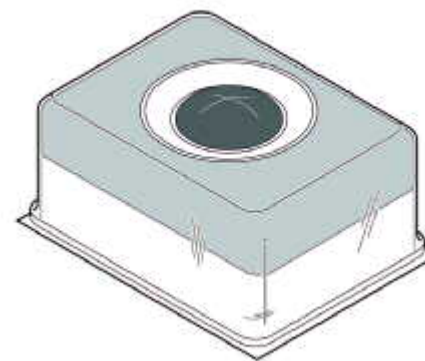
Reckitt Benckiser (Brands) Limited
103-105 Bath Road Slough Berkshire SL1 3UH United Kingdom

(72) Name(s) of Designer(s): **Taco Dietvorst and Caroline Rigobert and Claudia Schmaelzle**

(45) Registration Date: **05 November 2015**

(30) Convention priority data:

(31) Number	(32) Date	(33) Country
002680306-0017	13 Apr 2015	OFFICE FOR HARMONISATION IN THE INTERNAL MARKET (OHIM)



(56) Related Art Documents: **Not Applicable**

(57) Statement of Newness and Distinctiveness: **Newness and distinctiveness resides in the features of shape, configuration, pattern and ornamentation of a CAPSULE CONTAINING WASHING PRODUCTS as shown in the accompanying representations. The features shown in broken line do not form part of the design.**

(21) Design Number: **15387/2015**

(22) Date of Filing Application: **12 October 2015**

(24) Date from which industrial property rights may have effect: **12 October 2015**

(54) Product in respect of which the design is registered: **Stud channel section**

(51) International Design Classification: **25-01C**

(74) Name(s) of Attorney(s): **Pegasus IP**

(71) Name(s) and Address(s) of Applicant(s):

ARKISTRUCT LIMITED
43 Holt St Eagle Farm QLD, 4008 Australia

(72) Name(s) of Designer(s): **Walter Lee**

(45) Registration Date: **05 November 2015**

(56) Related Art Documents: **Not Applicable**

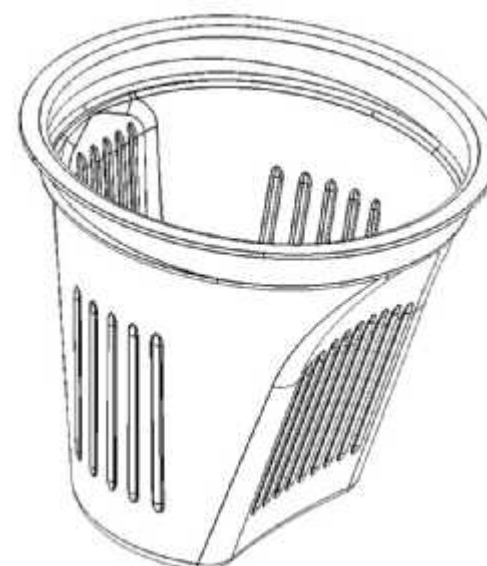
(57) Statement of Newness and Distinctiveness: **The newness and distinctiveness of the design resides in the shape of the stud channel section as shown in the continuous lines in the accompanying representations. The broken lines are not part of the design and are to be disregarded when considering the overall impression of the design.**



- (21) Design Number: **15389/2015**
(22) Date of Filing Application: **12 October 2015**
(24) Date from which industrial property rights may have effect: **12 October 2015**
(54) Product in respect of which the design is registered: **A locking tab handle**
(51) International Design Classification: **08-06**
(74) Name(s) of Attorney(s):
(71) Name(s) and Address(s) of Applicant(s):
Dennis Ronald Gravalin
271 River St Maclean NSW, 2463 Australia
Sandra Lorraine Gravalin
271 River St Maclean NSW, 2463 Australia
(72) Name(s) of Designer(s): **Dennis Ronald Gravalin and Sandra Lorraine Gravalin**
(45) Registration Date: **05 November 2015**
(56) Related Art Documents: **Not Applicable**
(57) Statement of Newness and Distinctiveness: **Statement of newness and distinctiveness: Newness and Distinctiveness is claimed in the visual features of the design in the shape and configuration of a locking tab handle, as show in the accompanied illustrations and representations in solid lines.**



- (21) Design Number: **15390/2015**
(22) Date of Filing Application: **12 October 2015**
(24) Date from which industrial property rights may have effect: **12 October 2015**
(54) Product in respect of which the design is registered: **Cup**
(51) International Design Classification: **07-01C**
(74) Name(s) of Attorney(s): **Cullens Patent and Trade Mark Attorneys**
(71) Name(s) and Address(s) of Applicant(s):
Flavour Creations Pty Ltd
17 Curzon St Tennyson QLD, 4105 Australia
(72) Name(s) of Designer(s): **Bernadette Mary Eriksen**
(45) Registration Date: **05 November 2015**
(56) Related Art Documents: **Not Applicable**
(57) Statement of Newness and Distinctiveness: **The new and distinct features are the features of shape and configuration of a cup as shown in the attached representations.**



(21) Design Number: **15398/2015**
(22) Date of Filing Application: **13 October 2015**
(24) Date from which industrial property rights may have effect: **13 October 2015**
(54) Product in respect of which the design is registered: **A toaster**
(51) International Design Classification: **07-02F**
(74) Name(s) of Attorney(s): **Banki Haddock Fiora**
(71) Name(s) and Address(s) of Applicant(s):
Pi-Design AG
Kantonsstrasse 100 Triengen CH-6234 Switzerland
(72) Name(s) of Designer(s): **Jorgen Bodum**
(45) Registration Date: **05 November 2015**
(30) Convention priority data:
(31) Number (32) Date (33) Country
DM/086 337 05 May 2015 WORLD INTELLECTUAL
PROPERTY ORGANIZATION
(WIPO)
(56) Related Art Documents: **Not Applicable**
(57) Statement of Newness and Distinctiveness: **Nil**



(21) Design Number: **15399/2015**
(22) Date of Filing Application: **13 October 2015**
(24) Date from which industrial property rights may have effect: **13 October 2015**
(54) Product in respect of which the design is registered: **A toaster**
(51) International Design Classification: **07-02F**
(74) Name(s) of Attorney(s): **Banki Haddock Fiora**
(71) Name(s) and Address(s) of Applicant(s):
Pi-Design AG
Kantonsstrasse 100 Triengen CH-6234 Switzerland
(72) Name(s) of Designer(s): **Jorgen Bodum**
(45) Registration Date: **05 November 2015**
(30) Convention priority data:
(31) Number (32) Date (33) Country
DM/086 337 05 May 2015 WORLD INTELLECTUAL
PROPERTY ORGANIZATION
(WIPO)
(56) Related Art Documents: **Not Applicable**
(57) Statement of Newness and Distinctiveness: **Nil**



(21) Design Number: **15400/2015**
(22) Date of Filing Application: **13 October 2015**
(24) Date from which industrial property rights may have effect: **13 October 2015**
(54) Product in respect of which the design is registered: **Wheelchair**
(51) International Design Classification: **12-12**
(74) Name(s) of Attorney(s): **FB Rice**
(71) Name(s) and Address(s) of Applicant(s):
ORMESA S.R.L.
Via A. da Sangallo 1, Frazione Paciana 06034 Foligno (PG) IT
(72) Name(s) of Designer(s): **Luigi Menichini**
(45) Registration Date: **05 November 2015**
(56) Related Art Documents: **Not Applicable**
(57) Statement of Newness and Distinctiveness: **Newness and distinctiveness reside in the features of shape and configuration of the design as shown in the representations.**



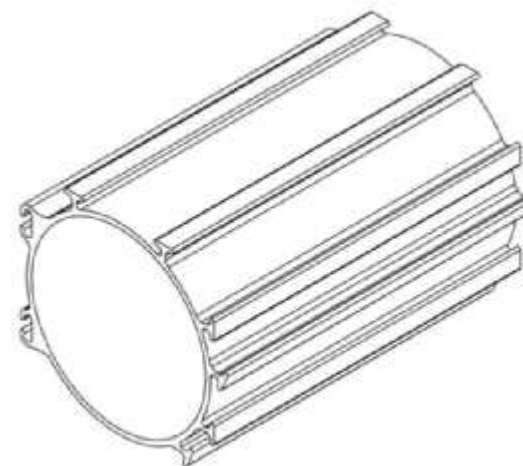
(21) Design Number: **15401/2015**
(22) Date of Filing Application: **13 October 2015**
(24) Date from which industrial property rights may have effect: **13 October 2015**
(54) Product in respect of which the design is registered: **Aspirator**
(51) International Design Classification: **15-03NES**
(74) Name(s) of Attorney(s): **IP Service International**
(71) Name(s) and Address(s) of Applicant(s):
Agridry International Pty Ltd
52 Carroll St Toowoomba QLD 4350 Australia
(72) Name(s) of Designer(s): **Cameron Clark**
(45) Registration Date: **05 November 2015**
(56) Related Art Documents: **Not Applicable**
(57) Statement of Newness and Distinctiveness: **Nil**



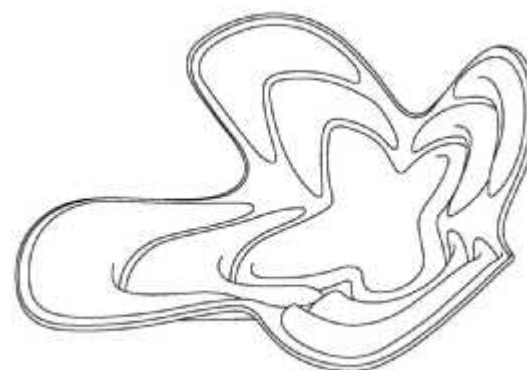
- (21) Design Number: **15148/2015**
(22) Date of Filing Application: **02 October 2015**
(24) Date from which industrial property rights may have effect: **02 October 2015**
(54) Product in respect of which the design is registered: **Cricket bat**
(51) International Design Classification: **21-02B**
(74) Name(s) of Attorney(s): **Spruson & Ferguson**
(71) Name(s) and Address(s) of Applicant(s):
Pauline Yaghoubpour
Lot 8, Horsley Rd, Horsley Park NSW, 2164 Australia
(72) Name(s) of Designer(s): **Pauline Yaghoubpour**
(45) Registration Date: **05 November 2015**
(56) Related Art Documents: **Not Applicable**
(57) Statement of Newness and Distinctiveness: **Newness and distinctiveness is claimed in the features of shape and/or configuration of a cricket bat as illustrated in the accompanying representations.**



- (21) Design Number: **15406/2015**
(22) Date of Filing Application: **13 October 2015**
(24) Date from which industrial property rights may have effect: **13 October 2015**
(54) Product in respect of which the design is registered: **Pin pile**
(51) International Design Classification: **25-01C**
(74) Name(s) of Attorney(s): **Anderson Taylor & Associates**
(71) Name(s) and Address(s) of Applicant(s):
Comtec Industries Pty Ltd
8/33 Gerrale St Cronulla NSW 2230 Australia
(72) Name(s) of Designer(s): **Luke Anthony Jarvie**
(45) Registration Date: **05 November 2015**
(56) Related Art Documents: **Not Applicable**
(57) Statement of Newness and Distinctiveness: **The newness and distinctiveness of the design resides in the cross-sectional shape and configuration of a pin pile of indeterminate length and constant cross-section.**



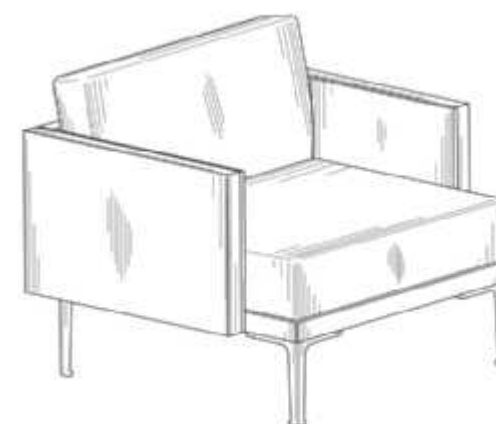
(21) Design Number: **15407/2015**
(22) Date of Filing Application: **13 October 2015**
(24) Date from which industrial property rights may have effect: **13 October 2015**
(54) Product in respect of which the design is registered: **Posture holding device**
(51) International Design Classification: **24-04**
(74) Name(s) of Attorney(s): **Shelston IP Pty Ltd.**
(71) Name(s) and Address(s) of Applicant(s):
MTG Co., Ltd.
32, Honjin-tori 2-chome Nakamura-ku, Nagoya-shi Aichi 453-0041 Japan
(72) Name(s) of Designer(s): **Tsuyoshi Matsushita**
(45) Registration Date: **05 November 2015**
(30) Convention priority data:
(31) Number (32) Date (33) Country
2015-008472 14 Apr 2015 JAPAN
(56) Related Art Documents: **Not Applicable**
(57) Statement of Newness and Distinctiveness: **Newness and distinctiveness reside in the features of shape and/or configuration of the posture holding device as shown in the accompanying representations.**



(21) Design Number: **15408/2015**
(22) Date of Filing Application: **13 October 2015**
(24) Date from which industrial property rights may have effect: **13 October 2015**
(54) Product in respect of which the design is registered: **Posture holding device**
(51) International Design Classification: **24-04**
(74) Name(s) of Attorney(s): **Shelston IP Pty Ltd.**
(71) Name(s) and Address(s) of Applicant(s):
MTG Co., Ltd.
32, Honjin-tori 2-chome Nakamura-ku, Nagoya-shi Aichi 453-0041 Japan
(72) Name(s) of Designer(s): **Tsuyoshi Matsushita**
(45) Registration Date: **05 November 2015**
(30) Convention priority data:
(31) Number (32) Date (33) Country
2015-008473 14 Apr 2015 JAPAN
(56) Related Art Documents: **Not Applicable**
(57) Statement of Newness and Distinctiveness: **Newness and distinctiveness reside in the features of shape and/or configuration of the posture holding device as shown in the accompanying representations.**



(21) Design Number: **15410/2015**
(22) Date of Filing Application: **13 October 2015**
(24) Date from which industrial property rights may have effect: **13 October 2015**
(54) Product in respect of which the design is registered: **Sofa**
(51) International Design Classification: **06-01G**
(74) Name(s) of Attorney(s): **PHILLIPS ORMONDE FITZPATRICK**
(71) Name(s) and Address(s) of Applicant(s):



Arper S.p.A.
Via Lombardia, 16 I-31050 Monastier di Treviso Treviso Italy

(72) Name(s) of Designer(s): **Jean-Marie Massaud**

(45) Registration Date: **05 November 2015**

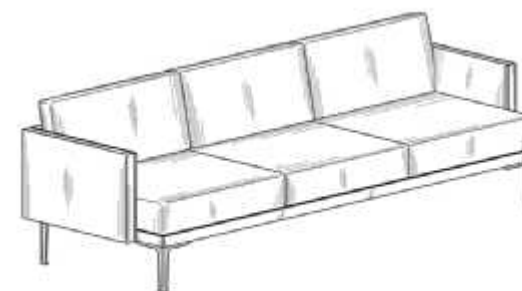
(30) Convention priority data:

(31) Number	(32) Date	(33) Country
887149601	17 Apr 2015	WORLD INTELLECTUAL PROPERTY ORGANIZATION (WIPO)

(56) Related Art Documents: **Not Applicable**

(57) Statement of Newness and Distinctiveness: **Nil**

(21) Design Number: **15411/2015**
(22) Date of Filing Application: **13 October 2015**
(24) Date from which industrial property rights may have effect: **13 October 2015**
(54) Product in respect of which the design is registered: **Sofa**
(51) International Design Classification: **06-01G**
(74) Name(s) of Attorney(s): **PHILLIPS ORMONDE FITZPATRICK**
(71) Name(s) and Address(s) of Applicant(s):



Arper S.p.A.
Via Lombardia, 16 I-31050 Monastier di Treviso Treviso Italy

(72) Name(s) of Designer(s): **Jean-Marie Massaud**

(45) Registration Date: **05 November 2015**

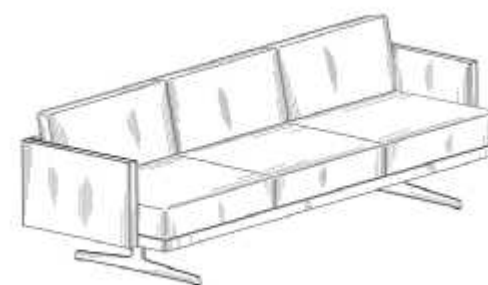
(30) Convention priority data:

(31) Number	(32) Date	(33) Country
887149601	17 Apr 2015	WORLD INTELLECTUAL PROPERTY ORGANIZATION (WIPO)

(56) Related Art Documents: **Not Applicable**

(57) Statement of Newness and Distinctiveness: **Nil**

(21) Design Number: **15412/2015**
(22) Date of Filing Application: **13 October 2015**
(24) Date from which industrial property rights may have effect: **13 October 2015**
(54) Product in respect of which the design is registered: **Sofa**
(51) International Design Classification: **06-01G**
(74) Name(s) of Attorney(s): **PHILLIPS ORMONDE FITZPATRICK**
(71) Name(s) and Address(s) of Applicant(s):



Arper S.p.A.
Via Lombardia, 16 I-31050 Monastier di Treviso Treviso Italy

(72) Name(s) of Designer(s): **Jean-Marie Massaud**

(45) Registration Date: **05 November 2015**

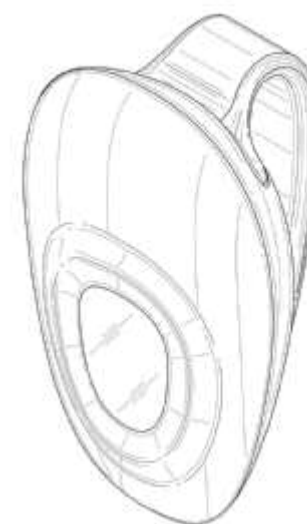
(30) Convention priority data:

(31) Number	(32) Date	(33) Country
887149601	17 Apr 2015	WORLD INTELLECTUAL PROPERTY ORGANIZATION (WIPO)

(56) Related Art Documents: **Not Applicable**

(57) Statement of Newness and Distinctiveness: **Nil**

(21) Design Number: **14477/2015**
(22) Date of Filing Application: **26 August 2015**
(24) Date from which industrial property rights may have effect: **26 August 2015**
(54) Product in respect of which the design is registered: **Activator device with clip**
(51) International Design Classification: **14-99**
(74) Name(s) of Attorney(s): **TJIP Patents, Trade Marks & Designs**
(71) Name(s) and Address(s) of Applicant(s):



David B Benoit
24 Cliffmore Road West Hartford CT, 06107 United States of America

Phill A Giancarlo
343 Babcock Hill Road Lebanon CT, 06249 United States of America

Timothy C Repp
131 Center Hill Road Pleasant Valley CT, 06063 United States of America

(72) Name(s) of Designer(s): **David B Benoit and Phill A Giancarlo and Timothy C Repp**

(45) Registration Date: **06 November 2015**

(30) Convention priority data:

(31) Number	(32) Date	(33) Country
29518858	27 Feb 2015	UNITED STATES OF AMERICA

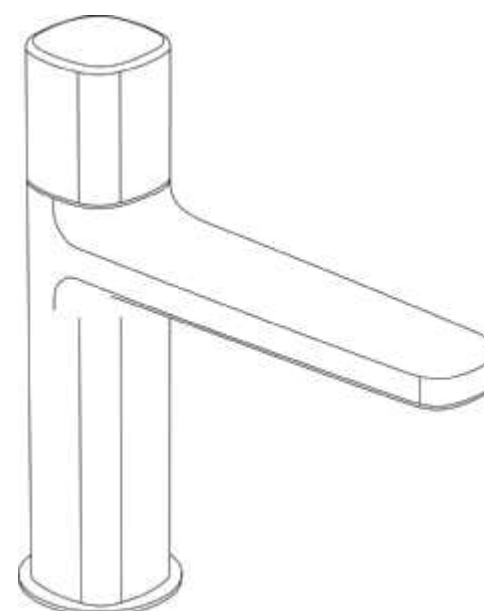
(56) Related Art Documents: **Not Applicable**

(57) Statement of Newness and Distinctiveness: **The design is applicable to a new and distinctive activator device with clip as illustrated in the representations.**

- (21) Design Number: **14478/2015**
(22) Date of Filing Application: **26 August 2015**
(24) Date from which industrial property rights may have effect: **26 August 2015**
(54) Product in respect of which the design is registered: **Activator device with lanyard**
(51) International Design Classification: **14-99**
(74) Name(s) of Attorney(s): **TJIP Patents, Trade Marks & Designs**
(71) Name(s) and Address(s) of Applicant(s):
David B Benoit
24 Cliffmore Road West Hartford CT, 06107 United States of America
Phill A Giancarlo
343 Babcock Hill Road Lebanon CT, 06249 United States of America
Timothy C Repp
131 Center Hill Road Pleasant Valley CT, 06063 United States of America
(72) Name(s) of Designer(s): **David B Benoit and Phill A Giancarlo and Timothy C Repp**
(45) Registration Date: **06 November 2015**
(30) Convention priority data:
(31) Number (32) Date (33) Country
29518869 27 Feb 2015 UNITED STATES OF AMERICA
(56) Related Art Documents: **Not Applicable**
(57) Statement of Newness and Distinctiveness: **The design is applicable to a new and distinctive activator device with lanyard as illustrated in the representations.**



- (21) Design Number: **15413/2015**
(22) Date of Filing Application: **13 October 2015**
(24) Date from which industrial property rights may have effect: **13 October 2015**
(54) Product in respect of which the design is registered: **Mixing tap**
(51) International Design Classification: **23-01H**
(74) Name(s) of Attorney(s): **Griffith Hack**
(71) Name(s) and Address(s) of Applicant(s):
Fratelli Fantini S.p.A.
Via M. Buonarroti 4 Pella NO, 28010 Italy
(72) Name(s) of Designer(s): **Matteo Thun and Antonio Rodriguez**
(45) Registration Date: **06 November 2015**
(30) Convention priority data:
(31) Number (32) Date (33) Country
002680223-0003 13 Apr 2015 OFFICE FOR HARMONISATION IN THE INTERNAL MARKET (OHIM)
(56) Related Art Documents: **Not Applicable**
(57) Statement of Newness and Distinctiveness: **Nil**



(21) Design Number: **15415/2015**
(22) Date of Filing Application: **13 October 2015**
(24) Date from which industrial property rights may have effect: **13 October 2015**
(54) Product in respect of which the design is registered: **Mixing tap and spout**
(51) International Design Classification: **23-01H**
(74) Name(s) of Attorney(s): **Griffith Hack**
(71) Name(s) and Address(s) of Applicant(s):

Fratelli Fantini S.p.A.
Via M. Buonarroti 4 Pella NO, 28010 Italy

(72) Name(s) of Designer(s): **Matteo Thun and Antonio Rodriguez**

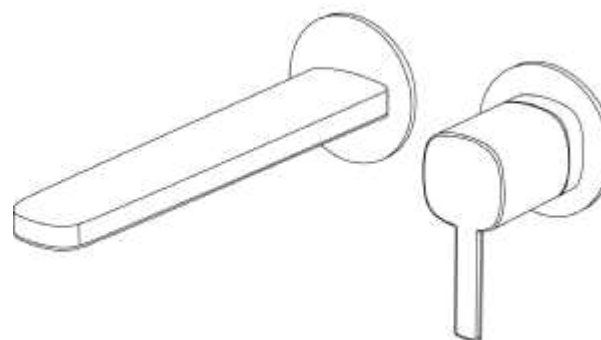
(45) Registration Date: **06 November 2015**

(30) Convention priority data:

(31) Number	(32) Date	(33) Country
002680223-0005	13 Apr 2015	OFFICE FOR HARMONISATION IN THE INTERNAL MARKET (OHIM)

(56) Related Art Documents: **Not Applicable**

(57) Statement of Newness and Distinctiveness: **Nil**



(21) Design Number: **15417/2015**
(22) Date of Filing Application: **14 October 2015**
(24) Date from which industrial property rights may have effect: **14 October 2015**
(54) Product in respect of which the design is registered: **Tamper evident cap for prefilled syringe**
(51) International Design Classification: **24-02**
(74) Name(s) of Attorney(s): **Griffith Hack**
(71) Name(s) and Address(s) of Applicant(s):

Bayer Pharma Aktiengesellschaft
Muellerstr. 178 Berlin 13353 GERMANY

(72) Name(s) of Designer(s): **Ulrike Bergmann**

(45) Registration Date: **06 November 2015**

(30) Convention priority data:

(31) Number	(32) Date	(33) Country
002686097-0001	21 Apr 2015	OFFICE FOR HARMONISATION IN THE INTERNAL MARKET (OHIM)

(56) Related Art Documents: **Not Applicable**

(57) Statement of Newness and Distinctiveness: **Newness and distinctiveness resides in the visual features, including colour, of a TAMPER EVIDENT CAP as shown in the accompanying representations.**



(21) Design Number: **15418/2015**

(22) Date of Filing Application: **14 October 2015**

(24) Date from which industrial property rights may have effect: **14 October 2015**

(54) Product in respect of which the design is registered: **Tamper evident cap for prefilled syringe**

(51) International Design Classification: **24-02**

(74) Name(s) of Attorney(s): **Griffith Hack**

(71) Name(s) and Address(s) of Applicant(s):

**Bayer Pharma Aktiengesellschaft
Muellerstr. 178 Berlin 13353 GERMANY**

(72) Name(s) of Designer(s): **Ulrike Bergmann**

(45) Registration Date: **06 November 2015**

(30) Convention priority data:

(31) Number	(32) Date	(33) Country
002686097-0002	21 Apr 2015	OFFICE FOR HARMONISATION IN THE INTERNAL MARKET (OHIM)

(56) Related Art Documents: **Not Applicable**

(57) Statement of Newness and Distinctiveness: **Newness and distinctiveness resides in the visual features, including colour, of a TAMPER EVIDENT CAP as shown in the accompanying representations.**



(21) Design Number: **15419/2015**

(22) Date of Filing Application: **14 October 2015**

(24) Date from which industrial property rights may have effect: **14 October 2015**

(54) Product in respect of which the design is registered: **Tamper evident cap for prefilled syringe**

(51) International Design Classification: **24-02**

(74) Name(s) of Attorney(s): **Griffith Hack**

(71) Name(s) and Address(s) of Applicant(s):

**Bayer Pharma Aktiengesellschaft
Muellerstr. 178 Berlin 13353 GERMANY**

(72) Name(s) of Designer(s): **Ulrike Bergmann**

(45) Registration Date: **06 November 2015**

(30) Convention priority data:

(31) Number	(32) Date	(33) Country
0002686097-0003	21 Apr 2015	OFFICE FOR HARMONISATION IN THE INTERNAL MARKET (OHIM)

(56) Related Art Documents: **Not Applicable**

(57) Statement of Newness and Distinctiveness: **Newness and distinctiveness resides in the visual features, including colour, of a TAMPER EVIDENT CAP as shown in the accompanying representations.**



(21) Design Number: **15420/2015**
(22) Date of Filing Application: **14 October 2015**
(24) Date from which industrial property rights may have effect: **14 October 2015**
(54) Product in respect of which the design is registered: **Tamper evident cap for prefilled syringe**
(51) International Design Classification: **24-02**
(74) Name(s) of Attorney(s): **Griffith Hack**
(71) Name(s) and Address(s) of Applicant(s):
Bayer Pharma Aktiengesellschaft
Muellerstr. 178 Berlin 13353 GERMANY
(72) Name(s) of Designer(s): **Ulrike Bergmann**
(45) Registration Date: **06 November 2015**
(30) Convention priority data:
(31) Number (32) Date (33) Country
002686097-0004 21 Apr 2015 OFFICE FOR HARMONISATION IN THE INTERNAL MARKET (OHIM)
(56) Related Art Documents: **Not Applicable**
(57) Statement of Newness and Distinctiveness: **Newness and distinctiveness resides in the visual features, including colour, of a TAMPER EVIDENT CAP as shown in the accompanying representations.**



(21) Design Number: **15421/2015**
(22) Date of Filing Application: **14 October 2015**
(24) Date from which industrial property rights may have effect: **14 October 2015**
(54) Product in respect of which the design is registered: **Tamper evident cap for prefilled syringe**
(51) International Design Classification: **24-02**
(74) Name(s) of Attorney(s): **Griffith Hack**
(71) Name(s) and Address(s) of Applicant(s):
Bayer Pharma Aktiengesellschaft
Muellerstr. 178 Berlin 13353 GERMANY
(72) Name(s) of Designer(s): **Ulrike Bergmann**
(45) Registration Date: **06 November 2015**
(30) Convention priority data:
(31) Number (32) Date (33) Country
002686097-0005 21 Apr 2015 OFFICE FOR HARMONISATION IN THE INTERNAL MARKET (OHIM)
(56) Related Art Documents: **Not Applicable**
(57) Statement of Newness and Distinctiveness: **Newness and distinctiveness resides in the visual features, including translucency, of a TAMPER EVIDENT CAP as shown in the accompanying representations.**



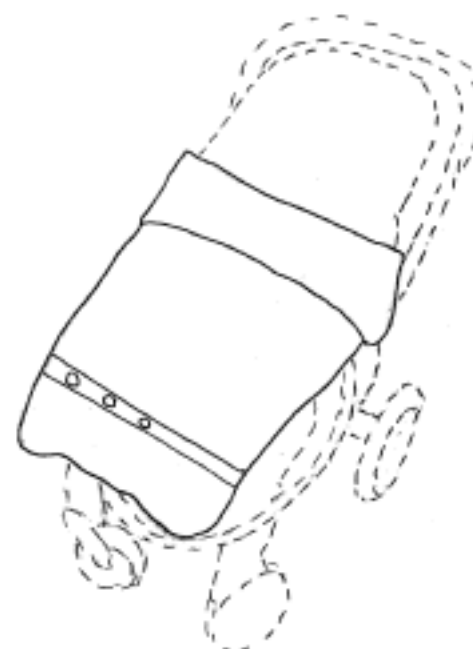
- (21) Design Number: **13015/2015**
(22) Date of Filing Application: **15 June 2015**
(24) Date from which industrial property rights may have effect: **15 June 2015**
(54) Product in respect of which the design is registered: **Candle Holder**
(51) International Design Classification: **26-01**
(74) Name(s) of Attorney(s):
(71) Name(s) and Address(s) of Applicant(s):
Nyree Hibbard
4 Jacana St Mornington VIC 3931
(72) Name(s) of Designer(s): **Nyree Hibberd**
(45) Registration Date: **06 November 2015**
(56) Related Art Documents: **Not Applicable**
(57) Statement of Newness and Distinctiveness: **Porcelain cone with a base of wood, comprising of intricate designs developed by Koh Living.**



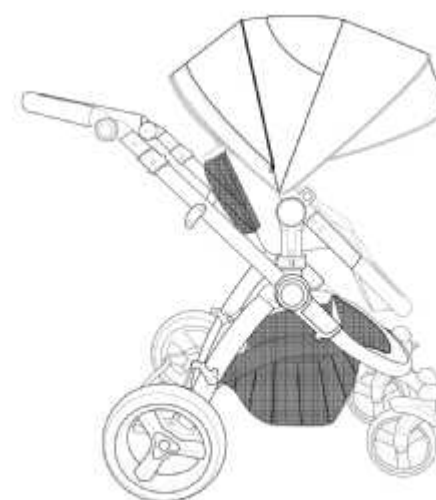
- (21) Design Number: **15274/2015**
(22) Date of Filing Application: **08 October 2015**
(24) Date from which industrial property rights may have effect: **08 October 2015**
(54) Product in respect of which the design is registered: **Hair attachment device**
(51) International Design Classification: **28-04**
(74) Name(s) of Attorney(s):
(71) Name(s) and Address(s) of Applicant(s):
Olga Sutcliffe
48 Chapel St Windsor VIC 3181 Australia
(72) Name(s) of Designer(s): **Olga Sutcliffe**
(45) Registration Date: **06 November 2015**
(56) Related Art Documents: **Not Applicable**
(57) Statement of Newness and Distinctiveness: **Newness and distinctiveness reside in the features of the design as shown in the representation which includes the specifically designed V shape.**



- (21) Design Number: **12934/2015**
(22) Date of Filing Application: **11 June 2015**
(24) Date from which industrial property rights may have effect: **11 June 2015**
(54) Product in respect of which the design is registered: **A quilt for an infant stroller**
(51) International Design Classification: **06-13B**
(74) Name(s) of Attorney(s):
(71) Name(s) and Address(s) of Applicant(s):
Outlook Australia Pty Ltd
8 lan Ave Ringwood East VIC 3135 Australia
(72) Name(s) of Designer(s): **Eileen Hoey-Slocombe and Julie Frost**
(45) Registration Date: **06 November 2015**
(56) Related Art Documents: **Not Applicable**
(57) Statement of Newness and Distinctiveness: **The design is to be applied to a quilt for an infant stroller and the novelty resides in the features of shape and configuration of the quilt as shown in the accompanying representations.**



- (21) Design Number: **13811/2015**
(22) Date of Filing Application: **30 July 2015**
(24) Date from which industrial property rights may have effect: **30 July 2015**
(54) Product in respect of which the design is registered: **Pram / stroller**
(51) International Design Classification: **12-12**
(74) Name(s) of Attorney(s):
(71) Name(s) and Address(s) of Applicant(s):
REDSBABY PTY. LTD.
PO BOX 3033 Bellevue Hill NSW 2023 Australia
(72) Name(s) of Designer(s): **Meagan Redelman**
(45) Registration Date: **06 November 2015**
(56) Related Art Documents: **Not Applicable**
(57) Statement of Newness and Distinctiveness: **The newness and distinctiveness of the design resides in the overall shape and/or configuration of a pram/stroller as illustrated in the accompanying representations. Particular emphasis is placed on the newness and distinctiveness of the shape and configuration of the soft goods materials design (canopy, seat unit design, harness padding design, seat liner, carrycot apron, carrycot lining, basket design) in conjunction with the hard goods design (chassis, wheels, plastic and metal components).**



- (21) Design Number: **13812/2015**
(22) Date of Filing Application: **30 July 2015**
(24) Date from which industrial property rights may have effect: **30 July 2015**
(54) Product in respect of which the design is registered: **Pram / stroller**
(51) International Design Classification: **12-12**
(74) Name(s) of Attorney(s):
(71) Name(s) and Address(s) of Applicant(s):

REDSBABY PTY. LTD.
PO BOX 3033 Bellevue Hill NSW 2023 Australia

(72) Name(s) of Designer(s): **Meagan Redelman**

(45) Registration Date: **06 November 2015**

(56) Related Art Documents: **Not Applicable**

(57) Statement of Newness and Distinctiveness: **The newness and distinctiveness of the design resides in the overall shape, colour, patterns and/or configuration of a pram/stroller as illustrated in the accompanying representations. Particular emphasis is placed on the newness and distinctiveness of the shape and configuration of the soft goods materials design and their colours and patterns (canopy, seat unit design, harness padding design, seat liner, carrycot apron, carrycot lining, basket design) in conjunction with the hard goods design and their colours (chassis, wheels, plastic and metal components).**



REPRESENTATION 1: SIDE VIEW (SEAT)

- (21) Design Number: **13813/2015**
(22) Date of Filing Application: **30 July 2015**
(24) Date from which industrial property rights may have effect: **30 July 2015**
(54) Product in respect of which the design is registered: **Pram / stroller**
(51) International Design Classification: **12-12**
(74) Name(s) of Attorney(s):
(71) Name(s) and Address(s) of Applicant(s):

REDSBABY PTY. LTD.
PO BOX 3033 Bellevue Hill NSW 2023 Australia

(72) Name(s) of Designer(s): **Meagan Redelman**

(45) Registration Date: **06 November 2015**

(56) Related Art Documents: **Not Applicable**

(57) Statement of Newness and Distinctiveness: **The newness and distinctiveness of the design resides in the overall shape, colour, patterns and/or configuration of a pram/stroller as illustrated in the accompanying representations. Particular emphasis is placed on the newness and distinctiveness of the shape and configuration of the soft goods materials design and their colours and patterns (canopy, seat unit design, harness padding design, seat liner, carrycot apron, carrycot lining, basket design) in conjunction with the hard goods design and their colours (chassis, wheels, plastic and metal components).**



(21) Design Number: **13814/2015**
(22) Date of Filing Application: **30 July 2015**
(24) Date from which industrial property rights may have effect: **30 July 2015**
(54) Product in respect of which the design is registered: **Pram / stroller**
(51) International Design Classification: **12-12**
(74) Name(s) of Attorney(s):
(71) Name(s) and Address(s) of Applicant(s):

REDSBABY PTY. LTD.
PO BOX 3033 Bellevue Hill NSW 2023 Australia

(72) Name(s) of Designer(s): **Meagan Redelman**

(45) Registration Date: **06 November 2015**

(56) Related Art Documents: **Not Applicable**

(57) Statement of Newness and Distinctiveness: **The newness and distinctiveness of the design resides in the overall shape, colour, patterns and/or configuration of a pram/stroller as illustrated in the accompanying representations. Particular emphasis is placed on the newness and distinctiveness of the shape and configuration of the soft goods materials design and their colours and patterns (canopy, seat unit design, harness padding design, seat liner, carrycot apron, carrycot lining, basket design) in conjunction with the hard goods design and their colours (chassis, wheels, plastic and metal components).**



(21) Design Number: **13815/2015**
(22) Date of Filing Application: **30 July 2015**
(24) Date from which industrial property rights may have effect: **30 July 2015**
(54) Product in respect of which the design is registered: **Pram / stroller**
(51) International Design Classification: **12-12**
(74) Name(s) of Attorney(s):
(71) Name(s) and Address(s) of Applicant(s):

REDSBABY PTY. LTD.
PO BOX 3033 Bellevue Hill NSW 2023 Australia

(72) Name(s) of Designer(s): **Meagan Redelman**

(45) Registration Date: **06 November 2015**

(56) Related Art Documents: **Not Applicable**

(57) Statement of Newness and Distinctiveness: **The newness and distinctiveness of the design resides in the overall shape, colour, patterns and/or configuration of a pram/stroller as illustrated in the accompanying representations. Particular emphasis is placed on the newness and distinctiveness of the shape and configuration of the soft goods materials design and their colours and patterns (canopy, seat unit design, harness padding design, seat liner, carrycot apron, carrycot lining, basket design) in conjunction with the hard goods design and their colours (chassis, wheels, plastic and metal components).**



- (21) Design Number: **13816/2015**
(22) Date of Filing Application: **30 July 2015**
(24) Date from which industrial property rights may have effect: **30 July 2015**
(54) Product in respect of which the design is registered: **Pram / stroller**
(51) International Design Classification: **12-12**
(74) Name(s) of Attorney(s):
(71) Name(s) and Address(s) of Applicant(s):

REDSBABY PTY. LTD.
PO BOX 3033 Bellevue Hill NSW 2023 Australia

- (72) Name(s) of Designer(s): **Meagan Redelman**

(45) Registration Date: **06 November 2015**

(56) Related Art Documents: **Not Applicable**

- (57) Statement of Newness and Distinctiveness: **The newness and distinctiveness of the design resides in the overall shape, colour, patterns and/or configuration of a pram/stroller as illustrated in the accompanying representations. Particular emphasis is placed on the newness and distinctiveness of the shape and configuration of the soft goods materials design and their colours and patterns (canopy, seat unit design, harness padding design, seat liner, carrycot apron, carrycot lining, basket design) in conjunction with the hard goods design and their colours (chassis, wheels, plastic and metal components).**



- (21) Design Number: **13817/2015**
(22) Date of Filing Application: **30 July 2015**
(24) Date from which industrial property rights may have effect: **30 July 2015**
(54) Product in respect of which the design is registered: **Pram/ stroller**
(51) International Design Classification: **12-12**
(74) Name(s) of Attorney(s):
(71) Name(s) and Address(s) of Applicant(s):

REDSBABY PTY. LTD.
PO BOX 3033 Bellevue Hill NSW 2023 Australia

- (72) Name(s) of Designer(s): **Meagan Redelman**

(45) Registration Date: **06 November 2015**

(56) Related Art Documents: **Not Applicable**

- (57) Statement of Newness and Distinctiveness: **The newness and distinctiveness of the design resides in the overall shape, colour and/or configuration of a pram/stroller as illustrated in the accompanying representations. Particular emphasis is placed on the newness and distinctiveness of the shape and configuration of the soft goods materials design and their colours (canopy, seat unit design, harness padding design, seat liner, carrycot apron, carrycot lining, basket design) and how they appear collectively in the pram/stroller in conjunction with the hard goods design and their colours (chassis, wheels, plastic and metal components).**



(21) Design Number: **15422/2015**

(22) Date of Filing Application: **14 October 2015**

(24) Date from which industrial property rights may have effect: **14 October 2015**

(54) Product in respect of which the design is registered: **Tamper evident cap for prefilled syringe**

(51) International Design Classification: **24-02**

(74) Name(s) of Attorney(s): **Griffith Hack**

(71) Name(s) and Address(s) of Applicant(s):

**Bayer Pharma Aktiengesellschaft
Muellerstr. 178 Berlin 13353 GERMANY**

(72) Name(s) of Designer(s): **Ulrike Bergmann**

(45) Registration Date: **06 November 2015**

(30) Convention priority data:

(31) Number	(32) Date	(33) Country
002686097-0006	21 Apr 2015	OFFICE FOR HARMONISATION IN THE INTERNAL MARKET (OHIM)



(56) Related Art Documents: **Not Applicable**

(57) Statement of Newness and Distinctiveness: **Newness and distinctiveness resides in the visual features, including shape and configuration, of a TAMPER EVIDENT CAP as shown in the accompanying representations.**

(21) Design Number: **15423/2015**

(22) Date of Filing Application: **14 October 2015**

(24) Date from which industrial property rights may have effect: **14 October 2015**

(54) Product in respect of which the design is registered: **Pharmaceutical tablet**

(51) International Design Classification: **28-01**

(74) Name(s) of Attorney(s): **FB Rice**

(71) Name(s) and Address(s) of Applicant(s):

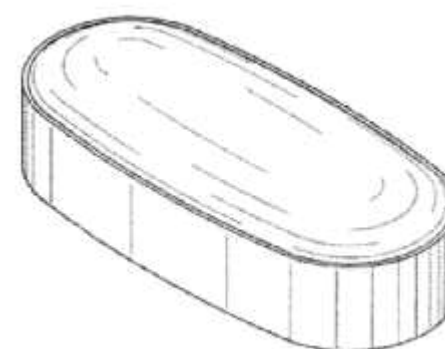
**Celgene Corporation
86 Morris Avenue Summit New Jersey 07901 United States of America**

(72) Name(s) of Designer(s): **Darshan Parikh and Scott Burnside and Srenivas S. Bhat and Jiping Liu**

(45) Registration Date: **06 November 2015**

(30) Convention priority data:

(31) Number	(32) Date	(33) Country
29/524,022	15 Apr 2015	UNITED STATES OF AMERICA



(56) Related Art Documents: **Not Applicable**

(57) Statement of Newness and Distinctiveness: **Newness and distinctiveness reside in the features of the design as shown in the representations.**

(21) Design Number: **15424/2015**
(22) Date of Filing Application: **14 October 2015**
(24) Date from which industrial property rights may have effect: **14 October 2015**
(54) Product in respect of which the design is registered: **A coffee maker**
(51) International Design Classification: **07-02L**
(74) Name(s) of Attorney(s): **Banki Haddock Fiora**
(71) Name(s) and Address(s) of Applicant(s):

Pi-Design AG
Kantonsstrasse 100 Triengen CH-6234 Switzerland

(72) Name(s) of Designer(s): **Jorgen Bodum**

(45) Registration Date: **06 November 2015**

(30) Convention priority data:

(31) Number	(32) Date	(33) Country
DM/086 414	07 May 2015	WORLD INTELLECTUAL PROPERTY ORGANIZATION (WIPO)

(56) Related Art Documents: **Not Applicable**

(57) Statement of Newness and Distinctiveness: **The visual features of the coffee maker depicted in the representations that are new and distinctive are the shape and/or configuration.**



(21) Design Number: **15427/2015**
(22) Date of Filing Application: **14 October 2015**
(24) Date from which industrial property rights may have effect: **14 October 2015**
(54) Product in respect of which the design is registered: **Dispenser**
(51) International Design Classification: **23-02A**
(74) Name(s) of Attorney(s): **WATERMARK PATENT AND TRADE MARKS
ATTORNEYS**
(71) Name(s) and Address(s) of Applicant(s):

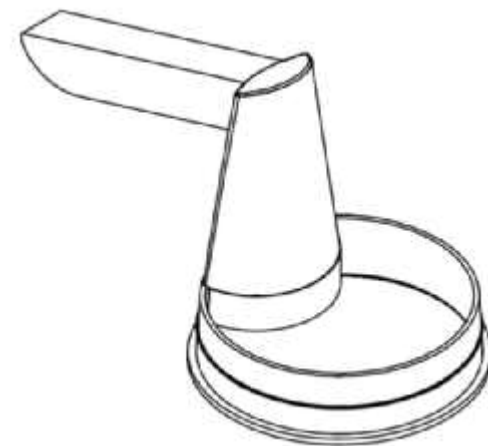
VIP Plastic Packaging Pty Ltd
L1 Building 6 650 Church St Richmond VIC 3121 Australia

(72) Name(s) of Designer(s): **Peter May and Chris Siotas**

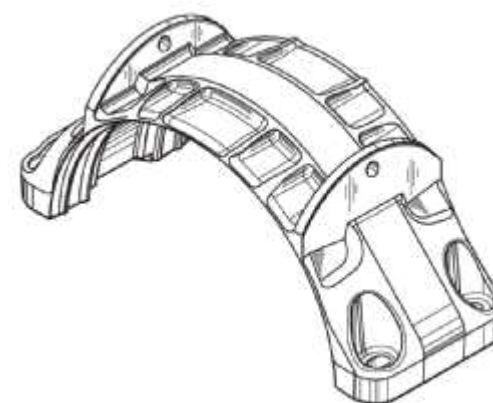
(45) Registration Date: **06 November 2015**

(56) Related Art Documents: **Not Applicable**

(57) Statement of Newness and Distinctiveness: **Nil**

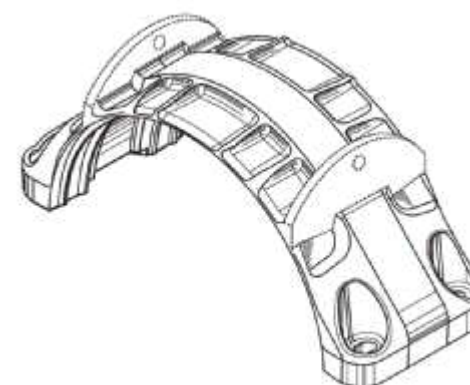


(21) Design Number: **15433/2015**
(22) Date of Filing Application: **14 October 2015**
(24) Date from which industrial property rights may have effect: **14 October 2015**
(54) Product in respect of which the design is registered: **Pipe coupling segment**
(51) International Design Classification: **23-01A**
(74) Name(s) of Attorney(s): **Spruson & Ferguson**
(71) Name(s) and Address(s) of Applicant(s):
Victaulic Company
4901 Kesslersville Road, Easton Pennsylvania, 18040 United States Of America



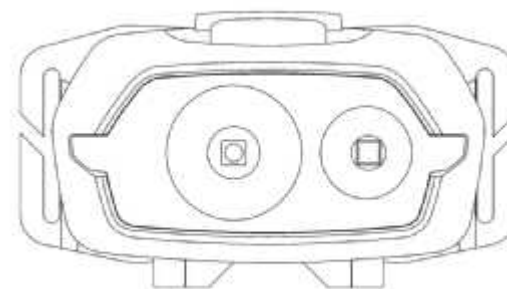
(72) Name(s) of Designer(s): **Mark J. Sewell and Randy L. Chase**
(45) Registration Date: **06 November 2015**
(30) Convention priority data:
(31) Number (32) Date (33) Country
29/526663 12 May 2015 UNITED STATES OF AMERICA
(56) Related Art Documents: **Not Applicable**
(57) Statement of Newness and Distinctiveness: **Newness and distinctiveness is claimed in the features of shape and/or configuration of a pipe coupling segment as illustrated in the accompanying representations.**

(21) Design Number: **15434/2015**
(22) Date of Filing Application: **14 October 2015**
(24) Date from which industrial property rights may have effect: **14 October 2015**
(54) Product in respect of which the design is registered: **Pipe coupling segment**
(51) International Design Classification: **23-01A**
(74) Name(s) of Attorney(s): **Spruson & Ferguson**
(71) Name(s) and Address(s) of Applicant(s):
Victaulic Company
4901 Kesslersville Road, Easton Pennsylvania, 18040 United States Of America



(72) Name(s) of Designer(s): **Mark J. Sewell and Randy L. Chase**
(45) Registration Date: **06 November 2015**
(30) Convention priority data:
(31) Number (32) Date (33) Country
29/526663 12 May 2015 UNITED STATES OF AMERICA
(56) Related Art Documents: **Not Applicable**
(57) Statement of Newness and Distinctiveness: **Newness and distinctiveness is claimed in those features of shape and/or configuration of a pipe segment coupling illustrated in continuous lines in the accompanying representations.**

- (21) Design Number: **15435/2015**
(22) Date of Filing Application: **14 October 2015**
(24) Date from which industrial property rights may have effect: **14 October 2015**
(54) Product in respect of which the design is registered: **Headlamp**
(51) International Design Classification: **26-02**
(74) Name(s) of Attorney(s): **Allens Patent & Trade Mark Attorneys**
(71) Name(s) and Address(s) of Applicant(s):
GENTOS Co., Ltd.
2-9-7 Ikenohata Taito-Ku Tokyo, 110-0008 Japan
(72) Name(s) of Designer(s): **Keita Koshiba**
(45) Registration Date: **06 November 2015**
(30) Convention priority data:
(31) Number (32) Date (33) Country
2015-008541 15 Apr 2015 JAPAN
(56) Related Art Documents: **Not Applicable**
(57) Statement of Newness and Distinctiveness: **Newness and distinctiveness resides in the visual features of shape and/or configuration of a headlamp as illustrated in the accompanying representations.**



- (21) Design Number: **14545/2015**
(22) Date of Filing Application: **30 August 2015**
(24) Date from which industrial property rights may have effect: **30 August 2015**
(54) Product in respect of which the design is registered: **Surfboard**
(51) International Design Classification: **21-02D**
(74) Name(s) of Attorney(s):
(71) Name(s) and Address(s) of Applicant(s):
Robert Webster
125 Morialta St Mansfield QLD, 4122 Australia
(72) Name(s) of Designer(s): **Robert Webster**
(45) Registration Date: **06 November 2015**
(56) Related Art Documents: **Not Applicable**
(57) Statement of Newness and Distinctiveness: **A surfboard fin design & configuration The side view of this design shows two surfboard fins assembled on a surfboard. The first larger fin is a typical shape for a surfboard fin that can be described as follows -: The outline edges of the typical fin shape are substantially curved in appearance and its height rakes back wards towards the rear of the surfboard. This is a consistent pattern for most surfboard fins. The distinctive aspect of this design is the addition of the smaller second fin placed to the rear of the typical fin where the smaller second fin is typified by squarish or straight edges and is new in that it rakes forward instead of backwards. When the components are assembled together on a surfboard the resulting image of the side elevation of the surfboard is both new and distinctive.**



(21) Design Number: **15060/2015**
(22) Date of Filing Application: **28 September 2015**
(24) Date from which industrial property rights may have effect: **28 September 2015**
(54) Product in respect of which the design is registered: **Handbag and clutch bag**
(51) International Design Classification: **03-01B**
(74) Name(s) of Attorney(s):
(71) Name(s) and Address(s) of Applicant(s):

Aimee Delandre
6/80 Elouera Rd Cronulla NSW, 2230 Australia

(72) Name(s) of Designer(s): **Aimee Delandre**

(45) Registration Date: **06 November 2015**

(56) Related Art Documents: **Not Applicable**

(57) Statement of Newness and Distinctiveness: **The design within my submission is new, and based on investigations, is not similar to any design previously disclosed. The design is distinctive based on the feature that allows two bags to be joined by magnets. See Photo 1, although the magnets can't be seen given they are inside the lining). This allows women to customise based on the size they need for a particular occasion, or the look they are trying to achieve (ie colours can be customised). The magnets are within the lining at the top of the bag, below the zip. When joined, it's not possible to notice that it is two separate bags joined together (ie the use of magnets is subtle). The removable strap also enhances the ability to customise, with the bag being able to be used as either a single or double clutch. The use of magnets within the design helps create a multi-purpose bag whilst maintaining the same style. This is a unique feature that will appeal to the target market. The photo's included are of a sample I have had made.**



(21) Design Number: **15445/2015**
(22) Date of Filing Application: **15 October 2015**
(24) Date from which industrial property rights may have effect: **15 October 2015**
(54) Product in respect of which the design is registered: **Air purifier**
(51) International Design Classification: **23-04**
(74) Name(s) of Attorney(s): **FB Rice**
(71) Name(s) and Address(s) of Applicant(s):

Koninklijke Philips N.V.
High Tech Campus 5 5656 AE Eindhoven The Netherlands

(72) Name(s) of Designer(s): **Guo Ning Hu**

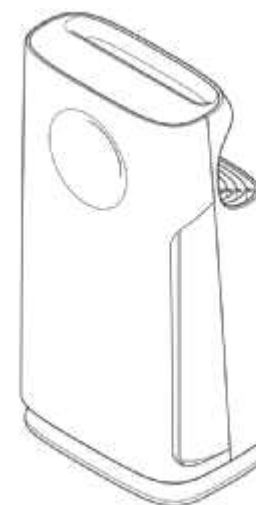
(45) Registration Date: **06 November 2015**

(30) Convention priority data:

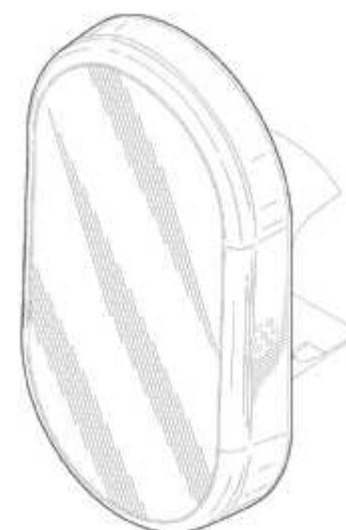
(31) Number	(32) Date	(33) Country
002682377-0001	16 Apr 2015	OFFICE FOR HARMONISATION IN THE INTERNAL MARKET (OHIM)

(56) Related Art Documents: **Not Applicable**

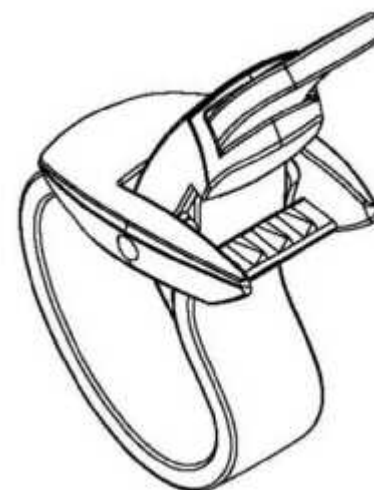
(57) Statement of Newness and Distinctiveness: **Newness and distinctiveness reside in the features of shape and configuration of the design as shown in the representations.**



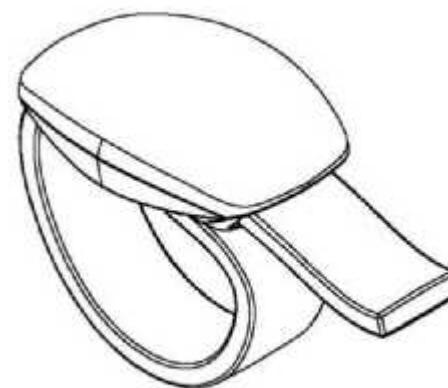
- (21) Design Number: **15447/2015**
(22) Date of Filing Application: **15 October 2015**
(24) Date from which industrial property rights may have effect: **30 July 2015**
(54) Product in respect of which the design is registered: **Smart lock front panel**
(51) International Design Classification: **08-07**
(74) Name(s) of Attorney(s): **Griffith Hack**
(71) Name(s) and Address(s) of Applicant(s):
Yale Security Inc.
1902 Airport Road Monroe, North Carolina, 28110 United States of America
(72) Name(s) of Designer(s): **Kevin Kraus and Mark Caterino and Tiffany Mayo and Jason Williams**
(45) Registration Date: **06 November 2015**
(62) Divisional of: **364903**
(56) Related Art Documents: **Not Applicable**
(57) Statement of Newness and Distinctiveness: **Newness and distinctiveness resides in the shape and configuration as shown by means of the solid lines in the accompanying drawings. The shading lines on the front and side of the product do not form part of the design.**



- (21) Design Number: **15450/2015**
(22) Date of Filing Application: **15 October 2015**
(24) Date from which industrial property rights may have effect: **15 October 2015**
(54) Product in respect of which the design is registered: **A hair fastening device**
(51) International Design Classification: **28-02**
(74) Name(s) of Attorney(s): **Spruson & Ferguson**
(71) Name(s) and Address(s) of Applicant(s):
Errol Brett Jacobson
L35 St Martins Tower 31 Market St Sydney NSW 2000 Australia
(72) Name(s) of Designer(s): **Errol Brett Jacobson**
(45) Registration Date: **06 November 2015**
(56) Related Art Documents: **Not Applicable**
(57) Statement of Newness and Distinctiveness: **Newness and distinctiveness is claimed in the features of shape and/or configuration of a hair fastening device as illustrated in the accompanying representations.**



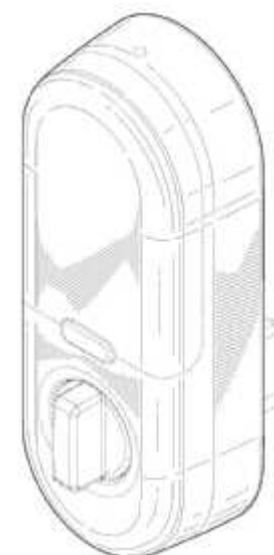
- (21) Design Number: **15451/2015**
(22) Date of Filing Application: **15 October 2015**
(24) Date from which industrial property rights may have effect: **15 October 2015**
(54) Product in respect of which the design is registered: **A hair fastening device**
(51) International Design Classification: **28-02**
(74) Name(s) of Attorney(s): **Spruson & Ferguson**
(71) Name(s) and Address(s) of Applicant(s):
Errol Brett Jacobson
L35 St Martins Tower 31 Market St Sydney NSW 2000 Australia
(72) Name(s) of Designer(s): **Errol Brett Jacobson**
(45) Registration Date: **06 November 2015**
(56) Related Art Documents: **Not Applicable**
(57) Statement of Newness and Distinctiveness: **Newness and distinctiveness is claimed in the features of shape and/or configuration of a hair fastening device as illustrated in the accompanying representations.**



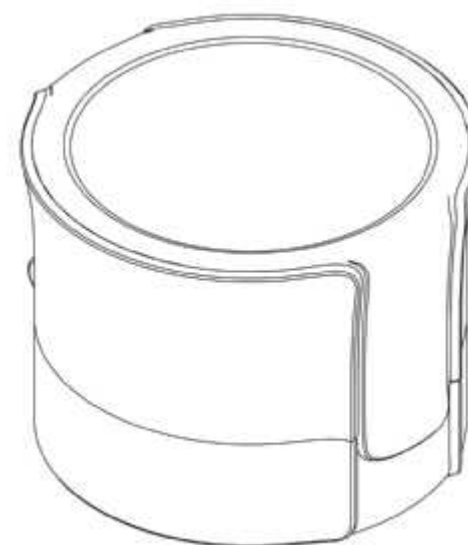
- (21) Design Number: **15454/2015**
(22) Date of Filing Application: **15 October 2015**
(24) Date from which industrial property rights may have effect: **15 October 2015**
(54) Product in respect of which the design is registered: **A closure for a flask**
(51) International Design Classification: **07-01F**
(74) Name(s) of Attorney(s): **Griffith Hack**
(71) Name(s) and Address(s) of Applicant(s):
BRITA GMBH
Heinrich-Hertz Strasse 4 TAUNUSSTEIN 65232 Germany
(72) Name(s) of Designer(s): **Christian Rummel and Tim Storti**
(45) Registration Date: **06 November 2015**
(30) Convention priority data:
(31) Number (32) Date (33) Country
40 2015 100 355 17 Apr 2015 GERMANY
(56) Related Art Documents: **Not Applicable**
(57) Statement of Newness and Distinctiveness: **Newness and distinctiveness resides in the visual features, including shape and configuration, of A CLOSURE FOR A FLASK as shown in the accompanying drawings. When determining whether the design is substantially similar in overall impression to another design, no regard is to be had to those features shown in dotted outline in the accompanying representations, which features are provided for illustrative purposes only.**



- (21) Design Number: **15456/2015**
(22) Date of Filing Application: **15 October 2015**
(24) Date from which industrial property rights may have effect: **30 July 2015**
(54) Product in respect of which the design is registered: **Interior housing for a door lock**
(51) International Design Classification: **08-07**
(74) Name(s) of Attorney(s): **Griffith Hack**
(71) Name(s) and Address(s) of Applicant(s):
Yale Security Inc.
1902 Airport Road Monroe, North Carolina, 28110 United States of America
(72) Name(s) of Designer(s): **Kevin Kraus and Mark Caterino and Tiffany Mayo and Jason Williams**
(45) Registration Date: **06 November 2015**
(62) Divisional of: **364904**
(56) Related Art Documents: **Not Applicable**
(57) Statement of Newness and Distinctiveness: **Newness and distinctiveness resides in the shape and configuration as shown by means of the solid lines in the accompanying drawings. The shading lines on the front and side of the product do not form part of the design.**



- (21) Design Number: **15457/2015**
(22) Date of Filing Application: **15 October 2015**
(24) Date from which industrial property rights may have effect: **15 October 2015**
(54) Product in respect of which the design is registered: **A closure for a flask**
(51) International Design Classification: **07-01F**
(74) Name(s) of Attorney(s): **Griffith Hack**
(71) Name(s) and Address(s) of Applicant(s):
BRITA GMBH
Heinrich-Hertz Strasse 4 TAUNUSSTEIN 65232 Germany
(72) Name(s) of Designer(s): **Christian Rummel and Tim Storti**
(45) Registration Date: **06 November 2015**
(30) Convention priority data:
(31) Number (32) Date (33) Country
40 2015 100 355 17 Apr 2015 GERMANY
(56) Related Art Documents: **Not Applicable**
(57) Statement of Newness and Distinctiveness: **Newness and distinctiveness resides in the visual features, including shape and configuration, of A CLOSURE FOR A FLASK as shown in the accompanying drawings.**



(21) Design Number: **15458/2015**
(22) Date of Filing Application: **15 October 2015**
(24) Date from which industrial property rights may have effect: **15 October 2015**
(54) Product in respect of which the design is registered: **A flask with closure**
(51) International Design Classification: **07-01F**
(74) Name(s) of Attorney(s): **Griffith Hack**
(71) Name(s) and Address(s) of Applicant(s):
BRITA GMBH
Heinrich-Hertz Strasse 4 TAUNUSSTEIN 65232 Germany
(72) Name(s) of Designer(s): **Christian Rummel and Tim Storti**
(45) Registration Date: **09 November 2015**
(30) Convention priority data:
(31) Number (32) Date (33) Country
40 2015 100 355 17 Apr 2015 GERMANY
(56) Related Art Documents: **Not Applicable**
(57) Statement of Newness and Distinctiveness: **Newness and distinctiveness resides in the visual features, including shape, configuration and differential shading, of A FLASK WITH CLOSURE as shown in the accompanying drawings.**



(21) Design Number: **15459/2015**
(22) Date of Filing Application: **15 October 2015**
(24) Date from which industrial property rights may have effect: **15 October 2015**
(54) Product in respect of which the design is registered: **A closure for a flask**
(51) International Design Classification: **07-01F**
(74) Name(s) of Attorney(s): **Griffith Hack**
(71) Name(s) and Address(s) of Applicant(s):
BRITA GMBH
Heinrich-Hertz Strasse 4 TAUNUSSTEIN 65232 Germany
(72) Name(s) of Designer(s): **Christian Rummel and Tim Storti**
(45) Registration Date: **09 November 2015**
(30) Convention priority data:
(31) Number (32) Date (33) Country
40 2015 100 355 17 Apr 2015 GERMANY
(56) Related Art Documents: **Not Applicable**
(57) Statement of Newness and Distinctiveness: **Newness and distinctiveness resides in the visual features, including shape and configuration, of A CLOSURE FOR A FLASK as shown in the accompanying drawings.**



(21) Design Number: **15460/2015**
(22) Date of Filing Application: **15 October 2015**
(24) Date from which industrial property rights may have effect: **15 October 2015**
(54) Product in respect of which the design is registered: **Door locking mechanism**
(51) International Design Classification: **08-07**
(74) Name(s) of Attorney(s): **WRAYS PTY LTD**
(71) Name(s) and Address(s) of Applicant(s):
Thomas E Meyerhoffer
1241 Main Street Montara California, 94037 United States of America
(72) Name(s) of Designer(s): **Thomas E Meyerhoffer**
(45) Registration Date: **09 November 2015**
(30) Convention priority data:
(31) Number (32) Date (33) Country
29/524,118 16 Apr 2015 UNITED STATES OF AMERICA
(56) Related Art Documents: **Not Applicable**
(57) Statement of Newness and Distinctiveness: **Newness and distinctiveness is claimed in the features of shape, configuration, pattern, and/or ornamentation of the Door Locking Mechanism as shown in the accompanying representations.**



(21) Design Number: **15462/2015**
(22) Date of Filing Application: **15 October 2015**
(24) Date from which industrial property rights may have effect: **15 October 2015**
(54) Product in respect of which the design is registered: **A flask with closure**
(51) International Design Classification: **07-01F**
(74) Name(s) of Attorney(s): **Griffith Hack**
(71) Name(s) and Address(s) of Applicant(s):
BRITA GMBH
Heinrich-Hertz Strasse 4 TAUNUSSTEIN 65232 Germany
(72) Name(s) of Designer(s): **Christian Rummel and Tim Storti**
(45) Registration Date: **09 November 2015**
(30) Convention priority data:
(31) Number (32) Date (33) Country
40 2015 100 355 17 Apr 2015 GERMANY
(56) Related Art Documents: **Not Applicable**
(57) Statement of Newness and Distinctiveness: **Newness and distinctiveness resides in the visual features, including shape, configuration and differential shading, of A FLASK WITH CLOSURE as shown in the accompanying drawings.**



(21) Design Number: **15463/2015**
(22) Date of Filing Application: **15 October 2015**
(24) Date from which industrial property rights may have effect: **15 October 2015**
(54) Product in respect of which the design is registered: **A spotlight**
(51) International Design Classification: **26-03**
(74) Name(s) of Attorney(s): **FAL Lawyers**
(71) Name(s) and Address(s) of Applicant(s):

ModuleX Inc.
1-20-19 Horikiri Katsushika-ku Tokyo 124-0006 Japan

(72) Name(s) of Designer(s): **Goro Terumichi**

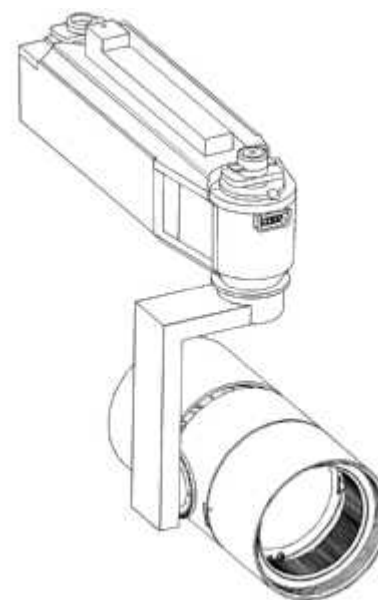
(45) Registration Date: **09 November 2015**

(30) Convention priority data:

(31) Number	(32) Date	(33) Country
2015-009365	24 Apr 2015	JAPAN

(56) Related Art Documents: **Not Applicable**

(57) Statement of Newness and Distinctiveness: **The present article is a spotlight having a lighting equipment body, an L-shaped arm, and an attachment base. The lighting equipment body is attached to the L-shaped arm rotatably in a vertical direction, and the L-shaped arm is attached to the attachment base rotatably in a horizontal direction. The attachment base may be mounted, for example, to a ceiling.**



(21) Design Number: **15465/2015**
(22) Date of Filing Application: **15 October 2015**
(24) Date from which industrial property rights may have effect: **15 October 2015**
(54) Product in respect of which the design is registered: **A FLASK WITH CLOSURE**
(51) International Design Classification: **07-01F**
(74) Name(s) of Attorney(s): **Griffith Hack**
(71) Name(s) and Address(s) of Applicant(s):

BRITA GMBH
Heinrich-Hertz Strasse 4 65232 Taunusstein Germany

(72) Name(s) of Designer(s): **Christian Rummel and Tim Storti**

(45) Registration Date: **09 November 2015**

(30) Convention priority data:

(31) Number	(32) Date	(33) Country
40 2015 100 355	17 Apr 2015	GERMANY

(56) Related Art Documents: **Not Applicable**

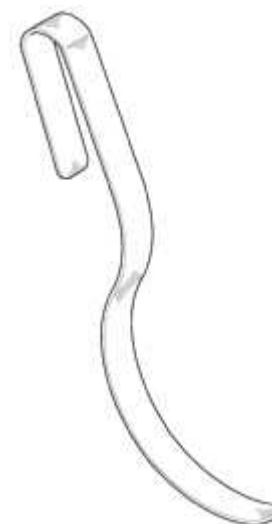
(57) Statement of Newness and Distinctiveness: **Newness and distinctiveness resides in the visual features, including shape, configuration and differential shading, of A FLASK WITH CLOSURE as shown in the accompanying drawings.**



(21) Design Number: **15466/2015**
(22) Date of Filing Application: **15 October 2015**
(24) Date from which industrial property rights may have effect: **15 October 2015**
(54) Product in respect of which the design is registered: **A CLOSURE FOR A FLASK**
(51) International Design Classification: **09-07C**
(74) Name(s) of Attorney(s): **Griffith Hack**
(71) Name(s) and Address(s) of Applicant(s):
BRITA GMBH
Heinrich-Hertz Strasse 4 65232 Taunusstein Germany
(72) Name(s) of Designer(s): **Christian Rummel and Tim Storti**
(45) Registration Date: **10 November 2015**
(30) Convention priority data:
(31) Number (32) Date (33) Country
40 2015 100 355 17 Apr 2015 GERMANY
(56) Related Art Documents: **Not Applicable**
(57) Statement of Newness and Distinctiveness: **Newness and distinctiveness resides in the visual features, including shape, configuration and differential shading, of A CLOSURE FOR A FLASK as shown in the accompanying**



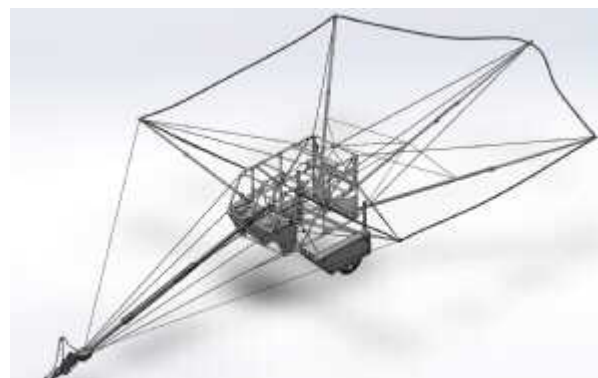
(21) Design Number: **15467/2015**
(22) Date of Filing Application: **15 October 2015**
(24) Date from which industrial property rights may have effect: **15 October 2015**
(54) Product in respect of which the design is registered: **Tongue Anteriorizor**
(51) International Design Classification: **24-02**
(74) Name(s) of Attorney(s): **A.P.T. Patent and Trade Mark Attorneys**
(71) Name(s) and Address(s) of Applicant(s):
Tzu-Li HSU
90 Coppermine Rd. Princeton New Jersey, 08540 United States of America
(72) Name(s) of Designer(s): **HSU Tzu-Li**
(45) Registration Date: **10 November 2015**
(30) Convention priority data:
(31) Number (32) Date (33) Country
104302359 05 May 2015 TAIWAN
(56) Related Art Documents: **Not Applicable**
(57) Statement of Newness and Distinctiveness: **Nil**



- (21) Design Number: **15474/2015**
(22) Date of Filing Application: **15 October 2015**
(24) Date from which industrial property rights may have effect: **15 October 2015**
(54) Product in respect of which the design is registered: **Rainbow embroidery bear blankie**
(51) International Design Classification: **21-01A**
(74) Name(s) of Attorney(s):
(71) Name(s) and Address(s) of Applicant(s):
Kelly Jane Stevens
13 Callicoma Crt Ormeau QLD 4208 Australia
(72) Name(s) of Designer(s): **Kelly Jane Stevens**
(45) Registration Date: **10 November 2015**
(56) Related Art Documents: **Not Applicable**
(57) Statement of Newness and Distinctiveness: **This item is a rainbow coloured bear blankie that is able to be embroidered onto the blankie that is attached to the rainbow bear. Blankie is white and Messages or names are then therefore embroidered onto these blankies. The bears are a sitting height of approx. 18cm and the blankies are approx. 32cm x 32cm. The bears are created with a rainbow wavy material and white blankie. This was designed by me more for the rainbow babies, sick children and for the hospital appeals due to myself as I had a sick daughter that passed away. There is nothing on the market in the world with a rainbow bear blankie that you can embroider a message or name onto the item. This item can also be sold without the embroidery onto the blankie.**



- (21) Design Number: **15476/2015**
(22) Date of Filing Application: **15 October 2015**
(24) Date from which industrial property rights may have effect: **15 October 2015**
(54) Product in respect of which the design is registered: **Geophysical equipment**
(51) International Design Classification: **10-04**
(74) Name(s) of Attorney(s):
(71) Name(s) and Address(s) of Applicant(s):
Groundwater Imaging Pty Ltd
82 St Georges Tce Dubbo NSW 2830 Australia
(72) Name(s) of Designer(s): **David Andrew Allen and Edward Hribar**
(45) Registration Date: **10 November 2015**
(56) Related Art Documents: **Not Applicable**
(57) Statement of Newness and Distinctiveness: **Monopoly is claimed in the shape and/or configuration of the assembly of a transient electromagnetic antennae platform used for geophysical survey as illustrated in the accompanying drawings. No monopoly is claimed in the individual pieces per se.**



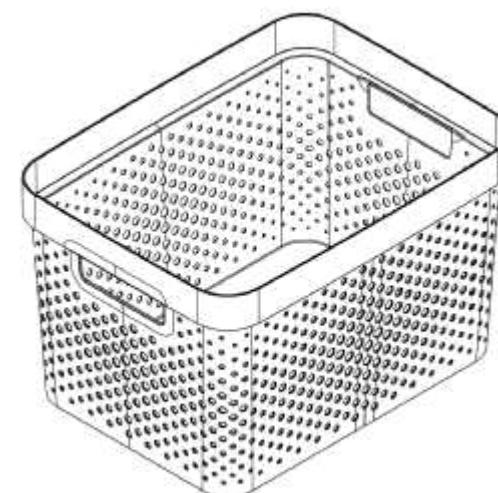
- (21) Design Number: **15477/2015**
(22) Date of Filing Application: **15 October 2015**
(24) Date from which industrial property rights may have effect: **15 October 2015**
(54) Product in respect of which the design is registered: **Handbag**
(51) International Design Classification: **03-01B**
(74) Name(s) of Attorney(s): **Norton Rose Fulbright Australia**
(71) Name(s) and Address(s) of Applicant(s):
Mimco Pty Ltd
658 Church St Richmond VIC 3121 Australia
(72) Name(s) of Designer(s): **Valeria Fioretti**
(45) Registration Date: **10 November 2015**
(56) Related Art Documents: **Not Applicable**
(57) Statement of Newness and Distinctiveness: **Newness and distinctiveness resides in the visual features of shape, configuration and/or ornamentation of a handbag as shown in the accompanying representations.**



- (21) Design Number: **15483/2015**
(22) Date of Filing Application: **16 October 2015**
(24) Date from which industrial property rights may have effect: **16 October 2015**
(54) Product in respect of which the design is registered: **Tire**
(51) International Design Classification: **12-15B**
(74) Name(s) of Attorney(s): **Baxter Patent Attorneys Pty Ltd**
(71) Name(s) and Address(s) of Applicant(s):
HANKOOK TIRE CO., LTD.
133 Teheran-ro Gangnam-gu Seoul, 06133 Republic of Korea
(72) Name(s) of Designer(s): **Sung Hee Yoon**
(45) Registration Date: **10 November 2015**
(30) Convention priority data:
(31) Number (32) Date (33) Country
30-2015-0019706 17 Apr 2015 REPUBLIC OF KOREA
(56) Related Art Documents: **Not Applicable**
(57) Statement of Newness and Distinctiveness: **The newness and distinctiveness of the design resides in the pattern and/or shape and/or configuration of the TIRE TREAD shown in the representations, the TIRE TREAD being repeated uniformly around the circumference of the tire, and irrespective of the shape and/or configuration of the tire shown in broken lines.**



(21) Design Number: **15484/2015**
(22) Date of Filing Application: **16 October 2015**
(24) Date from which industrial property rights may have effect: **16 October 2015**
(54) Product in respect of which the design is registered: **Container**
(51) International Design Classification: **09-04**
(74) Name(s) of Attorney(s): **Shelston IP Pty Ltd.**
(71) Name(s) and Address(s) of Applicant(s):



CURVER Luxembourg Sarl
Z.I. Haneboesch Neidercorn L4562 Luxembourg

(72) Name(s) of Designer(s): **Nikolai Duvigneau**

(45) Registration Date: **10 November 2015**

(30) Convention priority data:

(31) Number	(32) Date	(33) Country
56841	16 Apr 2015	ISRAEL

(56) Related Art Documents: **Not Applicable**

(57) Statement of Newness and Distinctiveness: **Newness and distinctiveness reside in the features of shape and/or configuration of a CONTAINER as illustrated in solid lines in the accompanying representations. The features shown in broken or discontinuous lines are illustrative only and do not form part of the design.**

(21) Design Number: **14073/2015**
(22) Date of Filing Application: **09 August 2015**
(24) Date from which industrial property rights may have effect: **09 August 2015**
(54) Product in respect of which the design is registered: **Bookshelf**
(51) International Design Classification: **06-04NES**
(74) Name(s) of Attorney(s):
(71) Name(s) and Address(s) of Applicant(s):



Joshua Michael Ellison
21 Turimetta ST Mona Vale NSW, 2103 Australia

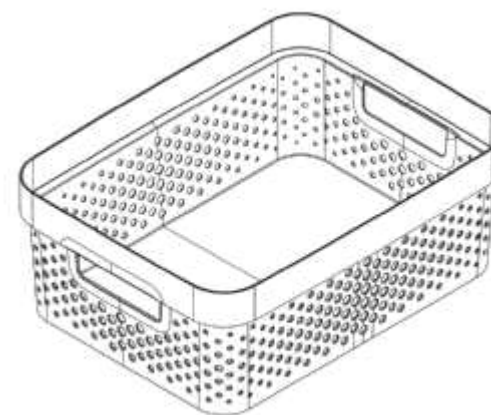
(72) Name(s) of Designer(s): **Joshua Michael Ellison**

(45) Registration Date: **10 November 2015**

(56) Related Art Documents: **Not Applicable**

(57) Statement of Newness and Distinctiveness: **Using a custom bracket to create a vertical arced bookshelf which is a new and distinctive way to store and display books.**

(21) Design Number: **15494/2015**
(22) Date of Filing Application: **16 October 2015**
(24) Date from which industrial property rights may have effect: **16 October 2015**
(54) Product in respect of which the design is registered: **Container**
(51) International Design Classification: **07-01NES**
(74) Name(s) of Attorney(s): **Shelston IP Pty Ltd.**
(71) Name(s) and Address(s) of Applicant(s):



CURVER Luxembourg Sarl
Z.I. Haneboesch Neidercorn L4562 Luxembourg

(72) Name(s) of Designer(s): **Nikolai Duvigneau**

(45) Registration Date: **10 November 2015**

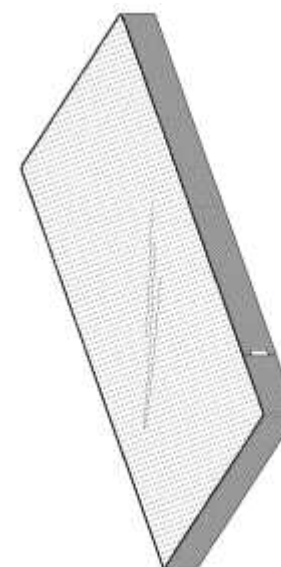
(30) Convention priority data:

(31) Number	(32) Date	(33) Country
56841	16 Apr 2015	ISRAEL

(56) Related Art Documents: **Not Applicable**

(57) Statement of Newness and Distinctiveness: **Newness and distinctiveness reside in the features of shape and/or configuration of a CONTAINER as illustrated in solid lines in the accompanying representations. The features shown in broken or discontinuous lines are illustrative only and do not form part of the design.**

(21) Design Number: **15495/2015**
(22) Date of Filing Application: **16 October 2015**
(24) Date from which industrial property rights may have effect: **16 October 2015**
(54) Product in respect of which the design is registered: **Mattress**
(51) International Design Classification: **06-09**
(74) Name(s) of Attorney(s): **FB Rice**
(71) Name(s) and Address(s) of Applicant(s):



Casper Sleep Inc.
45 Bond Street, Floor 2 New York, New York, 10012 United States of America

(72) Name(s) of Designer(s): **Gen Suzuki and Jeffrey Chapin and Neil Parikh**

(45) Registration Date: **10 November 2015**

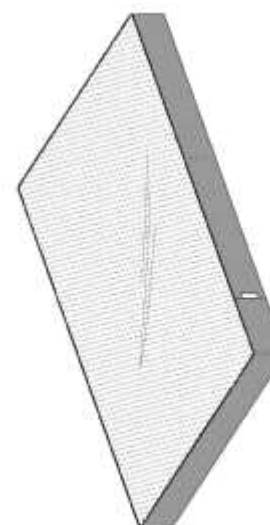
(30) Convention priority data:

(31) Number	(32) Date	(33) Country
29/524,231	17 Apr 2015	UNITED STATES OF AMERICA

(56) Related Art Documents: **Not Applicable**

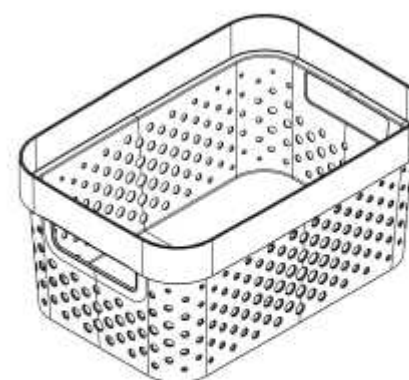
(57) Statement of Newness and Distinctiveness: **Newness and distinctiveness reside in the features of pattern and ornamentation as shown in the representations with the pattern on top surface representing a dimpled pattern and the pattern on side surfaces representing a fabric texture and pattern as well as the vertical seam on a side surface including a distinctive tag.**

(21) Design Number: **15497/2015**
(22) Date of Filing Application: **16 October 2015**
(24) Date from which industrial property rights may have effect: **16 October 2015**
(54) Product in respect of which the design is registered: **Mattress**
(51) International Design Classification: **06-09**
(74) Name(s) of Attorney(s): **FB Rice**
(71) Name(s) and Address(s) of Applicant(s):
Casper Sleep Inc.
45 Bond Street, Floor 2 New York, New York, 10012 United States of America



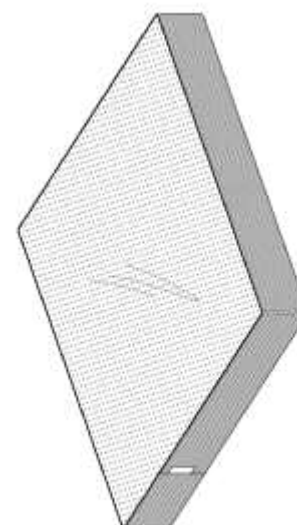
(72) Name(s) of Designer(s): **Gen Suzuki and Jeffrey Chapin and Neil Parikh**
(45) Registration Date: **10 November 2015**
(30) Convention priority data:
(31) Number (32) Date (33) Country
29/524,231 17 Apr 2015 UNITED STATES OF AMERICA
(56) Related Art Documents: **Not Applicable**
(57) Statement of Newness and Distinctiveness: **Newness and distinctiveness reside in the features of pattern and ornamentation as shown in the representations with the pattern on top surface representing a dimpled pattern and the pattern on side surfaces representing a fabric texture and pattern, the vertical seam on a side surface including a distinctive tag.**

(21) Design Number: **15496/2015**
(22) Date of Filing Application: **16 October 2015**
(24) Date from which industrial property rights may have effect: **16 October 2015**
(54) Product in respect of which the design is registered: **Container**
(51) International Design Classification: **07-01NES**
(74) Name(s) of Attorney(s): **Shelston IP Pty Ltd.**
(71) Name(s) and Address(s) of Applicant(s):
CURVER Luxembourg Sarl
Z.I. Haneboesch Neidercorn L4562 Luxembourg



(72) Name(s) of Designer(s): **Nikolai Duvigneau**
(45) Registration Date: **10 November 2015**
(30) Convention priority data:
(31) Number (32) Date (33) Country
56841 16 Apr 2015 ISRAEL
(56) Related Art Documents: **Not Applicable**
(57) Statement of Newness and Distinctiveness: **Newness and distinctiveness reside in the features of shape and/or configuration of a CONTAINER as illustrated in solid lines in the accompanying representations. The features shown in broken or discontinuous lines are illustrative only and do not form part of the design.**

(21) Design Number: **15498/2015**
(22) Date of Filing Application: **16 October 2015**
(24) Date from which industrial property rights may have effect: **16 October 2015**
(54) Product in respect of which the design is registered: **Mattress**
(51) International Design Classification: **06-09**
(74) Name(s) of Attorney(s): **FB Rice**
(71) Name(s) and Address(s) of Applicant(s):
Casper Sleep Inc.
45 Bond Street, Floor 2 New York, New York, 10012 United States of America



(72) Name(s) of Designer(s): **Gen Suzuki and Jeffrey Chapin and Neil Parikh**
(45) Registration Date: **10 November 2015**
(30) Convention priority data:
(31) Number (32) Date (33) Country
29/524,231 17 Apr 2015 UNITED STATES OF AMERICA
(56) Related Art Documents: **Not Applicable**
(57) Statement of Newness and Distinctiveness: **Newness and distinctiveness reside in the features of pattern and ornamentation as shown in the representations with the pattern on top surface representing a dimpled pattern and the pattern on side surfaces representing a fabric texture and pattern, the vertical seam on a side surface including a distinctive tag.**

(21) Design Number: **15499/2015**
(22) Date of Filing Application: **16 October 2015**
(24) Date from which industrial property rights may have effect: **16 October 2015**
(54) Product in respect of which the design is registered: **Vending machine**
(51) International Design Classification: **20-01**
(74) Name(s) of Attorney(s): **Spruson & Ferguson**
(71) Name(s) and Address(s) of Applicant(s):
PepsiCo, Inc.
700 Anderson Hill Road, Purchase New York, 10577 United States of America

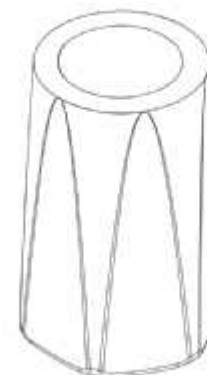


(72) Name(s) of Designer(s): **Martin Eduardo Broen and Christian Stolarz and Martin Ivar Franzen**
(45) Registration Date: **10 November 2015**
(30) Convention priority data:
(31) Number (32) Date (33) Country
29/524445 20 Apr 2015 UNITED STATES OF AMERICA
(56) Related Art Documents: **Not Applicable**
(57) Statement of Newness and Distinctiveness: **Newness and distinctiveness is claimed in those features of shape and/or configuration of a vending machine illustrated in continuous lines in the accompanying representations.**

(21) Design Number: **15500/2015**
(22) Date of Filing Application: **16 October 2015**
(24) Date from which industrial property rights may have effect: **16 October 2015**
(54) Product in respect of which the design is registered: **Display unit**
(51) International Design Classification: **20-02NES**
(74) Name(s) of Attorney(s): **Spruson & Ferguson**
(71) Name(s) and Address(s) of Applicant(s):
PepsiCo, Inc.
700 Anderson Hill Road, Purchase New York, 10577 United States of America
(72) Name(s) of Designer(s): **Martin Eduardo Broen and Christian Stolarz and Martin Ivar Franzen**
(45) Registration Date: **10 November 2015**
(30) Convention priority data:
(31) Number (32) Date (33) Country
29/524447 20 Apr 2015 UNITED STATES OF AMERICA
(56) Related Art Documents: **Not Applicable**
(57) Statement of Newness and Distinctiveness: **Newness and distinctiveness is claimed in the features of shape and/or configuration of a display unit as illustrated in the accompanying representations.**



(21) Design Number: **15502/2015**
(22) Date of Filing Application: **16 October 2015**
(24) Date from which industrial property rights may have effect: **16 October 2015**
(54) Product in respect of which the design is registered: **Handle for umbrella shaft**
(51) International Design Classification: **03-03**
(74) Name(s) of Attorney(s): **Shelston IP Pty Ltd.**
(71) Name(s) and Address(s) of Applicant(s):
Oliver Joen-an Ma
29W. Wisteria Arcadia California, 91007 United States of America
(72) Name(s) of Designer(s): **Oliver Joen-an Ma**
(45) Registration Date: **10 November 2015**
(30) Convention priority data:
(31) Number (32) Date (33) Country
162231 29 Apr 2015 CANADA
(56) Related Art Documents: **Not Applicable**
(57) Statement of Newness and Distinctiveness: **Newness and distinctiveness reside in the features of shape and/or configuration of a HANDLE FOR UMBRELLA SHAFT as illustrated in the accompanying representations.**



(21) Design Number: **15503/2015**

(22) Date of Filing Application: **16 October 2015**

(24) Date from which industrial property rights may have effect: **16 October 2015**

(54) Product in respect of which the design is registered: **Egg container**

(51) International Design Classification: **07-01NES**

(74) Name(s) of Attorney(s): **WATERMARK PATENT AND TRADE MARKS ATTORNEYS**

(71) Name(s) and Address(s) of Applicant(s):

**The New Egg Company Limited
Mowbray House Castle Meadow Road Nottingham NG2 1BJ United Kingdom**

(72) Name(s) of Designer(s): **Timothy Trapp**

(45) Registration Date: **10 November 2015**

(30) Convention priority data:

(31) Number	(32) Date	(33) Country
002684035-0001	17 Apr 2015	OFFICE FOR HARMONISATION IN THE INTERNAL MARKET (OHIM)

(56) Related Art Documents: **Not Applicable**

(57) Statement of Newness and Distinctiveness: **Newness and distinctiveness resides in the visual features of shape and/or configuration of an egg container as shown in the accompanying representations.**



(21) Design Number: **15508/2015**

(22) Date of Filing Application: **17 October 2015**

(24) Date from which industrial property rights may have effect: **17 October 2015**

(54) Product in respect of which the design is registered: **Window cleaning squeegees**

(51) International Design Classification: **07-05E**

(74) Name(s) of Attorney(s): **Spruson & Ferguson**

(71) Name(s) and Address(s) of Applicant(s):

**WAGTAIL CLEANING TOOLS PTY LTD
PO BOX 455 Haberfield NSW 2046 Australia
Jacob Erken
55 St Albans St Abbotsford NSW 2046 Australia**

(72) Name(s) of Designer(s): **Jacob Erken**

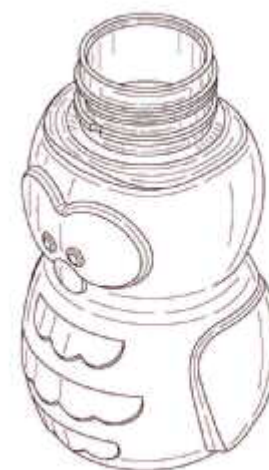
(45) Registration Date: **10 November 2015**

(56) Related Art Documents: **Not Applicable**

(57) Statement of Newness and Distinctiveness: **This design incorporates a looped tube with pierced small holes and a push fit connector to connect the loop and receive an external tube for the purpose of injecting water to the cleaning surface. The tube attaches to a handle assembly through specially designed holes. The water flow provided is always at a constant pressure due to the looped arrangement. The attachments to this assembly can be either a squeegee, squeegee with cloth attached, mop, scrubber, micro fibre flipping pad, scraper, brush or the like.**



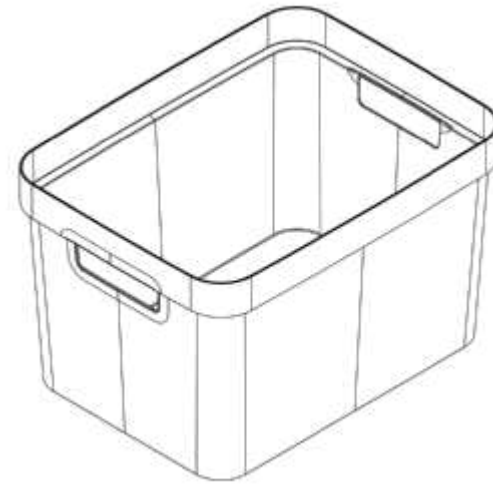
(21) Design Number: **15516/2015**
(22) Date of Filing Application: **19 October 2015**
(24) Date from which industrial property rights may have effect: **19 October 2015**
(54) Product in respect of which the design is registered: **Bottle with owl shape**
(51) International Design Classification: **09-01D**
(74) Name(s) of Attorney(s): **PHILLIPS ORMONDE FITZPATRICK**
(71) Name(s) and Address(s) of Applicant(s):
Dart Industries Inc.
14901 S. Orange Blossom Trail Orlando Florida, 32837 United States of America
(72) Name(s) of Designer(s): **Sara L. Delgado Carmona**
(45) Registration Date: **10 November 2015**
(30) Convention priority data:
(31) Number (32) Date (33) Country
29/528,527 29 May 2015 UNITED STATES OF AMERICA
(56) Related Art Documents: **Not Applicable**
(57) Statement of Newness and Distinctiveness: **Nil**



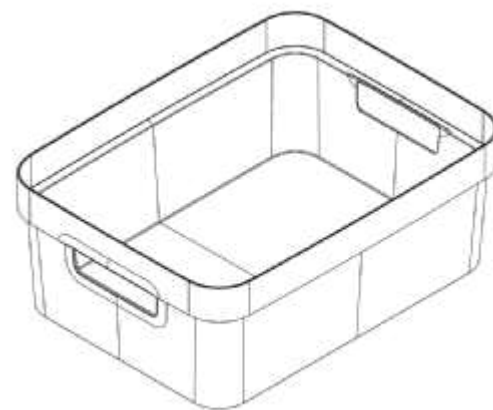
(21) Design Number: **15486/2015**
(22) Date of Filing Application: **16 October 2015**
(24) Date from which industrial property rights may have effect: **16 October 2015**
(54) Product in respect of which the design is registered: **A pair of thongs**
(51) International Design Classification: **02-04NES**
(74) Name(s) of Attorney(s): **PETER MAXWELL & ASSOCIATES**
(71) Name(s) and Address(s) of Applicant(s):
Archline Products Pty Ltd
1/68 Fenton St Huntingdale VIC 3166 Australia
(72) Name(s) of Designer(s): **Derrick Wong**
(45) Registration Date: **11 November 2015**
(56) Related Art Documents: **Not Applicable**
(57) Statement of Newness and Distinctiveness: **Newness and distinctiveness is claimed in the shape and/or configuration of A PAIR OF THONGS.**



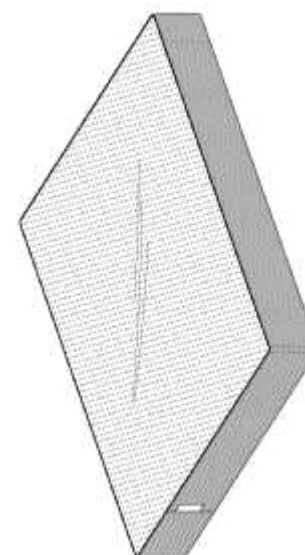
- (21) Design Number: **15487/2015**
(22) Date of Filing Application: **16 October 2015**
(24) Date from which industrial property rights may have effect: **16 October 2015**
(54) Product in respect of which the design is registered: **Container**
(51) International Design Classification: **07-01NES**
(74) Name(s) of Attorney(s): **Shelston IP Pty Ltd.**
(71) Name(s) and Address(s) of Applicant(s):
CURVER Luxembourg Sarl
Z.I. Haneboesch Neidercorn L4562 Luxembourg
(72) Name(s) of Designer(s): **Nikolai Duvigneau**
(45) Registration Date: **11 November 2015**
(30) Convention priority data:
(31) Number (32) Date (33) Country
56841 16 Apr 2015 ISRAEL
(56) Related Art Documents: **Not Applicable**
(57) Statement of Newness and Distinctiveness: **Newness and distinctiveness reside in the features of shape and/or configuration of a CONTAINER as illustrated in the accompanying representations.**



- (21) Design Number: **15488/2015**
(22) Date of Filing Application: **16 October 2015**
(24) Date from which industrial property rights may have effect: **16 October 2015**
(54) Product in respect of which the design is registered: **Container**
(51) International Design Classification: **07-01NES**
(74) Name(s) of Attorney(s): **Shelston IP Pty Ltd.**
(71) Name(s) and Address(s) of Applicant(s):
CURVER Luxembourg Sarl
Z.I. Haneboesch Neidercorn L4562 Luxembourg
(72) Name(s) of Designer(s): **Nikolai Duvigneau**
(45) Registration Date: **11 November 2015**
(30) Convention priority data:
(31) Number (32) Date (33) Country
56841 16 Apr 2015 ISRAEL
(56) Related Art Documents: **Not Applicable**
(57) Statement of Newness and Distinctiveness: **Newness and distinctiveness reside in the features of shape and/or configuration of a CONTAINER as illustrated in solid lines in the accompanying representations. The features shown in broken or discontinuous lines are illustrative only and do not form part of the design.**

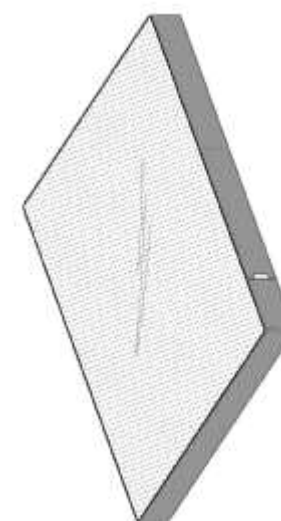


(21) Design Number: **15490/2015**
(22) Date of Filing Application: **16 October 2015**
(24) Date from which industrial property rights may have effect: **16 October 2015**
(54) Product in respect of which the design is registered: **Mattress**
(51) International Design Classification: **06-09**
(74) Name(s) of Attorney(s): **FB Rice**
(71) Name(s) and Address(s) of Applicant(s):
Casper Sleep Inc.
45 Bond Street Floor 2 New York New York, 10012 United States of America
(72) Name(s) of Designer(s): **Gen Suzuki and Jeffrey Chapin and Neil Parikh**
(45) Registration Date: **11 November 2015**
(30) Convention priority data:
(31) Number (32) Date (33) Country
29/524231 17 Apr 2015 UNITED STATES OF AMERICA



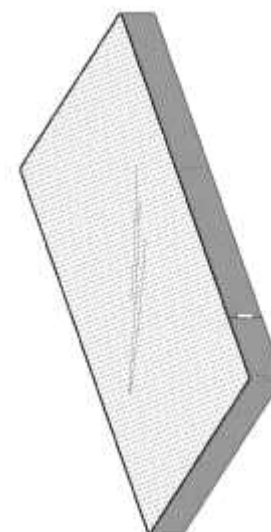
(56) Related Art Documents: **Not Applicable**
(57) Statement of Newness and Distinctiveness: **Newness and distinctiveness reside in the features of pattern and ornamentation as shown in the representations with the pattern on top surface representing a dimpled pattern and the pattern on side surfaces representing a fabric texture and pattern, the vertical seam on a side surface including a distinctive tag.**

(21) Design Number: **15491/2015**
(22) Date of Filing Application: **16 October 2015**
(24) Date from which industrial property rights may have effect: **16 October 2015**
(54) Product in respect of which the design is registered: **Mattress**
(51) International Design Classification: **06-09**
(74) Name(s) of Attorney(s): **FB Rice**
(71) Name(s) and Address(s) of Applicant(s):
Casper Sleep Inc.
45 Bond Street, Floor 2 New York, New York, 10012 United States of America
(72) Name(s) of Designer(s): **Gen Suzuki and Jeffrey Chapin and Neil Parikh**
(45) Registration Date: **11 November 2015**
(30) Convention priority data:
(31) Number (32) Date (33) Country
29/524231 17 Apr 2015 UNITED STATES OF AMERICA



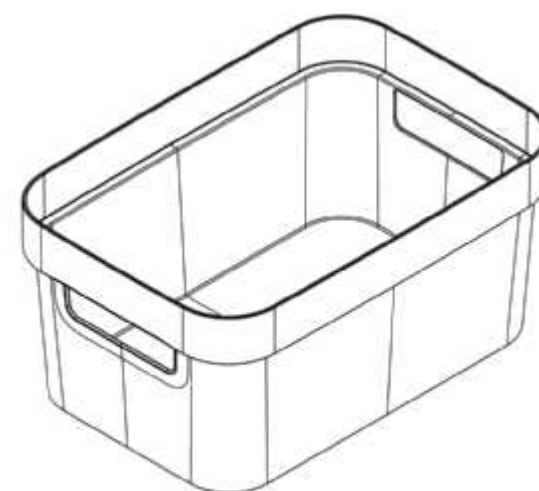
(56) Related Art Documents: **Not Applicable**
(57) Statement of Newness and Distinctiveness: **Newness and distinctiveness reside in the features of pattern and ornamentation as shown in the representations with the pattern on top surface representing a dimpled pattern and the pattern on side surfaces representing a fabric texture and pattern, the vertical seam on a side surface including a distinctive tag.**

(21) Design Number: **15492/2015**
(22) Date of Filing Application: **16 October 2015**
(24) Date from which industrial property rights may have effect: **16 October 2015**
(54) Product in respect of which the design is registered: **Mattress**
(51) International Design Classification: **06-09**
(74) Name(s) of Attorney(s): **FB Rice**
(71) Name(s) and Address(s) of Applicant(s):
Casper Sleep Inc.
45 Bond Street, Floor 2 New York, New York, 10012 United States of America



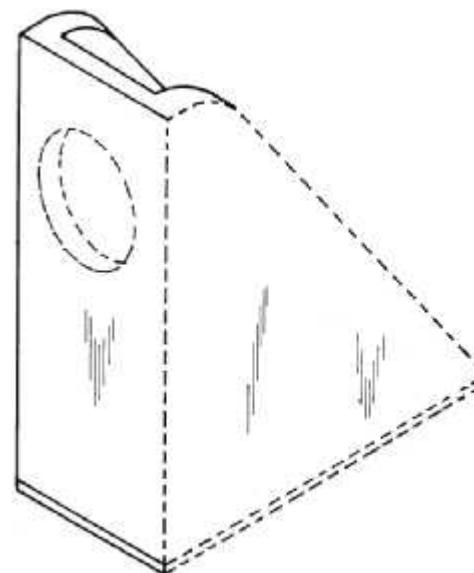
(72) Name(s) of Designer(s): **Gen Suzuki and Jeffrey Chapin and Neil Parikh**
(45) Registration Date: **11 November 2015**
(30) Convention priority data:
(31) Number (32) Date (33) Country
29/524,231 17 Apr 2015 UNITED STATES OF AMERICA
(56) Related Art Documents: **Not Applicable**
(57) Statement of Newness and Distinctiveness: **Newness and distinctiveness reside in the features of pattern and ornamentation as shown in the representations with the pattern on top surface representing a dimpled pattern and the pattern on side surfaces representing a fabric texture and pattern, the vertical seam on a side surface including a distinctive tag.**

(21) Design Number: **15493/2015**
(22) Date of Filing Application: **16 October 2015**
(24) Date from which industrial property rights may have effect: **16 October 2015**
(54) Product in respect of which the design is registered: **Container**
(51) International Design Classification: **07-01NES**
(74) Name(s) of Attorney(s): **Shelston IP Pty Ltd.**
(71) Name(s) and Address(s) of Applicant(s):
CURVER Luxembourg Sarl
Z.I. Haneboesch Neidercorn L4562 Luxembourg

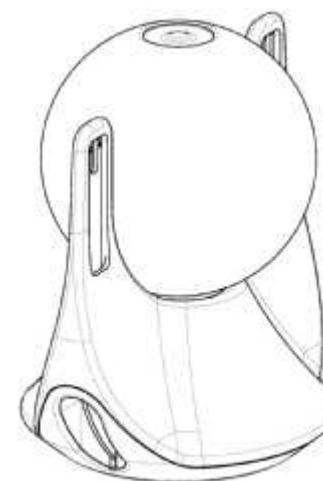


(72) Name(s) of Designer(s): **Nikolai Duvigneau**
(45) Registration Date: **11 November 2015**
(30) Convention priority data:
(31) Number (32) Date (33) Country
56841 16 Apr 2015 ISRAEL
(56) Related Art Documents: **Not Applicable**
(57) Statement of Newness and Distinctiveness: **Newness and distinctiveness reside in the features of shape and/or configuration of a CONTAINER as illustrated in solid lines in the accompanying representations. The features shown in broken or discontinuous lines are illustrative only and do not form part of the design.**

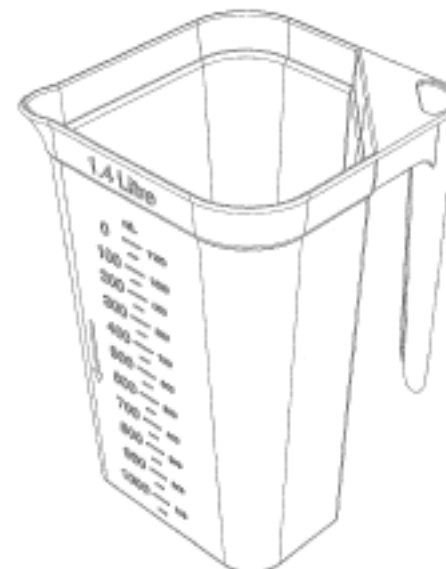
- (21) Design Number: **15519/2015**
(22) Date of Filing Application: **19 October 2015**
(24) Date from which industrial property rights may have effect: **19 October 2015**
(54) Product in respect of which the design is registered: **A doorstop**
(51) International Design Classification: **08-09**
(74) Name(s) of Attorney(s): **Cullens Patent and Trade Mark Attorneys**
(71) Name(s) and Address(s) of Applicant(s):
Susan Mawby
U19 53 Darrambal St Chevron Island QLD 4217 Australia
(72) Name(s) of Designer(s): **Susan Mawby**
(45) Registration Date: **11 November 2015**
(56) Related Art Documents: **Not Applicable**
(57) Statement of Newness and Distinctiveness: **Newness and distinctiveness reside in the shape and configuration of a doorstop as shown in unbroken lines of the representations.**



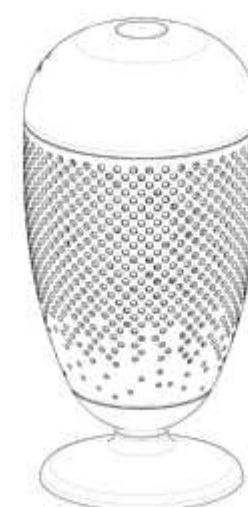
- (21) Design Number: **15520/2015**
(22) Date of Filing Application: **19 October 2015**
(24) Date from which industrial property rights may have effect: **19 October 2015**
(54) Product in respect of which the design is registered: **Environmental monitoring station**
(51) International Design Classification: **10-05**
(74) Name(s) of Attorney(s): **FB Rice**
(71) Name(s) and Address(s) of Applicant(s):
The University of Sydney
Sydney Sydney NSW 2006 Australia
(72) Name(s) of Designer(s): **Daniel Salmon and Daniel Anderson**
(45) Registration Date: **11 November 2015**
(56) Related Art Documents: **Not Applicable**
(57) Statement of Newness and Distinctiveness: **Newness and distinctiveness reside in the shape and/or configuration of the design as shown in the representations.**



- (21) Design Number: **15521/2015**
(22) Date of Filing Application: **19 October 2015**
(24) Date from which industrial property rights may have effect: **19 October 2015**
(54) Product in respect of which the design is registered: **A jug**
(51) International Design Classification: **07-01F**
(74) Name(s) of Attorney(s): **Chrysiliou IP**
(71) Name(s) and Address(s) of Applicant(s):
Multigate Medical Products Pty Ltd
27 Llewellyn Ave Villawood NSW 2163 Australia
(72) Name(s) of Designer(s): **Ben Chen**
(45) Registration Date: **11 November 2015**
(56) Related Art Documents: **Not Applicable**
(57) Statement of Newness and Distinctiveness: **The present design is applied to a jug and the newness and distinctiveness resides in the features of the shape and configurations of the jug as illustrated in the accompanying drawings. When assessing infringement, the markings and calibrations on the jug are to be disregarded.**



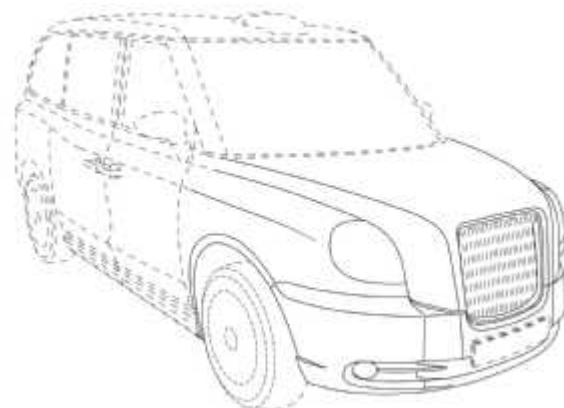
- (21) Design Number: **15522/2015**
(22) Date of Filing Application: **19 October 2015**
(24) Date from which industrial property rights may have effect: **19 October 2015**
(54) Product in respect of which the design is registered: **Environmental monitoring station**
(51) International Design Classification: **10-05**
(74) Name(s) of Attorney(s): **FB Rice**
(71) Name(s) and Address(s) of Applicant(s):
The University of Sydney
Sydney Sydney NSW 2006 Australia
(72) Name(s) of Designer(s): **Daniel Salmon and Daniel Anderson**
(45) Registration Date: **11 November 2015**
(56) Related Art Documents: **Not Applicable**
(57) Statement of Newness and Distinctiveness: **Newness and distinctiveness reside in the shape and/or configuration of the design as shown in the representations.**



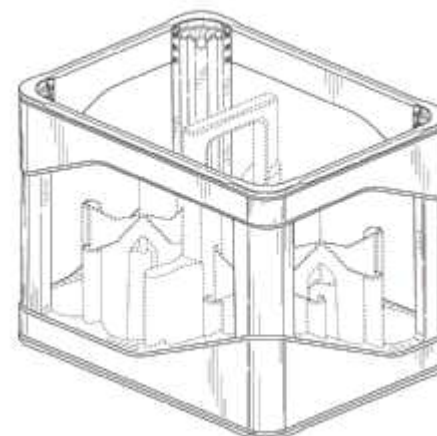
- (21) Design Number: **15524/2015**
(22) Date of Filing Application: **20 October 2015**
(24) Date from which industrial property rights may have effect: **20 October 2015**
(54) Product in respect of which the design is registered: **A motor vehicle**
(51) International Design Classification: **12-08**
(74) Name(s) of Attorney(s): **Adams Pluck**
(71) Name(s) and Address(s) of Applicant(s):
The London Taxi Corporation Limited
Holyhead Road Coventry CV5 8JJ United Kingdom
(72) Name(s) of Designer(s): **David Ancona**
(45) Registration Date: **11 November 2015**
(56) Related Art Documents: **Not Applicable**
(57) Statement of Newness and Distinctiveness: **When considering newness and distinctiveness no regard is to be had to those features shown in dotted outline which are included for illustrative purposes only.**



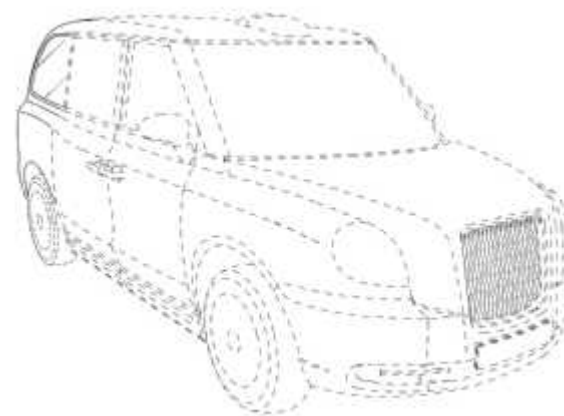
- (21) Design Number: **15525/2015**
(22) Date of Filing Application: **20 October 2015**
(24) Date from which industrial property rights may have effect: **20 October 2015**
(54) Product in respect of which the design is registered: **A motor vehicle**
(51) International Design Classification: **12-08**
(74) Name(s) of Attorney(s): **Adams Pluck**
(71) Name(s) and Address(s) of Applicant(s):
The London Taxi Corporation Limited
Holyhead Road Coventry CV5 8JJ United Kingdom
(72) Name(s) of Designer(s): **David Ancona**
(45) Registration Date: **11 November 2015**
(56) Related Art Documents: **Not Applicable**
(57) Statement of Newness and Distinctiveness: **When considering newness and distinctiveness no regard is to be had to the features shown in dotted outline which are for illustrative purposes only.**



- (21) Design Number: **15527/2015**
(22) Date of Filing Application: **20 October 2015**
(24) Date from which industrial property rights may have effect: **20 October 2015**
(54) Product in respect of which the design is registered: **Crate**
(51) International Design Classification: **09-04**
(74) Name(s) of Attorney(s): **Spruson & Ferguson**
(71) Name(s) and Address(s) of Applicant(s):
PepsiCo, Inc.
700 Anderson Hill Road, Purchase New York, 10577 United States of America
(72) Name(s) of Designer(s): **Matthieu Aquino and Federico Casotto and Gustavo de Souza Messias**
(45) Registration Date: **11 November 2015**
(30) Convention priority data:
(31) Number (32) Date (33) Country
29/524598 21 Apr 2015 UNITED STATES OF AMERICA
(56) Related Art Documents: **Not Applicable**
(57) Statement of Newness and Distinctiveness: **Newness and distinctiveness is claimed in those features of shape and/or configuration of a crate illustrated in continuous lines in the accompanying representations.**



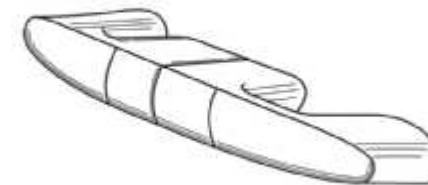
- (21) Design Number: **15528/2015**
(22) Date of Filing Application: **20 October 2015**
(24) Date from which industrial property rights may have effect: **20 October 2015**
(54) Product in respect of which the design is registered: **A motor vehicle**
(51) International Design Classification: **12-08**
(74) Name(s) of Attorney(s): **Adams Pluck**
(71) Name(s) and Address(s) of Applicant(s):
The London Taxi Corporation Limited
Holyhead Road Coventry CV5 8JJ United Kingdom
(72) Name(s) of Designer(s): **David Ancona**
(45) Registration Date: **11 November 2015**
(56) Related Art Documents: **Not Applicable**
(57) Statement of Newness and Distinctiveness: **When considering newness and distinctiveness no regard is to be had to the features shown in dotted outline which are for illustrative purposes only.**



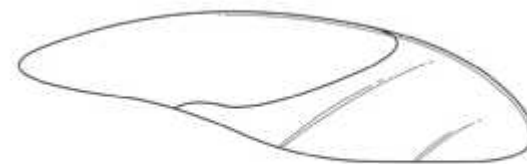
(21) Design Number: **15529/2015**
(22) Date of Filing Application: **20 October 2015**
(24) Date from which industrial property rights may have effect: **20 October 2015**
(54) Product in respect of which the design is registered: **Vehicle doors**
(51) International Design Classification: **12-16B**
(74) Name(s) of Attorney(s): **Adams Pluck**
(71) Name(s) and Address(s) of Applicant(s):
The London Taxi Corporation Limited
Holyhead Road Coventry CV5 8JJ United Kingdom
(72) Name(s) of Designer(s): **David Ancona**
(45) Registration Date: **11 November 2015**
(56) Related Art Documents: **Not Applicable**
(57) Statement of Newness and Distinctiveness: **Nil**



(21) Design Number: **15530/2015**
(22) Date of Filing Application: **20 October 2015**
(24) Date from which industrial property rights may have effect: **20 October 2015**
(54) Product in respect of which the design is registered: **Vehicle parts**
(51) International Design Classification: **12-16NES**
(74) Name(s) of Attorney(s): **Adams Pluck**
(71) Name(s) and Address(s) of Applicant(s):
The London Taxi Corporation Limited
Holyhead Road Coventry CV5 8JJ United Kingdom
(72) Name(s) of Designer(s): **David Ancona**
(45) Registration Date: **11 November 2015**
(56) Related Art Documents: **Not Applicable**
(57) Statement of Newness and Distinctiveness: **Nil**



(21) Design Number: **15531/2015**
(22) Date of Filing Application: **20 October 2015**
(24) Date from which industrial property rights may have effect: **20 October 2015**
(54) Product in respect of which the design is registered: **Part for vehicle roof**
(51) International Design Classification: **12-16F**
(74) Name(s) of Attorney(s): **Adams Pluck**
(71) Name(s) and Address(s) of Applicant(s):
The London Taxi Corporation Limited
Holyhead Road Coventry CV5 8JJ United Kingdom
(72) Name(s) of Designer(s): **David Ancona**
(45) Registration Date: **11 November 2015**
(56) Related Art Documents: **Not Applicable**
(57) Statement of Newness and Distinctiveness: **Nil**



(21) Design Number: **15532/2015**
(22) Date of Filing Application: **20 October 2015**
(24) Date from which industrial property rights may have effect: **20 October 2015**
(54) Product in respect of which the design is registered: **Table**
(51) International Design Classification: **06-03A**
(74) Name(s) of Attorney(s): **Shelston IP Pty Ltd.**
(71) Name(s) and Address(s) of Applicant(s):
Jardin Netherlands B.V.
Ericssonstraat 17 Rijen 5121MK The Netherlands
(72) Name(s) of Designer(s): **Ayala Bougay**
(45) Registration Date: **11 November 2015**
(30) Convention priority data:
(31) Number (32) Date (33) Country
**002684753-0001 20 Apr 2015 OFFICE FOR HARMONISATION IN
THE INTERNAL MARKET (OHIM)**
(56) Related Art Documents: **Not Applicable**
(57) Statement of Newness and Distinctiveness: **Newness and distinctiveness
reside in the features of shape and/or configuration of a TABLE of
indefinite length as illustrated in the accompanying representations.**



(21) Design Number: **15537/2015**

(22) Date of Filing Application: **20 October 2015**

(24) Date from which industrial property rights may have effect: **20 October 2015**

(54) Product in respect of which the design is registered: **Wound dressing**

(51) International Design Classification: **24-04**

(74) Name(s) of Attorney(s): **Spruson & Ferguson**

(71) Name(s) and Address(s) of Applicant(s):

**Molnlycke Health Care AB
Box 13080, Goteborg SE-402 52 Sweden**

(72) Name(s) of Designer(s): **Sami Ahsani and Sandra Josefsson and Maria Gustin Bergstrom**

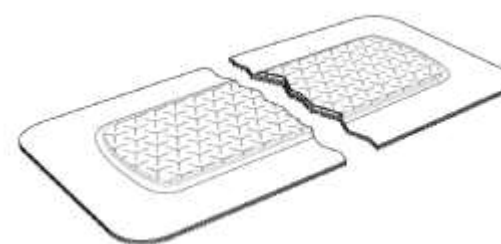
(45) Registration Date: **11 November 2015**

(30) Convention priority data:

(31) Number	(32) Date	(33) Country
002685396-0001	21 Apr 2015	OFFICE FOR HARMONISATION IN THE INTERNAL MARKET (OHIM)

(56) Related Art Documents: **Not Applicable**

(57) Statement of Newness and Distinctiveness: **Newness and distinctiveness is claimed in those features of shape and/or configuration of the Y-shaped cut "A" repeated across and through the wound pad of the wound dressing of indefinite length as illustrated in the accompanying representations.**



(21) Design Number: **15538/2015**

(22) Date of Filing Application: **20 October 2015**

(24) Date from which industrial property rights may have effect: **20 October 2015**

(54) Product in respect of which the design is registered: **Wound dressing**

(51) International Design Classification: **24-04**

(74) Name(s) of Attorney(s): **Spruson & Ferguson**

(71) Name(s) and Address(s) of Applicant(s):

**Molnlycke Health Care AB
Box 13080, Goteborg SE-402 52 Sweden**

(72) Name(s) of Designer(s): **Sami Ahsani and Sandra Josefsson and Maria Gustin Bergstrom**

(45) Registration Date: **11 November 2015**

(30) Convention priority data:

(31) Number	(32) Date	(33) Country
002685396-0001	21 Apr 2015	OFFICE FOR HARMONISATION IN THE INTERNAL MARKET (OHIM)

(56) Related Art Documents: **Not Applicable**

(57) Statement of Newness and Distinctiveness: **Newness and distinctiveness is claimed in those features of shape and/or configuration of the Y-shaped cut "A" repeated across and through the wound pad of the wound dressing as illustrated in the accompanying representations.**



(21) Design Number: **15539/2015**

(22) Date of Filing Application: **20 October 2015**

(24) Date from which industrial property rights may have effect: **20 October 2015**

(54) Product in respect of which the design is registered: **Wound pad**

(51) International Design Classification: **24-04**

(74) Name(s) of Attorney(s): **Spruson & Ferguson**

(71) Name(s) and Address(s) of Applicant(s):

Molnlycke Health Care AB
Box 13080 SE-402 52 Goteborg Sweden

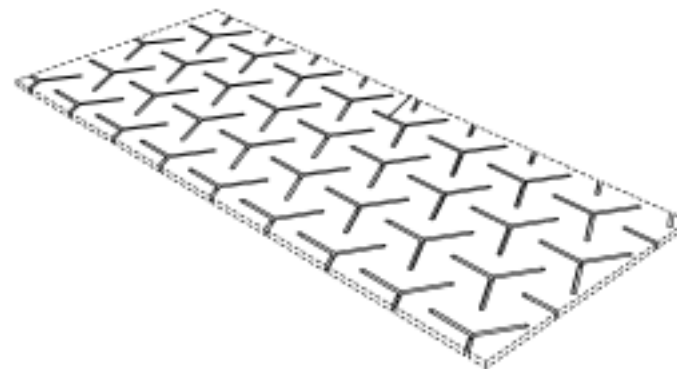
(72) Name(s) of Designer(s): **Sami Ahsani and Sandra Josefsson and Maria Gustin Bergstrom**

(45) Registration Date: **11 November 2015**

(30) Convention priority data:

(31) Number (32) Date
002685396-0001 21 Apr 2015

(33) Country
**OFFICE FOR HARMONISATION IN
THE INTERNAL MARKET (OHIM)**



(56) Related Art Documents: **Not Applicable**

(57) Statement of Newness and Distinctiveness: **Newness and distinctiveness is claimed in those features of pattern and/or ornamentation of a wound pad as illustrated in the accompanying representations, wherein the wound pad has a Y-shaped cut "A" pattern that repeats itself and an element of the pattern is shown bounded by broken lines in the accompanying representations.**

(21) Design Number: **15545/2015**

(22) Date of Filing Application: **20 October 2015**

(24) Date from which industrial property rights may have effect: **20 October 2015**

(54) Product in respect of which the design is registered: **Bottle**

(51) International Design Classification: **09-01H**

(74) Name(s) of Attorney(s): **FB Rice**

(71) Name(s) and Address(s) of Applicant(s):

SAVERGLASS
3 rue de la Gare Feuquieres 60960 France

(72) Name(s) of Designer(s): **Catherine Lecetre and Christophe Blond**

(45) Registration Date: **11 November 2015**

(30) Convention priority data:

(31) Number (32) Date
002734848-0001 10 Jul 2015

(33) Country
**OFFICE FOR HARMONISATION IN
THE INTERNAL MARKET (OHIM)**



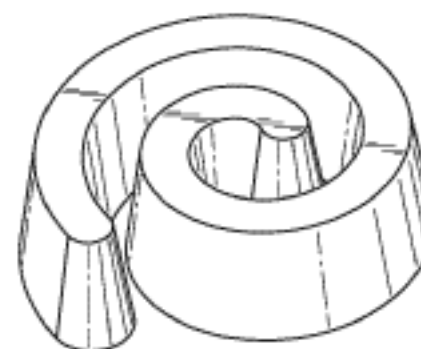
(56) Related Art Documents: **Not Applicable**

(57) Statement of Newness and Distinctiveness: **Newness and distinctiveness reside in the features of the bottle as shown in solid lines in the representations excluding those features shown in broken lines, and in particular reside in the features of the recess in the base of the bottle which is decorated with a stepped pattern/configuration which somewhat resembles a spiders web.**

- (21) Design Number: **12889/2015**
(22) Date of Filing Application: **09 June 2015**
(24) Date from which industrial property rights may have effect: **09 June 2015**
(54) Product in respect of which the design is registered: **Drill bit**
(51) International Design Classification: **08-01**
(74) Name(s) of Attorney(s): **Caska IP**
(71) Name(s) and Address(s) of Applicant(s):
Quarry Mining and Construction Equipment Pty Ltd
9/14 Yangan Dr Beresfield NSW 2322 Australia
(72) Name(s) of Designer(s): **David Alexander McCloskey**
(45) Registration Date: **11 November 2015**
(56) Related Art Documents: **Not Applicable**
(57) Statement of Newness and Distinctiveness: **Newness and distinctiveness resides in the overall shape and configuration of the visual features of a drill bit as shown in solid lines in the accompanying representations, a coupling of the drill bit, shown in dashed lines so as to be disclaimed, may be provided as a male or female**



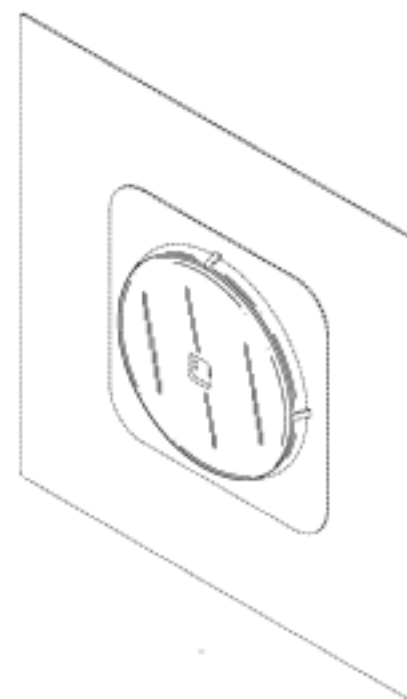
- (21) Design Number: **14833/2015**
(22) Date of Filing Application: **11 September 2015**
(24) Date from which industrial property rights may have effect: **11 September 2015**
(54) Product in respect of which the design is registered: **Pillar for vacuum insulated glass unit**
(51) International Design Classification: **25-02H**
(74) Name(s) of Attorney(s): **Davies Collison Cave**
(71) Name(s) and Address(s) of Applicant(s):
3M Innovative Properties Company
3M Center Saint Paul Minnesota 55133-3427 United States of America
(72) Name(s) of Designer(s): **Margaret M. Vogel-Martin and Gordon A. Kuhnley**
(45) Registration Date: **11 November 2015**
(30) Convention priority data:
(31) Number (32) Date (33) Country
29/520196 12 Mar 2015 UNITED STATES OF AMERICA
(56) Related Art Documents: **Not Applicable**
(57) Statement of Newness and Distinctiveness: **Newness and distinctiveness is claimed in the visual features shown in solid lines in the representations. In considering the extent of the design rights, the broken lines shown in the representations are for illustrative purposes only and do not form part of the design.**



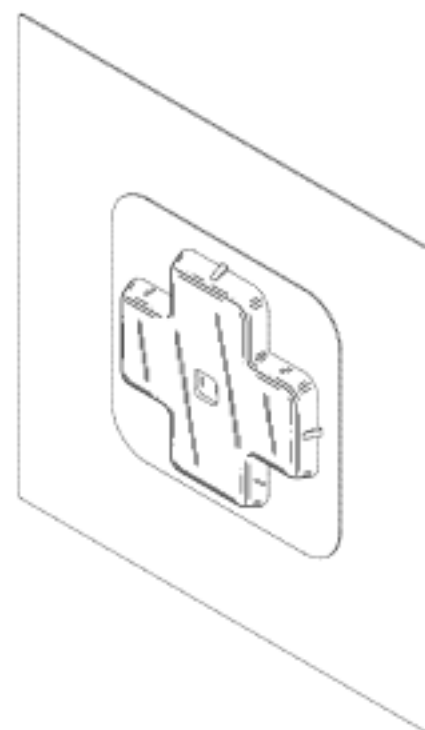
- (21) Design Number: **14894/2015**
(22) Date of Filing Application: **16 September 2015**
(24) Date from which industrial property rights may have effect: **16 September 2015**
(54) Product in respect of which the design is registered: **Display base**
(51) International Design Classification: **20-02NES**
(74) Name(s) of Attorney(s): **Davies Collison Cave**
(71) Name(s) and Address(s) of Applicant(s):
3M Innovative Properties Company
3M Center Saint Paul Minnesota 55133-3427 United States of America
(72) Name(s) of Designer(s): **Judd D. Olson and Kevin E. Kinzer and Thomas W. Floyd and Stephan A. Hawthorne and Sandra K. Nowak and Linda W. Suszko and Irina Hass**
(45) Registration Date: **11 November 2015**
(30) Convention priority data:
(31) Number (32) Date (33) Country
29/521041 19 Mar 2015 UNITED STATES OF AMERICA
(56) Related Art Documents: **Not Applicable**
(57) Statement of Newness and Distinctiveness: **Newness and distinctiveness is claimed in the visual features shown in solid lines in the representations. In considering the extent of the design rights, the broken lines shown in the representations are for illustrative purposes only and do not form part of the design.**



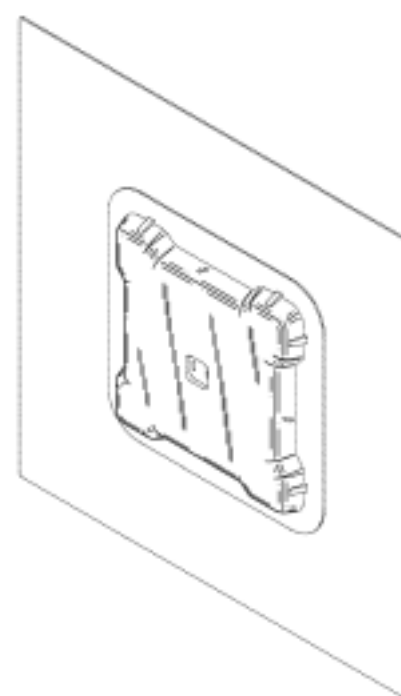
- (21) Design Number: **14895/2015**
(22) Date of Filing Application: **16 September 2015**
(24) Date from which industrial property rights may have effect: **16 September 2015**
(54) Product in respect of which the design is registered: **Display base**
(51) International Design Classification: **20-02NES**
(74) Name(s) of Attorney(s): **Davies Collison Cave**
(71) Name(s) and Address(s) of Applicant(s):
3M Innovative Properties Company
3M Center Saint Paul Minnesota 55133-3427 United States of America
(72) Name(s) of Designer(s): **Judd D. Olson and Kevin E. Kinzer and Thomas W. Floyd and Stephan A. Hawthorne and Sandra K. Nowak and Linda W. Suszko and Irina Hass**
(45) Registration Date: **11 November 2015**
(30) Convention priority data:
(31) Number (32) Date (33) Country
29/520978 19 Mar 2015 UNITED STATES OF AMERICA
(56) Related Art Documents: **Not Applicable**
(57) Statement of Newness and Distinctiveness: **Newness and distinctiveness is claimed in the visual features shown in solid lines in the representations. In considering the extent of the design rights, the broken lines shown in the representations are for illustrative purposes only and do not form part of the design.**



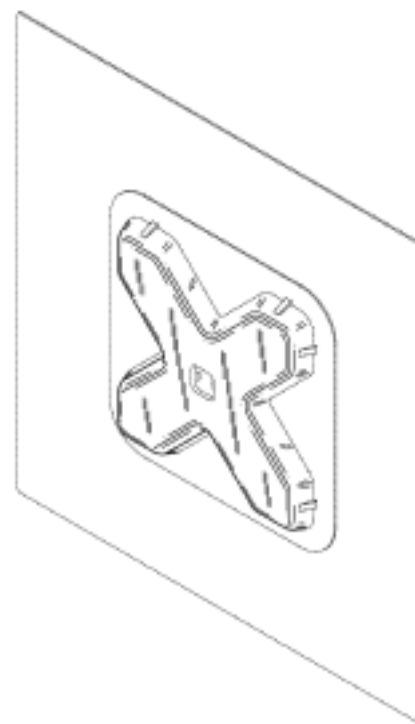
- (21) Design Number: **14896/2015**
(22) Date of Filing Application: **16 September 2015**
(24) Date from which industrial property rights may have effect: **16 September 2015**
(54) Product in respect of which the design is registered: **Display base**
(51) International Design Classification: **20-02NES**
(74) Name(s) of Attorney(s): **Davies Collison Cave**
(71) Name(s) and Address(s) of Applicant(s):
3M Innovative Properties Company
3M Center Saint Paul Minnesota 55133-3427 United States of America
(72) Name(s) of Designer(s): **Judd D. Olson and Kevin E. Kinzer and Thomas W. Floyd and Stephan A. Hawthorne and Sandra K. Nowak and Linda W. Suszko and Irina Hass**
(45) Registration Date: **12 November 2015**
(30) Convention priority data:
(31) Number (32) Date (33) Country
29/520989 19 Mar 2015 UNITED STATES OF AMERICA
(56) Related Art Documents: **Not Applicable**
(57) Statement of Newness and Distinctiveness: **Newness and distinctiveness is claimed in the visual features shown in solid lines in the representations. In considering the extent of the design rights, the broken lines shown in the representations are for illustrative purposes only and do not form part of the design.**



- (21) Design Number: **14897/2015**
(22) Date of Filing Application: **16 September 2015**
(24) Date from which industrial property rights may have effect: **16 September 2015**
(54) Product in respect of which the design is registered: **Display base**
(51) International Design Classification: **20-02NES**
(74) Name(s) of Attorney(s): **Davies Collison Cave**
(71) Name(s) and Address(s) of Applicant(s):
3M Innovative Properties Company
3M Center Saint Paul Minnesota 55133-3427 United States of America
(72) Name(s) of Designer(s): **Judd D. Olson and Kevin E. Kinzer and Thomas W. Floyd and Stephan A. Hawthorne**
(45) Registration Date: **12 November 2015**
(30) Convention priority data:
(31) Number (32) Date (33) Country
29/521021 19 Mar 2015 UNITED STATES OF AMERICA
(56) Related Art Documents: **Not Applicable**
(57) Statement of Newness and Distinctiveness: **Newness and distinctiveness is claimed in the visual features shown in solid lines in the representations. In considering the extent of the design rights, the broken lines shown in the representations are for illustrative purposes only and do not form part of the design.**



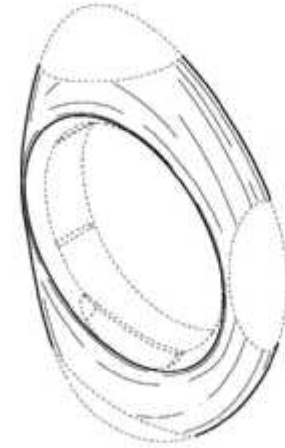
(21) Design Number: **14899/2015**
(22) Date of Filing Application: **16 September 2015**
(24) Date from which industrial property rights may have effect: **16 September 2015**
(54) Product in respect of which the design is registered: **Display base**
(51) International Design Classification: **20-02NES**
(74) Name(s) of Attorney(s): **Davies Collison Cave**
(71) Name(s) and Address(s) of Applicant(s):
3M Innovative Properties Company
3M Center Saint Paul Minnesota, 55133-3427 United States of America
(72) Name(s) of Designer(s): **Judd D. Olson and Kevin E. Kinzer and Thomas W. Floyd and Stephan A. Hawthorne and Sandra K. Nowak and Linda W. Suszko and Irina Hass**
(45) Registration Date: **12 November 2015**
(30) Convention priority data:
(31) Number (32) Date (33) Country
29/520985 19 Mar 2015 UNITED STATES OF AMERICA
(56) Related Art Documents: **Not Applicable**
(57) Statement of Newness and Distinctiveness: **Newness and distinctiveness is claimed in the visual features shown in solid lines in the representations. In considering the extent of the design rights, the broken lines shown in the representations are for illustrative purposes only and do not form part of the design.**



(21) Design Number: **15083/2015**
(22) Date of Filing Application: **29 September 2015**
(24) Date from which industrial property rights may have effect: **29 September 2015**
(54) Product in respect of which the design is registered: **Fence sheet**
(51) International Design Classification: **25-02C**
(74) Name(s) of Attorney(s):
(71) Name(s) and Address(s) of Applicant(s):
BJB Industries Pty Ltd
2324 Pacific Hwy Heatherbrae NSW 2324 Australia
(72) Name(s) of Designer(s): **Jeff Chilton**
(45) Registration Date: **12 November 2015**
(56) Related Art Documents: **Not Applicable**
(57) Statement of Newness and Distinctiveness: **Monopoly is claimed on this metal sheet of constant cross section of indeterminate length due to unique and original design offering the pattern veiwed from both sides.**



- (21) Design Number: **15230/2015**
(22) Date of Filing Application: **07 October 2015**
(24) Date from which industrial property rights may have effect: **13 August 2015**
(54) Product in respect of which the design is registered: **Remote control housing**
(51) International Design Classification: **14-03NES**
(74) Name(s) of Attorney(s): **Shelston IP Pty Ltd.**
(71) Name(s) and Address(s) of Applicant(s):
Hunter Douglas Inc.
1 Blue Hill Plaza Pearl River New York 10965 United States of America
(72) Name(s) of Designer(s): **Ronald R. Kass and Douglas J. Barr and Joseph E. Kovach and Kevin M. Dann and David J. Parrett and Fred Bould and Clark Brace and Jaime Caso**
(45) Registration Date: **12 November 2015**
(30) Convention priority data:
(31) Number (32) Date (33) Country
29/517620 13 Feb 2015 UNITED STATES OF AMERICA
(62) Divisional of: **364688**
(56) Related Art Documents: **Not Applicable**
(57) Statement of Newness and Distinctiveness: **Newness and distinctiveness reside in the features of shape and/or configuration of the Remote Control Housing as shown in solid lines in the accompanying representations. The features of the Remote Control Housing shown in broken lines in the representations form no part of the design.**



- (21) Design Number: **15231/2015**
(22) Date of Filing Application: **07 October 2015**
(24) Date from which industrial property rights may have effect: **07 October 2015**
(54) Product in respect of which the design is registered: **Grate**
(51) International Design Classification: **25-02G**
(74) Name(s) of Attorney(s): **Griffith Hack**
(71) Name(s) and Address(s) of Applicant(s):
FORGESTEEL PTY LTD
PO Box 194 McCrae VIC 3938 Australia
(72) Name(s) of Designer(s): **Stephen Joseph McGowan**
(45) Registration Date: **12 November 2015**
(56) Related Art Documents: **Not Applicable**
(57) Statement of Newness and Distinctiveness: **Nil**



(21) Design Number: **15232/2015**

(22) Date of Filing Application: **07 October 2015**

(24) Date from which industrial property rights may have effect: **13 August 2015**

(54) Product in respect of which the design is registered: **Remote control housing**

(51) International Design Classification: **14-03NES**

(74) Name(s) of Attorney(s): **Shelston IP Pty Ltd.**

(71) Name(s) and Address(s) of Applicant(s):

Hunter Douglas Inc.

1 Blue Hill Plaza Pearl River New York 10965 United States of America

(72) Name(s) of Designer(s): **Ronald R. Kass and Douglas J. Barr and Joseph E. Kovach and Kevin M. Dann and David J. Parrett and Clark Brace and Fred Bould and Jaime Caso**

(45) Registration Date: **12 November 2015**

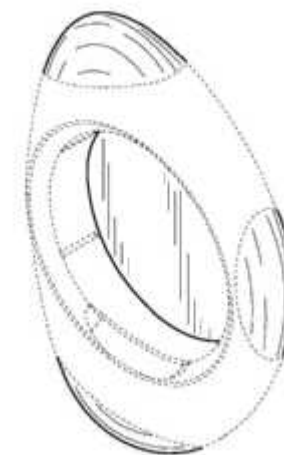
(30) Convention priority data:

(31) Number	(32) Date	(33) Country
29/517620	13 Feb 2015	UNITED STATES OF AMERICA

(62) Divisional of: **364688**

(56) Related Art Documents: **Not Applicable**

(57) Statement of Newness and Distinctiveness: **Newness and distinctiveness reside in the features of shape and/or configuration of the Remote Control Housing as shown in solid lines in the accompanying representations. The features of the Remote Control Housing shown in broken lines in the representations form no part of the design.**



(21) Design Number: **15233/2015**

(22) Date of Filing Application: **07 October 2015**

(24) Date from which industrial property rights may have effect: **07 October 2015**

(54) Product in respect of which the design is registered: **Bricklaying tool**

(51) International Design Classification: **08-05K**

(74) Name(s) of Attorney(s):

(71) Name(s) and Address(s) of Applicant(s):

Grahame Robert Wilson

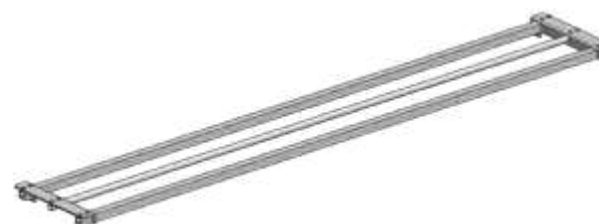
L11 65 York St Sydney NSW 2000 Australia

(72) Name(s) of Designer(s): **Grahame Robert Wilson**

(45) Registration Date: **12 November 2015**

(56) Related Art Documents: **Not Applicable**

(57) Statement of Newness and Distinctiveness: **Newness and distinctiveness is claimed in the shape and configuration of the bricklaying tool adapted for laying atop a course of laid bricks and for receiving mortar between the elongate rails so as to provide a level bed of mortar for the next course of bricks.**



(21) Design Number: **15234/2015**

(22) Date of Filing Application: **07 October 2015**

(24) Date from which industrial property rights may have effect: **07 October 2015**

(54) Product in respect of which the design is registered: **Kitchenware**

(51) International Design Classification: **07-04**

(74) Name(s) of Attorney(s): **Trademark Works**

(71) Name(s) and Address(s) of Applicant(s):

JOSEPH JOSEPH LTD

The Grove 30 Great Guildford Street London SE10HS United Kingdom

(72) Name(s) of Designer(s): **Graeme Davies**

(45) Registration Date: **12 November 2015**

(30) Convention priority data:

(31) Number

(32) Date

(33) Country

002679845-0001 13 Apr 2015

EUROPEAN PATENT OFFICE (EPO)

(56) Related Art Documents: **Not Applicable**

(57) Statement of Newness and Distinctiveness: **Nil**



(21) Design Number: **15236/2015**

(22) Date of Filing Application: **07 October 2015**

(24) Date from which industrial property rights may have effect: **07 October 2015**

(54) Product in respect of which the design is registered: **Kitchenware**

(51) International Design Classification: **07-05D**

(74) Name(s) of Attorney(s): **Trademark Works**

(71) Name(s) and Address(s) of Applicant(s):

JOSEPH JOSEPH LTD

The Grove 30 Great Guildford Street London SE10HS United Kingdom

(72) Name(s) of Designer(s): **Simon Donald and Joe Wentworth**

(45) Registration Date: **12 November 2015**

(30) Convention priority data:

(31) Number

(32) Date

(33) Country

002678458-0010 10 Apr 2015

**OFFICE FOR HARMONISATION IN
THE INTERNAL MARKET (OHIM)**

(56) Related Art Documents: **Not Applicable**

(57) Statement of Newness and Distinctiveness: **Nil**



(21) Design Number: **15546/2015**
(22) Date of Filing Application: **20 October 2015**
(24) Date from which industrial property rights may have effect: **20 October 2015**
(54) Product in respect of which the design is registered: **Bottle**
(51) International Design Classification: **09-01H**
(74) Name(s) of Attorney(s): **FB Rice**
(71) Name(s) and Address(s) of Applicant(s):
SAVERGLASS
3 rue de la Gare Feuquieres 60960 France
(72) Name(s) of Designer(s): **Catherine Lecetre and Christophe Blond**
(45) Registration Date: **12 November 2015**
(30) Convention priority data:
(31) Number (32) Date (33) Country
002734830-0001 10 Jul 2015 OFFICE FOR HARMONISATION IN
THE INTERNAL MARKET (OHIM)

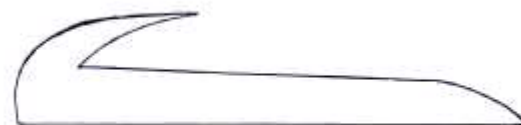


(56) Related Art Documents: **Not Applicable**
(57) Statement of Newness and Distinctiveness: **Newness and distinctiveness reside in the features of the bottle as shown in solid lines in the representations excluding those features shown in broken lines, and in particular reside in the features of the pattern shown in the recess in the base of the bottle which shows a pattern/configuration which resembles a basket weave pattern.**

(21) Design Number: **15549/2015**
(22) Date of Filing Application: **20 October 2015**
(24) Date from which industrial property rights may have effect: **20 October 2015**
(54) Product in respect of which the design is registered: **Disposable shisha**
(51) International Design Classification: **27-99**
(74) Name(s) of Attorney(s): **Baxter Patent Attorneys Pty Ltd**
(71) Name(s) and Address(s) of Applicant(s):
EI-Hajj Enterprises Pty Ltd
c/o Baxter Patent Attorneys 3A, 1 Bligh St NSW, 2000 Australia
(72) Name(s) of Designer(s): **Fadi Elhajj**
(45) Registration Date: **12 November 2015**
(56) Related Art Documents: **Not Applicable**
(57) Statement of Newness and Distinctiveness: **Nil**



(21) Design Number: **15553/2015**
(22) Date of Filing Application: **20 October 2015**
(24) Date from which industrial property rights may have effect: **20 October 2015**
(54) Product in respect of which the design is registered: **Car side mirror decal sticker**
(51) International Design Classification: **19-08**
(74) Name(s) of Attorney(s):
(71) Name(s) and Address(s) of Applicant(s):
Brian Tran
10/1279 Centre Rd Oakleigh South VIC 3167 Australia
(72) Name(s) of Designer(s): **Brian Tran**
(45) Registration Date: **12 November 2015**
(56) Related Art Documents: **Not Applicable**
(57) Statement of Newness and Distinctiveness: **Nil**



(21) Design Number: **15554/2015**
(22) Date of Filing Application: **21 October 2015**
(24) Date from which industrial property rights may have effect: **21 October 2015**
(54) Product in respect of which the design is registered: **Invalid chair**
(51) International Design Classification: **12-12**
(74) Name(s) of Attorney(s): **Spruson & Ferguson**
(71) Name(s) and Address(s) of Applicant(s):
i-glider Limited
Port Grat, St. Sampsons Guernsey, GY2 4TD United Kingdom
(72) Name(s) of Designer(s): **Brian J. Harrison**
(45) Registration Date: **12 November 2015**
(30) Convention priority data:
(31) Number (32) Date (33) Country
002687079-0001 22 Apr 2015 OFFICE FOR HARMONISATION IN THE INTERNAL MARKET (OHIM)
(56) Related Art Documents: **Not Applicable**
(57) Statement of Newness and Distinctiveness: **Newness and distinctiveness is claimed in the features of shape and/or configuration of an invalid chair as illustrated in the accompanying representations.**



(21) Design Number: **14930/2015**
(22) Date of Filing Application: **18 September 2015**
(24) Date from which industrial property rights may have effect: **18 September 2015**
(54) Product in respect of which the design is registered: **Cordless screwdriver**
(51) International Design Classification: **08-04**
(74) Name(s) of Attorney(s):
(71) Name(s) and Address(s) of Applicant(s):

Einhell Germany AG
Wiesenweg 22 Landau 94405 Germany

(72) Name(s) of Designer(s): **Jun Meng**
(45) Registration Date: **12 November 2015**

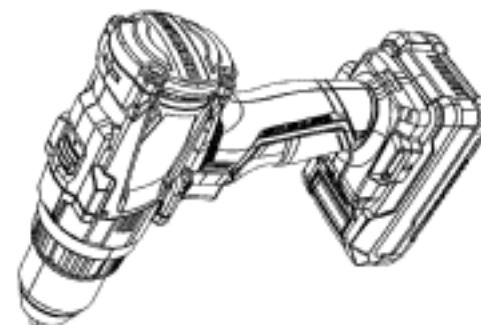
(30) Convention priority data:

(31) Number (32) Date
002765990-0001 04 Sep 2015

(33) Country
**OFFICE FOR HARMONISATION IN
THE INTERNAL MARKET (OHIM)**

(56) Related Art Documents: **Not Applicable**

(57) Statement of Newness and Distinctiveness: **Nil**



(21) Design Number: **14932/2015**
(22) Date of Filing Application: **18 September 2015**
(24) Date from which industrial property rights may have effect: **18 September 2015**
(54) Product in respect of which the design is registered: **Cordless screwdriver**
(51) International Design Classification: **08-04**
(74) Name(s) of Attorney(s):
(71) Name(s) and Address(s) of Applicant(s):

Einhell Germany AG
Wiesenweg 22 Landau 94405 Germany

(72) Name(s) of Designer(s): **Jun Meng**
(45) Registration Date: **12 November 2015**

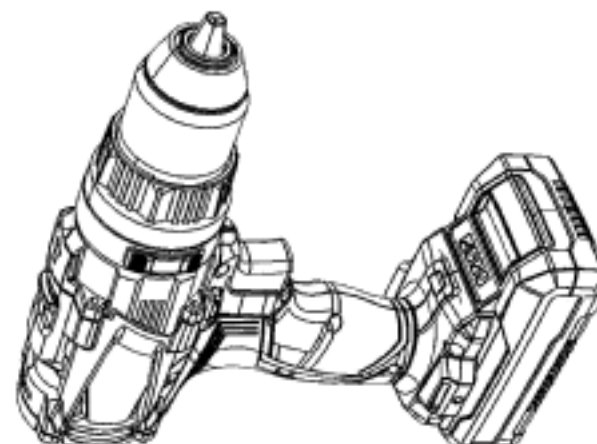
(30) Convention priority data:

(31) Number (32) Date
002765990-0002 04 Sep 2015

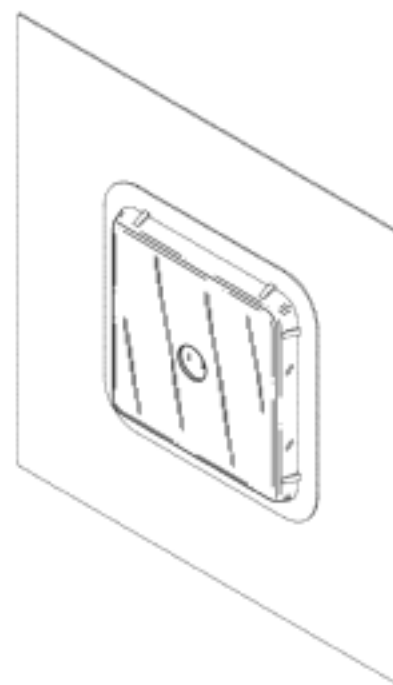
(33) Country
**OFFICE FOR HARMONISATION IN
THE INTERNAL MARKET (OHIM)**

(56) Related Art Documents: **Not Applicable**

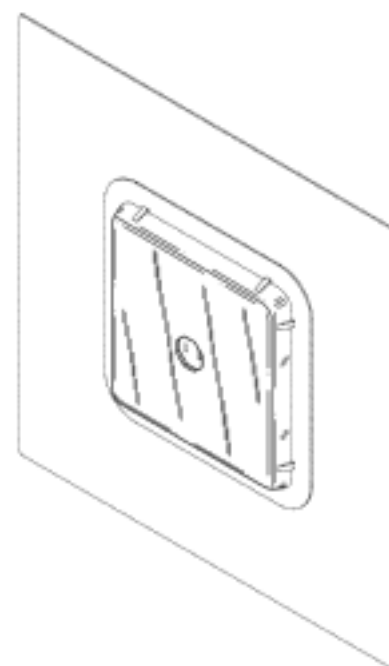
(57) Statement of Newness and Distinctiveness: **Nil**



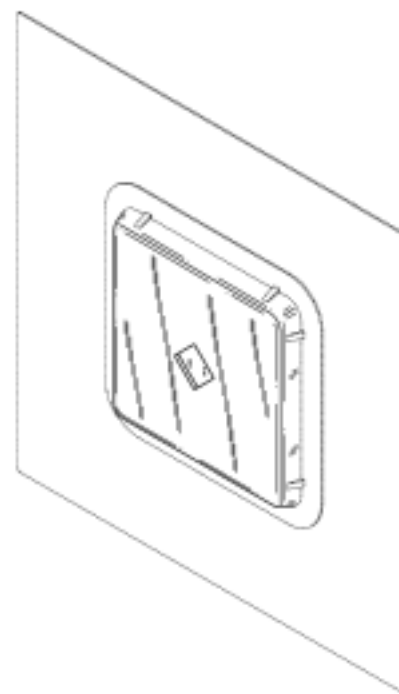
- (21) Design Number: **14933/2015**
(22) Date of Filing Application: **18 September 2015**
(24) Date from which industrial property rights may have effect: **18 September 2015**
(54) Product in respect of which the design is registered: **Display base**
(51) International Design Classification: **14-01**
(74) Name(s) of Attorney(s): **Davies Collison Cave**
(71) Name(s) and Address(s) of Applicant(s):
3M Innovative Properties Company
3M Center Saint Paul Minnesota, 55133-3427 United States of America
(72) Name(s) of Designer(s): **Judd D. Olson and Kevin E. Kinzer and Thomas W. Floyd and Stephan A. Hawthorne and Sandra K. Nowak and Linda W. Suszko and Irina Hass**
(45) Registration Date: **12 November 2015**
(30) Convention priority data:
(31) Number (32) Date (33) Country
29/521058 19 Mar 2015 UNITED STATES OF AMERICA
(56) Related Art Documents: **Not Applicable**
(57) Statement of Newness and Distinctiveness: **Newness and distinctiveness is claimed in the visual features shown in solid lines in the representations. In considering the extent of the design rights, the broken lines shown in the representations are for illustrative purposes only and do not form part of the design.**



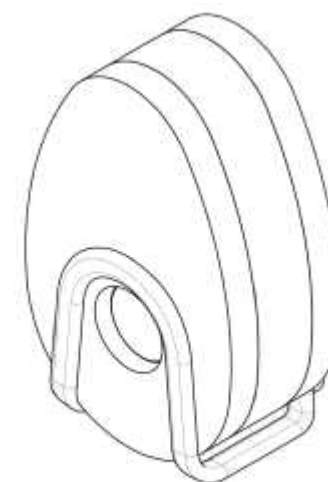
- (21) Design Number: **14934/2015**
(22) Date of Filing Application: **18 September 2015**
(24) Date from which industrial property rights may have effect: **18 September 2015**
(54) Product in respect of which the design is registered: **Display base**
(51) International Design Classification: **14-01**
(74) Name(s) of Attorney(s): **Davies Collison Cave**
(71) Name(s) and Address(s) of Applicant(s):
3M Innovative Properties Company
3M Center Saint Paul Minnesota, 55133-3427 United States of America
(72) Name(s) of Designer(s): **Judd D. Olson and Kevin E. Kinzer and Thomas W. Floyd and Stephan A. Hawthorne and Sandra K. Nowak and Linda W. Suszko and Irina Hass**
(45) Registration Date: **12 November 2015**
(30) Convention priority data:
(31) Number (32) Date (33) Country
29/521058 19 Mar 2015 UNITED STATES OF AMERICA
(56) Related Art Documents: **Not Applicable**
(57) Statement of Newness and Distinctiveness: **Newness and distinctiveness is claimed in the visual features shown in solid lines in the representations. In considering the extent of the design rights, the broken lines shown in the representations are for illustrative purposes only and do not form part of the design.**



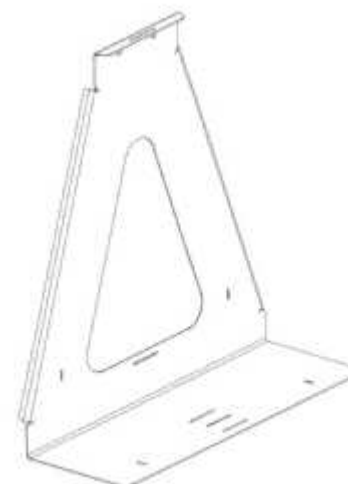
(21) Design Number: **14935/2015**
(22) Date of Filing Application: **18 September 2015**
(24) Date from which industrial property rights may have effect: **18 September 2015**
(54) Product in respect of which the design is registered: **Display base**
(51) International Design Classification: **14-01**
(74) Name(s) of Attorney(s): **Davies Collison Cave**
(71) Name(s) and Address(s) of Applicant(s):
3M Innovative Properties Company
3M Center Saint Paul Minnesota, 55133-3427 United States of America
(72) Name(s) of Designer(s): **Judd D. Olson and Kevin E. Kinzer and Thomas W. Floyd and Stephan A. Hawthorne and Sandra K. Nowak and Linda W. Suszko and Irina Hass**
(45) Registration Date: **12 November 2015**
(30) Convention priority data:
(31) Number (32) Date (33) Country
29/521058 19 Mar 2015 UNITED STATES OF AMERICA
(56) Related Art Documents: **Not Applicable**
(57) Statement of Newness and Distinctiveness: **Newness and distinctiveness is claimed in the visual features shown in solid lines in the representations. In considering the extent of the design rights, the broken lines shown in the representations are for illustrative purposes only and do not form part of the design.**



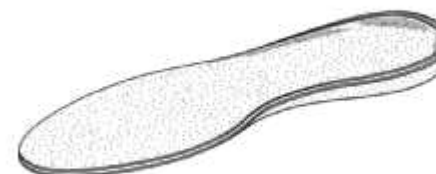
(21) Design Number: **15238/2015**
(22) Date of Filing Application: **07 October 2015**
(24) Date from which industrial property rights may have effect: **07 October 2015**
(54) Product in respect of which the design is registered: **Kitchenware**
(51) International Design Classification: **07-05E**
(74) Name(s) of Attorney(s): **Trademark Works**
(71) Name(s) and Address(s) of Applicant(s):
JOSEPH JOSEPH LTD
The Grove 30 Great Guildford Street London SE10HS United Kingdom
(72) Name(s) of Designer(s): **Simon Donald and Joe Wentworth**
(45) Registration Date: **12 November 2015**
(30) Convention priority data:
(31) Number (32) Date (33) Country
002677682-0001 09 Apr 2015 EUROPEAN PATENT OFFICE (EPO)
(56) Related Art Documents: **Not Applicable**
(57) Statement of Newness and Distinctiveness: **Nil**



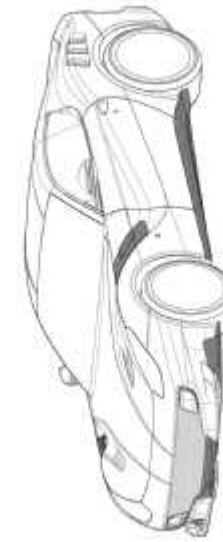
- (21) Design Number: **15461/2015**
(22) Date of Filing Application: **15 October 2015**
(24) Date from which industrial property rights may have effect: **15 October 2015**
(54) Product in respect of which the design is registered: **CPU holder**
(51) International Design Classification: **14-99**
(74) Name(s) of Attorney(s): **Cullens Patent and Trade Mark Attorneys**
(71) Name(s) and Address(s) of Applicant(s):
Clarity Consulting Group, LLC
4125 West Noble Ave., No. 319 Visalia CA 93277 United States of America
(72) Name(s) of Designer(s): **Mark Schoening**
(45) Registration Date: **12 November 2015**
(30) Convention priority data:
(31) Number (32) Date (33) Country
29/524,861 23 Apr 2015 UNITED STATES OF AMERICA
(56) Related Art Documents: **Not Applicable**
(57) Statement of Newness and Distinctiveness: **Newness and distinctiveness resides in the shape or configuration of a CPU holder as illustrated in the accompanying representations.**



- (21) Design Number: **15582/2015**
(22) Date of Filing Application: **21 October 2015**
(24) Date from which industrial property rights may have effect: **21 October 2015**
(54) Product in respect of which the design is registered: **Removable non-slip insert for footwear**
(51) International Design Classification: **02-04A**
(74) Name(s) of Attorney(s): **Spruson & Ferguson**
(71) Name(s) and Address(s) of Applicant(s):
TruSox, LLC.
550 Crain Highway North, Unit 1, Glen Bernie Maryland, 21061 United States of America
(72) Name(s) of Designer(s): **James Paul Cherneski**
(45) Registration Date: **12 November 2015**
(56) Related Art Documents: **Not Applicable**
(57) Statement of Newness and Distinctiveness: **Newness and distinctiveness is claimed in the features of shape and/or configuration of a removable non-slip insert for footwear as illustrated in the accompanying representations.**

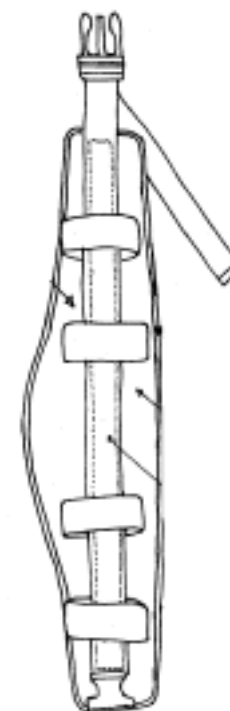


(21) Design Number: **15584/2015**
(22) Date of Filing Application: **21 October 2015**
(24) Date from which industrial property rights may have effect: **21 October 2015**
(54) Product in respect of which the design is registered: **Car and toy-car**
(51) International Design Classification: **12-08, 21-01C**
(74) Name(s) of Attorney(s): **PHILLIPS ORMONDE FITZPATRICK**
(71) Name(s) and Address(s) of Applicant(s):
Ferrari S.p.A.
Via Emilia Est 1163 I-41100 Modena Italy
(72) Name(s) of Designer(s): **Flavio Manzoni**
(45) Registration Date: **12 November 2015**
(30) Convention priority data:
(31) Number (32) Date (33) Country
**002689133 24 Apr 2015 OFFICE FOR HARMONISATION IN
THE INTERNAL MARKET (OHIM)**



(56) Related Art Documents: **Not Applicable**
(57) Statement of Newness and Distinctiveness: **Those features of the car and toy-car depicted in the representations that are new and distinctive are the shape and/or configuration and/or pattern and/or ornamentation. The wheels of the car and toy-car do not form part of the design. The portions highlighted in grey represent carbon inserts having a contrasting tone with the rest of the car and toy-car.**

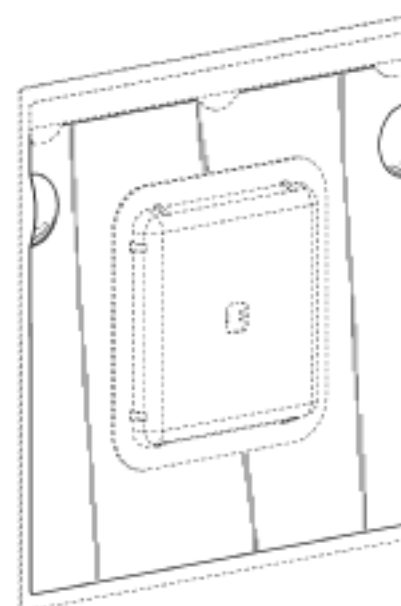
(21) Design Number: **13089/2015**
(22) Date of Filing Application: **18 June 2015**
(24) Date from which industrial property rights may have effect: **18 June 2015**
(54) Product in respect of which the design is registered: **Patient manual handling device to facilitate standing and walking transfers for the less able.**
(51) International Design Classification: **24-01**
(74) Name(s) of Attorney(s):
(71) Name(s) and Address(s) of Applicant(s):
Nicholas Sandeman Aillen
PO BOX 6126 Port Macquarie NSW 2494
(72) Name(s) of Designer(s): **Nicholas Sandeman Aillen**
(45) Registration Date: **12 November 2015**
(56) Related Art Documents: **Not Applicable**
(57) Statement of Newness and Distinctiveness: **Supportive contact interface with lord-bearing hand tools stitched to central, high weight capacity strap (rather than contact interface) to ensure safety of person being transferred.**



(21) Design Number: **14967/2015**
(22) Date of Filing Application: **22 September 2015**
(24) Date from which industrial property rights may have effect: **22 September 2015**
(54) Product in respect of which the design is registered: **Fence sheet**
(51) International Design Classification: **25-02C**
(74) Name(s) of Attorney(s):
(71) Name(s) and Address(s) of Applicant(s):
BJB Industries Pty Ltd
2324 Pacific Hwy Heatherbrae NSW, 2324 Australia
(72) Name(s) of Designer(s): **Jeff Chilton**
(45) Registration Date: **12 November 2015**
(56) Related Art Documents: **Not Applicable**
(57) Statement of Newness and Distinctiveness: **Distinctiveness is claimed on this metal sheet of constant cross section with indeterminate length by the profile and configuration of the section which is circled in the representation and identified by A.**



(21) Design Number: **14971/2015**
(22) Date of Filing Application: **22 September 2015**
(24) Date from which industrial property rights may have effect: **22 September 2015**
(54) Product in respect of which the design is registered: **Decorative display**
(51) International Design Classification: **14-01**
(74) Name(s) of Attorney(s): **Davies Collison Cave**
(71) Name(s) and Address(s) of Applicant(s):
3M Innovative Properties Company
3M Center Saint Paul Minnesota, 55133-3427 United States of America
(72) Name(s) of Designer(s): **Brian D. Gale and Stephan A. Hawthorne and Judd D. Olson**
(45) Registration Date: **12 November 2015**
(30) Convention priority data:
(31) Number (32) Date (33) Country
29/521887 26 Mar 2015 UNITED STATES OF AMERICA
(56) Related Art Documents: **Not Applicable**
(57) Statement of Newness and Distinctiveness: **Newness and distinctiveness is claimed in the visual features shown in solid lines in the representations. In considering the extent of the design rights, the broken lines shown in the representations are for illustrative purposes only and do not form part of the design.**



(21) Design Number: **15586/2015**

(22) Date of Filing Application: **21 October 2015**

(24) Date from which industrial property rights may have effect: **21 October 2015**

(54) Product in respect of which the design is registered: **Vacuum cleaner**

(51) International Design Classification: **15-05**

(74) Name(s) of Attorney(s): **Fisher Adams Kelly Callinans**

(71) Name(s) and Address(s) of Applicant(s):

Rocky Mountain Vacuum Brokers LLC

8498 S. Welby Farm Road #A West Jordan UTAH, 84088 United States of America

(72) Name(s) of Designer(s): **Dustin Chaffin**

(45) Registration Date: **12 November 2015**

(30) Convention priority data:

(31) Number

(32) Date

(33) Country

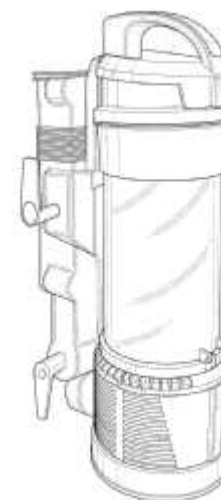
29/542,518

14 Oct 2015

UNITED STATES OF AMERICA

(56) Related Art Documents: **Not Applicable**

(57) Statement of Newness and Distinctiveness: **Newness and distinctiveness of the design resides in the shape and/or configuration of a VACUUM CLEANER as shown in the representations.**



(21) Design Number: **15587/2015**

(22) Date of Filing Application: **22 October 2015**

(24) Date from which industrial property rights may have effect: **22 October 2015**

(54) Product in respect of which the design is registered: **Spray head**

(51) International Design Classification: **08-05A**

(74) Name(s) of Attorney(s): **Spruson & Ferguson**

(71) Name(s) and Address(s) of Applicant(s):

Husqvarna AB

Huskvarna SE-561 82 Sweden

(72) Name(s) of Designer(s): **Jens Naslund and Daniel Gunnarsson and Gustav Landberg and Tor Sigurdson**

(45) Registration Date: **12 November 2015**

(30) Convention priority data:

(31) Number

(32) Date

(33) Country

002686816-0011

22 Apr 2015

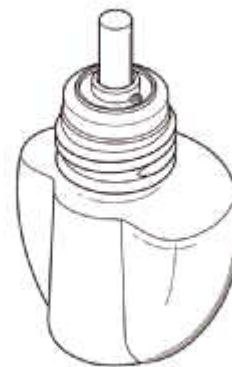
OFFICE FOR HARMONISATION IN THE INTERNAL MARKET (OHIM)

(56) Related Art Documents: **Not Applicable**

(57) Statement of Newness and Distinctiveness: **Newness and distinctiveness is claimed in those features of pattern and/or ornamentation of a spray head illustrated in continuous lines in the accompanying representations.**



(21) Design Number: **15589/2015**
(22) Date of Filing Application: **22 October 2015**
(24) Date from which industrial property rights may have effect: **22 October 2015**
(54) Product in respect of which the design is registered: **Volatile substance dispenser bottle**
(51) International Design Classification: **09-01A**
(74) Name(s) of Attorney(s): **Shelston IP Pty Ltd.**
(71) Name(s) and Address(s) of Applicant(s):
Reckitt Benckiser (Brands) Limited
103-105 Bath Road Slough Berkshire SL1 3UH United Kingdom
(72) Name(s) of Designer(s): **Stuart King and David Sanders**
(45) Registration Date: **12 November 2015**
(30) Convention priority data:
(31) Number (32) Date (33) Country
002690198-0003 27 Apr 2015 OFFICE FOR HARMONISATION IN THE INTERNAL MARKET (OHIM)
(56) Related Art Documents: **Not Applicable**
(57) Statement of Newness and Distinctiveness: **Newness and distinctiveness resides in the features of shape and configuration of a volatile substance dispenser bottle as shown in the accompanying representations.**



(21) Design Number: **15652/2015**
(22) Date of Filing Application: **23 October 2015**
(24) Date from which industrial property rights may have effect: **23 October 2015**
(54) Product in respect of which the design is registered: **Blender container**
(51) International Design Classification: **31-00**
(74) Name(s) of Attorney(s): **PHILLIPS ORMONDE FITZPATRICK**
(71) Name(s) and Address(s) of Applicant(s):
SharkNinja Operating LLC
180 Wells Avenue Suite 200 Newton Massachusetts, 02459 United States of America
(72) Name(s) of Designer(s): **Cory R. Smith**
(45) Registration Date: **13 November 2015**
(30) Convention priority data:
(31) Number (32) Date (33) Country
29/527,748 21 May 2015 UNITED STATES OF AMERICA
(56) Related Art Documents: **Not Applicable**
(57) Statement of Newness and Distinctiveness: **Those features of the blender container depicted in the representations that are new and distinctive are the shape and/or configuration. The features shown in broken lines are not part of the design and are to be disregarded when considering the overall impression of the design.**



(21) Design Number: **15653/2015**

(22) Date of Filing Application: **23 October 2015**

(24) Date from which industrial property rights may have effect: **23 October 2015**

(54) Product in respect of which the design is registered: **Blender container**

(51) International Design Classification: **31-00**

(74) Name(s) of Attorney(s): **PHILLIPS ORMONDE FITZPATRICK**

(71) Name(s) and Address(s) of Applicant(s):

SharkNinja Operating LLC

180 Wells Avenue Suite 200 Newton Massachusetts, 02459 United States of America

(72) Name(s) of Designer(s): **Cory R. Smith**

(45) Registration Date: **13 November 2015**

(30) Convention priority data:

(31) Number	(32) Date	(33) Country
29/527,737	21 May 2015	UNITED STATES OF AMERICA

(56) Related Art Documents: **Not Applicable**

(57) Statement of Newness and Distinctiveness: **Those features of the blender container depicted in the representations that are new and distinctive are the shape and/or configuration. The features shown in broken lines are not part of the design and are to be disregarded when considering the overall impression of the design.**



(21) Design Number: **15654/2015**

(22) Date of Filing Application: **23 October 2015**

(24) Date from which industrial property rights may have effect: **23 October 2015**

(54) Product in respect of which the design is registered: **Blender container**

(51) International Design Classification: **31-00**

(74) Name(s) of Attorney(s): **PHILLIPS ORMONDE FITZPATRICK**

(71) Name(s) and Address(s) of Applicant(s):

SharkNinja Operating LLC

180 Wells Avenue Suite 200 Newton Massachusetts, 02459 United States of America

(72) Name(s) of Designer(s): **Cory R. Smith**

(45) Registration Date: **13 November 2015**

(30) Convention priority data:

(31) Number	(32) Date	(33) Country
29/527,748	21 May 2015	UNITED STATES OF AMERICA

(56) Related Art Documents: **Not Applicable**

(57) Statement of Newness and Distinctiveness: **Those features of the blender container depicted in the representations that are new and distinctive are the shape and/or configuration. The features shown in broken lines are not part of the design and are to be disregarded when considering the overall impression of the design.**



(21) Design Number: **15666/2015**
(22) Date of Filing Application: **23 October 2015**
(24) Date from which industrial property rights may have effect: **23 October 2015**
(54) Product in respect of which the design is registered: **An automobile**
(51) International Design Classification: **12-08**
(74) Name(s) of Attorney(s): **Spruson & Ferguson**
(71) Name(s) and Address(s) of Applicant(s):
Honda Motor Co., Ltd.
1-1, Minami-Aoyama 2-Chome, Minato-ku Tokyo Japan
(72) Name(s) of Designer(s): **Wataru Murakami**
(45) Registration Date: **13 November 2015**
(30) Convention priority data:
(31) Number (32) Date (33) Country
2015-009447 27 Apr 2015 JAPAN
(56) Related Art Documents: **Not Applicable**
(57) Statement of Newness and Distinctiveness: **Newness and distinctiveness is claimed in the features of shape and/or configuration of an automobile as illustrated in the accompanying representations.**



(21) Design Number: **15667/2015**
(22) Date of Filing Application: **23 October 2015**
(24) Date from which industrial property rights may have effect: **23 October 2015**
(54) Product in respect of which the design is registered: **Audio equipment**
(51) International Design Classification: **14-01**
(74) Name(s) of Attorney(s): **FB Rice**
(71) Name(s) and Address(s) of Applicant(s):
Allen & Heath Limited
Kernick Industrial Estate Penryn Cornwall TR10 9LU United Kingdom
(72) Name(s) of Designer(s): **Antony Ian Jackson and Ian McBurney and David Leonard Price and Simon Trethewey and James Ian Wrigley and David Haughton and Andrew Bell and Jeffrey Simpson and Alexander Money and Alisdair Gray and Nicola Beretta and Christopher Lock and John Edwards and Glenn Rogers and Robin Clark**
(45) Registration Date: **13 November 2015**
(30) Convention priority data:
(31) Number (32) Date (33) Country
002689091-0001 24 Apr 2015 OFFICE FOR HARMONISATION IN THE INTERNAL MARKET (OHIM)
(56) Related Art Documents: **Not Applicable**
(57) Statement of Newness and Distinctiveness: **Newness and distinctiveness reside in the shape and configuration of the audio equipment as shown in the representations.**



(21) Design Number: **15668/2015**

(22) Date of Filing Application: **23 October 2015**

(24) Date from which industrial property rights may have effect: **23 October 2015**

(54) Product in respect of which the design is registered: **Audio equipment**

(51) International Design Classification: **14-01**

(74) Name(s) of Attorney(s): **FB Rice**

(71) Name(s) and Address(s) of Applicant(s):

Allen & Heath Limited

Kernick Industrial Estate Penryn Cornwall TR10 9LU United Kingdom

(72) Name(s) of Designer(s): **Antony Ian Jackson and Ian McBurney and David Leonard Price and Simon Trethewey and James Ian Wrigley and David Haughton and Andrew Bell and Jeffrey Simpson and Alexander Money and Alisdair Gray and Nicola Beretta and Christopher Lock and John Edwards and Glenn Rogers and Robin Clark**

(45) Registration Date: **13 November 2015**

(30) Convention priority data:

(31) Number

(32) Date

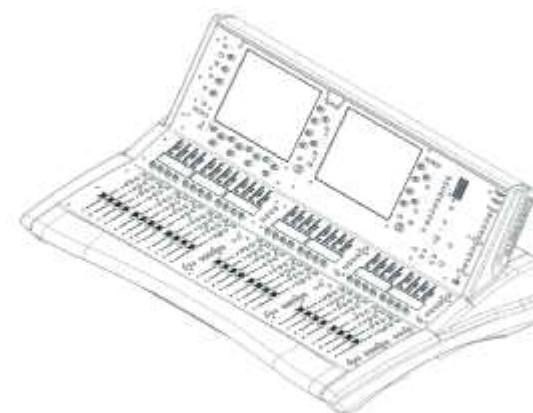
(33) Country

002689091-0002 24 Apr 2015

**OFFICE FOR HARMONISATION IN
THE INTERNAL MARKET (OHIM)**

(56) Related Art Documents: **Not Applicable**

(57) Statement of Newness and Distinctiveness: **Newness and distinctiveness reside in the shape and configuration of the audio equipment as shown in the representations.**



(21) Design Number: **15669/2015**

(22) Date of Filing Application: **23 October 2015**

(24) Date from which industrial property rights may have effect: **23 October 2015**

(54) Product in respect of which the design is registered: **Heater**

(51) International Design Classification: **23-03B**

(74) Name(s) of Attorney(s): **PHILLIPS ORMONDE FITZPATRICK**

(71) Name(s) and Address(s) of Applicant(s):

Bromic Pty Limited

PO BOX 6062 Silverwater NSW 1811 Australia

(72) Name(s) of Designer(s): **Scott Smith**

(45) Registration Date: **13 November 2015**

(56) Related Art Documents: **Not Applicable**

(57) Statement of Newness and Distinctiveness: **Those features of the heater depicted in the representations that are new and distinctive are the shape and/or configuration. The text shown in the bottom view is not part of the design and is to be disregarded when considering the overall impression of the design.**

