



Australian Government

IP Australia

AUSTRALIAN OFFICIAL JOURNAL

OF

DESIGNS

Did you know a searchable version of this journal is now available online?

It's FREE and EASY to SEARCH.

Find it on our website (www.ipaustralia.gov.au)

by using the "Journals" link on the home page.

This Page Left Intentionally Blank

Contents

General Information & Notices

**Proceedings Under the Designs Act 1906 preserved as a result of the provisions of Chapter 12
Part 2 of the Designs Act 2003**

Applications for Extension of Time 3490
Extension of Period of Registration of Designs 3490
Extensions of Time Granted 3490
Registrations Ceased 3490
Subsequent Owners Registered 3490

Proceedings Under the Designs Act 2003

Applications Lapsed 3503
Applications Lodged 3494
Applications Withdrawn 3503
Certificate of Examination 3507
Extension of Period of Registration of Design 3504
Names Registered - Alterations and Amendments 3505
Publication and Registration Proceedings
Designs Registered 365198 to 365509..... 3508
Registrations Ceased 3504
Subsequent Owners Registered 3505

This Page Left Intentionally Blank

For information on the following please see our website www.ipaustralia.gov.au or contact our Customer Service Network on 1300651010

[Editorial enquiries](#)

[Contact information](#)

[Freedom of Information ACT](#)

[Professional Standards Board](#)

[Sales](#)

[Requests for Information under Section 194 \(c\)](#)

[Country Codes](#)

[Trade Mark and Designs Hearing Sessions](#)

[INID \(Internationally agreed Numbers for the Identification of Data\)](#)

“INID” NUMBERS in use on Australian Design Documents

“INID” is an acronym for “Internationally agreed Numbers for the Identification of Data”.

(10) Data concerning the registration/renewal

- (11) Serial number of the registration and/or number of the design document
- (12) Plain language designation of the kind of published document
- (19) Identification, using the two-letter code according to WIPO Standard ST.3, of the authority publishing or registering the industrial design

(20) Data concerning the application

- (21) Serial number of the application
- (22) Date of filing of the application
- (24) Date from which the industrial design right has effect

(30) Data relating to priority under the Paris Convention

- (31) Serial number assigned to the priority application
- (32) Date of filing of the priority application
- (33) Two-letter code, according to WIPO Standard ST.3, identifying the authority with which the priority application was made

(40) Date(s) of making information available to the public

- (45) Date of publication of the registered industrial design by printing or similar process, or making it available to the public by any other means

(50) Miscellaneous Information

- (51) International Classification for Industrial Designs (class and subclass of the Locarno Classification)
- (54) Designation of article(s) or product(s) covered by the industrial design or title of the industrial design
- (55) Reproduction of the industrial design (e.g., drawing, photograph) and explanations relating to the reproduction
- (56) List of prior art documents, if separate from descriptive text
- (57) Description of characteristic features of the industrial design including indication of colours

(60) References to other legally related application(s) and registration(s)

- (62) Serial number(s) and, if available, filing date(s) of application(s), registration(s) or document(s) related by division
- (66) Serial number(s) of the application, or the registration, of the design(s) which is (are) a variant(s) of the present one

(70) Identification of parties concerned with the application or registration

- (71) Name(s) and address(es) of the applicant(s)
- (72) Name(s) of the creator(s) if known to be such
- (74) Name(s) and address(es) of the representative(s)

OLYMPIC INSIGNIA PROTECTION ACT 1987

Examination Report on Olympic Design Application No. OD 19

Application Form Lodged: 09/07/2015

Entitlement to Apply: Yes

Representation Lodged: 09/07/2015

Trade Mark Search: Completed. See attachedDesigns Act 2003 Search: Completed. See attached

Journal Advertisements:

1. Australian Official Journal of Designs dated 03/12/15
2. Australian Official Journal of Patents dated 03/12 /15
3. Australian Official Journal of Trade Marks dated 26/11/15

The number of Olympic Designs currently Registered under this Act is 4

The application is / is not in order for acceptance.

Pursuant to Section 10 of the Act, I Kylie Murray

- a. **Refuse the registration**
- b. **Accept and direct registration**

of the Olympic Design.



Supervising Examiner Designs

17/11/2015

<p>ADDS</p>	<p>Classes: 11-05 ; 02-02A; 02-02c; 02-02Z; 02-05 and 02-03 Product name: 'olympic'; 'kangaroo'; 'emu'</p>
<p>ATMOSS</p>	<p>Your search request retrieved 313 matches. Criteria Used: Image: interlocking(Part image) AND ring+(Part image); Status : Pending and Registered; Your search has found 930 records! All searched (NB: Only first 500 records are displayed.) Criteria Used: Image: interlocking(Part image) AND circle+(Part image); Status : Pending and Registered; Your search request retrieved 47 matches. Criteria Used: Image: insignia(Part image); Status : Pending and Registered; Your search request retrieved 110 matches. Criteria Used: Image: kangaroo(Part image) AND emu(Part image); Status : Pending and Registered; Your search request retrieved 117 matches. Criteria Used: Image: kangaroo(Part image) AND star(Part image); Status : Pending and Registered;</p>
<p>Web Search</p>	<p>Olympic ring design Olympic rings Olympic insignia Olympic logo Australian Olympic symbol *Artistic work belonging to the AOC found on various websites</p>

This Page Left Intentionally Blank

Proceedings under the Designs Act 1906 preserved as a result of the provisions of Chapter 12 Part 2 of the Designs Act 2003.

This Page Left Intentionally Blank

Applications Lapsed

There were no Applications Lapsed under this section

Extension of Period of Registration of Designs

1st Period (Section 27A(8))

2nd Period (Section 27A(12))

3rd Period (Section 27A(13))

152178 155687

Registrations Ceased

Note: Some of the following Registrations may have been previously advertised as ceased. In this instance, the previous advertisement still prevails.

140514	140517	140626
140627	140628	140727
140728	140752	140786
140860	140862	140863
141099	141130	141131
141132	141355	141671
141902	141903	141986
141997	142057	142224
142273	142425	142426
142524	142535	143162
143550	144133	144147
144503	144504	144505
144620	144960	144961
151034	151035	156920
156966	157013	157065
157067	157068	157069
157070	157077	157311
157341	157342	157803
157869	157938	158091
158176	158205	158206
158207	158208	158308
158334	158430	158470
158493		

Applications for Extension of time

Applications for extension of time have been lodged. Objections must be lodged within 1 month from the date of this journal.

157189 **Sandvik Tamrock Oy** Extension of time to extend a registration. Address for Service: Davies Collison Cave Level 15 1 Nicholson Street MELBOURNE VIC 3000

157190 **Sandvik Tamrock Oy** Extension of time to extend a registration. Address for Service: Davies Collison Cave Level 15 1 Nicholson Street MELBOURNE VIC 3000

157191 **Sandvik Tamrock Oy** Extension of time to extend a registration. Address for Service: Davies Collison Cave Level 15 1 Nicholson Street MELBOURNE VIC 3000

Extensions of time granted

Applications lodged for extension of time have been granted.

152178 **Mauricio Bayred Velez** An An Extension of time to extend a registration has been granted to 23/08/2015

155687 **Mauricio Bayred Velez** An An Extension of time to extend a registration has been granted to 23/08/2015

Subsequent Owners Registered

(The name in parentheses is that of the subsequent owner)

156237 (**Mars, Incorporated**) Ridgeback Acquisition LLC

158373 (**Mars, Incorporated**) Ridgeback Acquisition LLC

This Page Left Intentionally Blank

Proceedings under the Designs Act 2003.

This Page Left Intentionally Blank

Applications Lodged

Lodgement information is in the following order: **Applicant's Name**; International Classification, Name of Product, Lodgement Date and **Design Number**. If the applicant claims an earlier priority date under an International Convention, the Convention Country and the associated filing date are shown in parentheses before the Lodgement Date. Divisional information will also appear in parentheses before the Lodgement Date.

inSleep Technologies, LLC; 24-02, Bases for nasal interfaces, (US, 08 Apr 2015) (Divisional of 15194/2015) 26 Nov 2015	16395/2015	Australian Age of Dinosaurs Limited; 21-01A, Plastic dinosaur toy, 12 Nov 2015	16045/2015
Achimán Pty Ltd; 09-08, 25-01C, Pallet reinforcement beam, 23 Nov 2015	16347/2015	AC (Macao Commercial Offshore) Limited; 15-05, Steam cleaner, (CN, 19 May 2015) 13 Nov 2015	16087/2015
Ahearn Fox;Vuly Property Pty Ltd; 21-02F, Trampoline cover, (Divisional of 14618/2015) 16 Nov 2015	16179/2015	AC (Macao Commercial Offshore) Limited; 15-05, Steam cleaner, (CN, 19 May 2015) 13 Nov 2015	16089/2015
Ainsworth Game Technology Limited; 14-02, Display screen with graphical user interface, (Divisional of 14991/2015) 24 Nov 2015	16349/2015	ADCE PTY LTD; 32-03, Company Logo & Brand Mark, 24 Nov 2015	16362/2015
Ainsworth Game Technology Limited; 14-02, Display screen with graphical user interface, (Divisional of 14995/2015) 24 Nov 2015	16353/2015	AUSTRALIAN FASHION LABELS PTY LTD; 05-05NES, A textile print, 12 Nov 2015	16054/2015
Ainsworth Game Technology Limited; 14-02, Display screen with graphical user interface, (Divisional of 14994/2015) 24 Nov 2015	16352/2015	AUSTRALIAN FASHION LABELS PTY LTD; 02-02C, A textile print, 12 Nov 2015	16047/2015
Ainsworth Game Technology Limited; 14-02, Display screen with graphical user interface, (Divisional of 14993/2015) 24 Nov 2015	16350/2015	AUSTRALIAN FASHION LABELS PTY LTD; 05-05D, A textile print, 12 Nov 2015	16049/2015
Align Technology, Inc.; 14-02, Cart-mounted display and computer for scanner, (Divisional of 14730/2015) 19 Nov 2015	16270/2015	AUSTRALIAN FASHION LABELS PTY LTD; 05-05A, A textile print, 12 Nov 2015	16046/2015
Align Technology, Inc.; 14-02, Desktop display and computer for intraoral scanner, (Divisional of 14723/2015) 20 Nov 2015	16272/2015	AUSTRALIAN FASHION LABELS PTY LTD; 05-05NES, A textile print, 12 Nov 2015	16043/2015
Artis LLC; 04-02, Palm makeup brush, (US, 18 May 2015) 17 Nov 2015	16195/2015	AUSWITCH PTY. LTD.; 13-03D, Slim double weatherproof power point, 20 Nov 2015	16286/2015
Ashman, Tiffany Caroline;Bamford, Katherine; 22-06, Pest eradication device with cover and base, 16 Nov 2015	16184/2015	AUSWITCH PTY. LTD.; 13-03D, Standard single power point, 19 Nov 2015	16254/2015
Atlas Copco Secoroc AB; 08-01, Rock drill bit, (EM, 29 May 2015) 12 Nov 2015	16038/2015	Bamford, Katherine;Ashman, Tiffany Caroline; 22-06, Pest eradication device with cover and base, 16 Nov 2015	16184/2015
Atlas Copco Secoroc AB; 08-01, Rock drill bit, (EM, 29 May 2015) 12 Nov 2015	16039/2015	Bisio Progetti S.p.A.; 07-02L, Capsule for coffee and infusion, (IT, 13 Jul 2015) 24 Nov 2015	16359/2015
Atlas Copco Secoroc AB; 08-01, Rock drill bit, (EM, 29 May 2015) 12 Nov 2015	16040/2015	Bisio Progetti S.p.A.; 07-02L, Capsule for coffee and infusion, (IT, 25 May 2015) 24 Nov 2015	16360/2015
		Black & Decker Inc.; 15-05, Vacuum cleaner, (EM, 14 May 2015) 13 Nov 2015	16088/2015
		Black & Decker Inc.; 15-05, Vacuum cleaner, (EM, 14 May 2015) 13 Nov 2015	16085/2015

Black & Decker Inc.; 15-05, Vacuum cleaner, (EM, 14 May 2015) 13 Nov 2015	16086/2015	Davies Collison Cave; 02-04NES, Shoe, (Divisional of 14785/2015) 25 Nov 2015	16364/2015
Black & Decker Inc.; 15-05, Vacuum cleaner, (EM, 14 May 2015) 13 Nov 2015	16073/2015	Dodgson, Jack Andrew;Mish Mosh Holding Pty Ltd; 06-06E, Furniture leg, 12 Nov 2015	16057/2015
Brand Developers Limited; 31-00, Blender unit, 23 Nov 2015	16339/2015	Dodgson, Jack Andrew;Mish Mosh Holding Pty Ltd.; 06-06E, Furniture leg joiner, 12 Nov 2015	16056/2015
Buildom Pty Ltd; 25-03, Bathroom pod framing, 12 Nov 2015	16055/2015	Dometic Sweden AB; 08-05NES, Accessory base, (US, 15 May 2015) 12 Nov 2015	16041/2015
Calodoukas, Eileen Joanna; 06-13B, Sleeping Garment, 19 Nov 2015	16265/2015	Dometic Sweden AB; 08-05NES, Accessory base, (US, 15 May 2015) 12 Nov 2015	16042/2015
Calodoukas, Eileen Joanna; 06-13B, Sleeping garment, 19 Nov 2015	16263/2015	Dong, Biao; 02-06, Gloves, (CN, 13 May 2015) 12 Nov 2015	16052/2015
Carr, Olivia; 02-07A, 06-13B, Silk pillowcase, 19 Nov 2015	16249/2015	Dosatron International; 15-02, Metering pump, (EM, 18 Jun 2015) 26 Nov 2015	16386/2015
Caulkmate Pty Ltd; 08-99, Caulking applicator, 24 Nov 2015	16348/2015	Dosatron International; 13-03NES, Control box, (EM, 18 Jun 2015) 26 Nov 2015	16388/2015
Chrintec, LLC; 10-04, Monitoring station, (US, 21 Aug 2015) 12 Nov 2015	16050/2015	Dosatron International; 13-03A, Control box, (EM, 18 Jun 2015) 26 Nov 2015	16387/2015
Clearview Towing Mirrors Pty Ltd; 12-16H, Rear view mirror, 25 Nov 2015	16377/2015	Dr. Arabin GmbH & Co. KG; 24-04, Pessary, (EM, 21 May 2015) 23 Nov 2015	16313/2015
Clearview Towing Mirrors Pty Ltd; 12-16H, Rear view mirror, 25 Nov 2015	16375/2015	Dres, Effie; 02-02NES, Clothing, 14 Nov 2015	16104/2015
Clearview Towing Mirrors Pty Ltd; 12-16H, Rear view mirror, 25 Nov 2015	16376/2015	Dyson Technology Limited; 23-04, A fan, (EM, 26 May 2015) 26 Nov 2015	16398/2015
Clearview Towing Mirrors Pty Ltd; 12-16H, Rear view mirror, 25 Nov 2015	16374/2015	Dyson Technology Limited; 23-04, A fan, (EM, 26 May 2015) 26 Nov 2015	16399/2015
Craft Beer Importers Canada Inc; 09-03H, Packaging insert for an advent calendar and/or beer packaging container, (US, 22 May 2015) 17 Nov 2015	16205/2015	Dyson Technology Limited; 23-04, A fan, (EM, 26 May 2015) 26 Nov 2015	16396/2015
Cramer, Jonathan Victor; 07-05C, A peg, 17 Nov 2015	16192/2015	Dyson Technology Limited; 23-04, A fan, (EM, 26 May 2015) 26 Nov 2015	16397/2015
Crossfor Co., Ltd.; 11-01NES, Holding assembly of ornaments, 12 Nov 2015	16051/2015	Dyson Technology Limited; 23-04, A fan, (EM, 26 May 2015) 26 Nov 2015	16400/2015
Crossfor Co., Ltd.; 11-01NES, Holding assembly of ornaments, (JP, 10 Jul 2015) 12 Nov 2015	16044/2015	Dyson Technology Limited; 28-03B, Accessory for hairdryer, (EM, 18 Jun 2015) 23 Nov 2015	16314/2015
Dai, Alex; 13-03B, Battery clamp, (TW, 21 Jul 2015) 12 Nov 2015	16031/2015	Dyson Technology Limited; 28-03B, Accessory for hairdryer, (EM, 18 Jun 2015) 23 Nov 2015	16312/2015
Dai, Alex; 13-03B, Battery clamp, (TW, 21 Jul 2015) 12 Nov 2015	16032/2015		
Dart Industries Inc.; 07-01NES, Seal for container, (US, 11 Jun 2015) 17 Nov 2015	16191/2015		
Dart Industries Inc.; 09-01NES, Bottle with cap and strap, cap and strap, and cap, (US, 23 Jun 2015) 20 Nov 2015	16278/2015		

DAN FOAM ApS; 06-01A, Bed assembly, (US, 03 Sep 2015) 19 Nov 2015	16241/2015	Google Inc.; 20-02NES, Retail Modular Fixture, (US, 21 May 2015) 21 Nov 2015	16293/2015
DAN FOAM ApS; 06-02, Bed assembly, (US, 03 Sep 2015) 19 Nov 2015	16248/2015	Gordon Ganning; 08-08G, A ceiling hook, 19 Nov 2015	16271/2015
DKB Household UK Limited; 07-04, Kitchen utensil, (EM, 15 May 2015) 13 Nov 2015	16076/2015	Graco Minnesota Inc.; 15-02, Diaphragm pump, (US, 26 Aug 2015) 20 Nov 2015	16273/2015
DKB Household UK Limited; 07-02NES, Kitchen utensil, (EM, 15 May 2015) 11 Nov 2015	16026/2015	Graco Minnesota Inc.; 15-02, Diaphragm pump, (US, 26 Aug 2015) 17 Nov 2015	16202/2015
Ellsworth, David A; 14-02, Customer facing technology, 19 Nov 2015	16252/2015	Griffith Hack (Melbourne); 12-16K, Package butler, (Divisional of 14891/2015) 23 Nov 2015	16311/2015
Evolution Aqua Limited; 23-01G, Filter element, (EM, 15 May 2015) 13 Nov 2015	16074/2015	Hamilton, Lauren; 02-04NES, Shoe, 12 Nov 2015	16058/2015
Flexco (Aust) Pty. Ltd.; 15-05, 12-05, Conveyor belt cleaning tip, 26 Nov 2015	16385/2015	Hamilton, Lauren; 02-04NES, Shoes, 12 Nov 2015	16059/2015
Fox, Nolan Kirk; 25-03, 25-99, Core geometry for range of modular buildings, 25 Nov 2015	16369/2015	HandyAs Limited; 03-01D, A Nesting or Stackable Holder, (NZ, 26 May 2015) 23 Nov 2015	16295/2015
Freeman, Anna Grace;R CHAVES ROCHA LIMA & A.G FREEMAN;Lima, Ricardo Chaves Rocha; 08-10, Bicycles, bicycle stands, and furniture, 26 Nov 2015	16407/2015	Helen of Troy Limited; 12-12, 07-06A, Stroller cup holder, (US, 06 Jun 2015) 25 Nov 2015	16367/2015
Future Cups GmbH & Co. KG; 07-01B, Dish, (WO, 15 May 2015) 13 Nov 2015	16093/2015	Hollister Incorporated; 24-04, Catheter package assembly, (US, 29 May 2015) 25 Nov 2015	16363/2015
Future Cups GmbH & Co. KG; 07-01B, Dish, (WO, 15 May 2015) 13 Nov 2015	16092/2015	Hollister Incorporated; 09-05, Package for ostomy flange extenders, (US, 06 Mar 2015) 18 Aug 2015	14237/2015
FBA International Pty Ltd; 02-07A, Clasp, 19 Nov 2015	16264/2015	Honeywell International Inc.; 24-04, Peanut-shaped earplug with paddle handle, (Divisional of 14710/2015) 20 Nov 2015	16276/2015
FBA International Pty Ltd; 09-07NES, Storage container lid, 19 Nov 2015	16267/2015	Honeywell International Inc.; 24-04, Pod-shaped earplug with paddle handle, (Divisional of 14709/2015) 20 Nov 2015	16274/2015
FBA International Pty Ltd; 09-03M, Storage container, 19 Nov 2015	16262/2015	Hubbell Incorporated; 26-05E, Lighting fixture, (Divisional of 15295/2015) 19 Nov 2015	16256/2015
FBA International Pty Ltd; 09-07NES, 09-03F, Storage container lid, 19 Nov 2015	16261/2015	Hubbell Incorporated; 26-04, Lighting fixture, (Divisional of 15294/2015) 19 Nov 2015	16251/2015
FBA International Pty Ltd; 09-03M, Storage container, 19 Nov 2015	16260/2015	Hydrus Technology Pty. Ltd.; 13-03NES, Elephant, 11 Nov 2015	16027/2015
Gameday International Pty Ltd; 09-03M, Home impression box for storing single impression tray & four containers with putty material, 24 Nov 2015	16390/2015	Hydrus Technology Pty. Ltd.; 13-03NES, Elephant, 11 Nov 2015	16029/2015
Gameday International Pty Ltd; 09-03M, Home impression box for storing double impression tray & four containers with putty material, 24 Nov 2015	16391/2015	Hydrus Technology Pty. Ltd.; 13-03NES, Elephant, 11 Nov 2015	16028/2015
		HAGER-ELECTRO SAS; 13-03D, One gang switch, 18 Nov 2015	16210/2015
		HAGER-ELECTRO SAS; 13-03D, Twin socket, 18 Nov 2015	16216/2015

HANHWA HIGHTECH CO., Ltd.; 14-03NES, 8 Inch AVN system & 2ch DVR for truck, 19 Nov 2015	16250/2015	Lewis, Daniel; 02-02NES, T-shirt, 13 Nov 2015	16091/2015
Inderm; 09-01G, 28-03NES, A capsule for cosmetics, (EM, 27 May 2015) 24 Nov 2015	16351/2015	Lima, Ricardo Chaves Rocha;R CHAVES ROCHA LIMA & A.G FREEMAN;Freeman, Anna Grace; 08-10, Bicycles, bicycle stands, and furniture, 26 Nov 2015	16407/2015
Industrie IP Pty Limited; 02-02NES, Tops, 16 Nov 2015	16176/2015	Lisa Marie Fernandez, LLC; 02-02A, Swimwear, (EM, 21 May 2015) 23 Nov 2015	16328/2015
Inoue, Kentaro; 20-03NES, Signage, 15 Nov 2015	16110/2015	Lisa Marie Fernandez, LLC; 02-02A, Swimwear, (EM, 21 May 2015) 23 Nov 2015	16332/2015
Intelligent Locker Systems Pty Ltd; 06-04E, Barcode accessed click & collect storage lockers, 19 Nov 2015	16231/2015	Lisa Marie Fernandez, LLC; 02-02A, Swimwear, (EM, 21 May 2015) 23 Nov 2015	16333/2015
Intelligent Locker Systems Pty Ltd; 06-04E, Computerized accessed freezer storage lockers, 19 Nov 2015	16232/2015	Lisa Marie Fernandez, LLC; 02-02A, Swimwear, (EM, 21 May 2015) 23 Nov 2015	16334/2015
Intercontinental Great Brands LLC; 09-03M, Confectionery package, (Divisional of 15010/2015) 18 Nov 2015	16227/2015	Lisa Marie Fernandez, LLC; 02-02A, Swimwear, (EM, 21 May 2015) 23 Nov 2015	16335/2015
IP Reserve Pty Ltd; 07-99NES, 06-01E, A block, 17 Nov 2015	16194/2015	Lisa Marie Fernandez, LLC; 02-02A, Swimwear, (EM, 21 May 2015) 23 Nov 2015	16336/2015
ITM Isotopen Technologien M#nchen AG; 19-08, Label, (WO, 29 Jul 2015) 12 Nov 2015	16053/2015	Lisa Marie Fernandez, LLC; 02-02A, Swimwear, (EM, 21 May 2015) 23 Nov 2015	16337/2015
J H WHITTAKER & SONS LIMITED; 09-03M, Package, (NZ, 15 May 2015) 16 Nov 2015	16172/2015	Lisa Marie Fernandez, LLC; 02-02A, Swimwear, (EM, 21 May 2015) 23 Nov 2015	16329/2015
Johnson & Johnson Consumer Inc.; 24-04, Adhesive bandage with release liner, (US, 10 Mar 2015) (Divisional of 14514/2015) 11 Nov 2015	16030/2015	Lisa Marie Fernandez, LLC; 02-02A, Swimwear, (EM, 21 May 2015) 23 Nov 2015	16324/2015
K., S.;Kassem, Sam; 32-02, Cover, 18 Nov 2015	16230/2015	Lisa Marie Fernandez, LLC; 02-02A, Swimwear, (EM, 21 May 2015) 23 Nov 2015	16330/2015
Kassem, Sam;K., S.; 32-02, Cover, 18 Nov 2015	16230/2015	Lisa Marie Fernandez, LLC; 02-02C, Swimwear, (EM, 21 May 2015) 23 Nov 2015	16331/2015
Kerr, Joshua; 13-03NES, A bus bar electrical connection lug, 26 Nov 2015	16378/2015	Lisa Marie Fernandez, LLC; 02-02A, Swimwear, (EM, 21 May 2015) 23 Nov 2015	16326/2015
Kimberly-Clark Worldwide, Inc.; 05-06NES, A paper product, (US, 15 May 2015) 12 Nov 2015	16037/2015	Lisa Marie Fernandez, LLC; 02-02A, Swimwear, (EM, 21 May 2015) 23 Nov 2015	16327/2015
Knauf Plasterboard Pty Ltd; 25-01K, A stud, 20 Nov 2015	16275/2015	Lisa Marie Fernandez, LLC; 02-02A, Swimwear, (EM, 21 May 2015) 23 Nov 2015	16325/2015
Knoll, Inc.; 06-06NES, Article of furniture, (US, 03 Jun 2015) 26 Nov 2015	16394/2015	Lisa Marie Fernandez, LLC; 02-02A, Swimwear, (EM, 21 May 2015) 23 Nov 2015	16320/2015
Knoll, Inc.; 06-01E, Stool, (US, 22 May 2015) 17 Nov 2015	16189/2015	Lisa Marie Fernandez, LLC; 02-02A, Swimwear, (EM, 21 May 2015) 23 Nov 2015	16321/2015
Laerdal Medical AS; 24-01, Airway-tube holder, (US, 21 May 2015) 20 Nov 2015	16277/2015		
Lewis, Daniel; 02-02NES, Shirt, 13 Nov 2015	16090/2015		

Lisa Marie Fernandez, LLC; 02-02A, Swimwear, (EM, 21 May 2015) 23 Nov 2015	16318/2015	Logue and Co. Pty Ltd; 10-04, Measuring cup, 15 Nov 2015	16142/2015
Lisa Marie Fernandez, LLC; 02-02A, Swimwear, (EM, 21 May 2015) 23 Nov 2015	16322/2015	Logue and Co. Pty Ltd; 10-04, Measuring cup, 15 Nov 2015	16143/2015
Lisa Marie Fernandez, LLC; 02-02A, Swimwear, (EM, 21 May 2015) 23 Nov 2015	16323/2015	Logue and Co. Pty Ltd; 10-04, Measuring cup, 15 Nov 2015	16135/2015
Lisa Marie Fernandez, LLC; 02-02A, Swimwear, (EM, 21 May 2015) 23 Nov 2015	16319/2015	Logue and Co. Pty Ltd; 10-04, Measuring cup, 15 Nov 2015	16122/2015
Loft Leg Ltd; 26-05C, A lamp unit, (EM, 30 Jun 2015) 17 Nov 2015	16188/2015	Logue and Co. Pty Ltd; 10-04, Measuring cup, 15 Nov 2015	16123/2015
Logue and Co. Pty Ltd; 10-04, Measuring cup, 15 Nov 2015	16121/2015	Logue and Co. Pty Ltd; 10-04, Measuring cup, 15 Nov 2015	16124/2015
Logue and Co. Pty Ltd; 10-04, Measuring cup, 15 Nov 2015	16153/2015	Logue and Co. Pty Ltd; 10-04, Measuring cup, 15 Nov 2015	16125/2015
Logue and Co. Pty Ltd; 10-04, Measuring cup, 15 Nov 2015	16154/2015	Logue and Co. Pty Ltd; 10-04, Measuring cup, 15 Nov 2015	16126/2015
Logue and Co. Pty Ltd; 10-04, Measuring cup, 15 Nov 2015	16149/2015	Logue and Co. Pty Ltd; 10-04, Measuring cup, 15 Nov 2015	16127/2015
Logue and Co. Pty Ltd; 10-04, Measuring cup, 15 Nov 2015	16150/2015	Logue and Co. Pty Ltd; 10-04, Measuring cup, 15 Nov 2015	16128/2015
Logue and Co. Pty Ltd; 10-04, Measuring cup, 15 Nov 2015	16151/2015	Logue and Co. Pty Ltd; 10-04, Measuring cup, 15 Nov 2015	16129/2015
Logue and Co. Pty Ltd; 10-04, Measuring cup, 15 Nov 2015	16148/2015	Logue and Co. Pty Ltd; 10-04, Measuring cup, 15 Nov 2015	16130/2015
Logue and Co. Pty Ltd; 10-04, Measuring cup, 15 Nov 2015	16152/2015	Logue and Co. Pty Ltd; 10-04, Measuring cup, 15 Nov 2015	16131/2015
Logue and Co. Pty Ltd; 10-04, Measuring cup, 15 Nov 2015	16155/2015	Logue and Co. Pty Ltd; 10-04, Measuring cup, 15 Nov 2015	16132/2015
Logue and Co. Pty Ltd; 10-04, Measuring cup, 15 Nov 2015	16146/2015	Logue and Co. Pty Ltd; 10-04, Measuring cup, 15 Nov 2015	16133/2015
Logue and Co. Pty Ltd; 10-04, Measuring cup, 15 Nov 2015	16145/2015	Logue and Co. Pty Ltd; 10-04, Measuring cup, 15 Nov 2015	16111/2015
Logue and Co. Pty Ltd; 10-04, Measuring cup, 15 Nov 2015	16139/2015	Logue and Co. Pty Ltd; 10-04, Measuring cup, 15 Nov 2015	16118/2015
Logue and Co. Pty Ltd; 10-04, Measuring cup, 15 Nov 2015	16138/2015	Logue and Co. Pty Ltd; 10-04, Measuring cup, 15 Nov 2015	16116/2015
Logue and Co. Pty Ltd; 10-04, Measuring cup, 15 Nov 2015	16137/2015	Logue and Co. Pty Ltd; 10-04, Measuring cup, 15 Nov 2015	16112/2015
Logue and Co. Pty Ltd; 10-04, Measuring cup, 15 Nov 2015	16140/2015	Logue and Co. Pty Ltd; 10-04, Measuring cup, 15 Nov 2015	16119/2015
Logue and Co. Pty Ltd; 10-04, Measuring cup, 15 Nov 2015	16141/2015	Logue and Co. Pty Ltd; 10-04, Measuring cup, 15 Nov 2015	16120/2015
Logue and Co. Pty Ltd; 10-04, Measuring cup, 15 Nov 2015	16134/2015	Logue and Co. Pty Ltd; 10-04, Measuring cup, 15 Nov 2015	16117/2015
Logue and Co. Pty Ltd; 10-04, Measuring cup, 15 Nov 2015	16144/2015	Logue and Co. Pty Ltd; 10-04, Measuring cup, 15 Nov 2015	16114/2015
Logue and Co. Pty Ltd; 10-04, Measuring cup, 15 Nov 2015	16136/2015	Logue and Co. Pty Ltd; 10-04, Measuring cup, 15 Nov 2015	16115/2015
Logue and Co. Pty Ltd; 10-04, Measuring cup, 15 Nov 2015		Logue and Co. Pty Ltd; 10-04, Measuring cup, 15 Nov 2015	16113/2015

Lorna Jane Pty Ltd; 02-02C, Clothing, 25 Nov 2015	16392/2015	Norris, Brian John; 21-01C, 16mm scale model of victorian railways nb car, (Divisional of 14713/2015) 15 Nov 2015	16107/2015
LES FINS NETWORK TECHNOLOGY CO., LTD; 09-01G, Bottle for cosmetics, (CN, 12 Jun 2015) 17 Nov 2015	16204/2015	Norris, Brian John; 21-01C, 16mm scale model of victorian railways nh van body, (Divisional of 14713/2015) 15 Nov 2015	16109/2015
LOGD219; 10-04, Measuring cup, 15 Nov 2015	16147/2015	Norris, Brian John; 21-01C, 16mm scale model of victorian railways nt wagon, (Divisional of 14713/2015) 15 Nov 2015	16108/2015
Marks, Rodney William; 12-16B, EmuWing V3 - replacement vehicle window panel, 26 Nov 2015	16382/2015	Norris, Brian John; 21-01C, 16mm scale model of victorian railways nu wagon, (Divisional of 14713/2015) 14 Nov 2015	16105/2015
Marks & Clerk Australia; 09-07A, Sleeve with closure for small glass vessel, (US, 05 Mar 2015) (Divisional of 14706/2015) 17 Nov 2015	16206/2015	Norris, Brian John; 21-01C, 16mm scale model of victorian railways nm van, (Divisional of 14713/2015) 14 Nov 2015	16106/2015
Marks & Clerk Australia; 09-07A, Sleeve with closure for small glass vessel, (US, 05 Mar 2015) (Divisional of 14706/2015) 17 Nov 2015	16208/2015	Norris, Brian John; 21-01C, 16mm scale model of victorian railways nqr wagon, (Divisional of 14713/2015) 14 Nov 2015	16103/2015
Marks & Clerk Australia; 09-07A, Sleeve for small glass vessel, (US, 05 Mar 2015) (Divisional of 14706/2015) 17 Nov 2015	16207/2015	NIKE Innovate C.V.; 02-04NES, Shoe upper, (Divisional of 14786/2015) 25 Nov 2015	16366/2015
Masling, Murray; 12-16NES, Combination boat tent system, 25 Nov 2015	16373/2015	NMA Global Pty Ltd; 07-02E, Offset smoker bbq, 20 Nov 2015	16281/2015
Mastalerz, Krzyszto;Tremayne, Terrence; 09-07C, Bottle closure design, 19 Nov 2015	16269/2015	O'Connor, Debra; 09-06, An adjustable strap, 25 Nov 2015	16365/2015
Melbourne, Keith; 06-06A, Coat stand, 16 Nov 2015	16181/2015	Outotec (Finland) Oy; 15-99, Flotation tank for ore processing, (EM, 13 May 2015) 12 Nov 2015	16033/2015
Millennium Coupling Company Pty Ltd; 23-01A, A seal, 11 Nov 2015	16025/2015	ON CLOUDS GMBH; 02-04NES, Footwear, (WO, 20 May 2015) 18 Nov 2015	16228/2015
Mish Mosh Holding Pty Ltd;Dodgson, Jack Andrew; 06-06E, Furniture leg, 12 Nov 2015	16057/2015	ON CLOUDS GMBH; 02-04NES, Footwear, (WO, 20 May 2015) 18 Nov 2015	16229/2015
Mish Mosh Holding Pty Ltd.;Dodgson, Jack Andrew; 06-06E, Furniture leg joiner, 12 Nov 2015	16056/2015	PepsiCo, Inc.; 06-03B, Table, (US, 21 May 2015) 17 Nov 2015	16201/2015
Multigate Medical Products Pty Ltd; 09-04, A basket, 17 Nov 2015	16209/2015	Peri GmbH;Polytech Srl; 08-07, Locking or closing device, (EM, 28 May 2015) 26 Nov 2015	16393/2015
MCPMAHON, N.S.;T.W ROBERTS; 06-13C, Round Beach Towels, 23 Nov 2015	16294/2015	Polytech Srl;Peri GmbH; 08-07, Locking or closing device, (EM, 28 May 2015) 26 Nov 2015	16393/2015
Nexen Corporation; 12-15A, 12-15C, Tyre for automobile, (KR, 21 Oct 2015) 23 Nov 2015	16338/2015	Poncho Promotions Pty Ltd; 02-02B, Poncho, 16 Nov 2015	16183/2015
Ningbo Gemay Industry Co.,Ltd.; 26-02, Portable work light, (CN, 09 Oct 2015) 23 Nov 2015	16340/2015	Puzey, Michael Roydon; 21-01F, Scooter, 13 Nov 2015	16061/2015
Ningbo Gemay Industry Co.,Ltd.; 26-02, Work light, (CN, 13 Aug 2015) 23 Nov 2015	16342/2015		
Ningbo Gemay Industry Co.,Ltd.; 26-02, Work light, (CN, 13 Aug 2015) 23 Nov 2015	16341/2015		

R CHAVES ROCHA LIMA & A.G FREEMAN;Freeman, Anna Grace;Lima, Ricardo Chaves Rocha; 08-10, Bicycles, bicycle stands, and furniture, 26 Nov 2015	16407/2015	SharkNinja Operating LLC; 07-02L, Water container, (US, 16 Jun 2015) 18 Nov 2015	16211/2015
Railblaza Limited; 10-06, Navigation light, 13 Nov 2015	16060/2015	SharkNinja Operating LLC; 07-02L, Brew basket, (US, 16 Jun 2015) 19 Nov 2015	16234/2015
Reckitt Benckiser (Brands) Limited; 28-03NES, Skin treatment articles, (EM, 21 Jul 2015) 26 Nov 2015	16384/2015	SharkNinja Operating LLC; 07-02L, Brew basket, (US, 16 Jun 2015) 19 Nov 2015	16237/2015
Reckitt Benckiser (Brands) Limited; 28-03NES, Skin treatment articles, (EM, 28 May 2015) 26 Nov 2015	16389/2015	SharkNinja Operating LLC; 07-02L, Brew basket, (US, 16 Jun 2015) 19 Nov 2015	16235/2015
Reckitt Benckiser (Brands) Limited; 28-03NES, Skin treatment articles, (EM, 21 Jul 2015) 26 Nov 2015	16383/2015	SharkNinja Operating LLC; 07-02L, Brew basket, (US, 16 Jun 2015) 19 Nov 2015	16233/2015
Reckitt Benckiser N.V.; 32-02, Label for an automatic dishwashing detergent, (EM, 02 Jun 2015) 23 Nov 2015	16343/2015	SharkNinja Operating LLC; 31-00, Blender attachment, (US, 28 May 2015) 13 Nov 2015	16081/2015
Reckitt Benckiser N.V.; 32-02, Label for an automatic dishwashing detergent, 23 Nov 2015	16346/2015	SharkNinja Operating LLC; 31-00, Blender attachment, (US, 28 May 2015) 13 Nov 2015	16084/2015
Reckitt Benckiser N.V.; 32-02, Label for an automatic dishwashing detergent, (EM, 02 Jun 2015) 23 Nov 2015	16344/2015	SharkNinja Operating LLC; 31-00, Blender attachment, (US, 28 May 2015) 13 Nov 2015	16083/2015
Reckitt Benckiser N.V.; 32-02, Label for an automatic dishwashing detergent, 23 Nov 2015	16345/2015	SharkNinja Operating LLC; 31-00, Blender attachment, (US, 28 May 2015) 13 Nov 2015	16082/2015
Reignite the Flame Pty Ltd; 07-02E, Grill plate, 18 Nov 2015	16224/2015	Sherwood-Leister, V;SHERWOOD, C; 02-02C, An underwire bodysuit made of polyester and lycra., 19 Nov 2015	16268/2015
Reliance Worldwide Corporation (Aust.) Pty Ltd; 23-01K, Valve with angled flange, 16 Nov 2015	16180/2015	Shriro Australia Pty Limited; 07-02NES, A barbeque spit fork, 13 Nov 2015	16075/2015
Robert Bosch GmbH; 08-05N, Grinder, (EM, 21 May 2015) 19 Nov 2015	16266/2015	Shriro Australia Pty Limited; 06-06E, Leg brace, 16 Nov 2015	16182/2015
Roddenby, Glenn; 25-04, Ladder, 13 Nov 2015	16062/2015	Shriro Australia Pty Limited; 07-02E, A barbeque, 13 Nov 2015	16068/2015
Rubbermaid Incorporated; 07-01NES, Lid for food storage container, (US, 26 May 2015) 25 Nov 2015	16370/2015	Shriro Australia Pty Limited; 07-02E, A barbeque, 13 Nov 2015	16069/2015
Rubbermaid Incorporated; 07-01NES, Lid for food storage container, (US, 26 May 2015) 25 Nov 2015	16368/2015	Shriro Australia Pty Limited; 07-02NES, , 13 Nov 2015	16072/2015
Rubbermaid Incorporated; 07-01NES, Lid for food storage container, (US, 26 May 2015) 25 Nov 2015	16371/2015	Shriro Australia Pty Limited; 07-02E, A barbeque pedestal, 13 Nov 2015	16071/2015
Runway Blue, LLC; 07-04, Egg cracker, (US, 10 Jul 2015) 17 Nov 2015	16190/2015	Shriro Australia Pty Limited; 07-02E, A barbeque, 13 Nov 2015	16070/2015
Salter, Craig Brian; 14-01, Loudspeaker, 17 Nov 2015	16203/2015	Shriro Australia Pty Limited; 07-02E, A barbeque spit rod assembly, 13 Nov 2015	16065/2015
Seddon, Harriet; 21-04, Tent, (EM, 12 May 2015) 12 Nov 2015	16034/2015	Shriro Australia Pty Limited; 07-02E, A barbeque, 13 Nov 2015	16066/2015

Shiro Australia Pty Limited; 07-02E, A barbeque spit rod assembly, 13 Nov 2015	16063/2015	SEB; 07-02N, Electric low fat fryer, (EM, 29 May 2015) 26 Nov 2015	16381/2015
Shiro Australia Pty Limited; 07-02E, A barbeque, 13 Nov 2015	16067/2015	SEB; 07-02N, Electric low fat fryer, (EM, 29 May 2015) 26 Nov 2015	16379/2015
Slingthings Pty Ltd;SLINGTHINGS PTY. LTD.; 03-99, Baby carrier for the water, 12 Nov 2015	16036/2015	SHERWOOD, C;Sherwood-Leister, V; 02-02C, An underwire bodysuit made of polyester and lycra., 19 Nov 2015	16268/2015
Societe des Produits Nestle S.A.; 01-06, Pet treat, (US, 01 Sep 2015) 20 Nov 2015	16285/2015	SLINGTHINGS PTY. LTD.;Slingthings Pty Ltd; 03-99, Baby carrier for the water, 12 Nov 2015	16036/2015
Square, Inc.; 14-02, Card reader, (US, 29 May 2015) 20 Nov 2015	16287/2015	SPEECH PROCESSING SOLUTIONS GMBH; 14-01, Dictation device, (EP, 18 Jun 2015) 24 Nov 2015	16361/2015
Square, Inc.; 14-02, Card reader, (US, 08 Jul 2015) 20 Nov 2015	16289/2015	STM Management Pty Ltd; 03-01NES, Case for a tablet computer, 20 Nov 2015	16288/2015
Stokes, Kate; 26-05D, Light, 17 Nov 2015	16196/2015	T.W ROBERTS;MCMAHON, N.S; 06-13C, Round Beach Towels, 23 Nov 2015	16294/2015
Stokes, Kate; 26-05D, Light, 17 Nov 2015	16198/2015	Tech 21 Licensing Limited; 03-01NES, Mobile phone case, (EM, 26 Oct 2015) 20 Nov 2015	16280/2015
Stokes, Kate; 26-05D, Light, 17 Nov 2015	16200/2015	Tech 21 Licensing Limited; 03-01NES, Mobile phone case, (EM, 26 Oct 2015) 20 Nov 2015	16279/2015
Stokes, Kate; 26-05D, Light, 17 Nov 2015	16199/2015	Tech 21 Licensing Limited; 03-01NES, Mobile phone case, (EM, 20 Nov 2015) 26 Nov 2015	16401/2015
Stokes, Kate; 26-05D, Light, 17 Nov 2015	16197/2015	Telebrands Corp.; 21-02F, An exercise device, (US, 28 May 2015) 17 Nov 2015	16193/2015
Superabrasive; 08-05N, Grinding tool, 14 Nov 2015	16098/2015	The Decor Corporation Pty. Ltd.; 07-02NES, Cup for egg poacher, 19 Nov 2015	16255/2015
Superabrasive; 08-05N, Grinding tool, 14 Nov 2015	16099/2015	The Decor Corporation Pty. Ltd.; 07-02H, Egg poacher, 19 Nov 2015	16253/2015
Superabrasive; 08-05N, Grinding tool, 14 Nov 2015	16100/2015	The Gillette Company; 04-02, Toothbrush, (WO, 22 May 2015) 19 Nov 2015	16244/2015
Superabrasive; 08-05N, Grinding tool, 14 Nov 2015	16101/2015	The Gillette Company; 04-02, Toothbrush, (WO, 22 May 2015) 19 Nov 2015	16243/2015
Superabrasive; 08-05N, Grinding tool, 14 Nov 2015	16102/2015	The Gillette Company; 04-02, Toothbrush, (WO, 22 May 2015) 19 Nov 2015	16242/2015
Superabrasive; 08-05N, Grinding tool, 14 Nov 2015	16096/2015	The Gillette Company; 04-02, Toothbrush, (WO, 22 May 2015) 19 Nov 2015	16245/2015
Superabrasive; 08-05N, Grinding tool, 14 Nov 2015	16097/2015	The Gillette Company; 04-02, Toothbrush, (WO, 22 May 2015) 19 Nov 2015	16247/2015
Superabrasive; 08-05N, Grinding tool, 14 Nov 2015	16094/2015		
Superabrasive; 08-05N, Grinding tool, 14 Nov 2015	16095/2015		
SAFE-STRAP COMPANY, INC.; 12-02, Shopping cart frame, (US, 26 May 2015) 25 Nov 2015	16372/2015		
SEB; 07-02N, Electric low fat fryer3, (EM, 29 May 2015) 26 Nov 2015	16380/2015		

The Gillette Company; 04-02, Toothbrush, (WO, 22 May 2015) 19 Nov 2015	16246/2015	Vecto Trade 461 Proprietary Limited; 24-02, Handle for a hand implement or tool, (ZA, 17 Jun 2015) 23 Nov 2015	16316/2015
Thomas, Geoffrey Stewart; 07-01NES, A container and food tray, (NZ, 14 May 2015) 13 Nov 2015	16080/2015	Vecto Trade 461 Proprietary Limited; 24-02, Handle for a hand implement or tool, (ZA, 17 Jun 2015) 23 Nov 2015	16317/2015
Tremayne, Terrence; Mastalerz, Krzyszto; 09-07C, Bottle closure design, 19 Nov 2015	16269/2015	Visy R & D Pty Ltd; 25-01K, A blank for a packaging partition, 20 Nov 2015	16290/2015
Trolley Bags UK Ltd; 03-01A, Foldable bag, (EM, 19 May 2015) 17 Nov 2015	16187/2015	Visy R & D Pty Ltd; 09-03M, Blank for forming a container, 20 Nov 2015	16284/2015
Tropicana Products, Inc.; 09-01K, Bottle, (US, 22 May 2015) 19 Nov 2015	16239/2015	Visy R & D Pty Ltd; 25-01K, A blank for a packaging partition, 20 Nov 2015	16291/2015
Tropicana Products, Inc.; 09-01K, Bottle, (US, 22 May 2015) 19 Nov 2015	16240/2015	Visy R & D Pty Ltd; 25-01K, A blank for a packaging partition, 20 Nov 2015	16292/2015
Turlen Holding SA; 19-06, Fountain pen, (WO, 06 Oct 2015) 19 Nov 2015	16259/2015	Vogels Holding B.V.; 16-05, 08-08NES, Wall mounts for audiovisual apparatus, (EP, 26 May 2015) 26 Nov 2015	16404/2015
Tyco Fire & Security GmbH; 10-05, Security device, (US, 22 May 2015) 20 Nov 2015	16283/2015	Vogels Holding B.V.; 16-05, 08-08NES, Wall mounts for audiovisual apparatus, (EP, 26 May 2015) 26 Nov 2015	16406/2015
THiiK LLC; 02-03, Hat, (US, 14 May 2015) 16 Nov 2015	16173/2015	Vogels Holding B.V.; 16-05, 08-08NES, Wall mounts for audiovisual apparatus, (EP, 26 May 2015) 26 Nov 2015	16405/2015
Uber Technologies, Inc.; 14-02, Computing device display screen, (US, 09 Mar 2015) (Divisional of 14789/2015) 24 Nov 2015	16355/2015	Vogels Holding B.V.; 16-05, 08-08NES, Wall mounts for audiovisual apparatus, (EP, 26 May 2015) 26 Nov 2015	16403/2015
Uber Technologies, Inc.; 14-02, Computing device display screen, (US, 09 Mar 2015) (Divisional of 14789/2015) 24 Nov 2015	16356/2015	Vogels Holding B.V.; 16-05, 08-08NES, Wall mounts for audiovisual apparatus, (EP, 26 May 2015) 26 Nov 2015	16402/2015
Uber Technologies, Inc.; 14-02, Computing device display screen, (US, 09 Mar 2015) (Divisional of 14789/2015) 24 Nov 2015	16354/2015	Vuly Property Pty Ltd; Ahearn Fox; 21-02F, Trampoline cover, (Divisional of 14618/2015) 16 Nov 2015	16179/2015
Uber Technologies, Inc.; 14-02, Computing device display screen, (US, 09 Mar 2015) (Divisional of 14789/2015) 24 Nov 2015	16357/2015	VARIDESK, LLC; 06-03C, A desk, (US, 13 May 2015) 12 Nov 2015	16048/2015
Uber Technologies, Inc.; 14-02, Computing device display screen, (US, 09 Mar 2015) (Divisional of 14789/2015) 24 Nov 2015	16358/2015	Wang, Hsing-Tzu; 08-05L, Paint spray gun, 12 Nov 2015	16035/2015
Unilever PLC; 09-03NES, Carton, (EM, 15 May 2015) 13 Nov 2015	16077/2015	Woven Image Pty Limited; 06-06NES, 25-02C, Frame assembly for modular privacy screen, 18 Nov 2015	16225/2015
Unilever PLC; 09-03NES, Carton, (EM, 15 May 2015) 13 Nov 2015	16079/2015	Woven Image Pty Limited; 25-02C, 06-06NES, Panel assembly for modular privacy screen, 18 Nov 2015	16223/2015
Unilever PLC; 09-03NES, Carton, (EM, 15 May 2015) 13 Nov 2015	16078/2015	Woven Image Pty Limited; 06-06NES, 25-02C, Modular privacy screen, 18 Nov 2015	16226/2015

Zhejiang Paiter Electric Co., Ltd.; 28-03A, Shaver, 17 Nov 2015	16185/2015	Zimmermann Wear Pty Limited; 02-02C, A dress or playsuit, 16 Nov 2015	16167/2015
Zhejiang Paiter Electric Co., Ltd.; 28-03A, Shaver, 17 Nov 2015	16186/2015	Zimmermann Wear Pty Limited; 02-02C, A dress, 16 Nov 2015	16159/2015
Zimmermann Wear Pty Limited; 02-02C, A dress, 16 Nov 2015	16171/2015	Zimmermann Wear Pty Limited; 02-02A, Bikini, 16 Nov 2015	16156/2015
Zimmermann Wear Pty Limited; 02-02C, An article of clothing, 19 Nov 2015	16236/2015	Zimmermann Wear Pty Limited; 02-02A, Swimwear, 16 Nov 2015	16157/2015
Zimmermann Wear Pty Limited; 02-02A, Swimwear, 16 Nov 2015	16162/2015	Zimmermann Wear Pty Limited; 02-02A, A bikini, 16 Nov 2015	16174/2015
Zimmermann Wear Pty Limited; 02-02A, A bikini, 16 Nov 2015	16163/2015	Zimmermann Wear Pty Limited; 02-02A, Swimwear, 16 Nov 2015	16175/2015
Zimmermann Wear Pty Limited; 02-02C, A playsuit, 16 Nov 2015	16160/2015	Zimmermann Wear Pty Limited; 02-02C, A playsuit, 16 Nov 2015	16170/2015
Zimmermann Wear Pty Limited; 02-02C, A dress, 16 Nov 2015	16164/2015	Zimmermann Wear Pty Limited; 02-02C, A dress, 16 Nov 2015	16169/2015
Zimmermann Wear Pty Limited; 02-02C, A playsuit, 16 Nov 2015	16165/2015	Zumtobel Lighting GmbH; 26-04, Luminaire, (EM, 05 Jun 2015) 16 Nov 2015	16177/2015
Zimmermann Wear Pty Limited; 02-02A, A bikini, 16 Nov 2015	16161/2015	Zumtobel Lighting GmbH; 26-05C, Luminaire, (EM, 21 May 2015) 19 Nov 2015	16257/2015
Zimmermann Wear Pty Limited; 02-02A, A bikini, 16 Nov 2015	16158/2015	Zumtobel Lighting GmbH; 26-05C, Luminaire, (EM, 21 May 2015) 19 Nov 2015	16258/2015
Zimmermann Wear Pty Limited; 02-02NES, A top, 16 Nov 2015	16168/2015	Zumtobel Lighting GmbH; 26-04, Luminaire, (EM, 05 Jun 2015) 16 Nov 2015	16178/2015
Zimmermann Wear Pty Limited; 02-02A, A bikini, 16 Nov 2015	16166/2015		

Applications Withdrawn

16202 / 2015 (15-02)

Applications Lapsed

11117 / 2015 (08-07)

12530 / 2015 (12-10)

14535 / 2015 (02-02NES)

12309 / 2015 (02-02C)

14309 / 2015 (06-01G)

Extension of Period of Registration of Designs

333656	333866	334096
334166	334198	334199
334200	334201	334202
334220	334221	334222
334232	334234	334237
334238	334248	334249
334250	334256	334257
334258	334309	334327
334343	334372	334387
334392	334435	334436
334437	334442	334445
334458	334467	334468
334474	334485	334531
334535	334536	334561
334562	334656	334657
334658	334661	334662
334673	334675	334676
334677	334678	334679
334680	334705	334706
334714	334725	334726
334727	334788	334792
334807	334809	334810
334811	334812	334825
334844	334845	334846
334847	334848	334849
334850	334851	334852
334853	334854	334856
334857	334858	334864
334867	334881	334882
334913	334920	334973
334974	334975	334976
334997	335003	335024
335025	335205	335243
335244	335245	335247
335353	335356	336613
337806	337843	337844
337845		

Registrations Ceased

304666	304926	304927
305586	306085	306791
306792	306793	306805
306810	306812	306813
306862	306942	306958
306983	306984	306985
306986	306987	306988
306989	306990	306991
306992	306993	306994
306995	306996	306997

306998	307017	307018
307033	307034	307035
307036	307037	307038
307050	307051	307052
307053	307054	307055
307088	307089	307090
307091	307092	307093
307094	307095	307096
307097	307110	307111
307112	307113	307114
307115	307126	307127
307128	307129	307156
307175	307176	307214
307215	307219	307265
307266	307267	307268
307269	307300	307329
307415	307450	307451
307462	307487	307707
307773	307775	307960
307961	307962	307963
307964	307965	307966
307967	307968	307969
308271	309240	309873
310948	311393	311394
311395	311633	311634
311635	311732	313210
314002	330828	330829
331011	331021	331023
331040	331042	331054
331056	331090	331091
331092	331093	331120
331145	331146	331147
331148	331150	331155
331156	331157	331158
331159	331162	331163
331204	331205	331207
331208	331212	331213
331214	331215	331219
331220	331221	331235
331236	331237	331238
331239	331241	331244
331245	331246	331247
331248	331261	331265
331266	331270	331271
331274	331277	331295
331326	331523	331595
331596	331681	331682
331683	331685	331686
331687	331690	331706
331758	331791	331792
331793	331794	331815
331832	331931	331932
331933	331934	331984
332030	332031	332085

332098 333258 333686
 334008 334083 334328
 334329 334330 334331
 334332 334417 334422

Subsequent Owners Registered

(The name in parentheses is that of the subsequent owner)

310867 (**Mars, Incorporated**) Ridgeback Acquisition LLC
 311970 (**Mars, Incorporated**) Ridgeback Acquisition LLC
 311971 (**Mars, Incorporated**) Ridgeback Acquisition LLC
 319405 (**Mars, Incorporated**) Ridgeback Acquisition LLC
 319406 (**Mars, Incorporated**) Ridgeback Acquisition LLC
 324396 (**Mars, Incorporated**) Ridgeback Acquisition LLC
 324397 (**Mars, Incorporated**) Ridgeback Acquisition LLC
 324398 (**Mars, Incorporated**) Ridgeback Acquisition LLC
 324399 (**Mars, Incorporated**) Ridgeback Acquisition LLC
 324400 (**Mars, Incorporated**) Ridgeback Acquisition LLC
 324402 (**Mars, Incorporated**) Ridgeback Acquisition LLC
 324403 (**Mars, Incorporated**) Ridgeback Acquisition LLC
 325301 (**Mars, Incorporated**) Ridgeback Acquisition, LLC
 341634 (**Mars, Incorporated**) Ridgeback Acquisition LLC
 352984 (**Mars, Incorporated**) Ridgeback Acquisition LLC
 353519 (**Mars, Incorporated**) Ridgeback Acquisition LLC
 353534 (**Mars, Incorporated**) Ridgeback Acquisition LLC
 307642 (**Bluescope Steel Limited**) Fielders Manufacturing Pty Ltd
 321289 (**Bluescope Steel Limited**) Fielders Manufacturing Pty Ltd
 329486 (**Bluescope Steel Limited**) Fielders Manufacturing Pty Ltd
 332053 (**Bluescope Steel Limited**) Fielders Manufacturing Pty Ltd
 332570 (**Bluescope Steel Limited**) Fielders Manufacturing Pty Ltd
 333367 (**Bluescope Steel Limited**) Fielders Manufacturing Pty Ltd
 335937 (**Bluescope Steel Limited**) Fielders Manufacturing Pty Ltd
 345147 (**Bluescope Steel Limited**) Fielders Manufacturing Pty Ltd
 345148 (**Bluescope Steel Limited**) Fielders Manufacturing Pty Ltd
 345149 (**Bluescope Steel Limited**) Fielders Manufacturing Pty Ltd
 345150 (**Bluescope Steel Limited**) Fielders Manufacturing Pty Ltd
 345224 (**Bluescope Steel Limited**) Fielders Manufacturing Pty Ltd
 346651 (**Bluescope Steel Limited**) Fielders Manufacturing Pty Ltd
 347468 (**Bluescope Steel Limited**) Fielders Manufacturing Pty Ltd
 347469 (**Bluescope Steel Limited**) Fielders Manufacturing Pty Ltd
 332191 (**Spolka Akcyjna Wyborowa**) V&S Polish Brands sp. z.o.o.
 336489 (**McNaughtans Pty Ltd**) YMC International Pty Ltd
 336488 (**McNaughtans Pty Ltd**) YMC International Pty Ltd
 336487 (**McNaughtans Pty Ltd**) YMC International Pty Ltd
 334259 (**McNaughtans Pty Ltd**) YMC International Pty Ltd
 333092 (**McNaughtans Pty Ltd**) YMC International Pty Ltd
 344294 (**Cinqplast Plastop Australia Pty Ltd**) Daniel Berkovic

344295 (**Cinqplast Plastop Australia Pty Ltd**) Daniel Berkovic
 344296 (**Cinqplast Plastop Australia Pty Ltd**) Daniel Berkovic
 360949 (**FlowBee Australia Pty Ltd**) Cedar Anderson;Stuart Anderson
 362894 (**S&P Industrial Pty Ltd**) Still Engineering Pty Ltd
 312555 (**Reckitt Benckiser Power Cleaners B.V.**) Reckitt Benckiser N.V.
 312556 (**Reckitt Benckiser Power Cleaners B.V.**) Reckitt Benckiser N.V.
 312557 (**Reckitt Benckiser Power Cleaners B.V.**) Reckitt Benckiser N.V.
 327706 (**Westminster Holdings Pty Ltd**) Bolwell Corporation Pty Ltd
 358832 (**Allergan, Inc.**) Northwood Medical Innovation Limited

Names Registered - Alterations and Amendments

(The name in parentheses is that of the subsequent applicant)

351634 (**SharkNinja Operating LLC.**) Euro-Pro Operating LLC
 351636 (**SharkNinja Operating LLC.**) Euro-Pro Operating LLC
 351327 (**SharkNinja Operating LLC.**) Euro-Pro Operating LLC
 351741 (**SharkNinja Operating LLC.**) Euro-Pro Operating LLC
 351107 (**SharkNinja Operating LLC.**) Euro-Pro Operating LLC
 352251 (**SharkNinja Operating LLC.**) Euro-Pro Operating LLC
 352098 (**SharkNinja Operating LLC.**) Euro-Pro Operating LLC
 351108 (**SharkNinja Operating LLC.**) Euro-Pro Operating LLC
 352104 (**SharkNinja Operating LLC.**) Euro-Pro Operating LLC
 351637 (**SharkNinja Operating LLC.**) Euro-Pro Operating LLC
 351664 (**SharkNinja Operating LLC.**) Euro-Pro Operating LLC
 351635 (**SharkNinja Operating LLC.**) Euro-Pro Operating LLC
 351212 (**SharkNinja Operating LLC.**) Euro-Pro Operating LLC
 351454 (**SharkNinja Operating LLC.**) Euro-Pro Operating LLC
 351453 (**SharkNinja Operating LLC.**) Euro-Pro Operating LLC
 355751 (**SharkNinja Operating LLC.**) Euro-Pro Operating LLC
 355851 (**SharkNinja Operating LLC.**) Euro-Pro Operating LLC
 357741 (**SharkNinja Operating LLC.**) Euro-Pro Operating LLC
 358431 (**SharkNinja Operating LLC.**) Euro-Pro Operating LLC
 358599 (**SharkNinja Operating LLC.**) Euro-Pro Operating LLC
 358600 (**SharkNinja Operating LLC.**) Euro-Pro Operating LLC

- 358601 (**SharkNinja Operating LLC.**) Euro-Pro Operating
LLC
- 358884 (**SharkNinja Operating LLC.**) Euro-Pro Operating
LLC
- 357740 (**SharkNinja Operating LLC.**) Euro-Pro Operating
LLC
- 359811 (**SharkNinja Operating LLC.**) Euro-Pro Operating
LLC
- 359813 (**SharkNinja Operating LLC.**) Euro-Pro Operating
LLC
- 360001 (**SharkNinja Operating LLC.**) Euro-Pro Operating
LLC
- 360104 (**SharkNinja Operating LLC.**) Euro-Pro Operating
LLC
- 359957 (**SharkNinja Operating LLC.**) Euro-Pro Operating
LLC
- 360351 (**SharkNinja Operating LLC.**) Euro-Pro Operating
LLC
- 359972 (**SharkNinja Operating LLC.**) Euro-Pro Operating
LLC
- 360446 (**SharkNinja Operating LLC.**) Euro-Pro Operating
LLC
- 351082 (**SharkNinja Operating LLC.**) Euro-Pro Operating
LLC

Certificate(s) of Examination

Examination of the following Design Registration(s) has been completed. Infringement proceedings may now be commenced.

334822	02-02C	24/11/2015
344521	07-02N	17/11/2015
354973	09-04	13/11/2015
360547	06-02	23/11/2015
361783	13-02	27/11/2015
361784	13-02	27/11/2015
361951	13-02	27/11/2015
361956	13-02	27/11/2015
362042	13-02	27/11/2015
362053	13-02	27/11/2015
362141	09-05	23/11/2015
362861	09-01NES	20/11/2015
362910	25-03	26/11/2015
362911	25-03	26/11/2015
363126	09-05	23/11/2015
363127	09-05	23/11/2015
363218	01-06	17/11/2015
363308	28-03NES	26/11/2015
363694	03-01NES	27/11/2015
363764	08-08K	20/11/2015
363824	23-01A	17/11/2015
364104	05-05A	23/11/2015
364200	07-99B	27/11/2015
364376	19-04	16/11/2015
364450	09-05	19/11/2015
364451	09-05	19/11/2015
364452	09-03H	19/11/2015
364464	09-03H	19/11/2015
364475	04-02	26/11/2015
364600	14-02	13/11/2015
364605	19-08	16/11/2015
364611	23-04	17/11/2015
364638	23-03B	13/11/2015
364684	12-16K	16/11/2015
364694	04-02	26/11/2015
364704	15-05	27/11/2015
364721	26-05C	13/11/2015
364721	26-05C	13/11/2015
364728	09-03M	19/11/2015
364729	09-03M	19/11/2015
364731	20-02C	26/11/2015
364732	06-03A	26/11/2015
364733	06-03A	26/11/2015
364734	06-03A	26/11/2015
364735	06-03A	26/11/2015
364776	15-05	27/11/2015
364777	15-05	27/11/2015
364787	14-03NES	27/11/2015
364788	14-03NES	27/11/2015
364819	15-05	27/11/2015
365005	02-02NES	19/11/2015
365008	02-02C	18/11/2015
365012	02-02NES	27/11/2015
365015	02-02NES	24/11/2015
365016	02-02NES	27/11/2015
365056	20-02E	26/11/2015
365342	20-02NES	26/11/2015

Publication and Registration Proceedings

Designs Registered

This section provides a concordance between design number and registration number of Designs covered in this journal. It also shows the main class and registration date.

This section covers Registration numbers 365198 to 365509 .

The registration number shown below should be used in all future correspondence.

Design Number	Registration Number	International Classification Code (IDC)	Registration Date	Design Number	Registration Number	International Classification Code (IDC)	Registration Date
11974/2015	365380	12-02	20/11/2015	15473/2015	365424	21-01A	23/11/2015
12587/2015	365464	02-02A	26/11/2015	15475/2015	365425	11-05	23/11/2015
12688/2015	365502	10-06	27/11/2015	15485/2015	365400	09-03H	20/11/2015
12689/2015	365503	10-06	27/11/2015	15523/2015	365344	12-11	19/11/2015
12690/2015	365504	10-06	27/11/2015	15533/2015	365426	06-03C	23/11/2015
12928/2015	365366	08-10	19/11/2015	15544/2015	365345	14-02	19/11/2015
13081/2015	365367	09-03NES	19/11/2015	15568/2015	365401	06-01F	20/11/2015
13084/2015	365368	09-03NES	19/11/2015	15569/2015	365256	06-01F	17/11/2015
13648/2015	365369	21-02C	19/11/2015	15591/2015	365198	08-05A	13/11/2015
13680/2015	365505	07-01NES	27/11/2015	15592/2015	365199	25-01A	13/11/2015
14226/2015	365370	08-05NES	19/11/2015	15594/2015	365200	25-01A	13/11/2015
14237/2015	365326	09-05	19/11/2015	15595/2015	365201	25-01A	13/11/2015
14372/2015	365288	14-03B	18/11/2015	15596/2015	365202	09-01A	13/11/2015
14373/2015	365289	14-03B	18/11/2015	15597/2015	365203	25-01A	13/11/2015
14374/2015	365290	14-03B	18/11/2015	15599/2015	365204	25-01A	13/11/2015
14399/2015	365295	23-02NES	18/11/2015	15600/2015	365205	09-01A	13/11/2015
14401/2015	365291	14-03B	18/11/2015	15602/2015	365206	22-06	13/11/2015
14473/2015	365282	14-02	17/11/2015	15604/2015	365207	22-06	13/11/2015
14514/2015	365420	24-04	23/11/2015	15605/2015	365247	08-09	17/11/2015
14537/2015	365506	26-05NES	27/11/2015	15606/2015	365267	11-01A	17/11/2015
14538/2015	365507	26-05NES	27/11/2015	15607/2015	365268	11-01NES	17/11/2015
14541/2015	365341	12-16K	19/11/2015	15608/2015	365269	11-01C	17/11/2015
14563/2015	365421	24-02	23/11/2015	15609/2015	365270	11-01D	17/11/2015
14618/2015	365422	21-02F	23/11/2015	15610/2015	365271	11-01D	17/11/2015
14620/2015	365371	25-01E	19/11/2015	15611/2015	365272	11-01E	17/11/2015
14699/2015	365292	07-01B	18/11/2015	15612/2015	365273	11-01E	17/11/2015
14705/2015	365296	09-09	18/11/2015	15613/2015	365308	11-01C	18/11/2015
14713/2015	365293	25-01E	18/11/2015	15614/2015	365248	25-02NES	17/11/2015
14717/2015	365423	07-01B	23/11/2015	15615/2015	365249	25-02NES	17/11/2015
14793/2015	365486	02-04NES	26/11/2015	15616/2015	365250	25-02NES	17/11/2015
14815/2015	365479	19-01	26/11/2015	15617/2015	365251	25-02NES	17/11/2015
14850/2015	365428	12-08	23/11/2015	15618/2015	365252	25-02NES	17/11/2015
14858/2015	365429	16-06	23/11/2015	15621/2015	365231	15-05	16/11/2015
14898/2015	365381	20-02NES	20/11/2015	15623/2015	365232	22-06	16/11/2015
14936/2015	365382	29-02	20/11/2015	15626/2015	365433	02-04NES	23/11/2015
15027/2015	365372	13-03NES	19/11/2015	15627/2015	365233	02-04NES	16/11/2015
15039/2015	365294	26-06	18/11/2015	15628/2015	365234	02-04NES	16/11/2015
15052/2015	365430	28-99	23/11/2015	15629/2015	365235	09-01D	16/11/2015
15108/2015	365431	07-05E	23/11/2015	15633/2015	365208	27-99	13/11/2015
15201/2015	365418	06-01H	23/11/2015	15634/2015	365209	27-99	13/11/2015
15229/2015	365342	20-02NES	19/11/2015	15638/2015	365210	27-99	13/11/2015
15235/2015	365432	07-04	23/11/2015	15639/2015	365211	27-99	13/11/2015
15237/2015	365419	21-01L	23/11/2015	15640/2015	365212	12-12	13/11/2015
15255/2015	365508	07-02H	27/11/2015	15641/2015	365213	09-03F	13/11/2015
15256/2015	365240	07-01B	16/11/2015	15642/2015	365214	24-01	13/11/2015
15257/2015	365241	07-02NES	16/11/2015	15643/2015	365434	24-01	23/11/2015
15258/2015	365242	07-02H	16/11/2015	15644/2015	365215	24-01	13/11/2015
15343/2015	365297	21-02NES	18/11/2015	15645/2015	365216	24-01	13/11/2015
15455/2015	365343	07-01F	19/11/2015	15646/2015	365220	24-01	13/11/2015
15464/2015	365255	09-07C	17/11/2015	15647/2015	365221	24-01	13/11/2015

Publication and Registration Proceedings - Designs Registered cont'd

Design Number	Registration Number	International Classification Code (IDC)	Registration Date	Design Number	Registration Number	International Classification Code (IDC)	Registration Date
15648/2015	365222	24-01	13/11/2015	15734/2015	365315	25-01D	18/11/2015
15649/2015	365223	24-01	13/11/2015	15735/2015	365316	25-01D	18/11/2015
15650/2015	365224	24-01	13/11/2015	15736/2015	365317	25-02NES	18/11/2015
15651/2015	365225	24-01	13/11/2015	15739/2015	365333	23-01NES	19/11/2015
15655/2015	365217	31-00	13/11/2015	15740/2015	365334	23-01NES	19/11/2015
15656/2015	365218	31-00	13/11/2015	15741/2015	365335	23-01NES	19/11/2015
15657/2015	365219	31-00	13/11/2015	15742/2015	365336	23-01NES	19/11/2015
15660/2015	365236	25-02B	16/11/2015	15743/2015	365337	23-01NES	19/11/2015
15661/2015	365237	25-02B	16/11/2015	15744/2015	365338	23-01NES	19/11/2015
15662/2015	365238	25-02B	16/11/2015	15745/2015	365339	23-01NES	19/11/2015
15664/2015	365257	12-06B	17/11/2015	15746/2015	365340	23-01NES	19/11/2015
15670/2015	365239	14-01	16/11/2015	15750/2015	365274	12-16NES	17/11/2015
15671/2015	365258	03-01NES	17/11/2015	15756/2015	365261	02-02A	17/11/2015
15672/2015	365259	12-16L	17/11/2015	15757/2015	365262	02-02A	17/11/2015
15677/2015	365226	02-02NES	13/11/2015	15758/2015	365263	02-02A	17/11/2015
15678/2015	365227	02-02NES	13/11/2015	15759/2015	365264	02-02A	17/11/2015
15679/2015	365228	02-02NES	13/11/2015	15761/2015	365265	02-02A	17/11/2015
15680/2015	365229	02-02NES	13/11/2015	15762/2015	365266	02-02A	17/11/2015
15681/2015	365243	02-02NES	16/11/2015	15763/2015	365275	02-02A	17/11/2015
15682/2015	365244	02-02NES	16/11/2015	15764/2015	365276	02-02A	17/11/2015
15683/2015	365245	02-02C	16/11/2015	15765/2015	365277	02-02A	17/11/2015
15684/2015	365246	02-02NES	16/11/2015	15767/2015	365278	02-02A	17/11/2015
15685/2015	365253	02-02NES	17/11/2015	15768/2015	365279	02-02A	17/11/2015
15686/2015	365254	02-02C	17/11/2015	15769/2015	365280	02-02A	17/11/2015
15687/2015	365230	02-02C	13/11/2015	15770/2015	365281	02-02A	17/11/2015
15688/2015	365260	25-02G	17/11/2015	15780/2015	365359	15-05	19/11/2015
15689/2015	365327	25-02G	19/11/2015	15781/2015	365360	15-05	19/11/2015
15690/2015	365328	25-02G	19/11/2015	15782/2015	365361	25-01NES	19/11/2015
15691/2015	365329	25-02G	19/11/2015	15783/2015	365362	12-16NES	19/11/2015
15692/2015	365330	25-02G	19/11/2015	15784/2015	365363	16-06	19/11/2015
15694/2015	365331	25-02G	19/11/2015	15785/2015	365364	06-01E	19/11/2015
15696/2015	365332	25-02G	19/11/2015	15787/2015	365365	09-07B	19/11/2015
15697/2015	365319	08-03	19/11/2015	15788/2015	365435	09-07B	23/11/2015
15698/2015	365320	08-03	19/11/2015	15789/2015	365436	15-05	23/11/2015
15700/2015	365321	28-01	19/11/2015	15790/2015	365437	21-03	24/11/2015
15701/2015	365322	09-03NES	19/11/2015	15791/2015	365393	15-05	20/11/2015
15703/2015	365323	21-01F	19/11/2015	15792/2015	365394	15-05	20/11/2015
15705/2015	365324	03-01A	19/11/2015	15793/2015	365395	15-05	20/11/2015
15706/2015	365325	16-06	19/11/2015	15794/2015	365396	15-05	20/11/2015
15707/2015	365298	09-05	18/11/2015	15795/2015	365397	14-02	20/11/2015
15711/2015	365299	02-04A	18/11/2015	15796/2015	365398	21-03	20/11/2015
15712/2015	365300	02-04A	18/11/2015	15797/2015	365399	16-01	20/11/2015
15718/2015	365301	02-04NES	18/11/2015	15798/2015	365444	16-05	24/11/2015
15719/2015	365302	15-05	18/11/2015	15799/2015	365445	15-05	24/11/2015
15721/2015	365303	15-05	18/11/2015	15800/2015	365346	10-05	19/11/2015
15722/2015	365304	15-05	18/11/2015	15801/2015	365318	15-05	18/11/2015
15723/2015	365305	15-05	18/11/2015	15802/2015	365347	15-05	19/11/2015
15724/2015	365306	08-05NES	18/11/2015	15803/2015	365351	21-03	19/11/2015
15725/2015	365307	02-04A	18/11/2015	15804/2015	365348	15-05	19/11/2015
15726/2015	365309	02-04A	18/11/2015	15805/2015	365349	15-05	19/11/2015
15727/2015	365310	07-05E	18/11/2015	15806/2015	365350	15-05	19/11/2015
15728/2015	365311	07-05E	18/11/2015	15807/2015	365352	16-05	19/11/2015
15729/2015	365312	15-99	18/11/2015	15808/2015	365353	21-03	19/11/2015
15730/2015	365313	13-01	18/11/2015	15811/2015	365354	25-01D	19/11/2015
15732/2015	365314	07-07B	18/11/2015	15812/2015	365355	25-02H	19/11/2015

Publication and Registration Proceedings - Designs Registered cont'd

Design Number	Registration Number	International Classification Code (IDC)	Registration Date	Design Number	Registration Number	International Classification Code (IDC)	Registration Date
15813/2015	365356	03-01D	19/11/2015	15890/2015	365453	31-00	24/11/2015
15814/2015	365357	03-01B	19/11/2015	15891/2015	365454	31-00	24/11/2015
15815/2015	365358	03-01B	19/11/2015	15892/2015	365455	12-16A	24/11/2015
15816/2015	365383	03-01B	20/11/2015	15893/2015	365487	10-04	26/11/2015
15818/2015	365384	03-01B	20/11/2015	15894/2015	365488	10-04	26/11/2015
15819/2015	365385	03-01B	20/11/2015	15896/2015	365458	06-01F	26/11/2015
15820/2015	365386	14-02	20/11/2015	15897/2015	365459	23-01K	26/11/2015
15821/2015	365387	14-99	20/11/2015	15898/2015	365460	23-04	26/11/2015
15822/2015	365388	14-99	20/11/2015	15900/2015	365461	15-05	26/11/2015
15823/2015	365389	14-99	20/11/2015	15902/2015	365462	13-03D	26/11/2015
15824/2015	365390	14-99	20/11/2015	15903/2015	365463	13-03D	26/11/2015
15825/2015	365509	14-99	27/11/2015	15904/2015	365489	09-03M	26/11/2015
15826/2015	365373	14-99	19/11/2015	15905/2015	365490	13-03D	26/11/2015
15827/2015	365374	14-99	19/11/2015	15907/2015	365491	05-05B	26/11/2015
15828/2015	365375	14-99	19/11/2015	15908/2015	365492	05-05A	26/11/2015
15829/2015	365376	07-01C	19/11/2015	15909/2015	365493	21-01L	26/11/2015
15836/2015	365377	08-07	19/11/2015	15911/2015	365456	14-03NES	24/11/2015
15837/2015	365378	24-02	19/11/2015	15912/2015	365494	10-06	26/11/2015
15838/2015	365379	24-02	19/11/2015	15921/2015	365495	19-08	27/11/2015
15839/2015	365438	24-02	24/11/2015	15922/2015	365496	07-02N	27/11/2015
15840/2015	365439	24-02	24/11/2015	15923/2015	365497	19-08	27/11/2015
15842/2015	365440	08-07	24/11/2015	15924/2015	365498	17-03	27/11/2015
15843/2015	365441	13-03E	24/11/2015	15925/2015	365499	08-08L	27/11/2015
15844/2015	365442	25-04	24/11/2015	15926/2015	365500	08-08L	27/11/2015
15845/2015	365391	25-04	20/11/2015				
15848/2015	365402	02-04C	20/11/2015	15948/2015	365283	14-02	17/11/2015
15849/2015	365403	09-03M	20/11/2015	15949/2015	365284	14-02	17/11/2015
15850/2015	365392	08-05NES	20/11/2015	15950/2015	365285	14-02	17/11/2015
15851/2015	365427	15-05	23/11/2015	15951/2015	365286	14-02	17/11/2015
15852/2015	365404	15-05	20/11/2015	15952/2015	365287	14-02	17/11/2015
15854/2015	365405	25-01E	20/11/2015	15967/2015	365480	12-15C	26/11/2015
15855/2015	365406	25-02NES	20/11/2015	15969/2015	365481	24-01	26/11/2015
15856/2015	365407	14-02	20/11/2015	15971/2015	365482	12-15C	26/11/2015
15858/2015	365408	31-00	20/11/2015	15973/2015	365484	06-01D	26/11/2015
15860/2015	365409	08-07	20/11/2015	15974/2015	365485	07-01D	26/11/2015
15861/2015	365410	08-07	20/11/2015	15976/2015	365465	02-02A	26/11/2015
15862/2015	365411	08-07	20/11/2015	15977/2015	365466	02-02A	26/11/2015
15863/2015	365446	14-02	24/11/2015	15978/2015	365467	02-02A	26/11/2015
15864/2015	365447	08-02	24/11/2015	15979/2015	365468	02-02A	26/11/2015
15870/2015	365448	23-01E	24/11/2015	15980/2015	365469	02-02A	26/11/2015
15871/2015	365449	23-01E	24/11/2015	15981/2015	365470	02-02A	26/11/2015
15872/2015	365450	23-01E	24/11/2015	15982/2015	365471	02-02A	26/11/2015
15876/2015	365412	12-12	23/11/2015	15983/2015	365472	02-02A	26/11/2015
15877/2015	365413	02-07A	23/11/2015	15984/2015	365473	02-02A	26/11/2015
15878/2015	365414	21-02E	23/11/2015	15985/2015	365474	02-02A	26/11/2015
15882/2015	365415	07-02K	23/11/2015	15986/2015	365475	02-02A	26/11/2015
15883/2015	365416	07-02F	23/11/2015	15987/2015	365476	02-02A	26/11/2015
15884/2015	365417	07-02F	23/11/2015	15988/2015	365477	02-02A	26/11/2015
15885/2015	365451	07-02G	24/11/2015	15989/2015	365478	02-02A	26/11/2015
15887/2015	365452	07-05A	24/11/2015				
15888/2015	365443	07-05A	24/11/2015				
15889/2015	365457	15-03B	26/11/2015				

Publication and Registration Proceedings

Class Listing of Designs Published or Registered

The following section shows an International Classification Code listing of the Registered or Published Designs covered in this supplement.

Classification	Registration Number	Design Number	Classification	Registration Number	Design Number
02-02A	365261	15756/2015	03-01B	365383	15816/2015
02-02A	365262	15757/2015	03-01B	365384	15818/2015
02-02A	365263	15758/2015	03-01B	365385	15819/2015
02-02A	365264	15759/2015	03-01D	365356	15813/2015
02-02A	365265	15761/2015	03-01NES	365258	15671/2015
02-02A	365266	15762/2015	05-05A	365492	15908/2015
02-02A	365275	15763/2015	05-05B	365491	15907/2015
02-02A	365276	15764/2015	06-01D	365484	15973/2015
02-02A	365277	15765/2015	06-01E	365364	15785/2015
02-02A	365278	15767/2015	06-01F	365256	15569/2015
02-02A	365279	15768/2015	06-01F	365401	15568/2015
02-02A	365280	15769/2015	06-01F	365458	15896/2015
02-02A	365281	15770/2015	06-01H	365418	15201/2015
02-02A	365464	12587/2015	06-01NES	365327	15689/2015
02-02A	365465	15976/2015	06-01NES	365328	15690/2015
02-02A	365466	15977/2015	06-01NES	365329	15691/2015
02-02A	365467	15978/2015	06-01NES	365330	15692/2015
02-02A	365468	15979/2015	06-01NES	365331	15694/2015
02-02A	365469	15980/2015	06-01NES	365332	15696/2015
02-02A	365470	15981/2015	06-03C	365426	15533/2015
02-02A	365471	15982/2015	07-01B	365240	15256/2015
02-02A	365472	15983/2015	07-01B	365292	14699/2015
02-02A	365473	15984/2015	07-01B	365423	14717/2015
02-02A	365474	15985/2015	07-01C	365376	15829/2015
02-02A	365475	15986/2015	07-01D	365485	15974/2015
02-02A	365476	15987/2015	07-01F	365343	15455/2015
02-02A	365477	15988/2015	07-01NES	365505	13680/2015
02-02A	365478	15989/2015	07-02F	365416	15883/2015
02-02C	365230	15687/2015	07-02F	365417	15884/2015
02-02C	365245	15683/2015	07-02G	365451	15885/2015
02-02C	365254	15686/2015	07-02H	365242	15258/2015
02-02NES	365226	15677/2015	07-02H	365508	15255/2015
02-02NES	365227	15678/2015	07-02K	365415	15882/2015
02-02NES	365228	15679/2015	07-02N	365496	15922/2015
02-02NES	365229	15680/2015	07-02NES	365241	15257/2015
02-02NES	365243	15681/2015	07-04	365432	15235/2015
02-02NES	365244	15682/2015	07-05A	365443	15888/2015
02-02NES	365246	15684/2015	07-05A	365452	15887/2015
02-02NES	365253	15685/2015	07-05E	365310	15727/2015
02-04A	365299	15711/2015	07-05E	365311	15728/2015
02-04A	365300	15712/2015	07-05E	365431	15108/2015
02-04A	365307	15725/2015	07-07B	365314	15732/2015
02-04A	365309	15726/2015	08-02	365447	15864/2015
02-04C	365402	15848/2015	08-03	365319	15697/2015
02-04NES	365233	15627/2015	08-03	365320	15698/2015
02-04NES	365234	15628/2015	08-05A	365198	15591/2015
02-04NES	365301	15718/2015	08-05NES	365306	15724/2015
02-04NES	365433	15626/2015	08-05NES	365370	14226/2015
02-04NES	365486	14793/2015	08-05NES	365392	15850/2015
02-07A	365413	15877/2015	08-07	365377	15836/2015
03-01A	365324	15705/2015	08-07	365409	15860/2015
03-01B	365357	15814/2015	08-07	365410	15861/2015
03-01B	365358	15815/2015	08-07	365411	15862/2015

Registration Proceedings - Class Listing of Designs Published or Registered cont'd

Classification	Registration Number	Design Number	Classification	Registration Number	Design Number
08-07	365440	15842/2015	13-01	365313	15730/2015
08-08L	365499	15925/2015	13-03D	365462	15902/2015
08-08L	365500	15926/2015	13-03D	365463	15903/2015
08-09	365247	15605/2015	13-03D	365490	15905/2015
08-10	365366	12928/2015	13-03E	365441	15843/2015
09-01A	365202	15596/2015	13-03NES	365372	15027/2015
09-01A	365205	15600/2015	14-01	365239	15670/2015
09-01D	365235	15629/2015			
09-03F	365213	15641/2015	14-02	365282	14473/2015
09-03H	365400	15485/2015	14-02	365283	15948/2015
09-03M	365403	15849/2015	14-02	365284	15949/2015
09-03M	365489	15904/2015	14-02	365285	15950/2015
09-03NES	365322	15701/2015	14-02	365286	15951/2015
09-03NES	365367	13081/2015	14-02	365287	15952/2015
09-03NES	365368	13084/2015	14-02	365345	15544/2015
09-05	365298	15707/2015	14-02	365386	15820/2015
09-05	365326	14237/2015	14-02	365397	15795/2015
09-07B	365365	15787/2015	14-02	365407	15856/2015
09-07B	365435	15788/2015	14-02	365446	15863/2015
09-07C	365255	15464/2015	14-03B	365288	14372/2015
09-09	365296	14705/2015	14-03B	365289	14373/2015
09-09	365327	15689/2015	14-03B	365290	14374/2015
09-09	365328	15690/2015	14-03B	365291	14401/2015
09-09	365329	15691/2015	14-03NES	365456	15911/2015
09-09	365330	15692/2015	14-99	365373	15826/2015
09-09	365331	15694/2015	14-99	365374	15827/2015
09-09	365332	15696/2015	14-99	365375	15828/2015
10-04	365487	15893/2015	14-99	365387	15821/2015
10-04	365488	15894/2015	14-99	365388	15822/2015
10-05	365346	15800/2015	14-99	365389	15823/2015
10-06	365494	15912/2015	14-99	365390	15824/2015
10-06	365502	12688/2015	14-99	365509	15825/2015
10-06	365503	12689/2015	15-03B	365457	15889/2015
10-06	365504	12690/2015	15-05	365231	15621/2015
11-01A	365267	15606/2015	15-05	365302	15719/2015
11-01C	365269	15608/2015	15-05	365303	15721/2015
11-01C	365308	15613/2015	15-05	365304	15722/2015
11-01D	365270	15609/2015	15-05	365305	15723/2015
11-01D	365271	15610/2015	15-05	365318	15801/2015
11-01E	365272	15611/2015	15-05	365347	15802/2015
11-01E	365273	15612/2015	15-05	365348	15804/2015
11-01NES	365268	15607/2015	15-05	365349	15805/2015
11-05	365425	15475/2015	15-05	365350	15806/2015
12-02	365380	11974/2015	15-05	365359	15780/2015
12-06B	365257	15664/2015	15-05	365360	15781/2015
12-08	365428	14850/2015	15-05	365393	15791/2015
12-11	365344	15523/2015	15-05	365394	15792/2015
12-12	365212	15640/2015	15-05	365395	15793/2015
12-12	365412	15876/2015	15-05	365396	15794/2015
12-15C	365480	15967/2015	15-05	365404	15852/2015
12-15C	365482	15971/2015	15-05	365427	15851/2015
12-16A	365455	15892/2015	15-05	365436	15789/2015
12-16K	365341	14541/2015	15-05	365445	15799/2015
12-16L	365259	15672/2015	15-05	365461	15900/2015
12-16NES	365274	15750/2015	15-99	365312	15729/2015
12-16NES	365362	15783/2015	16-01	365399	15797/2015

Registration Proceedings - Class Listing of Designs Published or Registered cont'd

Classification	Registration Number	Design Number	Classification	Registration Number	Design Number
16-05	365352	15807/2015	24-04	365420	14514/2015
16-05	365444	15798/2015	25-01A	365199	15592/2015
16-06	365325	15706/2015	25-01A	365200	15594/2015
16-06	365363	15784/2015	25-01A	365201	15595/2015
16-06	365429	14858/2015	25-01A	365203	15597/2015
17-03	365498	15924/2015	25-01A	365204	15599/2015
19-01	365479	14815/2015	25-01D	365315	15734/2015
19-08	365495	15921/2015	25-01D	365316	15735/2015
19-08	365497	15923/2015	25-01D	365354	15811/2015
20-02NES	365342	15229/2015	25-01E	365293	14713/2015
20-02NES	365381	14898/2015	25-01E	365371	14620/2015
21-01A	365424	15473/2015	25-01E	365405	15854/2015
21-01F	365323	15703/2015	25-01G	365327	15689/2015
21-01L	365419	15237/2015	25-01G	365328	15690/2015
21-01L	365493	15909/2015	25-01G	365329	15691/2015
21-02C	365369	13648/2015	25-01G	365330	15692/2015
21-02E	365414	15878/2015	25-01G	365331	15694/2015
21-02F	365422	14618/2015	25-01G	365332	15696/2015
21-02NES	365297	15343/2015	25-01NES	365361	15782/2015
21-03	365351	15803/2015	25-02B	365236	15660/2015
21-03	365353	15808/2015	25-02B	365237	15661/2015
21-03	365398	15796/2015	25-02B	365238	15662/2015
21-03	365437	15790/2015	25-02G	365260	15688/2015
22-06	365206	15602/2015	25-02G	365327	15689/2015
22-06	365207	15604/2015	25-02G	365328	15690/2015
22-06	365232	15623/2015	25-02G	365329	15691/2015
23-01E	365448	15870/2015	25-02G	365330	15692/2015
23-01E	365449	15871/2015	25-02G	365331	15694/2015
23-01E	365450	15872/2015	25-02G	365332	15696/2015
23-01K	365459	15897/2015	25-02H	365355	15812/2015
23-01NES	365333	15739/2015	25-02NES	365248	15614/2015
23-01NES	365334	15740/2015	25-02NES	365249	15615/2015
23-01NES	365335	15741/2015	25-02NES	365250	15616/2015
23-01NES	365336	15742/2015	25-02NES	365251	15617/2015
23-01NES	365337	15743/2015	25-02NES	365252	15618/2015
23-01NES	365338	15744/2015	25-02NES	365317	15736/2015
23-01NES	365339	15745/2015	25-02NES	365406	15855/2015
23-01NES	365340	15746/2015	25-04	365327	15689/2015
23-02NES	365295	14399/2015	25-04	365328	15690/2015
23-04	365460	15898/2015	25-04	365329	15691/2015
24-01	365214	15642/2015	25-04	365330	15692/2015
24-01	365215	15644/2015	25-04	365331	15694/2015
24-01	365216	15645/2015	25-04	365332	15696/2015
24-01	365220	15646/2015	25-04	365391	15845/2015
24-01	365221	15647/2015	25-04	365442	15844/2015
24-01	365222	15648/2015	26-05NES	365506	14537/2015
24-01	365223	15649/2015	26-05NES	365507	14538/2015
24-01	365224	15650/2015	26-06	365294	15039/2015
24-01	365225	15651/2015	27-99	365208	15633/2015
24-01	365434	15643/2015	27-99	365209	15634/2015
24-01	365481	15969/2015	27-99	365210	15638/2015
24-02	365378	15837/2015	27-99	365211	15639/2015
24-02	365379	15838/2015	28-01	365236	15660/2015
24-02	365421	14563/2015	28-01	365237	15661/2015
24-02	365438	15839/2015	28-01	365238	15662/2015
24-02	365439	15840/2015	28-01	365321	15700/2015

Registration Proceedings - Class Listing of Designs Published or Registered cont'd

Classification	Registration Number	Design Number	Classification	Registration Number	Design Number
28-99	365430	15052/2015	31-00	365408	15858/2015
29-02	365317	15736/2015	31-00	365453	15890/2015
29-02	365382	14936/2015	31-00	365454	15891/2015
31-00	365217	15655/2015			
31-00	365218	15656/2015			
31-00	365219	15657/2015			

(21) Design Number: **15591/2015**

(22) Date of Filing Application: **22 October 2015**

(24) Date from which industrial property rights may have effect: **22 October 2015**

(54) Product in respect of which the design is registered: **Spray head**

(51) International Design Classification: **08-05A**

(74) Name(s) of Attorney(s): **Spruson & Ferguson**

(71) Name(s) and Address(s) of Applicant(s):

Husqvarna AB
Huskvarna SE-561 82 Sweden

(72) Name(s) of Designer(s): **Jens Naslund and Daniel Gunnarsson and Gustav Landberg and Tor Sigurdson**

(45) Registration Date: **13 November 2015**

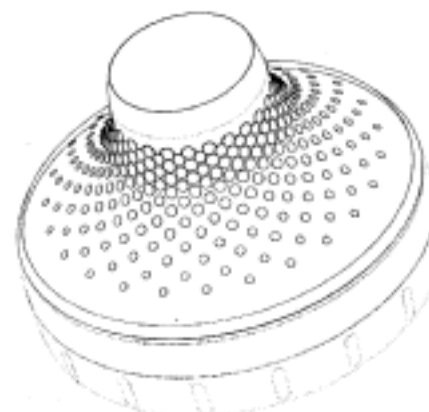
(30) Convention priority data:

(31) Number (32) Date
002686816-0010 22 Apr 2015

(33) Country
**OFFICE FOR HARMONISATION IN
THE INTERNAL MARKET (OHIM)**

(56) Related Art Documents: **Not Applicable**

(57) Statement of Newness and Distinctiveness: **Newness and distinctiveness is claimed in those features of pattern and/or ornamentation of a spray head illustrated in continuous lines in the accompanying representations.**



(21) Design Number: **15592/2015**

(22) Date of Filing Application: **22 October 2015**

(24) Date from which industrial property rights may have effect: **22 October 2015**

(54) Product in respect of which the design is registered: **Bricks**

(51) International Design Classification: **25-01A**

(74) Name(s) of Attorney(s): **Collison & Co**

(71) Name(s) and Address(s) of Applicant(s):

CERAMICA MALPESA, S.A.
Autovia N-IV, Km. 303 D.P. Apartado, 24 23710 Bailen, Jaen Spain

(72) Name(s) of Designer(s): **Jose Malpesa Guerrero and Antonio Jose Escribano Baeyens**

(45) Registration Date: **13 November 2015**

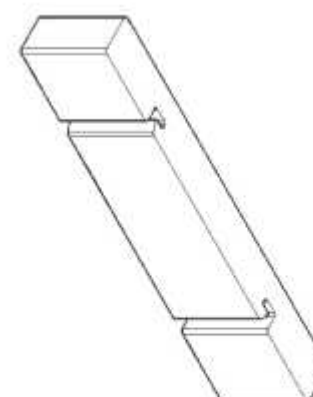
(30) Convention priority data:

(31) Number (32) Date
002686428-0001 22 Apr 2015

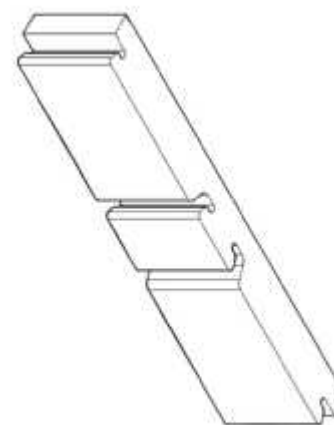
(33) Country
**OFFICE FOR HARMONISATION IN
THE INTERNAL MARKET (OHIM)**

(56) Related Art Documents: **Not Applicable**

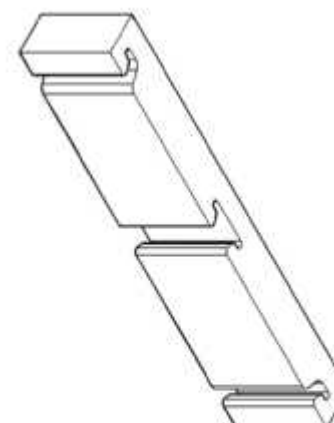
(57) Statement of Newness and Distinctiveness: **Nil**



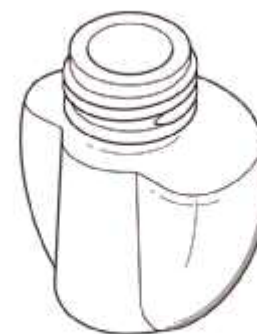
(21) Design Number: **15594/2015**
(22) Date of Filing Application: **22 October 2015**
(24) Date from which industrial property rights may have effect: **22 October 2015**
(54) Product in respect of which the design is registered: **Bricks**
(51) International Design Classification: **25-01A**
(74) Name(s) of Attorney(s): **Collison & Co**
(71) Name(s) and Address(s) of Applicant(s):
CERAMICA MALPESA, S.A.
Autovia N-IV, Km. 303 D.P. Apartado, 24 23710 Bailen, Jaen Spain
(72) Name(s) of Designer(s): **Jose Malpesa Guerrero and Antonio Jose Escribano Baeyens**
(45) Registration Date: **13 November 2015**
(30) Convention priority data:
(31) Number (32) Date (33) Country
002686428-0003 22 Apr 2015 OFFICE FOR HARMONISATION IN THE INTERNAL MARKET (OHIM)
(56) Related Art Documents: **Not Applicable**
(57) Statement of Newness and Distinctiveness: **Nil**



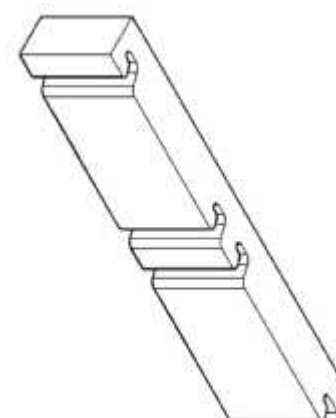
(21) Design Number: **15595/2015**
(22) Date of Filing Application: **22 October 2015**
(24) Date from which industrial property rights may have effect: **22 October 2015**
(54) Product in respect of which the design is registered: **Bricks**
(51) International Design Classification: **25-01A**
(74) Name(s) of Attorney(s): **Collison & Co**
(71) Name(s) and Address(s) of Applicant(s):
CERAMICA MALPESA, S.A.
Autovia N-IV, Km. 303 D.P. Apartado, 24 23710 Bailen, Jaen Spain
(72) Name(s) of Designer(s): **Jose Malpesa Guerrero and Antonio Jose Escribano Baeyens**
(45) Registration Date: **13 November 2015**
(30) Convention priority data:
(31) Number (32) Date (33) Country
002686428-0004 22 Apr 2015 OFFICE FOR HARMONISATION IN THE INTERNAL MARKET (OHIM)
(56) Related Art Documents: **Not Applicable**
(57) Statement of Newness and Distinctiveness: **Nil**



(21) Design Number: **15596/2015**
(22) Date of Filing Application: **22 October 2015**
(24) Date from which industrial property rights may have effect: **22 October 2015**
(54) Product in respect of which the design is registered: **Volatile substance dispenser bottle**
(51) International Design Classification: **09-01A**
(74) Name(s) of Attorney(s): **Shelston IP Pty Ltd.**
(71) Name(s) and Address(s) of Applicant(s):
Reckitt Benckiser (Brands) Limited
103-105 Bath Road Slough Berkshire SL1 3UH United Kingdom
(72) Name(s) of Designer(s): **Stuart King and David Sanders**
(45) Registration Date: **13 November 2015**
(30) Convention priority data:
(31) Number (32) Date (33) Country
002690198-0001 27 Apr 2015 OFFICE FOR HARMONISATION IN THE INTERNAL MARKET (OHIM)
(56) Related Art Documents: **Not Applicable**
(57) Statement of Newness and Distinctiveness: **Newness and distinctiveness resides in the features of shape and configuration of a volatile substance dispenser bottle as shown in the accompanying representations.**



(21) Design Number: **15597/2015**
(22) Date of Filing Application: **22 October 2015**
(24) Date from which industrial property rights may have effect: **22 October 2015**
(54) Product in respect of which the design is registered: **Bricks**
(51) International Design Classification: **25-01A**
(74) Name(s) of Attorney(s): **Collison & Co**
(71) Name(s) and Address(s) of Applicant(s):
CERAMICA MALPESA, S.A.
Autovia N-IV, Km. 303 D.P. Apartado, 24 23710 Bailen, Jaen Spain
(72) Name(s) of Designer(s): **Jose Malpesa Guerrero and Antonio Jose Escribano Baeyens**
(45) Registration Date: **13 November 2015**
(30) Convention priority data:
(31) Number (32) Date (33) Country
002686428-0005 22 Apr 2015 OFFICE FOR HARMONISATION IN THE INTERNAL MARKET (OHIM)
(56) Related Art Documents: **Not Applicable**
(57) Statement of Newness and Distinctiveness: **Nil**



(21) Design Number: **15599/2015**

(22) Date of Filing Application: **22 October 2015**

(24) Date from which industrial property rights may have effect: **22 October 2015**

(54) Product in respect of which the design is registered: **Bricks**

(51) International Design Classification: **25-01A**

(74) Name(s) of Attorney(s): **Collison & Co**

(71) Name(s) and Address(s) of Applicant(s):

CERAMICA MALPESA, S.A.

Autovia N-IV, Km. 303 D.P. Apartado, 24 23710 Bailen, Jaen Spain

(72) Name(s) of Designer(s): **Jose Malpesa Guerrero and Antonio Jose Escribano Baeyens**

(45) Registration Date: **13 November 2015**

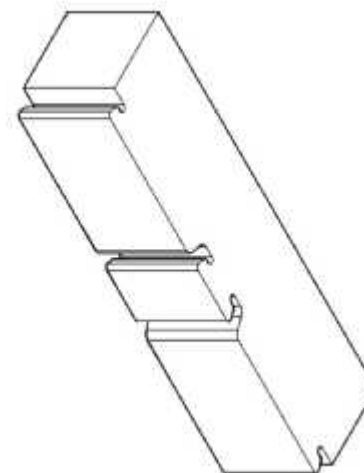
(30) Convention priority data:

(31) Number (32) Date
002686428-0008 22 Apr 2015

(33) Country
**OFFICE FOR HARMONISATION IN
THE INTERNAL MARKET (OHIM)**

(56) Related Art Documents: **Not Applicable**

(57) Statement of Newness and Distinctiveness: **Nil**



(21) Design Number: **15600/2015**

(22) Date of Filing Application: **22 October 2015**

(24) Date from which industrial property rights may have effect: **22 October 2015**

(54) Product in respect of which the design is registered: **Volatile substance dispenser bottle with lid**

(51) International Design Classification: **09-01A**

(74) Name(s) of Attorney(s): **Shelston IP Pty Ltd.**

(71) Name(s) and Address(s) of Applicant(s):

Reckitt Benckiser (Brands) Limited

103-105 Bath Road Slough Berkshire SL1 3UH United Kingdom

(72) Name(s) of Designer(s): **Stuart King and David Sanders**

(45) Registration Date: **13 November 2015**

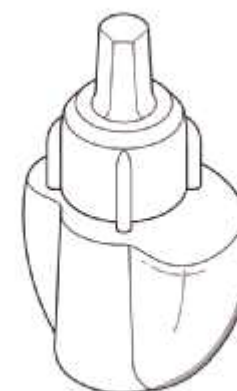
(30) Convention priority data:

(31) Number (32) Date
002690198-0002 27 Apr 2015

(33) Country
**OFFICE FOR HARMONISATION IN
THE INTERNAL MARKET (OHIM)**

(56) Related Art Documents: **Not Applicable**

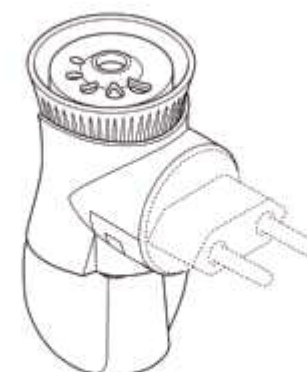
(57) Statement of Newness and Distinctiveness: **Newness and distinctiveness resides in the features of shape and configuration of a volatile substance dispenser bottle with lid as shown in the accompanying representations.**



(21) Design Number: **15602/2015**
(22) Date of Filing Application: **22 October 2015**
(24) Date from which industrial property rights may have effect: **22 October 2015**
(54) Product in respect of which the design is registered: **Volatile substance dispenser**
(51) International Design Classification: **22-06**
(74) Name(s) of Attorney(s): **Shelston IP Pty Ltd.**
(71) Name(s) and Address(s) of Applicant(s):
Reckitt Benckiser (Brands) Limited
103-105 Bath Road Slough Berkshire SL1 3UH United Kingdom
(72) Name(s) of Designer(s): **Stuart King and David Sanders**
(45) Registration Date: **13 November 2015**
(30) Convention priority data:
(31) Number (32) Date (33) Country
002690198-0004 27 Apr 2015 OFFICE FOR HARMONISATION IN THE INTERNAL MARKET (OHIM)
(56) Related Art Documents: **Not Applicable**
(57) Statement of Newness and Distinctiveness: **Newness and distinctiveness resides in the features of shape and configuration of a volatile substance dispenser as shown in solid lines in the accompanying representations. The features shown in broken lines do not form part of the design and can vary.**



(21) Design Number: **15604/2015**
(22) Date of Filing Application: **22 October 2015**
(24) Date from which industrial property rights may have effect: **22 October 2015**
(54) Product in respect of which the design is registered: **Volatile substance dispenser**
(51) International Design Classification: **22-06**
(74) Name(s) of Attorney(s): **Shelston IP Pty Ltd.**
(71) Name(s) and Address(s) of Applicant(s):
Reckitt Benckiser (Brands) Limited
103-105 Bath Road Slough Berkshire SL1 3UH United Kingdom
(72) Name(s) of Designer(s): **Stuart King and David Sanders**
(45) Registration Date: **13 November 2015**
(30) Convention priority data:
(31) Number (32) Date (33) Country
002690198-0005 27 Apr 2015 OFFICE FOR HARMONISATION IN THE INTERNAL MARKET (OHIM)
(56) Related Art Documents: **Not Applicable**
(57) Statement of Newness and Distinctiveness: **Newness and distinctiveness resides in the features of shape and configuration of a volatile substance dispenser as shown in solid lines in the accompanying representations. The features shown in broken lines do not form part of the design and can vary.**



(21) Design Number: **15633/2015**

(22) Date of Filing Application: **22 October 2015**

(24) Date from which industrial property rights may have effect: **22 October 2015**

(54) Product in respect of which the design is registered: **Electronic cigarette article**

(51) International Design Classification: **27-99**

(74) Name(s) of Attorney(s): **Griffith Hack**

(71) Name(s) and Address(s) of Applicant(s):

Nerudia Limited

Wellington House Physics Road Liverpool L24 9HP United Kingdom

(72) Name(s) of Designer(s): **Kenneth Scott**

(45) Registration Date: **13 November 2015**

(30) Convention priority data:

(31) Number

(32) Date

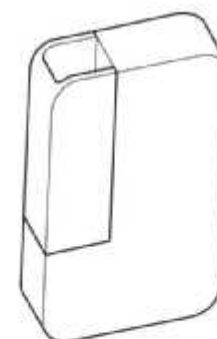
(33) Country

002688861-0001 24 Apr 2015

**OFFICE FOR HARMONISATION IN
THE INTERNAL MARKET (OHIM)**

(56) Related Art Documents: **Not Applicable**

(57) Statement of Newness and Distinctiveness: **The shape and configuration of the product shown in the accompanying representations is new and distinctive.**



(21) Design Number: **15634/2015**

(22) Date of Filing Application: **22 October 2015**

(24) Date from which industrial property rights may have effect: **22 October 2015**

(54) Product in respect of which the design is registered: **Electronic cigarette article**

(51) International Design Classification: **27-99**

(74) Name(s) of Attorney(s): **Griffith Hack**

(71) Name(s) and Address(s) of Applicant(s):

Nerudia Limited

Wellington House Physics Road Liverpool L24 9HP United Kingdom

(72) Name(s) of Designer(s): **Kenneth Scott**

(45) Registration Date: **13 November 2015**

(30) Convention priority data:

(31) Number

(32) Date

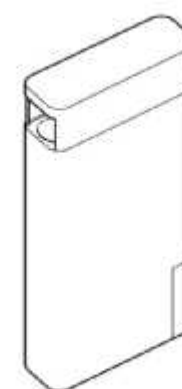
(33) Country

002688861-0002 24 Apr 2015

**OFFICE FOR HARMONISATION IN
THE INTERNAL MARKET (OHIM)**

(56) Related Art Documents: **Not Applicable**

(57) Statement of Newness and Distinctiveness: **The shape and configuration of the product shown in the accompanying representations is new and distinctive.**



(21) Design Number: **15638/2015**

(22) Date of Filing Application: **22 October 2015**

(24) Date from which industrial property rights may have effect: **22 October 2015**

(54) Product in respect of which the design is registered: **Electronic cigarette component**

(51) International Design Classification: **27-99**

(74) Name(s) of Attorney(s): **Griffith Hack**

(71) Name(s) and Address(s) of Applicant(s):

Nerudia Limited

Wellington House Physics Road Liverpool L24 9HP United Kingdom

(72) Name(s) of Designer(s): **Kenneth Scott**

(45) Registration Date: **13 November 2015**

(30) Convention priority data:

(31) Number

(32) Date

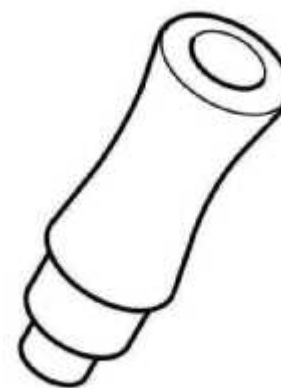
(33) Country

002688838-0004 24 Apr 2015

**OFFICE FOR HARMONISATION IN
THE INTERNAL MARKET (OHIM)**

(56) Related Art Documents: **Not Applicable**

(57) Statement of Newness and Distinctiveness: **The shape and configuration of the product shown in the accompanying representations is new and distinctive.**



(21) Design Number: **15639/2015**

(22) Date of Filing Application: **22 October 2015**

(24) Date from which industrial property rights may have effect: **22 October 2015**

(54) Product in respect of which the design is registered: **Electronic cigarette component**

(51) International Design Classification: **27-99**

(74) Name(s) of Attorney(s): **Griffith Hack**

(71) Name(s) and Address(s) of Applicant(s):

Nerudia Limited

Wellington House Physics Road Liverpool L24 9HP United Kingdom

(72) Name(s) of Designer(s): **Kenneth Scott**

(45) Registration Date: **13 November 2015**

(30) Convention priority data:

(31) Number

(32) Date

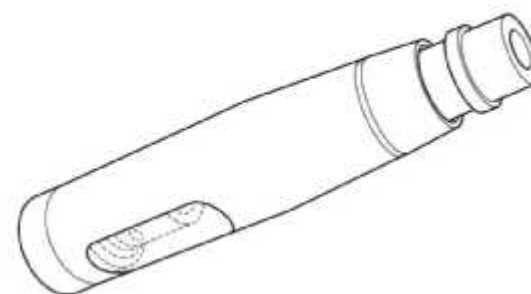
(33) Country

002688796 24 Apr 2015

**OFFICE FOR HARMONISATION IN
THE INTERNAL MARKET (OHIM)**

(56) Related Art Documents: **Not Applicable**

(57) Statement of Newness and Distinctiveness: **The shape and configuration of the parts of the product shown by solid lines in the accompanying representations are new and distinctive.**



(21) Design Number: **15640/2015**

(22) Date of Filing Application: **22 October 2015**

(24) Date from which industrial property rights may have effect: **22 October 2015**

(54) Product in respect of which the design is registered: **Chair**

(51) International Design Classification: **12-12**

(74) Name(s) of Attorney(s): **Wrays**

(71) Name(s) and Address(s) of Applicant(s):

Liftup A/S

Hagensvej 21 Stovring DK-9530 Denmark

(72) Name(s) of Designer(s): **Flemming Eriksen**

(45) Registration Date: **13 November 2015**

(30) Convention priority data:

(31) Number

(32) Date

(33) Country

002686501-0001 22 Apr 2015

**OFFICE FOR HARMONISATION IN
THE INTERNAL MARKET (OHIM)**

(56) Related Art Documents: **Not Applicable**

(57) Statement of Newness and Distinctiveness: **Newness and distinctiveness is claimed in the features of shape, configuration, pattern, and/or ornamentation of the Chair as shown in the accompanying representations.**



(21) Design Number: **15641/2015**

(22) Date of Filing Application: **22 October 2015**

(24) Date from which industrial property rights may have effect: **22 October 2015**

(54) Product in respect of which the design is registered: **Sandwich box**

(51) International Design Classification: **09-03F**

(74) Name(s) of Attorney(s):

(71) Name(s) and Address(s) of Applicant(s):

Pei-Ti Lin

**24F., No.198, Sec. 2, Xintai 5th Rd., Xizhi Dist., New Taipei City 221
Taiwan**

(72) Name(s) of Designer(s): **Pei-Ti Lin**

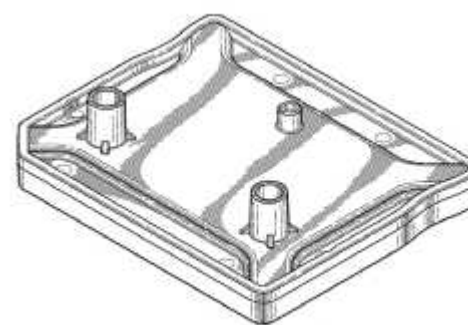
(45) Registration Date: **13 November 2015**

(56) Related Art Documents: **Not Applicable**

(57) Statement of Newness and Distinctiveness: **Newness and distinctiveness reside in the features of shape and ornamental design shown in the accompanying representations.**

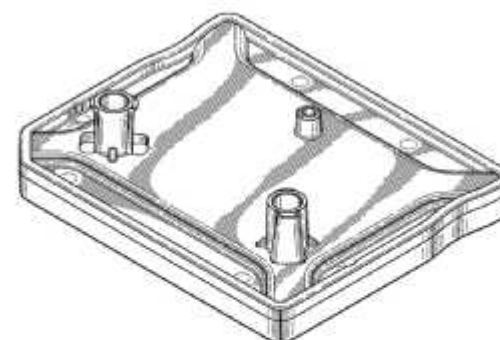


(21) Design Number: **15642/2015**
(22) Date of Filing Application: **23 October 2015**
(24) Date from which industrial property rights may have effect: **23 October 2015**
(54) Product in respect of which the design is registered: **Microfluidic cartridge**
(51) International Design Classification: **24-01**
(74) Name(s) of Attorney(s): **Griffith Hack**
(71) Name(s) and Address(s) of Applicant(s):
University of British Columbia
103-6190 Agronomy Road Vancouver BC, V6T 1Z3 Canada
(72) Name(s) of Designer(s): **Timothy Leaver and Andre Wild**
(45) Registration Date: **13 November 2015**
(30) Convention priority data:
(31) Number (32) Date (33) Country
29/525294 28 Apr 2015 UNITED STATES OF AMERICA



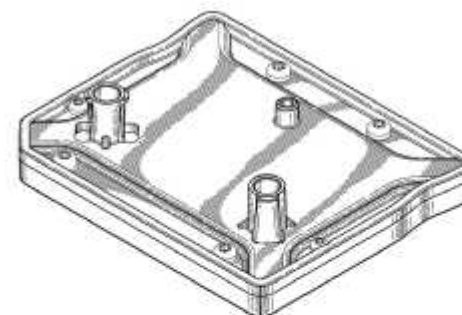
(56) Related Art Documents: **Not Applicable**
(57) Statement of Newness and Distinctiveness: **Newness and distinctiveness resides in the visual features including shape and configuration of the product as shown by means of solid lines in the representations. The shading lines have been included to help identify surfaces and do not form part of the design.**

(21) Design Number: **15644/2015**
(22) Date of Filing Application: **23 October 2015**
(24) Date from which industrial property rights may have effect: **23 October 2015**
(54) Product in respect of which the design is registered: **Microfluidic cartridge**
(51) International Design Classification: **24-01**
(74) Name(s) of Attorney(s): **Griffith Hack**
(71) Name(s) and Address(s) of Applicant(s):
University of British Columbia
103-6190 Agronomy Road Vancouver BC, V6T 1Z3 Canada
(72) Name(s) of Designer(s): **Timothy Leaver and Andre Wild**
(45) Registration Date: **13 November 2015**
(30) Convention priority data:
(31) Number (32) Date (33) Country
29/525,300 28 Apr 2015 UNITED STATES OF AMERICA



(56) Related Art Documents: **Not Applicable**
(57) Statement of Newness and Distinctiveness: **Newness and distinctiveness resides in the visual features including shape and configuration of the product as shown by means of solid lines in the representations. The shading lines have been included to help identify surfaces and do not form part of the design.**

(21) Design Number: **15645/2015**
(22) Date of Filing Application: **23 October 2015**
(24) Date from which industrial property rights may have effect: **23 October 2015**
(54) Product in respect of which the design is registered: **Microfluidic cartridge**
(51) International Design Classification: **24-01**
(74) Name(s) of Attorney(s): **Griffith Hack**
(71) Name(s) and Address(s) of Applicant(s):
University of British Columbia
103-6190 Agronomy Road Vancouver BC, V6T 1Z3 Canada
(72) Name(s) of Designer(s): **Timothy Leaver and Andre Wild**
(45) Registration Date: **13 November 2015**
(30) Convention priority data:
(31) Number (32) Date (33) Country
29/525,300 28 Apr 2015 UNITED STATES OF AMERICA
(56) Related Art Documents: **Not Applicable**
(57) Statement of Newness and Distinctiveness: **Newness and distinctiveness resides in the visual features including shape and configuration of the product as shown by means of solid lines in the representations. The shading lines have been included to help identify surfaces and do not form part of the design.**



(21) Design Number: **15655/2015**
(22) Date of Filing Application: **23 October 2015**
(24) Date from which industrial property rights may have effect: **23 October 2015**
(54) Product in respect of which the design is registered: **Blender container**
(51) International Design Classification: **31-00**
(74) Name(s) of Attorney(s): **PHILLIPS ORMONDE FITZPATRICK**
(71) Name(s) and Address(s) of Applicant(s):
SharkNinja Operating LLC
180 Wells Avenue Suite 200 Newton Massachusetts, 02459 United States of America
(72) Name(s) of Designer(s): **Cory R. Smith**
(45) Registration Date: **13 November 2015**
(30) Convention priority data:
(31) Number (32) Date (33) Country
29/527,748 21 May 2015 UNITED STATES OF AMERICA
(56) Related Art Documents: **Not Applicable**
(57) Statement of Newness and Distinctiveness: **Those features of the blender container depicted in the representations that are new and distinctive are the shape and/or configuration. The features shown in broken lines are not part of the design and are to be disregarded when considering the overall impression of the design.**



(21) Design Number: **15656/2015**

(22) Date of Filing Application: **23 October 2015**

(24) Date from which industrial property rights may have effect: **23 October 2015**

(54) Product in respect of which the design is registered: **Blender container**

(51) International Design Classification: **31-00**

(74) Name(s) of Attorney(s): **PHILLIPS ORMONDE FITZPATRICK**

(71) Name(s) and Address(s) of Applicant(s):

SharkNinja Operating LLC

**180 Wells Avenue Suite 200 Newton Massachusetts, 02459 United States
of America**

(72) Name(s) of Designer(s): **Cory R. Smith**

(45) Registration Date: **13 November 2015**

(30) Convention priority data:

(31) Number	(32) Date	(33) Country
29/527,737	21 May 2015	UNITED STATES OF AMERICA

(56) Related Art Documents: **Not Applicable**

(57) Statement of Newness and Distinctiveness: **Those features of the blender container depicted in the representations that are new and distinctive are the shape and/or configuration. The features shown in broken lines are not part of the design and are to be disregarded when considering the overall impression of the design.**



(21) Design Number: **15657/2015**

(22) Date of Filing Application: **23 October 2015**

(24) Date from which industrial property rights may have effect: **23 October 2015**

(54) Product in respect of which the design is registered: **Blender container**

(51) International Design Classification: **31-00**

(74) Name(s) of Attorney(s): **PHILLIPS ORMONDE FITZPATRICK**

(71) Name(s) and Address(s) of Applicant(s):

SharkNinja Operating LLC

**180 Wells Avenue Suite 200 Newton Massachusetts 02459 United States
of America**

(72) Name(s) of Designer(s): **Cory R. Smith**

(45) Registration Date: **13 November 2015**

(30) Convention priority data:

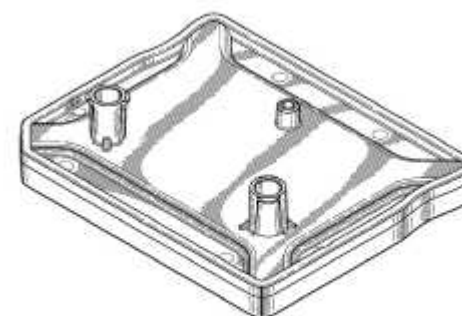
(31) Number	(32) Date	(33) Country
29/527,737	21 May 2015	UNITED STATES OF AMERICA

(56) Related Art Documents: **Not Applicable**

(57) Statement of Newness and Distinctiveness: **Those features of the blender container depicted in the representations that are new and distinctive are the shape and/or configuration. The features shown in broken lines are not part of the design and are to be disregarded when considering the overall impression of the design.**

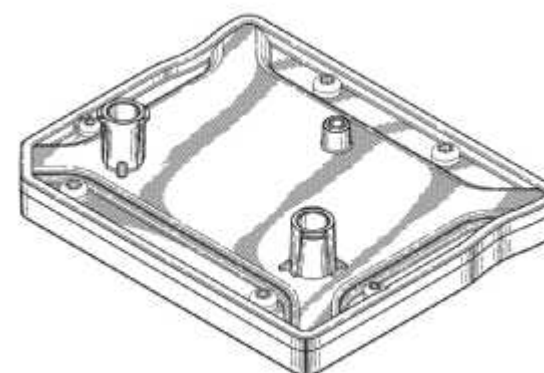


(21) Design Number: **15646/2015**
(22) Date of Filing Application: **23 October 2015**
(24) Date from which industrial property rights may have effect: **23 October 2015**
(54) Product in respect of which the design is registered: **Microfluidic cartridge**
(51) International Design Classification: **24-01**
(74) Name(s) of Attorney(s): **Griffith Hack**
(71) Name(s) and Address(s) of Applicant(s):
University of British Columbia
103-6190 Agronomy Road Vancouver BC, V6T 1Z3 Canada
(72) Name(s) of Designer(s): **Timothy Leaver and Andre Wild**
(45) Registration Date: **13 November 2015**
(30) Convention priority data:
(31) Number (32) Date (33) Country
29/525,300 28 Apr 2015 UNITED STATES OF AMERICA



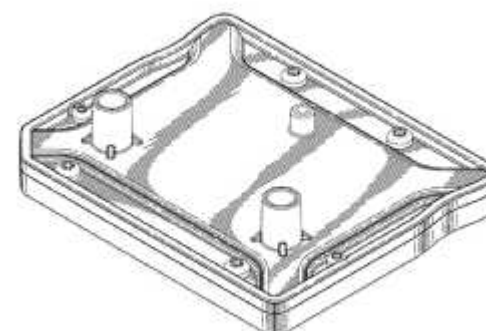
(56) Related Art Documents: **Not Applicable**
(57) Statement of Newness and Distinctiveness: **Newness and distinctiveness resides in the visual features including shape and configuration of the product as shown by means of solid lines in the representations. The shading lines have been included to help identify surfaces and do not form part of the design.**

(21) Design Number: **15647/2015**
(22) Date of Filing Application: **23 October 2015**
(24) Date from which industrial property rights may have effect: **23 October 2015**
(54) Product in respect of which the design is registered: **Microfluidic cartridge**
(51) International Design Classification: **24-01**
(74) Name(s) of Attorney(s): **Griffith Hack**
(71) Name(s) and Address(s) of Applicant(s):
University of British Columbia
103-6190 Agronomy Road Vancouver BC, V6T 1Z3 Canada
(72) Name(s) of Designer(s): **Timothy Leaver and Andre Wild**
(45) Registration Date: **13 November 2015**
(30) Convention priority data:
(31) Number (32) Date (33) Country
29/525,300 28 Apr 2015 UNITED STATES OF AMERICA



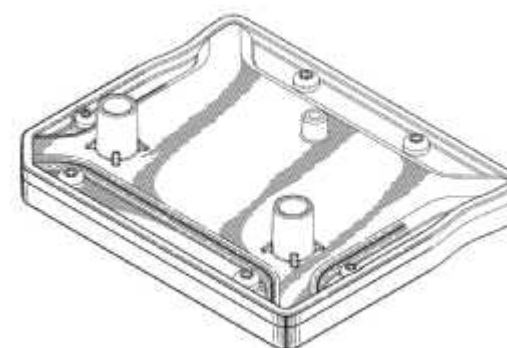
(56) Related Art Documents: **Not Applicable**
(57) Statement of Newness and Distinctiveness: **Newness and distinctiveness resides in the visual features including shape and configuration of the product as shown by means of solid lines in the representations. The shading lines have been included to help identify surfaces and do not form part of the design.**

(21) Design Number: **15648/2015**
(22) Date of Filing Application: **23 October 2015**
(24) Date from which industrial property rights may have effect: **23 October 2015**
(54) Product in respect of which the design is registered: **Microfluidic cartridge**
(51) International Design Classification: **24-01**
(74) Name(s) of Attorney(s): **Griffith Hack**
(71) Name(s) and Address(s) of Applicant(s):
University of British Columbia
103-6190 Agronomy Road Vancouver BC, V6T 1Z3 Canada
(72) Name(s) of Designer(s): **Timothy Leaver and Andre Wild**
(45) Registration Date: **13 November 2015**
(30) Convention priority data:
(31) Number (32) Date (33) Country
29/525,306 28 Apr 2015 UNITED STATES OF AMERICA



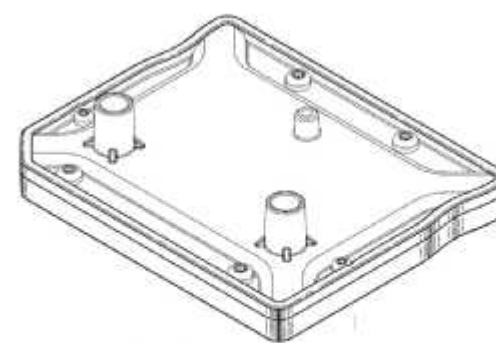
(56) Related Art Documents: **Not Applicable**
(57) Statement of Newness and Distinctiveness: **Newness and distinctiveness resides in the visual features including shape and configuration of the product as shown by means of solid lines in the representations. The shading lines have been included to help identify surfaces and do not form part of the design.**

(21) Design Number: **15649/2015**
(22) Date of Filing Application: **23 October 2015**
(24) Date from which industrial property rights may have effect: **23 October 2015**
(54) Product in respect of which the design is registered: **Microfluidic cartridge**
(51) International Design Classification: **24-01**
(74) Name(s) of Attorney(s): **Griffith Hack**
(71) Name(s) and Address(s) of Applicant(s):
University of British Columbia
103-6190 Agronomy Road Vancouver BC, V6T 1Z3 Canada
(72) Name(s) of Designer(s): **Timothy Leaver and Andre Wild**
(45) Registration Date: **13 November 2015**
(30) Convention priority data:
(31) Number (32) Date (33) Country
29/525,306 28 Apr 2015 UNITED STATES OF AMERICA



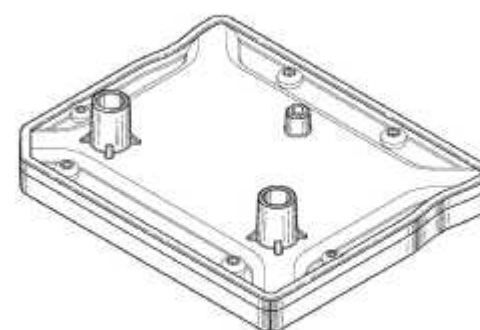
(56) Related Art Documents: **Not Applicable**
(57) Statement of Newness and Distinctiveness: **Newness and distinctiveness resides in the visual features including shape and configuration of the product as shown by means of solid lines in the representations. The shading lines have been included to help identify surfaces and do not form part of the design.**

(21) Design Number: **15650/2015**
(22) Date of Filing Application: **23 October 2015**
(24) Date from which industrial property rights may have effect: **23 October 2015**
(54) Product in respect of which the design is registered: **Microfluidic cartridge**
(51) International Design Classification: **24-01**
(74) Name(s) of Attorney(s): **Griffith Hack**
(71) Name(s) and Address(s) of Applicant(s):
University of British Columbia
103-6190 Agronomy Road Vancouver BC, V6T 1Z3 Canada
(72) Name(s) of Designer(s): **Timothy Leaver and Andre Wild**
(45) Registration Date: **13 November 2015**
(30) Convention priority data:
(31) Number (32) Date (33) Country
29/525,306 28 Apr 2015 UNITED STATES OF AMERICA



(56) Related Art Documents: **Not Applicable**
(57) Statement of Newness and Distinctiveness: **Newness and distinctiveness resides in the visual features including shape and configuration of the product as shown by means of solid lines in the representations. The shading lines have been included to help identify surfaces and do not form part of the design.**

(21) Design Number: **15651/2015**
(22) Date of Filing Application: **23 October 2015**
(24) Date from which industrial property rights may have effect: **23 October 2015**
(54) Product in respect of which the design is registered: **Microfluidic cartridge**
(51) International Design Classification: **24-01**
(74) Name(s) of Attorney(s): **Griffith Hack**
(71) Name(s) and Address(s) of Applicant(s):
University of British Columbia
103-6190 Agronomy Road Vancouver BC, V6T 1Z3 Canada
(72) Name(s) of Designer(s): **Timothy Leaver and Andre Wild**
(45) Registration Date: **13 November 2015**
(30) Convention priority data:
(31) Number (32) Date (33) Country
29/525,306 28 Apr 2015 UNITED STATES OF AMERICA



(56) Related Art Documents: **Not Applicable**
(57) Statement of Newness and Distinctiveness: **Newness and distinctiveness resides in the visual features including shape and configuration of the product as shown by means of solid lines in the representations. The shading lines have been included to help identify surfaces and do not form part of the design.**

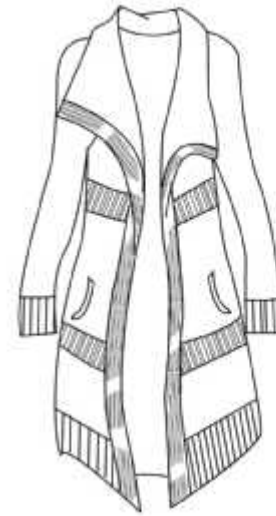
- (21) Design Number: **15677/2015**
(22) Date of Filing Application: **26 October 2015**
(24) Date from which industrial property rights may have effect: **27 February 2015**
(54) Product in respect of which the design is registered: **Article of clothing**
(51) International Design Classification: **02-02NES**
(74) Name(s) of Attorney(s): **Allens Patent & Trade Mark Attorneys**
(71) Name(s) and Address(s) of Applicant(s):
Forever New Clothing Pty Ltd
L4 Building 8 576 Swan St Richmond VIC 3121 Australia
(72) Name(s) of Designer(s): **Eugenia Camina**
(45) Registration Date: **13 November 2015**
(62) Divisional of: **365017**
(56) Related Art Documents: **Not Applicable**
(57) Statement of Newness and Distinctiveness: **Newness and distinctiveness resides in the visual features of shape, configuration, pattern and/or ornamentation of an article of clothing as shown in the accompanying representation.**



- (21) Design Number: **15678/2015**
(22) Date of Filing Application: **26 October 2015**
(24) Date from which industrial property rights may have effect: **27 February 2015**
(54) Product in respect of which the design is registered: **Article of clothing**
(51) International Design Classification: **02-02NES**
(74) Name(s) of Attorney(s): **Allens Patent & Trade Mark Attorneys**
(71) Name(s) and Address(s) of Applicant(s):
Forever New Clothing Pty Ltd
L4 Building 8 576 Swan St Richmond VIC 3121 Australia
(72) Name(s) of Designer(s): **Eugenia Camina**
(45) Registration Date: **13 November 2015**
(62) Divisional of: **365017**
(56) Related Art Documents: **Not Applicable**
(57) Statement of Newness and Distinctiveness: **Newness and distinctiveness resides in the visual features of shape, configuration, pattern and/or ornamentation of an article of clothing as shown in the accompanying representation.**



- (21) Design Number: **15679/2015**
(22) Date of Filing Application: **26 October 2015**
(24) Date from which industrial property rights may have effect: **27 February 2015**
(54) Product in respect of which the design is registered: **Article of clothing**
(51) International Design Classification: **02-02NES**
(74) Name(s) of Attorney(s): **Allens Patent & Trade Mark Attorneys**
(71) Name(s) and Address(s) of Applicant(s):
Forever New Clothing Pty Ltd
L4 Building 8 576 Swan St Richmond VIC 3121 Australia
(72) Name(s) of Designer(s): **Eugenia Camina**
(45) Registration Date: **13 November 2015**
(62) Divisional of: **365017**
(56) Related Art Documents: **Not Applicable**
(57) Statement of Newness and Distinctiveness: **Newness and distinctiveness resides in the visual features of shape, configuration, pattern and/or ornamentation of an article of clothing as shown in the accompanying representation.**



- (21) Design Number: **15680/2015**
(22) Date of Filing Application: **26 October 2015**
(24) Date from which industrial property rights may have effect: **27 February 2015**
(54) Product in respect of which the design is registered: **Article of clothing**
(51) International Design Classification: **02-02NES**
(74) Name(s) of Attorney(s): **Allens Patent & Trade Mark Attorneys**
(71) Name(s) and Address(s) of Applicant(s):
Forever New Clothing Pty Ltd
L4 Building 8 576 Swan St Richmond VIC 3121 Australia
(72) Name(s) of Designer(s): **Eugenia Camina**
(45) Registration Date: **13 November 2015**
(62) Divisional of: **365017**
(56) Related Art Documents: **Not Applicable**
(57) Statement of Newness and Distinctiveness: **Newness and distinctiveness resides in the visual features of shape, configuration, pattern and/or ornamentation of an article of clothing as shown in the accompanying representation.**



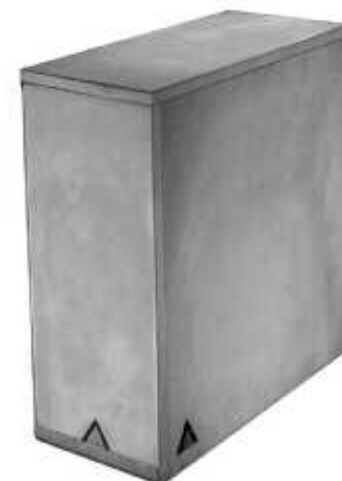
(21) Design Number: **15687/2015**
(22) Date of Filing Application: **26 October 2015**
(24) Date from which industrial property rights may have effect: **26 October 2015**
(54) Product in respect of which the design is registered: **Article of clothing**
(51) International Design Classification: **02-02C**
(74) Name(s) of Attorney(s): **Allens Patent & Trade Mark Attorneys**
(71) Name(s) and Address(s) of Applicant(s):
Forever New Clothing Pty Ltd
L4 Building 8 576 Swan St Richmond VIC 3121 Australia
(72) Name(s) of Designer(s): **Jennifer Hall**
(45) Registration Date: **13 November 2015**
(56) Related Art Documents: **Not Applicable**
(57) Statement of Newness and Distinctiveness: **Newness and distinctiveness resides in the visual features of shape, configuration, pattern and/or ornamentation of an article of clothing as shown in the accompanying representations.**



(21) Design Number: **15621/2015**
(22) Date of Filing Application: **22 October 2015**
(24) Date from which industrial property rights may have effect: **22 October 2015**
(54) Product in respect of which the design is registered: **Floor cleaning machine**
(51) International Design Classification: **15-05**
(74) Name(s) of Attorney(s): **Griffith Hack**
(71) Name(s) and Address(s) of Applicant(s):
Alfred Karcher GmbH & Co. KG
Alfred-Karcher-Strasse 28-40 Winnenden 71364 Germany
(72) Name(s) of Designer(s): **Christoph Boehler and Michael Meyer**
(45) Registration Date: **16 November 2015**
(30) Convention priority data:
(31) Number (32) Date (33) Country
**DM/086 270 27 Apr 2015 WORLD INTELLECTUAL
PROPERTY ORGANIZATION
(WIPO)**
(56) Related Art Documents: **Not Applicable**
(57) Statement of Newness and Distinctiveness: **Newness and distinctiveness resides in the visual features, including the shape and configuration of the product shown in the representations.**



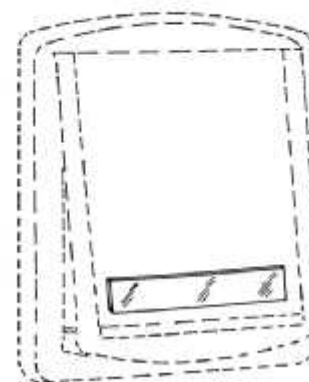
- (21) Design Number: **15623/2015**
(22) Date of Filing Application: **22 October 2015**
(24) Date from which industrial property rights may have effect: **22 October 2015**
(54) Product in respect of which the design is registered: **Mousetrap**
(51) International Design Classification: **22-06**
(74) Name(s) of Attorney(s): **Freehills Patent Attorneys**
(71) Name(s) and Address(s) of Applicant(s):
Thomas Pecoraro
Via San Maurizio 1 Alpignano 10091 Italy
(72) Name(s) of Designer(s): **Thomas Pecoraro**
(45) Registration Date: **16 November 2015**
(30) Convention priority data:
(31) Number (32) Date (33) Country
402015000012702 22 Apr 2015 ITALY
(56) Related Art Documents: **Not Applicable**
(57) Statement of Newness and Distinctiveness: **Newness and distinctiveness of the design resides in the features of shape and configuration of the mousetrap, with particular regard being given to the triangular shaped openings, as shown in solid lines in the accompanying representations.**



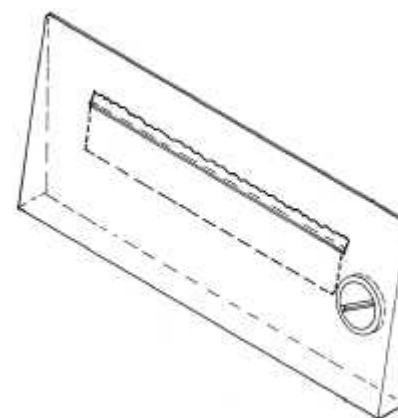
- (21) Design Number: **15627/2015**
(22) Date of Filing Application: **22 October 2015**
(24) Date from which industrial property rights may have effect: **22 October 2015**
(54) Product in respect of which the design is registered: **A boot**
(51) International Design Classification: **02-04NES**
(74) Name(s) of Attorney(s): **WADESON**
(71) Name(s) and Address(s) of Applicant(s):
FD Enterprise (Aust) Pty Ltd
5 Sages Rd Glenroy VIC 3046 Australia
(72) Name(s) of Designer(s): **Denise Tuckman**
(45) Registration Date: **16 November 2015**
(56) Related Art Documents: **Not Applicable**
(57) Statement of Newness and Distinctiveness: **Newness and distinctiveness resides in the shape and configuration of the boot and in the inclined upper edge.**



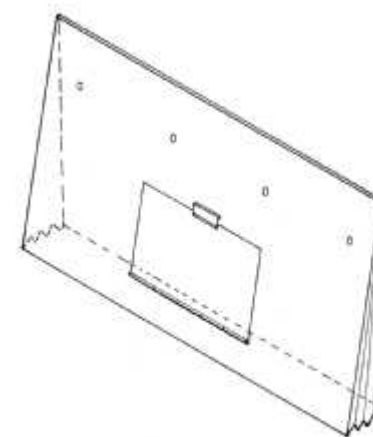
- (21) Design Number: **15660/2015**
(22) Date of Filing Application: **23 October 2015**
(24) Date from which industrial property rights may have effect: **23 October 2015**
(54) Product in respect of which the design is registered: **Pet door chemical applicator**
(51) International Design Classification: **25-02B, 28-01**
(74) Name(s) of Attorney(s):
(71) Name(s) and Address(s) of Applicant(s):
Rohit Ralli
C/- Patentec Patent Attorneys PO BOX A1172 Sydney South NSW 1235
Australia
(72) Name(s) of Designer(s): **Rohit Ralli**
(45) Registration Date: **16 November 2015**
(56) Related Art Documents: **Not Applicable**
(57) Statement of Newness and Distinctiveness: **Newness and distinctiveness is claimed in the configuration of the chemical applicator shown in the accompanying representations configured for attachment to a deflectable flap of a pet door to apply a chemical onto pets passing through the pet door.**



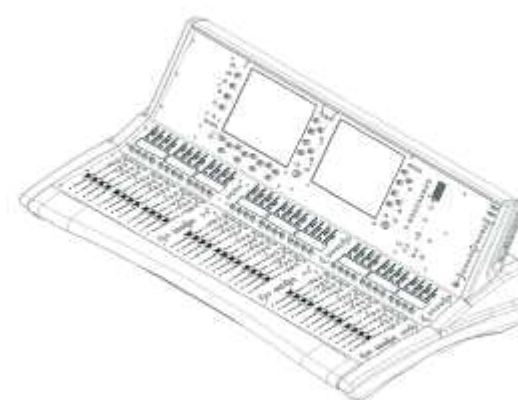
- (21) Design Number: **15661/2015**
(22) Date of Filing Application: **23 October 2015**
(24) Date from which industrial property rights may have effect: **23 October 2015**
(54) Product in respect of which the design is registered: **Pet door liquid chemical applicator**
(51) International Design Classification: **25-02B, 28-01**
(74) Name(s) of Attorney(s):
(71) Name(s) and Address(s) of Applicant(s):
Rohit Ralli
C/- Patentec Patent Attorneys PO BOX A1172 Sydney South NSW 1235
Australia
(72) Name(s) of Designer(s): **Rohit Ralli**
(45) Registration Date: **16 November 2015**
(56) Related Art Documents: **Not Applicable**
(57) Statement of Newness and Distinctiveness: **Newness and distinctiveness is claimed in the configuration of the liquid chemical containing chemical applicator shown in the accompanying representations configured for attachment to a deflectable flap of a pet door to wick a chemical across pets passing through the pet door.**



- (21) Design Number: **15662/2015**
(22) Date of Filing Application: **23 October 2015**
(24) Date from which industrial property rights may have effect: **23 October 2015**
(54) Product in respect of which the design is registered: **Pet door powdered chemical applicator**
(51) International Design Classification: **25-02B, 28-01**
(74) Name(s) of Attorney(s):
(71) Name(s) and Address(s) of Applicant(s):
Rohit Ralli
C/- Patentec Patent Attorneys PO BOX A1172 Sydney South NSW 1235
Australia
(72) Name(s) of Designer(s): **Rohit Ralli**
(45) Registration Date: **16 November 2015**
(56) Related Art Documents: **Not Applicable**
(57) Statement of Newness and Distinctiveness: **Newness and distinctiveness is claimed in the shape and configuration of the powdered chemical containing chemical applicator shown in the accompanying representations configured for attachment to a deflectable flap of a pet door to apply eject the powdered chemical onto pets passing through the pet door.**



- (21) Design Number: **15670/2015**
(22) Date of Filing Application: **23 October 2015**
(24) Date from which industrial property rights may have effect: **23 October 2015**
(54) Product in respect of which the design is registered: **Audio equipment**
(51) International Design Classification: **14-01**
(74) Name(s) of Attorney(s): **FB Rice**
(71) Name(s) and Address(s) of Applicant(s):
Allen & Heath Limited
Kernick Industrial Estate Penryn Cornwall TR10 9LU United Kingdom
(72) Name(s) of Designer(s): **Antony Ian Jackson and Ian McBurney and David Leonard Price and Simon Trethewey and James Ian Wrigley and David Haughton and Andrew Bell and Jeffrey Simpson and Alexander Money and Alisdair Gray and Nicola Beretta and Christopher Lock and John Edwards and Glenn Rogers and Robin Clark**
(45) Registration Date: **16 November 2015**
(30) Convention priority data:
(31) Number (32) Date (33) Country
002689091-0003 24 Apr 2015 OFFICE FOR HARMONISATION IN
THE INTERNAL MARKET (OHIM)
(56) Related Art Documents: **Not Applicable**
(57) Statement of Newness and Distinctiveness: **Newness and distinctiveness reside in the shape and configuration of the audio equipment as shown in the representations.**



(21) Design Number: **15256/2015**

(22) Date of Filing Application: **07 October 2015**

(24) Date from which industrial property rights may have effect: **07 October 2015**

(54) Product in respect of which the design is registered: **Kitchenware**

(51) International Design Classification: **07-01B**

(74) Name(s) of Attorney(s): **Trademark Works**

(71) Name(s) and Address(s) of Applicant(s):

JOSEPH JOSEPH LTD

The Grove 30 Great Guildford Street London SE1 0HS United Kingdom

(72) Name(s) of Designer(s): **Antony Joseph**

(45) Registration Date: **16 November 2015**

(30) Convention priority data:

(31) Number

(32) Date

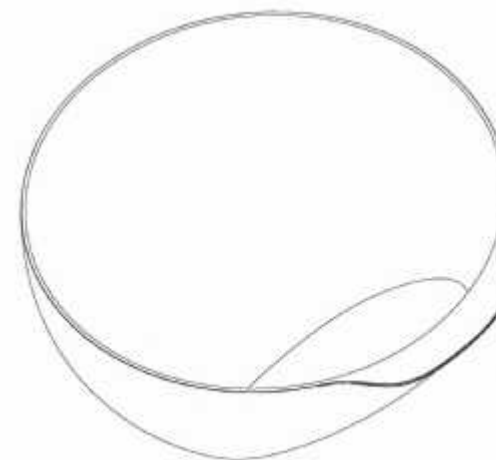
(33) Country

002678458-0003 10 Apr 2015

EUROPEAN PATENT OFFICE (EPO)

(56) Related Art Documents: **Not Applicable**

(57) Statement of Newness and Distinctiveness: **Nil**



(21) Design Number: **15257/2015**

(22) Date of Filing Application: **07 October 2015**

(24) Date from which industrial property rights may have effect: **07 October 2015**

(54) Product in respect of which the design is registered: **Kitchenware**

(51) International Design Classification: **07-02NES**

(74) Name(s) of Attorney(s): **Trademark Works**

(71) Name(s) and Address(s) of Applicant(s):

JOSEPH JOSEPH LTD

The Grove 30 Great Guildford Street LONDON SE1 0HS United Kingdom

(72) Name(s) of Designer(s): **Antony Joseph**

(45) Registration Date: **16 November 2015**

(30) Convention priority data:

(31) Number

(32) Date

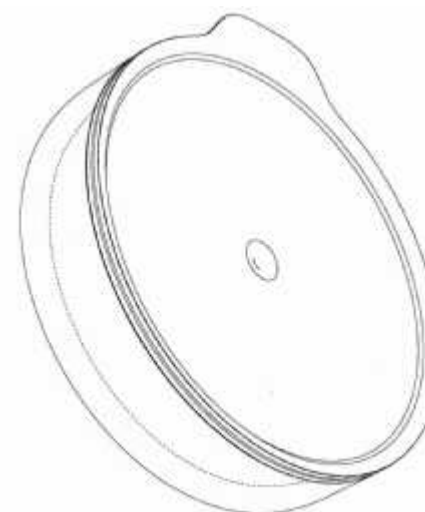
(33) Country

002678458-0004 10 Apr 2015

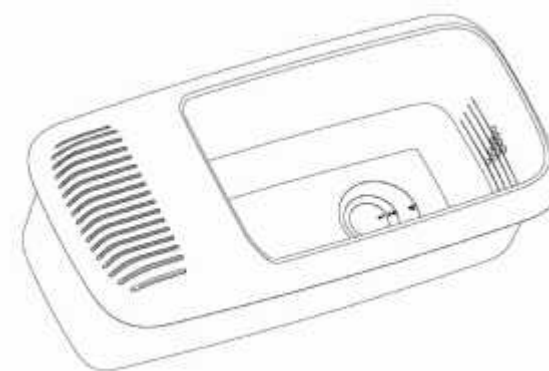
EUROPEAN PATENT OFFICE (EPO)

(56) Related Art Documents: **Not Applicable**

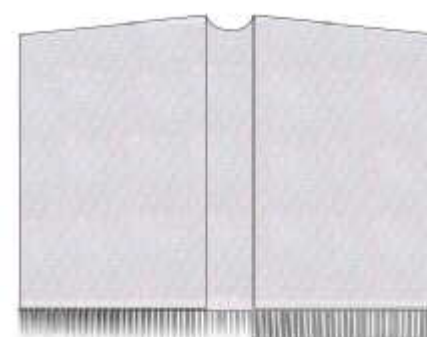
(57) Statement of Newness and Distinctiveness: **Nil**



(21) Design Number: **15258/2015**
(22) Date of Filing Application: **07 October 2015**
(24) Date from which industrial property rights may have effect: **07 October 2015**
(54) Product in respect of which the design is registered: **Kitchenware**
(51) International Design Classification: **07-02H**
(74) Name(s) of Attorney(s): **Trademark Works**
(71) Name(s) and Address(s) of Applicant(s):
JOSEPH JOSEPH LTD
The Grove 30 Great Guildford Street London SE10HS United Kingdom
(72) Name(s) of Designer(s): **Antony Joseph**
(45) Registration Date: **16 November 2015**
(30) Convention priority data:
(31) Number (32) Date (33) Country
002678458-0005 10 Apr 2015 UNITED KINGDOM
(56) Related Art Documents: **Not Applicable**
(57) Statement of Newness and Distinctiveness: **Nil**



(21) Design Number: **15681/2015**
(22) Date of Filing Application: **26 October 2015**
(24) Date from which industrial property rights may have effect: **27 February 2015**
(54) Product in respect of which the design is registered: **Article of clothing**
(51) International Design Classification: **02-02NES**
(74) Name(s) of Attorney(s): **Allens Patent & Trade Mark Attorneys**
(71) Name(s) and Address(s) of Applicant(s):
Forever New Clothing Pty Ltd
L4 Building 8 576 Swan St Richmond VIC 3121 Australia
(72) Name(s) of Designer(s): **Cat Evans**
(45) Registration Date: **16 November 2015**
(62) Divisional of: **365017**
(56) Related Art Documents: **Not Applicable**
(57) Statement of Newness and Distinctiveness: **Newness and distinctiveness resides in the visual features of shape, configuration, pattern and/or ornamentation of an article of clothing as shown in the accompanying representation.**



- (21) Design Number: **15682/2015**
(22) Date of Filing Application: **26 October 2015**
(24) Date from which industrial property rights may have effect: **27 February 2015**
(54) Product in respect of which the design is registered: **Article of clothing**
(51) International Design Classification: **02-02NES**
(74) Name(s) of Attorney(s): **Allens Patent & Trade Mark Attorneys**
(71) Name(s) and Address(s) of Applicant(s):
Forever New Clothing Pty Ltd
L4 Building 8 576 Swan St Richmond VIC 3121 Australia
(72) Name(s) of Designer(s): **Octavia Miller**
(45) Registration Date: **16 November 2015**
(62) Divisional of: **365017**
(56) Related Art Documents: **Not Applicable**
(57) Statement of Newness and Distinctiveness: **Newness and distinctiveness resides in the visual features of shape, configuration, pattern and/or ornamentation of an article of clothing as shown in the accompanying representation.**



- (21) Design Number: **15683/2015**
(22) Date of Filing Application: **26 October 2015**
(24) Date from which industrial property rights may have effect: **27 February 2015**
(54) Product in respect of which the design is registered: **Article of clothing**
(51) International Design Classification: **02-02C**
(74) Name(s) of Attorney(s): **Allens Patent & Trade Mark Attorneys**
(71) Name(s) and Address(s) of Applicant(s):
Forever New Clothing Pty Ltd
L4 Building 8 576 Swan St Richmond VIC 3121 Australia
(72) Name(s) of Designer(s): **Mantra Ahrendt**
(45) Registration Date: **16 November 2015**
(62) Divisional of: **365017**
(56) Related Art Documents: **Not Applicable**
(57) Statement of Newness and Distinctiveness: **Newness and distinctiveness resides in the visual features of shape, configuration, pattern and/or ornamentation of an article of clothing as shown in the accompanying representation.**



- (21) Design Number: **15684/2015**
(22) Date of Filing Application: **26 October 2015**
(24) Date from which industrial property rights may have effect: **27 February 2015**
(54) Product in respect of which the design is registered: **Article of clothing**
(51) International Design Classification: **02-02NES**
(74) Name(s) of Attorney(s): **Allens Patent & Trade Mark Attorneys**
(71) Name(s) and Address(s) of Applicant(s):
Forever New Clothing Pty Ltd
L4 Building 8 576 Swan St Richmond VIC 3121 Australia
(72) Name(s) of Designer(s): **Mantra Ahrendt**
(45) Registration Date: **16 November 2015**
(62) Divisional of: **365017**
(56) Related Art Documents: **Not Applicable**
(57) Statement of Newness and Distinctiveness: **Newness and distinctiveness resides in the visual features of shape, configuration, pattern and/or ornamentation of an article of clothing as shown in the accompanying representations.**



- (21) Design Number: **15605/2015**
(22) Date of Filing Application: **21 October 2015**
(24) Date from which industrial property rights may have effect: **21 October 2015**
(54) Product in respect of which the design is registered: **Concealed fixing channel frame and cover**
(51) International Design Classification: **08-09**
(74) Name(s) of Attorney(s):
(71) Name(s) and Address(s) of Applicant(s):
Dias Aluminium Products Pty.Ltd.
201-205 Browns Rd Noble Park VIC 3174 Australia
(72) Name(s) of Designer(s): **Ian David Paterson**
(45) Registration Date: **17 November 2015**
(56) Related Art Documents: **Not Applicable**
(57) Statement of Newness and Distinctiveness: **Nil**



(21) Design Number: **15614/2015**

(22) Date of Filing Application: **22 October 2015**

(24) Date from which industrial property rights may have effect: **22 October 2015**

(54) Product in respect of which the design is registered: **Gutter design for oztech retractable pergola**

(51) International Design Classification: **25-02NES**

(74) Name(s) of Attorney(s):

(71) Name(s) and Address(s) of Applicant(s):

G. S. WORLD PTY LTD

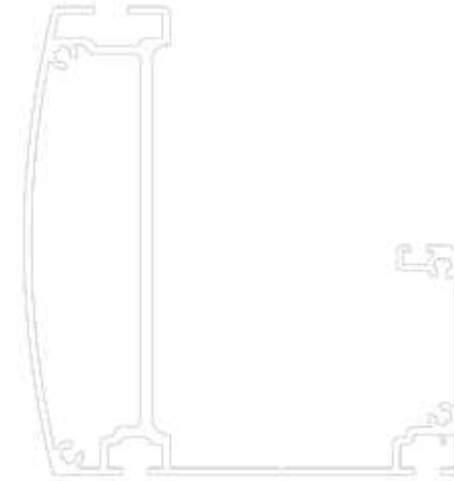
40 Harley Cres Condell Park NSW 2200 Australia

(72) Name(s) of Designer(s): **Jeong Bae Seo**

(45) Registration Date: **17 November 2015**

(56) Related Art Documents: **Not Applicable**

(57) Statement of Newness and Distinctiveness: **The Oztech Retractable Pergola is a newly designed product that is distinctively different from existing retractable systems. The overall design of the system exudes simple elegance, purity and spontaneity with exquisite harmony of straight lines and curves. The gutter for the Oztech Retractable Pergola incorporates keyways top and bottom to facilitate installation.**



(21) Design Number: **15615/2015**

(22) Date of Filing Application: **22 October 2015**

(24) Date from which industrial property rights may have effect: **22 October 2015**

(54) Product in respect of which the design is registered: **Rafter design for oztech retractable pergola**

(51) International Design Classification: **25-02NES**

(74) Name(s) of Attorney(s):

(71) Name(s) and Address(s) of Applicant(s):

G. S. WORLD PTY LTD

40 Harley Cres Condell Park NSW 2200 Australia

(72) Name(s) of Designer(s): **Jeong Bae Seo**

(45) Registration Date: **17 November 2015**

(56) Related Art Documents: **Not Applicable**

(57) Statement of Newness and Distinctiveness: **The Oztech Retractable Pergola is a newly designed product that is distinctively different from existing retractable systems. The overall design of the system exudes simple elegance, purity and spontaneity with exquisite harmony of straight lines and curves. The rafter for the Oztech Retractable Pergola uniquely incorporates two keyways on the top to facilitate installation.**



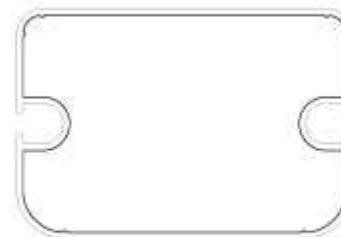
- (21) Design Number: **15616/2015**
(22) Date of Filing Application: **22 October 2015**
(24) Date from which industrial property rights may have effect: **22 October 2015**
(54) Product in respect of which the design is registered: **Post design for oztech retractable pergola**
(51) International Design Classification: **25-02NES**
(74) Name(s) of Attorney(s):
(71) Name(s) and Address(s) of Applicant(s):
G. S. WORLD PTY LTD
40 Harley Cres Condell Park NSW 2200 Australia
(72) Name(s) of Designer(s): **Jeong Bae Seo**
(45) Registration Date: **17 November 2015**
(56) Related Art Documents: **Not Applicable**
(57) Statement of Newness and Distinctiveness: **The Oztech Retractable Pergola is a newly designed product that is distinctively different from existing retractable systems. The overall design of the system exudes simple elegance, purity and spontaneity with exquisite harmony of straight lines and curves. The post for the Oztech Retractable Pergola incorporates keyways to facilitate installation.**



- (21) Design Number: **15617/2015**
(22) Date of Filing Application: **22 October 2015**
(24) Date from which industrial property rights may have effect: **22 October 2015**
(54) Product in respect of which the design is registered: **Fabric bar design for oztech retractable pergola**
(51) International Design Classification: **25-02NES**
(74) Name(s) of Attorney(s):
(71) Name(s) and Address(s) of Applicant(s):
G. S. WORLD PTY LTD
40 Harley Cres Condell Park NSW 2200 Australia
(72) Name(s) of Designer(s): **Jeong Bae Seo**
(45) Registration Date: **17 November 2015**
(56) Related Art Documents: **Not Applicable**
(57) Statement of Newness and Distinctiveness: **The Oztech Retractable Pergola is a newly designed product that is distinctively different from existing retractable systems. The overall design of the system exudes simple elegance, purity and spontaneity with exquisite harmony of straight lines and curves. The design of the fabric bar for the Oztech Retractable Pergola follows the minimalistic trend of the overall system yet is reinforced internally to maintain structural rigidity.**



- (21) Design Number: **15618/2015**
(22) Date of Filing Application: **22 October 2015**
(24) Date from which industrial property rights may have effect: **22 October 2015**
(54) Product in respect of which the design is registered: **Fabric tension bar for oztech retractable pergola**
(51) International Design Classification: **25-02NES**
(74) Name(s) of Attorney(s):
(71) Name(s) and Address(s) of Applicant(s):
G. S. WORLD PTY LTD
40 Harley Cres Condell Park NSW 2200 Australia
(72) Name(s) of Designer(s): **Jeong Bae Seo**
(45) Registration Date: **17 November 2015**
(56) Related Art Documents: **Not Applicable**
(57) Statement of Newness and Distinctiveness: **The Oztech Retractable Pergola is a newly designed product that is distinctively different from existing retractable systems. The overall design of the system exudes simple elegance, purity and spontaneity with exquisite harmony of straight lines and curves. The design of the fabric tension bar for the Oztech Retractable Pergola follows the minimalistic trend of the overall system yet is reinforced internally to maintain structural rigidity.**



- (21) Design Number: **15685/2015**
(22) Date of Filing Application: **26 October 2015**
(24) Date from which industrial property rights may have effect: **27 February 2015**
(54) Product in respect of which the design is registered: **Article of clothing**
(51) International Design Classification: **02-02NES**
(74) Name(s) of Attorney(s): **Allens Patent & Trade Mark Attorneys**
(71) Name(s) and Address(s) of Applicant(s):
Forever New Clothing Pty Ltd
L4 Building 8 576 Swan St Richmond VIC 3121 Australia
(72) Name(s) of Designer(s): **Octavia Miller**
(45) Registration Date: **17 November 2015**
(62) Divisional of: **365017**
(56) Related Art Documents: **Not Applicable**
(57) Statement of Newness and Distinctiveness: **Newness and distinctiveness resides in the visual features of shape, configuration, pattern and/or ornamentation of an article of clothing as shown in the accompanying representations.**



- (21) Design Number: **15686/2015**
(22) Date of Filing Application: **26 October 2015**
(24) Date from which industrial property rights may have effect: **27 February 2015**
(54) Product in respect of which the design is registered: **Article of clothing**
(51) International Design Classification: **02-02C**
(74) Name(s) of Attorney(s): **Allens Patent & Trade Mark Attorneys**
(71) Name(s) and Address(s) of Applicant(s):
Forever New Clothing Pty Ltd
L4 Building 8 576 Swan St Richmond VIC 3121 Australia
(72) Name(s) of Designer(s): **Jennifer Hall**
(45) Registration Date: **17 November 2015**
(62) Divisional of: **365017**
(56) Related Art Documents: **Not Applicable**
(57) Statement of Newness and Distinctiveness: **Newness and distinctiveness resides in the visual features of shape, configuration, pattern and/or ornamentation of an article of clothing as shown in the accompanying representations.**



- (21) Design Number: **15464/2015**
(22) Date of Filing Application: **15 October 2015**
(24) Date from which industrial property rights may have effect: **15 October 2015**
(54) Product in respect of which the design is registered: **A closure for a flask**
(51) International Design Classification: **09-07C**
(74) Name(s) of Attorney(s): **Griffith Hack**
(71) Name(s) and Address(s) of Applicant(s):
BRITA GMBH
Heinrich-Hertz Strasse 4 TAUNUSSTEIN 65232 Germany
(72) Name(s) of Designer(s): **Christian Rummel and Tim Storti**
(45) Registration Date: **17 November 2015**
(30) Convention priority data:
(31) Number (32) Date (33) Country
40 2015 100 355 17 Apr 2015 GERMANY
(56) Related Art Documents: **Not Applicable**
(57) Statement of Newness and Distinctiveness: **Newness and distinctiveness resides in the visual features, including shape, configuration and differential shading, of A CLOSURE FOR A FLASK as shown in the accompanying drawings.**



(21) Design Number: **15569/2015**
(22) Date of Filing Application: **21 October 2015**
(24) Date from which industrial property rights may have effect: **21 October 2015**
(54) Product in respect of which the design is registered: **Chair**
(51) International Design Classification: **06-01F**
(74) Name(s) of Attorney(s): **PHILLIPS ORMONDE FITZPATRICK**
(71) Name(s) and Address(s) of Applicant(s):

Topstar GmbH
Augsburger Str. 29 Langenneufnach D-86863 Germany

(72) Name(s) of Designer(s): **Peter Wagner**

(45) Registration Date: **17 November 2015**

(30) Convention priority data:

(31) Number	(32) Date	(33) Country
002689240	24 Apr 2015	OFFICE FOR HARMONISATION IN THE INTERNAL MARKET (OHIM)

(56) Related Art Documents: **Not Applicable**

(57) Statement of Newness and Distinctiveness: **Nil**



(21) Design Number: **15664/2015**
(22) Date of Filing Application: **23 October 2015**
(24) Date from which industrial property rights may have effect: **23 October 2015**
(54) Product in respect of which the design is registered: **A keyless rudder carrier bearing with tiller arm**
(51) International Design Classification: **12-06B**
(74) Name(s) of Attorney(s):
(71) Name(s) and Address(s) of Applicant(s):

C.E. & A. CO. PTY. LTD.
5 Schenker Dr Royal Park SA 5014 Australia

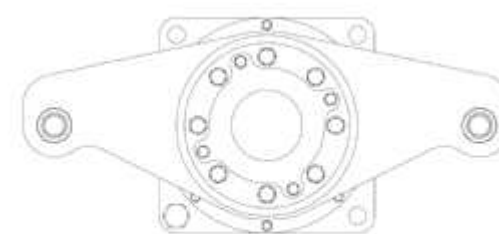
Phillip Matthews
5 Schenker Dr Royal Park SA 5014 Australia

(72) Name(s) of Designer(s): **Phillip Matthews**

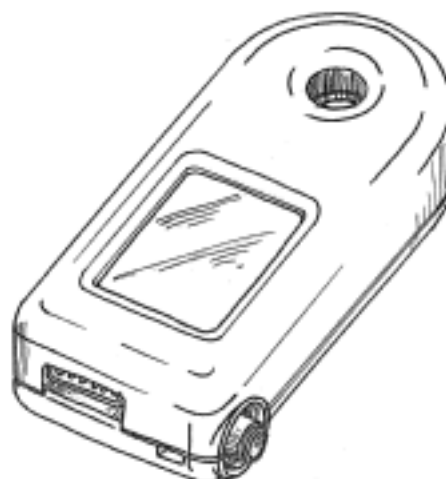
(45) Registration Date: **17 November 2015**

(56) Related Art Documents: **Not Applicable**

(57) Statement of Newness and Distinctiveness: **A Keyless Rudder Carrier Bearing (RCB) is a complete Rudder support, steering tiller and rudder trunk seal arrangement in one piece of equipment. The advantages of the RCB is that it only requires a parallel rudder stock. Eliminating the need to machine the upper rudder stock taper, locking thread and drive keys. Mounted to the top of the rudder trunk or support shelf the RCB supports the full load of the rudder whilst allowing it to turn smoothly. Torque and axial loads are transmitted by a high load capacity cone clamping element. The RCB can be supplied as a support unit only (no tiller) or complete with a Tiller Arm Attachment which incorporates a second or third cone clamping element with custom designed tiller arms. The RCB is designed to exceed the requirements of marine Classification Society rules. The RCB is: a rudder support unit, a tiller unit and rudder trunk seal unit in one piece of equipment. Adaptable to suit differing designs and vessel constructional materials.**



- (21) Design Number: **15671/2015**
(22) Date of Filing Application: **23 October 2015**
(24) Date from which industrial property rights may have effect: **23 October 2015**
(54) Product in respect of which the design is registered: **Enclosure for an electronic device**
(51) International Design Classification: **03-01NES**
(74) Name(s) of Attorney(s): **Golja Haines & Friend**
(71) Name(s) and Address(s) of Applicant(s):
FrigbotPty Ltd
U3 7 Collingwood St Osborne Park WA 6017 Australia
(72) Name(s) of Designer(s): **Darren Dwyer**
(45) Registration Date: **17 November 2015**
(56) Related Art Documents: **Not Applicable**
(57) Statement of Newness and Distinctiveness: **Newness and distinctiveness resides in the shape and configuration of an enclosure for an electronic device, as illustrated in the accompanying representations.**



- (21) Design Number: **15672/2015**
(22) Date of Filing Application: **23 October 2015**
(24) Date from which industrial property rights may have effect: **23 October 2015**
(54) Product in respect of which the design is registered: **A cover for a tow ball and tow ball mount**
(51) International Design Classification: **12-16L**
(74) Name(s) of Attorney(s): **Allens Patent & Trade Mark Attorneys**
(71) Name(s) and Address(s) of Applicant(s):
Ark Corporation
8 Smoothy PI Arndell Park NSW 2148 Australia
(72) Name(s) of Designer(s): **Andrew Reade and Richard Arakelian**
(45) Registration Date: **17 November 2015**
(56) Related Art Documents: **Not Applicable**
(57) Statement of Newness and Distinctiveness: **Newness and distinctiveness is claimed in the features of shape and configuration of the cover for a tow ball and tow ball mount shown in the attached representations. No regard is to be had when deciding the scope of the monopoly, to the shading, which is intended only to clarify features of contour.**



- (21) Design Number: **15688/2015**
(22) Date of Filing Application: **26 October 2015**
(24) Date from which industrial property rights may have effect: **26 October 2015**
(54) Product in respect of which the design is registered: **A wire structure**
(51) International Design Classification: **25-02G**
(74) Name(s) of Attorney(s): **FB Rice**
(71) Name(s) and Address(s) of Applicant(s):
Bilfinger Water Technologies Pty Ltd
88 Brickyard Rd Geebung QLD 4034 Australia
(72) Name(s) of Designer(s): **David John Lazzarini and Yusuf Cajee**
(45) Registration Date: **17 November 2015**
(56) Related Art Documents: **Not Applicable**
(57) Statement of Newness and Distinctiveness: **Newness and distinctiveness reside in the features of configuration and/or pattern and/or ornamentation of the wire structure as shown in the representations, the wire structure being of indefinite length and indefinite width, the pattern of the pairs of wires repeating across the width of the wire structure as shown in the representations. Greater weight is to be given to the repeating pattern of the pairs wires than to the size of the gap between the wires of each pair of wires or to the spacing between adjacent pairs of wires. The features of the design shown in broken lines are provided for reference purposes only and should not be considered when construing the visual features of the design.**



- (21) Design Number: **15756/2015**
(22) Date of Filing Application: **28 October 2015**
(24) Date from which industrial property rights may have effect: **28 October 2015**
(54) Product in respect of which the design is registered: **Swimwear**
(51) International Design Classification: **02-02A**
(74) Name(s) of Attorney(s): **Thomson Geer**
(71) Name(s) and Address(s) of Applicant(s):
JETS Swimwear Pty Limited
8-18 Bowden St Alexandria NSW 2015 Australia
(72) Name(s) of Designer(s): **Jessika Allen**
(45) Registration Date: **17 November 2015**
(56) Related Art Documents: **Not Applicable**
(57) Statement of Newness and Distinctiveness: **Newness and distinctiveness is claimed in the shape and/or configuration of the swimwear garment and in the feature of pattern or ornamentation which includes a mesh fabric overlay as depicted in the accompanying representations by cross-hatching. In considering the newness and distinctiveness of the design the segment of the back straps shown in dotted lines are to be disregarded. The outline of the wearer, shown in broken lines on the line drawing, forms no part of the design.**



- (21) Design Number: **15757/2015**
(22) Date of Filing Application: **28 October 2015**
(24) Date from which industrial property rights may have effect: **28 October 2015**
(54) Product in respect of which the design is registered: **Swimwear**
(51) International Design Classification: **02-02A**
(74) Name(s) of Attorney(s): **Thomson Geer**
(71) Name(s) and Address(s) of Applicant(s):

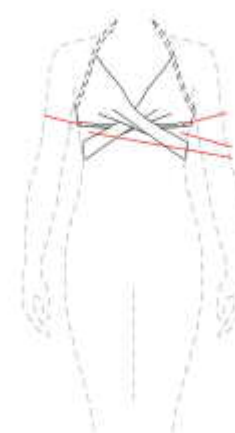
JETS Swimwear Pty Limited
8-18 Bowden St Alexandria NSW 2015 Australia

- (72) Name(s) of Designer(s): **Jessika Allen**

(45) Registration Date: **17 November 2015**

(56) Related Art Documents: **Not Applicable**

- (57) Statement of Newness and Distinctiveness: **Newness and distinctiveness is claimed in the shape, configuration, pattern and/or ornamentation of the swimwear garment as depicted in the accompanying representations. There are cut outs in the back view and the front view marked "B". In considering the newness and distinctiveness of the design the clasp marked "A", the halter neck and tie, and the back strap all shown in dotted lines in the back view; and the front strap shown in a dotted line in the front view, are all to be disregarded. The lines marked "D" are binding and may be in the same colour or fabric or a contrast colour or fabric. The outline of the wearer, shown in broken lines on the line drawing, forms no part of the design.**



- (21) Design Number: **15758/2015**
(22) Date of Filing Application: **28 October 2015**
(24) Date from which industrial property rights may have effect: **28 October 2015**
(54) Product in respect of which the design is registered: **Swimwear**
(51) International Design Classification: **02-02A**
(74) Name(s) of Attorney(s): **Thomson Geer**
(71) Name(s) and Address(s) of Applicant(s):

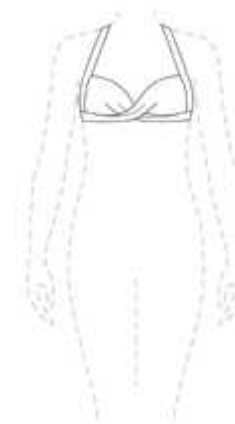
JETS Swimwear Pty Limited
8-18 Bowden St Alexandria NSW 2015 Australia

- (72) Name(s) of Designer(s): **Jessika Allen**

(45) Registration Date: **17 November 2015**

(56) Related Art Documents: **Not Applicable**

- (57) Statement of Newness and Distinctiveness: **Newness and distinctiveness is claimed in the shape, configuration, pattern and/or ornamentation of the swimwear garment as depicted in the accompanying representations. In considering the newness and distinctiveness of the design the halter neck and tie, and the back strap and tie shown in dotted lines in the back view, are to be disregarded. The outline of the wearer, shown in broken lines on the line drawing, forms no part of the design.**



- (21) Design Number: **15759/2015**
(22) Date of Filing Application: **28 October 2015**
(24) Date from which industrial property rights may have effect: **28 October 2015**
(54) Product in respect of which the design is registered: **Swimwear**
(51) International Design Classification: **02-02A**
(74) Name(s) of Attorney(s): **Thomson Geer**
(71) Name(s) and Address(s) of Applicant(s):

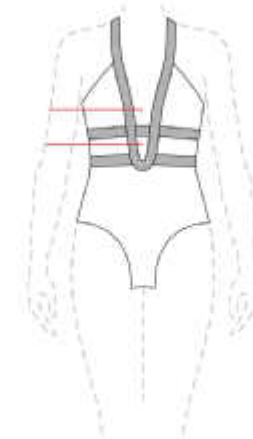
JETS Swimwear Pty Limited
8-18 Bowden St Alexandria NSW 2015 Australia

(72) Name(s) of Designer(s): **Jessika Allen**

(45) Registration Date: **17 November 2015**

(56) Related Art Documents: **Not Applicable**

(57) Statement of Newness and Distinctiveness: **Newness and distinctiveness is claimed in the shape, configuration, pattern and/or ornamentation of the swimwear garment as depicted in the accompanying representations. There is a cut out in the back view and cut outs in the front view marked "B". The grey shaded sections represent fabric or mesh of a different colour or design to the balance of the garment. In considering the newness and distinctiveness of the design the halter neck shown in dotted lines and the clasp marked "A", both shown in the back view, are to be disregarded. The outline of the wearer, shown in broken lines on the line drawing, forms no part of the design.**



- (21) Design Number: **15761/2015**
(22) Date of Filing Application: **28 October 2015**
(24) Date from which industrial property rights may have effect: **28 October 2015**
(54) Product in respect of which the design is registered: **Swimwear**
(51) International Design Classification: **02-02A**
(74) Name(s) of Attorney(s): **Thomson Geer**
(71) Name(s) and Address(s) of Applicant(s):

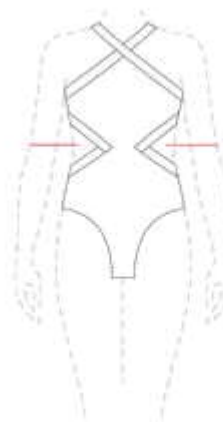
JETS Swimwear Pty Limited
8-18 Bowden St Alexandria NSW 2015 Australia

(72) Name(s) of Designer(s): **Jessika Allen**

(45) Registration Date: **17 November 2015**

(56) Related Art Documents: **Not Applicable**

(57) Statement of Newness and Distinctiveness: **Newness and distinctiveness is claimed in the shape, configuration, pattern and/or ornamentation of the swimwear garment as depicted in the accompanying representations. There are cut outs in the back view and cut outs in the front view marked "B". In considering the newness and distinctiveness of the design the clasp marked "A" in the back view is to be disregarded. The outline of the wearer, shown in broken lines on the line drawing, forms no part of the design.**



(21) Design Number: **15762/2015**
(22) Date of Filing Application: **28 October 2015**
(24) Date from which industrial property rights may have effect: **28 October 2015**
(54) Product in respect of which the design is registered: **Swimwear**
(51) International Design Classification: **02-02A**
(74) Name(s) of Attorney(s): **Thomson Geer**
(71) Name(s) and Address(s) of Applicant(s):

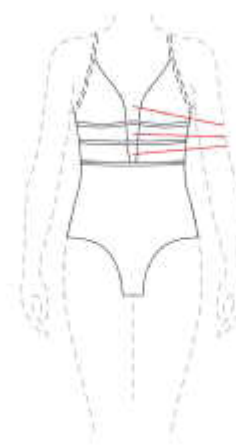
JETS Swimwear Pty Limited
8-18 Bowden St Alexandria NSW 2015 Australia

(72) Name(s) of Designer(s): **Jessika Allen**

(45) Registration Date: **17 November 2015**

(56) Related Art Documents: **Not Applicable**

(57) Statement of Newness and Distinctiveness: **Newness and distinctiveness is claimed in the shape, configuration, pattern and/or ornamentation of the swimwear garment as depicted in the accompanying representations. These are cut outs in the back view and cut outs in the front view marked "B". In considering the newness and distinctiveness of the design the dotted lines appearing as straps on the front view and as straps and a tie on the back view, are to be disregarded. The outline of the wearer, shown in broken lines on the line drawing, forms no part of the design.**



(21) Design Number: **15606/2015**
(22) Date of Filing Application: **22 October 2015**
(24) Date from which industrial property rights may have effect: **22 October 2015**
(54) Product in respect of which the design is registered: **Ring**
(51) International Design Classification: **11-01A**
(74) Name(s) of Attorney(s): **Fisher Adams Kelly Callinans**
(71) Name(s) and Address(s) of Applicant(s):

Bulgari S.p.A.
11 Lungotevere Marzio Rome 00186 Italy

(72) Name(s) of Designer(s): **Lucia Silvestri**

(45) Registration Date: **17 November 2015**

(30) Convention priority data:

(31) Number	(32) Date	(33) Country
888450801	23 Apr 2015	WORLD INTELLECTUAL PROPERTY ORGANIZATION (WIPO)

(56) Related Art Documents: **Not Applicable**

(57) Statement of Newness and Distinctiveness: **Nil**



(21) Design Number: **15607/2015**
(22) Date of Filing Application: **22 October 2015**
(24) Date from which industrial property rights may have effect: **22 October 2015**
(54) Product in respect of which the design is registered: **Pendant**
(51) International Design Classification: **11-01NES**
(74) Name(s) of Attorney(s): **Fisher Adams Kelly Callinans**
(71) Name(s) and Address(s) of Applicant(s):

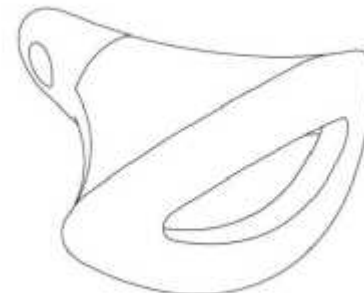
Bulgari S.p.A.
11 Lungotevere Marzio Rome 00186 Italy

(72) Name(s) of Designer(s): **Lucia Silvestri**

(45) Registration Date: **17 November 2015**

(30) Convention priority data:

(31) Number	(32) Date	(33) Country
888450801	23 Apr 2015	WORLD INTELLECTUAL PROPERTY ORGANIZATION (WIPO)



(56) Related Art Documents: **Not Applicable**

(57) Statement of Newness and Distinctiveness: **Nil**

(21) Design Number: **15608/2015**
(22) Date of Filing Application: **22 October 2015**
(24) Date from which industrial property rights may have effect: **22 October 2015**
(54) Product in respect of which the design is registered: **Bracelet**
(51) International Design Classification: **11-01C**
(74) Name(s) of Attorney(s): **Fisher Adams Kelly Callinans**
(71) Name(s) and Address(s) of Applicant(s):

Bulgari S.p.A.
11 Lungotevere Marzio Rome 00186 Italy

(72) Name(s) of Designer(s): **Lucia Silvestri**

(45) Registration Date: **17 November 2015**

(30) Convention priority data:

(31) Number	(32) Date	(33) Country
888450801	23 Apr 2015	WORLD INTELLECTUAL PROPERTY ORGANIZATION (WIPO)



(56) Related Art Documents: **Not Applicable**

(57) Statement of Newness and Distinctiveness: **Nil**

(21) Design Number: **15609/2015**
(22) Date of Filing Application: **22 October 2015**
(24) Date from which industrial property rights may have effect: **22 October 2015**
(54) Product in respect of which the design is registered: **Earring**
(51) International Design Classification: **11-01D**
(74) Name(s) of Attorney(s): **Fisher Adams Kelly Callinans**
(71) Name(s) and Address(s) of Applicant(s):

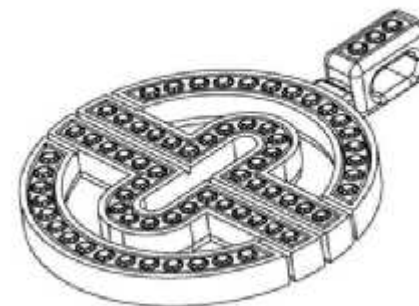
Bulgari S.p.A.
11 Lungotevere Marzio Rome 00186 Italy

(72) Name(s) of Designer(s): **Lucia Silvestri**

(45) Registration Date: **17 November 2015**

(30) Convention priority data:

(31) Number	(32) Date	(33) Country
888450801	23 Apr 2015	WORLD INTELLECTUAL PROPERTY ORGANIZATION (WIPO)



(56) Related Art Documents: **Not Applicable**

(57) Statement of Newness and Distinctiveness: **Nil**

(21) Design Number: **15610/2015**
(22) Date of Filing Application: **22 October 2015**
(24) Date from which industrial property rights may have effect: **22 October 2015**
(54) Product in respect of which the design is registered: **Earring**
(51) International Design Classification: **11-01D**
(74) Name(s) of Attorney(s): **Fisher Adams Kelly Callinans**
(71) Name(s) and Address(s) of Applicant(s):

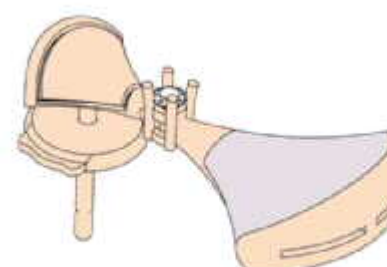
Bulgari S.p.A.
11 Lungotevere Marzio Rome 00186 Italy

(72) Name(s) of Designer(s): **Lucia Silvestri**

(45) Registration Date: **17 November 2015**

(30) Convention priority data:

(31) Number	(32) Date	(33) Country
888450801	23 Apr 2015	WORLD INTELLECTUAL PROPERTY ORGANIZATION (WIPO)



(56) Related Art Documents: **Not Applicable**

(57) Statement of Newness and Distinctiveness: **Nil**

(21) Design Number: **15611/2015**
(22) Date of Filing Application: **22 October 2015**
(24) Date from which industrial property rights may have effect: **22 October 2015**
(54) Product in respect of which the design is registered: **Necklace**
(51) International Design Classification: **11-01E**
(74) Name(s) of Attorney(s): **Fisher Adams Kelly Callinans**
(71) Name(s) and Address(s) of Applicant(s):

Bulgari S.p.A.
11 Lungotevere Marzio Rome 00186 Italy

(72) Name(s) of Designer(s): **Lucia Silvestri**

(45) Registration Date: **17 November 2015**

(30) Convention priority data:

(31) Number	(32) Date	(33) Country
888450801	23 Apr 2015	WORLD INTELLECTUAL PROPERTY ORGANIZATION (WIPO)



(56) Related Art Documents: **Not Applicable**

(57) Statement of Newness and Distinctiveness: **Nil**

(21) Design Number: **15612/2015**
(22) Date of Filing Application: **22 October 2015**
(24) Date from which industrial property rights may have effect: **22 October 2015**
(54) Product in respect of which the design is registered: **Necklace**
(51) International Design Classification: **11-01E**
(74) Name(s) of Attorney(s): **Fisher Adams Kelly Callinans**
(71) Name(s) and Address(s) of Applicant(s):

Bulgari S.p.A.
11 Lungotevere Marzio Rome 00186 Italy

(72) Name(s) of Designer(s): **Lucia Silvestri**

(45) Registration Date: **17 November 2015**

(30) Convention priority data:

(31) Number	(32) Date	(33) Country
888450801	23 Apr 2015	WORLD INTELLECTUAL PROPERTY ORGANIZATION (WIPO)



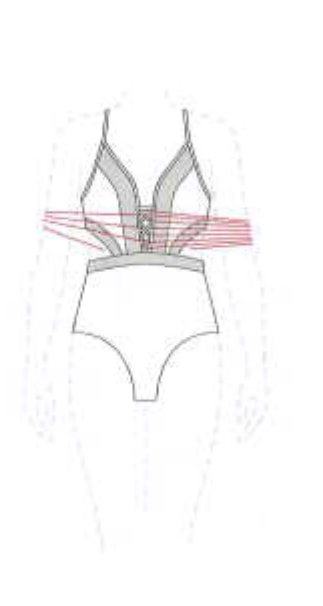
(56) Related Art Documents: **Not Applicable**

(57) Statement of Newness and Distinctiveness: **Nil**

- (21) Design Number: **15750/2015**
(22) Date of Filing Application: **28 October 2015**
(24) Date from which industrial property rights may have effect: **28 October 2015**
(54) Product in respect of which the design is registered: **Air intake snorkel for a vehicle**
(51) International Design Classification: **12-16NES**
(74) Name(s) of Attorney(s):
(71) Name(s) and Address(s) of Applicant(s):
SAFARI R&D PTY LTD
73 Merrindale Dr Croydon South VIC 3136 Australia
(72) Name(s) of Designer(s): **Dean Wickes**
(45) Registration Date: **17 November 2015**
(56) Related Art Documents: **Not Applicable**
(57) Statement of Newness and Distinctiveness: **Newness and distinctiveness is claimed in the shape and configuration of an Air Intake Snorkel for a Vehicle as shown in the representations.**



- (21) Design Number: **15763/2015**
(22) Date of Filing Application: **28 October 2015**
(24) Date from which industrial property rights may have effect: **28 October 2015**
(54) Product in respect of which the design is registered: **Swimwear**
(51) International Design Classification: **02-02A**
(74) Name(s) of Attorney(s): **Thomson Geer**
(71) Name(s) and Address(s) of Applicant(s):
JETS Swimwear Pty Limited
8-18 Bowden St Alexandria NSW 2015 Australia
(72) Name(s) of Designer(s): **Jessika Allen**
(45) Registration Date: **17 November 2015**
(56) Related Art Documents: **Not Applicable**
(57) Statement of Newness and Distinctiveness: **Newness and distinctiveness is claimed in the shape, configuration, pattern and/or ornamentation of the swimwear garment as depicted in the accompanying representations. There is a cut out in the back view and cut outs in the front view marked "B". The grey shaded sections represent fabric of a different colour or design to the balance of the garment. In considering the newness and distinctiveness of the design the halter neck shown in dotted lines and the clasp marked "A" back both shown in the back view, are to be disregarded. The outline of the wearer, shown in broken lines on the line drawing, forms no part of the design.**



- (21) Design Number: **15764/2015**
(22) Date of Filing Application: **28 October 2015**
(24) Date from which industrial property rights may have effect: **28 October 2015**
(54) Product in respect of which the design is registered: **Swimwear**
(51) International Design Classification: **02-02A**
(74) Name(s) of Attorney(s): **Thomson Geer**
(71) Name(s) and Address(s) of Applicant(s):
JETS Swimwear Pty Limited
8-18 Bowden St Alexandria NSW 2015 Australia
(72) Name(s) of Designer(s): **Jessika Allen**
(45) Registration Date: **17 November 2015**
(56) Related Art Documents: **Not Applicable**
(57) Statement of Newness and Distinctiveness: **Newness and distinctiveness is claimed in the shape, configuration, pattern and/or ornamentation of the swimwear garment as depicted in the accompanying representations. There are cut outs in the back view and cut outs in the front view marked "B". In considering the newness and distinctiveness of the design the clasp marked "A" and the strap shown in dotted lines, all in the back view, are to be disregarded. The outline of the wearer, shown in broken lines on the line drawing, forms no part of the design.**



- (21) Design Number: **15765/2015**
(22) Date of Filing Application: **28 October 2015**
(24) Date from which industrial property rights may have effect: **28 October 2015**
(54) Product in respect of which the design is registered: **Swimwear**
(51) International Design Classification: **02-02A**
(74) Name(s) of Attorney(s): **Thomson Geer**
(71) Name(s) and Address(s) of Applicant(s):
JETS Swimwear Pty Limited
8-18 Bowden St Alexandria NSW 2015 Australia
(72) Name(s) of Designer(s): **Jessika Allen**
(45) Registration Date: **17 November 2015**
(56) Related Art Documents: **Not Applicable**
(57) Statement of Newness and Distinctiveness: **Newness and distinctiveness is claimed in the shape, configuration, pattern and/or ornamentation of the swimwear garment as depicted in the accompanying representations. There are cut outs in the back view and cut outs in the front view marked "B". The features marked "C" form part of the design and can take the form of beads or accessories in any shape. In considering the newness and distinctiveness of the design the straps and tie shown in dotted lines in the back view are to be disregarded. The outline of the wearer, shown in broken lines on the line drawing, forms no part of the design.**



- (21) Design Number: **15767/2015**
(22) Date of Filing Application: **28 October 2015**
(24) Date from which industrial property rights may have effect: **28 October 2015**
(54) Product in respect of which the design is registered: **Swimwear**
(51) International Design Classification: **02-02A**
(74) Name(s) of Attorney(s): **Thomson Geer**
(71) Name(s) and Address(s) of Applicant(s):
JETS Swimwear Pty Limited
8-18 Bowden St Alexandria NSW 2015 Australia
(72) Name(s) of Designer(s): **Jessika Allen**
(45) Registration Date: **17 November 2015**
(56) Related Art Documents: **Not Applicable**
(57) Statement of Newness and Distinctiveness: **Newness and distinctiveness is claimed in the shape, configuration, pattern and/or ornamentation of the swimwear garment as depicted in the accompanying representations. There are cut outs in the back view and cut outs in the front view marked "B". In considering the newness and distinctiveness of the design the clasp marked "A" and the back strap and tie shown in dotted lines, all in the back view, are to be disregarded. The outline of the wearer, shown in broken lines on the line drawing, forms no part of the design.**

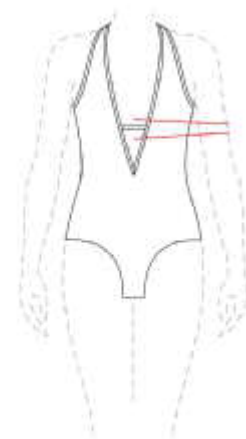


- (21) Design Number: **15768/2015**
(22) Date of Filing Application: **28 October 2015**
(24) Date from which industrial property rights may have effect: **28 October 2015**
(54) Product in respect of which the design is registered: **Swimwear**
(51) International Design Classification: **02-02A**
(74) Name(s) of Attorney(s): **Thomson Geer**
(71) Name(s) and Address(s) of Applicant(s):
JETS Swimwear Pty Limited
8-18 Bowden St Alexandria NSW 2015 Australia
(72) Name(s) of Designer(s): **Jessika Allen**
(45) Registration Date: **17 November 2015**
(56) Related Art Documents: **Not Applicable**
(57) Statement of Newness and Distinctiveness: **Newness and distinctiveness is claimed in the shape, configuration, pattern and/or ornamentation of the swimwear garment as depicted in the accompanying representations. There is a cut out in the back view and cut outs in the front view marked "B". The grey shaded sections represent fabric or mesh of a different colour or design to the balance of the garment. In considering the newness and distinctiveness of the design the clasp marked "A" on the back view is to be disregarded. The outline of the wearer, shown in broken lines on the line drawing, forms no part of the design.**



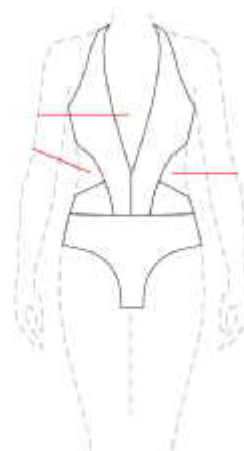
- (21) Design Number: **15769/2015**
(22) Date of Filing Application: **28 October 2015**
(24) Date from which industrial property rights may have effect: **28 October 2015**
(54) Product in respect of which the design is registered: **Swimwear**
(51) International Design Classification: **02-02A**
(74) Name(s) of Attorney(s): **Thomson Geer**
(71) Name(s) and Address(s) of Applicant(s):
JETS Swimwear Pty Limited
8-18 Bowden St Alexandria NSW 2015 Australia
(72) Name(s) of Designer(s): **Jessika Allen**
(45) Registration Date: **17 November 2015**
(56) Related Art Documents: **Not Applicable**

(57) Statement of Newness and Distinctiveness: **Newness and distinctiveness is claimed in the shape, configuration, pattern and/or ornamentation of the swimwear garment as depicted in the accompanying representations. There are cut outs in the back view and cut outs in the front view marked "B". In considering the newness and distinctiveness of the design the clasp marked "A" in the back view is to be disregarded. The outline of the wearer, shown in broken lines on the line drawing, forms no part of the design.**



- (21) Design Number: **15770/2015**
(22) Date of Filing Application: **28 October 2015**
(24) Date from which industrial property rights may have effect: **28 October 2015**
(54) Product in respect of which the design is registered: **Swimwear**
(51) International Design Classification: **02-02A**
(74) Name(s) of Attorney(s): **Thomson Geer**
(71) Name(s) and Address(s) of Applicant(s):
JETS Swimwear Pty Limited
8-18 Bowden St Alexandria NSW 2015 Australia
(72) Name(s) of Designer(s): **Jessika Allen**
(45) Registration Date: **17 November 2015**
(56) Related Art Documents: **Not Applicable**

(57) Statement of Newness and Distinctiveness: **Newness and distinctiveness is claimed in the shape, configuration, pattern and/or ornamentation of the swimwear garment as depicted in the accompanying representations. There are cut outs in the back view and cut outs in the front view marked "B". The outline of the wearer, shown in broken lines on the line drawing, forms no part of the design.**



- (21) Design Number: **14473/2015**
(22) Date of Filing Application: **26 August 2015**
(24) Date from which industrial property rights may have effect: **26 August 2015**
(54) Product in respect of which the design is registered: **Computing device display screen**
(51) International Design Classification: **14-02**
(74) Name(s) of Attorney(s): **WRAYS PTY LTD**
(71) Name(s) and Address(s) of Applicant(s):
Uber Technologies, Inc.
1455 Market Street 4th Floor San Francisco California, 94103 United States of America
(72) Name(s) of Designer(s): **Masato Tsujimoto and Peter Ng**
(45) Registration Date: **17 November 2015**
(30) Convention priority data:
(31) Number (32) Date (33) Country
29/518,908 27 Feb 2015 UNITED STATES OF AMERICA
(56) Related Art Documents: **Not Applicable**
(57) Statement of Newness and Distinctiveness: **Newness and distinctiveness is claimed in the features of shape, configuration, pattern, and/or ornamentation of the Computing Device Display Screen With Graphical User Interface as shown in the accompanying representations. The features depicted by broken lines are for illustrative purposes only and form no part of the claimed design.**



- (21) Design Number: **15948/2015**
(22) Date of Filing Application: **26 August 2015**
(24) Date from which industrial property rights may have effect: **26 August 2015**
(54) Product in respect of which the design is registered: **Computing device display screen**
(51) International Design Classification: **14-02**
(74) Name(s) of Attorney(s): **WRAYS PTY LTD**
(71) Name(s) and Address(s) of Applicant(s):
Uber Technologies, Inc.
1455 Market Street 4th Floor San Francisco California, 94103 United States of America
(72) Name(s) of Designer(s): **Masato Tsujimoto and Peter Ng**
(45) Registration Date: **17 November 2015**
(30) Convention priority data:
(31) Number (32) Date (33) Country
29/518,908 27 Feb 2015 UNITED STATES OF AMERICA
(56) Related Art Documents: **Not Applicable**
(57) Statement of Newness and Distinctiveness: **Newness and distinctiveness is claimed in the features of shape, configuration, pattern, and/or ornamentation of the Computing Device Display Screen With Graphical User Interface as shown in the accompanying representations. The features depicted by broken lines are for illustrative purposes only and form no part of the claimed design.**



(21) Design Number: **15949/2015**
(22) Date of Filing Application: **26 August 2015**
(24) Date from which industrial property rights may have effect: **26 August 2015**
(54) Product in respect of which the design is registered: **Computing device display screen**
(51) International Design Classification: **14-02**
(74) Name(s) of Attorney(s): **WRAYS PTY LTD**
(71) Name(s) and Address(s) of Applicant(s):
Uber Technologies, Inc.
1455 Market Street 4th Floor San Francisco California, 94103 United States of America

(72) Name(s) of Designer(s): **Masato Tsujimoto and Peter Ng**
(45) Registration Date: **17 November 2015**
(30) Convention priority data:
(31) Number (32) Date (33) Country
29/518,908 27 Feb 2015 UNITED STATES OF AMERICA

(56) Related Art Documents: **Not Applicable**
(57) Statement of Newness and Distinctiveness: **Newness and distinctiveness is claimed in the features of shape, configuration, pattern, and/or ornamentation of the Computing Device Display Screen With Graphical User Interface as shown in the accompanying representations. The features depicted by broken lines are for illustrative purposes only and form no part of the claimed design.**



(21) Design Number: **15950/2015**
(22) Date of Filing Application: **26 August 2015**
(24) Date from which industrial property rights may have effect: **26 August 2015**
(54) Product in respect of which the design is registered: **Computing device display screen**
(51) International Design Classification: **14-02**
(74) Name(s) of Attorney(s): **WRAYS PTY LTD**
(71) Name(s) and Address(s) of Applicant(s):
Uber Technologies, Inc.
1455 Market Street 4th Floor San Francisco California, 94103 United States of America

(72) Name(s) of Designer(s): **Masato Tsujimoto and Peter Ng**
(45) Registration Date: **17 November 2015**
(30) Convention priority data:
(31) Number (32) Date (33) Country
29/518,908 27 Feb 2015 UNITED STATES OF AMERICA

(56) Related Art Documents: **Not Applicable**
(57) Statement of Newness and Distinctiveness: **Newness and distinctiveness is claimed in the features of shape, configuration, pattern, and/or ornamentation of the Computing Device Display Screen With Graphical User Interface as shown in the accompanying representations. The features depicted by broken lines are for illustrative purposes only and form no part of the claimed design.**



(21) Design Number: **15951/2015**
(22) Date of Filing Application: **26 August 2015**
(24) Date from which industrial property rights may have effect: **26 August 2015**
(54) Product in respect of which the design is registered: **Computing device display screen**
(51) International Design Classification: **14-02**
(74) Name(s) of Attorney(s): **WRAYS PTY LTD**
(71) Name(s) and Address(s) of Applicant(s):
Uber Technologies, Inc.
1455 Market Street 4th Floor San Francisco California, 94103 United States of America

(72) Name(s) of Designer(s): **Masato Tsujimoto and Peter Ng**
(45) Registration Date: **17 November 2015**
(30) Convention priority data:
(31) Number (32) Date (33) Country
29/518,908 27 Feb 2015 UNITED STATES OF AMERICA

(56) Related Art Documents: **Not Applicable**
(57) Statement of Newness and Distinctiveness: **Newness and distinctiveness is claimed in the features of shape, configuration, pattern, and/or ornamentation of the Computing Device Display Screen With Graphical User Interface as shown in the accompanying representations. The features depicted by broken lines are for illustrative purposes only and form no part of the claimed design.**



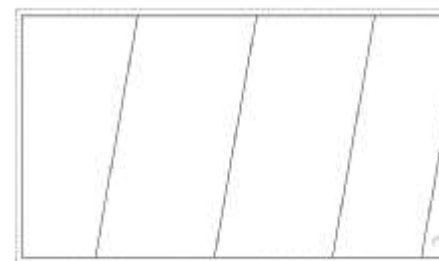
(21) Design Number: **15952/2015**
(22) Date of Filing Application: **26 August 2015**
(24) Date from which industrial property rights may have effect: **26 August 2015**
(54) Product in respect of which the design is registered: **Computing device display screen**
(51) International Design Classification: **14-02**
(74) Name(s) of Attorney(s): **WRAYS PTY LTD**
(71) Name(s) and Address(s) of Applicant(s):
Uber Technologies, Inc.
1455 Market Street 4th Floor San Francisco California, 94103 United States of America

(72) Name(s) of Designer(s): **Masato Tsujimoto and Peter Ng**
(45) Registration Date: **17 November 2015**
(30) Convention priority data:
(31) Number (32) Date (33) Country
29/518,908 27 Feb 2015 UNITED STATES OF AMERICA

(56) Related Art Documents: **Not Applicable**
(57) Statement of Newness and Distinctiveness: **Newness and distinctiveness is claimed in the features of shape, configuration, pattern, and/or ornamentation of the Computing Device Display Screen With Graphical User Interface as shown in the accompanying representations. The features depicted by broken lines are for illustrative purposes only and form no part of the claimed design.**

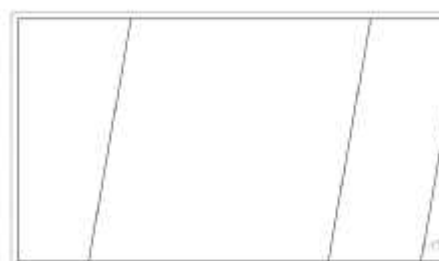


(21) Design Number: **14372/2015**
(22) Date of Filing Application: **25 August 2015**
(24) Date from which industrial property rights may have effect: **25 August 2015**
(54) Product in respect of which the design is registered: **TV receiver with graphical user interface**
(51) International Design Classification: **14-03B**
(74) Name(s) of Attorney(s): **FB Rice**
(71) Name(s) and Address(s) of Applicant(s):
LG Electronics Inc.
128, Yeoui-daero, Yeongdeungpo-gu Seoul 07336 Korea
(72) Name(s) of Designer(s): **Goeun Lee and Uniyoung Kim**
(45) Registration Date: **18 November 2015**
(30) Convention priority data:
(31) Number (32) Date (33) Country
30-2015-0009566 25 Feb 2015 REPUBLIC OF KOREA



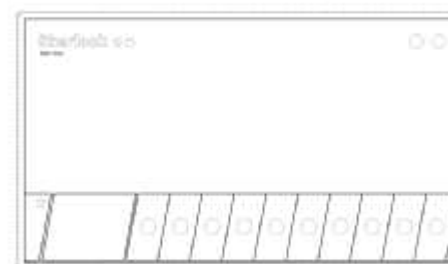
(56) Related Art Documents: **Not Applicable**
(57) Statement of Newness and Distinctiveness: **Newness and distinctiveness reside in the features of pattern and/or ornamentation of a display screen with graphical user interface as illustrated by solid lines in the accompanying representation. The features shown in broken outline are for contextual purposes only and do not form part of the design.**

(21) Design Number: **14373/2015**
(22) Date of Filing Application: **25 August 2015**
(24) Date from which industrial property rights may have effect: **25 August 2015**
(54) Product in respect of which the design is registered: **TV receiver with graphical user interface**
(51) International Design Classification: **14-03B**
(74) Name(s) of Attorney(s): **FB Rice**
(71) Name(s) and Address(s) of Applicant(s):
LG Electronics Inc.
128, Yeoui-daero, Yeongdeungpo-gu Seoul 07336 Korea
(72) Name(s) of Designer(s): **Goeun Lee and Ryunghwa Rhee and Uniyoung Kim**
(45) Registration Date: **18 November 2015**
(30) Convention priority data:
(31) Number (32) Date (33) Country
30-2015-0009564 25 Feb 2015 REPUBLIC OF KOREA

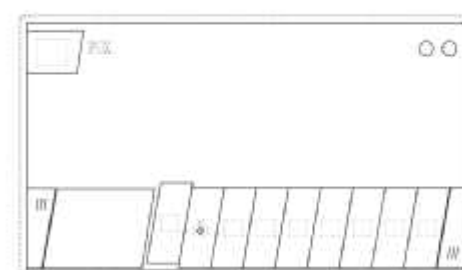


(56) Related Art Documents: **Not Applicable**
(57) Statement of Newness and Distinctiveness: **Newness and distinctiveness reside in the features of pattern and/or ornamentation of a display screen with graphical user interface as illustrated by solid lines in the accompanying representation. The features shown in broken outline are for contextual purposes only and do not form part of the design.**

- (21) Design Number: **14374/2015**
(22) Date of Filing Application: **25 August 2015**
(24) Date from which industrial property rights may have effect: **25 August 2015**
(54) Product in respect of which the design is registered: **TV receiver with graphical user interface**
(51) International Design Classification: **14-03B**
(74) Name(s) of Attorney(s): **FB Rice**
(71) Name(s) and Address(s) of Applicant(s):
LG Electronics Inc.
128, Yeoui-daero, Yeongdeungpo-gu Seoul 07336 Korea
(72) Name(s) of Designer(s): **Goeun Lee and Uniyoung Kim**
(45) Registration Date: **18 November 2015**
(30) Convention priority data:
(31) Number (32) Date (33) Country
30-2015-0009567 25 Feb 2015 REPUBLIC OF KOREA
(56) Related Art Documents: **Not Applicable**
(57) Statement of Newness and Distinctiveness: **Newness and distinctiveness reside in the features of pattern and/or ornamentation of a display screen with graphical user interface as illustrated by solid lines in the accompanying representation. The features shown in broken outline are for contextual purposes only and do not form part of the design.**



- (21) Design Number: **14401/2015**
(22) Date of Filing Application: **25 August 2015**
(24) Date from which industrial property rights may have effect: **25 August 2015**
(54) Product in respect of which the design is registered: **TV receiver with graphical user interface**
(51) International Design Classification: **14-03B**
(74) Name(s) of Attorney(s): **FB Rice**
(71) Name(s) and Address(s) of Applicant(s):
LG Electronics Inc.
128, Yeoui-daero, Yeongdeungpo-gu Seoul 07336 Korea
(72) Name(s) of Designer(s): **Kunsik Lee and Choonkeun Youn and Uniyoung Kim**
(45) Registration Date: **18 November 2015**
(30) Convention priority data:
(31) Number (32) Date (33) Country
30-2015-0009572 25 Feb 2015 REPUBLIC OF KOREA
(56) Related Art Documents: **Not Applicable**
(57) Statement of Newness and Distinctiveness: **Newness and distinctiveness reside in the features of pattern and/or ornamentation of a display screen with graphical user interface as illustrated by solid lines in the accompanying representation. The features shown in broken outline are for contextual purposes only and do not form part of the design.**



(21) Design Number: **14699/2015**
(22) Date of Filing Application: **04 September 2015**
(24) Date from which industrial property rights may have effect: **04 September 2015**
(54) Product in respect of which the design is registered: **Tableware**
(51) International Design Classification: **07-01B**
(74) Name(s) of Attorney(s): **Davies Collison Cave**
(71) Name(s) and Address(s) of Applicant(s):
Revol Porcelaine S.A.
3 rue Hector Revol Saint Uze 26240 France
(72) Name(s) of Designer(s): **M. Olivier Passot**
(45) Registration Date: **18 November 2015**
(30) Convention priority data:
(31) Number (32) Date (33) Country
**002 647 347 06 Mar 2015 OFFICE FOR HARMONISATION IN
THE INTERNAL MARKET (OHIM)**
(56) Related Art Documents: **Not Applicable**
(57) Statement of Newness and Distinctiveness: **Nil**



(21) Design Number: **14713/2015**
(22) Date of Filing Application: **05 September 2015**
(24) Date from which industrial property rights may have effect: **05 September 2015**
(54) Product in respect of which the design is registered: **Model of VR narrow gauge 25 foot underframe**
(51) International Design Classification: **25-01E**
(74) Name(s) of Attorney(s):
(71) Name(s) and Address(s) of Applicant(s):
Brian John Norris
PO BOX 48 Forrestfield WA 6058 Australia
(72) Name(s) of Designer(s): **Brian John Norris**
(45) Registration Date: **18 November 2015**
(56) Related Art Documents: **Not Applicable**
(57) Statement of Newness and Distinctiveness: **Three dimensional one piece models of Victorian Railways narrow gauge rolling stock and line side items as used on the Puffing Billy Tourist Railway. These models only became available to the market with the development of my designs prepared in 2013 and 2014 for the following models: NQR, NU, NT, NH, NM, NB (platform) and separate chassis for these cars: 2000 gallon portable tank; buffer stop and buffer post; portable chimney and portable building vents; Whitfield Trolley body and Whitfield Trolley trailer body; railway cross bucks, 15' gate, cattle yard gates; NBB 26'9" car bogies; Whitfield and Gould water towers. Designs are 3D computer code commissioned by myself using original plans and photographs and my knowledge and creativity to create three dimensional printed models in 16mm scale of these items. Items are uploaded and displayed on Shapeways website www.shapeways.com at "puffing Billy Models Shop" by designer known Gembrook (Brian John Norris) commencing in mid 2013.**



(21) Design Number: **15039/2015**
(22) Date of Filing Application: **25 September 2015**
(24) Date from which industrial property rights may have effect: **25 September 2015**
(54) Product in respect of which the design is registered: **Track for a light bar**
(51) International Design Classification: **26-06**
(74) Name(s) of Attorney(s): **E F Wellington & Co**
(71) Name(s) and Address(s) of Applicant(s):

Electronic Controls Company
833 W. Diamond Street Boise Idaho 83705 United States of America

(72) Name(s) of Designer(s): **Nicholaus M. Thompson**

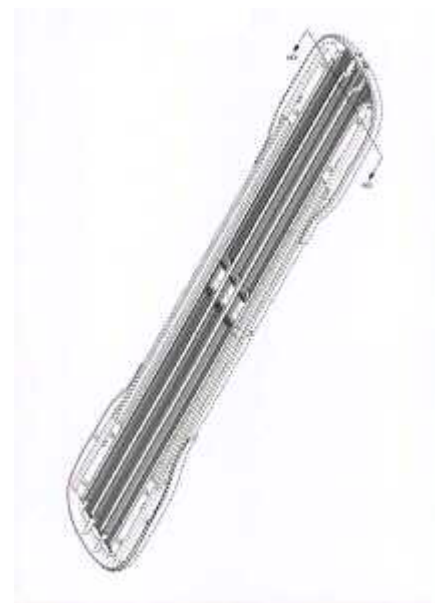
(45) Registration Date: **18 November 2015**

(30) Convention priority data:

(31) Number	(32) Date	(33) Country
29/523728	13 Apr 2015	UNITED STATES OF AMERICA

(56) Related Art Documents: **Not Applicable**

(57) Statement of Newness and Distinctiveness: **The newness and distinctiveness of the design resides in the shape and/or configuration of the TRACK FOR A LIGHT BAR shown in the representations, with: FIG 1 being a top isometric view; FIGs 2 and 3 being rear and front views, respectively; FIGs 4 and 5 being left and right side views, respectively; FIGs 6 and 7 being top and bottom views, respectively; and FIG. 8 being the cross-sectional view 8-8 of FIG. 1. The features shown in broken lines are for illustrative purposes only and do not form part of the design.**



(21) Design Number: **14399/2015**
(22) Date of Filing Application: **25 August 2015**
(24) Date from which industrial property rights may have effect: **25 August 2015**
(54) Product in respect of which the design is registered: **Diaper pail cassette**
(51) International Design Classification: **23-02NES**
(74) Name(s) of Attorney(s): **Davies Collison Cave**
(71) Name(s) and Address(s) of Applicant(s):

International Refills Company Ltd.
#1 Hythe Gardens, Welches Christ Church Barbados

(72) Name(s) of Designer(s): **Michel Morand**

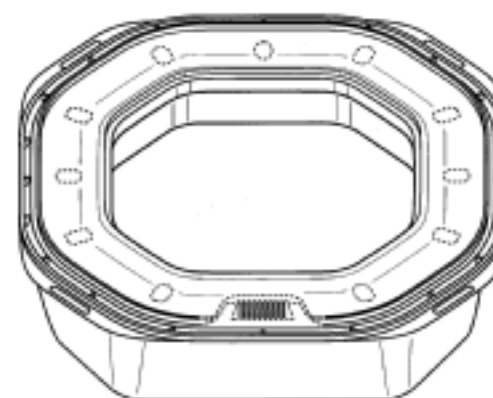
(45) Registration Date: **18 November 2015**

(30) Convention priority data:

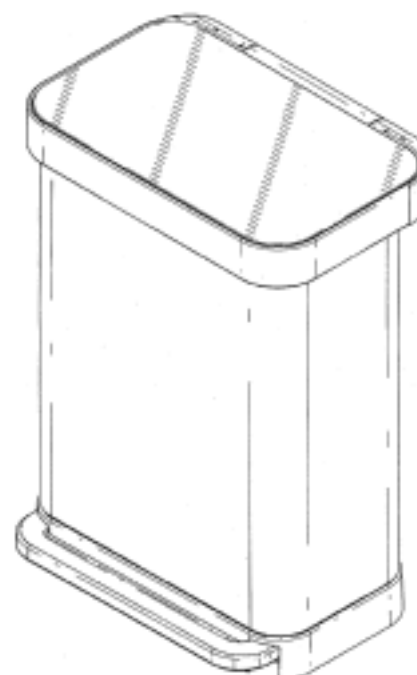
(31) Number	(32) Date	(33) Country
161229	25 Feb 2015	CANADA

(56) Related Art Documents: **Not Applicable**

(57) Statement of Newness and Distinctiveness: **Newness and distinctiveness is claimed in the visual features shown in solid lines in the representations. A diaper pail cassette which has an octagonal shape and in the flanges extending from the sides of the cassette.**



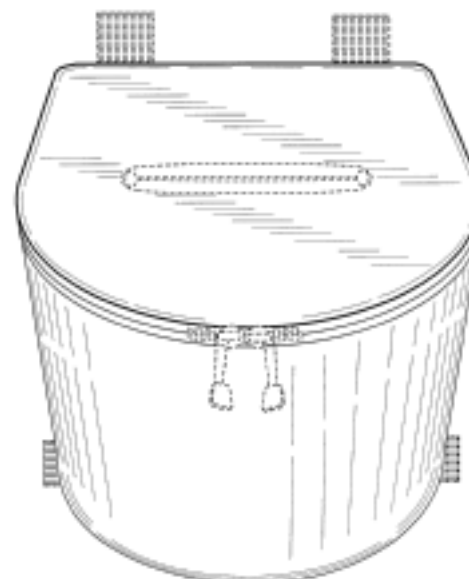
- (21) Design Number: **14705/2015**
(22) Date of Filing Application: **04 September 2015**
(24) Date from which industrial property rights may have effect: **04 September 2015**
(54) Product in respect of which the design is registered: **Trash can**
(51) International Design Classification: **09-09**
(74) Name(s) of Attorney(s): **Davies Collison Cave**
(71) Name(s) and Address(s) of Applicant(s):
Simplehuman, LLC
19850 Magellan Drive Torrance California 90502 United States of America
(72) Name(s) of Designer(s): **Frank Yang and Di-Fong Chang and Myk Lum and Adam Wade and Ken Sugimoto**
(45) Registration Date: **18 November 2015**
(30) Convention priority data:
(31) Number (32) Date (33) Country
29/519,549 05 Mar 2015 UNITED STATES OF AMERICA
(56) Related Art Documents: **Not Applicable**
(57) Statement of Newness and Distinctiveness: **Newness and distinctiveness is claimed in the visual features shown in solid lines in the representations. In considering the extent of the design rights, the broken lines shown in the representations are for illustrative purposes only and do not form part of the design.**



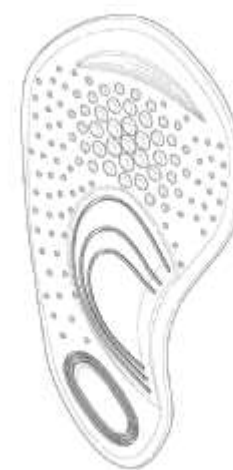
- (21) Design Number: **15343/2015**
(22) Date of Filing Application: **10 October 2015**
(24) Date from which industrial property rights may have effect: **10 October 2015**
(54) Product in respect of which the design is registered: **Gymnastics rings, fitness rings**
(51) International Design Classification: **21-02NES**
(74) Name(s) of Attorney(s):
(71) Name(s) and Address(s) of Applicant(s):
Mihnea Alexandru Moiescu
30 Sanford PI Kaleen ACT, 2617 Australia
(72) Name(s) of Designer(s): **Mihnea Alexandru Moiescu**
(45) Registration Date: **18 November 2015**
(56) Related Art Documents: **Not Applicable**
(57) Statement of Newness and Distinctiveness: **The traditional fitness rings consist of two straps, two rings and a buckle that it is used to lock and adjust the straps. There is another design that uses straps with stitches (black) that need two carabineers (per strap) to adjust. This new design that is registered now has distinctive features that highly improve the usability and general aspect of the fitness rings: - The rings are sewn and contained inside the strap, so they can not be separated; due to this new design feature each strap needs only one carabineer for length adjustments. - The strap has colored stitching every 10 centimeters - green, white and red that keep the two sides of the strap together so they can be adjusted using the carabineer. Because the stitching is colored with a pattern (red, green, white, red, green, white..), the exact adjustment is much easier. The colored stitching helps with almost instant recognition of the right eyelet for the carabineer. - The ring straps have the MG logo displayed.**



(21) Design Number: **15707/2015**
(22) Date of Filing Application: **27 October 2015**
(24) Date from which industrial property rights may have effect: **27 October 2015**
(54) Product in respect of which the design is registered: **Marine trash receptacle**
(51) International Design Classification: **09-05**
(74) Name(s) of Attorney(s): **Spruson & Ferguson**
(71) Name(s) and Address(s) of Applicant(s):
Pamela A. Butler
2327 Dewey Street, Hollywood Florida, 33020 United States of America
Michael W. Carter
2327 Dewey Street, Hollywood Florida, 33020 United States of America
(72) Name(s) of Designer(s): **Pamela A. Butler and Michael W. Carter**
(45) Registration Date: **18 November 2015**
(30) Convention priority data:
(31) Number (32) Date (33) Country
29/525118 27 Apr 2015 UNITED STATES OF AMERICA
(56) Related Art Documents: **Not Applicable**
(57) Statement of Newness and Distinctiveness: **Newness and distinctiveness is claimed in those features of shape and/or configuration of a marine trash receptacle as illustrated in continuous lines in the accompanying representations.**



(21) Design Number: **15711/2015**
(22) Date of Filing Application: **27 October 2015**
(24) Date from which industrial property rights may have effect: **27 October 2015**
(54) Product in respect of which the design is registered: **Insoles**
(51) International Design Classification: **02-04A**
(74) Name(s) of Attorney(s): **Madderns**
(71) Name(s) and Address(s) of Applicant(s):
Reckitt Benckiser (Brands) Limited
103-105 Bath Road Slough Berkshire SL1 3UH United Kingdom
(72) Name(s) of Designer(s): **Christopher Nester and Raj Dev**
(45) Registration Date: **18 November 2015**
(30) Convention priority data:
(31) Number (32) Date (33) Country
002690164-0001 27 Apr 2015 OFFICE FOR HARMONISATION IN THE INTERNAL MARKET (OHIM)
(56) Related Art Documents: **Not Applicable**
(57) Statement of Newness and Distinctiveness: **Nil**



(21) Design Number: **15712/2015**
(22) Date of Filing Application: **27 October 2015**
(24) Date from which industrial property rights may have effect: **27 October 2015**
(54) Product in respect of which the design is registered: **Insoles**
(51) International Design Classification: **02-04A**
(74) Name(s) of Attorney(s): **Madderns**
(71) Name(s) and Address(s) of Applicant(s):
Reckitt Benckiser (Brands) Limited
103-105 Bath Road Slough Berkshire SL1 3UH United Kingdom
(72) Name(s) of Designer(s): **Christopher Nester and Raj Dev**
(45) Registration Date: **18 November 2015**
(30) Convention priority data:
(31) Number (32) Date (33) Country
002690164-0002 27 Apr 2015 OFFICE FOR HARMONISATION IN
THE INTERNAL MARKET (OHIM)
(56) Related Art Documents: **Not Applicable**
(57) Statement of Newness and Distinctiveness: **Nil**



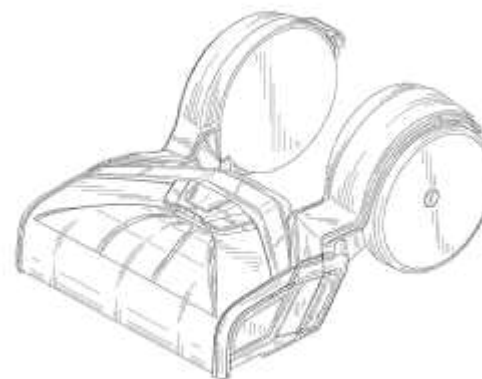
(21) Design Number: **15718/2015**
(22) Date of Filing Application: **27 October 2015**
(24) Date from which industrial property rights may have effect: **27 October 2015**
(54) Product in respect of which the design is registered: **Shoe**
(51) International Design Classification: **02-04NES**
(74) Name(s) of Attorney(s): **Shelston IP Pty Ltd.**
(71) Name(s) and Address(s) of Applicant(s):
Winterworth Pty Ltd
U8 143-155 Bonds Rd Riverwood NSW 2210 Australia
(72) Name(s) of Designer(s): **Huameng Du**
(45) Registration Date: **18 November 2015**
(56) Related Art Documents: **Not Applicable**
(57) Statement of Newness and Distinctiveness: **Newness and distinctiveness**
reside in the features of shape and/or configuration of a SHOE as
illustrated in the accompanying representations.



(21) Design Number: **15719/2015**
(22) Date of Filing Application: **27 October 2015**
(24) Date from which industrial property rights may have effect: **27 October 2015**
(54) Product in respect of which the design is registered: **Vacuum cleaner upright portion**
(51) International Design Classification: **15-05**
(74) Name(s) of Attorney(s): **Griffith Hack**
(71) Name(s) and Address(s) of Applicant(s):
BISSELL Homecare, Inc.
2345 Walker Avenue N.W. GRAND RAPIDS, Michigan, 49544-2516 United States of America
(72) Name(s) of Designer(s): **David M. Miller and Colin J. Bloemendaal and Mitchell Dejonge**
(45) Registration Date: **18 November 2015**
(30) Convention priority data:
(31) Number (32) Date (33) Country
29/525,978 05 May 2015 UNITED STATES OF AMERICA
(56) Related Art Documents: **Not Applicable**
(57) Statement of Newness and Distinctiveness: **Newness and distinctiveness resides in the visual features, including the shape and configuration of the product shown in the representations.**



(21) Design Number: **15721/2015**
(22) Date of Filing Application: **27 October 2015**
(24) Date from which industrial property rights may have effect: **27 October 2015**
(54) Product in respect of which the design is registered: **Surface cleaner base**
(51) International Design Classification: **15-05**
(74) Name(s) of Attorney(s): **Griffith Hack**
(71) Name(s) and Address(s) of Applicant(s):
BISSELL Homecare, Inc.
2345 Walker Avenue N.W. GRAND RAPIDS, Michigan, 49544-2516 United States of America
(72) Name(s) of Designer(s): **David M. Miller and Colin J. Bloemendaal**
(45) Registration Date: **18 November 2015**
(30) Convention priority data:
(31) Number (32) Date (33) Country
29/525,980 05 May 2015 UNITED STATES OF AMERICA
(56) Related Art Documents: **Not Applicable**
(57) Statement of Newness and Distinctiveness: **Newness and distinctiveness resides in the visual features, including the shape and configuration of the product shown in the representations.**



(21) Design Number: **15722/2015**

(22) Date of Filing Application: **27 October 2015**

(24) Date from which industrial property rights may have effect: **27 October 2015**

(54) Product in respect of which the design is registered: **Vacuum cleaner tank**

(51) International Design Classification: **15-05**

(74) Name(s) of Attorney(s): **Griffith Hack**

(71) Name(s) and Address(s) of Applicant(s):

BISSELL Homecare, Inc.

2345 Walker Avenue N.W. GRAND RAPIDS, Michigan, 49544-2516 United States of America

(72) Name(s) of Designer(s): **David M. Miller and Colin J. Bloemendaal and Mitchell Dejonge**

(45) Registration Date: **18 November 2015**

(30) Convention priority data:

(31) Number	(32) Date	(33) Country
29/525,983	05 May 2015	UNITED STATES OF AMERICA

(56) Related Art Documents: **Not Applicable**

(57) Statement of Newness and Distinctiveness: **Newness and distinctiveness resides in the visual features, including the shape and configuration of the product shown in the representations.**



(21) Design Number: **15723/2015**

(22) Date of Filing Application: **27 October 2015**

(24) Date from which industrial property rights may have effect: **27 October 2015**

(54) Product in respect of which the design is registered: **Valve portion**

(51) International Design Classification: **15-05**

(74) Name(s) of Attorney(s): **Griffith Hack**

(71) Name(s) and Address(s) of Applicant(s):

BISSELL Homecare, Inc.

2345 Walker Avenue N.W. GRAND RAPIDS, Michigan, 49544-2516 United States of America

(72) Name(s) of Designer(s): **Mitchell Dejonge**

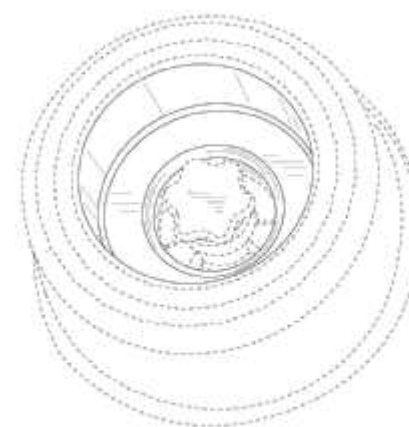
(45) Registration Date: **18 November 2015**

(30) Convention priority data:

(31) Number	(32) Date	(33) Country
29/525,991	05 May 2015	UNITED STATES OF AMERICA

(56) Related Art Documents: **Not Applicable**

(57) Statement of Newness and Distinctiveness: **Newness and distinctiveness resides in the visual features, including the shape and configuration of the product as shown by means of the solid lines in the representations.**



(21) Design Number: **15724/2015**

(22) Date of Filing Application: **27 October 2015**

(24) Date from which industrial property rights may have effect: **27 October 2015**

(54) Product in respect of which the design is registered: **Accessory tool**

(51) International Design Classification: **08-05NES**

(74) Name(s) of Attorney(s): **Griffith Hack**

(71) Name(s) and Address(s) of Applicant(s):

BISSELL Homecare, Inc.

2345 Walker Avenue N.W. GRAND RAPIDS, Michigan, 49544-2516 United States of America

(72) Name(s) of Designer(s): **David M Miller and Karyn Lee Sagorski and Daniel Browne**

(45) Registration Date: **18 November 2015**

(30) Convention priority data:

(31) Number	(32) Date	(33) Country
29/525,994	05 May 2015	UNITED STATES OF AMERICA

(56) Related Art Documents: **Not Applicable**

(57) Statement of Newness and Distinctiveness: **Newness and distinctiveness resides in the visual features, including the shape and configuration of the product shown in the representations.**



(21) Design Number: **15725/2015**

(22) Date of Filing Application: **27 October 2015**

(24) Date from which industrial property rights may have effect: **27 October 2015**

(54) Product in respect of which the design is registered: **Insoles**

(51) International Design Classification: **02-04A**

(74) Name(s) of Attorney(s): **Madderns**

(71) Name(s) and Address(s) of Applicant(s):

Reckitt Benckiser (Brands) Limited

103-105 Bath Road Slough Berkshire SL1 3UH United Kingdom

(72) Name(s) of Designer(s): **Christopher Nester and Raj Dev**

(45) Registration Date: **18 November 2015**

(30) Convention priority data:

(31) Number	(32) Date	(33) Country
002690164-0003	27 Apr 2015	OFFICE FOR HARMONISATION IN THE INTERNAL MARKET (OHIM)

(56) Related Art Documents: **Not Applicable**

(57) Statement of Newness and Distinctiveness: **Nil**



(21) Design Number: **15613/2015**
(22) Date of Filing Application: **22 October 2015**
(24) Date from which industrial property rights may have effect: **22 October 2015**
(54) Product in respect of which the design is registered: **Bracelet**
(51) International Design Classification: **11-01C**
(74) Name(s) of Attorney(s): **Fisher Adams Kelly Callinans**
(71) Name(s) and Address(s) of Applicant(s):

Bulgari S.p.A.
11 Lungotevere Marzio Rome 00186 Italy

(72) Name(s) of Designer(s): **Lucia Silvestri**

(45) Registration Date: **18 November 2015**

(30) Convention priority data:

(31) Number	(32) Date	(33) Country
888450801	23 Apr 2015	WORLD INTELLECTUAL PROPERTY ORGANIZATION (WIPO)



(56) Related Art Documents: **Not Applicable**

(57) Statement of Newness and Distinctiveness: **Nil**

(21) Design Number: **15726/2015**
(22) Date of Filing Application: **27 October 2015**
(24) Date from which industrial property rights may have effect: **27 October 2015**
(54) Product in respect of which the design is registered: **Insoles**
(51) International Design Classification: **02-04A**
(74) Name(s) of Attorney(s): **Madderns**
(71) Name(s) and Address(s) of Applicant(s):

Reckitt Benckiser (Brands) Limited
103-105 Bath Road Slough Berkshire SL1 3UH United Kingdom

(72) Name(s) of Designer(s): **Christopher Nester and Raj Dev**

(45) Registration Date: **18 November 2015**

(30) Convention priority data:

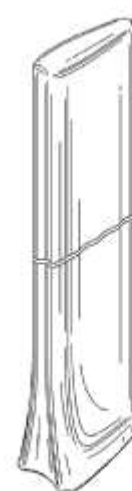
(31) Number	(32) Date	(33) Country
002690164-0004	27 Apr 2015	OFFICE FOR HARMONISATION IN THE INTERNAL MARKET (OHIM)



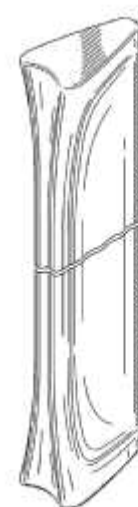
(56) Related Art Documents: **Not Applicable**

(57) Statement of Newness and Distinctiveness: **Nil**

- (21) Design Number: **15727/2015**
(22) Date of Filing Application: **27 October 2015**
(24) Date from which industrial property rights may have effect: **27 October 2015**
(54) Product in respect of which the design is registered: **Squeegee**
(51) International Design Classification: **07-05E**
(74) Name(s) of Attorney(s): **Cullens Pty Ltd**
(71) Name(s) and Address(s) of Applicant(s):
Helen of Troy Limited
The Phoenix Centre George Street Belleville St. Michael, Barbados
(72) Name(s) of Designer(s): **Joern Vicari and Mason Adam Umholtz and Lingxiu Wu and Cindy Godin**
(45) Registration Date: **18 November 2015**
(30) Convention priority data:
(31) Number (32) Date (33) Country
29/526487 09 May 2015 UNITED STATES OF AMERICA
(56) Related Art Documents: **Not Applicable**
(57) Statement of Newness and Distinctiveness: **The design is applied to a squeegee, and newness and distinctiveness reside in features of shape and configuration of the squeegee as shown in the accompanying representations.**



- (21) Design Number: **15728/2015**
(22) Date of Filing Application: **27 October 2015**
(24) Date from which industrial property rights may have effect: **27 October 2015**
(54) Product in respect of which the design is registered: **Squeegee**
(51) International Design Classification: **07-05E**
(74) Name(s) of Attorney(s): **Cullens Pty Ltd**
(71) Name(s) and Address(s) of Applicant(s):
Helen of Troy Limited
The Phoenix Centre George Street Belleville St. Michael, Barbados
(72) Name(s) of Designer(s): **Joern Vicari and Mason Adam Umholtz and Lingxiu Wu and Cindy Godin**
(45) Registration Date: **18 November 2015**
(30) Convention priority data:
(31) Number (32) Date (33) Country
29/526488 09 May 2015 UNITED STATES OF AMERICA
(56) Related Art Documents: **Not Applicable**
(57) Statement of Newness and Distinctiveness: **The design is applied to a squeegee, and newness and distinctiveness reside in features of shape and configuration of the squeegee as shown in the accompanying representations.**



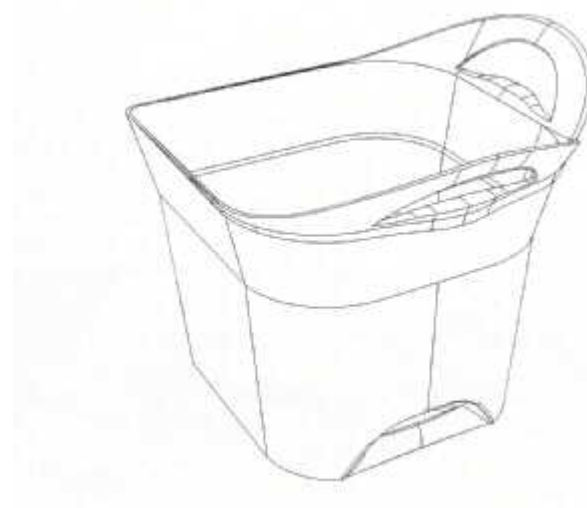
- (21) Design Number: **15729/2015**
(22) Date of Filing Application: **28 October 2015**
(24) Date from which industrial property rights may have effect: **28 October 2015**
(54) Product in respect of which the design is registered: **A linear actuator**
(51) International Design Classification: **15-99**
(74) Name(s) of Attorney(s): **PIPERS**
(71) Name(s) and Address(s) of Applicant(s):
TIMOTION TECHNOLOGY CO. LTD.
10F., No. 100, Minquan Road Xindian Dist. New Taipei City 231 Taiwan
(72) Name(s) of Designer(s): **Chou-Hsin Wu**
(45) Registration Date: **18 November 2015**
(56) Related Art Documents: **Not Applicable**
(57) Statement of Newness and Distinctiveness: **The design is to be applied to a LINEAR ACTUATOR and the novelty resides in the features of shape and configuration of the LINEAR ACTUATOR as shown in the accompanying representations.**



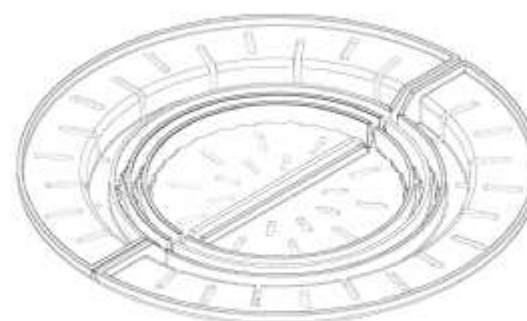
- (21) Design Number: **15730/2015**
(22) Date of Filing Application: **28 October 2015**
(24) Date from which industrial property rights may have effect: **28 October 2015**
(54) Product in respect of which the design is registered: **An electrical motor**
(51) International Design Classification: **13-01**
(74) Name(s) of Attorney(s): **PIPERS**
(71) Name(s) and Address(s) of Applicant(s):
TIMOTION TECHNOLOGY CO. LTD.
10F., No. 100, Minquan Road Xindian Dist. New Taipei City 231 Taiwan
(72) Name(s) of Designer(s): **Chou-Hsin Wu**
(45) Registration Date: **18 November 2015**
(56) Related Art Documents: **Not Applicable**
(57) Statement of Newness and Distinctiveness: **The design is to be applied to an ELECTRICAL MOTOR and the novelty resides in the features of shape and configuration of the ELECTRICAL MOTOR as shown in the accompanying representations.**



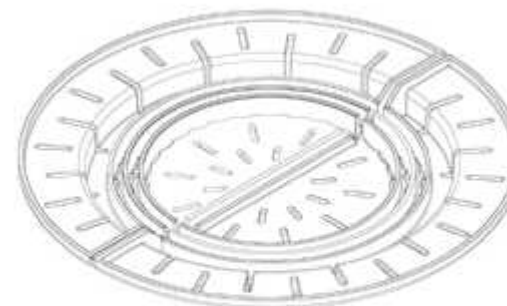
- (21) Design Number: **15732/2015**
(22) Date of Filing Application: **28 October 2015**
(24) Date from which industrial property rights may have effect: **28 October 2015**
(54) Product in respect of which the design is registered: **Bucket**
(51) International Design Classification: **07-07B**
(74) Name(s) of Attorney(s):
(71) Name(s) and Address(s) of Applicant(s):
 Troy Backhouse
 12/95 Victoria St Fitzroy VIC 3065 Australia
 John Pigitsaki
 201/19 Hall St Moonee Ponds VIC 3039 Australia
(72) Name(s) of Designer(s): **Troy Backhouse**
(45) Registration Date: **18 November 2015**
(56) Related Art Documents: **Not Applicable**
(57) Statement of Newness and Distinctiveness: **Nil**



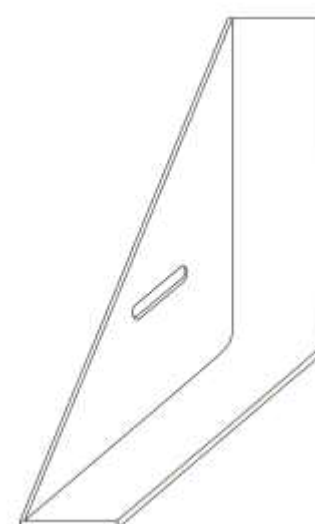
- (21) Design Number: **15734/2015**
(22) Date of Filing Application: **28 October 2015**
(24) Date from which industrial property rights may have effect: **18 August 2015**
(54) Product in respect of which the design is registered: **An insert for a panel**
(51) International Design Classification: **25-01D**
(74) Name(s) of Attorney(s): **AJ Park**
(71) Name(s) and Address(s) of Applicant(s):
 Brian Leonard Moore
 634 Remuera Road Remuera Auckland 1050 New Zealand
(72) Name(s) of Designer(s): **Brian Leonard Moore**
(45) Registration Date: **18 November 2015**
(62) Divisional of: **364987**
(56) Related Art Documents: **Not Applicable**
(57) Statement of Newness and Distinctiveness: **The newness and distinctiveness of the INSERT resides in the features of shape and/or configuration as shown in the accompanying drawings. Features shown in broken lines form no part of the claimed design.**



(21) Design Number: **15735/2015**
(22) Date of Filing Application: **28 October 2015**
(24) Date from which industrial property rights may have effect: **18 August 2015**
(54) Product in respect of which the design is registered: **An insert for a panel**
(51) International Design Classification: **25-01D**
(74) Name(s) of Attorney(s): **AJ Park**
(71) Name(s) and Address(s) of Applicant(s):
Brian Leonard Moore
634 Remuera Road Remuera Auckland 1050 New Zealand
(72) Name(s) of Designer(s): **Brian Leonard Moore**
(45) Registration Date: **18 November 2015**
(62) Divisional of: **364987**
(56) Related Art Documents: **Not Applicable**
(57) Statement of Newness and Distinctiveness: **The newness and distinctiveness of the INSERT resides in the features of shape and/or configuration as shown in the accompanying drawings.**



(21) Design Number: **15736/2015**
(22) Date of Filing Application: **28 October 2015**
(24) Date from which industrial property rights may have effect: **28 October 2015**
(54) Product in respect of which the design is registered: **Anti-flood barrier**
(51) International Design Classification: **25-02NES, 29-02**
(74) Name(s) of Attorney(s): **Griffith Hack**
(71) Name(s) and Address(s) of Applicant(s):
NOAQ Flood Protection AB
Forssaavaegen 13 F 820 64 NAESVIKEN Sweden
(72) Name(s) of Designer(s): **Sigurd Melin**
(45) Registration Date: **18 November 2015**
(30) Convention priority data:
(31) Number (32) Date (33) Country
**002691618 29 Apr 2015 OFFICE FOR HARMONISATION IN
THE INTERNAL MARKET (OHIM)**
(56) Related Art Documents: **Not Applicable**
(57) Statement of Newness and Distinctiveness: **Nil**



(21) Design Number: **15801/2015**

(22) Date of Filing Application: **29 October 2015**

(24) Date from which industrial property rights may have effect: **29 October 2015**

(54) Product in respect of which the design is registered: **Washing machine door**

(51) International Design Classification: **15-05**

(74) Name(s) of Attorney(s): **Griffith Hack**

(71) Name(s) and Address(s) of Applicant(s):

SAMSUNG ELECTRONICS CO., LTD.

129, Samsung-ro Yeongtong-gu Suwon-si Gyeonggi-do 16677 Republic of Korea

(72) Name(s) of Designer(s): **Deoksang Yun and Sanghun Yoon and Jaewon Choi and Junghoon Hwang and Seyoun Park**

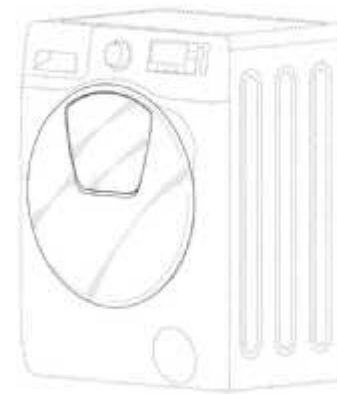
(45) Registration Date: **18 November 2015**

(30) Convention priority data:

(31) Number	(32) Date	(33) Country
KR	29 Apr 2015	REPUBLIC OF KOREA
30-2015-0022219		

(56) Related Art Documents: **Not Applicable**

(57) Statement of Newness and Distinctiveness: **The shape and configuration of the washing machine door, as shown with solid lines in the representations, are new and distinctive.**



(21) Design Number: **15697/2015**

(22) Date of Filing Application: **26 October 2015**

(24) Date from which industrial property rights may have effect: **26 October 2015**

(54) Product in respect of which the design is registered: **Cutting tool**

(51) International Design Classification: **08-03**

(74) Name(s) of Attorney(s): **PHILLIPS ORMONDE FITZPATRICK**

(71) Name(s) and Address(s) of Applicant(s):

Actervis GmbH

Dorfstrasse 38 6341 Baar Switzerland

(72) Name(s) of Designer(s): **Juan Ramon Torress Martin**

(45) Registration Date: **19 November 2015**

(30) Convention priority data:

(31) Number	(32) Date	(33) Country
002688416	24 Apr 2015	OFFICE FOR HARMONISATION IN THE INTERNAL MARKET (OHIM)

(56) Related Art Documents: **Not Applicable**

(57) Statement of Newness and Distinctiveness: **Nil**



(21) Design Number: **15698/2015**

(22) Date of Filing Application: **26 October 2015**

(24) Date from which industrial property rights may have effect: **26 October 2015**

(54) Product in respect of which the design is registered: **Cutting tool**

(51) International Design Classification: **08-03**

(74) Name(s) of Attorney(s): **PHILLIPS ORMONDE FITZPATRICK**

(71) Name(s) and Address(s) of Applicant(s):

**Actervis GmbH
Dorfstrasse 38 6341 Baar Switzerland**

(72) Name(s) of Designer(s): **Juan Ramon Torress Martin**

(45) Registration Date: **19 November 2015**

(30) Convention priority data:

(31) Number	(32) Date	(33) Country
002688416	24 Apr 2015	OFFICE FOR HARMONISATION IN THE INTERNAL MARKET (OHIM)

(56) Related Art Documents: **Not Applicable**

(57) Statement of Newness and Distinctiveness: **Nil**



(21) Design Number: **15700/2015**

(22) Date of Filing Application: **26 October 2015**

(24) Date from which industrial property rights may have effect: **26 October 2015**

(54) Product in respect of which the design is registered: **Pharmaceutical tablet**

(51) International Design Classification: **28-01**

(74) Name(s) of Attorney(s): **FB Rice**

(71) Name(s) and Address(s) of Applicant(s):

**Celgene Corporation
86 Morris Avenue Summit New Jersey, 07901 United States of America**

(72) Name(s) of Designer(s): **Darshan Parikh and Scott Burnside and Sreenivas
S Bhat and Jiping Liu**

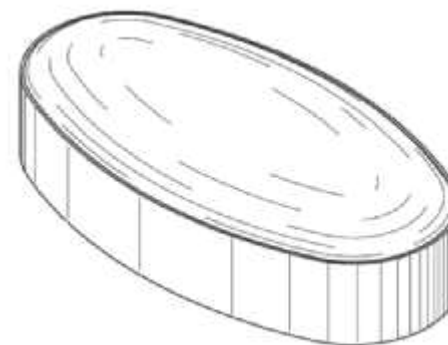
(45) Registration Date: **19 November 2015**

(30) Convention priority data:

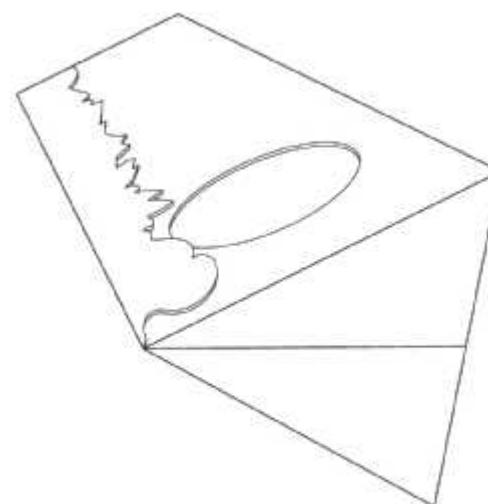
(31) Number	(32) Date	(33) Country
29/525253	28 Apr 2015	UNITED STATES OF AMERICA

(56) Related Art Documents: **Not Applicable**

(57) Statement of Newness and Distinctiveness: **Newness and distinctiveness
reside in the features of shape and configuration of the design as shown
in the representations.**



- (21) Design Number: **15701/2015**
(22) Date of Filing Application: **26 October 2015**
(24) Date from which industrial property rights may have effect: **26 October 2015**
(54) Product in respect of which the design is registered: **Packing box**
(51) International Design Classification: **09-03NES**
(74) Name(s) of Attorney(s): **Fisher Adams Kelly Callinans**
(71) Name(s) and Address(s) of Applicant(s):
Samuel Charles Cottell
27 Mountain St South Melbourne VIC 3205 Australia
(72) Name(s) of Designer(s): **Samuel Charles Cottell**
(45) Registration Date: **19 November 2015**
(56) Related Art Documents: **Not Applicable**
(57) Statement of Newness and Distinctiveness: **The newness and distinctiveness of the design resides in the shape and/or configuration of the PACKING BOX shown in the representations.**



- (21) Design Number: **15703/2015**
(22) Date of Filing Application: **26 October 2015**
(24) Date from which industrial property rights may have effect: **26 October 2015**
(54) Product in respect of which the design is registered: **Scooter (folding)**
(51) International Design Classification: **21-01F**
(74) Name(s) of Attorney(s):
(71) Name(s) and Address(s) of Applicant(s):
Jing Li
No. 5, Houshan, Yazhuang Village Zhiying Town, Yongkang Jinhua,
Zhejiang China
(72) Name(s) of Designer(s): **Jing Li**
(45) Registration Date: **19 November 2015**
(56) Related Art Documents: **Not Applicable**
(57) Statement of Newness and Distinctiveness: **Nil**



(21) Design Number: **15705/2015**

(22) Date of Filing Application: **27 October 2015**

(24) Date from which industrial property rights may have effect: **27 October 2015**

(54) Product in respect of which the design is registered: **Suitcase**

(51) International Design Classification: **03-01A**

(74) Name(s) of Attorney(s): **FB Rice**

(71) Name(s) and Address(s) of Applicant(s):

RIMOWA GmbH

Richard-Byrd-Strasse 13 Cologne 50829 Germany

(72) Name(s) of Designer(s): **Dieter Morszeck and Jan Reh**

(45) Registration Date: **19 November 2015**

(30) Convention priority data:

(31) Number
002696393

(32) Date
07 May 2015

(33) Country
**OFFICE FOR HARMONISATION IN
THE INTERNAL MARKET (OHIM)**

(56) Related Art Documents: **Not Applicable**

(57) Statement of Newness and Distinctiveness: **Newness and distinctiveness
reside in the features of the design as shown in the representations.**



(21) Design Number: **15706/2015**

(22) Date of Filing Application: **27 October 2015**

(24) Date from which industrial property rights may have effect: **27 October 2015**

(54) Product in respect of which the design is registered: **Sunglasses**

(51) International Design Classification: **16-06**

(74) Name(s) of Attorney(s):

(71) Name(s) and Address(s) of Applicant(s):

Frank Michael Siciliano

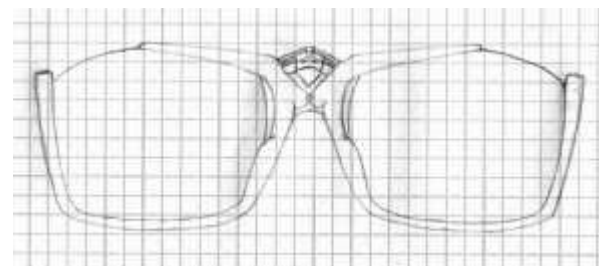
78-80 delaware Rd horsley park NSW 2175 Australia

(72) Name(s) of Designer(s): **Frank Michael Siciliano**

(45) Registration Date: **19 November 2015**

(56) Related Art Documents: **Not Applicable**

(57) Statement of Newness and Distinctiveness: **A unique sunglass with two sides of an Egyptian female body (nude) with a single Egyptian head located on the bridge between the two lenses. Her breasts also create the bridge of the sunglass. Her arms extend back as well as her legs which hold the actual lenses. Although, the extended arms do not cover the whole lens. A little less than half of the upper rim is left open. Her bum would be situated as the nose pads. The arms of the sunglasses extend from thick to thin with the name of the company located on the thick part (the temple) with the logo in front of the hinge.**



(21) Design Number: **14237/2015**
(22) Date of Filing Application: **18 August 2015**
(24) Date from which industrial property rights may have effect: **18 August 2015**
(54) Product in respect of which the design is registered: **Package for ostomy flange extenders**
(51) International Design Classification: **09-05**
(74) Name(s) of Attorney(s): **PHILLIPS ORMONDE FITZPATRICK**
(71) Name(s) and Address(s) of Applicant(s):
Hollister Incorporated
2000 Hollister Drive Libertyville Illinois 60048 United States of America
(72) Name(s) of Designer(s): **Anthony Scalise and Naja Dahl and Dion A. Jackson and Donald Rakevicius and Glenn Warning and Amy Wheaton and Scott Jachimski**
(45) Registration Date: **19 November 2015**
(30) Convention priority data:
(31) Number (32) Date (33) Country
29/519,668 06 Mar 2015 UNITED STATES OF AMERICA
(56) Related Art Documents: **Not Applicable**
(57) Statement of Newness and Distinctiveness: **Nil**



(21) Design Number: **15689/2015**
(22) Date of Filing Application: **26 October 2015**
(24) Date from which industrial property rights may have effect: **26 October 2015**
(54) Product in respect of which the design is registered: **A wire structure**
(51) International Design Classification: **25-02G, 25-01G, 25-04, 06-01NES, 09-09**
(74) Name(s) of Attorney(s): **FB Rice**
(71) Name(s) and Address(s) of Applicant(s):
Bilfinger Water Technologies Pty Ltd
88 Brickyard Rd Geebung QLD 4034 Australia
(72) Name(s) of Designer(s): **David John Lazzarini and Yusuf Cajee**
(45) Registration Date: **19 November 2015**
(56) Related Art Documents: **Not Applicable**
(57) Statement of Newness and Distinctiveness: **Newness and distinctiveness reside in the features of configuration and/or pattern and/or ornamentation of the wire structure as shown in the representations, the wire structure being of indefinite length and indefinite width, the pattern of the pairs of wires repeating across the width of the wire structure as shown in the representations. Greater weight is to be given to the repeating pattern of the pairs wires than to the size of the gap between the wires of each pair of wires or to the spacing between adjacent pairs of wires. The features of the design shown in broken lines are provided for reference purposes only and should not be considered when construing the visual features of the design.**



- (21) Design Number: **15690/2015**
(22) Date of Filing Application: **26 October 2015**
(24) Date from which industrial property rights may have effect: **26 October 2015**
(54) Product in respect of which the design is registered: **A wire structure**
(51) International Design Classification: **25-02G, 25-01G, 25-04, 06-01NES, 09-09**
(74) Name(s) of Attorney(s): **FB Rice**
(71) Name(s) and Address(s) of Applicant(s):
Bilfinger Water Technologies Pty Ltd
88 Brickyard Rd Geebung QLD 4034 Australia
(72) Name(s) of Designer(s): **David John Lazzarini and Yusuf Cajee**
(45) Registration Date: **19 November 2015**
(56) Related Art Documents: **Not Applicable**
(57) Statement of Newness and Distinctiveness: **Newness and distinctiveness reside in the features of configuration and/or pattern and/or ornamentation of the wire structure as shown in the representations, the wire structure being of indefinite length and indefinite width, the pattern of the pairs of wires repeating across the width of the wire structure as shown in the representations. Greater weight is to be given to the repeating pattern of the pairs wires than to the size of the gap between the wires of each pair of wires or to the spacing between adjacent pairs of wires. The features of the design shown in broken lines are provided for reference purposes only and should not be considered when construing the visual features of the design.**



- (21) Design Number: **15691/2015**
(22) Date of Filing Application: **26 October 2015**
(24) Date from which industrial property rights may have effect: **26 October 2015**
(54) Product in respect of which the design is registered: **A wire structure**
(51) International Design Classification: **25-02G, 25-01G, 25-04, 06-01NES, 09-09**
(74) Name(s) of Attorney(s): **FB Rice**
(71) Name(s) and Address(s) of Applicant(s):
Bilfinger Water Technologies Pty Ltd
88 Brickyard Rd Geebung QLD 4034 Australia
(72) Name(s) of Designer(s): **David John Lazzarini and Yusuf Cajee**
(45) Registration Date: **19 November 2015**
(56) Related Art Documents: **Not Applicable**
(57) Statement of Newness and Distinctiveness: **Newness and distinctiveness reside in the features of configuration and/or pattern and/or ornamentation of the wire structure as shown in the representations, the wire structure being of indefinite length and indefinite width, the pattern of the pairs of wires repeating across the width of the wire structure as shown in the representations. Greater weight is to be given to the repeating pattern of the pairs wires than to the size of the gap between the wires of each pair of wires or to the spacing between adjacent pairs of wires. The features of the design shown in broken lines are provided for reference purposes only and should not be considered when construing the visual features of the design.**



- (21) Design Number: **15692/2015**
(22) Date of Filing Application: **26 October 2015**
(24) Date from which industrial property rights may have effect: **26 October 2015**
(54) Product in respect of which the design is registered: **A wire structure**
(51) International Design Classification: **25-02G, 25-01G, 25-04, 06-01NES, 09-09**
(74) Name(s) of Attorney(s): **FB Rice**
(71) Name(s) and Address(s) of Applicant(s):
Bilfinger Water Technologies Pty Ltd
88 Brickyard Rd Geebung QLD 4034 Australia
(72) Name(s) of Designer(s): **David John Lazzarini and Yusuf Cajee**
(45) Registration Date: **19 November 2015**
(56) Related Art Documents: **Not Applicable**
(57) Statement of Newness and Distinctiveness: **Newness and distinctiveness reside in the features of configuration and/or pattern and/or ornamentation of the wire structure as shown in the representations, the wire structure being of indefinite length and indefinite width, the pattern of the pairs of wires repeating across the width of the wire structure as shown in the representations. Greater weight is to be given to the repeating pattern of the pairs wires than to the size of the gap between the wires of each pair of wires or to the spacing between adjacent pairs of wires. The features of the design shown in broken lines are provided for reference purposes only and should not be considered when construing the visual features of the design.**



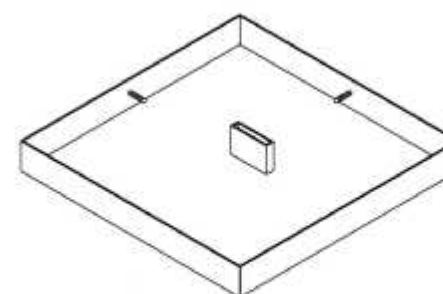
- (21) Design Number: **15694/2015**
(22) Date of Filing Application: **26 October 2015**
(24) Date from which industrial property rights may have effect: **26 October 2015**
(54) Product in respect of which the design is registered: **A wire structure**
(51) International Design Classification: **25-02G, 25-01G, 25-04, 06-01NES, 09-09**
(74) Name(s) of Attorney(s): **FB Rice**
(71) Name(s) and Address(s) of Applicant(s):
Bilfinger Water Technologies Pty Ltd
88 Brickyard Rd Geebung QLD 4034 Australia
(72) Name(s) of Designer(s): **David John Lazzarini and Yusuf Cajee**
(45) Registration Date: **19 November 2015**
(56) Related Art Documents: **Not Applicable**
(57) Statement of Newness and Distinctiveness: **Newness and distinctiveness reside in the features of configuration and/or pattern of the wire structure as shown in the representations, the wire structure being of indefinite length and indefinite width, the pattern of the pairs of wires repeating across the width of the wire structure as shown in the representations. Greater weight is to be given to the repeating pattern of the pairs of wires than to the size of the gap between the wires of each pair of wires or to the spacing between adjacent pairs of wires. The features of the design shown in broken lines are provided for reference purposes only and should not be considered when construing the visual features of the design.**



- (21) Design Number: **15696/2015**
(22) Date of Filing Application: **26 October 2015**
(24) Date from which industrial property rights may have effect: **26 October 2015**
(54) Product in respect of which the design is registered: **A wire structure**
(51) International Design Classification: **25-02G, 25-01G, 25-04, 06-01NES, 09-09**
(74) Name(s) of Attorney(s): **FB Rice**
(71) Name(s) and Address(s) of Applicant(s):
Bilfinger Water Technologies Pty Ltd
88 Brickyard Rd Geebung QLD 4034 Australia
(72) Name(s) of Designer(s): **David John Lazzarini and Yusuf Cajee**
(45) Registration Date: **19 November 2015**
(56) Related Art Documents: **Not Applicable**
(57) Statement of Newness and Distinctiveness: **Newness and distinctiveness reside in the features of configuration and/or pattern of the wire structure as shown in the representations, the wire structure being of indefinite length and indefinite width, the pattern of the pairs of wires repeating across the width of the wire structure as shown in the representations. Greater weight is to be given to the repeating pattern of the pairs of wires than to the size of the gap between the wires of each pair of wires or to the spacing between adjacent pairs of wires. The features of the design shown in broken lines are provided for reference purposes only and should not be considered when construing the visual features of the design.**



- (21) Design Number: **15739/2015**
(22) Date of Filing Application: **28 October 2015**
(24) Date from which industrial property rights may have effect: **28 October 2015**
(54) Product in respect of which the design is registered: **A mould for a skimmer box lid**
(51) International Design Classification: **23-01NES**
(74) Name(s) of Attorney(s): **EAGAR & MARTIN PTY LTD**
(71) Name(s) and Address(s) of Applicant(s):
Skimmer Lids Pty Ltd
C/- Eagar and Martin U2 35-39 Scarborough St Southport QLD 4215
Australia
(72) Name(s) of Designer(s): **William Geoffrey Freeman**
(45) Registration Date: **19 November 2015**
(56) Related Art Documents: **Not Applicable**
(57) Statement of Newness and Distinctiveness: **Nil**



(21) Design Number: **15740/2015**

(22) Date of Filing Application: **28 October 2015**

(24) Date from which industrial property rights may have effect: **28 October 2015**

(54) Product in respect of which the design is registered: **A mould for a skimmer box lid**

(51) International Design Classification: **23-01NES**

(74) Name(s) of Attorney(s): **EAGAR & MARTIN PTY LTD**

(71) Name(s) and Address(s) of Applicant(s):

Skimmer Lids Pty Ltd

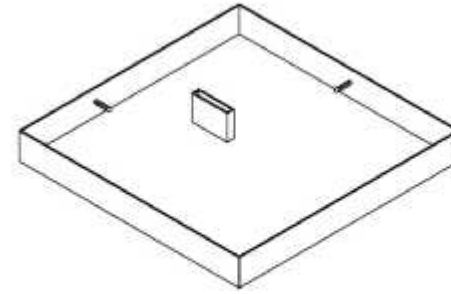
**C/- Eagar and Martin U2 35-39 Scarborough St Southport QLD 4215
Australia**

(72) Name(s) of Designer(s): **William Geoffrey Freeman**

(45) Registration Date: **19 November 2015**

(56) Related Art Documents: **Not Applicable**

(57) Statement of Newness and Distinctiveness: **Nil**



(21) Design Number: **15741/2015**

(22) Date of Filing Application: **28 October 2015**

(24) Date from which industrial property rights may have effect: **28 October 2015**

(54) Product in respect of which the design is registered: **A mould for a skimmer box lid**

(51) International Design Classification: **23-01NES**

(74) Name(s) of Attorney(s): **EAGAR & MARTIN PTY LTD**

(71) Name(s) and Address(s) of Applicant(s):

Skimmer Lids Pty Ltd

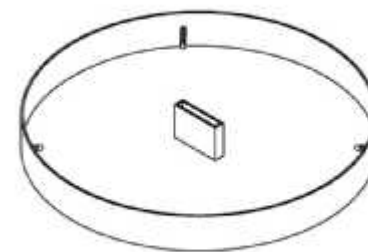
**C/- Eagar and Martin U2 35-39 Scarborough St Southport QLD 4215
Australia**

(72) Name(s) of Designer(s): **William Geoffrey Freeman**

(45) Registration Date: **19 November 2015**

(56) Related Art Documents: **Not Applicable**

(57) Statement of Newness and Distinctiveness: **Nil**



(21) Design Number: **15742/2015**

(22) Date of Filing Application: **28 October 2015**

(24) Date from which industrial property rights may have effect: **28 October 2015**

(54) Product in respect of which the design is registered: **A mould for a skimmer box lid**

(51) International Design Classification: **23-01NES**

(74) Name(s) of Attorney(s): **EAGAR & MARTIN PTY LTD**

(71) Name(s) and Address(s) of Applicant(s):

Skimmer Lids Pty Ltd

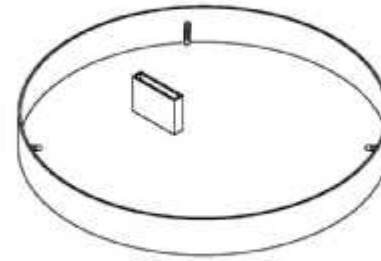
**C/- Eagar and Martin U2 35-39 Scarborough St Southport QLD 4215
Australia**

(72) Name(s) of Designer(s): **William Geoffrey Freeman**

(45) Registration Date: **19 November 2015**

(56) Related Art Documents: **Not Applicable**

(57) Statement of Newness and Distinctiveness: **Nil**



(21) Design Number: **15743/2015**

(22) Date of Filing Application: **28 October 2015**

(24) Date from which industrial property rights may have effect: **28 October 2015**

(54) Product in respect of which the design is registered: **A mould for a skimmer box lid**

(51) International Design Classification: **23-01NES**

(74) Name(s) of Attorney(s): **EAGAR & MARTIN PTY LTD**

(71) Name(s) and Address(s) of Applicant(s):

Skimmer Lids Pty Ltd

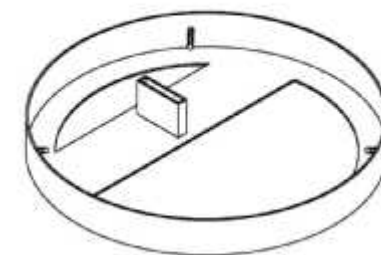
**C/- Eagar and Martin U2 35-39 Scarborough St Southport QLD 4215
Australia**

(72) Name(s) of Designer(s): **William Geoffrey Freeman**

(45) Registration Date: **19 November 2015**

(56) Related Art Documents: **Not Applicable**

(57) Statement of Newness and Distinctiveness: **Nil**



(21) Design Number: **15744/2015**

(22) Date of Filing Application: **28 October 2015**

(24) Date from which industrial property rights may have effect: **28 October 2015**

(54) Product in respect of which the design is registered: **A mould for a skimmer box lid**

(51) International Design Classification: **23-01NES**

(74) Name(s) of Attorney(s): **EAGAR & MARTIN PTY LTD**

(71) Name(s) and Address(s) of Applicant(s):

Skimmer Lids Pty Ltd

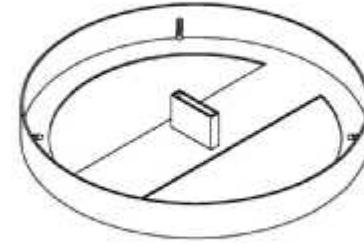
**C/- Eagar and Martin U2 35-39 Scarborough St Southport QLD 4215
Australia**

(72) Name(s) of Designer(s): **William Geoffrey Freeman**

(45) Registration Date: **19 November 2015**

(56) Related Art Documents: **Not Applicable**

(57) Statement of Newness and Distinctiveness: **Nil**



(21) Design Number: **15745/2015**

(22) Date of Filing Application: **28 October 2015**

(24) Date from which industrial property rights may have effect: **28 October 2015**

(54) Product in respect of which the design is registered: **A mould for a skimmer box lid**

(51) International Design Classification: **23-01NES**

(74) Name(s) of Attorney(s): **EAGAR & MARTIN PTY LTD**

(71) Name(s) and Address(s) of Applicant(s):

Skimmer Lids Pty Ltd

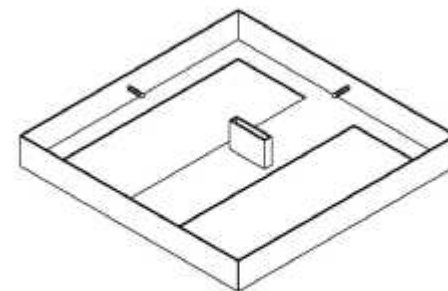
**C/- Eagar and Martin U2 35-39 Scarborough St Southport QLD 4215
Australia**

(72) Name(s) of Designer(s): **William Geoffrey Freeman**

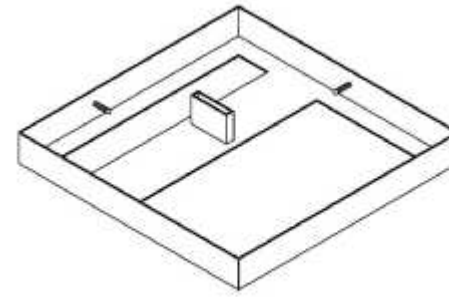
(45) Registration Date: **19 November 2015**

(56) Related Art Documents: **Not Applicable**

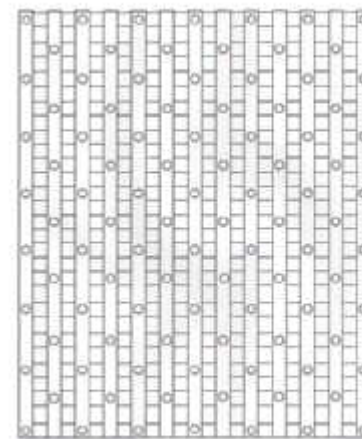
(57) Statement of Newness and Distinctiveness: **Nil**



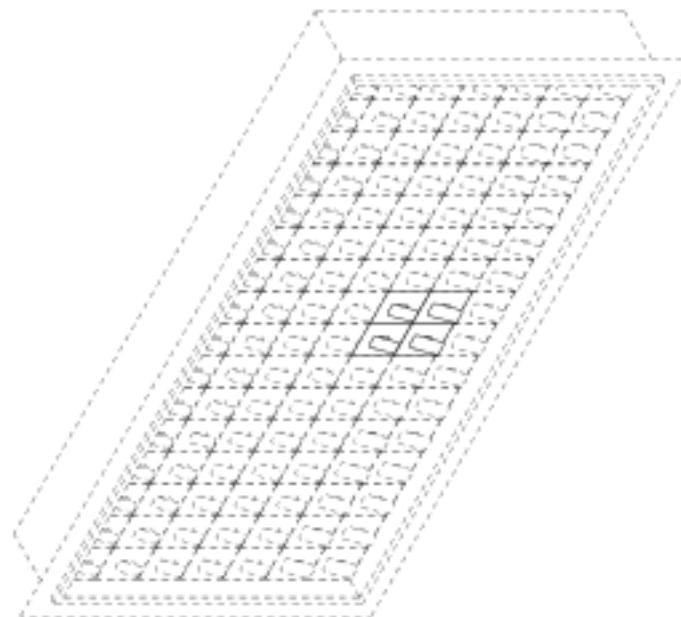
- (21) Design Number: **15746/2015**
(22) Date of Filing Application: **28 October 2015**
(24) Date from which industrial property rights may have effect: **28 October 2015**
(54) Product in respect of which the design is registered: **A mould for a skimmer box lid**
(51) International Design Classification: **23-01NES**
(74) Name(s) of Attorney(s): **EAGAR & MARTIN PTY LTD**
(71) Name(s) and Address(s) of Applicant(s):
Skimmer Lids Pty Ltd
C/- Eagar and Martin U2 35-39 Scarborough St Southport QLD 4215
Australia
(72) Name(s) of Designer(s): **William Geoffrey Freeman**
(45) Registration Date: **19 November 2015**
(56) Related Art Documents: **Not Applicable**
(57) Statement of Newness and Distinctiveness: **Nil**



- (21) Design Number: **14541/2015**
(22) Date of Filing Application: **28 August 2015**
(24) Date from which industrial property rights may have effect: **28 August 2015**
(54) Product in respect of which the design is registered: **Load restraint cargo net for securing loads**
(51) International Design Classification: **12-16K**
(74) Name(s) of Attorney(s):
(71) Name(s) and Address(s) of Applicant(s):
PAL Enterprises (Aust) Pty Ltd
36 Coralvine Gra Stirling WA 6021 Australia
(72) Name(s) of Designer(s): **Willem Willem Haasse**
(45) Registration Date: **19 November 2015**
(56) Related Art Documents: **Not Applicable**
(57) Statement of Newness and Distinctiveness: **Additional design to existing Design application No 201513938 Half grommeted Cargo Net made to any size. Compliant to AS/NZS standard 4380:2001**



- (21) Design Number: **15229/2015**
(22) Date of Filing Application: **07 October 2015**
(24) Date from which industrial property rights may have effect: **07 October 2015**
(54) Product in respect of which the design is registered: **Display structure**
(51) International Design Classification: **20-02NES**
(74) Name(s) of Attorney(s): **Freehills Patent Attorneys**
(71) Name(s) and Address(s) of Applicant(s):
Apple Inc.
1 Infinite Loop Cupertino California, 95014 United States of America
(72) Name(s) of Designer(s): **Jonathan P. Siegel and Christopher M. Green and Sam Brown and Kully Kraig Mandon and Casey Feeney and Kristen Ernst and Bridget Cinquegrano and Taylor Hoff and Jean-Marc Gady and Carsten Goertz and David Nelson and Stefan Behling and David Summerfield and James McGrath and Rafe Bertram and Oliver Mould and Wolfgang Muller and Ed Wright and Bo Yoon**
(45) Registration Date: **19 November 2015**
(30) Convention priority data:
(31) Number (32) Date (33) Country
29/526385 08 May 2015 UNITED STATES OF AMERICA
(56) Related Art Documents: **Not Applicable**
(57) Statement of Newness and Distinctiveness: **Newness and distinctiveness is claimed in the features of shape and configuration shown in solid lines in the accompanying figures.**



- (21) Design Number: **15455/2015**
(22) Date of Filing Application: **15 October 2015**
(24) Date from which industrial property rights may have effect: **15 October 2015**
(54) Product in respect of which the design is registered: **A flask with closure**
(51) International Design Classification: **07-01F**
(74) Name(s) of Attorney(s): **Griffith Hack**
(71) Name(s) and Address(s) of Applicant(s):
BRITA GMBH
Heinrich-Hertz Strasse 4 TAUNUSSTEIN 65232 Germany
(72) Name(s) of Designer(s): **Christian Rummel and Tim Storti**
(45) Registration Date: **19 November 2015**
(30) Convention priority data:
(31) Number (32) Date (33) Country
40 2015 100 355 17 Apr 2015 GERMANY
(56) Related Art Documents: **Not Applicable**
(57) Statement of Newness and Distinctiveness: **Newness and distinctiveness resides in the visual features, including shape and configuration, of A FLASK WITH CLOSURE as shown in the accompanying drawings.**



(21) Design Number: **15523/2015**

(22) Date of Filing Application: **20 October 2015**

(24) Date from which industrial property rights may have effect: **20 October 2015**

(54) Product in respect of which the design is registered: **Electric motorbike**

(51) International Design Classification: **12-11**

(74) Name(s) of Attorney(s): **James & Wells**

(71) Name(s) and Address(s) of Applicant(s):

UBCO Limited

C/- Locus Research Limited 37 Newnham Road RD4 Tauranga 3174 New Zealand

(72) Name(s) of Designer(s): **Anthony Clyde and Daryl Neal**

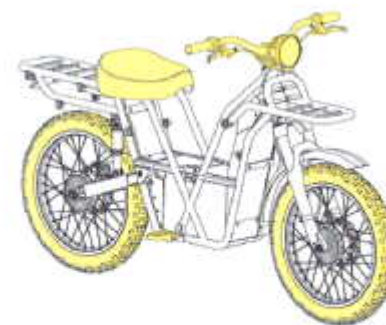
(45) Registration Date: **19 November 2015**

(30) Convention priority data:

(31) Number	(32) Date	(33) Country
420154	20 Apr 2015	NEW ZEALAND

(56) Related Art Documents: **Not Applicable**

(57) Statement of Newness and Distinctiveness: **This design is to be applied to an electric motorbike and the novelty resides in features of shape and configuration of the article, all as shown in the accompanying representations. The shape and configuration of the yellow washed items are not part of the design in which novelty is claimed.**



(21) Design Number: **15544/2015**

(22) Date of Filing Application: **20 October 2015**

(24) Date from which industrial property rights may have effect: **20 October 2015**

(54) Product in respect of which the design is registered: **Display screen for an electronic device**

(51) International Design Classification: **14-02**

(74) Name(s) of Attorney(s): **WRAYS PTY LTD**

(71) Name(s) and Address(s) of Applicant(s):

Samsung Electronics Co., Ltd

129, Samsung-ro Yeongtong-gu Suwon-si Gyeonggi-do 443-742 Republic of Korea

(72) Name(s) of Designer(s): **Se-Ran Jeon and Ji-Hyae Kim and Won-Hee Lee**

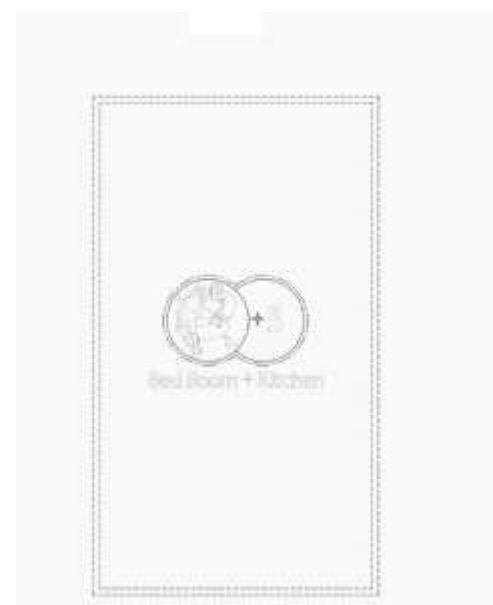
(45) Registration Date: **19 November 2015**

(30) Convention priority data:

(31) Number	(32) Date	(33) Country
30-2015-0026826	28 May 2015	REPUBLIC OF KOREA

(56) Related Art Documents: **Not Applicable**

(57) Statement of Newness and Distinctiveness: **Newness and distinctiveness is claimed in the features of shape, configuration, pattern, and/or ornamentation of the Display Screen for an Electronic Device as shown in the accompanying representations. The features depicted by broken lines are for illustrative purposes only and form no part of the claimed design. The alternate long and short dash broken lines define boundaries of the claimed design and form no part of the claimed design.**



(21) Design Number: **15800/2015**

(22) Date of Filing Application: **29 October 2015**

(24) Date from which industrial property rights may have effect: **29 October 2015**

(54) Product in respect of which the design is registered: **Fire alarm**

(51) International Design Classification: **10-05**

(74) Name(s) of Attorney(s): **Marks & Clerk Australia**

(71) Name(s) and Address(s) of Applicant(s):

Sprue Safety Products Ltd
Unit 10, Vanguard Centre Sir William Lyons Road Coventry CV4 7EZ
United Kingdom

(72) Name(s) of Designer(s): **Chris Bolger and Peter Brigham**

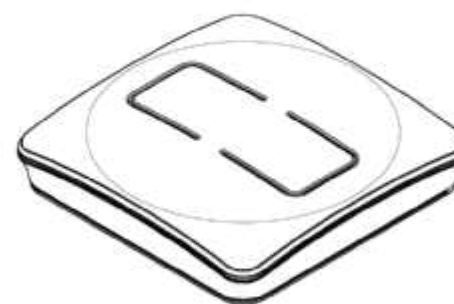
(45) Registration Date: **19 November 2015**

(30) Convention priority data:

(31) Number	(32) Date	(33) Country
002693473-0006	01 May 2015	OFFICE FOR HARMONISATION IN THE INTERNAL MARKET (OHIM)

(56) Related Art Documents: **Not Applicable**

(57) Statement of Newness and Distinctiveness: **Newness and distinctiveness resides in the features of the shape and/or configuration of a fire alarm as illustrated in the accompanying drawings.**



(21) Design Number: **15802/2015**

(22) Date of Filing Application: **29 October 2015**

(24) Date from which industrial property rights may have effect: **29 October 2015**

(54) Product in respect of which the design is registered: **Washing machine door**

(51) International Design Classification: **15-05**

(74) Name(s) of Attorney(s): **Griffith Hack**

(71) Name(s) and Address(s) of Applicant(s):

SAMSUNG ELECTRONICS CO., LTD.
129, Samsung-ro Yeongtong-gu Suwon-si Gyeonggi-do 16677 Republic
of Korea

(72) Name(s) of Designer(s): **Jaewon Choi and Deoksang Yun and Sanghun Yoon and Junghoon Hwang and Seyoun Park**

(45) Registration Date: **19 November 2015**

(30) Convention priority data:

(31) Number	(32) Date	(33) Country
KR	29 Apr 2015	REPUBLIC OF KOREA
30-2015-0022220		

(56) Related Art Documents: **Not Applicable**

(57) Statement of Newness and Distinctiveness: **The shape and configuration of the washing machine door, as shown with solid lines in the representations, are new and distinctive.**



- (21) Design Number: **15804/2015**
(22) Date of Filing Application: **29 October 2015**
(24) Date from which industrial property rights may have effect: **29 October 2015**
(54) Product in respect of which the design is registered: **Washing machine door**
(51) International Design Classification: **15-05**
(74) Name(s) of Attorney(s): **Griffith Hack**
(71) Name(s) and Address(s) of Applicant(s):
SAMSUNG ELECTRONICS CO., LTD.
129, Samsung-ro Yeongtong-gu Suwon-si Gyeonggi-do 16677 Republic of Korea
(72) Name(s) of Designer(s): **Seyoun Park and Deoksang Yun and Sanghun Yoon and Junghoon Hwang and Jaewon Choi**
(45) Registration Date: **19 November 2015**
(30) Convention priority data:
(31) Number (32) Date (33) Country
KR 29 Apr 2015 REPUBLIC OF KOREA
30-2015-0022223
(56) Related Art Documents: **Not Applicable**
(57) Statement of Newness and Distinctiveness: **The shape and configuration of the washing machine door, as shown with solid lines in the representations, are new and distinctive.**



- (21) Design Number: **15805/2015**
(22) Date of Filing Application: **29 October 2015**
(24) Date from which industrial property rights may have effect: **29 October 2015**
(54) Product in respect of which the design is registered: **Washing machine door**
(51) International Design Classification: **15-05**
(74) Name(s) of Attorney(s): **Griffith Hack**
(71) Name(s) and Address(s) of Applicant(s):
SAMSUNG ELECTRONICS CO., LTD.
129, Samsung-ro Yeongtong-gu Suwon-si Gyeonggi-do 16677 Republic of Korea
(72) Name(s) of Designer(s): **Jaewon Choi and Deoksang Yun and Sanghun Yoon and Junghoon Hwang and Seyoun Park**
(45) Registration Date: **19 November 2015**
(30) Convention priority data:
(31) Number (32) Date (33) Country
KR 29 Apr 2015 REPUBLIC OF KOREA
30-2015-0022221
(56) Related Art Documents: **Not Applicable**
(57) Statement of Newness and Distinctiveness: **The shape and configuration of the washing machine door, as shown with solid lines in the representations, are new and distinctive.**



(21) Design Number: **15806/2015**

(22) Date of Filing Application: **29 October 2015**

(24) Date from which industrial property rights may have effect: **29 October 2015**

(54) Product in respect of which the design is registered: **Washing machine door**

(51) International Design Classification: **15-05**

(74) Name(s) of Attorney(s): **Griffith Hack**

(71) Name(s) and Address(s) of Applicant(s):

SAMSUNG ELECTRONICS CO., LTD.

129, Samsung-ro Yeongtong-gu Suwon-si Gyeonggi-do 16677 Republic of Korea

(72) Name(s) of Designer(s): **Deoksang Yun and Sanghun Yoon and Daekyun Lee and Jaewon Choi and Junghoon Hwang and Seyoun Park**

(45) Registration Date: **19 November 2015**

(30) Convention priority data:

(31) Number	(32) Date	(33) Country
KR	29 Apr 2015	REPUBLIC OF KOREA
30-2015-0022224		

(56) Related Art Documents: **Not Applicable**

(57) Statement of Newness and Distinctiveness: **The shape and configuration of the washing machine door, as shown with solid lines in the representations, are new and distinctive.**



(21) Design Number: **15803/2015**

(22) Date of Filing Application: **29 October 2015**

(24) Date from which industrial property rights may have effect: **29 October 2015**

(54) Product in respect of which the design is registered: **Swing**

(51) International Design Classification: **21-03**

(74) Name(s) of Attorney(s): **Fisher Adams Kelly Callinans**

(71) Name(s) and Address(s) of Applicant(s):

Robovision Limited

Unit 11 Enterprise Way Flitwick BEDFORDSHIRE MK45 5BX United Kingdom

(72) Name(s) of Designer(s): **Jack Hamon and Miles Mann**

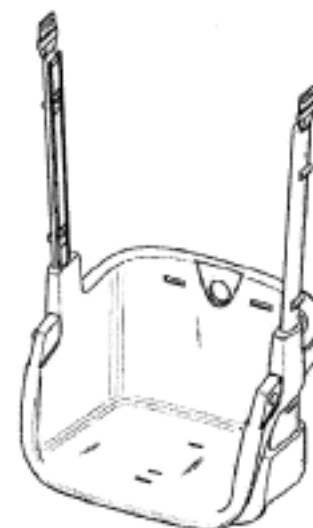
(45) Registration Date: **19 November 2015**

(30) Convention priority data:

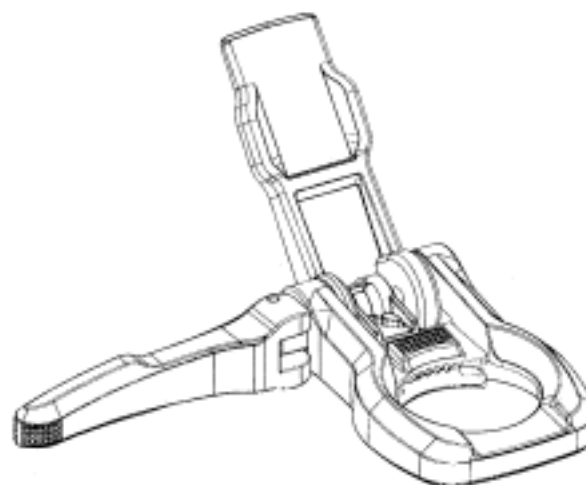
(31) Number	(32) Date	(33) Country
DM/087029	05 Jun 2015	UNITED KINGDOM

(56) Related Art Documents: **Not Applicable**

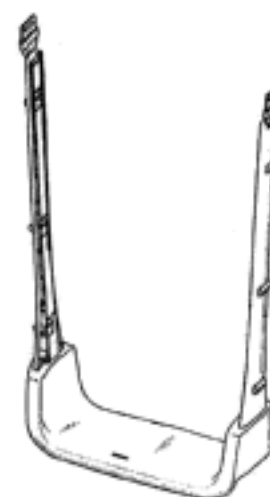
(57) Statement of Newness and Distinctiveness: **The newness and distinctiveness of the design resides in the shape and/or configuration of the SWING shown in the representations.**



(21) Design Number: **15807/2015**
(22) Date of Filing Application: **29 October 2015**
(24) Date from which industrial property rights may have effect: **29 October 2015**
(54) Product in respect of which the design is registered: **Mount for a digital video camera**
(51) International Design Classification: **16-05**
(74) Name(s) of Attorney(s): **Spruson & Ferguson**
(71) Name(s) and Address(s) of Applicant(s):
TomTom International B.V.
De Ruijterkade 154, Amsterdam 1011 AC The Netherlands
(72) Name(s) of Designer(s): **Christopher James Taylor and Martin Riddiford**
(45) Registration Date: **19 November 2015**
(30) Convention priority data:
(31) Number (32) Date (33) Country
**002692343-0006 29 Apr 2015 OFFICE FOR HARMONISATION IN
THE INTERNAL MARKET (OHIM)**
(56) Related Art Documents: **Not Applicable**
(57) Statement of Newness and Distinctiveness: **Newness and distinctiveness
is claimed in the features of shape and/or configuration of a mount for a
digital video camera as illustrated in the accompanying representations.**



(21) Design Number: **15808/2015**
(22) Date of Filing Application: **29 October 2015**
(24) Date from which industrial property rights may have effect: **29 October 2015**
(54) Product in respect of which the design is registered: **Swing**
(51) International Design Classification: **21-03**
(74) Name(s) of Attorney(s): **Fisher Adams Kelly Callinans**
(71) Name(s) and Address(s) of Applicant(s):
Robovision Limited
**Unit 11 Enterprise Way Flitwick BEDFORDSHIRE MK45 5BX United
Kingdom**
(72) Name(s) of Designer(s): **Jack Hamon and Miles Mann**
(45) Registration Date: **19 November 2015**
(30) Convention priority data:
(31) Number (32) Date (33) Country
**DM/087029 05 Jun 2015 WORLD INTELLECTUAL
PROPERTY ORGANIZATION
(WIPO)**
(56) Related Art Documents: **Not Applicable**
(57) Statement of Newness and Distinctiveness: **The newness and
distinctiveness of the design resides in the shape and/or configuration
of the SWING shown in the representations.**



- (21) Design Number: **15811/2015**
(22) Date of Filing Application: **29 October 2015**
(24) Date from which industrial property rights may have effect: **29 October 2015**
(54) Product in respect of which the design is registered: **A panel**
(51) International Design Classification: **25-01D**
(74) Name(s) of Attorney(s): **Spruson & Ferguson**
(71) Name(s) and Address(s) of Applicant(s):
A Plus Plastics & Tooling Pty Ltd
4 Huntsmore Rd Minto NSW 2566 Australia
(72) Name(s) of Designer(s): **Matthew Holloway**
(45) Registration Date: **19 November 2015**
(56) Related Art Documents: **Not Applicable**
(57) Statement of Newness and Distinctiveness: **Newness and distinctiveness is claimed in the features of shape and/or configuration of a panel as illustrated in the accompanying representations.**



- (21) Design Number: **15812/2015**
(22) Date of Filing Application: **29 October 2015**
(24) Date from which industrial property rights may have effect: **29 October 2015**
(54) Product in respect of which the design is registered: **Window weather guard**
(51) International Design Classification: **25-02H**
(74) Name(s) of Attorney(s): **Wynnes Patent & Trade Mark Attorneys**
(71) Name(s) and Address(s) of Applicant(s):
Window Weather Systems Pty Ltd
4/27 Godwin St Bulimba QLD 4171 Australia
(72) Name(s) of Designer(s): **Andrew Cottle**
(45) Registration Date: **19 November 2015**
(56) Related Art Documents: **Not Applicable**
(57) Statement of Newness and Distinctiveness: **Newness and distinctiveness resides in the features of shape and/or configuration of a window weather guard as shown in the accompanying representations.**



(21) Design Number: **15813/2015**

(22) Date of Filing Application: **30 October 2015**

(24) Date from which industrial property rights may have effect: **30 October 2015**

(54) Product in respect of which the design is registered: **Bag**

(51) International Design Classification: **03-01D**

(74) Name(s) of Attorney(s): **FB Rice**

(71) Name(s) and Address(s) of Applicant(s):

FURLA S.p.A.

Via Bellaria, 3-5 I-40068 S. LAZZARO DI SAVENA (BO) Italy

(72) Name(s) of Designer(s): **Fabio Fusi**

(45) Registration Date: **19 November 2015**

(30) Convention priority data:

(31) Number (32) Date
002693259-0002 30 Apr 2015

(33) Country
**OFFICE FOR HARMONISATION IN
THE INTERNAL MARKET (OHIM)**

(56) Related Art Documents: **Not Applicable**

(57) Statement of Newness and Distinctiveness: **Newness and distinctiveness
reside in the features of the shape and configuration of the design as
shown in the representations.**



(21) Design Number: **15814/2015**

(22) Date of Filing Application: **30 October 2015**

(24) Date from which industrial property rights may have effect: **30 October 2015**

(54) Product in respect of which the design is registered: **Bag**

(51) International Design Classification: **03-01B**

(74) Name(s) of Attorney(s): **FB Rice**

(71) Name(s) and Address(s) of Applicant(s):

FURLA S.p.A.

Via Bellaria, 3-5 I-40068 S. LAZZARO DI SAVENA (BO) Italy

(72) Name(s) of Designer(s): **Fabio Fusi**

(45) Registration Date: **19 November 2015**

(30) Convention priority data:

(31) Number (32) Date
002693259-0003 30 Apr 2015

(33) Country
**OFFICE FOR HARMONISATION IN
THE INTERNAL MARKET (OHIM)**

(56) Related Art Documents: **Not Applicable**

(57) Statement of Newness and Distinctiveness: **Newness and distinctiveness
reside in the features of the shape and configuration of the design as
shown in the representations.**



(21) Design Number: **15815/2015**

(22) Date of Filing Application: **30 October 2015**

(24) Date from which industrial property rights may have effect: **30 October 2015**

(54) Product in respect of which the design is registered: **Bag**

(51) International Design Classification: **03-01B**

(74) Name(s) of Attorney(s): **FB Rice**

(71) Name(s) and Address(s) of Applicant(s):

FURLA S.p.A.

Via Bellaria, 3-5 I-40068 S. LAZZARO DI SAVENA (BO) Italy

(72) Name(s) of Designer(s): **Fabio Fusi**

(45) Registration Date: **19 November 2015**

(30) Convention priority data:

(31) Number

(32) Date

(33) Country

002693259-0004 30 Apr 2015

**OFFICE FOR HARMONISATION IN
THE INTERNAL MARKET (OHIM)**

(56) Related Art Documents: **Not Applicable**

(57) Statement of Newness and Distinctiveness: **Newness and distinctiveness
reside in the features of the shape and configuration of the design as
shown in the representations.**



(21) Design Number: **15780/2015**

(22) Date of Filing Application: **28 October 2015**

(24) Date from which industrial property rights may have effect: **28 October 2015**

(54) Product in respect of which the design is registered: **Vacuum cleaner**

(51) International Design Classification: **15-05**

(74) Name(s) of Attorney(s): **Pizzseys Patent and Trade Mark Attorneys Pty Ltd**

(71) Name(s) and Address(s) of Applicant(s):

SharkNinja Operating LLC

180 Wells Avenue, Suite 200 Newton MA, 02459 United States of America

(72) Name(s) of Designer(s): **Aaron Ricica**

(45) Registration Date: **19 November 2015**

(30) Convention priority data:

(31) Number

(32) Date

(33) Country

29/527,100 15 May 2015

UNITED STATES OF AMERICA

(56) Related Art Documents: **Not Applicable**

(57) Statement of Newness and Distinctiveness: **Nil**



(21) Design Number: **15781/2015**

(22) Date of Filing Application: **28 October 2015**

(24) Date from which industrial property rights may have effect: **28 October 2015**

(54) Product in respect of which the design is registered: **Caddy for a cleaning appliance**

(51) International Design Classification: **15-05**

(74) Name(s) of Attorney(s): **Pizzeys Patent and Trade Mark Attorneys Pty Ltd**

(71) Name(s) and Address(s) of Applicant(s):

SharkNinja Operating LLC

180 Wells Avenue, Suite 200 Newton MA, 02459 United States of America

(72) Name(s) of Designer(s): **Charlie Cai and Brian M. Bond and William Liberis**

(45) Registration Date: **19 November 2015**

(30) Convention priority data:

(31) Number

(32) Date

(33) Country

29/527,086

15 May 2015

UNITED STATES OF AMERICA

(56) Related Art Documents: **Not Applicable**

(57) Statement of Newness and Distinctiveness: **Nil**



(21) Design Number: **15782/2015**

(22) Date of Filing Application: **29 October 2015**

(24) Date from which industrial property rights may have effect: **29 October 2015**

(54) Product in respect of which the design is registered: **Steel plate**

(51) International Design Classification: **25-01NES**

(74) Name(s) of Attorney(s):

(71) Name(s) and Address(s) of Applicant(s):

SHED BONANZA PTY LTD

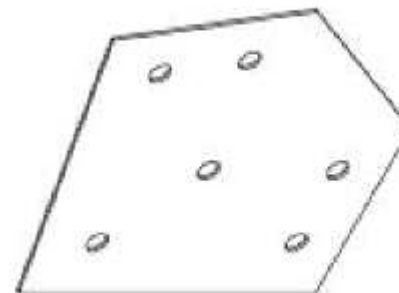
PO BOX 33 Bayswater VIC 3153 Australia

(72) Name(s) of Designer(s): **Owen Lloyd**

(45) Registration Date: **19 November 2015**

(56) Related Art Documents: **Not Applicable**

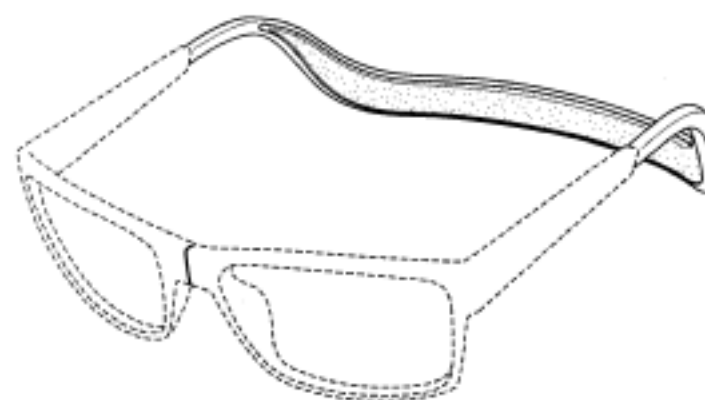
(57) Statement of Newness and Distinctiveness: **Relative hole locations and use of plate.**



- (21) Design Number: **15783/2015**
(22) Date of Filing Application: **29 October 2015**
(24) Date from which industrial property rights may have effect: **29 October 2015**
(54) Product in respect of which the design is registered: **Air intake snorkel for a vehicle**
(51) International Design Classification: **12-16NES**
(74) Name(s) of Attorney(s):
(71) Name(s) and Address(s) of Applicant(s):
SAFARI R&D PTY LTD
73 Merrindale Dr Croydon South VIC 3136 Australia
(72) Name(s) of Designer(s): **Dean Wickes**
(45) Registration Date: **19 November 2015**
(56) Related Art Documents: **Not Applicable**
(57) Statement of Newness and Distinctiveness: **Newness and distinctiveness is claimed in the shape and configuration of an Air Intake Snorkel for a Vehicle as shown in the representations.**



- (21) Design Number: **15784/2015**
(22) Date of Filing Application: **29 October 2015**
(24) Date from which industrial property rights may have effect: **29 October 2015**
(54) Product in respect of which the design is registered: **Eyewear**
(51) International Design Classification: **16-06**
(74) Name(s) of Attorney(s): **Spruson & Ferguson**
(71) Name(s) and Address(s) of Applicant(s):
Clic Goggles, Inc.
408 Tamal Plaza, Corte Madera California, 94925 United States of America
(72) Name(s) of Designer(s): **Ron Lando**
(45) Registration Date: **19 November 2015**
(30) Convention priority data:
(31) Number (32) Date (33) Country
29/528493 29 May 2015 UNITED STATES OF AMERICA
(56) Related Art Documents: **Not Applicable**
(57) Statement of Newness and Distinctiveness: **Newness and distinctiveness is claimed in the features of shape and/or configuration of the band of an eyewear as illustrated in continuous lines in the accompanying representations.**



(21) Design Number: **15785/2015**
(22) Date of Filing Application: **29 October 2015**
(24) Date from which industrial property rights may have effect: **29 October 2015**
(54) Product in respect of which the design is registered: **Stool**
(51) International Design Classification: **06-01E**
(74) Name(s) of Attorney(s): **Shelston IP Pty Ltd.**
(71) Name(s) and Address(s) of Applicant(s):
Kristalia S.r.l.
Via A. Durante 28 Prata (PN) 33080 Italy
(72) Name(s) of Designer(s): **Michael Geldmacher and Eva Paster**
(45) Registration Date: **19 November 2015**
(30) Convention priority data:
(31) Number (32) Date (33) Country
**002691709-0001 29 Apr 2015 OFFICE FOR HARMONISATION IN
THE INTERNAL MARKET (OHIM)**
(56) Related Art Documents: **Not Applicable**
(57) Statement of Newness and Distinctiveness: **Newness and distinctiveness
reside in the features of shape and/or configuration of a STOOL as
illustrated in the accompanying representations.**



(21) Design Number: **15787/2015**
(22) Date of Filing Application: **29 October 2015**
(24) Date from which industrial property rights may have effect: **29 October 2015**
(54) Product in respect of which the design is registered: **Lid for a container**
(51) International Design Classification: **09-07B**
(74) Name(s) of Attorney(s): **Griffith Hack**
(71) Name(s) and Address(s) of Applicant(s):
Runway Blue, LLC
250 South 850 East Lehi UT, 84043 United States of America
(72) Name(s) of Designer(s): **Steven M. Sorensen and David O. Meyers**
(45) Registration Date: **19 November 2015**
(30) Convention priority data:
(31) Number (32) Date (33) Country
29/525,379 29 Apr 2015 UNITED STATES OF AMERICA
(56) Related Art Documents: **Not Applicable**
(57) Statement of Newness and Distinctiveness: **The shape and configuration
of the product as shown by solid lines in the accompanying
representations is new and distinctive.**



(21) Design Number: **12928/2015**
(22) Date of Filing Application: **10 June 2015**
(24) Date from which industrial property rights may have effect: **10 June 2015**
(54) Product in respect of which the design is registered: **Modular cycle storage apparatus**
(51) International Design Classification: **08-10**
(74) Name(s) of Attorney(s): **Cullens Pty Ltd**
(71) Name(s) and Address(s) of Applicant(s):
Craig Oliver Hyde
15 Patrick St Aitkenvale QLD 4814 Australia
(72) Name(s) of Designer(s): **Craig Oliver Hyde**
(45) Registration Date: **19 November 2015**
(56) Related Art Documents: **Not Applicable**
(57) Statement of Newness and Distinctiveness: **Nil**



(21) Design Number: **13081/2015**
(22) Date of Filing Application: **18 June 2015**
(24) Date from which industrial property rights may have effect: **18 June 2015**
(54) Product in respect of which the design is registered: **Container**
(51) International Design Classification: **09-03NES**
(74) Name(s) of Attorney(s): **Davies Collison Cave**
(71) Name(s) and Address(s) of Applicant(s):
Cryovac Australia Pty Ltd
90 Keilor Park Dr Tullamarine VIC 3043 Australia
(72) Name(s) of Designer(s): **Michael Grima and Bryan Terry**
(45) Registration Date: **19 November 2015**
(56) Related Art Documents: **Not Applicable**
(57) Statement of Newness and Distinctiveness: **Newness and distinctiveness is claimed in the visual features of shape and configuration of a container including a tub and lid as shown in the representations, but not in the colour and shading of the container which are capable of variation and do not form part of the claimed design.**



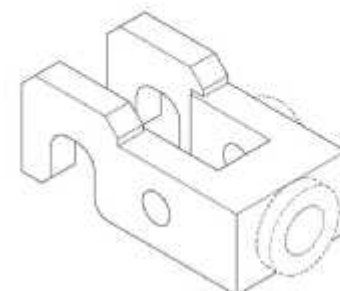
(21) Design Number: **13084/2015**
(22) Date of Filing Application: **18 June 2015**
(24) Date from which industrial property rights may have effect: **18 June 2015**
(54) Product in respect of which the design is registered: **Container**
(51) International Design Classification: **09-03NES**
(74) Name(s) of Attorney(s): **Davies Collison Cave**
(71) Name(s) and Address(s) of Applicant(s):
Cryovac Australia Pty Ltd
90 Keilor Park Dr Tullamarine VIC 3043 Australia
(72) Name(s) of Designer(s): **Michael Grima and Bryan Terry**
(45) Registration Date: **19 November 2015**
(56) Related Art Documents: **Not Applicable**
(57) Statement of Newness and Distinctiveness: **Newness and distinctiveness is claimed in the visual features of shape and configuration of a container including a tub and lid as shown in the representations, but not in the colour and shading of the container which are capable of variation and do not form part of the claimed design.**



(21) Design Number: **13648/2015**
(22) Date of Filing Application: **22 July 2015**
(24) Date from which industrial property rights may have effect: **22 July 2015**
(54) Product in respect of which the design is registered: **Portion of a golf club hosel insert**
(51) International Design Classification: **21-02C**
(74) Name(s) of Attorney(s): **Davies Collison Cave**
(71) Name(s) and Address(s) of Applicant(s):
Karsten Manufacturing Corporation
2201 West Desert Cove Phoenix Arizona, 85029 United States of America
(72) Name(s) of Designer(s): **Ryan M Stokke and Jacob Clarke**
(45) Registration Date: **19 November 2015**
(30) Convention priority data:
(31) Number (32) Date (33) Country
29/515574 23 Jan 2015 UNITED STATES OF AMERICA
(56) Related Art Documents: **Not Applicable**
(57) Statement of Newness and Distinctiveness: **Newness and distinctiveness is claimed in the visual features shown in solid lines in the representations.**

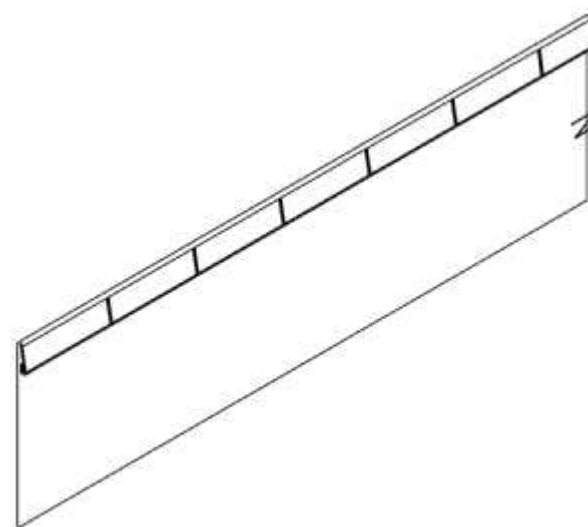


(21) Design Number: **14226/2015**
(22) Date of Filing Application: **18 August 2015**
(24) Date from which industrial property rights may have effect: **18 August 2015**
(54) Product in respect of which the design is registered: **Coupling tool for a gate valve device**
(51) International Design Classification: **08-05NES**
(74) Name(s) of Attorney(s): **Griffith Hack**
(71) Name(s) and Address(s) of Applicant(s):
Krosakiharima Corporation
1-1 Higashihama-machi Yahatanishi-ku Kitakyushu-shi Fukuoka
806-8586 Japan
(72) Name(s) of Designer(s): **Toshihiro Imahase**
(45) Registration Date: **19 November 2015**
(30) Convention priority data:
(31) Number (32) Date (33) Country
2015-3521 20 Feb 2015 JAPAN

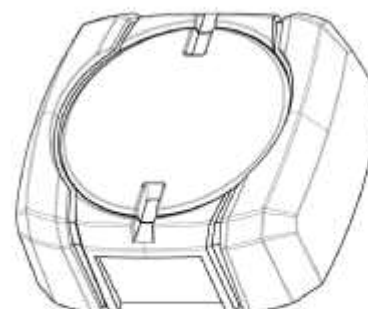


(56) Related Art Documents: **Not Applicable**
(57) Statement of Newness and Distinctiveness: **Newness and distinctiveness resides in the visual features, including shape and configuration of the product as shown by means of solid lines in the accompanying drawings. When determining whether the design is substantially similar in overall impression to another design, no regard is to be had to those features shown in dotted outline. Figures 9 and 10 are reference views that have been included for illustrative purposes and do not form part of the design.**

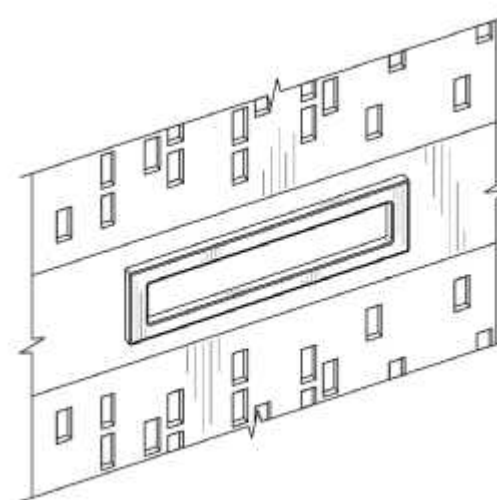
(21) Design Number: **14620/2015**
(22) Date of Filing Application: **01 September 2015**
(24) Date from which industrial property rights may have effect: **01 September 2015**
(54) Product in respect of which the design is registered: **Garden edging**
(51) International Design Classification: **25-01E**
(74) Name(s) of Attorney(s): **Armour IP**
(71) Name(s) and Address(s) of Applicant(s):
Straightcurve Pty Ltd
2/82 Blair St Bunbury WA 6230 Australia
(72) Name(s) of Designer(s): **Joeri Tuijn and Dan Depiazzi**
(45) Registration Date: **19 November 2015**
(56) Related Art Documents: **Not Applicable**
(57) Statement of Newness and Distinctiveness: **Newness and distinctiveness relies in the shape and configuration of garden edging of indeterminate length as shown in the accompanying drawings.**



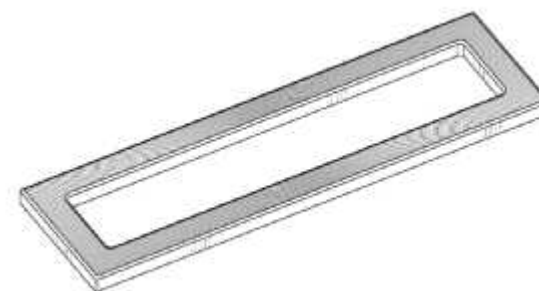
(21) Design Number: **15027/2015**
(22) Date of Filing Application: **25 September 2015**
(24) Date from which industrial property rights may have effect: **25 September 2015**
(54) Product in respect of which the design is registered: **Electric housing**
(51) International Design Classification: **13-03NES**
(74) Name(s) of Attorney(s): **Fisher Adams Kelly Callinans**
(71) Name(s) and Address(s) of Applicant(s):
ROBERT BOSCH GMBH
Postfach 30 02 20 Stuttgart 70442 Germany
(72) Name(s) of Designer(s): **Benjamin Visel and Christian Haupt and Janina Zeller and Vincent Hasenmayer**
(45) Registration Date: **19 November 2015**
(30) Convention priority data:
(31) Number (32) Date (33) Country
002670745 27 Mar 2015 OFFICE FOR HARMONISATION IN THE INTERNAL MARKET (OHIM)
(56) Related Art Documents: **Not Applicable**
(57) Statement of Newness and Distinctiveness: **Nil**



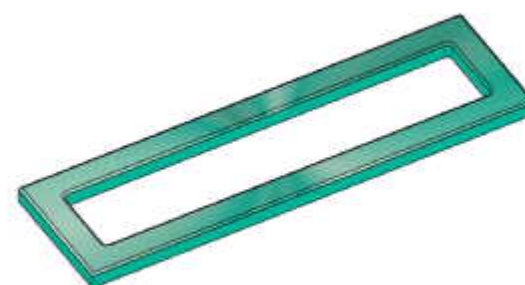
(21) Design Number: **15826/2015**
(22) Date of Filing Application: **30 October 2015**
(24) Date from which industrial property rights may have effect: **30 October 2015**
(54) Product in respect of which the design is registered: **Computer device**
(51) International Design Classification: **14-99**
(74) Name(s) of Attorney(s): **Spruson & Ferguson**
(71) Name(s) and Address(s) of Applicant(s):
Hewlett Packard Enterprise Development LP
11445 Compaq Center Drive West, Houston Texas, 77070 United States of America
(72) Name(s) of Designer(s): **Stacy L. Wolff and Keith J. Kuehn and Brooks Vaughan and Stephen Spencer and Bjoern Frank and Nick Ross**
(45) Registration Date: **19 November 2015**
(30) Convention priority data:
(31) Number (32) Date (33) Country
29/542370 13 Oct 2015 UNITED STATES OF AMERICA
(56) Related Art Documents: **Not Applicable**
(57) Statement of Newness and Distinctiveness: **Newness and distinctiveness is claimed in the features of shape and/or configuration of the design element of a computer device as illustrated and labelled "A" in the accompanying representations.**



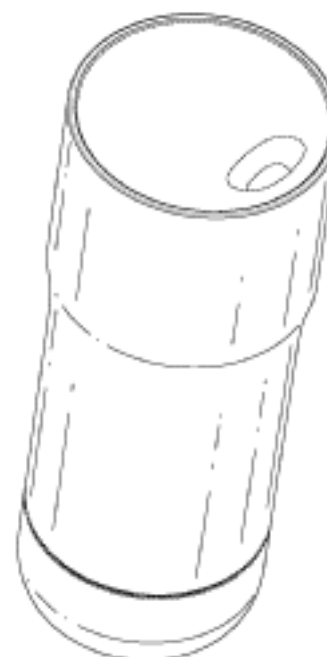
- (21) Design Number: **15827/2015**
(22) Date of Filing Application: **30 October 2015**
(24) Date from which industrial property rights may have effect: **30 October 2015**
(54) Product in respect of which the design is registered: **Design element for a computer device**
(51) International Design Classification: **14-99**
(74) Name(s) of Attorney(s): **Spruson & Ferguson**
(71) Name(s) and Address(s) of Applicant(s):
Hewlett Packard Enterprise Development LP
11445 Compaq Center Drive West, Houston Texas, 77070 United States of America
(72) Name(s) of Designer(s): **Stacy L. Wolff and Keith J. Kuehn and Brooks Vaughan and Stephen Spencer and Bjoern Frank and Nick Ross**
(45) Registration Date: **19 November 2015**
(30) Convention priority data:
(31) Number (32) Date (33) Country
29/542370 13 Oct 2015 UNITED STATES OF AMERICA
(56) Related Art Documents: **Not Applicable**
(57) Statement of Newness and Distinctiveness: **Newness and distinctiveness is claimed in the features of pattern and/or ornamentation of a design element for a computer device as illustrated in the accompanying representations.**



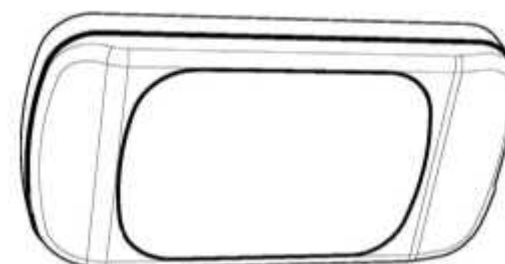
- (21) Design Number: **15828/2015**
(22) Date of Filing Application: **30 October 2015**
(24) Date from which industrial property rights may have effect: **30 October 2015**
(54) Product in respect of which the design is registered: **Design element for a computer device**
(51) International Design Classification: **14-99**
(74) Name(s) of Attorney(s): **Spruson & Ferguson**
(71) Name(s) and Address(s) of Applicant(s):
Hewlett Packard Enterprise Development LP
11445 Compaq Center Drive West, Houston Texas, 77070 United States of America
(72) Name(s) of Designer(s): **Stacy L. Wolff and Keith J. Kuehn and Brooks Vaughan and Stephen Spencer and Bjoern Frank and Nick Ross**
(45) Registration Date: **19 November 2015**
(30) Convention priority data:
(31) Number (32) Date (33) Country
29/542370 13 Oct 2015 UNITED STATES OF AMERICA
(56) Related Art Documents: **Not Applicable**
(57) Statement of Newness and Distinctiveness: **Newness and distinctiveness is claimed in the features of pattern and/or ornamentation of a design element for a computer device as illustrated in the accompanying representations.**



- (21) Design Number: **15829/2015**
(22) Date of Filing Application: **30 October 2015**
(24) Date from which industrial property rights may have effect: **30 October 2015**
(54) Product in respect of which the design is registered: **Drinking container**
(51) International Design Classification: **07-01C**
(74) Name(s) of Attorney(s): **Freehills Patent Attorneys**
(71) Name(s) and Address(s) of Applicant(s):
Ember Technologies, Inc.
4607 Lakeview Canyon Rd. #500 Westlake Village California, 91361
United States of America
(72) Name(s) of Designer(s): **Martin Gschwandtl and Eric Fields and Stephen Steger and Christopher Kuh and Robert Brunner**
(45) Registration Date: **19 November 2015**
(30) Convention priority data:
(31) Number (32) Date (33) Country
29/526026 05 May 2015 UNITED STATES OF AMERICA
(56) Related Art Documents: **Not Applicable**
(57) Statement of Newness and Distinctiveness: **Newness and distinctiveness of the design resides in the shape and configuration of the drinking container as shown in solid outline in the accompanying representations.**



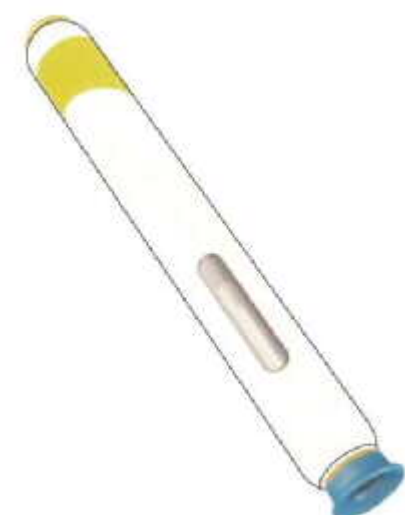
- (21) Design Number: **15836/2015**
(22) Date of Filing Application: **30 October 2015**
(24) Date from which industrial property rights may have effect: **30 October 2015**
(54) Product in respect of which the design is registered: **Control panel for electronic lock**
(51) International Design Classification: **08-07**
(74) Name(s) of Attorney(s): **PHILLIPS ORMONDE FITZPATRICK**
(71) Name(s) and Address(s) of Applicant(s):
ASSA ABLOY Australia Pty Limited
235 Huntingdale Rd Oakleigh VIC 3166 Australia
(72) Name(s) of Designer(s): **Craig Anthony Caspersz**
(45) Registration Date: **19 November 2015**
(56) Related Art Documents: **Not Applicable**
(57) Statement of Newness and Distinctiveness: **Those features of the control panel for electronic lock depicted in the representations that are new and distinctive are the shape and/or configuration. The features shown in broken line are not part of the design and are to be disregarded when considering the overall impression of the design.**



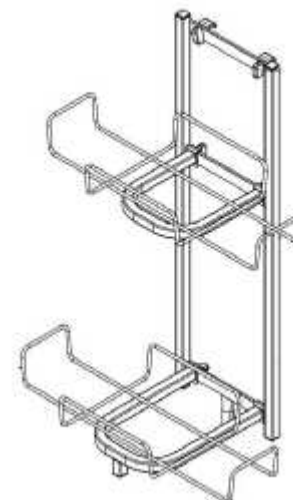
- (21) Design Number: **15837/2015**
(22) Date of Filing Application: **30 October 2015**
(24) Date from which industrial property rights may have effect: **30 October 2015**
(54) Product in respect of which the design is registered: **Autoinjector**
(51) International Design Classification: **24-02**
(74) Name(s) of Attorney(s): **WATERMARK PATENT AND TRADE MARKS ATTORNEYS**
(71) Name(s) and Address(s) of Applicant(s):
Sanofi
54 rue La Boetie Paris 75008 France
(72) Name(s) of Designer(s): **Claudia Hauck and Helene Capgras and Noriko Hattori and Cristina Fernandez**
(45) Registration Date: **19 November 2015**
(30) Convention priority data:
(31) Number (32) Date (33) Country
29/525,514 30 Apr 2015 UNITED STATES OF AMERICA
(56) Related Art Documents: **Not Applicable**
(57) Statement of Newness and Distinctiveness: **Newness and distinctiveness resides in the visual features of shape, configuration, pattern and/or ornamentation of an autoinjector as shown in the accompanying representations.**



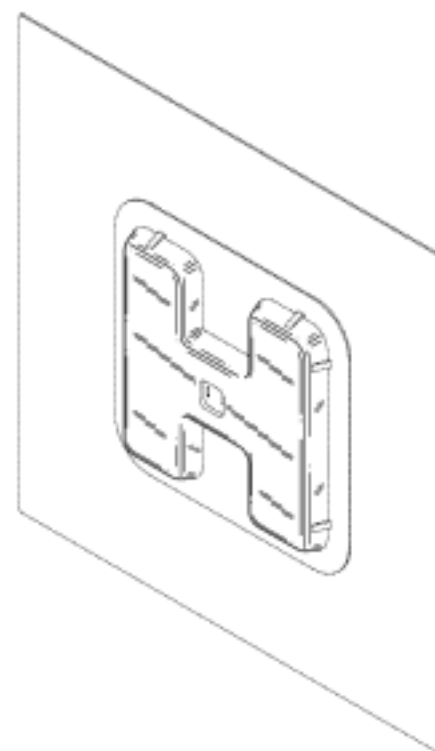
- (21) Design Number: **15838/2015**
(22) Date of Filing Application: **30 October 2015**
(24) Date from which industrial property rights may have effect: **30 October 2015**
(54) Product in respect of which the design is registered: **Autoinjector**
(51) International Design Classification: **24-02**
(74) Name(s) of Attorney(s): **WATERMARK PATENT AND TRADE MARKS ATTORNEYS**
(71) Name(s) and Address(s) of Applicant(s):
Sanofi
54 rue La Boetie Paris 75008 France
(72) Name(s) of Designer(s): **Claudia Hauck and Helene Capgras and Noriko Hattori and Cristina Fernandez**
(45) Registration Date: **19 November 2015**
(30) Convention priority data:
(31) Number (32) Date (33) Country
29/525,513 30 Apr 2015 UNITED STATES OF AMERICA
(56) Related Art Documents: **Not Applicable**
(57) Statement of Newness and Distinctiveness: **Newness and distinctiveness resides in the visual features of shape, configuration, pattern and/or ornamentation of an autoinjector as shown in the accompanying representations.**



- (21) Design Number: **11974/2015**
(22) Date of Filing Application: **13 April 2015**
(24) Date from which industrial property rights may have effect: **13 April 2015**
(54) Product in respect of which the design is registered: **Frame for janitor's cart**
(51) International Design Classification: **12-02**
(74) Name(s) of Attorney(s): **Allens Patent & Trade Mark Attorneys**
(71) Name(s) and Address(s) of Applicant(s):
E.D. Oates Pty Ltd
13-21 Maygar Bvd Broadmeadows VIC 3047 Australia
(72) Name(s) of Designer(s): **Frankie Ngan**
(45) Registration Date: **20 November 2015**
(56) Related Art Documents: **Not Applicable**
(57) Statement of Newness and Distinctiveness: **Newness and distinctiveness resides in the visual features of shape and/or configuration of a frame for janitor's cart as illustrated in the accompanying representations.**



- (21) Design Number: **14898/2015**
(22) Date of Filing Application: **16 September 2015**
(24) Date from which industrial property rights may have effect: **16 September 2015**
(54) Product in respect of which the design is registered: **Display base**
(51) International Design Classification: **20-02NES**
(74) Name(s) of Attorney(s): **Davies Collison Cave**
(71) Name(s) and Address(s) of Applicant(s):
3M Innovative Properties Company
3M Center Saint Paul Minnesota, 55133-3427 United States of America
(72) Name(s) of Designer(s): **Judd D. Olson and Kevin E. Kinzer and Thomas W. Floyd and Stephan A. Hawthorne and Sandra K. Nowak and Linda W. Suszko and Irina Hass**
(45) Registration Date: **20 November 2015**
(30) Convention priority data:
(31) Number (32) Date (33) Country
29/520995 19 Mar 2015 UNITED STATES OF AMERICA
(56) Related Art Documents: **Not Applicable**
(57) Statement of Newness and Distinctiveness: **Newness and distinctiveness is claimed in the visual features shown in solid lines in the representations. In considering the extent of the design rights, the broken lines shown in the representations are for illustrative purposes only and do not form part of the design.**



- (21) Design Number: **14936/2015**
(22) Date of Filing Application: **18 September 2015**
(24) Date from which industrial property rights may have effect: **18 September 2015**
(54) Product in respect of which the design is registered: **Hearing protector**
(51) International Design Classification: **29-02**
(74) Name(s) of Attorney(s): **Davies Collison Cave**
(71) Name(s) and Address(s) of Applicant(s):
3M Innovative Properties Company
3M Center Saint Paul Minnesota, 55133-3427 United States of America
(72) Name(s) of Designer(s): **Douglas D. Fletcher and Kelly R. Potter and Nicolas A. Echeverri and Brenda M. Bonney and Jason T. Lunn and Oscar M. Hemberg and Garin G. Ipsen and Eric O. Hemberg and Gregory G. Jager**
(45) Registration Date: **20 November 2015**
(30) Convention priority data:
(31) Number (32) Date (33) Country
29/521338 23 Mar 2015 UNITED STATES OF AMERICA
(56) Related Art Documents: **Not Applicable**
(57) Statement of Newness and Distinctiveness: **Newness and distinctiveness is claimed in the visual features shown in solid lines in the representations. In considering the extent of the design rights, the broken lines shown in the representations are for illustrative purposes only and do not form part of the design.**



- (21) Design Number: **15816/2015**
(22) Date of Filing Application: **30 October 2015**
(24) Date from which industrial property rights may have effect: **30 October 2015**
(54) Product in respect of which the design is registered: **Bag**
(51) International Design Classification: **03-01B**
(74) Name(s) of Attorney(s): **FB Rice**
(71) Name(s) and Address(s) of Applicant(s):
FURLA S.p.A.
Via Bellaria, 3-5 I-40068 S. LAZZARO DI SAVENA (BO) Italy
(72) Name(s) of Designer(s): **Fabio Fusi**
(45) Registration Date: **20 November 2015**
(30) Convention priority data:
(31) Number (32) Date (33) Country
002693259-0005 30 Apr 2015 OFFICE FOR HARMONISATION IN THE INTERNAL MARKET (OHIM)
(56) Related Art Documents: **Not Applicable**
(57) Statement of Newness and Distinctiveness: **Newness and distinctiveness reside in the features of the shape and configuration of the design as shown in the representations.**



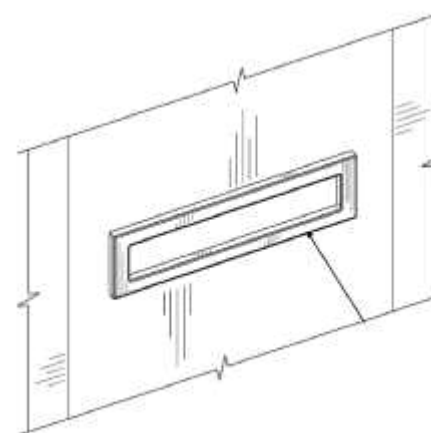
(21) Design Number: **15818/2015**
(22) Date of Filing Application: **30 October 2015**
(24) Date from which industrial property rights may have effect: **30 October 2015**
(54) Product in respect of which the design is registered: **Bag and components for bag**
(51) International Design Classification: **03-01B**
(74) Name(s) of Attorney(s): **FB Rice**
(71) Name(s) and Address(s) of Applicant(s):
FURLA S.p.A.
Via Bellaria, 3-5 I-40068 S. LAZZARO DI SAVENA (BO) Italy
(72) Name(s) of Designer(s): **Paolo Secchia**
(45) Registration Date: **20 November 2015**
(30) Convention priority data:
(31) Number (32) Date (33) Country
002693259-0009 30 Apr 2015 OFFICE FOR HARMONISATION IN THE INTERNAL MARKET (OHIM)
(56) Related Art Documents: **Not Applicable**
(57) Statement of Newness and Distinctiveness: **Newness and distinctiveness reside in the features of the shape and configuration of the components for a bag, shown in the representations which can be assembled into different configurations of bag, one of which is shown in the representations.**



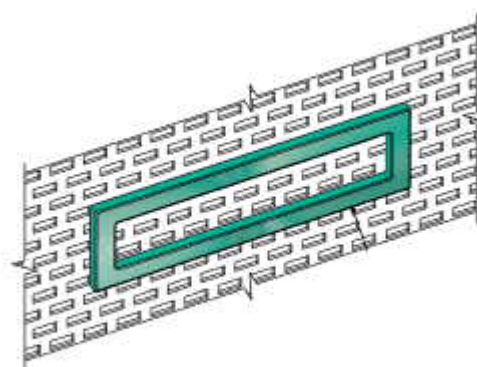
(21) Design Number: **15819/2015**
(22) Date of Filing Application: **30 October 2015**
(24) Date from which industrial property rights may have effect: **30 October 2015**
(54) Product in respect of which the design is registered: **Bag and components for bag**
(51) International Design Classification: **03-01B**
(74) Name(s) of Attorney(s): **FB Rice**
(71) Name(s) and Address(s) of Applicant(s):
FURLA S.p.A.
Via Bellaria, 3-5 I-40068 S. LAZZARO DI SAVENA (BO) Italy
(72) Name(s) of Designer(s): **Paolo Secchia**
(45) Registration Date: **20 November 2015**
(30) Convention priority data:
(31) Number (32) Date (33) Country
002693259-0010 30 Apr 2015 OFFICE FOR HARMONISATION IN THE INTERNAL MARKET (OHIM)
(56) Related Art Documents: **Not Applicable**
(57) Statement of Newness and Distinctiveness: **Newness and distinctiveness reside in the features of the shape and configuration of the components for a bag, shown in the representations which can be assembled into different configurations of bag, one of which is shown in the representations.**



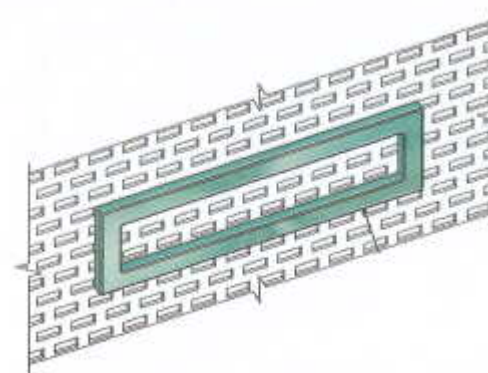
(21) Design Number: **15820/2015**
(22) Date of Filing Application: **30 October 2015**
(24) Date from which industrial property rights may have effect: **30 October 2015**
(54) Product in respect of which the design is registered: **Computer device**
(51) International Design Classification: **14-02**
(74) Name(s) of Attorney(s): **Spruson & Ferguson**
(71) Name(s) and Address(s) of Applicant(s):
Hewlett Packard Enterprise Development LP
11445 Compaq Center Drive West, Houston Texas, 77070 United States of America
(72) Name(s) of Designer(s): **Stacy L. Wolff and Keith J. Kuehn and Brooks Vaughan and Stephen Spencer and Bjoern Frank and Nick Ross**
(45) Registration Date: **20 November 2015**
(30) Convention priority data:
(31) Number (32) Date (33) Country
29/542370 13 Oct 2015 UNITED STATES OF AMERICA
(56) Related Art Documents: **Not Applicable**
(57) Statement of Newness and Distinctiveness: **Newness and distinctiveness is claimed in the features of shape and/or configuration of the design element of a computer device as illustrated and labelled "A" in the accompanying representations.**



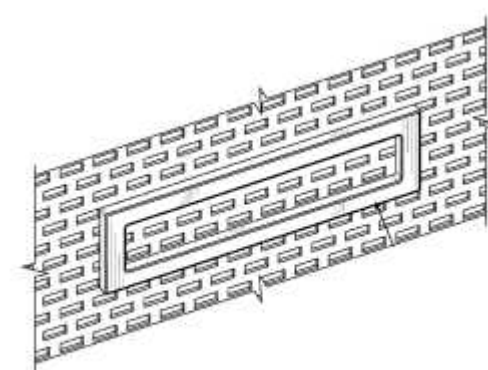
(21) Design Number: **15821/2015**
(22) Date of Filing Application: **30 October 2015**
(24) Date from which industrial property rights may have effect: **30 October 2015**
(54) Product in respect of which the design is registered: **Computer device**
(51) International Design Classification: **14-99**
(74) Name(s) of Attorney(s): **Spruson & Ferguson**
(71) Name(s) and Address(s) of Applicant(s):
Hewlett Packard Enterprise Development LP
11445 Compaq Center Drive West, Houston Texas, 77070 United States of America
(72) Name(s) of Designer(s): **Stacy L. Wolff and Keith J. Kuehn and Brooks Vaughan and Stephen Spencer and Bjoern Frank and Nick Ross**
(45) Registration Date: **20 November 2015**
(30) Convention priority data:
(31) Number (32) Date (33) Country
29/542370 13 Oct 2015 UNITED STATES OF AMERICA
(56) Related Art Documents: **Not Applicable**
(57) Statement of Newness and Distinctiveness: **Newness and distinctiveness is claimed in the features of pattern and/or ornamentation of the design element of a computer device as illustrated and labelled "A" in the accompanying representations.**



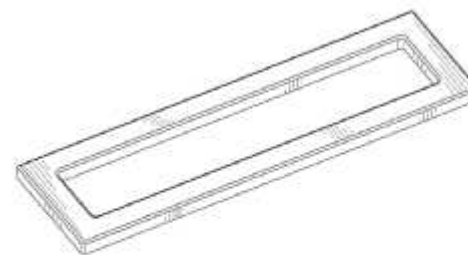
- (21) Design Number: **15822/2015**
(22) Date of Filing Application: **30 October 2015**
(24) Date from which industrial property rights may have effect: **30 October 2015**
(54) Product in respect of which the design is registered: **Computer device**
(51) International Design Classification: **14-99**
(74) Name(s) of Attorney(s): **Spruson & Ferguson**
(71) Name(s) and Address(s) of Applicant(s):
Hewlett Packard Enterprise Development LP
11445 Compaq Center Drive West, Houston Texas, 77070 United States of America
(72) Name(s) of Designer(s): **Stacy L. Wolff and Keith J. Kuehn and Brooks Vaughan and Stephen Spencer and Bjoern Frank and Nick Ross**
(45) Registration Date: **20 November 2015**
(30) Convention priority data:
(31) Number (32) Date (33) Country
29/542370 13 Oct 2015 UNITED STATES OF AMERICA
(56) Related Art Documents: **Not Applicable**
(57) Statement of Newness and Distinctiveness: **Newness and distinctiveness is claimed in the features of pattern and/or ornamentation of the design element of a computer device as illustrated and labelled "A" in the accompanying representations.**



- (21) Design Number: **15823/2015**
(22) Date of Filing Application: **30 October 2015**
(24) Date from which industrial property rights may have effect: **30 October 2015**
(54) Product in respect of which the design is registered: **Computer device**
(51) International Design Classification: **14-99**
(74) Name(s) of Attorney(s): **Spruson & Ferguson**
(71) Name(s) and Address(s) of Applicant(s):
Hewlett Packard Enterprise Development LP
11445 Compaq Center Drive West, Houston Texas, 77070 United States of America
(72) Name(s) of Designer(s): **Stacy L. Wolff and Keith J. Kuehn and Brooks Vaughan and Stephen Spencer and Bjoern Frank and Nick Ross**
(45) Registration Date: **20 November 2015**
(30) Convention priority data:
(31) Number (32) Date (33) Country
29/542370 13 Oct 2015 UNITED STATES OF AMERICA
(56) Related Art Documents: **Not Applicable**
(57) Statement of Newness and Distinctiveness: **Newness and distinctiveness is claimed in the features of shape and/or configuration of the design element of a computer device as illustrated and labelled "A" in the accompanying representations.**



- (21) Design Number: **15824/2015**
(22) Date of Filing Application: **30 October 2015**
(24) Date from which industrial property rights may have effect: **30 October 2015**
(54) Product in respect of which the design is registered: **Design element for a computer device**
(51) International Design Classification: **14-99**
(74) Name(s) of Attorney(s): **Spruson & Ferguson**
(71) Name(s) and Address(s) of Applicant(s):
Hewlett Packard Enterprise Development LP
11445 Compaq Center Drive West, Houston Texas, 77070 United States of America
(72) Name(s) of Designer(s): **Stacy L. Wolff and Keith J. Kuehn and Brooks Vaughan and Stephen Spencer and Bjoern Frank and Nick Ross**
(45) Registration Date: **20 November 2015**
(30) Convention priority data:
(31) Number (32) Date (33) Country
29/542370 13 Oct 2015 UNITED STATES OF AMERICA
(56) Related Art Documents: **Not Applicable**
(57) Statement of Newness and Distinctiveness: **Newness and distinctiveness is claimed in the features of shape and/or configuration of a design element for a computer device as illustrated in the accompanying representations.**



- (21) Design Number: **15845/2015**
(22) Date of Filing Application: **30 October 2015**
(24) Date from which industrial property rights may have effect: **30 October 2015**
(54) Product in respect of which the design is registered: **Vehicular ladder**
(51) International Design Classification: **25-04**
(74) Name(s) of Attorney(s): **Fisher Adams Kelly Callinans**
(71) Name(s) and Address(s) of Applicant(s):
IP Reserve Pty Ltd
359 Macdonnell Rd Clontarf QLD 4019 Australia
(72) Name(s) of Designer(s): **Ty Hermans and Jason Smith and Blair Murphy and Mayer Jung**
(45) Registration Date: **20 November 2015**
(56) Related Art Documents: **Not Applicable**
(57) Statement of Newness and Distinctiveness: **The newness and distinctiveness of the design resides in the pattern and/or ornamentation of the VEHICULAR LADDER shown in the representations. When considering the newness and distinctiveness of the design particular regard should be given to the teeth being in any contrasting shade and/or colour to the body.**



- (21) Design Number: **15850/2015**
(22) Date of Filing Application: **01 November 2015**
(24) Date from which industrial property rights may have effect: **01 November 2015**
(54) Product in respect of which the design is registered: **Multi-tool**
(51) International Design Classification: **08-05NES**
(74) Name(s) of Attorney(s):
(71) Name(s) and Address(s) of Applicant(s):
Steven Richard Fallows
15 Pinewood St Geebung QLD 4034 Australia
(72) Name(s) of Designer(s): **Steven Richard Fallows**
(45) Registration Date: **20 November 2015**
(56) Related Art Documents: **Not Applicable**
(57) Statement of Newness and Distinctiveness: **Monopoly is claimed in the shape and configuration of a kangaroo multi-tool as illustrated in the accompanying representations.**



- (21) Design Number: **15791/2015**
(22) Date of Filing Application: **29 October 2015**
(24) Date from which industrial property rights may have effect: **29 October 2015**
(54) Product in respect of which the design is registered: **Washing machine door**
(51) International Design Classification: **15-05**
(74) Name(s) of Attorney(s): **Griffith Hack**
(71) Name(s) and Address(s) of Applicant(s):
SAMSUNG ELECTRONICS CO., LTD.
129, Samsung-ro Yeongtong-gu Suwon-si Gyeonggi-do 16677 Republic of Korea
(72) Name(s) of Designer(s): **Kangdoo Kim and Yeonsu Kim and Jungeun Park and Kisang Yoon**
(45) Registration Date: **20 November 2015**
(30) Convention priority data:
(31) Number (32) Date (33) Country
KR 29 Apr 2015 REPUBLIC OF KOREA
30-2015-0022212
(56) Related Art Documents: **Not Applicable**
(57) Statement of Newness and Distinctiveness: **The shape and configuration of the washing machine door, as shown with solid lines in the representations, are new and distinctive.**



(21) Design Number: **15792/2015**

(22) Date of Filing Application: **29 October 2015**

(24) Date from which industrial property rights may have effect: **29 October 2015**

(54) Product in respect of which the design is registered: **Washing machine door**

(51) International Design Classification: **15-05**

(74) Name(s) of Attorney(s): **Griffith Hack**

(71) Name(s) and Address(s) of Applicant(s):

SAMSUNG ELECTRONICS CO., LTD.

129, Samsung-ro Yeongtong-gu Suwon-si Gyeonggi-do 16677 Republic of Korea

(72) Name(s) of Designer(s): **Kisang Yoon and Kangdoo Kim and Yeonsu Kim and Jungeun Park**

(45) Registration Date: **20 November 2015**

(30) Convention priority data:

(31) Number	(32) Date	(33) Country
30-2015-0022222	29 Apr 2015	REPUBLIC OF KOREA

(56) Related Art Documents: **Not Applicable**

(57) Statement of Newness and Distinctiveness: **The shape and configuration of the washing machine door, as shown with solid lines in the representations, are new and distinctive.**



(21) Design Number: **15793/2015**

(22) Date of Filing Application: **29 October 2015**

(24) Date from which industrial property rights may have effect: **29 October 2015**

(54) Product in respect of which the design is registered: **Washing machine door**

(51) International Design Classification: **15-05**

(74) Name(s) of Attorney(s): **Griffith Hack**

(71) Name(s) and Address(s) of Applicant(s):

SAMSUNG ELECTRONICS CO., LTD.

129, Samsung-ro Yeongtong-gu Suwon-si Gyeonggi-do 16677 Republic of Korea

(72) Name(s) of Designer(s): **Deoksang Yun and Junghoon Hwang**

(45) Registration Date: **20 November 2015**

(30) Convention priority data:

(31) Number	(32) Date	(33) Country
KR	29 Apr 2015	REPUBLIC OF KOREA
30-2015-0022214		

(56) Related Art Documents: **Not Applicable**

(57) Statement of Newness and Distinctiveness: **The shape and configuration of the washing machine door, as shown with solid lines in the representations, are new and distinctive.**



(21) Design Number: **15794/2015**

(22) Date of Filing Application: **29 October 2015**

(24) Date from which industrial property rights may have effect: **29 October 2015**

(54) Product in respect of which the design is registered: **Washing machine Door**

(51) International Design Classification: **15-05**

(74) Name(s) of Attorney(s): **Griffith Hack**

(71) Name(s) and Address(s) of Applicant(s):

SAMSUNG ELECTRONICS CO., LTD.

129, Samsung-ro Yeongtong-gu Suwon-si Gyeonggi-do 16677 Republic of Korea

(72) Name(s) of Designer(s): **Deoksang Yun and Junghoon Hwang**

(45) Registration Date: **20 November 2015**

(30) Convention priority data:

(31) Number

(32) Date

(33) Country

KR

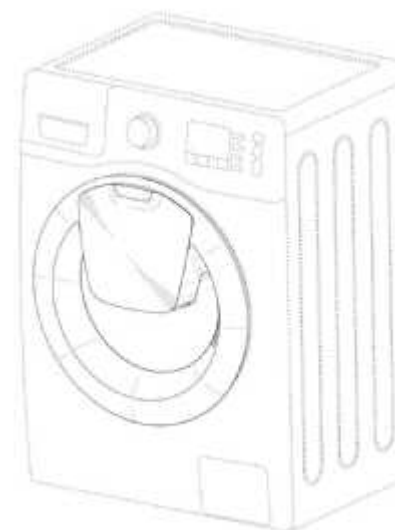
29 Apr 2015

REPUBLIC OF KOREA

30-2015-0022243

(56) Related Art Documents: **Not Applicable**

(57) Statement of Newness and Distinctiveness: **The shape and configuration of the washing machine door, as shown with solid lines in the representations, are new and distinctive.**



(21) Design Number: **15795/2015**

(22) Date of Filing Application: **29 October 2015**

(24) Date from which industrial property rights may have effect: **29 October 2015**

(54) Product in respect of which the design is registered: **Removable power and data storage module**

(51) International Design Classification: **14-02**

(74) Name(s) of Attorney(s): **Spruson & Ferguson**

(71) Name(s) and Address(s) of Applicant(s):

TomTom International B.V.

De Ruijterkade 154, Amsterdam 1011 AC The Netherlands

(72) Name(s) of Designer(s): **Jonathan Heath and Martin Riddiford**

(45) Registration Date: **20 November 2015**

(30) Convention priority data:

(31) Number

(32) Date

(33) Country

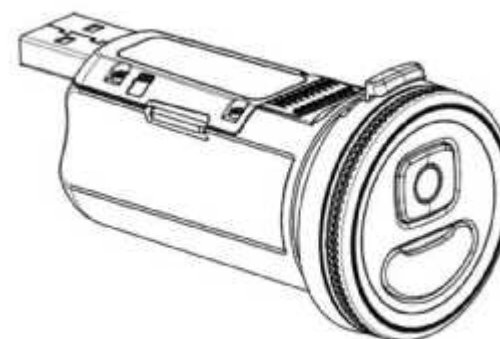
002692343-0002

29 Apr 2015

OFFICE FOR HARMONISATION IN THE INTERNAL MARKET (OHIM)

(56) Related Art Documents: **Not Applicable**

(57) Statement of Newness and Distinctiveness: **Newness and distinctiveness is claimed in the features of shape and/or configuration of removable power and data storage module as illustrated in the accompanying representations.**



(21) Design Number: **15796/2015**
(22) Date of Filing Application: **29 October 2015**
(24) Date from which industrial property rights may have effect: **29 October 2015**
(54) Product in respect of which the design is registered: **Swing**
(51) International Design Classification: **21-03**
(74) Name(s) of Attorney(s): **Fisher Adams Kelly Callinans**
(71) Name(s) and Address(s) of Applicant(s):

Robovision Limited
Unit 11 Enterprise Way Flitwick BEDFORDSHIRE MK45 5BX United Kingdom

(72) Name(s) of Designer(s): **Jack Hamon and Miles Mann**

(45) Registration Date: **20 November 2015**

(30) Convention priority data:

(31) Number	(32) Date	(33) Country
DM/087029	05 Jun 2015	WORLD INTELLECTUAL PROPERTY ORGANIZATION (WIPO)



(56) Related Art Documents: **Not Applicable**

(57) Statement of Newness and Distinctiveness: **The newness and distinctiveness of the design resides in the shape and/or configuration of the SWING shown in the representations.**

(21) Design Number: **15797/2015**
(22) Date of Filing Application: **29 October 2015**
(24) Date from which industrial property rights may have effect: **29 October 2015**
(54) Product in respect of which the design is registered: **Digital video camera**
(51) International Design Classification: **16-01**
(74) Name(s) of Attorney(s): **Spruson & Ferguson**
(71) Name(s) and Address(s) of Applicant(s):

TomTom International B.V.
De Ruijterkade 154, Amsterdam 1011 AC The Netherlands

(72) Name(s) of Designer(s): **Jonathan Heath and Martin Riddiford**

(45) Registration Date: **20 November 2015**

(30) Convention priority data:

(31) Number	(32) Date	(33) Country
002692343-0001	29 Apr 2015	OFFICE FOR HARMONISATION IN THE INTERNAL MARKET (OHIM)



(56) Related Art Documents: **Not Applicable**

(57) Statement of Newness and Distinctiveness: **Newness and distinctiveness is claimed in the features of shape and/or configuration of a digital video camera as illustrated in the accompanying representations.**

(21) Design Number: **15485/2015**
(22) Date of Filing Application: **16 October 2015**
(24) Date from which industrial property rights may have effect: **16 October 2015**
(54) Product in respect of which the design is registered: **Divider for container**
(51) International Design Classification: **09-03H**
(74) Name(s) of Attorney(s): **Shelston IP Pty Ltd.**
(71) Name(s) and Address(s) of Applicant(s):

CURVER Luxembourg Sarl
Z.I. Haneboesch Neidercorn L4562 Luxembourg

(72) Name(s) of Designer(s): **Nikolai Duvigneau**

(45) Registration Date: **20 November 2015**

(30) Convention priority data:

(31) Number	(32) Date	(33) Country
56841	16 Apr 2015	ISRAEL

(56) Related Art Documents: **Not Applicable**

(57) Statement of Newness and Distinctiveness: **Newness and distinctiveness reside in the features of shape and/or configuration of a DIVIDER FOR CONTAINER as illustrated in solid lines in the accompanying representations. The features shown in broken or discontinuous lines are illustrative only and do not form part of the design.**



(21) Design Number: **15568/2015**
(22) Date of Filing Application: **21 October 2015**
(24) Date from which industrial property rights may have effect: **21 October 2015**
(54) Product in respect of which the design is registered: **Chair**
(51) International Design Classification: **06-01F**
(74) Name(s) of Attorney(s): **PHILLIPS ORMONDE FITZPATRICK**
(71) Name(s) and Address(s) of Applicant(s):

Topstar GmbH
Augsburger Str. 29 Langenneufnach D-86863 Germany

(72) Name(s) of Designer(s): **Peter Wagner**

(45) Registration Date: **20 November 2015**

(30) Convention priority data:

(31) Number	(32) Date	(33) Country
002689240	24 Apr 2015	OFFICE FOR HARMONISATION IN THE INTERNAL MARKET (OHIM)

(56) Related Art Documents: **Not Applicable**

(57) Statement of Newness and Distinctiveness: **Nil**



- (21) Design Number: **15848/2015**
(22) Date of Filing Application: **31 October 2015**
(24) Date from which industrial property rights may have effect: **31 October 2015**
(54) Product in respect of which the design is registered: **Socks**
(51) International Design Classification: **02-04C**
(74) Name(s) of Attorney(s):
(71) Name(s) and Address(s) of Applicant(s):
BIG BLUE POINT AUSTRALIA PTY LTD
PO BOX 180 Greensborough VIC 3088 Australia
(72) Name(s) of Designer(s): **Cheng Zu**
(45) Registration Date: **20 November 2015**
(56) Related Art Documents: **Not Applicable**



- (57) Statement of Newness and Distinctiveness: **Newness and distinctiveness is claimed in the features of pattern, ornamentation or configuration of the socks as shown in the accompanying representations. Monopoly is claimed in the shape of the light blue shaded area and the yellow shaded area of the socks as shown in the representations. The shape of these two shaded areas give the socks a unique and distinctive appearance. The shaded light blue area and the shaded yellow area can be changed with a different pattern, image, and colour or array of colours. Summary: The name of the Design is socks. The purpose of the Design is accessories wear on the foot. The key point of the Design is the combination of the products shape and the shape of the shaded areas. The left side view and the right side view are symmetrical in shape,pattern, ornamentation and configuration. The best view to represent the Design is the Side View.**

- (21) Design Number: **15849/2015**
(22) Date of Filing Application: **31 October 2015**
(24) Date from which industrial property rights may have effect: **31 October 2015**
(54) Product in respect of which the design is registered: **Thermal bag**
(51) International Design Classification: **09-03M**
(74) Name(s) of Attorney(s):
(71) Name(s) and Address(s) of Applicant(s):
Suzanne Joan Carroll
7 Fisher St Gisborne VIC 3437 Australia
(72) Name(s) of Designer(s): **Suzanne Joan Carroll**
(45) Registration Date: **20 November 2015**
(56) Related Art Documents: **Not Applicable**



- (57) Statement of Newness and Distinctiveness: **Ladies Handbag with thermal batting lining, to discretely carry 1 bottle of wine or sparkling wine, keeping it cold. Looks like a normal ladies clutch handbag with handles. Holds 1 bottle horizontally inside. Side zipper for accessories such as phone and keys. ornamentation and configuration. The best view to represent the Design is the Side View.**

(21) Design Number: **15852/2015**

(22) Date of Filing Application: **02 November 2015**

(24) Date from which industrial property rights may have effect: **02 November 2015**

(54) Product in respect of which the design is registered: **Pressure washer**

(51) International Design Classification: **15-05**

(74) Name(s) of Attorney(s): **Griffith Hack**

(71) Name(s) and Address(s) of Applicant(s):

AC (Macao Commercial Offshore) Limited
Units A-C, 26/F Centro Comercial da Praia Grande No. 429 Avenida da
Praia Grande Macau

(72) Name(s) of Designer(s): **Jeffrey T. Mauch and Jeremy Connell and Brian Hobbs**

(45) Registration Date: **20 November 2015**

(30) Convention priority data:

(31) Number	(32) Date	(33) Country
201530128001.X	05 May 2015	CHINA

(56) Related Art Documents: **Not Applicable**

(57) Statement of Newness and Distinctiveness: **Newness and distinctiveness resides in the visual features, including the shape and configuration of the product shown in the representations.**



(21) Design Number: **15854/2015**

(22) Date of Filing Application: **02 November 2015**

(24) Date from which industrial property rights may have effect: **02 November 2015**

(54) Product in respect of which the design is registered: **A post**

(51) International Design Classification: **25-01E**

(74) Name(s) of Attorney(s):

(71) Name(s) and Address(s) of Applicant(s):

NZ Tube Mills Limited
2-14 Port Road Seaview Lower Hutt New Zealand

(72) Name(s) of Designer(s): **Malcolm Thomas**

(45) Registration Date: **20 November 2015**

(30) Convention priority data:

(31) Number	(32) Date	(33) Country
420851	30 Oct 2015	NEW ZEALAND

(56) Related Art Documents: **Not Applicable**

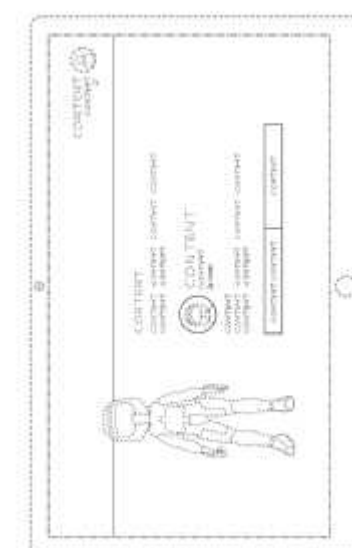
(57) Statement of Newness and Distinctiveness: **The design is to be applied to a post for use with supporting wires for growing grapes and the novelty resides in the features of shape and configuration of the post as shown in the accompanying representations.**



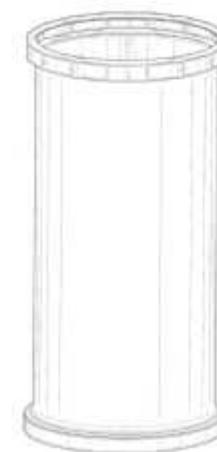
- (21) Design Number: **15855/2015**
(22) Date of Filing Application: **02 November 2015**
(24) Date from which industrial property rights may have effect: **02 November 2015**
(54) Product in respect of which the design is registered: **A post**
(51) International Design Classification: **25-02NES**
(74) Name(s) of Attorney(s):
(71) Name(s) and Address(s) of Applicant(s):
NZ Tube Mills Limited
2-14 Port Road Seaview Lower Hutt New Zealand
(72) Name(s) of Designer(s): **Malcolm Thomas**
(45) Registration Date: **20 November 2015**
(30) Convention priority data:
(31) Number (32) Date (33) Country
420852 30 Oct 2015 NEW ZEALAND
(56) Related Art Documents: **Not Applicable**
(57) Statement of Newness and Distinctiveness: **The design is to be applied to a post for use with supporting wires for growing grapes and the novelty resides in the features of shape and configuration of the post as shown in the accompanying representations.**



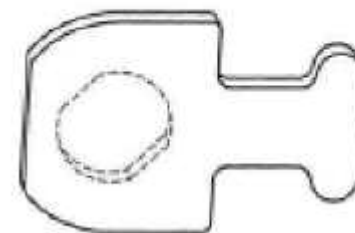
- (21) Design Number: **15856/2015**
(22) Date of Filing Application: **02 November 2015**
(24) Date from which industrial property rights may have effect: **02 November 2015**
(54) Product in respect of which the design is registered: **Display screen with graphical user interface**
(51) International Design Classification: **14-02**
(74) Name(s) of Attorney(s): **Shelston IP Pty Ltd.**
(71) Name(s) and Address(s) of Applicant(s):
Microsoft Corporation
One Microsoft Way Redmond Washington, 98052-5321 United States of America
(72) Name(s) of Designer(s): **Anthony J. Giardini**
(45) Registration Date: **20 November 2015**
(30) Convention priority data:
(31) Number (32) Date (33) Country
29/525718 01 May 2015 UNITED STATES OF AMERICA
(56) Related Art Documents: **Not Applicable**
(57) Statement of Newness and Distinctiveness: **display screen with graphical user interface as illustrated by solid lines in the accompanying representation. The features shown in broken outline are for contextual purposes only and do not form part of the design. The alphabetic characters depicted are indicative only, and may be substituted by alternative symbols or alphanumeric characters.**



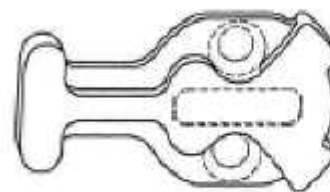
- (21) Design Number: **15858/2015**
(22) Date of Filing Application: **02 November 2015**
(24) Date from which industrial property rights may have effect: **02 November 2015**
(54) Product in respect of which the design is registered: **A supply assembly for a food homogenizer**
(51) International Design Classification: **31-00**
(74) Name(s) of Attorney(s): **PETER MAXWELL & ASSOCIATES**
(71) Name(s) and Address(s) of Applicant(s):
Healthy Foods, LLC
30339 Diamond Parkway Suite 105 Cleveland Ohio, 44139 United States of America
(72) Name(s) of Designer(s): **Machovina Brian Louis and Johnson Robert and Schmidt Robert and Breeden Winston III and Whitner Douglas Edward and Crisp Ryan Scott and McHale Eileen**
(45) Registration Date: **20 November 2015**
(30) Convention priority data:
(31) Number (32) Date (33) Country
29/525,678 01 May 2015 UNITED STATES OF AMERICA
(56) Related Art Documents: **Not Applicable**
(57) Statement of Newness and Distinctiveness: **Newness and distinctiveness is claimed in the shape and/or configuration of A SUPPLY ASSEMBLY FOR A FOOD HOMOGENIZER as illustrated in the accompanying representations.**



- (21) Design Number: **15860/2015**
(22) Date of Filing Application: **02 November 2015**
(24) Date from which industrial property rights may have effect: **02 November 2015**
(54) Product in respect of which the design is registered: **A cam for a lock**
(51) International Design Classification: **08-07**
(74) Name(s) of Attorney(s): **PHILLIPS ORMONDE FITZPATRICK**
(71) Name(s) and Address(s) of Applicant(s):
ASSA ABLOY Australia Pty Limited
235 Huntingdale Rd Oakleigh VIC 3166 Australia
(72) Name(s) of Designer(s): **Paul Thomas Spencer**
(45) Registration Date: **20 November 2015**
(56) Related Art Documents: **Not Applicable**
(57) Statement of Newness and Distinctiveness: **Those features of the cam for a lock depicted in the representations that are new and distinctive are the shape and/or configuration. The features shown in broken lines are not part of the design and are to be disregarded when considering the overall impression of the design.**



- (21) Design Number: **15861/2015**
(22) Date of Filing Application: **02 November 2015**
(24) Date from which industrial property rights may have effect: **02 November 2015**
(54) Product in respect of which the design is registered: **A cam for a lock**
(51) International Design Classification: **08-07**
(74) Name(s) of Attorney(s): **PHILLIPS ORMONDE FITZPATRICK**
(71) Name(s) and Address(s) of Applicant(s):
ASSA ABLOY Australia Pty Limited
235 Huntingdale Rd Oakleigh VIC 3166 Australia
(72) Name(s) of Designer(s): **Simon Paul Tyzzer**
(45) Registration Date: **20 November 2015**
(56) Related Art Documents: **Not Applicable**
(57) Statement of Newness and Distinctiveness: **Those features of the cam for a lock depicted in the representations that are new and distinctive are the shape and/or configuration. The features shown in broken lines are not part of the design and are to be disregarded when considering the overall impression of the design.**



- (21) Design Number: **15862/2015**
(22) Date of Filing Application: **02 November 2015**
(24) Date from which industrial property rights may have effect: **02 November 2015**
(54) Product in respect of which the design is registered: **A cam for a lock**
(51) International Design Classification: **08-07**
(74) Name(s) of Attorney(s): **PHILLIPS ORMONDE FITZPATRICK**
(71) Name(s) and Address(s) of Applicant(s):
ASSA ABLOY Australia Pty Limited
235 Huntingdale Rd Oakleigh VIC 3166 Australia
(72) Name(s) of Designer(s): **Simon Paul Tyzzer**
(45) Registration Date: **20 November 2015**
(56) Related Art Documents: **Not Applicable**
(57) Statement of Newness and Distinctiveness: **Those features of the cam for a lock depicted in the representations that are new and distinctive are the shape and/or configuration. The features shown in broken lines are not part of the design and are to be disregarded when considering the overall impression of the design.**



(21) Design Number: **15876/2015**
(22) Date of Filing Application: **04 November 2015**
(24) Date from which industrial property rights may have effect: **04 November 2015**
(54) Product in respect of which the design is registered: **Baby carriage**
(51) International Design Classification: **12-12**
(74) Name(s) of Attorney(s): **FB Rice**
(71) Name(s) and Address(s) of Applicant(s):

Milk Holding B.V.
Nieuwe Herengracht 51-53 1011 RN Amsterdam The Netherlands

(72) Name(s) of Designer(s): **Emile Gerardus Theodorus Kuenen**

(45) Registration Date: **23 November 2015**

(30) Convention priority data:

(31) Number	(32) Date	(33) Country
2694273-0003	04 May 2015	OFFICE FOR HARMONISATION IN THE INTERNAL MARKET (OHIM)

(56) Related Art Documents: **Not Applicable**

(57) Statement of Newness and Distinctiveness: **Newness and distinctiveness reside in the features of shape and configuration of the design as shown in the representations.**



(21) Design Number: **15877/2015**
(22) Date of Filing Application: **04 November 2015**
(24) Date from which industrial property rights may have effect: **04 November 2015**
(54) Product in respect of which the design is registered: **Lever buckle**
(51) International Design Classification: **02-07A**
(74) Name(s) of Attorney(s): **Pegasus IP**
(71) Name(s) and Address(s) of Applicant(s):

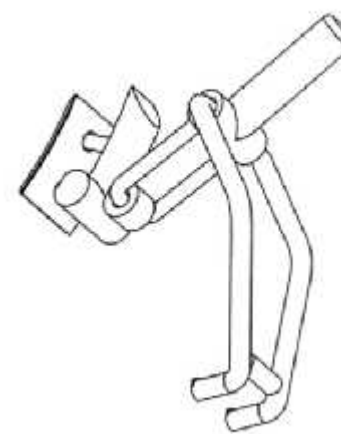
HARRIS STABILITY SYSTEMS PTY LTD
PO BOX 160 Toowong Dc QLD 4066 Australia

(72) Name(s) of Designer(s): **Steven Harris**

(45) Registration Date: **23 November 2015**

(56) Related Art Documents: **Not Applicable**

(57) Statement of Newness and Distinctiveness: **The newness and distinctiveness of the design resides in the shape of the lever buckle as shown in the continuous lines in the accompanying representations. The broken lines are not part of the design and are to be disregarded when considering the overall impression of the design.**



(21) Design Number: **15878/2015**
(22) Date of Filing Application: **04 November 2015**
(24) Date from which industrial property rights may have effect: **04 November 2015**
(54) Product in respect of which the design is registered: **Skateboard**
(51) International Design Classification: **21-02E**
(74) Name(s) of Attorney(s): **Halfords IP**
(71) Name(s) and Address(s) of Applicant(s):
Razor USA LLC
12723 166th St Cerritos California, 90703 United States of America
(72) Name(s) of Designer(s): **Ian Desberg**
(45) Registration Date: **23 November 2015**
(30) Convention priority data:
(31) Number (32) Date (33) Country
29/525837 04 May 2015 UNITED STATES OF AMERICA
(56) Related Art Documents: **Not Applicable**
(57) Statement of Newness and Distinctiveness: **Newness and distinctiveness resides in those features of shape and or configuration of a SKATEBOARD as depicted in the representations.**



(21) Design Number: **15882/2015**
(22) Date of Filing Application: **04 November 2015**
(24) Date from which industrial property rights may have effect: **04 November 2015**
(54) Product in respect of which the design is registered: **Kettle**
(51) International Design Classification: **07-02K**
(74) Name(s) of Attorney(s): **Cullens Pty Ltd**
(71) Name(s) and Address(s) of Applicant(s):
DE' LONGHI APPLIANCES SRL CON UNICO SOCIO
Via L. Seitz, 47 Treviso TV, I-31100 Italy
(72) Name(s) of Designer(s): **Giuseppe De' Longhi and Elisa Romanetto**
(45) Registration Date: **23 November 2015**
(30) Convention priority data:
(31) Number (32) Date (33) Country
002694406-0002 05 May 2015 OFFICE FOR HARMONISATION IN THE INTERNAL MARKET (OHIM)
(56) Related Art Documents: **Not Applicable**
(57) Statement of Newness and Distinctiveness: **The new and distinct features are the features of shape and configuration of the kettle as shown in the**



(21) Design Number: **15883/2015**

(22) Date of Filing Application: **04 November 2015**

(24) Date from which industrial property rights may have effect: **04 November 2015**

(54) Product in respect of which the design is registered: **Toaster**

(51) International Design Classification: **07-02F**

(74) Name(s) of Attorney(s): **Cullens Pty Ltd**

(71) Name(s) and Address(s) of Applicant(s):

DE'LONGHI APPLIANCES SRL CON UNICO SOCIO
Via L. Seitz, 47 Treviso TV, I-31100 Italy

(72) Name(s) of Designer(s): **Giuseppe De' Longhi and Elisa Romanetto**

(45) Registration Date: **23 November 2015**

(30) Convention priority data:

(31) Number	(32) Date	(33) Country
002694406-0003	05 May 2015	OFFICE FOR HARMONISATION IN THE INTERNAL MARKET (OHIM)

(56) Related Art Documents: **Not Applicable**

(57) Statement of Newness and Distinctiveness: **The new and distinct features are the features of shape and configuration of the toaster as shown in the representations.**



(21) Design Number: **15884/2015**

(22) Date of Filing Application: **04 November 2015**

(24) Date from which industrial property rights may have effect: **04 November 2015**

(54) Product in respect of which the design is registered: **Toaster**

(51) International Design Classification: **07-02F**

(74) Name(s) of Attorney(s): **Cullens Pty Ltd**

(71) Name(s) and Address(s) of Applicant(s):

DE'LONGHI APPLIANCES SRL CON UNICO SOCIO
Via L. Seitz, 47 Treviso TV, I-31100 Italy

(72) Name(s) of Designer(s): **Giuseppe De' Longhi and Elisa Romanetto**

(45) Registration Date: **23 November 2015**

(30) Convention priority data:

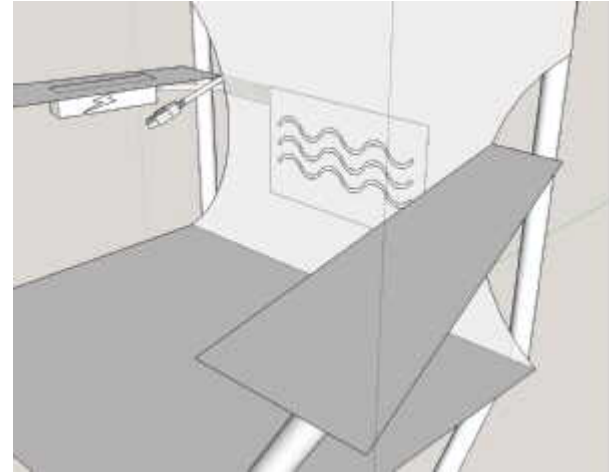
(31) Number	(32) Date	(33) Country
002694406-0004	05 May 2015	OFFICE FOR HARMONISATION IN THE INTERNAL MARKET (OHIM)

(56) Related Art Documents: **Not Applicable**

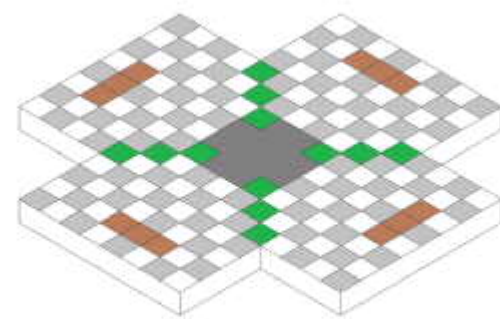
(57) Statement of Newness and Distinctiveness: **The new and distinct features are the features of shape and configuration of the toaster as shown in the representations.**



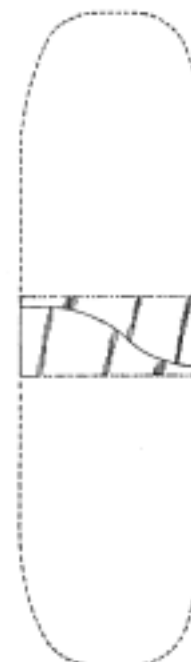
- (21) Design Number: **15201/2015**
(22) Date of Filing Application: **06 October 2015**
(24) Date from which industrial property rights may have effect: **06 October 2015**
(54) Product in respect of which the design is registered: **Folding chair with power and heat source**
(51) International Design Classification: **06-01H**
(74) Name(s) of Attorney(s):
(71) Name(s) and Address(s) of Applicant(s):
Stefanus Christian Lessing
1725 Ferntree Gully Rd Ferntree Gully VIC, 3156 Australia
SITRO GROUP AUSTRALIA Pty Ltd
Mount Waverly 33-35 Lionel Rd Mount Waverley VIC, 3149 Australia
(72) Name(s) of Designer(s): **Nick Di Pietrantonio**
(45) Registration Date: **23 November 2015**
(56) Related Art Documents: **Not Applicable**
(57) Statement of Newness and Distinctiveness: **This invention relates to a folding chair with the additional ability to heat the user of the folding chair by making use of a heat pad or pads. The heat gets generated by a heat plate powered by an electric source such as a battery pack or solar panel or both. The heating element may be integrated into the folding chair. The energy source may be used to power suitable alternative electrical appliances or devices.**



- (21) Design Number: **15237/2015**
(22) Date of Filing Application: **07 October 2015**
(24) Date from which industrial property rights may have effect: **07 October 2015**
(54) Product in respect of which the design is registered: **4 player chess board**
(51) International Design Classification: **21-01L**
(74) Name(s) of Attorney(s):
(71) Name(s) and Address(s) of Applicant(s):
Ken Nittel
PO Box 373 Noosa Heads QLD 4567 Australia
(72) Name(s) of Designer(s): **Ken Nittel**
(45) Registration Date: **23 November 2015**
(56) Related Art Documents: **Not Applicable**
(57) Statement of Newness and Distinctiveness: **The board is different in shape & usage to all other 4 player chess boards with distinctive player movement & piece numbers.**



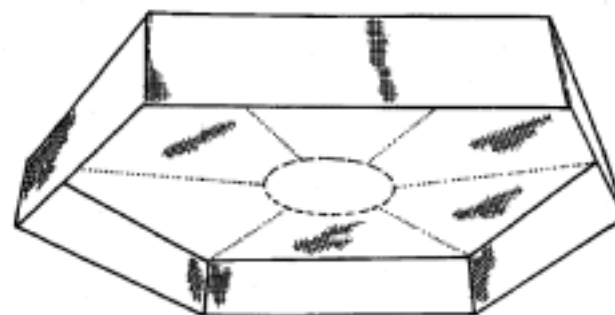
(21) Design Number: **14514/2015**
(22) Date of Filing Application: **27 August 2015**
(24) Date from which industrial property rights may have effect: **27 August 2015**
(54) Product in respect of which the design is registered: **Adhesive bandage with release liner**
(51) International Design Classification: **24-04**
(74) Name(s) of Attorney(s): **Shelston IP Pty Ltd.**
(71) Name(s) and Address(s) of Applicant(s):
Johnson & Johnson Consumer Inc.
199 Grandview Road Skillman New Jersey, 08858 United States of America
(72) Name(s) of Designer(s): **Leonardo Caneppele and Andre Narcizo**
(45) Registration Date: **23 November 2015**
(30) Convention priority data:
(31) Number (32) Date (33) Country
29/520006 10 Mar 2015 UNITED STATES OF AMERICA
(56) Related Art Documents: **Not Applicable**
(57) Statement of Newness and Distinctiveness: **Newness and distinctiveness reside in a decorative pattern for a release liner parting line of an adhesive bandage. The features shown in broken line are displayed for illustrative purposes only and are not considered part of the claimed design.**



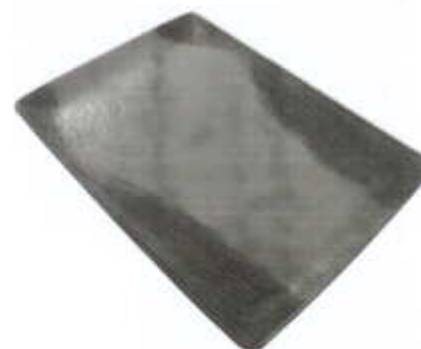
(21) Design Number: **14563/2015**
(22) Date of Filing Application: **31 August 2015**
(24) Date from which industrial property rights may have effect: **31 August 2015**
(54) Product in respect of which the design is registered: **Hand-held medical scanner**
(51) International Design Classification: **24-02**
(74) Name(s) of Attorney(s): **Shelston IP Pty Ltd.**
(71) Name(s) and Address(s) of Applicant(s):
RF Surgical Systems, Inc.
5927 Landau Ct. Carlsbad California 92008 United States of America
(72) Name(s) of Designer(s): **John T Buhler and William A. Blair and David A Poirier and Curtis Crump**
(45) Registration Date: **23 November 2015**
(30) Convention priority data:
(31) Number (32) Date (33) Country
29/519087 02 Mar 2015 UNITED STATES OF AMERICA
(56) Related Art Documents: **Not Applicable**
(57) Statement of Newness and Distinctiveness: **Newness and distinctiveness resides in features of ornamental design, shape and/or configuration of a hand-held medical scanner as illustrated in the accompanying representations. Stippling and contour lines shown in the illustrations are intended to represent approximate three-dimensional contours, and is not intended to indicate surface decoration. Features shown by broken lines are for illustrative purposes only and form no part of the design.**



(21) Design Number: **14618/2015**
(22) Date of Filing Application: **01 September 2015**
(24) Date from which industrial property rights may have effect: **01 September 2015**
(54) Product in respect of which the design is registered: **Trampoline cover**
(51) International Design Classification: **21-02F**
(74) Name(s) of Attorney(s): **Ahearn Fox**
(71) Name(s) and Address(s) of Applicant(s):
Vuly Property Pty Ltd
C/- Ahearn Fox GPO BOX 1149 Wynnum QLD 4178 Australia
(72) Name(s) of Designer(s): **Joe Andon**
(45) Registration Date: **23 November 2015**
(56) Related Art Documents: **Not Applicable**
(57) Statement of Newness and Distinctiveness: **Newness and distinctiveness reside in the shape or configuration or pattern or ornamentation of a trampoline roof having a centrally placed window. In considering the scope of the registration, the shape of the perimeter of the window shown in dashed outline is to be disregarded.**



(21) Design Number: **14717/2015**
(22) Date of Filing Application: **07 September 2015**
(24) Date from which industrial property rights may have effect: **07 September 2015**
(54) Product in respect of which the design is registered: **Tableware**
(51) International Design Classification: **07-01B**
(74) Name(s) of Attorney(s): **Davies Collison Cave**
(71) Name(s) and Address(s) of Applicant(s):
Revol Porcelaine S.A.
3 rue Hector Revol Saint Uze 26240 France
(72) Name(s) of Designer(s): **M. Olivier Passot**
(45) Registration Date: **23 November 2015**
(30) Convention priority data:
(31) Number (32) Date (33) Country
**002660555 19 Mar 2015 OFFICE FOR HARMONISATION IN
THE INTERNAL MARKET (OHIM)**
(56) Related Art Documents: **Not Applicable**
(57) Statement of Newness and Distinctiveness: **Nil**



- (21) Design Number: **15473/2015**
(22) Date of Filing Application: **15 October 2015**
(24) Date from which industrial property rights may have effect: **15 October 2015**
(54) Product in respect of which the design is registered: **Personalised rainbow bear**
(51) International Design Classification: **21-01A**
(74) Name(s) of Attorney(s):
(71) Name(s) and Address(s) of Applicant(s):
Kelly Jane Stevens
13 Callicoma Crt Ormeau QLD 4208 Australia
(72) Name(s) of Designer(s): **Kelly Jane Stevens**
(45) Registration Date: **23 November 2015**
(56) Related Art Documents: **Not Applicable**
(57) Statement of Newness and Distinctiveness: **This item is a rainbow coloured bear that is able to be embroidered onto the belly which is on the white by removing the stuffing pods from inside the bear. Messages or names are then therefore embroidered onto these bears on their belly. The bears are a sitting height of approx. 35cm. The bears are created with a rainbow wavy material and white sections. This was designed by me more for the rainbow babies, sick children and for the hospital appeals due to myself as I had a sick daughter that passed away. These is nothing in the market in the world with a rainbow bear that you can embroider a message or name onto the**



- (21) Design Number: **15475/2015**
(22) Date of Filing Application: **15 October 2015**
(24) Date from which industrial property rights may have effect: **15 October 2015**
(54) Product in respect of which the design is registered: **Flag**
(51) International Design Classification: **11-05**
(74) Name(s) of Attorney(s):
(71) Name(s) and Address(s) of Applicant(s):
Jeremy Matthews
85 Clovelly Rd Randwick NSW 2031 Australia
(72) Name(s) of Designer(s): **Jeremy Matthews**
(45) Registration Date: **23 November 2015**
(56) Related Art Documents: **Not Applicable**
(57) Statement of Newness and Distinctiveness: **The flag design features a stylised yellow Golden Wattle blossom on a blue or green background. The wattle emblem is made up of smaller spherical shapes arranged in a circle to create a Commonwealth Star in the centre.**



(21) Design Number: **15533/2015**

(22) Date of Filing Application: **20 October 2015**

(24) Date from which industrial property rights may have effect: **20 October 2015**

(54) Product in respect of which the design is registered: **Standing up desk**

(51) International Design Classification: **06-03C**

(74) Name(s) of Attorney(s):

(71) Name(s) and Address(s) of Applicant(s):

Sandra Diaz

9/38 Kempston St Greensborough VIC 3088 Australia

(72) Name(s) of Designer(s): **Sandra Diaz**

(45) Registration Date: **23 November 2015**

(56) Related Art Documents: **Not Applicable**

(57) Statement of Newness and Distinctiveness: **My Standing Up desk design ergonomically allow students to graduate the desk height and top angle according to the activities they want to perform. Students are more attentive than their seated counterparts, showing 12 percent greater on-task engagement in classrooms with standing desks, which is seven minutes per hour of engaged instruction time. The desks reduce childhood obesity and relieve stress on spinal structures that may occur with traditional desks, with students at standing desks burning 15 percent more calories than students at traditional desks (25 percent for obese children) also increased engagement. The physical activity of standing up, even at low levels, may have beneficial effects on cognitive ability. Standing up desks reduce disruptive behavior problems and increase increase students' attention or academic behavioral engagement by providing students with a different method for completing academic tasks (like standing) that breaks up the monotony of seated work.**



(21) Design Number: **15851/2015**

(22) Date of Filing Application: **02 November 2015**

(24) Date from which industrial property rights may have effect: **02 November 2015**

(54) Product in respect of which the design is registered: **Pressure washer**

(51) International Design Classification: **15-05**

(74) Name(s) of Attorney(s): **Griffith Hack**

(71) Name(s) and Address(s) of Applicant(s):

AC (Macao Commercial Offshore) Limited

Units A-C, 26/F Centro Comercial da Praia Grande No. 429 Avenida da Praia Grande Macau

(72) Name(s) of Designer(s): **Jeffrey T. Mauch and Melissa Altenhofen**

(45) Registration Date: **23 November 2015**

(30) Convention priority data:

(31) Number	(32) Date	(33) Country
201530127921.X	05 May 2015	CHINA

(56) Related Art Documents: **Not Applicable**

(57) Statement of Newness and Distinctiveness: **Newness and distinctiveness resides in the visual features, including the shape and configuration of the product shown in the representations.**



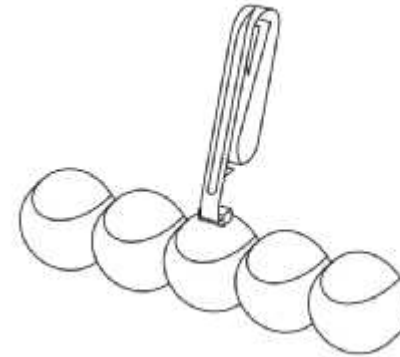
(21) Design Number: **14850/2015**
(22) Date of Filing Application: **11 September 2015**
(24) Date from which industrial property rights may have effect: **11 September 2015**
(54) Product in respect of which the design is registered: **Vehicle**
(51) International Design Classification: **12-08**
(74) Name(s) of Attorney(s): **Davies Collison Cave**
(71) Name(s) and Address(s) of Applicant(s):
Great Wall Motor Company Limited
2266 Chaoyang South Street Baoding City Hebei Province China
(72) Name(s) of Designer(s): **Yong Huang and Qingsong Shi and Jinke Wu and**
Congliang Li and Zhentao Li and Tiejun Zhang
(45) Registration Date: **23 November 2015**
(30) Convention priority data:
(31) Number (32) Date (33) Country
201530057992.7 11 Mar 2015 CHINA
(56) Related Art Documents: **Not Applicable**
(57) Statement of Newness and Distinctiveness: **Nil**



(21) Design Number: **14858/2015**
(22) Date of Filing Application: **14 September 2015**
(24) Date from which industrial property rights may have effect: **14 September 2015**
(54) Product in respect of which the design is registered: **Set of eyeglass components**
(51) International Design Classification: **16-06**
(74) Name(s) of Attorney(s): **Davies Collison Cave**
(71) Name(s) and Address(s) of Applicant(s):
Oakley, Inc.
One Icon Foothill Ranch California, 92610 United States of America
(72) Name(s) of Designer(s): **George Yoo**
(45) Registration Date: **23 November 2015**
(30) Convention priority data:
(31) Number (32) Date (33) Country
29/521,667 25 Mar 2015 UNITED STATES OF AMERICA
(56) Related Art Documents: **Not Applicable**
(57) Statement of Newness and Distinctiveness: **Newness and distinctiveness is claimed in the visual features shown in solid lines in the representations. In considering the extent of the design rights, the broken lines shown in the representations are for illustrative purposes only and do not form part of the design.**



(21) Design Number: **15052/2015**
(22) Date of Filing Application: **25 September 2015**
(24) Date from which industrial property rights may have effect: **25 September 2015**
(54) Product in respect of which the design is registered: **Dispenser for toilet
cleansing**
(51) International Design Classification: **28-99**
(74) Name(s) of Attorney(s): **Davies Collison Cave**
(71) Name(s) and Address(s) of Applicant(s):
Tomil s.r.o.
Gen. Svatone 149/IV Vysoke Myto CZ-566 01 Czech Republic
(72) Name(s) of Designer(s): **Tomas Muller**
(45) Registration Date: **23 November 2015**
(30) Convention priority data:
(31) Number (32) Date (33) Country
**002668913-0020 26 Mar 2015 OFFICE FOR HARMONISATION IN
THE INTERNAL MARKET (OHIM)**
(56) Related Art Documents: **Not Applicable**
(57) Statement of Newness and Distinctiveness: **Nil**



(21) Design Number: **15108/2015**
(22) Date of Filing Application: **01 October 2015**
(24) Date from which industrial property rights may have effect: **01 October 2015**
(54) Product in respect of which the design is registered: **Head for a steam mop**
(51) International Design Classification: **07-05E**
(74) Name(s) of Attorney(s): **Davies Collison Cave**
(71) Name(s) and Address(s) of Applicant(s):
Thane International, Inc.
**2321 Rosecrans Avenue Suite 4210 El Segundo California, 90245 United
States of America**
(72) Name(s) of Designer(s): **Jelenko Piksa**
(45) Registration Date: **23 November 2015**
(56) Related Art Documents: **Not Applicable**
(57) Statement of Newness and Distinctiveness: **Nil**



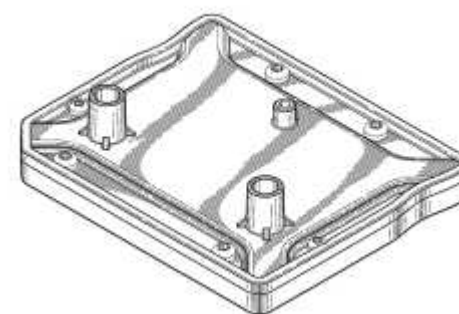
(21) Design Number: **15235/2015**
(22) Date of Filing Application: **07 October 2015**
(24) Date from which industrial property rights may have effect: **07 October 2015**
(54) Product in respect of which the design is registered: **Kitchenware**
(51) International Design Classification: **07-04**
(74) Name(s) of Attorney(s): **Trademark Works**
(71) Name(s) and Address(s) of Applicant(s):
JOSEPH JOSEPH LTD
The Grove 30 Great Guildford Street London SE10HS United Kingdom
(72) Name(s) of Designer(s): **Damian Evans**
(45) Registration Date: **23 November 2015**
(30) Convention priority data:
(31) Number (32) Date (33) Country
002678458-0011 10 Apr 2015 EUROPEAN PATENT OFFICE (EPO)
(56) Related Art Documents: **Not Applicable**
(57) Statement of Newness and Distinctiveness: **Nil**



(21) Design Number: **15626/2015**
(22) Date of Filing Application: **22 October 2015**
(24) Date from which industrial property rights may have effect: **22 October 2015**
(54) Product in respect of which the design is registered: **A boot**
(51) International Design Classification: **02-04NES**
(74) Name(s) of Attorney(s): **WADESON**
(71) Name(s) and Address(s) of Applicant(s):
FD Enterprise (Aust) Pty Ltd
5 Sages Rd Glenroy VIC 3046 Australia
(72) Name(s) of Designer(s): **Denise Tuckman**
(45) Registration Date: **23 November 2015**
(56) Related Art Documents: **Not Applicable**
(57) Statement of Newness and Distinctiveness: **Newness and distinctiveness resides in the shape and configuration of the boot and in the curved bands and the inclined upper edge.**

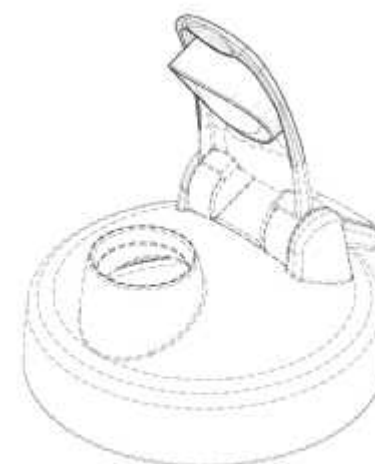


(21) Design Number: **15643/2015**
(22) Date of Filing Application: **23 October 2015**
(24) Date from which industrial property rights may have effect: **23 October 2015**
(54) Product in respect of which the design is registered: **Microfluidic cartridge**
(51) International Design Classification: **24-01**
(74) Name(s) of Attorney(s): **Griffith Hack**
(71) Name(s) and Address(s) of Applicant(s):
University of British Columbia
103-6190 Agronomy Road Vancouver BC, V6T 1Z3 Canada
(72) Name(s) of Designer(s): **Timothy Leaver and Andre Wild**
(45) Registration Date: **23 November 2015**
(30) Convention priority data:
(31) Number (32) Date (33) Country
29/525294 28 Apr 2015 UNITED STATES OF AMERICA



(56) Related Art Documents: **Not Applicable**
(57) Statement of Newness and Distinctiveness: **Newness and distinctiveness resides in the visual features including shape and configuration of the product as shown by means of solid lines in the representations. The shading lines have been included to help identify surfaces and do not form part of the design.**

(21) Design Number: **15788/2015**
(22) Date of Filing Application: **29 October 2015**
(24) Date from which industrial property rights may have effect: **29 October 2015**
(54) Product in respect of which the design is registered: **Lid for a container**
(51) International Design Classification: **09-07B**
(74) Name(s) of Attorney(s): **Griffith Hack**
(71) Name(s) and Address(s) of Applicant(s):
Runway Blue, LLC
250 South 850 East Lehi UT, 84043 United States of America
(72) Name(s) of Designer(s): **Steven M. Sorensen and David O. Meyers**
(45) Registration Date: **23 November 2015**
(30) Convention priority data:
(31) Number (32) Date (33) Country
29/525,379 29 Apr 2015 UNITED STATES OF AMERICA



(56) Related Art Documents: **Not Applicable**
(57) Statement of Newness and Distinctiveness: **The shape and configuration of the product as shown by solid lines in the accompanying representations is new and distinctive.**

- (21) Design Number: **15789/2015**
(22) Date of Filing Application: **29 October 2015**
(24) Date from which industrial property rights may have effect: **29 October 2015**
(54) Product in respect of which the design is registered: **Washing machine door**
(51) International Design Classification: **15-05**
(74) Name(s) of Attorney(s): **Griffith Hack**
(71) Name(s) and Address(s) of Applicant(s):
SAMSUNG ELECTRONICS CO., LTD.
129, Samsung-ro Yeongtong-gu Suwon-si Gyeonggi-do 16677 Republic of Korea
(72) Name(s) of Designer(s): **Jungeun Park and Yeonsu Kim and Kangdoo Kim and Kisang Yoon**
(45) Registration Date: **23 November 2015**
(30) Convention priority data:
(31) Number (32) Date (33) Country
KR 29 Apr 2015 REPUBLIC OF KOREA
30-2015-0022211
(56) Related Art Documents: **Not Applicable**
(57) Statement of Newness and Distinctiveness: **Newness and distinctiveness resides in the visual features, including the shape and configuration of the product shown in the representations.**



- (21) Design Number: **15790/2015**
(22) Date of Filing Application: **29 October 2015**
(24) Date from which industrial property rights may have effect: **29 October 2015**
(54) Product in respect of which the design is registered: **Swing**
(51) International Design Classification: **21-03**
(74) Name(s) of Attorney(s): **Fisher Adams Kelly Callinans**
(71) Name(s) and Address(s) of Applicant(s):
Robovision Limited
Unit 11 Enterprise Way Flitwick BEDFORDSHIRE MK45 5BX United Kingdom
(72) Name(s) of Designer(s): **Jack Hamon and Miles Mann**
(45) Registration Date: **24 November 2015**
(30) Convention priority data:
(31) Number (32) Date (33) Country
DM/087029 05 Jun 2015 WORLD INTELLECTUAL PROPERTY ORGANIZATION (WIPO)
(56) Related Art Documents: **Not Applicable**
(57) Statement of Newness and Distinctiveness: **The newness and distinctiveness of the design resides in the shape and/or configuration of the SWING shown in the representations.**



- (21) Design Number: **15839/2015**
(22) Date of Filing Application: **30 October 2015**
(24) Date from which industrial property rights may have effect: **30 October 2015**
(54) Product in respect of which the design is registered: **Autoinjector**
(51) International Design Classification: **24-02**
(74) Name(s) of Attorney(s): **WATERMARK PATENT AND TRADE MARKS ATTORNEYS**
(71) Name(s) and Address(s) of Applicant(s):
Sanofi
54 rue La Boetie Paris 75008 France
(72) Name(s) of Designer(s): **Claudia Hauck and Helene Capgras and Noriko Hattori and Cristina Fernandez**
(45) Registration Date: **24 November 2015**
(30) Convention priority data:
(31) Number (32) Date (33) Country
29/525,520 30 Apr 2015 UNITED STATES OF AMERICA
(56) Related Art Documents: **Not Applicable**
(57) Statement of Newness and Distinctiveness: **Newness and distinctiveness resides in the visual features of shape, configuration, pattern and/or ornamentation of an autoinjector as shown in the accompanying representations.**



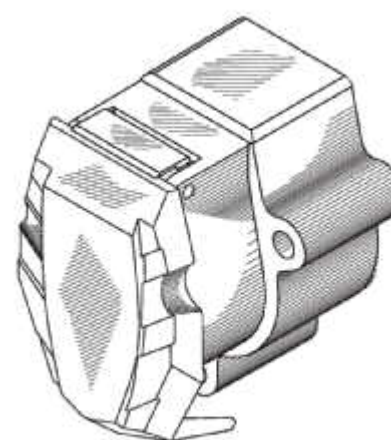
- (21) Design Number: **15840/2015**
(22) Date of Filing Application: **30 October 2015**
(24) Date from which industrial property rights may have effect: **30 October 2015**
(54) Product in respect of which the design is registered: **Autoinjector**
(51) International Design Classification: **24-02**
(74) Name(s) of Attorney(s): **WATERMARK PATENT AND TRADE MARKS ATTORNEYS**
(71) Name(s) and Address(s) of Applicant(s):
Sanofi
54 rue La Boetie Paris 75008 France
(72) Name(s) of Designer(s): **Claudia Hauck and Helene Capgras and Noriko Hattori and Cristina Fernandez**
(45) Registration Date: **24 November 2015**
(30) Convention priority data:
(31) Number (32) Date (33) Country
29/525,518 30 Apr 2015 UNITED STATES OF AMERICA
(56) Related Art Documents: **Not Applicable**
(57) Statement of Newness and Distinctiveness: **Newness and distinctiveness resides in the visual features of shape, configuration, pattern and/or ornamentation of an autoinjector as shown in the accompanying representations.**



- (21) Design Number: **15842/2015**
(22) Date of Filing Application: **30 October 2015**
(24) Date from which industrial property rights may have effect: **30 October 2015**
(54) Product in respect of which the design is registered: **Universal strike plate saddle**
(51) International Design Classification: **08-07**
(74) Name(s) of Attorney(s): **Murray Trento & Associates**
(71) Name(s) and Address(s) of Applicant(s):
David B. Magee
122 Marin Dr Chapel Hill North Carolina 27516 United States of America
(72) Name(s) of Designer(s): **David B. Magee**
(45) Registration Date: **24 November 2015**
(56) Related Art Documents: **Not Applicable**
(57) Statement of Newness and Distinctiveness: **Newness and distinctiveness is claimed in the features of shape and/or configuration of the universal strike plate saddle as illustrated in continuous lines in the accompanying representations. For the purpose of newness and distinctiveness, all features depicted in dashed outline should be disregarded.**



- (21) Design Number: **15843/2015**
(22) Date of Filing Application: **30 October 2015**
(24) Date from which industrial property rights may have effect: **30 October 2015**
(54) Product in respect of which the design is registered: **A vehicle electrical socket housing for towing**
(51) International Design Classification: **13-03E**
(74) Name(s) of Attorney(s): **Allens Patent & Trade Mark Attorneys**
(71) Name(s) and Address(s) of Applicant(s):
Ark Corporation Pty Ltd
8 Smoothy PI Arndell Park NSW 2148 Australia
(72) Name(s) of Designer(s): **Andrew Reade and Richard Arakelian and Weigang Ji**
(45) Registration Date: **24 November 2015**
(56) Related Art Documents: **Not Applicable**
(57) Statement of Newness and Distinctiveness: **Newness and distinctiveness is claimed in the shape and configuration of the electrical socket housing for towing as shown in the attached representations. When considering the scope of the monopoly conferred by the design registration, no regard is to be had to the features of shading which are present on the representations only to provide some clarity to the design representations themselves.**



- (21) Design Number: **15844/2015**
(22) Date of Filing Application: **30 October 2015**
(24) Date from which industrial property rights may have effect: **30 October 2015**
(54) Product in respect of which the design is registered: **Vehicular ladder**
(51) International Design Classification: **25-04**
(74) Name(s) of Attorney(s): **Fisher Adams Kelly Callinans**
(71) Name(s) and Address(s) of Applicant(s):
IP Reserve Pty Ltd
359 Macdonnell Rd Clontarf QLD 4019 Australia
(72) Name(s) of Designer(s): **Ty Hermans and Jason Smith and Mayer Jung and Blair Murphy**
(45) Registration Date: **24 November 2015**
(56) Related Art Documents: **Not Applicable**
(57) Statement of Newness and Distinctiveness: **The newness and distinctiveness of the design resides in the shape and/or configuration of the VEHICULAR LADDER shown in the representations.**



- (21) Design Number: **15888/2015**
(22) Date of Filing Application: **04 November 2015**
(24) Date from which industrial property rights may have effect: **04 November 2015**
(54) Product in respect of which the design is registered: **Steam generating base for irons**
(51) International Design Classification: **07-05A**
(74) Name(s) of Attorney(s): **Cullens Pty Ltd**
(71) Name(s) and Address(s) of Applicant(s):
DE'LONGHI APPLIANCES SRL CON UNICO SOCIO
Via L. Seitz, 47 Treviso TV, I-31100 Italy
(72) Name(s) of Designer(s): **Giuseppe De' Longhi and Francesco Curreli**
(45) Registration Date: **24 November 2015**
(30) Convention priority data:
(31) Number (32) Date (33) Country
**002694406-0023 05 May 2015 OFFICE FOR HARMONISATION IN
THE INTERNAL MARKET (OHIM)**
(56) Related Art Documents: **Not Applicable**
(57) Statement of Newness and Distinctiveness: **The new and distinct features are the features of shape and configuration of the steam generating base for irons as shown in the representations.**



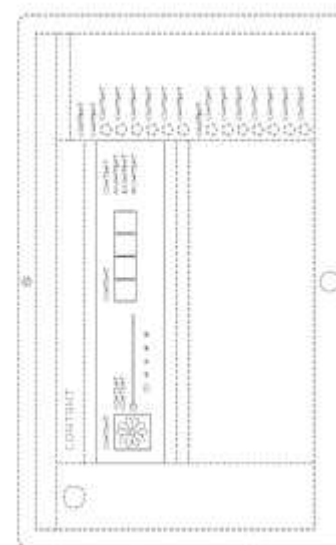
(21) Design Number: **15798/2015**
(22) Date of Filing Application: **29 October 2015**
(24) Date from which industrial property rights may have effect: **29 October 2015**
(54) Product in respect of which the design is registered: **Removable lens cover for a digital video camera**
(51) International Design Classification: **16-05**
(74) Name(s) of Attorney(s): **Spruson & Ferguson**
(71) Name(s) and Address(s) of Applicant(s):
TomTom International B.V.
De Ruijterkade 154, Amsterdam 1011 AC The Netherlands
(72) Name(s) of Designer(s): **Jonathan Heath and Martin Riddiford**
(45) Registration Date: **24 November 2015**
(30) Convention priority data:
(31) Number (32) Date (33) Country
002692343-0003 29 Apr 2015 OFFICE FOR HARMONISATION IN THE INTERNAL MARKET (OHIM)
(56) Related Art Documents: **Not Applicable**
(57) Statement of Newness and Distinctiveness: **Newness and distinctiveness is claimed in the features of shape and/or configuration of removable lens cover for a digital video camera as illustrated in the accompanying representations.**



(21) Design Number: **15799/2015**
(22) Date of Filing Application: **29 October 2015**
(24) Date from which industrial property rights may have effect: **29 October 2015**
(54) Product in respect of which the design is registered: **Washing machine door**
(51) International Design Classification: **15-05**
(74) Name(s) of Attorney(s): **Griffith Hack**
(71) Name(s) and Address(s) of Applicant(s):
SAMSUNG ELECTRONICS CO., LTD.
129, Samsung-ro Yeongtong-gu Suwon-si Gyeonggi-do 16677 Republic of Korea
(72) Name(s) of Designer(s): **Deoksang Yun and Sanghun Yoon and Jaewon Choi and Junghoon Hwang and Seyoun Park**
(45) Registration Date: **24 November 2015**
(30) Convention priority data:
(31) Number (32) Date (33) Country
KR 30-2015-0022238 29 Apr 2015 REPUBLIC OF KOREA
(56) Related Art Documents: **Not Applicable**
(57) Statement of Newness and Distinctiveness: **The shape and configuration of the washing machine door, as shown with solid lines in the representations, are new and distinctive.**



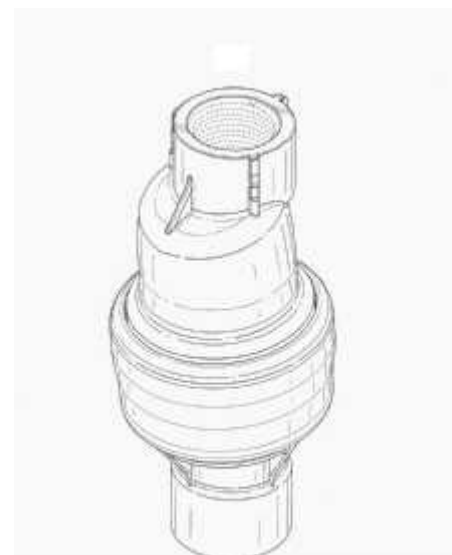
- (21) Design Number: **15863/2015**
(22) Date of Filing Application: **02 November 2015**
(24) Date from which industrial property rights may have effect: **02 November 2015**
(54) Product in respect of which the design is registered: **Display screen with graphical user interface**
(51) International Design Classification: **14-02**
(74) Name(s) of Attorney(s): **Shelston IP Pty Ltd.**
(71) Name(s) and Address(s) of Applicant(s):
Microsoft Corporation
One Microsoft Way Redmond Washington 98052-5321 United States of America
(72) Name(s) of Designer(s): **MacBeth Watson and Kathryn Storm and Rita Yu and Megan McMillan and Eric Hsia**
(45) Registration Date: **24 November 2015**
(30) Convention priority data:
(31) Number (32) Date (33) Country
29/525711 01 May 2015 UNITED STATES OF AMERICA
(56) Related Art Documents: **Not Applicable**
(57) Statement of Newness and Distinctiveness: **Newness and distinctiveness reside in the features of pattern and/or ornamentation of a display screen with graphical user interface as illustrated by solid lines in the accompanying representation. The features shown in broken outline are for contextual purposes only and do not form part of the design. The alphabetic characters depicted are indicative only, and may be substituted by alternative symbols or alphanumeric characters.**



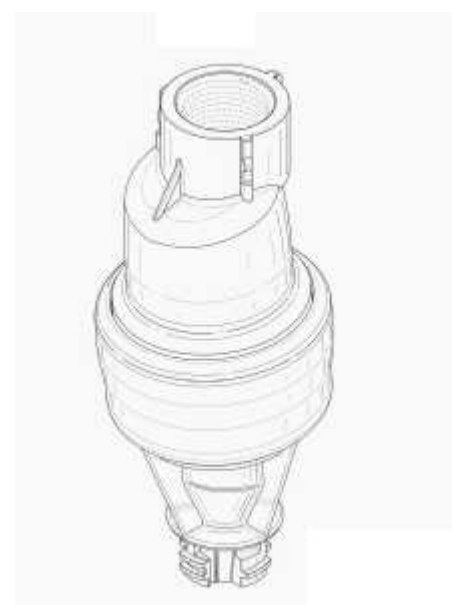
- (21) Design Number: **15864/2015**
(22) Date of Filing Application: **02 November 2015**
(24) Date from which industrial property rights may have effect: **02 November 2015**
(54) Product in respect of which the design is registered: **A glass-breaking hammer**
(51) International Design Classification: **08-02**
(74) Name(s) of Attorney(s): **PETER MAXWELL & ASSOCIATES**
(71) Name(s) and Address(s) of Applicant(s):
Laurent Colasse
718 East Mason Street Santa Barbara California, 93103 United States of America
(72) Name(s) of Designer(s): **Laurent Colasse**
(45) Registration Date: **24 November 2015**
(30) Convention priority data:
(31) Number (32) Date (33) Country
29/523,499 10 Apr 2015 UNITED STATES OF AMERICA
(56) Related Art Documents: **Not Applicable**
(57) Statement of Newness and Distinctiveness: **Newness and distinctiveness is claimed in the shape and/or configuration of A GLASS-BREAKING HAMMER as illustrated in the accompanying representations.**



(21) Design Number: **15870/2015**
(22) Date of Filing Application: **03 November 2015**
(24) Date from which industrial property rights may have effect: **03 November 2015**
(54) Product in respect of which the design is registered: **Pressure regulator**
(51) International Design Classification: **23-01E**
(74) Name(s) of Attorney(s): **WRAYS PTY LTD**
(71) Name(s) and Address(s) of Applicant(s):
Nelson Irrigation Corporation
848 Airport Rd Walla Walla Washington 99362 United States of America
(72) Name(s) of Designer(s): **Riley D Greenwood**
(45) Registration Date: **24 November 2015**
(30) Convention priority data:
(31) Number (32) Date (33) Country
29/525,836 04 May 2015 UNITED STATES OF AMERICA
(56) Related Art Documents: **Not Applicable**
(57) Statement of Newness and Distinctiveness: **Newness and distinctiveness is claimed in the features of shape, configuration, pattern, and/or ornamentation of the Pressure Regulator as shown in the accompanying representations. The features depicted by broken lines are for illustrative purposes only and form no part of the claimed design.**



(21) Design Number: **15871/2015**
(22) Date of Filing Application: **03 November 2015**
(24) Date from which industrial property rights may have effect: **03 November 2015**
(54) Product in respect of which the design is registered: **Pressure regulator**
(51) International Design Classification: **23-01E**
(74) Name(s) of Attorney(s): **WRAYS PTY LTD**
(71) Name(s) and Address(s) of Applicant(s):
Nelson Irrigation Corporation
848 Airport Rd Walla Walla Washington 99362 United States of America
(72) Name(s) of Designer(s): **Riley D Greenwood**
(45) Registration Date: **24 November 2015**
(30) Convention priority data:
(31) Number (32) Date (33) Country
29/525,839 04 May 2015 UNITED STATES OF AMERICA
(56) Related Art Documents: **Not Applicable**
(57) Statement of Newness and Distinctiveness: **Newness and distinctiveness is claimed in the features of shape, configuration, pattern, and/or ornamentation of the Pressure Regulator as shown in the accompanying representations. The features depicted by broken lines are for illustrative purposes only and form no part of the claimed design.**



(21) Design Number: **15872/2015**

(22) Date of Filing Application: **03 November 2015**

(24) Date from which industrial property rights may have effect: **03 November 2015**

(54) Product in respect of which the design is registered: **Pressure regulator**

(51) International Design Classification: **23-01E**

(74) Name(s) of Attorney(s): **WRAYS PTY LTD**

(71) Name(s) and Address(s) of Applicant(s):

Nelson Irrigation Corporation

848 Airport Rd Walla Walla Washington 99362 United States of America

(72) Name(s) of Designer(s): **Riley D Greenwood**

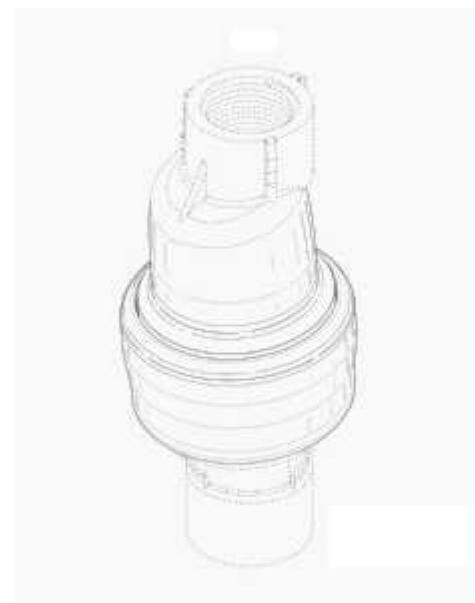
(45) Registration Date: **24 November 2015**

(30) Convention priority data:

(31) Number	(32) Date	(33) Country
29/525,851	04 May 2015	UNITED STATES OF AMERICA

(56) Related Art Documents: **Not Applicable**

(57) Statement of Newness and Distinctiveness: **Newness and distinctiveness is claimed in the features of shape, configuration, pattern, and/or ornamentation of the Pressure Regulator as shown in the accompanying representations. The features depicted by broken lines are for illustrative purposes only and form no part of the claimed design.**



(21) Design Number: **15885/2015**

(22) Date of Filing Application: **04 November 2015**

(24) Date from which industrial property rights may have effect: **04 November 2015**

(54) Product in respect of which the design is registered: **Grilling apparatus**

(51) International Design Classification: **07-02G**

(74) Name(s) of Attorney(s): **Cullens Pty Ltd**

(71) Name(s) and Address(s) of Applicant(s):

DE'LONGHI APPLIANCES SRL CON UNICO SOCIO

Via L. Seitz, 47 Treviso TV, I-31100 Italy

(72) Name(s) of Designer(s): **Giuseppe De' Longhi and Francesco Fiorotto**

(45) Registration Date: **24 November 2015**

(30) Convention priority data:

(31) Number	(32) Date	(33) Country
002694406-0021	05 May 2015	OFFICE FOR HARMONISATION IN THE INTERNAL MARKET (OHIM)

(56) Related Art Documents: **Not Applicable**

(57) Statement of Newness and Distinctiveness: **The new and distinct features are the features of shape and configuration of the grilling apparatus as shown in the representations.**



- (21) Design Number: **15887/2015**
(22) Date of Filing Application: **04 November 2015**
(24) Date from which industrial property rights may have effect: **04 November 2015**
(54) Product in respect of which the design is registered: **Flat-iron**
(51) International Design Classification: **07-05A**
(74) Name(s) of Attorney(s): **Cullens Pty Ltd**
(71) Name(s) and Address(s) of Applicant(s):
DE'LONGHI APPLIANCES SRL CON UNICO SOCIO
Via L. Seitz, 47 Treviso TV, I-31100 Italy
(72) Name(s) of Designer(s): **Giuseppe De' Longhi and Francesco Curreli**
(45) Registration Date: **24 November 2015**
(30) Convention priority data:
(31) Number (32) Date (33) Country
002694406-0022 05 May 2015 OFFICE FOR HARMONISATION IN
THE INTERNAL MARKET (OHIM)
(56) Related Art Documents: **Not Applicable**
(57) Statement of Newness and Distinctiveness: **The new and distinct features are the features of shape and configuration of the flat-iron as shown in the representations.**



- (21) Design Number: **15890/2015**
(22) Date of Filing Application: **05 November 2015**
(24) Date from which industrial property rights may have effect: **05 November 2015**
(54) Product in respect of which the design is registered: **Carbonating beverage machine**
(51) International Design Classification: **31-00**
(74) Name(s) of Attorney(s):
(71) Name(s) and Address(s) of Applicant(s):
VARIANT TECHNOLOGY PTY LTD
PO BOX 174 Vermont VIC 3133 Australia
(72) Name(s) of Designer(s): **Andrew Berry**
(45) Registration Date: **24 November 2015**
(56) Related Art Documents: **Not Applicable**
(57) Statement of Newness and Distinctiveness: **Newness and distinctiveness resides in the features of shape and/or configuration and pattern and/or ornamentation of a carbonating beverage machine as shown in the accompanying representations. The colour of the carbonating beverage machine does not form part of the design. The central nozzle as seen in Fig 1, Fig 3, Fig 4 and Fig 5 does not form part of the design and is included for illustrative purposes only.**



- (21) Design Number: **15891/2015**
(22) Date of Filing Application: **05 November 2015**
(24) Date from which industrial property rights may have effect: **05 November 2015**
(54) Product in respect of which the design is registered: **Carbonating beverage machine**
(51) International Design Classification: **31-00**
(74) Name(s) of Attorney(s):
(71) Name(s) and Address(s) of Applicant(s):
VARIANT TECHNOLOGY PTY LTD
PO BOX 174 Vermont VIC 3133 Australia
(72) Name(s) of Designer(s): **Andrew Berry**
(45) Registration Date: **24 November 2015**
(56) Related Art Documents: **Not Applicable**
(57) Statement of Newness and Distinctiveness: **Newness and distinctiveness resides in the features of shape and/or configuration and pattern and/or ornamentation of a carbonating beverage machine as shown in the accompanying representations. The colour of the carbonating beverage machine does not form part of the design. The central nozzle as seen in Fig 1, Fig 2, Fig 3 and Fig 5 does not form part of the design and is for illustrative purposes only.**



- (21) Design Number: **15892/2015**
(22) Date of Filing Application: **05 November 2015**
(24) Date from which industrial property rights may have effect: **05 November 2015**
(54) Product in respect of which the design is registered: **A wheel**
(51) International Design Classification: **12-16A**
(74) Name(s) of Attorney(s):
(71) Name(s) and Address(s) of Applicant(s):
Railblaza Ltd
6 Tavern Rd Silverdale Auckland 0932 New Zealand
(72) Name(s) of Designer(s): **Ross Gregory Pratt**
(45) Registration Date: **24 November 2015**
(56) Related Art Documents: **Not Applicable**
(57) Statement of Newness and Distinctiveness: **The design is to be applied to a wheel and novelty resides in the features of shape and configuration as shown in the accompanying representations.**



(21) Design Number: **15911/2015**

(22) Date of Filing Application: **06 November 2015**

(24) Date from which industrial property rights may have effect: **06 November 2015**

(54) Product in respect of which the design is registered: **Set top box**

(51) International Design Classification: **14-03NES**

(74) Name(s) of Attorney(s): **FB Rice**

(71) Name(s) and Address(s) of Applicant(s):

HUMAX Co., Ltd.

2, Yeongmun-ro, Cheoin-gu, Yongin-si Gyeonggi-do 449-934 Republic of Korea

(72) Name(s) of Designer(s): **Kyung Woo Lee and Jung Hoon Lee**

(45) Registration Date: **24 November 2015**

(30) Convention priority data:

(31) Number	(32) Date	(33) Country
30-2015-0042793	25 Aug 2015	REPUBLIC OF KOREA

(56) Related Art Documents: **Not Applicable**

(57) Statement of Newness and Distinctiveness: **Newness and distinctiveness reside in the features of the design as shown in the representations.**



(21) Design Number: **15889/2015**

(22) Date of Filing Application: **04 November 2015**

(24) Date from which industrial property rights may have effect: **04 November 2015**

(54) Product in respect of which the design is registered: **Edger**

(51) International Design Classification: **15-03B**

(74) Name(s) of Attorney(s):

(71) Name(s) and Address(s) of Applicant(s):

Peter John Hosking

26 Berry St East Melbourne VIC 3002 Australia

(72) Name(s) of Designer(s): **Peter John Hosking**

(45) Registration Date: **26 November 2015**

(56) Related Art Documents: **Not Applicable**

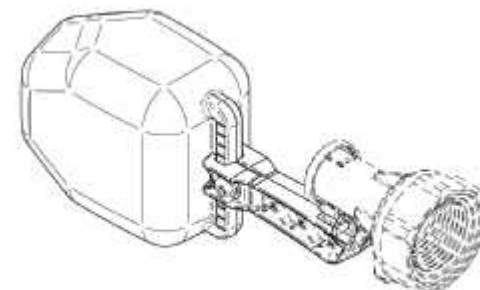
(57) Statement of Newness and Distinctiveness: **This is a new design slim in shape and created by our company to have a distinctive exclusive appeal in the mass market for electric edgers.**



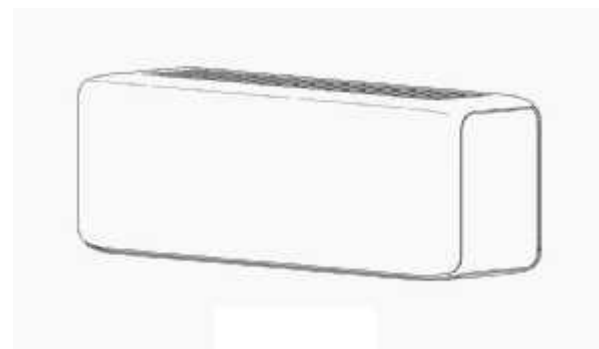
(21) Design Number: **15896/2015**
(22) Date of Filing Application: **05 November 2015**
(24) Date from which industrial property rights may have effect: **05 November 2015**
(54) Product in respect of which the design is registered: **Bar stool**
(51) International Design Classification: **06-01F**
(74) Name(s) of Attorney(s):
(71) Name(s) and Address(s) of Applicant(s):
VO SC PTY. LTD.
PO BOX 269 Brunswick VIC 3056 Australia
(72) Name(s) of Designer(s): **Jim Stepancic**
(45) Registration Date: **26 November 2015**
(56) Related Art Documents: **Not Applicable**
(57) Statement of Newness and Distinctiveness: **Unique geometric design of metal frame combined with oversized round timber top.**



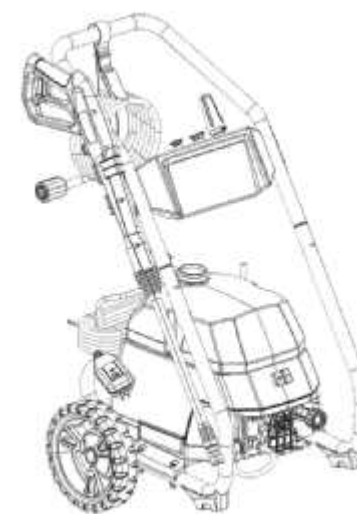
(21) Design Number: **15897/2015**
(22) Date of Filing Application: **05 November 2015**
(24) Date from which industrial property rights may have effect: **05 November 2015**
(54) Product in respect of which the design is registered: **A float valve**
(51) International Design Classification: **23-01K**
(74) Name(s) of Attorney(s): **AJ Park**
(71) Name(s) and Address(s) of Applicant(s):
Hansen Developments Limited
16 Union East Street Port Whangarei Whangarei 0110 New Zealand
(72) Name(s) of Designer(s): **Philip John Collins**
(45) Registration Date: **26 November 2015**
(30) Convention priority data:
(31) Number (32) Date (33) Country
420187 06 May 2015 NEW ZEALAND
(56) Related Art Documents: **Not Applicable**
(57) Statement of Newness and Distinctiveness: **The novelty claimed in the design resides in the features of shape and/or configuration of the arm and float of the float valve all as shown in the representations.**



(21) Design Number: **15898/2015**
(22) Date of Filing Application: **05 November 2015**
(24) Date from which industrial property rights may have effect: **05 November 2015**
(54) Product in respect of which the design is registered: **Wall-mounted air conditioner**
(51) International Design Classification: **23-04**
(74) Name(s) of Attorney(s): **WRAYS PTY LTD**
(71) Name(s) and Address(s) of Applicant(s):
Mitsubishi Heavy Industries, Ltd.
16-5, Konan 2-chome Minato-ku Tokyo 108-8215 Japan
(72) Name(s) of Designer(s): **Kunihiro Higashiura and Kenichi Miyazawa and Takashi Goto and Kazumi Okamura and Tomomitsu Yamaguchi**
(45) Registration Date: **26 November 2015**
(30) Convention priority data:
(31) Number (32) Date (33) Country
2015-012302 02 Jun 2015 JAPAN
(56) Related Art Documents: **Not Applicable**
(57) Statement of Newness and Distinctiveness: **Newness and distinctiveness is claimed in the features of shape, configuration, pattern, and/or ornamentation of the Wall-Mounted Air Conditioner as shown in the accompanying representations.**



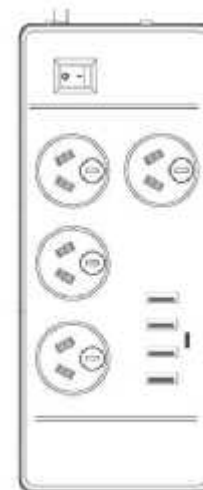
(21) Design Number: **15900/2015**
(22) Date of Filing Application: **05 November 2015**
(24) Date from which industrial property rights may have effect: **05 November 2015**
(54) Product in respect of which the design is registered: **Pressure washer**
(51) International Design Classification: **15-05**
(74) Name(s) of Attorney(s): **Griffith Hack**
(71) Name(s) and Address(s) of Applicant(s):
AC (Macao Commercial Offshore) Limited
Units A-C, 26/F Centro Comercial da Praia Grande No. 429 Avenida da Praia Grande Macau
(72) Name(s) of Designer(s): **Jeffrey T Mauch**
(45) Registration Date: **26 November 2015**
(30) Convention priority data:
(31) Number (32) Date (33) Country
201530133606.8 08 May 2015 CHINA
(56) Related Art Documents: **Not Applicable**
(57) Statement of Newness and Distinctiveness: **Newness and distinctiveness resides in the visual features, including the shape and configuration of the product shown in the representations.**



- (21) Design Number: **15902/2015**
(22) Date of Filing Application: **05 November 2015**
(24) Date from which industrial property rights may have effect: **05 November 2015**
(54) Product in respect of which the design is registered: **A powerboard**
(51) International Design Classification: **13-03D**
(74) Name(s) of Attorney(s):
(71) Name(s) and Address(s) of Applicant(s):
SANSAI JAPAN AUSTRALIA PTY. LTD.
3 Fiveways Bvd Keysborough VIC 3173 Australia
(72) Name(s) of Designer(s): **Tony H. Chen**
(45) Registration Date: **26 November 2015**
(56) Related Art Documents: **Not Applicable**
(57) Statement of Newness and Distinctiveness: **Newness and distinctiveness is claimed in the features of shape and configuration of a power board as illustrated in the accompanying representations. The powerboard includes a plurality of sockets for plugs and USB devices.**



- (21) Design Number: **15903/2015**
(22) Date of Filing Application: **05 November 2015**
(24) Date from which industrial property rights may have effect: **05 November 2015**
(54) Product in respect of which the design is registered: **A powerboard**
(51) International Design Classification: **13-03D**
(74) Name(s) of Attorney(s):
(71) Name(s) and Address(s) of Applicant(s):
SANSAI JAPAN AUSTRALIA PTY. LTD.
3 Fiveways Bvd Keysborough VIC 3173 Australia
(72) Name(s) of Designer(s): **Tony H. Chen**
(45) Registration Date: **26 November 2015**
(56) Related Art Documents: **Not Applicable**
(57) Statement of Newness and Distinctiveness: **Newness and distinctiveness is claimed in the features of shape and configuration of a power board as illustrated in the accompanying representations. The powerboard includes a plurality of sockets for plugs and USB devices.**



(21) Design Number: **12587/2015**
(22) Date of Filing Application: **18 May 2015**
(24) Date from which industrial property rights may have effect: **18 May 2015**
(54) Product in respect of which the design is registered: **Swimwear**
(51) International Design Classification: **02-02A**
(74) Name(s) of Attorney(s): **K&L Gates**
(71) Name(s) and Address(s) of Applicant(s):
Seafolly Pty Ltd
247 King St Mascot NSW 2020 Australia
(72) Name(s) of Designer(s): **Genelle Walkom**
(45) Registration Date: **26 November 2015**
(56) Related Art Documents: **Not Applicable**
(57) Statement of Newness and Distinctiveness: **Nil**



(21) Design Number: **15976/2015**
(22) Date of Filing Application: **18 May 2015**
(24) Date from which industrial property rights may have effect: **18 May 2015**
(54) Product in respect of which the design is registered: **Swimwear**
(51) International Design Classification: **02-02A**
(74) Name(s) of Attorney(s): **K&L Gates**
(71) Name(s) and Address(s) of Applicant(s):
Seafolly Pty Ltd
247 King St Mascot NSW 2020 Australia
(72) Name(s) of Designer(s): **Genelle Walkom**
(45) Registration Date: **26 November 2015**
(56) Related Art Documents: **Not Applicable**
(57) Statement of Newness and Distinctiveness: **Nil**



(21) Design Number: **15977/2015**
(22) Date of Filing Application: **18 May 2015**
(24) Date from which industrial property rights may have effect: **18 May 2015**
(54) Product in respect of which the design is registered: **Swimwear**
(51) International Design Classification: **02-02A**
(74) Name(s) of Attorney(s): **K&L Gates**
(71) Name(s) and Address(s) of Applicant(s):
Seafolly Pty Ltd
247 King St Mascot NSW 2020 Australia
(72) Name(s) of Designer(s): **Genelle Walkom**
(45) Registration Date: **26 November 2015**
(56) Related Art Documents: **Not Applicable**
(57) Statement of Newness and Distinctiveness: **Nil**



(21) Design Number: **15978/2015**
(22) Date of Filing Application: **18 May 2015**
(24) Date from which industrial property rights may have effect: **18 May 2015**
(54) Product in respect of which the design is registered: **Swimwear**
(51) International Design Classification: **02-02A**
(74) Name(s) of Attorney(s): **K&L Gates**
(71) Name(s) and Address(s) of Applicant(s):
Seafolly Pty Ltd
247 King St Mascot NSW 2020 Australia
(72) Name(s) of Designer(s): **Genelle Walkom**
(45) Registration Date: **26 November 2015**
(56) Related Art Documents: **Not Applicable**
(57) Statement of Newness and Distinctiveness: **Nil**



(21) Design Number: **15979/2015**
(22) Date of Filing Application: **18 May 2015**
(24) Date from which industrial property rights may have effect: **18 May 2015**
(54) Product in respect of which the design is registered: **Swimwear**
(51) International Design Classification: **02-02A**
(74) Name(s) of Attorney(s): **K&L Gates**
(71) Name(s) and Address(s) of Applicant(s):
Seafolly Pty Ltd
247 King St Mascot NSW 2020 Australia
(72) Name(s) of Designer(s): **Genelle Walkom**
(45) Registration Date: **26 November 2015**
(56) Related Art Documents: **Not Applicable**
(57) Statement of Newness and Distinctiveness: **Nil**



(21) Design Number: **15980/2015**
(22) Date of Filing Application: **18 May 2015**
(24) Date from which industrial property rights may have effect: **18 May 2015**
(54) Product in respect of which the design is registered: **Swimwear**
(51) International Design Classification: **02-02A**
(74) Name(s) of Attorney(s): **K&L Gates**
(71) Name(s) and Address(s) of Applicant(s):
Seafolly Pty Ltd
247 King St Mascot NSW 2020 Australia
(72) Name(s) of Designer(s): **Genelle Walkom**
(45) Registration Date: **26 November 2015**
(56) Related Art Documents: **Not Applicable**
(57) Statement of Newness and Distinctiveness: **Nil**



(21) Design Number: **15981/2015**
(22) Date of Filing Application: **18 May 2015**
(24) Date from which industrial property rights may have effect: **18 May 2015**
(54) Product in respect of which the design is registered: **Swimwear**
(51) International Design Classification: **02-02A**
(74) Name(s) of Attorney(s): **K&L Gates**
(71) Name(s) and Address(s) of Applicant(s):
Seafolly Pty Ltd
247 King St Mascot NSW 2020 Australia
(72) Name(s) of Designer(s): **Genelle Walkom**
(45) Registration Date: **26 November 2015**
(56) Related Art Documents: **Not Applicable**
(57) Statement of Newness and Distinctiveness: **Nil**



(21) Design Number: **15982/2015**
(22) Date of Filing Application: **18 May 2015**
(24) Date from which industrial property rights may have effect: **18 May 2015**
(54) Product in respect of which the design is registered: **Swimwear**
(51) International Design Classification: **02-02A**
(74) Name(s) of Attorney(s): **K&L Gates**
(71) Name(s) and Address(s) of Applicant(s):
Seafolly Pty Ltd
247 King St Mascot NSW 2020 Australia
(72) Name(s) of Designer(s): **Genelle Walkom**
(45) Registration Date: **26 November 2015**
(56) Related Art Documents: **Not Applicable**
(57) Statement of Newness and Distinctiveness: **Nil**



(21) Design Number: **15983/2015**
(22) Date of Filing Application: **18 May 2015**
(24) Date from which industrial property rights may have effect: **18 May 2015**
(54) Product in respect of which the design is registered: **Swimwear**
(51) International Design Classification: **02-02A**
(74) Name(s) of Attorney(s): **K&L Gates**
(71) Name(s) and Address(s) of Applicant(s):
Seafolly Pty Ltd
247 King St Mascot NSW 2020 Australia
(72) Name(s) of Designer(s): **Genelle Walkom**
(45) Registration Date: **26 November 2015**
(56) Related Art Documents: **Not Applicable**
(57) Statement of Newness and Distinctiveness: **Nil**



(21) Design Number: **15984/2015**
(22) Date of Filing Application: **18 May 2015**
(24) Date from which industrial property rights may have effect: **18 May 2015**
(54) Product in respect of which the design is registered: **Swimwear**
(51) International Design Classification: **02-02A**
(74) Name(s) of Attorney(s): **K&L Gates**
(71) Name(s) and Address(s) of Applicant(s):
Seafolly Pty Ltd
247 King St Mascot NSW 2020 Australia
(72) Name(s) of Designer(s): **Genelle Walkom**
(45) Registration Date: **26 November 2015**
(56) Related Art Documents: **Not Applicable**
(57) Statement of Newness and Distinctiveness: **Nil**



(21) Design Number: **15985/2015**
(22) Date of Filing Application: **18 May 2015**
(24) Date from which industrial property rights may have effect: **18 May 2015**
(54) Product in respect of which the design is registered: **Swimwear**
(51) International Design Classification: **02-02A**
(74) Name(s) of Attorney(s): **K&L Gates**
(71) Name(s) and Address(s) of Applicant(s):
Seafolly Pty Ltd
247 King St Mascot NSW 2020 Australia
(72) Name(s) of Designer(s): **Genelle Walkom**
(45) Registration Date: **26 November 2015**
(56) Related Art Documents: **Not Applicable**
(57) Statement of Newness and Distinctiveness: **Nil**



(21) Design Number: **15986/2015**
(22) Date of Filing Application: **18 May 2015**
(24) Date from which industrial property rights may have effect: **18 May 2015**
(54) Product in respect of which the design is registered: **Swimwear**
(51) International Design Classification: **02-02A**
(74) Name(s) of Attorney(s): **K&L Gates**
(71) Name(s) and Address(s) of Applicant(s):
Seafolly Pty Ltd
247 King St Mascot NSW 2020 Australia
(72) Name(s) of Designer(s): **Genelle Walkom**
(45) Registration Date: **26 November 2015**
(56) Related Art Documents: **Not Applicable**
(57) Statement of Newness and Distinctiveness: **Nil**



(21) Design Number: **15987/2015**
(22) Date of Filing Application: **18 May 2015**
(24) Date from which industrial property rights may have effect: **18 May 2015**
(54) Product in respect of which the design is registered: **Swimwear**
(51) International Design Classification: **02-02A**
(74) Name(s) of Attorney(s): **K&L Gates**
(71) Name(s) and Address(s) of Applicant(s):
Seafolly Pty Ltd
247 King St Mascot NSW 2020 Australia
(72) Name(s) of Designer(s): **Genelle Walkom**
(45) Registration Date: **26 November 2015**
(56) Related Art Documents: **Not Applicable**
(57) Statement of Newness and Distinctiveness: **Nil**



(21) Design Number: **15988/2015**
(22) Date of Filing Application: **18 May 2015**
(24) Date from which industrial property rights may have effect: **18 May 2015**
(54) Product in respect of which the design is registered: **Swimwear**
(51) International Design Classification: **02-02A**
(74) Name(s) of Attorney(s): **K&L Gates**
(71) Name(s) and Address(s) of Applicant(s):
Seafolly Pty Ltd
247 King St Mascot NSW 2020 Australia
(72) Name(s) of Designer(s): **Genelle Walkom**
(45) Registration Date: **26 November 2015**
(56) Related Art Documents: **Not Applicable**
(57) Statement of Newness and Distinctiveness: **Nil**



(21) Design Number: **15989/2015**
(22) Date of Filing Application: **18 May 2015**
(24) Date from which industrial property rights may have effect: **18 May 2015**
(54) Product in respect of which the design is registered: **Swimwear**
(51) International Design Classification: **02-02A**
(74) Name(s) of Attorney(s): **K&L Gates**
(71) Name(s) and Address(s) of Applicant(s):
Seafolly Pty Ltd
247 King St Mascot NSW 2020 Australia
(72) Name(s) of Designer(s): **Genelle Walkom**
(45) Registration Date: **26 November 2015**
(56) Related Art Documents: **Not Applicable**
(57) Statement of Newness and Distinctiveness: **Nil**



(21) Design Number: **14815/2015**
(22) Date of Filing Application: **10 September 2015**
(24) Date from which industrial property rights may have effect: **10 September 2015**
(54) Product in respect of which the design is registered: **Greeting card with dial**
(51) International Design Classification: **19-01**
(74) Name(s) of Attorney(s): **Fisher Adams Kelly Callinans**
(71) Name(s) and Address(s) of Applicant(s):
AMERICAN GREETINGS CORPORATION
One American Road Cleveland, Ohio, 44144 United States of America
(72) Name(s) of Designer(s): **Michelle Parkinson and Lynne Shlonsky**
(45) Registration Date: **26 November 2015**
(30) Convention priority data:
(31) Number (32) Date (33) Country
29/531,243 24 Jun 2015 UNITED STATES OF AMERICA
(56) Related Art Documents: **Not Applicable**
(57) Statement of Newness and Distinctiveness: **Newness and distinctiveness are provided by the shape and/or configuration of the design shown in the representations. In considering the scope of the newness protection any words and indicia on the design is to be disregarded.**



(21) Design Number: **15967/2015**

(22) Date of Filing Application: **10 November 2015**

(24) Date from which industrial property rights may have effect: **10 November 2015**

(54) Product in respect of which the design is registered: **A tyre**

(51) International Design Classification: **12-15C**

(74) Name(s) of Attorney(s): **WATERMARK PATENT AND TRADE MARKS ATTORNEYS**

(71) Name(s) and Address(s) of Applicant(s):

COMPAGNIE GENERALE DES ETABLISSEMENTS MICHELIN
12, cours Sablon CLERMONT-FERRAND 63000 France

Michelin Recherche et Technique SA
Route Louis Braille 10 et 12 Granges-Paccot 1763 Switzerland

(72) Name(s) of Designer(s): **Olivier Spinnler and Arnaud Frappart**

(45) Registration Date: **26 November 2015**

(30) Convention priority data:

(31) Number	(32) Date	(33) Country
2015-2385	18 May 2015	FRANCE

(56) Related Art Documents: **Not Applicable**

(57) Statement of Newness and Distinctiveness: **Newness and distinctiveness resides in the appearance of the tread region of the tyre, the remainder of the tyre not forming part of the design.**



(21) Design Number: **15969/2015**

(22) Date of Filing Application: **10 November 2015**

(24) Date from which industrial property rights may have effect: **10 November 2015**

(54) Product in respect of which the design is registered: **A medical device**

(51) International Design Classification: **24-01**

(74) Name(s) of Attorney(s): **Spruson & Ferguson**

(71) Name(s) and Address(s) of Applicant(s):

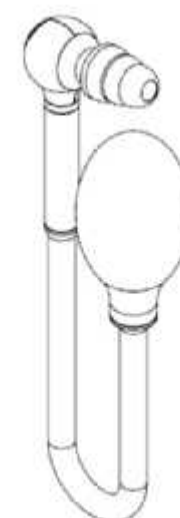
Migraine Stopper Pty. Ltd.
202/333 Pacific Hwy North Sydney NSW 2060 Australia

(72) Name(s) of Designer(s): **Adam Meredith**

(45) Registration Date: **26 November 2015**

(56) Related Art Documents: **Not Applicable**

(57) Statement of Newness and Distinctiveness: **Newness and distinctiveness is claimed in the features of shape and/or configuration of a medical device as illustrated in the accompanying representations.**



(21) Design Number: **15971/2015**

(22) Date of Filing Application: **10 November 2015**

(24) Date from which industrial property rights may have effect: **10 November 2015**

(54) Product in respect of which the design is registered: **Tyre**

(51) International Design Classification: **12-15C**

(74) Name(s) of Attorney(s): **Griffith Hack**

(71) Name(s) and Address(s) of Applicant(s):

**Continental Reifen Deutschland GmbH
Vahrenwalder Str. 9 Hannover 30165 Germany**

(72) Name(s) of Designer(s): **Florian Kristen**

(45) Registration Date: **26 November 2015**

(30) Convention priority data:

(31) Number	(32) Date	(33) Country
002718585	15 Jun 2015	OFFICE FOR HARMONISATION IN THE INTERNAL MARKET (OHIM)

(56) Related Art Documents: **Not Applicable**

(57) Statement of Newness and Distinctiveness: **Newness and distinctiveness resides in the visual features, including shape, configuration and pattern, of a tread for a TYRE as shown in in the accompanying representations.**



(21) Design Number: **15973/2015**

(22) Date of Filing Application: **10 November 2015**

(24) Date from which industrial property rights may have effect: **10 November 2015**

(54) Product in respect of which the design is registered: **Child's seat for vehicle**

(51) International Design Classification: **06-01D**

(74) Name(s) of Attorney(s): **Fisher Adams Kelly Callinans**

(71) Name(s) and Address(s) of Applicant(s):

**JANE, S.A.
Mercaders 34-Pol. Ind. Riera de Caldes PALAU DE PLEGAMANS
Barcelona Spain**

(72) Name(s) of Designer(s): **Manuel Jane Santamaria**

(45) Registration Date: **26 November 2015**

(30) Convention priority data:

(31) Number	(32) Date	(33) Country
2805259-0001	30 Sep 2015	OFFICE FOR HARMONISATION IN THE INTERNAL MARKET (OHIM)

(56) Related Art Documents: **Not Applicable**

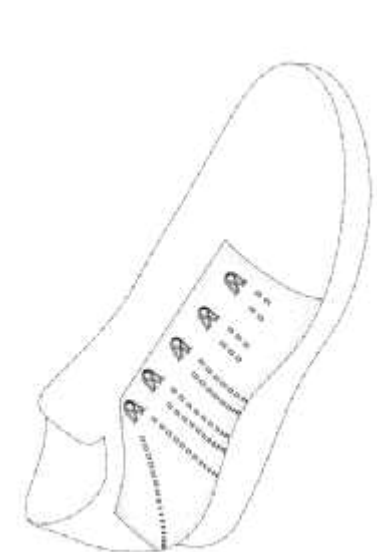
(57) Statement of Newness and Distinctiveness: **Nil**



- (21) Design Number: **15974/2015**
(22) Date of Filing Application: **10 November 2015**
(24) Date from which industrial property rights may have effect: **10 November 2015**
(54) Product in respect of which the design is registered: **A drinking cup**
(51) International Design Classification: **07-01D**
(74) Name(s) of Attorney(s): **Adams Pluck**
(71) Name(s) and Address(s) of Applicant(s):
David McGuire
7 Kalang Rd Mount Colah NSW 2079 Australia
(72) Name(s) of Designer(s): **David McGuire**
(45) Registration Date: **26 November 2015**
(56) Related Art Documents: **Not Applicable**
(57) Statement of Newness and Distinctiveness: **Newness and distinctiveness resides in the shape and configuration of the drinking cup shown in the attached representations.**



- (21) Design Number: **14793/2015**
(22) Date of Filing Application: **09 September 2015**
(24) Date from which industrial property rights may have effect: **09 September 2015**
(54) Product in respect of which the design is registered: **Shoe upper**
(51) International Design Classification: **02-04NES**
(74) Name(s) of Attorney(s): **Davies Collison Cave**
(71) Name(s) and Address(s) of Applicant(s):
NIKE Innovate C.V.
One Bowerman Drive Beaverton Oregon, 97005-6453 United States of America
(72) Name(s) of Designer(s): **Robert C. Williams Jr.**
(45) Registration Date: **26 November 2015**
(56) Related Art Documents: **Not Applicable**
(57) Statement of Newness and Distinctiveness: **Newness and distinctiveness is claimed in the visual features shown in the representations, excluding the visual features shown in broken lines, and excluding colouring and texture. The sole shown in broken lines in the representations does not form a part of the product or design.**



- (21) Design Number: **15893/2015**
(22) Date of Filing Application: **05 November 2015**
(24) Date from which industrial property rights may have effect: **05 November 2015**
(54) Product in respect of which the design is registered: **600ml paint mixing cup**
(51) International Design Classification: **10-04**
(74) Name(s) of Attorney(s):
(71) Name(s) and Address(s) of Applicant(s):
TILDY SUPPLIES PTY. LTD.
32/13 Berry St Clyde NSW 2142 Australia
(72) Name(s) of Designer(s): **Albert Haddad**
(45) Registration Date: **26 November 2015**
(56) Related Art Documents: **Not Applicable**
(57) Statement of Newness and Distinctiveness: **The 600mL cup is made from clear PP material and weighs 12 grams. The cup features a pourer lip and has the measurement of up to 600mL embossed onto the cup. The paint mixing ratio of 2:1, 4:1, and 10:1 are also embossed onto the cup.**



- (21) Design Number: **15894/2015**
(22) Date of Filing Application: **05 November 2015**
(24) Date from which industrial property rights may have effect: **05 November 2015**
(54) Product in respect of which the design is registered: **1l paint mixing cup**
(51) International Design Classification: **10-04**
(74) Name(s) of Attorney(s):
(71) Name(s) and Address(s) of Applicant(s):
TILDY SUPPLIES PTY. LTD.
32/13 Berry St Clyde NSW 2142 Australia
(72) Name(s) of Designer(s): **Albert Haddad**
(45) Registration Date: **26 November 2015**
(56) Related Art Documents: **Not Applicable**
(57) Statement of Newness and Distinctiveness: **The 1L cup is made from clear PP material and weigh 12 grams. The cup features a pourer lip and has the measurement of up to 1L embossed onto the cup. The paint mixing ratio of 0.6:1:3, 4:1, and 10:1 are also embossed onto the cup.**



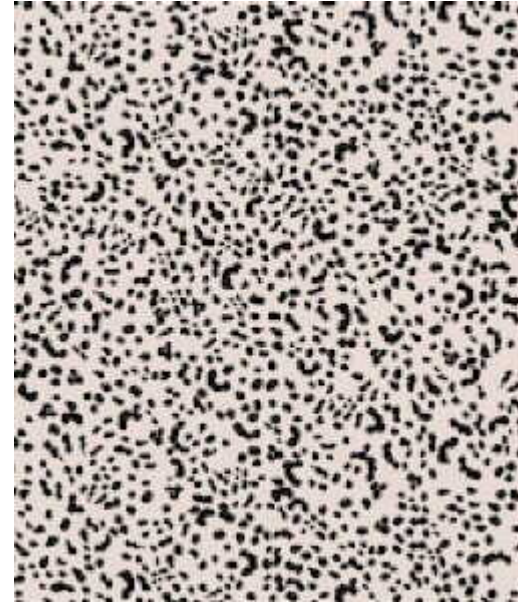
- (21) Design Number: **15904/2015**
(22) Date of Filing Application: **05 November 2015**
(24) Date from which industrial property rights may have effect: **05 November 2015**
(54) Product in respect of which the design is registered: **Packaging with handle**
(51) International Design Classification: **09-03M**
(74) Name(s) of Attorney(s): **Chrysiliou IP**
(71) Name(s) and Address(s) of Applicant(s):
Multigate Medical Products Pty Ltd
27 Llewellyn Ave Villawood NSW 2163 Australia
(72) Name(s) of Designer(s): **Shiyi Liu and Daniel Mack**
(45) Registration Date: **26 November 2015**
(56) Related Art Documents: **Not Applicable**
(57) Statement of Newness and Distinctiveness: **Newness and distinctiveness reside in the feature of shape and configuration of the handle marked A in the flange marked B shown in the representations, excluding those features shown in broken lines.**



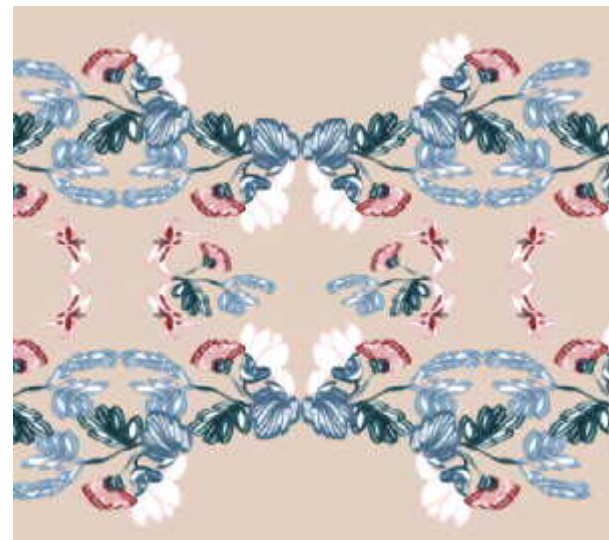
- (21) Design Number: **15905/2015**
(22) Date of Filing Application: **05 November 2015**
(24) Date from which industrial property rights may have effect: **05 November 2015**
(54) Product in respect of which the design is registered: **Single weatherproof power point**
(51) International Design Classification: **13-03D**
(74) Name(s) of Attorney(s):
(71) Name(s) and Address(s) of Applicant(s):
AUSWITCH PTY. LTD.
5 Waratah Ave Casula NSW 2170 Australia
(72) Name(s) of Designer(s): **Bilal Elakde**
(45) Registration Date: **26 November 2015**
(56) Related Art Documents: **Not Applicable**
(57) Statement of Newness and Distinctiveness: **Nil**



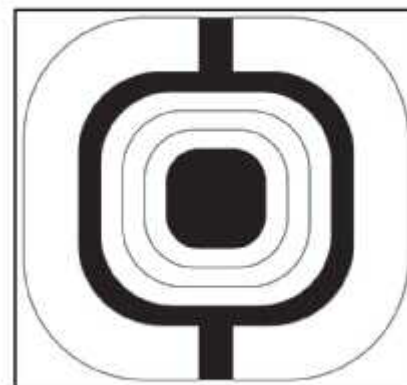
- (21) Design Number: **15907/2015**
(22) Date of Filing Application: **05 November 2015**
(24) Date from which industrial property rights may have effect: **05 November 2015**
(54) Product in respect of which the design is registered: **A textile print**
(51) International Design Classification: **05-05B**
(74) Name(s) of Attorney(s):
(71) Name(s) and Address(s) of Applicant(s):
AUSTRALIAN FASHION LABELS PTY LTD
106 Currie St Adelaide SA 5000 Australia
(72) Name(s) of Designer(s): **Carmen Dugan and Cyd Beard**
(45) Registration Date: **26 November 2015**
(56) Related Art Documents: **Not Applicable**
(57) Statement of Newness and Distinctiveness: **Newness and distinctiveness resides in the features of pattern and ornamentation of a textile print as shown in the accompanying representations. In considering the scope of monopoly, no regard is to be had to colour and the scope of monopoly is not restricted to the particular colour or colours depicted in the accompanying representations.**



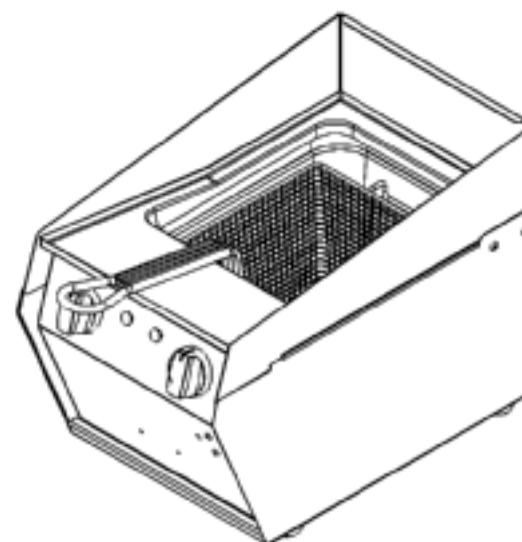
- (21) Design Number: **15908/2015**
(22) Date of Filing Application: **05 November 2015**
(24) Date from which industrial property rights may have effect: **05 November 2015**
(54) Product in respect of which the design is registered: **A textile print**
(51) International Design Classification: **05-05A**
(74) Name(s) of Attorney(s):
(71) Name(s) and Address(s) of Applicant(s):
AUSTRALIAN FASHION LABELS PTY LTD
106 Currie St Adelaide SA 5000 Australia
(72) Name(s) of Designer(s): **Carmen Dugan and Cyd Beard**
(45) Registration Date: **26 November 2015**
(56) Related Art Documents: **Not Applicable**
(57) Statement of Newness and Distinctiveness: **Newness and distinctiveness resides in the features of pattern and ornamentation of a textile print as shown in the accompanying representations. In considering the scope of monopoly, no regard is to be had to colour and the scope of monopoly is not restricted to the particular colour or colours depicted in the accompanying representations.**



- (21) Design Number: **15921/2015**
(22) Date of Filing Application: **06 November 2015**
(24) Date from which industrial property rights may have effect: **06 November 2015**
(54) Product in respect of which the design is registered: **Label for an article of manufacture and packaging**
(51) International Design Classification: **19-08**
(74) Name(s) of Attorney(s): **Spruson & Ferguson**
(71) Name(s) and Address(s) of Applicant(s):
Kimberly-Clark Worldwide, Inc.
2300 Winchester Road Neenah Wisconsin 54956 United States of America
(72) Name(s) of Designer(s): **Barry Paul Markwick and Shannon Marie Johnson and Jason Simms Kirkland and Haneul Kim and Jonathan Bell and Sandra Hill**
(45) Registration Date: **27 November 2015**
(30) Convention priority data:
(31) Number (32) Date (33) Country
29/527316 18 May 2015 UNITED STATES OF AMERICA
(56) Related Art Documents: **Not Applicable**
(57) Statement of Newness and Distinctiveness: **Newness and distinctiveness is claimed in the features of pattern and/or ornamentation of a label for an article of manufacture and packaging as illustrated in the accompanying representations.**



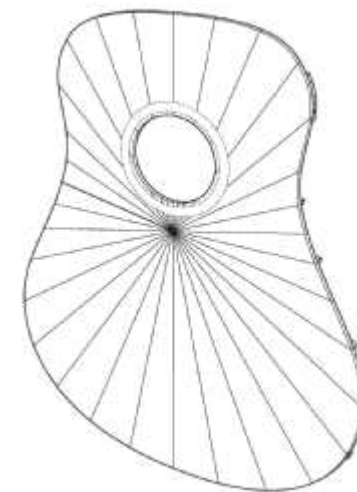
- (21) Design Number: **15922/2015**
(22) Date of Filing Application: **06 November 2015**
(24) Date from which industrial property rights may have effect: **06 November 2015**
(54) Product in respect of which the design is registered: **A fryer**
(51) International Design Classification: **07-02N**
(74) Name(s) of Attorney(s): **Spruson & Ferguson**
(71) Name(s) and Address(s) of Applicant(s):
ROBAND Australia Pty Ltd
1 Inman Rd Cromer NSW 2099 Australia
(72) Name(s) of Designer(s): **Paul Edward Le Vavasseeure and Shane John James Marshall and Andrew Lynn Carson**
(45) Registration Date: **27 November 2015**
(56) Related Art Documents: **Not Applicable**
(57) Statement of Newness and Distinctiveness: **Newness and distinctiveness is claimed in the features of shape and/or configuration of a fryer as illustrated in the accompanying representations, apart from the basket and oil pan.**



- (21) Design Number: **15923/2015**
(22) Date of Filing Application: **06 November 2015**
(24) Date from which industrial property rights may have effect: **06 November 2015**
(54) Product in respect of which the design is registered: **Label for an article of manufacture and packaging**
(51) International Design Classification: **19-08**
(74) Name(s) of Attorney(s): **Spruson & Ferguson**
(71) Name(s) and Address(s) of Applicant(s):
Kimberly-Clark Worldwide, Inc.
2300 Winchester Road, Neenah Wisconsin, 54956 United States of America
(72) Name(s) of Designer(s): **Barry Paul Markwick and Shannon Marie Johnson and Jason Simms Kirkland and Haneul Kim and Jonathan Bell and Sandra Hill**
(45) Registration Date: **27 November 2015**
(30) Convention priority data:
(31) Number (32) Date (33) Country
29/527316 18 May 2015 UNITED STATES OF AMERICA
(56) Related Art Documents: **Not Applicable**
(57) Statement of Newness and Distinctiveness: **Newness and distinctiveness is claimed in the features of pattern and/or ornamentation of a label for an article of manufacture and packaging as illustrated in the accompanying representations.**



- (21) Design Number: **15924/2015**
(22) Date of Filing Application: **06 November 2015**
(24) Date from which industrial property rights may have effect: **06 November 2015**
(54) Product in respect of which the design is registered: **Guitar sound board**
(51) International Design Classification: **17-03**
(74) Name(s) of Attorney(s): **Madderns**
(71) Name(s) and Address(s) of Applicant(s):
Barry McPherson Mackenzie
9 Sunlake PI Tennyson SA 5022 Australia
(72) Name(s) of Designer(s): **Barry McPherson Mackenzie**
(45) Registration Date: **27 November 2015**
(56) Related Art Documents: **Not Applicable**
(57) Statement of Newness and Distinctiveness: **The features shown in broken lines are not part of the design and are to be disregarded when considering the overall impression of the design.**



- (21) Design Number: **15925/2015**
(22) Date of Filing Application: **06 November 2015**
(24) Date from which industrial property rights may have effect: **06 November 2015**
(54) Product in respect of which the design is registered: **A bracket**
(51) International Design Classification: **08-08L**
(74) Name(s) of Attorney(s): **Spruson & Ferguson**
(71) Name(s) and Address(s) of Applicant(s):
Bay Trusses & Frames Pty Ltd
Se 12 Westlakes Arc 108-112 The Boulevarde Toronto NSW 2283
Australia
Lemrig Pty Ltd
Se 12 Westlakes Arc 108-112 The Boulevarde Toronto NSW 2283
Australia
(72) Name(s) of Designer(s): **Philip John Bear and Ian Hunter Livingston**
(45) Registration Date: **27 November 2015**
(56) Related Art Documents: **Not Applicable**
(57) Statement of Newness and Distinctiveness: **Newness and distinctiveness is claimed in the features of shape and/or configuration of a bracket as illustrated in the accompanying representations.**



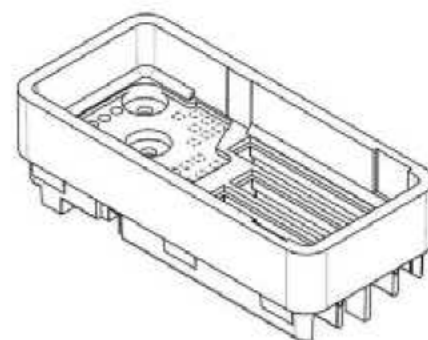
- (21) Design Number: **15926/2015**
(22) Date of Filing Application: **06 November 2015**
(24) Date from which industrial property rights may have effect: **06 November 2015**
(54) Product in respect of which the design is registered: **A bracket**
(51) International Design Classification: **08-08L**
(74) Name(s) of Attorney(s): **Spruson & Ferguson**
(71) Name(s) and Address(s) of Applicant(s):
Bay Trusses & Frames Pty Ltd
Se 12 Westlakes Arc 108-112 The Boulevarde Toronto NSW 2283
Australia
Lemrig Pty Ltd
Se 12 Westlakes Arc 108-112 The Boulevarde Toronto NSW 2283
Australia
(72) Name(s) of Designer(s): **Philip John Bear and Ian Hunter Livingston**
(45) Registration Date: **27 November 2015**
(56) Related Art Documents: **Not Applicable**
(57) Statement of Newness and Distinctiveness: **Newness and distinctiveness is claimed in the features of shape and/or configuration of a bracket as illustrated in the accompanying representations.**



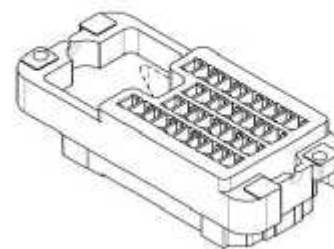
(12) AUSTRALIAN REGISTERED DESIGN
(19) AU

(11) AU-S- 365502

- (21) Design Number: **12688/2015**
(22) Date of Filing Application: **25 May 2015**
(24) Date from which industrial property rights may have effect: **25 May 2015**
(54) Product in respect of which the design is registered: **Relay base**
(51) International Design Classification: **10-06**
(74) Name(s) of Attorney(s): **Houlihan2**
(71) Name(s) and Address(s) of Applicant(s):
DAVID STUCKEY INVESTMENTS PTY LTD
C/- Pitcher Partners L19/15 William St Melbourne VIC 3000 Australia
(72) Name(s) of Designer(s): **Brent Graham and Michael Strike and David Stuckey**
(45) Registration Date: **27 November 2015**
(56) Related Art Documents: **Not Applicable**
(57) Statement of Newness and Distinctiveness: **Newness and distinctiveness reside in the shape and/or configuration of a RELAY BASE as illustrated in the accompanying representations for use in railway signalling systems.**



- (21) Design Number: **12689/2015**
(22) Date of Filing Application: **25 May 2015**
(24) Date from which industrial property rights may have effect: **25 May 2015**
(54) Product in respect of which the design is registered: **Plugboard**
(51) International Design Classification: **10-06**
(74) Name(s) of Attorney(s): **Houlihan2**
(71) Name(s) and Address(s) of Applicant(s):
DAVID STUCKEY INVESTMENTS PTY LTD
C/- Pitcher Partners L19/15 William St Melbourne VIC 3000 Australia
(72) Name(s) of Designer(s): **Brent Graham and Michael Strike and David Stuckey**
(45) Registration Date: **27 November 2015**
(56) Related Art Documents: **Not Applicable**
(57) Statement of Newness and Distinctiveness: **Newness and distinctiveness reside in the shape and/or configuration of a PLUGBOARD as illustrated in the accompanying representations for use in railway signalling systems.**



- (21) Design Number: **12690/2015**
(22) Date of Filing Application: **25 May 2015**
(24) Date from which industrial property rights may have effect: **25 May 2015**
(54) Product in respect of which the design is registered: **Pin retainer plate**
(51) International Design Classification: **10-06**
(74) Name(s) of Attorney(s): **Houlihan2**
(71) Name(s) and Address(s) of Applicant(s):
DAVID STUCKEY INVESTMENTS PTY LTD
C/- Pitcher Partners L19/15 William St Melbourne VIC 3000 Australia
(72) Name(s) of Designer(s): **Brent Graham and Michael Strike and David M Stuckey**
(45) Registration Date: **27 November 2015**
(56) Related Art Documents: **Not Applicable**
(57) Statement of Newness and Distinctiveness: **Newness and distinctiveness reside in the shape and/or configuration of a PIN RETAINER PLATE as illustrated in the accompanying representations for use in railway signalling systems.**



- (21) Design Number: **13680/2015**
(22) Date of Filing Application: **23 July 2015**
(24) Date from which industrial property rights may have effect: **23 July 2015**
(54) Product in respect of which the design is registered: **A container**
(51) International Design Classification: **07-01NES**
(74) Name(s) of Attorney(s): **AJ Park**
(71) Name(s) and Address(s) of Applicant(s):
ALTO PACKAGING LIMITED
Level 6 57 Symonds Street Grafton Auckland 1010 New Zealand
(72) Name(s) of Designer(s): **Steven Mark Long**
(45) Registration Date: **27 November 2015**
(56) Related Art Documents: **Not Applicable**
(57) Statement of Newness and Distinctiveness: **Newness and distinctiveness reside in the features of shape and/or configuration of the CONTAINER as shown in solid lines in the accompanying representations, excluding those features shown in broken lines.**



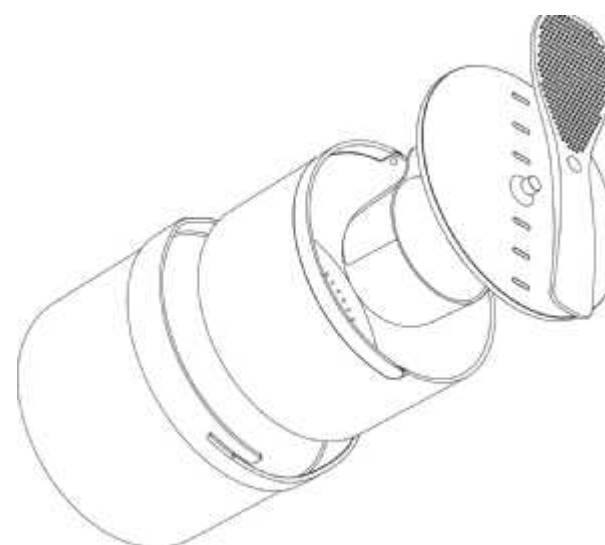
- (21) Design Number: **14537/2015**
(22) Date of Filing Application: **28 August 2015**
(24) Date from which industrial property rights may have effect: **28 August 2015**
(54) Product in respect of which the design is registered: **Light for cinematography or photography**
(51) International Design Classification: **26-05NES**
(74) Name(s) of Attorney(s): **Griffith Hack**
(71) Name(s) and Address(s) of Applicant(s):
Rotolight Limited
Pinewood Studios Pinewood Road Iver Heath SL0 0NH United Kingdom
(72) Name(s) of Designer(s): **Roderick Allen Gammons**
(45) Registration Date: **27 November 2015**
(56) Related Art Documents: **Not Applicable**
(57) Statement of Newness and Distinctiveness: **Newness and distinctiveness resides in the visual features, including shape and configuration, of a LIGHT as shown in the accompanying drawings.**



(21) Design Number: **14538/2015**
(22) Date of Filing Application: **28 August 2015**
(24) Date from which industrial property rights may have effect: **28 August 2015**
(54) Product in respect of which the design is registered: **Light for cinematography or photography**
(51) International Design Classification: **26-05NES**
(74) Name(s) of Attorney(s): **Griffith Hack**
(71) Name(s) and Address(s) of Applicant(s):
Rotolight Limited
Pinewood Studios Pinewood Road Iver Heath SL0 0NH United Kingdom
(72) Name(s) of Designer(s): **Roderick Allen Gammons**
(45) Registration Date: **27 November 2015**
(56) Related Art Documents: **Not Applicable**
(57) Statement of Newness and Distinctiveness: **Newness and distinctiveness resides in the visual features, including shape and configuration, of a LIGHT as shown in solid outline in the accompanying drawings. When determining whether the design is substantially similar in overall impression to another design, no regard is to be had to those features shown in dotted outline in the accompanying drawings, which features are provided for illustrative purposes only.**



(21) Design Number: **15255/2015**
(22) Date of Filing Application: **07 October 2015**
(24) Date from which industrial property rights may have effect: **07 October 2015**
(54) Product in respect of which the design is registered: **Kitchenware**
(51) International Design Classification: **07-02H**
(74) Name(s) of Attorney(s): **Trademark Works**
(71) Name(s) and Address(s) of Applicant(s):
Joseph Joseph Ltd
The Grove 30 Great Guildford St Greater London SE10HS United Kingdom
(72) Name(s) of Designer(s): **Antony Joseph**
(45) Registration Date: **27 November 2015**
(30) Convention priority data:
(31) Number (32) Date (33) Country
002678458-0001 10 Apr 2015 EUROPEAN PATENT OFFICE (EPO)
(56) Related Art Documents: **Not Applicable**
(57) Statement of Newness and Distinctiveness: **Nil**



(19) AU

(21) Design Number: **15825/2015**

(22) Date of Filing Application: **30 October 2015**

(24) Date from which industrial property rights may have effect: **30 October 2015**

(54) Product in respect of which the design is registered: **Computer device**

(51) International Design Classification: **14-99**

(74) Name(s) of Attorney(s): **Spruson & Ferguson**

(71) Name(s) and Address(s) of Applicant(s):

**Hewlett Packard Enterprise Development LP
11445 Compaq Center Drive West, Houston Texas, 77070 United States
of America**

(72) Name(s) of Designer(s): **Stacy L. Wolff and Keith J. Kuehn and Brooks
Vaughan and Stephen Spencer and Bjoern Frank and Nick Ross**

(45) Registration Date: **27 November 2015**

(30) Convention priority data:

(31) Number	(32) Date	(33) Country
29/542370	13 Oct 2015	UNITED STATES OF AMERICA

(56) Related Art Documents: **Not Applicable**

(57) Statement of Newness and Distinctiveness: **Newness and distinctiveness
is claimed in the features of pattern and/or ornamentation of the design
element of a computer device as illustrated and labelled "A" in the
accompanying representations.**

