



Australian Government

IP Australia

AUSTRALIAN OFFICIAL JOURNAL

OF

DESIGNS

Did you know a searchable version of this journal is now available online?

It's FREE and EASY to SEARCH.

Find it on our website (www.ipaustralia.gov.au)

by using the "Journals" link on the home page.

This Page Left Intentionally Blank

Contents

General Information & Notices

**Proceedings Under the Designs Act 1906 preserved as a result of the provisions of Chapter 12
Part 2 of the Designs Act 2003**

Registrations Ceased 3672

Subsequent Owners Registered 3672

Proceedings Under the Designs Act 2003

Applications Lapsed 3686

Applications Lodged 3676

Certificate of Examination 3689

Extension of Period of Registration of Design 3687

Extension of Time Granted Under Section 137 3688

Names Registered - Alterations and Amendments 3688

Publication and Registration Proceedings

Designs Registered 365510 to 365784. 3690

Registrations Ceased 3687

Subsequent Owners Registered 3688

This Page Left Intentionally Blank

For information on the following please see our website www.ipaustralia.gov.au or contact our Customer Service Network on 1300651010

[Editorial enquiries](#)

[Contact information](#)

[Freedom of Information ACT](#)

[Professional Standards Board](#)

[Sales](#)

[Requests for Information under Section 194 \(c\)](#)

[Country Codes](#)

[Trade Mark and Designs Hearing Sessions](#)

[INID \(Internationally agreed Numbers for the Identification of Data\)](#)

“INID” NUMBERS in use on Australian Design Documents

“INID” is an acronym for “Internationally agreed Numbers for the Identification of Data”.

(10) Data concerning the registration/renewal

- (11) Serial number of the registration and/or number of the design document
- (12) Plain language designation of the kind of published document
- (19) Identification, using the two-letter code according to WIPO Standard ST.3, of the authority publishing or registering the industrial design

(20) Data concerning the application

- (21) Serial number of the application
- (22) Date of filing of the application
- (24) Date from which the industrial design right has effect

(30) Data relating to priority under the Paris Convention

- (31) Serial number assigned to the priority application
- (32) Date of filing of the priority application
- (33) Two-letter code, according to WIPO Standard ST.3, identifying the authority with which the priority application was made

(40) Date(s) of making information available to the public

- (45) Date of publication of the registered industrial design by printing or similar process, or making it available to the public by any other means

(50) Miscellaneous Information

- (51) International Classification for Industrial Designs (class and subclass of the Locarno Classification)
- (54) Designation of article(s) or product(s) covered by the industrial design or title of the industrial design
- (55) Reproduction of the industrial design (e.g., drawing, photograph) and explanations relating to the reproduction
- (56) List of prior art documents, if separate from descriptive text
- (57) Description of characteristic features of the industrial design including indication of colours

(60) References to other legally related application(s) and registration(s)

- (62) Serial number(s) and, if available, filing date(s) of application(s), registration(s) or document(s) related by division
- (66) Serial number(s) of the application, or the registration, of the design(s) which is (are) a variant(s) of the present one

(70) Identification of parties concerned with the application or registration

- (71) Name(s) and address(es) of the applicant(s)
- (72) Name(s) of the creator(s) if known to be such
- (74) Name(s) and address(es) of the representative(s)

This Page Left Intentionally Blank

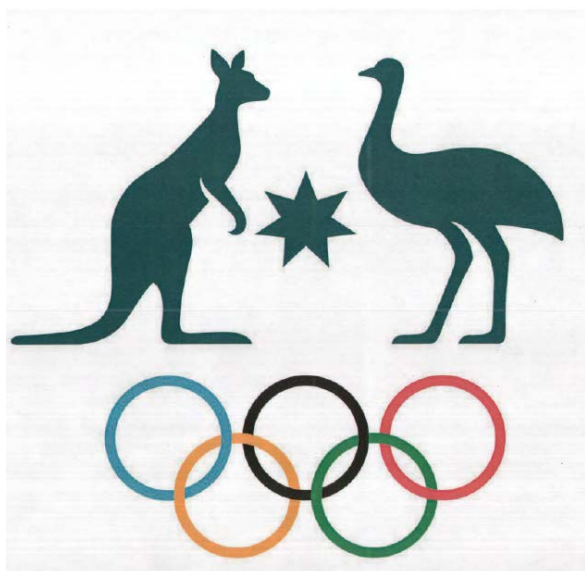
OFFICIAL NOTICE

Olympic Insignia Protection Act 1987

NOTICE OF REGISTRATION OF AN OLYMPIC DESIGN

Notice is hereby given pursuant to sub-section 10(10) of the Olympic Insignia Protection Act 1987 of the following application made by the Australian Olympic Committee Incorporated is now proceeding pursuant to sub-section 10(7) as a registered Olympic design.

APPLICATION NO: OD 019
Date of application: 09 July 2015
Design for which registration is given:



OFFICIAL NOTICE**Designs Act 2003****Corrections to the Registered Design**

The following corrections have been requested under Designs Regulation 9.05 (2)(a) to correct a clerical error or an obvious mistake.

Registration Numbers	Amendment type	New details
363895	Correct Product Name	Candle holder, vase, cannister
363895	Correct Representations	Replace current set of representations with new set

Proceedings under the Designs Act 1906 preserved as a result of the provisions of Chapter 12 Part 2 of the Designs Act 2003.

Proceedings under the Designs Act 1906 preserved as a result of the provisions of Chapter 12 Part 2 of the Designs Act 2003.

This Page Left Intentionally Blank

Applications Lapsed

There were no Applications Lapsed under this section

Registrations Ceased

Note: Some of the following Registrations may have been previously advertised as ceased. In this instance, the previous advertisement still prevails.

139634	140699	140709
140710	140712	140713
140714	140715	140733
140734	140735	140736
140737	140765	140768
140885	140887	140902
141007	141008	141044
141046	141065	141172
141173	141174	141297
141332	141335	141372
141373	141399	141449
141533	141534	141535
141536	141537	141697
141864	141969	142114
142453	142479	142676
142784	143147	143385
144062	144063	144122
144123	144124	144125
144281	144463	145163
145472	145704	149920
156080	156927	157071
157114	157131	157220
157313	157316	157344
157360	157361	157362
157442	157525	157534
157629	157692	157775
157787	157820	157841
157842	157849	157877
157914	157915	157940
158094	158178	158230
158466	158473	158474
158495	158527	

Subsequent Owners Registered

(The name in parentheses is that of the subsequent owner)

141811	(Orora Packaging Australia Pty Ltd) Amcor Limited
141812	(Orora Packaging Australia Pty Ltd) Amcor Limited
145451	(Orora Packaging Australia Pty Ltd) Amcor Limited
145989	(Orora Packaging Australia Pty Ltd) Amcor Limited
157918	(Orora Packaging Australia Pty Ltd) Amcor Limited
149105	(AV Extraordinaire Pty Ltd) Digislide Holdings Limited

This Page Left Intentionally Blank

Proceedings under the Designs Act 2003.

This Page Left Intentionally Blank

Applications Lodged

Lodgement information is in the following order: **Applicant's Name**; International Classification, Name of Product, Lodgement Date and **Design Number**. If the applicant claims an earlier priority date under an International Convention, the Convention Country and the associated filing date are shown in parentheses before the Lodgement Date. Divisional information will also appear in parentheses before the Lodgement Date.

Adaptex Pty Ltd; 13-03C, 13-03NES, Electrical outlet box, 08 Dec 2015	16630/2015	AIRY GreenTech GmbH; 11-02B, Flowerpot, (WO, 11 Jun 2015) 10 Dec 2015	16708/2015
Adbri Masonry Pty; 25-01A, A paver, 01 Dec 2015	16498/2015	ASP Access Floors Pty Limited; 25-01D, Cementitious panel, 30 Nov 2015	16450/2015
Andon, Joe; 12-16A, A wheel assembly, 04 Dec 2015	16553/2015	AUSTRALIAN FASHION LABELS PTY LTD; 05-05NES, A textile print, 30 Nov 2015	16444/2015
Andon, Joe; 12-16A, Transportation means, 04 Dec 2015	16550/2015	AUSTRALIAN FASHION LABELS PTY LTD; 05-05B, 05-05D, A textile print, 08 Dec 2015	16611/2015
Apple Inc.; 14-02, Display screen with graphical user interface, (US, 07 Jun 2015) 04 Dec 2015	16572/2015	AUSTRALIAN FASHION LABELS PTY LTD; 05-05D, A textile print, 30 Nov 2015	16453/2015
Apple Inc.; 14-02, Display screen with graphical user interface, (US, 07 Jun 2015) 04 Dec 2015	16573/2015	AUSTRALIAN FASHION LABELS PTY LTD; 05-05A, A textile print, 04 Dec 2015	16568/2015
Apple Inc.; 14-02, Display screen with graphical user interface, (US, 05 Jun 2015) 01 Dec 2015	16469/2015	AUSTRALIAN FASHION LABELS PTY LTD; 05-05D, A textile print, 03 Dec 2015	16543/2015
Apple Inc.; 14-02, Display screen with graphical user interface, (US, 07 Jun 2015) 04 Dec 2015	16571/2015	AUSTRALIAN FASHION LABELS PTY LTD; 05-05A, A textile print, 03 Dec 2015	16542/2015
Apple Inc.; 14-02, Display screen with graphical user interface, (US, 07 Jun 2015) 04 Dec 2015	16570/2015	AUSTRALIAN FASHION LABELS PTY LTD; 05-05NES, A textile print, 01 Dec 2015	16462/2015
Apple Inc.; 14-02, Display screen with graphical user interface, (US, 07 Jun 2015) 04 Dec 2015	16569/2015	AUSWITCH PTY. LTD.; 13-03D, 16Amp Mechanism, 04 Dec 2015	16566/2015
Apple Inc.; 14-02, Display screen with graphical user interface, (US, 07 Jun 2015) 04 Dec 2015	16567/2015	Babyliss Faco SPRL; 28-03B, Hair styling apparatus, (US, 11 Jun 2015) 04 Dec 2015	16554/2015
Apple Inc.; 14-02, Display screen with graphical user interface, (US, 04 Jun 2015) 03 Dec 2015	16545/2015	Barbados Trading Pty Ltd; 05-02, Lace, 03 Dec 2015	16547/2015
Apple Inc.; 14-02, Display screen with graphical user interface, (US, 04 Jun 2015) 03 Dec 2015	16544/2015	Barron, Michael Charles;Tasovac, Kathy; 08-07, Water meter, 29 Nov 2015	16440/2015
Apple Inc.; 14-02, Display screen with graphical user interface, (US, 06 Jun 2015) 01 Dec 2015	16470/2015	Bellami Hair, LLC; 03-01NES, Hair extension carrier bag, (US, 08 Jun 2015) 07 Dec 2015	16587/2015
Auldist, Jack;The trustee for The Growndhogg Family Trust; 15-03A, Seeding equipment, 10 Dec 2015	16724/2015	Bespoke Baby Pty Ltd;Harris, Nicolette; 03-01B, Clutch bag (Women's fashion accessory), 04 Dec 2015	16555/2015
Aurora Limited; 13-03B, Electrical connector, 01 Dec 2015	16499/2015	Bhardwaj, Asheeka; 02-01B, The design relates to a saree petticoat., 07 Dec 2015	16588/2015
Aurora Limited; 13-03B, Electrical connector, 01 Dec 2015	16500/2015	Bonfit America Inc.; 23-02A, Toothbrush holder, (US, 20 May 2015) 18 Nov 2015	16221/2015
ABB Technology AG; 13-03NES, Equipment for distribution of electric power, (EM, 04 Jun 2015) 27 Nov 2015	16410/2015	Brophy, Peter; 30-04, Saddle tree, 01 Dec 2015	16472/2015

Brophy, Peter; 30-04, Saddle tree, 01 Dec 2015	16473/2015	BRIDGESTONE CORPORATION; 12-15A, Automobile tyre, (JP, 10 Jun 2015) 09 Dec 2015	16663/2015
BAILEY INTERIORS PTY. LIMITED; 25-01D, Plaster acoustic ceiling tiles, 01 Dec 2015	16476/2015	Cafetto Asia Pte. Ltd.; 31-00, Cleaning insert for beverage dispenser, 01 Dec 2015	16497/2015
BAILEY INTERIORS PTY. LIMITED; 25-01D, Plaster acoustic ceiling tiles, 01 Dec 2015	16488/2015	Cafetto Asia Pte. Ltd.; 31-00, Cleaning insert for beverage dispenser, 01 Dec 2015	16496/2015
BAILEY INTERIORS PTY. LIMITED; 25-01D, Plaster acoustic ceiling tiles, 01 Dec 2015	16489/2015	Cambium Medical Technologies LLC; 24-02, Dual chamber dispensing device, (US, 29 Jun 2015) 27 Nov 2015	16415/2015
BAILEY INTERIORS PTY. LIMITED; 25-01D, Plaster acoustic ceiling tiles, 01 Dec 2015	16490/2015	Caterpillar Inc.; 15-04, Lip for ground engaging machine implement, (US, 17 Apr 2015) (Divisional of 15469/2015) 08 Dec 2015	16633/2015
BAILEY INTERIORS PTY. LIMITED; 25-01D, Plaster acoustic ceiling tiles, 01 Dec 2015	16484/2015	Caterpillar Inc.; 15-04, Track links, (US, 01 Apr 2015) (Divisional of 15135/2015) 10 Dec 2015	16716/2015
BAILEY INTERIORS PTY. LIMITED; 25-01D, Plaster acoustic ceiling tiles, 01 Dec 2015	16485/2015	Caterpillar Inc.; 15-99, Track links, (US, 01 Apr 2015) (Divisional of 15135/2015) 10 Dec 2015	16710/2015
BAILEY INTERIORS PTY. LIMITED; 25-01D, Plaster acoustic ceiling tiles, 01 Dec 2015	16482/2015	Caterpillar Inc.; 15-04, Lip shroud for ground engaging machine implement, (US, 17 Apr 2015) (Divisional of 15471/2015) 08 Dec 2015	16636/2015
BAILEY INTERIORS PTY. LIMITED; 25-01D, Plaster acoustic ceiling tiles, 01 Dec 2015	16486/2015	Caterpillar Inc.; 15-04, Lip shroud for ground engaging machine implement, (US, 17 Apr 2015) (Divisional of 15471/2015) 08 Dec 2015	16634/2015
BAILEY INTERIORS PTY. LIMITED; 25-01D, Plaster acoustic ceiling tiles, 01 Dec 2015	16487/2015	Caterpillar Inc.; 15-04, Lip for ground engaging machine implement, (US, 17 Apr 2015) (Divisional of 15469/2015) 08 Dec 2015	16631/2015
BAILEY INTERIORS PTY. LIMITED; 25-01D, Plaster acoustic ceiling tiles, 01 Dec 2015	16483/2015	Caterpillar Inc.; 15-04, Wing shrouds for ground engaging machine implement, (US, 17 Apr 2015) (Divisional of 15470/2015) 08 Dec 2015	16637/2015
BAILEY INTERIORS PTY. LIMITED; 25-01D, Plaster acoustic ceiling tiles, 01 Dec 2015	16480/2015	Caterpillar Inc.; 15-04, Wing shrouds for ground engaging machine implement, (US, 17 Apr 2015) (Divisional of 15470/2015) 08 Dec 2015	16638/2015
BAILEY INTERIORS PTY. LIMITED; 25-01D, Plaster acoustic ceiling tiles, 01 Dec 2015	16481/2015	Caterpillar Inc.; 15-04, Lip for ground engaging machine implement, (US, 17 Apr 2015) (Divisional of 15469/2015) 08 Dec 2015	16632/2015
BAILEY INTERIORS PTY. LIMITED; 25-01D, Plaster acoustic ceiling tiles, 01 Dec 2015	16478/2015	Colgate-Palmolive Company; 04-02, 28-03NES, Oral care implement, (US, 10 Jun 2015) 08 Dec 2015	16626/2015
BAILEY INTERIORS PTY. LIMITED; 25-01D, Plaster acoustic ceiling tiles, 01 Dec 2015	16479/2015	Colgate-Palmolive Company; 09-01NES, Bottle, (US, 10 Jun 2015) 09 Dec 2015	16639/2015
BAILEY INTERIORS PTY. LIMITED; 25-01D, Plaster acoustic ceiling tiles, 01 Dec 2015	16477/2015	Colgate-Palmolive Company; 09-01NES, Bottle, (US, 10 Jun 2015) 09 Dec 2015	16642/2015
BISSELL Homecare, Inc.; 09-01NES, Bottle, (US, 16 Jun 2015) 30 Nov 2015	16443/2015		
BRIDGESTONE CORPORATION; 12-15B, Automobile tyre, (JP, 10 Jun 2015) 09 Dec 2015	16673/2015		

Colgate-Palmolive Company; 09-01NES, Bottle, (US, 10 Jun 2015) 09 Dec 2015	16640/2015	CUSTOM-PAK PLASTIC PRODUCTS (1997) LIMITED; 09-03F, A tray, (NZ, 03 Nov 2015) 01 Dec 2015	16468/2015
Colgate-Palmolive Company; 04-02, 28-03NES, Oral care implement, (US, 10 Jun 2015) 08 Dec 2015	16627/2015	Daimler AG; 12-16A, Wheel for vehicle, (EM, 17 Jun 2015) 02 Dec 2015	16512/2015
Colgate-Palmolive Company; 04-02, Oral care implement, (US, 10 Jun 2015) 08 Dec 2015	16623/2015	Daimler AG; 12-16A, Wheel for vehicle, (EM, 17 Jun 2015) 02 Dec 2015	16510/2015
Colgate-Palmolive Company; 28-03NES, 04-02, 24-99, Oral care implement, (US, 10 Jun 2015) 08 Dec 2015	16628/2015	Daimler AG; 12-16A, Wheel for vehicle, (EM, 17 Jun 2015) 02 Dec 2015	16511/2015
Colgate-Palmolive Company; 28-03NES, 24-99, Oral care implement, (US, 10 Jun 2015) 08 Dec 2015	16629/2015	Dart Industries Inc.; 10-04, Measuring cup, 11 Dec 2015	16751/2015
Colgate-Palmolive Company; 04-02, Oral care implement, (US, 10 Jun 2015) 08 Dec 2015	16624/2015	Dart Industries Inc.; 07-01NES, Seal for container, (US, 11 Jun 2015) (Divisional of 16191/2015) 11 Dec 2015	16749/2015
Continental Reifen Deutschland GmbH; 12-15B, Tyre, (EM, 16 Jun 2015) 02 Dec 2015	16517/2015	Dart Industries Inc.; 10-04, Measuring cup, (Divisional of 15702/2015) 11 Dec 2015	16752/2015
Continental Reifen Deutschland GmbH; 12-15B, Tyre, (EM, 15 Jun 2015) 02 Dec 2015	16516/2015	Davies, Sarah Jayne; 14-02, A keyboard, (EM, 16 Oct 2015) 02 Dec 2015	16506/2015
Cooper Tire & Rubber Company; 12-15B, Tire, (US, 05 Jun 2015) 03 Dec 2015	16541/2015	Deighton, Pauline Anne;Deighton, Wayne Wallace; 07-99NES, Cutlery sleeve, (NZ, 23 Jun 2015) 01 Dec 2015	16460/2015
Covidien LP; 24-01, 24-04, Adapter assembly for enteral feeding, (US, 11 Jun 2015) 11 Dec 2015	16746/2015	Deighton, Wayne Wallace;Deighton, Pauline Anne; 07-99NES, Cutlery sleeve, (NZ, 23 Jun 2015) 01 Dec 2015	16460/2015
Covidien LP; 24-01, 24-04, Adapter assembly for enteral feeding, (US, 11 Jun 2015) 11 Dec 2015	16748/2015	Design Blue Limited; 29-02, A gumshield, (EM, 03 Jun 2015) 03 Dec 2015	16546/2015
Cryostar SAS; 20-02A, Fuel pump, (EM, 12 Jun 2015) 10 Dec 2015	16728/2015	Donaldson Company, Inc.; 23-01G, Filter element, (US, 05 Jun 2015) 07 Dec 2015	16593/2015
Cryovac Australia Pty Ltd; 09-03F, Tray, 09 Dec 2015	16686/2015	Donaldson Company, Inc.; 23-01G, Filter element, (US, 05 Jun 2015) 04 Dec 2015	16559/2015
Cryovac Australia Pty Ltd; 09-03F, Tray, 09 Dec 2015	16688/2015	Donaldson Company, Inc.; 23-01G, Filter element, (US, 05 Jun 2015) 07 Dec 2015	16596/2015
Cryovac Australia Pty Ltd; 09-03F, Tray, 09 Dec 2015	16687/2015	Donaldson Company, Inc.; 23-01G, Filter element, (US, 05 Jun 2015) 07 Dec 2015	16594/2015
Cyclone Tools Pty Ltd; 08-99, Hand grips, 27 Nov 2015	16433/2015	Donaldson Company, Inc.; 23-01G, Filter element, (US, 05 Jun 2015) 07 Dec 2015	16595/2015
CONNECTED GROUP AUSTRALIA PTY LIMITED; 13-03D, Electrical socket outlet, 10 Dec 2015	16726/2015	Drabsch, Tony Robert; 32-03, Logo for company use, 29 Nov 2015	16442/2015
CONTACTUALISM PTY. LTD.; 08-08G, A hook for cable hung pendant lights., 18 Nov 2015	16219/2015	Dudar, Chris; 07-06A, Rugby ball shaped beverage holder, (GB, 04 Dec 2015) 04 Dec 2015	16558/2015
CUSTOM-PAK PLASTIC PRODUCTS (1997) LIMITED; 09-03F, A tray, (NZ, 03 Nov 2015) 01 Dec 2015	16467/2015		

Dunduk, Tania;Dunduk, Volodymyr; 09-01B, Water bottle, 09 Dec 2015	16690/2015	Flight Stairways Pty Limited; 25-01K, Extrusion, 09 Dec 2015	16695/2015
Dunduk, Volodymyr;Dunduk, Tania; 09-01B, Water bottle, 09 Dec 2015	16690/2015	Flight Stairways Pty Limited; 25-01K, Extrusion, 09 Dec 2015	16693/2015
Dyson Technology Limited; 23-04, A fan, (WO, 11 Jun 2015) 09 Dec 2015	16652/2015	Flight Stairways Pty Limited; 25-01K, Extrusion, 09 Dec 2015	16691/2015
Dyson Technology Limited; 23-04, A fan, (EM, 11 Jun 2015) 09 Dec 2015	16656/2015	Forever New Clothing Pty Ltd; 02-02NES, Article of clothing, (Divisional of 12507/2015) 10 Dec 2015	16707/2015
Dyson Technology Limited; 23-04, A fan, (EM, 11 Jun 2015) 09 Dec 2015	16664/2015	Forever New Clothing Pty Ltd; 02-02C, Article of clothing, (Divisional of 12507/2015) 10 Dec 2015	16704/2015
Dyson Technology Limited; 23-04, A fan, (EM, 11 Jun 2015) 09 Dec 2015	16662/2015	Forever New Clothing Pty Ltd; 02-02C, Article of clothing, (Divisional of 12507/2015) 10 Dec 2015	16705/2015
Dyson Technology Limited; 23-04, A fan, (EM, 11 Jun 2015) 09 Dec 2015	16659/2015	Forever New Clothing Pty Ltd; 02-02C, Article of clothing, (Divisional of 12507/2015) 10 Dec 2015	16702/2015
Dyson Technology Limited; 23-04, A fan, (EM, 11 Jun 2015) 09 Dec 2015	16657/2015	Forever New Clothing Pty Ltd; 02-02NES, Article of clothing, (Divisional of 12507/2015) 10 Dec 2015	16706/2015
Dyson Technology Limited; 28-03B, Accessory for hairdryer, (EM, 18 Jun 2015) 23 Nov 2015	16296/2015	Forever New Clothing Pty Ltd; 02-02C, Article of clothing, (Divisional of 12507/2015) 10 Dec 2015	16703/2015
DE' LONGHI APPLIANCES SRL CON UNICO SOCIO; 23-04, Air conditioning apparatus, (EM, 05 Jun 2015) 03 Dec 2015	16539/2015	Forever New Clothing Pty Ltd; 02-02C, 02-02NES, Article of clothing, 03 Dec 2015	16528/2015
DE' LONGHI APPLIANCES SRL CON UNICO SOCIO; 23-03A, Heating apparatus, (EM, 05 Jun 2015) 03 Dec 2015	16538/2015	Forever New Clothing Pty Ltd; 02-02C, 02-02NES, Article of clothing, (Divisional of 11782/2015) 23 Nov 2015	16297/2015
Edwards, Diane Caroline; 07-05C, Clothes peg, 28 Nov 2015	16439/2015	Forever New Clothing Pty Ltd; 02-02C, Article of clothing, (Divisional of 11782/2015) 23 Nov 2015	16299/2015
Eli Lilly and Company; 24-04, Automatic injection device, (US, 19 Jun 2015) 09 Dec 2015	16658/2015	Forever New Clothing Pty Ltd; 02-02NES, Article of clothing, (Divisional of 11782/2015) 23 Nov 2015	16300/2015
ELECTRICAL TRAINING ACADEMY PTY LTD; 08-08L, Cable bracket, 30 Nov 2015	16445/2015	Forever New Clothing Pty Ltd; 02-02NES, Article of clothing, (Divisional of 11782/2015) 23 Nov 2015	16301/2015
Farrugia, Amelia; 32-03, Logo, 10 Dec 2015	16722/2015	Forever New Clothing Pty Ltd; 02-02NES, Article of clothing, (Divisional of 11782/2015) 23 Nov 2015	16302/2015
Filosi, Andreas;Wieth, Franz; 07-06A, 12-02, Cup holder, (DE, 11 Mar 2015) (Divisional of 14822/2015) 27 Nov 2015	16409/2015	Forever New Clothing Pty Ltd; 02-02NES, Article of clothing, (Divisional of 11782/2015) 23 Nov 2015	16303/2015
Fleenor, Richard P; 24-01, Light tunnel for electrosurgical pencil, (US, 03 Jun 2015) 03 Dec 2015	16533/2015	Forever New Clothing Pty Ltd; 02-02NES, Article of clothing, (Divisional of 11782/2015) 23 Nov 2015	16304/2015
Flight Stairways Pty Limited; 25-01K, Extrusion, 09 Dec 2015	16692/2015	Forever New Clothing Pty Ltd; 02-02NES, Article of clothing, (Divisional of 11782/2015) 23 Nov 2015	16305/2015
Flight Stairways Pty Limited; 25-01K, Extrusion, 09 Dec 2015	16694/2015	Forever New Clothing Pty Ltd; 02-02NES, Article of clothing, (Divisional of 11782/2015) 23 Nov 2015	

Geoff Penney (Australia) Pty Ltd; 19-06, Pen, 07 Dec 2015	16585/2015	Johnston, Benjamin Leo;Johnston, Mark William; 13-03D, Power adaptor, 03 Dec 2015	16532/2015
Gerard Lighting Pty Ltd (Old); 24-01, An optical component, 11 Dec 2015	16776/2015	Justoy Pty Ltd; 25-01E, Fence post, 01 Dec 2015	16461/2015
Gewirz, Eric J;Gewirz, Carl S; 02-03, Lenticular panels for a hat, 10 Dec 2015	16735/2015	Kabushiki Kaisha Audio-Technica; 14-01, Earphone, (JP, 18 Jun 2015) 10 Dec 2015	16725/2015
Gewirz, Carl S;Gewirz, Eric J; 02-03, Lenticular panels for a hat, 10 Dec 2015	16735/2015	Kenzo; 09-01G, Flask, (EM, 11 Jun 2015) 04 Dec 2015	16575/2015
Graham, Katharine; 26-05D, Hand blown glass pendant light, 04 Dec 2015	16577/2015	Kimberly-Clark Worldwide, Inc.; 05-06NES, Wiping tissue, (KR, 29 Jun 2015) 01 Dec 2015	16466/2015
Gravolin, Dennis Ronald;Gravolin, Sandra Lorraine; 13-03D, Electrical connector cover, 30 Nov 2015	16454/2015	Kimberly-Clark Worldwide, Inc.; 05-06NES, Wiping tissue, (KR, 29 Jun 2015) 01 Dec 2015	16463/2015
Gravolin, Sandra Lorraine;Gravolin, Dennis Ronald; 13-03D, Electrical connector cover, 30 Nov 2015	16454/2015	Kimberly-Clark Worldwide, Inc.; 05-06NES, Wiping tissue, (KR, 29 Jun 2015) 01 Dec 2015	16464/2015
Groundwater, Lisa;Groundwater, Ian; 22-05, Soft plastic fishing lure, 05 Dec 2015	16578/2015	Kimberly-Clark Worldwide, Inc.; 05-06NES, Wiping tissue, (KR, 29 Jun 2015) 01 Dec 2015	16465/2015
Groundwater, Ian;Groundwater, Lisa; 22-05, Soft plastic fishing lure, 05 Dec 2015	16578/2015	Kito Corporation; 12-05, Hoist, (JP, 26 Jun 2015) 02 Dec 2015	16507/2015
Harris, Nicolette;Bespoke Baby Pty Ltd; 03-01B, Clutch bag (Women's fashion accessory), 04 Dec 2015	16555/2015	Kleehammer, Brett Norman; 06-04NES, Cable storage, 09 Dec 2015	16689/2015
Haviland Holdings Pty Ltd; 23-01NES, Water cannon / water monitor, 18 Nov 2015	16220/2015	Kwik Lok Corporation; 08-08NES, Closure for bags, (US, 05 Jun 2015) 03 Dec 2015	16529/2015
Honda Motor Co., Ltd.; 09-03NES, Motorcycle, (JP, 19 Jun 2015) 10 Dec 2015	16731/2015	Kwik Lok Corporation; 08-08NES, Closure for bags, (US, 05 Jun 2015) 03 Dec 2015	16527/2015
Honda Motor Co., Ltd.; 12-08, Automobile, (JP, 16 Jun 2015) 08 Dec 2015	16614/2015	KONE Corporation; 25-01D, Luminous panels, (EM, 21 Aug 2015) 11 Dec 2015	16774/2015
Innovative Safety Management Solutions Pty Ltd.; 09-09, Manual bin compacting plate, 07 Dec 2015	16598/2015	Larktale Pty Ltd; 12-12, Coloured collapsible stroller frame, 07 Dec 2015	16591/2015
Iwasaki Electric Co., Ltd.; 26-05D, Lighting apparatus for high ceiling, (JP, 12 Jun 2015) 09 Dec 2015	16675/2015	Larktale Pty Ltd; 12-12, Collapsible stroller frame, 07 Dec 2015	16592/2015
Iwasaki Electric Co., Ltd.; 26-05D, Lighting apparatus for high ceiling, (JP, 12 Jun 2015) 09 Dec 2015	16674/2015	Larktale Pty Ltd; 12-12, Child stroller, 07 Dec 2015	16590/2015
J Bloch Pty Ltd; 02-04NES, Footwear, (US, 10 Jun 2015) 09 Dec 2015	16685/2015	Law, Phillip; 08-08A, Fastener, 04 Dec 2015	16565/2015
J Bloch Pty Ltd; 02-04NES, Footwear, (US, 10 Jun 2015) 09 Dec 2015	16676/2015	Lee, Wen-Hsien; 21-01C, Battery-powered toy car, 09 Dec 2015	16641/2015
Johnston, Mark William;Johnston, Benjamin Leo; 13-03D, Power adaptor, 03 Dec 2015	16532/2015	Lee, Wen-Hsien; 21-01C, Solar-powered toy car, 09 Dec 2015	16644/2015
		LUMINOUS STAR TECHNOLOGY LTD; 26-06, A transparent alarm light shade, 02 Dec 2015	16501/2015

Ma, Jinlin; 12-15A, Tyre, 01 Dec 2015	16471/2015	Microsoft Corporation; 21-01N, Controller component, (US, 12 Jun 2015) 11 Dec 2015	16756/2015
Macnaught Pty Limited; 10-04, Flow meter, 03 Dec 2015	16540/2015	Microsoft Corporation; 21-01N, Controller component, (US, 12 Jun 2015) 11 Dec 2015	16777/2015
Magmatic Limited; 03-01A, Suitcase, (EM, 30 Oct 2015) 09 Dec 2015	16665/2015	Microsoft Corporation; 21-01N, Controller component, (US, 12 Jun 2015) 11 Dec 2015	16773/2015
Mars, Incorporated; 09-05, Food container, (EM, 01 Jun 2015) 01 Dec 2015	16494/2015	Microsoft Corporation; 21-01N, Thumbstick attachment for a controller, (US, 12 Jun 2015) 11 Dec 2015	16770/2015
Mars, Incorporated; 09-05, Food container, (EM, 01 Jun 2015) 01 Dec 2015	16495/2015	Microsoft Corporation; 21-01N, Controller, (US, 12 Jun 2015) 11 Dec 2015	16747/2015
Mars, Incorporated; 09-03M, Carton/display box, (EM, 01 Jun 2015) 01 Dec 2015	16492/2015	Microsoft Corporation; 21-01N, Directional pad for a controller, (US, 12 Jun 2015) 11 Dec 2015	16750/2015
Martin, Sara; 09-05, Insect balm, 30 Nov 2015	16446/2015	Microsoft Corporation; 10-04, Wearable electronic band, (US, 10 Jun 2015) 10 Dec 2015	16734/2015
Mascull, Roger Thomas; 25-99, A contouring unit, (Divisional of 15099/2015) 27 Nov 2015	16417/2015	Microsoft Corporation; 10-04, Wearable electronic band, 10 Dec 2015	16732/2015
Mascull, Roger Thomas; 25-99, A contouring unit, (Divisional of 15099/2015) 27 Nov 2015	16418/2015	Miller, Rowan James; 22-05, Fishing accessory, 02 Dec 2015	16513/2015
Mascull, Roger Thomas; 25-99, A contouring unit, (Divisional of 15099/2015) 27 Nov 2015	16419/2015	MAEDA SEISAKUSHO CO., LTD.; 12-05, A crane, 11 Dec 2015	16771/2015
Mazda Motor Corporation; 12-08, Motor vehicle, (US, 09 Jun 2015) 03 Dec 2015	16536/2015	MILWAUKEE ELECTRIC TOOL CORPORATION; 26-02, Spotlight, (US, 05 Jun 2015) 04 Dec 2015	16551/2015
Mazda Motor Corporation; 12-16B, Garnishment for motor vehicle, (CN, 09 Jun 2015) 03 Dec 2015	16535/2015	MOOSE CREATIVE MANAGEMENT PTY LIMITED;NO KIDDING PTY LTD;MOOSE SERVICES PTY LTD; 11-01NES, Bead, (US, 02 Jun 2015) 01 Dec 2015	16493/2015
Mazda Motor Corporation; 12-16B, Garnishment for motor vehicle, (CN, 09 Jun 2015) 03 Dec 2015	16537/2015	MOOSE SERVICES PTY LTD;NO KIDDING PTY LTD;MOOSE CREATIVE MANAGEMENT PTY LIMITED; 11-01NES, Bead, (US, 02 Jun 2015) 01 Dec 2015	16493/2015
McCormick, Bernard John; 02-04B, Sole of a shoe, 10 Dec 2015	16733/2015	MTD Products Inc; 15-03B, Robotic mower, (US, 05 Jun 2015) 04 Dec 2015	16560/2015
Microsoft Corporation; 21-01N, Controller component, (US, 12 Jun 2015) 11 Dec 2015	16775/2015	MTD Products Inc; 15-03B, Wheel, (US, 05 Jun 2015) 04 Dec 2015	16563/2015
Microsoft Corporation; 21-01N, Removable controller component, (US, 12 Jun 2015) 11 Dec 2015	16758/2015	MTD Products Inc; 15-03B, Robotic mower body, (US, 05 Jun 2015) 04 Dec 2015	16561/2015
Microsoft Corporation; 21-01N, Controller, (US, 12 Jun 2015) 11 Dec 2015	16744/2015	MTD Products Inc; 15-03B, Blade assembly, (US, 05 Jun 2015) 04 Dec 2015	16562/2015
Microsoft Corporation; 21-01N, Thumbstick attachment for a controller, (US, 12 Jun 2015) 11 Dec 2015	16745/2015	Nisshin Foods Inc.; 01-01, Dry noodle, 27 Nov 2015	16420/2015
Microsoft Corporation; 21-01N, Controller, (US, 12 Jun 2015) 11 Dec 2015	16738/2015		

Nisshin Foods Inc.; 01-01, Dry noodle, 27 Nov 2015	16421/2015	Oculus VR, LLC; 14-01, Head mounted display, (US, 11 Jun 2015) 08 Dec 2015	16608/2015
Nisshin Foods Inc.; 01-01, Dry noodle, 27 Nov 2015	16411/2015	Oculus VR, LLC; 14-01, Head mounted display, (US, 11 Jun 2015) 08 Dec 2015	16609/2015
Nisshin Foods Inc.; 01-01, Dry noodle, 27 Nov 2015	16412/2015	Oculus VR, LLC; 21-01N, Wireless game controller, (US, 11 Jun 2015) 08 Dec 2015	16616/2015
Nisshin Foods Inc.; 01-01, Dry noodle, 27 Nov 2015	16422/2015	Oculus VR, LLC; 14-01, 10-04, Image tracker assembly, (US, 11 Jun 2015) 08 Dec 2015	16612/2015
Nisshin Foods Inc.; 01-01, Dry noodle, 27 Nov 2015	16423/2015	Oculus VR, LLC; 14-03NES, Remote control unit, (US, 11 Jun 2015) 08 Dec 2015	16613/2015
Nisshin Foods Inc.; 01-01, Dry noodle, 27 Nov 2015	16424/2015	Oculus VR, LLC; 21-01N, Wireless game controller, (US, 11 Jun 2015) 08 Dec 2015	16619/2015
Nisshin Foods Inc.; 01-01, Dry noodle, 27 Nov 2015	16425/2015	Ontel Products Corporation; 08-05M, Liquid-plastic welding tool, (US, 11 Nov 2015) 10 Dec 2015	16697/2015
Novaplot Enterprises Ltd; 09-05, Package for food applications with easy-opening, (GR, 09 Jun 2015) 07 Dec 2015	16586/2015	Owens-Brockway Glass Container Inc.; 09-01H, Bottle, (US, 08 Jun 2015) 04 Dec 2015	16556/2015
NETZSCH Pumpen & Systeme GmbH; 15-02, Pump and pump housing, (EM, 29 May 2015) 27 Nov 2015	16414/2015	Owens-Brockway Glass Container Inc.; 09-01H, Bottle, (US, 08 Jun 2015) 04 Dec 2015	16552/2015
NO KIDDING PTY LTD;MOOSE CREATIVE MANAGEMENT PTY LIMITED;MOOSE SERVICES PTY LTD; 11-01NES, Bead, (US, 02 Jun 2015) 01 Dec 2015	16493/2015	ORANGETEK LIMITED; 26-03, Outdoor lights, 04 Dec 2015	16557/2015
Obrist Closures Switzerland GmbH; 09-01NES, Bottle neck finish, (EM, 01 Jun 2015) 27 Nov 2015	16428/2015	Pact Group Holdings (Australia) Pty Ltd; 09-01B, A bottle, 27 Nov 2015	16436/2015
Oculus VR, LLC; 14-01, 10-04, Image tracker assembly, (US, 11 Jun 2015) 08 Dec 2015	16610/2015	Pact Group Holdings (Australia) Pty Ltd; 09-01B, A bottle, 27 Nov 2015	16438/2015
Oculus VR, LLC; 14-03NES, Remote control unit, (US, 11 Jun 2015) 08 Dec 2015	16615/2015	Pact Group Holdings (Australia) Pty Ltd; 09-01B, A bottle, 27 Nov 2015	16437/2015
Oculus VR, LLC; 14-01, Head mounted display, (US, 11 Jun 2015) 08 Dec 2015	16604/2015	Pact Group Holdings (Australia) Pty Ltd; 10-05, Pooltest instrument, (EM, 09 Jul 2015) 07 Dec 2015	16583/2015
Oculus VR, LLC; 14-01, Head mounted display, (US, 11 Jun 2015) 08 Dec 2015	16601/2015	Palintest Limited; 10-05, Flowcard, (EM, 09 Jul 2015) 07 Dec 2015	16584/2015
Oculus VR, LLC; 14-01, Head mounted display, (US, 11 Jun 2015) 08 Dec 2015	16602/2015	Paul Kassis as trustee of the Paul Kassis Family Trust; 21-02NES, Base for cricket wicket, 04 Dec 2015	16574/2015
Oculus VR, LLC; 21-01N, Wireless game controller, (US, 11 Jun 2015) 08 Dec 2015	16618/2015	Paul Kassis as trustee of the Paul Kassis Family Trust; 21-02NES, Base for cricket wicket, 04 Dec 2015	16576/2015
Oculus VR, LLC; 14-01, Head mounted display, (US, 11 Jun 2015) 08 Dec 2015	16606/2015	PepsiCo, Inc.; 20-03NES, 20-02C, A display, (US, 11 Jun 2015) 08 Dec 2015	16607/2015
Oculus VR, LLC; 21-01N, Wireless game controller, (US, 11 Jun 2015) 08 Dec 2015	16617/2015		

PepsiCo, Inc.; 20-03NES, 20-02C, A display, (US, 11 Jun 2015) 08 Dec 2015	16605/2015	Rodriguez, Damian; 08-07, Rotor boss of a taper lock assembly, (US, 02 Jul 2015) 11 Dec 2015	16742/2015
PepsiCo, Inc.; 20-03NES, 20-02C, A display, (US, 11 Jun 2015) 08 Dec 2015	16603/2015	RAIL AND BEYOND PTY LIMITED; 26-99, Light duty work platform, 13 Dec 2015	16781/2015
Pi-Design AG; 07-02K, An electric water kettle, (WO, 06 Jul 2015) 30 Nov 2015	16448/2015	RAIL AND BEYOND PTY LIMITED; 26-99, Ldwp plank clamp, 13 Dec 2015	16782/2015
Pi-Design AG; 07-02K, An electric water kettle, (WO, 06 Jul 2015) 30 Nov 2015	16449/2015	RAZOR USA LLC; 12-02, Kart, (US, 12 Jun 2015) 10 Dec 2015	16729/2015
Piaggio & C. S.p.A.; 12-11, Motor scooter, (EM, 17 Jul 2015) 03 Dec 2015	16525/2015	RAZOR USA LLC; 12-02, Kart, (US, 12 Jun 2015) 11 Dec 2015	16743/2015
Piaggio & C. S.p.A.; 12-11, Motor scooter, (EM, 17 Jul 2015) 03 Dec 2015	16526/2015	RAZOR USA LLC; 12-02, 12-99, Kart, (US, 12 Jun 2015) 10 Dec 2015	16717/2015
Poc Jox Australia Pty Ltd; 02-01NES, Undergarment, (Divisional of 14870/2015) 01 Dec 2015	16475/2015	RAZOR USA LLC; 12-02, 12-99, Kart, (US, 12 Jun 2015) 10 Dec 2015	16718/2015
Premier Dental Products Company; 24-01, Handle for surgical and dental tool, (US, 03 Jun 2015) 03 Dec 2015	16534/2015	RINGLIGHT SELFIE LIMITED; 16-05, Ring light for a camera, (NZ, 11 Dec 2015) 11 Dec 2015	16757/2015
PIONEER TECH PTY LTD; 12-16NES, Independent suspension for recreational vehicles, 07 Dec 2015	16599/2015	Sea Box International; 09-08, Flatrack, 04 Dec 2015	16548/2015
Qalo LLC; 11-01A, Wearable ring, (US, 27 May 2015) 27 Nov 2015	16408/2015	Sea Box International; 25-03, Cargo gate kit, 04 Dec 2015	16549/2015
Quelch, Kevin;Roach, Dean; 23-03NES, Outdoor fire pod, 07 Dec 2015	16580/2015	Secure International Holdings Pte. Ltd.; 14-02, Graphic of display screen of a meter, (IN, 28 May 2015) 27 Nov 2015	16431/2015
Rayner Corporation Pty Ltd; 02-02B, T shirt for medical patients., 07 Dec 2015	16597/2015	Secure International Holdings Pte. Ltd.; 10-04, Electricity meter, (IN, 28 May 2015) 27 Nov 2015	16429/2015
Razer (Asia-Pacific) Pte. Ltd.; 14-02, Computer mouse, (US, 15 Jun 2015) 10 Dec 2015	16727/2015	Secure International Holdings Pte. Ltd.; 10-04, Electricity meter, (IN, 28 May 2015) 27 Nov 2015	16430/2015
Reignite the Flame Pty Ltd; 07-02E, Cooking grill, 27 Nov 2015	16432/2015	SharkNinja Operating LLC; 07-02L, Water container, (US, 16 Jun 2015) 18 Nov 2015	16212/2015
ResMed Limited; 24-01, Patient interface and/or components, (Divisional of 15197/2015) 01 Dec 2015	16524/2015	SharkNinja Operating LLC; 07-02L, Coffee carafe, (US, 16 Jun 2015) 10 Dec 2015	16723/2015
Rickman, James; 24-04, Incontinence aid, (WO, 19 Nov 2015) 02 Dec 2015	16515/2015	SharkNinja Operating LLC; 07-02L, Coffee carafe, (US, 16 Jun 2015) 10 Dec 2015	16720/2015
Roach, Dean;Quelch, Kevin; 23-03NES, Outdoor fire pod, 07 Dec 2015	16580/2015	SharkNinja Operating LLC; 07-02L, Coffee carafe, (US, 16 Jun 2015) 10 Dec 2015	16721/2015
Roadsafe Automotive Products Pty Ltd; 12-16L, Tow point, 11 Dec 2015	16778/2015	SharkNinja Operating LLC; 07-02L, Water container, (US, 16 Jun 2015) 18 Nov 2015	16215/2015
Roadsafe Automotive Products Pty Ltd; 12-16L, Tow point, 11 Dec 2015	16772/2015	SharkNinja Operating LLC; 07-01NES, 09-07B, Lid, (US, 01 Jul 2015) 09 Dec 2015	16653/2015
Rodicut Industry, S.A.U.; 08-03, Anvil cover, (EM, 31 Aug 2015) 09 Dec 2015	16677/2015	SharkNinja Operating LLC; 07-01C, Container, (US, 01 Jul 2015) 09 Dec 2015	16655/2015

SharkNinja Operating LLC; 07-01C, Container, (US, 01 Jul 2015) 09 Dec 2015	16654/2015	Stodulka, Nicholas Bartholomew; 11-02C, Pot, 02 Dec 2015	16519/2015
SharkNinja Operating LLC; 07-01NES, 09-07B, Lid, (US, 01 Jul 2015) 09 Dec 2015	16651/2015	Sumitomo Rubber Industries, Ltd.; 12-15C, Tyre for automobile, 11 Dec 2015	16740/2015
SharkNinja Operating LLC; 07-02L, Water container, (US, 16 Jun 2015) 18 Nov 2015	16217/2015	SAFARI R&D PTY LTD; 12-16NES, Air Intake connection hose for a vehicles snorkel, 04 Dec 2015	16564/2015
SharkNinja Operating LLC; 07-01NES, 07-01C, 09-07B, Container with lid and drinking straw, (US, 01 Jul 2015) 09 Dec 2015	16649/2015	SAFARI R&D PTY LTD; 12-16NES, Air intake snorkel for a vehicle, 30 Nov 2015	16447/2015
SharkNinja Operating LLC; 07-01NES, 09-07B, Container lid for use with a container, (US, 01 Jul 2015) 09 Dec 2015	16650/2015	SARTSO INTERNATIONAL PTY. LTD.; 02-02C, Jeans , pants , trousers, 30 Nov 2015	16451/2015
SharkNinja Operating LLC; 07-01NES, 09-07B, , (US, 01 Jul 2015) 09 Dec 2015	16648/2015	SARTSO INTERNATIONAL PTY. LTD.; 02-02C, Jeans , pants , trousers, 30 Nov 2015	16452/2015
SharkNinja Operating LLC; 07-02L, Water container, (US, 16 Jun 2015) 18 Nov 2015	16213/2015	SEB; 07-02N, Accessory for electric low fat fryer, (EM, 15 Jul 2015) 09 Dec 2015	16643/2015
SharkNinja Operating LLC; 07-02L, Water container, (US, 16 Jun 2015) 18 Nov 2015	16214/2015	SEB S.A.; 13-03D, Electric food processor (control panel for), (EM, 26 Jun 2015) 08 Dec 2015	16625/2015
SharkNinja Operating LLC; 07-02L, Water container, (US, 16 Jun 2015) 18 Nov 2015	16214/2015	SEW-EURODRIVE GmbH & Co. KG; 15-01, 15-99, Transmission for an electric motor and generator, (DE, 10 Jun 2015) 09 Dec 2015	16660/2015
SharkNinja Operating LLC; 07-01C, Container, (US, 01 Jul 2015) 01 Dec 2015	16459/2015	STM Management Pty Ltd; 14-02, Case for a tablet computer, (US, 30 Jun 2015) 10 Dec 2015	16699/2015
SharkNinja Operating LLC; 07-01C, Container, (US, 01 Jul 2015) 01 Dec 2015	16457/2015	STM Management Pty Ltd; 14-02, Case for a tablet computer, (US, 30 Jun 2015) 10 Dec 2015	16701/2015
SharkNinja Operating LLC; 07-01C, Container, (US, 01 Jul 2015) 01 Dec 2015	16458/2015	SUMITOMO RUBBER INDUSTRIES, LTD.; 12-15C, Tyre for automobile, 11 Dec 2015	16769/2015
SharkNinja Operating LLC; 07-01D, Container, (US, 01 Jul 2015) 01 Dec 2015	16456/2015	SUTTONS UGG AUSTRALIA PTY LTD; 02-04NES, Shoe, 03 Dec 2015	16530/2015
SharkNinja Operating LLC; 07-01D, Container, (US, 01 Jul 2015) 01 Dec 2015	16455/2015	SUTTONS UGG AUSTRALIA PTY LTD; 02-04NES, Shoe, 02 Dec 2015	16514/2015
Spar Arm Sports Company; 21-02NES, Boxing equipment, 01 Dec 2015	16474/2015	SUTTONS UGG AUSTRALIA PTY LTD; 02-04B, Shoe sole, 02 Dec 2015	16508/2015
Stanley Black & Decker Inc.; 09-03NES, 03-01D, Storage container and components thereof, (US, 19 May 2015) 18 Nov 2015	16222/2015	SWEM PTY LTD; 12-16NES, Automotive oil pump, 10 Dec 2015	16709/2015
Stevenson, Annita Rae; 03-01B, Timber promotional or gift bottle tag, 10 Dec 2015	16700/2015	Tactile Navigation Pty Ltd; 29-99, 10-06, Directional tactile indicator, 02 Dec 2015	16509/2015
Stichting Preventieve Merkenbeschermg; 19-01, Part of: greeting and collectable cards and charts, 07 Dec 2015	16579/2015	Tasovac, Kathy;Barron, Michael Charles; 08-07, Water meter, 29 Nov 2015	16440/2015
Stockbrands Co. Pty Ltd; 23-01NES, Overmould fitting, 27 Nov 2015	16434/2015	Teague, Andrew; 25-01E, Garden edging stake, 03 Dec 2015	16531/2015
Stodulka, Nicholas Bartholomew; 11-02C, Pot, 02 Dec 2015	16518/2015	Tech 21 Licensing Limited; 14-02, Cover for electronic device, (EM, 12 Jun 2015) 11 Dec 2015	16739/2015

Tech 21 Licensing Limited; 14-02, Cover for electronic device, (EM, 12 Jun 2015) 11 Dec 2015	16737/2015	Thru2Market Solutions (HK) Limited; 14-03NES, A communications device mounting assembly, 10 Dec 2015	16712/2015
The trustee for The Growndhogg Family Trust;Auldist, Jack; 15-03A, Seeding equipment, 10 Dec 2015	16724/2015	Thru2Market Solutions (HK) Limited; 14-03NES, A communications device mounting assembly, 10 Dec 2015	16713/2015
The Gillette Company; 04-02, Toothbrush, (WO, 09 Jun 2015) 09 Dec 2015	16667/2015	Thru2Market Solutions (HK) Limited; 08-08NES, A communications device mounting assembly, 10 Dec 2015	16711/2015
The Gillette Company; 04-02, Toothbrush, (WO, 09 Jun 2015) 09 Dec 2015	16670/2015	Thru2Market Solutions (HK) Limited; 14-03NES, 08-08NES, A communications device mounting assembly, 10 Dec 2015	16715/2015
The Gillette Company; 04-02, Toothbrush, (WO, 09 Jun 2015) 09 Dec 2015	16668/2015	Thru2Market Solutions (HK) Limited; 14-03NES, 08-08NES, A communications device mounting assembly, 10 Dec 2015	16714/2015
The Gillette Company; 04-02, Toothbrush, (WO, 09 Jun 2015) 09 Dec 2015	16666/2015	Trango Towers Pty Ltd; 09-07A, 09-01NES, Bottles of packaged product in Fluid form., 11 Dec 2015	16736/2015
The Gillette Company; 04-02, Toothbrush, (WO, 09 Jun 2015) 09 Dec 2015	16669/2015	THE COLLECTIVE WINE COMPANY PTY LTD; 19-08, 09-01H, Wine bottle with shrink-wrapped label applied., 07 Dec 2015	16589/2015
The Gillette Company; 04-02, Toothbrush, (WO, 09 Jun 2015) 09 Dec 2015	16671/2015	THEGOLDMAKERS OF AUSTRALIA PTY LTD; 08-05N, Delta, quatro, squill, tulip, wand tube, scepter, 11 Dec 2015	16779/2015
The Gillette Company; 04-02, Toothbrush, (WO, 09 Jun 2015) 09 Dec 2015	16684/2015	THEGOLDMAKERS OF AUSTRALIA PTY LTD; 28-03NES, Gold bath lotion oil, 11 Dec 2015	16780/2015
The Gillette Company; 04-02, Toothbrush, (WO, 09 Jun 2015) 09 Dec 2015	16683/2015	TIC (Retail Accessories) Pty Ltd; 06-08, Garment hanger, 27 Nov 2015	16426/2015
The Gillette Company; 04-02, Toothbrush, (WO, 09 Jun 2015) 09 Dec 2015	16681/2015	TIC (Retail Accessories) Pty Ltd; 06-08, Garment hanger, 27 Nov 2015	16427/2015
The Gillette Company; 04-02, Toothbrush, (WO, 09 Jun 2015) 09 Dec 2015	16682/2015	Unilever PLC; 09-03C, A tin, (CH, 04 Jun 2015) 27 Nov 2015	16413/2015
The Gillette Company; 04-02, Toothbrush, (WO, 09 Jun 2015) 09 Dec 2015	16679/2015	Unilever PLC; 09-03M, A tin, 27 Nov 2015	16416/2015
The Gillette Company; 04-02, Toothbrush, (WO, 09 Jun 2015) 09 Dec 2015	16680/2015	Uvex Arbeitsschutz GmbH; 16-06, Safety goggle, (DE, 23 Oct 2015) 08 Dec 2015	16635/2015
The Gillette Company; 04-02, Toothbrush, (WO, 09 Jun 2015) 09 Dec 2015	16678/2015	Wallis Engineers Pty Ltd; 08-01, Down hole hammer drill bit head, 02 Dec 2015	16520/2015
The Gillette Company; 04-02, Toothbrush, (WO, 09 Jun 2015) 09 Dec 2015	16672/2015	Wallis Engineers Pty Ltd; 08-01, Down hole hammer drill bit, 02 Dec 2015	16523/2015
The Procter & Gamble Company; 28-01, Supplement tablet, (US, 08 Jun 2015) 08 Dec 2015	16600/2015	Wallis Engineers Pty Ltd; 08-01, Down hole hammer drill bit, 02 Dec 2015	16521/2015
The Trustee for Jensen Trading Trust; 08-01, Range of shovels & spades, 09 Dec 2015	16661/2015	Wallis Engineers Pty Ltd; 08-01, Down hole hammer drill bit, 02 Dec 2015	16522/2015
		Weber-Stephen Products, LLC; 07-02C, Handle light for grill, (US, 18 Jun 2015) 11 Dec 2015	16741/2015

Wieth, Franz;Filosi, Andreas; 07-06A, 12-02, Cup holder, (DE, 11 Mar 2015) (Divisional of 14822/2015) 27 Nov 2015	16409/2015	Yutou Technology (Hangzhou) Co.,Ltd.; 14-02, Robot egg, (CN, 30 Jun 2015) 07 Dec 2015	16582/2015
Wong, Yan Kwong; 31-00, Drum grater, (HK, 12 Jun 2015) 10 Dec 2015	16696/2015	Zhuhai Jindao Electric Appliance Co. Ltd.; 28-03B, An electric hair straightening comb, (CN, 29 May 2015) 29 Nov 2015	16441/2015
Y.S.S. (Thailand) Co., Ltd.; 12-16NES, Shock absorber, 02 Dec 2015	16505/2015	Zimmermann Wear Pty Limited; 02-02NES, An item of clothing, 18 Nov 2015	16218/2015
Y.S.S. (Thailand) Co., Ltd.; 12-16NES, Shock absorber, 02 Dec 2015	16503/2015	Zumtobel Lighting GmbH; 26-05NES, Spotlight, (EM, 17 Jul 2015) 08 Dec 2015	16621/2015
Y.S.S. (Thailand) Co., Ltd.; 12-16NES, Shock absorber, 02 Dec 2015	16504/2015	Zumtobel Lighting GmbH; 26-05NES, Spotlight, (EM, 17 Jul 2015) 08 Dec 2015	16622/2015
Y.S.S. (Thailand) Co., Ltd.; 12-16NES, Shock absorber, 02 Dec 2015	16502/2015	Zumtobel Lighting GmbH; 26-05NES, Spotlight, (EM, 17 Jul 2015) 08 Dec 2015	16620/2015
Yutou Technology (Hangzhou) Co.,Ltd.; 13-03D, Power adapter for robot, (CN, 21 Aug 2015) 07 Dec 2015	16581/2015		

Applications Lapsed

11786 / 2015 (03-01B)	12716 / 2015 (08-08H)
14523 / 2015 (32-03)	14527 / 2015 (14-02)
14601 / 2015 (32-03)	14622 / 2015 (26-05NES)
14704 / 2015 (32-03)	14746 / 2015 (07-02E)
14749 / 2015 (06-02)	

Extension of Period of Registration of Designs

330733	332803	334477
334478	334479	334480
334481	334482	334520
334521	334522	334524
334526	334527	334528
334529	334530	334533
334537	334541	334544
334545	334553	334558
334567	334570	334571
334572	334573	334601
334604	334605	334627
334655	334671	334674
334700	334701	334723
334724	334732	334733
334745	334746	334747
334757	334758	334759
334760	334761	334762
334763	334764	334765
334767	334769	334775
334776	334777	334778
334779	334780	334791
334802	334822	334833
334834	334891	334914
334916	334926	334964
334965	334966	334967
334978	334996	335030
335056	335057	335058
335248	335310	335352
335354	335365	335436
335446	335453	335454
335950	335951	335952
335953	336031	336162
336175	337276	337813
338109		

Registrations Ceased

305678	307191	307192
307209	307210	307220
307221	307223	307224
307225	307226	307227
307228	307231	307232
307233	307234	307235
307252	307253	307254
307256	307270	307272
307301	307302	307313
307337	307338	307340
307341	307343	307348
307350	307351	307363
307364	307365	307366

307367	307368	307369
307372	307384	307385
307386	307387	307388
307389	307390	307391
307402	307403	307404
307416	307417	307418
307421	307427	307428
307429	307430	307431
307488	307490	307491
307507	307511	307512
307524	307567	307579
307580	307640	307785
307865	307897	308013
308030	308226	308227
308228	308229	308280
308289	308573	308677
308719	308820	308961
308962	308963	309086
309089	309091	309993
309994	309995	309996
309997	309998	309999
310000	310001	310002
310003	310004	310005
311396	313577	313586
313954	314218	331069
331225	331226	331227
331228	331252	331267
331282	331286	331287
331288	331289	331290
331291	331292	331293
331294	331298	331301
331302	331303	331304
331305	331328	331329
331330	331331	331332
331337	331338	331339
331340	331341	331352
331355	331356	331357
331358	331363	331367
331368	331369	331370
331375	331376	331377
331378	331379	331380
331386	331387	331388
331389	331390	331391
331392	331404	331405
331406	331414	331421
331426	331439	331458
331460	331461	331472
331479	331484	331486
331488	331489	331490
331491	331492	331493
331494	331495	331503
331504	331514	331572
331585	331632	331669
331693	331708	331759

331797	331801	331816	315802	(Reckitt Benckiser Calgon B.V.) Reckitt Benckiser N.V.
331817	331818	331819	340368	(Derlot IP Pty Ltd) Derlot Pty Limited
331896	331997	331998	340369	(Derlot IP Pty Ltd) Derlot Pty Limited
332032	332033	332044	340370	(Derlot IP Pty Ltd) Derlot Pty Limited
332047	332124	332194	340371	(Derlot IP Pty Ltd) Derlot Pty Limited
332195	332644	333210	340372	(Derlot IP Pty Ltd) Derlot Pty Limited
333211	333212	333213	340373	(Derlot IP Pty Ltd) Derlot Pty Limited
333214	333867	333868	359982	(Derlot IP Pty Ltd) Derlot Pty Limited
333869	333870	333871	359983	(Derlot IP Pty Ltd) Derlot Pty Limited
333872	333873	333874	338110	(Derlot IP Pty Ltd) Derlot Pty Limited
333875	333876	333877	338111	(Derlot IP Pty Ltd) Derlot Pty Limited
333878	333879	333880	356787	(Derlot IP Pty Ltd) Derlot Pty Ltd
333881	333882	333883	354016	(Barbeques Galore (Aust) Pty Limited) Barbeques Galore (Aust) Pty Limited;China Window Industry Co., Ltd
334055	334056	334057	312245	(Inlas Holding S.a.r.l.) Societe Bic
334058	334059	334060	343910	(Inlas Holding S.a.r.l.) Societe Bic
334061	334283	359690	361842	(S & P Industrial Pty Ltd) Still Engineering Pty Ltd

Extensions of time granted under Section 137

Applications lodged under section 137 for extension of time have been granted.

330733 **Loggo IP Pty Ltd**

11115/2015 **Apple Inc.**

Subsequent Owners Registered

(The name in parentheses is that of the subsequent owner)

307301	(Orora Packaging Australia Pty Ltd) Amcor Limited
308673	(Orora Packaging Australia Pty Ltd) Amcor Limited
310693	(Orora Packaging Australia Pty Ltd) Amcor Limited
310694	(Orora Packaging Australia Pty Ltd) Amcor Limited
311087	(Orora Packaging Australia Pty Ltd) Amcor Limited
311153	(Orora Packaging Australia Pty Ltd) Amcor Limited
315175	(Orora Packaging Australia Pty Ltd) Amcor Limited
315709	(Orora Packaging Australia Pty Ltd) Amcor Limited
322228	(Orora Packaging Australia Pty Ltd) Amcor Limited
323823	(Orora Packaging Australia Pty Ltd) Amcor Limited
325997	(Orora Packaging Australia Pty Ltd) Amcor Limited
325998	(Orora Packaging Australia Pty Ltd) Amcor Limited
329760	(Orora Packaging Australia Pty Ltd) Amcor Limited
329979	(Orora Packaging Australia Pty Ltd) Amcor Limited
333957	(Orora Packaging Australia Pty Ltd) Amcor Limited
338798	(Orora Packaging Australia Pty Ltd) Amcor Limited
338799	(Orora Packaging Australia Pty Ltd) Amcor Limited
340575	(Orora Packaging Australia Pty Ltd) Amcor Limited
340576	(Orora Packaging Australia Pty Ltd) Amcor Limited
340957	(Orora Packaging Australia Pty Ltd) Amcor Limited
340958	(Orora Packaging Australia Pty Ltd) Amcor Limited
341744	(Orora Packaging Australia Pty Ltd) Amcor Limited
341799	(Orora Packaging Australia Pty Ltd) Amcor Limited
344425	(Orora Packaging Australia Pty Ltd) Amcor Limited
344426	(Orora Packaging Australia Pty Ltd) Amcor Limited
345173	(Orora Packaging Australia Pty Ltd) Amcor Limited
345174	(Orora Packaging Australia Pty Ltd) Amcor Limited
350911	(Orora Packaging Australia Pty Ltd) Amcor Limited
351394	(Orora Packaging Australia Pty Ltd) Amcor Limited
312543	(Reckitt Benckiser Calgon B.V.) Reckitt Benckiser N.V.
315801	(Reckitt Benckiser Calgon B.V.) Reckitt Benckiser N.V.

Names Registered - Alterations and Amendments

(The name in parentheses is that of the subsequent applicant)

363373	(ASAP BreatheAssist Pty Ltd) ASAP BreatheAssist Limited
327243	(The Pattern Drafter Pty Ltd) Maria Opresnik
363135	(Forever New Clothing Pty Ltd) Forever New Pty Ltd
355331	(BRITA GmbH) BRITA Professional GmbH & Co. KG
355351	(BRITA GmbH) BRITA Professional GmbH & Co. KG
353477	(BRITA GmbH) BRITA Professional GmbH & Co. KG
353478	(BRITA GmbH) BRITA Professional GmbH & Co. KG
353479	(BRITA GmbH) BRITA Professional GmbH & Co. KG

Certificate(s) of Examination

Examination of the following Design Registration(s) has been completed. Infringement proceedings may now be commenced.

348294	06-01F	01/12/2015
360555	24-01	03/12/2015
361630	31-00	08/12/2015
361678	25-04	11/12/2015
361679	25-01K	11/12/2015
361694	31-00	08/12/2015
361953	23-01NES	10/12/2015
363512	21-02NES	14/12/2015
363974	23-01A	02/12/2015
364024	12-08	07/12/2015
364653	08-07	02/12/2015
364730	25-04	11/12/2015
364778	03-01NES	08/12/2015
364856	14-02	11/12/2015
364873	26-05NES	14/12/2015
364897	09-01K	30/11/2015
365053	05-05A	02/12/2015
365059	05-05NES	02/12/2015
365064	07-02F	02/12/2015
365065	07-02F	02/12/2015

Publication and Registration Proceedings

Designs Registered

This section provides a concordance between design number and registration number of Designs covered in this journal. It also shows the main class and registration date.

This section covers Registration numbers 365510 to 365784 .

The registration number shown below should be used in all future correspondence.

Design Number	Registration Number	International Classification Code (IDC)	Registration Date	Design Number	Registration Number	International Classification Code (IDC)	Registration Date
11782/2015	365752	02-02NES	11/12/2015	15066/2015	365737	09-01NES	10/12/2015
12703/2015	365650	12-10	03/12/2015	15069/2015	365738	09-01NES	10/12/2015
12704/2015	365651	12-10	03/12/2015	15090/2015	365761	11-01NES	11/12/2015
12705/2015	365652	12-10	03/12/2015	15099/2015	365754	25-99	11/12/2015
13062/2015	365653	23-01B	03/12/2015	15133/2015	365758	15-04	11/12/2015
13065/2015	365654	23-01B	03/12/2015	15149/2015	365540	26-05A	01/12/2015
13066/2015	365655	23-01A	03/12/2015	15194/2015	365739	24-02	10/12/2015
13067/2015	365656	23-01A	03/12/2015	15213/2015	365713	12-05	10/12/2015
13068/2015	365657	23-01B	03/12/2015	15222/2015	365759	12-16B	11/12/2015
13069/2015	365658	23-01A	03/12/2015	15262/2015	365581	07-03	01/12/2015
13994/2015	365577	21-01C	01/12/2015	15294/2015	365574	26-04	01/12/2015
14416/2015	365760	08-07	11/12/2015	15295/2015	365575	26-04	01/12/2015
14509/2015	365510	09-03L	30/11/2015	15345/2015	365582	09-03F	01/12/2015
14511/2015	365511	09-07A	30/11/2015	15374/2015	365647	14-02	03/12/2015
14513/2015	365528	12-15D	01/12/2015	15377/2015	365583	22-05	01/12/2015
14516/2015	365564	09-07B	01/12/2015	15396/2015	365531	11-03	01/12/2015
14599/2015	365597	07-99C	02/12/2015	15442/2015	365745	06-01E	11/12/2015
14626/2015	365578	06-02	01/12/2015	15501/2015	365778	28-03NES	14/12/2015
14654/2015	365579	12-12	01/12/2015	15509/2015	365584	07-06A	01/12/2015
14691/2015	365734	26-04	10/12/2015	15526/2015	365576	12-02	01/12/2015
14703/2015	365512	06-07	30/11/2015	15534/2015	365586	12-16A	01/12/2015
14706/2015	365565	07-06A	01/12/2015	15676/2015	365755	11-02NES	11/12/2015
14709/2015	365566	24-04	01/12/2015	15693/2015	365513	25-02G	30/11/2015
14710/2015	365567	24-04	01/12/2015	15704/2015	365727	12-16NES	10/12/2015
14714/2015	365568	02-02C	01/12/2015	15713/2015	365740	28-03A	10/12/2015
14721/2015	365598	07-02A	02/12/2015	15714/2015	365741	28-03A	10/12/2015
14723/2015	365569	14-02	01/12/2015	15715/2015	365742	28-03A	10/12/2015
14730/2015	365570	14-02	01/12/2015	15731/2015	365547	20-03NES	01/12/2015
14785/2015	365643	02-04NES	03/12/2015	15737/2015	365762	11-02B	11/12/2015
14786/2015	365644	02-04NES	03/12/2015	15738/2015	365763	11-02B	11/12/2015
14789/2015	365645	14-02	03/12/2015	15747/2015	365541	24-02	01/12/2015
14800/2015	365646	06-01H	03/12/2015	15748/2015	365714	11-02B	10/12/2015
14821/2015	365571	28-03D	01/12/2015	15749/2015	365532	24-02	01/12/2015
14822/2015	365735	08-06	10/12/2015	15754/2015	365533	24-02	01/12/2015
14862/2015	365539	21-02F	01/12/2015	15755/2015	365534	24-02	01/12/2015
14870/2015	365753	02-01NES	11/12/2015	15831/2015	365667	12-15A	04/12/2015
14890/2015	365757	03-01NES	11/12/2015	15832/2015	365668	12-15B	04/12/2015
14891/2015	365572	06-04NES	01/12/2015	15833/2015	365669	12-15B	04/12/2015
14944/2015	365580	19-04	01/12/2015	15834/2015	365670	12-15C	04/12/2015
14972/2015	365546	12-08	01/12/2015	15835/2015	365671	12-15C	04/12/2015
14981/2015	365529	13-02	01/12/2015	15846/2015	365672	11-99	04/12/2015
14991/2015	365633	20-01	03/12/2015	15859/2015	365514	14-02	30/11/2015
14992/2015	365530	13-02	01/12/2015	15867/2015	365756	23-03E	11/12/2015
14993/2015	365634	20-01	03/12/2015	15868/2015	365515	25-01K	30/11/2015
14994/2015	365635	20-01	03/12/2015	15875/2015	365535	09-05	01/12/2015
15010/2015	365573	09-03M	01/12/2015	15880/2015	365587	07-02K	01/12/2015
15055/2015	365585	03-01D	01/12/2015	15886/2015	365516	13-03D	30/11/2015
15057/2015	365743	21-01A	11/12/2015	15899/2015	365764	25-01NES	11/12/2015
15058/2015	365744	21-01A	11/12/2015	15901/2015	365599	15-05	02/12/2015
15064/2015	365736	09-01NES	10/12/2015	15913/2015	365517	21-02F	30/11/2015

Publication and Registration Proceedings - Designs Registered cont'd

Design Number	Registration Number	International Classification Code (IDC)	Registration Date	Design Number	Registration Number	International Classification Code (IDC)	Registration Date
15914/2015	365518	21-02F	30/11/2015	16051/2015	365601	11-01NES	02/12/2015
15919/2015	365519	12-16NES	30/11/2015	16052/2015	365602	02-06	02/12/2015
15920/2015	365520	19-08	30/11/2015	16053/2015	365705	19-08	10/12/2015
15930/2015	365542	09-01NES	01/12/2015	16054/2015	365603	05-05NES	02/12/2015
15931/2015	365536	26-03	01/12/2015	16055/2015	365715	25-03	10/12/2015
15932/2015	365537	26-03	01/12/2015	16056/2015	365604	06-06E	02/12/2015
15933/2015	365521	08-05E	30/11/2015	16057/2015	365605	06-06E	02/12/2015
15934/2015	365522	23-01F	30/11/2015	16058/2015	365606	02-04NES	02/12/2015
15936/2015	365523	23-02B	30/11/2015	16059/2015	365608	02-04NES	02/12/2015
15942/2015	365648	07-02H	03/12/2015	16060/2015	365609	10-06	02/12/2015
15943/2015	365649	07-02H	03/12/2015	16061/2015	365610	21-01F	02/12/2015
15944/2015	365524	13-03D	30/11/2015	16062/2015	365611	25-04	02/12/2015
15945/2015	365525	16-02	30/11/2015	16064/2015	365612	07-02E	02/12/2015
15946/2015	365526	07-02H	30/11/2015	16065/2015	365613	07-02E	02/12/2015
15947/2015	365527	07-02H	30/11/2015	16066/2015	365614	07-02E	02/12/2015
15953/2015	365543	15-05	01/12/2015	16067/2015	365615	07-02E	02/12/2015
15959/2015	365544	15-05	01/12/2015	16068/2015	365616	07-02E	02/12/2015
15964/2015	365545	15-05	01/12/2015	16069/2015	365617	07-02E	02/12/2015
15965/2015	365538	23-02A	01/12/2015	16070/2015	365618	07-02E	02/12/2015
15966/2015	365771	23-02A	11/12/2015	16072/2015	365626	07-02E	02/12/2015
15994/2015	365548	12-16H	01/12/2015	16075/2015	365627	07-02NES	02/12/2015
15995/2015	365549	12-16H	01/12/2015	16080/2015	365628	07-01NES	02/12/2015
15996/2015	365550	06-03NES	01/12/2015	16081/2015	365629	31-00	02/12/2015
15997/2015	365551	28-03D	01/12/2015	16082/2015	365630	31-00	02/12/2015
15998/2015	365552	19-01	01/12/2015	16083/2015	365631	31-00	02/12/2015
15999/2015	365553	19-01	01/12/2015	16084/2015	365632	31-00	02/12/2015
16000/2015	365554	19-01	01/12/2015	16087/2015	365673	15-05	04/12/2015
16002/2015	365555	13-02	01/12/2015	16089/2015	365659	15-05	04/12/2015
16009/2015	365556	24-02	01/12/2015	16090/2015	365660	02-02NES	04/12/2015
16012/2015	365557	20-03NES	01/12/2015	16091/2015	365772	02-02NES	11/12/2015
16013/2015	365558	20-03NES	01/12/2015	16103/2015	365636	21-01C	03/12/2015
16014/2015	365559	08-08NES	01/12/2015	16105/2015	365637	21-01C	03/12/2015
16015/2015	365560	07-02L	01/12/2015	16106/2015	365638	21-01C	03/12/2015
16016/2015	365561	07-02L	01/12/2015	16107/2015	365639	21-01C	03/12/2015
16017/2015	365562	07-02L	01/12/2015	16108/2015	365640	21-01C	03/12/2015
16018/2015	365563	07-02L	01/12/2015	16109/2015	365641	21-01C	03/12/2015
16020/2015	365619	07-02N	02/12/2015	16110/2015	365642	20-03NES	03/12/2015
16023/2015	365620	06-01NES	02/12/2015	16111/2015	365661	10-04	04/12/2015
16024/2015	365621	06-01NES	02/12/2015	16112/2015	365662	10-04	04/12/2015
16025/2015	365746	23-01A	11/12/2015	16113/2015	365663	10-04	04/12/2015
16030/2015	365622	24-04	02/12/2015	16114/2015	365664	10-04	04/12/2015
16031/2015	365623	13-03B	02/12/2015	16115/2015	365665	10-04	04/12/2015
16032/2015	365624	13-03B	02/12/2015	16116/2015	365666	10-04	04/12/2015
16033/2015	365625	15-99	02/12/2015	16117/2015	365674	10-04	08/12/2015
16034/2015	365588	21-04	01/12/2015	16118/2015	365675	10-04	08/12/2015
16035/2015	365589	08-05L	01/12/2015	16119/2015	365676	10-04	08/12/2015
16037/2015	365590	05-06NES	01/12/2015	16120/2015	365677	10-04	08/12/2015
16038/2015	365591	08-01	01/12/2015	16121/2015	365678	10-04	08/12/2015
16039/2015	365592	08-01	01/12/2015	16122/2015	365679	10-04	08/12/2015
16040/2015	365593	08-01	01/12/2015	16123/2015	365680	10-04	08/12/2015
16043/2015	365594	05-05NES	01/12/2015	16124/2015	365681	10-04	09/12/2015
16044/2015	365607	11-01NES	02/12/2015	16125/2015	365682	10-04	09/12/2015
16046/2015	365595	05-05A	01/12/2015	16126/2015	365683	10-04	09/12/2015
16048/2015	365600	06-03C	02/12/2015	16127/2015	365684	10-04	09/12/2015
16049/2015	365596	05-05D	01/12/2015	16128/2015	365685	10-04	09/12/2015

Publication and Registration Proceedings - Designs Registered cont'd

Design Number	Registration Number	International Classification Code (IDC)	Registration Date	Design Number	Registration Number	International Classification Code (IDC)	Registration Date
16129/2015	365686	10-04	09/12/2015	16164/2015	365724	02-02C	10/12/2015
16130/2015	365687	10-04	09/12/2015	16165/2015	365725	02-02C	10/12/2015
16131/2015	365688	10-04	09/12/2015	16166/2015	365726	02-02A	10/12/2015
16132/2015	365689	10-04	09/12/2015	16168/2015	365728	02-02NES	10/12/2015
16133/2015	365690	10-04	09/12/2015	16169/2015	365729	02-02C	10/12/2015
16134/2015	365691	10-04	09/12/2015	16170/2015	365730	02-02C	10/12/2015
16135/2015	365692	10-04	09/12/2015	16171/2015	365731	02-02C	10/12/2015
16136/2015	365693	10-04	09/12/2015	16174/2015	365732	02-02A	10/12/2015
16137/2015	365694	10-04	09/12/2015	16175/2015	365733	02-02A	10/12/2015
16138/2015	365695	10-04	09/12/2015	16177/2015	365765	26-04	11/12/2015
16139/2015	365696	10-04	09/12/2015	16178/2015	365773	26-04	11/12/2015
16140/2015	365697	10-04	09/12/2015	16180/2015	365774	23-01K	11/12/2015
16141/2015	365698	10-04	09/12/2015	16181/2015	365775	06-06A	11/12/2015
16142/2015	365699	10-04	09/12/2015	16183/2015	365766	02-02B	11/12/2015
16143/2015	365700	10-04	09/12/2015	16185/2015	365767	28-03A	11/12/2015
16144/2015	365701	10-04	09/12/2015	16186/2015	365776	28-03A	11/12/2015
16145/2015	365702	10-04	09/12/2015	16188/2015	365747	26-05C	11/12/2015
16146/2015	365703	10-04	09/12/2015	16189/2015	365748	06-01E	11/12/2015
16148/2015	365704	10-04	09/12/2015	16190/2015	365749	07-04	11/12/2015
16149/2015	365706	10-04	10/12/2015	16192/2015	365750	07-05C	11/12/2015
16150/2015	365707	10-04	10/12/2015	16193/2015	365751	21-02F	11/12/2015
16151/2015	365708	10-04	10/12/2015	16195/2015	365768	04-02	11/12/2015
16152/2015	365709	10-04	10/12/2015	16219/2015	365779	08-08G	14/12/2015
16153/2015	365710	10-04	10/12/2015	16221/2015	365780	23-02A	14/12/2015
16154/2015	365711	10-04	10/12/2015	16227/2015	365769	09-03M	11/12/2015
16155/2015	365712	10-04	10/12/2015	16236/2015	365770	02-02C	11/12/2015
16156/2015	365716	02-02A	10/12/2015	16245/2015	365781	04-02	14/12/2015
16157/2015	365717	02-02A	10/12/2015	16247/2015	365782	04-02	14/12/2015
16158/2015	365718	02-02A	10/12/2015	16248/2015	365783	06-02	14/12/2015
16159/2015	365719	02-02C	10/12/2015	16271/2015	365784	08-08G	14/12/2015
16160/2015	365720	02-02C	10/12/2015	16395/2015	365777	24-02	11/12/2015
16161/2015	365721	02-02A	10/12/2015				
16162/2015	365722	02-02A	10/12/2015				
16163/2015	365723	02-02A	10/12/2015				

Publication and Registration Proceedings

Class Listing of Designs Published or Registered

The following section shows an International Classification Code listing of the Registered or Published Designs covered in this supplement.

Classification	Registration Number	Design Number	Classification	Registration Number	Design Number
02-01NES	365753	14870/2015	06-07	365512	14703/2015
02-02A	365716	16156/2015	07-01NES	365628	16080/2015
02-02A	365717	16157/2015	07-02A	365598	14721/2015
02-02A	365718	16158/2015	07-02E	365612	16064/2015
02-02A	365721	16161/2015	07-02E	365613	16065/2015
02-02A	365722	16162/2015	07-02E	365614	16066/2015
02-02A	365723	16163/2015	07-02E	365615	16067/2015
02-02A	365726	16166/2015	07-02E	365616	16068/2015
02-02A	365732	16174/2015	07-02E	365617	16069/2015
02-02A	365733	16175/2015	07-02E	365618	16070/2015
02-02B	365766	16183/2015	07-02E	365626	16072/2015
02-02C	365568	14714/2015	07-02H	365526	15946/2015
02-02C	365719	16159/2015	07-02H	365527	15947/2015
02-02C	365720	16160/2015	07-02H	365648	15942/2015
02-02C	365724	16164/2015	07-02H	365649	15943/2015
02-02C	365725	16165/2015	07-02K	365587	15880/2015
02-02C	365729	16169/2015	07-02L	365560	16015/2015
02-02C	365730	16170/2015	07-02L	365561	16016/2015
02-02C	365731	16171/2015	07-02L	365562	16017/2015
02-02C	365770	16236/2015	07-02L	365563	16018/2015
02-02NES	365660	16090/2015	07-02N	365619	16020/2015
02-02NES	365728	16168/2015	07-02NES	365627	16075/2015
02-02NES	365752	11782/2015	07-03	365581	15262/2015
02-02NES	365772	16091/2015	07-04	365749	16190/2015
02-04NES	365606	16058/2015	07-05C	365750	16192/2015
02-04NES	365608	16059/2015	07-06A	365565	14706/2015
02-04NES	365643	14785/2015	07-06A	365584	15509/2015
02-04NES	365644	14786/2015	07-99C	365597	14599/2015
02-06	365602	16052/2015	08-01	365591	16038/2015
03-01D	365585	15055/2015	08-01	365592	16039/2015
03-01NES	365757	14890/2015	08-01	365593	16040/2015
04-02	365768	16195/2015	08-05E	365521	15933/2015
04-02	365781	16245/2015	08-05L	365589	16035/2015
04-02	365782	16247/2015	08-06	365559	16014/2015
05-05A	365595	16046/2015	08-06	365735	14822/2015
05-05D	365596	16049/2015	08-07	365760	14416/2015
05-05NES	365594	16043/2015	08-08G	365779	16219/2015
05-05NES	365603	16054/2015	08-08G	365784	16271/2015
05-06NES	365590	16037/2015	08-08NES	365559	16014/2015
06-01E	365745	15442/2015	09-01NES	365542	15930/2015
06-01E	365748	16189/2015	09-01NES	365736	15064/2015
06-01H	365646	14800/2015	09-01NES	365737	15066/2015
06-01NES	365513	15693/2015	09-01NES	365738	15069/2015
06-01NES	365620	16023/2015	09-03F	365582	15345/2015
06-01NES	365621	16024/2015	09-03L	365510	14509/2015
06-02	365578	14626/2015	09-03M	365573	15010/2015
06-02	365783	16248/2015	09-03M	365769	16227/2015
06-03C	365600	16048/2015	09-05	365535	15875/2015
06-03NES	365550	15996/2015	09-07A	365510	14509/2015
06-04NES	365572	14891/2015	09-07A	365511	14511/2015
06-06A	365775	16181/2015	09-07B	365564	14516/2015
06-06E	365604	16056/2015	09-09	365513	15693/2015
06-06E	365605	16057/2015	10-04	365661	16111/2015

Registration Proceedings - Class Listing of Designs Published or Registered cont'd

Classification	Registration Number	Design Number	Classification	Registration Number	Design Number
10-04	365662	16112/2015	12-10	365650	12703/2015
10-04	365663	16113/2015	12-10	365651	12704/2015
10-04	365664	16114/2015	12-10	365652	12705/2015
10-04	365665	16115/2015	12-12	365579	14654/2015
10-04	365666	16116/2015	12-15A	365667	15831/2015
10-04	365674	16117/2015	12-15B	365668	15832/2015
10-04	365675	16118/2015	12-15B	365669	15833/2015
10-04	365676	16119/2015	12-15C	365670	15834/2015
10-04	365677	16120/2015	12-15C	365671	15835/2015
10-04	365678	16121/2015	12-15D	365528	14513/2015
10-04	365679	16122/2015	12-16A	365586	15534/2015
10-04	365680	16123/2015	12-16B	365759	15222/2015
10-04	365681	16124/2015	12-16H	365548	15994/2015
10-04	365682	16125/2015	12-16H	365549	15995/2015
10-04	365683	16126/2015	12-16NES	365519	15919/2015
10-04	365684	16127/2015	12-16NES	365727	15704/2015
10-04	365685	16128/2015	13-02	365529	14981/2015
10-04	365686	16129/2015	13-02	365530	14992/2015
10-04	365687	16130/2015	13-02	365555	16002/2015
10-04	365688	16131/2015	13-03B	365623	16031/2015
10-04	365689	16132/2015	13-03B	365624	16032/2015
10-04	365690	16133/2015	13-03D	365516	15886/2015
10-04	365691	16134/2015	13-03D	365524	15944/2015
10-04	365692	16135/2015	14-02	365514	15859/2015
10-04	365693	16136/2015	14-02	365569	14723/2015
10-04	365694	16137/2015	14-02	365570	14730/2015
10-04	365695	16138/2015	14-02	365645	14789/2015
10-04	365696	16139/2015	14-02	365647	15374/2015
10-04	365697	16140/2015	14-99	365570	14730/2015
10-04	365698	16141/2015	15-04	365758	15133/2015
10-04	365699	16142/2015	15-05	365543	15953/2015
10-04	365700	16143/2015	15-05	365544	15959/2015
10-04	365701	16144/2015	15-05	365545	15964/2015
10-04	365702	16145/2015	15-05	365599	15901/2015
10-04	365703	16146/2015	15-05	365659	16089/2015
10-04	365704	16148/2015	15-05	365673	16087/2015
10-04	365706	16149/2015	15-99	365625	16033/2015
10-04	365707	16150/2015	15-99	365758	15133/2015
10-04	365708	16151/2015	16-02	365525	15945/2015
10-04	365709	16152/2015	19-01	365552	15998/2015
10-04	365710	16153/2015	19-01	365553	15999/2015
10-04	365711	16154/2015	19-01	365554	16000/2015
10-04	365712	16155/2015	19-04	365580	14944/2015
10-06	365609	16060/2015	19-08	365520	15920/2015
11-01NES	365601	16051/2015	19-08	365705	16053/2015
11-01NES	365607	16044/2015	20-01	365633	14991/2015
11-01NES	365761	15090/2015	20-01	365634	14993/2015
11-02B	365714	15748/2015	20-01	365635	14994/2015
11-02B	365762	15737/2015	20-03NES	365547	15731/2015
11-02B	365763	15738/2015	20-03NES	365557	16012/2015
11-02NES	365755	15676/2015	20-03NES	365558	16013/2015
11-03	365531	15396/2015	20-03NES	365642	16110/2015
11-99	365672	15846/2015	21-01A	365743	15057/2015
12-02	365576	15526/2015	21-01A	365744	15058/2015
12-05	365713	15213/2015	21-01C	365577	13994/2015
12-08	365546	14972/2015	21-01C	365636	16103/2015

Registration Proceedings - Class Listing of Designs Published or Registered cont'd

Classification	Registration Number	Design Number	Classification	Registration Number	Design Number
21-01C	365637	16105/2015	24-04	365567	14710/2015
21-01C	365638	16106/2015	24-04	365622	16030/2015
21-01C	365639	16107/2015	25-01G	365513	15693/2015
21-01C	365640	16108/2015	25-01K	365515	15868/2015
21-01C	365641	16109/2015	25-01NES	365764	15899/2015
21-01F	365610	16061/2015	25-02C	365764	15899/2015
21-02F	365517	15913/2015	25-02G	365513	15693/2015
21-02F	365518	15914/2015	25-03	365715	16055/2015
21-02F	365539	14862/2015	25-04	365513	15693/2015
21-02F	365751	16193/2015	25-04	365611	16062/2015
21-04	365588	16034/2015	25-99	365754	15099/2015
22-05	365583	15377/2015	26-03	365536	15931/2015
23-01A	365655	13066/2015	26-03	365537	15932/2015
23-01A	365656	13067/2015	26-04	365574	15294/2015
23-01A	365658	13069/2015	26-04	365575	15295/2015
23-01A	365746	16025/2015	26-04	365734	14691/2015
23-01B	365653	13062/2015	26-04	365765	16177/2015
23-01B	365654	13065/2015	26-04	365773	16178/2015
23-01B	365657	13068/2015	26-05A	365540	15149/2015
23-01F	365522	15934/2015	26-05C	365747	16188/2015
23-01K	365774	16180/2015	28-03A	365740	15713/2015
23-02A	365538	15965/2015	28-03A	365741	15714/2015
23-02A	365771	15966/2015	28-03A	365742	15715/2015
23-02A	365780	16221/2015	28-03A	365767	16185/2015
23-02B	365523	15936/2015	28-03A	365776	16186/2015
23-03E	365756	15867/2015	28-03D	365551	15997/2015
24-02	365532	15749/2015	28-03D	365571	14821/2015
24-02	365533	15754/2015	28-03NES	365778	15501/2015
24-02	365534	15755/2015	31-00	365629	16081/2015
24-02	365541	15747/2015	31-00	365630	16082/2015
24-02	365556	16009/2015	31-00	365631	16083/2015
24-02	365739	15194/2015	31-00	365632	16084/2015
24-02	365777	16395/2015			
24-04	365566	14709/2015			

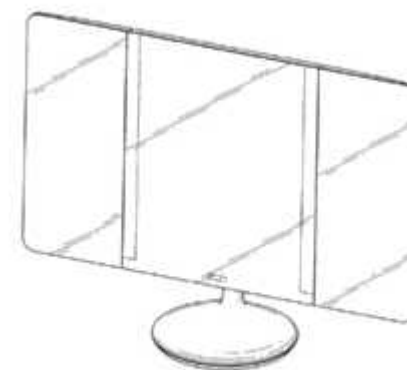
(21) Design Number: **14509/2015**
(22) Date of Filing Application: **27 August 2015**
(24) Date from which industrial property rights may have effect: **27 August 2015**
(54) Product in respect of which the design is registered: **Container with overcap**
(51) International Design Classification: **09-03L, 09-07A**
(74) Name(s) of Attorney(s): **Spruson & Ferguson**
(71) Name(s) and Address(s) of Applicant(s):
S.C. Johnson & Son, Inc.
1525 Howe Street Racine Wisconsin 53403 United States of America
(72) Name(s) of Designer(s): **Jesse Richard and William F. Gordon and Bernard Borel**
(45) Registration Date: **30 November 2015**
(30) Convention priority data:
(31) Number (32) Date (33) Country
002646554 05 Mar 2015 OFFICE FOR HARMONISATION IN THE INTERNAL MARKET (OHIM)
(56) Related Art Documents: **Not Applicable**
(57) Statement of Newness and Distinctiveness: **Newness and distinctiveness is claimed in those features of shape and/or configuration of a container with overcap illustrated in continuous lines in the accompanying representations, apart from the length of the container.**



(21) Design Number: **14511/2015**
(22) Date of Filing Application: **27 August 2015**
(24) Date from which industrial property rights may have effect: **27 August 2015**
(54) Product in respect of which the design is registered: **Overcap**
(51) International Design Classification: **09-07A**
(74) Name(s) of Attorney(s): **Spruson & Ferguson**
(71) Name(s) and Address(s) of Applicant(s):
S.C. Johnson & Son, Inc.
1525 Howe Street Racine Wisconsin 53403 United States of America
(72) Name(s) of Designer(s): **Jesse Richard and William F. Gordon and Bernard Borel**
(45) Registration Date: **30 November 2015**
(30) Convention priority data:
(31) Number (32) Date (33) Country
002646554 05 Mar 2015 OFFICE FOR HARMONISATION IN THE INTERNAL MARKET (OHIM)
(56) Related Art Documents: **Not Applicable**
(57) Statement of Newness and Distinctiveness: **Newness and distinctiveness is claimed in those features of shape and/or configuration of an overcap illustrated in continuous lines in the accompanying representations.**



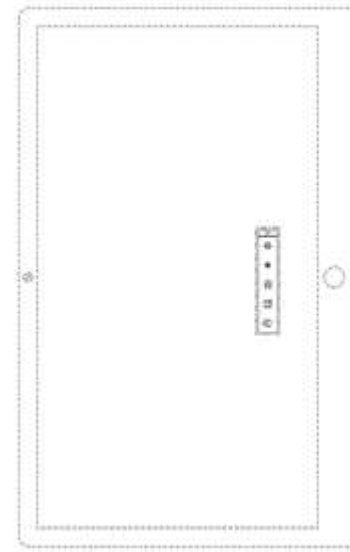
(21) Design Number: **14703/2015**
(22) Date of Filing Application: **04 September 2015**
(24) Date from which industrial property rights may have effect: **04 September 2015**
(54) Product in respect of which the design is registered: **Mirror assembly**
(51) International Design Classification: **06-07**
(74) Name(s) of Attorney(s): **Davies Collison Cave**
(71) Name(s) and Address(s) of Applicant(s):
Simplehuman, LLC
19850 Magellan Drive Torrance California 90502 United States of America
(72) Name(s) of Designer(s): **Frank Yang and Tzu-Hao Wei and Daniel Ballou**
(45) Registration Date: **30 November 2015**
(30) Convention priority data:
(31) Number (32) Date (33) Country
29/519,719 06 Mar 2015 UNITED STATES OF AMERICA
(56) Related Art Documents: **Not Applicable**
(57) Statement of Newness and Distinctiveness: **Nil**



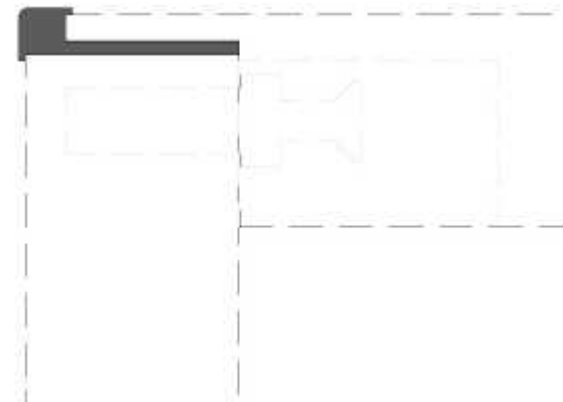
(21) Design Number: **15693/2015**
(22) Date of Filing Application: **26 October 2015**
(24) Date from which industrial property rights may have effect: **26 October 2015**
(54) Product in respect of which the design is registered: **A wire structure**
(51) International Design Classification: **25-02G, 25-01G, 25-04, 06-01NES, 09-09**
(74) Name(s) of Attorney(s): **FB Rice**
(71) Name(s) and Address(s) of Applicant(s):
Bilfinger Water Technologies Pty Ltd
88 Brickyard Rd Geebung QLD 4034 Australia
(72) Name(s) of Designer(s): **David John Lazzarini and Yusuf Cajee**
(45) Registration Date: **30 November 2015**
(56) Related Art Documents: **Not Applicable**
(57) Statement of Newness and Distinctiveness: **Newness and distinctiveness reside in the features of configuration and/or pattern of the wire structure as shown in the representations, the wire structure being of indefinite length and indefinite width, the pattern of the pairs of wires repeating across the width of the wire structure as shown in the representations. Greater weight is to be given to the repeating pattern of the pairs of wires than to the size of the gap between the wires of each pair of wires or to the spacing between adjacent pairs of wires. The features of the design shown in broken lines are provided for reference purposes only and should not be considered when construing the visual features of the design.**



- (21) Design Number: **15859/2015**
(22) Date of Filing Application: **02 November 2015**
(24) Date from which industrial property rights may have effect: **02 November 2015**
(54) Product in respect of which the design is registered: **Display screen with graphical user interface**
(51) International Design Classification: **14-02**
(74) Name(s) of Attorney(s): **Shelston IP Pty Ltd.**
(71) Name(s) and Address(s) of Applicant(s):
Microsoft Corporation
One Microsoft Way Redmond Washington, 98052-5321 United States of America
(72) Name(s) of Designer(s): **Nathan Johnson and Anthony J. Giardini and John Clinton Rice and Sara Tahir**
(45) Registration Date: **30 November 2015**
(30) Convention priority data:
(31) Number (32) Date (33) Country
29/525749 01 May 2015 UNITED STATES OF AMERICA
(56) Related Art Documents: **Not Applicable**
(57) Statement of Newness and Distinctiveness: **Newness and distinctiveness reside in the features of pattern and/or ornamentation of a display screen with graphical user interface as illustrated by solid lines in the accompanying representations. The features shown in broken outline are for contextual purposes only and do not form part of the design.**



- (21) Design Number: **15868/2015**
(22) Date of Filing Application: **03 November 2015**
(24) Date from which industrial property rights may have effect: **03 November 2015**
(54) Product in respect of which the design is registered: **An edge extrusion**
(51) International Design Classification: **25-01K**
(74) Name(s) of Attorney(s):
(71) Name(s) and Address(s) of Applicant(s):
William Pridham
C/- Patentec Patent Attorneys PO BOX A1172 Sydney South NSW 1235 Australia
(72) Name(s) of Designer(s): **William Pridham**
(45) Registration Date: **30 November 2015**
(56) Related Art Documents: **Not Applicable**
(57) Statement of Newness and Distinctiveness: **Newness and distinctiveness is claimed in the shape and configuration of the edge extrusion for right angled joinery joints as is shown in solid lines in the accompanying representations.**



(21) Design Number: **15886/2015**
(22) Date of Filing Application: **04 November 2015**
(24) Date from which industrial property rights may have effect: **04 November 2015**
(54) Product in respect of which the design is registered: **Slim one gang switch**
(51) International Design Classification: **13-03D**
(74) Name(s) of Attorney(s):
(71) Name(s) and Address(s) of Applicant(s):
AUSWITCH PTY. LTD.
5 Waratah Ave Casula NSW 2170 Australia
(72) Name(s) of Designer(s): **Bilal Elakde**
(45) Registration Date: **30 November 2015**
(56) Related Art Documents: **Not Applicable**
(57) Statement of Newness and Distinctiveness: **Nil**



(21) Design Number: **15913/2015**
(22) Date of Filing Application: **06 November 2015**
(24) Date from which industrial property rights may have effect: **06 November 2015**
(54) Product in respect of which the design is registered: **An exercise device**
(51) International Design Classification: **21-02F**
(74) Name(s) of Attorney(s): **AJ Park**
(71) Name(s) and Address(s) of Applicant(s):
LES MILLS INTERNATIONAL LIMITED
22 Centre Street Auckland 1010 New Zealand
(72) Name(s) of Designer(s): **Darryl John Best and David Neil Lovegrove and Ross Hughan Dawson**
(45) Registration Date: **30 November 2015**
(30) Convention priority data:
(31) Number (32) Date (33) Country
420197 08 May 2015 NEW ZEALAND
(56) Related Art Documents: **Not Applicable**
(57) Statement of Newness and Distinctiveness: **The design is to be applied to an exercise device. Newness and distinctiveness reside in the features of shape and/or configuration of an exercise device as shown in solid lines in Region A of the accompanying representations.**



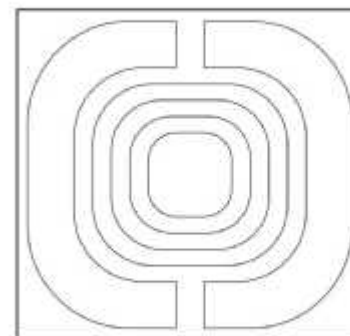
- (21) Design Number: **15914/2015**
(22) Date of Filing Application: **06 November 2015**
(24) Date from which industrial property rights may have effect: **06 November 2015**
(54) Product in respect of which the design is registered: **An exercise device**
(51) International Design Classification: **21-02F**
(74) Name(s) of Attorney(s): **AJ Park**
(71) Name(s) and Address(s) of Applicant(s):
LES MILLS INTERNATIONAL LIMITED
22 Centre Street Auckland 1010 New Zealand
(72) Name(s) of Designer(s): **Darryl John Best and David Neil Lovegrove and Ross Hughan Dawson**
(45) Registration Date: **30 November 2015**
(30) Convention priority data:
(31) Number (32) Date (33) Country
420198 08 May 2015 NEW ZEALAND
(56) Related Art Documents: **Not Applicable**
(57) Statement of Newness and Distinctiveness: **The design is to be applied to an exercise device. Newness and distinctiveness reside in the features of shape and/or configuration of an exercise device as shown in Region A of the accompanying representations.**



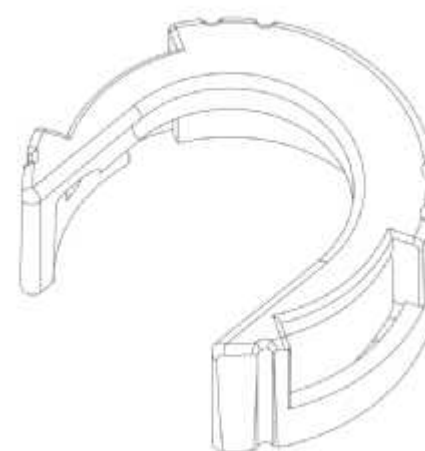
- (21) Design Number: **15919/2015**
(22) Date of Filing Application: **06 November 2015**
(24) Date from which industrial property rights may have effect: **06 November 2015**
(54) Product in respect of which the design is registered: **Air intake snorkel for a vehicle**
(51) International Design Classification: **12-16NES**
(74) Name(s) of Attorney(s):
(71) Name(s) and Address(s) of Applicant(s):
SAFARI R&D PTY LTD
73 Merrindale Dr Croydon South VIC 3136 Australia
(72) Name(s) of Designer(s): **Dean Wickes**
(45) Registration Date: **30 November 2015**
(56) Related Art Documents: **Not Applicable**
(57) Statement of Newness and Distinctiveness: **Newness and distinctiveness is claimed in the shape and configuration of an Air Intake Snorkel for a Vehicle as shown in the representations.**



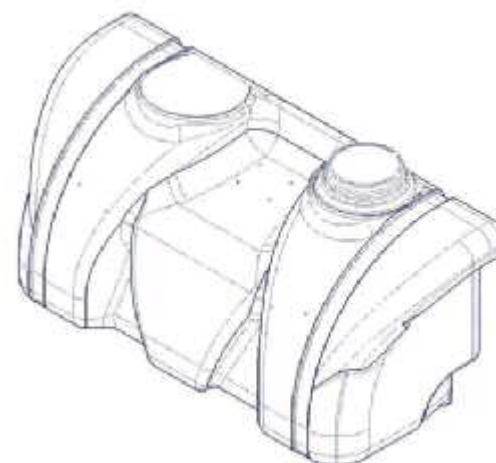
- (21) Design Number: **15920/2015**
(22) Date of Filing Application: **06 November 2015**
(24) Date from which industrial property rights may have effect: **06 November 2015**
(54) Product in respect of which the design is registered: **Label for an article of manufacture and packaging**
(51) International Design Classification: **19-08**
(74) Name(s) of Attorney(s): **Spruson & Ferguson**
(71) Name(s) and Address(s) of Applicant(s):
Kimberly-Clark Worldwide, Inc.
2300 Winchester Road Neenah Wisconsin 54956 United States of America
(72) Name(s) of Designer(s): **Barry Paul Markwick and Shannon Marie Johnson and Jason Simms Kirkland and Haneul Kim and Jonathan Bell and Sandra Hill**
(45) Registration Date: **30 November 2015**
(30) Convention priority data:
(31) Number (32) Date (33) Country
29/527316 18 May 2015 UNITED STATES OF AMERICA
(56) Related Art Documents: **Not Applicable**
(57) Statement of Newness and Distinctiveness: **Newness and distinctiveness is claimed in the features of pattern and/or ornamentation of a label for an article of manufacture and packaging as illustrated in the accompanying representations.**



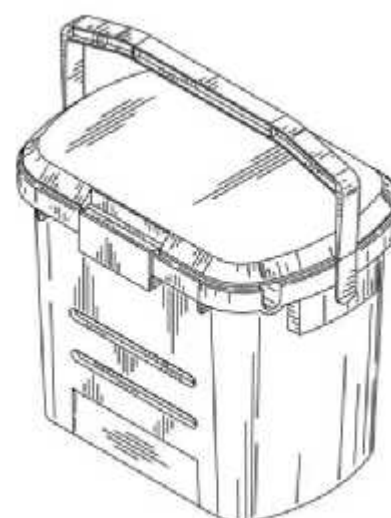
- (21) Design Number: **15933/2015**
(22) Date of Filing Application: **09 November 2015**
(24) Date from which industrial property rights may have effect: **09 November 2015**
(54) Product in respect of which the design is registered: **Demount tool**
(51) International Design Classification: **08-05E**
(74) Name(s) of Attorney(s): **Fisher Adams Kelly Callinans**
(71) Name(s) and Address(s) of Applicant(s):
Reliance Worldwide Corporation
2400 7th Avenue SW Cullman AL, 35055 United States of America
(72) Name(s) of Designer(s): **Jeremy A Gledhill and Peter D Graham**
(45) Registration Date: **30 November 2015**
(30) Convention priority data:
(31) Number (32) Date (33) Country
29/526805 13 May 2015 UNITED STATES OF AMERICA
(56) Related Art Documents: **Not Applicable**
(57) Statement of Newness and Distinctiveness: **Nil**



(21) Design Number: **15934/2015**
(22) Date of Filing Application: **09 November 2015**
(24) Date from which industrial property rights may have effect: **09 November 2015**
(54) Product in respect of which the design is registered: **Tank**
(51) International Design Classification: **23-01F**
(74) Name(s) of Attorney(s): **Davies Collison Cave**
(71) Name(s) and Address(s) of Applicant(s):
Rapid Spray Pty Ltd
35 Enterprise Cres Singleton NSW 2330 Australia
(72) Name(s) of Designer(s): **Steve Pang**
(45) Registration Date: **30 November 2015**
(56) Related Art Documents: **Not Applicable**
(57) Statement of Newness and Distinctiveness: **Nil**



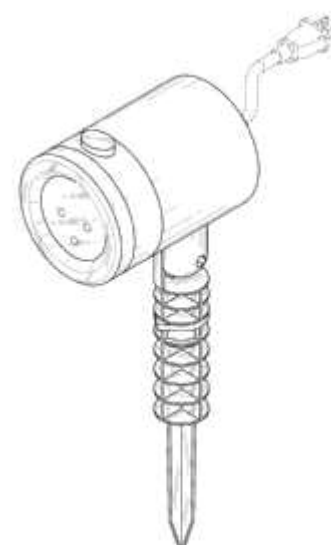
(21) Design Number: **15936/2015**
(22) Date of Filing Application: **09 November 2015**
(24) Date from which industrial property rights may have effect: **09 November 2015**
(54) Product in respect of which the design is registered: **Portable shower system**
(51) International Design Classification: **23-02B**
(74) Name(s) of Attorney(s):
(71) Name(s) and Address(s) of Applicant(s):
OutSol, LLC
825 College Boulevard, Ste 102 Oceanside California, 92057 United States of America
(72) Name(s) of Designer(s): **Christopher Jackson Crawford**
(45) Registration Date: **30 November 2015**
(30) Convention priority data:
(31) Number (32) Date (33) Country
29/526,785 13 May 2015 UNITED STATES OF AMERICA
(56) Related Art Documents: **Not Applicable**
(57) Statement of Newness and Distinctiveness: **Newness and distinctiveness resides in the features of shape and/or configuration of the article excluding the portions shown in broken line which are shown for illustrative purposes only and form no part of the design.**



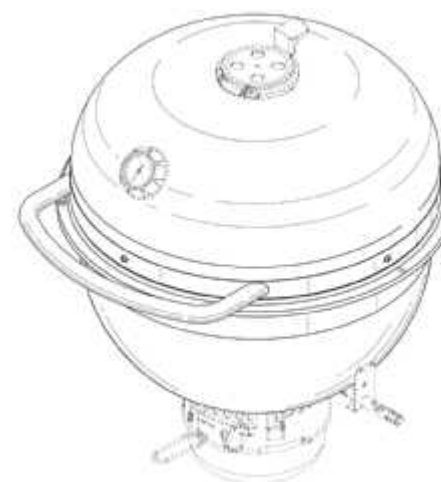
(21) Design Number: **15944/2015**
(22) Date of Filing Application: **09 November 2015**
(24) Date from which industrial property rights may have effect: **09 November 2015**
(54) Product in respect of which the design is registered: **Slim single power point**
(51) International Design Classification: **13-03D**
(74) Name(s) of Attorney(s):
(71) Name(s) and Address(s) of Applicant(s):
AUSWITCH PTY. LTD.
5 Waratah Ave Casula NSW 2170 Australia
(72) Name(s) of Designer(s): **Bilal Elakde**
(45) Registration Date: **30 November 2015**
(56) Related Art Documents: **Not Applicable**
(57) Statement of Newness and Distinctiveness: **Nil**



(21) Design Number: **15945/2015**
(22) Date of Filing Application: **09 November 2015**
(24) Date from which industrial property rights may have effect: **09 November 2015**
(54) Product in respect of which the design is registered: **Light projector**
(51) International Design Classification: **16-02**
(74) Name(s) of Attorney(s): **Allens Patent & Trade Mark Attorneys**
(71) Name(s) and Address(s) of Applicant(s):
Telebrands Corp.
77 Two Bridges Rd Fairfield NJ, 07004-1029 United States of America
(72) Name(s) of Designer(s): **Ajit Khubani**
(45) Registration Date: **30 November 2015**
(30) Convention priority data:
(31) Number (32) Date (33) Country
29/526591 11 May 2015 UNITED STATES OF AMERICA
(56) Related Art Documents: **Not Applicable**
(57) Statement of Newness and Distinctiveness: **Newness and distinctiveness is claimed in the shape and configuration of the light projector shown in the attached representations; no regard is to be had to the shading and hatching when considering the scope of the monopoly, being as it is present only for clarity of representation of the design; neither is any regard to be had, when considering the scope of monopoly, to the shape or configuration or pattern or ornamentation of the items in broken lines, being as they are present only for context of the design.**



(21) Design Number: **15946/2015**
(22) Date of Filing Application: **09 November 2015**
(24) Date from which industrial property rights may have effect: **09 November 2015**
(54) Product in respect of which the design is registered: **Grill body**
(51) International Design Classification: **07-02H**
(74) Name(s) of Attorney(s): **Spruson & Ferguson**
(71) Name(s) and Address(s) of Applicant(s):
Weber-Stephen Products, LLC
200 E. Daniels Road, Palatine Illinois, 60067 United States of America
(72) Name(s) of Designer(s): **Carmen O. Lira-Nunez and R. Sonny Siazon and Hollice Childress and James M. Sunich**
(45) Registration Date: **30 November 2015**
(30) Convention priority data:
(31) Number (32) Date (33) Country
29/530650 18 Jun 2015 UNITED STATES OF AMERICA
(56) Related Art Documents: **Not Applicable**
(57) Statement of Newness and Distinctiveness: **Newness and distinctiveness is claimed in the features of shape and/or configuration of a grill body as illustrated in continuous lines in the accompanying representations.**



(21) Design Number: **15947/2015**
(22) Date of Filing Application: **09 November 2015**
(24) Date from which industrial property rights may have effect: **09 November 2015**
(54) Product in respect of which the design is registered: **Grill body**
(51) International Design Classification: **07-02H**
(74) Name(s) of Attorney(s): **Spruson & Ferguson**
(71) Name(s) and Address(s) of Applicant(s):
Weber-Stephen Products, LLC
200 E. Daniels Road, Palatine Illinois, 60067 United States of America
(72) Name(s) of Designer(s): **Carmen O. Lira-Nunez and R. Sonny Siazon and Hollice Childress and James M. Sunich**
(45) Registration Date: **30 November 2015**
(30) Convention priority data:
(31) Number (32) Date (33) Country
29/530650 18 Jun 2015 UNITED STATES OF AMERICA
(56) Related Art Documents: **Not Applicable**
(57) Statement of Newness and Distinctiveness: **Newness and distinctiveness is claimed in the features of shape and/or configuration of a grill body as illustrated in continuous lines in the accompanying representations.**

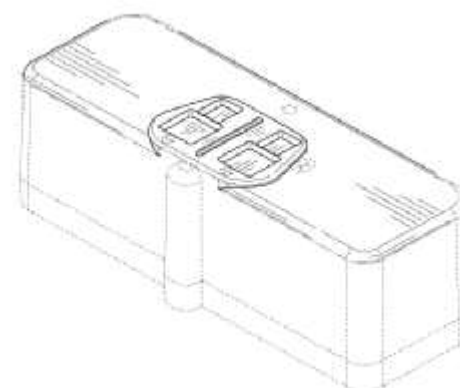


(21) Design Number: **14513/2015**
(22) Date of Filing Application: **27 August 2015**
(24) Date from which industrial property rights may have effect: **27 August 2015**
(54) Product in respect of which the design is registered: **Tire**
(51) International Design Classification: **12-15D**
(74) Name(s) of Attorney(s): **PHILLIPS ORMONDE FITZPATRICK**
(71) Name(s) and Address(s) of Applicant(s):
Cooper Tire & Rubber Company
701 Lima Avenue Findlay Ohio, 45840 United States of America
(72) Name(s) of Designer(s): **Ashley Vowles**
(45) Registration Date: **01 December 2015**
(30) Convention priority data:
(31) Number (32) Date (33) Country
29/518,872 27 Feb 2015 UNITED STATES OF AMERICA



(56) Related Art Documents: **Not Applicable**
(57) Statement of Newness and Distinctiveness: **Those features of the tire depicted in the representations that are new and distinctive are the shape and/or configuration of the tread of the tire. The tire tread shown in Fig. 2 and Fig. 3 is repeated over the remaining circumference of the tire. The side views (inside and outside) would be the same. The word "AVON" shown on the sidewalls of the tire in Fig. 1 and Fig. 4 are included for the purpose of illustrating environment and are to be disregarded when considering the overall impression of the design.**

(21) Design Number: **14981/2015**
(22) Date of Filing Application: **23 September 2015**
(24) Date from which industrial property rights may have effect: **23 September 2015**
(54) Product in respect of which the design is registered: **Battery**
(51) International Design Classification: **13-02**
(74) Name(s) of Attorney(s): **Davies Collison Cave**
(71) Name(s) and Address(s) of Applicant(s):
iRobot Corporation
8 Crosby Drive Bedford Massachusetts, 01730 United States of America
(72) Name(s) of Designer(s): **David Orrin Swett and Rogelio Manfred Neumann and Adam Daniel Leech**
(45) Registration Date: **01 December 2015**
(30) Convention priority data:
(31) Number (32) Date (33) Country
29/258770 01 Jun 2015 UNITED STATES OF AMERICA



(56) Related Art Documents: **Not Applicable**
(57) Statement of Newness and Distinctiveness: **Newness and distinctiveness is claimed in the visual features shown in solid lines in the representations. In considering the extent of the design rights, the broken lines shown in the representations are for illustrative purposes only and do not form part of the design.**

(21) Design Number: **14992/2015**

(22) Date of Filing Application: **23 September 2015**

(24) Date from which industrial property rights may have effect: **23 September 2015**

(54) Product in respect of which the design is registered: **Battery**

(51) International Design Classification: **13-02**

(74) Name(s) of Attorney(s): **Davies Collison Cave**

(71) Name(s) and Address(s) of Applicant(s):

iRobot Corporation

8 Crosby Drive Bedford Massachusetts, 01730 United States of America

(72) Name(s) of Designer(s): **David Orrin Swett and Rogelio Manfred Neumann and Adam Daniel Leech**

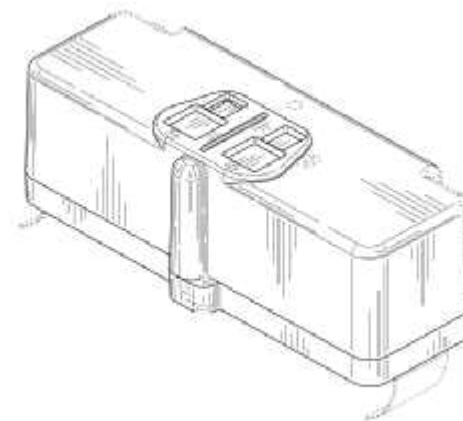
(45) Registration Date: **01 December 2015**

(30) Convention priority data:

(31) Number	(32) Date	(33) Country
29/528771	01 Jun 2015	UNITED STATES OF AMERICA

(56) Related Art Documents: **Not Applicable**

(57) Statement of Newness and Distinctiveness: **Newness and distinctiveness is claimed in the visual features shown in solid lines in the representations. In considering the extent of the design rights, the broken lines shown in the representations are for illustrative purposes only and do not form part of the design.**



(21) Design Number: **15396/2015**

(22) Date of Filing Application: **13 October 2015**

(24) Date from which industrial property rights may have effect: **13 October 2015**

(54) Product in respect of which the design is registered: **Lapel Pin**

(51) International Design Classification: **11-03**

(74) Name(s) of Attorney(s):

(71) Name(s) and Address(s) of Applicant(s):

SBA Precious Metals Pty Ltd

37 Holloway Dr Bayswater VIC 3153 Australia

(72) Name(s) of Designer(s): **Wendy Harrison**

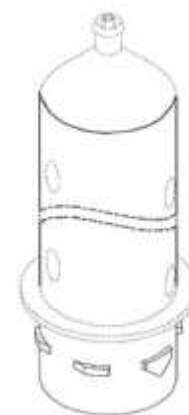
(45) Registration Date: **01 December 2015**

(56) Related Art Documents: **Not Applicable**

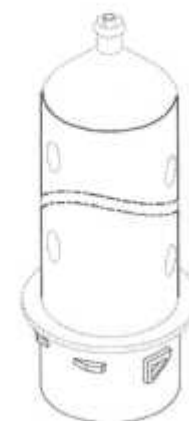
(57) Statement of Newness and Distinctiveness: **The newness and distinctiveness of this product comes in the purple poppy that sits above the black ribbon design. The wording "Remembering all animals in war" is also distinctive to the design and signifies the meaning behind the pin. The 2D design also makes it unique by being a two part lapel pin joined together.**



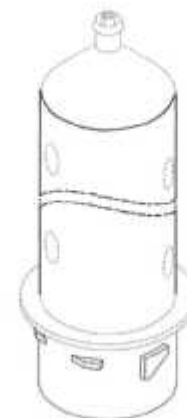
- (21) Design Number: **15749/2015**
(22) Date of Filing Application: **28 October 2015**
(24) Date from which industrial property rights may have effect: **28 October 2015**
(54) Product in respect of which the design is registered: **Dispensing device with engagement means**
(51) International Design Classification: **24-02**
(74) Name(s) of Attorney(s): **MINTER ELLISON**
(71) Name(s) and Address(s) of Applicant(s):
Bayer HealthCare LLC
100 Bayer Blvd. Whippany NJ, 07981 United States of America
(72) Name(s) of Designer(s): **Kevin P Cowan and Barry L Tucker and Arthur E Uber III and Edward J Rhinehart and Michael A Spohn**
(45) Registration Date: **01 December 2015**
(56) Related Art Documents: **Not Applicable**
(57) Statement of Newness and Distinctiveness: **Newness and distinctiveness resides in the shape and configuration of the engagement means on a dispensing device of indefinite length as shown in solid lines in the accompanying drawings. In considering the newness and distinctiveness of the design, no regard is to be had to the visual features depicted by the broken lines.**



- (21) Design Number: **15754/2015**
(22) Date of Filing Application: **28 October 2015**
(24) Date from which industrial property rights may have effect: **28 October 2015**
(54) Product in respect of which the design is registered: **Dispensing device with engagement means**
(51) International Design Classification: **24-02**
(74) Name(s) of Attorney(s): **MINTER ELLISON**
(71) Name(s) and Address(s) of Applicant(s):
Bayer HealthCare LLC
100 Bayer Boulevard Whippany New Jersey, 07981 United States
(72) Name(s) of Designer(s): **Kevin P Cowan and Barry L Tucker and Arthur E Uber III and Edward J Rhinehart and Michael A Spohn**
(45) Registration Date: **01 December 2015**
(56) Related Art Documents: **Not Applicable**
(57) Statement of Newness and Distinctiveness: **Newness and distinctiveness resides in the shape and configuration of the engagement means on a dispensing device of indefinite length as shown in solid lines in the accompanying drawings. In considering the newness and distinctiveness of the design, no regard is to be had to the visual features depicted by the broken lines.**



- (21) Design Number: **15755/2015**
(22) Date of Filing Application: **28 October 2015**
(24) Date from which industrial property rights may have effect: **28 October 2015**
(54) Product in respect of which the design is registered: **Dispensing device with engagement means**
(51) International Design Classification: **24-02**
(74) Name(s) of Attorney(s): **MINTER ELLISON**
(71) Name(s) and Address(s) of Applicant(s):
Bayer HealthCare LLC
100 Bayer Boulevard Whippany New Jersey, 07981 United States of America
(72) Name(s) of Designer(s): **Kevin P Cowan and Barry L Tucker and Arthur E Uber III and Edward J Rhinehart and Michael A Spohn**
(45) Registration Date: **01 December 2015**
(56) Related Art Documents: **Not Applicable**
(57) Statement of Newness and Distinctiveness: **Newness and distinctiveness resides in the shape and configuration of the engagement means on a dispensing device of indefinite length as shown in solid lines in the accompanying drawings. In considering the newness and distinctiveness of the design, no regard is to be had to the visual features depicted by the broken lines.**



- (21) Design Number: **15875/2015**
(22) Date of Filing Application: **04 November 2015**
(24) Date from which industrial property rights may have effect: **04 November 2015**
(54) Product in respect of which the design is registered: **Pouch**
(51) International Design Classification: **09-05**
(74) Name(s) of Attorney(s): **Pizzey's Patent and Trade Mark Attorneys Pty Ltd**
(71) Name(s) and Address(s) of Applicant(s):
McCormick & Company, Incorporated
18 Loveton Circle Sparks MD, 21152-6000 United States of America
(72) Name(s) of Designer(s): **Tracie Wilson**
(45) Registration Date: **01 December 2015**
(56) Related Art Documents: **Not Applicable**
(57) Statement of Newness and Distinctiveness: **Nil**



- (21) Design Number: **15931/2015**
(22) Date of Filing Application: **06 November 2015**
(24) Date from which industrial property rights may have effect: **06 November 2015**
(54) Product in respect of which the design is registered: **Solar garden light**
(51) International Design Classification: **26-03**
(74) Name(s) of Attorney(s):
(71) Name(s) and Address(s) of Applicant(s):
CS Global Co. Ltd
151 Hou Gang Street Shilin District Taipie Taiwan
(72) Name(s) of Designer(s): **Jonathan Hwang**
(45) Registration Date: **01 December 2015**
(56) Related Art Documents: **Not Applicable**
(57) Statement of Newness and Distinctiveness: **Newness and distinctiveness resides in the features of shape and configuration of a solar light as shown in the accompanying representations.**



- (21) Design Number: **15932/2015**
(22) Date of Filing Application: **06 November 2015**
(24) Date from which industrial property rights may have effect: **06 November 2015**
(54) Product in respect of which the design is registered: **Solar garden light**
(51) International Design Classification: **26-03**
(74) Name(s) of Attorney(s):
(71) Name(s) and Address(s) of Applicant(s):
CS Global Co. Ltd
151 Hou Gang Street Shilin District Taipie Taiwan
(72) Name(s) of Designer(s): **Jonathan Hwang**
(45) Registration Date: **01 December 2015**
(56) Related Art Documents: **Not Applicable**
(57) Statement of Newness and Distinctiveness: **Newness and distinctiveness resides in the features of shape and configuration of a solar light as shown in the accompanying representations.**



(21) Design Number: **15965/2015**

(22) Date of Filing Application: **10 November 2015**

(24) Date from which industrial property rights may have effect: **10 November 2015**

(54) Product in respect of which the design is registered: **Tissue dispenser**

(51) International Design Classification: **23-02A**

(74) Name(s) of Attorney(s): **WATERMARK PATENT AND TRADE MARKS ATTORNEYS**

(71) Name(s) and Address(s) of Applicant(s):

**SCA Hygiene Products AB
S-405 03 Goteborg Sweden**

(72) Name(s) of Designer(s): **Thomas Meyerhoffer**

(45) Registration Date: **01 December 2015**

(30) Convention priority data:

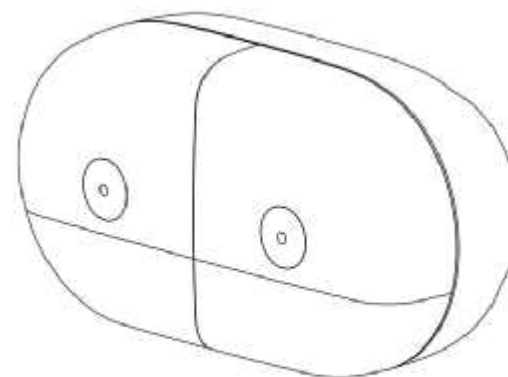
(31) Number
2697821

(32) Date
11 May 2015

(33) Country
**OFFICE FOR HARMONISATION IN
THE INTERNAL MARKET (OHIM)**

(56) Related Art Documents: **Not Applicable**

(57) Statement of Newness and Distinctiveness: **Newness and distinctiveness resides in the visual features of shape and configuration as illustrated in the accompanying representations.**



(21) Design Number: **14862/2015**

(22) Date of Filing Application: **14 September 2015**

(24) Date from which industrial property rights may have effect: **14 September 2015**

(54) Product in respect of which the design is registered: **Sports apparatus**

(51) International Design Classification: **21-02F**

(74) Name(s) of Attorney(s): **AJ Park**

(71) Name(s) and Address(s) of Applicant(s):

**SBI MEDIA HOLDING SA
Rue de l'Avenir 3, Case Postale 238 Delemont, Jura 2800 Switzerland**

(72) Name(s) of Designer(s): **James Dimitrios Kalogiros and Peter Berlowitz and Fadi Yassmin**

(45) Registration Date: **01 December 2015**

(30) Convention priority data:

(31) Number
002652081

(32) Date
12 Mar 2015

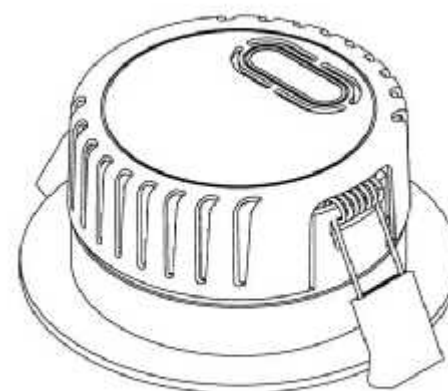
(33) Country
**OFFICE FOR HARMONISATION IN
THE INTERNAL MARKET (OHIM)**

(56) Related Art Documents: **Not Applicable**

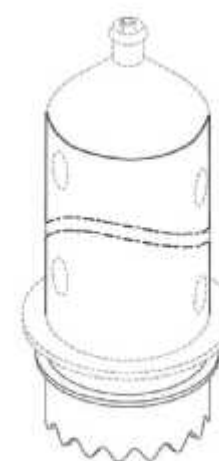
(57) Statement of Newness and Distinctiveness: **Newness and distinctiveness reside in the features of shape and/or configuration of the sports apparatus as shown in the representations.**



- (21) Design Number: **15149/2015**
(22) Date of Filing Application: **02 October 2015**
(24) Date from which industrial property rights may have effect: **02 October 2015**
(54) Product in respect of which the design is registered: **A light fitting**
(51) International Design Classification: **26-05A**
(74) Name(s) of Attorney(s): **James & Wells**
(71) Name(s) and Address(s) of Applicant(s):
Intellectual Property Energy Mad Limited
PO Box 29001 Fendalton Christchurch 8540 New Zealand
(72) Name(s) of Designer(s): **Alireza Milani**
(45) Registration Date: **01 December 2015**
(30) Convention priority data:
(31) Number (32) Date (33) Country
420746 25 Sep 2015 NEW ZEALAND
(56) Related Art Documents: **Not Applicable**
(57) Statement of Newness and Distinctiveness: **This design is to be applied to a Light Fitting and the novelty resides in features of shape and configuration of the article, all as shown in the accompanying representations.**



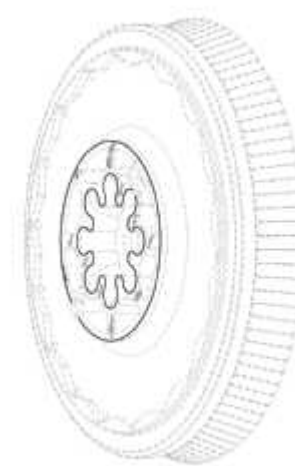
- (21) Design Number: **15747/2015**
(22) Date of Filing Application: **28 October 2015**
(24) Date from which industrial property rights may have effect: **28 October 2015**
(54) Product in respect of which the design is registered: **Dispensing device with engagement means**
(51) International Design Classification: **24-02**
(74) Name(s) of Attorney(s): **MINTER ELLISON**
(71) Name(s) and Address(s) of Applicant(s):
Bayer HealthCare LLC
100 Bayer Blvd. Whippany NJ, 07981 United States of America
(72) Name(s) of Designer(s): **Kevin P Cowan and Barry L Tucker and Arthur E Uber III and Edward J Rhinehart and Michael A Spohn and James R Neill and Glen P Williams**
(45) Registration Date: **01 December 2015**
(56) Related Art Documents: **Not Applicable**
(57) Statement of Newness and Distinctiveness: **Newness and distinctiveness resides in the shape and configuration of the engagement means on a dispensing device of indefinite length as shown in solid lines in the accompanying drawings. In considering the newness and distinctiveness of the design, no regard is to be had to the visual features depicted by the broken lines.**



(21) Design Number: **15930/2015**
(22) Date of Filing Application: **09 November 2015**
(24) Date from which industrial property rights may have effect: **09 November 2015**
(54) Product in respect of which the design is registered: **A bottle**
(51) International Design Classification: **09-01NES**
(74) Name(s) of Attorney(s): **PIPERS Melbourne**
(71) Name(s) and Address(s) of Applicant(s):
Sarine Sahatajian
4439 Ish Drive Simi Valley CA, 93063 United States of America
(72) Name(s) of Designer(s): **Sarine Sahatajian**
(45) Registration Date: **01 December 2015**
(30) Convention priority data:
(31) Number (32) Date (33) Country
29/529,909 11 Jun 2015 UNITED STATES OF AMERICA
(56) Related Art Documents: **Not Applicable**
(57) Statement of Newness and Distinctiveness: **The design is to be applied to a BOTTLE and the novelty resides in the features of shape and configuration of the BOTTLE as shown in the accompanying representations.**



(21) Design Number: **15953/2015**
(22) Date of Filing Application: **09 November 2015**
(24) Date from which industrial property rights may have effect: **09 November 2015**
(54) Product in respect of which the design is registered: **Floor cleaning implement with a mating interface**
(51) International Design Classification: **15-05**
(74) Name(s) of Attorney(s): **Pizeys Patent and Trade Mark Attorneys Pty Ltd**
(71) Name(s) and Address(s) of Applicant(s):
RPS Corporation, Inc.
1711 South Street Racine WI 53404 United States of America
(72) Name(s) of Designer(s): **Sean K. Goff**
(45) Registration Date: **01 December 2015**
(30) Convention priority data:
(31) Number (32) Date (33) Country
29/527,002 14 May 2015 UNITED STATES OF AMERICA
(56) Related Art Documents: **Not Applicable**
(57) Statement of Newness and Distinctiveness: **Nil**



(21) Design Number: **15959/2015**
(22) Date of Filing Application: **09 November 2015**
(24) Date from which industrial property rights may have effect: **09 November 2015**
(54) Product in respect of which the design is registered: **Vacuum cleaner body**
(51) International Design Classification: **15-05**
(74) Name(s) of Attorney(s): **Pizzeys Patent and Trade Mark Attorneys Pty Ltd**
(71) Name(s) and Address(s) of Applicant(s):
SharkNinja Operating LLC
180 Wells Avenue Suite 200 Newton Massachusetts 02459 United States of America
(72) Name(s) of Designer(s): **Owen R. Johnson**
(45) Registration Date: **01 December 2015**
(30) Convention priority data:
(31) Number (32) Date (33) Country
29/526,986 14 May 2015 UNITED STATES OF AMERICA
(56) Related Art Documents: **Not Applicable**
(57) Statement of Newness and Distinctiveness: **Nil**



(21) Design Number: **15964/2015**
(22) Date of Filing Application: **09 November 2015**
(24) Date from which industrial property rights may have effect: **09 November 2015**
(54) Product in respect of which the design is registered: **Vacuum cleaner**
(51) International Design Classification: **15-05**
(74) Name(s) of Attorney(s): **Pizzeys Patent and Trade Mark Attorneys Pty Ltd**
(71) Name(s) and Address(s) of Applicant(s):
SharkNinja Operating LLC
180 Wells Avenue Suite 200 Newton Massachusetts 02459 United States of America
(72) Name(s) of Designer(s): **Gary Palladino and Owen R. Johnson**
(45) Registration Date: **01 December 2015**
(30) Convention priority data:
(31) Number (32) Date (33) Country
29/527,078 15 May 2015 UNITED STATES OF AMERICA
(56) Related Art Documents: **Not Applicable**
(57) Statement of Newness and Distinctiveness: **Nil**



(21) Design Number: **14972/2015**
(22) Date of Filing Application: **23 September 2015**
(24) Date from which industrial property rights may have effect: **23 September 2015**
(54) Product in respect of which the design is registered: **Vehicle**
(51) International Design Classification: **12-08**
(74) Name(s) of Attorney(s): **Davies Collison Cave**
(71) Name(s) and Address(s) of Applicant(s):
Great Wall Motor Company Limited
2266 Chaoyang South Street Baoding City Hebei Province China
(72) Name(s) of Designer(s): **Yong Huang and Qingsong Shi and Hui Zhang**
and Wenbin Su and Kang Wang
(45) Registration Date: **01 December 2015**
(30) Convention priority data:
(31) Number (32) Date (33) Country
201530102110.4 17 Apr 2015 CHINA
(56) Related Art Documents: **Not Applicable**
(57) Statement of Newness and Distinctiveness: **Nil**



(21) Design Number: **15731/2015**
(22) Date of Filing Application: **28 October 2015**
(24) Date from which industrial property rights may have effect: **28 October 2015**
(54) Product in respect of which the design is registered: **Signage disc**
(51) International Design Classification: **20-03NES**
(74) Name(s) of Attorney(s): **Cullens Pty Ltd**
(71) Name(s) and Address(s) of Applicant(s):
Sanofi
C/- L32 239 George St Brisbane QLD 4000 Australia
(72) Name(s) of Designer(s): **Andrew Burg**
(45) Registration Date: **01 December 2015**
(56) Related Art Documents: **Not Applicable**
(57) Statement of Newness and Distinctiveness: **Nil**



- (21) Design Number: **15994/2015**
(22) Date of Filing Application: **10 November 2015**
(24) Date from which industrial property rights may have effect: **10 November 2015**
(54) Product in respect of which the design is registered: **Single rear view mirror**
(51) International Design Classification: **12-16H**
(74) Name(s) of Attorney(s): **Molins & Co Pty Ltd**
(71) Name(s) and Address(s) of Applicant(s):
Michael Ferman
99-105 Boundary Rd Peakhurst NSW 2210 Australia
(72) Name(s) of Designer(s): **Michael Ferman**
(45) Registration Date: **01 December 2015**
(56) Related Art Documents: **Not Applicable**
(57) Statement of Newness and Distinctiveness: **Newness is claimed in the features of shape and configuration of the single rear view mirror as shown in the accompanying representations.**



- (21) Design Number: **15995/2015**
(22) Date of Filing Application: **10 November 2015**
(24) Date from which industrial property rights may have effect: **10 November 2015**
(54) Product in respect of which the design is registered: **Double rear view mirror**
(51) International Design Classification: **12-16H**
(74) Name(s) of Attorney(s): **Molins & Co Pty Ltd**
(71) Name(s) and Address(s) of Applicant(s):
Michael Ferman
99-105 Boundary Rd Peakhurst NSW 2210 Australia
(72) Name(s) of Designer(s): **Michael Ferman**
(45) Registration Date: **01 December 2015**
(56) Related Art Documents: **Not Applicable**
(57) Statement of Newness and Distinctiveness: **Newness is claimed in the features of shape and configuration of the double rear view mirror as shown in the accompanying representations.**



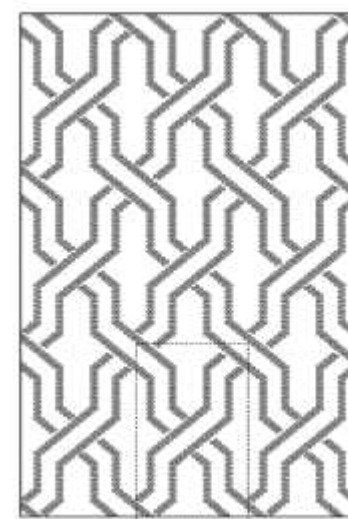
- (21) Design Number: **15996/2015**
(22) Date of Filing Application: **10 November 2015**
(24) Date from which industrial property rights may have effect: **10 November 2015**
(54) Product in respect of which the design is registered: **Folding table**
(51) International Design Classification: **06-03NES**
(74) Name(s) of Attorney(s): **Davies Collison Cave**
(71) Name(s) and Address(s) of Applicant(s):
Alloy & Stainless Products Pty. Ltd.
U2 111 Southpine RD Brendale QLD 4500 Australia
(72) Name(s) of Designer(s): **Graham Hebbard**
(45) Registration Date: **01 December 2015**
(56) Related Art Documents: **Not Applicable**
(57) Statement of Newness and Distinctiveness: **Newness and distinctiveness is claimed in the features of shape and configuration of the folding table as shown in the representations.**



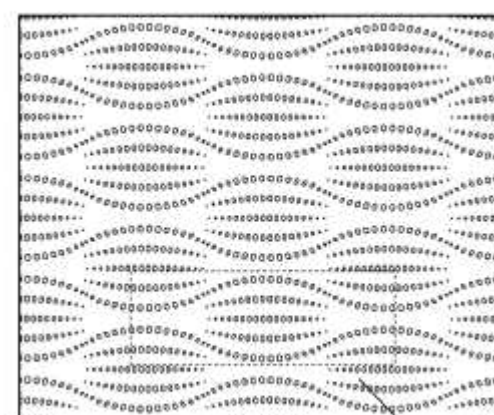
- (21) Design Number: **15997/2015**
(22) Date of Filing Application: **10 November 2015**
(24) Date from which industrial property rights may have effect: **10 November 2015**
(54) Product in respect of which the design is registered: **Hair clipper housing**
(51) International Design Classification: **28-03D**
(74) Name(s) of Attorney(s): **Cullens Pty Ltd**
(71) Name(s) and Address(s) of Applicant(s):
Wahl Clipper Corporation
2900 North Locust Street Sterling Illinois 61081 United States of America
(72) Name(s) of Designer(s): **Shay Moeller and James H. Chambers and Raegan Budden**
(45) Registration Date: **01 December 2015**
(30) Convention priority data:
(31) Number (32) Date (33) Country
29/527594 20 May 2015 UNITED STATES OF AMERICA
(56) Related Art Documents: **Not Applicable**
(57) Statement of Newness and Distinctiveness: **The new and distinct features are the features of shape and configuration of the hair clipper housing as shown in the representations. The features represented in broken lines should be disregarded in determining the new and distinct features of the design.**



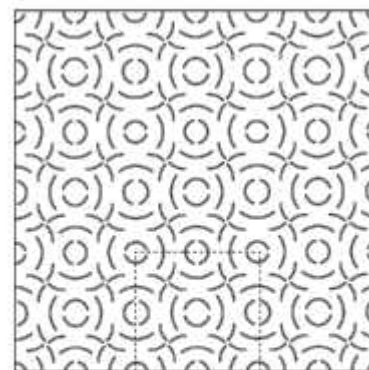
- (21) Design Number: **15998/2015**
(22) Date of Filing Application: **10 November 2015**
(24) Date from which industrial property rights may have effect: **10 November 2015**
(54) Product in respect of which the design is registered: **A paper product**
(51) International Design Classification: **19-01**
(74) Name(s) of Attorney(s): **Spruson & Ferguson**
(71) Name(s) and Address(s) of Applicant(s):
Kimberly-Clark Worldwide, Inc.
2300 Winchester Road, Neenah_Wisconsin, 54956 United States of America
(72) Name(s) of Designer(s): **Nuno Azeredo and Karen Hunter and Juan P. Aragon and Marvin E. Swails and Holly K. Kowalski and Sarah McMahon**
(45) Registration Date: **01 December 2015**
(30) Convention priority data:
(31) Number (32) Date (33) Country
29/527103 15 May 2015 UNITED STATES OF AMERICA
(56) Related Art Documents: **Not Applicable**
(57) Statement of Newness and Distinctiveness: **Newness and distinctiveness is claimed in the features of pattern and/or ornamentation of a paper product as illustrated in the accompanying representations wherein the product has a pattern that repeats itself, one unit of the pattern shown bounded by broken lines in the enlarged view.**



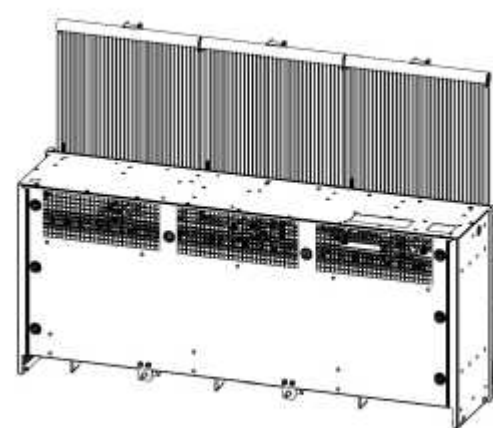
- (21) Design Number: **15999/2015**
(22) Date of Filing Application: **10 November 2015**
(24) Date from which industrial property rights may have effect: **10 November 2015**
(54) Product in respect of which the design is registered: **A paper product**
(51) International Design Classification: **19-01**
(74) Name(s) of Attorney(s): **Spruson & Ferguson**
(71) Name(s) and Address(s) of Applicant(s):
Kimberly-Clark Worldwide, Inc.
2300 Winchester Road, Neenah_Wisconsin, 54956 United States of America
(72) Name(s) of Designer(s): **Nuno Azeredo and Karen Hunter and Juan P. Aragon and Marvin E. Swails and Holly K. Kowalski and Sarah McMahon**
(45) Registration Date: **01 December 2015**
(30) Convention priority data:
(31) Number (32) Date (33) Country
29/527128 15 May 2015 UNITED STATES OF AMERICA
(56) Related Art Documents: **Not Applicable**
(57) Statement of Newness and Distinctiveness: **Newness and distinctiveness is claimed in the features of pattern and/or ornamentation of a paper product as illustrated in the accompanying representations wherein the product has a pattern that repeats itself, one unit of the pattern shown bounded by broken lines in the enlarged view.**



- (21) Design Number: **16000/2015**
(22) Date of Filing Application: **10 November 2015**
(24) Date from which industrial property rights may have effect: **10 November 2015**
(54) Product in respect of which the design is registered: **A paper product**
(51) International Design Classification: **19-01**
(74) Name(s) of Attorney(s): **Spruson & Ferguson**
(71) Name(s) and Address(s) of Applicant(s):
Kimberly-Clark Worldwide, Inc.
2300 Winchester Road, Neenah_Wisconsin, 54956 United States of America
(72) Name(s) of Designer(s): **Nuno Azeredo and Karen Hunter and Juan P. Aragon and Marvin E. Swails and Holly K. Kowalski and Sarah McMahon**
(45) Registration Date: **01 December 2015**
(30) Convention priority data:
(31) Number (32) Date (33) Country
29/527116 15 May 2015 UNITED STATES OF AMERICA
(56) Related Art Documents: **Not Applicable**
(57) Statement of Newness and Distinctiveness: **Newness and distinctiveness is claimed in the features of pattern and/or ornamentation of a paper product as illustrated in the accompanying representations wherein the product has a pattern that repeats itself, one unit of the pattern shown bounded by broken lines in the enlarged view.**



- (21) Design Number: **16002/2015**
(22) Date of Filing Application: **10 November 2015**
(24) Date from which industrial property rights may have effect: **10 November 2015**
(54) Product in respect of which the design is registered: **Inverter**
(51) International Design Classification: **13-02**
(74) Name(s) of Attorney(s): **Griffith Hack**
(71) Name(s) and Address(s) of Applicant(s):
ABB Oy
Strombergintie 1 Helsinki 00380 Finland
(72) Name(s) of Designer(s): **Roman Jauhonen and Raimo Heine and Tero Viitanen**
(45) Registration Date: **01 December 2015**
(30) Convention priority data:
(31) Number (32) Date (33) Country
002699900 13 May 2015 OFFICE FOR HARMONISATION IN THE INTERNAL MARKET (OHIM)
(56) Related Art Documents: **Not Applicable**
(57) Statement of Newness and Distinctiveness: **Newness and distinctiveness resides in the visual features including the shape and configuration of the product as shown in the representations.**



(21) Design Number: **16009/2015**
(22) Date of Filing Application: **11 November 2015**
(24) Date from which industrial property rights may have effect: **31 August 2015**
(54) Product in respect of which the design is registered: **Hand-held medical scanner**
(51) International Design Classification: **24-02**
(74) Name(s) of Attorney(s): **Shelston IP Pty Ltd.**
(71) Name(s) and Address(s) of Applicant(s):
RF Surgical Systems, Inc.
5927 Landau Ct. Carlsbad California, 92008 United States of America
(72) Name(s) of Designer(s): **John T. Buhler and William A. Blair and David A. Poirier and Curtis Crump**
(45) Registration Date: **01 December 2015**
(30) Convention priority data:
(31) Number (32) Date (33) Country
29/519087 02 Mar 2015 UNITED STATES OF AMERICA
(62) Divisional of: **365421**
(56) Related Art Documents: **Not Applicable**
(57) Statement of Newness and Distinctiveness: **Newness and distinctiveness resides in the features of shape and/or configuration of a hand-held medical scanner as illustrated in the accompanying representations. Stippling and contour lines shown in the representations are intended to represent approximate three-dimensional contours, and is not intended to indicate surface decoration.**



(21) Design Number: **16012/2015**
(22) Date of Filing Application: **11 November 2015**
(24) Date from which industrial property rights may have effect: **11 November 2015**
(54) Product in respect of which the design is registered: **Housing for a banner**
(51) International Design Classification: **20-03NES**
(74) Name(s) of Attorney(s): **Freehills Patent Attorneys**
(71) Name(s) and Address(s) of Applicant(s):
Craig A. Jones
18 Cross Blanche Street Dowlais Merthyr Tydfil CF48 3PD United Kingdom
(72) Name(s) of Designer(s): **Craig A. Jones**
(45) Registration Date: **01 December 2015**
(30) Convention priority data:
(31) Number (32) Date (33) Country
002698837 12 May 2015 OFFICE FOR HARMONISATION IN THE INTERNAL MARKET (OHIM)
(56) Related Art Documents: **Not Applicable**
(57) Statement of Newness and Distinctiveness: **Newness and distinctiveness of the design resides in the features of shape and configuration of the housing for a banner as shown in the accompanying representations.**



(21) Design Number: **16013/2015**
(22) Date of Filing Application: **11 November 2015**
(24) Date from which industrial property rights may have effect: **11 November 2015**
(54) Product in respect of which the design is registered: **Retractable banner and housing**
(51) International Design Classification: **20-03NES**
(74) Name(s) of Attorney(s): **Freehills Patent Attorneys**
(71) Name(s) and Address(s) of Applicant(s):

Craig A. Jones
18 Cross Blanche Street Dowlais Merthyr Tydfil CF48 3PD United Kingdom

(72) Name(s) of Designer(s): **Craig A. Jones**

(45) Registration Date: **01 December 2015**

(30) Convention priority data:

(31) Number	(32) Date	(33) Country
002698837	12 May 2015	OFFICE FOR HARMONISATION IN THE INTERNAL MARKET (OHIM)

(56) Related Art Documents: **Not Applicable**

(57) Statement of Newness and Distinctiveness: **Newness and distinctiveness of the design resides in the features of shape and configuration of the retractable banner and housing as shown in the accompanying representations.**



(21) Design Number: **16014/2015**
(22) Date of Filing Application: **11 November 2015**
(24) Date from which industrial property rights may have effect: **11 November 2015**
(54) Product in respect of which the design is registered: **Glass spigot**
(51) International Design Classification: **08-08NES, 08-06**
(74) Name(s) of Attorney(s): **FB Rice**
(71) Name(s) and Address(s) of Applicant(s):

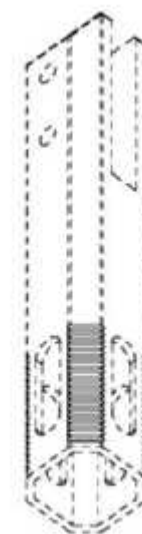
Ming Xue
1 Harboard St Clyde NSW 2142 Australia

(72) Name(s) of Designer(s): **Ming Xue**

(45) Registration Date: **01 December 2015**

(56) Related Art Documents: **Not Applicable**

(57) Statement of Newness and Distinctiveness: **Newness and distinctiveness reside in the features of the design as shown in solid lines in the representations.**



(21) Design Number: **16015/2015**

(22) Date of Filing Application: **11 November 2015**

(24) Date from which industrial property rights may have effect: **11 November 2015**

(54) Product in respect of which the design is registered: **Coffee carafe**

(51) International Design Classification: **07-02L**

(74) Name(s) of Attorney(s): **PHILLIPS ORMONDE FITZPATRICK**

(71) Name(s) and Address(s) of Applicant(s):

SharkNinja Operating LLC

180 Wells Avenue Suite 200 Newton Massachusetts, 02459 United States of America

(72) Name(s) of Designer(s): **Daniel Kestenbaum**

(45) Registration Date: **01 December 2015**

(30) Convention priority data:

(31) Number	(32) Date	(33) Country
29/530,401	16 Jun 2015	UNITED STATES OF AMERICA

(56) Related Art Documents: **Not Applicable**

(57) Statement of Newness and Distinctiveness: **Those features of the coffee carafe depicted in the representations that are new and distinctive are the shape and/or configuration. The features shown in broken lines are not part of the design and are to be disregarded when considering the overall impression of the design.**



(21) Design Number: **16016/2015**

(22) Date of Filing Application: **11 November 2015**

(24) Date from which industrial property rights may have effect: **11 November 2015**

(54) Product in respect of which the design is registered: **Coffee carafe**

(51) International Design Classification: **07-02L**

(74) Name(s) of Attorney(s): **PHILLIPS ORMONDE FITZPATRICK**

(71) Name(s) and Address(s) of Applicant(s):

SharkNinja Operating LLC

180 Wells Avenue Suite 200 Newton Massachusetts, 02459 United States of America

(72) Name(s) of Designer(s): **Daniel Kestenbaum**

(45) Registration Date: **01 December 2015**

(30) Convention priority data:

(31) Number	(32) Date	(33) Country
29/530,401	16 Jun 2015	UNITED STATES OF AMERICA

(56) Related Art Documents: **Not Applicable**

(57) Statement of Newness and Distinctiveness: **Those features of the coffee carafe depicted in the representations that are new and distinctive are the shape and/or configuration. The features shown in broken lines are not part of the design and are to be disregarded when considering the overall impression of the design.**



(21) Design Number: **16017/2015**

(22) Date of Filing Application: **11 November 2015**

(24) Date from which industrial property rights may have effect: **11 November 2015**

(54) Product in respect of which the design is registered: **Coffee carafe**

(51) International Design Classification: **07-02L**

(74) Name(s) of Attorney(s): **PHILLIPS ORMONDE FITZPATRICK**

(71) Name(s) and Address(s) of Applicant(s):

SharkNinja Operating LLC

180 Wells Avenue Suite 200 Newton Massachusetts, 02459 United States of America

(72) Name(s) of Designer(s): **Daniel Kestenbaum**

(45) Registration Date: **01 December 2015**

(30) Convention priority data:

(31) Number	(32) Date	(33) Country
29/530,401	16 Jun 2015	UNITED STATES OF AMERICA

(56) Related Art Documents: **Not Applicable**

(57) Statement of Newness and Distinctiveness: **Those features of the coffee carafe depicted in the representations that are new and distinctive are the shape and/or configuration. The features shown in broken lines are not part of the design and are to be disregarded when considering the overall impression of the design.**



(21) Design Number: **16018/2015**

(22) Date of Filing Application: **11 November 2015**

(24) Date from which industrial property rights may have effect: **11 November 2015**

(54) Product in respect of which the design is registered: **Coffee carafe**

(51) International Design Classification: **07-02L**

(74) Name(s) of Attorney(s): **PHILLIPS ORMONDE FITZPATRICK**

(71) Name(s) and Address(s) of Applicant(s):

SharkNinja Operating LLC

180 Wells Avenue Suite 200 Newton Massachusetts, 02459 United States of America

(72) Name(s) of Designer(s): **Daniel Kestenbaum**

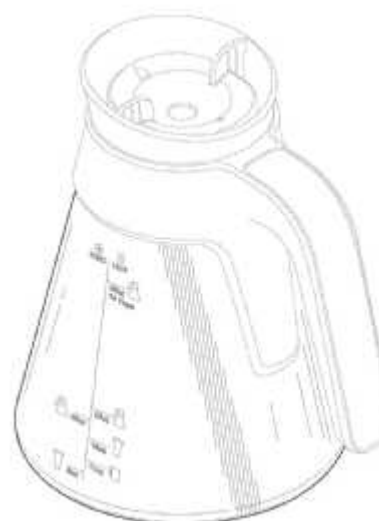
(45) Registration Date: **01 December 2015**

(30) Convention priority data:

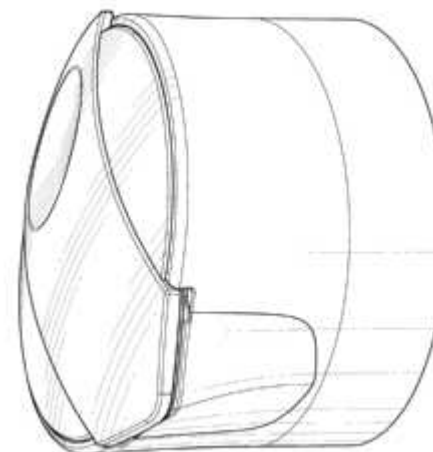
(31) Number	(32) Date	(33) Country
29/530,401	16 Jun 2015	UNITED STATES OF AMERICA

(56) Related Art Documents: **Not Applicable**

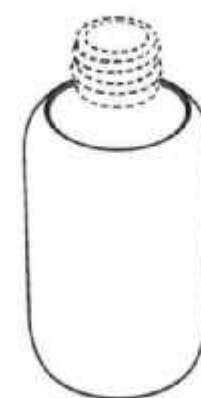
(57) Statement of Newness and Distinctiveness: **Those features of the coffee carafe depicted in the representations that are new and distinctive are the shape and/or configuration. The features shown in broken lines are not part of the design and are to be disregarded when considering the overall impression of the design.**



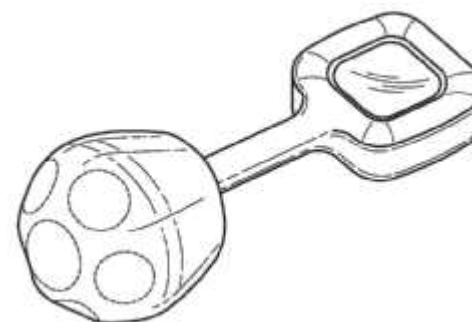
(21) Design Number: **14516/2015**
(22) Date of Filing Application: **27 August 2015**
(24) Date from which industrial property rights may have effect: **27 August 2015**
(54) Product in respect of which the design is registered: **Container lid**
(51) International Design Classification: **09-07B**
(74) Name(s) of Attorney(s): **Griffith Hack**
(71) Name(s) and Address(s) of Applicant(s):
Runway Blue, LLC
250 South 850 East Lehi UT, 84043 United States of America
(72) Name(s) of Designer(s): **David O. Meyers and Steven M. Sorensen**
(45) Registration Date: **01 December 2015**
(30) Convention priority data:
(31) Number (32) Date (33) Country
29/520,164 11 Mar 2015 UNITED STATES OF AMERICA
(56) Related Art Documents: **Not Applicable**
(57) Statement of Newness and Distinctiveness: **The shape and configuration of the parts of the product shown by solid lines in the accompanying representations are new and distinctive.**



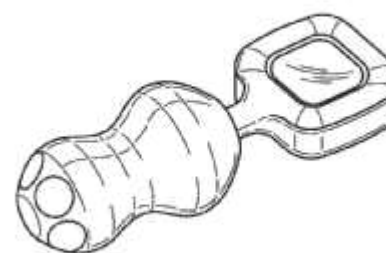
(21) Design Number: **14706/2015**
(22) Date of Filing Application: **04 September 2015**
(24) Date from which industrial property rights may have effect: **04 September 2015**
(54) Product in respect of which the design is registered: **Sleeve for small glass vessel**
(51) International Design Classification: **07-06A**
(74) Name(s) of Attorney(s): **Marks & Clerk Australia**
(71) Name(s) and Address(s) of Applicant(s):
Tali Corp.
165 Jessie Street #3 San Francisco California, 94105 United States of America
(72) Name(s) of Designer(s): **Tal Winter and William G. Tammen and Thomas E. King**
(45) Registration Date: **01 December 2015**
(30) Convention priority data:
(31) Number (32) Date (33) Country
29/519,560 05 Mar 2015 UNITED STATES OF AMERICA
(56) Related Art Documents: **Not Applicable**
(57) Statement of Newness and Distinctiveness: **Newness and distinctiveness resides in the features of shape and configuration of a sleeve for a small glass vessel as illustrated in the accompanying representations where any broken line elements in all views do not form part of the design.**



- (21) Design Number: **14709/2015**
(22) Date of Filing Application: **04 September 2015**
(24) Date from which industrial property rights may have effect: **04 September 2015**
(54) Product in respect of which the design is registered: **Pod-shaped earplug with paddle handle**
(51) International Design Classification: **24-04**
(74) Name(s) of Attorney(s): **Davies Collison Cave**
(71) Name(s) and Address(s) of Applicant(s):
Honeywell International Inc.
101 Columbia Road PO Box 2245 Morristown, New Jersey 07962-2245
United States of America
(72) Name(s) of Designer(s): **Rocky Qu and Zhao Xia Jin and Jex Zhang and Charlotte Loomis and Dave Mulvey**
(45) Registration Date: **01 December 2015**
(30) Convention priority data:
(31) Number (32) Date (33) Country
29/519491 05 Mar 2015 UNITED STATES OF AMERICA
(56) Related Art Documents: **Not Applicable**
(57) Statement of Newness and Distinctiveness: **Newness and distinctiveness is claimed in the visual features shown in solid lines in the representations.**



- (21) Design Number: **14710/2015**
(22) Date of Filing Application: **04 September 2015**
(24) Date from which industrial property rights may have effect: **04 September 2015**
(54) Product in respect of which the design is registered: **Peanut-shaped earplug with paddle handle**
(51) International Design Classification: **24-04**
(74) Name(s) of Attorney(s): **Davies Collison Cave**
(71) Name(s) and Address(s) of Applicant(s):
Honeywell International Inc.
101 Columbia Road, Law Department PO Box 2245 Morristown New Jersey, 07962-2245 United States of America
(72) Name(s) of Designer(s): **Rocky Qu and Zhao Xia Jin and Jex Zhang and Charlotte Loomis and Dave Mulvey**
(45) Registration Date: **01 December 2015**
(30) Convention priority data:
(31) Number (32) Date (33) Country
29/519523 05 Mar 2015 UNITED STATES OF AMERICA
(56) Related Art Documents: **Not Applicable**
(57) Statement of Newness and Distinctiveness: **Newness and distinctiveness is claimed in the visual features shown in solid lines in the representations.**



- (21) Design Number: **14714/2015**
(22) Date of Filing Application: **06 September 2015**
(24) Date from which industrial property rights may have effect: **06 September 2015**
(54) Product in respect of which the design is registered: **Dressing / Makeup gown**
(51) International Design Classification: **02-02C**
(74) Name(s) of Attorney(s):
(71) Name(s) and Address(s) of Applicant(s):
Jenna Rackley
PO BOX 876 Edmonton QLD 4869 Australia
(72) Name(s) of Designer(s): **Jenna Rackley**
(45) Registration Date: **01 December 2015**
(56) Related Art Documents: **Not Applicable**
(57) Statement of Newness and Distinctiveness: **The newness and distinctiveness is claimed in the shape, configuration, pattern and/or ornamentation of the dressing / makeup gown as depicted in the accompanying representations.**



- (21) Design Number: **14723/2015**
(22) Date of Filing Application: **07 September 2015**
(24) Date from which industrial property rights may have effect: **07 September 2015**
(54) Product in respect of which the design is registered: **Desktop display and computer for intraoral scanner**
(51) International Design Classification: **14-02**
(74) Name(s) of Attorney(s): **Davies Collison Cave**
(71) Name(s) and Address(s) of Applicant(s):
Align Technology, Inc.
2560 Orchard Parkway San Jose California 95131 United States of America
(72) Name(s) of Designer(s): **Amit Barak and Arye Krasavets and Rami Boltanski and Nir Makmel and Eric Lampert and David Altit**
(45) Registration Date: **01 December 2015**
(30) Convention priority data:
(31) Number (32) Date (33) Country
29/519,752 06 Mar 2015 UNITED STATES OF AMERICA
(56) Related Art Documents: **Not Applicable**
(57) Statement of Newness and Distinctiveness: **Newness and distinctiveness is claimed in the visual features shown in solid lines in the representations. In considering the extent of the design rights, the broken lines shown in the representations are for illustrative purposes only and do not form part of the design.**



- (21) Design Number: **14730/2015**
(22) Date of Filing Application: **07 September 2015**
(24) Date from which industrial property rights may have effect: **07 September 2015**
(54) Product in respect of which the design is registered: **Cart-mounted display and computer for scanner**
(51) International Design Classification: **14-02, 14-99**
(74) Name(s) of Attorney(s): **Davies Collison Cave**
(71) Name(s) and Address(s) of Applicant(s):
Align Technology, Inc.
2560 Orchard Parkway San Jose California 95131 United States of America
(72) Name(s) of Designer(s): **Amit Barak and Arye Krasavets and Rami Boltanski and Nir Makmel and Eric Lampert and David Altit**
(45) Registration Date: **01 December 2015**
(30) Convention priority data:
(31) Number (32) Date (33) Country
29/519,758 06 Mar 2015 UNITED STATES OF AMERICA
(56) Related Art Documents: **Not Applicable**
(57) Statement of Newness and Distinctiveness: **Newness and distinctiveness is claimed in the visual features shown in solid lines in the representations. In considering the extent of the design rights, the broken lines shown in the representations are for illustrative purposes only and do not form part of the design.**



- (21) Design Number: **14821/2015**
(22) Date of Filing Application: **10 September 2015**
(24) Date from which industrial property rights may have effect: **10 September 2015**
(54) Product in respect of which the design is registered: **Hairdressing tools**
(51) International Design Classification: **28-03D**
(74) Name(s) of Attorney(s):
(71) Name(s) and Address(s) of Applicant(s):
Shirley Anne Van Rosi
Moreton Cres Warnbro WA, 6169 Australia
(72) Name(s) of Designer(s): **Shirley Anne Van Rosi**
(45) Registration Date: **01 December 2015**
(56) Related Art Documents: **Not Applicable**
(57) Statement of Newness and Distinctiveness: **Innovative designs to launch the hairdressing and other industries into the future.**



(21) Design Number: **14891/2015**
(22) Date of Filing Application: **16 September 2015**
(24) Date from which industrial property rights may have effect: **16 September 2015**
(54) Product in respect of which the design is registered: **Package butler**
(51) International Design Classification: **06-04NES**
(74) Name(s) of Attorney(s): **Griffith Hack**
(71) Name(s) and Address(s) of Applicant(s):

Deutsche Telekom AG
Friedrich-Ebert-Allee 140 BONN 53113 Germany

(72) Name(s) of Designer(s): **Michael Schmidt-Gabriel and Johannes Scholl**
(45) Registration Date: **01 December 2015**

(30) Convention priority data:

(31) Number	(32) Date	(33) Country
002 655 837	16 Mar 2015	EUROPEAN PATENT OFFICE (EPO)

(56) Related Art Documents: **Not Applicable**

(57) Statement of Newness and Distinctiveness: **Newness and distinctiveness resides in the visual features, including shape and configuration of the product as shown in the accompanying representations.**



(21) Design Number: **15010/2015**
(22) Date of Filing Application: **24 September 2015**
(24) Date from which industrial property rights may have effect: **29 July 2015**
(54) Product in respect of which the design is registered: **Confectionery package**
(51) International Design Classification: **09-03M**
(74) Name(s) of Attorney(s): **Griffith Hack**
(71) Name(s) and Address(s) of Applicant(s):

Intercontinental Great Brands LLC
100 Deforest Avenue East Hanover NJ, 07936 United States of America

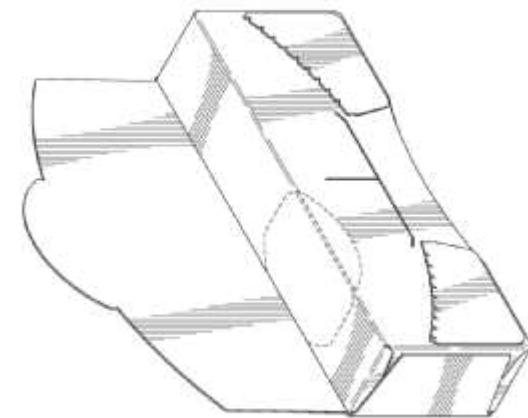
(72) Name(s) of Designer(s): **Ornuma Wangtaveesab and Mary Jane Delapena Calma**

(45) Registration Date: **01 December 2015**

(62) Divisional of: **364536**

(56) Related Art Documents: **Not Applicable**

(57) Statement of Newness and Distinctiveness: **The shape and configuration of the parts of the product shown by solid lines in the accompanying representations is new and distinctive.**



(21) Design Number: **15294/2015**

(22) Date of Filing Application: **09 October 2015**

(24) Date from which industrial property rights may have effect: **09 October 2015**

(54) Product in respect of which the design is registered: **Lighting fixture**

(51) International Design Classification: **26-04**

(74) Name(s) of Attorney(s): **Griffith Hack**

(71) Name(s) and Address(s) of Applicant(s):

Hubbell Incorporated

40 Waterview Drive P.O. Box 1000 Shelton, Connecticut, 06484 United States Of America

(72) Name(s) of Designer(s): **Robert R. Nankil**

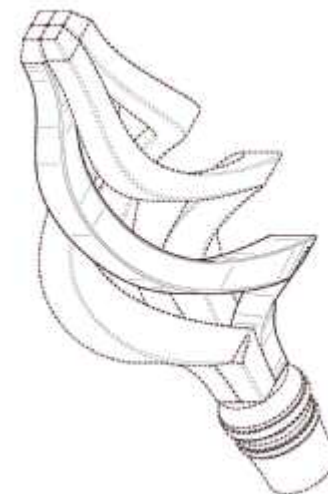
(45) Registration Date: **01 December 2015**

(30) Convention priority data:

(31) Number	(32) Date	(33) Country
29/523,591	10 Apr 2015	UNITED STATES OF AMERICA

(56) Related Art Documents: **Not Applicable**

(57) Statement of Newness and Distinctiveness: **Newness and distinctiveness resides in the visual features, including the shape and configuration of the product as shown by means of solid lines in the representations. The bottom view of the product illustrated in Figure 7 has been included for illustrative purposes and may be disregarded.**



(21) Design Number: **15295/2015**

(22) Date of Filing Application: **09 October 2015**

(24) Date from which industrial property rights may have effect: **09 October 2015**

(54) Product in respect of which the design is registered: **Lighting fixture**

(51) International Design Classification: **26-04**

(74) Name(s) of Attorney(s): **Griffith Hack**

(71) Name(s) and Address(s) of Applicant(s):

Hubbell Incorporated

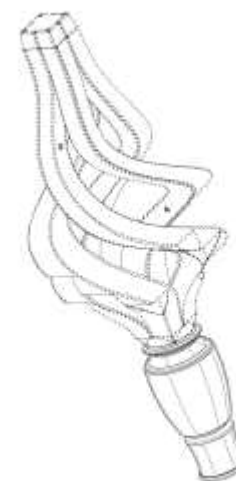
40 Waterview Drive P.O. Box 1000 Shelton, Connecticut, 06484 United States Of America

(72) Name(s) of Designer(s): **Robert R. Nankil**

(45) Registration Date: **01 December 2015**

(56) Related Art Documents: **Not Applicable**

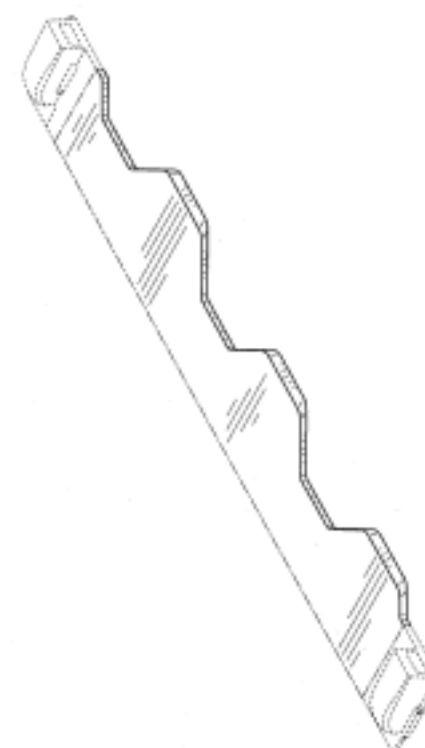
(57) Statement of Newness and Distinctiveness: **Newness and distinctiveness resides in the visual features, including the shape and configuration of the product shown by means of solid lines in the representations.**



- (21) Design Number: **15526/2015**
(22) Date of Filing Application: **20 October 2015**
(24) Date from which industrial property rights may have effect: **20 October 2015**
(54) Product in respect of which the design is registered: **Hand trolley**
(51) International Design Classification: **12-02**
(74) Name(s) of Attorney(s):
(71) Name(s) and Address(s) of Applicant(s):
Breon Winslow Moore
590 Clayton Rd Clayton South VIC 3169 Australia
(72) Name(s) of Designer(s): **David Timothy Powell**
(45) Registration Date: **01 December 2015**
(56) Related Art Documents: **Not Applicable**
(57) Statement of Newness and Distinctiveness: **Newness and distinctiveness is claimed on the configuration and shape of a heavy duty hand trolley constructed in Aluminium. When determining whether the design is similar in overall impression to another design please note, chassis is designed and construction to achieve minimum weight, using hollow aluminium construction in rolled / bent standard sections. Utilising a hollow axle arrangement and interchangeable / detachable toe plate feature. The claim does not include wheels fitted to this trolley.**



- (21) Design Number: **13994/2015**
(22) Date of Filing Application: **06 August 2015**
(24) Date from which industrial property rights may have effect: **06 August 2015**
(54) Product in respect of which the design is registered: **Coupling member**
(51) International Design Classification: **21-01C**
(74) Name(s) of Attorney(s): **FB Rice**
(71) Name(s) and Address(s) of Applicant(s):
Anki, Inc.
55 Second Street 15th Floor San Francisco California, 94105 United States of America
(72) Name(s) of Designer(s): **Charles Fiebig and Hanns Tappeiner**
(45) Registration Date: **01 December 2015**
(30) Convention priority data:
(31) Number (32) Date (33) Country
29/516,979 09 Feb 2015 UNITED STATES OF AMERICA
(56) Related Art Documents: **Not Applicable**
(57) Statement of Newness and Distinctiveness: **Newness and distinctiveness reside in the visual features of the product shown in solid lines in the representations, excluding the features shown in dashed lines which are disclaimed. The dot-dashed lines represent boundary lines and also form no part of the design and are also**



(21) Design Number: **14626/2015**

(22) Date of Filing Application: **02 September 2015**

(24) Date from which industrial property rights may have effect: **02 September 2015**

(54) Product in respect of which the design is registered: **Bed assembly**

(51) International Design Classification: **06-02**

(74) Name(s) of Attorney(s): **Fisher Adams Kelly Callinans**

(71) Name(s) and Address(s) of Applicant(s):

DAN FOAM ApS

Holmelund 43 Aarup DK-5560 Denmark

(72) Name(s) of Designer(s): **Charlotte Dybdahl and Dorthe Bang Iversen and Tina Bang Nielsen and Annette Hoejgaard Frausig and Kristina Skjoldemose Askloef and Jeanet Kit Holkenberg**

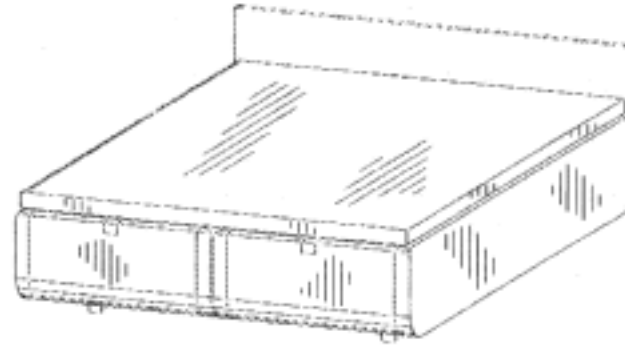
(45) Registration Date: **01 December 2015**

(30) Convention priority data:

(31) Number	(32) Date	(33) Country
29,519,154	03 Mar 2015	UNITED STATES OF AMERICA

(56) Related Art Documents: **Not Applicable**

(57) Statement of Newness and Distinctiveness: **Newness and distinctiveness reside in the features of shape and/or configuration of the design shown in the representations. The features shown in broken lines in the representations are for illustrative purposes only and should not be considered when construing visual features of the design.**



(21) Design Number: **14654/2015**

(22) Date of Filing Application: **02 September 2015**

(24) Date from which industrial property rights may have effect: **02 September 2015**

(54) Product in respect of which the design is registered: **A collapsible nursing bed for aged care and hospital**

(51) International Design Classification: **12-12**

(74) Name(s) of Attorney(s):

(71) Name(s) and Address(s) of Applicant(s):

Derek Thomas Mansley

22 Drummond St Leeton NSW 2672 Australia

Rick Mansley

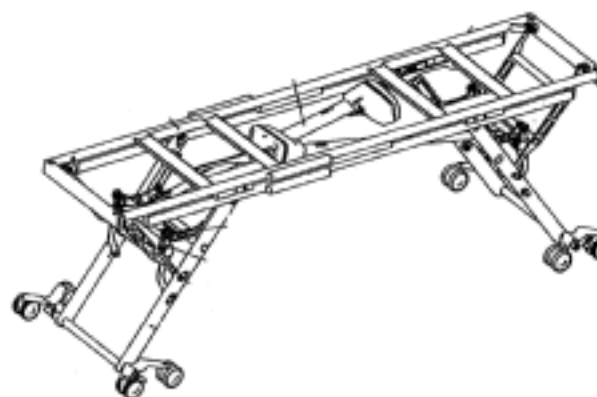
22 Drummond St Leeton NSW 2672 Australia

(72) Name(s) of Designer(s): **Derek Thomas Mansley and Rick Mansley**

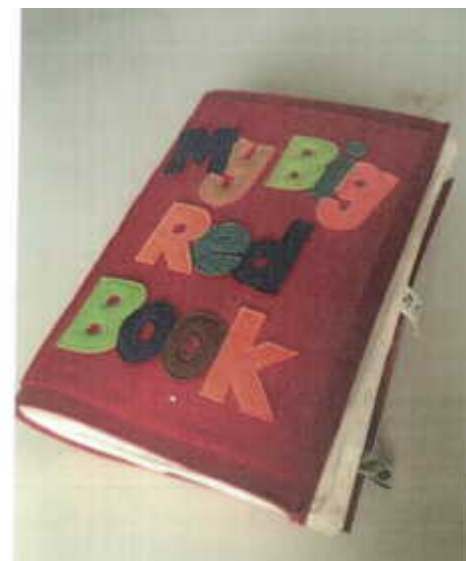
(45) Registration Date: **01 December 2015**

(56) Related Art Documents: **Not Applicable**

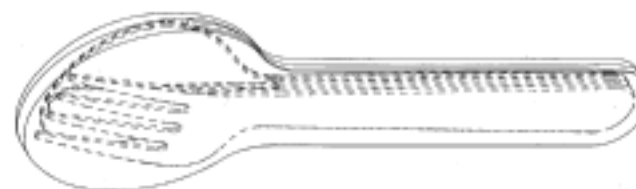
(57) Statement of Newness and Distinctiveness: **The purpose of the present design is to provide the aged care and hospital bed industry with a floor level, column-less and endless, multi -function nursing bed that allows universal, unrestricted access to the patient from all points of the compass, especially in emergencies such as cardiac arrest and airways procedures. The design relates to a mechanism for the facilitation of an ultra-low compactable bedform that can operate from a fully collapsed floor level position to a fully operational height or any predetermined position in between, as selected by nursing staff or patient. A further essential feature is the ability of the load bearing capacity to be instantly increased from 200 Kg to 300 Kg electronically. The benefits of bed lowering mechanisms have long been known and employed in the industry, but there remains a specific need for unimpeded access to the patient, which is described in the present invention for the first time. The novel aspect of the present design relates to the complete absence of bed ends or column mechanisms by reason of the functioning apparatus being designedly stowed underneath and within the bedform profile. In all other floor level beds, whether slim line, low profile or compact, there still remains a significant level of impedance in the form of column mechanisms. This is especially the case in emergency procedures, or 'log rolling' of patients with suspected spinal or cervical fractures. With hospital rooms becoming more cramped to allow for visitor accommodation,(as well as patient reclining chairs) the space saving features become a strategic and vital, life saving advantage. This is particularly the case in the fact that the nurses' emergency 'crash cart and ECG trolley have remained necessarily bulky, and hastily removed bed ends also quickly become a trip hazard for the fast moving emergency response team. The novelty of the core design is that emergency teams have unrestricted access to the patient, to carry out life saving procedures in which seconds can mean the difference between life and death. In a more mundane nursing home situation, stress on the staff is greatly reduced due to the fact that the threat of costly bone fractures from elderly or disoriented patients falling out of bed is virtually eliminated, with the bed being able to be lowered to floor level.**



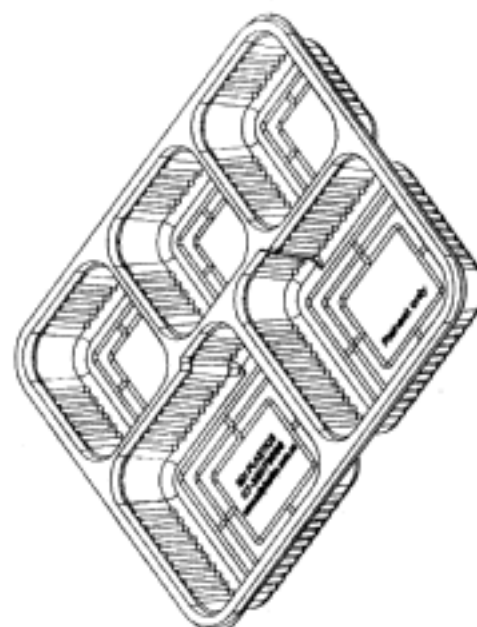
- (21) Design Number: **14944/2015**
(22) Date of Filing Application: **19 September 2015**
(24) Date from which industrial property rights may have effect: **19 September 2015**
(54) Product in respect of which the design is registered: **A cloth activity book for children**
(51) International Design Classification: **19-04**
(74) Name(s) of Attorney(s):
(71) Name(s) and Address(s) of Applicant(s):
Tracey Lee Willmot
34 Holmes St Maroubra NSW 2035 Australia
(72) Name(s) of Designer(s): **Tracey Lee Willmot**
(45) Registration Date: **01 December 2015**
(56) Related Art Documents: **Not Applicable**
(57) Statement of Newness and Distinctiveness: **My product is a new and distinct design made unique for it's 34cm long x25cm wide x 5cm high bright red PU cover with lettering "My Big Red Book" in felt lettering in multicolours. It may be personalised with a child's name or left a plain red cover. The pages are made from calico fabric, and the 12 activities in order include an astronaut with clear helmet in which to place a photo of the child inside and with two buckles. Page 2 is buttoning a unique design of shorts and a dress, page three are 2 shoes and a boot. Page 4 a teddy with buckle belt, page 5 contains 10 shapes to match with shapes inside a box. Page six an underwater page to link a chain, page 7 an apple tree with large apples, page 8 a unique spider web with loops and a spider design. Page 9 is a number recognition page, page 10 a doll with long multi-coloured braids, page 11 weaving and page 12 is naughts and crosses with a memory card game.**



- (21) Design Number: **15262/2015**
(22) Date of Filing Application: **07 October 2015**
(24) Date from which industrial property rights may have effect: **07 October 2015**
(54) Product in respect of which the design is registered: **Kitchenware**
(51) International Design Classification: **07-03**
(74) Name(s) of Attorney(s): **Trademark Works**
(71) Name(s) and Address(s) of Applicant(s):
JOSEPH JOSEPH LTD
The Grove 30 Great Guildford Street London SE1 0HS United Kingdom
(72) Name(s) of Designer(s): **Antony Joseph**
(45) Registration Date: **01 December 2015**
(30) Convention priority data:
(31) Number (32) Date (33) Country
002678458-0009 10 Apr 2015 EUROPEAN PATENT OFFICE (EPO)
(56) Related Art Documents: **Not Applicable**
(57) Statement of Newness and Distinctiveness: **Nil**



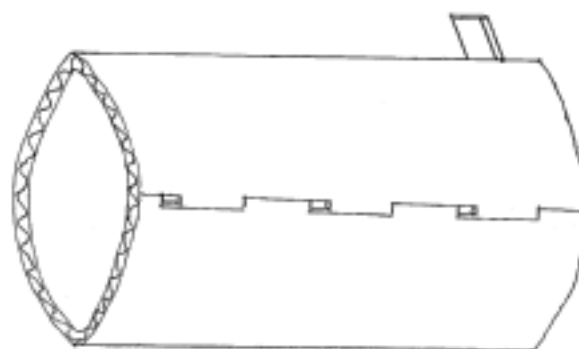
- (21) Design Number: **15345/2015**
(22) Date of Filing Application: **11 October 2015**
(24) Date from which industrial property rights may have effect: **11 October 2015**
(54) Product in respect of which the design is registered: **5 cavity plastic disposable food tray**
(51) International Design Classification: **09-03F**
(74) Name(s) of Attorney(s):
(71) Name(s) and Address(s) of Applicant(s):
Kulbir Dhanda
PO Box 1421 Carindale QLD 4152 Australia
(72) Name(s) of Designer(s): **Kulbir Dhanda**
(45) Registration Date: **01 December 2015**
(56) Related Art Documents: **Not Applicable**
(57) Statement of Newness and Distinctiveness: **The 5 cavity disposable food tray is a new tray optimised for vacuum forming/press moulding. The distinctive sections have been designed with ribs to allow for maximum strength when holding food items. The unique design on the two larger cavities act as a strengthener, distributing weight evenly across the tray when filled. 5 cavities are unique and not previously available. A lid is also being designed to suit this tray for increased structural integrity.**



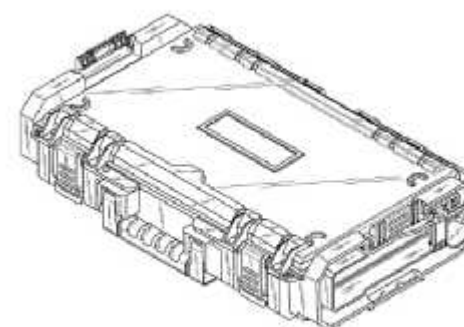
- (21) Design Number: **15377/2015**
(22) Date of Filing Application: **12 October 2015**
(24) Date from which industrial property rights may have effect: **12 October 2015**
(54) Product in respect of which the design is registered: **Electronic fishing rod holder**
(51) International Design Classification: **22-05**
(74) Name(s) of Attorney(s):
(71) Name(s) and Address(s) of Applicant(s):
Simon Karadjian
PO BOX 52 Edensor Park NSW, 2176 Australia
(72) Name(s) of Designer(s): **Simon Karadjian**
(45) Registration Date: **01 December 2015**
(56) Related Art Documents: **Not Applicable**
(57) Statement of Newness and Distinctiveness: **This product is new in, the functionality with there is no product on the market that looks or does what the rod holder is designed for, (I hold the registered Patents in relation to this product). The product has gone through cosmetic design to change from the original shape to the current design in question. images are of the design for application.**



(21) Design Number: **15509/2015**
(22) Date of Filing Application: **03 October 2015**
(24) Date from which industrial property rights may have effect: **03 October 2015**
(54) Product in respect of which the design is registered: **Stubby cooler**
(51) International Design Classification: **07-06A**
(74) Name(s) of Attorney(s):
(71) Name(s) and Address(s) of Applicant(s):
James Blunt
PO BOX 1424 Aitkenvale Townsville QLD 4810 Australia
(72) Name(s) of Designer(s): **Simon Steward and James Blunt and Lee Messenger**
(45) Registration Date: **01 December 2015**
(56) Related Art Documents: **Not Applicable**
(57) Statement of Newness and Distinctiveness: **A cooler/holder that is perforated into a cardboard carton that when removed and made will be the correct size for the internal product.**



(21) Design Number: **15055/2015**
(22) Date of Filing Application: **25 September 2015**
(24) Date from which industrial property rights may have effect: **25 September 2015**
(54) Product in respect of which the design is registered: **Tool box**
(51) International Design Classification: **03-01D**
(74) Name(s) of Attorney(s): **Davies Collison Cave**
(71) Name(s) and Address(s) of Applicant(s):
The Stanley Works Israel Limited
19 Ha'Melacha Street New Industrial Zone Rosh Ha'Ayin 48091 Israel
(72) Name(s) of Designer(s): **Elad Hay Shitrit**
(45) Registration Date: **01 December 2015**
(30) Convention priority data:
(31) Number (32) Date (33) Country
**002667519 25 Mar 2015 OFFICE FOR HARMONISATION IN
THE INTERNAL MARKET (OHIM)**
(56) Related Art Documents: **Not Applicable**
(57) Statement of Newness and Distinctiveness: **Nil**



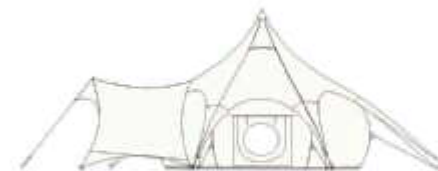
(21) Design Number: **15534/2015**
(22) Date of Filing Application: **20 October 2015**
(24) Date from which industrial property rights may have effect: **20 October 2015**
(54) Product in respect of which the design is registered: **Vehicle wheel**
(51) International Design Classification: **12-16A**
(74) Name(s) of Attorney(s):
(71) Name(s) and Address(s) of Applicant(s):
SAMAD TYRES PTY LTD
236 South Gippsland Hwy Dandenong South VIC 3175 Australia
(72) Name(s) of Designer(s): **Lani Listiawati**
(45) Registration Date: **01 December 2015**
(56) Related Art Documents: **Not Applicable**
(57) Statement of Newness and Distinctiveness: **Unique spoke design and curvature.**



(21) Design Number: **15880/2015**
(22) Date of Filing Application: **04 November 2015**
(24) Date from which industrial property rights may have effect: **04 November 2015**
(54) Product in respect of which the design is registered: **Kettle**
(51) International Design Classification: **07-02K**
(74) Name(s) of Attorney(s): **Cullens Pty Ltd**
(71) Name(s) and Address(s) of Applicant(s):
DE' LONGHI APPLIANCES SRL CON UNICO SOCIO
Via L. Seitz, 47 Treviso TV, I-31100 Italy
(72) Name(s) of Designer(s): **Giuseppe De' Longhi and Elisa Romanetto**
(45) Registration Date: **01 December 2015**
(30) Convention priority data:
(31) Number (32) Date (33) Country
002694406-0001 05 May 2015 OFFICE FOR HARMONISATION IN
THE INTERNAL MARKET (OHIM)
(56) Related Art Documents: **Not Applicable**
(57) Statement of Newness and Distinctiveness: **The new and distinct features are the features of shape and configuration of the kettle as shown in the representations.**



(21) Design Number: **16034/2015**
(22) Date of Filing Application: **12 November 2015**
(24) Date from which industrial property rights may have effect: **12 November 2015**
(54) Product in respect of which the design is registered: **Tent**
(51) International Design Classification: **21-04**
(74) Name(s) of Attorney(s): **PHILLIPS ORMONDE FITZPATRICK**
(71) Name(s) and Address(s) of Applicant(s):



Harriet Seddon
1 St. Annes Terrace St. Annes Bristol, BS4 4DY United Kingdom

(72) Name(s) of Designer(s): **Harriet Seddon**

(45) Registration Date: **01 December 2015**

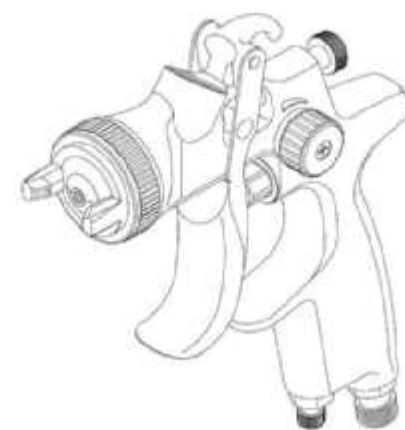
(30) Convention priority data:

(31) Number	(32) Date	(33) Country
002699330	12 May 2015	OFFICE FOR HARMONISATION IN THE INTERNAL MARKET (OHIM)

(56) Related Art Documents: **Not Applicable**

(57) Statement of Newness and Distinctiveness: **Those features of the tent depicted in the representations that are new and distinctive are the shape and/or configuration. The representations show the tent in stages of assembly.**

(21) Design Number: **16035/2015**
(22) Date of Filing Application: **12 November 2015**
(24) Date from which industrial property rights may have effect: **12 November 2015**
(54) Product in respect of which the design is registered: **Paint spray gun**
(51) International Design Classification: **08-05L**
(74) Name(s) of Attorney(s): **WATERMARK PATENT AND TRADE MARKS ATTORNEYS**
(71) Name(s) and Address(s) of Applicant(s):



Hsing-Tzu Wang
No. 80, Ta-Hsin St. Taichung City Hsi District, 403 Taiwan

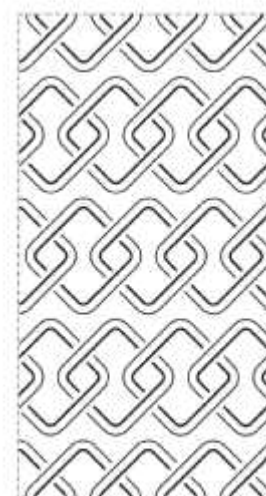
(72) Name(s) of Designer(s): **Hsing-Tzu Wang**

(45) Registration Date: **01 December 2015**

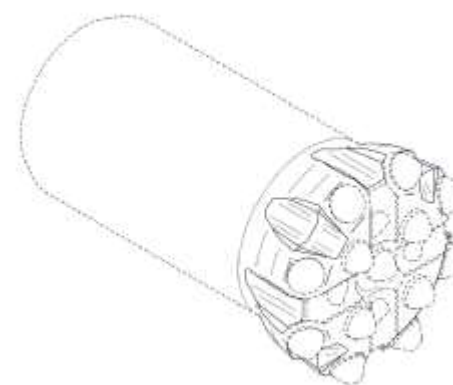
(56) Related Art Documents: **Not Applicable**

(57) Statement of Newness and Distinctiveness: **Newness and distinctiveness resides in the visual features of shape and/or configuration of a paint spray gun as shown in the accompanying representations.**

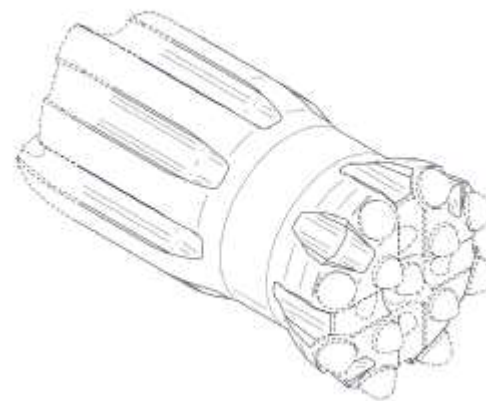
- (21) Design Number: **16037/2015**
(22) Date of Filing Application: **12 November 2015**
(24) Date from which industrial property rights may have effect: **12 November 2015**
(54) Product in respect of which the design is registered: **A paper product**
(51) International Design Classification: **05-06NES**
(74) Name(s) of Attorney(s): **Spruson & Ferguson**
(71) Name(s) and Address(s) of Applicant(s):
Kimberly-Clark Worldwide, Inc.
2300 Winchester Road, Neenah_Wisconsin, 54956 United States of America
(72) Name(s) of Designer(s): **Nuno Azeredo and Karen Hunter and Juan P. Aragon and Marvin E. Swails and Holly K. Kowalski and Sarah McMahon**
(45) Registration Date: **01 December 2015**
(30) Convention priority data:
(31) Number (32) Date (33) Country
29/527104 15 May 2015 UNITED STATES OF AMERICA
(56) Related Art Documents: **Not Applicable**
(57) Statement of Newness and Distinctiveness: **Newness and distinctiveness is claimed in the features of pattern and/or ornamentation of a paper product as illustrated in the accompanying representation, wherein the product has a pattern that repeats itself and an element of the pattern is shown bounded by broken lines in the accompanying representation.**



- (21) Design Number: **16038/2015**
(22) Date of Filing Application: **12 November 2015**
(24) Date from which industrial property rights may have effect: **12 November 2015**
(54) Product in respect of which the design is registered: **Rock drill bit**
(51) International Design Classification: **08-01**
(74) Name(s) of Attorney(s): **FB Rice**
(71) Name(s) and Address(s) of Applicant(s):
Atlas Copco Secoroc AB
Box 521 737 25 Fagersta Sweden
(72) Name(s) of Designer(s): **Thomas Osterholm**
(45) Registration Date: **01 December 2015**
(30) Convention priority data:
(31) Number (32) Date (33) Country
2710236-0001-0009 May 2015 OFFICE FOR HARMONISATION IN THE INTERNAL MARKET (OHIM)
(56) Related Art Documents: **Not Applicable**
(57) Statement of Newness and Distinctiveness: **Newness and distinctiveness reside in the features of the drill bit shown in solid lines in the representations, excluding those features shown in dashed lines which are disclaimed, and in particular in that the upper portion of the drill bit, extending from the waist to the upper top surface defines protrusions and in that the groove between adjacent projections is relatively wide and has a substantially planar bottom surface.**

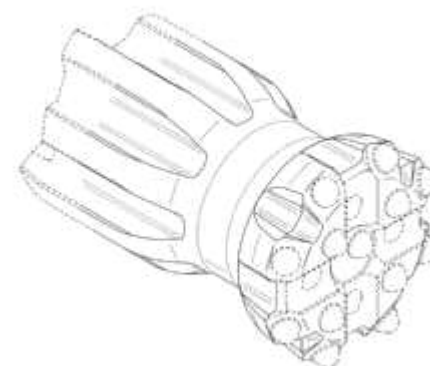


(21) Design Number: **16039/2015**
(22) Date of Filing Application: **12 November 2015**
(24) Date from which industrial property rights may have effect: **12 November 2015**
(54) Product in respect of which the design is registered: **Rock drill bit**
(51) International Design Classification: **08-01**
(74) Name(s) of Attorney(s): **FB Rice**
(71) Name(s) and Address(s) of Applicant(s):
Atlas Copco Secoroc AB
Box 521 737 25 Fagersta Sweden
(72) Name(s) of Designer(s): **Thomas Osterholm**
(45) Registration Date: **01 December 2015**
(30) Convention priority data:
(31) Number (32) Date (33) Country
2710236-0001-0009 May 2015 OFFICE FOR HARMONISATION IN
THE INTERNAL MARKET (OHIM)



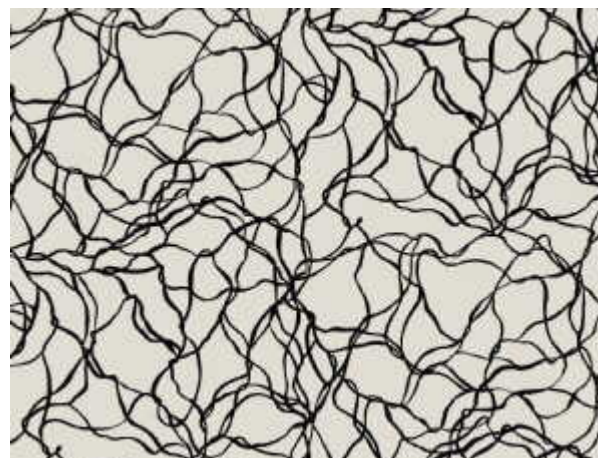
(56) Related Art Documents: **Not Applicable**
(57) Statement of Newness and Distinctiveness: **Newness and distinctiveness reside in the features of the drill bit shown in solid lines in the representations, excluding those features shown in dashed lines which are disclaimed, and in particular in that the upper portion of the drill bit, extending from the gently rounded waist to the upper top surface defines protrusions, and in that the groove between adjacent projections is relatively wide and has a substantially planar bottom surface, and in that the lower portion of the drill bit, extending from the gently rounded waist to the lower end also defines protrusions and in that the groove between adjacent projections is relatively wide and has a substantially planar bottom surface.**

(21) Design Number: **16040/2015**
(22) Date of Filing Application: **12 November 2015**
(24) Date from which industrial property rights may have effect: **12 November 2015**
(54) Product in respect of which the design is registered: **Rock drill bit**
(51) International Design Classification: **08-01**
(74) Name(s) of Attorney(s): **FB Rice**
(71) Name(s) and Address(s) of Applicant(s):
Atlas Copco Secoroc AB
Box 521 737 25 Fagersta Sweden
(72) Name(s) of Designer(s): **Thomas Osterholm**
(45) Registration Date: **01 December 2015**
(30) Convention priority data:
(31) Number (32) Date (33) Country
2710236-0001-0009 May 2015 OFFICE FOR HARMONISATION IN
THE INTERNAL MARKET (OHIM)



(56) Related Art Documents: **Not Applicable**
(57) Statement of Newness and Distinctiveness: **Newness and distinctiveness reside in the features of the drill bit shown in solid lines in the representations, excluding those features shown in dashed lines which are disclaimed, and in particular in that the upper portion of the drill bit, extending from the gently rounded waist to the upper top surface defines protrusions, and in that the groove between adjacent projections is relatively wide and has a substantially planar bottom surface, and in that the lower portion of the drill bit, extending from the gently rounded waist to the lower end also defines protrusions and in that the groove between adjacent projections is relatively wide and has a substantially planar bottom surface.**

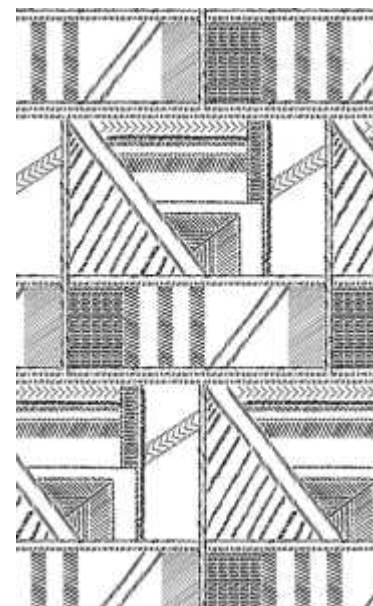
- (21) Design Number: **16043/2015**
(22) Date of Filing Application: **12 November 2015**
(24) Date from which industrial property rights may have effect: **12 November 2015**
(54) Product in respect of which the design is registered: **A textile print**
(51) International Design Classification: **05-05NES**
(74) Name(s) of Attorney(s):
(71) Name(s) and Address(s) of Applicant(s):
AUSTRALIAN FASHION LABELS PTY LTD
106 Currie St Adelaide SA 5000 Australia
(72) Name(s) of Designer(s): **Siham Elmawey and Hayley Dawson**
(45) Registration Date: **01 December 2015**
(56) Related Art Documents: **Not Applicable**
(57) Statement of Newness and Distinctiveness: **Newness and distinctiveness resides in the features of pattern and ornamentation of a textile print as shown in the accompanying representations. In considering the scope of monopoly, no regard is to be had to colour and the scope of monopoly is not restricted to the particular colour or colours depicted in the accompanying representations.**



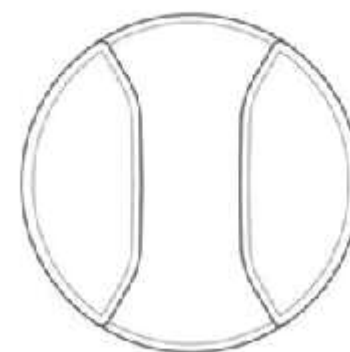
- (21) Design Number: **16046/2015**
(22) Date of Filing Application: **12 November 2015**
(24) Date from which industrial property rights may have effect: **12 November 2015**
(54) Product in respect of which the design is registered: **A textile print**
(51) International Design Classification: **05-05A**
(74) Name(s) of Attorney(s):
(71) Name(s) and Address(s) of Applicant(s):
AUSTRALIAN FASHION LABELS PTY LTD
106 Currie St Adelaide SA 5000 Australia
(72) Name(s) of Designer(s): **Siham Elmawey and Hayley Dawson**
(45) Registration Date: **01 December 2015**
(56) Related Art Documents: **Not Applicable**
(57) Statement of Newness and Distinctiveness: **Newness and distinctiveness resides in the features of pattern and ornamentation of a textile print as shown in the accompanying representations. In considering the scope of monopoly, no regard is to be had to colour and the scope of monopoly is not restricted to the particular colour or colours depicted in the accompanying representations.**



- (21) Design Number: **16049/2015**
(22) Date of Filing Application: **12 November 2015**
(24) Date from which industrial property rights may have effect: **12 November 2015**
(54) Product in respect of which the design is registered: **A textile print**
(51) International Design Classification: **05-05D**
(74) Name(s) of Attorney(s):
(71) Name(s) and Address(s) of Applicant(s):
AUSTRALIAN FASHION LABELS PTY LTD
106 Currie St Adelaide SA 5000 Australia
(72) Name(s) of Designer(s): **Amy Hicks and Zoey Vink**
(45) Registration Date: **01 December 2015**
(56) Related Art Documents: **Not Applicable**
(57) Statement of Newness and Distinctiveness: **Newness and distinctiveness resides in the features of pattern and ornamentation of a textile print as shown in the accompanying representations. In considering the scope of monopoly, no regard is to be had to colour and the scope of monopoly is not restricted to the particular colour or colours depicted in the accompanying representations.**



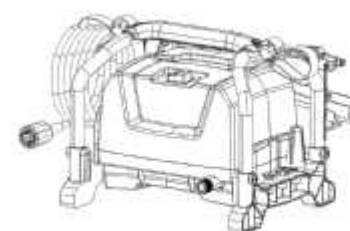
- (21) Design Number: **14599/2015**
(22) Date of Filing Application: **31 August 2015**
(24) Date from which industrial property rights may have effect: **31 August 2015**
(54) Product in respect of which the design is registered: **Pin for a holder for rolls of paper**
(51) International Design Classification: **07-99C**
(74) Name(s) of Attorney(s): **Fisher Adams Kelly Callinans**
(71) Name(s) and Address(s) of Applicant(s):
Hans Georg Hagleitner
Lindenallee 11 5700 Zell am See Austria
(72) Name(s) of Designer(s): **Hans Georg Hagleitner**
(45) Registration Date: **02 December 2015**
(56) Related Art Documents: **Not Applicable**
(57) Statement of Newness and Distinctiveness: **Nil**



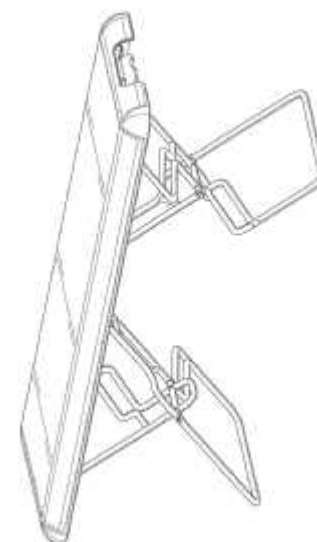
- (21) Design Number: **14721/2015**
(22) Date of Filing Application: **07 September 2015**
(24) Date from which industrial property rights may have effect: **07 September 2015**
(54) Product in respect of which the design is registered: **900 mm wide standing oven**
(51) International Design Classification: **07-02A**
(74) Name(s) of Attorney(s):
(71) Name(s) and Address(s) of Applicant(s):
Jeffacom Pty Ltd
Suite 1 Charman Road Cheltenham VIC 3192 Australia
(72) Name(s) of Designer(s): **Michael Taylor**
(45) Registration Date: **02 December 2015**
(56) Related Art Documents: **Not Applicable**
(57) Statement of Newness and Distinctiveness: **The design of the 900mm wide freestanding oven consists of two doors each 900mm wide and two ovens split horizontally. double ovens in smaller width ovens have been available for some time, however 900mm wide ovens have never been designed this way for domestic purposes. 900mm ovens are normally divided vertically with two ovens side by side. this horizontal double oven design enables much wider cooking trays to be used in either the top or bottom ovens and enables a much larger grilling area.**



- (21) Design Number: **15901/2015**
(22) Date of Filing Application: **05 November 2015**
(24) Date from which industrial property rights may have effect: **05 November 2015**
(54) Product in respect of which the design is registered: **Pressure washer**
(51) International Design Classification: **15-05**
(74) Name(s) of Attorney(s): **Griffith Hack**
(71) Name(s) and Address(s) of Applicant(s):
AC (Macao Commercial Offshore) Limited
Units A-C, 26/F Centro Comercial da Praia Grande No. 429 Avenida da Praia Grande Macau
(72) Name(s) of Designer(s): **Jeffrey T Mauch**
(45) Registration Date: **02 December 2015**
(30) Convention priority data:
(31) Number (32) Date (33) Country
201530133563.3 08 May 2015 CHINA
(56) Related Art Documents: **Not Applicable**
(57) Statement of Newness and Distinctiveness: **Newness and distinctiveness resides in the visual features, including the shape and configuration of the product shown in the representations.**



(21) Design Number: **16048/2015**
(22) Date of Filing Application: **12 November 2015**
(24) Date from which industrial property rights may have effect: **12 November 2015**
(54) Product in respect of which the design is registered: **A desk**
(51) International Design Classification: **06-03C**
(74) Name(s) of Attorney(s): **Fraser Old & Sohn**
(71) Name(s) and Address(s) of Applicant(s):



VARIDESK, LLC
117 Wrangler Drive Coppell TEXAS, 75019 United States of America
(72) Name(s) of Designer(s): **Daniel G. Flaherty and David Patton**
(45) Registration Date: **02 December 2015**
(30) Convention priority data:
(31) Number (32) Date (33) Country
29/526807 13 May 2015 UNITED STATES OF AMERICA

(56) Related Art Documents: **Not Applicable**
(57) Statement of Newness and Distinctiveness: **Newness and distinctiveness is claimed in respect of the shape and/or configuration of the desk illustrated in Figs. 1-7 of the accompanying representations. In carrying out a consideration in accordance with Section 19 the shape and/or configuration of the portions illustrated by broken lines in Figs. 1-7 of the representations do/does not form part of the design. The Appendix Figs. 1.1 - 1.7 reproduce Figs. 1-7 respectively but with the portions illustrated by broken lines being illustrated in solid lines and is provided to illustrate the environment in which the desk is used.**

(21) Design Number: **16051/2015**
(22) Date of Filing Application: **12 November 2015**
(24) Date from which industrial property rights may have effect: **12 November 2015**
(54) Product in respect of which the design is registered: **Holding assembly of ornaments**
(51) International Design Classification: **11-01NES**
(74) Name(s) of Attorney(s): **Shelston IP Pty Ltd.**
(71) Name(s) and Address(s) of Applicant(s):



Crossfor Co., Ltd.
1-2-60 Asake Kofu-city Yamanashi 400-0862 Japan
(72) Name(s) of Designer(s): **Hidetaka Dobashi**
(45) Registration Date: **02 December 2015**
(56) Related Art Documents: **Not Applicable**
(57) Statement of Newness and Distinctiveness: **Newness and distinctiveness reside in the features of shape and/or configuration of the five prong arrangement of a holding assembly of ornaments as illustrated in the accompanying representations. The reference views of the holding assembly of ornaments are for illustrative purposes only and form no part of the claimed design.**

(21) Design Number: **16052/2015**
(22) Date of Filing Application: **12 November 2015**
(24) Date from which industrial property rights may have effect: **12 November 2015**
(54) Product in respect of which the design is registered: **Gloves**
(51) International Design Classification: **02-06**
(74) Name(s) of Attorney(s): **Shelston IP Pty Ltd.**
(71) Name(s) and Address(s) of Applicant(s):

Biao Dong
Nanyan Industrial Park, Xinchang Shaoxing Zhejiang, 312500 China

(72) Name(s) of Designer(s): **Biao Dong**
(45) Registration Date: **02 December 2015**

(30) Convention priority data:

(31) Number	(32) Date	(33) Country
201530140560.2	13 May 2015	CHINA

(56) Related Art Documents: **Not Applicable**

(57) Statement of Newness and Distinctiveness: **Newness and distinctiveness reside in the features of shape and/or configuration of the gloves as illustrated in the accompanying representations.**



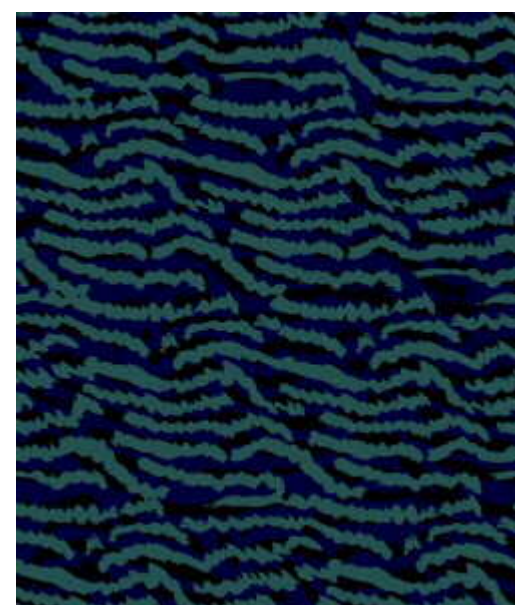
(21) Design Number: **16054/2015**
(22) Date of Filing Application: **12 November 2015**
(24) Date from which industrial property rights may have effect: **12 November 2015**
(54) Product in respect of which the design is registered: **A textile print**
(51) International Design Classification: **05-05NES**
(74) Name(s) of Attorney(s):
(71) Name(s) and Address(s) of Applicant(s):

AUSTRALIAN FASHION LABELS PTY LTD
106 Currie St Adelaide SA 5000 Australia

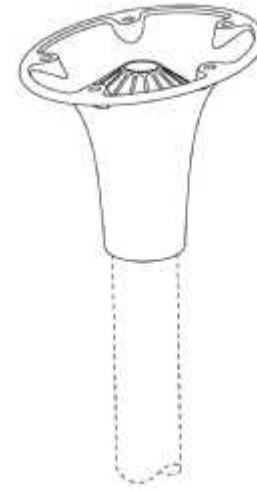
(72) Name(s) of Designer(s): **Amy Hicks and Zoey Vink**
(45) Registration Date: **02 December 2015**

(56) Related Art Documents: **Not Applicable**

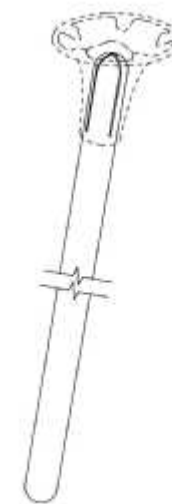
(57) Statement of Newness and Distinctiveness: **Newness and distinctiveness resides in the features of pattern and ornamentation of a textile print as shown in the accompanying representations. In considering the scope of monopoly, no regard is to be had to colour and the scope of monopoly is not restricted to the particular colour or colours depicted in the accompanying representations.**



- (21) Design Number: **16056/2015**
(22) Date of Filing Application: **12 November 2015**
(24) Date from which industrial property rights may have effect: **12 November 2015**
(54) Product in respect of which the design is registered: **Furniture leg joiner**
(51) International Design Classification: **06-06E**
(74) Name(s) of Attorney(s):
(71) Name(s) and Address(s) of Applicant(s):
Jack Andrew Dodgson
10/8 Doris St West End QLD 4101 Australia
Mish Mosh Holding Pty Ltd.
10/8 Doris St West End QLD 4101 Australia
(72) Name(s) of Designer(s): **Jack Andrew Dodgson**
(45) Registration Date: **02 December 2015**
(56) Related Art Documents: **Not Applicable**
(57) Statement of Newness and Distinctiveness: **Newness and distinctiveness resides in the shape and configuration of a leg joiner as illustrated in the accompanying illustrations. Particular regard should be given to the vaulted geometry.**



- (21) Design Number: **16057/2015**
(22) Date of Filing Application: **12 November 2015**
(24) Date from which industrial property rights may have effect: **12 November 2015**
(54) Product in respect of which the design is registered: **Furniture leg**
(51) International Design Classification: **06-06E**
(74) Name(s) of Attorney(s):
(71) Name(s) and Address(s) of Applicant(s):
Jack Andrew Dodgson
10/8 Doris St West End QLD 4101 Australia
Mish Mosh Holding Pty Ltd
10/8 Doris St West End QLD 4101 Australia
(72) Name(s) of Designer(s): **Jack Andrew Dodgson**
(45) Registration Date: **02 December 2015**
(56) Related Art Documents: **Not Applicable**
(57) Statement of Newness and Distinctiveness: **Newness and distinctiveness resides in the shape and configuration of a leg of indefinite length as illustrated in the accompanying illustrations. Particular regard should be given to the slots in the end of the leg.**



(21) Design Number: **16058/2015**
(22) Date of Filing Application: **12 November 2015**
(24) Date from which industrial property rights may have effect: **12 November 2015**
(54) Product in respect of which the design is registered: **Shoe**
(51) International Design Classification: **02-04NES**
(74) Name(s) of Attorney(s):
(71) Name(s) and Address(s) of Applicant(s):



Lauren Hamilton
8 Evergreen Pde Flagstaff Hill SA 5159 Australia

(72) Name(s) of Designer(s): **Lauren Hamilton**
(45) Registration Date: **02 December 2015**
(56) Related Art Documents: **Not Applicable**
(57) Statement of Newness and Distinctiveness: **This Soft Sole Baby/Toddler Sandal design is new in design based on the following distinct features;**
1. The dual layer leather sole allows for the upper to be fixed in between the two sole layers, therefor eliminating the commonly occurring irritation to a baby's or toddler's foot, by the exposed raw edges of leather, normally found in soft sole style footwear. Irritation is caused from the shoe's upper being sewn/fixed to the sole and left exposed on the inside of the shoe. This shoe design provides a soft flat inner sole surface, without the uncomfortable edges digging into the child's foot.
2. The design of the upper allows for the width and fit of the shoe to be adjusted to the individuals foot. Other soft sole footwear for babies is made to a particular measurement and therefor if a child's foot is very narrow or very broad, the shoe does not fit well and can cause adverse problems with bone development and balance/walking skills. This design eliminates those problems.

(21) Design Number: **16044/2015**
(22) Date of Filing Application: **12 November 2015**
(24) Date from which industrial property rights may have effect: **12 November 2015**
(54) Product in respect of which the design is registered: **Holding assembly of ornaments**
(51) International Design Classification: **11-01NES**
(74) Name(s) of Attorney(s): **Shelston IP Pty Ltd.**
(71) Name(s) and Address(s) of Applicant(s):



Crossfor Co., Ltd.
1-2-60 Asake Kofu-city Yamanashi 400-0862 Japan

(72) Name(s) of Designer(s): **Hidetaka Dobashi**
(45) Registration Date: **02 December 2015**
(30) Convention priority data:
(31) Number (32) Date (33) Country
2015-015397 10 Jul 2015 JAPAN
(56) Related Art Documents: **Not Applicable**
(57) Statement of Newness and Distinctiveness: **Newness and distinctiveness reside in the features of shape and/or configuration of a holding assembly of ornaments as illustrated in the accompanying representations.**

- (21) Design Number: **16059/2015**
(22) Date of Filing Application: **12 November 2015**
(24) Date from which industrial property rights may have effect: **12 November 2015**
(54) Product in respect of which the design is registered: **Shoes**
(51) International Design Classification: **02-04NES**
(74) Name(s) of Attorney(s):
(71) Name(s) and Address(s) of Applicant(s):
Lauren Hamilton
8 Evergreen Pde Flagstaff Hill SA 5159 Australia
(72) Name(s) of Designer(s): **Lauren Hamilton**
(45) Registration Date: **02 December 2015**
(56) Related Art Documents: **Not Applicable**
(57) Statement of Newness and Distinctiveness: **This Soft Sole Baby/Toddler 'Thong' is a new concept, inspired by the very popular 'Baby Moccasin' design and offers the following distinct features; 1. The dual layer leather sole eliminates the commonly occurring irritation to a baby's or toddler's foot, from wearing shoes with exposed raw edges of leather inside the shoe. This unfavourable flaw is found in most soft sole baby footwear, due to the shoe's upper having been sewn directly to the sole, leaving exposed edges on the inside of the shoe. This shoe design provides a soft, flat inner sole surface, without uncomfortable edges. 2. The Thong shaped upper allows for the widest point of the child's foot to move freely, as does the elasticated ankle. Pediatricians state that babies & toddlers feet need to move freely while in the early stages of bone growth and muscle development, to avoid any adverse long term issues. This design eliminates those problems, aids the child to walk as if bare foot, and stay cool in warm climates.**



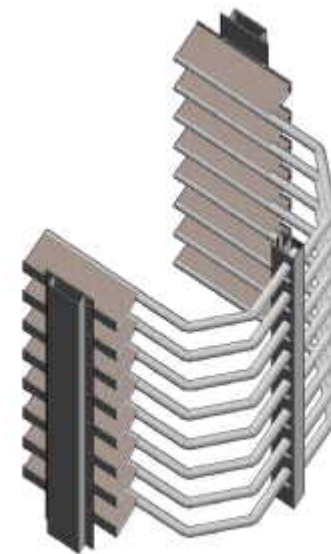
- (21) Design Number: **16060/2015**
(22) Date of Filing Application: **13 November 2015**
(24) Date from which industrial property rights may have effect: **13 November 2015**
(54) Product in respect of which the design is registered: **Navigation light**
(51) International Design Classification: **10-06**
(74) Name(s) of Attorney(s):
(71) Name(s) and Address(s) of Applicant(s):
Railblaza Limited
6 Tavern Road Silverdale Auckland 0932 New Zealand
(72) Name(s) of Designer(s): **Ross Pratt**
(45) Registration Date: **02 December 2015**
(56) Related Art Documents: **Not Applicable**
(57) Statement of Newness and Distinctiveness: **The design is to be applied to a navigation light and the novelty resides in the features of shape and configuration as shown in the accompanying representations.**



(21) Design Number: **16061/2015**
(22) Date of Filing Application: **13 November 2015**
(24) Date from which industrial property rights may have effect: **13 November 2015**
(54) Product in respect of which the design is registered: **Scooter**
(51) International Design Classification: **21-01F**
(74) Name(s) of Attorney(s): **A.P.T. Patent and Trade Mark Attorneys**
(71) Name(s) and Address(s) of Applicant(s):
Michael Roydon Puzey
7 Hans Schoeman Drive Malanshof Randburg South Africa
(72) Name(s) of Designer(s): **Michael Roydon Puzey**
(45) Registration Date: **02 December 2015**
(56) Related Art Documents: **Not Applicable**
(57) Statement of Newness and Distinctiveness: **Nil**



(21) Design Number: **16062/2015**
(22) Date of Filing Application: **13 November 2015**
(24) Date from which industrial property rights may have effect: **13 November 2015**
(54) Product in respect of which the design is registered: **Ladder**
(51) International Design Classification: **25-04**
(74) Name(s) of Attorney(s):
(71) Name(s) and Address(s) of Applicant(s):
Glenn Roddenby
C/- Patentec Patent Attorneys PO BOX A1172 Sydney South NSW 1235
Australia
(72) Name(s) of Designer(s): **Glenn Roddenby**
(45) Registration Date: **02 December 2015**
(56) Related Art Documents: **Not Applicable**
(57) Statement of Newness and Distinctiveness: **Newness and distinctiveness is claimed in the shape and configuration of the ladder apparatus comprising oppositely located steps wherein the the steps are spaced apart to allow the user to ascends and descend the ladder apparatus substantially between the steps and wherein the steps are inwardly operably orientated such that the user is able to step on each of the plurality of steps with the lateral movement of the foot.**



- (21) Design Number: **16064/2015**
(22) Date of Filing Application: **13 November 2015**
(24) Date from which industrial property rights may have effect: **13 November 2015**
(54) Product in respect of which the design is registered: **A barbeque**
(51) International Design Classification: **07-02E**
(74) Name(s) of Attorney(s): **Spruson & Ferguson**
(71) Name(s) and Address(s) of Applicant(s):
Shriro Australia Pty Limited
104 Vanessa St Kingsgrove NSW 2208 Australia
(72) Name(s) of Designer(s): **David Mansueto and David Jones and Anson Li**
(45) Registration Date: **02 December 2015**
(56) Related Art Documents: **Not Applicable**
(57) Statement of Newness and Distinctiveness: **Newness and distinctiveness is claimed in the features of shape and/or configuration of a barbeque as illustrated in the accompanying representations.**



- (21) Design Number: **16065/2015**
(22) Date of Filing Application: **13 November 2015**
(24) Date from which industrial property rights may have effect: **13 November 2015**
(54) Product in respect of which the design is registered: **A barbeque spit rod assembly**
(51) International Design Classification: **07-02E**
(74) Name(s) of Attorney(s): **Spruson & Ferguson**
(71) Name(s) and Address(s) of Applicant(s):
Shriro Australia Pty Limited
104 Vanessa St Kingsgrove NSW 2208 Australia
(72) Name(s) of Designer(s): **David Mansueto and David Jones and Anson Li**
(45) Registration Date: **02 December 2015**
(56) Related Art Documents: **Not Applicable**
(57) Statement of Newness and Distinctiveness: **Newness and distinctiveness is claimed in the features of shape and/or configuration of a barbeque spit rod assembly as illustrated in the accompanying representations.**



- (21) Design Number: **16066/2015**
(22) Date of Filing Application: **13 November 2015**
(24) Date from which industrial property rights may have effect: **13 November 2015**
(54) Product in respect of which the design is registered: **A barbeque**
(51) International Design Classification: **07-02E**
(74) Name(s) of Attorney(s): **Spruson & Ferguson**
(71) Name(s) and Address(s) of Applicant(s):
Shriro Australia Pty Limited
104 Vanessa St Kingsgrove NSW 2208 Australia
(72) Name(s) of Designer(s): **David Mansueto and David Jones and Anson Li**
(45) Registration Date: **02 December 2015**
(56) Related Art Documents: **Not Applicable**
(57) Statement of Newness and Distinctiveness: **Newness and distinctiveness is claimed in the features of shape and/or configuration of a barbeque as illustrated in the accompanying representations.**



- (21) Design Number: **16067/2015**
(22) Date of Filing Application: **13 November 2015**
(24) Date from which industrial property rights may have effect: **13 November 2015**
(54) Product in respect of which the design is registered: **A barbeque**
(51) International Design Classification: **07-02E**
(74) Name(s) of Attorney(s): **Spruson & Ferguson**
(71) Name(s) and Address(s) of Applicant(s):
Shriro Australia Pty Limited
104 Vanessa St Kingsgrove NSW 2208 Australia
(72) Name(s) of Designer(s): **David Mansueto and David Jones and Anson Li**
(45) Registration Date: **02 December 2015**
(56) Related Art Documents: **Not Applicable**
(57) Statement of Newness and Distinctiveness: **Newness and distinctiveness is claimed in the features of shape and/or configuration of a barbeque as illustrated in the accompanying representations.**



- (21) Design Number: **16068/2015**
(22) Date of Filing Application: **13 November 2015**
(24) Date from which industrial property rights may have effect: **13 November 2015**
(54) Product in respect of which the design is registered: **A barbeque**
(51) International Design Classification: **07-02E**
(74) Name(s) of Attorney(s): **Spruson & Ferguson**
(71) Name(s) and Address(s) of Applicant(s):
Shriro Australia Pty Limited
104 Vanessa St Kingsgrove NSW 2208 Australia
(72) Name(s) of Designer(s): **David Mansueto and David Jones and Anson Li**
(45) Registration Date: **02 December 2015**
(56) Related Art Documents: **Not Applicable**
(57) Statement of Newness and Distinctiveness: **Newness and distinctiveness is claimed in the features of shape and/or configuration of a barbeque as illustrated in the accompanying representations.**



- (21) Design Number: **16069/2015**
(22) Date of Filing Application: **13 November 2015**
(24) Date from which industrial property rights may have effect: **13 November 2015**
(54) Product in respect of which the design is registered: **A barbeque**
(51) International Design Classification: **07-02E**
(74) Name(s) of Attorney(s): **Spruson & Ferguson**
(71) Name(s) and Address(s) of Applicant(s):
Shriro Australia Pty Limited
104 Vanessa St Kingsgrove NSW 2208 Australia
(72) Name(s) of Designer(s): **David Mansueto and David Jones and Anson Li**
(45) Registration Date: **02 December 2015**
(56) Related Art Documents: **Not Applicable**
(57) Statement of Newness and Distinctiveness: **Newness and distinctiveness is claimed in the features of shape and/or configuration of a barbeque as illustrated in the accompanying representations.**



- (21) Design Number: **16070/2015**
(22) Date of Filing Application: **13 November 2015**
(24) Date from which industrial property rights may have effect: **13 November 2015**
(54) Product in respect of which the design is registered: **A barbeque pedestal**
(51) International Design Classification: **07-02E**
(74) Name(s) of Attorney(s): **Spruson & Ferguson**
(71) Name(s) and Address(s) of Applicant(s):
Shiro Australia Pty Limited
104 Vanessa St Kingsgrove NSW 2208 Australia
(72) Name(s) of Designer(s): **David Mansueto and David Jones and Anson Li**
(45) Registration Date: **02 December 2015**
(56) Related Art Documents: **Not Applicable**
(57) Statement of Newness and Distinctiveness: **Newness and distinctiveness is claimed in the features of shape and/or configuration of a barbeque pedestal as illustrated in the accompanying representations.**



- (21) Design Number: **16020/2015**
(22) Date of Filing Application: **11 November 2015**
(24) Date from which industrial property rights may have effect: **11 November 2015**
(54) Product in respect of which the design is registered: **Sauce pot**
(51) International Design Classification: **07-02N**
(74) Name(s) of Attorney(s): **PHILLIPS ORMONDE FITZPATRICK**
(71) Name(s) and Address(s) of Applicant(s):
Magellan Home-Goods, Ltd
225 Marine Drive Suite 300 Blaine Washington, 98230 United States of America
(72) Name(s) of Designer(s): **Andre Dean Cloutier and Debra Lynne Sasken-Duff**
(45) Registration Date: **02 December 2015**
(30) Convention priority data:
(31) Number (32) Date (33) Country
29/529,064 03 Jun 2015 UNITED STATES OF AMERICA
(56) Related Art Documents: **Not Applicable**
(57) Statement of Newness and Distinctiveness: **Nil**



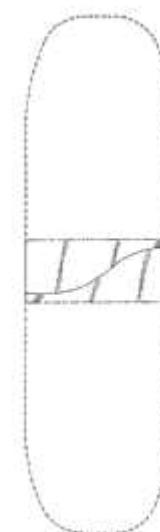
(21) Design Number: **16023/2015**
(22) Date of Filing Application: **11 November 2015**
(24) Date from which industrial property rights may have effect: **11 November 2015**
(54) Product in respect of which the design is registered: **Suspended seat**
(51) International Design Classification: **06-01NES**
(74) Name(s) of Attorney(s): **Collison & Co**
(71) Name(s) and Address(s) of Applicant(s):
Nicholas McDonald
1 Waltacre Yealmpton Plymouth Devon PL8 2LY United Kingdom
(72) Name(s) of Designer(s): **Nicholas McDonald**
(45) Registration Date: **02 December 2015**
(56) Related Art Documents: **Not Applicable**
(57) Statement of Newness and Distinctiveness: **Nil**



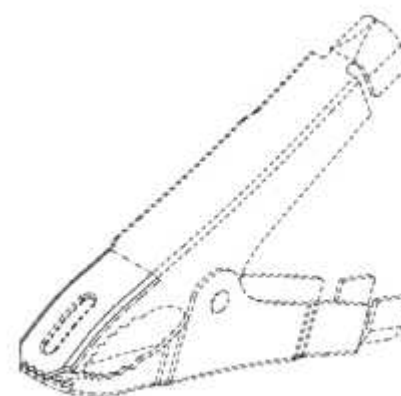
(21) Design Number: **16024/2015**
(22) Date of Filing Application: **11 November 2015**
(24) Date from which industrial property rights may have effect: **11 November 2015**
(54) Product in respect of which the design is registered: **Suspended seat**
(51) International Design Classification: **06-01NES**
(74) Name(s) of Attorney(s): **Collison & Co**
(71) Name(s) and Address(s) of Applicant(s):
Nicholas McDonald
1 Waltacre Yealmpton Plymouth Devon PL8 2LY United Kingdom
(72) Name(s) of Designer(s): **Nicholas McDonald**
(45) Registration Date: **02 December 2015**
(56) Related Art Documents: **Not Applicable**
(57) Statement of Newness and Distinctiveness: **Nil**



(21) Design Number: **16030/2015**
(22) Date of Filing Application: **11 November 2015**
(24) Date from which industrial property rights may have effect: **27 August 2015**
(54) Product in respect of which the design is registered: **Adhesive bandage with release liner**
(51) International Design Classification: **24-04**
(74) Name(s) of Attorney(s): **Shelston IP Pty Ltd.**
(71) Name(s) and Address(s) of Applicant(s):
Johnson & Johnson Consumer Inc.
199 Grandview Road Skillman New Jersey, 08858 United States of America
(72) Name(s) of Designer(s): **Leonardo Caneppele and Andre Narcizo**
(45) Registration Date: **02 December 2015**
(30) Convention priority data:
(31) Number (32) Date (33) Country
29/520006 10 Mar 2015 UNITED STATES OF AMERICA
(62) Divisional of: **365420**
(56) Related Art Documents: **Not Applicable**
(57) Statement of Newness and Distinctiveness: **Newness and distinctiveness reside in a decorative pattern for a release liner parting line of an adhesive bandage. The features shown in broken line are displayed for illustrative purposes only and are not considered part of the claimed design.**



(21) Design Number: **16031/2015**
(22) Date of Filing Application: **12 November 2015**
(24) Date from which industrial property rights may have effect: **12 November 2015**
(54) Product in respect of which the design is registered: **Battery clamp**
(51) International Design Classification: **13-03B**
(74) Name(s) of Attorney(s): **A.P.T. Patent and Trade Mark Attorneys**
(71) Name(s) and Address(s) of Applicant(s):
Alex Dai
No. 60, Xingzhong Rd. Dadu Dist. Taichung City 432 Taiwan
(72) Name(s) of Designer(s): **Alex Dai**
(45) Registration Date: **02 December 2015**
(30) Convention priority data:
(31) Number (32) Date (33) Country
104303897 21 Jul 2015 TAIWAN
(56) Related Art Documents: **Not Applicable**
(57) Statement of Newness and Distinctiveness: **Newness and distinctiveness resides in the shape and configuration of the front portion of the battery clamp shown in unbroken lines. In assessing newness and distinctiveness of the battery clamp no regard is to be had of those portions shown in broken lines.**



(21) Design Number: **16032/2015**
(22) Date of Filing Application: **12 November 2015**
(24) Date from which industrial property rights may have effect: **12 November 2015**
(54) Product in respect of which the design is registered: **Battery clamp**
(51) International Design Classification: **13-03B**
(74) Name(s) of Attorney(s): **A.P.T. Patent and Trade Mark Attorneys**
(71) Name(s) and Address(s) of Applicant(s):

Alex Dai
No. 60, Xingzhong Rd. Dadu Dist. Taichung City 432 Taiwan

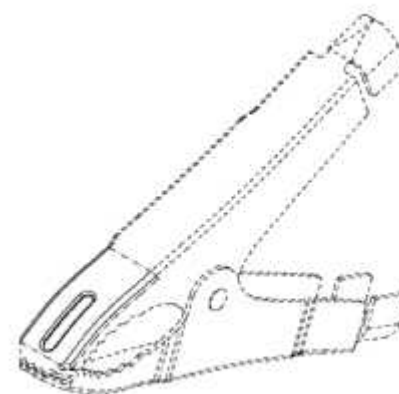
(72) Name(s) of Designer(s): **Alex Dai**
(45) Registration Date: **02 December 2015**

(30) Convention priority data:

(31) Number	(32) Date	(33) Country
104303898	21 Jul 2015	TAIWAN

(56) Related Art Documents: **Not Applicable**

(57) Statement of Newness and Distinctiveness: **Newness and distinctiveness resides in the shape and configuration of the front portion of the battery clamp shown in unbroken lines. In assessing newness and distinctiveness of the battery clamp no regard is to be had of those portions shown in broken lines.**



(21) Design Number: **16033/2015**
(22) Date of Filing Application: **12 November 2015**
(24) Date from which industrial property rights may have effect: **12 November 2015**
(54) Product in respect of which the design is registered: **Flotation tank for ore processing**
(51) International Design Classification: **15-99**
(74) Name(s) of Attorney(s): **Griffith Hack**
(71) Name(s) and Address(s) of Applicant(s):

Outotec (Finland) Oy
Rauhalanpuisto 9 Espoo 02230 Finland

(72) Name(s) of Designer(s): **Pekka Tahkio and Jukka Lakanen and Matti Luukkonen and Valter Vaarna**

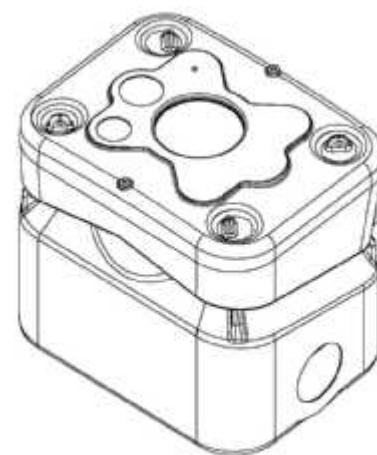
(45) Registration Date: **02 December 2015**

(30) Convention priority data:

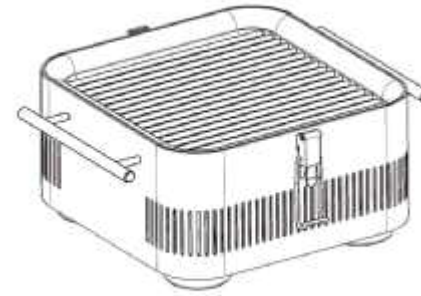
(31) Number	(32) Date	(33) Country
001435275-0001	13 May 2015	OFFICE FOR HARMONISATION IN THE INTERNAL MARKET (OHIM)

(56) Related Art Documents: **Not Applicable**

(57) Statement of Newness and Distinctiveness: **Newness and distinctiveness resides in the visual features, including the shape and configuration of the product shown in the representations.**



- (21) Design Number: **16072/2015**
(22) Date of Filing Application: **13 November 2015**
(24) Date from which industrial property rights may have effect: **13 November 2015**
(54) Product in respect of which the design is registered: **A barbeque**
(51) International Design Classification: **07-02E**
(74) Name(s) of Attorney(s): **Spruson & Ferguson**
(71) Name(s) and Address(s) of Applicant(s):
Shriro Australia Pty Limited
104 Vanessa St Kingsgrove NSW 2208 Australia
(72) Name(s) of Designer(s): **David Mansueto and David Jones and Anson Li**
(45) Registration Date: **02 December 2015**
(56) Related Art Documents: **Not Applicable**
(57) Statement of Newness and Distinctiveness: **Newness and distinctiveness is claimed in the features of shape and/or configuration of a barbeque as illustrated in the accompanying representations.**



- (21) Design Number: **16075/2015**
(22) Date of Filing Application: **13 November 2015**
(24) Date from which industrial property rights may have effect: **13 November 2015**
(54) Product in respect of which the design is registered: **A barbeque spit fork**
(51) International Design Classification: **07-02NES**
(74) Name(s) of Attorney(s): **Spruson & Ferguson**
(71) Name(s) and Address(s) of Applicant(s):
Shriro Australia Pty Limited
104 Vanessa St Kingsgrove NSW 2208 Australia
(72) Name(s) of Designer(s): **David Mansueto and David Jones and Anson Li**
(45) Registration Date: **02 December 2015**
(56) Related Art Documents: **Not Applicable**
(57) Statement of Newness and Distinctiveness: **Newness and distinctiveness is claimed in the features of shape and/or configuration of a barbeque spit fork as illustrated in the accompanying representations.**



(21) Design Number: **16080/2015**
(22) Date of Filing Application: **13 November 2015**
(24) Date from which industrial property rights may have effect: **13 November 2015**
(54) Product in respect of which the design is registered: **A container and food tray**
(51) International Design Classification: **07-01NES**
(74) Name(s) of Attorney(s): **AJ Park**
(71) Name(s) and Address(s) of Applicant(s):
Geoffrey Stewart Thomas
768 Mt Eden Road Mt Eden Auckland 1024 New Zealand
(72) Name(s) of Designer(s): **Geoffrey Stewart Thomas**
(45) Registration Date: **02 December 2015**
(30) Convention priority data:
(31) Number (32) Date (33) Country
420228 14 May 2015 NEW ZEALAND
(56) Related Art Documents: **Not Applicable**
(57) Statement of Newness and Distinctiveness: **The design is to be applied to a container and food tray and the novelty resides in the features of shape and configuration as shown in the accompanying representations.**



(21) Design Number: **16081/2015**
(22) Date of Filing Application: **13 November 2015**
(24) Date from which industrial property rights may have effect: **13 November 2015**
(54) Product in respect of which the design is registered: **Blender attachment**
(51) International Design Classification: **31-00**
(74) Name(s) of Attorney(s): **PHILLIPS ORMONDE FITZPATRICK**
(71) Name(s) and Address(s) of Applicant(s):
SharkNinja Operating LLC
180 Wells Avenue Suite 200 Newton Massachusetts, 02459 United States of America
(72) Name(s) of Designer(s): **Joyce Chien Tu**
(45) Registration Date: **02 December 2015**
(30) Convention priority data:
(31) Number (32) Date (33) Country
29/528,395 28 May 2015 UNITED STATES OF AMERICA
(56) Related Art Documents: **Not Applicable**
(57) Statement of Newness and Distinctiveness: **Those features of the blender attachment depicted in the representations that are new and distinctive are the shape and/or configuration. The features shown in broken lines are not part of the design and are to be disregarded when considering the overall impression of the design.**



(21) Design Number: **16082/2015**

(22) Date of Filing Application: **13 November 2015**

(24) Date from which industrial property rights may have effect: **13 November 2015**

(54) Product in respect of which the design is registered: **Blender attachment**

(51) International Design Classification: **31-00**

(74) Name(s) of Attorney(s): **PHILLIPS ORMONDE FITZPATRICK**

(71) Name(s) and Address(s) of Applicant(s):

SharkNinja Operating LLC

**180 Wells Avenue Suite 200 Newton Massachusetts, 02459 United States
of America**

(72) Name(s) of Designer(s): **Joyce Chien Tu**

(45) Registration Date: **02 December 2015**

(30) Convention priority data:

(31) Number	(32) Date	(33) Country
29/528,395	28 May 2015	UNITED STATES OF AMERICA

(56) Related Art Documents: **Not Applicable**

(57) Statement of Newness and Distinctiveness: **Those features of the blender attachment depicted in the representations that are new and distinctive are the shape and/or configuration. The features shown in broken lines are not part of the design and are to be disregarded when considering the overall impression of the design.**



(21) Design Number: **16083/2015**

(22) Date of Filing Application: **13 November 2015**

(24) Date from which industrial property rights may have effect: **13 November 2015**

(54) Product in respect of which the design is registered: **Blender attachment**

(51) International Design Classification: **31-00**

(74) Name(s) of Attorney(s): **PHILLIPS ORMONDE FITZPATRICK**

(71) Name(s) and Address(s) of Applicant(s):

SharkNinja Operating LLC

**180 Wells Avenue Suite 200 Newton Massachusetts, 02459 United States
of America**

(72) Name(s) of Designer(s): **Joyce Chien Tu**

(45) Registration Date: **02 December 2015**

(30) Convention priority data:

(31) Number	(32) Date	(33) Country
29/528,395	28 May 2015	UNITED STATES OF AMERICA

(56) Related Art Documents: **Not Applicable**

(57) Statement of Newness and Distinctiveness: **Those features of the blender attachment depicted in the representations that are new and distinctive are the shape and/or configuration. The features shown in broken lines are not part of the design and are to be disregarded when considering the overall impression of the design.**



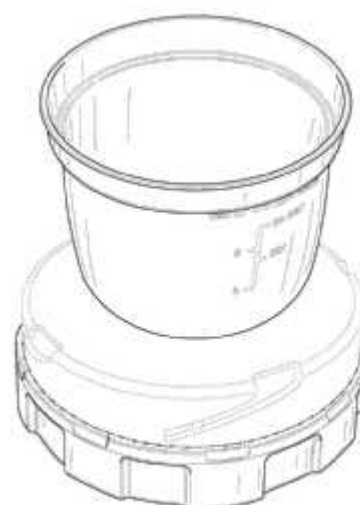
(21) Design Number: **16084/2015**
(22) Date of Filing Application: **13 November 2015**
(24) Date from which industrial property rights may have effect: **13 November 2015**
(54) Product in respect of which the design is registered: **Blender attachment**
(51) International Design Classification: **31-00**
(74) Name(s) of Attorney(s): **PHILLIPS ORMONDE FITZPATRICK**
(71) Name(s) and Address(s) of Applicant(s):
SharkNinja Operating LLC
180 Wells Avenue Suite 200 Newton Massachusetts, 02459 United States of America

(72) Name(s) of Designer(s): **Joyce Chien Tu**
(45) Registration Date: **02 December 2015**

(30) Convention priority data:
(31) Number (32) Date (33) Country
29/528,395 28 May 2015 UNITED STATES OF AMERICA

(56) Related Art Documents: **Not Applicable**

(57) Statement of Newness and Distinctiveness: **Those features of the blender attachment depicted in the representations that are new and distinctive are the shape and/or configuration. The features shown in broken lines are not part of the design and are to be disregarded when considering the overall impression of the design.**

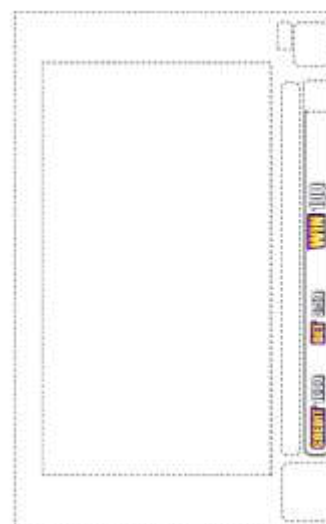


(21) Design Number: **14991/2015**
(22) Date of Filing Application: **23 September 2015**
(24) Date from which industrial property rights may have effect: **23 September 2015**
(54) Product in respect of which the design is registered: **Display screen with graphical user interface**
(51) International Design Classification: **20-01**
(74) Name(s) of Attorney(s): **Shelston IP Pty Ltd.**
(71) Name(s) and Address(s) of Applicant(s):
Ainsworth Game Technology Limited
10 Holker St Newington NSW, 2127 Australia

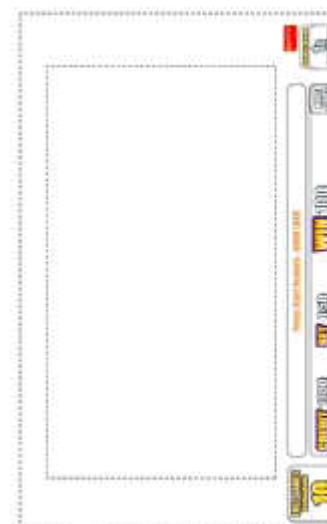
(72) Name(s) of Designer(s): **Melinda Parr**
(45) Registration Date: **03 December 2015**

(56) Related Art Documents: **Not Applicable**

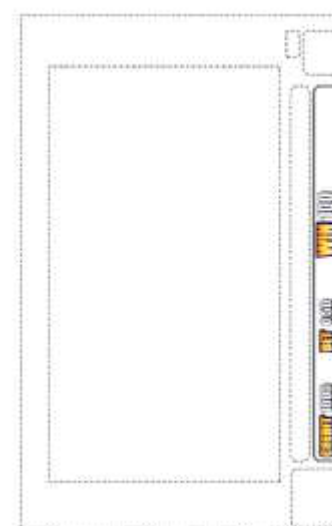
(57) Statement of Newness and Distinctiveness: **Newness and distinctiveness reside in the features of pattern and/or ornamentation of the display screen with graphical user interface illustrated by solid lines in the representation. The alphanumeric characters depicted are indicative only, and may be substituted by alternative symbols or alphanumeric characters. The features shown in broken outline are for contextual purposes only and do not form part of the design.**



- (21) Design Number: **14993/2015**
(22) Date of Filing Application: **23 September 2015**
(24) Date from which industrial property rights may have effect: **23 September 2015**
(54) Product in respect of which the design is registered: **Display screen with graphical user interface**
(51) International Design Classification: **20-01**
(74) Name(s) of Attorney(s): **Shelston IP Pty Ltd.**
(71) Name(s) and Address(s) of Applicant(s):
Ainsworth Game Technology Limited
10 Holker St Newington NSW, 2127 Australia
(72) Name(s) of Designer(s): **Melinda Parr**
(45) Registration Date: **03 December 2015**
(56) Related Art Documents: **Not Applicable**
(57) Statement of Newness and Distinctiveness: **Newness and distinctiveness reside in the features of pattern and/or ornamentation of the display screen with graphical user interface illustrated by solid lines in the representation. The alphanumeric characters depicted are indicative only, and may be substituted by alternative symbols or alphanumeric characters. Likewise, the flag symbol depicted is indicative only, and may be substituted by alternative flag symbols or alternative symbols. The features shown in broken outline are for contextual purposes only and do not form part of the design.**



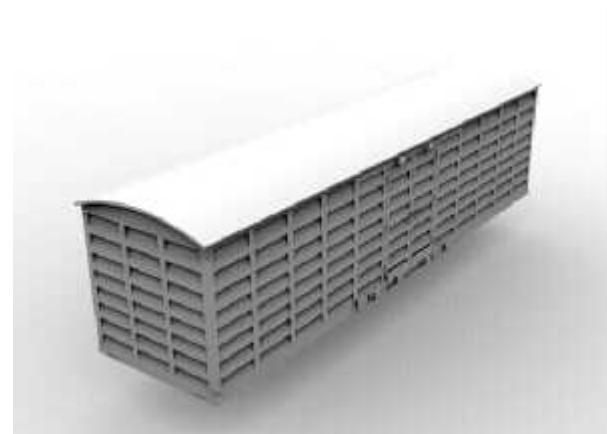
- (21) Design Number: **14994/2015**
(22) Date of Filing Application: **23 September 2015**
(24) Date from which industrial property rights may have effect: **23 September 2015**
(54) Product in respect of which the design is registered: **Display screen with graphical user interface**
(51) International Design Classification: **20-01**
(74) Name(s) of Attorney(s): **Shelston IP Pty Ltd.**
(71) Name(s) and Address(s) of Applicant(s):
Ainsworth Game Technology Limited
10 Holker St Newington NSW, 2127 Australia
(72) Name(s) of Designer(s): **Melinda Parr**
(45) Registration Date: **03 December 2015**
(56) Related Art Documents: **Not Applicable**
(57) Statement of Newness and Distinctiveness: **Newness and distinctiveness reside in the features of pattern and/or ornamentation of the display screen with graphical user interface illustrated by solid lines in the representation. The alphanumeric characters depicted are indicative only, and may be substituted by alternative symbols or alphanumeric characters. The features shown in broken outline are for contextual purposes only and do not form part of the design.**



- (21) Design Number: **16103/2015**
(22) Date of Filing Application: **14 November 2015**
(24) Date from which industrial property rights may have effect: **05 September 2015**
(54) Product in respect of which the design is registered: **16mm scale model of victorian railways nqr wagon**
(51) International Design Classification: **21-01C**
(74) Name(s) of Attorney(s):
(71) Name(s) and Address(s) of Applicant(s):
Brian John Norris
PO BOX 48 Forrestfield WA 6058 Australia
(72) Name(s) of Designer(s): **Brian John Norris**
(45) Registration Date: **03 December 2015**
(62) Divisional of: **365293**
(56) Related Art Documents: **Not Applicable**
(57) Statement of Newness and Distinctiveness: **Three dimensional 16mm scale model of Victorian Railways narrow gauge NQR wagon on 25 foot chassis as used on Victorian Railways and Puffing Billy Railway. I designed this model in early 2013 and had it available to market at that time. No other 16mm scale models of this genre existed at that time. Original photographs and Victorian Railways plans were used to design the model using my knowledge creativity, ingenuity and technical advice.**



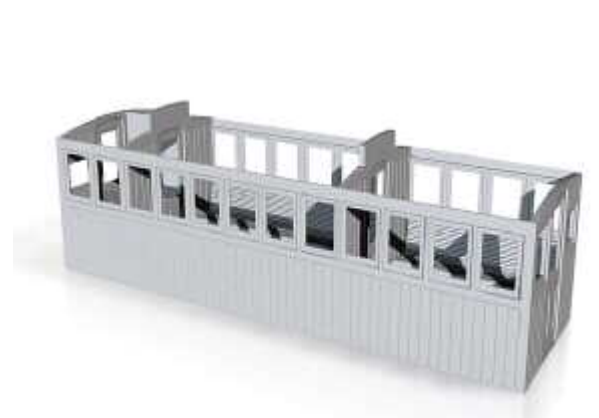
- (21) Design Number: **16105/2015**
(22) Date of Filing Application: **14 November 2015**
(24) Date from which industrial property rights may have effect: **05 September 2015**
(54) Product in respect of which the design is registered: **16mm scale model of victorian railways nu wagon**
(51) International Design Classification: **21-01C**
(74) Name(s) of Attorney(s):
(71) Name(s) and Address(s) of Applicant(s):
Brian John Norris
PO BOX 48 Forrestfield WA 6058 Australia
(72) Name(s) of Designer(s): **Brian John Norris**
(45) Registration Date: **03 December 2015**
(62) Divisional of: **365293**
(56) Related Art Documents: **Not Applicable**
(57) Statement of Newness and Distinctiveness: **Three dimensional 16mm scale (1:19) model of Victorian Railways narrow gauge NU van body. The unique design was created in 2013/2014 from drawings and photographs commissioned by myself and using my knowledge, creativity, ingenuity and technical input to create a three dimensional design and scale model that did not previously exist.**



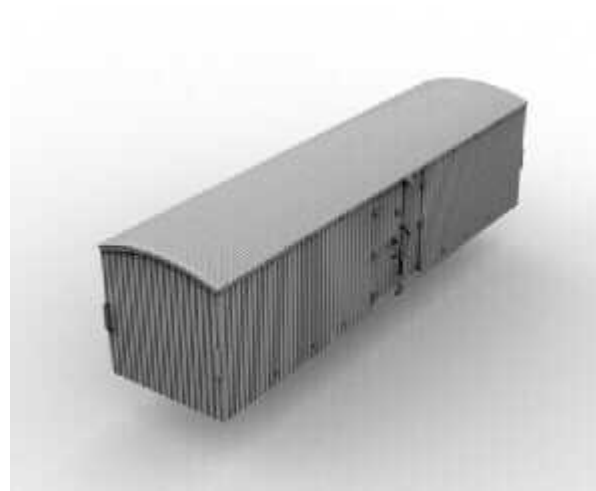
- (21) Design Number: **16106/2015**
(22) Date of Filing Application: **14 November 2015**
(24) Date from which industrial property rights may have effect: **05 September 2015**
(54) Product in respect of which the design is registered: **16mm scale model of victorian railways nm van**
(51) International Design Classification: **21-01C**
(74) Name(s) of Attorney(s):
(71) Name(s) and Address(s) of Applicant(s):
Brian John Norris
PO BOX 48 Forrestfield WA 6058 Australia
(72) Name(s) of Designer(s): **Brian John Norris**
(45) Registration Date: **03 December 2015**
(62) Divisional of: **365293**
(56) Related Art Documents: **Not Applicable**
(57) Statement of Newness and Distinctiveness: **Three dimensional 16mm scale (1:19) model of Victorian Railways narrow gauge NM van body. The unique design was created in 2013/2014 from historical drawings and photographs, commissioned by myself and using my knowledge, creativity, ingenuity and technical input to create a three dimensional design and scale model that did not previously exist.**



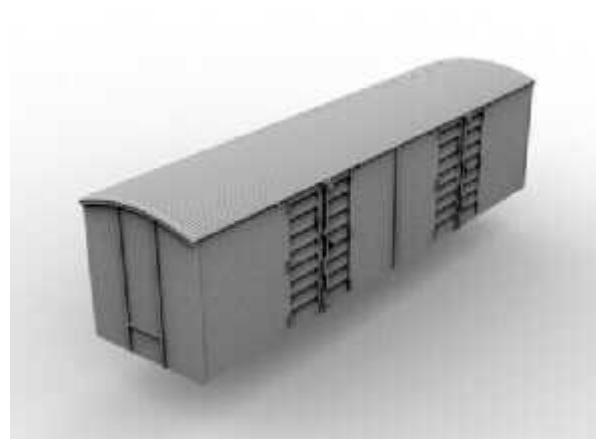
- (21) Design Number: **16107/2015**
(22) Date of Filing Application: **15 November 2015**
(24) Date from which industrial property rights may have effect: **05 September 2015**
(54) Product in respect of which the design is registered: **16mm scale model of victorian railways nb car**
(51) International Design Classification: **21-01C**
(74) Name(s) of Attorney(s):
(71) Name(s) and Address(s) of Applicant(s):
Brian John Norris
PO BOX 48 Forrestfield WA 6058 Australia
(72) Name(s) of Designer(s): **Brian John Norris**
(45) Registration Date: **03 December 2015**
(62) Divisional of: **365293**
(56) Related Art Documents: **Not Applicable**
(57) Statement of Newness and Distinctiveness: **Three dimensional 16mm scale (1:19) model of Victorian Railways narrow gauge NB (platform) car body. The unique design was created in 2013/2014 from historical drawings and photographs, commissioned by myself and using my knowledge, creativity, ingenuity and technical input to create a three dimensional design and scale model that did not previously exist.**



- (21) Design Number: **16108/2015**
(22) Date of Filing Application: **15 November 2015**
(24) Date from which industrial property rights may have effect: **05 September 2015**
(54) Product in respect of which the design is registered: **16mm scale model of victorian railways nt wagon**
(51) International Design Classification: **21-01C**
(74) Name(s) of Attorney(s):
(71) Name(s) and Address(s) of Applicant(s):
Brian John Norris
PO BOX 48 Forrestfield WA 6058 Australia
(72) Name(s) of Designer(s): **Brian John Norris**
(45) Registration Date: **03 December 2015**
(62) Divisional of: **365293**
(56) Related Art Documents: **Not Applicable**
(57) Statement of Newness and Distinctiveness: **Three dimensional 16mm scale (1:19) model of Victorian Railways narrow gauge NT van body. The unique design was created in 2013/2014 from historical drawings and photographs, commissioned by myself and using my knowledge, creativity, ingenuity and technical input to create a three dimensional design and scale model that did not previously exist.**



- (21) Design Number: **16109/2015**
(22) Date of Filing Application: **15 November 2015**
(24) Date from which industrial property rights may have effect: **05 September 2015**
(54) Product in respect of which the design is registered: **16mm scale model of victorian railways nh van body**
(51) International Design Classification: **21-01C**
(74) Name(s) of Attorney(s):
(71) Name(s) and Address(s) of Applicant(s):
Brian John Norris
PO BOX 48 Forrestfield WA 6058 Australia
(72) Name(s) of Designer(s): **Brian John Norris**
(45) Registration Date: **03 December 2015**
(62) Divisional of: **365293**
(56) Related Art Documents: **Not Applicable**
(57) Statement of Newness and Distinctiveness: **Three dimensional 16mm scale (1:19) model of Victorian Railways narrow gauge NH van body. The unique design was created in 2013/2014 from historical drawings and photographs, commissioned by myself and using my knowledge, creativity, ingenuity and technical input to create a three dimensional design and scale model that did not previously exist.**



- (21) Design Number: **16110/2015**
(22) Date of Filing Application: **15 November 2015**
(24) Date from which industrial property rights may have effect: **15 November 2015**
(54) Product in respect of which the design is registered: **Signage**
(51) International Design Classification: **20-03NES**
(74) Name(s) of Attorney(s):
(71) Name(s) and Address(s) of Applicant(s):
Kentaro Inoue
2/222 Whatley Cres Maylands WA 6051 Australia
(72) Name(s) of Designer(s): **Kentaro Inoue**
(45) Registration Date: **03 December 2015**
(56) Related Art Documents: **Not Applicable**
(57) Statement of Newness and Distinctiveness: **Nil**



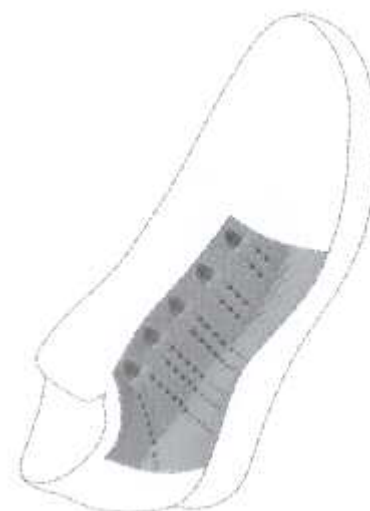
- (21) Design Number: **14785/2015**
(22) Date of Filing Application: **09 September 2015**
(24) Date from which industrial property rights may have effect: **09 September 2015**
(54) Product in respect of which the design is registered: **Shoe**
(51) International Design Classification: **02-04NES**
(74) Name(s) of Attorney(s): **Davies Collison Cave**
(71) Name(s) and Address(s) of Applicant(s):
NIKE Innovate C.V.
One Bowerman Drive Beaverton Oregon, 97005-6453 United States of America
(72) Name(s) of Designer(s): **Robert C. Williams Jr and Fidencio Campos and Troy C. Lindner**
(45) Registration Date: **03 December 2015**
(56) Related Art Documents: **Not Applicable**
(57) Statement of Newness and Distinctiveness: **Newness and distinctiveness is claimed in the visual features shown in the representations excluding the visual features shown in broken lines, and excluding colouring and texture.**



(21) Design Number: **14786/2015**
(22) Date of Filing Application: **09 September 2015**
(24) Date from which industrial property rights may have effect: **09 September 2015**
(54) Product in respect of which the design is registered: **Shoe upper**
(51) International Design Classification: **02-04NES**
(74) Name(s) of Attorney(s): **Davies Collison Cave**
(71) Name(s) and Address(s) of Applicant(s):

NIKE Innovate C.V.
One Bowerman Drive Beaverton Oregon, 97005-6453 United States of America

(72) Name(s) of Designer(s): **Robert C. Williams Jr**
(45) Registration Date: **03 December 2015**
(56) Related Art Documents: **Not Applicable**
(57) Statement of Newness and Distinctiveness: **Newness and distinctiveness is claimed in the visual features shown in the representations, excluding the visual features shown in broken lines, and excluding colouring and texture. The sole shown in broken lines in the representations does not form a part of the product or design.**



(21) Design Number: **14789/2015**
(22) Date of Filing Application: **09 September 2015**
(24) Date from which industrial property rights may have effect: **09 September 2015**
(54) Product in respect of which the design is registered: **Computing device display screen**
(51) International Design Classification: **14-02**
(74) Name(s) of Attorney(s): **WRAYS PTY LTD**
(71) Name(s) and Address(s) of Applicant(s):

Uber Technologies, Inc.
1455 Market Street 4th Floor San Francisco California, 94103 United States of America

(72) Name(s) of Designer(s): **Peter Ng and Mark Larus**
(45) Registration Date: **03 December 2015**
(30) Convention priority data:
(31) Number (32) Date (33) Country
29/519,958 09 Mar 2015 UNITED STATES OF AMERICA

(56) Related Art Documents: **Not Applicable**
(57) Statement of Newness and Distinctiveness: **Newness and distinctiveness is claimed in the features of shape, configuration, pattern, and/or ornamentation of the Computing Device Display Screen With Graphical User Interface as shown in the accompanying representations. The features depicted by broken lines are for illustrative purposes only and form no part of the claimed design.**



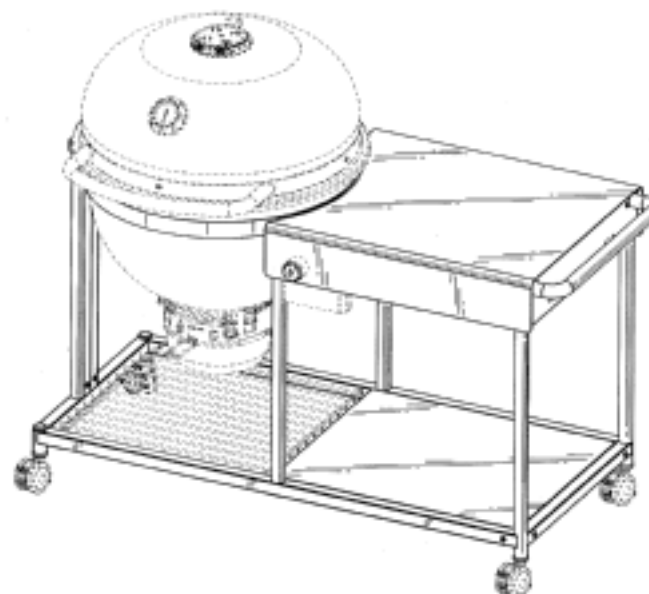
- (21) Design Number: **14800/2015**
(22) Date of Filing Application: **10 September 2015**
(24) Date from which industrial property rights may have effect: **10 September 2015**
(54) Product in respect of which the design is registered: **Single seat occasional chair**
(51) International Design Classification: **06-01H**
(74) Name(s) of Attorney(s):
(71) Name(s) and Address(s) of Applicant(s):
Demelza McCrindle
2/1 Lindfield Ave Edwardstown SA, 5039 Australia
(72) Name(s) of Designer(s): **Demelza McCrindle**
(45) Registration Date: **03 December 2015**
(56) Related Art Documents: **Not Applicable**
(57) Statement of Newness and Distinctiveness: **The chair has been designed and manufactured over a period of 2 years. It is made from powder coated steel tube and leather. The design shape and form of the chair is unique as are the materials used in finished product. The design of the steel tubing is completely unique and designed from the beginning by Demelza McCrindle as are the shapes of the leather pieces and how and where they attach to the chair, giving a completely unique chair design.**



- (21) Design Number: **15374/2015**
(22) Date of Filing Application: **12 October 2015**
(24) Date from which industrial property rights may have effect: **12 October 2015**
(54) Product in respect of which the design is registered: **Display screen with graphical user interface**
(51) International Design Classification: **14-02**
(74) Name(s) of Attorney(s): **Freehills Patent Attorneys**
(71) Name(s) and Address(s) of Applicant(s):
Apple Inc.
1 Infinite Loop Cupertino California, 95014 United States of America
(72) Name(s) of Designer(s): **William Martin Bachman and Taylor Gerard Carrigan and Alexander C.D. Fringes and Monika E. Gromek and Brendon Manwaring and Ofer Morag and Jeffrey L. Robbin**
(45) Registration Date: **03 December 2015**
(30) Convention priority data:
(31) Number (32) Date (33) Country
29/523739 13 Apr 2015 UNITED STATES OF AMERICA
(56) Related Art Documents: **Not Applicable**
(57) Statement of Newness and Distinctiveness: **Newness and distinctiveness is claimed in the features of pattern and/or ornamentation of a display screen as shown in solid lines in the accompanying figure A.**



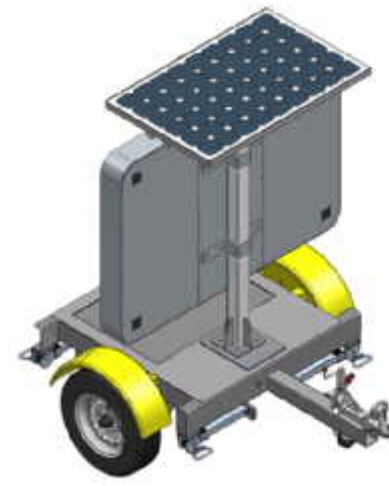
- (21) Design Number: **15942/2015**
(22) Date of Filing Application: **09 November 2015**
(24) Date from which industrial property rights may have effect: **09 November 2015**
(54) Product in respect of which the design is registered: **Grill cart**
(51) International Design Classification: **07-02H**
(74) Name(s) of Attorney(s): **Spruson & Ferguson**
(71) Name(s) and Address(s) of Applicant(s):
Weber-Stephen Products, LLC
200 E. Daniels Road, Palatine Illinois, 60067 United States of America
(72) Name(s) of Designer(s): **Carmen O. Lira-Nunez and Mark R. Pavel and Hollice Childress and Jacob A. Stanton**
(45) Registration Date: **03 December 2015**
(30) Convention priority data:
(31) Number (32) Date (33) Country
29/530654 18 Jun 2015 UNITED STATES OF AMERICA
(56) Related Art Documents: **Not Applicable**
(57) Statement of Newness and Distinctiveness: **Newness and distinctiveness is claimed in the features of shape and/or configuration of a grill cart as illustrated in continuous lines in the accompanying representations.**



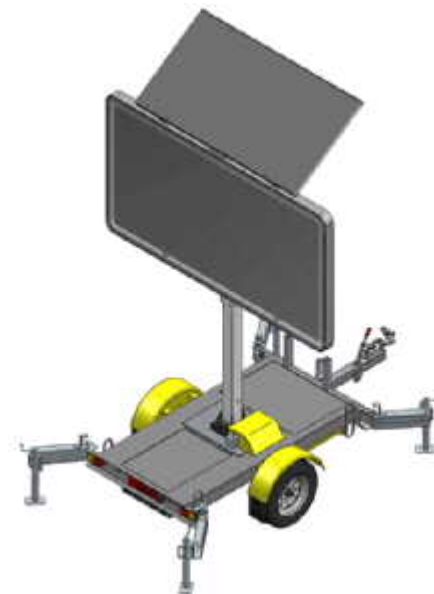
- (21) Design Number: **15943/2015**
(22) Date of Filing Application: **09 November 2015**
(24) Date from which industrial property rights may have effect: **09 November 2015**
(54) Product in respect of which the design is registered: **Grill stand**
(51) International Design Classification: **07-02H**
(74) Name(s) of Attorney(s): **Spruson & Ferguson**
(71) Name(s) and Address(s) of Applicant(s):
Weber-Stephen Products, LLC
200 E. Daniels Road, Palatine Illinois, 60067 United States of America
(72) Name(s) of Designer(s): **Carmen O. Lira-Nunez and Mark R. Pavel and R. Sonny Siazon**
(45) Registration Date: **03 December 2015**
(30) Convention priority data:
(31) Number (32) Date (33) Country
29/530659 18 Jun 2015 UNITED STATES OF AMERICA
(56) Related Art Documents: **Not Applicable**
(57) Statement of Newness and Distinctiveness: **Newness and distinctiveness is claimed in the features of shape and/or configuration of a grill stand as illustrated in continuous lines in the accompanying representations.**



- (21) Design Number: **12703/2015**
(22) Date of Filing Application: **26 May 2015**
(24) Date from which industrial property rights may have effect: **26 May 2015**
(54) Product in respect of which the design is registered: **Trailer**
(51) International Design Classification: **12-10**
(74) Name(s) of Attorney(s): **Macpherson + Kelley**
(71) Name(s) and Address(s) of Applicant(s):
Hilton Manufacturing Pty Ltd
110-116 Bangholme Rd Dandenong South VIC 3175 Australia
(72) Name(s) of Designer(s): **Todd Hartley**
(45) Registration Date: **03 December 2015**
(56) Related Art Documents: **Not Applicable**
(57) Statement of Newness and Distinctiveness: **Newness and distinctiveness resides in the features of shape and/or configuration of a trailer as illustrated in the continuous lines in the accompanying representations.**



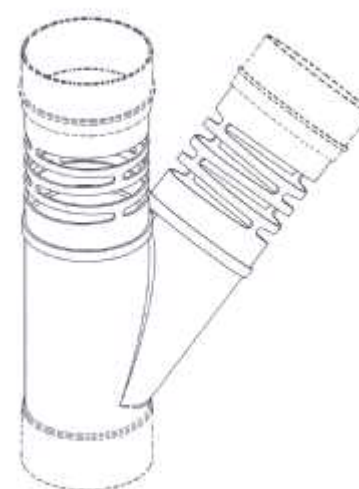
- (21) Design Number: **12704/2015**
(22) Date of Filing Application: **26 May 2015**
(24) Date from which industrial property rights may have effect: **26 May 2015**
(54) Product in respect of which the design is registered: **Trailer**
(51) International Design Classification: **12-10**
(74) Name(s) of Attorney(s): **Macpherson + Kelley**
(71) Name(s) and Address(s) of Applicant(s):
Hilton Manufacturing Pty Ltd
110-116 Bangholme Rd Dandenong South VIC 3175 Australia
(72) Name(s) of Designer(s): **Todd Hartley**
(45) Registration Date: **03 December 2015**
(56) Related Art Documents: **Not Applicable**
(57) Statement of Newness and Distinctiveness: **Newness and distinctiveness resides in the features of shape and/or configuration of a trailer as illustrated in the continuous lines in the accompanying representations.**



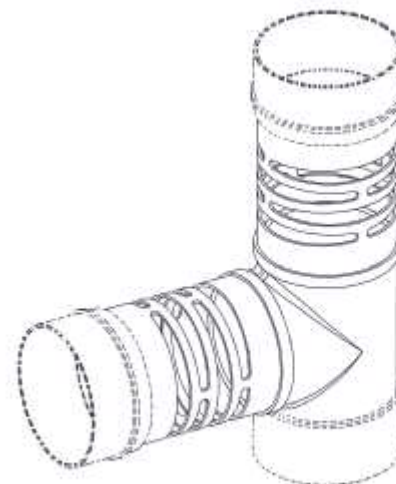
- (21) Design Number: **12705/2015**
(22) Date of Filing Application: **26 May 2015**
(24) Date from which industrial property rights may have effect: **26 May 2015**
(54) Product in respect of which the design is registered: **Trailer**
(51) International Design Classification: **12-10**
(74) Name(s) of Attorney(s): **Macpherson + Kelley**
(71) Name(s) and Address(s) of Applicant(s):
Hilton Manufacturing Pty Ltd
110-116 Bangholme Rd Dandenong South VIC 3175 Australia
(72) Name(s) of Designer(s): **Todd Hartley**
(45) Registration Date: **03 December 2015**
(56) Related Art Documents: **Not Applicable**
(57) Statement of Newness and Distinctiveness: **Newness and distinctiveness resides in the features of shape and/or configuration of a trailer as illustrated in the continuous lines in the accompanying representations.**



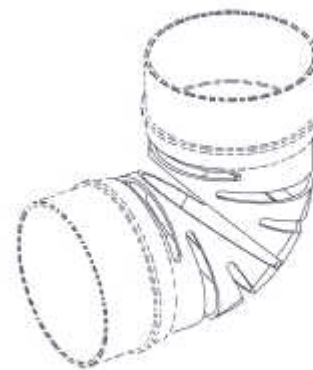
- (21) Design Number: **13062/2015**
(22) Date of Filing Application: **17 June 2015**
(24) Date from which industrial property rights may have effect: **17 June 2015**
(54) Product in respect of which the design is registered: **Pipe fitting**
(51) International Design Classification: **23-01B**
(74) Name(s) of Attorney(s): **IP Gateway Patent & Trade Mark Attorneys Pty Ltd**
(71) Name(s) and Address(s) of Applicant(s):
Plastec Australia Pty Ltd
2 Enterprise St Caloundra QLD 4551 Australia
(72) Name(s) of Designer(s): **Andrew Hobbs**
(45) Registration Date: **03 December 2015**
(56) Related Art Documents: **Not Applicable**
(57) Statement of Newness and Distinctiveness: **Newness and distinctiveness reside in the visual features of shape and/or configuration of the pipe fitting as shown in solid lines in the accompanying representations. The features of the pipe fitting that are shown in broken lines should be given minimum emphasis when considering the overall impression of the design.**



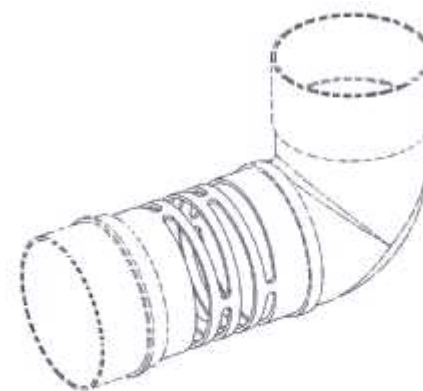
- (21) Design Number: **13065/2015**
(22) Date of Filing Application: **17 June 2015**
(24) Date from which industrial property rights may have effect: **17 June 2015**
(54) Product in respect of which the design is registered: **Pipe fitting**
(51) International Design Classification: **23-01B**
(74) Name(s) of Attorney(s): **IP Gateway Patent & Trade Mark Attorneys Pty Ltd**
(71) Name(s) and Address(s) of Applicant(s):
Plastec Australia Pty Ltd
2 Enterprise St Caloundra QLD 4551 Australia
(72) Name(s) of Designer(s): **Andrew Hobbs**
(45) Registration Date: **03 December 2015**
(56) Related Art Documents: **Not Applicable**
(57) Statement of Newness and Distinctiveness: **Newness and distinctiveness reside in the visual features of shape and/or configuration of the pipe fitting as shown in solid lines in the accompanying representations. The features of the pipe fitting that are shown in broken lines should be given minimum emphasis when considering the overall impression of the design.**



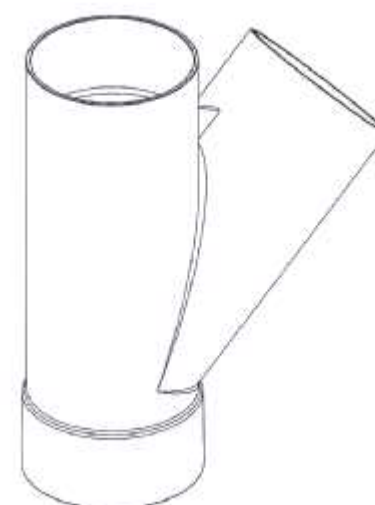
- (21) Design Number: **13066/2015**
(22) Date of Filing Application: **17 June 2015**
(24) Date from which industrial property rights may have effect: **17 June 2015**
(54) Product in respect of which the design is registered: **Pipe fitting**
(51) International Design Classification: **23-01A**
(74) Name(s) of Attorney(s): **IP Gateway Patent & Trade Mark Attorneys Pty Ltd**
(71) Name(s) and Address(s) of Applicant(s):
Plastec Australia Pty Ltd
2 Enterprise St Caloundra QLD 4551 Australia
(72) Name(s) of Designer(s): **Andrew Hobbs**
(45) Registration Date: **03 December 2015**
(56) Related Art Documents: **Not Applicable**
(57) Statement of Newness and Distinctiveness: **Newness and distinctiveness reside in the visual features of shape and/or configuration of the pipe fitting as shown in solid lines in the accompanying representations. The features of the pipe fitting that are shown in broken lines should be given minimum emphasis when considering the overall impression of the design.**



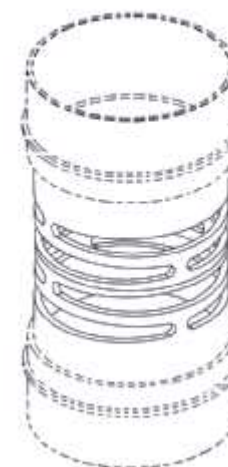
- (21) Design Number: **13067/2015**
(22) Date of Filing Application: **17 June 2015**
(24) Date from which industrial property rights may have effect: **17 June 2015**
(54) Product in respect of which the design is registered: **Pipe fitting**
(51) International Design Classification: **23-01A**
(74) Name(s) of Attorney(s): **IP Gateway Patent & Trade Mark Attorneys Pty Ltd**
(71) Name(s) and Address(s) of Applicant(s):
Plastec Australia Pty Ltd
2 Enterprise St Caloundra QLD 4551 Australia
(72) Name(s) of Designer(s): **Andrew Hobbs**
(45) Registration Date: **03 December 2015**
(56) Related Art Documents: **Not Applicable**
(57) Statement of Newness and Distinctiveness: **Newness and distinctiveness reside in the visual features of shape and/or configuration of the pipe fitting as shown in solid lines in the accompanying representations. The features of the pipe fitting that are shown in broken lines should be given minimum emphasis when considering the overall impression of the design.**



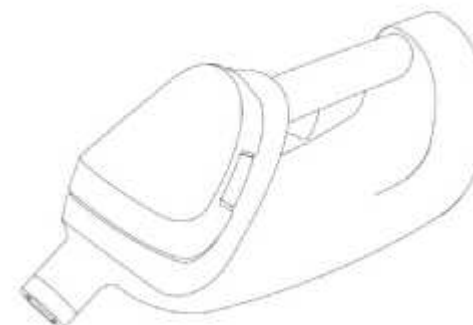
- (21) Design Number: **13068/2015**
(22) Date of Filing Application: **17 June 2015**
(24) Date from which industrial property rights may have effect: **17 June 2015**
(54) Product in respect of which the design is registered: **Y pipe fitting**
(51) International Design Classification: **23-01B**
(74) Name(s) of Attorney(s): **IP Gateway Patent & Trade Mark Attorneys Pty Ltd**
(71) Name(s) and Address(s) of Applicant(s):
Plastec Australia Pty Ltd
2 Enterprise St Caloundra QLD 4551 Australia
(72) Name(s) of Designer(s): **Andrew Hobbs**
(45) Registration Date: **03 December 2015**
(56) Related Art Documents: **Not Applicable**
(57) Statement of Newness and Distinctiveness: **Newness and distinctiveness reside in the visual features of the shape and/or configuration of the three coupling formations in the Y pipe fitting as shown in the accompanying representations.**



- (21) Design Number: **13069/2015**
(22) Date of Filing Application: **17 June 2015**
(24) Date from which industrial property rights may have effect: **17 June 2015**
(54) Product in respect of which the design is registered: **Pipe fitting**
(51) International Design Classification: **23-01A**
(74) Name(s) of Attorney(s): **IP Gateway Patent & Trade Mark Attorneys Pty Ltd**
(71) Name(s) and Address(s) of Applicant(s):
Plastec Australia Pty Ltd
2 Enterprise St Caloundra QLD 4551 Australia
(72) Name(s) of Designer(s): **Andrew Hobbs**
(45) Registration Date: **03 December 2015**
(56) Related Art Documents: **Not Applicable**
(57) Statement of Newness and Distinctiveness: **Newness and distinctiveness reside in the visual features of shape and/or configuration of the pipe fitting as shown in solid lines in the accompanying representations. The features of the pipe fitting that are shown in broken lines should be given minimum emphasis when considering the overall impression of the design.**



- (21) Design Number: **16089/2015**
(22) Date of Filing Application: **13 November 2015**
(24) Date from which industrial property rights may have effect: **13 November 2015**
(54) Product in respect of which the design is registered: **Steam cleaner**
(51) International Design Classification: **15-05**
(74) Name(s) of Attorney(s): **Griffith Hack**
(71) Name(s) and Address(s) of Applicant(s):
AC (Macao Commercial Offshore) Limited
Units A-C, 26/F Centro Comercial da Praia Grande No. 429 Avenida da Praia Grande Macau
(72) Name(s) of Designer(s): **Samuel William Bennett and Edward Thomas George Barrett and Matthew William Thomas Granger and Jennifer Kathryn Marsden**
(45) Registration Date: **04 December 2015**
(30) Convention priority data:
(31) Number (32) Date (33) Country
201530150104.6 19 May 2015 CHINA
(56) Related Art Documents: **Not Applicable**
(57) Statement of Newness and Distinctiveness: **Newness and distinctiveness resides in the visual features, including the shape and configuration of the product shown in the representations.**



(21) Design Number: **16090/2015**

(22) Date of Filing Application: **13 November 2015**

(24) Date from which industrial property rights may have effect: **13 November 2015**

(54) Product in respect of which the design is registered: **Shirt**

(51) International Design Classification: **02-02NES**

(74) Name(s) of Attorney(s): **Cullens Pty Ltd**

(71) Name(s) and Address(s) of Applicant(s):

Daniel Lewis

5 Orange Ct Mudgeeraba QLD 4213 Australia

(72) Name(s) of Designer(s): **Daniel Lewis**

(45) Registration Date: **04 December 2015**

(56) Related Art Documents: **Not Applicable**

(57) Statement of Newness and Distinctiveness: **In considering the newness and distinctiveness of the design, the following should be taken into consideration: (i) newness and distinctiveness lie in the pattern and/or decoration on a shirt, as shown in the accompanying representations; (ii) the shape of the shirt's collar may vary from that shown in Figure 1 and Figure 2, or the collar may be omitted, but if the shirt has a collar the pattern shown in Figure 3 will appear on the collar, or if the shirt does not have a collar the pattern shown in Figure 3 will appear on a strip (not shown) around the shirt's neck opening; (iii) the shirt pockets shown in dashed lines in Figure 1 are optional and one or both pockets may be omitted, the size and shape of the pocket(s) (if present) may vary from that shown in Figure 1, but if the shirt has (a) pocket(s) then on each pocket the pattern shown in Figure 3 will appear on the pocket's top flap, or if the pocket has no top flap then on a strip across the top edge of the pocket; (iv) the parts of the shirt's sleeves contained within the dashed boxes labelled "L" and "R" in Figure 1 and Figure 2 are optional and may be omitted, such that the shirt may be either short sleeved (if the sections within boxes "L" and "R" are omitted) or long sleeved (if the sections within boxes "L" and "R" are included), if the shirt is long sleeved the sleeves may end in a button cuff as shown or alternatively in an elasticised cuff (not shown), if the shirt is short sleeved the ends of the sleeves may be either elasticised or not, but regardless of whether the shirt is long sleeved or short sleeved the shirt's sleeves will have the pattern shown in Figure 3 applied from just above the elbow to the end of the sleeve; (v) the buttons and associated seems shown in dashed lines extending down the centre of the shirt front in Figure 1 are optional and may be omitted, such that the shirt may be either button-up or pullover style, or the buttons may extend from the neck down but only part way down the length of the shirt front so that an upper portion on the shirt front is button-up but a lower portion is not; (vi) visible parts of the inside of the shirt's back fabric and collar fabric are slightly shaded in Figure 1, however this shading is merely to indicate that this is the inside of the fabric and the shading does not form part of the design**



(21) Design Number: **16111/2015**

(22) Date of Filing Application: **15 November 2015**

(24) Date from which industrial property rights may have effect: **15 November 2015**

(54) Product in respect of which the design is registered: **Measuring cup**

(51) International Design Classification: **10-04**

(74) Name(s) of Attorney(s):

(71) Name(s) and Address(s) of Applicant(s):

Logue and Co. Pty Ltd

199 Kiora Rd Yowie Bay NSW 2228 Australia

(72) Name(s) of Designer(s): **Anthony Thomas Logue**

(45) Registration Date: **04 December 2015**

(56) Related Art Documents: **Not Applicable**

(57) Statement of Newness and Distinctiveness: **Newness and distinctiveness is claimed in the features of shape and/ or configuration of a measuring cup as depicted in the accompanying drawings.**



(21) Design Number: **16112/2015**

(22) Date of Filing Application: **15 November 2015**

(24) Date from which industrial property rights may have effect: **15 November 2015**

(54) Product in respect of which the design is registered: **Measuring cup**

(51) International Design Classification: **10-04**

(74) Name(s) of Attorney(s):

(71) Name(s) and Address(s) of Applicant(s):

Logue and Co. Pty Ltd

199 Kiora Rd Yowie Bay NSW 2228 Australia

(72) Name(s) of Designer(s): **Anthony Thomas Logue**

(45) Registration Date: **04 December 2015**

(56) Related Art Documents: **Not Applicable**

(57) Statement of Newness and Distinctiveness: **Newness and distinctiveness is claimed in the features of shape and/ or configuration of a measuring cup as depicted in the accompanying drawings.**



- (21) Design Number: **16113/2015**
(22) Date of Filing Application: **15 November 2015**
(24) Date from which industrial property rights may have effect: **15 November 2015**
(54) Product in respect of which the design is registered: **Measuring cup**
(51) International Design Classification: **10-04**
(74) Name(s) of Attorney(s):
(71) Name(s) and Address(s) of Applicant(s):
Logue and Co. Pty Ltd
199 Kiora Rd Yowie Bay NSW 2228 Australia
(72) Name(s) of Designer(s): **Anthony Thomas Logue**
(45) Registration Date: **04 December 2015**
(56) Related Art Documents: **Not Applicable**
(57) Statement of Newness and Distinctiveness: **Newness and distinctiveness is claimed in the features of shape and/ or configuration of a measuring cup as depicted in the accompanying drawings.**



- (21) Design Number: **16114/2015**
(22) Date of Filing Application: **15 November 2015**
(24) Date from which industrial property rights may have effect: **15 November 2015**
(54) Product in respect of which the design is registered: **Measuring cup**
(51) International Design Classification: **10-04**
(74) Name(s) of Attorney(s):
(71) Name(s) and Address(s) of Applicant(s):
Logue and Co. Pty Ltd
199 Kiora Rd Yowie Bay NSW 2228 Australia
(72) Name(s) of Designer(s): **Anthony Thomas Logue**
(45) Registration Date: **04 December 2015**
(56) Related Art Documents: **Not Applicable**
(57) Statement of Newness and Distinctiveness: **Newness and distinctiveness is claimed in the features of shape and/ or configuration of a measuring cup as depicted in the accompanying drawings.**



- (21) Design Number: **16115/2015**
(22) Date of Filing Application: **15 November 2015**
(24) Date from which industrial property rights may have effect: **15 November 2015**
(54) Product in respect of which the design is registered: **Measuring cup**
(51) International Design Classification: **10-04**
(74) Name(s) of Attorney(s):
(71) Name(s) and Address(s) of Applicant(s):
Logue and Co. Pty Ltd
199 Kiora Rd Yowie Bay NSW 2228 Australia
(72) Name(s) of Designer(s): **Anthony Thomas Logue**
(45) Registration Date: **04 December 2015**
(56) Related Art Documents: **Not Applicable**
(57) Statement of Newness and Distinctiveness: **Newness and distinctiveness is claimed in the features of shape and/ or configuration of a measuring cup as depicted in the accompanying drawings.**



- (21) Design Number: **16116/2015**
(22) Date of Filing Application: **15 November 2015**
(24) Date from which industrial property rights may have effect: **15 November 2015**
(54) Product in respect of which the design is registered: **Measuring cup**
(51) International Design Classification: **10-04**
(74) Name(s) of Attorney(s):
(71) Name(s) and Address(s) of Applicant(s):
Logue and Co. Pty Ltd
199 Kiora Rd Yowie Bay NSW 2228 Australia
(72) Name(s) of Designer(s): **Anthony Thomas Logue**
(45) Registration Date: **04 December 2015**
(56) Related Art Documents: **Not Applicable**
(57) Statement of Newness and Distinctiveness: **Newness and distinctiveness is claimed in the features of shape and/ or configuration of a measuring cup as depicted in the accompanying drawings.**

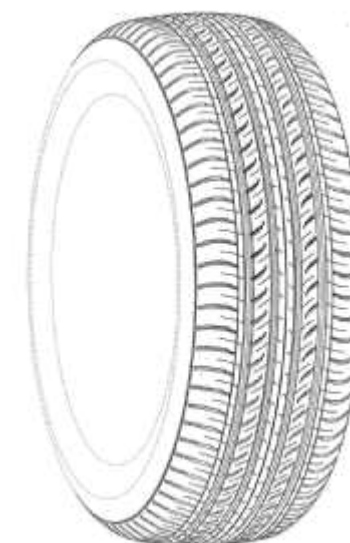


(21) Design Number: **15831/2015**
(22) Date of Filing Application: **30 October 2015**
(24) Date from which industrial property rights may have effect: **30 October 2015**
(54) Product in respect of which the design is registered: **Tire**
(51) International Design Classification: **12-15A**
(74) Name(s) of Attorney(s): **PHILLIPS ORMONDE FITZPATRICK**
(71) Name(s) and Address(s) of Applicant(s):
Cooper Tire & Rubber Company
701 Lima Avenue Findlay Ohio, 45840 United States of America
(72) Name(s) of Designer(s): **Andrew J. Lucas**
(45) Registration Date: **04 December 2015**
(30) Convention priority data:
(31) Number (32) Date (33) Country
29/526,415 08 May 2015 UNITED STATES OF AMERICA
(56) Related Art Documents: **Not Applicable**



(57) Statement of Newness and Distinctiveness: **Those features of the tire depicted in the representations that are new and distinctive are the shape and/or configuration of the tread of the tire. The broken line showings of the sidewall, inner bead, and the peripheral boundary between the tire tread and the sidewall, and the text in Figure 5, are included for the purpose of illustrating environment and are to be disregarded when considering the overall impression of the design.**

(21) Design Number: **15832/2015**
(22) Date of Filing Application: **30 October 2015**
(24) Date from which industrial property rights may have effect: **30 October 2015**
(54) Product in respect of which the design is registered: **Tire**
(51) International Design Classification: **12-15B**
(74) Name(s) of Attorney(s): **PHILLIPS ORMONDE FITZPATRICK**
(71) Name(s) and Address(s) of Applicant(s):
Cooper Tire & Rubber Company
701 Lima Avenue Findlay Ohio, 45840 United States of America
(72) Name(s) of Designer(s): **Jason Q. Fu and Bin Shen**
(45) Registration Date: **04 December 2015**
(30) Convention priority data:
(31) Number (32) Date (33) Country
29/529,761 10 Jun 2015 UNITED STATES OF AMERICA
(56) Related Art Documents: **Not Applicable**



(57) Statement of Newness and Distinctiveness: **Those features of the tire depicted in the representations that are new and distinctive are the shape and/or configuration of the tread of the tire. The broken line showings of the sidewall, inner bead, and the peripheral boundary between the tire tread and the sidewall, are included for the purpose of illustrating environment and are to be disregarded when considering the overall impression of the design. The tread pattern is understood to repeat throughout the circumference of the tire.**

(21) Design Number: **15833/2015**
(22) Date of Filing Application: **30 October 2015**
(24) Date from which industrial property rights may have effect: **30 October 2015**
(54) Product in respect of which the design is registered: **Tire**
(51) International Design Classification: **12-15B**
(74) Name(s) of Attorney(s): **PHILLIPS ORMONDE FITZPATRICK**
(71) Name(s) and Address(s) of Applicant(s):

Cooper Tire & Rubber Company
701 Lima Avenue Findlay Ohio, 45840 United States of America

(72) Name(s) of Designer(s): **Jamie L. Harris**

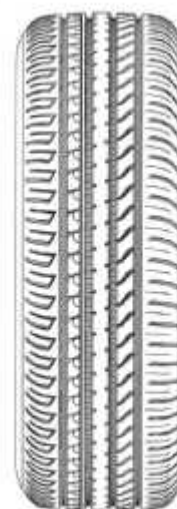
(45) Registration Date: **04 December 2015**

(30) Convention priority data:

(31) Number	(32) Date	(33) Country
29/531,301	24 Jun 2015	UNITED STATES OF AMERICA

(56) Related Art Documents: **Not Applicable**

(57) Statement of Newness and Distinctiveness: **Those features of the tire depicted in the representations that are new and distinctive are the shape and/or configuration of the tread of the tire. The broken lines and the regions there between defining the inner bead and the sidewall depict subject matter that forms no part of the claimed tire tread design, and are included for the purpose of illustrating the full tire. The tread pattern is understood to repeat throughout the circumference of the tire.**



(21) Design Number: **15834/2015**
(22) Date of Filing Application: **30 October 2015**
(24) Date from which industrial property rights may have effect: **30 October 2015**
(54) Product in respect of which the design is registered: **Tire**
(51) International Design Classification: **12-15C**
(74) Name(s) of Attorney(s): **PHILLIPS ORMONDE FITZPATRICK**
(71) Name(s) and Address(s) of Applicant(s):

Cooper Tire & Rubber Company
701 Lima Avenue Findlay Ohio, 45840 United States of America

(72) Name(s) of Designer(s): **Calvin M. Wu**

(45) Registration Date: **04 December 2015**

(30) Convention priority data:

(31) Number	(32) Date	(33) Country
29/526,134	06 May 2015	UNITED STATES OF AMERICA

(56) Related Art Documents: **Not Applicable**

(57) Statement of Newness and Distinctiveness: **Those features of the tire depicted in the representations that are new and distinctive are the shape and/or configuration of the tread of the tire. The broken line showings of the sidewall, inner bead, and the peripheral boundary between the tire tread and the sidewall, are included for the purpose of illustrating environment and are to be disregarded when considering the overall impression of the design.**



(21) Design Number: **15835/2015**
(22) Date of Filing Application: **30 October 2015**
(24) Date from which industrial property rights may have effect: **30 October 2015**
(54) Product in respect of which the design is registered: **Tire**
(51) International Design Classification: **12-15C**
(74) Name(s) of Attorney(s): **PHILLIPS ORMONDE FITZPATRICK**
(71) Name(s) and Address(s) of Applicant(s):
Cooper Tire & Rubber Company
701 Lima Avenue Findlay Ohio, 45840 United States of America
(72) Name(s) of Designer(s): **Patrick J. Bonifas and Matthew J. Petr and Ryan Schimmoeller**
(45) Registration Date: **04 December 2015**
(30) Convention priority data:
(31) Number (32) Date (33) Country
29/531,462 25 Jun 2015 UNITED STATES OF AMERICA



(56) Related Art Documents: **Not Applicable**
(57) Statement of Newness and Distinctiveness: **Those features of the tire depicted in the representations that are new and distinctive are the shape and/or configuration of the tread of the tire. The broken lines and the regions there between defining the inner bead and the sidewall depict subject matter that forms no part of the claimed tire tread design, and are included for the purpose of illustrating the full tire. The tread pattern is understood to repeat throughout the circumference of the tire. The other side view is identical to the illustrated side view.**

(21) Design Number: **15846/2015**
(22) Date of Filing Application: **30 October 2015**
(24) Date from which industrial property rights may have effect: **30 October 2015**
(54) Product in respect of which the design is registered: **A trumpet shaped birdbath with fountain**
(51) International Design Classification: **11-99**
(74) Name(s) of Attorney(s):
(71) Name(s) and Address(s) of Applicant(s):
Cheng Shi Wu
40 Lisbon St Fairfield East NSW 2165 Australia
(72) Name(s) of Designer(s): **Cheng Shi Wu**
(45) Registration Date: **04 December 2015**
(56) Related Art Documents: **Not Applicable**
(57) Statement of Newness and Distinctiveness: **The newness and distinctiveness of the design resides in the trumpet shape of the birdbath with fountain.**



(21) Design Number: **16087/2015**

(22) Date of Filing Application: **13 November 2015**

(24) Date from which industrial property rights may have effect: **13 November 2015**

(54) Product in respect of which the design is registered: **Steam cleaner**

(51) International Design Classification: **15-05**

(74) Name(s) of Attorney(s): **Griffith Hack**

(71) Name(s) and Address(s) of Applicant(s):

AC (Macao Commercial Offshore) Limited
Units A-C, 26/F Centro Comercial da Praia Grande No. 429 Avenida da
Praia Grande Macau

(72) Name(s) of Designer(s): **Samuel William Bennett and Edward Thomas**
George Barrett and Matthew William Thomas Granger and Jennifer
Kathryn Marsden

(45) Registration Date: **04 December 2015**

(30) Convention priority data:

(31) Number	(32) Date	(33) Country
201530150204.9	19 May 2015	CHINA

(56) Related Art Documents: **Not Applicable**

(57) Statement of Newness and Distinctiveness: **Newness and distinctiveness**
resides in the visual features, including the shape and configuration of
the product shown in the representations.



(21) Design Number: **16117/2015**

(22) Date of Filing Application: **15 November 2015**

(24) Date from which industrial property rights may have effect: **15 November 2015**

(54) Product in respect of which the design is registered: **Measuring cup**

(51) International Design Classification: **10-04**

(74) Name(s) of Attorney(s):

(71) Name(s) and Address(s) of Applicant(s):

Logue and Co. Pty Ltd
199 Kiora Rd Yowie Bay NSW 2228 Australia

(72) Name(s) of Designer(s): **Anthony Thomas Logue**

(45) Registration Date: **08 December 2015**

(56) Related Art Documents: **Not Applicable**

(57) Statement of Newness and Distinctiveness: **Newness and distinctiveness**
is claimed in the features of shape and/ or configuration of a measuring
cup as depicted in the accompanying drawings.



- (21) Design Number: **16118/2015**
(22) Date of Filing Application: **15 November 2015**
(24) Date from which industrial property rights may have effect: **15 November 2015**
(54) Product in respect of which the design is registered: **Measuring cup**
(51) International Design Classification: **10-04**
(74) Name(s) of Attorney(s):
(71) Name(s) and Address(s) of Applicant(s):
Logue and Co. Pty Ltd
199 Kiora Rd Yowie Bay NSW 2228 Australia
(72) Name(s) of Designer(s): **Anthony Thomas Logue**
(45) Registration Date: **08 December 2015**
(56) Related Art Documents: **Not Applicable**
(57) Statement of Newness and Distinctiveness: **Newness and distinctiveness is claimed in the features of shape and/ or configuration of a measuring cup as depicted in the accompanying drawings.**



- (21) Design Number: **16119/2015**
(22) Date of Filing Application: **15 November 2015**
(24) Date from which industrial property rights may have effect: **15 November 2015**
(54) Product in respect of which the design is registered: **Measuring cup**
(51) International Design Classification: **10-04**
(74) Name(s) of Attorney(s):
(71) Name(s) and Address(s) of Applicant(s):
Logue and Co. Pty Ltd
199 Kiora Rd Yowie Bay NSW 2228 Australia
(72) Name(s) of Designer(s): **Anthony Thomas Logue**
(45) Registration Date: **08 December 2015**
(56) Related Art Documents: **Not Applicable**
(57) Statement of Newness and Distinctiveness: **Newness and distinctiveness is claimed in the features of shape and/ or configuration of a measuring cup as depicted in the accompanying drawings.**



- (21) Design Number: **16120/2015**
(22) Date of Filing Application: **15 November 2015**
(24) Date from which industrial property rights may have effect: **15 November 2015**
(54) Product in respect of which the design is registered: **Measuring cup**
(51) International Design Classification: **10-04**
(74) Name(s) of Attorney(s):
(71) Name(s) and Address(s) of Applicant(s):
Logue and Co. Pty Ltd
199 Kiora Rd Yowie Bay NSW 2228 Australia
(72) Name(s) of Designer(s): **Anthony Thomas Logue**
(45) Registration Date: **08 December 2015**
(56) Related Art Documents: **Not Applicable**
(57) Statement of Newness and Distinctiveness: **Newness and distinctiveness is claimed in the features of shape and/ or configuration of a measuring cup as depicted in the accompanying drawings.**



- (21) Design Number: **16121/2015**
(22) Date of Filing Application: **15 November 2015**
(24) Date from which industrial property rights may have effect: **15 November 2015**
(54) Product in respect of which the design is registered: **Measuring cup**
(51) International Design Classification: **10-04**
(74) Name(s) of Attorney(s):
(71) Name(s) and Address(s) of Applicant(s):
Logue and Co. Pty Ltd
199 Kiora Rd Yowie Bay NSW 2228 Australia
(72) Name(s) of Designer(s): **Anthony Thomas Logue**
(45) Registration Date: **08 December 2015**
(56) Related Art Documents: **Not Applicable**
(57) Statement of Newness and Distinctiveness: **Newness and distinctiveness is claimed in the features of shape and/ or configuration of a measuring cup as depicted in the accompanying drawings.**



- (21) Design Number: **16122/2015**
(22) Date of Filing Application: **15 November 2015**
(24) Date from which industrial property rights may have effect: **15 November 2015**
(54) Product in respect of which the design is registered: **Measuring cup**
(51) International Design Classification: **10-04**
(74) Name(s) of Attorney(s):
(71) Name(s) and Address(s) of Applicant(s):
Logue and Co. Pty Ltd
199 Kiora Rd Yowie Bay NSW 2228 Australia
(72) Name(s) of Designer(s): **Anthony Thomas Logue**
(45) Registration Date: **08 December 2015**
(56) Related Art Documents: **Not Applicable**
(57) Statement of Newness and Distinctiveness: **Newness and distinctiveness is claimed in the features of shape and/ or configuration of a measuring cup as depicted in the accompanying drawings.**



- (21) Design Number: **16123/2015**
(22) Date of Filing Application: **15 November 2015**
(24) Date from which industrial property rights may have effect: **15 November 2015**
(54) Product in respect of which the design is registered: **Measuring cup**
(51) International Design Classification: **10-04**
(74) Name(s) of Attorney(s):
(71) Name(s) and Address(s) of Applicant(s):
Logue and Co. Pty Ltd
199 Kiora Rd Yowie Bay NSW 2228 Australia
(72) Name(s) of Designer(s): **Anthony Thomas Logue**
(45) Registration Date: **08 December 2015**
(56) Related Art Documents: **Not Applicable**
(57) Statement of Newness and Distinctiveness: **Newness and distinctiveness is claimed in the features of shape and/ or configuration of a measuring cup as depicted in the accompanying drawings.**



- (21) Design Number: **16124/2015**
(22) Date of Filing Application: **15 November 2015**
(24) Date from which industrial property rights may have effect: **15 November 2015**
(54) Product in respect of which the design is registered: **Measuring cup**
(51) International Design Classification: **10-04**
(74) Name(s) of Attorney(s):
(71) Name(s) and Address(s) of Applicant(s):
Logue and Co. Pty Ltd
199 Kiora Rd Yowie Bay NSW 2228 Australia
(72) Name(s) of Designer(s): **Anthony Thomas Logue**
(45) Registration Date: **09 December 2015**
(56) Related Art Documents: **Not Applicable**
(57) Statement of Newness and Distinctiveness: **Newness and distinctiveness is claimed in the features of shape and/ or configuration of a measuring cup as depicted in the accompanying drawings.**



- (21) Design Number: **16125/2015**
(22) Date of Filing Application: **15 November 2015**
(24) Date from which industrial property rights may have effect: **15 November 2015**
(54) Product in respect of which the design is registered: **Measuring cup**
(51) International Design Classification: **10-04**
(74) Name(s) of Attorney(s):
(71) Name(s) and Address(s) of Applicant(s):
Logue and Co. Pty Ltd
199 Kiora Rd Yowie Bay NSW 2228 Australia
(72) Name(s) of Designer(s): **Anthony Thomas Logue**
(45) Registration Date: **09 December 2015**
(56) Related Art Documents: **Not Applicable**
(57) Statement of Newness and Distinctiveness: **Newness and distinctiveness is claimed in the features of shape and/ or configuration of a measuring cup as depicted in the accompanying drawings.**



- (21) Design Number: **16126/2015**
(22) Date of Filing Application: **15 November 2015**
(24) Date from which industrial property rights may have effect: **15 November 2015**
(54) Product in respect of which the design is registered: **Measuring cup**
(51) International Design Classification: **10-04**
(74) Name(s) of Attorney(s):
(71) Name(s) and Address(s) of Applicant(s):
Logue and Co. Pty Ltd
199 Kiora Rd Yowie Bay NSW 2228 Australia
(72) Name(s) of Designer(s): **Anthony Thomas Logue**
(45) Registration Date: **09 December 2015**
(56) Related Art Documents: **Not Applicable**
(57) Statement of Newness and Distinctiveness: **Newness and distinctiveness is claimed in the features of shape and/ or configuration of a measuring cup as depicted in the accompanying drawings.**



- (21) Design Number: **16127/2015**
(22) Date of Filing Application: **15 November 2015**
(24) Date from which industrial property rights may have effect: **15 November 2015**
(54) Product in respect of which the design is registered: **Measuring cup**
(51) International Design Classification: **10-04**
(74) Name(s) of Attorney(s):
(71) Name(s) and Address(s) of Applicant(s):
Logue and Co. Pty Ltd
199 Kiora Rd Yowie Bay NSW 2228 Australia
(72) Name(s) of Designer(s): **Anthony Thomas Logue**
(45) Registration Date: **09 December 2015**
(56) Related Art Documents: **Not Applicable**
(57) Statement of Newness and Distinctiveness: **Newness and distinctiveness is claimed in the features of shape and/ or configuration of a measuring cup as depicted in the accompanying drawings.**



- (21) Design Number: **16128/2015**
(22) Date of Filing Application: **15 November 2015**
(24) Date from which industrial property rights may have effect: **15 November 2015**
(54) Product in respect of which the design is registered: **Measuring cup**
(51) International Design Classification: **10-04**
(74) Name(s) of Attorney(s):
(71) Name(s) and Address(s) of Applicant(s):
Logue and Co. Pty Ltd
199 Kiora Rd Yowie Bay NSW 2228 Australia
(72) Name(s) of Designer(s): **Anthony Thomas Logue**
(45) Registration Date: **09 December 2015**
(56) Related Art Documents: **Not Applicable**
(57) Statement of Newness and Distinctiveness: **Newness and distinctiveness is claimed in the features of shape and/ or configuration of a measuring cup as depicted in the accompanying drawings.**



- (21) Design Number: **16129/2015**
(22) Date of Filing Application: **15 November 2015**
(24) Date from which industrial property rights may have effect: **15 November 2015**
(54) Product in respect of which the design is registered: **Measuring cup**
(51) International Design Classification: **10-04**
(74) Name(s) of Attorney(s):
(71) Name(s) and Address(s) of Applicant(s):
Logue and Co. Pty Ltd
199 Kiora Rd Yowie Bay NSW 2228 Australia
(72) Name(s) of Designer(s): **Anthony Thomas Logue**
(45) Registration Date: **09 December 2015**
(56) Related Art Documents: **Not Applicable**
(57) Statement of Newness and Distinctiveness: **Newness and distinctiveness is claimed in the features of shape and/ or configuration of a measuring cup as depicted in the accompanying drawings.**



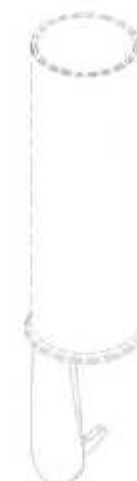
- (21) Design Number: **16130/2015**
(22) Date of Filing Application: **15 November 2015**
(24) Date from which industrial property rights may have effect: **15 November 2015**
(54) Product in respect of which the design is registered: **Measuring cup**
(51) International Design Classification: **10-04**
(74) Name(s) of Attorney(s):
(71) Name(s) and Address(s) of Applicant(s):
Logue and Co. Pty Ltd
199 Kiora Rd Yowie Bay NSW 2228 Australia
(72) Name(s) of Designer(s): **Anthony Thomas Logue**
(45) Registration Date: **09 December 2015**
(56) Related Art Documents: **Not Applicable**
(57) Statement of Newness and Distinctiveness: **Newness and distinctiveness is claimed in the features of shape and/ or configuration of a measuring cup as depicted in the accompanying drawings.**



- (21) Design Number: **16131/2015**
(22) Date of Filing Application: **15 November 2015**
(24) Date from which industrial property rights may have effect: **15 November 2015**
(54) Product in respect of which the design is registered: **Measuring cup**
(51) International Design Classification: **10-04**
(74) Name(s) of Attorney(s):
(71) Name(s) and Address(s) of Applicant(s):
Logue and Co. Pty Ltd
199 Kiora Rd Yowie Bay NSW 2228 Australia
(72) Name(s) of Designer(s): **Anthony Thomas Logue**
(45) Registration Date: **09 December 2015**
(56) Related Art Documents: **Not Applicable**
(57) Statement of Newness and Distinctiveness: **Newness and distinctiveness is claimed in the features of shape and/ or configuration of a measuring cup as depicted in the accompanying drawings.**



- (21) Design Number: **16132/2015**
(22) Date of Filing Application: **15 November 2015**
(24) Date from which industrial property rights may have effect: **15 November 2015**
(54) Product in respect of which the design is registered: **Measuring cup**
(51) International Design Classification: **10-04**
(74) Name(s) of Attorney(s):
(71) Name(s) and Address(s) of Applicant(s):
Logue and Co. Pty Ltd
199 Kiora Rd Yowie Bay NSW 2228 Australia
(72) Name(s) of Designer(s): **Anthony Thomas Logue**
(45) Registration Date: **09 December 2015**
(56) Related Art Documents: **Not Applicable**
(57) Statement of Newness and Distinctiveness: **Newness and distinctiveness is claimed in the features of shape and/ or configuration of a measuring cup as depicted in the accompanying drawings.**



- (21) Design Number: **16133/2015**
(22) Date of Filing Application: **15 November 2015**
(24) Date from which industrial property rights may have effect: **15 November 2015**
(54) Product in respect of which the design is registered: **Measuring cup**
(51) International Design Classification: **10-04**
(74) Name(s) of Attorney(s):
(71) Name(s) and Address(s) of Applicant(s):
Logue and Co. Pty Ltd
199 Kiora Rd Yowie Bay NSW 2228 Australia
(72) Name(s) of Designer(s): **Anthony Thomas Logue**
(45) Registration Date: **09 December 2015**
(56) Related Art Documents: **Not Applicable**
(57) Statement of Newness and Distinctiveness: **Newness and distinctiveness is claimed in the features of shape and/ or configuration of a measuring cup as depicted in the accompanying drawings.**



- (21) Design Number: **16134/2015**
(22) Date of Filing Application: **15 November 2015**
(24) Date from which industrial property rights may have effect: **15 November 2015**
(54) Product in respect of which the design is registered: **Measuring cup**
(51) International Design Classification: **10-04**
(74) Name(s) of Attorney(s):
(71) Name(s) and Address(s) of Applicant(s):
Logue and Co. Pty Ltd
199 Kiora Rd Yowie Bay NSW 2228 Australia
(72) Name(s) of Designer(s): **Anthony Thomas Logue**
(45) Registration Date: **09 December 2015**
(56) Related Art Documents: **Not Applicable**
(57) Statement of Newness and Distinctiveness: **Newness and distinctiveness is claimed in the features of shape and/ or configuration of a measuring cup as depicted in the accompanying drawings.**



- (21) Design Number: **16135/2015**
(22) Date of Filing Application: **15 November 2015**
(24) Date from which industrial property rights may have effect: **15 November 2015**
(54) Product in respect of which the design is registered: **Measuring cup**
(51) International Design Classification: **10-04**
(74) Name(s) of Attorney(s):
(71) Name(s) and Address(s) of Applicant(s):
Logue and Co. Pty Ltd
199 Kiora Rd Yowie Bay NSW 2228 Australia
(72) Name(s) of Designer(s): **Anthony Thomas Logue**
(45) Registration Date: **09 December 2015**
(56) Related Art Documents: **Not Applicable**
(57) Statement of Newness and Distinctiveness: **Newness and distinctiveness is claimed in the features of shape and/ or configuration of a measuring cup as depicted in the accompanying drawings.**



- (21) Design Number: **16136/2015**
(22) Date of Filing Application: **15 November 2015**
(24) Date from which industrial property rights may have effect: **15 November 2015**
(54) Product in respect of which the design is registered: **Measuring cup**
(51) International Design Classification: **10-04**
(74) Name(s) of Attorney(s):
(71) Name(s) and Address(s) of Applicant(s):
Logue and Co. Pty Ltd
199 Kiora Rd Yowie Bay NSW 2228 Australia
(72) Name(s) of Designer(s): **Anthony Thomas Logue**
(45) Registration Date: **09 December 2015**
(56) Related Art Documents: **Not Applicable**
(57) Statement of Newness and Distinctiveness: **Newness and distinctiveness is claimed in the features of shape and/ or configuration of a measuring cup as depicted in the accompanying drawings.**



- (21) Design Number: **16137/2015**
(22) Date of Filing Application: **15 November 2015**
(24) Date from which industrial property rights may have effect: **15 November 2015**
(54) Product in respect of which the design is registered: **Measuring cup**
(51) International Design Classification: **10-04**
(74) Name(s) of Attorney(s):
(71) Name(s) and Address(s) of Applicant(s):
Logue and Co. Pty Ltd
199 Kiora Rd Yowie Bay NSW 2228 Australia
(72) Name(s) of Designer(s): **Anthony Thomas Logue**
(45) Registration Date: **09 December 2015**
(56) Related Art Documents: **Not Applicable**
(57) Statement of Newness and Distinctiveness: **Newness and distinctiveness is claimed in the features of shape and/ or configuration of a measuring cup as depicted in the accompanying drawings.**



- (21) Design Number: **16138/2015**
(22) Date of Filing Application: **15 November 2015**
(24) Date from which industrial property rights may have effect: **15 November 2015**
(54) Product in respect of which the design is registered: **Measuring cup**
(51) International Design Classification: **10-04**
(74) Name(s) of Attorney(s):
(71) Name(s) and Address(s) of Applicant(s):
Logue and Co. Pty Ltd
199 Kiora Rd Yowie Bay NSW 2228 Australia
(72) Name(s) of Designer(s): **Anthony Thomas Logue**
(45) Registration Date: **09 December 2015**
(56) Related Art Documents: **Not Applicable**
(57) Statement of Newness and Distinctiveness: **Newness and distinctiveness is claimed in the features of shape and/ or configuration of a measuring cup as depicted in the accompanying drawings.**



- (21) Design Number: **16139/2015**
(22) Date of Filing Application: **15 November 2015**
(24) Date from which industrial property rights may have effect: **15 November 2015**
(54) Product in respect of which the design is registered: **Measuring cup**
(51) International Design Classification: **10-04**
(74) Name(s) of Attorney(s):
(71) Name(s) and Address(s) of Applicant(s):
Logue and Co. Pty Ltd
199 Kiora Rd Yowie Bay NSW 2228 Australia
(72) Name(s) of Designer(s): **Anthony Thomas Logue**
(45) Registration Date: **09 December 2015**
(56) Related Art Documents: **Not Applicable**
(57) Statement of Newness and Distinctiveness: **Newness and distinctiveness is claimed in the features of shape and/ or configuration of a measuring cup as depicted in the accompanying drawings.**



- (21) Design Number: **16140/2015**
(22) Date of Filing Application: **15 November 2015**
(24) Date from which industrial property rights may have effect: **15 November 2015**
(54) Product in respect of which the design is registered: **Measuring cup**
(51) International Design Classification: **10-04**
(74) Name(s) of Attorney(s):
(71) Name(s) and Address(s) of Applicant(s):
Logue and Co. Pty Ltd
199 Kiora Rd Yowie Bay NSW 2228 Australia
(72) Name(s) of Designer(s): **Anthony Thomas Logue**
(45) Registration Date: **09 December 2015**
(56) Related Art Documents: **Not Applicable**
(57) Statement of Newness and Distinctiveness: **Newness and distinctiveness is claimed in the features of shape and/ or configuration of a measuring cup as depicted in the accompanying drawings.**



- (21) Design Number: **16141/2015**
(22) Date of Filing Application: **15 November 2015**
(24) Date from which industrial property rights may have effect: **15 November 2015**
(54) Product in respect of which the design is registered: **Measuring cup**
(51) International Design Classification: **10-04**
(74) Name(s) of Attorney(s):
(71) Name(s) and Address(s) of Applicant(s):
Logue and Co. Pty Ltd
199 Kiora Rd Yowie Bay NSW 2228 Australia
(72) Name(s) of Designer(s): **Anthony Thomas Logue**
(45) Registration Date: **09 December 2015**
(56) Related Art Documents: **Not Applicable**
(57) Statement of Newness and Distinctiveness: **Newness and distinctiveness is claimed in the features of shape and/ or configuration of a measuring cup as depicted in the accompanying drawings.**



- (21) Design Number: **16142/2015**
(22) Date of Filing Application: **15 November 2015**
(24) Date from which industrial property rights may have effect: **15 November 2015**
(54) Product in respect of which the design is registered: **Measuring cup**
(51) International Design Classification: **10-04**
(74) Name(s) of Attorney(s):
(71) Name(s) and Address(s) of Applicant(s):
Logue and Co. Pty Ltd
199 Kiora Rd Yowie Bay NSW 2228 Australia
(72) Name(s) of Designer(s): **Anthony Thomas Logue**
(45) Registration Date: **09 December 2015**
(56) Related Art Documents: **Not Applicable**
(57) Statement of Newness and Distinctiveness: **Newness and distinctiveness is claimed in the features of shape and/ or configuration of a measuring cup as depicted in the accompanying drawings.**



- (21) Design Number: **16143/2015**
(22) Date of Filing Application: **15 November 2015**
(24) Date from which industrial property rights may have effect: **15 November 2015**
(54) Product in respect of which the design is registered: **Measuring cup**
(51) International Design Classification: **10-04**
(74) Name(s) of Attorney(s):
(71) Name(s) and Address(s) of Applicant(s):
Logue and Co. Pty Ltd
199 Kiora Rd Yowie Bay NSW 2228 Australia
(72) Name(s) of Designer(s): **Anthony Thomas Logue**
(45) Registration Date: **09 December 2015**
(56) Related Art Documents: **Not Applicable**
(57) Statement of Newness and Distinctiveness: **Newness and distinctiveness is claimed in the features of shape and/ or configuration of a measuring cup as depicted in the accompanying drawings.**



(21) Design Number: **16144/2015**

(22) Date of Filing Application: **15 November 2015**

(24) Date from which industrial property rights may have effect: **15 November 2015**

(54) Product in respect of which the design is registered: **Measuring cup**

(51) International Design Classification: **10-04**

(74) Name(s) of Attorney(s):

(71) Name(s) and Address(s) of Applicant(s):

Logue and Co. Pty Ltd

199 Kiora Rd Yowie Bay NSW 2228 Australia

(72) Name(s) of Designer(s): **Anthony Thomas Logue**

(45) Registration Date: **09 December 2015**

(56) Related Art Documents: **Not Applicable**

(57) Statement of Newness and Distinctiveness: **Newness and distinctiveness is claimed in the features of shape and/ or configuration of a measuring cup as depicted in the accompanying drawings.**



(21) Design Number: **16145/2015**

(22) Date of Filing Application: **15 November 2015**

(24) Date from which industrial property rights may have effect: **15 November 2015**

(54) Product in respect of which the design is registered: **Measuring cup**

(51) International Design Classification: **10-04**

(74) Name(s) of Attorney(s):

(71) Name(s) and Address(s) of Applicant(s):

Logue and Co. Pty Ltd

199 Kiora Rd Yowie Bay NSW 2228 Australia

(72) Name(s) of Designer(s): **Anthony Thomas Logue**

(45) Registration Date: **09 December 2015**

(56) Related Art Documents: **Not Applicable**

(57) Statement of Newness and Distinctiveness: **Newness and distinctiveness is claimed in the features of shape and/ or configuration of a measuring cup as depicted in the accompanying drawings.**



- (21) Design Number: **16146/2015**
(22) Date of Filing Application: **15 November 2015**
(24) Date from which industrial property rights may have effect: **15 November 2015**
(54) Product in respect of which the design is registered: **Measuring cup**
(51) International Design Classification: **10-04**
(74) Name(s) of Attorney(s):
(71) Name(s) and Address(s) of Applicant(s):
Logue and Co. Pty Ltd
199 Kiora Rd Yowie Bay NSW 2228 Australia
(72) Name(s) of Designer(s): **Anthony Thomas Logue**
(45) Registration Date: **09 December 2015**
(56) Related Art Documents: **Not Applicable**
(57) Statement of Newness and Distinctiveness: **Newness and distinctiveness is claimed in the features of shape and/ or configuration of a measuring cup as depicted in the accompanying drawings.**



- (21) Design Number: **16148/2015**
(22) Date of Filing Application: **15 November 2015**
(24) Date from which industrial property rights may have effect: **15 November 2015**
(54) Product in respect of which the design is registered: **Measuring cup**
(51) International Design Classification: **10-04**
(74) Name(s) of Attorney(s):
(71) Name(s) and Address(s) of Applicant(s):
Logue and Co. Pty Ltd
199 Kiora Rd Yowie Bay NSW 2228 Australia
(72) Name(s) of Designer(s): **Anthony Thomas Logue**
(45) Registration Date: **09 December 2015**
(56) Related Art Documents: **Not Applicable**
(57) Statement of Newness and Distinctiveness: **Newness and distinctiveness is claimed in the features of shape and/ or configuration of a measuring cup as depicted in the accompanying drawings.**



(21) Design Number: **16053/2015**
(22) Date of Filing Application: **12 November 2015**
(24) Date from which industrial property rights may have effect: **12 November 2015**
(54) Product in respect of which the design is registered: **Label**
(51) International Design Classification: **19-08**
(74) Name(s) of Attorney(s): **Cullens Pty Ltd**
(71) Name(s) and Address(s) of Applicant(s):



ITM Isotopen Technologien M#nchen AG
Lichtenbergstrasse 1 Garching 85748 Germany

(72) Name(s) of Designer(s): **Thomas Jockel and Christoph Findeiss**

(45) Registration Date: **10 December 2015**

(30) Convention priority data:

(31) Number	(32) Date	(33) Country
DM/087,472	29 Jul 2015	WORLD INTELLECTUAL PROPERTY ORGANIZATION (WIPO)

(56) Related Art Documents: **Not Applicable**

(57) Statement of Newness and Distinctiveness: **Newness and distinctiveness is claimed in those features of pattern and/or ornamentation of a label illustrated in continuous lines in the accompanying representations. No weight should be given to the features of the design illustrated in broken lines.**

(21) Design Number: **16149/2015**
(22) Date of Filing Application: **15 November 2015**
(24) Date from which industrial property rights may have effect: **15 November 2015**
(54) Product in respect of which the design is registered: **Measuring cup**
(51) International Design Classification: **10-04**
(74) Name(s) of Attorney(s):
(71) Name(s) and Address(s) of Applicant(s):



Logue and Co. Pty Ltd
199 Kiora Rd Yowie Bay NSW 2228 Australia

(72) Name(s) of Designer(s): **Anthony Thomas Logue**

(45) Registration Date: **10 December 2015**

(56) Related Art Documents: **Not Applicable**

(57) Statement of Newness and Distinctiveness: **Newness and distinctiveness is claimed in the features of shape and/ or configuration of a measuring cup as depicted in the accompanying drawings.**

- (21) Design Number: **16150/2015**
(22) Date of Filing Application: **15 November 2015**
(24) Date from which industrial property rights may have effect: **15 November 2015**
(54) Product in respect of which the design is registered: **Measuring cup**
(51) International Design Classification: **10-04**
(74) Name(s) of Attorney(s):
(71) Name(s) and Address(s) of Applicant(s):
Logue and Co. Pty Ltd
199 Kiora Rd Yowie Bay NSW 2228 Australia
(72) Name(s) of Designer(s): **Anthony Thomas Logue**
(45) Registration Date: **10 December 2015**
(56) Related Art Documents: **Not Applicable**
(57) Statement of Newness and Distinctiveness: **Newness and distinctiveness is claimed in the features of shape and/ or configuration of a measuring cup as depicted in the accompanying drawings.**



- (21) Design Number: **16151/2015**
(22) Date of Filing Application: **15 November 2015**
(24) Date from which industrial property rights may have effect: **15 November 2015**
(54) Product in respect of which the design is registered: **Measuring cup**
(51) International Design Classification: **10-04**
(74) Name(s) of Attorney(s):
(71) Name(s) and Address(s) of Applicant(s):
Logue and Co. Pty Ltd
199 Kiora Rd Yowie Bay NSW 2228 Australia
(72) Name(s) of Designer(s): **Anthony Thomas Logue**
(45) Registration Date: **10 December 2015**
(56) Related Art Documents: **Not Applicable**
(57) Statement of Newness and Distinctiveness: **Newness and distinctiveness is claimed in the features of shape and/ or configuration of a measuring cup as depicted in the accompanying drawings.**



- (21) Design Number: **16152/2015**
(22) Date of Filing Application: **15 November 2015**
(24) Date from which industrial property rights may have effect: **15 November 2015**
(54) Product in respect of which the design is registered: **Measuring cup**
(51) International Design Classification: **10-04**
(74) Name(s) of Attorney(s):
(71) Name(s) and Address(s) of Applicant(s):
Logue and Co. Pty Ltd
199 Kiora Rd Yowie Bay NSW 2228 Australia
(72) Name(s) of Designer(s): **Anthony Thomas Logue**
(45) Registration Date: **10 December 2015**
(56) Related Art Documents: **Not Applicable**
(57) Statement of Newness and Distinctiveness: **Newness and distinctiveness is claimed in the features of shape and/ or configuration of a measuring cup as depicted in the accompanying drawings.**



- (21) Design Number: **16153/2015**
(22) Date of Filing Application: **15 November 2015**
(24) Date from which industrial property rights may have effect: **15 November 2015**
(54) Product in respect of which the design is registered: **Measuring cup**
(51) International Design Classification: **10-04**
(74) Name(s) of Attorney(s):
(71) Name(s) and Address(s) of Applicant(s):
Logue and Co. Pty Ltd
199 Kiora Rd Yowie Bay NSW 2228 Australia
(72) Name(s) of Designer(s): **Anthony Thomas Logue**
(45) Registration Date: **10 December 2015**
(56) Related Art Documents: **Not Applicable**
(57) Statement of Newness and Distinctiveness: **Newness and distinctiveness is claimed in the features of shape and/ or configuration of a measuring cup as depicted in the accompanying drawings.**



- (21) Design Number: **16154/2015**
(22) Date of Filing Application: **15 November 2015**
(24) Date from which industrial property rights may have effect: **15 November 2015**
(54) Product in respect of which the design is registered: **Measuring cup**
(51) International Design Classification: **10-04**
(74) Name(s) of Attorney(s):
(71) Name(s) and Address(s) of Applicant(s):
Logue and Co. Pty Ltd
199 Kiora Rd Yowie Bay NSW 2228 Australia
(72) Name(s) of Designer(s): **Anthony Thomas Logue**
(45) Registration Date: **10 December 2015**
(56) Related Art Documents: **Not Applicable**
(57) Statement of Newness and Distinctiveness: **Newness and distinctiveness is claimed in the features of shape and/ or configuration of a measuring cup as depicted in the accompanying drawings.**



- (21) Design Number: **16155/2015**
(22) Date of Filing Application: **15 November 2015**
(24) Date from which industrial property rights may have effect: **15 November 2015**
(54) Product in respect of which the design is registered: **Measuring cup**
(51) International Design Classification: **10-04**
(74) Name(s) of Attorney(s):
(71) Name(s) and Address(s) of Applicant(s):
Logue and Co. Pty Ltd
199 Kiora Rd Yowie Bay NSW 2228 Australia
(72) Name(s) of Designer(s): **Anthony Thomas Logue**
(45) Registration Date: **10 December 2015**
(56) Related Art Documents: **Not Applicable**
(57) Statement of Newness and Distinctiveness: **Newness and distinctiveness is claimed in the features of shape and/ or configuration of a measuring cup as depicted in the accompanying drawings.**



(21) Design Number: **15213/2015**

(22) Date of Filing Application: **07 October 2015**

(24) Date from which industrial property rights may have effect: **07 October 2015**

(54) Product in respect of which the design is registered: **A fork lift truck**

(51) International Design Classification: **12-05**

(74) Name(s) of Attorney(s): **Catalyst Intellectual Property**

(71) Name(s) and Address(s) of Applicant(s):

Combilift

Gallinagh Monaghan Town County Monaghan Republic Of Ireland

(72) Name(s) of Designer(s): **Martin McVicar and Robert Moffett and Mark Whyte**

(45) Registration Date: **10 December 2015**

(30) Convention priority data:

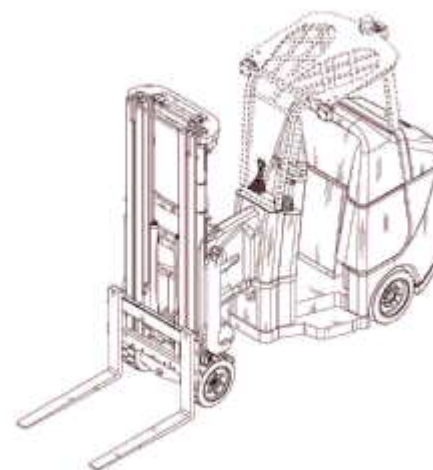
(31) Number
002676809

(32) Date
08 Apr 2015

(33) Country
**OFFICE FOR HARMONISATION IN
THE INTERNAL MARKET (OHIM)**

(56) Related Art Documents: **Not Applicable**

(57) Statement of Newness and Distinctiveness: **Newness and distinctiveness resides in the shape and/or configuration of the Fork Lift Truck, as shown in solid lines in the accompanying drawings and excluding the features shown in broken lines, which do not form part of the design.**



(21) Design Number: **15748/2015**

(22) Date of Filing Application: **28 October 2015**

(24) Date from which industrial property rights may have effect: **28 October 2015**

(54) Product in respect of which the design is registered: **A pot**

(51) International Design Classification: **11-02B**

(74) Name(s) of Attorney(s):

(71) Name(s) and Address(s) of Applicant(s):

Capi Europe B.V.

Lovensekanaaldijk 80 Tilburg AK, 5015 The Netherlands

(72) Name(s) of Designer(s): **Toine van de Ven**

(45) Registration Date: **10 December 2015**

(30) Convention priority data:

(31) Number
002703108-0010

(32) Date
19 May 2015

(33) Country
**OFFICE FOR HARMONISATION IN
THE INTERNAL MARKET (OHIM)**

(56) Related Art Documents: **Not Applicable**

(57) Statement of Newness and Distinctiveness: **Newness and distinctiveness is claimed in respect of the shape and/or configuration of the product illustrated in the accompanying representations.**



- (21) Design Number: **16055/2015**
(22) Date of Filing Application: **12 November 2015**
(24) Date from which industrial property rights may have effect: **12 November 2015**
(54) Product in respect of which the design is registered: **Bathroom pod framing**
(51) International Design Classification: **25-03**
(74) Name(s) of Attorney(s): **IP Service International**
(71) Name(s) and Address(s) of Applicant(s):
Buildom Pty Ltd
31 Moxon Rd Punchbowl NSW 2196 Australia
(72) Name(s) of Designer(s): **Shu Ning Huang**
(45) Registration Date: **10 December 2015**
(56) Related Art Documents: **Not Applicable**
(57) Statement of Newness and Distinctiveness: **Walls and Floors of the Bathroom Pod are constructed using aluminium sections which lock (click)The junction of the walls and floor are welded.**



- (21) Design Number: **16156/2015**
(22) Date of Filing Application: **16 November 2015**
(24) Date from which industrial property rights may have effect: **16 November 2015**
(54) Product in respect of which the design is registered: **Bikini**
(51) International Design Classification: **02-02A**
(74) Name(s) of Attorney(s):
(71) Name(s) and Address(s) of Applicant(s):
Zimmermann Wear Pty Limited
120 Dunning Ave Rosebery NSW 2018 Australia
(72) Name(s) of Designer(s): **Nicole Zimmermann**
(45) Registration Date: **10 December 2015**
(56) Related Art Documents: **Not Applicable**
(57) Statement of Newness and Distinctiveness: **Newness and distinctiveness is claimed in the shape, configuration, pattern and/or ornamentation of the garment depicted in the accompanying representation.**



- (21) Design Number: **16157/2015**
(22) Date of Filing Application: **16 November 2015**
(24) Date from which industrial property rights may have effect: **16 November 2015**
(54) Product in respect of which the design is registered: **Swimwear**
(51) International Design Classification: **02-02A**
(74) Name(s) of Attorney(s):
(71) Name(s) and Address(s) of Applicant(s):
Zimmermann Wear Pty Limited
120 Dunning Ave Rosebery NSW 2018 Australia
(72) Name(s) of Designer(s): **Nicole Zimmermann**
(45) Registration Date: **10 December 2015**
(56) Related Art Documents: **Not Applicable**
(57) Statement of Newness and Distinctiveness: **Newness and distinctiveness is claimed in the shape, configuration, pattern and/or ornamentation of the garment depicted in the accompanying representation.**



- (21) Design Number: **16158/2015**
(22) Date of Filing Application: **16 November 2015**
(24) Date from which industrial property rights may have effect: **16 November 2015**
(54) Product in respect of which the design is registered: **A bikini**
(51) International Design Classification: **02-02A**
(74) Name(s) of Attorney(s):
(71) Name(s) and Address(s) of Applicant(s):
Zimmermann Wear Pty Limited
120 Dunning Ave Rosebery NSW 2018 Australia
(72) Name(s) of Designer(s): **Nicole Zimmermann**
(45) Registration Date: **10 December 2015**
(56) Related Art Documents: **Not Applicable**
(57) Statement of Newness and Distinctiveness: **Newness and distinctiveness is claimed in the shape, configuration, pattern and/or ornamentation of the garment depicted in the accompanying representation.**



- (21) Design Number: **16159/2015**
(22) Date of Filing Application: **16 November 2015**
(24) Date from which industrial property rights may have effect: **16 November 2015**
(54) Product in respect of which the design is registered: **A dress**
(51) International Design Classification: **02-02C**
(74) Name(s) of Attorney(s):
(71) Name(s) and Address(s) of Applicant(s):
Zimmermann Wear Pty Limited
120 Dunning Ave Rosebery NSW 2018 Australia
(72) Name(s) of Designer(s): **Nicole Zimmermann**
(45) Registration Date: **10 December 2015**
(56) Related Art Documents: **Not Applicable**
(57) Statement of Newness and Distinctiveness: **Newness and distinctiveness is claimed in the shape, configuration, pattern and/or ornamentation of the garment depicted in the accompanying representation.**



- (21) Design Number: **16160/2015**
(22) Date of Filing Application: **16 November 2015**
(24) Date from which industrial property rights may have effect: **16 November 2015**
(54) Product in respect of which the design is registered: **A playsuit**
(51) International Design Classification: **02-02C**
(74) Name(s) of Attorney(s):
(71) Name(s) and Address(s) of Applicant(s):
Zimmermann Wear Pty Limited
120 Dunning Ave Rosebery NSW 2018 Australia
(72) Name(s) of Designer(s): **Nicole Zimmermann**
(45) Registration Date: **10 December 2015**
(56) Related Art Documents: **Not Applicable**
(57) Statement of Newness and Distinctiveness: **Newness and distinctiveness is claimed in the shape, configuration, pattern and/or ornamentation of the garment depicted in the accompanying representation.**



- (21) Design Number: **16161/2015**
(22) Date of Filing Application: **16 November 2015**
(24) Date from which industrial property rights may have effect: **16 November 2015**
(54) Product in respect of which the design is registered: **A bikini**
(51) International Design Classification: **02-02A**
(74) Name(s) of Attorney(s):
(71) Name(s) and Address(s) of Applicant(s):
Zimmermann Wear Pty Limited
120 Dunning Ave Rosebery NSW 2018 Australia
(72) Name(s) of Designer(s): **Nicole Zimmermann**
(45) Registration Date: **10 December 2015**
(56) Related Art Documents: **Not Applicable**
(57) Statement of Newness and Distinctiveness: **Newness and distinctiveness is claimed in the shape, configuration, pattern and/or ornamentation of the garment depicted in the accompanying representation.**



- (21) Design Number: **16162/2015**
(22) Date of Filing Application: **16 November 2015**
(24) Date from which industrial property rights may have effect: **16 November 2015**
(54) Product in respect of which the design is registered: **Swimwear**
(51) International Design Classification: **02-02A**
(74) Name(s) of Attorney(s):
(71) Name(s) and Address(s) of Applicant(s):
Zimmermann Wear Pty Limited
120 Dunning Ave Rosebery NSW 2018 Australia
(72) Name(s) of Designer(s): **Nicole Zimmermann**
(45) Registration Date: **10 December 2015**
(56) Related Art Documents: **Not Applicable**
(57) Statement of Newness and Distinctiveness: **Newness and distinctiveness is claimed in the shape, configuration, pattern and/or ornamentation of the garment depicted in the accompanying representation.**



- (21) Design Number: **16163/2015**
(22) Date of Filing Application: **16 November 2015**
(24) Date from which industrial property rights may have effect: **16 November 2015**
(54) Product in respect of which the design is registered: **A bikini**
(51) International Design Classification: **02-02A**
(74) Name(s) of Attorney(s):
(71) Name(s) and Address(s) of Applicant(s):
Zimmermann Wear Pty Limited
120 Dunning Ave Rosebery NSW 2018 Australia
(72) Name(s) of Designer(s): **Nicole Zimmermann**
(45) Registration Date: **10 December 2015**
(56) Related Art Documents: **Not Applicable**
(57) Statement of Newness and Distinctiveness: **Newness and distinctiveness is claimed in the shape, configuration, pattern and/or ornamentation of the garment depicted in the accompanying representation.**



- (21) Design Number: **16164/2015**
(22) Date of Filing Application: **16 November 2015**
(24) Date from which industrial property rights may have effect: **16 November 2015**
(54) Product in respect of which the design is registered: **A dress**
(51) International Design Classification: **02-02C**
(74) Name(s) of Attorney(s):
(71) Name(s) and Address(s) of Applicant(s):
Zimmermann Wear Pty Limited
120 Dunning Ave Rosebery NSW 2018 Australia
(72) Name(s) of Designer(s): **Nicole Zimmermann**
(45) Registration Date: **10 December 2015**
(56) Related Art Documents: **Not Applicable**
(57) Statement of Newness and Distinctiveness: **Newness and distinctiveness is claimed in the shape, configuration, pattern and/or ornamentation of the garment depicted in the accompanying representation.**



- (21) Design Number: **16165/2015**
(22) Date of Filing Application: **16 November 2015**
(24) Date from which industrial property rights may have effect: **16 November 2015**
(54) Product in respect of which the design is registered: **A playsuit**
(51) International Design Classification: **02-02C**
(74) Name(s) of Attorney(s):
(71) Name(s) and Address(s) of Applicant(s):
Zimmermann Wear Pty Limited
120 Dunning Ave Rosebery NSW 2018 Australia
(72) Name(s) of Designer(s): **Nicole Zimmermann**
(45) Registration Date: **10 December 2015**
(56) Related Art Documents: **Not Applicable**
(57) Statement of Newness and Distinctiveness: **Newness and distinctiveness is claimed in the shape, configuration, pattern and/or ornamentation of the garment depicted in the accompanying representation.**



- (21) Design Number: **16166/2015**
(22) Date of Filing Application: **16 November 2015**
(24) Date from which industrial property rights may have effect: **16 November 2015**
(54) Product in respect of which the design is registered: **A bikini**
(51) International Design Classification: **02-02A**
(74) Name(s) of Attorney(s):
(71) Name(s) and Address(s) of Applicant(s):
Zimmermann Wear Pty Limited
120 Dunning Ave Rosebery NSW 2018 Australia
(72) Name(s) of Designer(s): **Nicole Zimmermann**
(45) Registration Date: **10 December 2015**
(56) Related Art Documents: **Not Applicable**
(57) Statement of Newness and Distinctiveness: **Newness and distinctiveness is claimed in the shape, configuration, pattern and/or ornamentation of the garment depicted in the accompanying representation.**



- (21) Design Number: **15704/2015**
(22) Date of Filing Application: **26 October 2015**
(24) Date from which industrial property rights may have effect: **26 October 2015**
(54) Product in respect of which the design is registered: **Air box for a motor vehicle**
(51) International Design Classification: **12-16NES**
(74) Name(s) of Attorney(s):
(71) Name(s) and Address(s) of Applicant(s):
OMF Engineering Pty Ltd
90 Waterloo Rd Moe VIC 3825 Australia
(72) Name(s) of Designer(s): **Jonathan Ouellette**
(45) Registration Date: **10 December 2015**
(56) Related Art Documents: **Not Applicable**
(57) Statement of Newness and Distinctiveness: **Newness and distinctiveness is claimed in the feature of shape and or configuration of a motor vehicle air box device as illustrated in the accompanying representations.**



- (21) Design Number: **16168/2015**
(22) Date of Filing Application: **16 November 2015**
(24) Date from which industrial property rights may have effect: **16 November 2015**
(54) Product in respect of which the design is registered: **A top**
(51) International Design Classification: **02-02NES**
(74) Name(s) of Attorney(s):
(71) Name(s) and Address(s) of Applicant(s):
Zimmermann Wear Pty Limited
120 Dunning Ave Rosebery NSW 2018 Australia
(72) Name(s) of Designer(s): **Nicole Zimmermann**
(45) Registration Date: **10 December 2015**
(56) Related Art Documents: **Not Applicable**
(57) Statement of Newness and Distinctiveness: **Newness and distinctiveness is claimed in the shape, configuration, pattern and/or ornamentation of the garment depicted in the accompanying representation.**



- (21) Design Number: **16169/2015**
(22) Date of Filing Application: **16 November 2015**
(24) Date from which industrial property rights may have effect: **16 November 2015**
(54) Product in respect of which the design is registered: **A dress**
(51) International Design Classification: **02-02C**
(74) Name(s) of Attorney(s):
(71) Name(s) and Address(s) of Applicant(s):
Zimmermann Wear Pty Limited
120 Dunning Ave Rosebery NSW 2018 Australia
(72) Name(s) of Designer(s): **Nicole Zimmermann**
(45) Registration Date: **10 December 2015**
(56) Related Art Documents: **Not Applicable**
(57) Statement of Newness and Distinctiveness: **Newness and distinctiveness is claimed in the shape, configuration, pattern and/or ornamentation of the garment depicted in the accompanying representation.**



- (21) Design Number: **16170/2015**
(22) Date of Filing Application: **16 November 2015**
(24) Date from which industrial property rights may have effect: **16 November 2015**
(54) Product in respect of which the design is registered: **A playsuit**
(51) International Design Classification: **02-02C**
(74) Name(s) of Attorney(s):
(71) Name(s) and Address(s) of Applicant(s):
Zimmermann Wear Pty Limited
120 Dunning Ave Rosebery NSW 2018 Australia
(72) Name(s) of Designer(s): **Nicole Zimmermann**
(45) Registration Date: **10 December 2015**
(56) Related Art Documents: **Not Applicable**
(57) Statement of Newness and Distinctiveness: **Newness and distinctiveness is claimed in the shape, configuration, pattern and/or ornamentation of the garment depicted in the accompanying representation.**



- (21) Design Number: **16171/2015**
(22) Date of Filing Application: **16 November 2015**
(24) Date from which industrial property rights may have effect: **16 November 2015**
(54) Product in respect of which the design is registered: **A dress**
(51) International Design Classification: **02-02C**
(74) Name(s) of Attorney(s):
(71) Name(s) and Address(s) of Applicant(s):
Zimmermann Wear Pty Limited
120 Dunning Ave Rosebery NSW 2018 Australia
(72) Name(s) of Designer(s): **Nicole Zimmermann**
(45) Registration Date: **10 December 2015**
(56) Related Art Documents: **Not Applicable**
(57) Statement of Newness and Distinctiveness: **Newness and distinctiveness is claimed in the shape, configuration, pattern and/or ornamentation of the garment depicted in the accompanying representation.**



- (21) Design Number: **16174/2015**
(22) Date of Filing Application: **16 November 2015**
(24) Date from which industrial property rights may have effect: **16 November 2015**
(54) Product in respect of which the design is registered: **A bikini**
(51) International Design Classification: **02-02A**
(74) Name(s) of Attorney(s):
(71) Name(s) and Address(s) of Applicant(s):
Zimmermann Wear Pty Limited
120 Dunning Ave Rosebery NSW 2018 Australia
(72) Name(s) of Designer(s): **Nicole Zimmermann**
(45) Registration Date: **10 December 2015**
(56) Related Art Documents: **Not Applicable**
(57) Statement of Newness and Distinctiveness: **Newness and distinctiveness is claimed in the shape, configuration, pattern and/or ornamentation of the garment depicted in the accompanying representation.**



- (21) Design Number: **16175/2015**
(22) Date of Filing Application: **16 November 2015**
(24) Date from which industrial property rights may have effect: **16 November 2015**
(54) Product in respect of which the design is registered: **Swimwear**
(51) International Design Classification: **02-02A**
(74) Name(s) of Attorney(s):
(71) Name(s) and Address(s) of Applicant(s):
Zimmermann Wear Pty Limited
120 Dunning Ave Rosebery NSW 2018 Australia
(72) Name(s) of Designer(s): **Nicole Zimmermann**
(45) Registration Date: **10 December 2015**
(56) Related Art Documents: **Not Applicable**
(57) Statement of Newness and Distinctiveness: **Newness and distinctiveness is claimed in the shape, configuration, pattern and/or ornamentation of the garment depicted in the accompanying representation.**



- (21) Design Number: **14691/2015**
(22) Date of Filing Application: **03 September 2015**
(24) Date from which industrial property rights may have effect: **03 September 2015**
(54) Product in respect of which the design is registered: **A light box with detachable header**
(51) International Design Classification: **26-04**
(74) Name(s) of Attorney(s):
(71) Name(s) and Address(s) of Applicant(s):
VOLUMES LIGHT BOX COMPANY PTY LTD
c/- Michael Buck IP PO Box 4361 St Lucia QLD, 4067 Australia
(72) Name(s) of Designer(s): **Sam Michael Thies**
(45) Registration Date: **10 December 2015**
(56) Related Art Documents: **Not Applicable**
(57) Statement of Newness and Distinctiveness: **The shape and configuration of a light box with detachable header as depicted in the accompanying representations without regard to the number and arrangement of apertures through the rear of the wall and without regard to the electrical cable.**



- (21) Design Number: **14822/2015**
(22) Date of Filing Application: **11 September 2015**
(24) Date from which industrial property rights may have effect: **11 September 2015**
(54) Product in respect of which the design is registered: **Ergodrive handle**
(51) International Design Classification: **08-06**
(74) Name(s) of Attorney(s): **Pizzeys Patent and Trade Mark Attorneys Pty Ltd**
(71) Name(s) and Address(s) of Applicant(s):

Andreas Filosi
Lindberghstrasse 8 Puchheim 82178 Germany
Franz Wieth
Lindberghstrasse 8 Puchheim 82178 Germany

(72) Name(s) of Designer(s): **Andreas Filosi and Franz Wieth**

(45) Registration Date: **10 December 2015**

(30) Convention priority data:

(31) Number	(32) Date	(33) Country
402015100230.7	11 Mar 2015	GERMANY

(56) Related Art Documents: **Not Applicable**

(57) Statement of Newness and Distinctiveness: **The newness and distinctiveness of the design resides in the features of shape and/or configuration shown in unbroken lines in the accompanying representations.**



- (21) Design Number: **15064/2015**
(22) Date of Filing Application: **28 September 2015**
(24) Date from which industrial property rights may have effect: **28 September 2015**
(54) Product in respect of which the design is registered: **Bottle**
(51) International Design Classification: **09-01NES**
(74) Name(s) of Attorney(s): **Davies Collison Cave**
(71) Name(s) and Address(s) of Applicant(s):

Bayer Consumer Care AG
Peter Merian-Str. 84 Basel 4052 Switzerland

(72) Name(s) of Designer(s): **Phillip Le and M. Gary Grossman and Thomas Van Dyk and Donald E. Staples and Jack THOMAS HAWKINS JR.**

(45) Registration Date: **10 December 2015**

(30) Convention priority data:

(31) Number	(32) Date	(33) Country
29/522588	31 Mar 2015	UNITED STATES OF AMERICA

(56) Related Art Documents: **Not Applicable**

(57) Statement of Newness and Distinctiveness: **Newness and distinctiveness is claimed in the visual features shown in solid lines in the representations.**



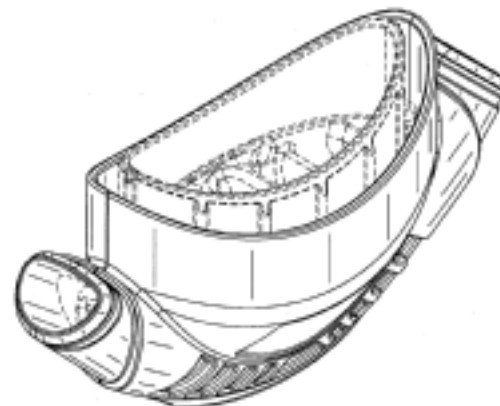
- (21) Design Number: **15066/2015**
(22) Date of Filing Application: **28 September 2015**
(24) Date from which industrial property rights may have effect: **28 September 2015**
(54) Product in respect of which the design is registered: **Bottle**
(51) International Design Classification: **09-01NES**
(74) Name(s) of Attorney(s): **Davies Collison Cave**
(71) Name(s) and Address(s) of Applicant(s):
Bayer Consumer Care AG
Peter Merian-Str. 84 Basel 4052 Switzerland
(72) Name(s) of Designer(s): **Phillip Le and M. Gary Grossman and Thomas Van Dyk and Donald E. Staples and Jack THOMAS HAWKINS JR.**
(45) Registration Date: **10 December 2015**
(30) Convention priority data:
(31) Number (32) Date (33) Country
29/522586 31 Mar 2015 UNITED STATES OF AMERICA
(56) Related Art Documents: **Not Applicable**
(57) Statement of Newness and Distinctiveness: **Newness and distinctiveness is claimed in the visual features shown in solid lines in the representations.**



- (21) Design Number: **15069/2015**
(22) Date of Filing Application: **28 September 2015**
(24) Date from which industrial property rights may have effect: **28 September 2015**
(54) Product in respect of which the design is registered: **Bottle**
(51) International Design Classification: **09-01NES**
(74) Name(s) of Attorney(s): **Davies Collison Cave**
(71) Name(s) and Address(s) of Applicant(s):
Bayer Consumer Care AG
Peter Merian-Str. 84 Basel 4052 Switzerland
(72) Name(s) of Designer(s): **Phillip Le and M. Gary Grossman and Thomas Van Dyk and Donald E. Staples and Jack THOMAS HAWKINS JR.**
(45) Registration Date: **10 December 2015**
(30) Convention priority data:
(31) Number (32) Date (33) Country
29/522587 31 Mar 2015 UNITED STATES OF AMERICA
(56) Related Art Documents: **Not Applicable**
(57) Statement of Newness and Distinctiveness: **Newness and distinctiveness is claimed in the visual features shown in solid lines in the representations.**



(21) Design Number: **15194/2015**
(22) Date of Filing Application: **06 October 2015**
(24) Date from which industrial property rights may have effect: **06 October 2015**
(54) Product in respect of which the design is registered: **Bases for nasal interfaces**
(51) International Design Classification: **24-02**
(74) Name(s) of Attorney(s): **Pizeys Patent and Trade Mark Attorneys Pty Ltd**
(71) Name(s) and Address(s) of Applicant(s):
inSleep Technologies, LLC
12100 Singletree Lane Suite 183 Eden Prairie MN, 55344 United States Of America
(72) Name(s) of Designer(s): **Martin W. Kerber and Nathaniel V. Tran and Craig L. Peterson**
(45) Registration Date: **10 December 2015**
(30) Convention priority data:
(31) Number (32) Date (33) Country
29/523,295 08 Apr 2015 UNITED STATES OF AMERICA
(56) Related Art Documents: **Not Applicable**
(57) Statement of Newness and Distinctiveness: **Nil**



(21) Design Number: **15713/2015**
(22) Date of Filing Application: **27 October 2015**
(24) Date from which industrial property rights may have effect: **27 October 2015**
(54) Product in respect of which the design is registered: **Razor cartridge**
(51) International Design Classification: **28-03A**
(74) Name(s) of Attorney(s): **WATERMARK PATENT AND TRADE MARKS ATTORNEYS**
(71) Name(s) and Address(s) of Applicant(s):
The Gillette Company
One Gillette Park Boston MA, 02127 United States of America
(72) Name(s) of Designer(s): **Michael Hal Bruno and Matthew Michael Long and Christopher Ramm and Alexander Stephen Forti and Jessy Lee Cusack and Neil Lettenberger and Shrikant Prasad Pattnaik**
(45) Registration Date: **10 December 2015**
(30) Convention priority data:
(31) Number (32) Date (33) Country
29/525,155 27 Apr 2015 UNITED STATES OF AMERICA
(56) Related Art Documents: **Not Applicable**
(57) Statement of Newness and Distinctiveness: **Newness and distinctiveness resides in the shape, configuration, pattern and /or orientation of a razor cartridge as shown in the accompanying representations. The features shown in broken lines are for illustrative purposes only and form no part of the design.**



- (21) Design Number: **15714/2015**
(22) Date of Filing Application: **27 October 2015**
(24) Date from which industrial property rights may have effect: **27 October 2015**
(54) Product in respect of which the design is registered: **Razor cartridge**
(51) International Design Classification: **28-03A**
(74) Name(s) of Attorney(s): **WATERMARK PATENT AND TRADE MARKS ATTORNEYS**
(71) Name(s) and Address(s) of Applicant(s):
The Gillette Company
One Gillette Park Boston MA, 02127 United States of America
(72) Name(s) of Designer(s): **Michael Hal Bruno and Matthew Michael Long and Christopher Ramm and Alexander Stephen Forti and Jessy Lee Cusack and Neil Lettenberger and Shrikant Prasad Pattnaik**
(45) Registration Date: **10 December 2015**
(30) Convention priority data:
(31) Number (32) Date (33) Country
29/525,061 27 Apr 2015 UNITED STATES OF AMERICA
(56) Related Art Documents: **Not Applicable**
(57) Statement of Newness and Distinctiveness: **Newness and distinctiveness resides in the shape, configuration, pattern and /or orientation of a razor cartridge as shown in the accompanying representations. The features shown in broken lines are for illustrative purposes only and form no part of the design.**



- (21) Design Number: **15715/2015**
(22) Date of Filing Application: **27 October 2015**
(24) Date from which industrial property rights may have effect: **27 October 2015**
(54) Product in respect of which the design is registered: **Razor cartridge**
(51) International Design Classification: **28-03A**
(74) Name(s) of Attorney(s): **WATERMARK PATENT AND TRADE MARKS ATTORNEYS**
(71) Name(s) and Address(s) of Applicant(s):
The Gillette Company
One Gillette Park Boston MA, 02127 United States of America
(72) Name(s) of Designer(s): **Michael Hal Bruno and Matthew Michael Long and Christopher Ramm and Alexander Stephen Forti and Jessy Lee Cusack and Neil Lettenberger and Shrikant Prasad Pattnaik**
(45) Registration Date: **10 December 2015**
(30) Convention priority data:
(31) Number (32) Date (33) Country
29/525,465 29 Apr 2015 UNITED STATES OF AMERICA
(56) Related Art Documents: **Not Applicable**
(57) Statement of Newness and Distinctiveness: **Newness and distinctiveness resides in the shape, configuration, pattern and /or orientation of a razor cartridge as shown in the accompanying representations. The features shown in broken lines are for illustrative purposes only and form no part of the design.**



- (21) Design Number: **15057/2015**
(22) Date of Filing Application: **27 September 2015**
(24) Date from which industrial property rights may have effect: **27 September 2015**
(54) Product in respect of which the design is registered: **Stuffed toy**
(51) International Design Classification: **21-01A**
(74) Name(s) of Attorney(s):
(71) Name(s) and Address(s) of Applicant(s):
PRODUCT OF AUSTRALIA TRADE PTY. LTD.
3/104 Ford St IVANHOE VIC 3079 Australia
(72) Name(s) of Designer(s): **Maggie Q Chen**
(45) Registration Date: **11 December 2015**
(56) Related Art Documents: **Not Applicable**
(57) Statement of Newness and Distinctiveness: **Create a special pattern stuffed baby alpaca hand make by natural alpaca fur and design in standing and sitting alpaca.**



- (21) Design Number: **15058/2015**
(22) Date of Filing Application: **27 September 2015**
(24) Date from which industrial property rights may have effect: **27 September 2015**
(54) Product in respect of which the design is registered: **Stuffed toy**
(51) International Design Classification: **21-01A**
(74) Name(s) of Attorney(s):
(71) Name(s) and Address(s) of Applicant(s):
PRODUCT OF AUSTRALIA TRADE PTY. LTD.
3/104 Ford St IVANHOE VIC 3079 Australia
(72) Name(s) of Designer(s): **Maggie Q Chen**
(45) Registration Date: **11 December 2015**
(56) Related Art Documents: **Not Applicable**
(57) Statement of Newness and Distinctiveness: **Create a special pattern stuffed baby alpaca hand make by natural alpaca fur and design in standing and sitting alpaca.**



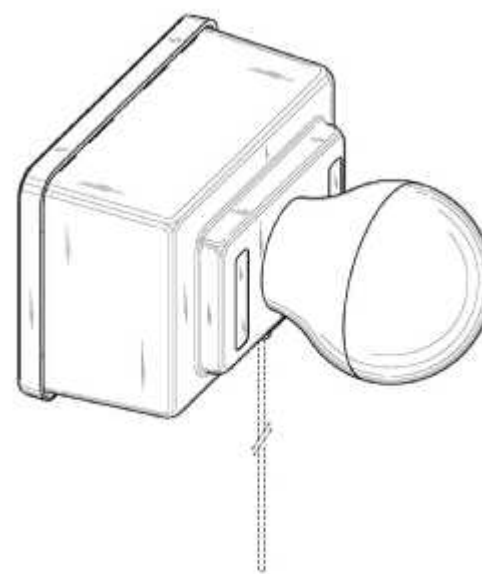
- (21) Design Number: **15442/2015**
(22) Date of Filing Application: **14 October 2015**
(24) Date from which industrial property rights may have effect: **14 October 2015**
(54) Product in respect of which the design is registered: **A stool**
(51) International Design Classification: **06-01E**
(74) Name(s) of Attorney(s): **Davies Collison Cave**
(71) Name(s) and Address(s) of Applicant(s):
Derlot IP Pty Ltd
C/- Davies Collison Cave L10 301 Coronation Dr Milton QLD 4064
Australia
(72) Name(s) of Designer(s): **Alexander Lotersztain**
(45) Registration Date: **11 December 2015**
(56) Related Art Documents: **Not Applicable**
(57) Statement of Newness and Distinctiveness: **Newness and distinctiveness resides in the features of shape and/or configuration of a stool as shown in the accompanying representations.**



- (21) Design Number: **16025/2015**
(22) Date of Filing Application: **11 November 2015**
(24) Date from which industrial property rights may have effect: **11 November 2015**
(54) Product in respect of which the design is registered: **A seal**
(51) International Design Classification: **23-01A**
(74) Name(s) of Attorney(s): **PHILLIPS ORMONDE FITZPATRICK**
(71) Name(s) and Address(s) of Applicant(s):
Millennium Coupling Company Pty Ltd
5 Myer Ct Beverley SA 5009 Australia
(72) Name(s) of Designer(s): **TsanJee Chen and Simon Tape**
(45) Registration Date: **11 December 2015**
(56) Related Art Documents: **Not Applicable**
(57) Statement of Newness and Distinctiveness: **Nil**



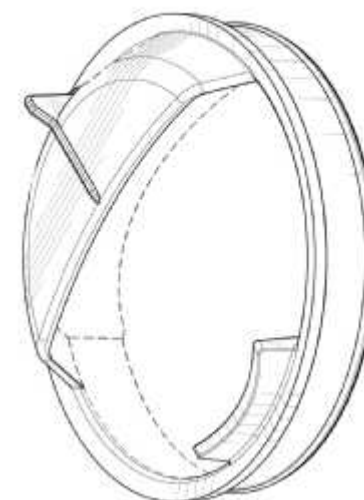
(21) Design Number: **16188/2015**
(22) Date of Filing Application: **17 November 2015**
(24) Date from which industrial property rights may have effect: **17 November 2015**
(54) Product in respect of which the design is registered: **A lamp unit**
(51) International Design Classification: **26-05C**
(74) Name(s) of Attorney(s): **Henry Hughes IP Ltd**
(71) Name(s) and Address(s) of Applicant(s):
Loft Leg Ltd
Suite 27, The Ace Centre Cross Street Nelson BB9 7NN United Kingdom
(72) Name(s) of Designer(s): **Matthew Driver and Gareth Storey and Alex Williams**
(45) Registration Date: **11 December 2015**
(30) Convention priority data:
(31) Number (32) Date (33) Country
002729038-0001 30 Jun 2015 OFFICE FOR HARMONISATION IN THE INTERNAL MARKET (OHIM)
(56) Related Art Documents: **Not Applicable**
(57) Statement of Newness and Distinctiveness: **The design is to be applied to A LAMP UNIT and the novelty resides in the features of shape and / or configuration as shown in the accompanying representations.**



(21) Design Number: **16189/2015**
(22) Date of Filing Application: **17 November 2015**
(24) Date from which industrial property rights may have effect: **17 November 2015**
(54) Product in respect of which the design is registered: **Stool**
(51) International Design Classification: **06-01E**
(74) Name(s) of Attorney(s): **Spruson & Ferguson**
(71) Name(s) and Address(s) of Applicant(s):
Knoll, Inc.
1235 Water Street, East Greenville Pennsylvania, 18041 United States of America
(72) Name(s) of Designer(s): **Seth Murray and Bret Recor**
(45) Registration Date: **11 December 2015**
(30) Convention priority data:
(31) Number (32) Date (33) Country
29/527922 22 May 2015 UNITED STATES OF AMERICA
(56) Related Art Documents: **Not Applicable**
(57) Statement of Newness and Distinctiveness: **Newness and distinctiveness is claimed in the features of shape and/or configuration of a stool as illustrated in the accompanying representations.**



(21) Design Number: **16190/2015**
(22) Date of Filing Application: **17 November 2015**
(24) Date from which industrial property rights may have effect: **17 November 2015**
(54) Product in respect of which the design is registered: **Egg cracker**
(51) International Design Classification: **07-04**
(74) Name(s) of Attorney(s): **Griffith Hack**
(71) Name(s) and Address(s) of Applicant(s):
Runway Blue, LLC
250 South 850 East Lehi UT, 84043 United States of America
(72) Name(s) of Designer(s): **Steven M. Sorensen and David O. Meyers and Kim L. Sorensen**
(45) Registration Date: **11 December 2015**
(30) Convention priority data:
(31) Number (32) Date (33) Country
29/532896 10 Jul 2015 UNITED STATES OF AMERICA
(56) Related Art Documents: **Not Applicable**
(57) Statement of Newness and Distinctiveness: **The shape and configuration of the product as shown by solid lines in the accompanying representations is new and distinctive.**



(21) Design Number: **16192/2015**
(22) Date of Filing Application: **17 November 2015**
(24) Date from which industrial property rights may have effect: **17 November 2015**
(54) Product in respect of which the design is registered: **A peg**
(51) International Design Classification: **07-05C**
(74) Name(s) of Attorney(s): **Spruson & Ferguson**
(71) Name(s) and Address(s) of Applicant(s):
Jonathan Victor Cramer
28 Birubi Cres Bilgola Plat NSW 2107 Australia
(72) Name(s) of Designer(s): **Jonathan Victor Cramer**
(45) Registration Date: **11 December 2015**
(56) Related Art Documents: **Not Applicable**
(57) Statement of Newness and Distinctiveness: **Newness and distinctiveness is claimed in the features of shape and/or configuration of a peg as illustrated in the accompanying representations.**



(21) Design Number: **16193/2015**
(22) Date of Filing Application: **17 November 2015**
(24) Date from which industrial property rights may have effect: **17 November 2015**
(54) Product in respect of which the design is registered: **An exercise device**
(51) International Design Classification: **21-02F**
(74) Name(s) of Attorney(s): **Allens Patent & Trade Mark Attorneys**
(71) Name(s) and Address(s) of Applicant(s):

Telebrands Corp.
79 Two Bridges Road Fairfield New Jersey, 07004 United States of America

(72) Name(s) of Designer(s): **Poonam Khubani**

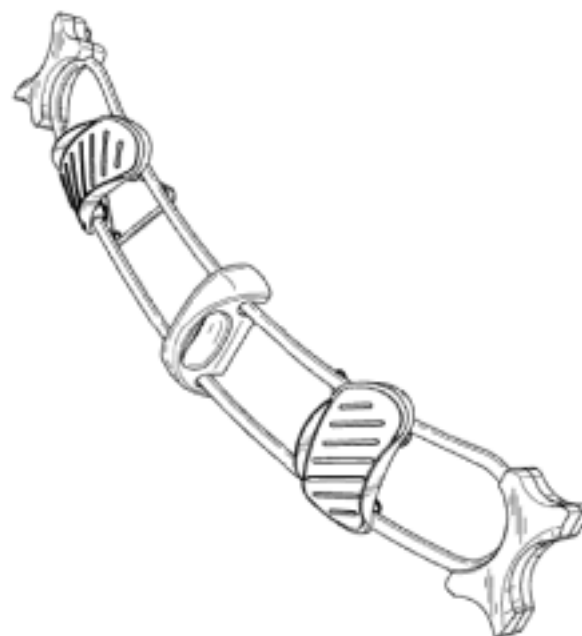
(45) Registration Date: **11 December 2015**

(30) Convention priority data:

(31) Number	(32) Date	(33) Country
29/528477	28 May 2015	UNITED STATES OF AMERICA

(56) Related Art Documents: **Not Applicable**

(57) Statement of Newness and Distinctiveness: **Newness and Distinctiveness is claimed in the features of shape and configuration shown in solid lines in the attached representations; no regard is to be had, when considering the scope of the monopoly, to the shaded features which are only present for clarity of representation.**



(21) Design Number: **11782/2015**
(22) Date of Filing Application: **02 April 2015**
(24) Date from which industrial property rights may have effect: **02 April 2015**
(54) Product in respect of which the design is registered: **Article of clothing**
(51) International Design Classification: **02-02NES**
(74) Name(s) of Attorney(s): **Allens Patent & Trade Mark Attorneys**
(71) Name(s) and Address(s) of Applicant(s):

Forever New Clothing Pty Ltd
L4 Building 8 576 Swan St Richmond VIC 3121 Australia

(72) Name(s) of Designer(s): **Octavia Miller**

(45) Registration Date: **11 December 2015**

(56) Related Art Documents: **Not Applicable**

(57) Statement of Newness and Distinctiveness: **Newness and distinctiveness resides in the visual features of shape, configuration, pattern and/or ornamentation of an article of clothing as shown in the accompanying representations.**



(21) Design Number: **14870/2015**
(22) Date of Filing Application: **15 September 2015**
(24) Date from which industrial property rights may have effect: **15 September 2015**
(54) Product in respect of which the design is registered: **Undergarment**
(51) International Design Classification: **02-01NES**
(74) Name(s) of Attorney(s): **Allens Patent & Trade Mark Attorneys**
(71) Name(s) and Address(s) of Applicant(s):

Poc Jox Australia Pty Ltd
U706/2 HuntleySt Alexandria NSW, 2015 Australia

(72) Name(s) of Designer(s): **Matthew Chapman**

(45) Registration Date: **11 December 2015**

(56) Related Art Documents: **Not Applicable**

(57) Statement of Newness and Distinctiveness: **Newness and distinctiveness is claimed in the features of shape and configuration of the undergarment with storage as shown in the attached representations, in particular the shape and configuration of the storage pockets at the sides and the seams and gusset contributing to the shape and configuration of the central support pocket. No regard is to be had to the shading which forms no part of the design but is present only to show context and provide some clarity to the representation.**



(21) Design Number: **15099/2015**
(22) Date of Filing Application: **30 September 2015**
(24) Date from which industrial property rights may have effect: **30 September 2015**
(54) Product in respect of which the design is registered: **A contouring unit**
(51) International Design Classification: **25-99**
(74) Name(s) of Attorney(s):
(71) Name(s) and Address(s) of Applicant(s):

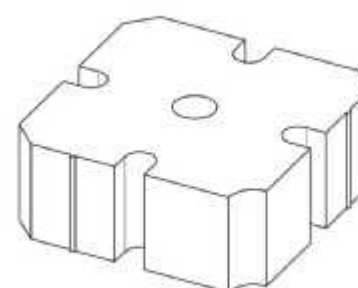
Roger Thomas Mascull
11 Mason Place Allenton Ashburton7700 New Zealand

(72) Name(s) of Designer(s): **Roger Thomas Mascull**

(45) Registration Date: **11 December 2015**

(56) Related Art Documents: **Not Applicable**

(57) Statement of Newness and Distinctiveness: **The design is applied to a contouring unit and the newness and distinctiveness of the design resides in the shape and/or configuration of the contouring unit.**



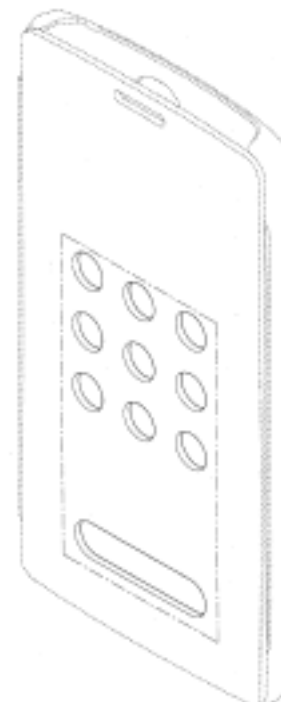
- (21) Design Number: **15676/2015**
(22) Date of Filing Application: **26 October 2015**
(24) Date from which industrial property rights may have effect: **26 October 2015**
(54) Product in respect of which the design is registered: **My tree of life family tree ornament**
(51) International Design Classification: **11-02NES**
(74) Name(s) of Attorney(s): **Sweeny Legal**
(71) Name(s) and Address(s) of Applicant(s):
Brookes Engraving Pty Ltd
Unit 6/20 Doyle Ave Unanderra NSW 2526 Australia
(72) Name(s) of Designer(s): **Evan Smith**
(45) Registration Date: **11 December 2015**
(56) Related Art Documents: **Not Applicable**
(57) Statement of Newness and Distinctiveness: **My Tree of Life is a three(3) dimensional family tree and/or celebratory tree allowing for engraving of family names and/or words which is then laser cut/engraved onto an acrylic circle in the chosen colour. The second circle has a laser cut acrylic tree of life in the chosen colour. The two circles are separated and held together by a stainless steel pins. For example, one circle is acrylic of chosen colour. The second circle contains the tree of life suspended over the lower circle in the chosen coloured acrylic. The tree is life like in appearance with natural shaped leaves. The tree of life has both function and is ornamental in appearance. The tree of life can be used in numerous ways, hung on a wall or placed in a stand accessory table mount. My Tree of Life can also be used inside and outside of homes.**



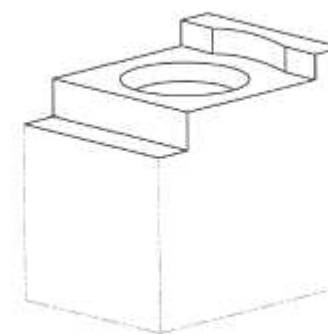
- (21) Design Number: **15867/2015**
(22) Date of Filing Application: **02 November 2015**
(24) Date from which industrial property rights may have effect: **02 November 2015**
(54) Product in respect of which the design is registered: **Fire place**
(51) International Design Classification: **23-03E**
(74) Name(s) of Attorney(s): **IP Service International**
(71) Name(s) and Address(s) of Applicant(s):
R & E GROUP PTY LTD
U 20 10 Victoria Ave Castle Hill NSW 2154 Australia
(72) Name(s) of Designer(s): **Wenjia Shou**
(45) Registration Date: **11 December 2015**
(56) Related Art Documents: **Not Applicable**
(57) Statement of Newness and Distinctiveness: **Nil box divider shown in the accompanying representations are considered to be new and distinctive.**



- (21) Design Number: **14890/2015**
(22) Date of Filing Application: **16 September 2015**
(24) Date from which industrial property rights may have effect: **16 September 2015**
(54) Product in respect of which the design is registered: **Mobile phone case**
(51) International Design Classification: **03-01NES**
(74) Name(s) of Attorney(s): **FB Rice**
(71) Name(s) and Address(s) of Applicant(s):
LG Electronics Inc.
128, Yeoui-daero, Yeongdeungpo-gu Seoul 150-721 Republic of Korea
(72) Name(s) of Designer(s): **Mijun Yoo and Byoungnam Lee and Inyoung Hwang and Yoojin Kang and Kuena Park and Taeryung Rhee and Minbum Kim**
(45) Registration Date: **11 December 2015**
(30) Convention priority data:
(31) Number (32) Date (33) Country
30-2015-0014065 19 Mar 2015 REPUBLIC OF KOREA
(56) Related Art Documents: **Not Applicable**
(57) Statement of Newness and Distinctiveness: **Newness and distinctiveness reside in the features of shape and configuration of a mobile phone case as illustrated by solid lines in the accompanying representations. The features shown in broken outline are for contextual purposes only and do not form part of the design.**



- (21) Design Number: **15133/2015**
(22) Date of Filing Application: **01 October 2015**
(24) Date from which industrial property rights may have effect: **01 October 2015**
(54) Product in respect of which the design is registered: **Step shank tooth holder**
(51) International Design Classification: **15-04, 15-99**
(74) Name(s) of Attorney(s): **Davies Collison Cave**
(71) Name(s) and Address(s) of Applicant(s):
Pengo Corporation
500 East Highway 10 Laurens Iowa, 50554 United States of America
(72) Name(s) of Designer(s): **Justin Reese**
(45) Registration Date: **11 December 2015**
(30) Convention priority data:
(31) Number (32) Date (33) Country
29/531,494 26 Jun 2015 UNITED STATES OF AMERICA
(56) Related Art Documents: **Not Applicable**
(57) Statement of Newness and Distinctiveness: **Newness and distinctiveness is claimed in the visual features shown in solid lines in the representations. In considering the extent of the design rights, the broken lines shown in the representations are for illustrative purposes only and do not form part of the design.**



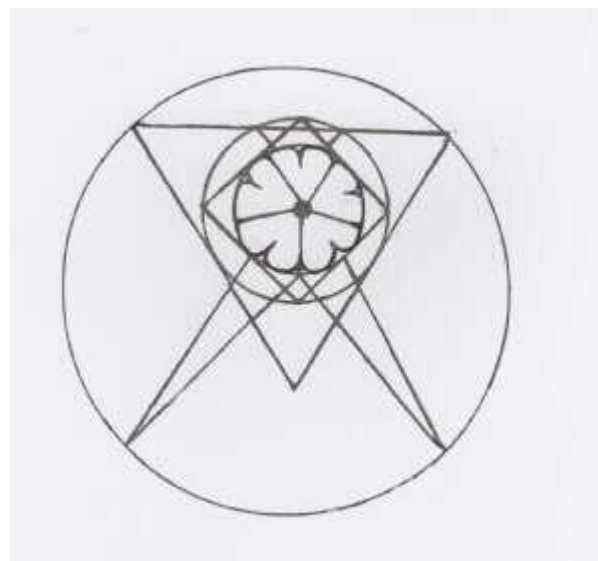
- (21) Design Number: **15222/2015**
(22) Date of Filing Application: **07 October 2015**
(24) Date from which industrial property rights may have effect: **07 October 2015**
(54) Product in respect of which the design is registered: **VF commodore bonnet scoop**
(51) International Design Classification: **12-16B**
(74) Name(s) of Attorney(s):
(71) Name(s) and Address(s) of Applicant(s):
HDT SPECIAL VEHICLES PTY LTD
PO BOX 323 Yeppoon QLD, 4703 Australia
(72) Name(s) of Designer(s): **Peter Champion**
(45) Registration Date: **11 December 2015**
(56) Related Art Documents: **Not Applicable**
(57) Statement of Newness and Distinctiveness: **A 'H' styled bonnet scoop made to fit the VF Commodore.**



- (21) Design Number: **14416/2015**
(22) Date of Filing Application: **25 August 2015**
(24) Date from which industrial property rights may have effect: **25 August 2015**
(54) Product in respect of which the design is registered: **Escutcheon plate**
(51) International Design Classification: **08-07**
(74) Name(s) of Attorney(s): **Davies Collison Cave**
(71) Name(s) and Address(s) of Applicant(s):
Illinois Tool Works Inc.
155 Harlem Avenue Glenview Illinois 60025 United States of America
(72) Name(s) of Designer(s): **Bryan Marshall and Tasman Wallworth and Dean Beardmore**
(45) Registration Date: **11 December 2015**
(56) Related Art Documents: **Not Applicable**
(57) Statement of Newness and Distinctiveness: **The shape and configuration of the parts of the Escutcheon Plate shown in solid lines in the representations is new and distinctive.**



- (21) Design Number: **15090/2015**
(22) Date of Filing Application: **30 September 2015**
(24) Date from which industrial property rights may have effect: **30 September 2015**
(54) Product in respect of which the design is registered: **Jewellery**
(51) International Design Classification: **11-01NES**
(74) Name(s) of Attorney(s):
(71) Name(s) and Address(s) of Applicant(s):
Jeanette Mackay
26 Benson St Tweedheads West NSW, 2485 Australia
(72) Name(s) of Designer(s): **Jeanette Mackay**
(45) Registration Date: **11 December 2015**
(56) Related Art Documents: **Not Applicable**
(57) Statement of Newness and Distinctiveness: **this design was created by myself in August/Sept 2015 inspired by a five leaf clover, the moon, the four elements(earth, air, fire and water) and a pearl .**



- (21) Design Number: **15737/2015**
(22) Date of Filing Application: **28 October 2015**
(24) Date from which industrial property rights may have effect: **28 October 2015**
(54) Product in respect of which the design is registered: **A pot**
(51) International Design Classification: **11-02B**
(74) Name(s) of Attorney(s):
(71) Name(s) and Address(s) of Applicant(s):
Capi Europe B.V.
Lovensekanaaldijk 80 Tilburg AK, 5015 The Netherlands
(72) Name(s) of Designer(s): **Toine van de Ven**
(45) Registration Date: **11 December 2015**
(30) Convention priority data:
(31) Number (32) Date (33) Country
**002703108-0007 19 May 2015 OFFICE FOR HARMONISATION IN
THE INTERNAL MARKET (OHIM)**
(56) Related Art Documents: **Not Applicable**
(57) Statement of Newness and Distinctiveness: **Newness and distinctiveness is claimed in respect of the shape and/or configuration of the product illustrated in the accompanying representations.**



(21) Design Number: **15738/2015**

(22) Date of Filing Application: **28 October 2015**

(24) Date from which industrial property rights may have effect: **28 October 2015**

(54) Product in respect of which the design is registered: **A pot**

(51) International Design Classification: **11-02B**

(74) Name(s) of Attorney(s):

(71) Name(s) and Address(s) of Applicant(s):

Capi Europe B.V.

Lovensekanaaldijk 80 Tilburg AK, 5015 The Netherlands

(72) Name(s) of Designer(s): **Toine van de Ven**

(45) Registration Date: **11 December 2015**

(30) Convention priority data:

(31) Number

(32) Date

(33) Country

002703108-0009 19 May 2015

**OFFICE FOR HARMONISATION IN
THE INTERNAL MARKET (OHIM)**

(56) Related Art Documents: **Not Applicable**

(57) Statement of Newness and Distinctiveness: **Newness and distinctiveness is claimed in respect of the shape and/or configuration of the product illustrated in the accompanying representations.**



(21) Design Number: **15899/2015**

(22) Date of Filing Application: **05 November 2015**

(24) Date from which industrial property rights may have effect: **05 November 2015**

(54) Product in respect of which the design is registered: **Wire balustrade connection fitting**

(51) International Design Classification: **25-01NES, 25-02C**

(74) Name(s) of Attorney(s):

(71) Name(s) and Address(s) of Applicant(s):

Miami Stainless Pty Ltd

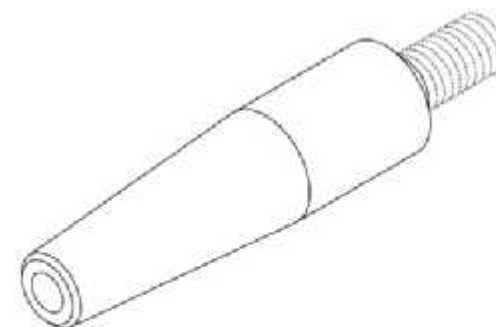
U 3 99 West Burleigh Rd Burleigh Heads QLD 4220 Australia

(72) Name(s) of Designer(s): **David Finn**

(45) Registration Date: **11 December 2015**

(56) Related Art Documents: **Not Applicable**

(57) Statement of Newness and Distinctiveness: **The tapered section on the body of the fitting.**



(21) Design Number: **16177/2015**
(22) Date of Filing Application: **16 November 2015**
(24) Date from which industrial property rights may have effect: **16 November 2015**
(54) Product in respect of which the design is registered: **Luminaire**
(51) International Design Classification: **26-04**
(74) Name(s) of Attorney(s): **Spruson & Ferguson**
(71) Name(s) and Address(s) of Applicant(s):

Zumtobel Lighting GmbH
Grevenmarschstrasse 74-78, Lemgo 32657 Germany

(72) Name(s) of Designer(s): **Christopher Redfern**

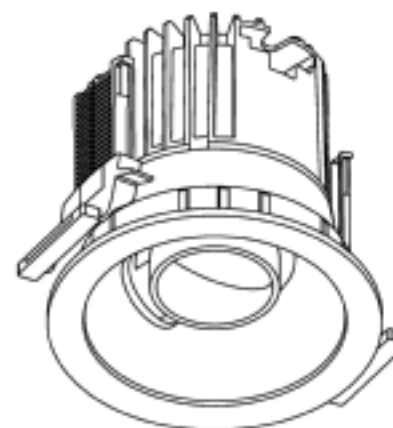
(45) Registration Date: **11 December 2015**

(30) Convention priority data:

(31) Number	(32) Date	(33) Country
002 713 701	05 Jun 2015	OFFICE FOR HARMONISATION IN THE INTERNAL MARKET (OHIM)

(56) Related Art Documents: **Not Applicable**

(57) Statement of Newness and Distinctiveness: **Newness and distinctiveness is claimed in the features of shape and/or configuration of a luminaire as illustrated in the accompanying representations.**



(21) Design Number: **16183/2015**
(22) Date of Filing Application: **16 November 2015**
(24) Date from which industrial property rights may have effect: **16 November 2015**
(54) Product in respect of which the design is registered: **Poncho**
(51) International Design Classification: **02-02B**
(74) Name(s) of Attorney(s): **Griffith Hack**
(71) Name(s) and Address(s) of Applicant(s):

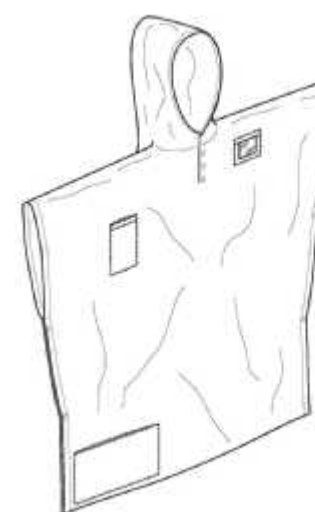
Poncho Promotions Pty Ltd
35 Cedric St Stirling WA 6021 Australia

(72) Name(s) of Designer(s): **John Fazio**

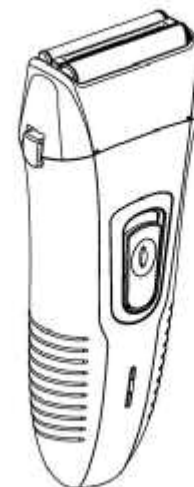
(45) Registration Date: **11 December 2015**

(56) Related Art Documents: **Not Applicable**

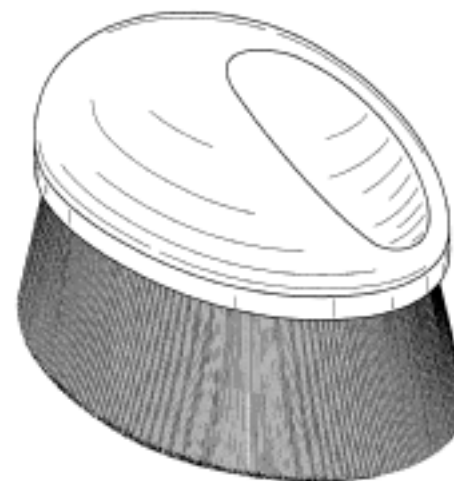
(57) Statement of Newness and Distinctiveness: **Newness and distinctiveness resides in the features of shape and/or configuration of a poncho having internal pockets as illustrated in dashed lines in the accompanying representations, with one of the pockets having a transparent window.**



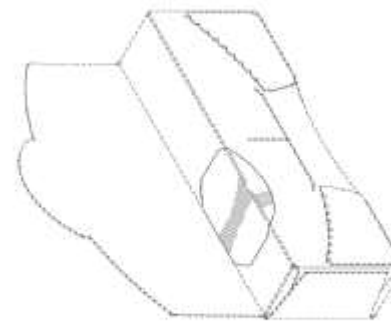
- (21) Design Number: **16185/2015**
(22) Date of Filing Application: **17 November 2015**
(24) Date from which industrial property rights may have effect: **17 November 2015**
(54) Product in respect of which the design is registered: **Shaver**
(51) International Design Classification: **28-03A**
(74) Name(s) of Attorney(s): **WATERMARK PATENT AND TRADE MARKS ATTORNEYS**
(71) Name(s) and Address(s) of Applicant(s):
Zhejiang Paiter Electric Co., Ltd.
33, Hongxiang Road Hi-Tech Industrial Zone Ouhai Area Wenzhou,
Zhejiang, 325006 China
(72) Name(s) of Designer(s): **Hongwei Zhu and Zhiyong Yu**
(45) Registration Date: **11 December 2015**
(56) Related Art Documents: **Not Applicable**
(57) Statement of Newness and Distinctiveness: **Newness and distinctiveness resides in the visual features of shape and/or configuration of a callus remover as shown in the accompanying representations.**



- (21) Design Number: **16195/2015**
(22) Date of Filing Application: **17 November 2015**
(24) Date from which industrial property rights may have effect: **17 November 2015**
(54) Product in respect of which the design is registered: **Palm makeup brush**
(51) International Design Classification: **04-02**
(74) Name(s) of Attorney(s): **Freehills Patent Attorneys**
(71) Name(s) and Address(s) of Applicant(s):
Artis LLC
299 Pavonia Avenue Suite 2-5 Jersey City Jersey City, 07302 United
States of America
(72) Name(s) of Designer(s): **Matthew Waitesmith**
(45) Registration Date: **11 December 2015**
(30) Convention priority data:
(31) Number (32) Date (33) Country
29/527318 18 May 2015 UNITED STATES OF AMERICA
(56) Related Art Documents: **Not Applicable**
(57) Statement of Newness and Distinctiveness: **Newness and distinctiveness resides in the shape and configuration of the palm makeup brush as shown in the accompanying representations.**



- (21) Design Number: **16227/2015**
(22) Date of Filing Application: **18 November 2015**
(24) Date from which industrial property rights may have effect: **29 July 2015**
(54) Product in respect of which the design is registered: **Confectionery package**
(51) International Design Classification: **09-03M**
(74) Name(s) of Attorney(s): **Griffith Hack**
(71) Name(s) and Address(s) of Applicant(s):
Intercontinental Great Brands LLC
100 Deforest Avenue East Hanover NJ, 07936 United States of America
(72) Name(s) of Designer(s): **Ornuma Wangtaveesab and Mary Jane Delapena Calma**
(45) Registration Date: **11 December 2015**
(62) Divisional of: **365573**
(56) Related Art Documents: **Not Applicable**
(57) Statement of Newness and Distinctiveness: **The shape and configuration of the parts of the product shown by solid lines in the accompanying representations is new and distinctive.**



- (21) Design Number: **16236/2015**
(22) Date of Filing Application: **19 November 2015**
(24) Date from which industrial property rights may have effect: **19 November 2015**
(54) Product in respect of which the design is registered: **An article of clothing**
(51) International Design Classification: **02-02C**
(74) Name(s) of Attorney(s):
(71) Name(s) and Address(s) of Applicant(s):
Zimmermann Wear Pty Limited
120 Dunning Ave Rosebery NSW 2018 Australia
(72) Name(s) of Designer(s): **Nicole Zimmermann**
(45) Registration Date: **11 December 2015**
(56) Related Art Documents: **Not Applicable**
(57) Statement of Newness and Distinctiveness: **Newness and distinctiveness is claimed the shape, configuration, pattern and/or ornamentation of the garment depicted in the accompanying representation and in particular, the low V-back and V-front connected with a spaghetti cord that ties around the neck as depicted.**



(21) Design Number: **15966/2015**

(22) Date of Filing Application: **10 November 2015**

(24) Date from which industrial property rights may have effect: **10 November 2015**

(54) Product in respect of which the design is registered: **Tissue dispenser**

(51) International Design Classification: **23-02A**

(74) Name(s) of Attorney(s): **WATERMARK PATENT AND TRADE MARKS ATTORNEYS**

(71) Name(s) and Address(s) of Applicant(s):

**SCA Hygiene Products AB
S-405 03 Goteborg Sweden**

(72) Name(s) of Designer(s): **Thomas Meyerhoffer**

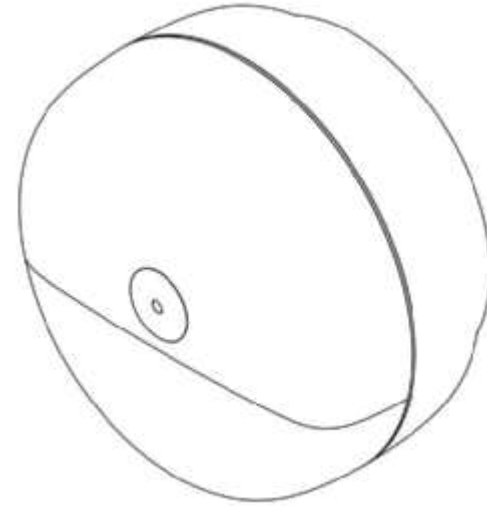
(45) Registration Date: **11 December 2015**

(30) Convention priority data:

(31) Number	(32) Date	(33) Country
2697821	11 May 2015	OFFICE FOR HARMONISATION IN THE INTERNAL MARKET (OHIM)

(56) Related Art Documents: **Not Applicable**

(57) Statement of Newness and Distinctiveness: **Newness and distinctiveness resides in the visual features of shape and configuration as illustrated in the accompanying representations.**



- (21) Design Number: **16091/2015**
(22) Date of Filing Application: **13 November 2015**
(24) Date from which industrial property rights may have effect: **13 November 2015**
(54) Product in respect of which the design is registered: **T-shirt**
(51) International Design Classification: **02-02NES**
(74) Name(s) of Attorney(s): **Cullens Pty Ltd**
(71) Name(s) and Address(s) of Applicant(s):

Daniel Lewis
5 Orange Ct Mudgeeraba QLD 4213 Australia

- (72) Name(s) of Designer(s): **Daniel Lewis**

(45) Registration Date: **11 December 2015**

(56) Related Art Documents: **Not Applicable**

- (57) Statement of Newness and Distinctiveness: **In considering the newness and distinctiveness of the design, the following should be taken into consideration: (i) newness and distinctiveness lie in the pattern and/or decoration on a T-shirt, as shown in the accompanying representations; (ii) the shape of the T-shirt's collar may vary from that shown in Figure 1 and Figure 2, or the collar may be omitted, but if the T-shirt has a collar the pattern shown in Figure 3 will appear on the collar, or if the T-shirt does not have a collar the pattern shown in Figure 3 will appear on a strip (not shown) around the T-shirt's neck opening; (iii) the T-shirt pocket shown in dashed lines in Figure 1 is optional and may be omitted, the size and shape of the pocket (if present) may vary from that shown in Figure 1, but if the T-shirt has a pocket then the pattern shown in Figure 3 will appear on a strip across the top edge of the pocket; (iv) as indicated by the dashed lines labelled "L" and "R" shown in Figure 1 and Figure 2, the T-shirt may be either short sleeved (as shown) or long sleeved (if the sleeve length is increased as indicated by lines "L" and "R"), but regardless of whether the T-shirt is long sleeved or short sleeved the T-shirt's sleeves will have the pattern shown in Figure 3 applied from just above the elbow to the end of the sleeve; (v) the buttons and associated seems shown in dashed lines in Figure 1 extending part way down from the centre of the T-shirt's neck on the front are optional and may be omitted, such that the T-shirt may be either a "polo shirt" or a T-shirt with no neck buttons; (vi) any pattern and/or decoration on sections of the inside of the T-shirt's fabric (including collar fabric) does not form part of the design and may be omitted; (vii) areas on the T-shirt to which the pattern shown in Figure 3 is not applied may be any colour, and in areas on the T-shirt to which the pattern shown in Figure 3 is applied the said pattern may appear with the pattern shown in a dark colour on a lighter coloured background or alternatively with the pattern shown in a light colour on a darker coloured background.**



(21) Design Number: **16178/2015**
(22) Date of Filing Application: **16 November 2015**
(24) Date from which industrial property rights may have effect: **16 November 2015**
(54) Product in respect of which the design is registered: **Luminaire**
(51) International Design Classification: **26-04**
(74) Name(s) of Attorney(s): **Spruson & Ferguson**
(71) Name(s) and Address(s) of Applicant(s):

Zumtobel Lighting GmbH
Grevenmarschstrasse 74-78, Lemgo 32657 Germany

(72) Name(s) of Designer(s): **Christopher Redfern**

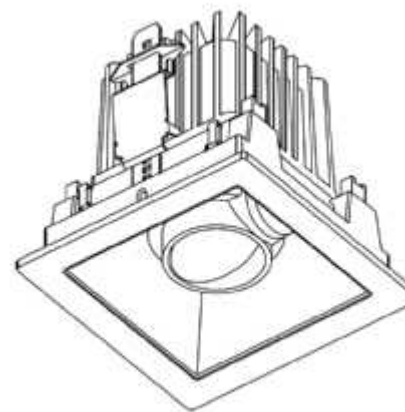
(45) Registration Date: **11 December 2015**

(30) Convention priority data:

(31) Number	(32) Date	(33) Country
002 713 701	05 Jun 2015	OFFICE FOR HARMONISATION IN THE INTERNAL MARKET (OHIM)

(56) Related Art Documents: **Not Applicable**

(57) Statement of Newness and Distinctiveness: **Newness and distinctiveness is claimed in the features of shape and/or configuration of a luminaire as illustrated in the accompanying representations.**



(21) Design Number: **16180/2015**
(22) Date of Filing Application: **16 November 2015**
(24) Date from which industrial property rights may have effect: **16 November 2015**
(54) Product in respect of which the design is registered: **Valve with angled flange**
(51) International Design Classification: **23-01K**
(74) Name(s) of Attorney(s): **Fisher Adams Kelly Callinans**
(71) Name(s) and Address(s) of Applicant(s):

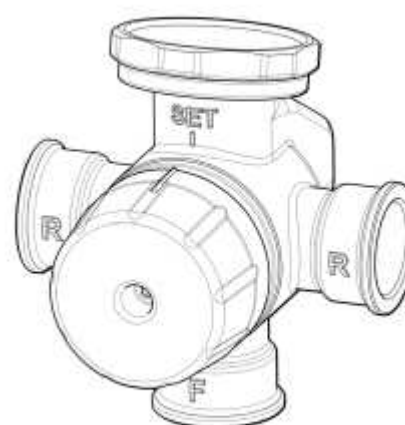
Reliance Worldwide Corporation (Aust.) Pty Ltd
L54 Rialto Twrs 525 Collins St Melbourne VIC 3000 Australia

(72) Name(s) of Designer(s): **Alex Rycroft**

(45) Registration Date: **11 December 2015**

(56) Related Art Documents: **Not Applicable**

(57) Statement of Newness and Distinctiveness: **Nil**



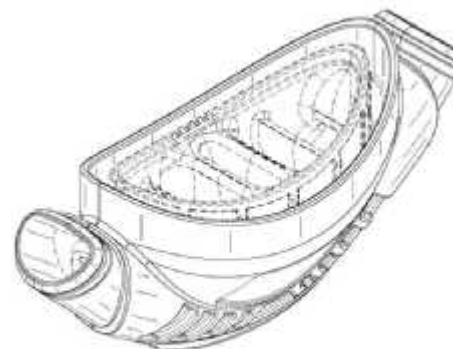
- (21) Design Number: **16181/2015**
(22) Date of Filing Application: **16 November 2015**
(24) Date from which industrial property rights may have effect: **16 November 2015**
(54) Product in respect of which the design is registered: **Coat stand**
(51) International Design Classification: **06-06A**
(74) Name(s) of Attorney(s):
(71) Name(s) and Address(s) of Applicant(s):
Keith Melbourne
12/95 Victoria St Fitzroy VIC 3065 Australia
(72) Name(s) of Designer(s): **Keith Melbourne**
(45) Registration Date: **11 December 2015**
(56) Related Art Documents: **Not Applicable**
(57) Statement of Newness and Distinctiveness: **Nil**



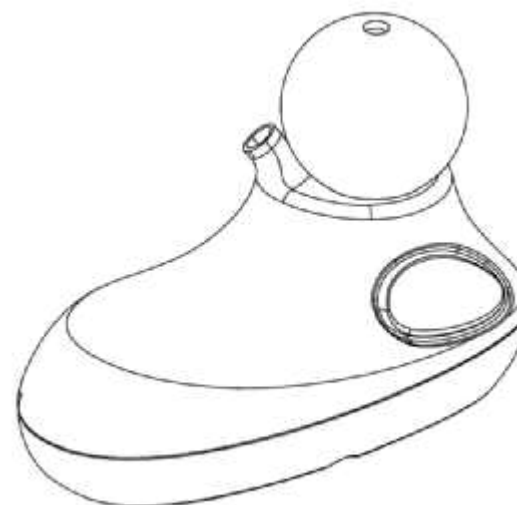
- (21) Design Number: **16186/2015**
(22) Date of Filing Application: **17 November 2015**
(24) Date from which industrial property rights may have effect: **17 November 2015**
(54) Product in respect of which the design is registered: **Shaver**
(51) International Design Classification: **28-03A**
(74) Name(s) of Attorney(s): **WATERMARK PATENT AND TRADE MARKS ATTORNEYS**
(71) Name(s) and Address(s) of Applicant(s):
Zhejiang Paiter Electric Co., Ltd.
33, Hongxiang Road Hi-Tech Industrial Zone Ouhai Area Wenzhou, Zhejiang, 325006 China
(72) Name(s) of Designer(s): **Zhiyong Yu and Chenglin Zheng**
(45) Registration Date: **11 December 2015**
(56) Related Art Documents: **Not Applicable**
(57) Statement of Newness and Distinctiveness: **Newness and distinctiveness resides in the visual features of shape and/or configuration of a shaver as shown in the accompanying representations.**



(21) Design Number: **16395/2015**
(22) Date of Filing Application: **26 November 2015**
(24) Date from which industrial property rights may have effect: **06 October 2015**
(54) Product in respect of which the design is registered: **Bases for nasal interfaces**
(51) International Design Classification: **24-02**
(74) Name(s) of Attorney(s): **Pizzeys Patent and Trade Mark Attorneys Pty Ltd**
(71) Name(s) and Address(s) of Applicant(s):
inSleep Technologies, LLC
12100 Singletree Ln Ste 183 Eden Prairie MN, 55344-7938 United States of America
(72) Name(s) of Designer(s): **Martin W. Kerber and Nathaniel V. Tran and Craig L. Peterson**
(45) Registration Date: **11 December 2015**
(30) Convention priority data:
(31) Number (32) Date (33) Country
29/523,295 08 Apr 2015 UNITED STATES OF AMERICA
(62) Divisional of: **365739**
(56) Related Art Documents: **Not Applicable**
(57) Statement of Newness and Distinctiveness: **Nil**



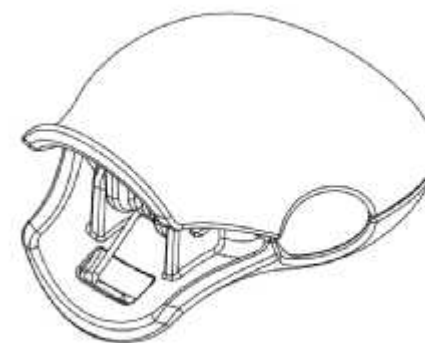
(21) Design Number: **15501/2015**
(22) Date of Filing Application: **16 October 2015**
(24) Date from which industrial property rights may have effect: **16 October 2015**
(54) Product in respect of which the design is registered: **Applicator**
(51) International Design Classification: **28-03NES**
(74) Name(s) of Attorney(s): **WATERMARK PATENT AND TRADE MARKS ATTORNEYS**
(71) Name(s) and Address(s) of Applicant(s):
Mitchell Terrace Pty Ltd
C/O Southbank Business Group 2 Market St Melbourne VIC, 3000 Australia
(72) Name(s) of Designer(s): **Anthony McMahon and Paul Charlwood**
(45) Registration Date: **14 December 2015**
(56) Related Art Documents: **Not Applicable**
(57) Statement of Newness and Distinctiveness: **Nil**



- (21) Design Number: **16219/2015**
(22) Date of Filing Application: **18 November 2015**
(24) Date from which industrial property rights may have effect: **18 November 2015**
(54) Product in respect of which the design is registered: **A hook for cable hung pendant lights.**
(51) International Design Classification: **08-08G**
(74) Name(s) of Attorney(s):
(71) Name(s) and Address(s) of Applicant(s):
CONTACTUALISM PTY. LTD.
PO BOX 1090 Windsor VIC 3181 Australia
(72) Name(s) of Designer(s): **Antony Richards**
(45) Registration Date: **14 December 2015**
(56) Related Art Documents: **Not Applicable**
(57) Statement of Newness and Distinctiveness: **The newness and distinctiveness of the design resides in the shape of the hook section of the product as shown in the spiral, asymmetrical groove in the accompanying representations. The groove has a varying depth that when correctly wrapped with the pendant light's cable, creates pressure on said cable thus holding it in place.**



- (21) Design Number: **16221/2015**
(22) Date of Filing Application: **18 November 2015**
(24) Date from which industrial property rights may have effect: **18 November 2015**
(54) Product in respect of which the design is registered: **Toothbrush holder**
(51) International Design Classification: **23-02A**
(74) Name(s) of Attorney(s): **Spruson & Ferguson**
(71) Name(s) and Address(s) of Applicant(s):
Bonfit America Inc.
5741 Buckingham Parkway, Suite A, Culver City, California, 90230 United States of America
(72) Name(s) of Designer(s): **Paul krok and Brian Steinhobel**
(45) Registration Date: **14 December 2015**
(30) Convention priority data:
(31) Number (32) Date (33) Country
29/527649 20 May 2015 UNITED STATES OF AMERICA
(56) Related Art Documents: **Not Applicable**
(57) Statement of Newness and Distinctiveness: **Newness and distinctiveness is claimed in the features of shape and/or configuration of a toothbrush holder as illustrated in the accompanying representations.**



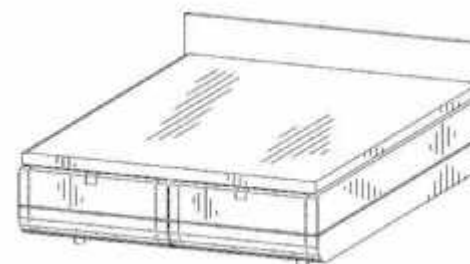
- (21) Design Number: **16245/2015**
(22) Date of Filing Application: **19 November 2015**
(24) Date from which industrial property rights may have effect: **19 November 2015**
(54) Product in respect of which the design is registered: **Toothbrush**
(51) International Design Classification: **04-02**
(74) Name(s) of Attorney(s): **WATERMARK PATENT AND TRADE MARKS ATTORNEYS**
(71) Name(s) and Address(s) of Applicant(s):
The Gillette Company
One Gillette Park Boston Massachusetts, 02127 United States of America
(72) Name(s) of Designer(s): **Marlis Hubner and Ezgi Keceli and Franziska Schmid and Jens Storkel and Tilmann Winkler**
(45) Registration Date: **14 December 2015**
(30) Convention priority data:
(31) Number (32) Date (33) Country
895053301 22 May 2015 WORLD INTELLECTUAL PROPERTY ORGANIZATION (WIPO)
(56) Related Art Documents: **Not Applicable**
(57) Statement of Newness and Distinctiveness: **Newness and distinctiveness resides in the visual features of shape, configuration, pattern and/or ornamentation of a toothbrush as shown in the accompanying representations.**



- (21) Design Number: **16247/2015**
(22) Date of Filing Application: **19 November 2015**
(24) Date from which industrial property rights may have effect: **19 November 2015**
(54) Product in respect of which the design is registered: **Toothbrush**
(51) International Design Classification: **04-02**
(74) Name(s) of Attorney(s): **WATERMARK PATENT AND TRADE MARKS ATTORNEYS**
(71) Name(s) and Address(s) of Applicant(s):
The Gillette Company
One Gillette Park Boston Massachusetts, 02127 United States of America
(72) Name(s) of Designer(s): **Marlis Hubner and Ezgi Keceli and Franziska Schmid and Jens Storkel and Tilmann Winkler**
(45) Registration Date: **14 December 2015**
(30) Convention priority data:
(31) Number (32) Date (33) Country
895053301 22 May 2015 WORLD INTELLECTUAL PROPERTY ORGANIZATION (WIPO)
(56) Related Art Documents: **Not Applicable**
(57) Statement of Newness and Distinctiveness: **Newness and distinctiveness resides in the visual features of shape, configuration, pattern and/or ornamentation of a toothbrush as shown in the accompanying representations.**



(21) Design Number: **16248/2015**
(22) Date of Filing Application: **19 November 2015**
(24) Date from which industrial property rights may have effect: **19 November 2015**
(54) Product in respect of which the design is registered: **Bed assembly**
(51) International Design Classification: **06-02**
(74) Name(s) of Attorney(s): **Fisher Adams Kelly Callinans**
(71) Name(s) and Address(s) of Applicant(s):
DAN FOAM ApS
Holmelund 43 Aarup DK-5560 Denmark
(72) Name(s) of Designer(s): **Charlotte Dybdahl and Dorthe Bang Iversen and Tina Bang Nielsen and Annette Hoejgaard Frausig and Kristina Skjoldemose Askloef and Jeanet Kit Holkenberg**
(45) Registration Date: **14 December 2015**
(30) Convention priority data:
(31) Number (32) Date (33) Country
29,519,154 03 Sep 2015 UNITED STATES OF AMERICA
(56) Related Art Documents: **Not Applicable**
(57) Statement of Newness and Distinctiveness: **Nil**



(21) Design Number: **16271/2015**
(22) Date of Filing Application: **19 November 2015**
(24) Date from which industrial property rights may have effect: **19 November 2015**
(54) Product in respect of which the design is registered: **A ceiling hook**
(51) International Design Classification: **08-08G**
(74) Name(s) of Attorney(s):
(71) Name(s) and Address(s) of Applicant(s):
Gordon Ganning
PO BOX A1172 Sydney South NSW 1235 Australia
(72) Name(s) of Designer(s): **Gordon Ganning**
(45) Registration Date: **14 December 2015**
(56) Related Art Documents: **Not Applicable**
(57) Statement of Newness and Distinctiveness: **Newness and distinctiveness is claimed in the shape and configuration the hook profile for a suspended ceiling grid system ceiling hook as shown in solid lines in the accompanying representations, the hook profile configured for hooking a T-bar in an improved manner in use, the hook profile defining a stem originating from a hook engaging means; a transition portion configured for passing horizontally through an eye of the T-bar; an upwards portion, wherein the upwards portion defines an medial distal portion extending medially so as to not protruding laterally including so as to snag adjacent roof tiles during installation in use; and wherein the upwards portion is slanted with respect to the stem along the elongate axis of the T-bar so as to provide a gap between the distal end of the hook and the stem to allow room for the engagement of the eyelet of the T-bar by the hook in use.**

