



**Australian Government**

---

**IP Australia**

**AUSTRALIAN OFFICIAL JOURNAL**

**OF**

**DESIGNS**

Did you know a searchable version of this journal is now available online?

It's FREE and EASY to SEARCH.

Find it on our website ([www.ipaustralia.gov.au](http://www.ipaustralia.gov.au))

by using the "Journals" link on the home page.

This Page Left Intentionally Blank

**Contents**

**General Information & Notices**

**Proceedings Under the Designs Act 1906 preserved as a result of the provisions of Chapter 12  
Part 2 of the Designs Act 2003**

**Registrations Ceased ..... 2**

**Subsequent Owners Registered ..... 2**

**Proceedings Under the Designs Act 2003**

**Applications Assigned ..... 15**

**Applications Lapsed ..... 14**

**Applications Lodged ..... 6**

**Applications Withdrawn ..... 14**

**Certificate of Examination ..... 17**

**Extension of Period of Registration of Design ..... 15**

**Extension of Time Granted Under Section 137 ..... 15**

**Names Registered - Alterations and Amendments ..... 16**

**Publication and Registration Proceedings**

**Designs Registered 365785 to 366318..... 18**

**Registrations Ceased ..... 15**

**Subsequent Owners Registered ..... 16**

This Page Left Intentionally Blank

For information on the following please see our website [www.ipaustralia.gov.au](http://www.ipaustralia.gov.au) or contact our Customer Service Network on 1300651010

[Editorial enquiries](#)

[Contact information](#)

[Freedom of Information ACT](#)

[Professional Standards Board](#)

[Sales](#)

[Requests for Information under Section 194 \(c\)](#)

[Country Codes](#)

[Trade Mark and Designs Hearing Sessions](#)

[INID \(Internationally agreed Numbers for the Identification of Data\)](#)

## “INID” NUMBERS in use on Australian Design Documents

“INID” is an acronym for “Internationally agreed Numbers for the Identification of Data”.

### (10) Data concerning the registration/renewal

- (11) Serial number of the registration and/or number of the design document
- (12) Plain language designation of the kind of published document
- (19) Identification, using the two-letter code according to WIPO Standard ST.3, of the authority publishing or registering the industrial design

### (20) Data concerning the application

- (21) Serial number of the application
- (22) Date of filing of the application
- (24) Date from which the industrial design right has effect

### (30) Data relating to priority under the Paris Convention

- (31) Serial number assigned to the priority application
- (32) Date of filing of the priority application
- (33) Two-letter code, according to WIPO Standard ST.3, identifying the authority with which the priority application was made

### (40) Date(s) of making information available to the public

- (45) Date of publication of the registered industrial design by printing or similar process, or making it available to the public by any other means

### (50) Miscellaneous Information

- (51) International Classification for Industrial Designs (class and subclass of the Locarno Classification)
- (54) Designation of article(s) or product(s) covered by the industrial design or title of the industrial design
- (55) Reproduction of the industrial design (e.g., drawing, photograph) and explanations relating to the reproduction
- (56) List of prior art documents, if separate from descriptive text
- (57) Description of characteristic features of the industrial design including indication of colours

### (60) References to other legally related application(s) and registration(s)

- (62) Serial number(s) and, if available, filing date(s) of application(s), registration(s) or document(s) related by division
- (66) Serial number(s) of the application, or the registration, of the design(s) which is (are) a variant(s) of the present one

### (70) Identification of parties concerned with the application or registration

- (71) Name(s) and address(es) of the applicant(s)
- (72) Name(s) of the creator(s) if known to be such
- (74) Name(s) and address(es) of the representative(s)

**Nil notices for this journal issue.**

This Page Left Intentionally Blank

**Proceedings under the Designs Act 1906 preserved as a result of the provisions of Chapter 12 Part 2 of the Designs Act 2003.**

This Page Left Intentionally Blank

**Applications Lapsed**

There were no Applications Lapsed under this section

**Registrations Ceased**

Note: Some of the following Registrations may have been previously advertised as ceased. In this instance, the previous advertisement still prevails.

140848	140850	140950
141026	141093	141149
141400	141486	141987
142843	143810	144126
145765	156320	156800
157008	157009	157010
157152	157153	157154
157156	157280	157304
157321	157593	158157
158477	158496	158502
158518	158537	158538

**Subsequent Owners Registered**

(The name in parentheses is that of the subsequent owner)

148937	( <b>Reckitt Benckiser Finish B.V.</b> ) Reckitt Benckiser N.V.
144166	( <b>Reckitt Benckiser Finish B.V.</b> ) Reckitt Benckiser N.V.
144165	( <b>Reckitt Benckiser Finish B.V.</b> ) Reckitt Benckiser N.V.
151324	( <b>Reckitt Benckiser Finish B.V.</b> ) Reckitt Benckiser N.V.
153590	( <b>Reckitt Benckiser Finish B.V.</b> ) Reckitt Benckiser N.V.
154950	( <b>Reckitt Benckiser Finish B.V.</b> ) Reckitt Benckiser N.V.
158136	( <b>Reckitt Benckiser Finish B.V.</b> ) Reckitt Benckiser N.V.

This Page Left Intentionally Blank

**Proceedings under the Designs Act 2003.**

This Page Left Intentionally Blank

**Applications Lodged**

Lodgement information is in the following order: **Applicant's Name**; International Classification, Name of Product, Lodgement Date and **Design Number**. If the applicant claims an earlier priority date under an International Convention, the Convention Country and the associated filing date are shown in parentheses before the Lodgement Date. Divisional information will also appear in parentheses before the Lodgement Date.

<b>A G PULIE PTY LTD;</b> 08-08L, Adjustable rebate bracket, 21 Dec 2015	<b>16950/2015</b>	<b>Blin, Christine Cheng;Cheng, Allan Blin;</b> 21-01NES, An educational toy, (EM, 22 May 2015) (Divisional of 15710/2015) 23 Dec 2015	<b>17028/2015</b>
<b>A Plus Plastics &amp; Tooling Pty Ltd;</b> 25-01NES, A panel, 14 Dec 2015	<b>16798/2015</b>	<b>Brand Developers Limited;</b> 07-02N, Frying pan, 22 Dec 2015	<b>16982/2015</b>
<b>Ahearn Fox;</b> 21-02F, Trampoline, (Divisional of 15388/2015) 23 Dec 2015	<b>17055/2015</b>	<b>Bray, MaBelle;</b> 09-05, Multi-compartment resealable storage bag, (US, 15 Jun 2015) 15 Dec 2015	<b>16817/2015</b>
<b>Aiphone Co., Ltd.;</b> 14-03A, Interphone collective entrance unit, (JP, 29 Jun 2015) 22 Dec 2015	<b>16978/2015</b>	<b>Bray, MaBelle;</b> 09-05, Multi-compartment resealable storage bag, (US, 15 Jun 2015) 15 Dec 2015	<b>16818/2015</b>
<b>Aiphone Co., Ltd.;</b> 14-03A, Interphone master unit, (JP, 29 Jun 2015) 22 Dec 2015	<b>16981/2015</b>	<b>Bray, MaBelle;</b> 09-05, Multi-compartment resealable storage bag, (US, 15 Jun 2015) 15 Dec 2015	<b>16820/2015</b>
<b>Aiphone Co., Ltd.;</b> 14-03NES, 14-02, Interphone master unit, (JP, 29 Jun 2015) 22 Dec 2015	<b>16993/2015</b>	<b>Bremick Pty Ltd;</b> 08-08L, Bracket, 15 Dec 2015	<b>16824/2015</b>
<b>Alcoa Inc.;</b> 12-16A, Wheel, (US, 30 Jun 2015) 20 Dec 2015	<b>16934/2015</b>	<b>Breville Pty Limited;</b> 07-02F, Toaster, 08 Oct 2015	<b>15281/2015</b>
<b>Anderson, Mark;</b> 24-01, Dose instrument for administering liquid products, (US, 23 Jun 2015) 22 Dec 2015	<b>16991/2015</b>	<b>Brierley, Todd;</b> 08-08B, Extension nut, 23 Dec 2015	<b>17044/2015</b>
<b>Apex Industrial Technologies LLC;</b> 20-02E, Display rack for modular bin system, (US, 10 Apr 2015) (Divisional of 15266/2015) 17 Dec 2015	<b>16872/2015</b>	<b>Bromic Pty Limited;</b> 23-03A, Radiant heater, 22 Dec 2015	<b>16987/2015</b>
<b>Artis LLC;</b> 04-02, Cosmetic brush, (US, 29 Jun 2015) 11 Dec 2015	<b>16765/2015</b>	<b>Bruni Glass S.p.A.;</b> 09-01H, Bottle, (EM, 17 Jul 2015) 17 Dec 2015	<b>16860/2015</b>
<b>Asis, Daniel Zion Jacob;Hasid, Itai;</b> 13-02, Mobile cellular charger, 15 Dec 2015	<b>16815/2015</b>	<b>BRAND DEVELOPERS LIMITED;</b> 07-02N, Saucepan, 22 Dec 2015	<b>16984/2015</b>
<b>Aussie Water Savers Pty Ltd;</b> 03-01A, 23-01F, Water tank protection bag, 14 Dec 2015	<b>16799/2015</b>	<b>BRITA GMBH;</b> 07-01F, 23-01G, Water filter jug, (EM, 07 Jul 2015) 15 Dec 2015	<b>16828/2015</b>
<b>ARB Corporation Ltd;</b> 12-16NES, Fuel tank, 15 Dec 2015	<b>16804/2015</b>	<b>BRITA GMBH;</b> 07-01F, 23-01G, Water filter jug, (EM, 07 Jul 2015) 15 Dec 2015	<b>16829/2015</b>
<b>ARB Corporation Ltd;</b> 12-16NES, Fuel tank, 15 Dec 2015	<b>16805/2015</b>	<b>BRITA GMBH;</b> 07-01F, 23-01G, Lid for water filter jug, (EM, 07 Jul 2015) 15 Dec 2015	<b>16830/2015</b>
<b>AUSWITCH PTY. LTD.;</b> 13-03D, One gang switch standard, 23 Dec 2015	<b>17045/2015</b>	<b>BRITA GMBH;</b> 07-01F, 23-01G, Filter for water jug, (EM, 07 Jul 2015) 15 Dec 2015	<b>16831/2015</b>
<b>Babyliss Faco SPRL;</b> 28-03D, Beard trimmer, (EM, 15 Jun 2015) 14 Dec 2015	<b>16794/2015</b>	<b>BRITA GMBH;</b> 07-01F, 23-01G, Filter for water jug, (EM, 07 Jul 2015) 15 Dec 2015	<b>16832/2015</b>
<b>Bacic, Joey;Zoric, Luka;</b> 02-02NES, 02-02C, Garment, 23 Dec 2015	<b>17006/2015</b>	<b>BRITA GMBH;</b> 07-01F, 23-01G, Water filter jug, (EM, 07 Jul 2015) 15 Dec 2015	<b>16833/2015</b>
		<b>BRITA GMBH;</b> 07-01F, 23-01G, Water filter jug, (EM, 07 Jul 2015) 15 Dec 2015	<b>16834/2015</b>

<b>BRITA GMBH;</b> 07-01F, 23-01G, Water filter jug, (EM, 07 Jul 2015) 15 Dec 2015	<b>16835/2015</b>	<b>Dart Industries Inc.;</b> 31-00, Citrus reamer, 16 Dec 2015	<b>16849/2015</b>
<b>Celgene Corporation;</b> 28-01, Pharmaceutical tablet, (US, 23 Jun 2015) 15 Dec 2015	<b>16807/2015</b>	<b>Delta T Corporation;</b> 23-04, Fan, (US, 30 Jun 2015) 23 Dec 2015	<b>17046/2015</b>
<b>Celgene Corporation;</b> 28-01, Pharmaceutical tablet, (US, 23 Jun 2015) 21 Dec 2015	<b>16936/2015</b>	<b>Delta T Corporation;</b> 23-04, Fan, (US, 30 Jun 2015) 23 Dec 2015	<b>17047/2015</b>
<b>Cequent Performance Products, Inc.;</b> 08-99, Large powered jack, (US, 18 Jun 2015) 18 Dec 2015	<b>16917/2015</b>	<b>Dux Industries Limited;</b> 23-01NES, 23-01D, A waste water trap, (NZ, 30 Jul 2015) 16 Dec 2015	<b>16836/2015</b>
<b>Chang, Dinh Quan;</b> 25-02B, 25-01K, Aluminium security door frame, 17 Dec 2015	<b>16854/2015</b>	<b>Dyson Technology Limited;</b> 28-03B, Accessory for hairdryer, (EM, 03 Jul 2015) 23 Dec 2015	<b>17021/2015</b>
<b>Cheng, Allan Blin;Blin, Christine Cheng;</b> 21-01NES, An educational toy, (EM, 22 May 2015) (Divisional of 15710/2015) 23 Dec 2015	<b>17028/2015</b>	<b>Energizer Brands LLC;</b> 26-02, Lighting device, (Divisional of 15935/2015) 22 Dec 2015	<b>17003/2015</b>
<b>Cocktail Kingdom LLC;</b> 07-04, Cocktail strainer, (US, 20 Nov 2015) 22 Dec 2015	<b>16994/2015</b>	<b>Eti G#da San. ve Tic. A.S.;</b> 01-01, Foodstuff, 22 Dec 2015	<b>16971/2015</b>
<b>Cooper Tire &amp; Rubber Company;</b> 12-15C, Tire, (US, 23 Jul 2015) 22 Dec 2015	<b>16986/2015</b>	<b>Evans, Paul William;</b> 06-13B, Face cradle and sections of which it is comprised, 14 Dec 2015	<b>16801/2015</b>
<b>Cramp, Felicity;</b> 06-13B, A pillow, 23 Dec 2015	<b>17026/2015</b>	<b>ELC Management LLC;</b> 28-03NES, Molded mascara brush head with rake-like teeth, (US, 30 Jun 2015) 21 Dec 2015	<b>16955/2015</b>
<b>Crazy Kayak King Pty Limited;</b> 21-02F, Pedal motor housing, 15 Dec 2015	<b>16803/2015</b>	<b>Ferrari S.p.A.;</b> 12-08, 21-01C, Car and toy-car, (EM, 26 Jun 2015) 21 Dec 2015	<b>16956/2015</b>
<b>Cryovac Australia Pty Ltd;</b> 07-99A, Tray, 21 Dec 2015	<b>16970/2015</b>	<b>Fifty-Fourth Rischell Pty Ltd;</b> 02-02C, A shirt, 01 Jul 2015	<b>16913/2015</b>
<b>COMPAGNIE GENERALE DES ETABLISSEMENTS MICHELIN;Michelin Recherche et Technique SA;</b> 12-15A, A tyre, (FR, 10 Jul 2015) 23 Dec 2015	<b>17034/2015</b>	<b>Fifty-Fourth Rischell Pty Ltd;</b> 02-02C, A shirt, 01 Jul 2015	<b>16914/2015</b>
<b>COMPAGNIE GENERALE DES ETABLISSEMENTS MICHELIN;Michelin Recherche et Technique SA;</b> 12-15A, A tyre, (FR, 10 Jul 2015) 23 Dec 2015	<b>17035/2015</b>	<b>Fifty-Fourth Rischell Pty Ltd;</b> 02-02C, A pair of jeans, 01 Jul 2015	<b>16912/2015</b>
<b>CORPORATE CULTURE AUSTRALIA PTY LTD;</b> 06-01G, A chair, 18 Dec 2015	<b>16916/2015</b>	<b>Fifty-Fourth Rischell Pty Ltd;</b> 02-02C, A t-shirt, 01 Jul 2015	<b>16915/2015</b>
<b>Danone, Compagnie Gervais;</b> 09-03NES, Packaging for foodstuffs, (EM, 04 Dec 2015) 10 Dec 2015	<b>16730/2015</b>	<b>Fifty-Fourth Rischell Pty Ltd;</b> 02-02C, A pair of jeans, 01 Jul 2015	<b>16911/2015</b>
<b>Dart Industries Inc.;</b> 09-07A, Cap and strap for a bottle, (US, 23 Jun 2015) (Divisional of 16278/2015) 17 Dec 2015	<b>16856/2015</b>	<b>Fifty-Fourth Rischell Pty Ltd;</b> 02-02C, A pair of jeans, 01 Jul 2015	<b>16910/2015</b>
<b>Dart Industries Inc.;</b> 09-01D, Bottle with bear shape, (US, 23 Jul 2015) 23 Dec 2015	<b>17052/2015</b>	<b>Fiskars Brands, Inc.;</b> 08-02, Claw hammer, (US, 24 Jun 2015) 21 Dec 2015	<b>16959/2015</b>
<b>Dart Industries Inc.;</b> 09-07A, Cap for a bottle, (US, 23 Jun 2015) (Divisional of 16278/2015) 17 Dec 2015	<b>16857/2015</b>	<b>Fiskars Brands, Inc.;</b> 08-02, Sledge hammer, (US, 24 Jun 2015) 21 Dec 2015	<b>16946/2015</b>
		<b>Fiskars Brands, Inc.;</b> 08-02, Claw hammer, (US, 24 Jun 2015) 21 Dec 2015	<b>16940/2015</b>
		<b>Fiskars Brands, Inc.;</b> 08-03, Pick axe, (US, 24 Jun 2015) 21 Dec 2015	<b>16947/2015</b>
		<b>Fiskars Brands, Inc.;</b> 08-02, Claw hammer, (US, 24 Jun 2015) 21 Dec 2015	<b>16966/2015</b>

<b>Fiskars Brands, Inc.;</b> 08-03, Splitting maul, (US, 24 Jun 2015) 21 Dec 2015	<b>16941/2015</b>	<b>Hasid, Itai;Asis, Daniel Zion Jacob;</b> 13-02, Mobile cellular charger, 15 Dec 2015	<b>16815/2015</b>
<b>Fiskars Brands, Inc.;</b> 08-02, Club hammer, (US, 24 Jun 2015) 21 Dec 2015	<b>16952/2015</b>	<b>Ho, Thienna;</b> 28-03NES, Suction massage apparatus, (US, 14 Dec 2015) 21 Dec 2015	<b>16957/2015</b>
<b>Fiskars Brands, Inc.;</b> 08-02, Claw hammer, (US, 24 Jun 2015) 21 Dec 2015	<b>16935/2015</b>	<b>Ho, Thienna;</b> 28-03NES, Suction massage apparatus, (US, 24 Jun 2015) 21 Dec 2015	<b>16954/2015</b>
<b>Fitt S.p.A.;</b> 23-01C, A hose of indefinite length, (Divisional of 12826/2015) 23 Dec 2015	<b>17063/2015</b>	<b>Ho, Thienna;</b> 28-03NES, Suction massage apparatus, (US, 14 Dec 2015) 21 Dec 2015	<b>16958/2015</b>
<b>Forever New Clothing Pty Ltd;</b> 02-02C, 02-02NES, Article of clothing, 21 Dec 2015	<b>16944/2015</b>	<b>Home Leisure Corp Pty Ltd;</b> 06-06A, Pot plant stand, 18 Dec 2015	<b>16921/2015</b>
<b>FORM ROLL TECH CO., LTD.;</b> 08-08B, Screw, (JP, 30 Jun 2015) 22 Dec 2015	<b>16996/2015</b>	<b>Home Leisure Corp Pty Ltd;</b> 11-02B, Pot with water reservoir, 18 Dec 2015	<b>16925/2015</b>
<b>FORM ROLL TECH CO., LTD.;</b> 08-08B, Screw, (JP, 30 Jun 2015) 22 Dec 2015	<b>16995/2015</b>	<b>Home Leisure Corp Pty Ltd;</b> 11-02B, Pot with water reservoir, 18 Dec 2015	<b>16923/2015</b>
<b>FORM ROLL TECH CO., LTD.;</b> 08-08B, Screw, (JP, 30 Jun 2015) 18 Dec 2015	<b>16907/2015</b>	<b>Home Leisure Corp Pty Ltd;</b> 11-02B, Pot with reservoir, 18 Dec 2015	<b>16924/2015</b>
<b>FORM ROLL TECH CO., LTD.;</b> 08-08B, Screw, (JP, 30 Jun 2015) 22 Dec 2015	<b>16997/2015</b>	<b>Home Leisure Corp Pty Ltd;</b> 06-06A, 11-02C, Pot plant foot, 18 Dec 2015	<b>16922/2015</b>
<b>FORM ROLL TECH CO., LTD.;</b> 08-08B, Screw, (JP, 30 Jun 2015) 18 Dec 2015	<b>16909/2015</b>	<b>Horizon Global Pty Ltd;</b> 08-08B, Nutblock, 22 Dec 2015	<b>16980/2015</b>
<b>FORM ROLL TECH CO., LTD.;</b> 08-08B, Screw, (JP, 30 Jun 2015) 18 Dec 2015	<b>16908/2015</b>	<b>Hunt, Jefferey;</b> 08-08B, Cap for reo bar, 22 Dec 2015	<b>17001/2015</b>
<b>Giant Equipment Pty Ltd;</b> 21-01A, Inflatable pool toy, 16 Dec 2015	<b>16842/2015</b>	<b>Hunter Douglas Inc.;</b> 08-99, Button for a window covering, (US, 27 Mar 2015) (Divisional of 15073/2015) 14 Dec 2015	<b>16795/2015</b>
<b>Gort-Barten, Leslie;Gort-Barten, Alex;</b> 07-02F, Toaster, (EP, 22 Jun 2015) 22 Dec 2015	<b>17002/2015</b>	<b>Hunter Douglas Inc.;</b> 08-99, Button for a window covering, (US, 27 Mar 2015) (Divisional of 15073/2015) 14 Dec 2015	<b>16797/2015</b>
<b>Gort-Barten, Alex;Gort-Barten, Leslie;</b> 07-02F, Toaster, (EP, 22 Jun 2015) 22 Dec 2015	<b>17002/2015</b>	<b>Hunter Douglas Inc.;</b> 08-99, Button for a window covering, (US, 27 Mar 2015) (Divisional of 15073/2015) 14 Dec 2015	<b>16796/2015</b>
<b>Guangzhou T.K. Medical Instrument Co., Ltd.;</b> 24-02, Trocar, (CN, 03 Jul 2015) 17 Dec 2015	<b>16887/2015</b>	<b>Husky Refrigerator Mfg Co., Ltd.;</b> 15-07, Refrigerator, 18 Dec 2015	<b>16918/2015</b>
<b>Guangzhou T.K. Medical Instrument Co., Ltd.;</b> 24-01, Trocar needle, (CN, 03 Jul 2015) 16 Dec 2015	<b>16840/2015</b>	<b>HNC Co., Ltd.;</b> 23-02NES, Electricity generating boiler, (KR, 15 Dec 2015) 16 Dec 2015	<b>16845/2015</b>
<b>Hansgrohe SE;</b> 23-02B, Hand shower, (EM, 29 Jun 2015) 18 Dec 2015	<b>16920/2015</b>	<b>Inform Energy Pty Ltd;</b> 23-01F, A water tank connector, 16 Dec 2015	<b>16844/2015</b>
<b>Hansgrohe SE;</b> 23-02B, Hand shower, (EM, 29 Jun 2015) 18 Dec 2015	<b>16919/2015</b>	<b>Intersurgical AG;Nasir, Muhammed Aslam;</b> 24-01, Airway device, (EM, 15 Jun 2015) 15 Dec 2015	<b>16827/2015</b>
		<b>Inventio AG;</b> 15-05, 25-02C, Escalator / walkway handrail entry panels, (CH, 16 Jul 2015) 15 Dec 2015	<b>16825/2015</b>

<b>Inventio AG;</b> 12-05, Escalator / walkway landing floor cover panel, (CH, 16 Jul 2015) 15 Dec 2015	<b>16823/2015</b>	<b>Magi Enterprises Pty Ltd;</b> 02-02C, Clothing, 23 Dec 2015	<b>17057/2015</b>
<b>INSIDE SECURE;</b> 14-99, Arrangement of conductors forming antenna coil, (EM, 17 Jun 2015) 17 Dec 2015	<b>16875/2015</b>	<b>Marley New Zealand Limited;</b> 25-01NES, Spouting outlet, 17 Dec 2015	<b>16851/2015</b>
<b>Joseph, Jeff;</b> 08-08K, Fence footing, 14 Dec 2015	<b>16792/2015</b>	<b>Marley New Zealand Limited;</b> 25-01NES, Spouting outlet, (NZ, 17 Jun 2015) 17 Dec 2015	<b>16853/2015</b>
<b>JOALPE INDUSTRIA DE EXPOSITORES S.A.;</b> 03-01A, Shopping baskets, (EM, 01 Jul 2015) 17 Dec 2015	<b>16855/2015</b>	<b>Marley New Zealand Limited;</b> 25-01NES, Spouting Outlet, (NZ, 17 Jun 2015) 17 Dec 2015	<b>16852/2015</b>
<b>Kanawati, Glen;</b> 32-03, Fluid containers for medical use, 22 Dec 2015	<b>17000/2015</b>	<b>Marley New Zealand Limited;</b> 25-01NES, Spouting outlet, (NZ, 17 Jun 2015) 17 Dec 2015	<b>16850/2015</b>
<b>Kimberly-Clark Worldwide, Inc.;</b> 23-02A, Towel dispenser, (KR, 30 Jun 2015) 17 Dec 2015	<b>16863/2015</b>	<b>Medline Industries, Inc.;</b> 24-04, Bonded dual layer sterile wrap, (US, 09 Apr 2015) (Divisional of 15340/2015) 17 Dec 2015	<b>16878/2015</b>
<b>Kimberly-Clark Worldwide, Inc.;</b> 23-02A, Towel dispenser, 17 Dec 2015	<b>16864/2015</b>	<b>Medline Industries, Inc.;</b> 24-04, Bonded dual layer sterile wrap, (US, 09 Apr 2015) (Divisional of 15334/2015) 17 Dec 2015	<b>16889/2015</b>
<b>King Furniture Australia Pty Ltd;</b> 06-01F, A chair, 21 Dec 2015	<b>16964/2015</b>	<b>Medline Industries, Inc.;</b> 24-04, Bonded dual layer sterile wrap, (US, 09 Apr 2015) 17 Dec 2015	<b>16870/2015</b>
<b>Kingston, Keith Kenneth;</b> 06-01F, Chair, 18 Dec 2015	<b>16904/2015</b>	<b>Medline Industries, Inc.;</b> 24-04, Bonded dual layer sterile wrap, (US, 09 Apr 2015) (Divisional of 15334/2015) 17 Dec 2015	<b>16888/2015</b>
<b>Kingston, Keith Kenneth;</b> 06-03C, Desk, 18 Dec 2015	<b>16905/2015</b>	<b>Medline Industries, Inc.;</b> 24-04, Bonded dual layer sterile wrap, (US, 09 Apr 2015) (Divisional of 15335/2015) 17 Dec 2015	<b>16874/2015</b>
<b>KENWOOD LIMITED;</b> 07-02K, Kettle, (EM, 02 Oct 2015) 21 Dec 2015	<b>16963/2015</b>	<b>Medline Industries, Inc.;</b> 24-04, Bonded dual layer sterile wrap, (US, 09 Apr 2015) (Divisional of 15340/2015) 17 Dec 2015	<b>16886/2015</b>
<b>KENWOOD LIMITED;</b> 07-02K, Kettle, (EM, 02 Oct 2015) 21 Dec 2015	<b>16961/2015</b>	<b>Medline Industries, Inc.;</b> 24-04, Bonded dual layer sterile wrap, (US, 09 Apr 2015) (Divisional of 15340/2015) 17 Dec 2015	<b>16884/2015</b>
<b>KENWOOD LIMITED;</b> 07-02F, Toaster, (EM, 02 Oct 2015) 21 Dec 2015	<b>16962/2015</b>	<b>Medline Industries, Inc.;</b> 24-04, Bonded dual layer sterile wrap, (US, 09 Apr 2015) (Divisional of 15340/2015) 17 Dec 2015	<b>16892/2015</b>
<b>KENWOOD LIMITED;</b> 07-02F, Toaster, (EM, 02 Oct 2015) 21 Dec 2015	<b>16960/2015</b>	<b>Medline Industries, Inc.;</b> 24-04, Bonded dual layer sterile wrap, (US, 09 Apr 2015) (Divisional of 15333/2015) 17 Dec 2015	<b>16866/2015</b>
<b>L T Concepts Limited;</b> 09-01D, A drinking vessel, (NZ, 01 Jul 2015) 22 Dec 2015	<b>16985/2015</b>	<b>Medline Industries, Inc.;</b> 24-04, Bonded dual layer sterile wrap, (US, 09 Apr 2015) 17 Dec 2015	<b>16882/2015</b>
<b>Liforme Limited;</b> 21-02NES, Exercise mat, (CN, 16 Jun 2015) 16 Dec 2015	<b>16839/2015</b>	<b>Medline Industries, Inc.;</b> 24-04, Bonded dual layer sterile wrap, (US, 09 Apr 2015) (Divisional of 15340/2015) 17 Dec 2015	<b>16882/2015</b>
<b>Linfox Armaguard Pty Ltd;</b> 06-04B, Coin bin, 16 Dec 2015	<b>16838/2015</b>	<b>Medline Industries, Inc.;</b> 24-04, Bonded dual layer sterile wrap, (US, 09 Apr 2015) (Divisional of 15333/2015) 17 Dec 2015	<b>16866/2015</b>
<b>Lipton, Geoffrey;</b> 26-05D, A light covering, 23 Dec 2015	<b>17005/2015</b>	<b>Medline Industries, Inc.;</b> 24-04, Bonded dual layer sterile wrap, (US, 09 Apr 2015) 17 Dec 2015	<b>16862/2015</b>
<b>Loveday, Scott;</b> 19-06, An outdoor writing/drawing chalkboard attached to two large posts designed with the look of a giant pencil four, brackets attach the writing board to the two pencil posts., 19 Nov 2015	<b>16282/2015</b>		

<b>Medline Industries, Inc.;</b> 24-04, Bonded Dual Layer Sterile Wrap, (US, 09 Apr 2015) (Divisional of 15333/2015) 17 Dec 2015	<b>16867/2015</b>	<b>Microsoft Corporation;</b> 21-01N, Controller component, (US, 12 Jun 2015) 11 Dec 2015	<b>16764/2015</b>
<b>Medline Industries, Inc.;</b> 24-04, Bonded dual layer sterile wrap, (US, 09 Apr 2015) (Divisional of 15334/2015) 17 Dec 2015	<b>16890/2015</b>	<b>Microsoft Corporation;</b> 21-01N, Controller component, (US, 12 Jun 2015) 11 Dec 2015	<b>16761/2015</b>
<b>Medline Industries, Inc.;</b> 24-04, Bonded dual layer sterile wrap, (US, 09 Apr 2015) (Divisional of 15335/2015) 17 Dec 2015	<b>16876/2015</b>	<b>Microsoft Corporation;</b> 21-01N, Controller component, (US, 12 Jun 2015) 11 Dec 2015	<b>16759/2015</b>
<b>Medline Industries, Inc.;</b> 24-04, Bonded dual layer sterile wrap, (US, 09 Apr 2015) (Divisional of 15335/2015) 17 Dec 2015	<b>16877/2015</b>	<b>Microsoft Corporation;</b> 21-01N, Controller component, (US, 12 Jun 2015) 11 Dec 2015	<b>16768/2015</b>
<b>Medline Industries, INC.;</b> 24-04, Bonded dual layer sterile wrap, (US, 09 Apr 2015) (Divisional of 15333/2015) 17 Dec 2015	<b>16868/2015</b>	<b>Miles, Shane;</b> 25-01K, Extrusion, 21 Dec 2015	<b>16968/2015</b>
<b>Medline Industries, INC.;</b> 24-04, Bonded dual layer sterile wrap, (US, 09 Apr 2015) (Divisional of 15333/2015) 17 Dec 2015	<b>16868/2015</b>	<b>Miles, Shane;</b> 25-01K, Extrusion, 21 Dec 2015	<b>16969/2015</b>
<b>Medline Industries, INC.;</b> 24-04, Bonded dual layer sterile wrap, (US, 09 Apr 2015) (Divisional of 15333/2015) 17 Dec 2015	<b>16868/2015</b>	<b>Miles, Shane;</b> 25-01K, Extrusion, 21 Dec 2015	<b>16967/2015</b>
<b>Michelin Recherche et Technique SA;COMPAGNIE GENERALE DES ETABLISSEMENTS MICHELIN;</b> 12-15A, A tyre, (FR, 10 Jul 2015) 23 Dec 2015	<b>17034/2015</b>	<b>Miller, Bill;</b> 23-01A, 15-05, Drain cleaning hoses, high pressure jetter hoses, 18 Dec 2015	<b>16901/2015</b>
<b>Michelin Recherche et Technique SA;COMPAGNIE GENERALE DES ETABLISSEMENTS MICHELIN;</b> 12-15A, A tyre, (FR, 10 Jul 2015) 23 Dec 2015	<b>17035/2015</b>	<b>Monier Roofing GmbH;</b> 25-01F, Roof tile, (EM, 06 Aug 2015) 23 Dec 2015	<b>17048/2015</b>
<b>Michelin Recherche et Technique SA;COMPAGNIE GENERALE DES ETABLISSEMENTS MICHELIN;</b> 12-15A, A tyre, (FR, 10 Jul 2015) 23 Dec 2015	<b>17035/2015</b>	<b>MACOM S.r.l.;</b> 07-04, Stirrer, (WO, 17 Jun 2015) 15 Dec 2015	<b>16819/2015</b>
<b>Microsoft Corporation;</b> 14-02, Display screen with graphical user interface, (US, 15 Jul 2015) 14 Dec 2015	<b>16786/2015</b>	<b>MTD Products Inc.;</b> 14-02, Docking station, (US, 22 Jun 2015) 14 Dec 2015	<b>16800/2015</b>
<b>Microsoft Corporation;</b> 10-04, Wearable electronic band, 22 Dec 2015	<b>16999/2015</b>	<b>Nagel, Marena;</b> 06-01D, Child seat liner, 21 Dec 2015	<b>16939/2015</b>
<b>Microsoft Corporation;</b> 13-02, Charging apparatus, (US, 28 Aug 2015) 23 Dec 2015	<b>17024/2015</b>	<b>Nagel, Marena;</b> 06-01D, Child seat liner, 21 Dec 2015	<b>16938/2015</b>
<b>Microsoft Corporation;</b> 14-02, Display screen with graphical user interface, (US, 12 Jun 2015) 14 Dec 2015	<b>16784/2015</b>	<b>Nagel, Marena;</b> 06-01D, Child seat liner, 21 Dec 2015	<b>16937/2015</b>
<b>Microsoft Corporation;</b> 14-02, Display screen with graphical user interface, (US, 12 Jun 2015) 14 Dec 2015	<b>16785/2015</b>	<b>Nampak Plastics Europe Limited;</b> 09-01B, Bottles, (EM, 23 Jun 2015) 21 Dec 2015	<b>16945/2015</b>
<b>Microsoft Corporation;</b> 21-01N, Thumbstick attachment for a controller, (US, 12 Jun 2015) 11 Dec 2015	<b>16766/2015</b>	<b>Nasir, Muhammed Aslam;Intersurgical AG;</b> 24-01, Airway device, (EM, 15 Jun 2015) 15 Dec 2015	<b>16827/2015</b>
<b>Microsoft Corporation;</b> 14-02, Display screen with graphical user interface, (US, 12 Jun 2015) 14 Dec 2015	<b>16790/2015</b>	<b>Needle Industries (India) Private Limited;</b> 09-03M, Packaging box, (IN, 26 Jun 2015) 22 Dec 2015	<b>16988/2015</b>
<b>Microsoft Corporation;</b> 14-02, Display screen with icon, (US, 12 Jun 2015) 14 Dec 2015	<b>16791/2015</b>	<b>Needle Industries (India) Private Limited;</b> 24-99, Needle box, (IN, 26 Jun 2015) 22 Dec 2015	<b>16989/2015</b>
<b>Microsoft Corporation;</b> 21-01N, Removable controller component, (US, 12 Jun 2015) 11 Dec 2015	<b>16762/2015</b>	<b>Nicoll, Brent;</b> 07-07A, Bottle cover, (NZ, 28 Jul 2015) 15 Dec 2015	<b>16809/2015</b>
		<b>Nissan Jidosha Kabushiki Kaisha;</b> 12-16C, Front bumper for automobile, (JP, 26 Jun 2015) 21 Dec 2015	<b>16965/2015</b>

<b>Nixon-Smith, Tony;Schmidt, Benjamin Michael;</b> 19-99, PencilMate, 23 Dec 2015	<b>17050/2015</b>	<b>Schmidt, Benjamin Michael;Nixon-Smith, Tony;</b> 19-99, PencilMate, 23 Dec 2015	<b>17051/2015</b>
<b>Nixon-Smith, Tony;Schmidt, Benjamin Michael;</b> 19-99, PencilMate, 23 Dec 2015	<b>17051/2015</b>	<b>Schneider Electric (Australia) Pty Limited;</b> 13-03D, Grid plate, 23 Dec 2015	<b>17040/2015</b>
<b>Northcote Pots Australia Pty Ltd;</b> 25-03, Letter box, 14 Dec 2015	<b>16793/2015</b>	<b>Schneider Electric (Australia) Pty Limited;</b> 13-03D, Grid plate, 23 Dec 2015	<b>17054/2015</b>
<b>OAKLEY, INC.;</b> 14-01, Headwear accessory, (US, 11 Jun 2015) 11 Dec 2015	<b>16760/2015</b>	<b>Schneider Electric (Australia) Pty Limited;</b> 13-03D, Grid plate, 23 Dec 2015	<b>17042/2015</b>
<b>Peddie, Julie Doris;</b> 11-02A, Wooden vase, (Divisional of 15298/2015) 16 Dec 2015	<b>16843/2015</b>	<b>Schneider Electric (Australia) Pty Limited;</b> 13-03D, Grid plate, 23 Dec 2015	<b>17043/2015</b>
<b>Pi-Design AG;</b> 07-01F, A glass jug, (WO, 23 Jul 2015) 21 Dec 2015	<b>16943/2015</b>	<b>Schneider Electric (Australia) Pty Limited;</b> 13-03D, Grid plate, 23 Dec 2015	<b>17041/2015</b>
<b>Pi-Design AG;</b> 07-02L, A coffee maker, (WO, 23 Jul 2015) 21 Dec 2015	<b>16942/2015</b>	<b>Schneider Electric (Australia) Pty Limited;</b> 13-03D, Grid plate, 23 Dec 2015	<b>17038/2015</b>
<b>Polume, Kenton Ponderele;</b> 32-02, t-shirt, board shorts, beanie, hat, jumper., 14 Dec 2015	<b>16787/2015</b>	<b>Schneider Electric (Australia) Pty Limited;</b> 13-03D, Grid plate, 23 Dec 2015	<b>17053/2015</b>
<b>RatingBox Pty Ltd;</b> 24-01, 14-02, Feedback console, (Divisional of 15106/2015) 22 Dec 2015	<b>16998/2015</b>	<b>Schneider Electric (Australia) Pty Limited;</b> 13-03D, Grid plate, 23 Dec 2015	<b>17039/2015</b>
<b>Redtronic Limited;</b> 26-05E, Improved light bar, (EM, 09 Dec 2015) 15 Dec 2015	<b>16816/2015</b>	<b>Schneider Electric (Australia) Pty Limited;</b> 13-03D, Grid plate, 23 Dec 2015	<b>17036/2015</b>
<b>Ren, Xiangrong;</b> 28-03A, Razor head, (CN, 19 Aug 2015) 17 Dec 2015	<b>16891/2015</b>	<b>Schneider Electric (Australia) Pty Limited;</b> 13-03D, Grid plate, 23 Dec 2015	<b>17037/2015</b>
<b>ResMed Limited;</b> 14-02, Display screen or graphical user interface, or portion thereof, with animated images and/or icon(s), (Divisional of 15212/2015) 15 Dec 2015	<b>16903/2015</b>	<b>Schneider Electric (Australia) Pty Limited;</b> 13-03E, Electric socket plate, 23 Dec 2015	<b>17037/2015</b>
<b>Rogers, Kenneth Colin;</b> 08-08NES, 07-02E, Bracket for barbecue plate, 15 Dec 2015	<b>16826/2015</b>	<b>Schneider Electric (Australia) Pty Limited;</b> 13-03E, Electric socket plate, 23 Dec 2015	<b>17010/2015</b>
<b>Samsonite IP Holdings S.a r.l.;</b> 03-01A, Luggage, (HK, 29 Jun 2015) 17 Dec 2015	<b>16880/2015</b>	<b>Schneider Electric (Australia) Pty Limited;</b> 13-03E, Electric socket plate, 23 Dec 2015	<b>17010/2015</b>
<b>Samsonite IP Holdings S.a r.l.;</b> 03-01A, Luggage, (HK, 29 Jun 2015) 17 Dec 2015	<b>16881/2015</b>	<b>Schneider Electric (Australia) Pty Limited;</b> 13-03E, Electric socket plate, 23 Dec 2015	<b>17058/2015</b>
<b>Samsung Electronics Co., Ltd;</b> 14-02, USB (Universal Serial Bus) Memory, (KR, 18 Jun 2015) 14 Dec 2015	<b>16788/2015</b>	<b>Schneider Electric (Australia) Pty Limited;</b> 13-03D, Grid plate, 23 Dec 2015	<b>17059/2015</b>
<b>Samsung Electronics Co., Ltd;</b> 14-02, USB (Universal Serial Bus) Memory, (KR, 18 Jun 2015) 14 Dec 2015	<b>16789/2015</b>	<b>Schneider Electric (Australia) Pty Limited;</b> 13-03E, Electric socket plate, 23 Dec 2015	<b>17011/2015</b>
<b>Schmidt, Benjamin Michael;Nixon-Smith, Tony;</b> 19-99, PencilMate, 23 Dec 2015	<b>17050/2015</b>	<b>Schneider Electric (Australia) Pty Limited;</b> 13-03E, Electric socket plate, 23 Dec 2015	<b>17011/2015</b>
		<b>Schneider Electric (Australia) Pty Limited;</b> 13-03E, Electric socket plate, 23 Dec 2015	<b>17012/2015</b>
		<b>Schneider Electric (Australia) Pty Limited;</b> 13-03E, Electric socket plate, 23 Dec 2015	<b>17013/2015</b>
		<b>Schneider Electric (Australia) Pty Limited;</b> 13-03E, Electric socket plate, 23 Dec 2015	<b>17014/2015</b>
		<b>Schneider Electric (Australia) Pty Limited;</b> 13-03E, Electric switch plate, 23 Dec 2015	<b>17014/2015</b>
		<b>Schneider Electric (Australia) Pty Limited;</b> 13-03E, Electric switch plate, 23 Dec 2015	<b>17015/2015</b>
		<b>Schneider Electric (Australia) Pty Limited;</b> 13-03E, Electric switch plate, 23 Dec 2015	<b>17016/2015</b>
		<b>Schneider Electric (Australia) Pty Limited;</b> 13-03E, Electric switch plate, 23 Dec 2015	<b>17017/2015</b>
		<b>Schneider Electric (Australia) Pty Limited;</b> 13-03E, Electric switch plate, 23 Dec 2015	<b>17018/2015</b>
		<b>Schneider Electric (Australia) Pty Limited;</b> 13-03E, Electric switch plate, 23 Dec 2015	<b>17019/2015</b>
		<b>Schneider Electric (Australia) Pty Limited;</b> 13-03D, Grid plate, 23 Dec 2015	<b>17032/2015</b>
		<b>Schneider Electric (Australia) Pty Limited;</b> 13-03D, Grid plate, 23 Dec 2015	<b>17033/2015</b>

<b>Schneider Electric (Australia) Pty Limited;</b> 13-03E, Electric socket plate, 23 Dec 2015	<b>17008/2015</b>	<b>Schneider Electric (Australia) Pty Limited;</b> 13-03E, Electric socket plate, 23 Dec 2015	<b>17009/2015</b>
<b>Schneider Electric (Australia) Pty Limited;</b> 13-03NES, 13-03D, Switch mechanism, 23 Dec 2015	<b>17064/2015</b>	<b>Schneider Electric (Australia) Pty Limited;</b> 13-03E, Switch carrier, 23 Dec 2015	<b>17029/2015</b>
<b>Schneider Electric (Australia) Pty Limited;</b> 13-03NES, Switch mechanism, 24 Dec 2015	<b>17087/2015</b>	<b>Schneider Electric (Australia) Pty Limited;</b> 13-03E, Electric socket plate, 23 Dec 2015	<b>17007/2015</b>
<b>Schneider Electric (Australia) Pty Limited;</b> 13-03NES, 13-03D, Switch mechanism, 23 Dec 2015	<b>17070/2015</b>	<b>Schreder S.A.;</b> 26-99, Luminaire navigator, (US, 03 Aug 2015) 16 Dec 2015	<b>16841/2015</b>
<b>Schneider Electric (Australia) Pty Limited;</b> 13-03D, Dimmer, 23 Dec 2015	<b>17074/2015</b>	<b>Sedic, Filip;</b> 28-03NES, Acne pen, (US, 26 Jun 2015) 23 Dec 2015	<b>17049/2015</b>
<b>Schneider Electric (Australia) Pty Limited;</b> 13-03NES, Switch rocker, 23 Dec 2015	<b>17071/2015</b>	<b>SharkNinja Operating LLC;</b> 15-05, Floor cleaning device, (US, 16 Jun 2015) 15 Dec 2015	<b>16822/2015</b>
<b>Schneider Electric (Australia) Pty Limited;</b> 13-03NES, 13-03D, Switch mechanism, 23 Dec 2015	<b>17060/2015</b>	<b>Shenzhen Royole Technologies Co., Ltd.;</b> 14-02, Multimedia processing terminal, (CN, 21 Jul 2015) 22 Dec 2015	<b>16983/2015</b>
<b>Schneider Electric (Australia) Pty Limited;</b> 13-03E, Electronic switch plate, 23 Dec 2015	<b>17072/2015</b>	<b>Shenzhen Royole Technologies Co., Ltd.;</b> 13-03D, Power adapter, (CN, 20 Jul 2015) 22 Dec 2015	<b>16979/2015</b>
<b>Schneider Electric (Australia) Pty Limited;</b> 13-03D, Grid plate, 23 Dec 2015	<b>17073/2015</b>	<b>Solar Lighting Towers Pty Ltd;Solar Panels Australia Pty Ltd;</b> 26-03, Lighting tower, 23 Dec 2015	<b>17075/2015</b>
<b>Schneider Electric (Australia) Pty Limited;</b> 13-03NES, 13-03D, Switch rocker, 23 Dec 2015	<b>17066/2015</b>	<b>Solar Panels Australia Pty Ltd;Solar Lighting Towers Pty Ltd;</b> 26-03, Lighting tower, 23 Dec 2015	<b>17075/2015</b>
<b>Schneider Electric (Australia) Pty Limited;</b> 13-03NES, Switch mechanism, 23 Dec 2015	<b>17077/2015</b>	<b>Steel Flower Co., Ltd.;</b> 23-01NES, Wave dissipating block, (KR, 22 Oct 2015) 22 Dec 2015	<b>16974/2015</b>
<b>Schneider Electric (Australia) Pty Limited;</b> 13-03NES, Switch mechanism, 23 Dec 2015	<b>17078/2015</b>	<b>Steel Flower Co., Ltd.;</b> 23-01NES, Wave dissipating block, (KR, 22 Oct 2015) 22 Dec 2015	<b>16976/2015</b>
<b>Schneider Electric (Australia) Pty Limited;</b> 13-03NES, 13-03D, Switch mechanism, 23 Dec 2015	<b>17068/2015</b>	<b>Steel Flower Co., Ltd.;</b> 23-01NES, Wave dissipating block, (KR, 22 Oct 2015) 22 Dec 2015	<b>16977/2015</b>
<b>Schneider Electric (Australia) Pty Limited;</b> 13-03NES, Switch mechanism, 23 Dec 2015	<b>17076/2015</b>	<b>Steel Flower Co., Ltd.;</b> 23-01NES, Wave dissipating block, (KR, 22 Oct 2015) 22 Dec 2015	<b>16975/2015</b>
<b>Schneider Electric (Australia) Pty Limited;</b> 13-03NES, 13-03D, Switch mechanism, 23 Dec 2015	<b>17069/2015</b>	<b>Stokes, Kate;</b> 26-05B, Light, (Divisional of 16196/2015) 15 Dec 2015	<b>16808/2015</b>
<b>Schneider Electric (Australia) Pty Limited;</b> 13-03NES, 13-03D, Switch mechanism, 23 Dec 2015	<b>17061/2015</b>	<b>Sumitomo Rubber Industries, Ltd.;</b> 12-15B, Tyre for automobile, 11 Dec 2015	<b>16767/2015</b>
<b>Schneider Electric (Australia) Pty Limited;</b> 13-03D, Insulator flap for grid plate, 23 Dec 2015	<b>17062/2015</b>	<b>Superior Engineering (QLD) Pty Ltd;</b> 12-16NES, Automotive suspension bump stop adaptor, 18 Dec 2015	<b>16906/2015</b>
<b>Schneider Electric (Australia) Pty Limited;</b> 13-03NES, Switch rocker, 23 Dec 2015	<b>17030/2015</b>	<b>Sweet Goodbye Pty Ltd;</b> 03-01NES, Pet burial or cremation bag, 18 Dec 2015	<b>16929/2015</b>
<b>Schneider Electric (Australia) Pty Limited;</b> 13-03D, Grid plate, 23 Dec 2015	<b>17031/2015</b>	<b>Sweet Goodbye Pty Ltd;</b> 03-01NES, Pet burial or cremation bag, 18 Dec 2015	<b>16931/2015</b>
<b>Schneider Electric (Australia) Pty Limited;</b> 13-03E, Electric switch plate, 23 Dec 2015	<b>17023/2015</b>		
<b>Schneider Electric (Australia) Pty Limited;</b> 13-03E, Electric socket plate, 23 Dec 2015	<b>17022/2015</b>		
<b>Schneider Electric (Australia) Pty Limited;</b> 13-03E, Electric switch plate, 23 Dec 2015	<b>17020/2015</b>		

<b>Sweet Goodbye Pty Ltd;</b> 03-01NES, Pet burial or cremation bag, 18 Dec 2015	<b>16932/2015</b>	<b>Travel Light Ltd.;</b> 03-01A, Luggage, (IL, 30 Jun 2015) 22 Dec 2015	<b>16992/2015</b>
<b>Sweet Goodbye Pty Ltd;</b> 03-01NES, Pet burial or cremation bag, 18 Dec 2015	<b>16930/2015</b>	<b>Truck-Lite Europe Limited;</b> 12-16E, 26-06, Lights for vehicles, (EM, 03 Jul 2015) 18 Dec 2015	<b>16926/2015</b>
<b>SAMSUNG ELECTRONICS CO., LTD.;</b> 15-05, Inner cover for door of washing machine, (KR, 07 Jul 2015) 21 Dec 2015	<b>16948/2015</b>	<b>Truck-Lite Europe Limited;</b> 12-16E, 26-06, Lights for vehicles, (EM, 03 Jul 2015) 18 Dec 2015	<b>16927/2015</b>
<b>SAMSUNG ELECTRONICS CO., LTD.;</b> 15-05, Washing machine, (KR, 16 Jul 2015) 21 Dec 2015	<b>16951/2015</b>	<b>Truck-Lite Europe Limited;</b> 12-16E, 26-06, Lights for vehicles, (EM, 03 Jul 2015) 18 Dec 2015	<b>16928/2015</b>
<b>SAMSUNG ELECTRONICS CO., LTD.;</b> 15-05, Washing machine, (KR, 16 Jul 2015) 21 Dec 2015	<b>16949/2015</b>	<b>Tuapeka Gold Print Limited;</b> 19-06, Pen, (NZ, 10 Nov 2015) 18 Dec 2015	<b>16902/2015</b>
<b>SFI Global Pty. Ltd.;</b> 20-02NES, Product display hub, 23 Dec 2015	<b>17027/2015</b>	<b>THE JEWELLER PTY LTD;</b> 11-01E, 11-01C, Jewellery, Clothing, Headwear, Footwear., 22 Dec 2015	<b>17004/2015</b>
<b>SFI Global Pty. Ltd.;</b> 20-02NES, Product display hub, 23 Dec 2015	<b>17025/2015</b>	<b>THH - THE HANDBAG HANGER PTY LTD;</b> 06-08, 03-01B, Handbag hanger, 22 Dec 2015	<b>16990/2015</b>
<b>STREET &amp; GARDEN FURNITURE COMPANY PTY. LTD.;</b> 06-01C, Street furniture - bench seat, (Divisional of 14240/2015) 15 Dec 2015	<b>16814/2015</b>	<b>TRIO BROTHERS TRADING PTY LTD;</b> 27-02, Dry pipe, 15 Dec 2015	<b>16821/2015</b>
<b>Taili Household Products Manufacturing Co., Ltd;</b> 08-08NES, Suction cup, 15 Dec 2015	<b>16802/2015</b>	<b>Unilever PLC;</b> 09-03NES, 07-01NES, 32-04, Tub packaging, (EM, 03 Jul 2015) 15 Dec 2015	<b>16810/2015</b>
<b>Taylor, Wayne Scott;</b> 22-05, Fishing lure, 14 Dec 2015	<b>16783/2015</b>	<b>Unilever PLC;</b> 09-03NES, 32-04, 07-01NES, Tub packaging, (EM, 03 Jul 2015) 15 Dec 2015	<b>16811/2015</b>
<b>Telebrands Corp;</b> 21-01NES, Device for filling multiple water balloons, (US, 20 Nov 2015) 17 Dec 2015	<b>16883/2015</b>	<b>Unilever PLC;</b> 09-03NES, 32-04, 07-01NES, Tub packaging, (EM, 03 Jul 2015) 15 Dec 2015	<b>16812/2015</b>
<b>Telebrands Corp;</b> 21-01NES, Device for filling multiple water balloons, (US, 20 Nov 2015) 17 Dec 2015	<b>16893/2015</b>	<b>Unilever PLC;</b> 32-04, Packaging for ice cream, (EM, 26 Jun 2015) 17 Dec 2015	<b>16896/2015</b>
<b>Telebrands Corp.;</b> 21-01NES, Device for filling multiple water balloons, (US, 15 Dec 2015) 17 Dec 2015	<b>16871/2015</b>	<b>Unilever PLC;</b> 32-04, Packaging for ice cream, (EM, 26 Jun 2015) 17 Dec 2015	<b>16899/2015</b>
<b>The Gillette Company;</b> 28-03A, Razor cartridge, (US, 16 Jun 2015) 16 Dec 2015	<b>16837/2015</b>	<b>Unilever PLC;</b> 32-04, Packaging for ice cream, (EM, 26 Jun 2015) 17 Dec 2015	<b>16897/2015</b>
<b>TherapeuticsMD, Inc.;</b> 28-01, Pharmaceutical capsule, (US, 22 Jun 2015) 21 Dec 2015	<b>16953/2015</b>	<b>Unilever PLC;</b> 32-04, Packaging for ice cream, (EM, 26 Jun 2015) 17 Dec 2015	<b>16898/2015</b>
<b>Thule Sweden AB;</b> 12-16NES, Carrier, Tray, Clamp and Knob, (US, 29 Jun 2015) 22 Dec 2015	<b>16972/2015</b>	<b>Unilever PLC;</b> 32-04, Packaging for ice cream, (EM, 26 Jun 2015) 17 Dec 2015	<b>16894/2015</b>
<b>Toray Industries, Inc.;</b> 10-04, 10-05, Pressure detector for a circulation circuit, (JP, 29 Jun 2015) 23 Dec 2015	<b>17056/2015</b>	<b>Unilever PLC;</b> 32-04, Packaging for ice cream, (EM, 26 Jun 2015) 17 Dec 2015	<b>16895/2015</b>
<b>Toray Industries, Inc.;</b> 10-04, 10-05, Pressure detector for a circulation circuit, (JP, 29 Jun 2015) 23 Dec 2015	<b>17065/2015</b>	<b>Unilever PLC;</b> 09-03NES, 32-04, 07-01NES, Tub packaging, (EM, 03 Jul 2015) 15 Dec 2015	<b>16813/2015</b>
		<b>Westbury, D Y;Westnury, D W;</b> 21-01N, Logo relating to all promotional material, 11 Dec 2015	<b>16763/2015</b>

<b>Westnury, D W;Westbury, D Y;</b> 21-01N, Logo relating to all promotional material, 11 Dec 2015	<b>16763/2015</b>	<b>Yongkang NAIBOEN Industrial &amp; Trading Co., Ltd.;</b> 08-99, Hose reels, (CN, 18 Jun 2015) 17 Dec 2015	<b>16869/2015</b>
<b>White, Peter James;</b> 12-16NES, Car cover, 15 Dec 2015	<b>16806/2015</b>	<b>Yongkang NAIBOEN Industrial &amp; Trading Co., Ltd.;</b> 08-99, Hose reels, (CN, 18 Jun 2015) 17 Dec 2015	<b>16865/2015</b>
<b>Wm. Wrigley Jr. Company;</b> 09-03M, Hard shell, multi article, reclosable packaging, (US, 29 Jun 2015) 24 Dec 2015	<b>17089/2015</b>	<b>Yongkang NAIBOEN Industrial &amp; Trading Co., Ltd.;</b> 08-99, Hose reels, (CN, 18 Jun 2015) 17 Dec 2015	<b>16879/2015</b>
<b>Wm. Wrigley Jr. Company;</b> 09-03M, Hard shell, multi article, reclosable packaging, (US, 29 Jun 2015) 24 Dec 2015	<b>17088/2015</b>	<b>Zoric, Luka;Bacic, Joey;</b> 02-02NES, 02-02C, Garment, 23 Dec 2015	<b>17006/2015</b>
<b>WMF Group GmbH;</b> 07-02C, Espresso maker, (DE, 17 Jul 2015) 22 Dec 2015	<b>16973/2015</b>	<b>3M Innovative Properties Company;</b> 08-08NES, Holder, (US, 26 Jun 2015) 16 Dec 2015	<b>16848/2015</b>
<b>Yongkang NAIBOEN Industrial &amp; Trading Co., Ltd.;</b> 08-99, Brace for hose reels, 17 Dec 2015	<b>16900/2015</b>	<b>3M Innovative Properties Company;</b> 08-08NES, Holder, (US, 26 Jun 2015) 16 Dec 2015	<b>16847/2015</b>
<b>Yongkang NAIBOEN Industrial &amp; Trading Co., Ltd.;</b> 08-99, Shell for hose reels, (CN, 18 Jun 2015) 17 Dec 2015	<b>16885/2015</b>		

**Applications Withdrawn**

16718 / 2015 (12-02)

**Applications Lapsed**

12957 / 2015 (07-01NES)	13026 / 2015 (02-02C)
13051 / 2015 (08-01)	13127 / 2015 (28-03B)
13128 / 2015 (28-03B)	13138 / 2015 (28-03B)
13139 / 2015 (28-03B)	14750 / 2015 (06-02)
14751 / 2015 (06-02)	14752 / 2015 (06-02)
14753 / 2015 (06-02)	14755 / 2015 (06-02)
14756 / 2015 (06-02)	14757 / 2015 (06-02)
14758 / 2015 (06-02)	14759 / 2015 (06-04C)
14872 / 2015 (02-02B)	14961 / 2015 (25-01K)
14963 / 2015 (25-03)	14984 / 2015 (10-04)

**Extension of Period of Registration of Designs**

329853	332462	332761
332762	333815	333816
334350	334351	334409
334446	334555	334650
334651	334652	334687
334789	334800	334808
334815	334816	334826
334827	334828	334829
334830	334831	334832
334839	334840	334841
334842	334843	334887
334893	334894	334921
334924	334928	334952
334969	334970	334971
334972	335004	335005
335006	335013	335014
335027	335031	335032
335049	335062	335063
335066	335071	335072
335082	335083	335087
335136	335154	335155
335156	335157	335166
335167	335194	335200
335203	335204	335208
335209	335228	335229
335230	335233	335234
335235	335308	335346
335347	335355	335357
335358	335360	335381
335383	335384	335385
335404	335405	335406
335407	335408	335409
335420	335421	335422
335423	335433	335438
335439	335447	335449
335451	335482	335483
335484	335485	335486
335487	335493	335501
335507	335550	335598
335668	335669	335678
335682	335685	335686
335687	335688	335694
335921	335939	336024
336025	336176	336379
336380		

**Registrations Ceased**

304735	304891	304892
306063	307440	307441

307453	307454	307455
307456	307457	307458
307459	307460	307465
307466	307467	307468
307469	307470	307475
307477	307492	307493
307495	307496	307516
307517	307519	307525
307528	307530	307531
307532	307533	307534
307535	307536	307537
307538	307539	307540
307541	307542	307543
307569	307581	307788
307789	307855	309147
309424	309874	309888
309889	309890	309892
309893	309894	310160
312004	312005	317241
331307	331308	331309
331448	331496	331497
331498	331526	331527
331528	331536	331540
331548	331553	331564
331574	331575	331577
331578	331579	331580
331581	331582	331583
331584	331586	331588
331589	331590	331591
331592	331593	331594
331598	331599	331603
331604	331605	331652
331653	331739	331740
331754	331785	331803
331820	331821	331822
331823	331824	331825
332048	332133	332196
333350	333351	333824
334606	334611	334612
334613	334614	334615
334616	334617	334895
360673		

**Extensions of time granted under Section 137**

Applications lodged under section 137 for extension of time have been granted.

329853 iFitness Inc.

366158 STREET & GARDEN FURNITURE COMPANY PTY. LTD.

14262/2015 The Returned and Services League of Australia (New South

**Applications Assigned**

(The name in parentheses is that of the subsequent applicant)

- 16417/2015 ( **Roger Thomas Mascull; Elizabeth Jocelyn Mascull** ) Roger Thomas Mascull
- 16418/2015 ( **Roger Thomas Mascull; Elizabeth Jocelyn Mascull** ) Roger Thomas Mascull
- 16419/2015 ( **Roger Thomas Mascull; Elizabeth Jocelyn Mascull** ) Roger Thomas Mascull

**Subsequent Owners Registered**

(The name in parentheses is that of the subsequent owner)

- 306545 ( **Reckitt Benckiser Finish B.V.** ) Reckitt Benckiser N.V.
- 306546 ( **Reckitt Benckiser Finish B.V.** ) Reckitt Benckiser N.V.
- 306547 ( **Reckitt Benckiser Finish B.V.** ) Reckitt Benckiser N.V.
- 306548 ( **Reckitt Benckiser Finish B.V.** ) Reckitt Benckiser N.V.
- 305813 ( **Reckitt Benckiser Finish B.V.** ) Reckitt Benckiser N.V.
- 308384 ( **Reckitt Benckiser Finish B.V.** ) Reckitt Benckiser N.V.
- 311687 ( **Reckitt Benckiser Finish B.V.** ) Reckitt Benckiser N.V.
- 312558 ( **Reckitt Benckiser Finish B.V.** ) Reckitt Benckiser N.V.
- 312559 ( **Reckitt Benckiser Finish B.V.** ) Reckitt Benckiser N.V.
- 312562 ( **Reckitt Benckiser Finish B.V.** ) Reckitt Benckiser N.V.
- 312563 ( **Reckitt Benckiser Finish B.V.** ) Reckitt Benckiser N.V.
- 313090 ( **Reckitt Benckiser Finish B.V.** ) Reckitt Benckiser N.V.
- 316537 ( **Reckitt Benckiser Finish B.V.** ) Reckitt Benckiser N.V.
- 316406 ( **Reckitt Benckiser Finish B.V.** ) Reckitt Benckiser N.V.
- 316407 ( **Reckitt Benckiser Finish B.V.** ) Reckitt Benckiser N.V.
- 316408 ( **Reckitt Benckiser Finish B.V.** ) Reckitt Benckiser N.V.
- 316409 ( **Reckitt Benckiser Finish B.V.** ) Reckitt Benckiser N.V.
- 316410 ( **Reckitt Benckiser Finish B.V.** ) Reckitt Benckiser N.V.
- 316411 ( **Reckitt Benckiser Finish B.V.** ) Reckitt Benckiser N.V.
- 316840 ( **Reckitt Benckiser Finish B.V.** ) Reckitt Benckiser N.V.
- 316841 ( **Reckitt Benckiser Finish B.V.** ) Reckitt Benckiser N.V.
- 316842 ( **Reckitt Benckiser Finish B.V.** ) Reckitt Benckiser N.V.
- 329457 ( **Reckitt Benckiser Finish B.V.** ) Reckitt Benckiser N.V.
- 329458 ( **Reckitt Benckiser Finish B.V.** ) Reckitt Benckiser N.V.
- 334700 ( **Reckitt Benckiser Finish B.V.** ) Reckitt Benckiser N.V.
- 334701 ( **Reckitt Benckiser Finish B.V.** ) Reckitt Benckiser N.V.

- 336865 ( **Reckitt Benckiser Finish B.V.** ) Reckitt Benckiser N.V.
- 338154 ( **Reckitt Benckiser Finish B.V.** ) Reckitt Benckiser N.V.
- 347078 ( **Reckitt Benckiser Finish B.V.** ) Reckitt Benckiser N.V.
- 347077 ( **Reckitt Benckiser Finish B.V.** ) Reckitt Benckiser N.V.
- 332215 ( **Reckitt Benckiser Finish B.V.** ) Reckitt Benckiser N.V.
- 332216 ( **Reckitt Benckiser Finish B.V.** ) Reckitt Benckiser N.V.
- 332217 ( **Reckitt Benckiser Finish B.V.** ) Reckitt Benckiser N.V.
- 332188 ( **Reckitt Benckiser Finish B.V.** ) Reckitt Benckiser N.V.
- 351413 ( **Sunshine Time Inc.** ) Advance Watch Company Ltd doing business as Geneva Watch Group
- 365754 ( **Roger Thomas Mascull;Elizabeth Jocelyn Mascull** ) Roger Thomas Mascull

**Names Registered - Alterations and Amendments**

(The name in parentheses is that of the subsequent applicant)

- 364304 ( **Peppermint Grove Australia Pty Ltd.** ) Peppermint Grove Pty Limited

**Certificate(s) of Examination**

Examination of the following Design Registration(s) has been completed. Infringement proceedings may now be commenced.

353048	25-02A	17/12/2015
362215	09-05	21/12/2015
362534	19-08	16/12/2015
362977	14-01	18/12/2015
363354	12-08	23/12/2015
363802	09-01NES	04/01/2016
364163	06-03B	23/12/2015
364165	06-01G	22/12/2015
364193	06-01G	21/12/2015
364235	09-03F	17/12/2015
364239	09-03F	17/12/2015
364240	09-03F	17/12/2015
364242	09-03F	17/12/2015
364530	12-15B	18/12/2015
364569	12-16A	17/12/2015
364591	12-16A	17/12/2015
364702	09-05	17/12/2015
364766	12-16A	18/12/2015
364767	12-16A	21/12/2015
364785	24-99	14/12/2015
364863	20-02C	16/12/2015
364864	20-02E	16/12/2015
364865	20-02E	16/12/2015
364911	09-05	22/12/2015
364912	09-05	22/12/2015
364913	09-05	23/12/2015
364915	14-02	04/01/2016
364959	13-03D	21/12/2015
365087	12-12	18/12/2015

**Publication and Registration Proceedings**

**Designs Registered**

This section provides a concordance between design number and registration number of Designs covered in this journal. It also shows the main class and registration date.

This section covers Registration numbers 365785 to 366318 .

The registration number shown below should be used in all future correspondence.

<b>Design Number</b>	<b>Registration Number</b>	<b>International Classification Code (IDC)</b>	<b>Registration Date</b>	<b>Design Number</b>	<b>Registration Number</b>	<b>International Classification Code (IDC)</b>	<b>Registration Date</b>
11752/2015	365944	15-99	17/12/2015	15340/2015	366215	24-04	23/12/2015
11753/2015	365945	13-03NES	17/12/2015	15344/2015	366259	25-02NES	23/12/2015
12083/2015	366254	09-07A	23/12/2015	15346/2015	366095	23-01A	21/12/2015
12244/2015	365989	08-08L	17/12/2015	15349/2015	365803	16-06	14/12/2015
12245/2015	365990	08-08L	17/12/2015	15350/2015	366160	14-02	22/12/2015
12507/2015	366090	02-02C	21/12/2015	15351/2015	366161	23-01D	22/12/2015
12654/2015	366255	06-04B	23/12/2015	15352/2015	366162	23-01D	22/12/2015
12816/2015	365946	13-02	17/12/2015	15353/2015	366163	23-01D	22/12/2015
13262/2015	365991	06-06NES	17/12/2015	15354/2015	366164	23-01D	22/12/2015
13263/2015	365992	06-03B	17/12/2015	15355/2015	366165	23-01E	22/12/2015
13297/2015	365993	21-01A	17/12/2015	15356/2015	366166	23-01D	22/12/2015
13343/2015	365994	14-03NES	17/12/2015	15357/2015	366167	23-01NES	22/12/2015
13344/2015	365995	14-02	17/12/2015	15358/2015	366216	02-02C	23/12/2015
14172/2015	365807	23-01NES	15/12/2015	15363/2015	365815	09-03NES	15/12/2015
14173/2015	365808	23-01NES	15/12/2015	15365/2015	365816	09-07B	15/12/2015
14240/2015	366158	06-03A	22/12/2015	15373/2015	365797	16-06	14/12/2015
14510/2015	366256	26-04	23/12/2015	15402/2015	365817	25-01NES	15/12/2015
14763/2015	365837	25-02H	15/12/2015	15403/2015	365818	25-01NES	15/12/2015
14772/2015	365838	25-02H	15/12/2015	15446/2015	366272	26-05C	04/01/2016
14875/2015	365904	25-01D	16/12/2015	15469/2015	365917	15-04	16/12/2015
14903/2015	365785	02-02B	14/12/2015	15470/2015	365918	15-04	16/12/2015
14904/2015	365786	03-01NES	14/12/2015	15471/2015	366096	15-04	21/12/2015
14905/2015	365787	03-01NES	14/12/2015	15472/2015	366273	09-09	04/01/2016
14906/2015	365788	03-01NES	14/12/2015	15535/2015	366168	23-01D	22/12/2015
14937/2015	365977	07-01NES	17/12/2015	15540/2015	366169	08-05A	22/12/2015
14986/2015	365895	12-03	16/12/2015	15541/2015	366170	08-05A	22/12/2015
14989/2015	366146	12-03	22/12/2015	15542/2015	366171	08-05A	22/12/2015
14995/2015	365916	14-02	16/12/2015	15543/2015	366172	08-05A	22/12/2015
15073/2015	366210	08-99	23/12/2015	15547/2015	366013	12-16N	18/12/2015
15107/2015	366045	07-05E	18/12/2015	15552/2015	366097	07-07A	21/12/2015
15110/2015	366091	12-16C	21/12/2015	15557/2015	366047	09-03H	18/12/2015
15135/2015	366092	15-04	21/12/2015	15558/2015	366048	09-01H	18/12/2015
15141/2015	366012	09-01NES	18/12/2015	15559/2015	366049	09-03H	18/12/2015
15146/2015	365839	13-03NES	15/12/2015	15560/2015	366050	09-03H	18/12/2015
15188/2015	365796	02-07A	14/12/2015	15561/2015	366274	08-03	04/01/2016
15196/2015	365958	26-02	17/12/2015	15562/2015	366051	09-03H	18/12/2015
15197/2015	365905	24-01	16/12/2015	15564/2015	366052	09-03H	18/12/2015
15212/2015	366046	14-02	18/12/2015	15567/2015	366275	08-03	04/01/2016
15223/2015	366159	13-02	22/12/2015	15570/2015	366276	08-03	04/01/2016
15266/2015	366211	20-02E	23/12/2015	15571/2015	366277	08-03	04/01/2016
15298/2015	366257	11-02A	23/12/2015	15572/2015	366053	03-01NES	18/12/2015
15300/2015	366270	24-04	04/01/2016	15573/2015	366054	03-01NES	18/12/2015
15301/2015	366271	24-04	04/01/2016	15574/2015	366278	08-03	04/01/2016
15311/2015	366258	14-02	23/12/2015	15575/2015	366279	08-03	04/01/2016
15312/2015	366093	07-01NES	21/12/2015	15580/2015	366280	08-03	04/01/2016
15313/2015	366094	07-01NES	21/12/2015	15581/2015	366281	08-03	04/01/2016
15318/2015	366147	21-02C	22/12/2015	15583/2015	366282	08-03	04/01/2016
15333/2015	366212	24-04	23/12/2015	15585/2015	366283	08-03	04/01/2016
15334/2015	366213	24-04	23/12/2015	15588/2015	366284	08-01	04/01/2016
15335/2015	366214	24-04	23/12/2015	15590/2015	366285	08-01	04/01/2016

Publication and Registration Proceedings - Designs Registered cont'd

Design Number	Registration Number	International Classification Code (IDC)	Registration Date	Design Number	Registration Number	International Classification Code (IDC)	Registration Date
15593/2015	366286	08-01	04/01/2016	16217/2015	365936	07-02L	17/12/2015
15598/2015	366287	08-01	04/01/2016	16233/2015	365789	07-02L	14/12/2015
15601/2015	366288	08-01	04/01/2016	16234/2015	365790	07-02L	14/12/2015
15658/2015	366055	13-03D	18/12/2015	16235/2015	365833	07-02L	15/12/2015
15659/2015	366056	13-03D	18/12/2015	16237/2015	365834	07-02L	15/12/2015
15720/2015	366057	15-05	18/12/2015	16239/2015	365791	09-01NES	14/12/2015
15733/2015	366289	22-03	04/01/2016	16240/2015	365792	09-01NES	14/12/2015
15771/2015	365826	25-02NES	15/12/2015	16241/2015	365793	06-02	14/12/2015
15772/2015	365827	25-02NES	15/12/2015	16242/2015	365835	04-02	15/12/2015
15773/2015	365828	25-02NES	15/12/2015	16243/2015	365794	04-02	14/12/2015
15774/2015	365829	25-02NES	15/12/2015	16244/2015	365795	04-02	14/12/2015
15775/2015	365830	25-02NES	15/12/2015	16246/2015	365836	04-02	15/12/2015
15776/2015	365831	25-02NES	15/12/2015	16250/2015	365824	14-03NES	15/12/2015
15777/2015	365832	25-02NES	15/12/2015	16253/2015	365840	07-02H	15/12/2015
15830/2015	366217	12-15A	23/12/2015	16254/2015	365825	13-03D	15/12/2015
15857/2015	365887	09-02C	16/12/2015	16255/2015	365843	07-02NES	15/12/2015
15910/2015	365909	22-05	16/12/2015	16256/2015	365841	26-05E	15/12/2015
15915/2015	365929	21-01NES	17/12/2015	16257/2015	365842	26-05C	15/12/2015
15916/2015	365930	21-01NES	17/12/2015	16258/2015	365861	26-05C	16/12/2015
15917/2015	365931	21-01NES	17/12/2015	16259/2015	365862	19-06	16/12/2015
15918/2015	365932	21-01NES	17/12/2015	16260/2015	365863	09-03M	16/12/2015
15928/2015	366260	09-03K	23/12/2015	16261/2015	365959	09-07NES	17/12/2015
15991/2015	366058	07-01B	18/12/2015	16262/2015	366149	09-03M	22/12/2015
15992/2015	366059	07-01B	18/12/2015	16263/2015	365960	06-13B	17/12/2015
15993/2015	366060	07-01B	18/12/2015	16264/2015	365961	09-07NES	17/12/2015
16001/2015	366218	05-06NES	23/12/2015	16265/2015	365962	06-13B	17/12/2015
16003/2015	365906	23-01E	16/12/2015	16266/2015	365951	08-05N	17/12/2015
16004/2015	365907	23-01NES	16/12/2015	16267/2015	365952	09-07NES	17/12/2015
16005/2015	365908	23-01NES	16/12/2015	16269/2015	365953	09-07C	17/12/2015
16021/2015	365854	08-01	15/12/2015	16275/2015	366261	25-01C	23/12/2015
16063/2015	365924	07-02NES	16/12/2015	16277/2015	366262	24-01	23/12/2015
16071/2015	365925	07-02NES	16/12/2015	16279/2015	365804	03-01NES	14/12/2015
16077/2015	366263	09-03NES	24/12/2015	16280/2015	365805	03-01NES	14/12/2015
16078/2015	366264	09-03NES	24/12/2015	16281/2015	365806	07-02E	14/12/2015
16092/2015	366229	07-01B	23/12/2015	16283/2015	365809	10-05	15/12/2015
16093/2015	366253	07-01B	23/12/2015	16285/2015	365810	01-06	15/12/2015
16147/2015	365860	10-04	16/12/2015	16286/2015	365811	13-03D	15/12/2015
16167/2015	366148	02-02C	22/12/2015	16287/2015	365812	14-02	15/12/2015
16172/2015	365798	09-03M	14/12/2015	16288/2015	365813	03-01NES	15/12/2015
16179/2015	365996	21-02F	17/12/2015	16289/2015	365814	14-02	15/12/2015
16182/2015	366201	07-02NES	22/12/2015	16295/2015	365823	09-03E	15/12/2015
16196/2015	366248	26-05D	23/12/2015	16296/2015	365855	28-03B	15/12/2015
16197/2015	366249	26-05D	23/12/2015	16297/2015	365844	02-02C	15/12/2015
16198/2015	366250	26-05D	23/12/2015	16298/2015	365845	02-02C	15/12/2015
16199/2015	366251	26-05D	23/12/2015	16299/2015	365846	02-02C	15/12/2015
16200/2015	366252	26-05D	23/12/2015	16300/2015	365978	02-02NES	17/12/2015
16201/2015	365819	06-03B	15/12/2015	16301/2015	365847	02-02NES	15/12/2015
16204/2015	365820	09-01G	15/12/2015	16302/2015	365848	02-02NES	15/12/2015
16210/2015	365821	13-03D	15/12/2015	16303/2015	365856	02-02NES	15/12/2015
16211/2015	365947	07-02L	17/12/2015	16304/2015	365857	02-02NES	15/12/2015
16212/2015	365948	07-02L	17/12/2015	16305/2015	365858	02-02NES	15/12/2015
16213/2015	365933	07-02L	17/12/2015	16306/2015	365849	02-02NES	15/12/2015
16214/2015	365934	07-02L	17/12/2015	16307/2015	365850	02-02NES	15/12/2015
16215/2015	365935	07-02L	17/12/2015	16308/2015	365851	02-02NES	15/12/2015
16216/2015	365822	13-03D	15/12/2015	16309/2015	365852	02-02NES	15/12/2015

Publication and Registration Proceedings - Designs Registered cont'd

Design Number	Registration Number	International Classification Code (IDC)	Registration Date	Design Number	Registration Number	International Classification Code (IDC)	Registration Date
16310/2015	365853	02-02NES	15/12/2015	16385/2015	366230	15-05	23/12/2015
16311/2015	365859	09-05	15/12/2015	16386/2015	366231	15-02	23/12/2015
16312/2015	365799	28-03B	14/12/2015	16387/2015	366232	15-02	23/12/2015
16314/2015	365800	28-03B	14/12/2015	16388/2015	366233	15-02	23/12/2015
16316/2015	365896	08-06	16/12/2015	16389/2015	366268	28-03NES	24/12/2015
16317/2015	365954	08-99	17/12/2015	16393/2015	366189	08-07	22/12/2015
16318/2015	365867	02-02A	16/12/2015	16394/2015	365889	06-06E	16/12/2015
16319/2015	365868	02-02A	16/12/2015	16396/2015	365890	23-04	16/12/2015
16320/2015	365869	02-02A	16/12/2015	16397/2015	365891	23-04	16/12/2015
16321/2015	365870	02-02A	16/12/2015	16398/2015	365892	23-04	16/12/2015
16322/2015	365871	02-02A	16/12/2015	16399/2015	365956	23-04	17/12/2015
16323/2015	365872	02-02A	16/12/2015	16400/2015	366108	23-04	21/12/2015
16324/2015	365873	02-02A	16/12/2015	16401/2015	365893	03-01NES	16/12/2015
16325/2015	365874	02-02A	16/12/2015	16405/2015	365894	14-99	16/12/2015
16326/2015	365875	02-02A	16/12/2015	16406/2015	365866	14-99	16/12/2015
16327/2015	365876	02-02A	16/12/2015	16408/2015	365913	11-01A	16/12/2015
16328/2015	365877	02-02A	16/12/2015	16409/2015	366127	07-06A	21/12/2015
16329/2015	365878	02-02A	16/12/2015	16411/2015	365914	01-01	16/12/2015
16330/2015	365879	02-02A	16/12/2015	16412/2015	365915	01-01	16/12/2015
16331/2015	365880	02-02A	16/12/2015	16417/2015	366269	06-09	24/12/2015
16332/2015	365881	02-02A	16/12/2015	16420/2015	365997	01-01	17/12/2015
16333/2015	365882	02-02A	16/12/2015	16421/2015	366128	01-01	21/12/2015
16334/2015	365883	02-02A	16/12/2015	16422/2015	365926	01-01	16/12/2015
16335/2015	365884	02-02A	16/12/2015	16423/2015	365927	01-01	16/12/2015
16336/2015	365885	02-02A	16/12/2015	16424/2015	365928	01-01	16/12/2015
16337/2015	365886	02-02A	16/12/2015	16425/2015	365919	01-01	16/12/2015
16338/2015	365801	12-15A	14/12/2015	16426/2015	365920	06-08	16/12/2015
16339/2015	365897	31-00	16/12/2015	16427/2015	365921	06-08	16/12/2015
16340/2015	365802	26-02	14/12/2015	16429/2015	365922	10-04	16/12/2015
16341/2015	365955	26-02	17/12/2015	16430/2015	365923	10-04	16/12/2015
16342/2015	365910	26-02	16/12/2015	16435/2015	365937	09-01B	17/12/2015
16347/2015	365864	09-08	16/12/2015	16436/2015	365938	09-01B	17/12/2015
16348/2015	365865	08-05NES	16/12/2015	16437/2015	365939	09-01B	17/12/2015
16349/2015	365911	14-02	16/12/2015	16438/2015	365940	09-01B	17/12/2015
16350/2015	365912	14-02	16/12/2015	16439/2015	365949	07-05C	17/12/2015
16352/2015	366219	14-02	23/12/2015	16441/2015	365950	28-03B	17/12/2015
16353/2015	365898	14-02	16/12/2015	16443/2015	365963	09-01NES	17/12/2015
16354/2015	365899	14-02	16/12/2015	16444/2015	365964	05-05NES	17/12/2015
16355/2015	365900	14-02	16/12/2015	16445/2015	365965	08-08L	17/12/2015
16356/2015	365901	14-02	16/12/2015	16447/2015	365966	12-16NES	17/12/2015
16357/2015	365902	14-02	16/12/2015	16448/2015	365967	07-02K	17/12/2015
16358/2015	365903	14-02	16/12/2015	16449/2015	365968	07-02K	17/12/2015
16359/2015	365888	09-05	16/12/2015	16450/2015	365941	25-01D	17/12/2015
16360/2015	366061	09-05	18/12/2015	16453/2015	365969	05-05D	17/12/2015
16361/2015	366062	14-01	18/12/2015	16454/2015	365942	13-03D	17/12/2015
16365/2015	366063	09-06	18/12/2015	16455/2015	365943	07-01D	17/12/2015
16367/2015	366064	12-12	18/12/2015	16456/2015	365970	07-01D	17/12/2015
16372/2015	366065	12-02	18/12/2015	16457/2015	365971	07-01C	17/12/2015
16374/2015	366066	12-16H	18/12/2015	16458/2015	365972	07-01C	17/12/2015
16375/2015	366067	12-16H	18/12/2015	16459/2015	365973	07-01C	17/12/2015
16376/2015	366068	12-16H	18/12/2015	16460/2015	365974	07-99NES	17/12/2015
16377/2015	366069	12-16H	18/12/2015	16462/2015	365998	05-05NES	17/12/2015
16378/2015	366265	13-03NES	24/12/2015	16463/2015	365999	05-06NES	17/12/2015
16383/2015	366266	28-03NES	24/12/2015	16464/2015	366000	05-06NES	17/12/2015
16384/2015	366267	28-03NES	24/12/2015	16465/2015	366001	05-06NES	17/12/2015

Publication and Registration Proceedings - Designs Registered cont'd

Design Number	Registration Number	International Classification Code (IDC)	Registration Date	Design Number	Registration Number	International Classification Code (IDC)	Registration Date
16466/2015	366002	05-06NES	17/12/2015	16558/2015	366018	07-06A	18/12/2015
16469/2015	366003	14-02	17/12/2015	16559/2015	366019	23-01G	18/12/2015
16470/2015	366004	14-02	17/12/2015	16560/2015	366098	15-03B	21/12/2015
16471/2015	366005	12-15A	17/12/2015	16561/2015	366099	15-03B	21/12/2015
16472/2015	366006	30-04	17/12/2015	16562/2015	366100	15-03B	21/12/2015
16473/2015	366007	30-04	17/12/2015	16563/2015	366101	15-03B	21/12/2015
16474/2015	366014	21-02NES	18/12/2015	16564/2015	366102	12-16NES	21/12/2015
16475/2015	366015	02-01NES	18/12/2015	16565/2015	366103	08-08A	21/12/2015
16493/2015	365975	11-01NES	17/12/2015	16566/2015	366104	13-03D	21/12/2015
16498/2015	365976	25-01A	17/12/2015	16567/2015	366234	14-02	23/12/2015
16499/2015	365979	13-03B	17/12/2015	16568/2015	366105	05-05A	21/12/2015
16500/2015	365980	13-03B	17/12/2015	16569/2015	366235	14-02	23/12/2015
16501/2015	365957	26-06	17/12/2015	16570/2015	366236	14-02	23/12/2015
16502/2015	365981	12-16NES	17/12/2015	16571/2015	366237	14-02	23/12/2015
16503/2015	365982	12-16NES	17/12/2015	16572/2015	366238	14-02	23/12/2015
16504/2015	365983	12-16NES	17/12/2015	16573/2015	366239	14-02	23/12/2015
16505/2015	365984	12-16NES	17/12/2015	16574/2015	366070	21-02NES	21/12/2015
16507/2015	365985	12-05	17/12/2015	16575/2015	366071	09-01G	21/12/2015
16508/2015	366129	02-04B	21/12/2015	16576/2015	366072	21-02NES	21/12/2015
16509/2015	365986	29-99	17/12/2015	16577/2015	366073	26-05D	21/12/2015
16512/2015	366031	12-16A	18/12/2015	16581/2015	366074	13-03D	21/12/2015
16513/2015	366020	22-05	18/12/2015	16583/2015	366042	10-05	18/12/2015
16514/2015	366021	02-04NES	18/12/2015	16584/2015	366043	10-05	18/12/2015
16515/2015	366022	24-04	18/12/2015	16585/2015	366044	19-06	18/12/2015
16516/2015	366023	12-15B	18/12/2015	16590/2015	366075	12-12	21/12/2015
16517/2015	366024	12-15B	18/12/2015	16591/2015	366076	12-12	21/12/2015
16518/2015	366025	11-02C	18/12/2015	16592/2015	366077	12-12	21/12/2015
16519/2015	366026	11-02C	18/12/2015	16593/2015	366078	23-01G	21/12/2015
16520/2015	366027	08-01	18/12/2015	16594/2015	366079	23-01G	21/12/2015
16521/2015	366028	08-01	18/12/2015	16595/2015	366080	23-01G	21/12/2015
16522/2015	366029	08-01	18/12/2015	16596/2015	366081	23-01G	21/12/2015
16523/2015	366030	08-01	18/12/2015	16597/2015	366082	02-02B	21/12/2015
16525/2015	366032	12-11	18/12/2015	16598/2015	366083	09-09	21/12/2015
16526/2015	366033	12-11	18/12/2015	16600/2015	366084	28-01	21/12/2015
16530/2015	366034	02-04NES	18/12/2015	16601/2015	366106	14-01	21/12/2015
16531/2015	366035	25-01E	18/12/2015	16602/2015	366107	14-01	21/12/2015
16532/2015	366036	13-03D	18/12/2015	16604/2015	366109	14-01	21/12/2015
16533/2015	366037	24-01	18/12/2015	16606/2015	366110	14-01	21/12/2015
16535/2015	366038	12-16B	18/12/2015	16608/2015	366111	14-01	21/12/2015
16536/2015	366039	12-08	18/12/2015	16609/2015	366112	14-01	21/12/2015
16537/2015	366130	12-16B	21/12/2015	16611/2015	366113	05-05B	21/12/2015
16538/2015	366040	23-03A	18/12/2015	16613/2015	366114	14-03NES	21/12/2015
16539/2015	366041	23-04	18/12/2015	16614/2015	366115	12-08	21/12/2015
16542/2015	366131	05-05A	21/12/2015	16615/2015	366116	14-03NES	21/12/2015
16543/2015	365987	05-05D	17/12/2015	16616/2015	366085	21-01N	21/12/2015
16544/2015	365988	14-02	17/12/2015	16617/2015	366086	21-01N	21/12/2015
16546/2015	366008	29-02	17/12/2015	16618/2015	366087	21-01N	21/12/2015
16547/2015	366290	02-07B	04/01/2016	16619/2015	366088	21-01N	21/12/2015
16548/2015	366009	09-08	17/12/2015	16620/2015	366089	26-05NES	21/12/2015
16549/2015	366220	25-03	23/12/2015	16621/2015	366139	26-05NES	22/12/2015
16550/2015	366241	12-16A	23/12/2015	16622/2015	366117	26-05NES	21/12/2015
16552/2015	366010	09-01H	17/12/2015	16623/2015	366118	04-02	21/12/2015
16553/2015	366011	12-16A	17/12/2015	16624/2015	366119	04-02	21/12/2015
16556/2015	366016	09-01H	18/12/2015	16625/2015	366134	13-03D	21/12/2015
16557/2015	366017	26-03	18/12/2015	16626/2015	366135	04-02	21/12/2015

Publication and Registration Proceedings - Designs Registered cont'd

Design Number	Registration Number	International Classification Code (IDC)	Registration Date	Design Number	Registration Number	International Classification Code (IDC)	Registration Date
16627/2015	366136	04-02	21/12/2015	16685/2015	366222	02-04NES	23/12/2015
16628/2015	366137	28-03NES	21/12/2015	16689/2015	366156	06-04NES	22/12/2015
16629/2015	366138	28-03NES	21/12/2015	16690/2015	366203	09-01B	22/12/2015
16631/2015	366150	15-04	22/12/2015	16696/2015	366157	31-00	22/12/2015
16632/2015	366151	15-04	22/12/2015	16697/2015	366240	08-05M	23/12/2015
16633/2015	366152	15-04	22/12/2015	16702/2015	366204	02-02C	22/12/2015
16634/2015	366153	15-04	22/12/2015	16703/2015	366205	02-02C	22/12/2015
16635/2015	366140	16-06	22/12/2015	16704/2015	366206	02-02C	22/12/2015
16636/2015	366141	15-04	22/12/2015	16705/2015	366207	02-02C	22/12/2015
16637/2015	366142	15-04	22/12/2015	16706/2015	366208	02-02NES	22/12/2015
16638/2015	366143	15-04	22/12/2015	16707/2015	366209	02-02NES	22/12/2015
16639/2015	366144	09-01NES	22/12/2015	16710/2015	366223	15-99	23/12/2015
16640/2015	366145	09-01NES	22/12/2015	16711/2015	366224	08-08NES	23/12/2015
16641/2015	366190	21-01C	22/12/2015	16712/2015	366225	14-03NES	23/12/2015
16642/2015	366191	09-01NES	22/12/2015	16713/2015	366226	14-03NES	23/12/2015
16643/2015	366192	07-02N	22/12/2015	16714/2015	366227	14-03NES	23/12/2015
16644/2015	366193	21-01C	22/12/2015	16715/2015	366228	14-03NES	23/12/2015
16648/2015	366221	07-01NES	23/12/2015	16716/2015	366291	15-04	04/01/2016
16649/2015	366194	07-01NES	22/12/2015	16717/2015	366292	12-02	04/01/2016
16650/2015	366195	07-01NES	22/12/2015	16720/2015	366293	07-02L	04/01/2016
16651/2015	366196	07-01NES	22/12/2015	16721/2015	366294	07-02L	04/01/2016
16652/2015	366197	23-04	22/12/2015	16723/2015	366295	07-02L	04/01/2016
16653/2015	366198	07-01NES	22/12/2015	16725/2015	366296	14-01	04/01/2016
16654/2015	366199	07-01C	22/12/2015	16726/2015	366297	13-03D	04/01/2016
16655/2015	366200	07-01C	22/12/2015	16727/2015	366298	14-02	04/01/2016
16656/2015	366173	23-04	22/12/2015	16728/2015	366299	20-02A	04/01/2016
16657/2015	366174	23-04	22/12/2015	16729/2015	366300	12-02	04/01/2016
16658/2015	366175	24-04	22/12/2015	16730/2015	366301	09-03NES	04/01/2016
16659/2015	366176	23-04	22/12/2015	16731/2015	366302	09-03NES	04/01/2016
16660/2015	366177	15-01	22/12/2015	16732/2015	366303	10-04	04/01/2016
16662/2015	366178	23-04	22/12/2015	16734/2015	366304	10-04	04/01/2016
16663/2015	366179	12-15A	22/12/2015	16736/2015	366305	09-07A	04/01/2016
16664/2015	366182	23-04	22/12/2015	16737/2015	366242	14-02	23/12/2015
16665/2015	366183	03-01A	22/12/2015	16739/2015	366243	14-02	23/12/2015
16666/2015	366184	04-02	22/12/2015	16741/2015	366244	07-02C	23/12/2015
16667/2015	366185	04-02	22/12/2015	16742/2015	366306	08-07	04/01/2016
16668/2015	366186	04-02	22/12/2015	16743/2015	366245	12-02	23/12/2015
16669/2015	366187	04-02	22/12/2015	16745/2015	366246	21-01N	23/12/2015
16670/2015	366188	04-02	22/12/2015	16751/2015	366307	10-04	04/01/2016
16671/2015	366202	04-02	22/12/2015	16752/2015	366308	10-04	04/01/2016
16672/2015	366132	04-02	21/12/2015	16757/2015	366309	16-05	04/01/2016
16673/2015	366133	12-15B	21/12/2015	16761/2015	366310	21-01N	04/01/2016
16674/2015	366180	26-05D	22/12/2015	16770/2015	366311	21-01N	04/01/2016
16675/2015	366181	26-05D	22/12/2015	16775/2015	366312	21-01N	05/01/2016
16676/2015	366120	02-04NES	21/12/2015	16776/2015	366313	24-01	05/01/2016
16677/2015	366121	08-03	21/12/2015	16777/2015	366314	21-01N	05/01/2016
16678/2015	366122	04-02	21/12/2015	16778/2015	366315	12-16L	05/01/2016
16679/2015	366123	04-02	21/12/2015	16783/2015	366316	22-05	05/01/2016
16680/2015	366124	04-02	21/12/2015	16784/2015	366317	14-02	05/01/2016
16681/2015	366125	04-02	21/12/2015	16785/2015	366318	14-02	05/01/2016
16682/2015	366126	04-02	21/12/2015	16808/2015	366247	26-05B	23/12/2015
16683/2015	366154	04-02	22/12/2015				
16684/2015	366155	04-02	22/12/2015				

**Publication and Registration Proceedings**

**Class Listing of Designs Published or Registered**

The following section shows an International Classification Code listing of the Registered or Published Designs covered in this supplement.

<b>Classification</b>	<b>Registration Number</b>	<b>Design Number</b>	<b>Classification</b>	<b>Registration Number</b>	<b>Design Number</b>
01-01	365914	16411/2015	02-02NES	365978	16300/2015
01-01	365915	16412/2015	02-02NES	366208	16706/2015
01-01	365919	16425/2015	02-02NES	366209	16707/2015
01-01	365926	16422/2015	02-04B	366129	16508/2015
01-01	365927	16423/2015	02-04NES	366021	16514/2015
01-01	365928	16424/2015	02-04NES	366034	16530/2015
01-01	365997	16420/2015	02-04NES	366120	16676/2015
01-01	366128	16421/2015	02-04NES	366222	16685/2015
01-06	365810	16285/2015	02-07A	365796	15188/2015
02-01NES	366015	16475/2015	02-07B	366290	16547/2015
02-02A	365867	16318/2015	03-01A	366183	16665/2015
02-02A	365868	16319/2015	03-01NES	365786	14904/2015
02-02A	365869	16320/2015	03-01NES	365787	14905/2015
02-02A	365870	16321/2015	03-01NES	365788	14906/2015
02-02A	365871	16322/2015	03-01NES	365804	16279/2015
02-02A	365872	16323/2015	03-01NES	365805	16280/2015
02-02A	365873	16324/2015	03-01NES	365813	16288/2015
02-02A	365874	16325/2015	03-01NES	365893	16401/2015
02-02A	365875	16326/2015	03-01NES	366053	15572/2015
02-02A	365876	16327/2015	03-01NES	366054	15573/2015
02-02A	365877	16328/2015	04-02	365794	16243/2015
02-02A	365878	16329/2015	04-02	365795	16244/2015
02-02A	365879	16330/2015	04-02	365835	16242/2015
02-02A	365880	16331/2015	04-02	365836	16246/2015
02-02A	365881	16332/2015	04-02	366118	16623/2015
02-02A	365882	16333/2015	04-02	366119	16624/2015
02-02A	365883	16334/2015	04-02	366122	16678/2015
02-02A	365884	16335/2015	04-02	366123	16679/2015
02-02A	365885	16336/2015	04-02	366124	16680/2015
02-02A	365886	16337/2015	04-02	366125	16681/2015
02-02B	365785	14903/2015	04-02	366126	16682/2015
02-02B	366082	16597/2015	04-02	366132	16672/2015
02-02C	365844	16297/2015	04-02	366135	16626/2015
02-02C	365845	16298/2015	04-02	366136	16627/2015
02-02C	365846	16299/2015	04-02	366137	16628/2015
02-02C	366090	12507/2015	04-02	366154	16683/2015
02-02C	366148	16167/2015	04-02	366155	16684/2015
02-02C	366204	16702/2015	04-02	366184	16666/2015
02-02C	366205	16703/2015	04-02	366185	16667/2015
02-02C	366206	16704/2015	04-02	366186	16668/2015
02-02C	366207	16705/2015	04-02	366187	16669/2015
02-02C	366216	15358/2015	04-02	366188	16670/2015
02-02NES	365844	16297/2015	04-02	366202	16671/2015
02-02NES	365847	16301/2015	05-05A	366105	16568/2015
02-02NES	365848	16302/2015	05-05A	366131	16542/2015
02-02NES	365849	16306/2015	05-05B	366113	16611/2015
02-02NES	365850	16307/2015	05-05D	365969	16453/2015
02-02NES	365851	16308/2015	05-05D	365987	16543/2015
02-02NES	365852	16309/2015	05-05D	366113	16611/2015
02-02NES	365853	16310/2015	05-05NES	365964	16444/2015
02-02NES	365856	16303/2015	05-05NES	365998	16462/2015
02-02NES	365857	16304/2015	05-06NES	365999	16463/2015
02-02NES	365858	16305/2015	05-06NES	366000	16464/2015

Registration Proceedings - Class Listing of Designs Published or Registered cont'd

Classification	Registration Number	Design Number	Classification	Registration Number	Design Number
05-06NES	366001	16465/2015	07-02N	366192	16643/2015
05-06NES	366002	16466/2015	07-02NES	365843	16255/2015
05-06NES	366218	16001/2015	07-02NES	365924	16063/2015
06-01C	366158	14240/2015	07-02NES	365925	16071/2015
06-02	365793	16241/2015	07-02NES	366201	16182/2015
06-03A	366158	14240/2015	07-05C	365949	16439/2015
06-03B	365819	16201/2015	07-05E	366045	15107/2015
06-03B	365992	13263/2015	07-06A	366018	16558/2015
06-04B	366255	12654/2015	07-06A	366064	16367/2015
06-04NES	366156	16689/2015	07-06A	366127	16409/2015
06-06E	365889	16394/2015	07-07A	366097	15552/2015
06-06NES	365991	13262/2015	07-99NES	365974	16460/2015
06-08	365920	16426/2015	08-01	365854	16021/2015
06-08	365921	16427/2015	08-01	366027	16520/2015
06-09	366269	16417/2015	08-01	366028	16521/2015
06-13B	365960	16263/2015	08-01	366029	16522/2015
06-13B	365962	16265/2015	08-01	366030	16523/2015
07-01B	366058	15991/2015	08-01	366284	15588/2015
07-01B	366059	15992/2015	08-01	366285	15590/2015
07-01B	366060	15993/2015	08-01	366286	15593/2015
07-01B	366229	16092/2015	08-01	366287	15598/2015
07-01B	366253	16093/2015	08-01	366288	15601/2015
07-01C	365971	16457/2015	08-03	366121	16677/2015
07-01C	365972	16458/2015	08-03	366274	15561/2015
07-01C	365973	16459/2015	08-03	366275	15567/2015
07-01C	366194	16649/2015	08-03	366276	15570/2015
07-01C	366199	16654/2015	08-03	366277	15571/2015
07-01C	366200	16655/2015	08-03	366278	15574/2015
07-01D	365943	16455/2015	08-03	366279	15575/2015
07-01D	365970	16456/2015	08-03	366280	15580/2015
07-01NES	365977	14937/2015	08-03	366281	15581/2015
07-01NES	366093	15312/2015	08-03	366282	15583/2015
07-01NES	366094	15313/2015	08-03	366283	15585/2015
07-01NES	366194	16649/2015	08-05A	366169	15540/2015
07-01NES	366195	16650/2015	08-05A	366170	15541/2015
07-01NES	366196	16651/2015	08-05A	366171	15542/2015
07-01NES	366198	16653/2015	08-05A	366172	15543/2015
07-01NES	366221	16648/2015	08-05M	366240	16697/2015
07-02C	366244	16741/2015	08-05N	365951	16266/2015
07-02E	365806	16281/2015	08-05NES	365865	16348/2015
07-02H	365840	16253/2015	08-06	365896	16316/2015
07-02K	365967	16448/2015	08-07	366189	16393/2015
07-02K	365968	16449/2015	08-07	366306	16742/2015
07-02L	365789	16233/2015	08-08A	366103	16565/2015
07-02L	365790	16234/2015	08-08L	365965	16445/2015
07-02L	365833	16235/2015	08-08L	365989	12244/2015
07-02L	365834	16237/2015	08-08L	365990	12245/2015
07-02L	365933	16213/2015	08-08NES	366224	16711/2015
07-02L	365934	16214/2015	08-08NES	366227	16714/2015
07-02L	365935	16215/2015	08-08NES	366228	16715/2015
07-02L	365936	16217/2015	08-99	365954	16317/2015
07-02L	365947	16211/2015	08-99	366210	15073/2015
07-02L	365948	16212/2015	09-01B	365937	16435/2015
07-02L	366293	16720/2015	09-01B	365938	16436/2015
07-02L	366294	16721/2015	09-01B	365939	16437/2015
07-02L	366295	16723/2015	09-01B	365940	16438/2015

Registration Proceedings - Class Listing of Designs Published or Registered cont'd

Classification	Registration Number	Design Number	Classification	Registration Number	Design Number
09-01B	366203	16690/2015	10-04	366307	16751/2015
09-01G	365820	16204/2015	10-04	366308	16752/2015
09-01G	366071	16575/2015	10-05	365809	16283/2015
09-01H	366010	16552/2015	10-05	366042	16583/2015
09-01H	366016	16556/2015	10-05	366043	16584/2015
09-01H	366048	15558/2015	10-06	365986	16509/2015
09-01NES	365791	16239/2015	11-01A	365913	16408/2015
09-01NES	365792	16240/2015	11-01NES	365975	16493/2015
09-01NES	365963	16443/2015	11-02A	366257	15298/2015
09-01NES	366012	15141/2015	11-02C	366025	16518/2015
09-01NES	366144	16639/2015	11-02C	366026	16519/2015
09-01NES	366145	16640/2015	12-02	366065	16372/2015
09-01NES	366191	16642/2015	12-02	366127	16409/2015
09-01NES	366305	16736/2015	12-02	366245	16743/2015
09-02C	365887	15857/2015	12-02	366292	16717/2015
09-03E	365823	16295/2015	12-02	366300	16729/2015
09-03F	365959	16261/2015	12-03	365895	14986/2015
09-03H	366047	15557/2015	12-03	366146	14989/2015
09-03H	366049	15559/2015	12-05	365985	16507/2015
09-03H	366050	15560/2015	12-05	366230	16385/2015
09-03H	366051	15562/2015	12-08	366039	16536/2015
09-03H	366052	15564/2015	12-08	366115	16614/2015
09-03K	366260	15928/2015	12-11	366032	16525/2015
09-03M	365798	16172/2015	12-11	366033	16526/2015
09-03M	365863	16260/2015	12-12	366064	16367/2015
09-03M	366149	16262/2015	12-12	366075	16590/2015
09-03NES	365815	15363/2015	12-12	366076	16591/2015
09-03NES	366263	16077/2015	12-12	366077	16592/2015
09-03NES	366264	16078/2015	12-15A	365801	16338/2015
09-03NES	366301	16730/2015	12-15A	366005	16471/2015
09-03NES	366302	16731/2015	12-15A	366179	16663/2015
09-05	365859	16311/2015	12-15A	366217	15830/2015
09-05	365888	16359/2015	12-15B	366023	16516/2015
09-05	366061	16360/2015	12-15B	366024	16517/2015
09-06	366063	16365/2015	12-15B	366133	16673/2015
09-07A	366254	12083/2015	12-15C	365801	16338/2015
09-07A	366305	16736/2015	12-16A	366011	16553/2015
09-07B	365816	15365/2015	12-16A	366031	16512/2015
09-07B	366194	16649/2015	12-16A	366241	16550/2015
09-07B	366195	16650/2015	12-16B	366038	16535/2015
09-07B	366196	16651/2015	12-16B	366130	16537/2015
09-07B	366198	16653/2015	12-16C	366091	15110/2015
09-07B	366221	16648/2015	12-16H	366066	16374/2015
09-07C	365953	16269/2015	12-16H	366067	16375/2015
09-07NES	365952	16267/2015	12-16H	366068	16376/2015
09-07NES	365959	16261/2015	12-16H	366069	16377/2015
09-07NES	365961	16264/2015	12-16L	366315	16778/2015
09-08	365864	16347/2015	12-16N	366013	15547/2015
09-08	366009	16548/2015	12-16NES	365966	16447/2015
09-09	366083	16598/2015	12-16NES	365981	16502/2015
09-09	366273	15472/2015	12-16NES	365982	16503/2015
10-04	365860	16147/2015	12-16NES	365983	16504/2015
10-04	365922	16429/2015	12-16NES	365984	16505/2015
10-04	365923	16430/2015	12-16NES	366102	16564/2015
10-04	366303	16732/2015	12-99	366292	16717/2015
10-04	366304	16734/2015	13-02	365946	12816/2015

Registration Proceedings - Class Listing of Designs Published or Registered cont'd

Classification	Registration Number	Design Number	Classification	Registration Number	Design Number
13-02	366159	15223/2015	14-03NES	365824	16250/2015
13-03B	365979	16499/2015	14-03NES	365994	13343/2015
13-03B	365980	16500/2015	14-03NES	366114	16613/2015
13-03D	365811	16286/2015	14-03NES	366116	16615/2015
13-03D	365821	16210/2015	14-03NES	366225	16712/2015
13-03D	365822	16216/2015	14-03NES	366226	16713/2015
13-03D	365825	16254/2015	14-03NES	366227	16714/2015
13-03D	365942	16454/2015	14-03NES	366228	16715/2015
13-03D	366036	16532/2015	14-99	365866	16406/2015
13-03D	366055	15658/2015	14-99	365894	16405/2015
13-03D	366056	15659/2015	15-01	366177	16660/2015
13-03D	366074	16581/2015	15-02	366231	16386/2015
13-03D	366104	16566/2015	15-02	366232	16387/2015
13-03D	366134	16625/2015	15-02	366233	16388/2015
13-03D	366297	16726/2015	15-03B	366098	16560/2015
13-03NES	365839	15146/2015	15-03B	366099	16561/2015
13-03NES	365945	11753/2015	15-03B	366100	16562/2015
13-03NES	366265	16378/2015	15-03B	366101	16563/2015
14-01	366062	16361/2015	15-04	365917	15469/2015
14-01	366106	16601/2015	15-04	365918	15470/2015
14-01	366107	16602/2015	15-04	366092	15135/2015
14-01	366109	16604/2015	15-04	366096	15471/2015
14-01	366110	16606/2015	15-04	366141	16636/2015
14-01	366111	16608/2015	15-04	366142	16637/2015
14-01	366112	16609/2015	15-04	366143	16638/2015
14-01	366296	16725/2015	15-04	366150	16631/2015
14-02	365812	16287/2015	15-04	366151	16632/2015
14-02	365814	16289/2015	15-04	366152	16633/2015
14-02	365898	16353/2015	15-04	366153	16634/2015
14-02	365899	16354/2015	15-04	366291	16716/2015
14-02	365900	16355/2015	15-05	366057	15720/2015
14-02	365901	16356/2015	15-05	366230	16385/2015
14-02	365902	16357/2015	15-99	365944	11752/2015
14-02	365903	16358/2015	15-99	366177	16660/2015
14-02	365911	16349/2015	15-99	366223	16710/2015
14-02	365912	16350/2015	16-05	366309	16757/2015
14-02	365916	14995/2015	16-06	365797	15373/2015
14-02	365988	16544/2015	16-06	365803	15349/2015
14-02	365995	13344/2015	16-06	366140	16635/2015
14-02	366003	16469/2015	19-06	365862	16259/2015
14-02	366004	16470/2015	19-06	366044	16585/2015
14-02	366046	15212/2015	20-02A	366299	16728/2015
14-02	366160	15350/2015	20-02E	366211	15266/2015
14-02	366219	16352/2015	21-01A	365993	13297/2015
14-02	366234	16567/2015	21-01C	366190	16641/2015
14-02	366235	16569/2015	21-01C	366193	16644/2015
14-02	366236	16570/2015	21-01N	366085	16616/2015
14-02	366237	16571/2015	21-01N	366086	16617/2015
14-02	366238	16572/2015	21-01N	366087	16618/2015
14-02	366239	16573/2015	21-01N	366088	16619/2015
14-02	366242	16737/2015	21-01N	366246	16745/2015
14-02	366243	16739/2015	21-01N	366310	16761/2015
14-02	366258	15311/2015	21-01N	366311	16770/2015
14-02	366298	16727/2015	21-01N	366312	16775/2015
14-02	366317	16784/2015	21-01N	366314	16777/2015
14-02	366318	16785/2015	21-01NES	365929	15915/2015

Registration Proceedings - Class Listing of Designs Published or Registered cont'd

Classification	Registration Number	Design Number	Classification	Registration Number	Design Number
21-01NES	365930	15916/2015	24-99	366137	16628/2015
21-01NES	365931	15917/2015	24-99	366138	16629/2015
21-01NES	365932	15918/2015	25-01A	365976	16498/2015
21-02C	366147	15318/2015	25-01C	366261	16275/2015
21-02F	365996	16179/2015	25-01D	365904	14875/2015
21-02NES	366014	16474/2015	25-01D	365941	16450/2015
21-02NES	366070	16574/2015	25-01E	366035	16531/2015
21-02NES	366072	16576/2015	25-01NES	365817	15402/2015
22-03	366289	15733/2015	25-01NES	365818	15403/2015
22-05	365909	15910/2015	25-02H	365837	14763/2015
22-05	366020	16513/2015	25-02H	365838	14772/2015
22-05	366316	16783/2015	25-02NES	365826	15771/2015
23-01A	366095	15346/2015	25-02NES	365827	15772/2015
23-01D	366161	15351/2015	25-02NES	365828	15773/2015
23-01D	366162	15352/2015	25-02NES	365829	15774/2015
23-01D	366163	15353/2015	25-02NES	365830	15775/2015
23-01D	366164	15354/2015	25-02NES	365831	15776/2015
23-01D	366166	15356/2015	25-02NES	365832	15777/2015
23-01D	366168	15535/2015	25-02NES	366259	15344/2015
23-01E	365906	16003/2015	25-03	366220	16549/2015
23-01E	366165	15355/2015	26-02	365802	16340/2015
23-01G	366019	16559/2015	26-02	365910	16342/2015
23-01G	366078	16593/2015	26-02	365955	16341/2015
23-01G	366079	16594/2015	26-02	365958	15196/2015
23-01G	366080	16595/2015	26-03	366017	16557/2015
23-01G	366081	16596/2015	26-04	366256	14510/2015
23-01NES	365807	14172/2015	26-05B	366247	16808/2015
23-01NES	365808	14173/2015	26-05C	365842	16257/2015
23-01NES	365907	16004/2015	26-05C	365861	16258/2015
23-01NES	365908	16005/2015	26-05C	366272	15446/2015
23-01NES	366167	15357/2015	26-05D	366073	16577/2015
23-03A	366040	16538/2015	26-05D	366180	16674/2015
23-04	365890	16396/2015	26-05D	366181	16675/2015
23-04	365891	16397/2015	26-05D	366248	16196/2015
23-04	365892	16398/2015	26-05D	366249	16197/2015
23-04	365956	16399/2015	26-05D	366250	16198/2015
23-04	366041	16539/2015	26-05D	366251	16199/2015
23-04	366108	16400/2015	26-05D	366252	16200/2015
23-04	366173	16656/2015	26-05E	365841	16256/2015
23-04	366174	16657/2015	26-05NES	366089	16620/2015
23-04	366176	16659/2015	26-05NES	366117	16622/2015
23-04	366178	16662/2015	26-05NES	366139	16621/2015
23-04	366182	16664/2015	26-06	365957	16501/2015
23-04	366197	16652/2015	28-01	366084	16600/2015
24-01	365905	15197/2015	28-03B	365799	16312/2015
24-01	366037	16533/2015	28-03B	365800	16314/2015
24-01	366262	16277/2015	28-03B	365855	16296/2015
24-01	366313	16776/2015	28-03B	365950	16441/2015
24-04	366022	16515/2015	28-03NES	366135	16626/2015
24-04	366175	16658/2015	28-03NES	366136	16627/2015
24-04	366212	15333/2015	28-03NES	366137	16628/2015
24-04	366213	15334/2015	28-03NES	366138	16629/2015
24-04	366214	15335/2015	28-03NES	366266	16383/2015
24-04	366215	15340/2015	28-03NES	366267	16384/2015
24-04	366270	15300/2015	28-03NES	366268	16389/2015
24-04	366271	15301/2015	29-02	366008	16546/2015

**Registration Proceedings - Class Listing of Designs Published or Registered cont'd**

<b>Classification</b>	<b>Registration Number</b>	<b>Design Number</b>	<b>Classification</b>	<b>Registration Number</b>	<b>Design Number</b>
29-99	365986	16509/2015	31-00	366157	16696/2015
30-04	366006	16472/2015			
30-04	366007	16473/2015			
31-00	365897	16339/2015			

- (21) Design Number: **14903/2015**  
(22) Date of Filing Application: **16 September 2015**  
(24) Date from which industrial property rights may have effect: **16 September 2015**  
(54) Product in respect of which the design is registered: **A safety equipment vest**  
(51) International Design Classification: **02-02B**  
(74) Name(s) of Attorney(s):  
(71) Name(s) and Address(s) of Applicant(s):  
**TECH VEST AUSTRALIA PTY LIMITED**  
**PO BOX 96 Lorn NSW, 2320 Australia**  
(72) Name(s) of Designer(s): **John William Trevor Boyd**  
(45) Registration Date: **14 December 2015**  
(56) Related Art Documents: **Not Applicable**  
(57) Statement of Newness and Distinctiveness: **This product is distinct from other safety vests as it combines a traditional safety vest with an adjustable padded utility belt for the carriage of tools and equipment whilst complying with Australian/New Zealand Standards 4602.1:2011 for High Visibility Safety Garments. The garment incorporates modular mounting points for the attachment of tool holsters and equipment pouches. As per the Australian/New Zealand Standard 4602.1:2011, the garment will be produced in either a high visibility neon orange or high visibility neon green to comply with the standard.**



- (21) Design Number: **14904/2015**  
(22) Date of Filing Application: **16 September 2015**  
(24) Date from which industrial property rights may have effect: **16 September 2015**  
(54) Product in respect of which the design is registered: **A safety equipment vest pouch**  
(51) International Design Classification: **03-01NES**  
(74) Name(s) of Attorney(s):  
(71) Name(s) and Address(s) of Applicant(s):  
**TECH VEST AUSTRALIA PTY LIMITED**  
**PO BOX 96 Lorn NSW, 2320 Australia**  
(72) Name(s) of Designer(s): **John William Trevor Boyd**  
(45) Registration Date: **14 December 2015**  
(56) Related Art Documents: **Not Applicable**  
(57) Statement of Newness and Distinctiveness: **This product is distinct by the use of high visibility materials (Neon orange or neon green binding on a royal blue nylon material), internal elastic item holder. The pouch attaches to the safety equipment vest using two nylon and hook and loop locking straps.**



- (21) Design Number: **14905/2015**  
(22) Date of Filing Application: **16 September 2015**  
(24) Date from which industrial property rights may have effect: **16 September 2015**  
(54) Product in respect of which the design is registered: **A safety equipment vest pouch**  
(51) International Design Classification: **03-01NES**  
(74) Name(s) of Attorney(s):  
(71) Name(s) and Address(s) of Applicant(s):  
**TECH VEST AUSTRALIA PTY LIMITED**  
**PO BOX 96 Lorn NSW, 2320 Australia**  
(72) Name(s) of Designer(s): **John William Trevor Boyd**  
(45) Registration Date: **14 December 2015**  
(56) Related Art Documents: **Not Applicable**  
(57) Statement of Newness and Distinctiveness: **This product has been designed to hold a small communication radio and is distinct by the use of high visibility materials (Neon orange or neon green binding on a royal blue nylon material) and external elastic item holder. The pouch attaches to the safety equipment vest using a single nylon and hook and loop locking strap.**



- (21) Design Number: **14906/2015**  
(22) Date of Filing Application: **16 September 2015**  
(24) Date from which industrial property rights may have effect: **16 September 2015**  
(54) Product in respect of which the design is registered: **A safety equipment vest pouch**  
(51) International Design Classification: **03-01NES**  
(74) Name(s) of Attorney(s):  
(71) Name(s) and Address(s) of Applicant(s):  
**TECH VEST AUSTRALIA PTY LIMITED**  
**PO BOX 96 Lorn NSW, 2320 Australia**  
(72) Name(s) of Designer(s): **John William Trevor Boyd**  
(45) Registration Date: **14 December 2015**  
(56) Related Art Documents: **Not Applicable**  
(57) Statement of Newness and Distinctiveness: **This product has been designed to hold small items such as a torch or multi-purpose tool and is distinct by the use of high visibility materials (Neon orange or neon green binding on a royal blue nylon material). The pouch attaches to the safety equipment vest using a single nylon and hook and loop locking strap.**



(21) Design Number: **16233/2015**

(22) Date of Filing Application: **19 November 2015**

(24) Date from which industrial property rights may have effect: **19 November 2015**

(54) Product in respect of which the design is registered: **Brew basket**

(51) International Design Classification: **07-02L**

(74) Name(s) of Attorney(s): **PHILLIPS ORMONDE FITZPATRICK**

(71) Name(s) and Address(s) of Applicant(s):

**SharkNinja Operating LLC**

**180 Wells Avenue Suite 200 Newton Massachusetts, 02459 United States of America**

(72) Name(s) of Designer(s): **Daniel Kestenbaum**

(45) Registration Date: **14 December 2015**

(30) Convention priority data:

(31) Number	(32) Date	(33) Country
<b>29/530,399</b>	<b>16 Jun 2015</b>	<b>UNITED STATES OF AMERICA</b>

(56) Related Art Documents: **Not Applicable**

(57) Statement of Newness and Distinctiveness: **Those features of the brew basket depicted in the representations that are new and distinctive are the shape and/or configuration. The features shown in broken lines are not part of the design and are to be disregarded when considering the overall impression of the design.**



(21) Design Number: **16234/2015**

(22) Date of Filing Application: **19 November 2015**

(24) Date from which industrial property rights may have effect: **19 November 2015**

(54) Product in respect of which the design is registered: **Brew basket**

(51) International Design Classification: **07-02L**

(74) Name(s) of Attorney(s): **PHILLIPS ORMONDE FITZPATRICK**

(71) Name(s) and Address(s) of Applicant(s):

**SharkNinja Operating LLC**

**180 Wells Avenue Suite 200 Newton Massachusetts, 02459 United States of America**

(72) Name(s) of Designer(s): **Daniel Kestenbaum**

(45) Registration Date: **14 December 2015**

(30) Convention priority data:

(31) Number	(32) Date	(33) Country
<b>29/530,399</b>	<b>16 Jun 2015</b>	<b>UNITED STATES OF AMERICA</b>

(56) Related Art Documents: **Not Applicable**

(57) Statement of Newness and Distinctiveness: **Those features of the brew basket depicted in the representations that are new and distinctive are the shape and/or configuration. The features shown in broken lines are not part of the design and are to be disregarded when considering the overall impression of the design.**



- (21) Design Number: **16239/2015**  
(22) Date of Filing Application: **19 November 2015**  
(24) Date from which industrial property rights may have effect: **19 November 2015**  
(54) Product in respect of which the design is registered: **Bottle**  
(51) International Design Classification: **09-01NES**  
(74) Name(s) of Attorney(s): **Spruson & Ferguson**  
(71) Name(s) and Address(s) of Applicant(s):  
**Tropicana Products, Inc.**  
**1001 13th Avenue E. Bradenton Florida 34208 United States of America**  
(72) Name(s) of Designer(s): **Rebecca Dominick and Neil Enciso and Dennis Furniss and Asit Modha and Katie ozamiz**  
(45) Registration Date: **14 December 2015**  
(30) Convention priority data:  
(31) Number (32) Date (33) Country  
**29/527919 22 May 2015 UNITED STATES OF AMERICA**  
(56) Related Art Documents: **Not Applicable**  
(57) Statement of Newness and Distinctiveness: **Newness and distinctiveness is claimed in those features of shape and/or configuration of a bottle illustrated in continuous lines in the accompanying representations.**



- (21) Design Number: **16240/2015**  
(22) Date of Filing Application: **19 November 2015**  
(24) Date from which industrial property rights may have effect: **19 November 2015**  
(54) Product in respect of which the design is registered: **Bottle**  
(51) International Design Classification: **09-01NES**  
(74) Name(s) of Attorney(s): **Spruson & Ferguson**  
(71) Name(s) and Address(s) of Applicant(s):  
**Tropicana Products, Inc.**  
**1001 13th Avenue E. Bradenton Florida 34208 United States of America**  
(72) Name(s) of Designer(s): **Rebecca Dominick and Neil Enciso and Dennis Furniss and Asit Modha and Katie ozamiz**  
(45) Registration Date: **14 December 2015**  
(30) Convention priority data:  
(31) Number (32) Date (33) Country  
**29/527905 22 May 2015 UNITED STATES OF AMERICA**  
(56) Related Art Documents: **Not Applicable**  
(57) Statement of Newness and Distinctiveness: **Newness and distinctiveness is claimed in those features of shape and/or configuration of a bottle illustrated in continuous lines in the accompanying representations.**



(21) Design Number: **16241/2015**  
(22) Date of Filing Application: **19 November 2015**  
(24) Date from which industrial property rights may have effect: **19 November 2015**  
(54) Product in respect of which the design is registered: **Bed assembly**  
(51) International Design Classification: **06-02**  
(74) Name(s) of Attorney(s): **Fisher Adams Kelly Callinans**  
(71) Name(s) and Address(s) of Applicant(s):  
**DAN FOAM ApS**  
**Holmelund 43 Aarup DK-5560 Denmark**  
(72) Name(s) of Designer(s): **Charlotte Dybdahl and Dorthe Bang Iverson and Tina Bang Nielsen and Annette Hoejgaard Frausig and Kristina Skjoldemose Askloef and Jeanet Kit Holkenberg**  
(45) Registration Date: **14 December 2015**  
(30) Convention priority data:  
(31) Number (32) Date (33) Country  
**29,519,154 03 Sep 2015 UNITED STATES OF AMERICA**  
(56) Related Art Documents: **Not Applicable**  
(57) Statement of Newness and Distinctiveness: **Nil**



(21) Design Number: **16243/2015**  
(22) Date of Filing Application: **19 November 2015**  
(24) Date from which industrial property rights may have effect: **19 November 2015**  
(54) Product in respect of which the design is registered: **Toothbrush**  
(51) International Design Classification: **04-02**  
(74) Name(s) of Attorney(s): **WATERMARK PATENT AND TRADE MARKS ATTORNEYS**  
(71) Name(s) and Address(s) of Applicant(s):  
**The Gillette Company**  
**One Gillette Park Boston Massachusetts, 02127 United States of America**  
(72) Name(s) of Designer(s): **Marlis Hubner and Ezgi Keceli and Franziska Schmid and Jens Storkel and Tilmann Winkler**  
(45) Registration Date: **14 December 2015**  
(30) Convention priority data:  
(31) Number (32) Date (33) Country  
**895053301 22 May 2015 WORLD INTELLECTUAL PROPERTY ORGANIZATION (WIPO)**  
(56) Related Art Documents: **Not Applicable**  
(57) Statement of Newness and Distinctiveness: **Newness and distinctiveness resides in the visual features of shape, configuration, pattern and/or ornamentation of a toothbrush as shown in the accompanying representations. The features shown in broken line are not part of the design and are to be disregarded when considering the overall impression of the design.**



- (21) Design Number: **16244/2015**  
(22) Date of Filing Application: **19 November 2015**  
(24) Date from which industrial property rights may have effect: **19 November 2015**  
(54) Product in respect of which the design is registered: **Toothbrush**  
(51) International Design Classification: **04-02**  
(74) Name(s) of Attorney(s): **WATERMARK PATENT AND TRADE MARKS ATTORNEYS**  
(71) Name(s) and Address(s) of Applicant(s):  
**The Gillette Company**  
**One Gillette Park Boston Massachusetts, 02127 United States of America**  
(72) Name(s) of Designer(s): **Marlis Hubner and Ezgi Keceli and Franziska Schmid and Jens Storkel and Tilmann Winkler**  
(45) Registration Date: **14 December 2015**  
(30) Convention priority data:  
(31) Number (32) Date (33) Country  
**895053301 22 May 2015 WORLD INTELLECTUAL PROPERTY ORGANIZATION (WIPO)**  
(56) Related Art Documents: **Not Applicable**  
(57) Statement of Newness and Distinctiveness: **Newness and distinctiveness resides in the visual features of shape, configuration, pattern and/or ornamentation of a toothbrush as shown in the accompanying representations.**



- (21) Design Number: **15188/2015**  
(22) Date of Filing Application: **06 October 2015**  
(24) Date from which industrial property rights may have effect: **06 October 2015**  
(54) Product in respect of which the design is registered: **Stress-relieving button cover**  
(51) International Design Classification: **02-07A**  
(74) Name(s) of Attorney(s): **Davies Collison Cave**  
(71) Name(s) and Address(s) of Applicant(s):  
**Danny Tang**  
**18351 Colima Road #2808 Rowland Heights California, 91748 United States Of America**  
(72) Name(s) of Designer(s): **Danny Tang**  
(45) Registration Date: **14 December 2015**  
(30) Convention priority data:  
(31) Number (32) Date (33) Country  
**29/523,049 06 Apr 2015 UNITED STATES OF AMERICA**  
(56) Related Art Documents: **Not Applicable**  
(57) Statement of Newness and Distinctiveness: **Newness and distinctiveness is claimed in the visual features shown in solid lines in the representations. In considering the extent of the design rights, the broken lines shown in the representations are for illustrative purposes only and do not form part of the design.**



(21) Design Number: **15373/2015**  
(22) Date of Filing Application: **12 October 2015**  
(24) Date from which industrial property rights may have effect: **12 October 2015**  
(54) Product in respect of which the design is registered: **Eyeglass**  
(51) International Design Classification: **16-06**  
(74) Name(s) of Attorney(s): **Davies Collison Cave**  
(71) Name(s) and Address(s) of Applicant(s):  
**Oakley, Inc.**  
**One Icon Foothill Ranch California, 92610 United States of America**  
(72) Name(s) of Designer(s): **Lek Haagen Thixton**  
(45) Registration Date: **14 December 2015**  
(30) Convention priority data:  
(31) Number (32) Date (33) Country  
**29/526,523 11 May 2015 UNITED STATES OF AMERICA**  
(56) Related Art Documents: **Not Applicable**  
(57) Statement of Newness and Distinctiveness: **Newness and distinctiveness is claimed in the visual features shown in solid lines in the representations.**



(21) Design Number: **16172/2015**  
(22) Date of Filing Application: **16 November 2015**  
(24) Date from which industrial property rights may have effect: **16 November 2015**  
(54) Product in respect of which the design is registered: **Package**  
(51) International Design Classification: **09-03M**  
(74) Name(s) of Attorney(s): **AJ Park**  
(71) Name(s) and Address(s) of Applicant(s):  
**J H WHITTAKER & SONS LIMITED**  
**24 Mohuia Crescent Porirua 5022 New Zealand**  
(72) Name(s) of Designer(s): **Herbert Aregger and Mark Paul Humphris**  
(45) Registration Date: **14 December 2015**  
(30) Convention priority data:  
(31) Number (32) Date (33) Country  
**420231 15 May 2015 NEW ZEALAND**  
(56) Related Art Documents: **Not Applicable**  
(57) Statement of Newness and Distinctiveness: **Newness and distinctiveness reside in the features of shape and/or configuration of the package, all as shown in the representations.**



- (21) Design Number: **16312/2015**  
(22) Date of Filing Application: **23 November 2015**  
(24) Date from which industrial property rights may have effect: **23 November 2015**  
(54) Product in respect of which the design is registered: **Accessory for hairdryer**  
(51) International Design Classification: **28-03B**  
(74) Name(s) of Attorney(s): **Shelston IP Pty Ltd.**  
(71) Name(s) and Address(s) of Applicant(s):

**Dyson Technology Limited**  
**Tetbury Hill Malmesbury Wiltshire SN16 0RP United Kingdom**

- (72) Name(s) of Designer(s): **Philip Jonathan Stephens and Stephen Farrar Smith and Andrea Ee-Va Lim and Peter David Gammack and Edward Sebert Maurice Shelton and Callum Wright**

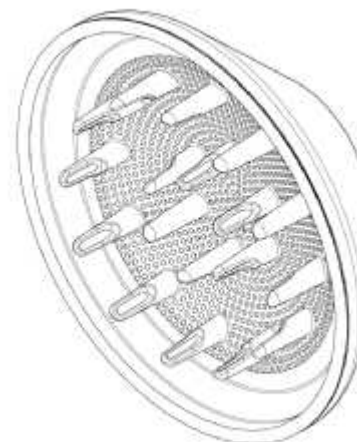
(45) Registration Date: **14 December 2015**

(30) Convention priority data:

(31) Number	(32) Date	(33) Country
<b>001436281-0001</b>	<b>18 Jun 2015</b>	<b>OFFICE FOR HARMONISATION IN THE INTERNAL MARKET (OHIM)</b>

(56) Related Art Documents: **Not Applicable**

(57) Statement of Newness and Distinctiveness: **Newness and distinctiveness reside in the features of shape and/or configuration of an ACCESSORY FOR HAIRDRYER as illustrated in the accompanying representations.**



- (21) Design Number: **16314/2015**  
(22) Date of Filing Application: **23 November 2015**  
(24) Date from which industrial property rights may have effect: **23 November 2015**  
(54) Product in respect of which the design is registered: **Accessory for hairdryer**  
(51) International Design Classification: **28-03B**  
(74) Name(s) of Attorney(s): **Shelston IP Pty Ltd.**  
(71) Name(s) and Address(s) of Applicant(s):

**Dyson Technology Limited**  
**Tetbury Hill Malmesbury Wiltshire SN16 0RP United Kingdom**

- (72) Name(s) of Designer(s): **Philip Jonathan Stephens and Stephen Farrar Smith and Andrea Ee-Va Lim and Peter David Gammack**

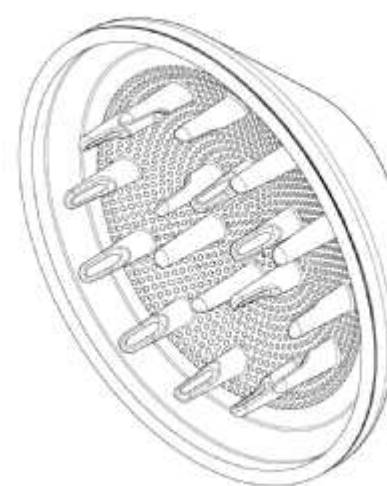
(45) Registration Date: **14 December 2015**

(30) Convention priority data:

(31) Number	(32) Date	(33) Country
<b>001436281-0003</b>	<b>18 Jun 2015</b>	<b>OFFICE FOR HARMONISATION IN THE INTERNAL MARKET (OHIM)</b>

(56) Related Art Documents: **Not Applicable**

(57) Statement of Newness and Distinctiveness: **Newness and distinctiveness reside in the features of shape and/or configuration of an ACCESSORY FOR HAIRDRYER as illustrated in the accompanying representations.**



(21) Design Number: **16338/2015**  
(22) Date of Filing Application: **23 November 2015**  
(24) Date from which industrial property rights may have effect: **23 November 2015**  
(54) Product in respect of which the design is registered: **Tyre for automobile**  
(51) International Design Classification: **12-15A, 12-15C**  
(74) Name(s) of Attorney(s): **Chrysiliou IP**  
(71) Name(s) and Address(s) of Applicant(s):  
**Nexen Corporation**  
**2595 Gimhae-daero Gimhae-si Gyeongsangnam-do Republic of Korea**  
(72) Name(s) of Designer(s): **Kyung Tae Song and Won Seok Kim and Jong Nam Son**  
(45) Registration Date: **14 December 2015**  
(30) Convention priority data:  
(31) Number (32) Date (33) Country  
**30-2015-0052978 21 Oct 2015 REPUBLIC OF KOREA**  
(56) Related Art Documents: **Not Applicable**  
(57) Statement of Newness and Distinctiveness: **Nil**



(21) Design Number: **16340/2015**  
(22) Date of Filing Application: **23 November 2015**  
(24) Date from which industrial property rights may have effect: **23 November 2015**  
(54) Product in respect of which the design is registered: **Portable work light**  
(51) International Design Classification: **26-02**  
(74) Name(s) of Attorney(s): **Madderns**  
(71) Name(s) and Address(s) of Applicant(s):  
**Ningbo Gemay Industry Co.,Ltd.**  
**Room 603, Building 5 22 Henghe Road Beilun District Ningbo Zhejiang,**  
**315800 China**  
(72) Name(s) of Designer(s): **Xuefeng Xu and Youfei Chen**  
(45) Registration Date: **14 December 2015**  
(30) Convention priority data:  
(31) Number (32) Date (33) Country  
**201530389418.1 09 Oct 2015 CHINA**  
(56) Related Art Documents: **Not Applicable**  
(57) Statement of Newness and Distinctiveness: **Newness and distinctiveness is claimed in the shape and/or configuration of a portable work light as depicted in the accompanying representations**



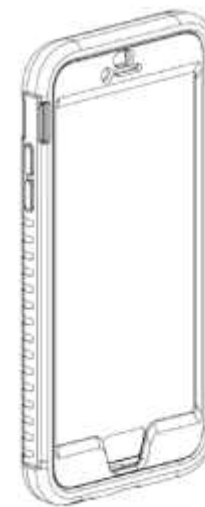
(21) Design Number: **15349/2015**  
(22) Date of Filing Application: **12 October 2015**  
(24) Date from which industrial property rights may have effect: **12 October 2015**  
(54) Product in respect of which the design is registered: **Eyeglass**  
(51) International Design Classification: **16-06**  
(74) Name(s) of Attorney(s): **Davies Collison Cave**  
(71) Name(s) and Address(s) of Applicant(s):  
**Oakley, Inc.**  
**One Icon Foothill Ranch California, 92610 United States of America**  
(72) Name(s) of Designer(s): **Jae Shin**  
(45) Registration Date: **14 December 2015**  
(30) Convention priority data:  
(31) Number (32) Date (33) Country  
**29/526,514 11 May 2015 UNITED STATES OF AMERICA**  
(56) Related Art Documents: **Not Applicable**  
(57) Statement of Newness and Distinctiveness: **Newness and distinctiveness is claimed in the visual features shown in solid lines in the representations.**



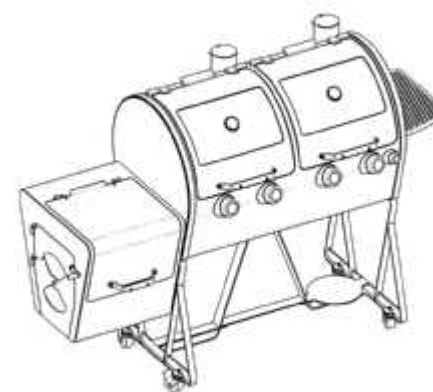
(21) Design Number: **16279/2015**  
(22) Date of Filing Application: **20 November 2015**  
(24) Date from which industrial property rights may have effect: **20 November 2015**  
(54) Product in respect of which the design is registered: **Mobile phone case**  
(51) International Design Classification: **03-01NES**  
(74) Name(s) of Attorney(s): **Griffith Hack**  
(71) Name(s) and Address(s) of Applicant(s):  
**Tech 21 Licensing Limited**  
**Syds Quay, Eel Pie Island Twickenham Middlesex TW1 3DY United Kingdom**  
(72) Name(s) of Designer(s): **Jason Roberts and Wilhelm Marschall and Benjamin Thorpe and Jeremy McManus**  
(45) Registration Date: **14 December 2015**  
(30) Convention priority data:  
(31) Number (32) Date (33) Country  
**002836759-0001/0002 Oct 2015 OFFICE FOR HARMONISATION IN THE INTERNAL MARKET (OHIM)**  
(56) Related Art Documents: **Not Applicable**  
(57) Statement of Newness and Distinctiveness: **Nil**



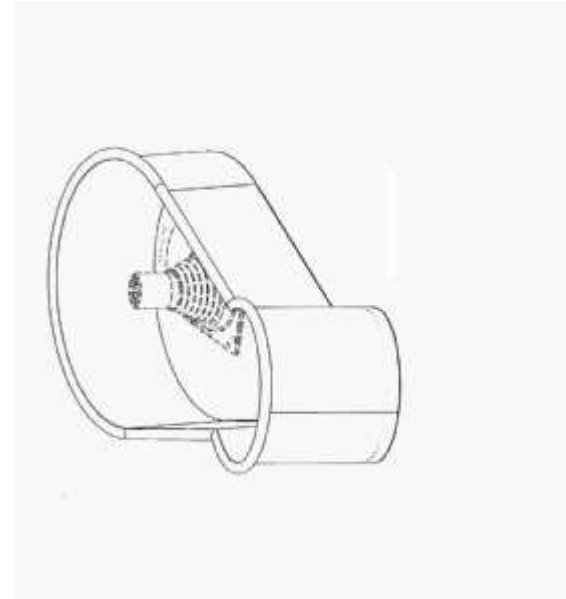
(21) Design Number: **16280/2015**  
(22) Date of Filing Application: **20 November 2015**  
(24) Date from which industrial property rights may have effect: **20 November 2015**  
(54) Product in respect of which the design is registered: **Mobile phone case**  
(51) International Design Classification: **03-01NES**  
(74) Name(s) of Attorney(s): **Griffith Hack**  
(71) Name(s) and Address(s) of Applicant(s):  
**Tech 21 Licensing Limited**  
**Syds Quay, Eel Pie Island Twickenham Middlesex TW1 3DY United Kingdom**  
(72) Name(s) of Designer(s): **Jason Roberts and Wilhelm Marschall and Benjamin Thorpe and Jeremy McManus**  
(45) Registration Date: **14 December 2015**  
(30) Convention priority data:  
(31) Number (32) Date (33) Country  
**002836759-0001/0062 Oct 2015 OFFICE FOR HARMONISATION IN THE INTERNAL MARKET (OHIM)**  
(56) Related Art Documents: **Not Applicable**  
(57) Statement of Newness and Distinctiveness: **Nil**



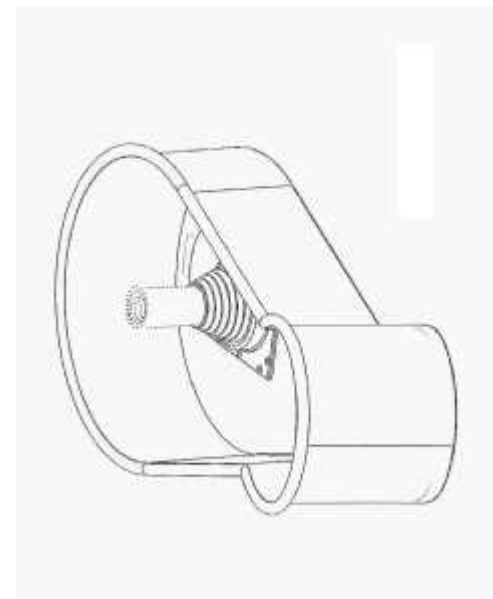
(21) Design Number: **16281/2015**  
(22) Date of Filing Application: **20 November 2015**  
(24) Date from which industrial property rights may have effect: **20 November 2015**  
(54) Product in respect of which the design is registered: **Offset smoker bbq**  
(51) International Design Classification: **07-02E**  
(74) Name(s) of Attorney(s): **Pegasus IP**  
(71) Name(s) and Address(s) of Applicant(s):  
**NMA Global Pty Ltd**  
**PO BOX 160 Toowong Dc QLD 4066 Australia**  
(72) Name(s) of Designer(s): **Mark Algie and Neil Monaghan**  
(45) Registration Date: **14 December 2015**  
(56) Related Art Documents: **Not Applicable**  
(57) Statement of Newness and Distinctiveness: **The newness and distinctiveness of the design resides in the shape of the offset smoker barbecue shown in the continuous lines in the accompanying representations. The broken lines are not part of the design and are to be disregarded when considering the overall impression of the design.**



- (21) Design Number: **14172/2015**  
(22) Date of Filing Application: **14 August 2015**  
(24) Date from which industrial property rights may have effect: **14 August 2015**  
(54) Product in respect of which the design is registered: **Fluids capture apparatus**  
(51) International Design Classification: **23-01NES**  
(74) Name(s) of Attorney(s): **Wrays**  
(71) Name(s) and Address(s) of Applicant(s):  
**Deep Exploration Technologies CRC Limited**  
**First Floor 190 Fullarton Rd Dulwich SA 5065 Australia**  
(72) Name(s) of Designer(s): **Fred Blaine and James Reilly and Andrew Beach**  
(45) Registration Date: **15 December 2015**  
(56) Related Art Documents: **Not Applicable**  
(57) Statement of Newness and Distinctiveness: **Newness and distinctiveness is claimed in the features of shape and configuration of the Fluids Capture Apparatus as shown in the accompanying representations. The features depicted by broken lines are for illustrative purposes only and form no part of the claimed design.**



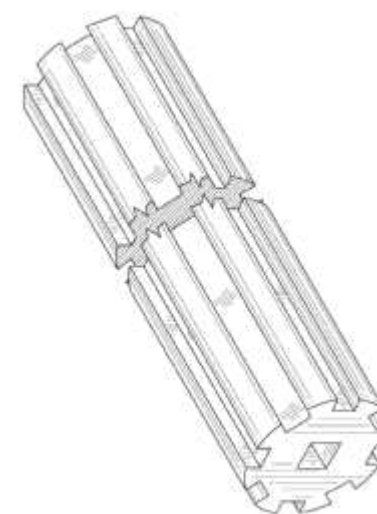
- (21) Design Number: **14173/2015**  
(22) Date of Filing Application: **14 August 2015**  
(24) Date from which industrial property rights may have effect: **14 August 2015**  
(54) Product in respect of which the design is registered: **Fluids capture apparatus**  
(51) International Design Classification: **23-01NES**  
(74) Name(s) of Attorney(s): **Wrays**  
(71) Name(s) and Address(s) of Applicant(s):  
**Deep Exploration Technologies CRC Limited**  
**First Floor 190 Fullarton Rd Dulwich SA 5065 Australia**  
(72) Name(s) of Designer(s): **Fred Blaine and James Reilly and Andrew Beach**  
(45) Registration Date: **15 December 2015**  
(56) Related Art Documents: **Not Applicable**  
(57) Statement of Newness and Distinctiveness: **Newness and distinctiveness is claimed in the features of shape and configuration of the Fluids Capture Apparatus as shown in the accompanying representations. The features depicted by broken lines are for illustrative purposes only and form no part of the claimed design.**



(21) Design Number: **16283/2015**  
(22) Date of Filing Application: **20 November 2015**  
(24) Date from which industrial property rights may have effect: **20 November 2015**  
(54) Product in respect of which the design is registered: **Security device**  
(51) International Design Classification: **10-05**  
(74) Name(s) of Attorney(s): **Spruson & Ferguson**  
(71) Name(s) and Address(s) of Applicant(s):  
**Tyco Fire & Security GmbH**  
**Victor von Bruns-Strasse 21, Neuhausen am Rheinflall 8212 Switzerland**  
(72) Name(s) of Designer(s): **Yungyue Yang and Fei Xue**  
(45) Registration Date: **15 December 2015**  
(30) Convention priority data:  
(31) Number (32) Date (33) Country  
**29/527923 22 May 2015 UNITED STATES OF AMERICA**  
(56) Related Art Documents: **Not Applicable**  
(57) Statement of Newness and Distinctiveness: **Newness and distinctiveness is claimed in the features of shape and/or configuration of a security device as illustrated in the accompanying representations.**



(21) Design Number: **16285/2015**  
(22) Date of Filing Application: **20 November 2015**  
(24) Date from which industrial property rights may have effect: **20 November 2015**  
(54) Product in respect of which the design is registered: **Pet treat**  
(51) International Design Classification: **01-06**  
(74) Name(s) of Attorney(s): **Spruson & Ferguson**  
(71) Name(s) and Address(s) of Applicant(s):  
**Societe des Produits Nestle S.A.**  
**Avenue Nestle 55, Vevey 1800 Switzerland**  
(72) Name(s) of Designer(s): **Mario Albuja and Michael E. Leiweke and Yannick Mahe**  
(45) Registration Date: **15 December 2015**  
(30) Convention priority data:  
(31) Number (32) Date (33) Country  
**29/538172 01 Sep 2015 UNITED STATES OF AMERICA**  
(56) Related Art Documents: **Not Applicable**  
(57) Statement of Newness and Distinctiveness: **Newness and distinctiveness is claimed in the features of shape and/or configuration of a pet treat as illustrated in the accompanying representations, wherein the length of the pet treat is indefinite as indicated by label "A" in the accompanying representations.**



(21) Design Number: **16286/2015**  
(22) Date of Filing Application: **20 November 2015**  
(24) Date from which industrial property rights may have effect: **20 November 2015**  
(54) Product in respect of which the design is registered: **Slim double weatherproof power point**  
(51) International Design Classification: **13-03D**  
(74) Name(s) of Attorney(s):  
(71) Name(s) and Address(s) of Applicant(s):  
**AUSWITCH PTY. LTD.**  
**5 Waratah Ave Casula NSW 2170 Australia**  
(72) Name(s) of Designer(s): **Bilal Elakde**  
(45) Registration Date: **15 December 2015**  
(56) Related Art Documents: **Not Applicable**  
(57) Statement of Newness and Distinctiveness: **Nil**



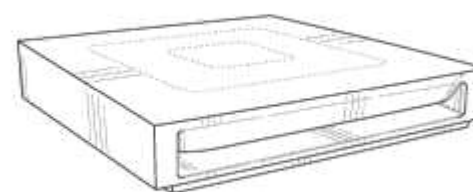
(21) Design Number: **16287/2015**  
(22) Date of Filing Application: **20 November 2015**  
(24) Date from which industrial property rights may have effect: **20 November 2015**  
(54) Product in respect of which the design is registered: **Card reader**  
(51) International Design Classification: **14-02**  
(74) Name(s) of Attorney(s): **EAGAR & MARTIN PTY LTD**  
(71) Name(s) and Address(s) of Applicant(s):  
**Square, Inc.**  
**1455 Market Street, Suite 600 San Francisco CA, 94103 United States of America**  
(72) Name(s) of Designer(s): **Anthony Nguyen**  
(45) Registration Date: **15 December 2015**  
(30) Convention priority data:  
(31) Number      (32) Date      (33) Country  
**29/528,683      29 May 2015      UNITED STATES OF AMERICA**  
(56) Related Art Documents: **Not Applicable**  
(57) Statement of Newness and Distinctiveness: **Nil**



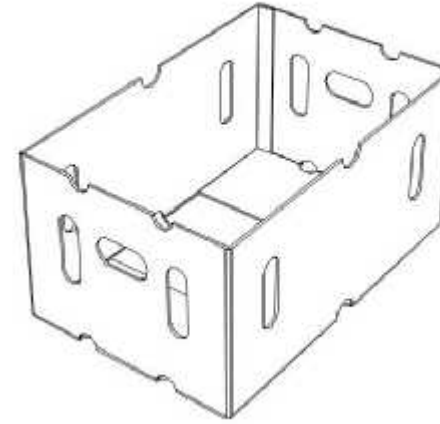
(21) Design Number: **16288/2015**  
(22) Date of Filing Application: **20 November 2015**  
(24) Date from which industrial property rights may have effect: **20 November 2015**  
(54) Product in respect of which the design is registered: **Case for a tablet computer**  
(51) International Design Classification: **03-01NES**  
(74) Name(s) of Attorney(s):  
(71) Name(s) and Address(s) of Applicant(s):  
**STM Management Pty Ltd**  
**U21 34 Ralph St Alexandria NSW 2015 Australia**  
(72) Name(s) of Designer(s): **Ethan Nyholm and Cambell Smyth**  
(45) Registration Date: **15 December 2015**  
(56) Related Art Documents: **Not Applicable**  
(57) Statement of Newness and Distinctiveness: **Nil**



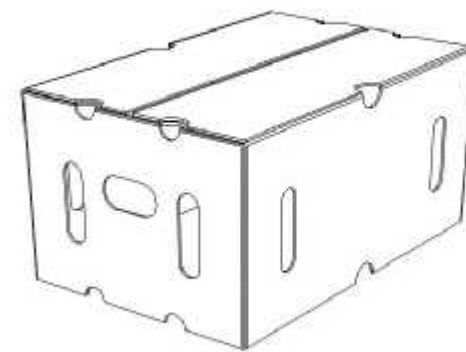
(21) Design Number: **16289/2015**  
(22) Date of Filing Application: **20 November 2015**  
(24) Date from which industrial property rights may have effect: **20 November 2015**  
(54) Product in respect of which the design is registered: **Card reader**  
(51) International Design Classification: **14-02**  
(74) Name(s) of Attorney(s): **EAGAR & MARTIN PTY LTD**  
(71) Name(s) and Address(s) of Applicant(s):  
**Square, Inc.**  
**1455 Market Street, Suite 600 San Francisco CA, 94103 United States of America**  
(72) Name(s) of Designer(s): **Anthony Pham Nguyen**  
(45) Registration Date: **15 December 2015**  
(30) Convention priority data:  
(31) Number      (32) Date      (33) Country  
**29/532,633      08 Jul 2015      UNITED STATES OF AMERICA**  
(56) Related Art Documents: **Not Applicable**  
(57) Statement of Newness and Distinctiveness: **Nil**



- (21) Design Number: **15363/2015**  
(22) Date of Filing Application: **12 October 2015**  
(24) Date from which industrial property rights may have effect: **12 October 2015**  
(54) Product in respect of which the design is registered: **Blank for forming a container**  
(51) International Design Classification: **09-03NES**  
(74) Name(s) of Attorney(s): **Davies Collison Cave**  
(71) Name(s) and Address(s) of Applicant(s):  
**Visy R & D Pty Ltd**  
**L11 2 Southbank Bvd Southbank VIC, 3006 Australia**  
(72) Name(s) of Designer(s): **Piotr Bankowski**  
(45) Registration Date: **15 December 2015**  
(56) Related Art Documents: **Not Applicable**  
(57) Statement of Newness and Distinctiveness: **The features of shape and configuration of the blank shown in the accompanying representations are considered to be new and distinctive.**



- (21) Design Number: **15365/2015**  
(22) Date of Filing Application: **12 October 2015**  
(24) Date from which industrial property rights may have effect: **12 October 2015**  
(54) Product in respect of which the design is registered: **Blank for forming a lid of a container**  
(51) International Design Classification: **09-07B**  
(74) Name(s) of Attorney(s): **Davies Collison Cave**  
(71) Name(s) and Address(s) of Applicant(s):  
**Visy R & D Pty Ltd**  
**L11 2 Southbank Bvd Southbank VIC, 3006 Australia**  
(72) Name(s) of Designer(s): **Piotr Bankowski**  
(45) Registration Date: **15 December 2015**  
(56) Related Art Documents: **Not Applicable**  
(57) Statement of Newness and Distinctiveness: **The features of shape and configuration of the blank for forming a lid of a container shown in the accompanying representations are considered to be new and distinctive.**



(21) Design Number: **15402/2015**

(22) Date of Filing Application: **13 October 2015**

(24) Date from which industrial property rights may have effect: **13 October 2015**

(54) Product in respect of which the design is registered: **Roof batten**

(51) International Design Classification: **25-01NES**

(74) Name(s) of Attorney(s):

(71) Name(s) and Address(s) of Applicant(s):

**TRAC GROUP HOLDINGS LTD**

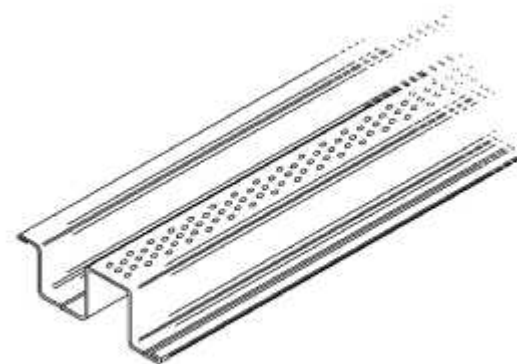
**SE1112 L1 Building 1B Southport Central 56 Scarborough St Southport  
QLD 4215 Australia**

(72) Name(s) of Designer(s): **Jason Dean Perkins**

(45) Registration Date: **15 December 2015**

(56) Related Art Documents: **Not Applicable**

(57) Statement of Newness and Distinctiveness: **Newness and distinctiveness is claimed in the features of shape and configuration of a roof batten of indefinite length.**



(21) Design Number: **15403/2015**

(22) Date of Filing Application: **13 October 2015**

(24) Date from which industrial property rights may have effect: **13 October 2015**

(54) Product in respect of which the design is registered: **Roof batten**

(51) International Design Classification: **25-01NES**

(74) Name(s) of Attorney(s):

(71) Name(s) and Address(s) of Applicant(s):

**TRAC GROUP HOLDINGS LTD**

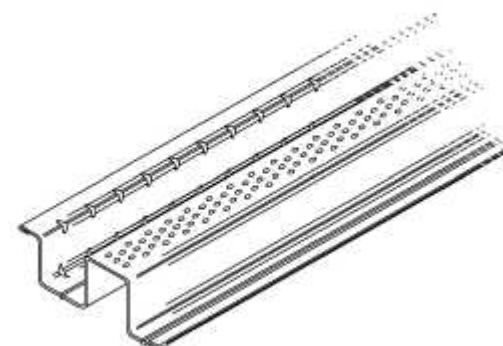
**SE1112 L1 Building 1B Southport Central 56 Scarborough St Southport  
QLD 4215 Australia**

(72) Name(s) of Designer(s): **Jason Dean Perkins**

(45) Registration Date: **15 December 2015**

(56) Related Art Documents: **Not Applicable**

(57) Statement of Newness and Distinctiveness: **Newness and distinctiveness is claimed in the features of shape and configuration of a roof batten of indefinite length.**



- (21) Design Number: **16201/2015**  
(22) Date of Filing Application: **17 November 2015**  
(24) Date from which industrial property rights may have effect: **17 November 2015**  
(54) Product in respect of which the design is registered: **Table**  
(51) International Design Classification: **06-03B**  
(74) Name(s) of Attorney(s): **Spruson & Ferguson**  
(71) Name(s) and Address(s) of Applicant(s):  
**PepsiCo, Inc**  
**700 Anderson Hill Road Purchase New York 10577 United States of America**  
(72) Name(s) of Designer(s): **Martin Eduardo Broen and Stephen Lim and Eric Bogner and Martin Ivar Franzen and Adrian Taylor and Aaron VOM EIGEN**  
(45) Registration Date: **15 December 2015**  
(30) Convention priority data:  
(31) Number (32) Date (33) Country  
**29/527794 21 May 2015 UNITED STATES OF AMERICA**  
(56) Related Art Documents: **Not Applicable**  
(57) Statement of Newness and Distinctiveness: **Newness and distinctiveness is claimed in those features of shape and/or configuration of a table as illustrated in continuous lines in the accompanying representations.**



- (21) Design Number: **16204/2015**  
(22) Date of Filing Application: **17 November 2015**  
(24) Date from which industrial property rights may have effect: **17 November 2015**  
(54) Product in respect of which the design is registered: **Bottle for cosmetics**  
(51) International Design Classification: **09-01G**  
(74) Name(s) of Attorney(s): **Madderns**  
(71) Name(s) and Address(s) of Applicant(s):  
**LES FINS NETWORK TECHNOLOGY CO., LTD**  
**Room 201, Unit 8, Building 9 No.522, Wenyi West Road Xihu District Hangzhou City Zhejiang Province China**  
(72) Name(s) of Designer(s): **Ming Zhao**  
(45) Registration Date: **15 December 2015**  
(30) Convention priority data:  
(31) Number (32) Date (33) Country  
**201530191819.6 12 Jun 2015 CHINA**  
(56) Related Art Documents: **Not Applicable**  
(57) Statement of Newness and Distinctiveness: **Newness and distinctiveness is claimed in the shape and/or configuration of bottle for cosmetics as depicted in the accompanying representations.**



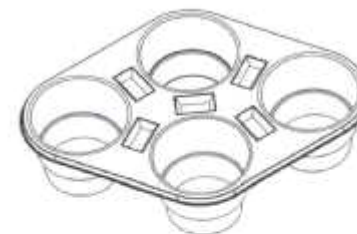
- (21) Design Number: **16210/2015**  
(22) Date of Filing Application: **18 November 2015**  
(24) Date from which industrial property rights may have effect: **18 November 2015**  
(54) Product in respect of which the design is registered: **One gang switch**  
(51) International Design Classification: **13-03D**  
(74) Name(s) of Attorney(s): **Cotters Patent & Trade Mark Attorneys**  
(71) Name(s) and Address(s) of Applicant(s):  
**HAGER-ELECTRO SAS**  
**132 Boulevard d'Europe Obernai 67210 France**  
(72) Name(s) of Designer(s): **Erwin Van Handenhoven**  
(45) Registration Date: **15 December 2015**  
(56) Related Art Documents: **Not Applicable**  
(57) Statement of Newness and Distinctiveness: **Newness and distinctiveness is claimed in the features of shape and/or configuration of a one gang switch as illustrated in the accompanying drawings.**



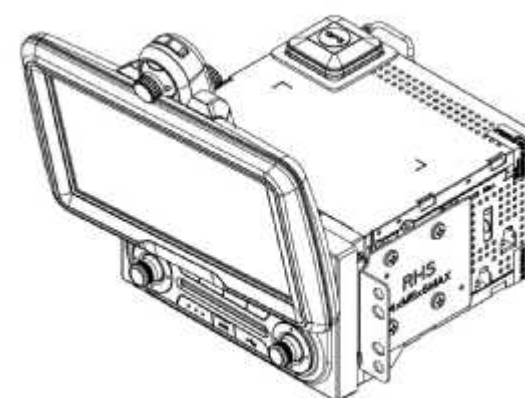
- (21) Design Number: **16216/2015**  
(22) Date of Filing Application: **18 November 2015**  
(24) Date from which industrial property rights may have effect: **18 November 2015**  
(54) Product in respect of which the design is registered: **Twin socket**  
(51) International Design Classification: **13-03D**  
(74) Name(s) of Attorney(s): **Cotters Patent & Trade Mark Attorneys**  
(71) Name(s) and Address(s) of Applicant(s):  
**HAGER-ELECTRO SAS**  
**132 Boulevard d'Europe Obernai 67210 France**  
(72) Name(s) of Designer(s): **Erwin van Handenhoven**  
(45) Registration Date: **15 December 2015**  
(56) Related Art Documents: **Not Applicable**  
(57) Statement of Newness and Distinctiveness: **Newness and distinctiveness is claimed in the features of shape and/or configuration of a twin socket as illustrated in the accompanying drawings.**



- (21) Design Number: **16295/2015**  
(22) Date of Filing Application: **23 November 2015**  
(24) Date from which industrial property rights may have effect: **23 November 2015**  
(54) Product in respect of which the design is registered: **A Nesting or Stackable Holder**  
(51) International Design Classification: **09-03E**  
(74) Name(s) of Attorney(s):  
(71) Name(s) and Address(s) of Applicant(s):  
**HandyAs Limited**  
**400 Owhiwa Road Onerahi 0192 New Zealand**  
(72) Name(s) of Designer(s): **Evan Roberts Davis and Ada Jessie Davis**  
(45) Registration Date: **15 December 2015**  
(30) Convention priority data:  
(31) Number (32) Date (33) Country  
**420265 26 May 2015 NEW ZEALAND**  
(56) Related Art Documents: **Not Applicable**  
(57) Statement of Newness and Distinctiveness: **The design is to be applied to a nesting or stackable holder, and the novelty resides in features of shape and configuration as shown in the accompanying representations.**



- (21) Design Number: **16250/2015**  
(22) Date of Filing Application: **19 November 2015**  
(24) Date from which industrial property rights may have effect: **19 November 2015**  
(54) Product in respect of which the design is registered: **8 Inch AVN system & 2ch DVR for truck**  
(51) International Design Classification: **14-03NES**  
(74) Name(s) of Attorney(s):  
(71) Name(s) and Address(s) of Applicant(s):  
**HANHWA HIGHTECH CO., Ltd.**  
**5th Floor, Samsung mediplus Bldg, 14 Cheyukgwon-ro, Bupyeong-gu Incheon 21344 Republic of Korea**  
(72) Name(s) of Designer(s): **Se Yoon Kim**  
(45) Registration Date: **15 December 2015**  
(56) Related Art Documents: **Not Applicable**  
(57) Statement of Newness and Distinctiveness: **General AVN products are embedded or installed on the dashboard. Our products are installed only half on the dashboard. Because of the half-buried, the monitor wavers when driving. For this case HANHWA is completed "Test of stability & reliability for vibration". Our "detachable DVR" is installed on the AVN monitor "two-way (Front & Rear) 2ch DVR". Typical DVR is mounted on the glass or mirror in front of the car. However, our products are optimized for truck, equipped with the DVR on the monitor, the DVR which can record a full HD all the time, easily removable with spacious front of the truck, and there is no risk DVR touches the windshield. The biggest difference in our monitor is designed specifically made to the "truck", 8 Inch Display is optimized as a monitor that does not cover the field of vision of the driver and create a better driving environment.**



- (21) Design Number: **16254/2015**  
(22) Date of Filing Application: **19 November 2015**  
(24) Date from which industrial property rights may have effect: **19 November 2015**  
(54) Product in respect of which the design is registered: **Standard single power point**  
(51) International Design Classification: **13-03D**  
(74) Name(s) of Attorney(s):  
(71) Name(s) and Address(s) of Applicant(s):  
**AUSWITCH PTY. LTD.**  
**5 Waratah Ave Casula NSW 2170 Australia**  
(72) Name(s) of Designer(s): **Bilal Elakde**  
(45) Registration Date: **15 December 2015**  
(56) Related Art Documents: **Not Applicable**  
(57) Statement of Newness and Distinctiveness: **Nil**



- (21) Design Number: **15771/2015**  
(22) Date of Filing Application: **28 October 2015**  
(24) Date from which industrial property rights may have effect: **28 October 2015**  
(54) Product in respect of which the design is registered: **Fabric plug for oztech retractable pergola**  
(51) International Design Classification: **25-02NES**  
(74) Name(s) of Attorney(s):  
(71) Name(s) and Address(s) of Applicant(s):  
**G. S. WORLD PTY LTD**  
**40 Harley Cres Condell Park NSW 2200 Australia**  
(72) Name(s) of Designer(s): **Jeong Bae Seo**  
(45) Registration Date: **15 December 2015**  
(56) Related Art Documents: **Not Applicable**  
(57) Statement of Newness and Distinctiveness: **The Oztech Retractable Pergola is newly designed product that is distinctively different from existing retractable systems. The overall design of the system exudes simple elegance, purity and spontaneity with exquisite harmony of straight lines and curves. The fabric plug for Oztech Retractable Pergola incorporates a unique dual channel wiring system which facilitates threading of electrical cables for the integrated lighting system.**



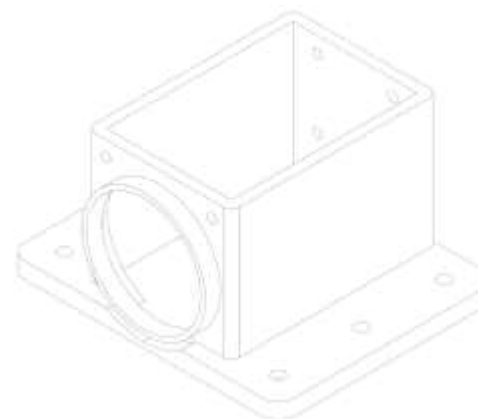
- (21) Design Number: **15772/2015**  
(22) Date of Filing Application: **28 October 2015**  
(24) Date from which industrial property rights may have effect: **28 October 2015**  
(54) Product in respect of which the design is registered: **Motor box for oztech retractable pergola**  
(51) International Design Classification: **25-02NES**  
(74) Name(s) of Attorney(s):  
(71) Name(s) and Address(s) of Applicant(s):  
**G. S. WORLD PTY LTD**  
**40 Harley Cres Condell Park NSW 2200 Australia**  
(72) Name(s) of Designer(s): **Jeong Bae Seo**  
(45) Registration Date: **15 December 2015**  
(56) Related Art Documents: **Not Applicable**  
(57) Statement of Newness and Distinctiveness: **The Oztech Retractable Pergola has been uniquely designed to give it a more contemporary appearance. With its exquisite balance of straight lines and round curves, the Oztech Retractable Pergola is truly a distinctive product unlike any other existing product. The motor box for the Oztech retractable pergola has been designed to protect the electrical motor from the elements.**



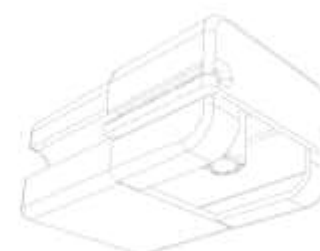
- (21) Design Number: **15773/2015**  
(22) Date of Filing Application: **28 October 2015**  
(24) Date from which industrial property rights may have effect: **28 October 2015**  
(54) Product in respect of which the design is registered: **Motor support bar for oztech retractable pergola**  
(51) International Design Classification: **25-02NES**  
(74) Name(s) of Attorney(s):  
(71) Name(s) and Address(s) of Applicant(s):  
**G. S. WORLD PTY LTD**  
**40 Harley Cres Condell Park NSW 2200 Australia**  
(72) Name(s) of Designer(s): **Jeong Bae Seo**  
(45) Registration Date: **15 December 2015**  
(56) Related Art Documents: **Not Applicable**  
(57) Statement of Newness and Distinctiveness: **The Oztech Retractable Pergola has been uniquely designed to give it a more contemporary appearance. With its exquisite balance of straight lines and round curves, the Oztech Retractable Pergola is truly a distinctive product unlike any other existing product. The Motor Support Bar has been designed to facilitate the installation of the system.**



- (21) Design Number: **15774/2015**  
(22) Date of Filing Application: **28 October 2015**  
(24) Date from which industrial property rights may have effect: **28 October 2015**  
(54) Product in respect of which the design is registered: **Post base for oztech retractable pergola**  
(51) International Design Classification: **25-02NES**  
(74) Name(s) of Attorney(s):  
(71) Name(s) and Address(s) of Applicant(s):  
**G. S. WORLD PTY LTD**  
**40 Harley Cres Condell Park NSW 2200 Australia**  
(72) Name(s) of Designer(s): **Jeong Bae Seo**  
(45) Registration Date: **15 December 2015**  
(56) Related Art Documents: **Not Applicable**  
(57) Statement of Newness and Distinctiveness: **The Oztech Retractable Pergola has been uniquely designed to give it a more contemporary appearance. With its exquisite balance of straight lines and round curves, the Oztech Retractable Pergola is truly a distinctive product unlike any other existing product. The Post base for the Oztech Retractable pergola has been designed to incorporate a unique post locking mechanism.**



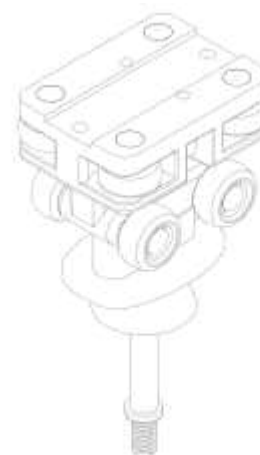
- (21) Design Number: **15775/2015**  
(22) Date of Filing Application: **28 October 2015**  
(24) Date from which industrial property rights may have effect: **28 October 2015**  
(54) Product in respect of which the design is registered: **Puller plug for oztech retractable pergola**  
(51) International Design Classification: **25-02NES**  
(74) Name(s) of Attorney(s):  
(71) Name(s) and Address(s) of Applicant(s):  
**G. S. WORLD PTY LTD**  
**40 Harley Cres Condell Park NSW 2200 Australia**  
(72) Name(s) of Designer(s): **Jeong Bae Seo**  
(45) Registration Date: **15 December 2015**  
(56) Related Art Documents: **Not Applicable**  
(57) Statement of Newness and Distinctiveness: **The Oztech Retractable Pergola has been uniquely designed to give it a more contemporary appearance. With its exquisite balance of straight lines and round curves, the Oztech Retractable Pergola is truly a distinctive product unlike any other existing product. The Puller Plug for the Oztech Retractable Pergola incorporates a unique locking mechanism to facilitate installation of the system.**



- (21) Design Number: **15776/2015**  
(22) Date of Filing Application: **28 October 2015**  
(24) Date from which industrial property rights may have effect: **28 October 2015**  
(54) Product in respect of which the design is registered: **Rafter cap for oztech retractable pergola**  
(51) International Design Classification: **25-02NES**  
(74) Name(s) of Attorney(s):  
(71) Name(s) and Address(s) of Applicant(s):  
**G. S. WORLD PTY LTD**  
**40 Harley Cres Condell Park NSW 2200 Australia**  
(72) Name(s) of Designer(s): **Jeong Bae Seo**  
(45) Registration Date: **15 December 2015**  
(56) Related Art Documents: **Not Applicable**  
(57) Statement of Newness and Distinctiveness: **The Oztech Retractable Pergola has been uniquely designed to give it a more contemporary appearance. With its exquisite balance of straight lines and round curves, the Oztech Retractable Pergola is truly a distinctive product unlike any other existing product. The Rafter Cap for the Oztech Retractable Pergola has a unique belt tensioning mechanism to facilitate installation of the system.**



- (21) Design Number: **15777/2015**  
(22) Date of Filing Application: **28 October 2015**  
(24) Date from which industrial property rights may have effect: **28 October 2015**  
(54) Product in respect of which the design is registered: **Trolley for oztech retractable pergola**  
(51) International Design Classification: **25-02NES**  
(74) Name(s) of Attorney(s):  
(71) Name(s) and Address(s) of Applicant(s):  
**G. S. WORLD PTY LTD**  
**40 Harley Cres Condell Park NSW 2200 Australia**  
(72) Name(s) of Designer(s): **Jeong Bae Seo**  
(45) Registration Date: **15 December 2015**  
(56) Related Art Documents: **Not Applicable**  
(57) Statement of Newness and Distinctiveness: **The Oztech Retractable Pergola has been uniquely designed to give it a more contemporary appearance. With its exquisite balance of straight lines and round curves, the Oztech Retractable Pergola is truly a distinctive product unlike any other existing product. The Trolley for the Oztech Retractable Pergola incorporates a unique rubber seal to prevent water leakage.**



(21) Design Number: **16235/2015**

(22) Date of Filing Application: **19 November 2015**

(24) Date from which industrial property rights may have effect: **19 November 2015**

(54) Product in respect of which the design is registered: **Brew basket**

(51) International Design Classification: **07-02L**

(74) Name(s) of Attorney(s): **PHILLIPS ORMONDE FITZPATRICK**

(71) Name(s) and Address(s) of Applicant(s):

**SharkNinja Operating LLC**

**180 Wells Avenue Suite 200 Newton Massachusetts, 02459 United States of America**

(72) Name(s) of Designer(s): **Daniel Kestenbaum**

(45) Registration Date: **15 December 2015**

(30) Convention priority data:

(31) Number	(32) Date	(33) Country
<b>29/530,399</b>	<b>16 Jun 2015</b>	<b>UNITED STATES OF AMERICA</b>

(56) Related Art Documents: **Not Applicable**

(57) Statement of Newness and Distinctiveness: **Those features of the brew basket depicted in the representations that are new and distinctive are the shape and/or configuration. The features shown in broken lines are not part of the design and are to be disregarded when considering the overall impression of the design.**



(21) Design Number: **16237/2015**

(22) Date of Filing Application: **19 November 2015**

(24) Date from which industrial property rights may have effect: **19 November 2015**

(54) Product in respect of which the design is registered: **Brew basket**

(51) International Design Classification: **07-02L**

(74) Name(s) of Attorney(s): **PHILLIPS ORMONDE FITZPATRICK**

(71) Name(s) and Address(s) of Applicant(s):

**SharkNinja Operating LLC**

**180 Wells Avenue Suite 200 Newton Massachusetts, 02459 United States of America**

(72) Name(s) of Designer(s): **Daniel Kestenbaum**

(45) Registration Date: **15 December 2015**

(30) Convention priority data:

(31) Number	(32) Date	(33) Country
<b>29/530,399</b>	<b>16 Jun 2015</b>	<b>UNITED STATES OF AMERICA</b>

(56) Related Art Documents: **Not Applicable**

(57) Statement of Newness and Distinctiveness: **Those features of the brew basket depicted in the representations that are new and distinctive are the shape and/or configuration. The features shown in broken lines are not part of the design and are to be disregarded when considering the overall impression of the design.**



(21) Design Number: **16242/2015**  
(22) Date of Filing Application: **19 November 2015**  
(24) Date from which industrial property rights may have effect: **19 November 2015**  
(54) Product in respect of which the design is registered: **Toothbrush**  
(51) International Design Classification: **04-02**  
(74) Name(s) of Attorney(s): **WATERMARK PATENT AND TRADE MARKS ATTORNEYS**  
(71) Name(s) and Address(s) of Applicant(s):  
**The Gillette Company**  
**One Gillette Park Boston Massachusetts, 02127 United States of America**  
(72) Name(s) of Designer(s): **Marlis Hubner and Ezgi Keceli and Franziska Schmid and Jens Storkel and Tilmann Winkler**  
(45) Registration Date: **15 December 2015**  
(30) Convention priority data:  
(31) Number      (32) Date      (33) Country  
**895053301      22 May 2015      WORLD INTELLECTUAL PROPERTY ORGANIZATION (WIPO)**  
(56) Related Art Documents: **Not Applicable**  
(57) Statement of Newness and Distinctiveness: **Newness and distinctiveness resides in the visual features of shape, configuration, pattern and/or ornamentation of a toothbrush as shown in the accompanying representations. The features shown in broken line are not part of the design and are to be disregarded when considering the overall impression of the design.**



(21) Design Number: **16246/2015**  
(22) Date of Filing Application: **19 November 2015**  
(24) Date from which industrial property rights may have effect: **19 November 2015**  
(54) Product in respect of which the design is registered: **Toothbrush**  
(51) International Design Classification: **04-02**  
(74) Name(s) of Attorney(s): **WATERMARK PATENT AND TRADE MARKS ATTORNEYS**  
(71) Name(s) and Address(s) of Applicant(s):  
**The Gillette Company**  
**One Gillette Park Boston Massachusetts, 02127 United States of America**  
(72) Name(s) of Designer(s): **Marlis Hubner and Ezgi Keceli and Franziska Schmid and Jens Storkel and Tilmann Winkler**  
(45) Registration Date: **15 December 2015**  
(30) Convention priority data:  
(31) Number      (32) Date      (33) Country  
**895053301      22 May 2015      WORLD INTELLECTUAL PROPERTY ORGANIZATION (WIPO)**  
(56) Related Art Documents: **Not Applicable**  
(57) Statement of Newness and Distinctiveness: **Newness and distinctiveness resides in the visual features of shape, configuration, pattern and/or ornamentation of a toothbrush as shown in the accompanying representations.**



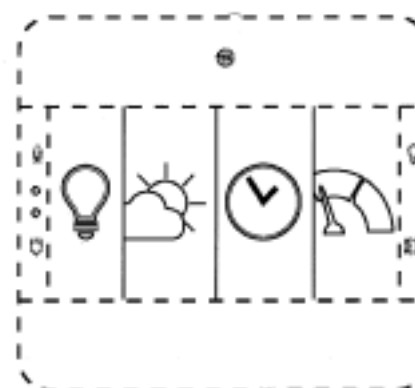
- (21) Design Number: **14763/2015**  
(22) Date of Filing Application: **08 September 2015**  
(24) Date from which industrial property rights may have effect: **15 June 2015**  
(54) Product in respect of which the design is registered: **Recessed shade storage and deployment assembly**  
(51) International Design Classification: **25-02H**  
(74) Name(s) of Attorney(s): **Davies Collison Cave**  
(71) Name(s) and Address(s) of Applicant(s):  
**Geigtech East Bay LLC**  
**143 East Bay Street Charleston South Carolina, 29401 United States of America**  
(72) Name(s) of Designer(s): **James Geiger**  
(45) Registration Date: **15 December 2015**  
(62) Divisional of: **364868**  
(56) Related Art Documents: **Not Applicable**  
(57) Statement of Newness and Distinctiveness: **Newness and distinctiveness is claimed in the features of shape and configuration shown in solid lines in the representations. The product is of indefinite width as shown in the representations.**



- (21) Design Number: **14772/2015**  
(22) Date of Filing Application: **08 September 2015**  
(24) Date from which industrial property rights may have effect: **15 June 2015**  
(54) Product in respect of which the design is registered: **Recessed shade storage and deployment assembly**  
(51) International Design Classification: **25-02H**  
(74) Name(s) of Attorney(s): **Davies Collison Cave**  
(71) Name(s) and Address(s) of Applicant(s):  
**Geigtech East Bay LLC**  
**143 East Bay Street Charleston South Carolina, 29401 United States of America**  
(72) Name(s) of Designer(s): **James Geiger**  
(45) Registration Date: **15 December 2015**  
(62) Divisional of: **364868**  
(56) Related Art Documents: **Not Applicable**  
(57) Statement of Newness and Distinctiveness: **Newness and distinctiveness is claimed in the features of shape and configuration shown in solid lines in the representations. The product is of indefinite width as shown in the representations.**



(21) Design Number: **15146/2015**  
(22) Date of Filing Application: **02 October 2015**  
(24) Date from which industrial property rights may have effect: **02 October 2015**  
(54) Product in respect of which the design is registered: **Smart switch panel with graphical user interface**  
(51) International Design Classification: **13-03NES**  
(74) Name(s) of Attorney(s): **Shelston IP Pty Ltd.**  
(71) Name(s) and Address(s) of Applicant(s):  
**Lucis Technologies Holdings Limited**  
**Suite #4-210 Governors Square 23 Lime Tree Bay Avenue PO Box 32311**  
**Grand Cayman KY1-1209 Cayman Islands**  
(72) Name(s) of Designer(s): **Shan Guan and Xiaolin Shi**  
(45) Registration Date: **15 December 2015**  
(30) Convention priority data:  
(31) Number (32) Date (33) Country  
**201530086763.8 03 Apr 2015 CHINA**

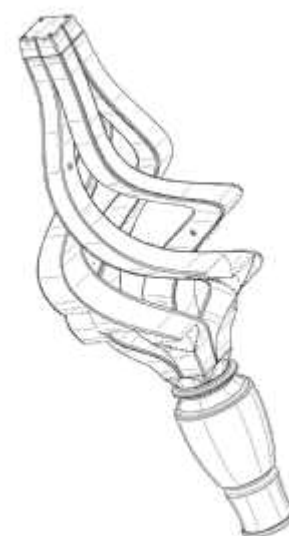


(56) Related Art Documents: **Not Applicable**  
(57) Statement of Newness and Distinctiveness: **Newness and distinctiveness reside in the features of pattern and/or ornamentation of a SMART SWITCH PANEL WITH GRAPHICAL USER INTERFACE as illustrated in solid lines in the accompanying representations. The features shown in broken or discontinuous lines are illustrative only and do not form part of the design.**

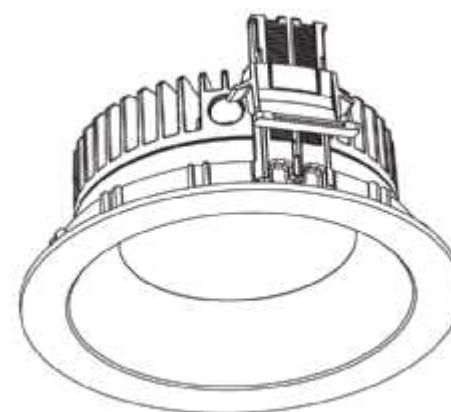
(21) Design Number: **16253/2015**  
(22) Date of Filing Application: **19 November 2015**  
(24) Date from which industrial property rights may have effect: **19 November 2015**  
(54) Product in respect of which the design is registered: **Egg poacher**  
(51) International Design Classification: **07-02H**  
(74) Name(s) of Attorney(s): **Fisher Adams Kelly Callinans**  
(71) Name(s) and Address(s) of Applicant(s):  
**The Decor Corporation Pty. Ltd.**  
**1314 Ferntree Gully Rd Scoresby VIC 3179 Australia**  
(72) Name(s) of Designer(s): **Jim Samartgis**  
(45) Registration Date: **15 December 2015**  
(56) Related Art Documents: **Not Applicable**  
(57) Statement of Newness and Distinctiveness: **Newness and distinctiveness resides in the application of the features of shape and configuration to an Egg Poacher as shown in the accompanying representations.**



(21) Design Number: **16256/2015**  
(22) Date of Filing Application: **19 November 2015**  
(24) Date from which industrial property rights may have effect: **09 October 2015**  
(54) Product in respect of which the design is registered: **Lighting fixture**  
(51) International Design Classification: **26-05E**  
(74) Name(s) of Attorney(s): **Griffith Hack**  
(71) Name(s) and Address(s) of Applicant(s):  
**Hubbell Incorporated**  
**40 Waterview Drive P.O. Box 1000 Shelton, Connecticut, 06484 United States of America**  
(72) Name(s) of Designer(s): **Robert R. Nankil**  
(45) Registration Date: **15 December 2015**  
(62) Divisional of: **365575**  
(56) Related Art Documents: **Not Applicable**  
(57) Statement of Newness and Distinctiveness: **Newness and distinctiveness resides in the visual features, including the shape and configuration of the product as shown by means of solid lines in the representations.**



(21) Design Number: **16257/2015**  
(22) Date of Filing Application: **19 November 2015**  
(24) Date from which industrial property rights may have effect: **19 November 2015**  
(54) Product in respect of which the design is registered: **Luminaire**  
(51) International Design Classification: **26-05C**  
(74) Name(s) of Attorney(s): **Spruson & Ferguson**  
(71) Name(s) and Address(s) of Applicant(s):  
**Zumtobel Lighting GmbH**  
**Grevenmarschstrasse 74-78, Lemgo 32657 Germany**  
(72) Name(s) of Designer(s): **Christopher Redfern**  
(45) Registration Date: **15 December 2015**  
(30) Convention priority data:  
(31) Number      (32) Date      (33) Country  
**002 704 742      21 May 2015      OFFICE FOR HARMONISATION IN THE INTERNAL MARKET (OHIM)**  
(56) Related Art Documents: **Not Applicable**  
(57) Statement of Newness and Distinctiveness: **Newness and distinctiveness is claimed in the features of shape and/or configuration of a luminaire as illustrated in the accompanying representations.**



- (21) Design Number: **16255/2015**  
(22) Date of Filing Application: **19 November 2015**  
(24) Date from which industrial property rights may have effect: **19 November 2015**  
(54) Product in respect of which the design is registered: **Cup for egg poacher**  
(51) International Design Classification: **07-02NES**  
(74) Name(s) of Attorney(s): **Fisher Adams Kelly Callinans**  
(71) Name(s) and Address(s) of Applicant(s):  
**The Decor Corporation Pty. Ltd.**  
**1314 Ferntree Gully Rd Scoresby VIC 3179 Australia**  
(72) Name(s) of Designer(s): **Jim Samartgis**  
(45) Registration Date: **15 December 2015**  
(56) Related Art Documents: **Not Applicable**  
(57) Statement of Newness and Distinctiveness: **Newness and distinctiveness resides in the application of the features of shape and configuration to a Cup for Egg Poacher as shown in the accompanying representations**



- (21) Design Number: **16297/2015**  
(22) Date of Filing Application: **23 November 2015**  
(24) Date from which industrial property rights may have effect: **02 April 2015**  
(54) Product in respect of which the design is registered: **Article of clothing**  
(51) International Design Classification: **02-02C, 02-02NES**  
(74) Name(s) of Attorney(s): **Allens Patent & Trade Mark Attorneys**  
(71) Name(s) and Address(s) of Applicant(s):  
**Forever New Clothing Pty Ltd**  
**Level 4, Building 8 576 Swan Street Richmond VIC 3121 Australia**  
(72) Name(s) of Designer(s): **Miller Octavia**  
(45) Registration Date: **15 December 2015**  
(62) Divisional of: **365752**  
(56) Related Art Documents: **Not Applicable**  
(57) Statement of Newness and Distinctiveness: **Newness and distinctiveness resides in the visual features of shape, configuration, pattern and/or ornamentation of an article of clothing as shown in the accompanying representations.**



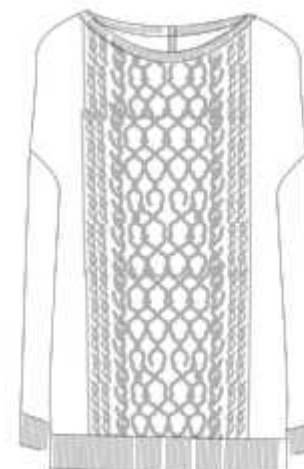
- (21) Design Number: **16298/2015**  
(22) Date of Filing Application: **23 November 2015**  
(24) Date from which industrial property rights may have effect: **02 April 2015**  
(54) Product in respect of which the design is registered: **Article of clothing**  
(51) International Design Classification: **02-02C**  
(74) Name(s) of Attorney(s): **Allens Patent & Trade Mark Attorneys**  
(71) Name(s) and Address(s) of Applicant(s):  
**Forever New Clothing Pty Ltd**  
**Level 4, Building 8 576 Swan Street Richmond VIC 3121 Australia**  
(72) Name(s) of Designer(s): **Mantra Ahrendt**  
(45) Registration Date: **15 December 2015**  
(62) Divisional of: **365752**  
(56) Related Art Documents: **Not Applicable**  
(57) Statement of Newness and Distinctiveness: **Newness and distinctiveness resides in the visual features of shape, configuration, pattern and/or ornamentation of an article of clothing as shown in the accompanying representations.**



- (21) Design Number: **16299/2015**  
(22) Date of Filing Application: **23 November 2015**  
(24) Date from which industrial property rights may have effect: **02 April 2015**  
(54) Product in respect of which the design is registered: **Article of clothing**  
(51) International Design Classification: **02-02C**  
(74) Name(s) of Attorney(s): **Allens Patent & Trade Mark Attorneys**  
(71) Name(s) and Address(s) of Applicant(s):  
**Forever New Clothing Pty Ltd**  
**Level 4, Building 8 576 Swan Street Richmond VIC 3121 Australia**  
(72) Name(s) of Designer(s): **Mantra Ahrendt**  
(45) Registration Date: **15 December 2015**  
(62) Divisional of: **365752**  
(57) Statement of Newness and Distinctiveness: **f shape, configuration, pattern and/or ornamentation of an a rticle of clothing as shown in the accompanying representatons.**



- (21) Design Number: **16301/2015**  
(22) Date of Filing Application: **23 November 2015**  
(24) Date from which industrial property rights may have effect: **02 April 2015**  
(54) Product in respect of which the design is registered: **Article of clothing**  
(51) International Design Classification: **02-02NES**  
(74) Name(s) of Attorney(s): **Allens Patent & Trade Mark Attorneys**  
(71) Name(s) and Address(s) of Applicant(s):  
**Forever New Clothing Pty Ltd**  
**Level 4, Building 8 576 Swan Street Richmond VIC 3121 Australia**  
(72) Name(s) of Designer(s): **Cat Evans**  
(45) Registration Date: **15 December 2015**  
(62) Divisional of: **365752**  
(56) Related Art Documents: **Not Applicable**  
(57) Statement of Newness and Distinctiveness: **Newness and distinctiveness resides in the visual features of shape, configuration, pattern and/or ornamentation of an article of clothing as shown in the accompanying representation.**



- (21) Design Number: **16302/2015**  
(22) Date of Filing Application: **23 November 2015**  
(24) Date from which industrial property rights may have effect: **02 April 2015**  
(54) Product in respect of which the design is registered: **Article of clothing**  
(51) International Design Classification: **02-02NES**  
(74) Name(s) of Attorney(s): **Allens Patent & Trade Mark Attorneys**  
(71) Name(s) and Address(s) of Applicant(s):  
**Forever New Clothing Pty Ltd**  
**Level 4, Building 8 576 Swan Street Richmond VIC 3121 Australia**  
(72) Name(s) of Designer(s): **Cat Evans**  
(45) Registration Date: **15 December 2015**  
(62) Divisional of: **365752**  
(56) Related Art Documents: **Not Applicable**  
(57) Statement of Newness and Distinctiveness: **Newness and distinctiveness resides in the visual features of shape, configuration, pattern and/or ornamentation of an article of clothing as shown in the accompanying representations.**



- (21) Design Number: **16306/2015**  
(22) Date of Filing Application: **23 November 2015**  
(24) Date from which industrial property rights may have effect: **02 April 2015**  
(54) Product in respect of which the design is registered: **Article of clothing**  
(51) International Design Classification: **02-02NES**  
(74) Name(s) of Attorney(s): **Allens Patent & Trade Mark Attorneys**  
(71) Name(s) and Address(s) of Applicant(s):  
**Forever New Clothing Pty Ltd**  
**L4 Building 8 576 Swan St Richmond VIC 3121 Australia**  
(72) Name(s) of Designer(s): **Alice Burrow**  
(45) Registration Date: **15 December 2015**  
(62) Divisional of: **365752**  
(56) Related Art Documents: **Not Applicable**  
(57) Statement of Newness and Distinctiveness: **Newness and distinctiveness resides in the visual features of shape, configuration, pattern and/or ornamentation of an article of clothing as shown in the accompanying representations.**



- (21) Design Number: **16307/2015**  
(22) Date of Filing Application: **23 November 2015**  
(24) Date from which industrial property rights may have effect: **02 April 2015**  
(54) Product in respect of which the design is registered: **Article of clothing**  
(51) International Design Classification: **02-02NES**  
(74) Name(s) of Attorney(s): **Allens Patent & Trade Mark Attorneys**  
(71) Name(s) and Address(s) of Applicant(s):  
**Forever New Clothing Pty Ltd**  
**L4 Building 8 576 Swan St Richmond VIC 3121 Australia**  
(72) Name(s) of Designer(s): **Alice Burrow**  
(45) Registration Date: **15 December 2015**  
(62) Divisional of: **365752**  
(56) Related Art Documents: **Not Applicable**  
(57) Statement of Newness and Distinctiveness: **Newness and distinctiveness resides in the visual features of shape, configuration, pattern and/or ornamentation of an article of clothing as shown in the accompanying representations.**



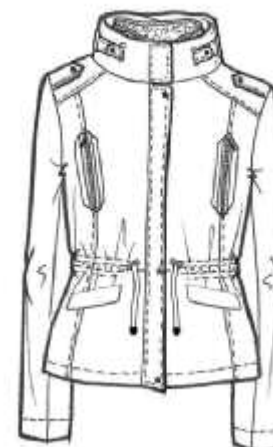
- (21) Design Number: **16308/2015**  
(22) Date of Filing Application: **23 November 2015**  
(24) Date from which industrial property rights may have effect: **02 April 2015**  
(54) Product in respect of which the design is registered: **Article of clothing**  
(51) International Design Classification: **02-02NES**  
(74) Name(s) of Attorney(s): **Allens Patent & Trade Mark Attorneys**  
(71) Name(s) and Address(s) of Applicant(s):  
**Forever New Clothing Pty Ltd**  
**L4 Building 8 576 Swan St Richmond VIC 3121 Australia**  
(72) Name(s) of Designer(s): **Alice Burrow**  
(45) Registration Date: **15 December 2015**  
(62) Divisional of: **365752**  
(56) Related Art Documents: **Not Applicable**  
(57) Statement of Newness and Distinctiveness: **Newness and distinctiveness resides in the visual features of shape, configuration, pattern and/or ornamentation of an article of clothing as shown in the accompanying representations.**



- (21) Design Number: **16309/2015**  
(22) Date of Filing Application: **23 November 2015**  
(24) Date from which industrial property rights may have effect: **02 April 2015**  
(54) Product in respect of which the design is registered: **Article of clothing**  
(51) International Design Classification: **02-02NES**  
(74) Name(s) of Attorney(s): **Allens Patent & Trade Mark Attorneys**  
(71) Name(s) and Address(s) of Applicant(s):  
**Forever New Clothing Pty Ltd**  
**L4 Building 8 576 Swan St Richmond VIC 3121 Australia**  
(72) Name(s) of Designer(s): **Alice Burrow**  
(45) Registration Date: **15 December 2015**  
(62) Divisional of: **365752**  
(56) Related Art Documents: **Not Applicable**  
(57) Statement of Newness and Distinctiveness: **Newness and distinctiveness resides in the visual features of shape, configuration, pattern and/or ornamentation of an article of clothing as shown in the accompanying representations.**



- (21) Design Number: **16310/2015**  
(22) Date of Filing Application: **23 November 2015**  
(24) Date from which industrial property rights may have effect: **02 April 2015**  
(54) Product in respect of which the design is registered: **Article of clothing**  
(51) International Design Classification: **02-02NES**  
(74) Name(s) of Attorney(s): **Allens Patent & Trade Mark Attorneys**  
(71) Name(s) and Address(s) of Applicant(s):  
**Forever New Clothing Pty Ltd**  
**L4 Building 8 576 Swan St Richmond VIC 3121 Australia**  
(72) Name(s) of Designer(s): **Alice Burrow**  
(45) Registration Date: **15 December 2015**  
(62) Divisional of: **365752**  
(56) Related Art Documents: **Not Applicable**  
(57) Statement of Newness and Distinctiveness: **Newness and distinctiveness resides in the visual features of shape, configuration, pattern and/or ornamentation of an article of clothing as shown in the accompanying representations.**



- (21) Design Number: **16021/2015**  
(22) Date of Filing Application: **10 November 2015**  
(24) Date from which industrial property rights may have effect: **10 November 2015**  
(54) Product in respect of which the design is registered: **Impact Driver**  
(51) International Design Classification: **08-01**  
(74) Name(s) of Attorney(s):  
(71) Name(s) and Address(s) of Applicant(s):  
**Einhell Germany AG**  
**Wiesenweg 22 Landau 94405 Germany**  
(72) Name(s) of Designer(s): **Jun Meng**  
(45) Registration Date: **15 December 2015**  
(30) Convention priority data:  
(31) Number      (32) Date      (33) Country  
**002837260-0001    27 Oct 2015      OFFICE FOR HARMONISATION IN  
THE INTERNAL MARKET (OHIM)**  
(56) Related Art Documents: **Not Applicable**  
(57) Statement of Newness and Distinctiveness: **Nil**



- (21) Design Number: **16296/2015**  
(22) Date of Filing Application: **23 November 2015**  
(24) Date from which industrial property rights may have effect: **23 November 2015**  
(54) Product in respect of which the design is registered: **Accessory for hairdryer**  
(51) International Design Classification: **28-03B**  
(74) Name(s) of Attorney(s): **Shelston IP Pty Ltd.**  
(71) Name(s) and Address(s) of Applicant(s):

**Dyson Technology Limited**  
**Tetbury Hill Malmesbury Wiltshire SN16 0RP United Kingdom**

- (72) Name(s) of Designer(s): **Philip Jonathan Stephens and Stephen Farrar Smith and Andrea Ee-Va Lim and Peter David Gammack**

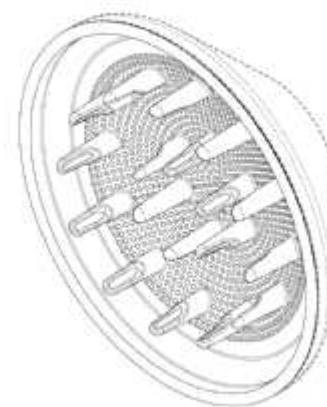
(45) Registration Date: **15 December 2015**

(30) Convention priority data:

(31) Number	(32) Date	(33) Country
<b>001436281-0002</b>	<b>18 Jun 2015</b>	<b>OFFICE FOR HARMONISATION IN THE INTERNAL MARKET (OHIM)</b>

(56) Related Art Documents: **Not Applicable**

- (57) Statement of Newness and Distinctiveness: **Newness and distinctiveness reside in the features of shape and/or configuration of an ACCESSORY FOR HAIRDRYER as illustrated in solid lines in the accompanying representations. The features shown in broken or discontinuous lines are illustrative only and do not form part of the design.**



- (21) Design Number: **16303/2015**  
(22) Date of Filing Application: **23 November 2015**  
(24) Date from which industrial property rights may have effect: **02 April 2015**  
(54) Product in respect of which the design is registered: **Article of clothing**  
(51) International Design Classification: **02-02NES**  
(74) Name(s) of Attorney(s): **Allens Patent & Trade Mark Attorneys**  
(71) Name(s) and Address(s) of Applicant(s):

**Forever New Clothing Pty Ltd**  
**Level 4, Building 8 576 Swan Street Richmond VIC 3121 Australia**

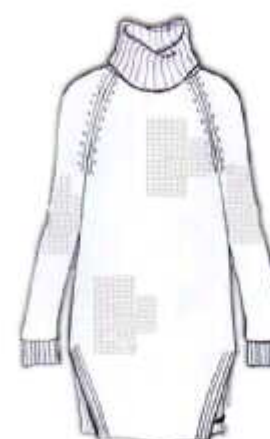
(72) Name(s) of Designer(s): **Cat Evans**

(45) Registration Date: **15 December 2015**

(62) Divisional of: **365752**

(56) Related Art Documents: **Not Applicable**

- (57) Statement of Newness and Distinctiveness: **Newness and distinctiveness resides in the visual features of shape, configuration, pattern and/or ornamentation of an article of clothing as shown in the accompanying representation.**



- (21) Design Number: **16304/2015**  
(22) Date of Filing Application: **23 November 2015**  
(24) Date from which industrial property rights may have effect: **02 April 2015**  
(54) Product in respect of which the design is registered: **Article of clothing**  
(51) International Design Classification: **02-02NES**  
(74) Name(s) of Attorney(s): **Allens Patent & Trade Mark Attorneys**  
(71) Name(s) and Address(s) of Applicant(s):  
**Forever New Clothing Pty Ltd**  
**Level 4, Building 8 576 Swan Street Richmond VIC 3121 Australia**  
(72) Name(s) of Designer(s): **Alice Burrow**  
(45) Registration Date: **15 December 2015**  
(62) Divisional of: **365752**  
(56) Related Art Documents: **Not Applicable**  
(57) Statement of Newness and Distinctiveness: **Newness and distinctiveness resides in the visual features of shape, configuration, pattern and/or ornamentation of an article of clothing as shown in the accompanying representations.**



- (21) Design Number: **16305/2015**  
(22) Date of Filing Application: **23 November 2015**  
(24) Date from which industrial property rights may have effect: **02 April 2015**  
(54) Product in respect of which the design is registered: **Article of clothing**  
(51) International Design Classification: **02-02NES**  
(74) Name(s) of Attorney(s): **Allens Patent & Trade Mark Attorneys**  
(71) Name(s) and Address(s) of Applicant(s):  
**Forever New Clothing Pty Ltd**  
**Level 4, Building 8 576 Swan Street Richmond VIC 3121 Australia**  
(72) Name(s) of Designer(s): **Alice Burrow**  
(45) Registration Date: **15 December 2015**  
(62) Divisional of: **365752**  
(56) Related Art Documents: **Not Applicable**  
(57) Statement of Newness and Distinctiveness: **Newness and distinctiveness resides in the visual features of shape, configuration, pattern and/or ornamentation of an article of clothing as shown in the accompanying representations.**



- (21) Design Number: **16311/2015**  
(22) Date of Filing Application: **23 November 2015**  
(24) Date from which industrial property rights may have effect: **16 September 2015**  
(54) Product in respect of which the design is registered: **Package butler**  
(51) International Design Classification: **09-05**  
(74) Name(s) of Attorney(s): **Griffith Hack**  
(71) Name(s) and Address(s) of Applicant(s):  
**Deutsche Telekom AG**  
**Friedrich-Ebert-Allee 140 BONN 53113 Germany**  
(72) Name(s) of Designer(s): **Michael Schmidt-Gabriel and Johannes Scholl**  
(45) Registration Date: **15 December 2015**  
(62) Divisional of: **365572**  
(56) Related Art Documents: **Not Applicable**  
(57) Statement of Newness and Distinctiveness: **Newness and distinctiveness resides in the visual features, including shape and configuration of the product as shown in the accompanying representations.**



- (21) Design Number: **16147/2015**  
(22) Date of Filing Application: **15 November 2015**  
(24) Date from which industrial property rights may have effect: **15 November 2015**  
(54) Product in respect of which the design is registered: **Measuring cup**  
(51) International Design Classification: **10-04**  
(74) Name(s) of Attorney(s):  
(71) Name(s) and Address(s) of Applicant(s):  
**Logue and Co. Pty Ltd**  
**199 Kiora Road Yowie Bay New South Wales 2228 Australia**  
(72) Name(s) of Designer(s): **Anthony Thomas Logue**  
(45) Registration Date: **16 December 2015**  
(56) Related Art Documents: **Not Applicable**  
(57) Statement of Newness and Distinctiveness: **Newness and distinctiveness is claimed in the features of shape and/ or configuration of a measuring cup as depicted in the accompanying drawings.**



(21) Design Number: **16258/2015**  
(22) Date of Filing Application: **19 November 2015**  
(24) Date from which industrial property rights may have effect: **19 November 2015**  
(54) Product in respect of which the design is registered: **Luminaire**  
(51) International Design Classification: **26-05C**  
(74) Name(s) of Attorney(s): **Spruson & Ferguson**  
(71) Name(s) and Address(s) of Applicant(s):

**Zumtobel Lighting GmbH**  
**Grevenmarschstrasse 74-78, Lemgo 32657 Germany**

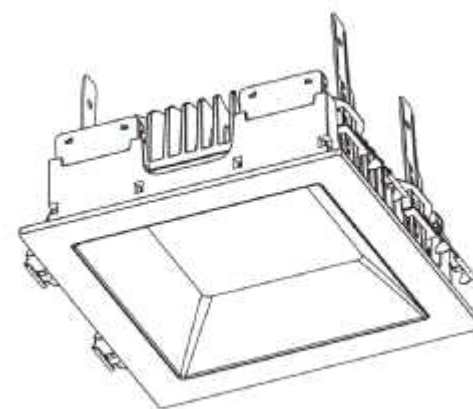
(72) Name(s) of Designer(s): **Christopher Redfern**  
(45) Registration Date: **16 December 2015**

(30) Convention priority data:

(31) Number	(32) Date	(33) Country
<b>002 704 742</b>	<b>21 May 2015</b>	<b>OFFICE FOR HARMONISATION IN THE INTERNAL MARKET (OHIM)</b>

(56) Related Art Documents: **Not Applicable**

(57) Statement of Newness and Distinctiveness: **Newness and distinctiveness is claimed in the features of shape and/or configuration of a luminaire as illustrated in the accompanying representations.**



(21) Design Number: **16259/2015**  
(22) Date of Filing Application: **19 November 2015**  
(24) Date from which industrial property rights may have effect: **19 November 2015**  
(54) Product in respect of which the design is registered: **Fountain pen**  
(51) International Design Classification: **19-06**  
(74) Name(s) of Attorney(s): **PHILLIPS ORMONDE FITZPATRICK**  
(71) Name(s) and Address(s) of Applicant(s):

**Turlen Holding SA**  
**Rue du Jura 11 Les Breuleux 2345 Switzerland**

(72) Name(s) of Designer(s): **Richard Mille**  
(45) Registration Date: **16 December 2015**

(30) Convention priority data:

(31) Number	(32) Date	(33) Country
<b>926112201</b>	<b>06 Oct 2015</b>	<b>WORLD INTELLECTUAL PROPERTY ORGANIZATION (WIPO)</b>

(56) Related Art Documents: **Not Applicable**

(57) Statement of Newness and Distinctiveness: **Nil**



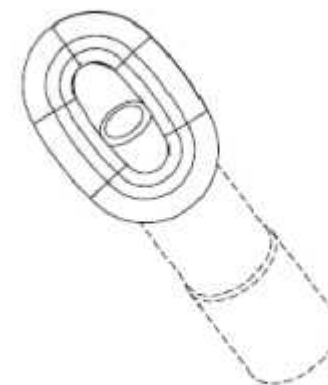
- (21) Design Number: **16260/2015**  
(22) Date of Filing Application: **19 November 2015**  
(24) Date from which industrial property rights may have effect: **19 November 2015**  
(54) Product in respect of which the design is registered: **Storage container**  
(51) International Design Classification: **09-03M**  
(74) Name(s) of Attorney(s): **FB Rice**  
(71) Name(s) and Address(s) of Applicant(s):  
**FBA International Pty Ltd**  
**35-77 Emu Rd Maidstone VIC 3012 Australia**  
(72) Name(s) of Designer(s): **Fadde Ali and Aneesh Satyamurthy and Evan Pell and Isabella Powell**  
(45) Registration Date: **16 December 2015**  
(56) Related Art Documents: **Not Applicable**  
(57) Statement of Newness and Distinctiveness: **Newness and distinctiveness reside in the visual features of the product shown in solid lines in the representations, excluding the features shown in dashed lines which are disclaimed.**



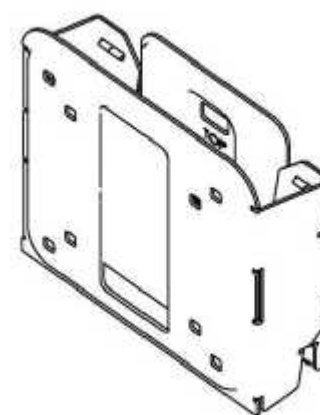
- (21) Design Number: **16347/2015**  
(22) Date of Filing Application: **23 November 2015**  
(24) Date from which industrial property rights may have effect: **23 November 2015**  
(54) Product in respect of which the design is registered: **Pallet reinforcement beam**  
(51) International Design Classification: **09-08**  
(74) Name(s) of Attorney(s): **Ascot Martin Registered Patent & Trade Mark Attorneys**  
(71) Name(s) and Address(s) of Applicant(s):  
**Achiman Pty Ltd**  
**SE4 200 Victoria Rd Drummoyne NSW 2047 Australia**  
(72) Name(s) of Designer(s): **Chris Hill and Craig Ruby and Mark Bayly and Lee Baker**  
(45) Registration Date: **16 December 2015**  
(56) Related Art Documents: **Not Applicable**  
(57) Statement of Newness and Distinctiveness: **The features of the design that are new and distinctive are the shape and configuration of the product as shown in the accompanying representations**



- (21) Design Number: **16348/2015**  
(22) Date of Filing Application: **24 November 2015**  
(24) Date from which industrial property rights may have effect: **24 November 2015**  
(54) Product in respect of which the design is registered: **Caulking applicator**  
(51) International Design Classification: **08-05NES**  
(74) Name(s) of Attorney(s): **Adams Pluck**  
(71) Name(s) and Address(s) of Applicant(s):  
**Caulkmate Pty Ltd**  
**42 Remly St Roselands NSW 2196 Australia**  
(72) Name(s) of Designer(s): **Christian Gilto**  
(45) Registration Date: **16 December 2015**  
(56) Related Art Documents: **Not Applicable**  
(57) Statement of Newness and Distinctiveness: **Those features of the caulking applicator depicted in the representations that are new and distinctive are the shape and/or configuration. The features shown in broken line are not part of the design and are to be disregarded when considering the overall impression of the design.**



- (21) Design Number: **16406/2015**  
(22) Date of Filing Application: **26 November 2015**  
(24) Date from which industrial property rights may have effect: **26 November 2015**  
(54) Product in respect of which the design is registered: **Wall mounts for audiovisual apparatus**  
(51) International Design Classification: **14-99**  
(74) Name(s) of Attorney(s): **K&L Gates**  
(71) Name(s) and Address(s) of Applicant(s):  
**Vogel's Holding B.V.**  
**Hondsruglaan 93 Eindhoven 5628 DB The Netherlands**  
(72) Name(s) of Designer(s): **Robin Bergmans and Danny Sijkens**  
(45) Registration Date: **16 December 2015**  
(30) Convention priority data:  
(31) Number      (32) Date      (33) Country  
**002707059-0001    26 May 2015      EUROPEAN PATENT OFFICE (EPO)**  
(56) Related Art Documents: **Not Applicable**  
(57) Statement of Newness and Distinctiveness: **Nil**



(21) Design Number: **16318/2015**  
(22) Date of Filing Application: **23 November 2015**  
(24) Date from which industrial property rights may have effect: **23 November 2015**  
(54) Product in respect of which the design is registered: **Swimwear**  
(51) International Design Classification: **02-02A**  
(74) Name(s) of Attorney(s): **King & Wood Mallesons**  
(71) Name(s) and Address(s) of Applicant(s):  
**Lisa Marie Fernandez, LLC**  
**255 Hudson Street Apartment 4a New York New York, 10013 United States of America**  
(72) Name(s) of Designer(s): **Lisa Marie Fernandez**  
(45) Registration Date: **16 December 2015**  
(30) Convention priority data:  
(31) Number (32) Date (33) Country  
**002705236-0001 21 May 2015 OFFICE FOR HARMONISATION IN THE INTERNAL MARKET (OHIM)**  
(56) Related Art Documents: **Not Applicable**  
(57) Statement of Newness and Distinctiveness: **Nil**



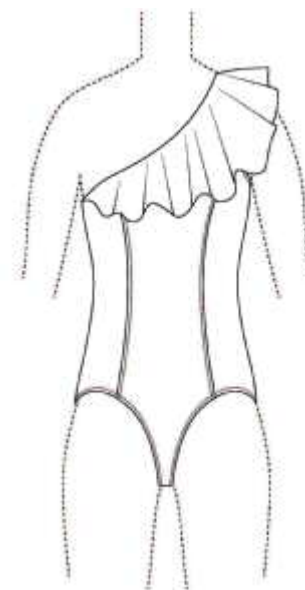
(21) Design Number: **16319/2015**  
(22) Date of Filing Application: **23 November 2015**  
(24) Date from which industrial property rights may have effect: **23 November 2015**  
(54) Product in respect of which the design is registered: **Swimwear**  
(51) International Design Classification: **02-02A**  
(74) Name(s) of Attorney(s): **King & Wood Mallesons**  
(71) Name(s) and Address(s) of Applicant(s):  
**Lisa Marie Fernandez, LLC**  
**255 Hudson Street Apartment 4a New York New York, 10013 United States of America**  
(72) Name(s) of Designer(s): **Lisa Marie Fernandez**  
(45) Registration Date: **16 December 2015**  
(30) Convention priority data:  
(31) Number (32) Date (33) Country  
**002705236-0002 21 May 2015 OFFICE FOR HARMONISATION IN THE INTERNAL MARKET (OHIM)**  
(56) Related Art Documents: **Not Applicable**  
(57) Statement of Newness and Distinctiveness: **Nil**



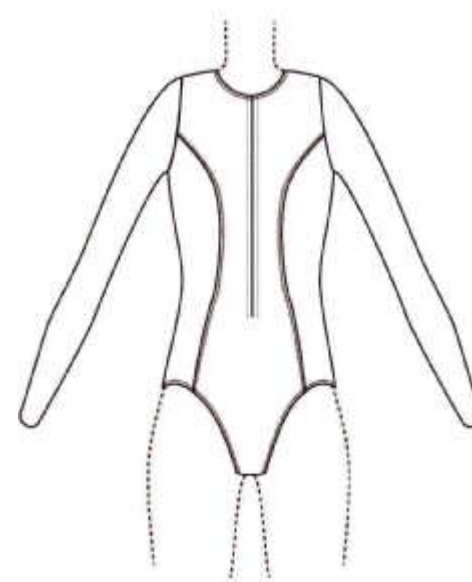
(21) Design Number: **16320/2015**  
(22) Date of Filing Application: **23 November 2015**  
(24) Date from which industrial property rights may have effect: **23 November 2015**  
(54) Product in respect of which the design is registered: **Swimwear**  
(51) International Design Classification: **02-02A**  
(74) Name(s) of Attorney(s): **King & Wood Mallesons**  
(71) Name(s) and Address(s) of Applicant(s):  
**Lisa Marie Fernandez, LLC**  
**255 Hudson Street Apartment 4a New York New York, 10013 United States of America**  
(72) Name(s) of Designer(s): **Lisa Marie Fernandez**  
(45) Registration Date: **16 December 2015**  
(30) Convention priority data:  
(31) Number (32) Date (33) Country  
**002705236-0003 21 May 2015 OFFICE FOR HARMONISATION IN THE INTERNAL MARKET (OHIM)**  
(56) Related Art Documents: **Not Applicable**  
(57) Statement of Newness and Distinctiveness: **Nil**



(21) Design Number: **16321/2015**  
(22) Date of Filing Application: **23 November 2015**  
(24) Date from which industrial property rights may have effect: **23 November 2015**  
(54) Product in respect of which the design is registered: **Swimwear**  
(51) International Design Classification: **02-02A**  
(74) Name(s) of Attorney(s): **King & Wood Mallesons**  
(71) Name(s) and Address(s) of Applicant(s):  
**Lisa Marie Fernandez, LLC**  
**255 Hudson Street Apartment 4a New York New York, 10013 United States of America**  
(72) Name(s) of Designer(s): **Lisa Marie Fernandez**  
(45) Registration Date: **16 December 2015**  
(30) Convention priority data:  
(31) Number (32) Date (33) Country  
**002705236-0004 21 May 2015 OFFICE FOR HARMONISATION IN THE INTERNAL MARKET (OHIM)**  
(56) Related Art Documents: **Not Applicable**  
(57) Statement of Newness and Distinctiveness: **Nil**



(21) Design Number: **16322/2015**  
(22) Date of Filing Application: **23 November 2015**  
(24) Date from which industrial property rights may have effect: **23 November 2015**  
(54) Product in respect of which the design is registered: **Swimwear**  
(51) International Design Classification: **02-02A**  
(74) Name(s) of Attorney(s): **King & Wood Mallesons**  
(71) Name(s) and Address(s) of Applicant(s):  
**Lisa Marie Fernandez, LLC**  
**255 Hudson Street Apartment 4a New York New York, 10013 United States of America**  
(72) Name(s) of Designer(s): **Lisa Marie Fernandez**  
(45) Registration Date: **16 December 2015**  
(30) Convention priority data:  
(31) Number (32) Date (33) Country  
**002705236-0005 21 May 2015 OFFICE FOR HARMONISATION IN THE INTERNAL MARKET (OHIM)**  
(56) Related Art Documents: **Not Applicable**  
(57) Statement of Newness and Distinctiveness: **Nil**



(21) Design Number: **16323/2015**  
(22) Date of Filing Application: **23 November 2015**  
(24) Date from which industrial property rights may have effect: **23 November 2015**  
(54) Product in respect of which the design is registered: **Swimwear**  
(51) International Design Classification: **02-02A**  
(74) Name(s) of Attorney(s): **King & Wood Mallesons**  
(71) Name(s) and Address(s) of Applicant(s):  
**Lisa Marie Fernandez, LLC**  
**255 Hudson Street Apartment 4a New York New York, 10013 United States of America**  
(72) Name(s) of Designer(s): **Lisa Marie Fernandez**  
(45) Registration Date: **16 December 2015**  
(30) Convention priority data:  
(31) Number (32) Date (33) Country  
**002705236-0006 21 May 2015 OFFICE FOR HARMONISATION IN THE INTERNAL MARKET (OHIM)**  
(56) Related Art Documents: **Not Applicable**  
(57) Statement of Newness and Distinctiveness: **Nil**



(21) Design Number: **16324/2015**  
(22) Date of Filing Application: **23 November 2015**  
(24) Date from which industrial property rights may have effect: **23 November 2015**  
(54) Product in respect of which the design is registered: **Swimwear**  
(51) International Design Classification: **02-02A**  
(74) Name(s) of Attorney(s): **King & Wood Mallesons**  
(71) Name(s) and Address(s) of Applicant(s):  
**Lisa Marie Fernandez, LLC**  
**255 Hudson Street Apartment 4a New York New York, 10013 United States of America**  
(72) Name(s) of Designer(s): **Lisa Marie Fernandez**  
(45) Registration Date: **16 December 2015**  
(30) Convention priority data:  
(31) Number (32) Date (33) Country  
**002705236-0007 21 May 2015 OFFICE FOR HARMONISATION IN THE INTERNAL MARKET (OHIM)**  
(56) Related Art Documents: **Not Applicable**  
(57) Statement of Newness and Distinctiveness: **Nil**



(21) Design Number: **16325/2015**  
(22) Date of Filing Application: **23 November 2015**  
(24) Date from which industrial property rights may have effect: **23 November 2015**  
(54) Product in respect of which the design is registered: **Swimwear**  
(51) International Design Classification: **02-02A**  
(74) Name(s) of Attorney(s): **King & Wood Mallesons**  
(71) Name(s) and Address(s) of Applicant(s):  
**Lisa Marie Fernandez, LLC**  
**255 Hudson Street Apartment 4a New York New York, 10013 United States of America**  
(72) Name(s) of Designer(s): **Lisa Marie Fernandez**  
(45) Registration Date: **16 December 2015**  
(30) Convention priority data:  
(31) Number (32) Date (33) Country  
**002705236-0008 21 May 2015 OFFICE FOR HARMONISATION IN THE INTERNAL MARKET (OHIM)**  
(56) Related Art Documents: **Not Applicable**  
(57) Statement of Newness and Distinctiveness: **Nil**



(21) Design Number: **16326/2015**  
(22) Date of Filing Application: **23 November 2015**  
(24) Date from which industrial property rights may have effect: **23 November 2015**  
(54) Product in respect of which the design is registered: **Swimwear**  
(51) International Design Classification: **02-02A**  
(74) Name(s) of Attorney(s): **King & Wood Mallesons**  
(71) Name(s) and Address(s) of Applicant(s):  
**Lisa Marie Fernandez, LLC**  
**255 Hudson Street Apartment 4a New York New York, 10013 United States of America**  
(72) Name(s) of Designer(s): **Lisa Marie Fernandez**  
(45) Registration Date: **16 December 2015**  
(30) Convention priority data:  
(31) Number (32) Date (33) Country  
**002705236-0009 21 May 2015 OFFICE FOR HARMONISATION IN THE INTERNAL MARKET (OHIM)**  
(56) Related Art Documents: **Not Applicable**  
(57) Statement of Newness and Distinctiveness: **Nil**



(21) Design Number: **16327/2015**  
(22) Date of Filing Application: **23 November 2015**  
(24) Date from which industrial property rights may have effect: **23 November 2015**  
(54) Product in respect of which the design is registered: **Swimwear**  
(51) International Design Classification: **02-02A**  
(74) Name(s) of Attorney(s): **King & Wood Mallesons**  
(71) Name(s) and Address(s) of Applicant(s):  
**Lisa Marie Fernandez, LLC**  
**255 Hudson Street Apartment 4a New York New York, 10013 United States of America**  
(72) Name(s) of Designer(s): **Lisa Marie Fernandez**  
(45) Registration Date: **16 December 2015**  
(30) Convention priority data:  
(31) Number (32) Date (33) Country  
**002705236-0010 21 May 2015 OFFICE FOR HARMONISATION IN THE INTERNAL MARKET (OHIM)**  
(56) Related Art Documents: **Not Applicable**  
(57) Statement of Newness and Distinctiveness: **Nil**



(21) Design Number: **16328/2015**  
(22) Date of Filing Application: **23 November 2015**  
(24) Date from which industrial property rights may have effect: **23 November 2015**  
(54) Product in respect of which the design is registered: **Swimwear**  
(51) International Design Classification: **02-02A**  
(74) Name(s) of Attorney(s): **King & Wood Mallesons**  
(71) Name(s) and Address(s) of Applicant(s):  
**Lisa Marie Fernandez, LLC**  
**255 Hudson Street Apartment 4a New York New York, 10013 United States of America**  
(72) Name(s) of Designer(s): **Lisa Marie Fernandez**  
(45) Registration Date: **16 December 2015**  
(30) Convention priority data:  
(31) Number (32) Date (33) Country  
**002705236-0011 21 May 2015 OFFICE FOR HARMONISATION IN THE INTERNAL MARKET (OHIM)**  
(56) Related Art Documents: **Not Applicable**  
(57) Statement of Newness and Distinctiveness: **Nil**



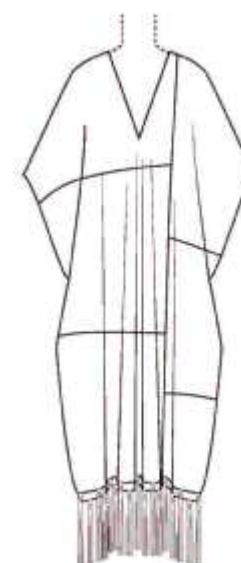
(21) Design Number: **16329/2015**  
(22) Date of Filing Application: **23 November 2015**  
(24) Date from which industrial property rights may have effect: **23 November 2015**  
(54) Product in respect of which the design is registered: **Swimwear**  
(51) International Design Classification: **02-02A**  
(74) Name(s) of Attorney(s): **King & Wood Mallesons**  
(71) Name(s) and Address(s) of Applicant(s):  
**Lisa Marie Fernandez, LLC**  
**255 Hudson Street Apartment 4a New York New York, 10013 United States of America**  
(72) Name(s) of Designer(s): **Lisa Marie Fernandez**  
(45) Registration Date: **16 December 2015**  
(30) Convention priority data:  
(31) Number (32) Date (33) Country  
**002705236-0012 21 May 2015 OFFICE FOR HARMONISATION IN THE INTERNAL MARKET (OHIM)**  
(56) Related Art Documents: **Not Applicable**  
(57) Statement of Newness and Distinctiveness: **Nil**



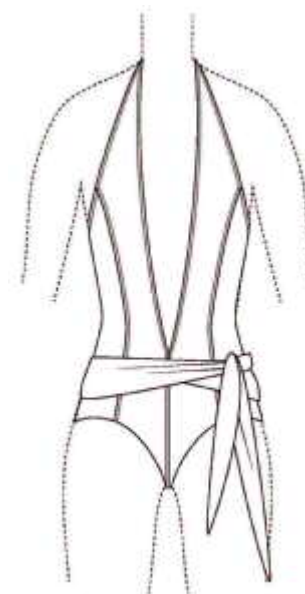
(21) Design Number: **16330/2015**  
(22) Date of Filing Application: **23 November 2015**  
(24) Date from which industrial property rights may have effect: **23 November 2015**  
(54) Product in respect of which the design is registered: **Swimwear**  
(51) International Design Classification: **02-02A**  
(74) Name(s) of Attorney(s): **King & Wood Mallesons**  
(71) Name(s) and Address(s) of Applicant(s):  
**Lisa Marie Fernandez, LLC**  
**255 Hudson Street Apartment 4a New York New York, 10013 United States of America**  
(72) Name(s) of Designer(s): **Lisa Marie Fernandez**  
(45) Registration Date: **16 December 2015**  
(30) Convention priority data:  
(31) Number (32) Date (33) Country  
**002705236-0013 21 May 2015 OFFICE FOR HARMONISATION IN THE INTERNAL MARKET (OHIM)**  
(56) Related Art Documents: **Not Applicable**  
(57) Statement of Newness and Distinctiveness: **Nil**



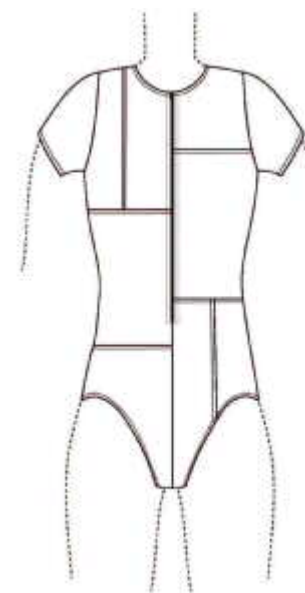
(21) Design Number: **16331/2015**  
(22) Date of Filing Application: **23 November 2015**  
(24) Date from which industrial property rights may have effect: **23 November 2015**  
(54) Product in respect of which the design is registered: **Swimwear**  
(51) International Design Classification: **02-02A**  
(74) Name(s) of Attorney(s): **King & Wood Mallesons**  
(71) Name(s) and Address(s) of Applicant(s):  
**Lisa Marie Fernandez, LLC**  
**255 Hudson Street Apartment 4a New York New York, 10013 United States of America**  
(72) Name(s) of Designer(s): **Lisa Marie Fernandez**  
(45) Registration Date: **16 December 2015**  
(30) Convention priority data:  
(31) Number (32) Date (33) Country  
**002705236-0014 21 May 2015 OFFICE FOR HARMONISATION IN THE INTERNAL MARKET (OHIM)**  
(56) Related Art Documents: **Not Applicable**  
(57) Statement of Newness and Distinctiveness: **Nil**



(21) Design Number: **16332/2015**  
(22) Date of Filing Application: **23 November 2015**  
(24) Date from which industrial property rights may have effect: **23 November 2015**  
(54) Product in respect of which the design is registered: **Swimwear**  
(51) International Design Classification: **02-02A**  
(74) Name(s) of Attorney(s): **King & Wood Mallesons**  
(71) Name(s) and Address(s) of Applicant(s):  
**Lisa Marie Fernandez, LLC**  
**255 Hudson Street Apartment 4a New York New York, 10013 United States of America**  
(72) Name(s) of Designer(s): **Lisa Marie Fernandez**  
(45) Registration Date: **16 December 2015**  
(30) Convention priority data:  
(31) Number (32) Date (33) Country  
**002705236-0015 21 May 2015 OFFICE FOR HARMONISATION IN THE INTERNAL MARKET (OHIM)**  
(56) Related Art Documents: **Not Applicable**  
(57) Statement of Newness and Distinctiveness: **Nil**



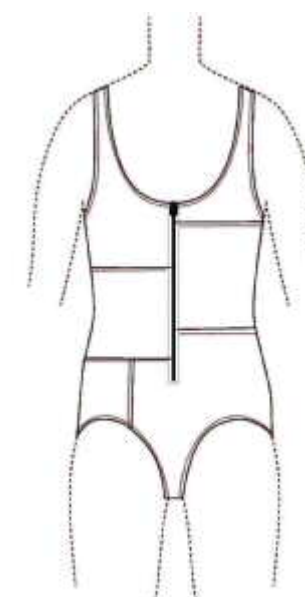
(21) Design Number: **16333/2015**  
(22) Date of Filing Application: **23 November 2015**  
(24) Date from which industrial property rights may have effect: **23 November 2015**  
(54) Product in respect of which the design is registered: **Swimwear**  
(51) International Design Classification: **02-02A**  
(74) Name(s) of Attorney(s): **King & Wood Mallesons**  
(71) Name(s) and Address(s) of Applicant(s):  
**Lisa Marie Fernandez, LLC**  
**255 Hudson Street Apartment 4a New York New York, 10013 United States of America**  
(72) Name(s) of Designer(s): **Lisa Marie Fernandez**  
(45) Registration Date: **16 December 2015**  
(30) Convention priority data:  
(31) Number (32) Date (33) Country  
**002705236-0016 21 May 2015 OFFICE FOR HARMONISATION IN THE INTERNAL MARKET (OHIM)**  
(56) Related Art Documents: **Not Applicable**  
(57) Statement of Newness and Distinctiveness: **Nil**



(21) Design Number: **16334/2015**  
(22) Date of Filing Application: **23 November 2015**  
(24) Date from which industrial property rights may have effect: **23 November 2015**  
(54) Product in respect of which the design is registered: **Swimwear**  
(51) International Design Classification: **02-02A**  
(74) Name(s) of Attorney(s): **King & Wood Mallesons**  
(71) Name(s) and Address(s) of Applicant(s):  
**Lisa Marie Fernandez, LLC**  
**255 Hudson Street Apartment 4a New York New York, 10013 United States of America**  
(72) Name(s) of Designer(s): **Lisa Marie Fernandez**  
(45) Registration Date: **16 December 2015**  
(30) Convention priority data:  
(31) Number (32) Date (33) Country  
**002705236-0017 21 May 2015 OFFICE FOR HARMONISATION IN THE INTERNAL MARKET (OHIM)**  
(56) Related Art Documents: **Not Applicable**  
(57) Statement of Newness and Distinctiveness: **Nil**



(21) Design Number: **16335/2015**  
(22) Date of Filing Application: **23 November 2015**  
(24) Date from which industrial property rights may have effect: **23 November 2015**  
(54) Product in respect of which the design is registered: **Swimwear**  
(51) International Design Classification: **02-02A**  
(74) Name(s) of Attorney(s): **King & Wood Mallesons**  
(71) Name(s) and Address(s) of Applicant(s):  
**Lisa Marie Fernandez, LLC**  
**255 Hudson Street Apartment 4a New York New York, 10013 United States of America**  
(72) Name(s) of Designer(s): **Lisa Marie Fernandez**  
(45) Registration Date: **16 December 2015**  
(30) Convention priority data:  
(31) Number (32) Date (33) Country  
**002705236-0018 21 May 2015 OFFICE FOR HARMONISATION IN THE INTERNAL MARKET (OHIM)**  
(56) Related Art Documents: **Not Applicable**  
(57) Statement of Newness and Distinctiveness: **Nil**



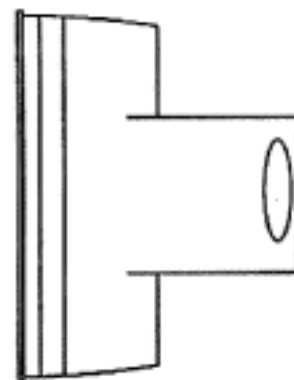
(21) Design Number: **16336/2015**  
(22) Date of Filing Application: **23 November 2015**  
(24) Date from which industrial property rights may have effect: **23 November 2015**  
(54) Product in respect of which the design is registered: **Swimwear**  
(51) International Design Classification: **02-02A**  
(74) Name(s) of Attorney(s): **King & Wood Mallesons**  
(71) Name(s) and Address(s) of Applicant(s):  
**Lisa Marie Fernandez, LLC**  
**255 Hudson Street Apartment 4a New York New York, 10013 United States of America**  
(72) Name(s) of Designer(s): **Lisa Marie Fernandez**  
(45) Registration Date: **16 December 2015**  
(30) Convention priority data:  
(31) Number (32) Date (33) Country  
**002705236-0019 21 May 2015 OFFICE FOR HARMONISATION IN THE INTERNAL MARKET (OHIM)**  
(56) Related Art Documents: **Not Applicable**  
(57) Statement of Newness and Distinctiveness: **Nil**



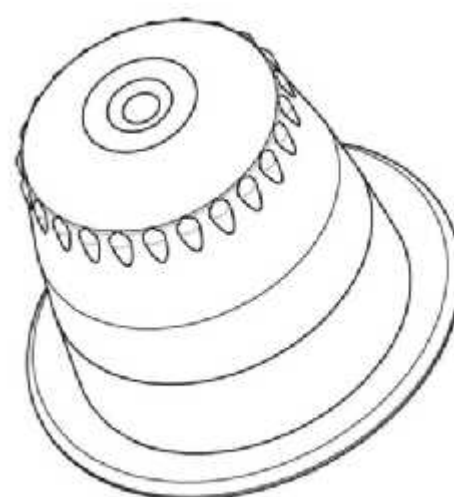
(21) Design Number: **16337/2015**  
(22) Date of Filing Application: **23 November 2015**  
(24) Date from which industrial property rights may have effect: **23 November 2015**  
(54) Product in respect of which the design is registered: **Swimwear**  
(51) International Design Classification: **02-02A**  
(74) Name(s) of Attorney(s): **King & Wood Mallesons**  
(71) Name(s) and Address(s) of Applicant(s):  
**Lisa Marie Fernandez, LLC**  
**255 Hudson Street Apartment 4a New York New York, 10013 United States of America**  
(72) Name(s) of Designer(s): **Lisa Marie Fernandez**  
(45) Registration Date: **16 December 2015**  
(30) Convention priority data:  
(31) Number (32) Date (33) Country  
**002705236-0020 21 May 2015 OFFICE FOR HARMONISATION IN THE INTERNAL MARKET (OHIM)**  
(56) Related Art Documents: **Not Applicable**  
(57) Statement of Newness and Distinctiveness: **Nil**



- (21) Design Number: **15857/2015**  
(22) Date of Filing Application: **02 November 2015**  
(24) Date from which industrial property rights may have effect: **02 November 2015**  
(54) Product in respect of which the design is registered: **Anti plug insert for plastic drum**  
(51) International Design Classification: **09-02C**  
(74) Name(s) of Attorney(s):  
(71) Name(s) and Address(s) of Applicant(s):  
**A & J AUSTRALIA PTY LTD**  
**8 Westside Dr Laverton North VIC 3026 Australia**  
(72) Name(s) of Designer(s): **Andrew Yu**  
(45) Registration Date: **16 December 2015**  
(56) Related Art Documents: **Not Applicable**  
(57) Statement of Newness and Distinctiveness: **Our Anti plug insert is a plastic piece which inserts into the neck area of a plastic drum. When pouring liquid out of the drum there is no hollow gurgling sound.**



- (21) Design Number: **16359/2015**  
(22) Date of Filing Application: **24 November 2015**  
(24) Date from which industrial property rights may have effect: **24 November 2015**  
(54) Product in respect of which the design is registered: **Capsule for coffee and infusion**  
(51) International Design Classification: **09-05**  
(74) Name(s) of Attorney(s): **PHILLIPS ORMONDE FITZPATRICK**  
(71) Name(s) and Address(s) of Applicant(s):  
**Bisio Progetti S.p.A.**  
**Via Enzo Ferrari, 49 Zona Industriale D/3 I-15121 Alessandria Italy**  
(72) Name(s) of Designer(s): **Paolo Robotti**  
(45) Registration Date: **16 December 2015**  
(30) Convention priority data:  
(31) Number (32) Date (33) Country  
**402015000033225 13 Jul 2015 ITALY**  
(56) Related Art Documents: **Not Applicable**  
(57) Statement of Newness and Distinctiveness: **Nil**



(21) Design Number: **16394/2015**

(22) Date of Filing Application: **26 November 2015**

(24) Date from which industrial property rights may have effect: **26 November 2015**

(54) Product in respect of which the design is registered: **Article of furniture**

(51) International Design Classification: **06-06E**

(74) Name(s) of Attorney(s): **Spruson & Ferguson**

(71) Name(s) and Address(s) of Applicant(s):

**Knoll, Inc.**

**1235 Water Street, East Greenville Pennsylvania, 18041 United States of America**

(72) Name(s) of Designer(s): **Masamichi Udagawa and Sigrid Moeslinger and Benjamin A. Pardo**

(45) Registration Date: **16 December 2015**

(30) Convention priority data:

(31) Number	(32) Date	(33) Country
<b>29/529041</b>	<b>03 Jun 2015</b>	<b>UNITED STATES OF AMERICA</b>

(56) Related Art Documents: **Not Applicable**

(57) Statement of Newness and Distinctiveness: **Newness and distinctiveness is claimed in the features of shape and/or configuration of an article of furniture as illustrated in continuous lines in the accompanying representations, the portion labelled "A" indicates indefinite length of the article of furniture.**



(21) Design Number: **16396/2015**

(22) Date of Filing Application: **26 November 2015**

(24) Date from which industrial property rights may have effect: **26 November 2015**

(54) Product in respect of which the design is registered: **A fan**

(51) International Design Classification: **23-04**

(74) Name(s) of Attorney(s): **Shelston IP Pty Ltd.**

(71) Name(s) and Address(s) of Applicant(s):

**Dyson Technology Limited**

**Tetbury Hill Malmesbury Wiltshire SN16 0RP United Kingdom**

(72) Name(s) of Designer(s): **Roy Edward Poulton and Ben Thomas Edmonds and George Oram and Thomas Douglas Ridley and Leanne Joyce Garner and Adam James Bates and Peter David Gammack and Andrea Ee-Va Lim and Michael Graham Love**

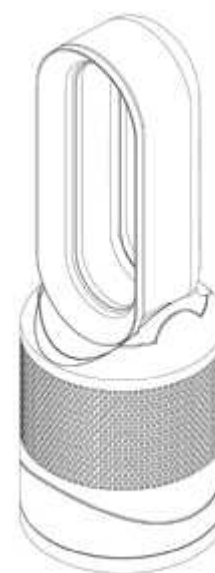
(45) Registration Date: **16 December 2015**

(30) Convention priority data:

(31) Number	(32) Date	(33) Country
<b>001435069-0001</b>	<b>26 May 2015</b>	<b>OFFICE FOR HARMONISATION IN THE INTERNAL MARKET (OHIM)</b>

(56) Related Art Documents: **Not Applicable**

(57) Statement of Newness and Distinctiveness: **Newness and distinctiveness reside in the features of shape and/or configuration of the wide body of the base and filter assembly, the filter assembly inlet grille, the frusto-conical top portion and enlarged collar of the filter assembly of a FAN as illustrated in the accompanying representations**



- (21) Design Number: **16397/2015**  
(22) Date of Filing Application: **26 November 2015**  
(24) Date from which industrial property rights may have effect: **26 November 2015**  
(54) Product in respect of which the design is registered: **A fan**  
(51) International Design Classification: **23-04**  
(74) Name(s) of Attorney(s): **Shelston IP Pty Ltd.**  
(71) Name(s) and Address(s) of Applicant(s):

**Dyson Technology Limited**  
**Tetbury Hill Malmesbury Wiltshire SN16 0RP United Kingdom**

- (72) Name(s) of Designer(s): **Roy Edward Poulton and Ben Thomas Edmonds and George Oram and Thomas Douglas Ridley and Leanne Joyce Garner and Adam James Bates and Peter David Gammack and Michael Graham Love**

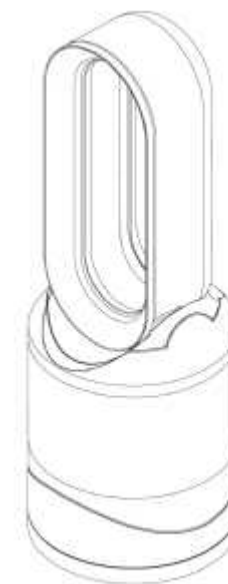
- (45) Registration Date: **16 December 2015**

- (30) Convention priority data:

(31) Number	(32) Date	(33) Country
<b>001435069-0002</b>	<b>26 May 2015</b>	<b>OFFICE FOR HARMONISATION IN THE INTERNAL MARKET (OHIM)</b>

- (56) Related Art Documents: **Not Applicable**

- (57) Statement of Newness and Distinctiveness: **Newness and distinctiveness reside in the features of shape and/or configuration of the wide body of the base and filter assembly, the frusto-conical top portion and enlarged collar of the filter assembly of a FAN as illustrated in the accompanying representations**



- (21) Design Number: **16398/2015**  
(22) Date of Filing Application: **26 November 2015**  
(24) Date from which industrial property rights may have effect: **26 November 2015**  
(54) Product in respect of which the design is registered: **A fan**  
(51) International Design Classification: **23-04**  
(74) Name(s) of Attorney(s): **Shelston IP Pty Ltd.**  
(71) Name(s) and Address(s) of Applicant(s):

**Dyson Technology Limited**  
**Tetbury Hill Malmesbury Wiltshire SN16 0RP United Kingdom**

- (72) Name(s) of Designer(s): **Roy Edward Poulton and Ben Thomas Edmonds and George Oram and Thomas Douglas Ridley and Leanne Joyce Garner and Adam James Bates and Peter David Gammack and Andrea Ee-Va Lim**

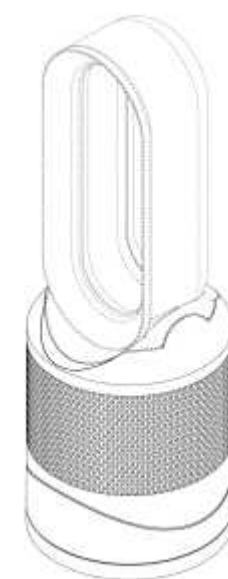
- (45) Registration Date: **16 December 2015**

- (30) Convention priority data:

(31) Number	(32) Date	(33) Country
<b>001435069-0003</b>	<b>26 May 2015</b>	<b>OFFICE FOR HARMONISATION IN THE INTERNAL MARKET (OHIM)</b>

- (56) Related Art Documents: **Not Applicable**

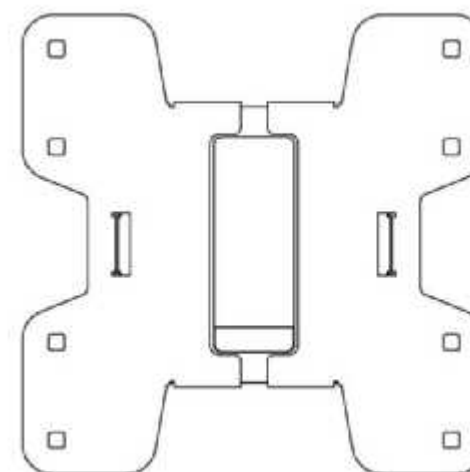
- (57) Statement of Newness and Distinctiveness: **Newness and distinctiveness reside in the features of shape and/or configuration of the wide body of the base and filter assembly, the filter assembly inlet grille, the frusto-conical top portion and enlarged collar of the filter assembly of a FAN as illustrated in solid lines in the accompanying representations. The features shown in broken or discontinuous lines are illustrative only and do not form part of the design.**



(21) Design Number: **16401/2015**  
(22) Date of Filing Application: **26 November 2015**  
(24) Date from which industrial property rights may have effect: **26 November 2015**  
(54) Product in respect of which the design is registered: **Mobile phone case**  
(51) International Design Classification: **03-01NES**  
(74) Name(s) of Attorney(s): **Griffith Hack**  
(71) Name(s) and Address(s) of Applicant(s):  
**Tech 21 Licensing Limited**  
**Syds Quay, Eel Pie Island Twickenham Middlesex TW1 3DY United Kingdom**  
(72) Name(s) of Designer(s): **Jason Roberts and Wilhelm Marschall and Benjamin Thorpe**  
(45) Registration Date: **16 December 2015**  
(30) Convention priority data:  
(31) Number (32) Date (33) Country  
**002871541 20 Nov 2015 OFFICE FOR HARMONISATION IN THE INTERNAL MARKET (OHIM)**  
(56) Related Art Documents: **Not Applicable**  
(57) Statement of Newness and Distinctiveness: **Nil**



(21) Design Number: **16405/2015**  
(22) Date of Filing Application: **26 November 2015**  
(24) Date from which industrial property rights may have effect: **26 November 2015**  
(54) Product in respect of which the design is registered: **Wall mounts for audiovisual apparatus**  
(51) International Design Classification: **14-99**  
(74) Name(s) of Attorney(s): **K&L Gates**  
(71) Name(s) and Address(s) of Applicant(s):  
**Vogel's Holding B.V.**  
**Hondsruglaan 93 Eindhoven 5628 DB The Netherlands**  
(72) Name(s) of Designer(s): **Robin Bergmans and Danny Sijkens**  
(45) Registration Date: **16 December 2015**  
(30) Convention priority data:  
(31) Number (32) Date (33) Country  
**002707042-0001 26 May 2015 EUROPEAN PATENT OFFICE (EPO)**  
(56) Related Art Documents: **Not Applicable**  
(57) Statement of Newness and Distinctiveness: **Nil**



- (21) Design Number: **14986/2015**  
(22) Date of Filing Application: **23 September 2015**  
(24) Date from which industrial property rights may have effect: **23 September 2015**  
(54) Product in respect of which the design is registered: **Rotary drawbar**  
(51) International Design Classification: **12-03**  
(74) Name(s) of Attorney(s): **Davies Collison Cave**  
(71) Name(s) and Address(s) of Applicant(s):  
**Fortescue Metals Group Ltd**  
**L 2 87 Adelaide Tce East Perth WA, 6004 Australia**  
(72) Name(s) of Designer(s): **Luke Taylor and David Wallace and Dean Rehn**  
(45) Registration Date: **16 December 2015**  
(56) Related Art Documents: **Not Applicable**  
(57) Statement of Newness and Distinctiveness: **Newness and distinctiveness is claimed in the features of shape and configuration of a rotary drawbar as shown in the drawings, but not in the colour or shading of the rotary drawbar.**



- (21) Design Number: **16316/2015**  
(22) Date of Filing Application: **23 November 2015**  
(24) Date from which industrial property rights may have effect: **23 November 2015**  
(54) Product in respect of which the design is registered: **Handle for a hand implement or tool**  
(51) International Design Classification: **08-06**  
(74) Name(s) of Attorney(s): **Spruson & Ferguson**  
(71) Name(s) and Address(s) of Applicant(s):  
**Vecto Trade 461 Proprietary Limited**  
**Lasher Building, 3 Sigma Road, Industries West, Germiston, 1401**  
**Gauteng Province South Africa**  
(72) Name(s) of Designer(s): **Charles William Halsted**  
(45) Registration Date: **16 December 2015**  
(30) Convention priority data:  
(31) Number      (32) Date      (33) Country  
**A2015/00942      17 Jun 2015      SOUTH AFRICA**  
(56) Related Art Documents: **Not Applicable**  
(57) Statement of Newness and Distinctiveness: **Newness and distinctiveness is claimed in those features of shape and/or configuration of a handle illustrated in continuous lines in the accompanying representations.**



- (21) Design Number: **16339/2015**  
(22) Date of Filing Application: **23 November 2015**  
(24) Date from which industrial property rights may have effect: **23 November 2015**  
(54) Product in respect of which the design is registered: **Blender unit**  
(51) International Design Classification: **31-00**  
(74) Name(s) of Attorney(s): **Griffith Hack**  
(71) Name(s) and Address(s) of Applicant(s):  
**Brand Developers Limited**  
**Level 1 - 3 519 - 521 Lake Rd Takapuna 0622 New Zealand**  
(72) Name(s) of Designer(s): **Philippa Halton**  
(45) Registration Date: **16 December 2015**  
(56) Related Art Documents: **Not Applicable**  
(57) Statement of Newness and Distinctiveness: **Newness and distinctiveness resides in the visual features, including the shape and configuration of a Blender Unit, and including the shape, configuration and pattern of the underside vents. When determining whether the design is substantially similar in overall impression to another design, no regard is to be had to those features shown in dotted outline in the accompanying representations, which features are provided for illustrative purposes only.**



- (21) Design Number: **16353/2015**  
(22) Date of Filing Application: **24 November 2015**  
(24) Date from which industrial property rights may have effect: **23 September 2015**  
(54) Product in respect of which the design is registered: **Display screen with graphical user interface**  
(51) International Design Classification: **14-02**  
(74) Name(s) of Attorney(s): **Shelston IP Pty Ltd.**  
(71) Name(s) and Address(s) of Applicant(s):  
**Ainsworth Game Technology Limited**  
**10 Holker St Newington NSW 2127 Australia**  
(72) Name(s) of Designer(s): **Melinda Parr**  
(45) Registration Date: **16 December 2015**  
(62) Divisional of: **365916**  
(56) Related Art Documents: **Not Applicable**  
(57) Statement of Newness and Distinctiveness: **Newness and distinctiveness reside in the features of pattern and/or ornamentation of the display screen with graphical user interface illustrated by solid lines in the representations. The alphanumeric characters depicted are indicative only, and may be substituted by alternative symbols or alphanumeric characters. Likewise, the flag symbol depicted is indicative only, and may be substituted by alternative flag symbols or alternative symbols. The features shown in broken outline are for contextual purposes only and do not form part of the design.**



(21) Design Number: **16354/2015**  
(22) Date of Filing Application: **24 November 2015**  
(24) Date from which industrial property rights may have effect: **09 September 2015**  
(54) Product in respect of which the design is registered: **Computing device display screen**  
(51) International Design Classification: **14-02**  
(74) Name(s) of Attorney(s): **WRAYS PTY LTD**  
(71) Name(s) and Address(s) of Applicant(s):

**Uber Technologies, Inc.**  
**1455 Market Street 4th Floor San Francisco California, 94103 United States of America**

(72) Name(s) of Designer(s): **Peter Ng and Mark Larus**

(45) Registration Date: **16 December 2015**

(30) Convention priority data:

(31) Number	(32) Date	(33) Country
<b>29/519,958</b>	<b>09 Mar 2015</b>	<b>UNITED STATES OF AMERICA</b>

(62) Divisional of: **365645**

(56) Related Art Documents: **Not Applicable**

(57) Statement of Newness and Distinctiveness: **Newness and distinctiveness is claimed in the features of shape, configuration, pattern, and/or ornamentation of the Computing Device Display Screen With Graphical User Interface as shown in the accompanying representations. The features depicted by broken lines are for illustrative purposes only and form no part of the claimed design.**



(21) Design Number: **16355/2015**  
(22) Date of Filing Application: **24 November 2015**  
(24) Date from which industrial property rights may have effect: **09 September 2015**  
(54) Product in respect of which the design is registered: **Computing device display screen**  
(51) International Design Classification: **14-02**  
(74) Name(s) of Attorney(s): **WRAYS PTY LTD**  
(71) Name(s) and Address(s) of Applicant(s):

**Uber Technologies, Inc.**  
**1455 Market Street 4th Floor San Francisco California, 94103 United States of America**

(72) Name(s) of Designer(s): **Peter Ng and Mark Larus**

(45) Registration Date: **16 December 2015**

(30) Convention priority data:

(31) Number	(32) Date	(33) Country
<b>29/519,958</b>	<b>09 Mar 2015</b>	<b>UNITED STATES OF AMERICA</b>

(62) Divisional of: **365645**

(56) Related Art Documents: **Not Applicable**

(57) Statement of Newness and Distinctiveness: **Newness and distinctiveness is claimed in the features of shape, configuration, pattern, and/or ornamentation of the Computing Device Display Screen With Graphical User Interface as shown in the accompanying representations. The features depicted by broken lines are for illustrative purposes only and form no part of the claimed design.**



(21) Design Number: **16356/2015**  
(22) Date of Filing Application: **24 November 2015**  
(24) Date from which industrial property rights may have effect: **09 September 2015**  
(54) Product in respect of which the design is registered: **Computing device display screen**  
(51) International Design Classification: **14-02**  
(74) Name(s) of Attorney(s): **WRAYS PTY LTD**  
(71) Name(s) and Address(s) of Applicant(s):  
**Uber Technologies, Inc.**  
**1455 Market Street 4th Floor San Francisco California, 94103 United States of America**

(72) Name(s) of Designer(s): **Peter Ng and Mark Larus**

(45) Registration Date: **16 December 2015**

(30) Convention priority data:

(31) Number	(32) Date	(33) Country
<b>29/519,958</b>	<b>09 Mar 2015</b>	<b>UNITED STATES OF AMERICA</b>

(62) Divisional of: **365645**

(56) Related Art Documents: **Not Applicable**

(57) Statement of Newness and Distinctiveness: **Newness and distinctiveness is claimed in the features of shape, configuration, pattern, and/or ornamentation of the Computing Device Display Screen With Graphical User Interface as shown in the accompanying representations. The features depicted by broken lines are for illustrative purposes only and form no part of the claimed design.**



(21) Design Number: **16357/2015**  
(22) Date of Filing Application: **24 November 2015**  
(24) Date from which industrial property rights may have effect: **09 September 2015**  
(54) Product in respect of which the design is registered: **Computing device display screen**  
(51) International Design Classification: **14-02**  
(74) Name(s) of Attorney(s): **WRAYS PTY LTD**  
(71) Name(s) and Address(s) of Applicant(s):  
**Uber Technologies, Inc.**  
**1455 Market Street 4th Floor San Francisco California, 94103 United States of America**

(72) Name(s) of Designer(s): **Peter Ng and Mark Larus**

(45) Registration Date: **16 December 2015**

(30) Convention priority data:

(31) Number	(32) Date	(33) Country
<b>29/519,958</b>	<b>09 Mar 2015</b>	<b>UNITED STATES OF AMERICA</b>

(62) Divisional of: **365645**

(56) Related Art Documents: **Not Applicable**

(57) Statement of Newness and Distinctiveness: **Newness and distinctiveness is claimed in the features of shape, configuration, pattern, and/or ornamentation of the Computing Device Display Screen With Graphical User Interface as shown in the accompanying representations. The features depicted by broken lines are for illustrative purposes only and form no part of the claimed design.**



(21) Design Number: **16358/2015**  
(22) Date of Filing Application: **24 November 2015**  
(24) Date from which industrial property rights may have effect: **09 September 2015**  
(54) Product in respect of which the design is registered: **Computing device display screen**  
(51) International Design Classification: **14-02**  
(74) Name(s) of Attorney(s): **WRAYS PTY LTD**  
(71) Name(s) and Address(s) of Applicant(s):

**Uber Technologies, Inc.**  
**1455 Market Street 4th Floor San Francisco California, 94103 United States of America**

(72) Name(s) of Designer(s): **Peter Ng and Mark Larus**

(45) Registration Date: **16 December 2015**

(30) Convention priority data:

(31) Number	(32) Date	(33) Country
<b>29/519,958</b>	<b>09 Mar 2015</b>	<b>UNITED STATES OF AMERICA</b>

(62) Divisional of: **365645**

(56) Related Art Documents: **Not Applicable**

(57) Statement of Newness and Distinctiveness: **Newness and distinctiveness is claimed in the features of shape, configuration, pattern, and/or ornamentation of the Computing Device Display Screen With Graphical User Interface as shown in the accompanying representations. The features depicted by broken lines are for illustrative purposes only and form no part of the claimed design.**



(21) Design Number: **14875/2015**  
(22) Date of Filing Application: **15 September 2015**  
(24) Date from which industrial property rights may have effect: **15 September 2015**  
(54) Product in respect of which the design is registered: **Building panel**  
(51) International Design Classification: **25-01D**  
(74) Name(s) of Attorney(s):  
(71) Name(s) and Address(s) of Applicant(s):

**Joseph Frangieh**  
**71 Barnstaple RD RUSSELL LEA NSW RUSSELL LEA NSW, 2046 Australia**

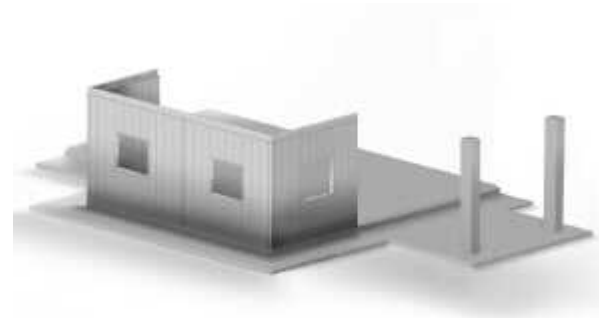
**INSTYLE DEVELOPMENTS PL**  
**71 Barnstaple RD RUSSELL LEA NSW, 2046 Australia**

(72) Name(s) of Designer(s): **Joseph Frangieh**

(45) Registration Date: **16 December 2015**

(56) Related Art Documents: **Not Applicable**

(57) Statement of Newness and Distinctiveness: **EcoPanel - consists of two sheets of Fibre Cement Calcium Silicate sandwiching a strong core of cement, sand, EPS and additives insulated with fire retardant, polystyrene. Its strong, lightweight insulated structural panel ideal for all sorts of internal and external walling and flooring. Three (3) 3mm x 50mm diameter PVC pipes centrally located act as a Service cavities, giving the ability to run services/steel rod for impact proof design. Lightweight, Sound and Fire proof with excellent thermal efficiency and insulation. Eco Panels are 300mm wide, range in thickness from 50mm to 110mm, and can be produced to any length.. Excellent long term R-###Values that (per unit of thickness) are superior to most alternative common insulation products. Has both high and uniform compressive strength values throughout the board with a flame retardant additive.**



- (21) Design Number: **15197/2015**  
(22) Date of Filing Application: **02 October 2015**  
(24) Date from which industrial property rights may have effect: **03 October 2014**  
(54) Product in respect of which the design is registered: **Frame for patient interface**  
(51) International Design Classification: **24-01**  
(74) Name(s) of Attorney(s): **Halfords IP**  
(71) Name(s) and Address(s) of Applicant(s):  
**ResMed Limited**  
**1 Elizabeth Macarthur Dr Bella Vista NSW 2153 Australia**  
(72) Name(s) of Designer(s): **Craig David Edwards and Shiva Kumar Shanmuga Sundara and Chia Ik Tan and Stewart Joseph Wagner**  
(45) Registration Date: **16 December 2015**  
(62) Divisional of: **364590**  
(56) Related Art Documents: **Not Applicable**  
(57) Statement of Newness and Distinctiveness: **Nil**



- (21) Design Number: **16003/2015**  
(22) Date of Filing Application: **10 November 2015**  
(24) Date from which industrial property rights may have effect: **10 November 2015**  
(54) Product in respect of which the design is registered: **Stainless steel tube support**  
(51) International Design Classification: **23-01E**  
(74) Name(s) of Attorney(s):  
(71) Name(s) and Address(s) of Applicant(s):  
**AUST YIEH STAINLESS PTY LTD**  
**105 Victoria Ave Mortdale NSW 2223 Australia**  
(72) Name(s) of Designer(s): **Jim Bennett**  
(45) Registration Date: **16 December 2015**  
(56) Related Art Documents: **Not Applicable**  
(57) Statement of Newness and Distinctiveness: **The newness and distinctiveness of the design resides in the ability of the fitting to fit snugly around a stainless steel tube and be tilted to support a sloping handrail.**



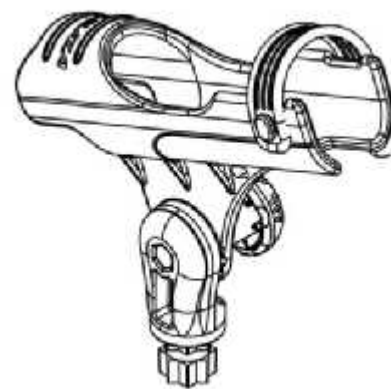
- (21) Design Number: **16004/2015**  
(22) Date of Filing Application: **10 November 2015**  
(24) Date from which industrial property rights may have effect: **10 November 2015**  
(54) Product in respect of which the design is registered: **Stainless steel tube fitting**  
(51) International Design Classification: **23-01NES**  
(74) Name(s) of Attorney(s):  
(71) Name(s) and Address(s) of Applicant(s):  
**AUST YIEH STAINLESS PTY LTD**  
**105 Victoria Ave Mortdale NSW 2223 Australia**  
(72) Name(s) of Designer(s): **Jim Bennett**  
(45) Registration Date: **16 December 2015**  
(56) Related Art Documents: **Not Applicable**  
(57) Statement of Newness and Distinctiveness: **The newness and distinctiveness of the design resides in the ability of the fitting to do all of the following: fit into a vertical stainless steel tube; tilt downwards; provide an attachment point for a sloping handrail.**



- (21) Design Number: **16005/2015**  
(22) Date of Filing Application: **10 November 2015**  
(24) Date from which industrial property rights may have effect: **10 November 2015**  
(54) Product in respect of which the design is registered: **Stainless steel tube fitting**  
(51) International Design Classification: **23-01NES**  
(74) Name(s) of Attorney(s):  
(71) Name(s) and Address(s) of Applicant(s):  
**AUST YIEH STAINLESS PTY LTD**  
**105 Victoria Ave Mortdale NSW 2223 Australia**  
(72) Name(s) of Designer(s): **Jim Bennett**  
(45) Registration Date: **16 December 2015**  
(56) Related Art Documents: **Not Applicable**  
(57) Statement of Newness and Distinctiveness: **The newness and distinctiveness of the design resides in the ability of this perpendicular corner fitting to do all of the following: fit one end into a vertical stainless steel tube; fit another end into either a left or right hand horizontal tube; allow the the third end to tilt downwards to fit into a sloping handrail.**



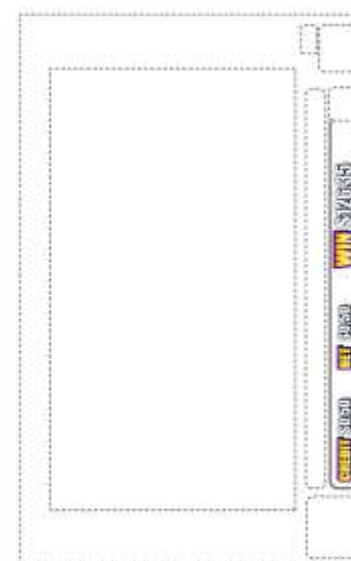
- (21) Design Number: **15910/2015**  
(22) Date of Filing Application: **06 November 2015**  
(24) Date from which industrial property rights may have effect: **06 November 2015**  
(54) Product in respect of which the design is registered: **Rod holder**  
(51) International Design Classification: **22-05**  
(74) Name(s) of Attorney(s):  
(71) Name(s) and Address(s) of Applicant(s):  
**Railblaza Ltd**  
**6 Tavern Rd Silverdale Auckland 0932 New Zealand**  
(72) Name(s) of Designer(s): **Ross Gregory Pratt**  
(45) Registration Date: **16 December 2015**  
(56) Related Art Documents: **Not Applicable**  
(57) Statement of Newness and Distinctiveness: **The design is to be applied to a fishing rod holder and novelty resides in the features of shape and configuration as shown in the accompanying representations.**



- (21) Design Number: **16342/2015**  
(22) Date of Filing Application: **23 November 2015**  
(24) Date from which industrial property rights may have effect: **23 November 2015**  
(54) Product in respect of which the design is registered: **Work light**  
(51) International Design Classification: **26-02**  
(74) Name(s) of Attorney(s): **Madderns**  
(71) Name(s) and Address(s) of Applicant(s):  
**Ningbo Gemay Industry Co.,Ltd.**  
**Room 603, Building 5 22 Henghe Road Beilun District Ningbo Zhejiang,**  
**315800 China**  
(72) Name(s) of Designer(s): **Xuefeng Xu and Youfei Chen**  
(45) Registration Date: **16 December 2015**  
(30) Convention priority data:  
(31) Number      (32) Date      (33) Country  
**201530304134.8    13 Aug 2015      CHINA**  
(56) Related Art Documents: **Not Applicable**  
(57) Statement of Newness and Distinctiveness: **Newness and distinctiveness is claimed in the shape and/or configuration of a work light as depicted in the accompanying representations**



- (21) Design Number: **16349/2015**  
(22) Date of Filing Application: **24 November 2015**  
(24) Date from which industrial property rights may have effect: **23 September 2015**  
(54) Product in respect of which the design is registered: **Display screen with graphical user interface**  
(51) International Design Classification: **14-02**  
(74) Name(s) of Attorney(s): **Shelston IP Pty Ltd.**  
(71) Name(s) and Address(s) of Applicant(s):  
**Ainsworth Game Technology Limited**  
**10 Holker St Newington NSW 2127 Australia**  
(72) Name(s) of Designer(s): **Melinda Parr**  
(45) Registration Date: **16 December 2015**  
(62) Divisional of: **365633**  
(56) Related Art Documents: **Not Applicable**  
(57) Statement of Newness and Distinctiveness: **Newness and distinctiveness reside in the features of pattern and/or ornamentation of the display screen with graphical user interface illustrated by solid lines in the representations. The alphanumeric characters depicted are indicative only, and may be substituted by alternative symbols or alphanumeric characters. The features shown in broken outline are for contextual purposes only and do not form part of the design.**



- (21) Design Number: **16350/2015**  
(22) Date of Filing Application: **24 November 2015**  
(24) Date from which industrial property rights may have effect: **23 September 2015**  
(54) Product in respect of which the design is registered: **Display screen with graphical user interface**  
(51) International Design Classification: **14-02**  
(74) Name(s) of Attorney(s): **Shelston IP Pty Ltd.**  
(71) Name(s) and Address(s) of Applicant(s):  
**Ainsworth Game Technology Limited**  
**10 Holker St Newington NSW 2127 Australia**  
(72) Name(s) of Designer(s): **Melinda Parr**  
(45) Registration Date: **16 December 2015**  
(62) Divisional of: **365634**  
(56) Related Art Documents: **Not Applicable**  
(57) Statement of Newness and Distinctiveness: **Newness and distinctiveness reside in the features of pattern and/or ornamentation of the display screen with graphical user interface illustrated by solid lines in the representations. The alphanumeric characters depicted are indicative only, and may be substituted by alternative symbols or alphanumeric characters. Likewise, the flag symbol depicted is indicative only, and may be substituted by alternative flag symbols or alternative symbols. The features shown in broken outline are for contextual purposes only and do not form part of the design.**



(21) Design Number: **16408/2015**  
(22) Date of Filing Application: **27 November 2015**  
(24) Date from which industrial property rights may have effect: **27 November 2015**  
(54) Product in respect of which the design is registered: **Wearable ring**  
(51) International Design Classification: **11-01A**  
(74) Name(s) of Attorney(s): **Spruson & Ferguson**  
(71) Name(s) and Address(s) of Applicant(s):

**Qalo LLC**  
**5482 Wilshire Blvd, Suite 104 Los Angeles California, 90036 United States of America**

(72) Name(s) of Designer(s): **Patrick Baker and Kyle Holiday**

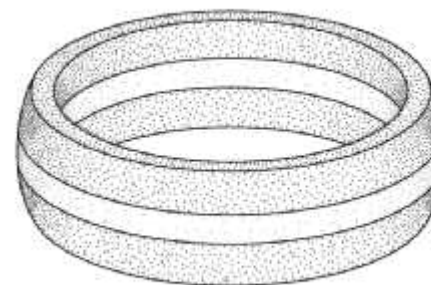
(45) Registration Date: **16 December 2015**

(30) Convention priority data:

(31) Number	(32) Date	(33) Country
<b>29/528173</b>	<b>27 May 2015</b>	<b>UNITED STATES OF AMERICA</b>

(56) Related Art Documents: **Not Applicable**

(57) Statement of Newness and Distinctiveness: **Newness and distinctiveness is claimed in the features of shape and/or configuration of a wearable ring as illustrated in the accompanying representations.**



(21) Design Number: **16411/2015**  
(22) Date of Filing Application: **27 November 2015**  
(24) Date from which industrial property rights may have effect: **27 November 2015**  
(54) Product in respect of which the design is registered: **Dry noodle**  
(51) International Design Classification: **01-01**  
(74) Name(s) of Attorney(s): **Freehills Patent Attorneys**  
(71) Name(s) and Address(s) of Applicant(s):

**Nisshin Foods Inc.**  
**25, Kanda-Nishiki-cho 1-chome Chiyoda-ku Tokyo 101-8441 Japan**

(72) Name(s) of Designer(s): **Ryusuke Kimura and Masafumi Higashi**

(45) Registration Date: **16 December 2015**

(56) Related Art Documents: **Not Applicable**

(57) Statement of Newness and Distinctiveness: **Newness and distinctiveness resides in the features of shape and/or configuration of the dry noodle as shown in the accompanying representations, including the cross-sectional shape of the noodle which twists along the axial length of the noodle at a rate of about 60 degrees per 25cm, and having an axial length of about 125 times its diameter.**



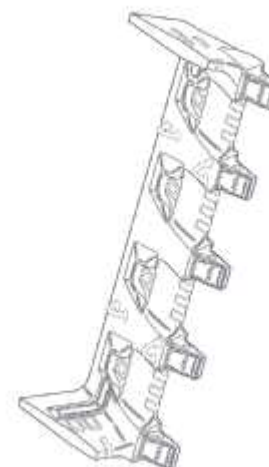
- (21) Design Number: **16412/2015**  
(22) Date of Filing Application: **27 November 2015**  
(24) Date from which industrial property rights may have effect: **27 November 2015**  
(54) Product in respect of which the design is registered: **Dry noodle**  
(51) International Design Classification: **01-01**  
(74) Name(s) of Attorney(s): **Freehills Patent Attorneys**  
(71) Name(s) and Address(s) of Applicant(s):  
**Nisshin Foods Inc.**  
**25, Kanda-Nishiki-cho 1-chome Chiyoda-ku Tokyo 101-8441 Japan**  
(72) Name(s) of Designer(s): **Ryusuke Kimura and Masafumi Higashi**  
(45) Registration Date: **16 December 2015**  
(56) Related Art Documents: **Not Applicable**  
(57) Statement of Newness and Distinctiveness: **Newness and distinctiveness resides in the features of shape and/or configuration of the dry noodle as shown in the accompanying representations, including the cross-sectional shape of the noodle which twists along the axial length of the noodle at a rate of about 60 degrees per 25cm, and having an axial length of about 125 times its diameter.**



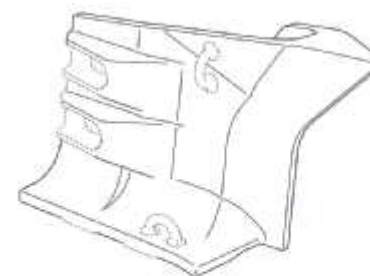
- (21) Design Number: **14995/2015**  
(22) Date of Filing Application: **23 September 2015**  
(24) Date from which industrial property rights may have effect: **23 September 2015**  
(54) Product in respect of which the design is registered: **Display screen with graphical user interface**  
(51) International Design Classification: **14-02**  
(74) Name(s) of Attorney(s): **Shelston IP Pty Ltd.**  
(71) Name(s) and Address(s) of Applicant(s):  
**Ainsworth Game Technology Limited**  
**10 Holker St Newington NSW, 2127 Australia**  
(72) Name(s) of Designer(s): **Melinda Parr**  
(45) Registration Date: **16 December 2015**  
(56) Related Art Documents: **Not Applicable**  
(57) Statement of Newness and Distinctiveness: **Newness and distinctiveness reside in the features of pattern and/or ornamentation of the display screen with graphical user interface illustrated by solid lines in the representation. The alphanumeric characters depicted are indicative only, and may be substituted by alternative symbols or alphanumeric characters. Likewise, the flag symbol depicted is indicative only, and may be substituted by alternative flag symbols or alternative symbols. The features shown in broken outline are for contextual purposes only and do not form part of the design.**



(21) Design Number: **15469/2015**  
(22) Date of Filing Application: **15 October 2015**  
(24) Date from which industrial property rights may have effect: **15 October 2015**  
(54) Product in respect of which the design is registered: **LIP FOR GROUND ENGAGING MACHINE IMPLEMENT**  
(51) International Design Classification: **15-04**  
(74) Name(s) of Attorney(s): **IP Gateway Patent & Trade Mark Attorneys Pty Ltd**  
(71) Name(s) and Address(s) of Applicant(s):  
**Caterpillar Inc.**  
**100 NE Adams Street Peoria Illinois, 61629 United States of America**  
(72) Name(s) of Designer(s): **Phillip J. Kunz**  
(45) Registration Date: **16 December 2015**  
(30) Convention priority data:  
(31) Number (32) Date (33) Country  
**29/524,183 17 Apr 2015 UNITED STATES OF AMERICA**  
(56) Related Art Documents: **Not Applicable**  
(57) Statement of Newness and Distinctiveness: **Newness and distinctiveness reside in the visual features of shape and configuration as shown by solid lines in the accompanying representations. Visual features shown in broken lines should be given minimum regard. The relatively thin shade lines represent contour, not surface ornamentation.**



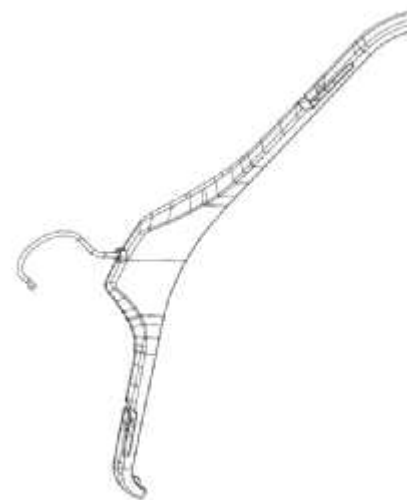
(21) Design Number: **15470/2015**  
(22) Date of Filing Application: **15 October 2015**  
(24) Date from which industrial property rights may have effect: **15 October 2015**  
(54) Product in respect of which the design is registered: **WING SHROUDS FOR GROUND ENGAGING MACHINE IMPLEMENT.**  
(51) International Design Classification: **15-04**  
(74) Name(s) of Attorney(s): **IP Gateway Patent & Trade Mark Attorneys Pty Ltd**  
(71) Name(s) and Address(s) of Applicant(s):  
**Caterpillar Inc.**  
**100 NE Adams Street Peoria Illinois, 61629 United States of America**  
(72) Name(s) of Designer(s): **Phillip J Kunz**  
(45) Registration Date: **16 December 2015**  
(30) Convention priority data:  
(31) Number (32) Date (33) Country  
**29/524,178 17 Apr 2015 UNITED STATES OF AMERICA**  
(56) Related Art Documents: **Not Applicable**  
(57) Statement of Newness and Distinctiveness: **Newness and distinctiveness reside in the visual features of shape and configuration as shown by solid lines in the accompanying representations. Visual features shown in broken lines should be given minimum regard. The relatively thin shade lines represent contour, not surface ornamentation.**



- (21) Design Number: **16425/2015**  
(22) Date of Filing Application: **27 November 2015**  
(24) Date from which industrial property rights may have effect: **27 November 2015**  
(54) Product in respect of which the design is registered: **Dry noodle**  
(51) International Design Classification: **01-01**  
(74) Name(s) of Attorney(s): **Freehills Patent Attorneys**  
(71) Name(s) and Address(s) of Applicant(s):  
**Nisshin Foods Inc.**  
**25, Kanda-Nishiki-cho 1-chome Chiyoda-ku Tokyo 101-8441 Japan**  
(72) Name(s) of Designer(s): **Ryusuke Kimura and Masafumi Higashi**  
(45) Registration Date: **16 December 2015**  
(56) Related Art Documents: **Not Applicable**  
(57) Statement of Newness and Distinctiveness: **Newness and distinctiveness resides in the features of shape and/or configuration of the dry noodle as shown in the accompanying representations, including the cross-sectional shape of the noodle which twists along the axial length of the noodle at a rate of about 60 degrees per 25cm, and having an axial length of about 125 times its diameter.**



- (21) Design Number: **16426/2015**  
(22) Date of Filing Application: **27 November 2015**  
(24) Date from which industrial property rights may have effect: **27 November 2015**  
(54) Product in respect of which the design is registered: **Garment hanger**  
(51) International Design Classification: **06-08**  
(74) Name(s) of Attorney(s): **PHILLIPS ORMONDE FITZPATRICK**  
(71) Name(s) and Address(s) of Applicant(s):  
**TIC (Retail Accessories) Pty Ltd**  
**214-228 Blackshaws Rd Altona North VIC 3025 Australia**  
(72) Name(s) of Designer(s): **Mark Gandur**  
(45) Registration Date: **16 December 2015**  
(56) Related Art Documents: **Not Applicable**  
(57) Statement of Newness and Distinctiveness: **Those features of the garment hanger depicted in the representations that are new and distinctive are the shape and/or configuration.**



- (21) Design Number: **16427/2015**  
(22) Date of Filing Application: **27 November 2015**  
(24) Date from which industrial property rights may have effect: **27 November 2015**  
(54) Product in respect of which the design is registered: **Garment hanger**  
(51) International Design Classification: **06-08**  
(74) Name(s) of Attorney(s): **PHILLIPS ORMONDE FITZPATRICK**  
(71) Name(s) and Address(s) of Applicant(s):  
**TIC (Retail Accessories) Pty Ltd**  
**214-228 Blackshaws Rd Altona North VIC 3025 Australia**  
(72) Name(s) of Designer(s): **Mark Gandur**  
(45) Registration Date: **16 December 2015**  
(56) Related Art Documents: **Not Applicable**  
(57) Statement of Newness and Distinctiveness: **Those features of the garment hanger depicted in the representations that are new and distinctive are the shape and/or configuration.**



- (21) Design Number: **16429/2015**  
(22) Date of Filing Application: **27 November 2015**  
(24) Date from which industrial property rights may have effect: **27 November 2015**  
(54) Product in respect of which the design is registered: **Electricity meter**  
(51) International Design Classification: **10-04**  
(74) Name(s) of Attorney(s): **Griffith Hack**  
(71) Name(s) and Address(s) of Applicant(s):  
**Secure International Holdings Pte. Ltd.**  
**3 Phillip Street #18-00 Commerce Point 048693 Singapore**  
(72) Name(s) of Designer(s): **Ved Prakash and Sanjeev Sardana and Surendra Jhalora**  
(45) Registration Date: **16 December 2015**  
(30) Convention priority data:  
(31) Number      (32) Date      (33) Country  
**272412          28 May 2015      INDIA**  
(56) Related Art Documents: **Not Applicable**  
(57) Statement of Newness and Distinctiveness: **Nil**



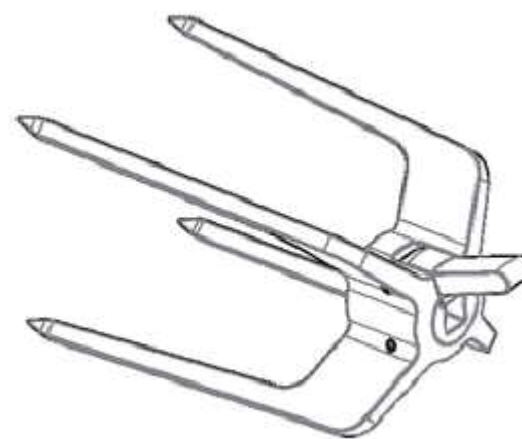
(21) Design Number: **16430/2015**  
(22) Date of Filing Application: **27 November 2015**  
(24) Date from which industrial property rights may have effect: **27 November 2015**  
(54) Product in respect of which the design is registered: **Electricity meter**  
(51) International Design Classification: **10-04**  
(74) Name(s) of Attorney(s): **Griffith Hack**  
(71) Name(s) and Address(s) of Applicant(s):  
**Secure International Holdings Pte. Ltd.**  
**3 Phillip Street #18-00 Commerce Point 048693 Singapore**  
(72) Name(s) of Designer(s): **Ved Prakash and Sanjeev Sardana and Surendra Jhalora**  
(45) Registration Date: **16 December 2015**  
(30) Convention priority data:  
(31) Number (32) Date (33) Country  
**272413 28 May 2015 INDIA**  
(56) Related Art Documents: **Not Applicable**  
(57) Statement of Newness and Distinctiveness: **Nil**



(21) Design Number: **16063/2015**  
(22) Date of Filing Application: **13 November 2015**  
(24) Date from which industrial property rights may have effect: **13 November 2015**  
(54) Product in respect of which the design is registered: **A barbeque spit rod assembly**  
(51) International Design Classification: **07-02NES**  
(74) Name(s) of Attorney(s): **Spruson & Ferguson**  
(71) Name(s) and Address(s) of Applicant(s):  
**Shriro Australia Pty Limited**  
**104 Vanessa St Kingsgrove NSW 2208 Australia**  
(72) Name(s) of Designer(s): **David Mansueto and David Jones and Anson Li**  
(45) Registration Date: **16 December 2015**  
(56) Related Art Documents: **Not Applicable**  
(57) Statement of Newness and Distinctiveness: **Newness and distinctiveness is claimed in the features of shape and/or configuration of a barbeque spit rod assembly as illustrated in the accompanying representations.**



- (21) Design Number: **16071/2015**  
(22) Date of Filing Application: **13 November 2015**  
(24) Date from which industrial property rights may have effect: **13 November 2015**  
(54) Product in respect of which the design is registered: **A barbeque spit fork**  
(51) International Design Classification: **07-02NES**  
(74) Name(s) of Attorney(s): **Spruson & Ferguson**  
(71) Name(s) and Address(s) of Applicant(s):  
**Shiro Australia Pty Limited**  
**104 Vanessa St Kingsgrove NSW 2208 Australia**  
(72) Name(s) of Designer(s): **David Mansueto and David Jones and Anson Li**  
(45) Registration Date: **16 December 2015**  
(56) Related Art Documents: **Not Applicable**  
(57) Statement of Newness and Distinctiveness: **Newness and distinctiveness is claimed in the features of shape and/or configuration of a barbeque spit fork as illustrated in the accompanying representations.**



- (21) Design Number: **16422/2015**  
(22) Date of Filing Application: **27 November 2015**  
(24) Date from which industrial property rights may have effect: **27 November 2015**  
(54) Product in respect of which the design is registered: **Dry noodle**  
(51) International Design Classification: **01-01**  
(74) Name(s) of Attorney(s): **Freehills Patent Attorneys**  
(71) Name(s) and Address(s) of Applicant(s):  
**Nisshin Foods Inc.**  
**25, Kanda-Nishiki-cho 1-chome Chiyoda-ku Tokyo 101-8441 Japan**  
(72) Name(s) of Designer(s): **Ryusuke Kimura and Masafumi Higashi**  
(45) Registration Date: **16 December 2015**  
(56) Related Art Documents: **Not Applicable**  
(57) Statement of Newness and Distinctiveness: **Newness and distinctiveness resides in the features of shape and/or configuration of the dry noodle as shown in the accompanying representations, including the cross-sectional shape of the noodle which twists along the axial length of the noodle at a rate of about 60 degrees per 25cm, and having an axial length of about 125 times its diameter.**



- 
- (21) Design Number: **16423/2015**  
(22) Date of Filing Application: **27 November 2015**  
(24) Date from which industrial property rights may have effect: **27 November 2015**  
(54) Product in respect of which the design is registered: **Dry noodle**  
(51) International Design Classification: **01-01**  
(74) Name(s) of Attorney(s): **Freehills Patent Attorneys**  
(71) Name(s) and Address(s) of Applicant(s):  
**Nisshin Foods Inc.**  
**25, Kanda-Nishiki-cho 1-chome Chiyoda-ku Tokyo 101-8441 Japan**  
(72) Name(s) of Designer(s): **Ryusuke Kimura and Masafumi Higashi**  
(45) Registration Date: **16 December 2015**  
(56) Related Art Documents: **Not Applicable**  
(57) Statement of Newness and Distinctiveness: **Newness and distinctiveness resides in the features of shape and/or configuration of the dry noodle as shown in the accompanying representations, including the cross-sectional shape of the noodle which twists along the axial length of the noodle at a rate of about 60 degrees per 25cm, and having an axial length of about 125 times its diameter.**



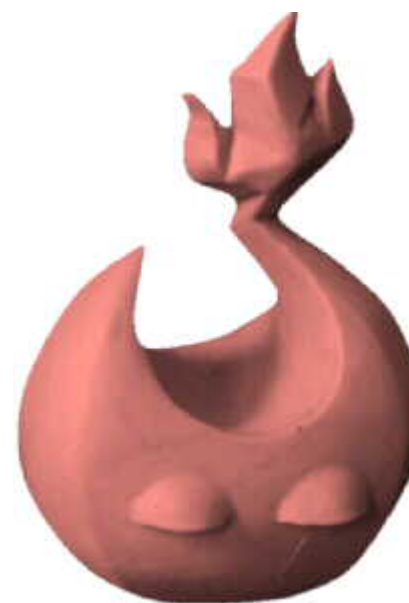
- 
- (21) Design Number: **16424/2015**  
(22) Date of Filing Application: **27 November 2015**  
(24) Date from which industrial property rights may have effect: **27 November 2015**  
(54) Product in respect of which the design is registered: **Dry noodle**  
(51) International Design Classification: **01-01**  
(74) Name(s) of Attorney(s): **Freehills Patent Attorneys**  
(71) Name(s) and Address(s) of Applicant(s):  
**Nisshin Foods Inc.**  
**25, Kanda-Nishiki-cho 1-chome Chiyoda-ku Tokyo 101-8441 Japan**  
(72) Name(s) of Designer(s): **Ryusuke Kimura and Masafumi Higashi**  
(45) Registration Date: **16 December 2015**  
(56) Related Art Documents: **Not Applicable**  
(57) Statement of Newness and Distinctiveness: **Newness and distinctiveness resides in the features of shape and/or configuration of the dry noodle as shown in the accompanying representations, including the cross-sectional shape of the noodle which twists along the axial length of the noodle at a rate of about 60 degrees per 25cm, and having an axial length of about 125 times its diameter.**



- (21) Design Number: **15915/2015**  
(22) Date of Filing Application: **06 November 2015**  
(24) Date from which industrial property rights may have effect: **06 November 2015**  
(54) Product in respect of which the design is registered: **Figurine**  
(51) International Design Classification: **21-01NES**  
(74) Name(s) of Attorney(s):  
(71) Name(s) and Address(s) of Applicant(s):  
**EARTHLY GUARDIANS 888 PTY LTD**  
**U4\_61 Flynn St Wembley WA 6014 Australia**  
**Earthly Guardians 888 Pty Ltd**  
**4 Champion Cres Floreat WA 6014 Australia**  
(72) Name(s) of Designer(s): **Michele Roget**  
(45) Registration Date: **17 December 2015**  
(56) Related Art Documents: **Not Applicable**  
(57) Statement of Newness and Distinctiveness: **The newness and distinctiveness comes from the distinct contouring in the design, a completely new and original shape and design hand drawn and then created with 3D characteristics. A distinctive pattern/shape at the top of a round base with eye-like features and a small round hole/indentation just above the eyes that sits in the hollowed crescent design part.**



- (21) Design Number: **15916/2015**  
(22) Date of Filing Application: **06 November 2015**  
(24) Date from which industrial property rights may have effect: **06 November 2015**  
(54) Product in respect of which the design is registered: **Figurine**  
(51) International Design Classification: **21-01NES**  
(74) Name(s) of Attorney(s):  
(71) Name(s) and Address(s) of Applicant(s):  
**EARTHLY GUARDIANS 888 PTY LTD**  
**U4\_61 Flynn St Wembley WA 6014 Australia**  
**Earthly Guardians 888 Pty Ltd**  
**4 Champion Cres Floreat WA 6014 Australia**  
(72) Name(s) of Designer(s): **Michele Roget**  
(45) Registration Date: **17 December 2015**  
(56) Related Art Documents: **Not Applicable**  
(57) Statement of Newness and Distinctiveness: **The newness and distinctiveness comes from the distinct contouring in the design, a completely new and original shape and design hand drawn and then created with 3D characteristics. A distinctive pattern/shape at the top of a round base with eye-like features and a small round hole/indentation just above the eyes that sits in the hollowed crescent design part.**



- (21) Design Number: **15917/2015**  
(22) Date of Filing Application: **06 November 2015**  
(24) Date from which industrial property rights may have effect: **06 November 2015**  
(54) Product in respect of which the design is registered: **Figurine**  
(51) International Design Classification: **21-01NES**  
(74) Name(s) of Attorney(s):  
(71) Name(s) and Address(s) of Applicant(s):  
**EARTHLY GUARDIANS 888 PTY LTD**  
**U4\_61 Flynn St Wembley WA 6014 Australia**  
**Earthly Guardians 888 Pty Ltd**  
**4 Champion Cres Floreat WA 6014 Australia**  
(72) Name(s) of Designer(s): **Michele Roget**  
(45) Registration Date: **17 December 2015**  
(56) Related Art Documents: **Not Applicable**  
(57) Statement of Newness and Distinctiveness: **The newness and distinctiveness comes from the distinct contouring in the design, a completely new and original shape and design hand drawn and then created with 3D characteristics. A distinctive pattern/shape at the top of a round base with eye-like features and a small round hole/indentation just above the eyes that sits in the hollowed crescent design part.**



- (21) Design Number: **15918/2015**  
(22) Date of Filing Application: **06 November 2015**  
(24) Date from which industrial property rights may have effect: **06 November 2015**  
(54) Product in respect of which the design is registered: **Figurine**  
(51) International Design Classification: **21-01NES**  
(74) Name(s) of Attorney(s):  
(71) Name(s) and Address(s) of Applicant(s):  
**EARTHLY GUARDIANS 888 PTY LTD**  
**U4\_61 Flynn St Wembley WA 6014 Australia**  
**Earthly Guardians 888 Pty Ltd**  
**4 Champion Cres Floreat WA 6014 Australia**  
(72) Name(s) of Designer(s): **Michele Roget**  
(45) Registration Date: **17 December 2015**  
(56) Related Art Documents: **Not Applicable**  
(57) Statement of Newness and Distinctiveness: **The newness and distinctiveness comes from the distinct contouring in the design, a completely new and original shape and design hand drawn and then created with 3D characteristics. A distinctive pattern/shape at the top of a round base with eye-like features and a small round hole/indentation just above the eyes that sits in the hollowed crescent design part.**



(21) Design Number: **16213/2015**

(22) Date of Filing Application: **18 November 2015**

(24) Date from which industrial property rights may have effect: **18 November 2015**

(54) Product in respect of which the design is registered: **Water container**

(51) International Design Classification: **07-02L**

(74) Name(s) of Attorney(s): **PHILLIPS ORMONDE FITZPATRICK**

(71) Name(s) and Address(s) of Applicant(s):

**SharkNinja Operating LLC**

**180 Wells Avenue Suite 200 Newton Massachusetts, 02459 United States of America**

(72) Name(s) of Designer(s): **Daniel Kestenbaum**

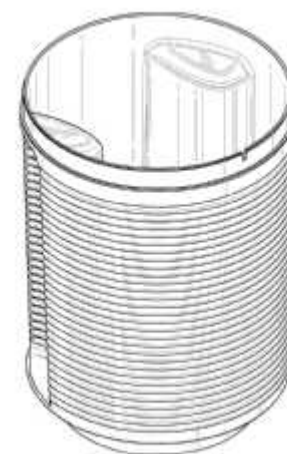
(45) Registration Date: **17 December 2015**

(30) Convention priority data:

(31) Number	(32) Date	(33) Country
<b>29/530,398</b>	<b>16 Jun 2015</b>	<b>UNITED STATES OF AMERICA</b>

(56) Related Art Documents: **Not Applicable**

(57) Statement of Newness and Distinctiveness: **Those features of the water container depicted in the representations that are new and distinctive are the shape and/or configuration. The features shown in broken lines are not part of the design and are to be disregarded when considering the overall impression of the design.**



(21) Design Number: **16214/2015**

(22) Date of Filing Application: **18 November 2015**

(24) Date from which industrial property rights may have effect: **18 November 2015**

(54) Product in respect of which the design is registered: **Water container**

(51) International Design Classification: **07-02L**

(74) Name(s) of Attorney(s): **PHILLIPS ORMONDE FITZPATRICK**

(71) Name(s) and Address(s) of Applicant(s):

**SharkNinja Operating LLC**

**180 Wells Avenue Suite 200 Newton Massachusetts, 02459 United States of America**

(72) Name(s) of Designer(s): **Daniel Kestenbaum**

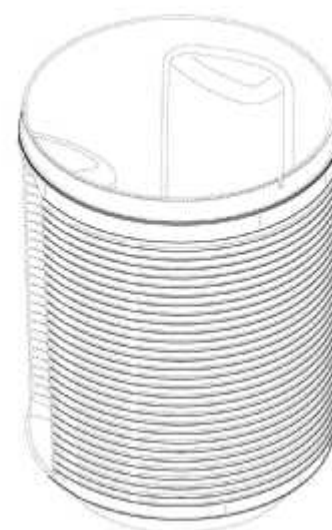
(45) Registration Date: **17 December 2015**

(30) Convention priority data:

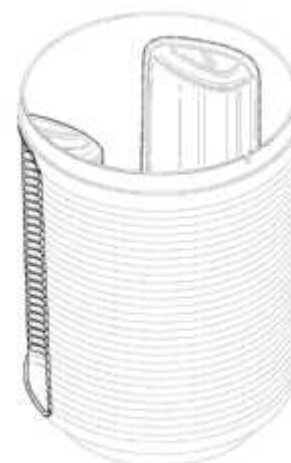
(31) Number	(32) Date	(33) Country
<b>29/530,398</b>	<b>16 Jun 2015</b>	<b>UNITED STATES OF AMERICA</b>

(56) Related Art Documents: **Not Applicable**

(57) Statement of Newness and Distinctiveness: **Those features of the water container depicted in the representations that are new and distinctive are the shape and/or configuration. The features shown in broken lines are not part of the design and are to be disregarded when considering the overall impression of the design.**



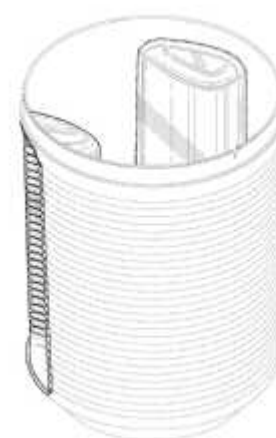
(21) Design Number: **16215/2015**  
(22) Date of Filing Application: **18 November 2015**  
(24) Date from which industrial property rights may have effect: **18 November 2015**  
(54) Product in respect of which the design is registered: **Water container**  
(51) International Design Classification: **07-02L**  
(74) Name(s) of Attorney(s): **PHILLIPS ORMONDE FITZPATRICK**  
(71) Name(s) and Address(s) of Applicant(s):  
**SharkNinja Operating LLC**  
**180 Wells Avenue Suite 200 Newton Massachusetts, 02459 United States of America**



(72) Name(s) of Designer(s): **Daniel Kestenbaum**  
(45) Registration Date: **17 December 2015**  
(30) Convention priority data:  
(31) Number (32) Date (33) Country  
**29/530,398 16 Jun 2015 UNITED STATES OF AMERICA**

(56) Related Art Documents: **Not Applicable**  
(57) Statement of Newness and Distinctiveness: **Those features of the water container depicted in the representations that are new and distinctive are the shape and/or configuration. The features shown in broken lines are not part of the design and are to be disregarded when considering the overall impression of the design. The dash-dot lines are boundary lines delineating claimed subject matter within the dash-dot lines from unclaimed, unshaded subject matter outside of the dash-dot lines.**

(21) Design Number: **16217/2015**  
(22) Date of Filing Application: **18 November 2015**  
(24) Date from which industrial property rights may have effect: **18 November 2015**  
(54) Product in respect of which the design is registered: **Water container**  
(51) International Design Classification: **07-02L**  
(74) Name(s) of Attorney(s): **PHILLIPS ORMONDE FITZPATRICK**  
(71) Name(s) and Address(s) of Applicant(s):  
**SharkNinja Operating LLC**  
**180 Wells Avenue Suite 200 Newton Massachusetts, 02459 United States of America**



(72) Name(s) of Designer(s): **Daniel Kestenbaum**  
(45) Registration Date: **17 December 2015**  
(30) Convention priority data:  
(31) Number (32) Date (33) Country  
**29/530,398 16 Jun 2015 UNITED STATES OF AMERICA**

(56) Related Art Documents: **Not Applicable**  
(57) Statement of Newness and Distinctiveness: **Those features of the water container depicted in the representations that are new and distinctive are the shape and/or configuration. The features shown in broken lines are not part of the design and are to be disregarded when considering the overall impression of the design. The dash-dot lines are boundary lines delineating claimed subject matter within the dash-dot lines from unclaimed, unshaded subject matter outside of the dash-dot lines.**

- (21) Design Number: **16435/2015**  
(22) Date of Filing Application: **27 November 2015**  
(24) Date from which industrial property rights may have effect: **27 November 2015**  
(54) Product in respect of which the design is registered: **A bottle**  
(51) International Design Classification: **09-01B**  
(74) Name(s) of Attorney(s): **WATERMARK PATENT AND TRADE MARKS ATTORNEYS**  
(71) Name(s) and Address(s) of Applicant(s):  
**Pact Group Holdings (Australia) Pty Ltd**  
**L 16 644 Chapel St South Yarra VIC 3141 Australia**  
(72) Name(s) of Designer(s): **Chris White and Lisa Cheung**  
(45) Registration Date: **17 December 2015**  
(56) Related Art Documents: **Not Applicable**  
(57) Statement of Newness and Distinctiveness: **Newness and distinctiveness resides in the visual features of shape and configuration of the bottle, particularly the handle of the bottle, as shown in the accompanying representations. In assessing novelty and distinctiveness of the design, the features of the bottle neck do not form part of the design.**



- (21) Design Number: **16436/2015**  
(22) Date of Filing Application: **27 November 2015**  
(24) Date from which industrial property rights may have effect: **27 November 2015**  
(54) Product in respect of which the design is registered: **A bottle**  
(51) International Design Classification: **09-01B**  
(74) Name(s) of Attorney(s): **WATERMARK PATENT AND TRADE MARKS ATTORNEYS**  
(71) Name(s) and Address(s) of Applicant(s):  
**Pact Group Holdings (Australia) Pty Ltd**  
**L 16 644 Chapel St South Yarra VIC 3141 Australia**  
(72) Name(s) of Designer(s): **Chris White and Lisa Cheung**  
(45) Registration Date: **17 December 2015**  
(56) Related Art Documents: **Not Applicable**  
(57) Statement of Newness and Distinctiveness: **Newness and distinctiveness resides in the visual features of shape and configuration of the bottle, particularly the handle of the bottle, as shown in the accompanying representations. In assessing novelty and distinctiveness of the design, the features of the bottle neck do not form part of the design.**



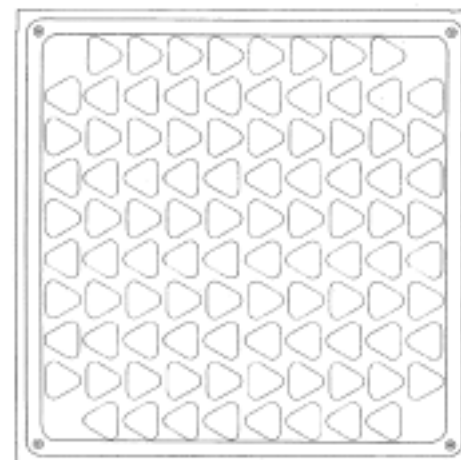
- (21) Design Number: **16437/2015**  
(22) Date of Filing Application: **27 November 2015**  
(24) Date from which industrial property rights may have effect: **27 November 2015**  
(54) Product in respect of which the design is registered: **A bottle**  
(51) International Design Classification: **09-01B**  
(74) Name(s) of Attorney(s): **WATERMARK PATENT AND TRADE MARKS ATTORNEYS**  
(71) Name(s) and Address(s) of Applicant(s):  
**Pact Group Holdings (Australia) Pty Ltd**  
**L 16 644 Chapel St South Yarra VIC 3141 Australia**  
(72) Name(s) of Designer(s): **Chris White and Lisa Cheung**  
(45) Registration Date: **17 December 2015**  
(56) Related Art Documents: **Not Applicable**  
(57) Statement of Newness and Distinctiveness: **Newness and distinctiveness resides in the visual features of shape and configuration of the bottle, particularly the handle of the bottle, as shown in the accompanying representations. In assessing novelty and distinctiveness of the design, the features of the bottle neck do not form part of the design.**



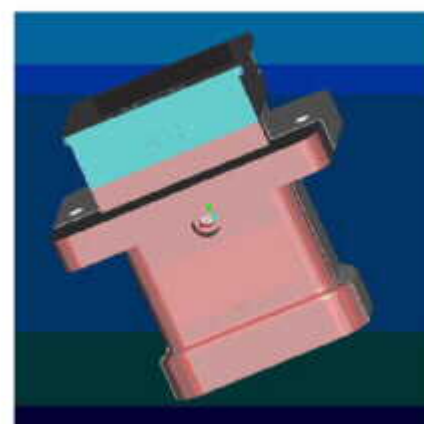
- (21) Design Number: **16438/2015**  
(22) Date of Filing Application: **27 November 2015**  
(24) Date from which industrial property rights may have effect: **27 November 2015**  
(54) Product in respect of which the design is registered: **A bottle**  
(51) International Design Classification: **09-01B**  
(74) Name(s) of Attorney(s): **WATERMARK PATENT AND TRADE MARKS ATTORNEYS**  
(71) Name(s) and Address(s) of Applicant(s):  
**Pact Group Holdings (Australia) Pty Ltd**  
**L 16 644 Chapel St South Yarra VIC 3141 Australia**  
(72) Name(s) of Designer(s): **Chris White and Lisa Cheung**  
(45) Registration Date: **17 December 2015**  
(56) Related Art Documents: **Not Applicable**  
(57) Statement of Newness and Distinctiveness: **Newness and distinctiveness resides in the visual features of shape and configuration of the bottle, particularly the handle of the bottle, as shown in the accompanying representations. In assessing novelty and distinctiveness of the design, the features of the bottle neck do not form part of the design.**



- (21) Design Number: **16450/2015**  
(22) Date of Filing Application: **30 November 2015**  
(24) Date from which industrial property rights may have effect: **30 November 2015**  
(54) Product in respect of which the design is registered: **Cementitious panel**  
(51) International Design Classification: **25-01D**  
(74) Name(s) of Attorney(s): **PETER MAXWELL & ASSOCIATES**  
(71) Name(s) and Address(s) of Applicant(s):  
**ASP Access Floors Pty Limited**  
**32 Prime Dr Seven Hills NSW 2147 Australia**  
(72) Name(s) of Designer(s): **Petar Zlatar**  
(45) Registration Date: **17 December 2015**  
(56) Related Art Documents: **Not Applicable**  
(57) Statement of Newness and Distinctiveness: **Newness and distinctiveness is claimed in the shape and/or configuration of a CEMENTITIOUS PANEL.**



- (21) Design Number: **16454/2015**  
(22) Date of Filing Application: **30 November 2015**  
(24) Date from which industrial property rights may have effect: **30 November 2015**  
(54) Product in respect of which the design is registered: **Electrical connector cover**  
(51) International Design Classification: **13-03D**  
(74) Name(s) of Attorney(s):  
(71) Name(s) and Address(s) of Applicant(s):  
**Dennis Ronald Gravolin**  
**271 River St Maclean NSW 2463 Australia**  
**Sandra Lorraine Gravolin**  
**271 River St Maclean NSW 2463 Australia**  
(72) Name(s) of Designer(s): **Dennis Ronald Gravolin and Sandra Lorraine Gravolin**  
(45) Registration Date: **17 December 2015**  
(56) Related Art Documents: **Not Applicable**  
(57) Statement of Newness and Distinctiveness: **Statement of Newness and Distinctiveness: Newness and Distinctiveness is claimed in the visual features of the design in the shape and configuration of a cover assembly as shown in the accompanied illustrations and representations in sold lines.**



(21) Design Number: **16455/2015**

(22) Date of Filing Application: **01 December 2015**

(24) Date from which industrial property rights may have effect: **01 December 2015**

(54) Product in respect of which the design is registered: **Container**

(51) International Design Classification: **07-01D**

(74) Name(s) of Attorney(s): **PHILLIPS ORMONDE FITZPATRICK**

(71) Name(s) and Address(s) of Applicant(s):

**SharkNinja Operating LLC**

**180 Wells Avenue Suite 200 Newton Massachusetts, 02459 United States of America**

(72) Name(s) of Designer(s): **Daniel Kestenbaum and Devin Coakley**

(45) Registration Date: **17 December 2015**

(30) Convention priority data:

(31) Number	(32) Date	(33) Country
<b>29/532,027</b>	<b>01 Jul 2015</b>	<b>UNITED STATES OF AMERICA</b>

(56) Related Art Documents: **Not Applicable**

(57) Statement of Newness and Distinctiveness: **Those features of the container depicted in the representations that are new and distinctive are the shape and/or configuration. The features shown in broken line are not part of the design and are to be disregarded when considering the overall impression of the design.**



(21) Design Number: **11752/2015**

(22) Date of Filing Application: **01 April 2015**

(24) Date from which industrial property rights may have effect: **01 April 2015**

(54) Product in respect of which the design is registered: **Jumpstarter**

(51) International Design Classification: **15-99**

(74) Name(s) of Attorney(s): **PHILLIPS ORMONDE FITZPATRICK**

(71) Name(s) and Address(s) of Applicant(s):

**Brown & Watson International Pty Ltd**

**1500 Ferntree Gully Rd Knoxfield VIC 3180 Australia**

(72) Name(s) of Designer(s): **Mark Finocchiaro and Simon Andresen**

(45) Registration Date: **17 December 2015**

(56) Related Art Documents: **Not Applicable**

(57) Statement of Newness and Distinctiveness: **Those features of the jumpstarter depicted in the representations that are new and distinctive are the shape and/or configuration. The features shown in broken line are not part of the design and are to be disregarded when considering the overall impression of the design.**



- (21) Design Number: **11753/2015**  
(22) Date of Filing Application: **01 April 2015**  
(24) Date from which industrial property rights may have effect: **01 April 2015**  
(54) Product in respect of which the design is registered: **Charging Dock**  
(51) International Design Classification: **13-03NES**  
(74) Name(s) of Attorney(s): **PHILLIPS ORMONDE FITZPATRICK**  
(71) Name(s) and Address(s) of Applicant(s):  
**Brown & Watson International Pty Ltd**  
**1500 Ferntree Gully Rd Knoxfield VIC 3180 Australia**  
(72) Name(s) of Designer(s): **Mark Finocchiaro and Simon Andresen**  
(45) Registration Date: **17 December 2015**  
(56) Related Art Documents: **Not Applicable**  
(57) Statement of Newness and Distinctiveness: **Those features of the charging dock depicted in the representations that are new and distinctive are the shape and/or configuration. The feature shown in broken line is not part of the design and are to be disregarded when considering the overall impression of the design.**



- (21) Design Number: **12816/2015**  
(22) Date of Filing Application: **04 June 2015**  
(24) Date from which industrial property rights may have effect: **04 June 2015**  
(54) Product in respect of which the design is registered: **Portable power pack**  
(51) International Design Classification: **13-02**  
(74) Name(s) of Attorney(s): **PHILLIPS ORMONDE FITZPATRICK**  
(71) Name(s) and Address(s) of Applicant(s):  
**Brown & Watson International Pty Ltd**  
**1500 Ferntree Gully Rd Knoxfield VIC 3180 Australia**  
(72) Name(s) of Designer(s): **Mark Finocchiaro**  
(45) Registration Date: **17 December 2015**  
(56) Related Art Documents: **Not Applicable**  
(57) Statement of Newness and Distinctiveness: **Those features of the portable power pack depicted in the representations that are new and distinctive are the shape and/or configuration.**



(21) Design Number: **16211/2015**  
(22) Date of Filing Application: **18 November 2015**  
(24) Date from which industrial property rights may have effect: **18 November 2015**  
(54) Product in respect of which the design is registered: **Water container**  
(51) International Design Classification: **07-02L**  
(74) Name(s) of Attorney(s): **PHILLIPS ORMONDE FITZPATRICK**  
(71) Name(s) and Address(s) of Applicant(s):  
**SharkNinja Operating LLC**  
**180 Wells Avenue Suite 200 Newton Massachusetts, 02459 United States of America**

(72) Name(s) of Designer(s): **Daniel Kestenbaum**

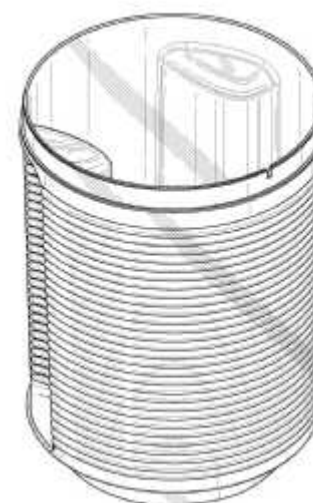
(45) Registration Date: **17 December 2015**

(30) Convention priority data:

(31) Number	(32) Date	(33) Country
<b>29/530,398</b>	<b>16 Jun 2015</b>	<b>UNITED STATES OF AMERICA</b>

(56) Related Art Documents: **Not Applicable**

(57) Statement of Newness and Distinctiveness: **Those features of the water container depicted in the representations that are new and distinctive are the shape and/or configuration. The features shown in broken lines are not part of the design and are to be disregarded when considering the overall impression of the design.**



(21) Design Number: **16212/2015**  
(22) Date of Filing Application: **18 November 2015**  
(24) Date from which industrial property rights may have effect: **18 November 2015**  
(54) Product in respect of which the design is registered: **Water container**  
(51) International Design Classification: **07-02L**  
(74) Name(s) of Attorney(s): **PHILLIPS ORMONDE FITZPATRICK**  
(71) Name(s) and Address(s) of Applicant(s):  
**SharkNinja Operating LLC**  
**180 Wells Avenue Suite 200 Newton Massachusetts, 02459 United States of America**

(72) Name(s) of Designer(s): **Daniel Kestenbaum**

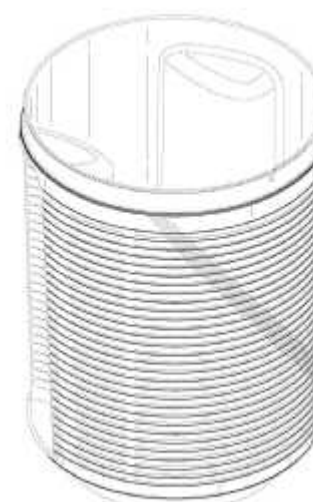
(45) Registration Date: **17 December 2015**

(30) Convention priority data:

(31) Number	(32) Date	(33) Country
<b>29/530,398</b>	<b>16 Jun 2015</b>	<b>UNITED STATES OF AMERICA</b>

(56) Related Art Documents: **Not Applicable**

(57) Statement of Newness and Distinctiveness: **Those features of the water container depicted in the representations that are new and distinctive are the shape and/or configuration. The features shown in broken lines are not part of the design and are to be disregarded when considering the overall impression of the design.**



(21) Design Number: **16439/2015**  
(22) Date of Filing Application: **28 November 2015**  
(24) Date from which industrial property rights may have effect: **28 November 2015**  
(54) Product in respect of which the design is registered: **Clothes peg**  
(51) International Design Classification: **07-05C**  
(74) Name(s) of Attorney(s):  
(71) Name(s) and Address(s) of Applicant(s):

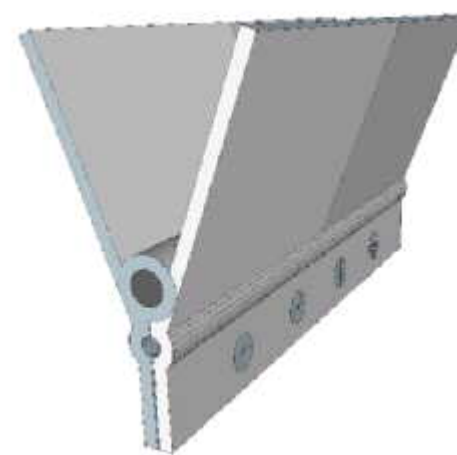
**Diane Caroline Edwards**  
**24 Littleham Loop Quinna Rocks WA 6030 Australia**

(72) Name(s) of Designer(s): **Diane Caroline Edwards**

(45) Registration Date: **17 December 2015**

(56) Related Art Documents: **Not Applicable**

(57) Statement of Newness and Distinctiveness: **Design Name - Peg Hanger 1) Complete new design and look 2) Secure / space saving innovation - to reduce the amount of washing (clothes) line needed to hang clothes 3) Eliminate peg marks on clothes 4) Assist in the prevention of clothes becoming out of shape when hung on a washing (clothes) line 5) Time saving - enables the direct transfer of clothes from the washing (clothes) line to the wardrobe. 6) Mechanism to tightly grip and secure Peg Hanger to the line 7) Ability to hold more than one clothes hanger 8) The Peg Hangers hole contains a gripping mechanism to enable the secure holding of clothes hangers to the Peg Hanger 9) The Peg Hangers hole gripping mechanism allows for a range of different size / thickness of clothes hangers 10) Peg Hanger allows for a defined space to be maintained between each clothes hanger thats attached to the Peg Hanger**



(21) Design Number: **16441/2015**  
(22) Date of Filing Application: **29 November 2015**  
(24) Date from which industrial property rights may have effect: **29 November 2015**  
(54) Product in respect of which the design is registered: **An electric hair straightening comb**  
(51) International Design Classification: **28-03B**  
(74) Name(s) of Attorney(s): **A.P.T. Patent and Trade Mark Attorneys**  
(71) Name(s) and Address(s) of Applicant(s):

**Zhuhai Jindao Electric Appliance Co. Ltd.**  
**No. 18, Shenghui Road The Second Industrial Zone Jinding Zhuhai**  
**China**

(72) Name(s) of Designer(s): **XiaoDong HE**

(45) Registration Date: **17 December 2015**

(30) Convention priority data:

(31) Number	(32) Date	(33) Country
<b>201530170273.6</b>	<b>29 May 2015</b>	<b>CHINA</b>

(56) Related Art Documents: **Not Applicable**

(57) Statement of Newness and Distinctiveness: **Nil**



(21) Design Number: **16266/2015**  
(22) Date of Filing Application: **19 November 2015**  
(24) Date from which industrial property rights may have effect: **19 November 2015**  
(54) Product in respect of which the design is registered: **Grinder**  
(51) International Design Classification: **08-05N**  
(74) Name(s) of Attorney(s): **Fisher Adams Kelly Callinans**  
(71) Name(s) and Address(s) of Applicant(s):

**Robert Bosch GmbH**  
**Postfach 30 02 20 Stuttgart 70442 Germany**

(72) Name(s) of Designer(s): **Manfred Lutz**

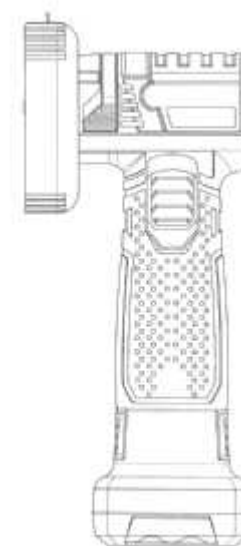
(45) Registration Date: **17 December 2015**

(30) Convention priority data:

(31) Number	(32) Date	(33) Country
<b>002704601</b>	<b>21 May 2015</b>	<b>OFFICE FOR HARMONISATION IN THE INTERNAL MARKET (OHIM)</b>

(56) Related Art Documents: **Not Applicable**

(57) Statement of Newness and Distinctiveness: **Nil**



(21) Design Number: **16267/2015**  
(22) Date of Filing Application: **19 November 2015**  
(24) Date from which industrial property rights may have effect: **19 November 2015**  
(54) Product in respect of which the design is registered: **Storage container lid**  
(51) International Design Classification: **09-07NES**  
(74) Name(s) of Attorney(s): **FB Rice**  
(71) Name(s) and Address(s) of Applicant(s):

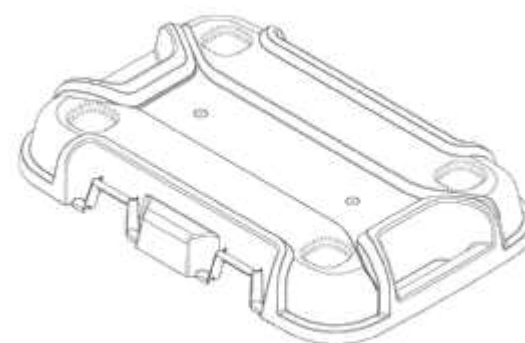
**FBA International Pty Ltd**  
**35-77 Emu Rd Maidstone VIC 3012 Australia**

(72) Name(s) of Designer(s): **Fadde Ali and Isabella Powell and Aneesh Satyamurthy and Evan Pell**

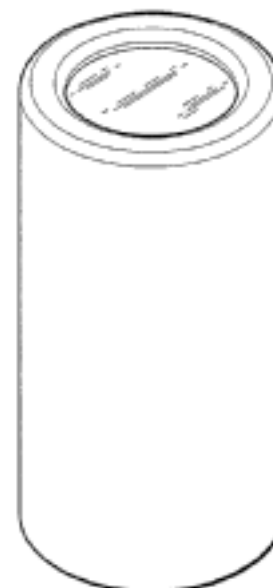
(45) Registration Date: **17 December 2015**

(56) Related Art Documents: **Not Applicable**

(57) Statement of Newness and Distinctiveness: **Newness and distinctiveness reside in the visual features of the product shown in solid lines in the representations, excluding the features shown in dashed lines which are disclaimed.**



- (21) Design Number: **16269/2015**  
(22) Date of Filing Application: **19 November 2015**  
(24) Date from which industrial property rights may have effect: **19 November 2015**  
(54) Product in respect of which the design is registered: **Bottle closure design**  
(51) International Design Classification: **09-07C**  
(74) Name(s) of Attorney(s): **Freehills Patent Attorneys**  
(71) Name(s) and Address(s) of Applicant(s):  
**Terrence Tremayne**  
**46 Alma Road St Kilda VIC 3182**  
**Krzyszto Mastalerz**  
**36 Snady St Nunawading VIC 3131 Australia**  
(72) Name(s) of Designer(s): **Krzyszto Mastalerz and Terrence Tremayne and David Manley**  
(45) Registration Date: **17 December 2015**  
(56) Related Art Documents: **Not Applicable**  
(57) Statement of Newness and Distinctiveness: **Newness and distinctiveness of the design resides in the features of the shape of the bottle closure, and in particular the transparent portion in the top of the closure.**



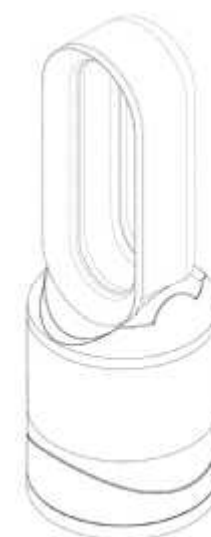
- (21) Design Number: **16317/2015**  
(22) Date of Filing Application: **23 November 2015**  
(24) Date from which industrial property rights may have effect: **23 November 2015**  
(54) Product in respect of which the design is registered: **Handle for a hand implement or tool**  
(51) International Design Classification: **08-99**  
(74) Name(s) of Attorney(s): **Spruson & Ferguson**  
(71) Name(s) and Address(s) of Applicant(s):  
**Vecto Trade 461 Proprietary Limited**  
**Lasher Building, 3 Sigma Road, Industries West, Germiston, 1401**  
**Gauteng Province South Africa**  
(72) Name(s) of Designer(s): **Charles William Halsted**  
(45) Registration Date: **17 December 2015**  
(30) Convention priority data:  
(31) Number      (32) Date      (33) Country  
**A2015/00940      17 Jun 2015      SOUTH AFRICA**  
(56) Related Art Documents: **Not Applicable**  
(57) Statement of Newness and Distinctiveness: **Newness and distinctiveness is claimed in the features of shape and/or configuration of a handle as illustrated in the accompanying representations.**



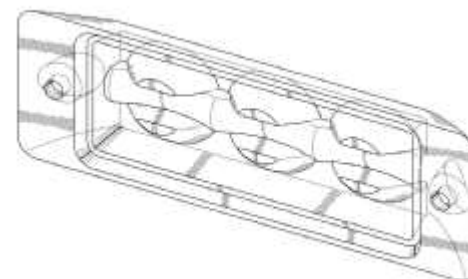
- (21) Design Number: **16341/2015**  
(22) Date of Filing Application: **23 November 2015**  
(24) Date from which industrial property rights may have effect: **23 November 2015**  
(54) Product in respect of which the design is registered: **Work light**  
(51) International Design Classification: **26-02**  
(74) Name(s) of Attorney(s): **Madderns**  
(71) Name(s) and Address(s) of Applicant(s):  
**Ningbo Gemay Industry Co.,Ltd.**  
**Room 603, Building 5 22 Henghe Road Beilun District Ningbo Zhejiang,**  
**315800 China**  
(72) Name(s) of Designer(s): **Xuefeng Xu and Youfei Chen**  
(45) Registration Date: **17 December 2015**  
(30) Convention priority data:  
(31) Number (32) Date (33) Country  
**201530304129.7 13 Aug 2015 CHINA**  
(56) Related Art Documents: **Not Applicable**  
(57) Statement of Newness and Distinctiveness: **Newness and distinctiveness is claimed in the shape and/or configuration of a work light as depicted in the accompanying representations**



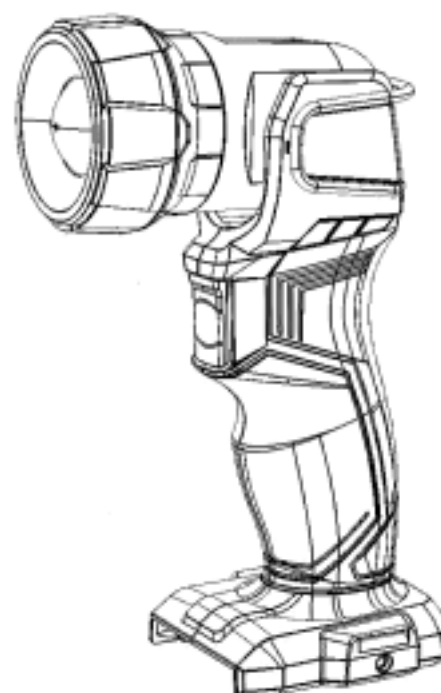
- (21) Design Number: **16399/2015**  
(22) Date of Filing Application: **26 November 2015**  
(24) Date from which industrial property rights may have effect: **26 November 2015**  
(54) Product in respect of which the design is registered: **A fan**  
(51) International Design Classification: **23-04**  
(74) Name(s) of Attorney(s): **Shelston IP Pty Ltd.**  
(71) Name(s) and Address(s) of Applicant(s):  
**Dyson Technology Limited**  
**Tetbury Hill Malmesbury Wiltshire SN16 0RP United Kingdom**  
(72) Name(s) of Designer(s): **Roy Edward Poulton and Ben Thomas Edmonds and George Oram and Thomas Douglas Ridley and Leanne Joyce Garner and Adam James Bates and Peter David Gammack**  
(45) Registration Date: **17 December 2015**  
(30) Convention priority data:  
(31) Number (32) Date (33) Country  
**001435069-0004 26 May 2015 OFFICE FOR HARMONISATION IN THE INTERNAL MARKET (OHIM)**  
(56) Related Art Documents: **Not Applicable**  
(57) Statement of Newness and Distinctiveness: **Newness and distinctiveness reside in the features of shape and/or configuration of the wide body of the base and filter assembly, the frusto-conical top portion and enlarged collar of the filter assembly of a FAN as illustrated in solid lines in the accompanying representations. The features shown in broken or discontinuous lines are illustrative only and do not form part of the design.**



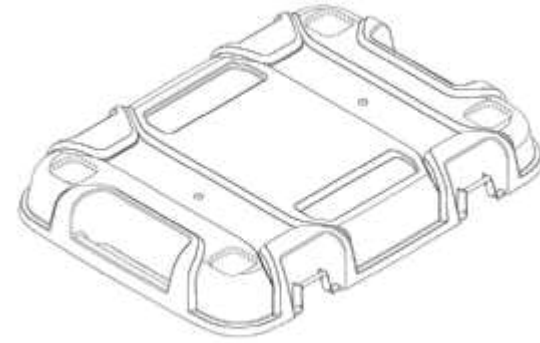
(21) Design Number: **16501/2015**  
(22) Date of Filing Application: **02 December 2015**  
(24) Date from which industrial property rights may have effect: **02 December 2015**  
(54) Product in respect of which the design is registered: **A transparent alarm light shade**  
(51) International Design Classification: **26-06**  
(74) Name(s) of Attorney(s): **Collison & Co**  
(71) Name(s) and Address(s) of Applicant(s):  
**LUMINOUS STAR TECHNOLOGY LTD**  
**NO.31, LN. 167, GUOSHENG ST. YONGKANG DIST. TAINAN CITY**  
**TAIWAN**  
(72) Name(s) of Designer(s): **Tzu-Fan Kuo**  
(45) Registration Date: **17 December 2015**  
(56) Related Art Documents: **Not Applicable**  
(57) Statement of Newness and Distinctiveness: **Nil**



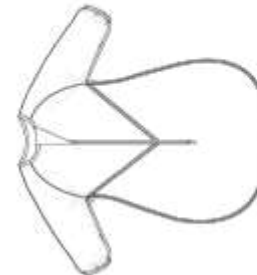
(21) Design Number: **15196/2015**  
(22) Date of Filing Application: **01 October 2015**  
(24) Date from which industrial property rights may have effect: **01 October 2015**  
(54) Product in respect of which the design is registered: **Lamp**  
(51) International Design Classification: **26-02**  
(74) Name(s) of Attorney(s):  
(71) Name(s) and Address(s) of Applicant(s):  
**Einhell Germany AG**  
**Wiesenweg 22 Landau 94405 Germany**  
(72) Name(s) of Designer(s): **Jun Meng**  
(45) Registration Date: **17 December 2015**  
(30) Convention priority data:  
(31) Number      (32) Date      (33) Country  
**002687707-0001    23 Apr 2015      OFFICE FOR HARMONISATION IN**  
**THE INTERNAL MARKET (OHIM)**  
(56) Related Art Documents: **Not Applicable**  
(57) Statement of Newness and Distinctiveness: **Nil**



- (21) Design Number: **16261/2015**  
(22) Date of Filing Application: **19 November 2015**  
(24) Date from which industrial property rights may have effect: **19 November 2015**  
(54) Product in respect of which the design is registered: **Storage container lid**  
(51) International Design Classification: **09-07NES, 09-03F**  
(74) Name(s) of Attorney(s): **FB Rice**  
(71) Name(s) and Address(s) of Applicant(s):  
**FBA International Pty Ltd**  
**35-77 Emu Rd Maidstone VIC 3012 Australia**  
(72) Name(s) of Designer(s): **Fadde Ali and Aneesh Satyamurthy and Evan Pell and Isabella Powell**  
(45) Registration Date: **17 December 2015**  
(56) Related Art Documents: **Not Applicable**  
(57) Statement of Newness and Distinctiveness: **Newness and distinctiveness reside in the visual features of the product shown in solid lines in the representations, excluding the features shown in dashed lines which are disclaimed.**



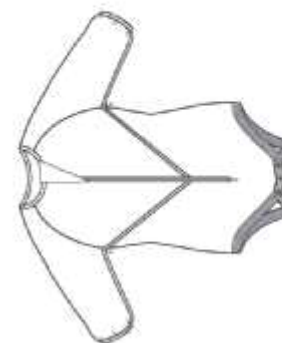
- (21) Design Number: **16263/2015**  
(22) Date of Filing Application: **19 November 2015**  
(24) Date from which industrial property rights may have effect: **19 November 2015**  
(54) Product in respect of which the design is registered: **Sleeping garment**  
(51) International Design Classification: **06-13B**  
(74) Name(s) of Attorney(s): **PHILLIPS ORMONDE FITZPATRICK**  
(71) Name(s) and Address(s) of Applicant(s):  
**Eileen Joanna Calodoukas**  
**204 Powderworks Rd Elanora Heights NSW 2101 Australia**  
(72) Name(s) of Designer(s): **Eileen Joanna Calodoukas**  
(45) Registration Date: **17 December 2015**  
(56) Related Art Documents: **Not Applicable**  
(57) Statement of Newness and Distinctiveness: **Nil**



- (21) Design Number: **16264/2015**  
(22) Date of Filing Application: **19 November 2015**  
(24) Date from which industrial property rights may have effect: **19 November 2015**  
(54) Product in respect of which the design is registered: **Clasp**  
(51) International Design Classification: **09-07NES**  
(74) Name(s) of Attorney(s): **FB Rice**  
(71) Name(s) and Address(s) of Applicant(s):  
**FBA International Pty Ltd**  
**35-77 Emu Rd Maidstone VIC 3012 Australia**  
(72) Name(s) of Designer(s): **Fadde Ali and Aneesh Satyamurthy and Evan Pell and Isabella Powell**  
(45) Registration Date: **17 December 2015**  
(56) Related Art Documents: **Not Applicable**  
(57) Statement of Newness and Distinctiveness: **Features of shape and configuration of the clasp.**



- (21) Design Number: **16265/2015**  
(22) Date of Filing Application: **19 November 2015**  
(24) Date from which industrial property rights may have effect: **19 November 2015**  
(54) Product in respect of which the design is registered: **Sleeping Garment**  
(51) International Design Classification: **06-13B**  
(74) Name(s) of Attorney(s): **PHILLIPS ORMONDE FITZPATRICK**  
(71) Name(s) and Address(s) of Applicant(s):  
**Eileen Joanna Calodoukas**  
**204 Powderworks Rd Elanora Heights NSW 2101 Australia**  
(72) Name(s) of Designer(s): **Eileen Joanna Calodoukas**  
(45) Registration Date: **17 December 2015**  
(56) Related Art Documents: **Not Applicable**  
(57) Statement of Newness and Distinctiveness: **Nil**



(21) Design Number: **16443/2015**

(22) Date of Filing Application: **30 November 2015**

(24) Date from which industrial property rights may have effect: **30 November 2015**

(54) Product in respect of which the design is registered: **Bottle**

(51) International Design Classification: **09-01NES**

(74) Name(s) of Attorney(s): **Griffith Hack**

(71) Name(s) and Address(s) of Applicant(s):

**BISSELL Homecare, Inc.**

**2345 Walker Avenue N.W. GRAND RAPIDS, Michigan, 49544-2516 United States of America**

(72) Name(s) of Designer(s): **Mitchell Dejonge**

(45) Registration Date: **17 December 2015**

(30) Convention priority data:

(31) Number	(32) Date	(33) Country
<b>29/530,411</b>	<b>16 Jun 2015</b>	<b>UNITED STATES OF AMERICA</b>

(56) Related Art Documents: **Not Applicable**

(57) Statement of Newness and Distinctiveness: **Newness and distinctiveness resides in the visual features, including the shape and configuration of the product as shown by means of solid lines in the representations.**



(21) Design Number: **16444/2015**

(22) Date of Filing Application: **30 November 2015**

(24) Date from which industrial property rights may have effect: **30 November 2015**

(54) Product in respect of which the design is registered: **A textile print**

(51) International Design Classification: **05-05NES**

(74) Name(s) of Attorney(s):

(71) Name(s) and Address(s) of Applicant(s):

**AUSTRALIAN FASHION LABELS PTY LTD**

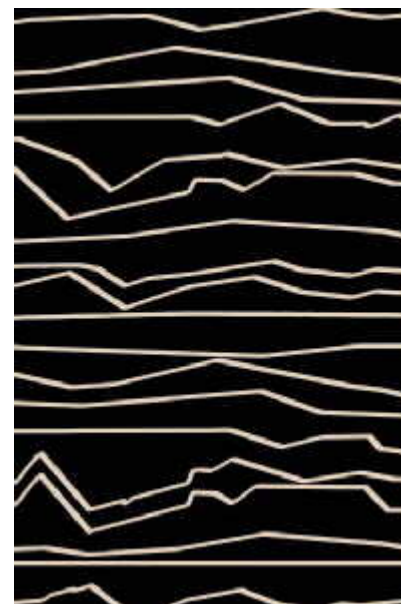
**106 Currie St Adelaide SA 5000 Australia**

(72) Name(s) of Designer(s): **Siham Elmawey and Hayley Dawson**

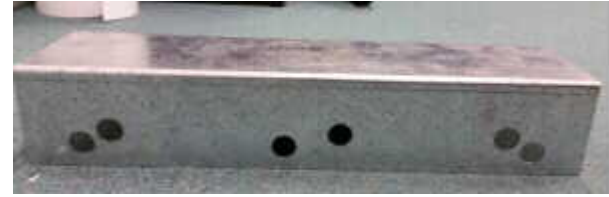
(45) Registration Date: **17 December 2015**

(56) Related Art Documents: **Not Applicable**

(57) Statement of Newness and Distinctiveness: **Newness and distinctiveness resides in the features of pattern and ornamentation of a textile print as shown in the accompanying representations. In considering the scope of monopoly, no regard is to be had to colour and the scope of monopoly is not restricted to the particular colour or colours depicted in the accompanying representations.**



- (21) Design Number: **16445/2015**  
(22) Date of Filing Application: **30 November 2015**  
(24) Date from which industrial property rights may have effect: **30 November 2015**  
(54) Product in respect of which the design is registered: **Cable bracket**  
(51) International Design Classification: **08-08L**  
(74) Name(s) of Attorney(s):  
(71) Name(s) and Address(s) of Applicant(s):  
**ELECTRICAL TRAINING ACADEMY PTY LTD**  
**Factory 9/36 Merri Concourse Campbellfield VIC 3061 Australia**  
(72) Name(s) of Designer(s): **Domenic Gizzi**  
(45) Registration Date: **17 December 2015**  
(56) Related Art Documents: **Not Applicable**  
(57) Statement of Newness and Distinctiveness: **Universal Cable Roller can be mounted on all domestic and commercial framing at construction stage. Cable Roller is designed to cater for three cable drums.**



- (21) Design Number: **16447/2015**  
(22) Date of Filing Application: **30 November 2015**  
(24) Date from which industrial property rights may have effect: **30 November 2015**  
(54) Product in respect of which the design is registered: **Air intake snorkel for a vehicle**  
(51) International Design Classification: **12-16NES**  
(74) Name(s) of Attorney(s):  
(71) Name(s) and Address(s) of Applicant(s):  
**SAFARI R&D PTY LTD**  
**73 Merrindale Dr Croydon South VIC 3136 Australia**  
(72) Name(s) of Designer(s): **Dean Wickes**  
(45) Registration Date: **17 December 2015**  
(56) Related Art Documents: **Not Applicable**  
(57) Statement of Newness and Distinctiveness: **Newness and distinctiveness is claimed in the shape and configuration of an Air Intake Snorkel for a Vehicle as shown in the representations.**



(21) Design Number: **16448/2015**  
(22) Date of Filing Application: **30 November 2015**  
(24) Date from which industrial property rights may have effect: **30 November 2015**  
(54) Product in respect of which the design is registered: **An electric water kettle**  
(51) International Design Classification: **07-02K**  
(74) Name(s) of Attorney(s): **Banki Haddock Fiora**  
(71) Name(s) and Address(s) of Applicant(s):

**Pi-Design AG**  
**Kantonsstrasse 100 Triengen CH - 6234 Switzerland**

(72) Name(s) of Designer(s): **Jorgen Bodum**

(45) Registration Date: **17 December 2015**

(30) Convention priority data:

(31) Number	(32) Date	(33) Country
<b>DM/086 945</b>	<b>06 Jul 2015</b>	<b>WORLD INTELLECTUAL PROPERTY ORGANIZATION (WIPO)</b>

(56) Related Art Documents: **Not Applicable**

(57) Statement of Newness and Distinctiveness: **The visual features of the electric water kettle depicted in the representations that are new and distinctive are the shape and/or configuration.**



(21) Design Number: **16449/2015**  
(22) Date of Filing Application: **30 November 2015**  
(24) Date from which industrial property rights may have effect: **30 November 2015**  
(54) Product in respect of which the design is registered: **An electric water kettle**  
(51) International Design Classification: **07-02K**  
(74) Name(s) of Attorney(s): **Banki Haddock Fiora**  
(71) Name(s) and Address(s) of Applicant(s):

**Pi-Design AG**  
**Kantonsstrasse 100 Triengen CH - 6234 Switzerland**

(72) Name(s) of Designer(s): **Jorgen Bodum**

(45) Registration Date: **17 December 2015**

(30) Convention priority data:

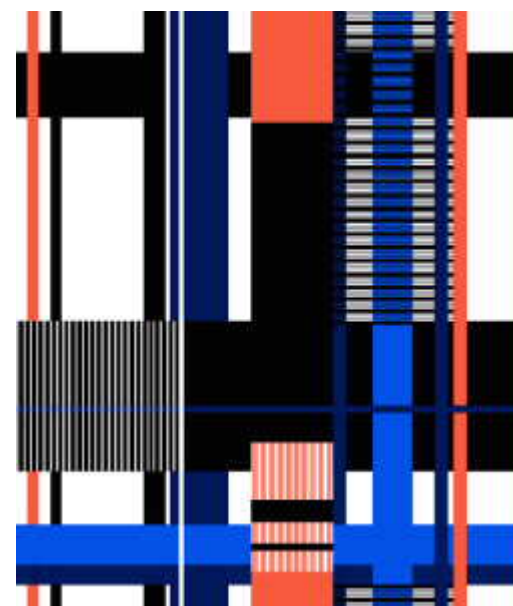
(31) Number	(32) Date	(33) Country
<b>DM/086 945</b>	<b>06 Jul 2015</b>	<b>WORLD INTELLECTUAL PROPERTY ORGANIZATION (WIPO)</b>

(56) Related Art Documents: **Not Applicable**

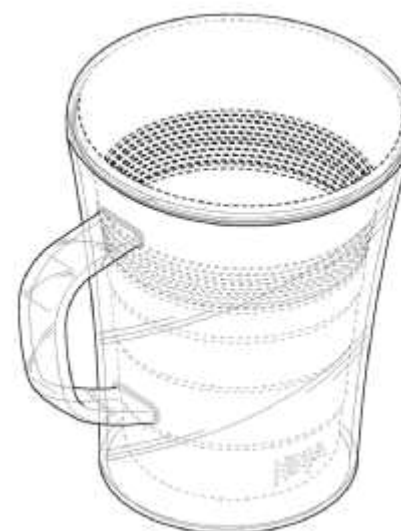
(57) Statement of Newness and Distinctiveness: **The visual features of the electric water kettle depicted in the representations that are new and distinctive are the shape and/or configuration.**



- (21) Design Number: **16453/2015**  
(22) Date of Filing Application: **30 November 2015**  
(24) Date from which industrial property rights may have effect: **30 November 2015**  
(54) Product in respect of which the design is registered: **A textile print**  
(51) International Design Classification: **05-05D**  
(74) Name(s) of Attorney(s):  
(71) Name(s) and Address(s) of Applicant(s):  
**AUSTRALIAN FASHION LABELS PTY LTD**  
**106 Currie St Adelaide SA 5000 Australia**  
(72) Name(s) of Designer(s): **Jacklyn Donkers and Jemimah Carey**  
(45) Registration Date: **17 December 2015**  
(56) Related Art Documents: **Not Applicable**  
(57) Statement of Newness and Distinctiveness: **Newness and distinctiveness resides in the features of pattern and ornamentation of a textile print as shown in the accompanying representations. In considering the scope of monopoly, no regard is to be had to colour and the scope of monopoly is not restricted to the particular colour or colours depicted in the accompanying representations.**



- (21) Design Number: **16456/2015**  
(22) Date of Filing Application: **01 December 2015**  
(24) Date from which industrial property rights may have effect: **01 December 2015**  
(54) Product in respect of which the design is registered: **Container**  
(51) International Design Classification: **07-01D**  
(74) Name(s) of Attorney(s): **PHILLIPS ORMONDE FITZPATRICK**  
(71) Name(s) and Address(s) of Applicant(s):  
**SharkNinja Operating LLC**  
**180 Wells Avenue Suite 200 Newton Massachusetts, 02459 United States of America**  
(72) Name(s) of Designer(s): **Daniel Kestenbaum and Devin Coakley**  
(45) Registration Date: **17 December 2015**  
(30) Convention priority data:  
(31) Number (32) Date (33) Country  
**29/532,027 01 Jul 2015 UNITED STATES OF AMERICA**  
(56) Related Art Documents: **Not Applicable**  
(57) Statement of Newness and Distinctiveness: **Those features of the container depicted in the representations that are new and distinctive are the shape and/or configuration. The features shown in broken line are not part of the design and are to be disregarded when considering the overall impression of the design.**



(21) Design Number: **16457/2015**

(22) Date of Filing Application: **01 December 2015**

(24) Date from which industrial property rights may have effect: **01 December 2015**

(54) Product in respect of which the design is registered: **Container**

(51) International Design Classification: **07-01C**

(74) Name(s) of Attorney(s): **PHILLIPS ORMONDE FITZPATRICK**

(71) Name(s) and Address(s) of Applicant(s):

**SharkNinja Operating LLC**

**180 Wells Avenue Suite 200 Newton Massachusetts, 02459 United States of America**

(72) Name(s) of Designer(s): **Daniel Kestenbaum and Devin Coakley**

(45) Registration Date: **17 December 2015**

(30) Convention priority data:

(31) Number	(32) Date	(33) Country
<b>29/532,027</b>	<b>01 Jul 2015</b>	<b>UNITED STATES OF AMERICA</b>

(56) Related Art Documents: **Not Applicable**

(57) Statement of Newness and Distinctiveness: **Those features of the container depicted in the representations that are new and distinctive are the shape and/or configuration. The features shown in broken line are not part of the design and are to be disregarded when considering the overall impression of the design.**



(21) Design Number: **16458/2015**

(22) Date of Filing Application: **01 December 2015**

(24) Date from which industrial property rights may have effect: **01 December 2015**

(54) Product in respect of which the design is registered: **Container**

(51) International Design Classification: **07-01C**

(74) Name(s) of Attorney(s): **PHILLIPS ORMONDE FITZPATRICK**

(71) Name(s) and Address(s) of Applicant(s):

**SharkNinja Operating LLC**

**180 Wells Avenue Suite 200 Newton Massachusetts, 02459 United States of America**

(72) Name(s) of Designer(s): **Daniel Kestenbaum and Devin Coakley**

(45) Registration Date: **17 December 2015**

(30) Convention priority data:

(31) Number	(32) Date	(33) Country
<b>29/532,027</b>	<b>01 Jul 2015</b>	<b>UNITED STATES OF AMERICA</b>

(56) Related Art Documents: **Not Applicable**

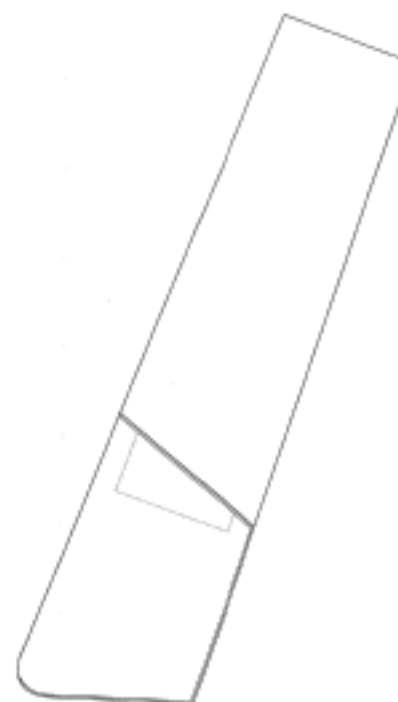
(57) Statement of Newness and Distinctiveness: **Those features of the container depicted in the representations that are new and distinctive are the shape and/or configuration. The features shown in broken line are not part of the design and are to be disregarded when considering the overall impression of the design.**



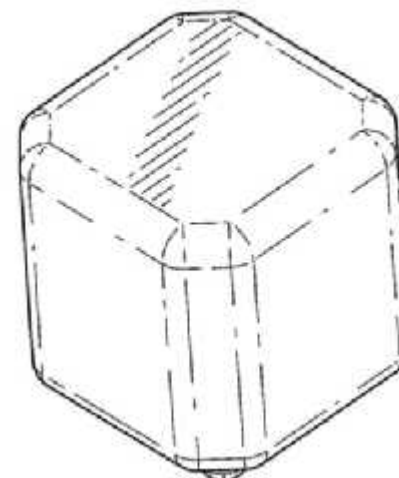
(21) Design Number: **16459/2015**  
(22) Date of Filing Application: **01 December 2015**  
(24) Date from which industrial property rights may have effect: **01 December 2015**  
(54) Product in respect of which the design is registered: **Container**  
(51) International Design Classification: **07-01C**  
(74) Name(s) of Attorney(s): **PHILLIPS ORMONDE FITZPATRICK**  
(71) Name(s) and Address(s) of Applicant(s):  
**SharkNinja Operating LLC**  
**180 Wells Avenue Suite 200 Newton Massachusetts, 02459 United States of America**  
(72) Name(s) of Designer(s): **Daniel Kestenbaum and Devin Coakley**  
(45) Registration Date: **17 December 2015**  
(30) Convention priority data:  
(31) Number (32) Date (33) Country  
**29/532,027 01 Jul 2015 UNITED STATES OF AMERICA**  
(56) Related Art Documents: **Not Applicable**  
(57) Statement of Newness and Distinctiveness: **Those features of the container depicted in the representations that are new and distinctive are the shape and/or configuration. The features shown in broken line are not part of the design and are to be disregarded when considering the overall impression of the design.**



(21) Design Number: **16460/2015**  
(22) Date of Filing Application: **01 December 2015**  
(24) Date from which industrial property rights may have effect: **01 December 2015**  
(54) Product in respect of which the design is registered: **Cutlery sleeve**  
(51) International Design Classification: **07-99NES**  
(74) Name(s) of Attorney(s): **PIPERS Melbourne**  
(71) Name(s) and Address(s) of Applicant(s):  
**Wayne Wallace Deighton**  
**26 Pipitea Place Massey East Auckland 0614 New Zealand**  
**Pauline Anne Deighton**  
**26 Pipitea Place Massey East Auckland 0614 New Zealand**  
(72) Name(s) of Designer(s): **Wayne Wallace Deighton and Pauline Anne Deighton**  
(45) Registration Date: **17 December 2015**  
(30) Convention priority data:  
(31) Number (32) Date (33) Country  
**420363 23 Jun 2015 NEW ZEALAND**  
(56) Related Art Documents: **Not Applicable**  
(57) Statement of Newness and Distinctiveness: **This design is to be applied to a cutlery sleeve and the novelty resides in the features of shape and configuration of the article shown in the accompanying representations. No novelty is claimed for the features shown in broken lines - those are for illustrative purposes only and depict the environment of the design.**



(21) Design Number: **16493/2015**  
(22) Date of Filing Application: **01 December 2015**  
(24) Date from which industrial property rights may have effect: **01 December 2015**  
(54) Product in respect of which the design is registered: **Bead**  
(51) International Design Classification: **11-01NES**  
(74) Name(s) of Attorney(s): **Griffith Hack**  
(71) Name(s) and Address(s) of Applicant(s):



**NO KIDDING PTY LTD**  
**29 Grange Rd Cheltenham VIC 3192 Australia**  
**MOOSE CREATIVE MANAGEMENT PTY LIMITED**  
**29 Grange Rd Cheltenham VIC 3192 Australia**  
**MOOSE SERVICES PTY LTD**  
**29 Grange Rd Cheltenham VIC 3192 Australia**

(72) Name(s) of Designer(s): **Joost Poulus**  
(45) Registration Date: **17 December 2015**

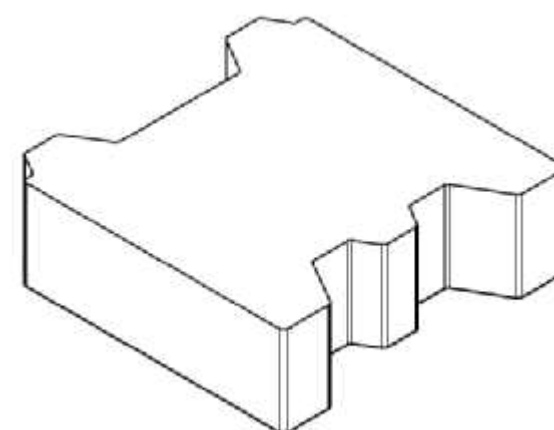
(30) Convention priority data:

(31) Number	(32) Date	(33) Country
<b>29/528988</b>	<b>02 Jun 2015</b>	<b>UNITED STATES OF AMERICA</b>

(56) Related Art Documents: **Not Applicable**

(57) Statement of Newness and Distinctiveness: **The shape and configuration of the product shown in the accompanying representations is new and distinctive.**

(21) Design Number: **16498/2015**  
(22) Date of Filing Application: **01 December 2015**  
(24) Date from which industrial property rights may have effect: **01 December 2015**  
(54) Product in respect of which the design is registered: **A paver**  
(51) International Design Classification: **25-01A**  
(74) Name(s) of Attorney(s):  
(71) Name(s) and Address(s) of Applicant(s):



**Adbri Masonry Pty**  
**L1 157 Grenfell St Adelaide SA 5000 Australia**

(72) Name(s) of Designer(s): **Peter John Hurley**  
(45) Registration Date: **17 December 2015**

(56) Related Art Documents: **Not Applicable**

(57) Statement of Newness and Distinctiveness: **The newness and distinctiveness of the design resides in the shape and/or configuration of the paving block shown in the representations having particular regard to the shape/contours of the sides of the blocks.**

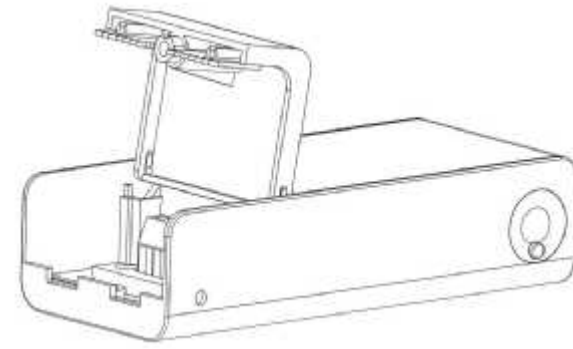
- (21) Design Number: **14937/2015**  
(22) Date of Filing Application: **18 September 2015**  
(24) Date from which industrial property rights may have effect: **18 September 2015**  
(54) Product in respect of which the design is registered: **Container**  
(51) International Design Classification: **07-01NES**  
(74) Name(s) of Attorney(s): **Griffith Hack**  
(71) Name(s) and Address(s) of Applicant(s):  
**Mercedes Plastics Pty Ltd**  
**150 Plenty Rd Preston VIC, 3072 Australia**  
(72) Name(s) of Designer(s): **Dashrath Pandya**  
(45) Registration Date: **17 December 2015**  
(56) Related Art Documents: **Not Applicable**  
(57) Statement of Newness and Distinctiveness: **The shape and configuration of the product are new and distinctive.**



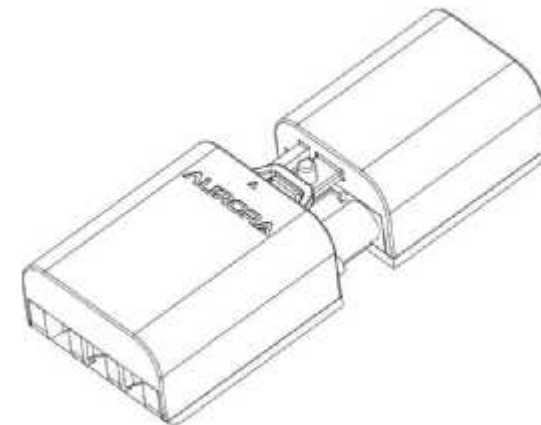
- (21) Design Number: **16300/2015**  
(22) Date of Filing Application: **23 November 2015**  
(24) Date from which industrial property rights may have effect: **02 April 2015**  
(54) Product in respect of which the design is registered: **Article of clothing**  
(51) International Design Classification: **02-02NES**  
(74) Name(s) of Attorney(s): **Allens Patent & Trade Mark Attorneys**  
(71) Name(s) and Address(s) of Applicant(s):  
**Forever New Clothing Pty Ltd**  
**Level 4, Building 8 576 Swan Street Richmond VIC 3121 Australia**  
(72) Name(s) of Designer(s): **Octavia Miller**  
(45) Registration Date: **17 December 2015**  
(62) Divisional of: **365752**  
(56) Related Art Documents: **Not Applicable**  
(57) Statement of Newness and Distinctiveness: **Newness and distinctiveness resides in the visual features of shape, configuration, pattern and/or ornamentation of an article of clothing as shown in the accompanying representations.**



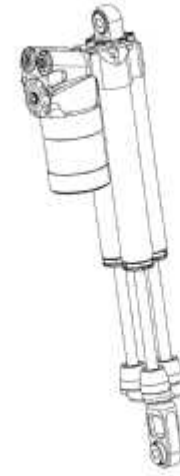
(21) Design Number: **16499/2015**  
(22) Date of Filing Application: **01 December 2015**  
(24) Date from which industrial property rights may have effect: **01 December 2015**  
(54) Product in respect of which the design is registered: **Electrical connector**  
(51) International Design Classification: **13-03B**  
(74) Name(s) of Attorney(s):  
(71) Name(s) and Address(s) of Applicant(s):  
**Aurora Limited**  
**16 Alban Park Hatfield Road ST ALBANS AL4 0JJ United Kingdom**  
(72) Name(s) of Designer(s): **Andrew Johnson**  
(45) Registration Date: **17 December 2015**  
(56) Related Art Documents: **Not Applicable**  
(57) Statement of Newness and Distinctiveness: **Nil**



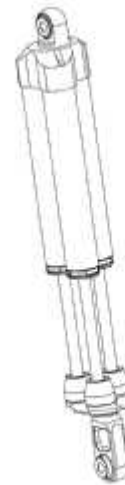
(21) Design Number: **16500/2015**  
(22) Date of Filing Application: **01 December 2015**  
(24) Date from which industrial property rights may have effect: **01 December 2015**  
(54) Product in respect of which the design is registered: **Electrical connector**  
(51) International Design Classification: **13-03B**  
(74) Name(s) of Attorney(s):  
(71) Name(s) and Address(s) of Applicant(s):  
**Aurora Limited**  
**16 Alban Park Hatfield Road ST ALBANS AL4 0JJ United Kingdom**  
(72) Name(s) of Designer(s): **Andrew Johnson**  
(45) Registration Date: **17 December 2015**  
(56) Related Art Documents: **Not Applicable**  
(57) Statement of Newness and Distinctiveness: **Nil**



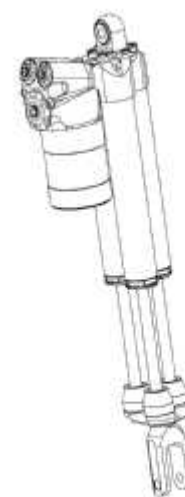
- (21) Design Number: **16502/2015**  
(22) Date of Filing Application: **02 December 2015**  
(24) Date from which industrial property rights may have effect: **02 December 2015**  
(54) Product in respect of which the design is registered: **Shock absorber**  
(51) International Design Classification: **12-16NES**  
(74) Name(s) of Attorney(s): **A.P.T. Patent and Trade Mark Attorneys**  
(71) Name(s) and Address(s) of Applicant(s):  
**Y.S.S. (Thailand) Co., Ltd.**  
**88/88 M.9, Soi Phikulthong Thepharak Road Bangpla Bangphli**  
**SUMUTPRAKARN, 10540 Thailand**  
(72) Name(s) of Designer(s): **Pinyo Panichgasem**  
(45) Registration Date: **17 December 2015**  
(56) Related Art Documents: **Not Applicable**  
(57) Statement of Newness and Distinctiveness: **Nil**



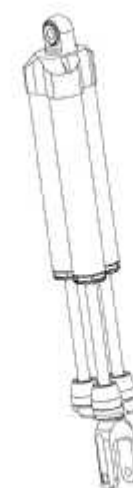
- (21) Design Number: **16503/2015**  
(22) Date of Filing Application: **02 December 2015**  
(24) Date from which industrial property rights may have effect: **02 December 2015**  
(54) Product in respect of which the design is registered: **Shock absorber**  
(51) International Design Classification: **12-16NES**  
(74) Name(s) of Attorney(s): **A.P.T. Patent and Trade Mark Attorneys**  
(71) Name(s) and Address(s) of Applicant(s):  
**Y.S.S. (Thailand) Co., Ltd.**  
**88/88 M.9, Soi Phikulthong Thepharak Road Bangpla Bangphli**  
**SUMUTPRAKARN, 10540 Thailand**  
(72) Name(s) of Designer(s): **Pinyo Panichgasem**  
(45) Registration Date: **17 December 2015**  
(56) Related Art Documents: **Not Applicable**  
(57) Statement of Newness and Distinctiveness: **Nil**



(21) Design Number: **16504/2015**  
(22) Date of Filing Application: **02 December 2015**  
(24) Date from which industrial property rights may have effect: **02 December 2015**  
(54) Product in respect of which the design is registered: **Shock absorber**  
(51) International Design Classification: **12-16NES**  
(74) Name(s) of Attorney(s): **A.P.T. Patent and Trade Mark Attorneys**  
(71) Name(s) and Address(s) of Applicant(s):  
**Y.S.S. (Thailand) Co., Ltd.**  
**88/88 M.9, Soi Phikulthong Thepharak Road Bangpla Bangphli**  
**SUMUTPRAKARN, 10540 Thailand**  
(72) Name(s) of Designer(s): **Pinyo Panichgasem**  
(45) Registration Date: **17 December 2015**  
(56) Related Art Documents: **Not Applicable**  
(57) Statement of Newness and Distinctiveness: **Nil**



(21) Design Number: **16505/2015**  
(22) Date of Filing Application: **02 December 2015**  
(24) Date from which industrial property rights may have effect: **02 December 2015**  
(54) Product in respect of which the design is registered: **Shock absorber**  
(51) International Design Classification: **12-16NES**  
(74) Name(s) of Attorney(s): **A.P.T. Patent and Trade Mark Attorneys**  
(71) Name(s) and Address(s) of Applicant(s):  
**Y.S.S. (Thailand) Co., Ltd.**  
**88/88 M.9, Soi Phikulthong Thepharak Road Bangpla Bangphli**  
**SUMUTPRAKARN, 10540 Thailand**  
(72) Name(s) of Designer(s): **Pinyo Panichgasem**  
(45) Registration Date: **17 December 2015**  
(56) Related Art Documents: **Not Applicable**  
(57) Statement of Newness and Distinctiveness: **Nil**



(21) Design Number: **16507/2015**  
(22) Date of Filing Application: **02 December 2015**  
(24) Date from which industrial property rights may have effect: **02 December 2015**  
(54) Product in respect of which the design is registered: **Hoist**  
(51) International Design Classification: **12-05**  
(74) Name(s) of Attorney(s): **WRAYS PTY LTD**  
(71) Name(s) and Address(s) of Applicant(s):

**Kito Corporation**  
**2000, Tsuijirai Showa-cho Nakakoma-gun Yamanashi 409-3853 Japan**

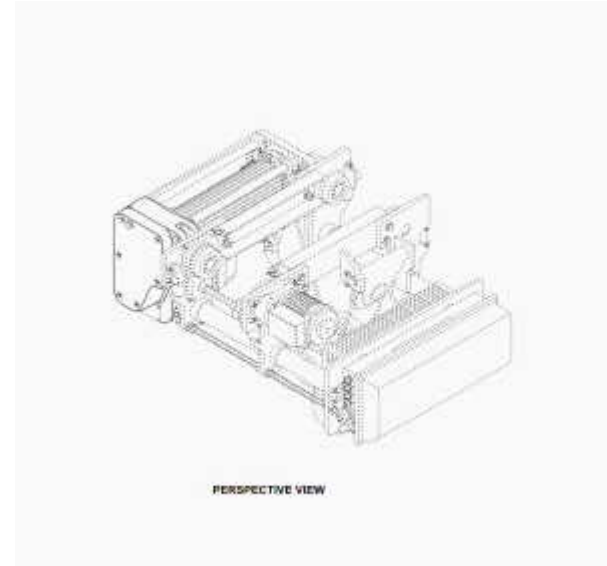
(72) Name(s) of Designer(s): **Kosuke Kosuga and Fujito Yudate**  
(45) Registration Date: **17 December 2015**

(30) Convention priority data:

(31) Number	(32) Date	(33) Country
<b>2015-014212</b>	<b>26 Jun 2015</b>	<b>JAPAN</b>

(56) Related Art Documents: **Not Applicable**

(57) Statement of Newness and Distinctiveness: **Newness and distinctiveness is claimed in the features of shape, configuration, pattern, and/or ornamentation of the Hoist as shown in the accompanying representations. The features depicted by broken lines are for illustrative purposes only and form no part of the claimed design.**



(21) Design Number: **16509/2015**  
(22) Date of Filing Application: **02 December 2015**  
(24) Date from which industrial property rights may have effect: **02 December 2015**  
(54) Product in respect of which the design is registered: **Directional tactile indicator**  
(51) International Design Classification: **29-99, 10-06**  
(74) Name(s) of Attorney(s):  
(71) Name(s) and Address(s) of Applicant(s):

**Tactile Navigation Pty Ltd**  
**14/1 Bell St Preston VIC 3072 Australia**

(72) Name(s) of Designer(s): **Ross Hipkins**  
(45) Registration Date: **17 December 2015**

(56) Related Art Documents: **Not Applicable**

(57) Statement of Newness and Distinctiveness: **Newness and distinctiveness is claimed in the features of shape and configuration of the directional tactile indicator as well as the pattern applied to the upper surface of the directional tactile indicator as depicted in the representations. Those features of the representations depicted as broken lines are to be disregarded when assessing newness and distinctiveness.**



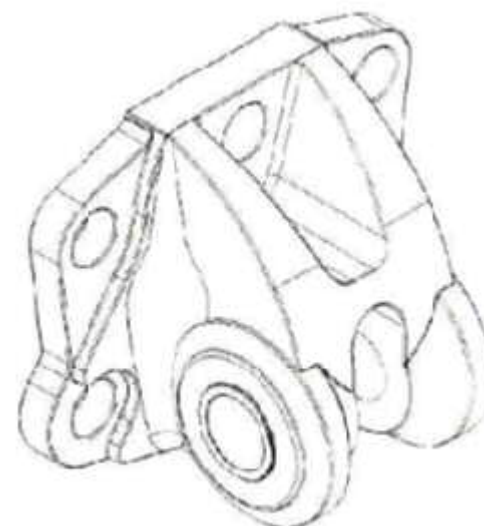
(21) Design Number: **16543/2015**  
(22) Date of Filing Application: **03 December 2015**  
(24) Date from which industrial property rights may have effect: **03 December 2015**  
(54) Product in respect of which the design is registered: **A textile print**  
(51) International Design Classification: **05-05D**  
(74) Name(s) of Attorney(s):  
(71) Name(s) and Address(s) of Applicant(s):  
**AUSTRALIAN FASHION LABELS PTY LTD**  
**106 Currie St Adelaide SA 5000 Australia**  
(72) Name(s) of Designer(s): **Carmen Dugan and Cyd Beard**  
(45) Registration Date: **17 December 2015**  
(56) Related Art Documents: **Not Applicable**  
(57) Statement of Newness and Distinctiveness: **Newness and distinctiveness resides in the features of pattern and ornamentation of a textile print as shown in the accompanying representations. In considering the scope of monopoly, no regard is to be had to colour and the scope of monopoly is not restricted to the particular colour or colours depicted in the accompanying representations.**



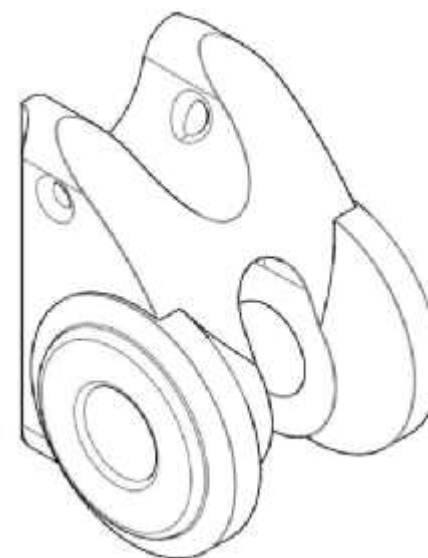
(21) Design Number: **16544/2015**  
(22) Date of Filing Application: **03 December 2015**  
(24) Date from which industrial property rights may have effect: **03 December 2015**  
(54) Product in respect of which the design is registered: **Display screen with graphical user interface**  
(51) International Design Classification: **14-02**  
(74) Name(s) of Attorney(s): **Freehills Patent Attorneys**  
(71) Name(s) and Address(s) of Applicant(s):  
**Apple Inc.**  
**1 Infinite Loop Cupertino California, 95014 United States of America**  
(72) Name(s) of Designer(s): **Gary Butcher and Graham Clarke and Craig Dehner and Alan C. Dye and Bradley Griffin and Cyrus Irani and Jonathan P. Ive and Pedro Mari and Henrique Penha and Andre Souza Dos Santos and Christopher Wilson**  
(45) Registration Date: **17 December 2015**  
(30) Convention priority data:  
(31) Number (32) Date (33) Country  
**29/529236 04 Jun 2015 UNITED STATES OF AMERICA**  
(56) Related Art Documents: **Not Applicable**  
(57) Statement of Newness and Distinctiveness: **Newness and distinctiveness is claimed in the features of pattern and/or ornamentation of a display screen as shown in the partial enlarged front view.**



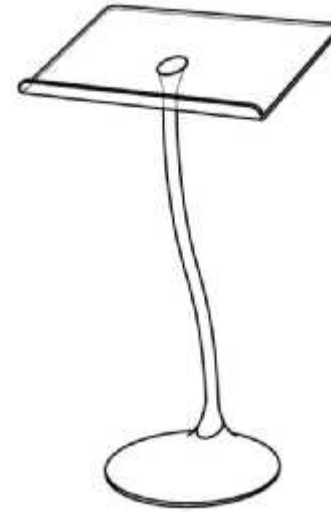
- (21) Design Number: **12244/2015**  
(22) Date of Filing Application: **30 April 2015**  
(24) Date from which industrial property rights may have effect: **30 April 2015**  
(54) Product in respect of which the design is registered: **Bracket for attaching a safety chain to an object**  
(51) International Design Classification: **08-08L**  
(74) Name(s) of Attorney(s): **Davies Collison Cave**  
(71) Name(s) and Address(s) of Applicant(s):  
**Bartlett Transport Improvements Pty. Ltd.**  
**6 Abbott Rd Hallam VIC 3803 Australia**  
(72) Name(s) of Designer(s): **Wayne Baker and Allan Bartlett**  
(45) Registration Date: **17 December 2015**  
(56) Related Art Documents: **Not Applicable**  
(57) Statement of Newness and Distinctiveness: **Newness and distinctiveness is claimed in the shape and configuration of a bracket, which can be mounted to an object for attaching a safety chain to the object, shown in the accompanying representations.**



- (21) Design Number: **12245/2015**  
(22) Date of Filing Application: **30 April 2015**  
(24) Date from which industrial property rights may have effect: **30 April 2015**  
(54) Product in respect of which the design is registered: **Bracket for attaching a safety chain to an object**  
(51) International Design Classification: **08-08L**  
(74) Name(s) of Attorney(s): **Davies Collison Cave**  
(71) Name(s) and Address(s) of Applicant(s):  
**Bartlett Transport Improvements Pty. Ltd.**  
**6 Abbott Rd Hallam VIC 3803 Australia**  
(72) Name(s) of Designer(s): **Wayne Baker and Allan Bartlett**  
(45) Registration Date: **17 December 2015**  
(56) Related Art Documents: **Not Applicable**  
(57) Statement of Newness and Distinctiveness: **Newness and distinctiveness is claimed in the shape and configuration of a bracket, which can be mounted to an object for attaching a safety chain to the object, shown in the accompanying representations.**



- (21) Design Number: **13262/2015**  
(22) Date of Filing Application: **28 June 2015**  
(24) Date from which industrial property rights may have effect: **28 June 2015**  
(54) Product in respect of which the design is registered: **Lectern**  
(51) International Design Classification: **06-06NES**  
(74) Name(s) of Attorney(s):  
(71) Name(s) and Address(s) of Applicant(s):  
**Procson Pty Ltd**  
**29 Spark St Earlwood NSW 2206 Australia**  
(72) Name(s) of Designer(s): **Stephen Procter**  
(45) Registration Date: **17 December 2015**  
(56) Related Art Documents: **Not Applicable**  
(57) Statement of Newness and Distinctiveness: **Monopoly is claimed in the shape and/or configuration of the article as illustrated in the accompanying representations.**



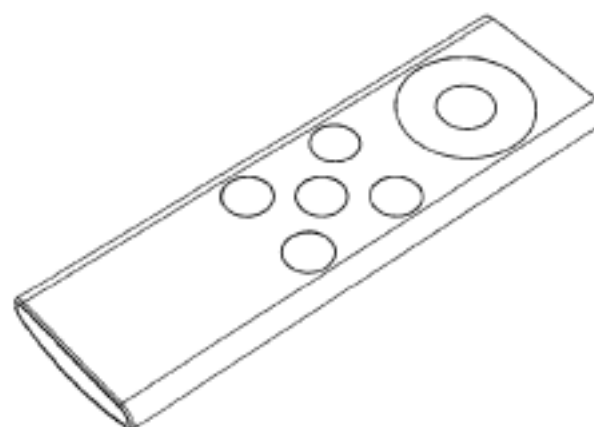
- (21) Design Number: **13263/2015**  
(22) Date of Filing Application: **28 June 2015**  
(24) Date from which industrial property rights may have effect: **28 June 2015**  
(54) Product in respect of which the design is registered: **Table**  
(51) International Design Classification: **06-03B**  
(74) Name(s) of Attorney(s):  
(71) Name(s) and Address(s) of Applicant(s):  
**Procson Pty Ltd**  
**29 Spark St Earlwood NSW 2206 Australia**  
(72) Name(s) of Designer(s): **Stephen Procter**  
(45) Registration Date: **17 December 2015**  
(56) Related Art Documents: **Not Applicable**  
(57) Statement of Newness and Distinctiveness: **Monopoly is claimed in the shape and/or configuration of the article as illustrated in the accompanying representations.**



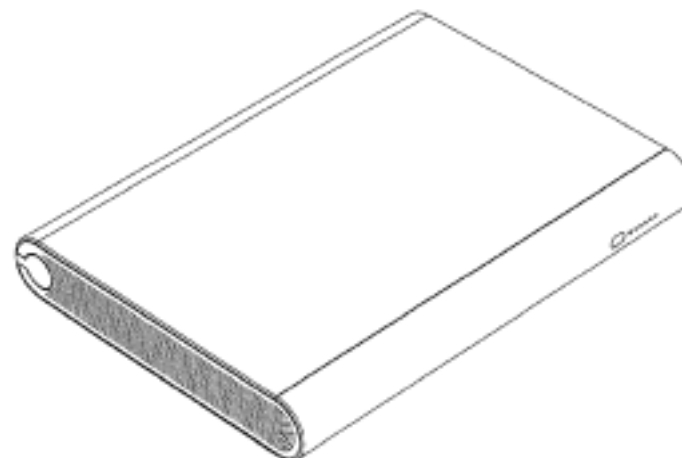
- (21) Design Number: **13297/2015**  
(22) Date of Filing Application: **30 June 2015**  
(24) Date from which industrial property rights may have effect: **30 June 2015**  
(54) Product in respect of which the design is registered: **Stuffed toy**  
(51) International Design Classification: **21-01A**  
(74) Name(s) of Attorney(s): **WRAYS PTY LTD**  
(71) Name(s) and Address(s) of Applicant(s):  
**Rowena Suzanne Smith**  
**85 Peel Tce Busselton WA 6280 Australia**  
(72) Name(s) of Designer(s): **Rowena Suzanne Smith**  
(45) Registration Date: **17 December 2015**  
(56) Related Art Documents: **Not Applicable**  
(57) Statement of Newness and Distinctiveness: **Newness and distinctiveness is claimed in the features of shape and configuration of a stuffed toy as shown in the accompanying representations.**



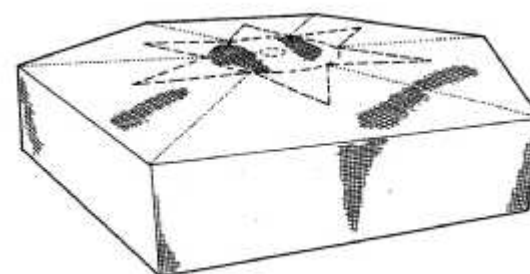
- (21) Design Number: **13343/2015**  
(22) Date of Filing Application: **02 July 2015**  
(24) Date from which industrial property rights may have effect: **02 July 2015**  
(54) Product in respect of which the design is registered: **A control device**  
(51) International Design Classification: **14-03NES**  
(74) Name(s) of Attorney(s): **Spruson & Ferguson**  
(71) Name(s) and Address(s) of Applicant(s):  
**Zettabeam Pty Ltd**  
**Suite 53, Level 8, 301 Castlereagh St Sydney NSW 2000 Australia**  
(72) Name(s) of Designer(s): **Nathan Burke and Sam Weise and Anson Li**  
(45) Registration Date: **17 December 2015**  
(56) Related Art Documents: **Not Applicable**  
(57) Statement of Newness and Distinctiveness: **Newness and distinctiveness is claimed in the features of shape and/or configuration of a control device as illustrated in the accompanying representations.**



- (21) Design Number: **13344/2015**  
(22) Date of Filing Application: **02 July 2015**  
(24) Date from which industrial property rights may have effect: **02 July 2015**  
(54) Product in respect of which the design is registered: **A data storage device**  
(51) International Design Classification: **14-02**  
(74) Name(s) of Attorney(s): **Spruson & Ferguson**  
(71) Name(s) and Address(s) of Applicant(s):  
**Zettabeam Pty Ltd**  
**Suite 53, Level 8, 301 Castlereagh St Sydney NSW 2000 Australia**  
(72) Name(s) of Designer(s): **Nathan Burke and Sam Weise and Anson Li**  
(45) Registration Date: **17 December 2015**  
(56) Related Art Documents: **Not Applicable**  
(57) Statement of Newness and Distinctiveness: **Newness and distinctiveness is claimed in the features of shape and/or configuration of a data storage device as illustrated in the accompanying representations.**



- (21) Design Number: **16179/2015**  
(22) Date of Filing Application: **16 November 2015**  
(24) Date from which industrial property rights may have effect: **01 September 2015**  
(54) Product in respect of which the design is registered: **Trampoline cover**  
(51) International Design Classification: **21-02F**  
(74) Name(s) of Attorney(s): **Ahearn Fox**  
(71) Name(s) and Address(s) of Applicant(s):  
**Vuly Property Pty Ltd**  
**U1 95 Ingleston Rd Wakerley QLD 4154 Australia**  
(72) Name(s) of Designer(s): **Joe Andon**  
(45) Registration Date: **17 December 2015**  
(62) Divisional of: **365422**  
(56) Related Art Documents: **Not Applicable**  
(57) Statement of Newness and Distinctiveness: **Newness and distinctiveness reside in the shape or configuration or pattern or ornamentation of a trampoline roof having a plurality of windows in regularly spaced circumferential disposition surrounding a central portion. In considering the scope of the registration, the shape of the perimeter of each window shown in dashed outline is to be disregarded.**



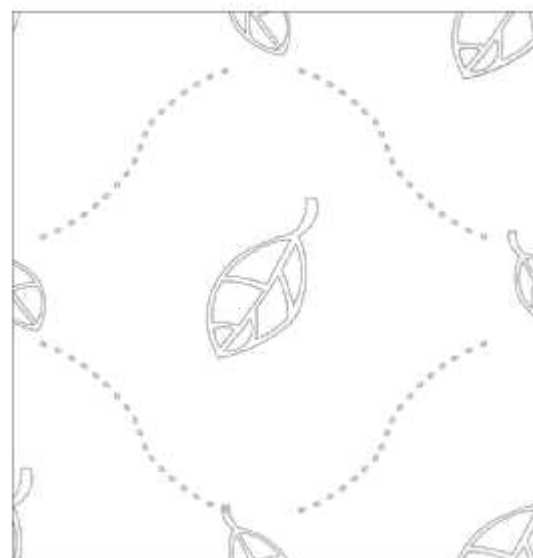
- (21) Design Number: **16420/2015**  
(22) Date of Filing Application: **27 November 2015**  
(24) Date from which industrial property rights may have effect: **27 November 2015**  
(54) Product in respect of which the design is registered: **Dry noodle**  
(51) International Design Classification: **01-01**  
(74) Name(s) of Attorney(s): **Freehills Patent Attorneys**  
(71) Name(s) and Address(s) of Applicant(s):  
**Nisshin Foods Inc.**  
**25, Kanda-Nishiki-cho 1-chome Chiyoda-ku Tokyo 101-8441 Japan**  
(72) Name(s) of Designer(s): **Ryusuke Kimura**  
(45) Registration Date: **17 December 2015**  
(56) Related Art Documents: **Not Applicable**  
(57) Statement of Newness and Distinctiveness: **Newness and distinctiveness resides in the features of shape and/or configuration of the dry noodle as shown in the accompanying representations, including the cross-sectional shape of the noodle which twists along the axial length of the noodle at a rate of about 60 degrees per 25cm, and having an axial length of about 125 times its diameter.**



- (21) Design Number: **16462/2015**  
(22) Date of Filing Application: **01 December 2015**  
(24) Date from which industrial property rights may have effect: **01 December 2015**  
(54) Product in respect of which the design is registered: **A textile print**  
(51) International Design Classification: **05-05NES**  
(74) Name(s) of Attorney(s):  
(71) Name(s) and Address(s) of Applicant(s):  
**AUSTRALIAN FASHION LABELS PTY LTD**  
**106 Currie St Adelaide SA 5000 Australia**  
(72) Name(s) of Designer(s): **Amy Hicks and Zoey Vink**  
(45) Registration Date: **17 December 2015**  
(56) Related Art Documents: **Not Applicable**  
(57) Statement of Newness and Distinctiveness: **Newness and distinctiveness resides in the features of pattern and ornamentation of a textile print as shown in the accompanying representations. In considering the scope of monopoly, no regard is to be had to colour and the scope of monopoly is not restricted to the particular colour or colours depicted in the accompanying representations.**



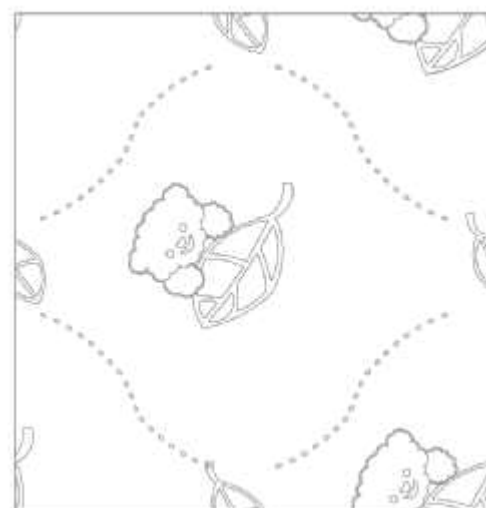
- (21) Design Number: **16463/2015**  
(22) Date of Filing Application: **01 December 2015**  
(24) Date from which industrial property rights may have effect: **01 December 2015**  
(54) Product in respect of which the design is registered: **Wiping tissue**  
(51) International Design Classification: **05-06NES**  
(74) Name(s) of Attorney(s): **Spruson & Ferguson**  
(71) Name(s) and Address(s) of Applicant(s):  
**Kimberly-Clark Worldwide, Inc.**  
**401 North Lake Street Neenah Wisconsin 54957-0349 United States of America**  
(72) Name(s) of Designer(s): **Tae Young Kim and Eo Yeon Hwang and Jong Chon Kim and Gang Hong Bae**  
(45) Registration Date: **17 December 2015**  
(30) Convention priority data:  
(31) Number (32) Date (33) Country  
**30-2015-32807 29 Jun 2015 REPUBLIC OF KOREA**  
(56) Related Art Documents: **Not Applicable**  
(57) Statement of Newness and Distinctiveness: **Newness and distinctiveness is claimed in the features of pattern and/or ornamentation of a wiping tissue as illustrated in the accompanying representations.**



- (21) Design Number: **16464/2015**  
(22) Date of Filing Application: **01 December 2015**  
(24) Date from which industrial property rights may have effect: **01 December 2015**  
(54) Product in respect of which the design is registered: **Wiping tissue**  
(51) International Design Classification: **05-06NES**  
(74) Name(s) of Attorney(s): **Spruson & Ferguson**  
(71) Name(s) and Address(s) of Applicant(s):  
**Kimberly-Clark Worldwide, Inc.**  
**401 North Lake Street Neenah Wisconsin 54957-0349 United States of America**  
(72) Name(s) of Designer(s): **Tae Young Kim and Eo Yeon Hwang and Jong Chon Kim and Gang Hong Bae**  
(45) Registration Date: **17 December 2015**  
(30) Convention priority data:  
(31) Number (32) Date (33) Country  
**30-2015-32807 29 Jun 2015 REPUBLIC OF KOREA**  
(56) Related Art Documents: **Not Applicable**  
(57) Statement of Newness and Distinctiveness: **Newness and distinctiveness is claimed in the features of pattern and/or ornamentation of a wiping tissue as illustrated in the accompanying representations.**



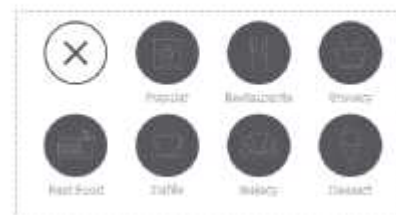
- (21) Design Number: **16465/2015**  
(22) Date of Filing Application: **01 December 2015**  
(24) Date from which industrial property rights may have effect: **01 December 2015**  
(54) Product in respect of which the design is registered: **Wiping tissue**  
(51) International Design Classification: **05-06NES**  
(74) Name(s) of Attorney(s): **Spruson & Ferguson**  
(71) Name(s) and Address(s) of Applicant(s):  
**Kimberly-Clark Worldwide, Inc.**  
**401 North Lake Street Neenah Wisconsin 54957-0349 United States of America**  
(72) Name(s) of Designer(s): **Tae Young Kim and Eo Yeon Hwang and Jong Chon Kim and Gang Hong Bae**  
(45) Registration Date: **17 December 2015**  
(30) Convention priority data:  
(31) Number (32) Date (33) Country  
**30-2015-32807 29 Jun 2015 REPUBLIC OF KOREA**  
(56) Related Art Documents: **Not Applicable**  
(57) Statement of Newness and Distinctiveness: **Newness and distinctiveness is claimed in the features of pattern and/or ornamentation of a wiping tissue as illustrated in the accompanying representations.**



- (21) Design Number: **16466/2015**  
(22) Date of Filing Application: **01 December 2015**  
(24) Date from which industrial property rights may have effect: **01 December 2015**  
(54) Product in respect of which the design is registered: **Wiping tissue**  
(51) International Design Classification: **05-06NES**  
(74) Name(s) of Attorney(s): **Spruson & Ferguson**  
(71) Name(s) and Address(s) of Applicant(s):  
**Kimberly-Clark Worldwide, Inc.**  
**401 North Lake Street Neenah Wisconsin 54957-0349 United States of America**  
(72) Name(s) of Designer(s): **Tae Young Kim and Eo Yeon Hwang and Jong Chon Kim and Gang Hong Bae**  
(45) Registration Date: **17 December 2015**  
(30) Convention priority data:  
(31) Number (32) Date (33) Country  
**30-2015-32807 29 Jun 2015 REPUBLIC OF KOREA**  
(56) Related Art Documents: **Not Applicable**  
(57) Statement of Newness and Distinctiveness: **Newness and distinctiveness is claimed in the features of pattern and/or ornamentation of a wiping tissue as illustrated in the accompanying representations.**



(21) Design Number: **16469/2015**  
(22) Date of Filing Application: **01 December 2015**  
(24) Date from which industrial property rights may have effect: **01 December 2015**  
(54) Product in respect of which the design is registered: **Display screen with graphical user interface**  
(51) International Design Classification: **14-02**  
(74) Name(s) of Attorney(s): **Freehills Patent Attorneys**  
(71) Name(s) and Address(s) of Applicant(s):  
**Apple Inc.**  
**1 Infinite Loop Cupertino California, 95014 United States of America**  
(72) Name(s) of Designer(s): **YunJae Kim**  
(45) Registration Date: **17 December 2015**  
(30) Convention priority data:  
(31) Number (32) Date (33) Country  
**29/529394 05 Jun 2015 UNITED STATES OF AMERICA**  
(56) Related Art Documents: **Not Applicable**  
(57) Statement of Newness and Distinctiveness: **Newness and distinctiveness is claimed in the features of pattern and/or ornamentation of a display screen as shown in the accompanying figure, excluding the features represented by broken lines.**



(21) Design Number: **16470/2015**  
(22) Date of Filing Application: **01 December 2015**  
(24) Date from which industrial property rights may have effect: **01 December 2015**  
(54) Product in respect of which the design is registered: **Display screen with graphical user interface**  
(51) International Design Classification: **14-02**  
(74) Name(s) of Attorney(s): **Freehills Patent Attorneys**  
(71) Name(s) and Address(s) of Applicant(s):  
**Apple Inc.**  
**1 Infinite Loop Cupertino California, 95014 United States of America**  
(72) Name(s) of Designer(s): **Marcos Alonso Ruiz and Sebastian Johannes Bauer and Jonathan Dascola and Christopher Foss and Jonathan P. Ives and Stephen O. Lemay and Chanaka Karunamuni**  
(45) Registration Date: **17 December 2015**  
(30) Convention priority data:  
(31) Number (32) Date (33) Country  
**29/529421 06 Jun 2015 UNITED STATES OF AMERICA**  
(56) Related Art Documents: **Not Applicable**  
(57) Statement of Newness and Distinctiveness: **Newness and distinctiveness is claimed in the features of pattern and/or ornamentation of a display screen as shown in the accompanying figure, excluding the features represented by broken lines.**



- (21) Design Number: **16471/2015**  
(22) Date of Filing Application: **01 December 2015**  
(24) Date from which industrial property rights may have effect: **01 December 2015**  
(54) Product in respect of which the design is registered: **Tyre**  
(51) International Design Classification: **12-15A**  
(74) Name(s) of Attorney(s):  
(71) Name(s) and Address(s) of Applicant(s):  
**Jinlin Ma**  
**RM. 701, BLOCK 1, ANHUAXUAN RUIHUAYUANNEI ST. MIDDLE JIEJIN**  
**RD. PANYU DIST., GUANGZHOU CITY GUANGDONG PROVINCE China**  
(72) Name(s) of Designer(s): **Jinlin Ma**  
(45) Registration Date: **17 December 2015**  
(56) Related Art Documents: **Not Applicable**  
(57) Statement of Newness and Distinctiveness: **Nil**



- (21) Design Number: **16472/2015**  
(22) Date of Filing Application: **01 December 2015**  
(24) Date from which industrial property rights may have effect: **01 December 2015**  
(54) Product in respect of which the design is registered: **Saddle tree**  
(51) International Design Classification: **30-04**  
(74) Name(s) of Attorney(s): **GO trademarks**  
(71) Name(s) and Address(s) of Applicant(s):  
**Peter Brophy**  
**292 Mt Brisbane Rd Dayboro QLD 4521 Australia**  
(72) Name(s) of Designer(s): **Peter Brophy**  
(45) Registration Date: **17 December 2015**  
(56) Related Art Documents: **Not Applicable**  
(57) Statement of Newness and Distinctiveness: **The newness and distinctiveness of the design resides in the shape and/or configuration of the saddle tree as shown in the accompanying representations.**



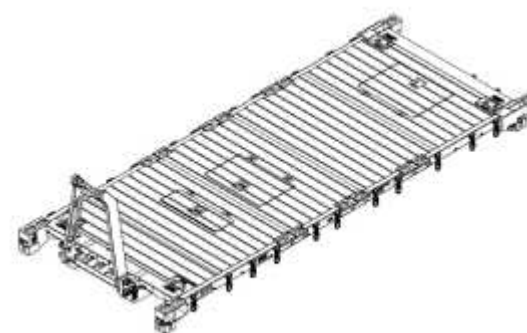
(21) Design Number: **16473/2015**  
(22) Date of Filing Application: **01 December 2015**  
(24) Date from which industrial property rights may have effect: **01 December 2015**  
(54) Product in respect of which the design is registered: **Saddle tree**  
(51) International Design Classification: **30-04**  
(74) Name(s) of Attorney(s): **GO trademarks**  
(71) Name(s) and Address(s) of Applicant(s):  
**Peter Brophy**  
**292 Mt Brisbane Rd Dayboro QLD 4521 Australia**  
(72) Name(s) of Designer(s): **Peter Brophy**  
(45) Registration Date: **17 December 2015**  
(56) Related Art Documents: **Not Applicable**  
(57) Statement of Newness and Distinctiveness: **The newness and distinctiveness of the design resides in the shape and/or configuration of the saddle tree as shown in the accompanying representations.**



(21) Design Number: **16546/2015**  
(22) Date of Filing Application: **03 December 2015**  
(24) Date from which industrial property rights may have effect: **03 December 2015**  
(54) Product in respect of which the design is registered: **A gumshield**  
(51) International Design Classification: **29-02**  
(74) Name(s) of Attorney(s): **Griffith Hack**  
(71) Name(s) and Address(s) of Applicant(s):  
**Design Blue Limited**  
**69 North Street Portslade Brighton East Sussex BN41 1DH United Kingdom**  
(72) Name(s) of Designer(s): **Anthony Wye and Mark Muenchinger**  
(45) Registration Date: **17 December 2015**  
(30) Convention priority data:  
(31) Number      (32) Date      (33) Country  
**002712778      03 Jun 2015      OFFICE FOR HARMONISATION IN THE INTERNAL MARKET (OHIM)**  
(56) Related Art Documents: **Not Applicable**  
(57) Statement of Newness and Distinctiveness: **Newness and distinctiveness resides in the shape and configuration of the gumshield shown in the representations and in the visual effect formed by contrasting colours of the 3 parts of the gumshield shown separately in the exploded view. The specific colours shown in the representations do not form part of the design.**



- (21) Design Number: **16548/2015**  
(22) Date of Filing Application: **04 December 2015**  
(24) Date from which industrial property rights may have effect: **04 December 2015**  
(54) Product in respect of which the design is registered: **Flatrack**  
(51) International Design Classification: **09-08**  
(74) Name(s) of Attorney(s): **Pizzeys Patent and Trade Mark Attorneys Pty Ltd**  
(71) Name(s) and Address(s) of Applicant(s):  
**Sea Box International**  
**17 Isa St Fyshwick ACT 2609 Australia**  
(72) Name(s) of Designer(s): **Shaun Moore and Bruce Power and Thomas Egan and Jason Mogg and Michael Brown and Stephen Travis**  
(45) Registration Date: **17 December 2015**  
(56) Related Art Documents: **Not Applicable**  
(57) Statement of Newness and Distinctiveness: **The newness and distinctiveness of the design resides in the features of shape and/or configuration shown in unbroken lines in the accompanying representations.**



- (21) Design Number: **16552/2015**  
(22) Date of Filing Application: **04 December 2015**  
(24) Date from which industrial property rights may have effect: **04 December 2015**  
(54) Product in respect of which the design is registered: **Bottle**  
(51) International Design Classification: **09-01H**  
(74) Name(s) of Attorney(s): **Shelston IP Pty Ltd.**  
(71) Name(s) and Address(s) of Applicant(s):  
**Owens-Brockway Glass Container Inc.**  
**One Michael Owens Way Perrysburg Ohio, 43551 United States of America**  
(72) Name(s) of Designer(s): **Douglas Laib and Karl A. Reisig and Joseph J. Balusik III and Raul M. Paredes**  
(45) Registration Date: **17 December 2015**  
(30) Convention priority data:  
(31) Number      (32) Date      (33) Country  
**29/529511      08 Jun 2015      UNITED STATES OF AMERICA**  
(56) Related Art Documents: **Not Applicable**  
(57) Statement of Newness and Distinctiveness: **Newness and Distinctiveness reside in the shape and configuration of a design for a bottle as shown in the representations. The contour shading lines shown in the drawings represent surface contours, and/or transparency or translucency or opacity, and such lines and such elements are not part of the claimed design. The extremities of the bottle shown in broken line beyond the dash-dot-dash lines are not part of the claimed design.**



- (21) Design Number: **16553/2015**  
(22) Date of Filing Application: **04 December 2015**  
(24) Date from which industrial property rights may have effect: **04 December 2015**  
(54) Product in respect of which the design is registered: **A wheel assembly**  
(51) International Design Classification: **12-16A**  
(74) Name(s) of Attorney(s): **Ahearn Fox**  
(71) Name(s) and Address(s) of Applicant(s):  
**Joe Andon**  
**95 Ingleston Rd Wakerley QLD 4154 Australia**  
(72) Name(s) of Designer(s): **Joe Andon**  
(45) Registration Date: **17 December 2015**  
(56) Related Art Documents: **Not Applicable**  
(57) Statement of Newness and Distinctiveness: **Novelty resides in the shape and configuration of the wheel assembly illustrated in the representations in which FIG. 1 is a left side view from above, FIG. 2 is a left side view, FIG. 3 is a right side view from behind, FIG. 4 is a right side view from in front, and FIG. 5 is a right side view.**



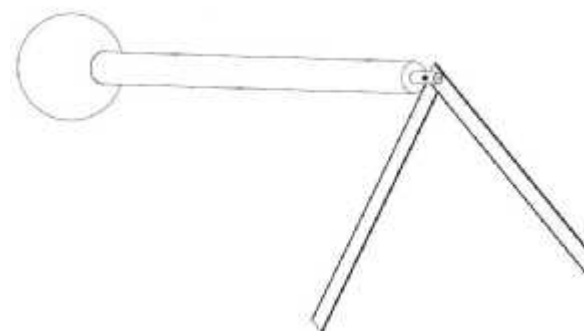
- (21) Design Number: **15141/2015**  
(22) Date of Filing Application: **02 October 2015**  
(24) Date from which industrial property rights may have effect: **02 October 2015**  
(54) Product in respect of which the design is registered: **Bottle**  
(51) International Design Classification: **09-01NES**  
(74) Name(s) of Attorney(s): **FB Rice**  
(71) Name(s) and Address(s) of Applicant(s):  
**The Absolut Company Aktiebolag**  
**117 97 Stockholm Sweden**  
(72) Name(s) of Designer(s): **Jesper Klarin**  
(45) Registration Date: **18 December 2015**  
(30) Convention priority data:  
(31) Number      (32) Date      (33) Country  
**002678870      10 Apr 2015      OFFICE FOR HARMONISATION IN  
THE INTERNAL MARKET (OHIM)**  
(56) Related Art Documents: **Not Applicable**  
(57) Statement of Newness and Distinctiveness: **Newness and distinctiveness reside in the visual features of the coloured pattern shown in the representations applied to a bottle, excluding the features shown in dashed lines.**



- (21) Design Number: **15547/2015**  
(22) Date of Filing Application: **20 October 2015**  
(24) Date from which industrial property rights may have effect: **20 October 2015**  
(54) Product in respect of which the design is registered: **Automotive exhaust headers & catalytic converters**  
(51) International Design Classification: **12-16N**  
(74) Name(s) of Attorney(s):  
(71) Name(s) and Address(s) of Applicant(s):  
**GM Motorsport Pty Ltd**  
**23 Reserve Road Melton Victoria 3337 Australia**  
(72) Name(s) of Designer(s): **Alphonsus Mullan**  
(45) Registration Date: **18 December 2015**  
(56) Related Art Documents: **Not Applicable**  
(57) Statement of Newness and Distinctiveness: **Custom triple stepped pipe design with the most equal length pipe design available to keep header pipes equal in length and the standard Catalytic Converter position on 2006 Onwards V8 VE- VF Holden and 2014 Onwards V8 Chevrolet SS.**



- (21) Design Number: **16474/2015**  
(22) Date of Filing Application: **01 December 2015**  
(24) Date from which industrial property rights may have effect: **01 December 2015**  
(54) Product in respect of which the design is registered: **Boxing equipment**  
(51) International Design Classification: **21-02NES**  
(74) Name(s) of Attorney(s):  
(71) Name(s) and Address(s) of Applicant(s):  
**Spar Arm Sports Company**  
**PO BOX 57 Portland NSW 2847 Australia**  
(72) Name(s) of Designer(s): **Zayne Bray**  
(45) Registration Date: **18 December 2015**  
(56) Related Art Documents: **Not Applicable**  
(57) Statement of Newness and Distinctiveness: **The newness and distinctiveness of the design resides in the shape of the sparring arm as shown in the continuous lines in the accompanying representations.**



(21) Design Number: **16475/2015**  
(22) Date of Filing Application: **01 December 2015**  
(24) Date from which industrial property rights may have effect: **15 September 2015**  
(54) Product in respect of which the design is registered: **Undergarment**  
(51) International Design Classification: **02-01NES**  
(74) Name(s) of Attorney(s): **Allens Patent & Trade Mark Attorneys**  
(71) Name(s) and Address(s) of Applicant(s):  
**Poc Jox Australia Pty Ltd**  
**U706/2 Huntley St Alexandria NSW 2015 Australia**  
(72) Name(s) of Designer(s): **Matthew Chapman**  
(45) Registration Date: **18 December 2015**  
(62) Divisional of: **365753**  
(56) Related Art Documents: **Not Applicable**

(57) Statement of Newness and Distinctiveness: **Newness and distinctiveness is claimed in the features of shape and configuration of the undergarment with storage as shown in the attached representations, in particular the shape and configuration of the storage pockets at the sides and the seams and gusset contributing to the shape and configuration of the central support pocket. No regard is to be had to the shading which forms no part of the design but is present only to show context and provide some clarity to the representation.**



(21) Design Number: **16556/2015**  
(22) Date of Filing Application: **04 December 2015**  
(24) Date from which industrial property rights may have effect: **04 December 2015**  
(54) Product in respect of which the design is registered: **Bottle**  
(51) International Design Classification: **09-01H**  
(74) Name(s) of Attorney(s): **Shelston IP Pty Ltd.**  
(71) Name(s) and Address(s) of Applicant(s):  
**Owens-Brockway Glass Container Inc.**  
**One Michael Owens Way Perrysburg Ohio, 43551 United States of America**  
(72) Name(s) of Designer(s): **Douglas Laib and Karl A. Reisig and Joseph J. Balusik III and Raul M. Paredes**  
(45) Registration Date: **18 December 2015**  
(30) Convention priority data:  
(31) Number      (32) Date      (33) Country  
**29/529512      08 Jun 2015      UNITED STATES OF AMERICA**  
(56) Related Art Documents: **Not Applicable**

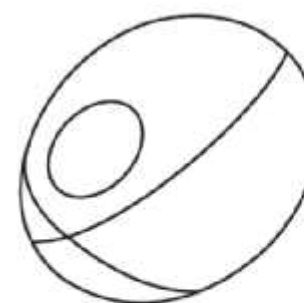
(57) Statement of Newness and Distinctiveness: **Newness and Distinctiveness reside in the shape and configuration of a design for a bottle as shown in the representations. The contour shading lines shown in the drawings represent surface contours, and/or transparency or translucency or opacity, and such lines and such elements are not part of the claimed design. The extremities of the bottle shown in broken line beyond the dash-dot-dash lines are not part of the claimed design.**



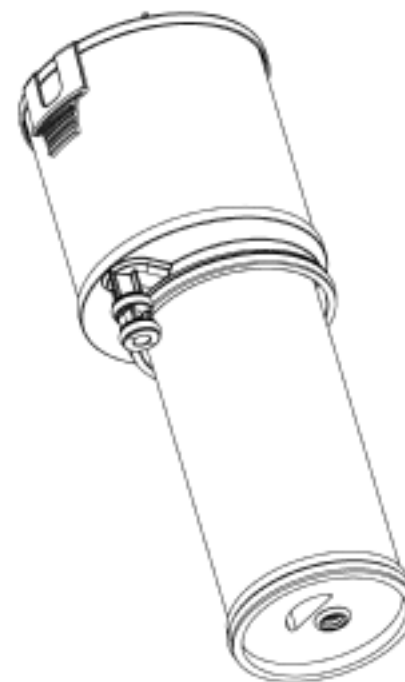
(21) Design Number: **16557/2015**  
(22) Date of Filing Application: **04 December 2015**  
(24) Date from which industrial property rights may have effect: **04 December 2015**  
(54) Product in respect of which the design is registered: **Outdoor lights**  
(51) International Design Classification: **26-03**  
(74) Name(s) of Attorney(s): **Collison & Co**  
(71) Name(s) and Address(s) of Applicant(s):  
**ORANGETEK LIMITED**  
**Coach House Blakenhall Park Bar Lane Barton under Needwood Burton**  
**upon Trent DE13 8AJ United Kingdom**  
(72) Name(s) of Designer(s): **Dong-Ru Lee**  
(45) Registration Date: **18 December 2015**  
(56) Related Art Documents: **Not Applicable**  
(57) Statement of Newness and Distinctiveness: **Nil**



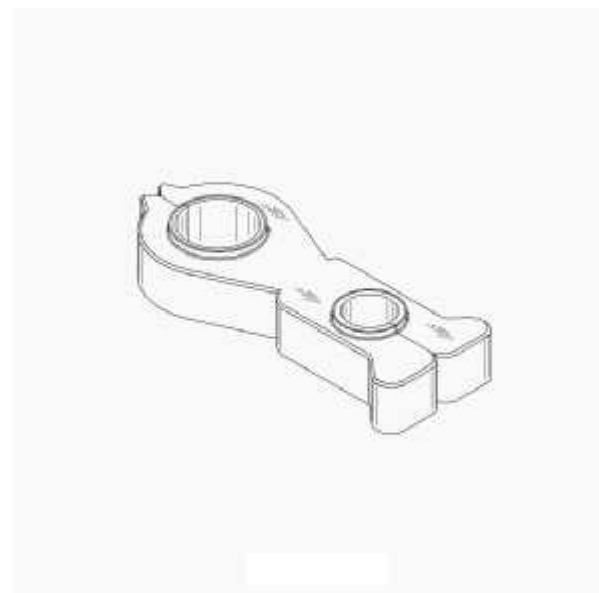
(21) Design Number: **16558/2015**  
(22) Date of Filing Application: **04 December 2015**  
(24) Date from which industrial property rights may have effect: **04 December 2015**  
(54) Product in respect of which the design is registered: **Rugby ball shaped beverage holder**  
(51) International Design Classification: **07-06A**  
(74) Name(s) of Attorney(s):  
(71) Name(s) and Address(s) of Applicant(s):  
**Chris Dudar**  
**35B Claremont Place Aberdeen AB10 6RE United Kingdom**  
(72) Name(s) of Designer(s): **Chris Dudar**  
(45) Registration Date: **18 December 2015**  
(30) Convention priority data:  
(31) Number      (32) Date      (33) Country  
**5000687      04 Dec 2015      UNITED KINGDOM**  
(56) Related Art Documents: **Not Applicable**  
(57) Statement of Newness and Distinctiveness: **The newness and distinctiveness of the design resides in the internal handle, position of the separate beverage pocket and overall shape of the beverage holder.**



- (21) Design Number: **16559/2015**  
(22) Date of Filing Application: **04 December 2015**  
(24) Date from which industrial property rights may have effect: **04 December 2015**  
(54) Product in respect of which the design is registered: **Filter element**  
(51) International Design Classification: **23-01G**  
(74) Name(s) of Attorney(s): **Freehills Patent Attorneys**  
(71) Name(s) and Address(s) of Applicant(s):  
**Donaldson Company, Inc.**  
**1400 West 94th Street PO Box 1299 Minneapolis Minnesota, 55440-1299**  
**United States of America**  
(72) Name(s) of Designer(s): **Gert Louis Willems**  
(45) Registration Date: **18 December 2015**  
(30) Convention priority data:  
(31) Number (32) Date (33) Country  
**29/529369 05 Jun 2015 UNITED STATES OF AMERICA**  
(56) Related Art Documents: **Not Applicable**  
(57) Statement of Newness and Distinctiveness: **Newness and distinctiveness of the design resides in the features of shape and configuration of the filter element as shown in the accompanying representations.**



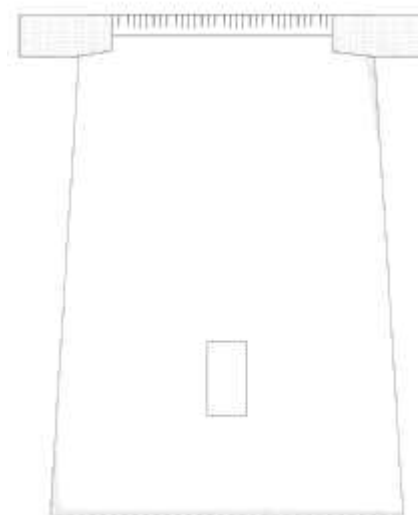
- (21) Design Number: **16513/2015**  
(22) Date of Filing Application: **02 December 2015**  
(24) Date from which industrial property rights may have effect: **02 December 2015**  
(54) Product in respect of which the design is registered: **Fishing accessory**  
(51) International Design Classification: **22-05**  
(74) Name(s) of Attorney(s): **Fisher Adams Kelly Callinans**  
(71) Name(s) and Address(s) of Applicant(s):  
**Rowan James Miller**  
**13 Whiteside Rd Whiteside QLD 4503 Australia**  
(72) Name(s) of Designer(s): **Rowan James Miller**  
(45) Registration Date: **18 December 2015**  
(56) Related Art Documents: **Not Applicable**  
(57) Statement of Newness and Distinctiveness: **Newness and distinctiveness of the design resides in the shape and/or configuration of a fishing accessory as shown in the representations. Particular regard is to be given to the features shown in solid lines. The features shown in broken lines are for context and example only, and should be disregarded for the purpose of assessing newness and distinctiveness.**



- (21) Design Number: **16514/2015**  
(22) Date of Filing Application: **02 December 2015**  
(24) Date from which industrial property rights may have effect: **02 December 2015**  
(54) Product in respect of which the design is registered: **Shoe**  
(51) International Design Classification: **02-04NES**  
(74) Name(s) of Attorney(s): **Baxter Patent Attorneys Pty Ltd**  
(71) Name(s) and Address(s) of Applicant(s):  
**SUTTONS UGG AUSTRALIA PTY LTD**  
**221 Russell St Melbourne VIC 3000 Australia**  
(72) Name(s) of Designer(s): **Jingshi Wang**  
(45) Registration Date: **18 December 2015**  
(56) Related Art Documents: **Not Applicable**  
(57) Statement of Newness and Distinctiveness: **The novelty and distinctiveness of the design resides in the shape and/or configuration as applied to the SHOE, irrespective of the colour, and irrespective of the shape, configuration, pattern and/or ornamentation of the sole of the SHOE shown in the bottom view.**



- (21) Design Number: **16515/2015**  
(22) Date of Filing Application: **02 December 2015**  
(24) Date from which industrial property rights may have effect: **02 December 2015**  
(54) Product in respect of which the design is registered: **Incontinence aid**  
(51) International Design Classification: **24-04**  
(74) Name(s) of Attorney(s): **FB Rice**  
(71) Name(s) and Address(s) of Applicant(s):  
**James Rickman**  
**249 Cardinal Lane Paducah KY 42001 United States of America**  
(72) Name(s) of Designer(s): **James Rickman**  
(45) Registration Date: **18 December 2015**  
(30) Convention priority data:  
(31) Number      (32) Date      (33) Country  
**35001114      19 Nov 2015      WORLD INTELLECTUAL  
PROPERTY ORGANIZATION  
(WIPO)**  
(56) Related Art Documents: **Not Applicable**  
(57) Statement of Newness and Distinctiveness: **Newness and distinctiveness reside in the features of shape and configuration of the design shown in solid lines in the representations, excluding the body parts to be covered by the Incontinence aid shown in broken lines.**



(21) Design Number: **16516/2015**  
(22) Date of Filing Application: **02 December 2015**  
(24) Date from which industrial property rights may have effect: **02 December 2015**  
(54) Product in respect of which the design is registered: **Tyre**  
(51) International Design Classification: **12-15B**  
(74) Name(s) of Attorney(s): **Griffith Hack**  
(71) Name(s) and Address(s) of Applicant(s):  
**Continental Reifen Deutschland GmbH**  
**Vahrenwalder Str. 9 Hannover 30165 Germany**  
(72) Name(s) of Designer(s): **Florian Kristen**  
(45) Registration Date: **18 December 2015**  
(30) Convention priority data:  
(31) Number (32) Date (33) Country  
**002718627-0001 15 Jun 2015 OFFICE FOR HARMONISATION IN**  
**THE INTERNAL MARKET (OHIM)**  
(56) Related Art Documents: **Not Applicable**  
(57) Statement of Newness and Distinctiveness: **Newness and distinctiveness**  
**resides in the visual features, including shape, configuration and pattern,**  
**of a tread for a TYRE as shown in the accompanying representations.**



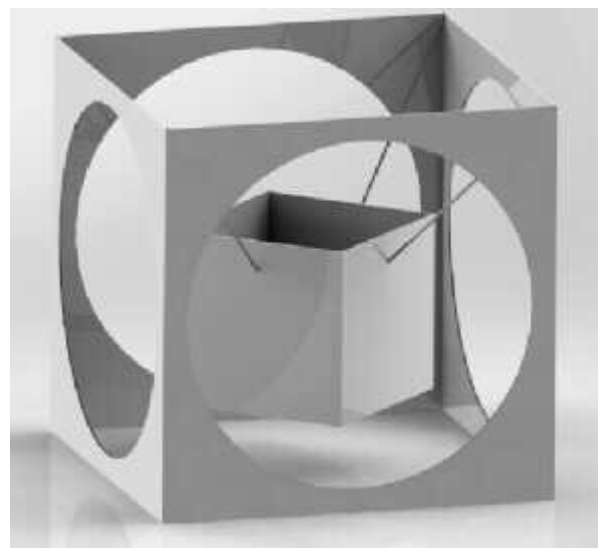
(21) Design Number: **16517/2015**  
(22) Date of Filing Application: **02 December 2015**  
(24) Date from which industrial property rights may have effect: **02 December 2015**  
(54) Product in respect of which the design is registered: **Tyre**  
(51) International Design Classification: **12-15B**  
(74) Name(s) of Attorney(s): **Griffith Hack**  
(71) Name(s) and Address(s) of Applicant(s):  
**Continental Reifen Deutschland GmbH**  
**Vahrenwalder Str. 9 Hannover 30165 Germany**  
(72) Name(s) of Designer(s): **Florian Kristen**  
(45) Registration Date: **18 December 2015**  
(30) Convention priority data:  
(31) Number (32) Date (33) Country  
**002718643-0001 16 Jun 2015 OFFICE FOR HARMONISATION IN**  
**THE INTERNAL MARKET (OHIM)**  
(56) Related Art Documents: **Not Applicable**  
(57) Statement of Newness and Distinctiveness: **Newness and distinctiveness**  
**resides in the visual features, including shape, configuration and pattern,**  
**of a tread for a TYRE as shown in the accompanying representations.**



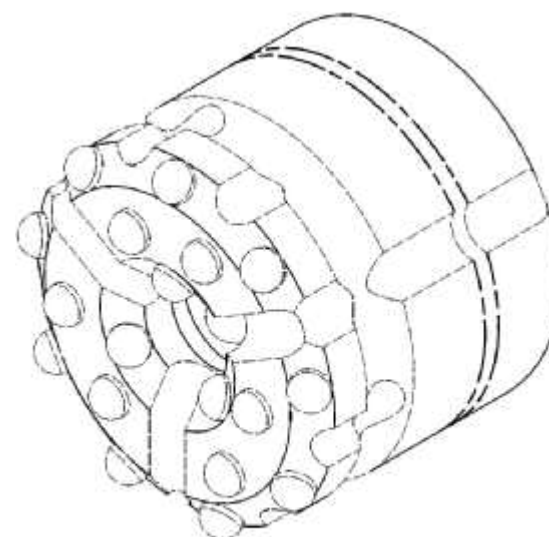
(21) Design Number: **16518/2015**  
(22) Date of Filing Application: **02 December 2015**  
(24) Date from which industrial property rights may have effect: **02 December 2015**  
(54) Product in respect of which the design is registered: **Pot**  
(51) International Design Classification: **11-02C**  
(74) Name(s) of Attorney(s):  
(71) Name(s) and Address(s) of Applicant(s):  
**Nicholas Bartholomew Stodulka**  
**38 Sidaway St Chapman ACT 2611 Australia**  
(72) Name(s) of Designer(s): **Nicholas Bartholomew Stodulka**  
(45) Registration Date: **18 December 2015**  
(56) Related Art Documents: **Not Applicable**  
(57) Statement of Newness and Distinctiveness: **Nil**



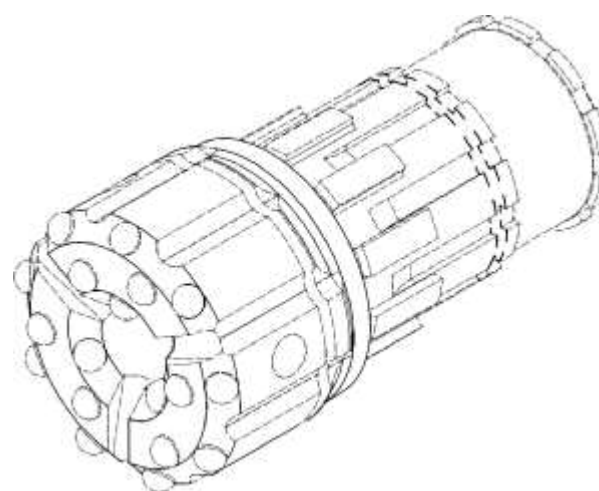
(21) Design Number: **16519/2015**  
(22) Date of Filing Application: **02 December 2015**  
(24) Date from which industrial property rights may have effect: **02 December 2015**  
(54) Product in respect of which the design is registered: **Pot**  
(51) International Design Classification: **11-02C**  
(74) Name(s) of Attorney(s):  
(71) Name(s) and Address(s) of Applicant(s):  
**Nicholas Bartholomew Stodulka**  
**38 Sidaway St Chapman ACT 2611 Australia**  
(72) Name(s) of Designer(s): **Nicholas Bartholomew Stodulka**  
(45) Registration Date: **18 December 2015**  
(56) Related Art Documents: **Not Applicable**  
(57) Statement of Newness and Distinctiveness: **Nil**



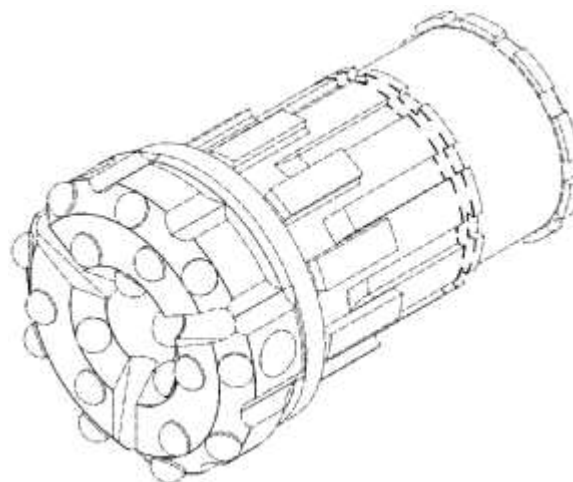
- (21) Design Number: **16520/2015**  
(22) Date of Filing Application: **02 December 2015**  
(24) Date from which industrial property rights may have effect: **02 December 2015**  
(54) Product in respect of which the design is registered: **Down hole hammer drill bit head**  
(51) International Design Classification: **08-01**  
(74) Name(s) of Attorney(s): **IP Sentinels Patent and Trademark Attorneys**  
(71) Name(s) and Address(s) of Applicant(s):  
**Wallis Engineers Pty Ltd**  
**54 Beaconsfield Ave Midvale WA 6056 Australia**  
(72) Name(s) of Designer(s): **Paul Kalisch and Brendan Moran**  
(45) Registration Date: **18 December 2015**  
(56) Related Art Documents: **Not Applicable**  
(57) Statement of Newness and Distinctiveness: **The features of shape and/or configuration are claimed to be new and distinctive. The shape and configuration of parts shown in dashed lines are disclaimed, and parts shown with a break in their length are of indefinite length**



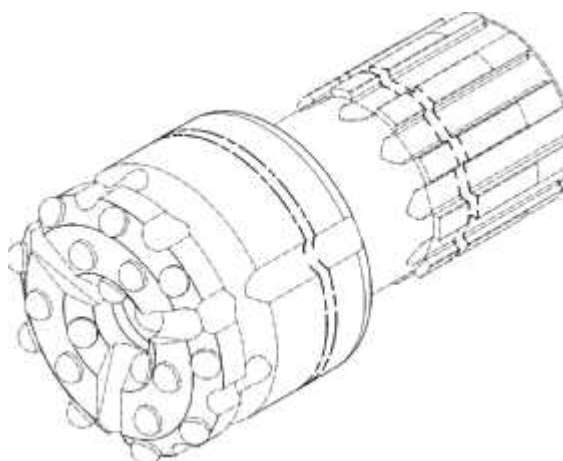
- (21) Design Number: **16521/2015**  
(22) Date of Filing Application: **02 December 2015**  
(24) Date from which industrial property rights may have effect: **02 December 2015**  
(54) Product in respect of which the design is registered: **Down hole hammer drill bit**  
(51) International Design Classification: **08-01**  
(74) Name(s) of Attorney(s): **IP Sentinels Patent and Trademark Attorneys**  
(71) Name(s) and Address(s) of Applicant(s):  
**Wallis Engineers Pty Ltd**  
**54 Beaconsfield Ave Midvale WA 6056 Australia**  
(72) Name(s) of Designer(s): **Paul Kalisch and Brendan Moran**  
(45) Registration Date: **18 December 2015**  
(56) Related Art Documents: **Not Applicable**  
(57) Statement of Newness and Distinctiveness: **The features of shape and/or configuration are claimed to be new and distinctive. The shape and configuration of parts shown in dashed lines are disclaimed, and parts shown with a break in their length are of indefinite length**



- (21) Design Number: **16522/2015**  
(22) Date of Filing Application: **02 December 2015**  
(24) Date from which industrial property rights may have effect: **02 December 2015**  
(54) Product in respect of which the design is registered: **Down hole hammer drill bit**  
(51) International Design Classification: **08-01**  
(74) Name(s) of Attorney(s): **IP Sentinels Patent and Trademark Attorneys**  
(71) Name(s) and Address(s) of Applicant(s):  
**Wallis Engineers Pty Ltd**  
**54 Beaconsfield Ave Midvale WA 6056 Australia**  
(72) Name(s) of Designer(s): **Paul Kalisch and Brendan Moran**  
(45) Registration Date: **18 December 2015**  
(56) Related Art Documents: **Not Applicable**  
(57) Statement of Newness and Distinctiveness: **The features of shape and/or configuration are claimed to be new and distinctive. The shape and configuration of parts shown in dashed lines are disclaimed, and parts shown with a break in their length are of indefinite length**



- (21) Design Number: **16523/2015**  
(22) Date of Filing Application: **02 December 2015**  
(24) Date from which industrial property rights may have effect: **02 December 2015**  
(54) Product in respect of which the design is registered: **Down hole hammer drill bit**  
(51) International Design Classification: **08-01**  
(74) Name(s) of Attorney(s): **IP Sentinels Patent and Trademark Attorneys**  
(71) Name(s) and Address(s) of Applicant(s):  
**Wallis Engineers Pty Ltd**  
**54 Beaconsfield Ave Midvale WA 6056 Australia**  
(72) Name(s) of Designer(s): **Paul Kalisch and Brendan Moran**  
(45) Registration Date: **18 December 2015**  
(56) Related Art Documents: **Not Applicable**  
(57) Statement of Newness and Distinctiveness: **The features of shape and/or configuration are claimed to be new and distinctive. The shape and configuration of parts shown in dashed lines are disclaimed, and parts shown with a break in their length are of indefinite length**



(21) Design Number: **16512/2015**  
(22) Date of Filing Application: **02 December 2015**  
(24) Date from which industrial property rights may have effect: **02 December 2015**  
(54) Product in respect of which the design is registered: **Wheel for vehicle**  
(51) International Design Classification: **12-16A**  
(74) Name(s) of Attorney(s): **Spruson & Ferguson**  
(71) Name(s) and Address(s) of Applicant(s):

**Daimler AG**  
**Mercedesstrasse 137, Stuttgart D-70327 Germany**

(72) Name(s) of Designer(s): **Bernhard Hans and Kai Hilpert**

(45) Registration Date: **18 December 2015**

(30) Convention priority data:

(31) Number	(32) Date	(33) Country
<b>002720664-0003</b>	<b>17 Jun 2015</b>	<b>OFFICE FOR HARMONISATION IN THE INTERNAL MARKET (OHIM)</b>



(56) Related Art Documents: **Not Applicable**

(57) Statement of Newness and Distinctiveness: **Newness and distinctiveness is claimed in the features of shape and/or configuration of a wheel for vehicle as illustrated in the accompanying representations.**

(21) Design Number: **16525/2015**  
(22) Date of Filing Application: **03 December 2015**  
(24) Date from which industrial property rights may have effect: **03 December 2015**  
(54) Product in respect of which the design is registered: **Motor scooter**  
(51) International Design Classification: **12-11**  
(74) Name(s) of Attorney(s): **PHILLIPS ORMONDE FITZPATRICK**  
(71) Name(s) and Address(s) of Applicant(s):

**Piaggio & C. S.p.A.**  
**Viale Rinaldo Piaggio 25 56025 Pontedera Pisa Italy**

(72) Name(s) of Designer(s): **Marco Lambri and Roberto Palla**

(45) Registration Date: **18 December 2015**

(30) Convention priority data:

(31) Number	(32) Date	(33) Country
<b>002739110</b>	<b>17 Jul 2015</b>	<b>OFFICE FOR HARMONISATION IN THE INTERNAL MARKET (OHIM)</b>



(56) Related Art Documents: **Not Applicable**

(57) Statement of Newness and Distinctiveness: **Those features of the motor scooter depicted in the representations that are new and distinctive are the shape and/or configuration. The wheels and tyres of the motor scooter are not part of the design and are to be disregarded when considering the overall impression of the design.**

(21) Design Number: **16526/2015**  
(22) Date of Filing Application: **03 December 2015**  
(24) Date from which industrial property rights may have effect: **03 December 2015**  
(54) Product in respect of which the design is registered: **Motor scooter**  
(51) International Design Classification: **12-11**  
(74) Name(s) of Attorney(s): **PHILLIPS ORMONDE FITZPATRICK**  
(71) Name(s) and Address(s) of Applicant(s):

**Piaggio & C. S.p.A.**  
**Viale Rinaldo Piaggio 25 56025 Pontedera Pisa Italy**

(72) Name(s) of Designer(s): **Marco Di Gregorio and Marco Lambri**

(45) Registration Date: **18 December 2015**

(30) Convention priority data:

(31) Number	(32) Date	(33) Country
<b>002739110</b>	<b>17 Jul 2015</b>	<b>OFFICE FOR HARMONISATION IN THE INTERNAL MARKET (OHIM)</b>



(56) Related Art Documents: **Not Applicable**

(57) Statement of Newness and Distinctiveness: **Those features of the motor scooter depicted in the representations that are new and distinctive are the shape and/or configuration. The wheels and tyres of the motor scooter are not part of the design and are to be disregarded when considering the overall impression of the design.**

(21) Design Number: **16530/2015**  
(22) Date of Filing Application: **03 December 2015**  
(24) Date from which industrial property rights may have effect: **03 December 2015**  
(54) Product in respect of which the design is registered: **Shoe**  
(51) International Design Classification: **02-04NES**  
(74) Name(s) of Attorney(s): **Baxter Patent Attorneys Pty Ltd**  
(71) Name(s) and Address(s) of Applicant(s):

**SUTTONS UGG AUSTRALIA PTY LTD**  
**221 Russell St Melbourne VIC 3000 Australia**

(72) Name(s) of Designer(s): **Jingshi Wang**

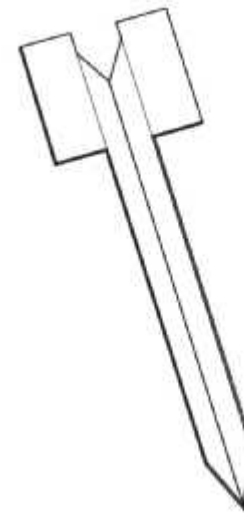
(45) Registration Date: **18 December 2015**

(56) Related Art Documents: **Not Applicable**

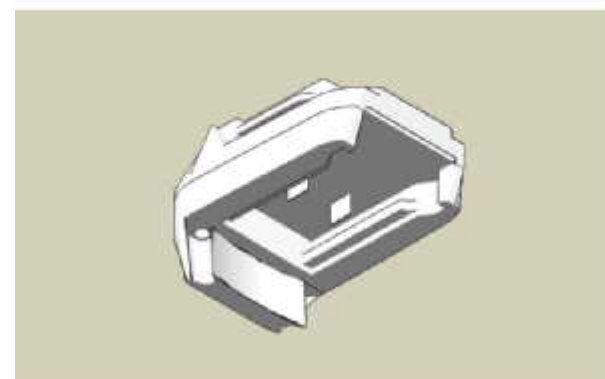
(57) Statement of Newness and Distinctiveness: **The novelty and distinctiveness of the design resides in the shape and/or configuration as applied to the SHOE, irrespective of the colour, and irrespective of the shape, configuration, pattern and/or ornamentation of the sole of the SHOE shown in the bottom view.**



- (21) Design Number: **16531/2015**  
(22) Date of Filing Application: **03 December 2015**  
(24) Date from which industrial property rights may have effect: **03 December 2015**  
(54) Product in respect of which the design is registered: **Garden edging stake**  
(51) International Design Classification: **25-01E**  
(74) Name(s) of Attorney(s):  
(71) Name(s) and Address(s) of Applicant(s):  
**Andrew Teague**  
**PO BOX 7 Ingle farm SA 5098 Australia**  
(72) Name(s) of Designer(s): **Andrew Teague**  
(45) Registration Date: **18 December 2015**  
(56) Related Art Documents: **Not Applicable**  
(57) Statement of Newness and Distinctiveness: **Newness and distinctiveness is claimed in the shape and configuration of the GARDEN EDGING STAKE as shown in the accompanying representations.**



- (21) Design Number: **16532/2015**  
(22) Date of Filing Application: **03 December 2015**  
(24) Date from which industrial property rights may have effect: **03 December 2015**  
(54) Product in respect of which the design is registered: **Power adaptor**  
(51) International Design Classification: **13-03D**  
(74) Name(s) of Attorney(s): **Baxter Patent Attorneys Pty Ltd**  
(71) Name(s) and Address(s) of Applicant(s):  
**Mark William Johnston**  
**7 Redpath Ct Sunbury VIC 3429 Australia**  
**Benjamin Leo Johnston**  
**7 Redpath Ct Sunbury VIC 3429 Australia**  
(72) Name(s) of Designer(s): **Mark William Johnston and Benjamin Leo Johnston**  
(45) Registration Date: **18 December 2015**  
(56) Related Art Documents: **Not Applicable**  
(57) Statement of Newness and Distinctiveness: **Newness and distinctiveness is claimed in respect of the shape and configuration of the power adaptor as shown in the accompanying representations.**



(21) Design Number: **16533/2015**

(22) Date of Filing Application: **03 December 2015**

(24) Date from which industrial property rights may have effect: **03 December 2015**

(54) Product in respect of which the design is registered: **Light tunnel for electro-surgical pencil**

(51) International Design Classification: **24-01**

(74) Name(s) of Attorney(s): **WRAYS PTY LTD**

(71) Name(s) and Address(s) of Applicant(s):

**Richard P Fleenor**

**5765 South Monaco Street Greenwood Village Colorado, 80111 United States of America**

(72) Name(s) of Designer(s): **Richard P Fleenor**

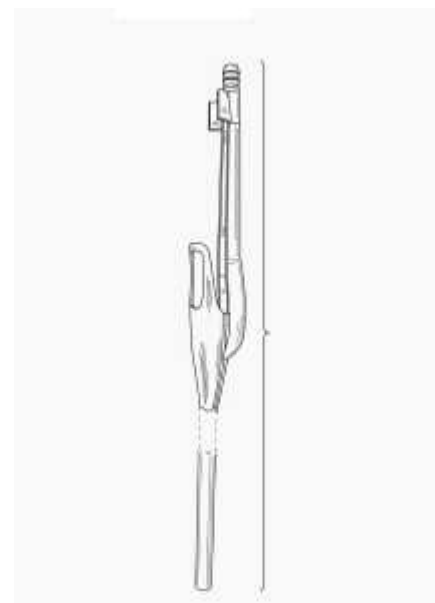
(45) Registration Date: **18 December 2015**

(30) Convention priority data:

(31) Number	(32) Date	(33) Country
<b>29/529,068</b>	<b>03 Jun 2015</b>	<b>UNITED STATES OF AMERICA</b>

(56) Related Art Documents: **Not Applicable**

(57) Statement of Newness and Distinctiveness: **Newness and distinctiveness is claimed in the features of shape, configuration, pattern, and/or ornamentation of the Light Tunnel For Electro-surgical Pencil as shown in the accompanying representations. The features depicted by broken lines are for illustrative purposes only and form no part of the claimed design.**



(21) Design Number: **16535/2015**

(22) Date of Filing Application: **03 December 2015**

(24) Date from which industrial property rights may have effect: **03 December 2015**

(54) Product in respect of which the design is registered: **Garnishment for motor vehicle**

(51) International Design Classification: **12-16B**

(74) Name(s) of Attorney(s): **Spruson & Ferguson**

(71) Name(s) and Address(s) of Applicant(s):

**Mazda Motor Corporation**

**3-1, Shinchi, Fuchu-cho, Aki-gun, Hiroshima Japan**

(72) Name(s) of Designer(s): **Siyong Song and Ichiro Sakai and Hideki Nakamura**

(45) Registration Date: **18 December 2015**

(30) Convention priority data:

(31) Number	(32) Date	(33) Country
<b>CN201530186131.99</b>	<b>Jun 2015</b>	<b>CHINA</b>

(56) Related Art Documents: **Not Applicable**

(57) Statement of Newness and Distinctiveness: **Newness and distinctiveness is claimed in the features of shape and/or configuration of a garnishment for motor vehicle as illustrated in the accompanying representations.**



- (21) Design Number: **16536/2015**  
(22) Date of Filing Application: **03 December 2015**  
(24) Date from which industrial property rights may have effect: **03 December 2015**  
(54) Product in respect of which the design is registered: **Motor vehicle**  
(51) International Design Classification: **12-08**  
(74) Name(s) of Attorney(s): **Spruson & Ferguson**  
(71) Name(s) and Address(s) of Applicant(s):  
**Mazda Motor Corporation**  
**3-1, Shinchi, Fuchu-cho, Aki-gun, Hiroshima Japan**  
(72) Name(s) of Designer(s): **Eiji Kimoto and Siyoung Song and Kousuke Takahashi and Takeshi Shinohara and Kaname Sawai and Ryouzuke Nozaki and Tadashi Ozeki and Ryuji Kumagai and Keisuke Nakai**  
(45) Registration Date: **18 December 2015**  
(30) Convention priority data:  
(31) Number (32) Date (33) Country  
**29/529663 09 Jun 2015 UNITED STATES OF AMERICA**  
(56) Related Art Documents: **Not Applicable**  
(57) Statement of Newness and Distinctiveness: **Newness and distinctiveness is claimed in the features of shape and/or configuration of a motor vehicle as illustrated in the accompanying representations.**



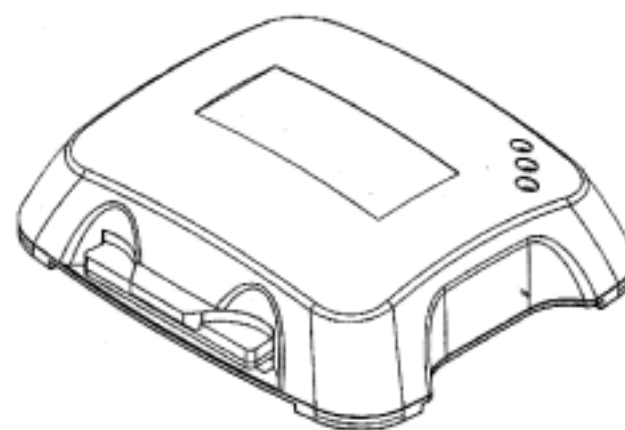
- (21) Design Number: **16538/2015**  
(22) Date of Filing Application: **03 December 2015**  
(24) Date from which industrial property rights may have effect: **03 December 2015**  
(54) Product in respect of which the design is registered: **Heating apparatus**  
(51) International Design Classification: **23-03A**  
(74) Name(s) of Attorney(s): **Cullens Pty Ltd**  
(71) Name(s) and Address(s) of Applicant(s):  
**DE' LONGHI APPLIANCES SRL CON UNICO SOCIO**  
**Via L. Seitz, 47 Treviso TV I-31100 Italy**  
(72) Name(s) of Designer(s): **Giuseppe De' Longhi and Mauro Cereser**  
(45) Registration Date: **18 December 2015**  
(30) Convention priority data:  
(31) Number (32) Date (33) Country  
**002714113-0008 05 Jun 2015 OFFICE FOR HARMONISATION IN THE INTERNAL MARKET (OHIM)**  
(56) Related Art Documents: **Not Applicable**  
(57) Statement of Newness and Distinctiveness: **The new and distinctive features are the features of shape and configuration of the heating apparatus as shown in the representations.**



(21) Design Number: **16539/2015**  
(22) Date of Filing Application: **03 December 2015**  
(24) Date from which industrial property rights may have effect: **03 December 2015**  
(54) Product in respect of which the design is registered: **Air conditioning apparatus**  
(51) International Design Classification: **23-04**  
(74) Name(s) of Attorney(s): **Cullens Pty Ltd**  
(71) Name(s) and Address(s) of Applicant(s):  
**DE' LONGHI APPLIANCES SRL CON UNICO SOCIO**  
**Via L. Seitz, 47 Treviso TV I-31100 Italy**  
(72) Name(s) of Designer(s): **Giuseppe De' Longhi and Mauro Cereser**  
(45) Registration Date: **18 December 2015**  
(30) Convention priority data:  
(31) Number (32) Date (33) Country  
**002714113-0013 05 Jun 2015 OFFICE FOR HARMONISATION IN**  
**THE INTERNAL MARKET (OHIM)**  
(56) Related Art Documents: **Not Applicable**  
(57) Statement of Newness and Distinctiveness: **The new and distinctive features are the features of shape and configuration of the air conditioning apparatus as shown in the representations.**



(21) Design Number: **16583/2015**  
(22) Date of Filing Application: **07 December 2015**  
(24) Date from which industrial property rights may have effect: **07 December 2015**  
(54) Product in respect of which the design is registered: **Pooltest instrument**  
(51) International Design Classification: **10-05**  
(74) Name(s) of Attorney(s): **WATERMARK PATENT AND TRADE MARKS ATTORNEYS**  
(71) Name(s) and Address(s) of Applicant(s):  
**Palintest Limited**  
**Palintest House Kingsway Team Valley Gateshead NE11 0NS United Kingdom**  
(72) Name(s) of Designer(s): **Simon Richard Johnston**  
(45) Registration Date: **18 December 2015**  
(30) Convention priority data:  
(31) Number (32) Date (33) Country  
**002734517 09 Jul 2015 OFFICE FOR HARMONISATION IN**  
**THE INTERNAL MARKET (OHIM)**  
(56) Related Art Documents: **Not Applicable**  
(57) Statement of Newness and Distinctiveness: **Newness and distinctiveness resides in the visual features of shape and/or configuration of a pooltest instrument as shown in the accompanying representations.**



(21) Design Number: **16584/2015**  
(22) Date of Filing Application: **07 December 2015**  
(24) Date from which industrial property rights may have effect: **07 December 2015**  
(54) Product in respect of which the design is registered: **Flowcard**  
(51) International Design Classification: **10-05**  
(74) Name(s) of Attorney(s): **WATERMARK PATENT AND TRADE MARKS ATTORNEYS**  
(71) Name(s) and Address(s) of Applicant(s):  
**Palintest Limited**  
**Palintest House Kingsway Team Valley Gateshead NE11 0NS United Kingdom**  
(72) Name(s) of Designer(s): **Simon Richard Johnston**  
(45) Registration Date: **18 December 2015**  
(30) Convention priority data:  
(31) Number (32) Date (33) Country  
**002734533 09 Jul 2015 OFFICE FOR HARMONISATION IN THE INTERNAL MARKET (OHIM)**  
(56) Related Art Documents: **Not Applicable**  
(57) Statement of Newness and Distinctiveness: **Newness and distinctiveness resides in the visual features of shape and/or configuration of a flowcard as shown in the accompanying representations.**



(21) Design Number: **16585/2015**  
(22) Date of Filing Application: **07 December 2015**  
(24) Date from which industrial property rights may have effect: **07 December 2015**  
(54) Product in respect of which the design is registered: **Pen**  
(51) International Design Classification: **19-06**  
(74) Name(s) of Attorney(s): **HODGKINSON McINNES PATENTS**  
(71) Name(s) and Address(s) of Applicant(s):  
**Geoff Penney (Australia) Pty Ltd**  
**2 Coronation Ave Kings Park NSW 2148 Australia**  
(72) Name(s) of Designer(s): **Dong Young Lee**  
(45) Registration Date: **18 December 2015**  
(56) Related Art Documents: **Not Applicable**  
(57) Statement of Newness and Distinctiveness: **Newness and distinctiveness is claimed in the shape and configuration of a Pen as shown in the representations.**



(21) Design Number: **15107/2015**

(22) Date of Filing Application: **01 October 2015**

(24) Date from which industrial property rights may have effect: **01 October 2015**

(54) Product in respect of which the design is registered: **Head for a steam mop**

(51) International Design Classification: **07-05E**

(74) Name(s) of Attorney(s): **Davies Collison Cave**

(71) Name(s) and Address(s) of Applicant(s):

**Thane International, Inc.**

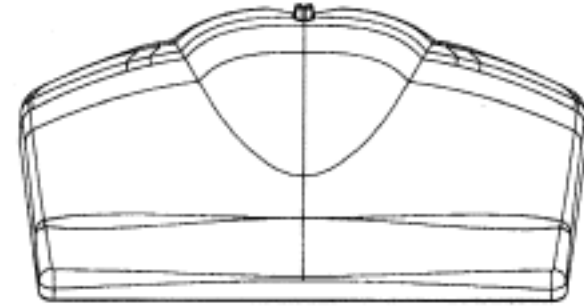
**2321 Rosecrans Avenue Suite 4210 El Segundo California, 90245 United States of America**

(72) Name(s) of Designer(s): **Jelenko Piksa**

(45) Registration Date: **18 December 2015**

(56) Related Art Documents: **Not Applicable**

(57) Statement of Newness and Distinctiveness: **Nil**



(21) Design Number: **15212/2015**

(22) Date of Filing Application: **06 October 2015**

(24) Date from which industrial property rights may have effect: **27 November 2014**

(54) Product in respect of which the design is registered: **Display screen with graphical user interface**

(51) International Design Classification: **14-02**

(74) Name(s) of Attorney(s): **Halfords IP**

(71) Name(s) and Address(s) of Applicant(s):

**ResMed Limited**

**1 Elizabeth Macarthur Dr Bella Vista NSW 2153 Australia**

(72) Name(s) of Designer(s): **Mark Bertinetti and Jose Ignacio Romagnoli and Jamie Graeme Wehbeh**

(45) Registration Date: **18 December 2015**

(62) Divisional of: **364588**

(56) Related Art Documents: **Not Applicable**

(57) Statement of Newness and Distinctiveness: **Nil**



- (21) Design Number: **15557/2015**  
(22) Date of Filing Application: **21 October 2015**  
(24) Date from which industrial property rights may have effect: **21 October 2015**  
(54) Product in respect of which the design is registered: **Sheet of packaging for hygiene articles including ornamentation**  
(51) International Design Classification: **09-03H**  
(74) Name(s) of Attorney(s): **FB Rice**  
(71) Name(s) and Address(s) of Applicant(s):  
**Paul Hartmann AG**  
**Paul-Hartmann-Strasse 12 Heidenheim 89522 Germany**  
(72) Name(s) of Designer(s): **Employees of Serviceplan Design Hamburg GmbH & Co. KG**  
(45) Registration Date: **18 December 2015**  
(56) Related Art Documents: **Not Applicable**  
(57) Statement of Newness and Distinctiveness: **Nil**



- (21) Design Number: **15558/2015**  
(22) Date of Filing Application: **21 October 2015**  
(24) Date from which industrial property rights may have effect: **21 October 2015**  
(54) Product in respect of which the design is registered: **Sheet of packaging for hygiene articles including ornamentation**  
(51) International Design Classification: **09-01H**  
(74) Name(s) of Attorney(s): **FB Rice**  
(71) Name(s) and Address(s) of Applicant(s):  
**Paul Hartmann AG**  
**Paul-Hartmann-Strasse 12 Heidenheim 89522 Germany**  
(72) Name(s) of Designer(s): **Employees of Serviceplan Design Hamburg GmbH & Co. KG**  
(45) Registration Date: **18 December 2015**  
(56) Related Art Documents: **Not Applicable**  
(57) Statement of Newness and Distinctiveness: **Nil**



- (21) Design Number: **15559/2015**  
(22) Date of Filing Application: **21 October 2015**  
(24) Date from which industrial property rights may have effect: **21 October 2015**  
(54) Product in respect of which the design is registered: **Sheet of packaging for hygiene articles including ornamentation**  
(51) International Design Classification: **09-03H**  
(74) Name(s) of Attorney(s): **FB Rice**  
(71) Name(s) and Address(s) of Applicant(s):  
**Paul Hartmann AG**  
**Paul-Hartmann-Strasse 12 Heidenheim 89522 Germany**  
(72) Name(s) of Designer(s): **Employees of Serviceplan Design Hamburg GmbH & Co. KG**  
(45) Registration Date: **18 December 2015**  
(56) Related Art Documents: **Not Applicable**  
(57) Statement of Newness and Distinctiveness: **Nil**



- (21) Design Number: **15560/2015**  
(22) Date of Filing Application: **21 October 2015**  
(24) Date from which industrial property rights may have effect: **21 October 2015**  
(54) Product in respect of which the design is registered: **Sheet of packaging for hygiene articles including ornamentation**  
(51) International Design Classification: **09-03H**  
(74) Name(s) of Attorney(s): **FB Rice**  
(71) Name(s) and Address(s) of Applicant(s):  
**Paul Hartmann AG**  
**Paul-Hartmann-Strasse 12 Heidenheim 89522 Germany**  
(72) Name(s) of Designer(s): **Employees of Serviceplan Design Hamburg GmbH & Co. KG**  
(45) Registration Date: **18 December 2015**  
(56) Related Art Documents: **Not Applicable**  
(57) Statement of Newness and Distinctiveness: **Nil**



- (21) Design Number: **15562/2015**  
(22) Date of Filing Application: **21 October 2015**  
(24) Date from which industrial property rights may have effect: **21 October 2015**  
(54) Product in respect of which the design is registered: **Sheet of packaging for hygiene articles including ornamentation**  
(51) International Design Classification: **09-03H**  
(74) Name(s) of Attorney(s): **FB Rice**  
(71) Name(s) and Address(s) of Applicant(s):  
**Paul Hartmann AG**  
**Paul-Hartmann-Strasse 12 Heidenheim 89522 Germany**  
(72) Name(s) of Designer(s): **Employees of Serviceplan Design Hamburg GmbH & Co. KG**  
(45) Registration Date: **18 December 2015**  
(56) Related Art Documents: **Not Applicable**  
(57) Statement of Newness and Distinctiveness: **Nil**



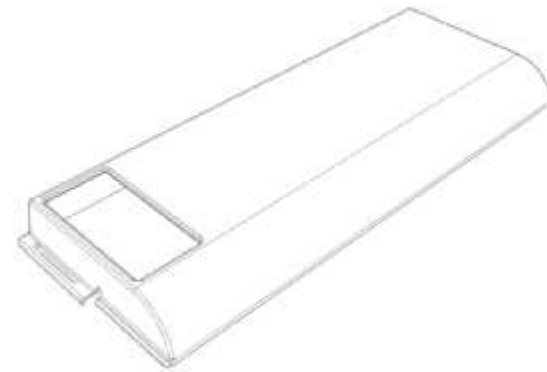
- (21) Design Number: **15564/2015**  
(22) Date of Filing Application: **21 October 2015**  
(24) Date from which industrial property rights may have effect: **21 October 2015**  
(54) Product in respect of which the design is registered: **Sheet of packaging for hygiene articles including ornamentation**  
(51) International Design Classification: **09-03H**  
(74) Name(s) of Attorney(s): **FB Rice**  
(71) Name(s) and Address(s) of Applicant(s):  
**Paul Hartmann AG**  
**Paul-Hartmann-Strasse 12 Heidenheim 89522 Germany**  
(72) Name(s) of Designer(s): **Employees of Serviceplan Design Hamburg GmbH & Co. KG**  
(45) Registration Date: **18 December 2015**  
(56) Related Art Documents: **Not Applicable**  
(57) Statement of Newness and Distinctiveness: **Nil**



- (21) Design Number: **15572/2015**  
(22) Date of Filing Application: **21 October 2015**  
(24) Date from which industrial property rights may have effect: **21 October 2015**  
(54) Product in respect of which the design is registered: **Stationery case**  
(51) International Design Classification: **03-01NES**  
(74) Name(s) of Attorney(s): **Davies Collison Cave**  
(71) Name(s) and Address(s) of Applicant(s):  
**Ontoline Pty Ltd**  
**C/- Davies Collison Cave L10 301 Coronation Dr Milton QLD 4064**  
**Australia**  
(72) Name(s) of Designer(s): **Jasper Brown**  
(45) Registration Date: **18 December 2015**  
(56) Related Art Documents: **Not Applicable**  
(57) Statement of Newness and Distinctiveness: **Newness and distinctiveness is claimed in the visual features of the stationery case as shown in the accompanying representations.**



- (21) Design Number: **15573/2015**  
(22) Date of Filing Application: **21 October 2015**  
(24) Date from which industrial property rights may have effect: **21 October 2015**  
(54) Product in respect of which the design is registered: **Stationery case**  
(51) International Design Classification: **03-01NES**  
(74) Name(s) of Attorney(s): **Davies Collison Cave**  
(71) Name(s) and Address(s) of Applicant(s):  
**Ontoline Pty Ltd**  
**C/- Davies Collison Cave L10 301 Coronation Dr Milton QLD 4064**  
**Australia**  
(72) Name(s) of Designer(s): **Jasper Brown**  
(45) Registration Date: **18 December 2015**  
(56) Related Art Documents: **Not Applicable**  
(57) Statement of Newness and Distinctiveness: **Newness and distinctiveness is claimed in the visual features of the stationery case as shown in the accompanying representations.**



(21) Design Number: **15658/2015**

(22) Date of Filing Application: **23 October 2015**

(24) Date from which industrial property rights may have effect: **23 October 2015**

(54) Product in respect of which the design is registered: **Dimmer toggle switch**

(51) International Design Classification: **13-03D**

(74) Name(s) of Attorney(s): **Spruson & Ferguson**

(71) Name(s) and Address(s) of Applicant(s):

**Buster and Punch Limited**

**Archway 69 324 Queenstown Road London SW8 4LT United Kingdom**

(72) Name(s) of Designer(s): **Iain Dulley and Massimo Minale**

(45) Registration Date: **18 December 2015**

(30) Convention priority data:

(31) Number  
**002688093**

(32) Date  
**23 Apr 2015**

(33) Country  
**OFFICE FOR HARMONISATION IN  
THE INTERNAL MARKET (OHIM)**

(56) Related Art Documents: **Not Applicable**

(57) Statement of Newness and Distinctiveness: **Newness and distinctiveness is claimed in those features of shape and/or configuration of a dimmer toggle switch illustrated in continuous lines in the accompanying representations.**



(21) Design Number: **15659/2015**

(22) Date of Filing Application: **23 October 2015**

(24) Date from which industrial property rights may have effect: **23 October 2015**

(54) Product in respect of which the design is registered: **Dimmer switch**

(51) International Design Classification: **13-03D**

(74) Name(s) of Attorney(s): **Spruson & Ferguson**

(71) Name(s) and Address(s) of Applicant(s):

**Buster and Punch Limited**

**Archway 69 324 Queenstown Road London SW8 4LT United Kingdom**

(72) Name(s) of Designer(s): **Iain Dulley and Massimo Minale**

(45) Registration Date: **18 December 2015**

(30) Convention priority data:

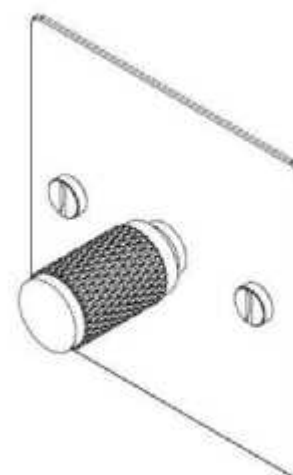
(31) Number  
**002688093**

(32) Date  
**23 Apr 2015**

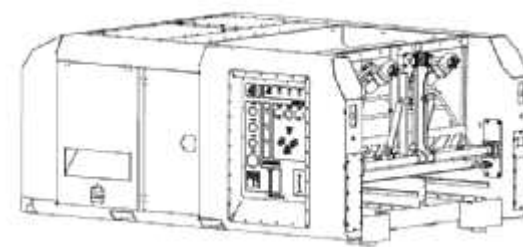
(33) Country  
**OFFICE FOR HARMONISATION IN  
THE INTERNAL MARKET (OHIM)**

(56) Related Art Documents: **Not Applicable**

(57) Statement of Newness and Distinctiveness: **Newness and distinctiveness is claimed in those features of shape and/or configuration of a dimmer switch as illustrated in continuous lines in the accompanying representations.**



(21) Design Number: **15720/2015**  
(22) Date of Filing Application: **27 October 2015**  
(24) Date from which industrial property rights may have effect: **27 October 2015**  
(54) Product in respect of which the design is registered: **Cleaning unit**  
(51) International Design Classification: **15-05**  
(74) Name(s) of Attorney(s): **Ahearn Fox**  
(71) Name(s) and Address(s) of Applicant(s):



**Kleentek Pty Ltd**  
**PO BOX 5289 Maroochydore BC QLD 4558 Australia**

(72) Name(s) of Designer(s): **Fred Shaw**  
(45) Registration Date: **18 December 2015**

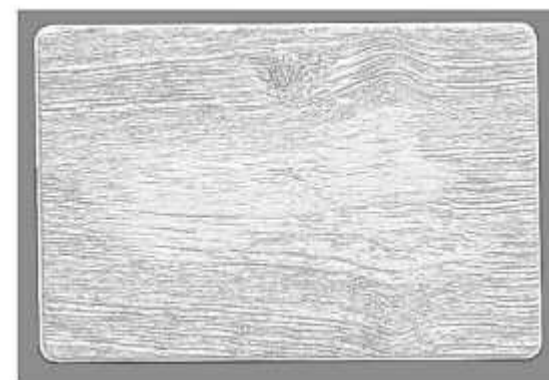
(30) Convention priority data:

(31) Number	(32) Date	(33) Country
<b>420174</b>	<b>30 Apr 2015</b>	<b>NEW ZEALAND</b>

(56) Related Art Documents: **Not Applicable**

(57) Statement of Newness and Distinctiveness: **Novelty resides in the features of shape and configuration of a cleaning unit (for cleaning bins) as shown in the accompanying representations.**

(21) Design Number: **15991/2015**  
(22) Date of Filing Application: **10 November 2015**  
(24) Date from which industrial property rights may have effect: **04 September 2015**  
(54) Product in respect of which the design is registered: **Tableware**  
(51) International Design Classification: **07-01B**  
(74) Name(s) of Attorney(s): **Davies Collison Cave**  
(71) Name(s) and Address(s) of Applicant(s):



**Revol Porcelaine S.A.**  
**3 rue Hector Revol Saint Uze 26240 France**

(72) Name(s) of Designer(s): **M. Olivier Passot**  
(45) Registration Date: **18 December 2015**

(62) Divisional of: **365292**

(56) Related Art Documents: **Not Applicable**

(57) Statement of Newness and Distinctiveness: **Nil**

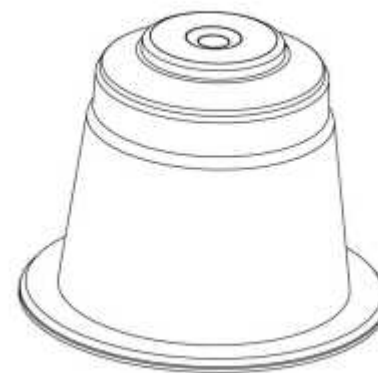
(21) Design Number: **15992/2015**  
(22) Date of Filing Application: **10 November 2015**  
(24) Date from which industrial property rights may have effect: **04 September 2015**  
(54) Product in respect of which the design is registered: **Tableware**  
(51) International Design Classification: **07-01B**  
(74) Name(s) of Attorney(s): **Davies Collison Cave**  
(71) Name(s) and Address(s) of Applicant(s):  
**Revol Porcelaine S.A.**  
**3 rue Hector Revol Saint Uze 26240 France**  
(72) Name(s) of Designer(s): **M. Olivier Passot**  
(45) Registration Date: **18 December 2015**  
(62) Divisional of: **365292**  
(56) Related Art Documents: **Not Applicable**  
(57) Statement of Newness and Distinctiveness: **Nil**



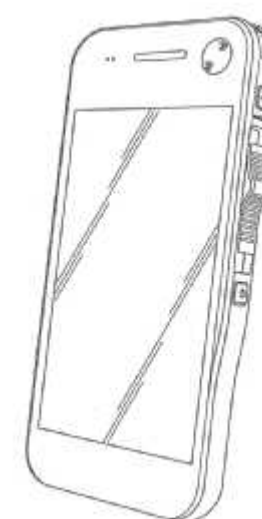
(21) Design Number: **15993/2015**  
(22) Date of Filing Application: **10 November 2015**  
(24) Date from which industrial property rights may have effect: **04 September 2015**  
(54) Product in respect of which the design is registered: **Tableware**  
(51) International Design Classification: **07-01B**  
(74) Name(s) of Attorney(s): **Davies Collison Cave**  
(71) Name(s) and Address(s) of Applicant(s):  
**Revol Porcelaine S.A.**  
**3 rue Hector Revol Saint Uze 26240 France**  
(72) Name(s) of Designer(s): **M. Olivier Passot**  
(45) Registration Date: **18 December 2015**  
(62) Divisional of: **365292**  
(56) Related Art Documents: **Not Applicable**  
(57) Statement of Newness and Distinctiveness: **Nil**



(21) Design Number: **16360/2015**  
(22) Date of Filing Application: **24 November 2015**  
(24) Date from which industrial property rights may have effect: **24 November 2015**  
(54) Product in respect of which the design is registered: **Capsule for coffee and infusion**  
(51) International Design Classification: **09-05**  
(74) Name(s) of Attorney(s): **PHILLIPS ORMONDE FITZPATRICK**  
(71) Name(s) and Address(s) of Applicant(s):  
**Bisio Progetti S.p.A.**  
**Via Enzo Ferrari, 49 Zona Industriale D/3 I-15121 Alessandria Italy**  
(72) Name(s) of Designer(s): **Paolo Robotti**  
(45) Registration Date: **18 December 2015**  
(30) Convention priority data:  
(31) Number (32) Date (33) Country  
**402015000017522 25 May 2015 ITALY**  
(56) Related Art Documents: **Not Applicable**  
(57) Statement of Newness and Distinctiveness: **Nil**



(21) Design Number: **16361/2015**  
(22) Date of Filing Application: **24 November 2015**  
(24) Date from which industrial property rights may have effect: **24 November 2015**  
(54) Product in respect of which the design is registered: **Dictation device**  
(51) International Design Classification: **14-01**  
(74) Name(s) of Attorney(s): **Houlihan2**  
(71) Name(s) and Address(s) of Applicant(s):  
**SPEECH PROCESSING SOLUTIONS GMBH**  
**Gutheil-Schoder-Gasse 8-12 Vienna A-1100 Austria**  
(72) Name(s) of Designer(s): **Johannes Scherr**  
(45) Registration Date: **18 December 2015**  
(30) Convention priority data:  
(31) Number (32) Date (33) Country  
**002721431-002 18 Jun 2015 EUROPEAN PATENT OFFICE (EPO)**  
(56) Related Art Documents: **Not Applicable**  
(57) Statement of Newness and Distinctiveness: **Newness and distinctiveness reside in the shape and/or configuration of the DICTATION DEVICE as illustrated in the accompanying representations.**



(21) Design Number: **16365/2015**  
(22) Date of Filing Application: **25 November 2015**  
(24) Date from which industrial property rights may have effect: **25 November 2015**  
(54) Product in respect of which the design is registered: **An adjustable strap**  
(51) International Design Classification: **09-06**  
(74) Name(s) of Attorney(s): **Cullens Pty Ltd**  
(71) Name(s) and Address(s) of Applicant(s):

**Debra O'Connor**  
**7 Spenlow St Chermside West QLD 4032 Australia**

(72) Name(s) of Designer(s): **Debra O'Connor**

(45) Registration Date: **18 December 2015**

(56) Related Art Documents: **Not Applicable**

(57) Statement of Newness and Distinctiveness: **Newness and distinctiveness reside in the visual features of shape and configuration of the adjustable strap as shown in the representations. The adjustable strap is of indefinite length. When considering the newness and distinctiveness, little or no weight is to be given to the stitching extending along each side edge of the strap and at each end of the strap.**



(21) Design Number: **16367/2015**  
(22) Date of Filing Application: **25 November 2015**  
(24) Date from which industrial property rights may have effect: **25 November 2015**  
(54) Product in respect of which the design is registered: **Stroller cup holder**  
(51) International Design Classification: **12-12, 07-06A**  
(74) Name(s) of Attorney(s): **Cullens Pty Ltd**  
(71) Name(s) and Address(s) of Applicant(s):

**Helen of Troy Limited**  
**The Phoenix Centre George Street Belleville St. Michael Barbados**

(72) Name(s) of Designer(s): **Sunny Kim and Tiffany Chen**

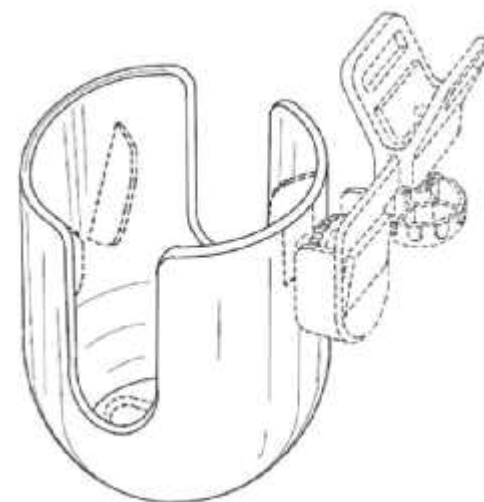
(45) Registration Date: **18 December 2015**

(30) Convention priority data:

(31) Number	(32) Date	(33) Country
<b>29/529423</b>	<b>06 Jun 2015</b>	<b>UNITED STATES OF AMERICA</b>

(56) Related Art Documents: **Not Applicable**

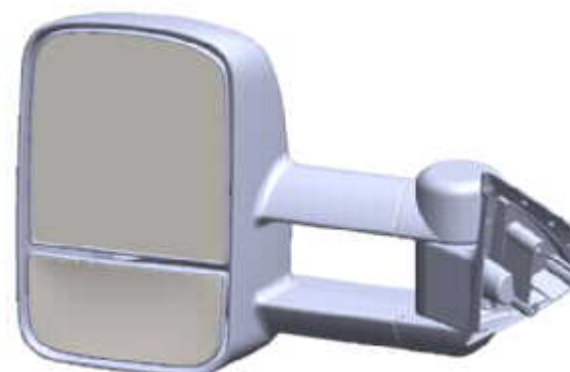
(57) Statement of Newness and Distinctiveness: **Newness and distinctiveness reside in the shape and configuration of a stroller cup holder as shown in the accompanying representations. No newness and distinctiveness is claimed in the portions shown in broken line which are for illustrative purposes only and form no part of the claimed design.**



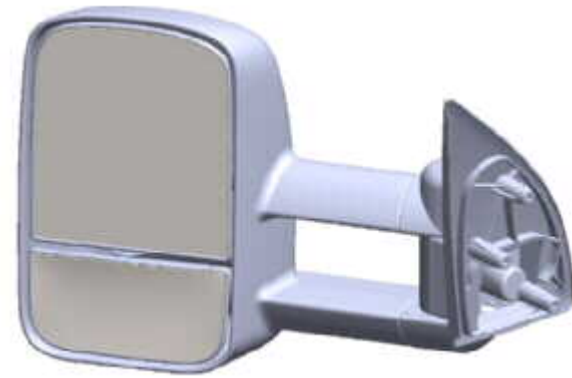
(21) Design Number: **16372/2015**  
(22) Date of Filing Application: **25 November 2015**  
(24) Date from which industrial property rights may have effect: **25 November 2015**  
(54) Product in respect of which the design is registered: **Shopping cart frame**  
(51) International Design Classification: **12-02**  
(74) Name(s) of Attorney(s): **Griffith Hack**  
(71) Name(s) and Address(s) of Applicant(s):  
**SAFE-STRAP COMPANY, INC.**  
**105 West Dewey Avenue Building D, Suite 410 Wharton NJ, 07885 United States of America**  
(72) Name(s) of Designer(s): **Paul Giampavolo and Christopher M. Johnson**  
(45) Registration Date: **18 December 2015**  
(30) Convention priority data:  
(31) Number (32) Date (33) Country  
**29/528122 26 May 2015 UNITED STATES OF AMERICA**  
(56) Related Art Documents: **Not Applicable**  
(57) Statement of Newness and Distinctiveness: **Nil**



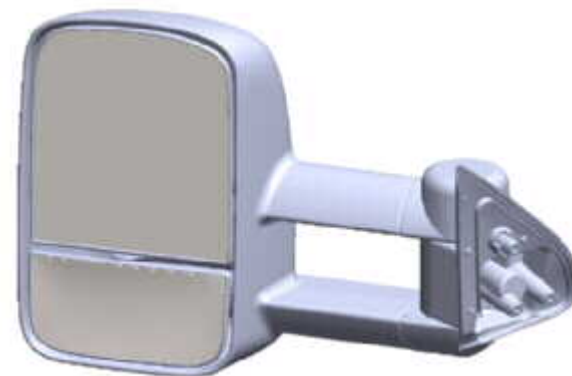
(21) Design Number: **16374/2015**  
(22) Date of Filing Application: **25 November 2015**  
(24) Date from which industrial property rights may have effect: **25 November 2015**  
(54) Product in respect of which the design is registered: **Rear view mirror**  
(51) International Design Classification: **12-16H**  
(74) Name(s) of Attorney(s):  
(71) Name(s) and Address(s) of Applicant(s):  
**Clearview Towing Mirrors Pty Ltd**  
**3 Frog Ct Craigieburn VIC 3064 Australia**  
(72) Name(s) of Designer(s): **Michael Cowan**  
(45) Registration Date: **18 December 2015**  
(56) Related Art Documents: **Not Applicable**  
(57) Statement of Newness and Distinctiveness: **Newness and distinctiveness is claimed in the features of shape and configuration of the mounting portion of the rear view mirror shown in the accompanying representations.**



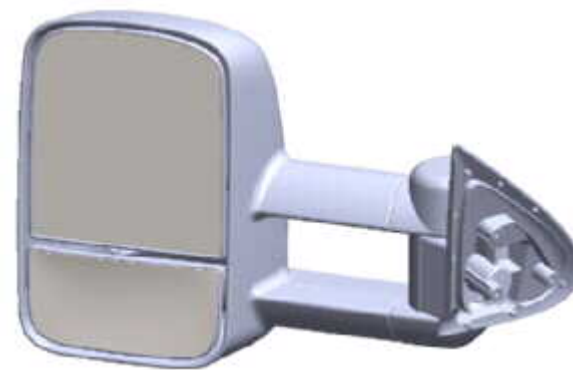
- (21) Design Number: **16375/2015**  
(22) Date of Filing Application: **25 November 2015**  
(24) Date from which industrial property rights may have effect: **25 November 2015**  
(54) Product in respect of which the design is registered: **Rear view mirror**  
(51) International Design Classification: **12-16H**  
(74) Name(s) of Attorney(s):  
(71) Name(s) and Address(s) of Applicant(s):  
**Clearview Towing Mirrors Pty Ltd**  
**3 Frog Ct Craigieburn VIC 3064 Australia**  
(72) Name(s) of Designer(s): **Michael Cowan**  
(45) Registration Date: **18 December 2015**  
(56) Related Art Documents: **Not Applicable**  
(57) Statement of Newness and Distinctiveness: **Newness and distinctiveness is claimed in the features of shape and configuration of the mounting portion of the rear view mirror shown in the accompanying representations.**



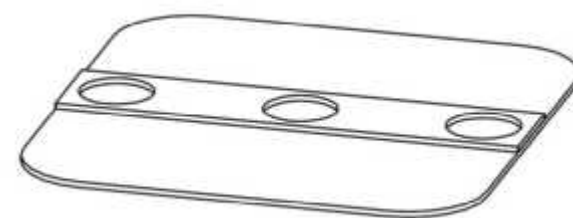
- (21) Design Number: **16376/2015**  
(22) Date of Filing Application: **25 November 2015**  
(24) Date from which industrial property rights may have effect: **25 November 2015**  
(54) Product in respect of which the design is registered: **Rear view mirror**  
(51) International Design Classification: **12-16H**  
(74) Name(s) of Attorney(s):  
(71) Name(s) and Address(s) of Applicant(s):  
**Clearview Towing Mirrors Pty Ltd**  
**3 Frog Ct Craigieburn VIC 3064 Australia**  
(72) Name(s) of Designer(s): **Michael Cowan**  
(45) Registration Date: **18 December 2015**  
(56) Related Art Documents: **Not Applicable**  
(57) Statement of Newness and Distinctiveness: **Newness and distinctiveness is claimed in the features of shape and configuration of the mounting portion of the rear view mirror shown in the accompanying representations.**



- (21) Design Number: **16377/2015**  
(22) Date of Filing Application: **25 November 2015**  
(24) Date from which industrial property rights may have effect: **25 November 2015**  
(54) Product in respect of which the design is registered: **Rear view mirror**  
(51) International Design Classification: **12-16H**  
(74) Name(s) of Attorney(s):  
(71) Name(s) and Address(s) of Applicant(s):  
**Clearview Towing Mirrors Pty Ltd**  
**3 Frog Ct Craigieburn VIC 3064 Australia**  
(72) Name(s) of Designer(s): **Michael Cowan**  
(45) Registration Date: **18 December 2015**  
(56) Related Art Documents: **Not Applicable**  
(57) Statement of Newness and Distinctiveness: **Newness and distinctiveness is claimed in the features of shape and configuration of the mounting portion of the rear view mirror shown in the accompanying representations.**



- (21) Design Number: **16574/2015**  
(22) Date of Filing Application: **04 December 2015**  
(24) Date from which industrial property rights may have effect: **04 December 2015**  
(54) Product in respect of which the design is registered: **Base for cricket wicket**  
(51) International Design Classification: **21-02NES**  
(74) Name(s) of Attorney(s): **FB Rice**  
(71) Name(s) and Address(s) of Applicant(s):  
**Paul Kassis as trustee of the Paul Kassis Family Trust**  
**C/- Madison Marcus L10 1 Market St Sydney NSW 2000 Australia**  
(72) Name(s) of Designer(s): **Paul Kassis**  
(45) Registration Date: **21 December 2015**  
(56) Related Art Documents: **Not Applicable**  
(57) Statement of Newness and Distinctiveness: **Newness and distinctiveness reside in the shape and/or configuration of the design as shown in the representations**



(21) Design Number: **16575/2015**  
(22) Date of Filing Application: **04 December 2015**  
(24) Date from which industrial property rights may have effect: **04 December 2015**  
(54) Product in respect of which the design is registered: **Flask**  
(51) International Design Classification: **09-01G**  
(74) Name(s) of Attorney(s): **PHILLIPS ORMONDE FITZPATRICK**  
(71) Name(s) and Address(s) of Applicant(s):



**Kenzo**  
**18 rue Vivienne Paris 75002 France**

(72) Name(s) of Designer(s): **Patrick Li**  
(45) Registration Date: **21 December 2015**

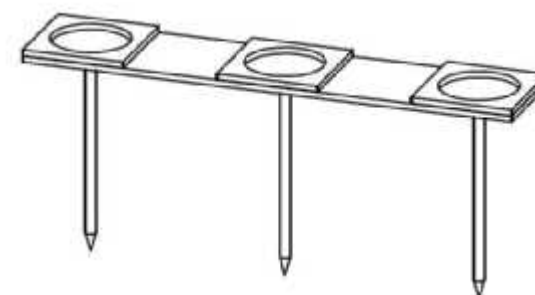
(30) Convention priority data:

(31) Number	(32) Date	(33) Country
<b>002717058</b>	<b>11 Jun 2015</b>	<b>OFFICE FOR HARMONISATION IN THE INTERNAL MARKET (OHIM)</b>

(56) Related Art Documents: **Not Applicable**

(57) Statement of Newness and Distinctiveness: **Nil**

(21) Design Number: **16576/2015**  
(22) Date of Filing Application: **04 December 2015**  
(24) Date from which industrial property rights may have effect: **04 December 2015**  
(54) Product in respect of which the design is registered: **Base for cricket wicket**  
(51) International Design Classification: **21-02NES**  
(74) Name(s) of Attorney(s): **FB Rice**  
(71) Name(s) and Address(s) of Applicant(s):



**Paul Kassis as trustee of the Paul Kassis Family Trust**  
**C/- Madison Marcus L10 1 Market St Sydney NSW 2000 Australia**

(72) Name(s) of Designer(s): **Paul Kassis**  
(45) Registration Date: **21 December 2015**

(56) Related Art Documents: **Not Applicable**

(57) Statement of Newness and Distinctiveness: **Newness and distinctiveness reside in the shape and/or configuration of the design as shown in the representations**

- (21) Design Number: **16577/2015**  
(22) Date of Filing Application: **04 December 2015**  
(24) Date from which industrial property rights may have effect: **04 December 2015**  
(54) Product in respect of which the design is registered: **Hand blown glass pendant light**  
(51) International Design Classification: **26-05D**  
(74) Name(s) of Attorney(s):  
(71) Name(s) and Address(s) of Applicant(s):  
**Katharine Graham**  
**42 Marita Rd Nedlands WA 6009 Australia**  
(72) Name(s) of Designer(s): **Katharine Graham**  
(45) Registration Date: **21 December 2015**  
(56) Related Art Documents: **Not Applicable**  
(57) Statement of Newness and Distinctiveness: **The Bloom lights are made from hand blown glass using a myriad of traditional glass techniques that have been translated into a new context. The processes used in the production of the pieces creates forms that are unique within the lighting world. The resulting product is an artisan project that sits on the edge between art and design but it has the possibility to be translated from artisan production into big production. The glass is blown into a welded metal cage which is then removed**



- (21) Design Number: **16581/2015**  
(22) Date of Filing Application: **07 December 2015**  
(24) Date from which industrial property rights may have effect: **07 December 2015**  
(54) Product in respect of which the design is registered: **Power adapter for robot**  
(51) International Design Classification: **13-03D**  
(74) Name(s) of Attorney(s): **Alder IP Pty Ltd**  
(71) Name(s) and Address(s) of Applicant(s):  
**Yutou Technology (Hangzhou) Co.,Ltd.**  
**Rm 101, No.10 Liangongdang Rd Xixi Art Village, Wuchang Sub-District**  
**Yuhang District Hangzhou City Zhejiang, 311199 China**  
(72) Name(s) of Designer(s): **Yi Chen and Juan Xu and Gangying Du and Da Wei**  
(45) Registration Date: **21 December 2015**  
(30) Convention priority data:  
(31) Number      (32) Date      (33) Country  
**201530317070.5    21 Aug 2015      CHINA**  
(56) Related Art Documents: **Not Applicable**  
(57) Statement of Newness and Distinctiveness: **Newness and distinctiveness is claimed in the shape and configuration of a power adapter.**



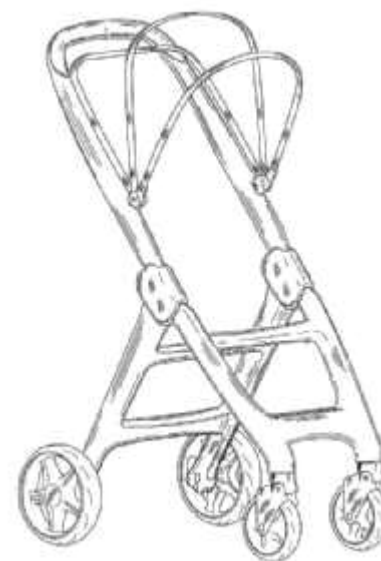
- (21) Design Number: **16590/2015**  
(22) Date of Filing Application: **07 December 2015**  
(24) Date from which industrial property rights may have effect: **07 December 2015**  
(54) Product in respect of which the design is registered: **Child stroller**  
(51) International Design Classification: **12-12**  
(74) Name(s) of Attorney(s): **WATERMARK PATENT AND TRADE MARKS ATTORNEYS**  
(71) Name(s) and Address(s) of Applicant(s):  
**Larktale Pty Ltd**  
**Se 8 1 Bradly Ave Kirribilli NSW 2061 Australia**  
(72) Name(s) of Designer(s): **Tony Young and Lee Baker and Mark Bayly**  
(45) Registration Date: **21 December 2015**  
(56) Related Art Documents: **Not Applicable**  
(57) Statement of Newness and Distinctiveness: **This design is applied to a Childs Stroller and the novelty and distinctiveness resides in features of shape and configuration, all as shown in the accompanying representations. Particular emphasis is to be placed on the frame of the stroller, while disregarding the specific colour of the handle frame and the front wheel frame which may vary, and the adjustable configuration of the soft components of the stroller shown as faded grey to indicate they are not the main focus of the design.**



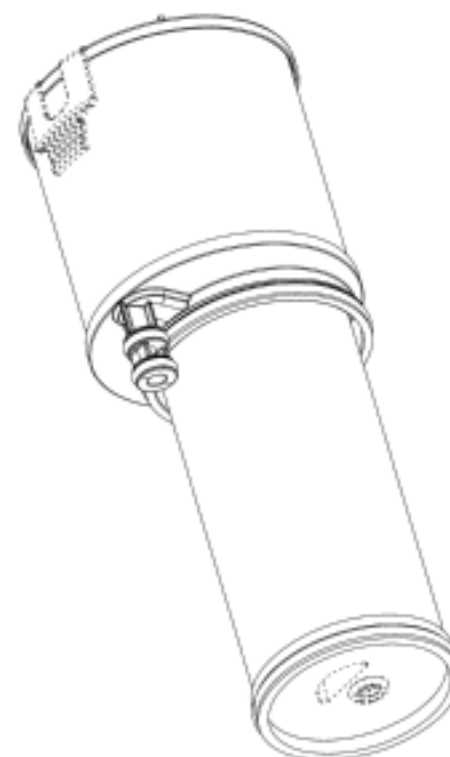
- (21) Design Number: **16591/2015**  
(22) Date of Filing Application: **07 December 2015**  
(24) Date from which industrial property rights may have effect: **07 December 2015**  
(54) Product in respect of which the design is registered: **Coloured collapsible stroller frame**  
(51) International Design Classification: **12-12**  
(74) Name(s) of Attorney(s): **WATERMARK PATENT AND TRADE MARKS ATTORNEYS**  
(71) Name(s) and Address(s) of Applicant(s):  
**Larktale Pty Ltd**  
**Se 8 1 Bradly Ave Kirribilli NSW 2061 Australia**  
(72) Name(s) of Designer(s): **Tony Young and Lee Baker and Mark Bayly**  
(45) Registration Date: **21 December 2015**  
(56) Related Art Documents: **Not Applicable**  
(57) Statement of Newness and Distinctiveness: **This design is applied to a Childs Stroller Frame and the novelty and distinctiveness resides in features of shape, configuration and colour combination of the frame, as shown in the accompanying representations, with particular emphasis on the visual impression created by the coloured handle frame and front wheel frame in combination with a black rear wheel frame. The specific colour of the handle frame and the front wheel frame may vary, and hence the colour shown in the representations is purely illustrative, and the adjustable configuration of the soft components of the stroller have shown in dotted line solely to give visual context to the design when in use.**



- (21) Design Number: **16592/2015**  
(22) Date of Filing Application: **07 December 2015**  
(24) Date from which industrial property rights may have effect: **07 December 2015**  
(54) Product in respect of which the design is registered: **Collapsible stroller frame**  
(51) International Design Classification: **12-12**  
(74) Name(s) of Attorney(s): **WATERMARK PATENT AND TRADE MARKS ATTORNEYS**  
(71) Name(s) and Address(s) of Applicant(s):  
**Larktale Pty Ltd**  
**Se 8 1 Bradly Ave Kirribilli NSW 2061 Australia**  
(72) Name(s) of Designer(s): **Tony Young and Lee Baker and Mark Bayly**  
(45) Registration Date: **21 December 2015**  
(56) Related Art Documents: **Not Applicable**  
(57) Statement of Newness and Distinctiveness: **This design is applied to a Childs Stroller Frame and the novelty and distinctiveness resides in features of shape and configuration of the frame, as shown in the accompany representations.**



- (21) Design Number: **16593/2015**  
(22) Date of Filing Application: **07 December 2015**  
(24) Date from which industrial property rights may have effect: **07 December 2015**  
(54) Product in respect of which the design is registered: **Filter element**  
(51) International Design Classification: **23-01G**  
(74) Name(s) of Attorney(s): **Freehills Patent Attorneys**  
(71) Name(s) and Address(s) of Applicant(s):  
**Donaldson Company, Inc.**  
**1400 West 94th Street PO Box 1299 Minneapolis Minnesota, 55440-1299**  
**United States of America**  
(72) Name(s) of Designer(s): **Gert Louis Willems**  
(45) Registration Date: **21 December 2015**  
(30) Convention priority data:  
(31) Number      (32) Date      (33) Country  
**29/529369      05 Jun 2015      UNITED STATES OF AMERICA**  
(56) Related Art Documents: **Not Applicable**  
(57) Statement of Newness and Distinctiveness: **Newness and distinctiveness of the design resides in the features of shape and configuration of the filter element as shown in solid lines in the accompanying representations.**



(21) Design Number: **16594/2015**  
(22) Date of Filing Application: **07 December 2015**  
(24) Date from which industrial property rights may have effect: **07 December 2015**  
(54) Product in respect of which the design is registered: **Filter element**  
(51) International Design Classification: **23-01G**  
(74) Name(s) of Attorney(s): **Freehills Patent Attorneys**  
(71) Name(s) and Address(s) of Applicant(s):  
**Donaldson Company, Inc.**  
**1400 West 94th Street PO Box 1299 Minneapolis Minnesota, 55440-1299**  
**United States of America**

(72) Name(s) of Designer(s): **Gert Louis Willems**

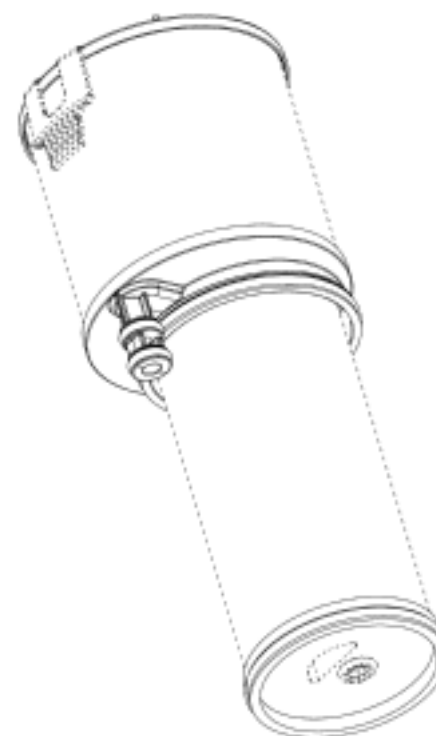
(45) Registration Date: **21 December 2015**

(30) Convention priority data:

(31) Number	(32) Date	(33) Country
<b>29/529369</b>	<b>05 Jun 2015</b>	<b>UNITED STATES OF AMERICA</b>

(56) Related Art Documents: **Not Applicable**

(57) Statement of Newness and Distinctiveness: **Newness and distinctiveness of the design resides in the features of shape and configuration of the filter element as shown in solid lines in the accompanying representations.**



(21) Design Number: **16595/2015**  
(22) Date of Filing Application: **07 December 2015**  
(24) Date from which industrial property rights may have effect: **07 December 2015**  
(54) Product in respect of which the design is registered: **Filter element**  
(51) International Design Classification: **23-01G**  
(74) Name(s) of Attorney(s): **Freehills Patent Attorneys**  
(71) Name(s) and Address(s) of Applicant(s):  
**Donaldson Company, Inc.**  
**1400 West 94th Street PO Box 1299 Minneapolis Minnesota, 55440-1299**  
**United States of America**

(72) Name(s) of Designer(s): **Gert Louis Willems**

(45) Registration Date: **21 December 2015**

(30) Convention priority data:

(31) Number	(32) Date	(33) Country
<b>29/529369</b>	<b>05 Jun 2015</b>	<b>UNITED STATES OF AMERICA</b>

(56) Related Art Documents: **Not Applicable**

(57) Statement of Newness and Distinctiveness: **Newness and distinctiveness of the design resides in the features of shape and configuration of the filter element as shown in solid lines in the accompanying representations.**



(21) Design Number: **16596/2015**  
(22) Date of Filing Application: **07 December 2015**  
(24) Date from which industrial property rights may have effect: **07 December 2015**  
(54) Product in respect of which the design is registered: **Filter element**  
(51) International Design Classification: **23-01G**  
(74) Name(s) of Attorney(s): **Freehills Patent Attorneys**  
(71) Name(s) and Address(s) of Applicant(s):  
**Donaldson Company, Inc.**  
**1400 West 94th Street PO Box 1299 Minneapolis Minnesota, 55440-1299**  
**United States of America**

(72) Name(s) of Designer(s): **Gert Louis Willems**

(45) Registration Date: **21 December 2015**

(30) Convention priority data:

(31) Number	(32) Date	(33) Country
<b>29/529369</b>	<b>05 Jun 2015</b>	<b>UNITED STATES OF AMERICA</b>

(56) Related Art Documents: **Not Applicable**

(57) Statement of Newness and Distinctiveness: **Newness and distinctiveness of the design resides in the features of shape and configuration of the filter element as shown in solid lines in the accompanying representations.**



(21) Design Number: **16597/2015**  
(22) Date of Filing Application: **07 December 2015**  
(24) Date from which industrial property rights may have effect: **07 December 2015**  
(54) Product in respect of which the design is registered: **T shirt for medical patients.**  
(51) International Design Classification: **02-02B**  
(74) Name(s) of Attorney(s):  
(71) Name(s) and Address(s) of Applicant(s):  
**Rayner Corporation Pty Ltd**  
**PO Box 686 Kellyville NSW 2155 Australia**

(72) Name(s) of Designer(s): **Ray Rayner**

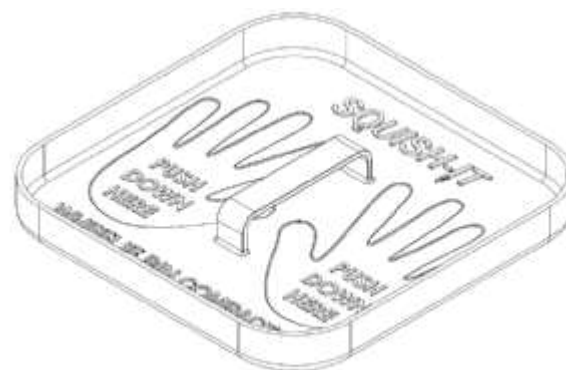
(45) Registration Date: **21 December 2015**

(56) Related Art Documents: **Not Applicable**

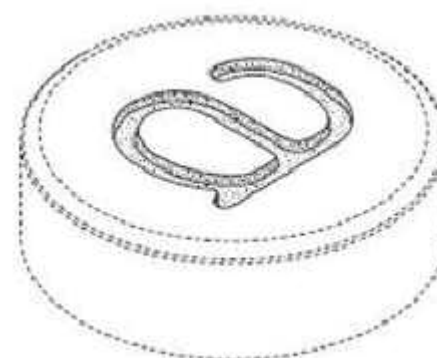
(57) Statement of Newness and Distinctiveness: **A long sleeve T shirt (with or without collar) with fasteners (including but not limited to zippers or buttons) fitted on the chest from the neck of the shirt to each armpit AND fasteners fitted in the sleeves. The purpose of the fastener is to provide access for medical practitioners to insert or maintain Canular or PICC lines. The design allows the patient to remain warm and maintains the patient's modesty whilst undergoing treatment. Other designs in the USA have fasteners only in the sleeves or only on the chest. (see ComfyChemo.com and Hemowear.com for examples).**



- (21) Design Number: **16598/2015**  
(22) Date of Filing Application: **07 December 2015**  
(24) Date from which industrial property rights may have effect: **07 December 2015**  
(54) Product in respect of which the design is registered: **Manual bin compacting plate**  
(51) International Design Classification: **09-09**  
(74) Name(s) of Attorney(s):  
(71) Name(s) and Address(s) of Applicant(s):  
**Innovative Safety Management Solutions Pty Ltd.**  
**PO BOX 2372 Brighton VIC 3186 Australia**  
(72) Name(s) of Designer(s): **Emma Dickson**  
(45) Registration Date: **21 December 2015**  
(56) Related Art Documents: **Not Applicable**  
(57) Statement of Newness and Distinctiveness: **Newness and distinctiveness is claimed in the hand shape outlines of the manual bin compacting plate shown in the accompanying representations.**



- (21) Design Number: **16600/2015**  
(22) Date of Filing Application: **08 December 2015**  
(24) Date from which industrial property rights may have effect: **08 December 2015**  
(54) Product in respect of which the design is registered: **Supplement tablet**  
(51) International Design Classification: **28-01**  
(74) Name(s) of Attorney(s): **WATERMARK PATENT AND TRADE MARKS ATTORNEYS**  
(71) Name(s) and Address(s) of Applicant(s):  
**The Procter & Gamble Company**  
**One Procter & Gamble Plaza Cincinnati Ohio, 45202-3315 United States of America**  
(72) Name(s) of Designer(s): **William David Evans**  
(45) Registration Date: **21 December 2015**  
(30) Convention priority data:  
(31) Number      (32) Date      (33) Country  
**29/529,458      08 Jun 2015      UNITED STATES OF AMERICA**  
(56) Related Art Documents: **Not Applicable**  
(57) Statement of Newness and Distinctiveness: **Newness and distinctiveness resides in the visual features of shape and/or configuration of a supplement tablet as shown in the accompanying representations. The features shown in broken line are not part of the design and are to be disregarded when considering the overall impression of the design.**



(21) Design Number: **16616/2015**  
(22) Date of Filing Application: **08 December 2015**  
(24) Date from which industrial property rights may have effect: **08 December 2015**  
(54) Product in respect of which the design is registered: **Wireless game controller**  
(51) International Design Classification: **21-01N**  
(74) Name(s) of Attorney(s): **Cotters Patent & Trade Mark Attorneys**  
(71) Name(s) and Address(s) of Applicant(s):  
**Oculus VR, LLC**  
**1601 Willow Road Menlo Park CA, 94025 United States of America**  
(72) Name(s) of Designer(s): **Yi-yaun Chen and Peter Wesley Bristol and Robert Hubler and Quintin Morris**  
(45) Registration Date: **21 December 2015**  
(30) Convention priority data:  
(31) Number (32) Date (33) Country  
**29/529,915 11 Jun 2015 UNITED STATES OF AMERICA**  
(56) Related Art Documents: **Not Applicable**  
(57) Statement of Newness and Distinctiveness: **Newness and distinctiveness is claimed in the features of shape and/or configuration of a wireless game controller as illustrated in solid lines in the accompanying drawings. Features shown in phantom are to be disregarded.**



(21) Design Number: **16617/2015**  
(22) Date of Filing Application: **08 December 2015**  
(24) Date from which industrial property rights may have effect: **08 December 2015**  
(54) Product in respect of which the design is registered: **Wireless game controller**  
(51) International Design Classification: **21-01N**  
(74) Name(s) of Attorney(s): **Cotters Patent & Trade Mark Attorneys**  
(71) Name(s) and Address(s) of Applicant(s):  
**Oculus VR, LLC**  
**1601 Willow Road Menlo Park CA, 94025 United States of America**  
(72) Name(s) of Designer(s): **Yi-yaun Chen and Peter Wesley Bristol and Robert Hubler and Quintin Morris**  
(45) Registration Date: **21 December 2015**  
(30) Convention priority data:  
(31) Number (32) Date (33) Country  
**29/529,915 11 Jun 2015 UNITED STATES OF AMERICA**  
(56) Related Art Documents: **Not Applicable**  
(57) Statement of Newness and Distinctiveness: **Newness and distinctiveness is claimed in the features of shape and/or configuration of a wireless game controller as illustrated in solid lines in the accompanying drawings. Features shown in phantom are to be disregarded.**



(21) Design Number: **16618/2015**  
(22) Date of Filing Application: **08 December 2015**  
(24) Date from which industrial property rights may have effect: **08 December 2015**  
(54) Product in respect of which the design is registered: **Wireless game controller**  
(51) International Design Classification: **21-01N**  
(74) Name(s) of Attorney(s): **Cotters Patent & Trade Mark Attorneys**  
(71) Name(s) and Address(s) of Applicant(s):  
**Oculus VR, LLC**  
**1601 Willow Road Menlo Park CA, 94025 United States of America**  
(72) Name(s) of Designer(s): **Yi-yaun Chen and Peter Wesley Bristol and Robert Hubler and Quintin Morris**  
(45) Registration Date: **21 December 2015**  
(30) Convention priority data:  
(31) Number (32) Date (33) Country  
**29/529,915 11 Jun 2015 UNITED STATES OF AMERICA**  
(56) Related Art Documents: **Not Applicable**  
(57) Statement of Newness and Distinctiveness: **Newness and distinctiveness is claimed in the features of shape and/or configuration of a wireless game controller as illustrated in solid lines in the accompanying drawings. Features shown in phantom are to be disregarded.**



(21) Design Number: **16619/2015**  
(22) Date of Filing Application: **08 December 2015**  
(24) Date from which industrial property rights may have effect: **08 December 2015**  
(54) Product in respect of which the design is registered: **Wireless game controller**  
(51) International Design Classification: **21-01N**  
(74) Name(s) of Attorney(s): **Cotters Patent & Trade Mark Attorneys**  
(71) Name(s) and Address(s) of Applicant(s):  
**Oculus VR, LLC**  
**1601 Willow Road Menlo Park CA, 94025 United States of America**  
(72) Name(s) of Designer(s): **Yi-yaun Chen and Peter Wesley Bristol and Robert Hubler and Quintin Morris**  
(45) Registration Date: **21 December 2015**  
(30) Convention priority data:  
(31) Number (32) Date (33) Country  
**29/529,915 11 Jun 2015 UNITED STATES OF AMERICA**  
(56) Related Art Documents: **Not Applicable**  
(57) Statement of Newness and Distinctiveness: **Newness and distinctiveness is claimed in the features of shape and/or configuration of a wireless game controller as illustrated in solid lines in the accompanying drawings. Features shown in phantom are to be disregarded.**



(21) Design Number: **16620/2015**  
(22) Date of Filing Application: **08 December 2015**  
(24) Date from which industrial property rights may have effect: **08 December 2015**  
(54) Product in respect of which the design is registered: **Spotlight**  
(51) International Design Classification: **26-05NES**  
(74) Name(s) of Attorney(s): **Spruson & Ferguson**  
(71) Name(s) and Address(s) of Applicant(s):

**Zumtobel Lighting GmbH**  
**Grevenmarschstrasse 74-78, Lemgo 32657 Germany**

(72) Name(s) of Designer(s): **Steve Dean**

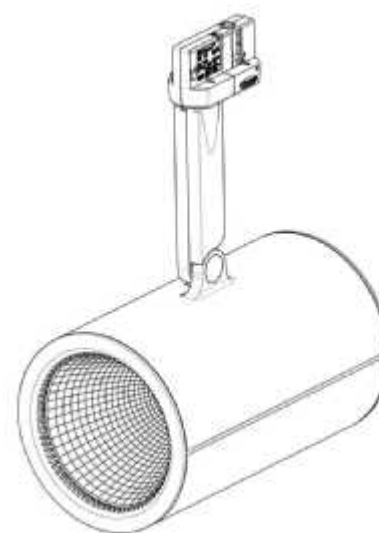
(45) Registration Date: **21 December 2015**

(30) Convention priority data:

(31) Number	(32) Date	(33) Country
<b>002 738 690</b>	<b>17 Jul 2015</b>	<b>OFFICE FOR HARMONISATION IN THE INTERNAL MARKET (OHIM)</b>

(56) Related Art Documents: **Not Applicable**

(57) Statement of Newness and Distinctiveness: **Newness and distinctiveness is claimed in the features of shape and/or configuration of a spotlight as illustrated in the accompanying representations.**



(21) Design Number: **12507/2015**  
(22) Date of Filing Application: **14 May 2015**  
(24) Date from which industrial property rights may have effect: **14 May 2015**  
(54) Product in respect of which the design is registered: **Article of clothing**  
(51) International Design Classification: **02-02C**  
(74) Name(s) of Attorney(s): **Allens Patent & Trade Mark Attorneys**  
(71) Name(s) and Address(s) of Applicant(s):

**Forever New Clothing Pty Ltd**  
**L4 Bldg 8 576 Swan St Richmond VIC 3121 Australia**

(72) Name(s) of Designer(s): **Anna Pham**

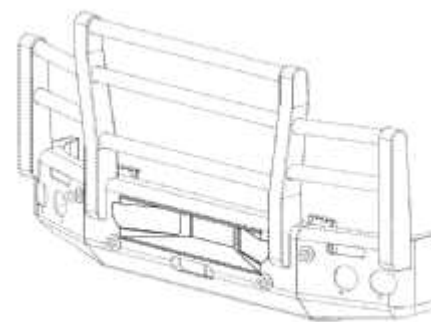
(45) Registration Date: **21 December 2015**

(56) Related Art Documents: **Not Applicable**

(57) Statement of Newness and Distinctiveness: **Newness and distinctiveness resides in the visual features of shape, configuration, pattern and/or ornamentation of an article of clothing as shown in the accompanying representations.**



- (21) Design Number: **15110/2015**  
(22) Date of Filing Application: **01 October 2015**  
(24) Date from which industrial property rights may have effect: **01 October 2015**  
(54) Product in respect of which the design is registered: **Truck bull bar**  
(51) International Design Classification: **12-16C**  
(74) Name(s) of Attorney(s): **Macpherson + Kelley**  
(71) Name(s) and Address(s) of Applicant(s):  
**Whitlock Bull Bars Pty Ltd**  
**105 Abbott Rd Hallam VIC, 3803 Australia**  
(72) Name(s) of Designer(s): **Con Whitlock**  
(45) Registration Date: **21 December 2015**  
(56) Related Art Documents: **Not Applicable**  
(57) Statement of Newness and Distinctiveness: **Newness and distinctiveness resides in the features of shape and/or configuration of a truck bull bar as illustrated in the continuous lines in the accompanying representations, in particular the configuration of the central radar holding assembly.**



- (21) Design Number: **15135/2015**  
(22) Date of Filing Application: **01 October 2015**  
(24) Date from which industrial property rights may have effect: **01 October 2015**  
(54) Product in respect of which the design is registered: **Track links**  
(51) International Design Classification: **15-04**  
(74) Name(s) of Attorney(s): **IP Gateway Patent & Trade Mark Attorneys Pty Ltd**  
(71) Name(s) and Address(s) of Applicant(s):  
**Caterpillar Inc.**  
**100 NE Adams Street Peoria Illinois, 61629 United States of America**  
(72) Name(s) of Designer(s): **Daniel Knobloch and Mark Diekevers and Timothy Thorson and Caroline Brewer and Gregory Kaufmann and Kevin Steiner and Temitope Akinlua and Martin Tagore Joseph Xavier**  
(45) Registration Date: **21 December 2015**  
(30) Convention priority data:  
(31) Number      (32) Date      (33) Country  
**29/522,677      01 Apr 2015      UNITED STATES OF AMERICA**  
(56) Related Art Documents: **Not Applicable**  
(57) Statement of Newness and Distinctiveness: **Newness and distinctiveness reside in the visual features of shape and configuration which are shown by the grey-shaded solid surfaces, and/or by solid lines, in the accompanying representations. Visual features shown in broken lines should be given minimum regard. The broken dot-and-dash lines indicate boundaries between the visual features which are stated herein to be new and distinctive and those which are not stated herein to be new and distinctive: the broken dot-and-dash lines themselves do not form part of the design. The solid surfaces, represented in grey, represent shape, configuration and surface contour: surface ornamentation and colour do not form part of the design.**



- (21) Design Number: **15312/2015**  
(22) Date of Filing Application: **09 October 2015**  
(24) Date from which industrial property rights may have effect: **09 October 2015**  
(54) Product in respect of which the design is registered: **Lunchbox**  
(51) International Design Classification: **07-01NES**  
(74) Name(s) of Attorney(s):  
(71) Name(s) and Address(s) of Applicant(s):  
**JLM INVESTMENT GROUP PTY LTD**  
**PO BOX 1530 Chatswood NSW, 2057 Australia**  
(72) Name(s) of Designer(s): **Sally Soo**  
(45) Registration Date: **21 December 2015**  
(56) Related Art Documents: **Not Applicable**  
(57) Statement of Newness and Distinctiveness: **The newness and distinctiveness of the design resides in the layout of the four compartments, which are in specific proportions designed to fit certain portions of food. The Munchbox Mini design consist of one large compartment, two medium compartments and one small compartment. The tray is removable and has been illustrated with dietary guidelines to assist parents preparing the correct portion size and for nutritionally balanced lunches. The removable tray holds approximately five cups of food. Each compartment is designed to provide a leak-proof barrier to help maintain separation of foods so they will remain separate in transit. The leak-proof part of the design is facilitated by a special silicone lid. The lid seals all the food compartments separately. The outer Munchbox Mini shape is designed with the unique 27R angle which optimises the food capacity and is consistent in the design of the removable tray. In addition, the 27R angle makes cleaning the tray easier.**



- (21) Design Number: **15313/2015**  
(22) Date of Filing Application: **09 October 2015**  
(24) Date from which industrial property rights may have effect: **09 October 2015**  
(54) Product in respect of which the design is registered: **Lunchbox**  
(51) International Design Classification: **07-01NES**  
(74) Name(s) of Attorney(s):  
(71) Name(s) and Address(s) of Applicant(s):  
**JLM INVESTMENT GROUP PTY LTD**  
**PO BOX 1530 Chatswood NSW, 2057 Australia**  
(72) Name(s) of Designer(s): **Sally Soo**  
(45) Registration Date: **21 December 2015**  
(56) Related Art Documents: **Not Applicable**  
(57) Statement of Newness and Distinctiveness: **The newness and distinctiveness of the design resides in the layout of the six compartments, which are in specific proportions designed to fit certain portions of food according to the key food groups: dairy, grains, protein, fruit & vegetables and a small sweet compartment. The tray is removable and has been illustrated with dietary guidelines to assist parents preparing the correct portion size for nutritionally balanced lunches. The removable tray holds approximately five cups of food. Each compartment is designed to provide a leak-proof barrier to help maintain separation of foods so they will remain separate in transit. The leak-proof part of the design is facilitated by a special silicone lid. The lid seals all the food compartments separately. The outer Munchbox Maxi shape is designed with the unique 27R angle which optimises the food capacity and is also consistent in the design of the removable tray. In addition, the 27R angle makes cleaning the tray easier.**



(21) Design Number: **15346/2015**

(22) Date of Filing Application: **12 October 2015**

(24) Date from which industrial property rights may have effect: **12 October 2015**

(54) Product in respect of which the design is registered: **Gasket**

(51) International Design Classification: **23-01A**

(74) Name(s) of Attorney(s):

(71) Name(s) and Address(s) of Applicant(s):

**David Harley**

**3/163 Prospect Hwy Seven Hills NSW, 2147 Australia**

(72) Name(s) of Designer(s): **David Harley and Carl Venville and Andrew Green**

(45) Registration Date: **21 December 2015**

(56) Related Art Documents: **Not Applicable**

(57) Statement of Newness and Distinctiveness: **The current release valve gasket has a frequent tendency to leak causing brakes to stick. The cause is due to the gasket having no secondary protection should bypass occur. The new design is based on an improved elastomer with individual sealing zones and channels. Should any damage occur to the seal surface it is designed to release air to atmosphere and thereby prevent cross leakage between ports.**



(21) Design Number: **15471/2015**

(22) Date of Filing Application: **15 October 2015**

(24) Date from which industrial property rights may have effect: **15 October 2015**

(54) Product in respect of which the design is registered: **Lip Shroud for ground engaging Machine Implement.**

(51) International Design Classification: **15-04**

(74) Name(s) of Attorney(s): **IP Gateway Patent & Trade Mark Attorneys Pty Ltd**

(71) Name(s) and Address(s) of Applicant(s):

**Caterpillar Inc.**

**100 NE Adams Street Peoria Illinois, 61629 United States of America**

(72) Name(s) of Designer(s): **Phillip J. Kunz**

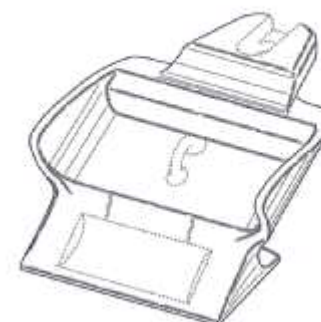
(45) Registration Date: **21 December 2015**

(30) Convention priority data:

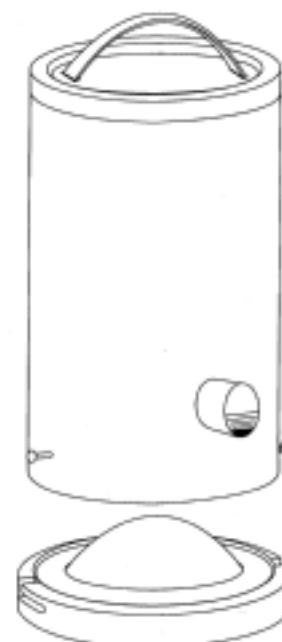
(31) Number	(32) Date	(33) Country
<b>29/524,172</b>	<b>17 Apr 2015</b>	<b>UNITED STATES OF AMERICA</b>

(56) Related Art Documents: **Not Applicable**

(57) Statement of Newness and Distinctiveness: **Newness and distinctiveness reside in the visual features of shape and configuration as shown by solid lines in the accompanying representations. Visual features shown in broken lines should be given minimum regard. The relatively thin shade lines represent contour, not surface ornamentation.**



- (21) Design Number: **15552/2015**  
(22) Date of Filing Application: **20 October 2015**  
(24) Date from which industrial property rights may have effect: **20 October 2015**  
(54) Product in respect of which the design is registered: **Drinks Cooler**  
(51) International Design Classification: **07-07A**  
(74) Name(s) of Attorney(s):  
(71) Name(s) and Address(s) of Applicant(s):  
**Julie Pillon**  
**308/1A Tusculum St Potts Point NSW 2011 Australia**  
(72) Name(s) of Designer(s): **Julie Pillon**  
(45) Registration Date: **21 December 2015**  
(56) Related Art Documents: **Not Applicable**  
(57) Statement of Newness and Distinctiveness: **The product is a cylinder cask with bladder that has a built in removable bottom that is an ice pack. The ice pack can be removed and put in the freezer, then reinserted to chill all beverages and allow for use away from the home such as picnics, kids functions, events.**



- (21) Design Number: **16560/2015**  
(22) Date of Filing Application: **04 December 2015**  
(24) Date from which industrial property rights may have effect: **04 December 2015**  
(54) Product in respect of which the design is registered: **Robotic mower**  
(51) International Design Classification: **15-03B**  
(74) Name(s) of Attorney(s): **Wynnes Patent & Trade Mark Attorneys**  
(71) Name(s) and Address(s) of Applicant(s):  
**MTD Products Inc**  
**5903 Grafton Rd Valley City OH, 44280-9329 United States of America**  
(72) Name(s) of Designer(s): **Ryan Cmich and Ryan W Maibach**  
(45) Registration Date: **21 December 2015**  
(30) Convention priority data:  
(31) Number      (32) Date      (33) Country  
**29/529,350      05 Jun 2015      UNITED STATES OF AMERICA**  
(56) Related Art Documents: **Not Applicable**  
(57) Statement of Newness and Distinctiveness: **Newness and distinctiveness resides in the features of the design as shown in the accompanying representations. The broken lines in the representations are for illustrative purposes only and form no part of the claimed design.**



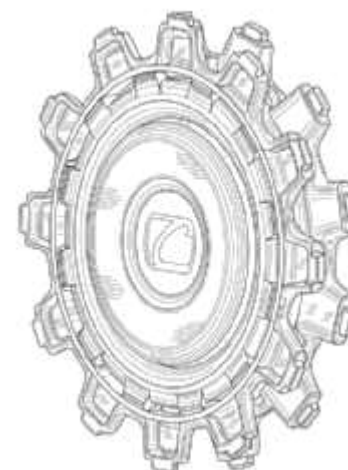
(21) Design Number: **16561/2015**  
(22) Date of Filing Application: **04 December 2015**  
(24) Date from which industrial property rights may have effect: **04 December 2015**  
(54) Product in respect of which the design is registered: **Robotic mower body**  
(51) International Design Classification: **15-03B**  
(74) Name(s) of Attorney(s): **Wynnes Patent & Trade Mark Attorneys**  
(71) Name(s) and Address(s) of Applicant(s):  
**MTD Products Inc**  
**5903 Grafton Rd Valley City OH, 44280-9329 United States of America**  
(72) Name(s) of Designer(s): **Ryan Cmich and Ryan W Maibach**  
(45) Registration Date: **21 December 2015**  
(30) Convention priority data:  
(31) Number (32) Date (33) Country  
**29/529,341 05 Jun 2015 UNITED STATES OF AMERICA**  
(56) Related Art Documents: **Not Applicable**  
(57) Statement of Newness and Distinctiveness: **Newness and distinctiveness resides in the features of the design as shown in the accompanying representations. The broken lines in the representations are for illustrative purposes only and form no part of the claimed design.**



(21) Design Number: **16562/2015**  
(22) Date of Filing Application: **04 December 2015**  
(24) Date from which industrial property rights may have effect: **04 December 2015**  
(54) Product in respect of which the design is registered: **Blade assembly**  
(51) International Design Classification: **15-03B**  
(74) Name(s) of Attorney(s): **Wynnes Patent & Trade Mark Attorneys**  
(71) Name(s) and Address(s) of Applicant(s):  
**MTD Products Inc**  
**5903 Grafton Rd Valley City OH, 44280-9329 United States of America**  
(72) Name(s) of Designer(s): **Ryan Cmich**  
(45) Registration Date: **21 December 2015**  
(30) Convention priority data:  
(31) Number (32) Date (33) Country  
**29/529,327 05 Jun 2015 UNITED STATES OF AMERICA**  
(56) Related Art Documents: **Not Applicable**  
(57) Statement of Newness and Distinctiveness: **Newness and distinctiveness resides in the features of the design as shown in the accompanying representations.**



(21) Design Number: **16563/2015**  
(22) Date of Filing Application: **04 December 2015**  
(24) Date from which industrial property rights may have effect: **04 December 2015**  
(54) Product in respect of which the design is registered: **Wheel**  
(51) International Design Classification: **15-03B**  
(74) Name(s) of Attorney(s): **Wynnes Patent & Trade Mark Attorneys**  
(71) Name(s) and Address(s) of Applicant(s):  
**MTD Products Inc**  
**5903 Grafton Rd Valley City OH, 44280-9329 United States of America**  
(72) Name(s) of Designer(s): **Ryan Cmich and Ryan W Maibach**  
(45) Registration Date: **21 December 2015**  
(30) Convention priority data:  
(31) Number (32) Date (33) Country  
**29/529,334 05 Jun 2015 UNITED STATES OF AMERICA**  
(56) Related Art Documents: **Not Applicable**  
(57) Statement of Newness and Distinctiveness: **Newness and distinctiveness resides in the features of the design as shown in the accompanying representations. The broken lines in the representations are for illustrative purposes only and form no part of the claimed design.**



(21) Design Number: **16564/2015**  
(22) Date of Filing Application: **04 December 2015**  
(24) Date from which industrial property rights may have effect: **04 December 2015**  
(54) Product in respect of which the design is registered: **Air Intake connection hose for a vehicles snorkel**  
(51) International Design Classification: **12-16NES**  
(74) Name(s) of Attorney(s):  
(71) Name(s) and Address(s) of Applicant(s):  
**SAFARI R&D PTY LTD**  
**73 Merrindale Dr Croydon South VIC 3136 Australia**  
(72) Name(s) of Designer(s): **Dean Wickes**  
(45) Registration Date: **21 December 2015**  
(56) Related Art Documents: **Not Applicable**  
(57) Statement of Newness and Distinctiveness: **Newness and Distinctiveness is claimed in the features of shape and/or configuration of an air cleaner connection hose for a vehicles snorkel as illustrated in the accompanying representations.**

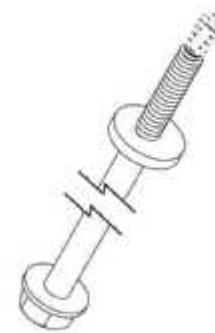


(21) Design Number: **16565/2015**  
(22) Date of Filing Application: **04 December 2015**  
(24) Date from which industrial property rights may have effect: **04 December 2015**  
(54) Product in respect of which the design is registered: **Fastener**  
(51) International Design Classification: **08-08A**  
(74) Name(s) of Attorney(s): **Baxter Patent Attorneys Pty Ltd**  
(71) Name(s) and Address(s) of Applicant(s):

**Phillip Law**  
**PO BOX 231 York WA 6302 Australia**

(72) Name(s) of Designer(s): **Phillip Law**  
(45) Registration Date: **21 December 2015**  
(56) Related Art Documents: **Not Applicable**

(57) Statement of Newness and Distinctiveness: **The novelty and distinctiveness of the design resides in the shape and configuration of a FASTENER, as shown in the accompanying representations. The FASTENER is of indefinite length, the abutment flange of the FASTENER shown in the representations by reference arrow A is of indefinite radius, and the shape and/or configuration of the cutting tip of the FASTENER shown in broken lines is disclaimed.**



(21) Design Number: **16566/2015**  
(22) Date of Filing Application: **04 December 2015**  
(24) Date from which industrial property rights may have effect: **04 December 2015**  
(54) Product in respect of which the design is registered: **16Amp Mechanism**  
(51) International Design Classification: **13-03D**  
(74) Name(s) of Attorney(s):  
(71) Name(s) and Address(s) of Applicant(s):

**AUSWITCH PTY. LTD.**  
**5 Waratah Ave Casula NSW 2170 Australia**

(72) Name(s) of Designer(s): **Bilal Elakde**  
(45) Registration Date: **21 December 2015**  
(56) Related Art Documents: **Not Applicable**

(57) Statement of Newness and Distinctiveness: **Nil**



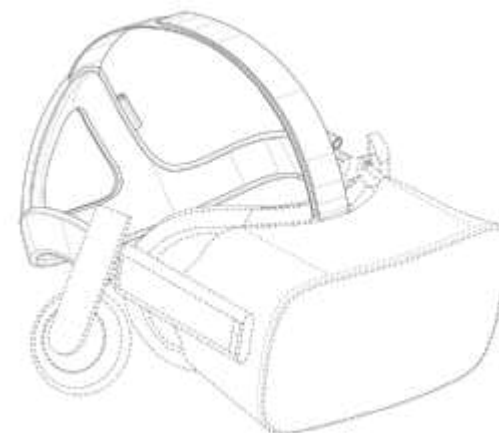
- (21) Design Number: **16568/2015**  
(22) Date of Filing Application: **04 December 2015**  
(24) Date from which industrial property rights may have effect: **04 December 2015**  
(54) Product in respect of which the design is registered: **A textile print**  
(51) International Design Classification: **05-05A**  
(74) Name(s) of Attorney(s):  
(71) Name(s) and Address(s) of Applicant(s):  
**AUSTRALIAN FASHION LABELS PTY LTD**  
**106 Currie St Adelaide SA 5000 Australia**  
(72) Name(s) of Designer(s): **Amy Hicks and Zoey Vink**  
(45) Registration Date: **21 December 2015**  
(56) Related Art Documents: **Not Applicable**  
(57) Statement of Newness and Distinctiveness: **Newness and distinctiveness resides in the features of pattern and ornamentation of a textile print as shown in the accompanying representations. In considering the scope of monopoly, no regard is to be had to colour and the scope of monopoly is not restricted to the particular colour or colours depicted in the accompanying representations.**



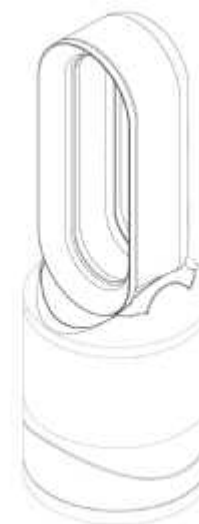
- (21) Design Number: **16601/2015**  
(22) Date of Filing Application: **08 December 2015**  
(24) Date from which industrial property rights may have effect: **08 December 2015**  
(54) Product in respect of which the design is registered: **Head mounted display**  
(51) International Design Classification: **14-01**  
(74) Name(s) of Attorney(s): **Cotters Patent & Trade Mark Attorneys**  
(71) Name(s) and Address(s) of Applicant(s):  
**Oculus VR, LLC**  
**1601 Willow Road Menlo Park CA, 94025 United States of America**  
(72) Name(s) of Designer(s): **Joseph Patrick Sullivan and Yi-yaun Chen and Peter Wesley Bristol and David Michael Pickett and Enric Vial Roig**  
(45) Registration Date: **21 December 2015**  
(30) Convention priority data:  
(31) Number      (32) Date      (33) Country  
**29/529,900      11 Jun 2015      UNITED STATES OF AMERICA**  
(56) Related Art Documents: **Not Applicable**  
(57) Statement of Newness and Distinctiveness: **Newness and distinctiveness is claimed in the features of shape and/or configuration of a head mounted display as illustrated in solid lines in the accompanying drawings. Features shown in phantom are to be disregarded.**



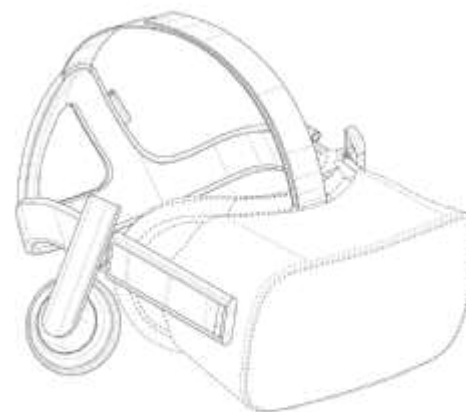
(21) Design Number: **16602/2015**  
(22) Date of Filing Application: **08 December 2015**  
(24) Date from which industrial property rights may have effect: **08 December 2015**  
(54) Product in respect of which the design is registered: **Head mounted display**  
(51) International Design Classification: **14-01**  
(74) Name(s) of Attorney(s): **Cotters Patent & Trade Mark Attorneys**  
(71) Name(s) and Address(s) of Applicant(s):  
**Oculus VR, LLC**  
**1601 Willow Road Menlo Park CA, 94025 United States of America**  
(72) Name(s) of Designer(s): **Joseph Patrick Sullivan and Yi-yaun Chen and Peter Wesley Bristol and David Michael Pickett and Enric Vial Roig**  
(45) Registration Date: **21 December 2015**  
(30) Convention priority data:  
(31) Number (32) Date (33) Country  
**29/529,900 11 Jun 2015 UNITED STATES OF AMERICA**  
(56) Related Art Documents: **Not Applicable**  
(57) Statement of Newness and Distinctiveness: **Newness and distinctiveness is claimed in the features of shape and/or configuration of a head mounted display as illustrated in solid lines in the accompanying drawings. Features shown in phantom are to be disregarded.**



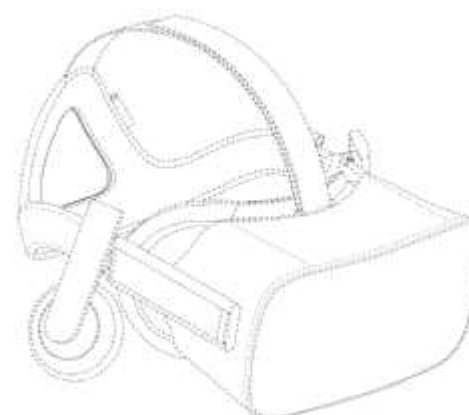
(21) Design Number: **16400/2015**  
(22) Date of Filing Application: **26 November 2015**  
(24) Date from which industrial property rights may have effect: **26 November 2015**  
(54) Product in respect of which the design is registered: **A fan**  
(51) International Design Classification: **23-04**  
(74) Name(s) of Attorney(s): **Shelston IP Pty Ltd.**  
(71) Name(s) and Address(s) of Applicant(s):  
**Dyson Technology Limited**  
**Tetbury Hill Malmesbury Wiltshire SN16 0RP United Kingdom**  
(72) Name(s) of Designer(s): **Roy Edward Poulton and Ben Thomas Edmonds and George Oram and Thomas Douglas Ridley and Leanne Joyce Garner and Adam James Bates and Peter David Gammack and Michael Graham Love**  
(45) Registration Date: **21 December 2015**  
(30) Convention priority data:  
(31) Number (32) Date (33) Country  
**001435069-0005 26 May 2015 OFFICE FOR HARMONISATION IN THE INTERNAL MARKET (OHIM)**  
(56) Related Art Documents: **Not Applicable**  
(57) Statement of Newness and Distinctiveness: **Newness and distinctiveness reside in the features of shape and/or configuration of the enlarged collar of the filter assembly of a FAN as illustrated in solid lines in the accompanying representations. The features shown in broken or discontinuous lines are illustrative only and do not form part of the design.**



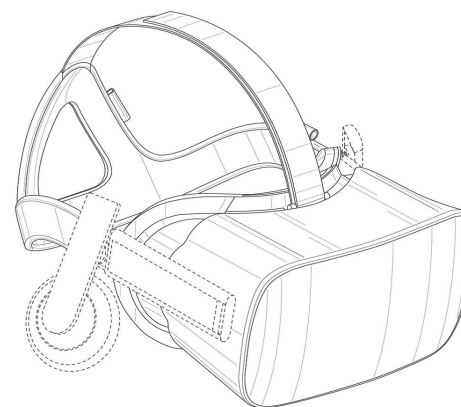
- (21) Design Number: **16604/2015**  
(22) Date of Filing Application: **08 December 2015**  
(24) Date from which industrial property rights may have effect: **08 December 2015**  
(54) Product in respect of which the design is registered: **Head mounted display**  
(51) International Design Classification: **14-01**  
(74) Name(s) of Attorney(s): **Cotters Patent & Trade Mark Attorneys**  
(71) Name(s) and Address(s) of Applicant(s):  
**Oculus VR, LLC**  
**1601 Willow Road Menlo Park CA, 94025 United States of America**  
(72) Name(s) of Designer(s): **Joseph Patrick Sullivan and Yi-yaun Chen and Peter Wesley Bristol and David Michael Pickett and Enric Vial Roig**  
(45) Registration Date: **21 December 2015**  
(30) Convention priority data:  
(31) Number (32) Date (33) Country  
**29/529,900 11 Jun 2015 UNITED STATES OF AMERICA**  
(56) Related Art Documents: **Not Applicable**  
(57) Statement of Newness and Distinctiveness: **Newness and distinctiveness is claimed in the features of shape and/or configuration of a head mounted display as illustrated in solid lines in the accompanying drawings. Features shown in phantom are to be disregarded.**



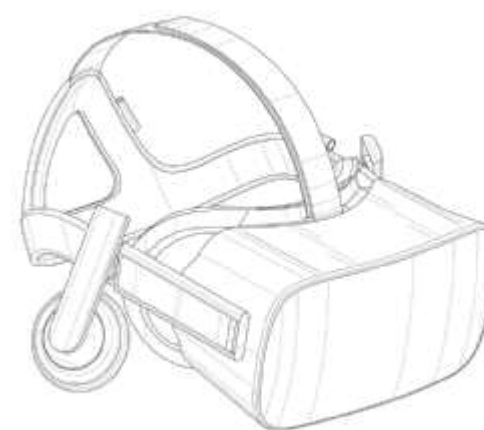
- (21) Design Number: **16606/2015**  
(22) Date of Filing Application: **08 December 2015**  
(24) Date from which industrial property rights may have effect: **08 December 2015**  
(54) Product in respect of which the design is registered: **Head mounted display**  
(51) International Design Classification: **14-01**  
(74) Name(s) of Attorney(s): **Cotters Patent & Trade Mark Attorneys**  
(71) Name(s) and Address(s) of Applicant(s):  
**Oculus VR, LLC**  
**1601 Willow Road Menlo Park CA, 94025 United States of America**  
(72) Name(s) of Designer(s): **Joseph Patrick Sullivan and Yi-yaun Chen and Peter Wesley Bristol and David Michael Pickett and Enric Vial Roig**  
(45) Registration Date: **21 December 2015**  
(30) Convention priority data:  
(31) Number (32) Date (33) Country  
**29/529,900 11 Jun 2015 UNITED STATES OF AMERICA**  
(56) Related Art Documents: **Not Applicable**  
(57) Statement of Newness and Distinctiveness: **Newness and distinctiveness is claimed in the features of shape and/or configuration of a head mounted display as illustrated in solid lines in the accompanying drawings. Features shown in phantom are to be disregarded.**



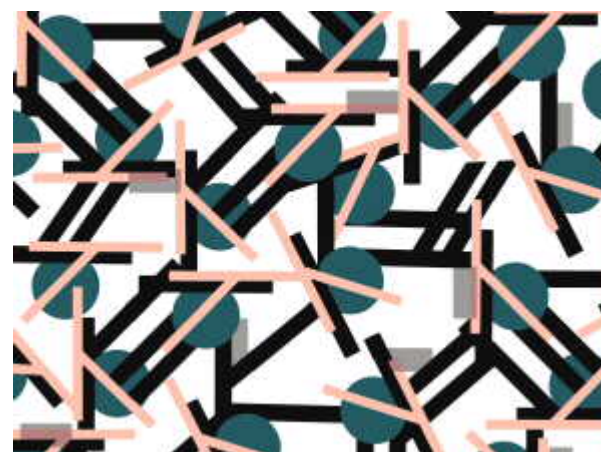
- (21) Design Number: **16608/2015**  
(22) Date of Filing Application: **08 December 2015**  
(24) Date from which industrial property rights may have effect: **08 December 2015**  
(54) Product in respect of which the design is registered: **Head mounted display**  
(51) International Design Classification: **14-01**  
(74) Name(s) of Attorney(s): **Cotters Patent & Trade Mark Attorneys**  
(71) Name(s) and Address(s) of Applicant(s):  
**Oculus VR, LLC**  
**1601 Willow Road Menlo Park CA, 94025 United States of America**  
(72) Name(s) of Designer(s): **Joseph Patrick Sullivan and Yi-yaun Chen and Peter Wesley Bristol and David Michael Pickett and Enric Vial Roig**  
(45) Registration Date: **21 December 2015**  
(30) Convention priority data:  
(31) Number (32) Date (33) Country  
**29/529,900 11 Jun 2015 UNITED STATES OF AMERICA**  
(56) Related Art Documents: **Not Applicable**  
(57) Statement of Newness and Distinctiveness: **Newness and distinctiveness is claimed in the features of shape and/or configuration of a head mounted display as illustrated in solid lines in the accompanying drawings. Features shown in phantom are to be disregarded.**



- (21) Design Number: **16609/2015**  
(22) Date of Filing Application: **08 December 2015**  
(24) Date from which industrial property rights may have effect: **08 December 2015**  
(54) Product in respect of which the design is registered: **Head mounted display**  
(51) International Design Classification: **14-01**  
(74) Name(s) of Attorney(s): **Cotters Patent & Trade Mark Attorneys**  
(71) Name(s) and Address(s) of Applicant(s):  
**Oculus VR, LLC**  
**1601 Willow Road Menlo Park CA, 94025 United States of America**  
(72) Name(s) of Designer(s): **Joseph Patrick Sullivan and Yi-yaun Chen and Peter Wesley Bristol and David Michael Pickett and Enric Vial Roig**  
(45) Registration Date: **21 December 2015**  
(30) Convention priority data:  
(31) Number (32) Date (33) Country  
**29/529,900 11 Jun 2015 UNITED STATES OF AMERICA**  
(56) Related Art Documents: **Not Applicable**  
(57) Statement of Newness and Distinctiveness: **Newness and distinctiveness is claimed in the features of shape and/or configuration of a head mounted display as illustrated in the accompanying drawings.**



- (21) Design Number: **16611/2015**  
(22) Date of Filing Application: **08 December 2015**  
(24) Date from which industrial property rights may have effect: **08 December 2015**  
(54) Product in respect of which the design is registered: **A textile print**  
(51) International Design Classification: **05-05B, 05-05D**  
(74) Name(s) of Attorney(s):  
(71) Name(s) and Address(s) of Applicant(s):  
**AUSTRALIAN FASHION LABELS PTY LTD**  
**106 Currie St Adelaide SA, 5000 Australia**  
(72) Name(s) of Designer(s): **Siham Elmawey and Hayley Dawson**  
(45) Registration Date: **21 December 2015**  
(56) Related Art Documents: **Not Applicable**  
(57) Statement of Newness and Distinctiveness: **Newness and distinctiveness resides in the features of pattern and ornamentation of a textile print as shown in the accompanying representations. In considering the scope of monopoly, no regard is to be had to colour and the scope of monopoly is not restricted to the particular colour or colours depicted in the accompanying representations.**



- (21) Design Number: **16613/2015**  
(22) Date of Filing Application: **08 December 2015**  
(24) Date from which industrial property rights may have effect: **08 December 2015**  
(54) Product in respect of which the design is registered: **Remote control unit**  
(51) International Design Classification: **14-03NES**  
(74) Name(s) of Attorney(s): **Cotters Patent & Trade Mark Attorneys**  
(71) Name(s) and Address(s) of Applicant(s):  
**Oculus VR, LLC**  
**1601 Willow Road Menlo Park CA, 94025 United States of America**  
(72) Name(s) of Designer(s): **Peter Wesley Bristol**  
(45) Registration Date: **21 December 2015**  
(30) Convention priority data:  
(31) Number      (32) Date      (33) Country  
**29/529,911      11 Jun 2015      UNITED STATES OF AMERICA**  
(56) Related Art Documents: **Not Applicable**  
(57) Statement of Newness and Distinctiveness: **Newness and distinctiveness is claimed in the features of shape and/or configuration of a remote control unit as illustrated in solid lines in the accompanying drawings. Features shown in phantom are to be disregarded.**



(21) Design Number: **16614/2015**  
(22) Date of Filing Application: **08 December 2015**  
(24) Date from which industrial property rights may have effect: **08 December 2015**  
(54) Product in respect of which the design is registered: **Automobile**  
(51) International Design Classification: **12-08**  
(74) Name(s) of Attorney(s): **Spruson & Ferguson**  
(71) Name(s) and Address(s) of Applicant(s):  
**Honda Motor Co., Ltd.**  
**1-1, Minami-Aoyama 2-chome, Minato-ku Tokyo, 107-8556 Japan**  
(72) Name(s) of Designer(s): **Yuki Ishii and Keisuke Asai**  
(45) Registration Date: **21 December 2015**  
(30) Convention priority data:  
(31) Number      (32) Date      (33) Country  
**2015-013285      16 Jun 2015      JAPAN**  
(56) Related Art Documents: **Not Applicable**  
(57) Statement of Newness and Distinctiveness: **Newness and distinctiveness is claimed in the features of shape and/or configuration of an automobile as illustrated in the accompanying representations.**



(21) Design Number: **16615/2015**  
(22) Date of Filing Application: **08 December 2015**  
(24) Date from which industrial property rights may have effect: **08 December 2015**  
(54) Product in respect of which the design is registered: **Remote control unit**  
(51) International Design Classification: **14-03NES**  
(74) Name(s) of Attorney(s): **Cotters Patent & Trade Mark Attorneys**  
(71) Name(s) and Address(s) of Applicant(s):  
**Oculus VR, LLC**  
**1601 Willow Road Menlo Park CA, 94025 United States of America**  
(72) Name(s) of Designer(s): **Peter Wesley Bristol**  
(45) Registration Date: **21 December 2015**  
(30) Convention priority data:  
(31) Number      (32) Date      (33) Country  
**29/529,911      11 Jun 2015      UNITED STATES OF AMERICA**  
(56) Related Art Documents: **Not Applicable**  
(57) Statement of Newness and Distinctiveness: **Newness and distinctiveness is claimed in the features of shape and/or configuration of a remote control unit as illustrated in solid lines in the accompanying drawings. Features shown in phantom are to be disregarded.**



(21) Design Number: **16622/2015**  
(22) Date of Filing Application: **08 December 2015**  
(24) Date from which industrial property rights may have effect: **08 December 2015**  
(54) Product in respect of which the design is registered: **Spotlight**  
(51) International Design Classification: **26-05NES**  
(74) Name(s) of Attorney(s): **Spruson & Ferguson**  
(71) Name(s) and Address(s) of Applicant(s):

**Zumtobel Lighting GmbH**  
**Grevenmarschstrasse 74-78, Lemgo 32657 Germany**

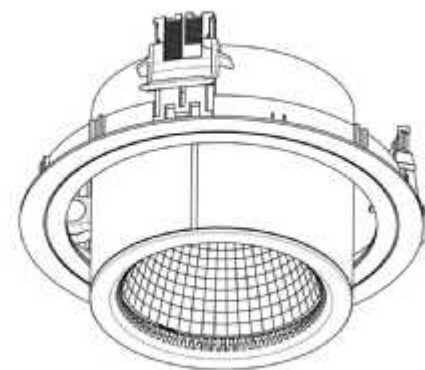
(72) Name(s) of Designer(s): **Steve Dean**  
(45) Registration Date: **21 December 2015**

(30) Convention priority data:

(31) Number	(32) Date	(33) Country
<b>002 738 690</b>	<b>17 Jul 2015</b>	<b>OFFICE FOR HARMONISATION IN THE INTERNAL MARKET (OHIM)</b>

(56) Related Art Documents: **Not Applicable**

(57) Statement of Newness and Distinctiveness: **Newness and distinctiveness is claimed in the features of shape and/or configuration of a spotlight as illustrated in the accompanying representations.**



(21) Design Number: **16623/2015**  
(22) Date of Filing Application: **08 December 2015**  
(24) Date from which industrial property rights may have effect: **08 December 2015**  
(54) Product in respect of which the design is registered: **Oral care implement**  
(51) International Design Classification: **04-02**  
(74) Name(s) of Attorney(s): **FB Rice**  
(71) Name(s) and Address(s) of Applicant(s):

**Colgate-Palmolive Company**  
**300 Park Avenue New York New York, 10022 United States of America**

(72) Name(s) of Designer(s): **Scott Demarest and Michael Terranova and Raymond Clepper**

(45) Registration Date: **21 December 2015**

(30) Convention priority data:

(31) Number	(32) Date	(33) Country
<b>29/529805</b>	<b>10 Jun 2015</b>	<b>UNITED STATES OF AMERICA</b>

(56) Related Art Documents: **Not Applicable**

(57) Statement of Newness and Distinctiveness: **Newness and distinctiveness reside in the features of shape and configuration of the design shown in solid lines in the representations excluding those features shown in broken lines.**



(21) Design Number: **16624/2015**  
(22) Date of Filing Application: **08 December 2015**  
(24) Date from which industrial property rights may have effect: **08 December 2015**  
(54) Product in respect of which the design is registered: **Oral care implement**  
(51) International Design Classification: **04-02**  
(74) Name(s) of Attorney(s): **FB Rice**  
(71) Name(s) and Address(s) of Applicant(s):  
**Colgate-Palmolive Company**  
**300 Park Avenue New York New York, 10022 United States of America**  
(72) Name(s) of Designer(s): **Scott Demarest and Michael Terranova and Raymond Clepper**  
(45) Registration Date: **21 December 2015**  
(30) Convention priority data:  
(31) Number (32) Date (33) Country  
**29/529805 10 Jun 2015 UNITED STATES OF AMERICA**  
(56) Related Art Documents: **Not Applicable**  
(57) Statement of Newness and Distinctiveness: **Newness and distinctiveness reside in the features of shape and configuration of the design shown in solid lines in the representations excluding those features shown in broken lines.**



(21) Design Number: **16676/2015**  
(22) Date of Filing Application: **09 December 2015**  
(24) Date from which industrial property rights may have effect: **09 December 2015**  
(54) Product in respect of which the design is registered: **Footwear**  
(51) International Design Classification: **02-04NES**  
(74) Name(s) of Attorney(s): **Gilbert + Tobin Lawyers**  
(71) Name(s) and Address(s) of Applicant(s):  
**J Bloch Pty Ltd**  
**L7/131 York St Sydney NSW 2000 Australia**  
(72) Name(s) of Designer(s): **David Fox**  
(45) Registration Date: **21 December 2015**  
(30) Convention priority data:  
(31) Number (32) Date (33) Country  
**29/529,800 10 Jun 2015 UNITED STATES OF AMERICA**  
(56) Related Art Documents: **Not Applicable**  
(57) Statement of Newness and Distinctiveness: **Nil**



(21) Design Number: **16677/2015**  
(22) Date of Filing Application: **09 December 2015**  
(24) Date from which industrial property rights may have effect: **09 December 2015**  
(54) Product in respect of which the design is registered: **Anvil cover**  
(51) International Design Classification: **08-03**  
(74) Name(s) of Attorney(s): **Spruson & Ferguson**  
(71) Name(s) and Address(s) of Applicant(s):  
**Rodicut Industry, S.A.U.**  
**Ctra. Puxeiros a Mos 135-36417 Mos Pontevedra Spain**  
(72) Name(s) of Designer(s): **David Borges Fernandez and Joaquin Cabaleiro Cabaleiro and Marcelino Alvarez Alvarez**  
(45) Registration Date: **21 December 2015**  
(30) Convention priority data:  
(31) Number (32) Date (33) Country  
**002763144 31 Aug 2015 OFFICE FOR HARMONISATION IN THE INTERNAL MARKET (OHIM)**  
(56) Related Art Documents: **Not Applicable**  
(57) Statement of Newness and Distinctiveness: **Newness and distinctiveness is claimed in the features of shape and/or configuration of an anvil cover as illustrated in the accompanying representations.**



(21) Design Number: **16678/2015**  
(22) Date of Filing Application: **09 December 2015**  
(24) Date from which industrial property rights may have effect: **09 December 2015**  
(54) Product in respect of which the design is registered: **Toothbrush**  
(51) International Design Classification: **04-02**  
(74) Name(s) of Attorney(s): **WATERMARK PATENT AND TRADE MARKS ATTORNEYS**  
(71) Name(s) and Address(s) of Applicant(s):  
**The Gillette Company**  
**One Gillette Park Boston Massachusetts, 02127 United States of America**  
(72) Name(s) of Designer(s): **Simone Bertrand and Marlis Hubner and Franziska Schmid**  
(45) Registration Date: **21 December 2015**  
(30) Convention priority data:  
(31) Number (32) Date (33) Country  
**899064001 09 Jun 2015 WORLD INTELLECTUAL PROPERTY ORGANIZATION (WIPO)**  
(56) Related Art Documents: **Not Applicable**  
(57) Statement of Newness and Distinctiveness: **Newness and distinctiveness resides in the visual features of shape, configuration, pattern and/or ornamentation of a toothbrush as shown in the accompanying representations. The features shown in broken lines are not part of the design and are to be disregarded when considering the overall impression of the design.**



(21) Design Number: **16679/2015**  
(22) Date of Filing Application: **09 December 2015**  
(24) Date from which industrial property rights may have effect: **09 December 2015**  
(54) Product in respect of which the design is registered: **Toothbrush**  
(51) International Design Classification: **04-02**  
(74) Name(s) of Attorney(s): **WATERMARK PATENT AND TRADE MARKS ATTORNEYS**  
(71) Name(s) and Address(s) of Applicant(s):  
**The Gillette Company**  
**One Gillette Park Boston Massachusetts, 02127 United States of America**  
(72) Name(s) of Designer(s): **Simone Bertrand and Marlis Hubner and Franziska Schmid**  
(45) Registration Date: **21 December 2015**  
(30) Convention priority data:  
(31) Number      (32) Date      (33) Country  
**899064001      09 Jun 2015      WORLD INTELLECTUAL PROPERTY ORGANIZATION (WIPO)**  
(56) Related Art Documents: **Not Applicable**  
(57) Statement of Newness and Distinctiveness: **Newness and distinctiveness resides in the visual features of shape, configuration, pattern and/or ornamentation of a toothbrush as shown in the accompanying representations. The features shown in broken lines are not part of the design and are to be disregarded when considering the overall impression of the design.**



(21) Design Number: **16680/2015**  
(22) Date of Filing Application: **09 December 2015**  
(24) Date from which industrial property rights may have effect: **09 December 2015**  
(54) Product in respect of which the design is registered: **Toothbrush**  
(51) International Design Classification: **04-02**  
(74) Name(s) of Attorney(s): **WATERMARK PATENT AND TRADE MARKS ATTORNEYS**  
(71) Name(s) and Address(s) of Applicant(s):  
**The Gillette Company**  
**One Gillette Park Boston Massachusetts, 02127 United States of America**  
(72) Name(s) of Designer(s): **Simone Bertrand and Marlis Hubner and Franziska Schmid**  
(45) Registration Date: **21 December 2015**  
(30) Convention priority data:  
(31) Number      (32) Date      (33) Country  
**899064001      09 Jun 2015      WORLD INTELLECTUAL PROPERTY ORGANIZATION (WIPO)**  
(56) Related Art Documents: **Not Applicable**  
(57) Statement of Newness and Distinctiveness: **Newness and distinctiveness resides in the visual features of shape, configuration, pattern and/or ornamentation of a toothbrush as shown in the accompanying representations.**



(21) Design Number: **16681/2015**  
(22) Date of Filing Application: **09 December 2015**  
(24) Date from which industrial property rights may have effect: **09 December 2015**  
(54) Product in respect of which the design is registered: **Toothbrush**  
(51) International Design Classification: **04-02**  
(74) Name(s) of Attorney(s): **WATERMARK PATENT AND TRADE MARKS ATTORNEYS**  
(71) Name(s) and Address(s) of Applicant(s):  
**The Gillette Company**  
**One Gillette Park Boston Massachusetts, 02127 United States of America**  
(72) Name(s) of Designer(s): **Simone Bertrand and Marlis Hubner and Franziska Schmid**  
(45) Registration Date: **21 December 2015**  
(30) Convention priority data:  
(31) Number      (32) Date      (33) Country  
**899064001      09 Jun 2015      WORLD INTELLECTUAL PROPERTY ORGANIZATION (WIPO)**  
(56) Related Art Documents: **Not Applicable**  
(57) Statement of Newness and Distinctiveness: **Newness and distinctiveness resides in the visual features of shape, configuration, pattern and/or ornamentation of a toothbrush as shown in the accompanying representations.**



(21) Design Number: **16682/2015**  
(22) Date of Filing Application: **09 December 2015**  
(24) Date from which industrial property rights may have effect: **09 December 2015**  
(54) Product in respect of which the design is registered: **Toothbrush**  
(51) International Design Classification: **04-02**  
(74) Name(s) of Attorney(s): **WATERMARK PATENT AND TRADE MARKS ATTORNEYS**  
(71) Name(s) and Address(s) of Applicant(s):  
**The Gillette Company**  
**One Gillette Park Boston Massachusetts, 02127 United States of America**  
(72) Name(s) of Designer(s): **Simone Bertrand and Marlis Hubner and Franziska Schmid**  
(45) Registration Date: **21 December 2015**  
(30) Convention priority data:  
(31) Number      (32) Date      (33) Country  
**899064001      09 Jun 2015      WORLD INTELLECTUAL PROPERTY ORGANIZATION (WIPO)**  
(56) Related Art Documents: **Not Applicable**  
(57) Statement of Newness and Distinctiveness: **Newness and distinctiveness resides in the visual features of shape, configuration, pattern and/or ornamentation of a toothbrush as shown in the accompanying representations.**



(21) Design Number: **16409/2015**  
(22) Date of Filing Application: **27 November 2015**  
(24) Date from which industrial property rights may have effect: **11 September 2015**  
(54) Product in respect of which the design is registered: **Cup holder**  
(51) International Design Classification: **07-06A, 12-02**  
(74) Name(s) of Attorney(s): **Pizzeys Patent and Trade Mark Attorneys Pty Ltd**  
(71) Name(s) and Address(s) of Applicant(s):

**Franz Wieth**  
**Lindberghstrasse 8 Puchheim 82178 Germany**

**Andreas Filosi**  
**Lindberghstr. 8 Puchheim Bavaria, 82178 Germany**

(72) Name(s) of Designer(s): **Franz Wieth and Andreas Filosi**

(45) Registration Date: **21 December 2015**

(30) Convention priority data:

(31) Number	(32) Date	(33) Country
<b>40 2015 100 230.7 11 Mar 2015</b>		<b>GERMANY</b>

(62) Divisional of: **365735**

(56) Related Art Documents: **Not Applicable**

(57) Statement of Newness and Distinctiveness: **The newness and distinctiveness of the design resides in the features of shape and/or configuration shown in unbroken lines in the accompanying representations. (if required, see Convention document)**



(21) Design Number: **16421/2015**  
(22) Date of Filing Application: **27 November 2015**  
(24) Date from which industrial property rights may have effect: **27 November 2015**  
(54) Product in respect of which the design is registered: **Dry noodle**  
(51) International Design Classification: **01-01**  
(74) Name(s) of Attorney(s): **Freehills Patent Attorneys**  
(71) Name(s) and Address(s) of Applicant(s):

**Nisshin Foods Inc.**  
**25, Kanda-Nishiki-cho 1-chome Chiyoda-ku Tokyo 101-8441 Japan**

(72) Name(s) of Designer(s): **Ryusuke Kimura and Masafumi Higashi**

(45) Registration Date: **21 December 2015**

(56) Related Art Documents: **Not Applicable**

(57) Statement of Newness and Distinctiveness: **Newness and distinctiveness resides in the features of shape and/or configuration of the dry noodle as shown in the accompanying representations, including the cross-sectional shape of the noodle which twists along the axial length of the noodle at a rate of about 60 degrees per 25cm, and having an axial length of about 125 times its diameter.**



- (21) Design Number: **16508/2015**  
(22) Date of Filing Application: **02 December 2015**  
(24) Date from which industrial property rights may have effect: **02 December 2015**  
(54) Product in respect of which the design is registered: **Shoe sole**  
(51) International Design Classification: **02-04B**  
(74) Name(s) of Attorney(s): **Baxter Patent Attorneys Pty Ltd**  
(71) Name(s) and Address(s) of Applicant(s):  
**SUTTONS UGG AUSTRALIA PTY LTD**  
**221 Russell St Melbourne VIC 3000 Australia**  
(72) Name(s) of Designer(s): **Jingshi Wang**  
(45) Registration Date: **21 December 2015**  
(56) Related Art Documents: **Not Applicable**  
(57) Statement of Newness and Distinctiveness: **The newness and distinctiveness of the design resides in the ornamentation and/or pattern as applied to the SHOE SOLE, irrespective of the pattern or ornamentation of the subject matter contained within the rectangular label shown in broken lines, and irrespective of the shape, configuration, pattern or ornamentation of the top or sides of the SHOE SOLE.**



- (21) Design Number: **16537/2015**  
(22) Date of Filing Application: **03 December 2015**  
(24) Date from which industrial property rights may have effect: **03 December 2015**  
(54) Product in respect of which the design is registered: **Garnishment for motor vehicle**  
(51) International Design Classification: **12-16B**  
(74) Name(s) of Attorney(s): **Spruson & Ferguson**  
(71) Name(s) and Address(s) of Applicant(s):  
**Mazda Motor Corporation**  
**3-1, Shinchi, Fuchu-cho, Aki-gun, Hiroshima Japan**  
(72) Name(s) of Designer(s): **Siyong Song and Ichiro Sakai and Hideki Nakamura**  
(45) Registration Date: **21 December 2015**  
(30) Convention priority data:  
(31) Number      (32) Date      (33) Country  
**201530186131.9    09 Jun 2015      CHINA**  
(56) Related Art Documents: **Not Applicable**  
(57) Statement of Newness and Distinctiveness: **Newness and distinctiveness is claimed in the features of shape and/or configuration of a garnishment for motor vehicle as illustrated in the accompanying representations.**



- (21) Design Number: **16542/2015**  
(22) Date of Filing Application: **03 December 2015**  
(24) Date from which industrial property rights may have effect: **03 December 2015**  
(54) Product in respect of which the design is registered: **A textile print**  
(51) International Design Classification: **05-05A**  
(74) Name(s) of Attorney(s):  
(71) Name(s) and Address(s) of Applicant(s):  
**AUSTRALIAN FASHION LABELS PTY LTD**  
**106 Currie St Adelaide SA 5000 Australia**  
(72) Name(s) of Designer(s): **Carmen Dugan and Cyd Beard**  
(45) Registration Date: **21 December 2015**  
(56) Related Art Documents: **Not Applicable**  
(57) Statement of Newness and Distinctiveness: **Newness and distinctiveness resides in the features of pattern and ornamentation of a textile print as shown in the accompanying representations. In considering the scope of monopoly, no regard is to be had to colour and the scope of monopoly is not restricted to the particular colour or colours depicted in the accompanying representations.**



- (21) Design Number: **16672/2015**  
(22) Date of Filing Application: **09 December 2015**  
(24) Date from which industrial property rights may have effect: **09 December 2015**  
(54) Product in respect of which the design is registered: **Toothbrush**  
(51) International Design Classification: **04-02**  
(74) Name(s) of Attorney(s): **WATERMARK PATENT AND TRADE MARKS ATTORNEYS**  
(71) Name(s) and Address(s) of Applicant(s):  
**The Gillette Company**  
**One Gillette Park Boston Massachusetts, 02127 United States of America**  
(72) Name(s) of Designer(s): **Simone Bertrand and Marlis Hubner and Franziska Schmid**  
(45) Registration Date: **21 December 2015**  
(30) Convention priority data:  

(31) Number	(32) Date	(33) Country
<b>899063501</b>	<b>09 Jun 2015</b>	<b>WORLD INTELLECTUAL PROPERTY ORGANIZATION (WIPO)</b>

  
(56) Related Art Documents: **Not Applicable**  
(57) Statement of Newness and Distinctiveness: **Newness and distinctiveness resides in the visual features of shape, configuration, pattern and/or ornamentation of a toothbrush as shown in the accompanying representations.**



(21) Design Number: **16673/2015**  
(22) Date of Filing Application: **09 December 2015**  
(24) Date from which industrial property rights may have effect: **09 December 2015**  
(54) Product in respect of which the design is registered: **Automobile tyre**  
(51) International Design Classification: **12-15B**  
(74) Name(s) of Attorney(s): **Griffith Hack**  
(71) Name(s) and Address(s) of Applicant(s):  
**BRIDGESTONE CORPORATION**  
**1-1, Kyobashi 3-chome Chuo-ku Tokyo 104-8340 Japan**  
(72) Name(s) of Designer(s): **Tomoo Hasegawa**  
(45) Registration Date: **21 December 2015**  
(30) Convention priority data:  
(31) Number (32) Date (33) Country  
**JP 2015-012926 10 Jun 2015 JAPAN**  
(56) Related Art Documents: **Not Applicable**  
(57) Statement of Newness and Distinctiveness: **Newness and distinctiveness resides in the visual features, including the shape and configuration of the product as shown by means of solid lines in the representations.**



(21) Design Number: **16625/2015**  
(22) Date of Filing Application: **08 December 2015**  
(24) Date from which industrial property rights may have effect: **08 December 2015**  
(54) Product in respect of which the design is registered: **Electric food processor (control panel for)**  
(51) International Design Classification: **13-03D**  
(74) Name(s) of Attorney(s): **Spruson & Ferguson**  
(71) Name(s) and Address(s) of Applicant(s):  
**SEB S.A.**  
**Chemin du Petit Bois - Les 4M, ECULLY 69130 France**  
(72) Name(s) of Designer(s): **Laurent Dutruel**  
(45) Registration Date: **21 December 2015**  
(30) Convention priority data:  
(31) Number (32) Date (33) Country  
**001436562-0001 26 Jun 2015 OFFICE FOR HARMONISATION IN THE INTERNAL MARKET (OHIM)**  
(56) Related Art Documents: **Not Applicable**  
(57) Statement of Newness and Distinctiveness: **Newness and distinctiveness is claimed in the features of shape and/or configuration of an electric food processor (control panel for) as illustrated in the accompanying representations.**



(21) Design Number: **16626/2015**  
(22) Date of Filing Application: **08 December 2015**  
(24) Date from which industrial property rights may have effect: **08 December 2015**  
(54) Product in respect of which the design is registered: **Oral care implement**  
(51) International Design Classification: **04-02, 28-03NES**  
(74) Name(s) of Attorney(s): **FB Rice**  
(71) Name(s) and Address(s) of Applicant(s):  
**Colgate-Palmolive Company**  
**300 Park Avenue New York New York, 10022 United States of America**  
(72) Name(s) of Designer(s): **Scott Demarest and Michael Terranova and Patricia Leunis and Raymond Clepper and Renee Marie Riethmiller**  
(45) Registration Date: **21 December 2015**  
(30) Convention priority data:  
(31) Number (32) Date (33) Country  
**29/529803 10 Jun 2015 UNITED STATES OF AMERICA**  
(56) Related Art Documents: **Not Applicable**  
(57) Statement of Newness and Distinctiveness: **Newness and distinctiveness reside in the features of shape and configuration of the design shown in solid lines in the representations excluding those features shown in broken lines.**



(21) Design Number: **16627/2015**  
(22) Date of Filing Application: **08 December 2015**  
(24) Date from which industrial property rights may have effect: **08 December 2015**  
(54) Product in respect of which the design is registered: **Oral care implement**  
(51) International Design Classification: **04-02, 28-03NES**  
(74) Name(s) of Attorney(s): **FB Rice**  
(71) Name(s) and Address(s) of Applicant(s):  
**Colgate-Palmolive Company**  
**300 Park Avenue New York New York, 10022 United States of America**  
(72) Name(s) of Designer(s): **Scott Demarest and Michael Terranova and Patricia Leunis and Raymond Clepper and Renee Marie Riethmiller**  
(45) Registration Date: **21 December 2015**  
(30) Convention priority data:  
(31) Number (32) Date (33) Country  
**29/529803 10 Jun 2015 UNITED STATES OF AMERICA**  
(56) Related Art Documents: **Not Applicable**  
(57) Statement of Newness and Distinctiveness: **Newness and distinctiveness reside in the features of shape and configuration of the design shown in solid lines in the representations excluding those features shown in broken lines.**



(21) Design Number: **16628/2015**  
(22) Date of Filing Application: **08 December 2015**  
(24) Date from which industrial property rights may have effect: **08 December 2015**  
(54) Product in respect of which the design is registered: **Oral care implement**  
(51) International Design Classification: **28-03NES, 04-02, 24-99**  
(74) Name(s) of Attorney(s): **FB Rice**  
(71) Name(s) and Address(s) of Applicant(s):  
**Colgate-Palmolive Company**  
**300 Park Avenue New York New York, 10022 United States of America**  
(72) Name(s) of Designer(s): **Scott Demarest and Michael Terranova and Patricia Leunis and Raymond Clepper and Renee Marie Riethmiller**  
(45) Registration Date: **21 December 2015**  
(30) Convention priority data:  
(31) Number (32) Date (33) Country  
**29/529803 10 Jun 2015 UNITED STATES OF AMERICA**  
(56) Related Art Documents: **Not Applicable**  
(57) Statement of Newness and Distinctiveness: **Newness and distinctiveness reside in the features of shape and configuration of the design shown in solid lines in the representations excluding those features shown in broken lines.**



(21) Design Number: **16629/2015**  
(22) Date of Filing Application: **08 December 2015**  
(24) Date from which industrial property rights may have effect: **08 December 2015**  
(54) Product in respect of which the design is registered: **Oral care implement**  
(51) International Design Classification: **28-03NES, 24-99**  
(74) Name(s) of Attorney(s): **FB Rice**  
(71) Name(s) and Address(s) of Applicant(s):  
**Colgate-Palmolive Company**  
**300 Park Avenue New York New York, 10022 United States of America**  
(72) Name(s) of Designer(s): **Scott Demarest and Michael Terranova and Patricia Leunis and Raymond Clepper and Renee Marie Riethmiller**  
(45) Registration Date: **21 December 2015**  
(30) Convention priority data:  
(31) Number (32) Date (33) Country  
**29/529803 10 Jun 2015 UNITED STATES OF AMERICA**  
(56) Related Art Documents: **Not Applicable**  
(57) Statement of Newness and Distinctiveness: **Newness and distinctiveness reside in the features of shape and configuration of the design shown in solid lines in the representations excluding those features shown in broken lines.**



(21) Design Number: **16621/2015**  
(22) Date of Filing Application: **08 December 2015**  
(24) Date from which industrial property rights may have effect: **08 December 2015**  
(54) Product in respect of which the design is registered: **Spotlight**  
(51) International Design Classification: **26-05NES**  
(74) Name(s) of Attorney(s): **Spruson & Ferguson**  
(71) Name(s) and Address(s) of Applicant(s):

**Zumtobel Lighting GmbH**  
**Grevenmarschstrasse 74-78, Lemgo 32657 Germany**

(72) Name(s) of Designer(s): **Steve Dean**  
(45) Registration Date: **22 December 2015**

(30) Convention priority data:

(31) Number	(32) Date	(33) Country
<b>002 738 690</b>	<b>17 Jul 2015</b>	<b>OFFICE FOR HARMONISATION IN THE INTERNAL MARKET (OHIM)</b>



(56) Related Art Documents: **Not Applicable**  
(57) Statement of Newness and Distinctiveness: **Newness and distinctiveness is claimed in the features of shape and/or configuration of a spotlight as illustrated in the accompanying representations.**

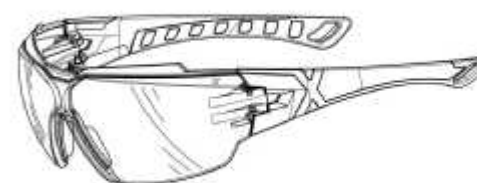
(21) Design Number: **16635/2015**  
(22) Date of Filing Application: **08 December 2015**  
(24) Date from which industrial property rights may have effect: **08 December 2015**  
(54) Product in respect of which the design is registered: **Safety goggle**  
(51) International Design Classification: **16-06**  
(74) Name(s) of Attorney(s): **PHILLIPS ORMONDE FITZPATRICK**  
(71) Name(s) and Address(s) of Applicant(s):

**Uvex Arbeitsschutz GmbH**  
**Wurzburger Strasse 181-189 90766 Furth Germany**

(72) Name(s) of Designer(s): **Michael Brandis and Nadine Sauerwein**  
(45) Registration Date: **22 December 2015**

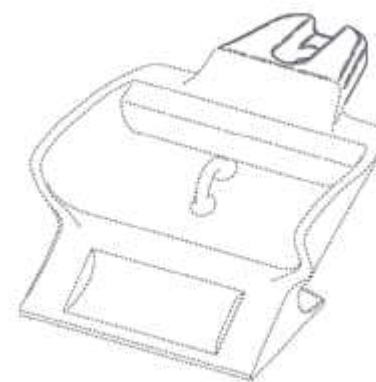
(30) Convention priority data:

(31) Number	(32) Date	(33) Country
<b>40 2015 101 138.1 23 Oct 2015</b>		<b>GERMANY</b>

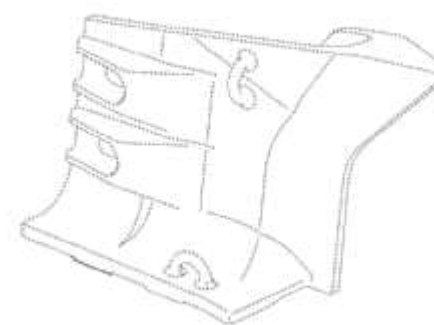


(56) Related Art Documents: **Not Applicable**  
(57) Statement of Newness and Distinctiveness: **Nil**

(21) Design Number: **16636/2015**  
(22) Date of Filing Application: **08 December 2015**  
(24) Date from which industrial property rights may have effect: **15 October 2015**  
(54) Product in respect of which the design is registered: **Lip shroud for ground engaging machine implement**  
(51) International Design Classification: **15-04**  
(74) Name(s) of Attorney(s): **IP Gateway Patent & Trade Mark Attorneys Pty Ltd**  
(71) Name(s) and Address(s) of Applicant(s):  
**Caterpillar Inc.**  
**100 NE Adams Street Peoria Illinois, 61629 United States of America**  
(72) Name(s) of Designer(s): **Phillip J. Kunz**  
(45) Registration Date: **22 December 2015**  
(30) Convention priority data:  
(31) Number (32) Date (33) Country  
**29/524,172 17 Apr 2015 UNITED STATES OF AMERICA**  
(62) Divisional of: **366096**  
(56) Related Art Documents: **Not Applicable**  
(57) Statement of Newness and Distinctiveness: **Newness and distinctiveness reside in the visual features of shape and configuration as shown by solid lines in the accompanying representations. Visual features shown in broken lines should be given minimum regard. Broken dot-and-dash lines indicate boundaries between visual features which are stated herein to be new and distinctive and those which are not stated herein to be new and distinctive: the broken dot-and-dash lines themselves do not form part of the design. The relatively thin shade lines represent contour, not surface ornamentation.**



(21) Design Number: **16637/2015**  
(22) Date of Filing Application: **08 December 2015**  
(24) Date from which industrial property rights may have effect: **15 October 2015**  
(54) Product in respect of which the design is registered: **Wing shrouds for ground engaging machine implement**  
(51) International Design Classification: **15-04**  
(74) Name(s) of Attorney(s): **IP Gateway Patent & Trade Mark Attorneys Pty Ltd**  
(71) Name(s) and Address(s) of Applicant(s):  
**Caterpillar Inc.**  
**100 NE Adams Street Peoria Illinois, 61629 United States of America**  
(72) Name(s) of Designer(s): **Phillip J. Kunz**  
(45) Registration Date: **22 December 2015**  
(30) Convention priority data:  
(31) Number (32) Date (33) Country  
**29/524,178 17 Apr 2015 UNITED STATES OF AMERICA**  
(62) Divisional of: **365918**  
(56) Related Art Documents: **Not Applicable**  
(57) Statement of Newness and Distinctiveness: **Newness and distinctiveness reside in the visual features of shape and configuration as shown by solid lines in the accompanying representations. Visual features shown in broken lines should be given minimum regard. The relatively thin shade lines represent contour, not surface ornamentation.**



(21) Design Number: **16638/2015**

(22) Date of Filing Application: **08 December 2015**

(24) Date from which industrial property rights may have effect: **15 October 2015**

(54) Product in respect of which the design is registered: **Wing shrouds for ground engaging machine implement**

(51) International Design Classification: **15-04**

(74) Name(s) of Attorney(s): **IP Gateway Patent & Trade Mark Attorneys Pty Ltd**

(71) Name(s) and Address(s) of Applicant(s):

**Caterpillar Inc.**

**100 NE Adams Street Peoria Illinois, 61629 United States of America**

(72) Name(s) of Designer(s): **Phillip J. Kunz**

(45) Registration Date: **22 December 2015**

(30) Convention priority data:

(31) Number

(32) Date

(33) Country

**29/524,178**

**17 Apr 2015**

**UNITED STATES OF AMERICA**

(62) Divisional of: **365918**

(56) Related Art Documents: **Not Applicable**

(57) Statement of Newness and Distinctiveness: **Newness and distinctiveness reside in the visual features of shape and configuration as shown by solid lines in the accompanying representations. Visual features shown in broken lines should be given minimum regard. The relatively thin shade lines represent contour, not surface ornamentation.**



(21) Design Number: **16639/2015**

(22) Date of Filing Application: **09 December 2015**

(24) Date from which industrial property rights may have effect: **09 December 2015**

(54) Product in respect of which the design is registered: **Bottle**

(51) International Design Classification: **09-01NES**

(74) Name(s) of Attorney(s): **FB Rice**

(71) Name(s) and Address(s) of Applicant(s):

**Colgate-Palmolive Company**

**300 Park Avenue New York New York, 10022 United States of America**

(72) Name(s) of Designer(s): **Scott Demarest and Michael Terranova and Patricia Leunis and Renee Marie Riethmiller**

(45) Registration Date: **22 December 2015**

(30) Convention priority data:

(31) Number

(32) Date

(33) Country

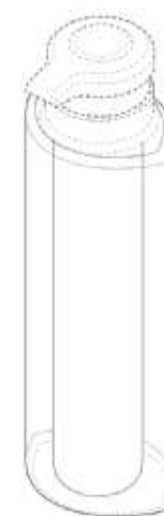
**29/529801**

**10 Jun 2015**

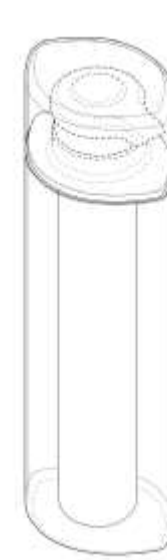
**UNITED STATES OF AMERICA**

(56) Related Art Documents: **Not Applicable**

(57) Statement of Newness and Distinctiveness: **Newness and distinctiveness reside in the features of shape and configuration of the design shown in solid lines in the representations excluding those features shown in broken lines.**



- (21) Design Number: **16640/2015**  
(22) Date of Filing Application: **09 December 2015**  
(24) Date from which industrial property rights may have effect: **09 December 2015**  
(54) Product in respect of which the design is registered: **Bottle**  
(51) International Design Classification: **09-01NES**  
(74) Name(s) of Attorney(s): **FB Rice**  
(71) Name(s) and Address(s) of Applicant(s):  
**Colgate-Palmolive Company**  
**300 Park Avenue New York New York, 10022 United States of America**  
(72) Name(s) of Designer(s): **Scott Demarest and Michael Terranova and Patricia Leunis and Renee Marie Riethmiller**  
(45) Registration Date: **22 December 2015**  
(30) Convention priority data:  
(31) Number (32) Date (33) Country  
**29/529801 10 Jun 2015 UNITED STATES OF AMERICA**  
(56) Related Art Documents: **Not Applicable**  
(57) Statement of Newness and Distinctiveness: **Newness and distinctiveness reside in the features of shape and configuration of the design shown in solid lines in the representations excluding those features shown in broken lines.**



- (21) Design Number: **14989/2015**  
(22) Date of Filing Application: **23 September 2015**  
(24) Date from which industrial property rights may have effect: **23 September 2015**  
(54) Product in respect of which the design is registered: **Rotary drawbar**  
(51) International Design Classification: **12-03**  
(74) Name(s) of Attorney(s): **Davies Collison Cave**  
(71) Name(s) and Address(s) of Applicant(s):  
**Fortescue Metals Group Ltd**  
**L 2 87 Adelaide Tce East Perth WA, 6004 Australia**  
(72) Name(s) of Designer(s): **Luke Taylor and David Wallace and Dean Rehn**  
(45) Registration Date: **22 December 2015**  
(56) Related Art Documents: **Not Applicable**  
(57) Statement of Newness and Distinctiveness: **Newness and distinctiveness is claimed in the features of shape and configuration of a rotary drawbar having an indefinite intermediate portion as shown in the drawings. The portion of the rotary drawbar shown in broken lines is capable of variation and does not form part of the design.**



(21) Design Number: **15318/2015**  
(22) Date of Filing Application: **09 October 2015**  
(24) Date from which industrial property rights may have effect: **09 October 2015**  
(54) Product in respect of which the design is registered: **Golf club ferrule**  
(51) International Design Classification: **21-02C**  
(74) Name(s) of Attorney(s): **Davies Collison Cave**  
(71) Name(s) and Address(s) of Applicant(s):  
**Vattaca, LLC**  
**16800 Westgrove Drive Suite 200 Addison Texas, 75001 United States of America**  
(72) Name(s) of Designer(s): **Ross Mandel and Eric M. Smith and Christian Bauer**  
(45) Registration Date: **22 December 2015**  
(30) Convention priority data:  
(31) Number (32) Date (33) Country  
**29/523,513 10 Apr 2015 UNITED STATES OF AMERICA**  
(56) Related Art Documents: **Not Applicable**  
(57) Statement of Newness and Distinctiveness: **Nil**



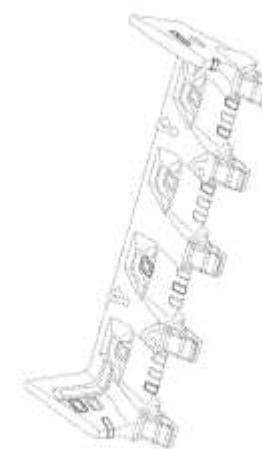
(21) Design Number: **16167/2015**  
(22) Date of Filing Application: **16 November 2015**  
(24) Date from which industrial property rights may have effect: **16 November 2015**  
(54) Product in respect of which the design is registered: **A playsuit**  
(51) International Design Classification: **02-02C**  
(74) Name(s) of Attorney(s):  
(71) Name(s) and Address(s) of Applicant(s):  
**Zimmermann Wear Pty Limited**  
**120 Dunning Ave Rosebery NSW 2018 Australia**  
(72) Name(s) of Designer(s): **Nicole Zimmermann**  
(45) Registration Date: **22 December 2015**  
(56) Related Art Documents: **Not Applicable**  
(57) Statement of Newness and Distinctiveness: **Newness and distinctiveness is claimed in the shape, configuration, pattern and/or ornamentation of the garment depicted in the accompanying representation.**



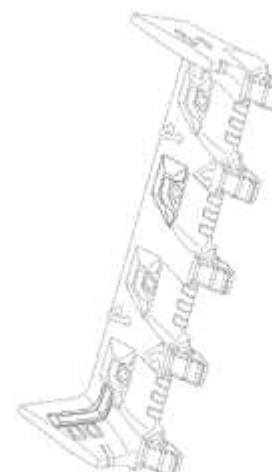
- (21) Design Number: **16262/2015**  
(22) Date of Filing Application: **19 November 2015**  
(24) Date from which industrial property rights may have effect: **19 November 2015**  
(54) Product in respect of which the design is registered: **Storage container**  
(51) International Design Classification: **09-03M**  
(74) Name(s) of Attorney(s): **FB Rice**  
(71) Name(s) and Address(s) of Applicant(s):  
**FBA International Pty Ltd**  
**35-77 Emu Rd Maidstone VIC 3012 Australia**  
(72) Name(s) of Designer(s): **Fadde Ali and Aneesh Satyamurthy and Evan Pell and Isabella Powell**  
(45) Registration Date: **22 December 2015**  
(56) Related Art Documents: **Not Applicable**  
(57) Statement of Newness and Distinctiveness: **Newness and distinctiveness reside in the visual features of the product shown in solid lines in the representations, excluding the features shown in dashed lines which are disclaimed.**



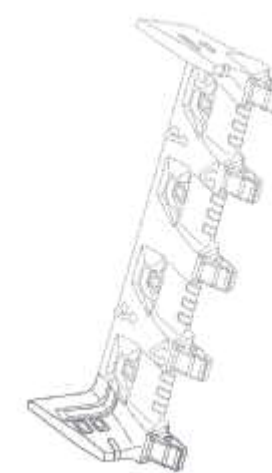
- (21) Design Number: **16631/2015**  
(22) Date of Filing Application: **08 December 2015**  
(24) Date from which industrial property rights may have effect: **15 October 2015**  
(54) Product in respect of which the design is registered: **Lip for ground engaging machine implement**  
(51) International Design Classification: **15-04**  
(74) Name(s) of Attorney(s): **IP Gateway Patent & Trade Mark Attorneys Pty Ltd**  
(71) Name(s) and Address(s) of Applicant(s):  
**Caterpillar Inc.**  
**100 NE Adams Street Peoria Illinois, 61629 United States of America**  
(72) Name(s) of Designer(s): **Phillip J. Kunz**  
(45) Registration Date: **22 December 2015**  
(30) Convention priority data:  
(31) Number (32) Date (33) Country  
**29/524,183 17 Apr 2015 UNITED STATES OF AMERICA**  
(62) Divisional of: **365917**  
(56) Related Art Documents: **Not Applicable**  
(57) Statement of Newness and Distinctiveness: **Newness and distinctiveness reside in the visual features of shape and configuration as shown by solid lines in the accompanying representations. Visual features shown in broken lines should be given minimum regard. The relatively thin shade lines represent contour, not surface ornamentation.**



(21) Design Number: **16632/2015**  
(22) Date of Filing Application: **08 December 2015**  
(24) Date from which industrial property rights may have effect: **15 October 2015**  
(54) Product in respect of which the design is registered: **Lip for ground engaging machine implement**  
(51) International Design Classification: **15-04**  
(74) Name(s) of Attorney(s): **IP Gateway Patent & Trade Mark Attorneys Pty Ltd**  
(71) Name(s) and Address(s) of Applicant(s):  
**Caterpillar Inc.**  
**100 NE Adams Street Peoria Illinois, 61629 United States of America**  
(72) Name(s) of Designer(s): **Phillip J. Kunz**  
(45) Registration Date: **22 December 2015**  
(30) Convention priority data:  
(31) Number (32) Date (33) Country  
**29/524,183 17 Apr 2015 UNITED STATES OF AMERICA**  
(62) Divisional of: **365917**  
(56) Related Art Documents: **Not Applicable**  
(57) Statement of Newness and Distinctiveness: **Newness and distinctiveness reside in the visual features of shape and configuration as shown by solid lines in the accompanying representations. Visual features shown in broken lines should be given minimum regard. The relatively thin shade lines represent contour, not surface ornamentation.**



(21) Design Number: **16633/2015**  
(22) Date of Filing Application: **08 December 2015**  
(24) Date from which industrial property rights may have effect: **15 October 2015**  
(54) Product in respect of which the design is registered: **Lip for ground engaging machine implement**  
(51) International Design Classification: **15-04**  
(74) Name(s) of Attorney(s): **IP Gateway Patent & Trade Mark Attorneys Pty Ltd**  
(71) Name(s) and Address(s) of Applicant(s):  
**Caterpillar Inc.**  
**100 NE Adams Street Peoria Illinois, 61629 United States of America**  
(72) Name(s) of Designer(s): **Phillip J. Kunz**  
(45) Registration Date: **22 December 2015**  
(30) Convention priority data:  
(31) Number (32) Date (33) Country  
**29/524,183 17 Apr 2015 UNITED STATES OF AMERICA**  
(62) Divisional of: **365917**  
(56) Related Art Documents: **Not Applicable**  
(57) Statement of Newness and Distinctiveness: **Newness and distinctiveness reside in the visual features of shape and configuration as shown by solid lines in the accompanying representations. Visual features shown in broken lines should be given minimum regard. Broken dot-and-dash lines indicate boundaries between visual features which are stated herein to be new and distinctive and those which are not stated herein to be new and distinctive: the broken dot-and-dash lines themselves do not form part of the design. The relatively thin shade lines represent contour, not surface ornamentation.**



(21) Design Number: **16634/2015**  
(22) Date of Filing Application: **08 December 2015**  
(24) Date from which industrial property rights may have effect: **15 October 2015**  
(54) Product in respect of which the design is registered: **Lip shroud for ground engaging machine implement**  
(51) International Design Classification: **15-04**  
(74) Name(s) of Attorney(s): **IP Gateway Patent & Trade Mark Attorneys Pty Ltd**  
(71) Name(s) and Address(s) of Applicant(s):  
**Caterpillar Inc.**  
**100 NE Adams Street Peoria Illinois, 61629 United States of America**  
(72) Name(s) of Designer(s): **Phillip J. Kunz**  
(45) Registration Date: **22 December 2015**  
(30) Convention priority data:  
(31) Number (32) Date (33) Country  
**29/524,172 17 Apr 2015 UNITED STATES OF AMERICA**  
(62) Divisional of: **366096**  
(56) Related Art Documents: **Not Applicable**  
(57) Statement of Newness and Distinctiveness: **Newness and distinctiveness reside in the visual features of shape and configuration as shown by solid lines in the accompanying representations. Visual features shown in broken lines should be given minimum regard. Broken dot-and-dash lines indicate boundaries between visual features which are stated herein to be new and distinctive and those which are not stated herein to be new and distinctive: the broken dot-and-dash lines themselves do not form part of the design. The relatively thin shade lines represent contour, not surface ornamentation.**



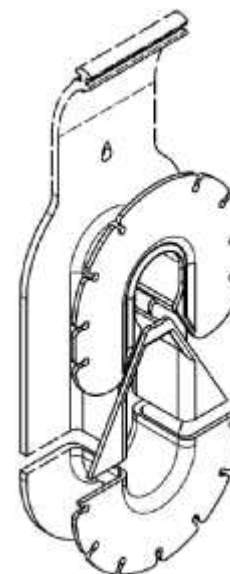
(21) Design Number: **16683/2015**  
(22) Date of Filing Application: **09 December 2015**  
(24) Date from which industrial property rights may have effect: **09 December 2015**  
(54) Product in respect of which the design is registered: **Toothbrush**  
(51) International Design Classification: **04-02**  
(74) Name(s) of Attorney(s): **WATERMARK PATENT AND TRADE MARKS ATTORNEYS**  
(71) Name(s) and Address(s) of Applicant(s):  
**The Gillette Company**  
**One Gillette Park Boston Massachusetts, 02127 United States of America**  
(72) Name(s) of Designer(s): **Simone Bertrand and Marlis Hubner and Franziska Schmid**  
(45) Registration Date: **22 December 2015**  
(30) Convention priority data:  
(31) Number (32) Date (33) Country  
**899064001 09 Jun 2015 WORLD INTELLECTUAL PROPERTY ORGANIZATION (WIPO)**  
(56) Related Art Documents: **Not Applicable**  
(57) Statement of Newness and Distinctiveness: **Newness and distinctiveness resides in the visual features of shape, configuration, pattern and/or ornamentation of a toothbrush as shown in the accompanying representations.**



- (21) Design Number: **16684/2015**  
(22) Date of Filing Application: **09 December 2015**  
(24) Date from which industrial property rights may have effect: **09 December 2015**  
(54) Product in respect of which the design is registered: **Toothbrush**  
(51) International Design Classification: **04-02**  
(74) Name(s) of Attorney(s): **WATERMARK PATENT AND TRADE MARKS ATTORNEYS**  
(71) Name(s) and Address(s) of Applicant(s):  
**The Gillette Company**  
**One Gillette Park Boston Massachusetts, 02127 United States of America**  
(72) Name(s) of Designer(s): **Simone Bertrand and Marlis Hubner and Franziska Schmid**  
(45) Registration Date: **22 December 2015**  
(30) Convention priority data:  
(31) Number      (32) Date      (33) Country  
**899064001      09 Jun 2015      WORLD INTELLECTUAL PROPERTY ORGANIZATION (WIPO)**  
(56) Related Art Documents: **Not Applicable**  
(57) Statement of Newness and Distinctiveness: **Newness and distinctiveness resides in the visual features of shape, configuration, pattern and/or ornamentation of a toothbrush as shown in the accompanying representations.**



- (21) Design Number: **16689/2015**  
(22) Date of Filing Application: **09 December 2015**  
(24) Date from which industrial property rights may have effect: **09 December 2015**  
(54) Product in respect of which the design is registered: **Cable storage**  
(51) International Design Classification: **06-04NES**  
(74) Name(s) of Attorney(s): **IP Sentinels Patent and Trademark Attorneys**  
(71) Name(s) and Address(s) of Applicant(s):  
**Brett Norman Kleehammer**  
**54 Skysail Ave Alkimos WA 6038 Australia**  
(72) Name(s) of Designer(s): **Brett Norman Kleehammer**  
(45) Registration Date: **22 December 2015**  
(56) Related Art Documents: **Not Applicable**  
(57) Statement of Newness and Distinctiveness: **The features of shape and/or configuration are claimed to be new and distinctive. The shape and configuration of the handle portion shown in dashed lines is disclaimed, and the portion shown with a break in its length is of indefinite length.**



(21) Design Number: **16696/2015**  
(22) Date of Filing Application: **10 December 2015**  
(24) Date from which industrial property rights may have effect: **10 December 2015**  
(54) Product in respect of which the design is registered: **Drum grater**  
(51) International Design Classification: **31-00**  
(74) Name(s) of Attorney(s): **A.P.T. Patent and Trade Mark Attorneys**  
(71) Name(s) and Address(s) of Applicant(s):  
**Yan Kwong Wong**  
**Unit 403-404, 4/F., Po Lung Centre 11 Wang Chiu Road Kowloon Bay**  
**Kowloon Hong Kong**  
(72) Name(s) of Designer(s): **Yan Kwong Wong**  
(45) Registration Date: **22 December 2015**  
(30) Convention priority data:  
(31) Number      (32) Date      (33) Country  
**1501243.2      12 Jun 2015      HONG KONG**  
(56) Related Art Documents: **Not Applicable**  
(57) Statement of Newness and Distinctiveness: **Nil**



(21) Design Number: **14240/2015**  
(22) Date of Filing Application: **18 August 2015**  
(24) Date from which industrial property rights may have effect: **18 August 2015**  
(54) Product in respect of which the design is registered: **Street furniture - bench seats and tables**  
(51) International Design Classification: **06-03A, 06-01C**  
(74) Name(s) of Attorney(s):  
(71) Name(s) and Address(s) of Applicant(s):  
**STREET & GARDEN FURNITURE COMPANY PTY. LTD.**  
**1/11 Donkin St West End QLD 4101 Australia**  
(72) Name(s) of Designer(s): **Surya Graf**  
(45) Registration Date: **22 December 2015**  
(56) Related Art Documents: **Not Applicable**  
(57) Statement of Newness and Distinctiveness: **Unique form and pattern details derived from custom sheet metal manufacturing processes and folding techniques.**



(21) Design Number: **15223/2015**

(22) Date of Filing Application: **07 October 2015**

(24) Date from which industrial property rights may have effect: **07 October 2015**

(54) Product in respect of which the design is registered: **Power inverter**

(51) International Design Classification: **13-02**

(74) Name(s) of Attorney(s): **Davies Collison Cave**

(71) Name(s) and Address(s) of Applicant(s):

**EPC Power Corporation**

**13125 Danielson St Suite 112 Poway California, 92064 United States Of America**

(72) Name(s) of Designer(s): **Devin Dilley**

(45) Registration Date: **22 December 2015**

(30) Convention priority data:

(31) Number

(32) Date

(33) Country

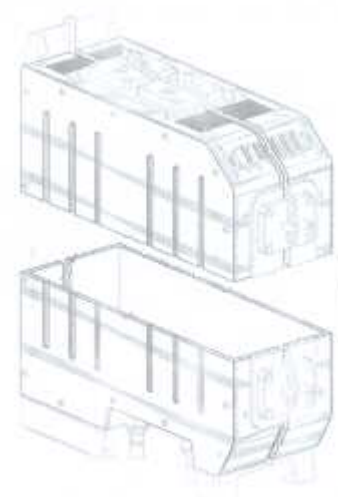
**29/523432**

**09 Apr 2015**

**UNITED STATES OF AMERICA**

(56) Related Art Documents: **Not Applicable**

(57) Statement of Newness and Distinctiveness: **Newness and distinctiveness is claimed in the visual features shown in solid lines in the representations, excluding those of the symbolic break lines having a jagged element which are solid, the break lines in the representations being indicative of indefinite dimension therebetween.**



(21) Design Number: **15350/2015**

(22) Date of Filing Application: **12 October 2015**

(24) Date from which industrial property rights may have effect: **12 October 2015**

(54) Product in respect of which the design is registered: **Gateway**

(51) International Design Classification: **14-02**

(74) Name(s) of Attorney(s): **Spruson & Ferguson**

(71) Name(s) and Address(s) of Applicant(s):

**Husqvarna AB**

**Huskvarna SE-561 82 Sweden**

(72) Name(s) of Designer(s): **Jens Naslund and Daniel Gunnarsson and Tor Sigurdson**

(45) Registration Date: **22 December 2015**

(30) Convention priority data:

(31) Number

(32) Date

(33) Country

**002678821-0020**

**10 Apr 2015**

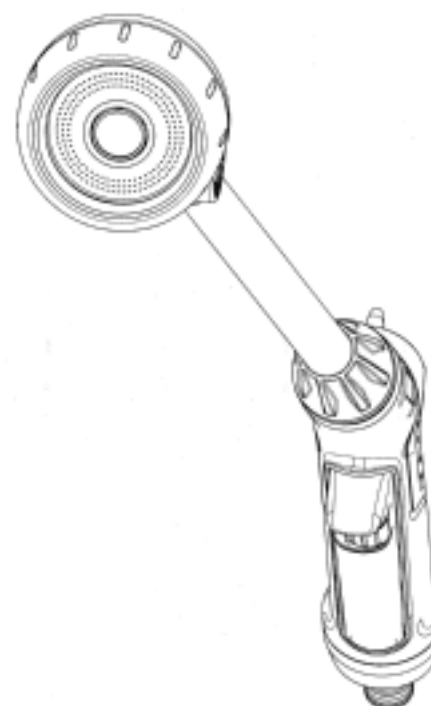
**OFFICE FOR HARMONISATION IN THE INTERNAL MARKET (OHIM)**

(56) Related Art Documents: **Not Applicable**

(57) Statement of Newness and Distinctiveness: **Newness and distinctiveness is claimed in the features of shape and/or configuration of a gateway as illustrated in the accompanying representations.**



- (21) Design Number: **15351/2015**  
(22) Date of Filing Application: **12 October 2015**  
(24) Date from which industrial property rights may have effect: **12 October 2015**  
(54) Product in respect of which the design is registered: **Spray lance**  
(51) International Design Classification: **23-01D**  
(74) Name(s) of Attorney(s): **Spruson & Ferguson**  
(71) Name(s) and Address(s) of Applicant(s):  
**Husqvarna AB**  
**Huskvarna SE-561 82 Sweden**  
(72) Name(s) of Designer(s): **Jens Naslund and Daniel Gunnarsson and Gustav Landberg and Tor Sigurdson**  
(45) Registration Date: **22 December 2015**  
(30) Convention priority data:  
(31) Number (32) Date (33) Country  
**002678821-0012 10 Apr 2015 OFFICE FOR HARMONISATION IN THE INTERNAL MARKET (OHIM)**  
(56) Related Art Documents: **Not Applicable**  
(57) Statement of Newness and Distinctiveness: **Newness and distinctiveness is claimed in the features of shape and/or configuration of a spray lance as illustrated in the accompanying representations.**



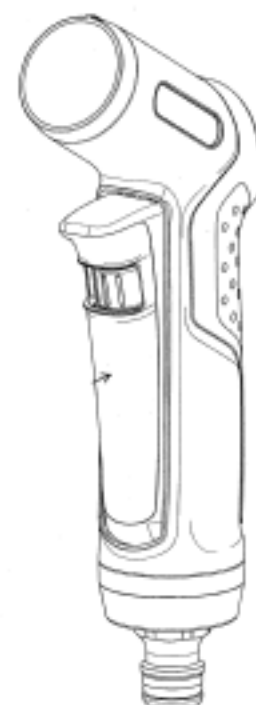
- (21) Design Number: **15352/2015**  
(22) Date of Filing Application: **12 October 2015**  
(24) Date from which industrial property rights may have effect: **12 October 2015**  
(54) Product in respect of which the design is registered: **Sprayer**  
(51) International Design Classification: **23-01D**  
(74) Name(s) of Attorney(s): **Spruson & Ferguson**  
(71) Name(s) and Address(s) of Applicant(s):  
**Husqvarna AB**  
**Huskvarna SE-561 82 Sweden**  
(72) Name(s) of Designer(s): **Jens Naslund and Daniel Gunnarsson and Gustav Landberg and Tor Sigurdson**  
(45) Registration Date: **22 December 2015**  
(30) Convention priority data:  
(31) Number (32) Date (33) Country  
**002678821-0003 10 Apr 2015 OFFICE FOR HARMONISATION IN THE INTERNAL MARKET (OHIM)**  
(56) Related Art Documents: **Not Applicable**  
(57) Statement of Newness and Distinctiveness: **Newness and distinctiveness is claimed in the features of pattern and/or ornamentation of the head of a sprayer as illustrated and labelled "A" in the accompanying representations.**



(21) Design Number: **15353/2015**  
(22) Date of Filing Application: **12 October 2015**  
(24) Date from which industrial property rights may have effect: **12 October 2015**  
(54) Product in respect of which the design is registered: **Sprayer handle**  
(51) International Design Classification: **23-01D**  
(74) Name(s) of Attorney(s): **Spruson & Ferguson**  
(71) Name(s) and Address(s) of Applicant(s):  
**Husqvarna AB**  
**Huskvarna SE-561 82 Sweden**  
(72) Name(s) of Designer(s): **Jens Naslund and Daniel Gunnarsson and Gustav Landberg and Tor Sigurdson**  
(45) Registration Date: **22 December 2015**  
(30) Convention priority data:  
(31) Number (32) Date (33) Country  
**002678821-0015 10 Apr 2015 OFFICE FOR HARMONISATION IN THE INTERNAL MARKET (OHIM)**  
(56) Related Art Documents: **Not Applicable**  
(57) Statement of Newness and Distinctiveness: **Newness and distinctiveness is claimed in the features of shape and/or configuration of the trigger of a sprayer handle as illustrated and labelled "A" in the accompanying representations.**



(21) Design Number: **15354/2015**  
(22) Date of Filing Application: **12 October 2015**  
(24) Date from which industrial property rights may have effect: **12 October 2015**  
(54) Product in respect of which the design is registered: **Sprayer handle**  
(51) International Design Classification: **23-01D**  
(74) Name(s) of Attorney(s): **Spruson & Ferguson**  
(71) Name(s) and Address(s) of Applicant(s):  
**Husqvarna AB**  
**Huskvarna SE-561 82 Sweden**  
(72) Name(s) of Designer(s): **Jens Naslund and Daniel Gunnarsson and Gustav Landberg and Tor Sigurdson**  
(45) Registration Date: **22 December 2015**  
(30) Convention priority data:  
(31) Number (32) Date (33) Country  
**002678821-0018 10 Apr 2015 OFFICE FOR HARMONISATION IN THE INTERNAL MARKET (OHIM)**  
(56) Related Art Documents: **Not Applicable**  
(57) Statement of Newness and Distinctiveness: **Newness and distinctiveness is claimed in the features of shape and/or configuration of the trigger of a sprayer handle as illustrated and labelled "A" in the accompanying representations.**



(21) Design Number: **15355/2015**

(22) Date of Filing Application: **12 October 2015**

(24) Date from which industrial property rights may have effect: **12 October 2015**

(54) Product in respect of which the design is registered: **Water controller**

(51) International Design Classification: **23-01E**

(74) Name(s) of Attorney(s): **Spruson & Ferguson**

(71) Name(s) and Address(s) of Applicant(s):

**Husqvarna AB**  
**Huskvarna SE-561 82 Sweden**

(72) Name(s) of Designer(s): **Jens Naslund and Daniel Gunnarsson and Tor Sigurdson**

(45) Registration Date: **22 December 2015**

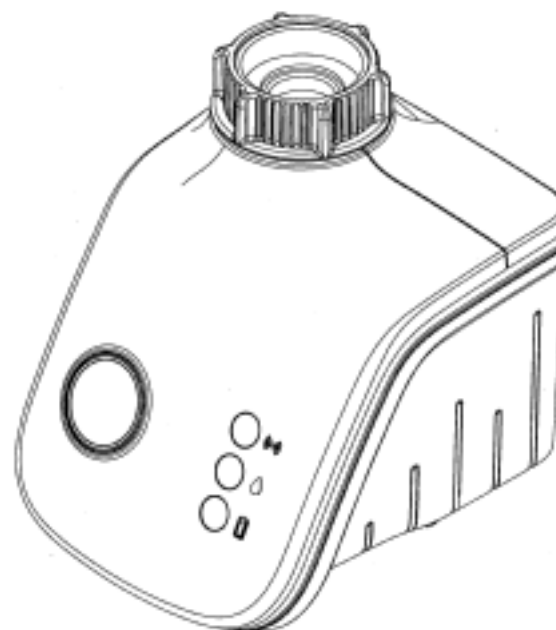
(30) Convention priority data:

(31) Number (32) Date  
**002678821-0024 10 Apr 2015**

(33) Country  
**OFFICE FOR HARMONISATION IN  
THE INTERNAL MARKET (OHIM)**

(56) Related Art Documents: **Not Applicable**

(57) Statement of Newness and Distinctiveness: **Newness and distinctiveness is claimed in the features of shape and/or configuration of a water controller as illustrated in the accompanying representations.**



(21) Design Number: **15356/2015**

(22) Date of Filing Application: **12 October 2015**

(24) Date from which industrial property rights may have effect: **12 October 2015**

(54) Product in respect of which the design is registered: **Spray lance**

(51) International Design Classification: **23-01D**

(74) Name(s) of Attorney(s): **Spruson & Ferguson**

(71) Name(s) and Address(s) of Applicant(s):

**Husqvarna AB**  
**Huskvarna SE-561 82 Sweden**

(72) Name(s) of Designer(s): **Jens Naslund and Daniel Gunnarsson and Gustav Landberg and Tor Sigurdson**

(45) Registration Date: **22 December 2015**

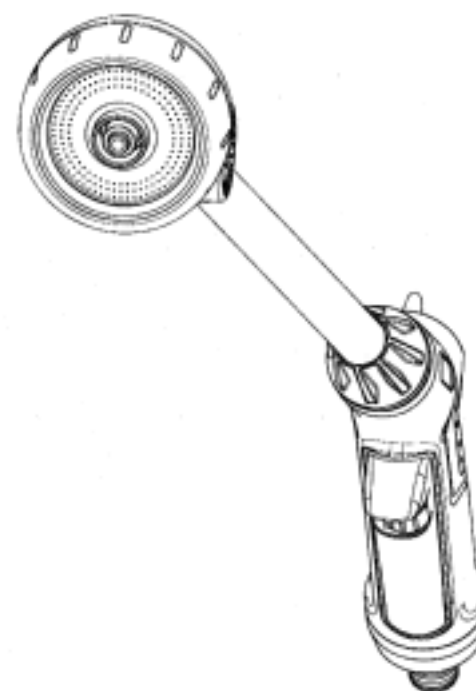
(30) Convention priority data:

(31) Number (32) Date  
**002678821-0009 10 Apr 2015**

(33) Country  
**OFFICE FOR HARMONISATION IN  
THE INTERNAL MARKET (OHIM)**

(56) Related Art Documents: **Not Applicable**

(57) Statement of Newness and Distinctiveness: **Newness and distinctiveness is claimed in the features of shape and/or configuration of a spray lance as illustrated in the accompanying representations.**



(21) Design Number: **15357/2015**

(22) Date of Filing Application: **12 October 2015**

(24) Date from which industrial property rights may have effect: **12 October 2015**

(54) Product in respect of which the design is registered: **Sensor**

(51) International Design Classification: **23-01NES**

(74) Name(s) of Attorney(s): **Spruson & Ferguson**

(71) Name(s) and Address(s) of Applicant(s):

**Husqvarna AB**  
**Huskvarna SE-561 82 Sweden**

(72) Name(s) of Designer(s): **Jens Naslund and Daniel Gunnarsson and Tor Sigurdson**

(45) Registration Date: **22 December 2015**

(30) Convention priority data:

(31) Number (32) Date  
**002678821-0022 10 Apr 2015**

(33) Country  
**OFFICE FOR HARMONISATION IN  
THE INTERNAL MARKET (OHIM)**

(56) Related Art Documents: **Not Applicable**

(57) Statement of Newness and Distinctiveness: **Newness and distinctiveness is claimed in the features of shape and/or configuration of a sensor as illustrated in the accompanying representations.**



(21) Design Number: **15535/2015**

(22) Date of Filing Application: **20 October 2015**

(24) Date from which industrial property rights may have effect: **20 October 2015**

(54) Product in respect of which the design is registered: **Spray lance**

(51) International Design Classification: **23-01D**

(74) Name(s) of Attorney(s): **Spruson & Ferguson**

(71) Name(s) and Address(s) of Applicant(s):

**Husqvarna AB**  
**Huskvarna SE-561 82 Sweden**

(72) Name(s) of Designer(s): **Jens Naslund and Daniel Gunnarsson and Gustav Landberg and Tor Sigurdson**

(45) Registration Date: **22 December 2015**

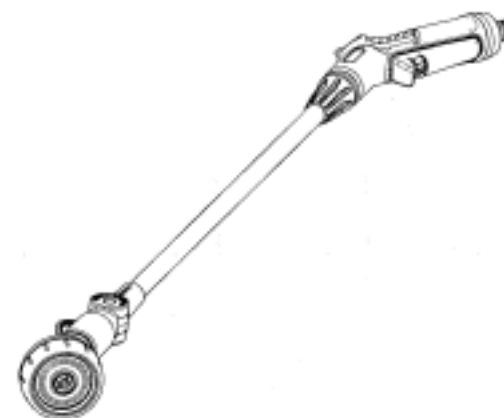
(30) Convention priority data:

(31) Number (32) Date  
**002686816-0009 22 Apr 2015**

(33) Country  
**OFFICE FOR HARMONISATION IN  
THE INTERNAL MARKET (OHIM)**

(56) Related Art Documents: **Not Applicable**

(57) Statement of Newness and Distinctiveness: **Newness and distinctiveness is claimed in the features of pattern and/or ornamentation of the head of a spray lance as illustrated and labelled "A" in the accompanying representations.**



(21) Design Number: **15540/2015**

(22) Date of Filing Application: **20 October 2015**

(24) Date from which industrial property rights may have effect: **20 October 2015**

(54) Product in respect of which the design is registered: **Sprayer**

(51) International Design Classification: **08-05A**

(74) Name(s) of Attorney(s): **Spruson & Ferguson**

(71) Name(s) and Address(s) of Applicant(s):

**Husqvarna AB**  
**SE-561 82 Huskvarna Sweden**

(72) Name(s) of Designer(s): **Jens Naslund and Daniel Gunnarsson and Gustav Landberg and Tor Sigurdson**

(45) Registration Date: **22 December 2015**

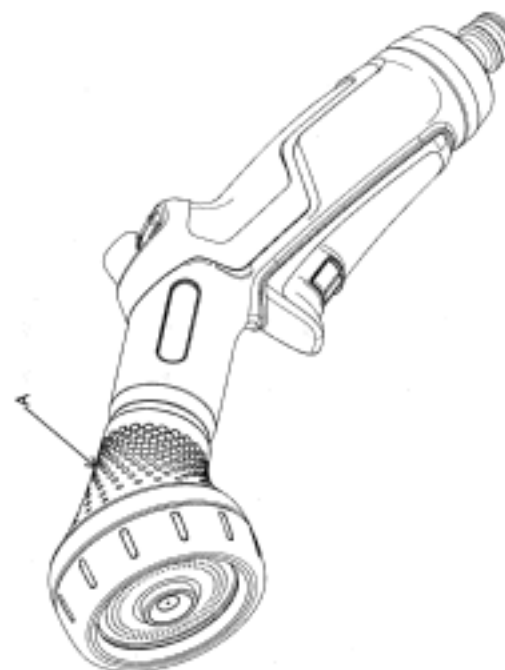
(30) Convention priority data:

(31) Number (32) Date  
**002686816-0003 22 Apr 2015**

(33) Country  
**OFFICE FOR HARMONISATION IN  
THE INTERNAL MARKET (OHIM)**

(56) Related Art Documents: **Not Applicable**

(57) Statement of Newness and Distinctiveness: **Newness and distinctiveness is claimed in the features of pattern and/or ornamentation of the head of a sprayer as illustrated and labelled "A" in the accompanying representations.**



(21) Design Number: **15541/2015**

(22) Date of Filing Application: **20 October 2015**

(24) Date from which industrial property rights may have effect: **20 October 2015**

(54) Product in respect of which the design is registered: **Sprayer**

(51) International Design Classification: **08-05A**

(74) Name(s) of Attorney(s): **Spruson & Ferguson**

(71) Name(s) and Address(s) of Applicant(s):

**Husqvarna AB**  
**Huskvarna SE-561 82 Sweden**

(72) Name(s) of Designer(s): **Jens Naslund and Daniel Gunnarsson and Gustav Landberg and Tor Sigurdson**

(45) Registration Date: **22 December 2015**

(30) Convention priority data:

(31) Number (32) Date  
**002686816-0008 22 Apr 2015**

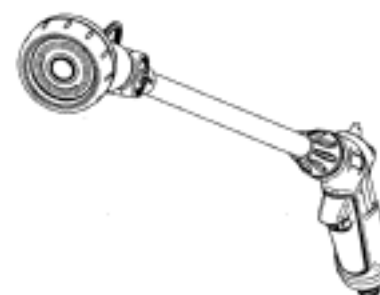
(33) Country  
**OFFICE FOR HARMONISATION IN  
THE INTERNAL MARKET (OHIM)**

(56) Related Art Documents: **Not Applicable**

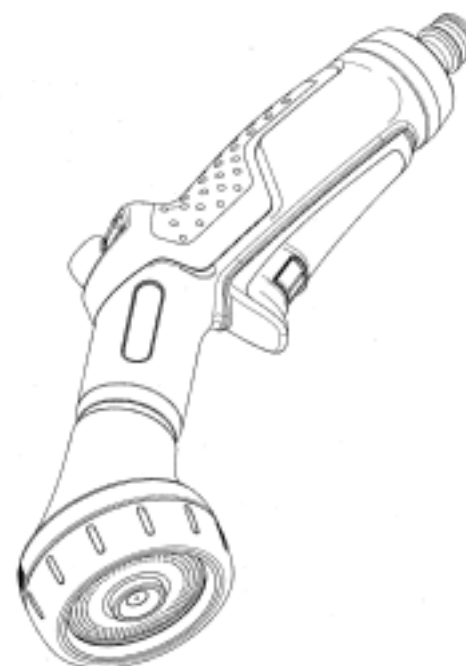
(57) Statement of Newness and Distinctiveness: **Newness and distinctiveness is claimed in the features of shape and/or configuration of a sprayer as illustrated in the accompanying representations.**



- (21) Design Number: **15542/2015**  
(22) Date of Filing Application: **20 October 2015**  
(24) Date from which industrial property rights may have effect: **20 October 2015**  
(54) Product in respect of which the design is registered: **Spray lance**  
(51) International Design Classification: **08-05A**  
(74) Name(s) of Attorney(s): **Spruson & Ferguson**  
(71) Name(s) and Address(s) of Applicant(s):  
**Husqvarna AB**  
**Huskvarna SE-561 82 Sweden**  
(72) Name(s) of Designer(s): **Jens Naslund and Daniel Gunnarsson and Gustav Landberg and Tor Sigurdson**  
(45) Registration Date: **22 December 2015**  
(30) Convention priority data:  
(31) Number (32) Date (33) Country  
**002686816-0007 22 Apr 2015 OFFICE FOR HARMONISATION IN THE INTERNAL MARKET (OHIM)**  
(56) Related Art Documents: **Not Applicable**  
(57) Statement of Newness and Distinctiveness: **Newness and distinctiveness is claimed in the features of pattern and/or ornamentation of the head of a spray lance as illustrated and labelled "A" in the accompanying representations.**



- (21) Design Number: **15543/2015**  
(22) Date of Filing Application: **20 October 2015**  
(24) Date from which industrial property rights may have effect: **20 October 2015**  
(54) Product in respect of which the design is registered: **Sprayer**  
(51) International Design Classification: **08-05A**  
(74) Name(s) of Attorney(s): **Spruson & Ferguson**  
(71) Name(s) and Address(s) of Applicant(s):  
**Husqvarna AB**  
**Huskvarna SE-561 82 Sweden**  
(72) Name(s) of Designer(s): **Jens Naslund and Daniel Gunnarsson and Gustav Landberg and Tor Sigurdson**  
(45) Registration Date: **22 December 2015**  
(30) Convention priority data:  
(31) Number (32) Date (33) Country  
**002686816-0004 22 Apr 2015 OFFICE FOR HARMONISATION IN THE INTERNAL MARKET (OHIM)**  
(56) Related Art Documents: **Not Applicable**  
(57) Statement of Newness and Distinctiveness: **Newness and distinctiveness is claimed in the features of shape and/or configuration of a sprayer as illustrated in the accompanying representations.**



(21) Design Number: **16656/2015**  
(22) Date of Filing Application: **09 December 2015**  
(24) Date from which industrial property rights may have effect: **09 December 2015**  
(54) Product in respect of which the design is registered: **A fan**  
(51) International Design Classification: **23-04**  
(74) Name(s) of Attorney(s): **Shelston IP Pty Ltd.**  
(71) Name(s) and Address(s) of Applicant(s):

**Dyson Technology Limited**  
**Tetbury Hill Malmesbury Wiltshire SN16 0RP United Kingdom**

(72) Name(s) of Designer(s): **Roy Edward Poulton and Ben Thomas Edmonds and George Oram and Thomas Douglas Ridley and Leanne Joyce Garner and Adam James Bates and Peter David Gammack and William Richard Hunt and Richard John Fox**

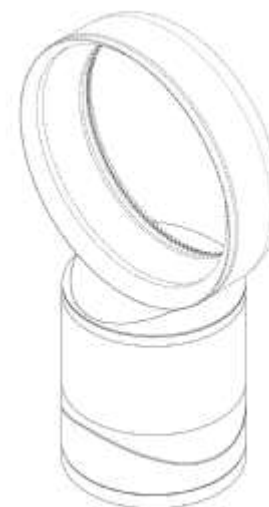
(45) Registration Date: **22 December 2015**

(30) Convention priority data:

(31) Number	(32) Date	(33) Country
<b>001435770-0005</b>	<b>11 Jun 2015</b>	<b>OFFICE FOR HARMONISATION IN THE INTERNAL MARKET (OHIM)</b>

(56) Related Art Documents: **Not Applicable**

(57) Statement of Newness and Distinctiveness: **Newness and distinctiveness reside in the features of shape and/or configuration of the wide body of the base, filter assembly and the frusto-conical top portion of the filter assembly of a FAN as illustrated in solid lines in the accompanying representations. The features shown in broken or discontinuous lines are illustrative only and do not form part of the design.**



(21) Design Number: **16657/2015**  
(22) Date of Filing Application: **09 December 2015**  
(24) Date from which industrial property rights may have effect: **09 December 2015**  
(54) Product in respect of which the design is registered: **A fan**  
(51) International Design Classification: **23-04**  
(74) Name(s) of Attorney(s): **Shelston IP Pty Ltd.**  
(71) Name(s) and Address(s) of Applicant(s):

**Dyson Technology Limited**  
**Tetbury Hill Malmesbury Wiltshire SN16 0RP United Kingdom**

(72) Name(s) of Designer(s): **Roy Edward Poulton and Ben Thomas Edmonds and George Oram and Thomas Douglas Ridley and Leanne Joyce Garner and Adam James Bates and Peter David Gammack and Andrea Ee-Va Lim and William Richard Hunt and Richard John Fox**

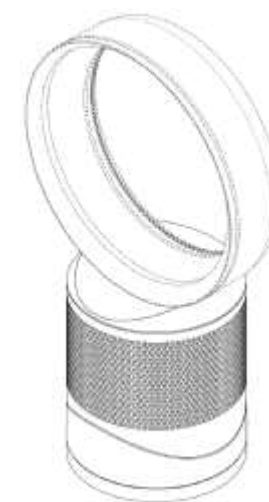
(45) Registration Date: **22 December 2015**

(30) Convention priority data:

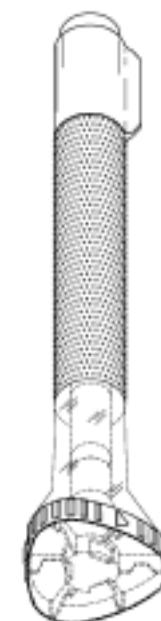
(31) Number	(32) Date	(33) Country
<b>001435770-0004</b>	<b>11 Jun 2015</b>	<b>OFFICE FOR HARMONISATION IN THE INTERNAL MARKET (OHIM)</b>

(56) Related Art Documents: **Not Applicable**

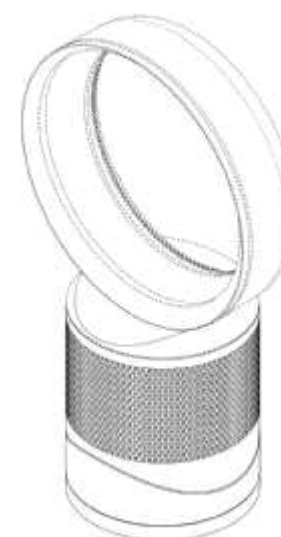
(57) Statement of Newness and Distinctiveness: **Newness and distinctiveness reside in the features of shape and/or configuration of the wide body of the base, filter assembly, the filter assembly inlet grille and the frusto-conical top portion of the filter assembly of a FAN as illustrated in solid lines in the accompanying representations. The features shown in broken or discontinuous lines are illustrative only and do not form part of the design.**



(21) Design Number: **16658/2015**  
(22) Date of Filing Application: **09 December 2015**  
(24) Date from which industrial property rights may have effect: **09 December 2015**  
(54) Product in respect of which the design is registered: **Automatic injection device**  
(51) International Design Classification: **24-04**  
(74) Name(s) of Attorney(s): **Spruson & Ferguson**  
(71) Name(s) and Address(s) of Applicant(s):  
**Eli Lilly and Company**  
**Lilly Corporate Center, Indianapolis Indiana, 46285 United States of America**  
(72) Name(s) of Designer(s): **Jesse Arnold Fourt and Thomas Dieter Christian Overthun and Judy Guo and Thomas Gaetan Thibault Brisebras**  
(45) Registration Date: **22 December 2015**  
(30) Convention priority data:  
(31) Number (32) Date (33) Country  
**29/530811 19 Jun 2015 UNITED STATES OF AMERICA**  
(56) Related Art Documents: **Not Applicable**  
(57) Statement of Newness and Distinctiveness: **Newness and distinctiveness is claimed in those features of shape and/or configuration of an automatic injection device as illustrated in continuous lines in the accompanying representations.**



(21) Design Number: **16659/2015**  
(22) Date of Filing Application: **09 December 2015**  
(24) Date from which industrial property rights may have effect: **09 December 2015**  
(54) Product in respect of which the design is registered: **A fan**  
(51) International Design Classification: **23-04**  
(74) Name(s) of Attorney(s): **Shelston IP Pty Ltd.**  
(71) Name(s) and Address(s) of Applicant(s):  
**Dyson Technology Limited**  
**Tetbury Hill Malmesbury Wiltshire SN16 0RP United Kingdom**  
(72) Name(s) of Designer(s): **Roy Edward Poulton and Ben Thomas Edmonds and George Oram and Thomas Douglas Ridley and Leanne Joyce Garner and Adam James Bates and Peter David Gammack and Andrea Ee-Va Lim**  
(45) Registration Date: **22 December 2015**  
(30) Convention priority data:  
(31) Number (32) Date (33) Country  
**001435770-0003 11 Jun 2015 OFFICE FOR HARMONISATION IN THE INTERNAL MARKET (OHIM)**  
(56) Related Art Documents: **Not Applicable**  
(57) Statement of Newness and Distinctiveness: **Newness and distinctiveness reside in the features of shape and/or configuration of the wide body of the base and filter assembly and the filter assembly inlet grille of a FAN as illustrated in solid lines in the accompanying representations. The features shown in broken or discontinuous lines are illustrative only and do not form part of the design.**



(21) Design Number: **16660/2015**  
(22) Date of Filing Application: **09 December 2015**  
(24) Date from which industrial property rights may have effect: **09 December 2015**  
(54) Product in respect of which the design is registered: **Transmission for an electric motor and generator**  
(51) International Design Classification: **15-01, 15-99**  
(74) Name(s) of Attorney(s): **Griffith Hack**  
(71) Name(s) and Address(s) of Applicant(s):  
**SEW-EURODRIVE GmbH & Co. KG**  
**Ernst-Blickle-Strasse 42 Bruchsal 76646 Germany**  
(72) Name(s) of Designer(s): **Stefan Hannet**  
(45) Registration Date: **22 December 2015**  
(30) Convention priority data:  
(31) Number (32) Date (33) Country  
**402015201931.9 10 Jun 2015 GERMANY**  
(56) Related Art Documents: **Not Applicable**  
(57) Statement of Newness and Distinctiveness: **Newness and distinctiveness resides in the visual features, including the shape and configuration of the product shown in the representations.**



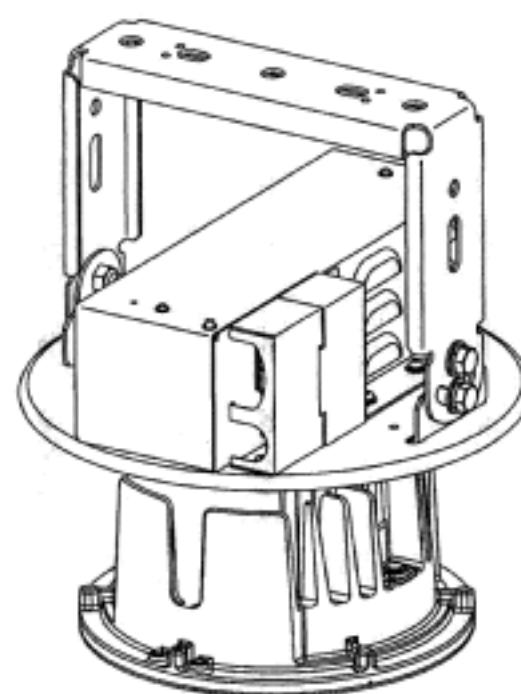
(21) Design Number: **16662/2015**  
(22) Date of Filing Application: **09 December 2015**  
(24) Date from which industrial property rights may have effect: **09 December 2015**  
(54) Product in respect of which the design is registered: **A fan**  
(51) International Design Classification: **23-04**  
(74) Name(s) of Attorney(s): **Shelston IP Pty Ltd.**  
(71) Name(s) and Address(s) of Applicant(s):  
**Dyson Technology Limited**  
**Tetbury Hill Malmesbury Wiltshire SN16 0RP United Kingdom**  
(72) Name(s) of Designer(s): **Roy Edward Poulton and Ben Thomas Edmonds and George Oram and Thomas Douglas Ridley and Leanne Joyce Garner and Adam James Bates and Peter David Gammack and William Richard Hunt and Richard John Fox**  
(45) Registration Date: **22 December 2015**  
(30) Convention priority data:  
(31) Number (32) Date (33) Country  
**001435770-0002 11 Jun 2015 OFFICE FOR HARMONISATION IN THE INTERNAL MARKET (OHIM)**  
(56) Related Art Documents: **Not Applicable**  
(57) Statement of Newness and Distinctiveness: **Newness and distinctiveness reside in the features of shape and/or configuration of the wide body of the base and filter assembly, the frusto-conical top portion and enlarged collar of the filter assembly of a FAN as illustrated in the accompanying representations.**



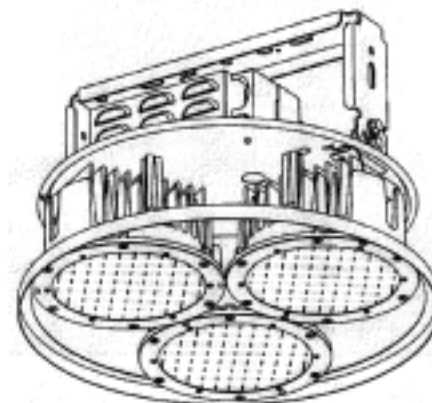
- (21) Design Number: **16663/2015**  
(22) Date of Filing Application: **09 December 2015**  
(24) Date from which industrial property rights may have effect: **09 December 2015**  
(54) Product in respect of which the design is registered: **Automobile tyre**  
(51) International Design Classification: **12-15A**  
(74) Name(s) of Attorney(s): **Griffith Hack**  
(71) Name(s) and Address(s) of Applicant(s):  
**BRIDGESTONE CORPORATION**  
**1-1, Kyobashi 3-chome Chuo-ku Tokyo 104-8340 Japan**  
(72) Name(s) of Designer(s): **Tomoo Hasegawa**  
(45) Registration Date: **22 December 2015**  
(30) Convention priority data:  
(31) Number (32) Date (33) Country  
**JP 2015-012925 10 Jun 2015 JAPAN**  
(56) Related Art Documents: **Not Applicable**  
(57) Statement of Newness and Distinctiveness: **Newness and distinctiveness resides in the visual features, including the shape and configuration of the product as shown by means of solid lines in the representations.**



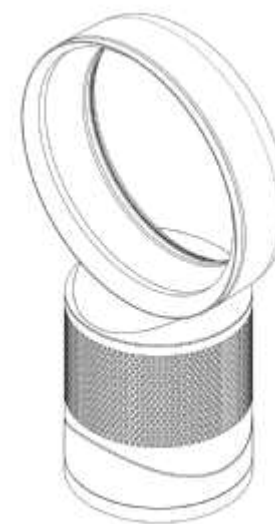
- (21) Design Number: **16674/2015**  
(22) Date of Filing Application: **09 December 2015**  
(24) Date from which industrial property rights may have effect: **09 December 2015**  
(54) Product in respect of which the design is registered: **Lighting apparatus for high ceiling**  
(51) International Design Classification: **26-05D**  
(74) Name(s) of Attorney(s): **Spruson & Ferguson**  
(71) Name(s) and Address(s) of Applicant(s):  
**Iwasaki Electric Co., Ltd.**  
**1-4-16, Nihonbashi-bakurocho, Chuo-ku, Tokyo 103-0002 Japan**  
(72) Name(s) of Designer(s): **Atsushi Fukuzawa and Masaki Ujita and Kiyoteru Iwasaki and Daisuke Ogawa and Shuusaku Shibata**  
(45) Registration Date: **22 December 2015**  
(30) Convention priority data:  
(31) Number (32) Date (33) Country  
**2015-013164 12 Jun 2015 JAPAN**  
(56) Related Art Documents: **Not Applicable**  
(57) Statement of Newness and Distinctiveness: **Newness and distinctiveness is claimed in those features of shape and/or configuration of a lighting apparatus for high ceiling illustrated in continuous lines in the accompanying representations.**



- (21) Design Number: **16675/2015**  
(22) Date of Filing Application: **09 December 2015**  
(24) Date from which industrial property rights may have effect: **09 December 2015**  
(54) Product in respect of which the design is registered: **Lighting apparatus for high ceiling**  
(51) International Design Classification: **26-05D**  
(74) Name(s) of Attorney(s): **Spruson & Ferguson**  
(71) Name(s) and Address(s) of Applicant(s):  
**Iwasaki Electric Co., Ltd.**  
**1-4-16, Nihonbashi-bakurocho, Chuo-ku, Tokyo 103-0002 Japan**  
(72) Name(s) of Designer(s): **Atsushi Fukuzawa and Masaki Ujita and Kiyoteru Iwasaki and Daisuke Ogawa and Shuusaku Shibata**  
(45) Registration Date: **22 December 2015**  
(30) Convention priority data:  
(31) Number (32) Date (33) Country  
**2015-013168 12 Jun 2015 JAPAN**  
(56) Related Art Documents: **Not Applicable**  
(57) Statement of Newness and Distinctiveness: **Newness and distinctiveness is claimed in those features of shape and/or configuration of a lighting apparatus for high ceiling illustrated in the continuous lines in the accompanying representations.**



- (21) Design Number: **16664/2015**  
(22) Date of Filing Application: **09 December 2015**  
(24) Date from which industrial property rights may have effect: **09 December 2015**  
(54) Product in respect of which the design is registered: **A fan**  
(51) International Design Classification: **23-04**  
(74) Name(s) of Attorney(s): **Shelston IP Pty Ltd.**  
(71) Name(s) and Address(s) of Applicant(s):  
**Dyson Technology Limited**  
**Tetbury Hill Malmesbury Wiltshire SN16 0RP United Kingdom**  
(72) Name(s) of Designer(s): **Roy Edward Poulton and Ben Thomas Edmonds and George Oram and Thomas Douglas Ridley and Leanne Joyce Garner and Adam James Bates and Peter David Gammack and Andrea Ee-Va Lim and William Richard Hunt and Richard John Fox**  
(45) Registration Date: **22 December 2015**  
(30) Convention priority data:  
(31) Number (32) Date (33) Country  
**001435770-0001 11 Jun 2015 OFFICE FOR HARMONISATION IN THE INTERNAL MARKET (OHIM)**  
(56) Related Art Documents: **Not Applicable**  
(57) Statement of Newness and Distinctiveness: **Newness and distinctiveness reside in the features of shape and/or configuration of the wide body of the base and filter assembly, the filter assembly inlet grille, the frusto-conical top portion and enlarged collar of the filter assembly of a FAN as illustrated in the accompanying representations.**



(21) Design Number: **16665/2015**  
(22) Date of Filing Application: **09 December 2015**  
(24) Date from which industrial property rights may have effect: **09 December 2015**  
(54) Product in respect of which the design is registered: **Suitcase**  
(51) International Design Classification: **03-01A**  
(74) Name(s) of Attorney(s): **Actuate IP**  
(71) Name(s) and Address(s) of Applicant(s):  
**Magmatic Limited**  
**Shaftesbury Chapel Union Road Bristol BS2 0LP United Kingdom**  
(72) Name(s) of Designer(s): **Robert Law and Joe Allam**  
(45) Registration Date: **22 December 2015**  
(30) Convention priority data:  
(31) Number (32) Date (33) Country  
**002842484-0001 30 Oct 2015 OFFICE FOR HARMONISATION IN**  
**THE INTERNAL MARKET (OHIM)**  
(56) Related Art Documents: **Not Applicable**  
(57) Statement of Newness and Distinctiveness: **The newness and distinctiveness of the design resides in the shape and/or configuration of the suitcase, as shown in the representations.**



(21) Design Number: **16666/2015**  
(22) Date of Filing Application: **09 December 2015**  
(24) Date from which industrial property rights may have effect: **09 December 2015**  
(54) Product in respect of which the design is registered: **Toothbrush**  
(51) International Design Classification: **04-02**  
(74) Name(s) of Attorney(s): **WATERMARK PATENT AND TRADE MARKS ATTORNEYS**  
(71) Name(s) and Address(s) of Applicant(s):  
**The Gillette Company**  
**One Gillette Park Boston Massachusetts, 02127 United States of America**  
(72) Name(s) of Designer(s): **Simone Bertrand and Marlis Hubner and Franziska Schmid**  
(45) Registration Date: **22 December 2015**  
(30) Convention priority data:  
(31) Number (32) Date (33) Country  
**899063501 09 Jun 2015 WORLD INTELLECTUAL**  
**PROPERTY ORGANIZATION**  
**(WIPO)**  
(56) Related Art Documents: **Not Applicable**  
(57) Statement of Newness and Distinctiveness: **Newness and distinctiveness resides in the visual features of shape, configuration, pattern and/or ornamentation of a toothbrush as shown in the accompanying representations. The features shown in broken lines are not part of the design and are to be disregarded when considering the overall impression of the design.**



(21) Design Number: **16667/2015**  
(22) Date of Filing Application: **09 December 2015**  
(24) Date from which industrial property rights may have effect: **09 December 2015**  
(54) Product in respect of which the design is registered: **Toothbrush**  
(51) International Design Classification: **04-02**  
(74) Name(s) of Attorney(s): **WATERMARK PATENT AND TRADE MARKS ATTORNEYS**  
(71) Name(s) and Address(s) of Applicant(s):  
**The Gillette Company**  
**One Gillette Park Boston Massachusetts, 02127 United States of America**  
(72) Name(s) of Designer(s): **Simone Bertrand and Marlis Hubner and Franziska Schmid**  
(45) Registration Date: **22 December 2015**  
(30) Convention priority data:  
(31) Number      (32) Date      (33) Country  
**899063501      09 Jun 2015      WORLD INTELLECTUAL PROPERTY ORGANIZATION (WIPO)**  
(56) Related Art Documents: **Not Applicable**  
(57) Statement of Newness and Distinctiveness: **Newness and distinctiveness resides in the visual features of shape, configuration, pattern and/or ornamentation of a toothbrush as shown in the accompanying representations. The features shown in broken lines are not part of the design and are to be disregarded when considering the overall impression of the design.**



(21) Design Number: **16668/2015**  
(22) Date of Filing Application: **09 December 2015**  
(24) Date from which industrial property rights may have effect: **09 December 2015**  
(54) Product in respect of which the design is registered: **Toothbrush**  
(51) International Design Classification: **04-02**  
(74) Name(s) of Attorney(s): **WATERMARK PATENT AND TRADE MARKS ATTORNEYS**  
(71) Name(s) and Address(s) of Applicant(s):  
**The Gillette Company**  
**One Gillette Park Boston Massachusetts, 02127 United States of America**  
(72) Name(s) of Designer(s): **Simone Bertrand and Marlis Hubner and Franziska Schmid**  
(45) Registration Date: **22 December 2015**  
(30) Convention priority data:  
(31) Number      (32) Date      (33) Country  
**899063501      09 Jun 2015      WORLD INTELLECTUAL PROPERTY ORGANIZATION (WIPO)**  
(56) Related Art Documents: **Not Applicable**  
(57) Statement of Newness and Distinctiveness: **Newness and distinctiveness resides in the visual features of shape, configuration, pattern and/or ornamentation of a toothbrush as shown in the accompanying representations.**



(21) Design Number: **16669/2015**  
(22) Date of Filing Application: **09 December 2015**  
(24) Date from which industrial property rights may have effect: **09 December 2015**  
(54) Product in respect of which the design is registered: **Toothbrush**  
(51) International Design Classification: **04-02**  
(74) Name(s) of Attorney(s): **WATERMARK PATENT AND TRADE MARKS ATTORNEYS**  
(71) Name(s) and Address(s) of Applicant(s):  
**The Gillette Company**  
**One Gillette Park Boston Massachusetts, 02127 United States of America**  
(72) Name(s) of Designer(s): **Simone Bertrand and Marlis Hubner and Franziska Schmid**  
(45) Registration Date: **22 December 2015**  
(30) Convention priority data:  
(31) Number      (32) Date      (33) Country  
**899063501      09 Jun 2015      WORLD INTELLECTUAL PROPERTY ORGANIZATION (WIPO)**  
(56) Related Art Documents: **Not Applicable**  
(57) Statement of Newness and Distinctiveness: **Newness and distinctiveness resides in the visual features of shape, configuration, pattern and/or ornamentation of a toothbrush as shown in the accompanying representations.**



(21) Design Number: **16670/2015**  
(22) Date of Filing Application: **09 December 2015**  
(24) Date from which industrial property rights may have effect: **09 December 2015**  
(54) Product in respect of which the design is registered: **Toothbrush**  
(51) International Design Classification: **04-02**  
(74) Name(s) of Attorney(s): **WATERMARK PATENT AND TRADE MARKS ATTORNEYS**  
(71) Name(s) and Address(s) of Applicant(s):  
**The Gillette Company**  
**One Gillette Park Boston Massachusetts, 02127 United States of America**  
(72) Name(s) of Designer(s): **Simone Bertrand and Marlis Hubner and Franziska Schmid**  
(45) Registration Date: **22 December 2015**  
(30) Convention priority data:  
(31) Number      (32) Date      (33) Country  
**899063501      09 Jun 2015      WORLD INTELLECTUAL PROPERTY ORGANIZATION (WIPO)**  
(56) Related Art Documents: **Not Applicable**  
(57) Statement of Newness and Distinctiveness: **Newness and distinctiveness resides in the visual features of shape, configuration, pattern and/or ornamentation of a toothbrush as shown in the accompanying representations.**



(21) Design Number: **16393/2015**  
(22) Date of Filing Application: **26 November 2015**  
(24) Date from which industrial property rights may have effect: **26 November 2015**  
(54) Product in respect of which the design is registered: **Locking or closing device**  
(51) International Design Classification: **08-07**  
(74) Name(s) of Attorney(s): **Cullens Pty Ltd**  
(71) Name(s) and Address(s) of Applicant(s):  
**Peri GmbH**  
**Rudolf-Diesel-Strasse Weissenhorn 89264 Germany**  
**Polytech Srl**  
**Via Galileo 10 Bolzano 39100 Italy**  
(72) Name(s) of Designer(s): **Kai Hollmann**  
(45) Registration Date: **22 December 2015**  
(30) Convention priority data:  
(31) Number      (32) Date      (33) Country  
**002709253**      **28 May 2015**      **OFFICE FOR HARMONISATION IN**  
**THE INTERNAL MARKET (OHIM)**  
(56) Related Art Documents: **Not Applicable**  
(57) Statement of Newness and Distinctiveness: **Nil**



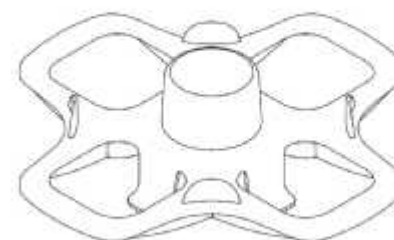
(21) Design Number: **16641/2015**  
(22) Date of Filing Application: **09 December 2015**  
(24) Date from which industrial property rights may have effect: **09 December 2015**  
(54) Product in respect of which the design is registered: **Battery-powered toy car**  
(51) International Design Classification: **21-01C**  
(74) Name(s) of Attorney(s): **Madderns**  
(71) Name(s) and Address(s) of Applicant(s):  
**Wen-Hsien Lee**  
**2F, No. 3, Lane 130 Minquan Road Xindian Dist. New Taipei City Taiwan**  
(72) Name(s) of Designer(s): **Wen-Hsien Lee**  
(45) Registration Date: **22 December 2015**  
(56) Related Art Documents: **Not Applicable**  
(57) Statement of Newness and Distinctiveness: **Newness and distinctiveness is claimed in the shape and configuration of a battery-powered toy car as depicted in the accompanying representations**



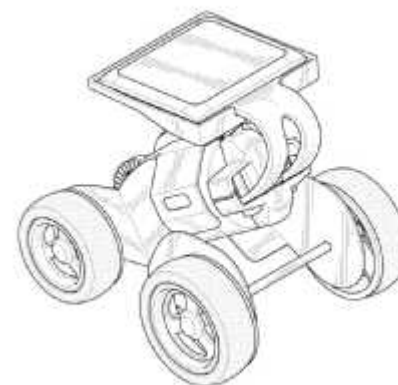
(21) Design Number: **16642/2015**  
(22) Date of Filing Application: **09 December 2015**  
(24) Date from which industrial property rights may have effect: **09 December 2015**  
(54) Product in respect of which the design is registered: **Bottle**  
(51) International Design Classification: **09-01NES**  
(74) Name(s) of Attorney(s): **FB Rice**  
(71) Name(s) and Address(s) of Applicant(s):  
**Colgate-Palmolive Company**  
**300 Park Avenue New York New York, 10022 United States of America**  
(72) Name(s) of Designer(s): **Scott Demarest and Michael Terranova and Patricia Leunis and Renee Marie Riethmiller**  
(45) Registration Date: **22 December 2015**  
(30) Convention priority data:  
(31) Number (32) Date (33) Country  
**29/529801 10 Jun 2015 UNITED STATES OF AMERICA**  
(56) Related Art Documents: **Not Applicable**  
(57) Statement of Newness and Distinctiveness: **Newness and distinctiveness reside in the features of shape and configuration of the design shown in solid lines in the representations excluding those features shown in broken lines.**



(21) Design Number: **16643/2015**  
(22) Date of Filing Application: **09 December 2015**  
(24) Date from which industrial property rights may have effect: **09 December 2015**  
(54) Product in respect of which the design is registered: **Accessory for electric low fat fryer**  
(51) International Design Classification: **07-02N**  
(74) Name(s) of Attorney(s): **Spruson & Ferguson**  
(71) Name(s) and Address(s) of Applicant(s):  
**SEB**  
**Selongey 21260 France**  
(72) Name(s) of Designer(s): **Laurent Dutruel**  
(45) Registration Date: **22 December 2015**  
(30) Convention priority data:  
(31) Number (32) Date (33) Country  
**002737445-0002 15 Jul 2015 OFFICE FOR HARMONISATION IN THE INTERNAL MARKET (OHIM)**  
(56) Related Art Documents: **Not Applicable**  
(57) Statement of Newness and Distinctiveness: **Newness and distinctiveness is claimed in the features of shape and/or configuration of an accessory for electronic low fat fryer as illustrated in the accompanying representations.**



(21) Design Number: **16644/2015**  
(22) Date of Filing Application: **09 December 2015**  
(24) Date from which industrial property rights may have effect: **09 December 2015**  
(54) Product in respect of which the design is registered: **Solar-powered toy car**  
(51) International Design Classification: **21-01C**  
(74) Name(s) of Attorney(s): **Madderns**  
(71) Name(s) and Address(s) of Applicant(s):  
**Wen-Hsien Lee**  
**2F, No. 3, Lane 130 Minquan Road Xindian Dist. New Taipei City Taiwan**  
(72) Name(s) of Designer(s): **Wen-Hsien Lee**  
(45) Registration Date: **22 December 2015**  
(56) Related Art Documents: **Not Applicable**  
(57) Statement of Newness and Distinctiveness: **Newness and distinctiveness is claimed in the shape and configuration of a solar-powered toy car as depicted in the accompanying representations**



(21) Design Number: **16649/2015**  
(22) Date of Filing Application: **09 December 2015**  
(24) Date from which industrial property rights may have effect: **09 December 2015**  
(54) Product in respect of which the design is registered: **Container with lid and drinking straw**  
(51) International Design Classification: **07-01NES, 07-01C, 09-07B**  
(74) Name(s) of Attorney(s): **PHILLIPS ORMONDE FITZPATRICK**  
(71) Name(s) and Address(s) of Applicant(s):  
**SharkNinja Operating LLC**  
**180 Wells Avenue Suite 200 Newton Massachusetts, 02459 United States of America**  
(72) Name(s) of Designer(s): **Daniel Kestenbaum and Devin Coakley**  
(45) Registration Date: **22 December 2015**  
(30) Convention priority data:  
(31) Number (32) Date (33) Country  
**29/532,028 01 Jul 2015 UNITED STATES OF AMERICA**  
(56) Related Art Documents: **Not Applicable**  
(57) Statement of Newness and Distinctiveness: **Those features of the container with lid and drinking straw depicted in the representations that are new and distinctive are the shape and/or configuration. The features shown in broken line are not part of the design and are to be disregarded when considering the overall impression of the design.**



(21) Design Number: **16650/2015**

(22) Date of Filing Application: **09 December 2015**

(24) Date from which industrial property rights may have effect: **09 December 2015**

(54) Product in respect of which the design is registered: **Container lid for use with a container**

(51) International Design Classification: **07-01NES, 09-07B**

(74) Name(s) of Attorney(s): **PHILLIPS ORMONDE FITZPATRICK**

(71) Name(s) and Address(s) of Applicant(s):

**SharkNinja Operating LLC**  
**180 Wells Avenue Suite 200 Newton Massachusetts, 02459 United States of America**

(72) Name(s) of Designer(s): **Daniel Kestenbaum and Devin Coakley**

(45) Registration Date: **22 December 2015**

(30) Convention priority data:

(31) Number	(32) Date	(33) Country
<b>29/532,028</b>	<b>01 Jul 2015</b>	<b>UNITED STATES OF AMERICA</b>

(56) Related Art Documents: **Not Applicable**

(57) Statement of Newness and Distinctiveness: **Those features of the container lid for use with container depicted in the representations that are new and distinctive are the shape and/or configuration. The features shown in broken line are not part of the design and are to be disregarded when considering the overall impression of the design.**



(21) Design Number: **16651/2015**

(22) Date of Filing Application: **09 December 2015**

(24) Date from which industrial property rights may have effect: **09 December 2015**

(54) Product in respect of which the design is registered: **Lid**

(51) International Design Classification: **07-01NES, 09-07B**

(74) Name(s) of Attorney(s): **PHILLIPS ORMONDE FITZPATRICK**

(71) Name(s) and Address(s) of Applicant(s):

**SharkNinja Operating LLC**  
**180 Wells Avenue Suite 200 Newton Massachusetts, 02459 United States of America**

(72) Name(s) of Designer(s): **Joyce Tu**

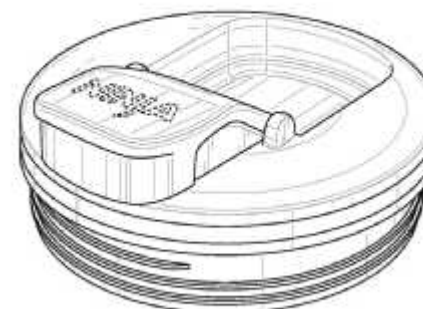
(45) Registration Date: **22 December 2015**

(30) Convention priority data:

(31) Number	(32) Date	(33) Country
<b>29/532,037</b>	<b>01 Jul 2015</b>	<b>UNITED STATES OF AMERICA</b>

(56) Related Art Documents: **Not Applicable**

(57) Statement of Newness and Distinctiveness: **Those features of the lid depicted in the representations that are new and distinctive are the shape and/or configuration. The features shown in broken lines are not part of the design and are to be disregarded when considering the overall impression of the design.**



(21) Design Number: **16652/2015**  
(22) Date of Filing Application: **09 December 2015**  
(24) Date from which industrial property rights may have effect: **09 December 2015**  
(54) Product in respect of which the design is registered: **A fan**  
(51) International Design Classification: **23-04**  
(74) Name(s) of Attorney(s): **Shelston IP Pty Ltd.**  
(71) Name(s) and Address(s) of Applicant(s):



**Dyson Technology Limited**  
**Tetbury Hill Malmesbury Wiltshire SN16 0RP United Kingdom**  
(72) Name(s) of Designer(s): **Roy Edward Poulton and Ben Thomas Edmonds and George Oram and Thomas Douglas Ridley and Leanne Joyce Garner and Adam James Bates and Peter David Gammack and William Richard Hunt and Richard John Fox**

(45) Registration Date: **22 December 2015**

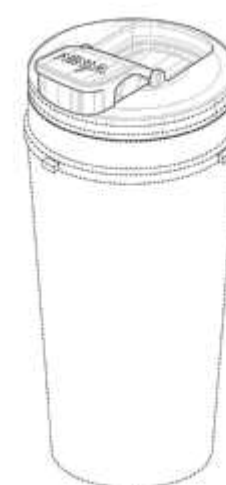
(30) Convention priority data:

(31) Number	(32) Date	(33) Country
<b>001435770-0006</b>	<b>11 Jun 2015</b>	<b>WORLD INTELLECTUAL PROPERTY ORGANIZATION (WIPO)</b>

(56) Related Art Documents: **Not Applicable**

(57) Statement of Newness and Distinctiveness: **Newness and distinctiveness reside in the features of shape and/or configuration of the frusto-conical top portion of the filter assembly of a FAN as illustrated in solid lines in the accompanying representations. The features shown in broken or discontinuous lines are illustrative only and do not form part of the design.**

(21) Design Number: **16653/2015**  
(22) Date of Filing Application: **09 December 2015**  
(24) Date from which industrial property rights may have effect: **09 December 2015**  
(54) Product in respect of which the design is registered: **Lid**  
(51) International Design Classification: **07-01NES, 09-07B**  
(74) Name(s) of Attorney(s): **PHILLIPS ORMONDE FITZPATRICK**  
(71) Name(s) and Address(s) of Applicant(s):



**SharkNinja Operating LLC**  
**180 Wells Avenue Suite 200 Newton Massachusetts, 02459 United States of America**

(72) Name(s) of Designer(s): **Joyce Tu**

(45) Registration Date: **22 December 2015**

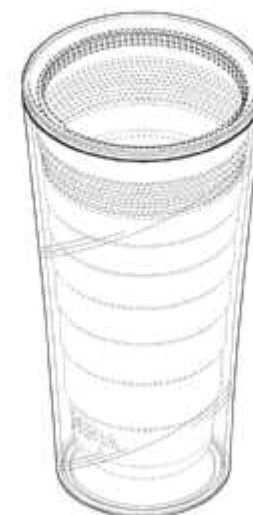
(30) Convention priority data:

(31) Number	(32) Date	(33) Country
<b>29/532,037</b>	<b>01 Jul 2015</b>	<b>UNITED STATES OF AMERICA</b>

(56) Related Art Documents: **Not Applicable**

(57) Statement of Newness and Distinctiveness: **Those features of the lid depicted in the representations that are new and distinctive are the shape and/or configuration. The features shown in broken lines are not part of the design and are to be disregarded when considering the overall impression of the design.**

(21) Design Number: **16654/2015**  
(22) Date of Filing Application: **09 December 2015**  
(24) Date from which industrial property rights may have effect: **09 December 2015**  
(54) Product in respect of which the design is registered: **Container**  
(51) International Design Classification: **07-01C**  
(74) Name(s) of Attorney(s): **PHILLIPS ORMONDE FITZPATRICK**  
(71) Name(s) and Address(s) of Applicant(s):  
**SharkNinja Operating LLC**  
**180 Wells Avenue Suite 200 Newton Massachusetts, 02459 United States of America**



(72) Name(s) of Designer(s): **Daniel Kestenbaum and Devin Coakley**  
(45) Registration Date: **22 December 2015**  
(30) Convention priority data:  
(31) Number      (32) Date      (33) Country  
**29/532,028      01 Jul 2015      UNITED STATES OF AMERICA**  
(56) Related Art Documents: **Not Applicable**  
(57) Statement of Newness and Distinctiveness: **Those features of the container depicted in the representations that are new and distinctive are the shape and/or configuration. The features shown in broken line are not part of the design and are to be disregarded when considering the overall impression of the design.**

(21) Design Number: **16655/2015**  
(22) Date of Filing Application: **09 December 2015**  
(24) Date from which industrial property rights may have effect: **09 December 2015**  
(54) Product in respect of which the design is registered: **Container**  
(51) International Design Classification: **07-01C**  
(74) Name(s) of Attorney(s): **PHILLIPS ORMONDE FITZPATRICK**  
(71) Name(s) and Address(s) of Applicant(s):  
**SharkNinja Operating LLC**  
**180 Wells Avenue Suite 200 Newton Massachusetts, 02459 United States of America**



(72) Name(s) of Designer(s): **Daniel Kestenbaum and Devin Coakley**  
(45) Registration Date: **22 December 2015**  
(30) Convention priority data:  
(31) Number      (32) Date      (33) Country  
**29/532,028      01 Jul 2015      UNITED STATES OF AMERICA**  
(56) Related Art Documents: **Not Applicable**  
(57) Statement of Newness and Distinctiveness: **Those features of the container depicted in the representations that are new and distinctive are the shape and/or configuration. The features shown in broken line are not part of the design and are to be disregarded when considering the overall impression of the design.**

- (21) Design Number: **16182/2015**  
(22) Date of Filing Application: **16 November 2015**  
(24) Date from which industrial property rights may have effect: **16 November 2015**  
(54) Product in respect of which the design is registered: **Leg brace**  
(51) International Design Classification: **07-02NES**  
(74) Name(s) of Attorney(s): **Spruson & Ferguson**  
(71) Name(s) and Address(s) of Applicant(s):  
**Shriro Australia Pty Limited**  
**104 Vanessa St Kingsgrove NSW 2208 Australia**  
(72) Name(s) of Designer(s): **David Mansueto and David Jones and Anson Li**  
(45) Registration Date: **22 December 2015**  
(56) Related Art Documents: **Not Applicable**  
(57) Statement of Newness and Distinctiveness: **Newness and distinctiveness is claimed in the features of shape and/or configuration of a leg brace as illustrated in the accompanying representations.**



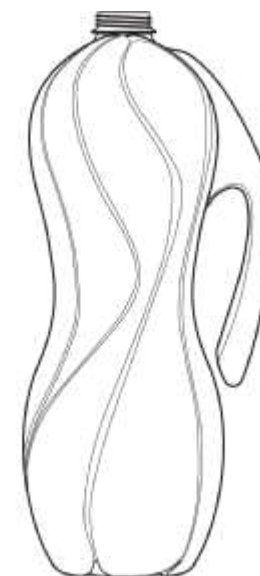
- (21) Design Number: **16671/2015**  
(22) Date of Filing Application: **09 December 2015**  
(24) Date from which industrial property rights may have effect: **09 December 2015**  
(54) Product in respect of which the design is registered: **Toothbrush**  
(51) International Design Classification: **04-02**  
(74) Name(s) of Attorney(s): **WATERMARK PATENT AND TRADE MARKS ATTORNEYS**  
(71) Name(s) and Address(s) of Applicant(s):  
**The Gillette Company**  
**One Gillette Park Boston Massachusetts, 02127 United States of America**  
(72) Name(s) of Designer(s): **Simone Bertrand and Marlis Hubner and Franziska Schmid**  
(45) Registration Date: **22 December 2015**  
(30) Convention priority data:  

(31) Number	(32) Date	(33) Country
<b>899063501</b>	<b>09 Jun 2015</b>	<b>WORLD INTELLECTUAL PROPERTY ORGANIZATION (WIPO)</b>

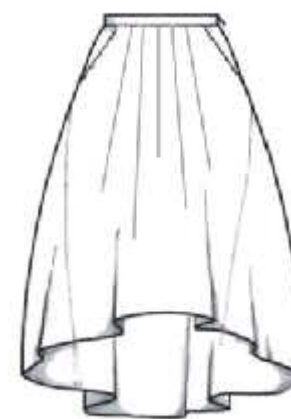
  
(56) Related Art Documents: **Not Applicable**  
(57) Statement of Newness and Distinctiveness: **Newness and distinctiveness resides in the visual features of shape, configuration, pattern and/or ornamentation of a toothbrush as shown in the accompanying representations.**



- (21) Design Number: **16690/2015**  
(22) Date of Filing Application: **09 December 2015**  
(24) Date from which industrial property rights may have effect: **09 December 2015**  
(54) Product in respect of which the design is registered: **Water bottle**  
(51) International Design Classification: **09-01B**  
(74) Name(s) of Attorney(s):  
(71) Name(s) and Address(s) of Applicant(s):  
    **Tania Dunduk**  
    **6 Todd St Port Adelaide SA 5015 Australia**  
    **Volodymyr Dunduk**  
    **6 Todd St Port Adelaide SA 5015 Australia**  
(72) Name(s) of Designer(s): **Tania Dunduk and Volodymyr Dunduk**  
(45) Registration Date: **22 December 2015**  
(56) Related Art Documents: **Not Applicable**  
(57) Statement of Newness and Distinctiveness: **Newness and distinctiveness reside in the features of shape and /or configuration of a water bottle illustrated in the accompanying representations.**



- (21) Design Number: **16702/2015**  
(22) Date of Filing Application: **10 December 2015**  
(24) Date from which industrial property rights may have effect: **14 May 2015**  
(54) Product in respect of which the design is registered: **Article of clothing**  
(51) International Design Classification: **02-02C**  
(74) Name(s) of Attorney(s): **Allens Patent & Trade Mark Attorneys**  
(71) Name(s) and Address(s) of Applicant(s):  
    **Forever New Clothing Pty Ltd**  
    **L4 Building 8 576 Swan St Richmond VIC 3121 Australia**  
(72) Name(s) of Designer(s): **Jennifer Hall**  
(45) Registration Date: **22 December 2015**  
(62) Divisional of: **366090**  
(56) Related Art Documents: **Not Applicable**  
(57) Statement of Newness and Distinctiveness: **Newness and distinctiveness resides in the visual features of shape, configuration, pattern and/or ornamentation of an article of clothing as shown in the accompanying representations.**



- (21) Design Number: **16703/2015**  
(22) Date of Filing Application: **10 December 2015**  
(24) Date from which industrial property rights may have effect: **14 May 2015**  
(54) Product in respect of which the design is registered: **Article of clothing**  
(51) International Design Classification: **02-02C**  
(74) Name(s) of Attorney(s): **Allens Patent & Trade Mark Attorneys**  
(71) Name(s) and Address(s) of Applicant(s):  
**Forever New Clothing Pty Ltd**  
**L4 Building 8 576 Swan St Richmond VIC 3121 Australia**  
(72) Name(s) of Designer(s): **Jennifer Hall**  
(45) Registration Date: **22 December 2015**  
(62) Divisional of: **366090**  
(56) Related Art Documents: **Not Applicable**  
(57) Statement of Newness and Distinctiveness: **Newness and distinctiveness resides in the visual features of shape, configuration, pattern and/or ornamentation of an article of clothing as shown in the accompanying representations.**



- (21) Design Number: **16704/2015**  
(22) Date of Filing Application: **10 December 2015**  
(24) Date from which industrial property rights may have effect: **14 May 2015**  
(54) Product in respect of which the design is registered: **Article of clothing**  
(51) International Design Classification: **02-02C**  
(74) Name(s) of Attorney(s): **Allens Patent & Trade Mark Attorneys**  
(71) Name(s) and Address(s) of Applicant(s):  
**Forever New Clothing Pty Ltd**  
**L4 Building 8 576 Swan St Richmond VIC 3121 Australia**  
(72) Name(s) of Designer(s): **Stephanie Carver**  
(45) Registration Date: **22 December 2015**  
(62) Divisional of: **366090**  
(56) Related Art Documents: **Not Applicable**  
(57) Statement of Newness and Distinctiveness: **Newness and distinctiveness resides in the visual features of shape, configuration, pattern and/or ornamentation of an article of clothing as shown in the accompanying representations.**



- (21) Design Number: **16705/2015**  
(22) Date of Filing Application: **10 December 2015**  
(24) Date from which industrial property rights may have effect: **14 May 2015**  
(54) Product in respect of which the design is registered: **Article of clothing**  
(51) International Design Classification: **02-02C**  
(74) Name(s) of Attorney(s): **Allens Patent & Trade Mark Attorneys**  
(71) Name(s) and Address(s) of Applicant(s):  
**Forever New Clothing Pty Ltd**  
**L4 Building 8 576 Swan St Richmond VIC 3121 Australia**  
(72) Name(s) of Designer(s): **Stephanie Carver**  
(45) Registration Date: **22 December 2015**  
(62) Divisional of: **366090**  
(56) Related Art Documents: **Not Applicable**  
(57) Statement of Newness and Distinctiveness: **Newness and distinctiveness resides in the visual features of shape, configuration, pattern and/or ornamentation of an article of clothing as shown in the accompanying representations.**



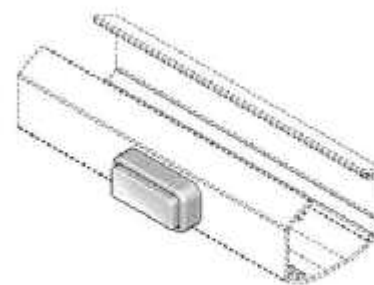
- (21) Design Number: **16706/2015**  
(22) Date of Filing Application: **10 December 2015**  
(24) Date from which industrial property rights may have effect: **14 May 2015**  
(54) Product in respect of which the design is registered: **Article of clothing**  
(51) International Design Classification: **02-02NES**  
(74) Name(s) of Attorney(s): **Allens Patent & Trade Mark Attorneys**  
(71) Name(s) and Address(s) of Applicant(s):  
**Forever New Clothing Pty Ltd**  
**L4 Building 8 576 Swan St Richmond VIC 3121 Australia**  
(72) Name(s) of Designer(s): **Octavia Miller**  
(45) Registration Date: **22 December 2015**  
(62) Divisional of: **366090**  
(56) Related Art Documents: **Not Applicable**  
(57) Statement of Newness and Distinctiveness: **Newness and distinctiveness resides in the visual features of shape, configuration, pattern and/or ornamentation of an article of clothing as shown in the accompanying representations.**



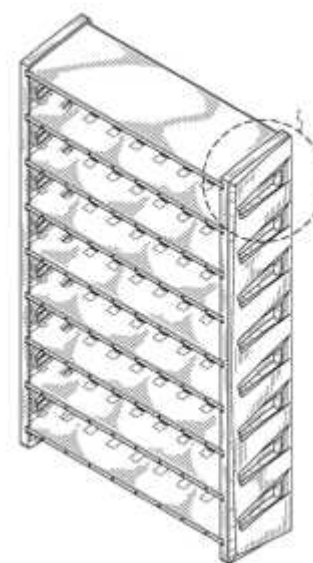
- (21) Design Number: **16707/2015**  
(22) Date of Filing Application: **10 December 2015**  
(24) Date from which industrial property rights may have effect: **14 May 2015**  
(54) Product in respect of which the design is registered: **Article of clothing**  
(51) International Design Classification: **02-02NES**  
(74) Name(s) of Attorney(s): **Allens Patent & Trade Mark Attorneys**  
(71) Name(s) and Address(s) of Applicant(s):  
**Forever New Clothing Pty Ltd**  
**L4 Building 8 576 Swan St Richmond VIC 3121 Australia**  
(72) Name(s) of Designer(s): **Octavia Miller**  
(45) Registration Date: **22 December 2015**  
(62) Divisional of: **366090**  
(56) Related Art Documents: **Not Applicable**  
(57) Statement of Newness and Distinctiveness: **Newness and distinctiveness resides in the visual features of shape, configuration, pattern and/or ornamentation of an article of clothing as shown in the accompanying representations.**



- (21) Design Number: **15073/2015**  
(22) Date of Filing Application: **28 September 2015**  
(24) Date from which industrial property rights may have effect: **28 September 2015**  
(54) Product in respect of which the design is registered: **Button for a Window Covering**  
(51) International Design Classification: **08-99**  
(74) Name(s) of Attorney(s):  
(71) Name(s) and Address(s) of Applicant(s):  
**Hunter Douglas Inc.**  
**1 Blue Hill Plaza Pearl River New York, 10965 United States of America**  
(72) Name(s) of Designer(s): **Richard Anderson and Dwain Poynter and Fred Bould and Winslo Harte**  
(45) Registration Date: **23 December 2015**  
(30) Convention priority data:  
(31) Number (32) Date (33) Country  
**29-522083 27 Mar 2015 UNITED STATES OF AMERICA**  
(56) Related Art Documents: **Not Applicable**  
(57) Statement of Newness and Distinctiveness: **Nil**



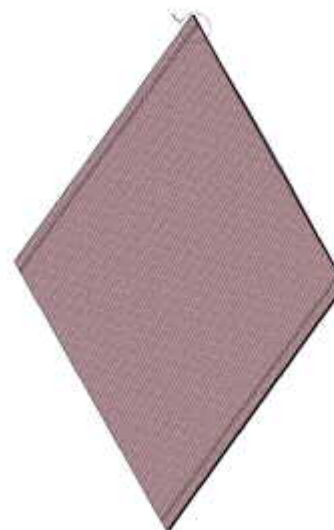
- (21) Design Number: **15266/2015**  
(22) Date of Filing Application: **08 October 2015**  
(24) Date from which industrial property rights may have effect: **08 October 2015**  
(54) Product in respect of which the design is registered: **Display rack for modular bin system**  
(51) International Design Classification: **20-02E**  
(74) Name(s) of Attorney(s): **PHILLIPS ORMONDE FITZPATRICK**  
(71) Name(s) and Address(s) of Applicant(s):  
**Apex Industrial Technologies LLC**  
**4393 Digital Way Mason Ohio, 45040 United States Of America**  
(72) Name(s) of Designer(s): **Jaclyn Lowery and Craig S. Whitaker**  
(45) Registration Date: **23 December 2015**  
(30) Convention priority data:  
(31) Number (32) Date (33) Country  
**29/523,603 10 Apr 2015 UNITED STATES OF AMERICA**  
(56) Related Art Documents: **Not Applicable**  
(57) Statement of Newness and Distinctiveness: **Newness and distinctiveness resides in the shape and/or configuration of the display rack for modular bin system shown in the continuous lines in the accompanying representations. The features shown in broken lines are not part of the design and are to be disregarded when considering the overall impression of the design.**



- (21) Design Number: **15333/2015**  
(22) Date of Filing Application: **09 October 2015**  
(24) Date from which industrial property rights may have effect: **09 October 2015**  
(54) Product in respect of which the design is registered: **Bonded dual layer sterile wrap**  
(51) International Design Classification: **24-04**  
(74) Name(s) of Attorney(s): **IP Gateway Patent & Trade Mark Attorneys Pty Ltd**  
(71) Name(s) and Address(s) of Applicant(s):  
**Medline Industries, Inc.**  
**One Medline Place Mundelein Illinois, 60060 United States of America**  
(72) Name(s) of Designer(s): **Dixit Gandhi and Robert A. Lockwood and Francis A. Czajka, Jr.**  
(45) Registration Date: **23 December 2015**  
(30) Convention priority data:  
(31) Number (32) Date (33) Country  
**29/523,443 09 Apr 2015 UNITED STATES OF AMERICA**  
(56) Related Art Documents: **Not Applicable**  
(57) Statement of Newness and Distinctiveness: **Newness and distinctiveness reside in the following visual features of pattern and ornamentation of a bonded dual layer sterile wrap as shown in the representations, an embossing pattern; a blue and a pink layer forming first and second sides of the wrap; each layer having an exterior face, and first and second sets of two opposing edges; each exterior having respective two spaced-apart thin and parallel blue or pink linear bonded sections extending from the first to the second of the first set of edges; the area between each bonded section being free of bonding; each bonded section having a first bonded section positioned near and parallel to a first of the second set of edges, and a second bonded section positioned near and parallel to a second of the second set of edges; each of the second set of edges of both layers having no bonding. When considering newness and distinctiveness the specific patterning of the bonded sections should be given minimum emphasis.**



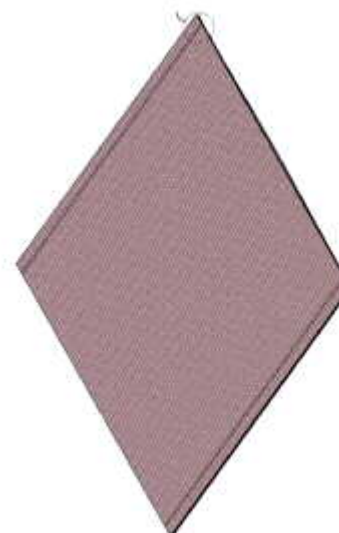
(21) Design Number: **15334/2015**  
(22) Date of Filing Application: **09 October 2015**  
(24) Date from which industrial property rights may have effect: **09 October 2015**  
(54) Product in respect of which the design is registered: **Bonded dual layer sterile wrap**  
(51) International Design Classification: **24-04**  
(74) Name(s) of Attorney(s): **IP Gateway Patent & Trade Mark Attorneys Pty Ltd**  
(71) Name(s) and Address(s) of Applicant(s):  
**Medline Industries, Inc.**  
**One Medline Place Mundelein Illinois, 60060 United States of America**  
(72) Name(s) of Designer(s): **Dixit Gandhi and Robert A. Lockwood and Francis A. Czajka**  
(45) Registration Date: **23 December 2015**  
(30) Convention priority data:  
(31) Number (32) Date (33) Country  
**29/523,443 09 Apr 2015 UNITED STATES OF AMERICA**  
(56) Related Art Documents: **Not Applicable**  
(57) Statement of Newness and Distinctiveness: **Newness and distinctiveness reside in the visual features of pattern and ornamentation of a bonded dual layer sterile wrap comprising, as shown in the representations, an embossing pattern; a first layer of a first colour forming a first side of the wrap; a second layer of a contrasting colour forming a second side of the wrap.**



(21) Design Number: **15335/2015**  
(22) Date of Filing Application: **09 October 2015**  
(24) Date from which industrial property rights may have effect: **09 October 2015**  
(54) Product in respect of which the design is registered: **Bonded dual layer sterile wrap**  
(51) International Design Classification: **24-04**  
(74) Name(s) of Attorney(s): **IP Gateway Patent & Trade Mark Attorneys Pty Ltd**  
(71) Name(s) and Address(s) of Applicant(s):  
**Medline Industries, Inc.**  
**One Medline Place Mundelein Illinois, 60060 United States of America**  
(72) Name(s) of Designer(s): **Dixit Gandhi and Robert A. Lockwood and Francis A. Czajka**  
(45) Registration Date: **23 December 2015**  
(30) Convention priority data:  
(31) Number (32) Date (33) Country  
**29/523,443 09 Apr 2015 UNITED STATES OF AMERICA**  
(56) Related Art Documents: **Not Applicable**  
(57) Statement of Newness and Distinctiveness: **Newness and distinctiveness reside in the following visual features of pattern and ornamentation of a bonded dual layer sterile wrap as shown in the representations, an embossing pattern; rectangular blue and pink layers forming respective first and second sides of the wrap; each of the respective layers having an exterior face and a first and a second set of two opposing edges; the exterior face of each of the blue and pink layers respectively having two spaced-apart thin and parallel blue or pink bonded sections extending from the first to the second of the first set of edges, the area between each said two blue and pink bonded sections being free of bonding; each of said two blue and pink bonded sections having a first bonded section positioned near and parallel to a first of the second set of edges, and a second bonded section positioned near parallel to a second of the second set of edges; the second set of edges of each of the blue and pink layers having no bonding.**



- (21) Design Number: **15340/2015**  
(22) Date of Filing Application: **09 October 2015**  
(24) Date from which industrial property rights may have effect: **09 October 2015**  
(54) Product in respect of which the design is registered: **Bonded dual layer sterile wrap**  
(51) International Design Classification: **24-04**  
(74) Name(s) of Attorney(s): **IP Gateway Patent & Trade Mark Attorneys Pty Ltd**  
(71) Name(s) and Address(s) of Applicant(s):  
**Medline Industries, Inc.**  
**One Medline Place Mundelein Illinois, 60060 United States of America**  
(72) Name(s) of Designer(s): **Dixit Gandhi and Robert A. Lockwood and Francis A. Czajka**  
(45) Registration Date: **23 December 2015**  
(30) Convention priority data:  
(31) Number (32) Date (33) Country  
**29/523,443 09 Apr 2015 UNITED STATES OF AMERICA**  
(56) Related Art Documents: **Not Applicable**  
(57) Statement of Newness and Distinctiveness: **Newness and distinctiveness reside in the visual features of pattern and ornamentation of a bonded dual layer sterile wrap comprising, as shown in the representations, a first layer of a blue colour forming a first side of the wrap; a second layer of a contrasting colour forming a second side of the wrap. When considering newness and distinctiveness the specific patterning of the of the two parallel bonded sections that extend from one edge of the wrap to an opposed edge of the wrap should be given a minimum**



- (21) Design Number: **15358/2015**  
(22) Date of Filing Application: **12 October 2015**  
(24) Date from which industrial property rights may have effect: **12 October 2015**  
(54) Product in respect of which the design is registered: **A dress**  
(51) International Design Classification: **02-02C**  
(74) Name(s) of Attorney(s): **Clifford Gouldson Lawyers**  
(71) Name(s) and Address(s) of Applicant(s):  
**SMOKE & MIRRORS BOUTIQUE PTY LTD**  
**440 Ruthven St Toowoomba City QLD, 4350 Australia**  
(72) Name(s) of Designer(s): **Brooke Denise Jones**  
(45) Registration Date: **23 December 2015**  
(56) Related Art Documents: **Not Applicable**  
(57) Statement of Newness and Distinctiveness: **Newness and distinctiveness is claimed in the shape and potential configurations of the garment, as shown in the representations.**

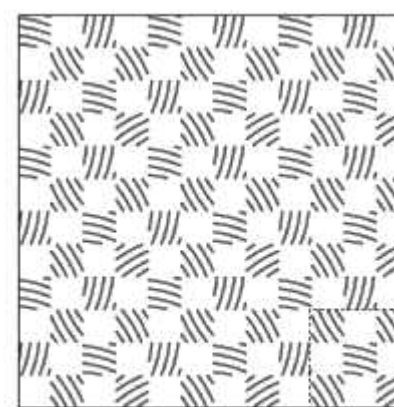


(21) Design Number: **15830/2015**  
(22) Date of Filing Application: **30 October 2015**  
(24) Date from which industrial property rights may have effect: **30 October 2015**  
(54) Product in respect of which the design is registered: **Tire**  
(51) International Design Classification: **12-15A**  
(74) Name(s) of Attorney(s): **PHILLIPS ORMONDE FITZPATRICK**  
(71) Name(s) and Address(s) of Applicant(s):  
**Cooper Tire & Rubber Company**  
**701 Lima Avenue Findlay Ohio, 45840 United States of America**  
(72) Name(s) of Designer(s): **Chelsea L Schuessler**  
(45) Registration Date: **23 December 2015**  
(30) Convention priority data:  
(31) Number (32) Date (33) Country  
**29/531,442 25 Jun 2015 UNITED STATES OF AMERICA**  
(56) Related Art Documents: **Not Applicable**



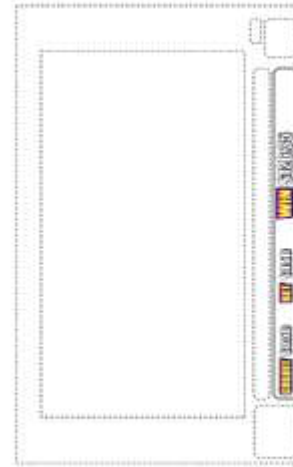
(57) Statement of Newness and Distinctiveness: **Those features of the tire depicted in the representations that are new and distinctive are the shape and/or configuration of the tread of the tire. The broken lines and the regions there between defining the inner bead and the sidewall depict subject matter that forms no part of the claimed tire tread design, and are included for the purpose of illustrating the full tire. The tread pattern is understood to repeat throughout the circumference of the tire. The other side view is identical to the illustrated side view.**

(21) Design Number: **16001/2015**  
(22) Date of Filing Application: **10 November 2015**  
(24) Date from which industrial property rights may have effect: **10 November 2015**  
(54) Product in respect of which the design is registered: **A paper product**  
(51) International Design Classification: **05-06NES**  
(74) Name(s) of Attorney(s): **Spruson & Ferguson**  
(71) Name(s) and Address(s) of Applicant(s):  
**Kimberly-Clark Worldwide, Inc.**  
**2300 Winchester Road, Neenah\_Wisconsin, 54956 United States of America**  
(72) Name(s) of Designer(s): **Nuno Azeredo and Karen Hunter and Juan P. Aragon and Marvin E. Swails and Holly K. Kowalski and Sarah McMahon**  
(45) Registration Date: **23 December 2015**  
(30) Convention priority data:  
(31) Number (32) Date (33) Country  
**29/527121 15 May 2015 UNITED STATES OF AMERICA**  
(56) Related Art Documents: **Not Applicable**

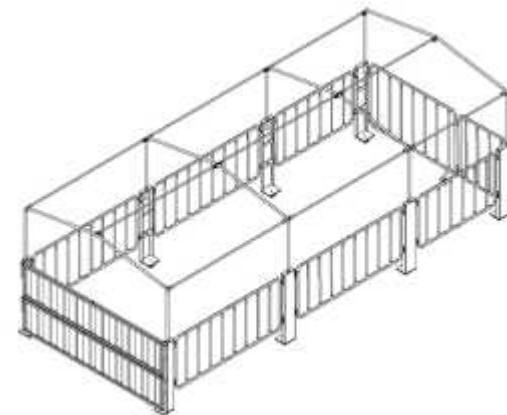


(57) Statement of Newness and Distinctiveness: **Newness and distinctiveness is claimed in the features of pattern and/or ornamentation of a paper product as illustrated in the accompanying representations wherein the product has a pattern that repeats itself, one unit of the pattern shown bounded by broken lines in the enlarged view.**

- (21) Design Number: **16352/2015**  
(22) Date of Filing Application: **24 November 2015**  
(24) Date from which industrial property rights may have effect: **23 September 2015**  
(54) Product in respect of which the design is registered: **Display screen with graphical user interface**  
(51) International Design Classification: **14-02**  
(74) Name(s) of Attorney(s): **Shelston IP Pty Ltd.**  
(71) Name(s) and Address(s) of Applicant(s):  
**Ainsworth Game Technology Limited**  
**10 Holker St Newington NSW 2127 Australia**  
(72) Name(s) of Designer(s): **Melinda Parr**  
(45) Registration Date: **23 December 2015**  
(62) Divisional of: **365635**  
(56) Related Art Documents: **Not Applicable**  
(57) Statement of Newness and Distinctiveness: **Newness and distinctiveness reside in the features of pattern and/or ornamentation of the display screen with graphical user interface illustrated by solid lines in the representations. The alphanumeric characters depicted are indicative only, and may be substituted by alternative symbols or alphanumeric characters. The features shown in broken outline are for contextual purposes only and do not form part of the design.**



- (21) Design Number: **16549/2015**  
(22) Date of Filing Application: **04 December 2015**  
(24) Date from which industrial property rights may have effect: **04 December 2015**  
(54) Product in respect of which the design is registered: **Cargo gate kit**  
(51) International Design Classification: **25-03**  
(74) Name(s) of Attorney(s): **Pizzeys Patent and Trade Mark Attorneys Pty Ltd**  
(71) Name(s) and Address(s) of Applicant(s):  
**Sea Box International Pty Ltd**  
**17 Isa Street Fyshwick ACT 2609 Australia**  
(72) Name(s) of Designer(s): **Shaun Moore and Bruce Power and Thomas Egan and Jason Mogg and Michael Brown and Stephen Travis**  
(45) Registration Date: **23 December 2015**  
(56) Related Art Documents: **Not Applicable**  
(57) Statement of Newness and Distinctiveness: **The newness and distinctiveness of the design resides in the features of shape and/or configuration shown in unbroken lines in the accompanying representations.**



(21) Design Number: **16648/2015**  
(22) Date of Filing Application: **09 December 2015**  
(24) Date from which industrial property rights may have effect: **09 December 2015**  
(54) Product in respect of which the design is registered: **Container lid for use with a container and drinking straw**  
(51) International Design Classification: **07-01NES, 09-07B**  
(74) Name(s) of Attorney(s): **PHILLIPS ORMONDE FITZPATRICK**  
(71) Name(s) and Address(s) of Applicant(s):  
**SharkNinja Operating LLC**  
**180 Wells Avenue Suite 200 Newton Massachusetts, 02459 United States of America**



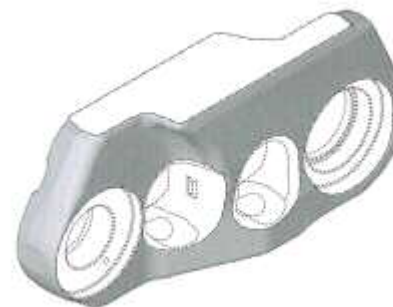
(72) Name(s) of Designer(s): **Daniel Kestenbaum and Devin Coakley**  
(45) Registration Date: **23 December 2015**  
(30) Convention priority data:  
(31) Number      (32) Date      (33) Country  
**29/532,028      01 Jul 2015      UNITED STATES OF AMERICA**  
(56) Related Art Documents: **Not Applicable**  
(57) Statement of Newness and Distinctiveness: **Those features of the container lid for use with a container and drinking straw depicted in the representations that are new and distinctive are the shape and/or configuration. The features shown in broken line are not part of the design and are to be disregarded when considering the overall impression of the design.**

(21) Design Number: **16685/2015**  
(22) Date of Filing Application: **09 December 2015**  
(24) Date from which industrial property rights may have effect: **09 December 2015**  
(54) Product in respect of which the design is registered: **Footwear**  
(51) International Design Classification: **02-04NES**  
(74) Name(s) of Attorney(s): **Gilbert + Tobin Lawyers**  
(71) Name(s) and Address(s) of Applicant(s):  
**J Bloch Pty Ltd**  
**L7/131 York St Sydney NSW 2000 Australia**



(72) Name(s) of Designer(s): **David Fox**  
(45) Registration Date: **23 December 2015**  
(30) Convention priority data:  
(31) Number      (32) Date      (33) Country  
**29/529,800      10 Jun 2015      UNITED STATES OF AMERICA**  
(56) Related Art Documents: **Not Applicable**  
(57) Statement of Newness and Distinctiveness: **Nil**

(21) Design Number: **16710/2015**  
(22) Date of Filing Application: **10 December 2015**  
(24) Date from which industrial property rights may have effect: **01 October 2015**  
(54) Product in respect of which the design is registered: **Track links**  
(51) International Design Classification: **15-99**  
(74) Name(s) of Attorney(s): **IP Gateway Patent & Trade Mark Attorneys Pty Ltd**  
(71) Name(s) and Address(s) of Applicant(s):  
**Caterpillar Inc.**  
**100 NE Adams Street Peoria Illinois, 61629 United States of America**  
(72) Name(s) of Designer(s): **Daniel Knobloch and Mark Diekevers and Timothy Thorson and Caroline Brewer and Gregory Kaufmann and Kevin Steiner and Temitope Akinlua and Martin Tagore Joseph Xavier**  
(45) Registration Date: **23 December 2015**  
(30) Convention priority data:  
(31) Number (32) Date (33) Country  
**29/522,677 01 Apr 2015 UNITED STATES OF AMERICA**  
(62) Divisional of: **366092**  
(56) Related Art Documents: **Not Applicable**  
(57) Statement of Newness and Distinctiveness: **Newness and distinctiveness reside in the visual features of shape and configuration which are shown by the grey-shaded solid surfaces, and/or by solid lines, in the accompanying representations. Visual features shown in broken lines should be given minimum regard. The broken dot-and-dash lines indicate boundaries between the visual features which are stated herein to be new and distinctive and those which are not stated herein to be new and distinctive: the broken dot-and-dash lines themselves do not form part of the design. The solid surfaces, represented in grey, represent shape, configuration and surface contour: surface ornamentation and colour do not form part of the design.**



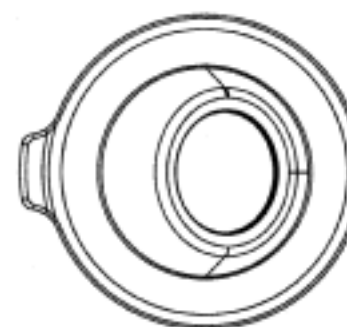
(21) Design Number: **16711/2015**  
(22) Date of Filing Application: **10 December 2015**  
(24) Date from which industrial property rights may have effect: **10 December 2015**  
(54) Product in respect of which the design is registered: **A communications device mounting assembly**  
(51) International Design Classification: **08-08NES**  
(74) Name(s) of Attorney(s): **Spruson & Ferguson**  
(71) Name(s) and Address(s) of Applicant(s):  
**Thru2Market Solutions (HK) Limited**  
**Flat A G/F On Ho Industrial Building 17-19 Shing Wan Road, Shatin Hong Kong**  
(72) Name(s) of Designer(s): **Adam Hobbs and Robert Tiller**  
(45) Registration Date: **23 December 2015**  
(56) Related Art Documents: **Not Applicable**  
(57) Statement of Newness and Distinctiveness: **Newness and distinctiveness is claimed in the features of shape and/or configuration of a communications device mounting assembly as illustrated in the accompanying representations.**



- (21) Design Number: **16712/2015**  
(22) Date of Filing Application: **10 December 2015**  
(24) Date from which industrial property rights may have effect: **10 December 2015**  
(54) Product in respect of which the design is registered: **A communications device mounting assembly**  
(51) International Design Classification: **14-03NES**  
(74) Name(s) of Attorney(s): **Spruson & Ferguson**  
(71) Name(s) and Address(s) of Applicant(s):  
**Thru2Market Solutions (HK) Limited**  
**Flat A G/F On Ho Industrial Building 17-19 Shing Wan Road Shatin Hong Kong**  
(72) Name(s) of Designer(s): **Adam Hobbs and Robert Tiller**  
(45) Registration Date: **23 December 2015**  
(56) Related Art Documents: **Not Applicable**  
(57) Statement of Newness and Distinctiveness: **Newness and distinctiveness is claimed in the features of shape and/or configuration of a communications device mounting assembly as illustrated in the accompanying representations.**



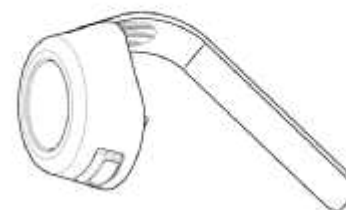
- (21) Design Number: **16713/2015**  
(22) Date of Filing Application: **10 December 2015**  
(24) Date from which industrial property rights may have effect: **10 December 2015**  
(54) Product in respect of which the design is registered: **A communications device mounting assembly**  
(51) International Design Classification: **14-03NES**  
(74) Name(s) of Attorney(s): **Spruson & Ferguson**  
(71) Name(s) and Address(s) of Applicant(s):  
**Thru2Market Solutions (HK) Limited**  
**Flat A G/F On Ho Industrial Building 17-19 Shing Wan Road Shatin Hong Kong**  
(72) Name(s) of Designer(s): **Adam Hobbs and Robert Tiller**  
(45) Registration Date: **23 December 2015**  
(56) Related Art Documents: **Not Applicable**  
(57) Statement of Newness and Distinctiveness: **Newness and distinctiveness is claimed in the features of shape and/or configuration of a communications device mounting assembly as illustrated in the accompanying representations.**



- (21) Design Number: **16714/2015**  
(22) Date of Filing Application: **10 December 2015**  
(24) Date from which industrial property rights may have effect: **10 December 2015**  
(54) Product in respect of which the design is registered: **A communications device mounting assembly**  
(51) International Design Classification: **14-03NES, 08-08NES**  
(74) Name(s) of Attorney(s): **Spruson & Ferguson**  
(71) Name(s) and Address(s) of Applicant(s):  
**Thru2Market Solutions (HK) Limited**  
**Flat A G/F On Ho Industrial Building 17-19 Shing Wan Road, Shatin Hong Kong**  
(72) Name(s) of Designer(s): **Adam Hobbs and Robert Tiller**  
(45) Registration Date: **23 December 2015**  
(56) Related Art Documents: **Not Applicable**  
(57) Statement of Newness and Distinctiveness: **Newness and distinctiveness is claimed in the features of shape and/or configuration of a communications device mounting assembly as illustrated in the accompanying representations.**



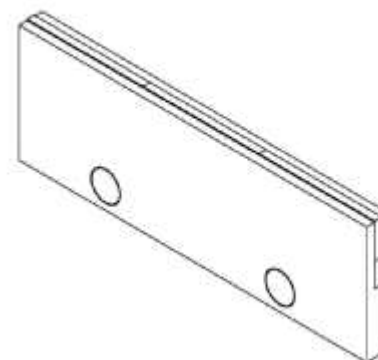
- (21) Design Number: **16715/2015**  
(22) Date of Filing Application: **10 December 2015**  
(24) Date from which industrial property rights may have effect: **10 December 2015**  
(54) Product in respect of which the design is registered: **A communications device mounting assembly**  
(51) International Design Classification: **14-03NES, 08-08NES**  
(74) Name(s) of Attorney(s): **Spruson & Ferguson**  
(71) Name(s) and Address(s) of Applicant(s):  
**Thru2Market Solutions (HK) Limited**  
**Flat A G/F On Ho Industrial Building 17-19 Shing Wan Road, Shatin Hong Kong**  
(72) Name(s) of Designer(s): **Adam Hobbs and Robert Tiller**  
(45) Registration Date: **23 December 2015**  
(56) Related Art Documents: **Not Applicable**  
(57) Statement of Newness and Distinctiveness: **Newness and distinctiveness is claimed in the features of shape and/or configuration of a communications device mounting assembly as illustrated in the accompanying representations.**



(21) Design Number: **16092/2015**  
(22) Date of Filing Application: **13 November 2015**  
(24) Date from which industrial property rights may have effect: **13 November 2015**  
(54) Product in respect of which the design is registered: **Dish**  
(51) International Design Classification: **07-01B**  
(74) Name(s) of Attorney(s): **Davies Collison Cave**  
(71) Name(s) and Address(s) of Applicant(s):  
**Future Cups GmbH & Co. KG**  
**Grindelallee 25 Hamburg 20146 Germany**  
(72) Name(s) of Designer(s): **Jens Hinze**  
(45) Registration Date: **23 December 2015**  
(30) Convention priority data:  
(31) Number (32) Date (33) Country  
**DM/087193 15 May 2015 WORLD INTELLECTUAL**  
**PROPERTY ORGANIZATION**  
**(WIPO)**  
(56) Related Art Documents: **Not Applicable**  
(57) Statement of Newness and Distinctiveness: **Nil**



(21) Design Number: **16385/2015**  
(22) Date of Filing Application: **26 November 2015**  
(24) Date from which industrial property rights may have effect: **26 November 2015**  
(54) Product in respect of which the design is registered: **Conveyor belt cleaning tip**  
(51) International Design Classification: **15-05, 12-05**  
(74) Name(s) of Attorney(s): **Spruson & Ferguson**  
(71) Name(s) and Address(s) of Applicant(s):  
**Flexco (Aust) Pty. Ltd.**  
**10 Solent Crt Baulkham Hills NSW 2153 Australia**  
(72) Name(s) of Designer(s): **Simon Amery and Garth Nolan**  
(45) Registration Date: **23 December 2015**  
(56) Related Art Documents: **Not Applicable**  
(57) Statement of Newness and Distinctiveness: **Newness and distinctiveness is claimed in the features of shape and/or configuration of the blades stacked in the channel of a conveyor belt cleaning tip as illustrated in the accompanying representations.**



(21) Design Number: **16386/2015**  
(22) Date of Filing Application: **26 November 2015**  
(24) Date from which industrial property rights may have effect: **26 November 2015**  
(54) Product in respect of which the design is registered: **Metering pump**  
(51) International Design Classification: **15-02**  
(74) Name(s) of Attorney(s): **WATERMARK PATENT AND TRADE MARKS ATTORNEYS**  
(71) Name(s) and Address(s) of Applicant(s):  
**Dosatron International**  
**Rue Pascal Tresses Bordeaux 33370 France**  
(72) Name(s) of Designer(s): **Christophe Charriere**  
(45) Registration Date: **23 December 2015**  
(30) Convention priority data:  
(31) Number (32) Date (33) Country  
**002721845-0001 18 Jun 2015 OFFICE FOR HARMONISATION IN THE INTERNAL MARKET (OHIM)**  
(56) Related Art Documents: **Not Applicable**  
(57) Statement of Newness and Distinctiveness: **Nil**



(21) Design Number: **16387/2015**  
(22) Date of Filing Application: **26 November 2015**  
(24) Date from which industrial property rights may have effect: **26 November 2015**  
(54) Product in respect of which the design is registered: **Control box**  
(51) International Design Classification: **15-02**  
(74) Name(s) of Attorney(s): **WATERMARK PATENT AND TRADE MARKS ATTORNEYS**  
(71) Name(s) and Address(s) of Applicant(s):  
**Dosatron International**  
**Rue Pascal Tresses Bordeaux 33370 France**  
(72) Name(s) of Designer(s): **Christophe Charriere**  
(45) Registration Date: **23 December 2015**  
(30) Convention priority data:  
(31) Number (32) Date (33) Country  
**002721845-0002 18 Jun 2015 OFFICE FOR HARMONISATION IN THE INTERNAL MARKET (OHIM)**  
(56) Related Art Documents: **Not Applicable**  
(57) Statement of Newness and Distinctiveness: **Nil**



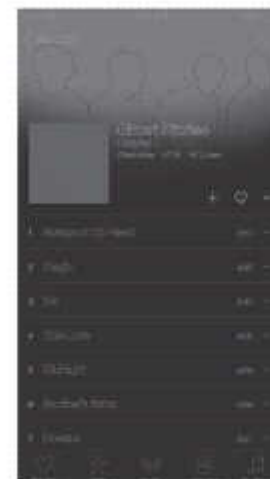
(21) Design Number: **16388/2015**  
(22) Date of Filing Application: **26 November 2015**  
(24) Date from which industrial property rights may have effect: **26 November 2015**  
(54) Product in respect of which the design is registered: **Control box**  
(51) International Design Classification: **15-02**  
(74) Name(s) of Attorney(s): **WATERMARK PATENT AND TRADE MARKS ATTORNEYS**  
(71) Name(s) and Address(s) of Applicant(s):  
**Dosatron International**  
**Rue Pascal Tresses Bordeaux 33370 France**  
(72) Name(s) of Designer(s): **Christophe Charriere**  
(45) Registration Date: **23 December 2015**  
(30) Convention priority data:  
(31) Number (32) Date (33) Country  
**002721845-0003 18 Jun 2015 OFFICE FOR HARMONISATION IN THE INTERNAL MARKET (OHIM)**  
(56) Related Art Documents: **Not Applicable**  
(57) Statement of Newness and Distinctiveness: **Nil**



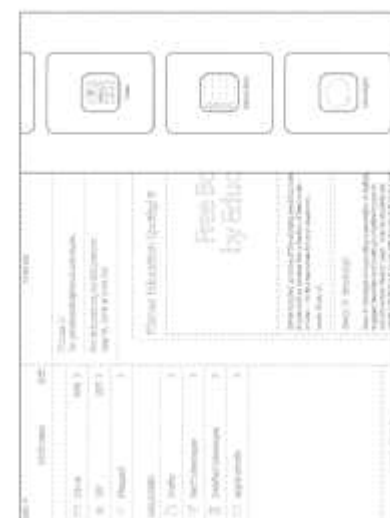
(21) Design Number: **16567/2015**  
(22) Date of Filing Application: **04 December 2015**  
(24) Date from which industrial property rights may have effect: **04 December 2015**  
(54) Product in respect of which the design is registered: **Display screen with graphical user interface**  
(51) International Design Classification: **14-02**  
(74) Name(s) of Attorney(s): **Freehills Patent Attorneys**  
(71) Name(s) and Address(s) of Applicant(s):  
**Apple Inc.**  
**1 Infinite Loop Cupertino California, 95014 United States of America**  
(72) Name(s) of Designer(s): **Jay Christopher Capela and Alan C. Dye and Alexander Charles MacLean and Charles Janusz Migos and Parthiban Mohanraj**  
(45) Registration Date: **23 December 2015**  
(30) Convention priority data:  
(31) Number (32) Date (33) Country  
**29/529434 07 Jun 2015 UNITED STATES OF AMERICA**  
(56) Related Art Documents: **Not Applicable**  
(57) Statement of Newness and Distinctiveness: **Newness and distinctiveness of the design resides in the features of pattern and/or ornamentation of the graphical user interface as shown in the accompanying representation. The colour of the circular elements may vary.**



- (21) Design Number: **16569/2015**  
(22) Date of Filing Application: **04 December 2015**  
(24) Date from which industrial property rights may have effect: **04 December 2015**  
(54) Product in respect of which the design is registered: **Display screen with graphical user interface**  
(51) International Design Classification: **14-02**  
(74) Name(s) of Attorney(s): **Freehills Patent Attorneys**  
(71) Name(s) and Address(s) of Applicant(s):  
**Apple Inc.**  
**1 Infinite Loop Cupertino California, 95014 United States of America**  
(72) Name(s) of Designer(s): **William Martin Bachman and Taylor Gerard Carrigan and Monika E. Gromek and Ofer Morag and Jeffrey L. Robbin**  
(45) Registration Date: **23 December 2015**  
(30) Convention priority data:  
(31) Number (32) Date (33) Country  
**29/529,432 07 Jun 2015 UNITED STATES OF AMERICA**  
(56) Related Art Documents: **Not Applicable**  
(57) Statement of Newness and Distinctiveness: **Newness and distinctiveness of the design resides in the features of pattern and/or ornamentation of the graphical user interface as shown in solid lines and shading in the accompanying representation, particularly a block of colour in the lower portion of the display screen which transitions into a display region in the upper portion of the display screen.**



- (21) Design Number: **16570/2015**  
(22) Date of Filing Application: **04 December 2015**  
(24) Date from which industrial property rights may have effect: **04 December 2015**  
(54) Product in respect of which the design is registered: **Display screen with graphical user interface**  
(51) International Design Classification: **14-02**  
(74) Name(s) of Attorney(s): **Freehills Patent Attorneys**  
(71) Name(s) and Address(s) of Applicant(s):  
**Apple Inc.**  
**1 Infinite Loop Cupertino California, 95014 United States of America**  
(72) Name(s) of Designer(s): **Christopher Foss and Woo-Ram Lee and Stephen O. Lemay and Caelan G. Stack and Lawrence Yang**  
(45) Registration Date: **23 December 2015**  
(30) Convention priority data:  
(31) Number (32) Date (33) Country  
**29/529430 07 Jun 2015 UNITED STATES OF AMERICA**  
(56) Related Art Documents: **Not Applicable**  
(57) Statement of Newness and Distinctiveness: **Newness and distinctiveness resides in the features of pattern and/or ornamentation of the graphical user interface as shown in solid outline in the accompanying representation.**



- (21) Design Number: **16571/2015**  
(22) Date of Filing Application: **04 December 2015**  
(24) Date from which industrial property rights may have effect: **04 December 2015**  
(54) Product in respect of which the design is registered: **Display screen with graphical user interface**  
(51) International Design Classification: **14-02**  
(74) Name(s) of Attorney(s): **Freehills Patent Attorneys**  
(71) Name(s) and Address(s) of Applicant(s):  
**Apple Inc.**  
**1 Infinite Loop Cupertino California, 95014 United States of America**  
(72) Name(s) of Designer(s): **Christopher Foss and Woo-Ram Lee and Stephen O. Lemay and Caelan G. Stack and Lawrence Yang**  
(45) Registration Date: **23 December 2015**  
(30) Convention priority data:  
(31) Number (32) Date (33) Country  
**29/529430 07 Jun 2015 UNITED STATES OF AMERICA**  
(56) Related Art Documents: **Not Applicable**  
(57) Statement of Newness and Distinctiveness: **Newness and distinctiveness resides in the features of pattern and/or ornamentation of the graphical user interface as shown in solid lines in the accompanying representation, particularly the vertical line dividing the display into two regions and the scroll tabs located adjacent the borders of one of the display regions.**



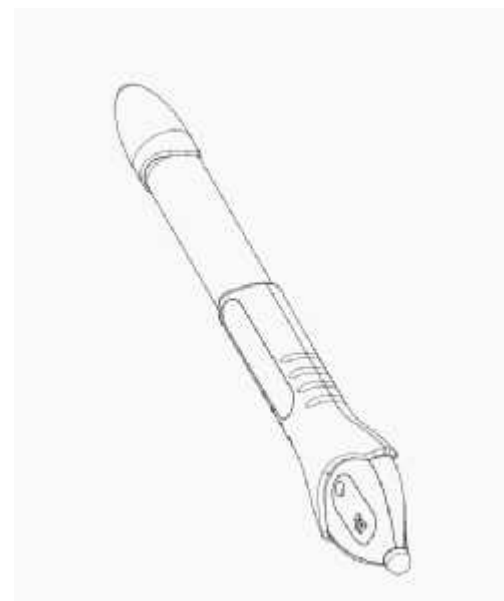
- (21) Design Number: **16572/2015**  
(22) Date of Filing Application: **04 December 2015**  
(24) Date from which industrial property rights may have effect: **04 December 2015**  
(54) Product in respect of which the design is registered: **Display screen with graphical user interface**  
(51) International Design Classification: **14-02**  
(74) Name(s) of Attorney(s): **Freehills Patent Attorneys**  
(71) Name(s) and Address(s) of Applicant(s):  
**Apple Inc.**  
**1 Infinite Loop Cupertino California, 95014 United States of America**  
(72) Name(s) of Designer(s): **Christopher Foss and Woo-Ram Lee and Stephen O. Lemay and Caelan G. Stack and Lawrence Yang**  
(45) Registration Date: **23 December 2015**  
(30) Convention priority data:  
(31) Number (32) Date (33) Country  
**29/529430 07 Jun 2015 UNITED STATES OF AMERICA**  
(56) Related Art Documents: **Not Applicable**  
(57) Statement of Newness and Distinctiveness: **Newness and distinctiveness resides in the features of pattern and/or ornamentation of the graphical user interface as shown in solid lines in the accompanying representation, particularly the vertical line dividing the display into two regions and its scroll tab, and the scroll tab located adjacent a border of one of the regions.**



(21) Design Number: **16573/2015**  
(22) Date of Filing Application: **04 December 2015**  
(24) Date from which industrial property rights may have effect: **04 December 2015**  
(54) Product in respect of which the design is registered: **Display screen with graphical user interface**  
(51) International Design Classification: **14-02**  
(74) Name(s) of Attorney(s): **Freehills Patent Attorneys**  
(71) Name(s) and Address(s) of Applicant(s):  
**Apple Inc.**  
**1 Infinite Loop Cupertino California, 95014 United States of America**  
(72) Name(s) of Designer(s): **Christopher Foss and Woo-Ram Lee and Stephen O. Lemay and Caelan G. Stack and Lawrence Yang**  
(45) Registration Date: **23 December 2015**  
(30) Convention priority data:  
(31) Number (32) Date (33) Country  
**29/529430 07 Jun 2015 UNITED STATES OF AMERICA**  
(56) Related Art Documents: **Not Applicable**  
(57) Statement of Newness and Distinctiveness: **Newness and distinctiveness resides in the features of pattern and/or ornamentation of the graphical user interface as shown in solid lines in the accompanying representation, particularly the borders and vertical dividing line and its scroll tab.**



(21) Design Number: **16697/2015**  
(22) Date of Filing Application: **10 December 2015**  
(24) Date from which industrial property rights may have effect: **10 December 2015**  
(54) Product in respect of which the design is registered: **Liquid-plastic welding tool**  
(51) International Design Classification: **08-05M**  
(74) Name(s) of Attorney(s): **Fisher Adams Kelly Callinans**  
(71) Name(s) and Address(s) of Applicant(s):  
**Ontel Products Corporation**  
**21 Law Drive Fairfield New Jersey 07004 United States of America**  
(72) Name(s) of Designer(s): **Ross Exley**  
(45) Registration Date: **23 December 2015**  
(30) Convention priority data:  
(31) Number (32) Date (33) Country  
**29/545,293 11 Nov 2015 UNITED STATES OF AMERICA**  
(56) Related Art Documents: **Not Applicable**  
(57) Statement of Newness and Distinctiveness: **Newness and distinctiveness of the design resides in the shape and/or configuration of a LIQUID-PLASTIC WELDING TOOL as shown in the representations.**



- (21) Design Number: **16550/2015**  
(22) Date of Filing Application: **04 December 2015**  
(24) Date from which industrial property rights may have effect: **04 December 2015**  
(54) Product in respect of which the design is registered: **A wheel assembly**  
(51) International Design Classification: **12-16A**  
(74) Name(s) of Attorney(s): **Ahearn Fox**  
(71) Name(s) and Address(s) of Applicant(s):  
**Joe Andon**  
**95 Ingleston Rd Wakerley QLD 4154 Australia**  
(72) Name(s) of Designer(s): **Joe Andon**  
(45) Registration Date: **23 December 2015**  
(56) Related Art Documents: **Not Applicable**  
(57) Statement of Newness and Distinctiveness: **Novelty resides in the shape and configuration of the transportation means illustrated in the representations in which FIG. 1 is a right side view from behind, FIG. 2 is a right side view, FIG. 3 is a left side view from behind, and FIG. 4 is a left side view from above.**



- (21) Design Number: **16737/2015**  
(22) Date of Filing Application: **11 December 2015**  
(24) Date from which industrial property rights may have effect: **11 December 2015**  
(54) Product in respect of which the design is registered: **Cover for electronic device**  
(51) International Design Classification: **14-02**  
(74) Name(s) of Attorney(s): **Griffith Hack**  
(71) Name(s) and Address(s) of Applicant(s):  
**Tech 21 Licensing Limited**  
**Syds Quay, Eel Pie Island Twickenham Middlesex TW1 3DY United Kingdom**  
(72) Name(s) of Designer(s): **Jason Roberts and Wilhelm Marschall and Benjamin Thorpe**  
(45) Registration Date: **23 December 2015**  
(30) Convention priority data:  

(31) Number	(32) Date	(33) Country
<b>002717967</b>	<b>12 Jun 2015</b>	<b>OFFICE FOR HARMONISATION IN THE INTERNAL MARKET (OHIM)</b>

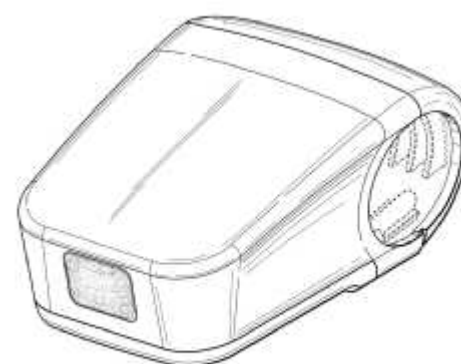
  
(56) Related Art Documents: **Not Applicable**  
(57) Statement of Newness and Distinctiveness: **Newness and distinctiveness resides in the visual features, including the shape and configuration of the product as shown by means of solid lines on the lower portion of the back face illustrated in the representations.**



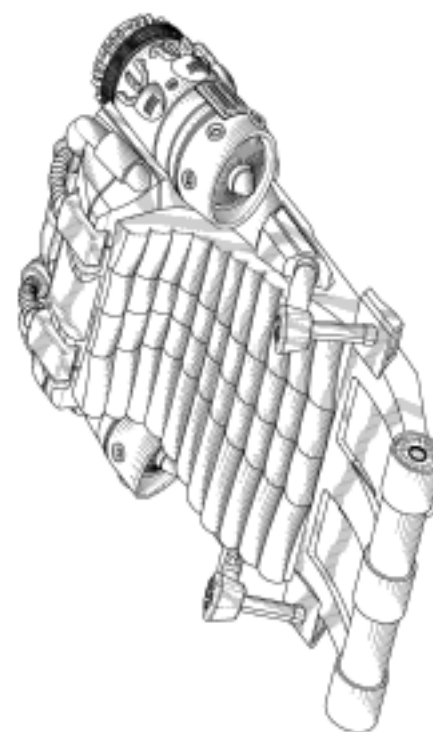
- (21) Design Number: **16739/2015**  
(22) Date of Filing Application: **11 December 2015**  
(24) Date from which industrial property rights may have effect: **11 December 2015**  
(54) Product in respect of which the design is registered: **Cover for electronic device**  
(51) International Design Classification: **14-02**  
(74) Name(s) of Attorney(s): **Griffith Hack**  
(71) Name(s) and Address(s) of Applicant(s):  
**Tech 21 Licensing Limited**  
**Syds Quay, Eel Pie Island Twickenham Middlesex TW1 3DY United Kingdom**  
(72) Name(s) of Designer(s): **Jason Roberts and Wilhelm Marschall and Benjamin Thorpe**  
(45) Registration Date: **23 December 2015**  
(30) Convention priority data:  
(31) Number (32) Date (33) Country  
**002717967 12 Jun 2015 OFFICE FOR HARMONISATION IN THE INTERNAL MARKET (OHIM)**  
(56) Related Art Documents: **Not Applicable**  
(57) Statement of Newness and Distinctiveness: **Newness and distinctiveness resides in the visual features, including the shape and configuration of the product as shown by means of solid lines on the lower portion of the back face illustrated in the representations.**



- (21) Design Number: **16741/2015**  
(22) Date of Filing Application: **11 December 2015**  
(24) Date from which industrial property rights may have effect: **11 December 2015**  
(54) Product in respect of which the design is registered: **Handle light for grill**  
(51) International Design Classification: **07-02C**  
(74) Name(s) of Attorney(s): **Spruson & Ferguson**  
(71) Name(s) and Address(s) of Applicant(s):  
**Weber-Stephen Products, LLC**  
**200 E. Daniels Road, Palatine Illinois, 60067 United States of America**  
(72) Name(s) of Designer(s): **Romualdo Sonny Siazon and Rajesh K. Sharma and Patrick J. McVey**  
(45) Registration Date: **23 December 2015**  
(30) Convention priority data:  
(31) Number (32) Date (33) Country  
**29/530663 18 Jun 2015 UNITED STATES OF AMERICA**  
(56) Related Art Documents: **Not Applicable**  
(57) Statement of Newness and Distinctiveness: **Newness and distinctiveness is claimed in the features of shape and/or configuration of a handle light for grills as illustrated in continuous lines in the accompanying representations.**



(21) Design Number: **16743/2015**  
(22) Date of Filing Application: **11 December 2015**  
(24) Date from which industrial property rights may have effect: **11 December 2015**  
(54) Product in respect of which the design is registered: **Kart**  
(51) International Design Classification: **12-02**  
(74) Name(s) of Attorney(s): **Halfords IP**  
(71) Name(s) and Address(s) of Applicant(s):  
**RAZOR USA LLC**  
**12723 166th Street Cerritos California, 90703 United States of America**  
(72) Name(s) of Designer(s): **Ian Desberg**  
(45) Registration Date: **23 December 2015**  
(30) Convention priority data:  
(31) Number (32) Date (33) Country  
**29/530057 12 Jun 2015 UNITED STATES OF AMERICA**  
(56) Related Art Documents: **Not Applicable**  
(57) Statement of Newness and Distinctiveness: **Newness and distinctiveness resides in those features of shape and or configuration of a KART as depicted in the representations. Shading lines and features shown in broken lines do not form part of the design.**



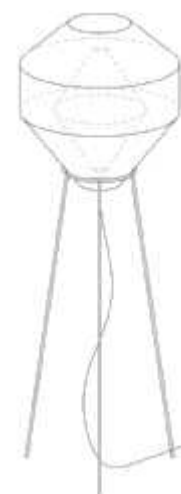
(21) Design Number: **16745/2015**  
(22) Date of Filing Application: **11 December 2015**  
(24) Date from which industrial property rights may have effect: **11 December 2015**  
(54) Product in respect of which the design is registered: **Thumbstick attachment for a controller**  
(51) International Design Classification: **21-01N**  
(74) Name(s) of Attorney(s): **Shelston IP Pty Ltd.**  
(71) Name(s) and Address(s) of Applicant(s):  
**Microsoft Corporation**  
**One Microsoft Way Redmond Washington, 98052-5321 United States of America**  
(72) Name(s) of Designer(s): **Christopher Kujawski and Kenneth Jasinski and Carl J. Ledbetter**  
(45) Registration Date: **23 December 2015**  
(30) Convention priority data:  
(31) Number (32) Date (33) Country  
**29/530113 12 Jun 2015 UNITED STATES OF AMERICA**  
(56) Related Art Documents: **Not Applicable**  
(57) Statement of Newness and Distinctiveness: **Newness and distinctiveness reside in the features of shape and/or configuration of a thumbstick attachment for a controller as illustrated by solid lines in the accompanying representations. The features shown in broken outline and discontinuous lines are for contextual purposes only and do not form part of the design.**



- (21) Design Number: **16808/2015**  
(22) Date of Filing Application: **15 December 2015**  
(24) Date from which industrial property rights may have effect: **17 November 2015**  
(54) Product in respect of which the design is registered: **Light**  
(51) International Design Classification: **26-05B**  
(74) Name(s) of Attorney(s):  
(71) Name(s) and Address(s) of Applicant(s):

**Kate Stokes**  
**15-25 Keele St Collingwood VIC 3066 Australia**

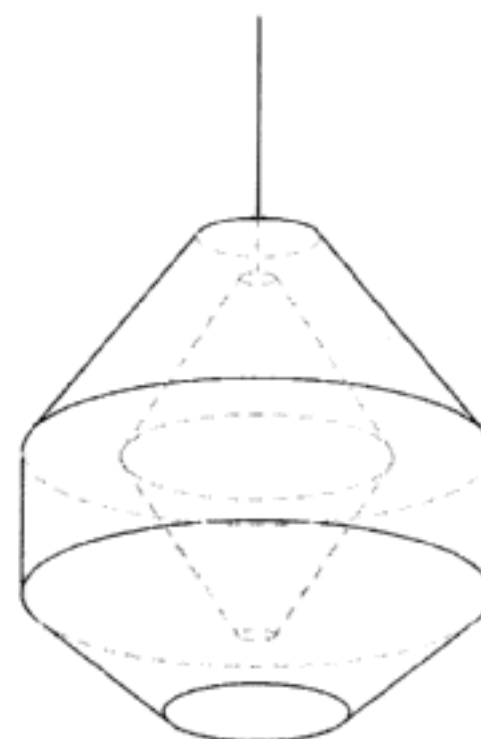
- (72) Name(s) of Designer(s): **Kate Stokes**  
(45) Registration Date: **23 December 2015**  
(62) Divisional of: **366248**  
(56) Related Art Documents: **Not Applicable**  
(57) Statement of Newness and Distinctiveness: **The newness and distinctiveness of the design resides in the shape of the light shades as shown in the continuous lines in the accompanying representations. The broken lines show the internal shapes which are also part of the design.**



- (21) Design Number: **16196/2015**  
(22) Date of Filing Application: **17 November 2015**  
(24) Date from which industrial property rights may have effect: **17 November 2015**  
(54) Product in respect of which the design is registered: **Light**  
(51) International Design Classification: **26-05D**  
(74) Name(s) of Attorney(s):  
(71) Name(s) and Address(s) of Applicant(s):

**Kate Stokes**  
**15-25 Keele St Collingwood VIC 3066 Australia**

- (72) Name(s) of Designer(s): **Kate Stokes and Haslett Grounds**  
(45) Registration Date: **23 December 2015**  
(56) Related Art Documents: **Not Applicable**  
(57) Statement of Newness and Distinctiveness: **The newness and distinctiveness of the design resides in the shape of the light shades as shown in the continuous lines in the accompanying representations. The broken lines show the internal shapes which are also part of the design.**



- (21) Design Number: **16197/2015**  
(22) Date of Filing Application: **17 November 2015**  
(24) Date from which industrial property rights may have effect: **17 November 2015**  
(54) Product in respect of which the design is registered: **Light**  
(51) International Design Classification: **26-05D**  
(74) Name(s) of Attorney(s):  
(71) Name(s) and Address(s) of Applicant(s):

**Kate Stokes**  
**15-25 Keele St Collingwood VIC 3066 Australia**

- (72) Name(s) of Designer(s): **Kate Stokes and Haslett Grounds**

(45) Registration Date: **23 December 2015**

(56) Related Art Documents: **Not Applicable**

- (57) Statement of Newness and Distinctiveness: **The newness and distinctiveness of the design resides in the shape of the light shades as shown in the continuous lines in the accompanying representations. The broken lines show the internal shapes which are also part of the design.**



- (21) Design Number: **16198/2015**  
(22) Date of Filing Application: **17 November 2015**  
(24) Date from which industrial property rights may have effect: **17 November 2015**  
(54) Product in respect of which the design is registered: **Light**  
(51) International Design Classification: **26-05D**  
(74) Name(s) of Attorney(s):  
(71) Name(s) and Address(s) of Applicant(s):

**Kate Stokes**  
**15-25 Keele St Collingwood VIC 3066 Australia**

- (72) Name(s) of Designer(s): **Haslett Grounds and Kate Stokes**

(45) Registration Date: **23 December 2015**

(56) Related Art Documents: **Not Applicable**

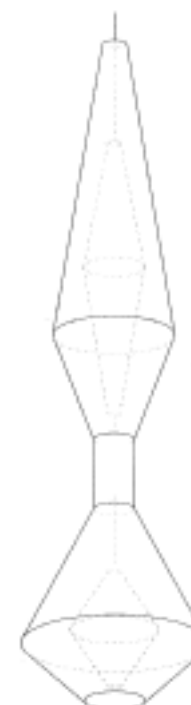
- (57) Statement of Newness and Distinctiveness: **The newness and distinctiveness of the design resides in the shape of the light shades as shown in the continuous lines in the accompanying representations. The broken lines show the internal shapes which are also part of the design.**



- (21) Design Number: **16199/2015**  
(22) Date of Filing Application: **17 November 2015**  
(24) Date from which industrial property rights may have effect: **17 November 2015**  
(54) Product in respect of which the design is registered: **Light**  
(51) International Design Classification: **26-05D**  
(74) Name(s) of Attorney(s):  
(71) Name(s) and Address(s) of Applicant(s):  
**Kate Stokes**  
**15-25 Keele St Collingwood VIC 3066 Australia**  
(72) Name(s) of Designer(s): **Kate Stokes and Haslett Grounds**  
(45) Registration Date: **23 December 2015**  
(56) Related Art Documents: **Not Applicable**  
(57) Statement of Newness and Distinctiveness: **The newness and distinctiveness of the design resides in the shape of the light shades as shown in the continuous lines in the accompanying representations. The broken lines show the internal shapes which are also part of the design.**



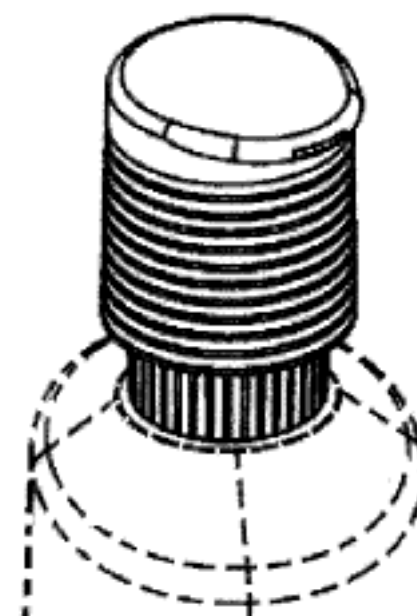
- (21) Design Number: **16200/2015**  
(22) Date of Filing Application: **17 November 2015**  
(24) Date from which industrial property rights may have effect: **17 November 2015**  
(54) Product in respect of which the design is registered: **Light**  
(51) International Design Classification: **26-05D**  
(74) Name(s) of Attorney(s):  
(71) Name(s) and Address(s) of Applicant(s):  
**Kate Stokes**  
**15-25 Keele St Collingwood VIC 3066 Australia**  
(72) Name(s) of Designer(s): **Kate Stokes and Haslett Grounds**  
(45) Registration Date: **23 December 2015**  
(56) Related Art Documents: **Not Applicable**  
(57) Statement of Newness and Distinctiveness: **The newness and distinctiveness of the design resides in the shape of the light shades as shown in the continuous lines in the accompanying representations. The broken lines show the internal shapes which are also part of the design.**



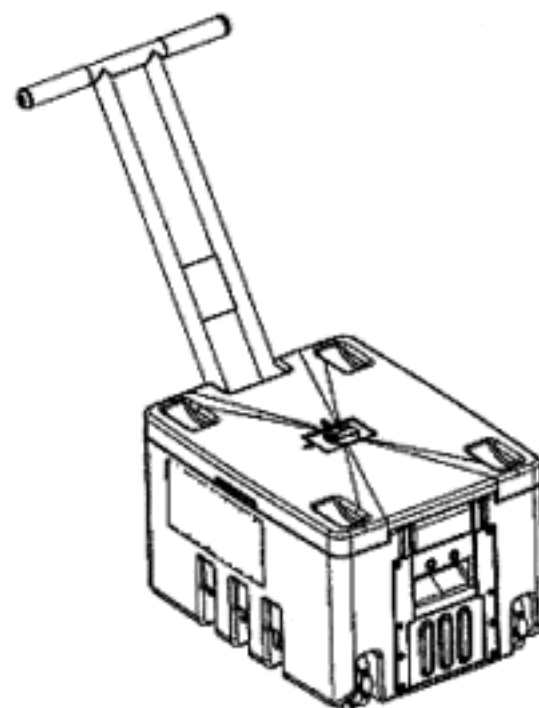
(21) Design Number: **16093/2015**  
(22) Date of Filing Application: **13 November 2015**  
(24) Date from which industrial property rights may have effect: **13 November 2015**  
(54) Product in respect of which the design is registered: **Dish**  
(51) International Design Classification: **07-01B**  
(74) Name(s) of Attorney(s): **Davies Collison Cave**  
(71) Name(s) and Address(s) of Applicant(s):  
**Future Cups GmbH & Co. KG**  
**Grindelallee 25 Hamburg 20146 Germany**  
(72) Name(s) of Designer(s): **Jens Hinze**  
(45) Registration Date: **23 December 2015**  
(30) Convention priority data:  
(31) Number (32) Date (33) Country  
**DM/087193 15 May 2015 WORLD INTELLECTUAL**  
**PROPERTY ORGANIZATION**  
**(WIPO)**  
(56) Related Art Documents: **Not Applicable**  
(57) Statement of Newness and Distinctiveness: **Nil**



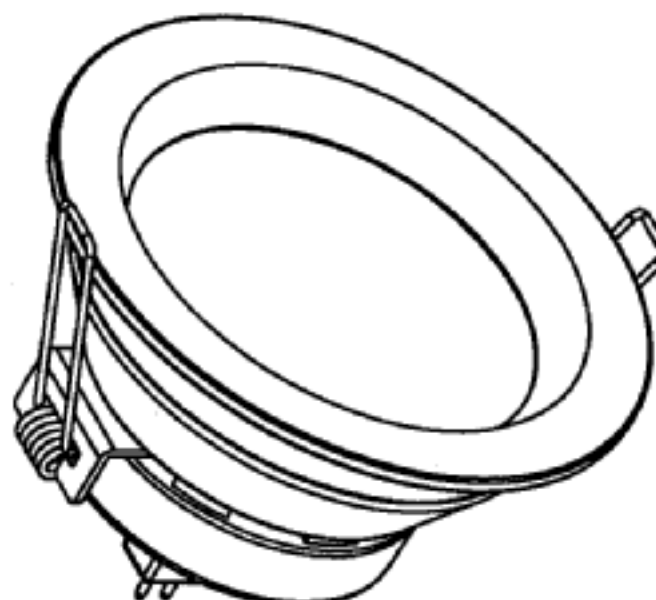
(21) Design Number: **12083/2015**  
(22) Date of Filing Application: **20 April 2015**  
(24) Date from which industrial property rights may have effect: **20 April 2015**  
(54) Product in respect of which the design is registered: **Dispensing pump head**  
(51) International Design Classification: **09-07A**  
(74) Name(s) of Attorney(s): **Macpherson + Kelley**  
(71) Name(s) and Address(s) of Applicant(s):  
**Rieke Packaging Systems Limited**  
**44 Scudamore Road Leicester Leicestershire LE3 1UG United Kingdom**  
(72) Name(s) of Designer(s): **Simon Christopher Knight**  
(45) Registration Date: **23 December 2015**  
(30) Convention priority data:  
(31) Number (32) Date (33) Country  
**002560748-0001 20 Oct 2014 OFFICE FOR HARMONISATION IN**  
**THE INTERNAL MARKET (OHIM)**  
(56) Related Art Documents: **Not Applicable**  
(57) Statement of Newness and Distinctiveness: **Newness and distinctiveness resides in the features of shape and/or configuration of a Dispensing Pump Head as illustrated in the continuous lines in the accompanying representations.**



- (21) Design Number: **12654/2015**  
(22) Date of Filing Application: **22 May 2015**  
(24) Date from which industrial property rights may have effect: **22 May 2015**  
(54) Product in respect of which the design is registered: **Coin Bin**  
(51) International Design Classification: **06-04B**  
(74) Name(s) of Attorney(s): **MILLS OAKLEY LAWYERS**  
(71) Name(s) and Address(s) of Applicant(s):  
**Linfox Armaguard Pty Ltd**  
**L1 37 Vaughan St Essendon Airport VIC 3042 Australia**  
(72) Name(s) of Designer(s): **Fernando Costa and Kevin Whitley**  
(45) Registration Date: **23 December 2015**  
(56) Related Art Documents: **Not Applicable**  
(57) Statement of Newness and Distinctiveness: **Newness and distinctiveness lies in the shape or configuration of the coin bin shown in the representations.**



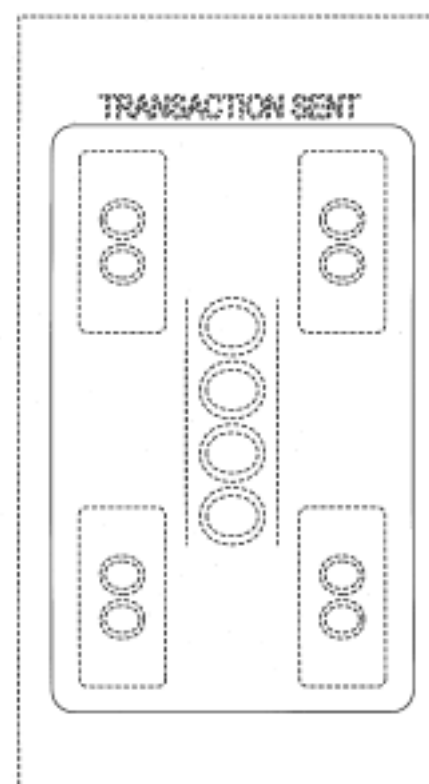
- (21) Design Number: **14510/2015**  
(22) Date of Filing Application: **27 August 2015**  
(24) Date from which industrial property rights may have effect: **27 August 2015**  
(54) Product in respect of which the design is registered: **Led lamp**  
(51) International Design Classification: **26-04**  
(74) Name(s) of Attorney(s): **Davies Collison Cave**  
(71) Name(s) and Address(s) of Applicant(s):  
**Shenzhen Sanpubense Technology Co., Ltd**  
**9-10/F., Block B AnLiBang Science and Technology Park The First**  
**Industrial Park, Xitian Gongming Street Guangming New District,**  
**Shenzhen China**  
(72) Name(s) of Designer(s): **Yang Chu Huei**  
(45) Registration Date: **23 December 2015**  
(56) Related Art Documents: **Not Applicable**  
(57) Statement of Newness and Distinctiveness: **Nil**



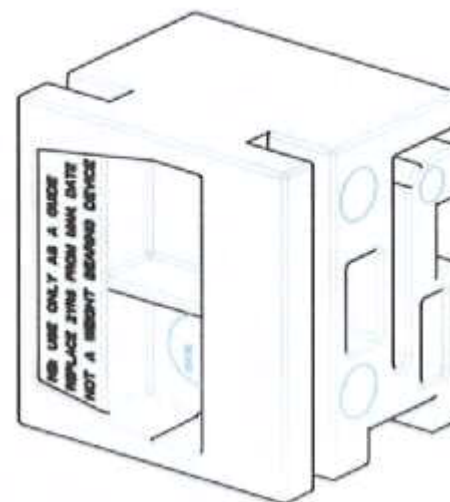
- (21) Design Number: **15298/2015**  
(22) Date of Filing Application: **09 October 2015**  
(24) Date from which industrial property rights may have effect: **09 October 2015**  
(54) Product in respect of which the design is registered: **Wood vase**  
(51) International Design Classification: **11-02A**  
(74) Name(s) of Attorney(s):  
(71) Name(s) and Address(s) of Applicant(s):  
**Julie Doris Peddie**  
**10 Kestral Cl Blind Bight VIC, 3980 Australia**  
(72) Name(s) of Designer(s): **Julie Doris Peddie**  
(45) Registration Date: **23 December 2015**  
(56) Related Art Documents: **Not Applicable**  
(57) Statement of Newness and Distinctiveness: **A wooden vase in the shape of a teardrop. Leather hanging strap. In the centre a wood panel with holes is attached to fit either a single 50ml flask or two 50ml flasks.**



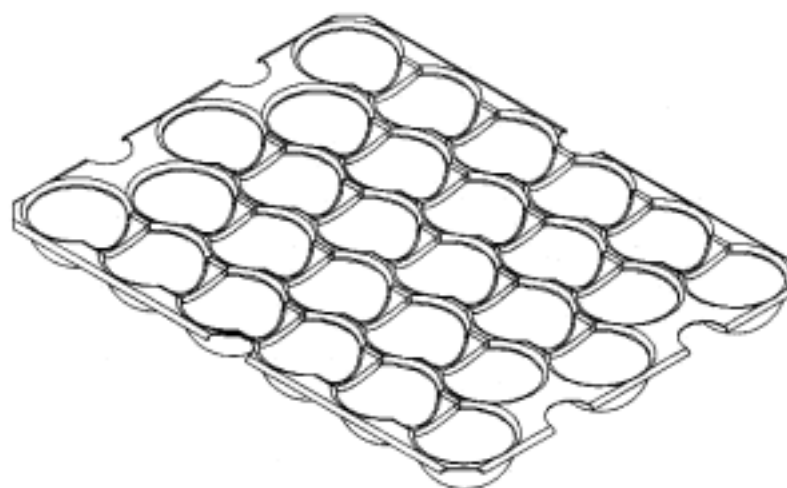
- (21) Design Number: **15311/2015**  
(22) Date of Filing Application: **09 October 2015**  
(24) Date from which industrial property rights may have effect: **09 October 2015**  
(54) Product in respect of which the design is registered: **A display screen or portion thereof with an image from a sequence of images forming an animated graphical user**  
(51) International Design Classification: **14-02**  
(74) Name(s) of Attorney(s): **Spruson & Ferguson**  
(71) Name(s) and Address(s) of Applicant(s):  
**Visa International Service Association**  
**P.O. Box 8999, San Francisco California, 94128 United States of America**  
(72) Name(s) of Designer(s): **Margaret Szeto and Prerak Trivedi and Abhishek Guglani and Sang Wook Lee and Helen Jordan and Cynthia Medranda and Narasha Patmastana and Michael Ordoyne and Kristopher Sauriol**  
(45) Registration Date: **23 December 2015**  
(30) Convention priority data:  
(31) Number (32) Date (33) Country  
**29/523489 10 Apr 2015 UNITED STATES OF AMERICA**  
(56) Related Art Documents: **Not Applicable**  
(57) Statement of Newness and Distinctiveness: **Newness and distinctiveness is claimed in the features of pattern and/or ornamentation of an image from a sequence of images forming a graphical user interface on a display screen as illustrated by the solid lines in the accompanying representations.**



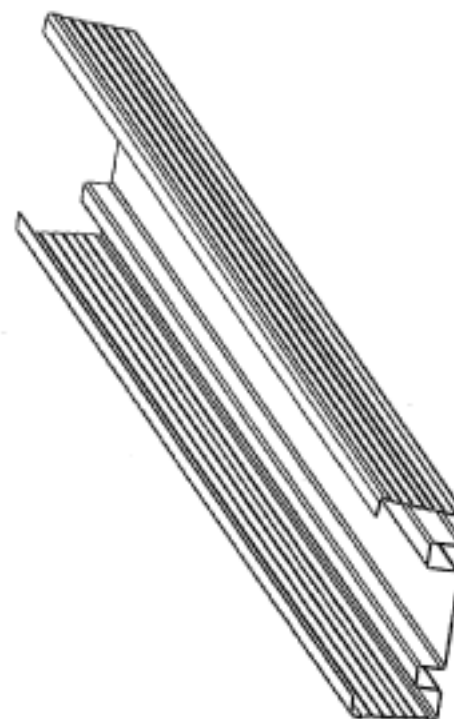
- (21) Design Number: **15344/2015**  
(22) Date of Filing Application: **11 October 2015**  
(24) Date from which industrial property rights may have effect: **11 October 2015**  
(54) Product in respect of which the design is registered: **Plastic injection moulded sliding gate block**  
(51) International Design Classification: **25-02NES**  
(74) Name(s) of Attorney(s):  
(71) Name(s) and Address(s) of Applicant(s):  
**Kulbir Dhanda**  
**PO Box 1421 Carindale QLD 4152 Australia**  
(72) Name(s) of Designer(s): **Kulbir Dhanda**  
(45) Registration Date: **23 December 2015**  
(56) Related Art Documents: **Not Applicable**  
(57) Statement of Newness and Distinctiveness: **The sliding gate block is plastic and is optimised for injection moulding. It has been completely redesigned to allow for increased wall strength and has a distinctive section which allows for reader information and manufactured dates. The wall sections have also been redesigned to allow for greater efficiencies during the manufacturing process, whilst not compromising on the products integrity.**



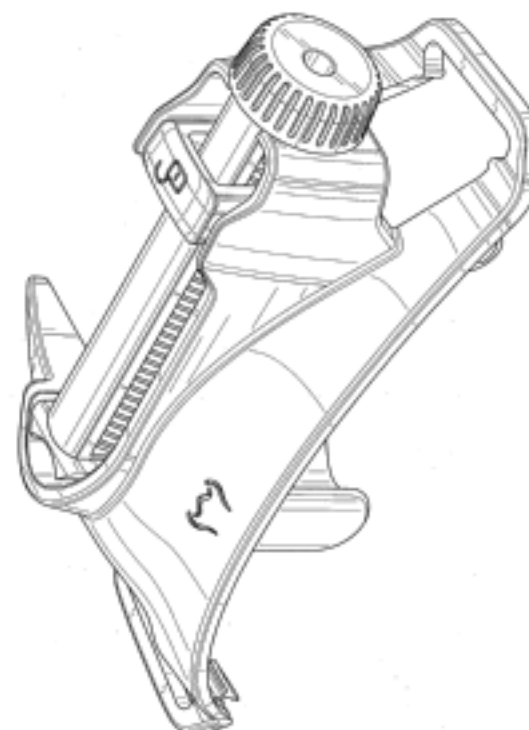
- (21) Design Number: **15928/2015**  
(22) Date of Filing Application: **06 November 2015**  
(24) Date from which industrial property rights may have effect: **06 November 2015**  
(54) Product in respect of which the design is registered: **Box tray**  
(51) International Design Classification: **09-03K**  
(74) Name(s) of Attorney(s): **Davies Collison Cave**  
(71) Name(s) and Address(s) of Applicant(s):  
**Visy R & D Pty Ltd**  
**L11 2 Southbank Bvd Southbank VIC 3006 Australia**  
(72) Name(s) of Designer(s): **Piotr Bankowski**  
(45) Registration Date: **23 December 2015**  
(56) Related Art Documents: **Not Applicable**  
(57) Statement of Newness and Distinctiveness: **The features of shape and configuration of the box tray shown in the accompanying representations are considered to be new and distinctive.**



- (21) Design Number: **16275/2015**  
(22) Date of Filing Application: **20 November 2015**  
(24) Date from which industrial property rights may have effect: **20 November 2015**  
(54) Product in respect of which the design is registered: **A stud**  
(51) International Design Classification: **25-01C**  
(74) Name(s) of Attorney(s): **Cullens Pty Ltd**  
(71) Name(s) and Address(s) of Applicant(s):  
**Knauf Plasterboard Pty Ltd**  
**C/- L32 239 George St Brisbane QLD 4000 Australia**  
(72) Name(s) of Designer(s): **Stephen Charles Bean**  
(45) Registration Date: **23 December 2015**  
(56) Related Art Documents: **Not Applicable**  
(57) Statement of Newness and Distinctiveness: **Newness and Distinctiveness is claimed in the sectional profile of the stud shown in the representations and which is of indefinite length.**



- (21) Design Number: **16277/2015**  
(22) Date of Filing Application: **20 November 2015**  
(24) Date from which industrial property rights may have effect: **20 November 2015**  
(54) Product in respect of which the design is registered: **Airway-tube holder**  
(51) International Design Classification: **24-01**  
(74) Name(s) of Attorney(s): **Alder IP Pty Ltd**  
(71) Name(s) and Address(s) of Applicant(s):  
**Laerdal Medical AS**  
**P.O. Box 377 Tanke Svilandsgate 30, Stavanger 4002 Norway**  
(72) Name(s) of Designer(s): **Mathias Molden and Robert Provo Kluit**  
(45) Registration Date: **23 December 2015**  
(30) Convention priority data:  
(31) Number      (32) Date      (33) Country  
**14/718,768      21 May 2015      UNITED STATES OF AMERICA**  
(56) Related Art Documents: **Not Applicable**  
(57) Statement of Newness and Distinctiveness: **Newness and distinctiveness resides in the features of shape and configuration of an airway-tube holder as shown in the accompanying figures.**



- (21) Design Number: **16077/2015**  
(22) Date of Filing Application: **13 November 2015**  
(24) Date from which industrial property rights may have effect: **13 November 2015**  
(54) Product in respect of which the design is registered: **Carton**  
(51) International Design Classification: **09-03NES**  
(74) Name(s) of Attorney(s): **Davies Collison Cave**  
(71) Name(s) and Address(s) of Applicant(s):

**Unilever PLC**  
**Unilever House 100 Victoria Embankment London EC4Y 0DY United Kingdom**

- (72) Name(s) of Designer(s): **Abimbola Adijat Olayiwola and Parul Rameshchandra Patel and Guy Wallace Linnegar**

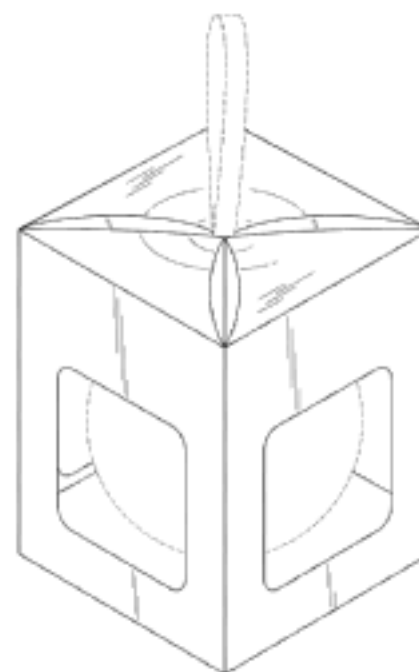
(45) Registration Date: **24 December 2015**

(30) Convention priority data:

(31) Number	(32) Date	(33) Country
<b>002701326-0001</b>	<b>15 May 2015</b>	<b>OFFICE FOR HARMONISATION IN THE INTERNAL MARKET (OHIM)</b>

(56) Related Art Documents: **Not Applicable**

- (57) Statement of Newness and Distinctiveness: **Newness and distinctiveness is claimed in the visual features shown in solid lines in the representations. In considering the extent of the design rights, the broken lines shown in the representations are for illustrative purposes only and do not form part of the design.**



- (21) Design Number: **16078/2015**  
(22) Date of Filing Application: **13 November 2015**  
(24) Date from which industrial property rights may have effect: **13 November 2015**  
(54) Product in respect of which the design is registered: **Carton**  
(51) International Design Classification: **09-03NES**  
(74) Name(s) of Attorney(s): **Davies Collison Cave**  
(71) Name(s) and Address(s) of Applicant(s):

**Unilever PLC**  
**Unilever House 100 Victoria Embankment London EC4Y 0DY United Kingdom**

- (72) Name(s) of Designer(s): **Abimbola Adijat Olayiwola and Parul Rameshchandra Patel and Guy Wallace Linnegar**

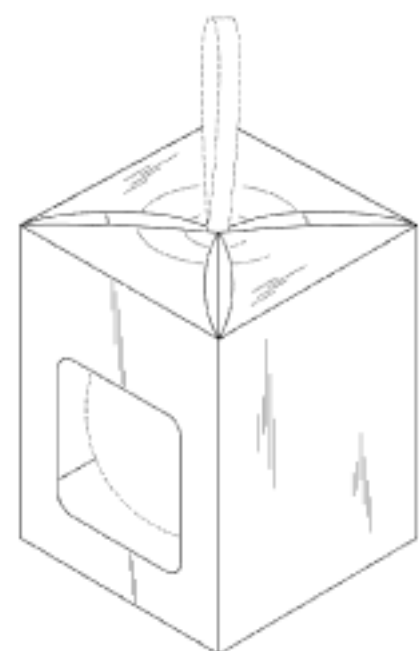
(45) Registration Date: **24 December 2015**

(30) Convention priority data:

(31) Number	(32) Date	(33) Country
<b>002701326-0003</b>	<b>15 May 2015</b>	<b>OFFICE FOR HARMONISATION IN THE INTERNAL MARKET (OHIM)</b>

(56) Related Art Documents: **Not Applicable**

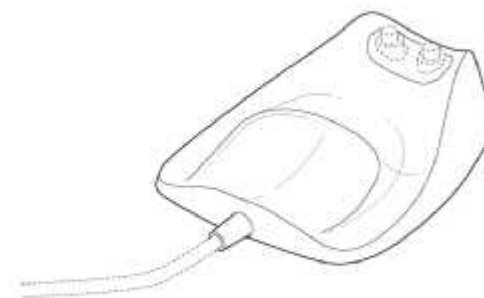
- (57) Statement of Newness and Distinctiveness: **Newness and distinctiveness is claimed in the visual features shown in solid lines in the representations. In considering the extent of the design rights, the broken lines shown in the representations are for illustrative purposes only and do not form part of the design.**



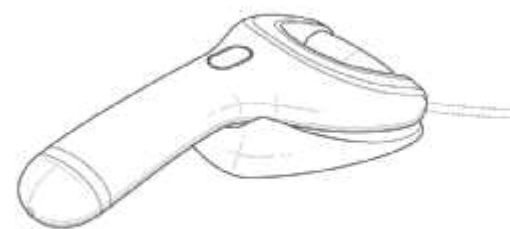
(21) Design Number: **16378/2015**  
(22) Date of Filing Application: **26 November 2015**  
(24) Date from which industrial property rights may have effect: **26 November 2015**  
(54) Product in respect of which the design is registered: **A bus bar electrical connection lug**  
(51) International Design Classification: **13-03NES**  
(74) Name(s) of Attorney(s):  
(71) Name(s) and Address(s) of Applicant(s):  
**Joshua Kerr**  
**C/-Patentec Patent Attorneys PO Box A1172 Sydney South NSW 1235**  
**Australia**  
(72) Name(s) of Designer(s): **Joshua Kerr**  
(45) Registration Date: **24 December 2015**  
(56) Related Art Documents: **Not Applicable**  
(57) Statement of Newness and Distinctiveness: **Newness and distinctiveness is claimed in the shape and configuration of the bus bar electrical connection lug comprising a substantially elongate body, the body defining a female threaded bolt connection end configured for screwably receiving and retaining therein a complementarily threaded shaft of a bolt protruding through an aperture of the bus bar and a female electrical cable connection end distal the female threaded bolt connection end, the female electrical cable connection end configured for receiving a stripped end of an insulated electrical cable therein and subsequent crimping so as to retain the stripped end therein.**



(21) Design Number: **16383/2015**  
(22) Date of Filing Application: **26 November 2015**  
(24) Date from which industrial property rights may have effect: **26 November 2015**  
(54) Product in respect of which the design is registered: **Skin treatment articles**  
(51) International Design Classification: **28-03NES**  
(74) Name(s) of Attorney(s): **Madderns**  
(71) Name(s) and Address(s) of Applicant(s):  
**Reckitt Benckiser (Brands) Limited**  
**103-105 Bath Road Slough Berkshire SL1 3UH United Kingdom**  
(72) Name(s) of Designer(s): **Maartje Pel**  
(45) Registration Date: **24 December 2015**  
(30) Convention priority data:  
(31) Number (32) Date (33) Country  
**002740597-0002 21 Jul 2015 OFFICE FOR HARMONISATION IN**  
**THE INTERNAL MARKET (OHIM)**  
(56) Related Art Documents: **Not Applicable**  
(57) Statement of Newness and Distinctiveness: **Newness and distinctiveness resides in the shape and configuration of a skin treatment article as shown in the accompanying representations. When determining whether the design is substantially similar in overall impression to another design, no regard is to be had to the features shown in dotted outline in the accompanying drawings, which features are provided for illustrative purposes only.**



(21) Design Number: **16384/2015**  
(22) Date of Filing Application: **26 November 2015**  
(24) Date from which industrial property rights may have effect: **26 November 2015**  
(54) Product in respect of which the design is registered: **Skin treatment articles**  
(51) International Design Classification: **28-03NES**  
(74) Name(s) of Attorney(s): **Madderns**  
(71) Name(s) and Address(s) of Applicant(s):  
**Reckitt Benckiser (Brands) Limited**  
**103-105 Bath Road Slough Berkshire SL1 3UH United Kingdom**  
(72) Name(s) of Designer(s): **Maartje Pel**  
(45) Registration Date: **24 December 2015**  
(30) Convention priority data:  
(31) Number (32) Date (33) Country  
**002740597-0001 21 Jul 2015 OFFICE FOR HARMONISATION IN**  
**THE INTERNAL MARKET (OHIM)**



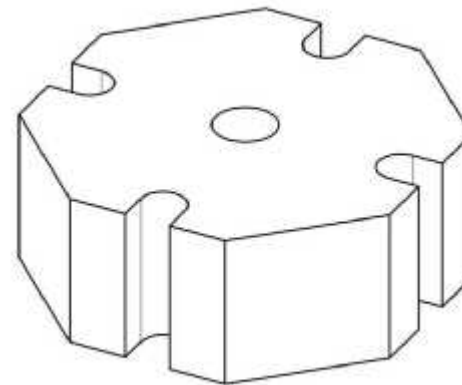
(56) Related Art Documents: **Not Applicable**  
(57) Statement of Newness and Distinctiveness: **Newness and distinctiveness resides in the shape and configuration of a skin treatment article as shown in the accompanying representations. When determining whether the design is substantially similar in overall impression to another design, no regard is to be had to the features shown in dotted outline in the accompanying drawings, which features are provided for illustrative purposes only.**

(21) Design Number: **16389/2015**  
(22) Date of Filing Application: **26 November 2015**  
(24) Date from which industrial property rights may have effect: **26 November 2015**  
(54) Product in respect of which the design is registered: **Skin treatment articles**  
(51) International Design Classification: **28-03NES**  
(74) Name(s) of Attorney(s): **Madderns**  
(71) Name(s) and Address(s) of Applicant(s):  
**Reckitt Benckiser (Brands) Limited**  
**103-105 Bath Road Slough Berkshire SL1 3UH United Kingdom**  
(72) Name(s) of Designer(s): **Maartje Pel**  
(45) Registration Date: **24 December 2015**  
(30) Convention priority data:  
(31) Number (32) Date (33) Country  
**002708784-0002 28 May 2015 OFFICE FOR HARMONISATION IN**  
**THE INTERNAL MARKET (OHIM)**



(56) Related Art Documents: **Not Applicable**  
(57) Statement of Newness and Distinctiveness: **Newness and distinctiveness resides in the shape and configuration of a skin treatment article as shown in the accompanying representations. When determining whether the design is substantially similar in overall impression to another design, no regard is to be had to the features shown in dotted outline in the accompanying drawings, which features are provided for illustrative purposes only.**

(21) Design Number: **16417/2015**  
(22) Date of Filing Application: **27 November 2015**  
(24) Date from which industrial property rights may have effect: **30 September 2015**  
(54) Product in respect of which the design is registered: **A contouring unit**  
(51) International Design Classification: **06-09**  
(74) Name(s) of Attorney(s): **Catalyst Intellectual Property**  
(71) Name(s) and Address(s) of Applicant(s):  
**Roger Thomas Mascull**  
**11 Mason Place Allenton Ashburton 7700 New Zealand**  
**Elizabeth Jocelyn Mascull**  
**11 Mason Place Ashburton New Zealand**  
(72) Name(s) of Designer(s): **Roger Thomas Mascull**  
(45) Registration Date: **24 December 2015**  
(62) Divisional of: **365754**  
(56) Related Art Documents: **Not Applicable**  
(57) Statement of Newness and Distinctiveness: **The design is to be applied to a contouring unit and the newness and distinctiveness of the design resides in the shape and/or configuration of the contouring unit.**



(21) Design Number: **15300/2015**  
(22) Date of Filing Application: **09 October 2015**  
(24) Date from which industrial property rights may have effect: **09 October 2015**  
(54) Product in respect of which the design is registered: **Ankle brace**  
(51) International Design Classification: **24-04**  
(74) Name(s) of Attorney(s): **Davies Collison Cave**  
(71) Name(s) and Address(s) of Applicant(s):  
**Bayer HealthCare LLC**  
**100 Bayer Boulevard Whippany New Jersey, 07981-0915 United States Of America**  
(72) Name(s) of Designer(s): **Richard Avent**  
(45) Registration Date: **04 January 2016**  
(30) Convention priority data:  
(31) Number      (32) Date      (33) Country  
**29/523470      09 Apr 2015      UNITED STATES OF AMERICA**  
(56) Related Art Documents: **Not Applicable**  
(57) Statement of Newness and Distinctiveness: **Newness and distinctiveness is claimed in the visual features shown in the representations. In considering the extent of the Design rights, the foot/ankle/leg shown in figures 1-3 is for illustrative purposes only and should not be considered part of the Design.**

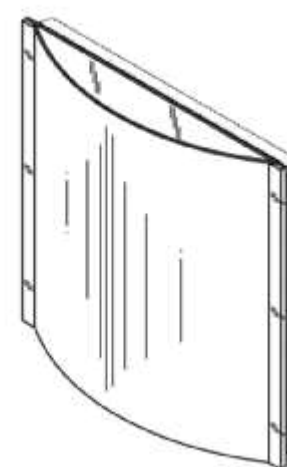


(21) Design Number: **15301/2015**  
(22) Date of Filing Application: **09 October 2015**  
(24) Date from which industrial property rights may have effect: **09 October 2015**  
(54) Product in respect of which the design is registered: **Knee brace**  
(51) International Design Classification: **24-04**  
(74) Name(s) of Attorney(s): **Davies Collison Cave**  
(71) Name(s) and Address(s) of Applicant(s):  
**Bayer HealthCare LLC**  
**100 Bayer Boulevard Whippany New Jersey, 07981-0915 United States**  
**Of America**



(72) Name(s) of Designer(s): **Thomas Kim**  
(45) Registration Date: **04 January 2016**  
(30) Convention priority data:  
(31) Number (32) Date (33) Country  
**29/523469 09 Apr 2015 UNITED STATES OF AMERICA**  
(56) Related Art Documents: **Not Applicable**  
(57) Statement of Newness and Distinctiveness: **Newness and distinctiveness is claimed in the visual features shown in the representations. In considering the extent of the Designs rights, the knee/leg shown in figure 1 is for illustrative purposes only and should not be considered part of the Design.**

(21) Design Number: **15446/2015**  
(22) Date of Filing Application: **15 October 2015**  
(24) Date from which industrial property rights may have effect: **15 October 2015**  
(54) Product in respect of which the design is registered: **Light fixture**  
(51) International Design Classification: **26-05C**  
(74) Name(s) of Attorney(s): **Davies Collison Cave**  
(71) Name(s) and Address(s) of Applicant(s):  
**3M Innovative Properties Company**  
**3M Center Saint Paul Minnesota, 55133-3427 United States of America**



(72) Name(s) of Designer(s): **Joseph A. Hoffman and David J. Prince and**  
**William A. Eibner and Jason S. Lind**  
(45) Registration Date: **04 January 2016**  
(30) Convention priority data:  
(31) Number (32) Date (33) Country  
**29/524901 24 Apr 2015 UNITED STATES OF AMERICA**  
(56) Related Art Documents: **Not Applicable**  
(57) Statement of Newness and Distinctiveness: **Newness and distinctiveness is claimed in the visual features shown in solid lines in the representations. In considering the extent of the design rights, the broken lines shown in the representations are for illustrative purposes only and do not form part of the design.**

- (21) Design Number: **15472/2015**  
(22) Date of Filing Application: **15 October 2015**  
(24) Date from which industrial property rights may have effect: **15 October 2015**  
(54) Product in respect of which the design is registered: **Litter trap**  
(51) International Design Classification: **09-09**  
(74) Name(s) of Attorney(s): **Davies Collison Cave**  
(71) Name(s) and Address(s) of Applicant(s):  
**Bandalong International Pty Ltd**  
**P.O. Box 1018 Bundoora VIC 3083 Australia**  
(72) Name(s) of Designer(s): **Brian William Noble**  
(45) Registration Date: **04 January 2016**  
(56) Related Art Documents: **Not Applicable**  
(57) Statement of Newness and Distinctiveness: **Newness and distinctiveness is claimed in the features of shape and configuration as shown in solid lines in the representations save for the grid structure marked by arrow A in Figure 1.**



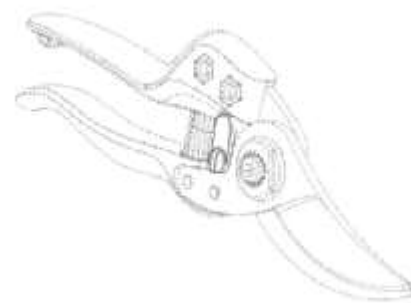
- (21) Design Number: **15561/2015**  
(22) Date of Filing Application: **21 October 2015**  
(24) Date from which industrial property rights may have effect: **21 October 2015**  
(54) Product in respect of which the design is registered: **Pruner**  
(51) International Design Classification: **08-03**  
(74) Name(s) of Attorney(s): **Davies Collison Cave**  
(71) Name(s) and Address(s) of Applicant(s):  
**Fiskars Garden Oy Ab**  
**10330 Raasepori Billnas Finland**  
(72) Name(s) of Designer(s): **Mika Sokka and Mikko Heine and Kari Kunnas**  
(45) Registration Date: **04 January 2016**  
(56) Related Art Documents: **Not Applicable**  
(57) Statement of Newness and Distinctiveness: **Nil**



- (21) Design Number: **15567/2015**  
(22) Date of Filing Application: **21 October 2015**  
(24) Date from which industrial property rights may have effect: **21 October 2015**  
(54) Product in respect of which the design is registered: **Saw**  
(51) International Design Classification: **08-03**  
(74) Name(s) of Attorney(s): **Davies Collison Cave**  
(71) Name(s) and Address(s) of Applicant(s):  
**Fiskars Garden Oy Ab**  
**10330 Billnas Raasepori Finland**  
(72) Name(s) of Designer(s): **Mika Sokka and Mikko Heine and Kari Kunnas**  
(45) Registration Date: **04 January 2016**  
(56) Related Art Documents: **Not Applicable**  
(57) Statement of Newness and Distinctiveness: **Newness and distinctiveness is claimed in the visual appearance of the joint marked "A" in the attached representations.**



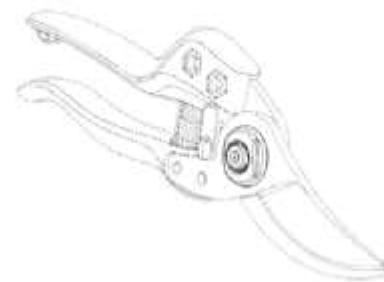
- (21) Design Number: **15570/2015**  
(22) Date of Filing Application: **21 October 2015**  
(24) Date from which industrial property rights may have effect: **21 October 2015**  
(54) Product in respect of which the design is registered: **Pruner**  
(51) International Design Classification: **08-03**  
(74) Name(s) of Attorney(s): **Davies Collison Cave**  
(71) Name(s) and Address(s) of Applicant(s):  
**Fiskars Garden Oy Ab**  
**10330 Billnas Raasepori Finland**  
(72) Name(s) of Designer(s): **Mika Sokka and Mikko Heine and Kari Kunnas**  
(45) Registration Date: **04 January 2016**  
(56) Related Art Documents: **Not Applicable**  
(57) Statement of Newness and Distinctiveness: **Newness and distinctiveness is claimed in the visual features shown in solid lines in the representations.**



- (21) Design Number: **15571/2015**  
(22) Date of Filing Application: **21 October 2015**  
(24) Date from which industrial property rights may have effect: **21 October 2015**  
(54) Product in respect of which the design is registered: **Saw**  
(51) International Design Classification: **08-03**  
(74) Name(s) of Attorney(s): **Davies Collison Cave**  
(71) Name(s) and Address(s) of Applicant(s):  
**Fiskars Garden Oy Ab**  
**10330 Billnas Raasepori Finland**  
(72) Name(s) of Designer(s): **Mika Sokka and Mikko Heine and Kari Kunnas**  
(45) Registration Date: **04 January 2016**  
(56) Related Art Documents: **Not Applicable**  
(57) Statement of Newness and Distinctiveness: **Newness and distinctiveness is claimed in the visual features shown in solid lines in the representations.**



- (21) Design Number: **15574/2015**  
(22) Date of Filing Application: **21 October 2015**  
(24) Date from which industrial property rights may have effect: **21 October 2015**  
(54) Product in respect of which the design is registered: **Pruner**  
(51) International Design Classification: **08-03**  
(74) Name(s) of Attorney(s): **Davies Collison Cave**  
(71) Name(s) and Address(s) of Applicant(s):  
**Fiskars Garden Oy Ab**  
**10330 Billnas Raasepori Finland**  
(72) Name(s) of Designer(s): **Mika Sokka and Mikko Heine and Kari Kunnas**  
(45) Registration Date: **04 January 2016**  
(56) Related Art Documents: **Not Applicable**  
(57) Statement of Newness and Distinctiveness: **Newness and distinctiveness is claimed in the visual features shown in solid lines in the representations.**



- (21) Design Number: **15575/2015**  
(22) Date of Filing Application: **21 October 2015**  
(24) Date from which industrial property rights may have effect: **21 October 2015**  
(54) Product in respect of which the design is registered: **Saw**  
(51) International Design Classification: **08-03**  
(74) Name(s) of Attorney(s): **Davies Collison Cave**  
(71) Name(s) and Address(s) of Applicant(s):  
**Fiskars Garden Oy Ab**  
**10330 Billnas Raasepori Finland**  
(72) Name(s) of Designer(s): **Mika Sokka and Mikko Heine and Kari Kunnas**  
(45) Registration Date: **04 January 2016**  
(56) Related Art Documents: **Not Applicable**  
(57) Statement of Newness and Distinctiveness: **Newness and distinctiveness is claimed in the visual features of the saw handle as shown in the representations.**



- (21) Design Number: **15580/2015**  
(22) Date of Filing Application: **21 October 2015**  
(24) Date from which industrial property rights may have effect: **21 October 2015**  
(54) Product in respect of which the design is registered: **Saw**  
(51) International Design Classification: **08-03**  
(74) Name(s) of Attorney(s): **Davies Collison Cave**  
(71) Name(s) and Address(s) of Applicant(s):  
**Fiskars Garden Oy Ab**  
**10330 Billnas Raasepori Finland**  
(72) Name(s) of Designer(s): **Mika Sokka and Mikko Heine and Kari Kunnas**  
(45) Registration Date: **04 January 2016**  
(56) Related Art Documents: **Not Applicable**  
(57) Statement of Newness and Distinctiveness: **Nil**



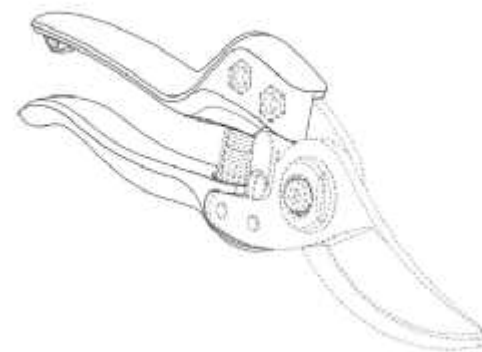
(21) Design Number: **15581/2015**  
(22) Date of Filing Application: **21 October 2015**  
(24) Date from which industrial property rights may have effect: **21 October 2015**  
(54) Product in respect of which the design is registered: **Pruner**  
(51) International Design Classification: **08-03**  
(74) Name(s) of Attorney(s): **Davies Collison Cave**  
(71) Name(s) and Address(s) of Applicant(s):  
**Fiskars Garden Oy Ab**  
**10330 Billnas Raasepori Finland**  
(72) Name(s) of Designer(s): **Mika Sokka and Mikko Heine and Kari Kunnas**  
(45) Registration Date: **04 January 2016**  
(56) Related Art Documents: **Not Applicable**  
(57) Statement of Newness and Distinctiveness: **Nil**



(21) Design Number: **15583/2015**  
(22) Date of Filing Application: **21 October 2015**  
(24) Date from which industrial property rights may have effect: **21 October 2015**  
(54) Product in respect of which the design is registered: **Saw**  
(51) International Design Classification: **08-03**  
(74) Name(s) of Attorney(s): **Davies Collison Cave**  
(71) Name(s) and Address(s) of Applicant(s):  
**Fiskars Garden Oy Ab**  
**10330 Billnas Raasepori Finland**  
(72) Name(s) of Designer(s): **Mika Sokka and Mikko Heine and Kari Kunnas**  
(45) Registration Date: **04 January 2016**  
(56) Related Art Documents: **Not Applicable**  
(57) Statement of Newness and Distinctiveness: **Nil**



- (21) Design Number: **15585/2015**  
(22) Date of Filing Application: **21 October 2015**  
(24) Date from which industrial property rights may have effect: **21 October 2015**  
(54) Product in respect of which the design is registered: **Pruner**  
(51) International Design Classification: **08-03**  
(74) Name(s) of Attorney(s): **Davies Collison Cave**  
(71) Name(s) and Address(s) of Applicant(s):  
**Fiskars Garden Oy Ab**  
**10330 Billnas Raasepori Finland**  
(72) Name(s) of Designer(s): **Mika Sokka and Mikko Heine and Kari Kunnas**  
(45) Registration Date: **04 January 2016**  
(56) Related Art Documents: **Not Applicable**  
(57) Statement of Newness and Distinctiveness: **Newness and distinctiveness is claimed in the visual features shown in solid lines in the representations.**



- (21) Design Number: **15588/2015**  
(22) Date of Filing Application: **22 October 2015**  
(24) Date from which industrial property rights may have effect: **22 October 2015**  
(54) Product in respect of which the design is registered: **Weeder**  
(51) International Design Classification: **08-01**  
(74) Name(s) of Attorney(s): **Davies Collison Cave**  
(71) Name(s) and Address(s) of Applicant(s):  
**Fiskars Garden Oy Ab**  
**10330 Billnas Finland**  
(72) Name(s) of Designer(s): **Sami Lyytikainen and Aaro Huttunen**  
(45) Registration Date: **04 January 2016**  
(56) Related Art Documents: **Not Applicable**  
(57) Statement of Newness and Distinctiveness: **Nil**



- (21) Design Number: **15590/2015**  
(22) Date of Filing Application: **22 October 2015**  
(24) Date from which industrial property rights may have effect: **22 October 2015**  
(54) Product in respect of which the design is registered: **Weeder**  
(51) International Design Classification: **08-01**  
(74) Name(s) of Attorney(s): **Davies Collison Cave**  
(71) Name(s) and Address(s) of Applicant(s):  
**Fiskars Garden Oy Ab**  
**10330 Billnas Finland**  
(72) Name(s) of Designer(s): **Sami Lyytikainen and Aaro Huttunen**  
(45) Registration Date: **04 January 2016**  
(56) Related Art Documents: **Not Applicable**  
(57) Statement of Newness and Distinctiveness: **Newness and distinctiveness is claimed in the visual features shown in solid lines in the representations.**



- (21) Design Number: **15593/2015**  
(22) Date of Filing Application: **22 October 2015**  
(24) Date from which industrial property rights may have effect: **22 October 2015**  
(54) Product in respect of which the design is registered: **Weeder**  
(51) International Design Classification: **08-01**  
(74) Name(s) of Attorney(s): **Davies Collison Cave**  
(71) Name(s) and Address(s) of Applicant(s):  
**Fiskars Garden Oy Ab**  
**10330 Billnas Finland**  
(72) Name(s) of Designer(s): **Sami Lyytikainen and Aaro Huttunen**  
(45) Registration Date: **04 January 2016**  
(56) Related Art Documents: **Not Applicable**  
(57) Statement of Newness and Distinctiveness: **Newness and distinctiveness is claimed in the visual features shown in solid lines in the representations.**



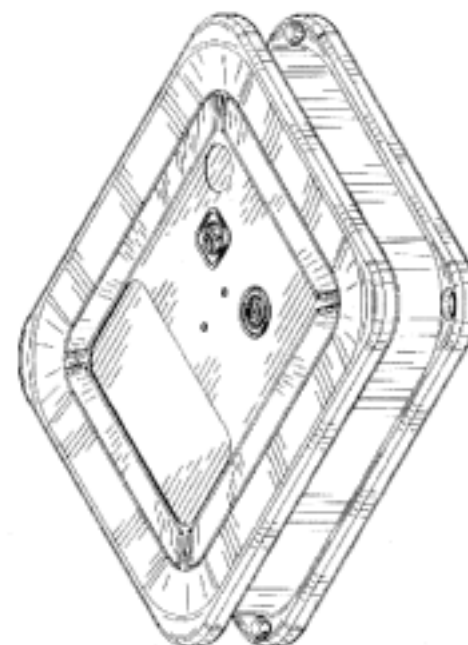
- (21) Design Number: **15598/2015**  
(22) Date of Filing Application: **22 October 2015**  
(24) Date from which industrial property rights may have effect: **22 October 2015**  
(54) Product in respect of which the design is registered: **Weeder**  
(51) International Design Classification: **08-01**  
(74) Name(s) of Attorney(s): **Davies Collison Cave**  
(71) Name(s) and Address(s) of Applicant(s):  
**Fiskars Garden Oy Ab**  
**10330 Billnas Finland**  
(72) Name(s) of Designer(s): **Sami Lyytikainen and Aaro Huttunen**  
(45) Registration Date: **04 January 2016**  
(56) Related Art Documents: **Not Applicable**  
(57) Statement of Newness and Distinctiveness: **Nil**



- (21) Design Number: **15601/2015**  
(22) Date of Filing Application: **22 October 2015**  
(24) Date from which industrial property rights may have effect: **22 October 2015**  
(54) Product in respect of which the design is registered: **Weeder**  
(51) International Design Classification: **08-01**  
(74) Name(s) of Attorney(s): **Davies Collison Cave**  
(71) Name(s) and Address(s) of Applicant(s):  
**Fiskars Garden Oy Ab**  
**10330 Billnas Finland**  
(72) Name(s) of Designer(s): **Sami Lyytikainen and Aaro Huttunen**  
(45) Registration Date: **04 January 2016**  
(56) Related Art Documents: **Not Applicable**  
(57) Statement of Newness and Distinctiveness: **Newness and distinctiveness is claimed in the visual features shown other than those within the dotted lines.**



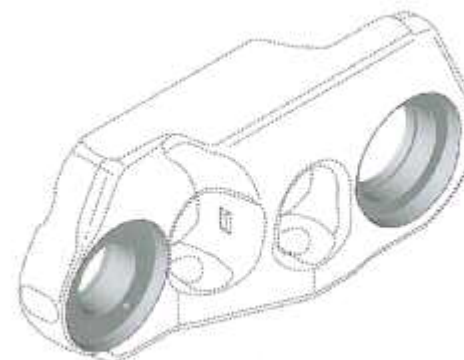
(21) Design Number: **15733/2015**  
(22) Date of Filing Application: **28 October 2015**  
(24) Date from which industrial property rights may have effect: **28 October 2015**  
(54) Product in respect of which the design is registered: **Electronic traffic safety/  
guidance flare**  
(51) International Design Classification: **22-03**  
(74) Name(s) of Attorney(s): **Davies Collison Cave**  
(71) Name(s) and Address(s) of Applicant(s):  
**Pi Variables, Inc.**  
**1661 Sunset Ridge Drive Laguna Beach California, 92651 United States  
of America**  
(72) Name(s) of Designer(s): **James R. Selevan**  
(45) Registration Date: **04 January 2016**  
(30) Convention priority data:  
(31) Number (32) Date (33) Country  
**29/525,453 29 Apr 2015 UNITED STATES OF AMERICA**  
(56) Related Art Documents: **Not Applicable**  
(57) Statement of Newness and Distinctiveness: **Nil**



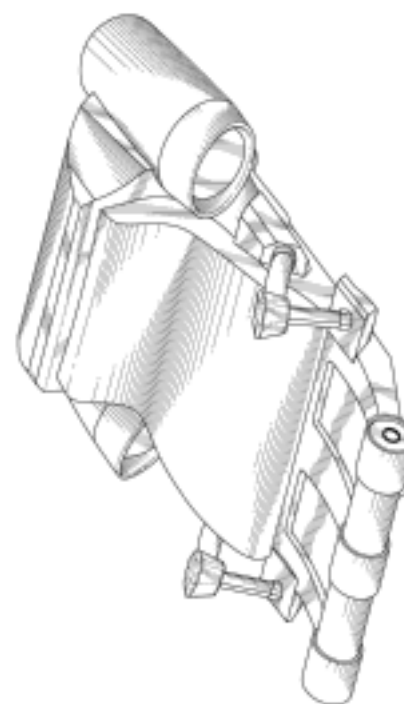
(21) Design Number: **16547/2015**  
(22) Date of Filing Application: **03 December 2015**  
(24) Date from which industrial property rights may have effect: **03 December 2015**  
(54) Product in respect of which the design is registered: **Lace**  
(51) International Design Classification: **02-07B**  
(74) Name(s) of Attorney(s): **WRAYS PTY LTD**  
(71) Name(s) and Address(s) of Applicant(s):  
**Barbados Trading Pty Ltd**  
**U3 23 Ocean Dr North Coogee WA 6163 Australia**  
(72) Name(s) of Designer(s): **Faye Finlayson and Edward Khoury and Christine  
McNee**  
(45) Registration Date: **04 January 2016**  
(56) Related Art Documents: **Not Applicable**  
(57) Statement of Newness and Distinctiveness: **Newness and Distinctiveness  
resides in the features of shape and/or configuration of the lace as shown  
in the accompanying representations. The central section of the lace is  
of indefinite length, as depicted in the representations.**



(21) Design Number: **16716/2015**  
(22) Date of Filing Application: **10 December 2015**  
(24) Date from which industrial property rights may have effect: **01 October 2015**  
(54) Product in respect of which the design is registered: **Track links**  
(51) International Design Classification: **15-04**  
(74) Name(s) of Attorney(s): **IP Gateway Patent & Trade Mark Attorneys Pty Ltd**  
(71) Name(s) and Address(s) of Applicant(s):  
**Caterpillar Inc.**  
**100 NE Adams Street Peoria Illinois, 61629 United States of America**  
(72) Name(s) of Designer(s): **Daniel Knobloch and Mark Diekevers and Timothy Thorson and Caroline Brewer and Gregory Kaufmann and Kevin Steiner and Temitope Akinlua and Martin Tagore Joseph Xavier**  
(45) Registration Date: **04 January 2016**  
(30) Convention priority data:  
(31) Number (32) Date (33) Country  
**29/522,677 01 Apr 2015 UNITED STATES OF AMERICA**  
(62) Divisional of: **366092**  
(56) Related Art Documents: **Not Applicable**  
(57) Statement of Newness and Distinctiveness: **Newness and distinctiveness reside in the visual features of shape and configuration which are shown by the grey-shaded solid surfaces, and/or by solid lines, in the accompanying representations. Visual features shown in broken lines should be given minimum regard. The broken dot-and-dash lines indicate boundaries between the visual features which are stated herein to be new and distinctive and those which are not stated herein to be new and distinctive: the broken dot-and-dash lines themselves do not form part of the design. The solid surfaces, represented in grey, represent shape, configuration and surface contour: surface ornamentation and colour do not form part of the design.**



(21) Design Number: **16717/2015**  
(22) Date of Filing Application: **10 December 2015**  
(24) Date from which industrial property rights may have effect: **10 December 2015**  
(54) Product in respect of which the design is registered: **Kart**  
(51) International Design Classification: **12-02, 12-99**  
(74) Name(s) of Attorney(s): **Halfords IP**  
(71) Name(s) and Address(s) of Applicant(s):  
**RAZOR USA LLC**  
**12723 166th Street Cerritos California, 90703 United States of America**  
(72) Name(s) of Designer(s): **Ian Desberg**  
(45) Registration Date: **04 January 2016**  
(30) Convention priority data:  
(31) Number (32) Date (33) Country  
**29/530064 12 Jun 2015 UNITED STATES OF AMERICA**  
(56) Related Art Documents: **Not Applicable**  
(57) Statement of Newness and Distinctiveness: **Newness and distinctiveness resides in those features of shape and or configuration of a KART as depicted in the representations. Shading lines and features shown in broken lines do not form part of the design.**



(21) Design Number: **16720/2015**

(22) Date of Filing Application: **10 December 2015**

(24) Date from which industrial property rights may have effect: **10 December 2015**

(54) Product in respect of which the design is registered: **Coffee carafe**

(51) International Design Classification: **07-02L**

(74) Name(s) of Attorney(s): **PHILLIPS ORMONDE FITZPATRICK**

(71) Name(s) and Address(s) of Applicant(s):

**SharkNinja Operating LLC**

**180 Wells Avenue Suite 200 Newton Massachusetts, 02459 United States  
of America**

(72) Name(s) of Designer(s): **Daniel Kestenbaum**

(45) Registration Date: **04 January 2016**

(30) Convention priority data:

(31) Number	(32) Date	(33) Country
<b>29/530,404</b>	<b>16 Jun 2015</b>	<b>UNITED STATES OF AMERICA</b>

(56) Related Art Documents: **Not Applicable**

(57) Statement of Newness and Distinctiveness: **Those features of the coffee carafe depicted in the representations that are new and distinctive are the shape and/or configuration. The features shown in broken lines are not part of the design and are to be disregarded when considering the overall impression of the design.**



(21) Design Number: **16721/2015**

(22) Date of Filing Application: **10 December 2015**

(24) Date from which industrial property rights may have effect: **10 December 2015**

(54) Product in respect of which the design is registered: **Coffee carafe**

(51) International Design Classification: **07-02L**

(74) Name(s) of Attorney(s): **PHILLIPS ORMONDE FITZPATRICK**

(71) Name(s) and Address(s) of Applicant(s):

**SharkNinja Operating LLC**

**180 Wells Avenue Suite 200 Newton Massachusetts, 02459 United States  
of America**

(72) Name(s) of Designer(s): **Daniel Kestenbaum**

(45) Registration Date: **04 January 2016**

(30) Convention priority data:

(31) Number	(32) Date	(33) Country
<b>29/530,404</b>	<b>16 Jun 2015</b>	<b>UNITED STATES OF AMERICA</b>

(56) Related Art Documents: **Not Applicable**

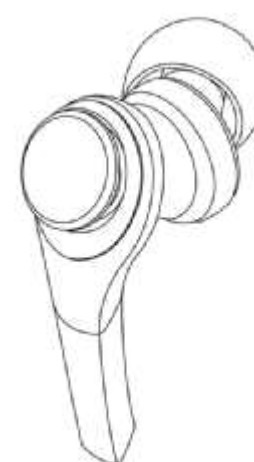
(57) Statement of Newness and Distinctiveness: **Those features of the coffee carafe depicted in the representations that are new and distinctive are the shape and/or configuration. The features shown in broken lines are not part of the design and are to be disregarded when considering the overall impression of the design.**



(21) Design Number: **16723/2015**  
(22) Date of Filing Application: **10 December 2015**  
(24) Date from which industrial property rights may have effect: **10 December 2015**  
(54) Product in respect of which the design is registered: **Coffee carafe**  
(51) International Design Classification: **07-02L**  
(74) Name(s) of Attorney(s): **PHILLIPS ORMONDE FITZPATRICK**  
(71) Name(s) and Address(s) of Applicant(s):  
**SharkNinja Operating LLC**  
**180 Wells Avenue Suite 200 Newton Massachusetts, 02459 United States of America**  
(72) Name(s) of Designer(s): **Daniel Kestenbaum**  
(45) Registration Date: **04 January 2016**  
(30) Convention priority data:  
(31) Number (32) Date (33) Country  
**29/530,404 16 Jun 2015 UNITED STATES OF AMERICA**  
(56) Related Art Documents: **Not Applicable**  
(57) Statement of Newness and Distinctiveness: **Nil**



(21) Design Number: **16725/2015**  
(22) Date of Filing Application: **10 December 2015**  
(24) Date from which industrial property rights may have effect: **10 December 2015**  
(54) Product in respect of which the design is registered: **Earphone**  
(51) International Design Classification: **14-01**  
(74) Name(s) of Attorney(s): **Spruson & Ferguson**  
(71) Name(s) and Address(s) of Applicant(s):  
**Kabushiki Kaisha Audio-Technica**  
**2-46-1, Nishi-Naruse, Machida-shi Tokyo Japan**  
(72) Name(s) of Designer(s): **Hikomichi Ozawa and Shohei Araki**  
(45) Registration Date: **04 January 2016**  
(30) Convention priority data:  
(31) Number (32) Date (33) Country  
**2015-13497 18 Jun 2015 JAPAN**  
(56) Related Art Documents: **Not Applicable**  
(57) Statement of Newness and Distinctiveness: **Newness and distinctiveness is claimed in the features of shape and/or configuration of an earphone as illustrated in the accompanying representations.**

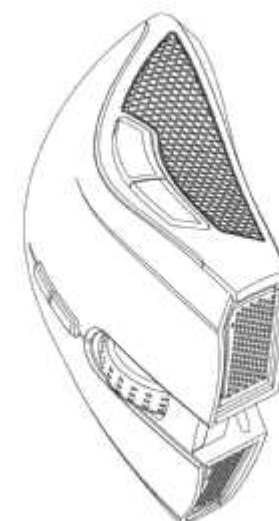


(21) Design Number: **16726/2015**  
(22) Date of Filing Application: **10 December 2015**  
(24) Date from which industrial property rights may have effect: **10 December 2015**  
(54) Product in respect of which the design is registered: **Electrical socket outlet**  
(51) International Design Classification: **13-03D**  
(74) Name(s) of Attorney(s):  
(71) Name(s) and Address(s) of Applicant(s):  
**CONNECTED GROUP AUSTRALIA PTY LIMITED**  
**7 Ormsby PI Wetherill Park NSW 2164 Australia**  
(72) Name(s) of Designer(s): **Dean Lucantonio**  
(45) Registration Date: **04 January 2016**  
(56) Related Art Documents: **Not Applicable**



(57) Statement of Newness and Distinctiveness: **A claim for a new and distinctive rear housing to an electrical socket outlet that enables electrical cable to be connected to the outlet without the need to strip insulation of the cable or the need to use tools. The distinctive design consists of a cable guide with guide pins to centre the cable within the cable guide. The hinged rotating cam assembly is rotated over the cable and clicked into position, then the cam lever is rotated to the closed position forcing the cable onto the sharp terminal pins effecting contact to the conductors. The end termination gromet is also new and distinctive it is used to cover and shield the inner cable cores on the end of the cable. The plastic gromet is removable and clips into either the left or right side of the rear housing adjacent the rotating cam housing assembly. Monopoly is claimed in respect of the design irrespective of the number of outlets the socket outlet contains and irrespective of the style and or shape of the socket outlet.**

(21) Design Number: **16727/2015**  
(22) Date of Filing Application: **10 December 2015**  
(24) Date from which industrial property rights may have effect: **10 December 2015**  
(54) Product in respect of which the design is registered: **Computer mouse**  
(51) International Design Classification: **14-02**  
(74) Name(s) of Attorney(s): **FB Rice**  
(71) Name(s) and Address(s) of Applicant(s):  
**Razer (Asia-Pacific) Pte. Ltd.**  
**514 Chai Chee Lane #07-05 Singapore 469029 Singapore**  
(72) Name(s) of Designer(s): **Boon Sim Chong**  
(45) Registration Date: **04 January 2016**  
(30) Convention priority data:



(31) Number	(32) Date	(33) Country
<b>29/530210</b>	<b>15 Jun 2015</b>	<b>UNITED STATES OF AMERICA</b>

(56) Related Art Documents: **Not Applicable**  
(57) Statement of Newness and Distinctiveness: **Newness and distinctiveness reside in the features of the design as shown in the representations.**

(21) Design Number: **16728/2015**  
(22) Date of Filing Application: **10 December 2015**  
(24) Date from which industrial property rights may have effect: **10 December 2015**  
(54) Product in respect of which the design is registered: **Fuel pump**  
(51) International Design Classification: **20-02A**  
(74) Name(s) of Attorney(s): **Shelston IP Pty Ltd.**  
(71) Name(s) and Address(s) of Applicant(s):

**Cryostar SAS**  
**P.O. Box 48, Zone Industrielle Hesingue 68220 France**

(72) Name(s) of Designer(s): **Simon Oury and Mario Fernandes and Julie Louveau and Adriano Audia**

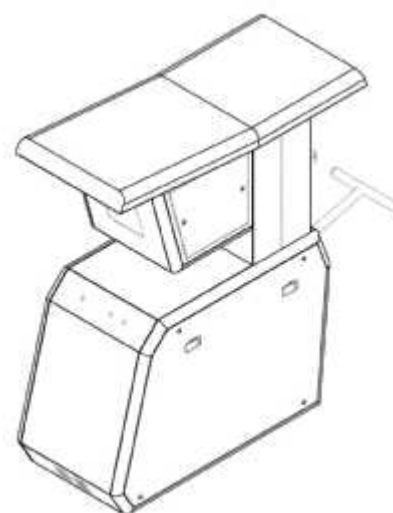
(45) Registration Date: **04 January 2016**

(30) Convention priority data:

(31) Number	(32) Date	(33) Country
<b>002717850-0002</b>	<b>12 Jun 2015</b>	<b>OFFICE FOR HARMONISATION IN THE INTERNAL MARKET (OHIM)</b>

(56) Related Art Documents: **Not Applicable**

(57) Statement of Newness and Distinctiveness: **Newness and distinctiveness resides in the features of shape and configuration of a fuel pump as shown in solid lines in the accompanying representations. The features shown in broken lines do not form part of the design and can be varied.**



(21) Design Number: **16729/2015**  
(22) Date of Filing Application: **10 December 2015**  
(24) Date from which industrial property rights may have effect: **10 December 2015**  
(54) Product in respect of which the design is registered: **Kart**  
(51) International Design Classification: **12-02**  
(74) Name(s) of Attorney(s): **Halfords IP**  
(71) Name(s) and Address(s) of Applicant(s):

**RAZOR USA LLC**  
**12723 166th Street Cerritos California, 90703 United States of America**

(72) Name(s) of Designer(s): **Ian Desberg**

(45) Registration Date: **04 January 2016**

(30) Convention priority data:

(31) Number	(32) Date	(33) Country
<b>29/530063</b>	<b>12 Jun 2015</b>	<b>UNITED STATES OF AMERICA</b>

(56) Related Art Documents: **Not Applicable**

(57) Statement of Newness and Distinctiveness: **Newness and distinctiveness resides in those features of shape and or configuration of a KART as depicted in the representations. Shading lines and features shown in broken lines do not form part of the design.**



(21) Design Number: **16730/2015**  
(22) Date of Filing Application: **10 December 2015**  
(24) Date from which industrial property rights may have effect: **10 December 2015**  
(54) Product in respect of which the design is registered: **Packaging for foodstuffs**  
(51) International Design Classification: **09-03NES**  
(74) Name(s) of Attorney(s): **Corrs Chambers Westgarth**  
(71) Name(s) and Address(s) of Applicant(s):  
**Compagnie Gervais Danone**  
**17, boulevard Haussmann Paris 75009 France**  
(72) Name(s) of Designer(s): **Agnes Pritulin-Citerne**  
(45) Registration Date: **04 January 2016**  
(30) Convention priority data:  
(31) Number (32) Date (33) Country  
**002890590 04 Dec 2015 OFFICE FOR HARMONISATION IN**  
**THE INTERNAL MARKET (OHIM)**  
(56) Related Art Documents: **Not Applicable**  
(57) Statement of Newness and Distinctiveness: **Nil**



(21) Design Number: **16731/2015**  
(22) Date of Filing Application: **10 December 2015**  
(24) Date from which industrial property rights may have effect: **10 December 2015**  
(54) Product in respect of which the design is registered: **Motorcycle**  
(51) International Design Classification: **09-03NES**  
(74) Name(s) of Attorney(s): **Spruson & Ferguson**  
(71) Name(s) and Address(s) of Applicant(s):  
**Honda Motor Co., Ltd.**  
**1-1, Minami-Aoyama 2-chome, Minato-ku, Tokyo 107-8556 Japan**  
(72) Name(s) of Designer(s): **Yukitou Fujimoto and Valerio Aiello**  
(45) Registration Date: **04 January 2016**  
(30) Convention priority data:  
(31) Number (32) Date (33) Country  
**2015-013622 19 Jun 2015 JAPAN**  
(56) Related Art Documents: **Not Applicable**  
(57) Statement of Newness and Distinctiveness: **Newness and distinctiveness is claimed in the features of shape and/or configuration of a motorcycle as illustrated in the accompanying representations.**



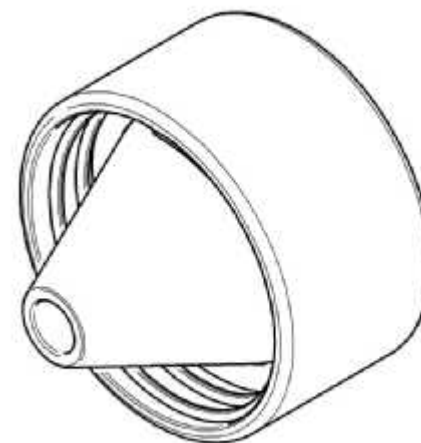
- (21) Design Number: **16732/2015**  
(22) Date of Filing Application: **10 December 2015**  
(24) Date from which industrial property rights may have effect: **10 December 2015**  
(54) Product in respect of which the design is registered: **Wearable electronic band**  
(51) International Design Classification: **10-04**  
(74) Name(s) of Attorney(s): **Cotters Patent & Trade Mark Attorneys**  
(71) Name(s) and Address(s) of Applicant(s):  
**Microsoft Corporation**  
**One Microsoft Way Redmond WA, 98052 United States of America**  
(72) Name(s) of Designer(s): **Paul Bosveld and Young Duk Song and Philip Bryan and Nicolas Denhez and Yeongkyu Yoo**  
(45) Registration Date: **04 January 2016**  
(30) Convention priority data:  
(31) Number (32) Date (33) Country  
**29/529,827 10 Jun 2015 UNITED STATES OF AMERICA**  
(56) Related Art Documents: **Not Applicable**  
(57) Statement of Newness and Distinctiveness: **Newness and distinctiveness is claimed in the features of shape and/or configuration of a wearable electronic band as depicted in the accompanying drawings.**



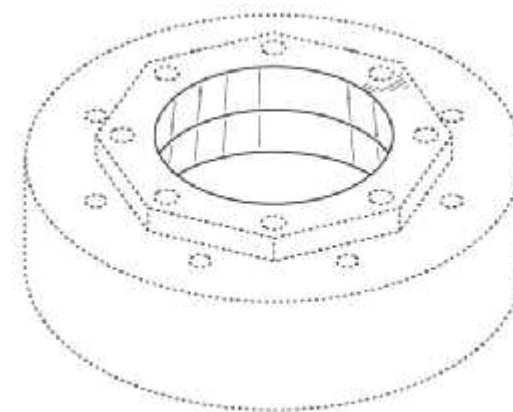
- (21) Design Number: **16734/2015**  
(22) Date of Filing Application: **10 December 2015**  
(24) Date from which industrial property rights may have effect: **10 December 2015**  
(54) Product in respect of which the design is registered: **Wearable electronic band**  
(51) International Design Classification: **10-04**  
(74) Name(s) of Attorney(s): **Cotters Patent & Trade Mark Attorneys**  
(71) Name(s) and Address(s) of Applicant(s):  
**Microsoft Corporation**  
**One Microsoft Way Redmond WA, 98052 United States of America**  
(72) Name(s) of Designer(s): **Paul Bosveld and Young Duk Song and Philip Bryan and Nicolas Denhez and Yeongkyu Yoo**  
(45) Registration Date: **04 January 2016**  
(30) Convention priority data:  
(31) Number (32) Date (33) Country  
**29/529,827 10 Jun 2015 UNITED STATES OF AMERICA**  
(56) Related Art Documents: **Not Applicable**  
(57) Statement of Newness and Distinctiveness: **Newness and distinctiveness is claimed in the features of shape and/or configuration of a wearable electronic band as depicted in the accompanying drawings and having particular regard to the curvature of the display from front to back and the curvature of the display from left to right (shown in the upper portion of the front perspective view) and the clasp components (shown in the lower portion of the front perspective view, and also in the bottom views).**



- (21) Design Number: **16736/2015**  
(22) Date of Filing Application: **11 December 2015**  
(24) Date from which industrial property rights may have effect: **11 December 2015**  
(54) Product in respect of which the design is registered: **Bottles of packaged product in Fluid form.**  
(51) International Design Classification: **09-07A, 09-01NES**  
(74) Name(s) of Attorney(s):  
(71) Name(s) and Address(s) of Applicant(s):  
**Trango Towers Pty Ltd**  
**Narrambla Business Park PO Box 8508 74 Astill Dr Orange East NSW**  
**2800 Australia**  
(72) Name(s) of Designer(s): **David Finlay**  
(45) Registration Date: **04 January 2016**  
(56) Related Art Documents: **Not Applicable**  
(57) Statement of Newness and Distinctiveness: **It is a Inverted Double Lid arrangement, with an integrated funnel. Allows liquids to transfer from one bottle to the next, via a rigid connection, and a supported upside-down bottle.**



- (21) Design Number: **16742/2015**  
(22) Date of Filing Application: **11 December 2015**  
(24) Date from which industrial property rights may have effect: **11 December 2015**  
(54) Product in respect of which the design is registered: **Rotor boss of a taper lock assembly**  
(51) International Design Classification: **08-07**  
(74) Name(s) of Attorney(s): **Baldwins**  
(71) Name(s) and Address(s) of Applicant(s):  
**Damian Rodriguez**  
**263 S. Vasco Road Livermore California, 94551 United States of America**  
(72) Name(s) of Designer(s): **Damian Rodriguez**  
(45) Registration Date: **04 January 2016**  
(30) Convention priority data:  
(31) Number      (32) Date      (33) Country  
**29/532,247      02 Jul 2015      UNITED STATES OF AMERICA**  
(56) Related Art Documents: **Not Applicable**  
(57) Statement of Newness and Distinctiveness: **Newness and distinctiveness resides in the features of shape and/or configuration of the rotor boss of a taper lock assembly, excluding those portions shown in broken line.**



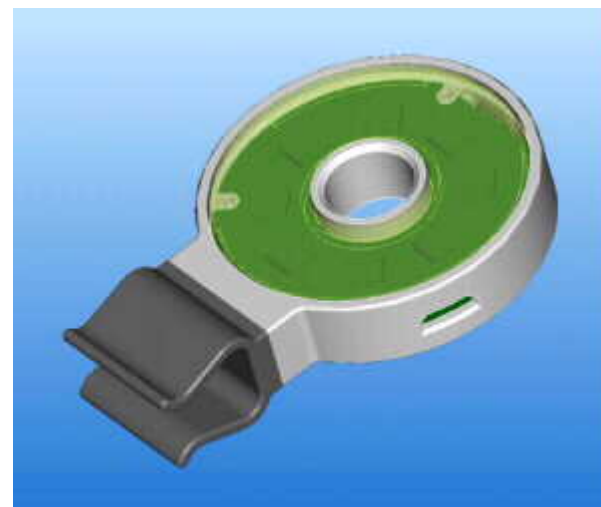
(21) Design Number: **16751/2015**  
(22) Date of Filing Application: **11 December 2015**  
(24) Date from which industrial property rights may have effect: **11 December 2015**  
(54) Product in respect of which the design is registered: **Measuring cup**  
(51) International Design Classification: **10-04**  
(74) Name(s) of Attorney(s): **PHILLIPS ORMONDE FITZPATRICK**  
(71) Name(s) and Address(s) of Applicant(s):  
**Dart Industries Inc.**  
**14901 S. Orange Blossom Trail Orlando Florida, 32837 United States of America**  
(72) Name(s) of Designer(s): **James Michael Wiggins**  
(45) Registration Date: **04 January 2016**  
(56) Related Art Documents: **Not Applicable**  
(57) Statement of Newness and Distinctiveness: **Nil**



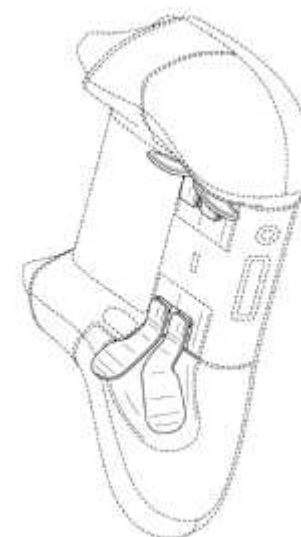
(21) Design Number: **16752/2015**  
(22) Date of Filing Application: **11 December 2015**  
(24) Date from which industrial property rights may have effect: **26 October 2015**  
(54) Product in respect of which the design is registered: **Measuring cup**  
(51) International Design Classification: **10-04**  
(74) Name(s) of Attorney(s): **PHILLIPS ORMONDE FITZPATRICK**  
(71) Name(s) and Address(s) of Applicant(s):  
**Dart Industries Inc.**  
**14901 S. Orange Blossom Trail Orlando Florida, 32837 United States of America**  
(72) Name(s) of Designer(s): **James Michael Wiggins**  
(45) Registration Date: **04 January 2016**  
(62) Divisional of: **15702/2015**  
(56) Related Art Documents: **Not Applicable**  
(57) Statement of Newness and Distinctiveness: **Nil**



(21) Design Number: **16757/2015**  
(22) Date of Filing Application: **11 December 2015**  
(24) Date from which industrial property rights may have effect: **11 December 2015**  
(54) Product in respect of which the design is registered: **Ring light for a camera**  
(51) International Design Classification: **16-05**  
(74) Name(s) of Attorney(s):  
(71) Name(s) and Address(s) of Applicant(s):  
**RINGLIGHT SELFIE LIMITED**  
**34 Fitzwilliam Drive Torbay Auckland 0630 New Zealand**  
(72) Name(s) of Designer(s): **Christyn Kendal Fisher**  
(45) Registration Date: **04 January 2016**  
(30) Convention priority data:  
(31) Number (32) Date (33) Country  
**421018 11 Dec 2015 NEW ZEALAND**  
(56) Related Art Documents: **Not Applicable**  
(57) Statement of Newness and Distinctiveness: **The design is to be applied to a ring light for a camera. The newness and distinctiveness of the design resides in the shape and/or configuration as shown in the accompanying representations.**



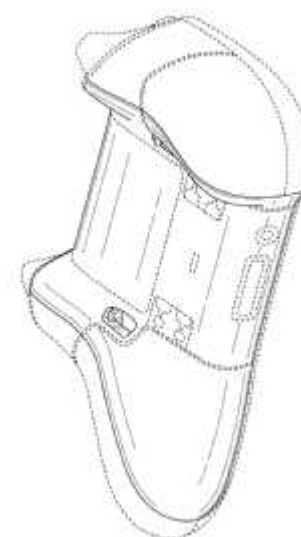
(21) Design Number: **16761/2015**  
(22) Date of Filing Application: **11 December 2015**  
(24) Date from which industrial property rights may have effect: **11 December 2015**  
(54) Product in respect of which the design is registered: **Controller component**  
(51) International Design Classification: **21-01N**  
(74) Name(s) of Attorney(s): **Shelston IP Pty Ltd.**  
(71) Name(s) and Address(s) of Applicant(s):  
**Microsoft Corporation**  
**One Microsoft Way Redmond Washington, 98052-5321 United States of America**  
(72) Name(s) of Designer(s): **Christopher Kujawski and Kenneth Jasinski and Carl J Ledbetter**  
(45) Registration Date: **04 January 2016**  
(30) Convention priority data:  
(31) Number (32) Date (33) Country  
**29/530116 12 Jun 2015 UNITED STATES OF AMERICA**  
(56) Related Art Documents: **Not Applicable**  
(57) Statement of Newness and Distinctiveness: **Newness and distinctiveness reside in the features of shape and/or configuration of a controller component as illustrated by solid lines in the accompanying representations. The features shown in broken outline and discontinuous lines are for contextual purposes only and do not form part of the design.**



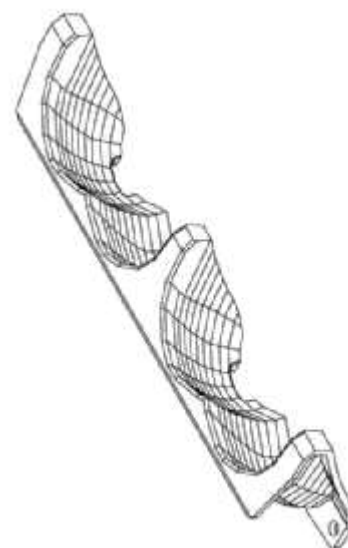
(21) Design Number: **16770/2015**  
(22) Date of Filing Application: **11 December 2015**  
(24) Date from which industrial property rights may have effect: **11 December 2015**  
(54) Product in respect of which the design is registered: **Thumbstick attachment for a controller**  
(51) International Design Classification: **21-01N**  
(74) Name(s) of Attorney(s): **Shelston IP Pty Ltd.**  
(71) Name(s) and Address(s) of Applicant(s):  
**Microsoft Corporation**  
**One Microsoft Way Redmond Washington, 98052-5321 United States of America**  
(72) Name(s) of Designer(s): **Christopher Kujawski and Kenneth Jasinski and Carl J. Ledbetter**  
(45) Registration Date: **04 January 2016**  
(30) Convention priority data:  
(31) Number (32) Date (33) Country  
**29/530115 12 Jun 2015 UNITED STATES OF AMERICA**  
(56) Related Art Documents: **Not Applicable**  
(57) Statement of Newness and Distinctiveness: **Newness and distinctiveness reside in the features of shape and/or configuration of a thumbstick attachment for a controller as illustrated by solid lines in the accompanying representations. The features shown in broken outline and discontinuous lines are for contextual purposes only and do not form part of the design.**



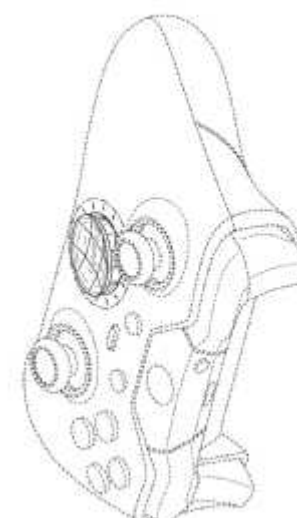
(21) Design Number: **16775/2015**  
(22) Date of Filing Application: **11 December 2015**  
(24) Date from which industrial property rights may have effect: **11 December 2015**  
(54) Product in respect of which the design is registered: **Controller component**  
(51) International Design Classification: **21-01N**  
(74) Name(s) of Attorney(s): **Shelston IP Pty Ltd.**  
(71) Name(s) and Address(s) of Applicant(s):  
**Microsoft Corporation**  
**One Microsoft Way Redmond Washington, 98052-5321 United States of America**  
(72) Name(s) of Designer(s): **Christopher Kujawski and Kenneth Jasinski and Carl J. Ledbetter**  
(45) Registration Date: **05 January 2016**  
(30) Convention priority data:  
(31) Number (32) Date (33) Country  
**29/530285 12 Jun 2015 UNITED STATES OF AMERICA**  
(56) Related Art Documents: **Not Applicable**  
(57) Statement of Newness and Distinctiveness: **Newness and distinctiveness reside in the features of shape and/or configuration of a controller component as illustrated by solid lines in the accompanying representations. The features shown in broken outline and discontinuous lines are for contextual purposes only and do not form part of the design.**



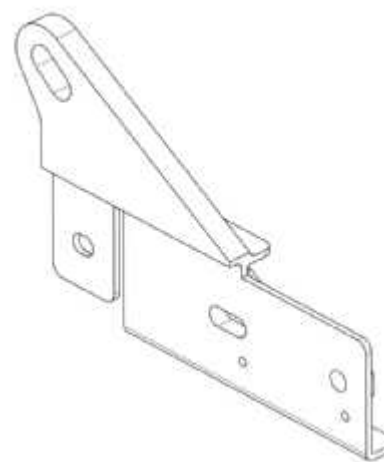
- (21) Design Number: **16776/2015**  
(22) Date of Filing Application: **11 December 2015**  
(24) Date from which industrial property rights may have effect: **11 December 2015**  
(54) Product in respect of which the design is registered: **An optical component**  
(51) International Design Classification: **24-01**  
(74) Name(s) of Attorney(s): **PHILLIPS ORMONDE FITZPATRICK**  
(71) Name(s) and Address(s) of Applicant(s):  
**Gerard Lighting Pty Ltd (Old)**  
**142-144 Fullarton Rd Rose Park SA 5067 Australia**  
(72) Name(s) of Designer(s): **Guy Hatton-Ward**  
(45) Registration Date: **05 January 2016**  
(56) Related Art Documents: **Not Applicable**  
(57) Statement of Newness and Distinctiveness: **Newness and distinctiveness is claimed in the shape and/or configuration of the optical component as shown in the accompanying drawings.**



- (21) Design Number: **16777/2015**  
(22) Date of Filing Application: **11 December 2015**  
(24) Date from which industrial property rights may have effect: **11 December 2015**  
(54) Product in respect of which the design is registered: **Controller component**  
(51) International Design Classification: **21-01N**  
(74) Name(s) of Attorney(s): **Shelston IP Pty Ltd.**  
(71) Name(s) and Address(s) of Applicant(s):  
**Microsoft Corporation**  
**One Microsoft Way Redmond Washington, 98052-5321 United States of America**  
(72) Name(s) of Designer(s): **Christopher Kujawski and Kenneth Jasinski and Carl J. Ledbetter and Andrew Kim**  
(45) Registration Date: **05 January 2016**  
(30) Convention priority data:  
(31) Number      (32) Date      (33) Country  
**29/530237      12 Jun 2015      UNITED STATES OF AMERICA**  
(56) Related Art Documents: **Not Applicable**  
(57) Statement of Newness and Distinctiveness: **Newness and distinctiveness reside in the features of shape and/or configuration of a controller component as illustrated by solid lines in the accompanying representations. The features shown in broken outline and discontinuous lines are for contextual purposes only and do not form part of the design.**



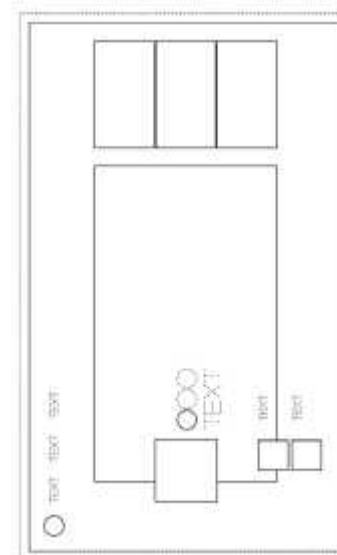
- (21) Design Number: **16778/2015**  
(22) Date of Filing Application: **11 December 2015**  
(24) Date from which industrial property rights may have effect: **11 December 2015**  
(54) Product in respect of which the design is registered: **Tow point**  
(51) International Design Classification: **12-16L**  
(74) Name(s) of Attorney(s): **Actuate IP**  
(71) Name(s) and Address(s) of Applicant(s):  
**Roadsafe Automotive Products Pty Ltd**  
**10 Macbeth St Braeside VIC 3195 Australia**  
(72) Name(s) of Designer(s): **Scott Owen**  
(45) Registration Date: **05 January 2016**  
(56) Related Art Documents: **Not Applicable**  
(57) Statement of Newness and Distinctiveness: **The newness and distinctiveness of the design resides in the shape and/or configuration of the tow point, as shown in the representations.**



- (21) Design Number: **16783/2015**  
(22) Date of Filing Application: **14 December 2015**  
(24) Date from which industrial property rights may have effect: **14 December 2015**  
(54) Product in respect of which the design is registered: **Fishing lure**  
(51) International Design Classification: **22-05**  
(74) Name(s) of Attorney(s):  
(71) Name(s) and Address(s) of Applicant(s):  
**Wayne Scott Taylor**  
**3190 Emu Park Rd Emu Park QLD 4710 Australia**  
(72) Name(s) of Designer(s): **Wayne Scott Taylor**  
(45) Registration Date: **05 January 2016**  
(56) Related Art Documents: **Not Applicable**  
(57) Statement of Newness and Distinctiveness: **Nil**

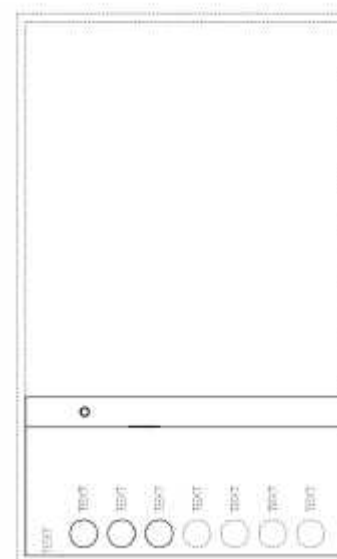


(21) Design Number: **16784/2015**  
(22) Date of Filing Application: **14 December 2015**  
(24) Date from which industrial property rights may have effect: **14 December 2015**  
(54) Product in respect of which the design is registered: **Display screen with graphical user interface**  
(51) International Design Classification: **14-02**  
(74) Name(s) of Attorney(s): **Shelston IP Pty Ltd.**  
(71) Name(s) and Address(s) of Applicant(s):  
**Microsoft Corporation**  
**One Microsoft Way Redmond Washington, 98052-5321 United States of America**  
(72) Name(s) of Designer(s): **David Gardner and Eric Hsia and Macbeth Watson and Brian Ralphs and John Snavely and Megan McMillan**  
(45) Registration Date: **05 January 2016**  
(30) Convention priority data:  
(31) Number (32) Date (33) Country  
**29/530094 12 Jun 2015 UNITED STATES OF AMERICA**



(56) Related Art Documents: **Not Applicable**  
(57) Statement of Newness and Distinctiveness: **Newness and distinctiveness reside in the features of pattern and/or ornamentation of a display screen with graphical user interface as illustrated by solid lines in the accompanying representation. The features shown in broken outline are for contextual purposes only and do not form part of the design. The alphabetical characters depicted are indicative only, and may be substituted by alphanumeric characters.**

(21) Design Number: **16785/2015**  
(22) Date of Filing Application: **14 December 2015**  
(24) Date from which industrial property rights may have effect: **14 December 2015**  
(54) Product in respect of which the design is registered: **Display screen with graphical user interface**  
(51) International Design Classification: **14-02**  
(74) Name(s) of Attorney(s): **Shelston IP Pty Ltd.**  
(71) Name(s) and Address(s) of Applicant(s):  
**Microsoft Corporation**  
**One Microsoft Way Redmond Washington, 98052-5321 United States of America**  
(72) Name(s) of Designer(s): **Xiaoji Chen and Nathan Johnson and Megan McMillan and Brian Ralphs**  
(45) Registration Date: **05 January 2016**  
(30) Convention priority data:  
(31) Number (32) Date (33) Country  
**29/530099 12 Jun 2015 UNITED STATES OF AMERICA**



(56) Related Art Documents: **Not Applicable**  
(57) Statement of Newness and Distinctiveness: **Newness and distinctiveness reside in the features of pattern and/or ornamentation of a display screen with graphical user interface as illustrated by solid lines in the accompanying representation. The features shown in broken outline are for contextual purposes only and do not form part of the design. The alphabetical characters depicted are indicative only, and may be substituted by alphanumeric characters.**