



**Australian Government**

---

**IP Australia**

**AUSTRALIAN OFFICIAL JOURNAL**

**OF**

**DESIGNS**

Did you know a searchable version of this journal is now available online?

It's FREE and EASY to SEARCH.

Find it on our website ([www.ipaustralia.gov.au](http://www.ipaustralia.gov.au))

by using the "Journals" link on the home page.

This Page Left Intentionally Blank

**Contents**

**General Information & Notices**

**Proceedings Under the Designs Act 1906 preserved as a result of the provisions of Chapter 12  
Part 2 of the Designs Act 2003**

<b>Extension of Period of Registration of Designs .....</b>	<b>298</b>
<b>Extensions of Time Granted .....</b>	<b>298</b>
<b>Registrations Ceased .....</b>	<b>298</b>

**Proceedings Under the Designs Act 2003**

<b>Applications Lapsed .....</b>	<b>309</b>
<b>Applications Lodged .....</b>	<b>302</b>
<b>Applications Withdrawn .....</b>	<b>309</b>
<b>Certificate of Examination .....</b>	<b>312</b>
<b>Extension of Period of Registration of Design .....</b>	<b>310</b>
<b>Extension of Time Granted Under Section 137 .....</b>	<b>311</b>
<b>Publication and Registration Proceedings</b>	
<b>Designs Registered 366319 to 366609.....</b>	<b>313</b>
<b>Registrations Ceased .....</b>	<b>310</b>
<b>Subsequent Owners Registered .....</b>	<b>311</b>

This Page Left Intentionally Blank

For information on the following please see our website [www.ipaustralia.gov.au](http://www.ipaustralia.gov.au) or contact our Customer Service Network on 1300651010

[Editorial enquiries](#)

[Contact information](#)

[Freedom of Information ACT](#)

[Professional Standards Board](#)

[Sales](#)

[Requests for Information under Section 194 \(c\)](#)

[Country Codes](#)

[Trade Mark and Designs Hearing Sessions](#)

[INID \(Internationally agreed Numbers for the Identification of Data\)](#)

## “INID” NUMBERS in use on Australian Design Documents

“INID” is an acronym for “Internationally agreed Numbers for the Identification of Data”.

### (10) Data concerning the registration/renewal

- (11) Serial number of the registration and/or number of the design document
- (12) Plain language designation of the kind of published document
- (19) Identification, using the two-letter code according to WIPO Standard ST.3, of the authority publishing or registering the industrial design

### (20) Data concerning the application

- (21) Serial number of the application
- (22) Date of filing of the application
- (24) Date from which the industrial design right has effect

### (30) Data relating to priority under the Paris Convention

- (31) Serial number assigned to the priority application
- (32) Date of filing of the priority application
- (33) Two-letter code, according to WIPO Standard ST.3, identifying the authority with which the priority application was made

### (40) Date(s) of making information available to the public

- (45) Date of publication of the registered industrial design by printing or similar process, or making it available to the public by any other means

### (50) Miscellaneous Information

- (51) International Classification for Industrial Designs (class and subclass of the Locarno Classification)
- (54) Designation of article(s) or product(s) covered by the industrial design or title of the industrial design
- (55) Reproduction of the industrial design (e.g., drawing, photograph) and explanations relating to the reproduction
- (56) List of prior art documents, if separate from descriptive text
- (57) Description of characteristic features of the industrial design including indication of colours

### (60) References to other legally related application(s) and registration(s)

- (62) Serial number(s) and, if available, filing date(s) of application(s), registration(s) or document(s) related by division
- (66) Serial number(s) of the application, or the registration, of the design(s) which is (are) a variant(s) of the present one

### (70) Identification of parties concerned with the application or registration

- (71) Name(s) and address(es) of the applicant(s)
- (72) Name(s) of the creator(s) if known to be such
- (74) Name(s) and address(es) of the representative(s)

This Page Left Intentionally Blank

**Official Notice****Designs Act 2003****Corrections to the Registered Design**

The following corrections have been requested under Designs Regulation 9.05 (2)(a) to correct a clerical error or an obvious mistake.

<b>Registration Numbers</b>	<b>Amendment type</b>	<b>New details</b>
363895	Correct Representations	Change product name to - Candle holder, vase, cannister
363895	Correct Representations	Replace current set of representations on file with a new set

**Proceedings under the Designs Act 1906 preserved as a result of the provisions of Chapter 12 Part 2 of the Designs Act 2003.**



This Page Left Intentionally Blank

**Applications Lapsed**

There were no Applications Lapsed under this section

**Extension of Period of Registration of Designs**

**1st Period (Section 27A(8))**

**2nd Period (Section 27A(12))**

**3rd Period (Section 27A(13))**

157189                      157190                      157191

**Registrations Ceased**

Note: Some of the following Registrations may have been previously advertised as ceased. In this instance, the previous advertisement still prevails.

139681	140160	140851
140967	140992	141047
141049	141050	141051
141052	141053	141054
141134	141135	141136
141137	141138	141139
141140	141141	141154
141155	141157	141192
141214	141235	141249
141276	141376	141387
141402	141451	141452
141453	141454	141572
141583	141652	141795
141834	141835	141848
141849	141850	141851
141852	141853	141854
141855	141856	141857
141858	141876	142103
142225	142226	142227
142228	142252	142253
142281	142427	142594
142712	142713	142714
142715	142716	142717
142718	142726	142727
142728	142730	142731
142732	142908	142909
142910	142925	143163
143206	143207	143458
143459	143554	143555
143556	143557	143558
143559	143560	143562
143651	143652	143653
143724	144543	144724
144725	144869	145014
145015	145016	145017
145018	145058	145059
145060	145061	145062

145063	145476	145477
145478	145643	145705
151775	156520	157073
157240	157385	157399
157400	157401	157402
157403	157404	157405
157406	157502	157503
157504	157505	157506
157507	157508	157569
157571	157572	157573
157574	157789	157790
157865	157866	157867
158125	158139	158180
158270	158294	158332
158452	158453	158455
158499	158500	158548
158549	158550	158551
158567		

**Extensions of time granted**

Applications lodged for extension of time have been granted.

157189 **Sandvik Tamrock Oy** An An Extension of time to extend a registration has been granted to 04/11/2015

157190 **Sandvik Tamrock Oy** An An Extension of time to extend a registration has been granted to 04/11/2015

157191 **Sandvik Tamrock Oy** An An Extension of time to extend a registration has been granted to 04/11/2015

This Page Left Intentionally Blank

**Proceedings under the Designs Act 2003.**

This Page Left Intentionally Blank

**Applications Lodged**

Lodgement information is in the following order: **Applicant's Name**; International Classification, Name of Product, Lodgement Date and **Design Number**. If the applicant claims an earlier priority date under an International Convention, the Convention Country and the associated filing date are shown in parentheses before the Lodgement Date. Divisional information will also appear in parentheses before the Lodgement Date.

<b>All Things Containers Group Pty Ltd;</b> 12-99, Twist lock, 17 Dec 2015	<b>16861/2015</b>	<b>Borgward Trademark Holdings GmbH;</b> 12-16B, Grille, (CN, 17 Jul 2015) 06 Jan 2016	<b>10052/2016</b>
<b>American Greetings Corporation;</b> 06-09, Furry pillow, (US, 27 Aug 2015) (Divisional of 14719/2015) 04 Jan 2016	<b>10000/2016</b>	<b>Borgward Trademark Holdings GmbH;</b> 26-06, 12-16E, Head lamp, (CN, 17 Jul 2015) 07 Jan 2016	<b>10068/2016</b>
<b>Anderson, Mark;</b> 24-01, Artificial inseminator, (US, 15 Jul 2015) 14 Jan 2016	<b>10198/2016</b>	<b>Borgward Trademark Holdings GmbH;</b> 12-08, Automobile, (CN, 17 Jul 2015) 06 Jan 2016	<b>10055/2016</b>
<b>Angelucci, Enza;</b> 25-03, Transportable module building design, 08 Jan 2016	<b>10090/2016</b>	<b>Borgward Trademark Holdings GmbH;</b> 26-06, 12-16E, Rear lamp, (CN, 17 Jul 2015) 07 Jan 2016	<b>10066/2016</b>
<b>Automobili Lamborghini S.p.A.;</b> 21-01C, Car and toy-car, (EM, 27 Jul 2015) 14 Jan 2016	<b>10189/2016</b>	<b>Borgward Trademark Holdings GmbH;</b> 12-16E, 26-06, Head lamp, (CN, 17 Jul 2015) 07 Jan 2016	<b>10067/2016</b>
<b>Avent, Inc.;</b> 14-99, Retrieval snare coil sleeve, (US, 17 Jul 2015) 14 Jan 2016	<b>10199/2016</b>	<b>Brand Developers Ltd;</b> 21-01C, Toy plane, (CN, 14 Jul 2015) 05 Jan 2016	<b>10020/2016</b>
<b>AMELEC AUSTRALIA PTY LTD;</b> 13-03B, Battery terminal, 09 Jan 2016	<b>10096/2016</b>	<b>Breville Pty Limited;</b> 07-02B, Cooktop, (US, 17 Jul 2015) 13 Jan 2016	<b>10141/2016</b>
<b>AMEO Sports GmbH;</b> 12-16NES, A snorkel, (EM, 29 Jun 2015) 24 Dec 2015	<b>17142/2015</b>	<b>British Gas Trading Limited;</b> 13-03NES, Temperature controller, (US, 13 Jul 2015) 12 Jan 2016	<b>10136/2016</b>
<b>ASAP BreatheAssist Pty Ltd;</b> 24-99, Nasal dilator device, 24 Dec 2015	<b>17103/2015</b>	<b>British Gas Trading Limited;</b> 13-03NES, Temperature controller, (US, 13 Jul 2015) 12 Jan 2016	<b>10133/2016</b>
<b>AUSTRALIAN FASHION LABELS PTY LTD;</b> 05-05A, A textile print, 05 Jan 2016	<b>10017/2016</b>	<b>British Gas Trading Limited;</b> 13-03NES, Temperature controller, (US, 13 Jul 2015) 12 Jan 2016	<b>10137/2016</b>
<b>AUSTRALIAN FASHION LABELS PTY LTD;</b> 05-05NES, A textile print, 08 Jan 2016	<b>10083/2016</b>	<b>British Gas Trading Limited;</b> 13-03NES, Temperature Controller, (US, 13 Jul 2015) 12 Jan 2016	<b>10134/2016</b>
<b>AUSTRALIAN FASHION LABELS PTY LTD;</b> 05-05A, A textile print, 08 Jan 2016	<b>10084/2016</b>	<b>British Gas Trading Limited;</b> 13-03NES, Sleeve for temperature controller housing, (US, 13 Jul 2015) 12 Jan 2016	<b>10135/2016</b>
<b>AUSTRALIAN FASHION LABELS PTY LTD;</b> 05-05NES, A textile print, 05 Jan 2016	<b>10018/2016</b>	<b>Brunsdon, Anne Valma;Slingsby, Tim;</b> 32-03, Food; events, 13 Jan 2016	<b>10164/2016</b>
<b>AUSTRALIAN FASHION LABELS PTY LTD;</b> 05-05A, A textile print, 05 Jan 2016	<b>10019/2016</b>	<b>Bunzl Brands &amp; Operations Pty Limited;</b> 02-04B, Sole for footwear, 08 Jan 2016	<b>10095/2016</b>
<b>Bellami Hair, LLC;</b> 03-01NES, Hair extension carrier bag, (US, 08 Jun 2015) (Divisional of 16587/2015) 07 Jan 2016	<b>10065/2016</b>	<b>Bunzl Brands &amp; Operations Pty Limited;</b> 02-04B, Sole for footwear, 08 Jan 2016	<b>10093/2016</b>
<b>Beston Global Food Company Limited;</b> 14-04, Display screen with graphical user Interface, 24 Dec 2015	<b>17105/2015</b>	<b>Bunzl Brands &amp; Operations Pty Limited;</b> 02-04B, Sole for footwear, 08 Jan 2016	<b>10094/2016</b>
<b>Beston Global Food Company Limited;</b> 14-04, Display screen with graphical user Interface, 24 Dec 2015	<b>17117/2015</b>	<b>Byron Group Holdings Pty Ltd;</b> 23-01NES, Bottle holder, 13 Jan 2016	<b>10148/2016</b>
		<b>Byron Group Holdings Pty Ltd;</b> 08-06, Handle, 13 Jan 2016	<b>10146/2016</b>

<b>Byron Group Holdings Pty Ltd;</b> 14-02, 24-01, Console, 13 Jan 2016	<b>10147/2016</b>	<b>Container Pty Ltd;</b> 20-02E, Point-of-sale display unit, 13 Jan 2016	<b>10174/2016</b>
<b>BRITA GMBH;</b> 07-01F, Water Filter Jug, (DE, 17 Jul 2015) 07 Jan 2016	<b>10059/2016</b>	<b>Crown Equipment Corporation;</b> 14-02, Electronic device including user interface, (US, 17 Jul 2015) 14 Jan 2016	<b>10191/2016</b>
<b>BRITA GMBH;</b> 07-01F, Water filter jug, (DE, 17 Jul 2015) 07 Jan 2016	<b>10062/2016</b>	<b>Crown Equipment Corporation;</b> 14-02, Electronic device including user interface, (US, 17 Jul 2015) 14 Jan 2016	<b>10190/2016</b>
<b>BRITA GMBH;</b> 07-01F, Filter for water jug, (DE, 17 Jul 2015) 07 Jan 2016	<b>10060/2016</b>	<b>Daikin Industries Ltd.;</b> 23-04, Air conditioner, (JP, 29 Jul 2015) 13 Jan 2016	<b>10173/2016</b>
<b>BRITA GMBH;</b> 07-01F, Water filter jug, (DE, 17 Jul 2015) 07 Jan 2016	<b>10061/2016</b>	<b>Daikin Industries Ltd.;</b> 23-04, Outdoor unit for air-conditioner, (JP, 29 Jul 2015) 13 Jan 2016	<b>10171/2016</b>
<b>BRITA GMBH;</b> 07-01F, Water filter jug, (DE, 17 Jul 2015) 07 Jan 2016	<b>10063/2016</b>	<b>Daikin Industries Ltd.;</b> 10-04, Temperature sensor, (JP, 21 Aug 2015) 11 Jan 2016	<b>10117/2016</b>
<b>Chalenko, Vadym;</b> 16-05, Universal lens adapter, (US, 30 Dec 2015) 08 Jan 2016	<b>10087/2016</b>	<b>Daikin Industries Ltd.;</b> 23-04, Air conditioner, (JP, 29 Jul 2015) 11 Jan 2016	<b>10119/2016</b>
<b>Chill Factor Global Pty Ltd;</b> 07-02NES, Ice cream mixing kit, 06 Jan 2016	<b>10054/2016</b>	<b>Daikin Industries Ltd.;</b> 23-04, Air conditioner, (JP, 29 Jul 2015) 11 Jan 2016	<b>10118/2016</b>
<b>Chill Factor Global Pty Ltd;</b> 07-02NES, Ice cream mixing board, 06 Jan 2016	<b>10053/2016</b>	<b>Deere &amp; Company;</b> 23-04, Centrifugal fan housing, (US, 21 Jul 2015) 14 Jan 2016	<b>10193/2016</b>
<b>Colgate-Palmolive Company;</b> 04-02, Oral care implement, (US, 23 Jul 2015) 13 Jan 2016	<b>10161/2016</b>	<b>Deere &amp; Company;</b> 23-04, Centrifugal fan impeller, (US, 27 Jul 2015) 14 Jan 2016	<b>10194/2016</b>
<b>Colgate-Palmolive Company;</b> 04-02, Oral care implement, (US, 23 Jul 2015) 13 Jan 2016	<b>10157/2016</b>	<b>Design Blue Limited;</b> 02-02B, Protective garments, (EM, 26 Jun 2015) 24 Dec 2015	<b>17111/2015</b>
<b>Colgate-Palmolive Company;</b> 04-02, Oral care implement, (US, 23 Jul 2015) 13 Jan 2016	<b>10162/2016</b>	<b>Diadora Sport S.R.L.;</b> 02-04NES, Footwear, (WO, 01 Jul 2015) 24 Dec 2015	<b>17104/2015</b>
<b>Colgate-Palmolive Company;</b> 04-02, Oral care implement, (US, 23 Jul 2015) 13 Jan 2016	<b>10163/2016</b>	<b>Diageo Scotland Limited;</b> 09-01NES, Bottle, (US, 15 Jul 2015) 14 Jan 2016	<b>10200/2016</b>
<b>Colgate-Palmolive Company;</b> 04-02, Oral care implement, (US, 23 Jul 2015) 13 Jan 2016	<b>10155/2016</b>	<b>Dometic Sweden AB;</b> 23-04, Fan, (US, 01 Jul 2015) 30 Dec 2015	<b>17134/2015</b>
<b>Colgate-Palmolive Company;</b> 04-02, Oral care implement, (US, 23 Jul 2015) 12 Jan 2016	<b>10127/2016</b>	<b>Dyson Technology Limited;</b> 15-05, Part of vacuum cleaner, (EM, 10 Dec 2015) 06 Jan 2016	<b>10041/2016</b>
<b>Colgate-Palmolive Company;</b> 04-02, Oral care implement, (US, 23 Jul 2015) 12 Jan 2016	<b>10129/2016</b>	<b>Dyson Technology Limited;</b> 28-03B, Accessory for hairdryer, (EM, 13 Jul 2015) 13 Jan 2016	<b>10149/2016</b>
<b>Colgate-Palmolive Company;</b> 04-02, Oral care implement, (US, 23 Jul 2015) 12 Jan 2016	<b>10130/2016</b>	<b>Dyson Technology Limited;</b> 28-03B, Accessory for hairdryer, (EM, 13 Jul 2015) 13 Jan 2016	<b>10153/2016</b>
<b>Colgate-Palmolive Company;</b> 04-02, Oral care implement, (US, 23 Jul 2015) 12 Jan 2016	<b>10128/2016</b>	<b>Dyson Technology Limited;</b> 15-05, Part of vacuum cleaner, (EM, 10 Dec 2015) 06 Jan 2016	<b>10022/2016</b>
<b>Colgate-Palmolive Company;</b> 04-02, Oral care implement, (US, 23 Jul 2015) 12 Jan 2016	<b>10126/2016</b>	<b>Dyson Technology Limited;</b> 15-05, Part of vacuum cleaner, (EM, 10 Dec 2015) 06 Jan 2016	<b>10045/2016</b>



<b>Dyson Technology Limited;</b> 15-05, Part of vacuum cleaner, (EM, 10 Dec 2015) 06 Jan 2016	<b>10043/2016</b>	<b>Eti G#da San. ve Tic. A.#.;</b> 01-01, Biscuit, 12 Jan 2016	<b>10138/2016</b>
<b>Dyson Technology Limited;</b> 15-05, Part of vacuum cleaner, (EM, 10 Dec 2015) 06 Jan 2016	<b>10044/2016</b>	<b>F-PAC PTY. LTD.;</b> 06-03A, Coffee table, 04 Jan 2016	<b>10007/2016</b>
<b>Dyson Technology Limited;</b> 15-05, Part of vacuum cleaner, (EM, 10 Dec 2015) 06 Jan 2016	<b>10042/2016</b>	<b>F-PAC PTY. LTD.;</b> 06-03A, 06-03NES, Coffee table/cart, 04 Jan 2016	<b>10008/2016</b>
<b>Dyson Technology Limited;</b> 15-05, Part of vacuum cleaner, (EM, 10 Dec 2015) 06 Jan 2016	<b>10039/2016</b>	<b>Fertile Mind Pty Ltd;</b> 03-99, Baby sling/wrap, 31 Dec 2015	<b>17143/2015</b>
<b>Dyson Technology Limited;</b> 15-05, Part of vacuum cleaner, (EM, 10 Dec 2015) 06 Jan 2016	<b>10040/2016</b>	<b>Fifty-Fourth Rischell Pty Ltd;</b> 02-02NES, Men's clothing, 12 Jan 2016	<b>10139/2016</b>
<b>Dyson Technology Limited;</b> 15-05, Part of vacuum cleaner, (EM, 10 Dec 2015) 06 Jan 2016	<b>10037/2016</b>	<b>Fisher Adams Kelly Callinans;</b> 27-99, Electronic cigarette, (Divisional of 15972/2015) 08 Jan 2016	<b>10089/2016</b>
<b>Dyson Technology Limited;</b> 15-05, Part of vacuum cleaner, (EM, 10 Dec 2015) 06 Jan 2016	<b>10038/2016</b>	<b>Ford, Renfry;</b> 12-05, Conveyor or delivery chute, 07 Jan 2016	<b>10069/2016</b>
<b>Dyson Technology Limited;</b> 15-05, Part of vacuum cleaner, (EM, 10 Dec 2015) 06 Jan 2016	<b>10035/2016</b>	<b>FORM ROLL TECH CO., LTD.;</b> 08-08B, A screw, (JP, 30 Jun 2015) 30 Dec 2015	<b>17140/2015</b>
<b>Dyson Technology Limited;</b> 15-05, Part of vacuum cleaner, (EM, 10 Dec 2015) 06 Jan 2016	<b>10036/2016</b>	<b>FORM ROLL TECH CO., LTD.;</b> 08-08B, A screw, (JP, 30 Jun 2015) 30 Dec 2015	<b>17137/2015</b>
<b>Dyson Technology Limited;</b> 15-05, Part of vacuum cleaner, (EM, 10 Dec 2015) 06 Jan 2016	<b>10026/2016</b>	<b>FORM ROLL TECH CO., LTD.;</b> 08-08B, A screw, (JP, 30 Jun 2015) 30 Dec 2015	<b>17138/2015</b>
<b>Dyson Technology Limited;</b> 15-05, Part of vacuum cleaner, (EM, 10 Dec 2015) 06 Jan 2016	<b>10028/2016</b>	<b>Gamblit Gaming, LLC;</b> 14-02, Interactive device for a user, (US, 30 Jul 2015) 12 Jan 2016	<b>10131/2016</b>
<b>Dyson Technology Limited;</b> 15-05, Part of vacuum cleaner, (EM, 10 Dec 2015) 06 Jan 2016	<b>10032/2016</b>	<b>Gately, Allison Lee;</b> 02-02C, Baby romper, 12 Jan 2016	<b>10140/2016</b>
<b>Dyson Technology Limited;</b> 15-05, Part of vacuum cleaner, (EM, 10 Dec 2015) 06 Jan 2016	<b>10024/2016</b>	<b>GlaxoSmithKline Consumer Healthcare (UK) IP Limited;</b> 04-02, Toothbrush handle, (GB, 02 Jul 2015) 24 Dec 2015	<b>17080/2015</b>
<b>Dyson Technology Limited;</b> 15-05, Part of vacuum cleaner, (EM, 10 Dec 2015) 06 Jan 2016	<b>10048/2016</b>	<b>Global Shopping Network Pty Limited;</b> 13-02, Charge store, 11 Jan 2016	<b>10122/2016</b>
<b>Dyson Technology Limited;</b> 15-05, Part of vacuum cleaner, (EM, 10 Dec 2015) 06 Jan 2016	<b>10046/2016</b>	<b>Goldberg, Judy;</b> 28-03NES, Hand held deep tissue massage accessory, 07 Jan 2016	<b>10064/2016</b>
<b>Dyson Technology Limited;</b> 15-05, Part of vacuum cleaner, (EM, 10 Dec 2015) 06 Jan 2016	<b>10047/2016</b>	<b>Goldberg, Judy;</b> 28-03NES, Body massage roller, 14 Jan 2016	<b>10201/2016</b>
<b>DAVID PENN CONSULTING PTY LTD;</b> 24-01, Dental appliance, 14 Jan 2016	<b>10203/2016</b>	<b>Gort-Barten, Leslie;Gort-Barten, Alex;</b> 07-02K, Kettle, 29 Dec 2015	<b>17133/2015</b>
<b>DIY RESOLUTIONS PTY LTD;</b> 08-08L, Bracket, 05 Jan 2016	<b>10011/2016</b>	<b>Gort-Barten, Alex;Gort-Barten, Leslie;</b> 07-02K, Kettle, 29 Dec 2015	<b>17133/2015</b>
<b>Eti G#da San. ve Tic. A.#.;</b> 01-01, Chocolate, 12 Jan 2016	<b>10132/2016</b>	<b>Granberg AS;</b> 02-06, Work glove with impact protective details on back., 07 Jan 2016	<b>10056/2016</b>
		<b>Granberg AS;</b> 02-06, A work glove with impact protection on back., 14 Jan 2016	<b>10187/2016</b>
		<b>Grimley, Peter William;</b> 25-03, Floating residence, 08 Jan 2016	<b>10088/2016</b>

<b>Hogg, Lee;</b> 08-03, Knife, 23 Dec 2015	<b>17146/2015</b>	<b>IPIC-GOLD CLASS ENTERTAINMENT, LLC;</b> 06-01C, Theater seat, (US, 29 Jun 2015) 24 Dec 2015	<b>17114/2015</b>
<b>Homeasy Enterprise Limited;</b> 08-03, Chef knife, 08 Jan 2016	<b>10082/2016</b>	<b>IPIC-GOLD CLASS ENTERTAINMENT, LLC;</b> 06-01C, Theater seat, (US, 29 Jun 2015) 24 Dec 2015	<b>17115/2015</b>
<b>Honda Motor Co., Ltd.;</b> 12-11, Rear cowl for motorcycles, (JP, 08 Jul 2015) 06 Jan 2016	<b>10034/2016</b>	<b>IPIC-GOLD CLASS ENTERTAINMENT, LLC;</b> 06-01C, Theater seat, (US, 29 Jun 2015) 24 Dec 2015	<b>17112/2015</b>
<b>Honda Motor Co., Ltd.;</b> 12-11, Rear cowl for motorcycles, (JP, 08 Jul 2015) 06 Jan 2016	<b>10033/2016</b>	<b>IPIC-GOLD CLASS ENTERTAINMENT, LLC;</b> 06-01C, Theater seat, (US, 29 Jun 2015) 24 Dec 2015	<b>17112/2015</b>
<b>Honda Motor Co., Ltd.;</b> 12-11, Motorcycle, (JP, 08 Jul 2015) 06 Jan 2016	<b>10031/2016</b>	<b>Joe, Kevin;Ngan, Patrick lee;</b> 08-08NES, A clip, 24 Dec 2015	<b>17118/2015</b>
<b>Honda Motor Co., Ltd.;</b> 12-11, Motorcycle, (JP, 08 Jul 2015) 06 Jan 2016	<b>10029/2016</b>	<b>Jougor Sanitary Technologies Co. Ltd.;</b> 23-01H, Faucet handle, 07 Jan 2016	<b>10057/2016</b>
<b>Honda Motor Co., Ltd.;</b> 26-06, Headlight for motorcycles, (JP, 08 Jul 2015) 06 Jan 2016	<b>10030/2016</b>	<b>Joylux, Inc.;</b> 28-03NES, Rejuvenating massage device, (US, 01 Jul 2015) 30 Dec 2015	<b>17141/2015</b>
<b>Hubbell Incorporated;</b> 26-05NES, Luminaire, 11 Jan 2016	<b>10123/2016</b>	<b>Kelly, Matthew;</b> 06-03A, 06-01C, Table, 13 Jan 2016	<b>10178/2016</b>
<b>Hubbell Incorporated;</b> 26-02, 25-02NES, Illuminating bollard, (Divisional of 15416/2015) 04 Jan 2016	<b>10005/2016</b>	<b>Kenrick Golf Company, LLC;</b> 02-07A, Golf belt buckle, (US, 10 Jul 2015) 08 Jan 2016	<b>10079/2016</b>
<b>Hubbell Limited;</b> 13-03C, Boxes for electrical elements, (EM, 10 Jul 2015) 08 Jan 2016	<b>10071/2016</b>	<b>Knapp, Jeff Andrew;</b> 07-02NES, 31-00, Free floating mixing blade, (WO, 30 Dec 2015) 05 Jan 2016	<b>10016/2016</b>
<b>Hubbell Limited;</b> 13-03C, Boxes for electrical elements, (EM, 10 Jul 2015) 08 Jan 2016	<b>10073/2016</b>	<b>KontrolFreek, LLC;</b> 21-01N, Game Controller thumbstick cover, (US, 30 Jun 2015) 04 Jan 2016	<b>10002/2016</b>
<b>Hubbell Limited;</b> 13-03C, Boxes for electrical elements, (EM, 10 Jul 2015) 08 Jan 2016	<b>10074/2016</b>	<b>KontrolFreek, LLC;</b> 21-01N, Game controller thumbstick cover, (US, 30 Jun 2015) 04 Jan 2016	<b>10003/2016</b>
<b>Hubbell Limited;</b> 13-03C, Boxes for electrical elements, (EM, 10 Jul 2015) 08 Jan 2016	<b>10072/2016</b>	<b>Lee, Wen-Hsien;</b> 21-01B, Toy robotic arm, 08 Jan 2016	<b>10086/2016</b>
<b>Hubbell Limited;</b> 13-03C, Boxes for electrical elements, (EM, 10 Jul 2015) 08 Jan 2016	<b>10070/2016</b>	<b>Liao, Yu Chung;</b> 23-01D, Water spray gun, (US, 22 Sep 2015) 13 Jan 2016	<b>10142/2016</b>
<b>HSK Instruments Pty Ltd;</b> 24-04, Respiratory management and monitoring device, 11 Jan 2016	<b>10100/2016</b>	<b>Lightforce Australia Pty Ltd.;</b> 26-05E, Housing for light, (US, 17 Jul 2015) 13 Jan 2016	<b>10143/2016</b>
<b>Ideal Living Ventures Limited;</b> 02-04A, Orthotic insole with attachable angle insert, (US, 07 Jul 2015) 06 Jan 2016	<b>10049/2016</b>	<b>Lightforce Australia Pty Ltd.;</b> 26-05E, Led reflector array, (US, 17 Jul 2015) 13 Jan 2016	<b>10144/2016</b>
<b>Intex Group International Pty Ltd;</b> 25-01NES, A flashing, 13 Jan 2016	<b>10167/2016</b>	<b>Lightforce Australia Pty Ltd.;</b> 26-05E, Led reflector array, (US, 17 Jul 2015) 13 Jan 2016	<b>10145/2016</b>
<b>IN-HONG KO;VISION X ASIA CO., LTD.;</b> 26-04, Anti-explosive lamp, (KR, 24 Jul 2015) 14 Jan 2016	<b>10197/2016</b>	<b>Lucas, Kain;</b> 25-03, Letterbox, 31 Dec 2015	<b>17145/2015</b>
<b>IPIC-GOLD CLASS ENTERTAINMENT, LLC;</b> 06-01C, Theater seat, (US, 29 Jun 2015) 24 Dec 2015	<b>17113/2015</b>	<b>Lucas, Kain;</b> 11-02B, Vertical garden device, 31 Dec 2015	<b>17144/2015</b>
		<b>Luxmy Furniture Pty Ltd;</b> 06-06E, Furniture construction elements, 24 Dec 2015	<b>17116/2015</b>

<b>Lyons, Mark Jack;</b> 25-02H, Solar shutter, shutters, louvres, blinds, 04 Jan 2016	<b>10001/2016</b>	<b>MASTER READERS AUSTRALIA PTY LTD;</b> 16-06, Reading glasses, 14 Jan 2016	<b>10202/2016</b>
<b>LG Electronics Inc.;</b> 14-01, Speaker, (KR, 14 Jul 2015) 13 Jan 2016	<b>10166/2016</b>	<b>MASTER READERS AUSTRALIA PTY LTD;</b> 16-06, Reading glasses, 13 Jan 2016	<b>10183/2016</b>
<b>LG Electronics Inc.;</b> 15-07, Refrigerator door, (KR, 27 Aug 2015) 30 Dec 2015	<b>17135/2015</b>	<b>MASTER READERS AUSTRALIA PTY LTD;</b> 16-06, Reading glasses, 14 Jan 2016	<b>10185/2016</b>
<b>LG Electronics Inc.;</b> 15-07, Refrigerator, (KR, 27 Aug 2015) 30 Dec 2015	<b>17139/2015</b>	<b>MASTER READERS AUSTRALIA PTY LTD;</b> 16-06, Reading glasses, 13 Jan 2016	<b>10181/2016</b>
<b>LG Electronics Inc.;</b> 15-07, Refrigerator door, (KR, 27 Aug 2015) 30 Dec 2015	<b>17136/2015</b>	<b>MASTER READERS AUSTRALIA PTY LTD;</b> 20-02E, Reading glasses stand, 14 Jan 2016	<b>10186/2016</b>
<b>Machek, Nikolas;</b> 12-16NES, Go-kart camber and castor adjusters, 11 Jan 2016	<b>10121/2016</b>	<b>MITSUBISHI ELECTRIC CORPORATION;</b> 15-07, 1) Refrigerator 2) refrigerator cabinet, (JP, 14 Jul 2015) 13 Jan 2016	<b>10172/2016</b>
<b>Martin Engineering Company;</b> 12-05, Conveyor belt scraper blade base member, (US, 24 Jul 2015) 13 Jan 2016	<b>10165/2016</b>	<b>N BURTON &amp; P BURTON;</b> 12-10, Design of camper trailer, 06 Jan 2016	<b>10050/2016</b>
<b>Martin Engineering Company;</b> 08-03, Conveyor belt scraper blade, (US, 24 Jul 2015) 13 Jan 2016	<b>10154/2016</b>	<b>N BURTON &amp; P BURTON;</b> 12-10, Design of camper trailer, 06 Jan 2016	<b>10051/2016</b>
<b>Medela Holding AG;</b> 24-04, Tubing connector for a breastmilk system, (US, 13 Apr 2015) (Divisional of 15364/2015) 24 Dec 2015	<b>17147/2015</b>	<b>Ngan, Patrick lee;Joe, Kevin;</b> 08-08NES, A clip, 24 Dec 2015	<b>17118/2015</b>
<b>Medisca Pharmaceutique Inc.;</b> 09-01A, Dispensing container, (CA, 09 Oct 2015) 04 Jan 2016	<b>10004/2016</b>	<b>NIKE Innovate C.V.;</b> 02-01NES, 02-02C, Shorts, (US, 10 Jul 2015) 08 Jan 2016	<b>10085/2016</b>
<b>Meyer Intellectual Properties Limited;</b> 07-02N, Cookware vessel and lid with decorative fittings, (US, 09 Jul 2015) 08 Jan 2016	<b>10077/2016</b>	<b>NIKE Innovate C.V.;</b> 02-04B, Shoe outsole, 11 Jan 2016	<b>10106/2016</b>
<b>Meyer Intellectual Properties Limited;</b> 07-02N, Cookware vessel and lid with decorative fittings, (US, 09 Jul 2015) 08 Jan 2016	<b>10080/2016</b>	<b>NIKE Innovate C.V.;</b> 02-04NES, Shoe midsole, 11 Jan 2016	<b>10111/2016</b>
<b>Meyer Intellectual Properties Limited;</b> 07-02N, Cookware vessel and lid with decorative fittings, (US, 09 Jul 2015) 08 Jan 2016	<b>10075/2016</b>	<b>NIKE Innovate C.V.;</b> 02-04B, Shoe upper, 11 Jan 2016	<b>10115/2016</b>
<b>Meyer Intellectual Properties Limited;</b> 07-02N, Cookware vessel and lid with decorative fittings, (US, 09 Jul 2015) 08 Jan 2016	<b>10076/2016</b>	<b>NIKE Innovate C.V.;</b> 02-04B, Shoe upper, 11 Jan 2016	<b>10107/2016</b>
<b>Meyer Intellectual Properties Limited;</b> 07-02N, Cookware vessel and lid with decorative fittings, (US, 09 Jul 2015) 08 Jan 2016	<b>10075/2016</b>	<b>NIKE Innovate C.V.;</b> 02-04NES, Shoe upper, 11 Jan 2016	<b>10103/2016</b>
<b>Meyer Intellectual Properties Limited;</b> 07-02N, Cookware vessel and lid with decorative fittings, (US, 09 Jul 2015) 08 Jan 2016	<b>10076/2016</b>	<b>NIKE Innovate C.V.;</b> 02-01NES, 02-02C, Shorts, (US, 10 Jul 2015) 08 Jan 2016	<b>10081/2016</b>
<b>Meyerhoffer, Thomas E;</b> 08-07, Lock, (US, 16 Apr 2015) 16 Oct 2015	<b>10025/2016</b>	<b>Oakley, Inc.;</b> 16-06, Goggle, (US, 16 Sep 2015) 06 Jan 2016	<b>10027/2016</b>
<b>Meyerhoffer, Thomas E;</b> 08-07, Lock, (US, 16 Apr 2015) 16 Oct 2015	<b>10023/2016</b>	<b>Omni United (S) Pte Ltd.;</b> 12-15B, Tyre tread, (US, 10 Jul 2015) 08 Jan 2016	<b>10091/2016</b>
<b>MASTER READERS AUSTRALIA PTY LTD;</b> 16-06, Reading glasses, 13 Jan 2016	<b>10180/2016</b>	<b>Omni United (S) Pte Ltd.;</b> 12-15A, Tyre tread, (US, 10 Jul 2015) 08 Jan 2016	<b>10092/2016</b>
		<b>OpenTV, Inc.;</b> 14-02, Electronic device, (US, 13 Jul 2015) 11 Jan 2016	<b>10104/2016</b>
		<b>OpenTV, Inc.;</b> 14-03NES, Electronic device, (US, 13 Jul 2015) 11 Jan 2016	<b>10105/2016</b>

<b>OpenTV, Inc.;</b> 14-02, Electronic device, (US, 13 Jul 2015) 11 Jan 2016	<b>10101/2016</b>	<b>Schneider Electric (Australia) Pty Limited;</b> 13-03E, Connector, 23 Dec 2015	<b>17122/2015</b>
<b>Orion Holdings (Overseas) Limited;</b> 06-02, Bed, 13 Jan 2016	<b>10160/2016</b>	<b>Schneider Electric (Australia) Pty Limited;</b> 10-03, Time mechanism, 23 Dec 2015	<b>17130/2015</b>
<b>Orion Holdings (Overseas) Limited;</b> 06-02, Bed, 13 Jan 2016	<b>10158/2016</b>	<b>Schneider Electric (Australia) Pty Limited;</b> 13-03D, Grid plate, 23 Dec 2015	<b>17125/2015</b>
<b>Orion Holdings (Overseas) Limited;</b> 06-02, Bed, 13 Jan 2016	<b>10159/2016</b>	<b>Schneider Electric (Australia) Pty Limited;</b> 13-03E, Permanent connection unit, 23 Dec 2015	<b>17128/2015</b>
<b>Panasonic Intellectual Property Management Co., Ltd.;</b> 07-02B, Microwave oven, (US, 14 Jul 2015) 05 Jan 2016	<b>10009/2016</b>	<b>Schneider Electric (Australia) Pty Limited;</b> 10-03, Timer mechanism, 23 Dec 2015	<b>17129/2015</b>
<b>Parker-Hannifin Corporation;</b> 24-01, Nasal mask, (Divisional of 15397/2015) 05 Jan 2016	<b>10014/2016</b>	<b>Schneider Electric (Australia) Pty Limited;</b> 13-03D, Grid plate, 23 Dec 2015	<b>17127/2015</b>
<b>Pomorski, Adrian;</b> 23-02A, Anti-bacterial roll holder and retraction system, 29 Dec 2015	<b>17132/2015</b>	<b>Schneider Electric (Australia) Pty Limited;</b> 13-03D, 13-03E, Electric switch plate, 23 Dec 2015	<b>17126/2015</b>
<b>PHILIP MORRIS PRODUCTS S.A.;</b> 27-01, 27-06, Consumable with recessed mouthpiece filter, (EM, 20 Jul 2015) 12 Jan 2016	<b>10124/2016</b>	<b>Schneider Electric (Australia) Pty Limited;</b> 13-03D, 13-03E, Electric socket plate, 24 Dec 2015	<b>17121/2015</b>
<b>PHILIP MORRIS PRODUCTS S.A.;</b> 27-01, 27-06, Consumable with metal strip susceptor visible, (EM, 20 Jul 2015) 12 Jan 2016	<b>10125/2016</b>	<b>Schneider Electric (Australia) Pty Limited;</b> 13-03D, 13-03E, Electric socket plate, 23 Dec 2015	<b>17119/2015</b>
<b>PROMOTIONS UNLIMITED PTY LTD;</b> 07-07A, 21-02NES, Portable cricket stump cooler, 05 Jan 2016	<b>10010/2016</b>	<b>Schneider Electric (Australia) Pty Limited;</b> 13-03D, 13-03E, Electric socket plate, 23 Dec 2015	<b>17120/2015</b>
<b>Reckitt Benckiser (Brands) Limited;</b> 22-06, Volatile substance dispenser, (EM, 15 Jul 2015) 13 Jan 2016	<b>10169/2016</b>	<b>Schneider Electric (Australia) Pty Limited;</b> 13-03NES, 13-03D, Switch interface, 23 Dec 2015	<b>17102/2015</b>
<b>Reckitt Benckiser (Brands) Limited;</b> 22-06, Volatile substance dispenser with refill, (EM, 15 Jul 2015) 13 Jan 2016	<b>10170/2016</b>	<b>Schneider Electric (Australia) Pty Limited;</b> 13-03E, Electric switch plate, 23 Dec 2015	<b>17101/2015</b>
<b>Red-Rose Tequila LLC;</b> 09-01H, Bottle, (US, 26 Aug 2015) 11 Jan 2016	<b>10116/2016</b>	<b>Schneider Electric (Australia) Pty Limited;</b> 13-03E, Connector, 23 Dec 2015	<b>17099/2015</b>
<b>Red-Rose Tequila LLC;</b> 09-01NES, Bottle, (US, 28 Dec 2015) 11 Jan 2016	<b>10120/2016</b>	<b>Schneider Electric (Australia) Pty Limited;</b> 13-03E, Connector, 23 Dec 2015	<b>17100/2015</b>
<b>Rome, Mary-Anne;</b> 06-13B, Doona cover, 07 Jan 2016	<b>10058/2016</b>	<b>Schneider Electric (Australia) Pty Limited;</b> 13-03E, Connector, 23 Dec 2015	<b>17096/2015</b>
<b>Sanofi;</b> 09-03M, A package, (US, 12 May 2015) (Divisional of 15841/2015) 11 Jan 2016	<b>10102/2016</b>	<b>Schneider Electric (Australia) Pty Limited;</b> 13-03E, Electric switch plate, 23 Dec 2015	<b>17098/2015</b>
<b>Schneider Electric (Australia) Pty Limited;</b> 13-03D, Insulator flap for grid plate, 23 Dec 2015	<b>17123/2015</b>	<b>Schneider Electric (Australia) Pty Limited;</b> 13-03E, Connector, 23 Dec 2015	<b>17095/2015</b>
<b>Schneider Electric (Australia) Pty Limited;</b> 13-03NES, Switch mechanism, 23 Dec 2015	<b>17131/2015</b>	<b>Schneider Electric (Australia) Pty Limited;</b> 13-03E, Electric switch plate, 24 Dec 2015	<b>17093/2015</b>
<b>Schneider Electric (Australia) Pty Limited;</b> 13-03D, Grid plate, 23 Dec 2015	<b>17124/2015</b>	<b>Schneider Electric (Australia) Pty Limited;</b> 13-03D, Grid plate, 23 Dec 2015	<b>17094/2015</b>
		<b>Schneider Electric (Australia) Pty Limited;</b> 13-03E, Electric switch plate, 24 Dec 2015	<b>17092/2015</b>
		<b>SharkNinja Operating LLC;</b> 31-00, Blender attachment, (US, 17 Jul 2015) 05 Jan 2016	<b>10012/2016</b>
		<b>Shenzhen Royole Technologies Co., Ltd.;</b> 14-01, Wearable display device, (CN, 19 Aug 2015) 14 Jan 2016	<b>10188/2016</b>

<b>Shenzhen Royole Technologies Co., Ltd.;</b> 14-01, Wearable display device, (CN, 19 Aug 2015) 13 Jan 2016	<b>10152/2016</b>	<b>The Sy-Klone Company;</b> 23-04, Filter cartridge for air cleaner, (US, 14 Jul 2015) 14 Jan 2016	<b>10195/2016</b>
<b>Sherry Group Pty Ltd;</b> 09-03D, Egg packaging, 13 Jan 2016	<b>10182/2016</b>	<b>TomTom International B.V.;</b> 16-05, A mount component for a digital video camera, (Divisional of 15809/2015) 11 Jan 2016	<b>10110/2016</b>
<b>Sherry Group Pty Ltd;</b> 09-03D, Egg packaging, 13 Jan 2016	<b>10179/2016</b>	<b>TomTom International B.V.;</b> 16-05, Mount for a digital video camera, (Divisional of 15810/2015) 11 Jan 2016	<b>10112/2016</b>
<b>Sitro Group Australia Pty Ltd;</b> 07-99NES, A portable heat panel, 13 Jan 2016	<b>10156/2016</b>	<b>Toyota Jidosha Kabushiki Kaisha;</b> 12-16C, Rear combination lamp for an automobile, 24 Dec 2015	<b>17085/2015</b>
<b>Slingsby, Tim;Brunsdon, Anne Valma;</b> 32-03, Food; events, 13 Jan 2016	<b>10164/2016</b>	<b>Toyota Jidosha Kabushiki Kaisha;</b> 12-16C, Rear bumper for an automobile, 24 Dec 2015	<b>17086/2015</b>
<b>Sorelle Group Pty Ltd trading as Chen Foods;</b> 32-02, 19-08, Product packaging design, 13 Jan 2016	<b>10168/2016</b>	<b>Toyota Jidosha Kabushiki Kaisha;</b> 26-06, Front combination lamp for an automobile, 24 Dec 2015	<b>17083/2015</b>
<b>Spectralink Corporation;</b> 14-03E, Handset, (US, 09 Jul 2015) 08 Jan 2016	<b>10078/2016</b>	<b>Toyota Jidosha Kabushiki Kaisha;</b> 12-16C, Front bumper for an automobile, 24 Dec 2015	<b>17084/2015</b>
<b>Stevenson, Charlotte;</b> 09-02A, A container, (NZ, 29 Jun 2015) 29 Dec 2015	<b>17110/2015</b>	<b>Toyota Jidosha Kabushiki Kaisha;</b> 12-08, Automobile, 24 Dec 2015	<b>17082/2015</b>
<b>Symbol Technologies, LLC;</b> 13-02, Mobile computer battery, (US, 21 Jul 2015) 13 Jan 2016	<b>10151/2016</b>	<b>TRIO BROTHERS TRADING PTY LTD;</b> 27-02, Dry pipe, 11 Jan 2016	<b>10099/2016</b>
<b>Symbol Technologies, LLC;</b> 14-02, Mobile computer device, (US, 21 Jul 2015) 13 Jan 2016	<b>10150/2016</b>	<b>VISION X ASIA CO., LTD.;IN-HONG KO;</b> 26-04, Anti-explosive lamp, (KR, 24 Jul 2015) 14 Jan 2016	<b>10197/2016</b>
<b>SDDS Corporation;</b> 21-02NES, A launching ball machine, (WO, 11 Jul 2015) 11 Jan 2016	<b>10097/2016</b>	<b>Wheel Pros, LLC;</b> 12-16A, Wheel, (US, 12 Oct 2015) 24 Dec 2015	<b>17091/2015</b>
<b>SHANTOU JINSU INDUSTRIAL CO.,LTD;</b> 05-05A, Lace, 13 Jan 2016	<b>10176/2016</b>	<b>Wieland, Herman;</b> 08-05NES, Tool for removing fly-screen from window, 24 Dec 2015	<b>17106/2015</b>
<b>SHANTOU JINSU INDUSTRIAL CO.,LTD;</b> 05-02, Lace, 13 Jan 2016	<b>10175/2016</b>	<b>Wm. Wrigley Jr. Company;</b> 09-03M, Hard shell, multi article, reclosable packaging, (US, 29 Jun 2015) 24 Dec 2015	<b>17090/2015</b>
<b>SHANTOU JINSU INDUSTRIAL CO.,LTD;</b> 05-02, Lace, 13 Jan 2016	<b>10177/2016</b>	<b>Wm. Wrigley Jr. Company;</b> 09-03L, Packaging bottle, (CN, 09 Jul 2015) 11 Jan 2016	<b>10098/2016</b>
<b>Tech 21 Licensing Limited;</b> 03-01NES, Case for portable electronic device, (EM, 24 Dec 2015) 11 Jan 2016	<b>10109/2016</b>	<b>Woods, Jeffrey John;</b> 32-03, Film/TV/screenwriting production company, 13 Jan 2016	<b>10184/2016</b>
<b>The Mayo Group International Pty Ltd;</b> 07-02D, 07-02H, Fish griller, 05 Jan 2016	<b>10013/2016</b>	<b>Wu, Shih-Kun;</b> 11-02B, Flower pot, 05 Jan 2016	<b>10021/2016</b>
<b>The Stanley Works Israel Ltd.;</b> 14-03NES, Radio receivers, (EM, 30 Jun 2015) 04 Jan 2016	<b>10006/2016</b>	<b>3D DREAM FACTORY PTY LTD;</b> 19-02, Coin and Pen Holder (2 in 1), 11 Jan 2016	<b>10108/2016</b>
<b>The Sy-Klone Company;</b> 23-04, Filter cartridge for air cleaner, (US, 14 Jul 2015) 14 Jan 2016	<b>10192/2016</b>	<b>3M Innovative Properties Company;</b> 09-07A, Spray gun cup receptacle, (US, 08 Jul 2015) 05 Jan 2016	<b>10015/2016</b>
<b>The Sy-Klone Company;</b> 23-04, Filter cartridge for air cleaner, (US, 14 Jul 2015) 14 Jan 2016	<b>10196/2016</b>		

**Applications Withdrawn**

14872 / 2015 (02-02B)	16907 / 2015 (08-08B)
16908 / 2015 (08-08B)	16909 / 2015 (08-08B)

**Applications Lapsed**

13358 / 2015 (02-02NES)	13918 / 2015 (03-01NES)
14049 / 2015 (25-03)	14072 / 2015 (02-07C)
14765 / 2015 (25-03)	14928 / 2015 (19-03)
15059 / 2015 (32-03)	15100 / 2015 (09-03M)
15138 / 2015 (03-01B)	15151 / 2015 (03-01NES)
15208 / 2015 (09-03M)	15209 / 2015 (09-03M)
15210 / 2015 (09-03M)	15211 / 2015 (09-03M)
15263 / 2015 (14-02)	15291 / 2015 (08-99)
15429 / 2015 (03-99)	15443 / 2015 (32-03)
15444 / 2015 (32-03)	15448 / 2015 (03-01NES)
15478 / 2015 (25-02B)	15479 / 2015 (25-03)
15489 / 2015 (25-02F)	15507 / 2015 (21-04)
15511 / 2015 (09-01B)	16343 / 2015 (32-02)
16344 / 2015 (32-02)	

**Extension of Period of Registration of Designs**

334360	334361	334984
335001	335009	335010
335011	335016	335028
335053	335069	335070
335103	335104	335105
335140	335141	335142
335159	335160	335161
335190	335191	335193
335199	335201	335250
335256	335270	335279
335280	335297	335298
335317	335318	335319
335322	335323	335324
335398	335410	335419
335424	335425	335437
335448	335450	335459
335460	335461	335477
335504	335505	335650
335672	335716	335722
335767	335816	335829
335886	335887	335888
335924	335934	335956
335960	335995	335996
335997	336020	336021
336022	336023	336124
336125	336129	336130
336131	336132	336133
336134	336135	336193
336412	336413	336414
336825	337236	337737
339288		

**Registrations Ceased**

304929	304930	304931
304932	305322	305356
305812	306064	306065
306066	306544	306751
306752	306753	307178
307483	307498	307502
307552	307570	307582
307583	307584	307586
307590	307592	307593
307594	307607	307608
307609	307611	307612
307613	307614	307615
307627	307629	307630
307631	307632	307633
307634	307635	307642
307647	307648	307649

307650	307651	307652
307653	307654	307655
307675	307714	307724
307725	307726	307727
307729	307730	307731
307732	307733	307734
307735	307790	307791
307792	307793	307794
307795	307812	307813
307825	307826	307831
307832	307833	307890
307898	307899	307924
307926	307927	307947
307948	307991	307992
308033	308054	308071
308073	308096	308099
308104	308107	308108
308109	308110	308209
308281	308377	308378
308467	308816	308981
308982	308983	308984
308985	309030	309031
309032	309033	309034
309035	309036	309037
309038	309039	309040
309041	309044	309204
309340	309343	309344
309345	309832	309833
309836	309930	310419
310420	310608	311090
311416	311417	311418
311467	312686	313178
313578	314008	314009
315987	315988	315989
315990	315991	315992
315993	315994	315995
316868	316869	325952
325953	331610	331611
331612	331614	331616
331617	331625	331635
331636	331645	331646
331654	331655	331657
331658	331661	331663
331664	331665	331671
331674	331675	331678
331679	331695	331696
331697	331698	331711
331712	331718	331719
331720	331725	331727
331728	331729	331730
331747	331755	331760
331762	331763	331764
331770	331771	331784
331804	331805	331806

331807	331813	331835	14752/2015 Orion Holdings (Overseas) Limited
331836	331853	331854	14755/2015 Orion Holdings (Overseas) Limited
331855	331856	331857	14756/2015 Orion Holdings (Overseas) Limited
331859	331863	331872	14757/2015 Orion Holdings (Overseas) Limited
331875	331883	331884	14758/2015 Orion Holdings (Overseas) Limited
331885	331886	331889	366565 Covidien LP
331900	331901	331902	
331909	331910	331911	
331912	331913	331914	
331915	331916	331917	
331918	331919	331920	
331922	331923	331925	
331936	331949	331950	
331968	331970	331971	
331974	331976	331985	
331988	331991	332013	
332017	332018	332020	
332021	332022	332049	
332050	332052	332087	
332165	332185	332205	
332206	332207	332227	
332228	332258	332264	
332282	332300	332302	
332354	332364	332412	
332413	332461	332508	
332509	332556	332557	
332558	332559	332560	
332561	332562	332563	
332565	332566	332567	
332568	332707	332720	
332808	332892	332902	
332903	332905	332930	
332977	332989	333068	
333069	333077	334182	
334186	334187	334188	
334189	334190	334191	
334192	334193	334194	
334195	334196	334284	
334311	334312	334313	
334640	334641	334643	
334644	334731	334735	
335288	351201	355204	
360354	360355	360584	

**Subsequent Owners Registered**

(The name in parentheses is that of the subsequent owner)

- 319312 ( Colgate-Palmolive Company ) Fluorinex Active Ltd.
- 360047 ( William L Hansen ) Hansco International, Inc.
- 311036 ( Orora Packaging Australia Pty Ltd ) Amcor Limited

**Extensions of time granted under Section 137**

Applications lodged under section 137 for extension of time have been granted.

366578 Ross Didier

366420 Real Futures Pty Ltd

366583 The Kanga Group Pty Limited

14749/2015 Orion Holdings (Overseas) Limited



**Certificate(s) of Examination**

Examination of the following Design Registration(s) has been completed. Infringement proceedings may now be commenced.

357920	12-16C	07/01/2016
360367	07-01C	11/01/2016
361062	06-03C	13/01/2016
361064	06-06E	15/01/2016
361419	02-04NES	14/01/2016
361479	03-01B	12/01/2016
362576	23-01E	06/01/2016
363376	22-03	14/01/2016
364157	06-01G	08/01/2016
364158	06-03A	08/01/2016
364159	06-01G	08/01/2016
364160	06-01G	08/01/2016
364164	06-03A	15/01/2016
364337	21-01NES	15/01/2016
365019	02-02A	13/01/2016
365084	26-01	08/01/2016
366290	02-07B	06/01/2016

**Publication and Registration Proceedings**

**Designs Registered**

This section provides a concordance between design number and registration number of Designs covered in this journal. It also shows the main class and registration date.

This section covers Registration numbers 366319 to 366609 .

The registration number shown below should be used in all future correspondence.

<b>Design Number</b>	<b>Registration Number</b>	<b>International Classification Code (IDC)</b>	<b>Registration Date</b>	<b>Design Number</b>	<b>Registration Number</b>	<b>International Classification Code (IDC)</b>	<b>Registration Date</b>
12554/2015	366436	12-10	08/01/2016	15565/2015	366524	14-02	13/01/2016
12555/2015	366430	25-03	08/01/2016	15576/2015	366609	14-02	15/01/2016
12826/2015	366455	23-01C	11/01/2016	15577/2015	366525	14-02	13/01/2016
13216/2015	366396	26-06	06/01/2016	15578/2015	366526	14-02	13/01/2016
13232/2015	366431	15-05	08/01/2016	15579/2015	366527	14-02	13/01/2016
13323/2015	366389	02-02C	06/01/2016	15603/2015	366417	08-01	08/01/2016
13354/2015	366370	06-08	06/01/2016	15619/2015	366362	08-01	05/01/2016
13355/2015	366371	06-08	06/01/2016	15622/2015	366363	08-03	05/01/2016
13916/2015	366489	25-01K	12/01/2016	15624/2015	366364	08-01	05/01/2016
14262/2015	366400	11-01NES	06/01/2016	15630/2015	366340	08-01	05/01/2016
14309/2015	366578	06-01G	14/01/2016	15631/2015	366341	08-01	05/01/2016
14535/2015	366420	02-02NES	08/01/2016	15632/2015	366528	27-99	13/01/2016
14719/2015	366456	06-09	11/01/2016	15635/2015	366529	27-99	13/01/2016
14746/2015	366583	07-02E	14/01/2016	15636/2015	366530	27-99	13/01/2016
15071/2015	366339	14-02	05/01/2016	15637/2015	366532	27-99	13/01/2016
15106/2015	366377	24-01	06/01/2016	15695/2015	366397	25-02G	06/01/2016
15121/2015	366354	03-01B	05/01/2016	15702/2015	366398	10-04	06/01/2016
15122/2015	366478	03-01B	12/01/2016	15708/2015	366342	03-01D	05/01/2016
15136/2015	366355	03-01B	05/01/2016	15709/2015	366343	03-01D	05/01/2016
15137/2015	366356	03-01B	05/01/2016	15716/2015	366350	06-01F	05/01/2016
15139/2015	366357	03-01NES	05/01/2016	15717/2015	366531	08-03	13/01/2016
15140/2015	366358	03-01NES	05/01/2016	15778/2015	366351	15-05	05/01/2016
15303/2015	366359	03-01B	05/01/2016	15779/2015	366352	15-05	05/01/2016
15304/2015	366479	03-01NES	12/01/2016	15786/2015	366344	09-01K	05/01/2016
15330/2015	366360	03-01B	05/01/2016	15841/2015	366533	03-01B	13/01/2016
15331/2015	366480	03-01B	12/01/2016	15869/2015	366579	21-02D	14/01/2016
15332/2015	366361	03-01B	05/01/2016	15873/2015	366385	12-12	06/01/2016
15341/2015	366481	21-02F	12/01/2016	15874/2015	366386	12-12	06/01/2016
15364/2015	366378	24-04	06/01/2016	15895/2015	366432	28-99	08/01/2016
15366/2015	366379	24-04	06/01/2016	15935/2015	366387	26-02	06/01/2016
15370/2015	366372	24-04	06/01/2016	15990/2015	366365	23-02F	05/01/2016
15372/2015	366373	24-04	06/01/2016	16006/2015	366366	28-02	05/01/2016
15375/2015	366374	24-04	06/01/2016	16007/2015	366367	28-02	05/01/2016
15388/2015	366380	21-02F	06/01/2016	16008/2015	366368	28-02	05/01/2016
15391/2015	366381	03-01B	06/01/2016	16011/2015	366460	07-02NES	11/01/2016
15392/2015	366382	24-02	06/01/2016	16026/2015	366461	07-04	11/01/2016
15393/2015	366383	24-02	06/01/2016	16027/2015	366513	13-03NES	13/01/2016
15394/2015	366375	24-02	06/01/2016	16028/2015	366514	13-03NES	13/01/2016
15395/2015	366384	24-02	06/01/2016	16029/2015	366515	13-03NES	13/01/2016
15397/2015	366415	24-01	08/01/2016	16041/2015	366561	13-02	13/01/2016
15416/2015	366349	26-03	05/01/2016	16042/2015	366562	13-02	13/01/2016
15425/2015	366584	06-03C	14/01/2016	16073/2015	366516	15-05	13/01/2016
15426/2015	366608	25-02NES	15/01/2016	16076/2015	366462	07-02R	11/01/2016
15428/2015	366585	06-01G	14/01/2016	16079/2015	366319	09-03NES	05/01/2016
15482/2015	366500	08-06	12/01/2016	16085/2015	366517	15-05	13/01/2016
15512/2015	366416	10-02	08/01/2016	16086/2015	366518	15-05	13/01/2016
15513/2015	366399	26-05NES	06/01/2016	16088/2015	366519	15-05	13/01/2016
15517/2015	366457	08-05P	11/01/2016	16176/2015	366580	02-02NES	14/01/2016
15556/2015	366482	09-03M	12/01/2016	16184/2015	366558	22-06	13/01/2016
15563/2015	366376	09-03H	06/01/2016	16191/2015	366454	07-01NES	11/01/2016

Publication and Registration Proceedings - Designs Registered cont'd

Design Number	Registration Number	International Classification Code (IDC)	Registration Date	Design Number	Registration Number	International Classification Code (IDC)	Registration Date
16218/2015	366353	02-02NES	05/01/2016	16814/2015	366483	06-01C	12/01/2016
16290/2015	366587	09-03H	14/01/2016	16815/2015	366406	13-02	07/01/2016
16291/2015	366592	09-03H	15/01/2016	16816/2015	366407	26-05E	07/01/2016
16294/2015	366548	06-13C	13/01/2016	16817/2015	366408	09-05	07/01/2016
16351/2015	366586	09-01G	14/01/2016	16819/2015	366409	07-04	07/01/2016
16373/2015	366534	12-16NES	13/01/2016	16821/2015	366435	27-02	08/01/2016
16390/2015	366330	09-03M	05/01/2016	16822/2015	366421	15-05	08/01/2016
16391/2015	366331	09-03M	05/01/2016	16823/2015	366422	12-05	08/01/2016
16407/2015	366520	08-10	13/01/2016	16824/2015	366423	08-08L	08/01/2016
16413/2015	366369	09-03C	05/01/2016	16825/2015	366424	15-05	08/01/2016
16418/2015	366320	06-09	05/01/2016	16826/2015	366410	08-08NES	07/01/2016
16419/2015	366321	06-09	05/01/2016	16828/2015	366411	07-01F	07/01/2016
16431/2015	366388	10-04	06/01/2016	16829/2015	366412	07-01F	07/01/2016
16451/2015	366581	02-02C	14/01/2016	16830/2015	366413	07-01F	07/01/2016
16452/2015	366582	02-02C	14/01/2016	16831/2015	366414	07-01F	07/01/2016
16492/2015	366588	09-03M	14/01/2016	16832/2015	366437	07-01F	08/01/2016
16494/2015	366589	09-05	14/01/2016	16833/2015	366425	07-01F	08/01/2016
16495/2015	366590	09-05	15/01/2016	16834/2015	366484	07-01F	12/01/2016
16540/2015	366458	10-04	11/01/2016	16835/2015	366485	07-01F	12/01/2016
16541/2015	366433	12-15B	08/01/2016	16836/2015	366426	23-01NES	08/01/2016
16555/2015	366459	03-01B	11/01/2016	16837/2015	366427	28-03A	08/01/2016
16582/2015	366591	10-04	15/01/2016	16838/2015	366428	06-04B	08/01/2016
16603/2015	366559	20-02NES	13/01/2016	16839/2015	366429	21-02NES	08/01/2016
16605/2015	366563	20-02NES	13/01/2016	16840/2015	366438	24-01	08/01/2016
16607/2015	366560	20-02NES	13/01/2016	16841/2015	366439	26-99	08/01/2016
16610/2015	366593	14-01	15/01/2016	16843/2015	366440	11-02A	08/01/2016
16612/2015	366594	14-01	15/01/2016	16845/2015	366441	23-02NES	08/01/2016
16699/2015	366418	14-02	08/01/2016	16847/2015	366442	08-08NES	08/01/2016
16701/2015	366419	14-02	08/01/2016	16848/2015	366443	08-08NES	08/01/2016
16746/2015	366401	24-01	07/01/2016	16849/2015	366490	31-00	12/01/2016
16747/2015	366402	21-01N	07/01/2016	16850/2015	366471	25-01NES	11/01/2016
16748/2015	366565	24-01	14/01/2016	16851/2015	366472	25-01NES	11/01/2016
16749/2015	366434	07-01NES	08/01/2016	16852/2015	366473	25-01NES	11/01/2016
16750/2015	366403	21-01N	07/01/2016	16853/2015	366474	25-01NES	11/01/2016
16771/2015	366322	12-05	05/01/2016	16855/2015	366475	03-01A	11/01/2016
16772/2015	366332	12-16L	05/01/2016	16860/2015	366476	09-01H	11/01/2016
16773/2015	366333	21-01N	05/01/2016	16861/2015	366477	12-99	11/01/2016
16774/2015	366334	25-01D	05/01/2016	16862/2015	366444	24-04	11/01/2016
16786/2015	366335	14-02	05/01/2016	16863/2015	366445	23-02A	11/01/2016
16788/2015	366336	14-02	05/01/2016	16864/2015	366446	23-02A	11/01/2016
16789/2015	366345	14-02	05/01/2016	16865/2015	366447	08-99	11/01/2016
16790/2015	366337	14-02	05/01/2016	16866/2015	366448	24-04	11/01/2016
16791/2015	366338	14-02	05/01/2016	16867/2015	366449	24-04	11/01/2016
16794/2015	366346	28-03D	05/01/2016	16868/2015	366450	24-04	11/01/2016
16795/2015	366323	08-99	05/01/2016	16869/2015	366451	08-99	11/01/2016
16796/2015	366324	08-99	05/01/2016	16870/2015	366452	24-04	11/01/2016
16797/2015	366325	08-99	05/01/2016	16871/2015	366453	21-01NES	11/01/2016
16798/2015	366347	25-01NES	05/01/2016	16874/2015	366463	24-04	11/01/2016
16799/2015	366348	03-01A	05/01/2016	16876/2015	366464	24-04	11/01/2016
16800/2015	366326	14-02	05/01/2016	16877/2015	366465	24-04	11/01/2016
16803/2015	366327	21-02F	05/01/2016	16878/2015	366466	24-04	11/01/2016
16804/2015	366328	12-16NES	05/01/2016	16879/2015	366467	08-99	11/01/2016
16805/2015	366329	12-16NES	05/01/2016	16880/2015	366468	03-01A	11/01/2016
16807/2015	366404	28-01	07/01/2016	16881/2015	366469	03-01A	11/01/2016
16809/2015	366405	07-07A	07/01/2016	16882/2015	366470	24-04	11/01/2016

Publication and Registration Proceedings - Designs Registered cont'd

Design Number	Registration Number	International Classification Code (IDC)	Registration Date	Design Number	Registration Number	International Classification Code (IDC)	Registration Date
16883/2015	366542	21-01NES	13/01/2016	16981/2015	366553	14-03A	13/01/2016
16884/2015	366486	24-04	12/01/2016	16985/2015	366536	09-01D	13/01/2016
16885/2015	366487	08-99	12/01/2016	16987/2015	366537	23-03A	13/01/2016
16886/2015	366488	24-04	12/01/2016	16988/2015	366538	09-03M	13/01/2016
16887/2015	366502	24-02	12/01/2016	16989/2015	366539	24-99	13/01/2016
16888/2015	366491	24-04	12/01/2016	16991/2015	366595	24-02	15/01/2016
16889/2015	366492	24-04	12/01/2016	16992/2015	366554	03-01A	13/01/2016
16890/2015	366543	24-04	13/01/2016	16993/2015	366596	14-03A	15/01/2016
16891/2015	366503	28-03A	12/01/2016	16995/2015	366540	08-08B	13/01/2016
16892/2015	366493	24-04	12/01/2016	16996/2015	366541	08-08B	13/01/2016
16893/2015	366504	21-01NES	12/01/2016	16997/2015	366547	08-08B	13/01/2016
16894/2015	366544	09-03NES	13/01/2016	16998/2015	366555	24-01	13/01/2016
16895/2015	366494	09-03NES	12/01/2016	17001/2015	366556	08-08B	13/01/2016
16896/2015	366545	09-03NES	13/01/2016	17003/2015	366557	26-02	13/01/2016
16897/2015	366495	09-03NES	12/01/2016	17005/2015	366564	26-05D	13/01/2016
16898/2015	366496	09-03NES	12/01/2016	17006/2015	366566	02-02NES	14/01/2016
16899/2015	366497	09-03NES	12/01/2016	17021/2015	366597	28-03B	15/01/2016
16900/2015	366546	08-99	13/01/2016	17024/2015	366567	13-02	14/01/2016
16910/2015	366390	02-02C	06/01/2016	17028/2015	366568	21-01NES	14/01/2016
16911/2015	366391	02-02C	06/01/2016	17034/2015	366569	12-15A	14/01/2016
16912/2015	366392	02-02C	06/01/2016	17035/2015	366570	12-15A	14/01/2016
16913/2015	366393	02-02C	06/01/2016	17045/2015	366571	13-03D	14/01/2016
16914/2015	366394	02-02C	06/01/2016	17046/2015	366572	23-04	14/01/2016
16915/2015	366395	02-02C	06/01/2016	17047/2015	366573	23-04	14/01/2016
16942/2015	366498	07-02L	12/01/2016	17048/2015	366598	25-01F	15/01/2016
16945/2015	366499	09-01B	12/01/2016	17049/2015	366574	28-03NES	14/01/2016
16948/2015	366505	15-05	12/01/2016	17052/2015	366599	09-01D	15/01/2016
16949/2015	366549	15-05	13/01/2016	17063/2015	366575	23-01C	14/01/2016
16951/2015	366506	15-05	12/01/2016	17088/2015	366576	09-03M	14/01/2016
16953/2015	366507	28-01	12/01/2016	17089/2015	366577	09-03M	14/01/2016
16954/2015	366508	28-03NES	12/01/2016	17090/2015	366600	09-03M	15/01/2016
16955/2015	366509	28-03NES	12/01/2016	17103/2015	366601	24-99	15/01/2016
16957/2015	366510	28-03NES	12/01/2016	17106/2015	366602	08-05NES	15/01/2016
16958/2015	366511	28-03NES	12/01/2016	17111/2015	366603	02-02B	15/01/2016
16964/2015	366512	06-01F	12/01/2016	17112/2015	366604	06-01C	15/01/2016
16965/2015	366521	12-16C	13/01/2016	17114/2015	366605	06-01C	15/01/2016
16974/2015	366522	25-01B	13/01/2016	17115/2015	366606	06-01C	15/01/2016
16975/2015	366523	25-01B	13/01/2016	17117/2015	366607	14-04	15/01/2016
16976/2015	366550	25-01B	13/01/2016	10025/2016	366501	08-07	12/01/2016
16977/2015	366551	25-01B	13/01/2016				
16978/2015	366535	14-03A	13/01/2016				
16980/2015	366552	08-08B	13/01/2016				

**Publication and Registration Proceedings**

**Class Listing of Designs Published or Registered**

The following section shows an International Classification Code listing of the Registered or Published Designs covered in this supplement.

<b>Classification</b>	<b>Registration Number</b>	<b>Design Number</b>	<b>Classification</b>	<b>Registration Number</b>	<b>Design Number</b>
02-02B	366603	17111/2015	07-01F	366412	16829/2015
02-02C	366389	13323/2015	07-01F	366413	16830/2015
02-02C	366390	16910/2015	07-01F	366414	16831/2015
02-02C	366391	16911/2015	07-01F	366425	16833/2015
02-02C	366392	16912/2015	07-01F	366437	16832/2015
02-02C	366393	16913/2015	07-01F	366484	16834/2015
02-02C	366394	16914/2015	07-01F	366485	16835/2015
02-02C	366395	16915/2015	07-01NES	366434	16749/2015
02-02C	366581	16451/2015	07-01NES	366454	16191/2015
02-02C	366582	16452/2015	07-02E	366410	16826/2015
02-02NES	366353	16218/2015	07-02E	366583	14746/2015
02-02NES	366420	14535/2015	07-02L	366498	16942/2015
02-02NES	366566	17006/2015	07-02NES	366460	16011/2015
02-02NES	366580	16176/2015	07-02R	366462	16076/2015
03-01A	366348	16799/2015	07-04	366409	16819/2015
03-01A	366468	16880/2015	07-04	366461	16026/2015
03-01A	366469	16881/2015	07-07A	366405	16809/2015
03-01A	366475	16855/2015	08-01	366340	15630/2015
03-01A	366554	16992/2015	08-01	366341	15631/2015
03-01B	366354	15121/2015	08-01	366362	15619/2015
03-01B	366355	15136/2015	08-01	366364	15624/2015
03-01B	366356	15137/2015	08-01	366417	15603/2015
03-01B	366359	15303/2015	08-03	366363	15622/2015
03-01B	366360	15330/2015	08-03	366531	15717/2015
03-01B	366361	15332/2015	08-05NES	366602	17106/2015
03-01B	366381	15391/2015	08-05P	366457	15517/2015
03-01B	366459	16555/2015	08-06	366500	15482/2015
03-01B	366478	15122/2015	08-07	366501	10025/2016
03-01B	366480	15331/2015	08-08B	366540	16995/2015
03-01B	366533	15841/2015	08-08B	366541	16996/2015
03-01D	366342	15708/2015	08-08B	366547	16997/2015
03-01D	366343	15709/2015	08-08B	366552	16980/2015
03-01NES	366357	15139/2015	08-08B	366556	17001/2015
03-01NES	366358	15140/2015	08-08L	366423	16824/2015
03-01NES	366479	15304/2015	08-08NES	366410	16826/2015
06-01C	366483	16814/2015	08-08NES	366442	16847/2015
06-01C	366604	17112/2015	08-08NES	366443	16848/2015
06-01C	366605	17114/2015	08-10	366520	16407/2015
06-01C	366606	17115/2015	08-99	366323	16795/2015
06-01F	366350	15716/2015	08-99	366324	16796/2015
06-01F	366512	16964/2015	08-99	366325	16797/2015
06-01G	366578	14309/2015	08-99	366447	16865/2015
06-01G	366585	15428/2015	08-99	366451	16869/2015
06-01NES	366397	15695/2015	08-99	366467	16879/2015
06-03C	366584	15425/2015	08-99	366487	16885/2015
06-04B	366428	16838/2015	08-99	366546	16900/2015
06-08	366370	13354/2015	09-01B	366499	16945/2015
06-08	366371	13355/2015	09-01D	366536	16985/2015
06-09	366320	16418/2015	09-01D	366599	17052/2015
06-09	366321	16419/2015	09-01G	366586	16351/2015
06-09	366456	14719/2015	09-01H	366476	16860/2015
06-13C	366548	16294/2015	09-01K	366344	15786/2015
07-01F	366411	16828/2015	09-03C	366369	16413/2015

Registration Proceedings - Class Listing of Designs Published or Registered cont'd

Classification	Registration Number	Design Number	Classification	Registration Number	Design Number
09-03H	366376	15563/2015	14-02	366336	16788/2015
09-03H	366587	16290/2015	14-02	366337	16790/2015
09-03H	366592	16291/2015	14-02	366338	16791/2015
09-03M	366330	16390/2015	14-02	366339	15071/2015
09-03M	366331	16391/2015	14-02	366345	16789/2015
09-03M	366482	15556/2015	14-02	366418	16699/2015
09-03M	366538	16988/2015	14-02	366419	16701/2015
09-03M	366576	17088/2015	14-02	366524	15565/2015
09-03M	366577	17089/2015	14-02	366525	15577/2015
09-03M	366588	16492/2015	14-02	366526	15578/2015
09-03M	366600	17090/2015	14-02	366527	15579/2015
09-03NES	366319	16079/2015	14-02	366555	16998/2015
09-03NES	366494	16895/2015	14-02	366609	15576/2015
09-03NES	366495	16897/2015	14-03A	366535	16978/2015
09-03NES	366496	16898/2015	14-03A	366553	16981/2015
09-03NES	366497	16899/2015	14-03A	366593	16610/2015
09-03NES	366544	16894/2015	14-03A	366594	16612/2015
09-03NES	366545	16896/2015	14-03A	366596	16993/2015
09-05	366408	16817/2015	14-04	366607	17117/2015
09-05	366589	16494/2015	15-05	366351	15778/2015
09-05	366590	16495/2015	15-05	366352	15779/2015
09-09	366397	15695/2015	15-05	366421	16822/2015
10-02	366416	15512/2015	15-05	366424	16825/2015
10-04	366388	16431/2015	15-05	366431	13232/2015
10-04	366398	15702/2015	15-05	366505	16948/2015
10-04	366458	16540/2015	15-05	366506	16951/2015
10-04	366591	16582/2015	15-05	366516	16073/2015
11-01NES	366400	14262/2015	15-05	366517	16085/2015
11-02A	366440	16843/2015	15-05	366518	16086/2015
12-05	366322	16771/2015	15-05	366519	16088/2015
12-05	366422	16823/2015	15-05	366549	16949/2015
12-10	366436	12554/2015	20-02NES	366559	16603/2015
12-12	366385	15873/2015	20-02NES	366560	16607/2015
12-12	366386	15874/2015	20-02NES	366563	16605/2015
12-15A	366569	17034/2015	21-01N	366333	16773/2015
12-15A	366570	17035/2015	21-01N	366402	16747/2015
12-15B	366433	16541/2015	21-01N	366403	16750/2015
12-16C	366521	16965/2015	21-01NES	366453	16871/2015
12-16L	366332	16772/2015	21-01NES	366504	16893/2015
12-16NES	366328	16804/2015	21-01NES	366542	16883/2015
12-16NES	366329	16805/2015	21-01NES	366568	17028/2015
12-16NES	366534	16373/2015	21-02D	366579	15869/2015
12-99	366477	16861/2015	21-02F	366327	16803/2015
13-02	366406	16815/2015	21-02F	366380	15388/2015
13-02	366561	16041/2015	21-02F	366481	15341/2015
13-02	366562	16042/2015	21-02NES	366429	16839/2015
13-02	366567	17024/2015	22-06	366558	16184/2015
13-03D	366571	17045/2015	23-01C	366455	12826/2015
13-03NES	366513	16027/2015	23-01C	366575	17063/2015
13-03NES	366514	16028/2015	23-01D	366426	16836/2015
13-03NES	366515	16029/2015	23-01F	366348	16799/2015
14-01	366591	16582/2015	23-01G	366411	16828/2015
14-01	366593	16610/2015	23-01G	366412	16829/2015
14-01	366594	16612/2015	23-01G	366413	16830/2015
14-02	366326	16800/2015	23-01G	366414	16831/2015
14-02	366335	16786/2015	23-01G	366425	16833/2015

Registration Proceedings - Class Listing of Designs Published or Registered cont'd

Classification	Registration Number	Design Number	Classification	Registration Number	Design Number
23-01G	366437	16832/2015	25-01B	366550	16976/2015
23-01G	366484	16834/2015	25-01B	366551	16977/2015
23-01G	366485	16835/2015	25-01D	366334	16774/2015
23-01NES	366426	16836/2015	25-01F	366598	17048/2015
23-02A	366445	16863/2015	25-01G	366397	15695/2015
23-02A	366446	16864/2015	25-01K	366489	13916/2015
23-02F	366365	15990/2015	25-01NES	366347	16798/2015
23-02NES	366441	16845/2015	25-01NES	366471	16850/2015
23-03A	366537	16987/2015	25-01NES	366472	16851/2015
23-04	366572	17046/2015	25-01NES	366473	16852/2015
23-04	366573	17047/2015	25-01NES	366474	16853/2015
24-01	366377	15106/2015	25-02C	366424	16825/2015
24-01	366401	16746/2015	25-02G	366397	15695/2015
24-01	366415	15397/2015	25-02NES	366349	15416/2015
24-01	366438	16840/2015	25-02NES	366608	15426/2015
24-01	366555	16998/2015	25-03	366430	12555/2015
24-01	366565	16748/2015	25-04	366397	15695/2015
24-02	366375	15394/2015	26-02	366387	15935/2015
24-02	366382	15392/2015	26-02	366557	17003/2015
24-02	366383	15393/2015	26-03	366349	15416/2015
24-02	366384	15395/2015	26-05D	366564	17005/2015
24-02	366502	16887/2015	26-05E	366407	16816/2015
24-02	366595	16991/2015	26-05NES	366399	15513/2015
24-04	366372	15370/2015	26-06	366396	13216/2015
24-04	366373	15372/2015	26-99	366439	16841/2015
24-04	366374	15375/2015	27-02	366435	16821/2015
24-04	366378	15364/2015	27-99	366528	15632/2015
24-04	366379	15366/2015	27-99	366529	15635/2015
24-04	366401	16746/2015	27-99	366530	15636/2015
24-04	366444	16862/2015	27-99	366532	15637/2015
24-04	366448	16866/2015	28-01	366404	16807/2015
24-04	366449	16867/2015	28-01	366507	16953/2015
24-04	366450	16868/2015	28-02	366366	16006/2015
24-04	366452	16870/2015	28-02	366367	16007/2015
24-04	366463	16874/2015	28-02	366368	16008/2015
24-04	366464	16876/2015	28-03A	366427	16837/2015
24-04	366465	16877/2015	28-03A	366503	16891/2015
24-04	366466	16878/2015	28-03B	366597	17021/2015
24-04	366470	16882/2015	28-03D	366346	16794/2015
24-04	366486	16884/2015	28-03NES	366508	16954/2015
24-04	366488	16886/2015	28-03NES	366509	16955/2015
24-04	366491	16888/2015	28-03NES	366510	16957/2015
24-04	366492	16889/2015	28-03NES	366511	16958/2015
24-04	366493	16892/2015	28-03NES	366574	17049/2015
24-04	366543	16890/2015	28-03NES	366586	16351/2015
24-99	366539	16989/2015	28-99	366432	15895/2015
24-99	366601	17103/2015	31-00	366490	16849/2015
25-01B	366522	16974/2015			
25-01B	366523	16975/2015			

(21) Design Number: **16079/2015**  
(22) Date of Filing Application: **13 November 2015**  
(24) Date from which industrial property rights may have effect: **13 November 2015**  
(54) Product in respect of which the design is registered: **Carton**  
(51) International Design Classification: **09-03NES**  
(74) Name(s) of Attorney(s): **Davies Collison Cave**  
(71) Name(s) and Address(s) of Applicant(s):

**Unilever PLC**  
**Unilever House 100 Victoria Embankment London EC4Y 0DY United Kingdom**

(72) Name(s) of Designer(s): **Abimbola Adijat Olayiwola and Parul Rameshchandra Patel and Guy Wallace Linnegar**

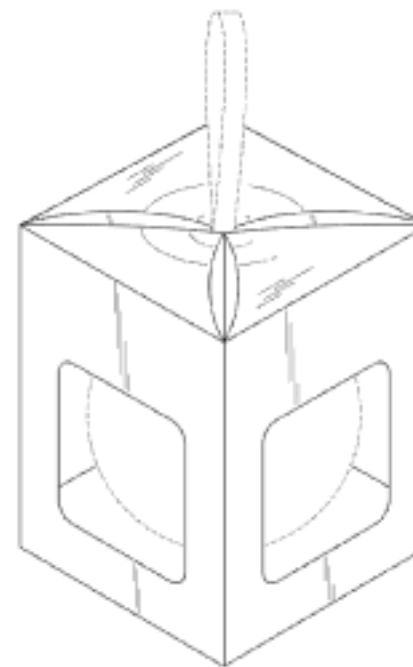
(45) Registration Date: **05 January 2016**

(30) Convention priority data:

(31) Number	(32) Date	(33) Country
<b>002701326-0002</b>	<b>15 May 2015</b>	<b>OFFICE FOR HARMONISATION IN THE INTERNAL MARKET (OHIM)</b>

(56) Related Art Documents: **Not Applicable**

(57) Statement of Newness and Distinctiveness: **Newness and distinctiveness is claimed in the visual features shown in solid lines in the representations. In considering the extent of the design rights, the broken lines shown in the representations are for illustrative purposes only and do not form part of the design.**



(21) Design Number: **16418/2015**  
(22) Date of Filing Application: **27 November 2015**  
(24) Date from which industrial property rights may have effect: **30 September 2015**  
(54) Product in respect of which the design is registered: **A contouring unit**  
(51) International Design Classification: **06-09**  
(74) Name(s) of Attorney(s): **Catalyst Intellectual Property**  
(71) Name(s) and Address(s) of Applicant(s):

**Roger Thomas Mascull**  
**11 Mason Place Allenton Ashburton 7700 New Zealand**

**Elizabeth Jocelyn Mascull**  
**11 Mason Place Ashburton New Zealand**

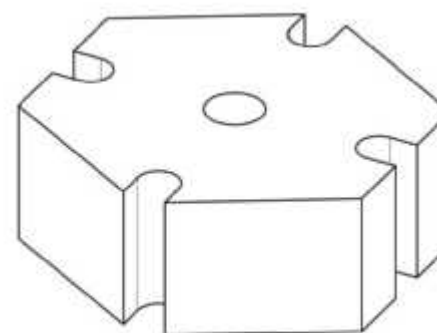
(72) Name(s) of Designer(s): **Roger Thomas Mascull**

(45) Registration Date: **05 January 2016**

(62) Divisional of: **365754**

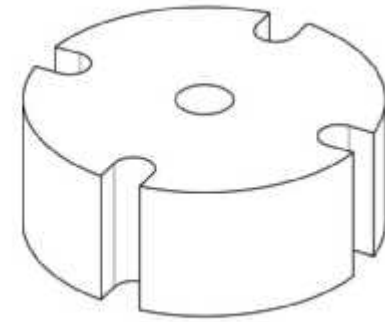
(56) Related Art Documents: **Not Applicable**

(57) Statement of Newness and Distinctiveness: **The design is to be applied to a contouring unit and the newness and distinctiveness of the design resides in the shape and/or configuration of the contouring unit.**

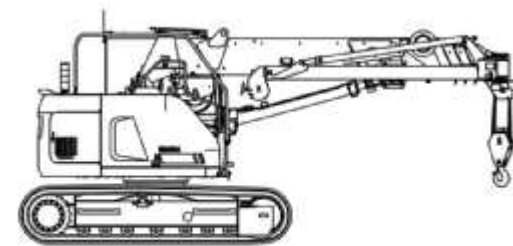




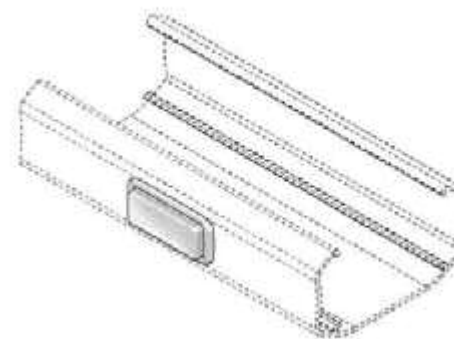
- (21) Design Number: **16419/2015**  
(22) Date of Filing Application: **27 November 2015**  
(24) Date from which industrial property rights may have effect: **30 September 2015**  
(54) Product in respect of which the design is registered: **A contouring unit**  
(51) International Design Classification: **06-09**  
(74) Name(s) of Attorney(s): **Catalyst Intellectual Property**  
(71) Name(s) and Address(s) of Applicant(s):  
**Roger Thomas Mascull**  
**11 Mason Place Allenton Ashburton 7700 New Zealand**  
**Elizabeth Jocelyn Mascull**  
**11 Mason Place Ashburton New Zealand**  
(72) Name(s) of Designer(s): **Roger Thomas Mascull**  
(45) Registration Date: **05 January 2016**  
(62) Divisional of: **365754**  
(56) Related Art Documents: **Not Applicable**  
(57) Statement of Newness and Distinctiveness: **The design is to be applied to a contouring unit and the newness and distinctiveness of the design resides in the shape and/or configuration of the contouring unit.**



- (21) Design Number: **16771/2015**  
(22) Date of Filing Application: **11 December 2015**  
(24) Date from which industrial property rights may have effect: **11 December 2015**  
(54) Product in respect of which the design is registered: **A crane**  
(51) International Design Classification: **12-05**  
(74) Name(s) of Attorney(s): **Collison & Co**  
(71) Name(s) and Address(s) of Applicant(s):  
**MAEDA SEISAKUSHO CO., LTD.**  
**1095, Onbegawa, Shinonoi Nagano-shi Nagano 388-8522 Japan**  
(72) Name(s) of Designer(s): **Tomoyuki Katsuno and Ryosuke Nakamura and Goki Nakazono and Wataru Hisata**  
(45) Registration Date: **05 January 2016**  
(56) Related Art Documents: **Not Applicable**  
(57) Statement of Newness and Distinctiveness: **Nil**



(21) Design Number: **16795/2015**  
(22) Date of Filing Application: **14 December 2015**  
(24) Date from which industrial property rights may have effect: **28 September 2015**  
(54) Product in respect of which the design is registered: **Button for a window covering**  
(51) International Design Classification: **08-99**  
(74) Name(s) of Attorney(s): **WATERMARK PATENT AND TRADE MARKS ATTORNEYS**  
(71) Name(s) and Address(s) of Applicant(s):  
**Hunter Douglas Inc.**  
**1 Blue Hill Plaza Pearl River New York, 10965 United States of America**  
(72) Name(s) of Designer(s): **Dwain Poynter and Richard Anderson and Winslo Harte and Fred Bould**  
(45) Registration Date: **05 January 2016**  
(30) Convention priority data:  
(31) Number (32) Date (33) Country  
**29/522083 27 Mar 2015 UNITED STATES OF AMERICA**  
(62) Divisional of: **366210**  
(56) Related Art Documents: **Not Applicable**  
(57) Statement of Newness and Distinctiveness: **Nil**



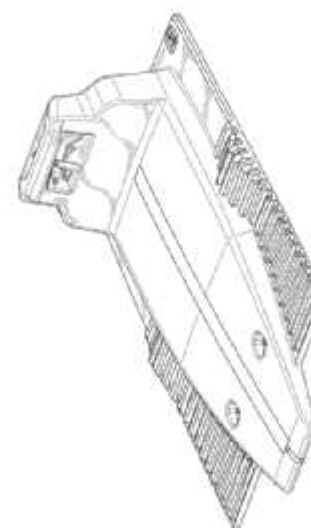
(21) Design Number: **16796/2015**  
(22) Date of Filing Application: **14 December 2015**  
(24) Date from which industrial property rights may have effect: **28 September 2015**  
(54) Product in respect of which the design is registered: **Button for a window covering**  
(51) International Design Classification: **08-99**  
(74) Name(s) of Attorney(s): **WATERMARK PATENT AND TRADE MARKS ATTORNEYS**  
(71) Name(s) and Address(s) of Applicant(s):  
**Hunter Douglas Inc.**  
**1 Blue Hill Plaza Pearl River New York, 10965 United States of America**  
(72) Name(s) of Designer(s): **Dwain Poynter and Richard Anderson and Winslo Harte and Fred Bould**  
(45) Registration Date: **05 January 2016**  
(30) Convention priority data:  
(31) Number (32) Date (33) Country  
**29/522083 27 Mar 2015 UNITED STATES OF AMERICA**  
(62) Divisional of: **366210**  
(56) Related Art Documents: **Not Applicable**  
(57) Statement of Newness and Distinctiveness: **Nil**



(21) Design Number: **16797/2015**  
(22) Date of Filing Application: **14 December 2015**  
(24) Date from which industrial property rights may have effect: **28 September 2015**  
(54) Product in respect of which the design is registered: **Button for a window covering**  
(51) International Design Classification: **08-99**  
(74) Name(s) of Attorney(s): **WATERMARK PATENT AND TRADE MARKS ATTORNEYS**  
(71) Name(s) and Address(s) of Applicant(s):  
**Hunter Douglas Inc.**  
**1 Blue Hill Plaza Pearl River New York, 10965 United States of America**  
(72) Name(s) of Designer(s): **Dwain Poynter and Richard Anderson and Winslo Harte and Fred Bould**  
(45) Registration Date: **05 January 2016**  
(30) Convention priority data:  
(31) Number (32) Date (33) Country  
**29/522083 27 Mar 2015 UNITED STATES OF AMERICA**  
(62) Divisional of: **366210**  
(56) Related Art Documents: **Not Applicable**  
(57) Statement of Newness and Distinctiveness: **Nil**



(21) Design Number: **16800/2015**  
(22) Date of Filing Application: **14 December 2015**  
(24) Date from which industrial property rights may have effect: **14 December 2015**  
(54) Product in respect of which the design is registered: **Docking station**  
(51) International Design Classification: **14-02**  
(74) Name(s) of Attorney(s): **Wynnes Patent & Trade Mark Attorneys**  
(71) Name(s) and Address(s) of Applicant(s):  
**MTD Products Inc.**  
**5903 Grafton Rd Valley City OH 44280-9329 United States of America**  
(72) Name(s) of Designer(s): **Ryan Cmich and Ryan W Maibach and Michael E Harrison and Jay E Maggard**  
(45) Registration Date: **05 January 2016**  
(30) Convention priority data:  
(31) Number (32) Date (33) Country  
**29/530,936 22 Jun 2015 UNITED STATES OF AMERICA**  
(56) Related Art Documents: **Not Applicable**  
(57) Statement of Newness and Distinctiveness: **Newness and distinctiveness resides in the features of the design as shown in the accompanying representations**



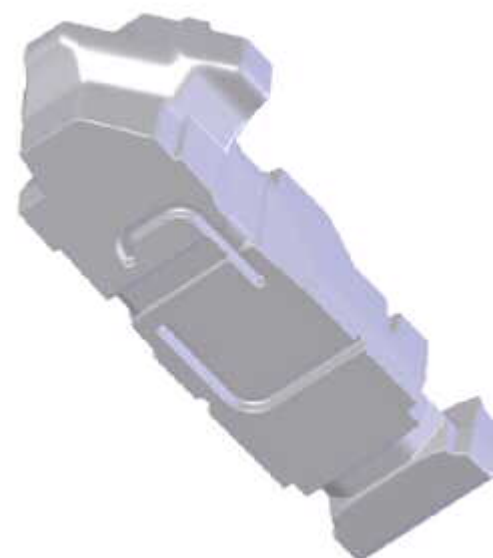
- (21) Design Number: **16803/2015**  
(22) Date of Filing Application: **15 December 2015**  
(24) Date from which industrial property rights may have effect: **15 December 2015**  
(54) Product in respect of which the design is registered: **Pedal motor housing**  
(51) International Design Classification: **21-02F**  
(74) Name(s) of Attorney(s): **WRAYS PTY LTD**  
(71) Name(s) and Address(s) of Applicant(s):  
**Crazy Kayak King Pty Limited**  
**52 Cawdell Dr Albion Park NSW 2527 Australia**  
(72) Name(s) of Designer(s): **Hok Khov**  
(45) Registration Date: **05 January 2016**  
(56) Related Art Documents: **Not Applicable**  
(57) Statement of Newness and Distinctiveness: **Newness and distinctiveness of the design is claimed in the shape and/or configuration of the pedal motor housing depicted in the representations provided herein.**



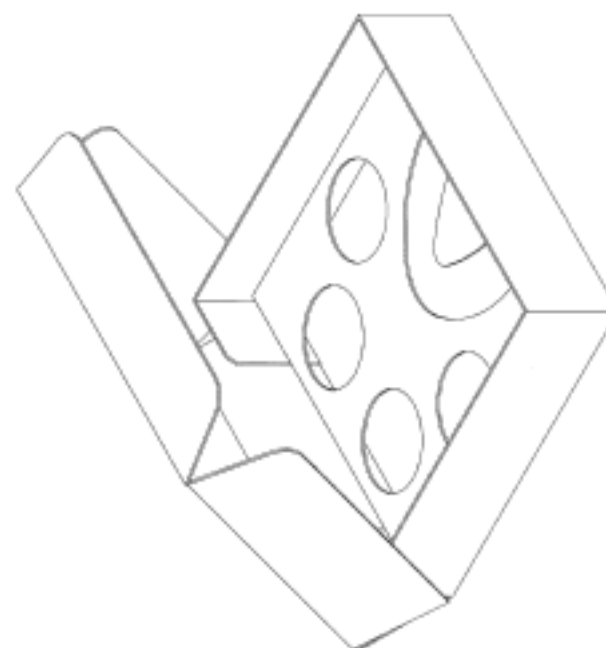
- (21) Design Number: **16804/2015**  
(22) Date of Filing Application: **15 December 2015**  
(24) Date from which industrial property rights may have effect: **15 December 2015**  
(54) Product in respect of which the design is registered: **Fuel tank**  
(51) International Design Classification: **12-16NES**  
(74) Name(s) of Attorney(s):  
(71) Name(s) and Address(s) of Applicant(s):  
**ARB Corporation Ltd**  
**PO BOX 105 Kilsyth VIC 3137 Australia**  
(72) Name(s) of Designer(s): **Paul Cooper and Stewart Thompson and James Luke**  
(45) Registration Date: **05 January 2016**  
(56) Related Art Documents: **Not Applicable**  
(57) Statement of Newness and Distinctiveness: **Nil**



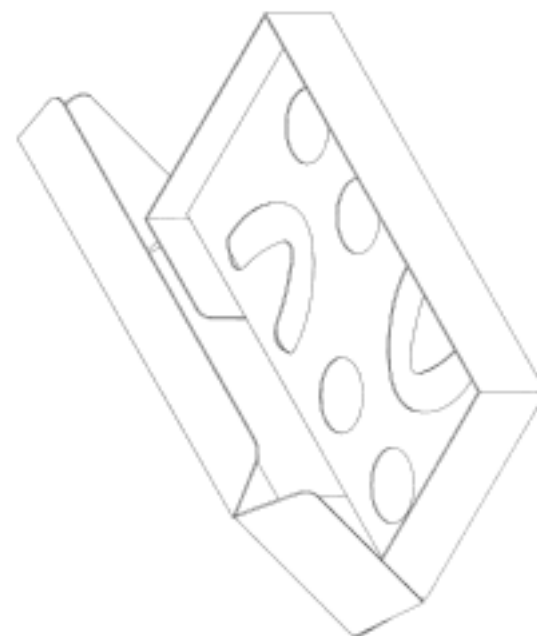
- (21) Design Number: **16805/2015**  
(22) Date of Filing Application: **15 December 2015**  
(24) Date from which industrial property rights may have effect: **15 December 2015**  
(54) Product in respect of which the design is registered: **Fuel tank**  
(51) International Design Classification: **12-16NES**  
(74) Name(s) of Attorney(s):  
(71) Name(s) and Address(s) of Applicant(s):  
**ARB Corporation Ltd**  
**PO BOX 105 Kilsyth VIC 3137 Australia**  
(72) Name(s) of Designer(s): **Paul Cooper and Stewart Thompson and James Luke**  
(45) Registration Date: **05 January 2016**  
(56) Related Art Documents: **Not Applicable**  
(57) Statement of Newness and Distinctiveness: **Nil**



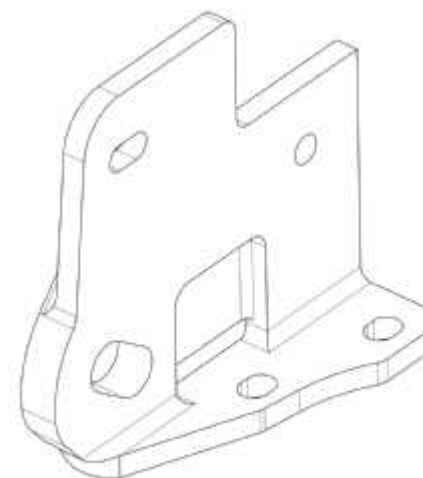
- (21) Design Number: **16390/2015**  
(22) Date of Filing Application: **24 November 2015**  
(24) Date from which industrial property rights may have effect: **24 November 2015**  
(54) Product in respect of which the design is registered: **Home impression box for storing single impression tray & four containers with putty material**  
(51) International Design Classification: **09-03M**  
(74) Name(s) of Attorney(s):  
(71) Name(s) and Address(s) of Applicant(s):  
**Gameday International Pty Ltd**  
**13 Central Ave Moorabbin VIC 3189**  
(72) Name(s) of Designer(s): **Alistair Blake**  
(45) Registration Date: **05 January 2016**  
(56) Related Art Documents: **Not Applicable**  
(57) Statement of Newness and Distinctiveness: **Newness and distinctiveness resides in the features of shape and configuration of a home impression box with inserts designed to fit a single impression tray and four putty containers as shown in the accompanying representations.**



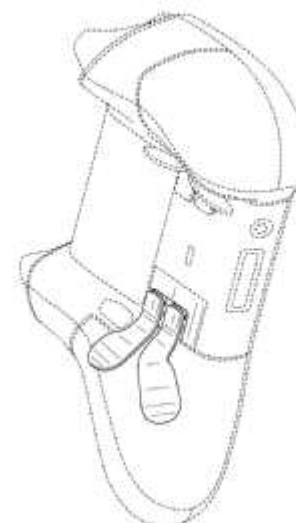
- (21) Design Number: **16391/2015**  
(22) Date of Filing Application: **24 November 2015**  
(24) Date from which industrial property rights may have effect: **24 November 2015**  
(54) Product in respect of which the design is registered: **Home impression box for storing double impression tray & four containers with putty material**  
(51) International Design Classification: **09-03M**  
(74) Name(s) of Attorney(s):  
(71) Name(s) and Address(s) of Applicant(s):  
**Gameday International Pty Ltd**  
**13 Central Ave Moorabbin VIC 3189**  
(72) Name(s) of Designer(s): **Alistair Blake**  
(45) Registration Date: **05 January 2016**  
(56) Related Art Documents: **Not Applicable**  
(57) Statement of Newness and Distinctiveness: **Newness and distinctiveness resides in the features of shape and configuration of a home impression box with inserts designed to fit a double impression tray and four putty containers as shown in the accompanying representations.**



- (21) Design Number: **16772/2015**  
(22) Date of Filing Application: **11 December 2015**  
(24) Date from which industrial property rights may have effect: **11 December 2015**  
(54) Product in respect of which the design is registered: **Tow point**  
(51) International Design Classification: **12-16L**  
(74) Name(s) of Attorney(s): **Actuate IP**  
(71) Name(s) and Address(s) of Applicant(s):  
**Roadsafe Automotive Products Pty Ltd**  
**10 Macbeth St Braeside VIC 3195 Australia**  
(72) Name(s) of Designer(s): **Scott Owen**  
(45) Registration Date: **05 January 2016**  
(56) Related Art Documents: **Not Applicable**  
(57) Statement of Newness and Distinctiveness: **The newness and distinctiveness of the design resides in the shape and/or configuration of the tow point, as shown in the representations.**



(21) Design Number: **16773/2015**  
(22) Date of Filing Application: **11 December 2015**  
(24) Date from which industrial property rights may have effect: **11 December 2015**  
(54) Product in respect of which the design is registered: **Controller component**  
(51) International Design Classification: **21-01N**  
(74) Name(s) of Attorney(s): **Shelston IP Pty Ltd.**  
(71) Name(s) and Address(s) of Applicant(s):  
**Microsoft Corporation**  
**One Microsoft Way Redmond Washington, 98052-5321 United States of America**



(72) Name(s) of Designer(s): **Christopher Kujawski and Kenneth Jasinski and Carl J. Ledbetter**  
(45) Registration Date: **05 January 2016**  
(30) Convention priority data:  
(31) Number (32) Date (33) Country  
**29/530120 12 Jun 2015 UNITED STATES OF AMERICA**

(56) Related Art Documents: **Not Applicable**  
(57) Statement of Newness and Distinctiveness: **Newness and distinctiveness reside in the features of shape and/or configuration of a controller component as illustrated by solid lines in the accompanying representations. The features shown in broken outline and discontinuous lines are for contextual purposes only and do not form part of the design.**

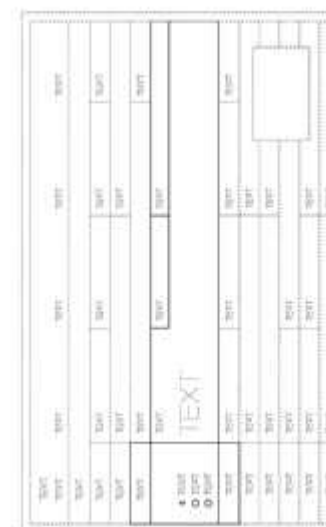
(21) Design Number: **16774/2015**  
(22) Date of Filing Application: **11 December 2015**  
(24) Date from which industrial property rights may have effect: **11 December 2015**  
(54) Product in respect of which the design is registered: **Luminous panels**  
(51) International Design Classification: **25-01D**  
(74) Name(s) of Attorney(s): **Ashurst Australia**  
(71) Name(s) and Address(s) of Applicant(s):  
**KONE Corporation**  
**Kartanontie 1 00330 Helsinki Finland**



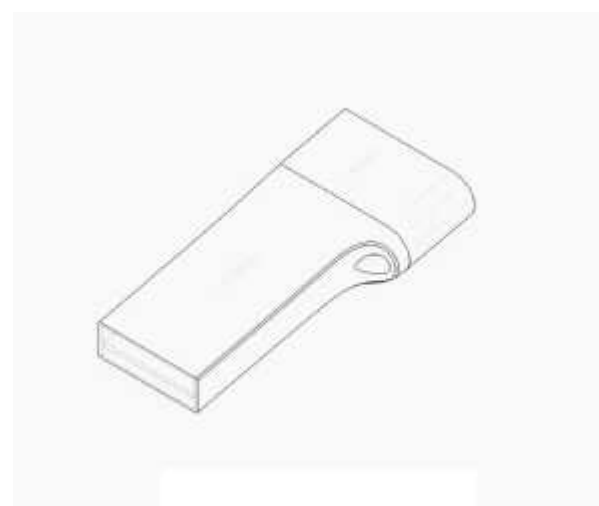
(72) Name(s) of Designer(s): **Jukka Korpihete and Elina Laitinen and Visa Rauta and Jussi Ahonen**  
(45) Registration Date: **05 January 2016**  
(30) Convention priority data:  
(31) Number (32) Date (33) Country  
**002758607 21 Aug 2015 OFFICE FOR HARMONISATION IN THE INTERNAL MARKET (OHIM)**

(56) Related Art Documents: **Not Applicable**  
(57) Statement of Newness and Distinctiveness: **Nil**

- (21) Design Number: **16786/2015**  
(22) Date of Filing Application: **14 December 2015**  
(24) Date from which industrial property rights may have effect: **14 December 2015**  
(54) Product in respect of which the design is registered: **Display screen with graphical user interface**  
(51) International Design Classification: **14-02**  
(74) Name(s) of Attorney(s): **Shelston IP Pty Ltd.**  
(71) Name(s) and Address(s) of Applicant(s):  
**Microsoft Corporation**  
**One Microsoft Way Redmond Washington, 98052-5321 United States of America**  
(72) Name(s) of Designer(s): **Macbeth Watson and Megan McMillan and David Gardner and Eric Hsia**  
(45) Registration Date: **05 January 2016**  
(30) Convention priority data:  
(31) Number (32) Date (33) Country  
**29/533232 15 Jul 2015 UNITED STATES OF AMERICA**  
(56) Related Art Documents: **Not Applicable**  
(57) Statement of Newness and Distinctiveness: **Newness and distinctiveness reside in the features of pattern and/or ornamentation of a display screen with graphical user interface as illustrated by solid lines in the accompanying representation. The features shown in broken outline are for contextual purposes only and do not form part of the design. The alphabetical characters depicted are indicative only, and may be substituted by alphanumeric characters.**

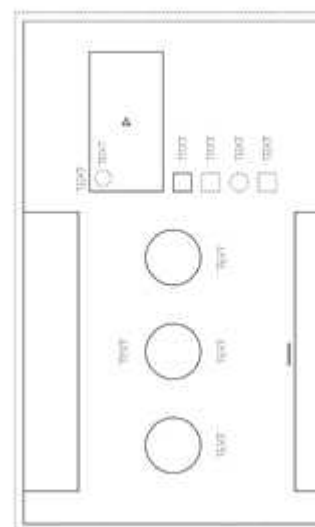


- (21) Design Number: **16788/2015**  
(22) Date of Filing Application: **14 December 2015**  
(24) Date from which industrial property rights may have effect: **14 December 2015**  
(54) Product in respect of which the design is registered: **USB (Universal Serial Bus) Memory**  
(51) International Design Classification: **14-02**  
(74) Name(s) of Attorney(s): **WRAYS PTY LTD**  
(71) Name(s) and Address(s) of Applicant(s):  
**Samsung Electronics Co., Ltd**  
**129, Samsung-ro Yeongtong-gu Suwon-si Gyeonggi-do 443-742 Republic of Korea**  
(72) Name(s) of Designer(s): **Hyung-Sup Shim**  
(45) Registration Date: **05 January 2016**  
(30) Convention priority data:  
(31) Number (32) Date (33) Country  
**30-2015-0030823 18 Jun 2015 REPUBLIC OF KOREA**  
(56) Related Art Documents: **Not Applicable**  
(57) Statement of Newness and Distinctiveness: **Newness and distinctiveness is claimed in the features of shape, configuration, pattern, and/or ornamentation of the USB (Universal Serial Bus) Memory as shown in the accompanying representations. The features depicted by broken lines are for illustrative purposes only and form no part of the claimed design.**





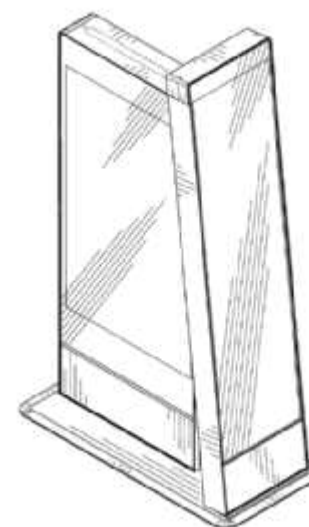
- (21) Design Number: **16790/2015**  
(22) Date of Filing Application: **14 December 2015**  
(24) Date from which industrial property rights may have effect: **14 December 2015**  
(54) Product in respect of which the design is registered: **Display screen with graphical user interface**  
(51) International Design Classification: **14-02**  
(74) Name(s) of Attorney(s): **Shelston IP Pty Ltd.**  
(71) Name(s) and Address(s) of Applicant(s):  
**Microsoft Corporation**  
**One Microsoft Way Redmond Washington, 98052-5321 United States of America**  
(72) Name(s) of Designer(s): **Nicholas Robinson and Jeff Fleischmann and Mitchell Johnson**  
(45) Registration Date: **05 January 2016**  
(30) Convention priority data:  
(31) Number (32) Date (33) Country  
**29/530100 12 Jun 2015 UNITED STATES OF AMERICA**  
(56) Related Art Documents: **Not Applicable**  
(57) Statement of Newness and Distinctiveness: **Newness and distinctiveness reside in the features of pattern and/or ornamentation of a display screen with graphical user interface as illustrated by solid lines in the accompanying representation. The features shown in broken outline are for contextual purposes only and do not form part of the design. The alphabetical characters depicted are indicative only, and may be substituted by alphanumeric characters.**



- (21) Design Number: **16791/2015**  
(22) Date of Filing Application: **14 December 2015**  
(24) Date from which industrial property rights may have effect: **14 December 2015**  
(54) Product in respect of which the design is registered: **Display screen with icon**  
(51) International Design Classification: **14-02**  
(74) Name(s) of Attorney(s): **Shelston IP Pty Ltd.**  
(71) Name(s) and Address(s) of Applicant(s):  
**Microsoft Corporation**  
**One Microsoft Way Redmond Washington, 98052-5321 United States of America**  
(72) Name(s) of Designer(s): **Ramiro Torres and Christina Scott and Raymond Alexander Malkiewicz**  
(45) Registration Date: **05 January 2016**  
(30) Convention priority data:  
(31) Number (32) Date (33) Country  
**29/530118 12 Jun 2015 UNITED STATES OF AMERICA**  
(56) Related Art Documents: **Not Applicable**  
(57) Statement of Newness and Distinctiveness: **Newness and distinctiveness reside in the features of pattern and/or ornamentation of a display screen with icon as illustrated by solid lines in the accompanying representations. The features shown in broken outline are for contextual purposes only and do not form part of the design.**



(21) Design Number: **15071/2015**  
(22) Date of Filing Application: **28 September 2015**  
(24) Date from which industrial property rights may have effect: **28 September 2015**  
(54) Product in respect of which the design is registered: **Interactive display system**  
(51) International Design Classification: **14-02**  
(74) Name(s) of Attorney(s): **Davies Collison Cave**  
(71) Name(s) and Address(s) of Applicant(s):  
**Ooluroo, LLC**  
**26 Main Street Suite 300 Chatham New Jersey, 07928 United States of America**  
(72) Name(s) of Designer(s): **Sanjay Manohar Kulkarni and Jonas Kingsley Damon**  
(45) Registration Date: **05 January 2016**  
(30) Convention priority data:  
(31) Number (32) Date (33) Country  
**29/521,627 25 Mar 2015 UNITED STATES OF AMERICA**  
(56) Related Art Documents: **Not Applicable**  
(57) Statement of Newness and Distinctiveness: **The features of shape and configuration of the interactive display system shown in the accompanying drawings are considered to be new and distinctive. Broken lines shown in the drawings are for illustrative purposes only and form no part of the design.**



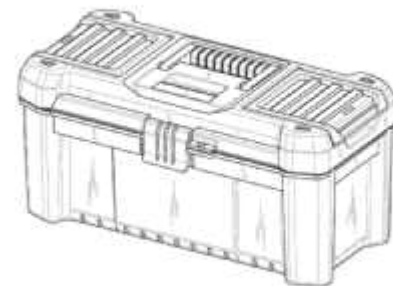
(21) Design Number: **15630/2015**  
(22) Date of Filing Application: **22 October 2015**  
(24) Date from which industrial property rights may have effect: **22 October 2015**  
(54) Product in respect of which the design is registered: **Weeder**  
(51) International Design Classification: **08-01**  
(74) Name(s) of Attorney(s): **Davies Collison Cave**  
(71) Name(s) and Address(s) of Applicant(s):  
**Fiskars Garden Oy Ab**  
**10330 Billnas Finland**  
(72) Name(s) of Designer(s): **Sami Lyytikainen and Aaro Huttunen**  
(45) Registration Date: **05 January 2016**  
(56) Related Art Documents: **Not Applicable**  
(57) Statement of Newness and Distinctiveness: **Nil**



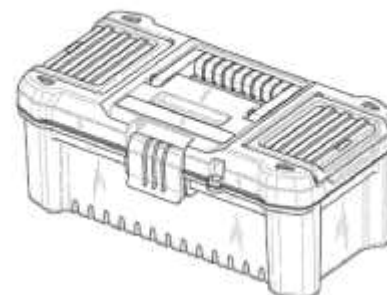
(21) Design Number: **15631/2015**  
(22) Date of Filing Application: **22 October 2015**  
(24) Date from which industrial property rights may have effect: **22 October 2015**  
(54) Product in respect of which the design is registered: **Weeder**  
(51) International Design Classification: **08-01**  
(74) Name(s) of Attorney(s): **Davies Collison Cave**  
(71) Name(s) and Address(s) of Applicant(s):  
**Fiskars Garden Oy Ab**  
**10330 Billnas Finland**  
(72) Name(s) of Designer(s): **Sami Lyytikainen and Aaro Huttunen**  
(45) Registration Date: **05 January 2016**  
(56) Related Art Documents: **Not Applicable**  
(57) Statement of Newness and Distinctiveness: **Nil**



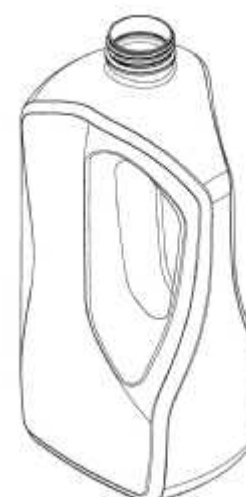
(21) Design Number: **15708/2015**  
(22) Date of Filing Application: **27 October 2015**  
(24) Date from which industrial property rights may have effect: **18 August 2015**  
(54) Product in respect of which the design is registered: **Toolbox**  
(51) International Design Classification: **03-01D**  
(74) Name(s) of Attorney(s): **Davies Collison Cave**  
(71) Name(s) and Address(s) of Applicant(s):  
**The Stanley Works Israel Ltd.**  
**19 Ha'Melacha Street Rosh Ha'Ayin 48091 Israel**  
(72) Name(s) of Designer(s): **Yaron Shpitzer and Yosi Sabbag and Mickey Menirom**  
(45) Registration Date: **05 January 2016**  
(62) Divisional of: **364986**  
(56) Related Art Documents: **Not Applicable**  
(57) Statement of Newness and Distinctiveness: **Nil**



- (21) Design Number: **15709/2015**  
(22) Date of Filing Application: **27 October 2015**  
(24) Date from which industrial property rights may have effect: **18 August 2015**  
(54) Product in respect of which the design is registered: **Toolbox**  
(51) International Design Classification: **03-01D**  
(74) Name(s) of Attorney(s): **Davies Collison Cave**  
(71) Name(s) and Address(s) of Applicant(s):  
**The Stanley Works Israel Ltd.**  
**19 Ha'Melacha Street Rosh Ha'Ayin 48091 Israel**  
(72) Name(s) of Designer(s): **Yaron Shpitzer and Yosi Sabbag and Mickey Menirom**  
(45) Registration Date: **05 January 2016**  
(62) Divisional of: **364986**  
(56) Related Art Documents: **Not Applicable**  
(57) Statement of Newness and Distinctiveness: **Nil**



- (21) Design Number: **15786/2015**  
(22) Date of Filing Application: **29 October 2015**  
(24) Date from which industrial property rights may have effect: **29 October 2015**  
(54) Product in respect of which the design is registered: **Bottle**  
(51) International Design Classification: **09-01K**  
(74) Name(s) of Attorney(s): **Griffith Hack**  
(71) Name(s) and Address(s) of Applicant(s):  
**Golden Circle Limited**  
**260 Earnshaw Rd Northgate QLD 4013 Australia**  
(72) Name(s) of Designer(s): **Michael Grima and Troy Nyssen and Andrew Kellock and Bryan Terry**  
(45) Registration Date: **05 January 2016**  
(56) Related Art Documents: **Not Applicable**  
(57) Statement of Newness and Distinctiveness: **The shape and configuration of the product shown in the accompanying representations are new and distinctive.**



(21) Design Number: **16789/2015**  
(22) Date of Filing Application: **14 December 2015**  
(24) Date from which industrial property rights may have effect: **14 December 2015**  
(54) Product in respect of which the design is registered: **USB (Universal Serial Bus) Memory**  
(51) International Design Classification: **14-02**  
(74) Name(s) of Attorney(s): **WRAYS PTY LTD**  
(71) Name(s) and Address(s) of Applicant(s):  
**Samsung Electronics Co., Ltd**  
**129, Samsung-ro Yeongtong-gu Suwon-si Gyeonggi-do 443-742**  
**Republic of Korea**  
(72) Name(s) of Designer(s): **Hyung-Sup Shim**  
(45) Registration Date: **05 January 2016**  
(30) Convention priority data:  
(31) Number (32) Date (33) Country  
**30-2015-0030824 18 Jun 2015 REPUBLIC OF KOREA**  
(56) Related Art Documents: **Not Applicable**  
(57) Statement of Newness and Distinctiveness: **Newness and distinctiveness is claimed in the features of shape, configuration, pattern, and/or ornamentation of the USB (Universal Serial Bus) Memory as shown in the accompanying representations. The features depicted by broken lines are for illustrative purposes only and form no part of the claimed design.**



(21) Design Number: **16794/2015**  
(22) Date of Filing Application: **14 December 2015**  
(24) Date from which industrial property rights may have effect: **14 December 2015**  
(54) Product in respect of which the design is registered: **Beard trimmer**  
(51) International Design Classification: **28-03D**  
(74) Name(s) of Attorney(s): **WRAYS PTY LTD**  
(71) Name(s) and Address(s) of Applicant(s):  
**Babyliss Faco SPRL**  
**Avenue de l'Independance 25 Wandre 4020 Belgium**  
(72) Name(s) of Designer(s): **Pierre Julemont**  
(45) Registration Date: **05 January 2016**  
(30) Convention priority data:  
(31) Number (32) Date (33) Country  
**002718650-0001 15 Jun 2015 OFFICE FOR HARMONISATION IN THE INTERNAL MARKET (OHIM)**  
(56) Related Art Documents: **Not Applicable**  
(57) Statement of Newness and Distinctiveness: **Newness and distinctiveness is claimed in the features of shape, configuration, pattern, and/or ornamentation of the Beard Trimmer as shown in the accompanying representations.**



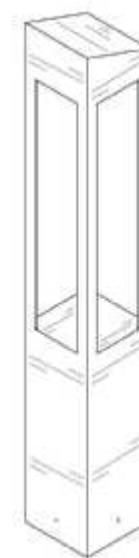
- (21) Design Number: **16798/2015**  
(22) Date of Filing Application: **14 December 2015**  
(24) Date from which industrial property rights may have effect: **14 December 2015**  
(54) Product in respect of which the design is registered: **A panel**  
(51) International Design Classification: **25-01NES**  
(74) Name(s) of Attorney(s): **Spruson & Ferguson**  
(71) Name(s) and Address(s) of Applicant(s):  
**A Plus Plastics & Tooling Pty Ltd**  
**4 Huntsmore Rd Minto NSW 2566 Australia**  
(72) Name(s) of Designer(s): **Matthew Holloway**  
(45) Registration Date: **05 January 2016**  
(56) Related Art Documents: **Not Applicable**  
(57) Statement of Newness and Distinctiveness: **Newness and distinctiveness is claimed in the features of shape and/or configuration of a panel as illustrated in the accompanying representations.**



- (21) Design Number: **16799/2015**  
(22) Date of Filing Application: **14 December 2015**  
(24) Date from which industrial property rights may have effect: **14 December 2015**  
(54) Product in respect of which the design is registered: **Water tank protection bag**  
(51) International Design Classification: **03-01A, 23-01F**  
(74) Name(s) of Attorney(s): **IP Service International**  
(71) Name(s) and Address(s) of Applicant(s):  
**Aussie Water Savers Pty Ltd**  
**Unit 1a & 2a 29-33 Charles Street St Marys NSW 2760 Australia**  
(72) Name(s) of Designer(s): **Anthony Gittany and Rhonda Gittany**  
(45) Registration Date: **05 January 2016**  
(56) Related Art Documents: **Not Applicable**  
(57) Statement of Newness and Distinctiveness: **Made of very Fine 150 Micron Filtration Felt, has its own toggle lock to adjust size and to adopt to any tank**



- (21) Design Number: **15416/2015**  
(22) Date of Filing Application: **14 October 2015**  
(24) Date from which industrial property rights may have effect: **14 October 2015**  
(54) Product in respect of which the design is registered: **Illuminating bollard**  
(51) International Design Classification: **26-03, 25-02NES**  
(74) Name(s) of Attorney(s): **Griffith Hack**  
(71) Name(s) and Address(s) of Applicant(s):  
**Hubbell Incorporated**  
**40 Waterview Drive P.O. Box 1000 Shelton, Connecticut, 06484 United States Of America**  
(72) Name(s) of Designer(s): **Armin Ahrari**  
(45) Registration Date: **05 January 2016**  
(30) Convention priority data:  
(31) Number (32) Date (33) Country  
**29/523,921 15 Apr 2015 UNITED STATES OF AMERICA**  
(56) Related Art Documents: **Not Applicable**  
(57) Statement of Newness and Distinctiveness: **Newness and distinctiveness resides in the shape and configuration of the product as shown by means of the solid lines in the representations.**



- (21) Design Number: **15716/2015**  
(22) Date of Filing Application: **27 October 2015**  
(24) Date from which industrial property rights may have effect: **27 October 2015**  
(54) Product in respect of which the design is registered: **Chair**  
(51) International Design Classification: **06-01F**  
(74) Name(s) of Attorney(s):  
(71) Name(s) and Address(s) of Applicant(s):  
**Go Home Lifestyle Products Pty Ltd**  
**Unit 9 21-29 Chester Street Camperdown New South Wales 2050 Australia**  
(72) Name(s) of Designer(s): **Marcel Sigel**  
(45) Registration Date: **05 January 2016**  
(56) Related Art Documents: **Not Applicable**  
(57) Statement of Newness and Distinctiveness: **Go Home Lunar polyurethane shell upholstered Chair for residential and commercial applications Polyurethane shell with internal metal support frame. Crescent lumber scoop and bulged rear. 2 options of leg base: 4 leg American Oak wooden base or powder coated steel sled stackable base. Moulded Polyurethane shell with internal metal support frame with upholstery. Semi circular front lumber scoop and bulging rear. 2 options of leg base: 4 leg American Oak wooden base or metal powder-coated stackable sled base.**



(21) Design Number: **15778/2015**

(22) Date of Filing Application: **28 October 2015**

(24) Date from which industrial property rights may have effect: **28 October 2015**

(54) Product in respect of which the design is registered: **Floor cleaning device**

(51) International Design Classification: **15-05**

(74) Name(s) of Attorney(s): **Pizzeys Patent and Trade Mark Attorneys Pty Ltd**

(71) Name(s) and Address(s) of Applicant(s):

**SharkNinja Operating LLC**

**180 Wells Avenue Suite 200 Newton Massachusetts, 02459 United States of America**

(72) Name(s) of Designer(s): **Junghwan Chei and Scott B. Niedzwecki**

(45) Registration Date: **05 January 2016**

(30) Convention priority data:

(31) Number

(32) Date

(33) Country

**29/525,439**

**29 Apr 2015**

**UNITED STATES OF AMERICA**

(56) Related Art Documents: **Not Applicable**

(57) Statement of Newness and Distinctiveness: **Nil**



(21) Design Number: **15779/2015**

(22) Date of Filing Application: **28 October 2015**

(24) Date from which industrial property rights may have effect: **28 October 2015**

(54) Product in respect of which the design is registered: **Floor cleaning device**

(51) International Design Classification: **15-05**

(74) Name(s) of Attorney(s): **Pizzeys Patent and Trade Mark Attorneys Pty Ltd**

(71) Name(s) and Address(s) of Applicant(s):

**SharkNinja Operating LLC**

**180 Wells Avenue, Suite 200 Newton MA, 02459 United States of America**

(72) Name(s) of Designer(s): **Junghwan Chei and Scott B. Niedzwecki**

(45) Registration Date: **05 January 2016**

(30) Convention priority data:

(31) Number

(32) Date

(33) Country

**29/525,441**

**29 Apr 2015**

**UNITED STATES OF AMERICA**

(56) Related Art Documents: **Not Applicable**

(57) Statement of Newness and Distinctiveness: **Nil**





- (21) Design Number: **16218/2015**  
(22) Date of Filing Application: **18 November 2015**  
(24) Date from which industrial property rights may have effect: **18 November 2015**  
(54) Product in respect of which the design is registered: **An item of clothing**  
(51) International Design Classification: **02-02NES**  
(74) Name(s) of Attorney(s):  
(71) Name(s) and Address(s) of Applicant(s):  
**Zimmermann Wear Pty Limited**  
**120 Dunning Ave Rosebery NSW 2018 Australia**  
(72) Name(s) of Designer(s): **Nicole Zimmermann**  
(45) Registration Date: **05 January 2016**  
(56) Related Art Documents: **Not Applicable**  
(57) Statement of Newness and Distinctiveness: **Newness and distinctiveness is claimed in the shape, configuration and pattern of the neck and shoulder line of the garment made by attaching the front and back bodice pieces of a garment to each other with multiple thin spaghetti straps running over the shoulder as depicted in the accompanying representations.**



- (21) Design Number: **15121/2015**  
(22) Date of Filing Application: **01 October 2015**  
(24) Date from which industrial property rights may have effect: **01 October 2015**  
(54) Product in respect of which the design is registered: **Handbag**  
(51) International Design Classification: **03-01B**  
(74) Name(s) of Attorney(s):  
(71) Name(s) and Address(s) of Applicant(s):  
**Tania Liu**  
**5 Wallis Street WOOLLAHRA NSW, 2025 Australia**  
**Alyce Tran**  
**5 Wallis Street WOOLLAHRA NSW, 2025 Australia**  
(72) Name(s) of Designer(s): **Alyce Tran and Tania Liu**  
(45) Registration Date: **05 January 2016**  
(56) Related Art Documents: **Not Applicable**  
(57) Statement of Newness and Distinctiveness: **new small tote bag with detachable strap feature. new dimensions (approx 30 x 20 cm)**



- (21) Design Number: **15136/2015**  
(22) Date of Filing Application: **01 October 2015**  
(24) Date from which industrial property rights may have effect: **01 October 2015**  
(54) Product in respect of which the design is registered: **Handbag**  
(51) International Design Classification: **03-01B**  
(74) Name(s) of Attorney(s):  
(71) Name(s) and Address(s) of Applicant(s):  
    **Tania Liu**  
    **5 Wallis Street WOOLLAHRA NSW, 2025 Australia**  
    **Alyce Tran**  
    **5 Wallis Street WOOLLAHRA NSW, 2025 Australia**  
(72) Name(s) of Designer(s): **Tania Liu and Alyce Tran**  
(45) Registration Date: **05 January 2016**  
(56) Related Art Documents: **Not Applicable**  
(57) Statement of Newness and Distinctiveness: **curved shape and chain strap**



- (21) Design Number: **15137/2015**  
(22) Date of Filing Application: **01 October 2015**  
(24) Date from which industrial property rights may have effect: **01 October 2015**  
(54) Product in respect of which the design is registered: **Handbag, clutch**  
(51) International Design Classification: **03-01B**  
(74) Name(s) of Attorney(s):  
(71) Name(s) and Address(s) of Applicant(s):  
    **Tania Liu**  
    **5 Wallis Street WOOLLAHRA NSW, 2025 Australia**  
    **Alyce Tran**  
    **5 Wallis Street WOOLLAHRA NSW, 2025 Australia**  
(72) Name(s) of Designer(s): **Alyce Tran and Tania Liu**  
(45) Registration Date: **05 January 2016**  
(56) Related Art Documents: **Not Applicable**  
(57) Statement of Newness and Distinctiveness: **sloping front flap**



- (21) Design Number: **15139/2015**  
(22) Date of Filing Application: **01 October 2015**  
(24) Date from which industrial property rights may have effect: **01 October 2015**  
(54) Product in respect of which the design is registered: **Laptop case**  
(51) International Design Classification: **03-01NES**  
(74) Name(s) of Attorney(s):  
(71) Name(s) and Address(s) of Applicant(s):  
    **Tania Liu**  
    **5 Wallis Street WOOLLAHRA NSW, 2025 Australia**  
    **Alyce Tran**  
    **5 Wallis Street WOOLLAHRA NSW, 2025 Australia**  
(72) Name(s) of Designer(s): **Alyce Tran and Tania Liu**  
(45) Registration Date: **05 January 2016**  
(56) Related Art Documents: **Not Applicable**  
(57) Statement of Newness and Distinctiveness: **double zip and outside pocket**



- (21) Design Number: **15140/2015**  
(22) Date of Filing Application: **01 October 2015**  
(24) Date from which industrial property rights may have effect: **01 October 2015**  
(54) Product in respect of which the design is registered: **Laptop case**  
(51) International Design Classification: **03-01NES**  
(74) Name(s) of Attorney(s):  
(71) Name(s) and Address(s) of Applicant(s):  
    **Tania Liu**  
    **5 Wallis Street WOOLLAHRA NSW, 2025 Australia**  
    **Alyce Tran**  
    **5 Wallis Street WOOLLAHRA NSW, 2025 Australia**  
(72) Name(s) of Designer(s): **Alyce Tran and Tania Liu**  
(45) Registration Date: **05 January 2016**  
(56) Related Art Documents: **Not Applicable**  
(57) Statement of Newness and Distinctiveness: **double zip to maintain integrity of structure**



- (21) Design Number: **15303/2015**  
(22) Date of Filing Application: **09 October 2015**  
(24) Date from which industrial property rights may have effect: **09 October 2015**  
(54) Product in respect of which the design is registered: **Bag**  
(51) International Design Classification: **03-01B**  
(74) Name(s) of Attorney(s):  
(71) Name(s) and Address(s) of Applicant(s):  
    **Tania Liu**  
        **5 Wallis Street WOOLLAHRA NSW, 2025 Australia**  
    **Alyce Tran**  
        **5 Wallis Street WOOLLAHRA NSW, 2025 Australia**  
(72) Name(s) of Designer(s): **Alyce Tran and Tania Liu**  
(45) Registration Date: **05 January 2016**  
(56) Related Art Documents: **Not Applicable**  
(57) Statement of Newness and Distinctiveness: **Hand strap element.**



- (21) Design Number: **15330/2015**  
(22) Date of Filing Application: **09 October 2015**  
(24) Date from which industrial property rights may have effect: **09 October 2015**  
(54) Product in respect of which the design is registered: **Travel accessories**  
(51) International Design Classification: **03-01B**  
(74) Name(s) of Attorney(s):  
(71) Name(s) and Address(s) of Applicant(s):  
    **Tania Liu**  
        **5 Wallis Street WOOLLAHRA NSW, 2025 Australia**  
    **Alyce Tran**  
        **5 Wallis Street WOOLLAHRA NSW, 2025 Australia**  
(72) Name(s) of Designer(s): **Tania Liu and Alyce Tran**  
(45) Registration Date: **05 January 2016**  
(56) Related Art Documents: **Not Applicable**  
(57) Statement of Newness and Distinctiveness: **New passport insert and interior design.**



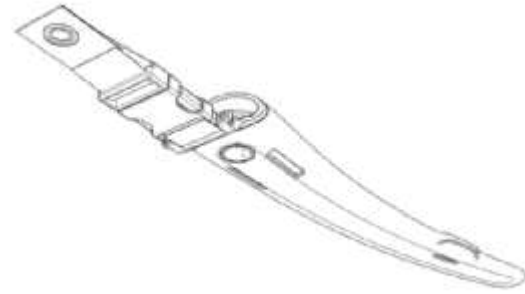
- (21) Design Number: **15332/2015**  
(22) Date of Filing Application: **09 October 2015**  
(24) Date from which industrial property rights may have effect: **09 October 2015**  
(54) Product in respect of which the design is registered: **Keyring**  
(51) International Design Classification: **03-01B**  
(74) Name(s) of Attorney(s):  
(71) Name(s) and Address(s) of Applicant(s):  
    **Tania Liu**  
    **5 Wallis Street WOOLLAHRA NSW, 2025 Australia**  
    **Alyce Tran**  
    **5 Wallis Street WOOLLAHRA NSW, 2025 Australia**  
(72) Name(s) of Designer(s): **Tania Liu and Alyce Tran**  
(45) Registration Date: **05 January 2016**  
(56) Related Art Documents: **Not Applicable**  
(57) Statement of Newness and Distinctiveness: **Coin purse with key ring element.**



- (21) Design Number: **15619/2015**  
(22) Date of Filing Application: **22 October 2015**  
(24) Date from which industrial property rights may have effect: **22 October 2015**  
(54) Product in respect of which the design is registered: **Weeder**  
(51) International Design Classification: **08-01**  
(74) Name(s) of Attorney(s): **Davies Collison Cave**  
(71) Name(s) and Address(s) of Applicant(s):  
    **Fiskars Garden Oy Ab**  
    **10330 Billnas Finland**  
(72) Name(s) of Designer(s): **Sami Lyytikainen and Aaro Huttunen**  
(45) Registration Date: **05 January 2016**  
(56) Related Art Documents: **Not Applicable**  
(57) Statement of Newness and Distinctiveness: **Nil**



- (21) Design Number: **15622/2015**  
(22) Date of Filing Application: **22 October 2015**  
(24) Date from which industrial property rights may have effect: **22 October 2015**  
(54) Product in respect of which the design is registered: **Sheath for a gardening tool**  
(51) International Design Classification: **08-03**  
(74) Name(s) of Attorney(s): **Davies Collison Cave**  
(71) Name(s) and Address(s) of Applicant(s):  
**Fiskars Garden Oy Ab**  
**10330 Billnas Finland**  
(72) Name(s) of Designer(s): **Mika Sokka and Mikko Heine and Kari Kunnas and Toni Leinvuo**  
(45) Registration Date: **05 January 2016**  
(56) Related Art Documents: **Not Applicable**  
(57) Statement of Newness and Distinctiveness: **Nil**



- (21) Design Number: **15624/2015**  
(22) Date of Filing Application: **22 October 2015**  
(24) Date from which industrial property rights may have effect: **22 October 2015**  
(54) Product in respect of which the design is registered: **Weeder**  
(51) International Design Classification: **08-01**  
(74) Name(s) of Attorney(s): **Davies Collison Cave**  
(71) Name(s) and Address(s) of Applicant(s):  
**Fiskars Garden Oy Ab**  
**10330 Billnas Finland**  
(72) Name(s) of Designer(s): **Sami Lyytikainen and Aaro Huttunen**  
(45) Registration Date: **05 January 2016**  
(56) Related Art Documents: **Not Applicable**  
(57) Statement of Newness and Distinctiveness: **Nil**





(21) Design Number: **16007/2015**  
(22) Date of Filing Application: **11 November 2015**  
(24) Date from which industrial property rights may have effect: **11 November 2015**  
(54) Product in respect of which the design is registered: **Soap bar**  
(51) International Design Classification: **28-02**  
(74) Name(s) of Attorney(s): **Davies Collison Cave**  
(71) Name(s) and Address(s) of Applicant(s):

**Unilever PLC**  
**Unilever House 100 Victoria Embankment London EC4Y ODY United Kingdom**

(72) Name(s) of Designer(s): **Naim Eduardo G Barboza**

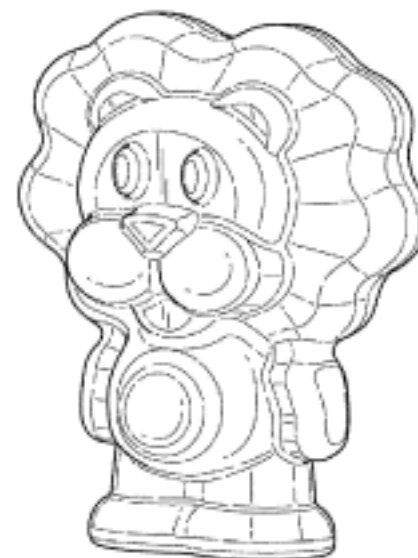
(45) Registration Date: **05 January 2016**

(30) Convention priority data:

(31) Number	(32) Date	(33) Country
<b>002699025-0001</b>	<b>12 May 2015</b>	<b>OFFICE FOR HARMONISATION IN THE INTERNAL MARKET (OHIM)</b>

(56) Related Art Documents: **Not Applicable**

(57) Statement of Newness and Distinctiveness: **Newness and distinctiveness is claimed in the visual features shown in solid lines in the representations.**



(21) Design Number: **16008/2015**  
(22) Date of Filing Application: **11 November 2015**  
(24) Date from which industrial property rights may have effect: **11 November 2015**  
(54) Product in respect of which the design is registered: **Soap bar**  
(51) International Design Classification: **28-02**  
(74) Name(s) of Attorney(s): **Davies Collison Cave**  
(71) Name(s) and Address(s) of Applicant(s):

**Unilever PLC**  
**Unilever House 100 Victoria Embankment London EC4Y ODY United Kingdom**

(72) Name(s) of Designer(s): **Naim Eduardo G Barboza**

(45) Registration Date: **05 January 2016**

(30) Convention priority data:

(31) Number	(32) Date	(33) Country
<b>002698993-0001</b>	<b>12 May 2015</b>	<b>OFFICE FOR HARMONISATION IN THE INTERNAL MARKET (OHIM)</b>

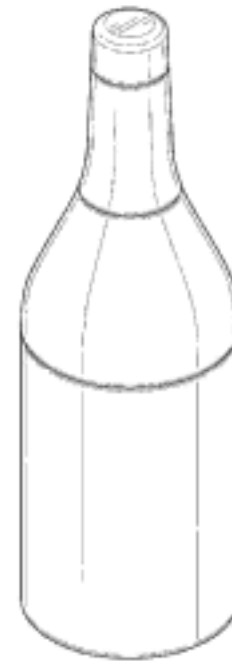
(56) Related Art Documents: **Not Applicable**

(57) Statement of Newness and Distinctiveness: **Newness and distinctiveness is claimed in the visual features shown in solid lines in the representations.**





- (21) Design Number: **16413/2015**  
(22) Date of Filing Application: **27 November 2015**  
(24) Date from which industrial property rights may have effect: **27 November 2015**  
(54) Product in respect of which the design is registered: **A tin**  
(51) International Design Classification: **09-03C**  
(74) Name(s) of Attorney(s): **Davies Collison Cave**  
(71) Name(s) and Address(s) of Applicant(s):  
**Unilever PLC**  
**100 Victoria Embankment London EC4Y 0DY United Kingdom**  
(72) Name(s) of Designer(s): **Emma Follett and Craig Glass and Tina Worboys**  
(45) Registration Date: **05 January 2016**  
(30) Convention priority data:  
(31) Number (32) Date (33) Country  
**002713289-0001 04 Jun 2015 OFFICE FOR HARMONISATION IN**  
**THE INTERNAL MARKET (OHIM)**  
(56) Related Art Documents: **Not Applicable**  
(57) Statement of Newness and Distinctiveness: **Newness and distinctiveness is**  
**claimed in the visual features shown in solid lines in the representations**



- (21) Design Number: **13354/2015**  
(22) Date of Filing Application: **03 July 2015**  
(24) Date from which industrial property rights may have effect: **03 July 2015**  
(54) Product in respect of which the design is registered: **Garment hanger**  
(51) International Design Classification: **06-08**  
(74) Name(s) of Attorney(s): **PHILLIPS ORMONDE FITZPATRICK**  
(71) Name(s) and Address(s) of Applicant(s):  
**TIC (Retail Accessories) Pty Ltd**  
**PO BOX 2040 Altona East VIC 3025 Australia**  
(72) Name(s) of Designer(s): **Jarran Graham Niel**  
(45) Registration Date: **06 January 2016**  
(56) Related Art Documents: **Not Applicable**  
(57) Statement of Newness and Distinctiveness: **Those features of the garment**  
**hanger depicted in the representations that are new and distinctive are**  
**the shape and/or configuration.**



- (21) Design Number: **13355/2015**  
(22) Date of Filing Application: **03 July 2015**  
(24) Date from which industrial property rights may have effect: **03 July 2015**  
(54) Product in respect of which the design is registered: **Garment hanger**  
(51) International Design Classification: **06-08**  
(74) Name(s) of Attorney(s): **PHILLIPS ORMONDE FITZPATRICK**  
(71) Name(s) and Address(s) of Applicant(s):  
**TIC (Retail Accessories) Pty Ltd**  
**PO BOX 2040 Altona East VIC 3025 Australia**  
(72) Name(s) of Designer(s): **Jarran Graham Niel**  
(45) Registration Date: **06 January 2016**  
(56) Related Art Documents: **Not Applicable**  
(57) Statement of Newness and Distinctiveness: **Those features of the garment hanger depicted in the representations that are new and distinctive are the shape and/or configuration.**



- (21) Design Number: **15370/2015**  
(22) Date of Filing Application: **12 October 2015**  
(24) Date from which industrial property rights may have effect: **12 October 2015**  
(54) Product in respect of which the design is registered: **Breastmilk collection apparatus**  
(51) International Design Classification: **24-04**  
(74) Name(s) of Attorney(s): **Shelston IP Pty Ltd.**  
(71) Name(s) and Address(s) of Applicant(s):  
**Medela Holding AG**  
**Lattichstrasse 4b Baar 6340 Switzerland**  
(72) Name(s) of Designer(s): **Kathryn Mizuchi**  
(45) Registration Date: **06 January 2016**  
(30) Convention priority data:  
(31) Number      (32) Date      (33) Country  
**29/523651      13 Apr 2015      UNITED STATES OF AMERICA**  
(56) Related Art Documents: **Not Applicable**  
(57) Statement of Newness and Distinctiveness: **Newness and distinctiveness reside in the features of shape and/or configuration of a BREASTMILK COLLECTION APPARATUS as illustrated in solid lines in the accompanying representations. The features shown in broken or discontinuous lines are illustrative only and do not form part of the design.**



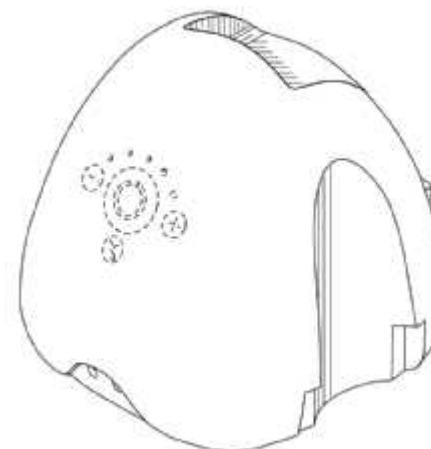
(21) Design Number: **15372/2015**  
(22) Date of Filing Application: **12 October 2015**  
(24) Date from which industrial property rights may have effect: **12 October 2015**  
(54) Product in respect of which the design is registered: **Housing with interface panel for a pressure source**  
(51) International Design Classification: **24-04**  
(74) Name(s) of Attorney(s): **Shelston IP Pty Ltd.**  
(71) Name(s) and Address(s) of Applicant(s):  
**Medela Holding AG**  
**Lattichstrasse 4b Baar 6340 Switzerland**  
(72) Name(s) of Designer(s): **Daniel Streng and Craig Stover and Matt Marrocco and Richardlouis Reyes and Mason Umholtz**  
(45) Registration Date: **06 January 2016**  
(30) Convention priority data:  
(31) Number (32) Date (33) Country  
**29/523669 13 Apr 2015 UNITED STATES OF AMERICA**  
(56) Related Art Documents: **Not Applicable**  
(57) Statement of Newness and Distinctiveness: **Newness and distinctiveness reside in the features of shape and/or configuration of a HOUSING WITH INTERFACE PANEL FOR A PRESSURE SOURCE as illustrated in solid lines in the accompanying representations. The features shown in broken or discontinuous lines are illustrative only and do not form part of the design.**



(21) Design Number: **15375/2015**  
(22) Date of Filing Application: **12 October 2015**  
(24) Date from which industrial property rights may have effect: **12 October 2015**  
(54) Product in respect of which the design is registered: **Breastmilk collection apparatus**  
(51) International Design Classification: **24-04**  
(74) Name(s) of Attorney(s): **Shelston IP Pty Ltd.**  
(71) Name(s) and Address(s) of Applicant(s):  
**Medela Holding AG**  
**Lattichstrasse 4b Baar 6340 Switzerland**  
(72) Name(s) of Designer(s): **Russ Schweizer**  
(45) Registration Date: **06 January 2016**  
(30) Convention priority data:  
(31) Number (32) Date (33) Country  
**29/523665 13 Apr 2015 UNITED STATES OF AMERICA**  
(56) Related Art Documents: **Not Applicable**  
(57) Statement of Newness and Distinctiveness: **Newness and distinctiveness reside in the features of shape and/or configuration of a BREASTMILK COLLECTION APPARATUS as illustrated in solid lines in the accompanying representations. The features shown in broken or discontinuous lines are illustrative only and do not form part of the design.**



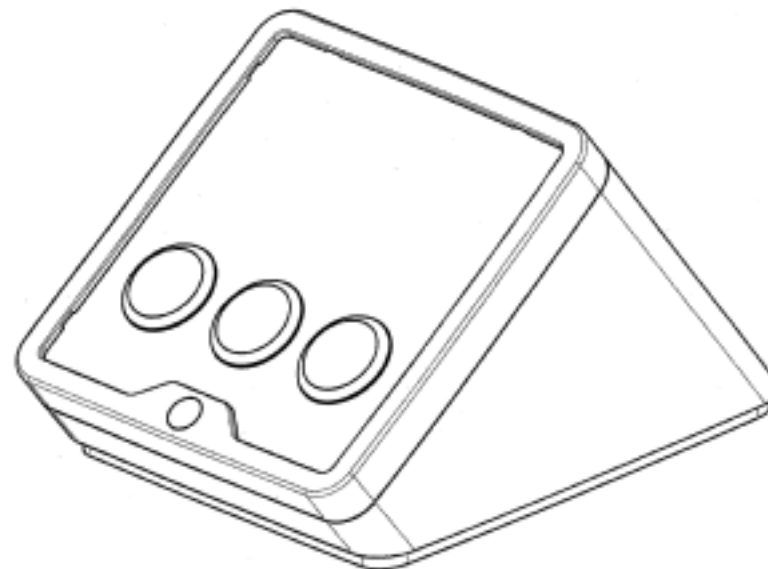
- (21) Design Number: **15394/2015**  
(22) Date of Filing Application: **13 October 2015**  
(24) Date from which industrial property rights may have effect: **13 October 2015**  
(54) Product in respect of which the design is registered: **Housing with interface panel for a pressure source.**  
(51) International Design Classification: **24-02**  
(74) Name(s) of Attorney(s): **Shelston IP Pty Ltd.**  
(71) Name(s) and Address(s) of Applicant(s):  
**Medela Holding AG**  
**Lattichstrasse 4b Baar 6340 Switzerland**  
(72) Name(s) of Designer(s): **Deanna Gilbert and Simon Weber and Jill Hunt and Britta Pukall**  
(45) Registration Date: **06 January 2016**  
(30) Convention priority data:  
(31) Number (32) Date (33) Country  
**29/523697 13 Apr 2015 UNITED STATES OF AMERICA**  
(56) Related Art Documents: **Not Applicable**  
(57) Statement of Newness and Distinctiveness: **Newness and distinctiveness reside in the features of shape and/or configuration of a HOUSING WITH INTERFACE PANEL FOR A PRESSURE SOURCE as illustrated in solid lines in the accompanying representations. The features shown in broken or discontinuous lines are illustrative only and do not form part of the design.**



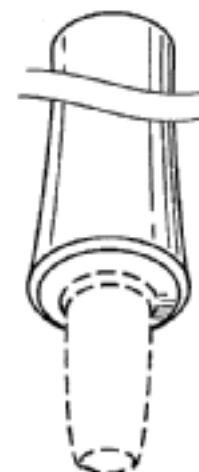
- (21) Design Number: **15563/2015**  
(22) Date of Filing Application: **21 October 2015**  
(24) Date from which industrial property rights may have effect: **21 October 2015**  
(54) Product in respect of which the design is registered: **Sheet of packaging for hygiene articles including ornamentation**  
(51) International Design Classification: **09-03H**  
(74) Name(s) of Attorney(s): **FB Rice**  
(71) Name(s) and Address(s) of Applicant(s):  
**Paul Hartmann AG**  
**Paul-Hartmann-Strasse 12 Heidenheim 89522 Germany**  
(72) Name(s) of Designer(s): **Employees of Serviceplan Design Hamburg GmbH & Co. KG**  
(45) Registration Date: **06 January 2016**  
(56) Related Art Documents: **Not Applicable**  
(57) Statement of Newness and Distinctiveness: **Nil**



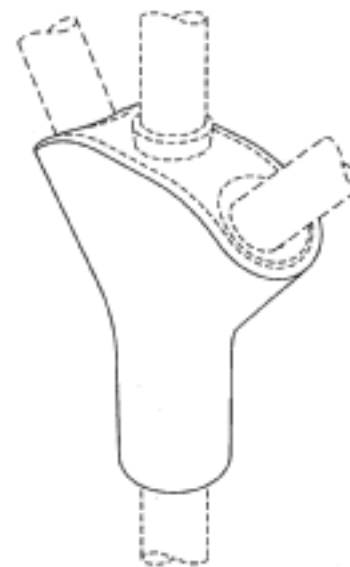
- (21) Design Number: **15106/2015**  
(22) Date of Filing Application: **30 September 2015**  
(24) Date from which industrial property rights may have effect: **30 September 2015**  
(54) Product in respect of which the design is registered: **Feedback console**  
(51) International Design Classification: **24-01**  
(74) Name(s) of Attorney(s): **FB Rice**  
(71) Name(s) and Address(s) of Applicant(s):  
**RatingBox Pty Ltd**  
**L29 Rialto Towers 525 Collins St Melbourne VIC 3000 Australia**  
(72) Name(s) of Designer(s): **Guy Phillip William King and John Boyd and Jon Seddon**  
(45) Registration Date: **06 January 2016**  
(56) Related Art Documents: **Not Applicable**  
(57) Statement of Newness and Distinctiveness: **Newness and distinctiveness is claimed in the features of shape and configuration of the feedback console as shown in the representations.**



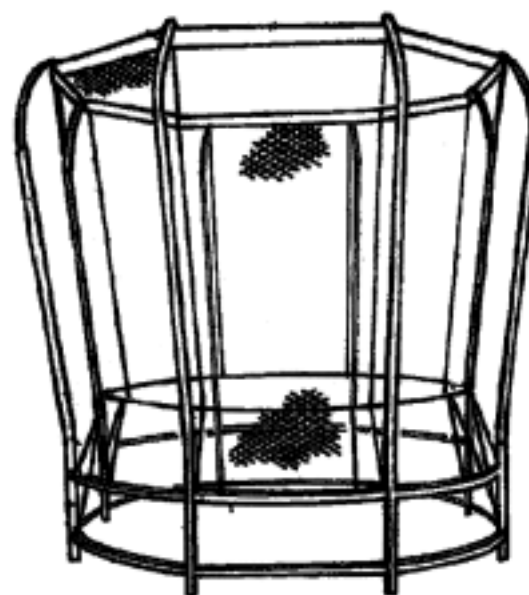
- (21) Design Number: **15364/2015**  
(22) Date of Filing Application: **12 October 2015**  
(24) Date from which industrial property rights may have effect: **12 October 2015**  
(54) Product in respect of which the design is registered: **Tubing connector for a breastmilk system**  
(51) International Design Classification: **24-04**  
(74) Name(s) of Attorney(s): **Shelston IP Pty Ltd.**  
(71) Name(s) and Address(s) of Applicant(s):  
**Medela Holding AG**  
**Lattichstrasse 4b Baar 6340 Switzerland**  
(72) Name(s) of Designer(s): **Deanna Gilbert and Kathryn Mizuchi and David Cho and Federico Ferretti and Emanuele Teobaldo and Elisa Cucchetto and Jennifer Ashman-Stauss**  
(45) Registration Date: **06 January 2016**  
(30) Convention priority data:  
(31) Number      (32) Date      (33) Country  
**29/523644      13 Apr 2015      UNITED STATES OF AMERICA**  
(56) Related Art Documents: **Not Applicable**  
(57) Statement of Newness and Distinctiveness: **Newness and distinctiveness reside in the features of shape and/or configuration of a TUBING CONNECTOR FOR A BREASTMILK SYSTEM as illustrated in solid lines in the accompanying representations. The features shown in broken or discontinuous lines are illustrative only and do not form part of the design.**



(21) Design Number: **15366/2015**  
(22) Date of Filing Application: **12 October 2015**  
(24) Date from which industrial property rights may have effect: **12 October 2015**  
(54) Product in respect of which the design is registered: **Junction for a vacuum circuit**  
(51) International Design Classification: **24-04**  
(74) Name(s) of Attorney(s): **Shelston IP Pty Ltd.**  
(71) Name(s) and Address(s) of Applicant(s):  
**Medela Holding AG**  
**Lattichstrasse 4b Baar 6340 Switzerland**  
(72) Name(s) of Designer(s): **Federico Fertetti and Emanuele Teobaldo and Elisa Cucchetto and Jennifer Ashman-Stauss**  
(45) Registration Date: **06 January 2016**  
(30) Convention priority data:  
(31) Number (32) Date (33) Country  
**29/523678 13 Apr 2015 UNITED STATES OF AMERICA**  
(56) Related Art Documents: **Not Applicable**  
(57) Statement of Newness and Distinctiveness: **Newness and distinctiveness reside in the features of shape and/or configuration of a JUNCTION FOR A VACUUM CIRCUIT as illustrated in solid lines in the accompanying representations. The features shown in broken or discontinuous lines are illustrative only and do not form part of the design.**



(21) Design Number: **15388/2015**  
(22) Date of Filing Application: **12 October 2015**  
(24) Date from which industrial property rights may have effect: **12 October 2015**  
(54) Product in respect of which the design is registered: **Trampoline**  
(51) International Design Classification: **21-02F**  
(74) Name(s) of Attorney(s): **Ahearn Fox**  
(71) Name(s) and Address(s) of Applicant(s):  
**Vuly Property Pty Ltd**  
**1/95 Ingleston Rd Wakerley QLD, 4154 Australia**  
(72) Name(s) of Designer(s): **Joe Andon**  
(45) Registration Date: **06 January 2016**  
(30) Convention priority data:  
(31) Number (32) Date (33) Country  
**420224 12 May 2015 NEW ZEALAND**  
(56) Related Art Documents: **Not Applicable**  
(57) Statement of Newness and Distinctiveness: **Newness and distinctiveness resides in the shape and configuration of a trampoline as illustrated in the accompanying representations.**



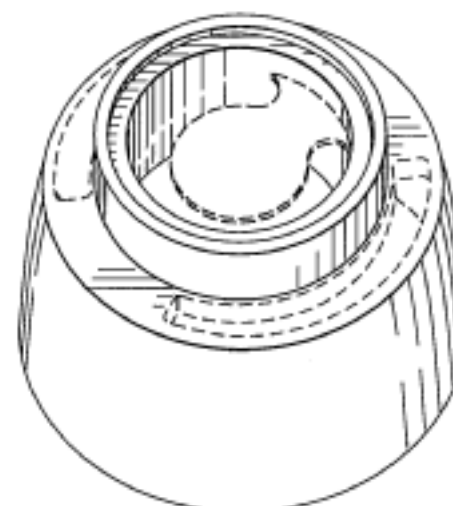
(21) Design Number: **15391/2015**  
(22) Date of Filing Application: **13 October 2015**  
(24) Date from which industrial property rights may have effect: **13 October 2015**  
(54) Product in respect of which the design is registered: **Shoulder bag**  
(51) International Design Classification: **03-01B**  
(74) Name(s) of Attorney(s): **Shelston IP Pty Ltd.**  
(71) Name(s) and Address(s) of Applicant(s):  
**Medela Holding AG**  
**Lattichstrasse 4b Baar 6340 Switzerland**  
(72) Name(s) of Designer(s): **Kathryn Mizuchi and Derek Crenshaw and Terry Tank**  
(45) Registration Date: **06 January 2016**  
(30) Convention priority data:  
(31) Number (32) Date (33) Country  
**29/523661 13 Apr 2015 UNITED STATES OF AMERICA**

(56) Related Art Documents: **Not Applicable**  
(57) Statement of Newness and Distinctiveness: **Newness and distinctiveness reside in the features of shape and/or configuration of a SHOULDER BAG as illustrated in solid lines in the accompanying representations. The features shown in dashed lines are illustrative only and do not form part of the design. The dotted lines represent stitching and are part of the claimed design. The grid-like lines are present for shading.**

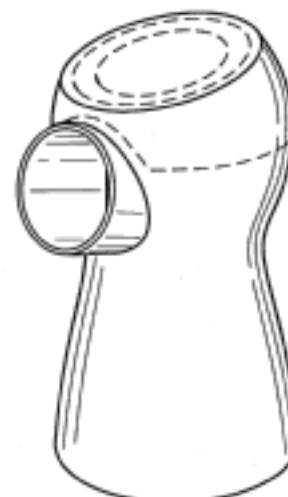


(21) Design Number: **15392/2015**  
(22) Date of Filing Application: **13 October 2015**  
(24) Date from which industrial property rights may have effect: **13 October 2015**  
(54) Product in respect of which the design is registered: **Valve component for a breastmilk collection system.**  
(51) International Design Classification: **24-02**  
(74) Name(s) of Attorney(s): **Shelston IP Pty Ltd.**  
(71) Name(s) and Address(s) of Applicant(s):  
**Medela Holding AG**  
**Lattichstrasse 4b Baar 6340 Switzerland**  
(72) Name(s) of Designer(s): **Deanna Gilbert and Kathryn Mizuchi and Raymond Holtz**  
(45) Registration Date: **06 January 2016**  
(30) Convention priority data:  
(31) Number (32) Date (33) Country  
**29/523694 13 Apr 2015 UNITED STATES OF AMERICA**

(56) Related Art Documents: **Not Applicable**  
(57) Statement of Newness and Distinctiveness: **Newness and distinctiveness reside in the features of shape and/or configuration of a VALVE COMPONENT FOR A BREASTMILK COLLECTION SYSTEM as illustrated in solid lines in the accompanying representations. The features shown in broken or discontinuous lines are illustrative only and do not form part of the design.**



- (21) Design Number: **15393/2015**  
(22) Date of Filing Application: **13 October 2015**  
(24) Date from which industrial property rights may have effect: **13 October 2015**  
(54) Product in respect of which the design is registered: **Breastmilk collection apparatus.**  
(51) International Design Classification: **24-02**  
(74) Name(s) of Attorney(s): **Shelston IP Pty Ltd.**  
(71) Name(s) and Address(s) of Applicant(s):  
**Medela Holding AG**  
**Lattichstrasse 4b Baar 6340 Switzerland**  
(72) Name(s) of Designer(s): **Deanna Gilbert and Kathryn Mizuchi and Raymond Holtz and Federico Ferretti and Emanuele Teobaldo and Elisa Cucchetto and Jennifer Ashman-Stauss**  
(45) Registration Date: **06 January 2016**  
(30) Convention priority data:  
(31) Number (32) Date (33) Country  
**29/523677 13 Apr 2015 UNITED STATES OF AMERICA**  
(56) Related Art Documents: **Not Applicable**  
(57) Statement of Newness and Distinctiveness: **Newness and distinctiveness reside in the features of shape and/or configuration of a VALVE COMPONENT FOR A BREASTMILK COLLECTION SYSTEM as illustrated in solid lines in the accompanying representations. The features shown in broken or discontinuous lines are illustrative only and do not form part of the design.**



- (21) Design Number: **15395/2015**  
(22) Date of Filing Application: **13 October 2015**  
(24) Date from which industrial property rights may have effect: **13 October 2015**  
(54) Product in respect of which the design is registered: **Housing with interface panel for a pressure source.**  
(51) International Design Classification: **24-02**  
(74) Name(s) of Attorney(s): **Shelston IP Pty Ltd.**  
(71) Name(s) and Address(s) of Applicant(s):  
**Medela Holding AG**  
**Lattichstrasse 4b Baar 6340 Switzerland**  
(72) Name(s) of Designer(s): **Deanna Gilbert and David Cho and Federico Ferretti and Emanuele Teobaldo and Elisa Cucchetto and Jennifer Ashman-Stauss**  
(45) Registration Date: **06 January 2016**  
(30) Convention priority data:  
(31) Number (32) Date (33) Country  
**29/523653 13 Oct 2015 UNITED STATES OF AMERICA**  
(56) Related Art Documents: **Not Applicable**  
(57) Statement of Newness and Distinctiveness: **Newness and distinctiveness reside in the features of shape and/or configuration of a HOUSING WITH INTERFACE PANEL FOR A PRESSURE SOURCE as illustrated in solid lines in the accompanying representations. The features shown in broken or discontinuous lines are illustrative only and do not form part of the design.**





(21) Design Number: **15873/2015**  
(22) Date of Filing Application: **04 November 2015**  
(24) Date from which industrial property rights may have effect: **04 November 2015**  
(54) Product in respect of which the design is registered: **Baby carriage**  
(51) International Design Classification: **12-12**  
(74) Name(s) of Attorney(s): **FB Rice**  
(71) Name(s) and Address(s) of Applicant(s):

**Milk Holding B.V.**  
**Nieuwe Herengracht 51-53 1011 RN Amsterdam The Netherlands**

(72) Name(s) of Designer(s): **Emile Gerardus Theodorus Kuenen**

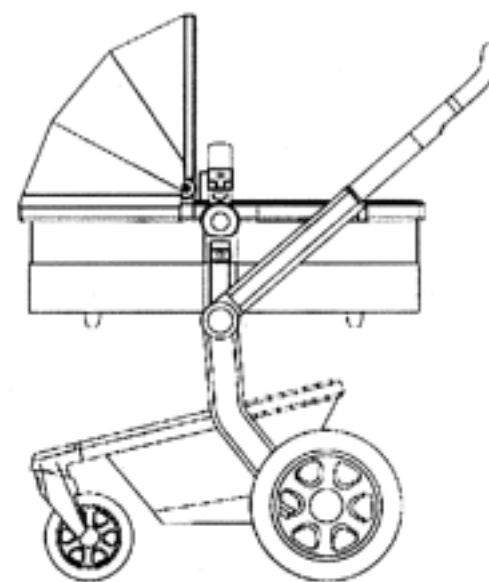
(45) Registration Date: **06 January 2016**

(30) Convention priority data:

(31) Number	(32) Date	(33) Country
<b>002694273-0001</b>	<b>04 May 2015</b>	<b>OFFICE FOR HARMONISATION IN THE INTERNAL MARKET (OHIM)</b>

(56) Related Art Documents: **Not Applicable**

(57) Statement of Newness and Distinctiveness: **Newness and distinctiveness reside in the features of shape and configuration of the baby carriage as shown in the representations noting that the baby carriage is adjustable and may be arranged in a series of different configurations as shown in the representations.**



(21) Design Number: **15874/2015**  
(22) Date of Filing Application: **04 November 2015**  
(24) Date from which industrial property rights may have effect: **04 November 2015**  
(54) Product in respect of which the design is registered: **Baby carriage**  
(51) International Design Classification: **12-12**  
(74) Name(s) of Attorney(s): **FB Rice**  
(71) Name(s) and Address(s) of Applicant(s):

**Milk Holding B.V.**  
**Nieuwe Herengracht 51-53 1011 RN Amsterdam The Netherlands**

(72) Name(s) of Designer(s): **Emile Gerardus Theodorus Kuenen**

(45) Registration Date: **06 January 2016**

(30) Convention priority data:

(31) Number	(32) Date	(33) Country
<b>002694273-0002</b>	<b>04 May 2015</b>	<b>OFFICE FOR HARMONISATION IN THE INTERNAL MARKET (OHIM)</b>

(56) Related Art Documents: **Not Applicable**

(57) Statement of Newness and Distinctiveness: **Newness and distinctiveness reside in the features of shape and configuration of the baby carriage as shown in the representations noting that the baby carriage is adjustable and may be arranged in a series of different configurations as shown in the representations.**



(21) Design Number: **15935/2015**

(22) Date of Filing Application: **09 November 2015**

(24) Date from which industrial property rights may have effect: **09 November 2015**

(54) Product in respect of which the design is registered: **Lighting device**

(51) International Design Classification: **26-02**

(74) Name(s) of Attorney(s): **Halfords IP**

(71) Name(s) and Address(s) of Applicant(s):

**Energizer Brands, LLC**  
**533 Maryville University Drive Saint Louis Missouri, 63141 United States**  
**of America**

(72) Name(s) of Designer(s): **John Robert Brown and Philip Filip Tejszerski**

(45) Registration Date: **06 January 2016**

(30) Convention priority data:

(31) Number	(32) Date	(33) Country
<b>29/527,148</b>	<b>15 May 2015</b>	<b>UNITED STATES OF AMERICA</b>

(56) Related Art Documents: **Not Applicable**

(57) Statement of Newness and Distinctiveness: **Newness and distinctiveness resides in those features of shape and or configuration of a LIGHTING DEVICE as depicted in the representations. Shading lines and features shown in broken lines do not form part of the design.**



(21) Design Number: **16431/2015**

(22) Date of Filing Application: **27 November 2015**

(24) Date from which industrial property rights may have effect: **27 November 2015**

(54) Product in respect of which the design is registered: **A graphic display screen of an electricity meter**

(51) International Design Classification: **10-04**

(74) Name(s) of Attorney(s): **Griffith Hack**

(71) Name(s) and Address(s) of Applicant(s):

**Secure International Holdings Pte. Ltd.**  
**3 Phillip Street #18-00 Commerce Point 048693 Singapore**

(72) Name(s) of Designer(s): **Ved Prakash and Sanjeev Sardana and Surendra Jhalora**

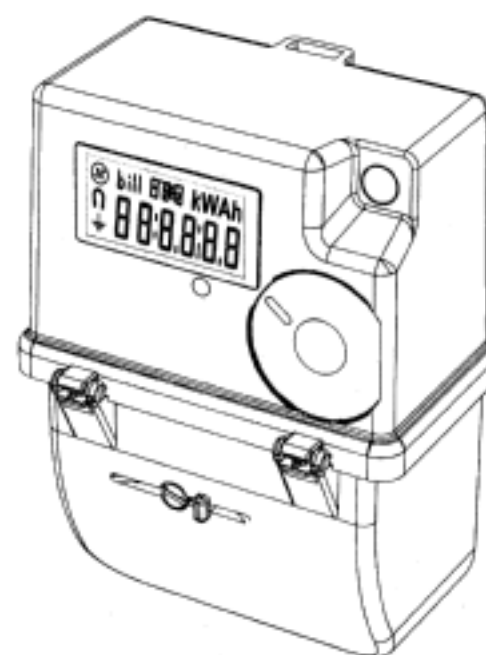
(45) Registration Date: **06 January 2016**

(30) Convention priority data:

(31) Number	(32) Date	(33) Country
<b>272414</b>	<b>28 May 2015</b>	<b>INDIA</b>

(56) Related Art Documents: **Not Applicable**

(57) Statement of Newness and Distinctiveness: **Newness and distinctiveness resides in the visual features, including shape, configuration and layout, of a Graphic Display Screen of an Electricity Meter, including the shape, configuration and layout of alpha-, numeric- and symbol-characters, as shown in the accompanying drawings.**



- (21) Design Number: **13323/2015**  
(22) Date of Filing Application: **01 July 2015**  
(24) Date from which industrial property rights may have effect: **01 July 2015**  
(54) Product in respect of which the design is registered: **A pair of shorts**  
(51) International Design Classification: **02-02C**  
(74) Name(s) of Attorney(s): **K&L Gates**  
(71) Name(s) and Address(s) of Applicant(s):  
**Fifty-Fourth Rischell Pty Ltd**  
**29 Simmons St South Yarra VIC 3141 Australia**  
(72) Name(s) of Designer(s): **Ty Henschke**  
(45) Registration Date: **06 January 2016**  
(56) Related Art Documents: **Not Applicable**  
(57) Statement of Newness and Distinctiveness: **Nil**



- (21) Design Number: **16910/2015**  
(22) Date of Filing Application: **01 July 2015**  
(24) Date from which industrial property rights may have effect: **01 July 2015**  
(54) Product in respect of which the design is registered: **A pair of jeans**  
(51) International Design Classification: **02-02C**  
(74) Name(s) of Attorney(s): **K&L Gates**  
(71) Name(s) and Address(s) of Applicant(s):  
**Fifty-Fourth Rischell Pty Ltd**  
**29-31 Simmons St South Yarra VIC 3141 Australia**  
(72) Name(s) of Designer(s): **Ty Henschke**  
(45) Registration Date: **06 January 2016**  
(56) Related Art Documents: **Not Applicable**  
(57) Statement of Newness and Distinctiveness: **The word CALIBRE as shown in the accompanying representations is not claimed as a visual feature of the design.**



(21) Design Number: **16911/2015**  
(22) Date of Filing Application: **01 July 2015**  
(24) Date from which industrial property rights may have effect: **01 July 2015**  
(54) Product in respect of which the design is registered: **A pair of jeans**  
(51) International Design Classification: **02-02C**  
(74) Name(s) of Attorney(s): **K&L Gates**  
(71) Name(s) and Address(s) of Applicant(s):  
**Fifty-Fourth Rischell Pty Ltd**  
**29-31 Simmons St South Yarra VIC 3141 Australia**  
(72) Name(s) of Designer(s): **Ty Henschke**  
(45) Registration Date: **06 January 2016**  
(56) Related Art Documents: **Not Applicable**  
(57) Statement of Newness and Distinctiveness: **Nil**



(21) Design Number: **16912/2015**  
(22) Date of Filing Application: **01 July 2015**  
(24) Date from which industrial property rights may have effect: **01 July 2015**  
(54) Product in respect of which the design is registered: **A pair of jeans**  
(51) International Design Classification: **02-02C**  
(74) Name(s) of Attorney(s): **K&L Gates**  
(71) Name(s) and Address(s) of Applicant(s):  
**Fifty-Fourth Rischell Pty Ltd**  
**29-31 Simmons St South Yarra VIC 3141 Australia**  
(72) Name(s) of Designer(s): **Ty Henschke**  
(45) Registration Date: **06 January 2016**  
(56) Related Art Documents: **Not Applicable**  
(57) Statement of Newness and Distinctiveness: **The word CALIBRE as shown in the accompanying representations is not claimed as a visual feature of the design.**



- (21) Design Number: **16913/2015**  
(22) Date of Filing Application: **01 July 2015**  
(24) Date from which industrial property rights may have effect: **01 July 2015**  
(54) Product in respect of which the design is registered: **A shirt**  
(51) International Design Classification: **02-02C**  
(74) Name(s) of Attorney(s): **K&L Gates**  
(71) Name(s) and Address(s) of Applicant(s):  
**Fifty-Fourth Rischell Pty Ltd**  
**29-31 Simmons St South Yarra VIC 3141 Australia**  
(72) Name(s) of Designer(s): **Ty Henschke**  
(45) Registration Date: **06 January 2016**  
(56) Related Art Documents: **Not Applicable**  
(57) Statement of Newness and Distinctiveness: **The word CALIBRE as shown in the accompanying representations is not claimed as a visual feature of the design.**



- (21) Design Number: **16914/2015**  
(22) Date of Filing Application: **01 July 2015**  
(24) Date from which industrial property rights may have effect: **01 July 2015**  
(54) Product in respect of which the design is registered: **A shirt**  
(51) International Design Classification: **02-02C**  
(74) Name(s) of Attorney(s): **K&L Gates**  
(71) Name(s) and Address(s) of Applicant(s):  
**Fifty-Fourth Rischell Pty Ltd**  
**29-31 Simmons St South Yarra VIC 3141 Australia**  
(72) Name(s) of Designer(s): **Ty Henschke**  
(45) Registration Date: **06 January 2016**  
(56) Related Art Documents: **Not Applicable**  
(57) Statement of Newness and Distinctiveness: **Nil**



(21) Design Number: **16915/2015**  
(22) Date of Filing Application: **01 July 2015**  
(24) Date from which industrial property rights may have effect: **01 July 2015**  
(54) Product in respect of which the design is registered: **A t-shirt**  
(51) International Design Classification: **02-02C**  
(74) Name(s) of Attorney(s): **K&L Gates**  
(71) Name(s) and Address(s) of Applicant(s):  
**Fifty-Fourth Rischell Pty Ltd**  
**29-31 Simmons St South Yarra VIC 3141 Australia**  
(72) Name(s) of Designer(s): **Ty Henschke**  
(45) Registration Date: **06 January 2016**  
(56) Related Art Documents: **Not Applicable**  
(57) Statement of Newness and Distinctiveness: **The word CALIBRE as shown in the accompanying representations is not claimed as a visual feature of the design.**



(21) Design Number: **13216/2015**  
(22) Date of Filing Application: **24 June 2015**  
(24) Date from which industrial property rights may have effect: **24 June 2015**  
(54) Product in respect of which the design is registered: **Left-side and right-side vehicle rear quarter lamp**  
(51) International Design Classification: **26-06**  
(74) Name(s) of Attorney(s): **K&L Gates**  
(71) Name(s) and Address(s) of Applicant(s):  
**GM Global Technology Operations LLC**  
**300 Renaissance Centre Detroit Michigan 48265-3000 United States of America**  
(72) Name(s) of Designer(s): **Richard Ferlazzo**  
(45) Registration Date: **06 January 2016**  
(56) Related Art Documents: **Not Applicable**  
(57) Statement of Newness and Distinctiveness: **Nil**

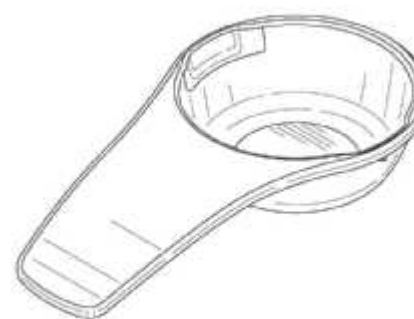


- (21) Design Number: **15695/2015**  
(22) Date of Filing Application: **26 October 2015**  
(24) Date from which industrial property rights may have effect: **26 October 2015**  
(54) Product in respect of which the design is registered: **A wire structure**  
(51) International Design Classification: **25-02G, 25-01G, 25-04, 06-01NES, 09-09**  
(74) Name(s) of Attorney(s): **FB Rice**  
(71) Name(s) and Address(s) of Applicant(s):  
**Bilfinger Water Technologies Pty Ltd**  
**88 Brickyard Rd Geebung QLD 4034 Australia**  
(72) Name(s) of Designer(s): **David John Lazzarini and Yusuf Cajee**  
(45) Registration Date: **06 January 2016**  
(56) Related Art Documents: **Not Applicable**

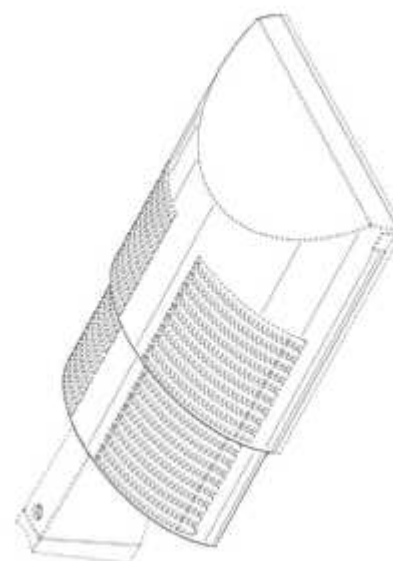


- (57) Statement of Newness and Distinctiveness: **Newness and distinctiveness reside in the features of configuration and/or pattern of the wire structure as shown in the representations, the wire structure being of indefinite length and indefinite width, the pattern of the pairs of wires repeating across the width of the wire structure as shown in the representations. Greater weight is to be given to the repeating pattern of the pairs of wires than to the size of the gap between the wires of each pair of wires or to the spacing between adjacent pairs of wires. The features of the design shown in broken lines are provided for reference purposes only and should not be considered when construing the visual features of the design.**

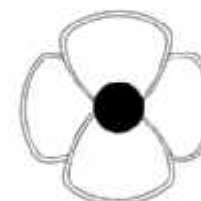
- (21) Design Number: **15702/2015**  
(22) Date of Filing Application: **26 October 2015**  
(24) Date from which industrial property rights may have effect: **26 October 2015**  
(54) Product in respect of which the design is registered: **Measuring cup**  
(51) International Design Classification: **10-04**  
(74) Name(s) of Attorney(s): **PHILLIPS ORMONDE FITZPATRICK**  
(71) Name(s) and Address(s) of Applicant(s):  
**Dart Industries Inc.**  
**14901 S. Orange Blossom Trail Orlando Florida, 32837 United States of America**  
(72) Name(s) of Designer(s): **James Michael Wiggins**  
(45) Registration Date: **06 January 2016**  
(56) Related Art Documents: **Not Applicable**  
(57) Statement of Newness and Distinctiveness: **Nil**



(21) Design Number: **15513/2015**  
(22) Date of Filing Application: **19 October 2015**  
(24) Date from which industrial property rights may have effect: **19 October 2015**  
(54) Product in respect of which the design is registered: **Luminaire**  
(51) International Design Classification: **26-05NES**  
(74) Name(s) of Attorney(s): **Griffith Hack**  
(71) Name(s) and Address(s) of Applicant(s):  
**Hubbell Incorporated**  
**40 Waterview Drive P.O. Box 1000 Shelton, Connecticut, 06484 United States Of America**  
(72) Name(s) of Designer(s): **Dean B. Dal Ponte and Michael S. Neuer and Syed A. Raza and Gerald E. Taaffe III**  
(45) Registration Date: **06 January 2016**  
(30) Convention priority data:  
(31) Number (32) Date (33) Country  
**29/524,492 21 Apr 2015 UNITED STATES OF AMERICA**  
(56) Related Art Documents: **Not Applicable**  
(57) Statement of Newness and Distinctiveness: **Newness and distinctiveness resides in the shape and configuration of the product as shown by means of solid lines in the representations.**



(21) Design Number: **14262/2015**  
(22) Date of Filing Application: **19 August 2015**  
(24) Date from which industrial property rights may have effect: **19 August 2015**  
(54) Product in respect of which the design is registered: **Jewellery**  
(51) International Design Classification: **11-01NES**  
(74) Name(s) of Attorney(s):  
(71) Name(s) and Address(s) of Applicant(s):  
**The Returned and Services League of Australia (New South Wales Branch)**  
**c/o 79 Warrimoo Ave St Ives NSW 2075 Australia**  
(72) Name(s) of Designer(s): **Adrian Buckley**  
(45) Registration Date: **06 January 2016**  
(56) Related Art Documents: **Not Applicable**  
(57) Statement of Newness and Distinctiveness: **The newness and distinctiveness resides in the shape and configuration of an article of jewellery as depicted.**





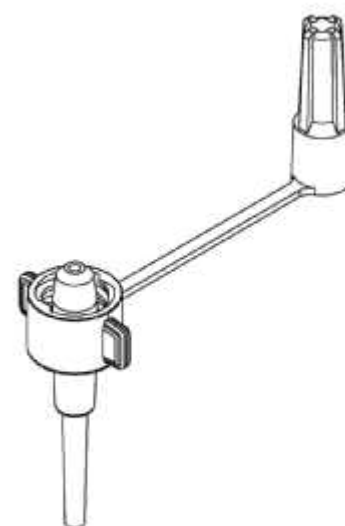
(21) Design Number: **16746/2015**  
(22) Date of Filing Application: **11 December 2015**  
(24) Date from which industrial property rights may have effect: **11 December 2015**  
(54) Product in respect of which the design is registered: **Adapter assembly for enteral feeding**  
(51) International Design Classification: **24-01, 24-04**  
(74) Name(s) of Attorney(s): **Spruson & Ferguson**  
(71) Name(s) and Address(s) of Applicant(s):  
**Covidien LP**  
**15 Hampshire Street, Mansfield Massachusetts, 02048 United States of America**

(72) Name(s) of Designer(s): **David Rork Swisher**  
(45) Registration Date: **07 January 2016**

(30) Convention priority data:  
(31) Number (32) Date (33) Country  
**29/529998 11 Jun 2015 UNITED STATES OF AMERICA**

(56) Related Art Documents: **Not Applicable**

(57) Statement of Newness and Distinctiveness: **Newness and distinctiveness is claimed in the features of shape and/or configuration of an adapter assembly for enteral feeding as illustrated in the accompanying representations.**



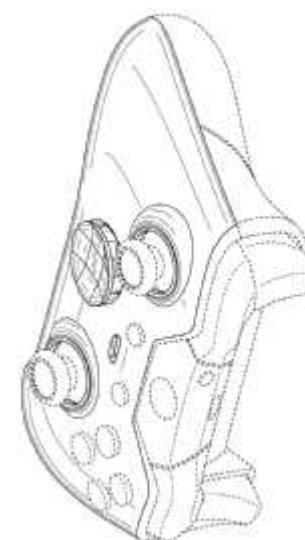
(21) Design Number: **16747/2015**  
(22) Date of Filing Application: **11 December 2015**  
(24) Date from which industrial property rights may have effect: **11 December 2015**  
(54) Product in respect of which the design is registered: **Controller**  
(51) International Design Classification: **21-01N**  
(74) Name(s) of Attorney(s): **Shelston IP Pty Ltd.**  
(71) Name(s) and Address(s) of Applicant(s):  
**Microsoft Corporation**  
**One Microsoft Way Redmond Washington, 98052-5321 United States of America**

(72) Name(s) of Designer(s): **Christopher Kujawski and Kenneth Jasinski and Carl J. Ledbetter**

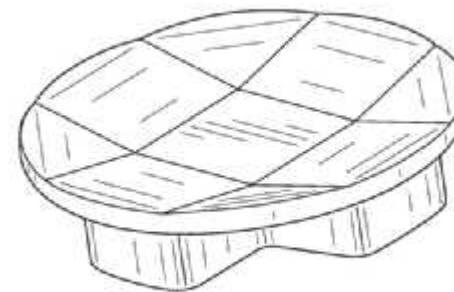
(45) Registration Date: **07 January 2016**  
(30) Convention priority data:  
(31) Number (32) Date (33) Country  
**29/530225 12 Jun 2015 UNITED STATES OF AMERICA**

(56) Related Art Documents: **Not Applicable**

(57) Statement of Newness and Distinctiveness: **Newness and distinctiveness reside in the features of shape and/or configuration of a controller as illustrated by solid lines in the accompanying representations. The features shown in broken outline and discontinuous lines are for contextual purposes only and do not form part of the design.**



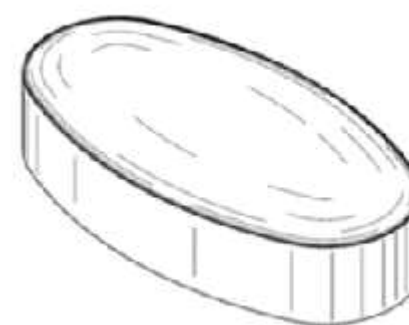
(21) Design Number: **16750/2015**  
(22) Date of Filing Application: **11 December 2015**  
(24) Date from which industrial property rights may have effect: **11 December 2015**  
(54) Product in respect of which the design is registered: **Controller component**  
(51) International Design Classification: **21-01N**  
(74) Name(s) of Attorney(s): **Shelston IP Pty Ltd.**  
(71) Name(s) and Address(s) of Applicant(s):  
**Microsoft Corporation**  
**One Microsoft Way Redmond Washington, 98052-5321 United States of America**



(72) Name(s) of Designer(s): **Christopher Kujawski and Kenneth Jasinski and Carl J. Ledbetter**  
(45) Registration Date: **07 January 2016**  
(30) Convention priority data:  
(31) Number      (32) Date      (33) Country  
**29/530110      12 Jun 2015      UNITED STATES OF AMERICA**

(56) Related Art Documents: **Not Applicable**  
(57) Statement of Newness and Distinctiveness: **Newness and distinctiveness reside in the features of shape and/or configuration of a directional pad for a controller component as illustrated by solid lines in the accompanying representations. The features shown in broken outline and discontinuous lines are for contextual purposes only and do not form part of the design.**

(21) Design Number: **16807/2015**  
(22) Date of Filing Application: **15 December 2015**  
(24) Date from which industrial property rights may have effect: **15 December 2015**  
(54) Product in respect of which the design is registered: **Pharmaceutical tablet**  
(51) International Design Classification: **28-01**  
(74) Name(s) of Attorney(s): **FB Rice**  
(71) Name(s) and Address(s) of Applicant(s):  
**Celgene Corporation**  
**86 Morris Avenue Summit NJ, 07901 United States of America**



(72) Name(s) of Designer(s): **Darshan Parikh and Scott Burnside and Sreenivas S Bhat and Jiping Liu**  
(45) Registration Date: **07 January 2016**  
(30) Convention priority data:  
(31) Number      (32) Date      (33) Country  
**29/531113      23 Jun 2015      UNITED STATES OF AMERICA**

(56) Related Art Documents: **Not Applicable**  
(57) Statement of Newness and Distinctiveness: **Newness and distinctiveness reside in the features of shape and configuration of the design as shown in the representations.**

(21) Design Number: **16809/2015**  
(22) Date of Filing Application: **15 December 2015**  
(24) Date from which industrial property rights may have effect: **15 December 2015**  
(54) Product in respect of which the design is registered: **Bottle cover**  
(51) International Design Classification: **07-07A**  
(74) Name(s) of Attorney(s): **James & Wells**  
(71) Name(s) and Address(s) of Applicant(s):

**Brent Nicoll**  
**881 Pakura St Te Awamutu 3800 New Zealand**

(72) Name(s) of Designer(s): **Brent Nicoll**

(45) Registration Date: **07 January 2016**

(30) Convention priority data:

(31) Number	(32) Date	(33) Country
<b>420471</b>	<b>28 Jul 2015</b>	<b>NEW ZEALAND</b>

(56) Related Art Documents: **Not Applicable**

(57) Statement of Newness and Distinctiveness: **This design is to be applied to a BOTTLE COVER and the novelty resides in features of shape and configuration of the article, all as shown in the accompanying representations. Neither the camouflage pattern nor the bottle are part of the monopoly sought.**



(21) Design Number: **16815/2015**  
(22) Date of Filing Application: **15 December 2015**  
(24) Date from which industrial property rights may have effect: **15 December 2015**  
(54) Product in respect of which the design is registered: **Mobile cellular charger**  
(51) International Design Classification: **13-02**  
(74) Name(s) of Attorney(s): **Corrs Chambers Westgarth**  
(71) Name(s) and Address(s) of Applicant(s):

**Itai Hasid**  
**Moshav Shtulim 86 Israel**

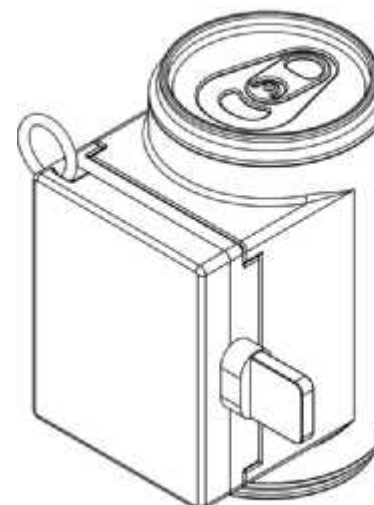
**Daniel Zion Jacob Asis**  
**Harm or 18D Elkana Israel**

(72) Name(s) of Designer(s): **Itai Hasid and Daniel Zion Jacob Asis**

(45) Registration Date: **07 January 2016**

(56) Related Art Documents: **Not Applicable**

(57) Statement of Newness and Distinctiveness: **Nil**



(21) Design Number: **16816/2015**

(22) Date of Filing Application: **15 December 2015**

(24) Date from which industrial property rights may have effect: **15 December 2015**

(54) Product in respect of which the design is registered: **Improved light bar**

(51) International Design Classification: **26-05E**

(74) Name(s) of Attorney(s): **WATERMARK PATENT AND TRADE MARKS ATTORNEYS**

(71) Name(s) and Address(s) of Applicant(s):

**Redtronic Limited**

**Unit 9 Wellington Business Park Quebec Street Elland West Yorkshire,  
HX5 9BX United Kingdom**

(72) Name(s) of Designer(s): **Steve Redfern**

(45) Registration Date: **07 January 2016**

(30) Convention priority data:

(31) Number  
**002902130**

(32) Date  
**09 Dec 2015**

(33) Country  
**OFFICE FOR HARMONISATION IN  
THE INTERNAL MARKET (OHIM)**

(56) Related Art Documents: **Not Applicable**

(57) Statement of Newness and Distinctiveness: **The newness and distinctiveness of the design resides in a modular light bar for vehicles as shown in the representations; the number of modules in the design may be varied to provide a light bar of variable length and is to be disregarded when considering the newness and distinctiveness; the parts of the design shown in broken lines are also to be disregarded when considering the newness and distinctiveness.**



(21) Design Number: **16817/2015**

(22) Date of Filing Application: **15 December 2015**

(24) Date from which industrial property rights may have effect: **15 December 2015**

(54) Product in respect of which the design is registered: **Multi-compartment resealable storage bag**

(51) International Design Classification: **09-05**

(74) Name(s) of Attorney(s): **PHILLIPS ORMONDE FITZPATRICK**

(71) Name(s) and Address(s) of Applicant(s):

**MaBelle Bray**

**12930 Ventura Blvd. #604 Studio City California, 91604 United States of  
America**

(72) Name(s) of Designer(s): **MaBelle Bray**

(45) Registration Date: **07 January 2016**

(30) Convention priority data:

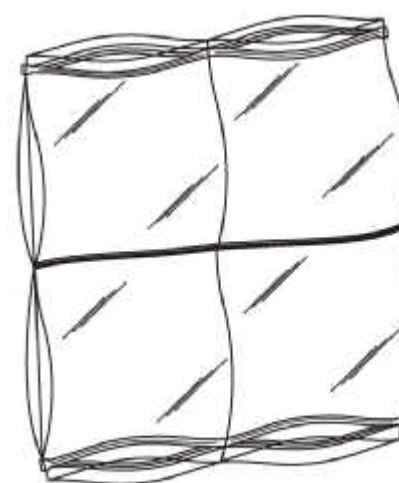
(31) Number  
**29/530,292**

(32) Date  
**15 Jun 2015**

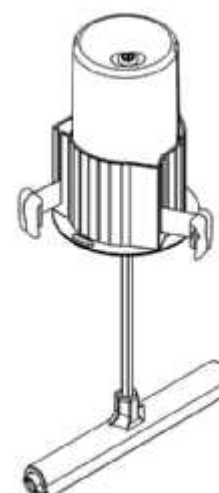
(33) Country  
**UNITED STATES OF AMERICA**

(56) Related Art Documents: **Not Applicable**

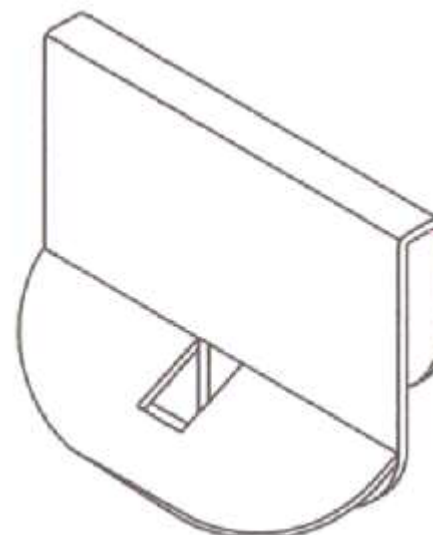
(57) Statement of Newness and Distinctiveness: **Nil**



(21) Design Number: **16819/2015**  
(22) Date of Filing Application: **15 December 2015**  
(24) Date from which industrial property rights may have effect: **15 December 2015**  
(54) Product in respect of which the design is registered: **Stirrer**  
(51) International Design Classification: **07-04**  
(74) Name(s) of Attorney(s): **WATERMARK PATENT AND TRADE MARKS ATTORNEYS**  
(71) Name(s) and Address(s) of Applicant(s):  
**MACOM S.r.l**  
**Via G. da Procida, 10 Milano 20149 Italy**  
(72) Name(s) of Designer(s): **Mattia Melocchi**  
(45) Registration Date: **07 January 2016**  
(30) Convention priority data:  
(31) Number (32) Date (33) Country  
**DM/087227 17 Jun 2015 WORLD INTELLECTUAL PROPERTY ORGANIZATION (WIPO)**  
(56) Related Art Documents: **Not Applicable**  
(57) Statement of Newness and Distinctiveness: **Newness and distinctiveness resides in the visual features of shape and/or configuration of a stirrer as shown in the accompanying representations.**



(21) Design Number: **16826/2015**  
(22) Date of Filing Application: **15 December 2015**  
(24) Date from which industrial property rights may have effect: **15 December 2015**  
(54) Product in respect of which the design is registered: **Bracket for barbecue plate**  
(51) International Design Classification: **08-08NES, 07-02E**  
(74) Name(s) of Attorney(s):  
(71) Name(s) and Address(s) of Applicant(s):  
**Kenneth Colin Rogers**  
**41 Meehan Tce Harrington Park NSW 2567 Australia**  
(72) Name(s) of Designer(s): **Kenneth Colin Rogers**  
(45) Registration Date: **07 January 2016**  
(56) Related Art Documents: **Not Applicable**  
(57) Statement of Newness and Distinctiveness: **Nil**



(21) Design Number: **16828/2015**  
(22) Date of Filing Application: **15 December 2015**  
(24) Date from which industrial property rights may have effect: **15 December 2015**  
(54) Product in respect of which the design is registered: **Water filter jug**  
(51) International Design Classification: **07-01F, 23-01G**  
(74) Name(s) of Attorney(s): **Griffith Hack**  
(71) Name(s) and Address(s) of Applicant(s):

**BRITA GMBH**  
**Heinrich-Hertz Strasse 4 TAUNUSSTEIN 65232 Germany**

(72) Name(s) of Designer(s): **Christian Rummel and Tim Storti**

(45) Registration Date: **07 January 2016**

(30) Convention priority data:

(31) Number	(32) Date	(33) Country
<b>002732776</b>	<b>07 Jul 2015</b>	<b>OFFICE FOR HARMONISATION IN THE INTERNAL MARKET (OHIM)</b>

(56) Related Art Documents: **Not Applicable**

(57) Statement of Newness and Distinctiveness: **Nil**



(21) Design Number: **16829/2015**  
(22) Date of Filing Application: **15 December 2015**  
(24) Date from which industrial property rights may have effect: **15 December 2015**  
(54) Product in respect of which the design is registered: **Water filter jug**  
(51) International Design Classification: **07-01F, 23-01G**  
(74) Name(s) of Attorney(s): **Griffith Hack**  
(71) Name(s) and Address(s) of Applicant(s):

**BRITA GMBH**  
**Heinrich-Hertz Strasse 4 TAUNUSSTEIN 65232 Germany**

(72) Name(s) of Designer(s): **Christian Rummel and Tim Storti**

(45) Registration Date: **07 January 2016**

(30) Convention priority data:

(31) Number	(32) Date	(33) Country
<b>002732776</b>	<b>07 Jul 2015</b>	<b>OFFICE FOR HARMONISATION IN THE INTERNAL MARKET (OHIM)</b>

(56) Related Art Documents: **Not Applicable**

(57) Statement of Newness and Distinctiveness: **Nil**



(21) Design Number: **16830/2015**  
(22) Date of Filing Application: **15 December 2015**  
(24) Date from which industrial property rights may have effect: **15 December 2015**  
(54) Product in respect of which the design is registered: **Lid for water filter jug**  
(51) International Design Classification: **07-01F, 23-01G**  
(74) Name(s) of Attorney(s): **Griffith Hack**  
(71) Name(s) and Address(s) of Applicant(s):

**BRITA GMBH**  
**Heinrich-Hertz Strasse 4 TAUNUSSTEIN 65232 Germany**

(72) Name(s) of Designer(s): **Christian Rummel and Tim Storti**

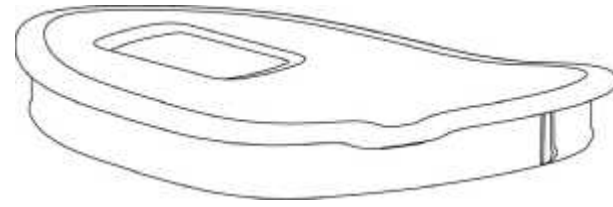
(45) Registration Date: **07 January 2016**

(30) Convention priority data:

(31) Number	(32) Date	(33) Country
<b>002732776</b>	<b>07 Jul 2015</b>	<b>OFFICE FOR HARMONISATION IN THE INTERNAL MARKET (OHIM)</b>

(56) Related Art Documents: **Not Applicable**

(57) Statement of Newness and Distinctiveness: **Nil**



(21) Design Number: **16831/2015**  
(22) Date of Filing Application: **15 December 2015**  
(24) Date from which industrial property rights may have effect: **15 December 2015**  
(54) Product in respect of which the design is registered: **Filter for water jug**  
(51) International Design Classification: **07-01F, 23-01G**  
(74) Name(s) of Attorney(s): **Griffith Hack**  
(71) Name(s) and Address(s) of Applicant(s):

**BRITA GMBH**  
**Heinrich-Hertz Strasse 4 TAUNUSSTEIN 65232 Germany**

(72) Name(s) of Designer(s): **Christian Rummel and Tim Storti**

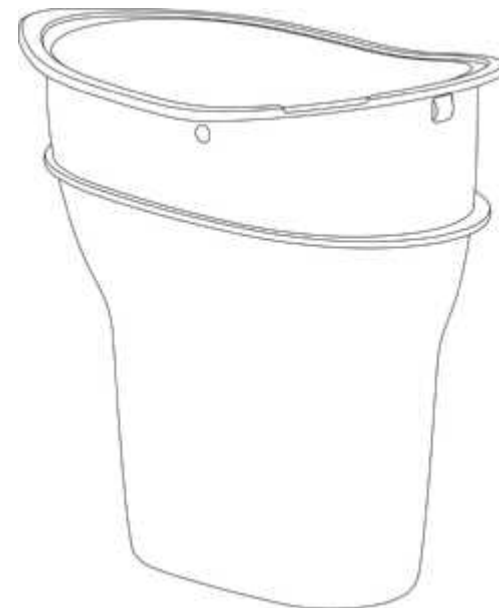
(45) Registration Date: **07 January 2016**

(30) Convention priority data:

(31) Number	(32) Date	(33) Country
<b>002732776</b>	<b>07 Jul 2015</b>	<b>OFFICE FOR HARMONISATION IN THE INTERNAL MARKET (OHIM)</b>

(56) Related Art Documents: **Not Applicable**

(57) Statement of Newness and Distinctiveness: **Nil**



- (21) Design Number: **15397/2015**  
(22) Date of Filing Application: **13 October 2015**  
(24) Date from which industrial property rights may have effect: **13 October 2015**  
(54) Product in respect of which the design is registered: **NASAL MASK**  
(51) International Design Classification: **24-01**  
(74) Name(s) of Attorney(s): **Fisher Adams Kelly Callinans**  
(71) Name(s) and Address(s) of Applicant(s):  
**PARKER-HANNIFIN CORPORATION**  
**6035 Parkland BLD Cleveland Ohio 44124 United States of America**  
(72) Name(s) of Designer(s): **Seth B Wolf and Stephen D. Loeffler and Robert F. Guyette**  
(45) Registration Date: **08 January 2016**  
(30) Convention priority data:  
(31) Number (32) Date (33) Country  
**29/524,539 21 Apr 2015 UNITED STATES OF AMERICA**  
(56) Related Art Documents: **Not Applicable**  
(57) Statement of Newness and Distinctiveness: **Newness and distinctiveness are provided by the shape and/or configuration of the design shown in the representations. The features shown in broken lines in the representations are for illustrative purposes only and should not be considered when construing visual features of the design.**



- (21) Design Number: **15512/2015**  
(22) Date of Filing Application: **19 October 2015**  
(24) Date from which industrial property rights may have effect: **19 October 2015**  
(54) Product in respect of which the design is registered: **Watch**  
(51) International Design Classification: **10-02**  
(74) Name(s) of Attorney(s):  
(71) Name(s) and Address(s) of Applicant(s):  
**HUNTERS AND GATHERERS BAZAAR PTY LTD**  
**U4 20 Northumberland Rd Caringbah NSW 2229 Australia**  
(72) Name(s) of Designer(s): **Adam Alcott**  
(45) Registration Date: **08 January 2016**  
(56) Related Art Documents: **Not Applicable**  
(57) Statement of Newness and Distinctiveness: **The design registration is for a new anchor design for wrist watch dial, as set forth in the following specification. Fig 1 is a perspective view of a portion of a wrist watch dial with an anchor design located at the place of hour mark six. Ideally, the claimed design will be embodied with limitations to, wrist watches. The broken lines shown in the wrist watch is for illustrative purposes only and forms no part of the claimed design. I claim: the ornamental design for a portion of a wrist watch dial, substantially as shown and described.**





- (21) Design Number: **15603/2015**  
(22) Date of Filing Application: **22 October 2015**  
(24) Date from which industrial property rights may have effect: **22 October 2015**  
(54) Product in respect of which the design is registered: **Weeder**  
(51) International Design Classification: **08-01**  
(74) Name(s) of Attorney(s): **Davies Collison Cave**  
(71) Name(s) and Address(s) of Applicant(s):  
**Fiskars Garden Oy Ab**  
**10330 Billnas Finland**  
(72) Name(s) of Designer(s): **Sami Lyytikainen and Aaro Huttunen**  
(45) Registration Date: **08 January 2016**  
(56) Related Art Documents: **Not Applicable**  
(57) Statement of Newness and Distinctiveness: **Newness and distinctiveness is claimed in the visual features shown other than those within the dotted lines.**



- (21) Design Number: **16699/2015**  
(22) Date of Filing Application: **10 December 2015**  
(24) Date from which industrial property rights may have effect: **10 December 2015**  
(54) Product in respect of which the design is registered: **Case for a tablet computer**  
(51) International Design Classification: **14-02**  
(74) Name(s) of Attorney(s):  
(71) Name(s) and Address(s) of Applicant(s):  
**STM Management Pty Ltd**  
**U21 34-36 Ralph St Alexandria NSW 2015 Australia**  
(72) Name(s) of Designer(s): **Ethan Nyholm**  
(45) Registration Date: **08 January 2016**  
(30) Convention priority data:  
(31) Number      (32) Date      (33) Country  
**29/531,886      30 Jun 2015      UNITED STATES OF AMERICA**  
(56) Related Art Documents: **Not Applicable**  
(57) Statement of Newness and Distinctiveness: **When determining whether the design is substantially similar in overall impression to another design no regard is to be had to the portions defined in broken lines.**



- (21) Design Number: **16701/2015**  
(22) Date of Filing Application: **10 December 2015**  
(24) Date from which industrial property rights may have effect: **10 December 2015**  
(54) Product in respect of which the design is registered: **Case for a tablet computer**  
(51) International Design Classification: **14-02**  
(74) Name(s) of Attorney(s):  
(71) Name(s) and Address(s) of Applicant(s):  
**STM Management Pty Ltd**  
**U21 34-36 Ralph St Alexandria NSW 2015 Australia**  
(72) Name(s) of Designer(s): **Ethan Nyholm**  
(45) Registration Date: **08 January 2016**  
(30) Convention priority data:  
(31) Number (32) Date (33) Country  
**29/531886 30 Jun 2015 UNITED STATES OF AMERICA**  
(56) Related Art Documents: **Not Applicable**  
(57) Statement of Newness and Distinctiveness: **When determining whether the design is substantially similar in overall impression to another design no regard is to be had to the portions defined in broken lines.**



- (21) Design Number: **14535/2015**  
(22) Date of Filing Application: **28 August 2015**  
(24) Date from which industrial property rights may have effect: **28 August 2015**  
(54) Product in respect of which the design is registered: **Shirt**  
(51) International Design Classification: **02-02NES**  
(74) Name(s) of Attorney(s):  
(71) Name(s) and Address(s) of Applicant(s):  
**Real Futures Pty Ltd**  
**PO Box 3603 West Kempsey NSW 2440 Australia**  
(72) Name(s) of Designer(s): **Wendy Yarnold**  
(45) Registration Date: **08 January 2016**  
(56) Related Art Documents: **Not Applicable**  
(57) Statement of Newness and Distinctiveness: **The newness and distinctiveness is represented in the design and ornamentation including the colours, specific placement of the colours, and reflective material on the shirt.**



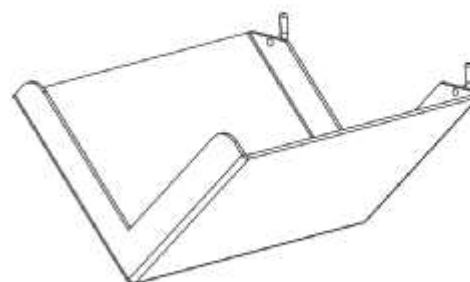
(21) Design Number: **16822/2015**  
(22) Date of Filing Application: **15 December 2015**  
(24) Date from which industrial property rights may have effect: **15 December 2015**  
(54) Product in respect of which the design is registered: **Floor cleaning device**  
(51) International Design Classification: **15-05**  
(74) Name(s) of Attorney(s): **Pizzeys Patent and Trade Mark Attorneys Pty Ltd**  
(71) Name(s) and Address(s) of Applicant(s):  
**SharkNinja Operating LLC**  
**180 Wells Avenue, Suite 200 Newton MA, 02459 United States of America**  
(72) Name(s) of Designer(s): **Scott Niedzwecki and Dan Kestenbaum**  
(45) Registration Date: **08 January 2016**  
(30) Convention priority data:  
(31) Number (32) Date (33) Country  
**29/530,379 16 Jun 2015 UNITED STATES OF AMERICA**  
(56) Related Art Documents: **Not Applicable**  
(57) Statement of Newness and Distinctiveness: **Nil**



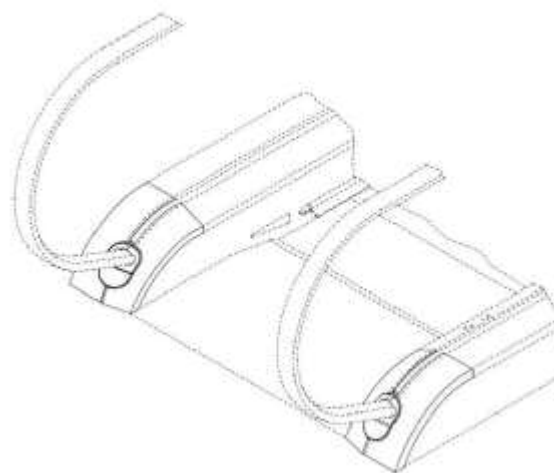
(21) Design Number: **16823/2015**  
(22) Date of Filing Application: **15 December 2015**  
(24) Date from which industrial property rights may have effect: **15 December 2015**  
(54) Product in respect of which the design is registered: **Escalator / walkway landing floor cover panel**  
(51) International Design Classification: **12-05**  
(74) Name(s) of Attorney(s): **WATERMARK PATENT AND TRADE MARKS ATTORNEYS**  
(71) Name(s) and Address(s) of Applicant(s):  
**Inventio AG**  
**Seestrasse 55 Hergiswil NW 6052 Switzerland**  
(72) Name(s) of Designer(s): **Michael Matheisl and Gerhard Klewein and Barbara Pohl**  
(45) Registration Date: **08 January 2016**  
(30) Convention priority data:  
(31) Number (32) Date (33) Country  
**141718 16 Jul 2015 SWITZERLAND**  
(56) Related Art Documents: **Not Applicable**  
(57) Statement of Newness and Distinctiveness: **Newness and distinctiveness reside in the visual features of shape and configuration of floor cover panels for landings of moving walkway and escalator installations as shown in the accompanying representations. The features shown in broken lines are not part of the design and illustrate an environment of use of the product embodying the design, and are thus to be disregarded when considering the overall impression of the design.**



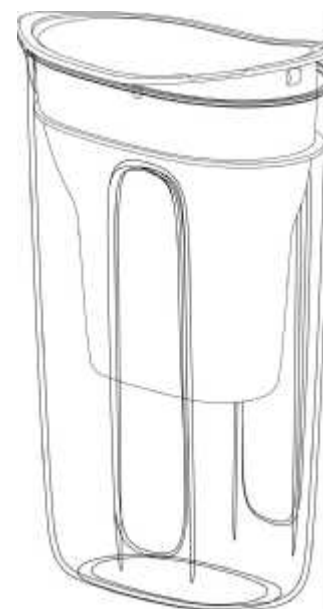
- (21) Design Number: **16824/2015**  
(22) Date of Filing Application: **15 December 2015**  
(24) Date from which industrial property rights may have effect: **15 December 2015**  
(54) Product in respect of which the design is registered: **Bracket**  
(51) International Design Classification: **08-08L**  
(74) Name(s) of Attorney(s): **Freehills Patent Attorneys**  
(71) Name(s) and Address(s) of Applicant(s):  
**Bremick Pty Ltd**  
**Fy1 62 Maddox St Alexandria NSW 2015 Australia**  
(72) Name(s) of Designer(s): **Ross Bran and Daniela Russell**  
(45) Registration Date: **08 January 2016**  
(56) Related Art Documents: **Not Applicable**  
(57) Statement of Newness and Distinctiveness: **Newness and distinctiveness of the design resides in the shape and configuration of the bracket as shown in solid outline in the accompanying representations.**



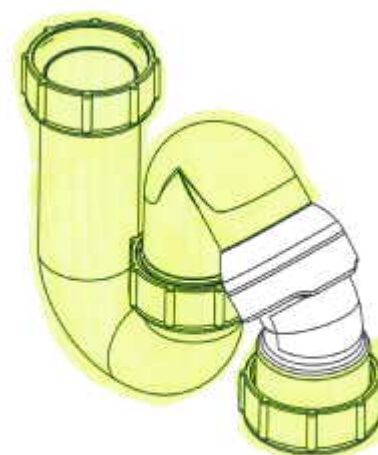
- (21) Design Number: **16825/2015**  
(22) Date of Filing Application: **15 December 2015**  
(24) Date from which industrial property rights may have effect: **15 December 2015**  
(54) Product in respect of which the design is registered: **Escalator / walkway handrail entry panels**  
(51) International Design Classification: **15-05, 25-02C**  
(74) Name(s) of Attorney(s): **WATERMARK PATENT AND TRADE MARKS ATTORNEYS**  
(71) Name(s) and Address(s) of Applicant(s):  
**Inventio AG**  
**Seestrasse 55 Hergiswil NW 6052 Switzerland**  
(72) Name(s) of Designer(s): **Michael Matheisl and Gerhard Klewein and Barbara Pohl**  
(45) Registration Date: **08 January 2016**  
(30) Convention priority data:  
(31) Number      (32) Date      (33) Country  
**141718      16 Jul 2015      SWITZERLAND**  
(56) Related Art Documents: **Not Applicable**  
(57) Statement of Newness and Distinctiveness: **Newness and distinctiveness resides in the visual features of shape and/or configuration of walkway and escalator handrail entry panels as shown in the accompanying representations. The features shown in broken lines are not part of the design and illustrate an environment of use of the product embodying the design, and are thus to be disregarded when considering the overall impression of the design.**



(21) Design Number: **16833/2015**  
(22) Date of Filing Application: **15 December 2015**  
(24) Date from which industrial property rights may have effect: **15 December 2015**  
(54) Product in respect of which the design is registered: **Water filter jug**  
(51) International Design Classification: **07-01F, 23-01G**  
(74) Name(s) of Attorney(s): **Griffith Hack**  
(71) Name(s) and Address(s) of Applicant(s):  
**BRITA GMBH**  
**Heinrich-Hertz Strasse 4 TAUNUSSTEIN 65232 Germany**  
(72) Name(s) of Designer(s): **Christian Rummel and Tim Storti**  
(45) Registration Date: **08 January 2016**  
(30) Convention priority data:  
(31) Number (32) Date (33) Country  
**002732776 07 Jul 2015 OFFICE FOR HARMONISATION IN**  
**THE INTERNAL MARKET (OHIM)**  
(56) Related Art Documents: **Not Applicable**  
(57) Statement of Newness and Distinctiveness: **Nil**



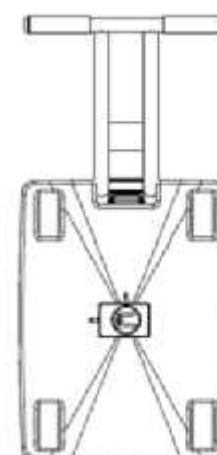
(21) Design Number: **16836/2015**  
(22) Date of Filing Application: **16 December 2015**  
(24) Date from which industrial property rights may have effect: **16 December 2015**  
(54) Product in respect of which the design is registered: **A waste water trap**  
(51) International Design Classification: **23-01NES, 23-01D**  
(74) Name(s) of Attorney(s): **Banki Haddock Fiora**  
(71) Name(s) and Address(s) of Applicant(s):  
**Dux Industries Limited**  
**32 Mahia Road Manurewa Auckland, 2102 New Zealand**  
(72) Name(s) of Designer(s): **Andrew Dean Hendry and Jeff La Haye and**  
**Andrew Tunley**  
(45) Registration Date: **08 January 2016**  
(30) Convention priority data:  
(31) Number (32) Date (33) Country  
**420496 30 Jul 2015 NEW ZEALAND**  
(56) Related Art Documents: **Not Applicable**  
(57) Statement of Newness and Distinctiveness: **The visual features of the waste**  
**water trap depicted in the representations that are new and distinctive**  
**are the shape and/or configuration, excluding the highlighted areas**  
**which are disclaimed and form no part of the design.**



- (21) Design Number: **16837/2015**  
(22) Date of Filing Application: **16 December 2015**  
(24) Date from which industrial property rights may have effect: **16 December 2015**  
(54) Product in respect of which the design is registered: **Razor cartridge**  
(51) International Design Classification: **28-03A**  
(74) Name(s) of Attorney(s): **WATERMARK PATENT AND TRADE MARKS ATTORNEYS**  
(71) Name(s) and Address(s) of Applicant(s):  
**The Gillette Company**  
**One Gillette Park Boston MA, 02127 United States of America**  
(72) Name(s) of Designer(s): **Michael Hal Bruno and Christopher Ramm and Matthew Michael Long**  
(45) Registration Date: **08 January 2016**  
(30) Convention priority data:  
(31) Number (32) Date (33) Country  
**29/530,330 16 Jun 2015 UNITED STATES OF AMERICA**  
(56) Related Art Documents: **Not Applicable**  
(57) Statement of Newness and Distinctiveness: **Newness and distinctiveness resides in the visual features of shape and/or configuration of a razor cartridge as shown in the accompanying representations. The features shown in broken lines are not part of the design and are to be disregarded when considering the overall impression of the design.**



- (21) Design Number: **16838/2015**  
(22) Date of Filing Application: **16 December 2015**  
(24) Date from which industrial property rights may have effect: **16 December 2015**  
(54) Product in respect of which the design is registered: **Coin bin**  
(51) International Design Classification: **06-04B**  
(74) Name(s) of Attorney(s): **MILLS OAKLEY LAWYERS**  
(71) Name(s) and Address(s) of Applicant(s):  
**Linfox Armaguard Pty Ltd**  
**L1 37 Vaughan St Essendon Airport VIC 3042 Australia**  
(72) Name(s) of Designer(s): **Fernando Costa and Kevin Whitley**  
(45) Registration Date: **08 January 2016**  
(56) Related Art Documents: **Not Applicable**  
(57) Statement of Newness and Distinctiveness: **Newness and distinctiveness lies in the shape or configuration of the coin bin shown in the representations.**



(21) Design Number: **16839/2015**  
(22) Date of Filing Application: **16 December 2015**  
(24) Date from which industrial property rights may have effect: **16 December 2015**  
(54) Product in respect of which the design is registered: **Exercise mat**  
(51) International Design Classification: **21-02NES**  
(74) Name(s) of Attorney(s):  
(71) Name(s) and Address(s) of Applicant(s):



**Liforme Limited**  
**U21 Tay Bldg 2a Wrentham Ave London NW10 3AP United Kingdom**

(72) Name(s) of Designer(s): **James Armitage**

(45) Registration Date: **08 January 2016**

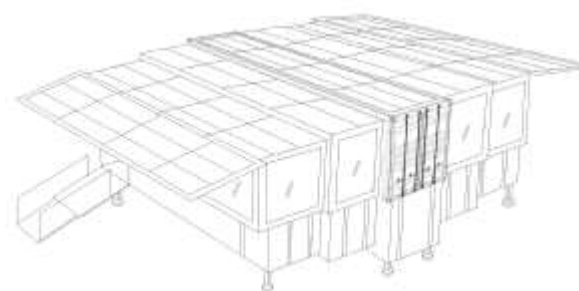
(30) Convention priority data:

(31) Number	(32) Date	(33) Country
<b>201530198139.7</b>	<b>16 Jun 2015</b>	<b>CHINA</b>

(56) Related Art Documents: **Not Applicable**

(57) Statement of Newness and Distinctiveness: **Newness and distinctiveness resides in the shape and configuration of the exercise mat as depicted in the representations. In particular, newness and distinctiveness resides in the provisions of surface markings in the upper surface of the exercise mat, The markings are formed by an etching process that results in the surface markings comprising depressions/channels formed in the upper surface of the exercise mat as depicted. The etching process also darkens the colour tone of the material forming the exercise mat in the depressions/channels, resulting in the depressions/channels being viewed as coloured markings on the mat's surface.**

(21) Design Number: **12555/2015**  
(22) Date of Filing Application: **17 May 2015**  
(24) Date from which industrial property rights may have effect: **17 May 2015**  
(54) Product in respect of which the design is registered: **Portable solar expandable container dwelling**  
(51) International Design Classification: **25-03**  
(74) Name(s) of Attorney(s):  
(71) Name(s) and Address(s) of Applicant(s):



**PRODENGIN PTY. LTD.**  
**U404 No 85 O'Connell St Kangaroo Point QLD 4169 Australia**

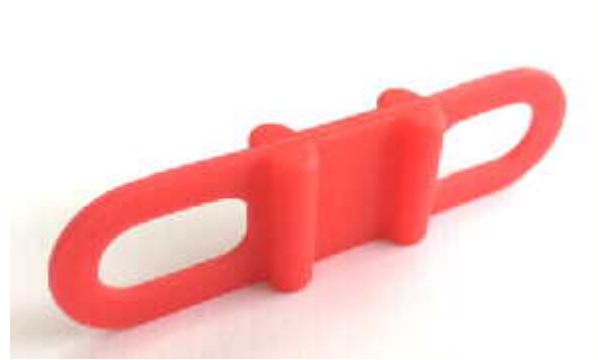
(72) Name(s) of Designer(s): **PRODENGIN PTY. LTD.**

(45) Registration Date: **08 January 2016**

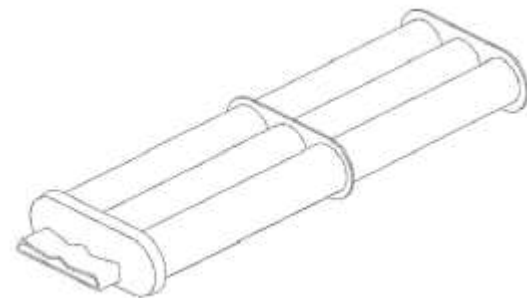
(56) Related Art Documents: **Not Applicable**

(57) Statement of Newness and Distinctiveness: **The newness and distinctiveness of the design resides in the shape of the Portable Solar Generator and Expandable Container Dwelling as shown in the continuous lines in the accompanying representations.**

(21) Design Number: **13232/2015**  
(22) Date of Filing Application: **25 June 2015**  
(24) Date from which industrial property rights may have effect: **25 June 2015**  
(54) Product in respect of which the design is registered: **Laundry aid**  
(51) International Design Classification: **15-05**  
(74) Name(s) of Attorney(s):  
(71) Name(s) and Address(s) of Applicant(s):  
**Fidel Dela Paz**  
**PO BOX 5005 Empire Bay NSW 2257 Australia**  
(72) Name(s) of Designer(s): **Fidel Dela Paz**  
(45) Registration Date: **08 January 2016**  
(56) Related Art Documents: **Not Applicable**  
(57) Statement of Newness and Distinctiveness: **Newness and distinctiveness is claimed in the features of shape and/or configuration of a laundry aid as shown in the accompanying representations.**

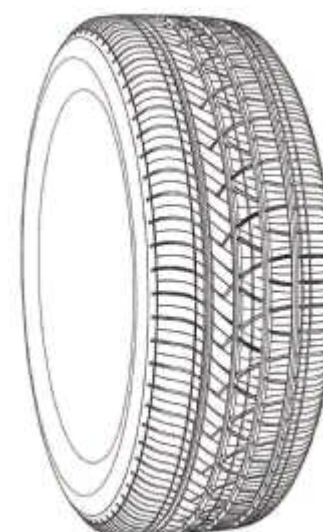


(21) Design Number: **15895/2015**  
(22) Date of Filing Application: **05 November 2015**  
(24) Date from which industrial property rights may have effect: **05 November 2015**  
(54) Product in respect of which the design is registered: **Dispenser for toilet cleansing**  
(51) International Design Classification: **28-99**  
(74) Name(s) of Attorney(s): **Davies Collison Cave**  
(71) Name(s) and Address(s) of Applicant(s):  
**Tomil s.r.o.**  
**Gen. Svatone 149/IV Vysoke Myto CZ-566 01 Czech Republic**  
(72) Name(s) of Designer(s): **Tomas Muller**  
(45) Registration Date: **08 January 2016**  
(30) Convention priority data:  
(31) Number (32) Date (33) Country  
**002695668-0014 06 May 2015 OFFICE FOR HARMONISATION IN THE INTERNAL MARKET (OHIM)**  
(56) Related Art Documents: **Not Applicable**  
(57) Statement of Newness and Distinctiveness: **Nil**



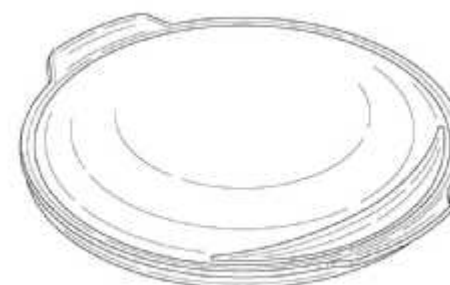


(21) Design Number: **16541/2015**  
(22) Date of Filing Application: **03 December 2015**  
(24) Date from which industrial property rights may have effect: **03 December 2015**  
(54) Product in respect of which the design is registered: **Tire**  
(51) International Design Classification: **12-15B**  
(74) Name(s) of Attorney(s): **PHILLIPS ORMONDE FITZPATRICK**  
(71) Name(s) and Address(s) of Applicant(s):  
**Cooper Tire & Rubber Company**  
**701 Lima Avenue Findlay Ohio, 45840 United States of America**  
(72) Name(s) of Designer(s): **Jeremy J. Jacobs**  
(45) Registration Date: **08 January 2016**  
(30) Convention priority data:  
(31) Number (32) Date (33) Country  
**29/529,378 05 Jun 2015 UNITED STATES OF AMERICA**



(56) Related Art Documents: **Not Applicable**  
(57) Statement of Newness and Distinctiveness: **Those features of the tire depicted in the representations that are new and distinctive are the shape and/or configuration of the tread of the tire. The broken lines showing of the sidewall, inner bead, and the peripheral boundary between the tire tread and the sidewall are included for the purpose of illustrating environment and are to be disregarded when considering the overall impression of the design. The tread pattern is understood to repeat throughout the circumference of the tire**

(21) Design Number: **16749/2015**  
(22) Date of Filing Application: **11 December 2015**  
(24) Date from which industrial property rights may have effect: **17 November 2015**  
(54) Product in respect of which the design is registered: **Seal for container**  
(51) International Design Classification: **07-01NES**  
(74) Name(s) of Attorney(s): **PHILLIPS ORMONDE FITZPATRICK**  
(71) Name(s) and Address(s) of Applicant(s):  
**Dart Industries Inc.**  
**14901 S. Orange Blossom Trail Orlando Florida, 32837 United States of America**  
(72) Name(s) of Designer(s): **Vincent Jalet**  
(45) Registration Date: **08 January 2016**  
(30) Convention priority data:  
(31) Number (32) Date (33) Country  
**29/529,860 11 Jun 2015 UNITED STATES OF AMERICA**

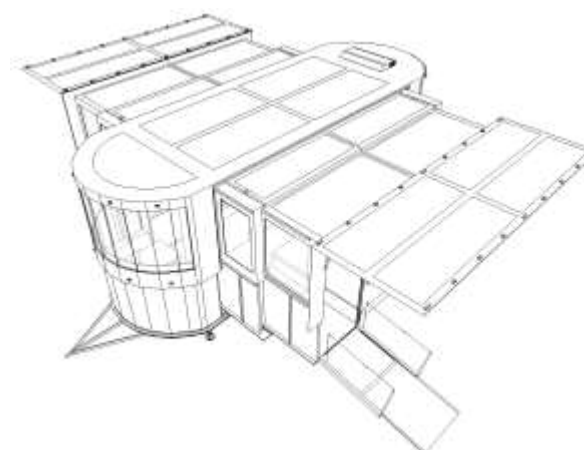


(62) Divisional of: **366454**  
(56) Related Art Documents: **Not Applicable**  
(57) Statement of Newness and Distinctiveness: **Nil**

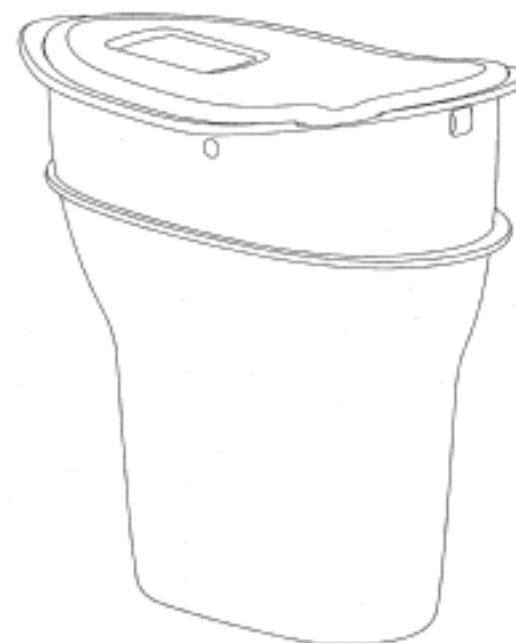
- (21) Design Number: **16821/2015**  
(22) Date of Filing Application: **15 December 2015**  
(24) Date from which industrial property rights may have effect: **15 December 2015**  
(54) Product in respect of which the design is registered: **Dry pipe**  
(51) International Design Classification: **27-02**  
(74) Name(s) of Attorney(s):  
(71) Name(s) and Address(s) of Applicant(s):  
**TRIO BROTHERS TRADING PTY LTD**  
**18 Beal St Meadowbrook QLD 4131 Australia**  
(72) Name(s) of Designer(s): **Jack Qin**  
(45) Registration Date: **08 January 2016**  
(56) Related Art Documents: **Not Applicable**  
(57) Statement of Newness and Distinctiveness: **Metal skull dry pipe.**



- (21) Design Number: **12554/2015**  
(22) Date of Filing Application: **17 May 2015**  
(24) Date from which industrial property rights may have effect: **17 May 2015**  
(54) Product in respect of which the design is registered: **Portable solar expandable trailer dwelling**  
(51) International Design Classification: **12-10**  
(74) Name(s) of Attorney(s):  
(71) Name(s) and Address(s) of Applicant(s):  
**PRODENGIN PTY. LTD.**  
**U404 No 85 O'Connell St Kangaroo Point QLD 4169 Australia**  
(72) Name(s) of Designer(s): **Kevin Kelly**  
(45) Registration Date: **08 January 2016**  
(56) Related Art Documents: **Not Applicable**  
(57) Statement of Newness and Distinctiveness: **The newness and distinctiveness of the design resides in the shape of the overall Portable Solar Generator and Expandable Trailer Dwelling as shown in the continuous lines in the accompanying representations.**



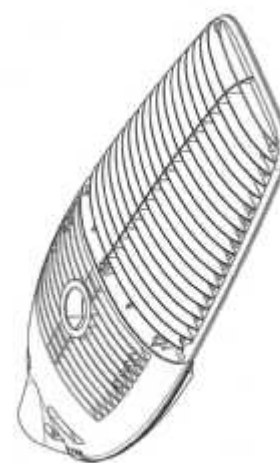
(21) Design Number: **16832/2015**  
(22) Date of Filing Application: **15 December 2015**  
(24) Date from which industrial property rights may have effect: **15 December 2015**  
(54) Product in respect of which the design is registered: **Filter for water jug**  
(51) International Design Classification: **07-01F, 23-01G**  
(74) Name(s) of Attorney(s): **Griffith Hack**  
(71) Name(s) and Address(s) of Applicant(s):  
**BRITA GMBH**  
**Heinrich-Hertz Strasse 4 TAUNUSSTEIN 65232 Germany**  
(72) Name(s) of Designer(s): **Christian Rummel and Tim Storti**  
(45) Registration Date: **08 January 2016**  
(30) Convention priority data:  
(31) Number (32) Date (33) Country  
**002732776 07 Jul 2015 OFFICE FOR HARMONISATION IN**  
**THE INTERNAL MARKET (OHIM)**  
(56) Related Art Documents: **Not Applicable**  
(57) Statement of Newness and Distinctiveness: **Nil**



(21) Design Number: **16840/2015**  
(22) Date of Filing Application: **16 December 2015**  
(24) Date from which industrial property rights may have effect: **16 December 2015**  
(54) Product in respect of which the design is registered: **Trocar needle**  
(51) International Design Classification: **24-01**  
(74) Name(s) of Attorney(s): **PHILLIPS ORMONDE FITZPATRICK**  
(71) Name(s) and Address(s) of Applicant(s):  
**Guangzhou T.K. Medical Instrument Co., Ltd.**  
**A601 Guangzhou International Business Incubator Guangzhou Science**  
**Park 510663 Guangzhou China**  
(72) Name(s) of Designer(s): **Xing Zhou and Shaoming Zhu and Jiajiang Wei**  
**and Huaping Xu and Lifei Luo**  
(45) Registration Date: **08 January 2016**  
(30) Convention priority data:  
(31) Number (32) Date (33) Country  
**201530233903.X 03 Jul 2015 CHINA**  
(56) Related Art Documents: **Not Applicable**  
(57) Statement of Newness and Distinctiveness: **Nil**



(21) Design Number: **16841/2015**  
(22) Date of Filing Application: **16 December 2015**  
(24) Date from which industrial property rights may have effect: **16 December 2015**  
(54) Product in respect of which the design is registered: **Luminaire navigator**  
(51) International Design Classification: **26-99**  
(74) Name(s) of Attorney(s): **PHILLIPS ORMONDE FITZPATRICK**  
(71) Name(s) and Address(s) of Applicant(s):  
**Schreder S.A.**  
**Rue, de Lusambo 67 B-1190 Bruxelles Belgium**  
(72) Name(s) of Designer(s): **M. Marc Frisee**  
(45) Registration Date: **08 January 2016**  
(30) Convention priority data:  
(31) Number (32) Date (33) Country  
**29/534,957 03 Aug 2015 UNITED STATES OF AMERICA**  
(56) Related Art Documents: **Not Applicable**  
(57) Statement of Newness and Distinctiveness: **Nil**



(21) Design Number: **16843/2015**  
(22) Date of Filing Application: **16 December 2015**  
(24) Date from which industrial property rights may have effect: **09 October 2015**  
(54) Product in respect of which the design is registered: **Wooden vase**  
(51) International Design Classification: **11-02A**  
(74) Name(s) of Attorney(s):  
(71) Name(s) and Address(s) of Applicant(s):  
**Julie Doris Peddie**  
**10 Kestral Cl Blind Bight VIC 3980 Australia**  
(72) Name(s) of Designer(s): **Julie Doris Peddie**  
(45) Registration Date: **08 January 2016**  
(62) Divisional of: **366257**  
(56) Related Art Documents: **Not Applicable**  
(57) Statement of Newness and Distinctiveness: **A wooden vase in the shape of a teardrop, with a leather hanging strap, two holes in middle wood panel to fit two flasks, and leather keepers with velcro for closure.7 to hold the flasks in place.**



(19) AU

(21) Design Number: **16845/2015**  
(22) Date of Filing Application: **16 December 2015**  
(24) Date from which industrial property rights may have effect: **16 December 2015**  
(54) Product in respect of which the design is registered: **Electricity generating boiler**  
(51) International Design Classification: **23-02NES**  
(74) Name(s) of Attorney(s): **FB Rice**  
(71) Name(s) and Address(s) of Applicant(s):  
**HNC Co., Ltd.**  
**Bundang Techno-park E 703 700 Pangyo-ro, Bundang-gu Seongnam-si**  
**Kyeonggi-do 463-760 Republic of Korea**  
(72) Name(s) of Designer(s): **Yeong Kil Song**  
(45) Registration Date: **08 January 2016**  
(30) Convention priority data:  
(31) Number      (32) Date      (33) Country  
**30-2015-0063812**   **15 Dec 2015**      **REPUBLIC OF KOREA**  
(56) Related Art Documents: **Not Applicable**  
(57) Statement of Newness and Distinctiveness: **Newness and distinctiveness reside in the features of the design as shown in the representations.**



(19) AU

(21) Design Number: **16847/2015**  
(22) Date of Filing Application: **16 December 2015**  
(24) Date from which industrial property rights may have effect: **16 December 2015**  
(54) Product in respect of which the design is registered: **Holder**  
(51) International Design Classification: **08-08NES**  
(74) Name(s) of Attorney(s): **Freehills Patent Attorneys**  
(71) Name(s) and Address(s) of Applicant(s):  
**3M Innovative Properties Company**  
**3M Center, Post Office Box 33427 Saint Paul MN, 55133-3427 United**  
**States of America**  
(72) Name(s) of Designer(s): **Felipe W Chinchon and Alejandro Vercoutere**  
(45) Registration Date: **08 January 2016**  
(30) Convention priority data:  
(31) Number      (32) Date      (33) Country  
**29/531509**      **26 Jun 2015**      **UNITED STATES OF AMERICA**  
(56) Related Art Documents: **Not Applicable**  
(57) Statement of Newness and Distinctiveness: **Newness and distinctiveness of the design resides in the shape and configuration of the holder as shown in solid outline in the accompanying representations.**



(21) Design Number: **16848/2015**  
(22) Date of Filing Application: **16 December 2015**  
(24) Date from which industrial property rights may have effect: **16 December 2015**  
(54) Product in respect of which the design is registered: **Holder**  
(51) International Design Classification: **08-08NES**  
(74) Name(s) of Attorney(s): **Freehills Patent Attorneys**  
(71) Name(s) and Address(s) of Applicant(s):  
**3M Innovative Properties Company**  
**3M Center, Post Office Box 33427 Saint Paul MN, 55133-3427 United States of America**



(72) Name(s) of Designer(s): **Felipe W Chinchon and Alejandro Vercoutere**  
(45) Registration Date: **08 January 2016**  
(30) Convention priority data:  
(31) Number (32) Date (33) Country  
**29/531510 26 Jun 2015 UNITED STATES OF AMERICA**

(56) Related Art Documents: **Not Applicable**  
(57) Statement of Newness and Distinctiveness: **Newness and distinctiveness of the design resides in the shape and configuration of the holder as shown in solid outline in the accompanying representations.**

(21) Design Number: **16862/2015**  
(22) Date of Filing Application: **17 December 2015**  
(24) Date from which industrial property rights may have effect: **17 December 2015**  
(54) Product in respect of which the design is registered: **Bonded dual layer sterile wrap**  
(51) International Design Classification: **24-04**  
(74) Name(s) of Attorney(s): **IP Gateway Patent & Trade Mark Attorneys Pty Ltd**  
(71) Name(s) and Address(s) of Applicant(s):  
**Medline Industries, Inc.**  
**One Medline Place Mundelein ILLINOIS, 60060 United States Of America**



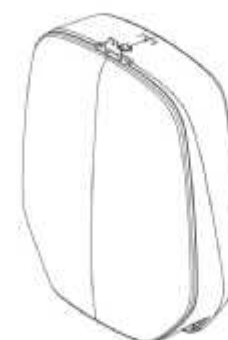
(72) Name(s) of Designer(s): **Dixit Gandhi and Robert A Lockwood and Francis A Czajka Jr**  
(45) Registration Date: **11 January 2016**  
(30) Convention priority data:  
(31) Number (32) Date (33) Country  
**29/523,443 09 Apr 2015 UNITED STATES OF AMERICA**

(56) Related Art Documents: **Not Applicable**  
(57) Statement of Newness and Distinctiveness: **Newness and distinctiveness reside in the following visual features of pattern and ornamentation of a bonded dual layer sterile wrap as shown in the representations, an embossing pattern; a blue and a pink layer forming first and second sides of the wrap; each layer having an exterior face, and first and second sets of two opposing edges; each exterior having respective two spaced-apart thin and parallel blue or pink linear bonded sections extending from the first to the second of the first set of edges; the area between each bonded section being free of bonding; each bonded section having a first bonded section positioned near and parallel to a first of the second set of edges, and a second bonded section positioned near and parallel to a second of the second set of edges; each of the second set of edges of both layers having no bonding. When considering newness and distinctiveness the specific patterning of the bonded sections should be given minimum emphasis.**

- (21) Design Number: **16863/2015**  
(22) Date of Filing Application: **17 December 2015**  
(24) Date from which industrial property rights may have effect: **17 December 2015**  
(54) Product in respect of which the design is registered: **Towel dispenser**  
(51) International Design Classification: **23-02A**  
(74) Name(s) of Attorney(s): **Spruson & Ferguson**  
(71) Name(s) and Address(s) of Applicant(s):  
**Kimberly-Clark Worldwide, Inc.**  
**401 North Lake Street Neenah Wisconsin 54957-0349 United States of America**  
(72) Name(s) of Designer(s): **SeonMi Ku and Taell Yun and JongSoo Lee and JooHyun Sohn and BoGyeong Jung and BongKyu Song and HyunWoo Choi**  
(45) Registration Date: **11 January 2016**  
(30) Convention priority data:  
(31) Number (32) Date (33) Country  
**30-2015-33116 30 Jun 2015 REPUBLIC OF KOREA**  
(56) Related Art Documents: **Not Applicable**  
(57) Statement of Newness and Distinctiveness: **Newness and distinctiveness is claimed in the features of shape and/or configuration of a towel dispenser as illustrated in the accompanying representations.**



- (21) Design Number: **16864/2015**  
(22) Date of Filing Application: **17 December 2015**  
(24) Date from which industrial property rights may have effect: **17 December 2015**  
(54) Product in respect of which the design is registered: **Towel dispenser**  
(51) International Design Classification: **23-02A**  
(74) Name(s) of Attorney(s): **Spruson & Ferguson**  
(71) Name(s) and Address(s) of Applicant(s):  
**Kimberly-Clark Worldwide, Inc.**  
**401 North Lake Street Neenah Wisconsin 54956 United States of America**  
(72) Name(s) of Designer(s): **SeonMi Ku and Taell Yun and JongSoo Lee and JooHyun Sohn and BoGyeong Jung and BongKyu Song and HyunWoo Choi**  
(45) Registration Date: **11 January 2016**  
(56) Related Art Documents: **Not Applicable**  
(57) Statement of Newness and Distinctiveness: **Newness and distinctiveness is claimed in the features of shape and/or configuration of a towel dispenser as illustrated in the accompanying representations.**



(21) Design Number: **16865/2015**

(22) Date of Filing Application: **17 December 2015**

(24) Date from which industrial property rights may have effect: **17 December 2015**

(54) Product in respect of which the design is registered: **Hose reels**

(51) International Design Classification: **08-99**

(74) Name(s) of Attorney(s):

(71) Name(s) and Address(s) of Applicant(s):

**Yongkang NAIBOEN Industrial & Trading Co., Ltd.  
No. 2 Xingan Road Xialixi Industrial Area Yongkang City, Zhejiang  
Province, China**

(72) Name(s) of Designer(s): **Zheng Shi**

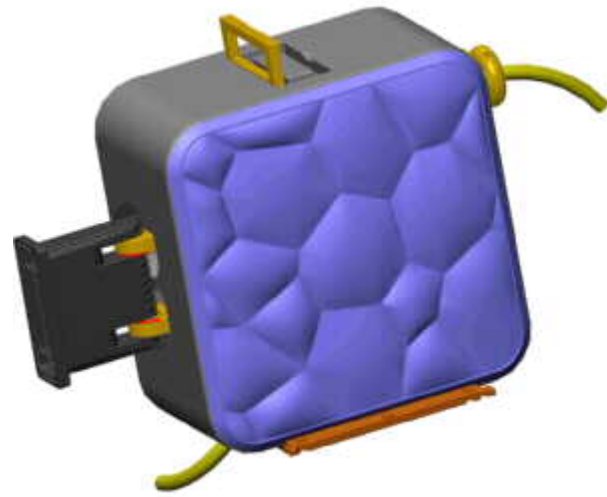
(45) Registration Date: **11 January 2016**

(30) Convention priority data:

(31) Number	(32) Date	(33) Country
<b>CN201530202492.88</b>	<b>Jun 2015</b>	<b>CHINA</b>

(56) Related Art Documents: **Not Applicable**

(57) Statement of Newness and Distinctiveness: **Novelty resides in the ornamental design for a hose reels as shown in the drawings.**





(21) Design Number: **16866/2015**

(22) Date of Filing Application: **17 December 2015**

(24) Date from which industrial property rights may have effect: **09 October 2015**

(54) Product in respect of which the design is registered: **Bonded dual layer sterile wrap**

(51) International Design Classification: **24-04**

(74) Name(s) of Attorney(s): **IP Gateway Patent & Trade Mark Attorneys Pty Ltd**

(71) Name(s) and Address(s) of Applicant(s):

**Medline Industries, Inc.  
One Medline Place Mundelein ILLINOIS, 60060 United States Of America**

(72) Name(s) of Designer(s): **Dixit Gandhi and Robert A Lockwood and Francis A Czajka Jr**

(45) Registration Date: **11 January 2016**

(30) Convention priority data:

(31) Number	(32) Date	(33) Country
<b>29/523,443</b>	<b>09 Apr 2015</b>	<b>UNITED STATES OF AMERICA</b>

(62) Divisional of: **366212**

(56) Related Art Documents: **Not Applicable**

(57) Statement of Newness and Distinctiveness: **Newness and distinctiveness reside in the following visual features of pattern and ornamentation of a bonded dual layer sterile wrap as shown in the representations, an embossing pattern; a blue and a pink layer forming first and second sides of the wrap; each layer having an exterior face, and first and second sets of two opposing edges; each exterior having respective two spaced-apart thin and parallel blue or pink linear bonded sections extending from the first to the second of the first set of edges; the area between each bonded section being free of bonding; each bonded section having a first bonded section positioned near and parallel to a first of the second set of edges, and a second bonded section positioned near and parallel to a second of the second set of edges; each of the second set of edges of both layers having no bonding. When considering newness and distinctiveness the specific patterning of the bonded sections should be given minimum emphasis.**



(21) Design Number: **16867/2015**

(22) Date of Filing Application: **17 December 2015**

(24) Date from which industrial property rights may have effect: **09 October 2015**

(54) Product in respect of which the design is registered: **Bonded Dual Layer Sterile Wrap**

(51) International Design Classification: **24-04**

(74) Name(s) of Attorney(s): **IP Gateway Patent & Trade Mark Attorneys Pty Ltd**

(71) Name(s) and Address(s) of Applicant(s):

**Medline Industries, Inc.  
One Medline Place Mundelein ILLINOIS, 60060 United States Of America**

(72) Name(s) of Designer(s): **Dixit Gandhi and Robert A Lockwood and Francis A Czajka Jr**

(45) Registration Date: **11 January 2016**

(30) Convention priority data:

(31) Number	(32) Date	(33) Country
<b>29/523,443</b>	<b>09 Apr 2015</b>	<b>UNITED STATES OF AMERICA</b>

(62) Divisional of: **366212**

(56) Related Art Documents: **Not Applicable**

(57) Statement of Newness and Distinctiveness: **Newness and distinctiveness reside in the following visual features of pattern and ornamentation of a bonded dual layer sterile wrap as shown in the representations, an embossing pattern; a blue and a pink layer forming first and second sides of the wrap; each layer having an exterior face, and first and second sets of two opposing edges; each exterior having respective two spaced-apart thin and parallel blue or pink linear bonded sections extending from the first to the second of the first set of edges; the area between each bonded section being free of bonding; each bonded section having a first bonded section positioned near and parallel to a first of the second set of edges, and a second bonded section positioned near and parallel to a second of the second set of edges; each of the second set of edges of both layers having no bonding. When considering newness and distinctiveness the specific patterning of the bonded sections should be given minimum emphasis.**



(21) Design Number: **16868/2015**

(22) Date of Filing Application: **17 December 2015**

(24) Date from which industrial property rights may have effect: **09 October 2015**

(54) Product in respect of which the design is registered: **Bonded dual layer sterile wrap**

(51) International Design Classification: **24-04**

(74) Name(s) of Attorney(s): **IP Gateway Patent & Trade Mark Attorneys Pty Ltd**

(71) Name(s) and Address(s) of Applicant(s):

**Medline Industries, INC.**

**One Medline Place Mundelein Illinois, 60060 United States of America**

(72) Name(s) of Designer(s): **Dixit Gandhi and Robert A Lockwood and Francis A Czajka Jr**

(45) Registration Date: **11 January 2016**

(30) Convention priority data:

(31) Number

(32) Date

(33) Country

**29/523,443**

**09 Apr 2015**

**UNITED STATES OF AMERICA**

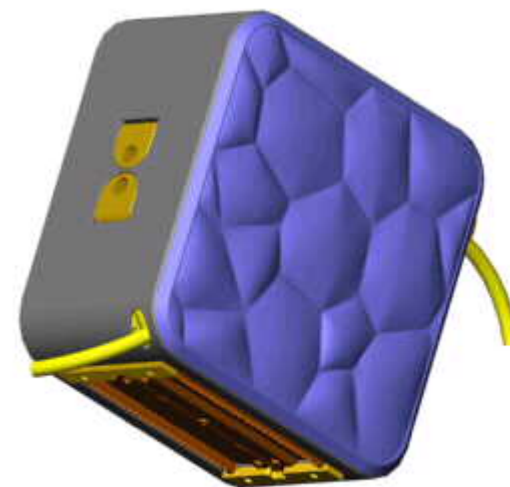
(62) Divisional of: **366212**

(56) Related Art Documents: **Not Applicable**

(57) Statement of Newness and Distinctiveness: **Newness and distinctiveness reside in the following visual features of pattern and ornamentation of a bonded dual layer sterile wrap as shown in the representations, an embossing pattern; a blue and a pink layer forming first and second sides of the wrap; each layer having an exterior face, and first and second sets of two opposing edges; each exterior having respective two spaced-apart thin and parallel blue or pink linear bonded sections extending from the first to the second of the first set of edges; the area between each bonded section being free of bonding; each bonded section having a first bonded section positioned near and parallel to a first of the second set of edges, and a second bonded section positioned near and parallel to a second of the second set of edges; each of the second set of edges of both layers having no bonding. When considering newness and distinctiveness the specific patterning of the bonded sections should be given minimum emphasis.**



(21) Design Number: **16869/2015**  
(22) Date of Filing Application: **17 December 2015**  
(24) Date from which industrial property rights may have effect: **17 December 2015**  
(54) Product in respect of which the design is registered: **Hose reels**  
(51) International Design Classification: **08-99**  
(74) Name(s) of Attorney(s):  
(71) Name(s) and Address(s) of Applicant(s):  
**Yongkang NAIBOEN Industrial & Trading Co., Ltd.**  
**No. 2 Xingan Road Xialixi Industrial Area Yongkang City, Zhejiang**  
**Province, China**  
(72) Name(s) of Designer(s): **Zheng Shi**  
(45) Registration Date: **11 January 2016**  
(30) Convention priority data:  
(31) Number (32) Date (33) Country  
**CN201530202492.88 Jun 2015 CHINA**  
(56) Related Art Documents: **Not Applicable**  
(57) Statement of Newness and Distinctiveness: **Novelty resides in the ornamental design for a hose reel as shown in the drawings.**



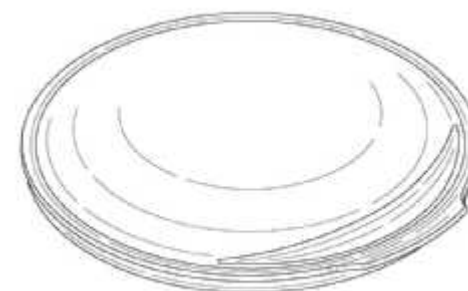
(21) Design Number: **16870/2015**  
(22) Date of Filing Application: **17 December 2015**  
(24) Date from which industrial property rights may have effect: **17 December 2015**  
(54) Product in respect of which the design is registered: **Bonded dual layer sterile wrap**  
(51) International Design Classification: **24-04**  
(74) Name(s) of Attorney(s): **IP Gateway Patent & Trade Mark Attorneys Pty Ltd**  
(71) Name(s) and Address(s) of Applicant(s):  
**Medline Industries, Inc.**  
**One Medline Place Mundelein ILLINOIS, 60060 United States Of America**  
(72) Name(s) of Designer(s): **Dixit Gandhi and Robert A Lockwood and Francis A Czajka Jr**  
(45) Registration Date: **11 January 2016**  
(30) Convention priority data:  
(31) Number (32) Date (33) Country  
**29/523,443 09 Apr 2015 UNITED STATES OF AMERICA**  
(56) Related Art Documents: **Not Applicable**  
(57) Statement of Newness and Distinctiveness: **Newness and distinctiveness reside in the following visual features of pattern and ornamentation of a bonded dual layer sterile wrap as shown in the representations, an embossing pattern; rectangular blue and pink layers forming respective first and second sides of the wrap; each of the respective layers having an exterior face and a first and a second set of two opposing edges; the exterior face of each of the blue and pink layers respectively having two spaced-apart thin and parallel blue or pink bonded sections extending from the first to the second of the first set of edges, the area between each said two blue and pink bonded sections being free of bonding; each of said two blue and pink bonded sections having a first bonded section positioned near and parallel to a first of the second set of edges, and a second bonded section positioned near parallel to a second of the second set of edges; the second set of edges of each of the blue and pink layers having no bonding.**



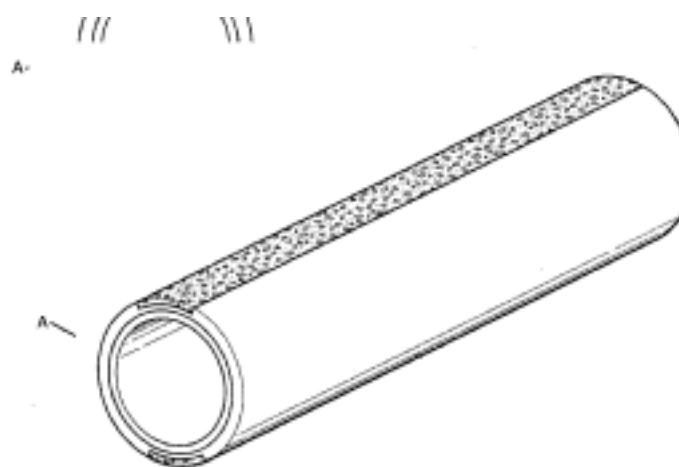
(21) Design Number: **16871/2015**  
(22) Date of Filing Application: **17 December 2015**  
(24) Date from which industrial property rights may have effect: **17 December 2015**  
(54) Product in respect of which the design is registered: **Device for filling multiple water balloons**  
(51) International Design Classification: **21-01NES**  
(74) Name(s) of Attorney(s): **Allens Patent & Trade Mark Attorneys**  
(71) Name(s) and Address(s) of Applicant(s):  
**Telebrands Corp.**  
**79 Two Bridges Road Fairfield New Jersey, 07004 United States of America**  
(72) Name(s) of Designer(s): **Ajit Khubani and Cara Leonard**  
(45) Registration Date: **11 January 2016**  
(30) Convention priority data:  
(31) Number (32) Date (33) Country  
**29/548,651 15 Dec 2015 UNITED STATES OF AMERICA**  
(56) Related Art Documents: **Not Applicable**  
(57) Statement of Newness and Distinctiveness: **Newness and distinctiveness is claimed in the features of shape and configuration of the Device for filling Multiple Water balloons shown in solid lines in the attached representations. When considering the scope of the monopoly, the features of shading are to be considered for clarity of representation only and do not form part of the design.**



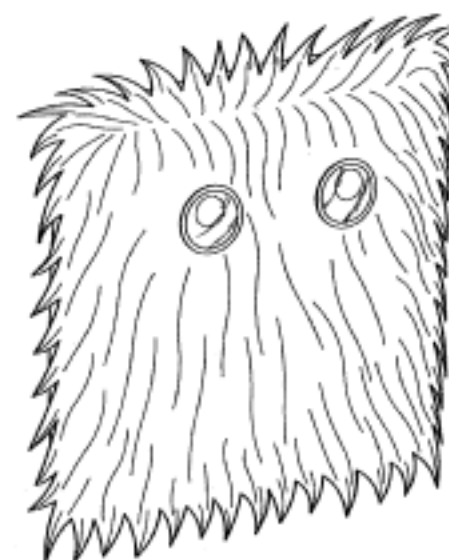
(21) Design Number: **16191/2015**  
(22) Date of Filing Application: **17 November 2015**  
(24) Date from which industrial property rights may have effect: **17 November 2015**  
(54) Product in respect of which the design is registered: **Seal for container**  
(51) International Design Classification: **07-01NES**  
(74) Name(s) of Attorney(s): **PHILLIPS ORMONDE FITZPATRICK**  
(71) Name(s) and Address(s) of Applicant(s):  
**Dart Industries Inc.**  
**14901 S. Orange Blossom Trail Orlando Florida, 32837 United States of America**  
(72) Name(s) of Designer(s): **Vincent Jalet**  
(45) Registration Date: **11 January 2016**  
(30) Convention priority data:  
(31) Number (32) Date (33) Country  
**29/529,860 11 Jun 2015 UNITED STATES OF AMERICA**  
(56) Related Art Documents: **Not Applicable**  
(57) Statement of Newness and Distinctiveness: **Nil**



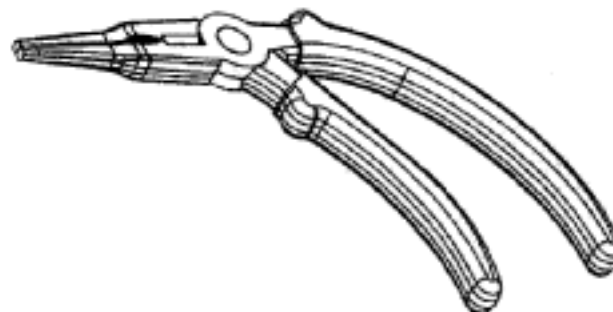
- (21) Design Number: **12826/2015**  
(22) Date of Filing Application: **02 June 2015**  
(24) Date from which industrial property rights may have effect: **02 June 2015**  
(54) Product in respect of which the design is registered: **A hose of indefinite length**  
(51) International Design Classification: **23-01C**  
(74) Name(s) of Attorney(s): **Halfords IP**  
(71) Name(s) and Address(s) of Applicant(s):  
**Fitt S.P.A.**  
**Via Piave 4 36066 Sandrigo (Vicenza) Italy**  
(72) Name(s) of Designer(s): **Alessandro Mezzalira and Denis Pegoraro and Andrea Petronilli**  
(45) Registration Date: **11 January 2016**  
(56) Related Art Documents: **Not Applicable**  
(57) Statement of Newness and Distinctiveness: **Newness and distinctiveness resides in the appearance of a hose of indefinite length having stipes or strips as illustrated in the representations. The appearance of those portions of the hose marked with the letter A, and shading lines, do not form part of the design.**



- (21) Design Number: **14719/2015**  
(22) Date of Filing Application: **07 September 2015**  
(24) Date from which industrial property rights may have effect: **07 September 2015**  
(54) Product in respect of which the design is registered: **Furry pillow**  
(51) International Design Classification: **06-09**  
(74) Name(s) of Attorney(s): **Fisher Adams Kelly Callinans**  
(71) Name(s) and Address(s) of Applicant(s):  
**American Greetings Corporation**  
**One American Road, Cleveland, Ohio, 44144 United States of America**  
(72) Name(s) of Designer(s): **David Mayer and Lynne Shlonsky**  
(45) Registration Date: **11 January 2016**  
(30) Convention priority data:  
(31) Number      (32) Date      (33) Country  
**29/537,429      27 Aug 2015      UNITED STATES OF AMERICA**  
(56) Related Art Documents: **Not Applicable**  
(57) Statement of Newness and Distinctiveness: **Nil**

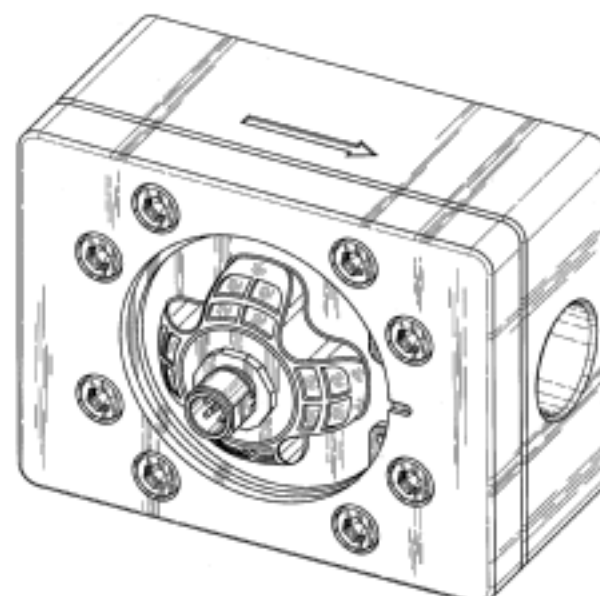


(21) Design Number: **15517/2015**  
(22) Date of Filing Application: **19 October 2015**  
(24) Date from which industrial property rights may have effect: **19 October 2015**  
(54) Product in respect of which the design is registered: **Pistol Grip Pliers**  
(51) International Design Classification: **08-05P**  
(74) Name(s) of Attorney(s): **PETER MAXWELL & ASSOCIATES**  
(71) Name(s) and Address(s) of Applicant(s):  
**JS Products, Inc.**  
**6445 Montessouri Street Las Vegas NV, 89113 United States of America**



(72) Name(s) of Designer(s): **Chungeng Chen**  
(45) Registration Date: **11 January 2016**  
(30) Convention priority data:  
(31) Number      (32) Date      (33) Country  
**303374827      17 Apr 2015      CHINA**  
(56) Related Art Documents: **Not Applicable**  
(57) Statement of Newness and Distinctiveness: **Newness and distinctiveness is claimed in the shape and/or configuration of the handles with bumps thereon of the PISTOL GRIP PLIERS.**

(21) Design Number: **16540/2015**  
(22) Date of Filing Application: **03 December 2015**  
(24) Date from which industrial property rights may have effect: **03 December 2015**  
(54) Product in respect of which the design is registered: **Flow meter**  
(51) International Design Classification: **10-04**  
(74) Name(s) of Attorney(s): **WATERMARK PATENT AND TRADE MARKS ATTORNEYS**  
(71) Name(s) and Address(s) of Applicant(s):  
**Macnaught Pty Limited**  
**41-49 Henderson St Turrella NSW 2205 Australia**

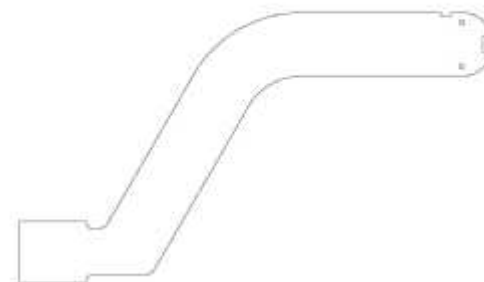


(72) Name(s) of Designer(s): **Arthur Wiedmann**  
(45) Registration Date: **11 January 2016**  
(56) Related Art Documents: **Not Applicable**  
(57) Statement of Newness and Distinctiveness: **This design is applied to a flow meter and the novelty and distinctiveness resides in the features of shape and configuration as shown in the accompanying representations, with particular emphasis on the electrical connector extending from the meter cap.**

- (21) Design Number: **16555/2015**  
(22) Date of Filing Application: **04 December 2015**  
(24) Date from which industrial property rights may have effect: **04 December 2015**  
(54) Product in respect of which the design is registered: **Clutch bag (Women's fashion accessory)**  
(51) International Design Classification: **03-01B**  
(74) Name(s) of Attorney(s):  
(71) Name(s) and Address(s) of Applicant(s):  
**Nicolette Harris**  
**PO BOX 1435 Howard Springs NT 0835 Australia**  
**Bespoke Baby Pty Ltd**  
**L10 168 Walker St North Sydney NSW 2060 Australia**  
(72) Name(s) of Designer(s): **Nicolette Harris**  
(45) Registration Date: **11 January 2016**  
(56) Related Art Documents: **Not Applicable**  
(57) Statement of Newness and Distinctiveness: **The nappy clutch is specifically designed to hold baby nappies and baby wipes. Unlike other nappy holding devices or pouches available this nappy clutch design combines a number of features that makes it new and different to any other designs currently available. New and distinctive features Open ended zip along 3 edges of pouch Two internal pockets that feature a pleat and elastic to hold nappies and wipes Clasp for a wrist strap to be attached or to attach the clutch to other items It has been called a clutch as it resembles a fashion handbag called a clutch that is designed to be carried in a hand or under an arm. It is different to normal clutches as it's not a fashion accessory, its purpose is to hold and carry nappies. The nappy clutch is a soft pouch made from fabric, these fabrics can feature different designs / patterns.**



- (21) Design Number: **16011/2015**  
(22) Date of Filing Application: **11 November 2015**  
(24) Date from which industrial property rights may have effect: **11 November 2015**  
(54) Product in respect of which the design is registered: **Barbeque arm**  
(51) International Design Classification: **07-02NES**  
(74) Name(s) of Attorney(s): **Griffith Hack**  
(71) Name(s) and Address(s) of Applicant(s):  
**Peter Schultz**  
**12 Glebe Road The Junction NSW 2291 Australia**  
(72) Name(s) of Designer(s): **Peter Schultz**  
(45) Registration Date: **11 January 2016**  
(56) Related Art Documents: **Not Applicable**  
(57) Statement of Newness and Distinctiveness: **Newness and distinctiveness reside in the overall body shape and configuration of a barbeque arm as shown in the Figures.**





(21) Design Number: **16026/2015**

(22) Date of Filing Application: **11 November 2015**

(24) Date from which industrial property rights may have effect: **11 November 2015**

(54) Product in respect of which the design is registered: **Kitchen utensil actuator for actuating vegetable and salad spinners and the like**

(51) International Design Classification: **07-04**

(74) Name(s) of Attorney(s): **Spruson & Ferguson**

(71) Name(s) and Address(s) of Applicant(s):

**DKB Household UK Limited**  
**Bridge House Eelmoor Road Farnborough Hampshire GU14 7UE United Kingdom**

(72) Name(s) of Designer(s): **Natalia Vadimovna Romanova**

(45) Registration Date: **11 January 2016**

(30) Convention priority data:

(31) Number	(32) Date	(33) Country
<b>002701706-0003</b>	<b>15 May 2015</b>	<b>OFFICE FOR HARMONISATION IN THE INTERNAL MARKET (OHIM)</b>

(56) Related Art Documents: **Not Applicable**

(57) Statement of Newness and Distinctiveness: **Newness and distinctiveness is claimed in those features of shape and/or configuration of a kitchen utensil as illustrated in continuous lines in the accompanying representations.**



(21) Design Number: **16076/2015**

(22) Date of Filing Application: **13 November 2015**

(24) Date from which industrial property rights may have effect: **13 November 2015**

(54) Product in respect of which the design is registered: **Kitchen utensil handle, such as for actuating a salad spinner**

(51) International Design Classification: **07-02R**

(74) Name(s) of Attorney(s): **Spruson & Ferguson**

(71) Name(s) and Address(s) of Applicant(s):

**DKB Household UK Limited**  
**Bridge House Eelmoor Road Farnborough Hampshire GU14 7UE United Kingdom**

(72) Name(s) of Designer(s): **Natalia Vadimovna Romanova**

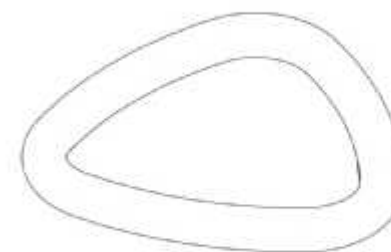
(45) Registration Date: **11 January 2016**

(30) Convention priority data:

(31) Number	(32) Date	(33) Country
<b>002701706-0004</b>	<b>15 May 2015</b>	<b>OFFICE FOR HARMONISATION IN THE INTERNAL MARKET (OHIM)</b>

(56) Related Art Documents: **Not Applicable**

(57) Statement of Newness and Distinctiveness: **Newness and distinctiveness is claimed in the features of shape and/or configuration of a kitchen utensil as illustrated in the accompanying representations.**



(21) Design Number: **16874/2015**

(22) Date of Filing Application: **17 December 2015**

(24) Date from which industrial property rights may have effect: **09 October 2015**

(54) Product in respect of which the design is registered: **Bonded dual layer sterile wrap**

(51) International Design Classification: **24-04**

(74) Name(s) of Attorney(s): **IP Gateway Patent & Trade Mark Attorneys Pty Ltd**

(71) Name(s) and Address(s) of Applicant(s):

**Medline Industries, Inc.  
One Medline Place Mundelein ILLINOIS, 60060 United States Of America**

(72) Name(s) of Designer(s): **Dixit Gandhi and Robert A Lockwood and Francis A Czajka Jr**

(45) Registration Date: **11 January 2016**

(30) Convention priority data:

(31) Number	(32) Date	(33) Country
<b>29/523,443</b>	<b>09 Apr 2015</b>	<b>UNITED STATES OF AMERICA</b>

(62) Divisional of: **366214**

(56) Related Art Documents: **Not Applicable**

(57) Statement of Newness and Distinctiveness: **Newness and distinctiveness reside in the following visual features of pattern and ornamentation of a bonded dual layer sterile wrap as shown in the representations, an embossing pattern; rectangular blue and pink layers forming respective first and second sides of the wrap; each of the respective layers having an exterior face and a first and a second set of two opposing edges; the exterior face of each of the blue and pink layers respectively having two spaced-apart thin and parallel blue or pink bonded sections extending from the first to the second of the first set of edges, the area between each said two blue and pink bonded sections being free of bonding; each of said two blue and pink bonded sections having a first bonded section positioned near and parallel to a first of the second set of edges, and a second bonded section the second set of edges, and a second bonded section positioned near parallel to a second of the second set of edges; the second set of edges of each of the blue and pink layers having no bonding.**



(21) Design Number: **16876/2015**

(22) Date of Filing Application: **17 December 2015**

(24) Date from which industrial property rights may have effect: **09 October 2015**

(54) Product in respect of which the design is registered: **Bonded dual layer sterile wrap**

(51) International Design Classification: **24-04**

(74) Name(s) of Attorney(s): **IP Gateway Patent & Trade Mark Attorneys Pty Ltd**

(71) Name(s) and Address(s) of Applicant(s):

**Medline Industries, Inc.  
One Medline Place Mundelein ILLINOIS, 60060 United States Of America**

(72) Name(s) of Designer(s): **Dixit Gandhi and Robert A. Lockwood and Francis A. Czajka, Jr.**

(45) Registration Date: **11 January 2016**

(30) Convention priority data:

(31) Number	(32) Date	(33) Country
<b>29/523,443</b>	<b>09 Apr 2015</b>	<b>UNITED STATES OF AMERICA</b>

(62) Divisional of: **366214**

(56) Related Art Documents: **Not Applicable**

(57) Statement of Newness and Distinctiveness: **Newness and distinctiveness reside in the following visual features of pattern and ornamentation of a bonded dual layer sterile wrap as shown in the representations, an embossing pattern; rectangular blue and pink layers forming respective first and second sides of the wrap; each of the respective layers having an exterior face and a first and a second set of two opposing edges; the exterior face of each of the blue and pink layers respectively having two spaced-apart thin and parallel blue or pink bonded sections extending from the first to the second of the first set of edges, the area between each said two blue and pink bonded sections being free of bonding; each of said two blue and pink bonded sections having a first bonded section positioned near and parallel to a first of the second set of edges, and a second bonded section positioned near parallel to a second of the second set of edges; the second set of edges of each of the blue and pink layers having no bonding.**



(21) Design Number: **16877/2015**

(22) Date of Filing Application: **17 December 2015**

(24) Date from which industrial property rights may have effect: **09 October 2015**

(54) Product in respect of which the design is registered: **Bonded dual layer sterile wrap**

(51) International Design Classification: **24-04**

(74) Name(s) of Attorney(s): **IP Gateway Patent & Trade Mark Attorneys Pty Ltd**

(71) Name(s) and Address(s) of Applicant(s):

**Medline Industries, Inc.  
One Medline Place Mundelein ILLINOIS, 60060 United States Of America**

(72) Name(s) of Designer(s): **Dixit Gandhi and Robert A. Lockwood and Francis A. Czajka, Jr.**

(45) Registration Date: **11 January 2016**

(30) Convention priority data:

(31) Number	(32) Date	(33) Country
<b>29/523,443</b>	<b>09 Apr 2015</b>	<b>UNITED STATES OF AMERICA</b>

(62) Divisional of: **366214**

(56) Related Art Documents: **Not Applicable**

(57) Statement of Newness and Distinctiveness: **Newness and distinctiveness reside in the following visual features of pattern and ornamentation of a bonded dual layer sterile wrap as shown in the representations, an embossing pattern; rectangular blue and pink layers forming respective first and second sides of the wrap; each of the respective layers having an exterior face and a first and a second set of two opposing edges; the exterior face of each of the blue and pink layers respectively having two spaced-apart thin and parallel blue or pink bonded sections extending from the first to the second of the first set of edges, the area between each said two blue and pink bonded sections being free of bonding; each of said two blue and pink bonded sections having a first bonded section positioned near and parallel to a first of the second set of edges, and a second bonded section positioned near parallel to a second of the second set of edges; the second set of edges of each of the blue and pink layers having no bonding.**



(21) Design Number: **16878/2015**

(22) Date of Filing Application: **17 December 2015**

(24) Date from which industrial property rights may have effect: **09 October 2015**

(54) Product in respect of which the design is registered: **Bonded dual layer sterile wrap**

(51) International Design Classification: **24-04**

(74) Name(s) of Attorney(s): **IP Gateway Patent & Trade Mark Attorneys Pty Ltd**

(71) Name(s) and Address(s) of Applicant(s):

**Medline Industries, Inc.  
One Medline Place Mundelein ILLINOIS, 60060 United States Of America**

(72) Name(s) of Designer(s): **Dixit Gandhi and Robert A. Lockwood and Francis A. Czajka, Jr.**

(45) Registration Date: **11 January 2016**

(30) Convention priority data:

(31) Number	(32) Date	(33) Country
<b>29/523,443</b>	<b>09 Apr 2015</b>	<b>UNITED STATES OF AMERICA</b>

(62) Divisional of: **366215**

(56) Related Art Documents: **Not Applicable**

(57) Statement of Newness and Distinctiveness: **Newness and distinctiveness reside in the visual features of pattern and ornamentation of a bonded dual layer sterile wrap comprising, as shown in the representations, a first layer of a blue colour forming a first side of the wrap; a second layer of a contrasting colour forming a second side of the wrap. When considering newness and distinctiveness the specific patterning of the two parallel bonded sections that extend from one edge of the wrap to an opposed edge of the wrap should be given minimum emphasis.**



(21) Design Number: **16879/2015**

(22) Date of Filing Application: **17 December 2015**

(24) Date from which industrial property rights may have effect: **17 December 2015**

(54) Product in respect of which the design is registered: **Hose reels**

(51) International Design Classification: **08-99**

(74) Name(s) of Attorney(s):

(71) Name(s) and Address(s) of Applicant(s):

**Yongkang NAIBOEN Industrial & Trading Co., Ltd.  
No. 2 Xingan Road Xialixi Industrial Area Yongkang City, Zhejiang Province, China**

(72) Name(s) of Designer(s): **Zheng Shi**

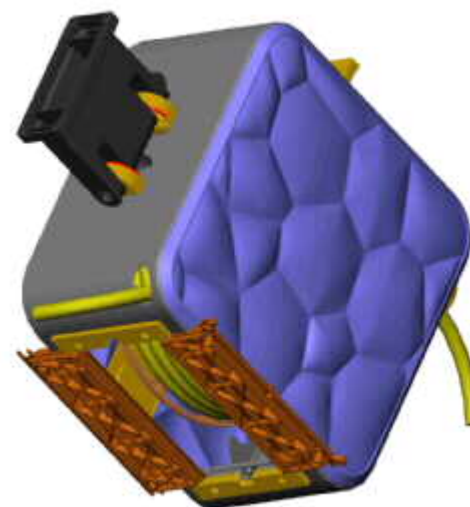
(45) Registration Date: **11 January 2016**

(30) Convention priority data:

(31) Number	(32) Date	(33) Country
<b>CN201530202492.88</b>	<b>Jun 2015</b>	<b>CHINA</b>

(56) Related Art Documents: **Not Applicable**

(57) Statement of Newness and Distinctiveness: **Novelty resides in the ornamental design for a hose reel as shown in the drawings.**



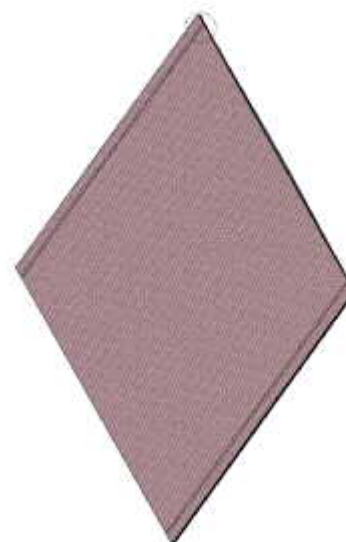
(21) Design Number: **16880/2015**  
(22) Date of Filing Application: **17 December 2015**  
(24) Date from which industrial property rights may have effect: **17 December 2015**  
(54) Product in respect of which the design is registered: **Luggage**  
(51) International Design Classification: **03-01A**  
(74) Name(s) of Attorney(s): **Griffith Hack**  
(71) Name(s) and Address(s) of Applicant(s):  
**Samsonite IP Holdings S.a r.l.**  
**13-15 Avenue de la Liberte Luxembourg L-1931 Luxembourg**  
(72) Name(s) of Designer(s): **Peter John Burns**  
(45) Registration Date: **11 January 2016**  
(30) Convention priority data:  
(31) Number (32) Date (33) Country  
**1501391.5M001 29 Jun 2015 HONG KONG**  
(56) Related Art Documents: **Not Applicable**  
(57) Statement of Newness and Distinctiveness: **The shape and configuration of the parts of the product shown by solid lines in the accompanying representations are new and distinctive.**



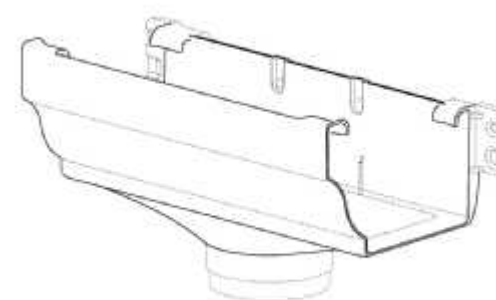
(21) Design Number: **16881/2015**  
(22) Date of Filing Application: **17 December 2015**  
(24) Date from which industrial property rights may have effect: **17 December 2015**  
(54) Product in respect of which the design is registered: **Luggage**  
(51) International Design Classification: **03-01A**  
(74) Name(s) of Attorney(s): **Griffith Hack**  
(71) Name(s) and Address(s) of Applicant(s):  
**Samsonite IP Holdings S.a r.l.**  
**13-15 Avenue de la Liberte Luxembourg L-1931 Luxembourg**  
(72) Name(s) of Designer(s): **Peter John Burns**  
(45) Registration Date: **11 January 2016**  
(30) Convention priority data:  
(31) Number (32) Date (33) Country  
**1501391.5M002 29 Jun 2015 HONG KONG**  
(56) Related Art Documents: **Not Applicable**  
(57) Statement of Newness and Distinctiveness: **The shape and configuration of the parts of the product shown by solid lines in the accompanying representations are new and distinctive.**



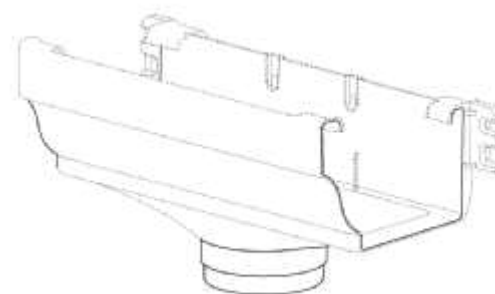
(21) Design Number: **16882/2015**  
(22) Date of Filing Application: **17 December 2015**  
(24) Date from which industrial property rights may have effect: **09 October 2015**  
(54) Product in respect of which the design is registered: **Bonded dual layer sterile wrap**  
(51) International Design Classification: **24-04**  
(74) Name(s) of Attorney(s): **IP Gateway Patent & Trade Mark Attorneys Pty Ltd**  
(71) Name(s) and Address(s) of Applicant(s):  
**Medline Industries, Inc.**  
**One Medline Place Mundelein ILLINOIS, 60060 United States Of America**  
(72) Name(s) of Designer(s): **Dixit Gandhi and Robert A. Lockwood and Francis A. Czajka, Jr.**  
(45) Registration Date: **11 January 2016**  
(30) Convention priority data:  
(31) Number (32) Date (33) Country  
**29/523,443 09 Apr 2015 UNITED STATES OF AMERICA**  
(62) Divisional of: **366215**  
(56) Related Art Documents: **Not Applicable**  
(57) Statement of Newness and Distinctiveness: **Newness and distinctiveness reside in the visual features of pattern and ornamentation of a bonded dual layer sterile wrap comprising, as shown in the representations, a first layer of a blue colour forming a first side of the wrap; a second layer of a contrasting colour forming a second side of the wrap. When considering newness and distinctiveness the specific patterning of the two parallel bonded sections that extend from one edge of the wrap to an opposed edge of the wrap should be given minimum emphasis.**



(21) Design Number: **16850/2015**  
(22) Date of Filing Application: **17 December 2015**  
(24) Date from which industrial property rights may have effect: **17 December 2015**  
(54) Product in respect of which the design is registered: **Spouting outlet**  
(51) International Design Classification: **25-01NES**  
(74) Name(s) of Attorney(s): **Baldwins**  
(71) Name(s) and Address(s) of Applicant(s):  
**Marley New Zealand Limited**  
**32 Mahia Road Manurewa Auckland 2102 New Zealand**  
(72) Name(s) of Designer(s): **Neil Glen Davies and Robert William Stretton**  
(45) Registration Date: **11 January 2016**  
(30) Convention priority data:  
(31) Number (32) Date (33) Country  
**420335 17 Jun 2015 NEW ZEALAND**  
(56) Related Art Documents: **Not Applicable**  
(57) Statement of Newness and Distinctiveness: **The design is to be applied to a SPOUTING OUTLET and the newness and distinctiveness of the design resides in the features of shape and/or configuration of the article as shown in the accompanying representations, excluding those features shown in broken lines.**



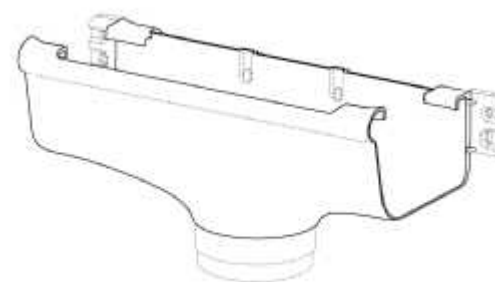
- (21) Design Number: **16851/2015**  
(22) Date of Filing Application: **17 December 2015**  
(24) Date from which industrial property rights may have effect: **17 December 2015**  
(54) Product in respect of which the design is registered: **Spouting outlet**  
(51) International Design Classification: **25-01NES**  
(74) Name(s) of Attorney(s): **Baldwins**  
(71) Name(s) and Address(s) of Applicant(s):  
**Marley New Zealand Limited**  
**32 Mahia Road Manurewa Auckland, 2102 New Zealand**  
(72) Name(s) of Designer(s): **Neil Glen Davies and Robert William Stretton**  
(45) Registration Date: **11 January 2016**  
(56) Related Art Documents: **Not Applicable**  
(57) Statement of Newness and Distinctiveness: **The design is to be applied to a SPOUTING OUTLET and the newness and distinctiveness of the design resides in the features of shape and/or configuration of the article as shown in the accompanying representations, excluding those features shown in broken lines.**



- (21) Design Number: **16852/2015**  
(22) Date of Filing Application: **17 December 2015**  
(24) Date from which industrial property rights may have effect: **17 December 2015**  
(54) Product in respect of which the design is registered: **Spouting Outlet**  
(51) International Design Classification: **25-01NES**  
(74) Name(s) of Attorney(s): **Baldwins**  
(71) Name(s) and Address(s) of Applicant(s):  
**Marley New Zealand Limited**  
**32 Mahia Road Manurewa Auckland, 2102 New Zealand**  
(72) Name(s) of Designer(s): **Neil Glen Davies and Robert William Stretton**  
(45) Registration Date: **11 January 2016**  
(30) Convention priority data:  

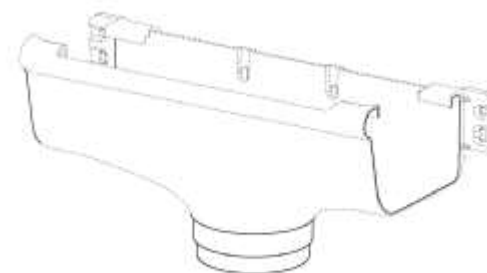
(31) Number	(32) Date	(33) Country
<b>420337</b>	<b>17 Jun 2015</b>	<b>NEW ZEALAND</b>

  
(56) Related Art Documents: **Not Applicable**  
(57) Statement of Newness and Distinctiveness: **The design is to be applied to a SPOUTING OUTLET and the newness and distinctiveness of the design resides in the features of shape and/or configuration of the article as shown in the accompanying representations, excluding those features shown in broken lines.**



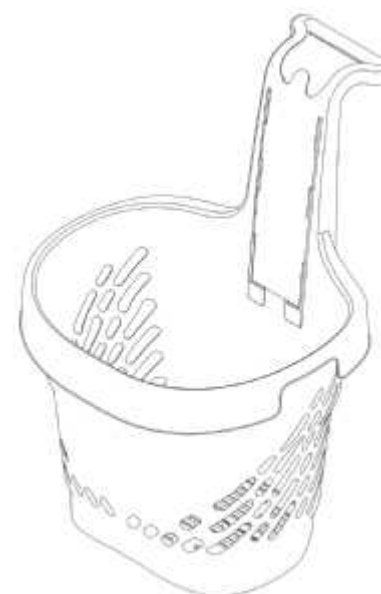


(21) Design Number: **16853/2015**  
(22) Date of Filing Application: **17 December 2015**  
(24) Date from which industrial property rights may have effect: **17 December 2015**  
(54) Product in respect of which the design is registered: **Spouting outlet**  
(51) International Design Classification: **25-01NES**  
(74) Name(s) of Attorney(s): **Baldwins**  
(71) Name(s) and Address(s) of Applicant(s):  
**Marley New Zealand Limited**  
**32 Mahia Road Manurewa Auckland, 2102 New Zealand**  
(72) Name(s) of Designer(s): **Neil Glen Davies and Robert William Stretton**  
(45) Registration Date: **11 January 2016**



(30) Convention priority data:  
(31) Number      (32) Date      (33) Country  
**420339      17 Jun 2015      NEW ZEALAND**  
(56) Related Art Documents: **Not Applicable**  
(57) Statement of Newness and Distinctiveness: **The design is to be applied to a SPOUTING OUTLET and the newness and distinctiveness of the design resides in the features of shape and/or configuration of the article as shown in the accompanying representations, excluding those features shown in broken lines.**

(21) Design Number: **16855/2015**  
(22) Date of Filing Application: **17 December 2015**  
(24) Date from which industrial property rights may have effect: **17 December 2015**  
(54) Product in respect of which the design is registered: **Shopping baskets**  
(51) International Design Classification: **03-01A**  
(74) Name(s) of Attorney(s): **Madderns**  
(71) Name(s) and Address(s) of Applicant(s):  
**JOALPE INDUSTRIA DE EXPOSITORES S.A**  
**Zona Industrial do Tortosendo Lote 41-43 Tortosendo 6200-823 Portugal**  
(72) Name(s) of Designer(s): **Maria da Conceicao Gil Duarte Pereira**  
(45) Registration Date: **11 January 2016**



(30) Convention priority data:  
(31) Number      (32) Date      (33) Country  
**002729442-0001      01 Jul 2015      OFFICE FOR HARMONISATION IN  
THE INTERNAL MARKET (OHIM)**  
(56) Related Art Documents: **Not Applicable**  
(57) Statement of Newness and Distinctiveness: **Nil**

(21) Design Number: **16860/2015**  
(22) Date of Filing Application: **17 December 2015**  
(24) Date from which industrial property rights may have effect: **17 December 2015**  
(54) Product in respect of which the design is registered: **Bottle**  
(51) International Design Classification: **09-01H**  
(74) Name(s) of Attorney(s): **Griffith Hack**  
(71) Name(s) and Address(s) of Applicant(s):

**Bruni Glass S.p.A.**  
**Viale Cristoforo Colombo, 12/14 Trezzano Sul Naviglio Milano, 20090**  
**Italy**

(72) Name(s) of Designer(s): **Christopher Ginders**

(45) Registration Date: **11 January 2016**

(30) Convention priority data:

(31) Number	(32) Date	(33) Country
<b>002738773</b>	<b>17 Jul 2015</b>	<b>OFFICE FOR HARMONISATION IN THE INTERNAL MARKET (OHIM)</b>

(56) Related Art Documents: **Not Applicable**

(57) Statement of Newness and Distinctiveness: **The shape and configuration of the product, as shown in the figures by solid lines (as against dashed lines and draftsman's shading lines), are new and distinctive.**



(21) Design Number: **16861/2015**  
(22) Date of Filing Application: **17 December 2015**  
(24) Date from which industrial property rights may have effect: **17 December 2015**  
(54) Product in respect of which the design is registered: **Twist lock**  
(51) International Design Classification: **12-99**  
(74) Name(s) of Attorney(s): **Jogias**  
(71) Name(s) and Address(s) of Applicant(s):

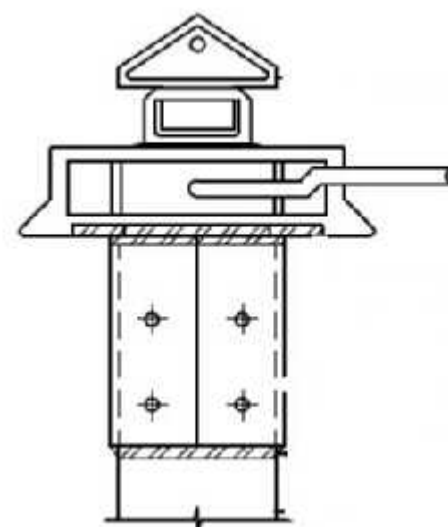
**All Things Containers Group Pty Ltd**  
**28 CARTER ST Northgate QLD 4013 Australia**

(72) Name(s) of Designer(s): **All Things Containers Group Pty Ltd and Jason Wendt**

(45) Registration Date: **11 January 2016**

(56) Related Art Documents: **Not Applicable**

(57) Statement of Newness and Distinctiveness: **Nil**



- (21) Design Number: **15122/2015**  
(22) Date of Filing Application: **01 October 2015**  
(24) Date from which industrial property rights may have effect: **01 October 2015**  
(54) Product in respect of which the design is registered: **Handbag**  
(51) International Design Classification: **03-01B**  
(74) Name(s) of Attorney(s):  
(71) Name(s) and Address(s) of Applicant(s):  
    **Tania Liu**  
        **5 Wallis Street WOOLLAHRA NSW, 2025 Australia**  
    **Alyce Tran**  
        **5 Wallis Street WOOLLAHRA NSW, 2025 Australia**  
(72) Name(s) of Designer(s): **Alyce Tran and Tania Liu**  
(45) Registration Date: **12 January 2016**  
(56) Related Art Documents: **Not Applicable**  
(57) Statement of Newness and Distinctiveness: **new clasps and square structure**



- (21) Design Number: **15304/2015**  
(22) Date of Filing Application: **09 October 2015**  
(24) Date from which industrial property rights may have effect: **09 October 2015**  
(54) Product in respect of which the design is registered: **Laptop case**  
(51) International Design Classification: **03-01NES**  
(74) Name(s) of Attorney(s):  
(71) Name(s) and Address(s) of Applicant(s):  
    **Tania Liu**  
        **5 Wallis Street WOOLLAHRA NSW, 2025 Australia**  
    **Alyce Tran**  
        **5 Wallis Street WOOLLAHRA NSW, 2025 Australia**  
(72) Name(s) of Designer(s): **Alyce Tran and Tania Liu**  
(45) Registration Date: **12 January 2016**  
(56) Related Art Documents: **Not Applicable**  
(57) Statement of Newness and Distinctiveness: **Exterior pocket.**



- (21) Design Number: **15331/2015**  
(22) Date of Filing Application: **09 October 2015**  
(24) Date from which industrial property rights may have effect: **09 October 2015**  
(54) Product in respect of which the design is registered: **Wallet**  
(51) International Design Classification: **03-01B**  
(74) Name(s) of Attorney(s):  
(71) Name(s) and Address(s) of Applicant(s):  
    **Tania Liu**  
    **5 Wallis Street WOOLLAHRA NSW, 2025 Australia**  
    **Alyce Tran**  
    **5 Wallis Street WOOLLAHRA NSW, 2025 Australia**  
(72) Name(s) of Designer(s): **Tania Liu**  
(45) Registration Date: **12 January 2016**  
(56) Related Art Documents: **Not Applicable**  
(57) Statement of Newness and Distinctiveness: **Wrist strap and coin purse interior.**



- (21) Design Number: **15341/2015**  
(22) Date of Filing Application: **09 October 2015**  
(24) Date from which industrial property rights may have effect: **09 October 2015**  
(54) Product in respect of which the design is registered: **Fitness and martial arts training equipment.**  
(51) International Design Classification: **21-02F**  
(74) Name(s) of Attorney(s):  
(71) Name(s) and Address(s) of Applicant(s):  
    **James Jeffrey Herbst**  
    **PO BOX 975 Beenleigh QLD, 4207 Australia**  
(72) Name(s) of Designer(s): **James Jeffrey Herbst**  
(45) Registration Date: **12 January 2016**  
(56) Related Art Documents: **Not Applicable**  
(57) Statement of Newness and Distinctiveness: **shown in the pictures as a letterbox design through the use of its materials, shape, features & function. Major product components: Thermoplastic polymer (polycarbonate) sheet, foam padding & a pvc fabric cover. Unlike any other striking equipment, this product utilises a thermoplastic polymer (polycarbonate) to give it its shape & rigidity. This strength, combined with its distinctive curved shape & size, provides protection to the holders head & body, from front & side blows. The units size, curve & angles can be manufactured better than any other training shield due to the polycarbonates forming properties. This creates more targets & enables more striking styles than any other product. This product also has a unique cut out section within the padded material & cover. This variable size & shape design feature is shown in the pictures as a letterbox rectangular shape. This cut out allows the person holding the unit to maintain visual contact with the person striking it.**



- (21) Design Number: **15556/2015**  
(22) Date of Filing Application: **21 October 2015**  
(24) Date from which industrial property rights may have effect: **21 October 2015**  
(54) Product in respect of which the design is registered: **Ornamentation of packaging eg for hygiene articles**  
(51) International Design Classification: **09-03M**  
(74) Name(s) of Attorney(s): **FB Rice**  
(71) Name(s) and Address(s) of Applicant(s):  
**Paul Hartmann AG**  
**Paul-Hartmann-Strasse 12 Heidenheim 89522 Germany**  
(72) Name(s) of Designer(s): **Employees of Serviceplan Design Hamburg GmbH & Co. KG**  
(45) Registration Date: **12 January 2016**  
(56) Related Art Documents: **Not Applicable**  
(57) Statement of Newness and Distinctiveness: **Nil**



- (21) Design Number: **16814/2015**  
(22) Date of Filing Application: **15 December 2015**  
(24) Date from which industrial property rights may have effect: **18 August 2015**  
(54) Product in respect of which the design is registered: **Street furniture - bench seat**  
(51) International Design Classification: **06-01C**  
(74) Name(s) of Attorney(s):  
(71) Name(s) and Address(s) of Applicant(s):  
**STREET & GARDEN FURNITURE COMPANY PTY. LTD.**  
**1/11 Donkin St West End QLD 4101 Australia**  
(72) Name(s) of Designer(s): **Surya Graf**  
(45) Registration Date: **12 January 2016**  
(62) Divisional of: **366158**  
(56) Related Art Documents: **Not Applicable**  
(57) Statement of Newness and Distinctiveness: **General form and fabrication techniques.**



(21) Design Number: **16834/2015**  
(22) Date of Filing Application: **15 December 2015**  
(24) Date from which industrial property rights may have effect: **15 December 2015**  
(54) Product in respect of which the design is registered: **Water filter jug**  
(51) International Design Classification: **07-01F, 23-01G**  
(74) Name(s) of Attorney(s): **Griffith Hack**  
(71) Name(s) and Address(s) of Applicant(s):

**BRITA GMBH**  
**Heinrich-Hertz Strasse 4 TAUNUSSTEIN 65232 Germany**

(72) Name(s) of Designer(s): **Christian Rummel and Tim Storti**

(45) Registration Date: **12 January 2016**

(30) Convention priority data:

(31) Number	(32) Date	(33) Country
<b>002732776</b>	<b>07 Jul 2015</b>	<b>OFFICE FOR HARMONISATION IN THE INTERNAL MARKET (OHIM)</b>

(56) Related Art Documents: **Not Applicable**

(57) Statement of Newness and Distinctiveness: **Newness and distinctiveness resides in the visual features of a WATER FILTER JUG, including the translucent jug and filter, and opaque lid, as well as the differential tones between each of the jug and filter and lid, as shown in the accompanying representations.**



(21) Design Number: **16835/2015**  
(22) Date of Filing Application: **15 December 2015**  
(24) Date from which industrial property rights may have effect: **15 December 2015**  
(54) Product in respect of which the design is registered: **Water filter jug**  
(51) International Design Classification: **07-01F, 23-01G**  
(74) Name(s) of Attorney(s): **Griffith Hack**  
(71) Name(s) and Address(s) of Applicant(s):

**BRITA GMBH**  
**Heinrich-Hertz Strasse 4 TAUNUSSTEIN 65232 Germany**

(72) Name(s) of Designer(s): **Christian Rummel and Tim Storti**

(45) Registration Date: **12 January 2016**

(30) Convention priority data:

(31) Number	(32) Date	(33) Country
<b>002732776</b>	<b>07 Jul 2015</b>	<b>OFFICE FOR HARMONISATION IN THE INTERNAL MARKET (OHIM)</b>

(56) Related Art Documents: **Not Applicable**

(57) Statement of Newness and Distinctiveness: **Newness and distinctiveness resides in the visual features of a WATER FILTER JUG, including the translucent jug and filter, and opaque lid, as well as the differential tones between each of the jug and filter and lid, as shown in the accompanying representations.**



(21) Design Number: **16884/2015**

(22) Date of Filing Application: **17 December 2015**

(24) Date from which industrial property rights may have effect: **09 October 2015**

(54) Product in respect of which the design is registered: **Bonded dual layer sterile wrap**

(51) International Design Classification: **24-04**

(74) Name(s) of Attorney(s): **IP Gateway Patent & Trade Mark Attorneys Pty Ltd**

(71) Name(s) and Address(s) of Applicant(s):

**Medline Industries, Inc.  
One Medline Place Mundelein ILLINOIS, 60060 United States Of America**

(72) Name(s) of Designer(s): **Dixit Gandhi and Robert A. Lockwood and Francis A. Czajka, Jr.**

(45) Registration Date: **12 January 2016**

(30) Convention priority data:

(31) Number	(32) Date	(33) Country
<b>29/523,443</b>	<b>09 Apr 2015</b>	<b>UNITED STATES OF AMERICA</b>

(62) Divisional of: **366215**

(56) Related Art Documents: **Not Applicable**

(57) Statement of Newness and Distinctiveness: **Newness and distinctiveness reside in the visual features of pattern and ornamentation of a bonded dual layer sterile wrap comprising, as shown in the representations, a first layer of a blue colour forming a first side of the wrap; a second layer of a contrasting colour forming a second side of the wrap. When considering newness and distinctiveness the specific patterning of the two parallel bonded sections that extend from one edge of the wrap to an opposed edge of the wrap should be given minimum emphasis.**



(21) Design Number: **16885/2015**

(22) Date of Filing Application: **17 December 2015**

(24) Date from which industrial property rights may have effect: **17 December 2015**

(54) Product in respect of which the design is registered: **Shell for hose reels**

(51) International Design Classification: **08-99**

(74) Name(s) of Attorney(s):

(71) Name(s) and Address(s) of Applicant(s):

**Yongkang NAIBOEN Industrial & Trading Co., Ltd.  
No. 2 Xingan Road Xialixi Industrial Area Yongkang City, Zhejiang Province, China**

(72) Name(s) of Designer(s): **Zheng Shi**

(45) Registration Date: **12 January 2016**

(30) Convention priority data:

(31) Number	(32) Date	(33) Country
<b>CN201530202492.88</b>	<b>Jun 2015</b>	<b>CHINA</b>

(56) Related Art Documents: **Not Applicable**

(57) Statement of Newness and Distinctiveness: **Novelty resides in the ornamental design for a shell for hose reel as shown in the drawings.**



(21) Design Number: **16886/2015**

(22) Date of Filing Application: **17 December 2015**

(24) Date from which industrial property rights may have effect: **09 October 2015**

(54) Product in respect of which the design is registered: **Bonded dual layer sterile wrap**

(51) International Design Classification: **24-04**

(74) Name(s) of Attorney(s): **IP Gateway Patent & Trade Mark Attorneys Pty Ltd**

(71) Name(s) and Address(s) of Applicant(s):

**Medline Industries, Inc.  
One Medline Place Mundelein ILLINOIS, 60060 United States Of America**

(72) Name(s) of Designer(s): **Dixit Gandhi and Robert A. Lockwood and Francis A. Czajka, Jr.**

(45) Registration Date: **12 January 2016**

(30) Convention priority data:

(31) Number	(32) Date	(33) Country
<b>29/523,443</b>	<b>09 Apr 2015</b>	<b>UNITED STATES OF AMERICA</b>

(62) Divisional of: **366215**

(56) Related Art Documents: **Not Applicable**

(57) Statement of Newness and Distinctiveness: **Newness and distinctiveness reside in the visual features of pattern and ornamentation of a bonded dual layer sterile wrap comprising, as shown in the representations, a first layer of a blue colour forming a first side of the wrap; a second layer of a contrasting colour forming a second side of the wrap. When considering newness and distinctiveness the specific patterning of the two parallel bonded sections that extend from one edge of the wrap to an opposed edge of the wrap should be given minimum emphasis.**



(21) Design Number: **13916/2015**

(22) Date of Filing Application: **02 August 2015**

(24) Date from which industrial property rights may have effect: **02 August 2015**

(54) Product in respect of which the design is registered: **Decking extrusion**

(51) International Design Classification: **25-01K**

(74) Name(s) of Attorney(s):

(71) Name(s) and Address(s) of Applicant(s):

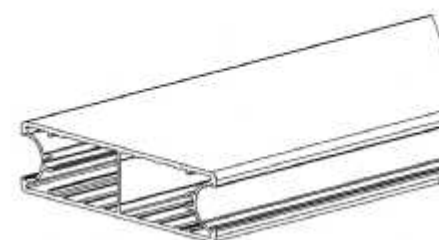
**Decorative Imaging Pty Limited  
26 Barry Rd Chipping Norton NSW 2170 Australia**

(72) Name(s) of Designer(s): **Ross Doonan**

(45) Registration Date: **12 January 2016**

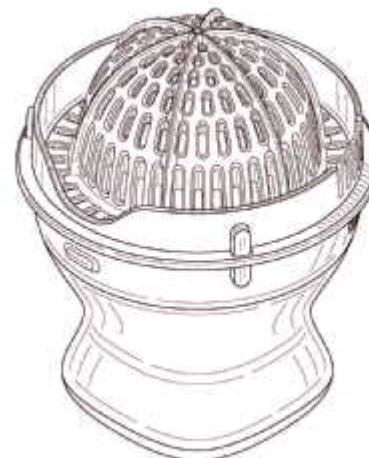
(56) Related Art Documents: **Not Applicable**

(57) Statement of Newness and Distinctiveness: **Newness and distinctiveness resides in the features of shape and/or configuration of the decking extrusion of indefinite length as illustrated in the accompanying representations where the cross-section (end view) is constant along its length.**





(21) Design Number: **16849/2015**  
(22) Date of Filing Application: **16 December 2015**  
(24) Date from which industrial property rights may have effect: **16 December 2015**  
(54) Product in respect of which the design is registered: **Citrus reamer**  
(51) International Design Classification: **31-00**  
(74) Name(s) of Attorney(s): **PHILLIPS ORMONDE FITZPATRICK**  
(71) Name(s) and Address(s) of Applicant(s):  
**Dart Industries Inc.**  
**14901 S. Orange Blossom Trail Orlando Florida, 32837 United States of America**



(72) Name(s) of Designer(s): **Nathan E Shirley**  
(45) Registration Date: **12 January 2016**  
(30) Convention priority data:  
(31) Number      (32) Date      (33) Country  
**29/532,326      06 Jul 2015      UNITED STATES OF AMERICA**  
(56) Related Art Documents: **Not Applicable**  
(57) Statement of Newness and Distinctiveness: **Nil**

(21) Design Number: **16888/2015**  
(22) Date of Filing Application: **17 December 2015**  
(24) Date from which industrial property rights may have effect: **09 October 2015**  
(54) Product in respect of which the design is registered: **Bonded dual layer sterile wrap**  
(51) International Design Classification: **24-04**  
(74) Name(s) of Attorney(s): **IP Gateway Patent & Trade Mark Attorneys Pty Ltd**  
(71) Name(s) and Address(s) of Applicant(s):  
**Medline Industries, Inc.**  
**One Medline Place Mundelein ILLINOIS, 60060 United States Of America**

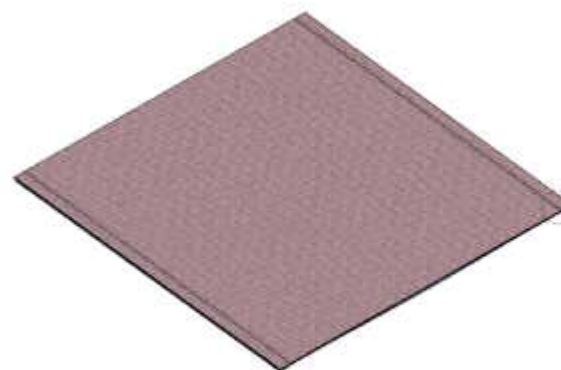


(72) Name(s) of Designer(s): **Dixit Gandhi and Robert A. Lockwood and Francis A. Czajka, Jr.**  
(45) Registration Date: **12 January 2016**  
(30) Convention priority data:  
(31) Number      (32) Date      (33) Country  
**29/523,443      09 Apr 2015      UNITED STATES OF AMERICA**  
(62) Divisional of: **366213**  
(56) Related Art Documents: **Not Applicable**  
(57) Statement of Newness and Distinctiveness: **Newness and distinctiveness reside in the visual features of pattern and ornamentation of a bonded dual layer sterile wrap comprising, as shown in the representations, an embossing pattern; a first layer of a first colour forming a first side of the wrap; a second layer of a contrasting colour forming a second side of the wrap.**

(21) Design Number: **16889/2015**  
(22) Date of Filing Application: **17 December 2015**  
(24) Date from which industrial property rights may have effect: **09 October 2015**  
(54) Product in respect of which the design is registered: **Bonded dual layer sterile wrap**  
(51) International Design Classification: **24-04**  
(74) Name(s) of Attorney(s): **IP Gateway Patent & Trade Mark Attorneys Pty Ltd**  
(71) Name(s) and Address(s) of Applicant(s):  
**Medline Industries, Inc.**  
**One Medline Place Mundelein ILLINOIS, 60060 United States Of America**  
(72) Name(s) of Designer(s): **Dixit Gandhi and Robert A. Lockwood and Francis A. Czajka, Jr.**  
(45) Registration Date: **12 January 2016**  
(30) Convention priority data:  
(31) Number (32) Date (33) Country  
**29/523,443 09 Apr 2015 UNITED STATES OF AMERICA**  
(62) Divisional of: **366213**  
(56) Related Art Documents: **Not Applicable**  
(57) Statement of Newness and Distinctiveness: **Newness and distinctiveness reside in the visual features of pattern and ornamentation of a bonded dual layer sterile wrap comprising, as shown in the representations, an embossing pattern; a first layer of a first colour forming a first side of the wrap; a second layer of a contrasting colour forming a second side of the wrap.**



(21) Design Number: **16892/2015**  
(22) Date of Filing Application: **17 December 2015**  
(24) Date from which industrial property rights may have effect: **09 October 2015**  
(54) Product in respect of which the design is registered: **Bonded dual layer sterile wrap**  
(51) International Design Classification: **24-04**  
(74) Name(s) of Attorney(s): **IP Gateway Patent & Trade Mark Attorneys Pty Ltd**  
(71) Name(s) and Address(s) of Applicant(s):  
**Medline Industries, Inc.**  
**One Medline Place Mundelein ILLINOIS, 60060 United States Of America**  
(72) Name(s) of Designer(s): **Dixit Gandhi and Robert A. Lockwood and Francis A. Czajka, Jr.**  
(45) Registration Date: **12 January 2016**  
(30) Convention priority data:  
(31) Number (32) Date (33) Country  
**29/523,443 09 Apr 2015 UNITED STATES OF AMERICA**  
(62) Divisional of: **366213**  
(56) Related Art Documents: **Not Applicable**  
(57) Statement of Newness and Distinctiveness: **Newness and distinctiveness reside in the visual features of pattern and ornamentation of a bonded dual layer sterile wrap comprising, as shown in the representations, an embossing pattern; a first layer of a first colour forming a first side of the wrap; a second layer of a contrasting colour forming a second side of the wrap.**



(21) Design Number: **16895/2015**  
(22) Date of Filing Application: **17 December 2015**  
(24) Date from which industrial property rights may have effect: **17 December 2015**  
(54) Product in respect of which the design is registered: **Packaging for ice cream**  
(51) International Design Classification: **09-03NES**  
(74) Name(s) of Attorney(s): **Griffith Hack**  
(71) Name(s) and Address(s) of Applicant(s):

**Unilever PLC**  
**Unilever House 100 Victoria Embankment London EC4Y 0DY United Kingdom**

(72) Name(s) of Designer(s): **Kevin Stuart Blake and James Peter Dougan and James Giles and Thomas Le Plastrier Maurice and Ian Alexander Mackay**

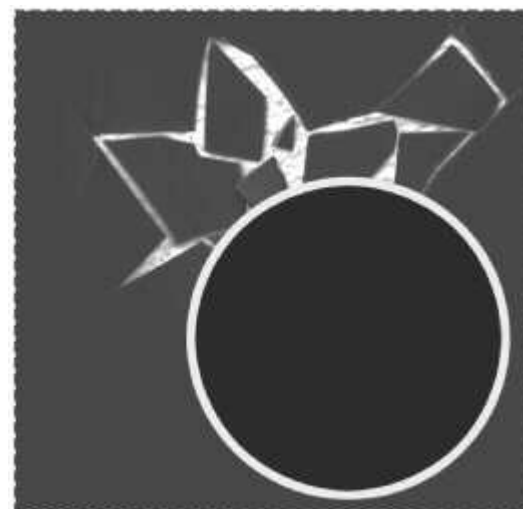
(45) Registration Date: **12 January 2016**

(30) Convention priority data:

(31) Number	(32) Date	(33) Country
<b>002727248-0002</b>	<b>26 Jun 2015</b>	<b>OFFICE FOR HARMONISATION IN THE INTERNAL MARKET (OHIM)</b>

(56) Related Art Documents: **Not Applicable**

(57) Statement of Newness and Distinctiveness: **Newness and distinctiveness resides in the visual features, including the pattern and ornamentation, of an image applied to or forming part of PACKAGING FOR ICE CREAM as shown in render in the accompanying representations. When determining whether the design is substantially similar in overall impression to another design, no regard is to be had to those features shown in dotted outline in the accompanying representations, which features are provided for illustrative purposes only.**



(21) Design Number: **16897/2015**  
(22) Date of Filing Application: **17 December 2015**  
(24) Date from which industrial property rights may have effect: **17 December 2015**  
(54) Product in respect of which the design is registered: **Packaging for ice cream**  
(51) International Design Classification: **09-03NES**  
(74) Name(s) of Attorney(s): **Griffith Hack**  
(71) Name(s) and Address(s) of Applicant(s):

**Unilever PLC**  
**Unilever House 100 Victoria Embankment London EC4Y 0DY United Kingdom**

(72) Name(s) of Designer(s): **Kevin Stuart Blake and James Peter Dougan and James Giles and Thomas Le Plastrier Maurice and Ian Alexander Mackay**

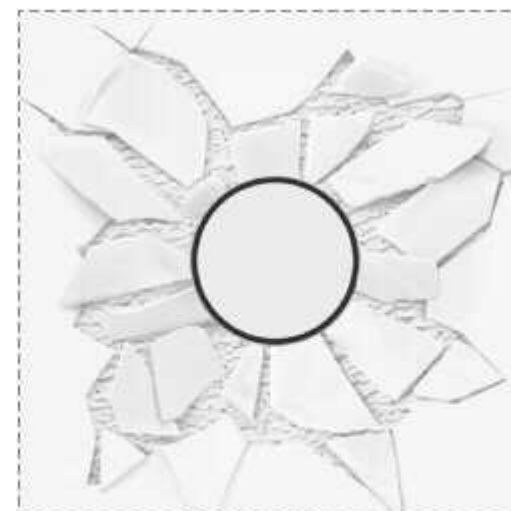
(45) Registration Date: **12 January 2016**

(30) Convention priority data:

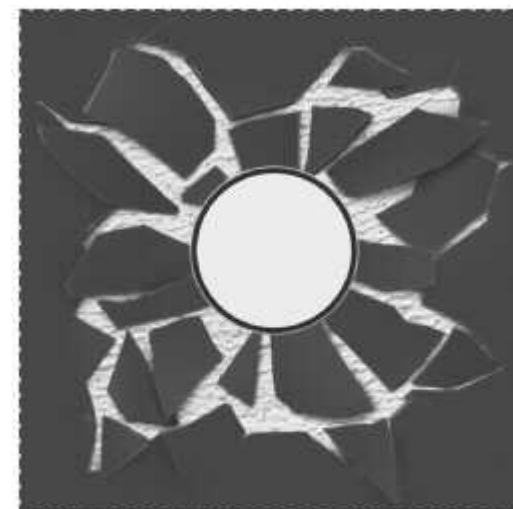
(31) Number	(32) Date	(33) Country
<b>002727248-0004</b>	<b>26 Jun 2015</b>	<b>OFFICE FOR HARMONISATION IN THE INTERNAL MARKET (OHIM)</b>

(56) Related Art Documents: **Not Applicable**

(57) Statement of Newness and Distinctiveness: **Newness and distinctiveness resides in the visual features, including the pattern and ornamentation, of an image applied to or forming part of PACKAGING FOR ICE CREAM as shown in render in the accompanying representations. When determining whether the design is substantially similar in overall impression to another design, no regard is to be had to those features shown in dotted outline in the accompanying representations, which features are provided for illustrative purposes only.**



(21) Design Number: **16898/2015**  
(22) Date of Filing Application: **17 December 2015**  
(24) Date from which industrial property rights may have effect: **17 December 2015**  
(54) Product in respect of which the design is registered: **Packaging for ice cream**  
(51) International Design Classification: **09-03NES**  
(74) Name(s) of Attorney(s): **Griffith Hack**  
(71) Name(s) and Address(s) of Applicant(s):



**Unilever PLC**  
**Unilever House 100 Victoria Embankment London EC4Y 0DY United Kingdom**

(72) Name(s) of Designer(s): **Kevin Stuart Blake and James Peter Dougan and James Giles and Thomas Le Plastrier Maurice and Ian Alexander Mackay**

(45) Registration Date: **12 January 2016**

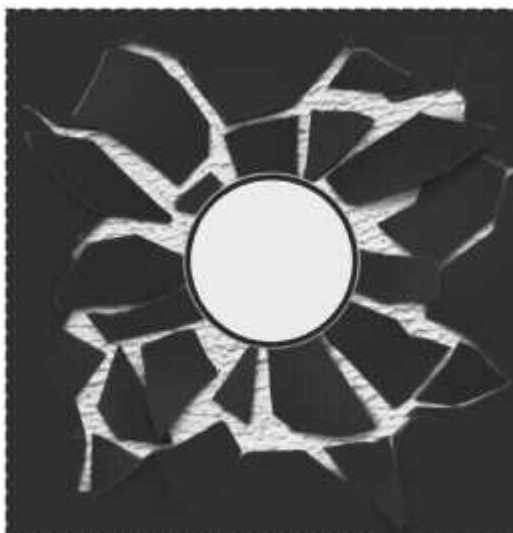
(30) Convention priority data:

(31) Number	(32) Date	(33) Country
<b>002727248-0005</b>	<b>26 Jun 2015</b>	<b>OFFICE FOR HARMONISATION IN THE INTERNAL MARKET (OHIM)</b>

(56) Related Art Documents: **Not Applicable**

(57) Statement of Newness and Distinctiveness: **Newness and distinctiveness resides in the visual features, including the pattern and ornamentation, of an image applied to or forming part of PACKAGING FOR ICE CREAM as shown in render in the accompanying representations. When determining whether the design is substantially similar in overall impression to another design, no regard is to be had to those features shown in dotted outline in the accompanying representations, which features are provided for illustrative purposes only.**

(21) Design Number: **16899/2015**  
(22) Date of Filing Application: **17 December 2015**  
(24) Date from which industrial property rights may have effect: **17 December 2015**  
(54) Product in respect of which the design is registered: **Packaging for ice cream**  
(51) International Design Classification: **09-03NES**  
(74) Name(s) of Attorney(s): **Griffith Hack**  
(71) Name(s) and Address(s) of Applicant(s):



**Unilever PLC**  
**Unilever House 100 Victoria Embankment London EC4Y 0DY United Kingdom**

(72) Name(s) of Designer(s): **Kevin Stuart Blake and James Peter Dougan and James Giles and Thomas Le Plastrier Maurice and Ian Alexander Mackay**

(45) Registration Date: **12 January 2016**

(30) Convention priority data:

(31) Number	(32) Date	(33) Country
<b>002727248-0006</b>	<b>26 Jun 2015</b>	<b>OFFICE FOR HARMONISATION IN THE INTERNAL MARKET (OHIM)</b>

(56) Related Art Documents: **Not Applicable**

(57) Statement of Newness and Distinctiveness: **Newness and distinctiveness resides in the visual features, including the pattern and ornamentation, of an image applied to or forming part of PACKAGING FOR ICE CREAM as shown in render in the accompanying representations. When determining whether the design is substantially similar in overall impression to another design, no regard is to be had to those features shown in dotted outline in the accompanying representations, which features are provided for illustrative purposes only.**

(21) Design Number: **16942/2015**  
(22) Date of Filing Application: **21 December 2015**  
(24) Date from which industrial property rights may have effect: **21 December 2015**  
(54) Product in respect of which the design is registered: **A coffee maker**  
(51) International Design Classification: **07-02L**  
(74) Name(s) of Attorney(s): **Banki Haddock Fiora**  
(71) Name(s) and Address(s) of Applicant(s):

**Pi-Design AG**  
**Kantonsstrasse 100 Triengen CH - 6234 Switzerland**

(72) Name(s) of Designer(s): **Jorgen Bodum**

(45) Registration Date: **12 January 2016**

(30) Convention priority data:

(31) Number	(32) Date	(33) Country
<b>DM/087 072</b>	<b>23 Jul 2015</b>	<b>WORLD INTELLECTUAL PROPERTY ORGANIZATION (WIPO)</b>

(56) Related Art Documents: **Not Applicable**

(57) Statement of Newness and Distinctiveness: **The visual features of the coffee maker depicted in the representations that are new and distinctive are the shape and/or configuration.**



(21) Design Number: **16945/2015**  
(22) Date of Filing Application: **21 December 2015**  
(24) Date from which industrial property rights may have effect: **21 December 2015**  
(54) Product in respect of which the design is registered: **Bottles**  
(51) International Design Classification: **09-01B**  
(74) Name(s) of Attorney(s): **Griffith Hack**  
(71) Name(s) and Address(s) of Applicant(s):

**Nampak Plastics Europe Limited**  
**Jenna Way Interchange Park Newport Pagnell Buckinghamshire MK16  
9QJ United Kingdom**

(72) Name(s) of Designer(s): **Andrew Glover**

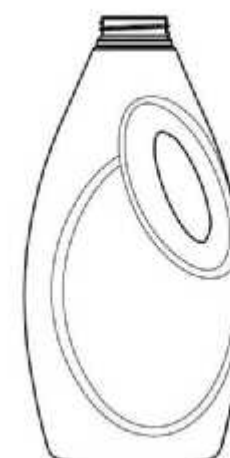
(45) Registration Date: **12 January 2016**

(30) Convention priority data:

(31) Number	(32) Date	(33) Country
<b>002724526</b>	<b>23 Jun 2015</b>	<b>OFFICE FOR HARMONISATION IN THE INTERNAL MARKET (OHIM)</b>

(56) Related Art Documents: **Not Applicable**

(57) Statement of Newness and Distinctiveness: **Newness and distinctiveness resides in the visual features, including the shape and configuration of the product shown in the representations.**



(21) Design Number: **15482/2015**

(22) Date of Filing Application: **16 October 2015**

(24) Date from which industrial property rights may have effect: **16 October 2015**

(54) Product in respect of which the design is registered: **Handle**

(51) International Design Classification: **08-06**

(74) Name(s) of Attorney(s): **WRAYS PTY LTD**

(71) Name(s) and Address(s) of Applicant(s):

**Thomas E Meyerhoffer**

**1241 Main Street Montara California, 94037 United States of America**

(72) Name(s) of Designer(s): **Thomas E Meyerhoffer**

(45) Registration Date: **12 January 2016**

(30) Convention priority data:

(31) Number

(32) Date

(33) Country

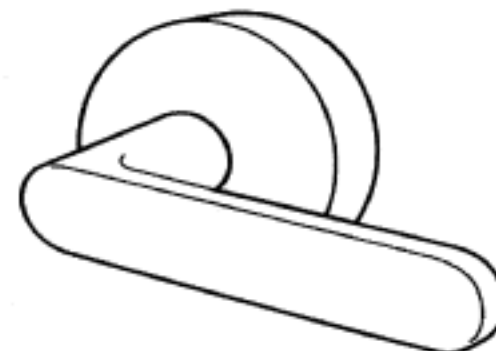
**29/524,122**

**16 Apr 2015**

**UNITED STATES OF AMERICA**

(56) Related Art Documents: **Not Applicable**

(57) Statement of Newness and Distinctiveness: **Newness and distinctiveness is claimed in the features of shape, configuration, pattern, and/or ornamentation of the Handle as shown in the accompanying representations.**



(21) Design Number: **10025/2016**

(22) Date of Filing Application: **16 October 2015**

(24) Date from which industrial property rights may have effect: **16 October 2015**

(54) Product in respect of which the design is registered: **Lock**

(51) International Design Classification: **08-07**

(74) Name(s) of Attorney(s): **WRAYS PTY LTD**

(71) Name(s) and Address(s) of Applicant(s):

**Thomas E Meyerhoffer**

**1241 Main Street Montara California, 94037 United States of America**

(72) Name(s) of Designer(s): **Thomas E Meyerhoffer**

(45) Registration Date: **12 January 2016**

(30) Convention priority data:

(31) Number

(32) Date

(33) Country

**29/524,122**

**16 Apr 2015**

**UNITED STATES OF AMERICA**

(56) Related Art Documents: **Not Applicable**

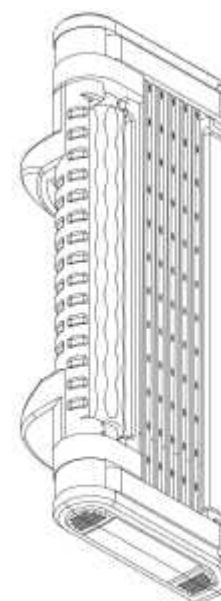
(57) Statement of Newness and Distinctiveness: **Newness and distinctiveness is claimed in the features of shape, configuration, pattern, and/or ornamentation of the Lock as shown in the accompanying representations.**



(21) Design Number: **16887/2015**  
(22) Date of Filing Application: **17 December 2015**  
(24) Date from which industrial property rights may have effect: **17 December 2015**  
(54) Product in respect of which the design is registered: **Trocar**  
(51) International Design Classification: **24-02**  
(74) Name(s) of Attorney(s): **PHILLIPS ORMONDE FITZPATRICK**  
(71) Name(s) and Address(s) of Applicant(s):  
**Guangzhou T.K. Medical Instrument Co., Ltd.**  
**A601 Guangzhou International Business Incubator Guangzhou Science**  
**Park 510663 Guangzhou China**  
(72) Name(s) of Designer(s): **Xing Zhou and Shaoming Zhu and Jiajiang Wei**  
**and Huaping Xu and Lifei Luo**  
(45) Registration Date: **12 January 2016**  
(30) Convention priority data:  
(31) Number (32) Date (33) Country  
**201530233909.7 03 Jul 2015 CHINA**  
(56) Related Art Documents: **Not Applicable**  
(57) Statement of Newness and Distinctiveness: **Nil**



(21) Design Number: **16891/2015**  
(22) Date of Filing Application: **17 December 2015**  
(24) Date from which industrial property rights may have effect: **17 December 2015**  
(54) Product in respect of which the design is registered: **Razor head**  
(51) International Design Classification: **28-03A**  
(74) Name(s) of Attorney(s): **Madderns**  
(71) Name(s) and Address(s) of Applicant(s):  
**Xiangrong Ren**  
**C4-402 room Jiahe Garden East Xueyuan Road Wenzhou Zhejiang China**  
(72) Name(s) of Designer(s): **Xiangrong Ren and Chi Ren**  
(45) Registration Date: **12 January 2016**  
(30) Convention priority data:  
(31) Number (32) Date (33) Country  
**201530312211.4 19 Aug 2015 CHINA**  
(56) Related Art Documents: **Not Applicable**  
(57) Statement of Newness and Distinctiveness: **Newness and distinctiveness**  
**is claimed in the shape and/or configuration of a razor head as depicted**  
**in the accompanying representations.**



(21) Design Number: **16893/2015**  
(22) Date of Filing Application: **17 December 2015**  
(24) Date from which industrial property rights may have effect: **17 December 2015**  
(54) Product in respect of which the design is registered: **Device for filling multiple water balloons**  
(51) International Design Classification: **21-01NES**  
(74) Name(s) of Attorney(s): **Allens Patent & Trade Mark Attorneys**  
(71) Name(s) and Address(s) of Applicant(s):  
**Telebrands Corp**  
**79 Two Bridges Rd Fairfield NJ, 07004-1029 United States of America**

(72) Name(s) of Designer(s): **Ajit Khubani and Cara Leonard**

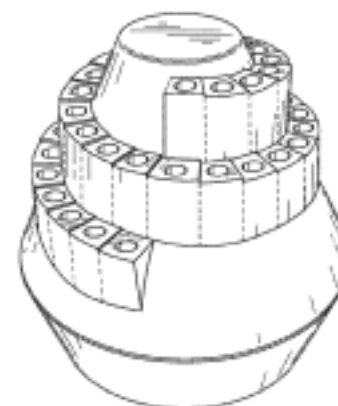
(45) Registration Date: **12 January 2016**

(30) Convention priority data:

(31) Number	(32) Date	(33) Country
<b>29/546,337</b>	<b>20 Nov 2015</b>	<b>UNITED STATES OF AMERICA</b>

(56) Related Art Documents: **Not Applicable**

(57) Statement of Newness and Distinctiveness: **Newness and distinctiveness is claimed in the features of shape and configuration of the Device for filling Multiple Water balloons shown in solid lines in the attached representations. When considering the scope of the monopoly, the features of shading are to be considered for clarity of representation only and do not form part of the design.**



(21) Design Number: **16948/2015**  
(22) Date of Filing Application: **21 December 2015**  
(24) Date from which industrial property rights may have effect: **21 December 2015**  
(54) Product in respect of which the design is registered: **Inner cover for door of washing machine**  
(51) International Design Classification: **15-05**  
(74) Name(s) of Attorney(s): **Griffith Hack**  
(71) Name(s) and Address(s) of Applicant(s):  
**SAMSUNG ELECTRONICS CO., LTD.**  
**129, Samsung-ro Yeongtong-gu Suwon-si Gyeonggi-do 16677 Republic of Korea**

(72) Name(s) of Designer(s): **Yoon Jong Kang and Kisang Yoon**

(45) Registration Date: **12 January 2016**

(30) Convention priority data:

(31) Number	(32) Date	(33) Country
<b>30-2015-0034188</b>	<b>07 Jul 2015</b>	<b>REPUBLIC OF KOREA</b>

(56) Related Art Documents: **Not Applicable**

(57) Statement of Newness and Distinctiveness: **Newness and distinctiveness resides in the visual features, including the shape and configuration of the product as shown by means of solid lines in the representations. Figure 11 has been included for reference purposes only and does not form part of the design.**





- (21) Design Number: **16951/2015**  
(22) Date of Filing Application: **21 December 2015**  
(24) Date from which industrial property rights may have effect: **21 December 2015**  
(54) Product in respect of which the design is registered: **Washing machine**  
(51) International Design Classification: **15-05**  
(74) Name(s) of Attorney(s): **Griffith Hack**  
(71) Name(s) and Address(s) of Applicant(s):  
**SAMSUNG ELECTRONICS CO., LTD.**  
**129, Samsung-ro Yeongtong-gu Suwon-si Gyeonggi-do 16677 Republic of Korea**  
(72) Name(s) of Designer(s): **Yoon Jong Kang and Kisang Yoon and Jaewon Choi and Deoksang Yun and Sanghun Yoon and Junghoon Hwang and Seyoun Park**  
(45) Registration Date: **12 January 2016**  
(30) Convention priority data:  
(31) Number (32) Date (33) Country  
**30-2015-0035842 16 Jul 2015 REPUBLIC OF KOREA**  
(56) Related Art Documents: **Not Applicable**  
(57) Statement of Newness and Distinctiveness: **Newness and distinctiveness resides in the visual features, including the shape and configuration of the product as shown by means of the solid lines in the representations.**



- (21) Design Number: **16953/2015**  
(22) Date of Filing Application: **21 December 2015**  
(24) Date from which industrial property rights may have effect: **21 December 2015**  
(54) Product in respect of which the design is registered: **Pharmaceutical capsule**  
(51) International Design Classification: **28-01**  
(74) Name(s) of Attorney(s): **Spruson & Ferguson**  
(71) Name(s) and Address(s) of Applicant(s):  
**TherapeuticsMD, Inc.**  
**6800 Broken Sound Parkway NW, 3rd Floor, Boca Raton Florida, 33487 United States of America**  
(72) Name(s) of Designer(s): **Julia M. Amadio and Thorsteinn Thorsteinsson**  
(45) Registration Date: **12 January 2016**  
(30) Convention priority data:  
(31) Number (32) Date (33) Country  
**29/530924 22 Jun 2015 UNITED STATES OF AMERICA**  
(56) Related Art Documents: **Not Applicable**  
(57) Statement of Newness and Distinctiveness: **Newness and distinctiveness is claimed in the features of shape and/or configuration of a pharmaceutical capsule as illustrated in the accompanying representations.**



(21) Design Number: **16954/2015**

(22) Date of Filing Application: **21 December 2015**

(24) Date from which industrial property rights may have effect: **21 December 2015**

(54) Product in respect of which the design is registered: **Suction massage apparatus**

(51) International Design Classification: **28-03NES**

(74) Name(s) of Attorney(s): **Spruson & Ferguson**

(71) Name(s) and Address(s) of Applicant(s):

**Thienna Ho**

**350 South Grand Avenue Suite 2600, Los Angeles California, 90071-3406  
United States of America**

(72) Name(s) of Designer(s): **Thienna Ho**

(45) Registration Date: **12 January 2016**

(30) Convention priority data:

(31) Number	(32) Date	(33) Country
<b>29/531308</b>	<b>24 Jun 2015</b>	<b>UNITED STATES OF AMERICA</b>

(56) Related Art Documents: **Not Applicable**

(57) Statement of Newness and Distinctiveness: **Newness and distinctiveness is claimed in the features of shape and/or configuration of a suction massage apparatus as illustrated in the accompanying representations.**



(21) Design Number: **16955/2015**

(22) Date of Filing Application: **21 December 2015**

(24) Date from which industrial property rights may have effect: **21 December 2015**

(54) Product in respect of which the design is registered: **Molded mascara brush head with rake-like teeth**

(51) International Design Classification: **28-03NES**

(74) Name(s) of Attorney(s): **PHILLIPS ORMONDE FITZPATRICK**

(71) Name(s) and Address(s) of Applicant(s):

**ELC Management LLC**

**155 Pinelawn Road Suite 345 South Melville New York 11747 United  
States of America**

(72) Name(s) of Designer(s): **Christophe Jacob and Herve F. Bouix**

(45) Registration Date: **12 January 2016**

(30) Convention priority data:

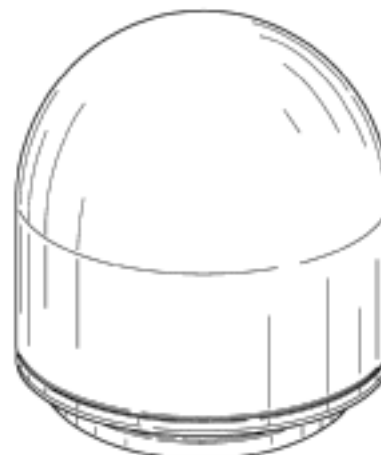
(31) Number	(32) Date	(33) Country
<b>29/531,900</b>	<b>30 Jun 2015</b>	<b>UNITED STATES OF AMERICA</b>

(56) Related Art Documents: **Not Applicable**

(57) Statement of Newness and Distinctiveness: **Newness and distinctiveness resides in the shape and/or configuration of the molded mascara brush head with rake-like teeth shown in the continuous lines in the accompanying representations. The features shown in broken lines are not part of the design and are to be disregarded when considering the overall impression of the design.**



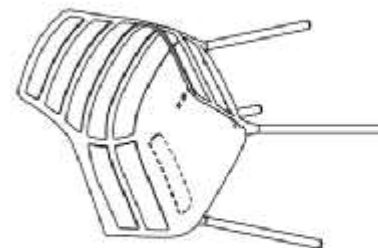
(21) Design Number: **16957/2015**  
(22) Date of Filing Application: **21 December 2015**  
(24) Date from which industrial property rights may have effect: **21 December 2015**  
(54) Product in respect of which the design is registered: **Suction massage apparatus**  
(51) International Design Classification: **28-03NES**  
(74) Name(s) of Attorney(s): **Spruson & Ferguson**  
(71) Name(s) and Address(s) of Applicant(s):  
**Thienna Ho**  
**350 South Grand Avenue, Suite 2600, Los Angeles California,**  
**90071-3406 United States of America**  
(72) Name(s) of Designer(s): **Thienna Ho**  
(45) Registration Date: **12 January 2016**  
(30) Convention priority data:  
(31) Number (32) Date (33) Country  
**29/548509 14 Dec 2015 UNITED STATES OF AMERICA**  
(56) Related Art Documents: **Not Applicable**  
(57) Statement of Newness and Distinctiveness: **Newness and distinctiveness is claimed in the features of shape and/or configuration of a suction massage apparatus as illustrated in the accompanying representations.**



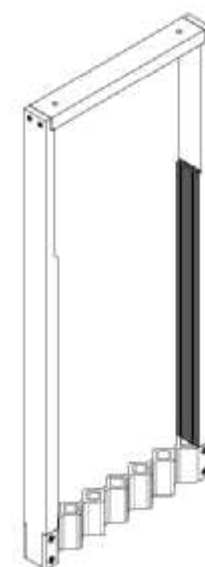
(21) Design Number: **16958/2015**  
(22) Date of Filing Application: **21 December 2015**  
(24) Date from which industrial property rights may have effect: **21 December 2015**  
(54) Product in respect of which the design is registered: **Suction massage apparatus**  
(51) International Design Classification: **28-03NES**  
(74) Name(s) of Attorney(s): **Spruson & Ferguson**  
(71) Name(s) and Address(s) of Applicant(s):  
**Thienna Ho**  
**350 South Grand Avenue, Suite 2600, Los Angeles California,**  
**90071-3406 United States of America**  
(72) Name(s) of Designer(s): **Thienna Ho**  
(45) Registration Date: **12 January 2016**  
(30) Convention priority data:  
(31) Number (32) Date (33) Country  
**29/548509 14 Dec 2015 UNITED STATES OF AMERICA**  
(56) Related Art Documents: **Not Applicable**  
(57) Statement of Newness and Distinctiveness: **Newness and distinctiveness is claimed in the features of shape and/or configuration of a suction massage apparatus as illustrated in the accompanying representations.**



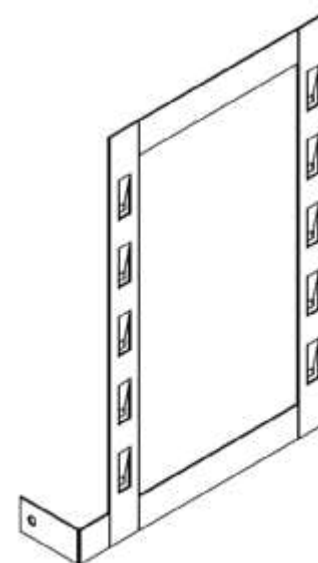
- (21) Design Number: **16964/2015**  
(22) Date of Filing Application: **21 December 2015**  
(24) Date from which industrial property rights may have effect: **21 December 2015**  
(54) Product in respect of which the design is registered: **A chair**  
(51) International Design Classification: **06-01F**  
(74) Name(s) of Attorney(s): **FB Rice**  
(71) Name(s) and Address(s) of Applicant(s):  
**King Furniture Australia Pty Ltd**  
**123 Turrella St Turrella NSW 2205 Australia**  
(72) Name(s) of Designer(s): **David King and Ryan Lawson and Tanya Rechberger and Anastasie Panagopulous**  
(45) Registration Date: **12 January 2016**  
(56) Related Art Documents: **Not Applicable**  
(57) Statement of Newness and Distinctiveness: **Newness and distinctiveness reside in the features of the design as shown in the representations excluding those features shown in dotted lines, the features shown in dotted lines being provided for reference purposes only.**



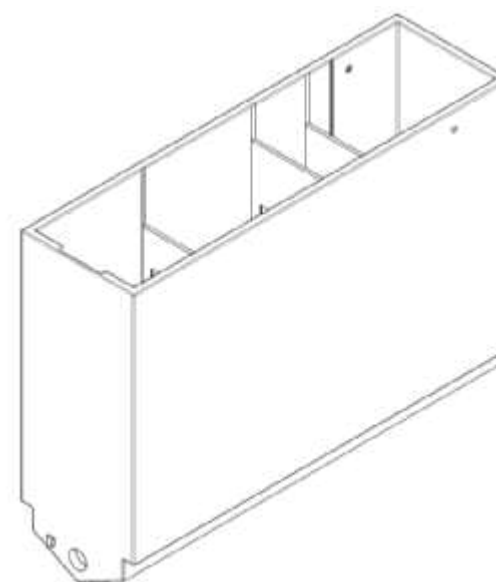
- (21) Design Number: **16027/2015**  
(22) Date of Filing Application: **11 November 2015**  
(24) Date from which industrial property rights may have effect: **11 November 2015**  
(54) Product in respect of which the design is registered: **Electrode Holder**  
(51) International Design Classification: **13-03NES**  
(74) Name(s) of Attorney(s): **Cullens Pty Ltd**  
(71) Name(s) and Address(s) of Applicant(s):  
**Hydrus Technology Pty. Ltd.**  
**L54 One One One Eagle St Brisbane QLD 4000 Australia**  
(72) Name(s) of Designer(s): **David Victor Cam and John Frederick Ellers and Brook Douglas Hill**  
(45) Registration Date: **13 January 2016**  
(56) Related Art Documents: **Not Applicable**  
(57) Statement of Newness and Distinctiveness: **Newness and distinctiveness resides in the shape or configuration of the electrode holder as shown in the representations.**



- (21) Design Number: **16028/2015**  
(22) Date of Filing Application: **11 November 2015**  
(24) Date from which industrial property rights may have effect: **11 November 2015**  
(54) Product in respect of which the design is registered: **Electrode power connector**  
(51) International Design Classification: **13-03NES**  
(74) Name(s) of Attorney(s): **Cullens Pty Ltd**  
(71) Name(s) and Address(s) of Applicant(s):  
**Hydrus Technology Pty. Ltd.**  
**L54 One One One Eagle St Brisbane QLD 4000 Australia**  
(72) Name(s) of Designer(s): **David Victor Cam and John Frederick Ellers and Brook Douglas Hill**  
(45) Registration Date: **13 January 2016**  
(56) Related Art Documents: **Not Applicable**  
(57) Statement of Newness and Distinctiveness: **Newness and distinctiveness resides in the shape or configuration of the electrode power connector as shown in the representations. The shape or configuration of the projection at the lower corner of the rectangular frame (including the direction at which the projection extends) should be given no weight. Less weight should also be given to the number of projections along the length of the rectangular frame.**



- (21) Design Number: **16029/2015**  
(22) Date of Filing Application: **11 November 2015**  
(24) Date from which industrial property rights may have effect: **11 November 2015**  
(54) Product in respect of which the design is registered: **Vessel for electrochemical treatment**  
(51) International Design Classification: **13-03NES**  
(74) Name(s) of Attorney(s): **Cullens Pty Ltd**  
(71) Name(s) and Address(s) of Applicant(s):  
**Hydrus Technology Pty. Ltd.**  
**L54 One One One Eagle St Brisbane QLD 4000 Australia**  
(72) Name(s) of Designer(s): **David Victor Cam and John Frederick Ellers and Brook Douglas Hill**  
(45) Registration Date: **13 January 2016**  
(56) Related Art Documents: **Not Applicable**  
(57) Statement of Newness and Distinctiveness: **Newness and distinctiveness resides in the shape or configuration of the vessel for electrochemical treatments as shown in the representations. More weight should be given to the shape and configuration of the interior of the vessel; less weight should be given to the shape and configuration of the exterior of the vessel.**



(21) Design Number: **16073/2015**  
(22) Date of Filing Application: **13 November 2015**  
(24) Date from which industrial property rights may have effect: **13 November 2015**  
(54) Product in respect of which the design is registered: **Vacuum cleaner**  
(51) International Design Classification: **15-05**  
(74) Name(s) of Attorney(s): **Davies Collison Cave**  
(71) Name(s) and Address(s) of Applicant(s):

**Black & Decker Inc.**  
**1000 Stanley Drive New Britain Connecticut, 06053 United States of America**

(72) Name(s) of Designer(s): **Stephen Houghton**

(45) Registration Date: **13 January 2016**

(30) Convention priority data:

(31) Number	(32) Date	(33) Country
<b>002700823-0001</b>	<b>14 May 2015</b>	<b>OFFICE FOR HARMONISATION IN THE INTERNAL MARKET (OHIM)</b>

(56) Related Art Documents: **Not Applicable**

(57) Statement of Newness and Distinctiveness: **Nil**



(21) Design Number: **16085/2015**  
(22) Date of Filing Application: **13 November 2015**  
(24) Date from which industrial property rights may have effect: **13 November 2015**  
(54) Product in respect of which the design is registered: **Vacuum cleaner**  
(51) International Design Classification: **15-05**  
(74) Name(s) of Attorney(s): **Davies Collison Cave**  
(71) Name(s) and Address(s) of Applicant(s):

**Black & Decker Inc.**  
**1000 Stanley Drive New Britain Connecticut, 06053 United States of America**

(72) Name(s) of Designer(s): **Stephen Houghton**

(45) Registration Date: **13 January 2016**

(30) Convention priority data:

(31) Number	(32) Date	(33) Country
<b>002700823-0003</b>	<b>14 May 2015</b>	<b>OFFICE FOR HARMONISATION IN THE INTERNAL MARKET (OHIM)</b>

(56) Related Art Documents: **Not Applicable**

(57) Statement of Newness and Distinctiveness: **Nil**



(21) Design Number: **16086/2015**  
(22) Date of Filing Application: **13 November 2015**  
(24) Date from which industrial property rights may have effect: **13 November 2015**  
(54) Product in respect of which the design is registered: **Vacuum cleaner**  
(51) International Design Classification: **15-05**  
(74) Name(s) of Attorney(s): **Davies Collison Cave**  
(71) Name(s) and Address(s) of Applicant(s):

**Black & Decker Inc.**  
**1000 Stanley Drive New Britain Connecticut, 06053 United States of America**

(72) Name(s) of Designer(s): **Stephen Houghton**

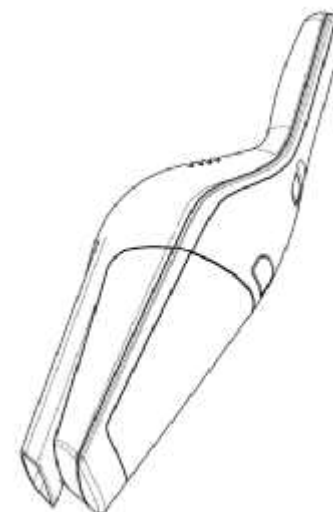
(45) Registration Date: **13 January 2016**

(30) Convention priority data:

(31) Number	(32) Date	(33) Country
<b>002700872-0001</b>	<b>14 May 2015</b>	<b>OFFICE FOR HARMONISATION IN THE INTERNAL MARKET (OHIM)</b>

(56) Related Art Documents: **Not Applicable**

(57) Statement of Newness and Distinctiveness: **Nil**



(21) Design Number: **16088/2015**  
(22) Date of Filing Application: **13 November 2015**  
(24) Date from which industrial property rights may have effect: **13 November 2015**  
(54) Product in respect of which the design is registered: **Vacuum cleaner**  
(51) International Design Classification: **15-05**  
(74) Name(s) of Attorney(s): **Davies Collison Cave**  
(71) Name(s) and Address(s) of Applicant(s):

**Black & Decker Inc.**  
**1000 Stanley Drive New Britain Connecticut, 06053 United States of America**

(72) Name(s) of Designer(s): **Stephen Houghton**

(45) Registration Date: **13 January 2016**

(30) Convention priority data:

(31) Number	(32) Date	(33) Country
<b>002700872-0002</b>	<b>14 May 2015</b>	<b>OFFICE FOR HARMONISATION IN THE INTERNAL MARKET (OHIM)</b>

(56) Related Art Documents: **Not Applicable**

(57) Statement of Newness and Distinctiveness: **Nil**



- (21) Design Number: **16407/2015**  
(22) Date of Filing Application: **26 November 2015**  
(24) Date from which industrial property rights may have effect: **26 November 2015**  
(54) Product in respect of which the design is registered: **A bicycle stand**  
(51) International Design Classification: **08-10**  
(74) Name(s) of Attorney(s):  
(71) Name(s) and Address(s) of Applicant(s):



**Anna Grace Freeman**  
**10/76 Belmore Rd Randwick NSW 2031 Australia**  
**Ricardo Chaves Rocha Lima**  
**10/76 Belmore Rd Randwick NSW 2031 Australia**

- (72) Name(s) of Designer(s): **Anna Grace Freeman and Ricardo Chaves Rocha Lima**

(45) Registration Date: **13 January 2016**

(56) Related Art Documents: **Not Applicable**

- (57) Statement of Newness and Distinctiveness: **The disclosed bike stand is a new and distinctive design composed, as shown in the accompanying representations, of a hollow curve with a slit cut out that is the right width and length for a bike's wheel to enter and rest. This slit is cut at varying dimensions with regard to the different tyre and wheel sizes of bikes. The curved hollow shape can be made from a variety of materials including but not limited to, wood, cement, metal, resin, carbon fibre, leather and plastic.**

- (21) Design Number: **16965/2015**  
(22) Date of Filing Application: **21 December 2015**  
(24) Date from which industrial property rights may have effect: **21 December 2015**  
(54) Product in respect of which the design is registered: **Front bumper for automobile**  
(51) International Design Classification: **12-16C**  
(74) Name(s) of Attorney(s): **Griffith Hack**  
(71) Name(s) and Address(s) of Applicant(s):



**Nissan Jidosha Kabushiki Kaisha**  
**2, Takara-cho Kanagawa-ku Yokohama-shi Kanagawa, 221-0023 Japan**

- (72) Name(s) of Designer(s): **Takeo Horie**

(45) Registration Date: **13 January 2016**

(30) Convention priority data:

(31) Number	(32) Date	(33) Country
<b>2015-014200</b>	<b>26 Jun 2015</b>	<b>JAPAN</b>

(56) Related Art Documents: **Not Applicable**

(57) Statement of Newness and Distinctiveness: **Nil**



(21) Design Number: **16974/2015**

(22) Date of Filing Application: **22 December 2015**

(24) Date from which industrial property rights may have effect: **22 December 2015**

(54) Product in respect of which the design is registered: **Wave dissipating block**

(51) International Design Classification: **25-01B**

(74) Name(s) of Attorney(s): **Macpherson + Kelley**

(71) Name(s) and Address(s) of Applicant(s):

**Steel Flower Co., Ltd.**

**(KNN Tower, U-dong) 25F 30, Centum seo-ro, Haeundae-gu Busan 48058  
Republic of Korean**

(72) Name(s) of Designer(s): **Byeong Kwen Kim**

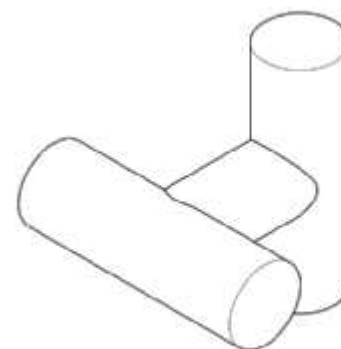
(45) Registration Date: **13 January 2016**

(30) Convention priority data:

(31) Number	(32) Date	(33) Country
<b>30-2015-0053201</b>	<b>22 Oct 2015</b>	<b>REPUBLIC OF KOREA</b>

(56) Related Art Documents: **Not Applicable**

(57) Statement of Newness and Distinctiveness: **Newness and distinctiveness resides in the features of shape and/or configuration of a wave dissipating block as illustrated in the continuous lines in the accompanying representations.**



(21) Design Number: **16975/2015**

(22) Date of Filing Application: **22 December 2015**

(24) Date from which industrial property rights may have effect: **22 December 2015**

(54) Product in respect of which the design is registered: **Wave dissipating block**

(51) International Design Classification: **25-01B**

(74) Name(s) of Attorney(s): **Macpherson + Kelley**

(71) Name(s) and Address(s) of Applicant(s):

**Steel Flower Co., Ltd.**

**(KNN Tower, U-dong) 25F 30, Centum seo-ro, Haeundae-gu Busan 48058  
Republic of Korean**

(72) Name(s) of Designer(s): **Byeong Kwen Kim**

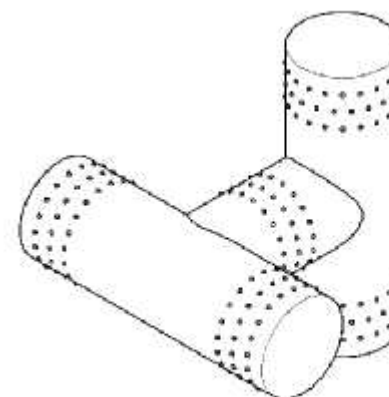
(45) Registration Date: **13 January 2016**

(30) Convention priority data:

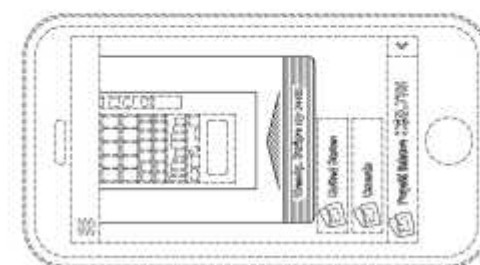
(31) Number	(32) Date	(33) Country
<b>30-2105-0053202</b>	<b>22 Oct 2015</b>	<b>REPUBLIC OF KOREA</b>

(56) Related Art Documents: **Not Applicable**

(57) Statement of Newness and Distinctiveness: **Newness and distinctiveness resides in the features of shape and/or configuration of a wave dissipating block as illustrated in the accompanying representations.**

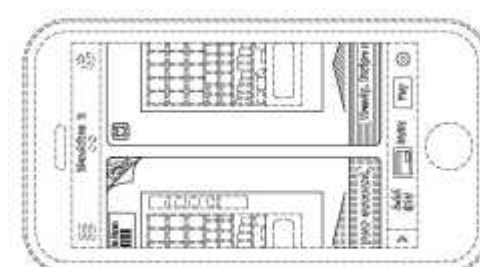


(21) Design Number: **15565/2015**  
(22) Date of Filing Application: **21 October 2015**  
(24) Date from which industrial property rights may have effect: **21 October 2015**  
(54) Product in respect of which the design is registered: **Animated graphical user interface of interactions with a machine-specific card for a display screen**  
(51) International Design Classification: **14-02**  
(74) Name(s) of Attorney(s): **PHILLIPS ORMONDE FITZPATRICK**  
(71) Name(s) and Address(s) of Applicant(s):  
**PayRange Inc.**  
**700 NE Multnomah Street Suite 1400 Portland Oregon, 97232 United States of America**



(72) Name(s) of Designer(s): **Paresh K. Patel**  
(45) Registration Date: **13 January 2016**  
(30) Convention priority data:  
(31) Number (32) Date (33) Country  
**29/524,730 22 Apr 2015 UNITED STATES OF AMERICA**  
(56) Related Art Documents: **Not Applicable**  
(57) Statement of Newness and Distinctiveness: **Newness and distinctiveness resides in the shape and/or configuration of the graphical user interface of a machine-specific card for a display screen or portion thereof. The broken lines showing a portion of a display screen, text and other elements in the representations are for illustrative purposes only and form no part of the claimed design. The appearance of the image transitions sequentially between the images shown in FIGS. 1-3. The process or period in which an image transitions to another image forms no part of the claimed design.**

(21) Design Number: **15577/2015**  
(22) Date of Filing Application: **21 October 2015**  
(24) Date from which industrial property rights may have effect: **21 October 2015**  
(54) Product in respect of which the design is registered: **Animated Graphical User Interface of Transitions Between Machine-Specific Cards for a Display Screen**  
(51) International Design Classification: **14-02**  
(74) Name(s) of Attorney(s): **PHILLIPS ORMONDE FITZPATRICK**  
(71) Name(s) and Address(s) of Applicant(s):  
**PayRange Inc.**  
**700 NE Multnomah Street Suite 1400 Portland Oregon, 97232 United States of America**



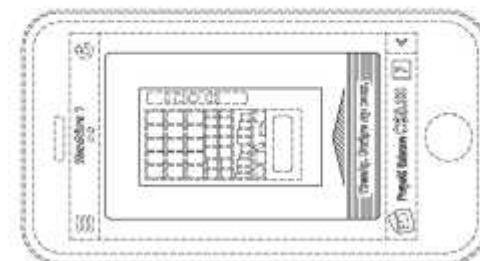
(72) Name(s) of Designer(s): **Paresh K. Patel**  
(45) Registration Date: **13 January 2016**  
(30) Convention priority data:  
(31) Number (32) Date (33) Country  
**29/524,727 22 Apr 2015 UNITED STATES OF AMERICA**  
(56) Related Art Documents: **Not Applicable**  
(57) Statement of Newness and Distinctiveness: **Newness and distinctiveness resides in the shape and/or configuration of the graphical user interface of a machine-specific card for a display screen or portion thereof. The broken lines showing a portion of a display screen, text and other elements in the representations are for illustrative purposes only and form no part of the claimed design. The appearance of the image transitions sequentially between the images shown in FIGS. 1-5. The appearance of the image also transitions sequentially between the images shown in FIGS. 5-6. The process or period in which an image transitions to another image forms no part of the claimed design.**

(21) Design Number: **15578/2015**  
(22) Date of Filing Application: **21 October 2015**  
(24) Date from which industrial property rights may have effect: **21 October 2015**  
(54) Product in respect of which the design is registered: **Graphical user interface of a machine-specific offers card for a display screen or portion thereof**  
(51) International Design Classification: **14-02**  
(74) Name(s) of Attorney(s): **PHILLIPS ORMONDE FITZPATRICK**  
(71) Name(s) and Address(s) of Applicant(s):  
**PayRange Inc.**  
**700 NE Multnomah Street Suite 1400 Portland Oregon, 97232 United States of America**



(72) Name(s) of Designer(s): **Paresh K. Patel**  
(45) Registration Date: **13 January 2016**  
(30) Convention priority data:  
(31) Number (32) Date (33) Country  
**29/524,726 22 Apr 2015 UNITED STATES OF AMERICA**  
(56) Related Art Documents: **Not Applicable**  
(57) Statement of Newness and Distinctiveness: **Newness and distinctiveness resides in the shape and/or configuration of the graphical user interface of a machine-specific offers card for a display screen or portion thereof. The broken lines showing a portion of a display screen, text and other elements in the representations are for illustrative purposes only and form no part of the claimed design.**

(21) Design Number: **15579/2015**  
(22) Date of Filing Application: **21 October 2015**  
(24) Date from which industrial property rights may have effect: **21 October 2015**  
(54) Product in respect of which the design is registered: **Graphical user interface of a machine-specific card for a display screen or portion thereof**  
(51) International Design Classification: **14-02**  
(74) Name(s) of Attorney(s): **PHILLIPS ORMONDE FITZPATRICK**  
(71) Name(s) and Address(s) of Applicant(s):  
**PayRange Inc.**  
**700 NE Multnomah Street Suite 1400 Portland Oregon, 97232 United States of America**



(72) Name(s) of Designer(s): **Paresh K. Patel**  
(45) Registration Date: **13 January 2016**  
(30) Convention priority data:  
(31) Number (32) Date (33) Country  
**29/524,725 22 Apr 2015 UNITED STATES OF AMERICA**  
(56) Related Art Documents: **Not Applicable**  
(57) Statement of Newness and Distinctiveness: **Newness and distinctiveness resides in the shape and/or configuration of the graphical user interface of a machine-specific card for a display screen or portion thereof. The broken lines showing a portion of a display screen, text and other elements in the representations are for illustrative purposes only and form no part of the claimed design.**

(21) Design Number: **15632/2015**

(22) Date of Filing Application: **22 October 2015**

(24) Date from which industrial property rights may have effect: **22 October 2015**

(54) Product in respect of which the design is registered: **Electronic cigarette article**

(51) International Design Classification: **27-99**

(74) Name(s) of Attorney(s): **Griffith Hack**

(71) Name(s) and Address(s) of Applicant(s):

**Nerudia Limited**

**Wellington House Physics Road Liverpool L24 9HP United Kingdom**

(72) Name(s) of Designer(s): **Kenneth Scott**

(45) Registration Date: **13 January 2016**

(30) Convention priority data:

(31) Number  
**002688853**

(32) Date  
**24 Apr 2015**

(33) Country  
**OFFICE FOR HARMONISATION IN  
THE INTERNAL MARKET (OHIM)**

(56) Related Art Documents: **Not Applicable**

(57) Statement of Newness and Distinctiveness: **The shape and configuration of the product shown in the accompanying representations is new and distinctive.**



(21) Design Number: **15635/2015**

(22) Date of Filing Application: **22 October 2015**

(24) Date from which industrial property rights may have effect: **22 October 2015**

(54) Product in respect of which the design is registered: **Electronic cigarette component**

(51) International Design Classification: **27-99**

(74) Name(s) of Attorney(s): **Griffith Hack**

(71) Name(s) and Address(s) of Applicant(s):

**Nerudia Limited**

**Wellington House Physics Road Liverpool L24 9HP United Kingdom**

(72) Name(s) of Designer(s): **Kenneth Scott**

(45) Registration Date: **13 January 2016**

(30) Convention priority data:

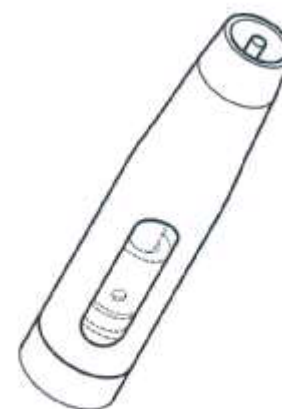
(31) Number  
**002688838-0001**

(32) Date  
**24 Apr 2015**

(33) Country  
**OFFICE FOR HARMONISATION IN  
THE INTERNAL MARKET (OHIM)**

(56) Related Art Documents: **Not Applicable**

(57) Statement of Newness and Distinctiveness: **The shape and configuration of the parts of the product shown by solid lines in the accompanying representations are new and distinctive.**



(21) Design Number: **15636/2015**

(22) Date of Filing Application: **22 October 2015**

(24) Date from which industrial property rights may have effect: **22 October 2015**

(54) Product in respect of which the design is registered: **Electronic cigarette component**

(51) International Design Classification: **27-99**

(74) Name(s) of Attorney(s): **Griffith Hack**

(71) Name(s) and Address(s) of Applicant(s):

**Nerudia Limited**

**Wellington House Physics Road Liverpool L24 9HP United Kingdom**

(72) Name(s) of Designer(s): **Kenneth Scott**

(45) Registration Date: **13 January 2016**

(30) Convention priority data:

(31) Number

(32) Date

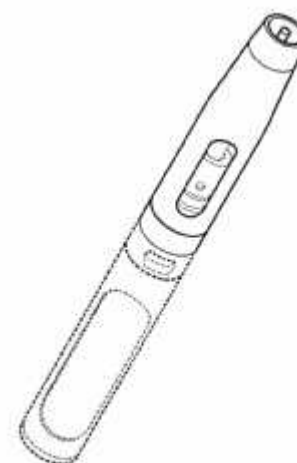
(33) Country

**002688838-0002 24 Apr 2015**

**OFFICE FOR HARMONISATION IN  
THE INTERNAL MARKET (OHIM)**

(56) Related Art Documents: **Not Applicable**

(57) Statement of Newness and Distinctiveness: **The shape and configuration of the parts of the product shown by solid lines in the accompanying representations are new and distinctive.**



(21) Design Number: **15717/2015**

(22) Date of Filing Application: **23 October 2015**

(24) Date from which industrial property rights may have effect: **23 October 2015**

(54) Product in respect of which the design is registered: **Cordless chainsaw**

(51) International Design Classification: **08-03**

(74) Name(s) of Attorney(s):

(71) Name(s) and Address(s) of Applicant(s):

**Einhell Germany AG**

**Wiesenweg 22 Landau 94405 Germany**

(72) Name(s) of Designer(s): **Thomas Ellerstorfer**

(45) Registration Date: **13 January 2016**

(30) Convention priority data:

(31) Number

(32) Date

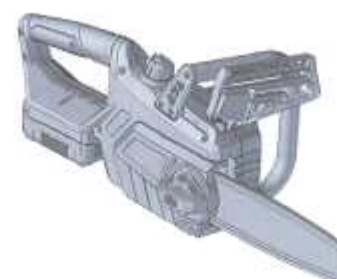
(33) Country

**002823427-0001 15 Oct 2015**

**OFFICE FOR HARMONISATION IN  
THE INTERNAL MARKET (OHIM)**

(56) Related Art Documents: **Not Applicable**

(57) Statement of Newness and Distinctiveness: **Nil**



(21) Design Number: **15637/2015**

(22) Date of Filing Application: **22 October 2015**

(24) Date from which industrial property rights may have effect: **22 October 2015**

(54) Product in respect of which the design is registered: **Electronic cigarette component**

(51) International Design Classification: **27-99**

(74) Name(s) of Attorney(s): **Griffith Hack**

(71) Name(s) and Address(s) of Applicant(s):

**Nerudia Limited**

**Wellington House Physics Road Liverpool L24 9HP United Kingdom**

(72) Name(s) of Designer(s): **Kenneth Scott**

(45) Registration Date: **13 January 2016**

(30) Convention priority data:

(31) Number

(32) Date

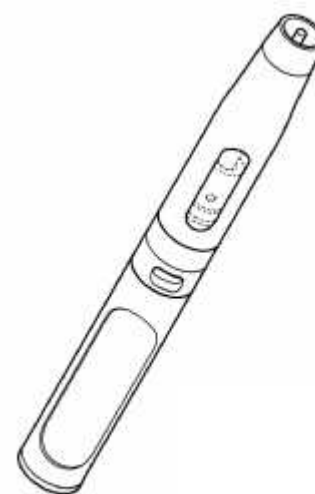
(33) Country

**002688838-0003 24 Apr 2015**

**OFFICE FOR HARMONISATION IN  
THE INTERNAL MARKET (OHIM)**

(56) Related Art Documents: **Not Applicable**

(57) Statement of Newness and Distinctiveness: **The shape and configuration of the parts of the product shown by solid lines in the accompanying representations are new and distinctive.**



(21) Design Number: **15841/2015**

(22) Date of Filing Application: **30 October 2015**

(24) Date from which industrial property rights may have effect: **30 October 2015**

(54) Product in respect of which the design is registered: **Package**

(51) International Design Classification: **03-01B**

(74) Name(s) of Attorney(s): **WATERMARK PATENT AND TRADE MARKS ATTORNEYS**

(71) Name(s) and Address(s) of Applicant(s):

**Sanofi**

**54 rue La Boetie Paris 75008 France**

(72) Name(s) of Designer(s): **Claudia Hauck and Helene Capgras and Noriko Hattori and Cristina Fernandez**

(45) Registration Date: **13 January 2016**

(30) Convention priority data:

(31) Number

(32) Date

(33) Country

**29/526,612 12 May 2015**

**UNITED STATES OF AMERICA**

(56) Related Art Documents: **Not Applicable**

(57) Statement of Newness and Distinctiveness: **Newness and distinctiveness resides in the visual features of pattern and/or ornamentation of a package as shown in the accompanying representations.**



- (21) Design Number: **16373/2015**  
(22) Date of Filing Application: **25 November 2015**  
(24) Date from which industrial property rights may have effect: **25 November 2015**  
(54) Product in respect of which the design is registered: **Rooftop Tent and Boat Loader**  
(51) International Design Classification: **12-16NES**  
(74) Name(s) of Attorney(s):  
(71) Name(s) and Address(s) of Applicant(s):  
**Murray Masling**  
**110 Patterson Dr Tinbeerwah QLD 4563 Australia**  
(72) Name(s) of Designer(s): **Murray Masling**  
(45) Registration Date: **13 January 2016**  
(56) Related Art Documents: **Not Applicable**  
(57) Statement of Newness and Distinctiveness: **BT Combo is new and distinctive because it is a roof top tent and boat loader. It combines a roof top tent and a boat in one that allows you to utilise a tent on the motor vehicle when the boat is still attached.**



- (21) Design Number: **16978/2015**  
(22) Date of Filing Application: **22 December 2015**  
(24) Date from which industrial property rights may have effect: **22 December 2015**  
(54) Product in respect of which the design is registered: **Interphone collective entrance unit**  
(51) International Design Classification: **14-03A**  
(74) Name(s) of Attorney(s): **Shelston IP Pty Ltd.**  
(71) Name(s) and Address(s) of Applicant(s):  
**Aiphone Co., Ltd.**  
**10th Floor Meiji Yasuda Seimei Nagoya Building 1-1 Shinsakae-machi,**  
**Naka-ku, Nagoya Aichi 460-0004 Japan**  
(72) Name(s) of Designer(s): **Kotaro Takahata**  
(45) Registration Date: **13 January 2016**  
(30) Convention priority data:  
(31) Number      (32) Date      (33) Country  
**2015-014347      29 Jun 2015      JAPAN**  
(56) Related Art Documents: **Not Applicable**  
(57) Statement of Newness and Distinctiveness: **Nil**



(21) Design Number: **16985/2015**  
(22) Date of Filing Application: **22 December 2015**  
(24) Date from which industrial property rights may have effect: **22 December 2015**  
(54) Product in respect of which the design is registered: **A drinking vessel**  
(51) International Design Classification: **09-01D**  
(74) Name(s) of Attorney(s): **James & Wells**  
(71) Name(s) and Address(s) of Applicant(s):

**L T Concepts Limited**  
**c/- Alex Kirby 4316-c State Highway 23 Raglan 3295 New Zealand**

(72) Name(s) of Designer(s): **Nicholas James Leigh and Torben Claude Landl**  
(45) Registration Date: **13 January 2016**

(30) Convention priority data:

(31) Number	(32) Date	(33) Country
<b>420397</b>	<b>01 Jul 2015</b>	<b>NEW ZEALAND</b>

(56) Related Art Documents: **Not Applicable**

(57) Statement of Newness and Distinctiveness: **The design is to be applied to a drinking vessel and the novelty resides in the features of shape and configuration as shown in the accompanying representations.**



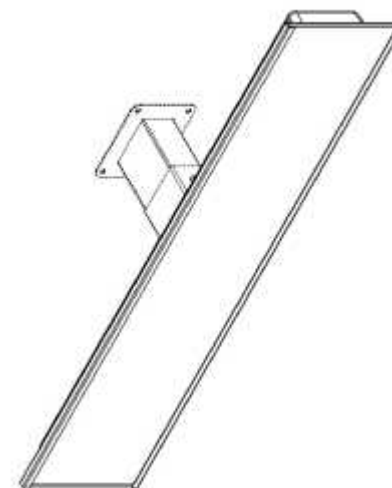
(21) Design Number: **16987/2015**  
(22) Date of Filing Application: **22 December 2015**  
(24) Date from which industrial property rights may have effect: **22 December 2015**  
(54) Product in respect of which the design is registered: **Radiant heater**  
(51) International Design Classification: **23-03A**  
(74) Name(s) of Attorney(s): **PHILLIPS ORMONDE FITZPATRICK**  
(71) Name(s) and Address(s) of Applicant(s):

**Bromic Pty Limited**  
**10 Phiney PI Ingleburn NSW 2565 Australia**

(72) Name(s) of Designer(s): **Scott Smith**  
(45) Registration Date: **13 January 2016**

(56) Related Art Documents: **Not Applicable**

(57) Statement of Newness and Distinctiveness: **Those features of the radiant heater depicted in the representations that are new and distinctive are the shape and/or configuration. The features shown in broken line are not part of the design and are to be disregarded when considering the overall impression of the design.**





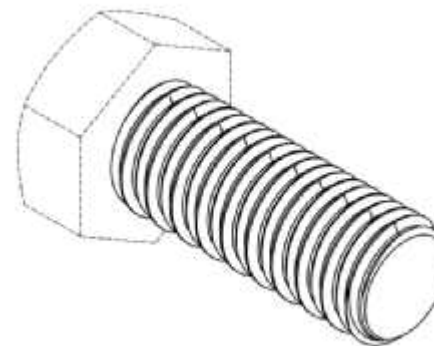
(21) Design Number: **16988/2015**  
(22) Date of Filing Application: **22 December 2015**  
(24) Date from which industrial property rights may have effect: **22 December 2015**  
(54) Product in respect of which the design is registered: **Packaging box**  
(51) International Design Classification: **09-03M**  
(74) Name(s) of Attorney(s): **PHILLIPS ORMONDE FITZPATRICK**  
(71) Name(s) and Address(s) of Applicant(s):  
**Needle Industries (India) Private Limited**  
**The Nilgiris Tamil Nadu, 643 243 India**  
(72) Name(s) of Designer(s): **Vasanthi Devagnanam**  
(45) Registration Date: **13 January 2016**  
(30) Convention priority data:  
(31) Number (32) Date (33) Country  
**273165 26 Jun 2015 INDIA**  
(56) Related Art Documents: **Not Applicable**  
(57) Statement of Newness and Distinctiveness: **Those features of the packaging box depicted in the representations that are new and distinctive are the shape and/or configuration. The words, letters, logo, bar code label, numerals and colour or colour combinations shown in the representations are not part of the design and are to be disregarded when considering the overall impression of the design.**



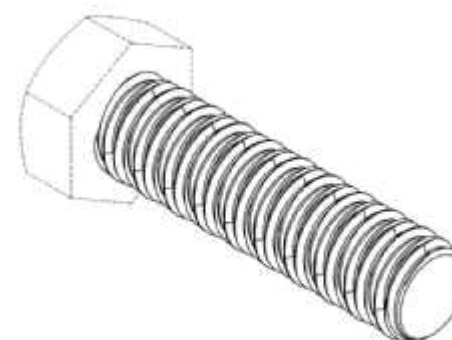
(21) Design Number: **16989/2015**  
(22) Date of Filing Application: **22 December 2015**  
(24) Date from which industrial property rights may have effect: **22 December 2015**  
(54) Product in respect of which the design is registered: **Needle box**  
(51) International Design Classification: **24-99**  
(74) Name(s) of Attorney(s): **PHILLIPS ORMONDE FITZPATRICK**  
(71) Name(s) and Address(s) of Applicant(s):  
**Needle Industries (India) Private Limited**  
**The Nilgiris Tamil Nadu, 643 243 India**  
(72) Name(s) of Designer(s): **Vasanthi Devagnanam**  
(45) Registration Date: **13 January 2016**  
(30) Convention priority data:  
(31) Number (32) Date (33) Country  
**273164 26 Jun 2015 INDIA**  
(56) Related Art Documents: **Not Applicable**  
(57) Statement of Newness and Distinctiveness: **Those features of the needle box depicted in the representations that are new and distinctive are the shape and/or configuration. The words, letters, logo, numerals and colour or colour combinations shown in the representations are not part of the design and are to be disregarded when considering the overall impression of the design.**



- (21) Design Number: **16995/2015**  
(22) Date of Filing Application: **22 December 2015**  
(24) Date from which industrial property rights may have effect: **22 December 2015**  
(54) Product in respect of which the design is registered: **Screw**  
(51) International Design Classification: **08-08B**  
(74) Name(s) of Attorney(s): **Collison & Co**  
(71) Name(s) and Address(s) of Applicant(s):  
**FORM ROLL TECH CO., LTD.**  
**2022, Torisawa, Tomihama-machi Ohtsuki-shi Yamanashi 409-0502**  
**Japan**  
(72) Name(s) of Designer(s): **Toshinaka Shinbutsu and Teruie Takemasu and**  
**Shuichi Amano**  
(45) Registration Date: **13 January 2016**  
(30) Convention priority data:  
(31) Number (32) Date (33) Country  
**2015-014489 30 Jun 2015 JAPAN**  
(56) Related Art Documents: **Not Applicable**  
(57) Statement of Newness and Distinctiveness: **Newness and distinctiveness**  
**resides in the shape and/or configuration of the screw as shown in the**  
**attached representations, disregarding those portions shown in broken**  
**lines.**



- (21) Design Number: **16996/2015**  
(22) Date of Filing Application: **22 December 2015**  
(24) Date from which industrial property rights may have effect: **22 December 2015**  
(54) Product in respect of which the design is registered: **Screw**  
(51) International Design Classification: **08-08B**  
(74) Name(s) of Attorney(s): **Collison & Co**  
(71) Name(s) and Address(s) of Applicant(s):  
**FORM ROLL TECH CO., LTD.**  
**2022, Torisawa, Tomihama-machi Ohtsuki-shi Yamanashi 409-0502**  
**Japan**  
(72) Name(s) of Designer(s): **Toshinaka Shinbutsu and Teruie Takemasu and**  
**Shuichi Amano**  
(45) Registration Date: **13 January 2016**  
(30) Convention priority data:  
(31) Number (32) Date (33) Country  
**2015-014490 30 Jun 2015 JAPAN**  
(56) Related Art Documents: **Not Applicable**  
(57) Statement of Newness and Distinctiveness: **Newness and distinctiveness**  
**resides in the shape and/or configuration of the screw as shown in the**  
**attached representations, disregarding those portions shown in broken**  
**lines.**



(21) Design Number: **16883/2015**  
(22) Date of Filing Application: **17 December 2015**  
(24) Date from which industrial property rights may have effect: **17 December 2015**  
(54) Product in respect of which the design is registered: **Device for filling multiple water balloons**  
(51) International Design Classification: **21-01NES**  
(74) Name(s) of Attorney(s): **Allens Patent & Trade Mark Attorneys**  
(71) Name(s) and Address(s) of Applicant(s):  
**Telebrands Corp**  
**79 Two Bridges Rd Fairfield NJ, 07004-1029 United States of America**  
(72) Name(s) of Designer(s): **Ajit Khubani and Cara Leonard**  
(45) Registration Date: **13 January 2016**  
(30) Convention priority data:  
(31) Number (32) Date (33) Country  
**29/546,337 20 Nov 2015 UNITED STATES OF AMERICA**  
(56) Related Art Documents: **Not Applicable**  
(57) Statement of Newness and Distinctiveness: **Newness and distinctiveness is claimed in the features of shape and configuration of the Device for filling Multiple Water balloons shown in solid lines in the attached representations. When considering the scope of the monopoly, the features of shading are to be considered for clarity of representation only and do not form part of the design.**



(21) Design Number: **16890/2015**  
(22) Date of Filing Application: **17 December 2015**  
(24) Date from which industrial property rights may have effect: **09 October 2015**  
(54) Product in respect of which the design is registered: **Bonded dual layer sterile wrap**  
(51) International Design Classification: **24-04**  
(74) Name(s) of Attorney(s): **IP Gateway Patent & Trade Mark Attorneys Pty Ltd**  
(71) Name(s) and Address(s) of Applicant(s):  
**Medline Industries, Inc.**  
**One Medline Place Mundelein ILLINOIS, 60060 United States Of America**  
(72) Name(s) of Designer(s): **Dixit Gandhi and Robert A. Lockwood and Francis A. Czajka, Jr.**  
(45) Registration Date: **13 January 2016**  
(30) Convention priority data:  
(31) Number (32) Date (33) Country  
**29/523,443 09 Apr 2015 UNITED STATES OF AMERICA**  
(62) Divisional of: **366213**  
(56) Related Art Documents: **Not Applicable**  
(57) Statement of Newness and Distinctiveness: **Newness and distinctiveness reside in the visual features of pattern and ornamentation of a bonded dual layer sterile wrap comprising, as shown in the representations, an embossing pattern; a first layer of a first colour forming a first side of the wrap; a second layer of a contrasting colour forming a second side of the wrap.**



(21) Design Number: **16894/2015**  
(22) Date of Filing Application: **17 December 2015**  
(24) Date from which industrial property rights may have effect: **17 December 2015**  
(54) Product in respect of which the design is registered: **Packaging for ice cream**  
(51) International Design Classification: **09-03NES**  
(74) Name(s) of Attorney(s): **Griffith Hack**  
(71) Name(s) and Address(s) of Applicant(s):

**Unilever PLC**  
**Unilever House 100 Victoria Embankment London EC4Y 0DY United Kingdom**

(72) Name(s) of Designer(s): **Kevin Stuart Blake and James Peter Dougan and James Giles and Thomas Le Plastrier Maurice and Ian Alexander Mackay**

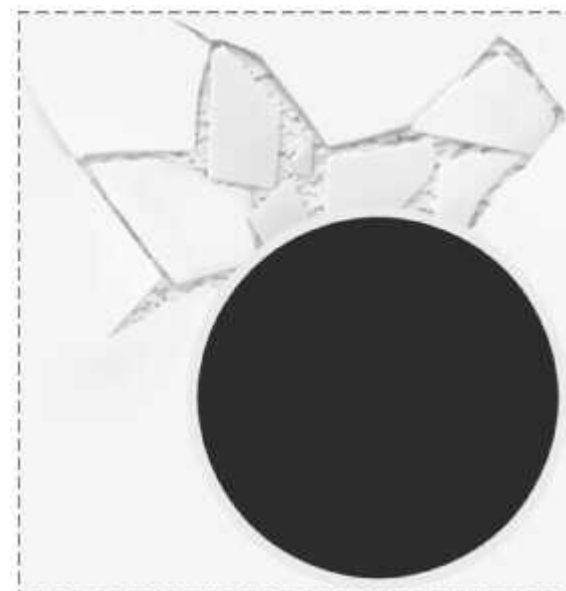
(45) Registration Date: **13 January 2016**

(30) Convention priority data:

(31) Number	(32) Date	(33) Country
<b>002727248-0001</b>	<b>26 Jun 2015</b>	<b>OFFICE FOR HARMONISATION IN THE INTERNAL MARKET (OHIM)</b>

(56) Related Art Documents: **Not Applicable**

(57) Statement of Newness and Distinctiveness: **Newness and distinctiveness resides in the visual features, including the pattern and ornamentation, of an image applied to or forming part of PACKAGING FOR ICE CREAM as shown in render in the accompanying representations. When determining whether the design is substantially similar in overall impression to another design, no regard is to be had to those features shown in dotted outline in the accompanying representations, which features are provided for illustrative purposes only.**



(21) Design Number: **16896/2015**  
(22) Date of Filing Application: **17 December 2015**  
(24) Date from which industrial property rights may have effect: **17 December 2015**  
(54) Product in respect of which the design is registered: **Packaging for ice cream**  
(51) International Design Classification: **09-03NES**  
(74) Name(s) of Attorney(s): **Griffith Hack**  
(71) Name(s) and Address(s) of Applicant(s):

**Unilever PLC**  
**Unilever House 100 Victoria Embankment London EC4Y 0DY United Kingdom**

(72) Name(s) of Designer(s): **Kevin Stuart Blake and James Peter Dougan and James Giles and Thomas Le Plastrier Maurice and Ian Alexander Mackay**

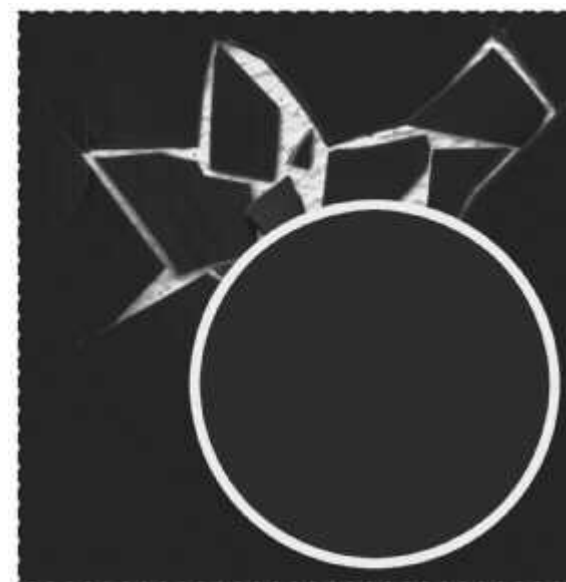
(45) Registration Date: **13 January 2016**

(30) Convention priority data:

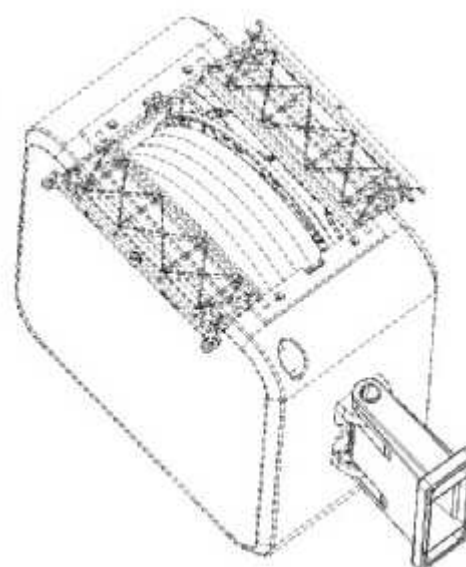
(31) Number	(32) Date	(33) Country
<b>002727248-0003</b>	<b>26 Jun 2015</b>	<b>OFFICE FOR HARMONISATION IN THE INTERNAL MARKET (OHIM)</b>

(56) Related Art Documents: **Not Applicable**

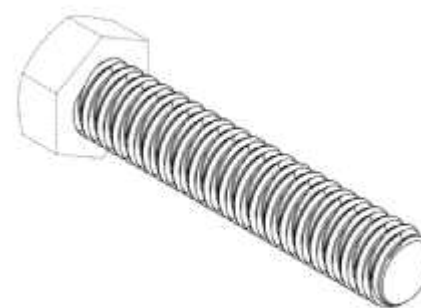
(57) Statement of Newness and Distinctiveness: **Newness and distinctiveness resides in the visual features, including the pattern and ornamentation, of an image applied to or forming part of PACKAGING FOR ICE CREAM as shown in render in the accompanying representations. When determining whether the design is substantially similar in overall impression to another design, no regard is to be had to those features shown in dotted outline in the accompanying representations, which features are provided for illustrative purposes only.**



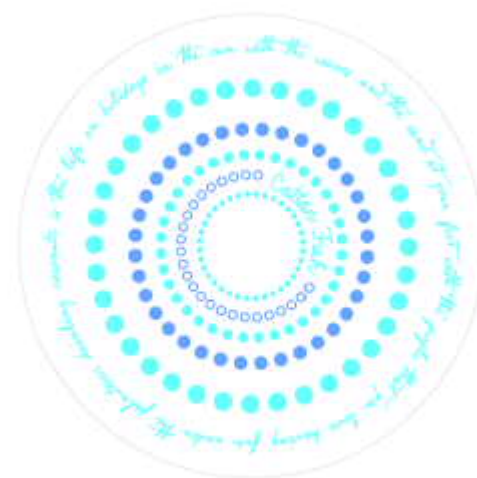
(21) Design Number: **16900/2015**  
(22) Date of Filing Application: **17 December 2015**  
(24) Date from which industrial property rights may have effect: **17 December 2015**  
(54) Product in respect of which the design is registered: **Brace for hose reels**  
(51) International Design Classification: **08-99**  
(74) Name(s) of Attorney(s):  
(71) Name(s) and Address(s) of Applicant(s):  
**Yongkang NAIBOEN Industrial & Trading Co., Ltd.**  
**No. 2 Xingan Road Xialixi Industrial Area Yongkang City, Zhejiang**  
**Province, China**  
(72) Name(s) of Designer(s): **Zheng Shi**  
(45) Registration Date: **13 January 2016**  
(56) Related Art Documents: **Not Applicable**  
(57) Statement of Newness and Distinctiveness: **Novelty resides in the**  
**ornamental design for a brace for hose reel as shown in the drawings.**



(21) Design Number: **16997/2015**  
(22) Date of Filing Application: **22 December 2015**  
(24) Date from which industrial property rights may have effect: **22 December 2015**  
(54) Product in respect of which the design is registered: **Screw**  
(51) International Design Classification: **08-08B**  
(74) Name(s) of Attorney(s): **Collison & Co**  
(71) Name(s) and Address(s) of Applicant(s):  
**FORM ROLL TECH CO., LTD.**  
**2022, Torisawa, Tomihama-machi Ohtsuki-shi Yamanashi 409-0502**  
**Japan**  
(72) Name(s) of Designer(s): **Toshinaka Shinbutsu and Teruie Takemasu and**  
**Shuichi Amano**  
(45) Registration Date: **13 January 2016**  
(30) Convention priority data:  
(31) Number      (32) Date      (33) Country  
**2015-014491      30 Jun 2015      JAPAN**  
(56) Related Art Documents: **Not Applicable**  
(57) Statement of Newness and Distinctiveness: **Newness and distinctiveness**  
**resides in the shape and/or configuration of the screw as shown in the**  
**attached representations, disregarding those portions shown in broken**  
**lines.**



- (21) Design Number: **16294/2015**  
(22) Date of Filing Application: **23 November 2015**  
(24) Date from which industrial property rights may have effect: **23 November 2015**  
(54) Product in respect of which the design is registered: **Round Beach Towels**  
(51) International Design Classification: **06-13C**  
(74) Name(s) of Attorney(s):  
(71) Name(s) and Address(s) of Applicant(s):  
**Nicole Susan McMahon**  
**PO Box 4048 Beldon Western Australia 6027 Australia**  
**Thomas Wayne Roberts**  
**PO Box 4048 Beldon Western Australia 6027 Australia**  
(72) Name(s) of Designer(s): **Thomas Wayne Roberts and Nicole Susan McMahon**  
(45) Registration Date: **13 January 2016**  
(56) Related Art Documents: **Not Applicable**  
(57) Statement of Newness and Distinctiveness: **The newness and distinctiveness of the design resides in the layout of the dots in a circular pattern, with running writing around the out side of the towel.**



- (21) Design Number: **16949/2015**  
(22) Date of Filing Application: **21 December 2015**  
(24) Date from which industrial property rights may have effect: **21 December 2015**  
(54) Product in respect of which the design is registered: **Washing machine**  
(51) International Design Classification: **15-05**  
(74) Name(s) of Attorney(s): **Griffith Hack**  
(71) Name(s) and Address(s) of Applicant(s):  
**SAMSUNG ELECTRONICS CO., LTD.**  
**129, Samsung-ro Yeongtong-gu Suwon-si Gyeonggi-do 16677 Republic of Korea**  
(72) Name(s) of Designer(s): **Yoon Jong Kang and Kisang Yoon and Jaewon Choi and Deoksang Yun and Sanghun Yoon and Junghoon Hwang and Seyoun Park**  
(45) Registration Date: **13 January 2016**  
(30) Convention priority data:  
(31) Number (32) Date (33) Country  
**30-2015-0035841 16 Jul 2015 REPUBLIC OF KOREA**  
(56) Related Art Documents: **Not Applicable**  
(57) Statement of Newness and Distinctiveness: **Newness and distinctiveness resides in the visual features, including the shape and configuration of the product as shown by means of solid lines in the representations.**



(21) Design Number: **16976/2015**

(22) Date of Filing Application: **22 December 2015**

(24) Date from which industrial property rights may have effect: **22 December 2015**

(54) Product in respect of which the design is registered: **Wave dissipating block**

(51) International Design Classification: **25-01B**

(74) Name(s) of Attorney(s): **Macpherson + Kelley**

(71) Name(s) and Address(s) of Applicant(s):

**Steel Flower Co., Ltd.**

**(KNN Tower, U-dong) 25F 30, Centum seo-ro, Haeundae-gu Busan 48058  
Republic of Korean**

(72) Name(s) of Designer(s): **Byeong Kwen Kim**

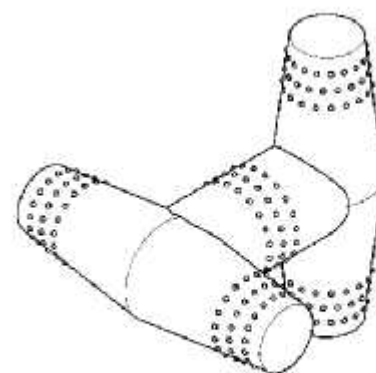
(45) Registration Date: **13 January 2016**

(30) Convention priority data:

(31) Number	(32) Date	(33) Country
<b>30-2015-0053204</b>	<b>22 Oct 2015</b>	<b>REPUBLIC OF KOREA</b>

(56) Related Art Documents: **Not Applicable**

(57) Statement of Newness and Distinctiveness: **Newness and distinctiveness resides in the features of shape and/or configuration of a wave dissipating block as illustrated in the accompanying representations.**



(21) Design Number: **16977/2015**

(22) Date of Filing Application: **22 December 2015**

(24) Date from which industrial property rights may have effect: **22 December 2015**

(54) Product in respect of which the design is registered: **Wave dissipating block**

(51) International Design Classification: **25-01B**

(74) Name(s) of Attorney(s): **Macpherson + Kelley**

(71) Name(s) and Address(s) of Applicant(s):

**Steel Flower Co., Ltd.**

**(KNN Tower, U-dong) 25F 30, Centum seo-ro, Haeundae-gu Busan 48058  
Republic of Korean**

(72) Name(s) of Designer(s): **Byeong Kwen Kim**

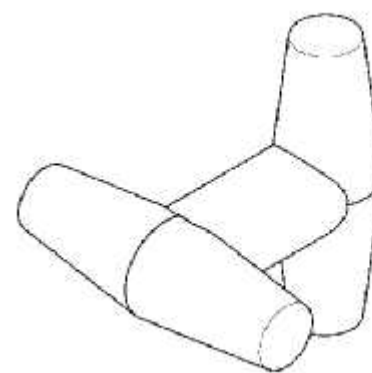
(45) Registration Date: **13 January 2016**

(30) Convention priority data:

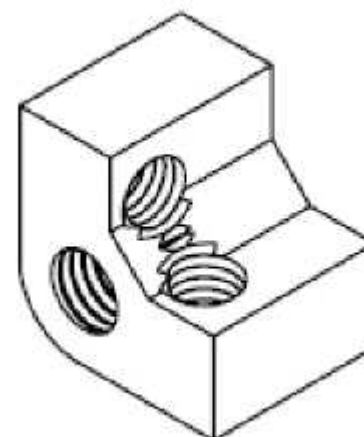
(31) Number	(32) Date	(33) Country
<b>30-2015-0053205</b>	<b>22 Oct 2015</b>	<b>REPUBLIC OF KOREA</b>

(56) Related Art Documents: **Not Applicable**

(57) Statement of Newness and Distinctiveness: **Newness and distinctiveness resides in the features of shape and/or configuration of a wave dissipating block as illustrated in the continuous lines in the accompanying representations.**



(21) Design Number: **16980/2015**  
(22) Date of Filing Application: **22 December 2015**  
(24) Date from which industrial property rights may have effect: **22 December 2015**  
(54) Product in respect of which the design is registered: **Nutblock**  
(51) International Design Classification: **08-08B**  
(74) Name(s) of Attorney(s): **Macpherson + Kelley**  
(71) Name(s) and Address(s) of Applicant(s):  
**Horizon Global Pty Ltd**  
**49 Pacific Dr Keysborough VIC 3173 Australia**  
(72) Name(s) of Designer(s): **Nick Verboeket**  
(45) Registration Date: **13 January 2016**  
(56) Related Art Documents: **Not Applicable**  
(57) Statement of Newness and Distinctiveness: **Nil**



(21) Design Number: **16981/2015**  
(22) Date of Filing Application: **22 December 2015**  
(24) Date from which industrial property rights may have effect: **22 December 2015**  
(54) Product in respect of which the design is registered: **Interphone master unit**  
(51) International Design Classification: **14-03A**  
(74) Name(s) of Attorney(s): **Shelston IP Pty Ltd.**  
(71) Name(s) and Address(s) of Applicant(s):  
**Aiphone Co., Ltd.**  
**10th Floor Meiji Yasuda Seimei Nagoya Building 1-1 Shinsakae-machi,**  
**Naka-ku, Nagoya Aichi 460-0004 Japan**  
(72) Name(s) of Designer(s): **Kotaro Takahata**  
(45) Registration Date: **13 January 2016**  
(30) Convention priority data:  
(31) Number      (32) Date      (33) Country  
**2015-014348      29 Jun 2015      JAPAN**  
(56) Related Art Documents: **Not Applicable**  
(57) Statement of Newness and Distinctiveness: **Nil**





(21) Design Number: **16992/2015**  
(22) Date of Filing Application: **22 December 2015**  
(24) Date from which industrial property rights may have effect: **22 December 2015**  
(54) Product in respect of which the design is registered: **Luggage**  
(51) International Design Classification: **03-01A**  
(74) Name(s) of Attorney(s): **WRAYS PTY LTD**  
(71) Name(s) and Address(s) of Applicant(s):

**Travel Light Ltd.**  
**34 Yitzhak Sadeh Suite no. 474 Tel Aviv 6721207 Israel**

(72) Name(s) of Designer(s): **Netta Shalgi**

(45) Registration Date: **13 January 2016**

(30) Convention priority data:

(31) Number	(32) Date	(33) Country
<b>57100</b>	<b>30 Jun 2015</b>	<b>ISRAEL</b>

(56) Related Art Documents: **Not Applicable**

(57) Statement of Newness and Distinctiveness: **Newness and distinctiveness is claimed in the features of shape, configuration, pattern, and/or ornamentation of the Luggage as shown in the accompanying representations.**



(21) Design Number: **16998/2015**  
(22) Date of Filing Application: **22 December 2015**  
(24) Date from which industrial property rights may have effect: **30 September 2015**  
(54) Product in respect of which the design is registered: **Feedback console**  
(51) International Design Classification: **24-01, 14-02**  
(74) Name(s) of Attorney(s): **FB Rice**  
(71) Name(s) and Address(s) of Applicant(s):

**RatingBox Pty Ltd**  
**L29 Rialto Towers 525 Collins St Melbourne VIC 3000 Australia**

(72) Name(s) of Designer(s): **Guy Phillip William King and John Boyd and Jon Seddon**

(45) Registration Date: **13 January 2016**

(62) Divisional of: **366377**

(56) Related Art Documents: **Not Applicable**

(57) Statement of Newness and Distinctiveness: **Newness and distinctiveness is claimed in the features of shape and configuration of the feedback console as shown in the representations.**



- (21) Design Number: **17001/2015**  
(22) Date of Filing Application: **22 December 2015**  
(24) Date from which industrial property rights may have effect: **22 December 2015**  
(54) Product in respect of which the design is registered: **Cap for reo bar**  
(51) International Design Classification: **08-08B**  
(74) Name(s) of Attorney(s): **IP Gateway Patent & Trade Mark Attorneys Pty Ltd**  
(71) Name(s) and Address(s) of Applicant(s):  
**Jefferey Hunt**  
**59 George St Beenleigh QLD 4207 Australia**  
(72) Name(s) of Designer(s): **Jefferey Hunt**  
(45) Registration Date: **13 January 2016**  
(56) Related Art Documents: **Not Applicable**  
(57) Statement of Newness and Distinctiveness: **Newness and distinctiveness reside in the visual features of shape and configuration of the wall indicated by the character A in the representations, in the context of the product as a whole, and especially in the large visible thickness of the wall indicated by the character A with reference to the width of the opening which that wall defines.**



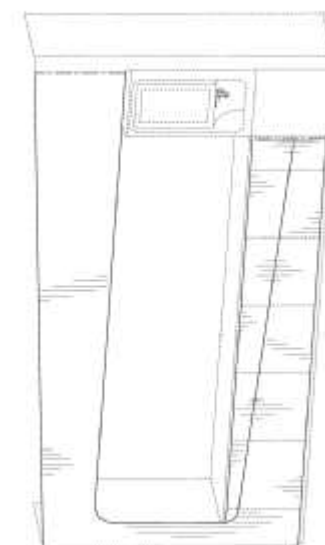
- (21) Design Number: **17003/2015**  
(22) Date of Filing Application: **22 December 2015**  
(24) Date from which industrial property rights may have effect: **09 November 2015**  
(54) Product in respect of which the design is registered: **Lighting device**  
(51) International Design Classification: **26-02**  
(74) Name(s) of Attorney(s): **Halfords IP**  
(71) Name(s) and Address(s) of Applicant(s):  
**Energizer Brands LLC**  
**533 Maryville University Drive St Louis Missouri, 63141 United States of America**  
(72) Name(s) of Designer(s): **John Robert Brown and Philip Filip Tejszerski**  
(45) Registration Date: **13 January 2016**  
(62) Divisional of: **366387**  
(56) Related Art Documents: **Not Applicable**  
(57) Statement of Newness and Distinctiveness: **Newness and distinctiveness resides in those features of shape and or configuration of a LIGHTING DEVICE as depicted in the representations. Shading lines and features shown in broken line work do not form part of the design.**



- (21) Design Number: **16184/2015**  
(22) Date of Filing Application: **16 November 2015**  
(24) Date from which industrial property rights may have effect: **16 November 2015**  
(54) Product in respect of which the design is registered: **Pest eradication device with cover and base**  
(51) International Design Classification: **22-06**  
(74) Name(s) of Attorney(s): **Davies Collison Cave**  
(71) Name(s) and Address(s) of Applicant(s):  
**Katherine Bamford**  
**60 Shevlins Lane Woori Yallock VIC 3139 Australia**  
**Tiffany Caroline Ashman**  
**60 Shevlins Lane Woori Yallock VIC 3139 Australia**  
(72) Name(s) of Designer(s): **Katherine Bamford and Tiffany Caroline Ashman**  
(45) Registration Date: **13 January 2016**  
(56) Related Art Documents: **Not Applicable**  
(57) Statement of Newness and Distinctiveness: **Newness and distinctiveness is claimed in the features of shape and configuration of a pest eradication device with a cover and a base as shown in the representations.**



- (21) Design Number: **16603/2015**  
(22) Date of Filing Application: **08 December 2015**  
(24) Date from which industrial property rights may have effect: **08 December 2015**  
(54) Product in respect of which the design is registered: **A beverage display unit**  
(51) International Design Classification: **20-02NES**  
(74) Name(s) of Attorney(s): **Spruson & Ferguson**  
(71) Name(s) and Address(s) of Applicant(s):  
**PepsiCo, Inc.**  
**700 Anderson Hill Road, Purchase New York, 10577 United States of America**  
(72) Name(s) of Designer(s): **Emilian Dan Cartis and Stephen Lim and Chiara Grana and Christopher John Miller**  
(45) Registration Date: **13 January 2016**  
(30) Convention priority data:  
(31) Number      (32) Date      (33) Country  
**29/530004      11 Jun 2015      UNITED STATES OF AMERICA**  
(56) Related Art Documents: **Not Applicable**  
(57) Statement of Newness and Distinctiveness: **Newness and distinctiveness is claimed in those features of shape and/or configuration of a beverage display unit as illustrated in the continuous lines in the accompanying representations.**



(21) Design Number: **16607/2015**  
(22) Date of Filing Application: **08 December 2015**  
(24) Date from which industrial property rights may have effect: **08 December 2015**  
(54) Product in respect of which the design is registered: **A beverage display unit**  
(51) International Design Classification: **20-02NES**  
(74) Name(s) of Attorney(s): **Spruson & Ferguson**  
(71) Name(s) and Address(s) of Applicant(s):

**PepsiCo, Inc.**  
**700 Anderson Hill Road, Purchase New York, 10577 United States of America**

(72) Name(s) of Designer(s): **Emilian Dan Cartis and Stephen Lim and Chiara Grana and Christopher John Miller**

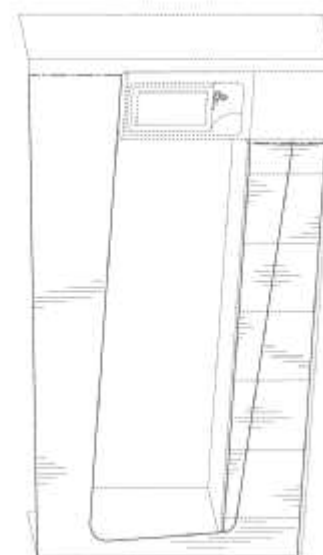
(45) Registration Date: **13 January 2016**

(30) Convention priority data:

(31) Number	(32) Date	(33) Country
<b>29/530004</b>	<b>11 Jun 2015</b>	<b>UNITED STATES OF AMERICA</b>

(56) Related Art Documents: **Not Applicable**

(57) Statement of Newness and Distinctiveness: **Newness and distinctiveness is claimed in those features of shape and/or configuration of a beverage display unit as illustrated in the continuous lines in the accompanying representations.**



(21) Design Number: **16041/2015**  
(22) Date of Filing Application: **12 November 2015**  
(24) Date from which industrial property rights may have effect: **12 November 2015**  
(54) Product in respect of which the design is registered: **Accessory base for an electrical assembly**  
(51) International Design Classification: **13-02**  
(74) Name(s) of Attorney(s): **Shelston IP Pty Ltd.**  
(71) Name(s) and Address(s) of Applicant(s):

**Dometic Sweden AB**  
**Hemvarnsgatan 15 Solna SE-174 54 Sweden**

(72) Name(s) of Designer(s): **Brent Alan Taylor and Kent A. Becker**

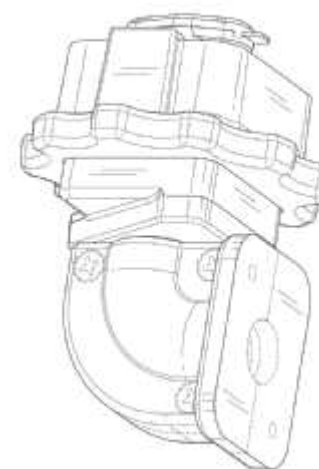
(45) Registration Date: **13 January 2016**

(30) Convention priority data:

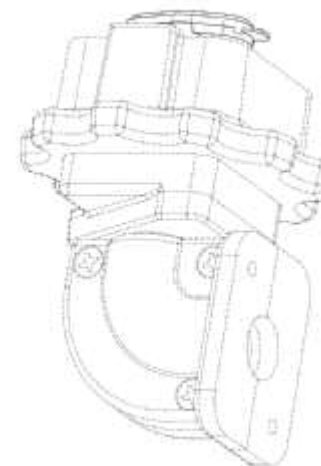
(31) Number	(32) Date	(33) Country
<b>29/527180</b>	<b>15 May 2015</b>	<b>UNITED STATES OF AMERICA</b>

(56) Related Art Documents: **Not Applicable**

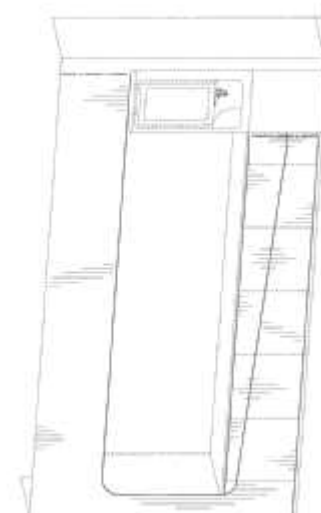
(57) Statement of Newness and Distinctiveness: **Newness and distinctiveness reside in the features of shape and/or configuration of an ACCESSORY BASE FOR AN ELECTRICAL CONNECTOR as illustrated in solid lines in the accompanying representations. The features shown in broken or discontinuous lines are illustrative only and do not form part of the design.**



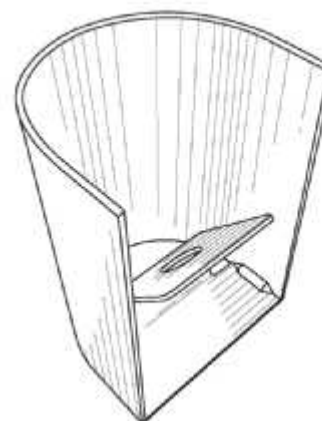
- (21) Design Number: **16042/2015**  
(22) Date of Filing Application: **12 November 2015**  
(24) Date from which industrial property rights may have effect: **12 November 2015**  
(54) Product in respect of which the design is registered: **Accessory base for an electrical accessory**  
(51) International Design Classification: **13-02**  
(74) Name(s) of Attorney(s): **Shelston IP Pty Ltd.**  
(71) Name(s) and Address(s) of Applicant(s):  
**Dometic Sweden AB**  
**Hemvarnsgatan 15 Solna SE-174 54 Sweden**  
(72) Name(s) of Designer(s): **Brent Alan Taylor and Kent A. Becker**  
(45) Registration Date: **13 January 2016**  
(30) Convention priority data:  
(31) Number (32) Date (33) Country  
**29/527177 15 May 2015 UNITED STATES OF AMERICA**  
(56) Related Art Documents: **Not Applicable**  
(57) Statement of Newness and Distinctiveness: **Newness and distinctiveness reside in the features of shape and/or configuration of an ACCESSORY BASE FOR AN ELECTRICAL ACCESSORY as illustrated in solid lines in the accompanying representations. The features shown in broken or discontinuous lines are illustrative only and do not form part of the design.**



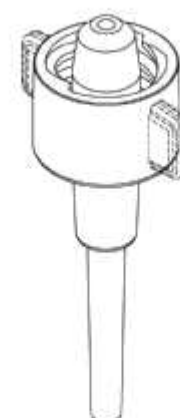
- (21) Design Number: **16605/2015**  
(22) Date of Filing Application: **08 December 2015**  
(24) Date from which industrial property rights may have effect: **08 December 2015**  
(54) Product in respect of which the design is registered: **A beverage display unit**  
(51) International Design Classification: **20-02NES**  
(74) Name(s) of Attorney(s): **Spruson & Ferguson**  
(71) Name(s) and Address(s) of Applicant(s):  
**PepsiCo, Inc.**  
**700 Anderson Hill Road, Purchase New York, 10577 United States of America**  
(72) Name(s) of Designer(s): **Emilian Dan Cartis and Stephen Lim and Chiara Grana and Christopher John Miller**  
(45) Registration Date: **13 January 2016**  
(30) Convention priority data:  
(31) Number (32) Date (33) Country  
**29/530003 11 Jun 2015 UNITED STATES OF AMERICA**  
(56) Related Art Documents: **Not Applicable**  
(57) Statement of Newness and Distinctiveness: **Newness and distinctiveness is claimed in those features of shape and/or configuration of a beverage display unit as illustrated in the continuous lines in the accompanying representaiions.**



- (21) Design Number: **17005/2015**  
(22) Date of Filing Application: **23 December 2015**  
(24) Date from which industrial property rights may have effect: **23 December 2015**  
(54) Product in respect of which the design is registered: **A light covering**  
(51) International Design Classification: **26-05D**  
(74) Name(s) of Attorney(s):  
(71) Name(s) and Address(s) of Applicant(s):  
**Geoffrey Lipton**  
**C/- Patentec Patent Attorneys L11, 65 York St Sydney NSW 1235**  
(72) Name(s) of Designer(s): **Geoffrey Lipton**  
(45) Registration Date: **13 January 2016**  
(56) Related Art Documents: **Not Applicable**  
(57) Statement of Newness and Distinctiveness: **Newness and distinctiveness as claimed in the shaping configuration of the light covering shown in the attached representation that attaches to a goose neck batten holder using the existing threaded skirt of the gooseneck batten holder to hold the covering in place.**



- (21) Design Number: **16748/2015**  
(22) Date of Filing Application: **11 December 2015**  
(24) Date from which industrial property rights may have effect: **11 December 2015**  
(54) Product in respect of which the design is registered: **Adapter assembly for enteral feeding**  
(51) International Design Classification: **24-01**  
(74) Name(s) of Attorney(s): **Spruson & Ferguson**  
(71) Name(s) and Address(s) of Applicant(s):  
**Covidien LP**  
**15 Hampshire Street, Mansfield Massachusetts, 02048 United States of America**  
(72) Name(s) of Designer(s): **David Rork Swisher**  
(45) Registration Date: **14 January 2016**  
(30) Convention priority data:  
(31) Number      (32) Date      (33) Country  
**29/529998      11 Jun 2015      UNITED STATES OF AMERICA**  
(56) Related Art Documents: **Not Applicable**  
(57) Statement of Newness and Distinctiveness: **Newness and distinctiveness is claimed in the features of shape and/or configuration of an adapter assembly for enteral feeding as illustrated in continuous lines in the accompanying representations.**



- (21) Design Number: **17006/2015**  
(22) Date of Filing Application: **23 December 2015**  
(24) Date from which industrial property rights may have effect: **23 December 2015**  
(54) Product in respect of which the design is registered: **Garment**  
(51) International Design Classification: **02-02NES**  
(74) Name(s) of Attorney(s):  
(71) Name(s) and Address(s) of Applicant(s):

**Joey Bacic**  
**C/-Patentec Patent Attorneys L11, 65 York St Sydney NSW 2000**  
**Australia**  
**Luka Zoric**  
**C/-Patentec Patent Attorneys L11, 65 York St, Sydney NSW 1235**  
**Australia**

(72) Name(s) of Designer(s): **Joey Bacic and Luka Zoric**

(45) Registration Date: **14 January 2016**

(56) Related Art Documents: **Not Applicable**

(57) Statement of Newness and Distinctiveness: **Newness and distinctiveness as claimed in the shape and configuration of the loose fitting cloak-type garment for indoor comfort wear as is shown in the accompanying representations wherein the garment is configured for substantially covering a user from head to toe, including sleeves for substantially covering the arms of the user; and wherein the garment comprises a leg covering section, and wherein the leg covering section comprises a front legging pouch for receiving the lower extremities of the legs of the user therein.**



- (21) Design Number: **17024/2015**  
(22) Date of Filing Application: **23 December 2015**  
(24) Date from which industrial property rights may have effect: **23 December 2015**  
(54) Product in respect of which the design is registered: **Charging apparatus**  
(51) International Design Classification: **13-02**  
(74) Name(s) of Attorney(s): **Cotters Patent & Trade Mark Attorneys**  
(71) Name(s) and Address(s) of Applicant(s):

**Microsoft Corporation**  
**One Microsoft Way Redmond Washington, 98052 United States of**  
**America**

(72) Name(s) of Designer(s): **Philip Bryan and Adrian Santos and Emron Henry and Stephen Minarsch and Hamid Shayesteh-pour**

(45) Registration Date: **14 January 2016**

(30) Convention priority data:

(31) Number	(32) Date	(33) Country
<b>29/537,868</b>	<b>28 Aug 2015</b>	<b>UNITED STATES OF AMERICA</b>

(56) Related Art Documents: **Not Applicable**

(57) Statement of Newness and Distinctiveness: **Newness and distinctiveness is claimed in the features of shape and/or configuration of a charging apparatus as depicted in the accompanying representations and having particular regard to the features shown in continuous line.**



(21) Design Number: **17028/2015**  
(22) Date of Filing Application: **23 December 2015**  
(24) Date from which industrial property rights may have effect: **27 October 2015**  
(54) Product in respect of which the design is registered: **An educational toy**  
(51) International Design Classification: **21-01NES**  
(74) Name(s) of Attorney(s): **Thomson Geer**  
(71) Name(s) and Address(s) of Applicant(s):

**Allan Blin Cheng**  
**Kirsebaerbakken 14 2830 Virum Denmark**

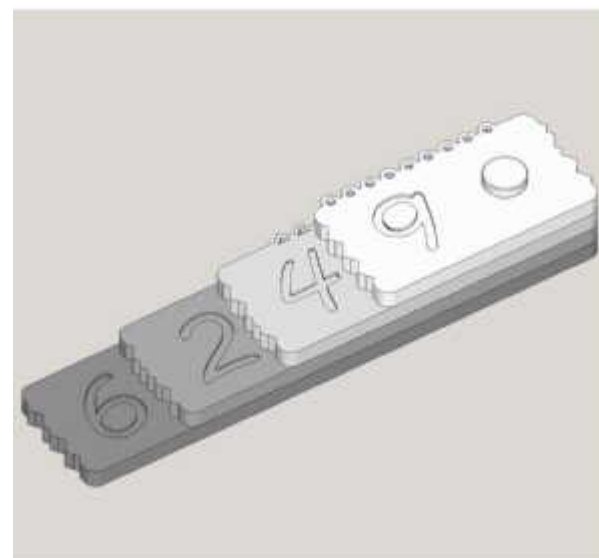
**Christine Cheng Blin**  
**Kirsebaerbakken 14 2830 Virum Denmark**

(72) Name(s) of Designer(s): **Allan Blin Cheng and Christine Cheng Blin**

(45) Registration Date: **14 January 2016**

(30) Convention priority data:

(31) Number	(32) Date	(33) Country
<b>002705905</b>	<b>22 May 2015</b>	<b>OFFICE FOR HARMONISATION IN THE INTERNAL MARKET (OHIM)</b>



(62) Divisional of: **15710/2015**

(56) Related Art Documents: **Not Applicable**

(57) Statement of Newness and Distinctiveness: **Nil**

(21) Design Number: **17034/2015**  
(22) Date of Filing Application: **23 December 2015**  
(24) Date from which industrial property rights may have effect: **23 December 2015**  
(54) Product in respect of which the design is registered: **A tyre**  
(51) International Design Classification: **12-15A**  
(74) Name(s) of Attorney(s): **WATERMARK PATENT AND TRADE MARKS  
ATTORNEYS**  
(71) Name(s) and Address(s) of Applicant(s):

**COMPAGNIE GENERALE DES ETABLISSEMENTS MICHELIN**  
**12 cours Sablon CLERMONT-FERRAND 63000 France**

**Michelin Recherche et Technique SA**  
**Route Louis Braille 10 Granges-Paccot 1763 Switzerland**

(72) Name(s) of Designer(s): **Flavia Fernandes**

(45) Registration Date: **14 January 2016**

(30) Convention priority data:

(31) Number	(32) Date	(33) Country
<b>2015-3438</b>	<b>10 Jul 2015</b>	<b>FRANCE</b>

(56) Related Art Documents: **Not Applicable**

(57) Statement of Newness and Distinctiveness: **Newness and distinctiveness  
resides in the appearance of the tread region of the tyre, the remainder  
of the tyre not forming part of the design.**





- (21) Design Number: **17035/2015**  
(22) Date of Filing Application: **23 December 2015**  
(24) Date from which industrial property rights may have effect: **23 December 2015**  
(54) Product in respect of which the design is registered: **A tyre**  
(51) International Design Classification: **12-15A**  
(74) Name(s) of Attorney(s): **WATERMARK PATENT AND TRADE MARKS ATTORNEYS**  
(71) Name(s) and Address(s) of Applicant(s):  
**COMPAGNIE GENERALE DES ETABLISSEMENTS MICHELIN**  
**12 cours Sablon CLERMONT-FERRAND 63000 France**  
**Michelin Recherche et Technique SA**  
**Route Louis Braille 10 Granges-Paccot 1763 Switzerland**  
(72) Name(s) of Designer(s): **Olivier Ropars**  
(45) Registration Date: **14 January 2016**  
(30) Convention priority data:  
(31) Number      (32) Date      (33) Country  
**2015-3445      10 Jul 2015      FRANCE**  
(56) Related Art Documents: **Not Applicable**  
(57) Statement of Newness and Distinctiveness: **Newness and distinctiveness resides in the appearance of the tread region of the tyre, the remainder of the tyre not forming part of the design.**



- (21) Design Number: **17045/2015**  
(22) Date of Filing Application: **23 December 2015**  
(24) Date from which industrial property rights may have effect: **23 December 2015**  
(54) Product in respect of which the design is registered: **One gang switch standard**  
(51) International Design Classification: **13-03D**  
(74) Name(s) of Attorney(s):  
(71) Name(s) and Address(s) of Applicant(s):  
**AUSWITCH PTY. LTD.**  
**5 Waratah Ave Casula NSW 2170 Australia**  
(72) Name(s) of Designer(s): **Bilal Elakde**  
(45) Registration Date: **14 January 2016**  
(56) Related Art Documents: **Not Applicable**  
(57) Statement of Newness and Distinctiveness: **Nil**



- (21) Design Number: **17046/2015**  
(22) Date of Filing Application: **23 December 2015**  
(24) Date from which industrial property rights may have effect: **23 December 2015**  
(54) Product in respect of which the design is registered: **Fan**  
(51) International Design Classification: **23-04**  
(74) Name(s) of Attorney(s): **Macpherson + Kelley**  
(71) Name(s) and Address(s) of Applicant(s):  
**Delta T Corporation**  
**2348 Innovation Drive Lexington KY, 40511 United States of America**  
(72) Name(s) of Designer(s): **Ernest John Noble and Ken Siong Tan and Jon Jet Ling and Seng Rui Chan**  
(45) Registration Date: **14 January 2016**  
(30) Convention priority data:  
(31) Number (32) Date (33) Country  
**29/531,907 30 Jun 2015 UNITED STATES OF AMERICA**  
(56) Related Art Documents: **Not Applicable**  
(57) Statement of Newness and Distinctiveness: **Newness and distinctiveness resides in the features of shape and/or configuration of a fan as illustrated in the continuous lines in the accompanying representations.**



- (21) Design Number: **17047/2015**  
(22) Date of Filing Application: **23 December 2015**  
(24) Date from which industrial property rights may have effect: **23 December 2015**  
(54) Product in respect of which the design is registered: **Fan**  
(51) International Design Classification: **23-04**  
(74) Name(s) of Attorney(s): **Macpherson + Kelley**  
(71) Name(s) and Address(s) of Applicant(s):  
**Delta T Corporation**  
**2348 Innovation Drive Lexington KY, 40511 United States of America**  
(72) Name(s) of Designer(s): **Ernest John Noble and Ken Siong Tan and Jon Jet Ling and Seng Rui Chan**  
(45) Registration Date: **14 January 2016**  
(30) Convention priority data:  
(31) Number (32) Date (33) Country  
**29/531,907 30 Jun 2015 UNITED STATES OF AMERICA**  
(56) Related Art Documents: **Not Applicable**  
(57) Statement of Newness and Distinctiveness: **Newness and distinctiveness resides in the features of shape and/or configuration of a fan as illustrated in the continuous lines in the accompanying representations.**



- (21) Design Number: **17049/2015**  
(22) Date of Filing Application: **23 December 2015**  
(24) Date from which industrial property rights may have effect: **23 December 2015**  
(54) Product in respect of which the design is registered: **Acne pen**  
(51) International Design Classification: **28-03NES**  
(74) Name(s) of Attorney(s): **FB Rice**  
(71) Name(s) and Address(s) of Applicant(s):  
**Filip Sedic**  
**Suite 205, 4320 Stevens Creek Blvd San Jose California, 95129 United States of America**  
(72) Name(s) of Designer(s): **Filip Sedic**  
(45) Registration Date: **14 January 2016**  
(30) Convention priority data:  
(31) Number (32) Date (33) Country  
**29/531558 26 Jun 2015 UNITED STATES OF AMERICA**  
(56) Related Art Documents: **Not Applicable**  
(57) Statement of Newness and Distinctiveness: **Newness and distinctiveness reside in the features of the design shown in solid lines in the representations excluding those features shown in broken lines.**



- (21) Design Number: **17063/2015**  
(22) Date of Filing Application: **23 December 2015**  
(24) Date from which industrial property rights may have effect: **02 June 2015**  
(54) Product in respect of which the design is registered: **A hose of indefinite length**  
(51) International Design Classification: **23-01C**  
(74) Name(s) of Attorney(s): **Halfords IP**  
(71) Name(s) and Address(s) of Applicant(s):  
**Fitt S.p.A.**  
**Via Piave 8 Sandrigo Vicenza, 36066 Italy**  
(72) Name(s) of Designer(s): **Alessandro Mezzalira and Denis Pegoraro and Andrea Petronilli**  
(45) Registration Date: **14 January 2016**  
(62) Divisional of: **366455**  
(56) Related Art Documents: **Not Applicable**  
(57) Statement of Newness and Distinctiveness: **Newness and distinctiveness resides in the appearance of a hose of indefinite length having stripes or strips with a repeated pattern as illustrated in the respective representations. The appearance of those portions of the hose marked with the letter A, and shading lines, do not form part of the design.**



- (21) Design Number: **17088/2015**  
(22) Date of Filing Application: **24 December 2015**  
(24) Date from which industrial property rights may have effect: **24 December 2015**  
(54) Product in respect of which the design is registered: **Hard shell, multi article, reclosable packaging**  
(51) International Design Classification: **09-03M**  
(74) Name(s) of Attorney(s): **Spruson & Ferguson**  
(71) Name(s) and Address(s) of Applicant(s):  
**Wm. Wrigley Jr. Company**  
**410 N. Michigan Avenue, Chicago Illinois, 60611 United States of America**  
(72) Name(s) of Designer(s): **Paul J. Angeloni and Christopher H. Cunningham and David Jaggi and Lisa Saxon-Reed and Ross Bartels and William Tham and Peter Muller and Allen Aldridge and Joesef F Vrana**  
(45) Registration Date: **14 January 2016**  
(30) Convention priority data:  
(31) Number (32) Date (33) Country  
**29/531710 29 Jun 2015 UNITED STATES OF AMERICA**  
(56) Related Art Documents: **Not Applicable**  
(57) Statement of Newness and Distinctiveness: **Newness and distinctiveness is claimed in the features of shape and/or configuration of a hard shell, multi article, reclosable packaging as illustrated in the accompanying representations.**



- (21) Design Number: **17089/2015**  
(22) Date of Filing Application: **24 December 2015**  
(24) Date from which industrial property rights may have effect: **24 December 2015**  
(54) Product in respect of which the design is registered: **Hard shell, multi article, reclosable packaging**  
(51) International Design Classification: **09-03M**  
(74) Name(s) of Attorney(s): **Spruson & Ferguson**  
(71) Name(s) and Address(s) of Applicant(s):  
**Wm. Wrigley Jr. Company**  
**410 N. Michigan Avenue, Chicago Illinois, 60611 United States of America**  
(72) Name(s) of Designer(s): **Paul J. Angeloni and Christopher H. Cunningham and David Jaggi and Lisa Saxon-Reed and Ross Bartels and William Tham and Peter Muller and Allen Aldridge and Joesef F Vrana**  
(45) Registration Date: **14 January 2016**  
(30) Convention priority data:  
(31) Number (32) Date (33) Country  
**29/531710 29 Jun 2015 UNITED STATES OF AMERICA**  
(56) Related Art Documents: **Not Applicable**  
(57) Statement of Newness and Distinctiveness: **Newness and distinctiveness is claimed in the features of shape and/or configuration of a hard shell, multi article, reclosable packaging as illustrated in the accompanying representations.**



- (21) Design Number: **14309/2015**  
(22) Date of Filing Application: **21 August 2015**  
(24) Date from which industrial property rights may have effect: **21 August 2015**  
(54) Product in respect of which the design is registered: **Sofa**  
(51) International Design Classification: **06-01G**  
(74) Name(s) of Attorney(s):  
(71) Name(s) and Address(s) of Applicant(s):

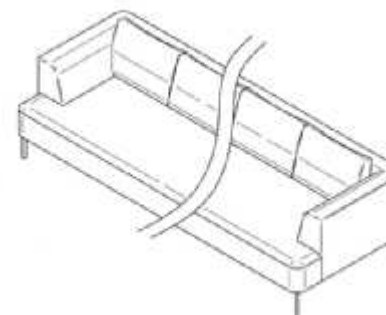
**Ross Didier**  
**28 Mologa Rd Heidelberg West VIC 3081 Australia**

(72) Name(s) of Designer(s): **Ross Didier**

(45) Registration Date: **14 January 2016**

(56) Related Art Documents: **Not Applicable**

(57) Statement of Newness and Distinctiveness: **The newness and distinctiveness of the design resides in the combined shape of the seat and arm rest supported on oval legs at 45 degree angles as shown in the continuous lines in the accompanying representations. The broken lines are not part of the design and are to be disregarded when considering the overall impression of the design.**



- (21) Design Number: **15869/2015**  
(22) Date of Filing Application: **03 November 2015**  
(24) Date from which industrial property rights may have effect: **03 November 2015**  
(54) Product in respect of which the design is registered: **Surfboard fin configuration**  
(51) International Design Classification: **21-02D**  
(74) Name(s) of Attorney(s):  
(71) Name(s) and Address(s) of Applicant(s):

**Russell Leigh**  
**C/- Patentec Patent Attorneys PO BOX A1172 Sydney South NSW 1235**

(72) Name(s) of Designer(s): **Russell Leigh**

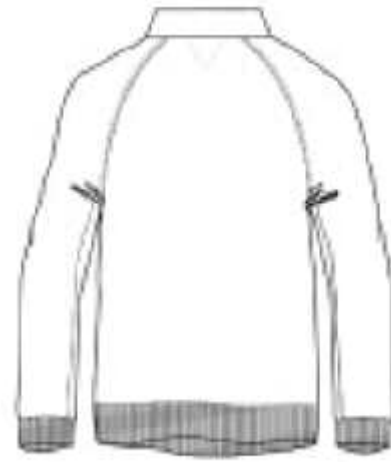
(45) Registration Date: **14 January 2016**

(56) Related Art Documents: **Not Applicable**

(57) Statement of Newness and Distinctiveness: **Newness and distinctiveness as claimed in the configuration of the fifth fin located substantially central of the quad fin configuration and forward the two most rearward fins.**



- (21) Design Number: **16176/2015**  
(22) Date of Filing Application: **16 November 2015**  
(24) Date from which industrial property rights may have effect: **16 November 2015**  
(54) Product in respect of which the design is registered: **Tops**  
(51) International Design Classification: **02-02NES**  
(74) Name(s) of Attorney(s):  
(71) Name(s) and Address(s) of Applicant(s):  
**Industrie IP Pty Limited**  
**55 Railway Pde Marrickville NSW 2204 Australia**  
(72) Name(s) of Designer(s): **Nicholas Kelly**  
(45) Registration Date: **14 January 2016**  
(56) Related Art Documents: **Not Applicable**  
(57) Statement of Newness and Distinctiveness: **Newness and distinctiveness is claimed in the shape, configuration, pattern and/or ornamentation of the garment with the triangle feature depicted in the accompanying representation of the back of a top. The collar depicted is not included in the design.**



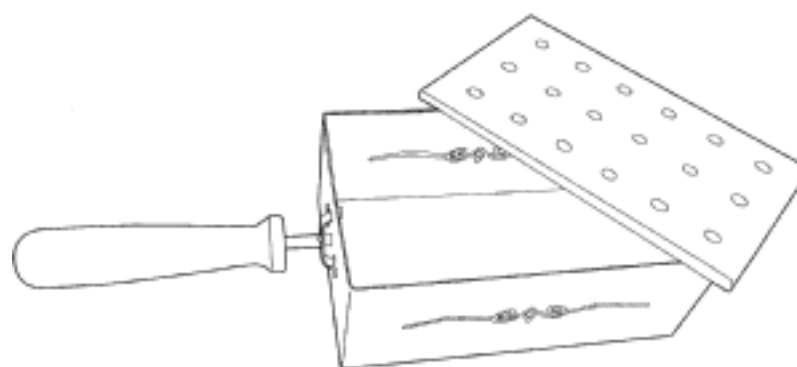
- (21) Design Number: **16451/2015**  
(22) Date of Filing Application: **30 November 2015**  
(24) Date from which industrial property rights may have effect: **30 November 2015**  
(54) Product in respect of which the design is registered: **Seamless jean 1**  
(51) International Design Classification: **02-02C**  
(74) Name(s) of Attorney(s):  
(71) Name(s) and Address(s) of Applicant(s):  
**SARTSO INTERNATIONAL PTY. LTD.**  
**9 Iris Ct Glenmore Park NSW 2745 Australia**  
(72) Name(s) of Designer(s): **Michael So**  
(45) Registration Date: **14 January 2016**  
(56) Related Art Documents: **Not Applicable**  
(57) Statement of Newness and Distinctiveness: **Abrasion material is specifically placed inside of the garment and attached to the breathable netting then the breathable netting is attached to the out seam and in seam of the Jean, pant or trousers Outside of the jeans ,pant or trousers look like a normal pair of jeans , pants or trousers with out any stitch lines visible on the outside that is holding the Abrasion material that is in the inside of the garment.**



- (21) Design Number: **16452/2015**  
(22) Date of Filing Application: **30 November 2015**  
(24) Date from which industrial property rights may have effect: **30 November 2015**  
(54) Product in respect of which the design is registered: **Seamless jean 2**  
(51) International Design Classification: **02-02C**  
(74) Name(s) of Attorney(s):  
(71) Name(s) and Address(s) of Applicant(s):  
**SARTSO INTERNATIONAL PTY. LTD.**  
**9 Iris Ct Glenmore Park NSW 2745 Australia**  
(72) Name(s) of Designer(s): **Michael So**  
(45) Registration Date: **14 January 2016**  
(56) Related Art Documents: **Not Applicable**  
(57) Statement of Newness and Distinctiveness: **Abrasion material specifically placed inside of the garment and attached to the breathable netting , the netting is attached to the out seam and in seam of the jean , pant or trousers No visible stitch lines are seen on the outside of the garments to show where the abrasion material is attached on the inside of the jeans , pants or trousers.**



- (21) Design Number: **14746/2015**  
(22) Date of Filing Application: **07 September 2015**  
(24) Date from which industrial property rights may have effect: **07 September 2015**  
(54) Product in respect of which the design is registered: **Smoker box**  
(51) International Design Classification: **07-02E**  
(74) Name(s) of Attorney(s):  
(71) Name(s) and Address(s) of Applicant(s):  
**The Kanga Group Pty Limited**  
**2a Bellambi St Northbridge NSW 2063 Australia**  
(72) Name(s) of Designer(s): **Brett Law**  
(45) Registration Date: **14 January 2016**  
(56) Related Art Documents: **Not Applicable**  
(57) Statement of Newness and Distinctiveness: **The BBQ Smoker Box with Detachable Handle is new and unique as it allows the user to place and remove the smoker box, while hot, in any standard barbecue. Its distinct attributes include the pivot holes on the short side of the box, where a steel hook encased by an oak handle can be locked in place to allow manoeuvrability of the smoker box.**



- (21) Design Number: **15425/2015**  
(22) Date of Filing Application: **14 October 2015**  
(24) Date from which industrial property rights may have effect: **14 October 2015**  
(54) Product in respect of which the design is registered: **Booth desk**  
(51) International Design Classification: **06-03C**  
(74) Name(s) of Attorney(s):  
(71) Name(s) and Address(s) of Applicant(s):  
**CORPORATE CULTURE AUSTRALIA PTY LTD**  
**21-23 Levey St Chippendale NSW 2008 Australia**  
(72) Name(s) of Designer(s): **Adam Goodrum**  
(45) Registration Date: **14 January 2016**  
(56) Related Art Documents: **Not Applicable**  
(57) Statement of Newness and Distinctiveness: **Weave is an acoustic and visual screen. Panelling such as fabric, acoustic panelling, timber veneer, plastic etc is woven horizontally through the vertical poles. The nature of the curved weave when using acoustic panelling adds to good sound absorption. This system and aesthetic can be applied but not limited to screens, open plan partitions, sofas and armchairs (high and low back) and desks.**



- (21) Design Number: **15428/2015**  
(22) Date of Filing Application: **14 October 2015**  
(24) Date from which industrial property rights may have effect: **14 October 2015**  
(54) Product in respect of which the design is registered: **Sofa**  
(51) International Design Classification: **06-01G**  
(74) Name(s) of Attorney(s):  
(71) Name(s) and Address(s) of Applicant(s):  
**CORPORATE CULTURE AUSTRALIA PTY LTD**  
**21-23 Levey St Chippendale NSW 2008 Australia**  
(72) Name(s) of Designer(s): **Adam Goodrum**  
(45) Registration Date: **14 January 2016**  
(56) Related Art Documents: **Not Applicable**  
(57) Statement of Newness and Distinctiveness: **Weave is an acoustic and visual screen. Panelling such as fabric, acoustic panelling, timber veneer, plastic etc is woven horizontally through the vertical poles. The nature of the curved weave when using acoustic panelling adds to good sound absorption. This system and aesthetic can be applied but not limited to screens, open plan partitions, sofas and armchairs (high and low back) and desks.**





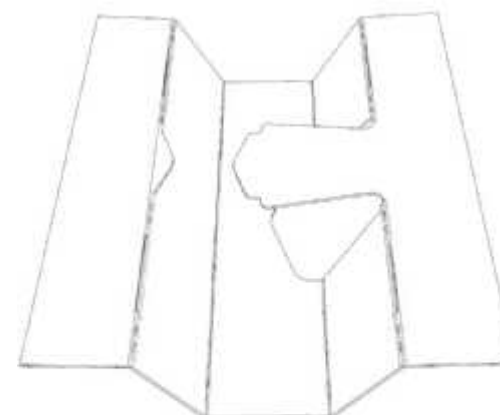
(21) Design Number: **16351/2015**  
(22) Date of Filing Application: **24 November 2015**  
(24) Date from which industrial property rights may have effect: **24 November 2015**  
(54) Product in respect of which the design is registered: **A capsule for cosmetics**  
(51) International Design Classification: **09-01G, 28-03NES**  
(74) Name(s) of Attorney(s): **Banki Haddock Fiora**  
(71) Name(s) and Address(s) of Applicant(s):



**Inderm**  
**4 rue Meissonier Paris F- 75017 France**  
(72) Name(s) of Designer(s): **Mathieu Lehanneur**  
(45) Registration Date: **14 January 2016**  
(30) Convention priority data:  
(31) Number      (32) Date      (33) Country  
**002707992      27 May 2015      OFFICE FOR HARMONISATION IN  
THE INTERNAL MARKET (OHIM)**

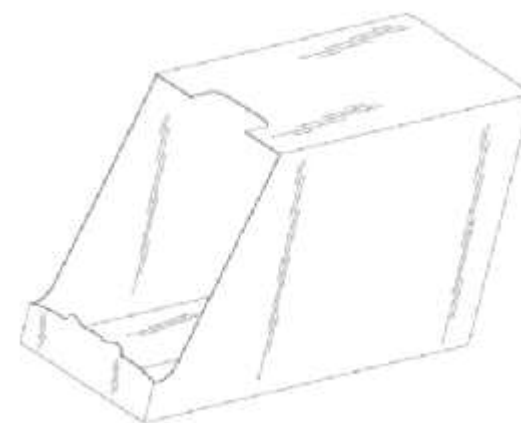
(56) Related Art Documents: **Not Applicable**  
(57) Statement of Newness and Distinctiveness: **The visual features of the capsule for cosmetics depicted in the representations that are new and distinctive are the shape and/or configuration.**

(21) Design Number: **16290/2015**  
(22) Date of Filing Application: **20 November 2015**  
(24) Date from which industrial property rights may have effect: **20 November 2015**  
(54) Product in respect of which the design is registered: **A blank for a packaging partition**  
(51) International Design Classification: **09-03H**  
(74) Name(s) of Attorney(s): **Davies Collison Cave**  
(71) Name(s) and Address(s) of Applicant(s):



**Visy R & D Pty Ltd**  
**L11 2 Southbank Bvd Southbank VIC, 3006 Australia**  
(72) Name(s) of Designer(s): **Rhys Carleton-Carlos and Matthew Anderson**  
(45) Registration Date: **14 January 2016**  
(56) Related Art Documents: **Not Applicable**  
(57) Statement of Newness and Distinctiveness: **The features of shape and configuration of the blank for forming a packaging partition shown in the accompanying representations are considered to be new and distinctive.**

(21) Design Number: **16492/2015**  
(22) Date of Filing Application: **01 December 2015**  
(24) Date from which industrial property rights may have effect: **01 December 2015**  
(54) Product in respect of which the design is registered: **Carton/display box**  
(51) International Design Classification: **09-03M**  
(74) Name(s) of Attorney(s): **Baker & McKenzie**  
(71) Name(s) and Address(s) of Applicant(s):



**Mars, Incorporated**  
**6885 Elm Street McLean Virginia, 22101 United States of America**

(72) Name(s) of Designer(s): **Eric Soegyanto**

(45) Registration Date: **14 January 2016**

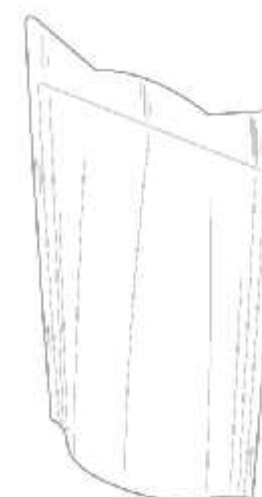
(30) Convention priority data:

(31) Number	(32) Date	(33) Country
<b>002710624-0003</b>	<b>01 Jun 2015</b>	<b>OFFICE FOR HARMONISATION IN THE INTERNAL MARKET (OHIM)</b>

(56) Related Art Documents: **Not Applicable**

(57) Statement of Newness and Distinctiveness: **Nil**

(21) Design Number: **16494/2015**  
(22) Date of Filing Application: **01 December 2015**  
(24) Date from which industrial property rights may have effect: **01 December 2015**  
(54) Product in respect of which the design is registered: **Food container**  
(51) International Design Classification: **09-05**  
(74) Name(s) of Attorney(s): **Baker & McKenzie**  
(71) Name(s) and Address(s) of Applicant(s):



**Mars, Incorporated**  
**6885 Elm Street McLean Virginia, 22101 United States of America**

(72) Name(s) of Designer(s): **Eric Soegyanto**

(45) Registration Date: **14 January 2016**

(30) Convention priority data:

(31) Number	(32) Date	(33) Country
<b>002710624-0001</b>	<b>01 Jun 2015</b>	<b>OFFICE FOR HARMONISATION IN THE INTERNAL MARKET (OHIM)</b>

(56) Related Art Documents: **Not Applicable**

(57) Statement of Newness and Distinctiveness: **Nil**

(21) Design Number: **16495/2015**  
(22) Date of Filing Application: **01 December 2015**  
(24) Date from which industrial property rights may have effect: **01 December 2015**  
(54) Product in respect of which the design is registered: **Food container**  
(51) International Design Classification: **09-05**  
(74) Name(s) of Attorney(s): **Baker & McKenzie**  
(71) Name(s) and Address(s) of Applicant(s):

**Mars, Incorporated**  
**6885 Elm Street McLean Virginia, 22101 United States of America**

(72) Name(s) of Designer(s): **Eric Soegyanto**

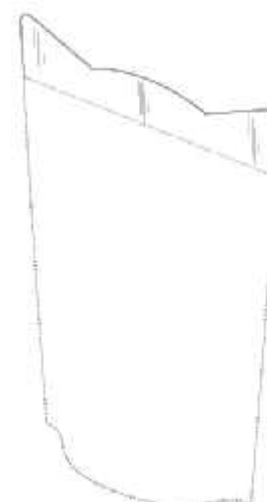
(45) Registration Date: **15 January 2016**

(30) Convention priority data:

(31) Number	(32) Date	(33) Country
<b>002710624-0002</b>	<b>01 Jun 2015</b>	<b>OFFICE FOR HARMONISATION IN THE INTERNAL MARKET (OHIM)</b>

(56) Related Art Documents: **Not Applicable**

(57) Statement of Newness and Distinctiveness: **The newness and distinctiveness of the design resides in the features depicted in solid lines in the attached representations.**



(21) Design Number: **16582/2015**  
(22) Date of Filing Application: **07 December 2015**  
(24) Date from which industrial property rights may have effect: **07 December 2015**  
(54) Product in respect of which the design is registered: **Robot egg**  
(51) International Design Classification: **10-04, 14-01**  
(74) Name(s) of Attorney(s): **Alder IP Pty Ltd**  
(71) Name(s) and Address(s) of Applicant(s):

**Yutou Technology (Hangzhou) Co.,Ltd.**  
**Rm 101, No.10 Liangongdang Rd Xixi Art Village, Wuchang Sub-District**  
**Yuhang District Hangzhou City Zhejiang, 311199 China**

(72) Name(s) of Designer(s): **Gangying Du and Yi Chen and Jian Xu and Da Wei**

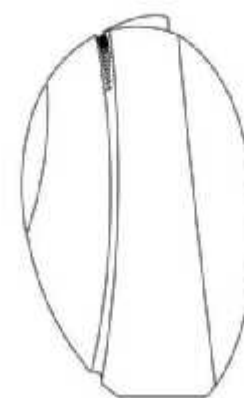
(45) Registration Date: **15 January 2016**

(30) Convention priority data:

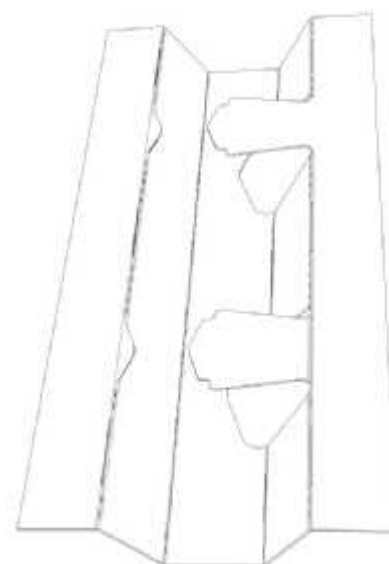
(31) Number	(32) Date	(33) Country
<b>201530226429.8</b>	<b>30 Jun 2015</b>	<b>CHINA</b>

(56) Related Art Documents: **Not Applicable**

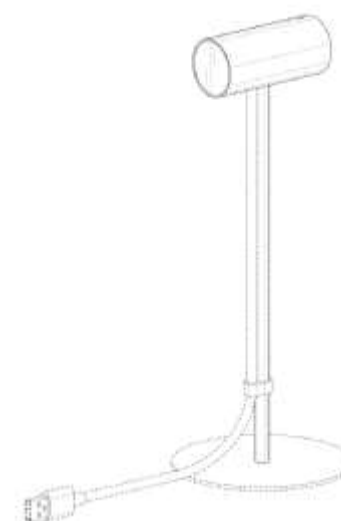
(57) Statement of Newness and Distinctiveness: **Newness and distinctiveness is claimed in the shape and configuration of a robot.**



- (21) Design Number: **16291/2015**  
(22) Date of Filing Application: **20 November 2015**  
(24) Date from which industrial property rights may have effect: **20 November 2015**  
(54) Product in respect of which the design is registered: **A blank for a packaging partition**  
(51) International Design Classification: **09-03H**  
(74) Name(s) of Attorney(s): **Davies Collison Cave**  
(71) Name(s) and Address(s) of Applicant(s):  
**Visy R & D Pty Ltd**  
**L11 2 Southbank Bvd Southbank VIC, 3006 Australia**  
(72) Name(s) of Designer(s): **Rhys Carleton-Carlos and Matthew Anderson**  
(45) Registration Date: **15 January 2016**  
(56) Related Art Documents: **Not Applicable**  
(57) Statement of Newness and Distinctiveness: **The features of shape and configuration of the blank for forming a packaging partition shown in the accompanying representations are considered to be new and distinctive.**



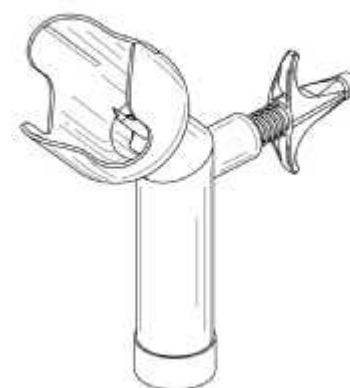
- (21) Design Number: **16610/2015**  
(22) Date of Filing Application: **08 December 2015**  
(24) Date from which industrial property rights may have effect: **08 December 2015**  
(54) Product in respect of which the design is registered: **Image tracker assembly**  
(51) International Design Classification: **14-01, 14-03A**  
(74) Name(s) of Attorney(s): **Cotters Patent & Trade Mark Attorneys**  
(71) Name(s) and Address(s) of Applicant(s):  
**Oculus VR, LLC**  
**1601 Willow Road Menlo Park CA, 94025 United States of America**  
(72) Name(s) of Designer(s): **David Michael Pickett and Enric Vial Roig and Peter Wesley Bristol**  
(45) Registration Date: **15 January 2016**  
(30) Convention priority data:  
(31) Number      (32) Date      (33) Country  
**29/529,907      11 Jun 2015      UNITED STATES OF AMERICA**  
(56) Related Art Documents: **Not Applicable**  
(57) Statement of Newness and Distinctiveness: **Newness and distinctiveness is claimed in the features of shape and/or configuration of an image tracker assembly as illustrated in solid lines in the accompanying drawings. Features shown in phantom are to be disregarded.**



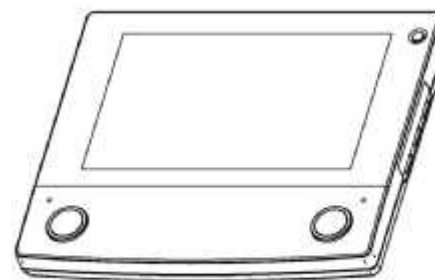
(21) Design Number: **16612/2015**  
(22) Date of Filing Application: **08 December 2015**  
(24) Date from which industrial property rights may have effect: **08 December 2015**  
(54) Product in respect of which the design is registered: **Image tracker assembly**  
(51) International Design Classification: **14-01, 14-03A**  
(74) Name(s) of Attorney(s): **Cotters Patent & Trade Mark Attorneys**  
(71) Name(s) and Address(s) of Applicant(s):  
**Oculus VR, LLC**  
**1601 Willow Road Menlo Park CA, 94025 United States of America**  
(72) Name(s) of Designer(s): **David Michael Pickett and Enric Vial Roig and Peter Wesley Bristol**  
(45) Registration Date: **15 January 2016**  
(30) Convention priority data:  
(31) Number (32) Date (33) Country  
**29/529,907 11 Jun 2015 UNITED STATES OF AMERICA**  
(56) Related Art Documents: **Not Applicable**  
(57) Statement of Newness and Distinctiveness: **Newness and distinctiveness is claimed in the features of shape and/or configuration of an image tracker assembly as illustrated in solid lines in the accompanying drawings. Features shown in phantom are to be disregarded.**



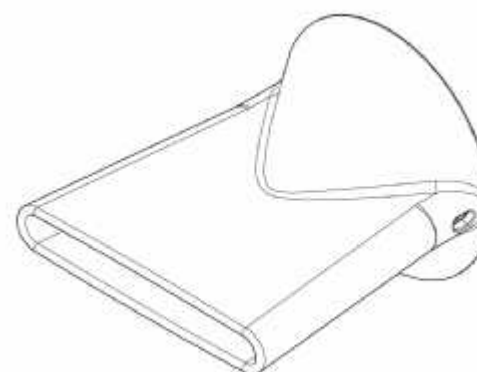
(21) Design Number: **16991/2015**  
(22) Date of Filing Application: **22 December 2015**  
(24) Date from which industrial property rights may have effect: **22 December 2015**  
(54) Product in respect of which the design is registered: **Dose instrument for administering liquid products**  
(51) International Design Classification: **24-02**  
(74) Name(s) of Attorney(s): **HODGKINSON McINNES PATENTS**  
(71) Name(s) and Address(s) of Applicant(s):  
**Mark Anderson**  
**303 South McKay Avenue Spring Valley Wisconsin, 54767 United States of America**  
(72) Name(s) of Designer(s): **Mark Anderson and Jim Wait**  
(45) Registration Date: **15 January 2016**  
(30) Convention priority data:  
(31) Number (32) Date (33) Country  
**29/513,053 23 Jun 2015 UNITED STATES OF AMERICA**  
(56) Related Art Documents: **Not Applicable**  
(57) Statement of Newness and Distinctiveness: **The newness and distinctiveness of the design resides in the shape and/or configuration of a body of the dose instrument, the body having a main shaft and an angled shaft extending therefrom defining a bottle mount, as shown in the accompanying representations**



(21) Design Number: **16993/2015**  
(22) Date of Filing Application: **22 December 2015**  
(24) Date from which industrial property rights may have effect: **22 December 2015**  
(54) Product in respect of which the design is registered: **Interphone master unit**  
(51) International Design Classification: **14-03A**  
(74) Name(s) of Attorney(s): **Shelston IP Pty Ltd.**  
(71) Name(s) and Address(s) of Applicant(s):  
**Aiphone Co., Ltd.**  
**10th Floor Meiji Yasuda Seimei Nagoya Building 1-1 Shinsakae-machi,**  
**Naka-ku, Nagoya Aichi 460-0004 Japan**  
(72) Name(s) of Designer(s): **Kotaro Takahata**  
(45) Registration Date: **15 January 2016**  
(30) Convention priority data:  
(31) Number (32) Date (33) Country  
**2015-014350 29 Jun 2015 JAPAN**  
(56) Related Art Documents: **Not Applicable**  
(57) Statement of Newness and Distinctiveness: **Nil**



(21) Design Number: **17021/2015**  
(22) Date of Filing Application: **23 December 2015**  
(24) Date from which industrial property rights may have effect: **23 December 2015**  
(54) Product in respect of which the design is registered: **Accessory for hairdryer**  
(51) International Design Classification: **28-03B**  
(74) Name(s) of Attorney(s): **Shelston IP Pty Ltd.**  
(71) Name(s) and Address(s) of Applicant(s):  
**Dyson Technology Limited**  
**Tetbury Hill Malmesbury Wiltshire SN16 0RP United Kingdom**  
(72) Name(s) of Designer(s): **Philip Jonathan Stephens and Boris Zukina and**  
**Christopher John Tyler**  
(45) Registration Date: **15 January 2016**  
(30) Convention priority data:  
(31) Number (32) Date (33) Country  
**001436810-0001 03 Jul 2015 OFFICE FOR HARMONISATION IN**  
**THE INTERNAL MARKET (OHIM)**  
(56) Related Art Documents: **Not Applicable**  
(57) Statement of Newness and Distinctiveness: **Newness and distinctiveness**  
**reside in the features of shape and/or configuration of an ACCESSORY**  
**FOR HAIRDRYER as illustrated in the accompanying representations.**



(21) Design Number: **17048/2015**  
(22) Date of Filing Application: **23 December 2015**  
(24) Date from which industrial property rights may have effect: **23 December 2015**  
(54) Product in respect of which the design is registered: **Roof tile**  
(51) International Design Classification: **25-01F**  
(74) Name(s) of Attorney(s): **Spruson & Ferguson**  
(71) Name(s) and Address(s) of Applicant(s):



**Monier Roofing GmbH**  
**Frankfurter Landstrasse 2-4, Oberursel 61440 Germany**

(72) Name(s) of Designer(s): **Benjamin Colin Cranfield**

(45) Registration Date: **15 January 2016**

(30) Convention priority data:

(31) Number	(32) Date	(33) Country
<b>002750398-0001</b>	<b>06 Aug 2015</b>	<b>OFFICE FOR HARMONISATION IN THE INTERNAL MARKET (OHIM)</b>

(56) Related Art Documents: **Not Applicable**

(57) Statement of Newness and Distinctiveness: **Newness and distinctiveness is claimed in the features of shape and/or configuration of a roof tile as illustrated in the accompanying representations.**

(21) Design Number: **17052/2015**  
(22) Date of Filing Application: **23 December 2015**  
(24) Date from which industrial property rights may have effect: **23 December 2015**  
(54) Product in respect of which the design is registered: **Bottle with bear shape**  
(51) International Design Classification: **09-01D**  
(74) Name(s) of Attorney(s): **PHILLIPS ORMONDE FITZPATRICK**  
(71) Name(s) and Address(s) of Applicant(s):

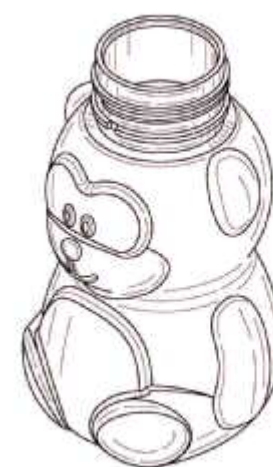
**Dart Industries Inc.**  
**14901 S. Orange Blossom Trail Orlando Florida, 32837 United States of America**

(72) Name(s) of Designer(s): **Sara L. Delgado Carmona**

(45) Registration Date: **15 January 2016**

(30) Convention priority data:

(31) Number	(32) Date	(33) Country
<b>29/533,915</b>	<b>23 Jul 2015</b>	<b>UNITED STATES OF AMERICA</b>



(56) Related Art Documents: **Not Applicable**

(57) Statement of Newness and Distinctiveness: **Nil**

- (21) Design Number: **17090/2015**  
(22) Date of Filing Application: **24 December 2015**  
(24) Date from which industrial property rights may have effect: **24 December 2015**  
(54) Product in respect of which the design is registered: **Hard shell, multi article, reclosable packaging**  
(51) International Design Classification: **09-03M**  
(74) Name(s) of Attorney(s): **Spruson & Ferguson**  
(71) Name(s) and Address(s) of Applicant(s):  
**Wm. Wrigley Jr. Company**  
**410 N. Michigan Avenue, Chicago Illinois, 60611 United States of America**  
(72) Name(s) of Designer(s): **Paul J. Angeloni and Christopher H. Cunningham and David Jaggi and Lisa Saxon-Reed and Ross Bartels and William Tham and Peter Muller and Allen Aldridge and Joesef F. Vrana**  
(45) Registration Date: **15 January 2016**  
(30) Convention priority data:  
(31) Number (32) Date (33) Country  
**29/531710 29 Jun 2015 UNITED STATES OF AMERICA**  
(56) Related Art Documents: **Not Applicable**  
(57) Statement of Newness and Distinctiveness: **Newness and distinctiveness is claimed in the features of shape and/or configuration of a hard shell, multi article, reclosable packaging as illustrated in the accompanying representations.**

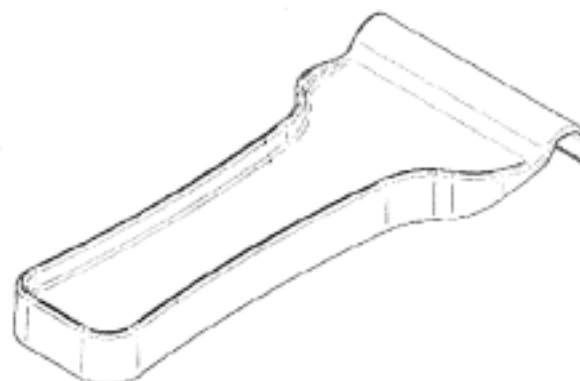


- (21) Design Number: **17103/2015**  
(22) Date of Filing Application: **24 December 2015**  
(24) Date from which industrial property rights may have effect: **24 December 2015**  
(54) Product in respect of which the design is registered: **Nasal dilator device**  
(51) International Design Classification: **24-99**  
(74) Name(s) of Attorney(s): **FB Rice**  
(71) Name(s) and Address(s) of Applicant(s):  
**ASAP BreatheAssist Pty Ltd**  
**SE1 1233 High St Armadale VIC 3143 Australia**  
(72) Name(s) of Designer(s): **Toby Hartley**  
(45) Registration Date: **15 January 2016**  
(56) Related Art Documents: **Not Applicable**  
(57) Statement of Newness and Distinctiveness: **Nil**

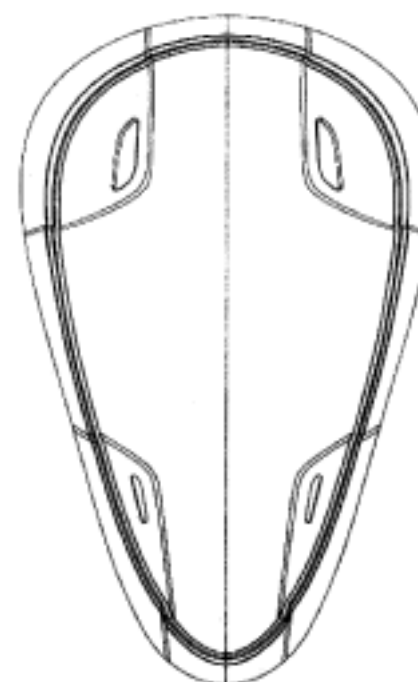




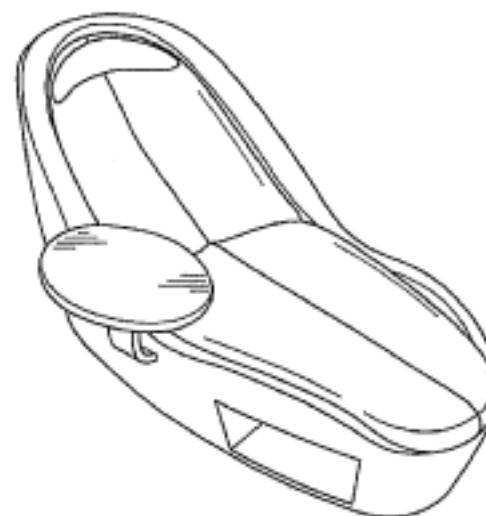
- (21) Design Number: **17106/2015**  
(22) Date of Filing Application: **24 December 2015**  
(24) Date from which industrial property rights may have effect: **24 December 2015**  
(54) Product in respect of which the design is registered: **Tool for removing fly-screen from window**  
(51) International Design Classification: **08-05NES**  
(74) Name(s) of Attorney(s): **Baxter Patent Attorneys Pty Ltd**  
(71) Name(s) and Address(s) of Applicant(s):  
**Herman Wieland**  
**37 Ewin St Blayney NSW 2799 Australia**  
(72) Name(s) of Designer(s): **Herman Wieland**  
(45) Registration Date: **15 January 2016**  
(56) Related Art Documents: **Not Applicable**  
(57) Statement of Newness and Distinctiveness: **Newness and distinctiveness are claimed in features of shape and configuration of the Tool for removing fly-screen from window in accordance with the accompanying drawings.**



- (21) Design Number: **17111/2015**  
(22) Date of Filing Application: **24 December 2015**  
(24) Date from which industrial property rights may have effect: **24 December 2015**  
(54) Product in respect of which the design is registered: **Protective garments**  
(51) International Design Classification: **02-02B**  
(74) Name(s) of Attorney(s): **Griffith Hack**  
(71) Name(s) and Address(s) of Applicant(s):  
**Design Blue Limited**  
**69 North Street Portslade, Brighton, East Sussex BN41 1DH United Kingdom**  
(72) Name(s) of Designer(s): **Martin Edward Miller**  
(45) Registration Date: **15 January 2016**  
(30) Convention priority data:  
(31) Number      (32) Date      (33) Country  
**002727149-0001    26 Jun 2015      OFFICE FOR HARMONISATION IN  
THE INTERNAL MARKET (OHIM)**  
(56) Related Art Documents: **Not Applicable**  
(57) Statement of Newness and Distinctiveness: **Nil**



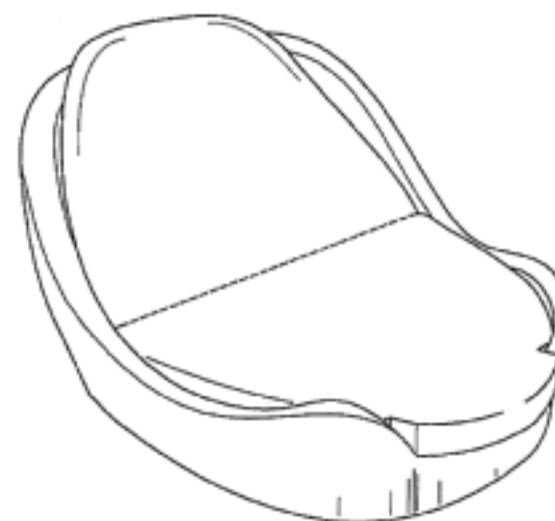
(21) Design Number: **17112/2015**  
(22) Date of Filing Application: **24 December 2015**  
(24) Date from which industrial property rights may have effect: **24 December 2015**  
(54) Product in respect of which the design is registered: **Theater seat**  
(51) International Design Classification: **06-01C**  
(74) Name(s) of Attorney(s): **Madderns**  
(71) Name(s) and Address(s) of Applicant(s):  
**IPIC-GOLD CLASS ENTERTAINMENT, LLC**  
**433 Plaza Real, Suite 335, Boca Raton Florida 33432 United States of America**  
(72) Name(s) of Designer(s): **Abdol Hamid Hashemi**  
(45) Registration Date: **15 January 2016**  
(30) Convention priority data:  
(31) Number (32) Date (33) Country  
**29/531694 29 Jun 2015 UNITED STATES OF AMERICA**  
(56) Related Art Documents: **Not Applicable**  
(57) Statement of Newness and Distinctiveness: **Newness and distinctiveness is claimed in the features of shape and configuration applied to a theater seat as illustrated in the accompanying representations.**



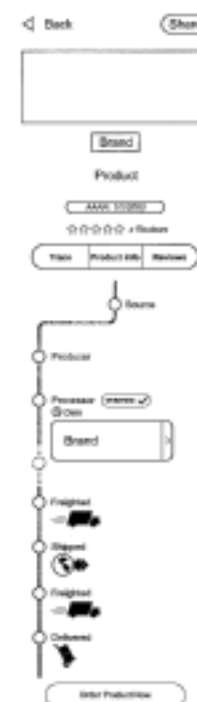
(21) Design Number: **17114/2015**  
(22) Date of Filing Application: **24 December 2015**  
(24) Date from which industrial property rights may have effect: **24 December 2015**  
(54) Product in respect of which the design is registered: **Theater seat**  
(51) International Design Classification: **06-01C**  
(74) Name(s) of Attorney(s): **Madderns**  
(71) Name(s) and Address(s) of Applicant(s):  
**IPIC-GOLD CLASS ENTERTAINMENT, LLC**  
**433 Plaza Real, Suite 335, Boca Raton Florida 33432 United States of America**  
(72) Name(s) of Designer(s): **Abdol Hamid Hashemi**  
(45) Registration Date: **15 January 2016**  
(30) Convention priority data:  
(31) Number (32) Date (33) Country  
**29/531686 29 Jun 2015 UNITED STATES OF AMERICA**  
(56) Related Art Documents: **Not Applicable**  
(57) Statement of Newness and Distinctiveness: **Newness and distinctiveness is claimed in the features of shape and configuration applied to a theater seat as illustrated in the accompanying representations.**



- (21) Design Number: **17115/2015**  
(22) Date of Filing Application: **24 December 2015**  
(24) Date from which industrial property rights may have effect: **24 December 2015**  
(54) Product in respect of which the design is registered: **Theater seat**  
(51) International Design Classification: **06-01C**  
(74) Name(s) of Attorney(s): **Madderns**  
(71) Name(s) and Address(s) of Applicant(s):  
**IPIC-GOLD CLASS ENTERTAINMENT, LLC**  
**433 Plaza Real, Suite 335, Boca Raton Florida 33432 United States of America**  
(72) Name(s) of Designer(s): **Abdol Hamid Hashemi**  
(45) Registration Date: **15 January 2016**  
(30) Convention priority data:  
(31) Number (32) Date (33) Country  
**29/531680 29 Jun 2015 UNITED STATES OF AMERICA**  
(56) Related Art Documents: **Not Applicable**  
(57) Statement of Newness and Distinctiveness: **Newness and distinctiveness is claimed in the features of shape and configuration applied to a theater seat as illustrated in the accompanying representations.**



- (21) Design Number: **17117/2015**  
(22) Date of Filing Application: **24 December 2015**  
(24) Date from which industrial property rights may have effect: **24 December 2015**  
(54) Product in respect of which the design is registered: **Display screen with graphical user interface**  
(51) International Design Classification: **14-04**  
(74) Name(s) of Attorney(s): **Madderns**  
(71) Name(s) and Address(s) of Applicant(s):  
**Beston Global Food Company Limited**  
**72 Sturt St Adelaide SA 5000 Australia**  
(72) Name(s) of Designer(s): **Alla Aljawhari**  
(45) Registration Date: **15 January 2016**  
(56) Related Art Documents: **Not Applicable**  
(57) Statement of Newness and Distinctiveness: **Newness and distinctiveness is claimed in the features of pattern and ornamentation of a display screen as shown in the accompanying figure. The dotted lines are representative of none, one or more repetitions of the interrupted line and display circle segment shown traversing from one side of the display screen to the opposite side of the display screen.**



- (21) Design Number: **15426/2015**  
(22) Date of Filing Application: **14 October 2015**  
(24) Date from which industrial property rights may have effect: **14 October 2015**  
(54) Product in respect of which the design is registered: **Screen**  
(51) International Design Classification: **25-02NES**  
(74) Name(s) of Attorney(s):  
(71) Name(s) and Address(s) of Applicant(s):  
**CORPORATE CULTURE AUSTRALIA PTY LTD**  
**21-23 Levey St Chippendale NSW 2008 Australia**  
(72) Name(s) of Designer(s): **Adam Goodrum**  
(45) Registration Date: **15 January 2016**  
(56) Related Art Documents: **Not Applicable**  
(57) Statement of Newness and Distinctiveness: **Weave is an acoustic and visual screen. Panelling such as fabric, acoustic panelling, timber veneer, plastic etc is woven horizontally through the vertical poles. The nature of the curved weave when using acoustic panelling adds to good sound absorption. This system and aesthetic can be applied but not limited to screens, open plan partitions, sofas and armchairs (high and low back) and desks.**



- (21) Design Number: **15576/2015**  
(22) Date of Filing Application: **21 October 2015**  
(24) Date from which industrial property rights may have effect: **21 October 2015**  
(54) Product in respect of which the design is registered: **A display screen**  
(51) International Design Classification: **14-02**  
(74) Name(s) of Attorney(s): **PHILLIPS ORMONDE FITZPATRICK**  
(71) Name(s) and Address(s) of Applicant(s):  
**PayRange Inc.**  
**700 NE Multnomah Street Suite 1400 Portland Oregon, 97232 United States of America**  
(72) Name(s) of Designer(s): **Paresh K. Patel**  
(45) Registration Date: **15 January 2016**  
(30) Convention priority data:  
(31) Number (32) Date (33) Country  
**29/524,728 22 Apr 2015 UNITED STATES OF AMERICA**  
(56) Related Art Documents: **Not Applicable**  
(57) Statement of Newness and Distinctiveness: **Newness and distinctiveness resides in the shape and/or configuration of animated graphical user interface of transitions between machine-specific card and a machine-specific offers card for a display screen or portion thereof. The broken lines showing a portion of a display screen, text and other elements in the representations are for illustrative purposes only and form no part of the claimed design. The appearance of the image transitions sequentially between the images shown in FIGS. 1-10. The process or period in which an image transitions to another image forms no part of the claimed design.**

