



**Australian Government**

---

**IP Australia**

**AUSTRALIAN OFFICIAL JOURNAL**

**OF**

**DESIGNS**

Did you know a searchable version of this journal is now available online?

It's FREE and EASY to SEARCH.

Find it on our website ([www.ipaustralia.gov.au](http://www.ipaustralia.gov.au))

by using the "Journals" link on the home page.

This Page Left Intentionally Blank

**Contents**

**General Information & Notices**

**Proceedings Under the Designs Act 1906 preserved as a result of the provisions of Chapter 12  
Part 2 of the Designs Act 2003**

**Registrations Ceased ..... 470**

**Proceedings Under the Designs Act 2003**

**Applications Lapsed ..... 479**

**Applications Lodged ..... 474**

**Certificate of Examination ..... 481**

**Extension of Period of Registration of Design ..... 480**

**Publication and Registration Proceedings**

**Designs Registered 366610 to 366813..... 482**

**Registrations Ceased ..... 480**

**Revocation of Design Registrations ..... 480**

**Corrigenda ..... 480**

This Page Left Intentionally Blank

For information on the following please see our website [www.ipaustralia.gov.au](http://www.ipaustralia.gov.au) or contact our Customer Service Network on 1300651010

[Editorial enquiries](#)

[Contact information](#)

[Freedom of Information ACT](#)

[Professional Standards Board](#)

[Sales](#)

[Requests for Information under Section 194 \(c\)](#)

[Country Codes](#)

[Trade Mark and Designs Hearing Sessions](#)

[INID \(Internationally agreed Numbers for the Identification of Data\)](#)

## “INID” NUMBERS in use on Australian Design Documents

“INID” is an acronym for “Internationally agreed Numbers for the Identification of Data”.

### (10) Data concerning the registration/renewal

- (11) Serial number of the registration and/or number of the design document
- (12) Plain language designation of the kind of published document
- (19) Identification, using the two-letter code according to WIPO Standard ST.3, of the authority publishing or registering the industrial design

### (20) Data concerning the application

- (21) Serial number of the application
- (22) Date of filing of the application
- (24) Date from which the industrial design right has effect

### (30) Data relating to priority under the Paris Convention

- (31) Serial number assigned to the priority application
- (32) Date of filing of the priority application
- (33) Two-letter code, according to WIPO Standard ST.3, identifying the authority with which the priority application was made

### (40) Date(s) of making information available to the public

- (45) Date of publication of the registered industrial design by printing or similar process, or making it available to the public by any other means

### (50) Miscellaneous Information

- (51) International Classification for Industrial Designs (class and subclass of the Locarno Classification)
- (54) Designation of article(s) or product(s) covered by the industrial design or title of the industrial design
- (55) Reproduction of the industrial design (e.g., drawing, photograph) and explanations relating to the reproduction
- (56) List of prior art documents, if separate from descriptive text
- (57) Description of characteristic features of the industrial design including indication of colours

### (60) References to other legally related application(s) and registration(s)

- (62) Serial number(s) and, if available, filing date(s) of application(s), registration(s) or document(s) related by division
- (66) Serial number(s) of the application, or the registration, of the design(s) which is (are) a variant(s) of the present one

### (70) Identification of parties concerned with the application or registration

- (71) Name(s) and address(es) of the applicant(s)
- (72) Name(s) of the creator(s) if known to be such
- (74) Name(s) and address(es) of the representative(s)

This Page Left Intentionally Blank

**Official Notice****Designs Act 2003****Corrections to the Registered Design**

The following corrections have been requested under Designs Regulation 9.05 (2)(a) to correct a clerical error or an obvious mistake.

<b>Registration Numbers</b>	<b>Amendment type</b>	<b>New details</b>
360575	Correct Representations	Replace figures 3-6 currently on file with new amended figures 3-6

**Proceedings under the Designs Act 1906 preserved as a result of the provisions of Chapter 12 Part 2 of the Designs Act 2003.**



This Page Left Intentionally Blank

**Applications Lapsed**

There were no Applications Lapsed under this section

**Registrations Ceased**

Note: Some of the following Registrations may have been previously advertised as ceased. In this instance, the previous advertisement still prevails.

141116	141120	141216
141218	141510	141796
141892	142016	142274
142283	143435	143436
143437		

This Page Left Intentionally Blank

**Proceedings under the Designs Act 2003.**

This Page Left Intentionally Blank

**Applications Lodged**

Lodgement information is in the following order: **Applicant's Name**; International Classification, Name of Product, Lodgement Date and **Design Number**. If the applicant claims an earlier priority date under an International Convention, the Convention Country and the associated filing date are shown in parentheses before the Lodgement Date. Divisional information will also appear in parentheses before the Lodgement Date.

<b>inSleep Technologies, LLC;</b> 24-02, Nasal interface base, (US, 31 Jul 2015) 27 Jan 2016	<b>10418/2016</b>	<b>BROTHER INDUSTRIES, LTD.;</b> 14-02, Toner cartridge, (JP, 15 Oct 2015) 19 Jan 2016	<b>10243/2016</b>
<b>inSleep Technologies, LLC;</b> 24-02, Nasal pillow, (US, 31 Jul 2015) 27 Jan 2016	<b>10417/2016</b>	<b>Cain, Aundreau Elizabeth;Nitz, Kylie;</b> 26-04, Defence commemorative candle, 20 Jan 2016	<b>10260/2016</b>
<b>inSleep Technologies, LLC;</b> 24-02, Nasal interface, (US, 31 Jul 2015) 27 Jan 2016	<b>10416/2016</b>	<b>Cashmaster International Limited;</b> 10-04, Weighing machine, (EM, 28 Jul 2015) 27 Jan 2016	<b>10378/2016</b>
<b>Alto Packaging Limited;</b> 09-03F, A container, 22 Jan 2016	<b>10317/2016</b>	<b>Cepheid;</b> 10-04, Molecular diagnostic system, (US, 24 Jul 2015) 22 Jan 2016	<b>10314/2016</b>
<b>Altronic Distributors Pty Ltd;</b> 08-08L, Speaker bracket, 27 Jan 2016	<b>10414/2016</b>	<b>Cepheid;</b> 10-04, Molecular diagnostic system, (US, 24 Jul 2015) 22 Jan 2016	<b>10315/2016</b>
<b>Apple Inc.;</b> 14-02, Trackpad, (US, 22 Jul 2015) 22 Jan 2016	<b>10337/2016</b>	<b>Cepheid;</b> 10-04, Molecular diagnostic system, (US, 24 Jul 2015) 22 Jan 2016	<b>10316/2016</b>
<b>Apple Inc.;</b> 14-02, Trackpad, (US, 22 Jul 2015) 22 Jan 2016	<b>10332/2016</b>	<b>Chrintec, LLC;</b> 10-04, Monitoring station, (Divisional of 16050/2015) 20 Jan 2016	<b>10272/2016</b>
<b>Apple Inc.;</b> 14-02, Electronic device, (US, 22 Jul 2015) 22 Jan 2016	<b>10341/2016</b>	<b>Cigweld Pty Ltd;</b> 23-03NES, Heating tip for use with LPG., 27 Jan 2016	<b>10387/2016</b>
<b>Apple Inc.;</b> 14-02, Trackpad, (US, 22 Jul 2015) 22 Jan 2016	<b>10333/2016</b>	<b>Cigweld Pty Ltd;</b> 08-05M, Heating tip for use with acetylene, 27 Jan 2016	<b>10385/2016</b>
<b>Apple Inc.;</b> 14-02, Electronic device, (US, 22 Jul 2015) 22 Jan 2016	<b>10331/2016</b>	<b>Cigweld Pty Ltd;</b> 08-05M, Welding tip, 27 Jan 2016	<b>10383/2016</b>
<b>Apple Inc.;</b> 14-02, Electronic device, (US, 22 Jul 2015) 22 Jan 2016	<b>10338/2016</b>	<b>Cigweld Pty Ltd;</b> 08-05M, Nozzle for gouging metal, 27 Jan 2016	<b>10382/2016</b>
<b>Arcelik Anonim Sirketi;</b> 31-00, Mixer, (EM, 12 Nov 2015) 27 Jan 2016	<b>10398/2016</b>	<b>Cigweld Pty Ltd;</b> 08-05M, Nozzle for cutting/gouging metal, 27 Jan 2016	<b>10381/2016</b>
<b>Arcelik Anonim Sirketi;</b> 31-00, Blender, (EM, 12 Nov 2015) 27 Jan 2016	<b>10402/2016</b>	<b>Cigweld Pty Ltd;</b> 08-05M, Nozzle for cutting/gouging metal, 27 Jan 2016	<b>10380/2016</b>
<b>Arcelik Anonim Sirketi;</b> 31-00, Blender, (EM, 12 Nov 2015) 27 Jan 2016	<b>10405/2016</b>	<b>Cigweld Pty Ltd;</b> 23-03NES, Heating tip for use with LPG, 27 Jan 2016	<b>10388/2016</b>
<b>ANZAC DAY COMMEMORATION COMMITTEE (QUEENSLAND) INC;</b> 11-03, Badge, 19 Jan 2016	<b>10248/2016</b>	<b>Cobalt Extreme Pty Ltd;</b> 23-01A, Overmoulded rod coupler, 22 Jan 2016	<b>10322/2016</b>
<b>Black &amp; Decker Inc.;</b> 13-02, Battery charger, (CN, 27 Jul 2015) 27 Jan 2016	<b>10379/2016</b>	<b>Colgate-Palmolive Company;</b> 04-02, Oral care implement, (US, 23 Jul 2015) 19 Jan 2016	<b>10247/2016</b>
<b>Brand Developers Ltd;</b> 23-03A, Heater, 22 Jan 2016	<b>10339/2016</b>	<b>Colgate-Palmolive Company;</b> 04-02, Oral care implement, (US, 23 Jul 2015) 19 Jan 2016	<b>10245/2016</b>
<b>Brand Developers Ltd;</b> 23-03A, Heater, 22 Jan 2016	<b>10330/2016</b>		

<b>Colgate-Palmolive Company;</b> 04-02, Oral care implement, (US, 23 Jul 2015) 19 Jan 2016	<b>10246/2016</b>	<b>Freetrack Pty Ltd;</b> 12-12, Wheelchair track, 18 Jan 2016	<b>10240/2016</b>
<b>Composite Materials Engineering;</b> 09-08, Transport pallet, 22 Jan 2016	<b>10326/2016</b>	<b>Freetrack Pty Ltd;</b> 12-12, Wheelchair, 18 Jan 2016	<b>10238/2016</b>
<b>Composite Materials Engineering;</b> 09-08, Transport pallet, 22 Jan 2016	<b>10325/2016</b>	<b>Gallagher Group Limited;</b> 08-08NES, Fencing attachment, (NZ, 31 Jul 2015) 27 Jan 2016	<b>10384/2016</b>
<b>Crothead Pty Ltd;</b> 08-08C, Clip, 20 Jan 2016	<b>10270/2016</b>	<b>Gentex Corporation;</b> 03-01B, Helmet cover, (US, 03 Aug 2015) 21 Jan 2016	<b>10297/2016</b>
<b>CPIE PHARMACY SERVICES R &amp; D PTY LTD;</b> 15-02, 24-02, Infusion pump, 21 Jan 2016	<b>10312/2016</b>	<b>Gentex Corporation;</b> 02-03, Helmet cover, (US, 03 Aug 2015) 21 Jan 2016	<b>10296/2016</b>
<b>D.T RANKINE &amp; S.M RANKINE &amp; J.A SEDGWICK &amp; P.J SEDGWICK;</b> 32-03, Honey products containers. e.g glass jar, 22 Jan 2016	<b>10343/2016</b>	<b>Gentex Corporation;</b> 02-03, Helmet cover, (US, 03 Aug 2015) 21 Jan 2016	<b>10295/2016</b>
<b>Davanti Tyres Limited;</b> 12-15A, Tyre tread, (EM, 13 Oct 2015) 15 Jan 2016	<b>10225/2016</b>	<b>Give Plants Limited;</b> 09-03NES, An insert for a box, (NZ, 21 Dec 2015) 26 Jan 2016	<b>10374/2016</b>
<b>Davanti Tyres Limited;</b> 12-15A, Tyre tread, (EM, 13 Oct 2015) 15 Jan 2016	<b>10224/2016</b>	<b>Globe International Nominees Pty Ltd;</b> 02-02C, A pair of pants, 21 Jan 2016	<b>10309/2016</b>
<b>DALANCO PTY LTD;</b> 25-99, Lightweight freestanding telescopic building prop, 18 Jan 2016	<b>10241/2016</b>	<b>Globe International Nominees Pty Ltd;</b> 02-02C, A pair of pants, 21 Jan 2016	<b>10308/2016</b>
<b>DANIEL MEASUREMENT AND CONTROL, INC.;</b> 10-04, Shell shroud for compact ultrasonic flowmeters, (IN, 30 Jul 2015) 25 Jan 2016	<b>10373/2016</b>	<b>Globe International Nominees Pty Ltd;</b> 02-02C, A pair of shorts, 21 Jan 2016	<b>10307/2016</b>
<b>DESIGN BY THEM PTY LTD;McKeon, Seaton;</b> 03-03, 11-02B, Umbrella stand, 21 Jan 2016	<b>10289/2016</b>	<b>Goldberg, Judy;</b> 28-03NES, Massage device, 18 Jan 2016	<b>10242/2016</b>
<b>E.&amp;J. Gallo Winery;</b> 07-02L, Beverage cartridge, (US, 15 Jul 2015) 15 Jan 2016	<b>10204/2016</b>	<b>Goldfields Collections Pty Ltd;</b> 11-02B, An insert, 21 Jan 2016	<b>10310/2016</b>
<b>E.&amp;J. Gallo Winery;</b> 07-02L, Beverage cartidge and press assembly, (US, 15 Jul 2015) 15 Jan 2016	<b>10209/2016</b>	<b>Goldfields Collections Pty Ltd;</b> 11-02B, An insert, 21 Jan 2016	<b>10311/2016</b>
<b>Elliss, Caren;</b> 06-01E, Stool, 15 Jan 2016	<b>10206/2016</b>	<b>Guala Pack S.p.A.;</b> 09-07C, Cap, (IT, 27 Jul 2015) 20 Jan 2016	<b>10274/2016</b>
<b>ELC Management LLC;</b> 09-01G, Cosmetic bottle, (US, 22 Jul 2015) 20 Jan 2016	<b>10257/2016</b>	<b>GENTOS Co., Ltd.;</b> 26-02, Flashlight, (JP, 21 Aug 2015) 25 Jan 2016	<b>10364/2016</b>
<b>ELC Management LLC;</b> 09-01G, Cosmetic bottle, (US, 22 Jul 2015) 20 Jan 2016	<b>10258/2016</b>	<b>GENTOS Co., Ltd.;</b> 26-02, Bicycle light, (JP, 26 Aug 2015) 25 Jan 2016	<b>10366/2016</b>
<b>ELC Management LLC;</b> 09-01G, Cosmetic bottle, (US, 22 Jul 2015) 20 Jan 2016	<b>10259/2016</b>	<b>GENTOS Co., Ltd.;</b> 26-02, 26-06, Headlamp, (JP, 21 Aug 2015) 25 Jan 2016	<b>10370/2016</b>
<b>EZEE LIVING PRODUCTS LIMITED;</b> 25-01G, Roof for a structure, (NZ, 23 Jul 2015) 22 Jan 2016	<b>10318/2016</b>	<b>GENTOS Co., Ltd.;</b> 26-02, Headlamp, (JP, 23 Jul 2015) 25 Jan 2016	<b>10369/2016</b>
<b>EZEE LIVING PRODUCTS LIMITED;</b> 25-03, Structure, (NZ, 23 Jul 2015) 22 Jan 2016	<b>10319/2016</b>	<b>GENTOS Co., Ltd.;</b> 26-02, Headlamp, (JP, 23 Jul 2015) 25 Jan 2016	<b>10365/2016</b>
		<b>GENTOS Co., Ltd.;</b> 26-02, 26-06, Headlamp, (JP, 21 Aug 2015) 25 Jan 2016	<b>10371/2016</b>
		<b>GENTOS Co., Ltd.;</b> 26-02, Headlamp, (JP, 26 Aug 2015) 25 Jan 2016	<b>10367/2016</b>



<b>GENTOS Co., Ltd.;</b> 26-02, Flashlight, (JP, 21 Aug 2015) 25 Jan 2016	<b>10368/2016</b>	<b>JSP Limited;</b> 02-03, Bump cap, (EM, 03 Nov 2015) 20 Jan 2016	<b>10279/2016</b>
<b>GENTOS Co., Ltd.;</b> 26-05E, LED light, (JP, 29 Oct 2015) 25 Jan 2016	<b>10372/2016</b>	<b>JSP Limited;</b> 02-03, Bump cap liner, (EM, 28 Sep 2015) 20 Jan 2016	<b>10280/2016</b>
<b>GOTOP AUSTRALIA PTY LTD;</b> 01-03, Milk powder, 27 Jan 2016	<b>10376/2016</b>	<b>JSP Limited;</b> 02-03, Bump cap, (EM, 23 Sep 2015) 20 Jan 2016	<b>10277/2016</b>
<b>G3 Enterprises, Inc.;</b> 09-07B, Beverage cap liner, (US, 24 Jul 2015) 22 Jan 2016	<b>10323/2016</b>	<b>JSP Limited;</b> 02-03, Bump cap, (EM, 03 Nov 2015) 20 Jan 2016	<b>10278/2016</b>
<b>G3 Enterprises, Inc.;</b> 09-07B, Beverage cap liner, (US, 24 Jul 2015) 22 Jan 2016	<b>10328/2016</b>	<b>Koninklijke Philips N.V.;</b> 28-03NES, Flash lamp epilator, (EM, 23 Jul 2015) 21 Jan 2016	<b>10286/2016</b>
<b>Hermes Sellier (Societe Par Actions Simplifiee);</b> 13-03NES, Bag, (WO, 23 Jul 2015) 21 Jan 2016	<b>10298/2016</b>	<b>Lorna Jane Pty Ltd;</b> 02-02C, Clothing, 18 Jan 2016	<b>10281/2016</b>
<b>Hermes Sellier (Societe Par Actions Simplifiee);</b> 03-01A, Rucksack, (WO, 29 Sep 2015) 25 Jan 2016	<b>10350/2016</b>	<b>LG Electronics Inc.;</b> 15-05, Washing machine, (KR, 15 Jul 2015) 15 Jan 2016	<b>10214/2016</b>
<b>Holster Fashion Pty Ltd;</b> 02-04B, 02-04NES, Shoes and soles for shoes., (EP, 16 Jul 2015) 15 Jan 2016	<b>10221/2016</b>	<b>LG Electronics Inc.;</b> 15-05, Washing machine, (KR, 15 Jul 2015) 15 Jan 2016	<b>10215/2016</b>
<b>Holster Fashion Pty Ltd;</b> 02-04NES, Footwear, 18 Jan 2016	<b>10231/2016</b>	<b>LG Electronics Inc.;</b> 15-05, Washing machine, (KR, 15 Jul 2015) 15 Jan 2016	<b>10212/2016</b>
<b>Holster Fashion Pty Ltd;</b> 02-04B, 02-04NES, Shoes and soles for shoes, (EP, 16 Jul 2015) 15 Jan 2016	<b>10219/2016</b>	<b>LG Electronics Inc.;</b> 15-05, Laundry dryer, (KR, 15 Jul 2015) 15 Jan 2016	<b>10213/2016</b>
<b>Icon Plastics Pty Ltd;</b> 23-01A, Plumbing fitting, 21 Jan 2016	<b>10306/2016</b>	<b>MacMillan Trade Marks Attorneys;</b> 07-01C, Drinking glass with attachable foot, (EP, 04 Jun 2015) (Divisional of 15957/2015) 24 Jan 2016	<b>10344/2016</b>
<b>Inovonics Wireless Corporation;</b> 24-99, Intelligent emergency mobile duress device, (US, 30 Jul 2015) 27 Jan 2016	<b>10409/2016</b>	<b>MacMillan Trade Marks Attorneys;</b> 07-01C, Drinking glass with a detachable foot, (EP, 04 Jun 2015) (Divisional of 15957/2015) 24 Jan 2016	<b>10345/2016</b>
<b>Inovonics Wireless Corporation;</b> 24-99, Intelligent emergency mobile duress device, (US, 30 Jul 2015) 27 Jan 2016	<b>10410/2016</b>	<b>McKeon, Seaton;DESIGN BY THEM PTY LTD;</b> 03-03, 11-02B, Umbrella stand, 21 Jan 2016	<b>10289/2016</b>
<b>International Refills Company Ltd.;</b> 23-02NES, Diaper pail cassette, (Divisional of 15958/2015) 19 Jan 2016	<b>10244/2016</b>	<b>Med-Eng, LLC;</b> 22-99, 02-02B, Bomb disposal suit, (US, 22 Jul 2015) 20 Jan 2016	<b>10266/2016</b>
<b>IP &amp; IT Pty Ltd;</b> 09-06, Device for attachment with a structure, 22 Jan 2016	<b>10335/2016</b>	<b>Med-Eng, LLC;</b> 02-03, 22-99, Helmet, (US, 22 Jul 2015) 20 Jan 2016	<b>10268/2016</b>
<b>IP &amp; IT Pty Ltd;</b> 09-06, Device for attachment with a structure, 22 Jan 2016	<b>10334/2016</b>	<b>Med-Eng, LLC;</b> 22-99, 02-02B, Bomb disposal suit, (US, 22 Jul 2015) 20 Jan 2016	<b>10267/2016</b>
<b>J Bloch Pty Ltd;</b> 02-04NES, Footwear, (US, 30 Jul 2015) 22 Jan 2016	<b>10324/2016</b>	<b>Medela Holding AG;</b> 24-02, Breastmilk collection apparatus, (US, 07 Aug 2015) 27 Jan 2016	<b>10411/2016</b>
<b>John Wall, Inc.;</b> 08-08K, 25-01E, Fence post insulator, (US, 25 Aug 2015) 19 Jan 2016	<b>10256/2016</b>	<b>Melmak GmbH;</b> 24-01, Medical ultrasound equipment, (EM, 21 Aug 2015) 20 Jan 2016	<b>10269/2016</b>
<b>JSP Limited;</b> 02-03, Bump cap, (EM, 23 Sep 2015) 20 Jan 2016	<b>10276/2016</b>		

<b>Meyer Intellectual Properties Limited;</b> 07-02R, Elongated side handle for cookware, (US, 24 Jul 2015) 18 Jan 2016	<b>10229/2016</b>	<b>Nitz, Kylie;Cain, Aundreau Elizabeth;</b> 26-04, Defence commemorative candle, 20 Jan 2016	<b>10260/2016</b>
<b>Meyer Intellectual Properties Limited;</b> 07-02R, Elongated side handle for cookware, (US, 24 Jul 2015) 18 Jan 2016	<b>10230/2016</b>	<b>NETZSCH Pumpen &amp; Systeme GmbH;</b> 15-02, Pump housing, (EM, 29 May 2015) (Divisional of 16414/2015) 19 Jan 2016	<b>10255/2016</b>
<b>Microsoft Corporation;</b> 14-02, Display screens with icon group and icon set, (US, 27 Jul 2015) 25 Jan 2016	<b>10351/2016</b>	<b>NETZSCH Pumpen &amp; Systeme GmbH;</b> 15-02, Pump, (EM, 29 May 2015) (Divisional of 16414/2015) 19 Jan 2016	<b>10253/2016</b>
<b>Microsoft Corporation;</b> 14-02, Display screen with graphical user interface, (US, 29 Jul 2015) 27 Jan 2016	<b>10407/2016</b>	<b>NETZSCH Pumpen &amp; Systeme GmbH;</b> 15-02, Pump housing, (EM, 29 May 2015) (Divisional of 16414/2016) 19 Jan 2016	<b>10254/2016</b>
<b>Microsoft Corporation;</b> 14-02, Display screen with graphical user interface, (US, 29 Jul 2015) 25 Jan 2016	<b>10352/2016</b>	<b>NETZSCH Pumpen &amp; Systeme GmbH;</b> 15-02, Pump, (EM, 29 May 2015) (Divisional of 16414/2015) 19 Jan 2016	<b>10252/2016</b>
<b>Microsoft Corporation;</b> 14-02, Display screen with graphical user interface, (US, 28 Jul 2015) 25 Jan 2016	<b>10353/2016</b>	<b>Pakton Developments Pty Ltd;</b> 13-03NES, Electric fence insulator, 21 Jan 2016	<b>10299/2016</b>
<b>Microsoft Corporation;</b> 14-02, Display screen with graphical user interface, (US, 28 Jul 2015) 25 Jan 2016	<b>10359/2016</b>	<b>Pakton Developments Pty Ltd;</b> 13-03A, Electric fence insulator, 21 Jan 2016	<b>10300/2016</b>
<b>Microsoft Corporation;</b> 14-02, Display screens with icon group and icon set, (US, 11 Aug 2015) 25 Jan 2016	<b>10361/2016</b>	<b>Paul Hartmann AG;</b> 09-03H, Sheet of packaging for hygiene articles, 27 Jan 2016	<b>10399/2016</b>
<b>Microsoft Corporation;</b> 14-02, Display screens with icon group and icon set, (US, 11 Aug 2015) 25 Jan 2016	<b>10363/2016</b>	<b>Paul Hartmann AG;</b> 09-03H, Sheet of packaging for hygiene articles, 27 Jan 2016	<b>10403/2016</b>
<b>Microsoft Corporation;</b> 14-02, Display screen with graphical user interface, (US, 29 Jul 2015) 25 Jan 2016	<b>10362/2016</b>	<b>Paul Hartmann AG;</b> 32-03, Sheet of packaging for hygiene articles, 27 Jan 2016	<b>10395/2016</b>
<b>Microsoft Corporation;</b> 14-02, Display screen with graphical user interface, (US, 28 Jul 2015) 25 Jan 2016	<b>10360/2016</b>	<b>Paul Hartmann AG;</b> 09-03H, Sheet of packaging for hygiene articles, 27 Jan 2016	<b>10400/2016</b>
<b>Microsoft Corporation;</b> 14-02, Display screens with icon group and icon set, (US, 29 Jul 2015) 25 Jan 2016	<b>10357/2016</b>	<b>Paul Hartmann AG;</b> 32-03, Sheet of packaging for hygiene articles, 27 Jan 2016	<b>10393/2016</b>
<b>Microsoft Corporation;</b> 14-02, Display screen with graphical user interface, (US, 28 Jul 2015) 25 Jan 2016	<b>10358/2016</b>	<b>Paul Hartmann AG;</b> 32-03, Sheet of packaging for hygiene articles, 27 Jan 2016	<b>10390/2016</b>
<b>Microsoft Corporation;</b> 14-02, Display screens with icon group and icon set, (US, 29 Jul 2015) 25 Jan 2016	<b>10355/2016</b>	<b>Paul Hartmann AG;</b> 09-03H, Sheet of packaging for hygiene articles, 27 Jan 2016	<b>10397/2016</b>
<b>Microsoft Corporation;</b> 14-02, Display screen with icon group, (US, 29 Jul 2015) 25 Jan 2016	<b>10356/2016</b>	<b>Paul Hartmann AG;</b> 32-03, Sheet of packaging for hygiene articles, 27 Jan 2016	<b>10391/2016</b>
<b>Microsoft Corporation;</b> 14-02, Display screen with graphical user interface, (US, 28 Jul 2015) 25 Jan 2016	<b>10354/2016</b>	<b>Paul Hartmann AG;</b> 32-03, Sheet of packaging for hygiene articles, 27 Jan 2016	<b>10392/2016</b>
<b>Montigra Enterprises Pty;</b> 05-03, 32-03, Heat adhesive embroidered patches, 21 Jan 2016	<b>10294/2016</b>	<b>Paul Hartmann AG;</b> 32-03, Sheet of packaging for hygiene articles, 27 Jan 2016	<b>10389/2016</b>
<b>Muddie's Holdings Pty Ltd;</b> 15-99, Tooth segment for sizing equipment, 22 Jan 2016	<b>10342/2016</b>	<b>Paul Hartmann AG;</b> 09-03H, Sheet of packaging for hygiene articles, 27 Jan 2016	<b>10396/2016</b>
		<b>Paul Hartmann AG;</b> 32-03, Sheet of packaging for hygiene articles, 27 Jan 2016	<b>10394/2016</b>

<b>Physcient, Inc.;</b> 24-02, Surgical instrument handle, (US, 17 Jul 2015) 15 Jan 2016	<b>10205/2016</b>	<b>Server Technology, Inc.;</b> 13-03E, Connector plug, (US, 17 Aug 2015) 25 Jan 2016	<b>10349/2016</b>
<b>Pyke Societe Anonyme;</b> 16-06, Sunglasses, (EM, 30 Jul 2015) 27 Jan 2016	<b>10412/2016</b>	<b>Server Technology, Inc.;</b> 13-03E, Connector plug, (US, 17 Aug 2015) 25 Jan 2016	<b>10348/2016</b>
<b>Reckitt Benckiser LLC;</b> 09-01K, Bottle with cap, (EM, 06 Aug 2015) 21 Jan 2016	<b>10284/2016</b>	<b>Shanahan, Matthew Francis;</b> 11-02A, Enclosure; trapbox; cage; terrarium, 25 Jan 2016	<b>10346/2016</b>
<b>Reckitt Benckiser LLC;</b> 09-01K, Bottle, (EM, 06 Aug 2015) 21 Jan 2016	<b>10285/2016</b>	<b>Shield Restraint Systems, Inc.;</b> 08-07, Prelock prevention device for use with a web retractor, (US, 17 Jul 2015) 15 Jan 2016	<b>10210/2016</b>
<b>Reckitt Benckiser LLC;</b> 09-01K, Bottle, (EM, 06 Aug 2015) 21 Jan 2016	<b>10282/2016</b>	<b>Shield Restraint Systems, Inc.;</b> 08-07, Prelock prevention device for use with a web retractor, (US, 17 Jul 2015) 15 Jan 2016	<b>10207/2016</b>
<b>Red White Blue Group Pty Ltd;</b> 13-02, Portable charger for mobile communications device, 27 Jan 2016	<b>10408/2016</b>	<b>Simply Works Limited;</b> 23-02A, 28-03NES, Dispenser, (NZ, 22 Jul 2015) 21 Jan 2016	<b>10283/2016</b>
<b>Red White Blue Group Pty Ltd;</b> 13-02, Portable charger for mobile communications device, 27 Jan 2016	<b>10404/2016</b>	<b>Sirketi, Arcelik Anonim;</b> 31-00, Electric chopper, (EM, 12 Nov 2015) 27 Jan 2016	<b>10406/2016</b>
<b>ResMed Limited;</b> 24-01, Patient interface and/or components, (Divisional of 16524/2015) 25 Jan 2016	<b>10401/2016</b>	<b>Skaliotis, Nick;</b> 08-01, Digging tool attachment, (WO, 23 Nov 2015) 26 Jan 2016	<b>10375/2016</b>
<b>Rhino Hide Pty. Ltd.;</b> 12-16C, Front quarter protective plate for ford ranger, 22 Jan 2016	<b>10329/2016</b>	<b>Smith &amp; Nephew, Inc.;</b> 24-02, Endoscope with oblique tip, (US, 31 Jul 2015) 22 Jan 2016	<b>10321/2016</b>
<b>Rhino Hide Pty. Ltd.;</b> 12-16C, Front door panel protective plate for ford ranger, 22 Jan 2016	<b>10327/2016</b>	<b>Smith &amp; Nephew, Inc.;</b> 24-02, Sheath having oblique tip for endoscope, (US, 04 Aug 2015) 22 Jan 2016	<b>10320/2016</b>
<b>Rhino Hide Pty. Ltd.;</b> 12-16B, 12-16NES, Rear quarter protective plate for ford ranger, 22 Jan 2016	<b>10340/2016</b>	<b>Societe des Produits Nestle S.A.;</b> 07-02L, A coffe machine, (CH, 29 Jul 2015) 15 Jan 2016	<b>10218/2016</b>
<b>Rhino Hide Pty. Ltd.;</b> 12-16B, Rear door panel protective plate for ford ranger, 22 Jan 2016	<b>10336/2016</b>	<b>Sorelle Group Pty Ltd trading as Chen Foods;</b> 32-03, Food, 21 Jan 2016	<b>10304/2016</b>
<b>RIMOWA GmbH;</b> 02-07A, 03-01A, Zipper stopper, (EP, 20 Jul 2015) 19 Jan 2016	<b>10249/2016</b>	<b>Soren Strange Lentz;</b> 21-02D, Stand-up paddle board, (GB, 15 Jul 2015) 15 Jan 2016	<b>10223/2016</b>
<b>ROCKIN ROOS PTY LTD;</b> 21-01A, Bobble head figurine, 18 Jan 2016	<b>10237/2016</b>	<b>Speer, Ashleigh;</b> 06-13C, Yoga towel and mat carrier, 27 Jan 2016	<b>10415/2016</b>
<b>Samsung Electronics Co., Ltd.;</b> 15-05, Washing machine, (KR, 21 Jul 2015) 15 Jan 2016	<b>10226/2016</b>	<b>Square, Inc.;</b> 14-02, Docking device for card reader, (US, 21 Jul 2015) 15 Jan 2016	<b>10227/2016</b>
<b>Scent2Market Inc.;</b> 28-99, Automotive vent freshener, (US, 21 Aug 2015) 27 Jan 2016	<b>10386/2016</b>	<b>Stanley Middle East FZE;</b> 08-05N, Tool bag, 18 Jan 2016	<b>10232/2016</b>
<b>Sea Box International;</b> 25-04, A platform with a depoyable frame, 20 Jan 2016	<b>10275/2016</b>	<b>Stanley Middle East FZE;</b> 08-05N, Sanding tool, (EM, 16 Jul 2015) 18 Jan 2016	<b>10233/2016</b>
<b>Sea Box International;</b> 25-04, Platform, 20 Jan 2016	<b>10273/2016</b>	<b>Stanley Middle East FZE;</b> 08-05N, Sanding tool, (EM, 16 Jul 2015) 18 Jan 2016	<b>10239/2016</b>
<b>Server Technology, Inc.;</b> 13-03E, Connector plug, (US, 17 Aug 2015) 25 Jan 2016	<b>10347/2016</b>		

<b>Stanley Middle East FZE;</b> 26-02, Lamp, (EM, 16 Jul 2015) 15 Jan 2016	<b>10211/2016</b>	<b>Wallis Coombe Pty Ltd;</b> 24-01, Surgical eye shield, 20 Jan 2016	<b>10265/2016</b>
<b>Stanley Middle East FZE;</b> 26-02, Lamp, (EM, 16 Jul 2015) 15 Jan 2016	<b>10220/2016</b>	<b>Wibit Sports GmbH;</b> 21-02D, Water-sports equipment, (EM, 21 Jul 2015) 21 Jan 2016	<b>10305/2016</b>
<b>Stratco (Australia) Pty Limited;</b> 25-01G, A ridge vent, 21 Jan 2016	<b>10290/2016</b>	<b>Wibit Sports GmbH;</b> 21-02D, Water-sports equipment, (EM, 21 Jul 2015) 21 Jan 2016	<b>10302/2016</b>
<b>Stratco (Australia) Pty Limited;</b> 25-01G, A roof vent, 21 Jan 2016	<b>10291/2016</b>	<b>Wibit Sports GmbH;</b> 21-02D, Water-sports equipment, (EM, 21 Jul 2015) 21 Jan 2016	<b>10303/2016</b>
<b>Sumitomo Rubber Industries, Ltd.;</b> 12-15D, Tyre for motorcycle, 21 Jan 2016	<b>10292/2016</b>	<b>Wong, Terence Shuibiu;</b> 09-07C, Wine serving and preservation device, 28 Jan 2016	<b>10419/2016</b>
<b>Sumitomo Rubber Industries, Ltd.;</b> 12-15D, Tyre for motorcycle, 21 Jan 2016	<b>10288/2016</b>	<b>Woodrow, Rodney Hans;</b> 12-16NES, A strap winder, 19 Jan 2016	<b>10251/2016</b>
<b>SHELDON AND HAMMOND PTY LIMITED;</b> 08-06, Handle, 21 Jan 2016	<b>10293/2016</b>	<b>Woodrow, D.J.;Woodrow, N.R.;</b> 23-01G, Water purifier, 15 Jan 2016	<b>10216/2016</b>
<b>SHELDON AND HAMMOND PTY LIMITED;</b> 07-99NES, Knife block, 21 Jan 2016	<b>10287/2016</b>	<b>Woodrow, N.R.;Woodrow, D.J.;</b> 23-01G, Water purifier, 15 Jan 2016	<b>10216/2016</b>
<b>The Yokohama Rubber Co., Ltd.;</b> 12-15B, Automobile tire, (JP, 31 Jul 2015) 27 Jan 2016	<b>10413/2016</b>	<b>Yeomans, Allan James;</b> 03-01NES, Hanger for mobile telephone, 19 Jan 2016	<b>10250/2016</b>
<b>Tissue Tools LLC;</b> 24-02, Multi-edge instrument for treatment of soft tissue, (US, 23 Jul 2015) 20 Jan 2016	<b>10271/2016</b>	<b>Zhejiang CFMOTO Power Co., Ltd.;</b> 09-03NES, Motorcycle, (CN, 30 Dec 2015) 15 Jan 2016	<b>10217/2016</b>
<b>Turlen Holding SA;</b> 10-02, Wristwatch without bracelet, (CH, 05 Oct 2015) 15 Jan 2016	<b>10222/2016</b>	<b>Zumtobel Lighting GmbH;</b> 26-05E, Luminaire, (EM, 23 Jul 2015) 20 Jan 2016	<b>10262/2016</b>
<b>TRIO BROTHERS TRADING PTY LTD;</b> 27-05, Lighter, 27 Jan 2016	<b>10377/2016</b>	<b>Zumtobel Lighting GmbH;</b> 26-05E, Luminaire, (EM, 23 Jul 2015) 20 Jan 2016	<b>10264/2016</b>
<b>Uber Technologies, Inc.;</b> 14-04, Computer device display screen, (US, 17 Jul 2015) 15 Jan 2016	<b>10208/2016</b>	<b>Zumtobel Lighting GmbH;</b> 26-05E, Luminaire, (EM, 23 Jul 2015) 20 Jan 2016	<b>10263/2016</b>
<b>Vogel's Holding B.V.;</b> 14-99, Wall mounts for audiovisual apparatus, (EP, 26 May 2015) 26 Nov 2015	<b>10236/2016</b>	<b>Zumtobel Lighting GmbH;</b> 26-05E, Luminaire, (EM, 23 Jul 2015) 20 Jan 2016	<b>10261/2016</b>
<b>Vogel's Holding B.V.;</b> 14-99, Wall mounts for audiovisual apparatus, (EP, 26 May 2015) 26 Nov 2015	<b>10234/2016</b>		
<b>Vogel's Holding B.V.;</b> 14-99, Wall mounts for audiovisual apparatus, (EP, 26 May 2015) 26 Nov 2015	<b>10235/2016</b>		

---

**Applications Lapsed**

12547 / 2015 (02-02NES)	13450 / 2015 (02-02C)
15625 / 2015 (32-03)	15675 / 2015 (30-02)
15760 / 2015 (32-03)	15766 / 2015 (21-01B)
15817 / 2015 (03-01B)	15866 / 2015 (09-03H)
15906 / 2015 (12-16NES)	

**Extension of Period of Registration of Designs**

334410	335107	335108
335158	335173	335174
335175	335179	335186
335187	335188	335236
335237	335251	335252
335261	335272	335273
335278	335313	335325
335377	335378	335414
335415	335416	335512
335541	335542	335543
335545	335546	335585
335586	335590	335591
335592	335593	335594
335600	335604	335605
335649	335673	335872
335889	335890	335902
335903	335905	336055
336056	336066	336109
336181	336213	336214
336400	336602	336707
336708	336709	336727
336817	336840	336841
336842	336843	336844
337021	339054	339055
339056	339057	339058

332063	332064	332065
332088	332089	332090
332091	332110	332111
332112	332167	332168
332169	332170	332171
332564	332650	332651
332708	332709	332824
332827	332828	332829
335034	335037	335038
335039	335111	335112
335113	359326	360820
361317		

**Corrigendas**

201514750 Advertised on the 7 January 2016 under the heading: Applications Lapsed: Lapsed in Error

355204 Advertised on the 21 January 2016 under the heading: Registrations: Ceased in Error

**Revocation of Design Registrations**

The following Design Registration(s) have been revoked and are taken never to have been registered:

- 353233 27-02
- 353234 27-02

**Registrations Ceased**

305375	305589	306545
306546	306547	306548
307595	307747	307749
307750	307751	307857
307908	307972	308056
308231	308232	308233
308234	308235	308236
308237	308238	308574
309408	310450	317228
331877	331995	331996
332000	332005	332036
332037	332038	332039
332057	332058	332059
332060	332061	332062

**Certificate(s) of Examination**

Examination of the following Design Registration(s) has been completed. Infringement proceedings may now be commenced.

326631	23-02E	19/01/2016
332612	06-01G	18/01/2016
354976	09-04	19/01/2016
358428	28-03NES	28/01/2016
358526	28-03NES	28/01/2016
358527	28-03NES	28/01/2016
358528	28-03NES	28/01/2016
358594	28-03NES	28/01/2016
358595	28-03NES	28/01/2016
359264	09-05	28/01/2016
359283	09-05	28/01/2016
361545	08-05A	20/01/2016
361546	08-05A	20/01/2016
361579	09-01A	21/01/2016
363828	04-02	25/01/2016
364161	06-01G	19/01/2016
364498	13-02	20/01/2016
364499	13-02	20/01/2016
364501	13-02	20/01/2016
364636	12-10	19/01/2016
364645	24-02	19/01/2016
364706	15-05	22/01/2016
364753	07-01NES	19/01/2016
364765	13-02	20/01/2016
364982	14-01	21/01/2016
365274	12-16NES	27/01/2016
365341	12-16NES	21/01/2016
365352	16-05	22/01/2016
365362	12-16NES	27/01/2016
365392	08-05NES	21/01/2016
365397	14-02	20/01/2016
365399	16-01	20/01/2016
365402	02-04C	22/01/2016
365444	16-05	20/01/2016

**Publication and Registration Proceedings**

**Designs Registered**

This section provides a concordance between design number and registration number of Designs covered in this journal. It also shows the main class and registration date.

This section covers Registration numbers 366610 to 366813 .

The registration number shown below should be used in all future correspondence.

<b>Design Number</b>	<b>Registration Number</b>	<b>International Classification Code (IDC)</b>	<b>Registration Date</b>	<b>Design Number</b>	<b>Registration Number</b>	<b>International Classification Code (IDC)</b>	<b>Registration Date</b>
12219/2015	366772	12-05	27/01/2016	16812/2015	366710	09-03NES	22/01/2016
13240/2015	366687	08-06	21/01/2016	16813/2015	366711	09-03NES	22/01/2016
13241/2015	366688	08-06	21/01/2016	16856/2015	366712	09-07A	22/01/2016
14419/2015	366715	31-00	25/01/2016	16857/2015	366713	09-07A	22/01/2016
14749/2015	366689	06-02	21/01/2016	16872/2015	366714	20-02E	22/01/2016
14956/2015	366767	27-05	27/01/2016	16904/2015	366718	06-01F	25/01/2016
15359/2015	366773	12-05	27/01/2016	16905/2015	366719	06-03C	25/01/2016
15360/2015	366775	12-05	27/01/2016	16906/2015	366720	12-16NES	25/01/2016
15361/2015	366774	12-05	27/01/2016	16916/2015	366679	06-01G	21/01/2016
15809/2015	366690	16-05	21/01/2016	16918/2015	366680	15-07	21/01/2016
15810/2015	366692	16-05	21/01/2016	16919/2015	366681	23-02B	21/01/2016
15865/2015	366701	14-02	21/01/2016	16920/2015	366682	23-02B	21/01/2016
15929/2015	366768	12-10	27/01/2016	16921/2015	366683	06-06A	21/01/2016
15958/2015	366800	23-02NES	28/01/2016	16923/2015	366694	11-02B	21/01/2016
15968/2015	366648	16-06	19/01/2016	16924/2015	366695	11-02B	21/01/2016
15970/2015	366716	16-06	25/01/2016	16925/2015	366696	11-02B	21/01/2016
15972/2015	366801	27-99	28/01/2016	16926/2015	366697	12-16E	21/01/2016
16022/2015	366663	02-04C	20/01/2016	16927/2015	366698	12-16E	21/01/2016
16050/2015	366769	10-04	27/01/2016	16928/2015	366699	12-16E	21/01/2016
16074/2015	366671	23-01G	20/01/2016	16934/2015	366704	12-16A	21/01/2016
16104/2015	366743	02-02NES	25/01/2016	16936/2015	366700	28-01	21/01/2016
16187/2015	366770	03-01A	27/01/2016	16937/2015	366705	06-13NES	21/01/2016
16194/2015	366776	25-01A	27/01/2016	16938/2015	366706	06-13NES	21/01/2016
16222/2015	366664	09-03NES	20/01/2016	16939/2015	366707	06-13NES	21/01/2016
16270/2015	366665	14-02	20/01/2016	16943/2015	366721	07-01F	25/01/2016
16272/2015	366631	14-02	19/01/2016	16956/2015	366737	12-08	25/01/2016
16274/2015	366632	24-04	19/01/2016	16982/2015	366652	07-02N	19/01/2016
16276/2015	366633	24-04	19/01/2016	16984/2015	366722	07-02N	25/01/2016
16278/2015	366771	07-01F	27/01/2016	17075/2015	366781	26-03	27/01/2016
16292/2015	366634	09-03H	19/01/2016	17087/2015	366723	09-03M	25/01/2016
16313/2015	366777	24-04	27/01/2016	17091/2015	366622	12-16A	18/01/2016
16402/2015	366802	14-99	28/01/2016	17104/2015	366782	02-04NES	27/01/2016
16403/2015	366804	14-99	28/01/2016	17113/2015	366623	06-01C	18/01/2016
16527/2015	366702	08-08NES	21/01/2016	17118/2015	366624	08-08NES	18/01/2016
16529/2015	366649	08-08NES	19/01/2016	17135/2015	366724	15-07	25/01/2016
16578/2015	366703	22-05	21/01/2016	17136/2015	366667	15-07	20/01/2016
16579/2015	366666	19-01	20/01/2016	17137/2015	366612	08-08B	18/01/2016
16587/2015	366629	03-01NES	19/01/2016	17138/2015	366625	08-08B	18/01/2016
16686/2015	366650	09-03F	19/01/2016	17139/2015	366656	15-07	20/01/2016
16687/2015	366651	09-03F	19/01/2016	17140/2015	366613	08-08B	18/01/2016
16688/2015	366717	09-03F	25/01/2016	17143/2015	366614	03-99	18/01/2016
16740/2015	366778	12-15C	27/01/2016	17147/2015	366672	24-04	20/01/2016
16765/2015	366779	04-02	27/01/2016	10000/2016	366626	06-09	18/01/2016
16766/2015	366780	21-01N	27/01/2016	10002/2016	366657	21-01N	20/01/2016
16767/2015	366735	12-15B	25/01/2016	10003/2016	366658	21-01N	20/01/2016
16769/2015	366736	12-15C	25/01/2016	10007/2016	366659	06-03A	20/01/2016
16781/2015	366610	26-99	18/01/2016	10008/2016	366627	06-03A	18/01/2016
16782/2015	366611	08-08D	18/01/2016	10009/2016	366668	07-02B	20/01/2016
16810/2015	366708	09-03NES	22/01/2016	10010/2016	366628	07-07A	18/01/2016
16811/2015	366709	09-03NES	22/01/2016	10012/2016	366635	31-00	19/01/2016

Publication and Registration Proceedings - Designs Registered cont'd

Design Number	Registration Number	International Classification Code (IDC)	Registration Date	Design Number	Registration Number	International Classification Code (IDC)	Registration Date
10013/2016	366669	07-02D	20/01/2016	10117/2016	366744	10-04	25/01/2016
10014/2016	366636	24-01	19/01/2016	10118/2016	366745	23-04	25/01/2016
10016/2016	366637	07-02NES	19/01/2016	10119/2016	366746	23-04	25/01/2016
10017/2016	366638	05-05A	19/01/2016	10120/2016	366747	09-01NES	25/01/2016
10018/2016	366670	05-05NES	20/01/2016	10121/2016	366748	12-16NES	25/01/2016
10019/2016	366639	05-05A	19/01/2016	10122/2016	366730	13-02	25/01/2016
10020/2016	366640	21-01C	19/01/2016	10124/2016	366731	27-01	25/01/2016
10021/2016	366615	11-02B	18/01/2016	10125/2016	366732	27-01	25/01/2016
10029/2016	366616	12-11	18/01/2016	10126/2016	366733	04-02	25/01/2016
10030/2016	366673	26-06	20/01/2016	10127/2016	366734	04-02	25/01/2016
10031/2016	366617	12-11	18/01/2016	10128/2016	366753	04-02	27/01/2016
10033/2016	366618	12-11	18/01/2016	10129/2016	366740	04-02	25/01/2016
10034/2016	366619	12-11	18/01/2016	10130/2016	366741	04-02	25/01/2016
10049/2016	366620	02-04A	18/01/2016	10141/2016	366787	07-02B	28/01/2016
10052/2016	366621	12-16B	18/01/2016	10142/2016	366788	23-01D	28/01/2016
10053/2016	366674	07-02NES	20/01/2016	10143/2016	366789	26-05E	28/01/2016
10054/2016	366641	07-02NES	19/01/2016	10144/2016	366790	26-05E	28/01/2016
10055/2016	366642	12-08	19/01/2016	10145/2016	366791	26-05E	28/01/2016
10056/2016	366643	02-06	19/01/2016	10146/2016	366792	08-06	28/01/2016
10057/2016	366644	23-01H	19/01/2016	10147/2016	366793	14-02	28/01/2016
10064/2016	366645	28-03NES	19/01/2016	10161/2016	366754	04-02	27/01/2016
10065/2016	366630	03-01NES	19/01/2016	10162/2016	366755	04-02	27/01/2016
10066/2016	366646	26-06	19/01/2016	10163/2016	366756	04-02	27/01/2016
10067/2016	366647	12-16E	19/01/2016	10165/2016	366757	12-05	27/01/2016
10068/2016	366653	26-06	19/01/2016	10166/2016	366758	14-01	27/01/2016
10070/2016	366654	13-03C	19/01/2016	10167/2016	366749	25-01NES	25/01/2016
10071/2016	366655	13-03C	19/01/2016	10169/2016	366760	22-06	27/01/2016
10072/2016	366660	13-03C	20/01/2016	10170/2016	366761	22-06	27/01/2016
10073/2016	366661	13-03C	20/01/2016	10171/2016	366762	23-04	27/01/2016
10074/2016	366725	13-03C	25/01/2016	10172/2016	366763	15-07	27/01/2016
10075/2016	366662	07-02N	20/01/2016	10173/2016	366764	23-04	27/01/2016
10079/2016	366675	02-07A	20/01/2016	10180/2016	366765	16-06	27/01/2016
10082/2016	366676	08-03	20/01/2016	10181/2016	366766	16-06	27/01/2016
10083/2016	366677	05-05NES	20/01/2016	10183/2016	366759	16-06	27/01/2016
10084/2016	366678	05-05A	20/01/2016	10185/2016	366794	16-06	28/01/2016
10086/2016	366684	21-01B	21/01/2016	10187/2016	366795	02-06	28/01/2016
10087/2016	366685	16-05	21/01/2016	10190/2016	366796	14-02	28/01/2016
10088/2016	366686	25-03	21/01/2016	10191/2016	366797	14-02	28/01/2016
10091/2016	366750	12-15B	27/01/2016	10193/2016	366798	23-04	28/01/2016
10093/2016	366751	02-04B	27/01/2016	10194/2016	366799	23-04	28/01/2016
10094/2016	366752	02-04B	27/01/2016	10197/2016	366806	26-04	28/01/2016
10095/2016	366783	02-04B	27/01/2016	10203/2016	366807	24-01	28/01/2016
10097/2016	366784	21-02NES	27/01/2016	10205/2016	366808	24-02	28/01/2016
10098/2016	366785	09-03L	27/01/2016	10207/2016	366809	08-07	28/01/2016
10099/2016	366786	27-02	28/01/2016	10210/2016	366810	08-07	28/01/2016
10102/2016	366726	09-03M	25/01/2016	10213/2016	366811	15-05	28/01/2016
10104/2016	366727	14-02	25/01/2016	10216/2016	366812	23-01G	28/01/2016
10105/2016	366728	14-03NES	25/01/2016	10217/2016	366813	09-03NES	28/01/2016
10108/2016	366729	19-02	25/01/2016	10234/2016	366803	14-99	28/01/2016
10109/2016	366738	03-01NES	25/01/2016	10235/2016	366805	14-99	28/01/2016
10110/2016	366691	16-05	21/01/2016				
10112/2016	366693	16-05	21/01/2016				
10116/2016	366739	09-01H	25/01/2016				



**Publication and Registration Proceedings**

**Class Listing of Designs Published or Registered**

The following section shows an International Classification Code listing of the Registered or Published Designs covered in this supplement.

<b>Classification</b>	<b>Registration Number</b>	<b>Design Number</b>	<b>Classification</b>	<b>Registration Number</b>	<b>Design Number</b>
02-02NES	366743	16104/2015	07-02H	366669	10013/2016
02-04A	366620	10049/2016	07-02N	366652	16982/2015
02-04B	366751	10093/2016	07-02N	366662	10075/2016
02-04B	366752	10094/2016	07-02N	366722	16984/2015
02-04B	366783	10095/2016	07-02NES	366637	10016/2016
02-04C	366663	16022/2015	07-02NES	366641	10054/2016
02-04NES	366782	17104/2015	07-02NES	366674	10053/2016
02-06	366643	10056/2016	07-07A	366628	10010/2016
02-06	366795	10187/2016	08-03	366676	10082/2016
02-07A	366675	10079/2016	08-06	366687	13240/2015
03-01A	366770	16187/2015	08-06	366688	13241/2015
03-01D	366664	16222/2015	08-06	366792	10146/2016
03-01NES	366629	16587/2015	08-07	366809	10207/2016
03-01NES	366630	10065/2016	08-07	366810	10210/2016
03-01NES	366738	10109/2016	08-08B	366612	17137/2015
03-99	366614	17143/2015	08-08B	366613	17140/2015
04-02	366733	10126/2016	08-08B	366625	17138/2015
04-02	366734	10127/2016	08-08D	366611	16782/2015
04-02	366740	10129/2016	08-08NES	366624	17118/2015
04-02	366741	10130/2016	08-08NES	366649	16529/2015
04-02	366753	10128/2016	08-08NES	366702	16527/2015
04-02	366754	10161/2016	09-01H	366739	10116/2016
04-02	366755	10162/2016	09-01NES	366747	10120/2016
04-02	366756	10163/2016	09-03F	366650	16686/2015
04-02	366779	16765/2015	09-03F	366651	16687/2015
05-05A	366638	10017/2016	09-03F	366717	16688/2015
05-05A	366639	10019/2016	09-03H	366634	16292/2015
05-05A	366678	10084/2016	09-03L	366785	10098/2016
05-05NES	366670	10018/2016	09-03M	366723	17087/2015
05-05NES	366677	10083/2016	09-03M	366726	10102/2016
06-01C	366623	17113/2015	09-03NES	366664	16222/2015
06-01F	366718	16904/2015	09-03NES	366708	16810/2015
06-01F	366719	16905/2015	09-03NES	366709	16811/2015
06-01G	366679	16916/2015	09-03NES	366710	16812/2015
06-02	366689	14749/2015	09-03NES	366711	16813/2015
06-03A	366627	10008/2016	09-03NES	366813	10217/2016
06-03A	366659	10007/2016	09-07A	366712	16856/2015
06-03C	366719	16905/2015	09-07A	366713	16857/2015
06-03NES	366627	10008/2016	10-04	366744	10117/2016
06-06A	366683	16921/2015	10-04	366769	16050/2015
06-09	366626	10000/2016	11-02B	366615	10021/2016
06-13NES	366705	16937/2015	11-02B	366694	16923/2015
06-13NES	366706	16938/2015	11-02B	366695	16924/2015
06-13NES	366707	16939/2015	11-02B	366696	16925/2015
07-01F	366721	16943/2015	12-05	366757	10165/2016
07-01F	366771	16278/2015	12-05	366772	12219/2015
07-01NES	366708	16810/2015	12-05	366773	15359/2015
07-01NES	366709	16811/2015	12-05	366774	15361/2015
07-01NES	366710	16812/2015	12-05	366775	15360/2015
07-01NES	366711	16813/2015	12-08	366642	10055/2016
07-02B	366668	10009/2016	12-08	366737	16956/2015
07-02B	366787	10141/2016	12-10	366768	15929/2015
07-02D	366669	10013/2016	12-11	366616	10029/2016

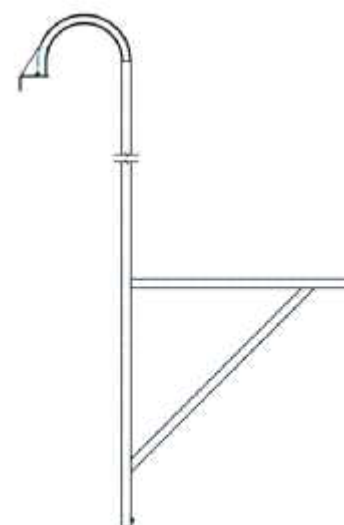
Registration Proceedings - Class Listing of Designs Published or Registered cont'd

Classification	Registration Number	Design Number	Classification	Registration Number	Design Number
12-11	366617	10031/2016	20-02E	366714	16872/2015
12-11	366618	10033/2016	21-01B	366684	10086/2016
12-11	366619	10034/2016	21-01C	366640	10020/2016
12-15B	366735	16767/2015	21-01C	366737	16956/2015
12-15B	366750	10091/2016	21-01N	366657	10002/2016
12-15C	366736	16769/2015	21-01N	366658	10003/2016
12-15C	366778	16740/2015	21-01N	366780	16766/2015
12-16A	366622	17091/2015	21-02NES	366628	10010/2016
12-16A	366704	16934/2015	21-02NES	366784	10097/2016
12-16B	366621	10052/2016	22-05	366703	16578/2015
12-16E	366646	10066/2016	22-06	366760	10169/2016
12-16E	366647	10067/2016	22-06	366761	10170/2016
12-16E	366653	10068/2016	23-01D	366788	10142/2016
12-16E	366697	16926/2015	23-01G	366671	16074/2015
12-16E	366698	16927/2015	23-01G	366812	10216/2016
12-16E	366699	16928/2015	23-01H	366644	10057/2016
12-16NES	366720	16906/2015	23-02B	366681	16919/2015
12-16NES	366748	10121/2016	23-02B	366682	16920/2015
13-02	366730	10122/2016	23-02NES	366800	15958/2015
13-03C	366654	10070/2016	23-04	366671	16074/2015
13-03C	366655	10071/2016	23-04	366745	10118/2016
13-03C	366660	10072/2016	23-04	366746	10119/2016
13-03C	366661	10073/2016	23-04	366762	10171/2016
13-03C	366725	10074/2016	23-04	366764	10173/2016
14-01	366758	10166/2016	23-04	366798	10193/2016
14-02	366631	16272/2015	23-04	366799	10194/2016
14-02	366665	16270/2015	24-01	366636	10014/2016
14-02	366701	15865/2015	24-01	366793	10147/2016
14-02	366727	10104/2016	24-01	366807	10203/2016
14-02	366793	10147/2016	24-02	366808	10205/2016
14-02	366796	10190/2016	24-04	366632	16274/2015
14-02	366797	10191/2016	24-04	366633	16276/2015
14-03NES	366728	10105/2016	24-04	366672	17147/2015
14-99	366802	16402/2015	24-04	366777	16313/2015
14-99	366803	10234/2016	25-01A	366776	16194/2015
14-99	366804	16403/2015	25-01NES	366749	10167/2016
14-99	366805	10235/2016	25-03	366686	10088/2016
15-05	366811	10213/2016	26-03	366781	17075/2015
15-07	366656	17139/2015	26-04	366806	10197/2016
15-07	366667	17136/2015	26-05E	366789	10143/2016
15-07	366680	16918/2015	26-05E	366790	10144/2016
15-07	366724	17135/2015	26-05E	366791	10145/2016
15-07	366763	10172/2016	26-06	366646	10066/2016
16-05	366685	10087/2016	26-06	366647	10067/2016
16-05	366690	15809/2015	26-06	366653	10068/2016
16-05	366691	10110/2016	26-06	366673	10030/2016
16-05	366692	15810/2015	26-06	366697	16926/2015
16-05	366693	10112/2016	26-06	366698	16927/2015
16-06	366648	15968/2015	26-06	366699	16928/2015
16-06	366716	15970/2015	26-99	366610	16781/2015
16-06	366759	10183/2016	27-01	366731	10124/2016
16-06	366765	10180/2016	27-01	366732	10125/2016
16-06	366766	10181/2016	27-02	366786	10099/2016
16-06	366794	10185/2016	27-05	366767	14956/2015
19-01	366666	16579/2015	27-06	366731	10124/2016
19-02	366729	10108/2016	27-06	366732	10125/2016

Registration Proceedings - Class Listing of Designs Published or Registered cont'd

Classification	Registration Number	Design Number	Classification	Registration Number	Design Number
27-99	366767	14956/2015	32-04	366708	16810/2015
27-99	366801	15972/2015	32-04	366709	16811/2015
28-01	366700	16936/2015	32-04	366710	16812/2015
28-03NES	366645	10064/2016	32-04	366711	16813/2015
31-00	366635	10012/2016			
31-00	366637	10016/2016			
31-00	366715	14419/2015			

- (21) Design Number: **16781/2015**  
(22) Date of Filing Application: **13 December 2015**  
(24) Date from which industrial property rights may have effect: **13 December 2015**  
(54) Product in respect of which the design is registered: **Light duty work platform**  
(51) International Design Classification: **26-99**  
(74) Name(s) of Attorney(s):  
(71) Name(s) and Address(s) of Applicant(s):  
**RAIL AND BEYOND PTY LIMITED**  
**94 Barry St Cambridge Park NSW 2747 Australia**  
(72) Name(s) of Designer(s): **Robetr Mcfarlane and Anthony Bugeja**  
(45) Registration Date: **18 January 2016**  
(56) Related Art Documents: **Not Applicable**  
(57) Statement of Newness and Distinctiveness: **This Hanging bracket For light duty Platform Has been Developed since mid June 2015 by Robert McFarlane and Anthony Bugeja . It is fully engineered to comply with all relative standards . It Has a distinct Radius head that allows it to be used in all Domestic Housing applications .**



- (21) Design Number: **16782/2015**  
(22) Date of Filing Application: **13 December 2015**  
(24) Date from which industrial property rights may have effect: **13 December 2015**  
(54) Product in respect of which the design is registered: **Ldwp plank clamp**  
(51) International Design Classification: **08-08D**  
(74) Name(s) of Attorney(s):  
(71) Name(s) and Address(s) of Applicant(s):  
**RAIL AND BEYOND PTY LIMITED**  
**94 Barry St Cambridge Park NSW 2747 Australia**  
(72) Name(s) of Designer(s): **Robetr Mcfarlane and Anthony Bugeja**  
(45) Registration Date: **18 January 2016**  
(56) Related Art Documents: **Not Applicable**  
(57) Statement of Newness and Distinctiveness: **The Clamp has been Designed by Anthony Bugeja and Robert McFarlane Since Mid June 2015. The clamp has a distinctive under Hook and a Locking Wedge that applies downward force to clamp the plank. It is unique in its 65mm width that eliminate trip hazards . Another Distinctive feature of the clamp is that it fits over Square Hollow Section without the need for holes slots or pins and can be fitted in infinite positions along the RAB Hanging Platform Bracket . The clamp is fully engineered and complies with all relative standards .**



- (21) Design Number: **17137/2015**  
(22) Date of Filing Application: **30 December 2015**  
(24) Date from which industrial property rights may have effect: **30 December 2015**  
(54) Product in respect of which the design is registered: **A screw**  
(51) International Design Classification: **08-08B**  
(74) Name(s) of Attorney(s): **Collison & Co**  
(71) Name(s) and Address(s) of Applicant(s):  
**FORM ROLL TECH CO., LTD.**  
**2022, Torisawa, Tomihama-machi, Ohtsuki-shi Yamanashi 409-052**  
**Japan**  
(72) Name(s) of Designer(s): **Toshinaka Shinbutsu and Teruie Takemasu and**  
**Shuichi Amano**  
(45) Registration Date: **18 January 2016**  
(30) Convention priority data:  
(31) Number (32) Date (33) Country  
**2015-014491 30 Jun 2015 JAPAN**  
(56) Related Art Documents: **Not Applicable**  
(57) Statement of Newness and Distinctiveness: **Newness and distinctiveness**  
**resides in the shape and/or configuration of the screw thread as shown**  
**in the attached representations, disregarding those portions shown in**  
**red, which is the head of the screw.**



- (21) Design Number: **17140/2015**  
(22) Date of Filing Application: **30 December 2015**  
(24) Date from which industrial property rights may have effect: **30 December 2015**  
(54) Product in respect of which the design is registered: **A screw**  
(51) International Design Classification: **08-08B**  
(74) Name(s) of Attorney(s): **Collison & Co**  
(71) Name(s) and Address(s) of Applicant(s):  
**FORM ROLL TECH CO., LTD.**  
**2022, Torisawa, Tomihama-machi, Ohtsuki-shi Yamanashi 409-052**  
**Japan**  
(72) Name(s) of Designer(s): **Toshinaka Shinbutsu and Teruie Takemasu and**  
**Shuichi Amano**  
(45) Registration Date: **18 January 2016**  
(30) Convention priority data:  
(31) Number (32) Date (33) Country  
**2015-014489 30 Jun 2015 JAPAN**  
(56) Related Art Documents: **Not Applicable**  
(57) Statement of Newness and Distinctiveness: **Newness and distinctiveness**  
**resides in the shape and/or configuration of the screw thread as shown**  
**in the attached representations, disregarding those portions shown in**  
**red, which is the head of the screw.**



- (21) Design Number: **17143/2015**  
(22) Date of Filing Application: **31 December 2015**  
(24) Date from which industrial property rights may have effect: **31 December 2015**  
(54) Product in respect of which the design is registered: **Baby sling/wrap**  
(51) International Design Classification: **03-99**  
(74) Name(s) of Attorney(s): **FB Rice**  
(71) Name(s) and Address(s) of Applicant(s):  
**Fertile Mind Pty Ltd**  
**U4/224 Headland Road Dee Why New South Wales 2099 Australia**  
(72) Name(s) of Designer(s): **Peter Hastings Hooker and Christine Mary Kininmonth**  
(45) Registration Date: **18 January 2016**  
(56) Related Art Documents: **Not Applicable**  
(57) Statement of Newness and Distinctiveness: **Newness and distinctiveness reside in the features of the design shown in solid lines in the representations which show a baby sling/wrap of indefinite length, and in particular in the feature of the padded section shown in solid lines in the centre of one side of the sling.**



- (21) Design Number: **10021/2016**  
(22) Date of Filing Application: **05 January 2016**  
(24) Date from which industrial property rights may have effect: **05 January 2016**  
(54) Product in respect of which the design is registered: **Flower pot**  
(51) International Design Classification: **11-02B**  
(74) Name(s) of Attorney(s):  
(71) Name(s) and Address(s) of Applicant(s):  
**Shih-Kun Wu**  
**No. 4, Aly. 21, Ln. 319 Zhongshan S. Rd. Yongkang Dist. Tainan City**  
**Taiwan**  
(72) Name(s) of Designer(s): **Shih-Kun Wu**  
(45) Registration Date: **18 January 2016**  
(56) Related Art Documents: **Not Applicable**  
(57) Statement of Newness and Distinctiveness: **Nil**



(21) Design Number: **10029/2016**  
(22) Date of Filing Application: **06 January 2016**  
(24) Date from which industrial property rights may have effect: **06 January 2016**  
(54) Product in respect of which the design is registered: **Motorcycle**  
(51) International Design Classification: **12-11**  
(74) Name(s) of Attorney(s): **Spruson & Ferguson**  
(71) Name(s) and Address(s) of Applicant(s):  
**Honda Motor Co., Ltd.**  
**1-1, Minami-Aoyama 2-chome, Minato-ku Tokyo, 107-8556 Japan**  
(72) Name(s) of Designer(s): **Kazuyuki Tachibana and Daisuke Soeno**  
(45) Registration Date: **18 January 2016**  
(30) Convention priority data:  
(31) Number      (32) Date      (33) Country  
**2015-015239      08 Jul 2015      JAPAN**  
(56) Related Art Documents: **Not Applicable**  
(57) Statement of Newness and Distinctiveness: **Newness and distinctiveness is claimed in the features of shape and/or configuration of a motorcycle as illustrated in the accompanying representations.**



(21) Design Number: **10031/2016**  
(22) Date of Filing Application: **06 January 2016**  
(24) Date from which industrial property rights may have effect: **06 January 2016**  
(54) Product in respect of which the design is registered: **Motorcycle**  
(51) International Design Classification: **12-11**  
(74) Name(s) of Attorney(s): **Spruson & Ferguson**  
(71) Name(s) and Address(s) of Applicant(s):  
**Honda Motor Co., Ltd.**  
**1-1, Minami-Aoyama 2-chome, Minato-ku Tokyo, 107-8556 Japan**  
(72) Name(s) of Designer(s): **Takashi Takizawa and Kei Fukuyama**  
(45) Registration Date: **18 January 2016**  
(30) Convention priority data:  
(31) Number      (32) Date      (33) Country  
**2015-015242      08 Jul 2015      JAPAN**  
(56) Related Art Documents: **Not Applicable**  
(57) Statement of Newness and Distinctiveness: **Newness and distinctiveness is claimed in the features of shape and/or configuration of a motorcycle as illustrated in the accompanying representations.**



(21) Design Number: **10033/2016**  
(22) Date of Filing Application: **06 January 2016**  
(24) Date from which industrial property rights may have effect: **06 January 2016**  
(54) Product in respect of which the design is registered: **Rear cowl for motorcycles**  
(51) International Design Classification: **12-11**  
(74) Name(s) of Attorney(s): **Spruson & Ferguson**  
(71) Name(s) and Address(s) of Applicant(s):  
**Honda Motor Co., Ltd.**  
**1-1, Minami-Aoyama, 2-chome Minato-ku, Tokyo 107-8556 Japan**  
(72) Name(s) of Designer(s): **Kazuyuki Tachibana and Jun Hirose**  
(45) Registration Date: **18 January 2016**  
(30) Convention priority data:  
(31) Number      (32) Date      (33) Country  
**2015-015241      08 Jul 2015      JAPAN**  
(56) Related Art Documents: **Not Applicable**  
(57) Statement of Newness and Distinctiveness: **Newness and distinctiveness is claimed in the features of shape and/or configuration of a rear cowl for motorcycles as illustrated in the accompanying representations.**

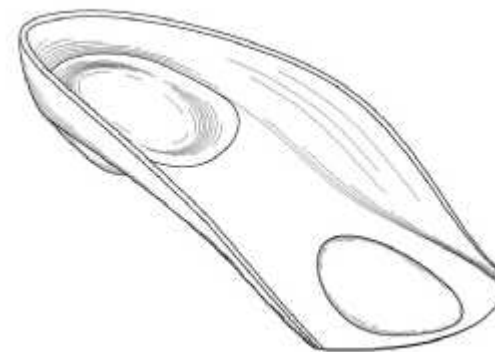


(21) Design Number: **10034/2016**  
(22) Date of Filing Application: **06 January 2016**  
(24) Date from which industrial property rights may have effect: **06 January 2016**  
(54) Product in respect of which the design is registered: **Front side cowl for motorcycles**  
(51) International Design Classification: **12-11**  
(74) Name(s) of Attorney(s): **Spruson & Ferguson**  
(71) Name(s) and Address(s) of Applicant(s):  
**Honda Motor Co., Ltd.**  
**1-1, Minami-Aoyama, 2-chome Minato-ku, Tokyo 107-8556 Japan**  
(72) Name(s) of Designer(s): **Kazuyuki Tachibana and Daisuke Soeno**  
(45) Registration Date: **18 January 2016**  
(30) Convention priority data:  
(31) Number      (32) Date      (33) Country  
**2015-015240      08 Jul 2015      JAPAN**  
(56) Related Art Documents: **Not Applicable**  
(57) Statement of Newness and Distinctiveness: **Newness and distinctiveness is claimed in the features of shape and/or configuration of a front side cowl for motorcycles as illustrated in the accompanying representations.**





(21) Design Number: **10049/2016**  
(22) Date of Filing Application: **06 January 2016**  
(24) Date from which industrial property rights may have effect: **06 January 2016**  
(54) Product in respect of which the design is registered: **Orthotic insole with attachable angle insert**  
(51) International Design Classification: **02-04A**  
(74) Name(s) of Attorney(s): **Marks & Clerk Australia**  
(71) Name(s) and Address(s) of Applicant(s):  
**Ideal Living Ventures Limited**  
**11th Floor, One Pacific Place 88 Queensway Hong Kong**  
(72) Name(s) of Designer(s): **Michael Pedersen and Peter Spiegel and Babak Baravarian**  
(45) Registration Date: **18 January 2016**  
(30) Convention priority data:  
(31) Number (32) Date (33) Country  
**29/532,408 07 Jul 2015 UNITED STATES OF AMERICA**  
(56) Related Art Documents: **Not Applicable**  
(57) Statement of Newness and Distinctiveness: **Newness and distinctiveness resides in the features of shape and configuration of an orthotic insole with attachable angle insert as illustrated in the accompanying representations.**



(21) Design Number: **10052/2016**  
(22) Date of Filing Application: **06 January 2016**  
(24) Date from which industrial property rights may have effect: **06 January 2016**  
(54) Product in respect of which the design is registered: **Grille**  
(51) International Design Classification: **12-16B**  
(74) Name(s) of Attorney(s): **Madderns**  
(71) Name(s) and Address(s) of Applicant(s):  
**Borgward Trademark Holdings GmbH**  
**Kriegsbergstrasse 11 Stuttgart 70174 Germany**  
(72) Name(s) of Designer(s): **Quansheng Guo and Zhichuan Qiu and Roland Sternmann**  
(45) Registration Date: **18 January 2016**  
(30) Convention priority data:  
(31) Number (32) Date (33) Country  
**201530258750.4 17 Jul 2015 CHINA**  
(56) Related Art Documents: **Not Applicable**  
(57) Statement of Newness and Distinctiveness: **Newness and distinctiveness is claimed in the shape and/or configuration of the grille as depicted in the accompanying representations.**



(21) Design Number: **17091/2015**  
(22) Date of Filing Application: **24 December 2015**  
(24) Date from which industrial property rights may have effect: **24 December 2015**  
(54) Product in respect of which the design is registered: **Wheel**  
(51) International Design Classification: **12-16A**  
(74) Name(s) of Attorney(s): **Allens Patent & Trade Mark Attorneys**  
(71) Name(s) and Address(s) of Applicant(s):

**Wheel Pros, LLC**  
**L5347 S. Valentia Way Suite 200 Greenwood Village Colorado 80111**  
**United States of America**

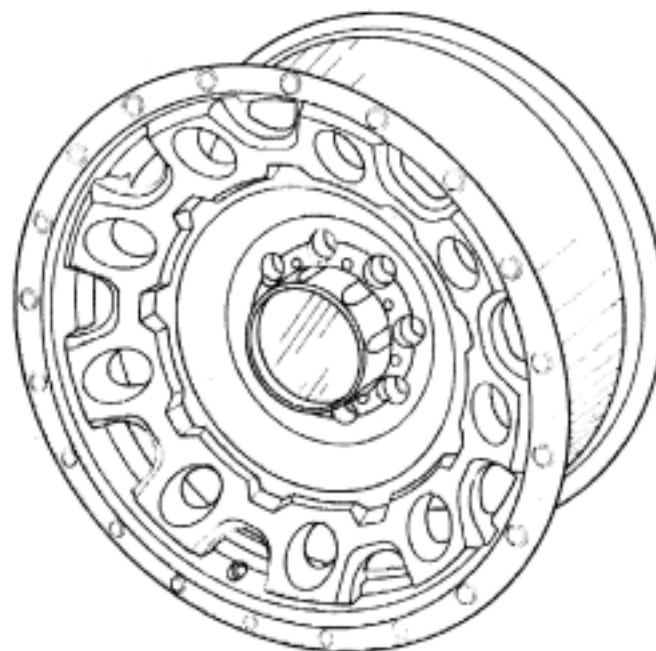
(72) Name(s) of Designer(s): **Hans Lickliter**  
(45) Registration Date: **18 January 2016**

(30) Convention priority data:

(31) Number	(32) Date	(33) Country
<b>29 548141</b>	<b>12 Oct 2015</b>	<b>UNITED STATES OF AMERICA</b>

(56) Related Art Documents: **Not Applicable**

(57) Statement of Newness and Distinctiveness: **Newness and distinctiveness resides in the visual features of shape and/or configuration of a wheel as shown in the accompanying representations.**



(21) Design Number: **17113/2015**  
(22) Date of Filing Application: **24 December 2015**  
(24) Date from which industrial property rights may have effect: **24 December 2015**  
(54) Product in respect of which the design is registered: **Theater seat**  
(51) International Design Classification: **06-01C**  
(74) Name(s) of Attorney(s): **Madderns**  
(71) Name(s) and Address(s) of Applicant(s):

**IPIC-GOLD CLASS ENTERTAINMENT, LLC**  
**433 Plaza Real, Suite 335, Boca Raton Florida 33432 United States of America**

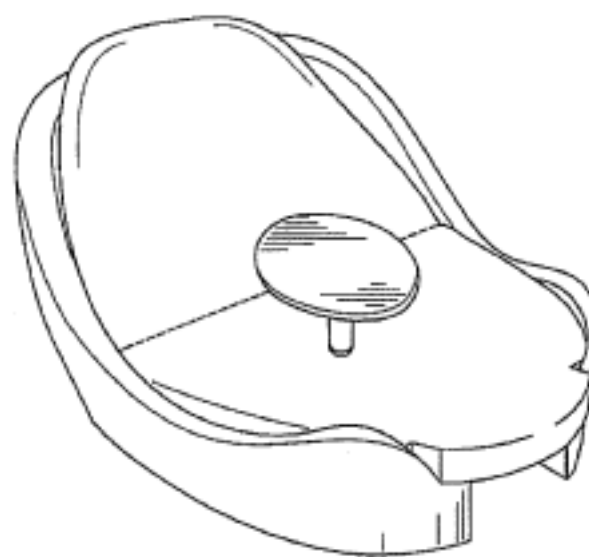
(72) Name(s) of Designer(s): **Abdol Hamid Hashemi**  
(45) Registration Date: **18 January 2016**

(30) Convention priority data:

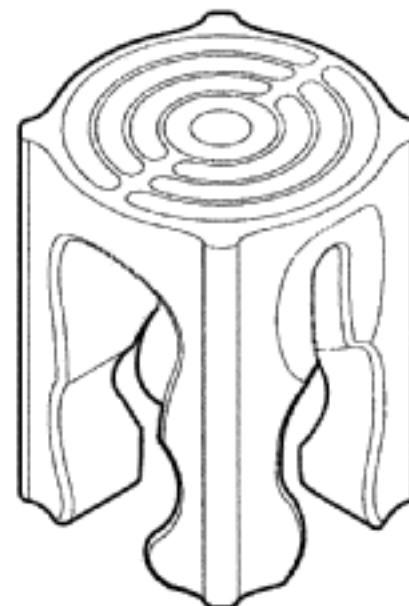
(31) Number	(32) Date	(33) Country
<b>29/531692</b>	<b>29 Jun 2015</b>	<b>UNITED STATES OF AMERICA</b>

(56) Related Art Documents: **Not Applicable**

(57) Statement of Newness and Distinctiveness: **Newness and distinctiveness is claimed in the features of shape and configuration applied to a theater seat as illustrated in the accompanying representations.**



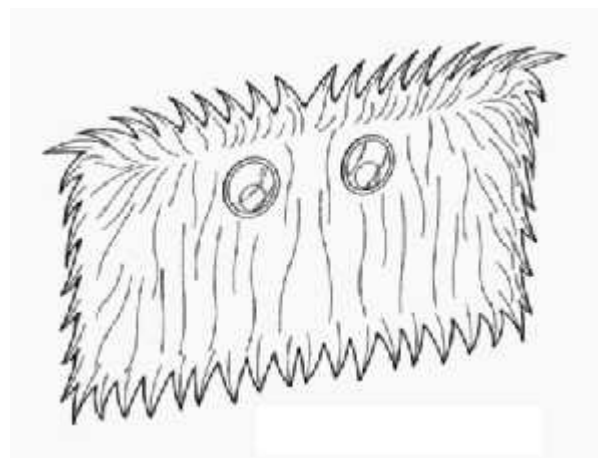
(21) Design Number: **17118/2015**  
(22) Date of Filing Application: **24 December 2015**  
(24) Date from which industrial property rights may have effect: **24 December 2015**  
(54) Product in respect of which the design is registered: **A clip**  
(51) International Design Classification: **08-08NES**  
(74) Name(s) of Attorney(s): **Spruson & Ferguson**  
(71) Name(s) and Address(s) of Applicant(s):  
**Kevin Joe**  
**7 Te Matai Road, Palmerston North New Zealand**  
**Patrick lee Ngan**  
**7 Te Matai Road, Palmerston North New Zealand**  
(72) Name(s) of Designer(s): **David Kim Scott**  
(45) Registration Date: **18 January 2016**  
(56) Related Art Documents: **Not Applicable**  
(57) Statement of Newness and Distinctiveness: **Nil**



(21) Design Number: **17138/2015**  
(22) Date of Filing Application: **30 December 2015**  
(24) Date from which industrial property rights may have effect: **30 December 2015**  
(54) Product in respect of which the design is registered: **A screw**  
(51) International Design Classification: **08-08B**  
(74) Name(s) of Attorney(s): **Collison & Co**  
(71) Name(s) and Address(s) of Applicant(s):  
**FORM ROLL TECH CO., LTD.**  
**2022, Torisawa, Tomihama-machi, Ohtsuki-shi Yamanashi 409-052**  
**Japan**  
(72) Name(s) of Designer(s): **Toshinaka Shinbutsu and Teruie Takemasu and**  
**Shuichi Amano**  
(45) Registration Date: **18 January 2016**  
(30) Convention priority data:  
(31) Number      (32) Date      (33) Country  
**2015-014490      30 Jun 2015      JAPAN**  
(56) Related Art Documents: **Not Applicable**  
(57) Statement of Newness and Distinctiveness: **Newness and distinctiveness**  
**resides in the shape and/or configuration of the screw thread as shown**  
**in the attached representations, disregarding those portions shown in**  
**red, which is the head of the screw.**



(21) Design Number: **10000/2016**  
(22) Date of Filing Application: **04 January 2016**  
(24) Date from which industrial property rights may have effect: **07 September 2015**  
(54) Product in respect of which the design is registered: **Furry pillow**  
(51) International Design Classification: **06-09**  
(74) Name(s) of Attorney(s): **Fisher Adams Kelly Callinans**  
(71) Name(s) and Address(s) of Applicant(s):  
**American Greetings Corporation**  
**One American Road CLEVELAND Ohio, 44144-2398 United States of America**  
(72) Name(s) of Designer(s): **David Mayer and Lynne Shlonsky**  
(45) Registration Date: **18 January 2016**  
(30) Convention priority data:  
(31) Number (32) Date (33) Country  
**29/537429 27 Aug 2015 UNITED STATES OF AMERICA**  
(62) Divisional of: **366456**  
(56) Related Art Documents: **Not Applicable**  
(57) Statement of Newness and Distinctiveness: **Nil**



(21) Design Number: **10008/2016**  
(22) Date of Filing Application: **04 January 2016**  
(24) Date from which industrial property rights may have effect: **04 January 2016**  
(54) Product in respect of which the design is registered: **Coffee table/cart**  
(51) International Design Classification: **06-03A, 06-03NES**  
(74) Name(s) of Attorney(s):  
(71) Name(s) and Address(s) of Applicant(s):  
**F-PAC PTY. LTD.**  
**271 Cliveden Ave Oxley QLD 4075 Australia**  
(72) Name(s) of Designer(s): **Alan Wayne Strang**  
(45) Registration Date: **18 January 2016**  
(56) Related Art Documents: **Not Applicable**  
(57) Statement of Newness and Distinctiveness: **The design relates to a coffee table/cart and the novelty resides in the features of shape and/or configuration of the article as shown in the accompanying representations. Hatching patterns depicted in the representations are used purely as a means to highlight any curved surfaces; these hatching patterns are not part of the design and are to be disregarded when considering the overall impression of the design.**



(21) Design Number: **10010/2016**  
(22) Date of Filing Application: **05 January 2016**  
(24) Date from which industrial property rights may have effect: **05 January 2016**  
(54) Product in respect of which the design is registered: **Portable cricket stump cooler**  
(51) International Design Classification: **07-07A, 21-02NES**  
(74) Name(s) of Attorney(s): **Collison & Co**  
(71) Name(s) and Address(s) of Applicant(s):  
**PROMOTIONS UNLIMITED PTY LTD**  
**18-326 St. Vincent St Port Adelaide SA 5015 Australia**  
(72) Name(s) of Designer(s): **Michael Higgs**  
(45) Registration Date: **18 January 2016**  
(56) Related Art Documents: **Not Applicable**  
(57) Statement of Newness and Distinctiveness: **Newness and distinctiveness resides in the shape and/or configuration of the portable cricket stump cooler as shown in the accompanying representations.**



(21) Design Number: **16587/2015**  
(22) Date of Filing Application: **07 December 2015**  
(24) Date from which industrial property rights may have effect: **07 December 2015**  
(54) Product in respect of which the design is registered: **Hair extension carrier bag**  
(51) International Design Classification: **03-01NES**  
(74) Name(s) of Attorney(s): **WATERMARK PATENT AND TRADE MARKS ATTORNEYS**  
(71) Name(s) and Address(s) of Applicant(s):  
**Bellami Hair, LLC**  
**3229 Box Elder Ct Simi Valley CA, 93065 United States of America**  
(72) Name(s) of Designer(s): **Nikki Eslami and Julius Salerno**  
(45) Registration Date: **19 January 2016**  
(30) Convention priority data:  
(31) Number (32) Date (33) Country  
**29/529,534 08 Jun 2015 UNITED STATES OF AMERICA**  
(56) Related Art Documents: **Not Applicable**  
(57) Statement of Newness and Distinctiveness: **Newness and distinctiveness are claimed in the visual features of shape and/or configuration of a hair extension carrier bag as shown in the accompanying representations.**



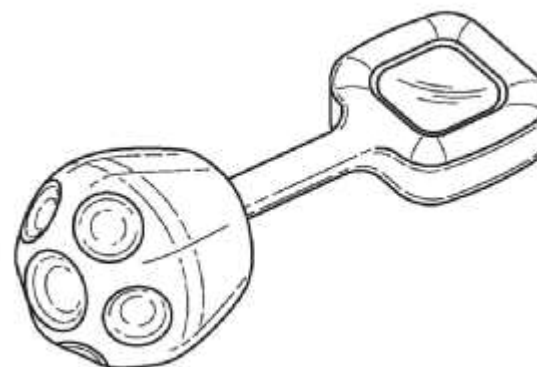
- (21) Design Number: **10065/2016**  
(22) Date of Filing Application: **07 January 2016**  
(24) Date from which industrial property rights may have effect: **07 December 2015**  
(54) Product in respect of which the design is registered: **Hair extension carrier bag**  
(51) International Design Classification: **03-01NES**  
(74) Name(s) of Attorney(s): **WATERMARK PATENT AND TRADE MARKS ATTORNEYS**  
(71) Name(s) and Address(s) of Applicant(s):  
**Bellami Hair, LLC**  
**2685 Park Centre Dr., Unit C Simi Valley CA, 93065 United States of America**  
(72) Name(s) of Designer(s): **Nikki Eslami and Julius Salerno**  
(45) Registration Date: **19 January 2016**  
(30) Convention priority data:  
(31) Number (32) Date (33) Country  
**29/529,534 08 Jun 2015 UNITED STATES OF AMERICA**  
(62) Divisional of: **366629**  
(56) Related Art Documents: **Not Applicable**  
(57) Statement of Newness and Distinctiveness: **Newness and distinctiveness are claimed in the visual features of shape and/or configuration of a hair extension carrier bag as shown in the accompanying representations. The broken lines shown are for illustrative purposes only and form no part of the design.**



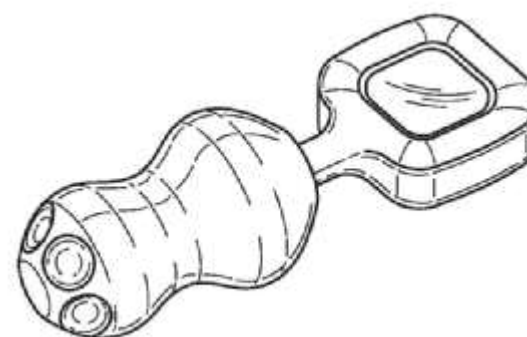
- (21) Design Number: **16272/2015**  
(22) Date of Filing Application: **20 November 2015**  
(24) Date from which industrial property rights may have effect: **07 September 2015**  
(54) Product in respect of which the design is registered: **Desktop display and computer for intraoral scanner**  
(51) International Design Classification: **14-02**  
(74) Name(s) of Attorney(s): **Davies Collison Cave**  
(71) Name(s) and Address(s) of Applicant(s):  
**Align Technology, Inc.**  
**2560 Orchard Parkway San Jose California 95131 United States of America**  
(72) Name(s) of Designer(s): **Amit Barak and Arye Krasavets and Rami Boltanski and Nir Makmel and Erez Lampert and David Altit**  
(45) Registration Date: **19 January 2016**  
(62) Divisional of: **365569**  
(56) Related Art Documents: **Not Applicable**  
(57) Statement of Newness and Distinctiveness: **Newness and distinctiveness is claimed in the visual features shown in solid lines in the representations. In considering the extent of the design rights, the broken lines shown in the representations are for illustrative purposes only and do not form part of the design.**



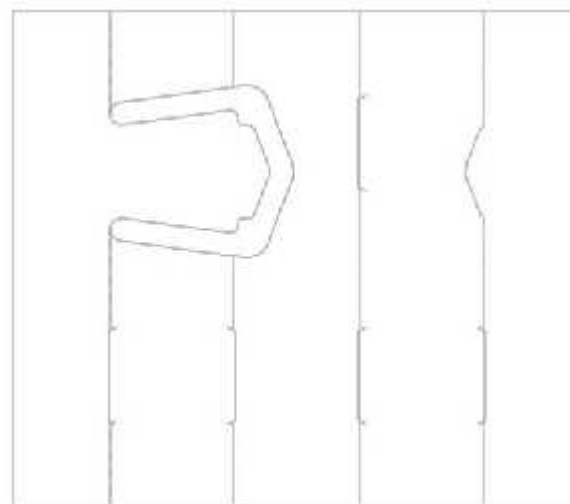
- (21) Design Number: **16274/2015**  
(22) Date of Filing Application: **20 November 2015**  
(24) Date from which industrial property rights may have effect: **04 September 2015**  
(54) Product in respect of which the design is registered: **Pod-shaped earplug with paddle handle**  
(51) International Design Classification: **24-04**  
(74) Name(s) of Attorney(s): **Davies Collison Cave**  
(71) Name(s) and Address(s) of Applicant(s):  
**Honeywell International Inc.**  
**101 Columbia Road PO Box 2245 Morristown New Jersey 07962-2245**  
**United States of America**  
(72) Name(s) of Designer(s): **Rocky Qu and Zhao Xia Jin and Jex Zhang and Charlotte Loomis and Dave Mulvey**  
(45) Registration Date: **19 January 2016**  
(62) Divisional of: **365566**  
(56) Related Art Documents: **Not Applicable**  
(57) Statement of Newness and Distinctiveness: **Newness and distinctiveness is claimed in the visual features shown in solid lines in the representations.**



- (21) Design Number: **16276/2015**  
(22) Date of Filing Application: **20 November 2015**  
(24) Date from which industrial property rights may have effect: **04 September 2015**  
(54) Product in respect of which the design is registered: **Peanut-shaped earplug with paddle handle**  
(51) International Design Classification: **24-04**  
(74) Name(s) of Attorney(s): **Davies Collison Cave**  
(71) Name(s) and Address(s) of Applicant(s):  
**Honeywell International Inc.**  
**101 Columbia Road, Law Department PO Box 2245 Morristown New Jersey, 07962-2245 United States of America**  
(72) Name(s) of Designer(s): **Rocky Qu and Zhao Xia Jin and Jex Zhang and Charlotte Loomis and Dave Mulvey**  
(45) Registration Date: **19 January 2016**  
(62) Divisional of: **365567**  
(56) Related Art Documents: **Not Applicable**  
(57) Statement of Newness and Distinctiveness: **Newness and distinctiveness is claimed in the visual features shown in solid lines in the representations.**



- (21) Design Number: **16292/2015**  
(22) Date of Filing Application: **20 November 2015**  
(24) Date from which industrial property rights may have effect: **20 November 2015**  
(54) Product in respect of which the design is registered: **A blank for a packaging partition**  
(51) International Design Classification: **09-03H**  
(74) Name(s) of Attorney(s): **A.J. Hekeik & Co.**  
(71) Name(s) and Address(s) of Applicant(s):  
**Visy R & D Pty Ltd**  
**L11 2 Southbank Bvd Southbank VIC, 3006 Australia**  
(72) Name(s) of Designer(s): **Rhys Carleton-Carlos and Matthew Anderson**  
(45) Registration Date: **19 January 2016**  
(56) Related Art Documents: **Not Applicable**  
(57) Statement of Newness and Distinctiveness: **The features of shape and configuration of the blank for forming a packaging partition shown in the accompanying representations are considered to be new and distinctive.**

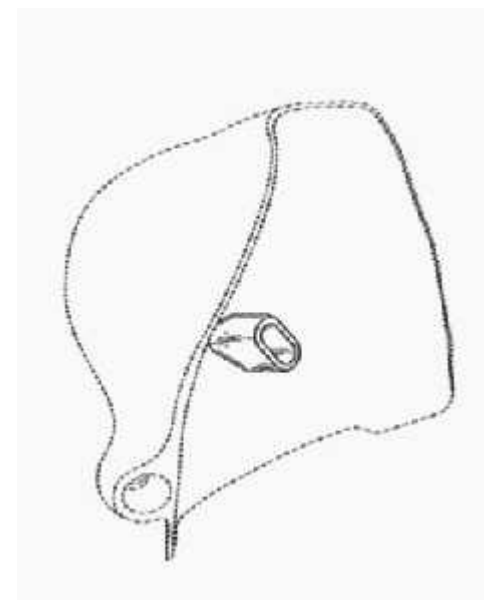


- (21) Design Number: **10012/2016**  
(22) Date of Filing Application: **05 January 2016**  
(24) Date from which industrial property rights may have effect: **05 January 2016**  
(54) Product in respect of which the design is registered: **Blender attachment**  
(51) International Design Classification: **31-00**  
(74) Name(s) of Attorney(s): **PHILLIPS ORMONDE FITZPATRICK**  
(71) Name(s) and Address(s) of Applicant(s):  
**SharkNinja Operating LLC**  
**180 Wells Avenue Suite 200 Newton Massachusetts, 02459 United States of America**  
(72) Name(s) of Designer(s): **Joyce Tu**  
(45) Registration Date: **19 January 2016**  
(30) Convention priority data:  
(31) Number (32) Date (33) Country  
**29/533,491 17 Jul 2015 UNITED STATES OF AMERICA**  
(56) Related Art Documents: **Not Applicable**  
(57) Statement of Newness and Distinctiveness: **Those features of the blender attachment depicted in the representations that are new and distinctive are the shape and/or configuration. The features shown in broken lines are not part of the design and are to be disregarded when considering the overall impression of the design.**

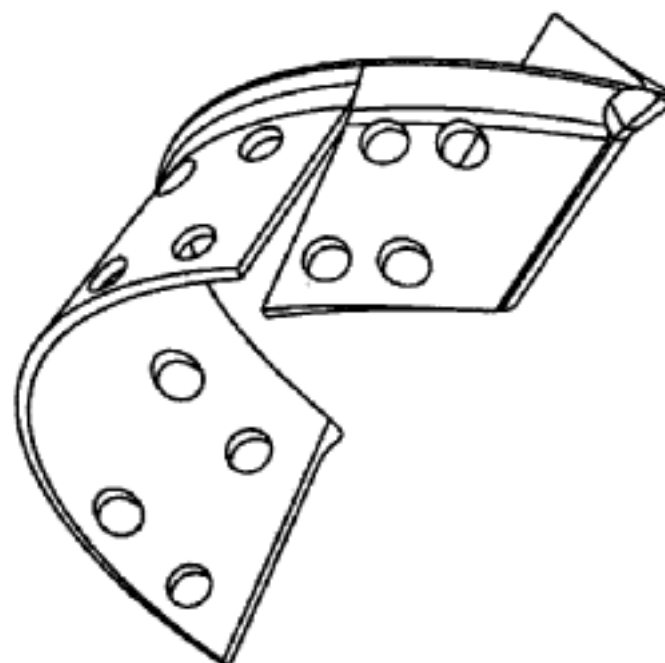




(21) Design Number: **10014/2016**  
(22) Date of Filing Application: **05 January 2016**  
(24) Date from which industrial property rights may have effect: **13 October 2015**  
(54) Product in respect of which the design is registered: **Nasal mask**  
(51) International Design Classification: **24-01**  
(74) Name(s) of Attorney(s): **Fisher Adams Kelly Callinans**  
(71) Name(s) and Address(s) of Applicant(s):  
**Parker-Hannifin Corporation**  
**6035 Parkland Boulevard CLEVELAND OH, 44124 United States of America**  
(72) Name(s) of Designer(s): **Stephen D. Loeffler and Robert F. Guyette and Seth B. Wolf**  
(45) Registration Date: **19 January 2016**  
(62) Divisional of: **366415**  
(56) Related Art Documents: **Not Applicable**  
(57) Statement of Newness and Distinctiveness: **Newness and distinctiveness are provided by the shape and/or configuration of the design shown in the representations. The features shown in broken lines in the representations are for illustrative purposes only and should not be considered when construing visual features of the design.**



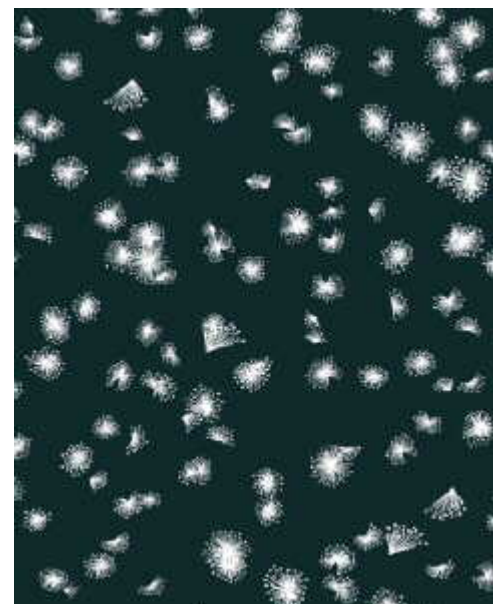
(21) Design Number: **10016/2016**  
(22) Date of Filing Application: **05 January 2016**  
(24) Date from which industrial property rights may have effect: **05 January 2016**  
(54) Product in respect of which the design is registered: **Free floating mixing blade**  
(51) International Design Classification: **07-02NES, 31-00**  
(74) Name(s) of Attorney(s): **Davies Collison Cave**  
(71) Name(s) and Address(s) of Applicant(s):  
**Jeff Andrew Knapp**  
**5606 South 113th Street Omaha Nebraska, 68137 United States of America**  
(72) Name(s) of Designer(s): **Jeff Andrew Knapp**  
(45) Registration Date: **19 January 2016**  
(30) Convention priority data:  
(31) Number      (32) Date      (33) Country  
**WIPO49739      30 Dec 2015      WORLD INTELLECTUAL PROPERTY ORGANIZATION (WIPO)**  
(56) Related Art Documents: **Not Applicable**  
(57) Statement of Newness and Distinctiveness: **Newness and distinctiveness is claimed in the visual features shown in solid lines in the representations.**



- (21) Design Number: **10017/2016**  
(22) Date of Filing Application: **05 January 2016**  
(24) Date from which industrial property rights may have effect: **05 January 2016**  
(54) Product in respect of which the design is registered: **A textile print**  
(51) International Design Classification: **05-05A**  
(74) Name(s) of Attorney(s):  
(71) Name(s) and Address(s) of Applicant(s):  
**AUSTRALIAN FASHION LABELS PTY LTD**  
**106 Currie St Adelaide SA 5000 Australia**  
(72) Name(s) of Designer(s): **Siham Elmawey and Hayley Dawson**  
(45) Registration Date: **19 January 2016**  
(56) Related Art Documents: **Not Applicable**  
(57) Statement of Newness and Distinctiveness: **Newness and distinctiveness resides in the features of pattern and ornamentation of a textile print as shown in the accompanying representations. In considering the scope of monopoly, no regard is to be had to colour and the scope of monopoly is not restricted to the particular colour or colours depicted in the accompanying representations.**



- (21) Design Number: **10019/2016**  
(22) Date of Filing Application: **05 January 2016**  
(24) Date from which industrial property rights may have effect: **05 January 2016**  
(54) Product in respect of which the design is registered: **A textile print**  
(51) International Design Classification: **05-05A**  
(74) Name(s) of Attorney(s):  
(71) Name(s) and Address(s) of Applicant(s):  
**AUSTRALIAN FASHION LABELS PTY LTD**  
**106 Currie St Adelaide SA 5000 Australia**  
(72) Name(s) of Designer(s): **Amy Hicks and Zoey Vink**  
(45) Registration Date: **19 January 2016**  
(56) Related Art Documents: **Not Applicable**  
(57) Statement of Newness and Distinctiveness: **Newness and distinctiveness resides in the features of pattern and ornamentation of a textile print as shown in the accompanying representations. In considering the scope of monopoly, no regard is to be had to colour and the scope of monopoly is not restricted to the particular colour or colours depicted in the accompanying representations.**



(21) Design Number: **10020/2016**

(22) Date of Filing Application: **05 January 2016**

(24) Date from which industrial property rights may have effect: **05 January 2016**

(54) Product in respect of which the design is registered: **Toy plane**

(51) International Design Classification: **21-01C**

(74) Name(s) of Attorney(s): **Griffith Hack**

(71) Name(s) and Address(s) of Applicant(s):

**Brand Developers Ltd**  
**Levels 1 - 3, 519 - 521 Lake Road Takapuna Auckland 0622 New Zealand**

(72) Name(s) of Designer(s): **Philippa Halton**

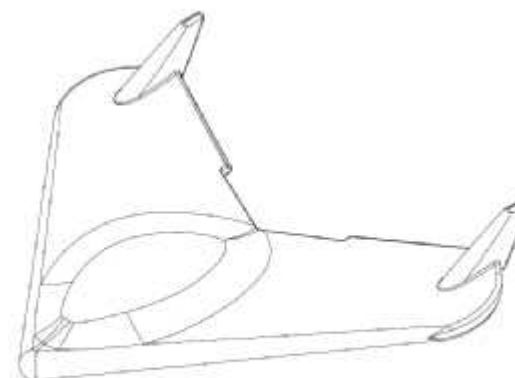
(45) Registration Date: **19 January 2016**

(30) Convention priority data:

(31) Number	(32) Date	(33) Country
<b>201530251526.2</b>	<b>14 Jul 2015</b>	<b>CHINA</b>

(56) Related Art Documents: **Not Applicable**

(57) Statement of Newness and Distinctiveness: **Nil**



(21) Design Number: **10054/2016**

(22) Date of Filing Application: **06 January 2016**

(24) Date from which industrial property rights may have effect: **06 January 2016**

(54) Product in respect of which the design is registered: **Ice cream mixing kit**

(51) International Design Classification: **07-02NES**

(74) Name(s) of Attorney(s):

(71) Name(s) and Address(s) of Applicant(s):

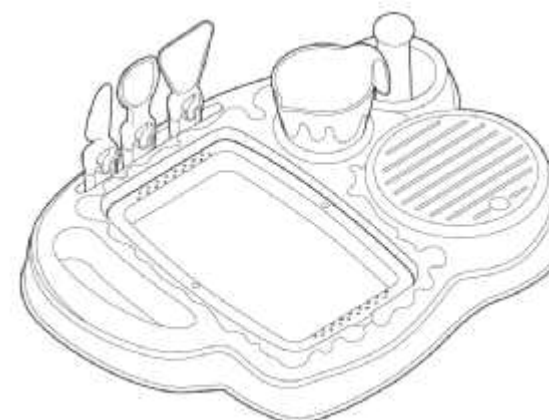
**Chill Factor Global Pty Ltd**  
**L2 Tower 2 Chadstone PI 1341 Dandenong Rd Chadstone VIC 3148**  
**Australia**

(72) Name(s) of Designer(s): **Luis Llorens Chanza and Jose Antonio Estevan Bautista and Aaron Avila Yenes and Chi Keung Lee**

(45) Registration Date: **19 January 2016**

(56) Related Art Documents: **Not Applicable**

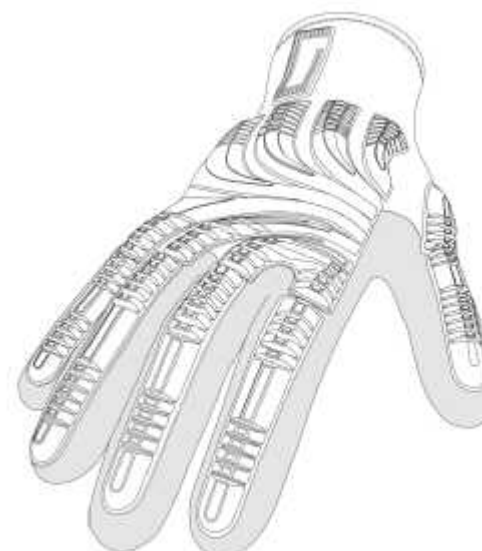
(57) Statement of Newness and Distinctiveness: **Newness and distinctiveness resides in the features of shape and configuration of the ice cream mixing kit as shown in the representations.**



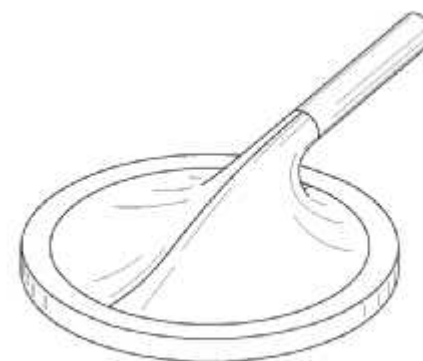
(21) Design Number: **10055/2016**  
(22) Date of Filing Application: **06 January 2016**  
(24) Date from which industrial property rights may have effect: **06 January 2016**  
(54) Product in respect of which the design is registered: **Automobile**  
(51) International Design Classification: **12-08**  
(74) Name(s) of Attorney(s): **Madderns**  
(71) Name(s) and Address(s) of Applicant(s):  
**Borgward Trademark Holdings GmbH**  
**Kriegsbergstrasse 11 Stuttgart 70174 Germany**  
(72) Name(s) of Designer(s): **Lan Lan and Zhichuan Qiu and Roland Sternmann**  
(45) Registration Date: **19 January 2016**  
(30) Convention priority data:  
(31) Number (32) Date (33) Country  
**201530258672.8 17 Jul 2015 CHINA**  
(56) Related Art Documents: **Not Applicable**  
(57) Statement of Newness and Distinctiveness: **Newness and distinctiveness is claimed in the shape and/or configuration of an automobile as depicted in the accompanying representations.**



(21) Design Number: **10056/2016**  
(22) Date of Filing Application: **07 January 2016**  
(24) Date from which industrial property rights may have effect: **07 January 2016**  
(54) Product in respect of which the design is registered: **Work glove with impact protective details on back.**  
(51) International Design Classification: **02-06**  
(74) Name(s) of Attorney(s):  
(71) Name(s) and Address(s) of Applicant(s):  
**Granberg AS**  
**Bjoavegen 1442 5584 Bjoa Norway**  
(72) Name(s) of Designer(s): **Virginijus Urbelis**  
(45) Registration Date: **19 January 2016**  
(56) Related Art Documents: **Not Applicable**  
(57) Statement of Newness and Distinctiveness: **The newness and distinctiveness of the design resides in the ergonomic fit and unique shape of impact protective details on back of glove.**



(21) Design Number: **10057/2016**  
(22) Date of Filing Application: **07 January 2016**  
(24) Date from which industrial property rights may have effect: **07 January 2016**  
(54) Product in respect of which the design is registered: **Faucet handle**  
(51) International Design Classification: **23-01H**  
(74) Name(s) of Attorney(s): **A.P.T. Patent and Trade Mark Attorneys**  
(71) Name(s) and Address(s) of Applicant(s):  
**Jougor Sanitary Technologies Co. Ltd.**  
**Rm 1904, Block One, Building Two 26 Jihuayi Rd. Chancheng District**  
**Foshan City Guangdong, 528000 China**  
(72) Name(s) of Designer(s): **XiaoZu Lin**  
(45) Registration Date: **19 January 2016**  
(56) Related Art Documents: **Not Applicable**  
(57) Statement of Newness and Distinctiveness: **Nil**



(21) Design Number: **10064/2016**  
(22) Date of Filing Application: **07 January 2016**  
(24) Date from which industrial property rights may have effect: **07 January 2016**  
(54) Product in respect of which the design is registered: **Hand held deep tissue massage accessory**  
(51) International Design Classification: **28-03NES**  
(74) Name(s) of Attorney(s):  
(71) Name(s) and Address(s) of Applicant(s):  
**Judy Goldberg**  
**PO BOX 7036 Bondi Beach NSW 2026 Australia**  
(72) Name(s) of Designer(s): **George Gregan and Alex Goldberg**  
(45) Registration Date: **19 January 2016**  
(56) Related Art Documents: **Not Applicable**  
(57) Statement of Newness and Distinctiveness: **Newness and distinctiveness is claimed in the shape and configuration of a hand held deep tissue silicone massage device and in particular, in the shape and configuration of the four points protruding, as shown in the representations.**



(21) Design Number: **10066/2016**

(22) Date of Filing Application: **07 January 2016**

(24) Date from which industrial property rights may have effect: **07 January 2016**

(54) Product in respect of which the design is registered: **Rear lamp**

(51) International Design Classification: **26-06, 12-16E**

(74) Name(s) of Attorney(s): **Madderns**

(71) Name(s) and Address(s) of Applicant(s):

**Borgward Trademark Holdings GmbH  
Kriegsbergstrasse 11 Stuttgart 70174 Germany**

(72) Name(s) of Designer(s): **Quansheng Guo and Zhenxing Yang and  
Zhichuan Qiu and Roland Sternmann**

(45) Registration Date: **19 January 2016**

(30) Convention priority data:

(31) Number	(32) Date	(33) Country
<b>201530258464.8</b>	<b>17 Jul 2015</b>	<b>CHINA</b>

(56) Related Art Documents: **Not Applicable**

(57) Statement of Newness and Distinctiveness: **Newness and distinctiveness is claimed in the shape and/or configuration of a rear lamp as depicted in the accompanying representations.**



(21) Design Number: **10067/2016**

(22) Date of Filing Application: **07 January 2016**

(24) Date from which industrial property rights may have effect: **07 January 2016**

(54) Product in respect of which the design is registered: **Head lamp**

(51) International Design Classification: **12-16E, 26-06**

(74) Name(s) of Attorney(s): **Madderns**

(71) Name(s) and Address(s) of Applicant(s):

**Borgward Trademark Holdings GmbH  
Kriegsbergstrasse 11 Stuttgart 70174 Germany**

(72) Name(s) of Designer(s): **Quansheng Guo and Zhenxing Yang and  
Zhichuan Qiu and Roland Sternmann**

(45) Registration Date: **19 January 2016**

(30) Convention priority data:

(31) Number	(32) Date	(33) Country
<b>201530258606.0</b>	<b>17 Jul 2015</b>	<b>CHINA</b>

(56) Related Art Documents: **Not Applicable**

(57) Statement of Newness and Distinctiveness: **Newness and distinctiveness is claimed in the shape and/or configuration of the Head Lamp as depicted in the accompanying representations.**



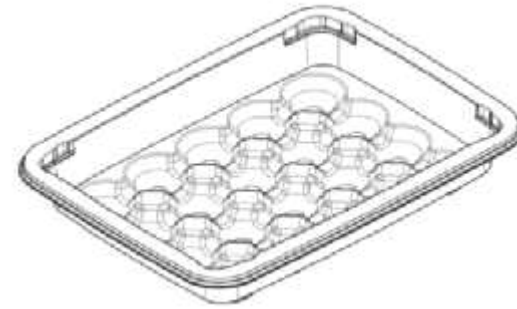
(21) Design Number: **15968/2015**  
(22) Date of Filing Application: **10 November 2015**  
(24) Date from which industrial property rights may have effect: **10 November 2015**  
(54) Product in respect of which the design is registered: **Eyeglass**  
(51) International Design Classification: **16-06**  
(74) Name(s) of Attorney(s): **Davies Collison Cave**  
(71) Name(s) and Address(s) of Applicant(s):  
**Oakley, Inc.**  
**One Icon Foothill Ranch California, 92610 United States of America**  
(72) Name(s) of Designer(s): **Daniel Soo Chae**  
(45) Registration Date: **19 January 2016**  
(30) Convention priority data:  
(31) Number (32) Date (33) Country  
**29/526,524 11 May 2015 UNITED STATES OF AMERICA**  
(56) Related Art Documents: **Not Applicable**  
(57) Statement of Newness and Distinctiveness: **Newness and distinctiveness is claimed in the visual features shown in solid lines in the representations.**



(21) Design Number: **16529/2015**  
(22) Date of Filing Application: **03 December 2015**  
(24) Date from which industrial property rights may have effect: **03 December 2015**  
(54) Product in respect of which the design is registered: **Closure for bags**  
(51) International Design Classification: **08-08NES**  
(74) Name(s) of Attorney(s): **Davies Collison Cave**  
(71) Name(s) and Address(s) of Applicant(s):  
**Kwik Lok Corporation**  
**Post Office Box 9548 2712 South 16th Avenue Yakima Washington, 98909 United States of America**  
(72) Name(s) of Designer(s): **Cooper C. Woodring and Roger Keith Hart**  
(45) Registration Date: **19 January 2016**  
(30) Convention priority data:  
(31) Number (32) Date (33) Country  
**29/529,388 05 Jun 2015 UNITED STATES OF AMERICA**  
(56) Related Art Documents: **Not Applicable**  
(57) Statement of Newness and Distinctiveness: **Newness and distinctiveness is claimed in the visual features shown in solid lines in the representations. In considering the extent of the design rights, the broken lines shown in the representations are for illustrative purposes only and do not form part of the design.**



(21) Design Number: **16686/2015**  
(22) Date of Filing Application: **09 December 2015**  
(24) Date from which industrial property rights may have effect: **09 December 2015**  
(54) Product in respect of which the design is registered: **Tray**  
(51) International Design Classification: **09-03F**  
(74) Name(s) of Attorney(s): **Davies Collison Cave**  
(71) Name(s) and Address(s) of Applicant(s):  
**Cryovac Australia Pty Ltd**  
**90 Keilor Park Dr Tullamarine VIC 3043 Australia**  
(72) Name(s) of Designer(s): **Prakashan Mavila**  
(45) Registration Date: **19 January 2016**  
(56) Related Art Documents: **Not Applicable**  
(57) Statement of Newness and Distinctiveness: **Nil**

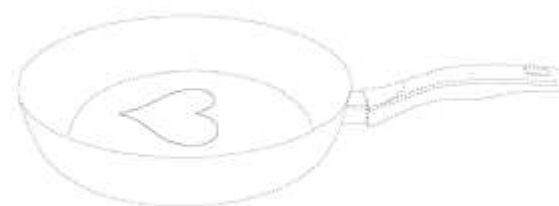


(21) Design Number: **16687/2015**  
(22) Date of Filing Application: **09 December 2015**  
(24) Date from which industrial property rights may have effect: **09 December 2015**  
(54) Product in respect of which the design is registered: **Tray**  
(51) International Design Classification: **09-03F**  
(74) Name(s) of Attorney(s): **Davies Collison Cave**  
(71) Name(s) and Address(s) of Applicant(s):  
**Cryovac Australia Pty Ltd**  
**90 Keilor Park Dr Tullamarine VIC 3043 Australia**  
(72) Name(s) of Designer(s): **Prakashan Mavila**  
(45) Registration Date: **19 January 2016**  
(56) Related Art Documents: **Not Applicable**  
(57) Statement of Newness and Distinctiveness: **Nil**





- (21) Design Number: **16982/2015**  
(22) Date of Filing Application: **22 December 2015**  
(24) Date from which industrial property rights may have effect: **22 December 2015**  
(54) Product in respect of which the design is registered: **Frying pan**  
(51) International Design Classification: **07-02N**  
(74) Name(s) of Attorney(s): **Griffith Hack**  
(71) Name(s) and Address(s) of Applicant(s):  
**Brand Developers Limited**  
**Levels 1-3 519 - 521 Lake Road Takapuna Auckland, 0622 New Zealand**  
(72) Name(s) of Designer(s): **Teng Onn Tan and Roy McDougall**  
(45) Registration Date: **19 January 2016**  
(56) Related Art Documents: **Not Applicable**  
(57) Statement of Newness and Distinctiveness: **Newness and distinctiveness resides in the visual features, including the pattern and ornamentation, as applied to a FRYING PAN as shown in solid outline in the accompanying drawings. When determining whether the design is substantially similar in overall impression to another design, no regard is to be had to those features shown in dotted outline in the accompanying drawings, which features are provided for illustrative purposes only.**



- (21) Design Number: **10068/2016**  
(22) Date of Filing Application: **07 January 2016**  
(24) Date from which industrial property rights may have effect: **07 January 2016**  
(54) Product in respect of which the design is registered: **Head lamp**  
(51) International Design Classification: **26-06, 12-16E**  
(74) Name(s) of Attorney(s): **Madderns**  
(71) Name(s) and Address(s) of Applicant(s):  
**Borgward Trademark Holdings GmbH**  
**Kriegsbergstrasse 11 Stuttgart 70174 Germany**  
(72) Name(s) of Designer(s): **Quansheng Guo and Zhenxing Yang and Zhichuan Qiu and Roland Sternmann**  
(45) Registration Date: **19 January 2016**  
(30) Convention priority data:  
(31) Number      (32) Date      (33) Country  
**201530258606.0    17 Jul 2015      CHINA**  
(56) Related Art Documents: **Not Applicable**  
(57) Statement of Newness and Distinctiveness: **Newness and distinctiveness is claimed in the shape and/or configuration of the Head Lamp as depicted in the accompanying representations.**



(21) Design Number: **10070/2016**

(22) Date of Filing Application: **08 January 2016**

(24) Date from which industrial property rights may have effect: **08 January 2016**

(54) Product in respect of which the design is registered: **Boxes for electrical elements**

(51) International Design Classification: **13-03C**

(74) Name(s) of Attorney(s): **Ellis Terry**

(71) Name(s) and Address(s) of Applicant(s):

**Hubbell Limited**

**Cannon Place 78 Cannon Street London EC4N 6AF United Kingdom**

(72) Name(s) of Designer(s): **Carl Jackson and Dean Renshaw and Jason Clark**

(45) Registration Date: **19 January 2016**

(30) Convention priority data:

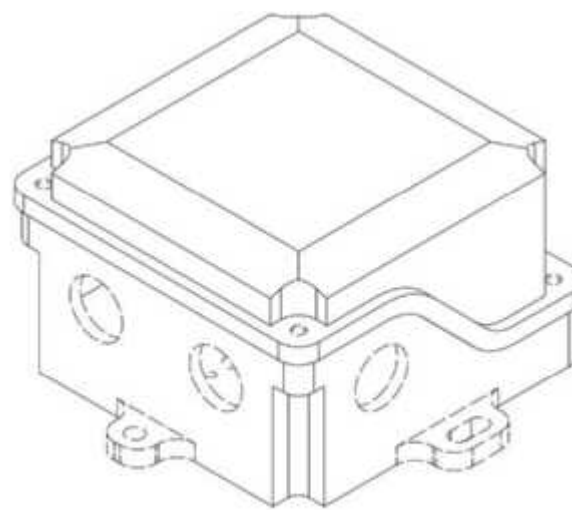
(31) Number  
**002735282**

(32) Date  
**10 Jul 2015**

(33) Country  
**OFFICE FOR HARMONISATION IN  
THE INTERNAL MARKET (OHIM)**

(56) Related Art Documents: **Not Applicable**

(57) Statement of Newness and Distinctiveness: **The novelty resides in the shape and configuration of the parts shown in solid lines in the representations. The broken lines in the representations are for illustrative purposes only and do not form part of the design.**



(21) Design Number: **10071/2016**

(22) Date of Filing Application: **08 January 2016**

(24) Date from which industrial property rights may have effect: **08 January 2016**

(54) Product in respect of which the design is registered: **Boxes for electrical elements**

(51) International Design Classification: **13-03C**

(74) Name(s) of Attorney(s): **Ellis Terry**

(71) Name(s) and Address(s) of Applicant(s):

**Hubbell Limited**

**Cannon Place 78 Cannon Street London EC4N 6AF United Kingdom**

(72) Name(s) of Designer(s): **Carl Jackson and Dean Renshaw and Jason Clark**

(45) Registration Date: **19 January 2016**

(30) Convention priority data:

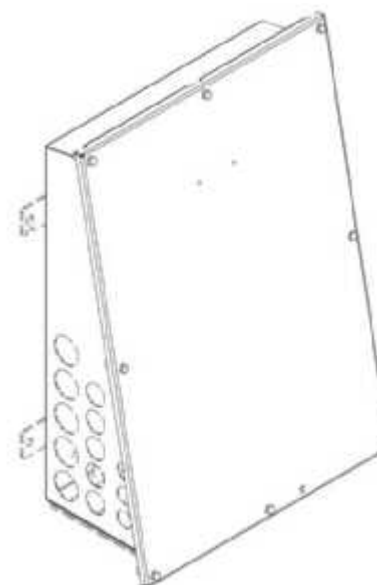
(31) Number  
**002735282**

(32) Date  
**10 Jul 2015**

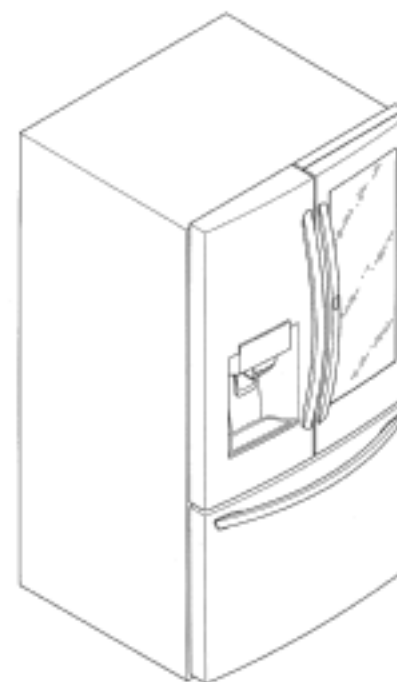
(33) Country  
**OFFICE FOR HARMONISATION IN  
THE INTERNAL MARKET (OHIM)**

(56) Related Art Documents: **Not Applicable**

(57) Statement of Newness and Distinctiveness: **The novelty resides in the shape and configuration of the parts shown in solid lines in the representations. The broken lines in the representations are for illustrative purposes only and do not form part of the design. The apertures, fastening members, mounting brackets, and back plate in the drawings depict environmental subject matter and are shown for illustration only and form no part of the claimed design.**



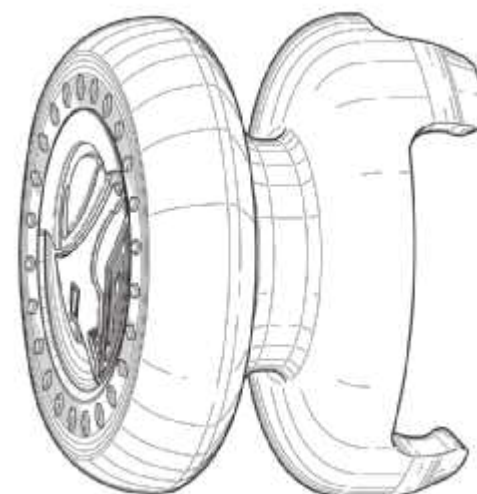
(21) Design Number: **17139/2015**  
(22) Date of Filing Application: **30 December 2015**  
(24) Date from which industrial property rights may have effect: **30 December 2015**  
(54) Product in respect of which the design is registered: **Refrigerator**  
(51) International Design Classification: **15-07**  
(74) Name(s) of Attorney(s): **FB Rice**  
(71) Name(s) and Address(s) of Applicant(s):  
**LG Electronics Inc.**  
**128, Yeoui-daero, Yeongdeungpo-gu, Seoul 150-721 Republic of Korea**  
(72) Name(s) of Designer(s): **Woonkyu Seo and Kyungsoo Park and Seonil Yu and Jaeyoung Kim and Hyein Yang and jihyun Lee**  
(45) Registration Date: **20 January 2016**  
(30) Convention priority data:  
(31) Number (32) Date (33) Country  
**30-2015-0043237 27 Aug 2015 REPUBLIC OF KOREA**  
(56) Related Art Documents: **Not Applicable**  
(57) Statement of Newness and Distinctiveness: **Newness and distinctiveness reside in the features of shape and configuration of the design as shown in the representations.**



(21) Design Number: **10002/2016**  
(22) Date of Filing Application: **04 January 2016**  
(24) Date from which industrial property rights may have effect: **04 January 2016**  
(54) Product in respect of which the design is registered: **Game Controller thumbstick cover**  
(51) International Design Classification: **21-01N**  
(74) Name(s) of Attorney(s): **Pizzeyes Patent and Trade Mark Attorneys Pty Ltd**  
(71) Name(s) and Address(s) of Applicant(s):  
**KontrolFreek, LLC**  
**2020 Howell Mill Rd NW Ste C-119 Atlanta GA, 30318-1732 United States of America**  
(72) Name(s) of Designer(s): **Ashish Mistry and Donnie Walker and Brandon Turney**  
(45) Registration Date: **20 January 2016**  
(30) Convention priority data:  
(31) Number (32) Date (33) Country  
**29/531,921 30 Jun 2015 UNITED STATES OF AMERICA**  
(56) Related Art Documents: **Not Applicable**  
(57) Statement of Newness and Distinctiveness: **Nil**



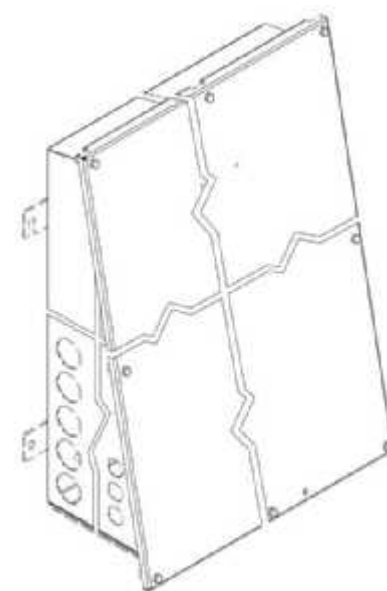
(21) Design Number: **10003/2016**  
(22) Date of Filing Application: **04 January 2016**  
(24) Date from which industrial property rights may have effect: **04 January 2016**  
(54) Product in respect of which the design is registered: **Game controller thumbstick cover**  
(51) International Design Classification: **21-01N**  
(74) Name(s) of Attorney(s): **Pizeys Patent and Trade Mark Attorneys Pty Ltd**  
(71) Name(s) and Address(s) of Applicant(s):  
**KontrolFreek, LLC**  
**2020 Howell Mill Rd NW Ste C-119 Atlanta GA, 30318-1732 United States of America**  
(72) Name(s) of Designer(s): **Ashish Mistry and Donnie Walker and Brandon Turney**  
(45) Registration Date: **20 January 2016**  
(30) Convention priority data:  
(31) Number (32) Date (33) Country  
**29/531,925 30 Jun 2015 UNITED STATES OF AMERICA**  
(56) Related Art Documents: **Not Applicable**  
(57) Statement of Newness and Distinctiveness: **Nil**



(21) Design Number: **10007/2016**  
(22) Date of Filing Application: **04 January 2016**  
(24) Date from which industrial property rights may have effect: **04 January 2016**  
(54) Product in respect of which the design is registered: **Coffee table**  
(51) International Design Classification: **06-03A**  
(74) Name(s) of Attorney(s):  
(71) Name(s) and Address(s) of Applicant(s):  
**F-PAC PTY. LTD.**  
**271 Cliveden Ave Oxley QLD 4075 Australia**  
(72) Name(s) of Designer(s): **Alan Wayne Strang**  
(45) Registration Date: **20 January 2016**  
(56) Related Art Documents: **Not Applicable**  
(57) Statement of Newness and Distinctiveness: **The design relates to a coffee table and the novelty resides in the features of shape and/or configuration of the article as shown in the accompanying representations. Hatching patterns depicted in the representations are used purely as a means to highlight any curved surfaces; these hatching patterns are not part of the design and are to be disregarded when considering the overall impression of the design.**

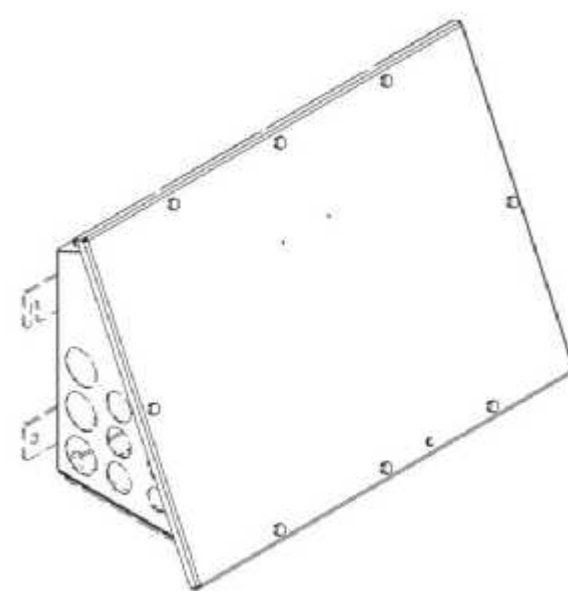


(21) Design Number: **10072/2016**  
(22) Date of Filing Application: **08 January 2016**  
(24) Date from which industrial property rights may have effect: **08 January 2016**  
(54) Product in respect of which the design is registered: **Boxes for electrical elements**  
(51) International Design Classification: **13-03C**  
(74) Name(s) of Attorney(s): **Ellis Terry**  
(71) Name(s) and Address(s) of Applicant(s):  
**Hubbell Limited**  
**Cannon Place 78 Cannon Street London EC4N 6AF United Kingdom**  
(72) Name(s) of Designer(s): **Carl Jackson and Dean Renshaw and Jason Clark**  
(45) Registration Date: **20 January 2016**  
(30) Convention priority data:  
(31) Number (32) Date (33) Country  
**002735282 10 Jul 2015 OFFICE FOR HARMONISATION IN THE INTERNAL MARKET (OHIM)**



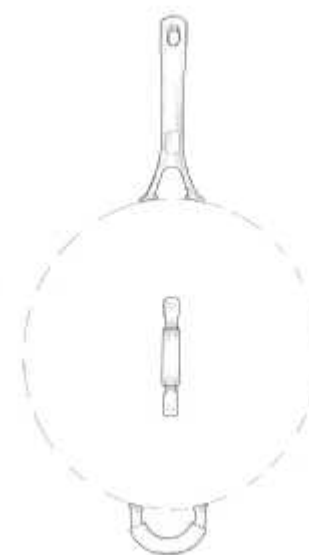
(56) Related Art Documents: **Not Applicable**  
(57) Statement of Newness and Distinctiveness: **The novelty resides in the shape and configuration of the parts shown in solid lines in the representations. The broken lines in the representations are for illustrative purposes only and do not form part of the design. The break lines with a jagged element are for indicating a variable dimension and do not form part of the design. The apertures, fastening members, mounting brackets, and back plate in the drawings depict environmental subject matter and are shown for illustration only and form no part of the claimed design.**

(21) Design Number: **10073/2016**  
(22) Date of Filing Application: **08 January 2016**  
(24) Date from which industrial property rights may have effect: **08 January 2016**  
(54) Product in respect of which the design is registered: **Boxes for electrical elements**  
(51) International Design Classification: **13-03C**  
(74) Name(s) of Attorney(s): **Ellis Terry**  
(71) Name(s) and Address(s) of Applicant(s):  
**Hubbell Limited**  
**Cannon Place 78 Cannon Street London EC4N 6AF United Kingdom**  
(72) Name(s) of Designer(s): **Carl Jackson and Dean Renshaw and Jason Clark**  
(45) Registration Date: **20 January 2016**  
(30) Convention priority data:  
(31) Number (32) Date (33) Country  
**002735282 10 Jul 2015 OFFICE FOR HARMONISATION IN THE INTERNAL MARKET (OHIM)**



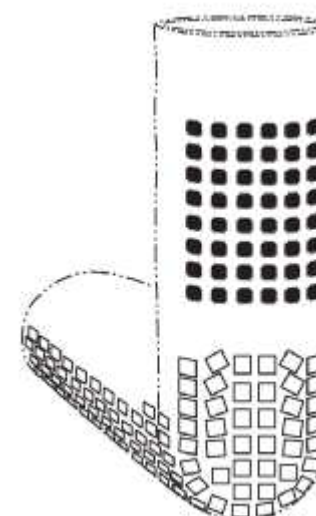
(56) Related Art Documents: **Not Applicable**  
(57) Statement of Newness and Distinctiveness: **The novelty resides in the shape and configuration of the parts shown in solid lines in the representations. The broken lines in the representations are for illustrative purposes only and do not form part of the design. The apertures, fastening members, mounting brackets, and back plate in the drawings depict environmental subject matter and are shown for illustration only and form no part of the claimed design.**

(21) Design Number: **10075/2016**  
(22) Date of Filing Application: **08 January 2016**  
(24) Date from which industrial property rights may have effect: **08 January 2016**  
(54) Product in respect of which the design is registered: **Cookware vessel and lid with decorative fittings**  
(51) International Design Classification: **07-02N**  
(74) Name(s) of Attorney(s): **PIPERS Melbourne**  
(71) Name(s) and Address(s) of Applicant(s):  
**Meyer Intellectual Properties Limited**  
**382 Kwun Tong Road Kowloon Bay Kowloon Hong Kong**  
(72) Name(s) of Designer(s): **Philip D Barberi**  
(45) Registration Date: **20 January 2016**  
(30) Convention priority data:  
(31) Number      (32) Date      (33) Country  
**29532755      09 Jul 2015      UNITED STATES OF AMERICA**



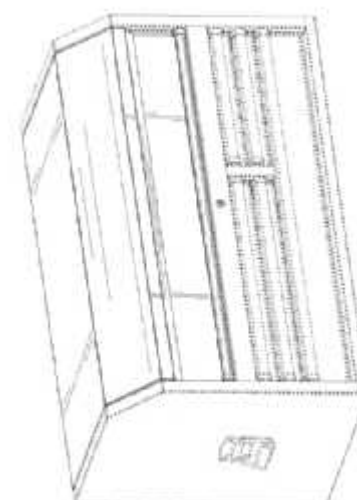
(56) Related Art Documents: **Not Applicable**  
(57) Statement of Newness and Distinctiveness: **This design is to be applied to a cookware vessel and lid with decorative fittings, which include an elongated side handle, a short side handle and a lid handle, and the novelty resides in the features of shape and configuration of the article shown in the accompanying representations. No novelty is claimed for the features shown in broken lines those are for illustrative purposes only and depict the environment of the design.**

(21) Design Number: **16022/2015**  
(22) Date of Filing Application: **11 November 2015**  
(24) Date from which industrial property rights may have effect: **11 November 2015**  
(54) Product in respect of which the design is registered: **Sock**  
(51) International Design Classification: **02-04C**  
(74) Name(s) of Attorney(s): **Spruson & Ferguson**  
(71) Name(s) and Address(s) of Applicant(s):  
**TruSox, LLC.**  
**550 Crain Highway North, Unit 1, Glen Bernie Maryland, 21061 United States of America**



(72) Name(s) of Designer(s): **James Paul Cherneski**  
(45) Registration Date: **20 January 2016**  
(56) Related Art Documents: **Not Applicable**  
(57) Statement of Newness and Distinctiveness: **Newness and distinctiveness is claimed in the features of pattern and/or ornamentation of a sock as illustrated in the accompanying representations.**

(21) Design Number: **16222/2015**  
(22) Date of Filing Application: **18 November 2015**  
(24) Date from which industrial property rights may have effect: **18 November 2015**  
(54) Product in respect of which the design is registered: **Storage container and components thereof**  
(51) International Design Classification: **09-03NES, 03-01D**  
(74) Name(s) of Attorney(s): **Davies Collison Cave**  
(71) Name(s) and Address(s) of Applicant(s):  
**Stanley Black & Decker Inc.**  
**1000 Stanley Drive New Britain Connecticut, 06053 United States of America**  
(72) Name(s) of Designer(s): **Tolga Caglar**  
(45) Registration Date: **20 January 2016**  
(30) Convention priority data:  
(31) Number (32) Date (33) Country  
**29/527,383 19 May 2015 UNITED STATES OF AMERICA**



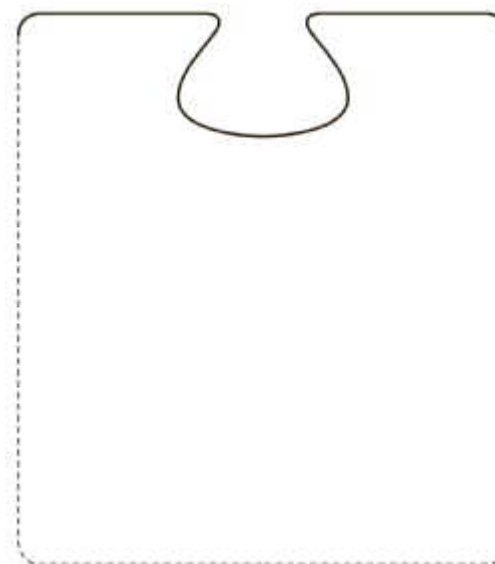
(56) Related Art Documents: **Not Applicable**  
(57) Statement of Newness and Distinctiveness: **Newness and distinctiveness is claimed in the visual features shown in solid lines in the representations. The back and bottom of the storage container are not part of our claimed design. In considering the extent of the design rights, the broken lines shown in the representations are for illustrative purposes only and do not form part of the design.**

(21) Design Number: **16270/2015**  
(22) Date of Filing Application: **19 November 2015**  
(24) Date from which industrial property rights may have effect: **07 September 2015**  
(54) Product in respect of which the design is registered: **Cart-mounted display and computer for scanner**  
(51) International Design Classification: **14-02**  
(74) Name(s) of Attorney(s): **Davies Collison Cave**  
(71) Name(s) and Address(s) of Applicant(s):  
**Align Technology, Inc.**  
**2560 Orchard Parkway San Jose California 95131 United States of America**  
(72) Name(s) of Designer(s): **Arye Krasavets and David Altit and Amit Barak and Nir Makmel and Rami Boltanski and Eric Lampert**  
(45) Registration Date: **20 January 2016**  
(62) Divisional of: **365570**  
(56) Related Art Documents: **Not Applicable**

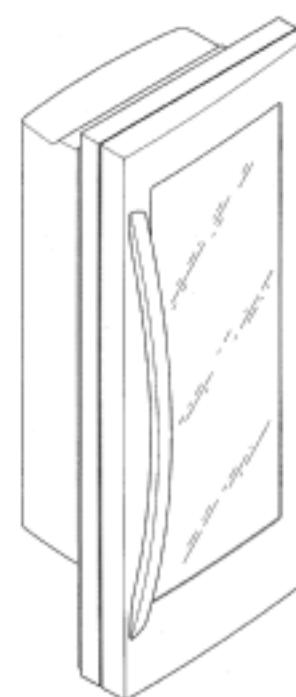


(57) Statement of Newness and Distinctiveness: **Newness and distinctiveness is claimed in the visual features shown in solid lines in the representations. In considering the extent of the design rights, the broken lines shown in the representations are for illustrative purposes only and do not form part of the design.**

- (21) Design Number: **16579/2015**  
(22) Date of Filing Application: **07 December 2015**  
(24) Date from which industrial property rights may have effect: **07 December 2015**  
(54) Product in respect of which the design is registered: **Part of: greeting and collectable cards and charts**  
(51) International Design Classification: **19-01**  
(74) Name(s) of Attorney(s):  
(71) Name(s) and Address(s) of Applicant(s):  
**Stichting Preventieve Merkenbeschermg**  
**Willemsparkweg 34 Amsterdam 1071HG The Netherlands**  
(72) Name(s) of Designer(s): **Maxwell Charles Griffin Ford**  
(45) Registration Date: **20 January 2016**  
(56) Related Art Documents: **Not Applicable**  
(57) Statement of Newness and Distinctiveness: **The newness and distinctiveness of the design resides in the shape of the upper part of the design as shown in the continuous lines in the accompanying representations. The broken lines are not part of the design and are to be disregarded when considering the overall impression of the design.**



- (21) Design Number: **17136/2015**  
(22) Date of Filing Application: **30 December 2015**  
(24) Date from which industrial property rights may have effect: **30 December 2015**  
(54) Product in respect of which the design is registered: **Refrigerator door**  
(51) International Design Classification: **15-07**  
(74) Name(s) of Attorney(s): **FB Rice**  
(71) Name(s) and Address(s) of Applicant(s):  
**LG Electronics Inc.**  
**128, Yeoui-daero, Yeongdeungpo-gu, Seoul 150-721 Republic of Korea**  
(72) Name(s) of Designer(s): **Woonkyu Seo and Kyungsoo Park and Seonil Yu and Jaeyoung Kim and Hyein Yang and jihyun Lee**  
(45) Registration Date: **20 January 2016**  
(30) Convention priority data:  
(31) Number (32) Date (33) Country  
**30-2015-0043238 27 Aug 2015 REPUBLIC OF KOREA**  
(56) Related Art Documents: **Not Applicable**  
(57) Statement of Newness and Distinctiveness: **Newness and distinctiveness reside in the features of shape and configuration of the design shown in solid lines in the representations excluding those features shown in broken lines.**

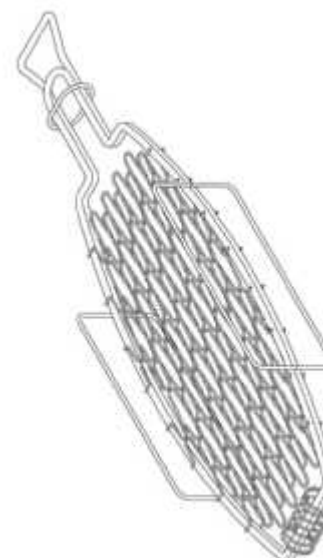




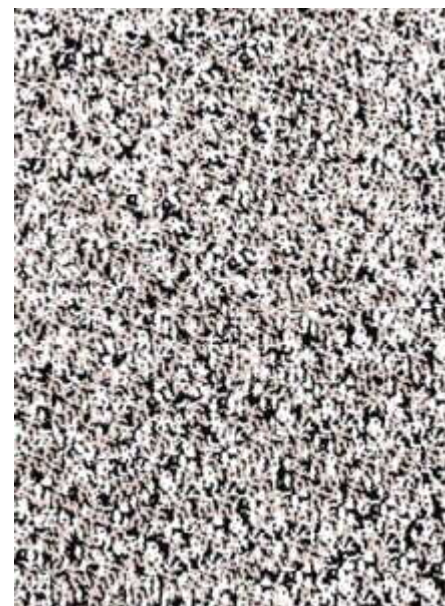
(21) Design Number: **10009/2016**  
(22) Date of Filing Application: **05 January 2016**  
(24) Date from which industrial property rights may have effect: **05 January 2016**  
(54) Product in respect of which the design is registered: **Microwave oven**  
(51) International Design Classification: **07-02B**  
(74) Name(s) of Attorney(s): **Spruson & Ferguson**  
(71) Name(s) and Address(s) of Applicant(s):  
**Panasonic Intellectual Property Management Co., Ltd.**  
**1-61, Shiromi 2-chome, Chuo-ku, Osaka-shi Osaka, 540-6207 Japan**  
(72) Name(s) of Designer(s): **Enrico Bergese**  
(45) Registration Date: **20 January 2016**  
(30) Convention priority data:  
(31) Number (32) Date (33) Country  
**29/533065 14 Jul 2015 UNITED STATES OF AMERICA**  
(56) Related Art Documents: **Not Applicable**  
(57) Statement of Newness and Distinctiveness: **Newness and distinctiveness is claimed in the features of shape and/or configuration of those portions of a microwave oven as illustrated in solid lines in the accompanying representations.**



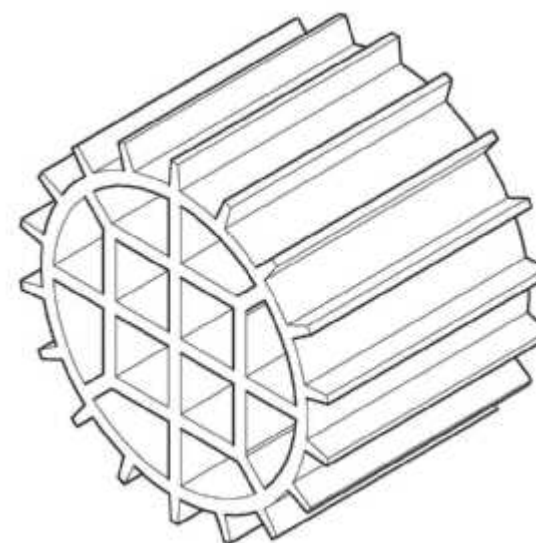
(21) Design Number: **10013/2016**  
(22) Date of Filing Application: **05 January 2016**  
(24) Date from which industrial property rights may have effect: **05 January 2016**  
(54) Product in respect of which the design is registered: **Fish griller**  
(51) International Design Classification: **07-02D, 07-02H**  
(74) Name(s) of Attorney(s): **Halfords IP**  
(71) Name(s) and Address(s) of Applicant(s):  
**The Mayo Group International Pty Ltd**  
**4 Secombe PI Moorebank NSW 2170 Australia**  
(72) Name(s) of Designer(s): **Gabriela Tobar Godoy**  
(45) Registration Date: **20 January 2016**  
(56) Related Art Documents: **Not Applicable**  
(57) Statement of Newness and Distinctiveness: **Nil**



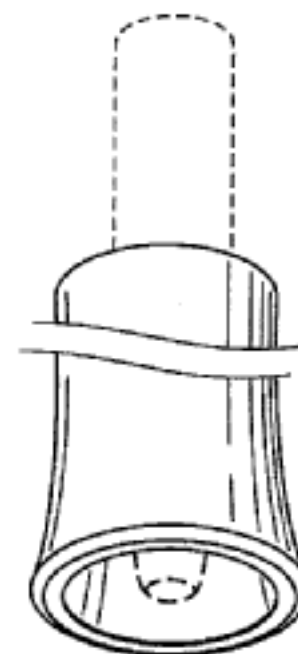
- (21) Design Number: **10018/2016**  
(22) Date of Filing Application: **05 January 2016**  
(24) Date from which industrial property rights may have effect: **05 January 2016**  
(54) Product in respect of which the design is registered: **A textile print**  
(51) International Design Classification: **05-05NES**  
(74) Name(s) of Attorney(s):  
(71) Name(s) and Address(s) of Applicant(s):  
**AUSTRALIAN FASHION LABELS PTY LTD**  
**106 Currie St Adelaide SA 5000 Australia**  
(72) Name(s) of Designer(s): **Siham Elmawey and Hayley Dawson**  
(45) Registration Date: **20 January 2016**  
(56) Related Art Documents: **Not Applicable**  
(57) Statement of Newness and Distinctiveness: **Newness and distinctiveness resides in the features of pattern and ornamentation of a textile print as shown in the accompanying representations. In considering the scope of monopoly, no regard is to be had to colour and the scope of monopoly is not restricted to the particular colour or colours depicted in the accompanying representations.**



- (21) Design Number: **16074/2015**  
(22) Date of Filing Application: **13 November 2015**  
(24) Date from which industrial property rights may have effect: **13 November 2015**  
(54) Product in respect of which the design is registered: **Filter element**  
(51) International Design Classification: **23-01G, 23-04**  
(74) Name(s) of Attorney(s): **Shelston IP Pty Ltd.**  
(71) Name(s) and Address(s) of Applicant(s):  
**Evolution Aqua Limited**  
**Kellet Close Wigan WN5 0LP United Kingdom**  
(72) Name(s) of Designer(s): **Nicholas John Jackson and Jasper Hendericus Maria Kuijper**  
(45) Registration Date: **20 January 2016**  
(30) Convention priority data:  
(31) Number (32) Date (33) Country  
**002701607 15 May 2015 OFFICE FOR HARMONISATION IN THE INTERNAL MARKET (OHIM)**  
(56) Related Art Documents: **Not Applicable**  
(57) Statement of Newness and Distinctiveness: **Newness and distinctiveness reside in the shape and configuration of the Filter Element as illustrated in the accompanying drawings.**



(21) Design Number: **17147/2015**  
(22) Date of Filing Application: **24 December 2015**  
(24) Date from which industrial property rights may have effect: **12 October 2015**  
(54) Product in respect of which the design is registered: **Tubing connector for a breastmilk system**  
(51) International Design Classification: **24-04**  
(74) Name(s) of Attorney(s): **Shelston IP Pty Ltd.**  
(71) Name(s) and Address(s) of Applicant(s):  
**Medela Holding AG**  
**Lattichstrasse 4b 6340 Baar Switzerland**  
(72) Name(s) of Designer(s): **Deanna Gilbert and Kathryn Mizuchi and David Cho and Federico Ferretti and Emanuele Teobaldo and Elisa Cucchetto and Jennifer Ashman-Stauss**  
(45) Registration Date: **20 January 2016**  
(30) Convention priority data:  
(31) Number (32) Date (33) Country  
**29/523644 13 Apr 2015 UNITED STATES OF AMERICA**  
(62) Divisional of: **366378**  
(56) Related Art Documents: **Not Applicable**  
(57) Statement of Newness and Distinctiveness: **Newness and distinctiveness reside in the features of shape and/or configuration of a TUBING CONNECTOR FOR A BREASTMILK SYSTEM as illustrated in solid lines in the accompanying representations. The features shown in broken or discontinuous lines are illustrative only and do not form part of the design.**



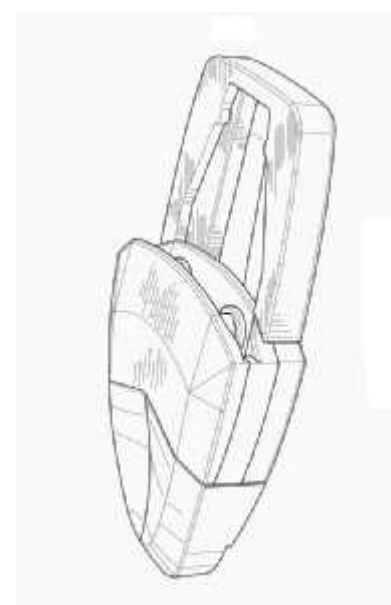
(21) Design Number: **10030/2016**  
(22) Date of Filing Application: **06 January 2016**  
(24) Date from which industrial property rights may have effect: **06 January 2016**  
(54) Product in respect of which the design is registered: **Headlight for motorcycles**  
(51) International Design Classification: **26-06**  
(74) Name(s) of Attorney(s): **Spruson & Ferguson**  
(71) Name(s) and Address(s) of Applicant(s):  
**Honda Motor Co., Ltd.**  
**1-1, Minami-Aoyama 2-chome, Minato-ku Tokyo, 107-8556 Japan**  
(72) Name(s) of Designer(s): **Takeshi Futamata and Takashi Takizawa**  
(45) Registration Date: **20 January 2016**  
(30) Convention priority data:  
(31) Number (32) Date (33) Country  
**2015-015243 08 Jul 2015 JAPAN**  
(56) Related Art Documents: **Not Applicable**  
(57) Statement of Newness and Distinctiveness: **Newness and distinctiveness is claimed in the features of shape and/or configuration of a headlight for motorcycles as illustrated in the accompanying representations.**



(21) Design Number: **10053/2016**  
(22) Date of Filing Application: **06 January 2016**  
(24) Date from which industrial property rights may have effect: **06 January 2016**  
(54) Product in respect of which the design is registered: **Ice cream mixing board**  
(51) International Design Classification: **07-02NES**  
(74) Name(s) of Attorney(s):  
(71) Name(s) and Address(s) of Applicant(s):  
**Chill Factor Global Pty Ltd**  
**L2 Tower 2 Chadstone PI 1341 Dandenong Rd Chadstone VIC 3148**  
**Australia**  
(72) Name(s) of Designer(s): **Luis Llorens Chanza and Jose Antonio Estevan**  
**Bautista and Aaron Avila Yenes and Chi Keung Lee**  
(45) Registration Date: **20 January 2016**  
(56) Related Art Documents: **Not Applicable**  
(57) Statement of Newness and Distinctiveness: **Newness and distinctiveness**  
**resides in the features of shape and configuration of the ice cream mixing**  
**board as shown in the representations.**



(21) Design Number: **10079/2016**  
(22) Date of Filing Application: **08 January 2016**  
(24) Date from which industrial property rights may have effect: **08 January 2016**  
(54) Product in respect of which the design is registered: **Golf belt buckle**  
(51) International Design Classification: **02-07A**  
(74) Name(s) of Attorney(s): **Fisher Adams Kelly Callinans**  
(71) Name(s) and Address(s) of Applicant(s):  
**Kenrick Golf Company, LLC**  
**20 Altieri Way #3 Warwick Rhode Island, 02886 United States of America**  
(72) Name(s) of Designer(s): **Charles R Schad**  
(45) Registration Date: **20 January 2016**  
(30) Convention priority data:  
(31) Number (32) Date (33) Country  
**29/532,830 10 Jul 2015 UNITED STATES OF AMERICA**  
(56) Related Art Documents: **Not Applicable**  
(57) Statement of Newness and Distinctiveness: **Newness and distinctiveness is**  
**claimed in the visual features shown in solid lines in the representations.**



- (21) Design Number: **10082/2016**  
(22) Date of Filing Application: **08 January 2016**  
(24) Date from which industrial property rights may have effect: **08 January 2016**  
(54) Product in respect of which the design is registered: **Chef knife**  
(51) International Design Classification: **08-03**  
(74) Name(s) of Attorney(s): **A.P.T. Patent and Trade Mark Attorneys**  
(71) Name(s) and Address(s) of Applicant(s):  
**Homeasy Enterprise Limited**  
**Unit 13, 11F, Peninsula Square 18 Sung On Street Hung Hom Kowloon**  
**Hong Kong**  
(72) Name(s) of Designer(s): **Hauke Murken and Sven Hansen**  
(45) Registration Date: **20 January 2016**  
(56) Related Art Documents: **Not Applicable**  
(57) Statement of Newness and Distinctiveness: **Nil**



- (21) Design Number: **10083/2016**  
(22) Date of Filing Application: **08 January 2016**  
(24) Date from which industrial property rights may have effect: **08 January 2016**  
(54) Product in respect of which the design is registered: **A textile print**  
(51) International Design Classification: **05-05NES**  
(74) Name(s) of Attorney(s):  
(71) Name(s) and Address(s) of Applicant(s):  
**AUSTRALIAN FASHION LABELS PTY LTD**  
**106 Currie St Adelaide SA 5000 Australia**  
(72) Name(s) of Designer(s): **Carmen Dugan and Cyd Beard**  
(45) Registration Date: **20 January 2016**  
(56) Related Art Documents: **Not Applicable**  
(57) Statement of Newness and Distinctiveness: **Newness and distinctiveness resides in the features of pattern and ornamentation of a textile print as shown in the accompanying representations. In considering the scope of monopoly, no regard is to be had to colour and the scope of monopoly is not restricted to the particular colour or colours depicted in the accompanying representations.**



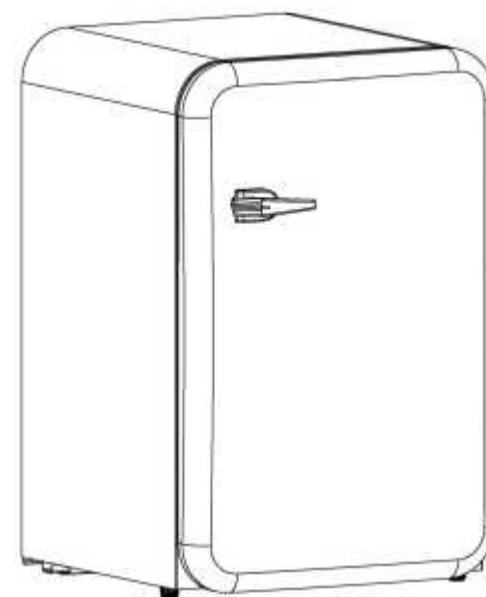
- (21) Design Number: **10084/2016**  
(22) Date of Filing Application: **08 January 2016**  
(24) Date from which industrial property rights may have effect: **08 January 2016**  
(54) Product in respect of which the design is registered: **A textile print**  
(51) International Design Classification: **05-05A**  
(74) Name(s) of Attorney(s):  
(71) Name(s) and Address(s) of Applicant(s):  
**AUSTRALIAN FASHION LABELS PTY LTD**  
**106 Currie St Adelaide SA 5000 Australia**  
(72) Name(s) of Designer(s): **Carmen Dugan and Cyd Beard**  
(45) Registration Date: **20 January 2016**  
(56) Related Art Documents: **Not Applicable**  
(57) Statement of Newness and Distinctiveness: **Newness and distinctiveness resides in the features of pattern and ornamentation of a textile print as shown in the accompanying representations. In considering the scope of monopoly, no regard is to be had to colour and the scope of monopoly is not restricted to the particular colour or colours depicted in the accompanying representations.**



- (21) Design Number: **16916/2015**  
(22) Date of Filing Application: **18 December 2015**  
(24) Date from which industrial property rights may have effect: **18 December 2015**  
(54) Product in respect of which the design is registered: **A chair**  
(51) International Design Classification: **06-01G**  
(74) Name(s) of Attorney(s):  
(71) Name(s) and Address(s) of Applicant(s):  
**CORPORATE CULTURE AUSTRALIA PTY LTD**  
**21-23 Levey St Chippendale NSW 2008 Australia**  
(72) Name(s) of Designer(s): **Adam Cornish**  
(45) Registration Date: **21 January 2016**  
(56) Related Art Documents: **Not Applicable**  
(57) Statement of Newness and Distinctiveness: **Stacking chair utilizing steel wires and formed shell. These wire strands work in unison when necessary and deviate from each other to create all structural requirements of the frame. The chair can stack vertically and the rubber mounts create a flexible buffer between two solid elements when stacking. The flexible mounts also allow movement of the formed shell fastened to the frame to increase comfort when in use. These features combined with a lightweight structure allow the chair to be stored free standing, eliminating packaging requirements during transit. The chairs can be arranged to link together in rows, or to stand individually.**



- (21) Design Number: **16918/2015**  
(22) Date of Filing Application: **18 December 2015**  
(24) Date from which industrial property rights may have effect: **18 December 2015**  
(54) Product in respect of which the design is registered: **Refrigerator**  
(51) International Design Classification: **15-07**  
(74) Name(s) of Attorney(s):  
(71) Name(s) and Address(s) of Applicant(s):  
**Husky Refrigerator Mfg Co., Ltd.**  
**No. 3 Factory, Land No.9, Shakeng Industrial Zone Wusha, Daliang Street, Shunde District Foshan, Guangdong, China**  
(72) Name(s) of Designer(s): **Wei Wang and Yaxue Liu**  
(45) Registration Date: **21 January 2016**  
(56) Related Art Documents: **Not Applicable**  
(57) Statement of Newness and Distinctiveness: **Nil**



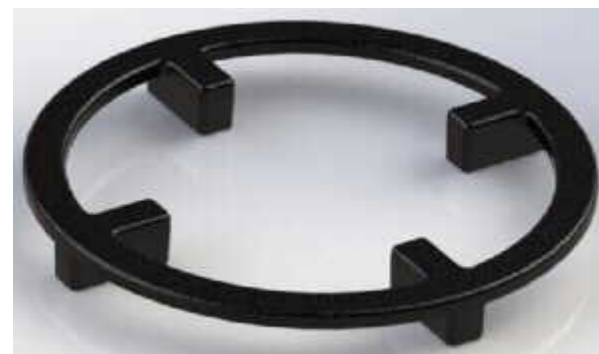
- (21) Design Number: **16919/2015**  
(22) Date of Filing Application: **18 December 2015**  
(24) Date from which industrial property rights may have effect: **18 December 2015**  
(54) Product in respect of which the design is registered: **Hand shower**  
(51) International Design Classification: **23-02B**  
(74) Name(s) of Attorney(s): **Griffith Hack**  
(71) Name(s) and Address(s) of Applicant(s):  
**Hansgrohe SE**  
**Austr. 5-9 Schiltach 77761 Germany**  
(72) Name(s) of Designer(s): **Tom Schonherr and Matthias Oesterle**  
(45) Registration Date: **21 January 2016**  
(30) Convention priority data:  
(31) Number      (32) Date      (33) Country  
**0027279580001    29 Jun 2015      OFFICE FOR HARMONISATION IN  
THE INTERNAL MARKET (OHIM)**  
(56) Related Art Documents: **Not Applicable**  
(57) Statement of Newness and Distinctiveness: **Newness and distinctiveness resides in the visual features, including the shape and configuration of the product shown in the representations.**



(21) Design Number: **16920/2015**  
(22) Date of Filing Application: **18 December 2015**  
(24) Date from which industrial property rights may have effect: **18 December 2015**  
(54) Product in respect of which the design is registered: **Hand shower**  
(51) International Design Classification: **23-02B**  
(74) Name(s) of Attorney(s): **Griffith Hack**  
(71) Name(s) and Address(s) of Applicant(s):  
**Hansgrohe SE**  
**Austr. 5-9 Schiltach 77761 Germany**  
(72) Name(s) of Designer(s): **Tom Schonherr and Matthias Oesterle**  
(45) Registration Date: **21 January 2016**  
(30) Convention priority data:  
(31) Number (32) Date (33) Country  
**002727958-0002 29 Jun 2015 OFFICE FOR HARMONISATION IN**  
**THE INTERNAL MARKET (OHIM)**  
(56) Related Art Documents: **Not Applicable**  
(57) Statement of Newness and Distinctiveness: **Newness and distinctiveness resides in the visual features, including the shape and configuration of the product shown in the representations.**



(21) Design Number: **16921/2015**  
(22) Date of Filing Application: **18 December 2015**  
(24) Date from which industrial property rights may have effect: **18 December 2015**  
(54) Product in respect of which the design is registered: **Pot plant stand**  
(51) International Design Classification: **06-06A**  
(74) Name(s) of Attorney(s):  
(71) Name(s) and Address(s) of Applicant(s):  
**Home Leisure Corp Pty Ltd**  
**31 Dunlop Rd Mulgrave VIC 3170 Australia**  
(72) Name(s) of Designer(s): **Michael Westwood**  
(45) Registration Date: **21 January 2016**  
(56) Related Art Documents: **Not Applicable**  
(57) Statement of Newness and Distinctiveness: **Newness and distinctiveness of the design resides in the minimalist structure using classic geometric elements to achieve a functional form.**

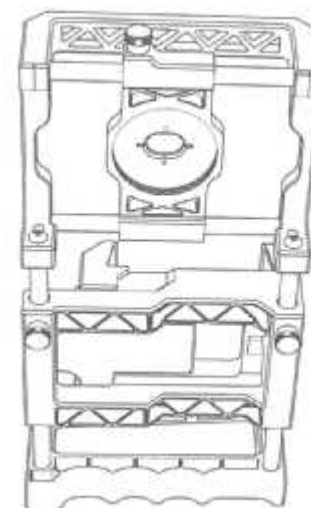




- (21) Design Number: **10086/2016**  
(22) Date of Filing Application: **08 January 2016**  
(24) Date from which industrial property rights may have effect: **08 January 2016**  
(54) Product in respect of which the design is registered: **Toy robotic arm**  
(51) International Design Classification: **21-01B**  
(74) Name(s) of Attorney(s): **Madderns**  
(71) Name(s) and Address(s) of Applicant(s):  
**Wen-Hsien Lee**  
**2F, No. 3, Lane 130 Minquan Road Xindian Dist. New Taipei City Taiwan**  
(72) Name(s) of Designer(s): **Wen-Hsien Lee**  
(45) Registration Date: **21 January 2016**  
(56) Related Art Documents: **Not Applicable**  
(57) Statement of Newness and Distinctiveness: **Newness and distinctiveness is claimed in the shape and/or configuration of a toy robotic arm as illustrated in the accompanying representations.**



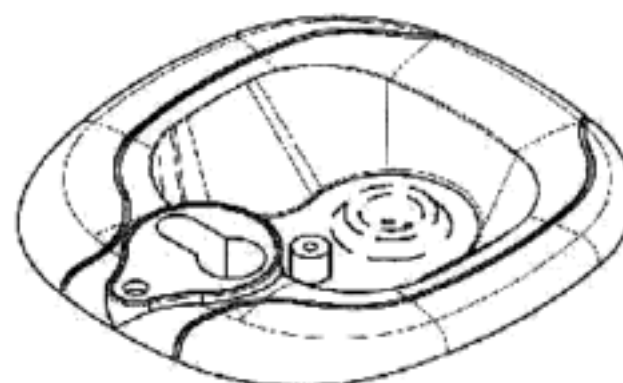
- (21) Design Number: **10087/2016**  
(22) Date of Filing Application: **08 January 2016**  
(24) Date from which industrial property rights may have effect: **08 January 2016**  
(54) Product in respect of which the design is registered: **Universal lens adapter**  
(51) International Design Classification: **16-05**  
(74) Name(s) of Attorney(s): **Spruson & Ferguson**  
(71) Name(s) and Address(s) of Applicant(s):  
**Vadym Chalenko**  
**2041 W. Carroll Avenue, Suite C-310, Chicago Illinois, 60612 United States of America**  
(72) Name(s) of Designer(s): **Vadym Chalenko**  
(45) Registration Date: **21 January 2016**  
(30) Convention priority data:  
(31) Number      (32) Date      (33) Country  
**29/550050      30 Dec 2015      UNITED STATES OF AMERICA**  
(56) Related Art Documents: **Not Applicable**  
(57) Statement of Newness and Distinctiveness: **Newness and distinctiveness is claimed in the features of shape and/or configuration of the following parts of a universal lens adapter as illustrated and labelled in the accompanying representations: - hand grip labelled "A"; - rib portions labelled "B"; - triangular cut-out portions labelled "C"; and - triangular segments labelled "D".**



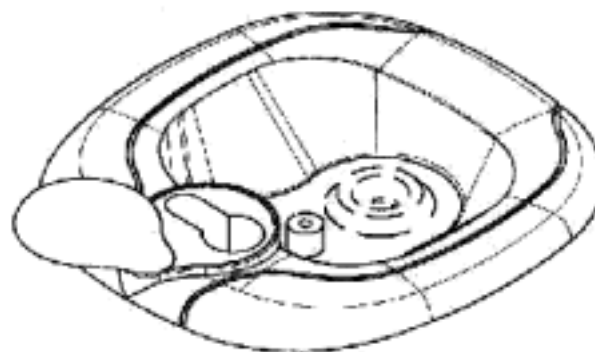
- (21) Design Number: **10088/2016**  
(22) Date of Filing Application: **08 January 2016**  
(24) Date from which industrial property rights may have effect: **08 January 2016**  
(54) Product in respect of which the design is registered: **Floating residence**  
(51) International Design Classification: **25-03**  
(74) Name(s) of Attorney(s):  
(71) Name(s) and Address(s) of Applicant(s):  
**Peter William Grimley**  
**PO BOX 816 Childers QLD 4660 Australia**  
(72) Name(s) of Designer(s): **Peter William Grimley**  
(45) Registration Date: **21 January 2016**  
(56) Related Art Documents: **Not Applicable**  
(57) Statement of Newness and Distinctiveness: **The shape and dimensions of a single Floating residential unit permit it to be copied any number of times, and joined to identical units both horizontally and vertically; creating larger residences or joined groups of residences. Each unit will be self propelled, and capable of joining propulsion with other horizontal units.**



- (21) Design Number: **13240/2015**  
(22) Date of Filing Application: **25 June 2015**  
(24) Date from which industrial property rights may have effect: **25 June 2015**  
(54) Product in respect of which the design is registered: **Dish**  
(51) International Design Classification: **08-06**  
(74) Name(s) of Attorney(s): **Houlihan2**  
(71) Name(s) and Address(s) of Applicant(s):  
**DAVID STUCKEY INVESTMENTS PTY LTD**  
**C/- Pitcher Partners L19/15 William St Melbourne VIC 3000 Australia**  
(72) Name(s) of Designer(s): **Asidin**  
(45) Registration Date: **21 January 2016**  
(56) Related Art Documents: **Not Applicable**  
(57) Statement of Newness and Distinctiveness: **Newness and distinctiveness reside in the shape and/or configuration of a DISH as illustrated in the accompanying representations.**



- (21) Design Number: **13241/2015**  
(22) Date of Filing Application: **25 June 2015**  
(24) Date from which industrial property rights may have effect: **25 June 2015**  
(54) Product in respect of which the design is registered: **Dish**  
(51) International Design Classification: **08-06**  
(74) Name(s) of Attorney(s): **Houlihan2**  
(71) Name(s) and Address(s) of Applicant(s):  
**DAVID STUCKEY INVESTMENTS PTY LTD**  
**C/- Pitcher Partners L19/15 William St Melbourne VIC 3000 Australia**  
(72) Name(s) of Designer(s): **Asidin**  
(45) Registration Date: **21 January 2016**  
(56) Related Art Documents: **Not Applicable**  
(57) Statement of Newness and Distinctiveness: **Newness and distinctiveness reside in the shape and/or configuration of a DISH having a DUST CAP as illustrated in the accompanying representations.**



- (21) Design Number: **14749/2015**  
(22) Date of Filing Application: **07 September 2015**  
(24) Date from which industrial property rights may have effect: **07 September 2015**  
(54) Product in respect of which the design is registered: **A bed**  
(51) International Design Classification: **06-02**  
(74) Name(s) of Attorney(s): **WATERMARK PATENT AND TRADE MARKS ATTORNEYS**  
(71) Name(s) and Address(s) of Applicant(s):  
**Orion Holdings (Overseas) Limited**  
**13/F Pico Tower 66 Gloucester Road Wan Chai Hong Kong Island Hong Kong**  
(72) Name(s) of Designer(s): **Justin Chui**  
(45) Registration Date: **21 January 2016**  
(56) Related Art Documents: **Not Applicable**  
(57) Statement of Newness and Distinctiveness: **Newness and distinctiveness reside in features of shape and configuration as applied to the header and footer panels of a bed, whereby the line drawing representations include in phantom outline side rails and slats that form part of a bed but which do not form part of the design.**



(21) Design Number: **15809/2015**

(22) Date of Filing Application: **29 October 2015**

(24) Date from which industrial property rights may have effect: **29 October 2015**

(54) Product in respect of which the design is registered: **A mount component for a digital video camera**

(51) International Design Classification: **16-05**

(74) Name(s) of Attorney(s): **Spruson & Ferguson**

(71) Name(s) and Address(s) of Applicant(s):

**TomTom International B.V.**

**De Ruijterkade 154 Amsterdam 1011 AC The Netherlands**

(72) Name(s) of Designer(s): **Christopher James Taylor and Martin Riddiford**

(45) Registration Date: **21 January 2016**

(30) Convention priority data:

(31) Number

(32) Date

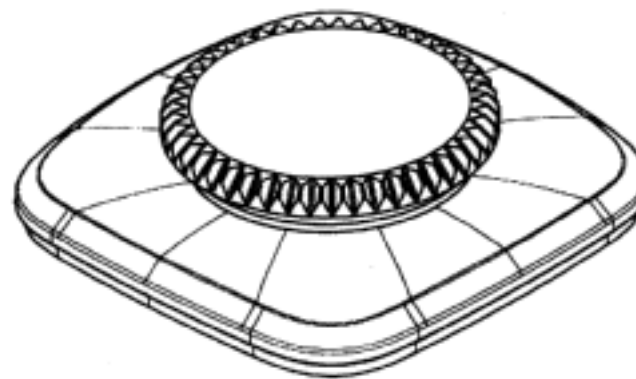
(33) Country

**002692343-0007 29 Apr 2015**

**OFFICE FOR HARMONISATION IN  
THE INTERNAL MARKET (OHIM)**

(56) Related Art Documents: **Not Applicable**

(57) Statement of Newness and Distinctiveness: **Newness and distinctiveness is claimed in the features of shape and/or configuration of a mount component for a digital video camera as illustrated in the accompanying representations.**



(21) Design Number: **10110/2016**

(22) Date of Filing Application: **11 January 2016**

(24) Date from which industrial property rights may have effect: **29 October 2015**

(54) Product in respect of which the design is registered: **A mount component for a digital video camera**

(51) International Design Classification: **16-05**

(74) Name(s) of Attorney(s): **Spruson & Ferguson**

(71) Name(s) and Address(s) of Applicant(s):

**TomTom International B.V.**

**De Ruijterkade 154, Amsterdam 1011 AC The Netherlands**

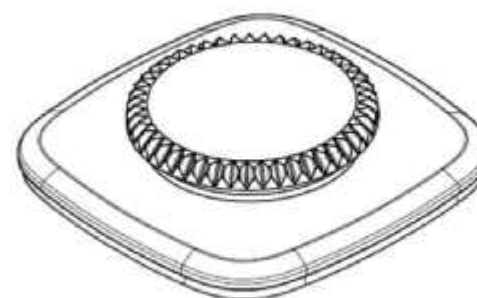
(72) Name(s) of Designer(s): **Christopher James Taylor and Martin Riddiford**

(45) Registration Date: **21 January 2016**

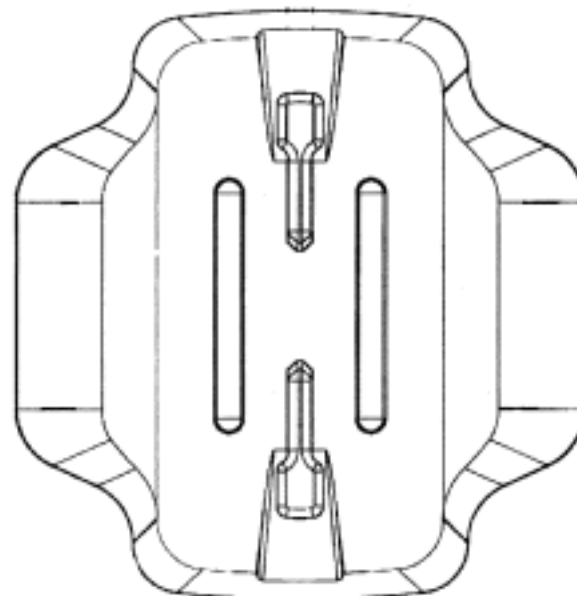
(62) Divisional of: **366690**

(56) Related Art Documents: **Not Applicable**

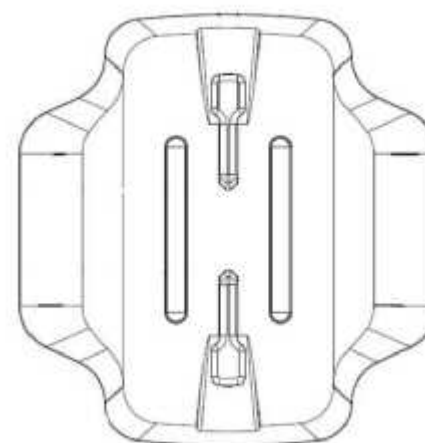
(57) Statement of Newness and Distinctiveness: **Newness and distinctiveness is claimed in the features of shape and/or configuration of a mount component for a digital video camera as illustrated in the accompanying representations.**



- (21) Design Number: **15810/2015**  
(22) Date of Filing Application: **29 October 2015**  
(24) Date from which industrial property rights may have effect: **29 October 2015**  
(54) Product in respect of which the design is registered: **Mount for a digital video camera**  
(51) International Design Classification: **16-05**  
(74) Name(s) of Attorney(s): **Spruson & Ferguson**  
(71) Name(s) and Address(s) of Applicant(s):  
**TomTom International B.V.**  
**De Ruijterkade 154 Amsterdam 1011 AC The Netherlands**  
(72) Name(s) of Designer(s): **Christopher James Taylor and Martin Riddiford**  
(45) Registration Date: **21 January 2016**  
(30) Convention priority data:  
(31) Number (32) Date (33) Country  
**002692343-0009 29 Apr 2015 OFFICE FOR HARMONISATION IN THE INTERNAL MARKET (OHIM)**  
(56) Related Art Documents: **Not Applicable**  
(57) Statement of Newness and Distinctiveness: **Newness and distinctiveness is claimed in the features of shape and/or configuration of a mount for a digital video camera as illustrated in the accompanying representations.**



- (21) Design Number: **10112/2016**  
(22) Date of Filing Application: **11 January 2016**  
(24) Date from which industrial property rights may have effect: **29 October 2015**  
(54) Product in respect of which the design is registered: **Mount for a digital video camera**  
(51) International Design Classification: **16-05**  
(74) Name(s) of Attorney(s): **Spruson & Ferguson**  
(71) Name(s) and Address(s) of Applicant(s):  
**TomTom International B.V.**  
**De Ruijterkade 154, Amsterdam 1011 AC The Netherlands**  
(72) Name(s) of Designer(s): **Christopher James Taylor and Martin Riddiford**  
(45) Registration Date: **21 January 2016**  
(62) Divisional of: **366692**  
(56) Related Art Documents: **Not Applicable**  
(57) Statement of Newness and Distinctiveness: **Newness and distinctiveness is claimed in the features of shape and/or configuration of a mount for a digital video camera as illustrated in the accompanying representations.**



- (21) Design Number: **16923/2015**  
(22) Date of Filing Application: **18 December 2015**  
(24) Date from which industrial property rights may have effect: **18 December 2015**  
(54) Product in respect of which the design is registered: **Pot with water reservoir**  
(51) International Design Classification: **11-02B**  
(74) Name(s) of Attorney(s):  
(71) Name(s) and Address(s) of Applicant(s):  
**Home Leisure Corp Pty Ltd**  
**31 Dunlop Rd Mulgrave VIC 3170 Australia**  
(72) Name(s) of Designer(s): **Michael Westwood**  
(45) Registration Date: **21 January 2016**  
(56) Related Art Documents: **Not Applicable**  
(57) Statement of Newness and Distinctiveness: **Newness and distinctiveness of the design resides in the contemporary treatment of the traditional profiles on each side of the pot, whilst blending the feet into the form. The decorative outer profile has been rationalized to its essential elements while retaining a suggestion of classic Ionic design. Newness and distinctiveness also resides in the geometric pattern of the linear slots and the capillary tubes of the pot insert.**



- (21) Design Number: **16924/2015**  
(22) Date of Filing Application: **18 December 2015**  
(24) Date from which industrial property rights may have effect: **18 December 2015**  
(54) Product in respect of which the design is registered: **Pot with reservoir**  
(51) International Design Classification: **11-02B**  
(74) Name(s) of Attorney(s):  
(71) Name(s) and Address(s) of Applicant(s):  
**Home Leisure Corp Pty Ltd**  
**31 Dunlop Rd Mulgrave VIC 3170 Australia**  
(72) Name(s) of Designer(s): **Michael Westwood**  
(45) Registration Date: **21 January 2016**  
(56) Related Art Documents: **Not Applicable**  
(57) Statement of Newness and Distinctiveness: **Newness and distinctiveness of the design resides in the contemporary treatment of the traditional profiles on each side of the pot, whilst blending the feet into the form. The decorative profile has been rationalized to its essential elements while retaining a suggestion of classic Ionic design. The newness and distinctiveness of the design of the insert resides in the geometric pattern of the linear slots and the capillary tubes.**



(21) Design Number: **16925/2015**  
(22) Date of Filing Application: **18 December 2015**  
(24) Date from which industrial property rights may have effect: **18 December 2015**  
(54) Product in respect of which the design is registered: **Pot with water reservoir**  
(51) International Design Classification: **11-02B**  
(74) Name(s) of Attorney(s):  
(71) Name(s) and Address(s) of Applicant(s):  
**Home Leisure Corp Pty Ltd**  
**31 Dunlop Rd Mulgrave VIC 3170 Australia**  
(72) Name(s) of Designer(s): **Michael Westwood**  
(45) Registration Date: **21 January 2016**  
(56) Related Art Documents: **Not Applicable**  
(57) Statement of Newness and Distinctiveness: **Newness and distinctiveness of the design resides in the contemporary treatment of the traditional profiles on each side of the pot, whilst blending the feet into the form. The decorative profile has been rationalized to its essential elements while retaining a suggestion of classic Ionic design. The newness and distinctiveness of the insert design resides in the geometric pattern of the linear slots and the capillary tubes.**



(21) Design Number: **16926/2015**  
(22) Date of Filing Application: **18 December 2015**  
(24) Date from which industrial property rights may have effect: **18 December 2015**  
(54) Product in respect of which the design is registered: **Lights for vehicles**  
(51) International Design Classification: **12-16E, 26-06**  
(74) Name(s) of Attorney(s): **Chrysiliou IP**  
(71) Name(s) and Address(s) of Applicant(s):  
**Truck-Lite Europe Limited**  
**Barrows Road Harlow Essex CM19 5FA United Kingdom**  
(72) Name(s) of Designer(s): **Daniel Lenart**  
(45) Registration Date: **21 January 2016**  
(30) Convention priority data:  
(31) Number (32) Date (33) Country  
**002731422-0001 03 Jul 2015 OFFICE FOR HARMONISATION IN THE INTERNAL MARKET (OHIM)**  
(56) Related Art Documents: **Not Applicable**  
(57) Statement of Newness and Distinctiveness: **Nil**



(21) Design Number: **16927/2015**  
(22) Date of Filing Application: **18 December 2015**  
(24) Date from which industrial property rights may have effect: **18 December 2015**  
(54) Product in respect of which the design is registered: **Lights for vehicles**  
(51) International Design Classification: **12-16E, 26-06**  
(74) Name(s) of Attorney(s): **Chrysiliou IP**  
(71) Name(s) and Address(s) of Applicant(s):  
**Truck-Lite Europe Limited**  
**Barrows Road Harlow Essex CM19 5FA United Kingdom**  
(72) Name(s) of Designer(s): **Daniel Lenart**  
(45) Registration Date: **21 January 2016**  
(30) Convention priority data:  
(31) Number (32) Date (33) Country  
**002731422-0002 03 Jul 2015 OFFICE FOR HARMONISATION IN**  
**THE INTERNAL MARKET (OHIM)**  
(56) Related Art Documents: **Not Applicable**  
(57) Statement of Newness and Distinctiveness: **Nil**

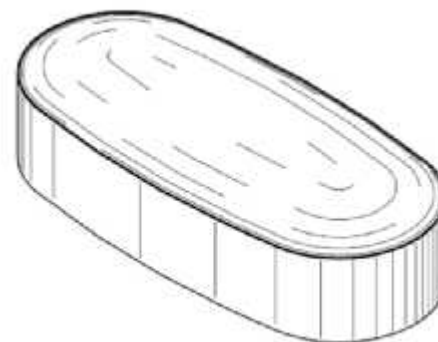


(21) Design Number: **16928/2015**  
(22) Date of Filing Application: **18 December 2015**  
(24) Date from which industrial property rights may have effect: **18 December 2015**  
(54) Product in respect of which the design is registered: **Lights for vehicles**  
(51) International Design Classification: **12-16E, 26-06**  
(74) Name(s) of Attorney(s): **Chrysiliou IP**  
(71) Name(s) and Address(s) of Applicant(s):  
**Truck-Lite Europe Limited**  
**Barrows Road Harlow Essex CM19 5FA United Kingdom**  
(72) Name(s) of Designer(s): **Daniel Lenart**  
(45) Registration Date: **21 January 2016**  
(30) Convention priority data:  
(31) Number (32) Date (33) Country  
**002731422-0003 03 Jul 2015 OFFICE FOR HARMONISATION IN**  
**THE INTERNAL MARKET (OHIM)**  
(56) Related Art Documents: **Not Applicable**  
(57) Statement of Newness and Distinctiveness: **Nil**

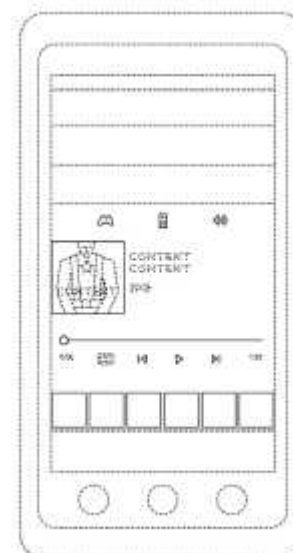




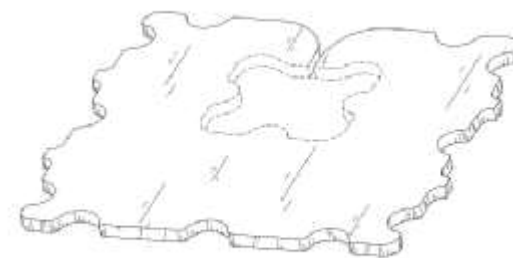
- (21) Design Number: **16936/2015**  
(22) Date of Filing Application: **21 December 2015**  
(24) Date from which industrial property rights may have effect: **21 December 2015**  
(54) Product in respect of which the design is registered: **Pharmaceutical tablet**  
(51) International Design Classification: **28-01**  
(74) Name(s) of Attorney(s): **FB Rice**  
(71) Name(s) and Address(s) of Applicant(s):  
**Celgene Corporation**  
**86 Morris Avenue Summit New Jersey 07901 United States of America**  
(72) Name(s) of Designer(s): **Darshan Parikh and Scott Burnside and Sreenivas S Bhat and Jiping Liu**  
(45) Registration Date: **21 January 2016**  
(30) Convention priority data:  
(31) Number (32) Date (33) Country  
**29/531123 23 Jun 2015 UNITED STATES OF AMERICA**  
(56) Related Art Documents: **Not Applicable**  
(57) Statement of Newness and Distinctiveness: **Newness and distinctiveness reside in the features of shape and configuration of the design as shown in the representations.**



- (21) Design Number: **15865/2015**  
(22) Date of Filing Application: **02 November 2015**  
(24) Date from which industrial property rights may have effect: **02 November 2015**  
(54) Product in respect of which the design is registered: **Display screen with graphical user interface**  
(51) International Design Classification: **14-02**  
(74) Name(s) of Attorney(s): **Shelston IP Pty Ltd.**  
(71) Name(s) and Address(s) of Applicant(s):  
**Microsoft Corporation**  
**One Microsoft Way Redmond Washington, 98052-5321 United States of America**  
(72) Name(s) of Designer(s): **Macbeth Watson and Kathryn Storm and Megan McMillan**  
(45) Registration Date: **21 January 2016**  
(30) Convention priority data:  
(31) Number (32) Date (33) Country  
**29/525704 01 May 2015 UNITED STATES OF AMERICA**  
(56) Related Art Documents: **Not Applicable**  
(57) Statement of Newness and Distinctiveness: **Newness and distinctiveness reside in the features of pattern and/or ornamentation of a display screen with graphical user interface as illustrated by solid lines in the accompanying representations. The features shown in broken outline are for contextual purposes only and do not form part of the design. The alphabetic characters depicted are indicative only, and may be substituted by alternative symbols or alphanumeric characters.**



- (21) Design Number: **16527/2015**  
(22) Date of Filing Application: **03 December 2015**  
(24) Date from which industrial property rights may have effect: **03 December 2015**  
(54) Product in respect of which the design is registered: **Closure for bags**  
(51) International Design Classification: **08-08NES**  
(74) Name(s) of Attorney(s): **Davies Collison Cave**  
(71) Name(s) and Address(s) of Applicant(s):



**Kwik Lok Corporation**  
**Post Office Box 9548 2712 South 16th Avenue Yakima Washington,**  
**98909 United States of America**

- (72) Name(s) of Designer(s): **Cooper C. Woodring and Roger Keith Hart**  
(45) Registration Date: **21 January 2016**

(30) Convention priority data:

(31) Number	(32) Date	(33) Country
<b>29/529,383</b>	<b>05 Jun 2015</b>	<b>UNITED STATES OF AMERICA</b>

(56) Related Art Documents: **Not Applicable**

(57) Statement of Newness and Distinctiveness: **Newness and distinctiveness is claimed in the visual features shown in solid lines in the representations. In considering the extent of the design rights, the broken lines shown in the representations are for illustrative purposes only and do not form part of the design.**

- (21) Design Number: **16578/2015**  
(22) Date of Filing Application: **05 December 2015**  
(24) Date from which industrial property rights may have effect: **05 December 2015**  
(54) Product in respect of which the design is registered: **Soft plastic fishing lure**  
(51) International Design Classification: **22-05**  
(74) Name(s) of Attorney(s):  
(71) Name(s) and Address(s) of Applicant(s):



**Lisa Groundwater**  
**33 Ocean Park Dr Dundowran Beach QLD 4655 Australia**

**Ian Groundwater**  
**33 Ocean Park Dr Dundowran Beach QLD 4655 Australia**

(72) Name(s) of Designer(s): **Lisa Groundwater and Ian Groundwater**

(45) Registration Date: **21 January 2016**

(56) Related Art Documents: **Not Applicable**

(57) Statement of Newness and Distinctiveness: **The newness and distinctiveness of the design resides in the unique ribbed grub like appearance of the lure body, and the wedge shaped tail fin of soft plastic fishing lure that includes an internal rattle chamber.**

- (21) Design Number: **16934/2015**  
(22) Date of Filing Application: **20 December 2015**  
(24) Date from which industrial property rights may have effect: **20 December 2015**  
(54) Product in respect of which the design is registered: **Wheel**  
(51) International Design Classification: **12-16A**  
(74) Name(s) of Attorney(s): **Pizeys Patent and Trade Mark Attorneys Pty Ltd**  
(71) Name(s) and Address(s) of Applicant(s):

**Alcoa Inc.**

**201 Isabella Street Alcoa Corporate Center Pittsburgh PA 15212-5858  
United States of America**

- (72) Name(s) of Designer(s): **Henry Sklyut and Gregory L Peer and Gabriele Ciccola and Grant DeGeorge**  
(45) Registration Date: **21 January 2016**  
(30) Convention priority data:  
(31) Number (32) Date (33) Country  
**29/531,940 30 Jun 2015 UNITED STATES OF AMERICA**

(56) Related Art Documents: **Not Applicable**

(57) Statement of Newness and Distinctiveness: **The newness and distinctiveness of the wheel resides in the features of shape and/or configuration shown in unbroken lines in the accompanying representations.**



- (21) Design Number: **16937/2015**  
(22) Date of Filing Application: **21 December 2015**  
(24) Date from which industrial property rights may have effect: **21 December 2015**  
(54) Product in respect of which the design is registered: **Child seat liner**  
(51) International Design Classification: **06-13NES**  
(74) Name(s) of Attorney(s):  
(71) Name(s) and Address(s) of Applicant(s):

**Marena Nagel**

**PO BOX 121 Muswellbrook NSW 2333**

(72) Name(s) of Designer(s): **Marena Nagel**

(45) Registration Date: **21 January 2016**

(56) Related Art Documents: **Not Applicable**

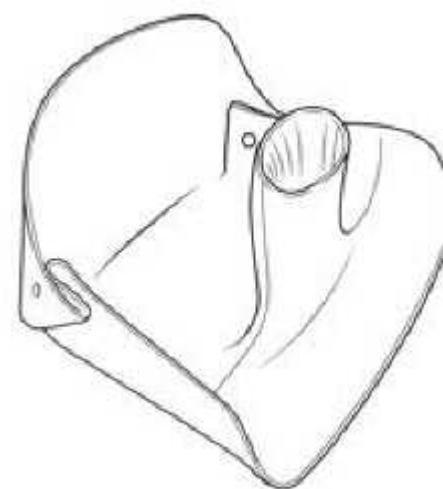
(57) Statement of Newness and Distinctiveness: **Newness and distinctiveness is claimed in the features of shape and configuration shown in the accompanying representations. The broken lines in the representations do not form part of the design and they should be disregarded.**



- (21) Design Number: **16938/2015**  
(22) Date of Filing Application: **21 December 2015**  
(24) Date from which industrial property rights may have effect: **21 December 2015**  
(54) Product in respect of which the design is registered: **Child seat liner**  
(51) International Design Classification: **06-13NES**  
(74) Name(s) of Attorney(s):  
(71) Name(s) and Address(s) of Applicant(s):  
    **Marena Nagel**  
    **PO BOX 121 Muswellbrook NSW 2333**  
(72) Name(s) of Designer(s): **Marena Nagel**  
(45) Registration Date: **21 January 2016**  
(56) Related Art Documents: **Not Applicable**  
(57) Statement of Newness and Distinctiveness: **Newness and distinctiveness is claimed in the features of shape and configuration shown in the accompanying representations.**



- (21) Design Number: **16939/2015**  
(22) Date of Filing Application: **21 December 2015**  
(24) Date from which industrial property rights may have effect: **21 December 2015**  
(54) Product in respect of which the design is registered: **Child seat liner**  
(51) International Design Classification: **06-13NES**  
(74) Name(s) of Attorney(s):  
(71) Name(s) and Address(s) of Applicant(s):  
    **Marena Nagel**  
    **PO BOX 121 Muswellbrook NSW 2333**  
(72) Name(s) of Designer(s): **Marena Nagel**  
(45) Registration Date: **21 January 2016**  
(56) Related Art Documents: **Not Applicable**  
(57) Statement of Newness and Distinctiveness: **Newness and distinctiveness is claimed in the features of shape and configuration shown in the accompanying representations. The broken lines in the representations do not form part of the design and they should be disregarded.**



(21) Design Number: **16810/2015**  
(22) Date of Filing Application: **15 December 2015**  
(24) Date from which industrial property rights may have effect: **15 December 2015**  
(54) Product in respect of which the design is registered: **Tub packaging**  
(51) International Design Classification: **09-03NES, 07-01NES, 32-04**  
(74) Name(s) of Attorney(s): **Davies Collison Cave**  
(71) Name(s) and Address(s) of Applicant(s):

**Unilever PLC**  
**Unilever House 100 Victoria Embankment London EC4Y 0DY United Kingdom**

(72) Name(s) of Designer(s): **Chole Templeman**

(45) Registration Date: **22 January 2016**

(30) Convention priority data:

(31) Number	(32) Date	(33) Country
<b>002730747-0004</b>	<b>03 Jul 2015</b>	<b>OFFICE FOR HARMONISATION IN THE INTERNAL MARKET (OHIM)</b>

(56) Related Art Documents: **Not Applicable**

(57) Statement of Newness and Distinctiveness: **Newness and distinctiveness is claimed in the visual features shown in the representation.**



(21) Design Number: **16811/2015**  
(22) Date of Filing Application: **15 December 2015**  
(24) Date from which industrial property rights may have effect: **15 December 2015**  
(54) Product in respect of which the design is registered: **Tub packaging**  
(51) International Design Classification: **09-03NES, 32-04, 07-01NES**  
(74) Name(s) of Attorney(s): **Davies Collison Cave**  
(71) Name(s) and Address(s) of Applicant(s):

**Unilever PLC**  
**Unilever House 100 Victoria Embankment London EC4Y 0DY United Kingdom**

(72) Name(s) of Designer(s): **Chole Templeman**

(45) Registration Date: **22 January 2016**

(30) Convention priority data:

(31) Number	(32) Date	(33) Country
<b>002730747-0003</b>	<b>03 Jul 2015</b>	<b>OFFICE FOR HARMONISATION IN THE INTERNAL MARKET (OHIM)</b>

(56) Related Art Documents: **Not Applicable**

(57) Statement of Newness and Distinctiveness: **Newness and distinctiveness is claimed in the visual features shown in the representation.**



(21) Design Number: **16812/2015**  
(22) Date of Filing Application: **15 December 2015**  
(24) Date from which industrial property rights may have effect: **15 December 2015**  
(54) Product in respect of which the design is registered: **Tub packaging**  
(51) International Design Classification: **09-03NES, 32-04, 07-01NES**  
(74) Name(s) of Attorney(s): **Davies Collison Cave**  
(71) Name(s) and Address(s) of Applicant(s):



**Unilever PLC**  
**Unilever House 100 Victoria Embankment London EC4Y 0DY United Kingdom**

(72) Name(s) of Designer(s): **Chole Templeman**  
(45) Registration Date: **22 January 2016**  
(30) Convention priority data:  
(31) Number (32) Date (33) Country  
**002730747-0002 03 Jul 2015 OFFICE FOR HARMONISATION IN THE INTERNAL MARKET (OHIM)**

(56) Related Art Documents: **Not Applicable**  
(57) Statement of Newness and Distinctiveness: **Newness and distinctiveness is claimed in the visual features shown in the representation.**

(21) Design Number: **16813/2015**  
(22) Date of Filing Application: **15 December 2015**  
(24) Date from which industrial property rights may have effect: **15 December 2015**  
(54) Product in respect of which the design is registered: **Tub packaging**  
(51) International Design Classification: **09-03NES, 32-04, 07-01NES**  
(74) Name(s) of Attorney(s): **Davies Collison Cave**  
(71) Name(s) and Address(s) of Applicant(s):

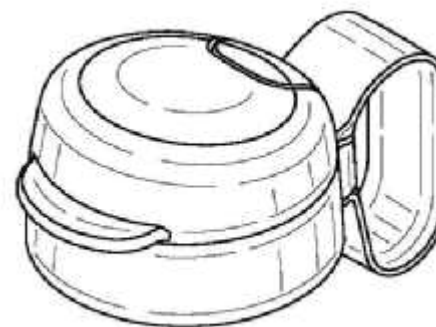


**Unilever PLC**  
**Unilever House 100 Victoria Embankment London EC4Y 0DY United Kingdom**

(72) Name(s) of Designer(s): **Chole Templeman**  
(45) Registration Date: **22 January 2016**  
(30) Convention priority data:  
(31) Number (32) Date (33) Country  
**002730747-0001 03 Jul 2015 OFFICE FOR HARMONISATION IN THE INTERNAL MARKET (OHIM)**

(56) Related Art Documents: **Not Applicable**  
(57) Statement of Newness and Distinctiveness: **Newness and distinctiveness is claimed in the visual features shown in the representation.**

(21) Design Number: **16856/2015**  
(22) Date of Filing Application: **17 December 2015**  
(24) Date from which industrial property rights may have effect: **20 November 2015**  
(54) Product in respect of which the design is registered: **Cap and strap for a bottle**  
(51) International Design Classification: **09-07A**  
(74) Name(s) of Attorney(s): **PHILLIPS ORMONDE FITZPATRICK**  
(71) Name(s) and Address(s) of Applicant(s):  
**Dart Industries Inc.**  
**14901 S. Orange Blossom Trail Orlando Florida, 32837 United States of America**



(72) Name(s) of Designer(s): **Nathan E. Shirley and Jan-Hendrick de Groot**  
(45) Registration Date: **22 January 2016**  
(30) Convention priority data:  
(31) Number      (32) Date      (33) Country  
**29/531,058      23 Jun 2015      UNITED STATES OF AMERICA**  
(62) Divisional of: **366771**  
(56) Related Art Documents: **Not Applicable**  
(57) Statement of Newness and Distinctiveness: **Nil**

(21) Design Number: **16857/2015**  
(22) Date of Filing Application: **17 December 2015**  
(24) Date from which industrial property rights may have effect: **20 November 2015**  
(54) Product in respect of which the design is registered: **Cap for a bottle**  
(51) International Design Classification: **09-07A**  
(74) Name(s) of Attorney(s): **PHILLIPS ORMONDE FITZPATRICK**  
(71) Name(s) and Address(s) of Applicant(s):  
**Dart Industries Inc.**  
**14901 S. Orange Blossom Trail Orlando Florida, 32837 United States of America**



(72) Name(s) of Designer(s): **Nathan E. Shirley and Jan-Hendrick de Groot**  
(45) Registration Date: **22 January 2016**  
(30) Convention priority data:  
(31) Number      (32) Date      (33) Country  
**29/531,058      23 Jun 2015      UNITED STATES OF AMERICA**  
(62) Divisional of: **366771**  
(56) Related Art Documents: **Not Applicable**  
(57) Statement of Newness and Distinctiveness: **Nil**

(21) Design Number: **16872/2015**  
(22) Date of Filing Application: **17 December 2015**  
(24) Date from which industrial property rights may have effect: **08 October 2015**  
(54) Product in respect of which the design is registered: **Display rack for modular bin system**  
(51) International Design Classification: **20-02E**  
(74) Name(s) of Attorney(s): **PHILLIPS ORMONDE FITZPATRICK**  
(71) Name(s) and Address(s) of Applicant(s):  
**Apex Industrial Technologies LLC**  
**4393 Digital Way Mason Ohio, 45040 United States Of America**  
(72) Name(s) of Designer(s): **Jaclyn Lowery and Craig S. Whitaker**  
(45) Registration Date: **22 January 2016**  
(30) Convention priority data:  
(31) Number (32) Date (33) Country  
**29/523,603 10 Apr 2015 UNITED STATES OF AMERICA**



(62) Divisional of: **366211**  
(56) Related Art Documents: **Not Applicable**  
(57) Statement of Newness and Distinctiveness: **Newness and distinctiveness resides in the shape and/or configuration of the display rack for modular bin system shown in the continuous lines in the accompanying representations. The features shown in broken lines are not part of the design and are to be disregarded when considering the overall impression of the design.**

(21) Design Number: **14419/2015**  
(22) Date of Filing Application: **25 August 2015**  
(24) Date from which industrial property rights may have effect: **25 August 2015**  
(54) Product in respect of which the design is registered: **Base for personal blender**  
(51) International Design Classification: **31-00**  
(74) Name(s) of Attorney(s): **Molins & Co Pty Ltd**  
(71) Name(s) and Address(s) of Applicant(s):  
**Breville Pty Limited**  
**G SE2 170-180 Bourke Rd Alexandria NSW 2015 Australia**  
(72) Name(s) of Designer(s): **Khon Thai**  
(45) Registration Date: **25 January 2016**  
(56) Related Art Documents: **Not Applicable**  
(57) Statement of Newness and Distinctiveness: **Newness is claimed in the features of shape and configuration of the base for a personal blender as shown in the accompanying representations.**





- (21) Design Number: **15970/2015**  
(22) Date of Filing Application: **10 November 2015**  
(24) Date from which industrial property rights may have effect: **10 November 2015**  
(54) Product in respect of which the design is registered: **Set of eyeglass components**  
(51) International Design Classification: **16-06**  
(74) Name(s) of Attorney(s): **Davies Collison Cave**  
(71) Name(s) and Address(s) of Applicant(s):  
**Oakley, Inc.**  
**One Icon Foothill Ranch California 92610 United States of America**  
(72) Name(s) of Designer(s): **Daniel Soo Chae**  
(45) Registration Date: **25 January 2016**  
(30) Convention priority data:  
(31) Number (32) Date (33) Country  
**29/531,742 29 Jun 2015 UNITED STATES OF AMERICA**  
(56) Related Art Documents: **Not Applicable**  
(57) Statement of Newness and Distinctiveness: **In considering the extent of the design rights, the broken lines shown in the representations are for illustrative purposes only and do not form part of the design.**



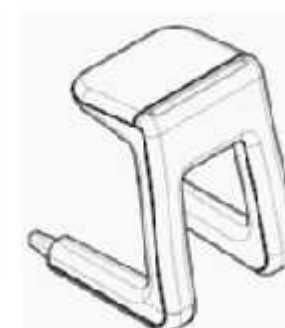
- (21) Design Number: **16688/2015**  
(22) Date of Filing Application: **09 December 2015**  
(24) Date from which industrial property rights may have effect: **09 December 2015**  
(54) Product in respect of which the design is registered: **Tray**  
(51) International Design Classification: **09-03F**  
(74) Name(s) of Attorney(s): **Davies Collison Cave**  
(71) Name(s) and Address(s) of Applicant(s):  
**Cryovac Australia Pty Ltd**  
**90 Keilor Park Dr Tullamarine VIC 3043 Australia**  
(72) Name(s) of Designer(s): **Prakashan Mavila**  
(45) Registration Date: **25 January 2016**  
(56) Related Art Documents: **Not Applicable**  
(57) Statement of Newness and Distinctiveness: **Nil**



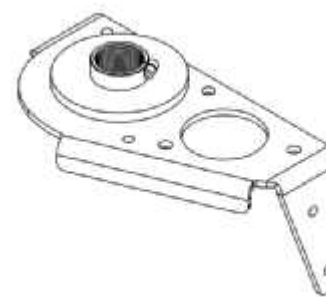
- (21) Design Number: **16904/2015**  
(22) Date of Filing Application: **18 December 2015**  
(24) Date from which industrial property rights may have effect: **18 December 2015**  
(54) Product in respect of which the design is registered: **Chair**  
(51) International Design Classification: **06-01F**  
(74) Name(s) of Attorney(s): **Fisher Adams Kelly Callinans**  
(71) Name(s) and Address(s) of Applicant(s):  
**Keith Kenneth Kingston**  
**P O Box 1104, Lae Marobe 411 Papua New Guinea**  
(72) Name(s) of Designer(s): **Keith Kenneth Kingston**  
(45) Registration Date: **25 January 2016**  
(56) Related Art Documents: **Not Applicable**  
(57) Statement of Newness and Distinctiveness: **The newness and distinctiveness of the design resides in the shape and/or configuration of the CHAIR shown in the representations. When considering the newness and distinctiveness of the design particular regard should be given to the lower connectors of the CHAIR. The features shown in broken lines are for context and example only.**



- (21) Design Number: **16905/2015**  
(22) Date of Filing Application: **18 December 2015**  
(24) Date from which industrial property rights may have effect: **18 December 2015**  
(54) Product in respect of which the design is registered: **Desk**  
(51) International Design Classification: **06-03C, 06-01F**  
(74) Name(s) of Attorney(s): **Fisher Adams Kelly Callinans**  
(71) Name(s) and Address(s) of Applicant(s):  
**Keith Kenneth Kingston**  
**P O Box 1104, Lae Marobe 411 Papua New Guinea**  
(72) Name(s) of Designer(s): **Keith Kenneth Kingston**  
(45) Registration Date: **25 January 2016**  
(56) Related Art Documents: **Not Applicable**  
(57) Statement of Newness and Distinctiveness: **The newness and distinctiveness of the design resides in the shape and/or configuration of the DESK shown in the representations. When considering the newness and distinctiveness of the design particular regard should be given to the lower connectors of the DESK. The features shown in broken lines are for context and example only.**



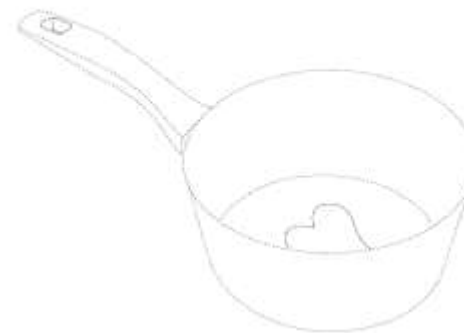
(21) Design Number: **16906/2015**  
(22) Date of Filing Application: **18 December 2015**  
(24) Date from which industrial property rights may have effect: **18 December 2015**  
(54) Product in respect of which the design is registered: **Automotive suspension bump stop adaptor**  
(51) International Design Classification: **12-16NES**  
(74) Name(s) of Attorney(s): **Cullens Pty Ltd**  
(71) Name(s) and Address(s) of Applicant(s):  
**Superior Engineering (QLD) Pty Ltd**  
**C/-L32 239 George St Brisbane QLD 4000 Australia**  
(72) Name(s) of Designer(s): **Gregory John Heick**  
(45) Registration Date: **25 January 2016**  
(56) Related Art Documents: **Not Applicable**  
(57) Statement of Newness and Distinctiveness: **Nil**



(21) Design Number: **16943/2015**  
(22) Date of Filing Application: **21 December 2015**  
(24) Date from which industrial property rights may have effect: **21 December 2015**  
(54) Product in respect of which the design is registered: **A glass jug**  
(51) International Design Classification: **07-01F**  
(74) Name(s) of Attorney(s): **Banki Haddock Fiora**  
(71) Name(s) and Address(s) of Applicant(s):  
**Pi-Design AG**  
**Kantonsstrasse 100 Triengen CH - 6234 Switzerland**  
(72) Name(s) of Designer(s): **Jorgen Bodum**  
(45) Registration Date: **25 January 2016**  
(30) Convention priority data:  
(31) Number (32) Date (33) Country  
**DM/087 072 23 Jul 2015 WORLD INTELLECTUAL  
PROPERTY ORGANIZATION  
(WIPO)**  
(56) Related Art Documents: **Not Applicable**  
(57) Statement of Newness and Distinctiveness: **The visual features of the glass jug depicted in the representations that are new and distinctive are the shape and/or configuration.**



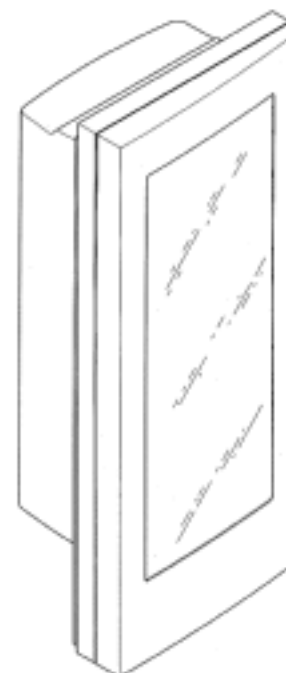
- (21) Design Number: **16984/2015**  
(22) Date of Filing Application: **22 December 2015**  
(24) Date from which industrial property rights may have effect: **22 December 2015**  
(54) Product in respect of which the design is registered: **Saucepan**  
(51) International Design Classification: **07-02N**  
(74) Name(s) of Attorney(s): **Griffith Hack**  
(71) Name(s) and Address(s) of Applicant(s):  
**BRAND DEVELOPERS LIMITED**  
**Levels 1 - 3 519 - 521 Lake Rd Takapuna 0622 New Zealand**  
(72) Name(s) of Designer(s): **Teng Onn Tan and Roy McDougall**  
(45) Registration Date: **25 January 2016**  
(56) Related Art Documents: **Not Applicable**  
(57) Statement of Newness and Distinctiveness: **Newness and distinctiveness resides in the visual features, including the pattern and ornamentation, as applied to a SAUCEPAN as shown in solid outline in the accompanying drawings. When determining whether the design is substantially similar in overall impression to another design, no regard is to be had to those features shown in dotted outline in the accompanying drawings, which features are provided for illustrative purposes only.**



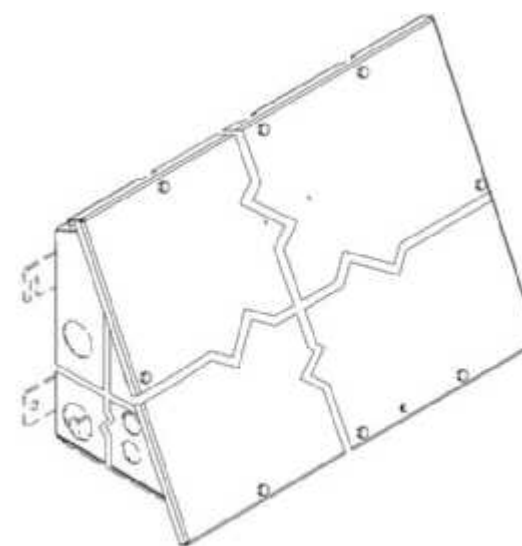
- (21) Design Number: **17087/2015**  
(22) Date of Filing Application: **24 December 2015**  
(24) Date from which industrial property rights may have effect: **24 December 2015**  
(54) Product in respect of which the design is registered: **Hard shell, multi article, reclosable packaging**  
(51) International Design Classification: **09-03M**  
(74) Name(s) of Attorney(s): **Spruson & Ferguson**  
(71) Name(s) and Address(s) of Applicant(s):  
**Wm. Wrigley Jr. Company**  
**410 N. Michigan Avenue, Chicago Illinois, 60611 United States of America**  
(72) Name(s) of Designer(s): **Paul J. Angeloni and Christopher H. Cunningham and David Jaggi and Lisa Saxon-Reed and Ross Bartels and William Tham and Peter Muller and Allen Aldridge and Joeseff F. Vrana**  
(45) Registration Date: **25 January 2016**  
(30) Convention priority data:  
(31) Number      (32) Date      (33) Country  
**29/531710      29 Jun 2015      UNITED STATES OF AMERICA**  
(56) Related Art Documents: **Not Applicable**  
(57) Statement of Newness and Distinctiveness: **Newness and distinctiveness is claimed in those features of shape and/or configuration of a hard shell, multi article, reclosable packaging as illustrated in continuous lines in the accompanying representations.**



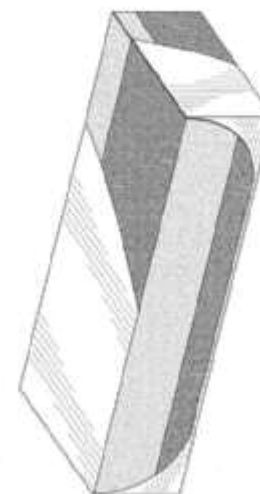
- (21) Design Number: **17135/2015**  
(22) Date of Filing Application: **30 December 2015**  
(24) Date from which industrial property rights may have effect: **30 December 2015**  
(54) Product in respect of which the design is registered: **Refrigerator door**  
(51) International Design Classification: **15-07**  
(74) Name(s) of Attorney(s): **FB Rice**  
(71) Name(s) and Address(s) of Applicant(s):  
**LG Electronics Inc.**  
**128, Yeoui-daero, Yeongdeungpo-gu, Seoul 150-721 Republic of Korea**  
(72) Name(s) of Designer(s): **Woonkyu Seo and Kyungsoo Park and Seonil Yu and Jaeyoung Kim and jihyun Lee and Hyein Yang**  
(45) Registration Date: **25 January 2016**  
(30) Convention priority data:  
(31) Number (32) Date (33) Country  
**30-2015-0043242 27 Aug 2015 REPUBLIC OF KOREA**  
(56) Related Art Documents: **Not Applicable**  
(57) Statement of Newness and Distinctiveness: **Newness and distinctiveness reside in the features of shape and configuration of the design shown in solid lines in the representations excluding those features shown in broken lines.**



- (21) Design Number: **10074/2016**  
(22) Date of Filing Application: **08 January 2016**  
(24) Date from which industrial property rights may have effect: **08 January 2016**  
(54) Product in respect of which the design is registered: **Boxes for electrical elements**  
(51) International Design Classification: **13-03C**  
(74) Name(s) of Attorney(s): **Ellis Terry**  
(71) Name(s) and Address(s) of Applicant(s):  
**Hubbell Limited**  
**Cannon Place 78 Cannon Street London EC4N 6AF United Kingdom**  
(72) Name(s) of Designer(s): **Carl Jackson and Dean Renshaw and Jason Clark**  
(45) Registration Date: **25 January 2016**  
(30) Convention priority data:  
(31) Number (32) Date (33) Country  
**002735282 10 Jul 2015 OFFICE FOR HARMONISATION IN THE INTERNAL MARKET (OHIM)**  
(56) Related Art Documents: **Not Applicable**  
(57) Statement of Newness and Distinctiveness: **The novelty resides in the shape and configuration of the parts shown in solid lines in the representations. The broken lines in the representations are for illustrative purposes only and do not form part of the design. The break lines with a jagged element are for indicating a variable dimension and do not form part of the design. The apertures, fastening members, mounting brackets, and back plate in the drawings depict environmental subject matter and are shown for illustration only and form no part of the claimed design.**



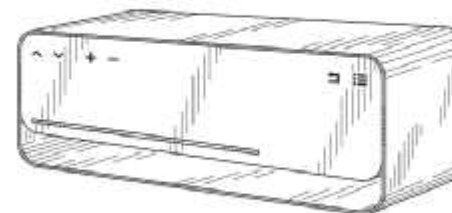
- (21) Design Number: **10102/2016**  
(22) Date of Filing Application: **11 January 2016**  
(24) Date from which industrial property rights may have effect: **30 October 2015**  
(54) Product in respect of which the design is registered: **A package**  
(51) International Design Classification: **09-03M**  
(74) Name(s) of Attorney(s): **WATERMARK PATENT AND TRADE MARKS ATTORNEYS**  
(71) Name(s) and Address(s) of Applicant(s):  
**Sanofi**  
**54 rue La Boetie Paris 75008 France**  
(72) Name(s) of Designer(s): **Claudia Hauck and Helene Capgras and Noriko Hattori and Cristina Fernandez**  
(45) Registration Date: **25 January 2016**  
(30) Convention priority data:  
(31) Number (32) Date (33) Country  
**29/526,612 12 May 2015 UNITED STATES OF AMERICA**  
(62) Divisional of: **366533**  
(56) Related Art Documents: **Not Applicable**  
(57) Statement of Newness and Distinctiveness: **Newness and distinctiveness resides in the visual features of pattern and/or ornamentation of a package as shown in the accompanying representations.**



- (21) Design Number: **10104/2016**  
(22) Date of Filing Application: **11 January 2016**  
(24) Date from which industrial property rights may have effect: **11 January 2016**  
(54) Product in respect of which the design is registered: **Electronic device**  
(51) International Design Classification: **14-02**  
(74) Name(s) of Attorney(s): **FB Rice**  
(71) Name(s) and Address(s) of Applicant(s):  
**OpenTV, Inc.**  
**275 Sacramento Street San Francisco California, 94111 United States of America**  
(72) Name(s) of Designer(s): **Joonyoung Park and Jihyun Park**  
(45) Registration Date: **25 January 2016**  
(30) Convention priority data:  
(31) Number (32) Date (33) Country  
**29/533,017 13 Jul 2015 UNITED STATES OF AMERICA**  
(56) Related Art Documents: **Not Applicable**  
(57) Statement of Newness and Distinctiveness: **Newness and distinctiveness reside in the features of shape and configuration of the design as shown in the representations. The shade lines in the representations show contour and not surface ornamentation.**

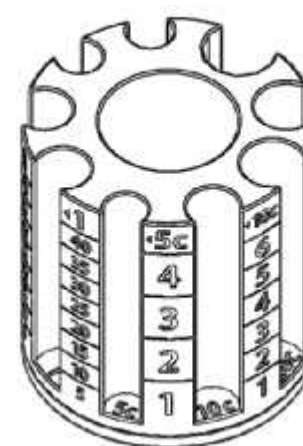


(21) Design Number: **10105/2016**  
(22) Date of Filing Application: **11 January 2016**  
(24) Date from which industrial property rights may have effect: **11 January 2016**  
(54) Product in respect of which the design is registered: **Electronic device**  
(51) International Design Classification: **14-03NES**  
(74) Name(s) of Attorney(s): **FB Rice**  
(71) Name(s) and Address(s) of Applicant(s):  
**OpenTV, Inc.**  
**275 Sacramento Street San Francisco California, 94111 United States of America**



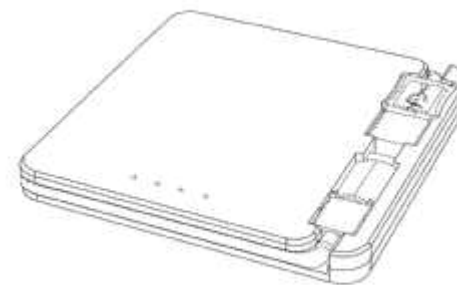
(72) Name(s) of Designer(s): **Joonyoung Park and Jihyun Park**  
(45) Registration Date: **25 January 2016**  
(30) Convention priority data:  
(31) Number (32) Date (33) Country  
**29/533,020 13 Jul 2015 UNITED STATES OF AMERICA**  
(56) Related Art Documents: **Not Applicable**  
(57) Statement of Newness and Distinctiveness: **Newness and distinctiveness reside in the features of the design as shown with less weight to be given to the insignia, visible in Figs. 1 and 3, on a front panel of the device. The features shown in broken lines are provided for reference purposes only and are not to be considered when construing the visual features of the design. The shade lines in the representations show contour and not surface ornamentation.**

(21) Design Number: **10108/2016**  
(22) Date of Filing Application: **11 January 2016**  
(24) Date from which industrial property rights may have effect: **11 January 2016**  
(54) Product in respect of which the design is registered: **Coin and Pen Holder (2 in 1)**  
(51) International Design Classification: **19-02**  
(74) Name(s) of Attorney(s):  
(71) Name(s) and Address(s) of Applicant(s):  
**3D DREAM FACTORY PTY LTD**  
**U807/11-17 Woodville St Hurstville NSW 2220 Australia**



(72) Name(s) of Designer(s): **Xuan Qin**  
(45) Registration Date: **25 January 2016**  
(56) Related Art Documents: **Not Applicable**  
(57) Statement of Newness and Distinctiveness: **The newness and distinctiveness of the design resides in the cylindrical shape of holder where outer section stores all types of Australian coins and inner section stores pens and other stationery as shown in the accompanying representations.**

- (21) Design Number: **10122/2016**  
(22) Date of Filing Application: **11 January 2016**  
(24) Date from which industrial property rights may have effect: **11 January 2016**  
(54) Product in respect of which the design is registered: **Charge store**  
(51) International Design Classification: **13-02**  
(74) Name(s) of Attorney(s):  
(71) Name(s) and Address(s) of Applicant(s):  
**Global Shopping Network Pty Limited**  
**SE204, 2 Grosvenor St Bondi Junction NSW 2022 Australia**  
(72) Name(s) of Designer(s): **Stephane Kljajic**  
(45) Registration Date: **25 January 2016**  
(56) Related Art Documents: **Not Applicable**  
(57) Statement of Newness and Distinctiveness: **Newness and distinctiveness of the design reside in the features of shape and/or configuration of the charge store as depicted in the accompanying representations. When considering the newness and distinctiveness of the design, no regard is to be had to those features of shape and/or configuration depicted by dotted lines in the accompanying representations.**



- (21) Design Number: **10124/2016**  
(22) Date of Filing Application: **12 January 2016**  
(24) Date from which industrial property rights may have effect: **12 January 2016**  
(54) Product in respect of which the design is registered: **Consumable with recessed mouthpiece filter**  
(51) International Design Classification: **27-01, 27-06**  
(74) Name(s) of Attorney(s): **Fisher Adams Kelly Callinans**  
(71) Name(s) and Address(s) of Applicant(s):  
**PHILIP MORRIS PRODUCTS S.A.**  
**Quai Jeanrenaud 3 Neuchatel 2000 Switzerland**  
(72) Name(s) of Designer(s): **Cedric Meyer and Jean-Claude Schneider and Marine Jarriault and Mirko Minzoni**  
(45) Registration Date: **25 January 2016**  
(30) Convention priority data:  
(31) Number      (32) Date      (33) Country  
**002739425      20 Jul 2015      OFFICE FOR HARMONISATION IN THE INTERNAL MARKET (OHIM)**  
(56) Related Art Documents: **Not Applicable**  
(57) Statement of Newness and Distinctiveness: **Nil**





(21) Design Number: **10125/2016**  
(22) Date of Filing Application: **12 January 2016**  
(24) Date from which industrial property rights may have effect: **12 January 2016**  
(54) Product in respect of which the design is registered: **Consumable with metal strip susceptor visible**  
(51) International Design Classification: **27-01, 27-06**  
(74) Name(s) of Attorney(s): **Fisher Adams Kelly Callinans**  
(71) Name(s) and Address(s) of Applicant(s):  
**PHILIP MORRIS PRODUCTS S.A.**  
**Quai Jeanrenaud 3 Neuchatel 2000 Switzerland**  
(72) Name(s) of Designer(s): **Oleg Mironov**  
(45) Registration Date: **25 January 2016**  
(30) Convention priority data:  
(31) Number (32) Date (33) Country  
**002739458 20 Jul 2015 OFFICE FOR HARMONISATION IN THE INTERNAL MARKET (OHIM)**  
(56) Related Art Documents: **Not Applicable**  
(57) Statement of Newness and Distinctiveness: **Nil**



(21) Design Number: **10126/2016**  
(22) Date of Filing Application: **12 January 2016**  
(24) Date from which industrial property rights may have effect: **12 January 2016**  
(54) Product in respect of which the design is registered: **Oral care implement**  
(51) International Design Classification: **04-02**  
(74) Name(s) of Attorney(s): **FB Rice**  
(71) Name(s) and Address(s) of Applicant(s):  
**Colgate-Palmolive Company**  
**300 Park Avenue New York New York, 10022 United States of America**  
(72) Name(s) of Designer(s): **Wen Jin Xi and Bo Zhang and Yanmei Ji and Xiangji Ding and Jianrong Zhou**  
(45) Registration Date: **25 January 2016**  
(30) Convention priority data:  
(31) Number (32) Date (33) Country  
**29/533,953 23 Jul 2015 UNITED STATES OF AMERICA**  
(56) Related Art Documents: **Not Applicable**  
(57) Statement of Newness and Distinctiveness: **Newness and distinctiveness reside in the features of shape and configuration of the design as shown in the representations.**



(21) Design Number: **10127/2016**  
(22) Date of Filing Application: **12 January 2016**  
(24) Date from which industrial property rights may have effect: **12 January 2016**  
(54) Product in respect of which the design is registered: **Oral care implement**  
(51) International Design Classification: **04-02**  
(74) Name(s) of Attorney(s): **FB Rice**  
(71) Name(s) and Address(s) of Applicant(s):  
**Colgate-Palmolive Company**  
**300 Park Avenue New York New York, 10022 United States of America**  
(72) Name(s) of Designer(s): **Wen Jin Xi and Bo Zhang and Yanmei Ji and Xiangji Ding and Jianrong Zhou**  
(45) Registration Date: **25 January 2016**  
(30) Convention priority data:  
(31) Number (32) Date (33) Country  
**29/533,953 23 Jul 2015 UNITED STATES OF AMERICA**  
(56) Related Art Documents: **Not Applicable**  
(57) Statement of Newness and Distinctiveness: **Newness and distinctiveness reside in the features of shape and configuration of the design as shown in the representations.**



(21) Design Number: **16767/2015**  
(22) Date of Filing Application: **11 December 2015**  
(24) Date from which industrial property rights may have effect: **11 December 2015**  
(54) Product in respect of which the design is registered: **Tyre for automobile**  
(51) International Design Classification: **12-15B**  
(74) Name(s) of Attorney(s): **Davies Collison Cave**  
(71) Name(s) and Address(s) of Applicant(s):  
**Sumitomo Rubber Industries, Ltd.**  
**6-9 Wakinohama-cho 3-chome, Chuo-ku Kobe-shi Hyogo, 651-0072 Japan**  
(72) Name(s) of Designer(s): **Takuya Fujisawa**  
(45) Registration Date: **25 January 2016**  
(56) Related Art Documents: **Not Applicable**  
(57) Statement of Newness and Distinctiveness: **Nil**



(21) Design Number: **16769/2015**  
(22) Date of Filing Application: **11 December 2015**  
(24) Date from which industrial property rights may have effect: **11 December 2015**  
(54) Product in respect of which the design is registered: **Tyre for automobile**  
(51) International Design Classification: **12-15C**  
(74) Name(s) of Attorney(s): **Davies Collison Cave**  
(71) Name(s) and Address(s) of Applicant(s):  
**SUMITOMO RUBBER INDUSTRIES, LTD.**  
**6-9, Wakino-hama-cho 3-chome Chuo-ku Kobe-shi Hyogo, 651-0072**  
**Japan**  
(72) Name(s) of Designer(s): **Takuya Fujisawa**  
(45) Registration Date: **25 January 2016**  
(56) Related Art Documents: **Not Applicable**  
(57) Statement of Newness and Distinctiveness: **Nil**



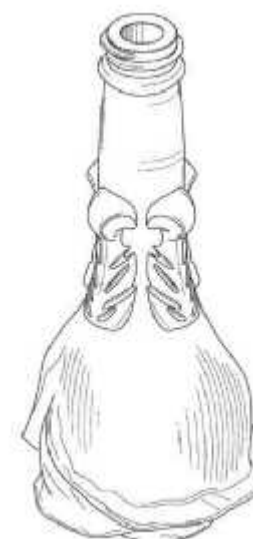
(21) Design Number: **16956/2015**  
(22) Date of Filing Application: **21 December 2015**  
(24) Date from which industrial property rights may have effect: **21 December 2015**  
(54) Product in respect of which the design is registered: **Car and toy-car**  
(51) International Design Classification: **12-08, 21-01C**  
(74) Name(s) of Attorney(s): **PHILLIPS ORMONDE FITZPATRICK**  
(71) Name(s) and Address(s) of Applicant(s):  
**Ferrari S.p.A.**  
**Via Emilia Est 1163 Modena Italy**  
(72) Name(s) of Designer(s): **Flavio Manzoni and Andrea Milton**  
(45) Registration Date: **25 January 2016**  
(30) Convention priority data:  
(31) Number (32) Date (33) Country  
**002727081 26 Jun 2015 OFFICE FOR HARMONISATION IN**  
**THE INTERNAL MARKET (OHIM)**  
(56) Related Art Documents: **Not Applicable**  
(57) Statement of Newness and Distinctiveness: **Those features of the car and toy-car depicted in the representations that are new and distinctive are the shape and/or configuration. The wheels and tyres of the car and toy-car may or may not form part of the design.**



- (21) Design Number: **10109/2016**  
(22) Date of Filing Application: **11 January 2016**  
(24) Date from which industrial property rights may have effect: **11 January 2016**  
(54) Product in respect of which the design is registered: **Case for portable electronic device**  
(51) International Design Classification: **03-01NES**  
(74) Name(s) of Attorney(s): **Griffith Hack**  
(71) Name(s) and Address(s) of Applicant(s):  
**Tech 21 Licensing Limited**  
**Syds Quay, Eel Pie Island Twickenham Middlesex TW1 3DY United Kingdom**  
(72) Name(s) of Designer(s): **Jason Roberts and Wilhelm Marschall and Benjamin Thorpe**  
(45) Registration Date: **25 January 2016**  
(30) Convention priority data:  
(31) Number      (32) Date      (33) Country  
**002922989      24 Dec 2015      OFFICE FOR HARMONISATION IN THE INTERNAL MARKET (OHIM)**  
(56) Related Art Documents: **Not Applicable**  
(57) Statement of Newness and Distinctiveness: **Newness and distinctiveness resides in the visual features, including shape and configuration, of a Case for a portable electronic device as shown in the accompanying representations. Figure 3 shows the case in use with a portable electronic device located in the Case.**



- (21) Design Number: **10116/2016**  
(22) Date of Filing Application: **11 January 2016**  
(24) Date from which industrial property rights may have effect: **11 January 2016**  
(54) Product in respect of which the design is registered: **Bottle**  
(51) International Design Classification: **09-01H**  
(74) Name(s) of Attorney(s): **MINTER ELLISON**  
(71) Name(s) and Address(s) of Applicant(s):  
**Red-Rose Tequila LLC**  
**1195 Hillside Boulevard Daly City CA, 94014 United States of America**  
(72) Name(s) of Designer(s): **Albert Gomez**  
(45) Registration Date: **25 January 2016**  
(56) Related Art Documents: **Not Applicable**  
(57) Statement of Newness and Distinctiveness: **The following visual features of the design are new and distinctive: The shape and configuration of a bottle as shown in the accompanying drawings.**



(21) Design Number: **10129/2016**  
 (22) Date of Filing Application: **12 January 2016**  
 (24) Date from which industrial property rights may have effect: **12 January 2016**  
 (54) Product in respect of which the design is registered: **Oral care implement**  
 (51) International Design Classification: **04-02**  
 (74) Name(s) of Attorney(s): **FB Rice**  
 (71) Name(s) and Address(s) of Applicant(s):  
**Colgate-Palmolive Company**  
**300 Park Avenue New York New York, 10022 United States of America**  
 (72) Name(s) of Designer(s): **Wen Jin Xi and Bo Zhang and Yanmei Ji and Xiangji Ding and Jianrong Zhou**  
 (45) Registration Date: **25 January 2016**  
 (30) Convention priority data:  
 (31) Number      (32) Date      (33) Country  
**29/533,953      23 Jul 2015      UNITED STATES OF AMERICA**  
 (56) Related Art Documents: **Not Applicable**  
 (57) Statement of Newness and Distinctiveness: **Newness and distinctiveness reside in the features of the design shown in solid lines in the representations excluding those features in broken lines.**



(21) Design Number: **10130/2016**  
 (22) Date of Filing Application: **12 January 2016**  
 (24) Date from which industrial property rights may have effect: **12 January 2016**  
 (54) Product in respect of which the design is registered: **Oral care implement**  
 (51) International Design Classification: **04-02**  
 (74) Name(s) of Attorney(s): **FB Rice**  
 (71) Name(s) and Address(s) of Applicant(s):  
**Colgate-Palmolive Company**  
**300 Park Avenue New York New York, 10022 United States of America**  
 (72) Name(s) of Designer(s): **Wen Jin Xi and Bo Zhang and Yanmei Ji and Xiangji Ding and Jianrong Zhou**  
 (45) Registration Date: **25 January 2016**  
 (30) Convention priority data:  
 (31) Number      (32) Date      (33) Country  
**29/533,953      23 Jul 2015      UNITED STATES OF AMERICA**  
 (56) Related Art Documents: **Not Applicable**  
 (57) Statement of Newness and Distinctiveness: **Newness and distinctiveness reside in the features of the design shown in solid lines in the representations excluding those features in broken lines.**



- (21) Design Number: **16104/2015**  
(22) Date of Filing Application: **14 November 2015**  
(24) Date from which industrial property rights may have effect: **14 November 2015**  
(54) Product in respect of which the design is registered: **Clothing**  
(51) International Design Classification: **02-02NES**  
(74) Name(s) of Attorney(s):  
(71) Name(s) and Address(s) of Applicant(s):

**Effie Dres**  
**PO BOX 53 South Morang VIC 3752 Australia**

- (72) Name(s) of Designer(s): **Effie Dres**  
(45) Registration Date: **25 January 2016**  
(56) Related Art Documents: **Not Applicable**

- (57) Statement of Newness and Distinctiveness: **THE IDEA/DESIGN IS A SINGLE COLOURED (or multi coloured) HOODIE/HOODED JUMPER/WINDCHEATER/BLAZER/COAT, WITH A ONE SLEEVE & or HOOD & or BOTH sleeve & hood, PAINTED/DYED/SPRAY PAINTED/PRINTED DESIGN. THE SLEEVE & or HOOD & or BOTH, are MULTI COLOURED (AS A BASE) or not, AND RANDOM DESIGNS ARE PAINTED/PRINTED OVER THE COLOURS-MAINLY IN EITHER BLACK OR WHITE (CAN BE IN OTHER COLOURS ALSO). THE ORIGINAL DESIGNS ALSO HAVE SEQUINS/BEADS/OTHER DECORATIONS(GLITTER-EMBROIDERY), AS A HIGHLIGHT-as well as the \*LOGO.**



- (21) Design Number: **10117/2016**  
(22) Date of Filing Application: **11 January 2016**  
(24) Date from which industrial property rights may have effect: **11 January 2016**  
(54) Product in respect of which the design is registered: **Temperature sensor**  
(51) International Design Classification: **10-04**  
(74) Name(s) of Attorney(s): **Freehills Patent Attorneys**  
(71) Name(s) and Address(s) of Applicant(s):

**Daikin Industries Ltd.**  
**Umeda Center Building 4-12 Nakazaki-Nishi 2-chome Kita-Ku Osaka-shi**  
**Osaka-fu, 530-8323 Japan**

- (72) Name(s) of Designer(s): **Hiroko Kashimoto**  
(45) Registration Date: **25 January 2016**

- (30) Convention priority data:

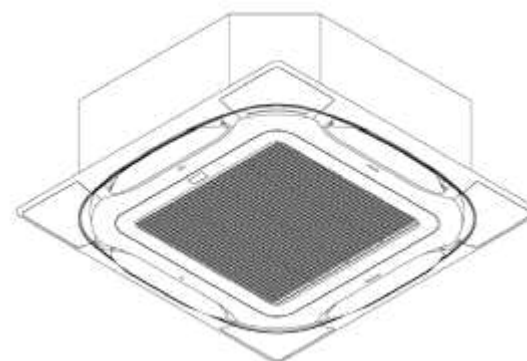
(31) Number	(32) Date	(33) Country
<b>2015-018360</b>	<b>21 Aug 2015</b>	<b>JAPAN</b>

- (56) Related Art Documents: **Not Applicable**

- (57) Statement of Newness and Distinctiveness: **Newness and distinctiveness of the design resides in the features of shape and configuration of the temperature sensor as shown in the accompanying representations.**

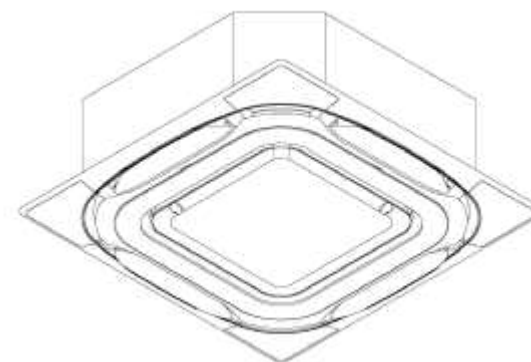


(21) Design Number: **10118/2016**  
(22) Date of Filing Application: **11 January 2016**  
(24) Date from which industrial property rights may have effect: **11 January 2016**  
(54) Product in respect of which the design is registered: **Air conditioner**  
(51) International Design Classification: **23-04**  
(74) Name(s) of Attorney(s): **Freehills Patent Attorneys**  
(71) Name(s) and Address(s) of Applicant(s):  
**Daikin Industries Ltd.**  
**Umeda Center Building 4-12 Nakazaki-Nishi 2-chome Kita-Ku Osaka-shi**  
**Osaka-fu, 530-8323 Japan**



(72) Name(s) of Designer(s): **Kentarou Niki**  
(45) Registration Date: **25 January 2016**  
(30) Convention priority data:  
(31) Number      (32) Date      (33) Country  
**2015-016923      29 Jul 2015      JAPAN**  
(56) Related Art Documents: **Not Applicable**  
(57) Statement of Newness and Distinctiveness: **Newness and distinctiveness of the design resides in the features of shape and configuration of the air conditioner, as shown in the accompanying representations.**

(21) Design Number: **10119/2016**  
(22) Date of Filing Application: **11 January 2016**  
(24) Date from which industrial property rights may have effect: **11 January 2016**  
(54) Product in respect of which the design is registered: **Air conditioner**  
(51) International Design Classification: **23-04**  
(74) Name(s) of Attorney(s): **Freehills Patent Attorneys**  
(71) Name(s) and Address(s) of Applicant(s):  
**Daikin Industries Ltd.**  
**Umeda Center Building 4-12 Nakazaki-Nishi 2-chome Kita-Ku Osaka-shi**  
**Osaka-fu, 530-8323 Japan**



(72) Name(s) of Designer(s): **Kentarou Niki**  
(45) Registration Date: **25 January 2016**  
(30) Convention priority data:  
(31) Number      (32) Date      (33) Country  
**2015-016924      29 Jul 2015      JAPAN**  
(56) Related Art Documents: **Not Applicable**  
(57) Statement of Newness and Distinctiveness: **Newness and distinctiveness of the design resides in the features of shape and configuration of the air conditioner, as shown in the accompanying representations.**

(21) Design Number: **10120/2016**  
(22) Date of Filing Application: **11 January 2016**  
(24) Date from which industrial property rights may have effect: **11 January 2016**  
(54) Product in respect of which the design is registered: **Bottle**  
(51) International Design Classification: **09-01NES**  
(74) Name(s) of Attorney(s): **MINTER ELLISON**  
(71) Name(s) and Address(s) of Applicant(s):  
**Red-Rose Tequila LLC**  
**1195 Hillside Boulevard Daly City CA, 94014 United States of America**  
(72) Name(s) of Designer(s): **Albert Gomez**  
(45) Registration Date: **25 January 2016**  
(30) Convention priority data:  
(31) Number (32) Date (33) Country  
**29/549,741 28 Dec 2015 UNITED STATES OF AMERICA**  
(56) Related Art Documents: **Not Applicable**  
(57) Statement of Newness and Distinctiveness: **The following visual features of the design are new and distinctive: The shape and configuration of a bottle as shown in the accompanying drawings.**

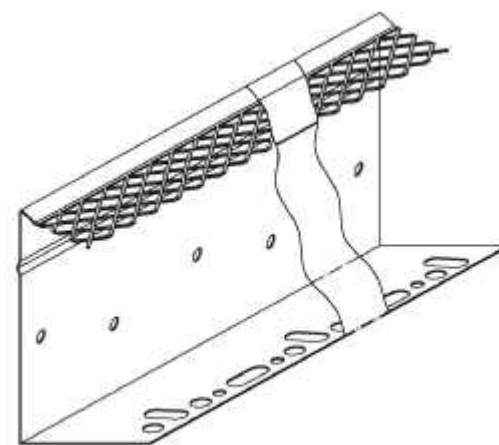


(21) Design Number: **10121/2016**  
(22) Date of Filing Application: **11 January 2016**  
(24) Date from which industrial property rights may have effect: **11 January 2016**  
(54) Product in respect of which the design is registered: **Go-kart camber and castor adjusters**  
(51) International Design Classification: **12-16NES**  
(74) Name(s) of Attorney(s):  
(71) Name(s) and Address(s) of Applicant(s):  
**Nikolas Machek**  
**2 Whitby St Mundijong WA 6123 Australia**  
(72) Name(s) of Designer(s): **Nikolas Machek**  
(45) Registration Date: **25 January 2016**  
(56) Related Art Documents: **Not Applicable**  
(57) Statement of Newness and Distinctiveness: **Cylindrical type "C section" with the adjusters encapsulated within the cylinder.**





- (21) Design Number: **10167/2016**  
(22) Date of Filing Application: **13 January 2016**  
(24) Date from which industrial property rights may have effect: **13 January 2016**  
(54) Product in respect of which the design is registered: **A flashing**  
(51) International Design Classification: **25-01NES**  
(74) Name(s) of Attorney(s): **MORCOM PERNAT**  
(71) Name(s) and Address(s) of Applicant(s):  
**Intex Group International Pty Ltd**  
**91-115 Link Dr Campbellfield VIC 3061 Australia**  
(72) Name(s) of Designer(s): **Rohan Lister Salisbury and Royce Ashton Salisbury**  
(45) Registration Date: **25 January 2016**  
(56) Related Art Documents: **Not Applicable**  
(57) Statement of Newness and Distinctiveness: **Statement of newness and distinctiveness reside in a manufactured article of indefinite length as depicted in the drawings.**



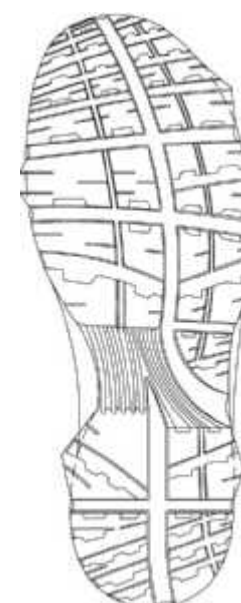
- (21) Design Number: **10091/2016**  
(22) Date of Filing Application: **08 January 2016**  
(24) Date from which industrial property rights may have effect: **08 January 2016**  
(54) Product in respect of which the design is registered: **Tyre tread**  
(51) International Design Classification: **12-15B**  
(74) Name(s) of Attorney(s): **Cullens Pty Ltd**  
(71) Name(s) and Address(s) of Applicant(s):  
**Omni United (S) Pte Ltd.**  
**1 Raffles Place #30-03 One Raffles Place Singapore 048616 Singapore**  
(72) Name(s) of Designer(s): **Gajendra Singh Sareen**  
(45) Registration Date: **27 January 2016**  
(30) Convention priority data:  
(31) Number      (32) Date      (33) Country  
**29/532,845      10 Jul 2015      UNITED STATES OF AMERICA**  
(56) Related Art Documents: **Not Applicable**  
(57) Statement of Newness and Distinctiveness: **Newness and distinctiveness reside in the tread region of a tyre as shown in the accompanying representations. When considering newness and distinctiveness, the features shown in dashed lines are to be given little or no weight.**



- (21) Design Number: **10093/2016**  
(22) Date of Filing Application: **08 January 2016**  
(24) Date from which industrial property rights may have effect: **08 January 2016**  
(54) Product in respect of which the design is registered: **Sole for footwear**  
(51) International Design Classification: **02-04B**  
(74) Name(s) of Attorney(s): **1 Place Patent Attorneys + Solicitors**  
(71) Name(s) and Address(s) of Applicant(s):  
**Bunzl Brands & Operations Pty Limited**  
**55 Sarah Andrews Cl Erskine Park NSW 2759 Australia**  
(72) Name(s) of Designer(s): **Caleb Wegener**  
(45) Registration Date: **27 January 2016**  
(56) Related Art Documents: **Not Applicable**  
(57) Statement of Newness and Distinctiveness: **Newness and distinctiveness is claimed in the features of shape and/or configuration of a sole for footwear as illustrated in the accompanying representations.**



- (21) Design Number: **10094/2016**  
(22) Date of Filing Application: **08 January 2016**  
(24) Date from which industrial property rights may have effect: **08 January 2016**  
(54) Product in respect of which the design is registered: **Sole for footwear**  
(51) International Design Classification: **02-04B**  
(74) Name(s) of Attorney(s): **1 Place Patent Attorneys + Solicitors**  
(71) Name(s) and Address(s) of Applicant(s):  
**Bunzl Brands & Operations Pty Limited**  
**55 Sarah Andrews Cl Erskine Park NSW 2759 Australia**  
(72) Name(s) of Designer(s): **Caleb Wegener**  
(45) Registration Date: **27 January 2016**  
(56) Related Art Documents: **Not Applicable**  
(57) Statement of Newness and Distinctiveness: **Newness and distinctiveness is claimed in the features of shape and/or configuration of a sole for footwear as illustrated in the accompanying representations**



(21) Design Number: **10128/2016**  
(22) Date of Filing Application: **12 January 2016**  
(24) Date from which industrial property rights may have effect: **12 January 2016**  
(54) Product in respect of which the design is registered: **Oral care implement**  
(51) International Design Classification: **04-02**  
(74) Name(s) of Attorney(s): **FB Rice**  
(71) Name(s) and Address(s) of Applicant(s):  
**Colgate-Palmolive Company**  
**300 Park Avenue New York New York, 10022 United States of America**  
(72) Name(s) of Designer(s): **Wen Jin Xi and Bo Zhang and Yanmei Ji and Xiangji Ding and Jianrong Zhou**  
(45) Registration Date: **27 January 2016**  
(30) Convention priority data:  
(31) Number (32) Date (33) Country  
**29/533,953 23 Jul 2015 UNITED STATES OF AMERICA**  
(56) Related Art Documents: **Not Applicable**  
(57) Statement of Newness and Distinctiveness: **Newness and distinctiveness reside in the features of the design shown in solid lines in the representations excluding those features in broken lines.**



(21) Design Number: **10161/2016**  
(22) Date of Filing Application: **13 January 2016**  
(24) Date from which industrial property rights may have effect: **13 January 2016**  
(54) Product in respect of which the design is registered: **Oral care implement**  
(51) International Design Classification: **04-02**  
(74) Name(s) of Attorney(s): **FB Rice**  
(71) Name(s) and Address(s) of Applicant(s):  
**Colgate-Palmolive Company**  
**300 Park Avenue New York New York, 10022 United States of America**  
(72) Name(s) of Designer(s): **Wen Jin Xi and Robert Moskovich and Guang Sheng Guo and Stephen Nelson and Joachim Storz and Felix Mueller**  
(45) Registration Date: **27 January 2016**  
(30) Convention priority data:  
(31) Number (32) Date (33) Country  
**29/533,922 23 Jul 2015 UNITED STATES OF AMERICA**  
(56) Related Art Documents: **Not Applicable**  
(57) Statement of Newness and Distinctiveness: **Newness and distinctiveness reside in the features of the design shown in solid lines in the representations excluding those features in broken lines.**



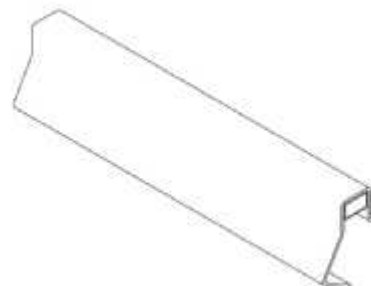
(21) Design Number: **10162/2016**  
(22) Date of Filing Application: **13 January 2016**  
(24) Date from which industrial property rights may have effect: **13 January 2016**  
(54) Product in respect of which the design is registered: **Oral care implement**  
(51) International Design Classification: **04-02**  
(74) Name(s) of Attorney(s): **FB Rice**  
(71) Name(s) and Address(s) of Applicant(s):  
**Colgate-Palmolive Company**  
**300 Park Avenue New York New York, 10022 United States of America**  
(72) Name(s) of Designer(s): **Wen Jin Xi and Robert Moskovich and Guang Sheng Guo and Stephen Nelson and Joachim Storz and Felix Mueller**  
(45) Registration Date: **27 January 2016**  
(30) Convention priority data:  
(31) Number (32) Date (33) Country  
**29/533,922 23 Jul 2015 UNITED STATES OF AMERICA**  
(56) Related Art Documents: **Not Applicable**  
(57) Statement of Newness and Distinctiveness: **Newness and distinctiveness reside in the features of the design shown in solid lines in the representations excluding those features in broken lines.**



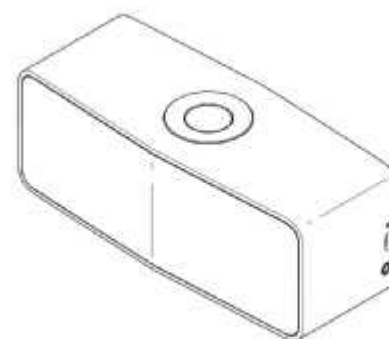
(21) Design Number: **10163/2016**  
(22) Date of Filing Application: **13 January 2016**  
(24) Date from which industrial property rights may have effect: **13 January 2016**  
(54) Product in respect of which the design is registered: **Oral care implement**  
(51) International Design Classification: **04-02**  
(74) Name(s) of Attorney(s): **FB Rice**  
(71) Name(s) and Address(s) of Applicant(s):  
**Colgate-Palmolive Company**  
**300 Park Avenue New York New York, 10022 United States of America**  
(72) Name(s) of Designer(s): **Wen Jin Xi and Robert Moskovich and Guang Sheng Guo and Stephen Nelson and Joachim Storz and Felix Mueller**  
(45) Registration Date: **27 January 2016**  
(30) Convention priority data:  
(31) Number (32) Date (33) Country  
**29/533,922 23 Jul 2015 UNITED STATES OF AMERICA**  
(56) Related Art Documents: **Not Applicable**  
(57) Statement of Newness and Distinctiveness: **Newness and distinctiveness reside in the features of the design shown in solid lines in the representations excluding those features in broken lines.**



(21) Design Number: **10165/2016**  
(22) Date of Filing Application: **13 January 2016**  
(24) Date from which industrial property rights may have effect: **13 January 2016**  
(54) Product in respect of which the design is registered: **Conveyor belt scraper blade base member**  
(51) International Design Classification: **12-05**  
(74) Name(s) of Attorney(s): **Pizzeys Patent and Trade Mark Attorneys Pty Ltd**  
(71) Name(s) and Address(s) of Applicant(s):  
**Martin Engineering Company**  
**One Martin Place Neponset IL, 61345 United States of America**  
(72) Name(s) of Designer(s): **Edwin H. Peterson and Paul B. Harrison and Rudolf Beer**  
(45) Registration Date: **27 January 2016**  
(30) Convention priority data:  
(31) Number (32) Date (33) Country  
**29/534,049 24 Jul 2015 UNITED STATES OF AMERICA**  
(56) Related Art Documents: **Not Applicable**  
(57) Statement of Newness and Distinctiveness: **Nil**



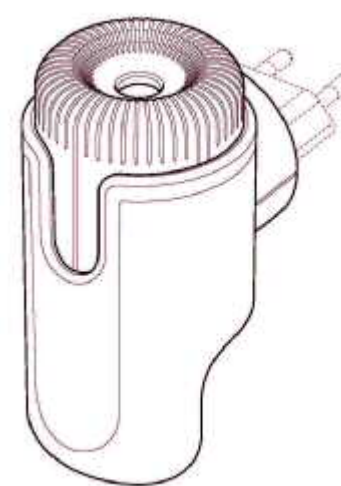
(21) Design Number: **10166/2016**  
(22) Date of Filing Application: **13 January 2016**  
(24) Date from which industrial property rights may have effect: **13 January 2016**  
(54) Product in respect of which the design is registered: **Speaker**  
(51) International Design Classification: **14-01**  
(74) Name(s) of Attorney(s): **FB Rice**  
(71) Name(s) and Address(s) of Applicant(s):  
**LG Electronics Inc.**  
**128, Yeoui-daero, Yeongdeungpo-gu Seoul 07336 Korea**  
(72) Name(s) of Designer(s): **Yunhwan Sung and Gangho Woo**  
(45) Registration Date: **27 January 2016**  
(30) Convention priority data:  
(31) Number (32) Date (33) Country  
**30-2015-0035239 14 Jul 2015 REPUBLIC OF KOREA**  
(56) Related Art Documents: **Not Applicable**  
(57) Statement of Newness and Distinctiveness: **Newness and distinctiveness reside in the features of shape and configuration of the design as shown in the representations.**



(21) Design Number: **10183/2016**  
(22) Date of Filing Application: **13 January 2016**  
(24) Date from which industrial property rights may have effect: **13 January 2016**  
(54) Product in respect of which the design is registered: **Reading glasses**  
(51) International Design Classification: **16-06**  
(74) Name(s) of Attorney(s):  
(71) Name(s) and Address(s) of Applicant(s):  
**MASTER READERS AUSTRALIA PTY LTD**  
**19 Park Rd St Leonards NSW 2065 Australia**  
(72) Name(s) of Designer(s): **Kai Wang**  
(45) Registration Date: **27 January 2016**  
(56) Related Art Documents: **Not Applicable**  
(57) Statement of Newness and Distinctiveness: **The newness and distinctiveness of this "MICHAEL" reading glasses resides in shape, colours (white, black, red, yellow, blue, green and purple), grades (+1.0, +1.5, +2.0, +2.5, +3.0) and frame structure as shown in the attachments.**



(21) Design Number: **10169/2016**  
(22) Date of Filing Application: **13 January 2016**  
(24) Date from which industrial property rights may have effect: **13 January 2016**  
(54) Product in respect of which the design is registered: **Volatile substance dispenser**  
(51) International Design Classification: **22-06**  
(74) Name(s) of Attorney(s): **Shelston IP Pty Ltd.**  
(71) Name(s) and Address(s) of Applicant(s):  
**Reckitt Benckiser (Brands) Limited**  
**103-105 Bath Road Slough Berkshire SL1 3UH United Kingdom**  
(72) Name(s) of Designer(s): **David Sanders and Chris Small**  
(45) Registration Date: **27 January 2016**  
(30) Convention priority data:  
(31) Number (32) Date (33) Country  
**002737494-0001 15 Jul 2015 OFFICE FOR HARMONISATION IN THE INTERNAL MARKET (OHIM)**  
(56) Related Art Documents: **Not Applicable**  
(57) Statement of Newness and Distinctiveness: **Newness and distinctiveness resides in the features of shape and configuration of a volatile substance dispenser as shown in solid lines in the accompanying representations. The features shown in broken lines do not form part of the design and can vary.**



(21) Design Number: **10170/2016**

(22) Date of Filing Application: **13 January 2016**

(24) Date from which industrial property rights may have effect: **13 January 2016**

(54) Product in respect of which the design is registered: **Volatile substance dispenser with refill**

(51) International Design Classification: **22-06**

(74) Name(s) of Attorney(s): **Shelston IP Pty Ltd.**

(71) Name(s) and Address(s) of Applicant(s):

**Reckitt Benckiser (Brands) Limited**  
**103-105 Bath Road Slough Berkshire SL1 3UH United Kingdom**

(72) Name(s) of Designer(s): **David Sanders and Chris Small**

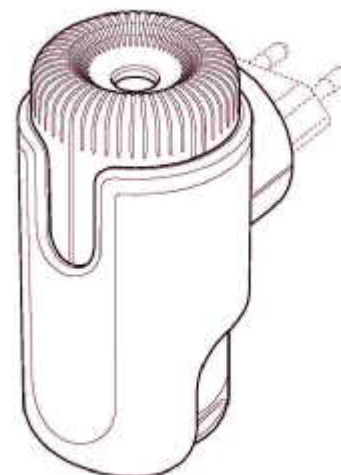
(45) Registration Date: **27 January 2016**

(30) Convention priority data:

(31) Number	(32) Date	(33) Country
<b>002737494-0002</b>	<b>15 Jul 2015</b>	<b>OFFICE FOR HARMONISATION IN THE INTERNAL MARKET (OHIM)</b>

(56) Related Art Documents: **Not Applicable**

(57) Statement of Newness and Distinctiveness: **Newness and distinctiveness resides in the features of shape and configuration of a volatile substance dispenser with refill as shown in solid lines in the accompanying representations. The features shown in broken lines do not form part of the design and can vary.**



(21) Design Number: **10171/2016**

(22) Date of Filing Application: **13 January 2016**

(24) Date from which industrial property rights may have effect: **13 January 2016**

(54) Product in respect of which the design is registered: **Outdoor unit for air-conditioner**

(51) International Design Classification: **23-04**

(74) Name(s) of Attorney(s): **Freehills Patent Attorneys**

(71) Name(s) and Address(s) of Applicant(s):

**Daikin Industries Ltd.**  
**Umeda Center Building 4-12 Nakazaki-Nishi 2-chome Kita-Ku Osaka-shi**  
**Osaka-fu, 530-8323 Japan**

(72) Name(s) of Designer(s): **Takanori Ikegaya**

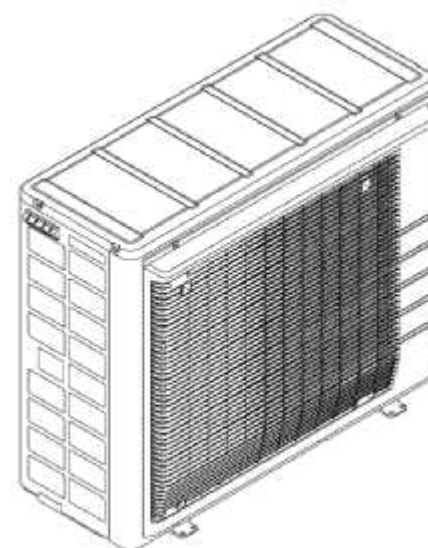
(45) Registration Date: **27 January 2016**

(30) Convention priority data:

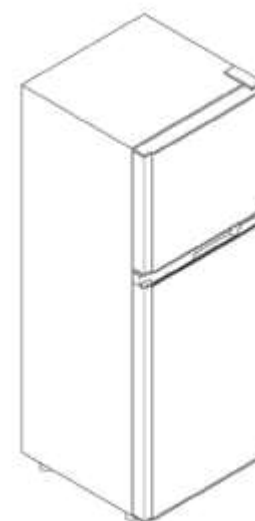
(31) Number	(32) Date	(33) Country
<b>2015-016920</b>	<b>29 Jul 2015</b>	<b>JAPAN</b>

(56) Related Art Documents: **Not Applicable**

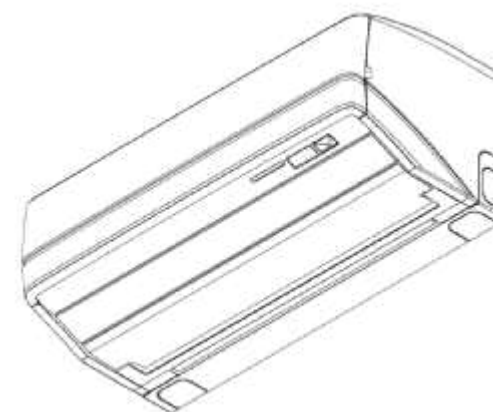
(57) Statement of Newness and Distinctiveness: **Newness and distinctiveness of the design resides in the features of shape and configuration of the outdoor unit for air-conditioner, as shown in the accompanying representations.**



(21) Design Number: **10172/2016**  
(22) Date of Filing Application: **13 January 2016**  
(24) Date from which industrial property rights may have effect: **13 January 2016**  
(54) Product in respect of which the design is registered: **1) Refrigerator 2) refrigerator cabinet**  
(51) International Design Classification: **15-07**  
(74) Name(s) of Attorney(s): **Griffith Hack**  
(71) Name(s) and Address(s) of Applicant(s):  
**MITSUBISHI ELECTRIC CORPORATION**  
**7-3 Marunouchi 2-chome Chiyoda-ku TOKYO 100-8310 Japan**  
(72) Name(s) of Designer(s): **Masaaki Hoshi and Takashi Ogawa**  
(45) Registration Date: **27 January 2016**  
(30) Convention priority data:  
(31) Number      (32) Date      (33) Country  
**2015-015604      14 Jul 2015      JAPAN**  
(56) Related Art Documents: **Not Applicable**  
(57) Statement of Newness and Distinctiveness: **The shape and configuration of the products are new and distinctive.**



(21) Design Number: **10173/2016**  
(22) Date of Filing Application: **13 January 2016**  
(24) Date from which industrial property rights may have effect: **13 January 2016**  
(54) Product in respect of which the design is registered: **Air conditioner**  
(51) International Design Classification: **23-04**  
(74) Name(s) of Attorney(s): **Freehills Patent Attorneys**  
(71) Name(s) and Address(s) of Applicant(s):  
**Daikin Industries Ltd.**  
**Umeda Center Building 4-12 Nakazaki-Nishi 2-chome Kita-Ku Osaka-shi**  
**Osaka-fu, 530-8323 Japan**  
(72) Name(s) of Designer(s): **Junichi Ikeda**  
(45) Registration Date: **27 January 2016**  
(30) Convention priority data:  
(31) Number      (32) Date      (33) Country  
**2015-016922      29 Jul 2015      JAPAN**  
(56) Related Art Documents: **Not Applicable**  
(57) Statement of Newness and Distinctiveness: **Newness and distinctiveness of the design resides in the features of shape and configuration of the air conditioner, as shown in the accompanying representations.**





- (21) Design Number: **10180/2016**  
(22) Date of Filing Application: **13 January 2016**  
(24) Date from which industrial property rights may have effect: **13 January 2016**  
(54) Product in respect of which the design is registered: **Reading glasses**  
(51) International Design Classification: **16-06**  
(74) Name(s) of Attorney(s):  
(71) Name(s) and Address(s) of Applicant(s):  
**MASTER READERS AUSTRALIA PTY LTD**  
**19 Park Rd St Leonards NSW 2065 Australia**  
(72) Name(s) of Designer(s): **Kai Wang**  
(45) Registration Date: **27 January 2016**  
(56) Related Art Documents: **Not Applicable**  
(57) Statement of Newness and Distinctiveness: **The newness and distinctiveness of this "CALSSICAL" reading glasses resides in shape, colours ( white, black, yellow, red, blue, green, and purple), grades (+1.0, +1.5, +2.0, +2.5, +3.0 ) and frame structure as shown in the attachments.**



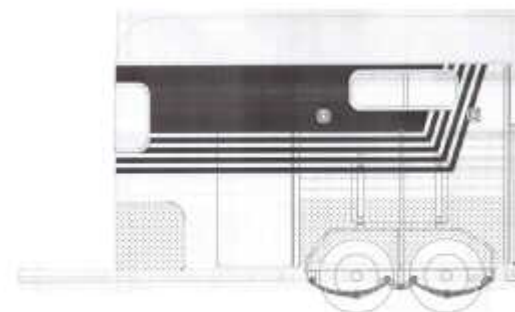
- (21) Design Number: **10181/2016**  
(22) Date of Filing Application: **13 January 2016**  
(24) Date from which industrial property rights may have effect: **13 January 2016**  
(54) Product in respect of which the design is registered: **Reading glasses**  
(51) International Design Classification: **16-06**  
(74) Name(s) of Attorney(s):  
(71) Name(s) and Address(s) of Applicant(s):  
**MASTER READERS AUSTRALIA PTY LTD**  
**19 Park Rd St Leonards NSW 2065 Australia**  
(72) Name(s) of Designer(s): **Kai Wang**  
(45) Registration Date: **27 January 2016**  
(56) Related Art Documents: **Not Applicable**  
(57) Statement of Newness and Distinctiveness: **The newness and distinctiveness of this "GRACE" reading glasses resides in shape, colours (white, black, red, yellow, blue, green and purple), grades (+1.0, +1.5, +2.0, +2.5, +3.0) and frame structure as shown in the attachments.**



- (21) Design Number: **14956/2015**  
(22) Date of Filing Application: **21 September 2015**  
(24) Date from which industrial property rights may have effect: **21 September 2015**  
(54) Product in respect of which the design is registered: **Lighter case**  
(51) International Design Classification: **27-05, 27-99**  
(74) Name(s) of Attorney(s):  
(71) Name(s) and Address(s) of Applicant(s):  
**TRIO BROTHERS TRADING PTY LTD**  
**18 Beal St Meadowbrook QLD 4131 Australia**  
(72) Name(s) of Designer(s): **Jack Qin**  
(45) Registration Date: **27 January 2016**  
(56) Related Art Documents: **Not Applicable**  
(57) Statement of Newness and Distinctiveness: **Ned Kelly Helmet novelty lighter case; 3 in 1 lighter case with a Poker and a Tamper.**



- (21) Design Number: **15929/2015**  
(22) Date of Filing Application: **07 November 2015**  
(24) Date from which industrial property rights may have effect: **07 November 2015**  
(54) Product in respect of which the design is registered: **Horse trailer.**  
(51) International Design Classification: **12-10**  
(74) Name(s) of Attorney(s):  
(71) Name(s) and Address(s) of Applicant(s):  
**GNC AUSTRALIA PTY. LTD.**  
**10/2 Derrimut Dr Derrimut VIC 3030 Australia**  
(72) Name(s) of Designer(s): **Zhifeng Gao**  
(45) Registration Date: **27 January 2016**  
(56) Related Art Documents: **Not Applicable**  
(57) Statement of Newness and Distinctiveness: **The horse trailer body design comes with two colours mixture with golden colour on top half of the trailer body and the black colour at the bottom half of the trailer body surrounding the whole trailer. The newness and distinctiveness of the design resides in the patterns and shape of the four black colour bars surrounding the trailer body, each black bar width is 43mm approximately, the four black colour bars sit in the area of golden colour of the top half of the trailer body and run across the whole horse trailer from one end of the tail gate to the other end of the tail gate of the horse float, with 120 degree obtuse angle turns in the end of each side of the tail gate and connect upward to the top of the horse trailer. (Same statement of newness and distinctiveness applied on red and grey, green and grey, purple and grey, blue and grey, etc. colour horse trailers.)**



(21) Design Number: **16050/2015**

(22) Date of Filing Application: **12 November 2015**

(24) Date from which industrial property rights may have effect: **12 November 2015**

(54) Product in respect of which the design is registered: **Monitoring station**

(51) International Design Classification: **10-04**

(74) Name(s) of Attorney(s): **Davies Collison Cave**

(71) Name(s) and Address(s) of Applicant(s):

**Chrintec, LLC**

**3333 Fischer Road Easton Pennsylvania, 18045 United States of America**

(72) Name(s) of Designer(s): **Gregory R. Chrin II**

(45) Registration Date: **27 January 2016**

(30) Convention priority data:

(31) Number

(32) Date

(33) Country

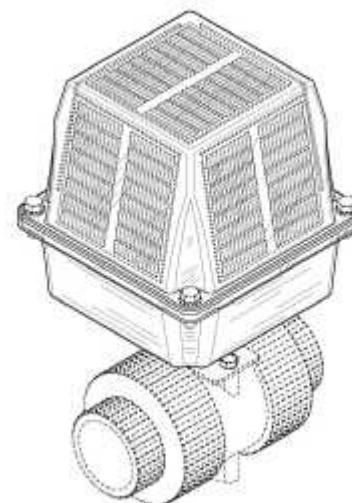
**29/537006**

**21 Aug 2015**

**UNITED STATES OF AMERICA**

(56) Related Art Documents: **Not Applicable**

(57) Statement of Newness and Distinctiveness: **Newness and distinctiveness is claimed in the visual features shown in solid lines in the representations. In considering the extent of the design rights, the broken lines shown in the representations are for illustrative purposes only and do not form part of the design.**



(21) Design Number: **16187/2015**

(22) Date of Filing Application: **17 November 2015**

(24) Date from which industrial property rights may have effect: **17 November 2015**

(54) Product in respect of which the design is registered: **Foldable bag**

(51) International Design Classification: **03-01A**

(74) Name(s) of Attorney(s): **IP Sentinels Patent and Trademark Attorneys**

(71) Name(s) and Address(s) of Applicant(s):

**Trolley Bags UK Ltd**

**21 Angel Hill Tiverton Devon EX16 6PE United Kingdom**

(72) Name(s) of Designer(s): **Joby Cronkshaw**

(45) Registration Date: **27 January 2016**

(30) Convention priority data:

(31) Number

(32) Date

(33) Country

**002703363-0001**

**19 May 2015**

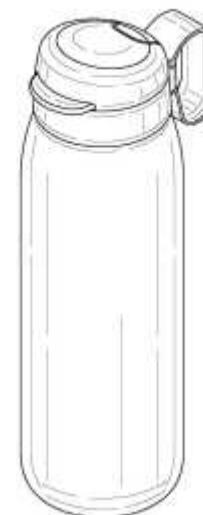
**OFFICE FOR HARMONISATION IN  
THE INTERNAL MARKET (OHIM)**

(56) Related Art Documents: **Not Applicable**

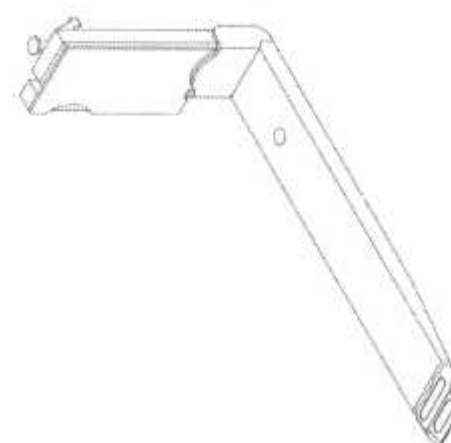
(57) Statement of Newness and Distinctiveness: **Nil**



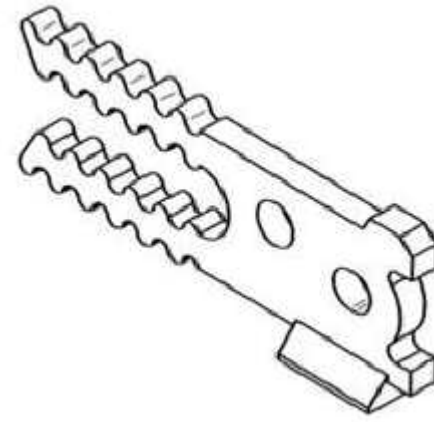
(21) Design Number: **16278/2015**  
(22) Date of Filing Application: **20 November 2015**  
(24) Date from which industrial property rights may have effect: **20 November 2015**  
(54) Product in respect of which the design is registered: **Bottle with cap and strap**  
(51) International Design Classification: **07-01F**  
(74) Name(s) of Attorney(s): **PHILLIPS ORMONDE FITZPATRICK**  
(71) Name(s) and Address(s) of Applicant(s):  
**Dart Industries Inc.**  
**14901 S. Orange Blossom Trail Orlando Florida, 32837 United States of America**  
(72) Name(s) of Designer(s): **Nathan E. Shirley and Jan-Hendrik de Groot**  
(45) Registration Date: **27 January 2016**  
(30) Convention priority data:  
(31) Number      (32) Date      (33) Country  
**29/531,058      23 Jun 2015      UNITED STATES OF AMERICA**  
(56) Related Art Documents: **Not Applicable**  
(57) Statement of Newness and Distinctiveness: **Nil**



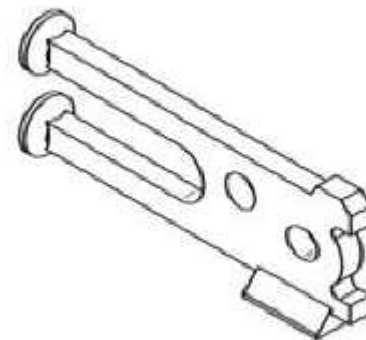
(21) Design Number: **12219/2015**  
(22) Date of Filing Application: **29 April 2015**  
(24) Date from which industrial property rights may have effect: **06 February 2015**  
(54) Product in respect of which the design is registered: **Forklift fork tip**  
(51) International Design Classification: **12-05**  
(74) Name(s) of Attorney(s): **Davies Collison Cave**  
(71) Name(s) and Address(s) of Applicant(s):  
**Cascade Corporation**  
**2201 NE 201st Ave Fairview OR, 97024-9718 United States of America**  
(72) Name(s) of Designer(s): **Lawrence E. Richards**  
(45) Registration Date: **27 January 2016**  
(30) Convention priority data:  
(31) Number      (32) Date      (33) Country  
**29/499326      13 Aug 2014      UNITED STATES OF AMERICA**  
(62) Divisional of: **361571**  
(56) Related Art Documents: **Not Applicable**  
(57) Statement of Newness and Distinctiveness: **Newness and distinctiveness is claimed in the visual features shown in solid lines in the representations. Portions of a forklift fork are shown in broken lines in the drawing views and are included merely for illustrative purposes and form no part of the claimed design. The broken lines immediately adjacent to the shaded areas of the drawing represent unclaimed boundaries of the design. The shading in the drawing views is intended to denote that the oblong outlined areas contrast visibly to the surrounding surfaces.**



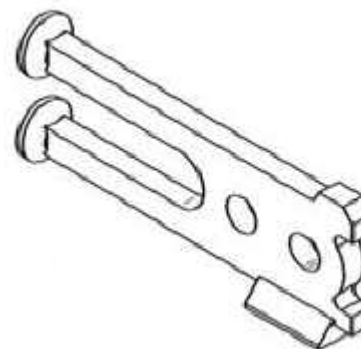
- (21) Design Number: **15359/2015**  
(22) Date of Filing Application: **12 October 2015**  
(24) Date from which industrial property rights may have effect: **12 August 2015**  
(54) Product in respect of which the design is registered: **Lifting Anchors**  
(51) International Design Classification: **12-05**  
(74) Name(s) of Attorney(s): **Callinans**  
(71) Name(s) and Address(s) of Applicant(s):  
**HILBERT INVESTMENTS PTY. LTD.**  
**U4/25-27 Olive Grove Keysborough VIC 3173 Australia**  
(72) Name(s) of Designer(s): **Mark Hilbert**  
(45) Registration Date: **27 January 2016**  
(62) Divisional of: **364756**  
(56) Related Art Documents: **Not Applicable**  
(57) Statement of Newness and Distinctiveness: **Nil**



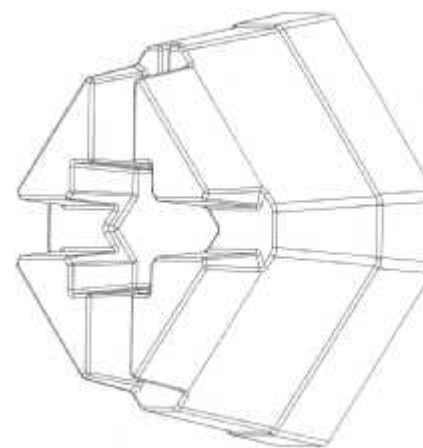
- (21) Design Number: **15361/2015**  
(22) Date of Filing Application: **12 October 2015**  
(24) Date from which industrial property rights may have effect: **12 August 2015**  
(54) Product in respect of which the design is registered: **Lifting anchors**  
(51) International Design Classification: **12-05**  
(74) Name(s) of Attorney(s): **Callinans**  
(71) Name(s) and Address(s) of Applicant(s):  
**HILBERT INVESTMENTS PTY. LTD.**  
**U4/25-27 Olive Grove Keysborough VIC 3173 Australia**  
(72) Name(s) of Designer(s): **Mark Hilbert**  
(45) Registration Date: **27 January 2016**  
(62) Divisional of: **364756**  
(56) Related Art Documents: **Not Applicable**  
(57) Statement of Newness and Distinctiveness: **Nil shape and/or configuration of a pipe fitting segment as illustrated in the accompanying representations.**



(21) Design Number: **15360/2015**  
(22) Date of Filing Application: **12 October 2015**  
(24) Date from which industrial property rights may have effect: **12 August 2015**  
(54) Product in respect of which the design is registered: **Lifting anchors**  
(51) International Design Classification: **12-05**  
(74) Name(s) of Attorney(s): **Callinans**  
(71) Name(s) and Address(s) of Applicant(s):  
**HILBERT INVESTMENTS PTY. LTD.**  
**U4/25-27 Olive Grove Keysborough VIC 3173 Australia**  
(72) Name(s) of Designer(s): **Mark Hilbert**  
(45) Registration Date: **27 January 2016**  
(62) Divisional of: **364756**  
(56) Related Art Documents: **Not Applicable**  
(57) Statement of Newness and Distinctiveness: **Nil**



(21) Design Number: **16194/2015**  
(22) Date of Filing Application: **17 November 2015**  
(24) Date from which industrial property rights may have effect: **17 November 2015**  
(54) Product in respect of which the design is registered: **A foundation block**  
(51) International Design Classification: **25-01A**  
(74) Name(s) of Attorney(s): **Fisher Adams Kelly Callinans**  
(71) Name(s) and Address(s) of Applicant(s):  
**IP Reserve Pty Ltd**  
**359 Macdonnell Rd Clontarf QLD 4019 Australia**  
(72) Name(s) of Designer(s): **Ty Hermans and Mayer Jung**  
(45) Registration Date: **27 January 2016**  
(56) Related Art Documents: **Not Applicable**  
(57) Statement of Newness and Distinctiveness: **The newness and/or distinctiveness resides in the shape and/or configuration of a block as shown in the accompanying representations.**



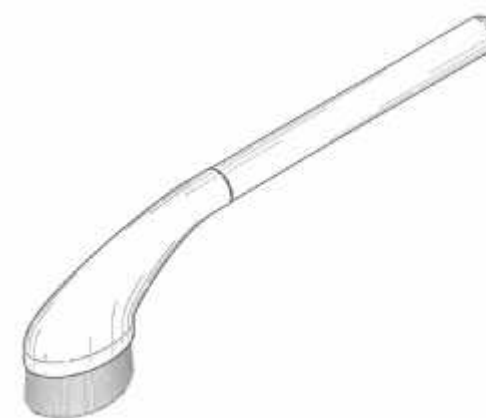
(21) Design Number: **16313/2015**  
(22) Date of Filing Application: **23 November 2015**  
(24) Date from which industrial property rights may have effect: **23 November 2015**  
(54) Product in respect of which the design is registered: **Pessary**  
(51) International Design Classification: **24-04**  
(74) Name(s) of Attorney(s): **Fisher Adams Kelly Callinans**  
(71) Name(s) and Address(s) of Applicant(s):  
**Dr. Arabin GmbH & Co. KG**  
**Alfred-Herrhausen-Strasse 44 Witten 58455 Germany**  
(72) Name(s) of Designer(s): **Birgit Arabin**  
(45) Registration Date: **27 January 2016**  
(30) Convention priority data:  
(31) Number (32) Date (33) Country  
**002704452-0001 21 May 2015 OFFICE FOR HARMONISATION IN**  
**THE INTERNAL MARKET (OHIM)**  
(56) Related Art Documents: **Not Applicable**  
(57) Statement of Newness and Distinctiveness: **Nil**



(21) Design Number: **16740/2015**  
(22) Date of Filing Application: **11 December 2015**  
(24) Date from which industrial property rights may have effect: **11 December 2015**  
(54) Product in respect of which the design is registered: **Tyre for automobile**  
(51) International Design Classification: **12-15C**  
(74) Name(s) of Attorney(s): **Davies Collison Cave**  
(71) Name(s) and Address(s) of Applicant(s):  
**Sumitomo Rubber Industries, Ltd.**  
**6-9 Wakinohama-cho 3-chome, Chuo-ku Kobe-shi Hyogo, 651-0072**  
**Japan**  
(72) Name(s) of Designer(s): **Takuya Fujisawa**  
(45) Registration Date: **27 January 2016**  
(56) Related Art Documents: **Not Applicable**  
(57) Statement of Newness and Distinctiveness: **Nil**



(21) Design Number: **16765/2015**  
(22) Date of Filing Application: **11 December 2015**  
(24) Date from which industrial property rights may have effect: **11 December 2015**  
(54) Product in respect of which the design is registered: **Cosmetic brush**  
(51) International Design Classification: **04-02**  
(74) Name(s) of Attorney(s): **Freehills Patent Attorneys**  
(71) Name(s) and Address(s) of Applicant(s):



**Artis LLC**  
**299 Pavonia Avenue Suite 2-5 Jersey City Jersey City, 07302 United States of America**

(72) Name(s) of Designer(s): **Matthew Waitesmith**

(45) Registration Date: **27 January 2016**

(30) Convention priority data:

(31) Number	(32) Date	(33) Country
<b>29/531664</b>	<b>29 Jun 2015</b>	<b>UNITED STATES OF AMERICA</b>

(56) Related Art Documents: **Not Applicable**

(57) Statement of Newness and Distinctiveness: **Newness and distinctiveness of the design resides in the features of shape and configuration of the cosmetic brush as shown in the accompanying representations.**

(21) Design Number: **16766/2015**  
(22) Date of Filing Application: **11 December 2015**  
(24) Date from which industrial property rights may have effect: **11 December 2015**  
(54) Product in respect of which the design is registered: **Thumbstick attachment for a controller**  
(51) International Design Classification: **21-01N**  
(74) Name(s) of Attorney(s): **Shelston IP Pty Ltd.**  
(71) Name(s) and Address(s) of Applicant(s):



**Microsoft Corporation**  
**One Microsoft Way Redmond Washington, 98052-5321 United States of America**

(72) Name(s) of Designer(s): **Christopher Kujawski and Kenneth Jasinski and Carl J Ledbetter**

(45) Registration Date: **27 January 2016**

(30) Convention priority data:

(31) Number	(32) Date	(33) Country
<b>29/530114</b>	<b>12 Jun 2015</b>	<b>UNITED STATES OF AMERICA</b>

(56) Related Art Documents: **Not Applicable**

(57) Statement of Newness and Distinctiveness: **Newness and distinctiveness reside in the features of shape and/or configuration of a thumbstick attachment for a controller as illustrated by solid lines in the accompanying representations. The features shown in broken outline and discontinuous lines are for contextual purposes only and do not form part of the design.**



(21) Design Number: **17075/2015**  
(22) Date of Filing Application: **23 December 2015**  
(24) Date from which industrial property rights may have effect: **23 December 2015**  
(54) Product in respect of which the design is registered: **Lighting tower**  
(51) International Design Classification: **26-03**  
(74) Name(s) of Attorney(s): **WRAYS PTY LTD**  
(71) Name(s) and Address(s) of Applicant(s):  
**Solar Lighting Towers Pty Ltd**  
**26 Northerly Lane Oakford WA 6121 Australia**  
(72) Name(s) of Designer(s): **Clinton James Edwards and Shannon Ryan**  
**Edwards and Graeme Phillip Edwards**  
(45) Registration Date: **27 January 2016**  
(56) Related Art Documents: **Not Applicable**  
(57) Statement of Newness and Distinctiveness: **Nil**



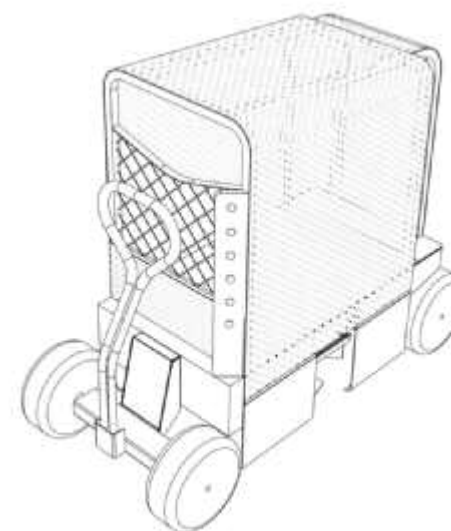
(21) Design Number: **17104/2015**  
(22) Date of Filing Application: **24 December 2015**  
(24) Date from which industrial property rights may have effect: **24 December 2015**  
(54) Product in respect of which the design is registered: **Footwear**  
(51) International Design Classification: **02-04NES**  
(74) Name(s) of Attorney(s): **WATERMARK PATENT AND TRADE MARKS**  
**ATTORNEYS**  
(71) Name(s) and Address(s) of Applicant(s):  
**Diadora Sport S.R.L.**  
**Via Montello, 80 Caerano Di San Marco 31031 Italy**  
(72) Name(s) of Designer(s): **Angelo Mason and Cristian Ardissono**  
(45) Registration Date: **27 January 2016**  
(30) Convention priority data:  
(31) Number (32) Date (33) Country  
**DM/086888 01 Jul 2015 WORLD INTELLECTUAL**  
**PROPERTY ORGANIZATION**  
**(WIPO)**  
(56) Related Art Documents: **Not Applicable**  
(57) Statement of Newness and Distinctiveness: **Newness and distinctiveness**  
**is claimed in the visual features of the footwear shown in the**  
**accompanying representations.**



- (21) Design Number: **10095/2016**  
(22) Date of Filing Application: **08 January 2016**  
(24) Date from which industrial property rights may have effect: **08 January 2016**  
(54) Product in respect of which the design is registered: **Sole for footwear**  
(51) International Design Classification: **02-04B**  
(74) Name(s) of Attorney(s): **1 Place Patent Attorneys + Solicitors**  
(71) Name(s) and Address(s) of Applicant(s):  
**Bunzl Brands & Operations Pty Limited**  
**55 Sarah Andrews Cl Erskine Park NSW 2759 Australia**  
(72) Name(s) of Designer(s): **Caleb Wegener**  
(45) Registration Date: **27 January 2016**  
(56) Related Art Documents: **Not Applicable**  
(57) Statement of Newness and Distinctiveness: **Newness and distinctiveness is claimed in the features of shape and/or configuration of a sole for footwear as illustrated in the accompanying representations**



- (21) Design Number: **10097/2016**  
(22) Date of Filing Application: **11 January 2016**  
(24) Date from which industrial property rights may have effect: **11 January 2016**  
(54) Product in respect of which the design is registered: **A launching ball machine**  
(51) International Design Classification: **21-02NES**  
(74) Name(s) of Attorney(s):  
(71) Name(s) and Address(s) of Applicant(s):  
**SDDS Corporation**  
**21 B avenue du General de Gaulle Perpignan 66000 France**  
(72) Name(s) of Designer(s): **Stephane Darmon**  
(45) Registration Date: **27 January 2016**  
(30) Convention priority data:  
(31) Number      (32) Date      (33) Country  
**WIPO45379      11 Jul 2015      WORLD INTELLECTUAL  
PROPERTY ORGANIZATION  
(WIPO)**



- (56) Related Art Documents: **Not Applicable**  
(57) Statement of Newness and Distinctiveness: **This design is to be applied to a Launching Ball Machine, and the novelty resides in the features of shape and configuration of the article as shown in the accompanying representations. The shape and configuration of the balls shown in the 'Rear Perspective View Showing Balls' in dotted lines (inside and underneath the design article) are not part of the design for which novelty is claimed.**

(21) Design Number: **10098/2016**

(22) Date of Filing Application: **11 January 2016**

(24) Date from which industrial property rights may have effect: **11 January 2016**

(54) Product in respect of which the design is registered: **Packaging bottle**

(51) International Design Classification: **09-03L**

(74) Name(s) of Attorney(s): **Spruson & Ferguson**

(71) Name(s) and Address(s) of Applicant(s):

**Wm. Wrigley Jr. Company**

**1132 West Blackhawk Street, Chicago Illinois, 60642 United States of America**

(72) Name(s) of Designer(s): **Xiaorui Xie**

(45) Registration Date: **27 January 2016**

(30) Convention priority data:

(31) Number	(32) Date	(33) Country
<b>201530243842.5</b>	<b>09 Jul 2015</b>	<b>CHINA</b>

(56) Related Art Documents: **Not Applicable**

(57) Statement of Newness and Distinctiveness: **Newness and distinctiveness is claimed in the features of shape and/or configuration of a packaging bottle as illustrated in the accompanying representations.**



(21) Design Number: **10099/2016**

(22) Date of Filing Application: **11 January 2016**

(24) Date from which industrial property rights may have effect: **11 January 2016**

(54) Product in respect of which the design is registered: **Dry pipe**

(51) International Design Classification: **27-02**

(74) Name(s) of Attorney(s):

(71) Name(s) and Address(s) of Applicant(s):

**TRIO BROTHERS TRADING PTY LTD**

**18 Beal St Meadowbrook QLD 4131 Australia**

(72) Name(s) of Designer(s): **Jack Qin**

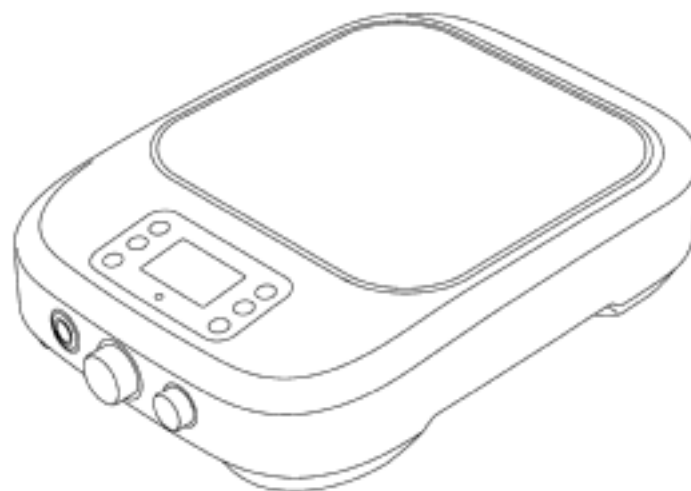
(45) Registration Date: **28 January 2016**

(56) Related Art Documents: **Not Applicable**

(57) Statement of Newness and Distinctiveness: **Tar catching smoking dry pipe, with an air ball.**



(21) Design Number: **10141/2016**  
(22) Date of Filing Application: **13 January 2016**  
(24) Date from which industrial property rights may have effect: **13 January 2016**  
(54) Product in respect of which the design is registered: **Cooktop**  
(51) International Design Classification: **07-02B**  
(74) Name(s) of Attorney(s): **Spruson & Ferguson**  
(71) Name(s) and Address(s) of Applicant(s):  
**Breville Pty Limited**  
**Ground Floor Se 2 170-180 Bourke Rd Alexandria NSW 2015 Australia**  
(72) Name(s) of Designer(s): **David Davenport**  
(45) Registration Date: **28 January 2016**  
(30) Convention priority data:  
(31) Number (32) Date (33) Country  
**29/533480 17 Jul 2015 UNITED STATES OF AMERICA**  
(56) Related Art Documents: **Not Applicable**  
(57) Statement of Newness and Distinctiveness: **Newness and distinctiveness is claimed in the features of shape and/or configuration of a cooktop as illustrated in the accompanying representations.**



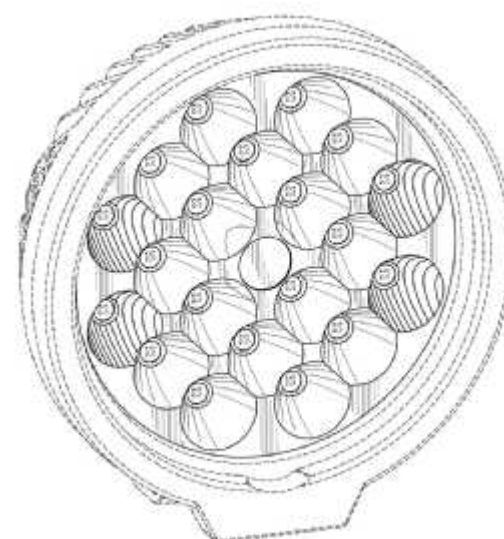
(21) Design Number: **10142/2016**  
(22) Date of Filing Application: **13 January 2016**  
(24) Date from which industrial property rights may have effect: **13 January 2016**  
(54) Product in respect of which the design is registered: **Water spray gun**  
(51) International Design Classification: **23-01D**  
(74) Name(s) of Attorney(s): **A.P.T. Patent and Trade Mark Attorneys**  
(71) Name(s) and Address(s) of Applicant(s):  
**Yu Chung Liao**  
**No. 2, Alley 494 Jhongshan N. Rd. Daya township Taichung Taiwan**  
(72) Name(s) of Designer(s): **Yu Chung Liao**  
(45) Registration Date: **28 January 2016**  
(30) Convention priority data:  
(31) Number (32) Date (33) Country  
**29/540188 22 Sep 2015 UNITED STATES OF AMERICA**  
(56) Related Art Documents: **Not Applicable**  
(57) Statement of Newness and Distinctiveness: **Nil**



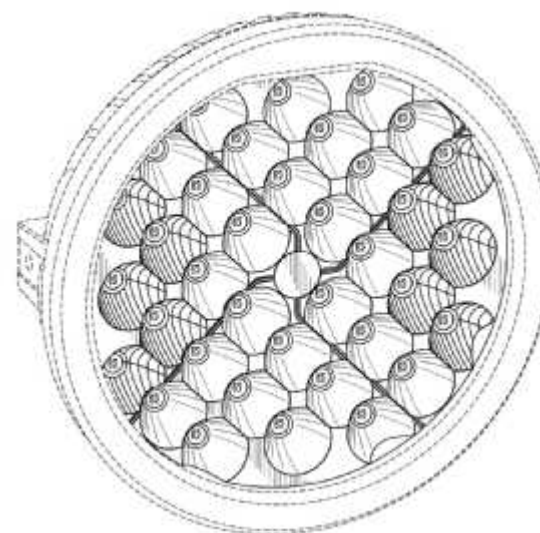
(21) Design Number: **10143/2016**  
(22) Date of Filing Application: **13 January 2016**  
(24) Date from which industrial property rights may have effect: **13 January 2016**  
(54) Product in respect of which the design is registered: **Housing for light**  
(51) International Design Classification: **26-05E**  
(74) Name(s) of Attorney(s): **Madderns**  
(71) Name(s) and Address(s) of Applicant(s):  
**Lightforce Australia Pty Ltd.**  
**11 Manton St Hindmarsh SA 5007 Australia**  
(72) Name(s) of Designer(s): **Raymond L. Dennis and Kerry Langkilde**  
(45) Registration Date: **28 January 2016**  
(30) Convention priority data:  
(31) Number (32) Date (33) Country  
**29/533,459 17 Jul 2015 UNITED STATES OF AMERICA**  
(56) Related Art Documents: **Not Applicable**  
(57) Statement of Newness and Distinctiveness: **Newness and distinctiveness resides in the shape and configuration of the HOUSING FOR LIGHT and the dashed lines form no part of the design and are included to show the environment of the design.**



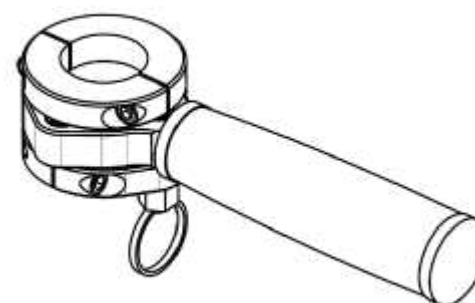
(21) Design Number: **10144/2016**  
(22) Date of Filing Application: **13 January 2016**  
(24) Date from which industrial property rights may have effect: **13 January 2016**  
(54) Product in respect of which the design is registered: **Led reflector array**  
(51) International Design Classification: **26-05E**  
(74) Name(s) of Attorney(s): **Madderns**  
(71) Name(s) and Address(s) of Applicant(s):  
**Lightforce Australia Pty Ltd.**  
**11 Manton St Hindmarsh SA 5007 Australia**  
(72) Name(s) of Designer(s): **Raymond L. Dennis and Kerry Langkilde**  
(45) Registration Date: **28 January 2016**  
(30) Convention priority data:  
(31) Number (32) Date (33) Country  
**29/533,461 17 Jul 2015 UNITED STATES OF AMERICA**  
(56) Related Art Documents: **Not Applicable**  
(57) Statement of Newness and Distinctiveness: **Newness and distinctiveness resides in the shape and configuration of the LED REFLECTOR ARRAY and the dashed lines form no part of the design and are included to show the environment of the design.**



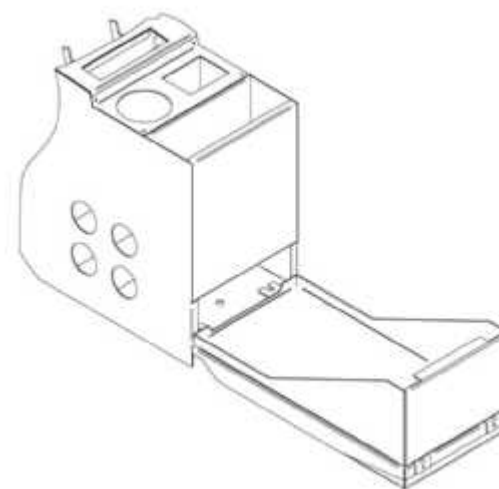
- (21) Design Number: **10145/2016**  
(22) Date of Filing Application: **13 January 2016**  
(24) Date from which industrial property rights may have effect: **13 January 2016**  
(54) Product in respect of which the design is registered: **Led reflector array**  
(51) International Design Classification: **26-05E**  
(74) Name(s) of Attorney(s): **Madderns**  
(71) Name(s) and Address(s) of Applicant(s):  
**Lightforce Australia Pty Ltd.**  
**11 Manton St Hindmarsh SA 5007 Australia**  
(72) Name(s) of Designer(s): **Raymond L. Dennis and Kerry Langkilde**  
(45) Registration Date: **28 January 2016**  
(30) Convention priority data:  
(31) Number (32) Date (33) Country  
**29/533,469 17 Jul 2015 UNITED STATES OF AMERICA**  
(56) Related Art Documents: **Not Applicable**  
(57) Statement of Newness and Distinctiveness: **Newness and distinctiveness resides in the shape and configuration of the LED REFLECTOR ARRAY and the dashed lines form no part of the design and are included to show the environment of the design.**



- (21) Design Number: **10146/2016**  
(22) Date of Filing Application: **13 January 2016**  
(24) Date from which industrial property rights may have effect: **13 January 2016**  
(54) Product in respect of which the design is registered: **Handle**  
(51) International Design Classification: **08-06**  
(74) Name(s) of Attorney(s): **Spruson & Ferguson**  
(71) Name(s) and Address(s) of Applicant(s):  
**Byron Group Holdings Pty Ltd**  
**45 Britton St Smithfield NSW 2164 Australia**  
(72) Name(s) of Designer(s): **Rohan Gray**  
(45) Registration Date: **28 January 2016**  
(56) Related Art Documents: **Not Applicable**  
(57) Statement of Newness and Distinctiveness: **Newness and distinctiveness is claimed in the features of shape and/or configuration of a handle as illustrated in the accompanying representations.**



- (21) Design Number: **10147/2016**  
(22) Date of Filing Application: **13 January 2016**  
(24) Date from which industrial property rights may have effect: **13 January 2016**  
(54) Product in respect of which the design is registered: **Console**  
(51) International Design Classification: **14-02, 24-01**  
(74) Name(s) of Attorney(s): **Spruson & Ferguson**  
(71) Name(s) and Address(s) of Applicant(s):  
**Byron Group Holdings Pty Ltd**  
**45 Britton St Smithfield NSW 2164 Australia**  
(72) Name(s) of Designer(s): **Rohan Gray**  
(45) Registration Date: **28 January 2016**  
(56) Related Art Documents: **Not Applicable**  
(57) Statement of Newness and Distinctiveness: **Newness and distinctiveness is claimed in the features of shape and/or configuration of a console as illustrated in the accompanying representations.**



- (21) Design Number: **10185/2016**  
(22) Date of Filing Application: **14 January 2016**  
(24) Date from which industrial property rights may have effect: **14 January 2016**  
(54) Product in respect of which the design is registered: **Reading glasses**  
(51) International Design Classification: **16-06**  
(74) Name(s) of Attorney(s):  
(71) Name(s) and Address(s) of Applicant(s):  
**MASTER READERS AUSTRALIA PTY LTD**  
**19 Park Rd St Leonards NSW 2065 Australia**  
(72) Name(s) of Designer(s): **Kai Wang**  
(45) Registration Date: **28 January 2016**  
(56) Related Art Documents: **Not Applicable**  
(57) Statement of Newness and Distinctiveness: **The newness and distinctiveness of this "STYLE" reading glasses resides in shape, colours (white, black, red, yellow, blue, green and purple), grades (+1.0, +1.5, +2.0, +2.5, +3.0) and frame structure as shown in the**



(21) Design Number: **10187/2016**  
(22) Date of Filing Application: **14 January 2016**  
(24) Date from which industrial property rights may have effect: **14 January 2016**  
(54) Product in respect of which the design is registered: **A work glove with impact protection on back.**  
(51) International Design Classification: **02-06**  
(74) Name(s) of Attorney(s):  
(71) Name(s) and Address(s) of Applicant(s):  
**Granberg AS**  
**Bjoavegen 1442 5584 Bjoa Norway**  
(72) Name(s) of Designer(s): **Virginijus Urbelis**  
(45) Registration Date: **28 January 2016**  
(56) Related Art Documents: **Not Applicable**  
(57) Statement of Newness and Distinctiveness: **A dynamic tension and distinct sportiness characterise the look of these gloves. The materials unite protection and comfort.**

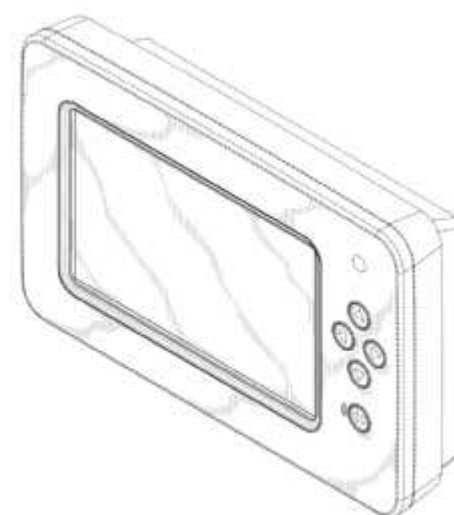


(21) Design Number: **10190/2016**  
(22) Date of Filing Application: **14 January 2016**  
(24) Date from which industrial property rights may have effect: **14 January 2016**  
(54) Product in respect of which the design is registered: **Electronic device including user interface**  
(51) International Design Classification: **14-02**  
(74) Name(s) of Attorney(s): **Griffith Hack**  
(71) Name(s) and Address(s) of Applicant(s):  
**Crown Equipment Corporation**  
**40 S. Washington Street New Bremen Ohio, 45869 United States of America**  
(72) Name(s) of Designer(s): **Gregg E. Hillman and Steven R. Pulskamp and Adam M. Ruppert**  
(45) Registration Date: **28 January 2016**  
(30) Convention priority data:  
(31) Number      (32) Date      (33) Country  
**29/533,497      17 Jul 2015      UNITED STATES OF AMERICA**  
(56) Related Art Documents: **Not Applicable**  
(57) Statement of Newness and Distinctiveness: **Newness and distinctiveness resides in the visual features, including the shape and configuration of the product as shown by means of solid lines in the representations. The shading lines shown in figures 1 and 2 do not form part of the design.**

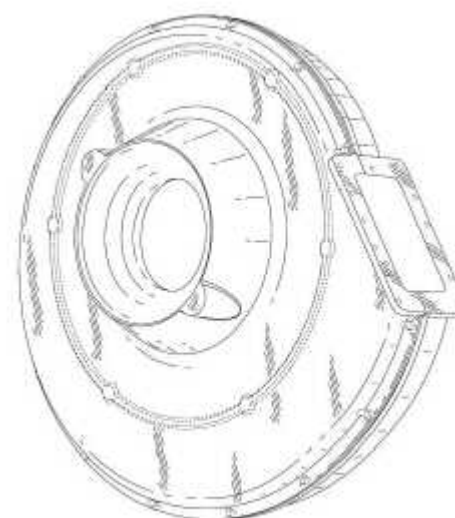




(21) Design Number: **10191/2016**  
(22) Date of Filing Application: **14 January 2016**  
(24) Date from which industrial property rights may have effect: **14 January 2016**  
(54) Product in respect of which the design is registered: **Electronic device including user interface**  
(51) International Design Classification: **14-02**  
(74) Name(s) of Attorney(s): **Griffith Hack**  
(71) Name(s) and Address(s) of Applicant(s):  
**Crown Equipment Corporation**  
**40 S. Washington Street New Bremen Ohio, 45869 United States of America**  
(72) Name(s) of Designer(s): **Gregg E. Hillman and Steven R. Pulskamp and Adam M. Ruppert**  
(45) Registration Date: **28 January 2016**  
(30) Convention priority data:  
(31) Number (32) Date (33) Country  
**29/533,489 17 Jul 2015 UNITED STATES OF AMERICA**  
(56) Related Art Documents: **Not Applicable**  
(57) Statement of Newness and Distinctiveness: **Newness and distinctiveness resides in the visual features, including the shape and configuration of the product as shown by means of solid lines in the representations. The shading lines shown in figures 1 and 2 do not form part of the design.**



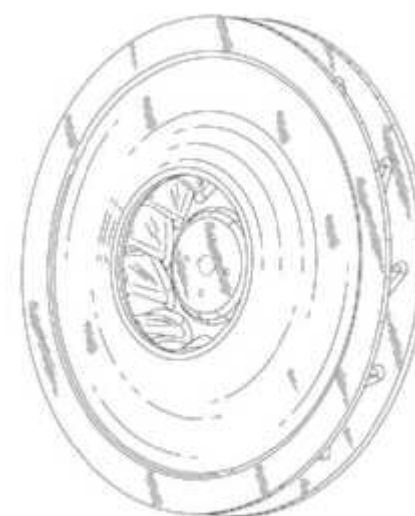
(21) Design Number: **10193/2016**  
(22) Date of Filing Application: **14 January 2016**  
(24) Date from which industrial property rights may have effect: **14 January 2016**  
(54) Product in respect of which the design is registered: **Centrifugal fan housing**  
(51) International Design Classification: **23-04**  
(74) Name(s) of Attorney(s): **Davies Collison Cave**  
(71) Name(s) and Address(s) of Applicant(s):  
**Deere & Company**  
**One John Deere Place Moline IL 61265 United States of America**  
(72) Name(s) of Designer(s): **Dale H. Killen and Ling Z. Zeng and Garrett M. Stroot and Peter R. Nedved and Robert L. Day and Randall A. Maro**  
(45) Registration Date: **28 January 2016**  
(30) Convention priority data:  
(31) Number (32) Date (33) Country  
**29/533672 21 Jul 2015 UNITED STATES OF AMERICA**  
(56) Related Art Documents: **Not Applicable**  
(57) Statement of Newness and Distinctiveness: **Newness and distinctiveness is claimed in the visual features shown in solid lines in the representations. In considering the extent of the design rights, the broken lines shown in the representations are for illustrative purposes only and do not form part of the design.**



- (21) Design Number: **10194/2016**  
(22) Date of Filing Application: **14 January 2016**  
(24) Date from which industrial property rights may have effect: **14 January 2016**  
(54) Product in respect of which the design is registered: **Centrifugal fan impeller**  
(51) International Design Classification: **23-04**  
(74) Name(s) of Attorney(s): **Davies Collison Cave**  
(71) Name(s) and Address(s) of Applicant(s):

**Deere & Company**  
**One John Deere Place Moline IL 61265 United States of America**

- (72) Name(s) of Designer(s): **Dale H. Killen and Ling Z. Zeng and Garrett M. Stroot and Peter R. Nedved and Robert L. Day and Randall A. Maro**  
(45) Registration Date: **28 January 2016**  
(30) Convention priority data:
- |                  |                    |                                 |
|------------------|--------------------|---------------------------------|
| (31) Number      | (32) Date          | (33) Country                    |
| <b>29/533726</b> | <b>21 Jul 2015</b> | <b>UNITED STATES OF AMERICA</b> |

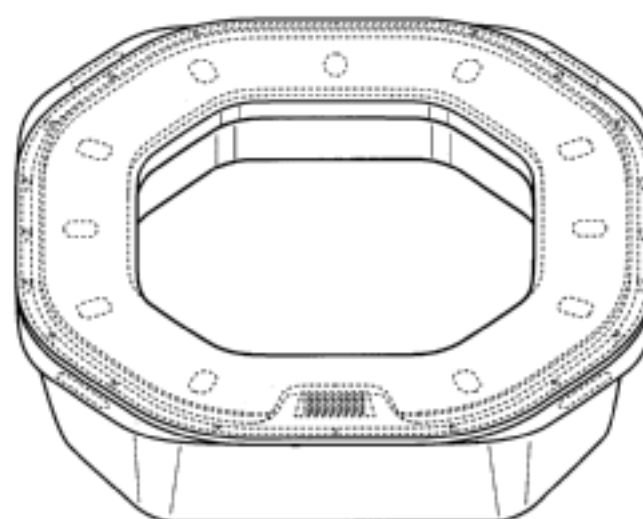


- (56) Related Art Documents: **Not Applicable**  
(57) Statement of Newness and Distinctiveness: **Newness and distinctiveness is claimed in the visual features shown in solid lines in the representations. In considering the extent of the design rights, the broken lines shown in the representations are for illustrative purposes only and do not form part of the design.**

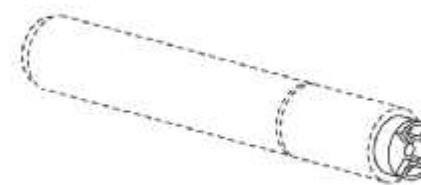
- (21) Design Number: **15958/2015**  
(22) Date of Filing Application: **09 November 2015**  
(24) Date from which industrial property rights may have effect: **25 August 2015**  
(54) Product in respect of which the design is registered: **Diaper pail cassette**  
(51) International Design Classification: **23-02NES**  
(74) Name(s) of Attorney(s): **Davies Collison Cave**  
(71) Name(s) and Address(s) of Applicant(s):

**International Refills Company Ltd.**  
**1 Hythe Gardens Welches Christ Church Barbados**

- (72) Name(s) of Designer(s): **Michel Morand**  
(45) Registration Date: **28 January 2016**  
(62) Divisional of: **365295**  
(56) Related Art Documents: **Not Applicable**  
(57) Statement of Newness and Distinctiveness: **Newness and distinctiveness is claimed in the visual features shown in solid lines in the representations. A diaper pail cassette which has an octagonal shape and in the flanges extending from the sides of the cassette.**

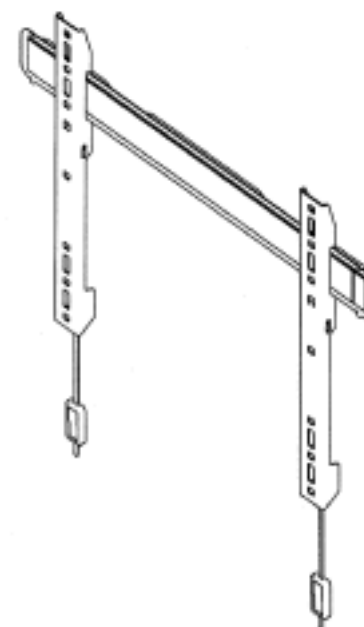


(21) Design Number: **15972/2015**  
(22) Date of Filing Application: **10 November 2015**  
(24) Date from which industrial property rights may have effect: **10 November 2015**  
(54) Product in respect of which the design is registered: **Electronic cigarette**  
(51) International Design Classification: **27-99**  
(74) Name(s) of Attorney(s): **Fisher Adams Kelly Callinans**  
(71) Name(s) and Address(s) of Applicant(s):  
**PHILIP MORRIS PRODUCTS S.A.**  
**Quai Jeanrenaud 3 Neuchatel 2000 Switzerland**  
(72) Name(s) of Designer(s): **Yonghai Li and Yonglu Guo**  
(45) Registration Date: **28 January 2016**  
(30) Convention priority data:  
(31) Number (32) Date (33) Country  
**4040940 13 May 2015 UNITED KINGDOM**

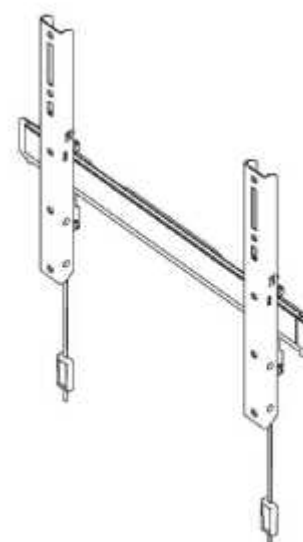


(56) Related Art Documents: **Not Applicable**  
(57) Statement of Newness and Distinctiveness: **Newness and distinctiveness are provided by the shape and/or configuration of the design shown in the representations. The features shown in broken lines in the representations are for illustrative purposes only and should not be considered when construing visual features of the design.**

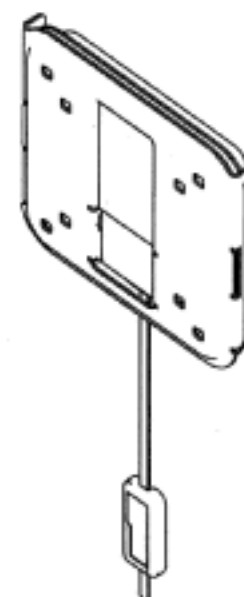
(21) Design Number: **16402/2015**  
(22) Date of Filing Application: **26 November 2015**  
(24) Date from which industrial property rights may have effect: **26 November 2015**  
(54) Product in respect of which the design is registered: **Wall mounts for audiovisual apparatus**  
(51) International Design Classification: **14-99**  
(74) Name(s) of Attorney(s): **K&L Gates**  
(71) Name(s) and Address(s) of Applicant(s):  
**Vogel's Holding B.V.**  
**Hondsruglaan 93 Eindhoven 5628 DB The Netherlands**  
(72) Name(s) of Designer(s): **Robin Bergmans and Danny Sijkens**  
(45) Registration Date: **28 January 2016**  
(30) Convention priority data:  
(31) Number (32) Date (33) Country  
**002706994-0001 26 May 2015 EUROPEAN PATENT OFFICE (EPO)**



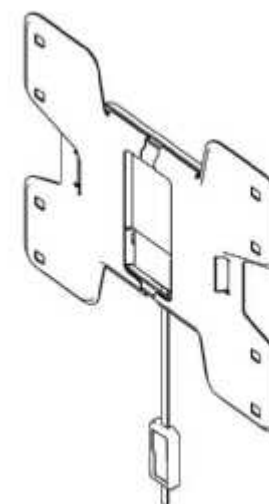
(21) Design Number: **10234/2016**  
(22) Date of Filing Application: **26 November 2015**  
(24) Date from which industrial property rights may have effect: **26 November 2015**  
(54) Product in respect of which the design is registered: **Wall mounts for audiovisual apparatus**  
(51) International Design Classification: **14-99**  
(74) Name(s) of Attorney(s): **K&L Gates**  
(71) Name(s) and Address(s) of Applicant(s):  
**Vogel's Holding B.V**  
**Hondsruglaan 93 Eindhoven 5628 DB The Netherlands**  
(72) Name(s) of Designer(s): **Robin Bergmans and Danny Sijkens**  
(45) Registration Date: **28 January 2016**  
(30) Convention priority data:  
(31) Number (32) Date (33) Country  
**002706994-0002 26 May 2015 EUROPEAN PATENT OFFICE (EPO)**  
(56) Related Art Documents: **Not Applicable**  
(57) Statement of Newness and Distinctiveness: **Nil**



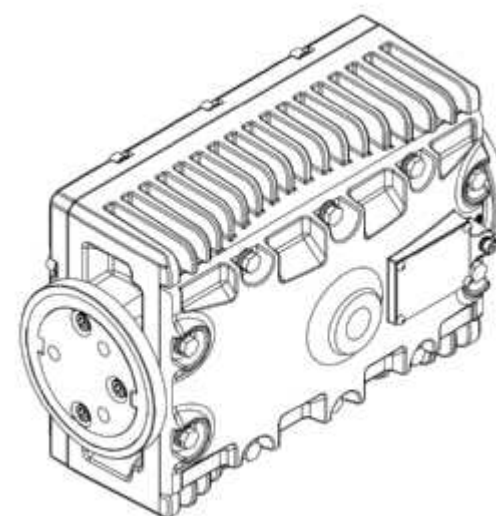
(21) Design Number: **16403/2015**  
(22) Date of Filing Application: **26 November 2015**  
(24) Date from which industrial property rights may have effect: **26 November 2015**  
(54) Product in respect of which the design is registered: **Wall mounts for audiovisual apparatus**  
(51) International Design Classification: **14-99**  
(74) Name(s) of Attorney(s): **K&L Gates**  
(71) Name(s) and Address(s) of Applicant(s):  
**Vogel's Holding B.V.**  
**Hondsruglaan 93 Eindhoven 5628 DB The Netherlands**  
(72) Name(s) of Designer(s): **Robin Bergmans and Danny Sijkens**  
(45) Registration Date: **28 January 2016**  
(30) Convention priority data:  
(31) Number (32) Date (33) Country  
**002707018-0001 26 May 2015 EUROPEAN PATENT OFFICE (EPO)**  
(56) Related Art Documents: **Not Applicable**  
(57) Statement of Newness and Distinctiveness: **Nil**



(21) Design Number: **10235/2016**  
(22) Date of Filing Application: **26 November 2015**  
(24) Date from which industrial property rights may have effect: **26 November 2015**  
(54) Product in respect of which the design is registered: **Wall mounts for audiovisual apparatus**  
(51) International Design Classification: **14-99**  
(74) Name(s) of Attorney(s): **K&L Gates**  
(71) Name(s) and Address(s) of Applicant(s):  
**Vogel's Holding B.V.**  
**Hondsruglaan 93 Eindhoven 5628 DB The Netherlands**  
(72) Name(s) of Designer(s): **Danny Sijkens and Robin Bergmans**  
(45) Registration Date: **28 January 2016**  
(30) Convention priority data:  
(31) Number (32) Date (33) Country  
**002707018-0002 26 May 2015 EUROPEAN PATENT OFFICE (EPO)**  
(56) Related Art Documents: **Not Applicable**  
(57) Statement of Newness and Distinctiveness: **Nil**



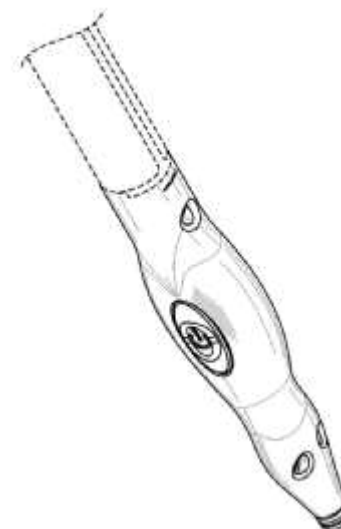
(21) Design Number: **10197/2016**  
(22) Date of Filing Application: **14 January 2016**  
(24) Date from which industrial property rights may have effect: **14 January 2016**  
(54) Product in respect of which the design is registered: **Anti-explosive lamp**  
(51) International Design Classification: **26-04**  
(74) Name(s) of Attorney(s): **Acacia Law**  
(71) Name(s) and Address(s) of Applicant(s):  
**VISION X ASIA CO., LTD.**  
**23-7, Dongtansandan 9-gil Dongtan-myeon Hwaseong-si Gyeonggi-do**  
**18487 Republic of Korea**  
**IN-HONG KO**  
**No. A-2803, Daelim Acrovill 13, Eonju-ro 30-gil Gangnam-ku Seoul 06292**  
**Korea**  
(72) Name(s) of Designer(s): **IN-HONG KO**  
(45) Registration Date: **28 January 2016**  
(30) Convention priority data:  
(31) Number (32) Date (33) Country  
**30-2015-0037558 24 Jul 2015 REPUBLIC OF KOREA**  
(56) Related Art Documents: **Not Applicable**  
(57) Statement of Newness and Distinctiveness: **Novelty lies in the combination of shape and configuration of a body and lens cover for an anti-explosive lamp. Anything drawn in dashed lines is not intended to be part of the design and is for context and reference purposes only.**



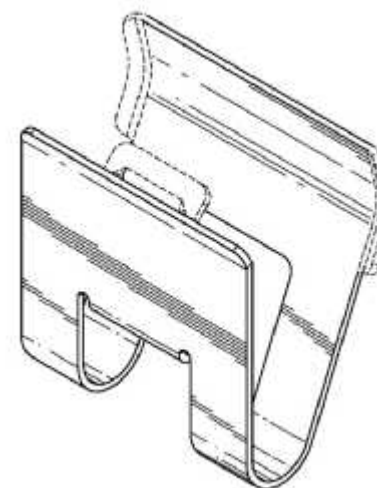
(21) Design Number: **10203/2016**  
(22) Date of Filing Application: **14 January 2016**  
(24) Date from which industrial property rights may have effect: **14 January 2016**  
(54) Product in respect of which the design is registered: **Dental appliance**  
(51) International Design Classification: **24-01**  
(74) Name(s) of Attorney(s): **WALSH & ASSOCIATES**  
(71) Name(s) and Address(s) of Applicant(s):  
**DAVID PENN CONSULTING PTY LTD**  
**100 Wolseley Rd Point Piper NSW 2027 Australia**  
(72) Name(s) of Designer(s): **David Penn**  
(45) Registration Date: **28 January 2016**  
(56) Related Art Documents: **Not Applicable**  
(57) Statement of Newness and Distinctiveness: **NEWNESS AND DISTINCTIVENESS IS CLAIMED IN THE SHAPE AND CONFIGURATION OF THE DENTAL APPLIANCE AS DEPICTED IN THE ACCOMPANYING ILLUSTRATIONS**



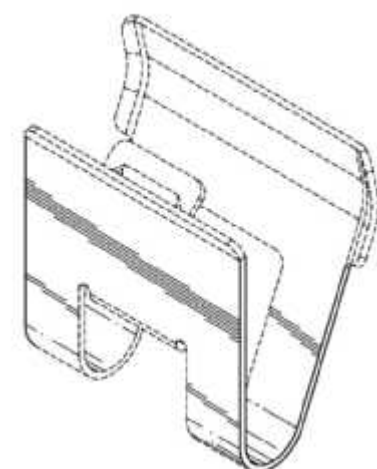
(21) Design Number: **10205/2016**  
(22) Date of Filing Application: **15 January 2016**  
(24) Date from which industrial property rights may have effect: **15 January 2016**  
(54) Product in respect of which the design is registered: **Surgical instrument handle**  
(51) International Design Classification: **24-02**  
(74) Name(s) of Attorney(s): **PHILLIPS ORMONDE FITZPATRICK**  
(71) Name(s) and Address(s) of Applicant(s):  
**Physcient, Inc.**  
**112 S. Duke Street Durham North Carolina, 27701 United States of America**  
(72) Name(s) of Designer(s): **Charles Anthony Pell and Hugh Charles Crenshaw and Eric Torr Espenhahn and Ryan Moody**  
(45) Registration Date: **28 January 2016**  
(30) Convention priority data:  
(31) Number      (32) Date      (33) Country  
**29/533,500      17 Jul 2015      UNITED STATES OF AMERICA**  
(56) Related Art Documents: **Not Applicable**  
(57) Statement of Newness and Distinctiveness: **Those features of the surgical instrument handle depicted in the representations that are new and distinctive are the shape and/or configuration. The features shown in broken lines are not part of the design and are to be disregarded when considering the overall impression of the design.**



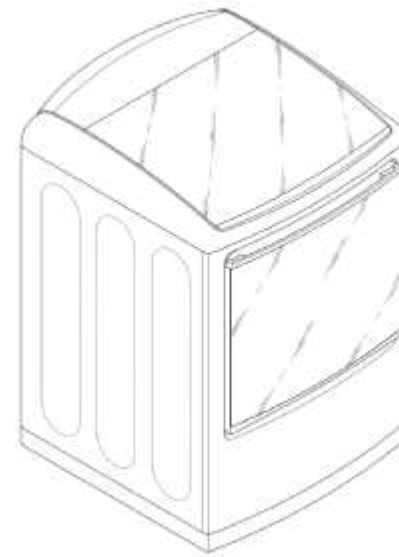
- (21) Design Number: **10207/2016**  
(22) Date of Filing Application: **15 January 2016**  
(24) Date from which industrial property rights may have effect: **15 January 2016**  
(54) Product in respect of which the design is registered: **Prelock prevention device for use with a web retractor**  
(51) International Design Classification: **08-07**  
(74) Name(s) of Attorney(s): **Spruson & Ferguson**  
(71) Name(s) and Address(s) of Applicant(s):  
**Shield Restraint Systems, Inc.**  
**3802 Gallatin Way, Elkhart Indiana, 46514 United States of America**  
(72) Name(s) of Designer(s): **John Clark**  
(45) Registration Date: **28 January 2016**  
(30) Convention priority data:  
(31) Number      (32) Date      (33) Country  
**29/533525      17 Jul 2015      UNITED STATES OF AMERICA**  
(56) Related Art Documents: **Not Applicable**  
(57) Statement of Newness and Distinctiveness: **Newness and distinctiveness is claimed in the features of shape and/or configuration of a prelock prevention device for use with a web retractor as illustrated in continuous lines in the accompanying representations.**



- (21) Design Number: **10210/2016**  
(22) Date of Filing Application: **15 January 2016**  
(24) Date from which industrial property rights may have effect: **15 January 2016**  
(54) Product in respect of which the design is registered: **Prelock prevention device for use with a web retractor**  
(51) International Design Classification: **08-07**  
(74) Name(s) of Attorney(s): **Spruson & Ferguson**  
(71) Name(s) and Address(s) of Applicant(s):  
**Shield Restraint Systems, Inc.**  
**3802 Gallatin Way, Elkhart Indiana, 46514 United States of America**  
(72) Name(s) of Designer(s): **John Clark**  
(45) Registration Date: **28 January 2016**  
(30) Convention priority data:  
(31) Number      (32) Date      (33) Country  
**29/533525      17 Jul 2015      UNITED STATES OF AMERICA**  
(56) Related Art Documents: **Not Applicable**  
(57) Statement of Newness and Distinctiveness: **Newness and distinctiveness is claimed in the features of shape and/or configuration of a prelock prevention device for use with a web retractor as illustrated in continuous lines in the accompanying representations.**



- (21) Design Number: **10213/2016**  
(22) Date of Filing Application: **15 January 2016**  
(24) Date from which industrial property rights may have effect: **15 January 2016**  
(54) Product in respect of which the design is registered: **Laundry dryer**  
(51) International Design Classification: **15-05**  
(74) Name(s) of Attorney(s): **FB Rice**  
(71) Name(s) and Address(s) of Applicant(s):  
**LG Electronics Inc.**  
**128, Yeoui-daero, Yeongdeungpo-gu, Seoul 150-721 Republic of Korea**  
(72) Name(s) of Designer(s): **Hoil Jeon and Yeji Um and Hyerim An and Jaemyung Lim and Jeaseok Seong**  
(45) Registration Date: **28 January 2016**  
(30) Convention priority data:  
(31) Number (32) Date (33) Country  
**30-2015-0035691 15 Jul 2015 REPUBLIC OF KOREA**  
(56) Related Art Documents: **Not Applicable**  
(57) Statement of Newness and Distinctiveness: **Newness and distinctiveness reside in the features of shape and configuration of the design as shown in solid lines in the representations excluding those features shown in broken lines.**



- (21) Design Number: **10216/2016**  
(22) Date of Filing Application: **15 January 2016**  
(24) Date from which industrial property rights may have effect: **15 January 2016**  
(54) Product in respect of which the design is registered: **Water purifier**  
(51) International Design Classification: **23-01G**  
(74) Name(s) of Attorney(s):  
(71) Name(s) and Address(s) of Applicant(s):  
**D.J Woodrow**  
**42 Baanya St Wurtulla QLD 4575 Australia**  
**N.R Woodrow**  
**42 Baanya St Wurtulla QLD 4575 Australia**  
(72) Name(s) of Designer(s): **Neville Woodrow**  
(45) Registration Date: **28 January 2016**  
(56) Related Art Documents: **Not Applicable**  
(57) Statement of Newness and Distinctiveness: **A portable 12 volt specific reverse osmosis water purifier.**





(21) Design Number: **10217/2016**

(22) Date of Filing Application: **15 January 2016**

(24) Date from which industrial property rights may have effect: **15 January 2016**

(54) Product in respect of which the design is registered: **Motorcycle**

(51) International Design Classification: **09-03NES**

(74) Name(s) of Attorney(s): **WATERMARK PATENT AND TRADE MARKS ATTORNEYS**

(71) Name(s) and Address(s) of Applicant(s):

**Zhejiang CFMOTO Power Co., Ltd  
No. 116, Wuzhou Road Yuhang Economic Development Zone Hangzhou  
Zhejiang, 311100 China**

(72) Name(s) of Designer(s): **Minjie Lai and Zhangping Yuan and Changwei Wang and Zhiyong Chen and Mingyue Zhou and Chao Wang and Hao Jiang**

(45) Registration Date: **28 January 2016**

(30) Convention priority data:

(31) Number	(32) Date	(33) Country
<b>201530566458.9</b>	<b>30 Dec 2015</b>	<b>CHINA</b>

(56) Related Art Documents: **Not Applicable**

(57) Statement of Newness and Distinctiveness: **Newness and distinctiveness resides in the visual features of shape and/or configuration of a motorcycle as shown in the accompanying representations.**

