



**Australian Government**

---

**IP Australia**

**AUSTRALIAN OFFICIAL JOURNAL**

**OF**

**DESIGNS**

Did you know a searchable version of this journal is now available online?

It's FREE and EASY to SEARCH.

Find it on our website ([www.ipaustralia.gov.au](http://www.ipaustralia.gov.au))

by using the "Journals" link on the home page.

This Page Left Intentionally Blank

**Contents**

**General Information & Notices**

**Proceedings Under the Designs Act 1906 preserved as a result of the provisions of Chapter 12  
Part 2 of the Designs Act 2003**

**Registrations Ceased ..... 590**

**Proceedings Under the Designs Act 2003**

**Applications Lapsed ..... 602**

**Applications Lodged ..... 594**

**Applications Withdrawn ..... 602**

**Certificate of Examination ..... 605**

**Extension of Period of Registration of Design ..... 603**

**Extension of Time Granted Under Section 137 ..... 604**

**Publication and Registration Proceedings**

**Designs Registered 366814 to 367103..... 606**

**Registrations Ceased ..... 603**

This Page Left Intentionally Blank

For information on the following please see our website [www.ipaustralia.gov.au](http://www.ipaustralia.gov.au) or contact our Customer Service Network on 1300651010

[Editorial enquiries](#)

[Contact information](#)

[Freedom of Information ACT](#)

[Professional Standards Board](#)

[Sales](#)

[Requests for Information under Section 194 \(c\)](#)

[Country Codes](#)

[Trade Mark and Designs Hearing Sessions](#)

[INID \(Internationally agreed Numbers for the Identification of Data\)](#)

## “INID” NUMBERS in use on Australian Design Documents

“INID” is an acronym for “Internationally agreed Numbers for the Identification of Data”.

### (10) Data concerning the registration/renewal

- (11) Serial number of the registration and/or number of the design document
- (12) Plain language designation of the kind of published document
- (19) Identification, using the two-letter code according to WIPO Standard ST.3, of the authority publishing or registering the industrial design

### (20) Data concerning the application

- (21) Serial number of the application
- (22) Date of filing of the application
- (24) Date from which the industrial design right has effect

### (30) Data relating to priority under the Paris Convention

- (31) Serial number assigned to the priority application
- (32) Date of filing of the priority application
- (33) Two-letter code, according to WIPO Standard ST.3, identifying the authority with which the priority application was made

### (40) Date(s) of making information available to the public

- (45) Date of publication of the registered industrial design by printing or similar process, or making it available to the public by any other means

### (50) Miscellaneous Information

- (51) International Classification for Industrial Designs (class and subclass of the Locarno Classification)
- (54) Designation of article(s) or product(s) covered by the industrial design or title of the industrial design
- (55) Reproduction of the industrial design (e.g., drawing, photograph) and explanations relating to the reproduction
- (56) List of prior art documents, if separate from descriptive text
- (57) Description of characteristic features of the industrial design including indication of colours

### (60) References to other legally related application(s) and registration(s)

- (62) Serial number(s) and, if available, filing date(s) of application(s), registration(s) or document(s) related by division
- (66) Serial number(s) of the application, or the registration, of the design(s) which is (are) a variant(s) of the present one

### (70) Identification of parties concerned with the application or registration

- (71) Name(s) and address(es) of the applicant(s)
- (72) Name(s) of the creator(s) if known to be such
- (74) Name(s) and address(es) of the representative(s)

This Page Left Intentionally Blank

**Nil notices for this journal issue.**

**Proceedings under the Designs Act 1906 preserved as a result of the provisions of Chapter 12 Part 2 of the Designs Act 2003.**



This Page Left Intentionally Blank

**Applications Lapsed**

There were no Applications Lapsed under this section

**Registrations Ceased**

Note: Some of the following Registrations may have been previously advertised as ceased. In this instance, the previous advertisement still prevails.

139892	139893	139894
140242	140716	140780
140829	140869	141194
141195	141198	141222
141223	141224	141253
141255	141256	141259
141320	141323	141324
141357	141520	141523
141689	141868	141878
142017	142147	142148
142149	142155	142156
142157	142158	142375
142376	142438	142441
142476	142501	142560
142755	142756	142945
143010	143011	143015
143821	144260	144266
145428	145920	149910
149911	157693	157694

This Page Left Intentionally Blank

**Proceedings under the Designs Act 2003.**

This Page Left Intentionally Blank

**Applications Lodged**

Lodgement information is in the following order: **Applicant's Name**; International Classification, Name of Product, Lodgement Date and **Design Number**. If the applicant claims an earlier priority date under an International Convention, the Convention Country and the associated filing date are shown in parentheses before the Lodgement Date. Divisional information will also appear in parentheses before the Lodgement Date.

<b>Adherium (NZ) Limited;</b> 24-04, A compliance monitor for a medicament inhaler, (NZ, 13 Aug 2015) 11 Feb 2016	<b>10704/2016</b>	<b>ANZAC DAY COMMEMORATION COMMITTEE (QUEENSLAND) INC;</b> 03-01B, 2 sided key ring, 01 Feb 2016	<b>10486/2016</b>
<b>Adherium (NZ) Limited;</b> 24-04, A compliance monitor for a medicament inhaler, (NZ, 13 Aug 2015) 11 Feb 2016	<b>10694/2016</b>	<b>ANZAC DAY COMMEMORATION COMMITTEE (QUEENSLAND) INC;</b> 11-03, "Cobbers" badge, 01 Feb 2016	<b>10487/2016</b>
<b>Adherium (NZ) Limited;</b> 24-04, A compliance monitor for a medicament inhaler., 11 Feb 2016	<b>10705/2016</b>	<b>AUSTRALIAN FASHION LABELS PTY LTD;</b> 05-05B, A textile print, 11 Feb 2016	<b>10701/2016</b>
<b>Ainsworth Game Technology Limited;</b> 21-03, Gaming machine, 11 Feb 2016	<b>10689/2016</b>	<b>AUSTRALIAN FASHION LABELS PTY LTD;</b> 05-05B, A textile print, 11 Feb 2016	<b>10702/2016</b>
<b>Alex and Ani, LLC;</b> 11-01NES, Slider for articles of jewelry, (US, 07 Aug 2015) 29 Jan 2016	<b>10474/2016</b>	<b>AUSTRALIAN FASHION LABELS PTY LTD;</b> 05-05A, A textile print, 04 Feb 2016	<b>10591/2016</b>
<b>Alex and Ani, LLC;</b> 11-01NES, Slider for articles of jewelry, (US, 07 Aug 2015) 29 Jan 2016	<b>10475/2016</b>	<b>AUSTRALIAN FASHION LABELS PTY LTD;</b> 05-05B, A textile print, 04 Feb 2016	<b>10593/2016</b>
<b>All Things Containers Group Pty Ltd;</b> 12-99, Twist lock double, 09 Feb 2016	<b>10639/2016</b>	<b>AUSTRALIAN FASHION LABELS PTY LTD;</b> 05-05B, A textile print, 04 Feb 2016	<b>10592/2016</b>
<b>Aus, Kristian;</b> 06-01L, Seating, 09 Feb 2016	<b>10641/2016</b>	<b>AUTOTHERM PTY LTD;</b> 23-01E, Water supply inlet manifold, 05 Feb 2016	<b>10618/2016</b>
<b>ABB Technology AG;</b> 13-03NES, Equipment for distribution of electric power, (Divisional of 16410/2015) 04 Feb 2016	<b>10586/2016</b>	<b>AUTOTHERM PTY LTD;</b> 23-01E, Water supply inlet manifold, 05 Feb 2016	<b>10620/2016</b>
<b>ABB Technology AG;</b> 13-03NES, Equipment for distribution of electric power, (Divisional of 16410/2015) 04 Feb 2016	<b>10587/2016</b>	<b>Bankier, Desmond Wade;</b> 06-11, Weedmat, 03 Feb 2016	<b>10537/2016</b>
<b>ABB Technology AG;</b> 13-03NES, Equipment for distribution of electric power, (Divisional of 16410/2015) 04 Feb 2016	<b>10588/2016</b>	<b>Becton, Dickinson and Company;</b> 24-02, Medical injector, (US, 30 Jul 2015) 29 Jan 2016	<b>10468/2016</b>
<b>AC (Macao Commercial Offshore) Limited;</b> 08-05P, 08-05NES, Wrecking bar, 28 Jan 2016	<b>10422/2016</b>	<b>Becton, Dickinson and Company;</b> 24-02, Medical injector, (US, 30 Jul 2015) 29 Jan 2016	<b>10462/2016</b>
<b>AC (Macao Commercial Offshore) Limited;</b> 08-05P, 08-05NES, Wrecking bar, 28 Jan 2016	<b>10423/2016</b>	<b>Becton, Dickinson and Company;</b> 24-02, Medical injector, (US, 30 Jul 2015) 29 Jan 2016	<b>10463/2016</b>
<b>ACCO Australia Pty Ltd;</b> 19-06, Pen holder, 03 Feb 2016	<b>10565/2016</b>	<b>Bordo International Pty. Ltd.;</b> 09-03NES, Packaging, 03 Feb 2016	<b>10558/2016</b>
<b>ACCO Australia Pty Ltd;</b> 19-02, Desk organiser, 03 Feb 2016	<b>10549/2016</b>	<b>Botak Sign Pte Ltd;</b> 20-02NES, Display stand, (SG, 06 Oct 2015) 28 Jan 2016	<b>10424/2016</b>
<b>ACCO Australia Pty Ltd;</b> 19-02, Desk organiser, 03 Feb 2016	<b>10554/2016</b>	<b>Bowden, Julia;</b> 02-05, A bib with silicone attachment, 31 Jan 2016	<b>10481/2016</b>
		<b>Bowker, Craig;</b> 12-11, Bicycle saddle, 02 Feb 2016	<b>10513/2016</b>

<b>Braun GmbH;</b> 04-02, Electric toothbrush handle, (IB, 07 Aug 2015) 05 Feb 2016	<b>10598/2016</b>	<b>Chill Factor Global Pty Ltd;</b> 07-02NES, A container for making beverages and iced drinks, 04 Feb 2016	<b>10595/2016</b>
<b>Braun GmbH;</b> 04-02, Electric toothbrush handle, (IB, 07 Aug 2015) 05 Feb 2016	<b>10597/2016</b>	<b>Cipla Europe NV;</b> 24-04, Inhaler, (IN, 07 Aug 2015) 05 Feb 2016	<b>10602/2016</b>
<b>Brennan, Katherine Ann;</b> 05-06A, 25-01NES, 11-02NES, 05-06NES, 05-05A, Decorative screen, fabric, splashback, wallpaper, 02 Feb 2016	<b>10518/2016</b>	<b>Cocktail Kingdom LLC;</b> 07-04, Cocktail strainer, (US, 20 Nov 2015) (Divisional of 16994/2015) 03 Feb 2016	<b>10562/2016</b>
<b>Brown &amp; Watson International Pty Ltd;</b> 26-06, Lamp, 04 Feb 2016	<b>10579/2016</b>	<b>Cocktail Kingdom LLC;</b> 07-04, Cocktail strainer, (US, 20 Nov 2015) (Divisional of 16994/2015) 03 Feb 2016	<b>10563/2016</b>
<b>Brown &amp; Watson International Pty Ltd;</b> 26-06, Lamp, 04 Feb 2016	<b>10580/2016</b>	<b>Cocktail Kingdom LLC;</b> 07-04, Cocktail strainer, (US, 20 Nov 2015) (Divisional of 16994/2015) 03 Feb 2016	<b>10555/2016</b>
<b>Caterpillar Inc.;</b> 15-04, Tip for a ground engaging machine implement, (US, 12 Aug 2015) 10 Feb 2016	<b>10676/2016</b>	<b>Continental Reifen Deutschland GmbH;</b> 12-15B, Tyre, (WO, 27 Aug 2015) 05 Feb 2016	<b>10619/2016</b>
<b>Caterpillar Inc.;</b> 15-04, Tip for a ground engaging machine implement, (US, 12 Aug 2015) 11 Feb 2016	<b>10710/2016</b>	<b>Cooper Tire &amp; Rubber Company;</b> 12-15B, Tire, (US, 28 Sep 2015) 11 Feb 2016	<b>10718/2016</b>
<b>Caterpillar Inc.;</b> 15-04, Tip for a ground engaging machine implement, (US, 12 Aug 2015) 11 Feb 2016	<b>10732/2016</b>	<b>Cooper Tire &amp; Rubber Company;</b> 12-15B, Tire, (US, 28 Aug 2015) 11 Feb 2016	<b>10719/2016</b>
<b>Caterpillar Inc.;</b> 15-04, Tip for a ground engaging machine implement, (US, 12 Aug 2015) 11 Feb 2016	<b>10709/2016</b>	<b>Cooper Tire &amp; Rubber Company;</b> 12-15B, Tire, (US, 20 Oct 2015) 11 Feb 2016	<b>10716/2016</b>
<b>Caterpillar Inc.;</b> 15-04, Tip for a ground engaging machine implement, (US, 12 Aug 2015) 11 Feb 2016	<b>10731/2016</b>	<b>Cooper Tire &amp; Rubber Company;</b> 12-15B, tire, (US, 25 Sep 2015) 11 Feb 2016	<b>10717/2016</b>
<b>Caterpillar Inc.;</b> 15-04, Tip for a ground engaging machine implement, (US, 12 Aug 2015) 11 Feb 2016	<b>10725/2016</b>	<b>Crane, Belinda Esther;</b> 32-03, A business logo for a small business., 04 Feb 2016	<b>10589/2016</b>
<b>Caterpillar Inc.;</b> 15-04, Tip for a ground engaging machine implement, (US, 12 Aug 2015) 11 Feb 2016	<b>10730/2016</b>	<b>Crawley, Paul;</b> 21-02NES, Sports frame, (US, 06 Aug 2015) 06 Feb 2016	<b>10622/2016</b>
<b>Caterpillar Inc.;</b> 15-04, Tip for a ground engaging machine implement, (US, 12 Aug 2015) 11 Feb 2016	<b>10724/2016</b>	<b>Croft, Terry Fortescue;</b> 25-99, Road layout, 09 Feb 2016	<b>10649/2016</b>
<b>Caterpillar Inc.;</b> 15-04, Tip for a ground engaging machine implement, (US, 12 Aug 2015) 10 Feb 2016	<b>10670/2016</b>	<b>Cutler, Hurse Adrian John;</b> 21-02NES, Hurse cutler leg climbing irons, 09 Feb 2016	<b>10650/2016</b>
<b>Caterpillar Inc.;</b> 15-04, Tip for a ground engaging machine implement, (US, 12 Aug 2015) 10 Feb 2016	<b>10668/2016</b>	<b>Cutler, Hurse Adrian John;</b> 21-02NES, Hurse climbing irons, 08 Feb 2016	<b>10636/2016</b>
<b>Caterpillar Inc.;</b> 15-04, Tip for a ground engaging machine implement, (US, 12 Aug 2015) 10 Feb 2016	<b>10674/2016</b>	<b>Cutler, Hurse Adrian John;</b> 21-02NES, Hurse climber leg irons, 08 Feb 2016	<b>10638/2016</b>
<b>Caterpillar Inc.;</b> 15-04, Tip for a ground engaging machine implement, (US, 12 Aug 2015) 11 Feb 2016	<b>10711/2016</b>	<b>Cutler, Hurse Adrian John;</b> 21-02NES, Hurse climber leg irons, 08 Feb 2016	<b>10637/2016</b>
<b>Caterpillar Inc.;</b> 15-04, Tip for a ground engaging machine implement, (US, 12 Aug 2015) 10 Feb 2016	<b>10672/2016</b>	<b>Cyclone Tools Pty Ltd;</b> 08-06, Hand grips, (Divisional of 16433/2015) 05 Feb 2016	<b>10603/2016</b>
<b>Caterpillar Inc.;</b> 15-04, Rail guide, (US, 13 Aug 2015) 28 Jan 2016	<b>10442/2016</b>	<b>CARFOLDIO LTD.;</b> 08-08NES, A clip, (IL, 11 Nov 2015) 29 Jan 2016	<b>10459/2016</b>



<b>CASTIP INDUSTRIAL CO., LTD.;</b> 29-02, Fall-off prevention device for objects, 11 Feb 2016	<b>10685/2016</b>	<b>Forever New Clothing Pty Ltd;</b> 02-02C, Article of clothing, (Divisional of 13190/2015) 11 Feb 2016	<b>10739/2016</b>
<b>CASTIP INDUSTRIAL CO., LTD.;</b> 03-01D, Tool pouch, 11 Feb 2016	<b>10686/2016</b>	<b>Forever New Clothing Pty Ltd;</b> 02-02NES, Article of clothing, (Divisional of 13190/2015) 11 Feb 2016	<b>10735/2016</b>
<b>CBD Consolidated LLC;</b> 07-02A, Bench top gripping device, 28 Jan 2016	<b>10435/2016</b>	<b>Forever New Clothing Pty Ltd;</b> 02-02NES, Article of clothing, (Divisional of 13190/2015) 11 Feb 2016	<b>10734/2016</b>
<b>COMPAGNIE GENERALE DES ETABLISSEMENTS MICHELIN; Michelin Recherche et Technique SA;</b> 12-15C, A tyre, (FR, 21 Aug 2015) 03 Feb 2016	<b>10557/2016</b>	<b>Forever New Clothing Pty Ltd;</b> 02-02NES, Article of clothing, (Divisional of 13190/2015) 11 Feb 2016	<b>10736/2016</b>
<b>CUB Pty Ltd;</b> 08-08L, Mounting device, 28 Jan 2016	<b>10429/2016</b>	<b>Forever New Clothing Pty Ltd;</b> 02-02C, Article of clothing, (Divisional of 13190/2015) 11 Feb 2016	<b>10742/2016</b>
<b>Dandachli, Youseff;</b> 16-06, Sunglasses, (US, 27 Jan 2016) 29 Jan 2016	<b>10461/2016</b>	<b>Forever New Clothing Pty Ltd;</b> 02-02C, Article of clothing, (Divisional of 13190/2015) 11 Feb 2016	<b>10737/2016</b>
<b>Dart Industries Inc.;</b> 07-01B, 07-01NES, Covered serving container, (US, 29 Sep 2015) 29 Jan 2016	<b>10473/2016</b>	<b>Fresenius Kabi Deutschland GmbH;</b> 24-01, Venous access port, (EM, 14 Aug 2015) 08 Feb 2016	<b>10626/2016</b>
<b>Dulien, Elizabeth A.;</b> 11-01C, Hair band bracelet, (US, 01 Sep 2015) 02 Feb 2016	<b>10526/2016</b>	<b>Fung, Kin Hei Marco;</b> 21-03, Chassis of a racing simulator, (WO, 11 Aug 2015) 01 Feb 2016	<b>10490/2016</b>
<b>Eagle IP Limited;</b> 09-01B, Plastic bottle, 28 Jan 2016	<b>10451/2016</b>	<b>FIAMMA S.p.A.;</b> 25-02H, Awning, (EM, 12 Aug 2015) 01 Feb 2016	<b>10494/2016</b>
<b>Eco Bin (Aust) Pty Ltd;</b> 09-09, A waste/recycle bin enclosure, 08 Feb 2016	<b>10628/2016</b>	<b>FSP Holdings Pty Ltd;</b> 20-03NES, Sign, 04 Feb 2016	<b>10590/2016</b>
<b>Eco Bin (Aust) Pty Ltd;</b> 09-09, A waste/recycle bin enclosure, 08 Feb 2016	<b>10627/2016</b>	<b>FURLA S.p.A.;</b> 03-01B, Bag, (EM, 19 Aug 2015) 11 Feb 2016	<b>10707/2016</b>
<b>Elmich Pte Ltd;</b> 25-02NES, Pedestal adaptor, 05 Feb 2016	<b>10621/2016</b>	<b>FURLA S.p.A.;</b> 03-01B, Bag, (EM, 19 Aug 2015) 11 Feb 2016	<b>10700/2016</b>
<b>Ezibuild Pty Ltd;</b> 25-01C, Post for a retaining wall, 29 Jan 2016	<b>10464/2016</b>	<b>FURLA S.p.A.;</b> 03-01B, Bag, (EM, 19 Aug 2015) 10 Feb 2016	<b>10651/2016</b>
<b>Fairchild, Dean;</b> 12-16K, Ute/truck load carrying rack., 29 Jan 2016	<b>10452/2016</b>	<b>FURLA S.p.A.;</b> 03-01B, Bag, (EM, 06 Aug 2015) 08 Feb 2016	<b>10632/2016</b>
<b>Farquharson-Scott, Wendy-Anne; Seals, Christopher Campbell;</b> 03-01C, 09-05, A water proof insert of a bag, 05 Feb 2016	<b>10601/2016</b>	<b>FURLA S.p.A.;</b> 03-01B, Lock of a bag, (EM, 06 Aug 2015) 08 Feb 2016	<b>10630/2016</b>
<b>Forever New Clothing Pty Ltd;</b> 02-02C, Article of clothing, 28 Jan 2016	<b>10426/2016</b>	<b>FURLA S.p.A.;</b> 03-01B, Bag, (EM, 06 Aug 2015) 08 Feb 2016	<b>10631/2016</b>
<b>Forever New Clothing Pty Ltd;</b> 02-02C, Article of clothing, (Divisional of 13190/2015) 11 Feb 2016	<b>10738/2016</b>	<b>Gately, Allison Lee;</b> 29-02, Non slip patches for aiding mobility, (Divisional of 10140/2016) 11 Feb 2016	<b>10697/2016</b>
<b>Forever New Clothing Pty Ltd;</b> 02-02C, Article of clothing, (Divisional of 13190/2015) 11 Feb 2016	<b>10740/2016</b>	<b>Goal Zero LLC;</b> 26-02, Lantern device, (US, 04 Aug 2015) 29 Jan 2016	<b>10471/2016</b>
<b>Forever New Clothing Pty Ltd;</b> 02-02NES, Article of clothing, (Divisional of 13190/2015) 11 Feb 2016	<b>10741/2016</b>	<b>Google Inc.;</b> 20-02NES, Light up retail modular fixture, (Divisional of 16293/2015) 03 Feb 2016	<b>10564/2016</b>

<b>Google Inc.;</b> 20-02NES, Retail modular fixture, (Divisional of 16293/2015) 03 Feb 2016	<b>10571/2016</b>	<b>Holster Fashion Pty Ltd;</b> 02-04NES, Footwear, 28 Jan 2016	<b>10431/2016</b>
<b>Green Ox Pallet Technology, LLC;</b> 09-08, Foldably constructed pallet and blanks therefore, (US, 03 Aug 2015) 02 Feb 2016	<b>10516/2016</b>	<b>Hubbell Incorporated;</b> 26-04, Lighting fixture, (Divisional of 16251/2015) 02 Feb 2016	<b>10529/2016</b>
<b>Guangzhou Ehang Intelligent Technology Co., Ltd.;</b> 13-01, Electric motor, (CN, 25 Dec 2015) 28 Jan 2016	<b>10448/2016</b>	<b>Illumina, Inc.;</b> 24-01, Sample preparation instrument, (US, 06 Aug 2015) 05 Feb 2016	<b>10617/2016</b>
<b>Guangzhou Ehang Intelligent Technology Co., Ltd.;</b> 12-07, Aircraft, (CN, 25 Dec 2015) 28 Jan 2016	<b>10443/2016</b>	<b>Industrie Borla S.p.A.;</b> 24-02, Valved connector for medical lines, (EM, 05 Aug 2015) 03 Feb 2016	<b>10543/2016</b>
<b>Guangzhou Ehang Intelligent Technology Co., Ltd.;</b> 12-99, Lower hold, (CN, 25 Dec 2015) 28 Jan 2016	<b>10449/2016</b>	<b>Industrie Borla S.p.A.;</b> 24-02, Valved connector for medical lines, (EM, 05 Aug 2015) 03 Feb 2016	<b>10544/2016</b>
<b>Guangzhou Ehang Intelligent Technology Co., Ltd.;</b> 12-99, Folding mechanism of machine arm, (CN, 25 Dec 2015) 28 Jan 2016	<b>10446/2016</b>	<b>Intersurgical AG; Nasir, Muhammed Aslam;</b> 24-01, Airway device, (EM, 15 Jun 2015) (Divisional of 16827/2015) 29 Jan 2016	<b>10472/2016</b>
<b>Guangzhou Ehang Intelligent Technology Co., Ltd.;</b> 12-99, Trunk, (CN, 25 Dec 2015) 28 Jan 2016	<b>10447/2016</b>	<b>IP COMM PTY LTD;</b> 25-03, Pool, 06 Feb 2016	<b>10623/2016</b>
<b>Guangzhou Ehang Intelligent Technology Co., Ltd.;</b> 12-99, Landing gear, (CN, 25 Dec 2015) 28 Jan 2016	<b>10444/2016</b>	<b>Jack Holden Ltd;</b> 07-04, Corer, 30 Jan 2016	<b>10509/2016</b>
<b>Guangzhou Ehang Intelligent Technology Co., Ltd.;</b> 12-99, 12-07, Screw propeller, (CN, 25 Dec 2015) 28 Jan 2016	<b>10445/2016</b>	<b>Johnson &amp; Johnson Consumer Inc.;</b> 24-04, An absorbent article having a surface design, (US, 04 Sep 2015) 10 Feb 2016	<b>10671/2016</b>
<b>Gyrus ACMI, Inc., d.b.a. Olympus Surgical Technologies America;</b> 24-02, Grip adapter for debrider blade nosecone, (US, 17 Sep 2015) 10 Feb 2016	<b>10655/2016</b>	<b>Johnson &amp; Johnson Consumer Inc.;</b> 24-04, Pouch for a sanitary absorbent article, (US, 04 Sep 2015) 10 Feb 2016	<b>10678/2016</b>
<b>GM Global Technology Operations LLC;</b> 12-16A, Vehicle wheel, (US, 17 Aug 2015) 11 Feb 2016	<b>10715/2016</b>	<b>Just Group Ltd;</b> 02-02C, Article of clothing, 11 Feb 2016	<b>10714/2016</b>
<b>Henkel AG &amp; Co. KGaA;</b> 09-07C, Cap for container, (EM, 06 Aug 2015) 03 Feb 2016	<b>10560/2016</b>	<b>JSP Limited;</b> 02-03, Ear defender cup, 28 Jan 2016	<b>10439/2016</b>
<b>Henkel AG &amp; Co. KGaA;</b> 09-07C, Cap for container, (EM, 06 Aug 2015) 03 Feb 2016	<b>10561/2016</b>	<b>JSP Limited;</b> 02-03, Protective helmet, (EM, 13 Aug 2015) 01 Feb 2016	<b>10485/2016</b>
<b>Henkel AG &amp; Co. KGaA;</b> 09-01NES, Bottle, (EM, 06 Aug 2015) 03 Feb 2016	<b>10567/2016</b>	<b>Karsten Manufacturing Corporation;</b> 21-02C, Golf club head cover, (US, 31 Jul 2015) 29 Jan 2016	<b>10469/2016</b>
<b>Hitachi, Ltd.;</b> 14-02, Display unit with graphical user interface, (JP, 20 Nov 2015) 08 Feb 2016	<b>10629/2016</b>	<b>Karsten Manufacturing Corporation;</b> 21-02C, Golf club head with alignment aid, (US, 03 Aug 2015) 03 Feb 2016	<b>10547/2016</b>
<b>Hodder, Belinda Anne;</b> 05-05A, Cloth gift wrapping, 01 Feb 2016	<b>10491/2016</b>	<b>Karsten Manufacturing Corporation;</b> 21-02C, Golf club head with alignment aid, (US, 03 Aug 2015) 03 Feb 2016	<b>10553/2016</b>
		<b>Karsten Manufacturing Corporation;</b> 21-02C, Golf club head with alignment aid, (US, 03 Aug 2015) 02 Feb 2016	<b>10528/2016</b>
		<b>Karsten Manufacturing Corporation;</b> 21-02C, Golf club head with alignment aid, (US, 03 Aug 2015) 02 Feb 2016	<b>10523/2016</b>
		<b>Karsten Manufacturing Corporation;</b> 21-02C, Golf club head with alignment aid, (US, 03 Aug 2015) 02 Feb 2016	<b>10527/2016</b>

<b>Kimberly-Clark Worldwide, Inc.;</b> 23-02A, Tissue dispenser, (US, 13 Aug 2015) 09 Feb 2016	<b>10640/2016</b>	<b>Kuiper, Anthony;</b> 23-01F, Design for water tank for use on light vehicle, 10 Feb 2016	<b>10665/2016</b>
<b>Kimberly-Clark Worldwide, Inc.;</b> 07-99C, Roll dispenser, (KR, 27 Aug 2015) 05 Feb 2016	<b>10600/2016</b>	<b>L &amp; W McCarthy Pty Ltd;</b> 06-06E, Shroud for a desk lifting member, 09 Feb 2016	<b>10648/2016</b>
<b>Kinnersly, Joshua;</b> 08-08NES, Mounting bracket, 09 Feb 2016	<b>10644/2016</b>	<b>Lawson, Adrian William;</b> 26-05D, Lamp shade, 04 Feb 2016	<b>10594/2016</b>
<b>Knog Pty Ltd;</b> 12-16NES, Bell, 01 Feb 2016	<b>10483/2016</b>	<b>Lightforce Australia Pty Ltd.;</b> 26-06, Vehicle driving light, (US, 17 Sep 2015) 08 Feb 2016	<b>10633/2016</b>
<b>Knowles, Gregory John;</b> 32-03, Name of group of candidates for 2016 NT elections., 06 Feb 2016	<b>10624/2016</b>	<b>Lightforce Australia Pty Ltd.;</b> 26-06, Vehicle driving light, (US, 17 Sep 2015) 08 Feb 2016	<b>10634/2016</b>
<b>Knowles, Aaron;</b> 32-04, Camouflage pattern for Fabric, 28 Jan 2016	<b>10425/2016</b>	<b>Lorna Jane Pty Ltd;</b> 02-02C, Clothing, 08 Feb 2016	<b>10766/2016</b>
<b>Koninklijke Philips N.V.;</b> 07-04, Pasta rolling pin, (EM, 29 Jul 2015) 28 Jan 2016	<b>10430/2016</b>	<b>Makia S.r.l.;</b> 11-01C, Bracelet, 01 Feb 2016	<b>10488/2016</b>
<b>Koninklijke Philips N.V.;</b> 23-04, Air purifier, (EM, 10 Aug 2015) 09 Feb 2016	<b>10647/2016</b>	<b>Makia S.r.l.;</b> 11-01C, Bracelet, 01 Feb 2016	<b>10489/2016</b>
<b>Koninklijke Philips N.V.;</b> 28-03D, Beard trimmer, (EM, 12 Aug 2015) 10 Feb 2016	<b>10652/2016</b>	<b>McDonald, Angus;</b> 30-02, Fish farming structure, 02 Feb 2016	<b>10534/2016</b>
<b>Koninklijke Philips N.V.;</b> 10-04, 13-02, Wearable health monitor, (EM, 03 Aug 2015) 02 Feb 2016	<b>10514/2016</b>	<b>McDonald, Angus;</b> 30-02, Fish farming structure, 02 Feb 2016	<b>10533/2016</b>
<b>Koninklijke Philips N.V.;</b> 24-02, Blood pressure monitor, (EM, 03 Aug 2015) 03 Feb 2016	<b>10536/2016</b>	<b>Megabyte Limited;</b> 14-03NES, RFID tag inlay, (HK, 17 Aug 2015) 11 Feb 2016	<b>10698/2016</b>
<b>Koninklijke Philips N.V.;</b> 14-03A, 10-05, Baby monitor, (EM, 04 Aug 2015) 02 Feb 2016	<b>10517/2016</b>	<b>Michelin Recherche et Technique SA;COMPAGNIE GENERALE DES ETABLISSEMENTS MICHELIN;</b> 12-15C, A tyre, (FR, 21 Aug 2015) 03 Feb 2016	<b>10557/2016</b>
<b>Koninklijke Philips N.V.;</b> 10-04, 13-02, Display with charger for wearable health monitor, (EM, 03 Aug 2015) 02 Feb 2016	<b>10520/2016</b>	<b>Mitsubishi Heavy Industries, Ltd.;</b> 23-04, Wall-mounted air conditioner, (JP, 13 Oct 2015) 28 Jan 2016	<b>10428/2016</b>
<b>Koninklijke Philips N.V.;</b> 10-04, 13-02, Display for wearable health monitor, (EM, 03 Aug 2015) 02 Feb 2016	<b>10515/2016</b>	<b>Mitsubishi Heavy Industries, Ltd.;</b> 23-04, Wall-mounted air conditioner, (JP, 13 Oct 2015) 28 Jan 2016	<b>10433/2016</b>
<b>Koninklijke Philips N.V.;</b> 24-02, Blood pressure monitor, (EM, 05 Aug 2015) 02 Feb 2016	<b>10524/2016</b>	<b>Monkey Toe Group Limited;</b> 08-08B, A clip, (NZ, 11 Aug 2015) 11 Feb 2016	<b>10684/2016</b>
<b>Koninklijke Philips N.V.;</b> 10-05, Baby monitor, (EM, 04 Aug 2015) 02 Feb 2016	<b>10522/2016</b>	<b>Motorola Solutions, Inc.;</b> 14-03NES, Communication Device, (US, 07 Aug 2015) 03 Feb 2016	<b>10545/2016</b>
<b>Koninklijke Philips N.V.;</b> 24-02, Electrical breast pump, (EM, 03 Aug 2015) 02 Feb 2016	<b>10519/2016</b>	<b>Nasir, Muhammed Aslam;Intersurgical AG;</b> 24-01, Airway device, (EM, 15 Jun 2015) (Divisional of 16827/2015) 29 Jan 2016	<b>10472/2016</b>
<b>Kristalia S.r.l.;</b> 06-01F, Chair, (EM, 03 Nov 2015) 10 Feb 2016	<b>10679/2016</b>	<b>New Audio LLC;</b> 14-01, Headset, (US, 07 Aug 2015) 05 Feb 2016	<b>10616/2016</b>
<b>Kristalia S.r.l.;</b> 06-01F, Chair, (EM, 03 Nov 2015) 10 Feb 2016	<b>10680/2016</b>	<b>Nfinity IP, LLC;</b> 02-04NES, Shoe upper, (US, 29 Jul 2015) 29 Jan 2016	<b>10453/2016</b>

<b>Nfinity IP, LLC;</b> 02-04B, Shoe sole, (US, 29 Jul 2015) 29 Jan 2016	<b>10454/2016</b>	<b>Oy Halton Group Ltd.;</b> 23-04, Condenser exhaust hood, (US, 28 Sep 2015) 05 Feb 2016	<b>10604/2016</b>
<b>Nguyen, Jonathan Duy Khac;</b> 13-99, Solar panel, 08 Feb 2016	<b>10625/2016</b>	<b>OMS Investments, Inc.;</b> 15-03A, A powered hand-held spreader, (US, 20 Aug 2015) 29 Jan 2016	<b>10458/2016</b>
<b>Ningbo Home-link Plastic Product Manufacture Co., Ltd.;</b> 07-03, A spoon, 04 Feb 2016	<b>10576/2016</b>	<b>Peak Innovations Inc.;</b> 25-01NES, Railing, (US, 07 Aug 2015) 03 Feb 2016	<b>10548/2016</b>
<b>Ningbo Home-link Plastic Product Manufacture Co., Ltd.;</b> 07-03, A fork, 04 Feb 2016	<b>10575/2016</b>	<b>PepsiCo, Inc.;</b> 09-01NES, Bottle, (US, 11 Aug 2015) 10 Feb 2016	<b>10662/2016</b>
<b>Ningbo Home-link Plastic Product Manufacture Co., Ltd.;</b> 07-03, A knife, 04 Feb 2016	<b>10573/2016</b>	<b>PepsiCo, Inc.;</b> 09-07A, Cap for a bottle, (US, 11 Aug 2015) 10 Feb 2016	<b>10667/2016</b>
<b>Nordco Inc.;</b> 15-09, Tamper tool, (US, 05 Aug 2015) 03 Feb 2016	<b>10566/2016</b>	<b>PepsiCo, Inc.;</b> 09-01NES, Bottle, (US, 11 Aug 2015) 10 Feb 2016	<b>10666/2016</b>
<b>Novaplot Enterprises Ltd.;</b> 09-05, Package for food applications with easy-opening, (Divisional of 16586/2015) 10 Feb 2016	<b>10659/2016</b>	<b>PepsiCo, Inc.;</b> 09-01NES, Bottle, (US, 11 Aug 2015) 10 Feb 2016	<b>10673/2016</b>
<b>NCM Innovations (Pty) Ltd.;</b> 08-08NES, Grout anchored rock bolt, (ZA, 02 Aug 2015) 02 Feb 2016	<b>10508/2016</b>	<b>PepsiCo, Inc.;</b> 09-07A, Bottle, (US, 11 Aug 2015) 10 Feb 2016	<b>10664/2016</b>
<b>Oliver, Alevtina;</b> 11-02NES, Table centrepiece in the shape of a flower, 28 Jan 2016	<b>10420/2016</b>	<b>PepsiCo, Inc.;</b> 09-01NES, Bottle, (US, 11 Aug 2015) 10 Feb 2016	<b>10663/2016</b>
<b>Ontel Products Corporation;</b> 28-03B, Heated hair straightening brush, (US, 23 Dec 2015) 01 Feb 2016	<b>10484/2016</b>	<b>Pi-Design AG;</b> 07-01G, Coffeepot of a coffee maker, (WO, 20 Aug 2015) 03 Feb 2016	<b>10538/2016</b>
<b>Orion Holdings (Overseas) Limited;</b> 06-04F, A drawer, 01 Feb 2016	<b>10504/2016</b>	<b>Premier Dental Products Company;</b> 24-02, Handle for surgical and dental tool, (Divisional of 16534/2015) 28 Jan 2016	<b>10437/2016</b>
<b>Orion Holdings (Overseas) Limited;</b> 06-04C, Wardrobe, 03 Feb 2016	<b>10551/2016</b>	<b>Pride Mobility Products Corporation;</b> 09-03NES, Storage compartment, (US, 06 Aug 2015) 29 Jan 2016	<b>10477/2016</b>
<b>Orion Holdings (Overseas) Limited;</b> 06-04F, Bedside chest, 03 Feb 2016	<b>10552/2016</b>	<b>Pride Mobility Products Corporation;</b> 06-04B, Storage compartments, (US, 06 Aug 2015) 29 Jan 2016	<b>10476/2016</b>
<b>Orion Holdings (Overseas) Limited;</b> 06-03NES, Bedside table, 03 Feb 2016	<b>10550/2016</b>	<b>PALM CONSOLIDATED PTY. LTD.;</b> 09-07A, Lid for a drinking cup, 10 Feb 2016	<b>10669/2016</b>
<b>Orion Holdings (Overseas) Limited;</b> 06-03C, A desk, 01 Feb 2016	<b>10501/2016</b>	<b>Qingdao Sentury Tire Co., Ltd.;</b> 12-15C, Tire (MT), 01 Feb 2016	<b>10506/2016</b>
<b>Orion Holdings (Overseas) Limited;</b> 06-04C, A wardrobe, 01 Feb 2016	<b>10505/2016</b>	<b>Qingdao Sentury Tire Co., Ltd.;</b> 12-15B, Tire (HT), 01 Feb 2016	<b>10507/2016</b>
<b>Orion Holdings (Overseas) Limited;</b> 06-04C, A wardrobe, 01 Feb 2016	<b>10499/2016</b>	<b>R.E. BATGER PTY LTD.;</b> 06-01G, Chair, 03 Feb 2016	<b>10539/2016</b>
<b>Orion Holdings (Overseas) Limited;</b> 06-06B, A dressing table mirror, 01 Feb 2016	<b>10500/2016</b>	<b>Razer (Asia-Pacific) Pte. Ltd.;</b> 14-02, Wristband, (US, 18 Aug 2015) 11 Feb 2016	<b>10722/2016</b>
<b>Orion Holdings (Overseas) Limited;</b> 06-04F, A drawer, 01 Feb 2016	<b>10498/2016</b>	<b>Reckitt Benckiser LLC;</b> 09-07C, Cap for bottle, (EM, 30 Jul 2015) 29 Jan 2016	<b>10457/2016</b>
<b>Orion Holdings (Overseas) Limited;</b> 06-04F, A drawer, 01 Feb 2016	<b>10502/2016</b>		
<b>Orion Holdings (Overseas) Limited;</b> 06-04C, A wardrobe, 01 Feb 2016	<b>10503/2016</b>		

<b>Reckitt Benckiser LLC;</b> 09-07C, Cap for bottle, (EM, 30 Jul 2015) 29 Jan 2016	<b>10455/2016</b>	<b>Samsonite IP Holdings S.a r.l.;</b> 03-01A, Luggage, (HK, 19 Aug 2015) 11 Feb 2016	<b>10713/2016</b>
<b>Reckitt Benckiser LLC;</b> 09-01H, Bottle, (EM, 30 Jul 2015) 29 Jan 2016	<b>10456/2016</b>	<b>Samsung Electronics Co., Ltd;</b> 15-05, Washboard for washing machine, (KR, 29 Jul 2015) 28 Jan 2016	<b>10427/2016</b>
<b>Redarc Technologies Pty Ltd;</b> 12-16B, 12-16NES, Roll over sensor, 03 Feb 2016	<b>10546/2016</b>	<b>Scattergood, James Ronald;</b> 06-03NES, 06-04NES, 06-04E, Furniture, 08 Feb 2016	<b>10635/2016</b>
<b>ResMed Limited;</b> 14-02, Display screen or graphical user interface, or portion thereof, with animated images and/or icon(s), (Divisional of 16903/2015) 01 Feb 2016	<b>10510/2016</b>	<b>Schutte &amp; Co. Far East Ltd.;</b> 06-01L, Chairs and dismountable chairs, (EM, 18 Dec 2015) 03 Feb 2016	<b>10559/2016</b>
<b>Roadsafe Automotive Products Pty Ltd;</b> 12-16L, Set of tow points, 10 Feb 2016	<b>10654/2016</b>	<b>Seafolly Pty Ltd;</b> 02-02A, Swimwear, 10 Feb 2016	<b>10677/2016</b>
<b>Robert Bosch GmbH;</b> 16-01, Camera, (EM, 06 Aug 2015) 04 Feb 2016	<b>10583/2016</b>	<b>Seals, Christopher Campbell; Farquharson-Scott, Wendy-Anne;</b> 03-01C, 09-05, A water proof insert of a bag, 05 Feb 2016	<b>10601/2016</b>
<b>Rocktape, Inc.;</b> 28-03NES, Massage tool, (US, 20 Jan 2016) 04 Feb 2016	<b>10584/2016</b>	<b>Sedic, Filip;</b> 24-04, 04-02, Head for a tongue cleaner, (US, 04 Aug 2015) 03 Feb 2016	<b>10535/2016</b>
<b>Rocktape, Inc.;</b> 28-03NES, Massage tool, (US, 20 Jan 2016) 04 Feb 2016	<b>10585/2016</b>	<b>Shachihata Inc.;</b> 19-06, Marking pen, (JP, 31 Aug 2015) 10 Feb 2016	<b>10653/2016</b>
<b>Roux Investments Pty Ltd;</b> 25-03, Above ground pool made from a shipping container, 09 Feb 2016	<b>10646/2016</b>	<b>Shenzhen Royole Technologies Co., Ltd.;</b> 14-02, Wearable display screen or portion thereof with graphical user interface, (CN, 11 Sep 2015) 05 Feb 2016	<b>10599/2016</b>
<b>Roxtec AB;</b> 08-08D, 08-05M, Welding fixture, (EP, 17 Aug 2015) 10 Feb 2016	<b>10660/2016</b>	<b>Shenzhen Royole Technologies Co., Ltd.;</b> 14-02, Wearable Display Screen or Portion Thereof with Graphical User Interface, (CN, 11 Sep 2015) 05 Feb 2016	<b>10596/2016</b>
<b>Roxtec AB;</b> 08-08D, 08-05M, Welding fixture, (EP, 17 Aug 2015) 10 Feb 2016	<b>10661/2016</b>	<b>Shenzhen Royole Technologies Co., Ltd.;</b> 09-03L, A packaging, (CN, 02 Sep 2015) 03 Feb 2016	<b>10541/2016</b>
<b>Royak, Jodie;</b> 08-08G, 06-08, Hanger, (US, 10 Aug 2015) 05 Feb 2016	<b>10611/2016</b>	<b>Shenzhen Royole Technologies Co., Ltd.;</b> 09-03M, A packaging, (CN, 02 Sep 2015) 03 Feb 2016	<b>10540/2016</b>
<b>Royak, Jodie;</b> 08-08G, Hanger, (US, 10 Aug 2015) 05 Feb 2016	<b>10613/2016</b>	<b>Shenzhen Royole Technologies Co., Ltd.;</b> 02-03, An eyeshade, (CN, 19 Aug 2015) 04 Feb 2016	<b>10572/2016</b>
<b>Runway Blue, LLC;</b> 07-02L, Container, (US, 11 Sep 2015) 11 Feb 2016	<b>10723/2016</b>	<b>Sitro Group Australia Pty Ltd;</b> 07-02D, Portable butane stove, 02 Feb 2016	<b>10511/2016</b>
<b>REAL STEEL LIMITED;</b> 15-09, A trench shield, 10 Feb 2016	<b>10656/2016</b>	<b>Steelcase Inc.;</b> 06-04B, Storage unit, (EM, 09 Oct 2015) 09 Feb 2016	<b>10643/2016</b>
<b>REAL STEEL LIMITED;</b> 15-09, A trench shield, 10 Feb 2016	<b>10658/2016</b>	<b>Steelcase Inc.;</b> 06-04B, Storage unit, (EM, 09 Oct 2015) 09 Feb 2016	<b>10645/2016</b>
<b>REAL STEEL LIMITED;</b> 15-09, A trench shield, 10 Feb 2016	<b>10657/2016</b>	<b>Suis Retail Pty Ltd;</b> 09-01NES, Water bottle, 02 Feb 2016	<b>10521/2016</b>
<b>Samsonite IP Holdings S.a r.l.;</b> 03-01A, Luggage, (HK, 19 Aug 2015) 11 Feb 2016	<b>10721/2016</b>	<b>Sunny Textile Industries Pty Ltd;</b> 06-13B, 06-13NES, Swaddle, 01 Feb 2016	<b>10493/2016</b>
<b>Samsonite IP Holdings S.a r.l.;</b> 03-01A, Luggage, (EM, 13 Aug 2015) 11 Feb 2016	<b>10712/2016</b>	<b>Surfsafe Pty Ltd;</b> 13-03C, Electronics module, 28 Jan 2016	<b>10440/2016</b>

<b>Surfsafe Pty Ltd;</b> 21-01N, 14-02, Housing for an electronics module, 28 Jan 2016	<b>10441/2016</b>	<b>The Decor Corporation Pty. Ltd.;</b> 15-07, Iced confection maker, 11 Feb 2016	<b>10706/2016</b>
<b>SAMSUNG ELECTRONICS CO., LTD.;</b> 13-02, Charger for portable electronic device, (KR, 13 Aug 2015) 01 Feb 2016	<b>10496/2016</b>	<b>The Yokohama Rubber Co., Ltd.;</b> 12-15A, Automobile tire, (JP, 31 Jul 2015) 28 Jan 2016	<b>10436/2016</b>
<b>SAMSUNG ELECTRONICS CO., LTD.;</b> 10-07, Wrist band for smart watch, (KR, 13 Aug 2015) 05 Feb 2016	<b>10610/2016</b>	<b>The Yokohama Rubber Co., Ltd.;</b> 12-15A, Automobile tire, (JP, 31 Jul 2015) 28 Jan 2016	<b>10434/2016</b>
<b>SAMSUNG ELECTRONICS CO., LTD.;</b> 10-02, Smart watch, (KR, 13 Aug 2015) 05 Feb 2016	<b>10608/2016</b>	<b>The Yokohama Rubber Co., Ltd.;</b> 12-15A, Automobile tire, (JP, 31 Jul 2015) 28 Jan 2016	<b>10432/2016</b>
<b>SAMSUNG ELECTRONICS CO., LTD.;</b> 10-02, Smart watch, (KR, 13 Aug 2015) 05 Feb 2016	<b>10609/2016</b>	<b>Thinking Ergonomix Pty Limited;</b> 06-06NES, A privacy screen, 01 Feb 2016	<b>10497/2016</b>
<b>SAMSUNG ELECTRONICS CO., LTD.;</b> 10-02, Smart watch, (KR, 13 Aug 2015) 05 Feb 2016	<b>10606/2016</b>	<b>Thinx Inc.;</b> 24-04, Reusable tampon applicator, (US, 10 Aug 2015) 01 Feb 2016	<b>10492/2016</b>
<b>SAMSUNG ELECTRONICS CO., LTD.;</b> 10-02, Smart watch, (KR, 13 Aug 2015) 05 Feb 2016	<b>10607/2016</b>	<b>Toyota Jidosha Kabushiki Kaisha;</b> 12-08, Front portion for an automobile, 01 Feb 2016	<b>10495/2016</b>
<b>SAMSUNG ELECTRONICS CO., LTD.;</b> 10-02, Smart watch, (KR, 13 Aug 2015) 05 Feb 2016	<b>10605/2016</b>	<b>Turlen Holding SA;</b> 10-02, Chronograph watch, (CH, 05 Oct 2015) 02 Feb 2016	<b>10525/2016</b>
<b>SAVERGLASS;</b> 09-01H, Bottle, (EM, 18 Nov 2015) 11 Feb 2016	<b>10728/2016</b>	<b>Tyco Fire &amp; Security GmbH;</b> 14-03NES, Antenna pedestal, (US, 07 Aug 2015) 05 Feb 2016	<b>10615/2016</b>
<b>SAVERGLASS;</b> 09-01NES, Bottle, (EM, 18 Nov 2015) 11 Feb 2016	<b>10726/2016</b>	<b>THiiK LLC;</b> 02-03, Hat, (US, 14 May 2015) (Divisional of 16173/2015) 02 Feb 2016	<b>10532/2016</b>
<b>SMA Solar Technology AG;</b> 13-99, Inverter, (EM, 24 Aug 2015) 04 Feb 2016	<b>10574/2016</b>	<b>THiiK LLC;</b> 02-03, Hat, (US, 14 May 2015) (Divisional of 16173/2015) 02 Feb 2016	<b>10531/2016</b>
<b>Taili Household Products Manufacturing Co., Ltd.;</b> 08-08NES, Suction cup, (Divisional of 16802/2015) 11 Feb 2016	<b>10699/2016</b>	<b>THiiK LLC;</b> 02-03, Hat, (US, 14 May 2015) (Divisional of 16173/2015) 02 Feb 2016	<b>10530/2016</b>
<b>Tang, Danny;</b> 02-07A, Hinged button cover, (US, 30 Jul 2015) 29 Jan 2016	<b>10460/2016</b>	<b>Uber Technologies, Inc.;</b> 14-02, Display screen with graphical user interface, 02 Feb 2016	<b>10512/2016</b>
<b>Tangle Teezer Limited;</b> 04-02, Hairbrush, (EM, 11 Aug 2015) 10 Feb 2016	<b>10683/2016</b>	<b>Unilever PLC;</b> 23-02A, Capsule holder, (EM, 29 Sep 2015) 11 Feb 2016	<b>10729/2016</b>
<b>Tangle Teezer Limited;</b> 04-02, Hairbrush, (EM, 11 Aug 2015) 10 Feb 2016	<b>10682/2016</b>	<b>Unilever PLC;</b> 07-02NES, Capsule holder, (EM, 29 Sep 2015) 11 Feb 2016	<b>10727/2016</b>
<b>Textile House Pty Ltd;</b> 02-02NES, A jacket, 28 Jan 2016	<b>10421/2016</b>	<b>Vertigo Motors, S.L.;</b> 12-11, Motorcycle, (EM, 17 Nov 2015) 29 Jan 2016	<b>10465/2016</b>
<b>The Coca-Cola Company;</b> 07-02L, 31-00, Beverage dispenser, (US, 05 Aug 2015) 03 Feb 2016	<b>10556/2016</b>	<b>Vertigo Motors, S.L.;</b> 12-11, Motorcycle, (EM, 17 Nov 2015) 29 Jan 2016	<b>10467/2016</b>
<b>The Decor Corporation Pty. Ltd.;</b> 15-07, Holder for an iced confection, 11 Feb 2016	<b>10703/2016</b>	<b>Vertigo Motors, S.L.;</b> 12-11, 12-16NES, Chassis for a motorcycle, (EM, 17 Nov 2015) 29 Jan 2016	<b>10470/2016</b>
		<b>Viglione, Dean;</b> 21-02F, Exercise device: exercise apparatus, 28 Jan 2016	<b>10450/2016</b>

<b>Visy R &amp; D Pty Ltd;</b> 09-01NES, Container, 29 Jan 2016	<b>10466/2016</b>	<b>Woven Image Pty Limited;</b> 08-09, Component for a frame assembly, (Divisional of 16225/2015) 03 Feb 2016	<b>10568/2016</b>
<b>Visy R &amp; D Pty Ltd;</b> 09-03K, Box tray, 10 Feb 2016	<b>10675/2016</b>	<b>Woven Image Pty Limited;</b> 08-09, Component for a Frame Assembly, (Divisional of 16225/2015) 03 Feb 2016	<b>10570/2016</b>
<b>Visy R &amp; D Pty Ltd;</b> 09-03M, Blank for forming a container, 04 Feb 2016	<b>10577/2016</b>	<b>Woven Image Pty Limited;</b> 08-09, Component for a Frame Assembly, (Divisional of 16225/2015) 03 Feb 2016	<b>10569/2016</b>
<b>Visy R &amp; D Pty Ltd;</b> 09-03NES, Blank for forming a container, 05 Feb 2016	<b>10614/2016</b>	<b>WALA Heilmittel GmbH;</b> 09-03NES, Package, (EM, 05 Aug 2015) 04 Feb 2016	<b>10582/2016</b>
<b>Visy R &amp; D Pty Ltd;</b> 09-03M, Blank for forming a lid of a container, 04 Feb 2016	<b>10578/2016</b>	<b>WALA Heilmittel GmbH;</b> 09-03NES, Package, (EM, 05 Aug 2015) 04 Feb 2016	<b>10581/2016</b>
<b>W &amp; G Education Pty Ltd;</b> 19-06, A template, 11 Feb 2016	<b>10733/2016</b>	<b>WALTEX INDUSTRIES LIMITED;</b> 09-03M, A container, (NZ, 03 Aug 2015) 03 Feb 2016	<b>10542/2016</b>
<b>Whirlpool Corporation;</b> 07-02K, Kettle, (US, 13 Jan 2016) 11 Feb 2016	<b>10720/2016</b>	<b>Zaldivar, Richard;</b> 10-01, Countdown clock, (US, 16 Oct 2015) 09 Feb 2016	<b>10642/2016</b>
<b>Wilson, Steven;</b> 19-06, 19-99, Paper pad, 31 Jan 2016	<b>10482/2016</b>	<b>Zermatten, Henri Emil Louis Maurice;</b> 15-99, Tool for a press brake, (ZA, 14 Aug 2015) 10 Feb 2016	<b>10681/2016</b>
<b>Winterworth Pty Ltd;</b> 02-04NES, Shoe, 11 Feb 2016	<b>10708/2016</b>		

**Applications Withdrawn**

16230 / 2015 (32-02)	17000 / 2015 (32-03)
10404 / 2016 (13-02)	

**Applications Lapsed**

13851 / 2015 (25-02G)	15518 / 2015 (23-01A)
16094 / 2015 (08-05N)	16095 / 2015 (08-05N)
16096 / 2015 (08-05N)	16097 / 2015 (08-05N)
16098 / 2015 (08-05N)	16099 / 2015 (08-05N)
16100 / 2015 (08-05N)	16101 / 2015 (08-05N)
16102 / 2015 (08-05N)	16231 / 2015 (06-04B)
16232 / 2015 (15-07)	16249 / 2015 (02-07A)

**Extension of Period of Registration of Designs**

332410	333710	334813
334814	335168	335183
335189	335222	335223
335240	335253	335255
335299	335300	335301
335302	335316	335329
335330	335331	335332
335333	335338	335339
335342	335343	335364
335367	335370	335376
335403	335417	335427
335466	335467	335468
335469	335479	335496
335502	335503	335514
335515	335525	335526
335544	335599	335665
335666	335689	335690
335691	335695	335696
335705	335706	335707
335710	335711	335712
335723	335724	335725
335726	335727	335728
335729	335741	335746
335747	335751	335752
335753	335763	335764
335769	335770	335771
335822	335845	335846
335847	335860	335861
335869	335876	335877
335883	335884	335885
335904	335910	335913
335914	335915	335925
335944	335945	335946
335947	335948	335967
335971	335972	335973
335982	335984	336007
336008	336010	336015
336046	336053	336054
336061	336062	336063
336064	336065	336069
336070	336118	336119
336120	336121	336126
336128	336161	336168
336169	336170	336177
336178	336179	336180
336201	336210	336211
336212	336231	336232
336241	336345	336346
336347	336354	336360
336421	336422	336423
336431	336435	336436

336437	336438	336439
336447	336449	336525
336526	336527	336528
336529	336530	336544
336615	336688	336728
336729	336861	337201
337202	337448	337885
338144	338145	338146
338497	338498	338657
338658	338731	

**Registrations Ceased**

305682	305813	306021
306067	306068	306408
306506	306508	306516
306578	306648	307757
307758	307776	307796
307802	307803	307804
307805	307816	307817
307818	307819	307821
307843	307844	307845
307846	307847	307848
307858	307859	307860
307869	307870	307871
307872	307891	307918
307919	307920	307921
307928	307953	307954
307957	307974	307981
307993	308016	308035
308036	308037	308038
308039	308040	308041
308042	308043	308044
308045	308046	308055
308075	308144	308145
308172	308175	308239
308307	308308	308389
308390	308391	308510
308511	308821	308848
309045	309046	309088
309250	309251	309252
309253	309254	309255
309256	309257	309258
309259	309260	309369
309488	309955	310042
310043	310044	310440
310446	310451	310452
310453	310472	310609
310853	311400	311679
311903	312091	312092
312187	312278	312403
312404	312565	312607
312608	312611	312795



313146	313709	315986	334274	334275	334716
316127	332082	332083	334993	334994	335587
332096	332102	332105	335588	335612	335613
332107	332109	332115	335614	335615	335616
332121	332122	332134	335617	335618	335620
332135	332145	332147	335621	335622	335623
332148	332150	332153	335843	335844	335992
332154	332155	332157	351842	352022	353431
332173	332175	332178	356807	359487	360743
332179	332181	332183	360978	361080	361323
332190	332192	332211	361354	361390	361511
332212	332213	332214	361726	361727	
332219	332233	332240			
332242	332246	332248			
332249	332251	332266			
332267	332270	332271			
332281	332290	332291			
332308	332309	332310			
332311	332312	332314			
332316	332317	332319			
332321	332322	332323			
332327	332328	332333			
332337	332338	332351			
332357	332358	332359			
332360	332367	332368			
332369	332370	332372			
332375	332380	332383			
332386	332387	332388			
332393	332404	332405			
332406	332463	332469			
332470	332471	332472			
332473	332474	332475			
332476	332477	332478			
332479	332480	332481			
332482	332483	332485			
332569	332628	332629			
332630	332652	332675			
332722	332742	332743			
332744	332760	332771			
332772	332773	332793			
332801	332830	332831			
332832	332834	332835			
332867	332868	332869			
332870	332898	332906			
332945	332947	332948			
332950	332951	332964			
332965	332966	333007			
333008	333040	333041			
333070	333171	333172			
333173	333174	333235			
333260	333270	333709			
333743	333795	333796			
333797	333825	333963			
333999	334000	334030			

**Extensions of time granted under Section 137**

Applications lodged under section 137 for extension of time have been granted.

360853 **Karsten Manufacturing Corporation**

366989 **David Croucher**

13127/2015 **Jemella Group Limited**

13128/2015 **Jemella Group Limited**

13138/2015 **Jemella Group Limited**

13139/2015 **Jemella Group Limited**

366927 **Orion Holdings (Overseas) Limited**

**Certificate(s) of Examination**

Examination of the following Design Registration(s) has been completed. Infringement proceedings may now be commenced.

322509	06-10	10/02/2016
356046	23-04	02/02/2016
359195	23-02B	11/02/2016
360970	12-08	02/02/2016
361392	12-08	12/02/2016
361393	12-08	12/02/2016
361533	08-05P	12/02/2016
361759	31-00	10/02/2016
361833	31-00	10/02/2016
362109	12-11	01/02/2016
362346	24-02	04/02/2016
363515	04-02	01/02/2016
363516	04-02	01/02/2016
363517	04-02	01/02/2016
363518	04-02	01/02/2016
363519	04-02	01/02/2016
363520	04-02	01/02/2016
363579	04-02	02/02/2016
363747	09-01NES	04/02/2016
363748	09-01NES	04/02/2016
363826	09-01NES	04/02/2016
363829	09-01H	04/02/2016
363830	09-01K	04/02/2016
364243	09-03F	17/12/2015
364579	11-01E	11/02/2016
364594	11-01E	10/02/2016
364903	08-07	12/02/2016
364904	08-07	12/02/2016
364907	24-04	08/02/2016
364908	24-04	08/02/2016
364909	24-04	08/02/2016
365104	08-07	12/02/2016
365108	08-07	12/02/2016
365114	26-03	09/02/2016
365324	03-01A	03/02/2016
365361	25-01NES	29/01/2016
365425	11-05	05/02/2016
365479	19-01	02/02/2016
365491	05-05B	04/02/2016
365492	05-05A	05/02/2016
365519	12-16NES	03/02/2016
365526	07-02H	11/02/2016
365527	07-02H	11/02/2016
365536	26-03	04/02/2016
365537	26-03	04/02/2016
365543	15-05	04/02/2016
365568	02-02C	05/02/2016
365584	07-06A	08/02/2016
365586	12-16A	09/02/2016
365594	05-05NES	12/02/2016
365595	05-05A	12/02/2016
365596	05-05D	12/02/2016
365603	05-05NES	12/02/2016

**Publication and Registration Proceedings**

**Designs Registered**

This section provides a concordance between design number and registration number of Designs covered in this journal. It also shows the main class and registration date.

This section covers Registration numbers 366814 to 367103 .

The registration number shown below should be used in all future correspondence.

<b>Design Number</b>	<b>Registration Number</b>	<b>International Classification Code (IDC)</b>	<b>Registration Date</b>	<b>Design Number</b>	<b>Registration Number</b>	<b>International Classification Code (IDC)</b>	<b>Registration Date</b>
12314/2014	366899	09-03M	02/02/2016	16489/2015	366956	25-01D	08/02/2016
12716/2015	366989	08-08H	09/02/2016	16490/2015	366957	25-01D	08/02/2016
13416/2015	367097	21-01M	12/02/2016	16491/2015	366958	25-01D	08/02/2016
13686/2015	366917	08-08B	02/02/2016	16524/2015	366884	24-01	02/02/2016
13767/2015	366891	12-16C	02/02/2016	16708/2015	366930	11-02B	03/02/2016
13768/2015	366870	12-08	01/02/2016	16760/2015	366971	14-01	09/02/2016
13770/2015	366918	12-16C	02/02/2016	16793/2015	366931	25-03	03/02/2016
13771/2015	366848	12-08	29/01/2016	16806/2015	366972	12-16NES	09/02/2016
13772/2015	366919	12-16NES	02/02/2016	16827/2015	366973	24-01	09/02/2016
13773/2015	366892	26-06	02/02/2016	16875/2015	366974	14-99	09/02/2016
13774/2015	366849	12-08	29/01/2016	16903/2015	366961	14-02	09/02/2016
13775/2015	366920	26-06	02/02/2016	16941/2015	367038	08-03	10/02/2016
14417/2015	366970	31-00	09/02/2016	16973/2015	367039	07-02C	10/02/2016
14750/2015	366921	06-02	02/02/2016	16979/2015	367040	13-03D	10/02/2016
14752/2015	366922	06-02	02/02/2016	16994/2015	367068	07-04	11/02/2016
14755/2015	366923	06-02	02/02/2016	17050/2015	366856	19-06	29/01/2016
14756/2015	366924	06-02	03/02/2016	17051/2015	366857	19-06	29/01/2016
14757/2015	366925	06-02	03/02/2016	17055/2015	366880	21-02F	01/02/2016
14758/2015	366926	06-02	03/02/2016	17056/2015	367041	24-99	10/02/2016
14759/2015	366927	06-04C	03/02/2016	17065/2015	367069	24-99	11/02/2016
15404/2015	367037	09-01H	10/02/2016	17080/2015	366863	04-02	01/02/2016
15405/2015	367098	09-01H	12/02/2016	10059/2016	367044	07-01F	11/02/2016
15847/2015	366900	02-02C	02/02/2016	10060/2016	367045	07-01F	11/02/2016
15957/2015	366901	07-01C	02/02/2016	10061/2016	367052	07-01F	11/02/2016
15975/2015	366928	23-02C	03/02/2016	10062/2016	367053	07-01F	11/02/2016
16206/2015	366877	07-06A	01/02/2016	10063/2016	367046	07-01F	11/02/2016
16207/2015	366878	07-06A	01/02/2016	10069/2016	366962	12-05	09/02/2016
16208/2015	366879	07-06A	01/02/2016	10092/2016	366906	12-15A	02/02/2016
16220/2015	366959	23-01NES	09/02/2016	10148/2016	366821	23-01NES	29/01/2016
16223/2015	367099	06-06NES	12/02/2016	10150/2016	366822	14-02	29/01/2016
16225/2015	367100	06-06NES	12/02/2016	10151/2016	366823	13-02	29/01/2016
16226/2015	367101	06-06NES	12/02/2016	10152/2016	366824	14-01	29/01/2016
16228/2015	367102	02-04NES	12/02/2016	10154/2016	366835	08-03	29/01/2016
16252/2015	366966	14-02	09/02/2016	10155/2016	366836	04-02	29/01/2016
16282/2015	366960	19-06	09/02/2016	10156/2016	366837	07-99NES	29/01/2016
16404/2015	366814	14-99	29/01/2016	10157/2016	366838	04-02	29/01/2016
16414/2015	366816	15-02	29/01/2016	10158/2016	366839	06-02	29/01/2016
16476/2015	366943	25-01D	08/02/2016	10159/2016	366840	06-02	29/01/2016
16477/2015	366944	25-01D	08/02/2016	10168/2016	366825	32-02	29/01/2016
16478/2015	366945	25-01D	08/02/2016	10174/2016	366826	20-02E	29/01/2016
16479/2015	366946	25-01D	08/02/2016	10178/2016	366827	06-03A	29/01/2016
16480/2015	366947	25-01D	08/02/2016	10189/2016	366858	21-01C	29/01/2016
16481/2015	366948	25-01D	08/02/2016	10198/2016	366817	24-02	29/01/2016
16482/2015	366949	25-01D	08/02/2016	10199/2016	366818	24-02	29/01/2016
16483/2015	366950	25-01D	08/02/2016	10201/2016	366819	28-03NES	29/01/2016
16484/2015	366951	25-01D	08/02/2016	10202/2016	366820	16-06	29/01/2016
16485/2015	366952	25-01D	08/02/2016	10218/2016	366841	07-02L	29/01/2016
16486/2015	366953	25-01D	08/02/2016	10222/2016	366842	10-02	29/01/2016
16487/2015	366954	25-01D	08/02/2016	10223/2016	366843	21-02D	29/01/2016
16488/2015	366955	25-01D	08/02/2016	10224/2016	366844	12-15A	29/01/2016

Publication and Registration Proceedings - Designs Registered cont'd

Design Number	Registration Number	International Classification Code (IDC)	Registration Date	Design Number	Registration Number	International Classification Code (IDC)	Registration Date
10225/2016	366845	12-15A	29/01/2016	10314/2016	366964	24-01	09/02/2016
10226/2016	366846	15-05	29/01/2016	10315/2016	366965	24-01	09/02/2016
10229/2016	366850	07-02R	29/01/2016	10316/2016	366967	24-01	09/02/2016
10230/2016	366851	07-02R	29/01/2016	10318/2016	367042	25-01G	10/02/2016
10231/2016	366852	02-04NES	29/01/2016	10319/2016	367043	25-03	10/02/2016
10236/2016	366815	14-99	29/01/2016	10320/2016	366968	24-02	09/02/2016
10237/2016	366853	21-01A	29/01/2016	10321/2016	366969	24-02	09/02/2016
10238/2016	366854	12-12	29/01/2016	10322/2016	366996	23-01A	10/02/2016
10240/2016	366828	12-12	29/01/2016	10324/2016	366975	02-04NES	09/02/2016
10242/2016	366829	28-03NES	29/01/2016	10327/2016	366997	12-16C	10/02/2016
10243/2016	366830	14-02	29/01/2016	10329/2016	366998	12-16C	10/02/2016
10245/2016	366847	04-02	29/01/2016	10330/2016	366999	23-03A	10/02/2016
10246/2016	366831	04-02	29/01/2016	10334/2016	366902	09-06	02/02/2016
10247/2016	366832	04-02	29/01/2016	10335/2016	366903	09-06	02/02/2016
10248/2016	366833	11-03	29/01/2016	10336/2016	366888	12-16B	02/02/2016
10249/2016	366834	02-07A	29/01/2016	10339/2016	366889	23-03A	02/02/2016
10251/2016	366859	12-16NES	29/01/2016	10340/2016	366890	12-16B	02/02/2016
10256/2016	366855	08-08K	29/01/2016	10344/2016	366940	07-01C	08/02/2016
10257/2016	366860	09-01G	29/01/2016	10345/2016	366904	07-01C	02/02/2016
10258/2016	366861	09-01G	29/01/2016	10354/2016	366907	14-02	02/02/2016
10259/2016	366862	09-01G	29/01/2016	10358/2016	366908	14-02	02/02/2016
10261/2016	366929	26-05E	03/02/2016	10359/2016	366909	14-02	02/02/2016
10262/2016	366864	26-05E	01/02/2016	10364/2016	366910	26-02	02/02/2016
10263/2016	366865	26-05E	01/02/2016	10365/2016	366941	26-02	08/02/2016
10264/2016	366866	26-05E	01/02/2016	10366/2016	366912	26-02	02/02/2016
10265/2016	366867	24-01	01/02/2016	10367/2016	366911	26-02	02/02/2016
10266/2016	366868	22-99	01/02/2016	10368/2016	366913	26-02	02/02/2016
10267/2016	366869	22-99	01/02/2016	10369/2016	366942	26-02	08/02/2016
10268/2016	366871	02-03	01/02/2016	10370/2016	366914	26-02	02/02/2016
10270/2016	366872	08-08C	01/02/2016	10371/2016	366915	26-02	02/02/2016
10271/2016	366873	24-02	01/02/2016	10372/2016	366916	26-05E	02/02/2016
10272/2016	366874	10-04	01/02/2016	10374/2016	366905	09-03NES	02/02/2016
10273/2016	366875	25-04	01/02/2016	10377/2016	366976	27-05	09/02/2016
10274/2016	366876	09-07C	01/02/2016	10378/2016	366977	10-04	09/02/2016
10275/2016	366881	25-04	01/02/2016	10380/2016	366978	08-05M	09/02/2016
10276/2016	366882	02-03	01/02/2016	10381/2016	366979	08-05M	09/02/2016
10277/2016	366883	02-03	01/02/2016	10382/2016	366980	08-05M	09/02/2016
10278/2016	366893	02-03	02/02/2016	10383/2016	367070	08-05M	11/02/2016
10279/2016	366935	02-03	08/02/2016	10384/2016	366981	08-08NES	09/02/2016
10280/2016	366894	02-03	02/02/2016	10385/2016	366982	08-05M	09/02/2016
10282/2016	366895	09-01K	02/02/2016	10386/2016	366983	28-99	09/02/2016
10284/2016	366896	09-01K	02/02/2016	10387/2016	366984	08-05M	09/02/2016
10285/2016	366897	09-01K	02/02/2016	10388/2016	366985	08-05M	09/02/2016
10286/2016	366932	28-03NES	03/02/2016	10389/2016	367071	09-03H	11/02/2016
10287/2016	366933	07-99NES	03/02/2016	10390/2016	366990	09-03H	09/02/2016
10289/2016	366934	03-03	03/02/2016	10391/2016	367072	09-03H	11/02/2016
10293/2016	366936	08-06	08/02/2016	10392/2016	366991	09-03H	09/02/2016
10295/2016	366937	02-03	08/02/2016	10393/2016	367073	09-03H	11/02/2016
10296/2016	366938	02-03	08/02/2016	10394/2016	366986	09-03H	09/02/2016
10297/2016	366939	02-03	08/02/2016	10395/2016	366987	09-03H	09/02/2016
10300/2016	366885	13-03A	02/02/2016	10396/2016	366988	09-03H	09/02/2016
10303/2016	366886	21-02D	02/02/2016	10397/2016	366992	09-03H	09/02/2016
10305/2016	366898	21-02D	02/02/2016	10398/2016	366993	31-00	09/02/2016
10306/2016	366887	23-01A	02/02/2016	10399/2016	366994	09-03H	09/02/2016
10312/2016	366963	15-02	09/02/2016	10400/2016	367074	09-03H	11/02/2016

Publication and Registration Proceedings - Designs Registered cont'd

Design Number	Registration Number	International Classification Code (IDC)	Registration Date	Design Number	Registration Number	International Classification Code (IDC)	Registration Date
10402/2016	367023	31-00	10/02/2016	10461/2016	367092	16-06	11/02/2016
10403/2016	367024	09-03H	10/02/2016	10463/2016	367093	24-02	11/02/2016
10405/2016	367025	31-00	10/02/2016	10465/2016	367047	12-11	11/02/2016
10406/2016	367026	31-00	10/02/2016	10467/2016	367094	12-11	11/02/2016
10408/2016	367027	13-02	10/02/2016	10468/2016	367095	24-02	11/02/2016
10409/2016	367075	24-99	11/02/2016	10469/2016	367096	21-02C	11/02/2016
10410/2016	367028	24-99	10/02/2016	10470/2016	367048	12-11	11/02/2016
10413/2016	367029	12-15B	10/02/2016	10472/2016	366995	24-01	09/02/2016
10416/2016	367030	24-02	10/02/2016	10474/2016	367016	11-01NES	10/02/2016
10417/2016	367031	24-02	10/02/2016	10475/2016	367017	11-01NES	10/02/2016
10418/2016	367032	24-02	10/02/2016	10476/2016	367087	06-04B	11/02/2016
10420/2016	367015	11-02NES	10/02/2016	10477/2016	367034	09-03NES	10/02/2016
10421/2016	367000	02-02NES	10/02/2016	10482/2016	367018	19-06	10/02/2016
10422/2016	367001	08-05P	10/02/2016	10485/2016	367035	02-03	10/02/2016
10423/2016	367002	08-05P	10/02/2016	10486/2016	367019	03-01B	10/02/2016
10424/2016	367003	20-02NES	10/02/2016	10487/2016	367020	11-03	10/02/2016
10427/2016	367004	15-05	10/02/2016	10488/2016	367021	11-01C	10/02/2016
10428/2016	367005	23-04	10/02/2016	10489/2016	367022	11-01C	10/02/2016
10429/2016	367033	08-08L	10/02/2016	10490/2016	367036	21-03	10/02/2016
10430/2016	367006	07-04	10/02/2016	10492/2016	367103	24-04	12/02/2016
10431/2016	367007	02-04NES	10/02/2016	10494/2016	367049	25-02H	11/02/2016
10432/2016	367008	12-15A	10/02/2016	10496/2016	367050	13-02	11/02/2016
10433/2016	367076	23-04	11/02/2016	10497/2016	367051	06-06NES	11/02/2016
10434/2016	367009	12-15A	10/02/2016	10498/2016	367054	06-04F	11/02/2016
10435/2016	367010	07-02A	10/02/2016	10499/2016	367055	06-04C	11/02/2016
10436/2016	367011	12-15A	10/02/2016	10500/2016	367056	06-06B	11/02/2016
10439/2016	367012	02-03	10/02/2016	10501/2016	367057	06-03C	11/02/2016
10442/2016	367013	15-04	10/02/2016	10504/2016	367058	06-04F	11/02/2016
10443/2016	367014	12-07	10/02/2016	10505/2016	367059	06-04C	11/02/2016
10444/2016	367082	12-99	11/02/2016	10508/2016	367060	08-08NES	11/02/2016
10445/2016	367083	12-99	11/02/2016	10512/2016	367061	14-02	11/02/2016
10446/2016	367084	12-99	11/02/2016	10513/2016	367062	12-11	11/02/2016
10447/2016	367085	12-99	11/02/2016	10514/2016	367063	10-04	11/02/2016
10448/2016	367086	13-01	11/02/2016	10515/2016	367064	10-04	11/02/2016
10449/2016	367077	12-99	11/02/2016	10516/2016	367067	09-08	11/02/2016
10451/2016	367078	09-01B	11/02/2016	10517/2016	367088	14-03A	11/02/2016
10455/2016	367079	09-07C	11/02/2016	10518/2016	367089	05-06A	11/02/2016
10456/2016	367080	09-01H	11/02/2016	10519/2016	367065	24-02	11/02/2016
10457/2016	367081	09-07C	11/02/2016	10520/2016	367066	10-04	11/02/2016
10458/2016	367090	15-03A	11/02/2016				
10459/2016	367091	08-08NES	11/02/2016				

**Publication and Registration Proceedings**

**Class Listing of Designs Published or Registered**

The following section shows an International Classification Code listing of the Registered or Published Designs covered in this supplement.

<b>Classification</b>	<b>Registration Number</b>	<b>Design Number</b>	<b>Classification</b>	<b>Registration Number</b>	<b>Design Number</b>
02-02B	366868	10266/2016	06-06NES	367100	16225/2015
02-02B	366869	10267/2016	06-06NES	367101	16226/2015
02-02C	366900	15847/2015	07-01C	366901	15957/2015
02-02NES	367000	10421/2016	07-01C	366904	10345/2016
02-03	366871	10268/2016	07-01C	366940	10344/2016
02-03	366882	10276/2016	07-01F	367044	10059/2016
02-03	366883	10277/2016	07-01F	367045	10060/2016
02-03	366893	10278/2016	07-01F	367046	10063/2016
02-03	366894	10280/2016	07-01F	367052	10061/2016
02-03	366935	10279/2016	07-01F	367053	10062/2016
02-03	366937	10295/2016	07-02A	367010	10435/2016
02-03	366938	10296/2016	07-02C	367039	16973/2015
02-03	366939	10297/2016	07-02L	366841	10218/2016
02-03	367012	10439/2016	07-02R	366850	10229/2016
02-03	367035	10485/2016	07-02R	366851	10230/2016
02-04NES	366852	10231/2016	07-04	367006	10430/2016
02-04NES	366975	10324/2016	07-04	367026	10406/2016
02-04NES	367007	10431/2016	07-04	367068	16994/2015
02-04NES	367102	16228/2015	07-06A	366877	16206/2015
02-07A	366834	10249/2016	07-06A	366878	16207/2015
03-01A	366834	10249/2016	07-06A	366879	16208/2015
03-01B	367019	10486/2016	07-99NES	366837	10156/2016
03-03	366934	10289/2016	07-99NES	366933	10287/2016
04-02	366831	10246/2016	08-03	366835	10154/2016
04-02	366832	10247/2016	08-03	367038	16941/2015
04-02	366836	10155/2016	08-05M	366978	10380/2016
04-02	366838	10157/2016	08-05M	366979	10381/2016
04-02	366847	10245/2016	08-05M	366980	10382/2016
04-02	366863	17080/2015	08-05M	366982	10385/2016
05-05A	367089	10518/2016	08-05M	366984	10387/2016
05-06A	367089	10518/2016	08-05M	366985	10388/2016
05-06NES	367089	10518/2016	08-05M	367070	10383/2016
06-01C	366827	10178/2016	08-05NES	367001	10422/2016
06-02	366839	10158/2016	08-05NES	367002	10423/2016
06-02	366840	10159/2016	08-05P	367001	10422/2016
06-02	366921	14750/2015	08-05P	367002	10423/2016
06-02	366922	14752/2015	08-06	366936	10293/2016
06-02	366923	14755/2015	08-08B	366917	13686/2015
06-02	366924	14756/2015	08-08C	366872	10270/2016
06-02	366925	14757/2015	08-08H	366989	12716/2015
06-02	366926	14758/2015	08-08K	366855	10256/2016
06-03A	366827	10178/2016	08-08L	367033	10429/2016
06-03C	367057	10501/2016	08-08NES	366981	10384/2016
06-04B	367087	10476/2016	08-08NES	367060	10508/2016
06-04C	366927	14759/2015	08-08NES	367091	10459/2016
06-04C	367055	10499/2016	09-01B	367078	10451/2016
06-04C	367059	10505/2016	09-01G	366860	10257/2016
06-04F	366927	14759/2015	09-01G	366861	10258/2016
06-04F	367054	10498/2016	09-01G	366862	10259/2016
06-04F	367058	10504/2016	09-01H	367037	15404/2015
06-06B	367056	10500/2016	09-01H	367080	10456/2016
06-06NES	367051	10497/2016	09-01H	367098	15405/2015
06-06NES	367099	16223/2015	09-01K	366895	10282/2016

Registration Proceedings - Class Listing of Designs Published or Registered cont'd

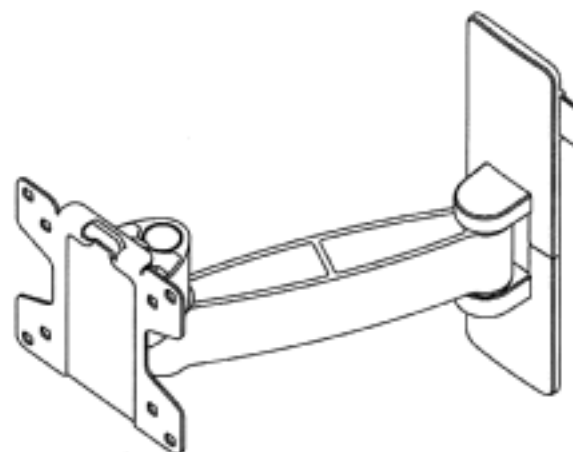
Classification	Registration Number	Design Number	Classification	Registration Number	Design Number
09-01K	366896	10284/2016	12-15A	366844	10224/2016
09-01K	366897	10285/2016	12-15A	366845	10225/2016
09-03H	366986	10394/2016	12-15A	366906	10092/2016
09-03H	366987	10395/2016	12-15A	367008	10432/2016
09-03H	366988	10396/2016	12-15A	367009	10434/2016
09-03H	366990	10390/2016	12-15A	367011	10436/2016
09-03H	366991	10392/2016	12-15B	367029	10413/2016
09-03H	366992	10397/2016	12-16B	366888	10336/2016
09-03H	366994	10399/2016	12-16B	366890	10340/2016
09-03H	367024	10403/2016	12-16C	366891	13767/2015
09-03H	367071	10389/2016	12-16C	366918	13770/2015
09-03H	367072	10391/2016	12-16C	366997	10327/2016
09-03H	367073	10393/2016	12-16C	366998	10329/2016
09-03H	367074	10400/2016	12-16NES	366859	10251/2016
09-03M	366899	12314/2014	12-16NES	366890	10340/2016
09-03NES	366905	10374/2016	12-16NES	366919	13772/2015
09-03NES	367034	10477/2016	12-16NES	366972	16806/2015
09-06	366902	10334/2016	12-16NES	367048	10470/2016
09-06	366903	10335/2016	12-99	367077	10449/2016
09-07A	366877	16206/2015	12-99	367082	10444/2016
09-07A	366879	16208/2015	12-99	367083	10445/2016
09-07C	366876	10274/2016	12-99	367084	10446/2016
09-07C	367079	10455/2016	12-99	367085	10447/2016
09-07C	367081	10457/2016	13-01	367086	10448/2016
09-08	367067	10516/2016	13-02	366823	10151/2016
10-02	366842	10222/2016	13-02	367027	10408/2016
10-04	366874	10272/2016	13-02	367050	10496/2016
10-04	366977	10378/2016	13-02	367063	10514/2016
10-04	367063	10514/2016	13-02	367064	10515/2016
10-04	367064	10515/2016	13-02	367066	10520/2016
10-04	367066	10520/2016	13-03A	366885	10300/2016
10-05	367088	10517/2016	13-03D	367040	16979/2015
11-01C	367021	10488/2016	14-01	366824	10152/2016
11-01C	367022	10489/2016	14-01	366971	16760/2015
11-01NES	367016	10474/2016	14-02	366822	10150/2016
11-01NES	367017	10475/2016	14-02	366830	10243/2016
11-02B	366930	16708/2015	14-02	366907	10354/2016
11-02B	366934	10289/2016	14-02	366908	10358/2016
11-02NES	367015	10420/2016	14-02	366909	10359/2016
11-02NES	367089	10518/2016	14-02	366961	16903/2015
11-03	366833	10248/2016	14-02	366966	16252/2015
11-03	367020	10487/2016	14-02	367061	10512/2016
12-05	366835	10154/2016	14-03A	367088	10517/2016
12-05	366962	10069/2016	14-99	366814	16404/2015
12-07	367014	10443/2016	14-99	366815	10236/2016
12-07	367083	10445/2016	14-99	366974	16875/2015
12-08	366848	13771/2015	15-02	366816	16414/2015
12-08	366849	13774/2015	15-02	366963	10312/2016
12-08	366858	10189/2016	15-03A	367090	10458/2016
12-08	366870	13768/2015	15-04	367013	10442/2016
12-11	367047	10465/2016	15-05	366846	10226/2016
12-11	367048	10470/2016	15-05	367004	10427/2016
12-11	367062	10513/2016	16-06	366820	10202/2016
12-11	367094	10467/2016	16-06	367092	10461/2016
12-12	366828	10240/2016	19-06	366856	17050/2015
12-12	366854	10238/2016	19-06	366857	17051/2015

Registration Proceedings - Class Listing of Designs Published or Registered cont'd

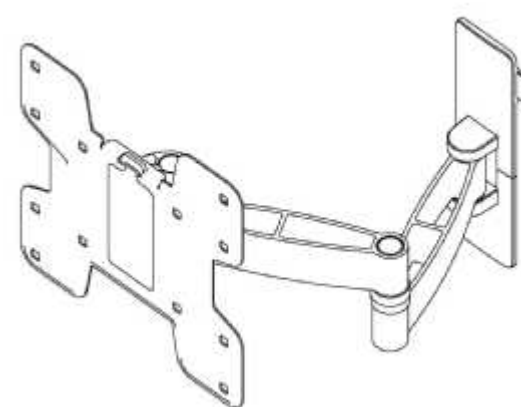
Classification	Registration Number	Design Number	Classification	Registration Number	Design Number
19-06	366960	16282/2015	25-01D	366945	16478/2015
19-06	367018	10482/2016	25-01D	366946	16479/2015
19-08	366825	10168/2016	25-01D	366947	16480/2015
19-99	367018	10482/2016	25-01D	366948	16481/2015
20-02E	366826	10174/2016	25-01D	366949	16482/2015
20-02NES	367003	10424/2016	25-01D	366950	16483/2015
21-01A	366853	10237/2016	25-01D	366951	16484/2015
21-01C	366858	10189/2016	25-01D	366952	16485/2015
21-01M	367097	13416/2015	25-01D	366953	16486/2015
21-02C	367096	10469/2016	25-01D	366954	16487/2015
21-02D	366843	10223/2016	25-01D	366955	16488/2015
21-02D	366886	10303/2016	25-01D	366956	16489/2015
21-02D	366898	10305/2016	25-01D	366957	16490/2015
21-02F	366880	17055/2015	25-01D	366958	16491/2015
21-03	367036	10490/2016	25-01E	366855	10256/2016
22-99	366868	10266/2016	25-01G	367042	10318/2016
22-99	366869	10267/2016	25-01NES	367089	10518/2016
22-99	366871	10268/2016	25-02H	367049	10494/2016
23-01A	366887	10306/2016	25-03	366931	16793/2015
23-01A	366996	10322/2016	25-03	367043	10319/2016
23-01NES	366821	10148/2016	25-04	366875	10273/2016
23-01NES	366959	16220/2015	25-04	366881	10275/2016
23-02C	366928	15975/2015	26-02	366910	10364/2016
23-03A	366889	10339/2016	26-02	366911	10367/2016
23-03A	366999	10330/2016	26-02	366912	10366/2016
23-04	367005	10428/2016	26-02	366913	10368/2016
23-04	367076	10433/2016	26-02	366914	10370/2016
24-01	366867	10265/2016	26-02	366915	10371/2016
24-01	366884	16524/2015	26-02	366941	10365/2016
24-01	366964	10314/2016	26-02	366942	10369/2016
24-01	366965	10315/2016	26-05E	366864	10262/2016
24-01	366967	10316/2016	26-05E	366865	10263/2016
24-01	366973	16827/2015	26-05E	366866	10264/2016
24-01	366995	10472/2016	26-05E	366916	10372/2016
24-02	366817	10198/2016	26-05E	366929	10261/2016
24-02	366818	10199/2016	26-06	366892	13773/2015
24-02	366873	10271/2016	26-06	366914	10370/2016
24-02	366963	10312/2016	26-06	366915	10371/2016
24-02	366968	10320/2016	26-06	366920	13775/2015
24-02	366969	10321/2016	27-05	366976	10377/2016
24-02	367030	10416/2016	28-03NES	366819	10201/2016
24-02	367031	10417/2016	28-03NES	366829	10242/2016
24-02	367032	10418/2016	28-03NES	366932	10286/2016
24-02	367065	10519/2016	28-99	366983	10386/2016
24-02	367093	10463/2016	31-00	366970	14417/2015
24-02	367095	10468/2016	31-00	366993	10398/2016
24-04	367103	10492/2016	31-00	367023	10402/2016
24-99	367028	10410/2016	31-00	367025	10405/2016
24-99	367041	17056/2015	31-00	367026	10406/2016
24-99	367069	17065/2015	32-02	366825	10168/2016
24-99	367075	10409/2016			
25-01D	366943	16476/2015			
25-01D	366944	16477/2015			



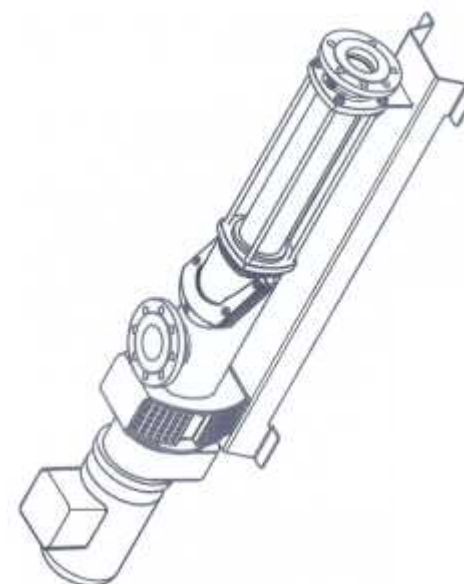
(21) Design Number: **16404/2015**  
(22) Date of Filing Application: **26 November 2015**  
(24) Date from which industrial property rights may have effect: **26 November 2015**  
(54) Product in respect of which the design is registered: **Wall mounts for audiovisual apparatus**  
(51) International Design Classification: **14-99**  
(74) Name(s) of Attorney(s): **K&L Gates**  
(71) Name(s) and Address(s) of Applicant(s):  
**Vogel's Holding B.V.**  
**Hondsruglaan 93 Eindhoven 5628 DB The Netherlands**  
(72) Name(s) of Designer(s): **Robin Bergmans and Danny Sijkens**  
(45) Registration Date: **29 January 2016**  
(30) Convention priority data:  
(31) Number (32) Date (33) Country  
**002707034-0001 26 May 2015 EUROPEAN PATENT OFFICE (EPO)**  
(56) Related Art Documents: **Not Applicable**  
(57) Statement of Newness and Distinctiveness: **Nil**



(21) Design Number: **10236/2016**  
(22) Date of Filing Application: **26 November 2015**  
(24) Date from which industrial property rights may have effect: **26 November 2015**  
(54) Product in respect of which the design is registered: **Wall mounts for audiovisual apparatus**  
(51) International Design Classification: **14-99**  
(74) Name(s) of Attorney(s): **K&L Gates**  
(71) Name(s) and Address(s) of Applicant(s):  
**Vogel's Holding B.V.**  
**Hondsruglaan 93 Eindhoven 5628 DB The Netherlands**  
(72) Name(s) of Designer(s): **Danny Sijkens and Robin Bergmans**  
(45) Registration Date: **29 January 2016**  
(30) Convention priority data:  
(31) Number (32) Date (33) Country  
**002707034-0002 26 May 2015 EUROPEAN PATENT OFFICE (EPO)**  
(56) Related Art Documents: **Not Applicable**  
(57) Statement of Newness and Distinctiveness: **Nil**



(21) Design Number: **16414/2015**  
(22) Date of Filing Application: **27 November 2015**  
(24) Date from which industrial property rights may have effect: **27 November 2015**  
(54) Product in respect of which the design is registered: **Pump**  
(51) International Design Classification: **15-02**  
(74) Name(s) of Attorney(s): **Davies Collison Cave**  
(71) Name(s) and Address(s) of Applicant(s):  
**NETZSCH Pumpen & Systeme GmbH**  
**Gebr#der-Netzsch-Strasse 19 Selb 95100 Germany**  
(72) Name(s) of Designer(s): **Magdalena Bruning and Philipp Nubl and Mikael Tekneyan and Michael Suthmann**  
(45) Registration Date: **29 January 2016**  
(30) Convention priority data:  
(31) Number (32) Date (33) Country  
**002709634-0001 29 May 2015 OFFICE FOR HARMONISATION IN THE INTERNAL MARKET (OHIM)**  
(56) Related Art Documents: **Not Applicable**  
(57) Statement of Newness and Distinctiveness: **Nil**



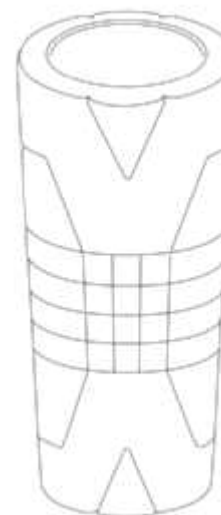
(21) Design Number: **10198/2016**  
(22) Date of Filing Application: **14 January 2016**  
(24) Date from which industrial property rights may have effect: **14 January 2016**  
(54) Product in respect of which the design is registered: **Artificial inseminator**  
(51) International Design Classification: **24-02**  
(74) Name(s) of Attorney(s): **HODGKINSON McINNES PATENTS**  
(71) Name(s) and Address(s) of Applicant(s):  
**Mark Anderson**  
**303 South McKay Avenue Spring Valley WI, 54767 United States of America**  
(72) Name(s) of Designer(s): **Barbara K. Jennings and Christina M. Fitzjarrell**  
(45) Registration Date: **29 January 2016**  
(30) Convention priority data:  
(31) Number (32) Date (33) Country  
**29/533,178 15 Jul 2015 UNITED STATES OF AMERICA**  
(56) Related Art Documents: **Not Applicable**  
(57) Statement of Newness and Distinctiveness: **The newness and distinctiveness of the design resides in the shape and/or configuration of an artificial inseminator as shown in the accompanying representations.**



(21) Design Number: **10199/2016**  
(22) Date of Filing Application: **14 January 2016**  
(24) Date from which industrial property rights may have effect: **14 January 2016**  
(54) Product in respect of which the design is registered: **Retrieval snare coil sleeve**  
(51) International Design Classification: **24-02**  
(74) Name(s) of Attorney(s): **Spruson & Ferguson**  
(71) Name(s) and Address(s) of Applicant(s):  
**Avent, Inc.**  
**5405 Windward Parkway, Alpharetta, Georgia 30004 United States of America**  
(72) Name(s) of Designer(s): **Khoa Tuan Lien**  
(45) Registration Date: **29 January 2016**  
(30) Convention priority data:  
(31) Number (32) Date (33) Country  
**29/533501 17 Jul 2015 UNITED STATES OF AMERICA**  
(56) Related Art Documents: **Not Applicable**  
(57) Statement of Newness and Distinctiveness: **Newness and distinctiveness is claimed in the features of shape and/or configuration of a retrieval snare coil sleeve as illustrated in continuous lines in the accompanying representations.**



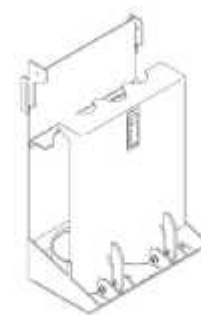
(21) Design Number: **10201/2016**  
(22) Date of Filing Application: **14 January 2016**  
(24) Date from which industrial property rights may have effect: **14 January 2016**  
(54) Product in respect of which the design is registered: **Body massage roller**  
(51) International Design Classification: **28-03NES**  
(74) Name(s) of Attorney(s):  
(71) Name(s) and Address(s) of Applicant(s):  
**Judy Goldberg**  
**PO BOX 7036 Bondi Beach NSW 2026 Australia**  
(72) Name(s) of Designer(s): **Alex Goldberg**  
(45) Registration Date: **29 January 2016**  
(56) Related Art Documents: **Not Applicable**  
(57) Statement of Newness and Distinctiveness: **Newness and distinctiveness are claimed in the design shape and configuration of a body massage roller, as shown in the accompanying drawings.**



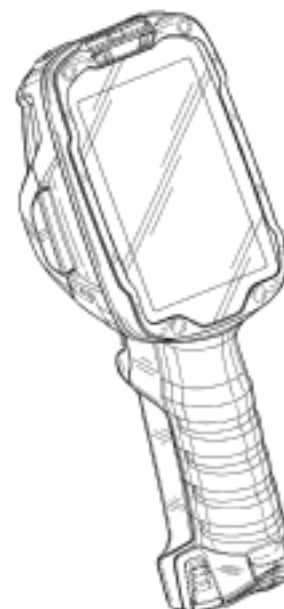
- (21) Design Number: **10202/2016**  
(22) Date of Filing Application: **14 January 2016**  
(24) Date from which industrial property rights may have effect: **14 January 2016**  
(54) Product in respect of which the design is registered: **Reading glasses**  
(51) International Design Classification: **16-06**  
(74) Name(s) of Attorney(s):  
(71) Name(s) and Address(s) of Applicant(s):  
**MASTER READERS AUSTRALIA PTY LTD**  
**19 Park Rd St Leonards NSW 2065 Australia**  
(72) Name(s) of Designer(s): **Kai Wang**  
(45) Registration Date: **29 January 2016**  
(56) Related Art Documents: **Not Applicable**  
(57) Statement of Newness and Distinctiveness: **The newness and distinctiveness of this "FOLDING" reading glasses resides in shape, colours (white, black, red, yellow, blue, green and purple), grades (+1.0, +1.5, +2.0, +2.5, +3.0) and frame structure as shown in the attachments.**



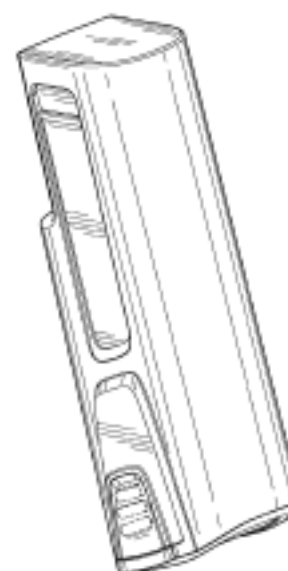
- (21) Design Number: **10148/2016**  
(22) Date of Filing Application: **13 January 2016**  
(24) Date from which industrial property rights may have effect: **13 January 2016**  
(54) Product in respect of which the design is registered: **Bottle holder**  
(51) International Design Classification: **23-01NES**  
(74) Name(s) of Attorney(s): **Spruson & Ferguson**  
(71) Name(s) and Address(s) of Applicant(s):  
**Byron Group Holdings Pty Ltd**  
**45 Britton St Smithfield NSW 2164 Australia**  
(72) Name(s) of Designer(s): **Rohan Gray**  
(45) Registration Date: **29 January 2016**  
(56) Related Art Documents: **Not Applicable**  
(57) Statement of Newness and Distinctiveness: **Newness and distinctiveness is claimed in the features of shape and/or configuration of a bottle holder as illustrated in the accompanying representations.**



(21) Design Number: **10150/2016**  
(22) Date of Filing Application: **13 January 2016**  
(24) Date from which industrial property rights may have effect: **13 January 2016**  
(54) Product in respect of which the design is registered: **Mobile computer device**  
(51) International Design Classification: **14-02**  
(74) Name(s) of Attorney(s): **Spruson & Ferguson**  
(71) Name(s) and Address(s) of Applicant(s):  
**Symbol Technologies, LLC**  
**1 Zebra Plaza, Holtsville New York 11742 United States of America**  
(72) Name(s) of Designer(s): **Konstantinos Tsiopanos and Jaeho Choi**  
(45) Registration Date: **29 January 2016**  
(30) Convention priority data:  
(31) Number (32) Date (33) Country  
**29/533680 21 Jul 2015 UNITED STATES OF AMERICA**  
(56) Related Art Documents: **Not Applicable**  
(57) Statement of Newness and Distinctiveness: **Newness and distinctiveness is claimed in the features of shape and/or configuration of a mobile computer device as illustrated in continuous lines in the accompanying representations.**



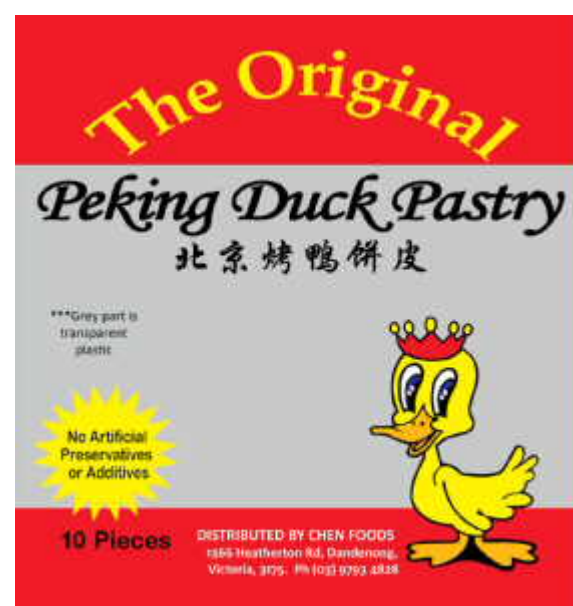
(21) Design Number: **10151/2016**  
(22) Date of Filing Application: **13 January 2016**  
(24) Date from which industrial property rights may have effect: **13 January 2016**  
(54) Product in respect of which the design is registered: **Mobile computer battery**  
(51) International Design Classification: **13-02**  
(74) Name(s) of Attorney(s): **Spruson & Ferguson**  
(71) Name(s) and Address(s) of Applicant(s):  
**Symbol Technologies, LLC**  
**1 Zebra Plaza, Holtsville New York 11742 United States of America**  
(72) Name(s) of Designer(s): **Konstantinos Tsiopanos and Jaeho Choi**  
(45) Registration Date: **29 January 2016**  
(30) Convention priority data:  
(31) Number (32) Date (33) Country  
**29/533690 21 Jul 2015 UNITED STATES OF AMERICA**  
(56) Related Art Documents: **Not Applicable**  
(57) Statement of Newness and Distinctiveness: **Newness and distinctiveness is claimed in the features of shape and/or configuration of a mobile computer battery as illustrated in continuous lines in the accompanying representations.**



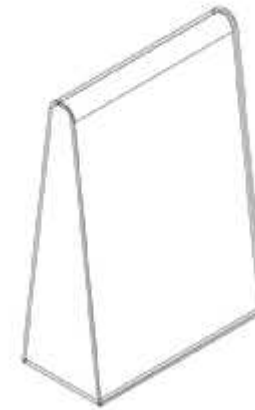
- (21) Design Number: **10152/2016**  
(22) Date of Filing Application: **13 January 2016**  
(24) Date from which industrial property rights may have effect: **13 January 2016**  
(54) Product in respect of which the design is registered: **Wearable display device**  
(51) International Design Classification: **14-01**  
(74) Name(s) of Attorney(s): **Chrysiliou IP**  
(71) Name(s) and Address(s) of Applicant(s):  
**Shenzhen Royole Technologies Co., Ltd.**  
**A4-1501, Kexing Science Park No.15 Keyuan Rd Science and**  
**Technology Park Nanshan District, Shenzhen Guangdong China**  
(72) Name(s) of Designer(s): **Chao Jiang and Fan Yang and Xinyuan Xia and**  
**Songling Yang**  
(45) Registration Date: **29 January 2016**  
(30) Convention priority data:  
(31) Number (32) Date (33) Country  
**201530313084.X 19 Aug 2015 CHINA**  
(56) Related Art Documents: **Not Applicable**  
(57) Statement of Newness and Distinctiveness: **In considering infringement,**  
**the broken lines in the accompanying drawings are to be disregarded.**



- (21) Design Number: **10168/2016**  
(22) Date of Filing Application: **13 January 2016**  
(24) Date from which industrial property rights may have effect: **13 January 2016**  
(54) Product in respect of which the design is registered: **Product packaging design**  
(51) International Design Classification: **32-02, 19-08**  
(74) Name(s) of Attorney(s):  
(71) Name(s) and Address(s) of Applicant(s):  
**Sorelle Group Pty Ltd trading as Chen Foods**  
**1366 Heatherton Rd Dandenong VIC 3175 Australia**  
(72) Name(s) of Designer(s): **Nancy Chen**  
(45) Registration Date: **29 January 2016**  
(56) Related Art Documents: **Not Applicable**  
(57) Statement of Newness and Distinctiveness: **Our own original design with**  
**animated yellow duck wearing a crown. Company name and details on**  
**front of packaging with Asian letter characters(meaning) Peking Duck**  
**Pastry written underneath."The Original" wording is written in an arch**  
**at top of box. On reverse there are cooking and preparation instructions**  
**in both writing and pictures as well as nutritional panel and ingredients.**  
**The wording "Enjoy Authentic Peking Duck in Your Own Home" is written**  
**at top of this information.**



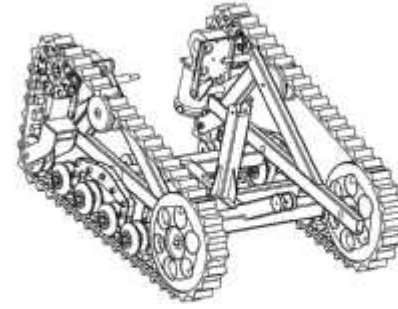
- (21) Design Number: **10174/2016**  
(22) Date of Filing Application: **13 January 2016**  
(24) Date from which industrial property rights may have effect: **13 January 2016**  
(54) Product in respect of which the design is registered: **Point-of-sale display unit**  
(51) International Design Classification: **20-02E**  
(74) Name(s) of Attorney(s):  
(71) Name(s) and Address(s) of Applicant(s):  
**Container Pty Ltd**  
**SE64 61 Marlborough St Surry Hills NSW 2010 Australia**  
(72) Name(s) of Designer(s): **Brenan Liston**  
(45) Registration Date: **29 January 2016**  
(56) Related Art Documents: **Not Applicable**  
(57) Statement of Newness and Distinctiveness: **Shape.**



- (21) Design Number: **10178/2016**  
(22) Date of Filing Application: **13 January 2016**  
(24) Date from which industrial property rights may have effect: **13 January 2016**  
(54) Product in respect of which the design is registered: **Table**  
(51) International Design Classification: **06-03A, 06-01C**  
(74) Name(s) of Attorney(s): **Churchill Attorneys**  
(71) Name(s) and Address(s) of Applicant(s):  
**Matthew Kelly**  
**45 Rawson St Swansea NSW 2281 Australia**  
(72) Name(s) of Designer(s): **Matthew Kelly**  
(45) Registration Date: **29 January 2016**  
(56) Related Art Documents: **Not Applicable**  
(57) Statement of Newness and Distinctiveness: **The newness and distinctiveness of the design resides in the shape of the table as shown in the in the accompanying representations. The surface lines do not form part of the design.**



- (21) Design Number: **10240/2016**  
(22) Date of Filing Application: **18 January 2016**  
(24) Date from which industrial property rights may have effect: **18 January 2016**  
(54) Product in respect of which the design is registered: **Wheelchair track**  
(51) International Design Classification: **12-12**  
(74) Name(s) of Attorney(s): **Acacia Law**  
(71) Name(s) and Address(s) of Applicant(s):  
**Freetrack Pty Ltd**  
**PO Box 211 Pinjarra WA 6208 Australia**  
(72) Name(s) of Designer(s): **Darren Green**  
(45) Registration Date: **29 January 2016**  
(56) Related Art Documents: **Not Applicable**  
(57) Statement of Newness and Distinctiveness: **Novelty lies in the overall combination of shape and configuration of a wheelchair base and track, and in particular: the rounded track at the front thereof and the vertical track profile at the rear, the low profile and compact appearance of the wheelchair base and track and the serrated appearance of the wheelchair track belt outer surface and the repeating block profile of the inner belt surface.**

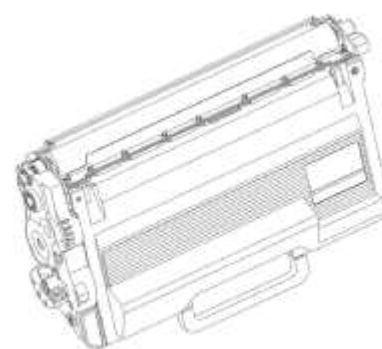


- (21) Design Number: **10242/2016**  
(22) Date of Filing Application: **18 January 2016**  
(24) Date from which industrial property rights may have effect: **18 January 2016**  
(54) Product in respect of which the design is registered: **Massage device**  
(51) International Design Classification: **28-03NES**  
(74) Name(s) of Attorney(s):  
(71) Name(s) and Address(s) of Applicant(s):  
**Judy Goldberg**  
**PO BOX 7036 Bondi Beach NSW 2026 Australia**  
(72) Name(s) of Designer(s): **Alex Goldberg**  
(45) Registration Date: **29 January 2016**  
(56) Related Art Documents: **Not Applicable**  
(57) Statement of Newness and Distinctiveness: **Newness and distinctiveness is claimed in the shape and configuration of the massage device as shown in the accompanying representations.**





(21) Design Number: **10243/2016**  
(22) Date of Filing Application: **19 January 2016**  
(24) Date from which industrial property rights may have effect: **19 January 2016**  
(54) Product in respect of which the design is registered: **Toner cartridge**  
(51) International Design Classification: **14-02**  
(74) Name(s) of Attorney(s): **Collison & Co**  
(71) Name(s) and Address(s) of Applicant(s):  
**BROTHER INDUSTRIES, LTD.**  
**15-1 Naeshiro-cho Mizuho-ku Nagoya-shi Aichi-ken 467-8561 Japan**  
(72) Name(s) of Designer(s): **Yasuo Fukamachi and Motoaki Mushika and Koji Abe and Takuya Kanda and Kazuna Taguchi**  
(45) Registration Date: **29 January 2016**  
(30) Convention priority data:  
(31) Number      (32) Date      (33) Country  
**2015-022748      15 Oct 2015      JAPAN**  
(56) Related Art Documents: **Not Applicable**  
(57) Statement of Newness and Distinctiveness: **Nil**



(21) Design Number: **10246/2016**  
(22) Date of Filing Application: **19 January 2016**  
(24) Date from which industrial property rights may have effect: **19 January 2016**  
(54) Product in respect of which the design is registered: **Oral care implement**  
(51) International Design Classification: **04-02**  
(74) Name(s) of Attorney(s): **FB Rice**  
(71) Name(s) and Address(s) of Applicant(s):  
**Colgate-Palmolive Company**  
**300 Park Avenue New York New York, 10022 United States of America**  
(72) Name(s) of Designer(s): **Wen Jin Xi and Bo Zhang and Yanmei Ji and Xiangji Ding and Jianrong Zhou**  
(45) Registration Date: **29 January 2016**  
(30) Convention priority data:  
(31) Number      (32) Date      (33) Country  
**29/533,942      23 Jul 2015      UNITED STATES OF AMERICA**  
(56) Related Art Documents: **Not Applicable**  
(57) Statement of Newness and Distinctiveness: **Newness and distinctiveness reside in the features of the design as shown in solid lines in the representations excluding those features shown in broken lines.**



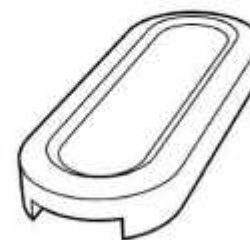
(21) Design Number: **10247/2016**  
(22) Date of Filing Application: **19 January 2016**  
(24) Date from which industrial property rights may have effect: **19 January 2016**  
(54) Product in respect of which the design is registered: **Oral care implement**  
(51) International Design Classification: **04-02**  
(74) Name(s) of Attorney(s): **FB Rice**  
(71) Name(s) and Address(s) of Applicant(s):  
**Colgate-Palmolive Company**  
**300 Park Avenue New York New York, 10022 United States of America**  
(72) Name(s) of Designer(s): **Wen Jin Xi and Bo Zhang and Yanmei Ji and Xiangji Ding and Jianrong Zhou**  
(45) Registration Date: **29 January 2016**  
(30) Convention priority data:  
(31) Number (32) Date (33) Country  
**29/533,942 23 Jul 2015 UNITED STATES OF AMERICA**  
(56) Related Art Documents: **Not Applicable**  
(57) Statement of Newness and Distinctiveness: **Newness and distinctiveness reside in the features of the design as shown in solid lines in the representations excluding those features shown in broken lines.**



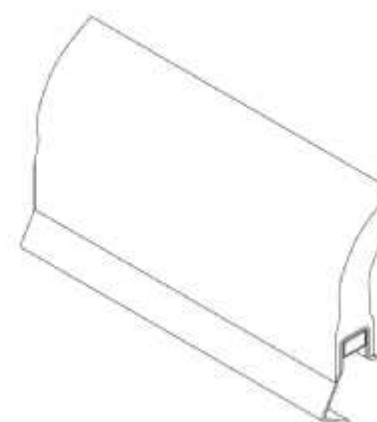
(21) Design Number: **10248/2016**  
(22) Date of Filing Application: **19 January 2016**  
(24) Date from which industrial property rights may have effect: **19 January 2016**  
(54) Product in respect of which the design is registered: **Badge**  
(51) International Design Classification: **11-03**  
(74) Name(s) of Attorney(s):  
(71) Name(s) and Address(s) of Applicant(s):  
**ANZAC DAY COMMEMORATION COMMITTEE (QUEENSLAND) INC**  
**PO BOX 3426 Stafford DC QLD 4053 Australia**  
(72) Name(s) of Designer(s): **Greg Faux**  
(45) Registration Date: **29 January 2016**  
(56) Related Art Documents: **Not Applicable**  
(57) Statement of Newness and Distinctiveness: **The newness and distinctiveness of the design resides in the shape and/or configuration of the Navy cap as shown in the representation.**



(21) Design Number: **10249/2016**  
(22) Date of Filing Application: **19 January 2016**  
(24) Date from which industrial property rights may have effect: **19 January 2016**  
(54) Product in respect of which the design is registered: **Zipper stopper**  
(51) International Design Classification: **02-07A, 03-01A**  
(74) Name(s) of Attorney(s): **FB Rice**  
(71) Name(s) and Address(s) of Applicant(s):  
**RIMOWA GmbH**  
**Richard-Byrd-Strasse 13 Cologne 50829 Germany**  
(72) Name(s) of Designer(s): **Dieter Morszeck**  
(45) Registration Date: **29 January 2016**  
(30) Convention priority data:  
(31) Number (32) Date (33) Country  
**002739706 20 Jul 2015 EUROPEAN PATENT OFFICE (EPO)**  
(56) Related Art Documents: **Not Applicable**  
(57) Statement of Newness and Distinctiveness: **Newness and distinctiveness reside in the features of the design as shown in solid lines in the representations excluding those features shown in broken lines.**



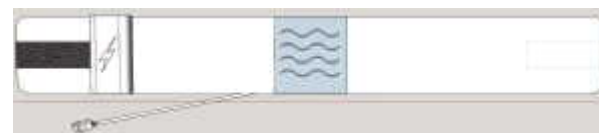
(21) Design Number: **10154/2016**  
(22) Date of Filing Application: **13 January 2016**  
(24) Date from which industrial property rights may have effect: **13 January 2016**  
(54) Product in respect of which the design is registered: **Conveyor belt scraper blade**  
(51) International Design Classification: **08-03, 12-05**  
(74) Name(s) of Attorney(s): **Pizeys Patent and Trade Mark Attorneys Pty Ltd**  
(71) Name(s) and Address(s) of Applicant(s):  
**Martin Engineering Company**  
**One Martin Place Neponset IL, 61345 United States of America**  
(72) Name(s) of Designer(s): **Edwin H. Peterson and Paul B. Harrison and Rudolf Beer**  
(45) Registration Date: **29 January 2016**  
(30) Convention priority data:  
(31) Number (32) Date (33) Country  
**29/534,051 24 Jul 2015 UNITED STATES OF AMERICA**  
(56) Related Art Documents: **Not Applicable**  
(57) Statement of Newness and Distinctiveness: **Nil**



- (21) Design Number: **10155/2016**  
(22) Date of Filing Application: **13 January 2016**  
(24) Date from which industrial property rights may have effect: **13 January 2016**  
(54) Product in respect of which the design is registered: **Oral care implement**  
(51) International Design Classification: **04-02**  
(74) Name(s) of Attorney(s): **FB Rice**  
(71) Name(s) and Address(s) of Applicant(s):  
**Colgate-Palmolive Company**  
**300 Park Avenue New York New York, 10022 United States of America**  
(72) Name(s) of Designer(s): **Wen Jin Xi and Robert Moskovich and Guang Sheng Guo and Stephen Nelson and Joachim Storz and Felix Mueller**  
(45) Registration Date: **29 January 2016**  
(30) Convention priority data:  
(31) Number (32) Date (33) Country  
**29/533,922 23 Jul 2015 UNITED STATES OF AMERICA**  
(56) Related Art Documents: **Not Applicable**  
(57) Statement of Newness and Distinctiveness: **Newness and distinctiveness reside in the features of shape and configuration of the design as shown in the representations.**



- (21) Design Number: **10156/2016**  
(22) Date of Filing Application: **13 January 2016**  
(24) Date from which industrial property rights may have effect: **13 January 2016**  
(54) Product in respect of which the design is registered: **A portable heat panel**  
(51) International Design Classification: **07-99NES**  
(74) Name(s) of Attorney(s):  
(71) Name(s) and Address(s) of Applicant(s):  
**Sitro Group Australia Pty Ltd**  
**33-35 Lionel Rd Mount Waverley VIC 3149 Australia**  
(72) Name(s) of Designer(s): **Nick Pietrantonio**  
(45) Registration Date: **29 January 2016**  
(56) Related Art Documents: **Not Applicable**  
(57) Statement of Newness and Distinctiveness: **The current invention relates to a portable strap with integrated heat panel that can be powered by a power pack source such as a battery or solar panel. The portable heat belt invention can more specifically be applied to chairs such as camping or stadium or portable chairs. The purpose of the invention is to convert any seat into a heated seat, portable or not.**



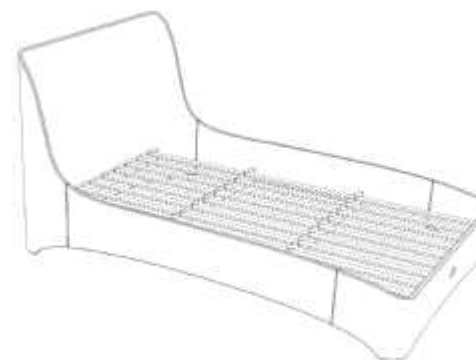
- (21) Design Number: **10157/2016**  
(22) Date of Filing Application: **13 January 2016**  
(24) Date from which industrial property rights may have effect: **13 January 2016**  
(54) Product in respect of which the design is registered: **Oral care implement**  
(51) International Design Classification: **04-02**  
(74) Name(s) of Attorney(s): **FB Rice**  
(71) Name(s) and Address(s) of Applicant(s):  
**Colgate-Palmolive Company**  
**300 Park Avenue New York New York, 10022 United States of America**  
(72) Name(s) of Designer(s): **Wen Jin Xi and Robert Moskovich and Guang Shen Guo and Stephen Nelson and Joachim Storz and Felix Mueller**  
(45) Registration Date: **29 January 2016**  
(30) Convention priority data:  
(31) Number (32) Date (33) Country  
**29/533,922 23 Jul 2015 UNITED STATES OF AMERICA**  
(56) Related Art Documents: **Not Applicable**  
(57) Statement of Newness and Distinctiveness: **Newness and distinctiveness reside in the features of the design shown in solid lines in the representations excluding those features in broken lines.**



- (21) Design Number: **10158/2016**  
(22) Date of Filing Application: **13 January 2016**  
(24) Date from which industrial property rights may have effect: **13 January 2016**  
(54) Product in respect of which the design is registered: **Bed**  
(51) International Design Classification: **06-02**  
(74) Name(s) of Attorney(s): **WATERMARK PATENT AND TRADE MARKS ATTORNEYS**  
(71) Name(s) and Address(s) of Applicant(s):  
**Orion Holdings (Overseas) Limited**  
**13/F Pico Tower 66 Gloucester Road Wan Chai Hong Kong Island Hong Kong**  
(72) Name(s) of Designer(s): **Justin Chui**  
(45) Registration Date: **29 January 2016**  
(56) Related Art Documents: **Not Applicable**  
(57) Statement of Newness and Distinctiveness: **Newness and distinctiveness reside in the features of shape and configuration as applied to a bed wherein the slates for supporting a mattress on the bed frame illustrated in phantom outline do not form part of the design.**



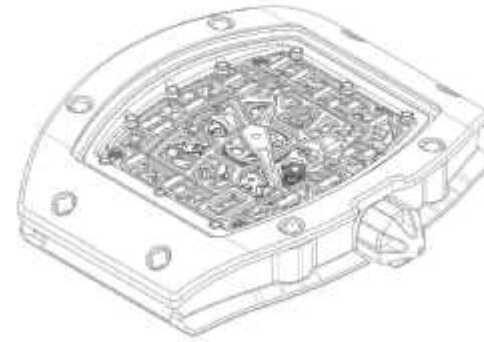
- (21) Design Number: **10159/2016**  
(22) Date of Filing Application: **13 January 2016**  
(24) Date from which industrial property rights may have effect: **13 January 2016**  
(54) Product in respect of which the design is registered: **Bed**  
(51) International Design Classification: **06-02**  
(74) Name(s) of Attorney(s): **WATERMARK PATENT AND TRADE MARKS ATTORNEYS**  
(71) Name(s) and Address(s) of Applicant(s):  
**Orion Holdings (Overseas) Limited**  
**13/F Pico Tower 66 Gloucester Road Wan Chai Hong Kong Island Hong Kong**  
(72) Name(s) of Designer(s): **Justin Chui**  
(45) Registration Date: **29 January 2016**  
(56) Related Art Documents: **Not Applicable**  
(57) Statement of Newness and Distinctiveness: **Newness and distinctiveness reside in the features of shape and configuration as applied to a bed wherein the slates for supporting a mattress on the bed frame illustrated in phantom outline do not form part of the design.**



- (21) Design Number: **10218/2016**  
(22) Date of Filing Application: **15 January 2016**  
(24) Date from which industrial property rights may have effect: **15 January 2016**  
(54) Product in respect of which the design is registered: **A coffee machine**  
(51) International Design Classification: **07-02L**  
(74) Name(s) of Attorney(s): **Banki Haddock Fiora**  
(71) Name(s) and Address(s) of Applicant(s):  
**Societe des Produits Nestle S.A.**  
**Canton of Vaud Vevey 1800 Switzerland**  
(72) Name(s) of Designer(s): **Da-Mi Byun**  
(45) Registration Date: **29 January 2016**  
(30) Convention priority data:  
(31) Number      (32) Date      (33) Country  
**141666      29 Jul 2015      SWITZERLAND**  
(56) Related Art Documents: **Not Applicable**  
(57) Statement of Newness and Distinctiveness: **Nil**



(21) Design Number: **10222/2016**  
(22) Date of Filing Application: **15 January 2016**  
(24) Date from which industrial property rights may have effect: **15 January 2016**  
(54) Product in respect of which the design is registered: **Wristwatch without bracelet**  
(51) International Design Classification: **10-02**  
(74) Name(s) of Attorney(s): **PHILLIPS ORMONDE FITZPATRICK**  
(71) Name(s) and Address(s) of Applicant(s):  
**Turlen Holding SA**  
**Rue du Jura 11 Les Breuleux 2345 Switzerland**  
(72) Name(s) of Designer(s): **Richard Mille**  
(45) Registration Date: **29 January 2016**  
(30) Convention priority data:  
(31) Number (32) Date (33) Country  
**925832901 05 Oct 2015 SWITZERLAND**  
(56) Related Art Documents: **Not Applicable**  
(57) Statement of Newness and Distinctiveness: **Nil**



(21) Design Number: **10223/2016**  
(22) Date of Filing Application: **15 January 2016**  
(24) Date from which industrial property rights may have effect: **15 January 2016**  
(54) Product in respect of which the design is registered: **Stand-up paddle board**  
(51) International Design Classification: **21-02D**  
(74) Name(s) of Attorney(s): **Collison & Co**  
(71) Name(s) and Address(s) of Applicant(s):  
**Soren Strange Lentz**  
**79A Hammersmith Grove London W42UE United Kingdom**  
(72) Name(s) of Designer(s): **Soren Strange Lentz**  
(45) Registration Date: **29 January 2016**  
(30) Convention priority data:  
(31) Number (32) Date (33) Country  
**UK4042098 15 Jul 2015 UNITED KINGDOM**  
(56) Related Art Documents: **Not Applicable**  
(57) Statement of Newness and Distinctiveness: **Nil**



(21) Design Number: **10224/2016**  
(22) Date of Filing Application: **15 January 2016**  
(24) Date from which industrial property rights may have effect: **15 January 2016**  
(54) Product in respect of which the design is registered: **Tyre tread**  
(51) International Design Classification: **12-15A**  
(74) Name(s) of Attorney(s): **Fisher Adams Kelly Callinans**  
(71) Name(s) and Address(s) of Applicant(s):

**Davanti Tyres Limited**  
**Unit 4, North Florida Road St Helens Merseyside WA11 9UB United Kingdom**

(72) Name(s) of Designer(s): **Sun Wen and Hairong Fu and Wang Xueyi**

(45) Registration Date: **29 January 2016**

(30) Convention priority data:

(31) Number	(32) Date	(33) Country
<b>002820621-0001</b>	<b>13 Oct 2015</b>	<b>OFFICE FOR HARMONISATION IN THE INTERNAL MARKET (OHIM)</b>

(56) Related Art Documents: **Not Applicable**

(57) Statement of Newness and Distinctiveness: **The newness and distinctiveness of the design resides in the shape and/or configuration of the TYRE TREAD shown in the representations, the remainder of the tyre forms no part of the design.**



(21) Design Number: **10225/2016**  
(22) Date of Filing Application: **15 January 2016**  
(24) Date from which industrial property rights may have effect: **15 January 2016**  
(54) Product in respect of which the design is registered: **Tyre tread**  
(51) International Design Classification: **12-15A**  
(74) Name(s) of Attorney(s): **Fisher Adams Kelly Callinans**  
(71) Name(s) and Address(s) of Applicant(s):

**Davanti Tyres Limited**  
**Unit 4, North Florida Road St Helens Merseyside WA11 9UB United Kingdom**

(72) Name(s) of Designer(s): **Liu Jingjing and Zhang Yixin and Sun Wen**

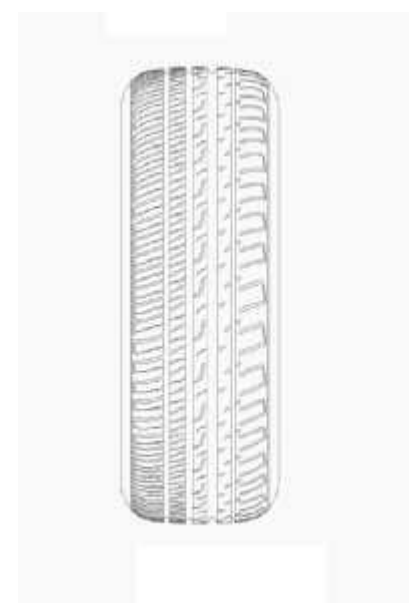
(45) Registration Date: **29 January 2016**

(30) Convention priority data:

(31) Number	(32) Date	(33) Country
<b>002820696-0001</b>	<b>13 Oct 2015</b>	<b>OFFICE FOR HARMONISATION IN THE INTERNAL MARKET (OHIM)</b>

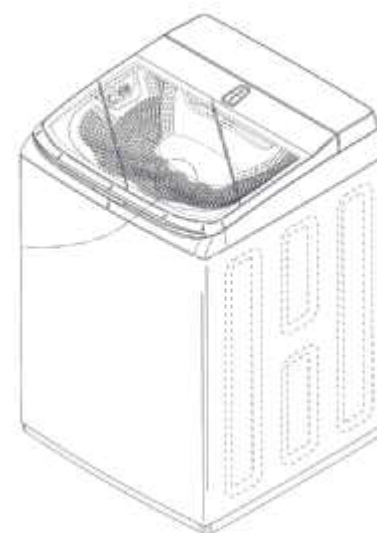
(56) Related Art Documents: **Not Applicable**

(57) Statement of Newness and Distinctiveness: **The newness and distinctiveness of the design resides in the shape and/or configuration of the TYRE TREAD shown in the representations, the remainder of the tyre forms no part of the design.**





(21) Design Number: **10226/2016**  
(22) Date of Filing Application: **15 January 2016**  
(24) Date from which industrial property rights may have effect: **15 January 2016**  
(54) Product in respect of which the design is registered: **Washing machine**  
(51) International Design Classification: **15-05**  
(74) Name(s) of Attorney(s): **IP Gateway Patent & Trade Mark Attorneys Pty Ltd**  
(71) Name(s) and Address(s) of Applicant(s):  
**Samsung Electronics Co., Ltd.**  
**129 Samsung-ro Yeongtong-gu Suwon-si Gyeonggi-do, 443-742**  
**Republic of Korea**  
(72) Name(s) of Designer(s): **Yoonjong Kang and Yuna Park**  
(45) Registration Date: **29 January 2016**  
(30) Convention priority data:  
(31) Number (32) Date (33) Country  
**30-2015-0036772 21 Jul 2015 REPUBLIC OF KOREA**  
(56) Related Art Documents: **Not Applicable**  
(57) Statement of Newness and Distinctiveness: **Newness and distinctiveness reside in the shape and configuration of a washing machine as shown in solid lines in the accompanying representations. The broken lines show features, including contouring in the side panels of the washing machine, an internal basin or washboard and feet of the washing machine, which do not form part of the design and which are included for illustrative purposes only.**



(21) Design Number: **10245/2016**  
(22) Date of Filing Application: **19 January 2016**  
(24) Date from which industrial property rights may have effect: **19 January 2016**  
(54) Product in respect of which the design is registered: **Oral care implement**  
(51) International Design Classification: **04-02**  
(74) Name(s) of Attorney(s): **FB Rice**  
(71) Name(s) and Address(s) of Applicant(s):  
**Colgate-Palmolive Company**  
**300 Park Avenue New York New York, 10022 United States of America**  
(72) Name(s) of Designer(s): **Wen Jin Xi and Bo Zhang and Yanmei Ji and Xiangji Ding and Jianrong Zhou**  
(45) Registration Date: **29 January 2016**  
(30) Convention priority data:  
(31) Number (32) Date (33) Country  
**29/533,942 23 Jul 2015 UNITED STATES OF AMERICA**  
(56) Related Art Documents: **Not Applicable**  
(57) Statement of Newness and Distinctiveness: **Newness and distinctiveness reside in the features of shape and configuration of the design as shown in the representations.**



- (21) Design Number: **13771/2015**  
(22) Date of Filing Application: **28 July 2015**  
(24) Date from which industrial property rights may have effect: **28 July 2015**  
(54) Product in respect of which the design is registered: **Automobile**  
(51) International Design Classification: **12-08**  
(74) Name(s) of Attorney(s): **Spruson & Ferguson**  
(71) Name(s) and Address(s) of Applicant(s):  
**Toyota Jidosha Kabushiki Kaisha**  
**1, Toyota-cho, Toyota-shi, Aichi-ken 471-8571 Japan**  
(72) Name(s) of Designer(s): **Kengo Matsumoto and Kenji Kido and Tomonori Matsumoto**  
(45) Registration Date: **29 January 2016**  
(56) Related Art Documents: **Not Applicable**  
(57) Statement of Newness and Distinctiveness: **Newness and distinctiveness is claimed in the features of shape and/or configuration of an automobile as illustrated in the accompanying representations, apart from Toyota emblems.**



- (21) Design Number: **13774/2015**  
(22) Date of Filing Application: **28 July 2015**  
(24) Date from which industrial property rights may have effect: **28 July 2015**  
(54) Product in respect of which the design is registered: **Automobile**  
(51) International Design Classification: **12-08**  
(74) Name(s) of Attorney(s): **Spruson & Ferguson**  
(71) Name(s) and Address(s) of Applicant(s):  
**Toyota Jidosha Kabushiki Kaisha**  
**1, Toyota-cho, Toyota-shi, Aichi-ken 471-8571 Japan**  
(72) Name(s) of Designer(s): **Kengo Matsumoto and Hirofumi Hokao and Kenji Kido**  
(45) Registration Date: **29 January 2016**  
(56) Related Art Documents: **Not Applicable**  
(57) Statement of Newness and Distinctiveness: **Newness and distinctiveness is claimed in those features of the shape and/or configuration of an automobile that are illustrated in dense colours in the additional views of the accompanying representations, apart from Toyota emblem.**



(21) Design Number: **10229/2016**  
(22) Date of Filing Application: **18 January 2016**  
(24) Date from which industrial property rights may have effect: **18 January 2016**  
(54) Product in respect of which the design is registered: **Elongated side handle for cookware**  
(51) International Design Classification: **07-02R**  
(74) Name(s) of Attorney(s): **PIPERS Melbourne**  
(71) Name(s) and Address(s) of Applicant(s):  
**Meyer Intellectual Properties Limited**  
**382 Kwun Tong Road Kowloon Bay Kowloon Hong Kong**  
(72) Name(s) of Designer(s): **Philip D. Barberi**  
(45) Registration Date: **29 January 2016**  
(30) Convention priority data:  
(31) Number (32) Date (33) Country  
**29534040 24 Jul 2015 UNITED STATES OF AMERICA**



(56) Related Art Documents: **Not Applicable**  
(57) Statement of Newness and Distinctiveness: **This design is to be applied to an Elongated Side Handle for Cookware and the novelty resides in the features of shape and configuration of the article shown in the accompanying representations. No novelty is claimed for the features shown in broken lines those are for illustrative purposes only and depict the environment of the design.**

(21) Design Number: **10230/2016**  
(22) Date of Filing Application: **18 January 2016**  
(24) Date from which industrial property rights may have effect: **18 January 2016**  
(54) Product in respect of which the design is registered: **Elongated side handle for cookware**  
(51) International Design Classification: **07-02R**  
(74) Name(s) of Attorney(s): **PIPERS Melbourne**  
(71) Name(s) and Address(s) of Applicant(s):  
**Meyer Intellectual Properties Limited**  
**382 Kwun Tong Road Kowloon Bay Kowloon Hong Kong**  
(72) Name(s) of Designer(s): **Philip D. Barberi**  
(45) Registration Date: **29 January 2016**  
(30) Convention priority data:  
(31) Number (32) Date (33) Country  
**29534040 24 Jul 2015 UNITED STATES OF AMERICA**



(56) Related Art Documents: **Not Applicable**  
(57) Statement of Newness and Distinctiveness: **This design is to be applied to an Elongated Side Handle for Cookware and the novelty resides in the features of shape, configuration, pattern and ornamentation of the article shown in the accompanying representations, in particular the feature in which the handle has a portion with contrasting appearance from the adjacent portion(s). No novelty is claimed for the features shown in broken lines those are for illustrative purposes only and depict the environment of the design.**

- (21) Design Number: **10231/2016**  
(22) Date of Filing Application: **18 January 2016**  
(24) Date from which industrial property rights may have effect: **18 January 2016**  
(54) Product in respect of which the design is registered: **Footwear**  
(51) International Design Classification: **02-04NES**  
(74) Name(s) of Attorney(s): **MMLC Murphy Wang Solicitors**  
(71) Name(s) and Address(s) of Applicant(s):  
**Holster Fashion Pty Ltd**  
**6/55 Gateway Dr Noosaville QLD 4566 Australia**  
(72) Name(s) of Designer(s): **Natalie Jean Miller**  
(45) Registration Date: **29 January 2016**  
(56) Related Art Documents: **Not Applicable**  
(57) Statement of Newness and Distinctiveness: **Newness and distinctiveness reside in the shape and configuration of the footwear and components, as shown in the accompanying representations.**



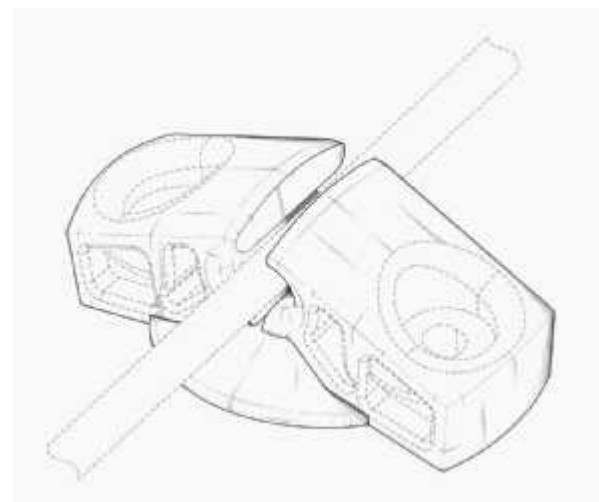
- (21) Design Number: **10237/2016**  
(22) Date of Filing Application: **18 January 2016**  
(24) Date from which industrial property rights may have effect: **18 January 2016**  
(54) Product in respect of which the design is registered: **Bobble head figurine**  
(51) International Design Classification: **21-01A**  
(74) Name(s) of Attorney(s):  
(71) Name(s) and Address(s) of Applicant(s):  
**ROCKIN ROOS PTY LTD**  
**19 Roden St Keppel Sands QLD 4702 Australia**  
(72) Name(s) of Designer(s): **Peter Morris and Samantha Morris**  
(45) Registration Date: **29 January 2016**  
(56) Related Art Documents: **Not Applicable**  
(57) Statement of Newness and Distinctiveness: **The characters newness and distinctiveness includes sun bleached hair, beard, sunglasses, thongs, board shorts, surfing related jewellery, muscle definition to chest, long nose and wider jaw line which differs from the traditional kangaroo image and representation.**



- (21) Design Number: **10238/2016**  
(22) Date of Filing Application: **18 January 2016**  
(24) Date from which industrial property rights may have effect: **18 January 2016**  
(54) Product in respect of which the design is registered: **Wheelchair**  
(51) International Design Classification: **12-12**  
(74) Name(s) of Attorney(s): **Acacia Law**  
(71) Name(s) and Address(s) of Applicant(s):  
**Freetrack Pty Ltd**  
**PO Box 211 Pinjarra WA 6208 Australia**  
(72) Name(s) of Designer(s): **Darren Green**  
(45) Registration Date: **29 January 2016**  
(56) Related Art Documents: **Not Applicable**  
(57) Statement of Newness and Distinctiveness: **Novelty lies in the overall combination of shape and configuration of a wheelchair with a track, and in particular: the enlarged wheelchair base incorporating the track having an enlarged rear portion compared to the front of the base, the low profile and compact appearance of the wheelchair base, the serrated repeating tooth structure of the track belt and the open view of the internals of the base located directly beneath the seat when viewed from the front and isometric front side views.**



- (21) Design Number: **10256/2016**  
(22) Date of Filing Application: **19 January 2016**  
(24) Date from which industrial property rights may have effect: **19 January 2016**  
(54) Product in respect of which the design is registered: **Fence post insulator**  
(51) International Design Classification: **08-08K, 25-01E**  
(74) Name(s) of Attorney(s): **Fisher Adams Kelly Callinans**  
(71) Name(s) and Address(s) of Applicant(s):  
**John Wall, Inc.**  
**440 West Greene Street Carmichaels PA, 15320 United States of America**  
(72) Name(s) of Designer(s): **John R. Wall**  
(45) Registration Date: **29 January 2016**  
(30) Convention priority data:  
(31) Number      (32) Date      (33) Country  
**29/537,345      25 Aug 2015      UNITED STATES OF AMERICA**  
(56) Related Art Documents: **Not Applicable**  
(57) Statement of Newness and Distinctiveness: **Newness and distinctiveness of the design resides in the shape and/or configuration of a fence post insulator for electrifiable plastic coated wire as shown in the representations. Particular regard is to be given to the features shown in solid lines. The shading and features shown in broken lines are for context and example only, and should be disregarded for the purpose of assessing newness and distinctiveness.**



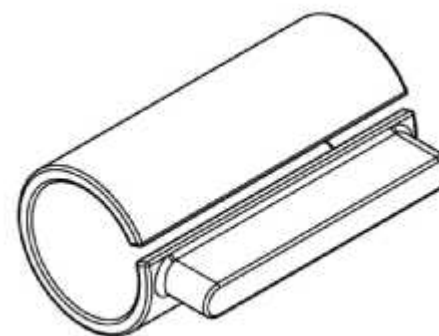
- (21) Design Number: **17050/2015**  
(22) Date of Filing Application: **23 December 2015**  
(24) Date from which industrial property rights may have effect: **23 December 2015**  
(54) Product in respect of which the design is registered: **Stylus holder**  
(51) International Design Classification: **19-06**  
(74) Name(s) of Attorney(s):  
(71) Name(s) and Address(s) of Applicant(s):

**Benjamin Michael Schmidt**  
**5 Scrub Ave Aldinga Beach SA 5173 Australia**

**Tony Nixon-Smith**  
**51 Rose Cres McLaren Flat SA 5171 Australia**

- (72) Name(s) of Designer(s): **Benjamin Michael Schmidt and Tony Nixon-Smith**  
(45) Registration Date: **29 January 2016**  
(56) Related Art Documents: **Not Applicable**

- (57) Statement of Newness and Distinctiveness: **Our Invention, the "PencilMate" has been specifically devised to allow users to quickly and easily attach the Apple Pencil to the Logitech CREATE Backlit Keyboard Case for iPad Pro or the iPad Pro. It has been designed to allow users the ability to safely store the Apple Pencil when it is not in use. It also allows the user to easily and safely transport the Apple Pencil with the device. This invention has been devised due to Apple Inc launching a new product called the iPad Pro. Apple Inc have also launched a separate product that works in conjunction with the iPad Pro, this is called the Apple Pencil. Logitech International S.A. have launched a new keyboard that works in conjunction with the iPad Pro. The new Logitech CREATE Backlit Keyboard Case has not taken into account the need for safely storing the Apple Pencil while not in use or being transported. This product addresses those needs.**



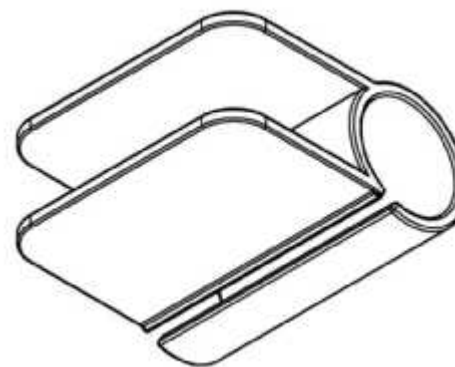
- (21) Design Number: **17051/2015**  
(22) Date of Filing Application: **23 December 2015**  
(24) Date from which industrial property rights may have effect: **23 December 2015**  
(54) Product in respect of which the design is registered: **Stylus holder**  
(51) International Design Classification: **19-06**  
(74) Name(s) of Attorney(s):  
(71) Name(s) and Address(s) of Applicant(s):

**Benjamin Michael Schmidt**  
**5 Scrub Ave Aldinga Beach SA 5173 Australia**

**Tony Nixon-Smith**  
**51 Rose Cres McLaren Flat SA 5171 Australia**

- (72) Name(s) of Designer(s): **Benjamin Michael Schmidt and Tony Nixon-Smith**  
(45) Registration Date: **29 January 2016**  
(56) Related Art Documents: **Not Applicable**

- (57) Statement of Newness and Distinctiveness: **Our Invention, the "PencilMate" has been specifically devised to allow users to quickly and easily attach the Apple Pencil to the iPad Pro. It has been designed to allow users the ability to safely store the Apple Pencil when it is not in use. It also allows the user to easily and safely transport the Apple Pencil with the device. This invention has been devised due to Apple Inc launching a new product called the iPad Pro. Apple Inc have also launched a separate product that works in conjunction with the iPad Pro, this is called the Apple Pencil. The design of these products have not taken into account the need for safely storing the Apple Pencil while not in use or being transported. This product addresses those needs.**

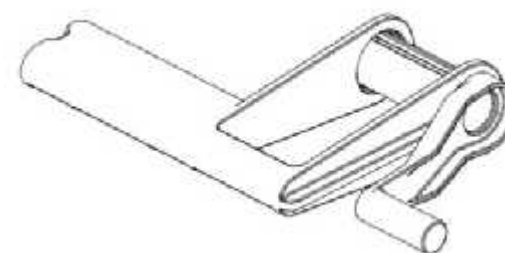


(21) Design Number: **10189/2016**  
(22) Date of Filing Application: **14 January 2016**  
(24) Date from which industrial property rights may have effect: **14 January 2016**  
(54) Product in respect of which the design is registered: **Car and toy-car**  
(51) International Design Classification: **21-01C, 12-08**  
(74) Name(s) of Attorney(s): **PHILLIPS ORMONDE FITZPATRICK**  
(71) Name(s) and Address(s) of Applicant(s):  
**Automobili Lamborghini S.p.A.**  
**via Modena, 12 40019 Sant' Agata Bolognese (BO) Italy**  
(72) Name(s) of Designer(s): **Filippo Perini**  
(45) Registration Date: **29 January 2016**  
(30) Convention priority data:  
(31) Number (32) Date (33) Country  
**002742973-0001 27 Jul 2015 OFFICE FOR HARMONISATION IN  
THE INTERNAL MARKET (OHIM)**



(56) Related Art Documents: **Not Applicable**  
(57) Statement of Newness and Distinctiveness: **Those features of the car and toy-car depicted in the representations that are new and distinctive are the shape and/or configuration. In particular, the features of the roof when viewed from in front of, behind and above the car and toy-car; the hatchback when viewed from above and behind the car and toy-car; the air inlets located at the front of the car and toy-car; and the roof line when viewed from in front of, behind and above the car and toy-car are new and/or distinctive.**

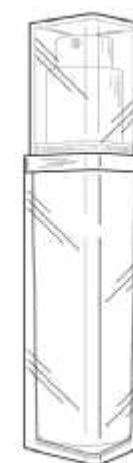
(21) Design Number: **10251/2016**  
(22) Date of Filing Application: **19 January 2016**  
(24) Date from which industrial property rights may have effect: **19 January 2016**  
(54) Product in respect of which the design is registered: **A strap winder**  
(51) International Design Classification: **12-16NES**  
(74) Name(s) of Attorney(s): **Cullens Pty Ltd**  
(71) Name(s) and Address(s) of Applicant(s):  
**Rodney Hans Woodrow**  
**798 Bungaban Rd Wandoan QLD 4419 Australia**  
(72) Name(s) of Designer(s): **Rodney Hans Woodrow**  
(45) Registration Date: **29 January 2016**  
(56) Related Art Documents: **Not Applicable**  
(57) Statement of Newness and Distinctiveness: **Newness and distinctiveness resides in the features of shape and configuration of the strap winder as shown in the accompanying representations. The features illustrated in broken lines must be disregarded.**



(21) Design Number: **10257/2016**  
(22) Date of Filing Application: **20 January 2016**  
(24) Date from which industrial property rights may have effect: **20 January 2016**  
(54) Product in respect of which the design is registered: **Cosmetic bottle**  
(51) International Design Classification: **09-01G**  
(74) Name(s) of Attorney(s): **PHILLIPS ORMONDE FITZPATRICK**  
(71) Name(s) and Address(s) of Applicant(s):  
**ELC Management LLC**  
**155 Pinelawn Road Suite 345 South Melville New York 11747 United States of America**  
(72) Name(s) of Designer(s): **Thomas Edward Owen and Chong Won Jessica Woo-Kim and Jenny Wong and Lorraine Keyes-Ahart**  
(45) Registration Date: **29 January 2016**  
(30) Convention priority data:  
(31) Number (32) Date (33) Country  
**29/533,818 22 Jul 2015 UNITED STATES OF AMERICA**  
(56) Related Art Documents: **Not Applicable**  
(57) Statement of Newness and Distinctiveness: **Nil**



(21) Design Number: **10258/2016**  
(22) Date of Filing Application: **20 January 2016**  
(24) Date from which industrial property rights may have effect: **20 January 2016**  
(54) Product in respect of which the design is registered: **Cosmetic bottle**  
(51) International Design Classification: **09-01G**  
(74) Name(s) of Attorney(s): **PHILLIPS ORMONDE FITZPATRICK**  
(71) Name(s) and Address(s) of Applicant(s):  
**ELC Management LLC**  
**155 Pinelawn Road Suite 345 South Melville New York 11747 United States of America**  
(72) Name(s) of Designer(s): **Thomas Edward Owen and Chong Won Jessica Woo-Kim and Jenny Wong and Lorraine Keyes-Ahart**  
(45) Registration Date: **29 January 2016**  
(30) Convention priority data:  
(31) Number (32) Date (33) Country  
**29/533,818 22 Jul 2015 UNITED STATES OF AMERICA**  
(56) Related Art Documents: **Not Applicable**  
(57) Statement of Newness and Distinctiveness: **Nil**





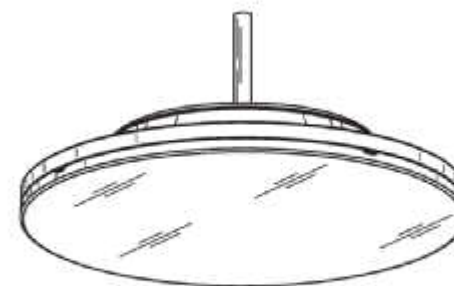
(21) Design Number: **10259/2016**  
(22) Date of Filing Application: **20 January 2016**  
(24) Date from which industrial property rights may have effect: **20 January 2016**  
(54) Product in respect of which the design is registered: **Cosmetic bottle**  
(51) International Design Classification: **09-01G**  
(74) Name(s) of Attorney(s): **PHILLIPS ORMONDE FITZPATRICK**  
(71) Name(s) and Address(s) of Applicant(s):  
**ELC Management LLC**  
**155 Pinelawn Road Suite 345 South Melville New York 11747 United States of America**  
(72) Name(s) of Designer(s): **Thomas Edward Owen and Chong Won Jessica Woo-Kim and Jenny Wong and Lorraine Keyes-Ahart**  
(45) Registration Date: **29 January 2016**  
(30) Convention priority data:  
(31) Number (32) Date (33) Country  
**29/533,818 22 Jul 2015 UNITED STATES OF AMERICA**  
(56) Related Art Documents: **Not Applicable**  
(57) Statement of Newness and Distinctiveness: **Nil**



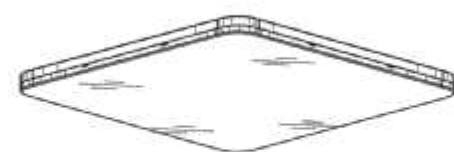
(21) Design Number: **17080/2015**  
(22) Date of Filing Application: **24 December 2015**  
(24) Date from which industrial property rights may have effect: **24 December 2015**  
(54) Product in respect of which the design is registered: **Toothbrush handle**  
(51) International Design Classification: **04-02**  
(74) Name(s) of Attorney(s): **PHILLIPS ORMONDE FITZPATRICK**  
(71) Name(s) and Address(s) of Applicant(s):  
**GlaxoSmithKline Consumer Healthcare (UK) IP Limited**  
**980 Great West Road Brentford Middlesex, TW8 9GS United Kingdom**  
(72) Name(s) of Designer(s): **Alex Brian and Marcus Blachford and Richard Brian Clough**  
(45) Registration Date: **01 February 2016**  
(30) Convention priority data:  
(31) Number (32) Date (33) Country  
**4041940 02 Jul 2015 UNITED KINGDOM**  
(56) Related Art Documents: **Not Applicable**  
(57) Statement of Newness and Distinctiveness: **Those features of the toothbrush handle depicted in the representations that are new and distinctive are the shape and/or configuration. The features shown in broken line are not part of the design and are to be disregarded when considering the overall impression of the design.**



(21) Design Number: **10262/2016**  
(22) Date of Filing Application: **20 January 2016**  
(24) Date from which industrial property rights may have effect: **20 January 2016**  
(54) Product in respect of which the design is registered: **Luminaire**  
(51) International Design Classification: **26-05E**  
(74) Name(s) of Attorney(s): **Spruson & Ferguson**  
(71) Name(s) and Address(s) of Applicant(s):  
**Zumtobel Lighting GmbH**  
**Grevenmarschstrasse 74-78, Lemgo 32657 Germany**  
(72) Name(s) of Designer(s): **Lars Krueckeberg and Wolfram Putz and Thomas Willemeit and Felix Goetze**  
(45) Registration Date: **01 February 2016**  
(30) Convention priority data:  
(31) Number (32) Date (33) Country  
**002741579 23 Jul 2015 OFFICE FOR HARMONISATION IN THE INTERNAL MARKET (OHIM)**  
(56) Related Art Documents: **Not Applicable**  
(57) Statement of Newness and Distinctiveness: **Newness and distinctiveness is claimed in the features of shape and/or configuration of a luminaire as illustrated in the accompanying representations.**



(21) Design Number: **10263/2016**  
(22) Date of Filing Application: **20 January 2016**  
(24) Date from which industrial property rights may have effect: **20 January 2016**  
(54) Product in respect of which the design is registered: **Luminaire**  
(51) International Design Classification: **26-05E**  
(74) Name(s) of Attorney(s): **Spruson & Ferguson**  
(71) Name(s) and Address(s) of Applicant(s):  
**Zumtobel Lighting GmbH**  
**Grevenmarschstrasse 74-78, Lemgo 32657 Germany**  
(72) Name(s) of Designer(s): **Lars Krueckeberg and Wolfram Putz and Thomas Willemeit and Felix Goetze**  
(45) Registration Date: **01 February 2016**  
(30) Convention priority data:  
(31) Number (32) Date (33) Country  
**002741579 23 Jul 2015 OFFICE FOR HARMONISATION IN THE INTERNAL MARKET (OHIM)**  
(56) Related Art Documents: **Not Applicable**  
(57) Statement of Newness and Distinctiveness: **Newness and distinctiveness is claimed in the features of shape and/or configuration of a luminaire as illustrated in the accompanying representations.**



(21) Design Number: **10264/2016**

(22) Date of Filing Application: **20 January 2016**

(24) Date from which industrial property rights may have effect: **20 January 2016**

(54) Product in respect of which the design is registered: **Luminaire**

(51) International Design Classification: **26-05E**

(74) Name(s) of Attorney(s): **Spruson & Ferguson**

(71) Name(s) and Address(s) of Applicant(s):

**Zumtobel Lighting GmbH**

**Grevenmarschstrasse 74-78, Lemgo 32657 Germany**

(72) Name(s) of Designer(s): **Lars Krueckeberg and Wolfram Putz and Thomas Willemeit and Felix Goetze**

(45) Registration Date: **01 February 2016**

(30) Convention priority data:

(31) Number

**002741579**

(32) Date

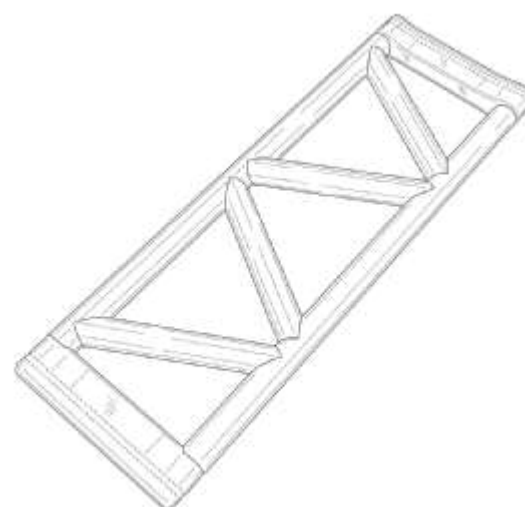
**23 Jul 2015**

(33) Country

**OFFICE FOR HARMONISATION IN  
THE INTERNAL MARKET (OHIM)**

(56) Related Art Documents: **Not Applicable**

(57) Statement of Newness and Distinctiveness: **Newness and distinctiveness is claimed in the features of shape and/or configuration of a luminaire as illustrated in the accompanying representations.**



(21) Design Number: **10265/2016**

(22) Date of Filing Application: **20 January 2016**

(24) Date from which industrial property rights may have effect: **20 January 2016**

(54) Product in respect of which the design is registered: **Surgical eye shield**

(51) International Design Classification: **24-01**

(74) Name(s) of Attorney(s):

(71) Name(s) and Address(s) of Applicant(s):

**Wallis Coombe Pty Ltd**

**62-66 Paterson St Launceston TAS 7250 Australia**

(72) Name(s) of Designer(s): **Andrew Wallis**

(45) Registration Date: **01 February 2016**

(56) Related Art Documents: **Not Applicable**

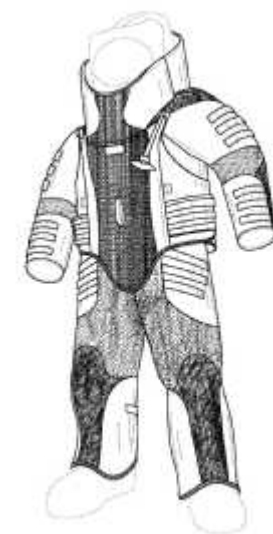
(57) Statement of Newness and Distinctiveness: **Newness and distinctiveness is claimed in the shape and configuration of the SURGICAL EYE SHIELD as shown in the accompanying representations.**



- (21) Design Number: **10266/2016**  
(22) Date of Filing Application: **20 January 2016**  
(24) Date from which industrial property rights may have effect: **20 January 2016**  
(54) Product in respect of which the design is registered: **Bomb disposal suit**  
(51) International Design Classification: **22-99, 02-02B**  
(74) Name(s) of Attorney(s): **Spruson & Ferguson**  
(71) Name(s) and Address(s) of Applicant(s):  
**Med-Eng, LLC**  
**13386 International Parkway, Jacksonville Florida, 32218 United States of America**  
(72) Name(s) of Designer(s): **Rob Beland and Shaik Kalaam and Magda Slobozianu and Luciana Scafita and Aris Makris and Norma Hammond and Troy Sauve and Michael Ma**  
(45) Registration Date: **01 February 2016**  
(30) Convention priority data:  
(31) Number (32) Date (33) Country  
**29/533844 22 Jul 2015 UNITED STATES OF AMERICA**  
(56) Related Art Documents: **Not Applicable**  
(57) Statement of Newness and Distinctiveness: **Newness and distinctiveness is claimed in the features of a bomb disposal suit as illustrated in continuous lines in the accompanying representations.**



- (21) Design Number: **10267/2016**  
(22) Date of Filing Application: **20 January 2016**  
(24) Date from which industrial property rights may have effect: **20 January 2016**  
(54) Product in respect of which the design is registered: **Bomb disposal suit**  
(51) International Design Classification: **22-99, 02-02B**  
(74) Name(s) of Attorney(s): **Spruson & Ferguson**  
(71) Name(s) and Address(s) of Applicant(s):  
**Med-Eng, LLC**  
**13386 International Parkway, Jacksonville Florida, 32218 United States of America**  
(72) Name(s) of Designer(s): **Rob Beland and Shaik Kalaam and Magda Slobozianu and Luciana Scafita and Aris Makris and Norma Hammond and Troy Sauve and Michael Ma**  
(45) Registration Date: **01 February 2016**  
(30) Convention priority data:  
(31) Number (32) Date (33) Country  
**29/533844 22 Jul 2015 UNITED STATES OF AMERICA**  
(56) Related Art Documents: **Not Applicable**  
(57) Statement of Newness and Distinctiveness: **Newness and distinctiveness is claimed in the features of a bomb disposal suit as illustrated in continuous lines in the accompanying representations.**



- (21) Design Number: **13768/2015**  
(22) Date of Filing Application: **28 July 2015**  
(24) Date from which industrial property rights may have effect: **28 July 2015**  
(54) Product in respect of which the design is registered: **Automobile**  
(51) International Design Classification: **12-08**  
(74) Name(s) of Attorney(s): **Spruson & Ferguson**  
(71) Name(s) and Address(s) of Applicant(s):  
**Toyota Jidosha Kabushiki Kaisha**  
**1, Toyota-cho, Toyota-shi, Aichi-ken 471-8571 Japan**  
(72) Name(s) of Designer(s): **Kengo Matsumoto and Kenji Kido and Tomonori Matsumoto**  
(45) Registration Date: **01 February 2016**  
(56) Related Art Documents: **Not Applicable**  
(57) Statement of Newness and Distinctiveness: **Newness and distinctiveness is claimed in those features of the shape and/or configuration of an automobile that are illustrated in dense colours in the additional views of the accompanying representations, apart from Toyota emblem.**



- (21) Design Number: **10268/2016**  
(22) Date of Filing Application: **20 January 2016**  
(24) Date from which industrial property rights may have effect: **20 January 2016**  
(54) Product in respect of which the design is registered: **Helmet**  
(51) International Design Classification: **02-03, 22-99**  
(74) Name(s) of Attorney(s): **Spruson & Ferguson**  
(71) Name(s) and Address(s) of Applicant(s):  
**Med-Eng, LLC**  
**13386 International Parkway, Jacksonville Florida, 32218 United States of America**  
(72) Name(s) of Designer(s): **Gordana Jeftic-Stojanovski and Clint Alexander Hedge and Jeffrey Levine and Rob Beland and Aristidis Makris and Jean-Philippe Dionne and Soeren Buchholtz Nielsen and William Charles Dicke**  
(45) Registration Date: **01 February 2016**  
(30) Convention priority data:  
(31) Number      (32) Date      (33) Country  
**29/533827      22 Jul 2015      UNITED STATES OF AMERICA**  
(56) Related Art Documents: **Not Applicable**  
(57) Statement of Newness and Distinctiveness: **Newness and distinctiveness is claimed in the features of shape and/or configuration of a helmet as illustrated in continuous lines in the accompanying representations.**



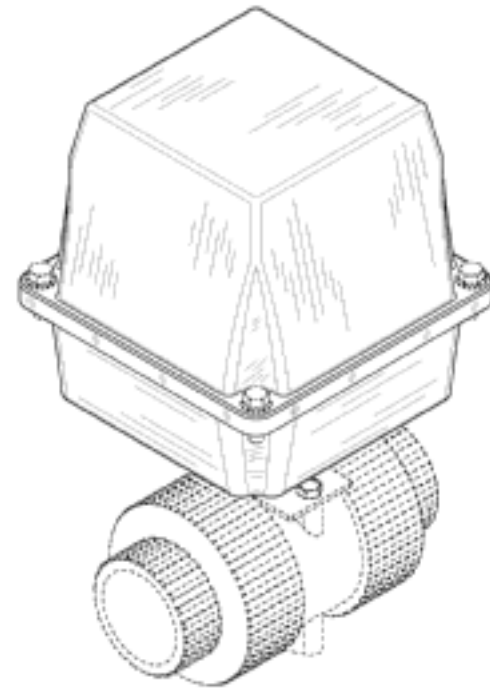
(21) Design Number: **10270/2016**  
(22) Date of Filing Application: **20 January 2016**  
(24) Date from which industrial property rights may have effect: **20 January 2016**  
(54) Product in respect of which the design is registered: **Clip**  
(51) International Design Classification: **08-08C**  
(74) Name(s) of Attorney(s):  
(71) Name(s) and Address(s) of Applicant(s):  
**Crothead Pty Ltd**  
**255 Aumuller St Westcourt QLD 4870 Australia**  
(72) Name(s) of Designer(s): **Dennis Victor Pryor**  
(45) Registration Date: **01 February 2016**  
(56) Related Art Documents: **Not Applicable**  
(57) Statement of Newness and Distinctiveness: **Newness and distinctiveness is claimed in the features of shape and/or configuration of the clip as represented in the accompanying image.**



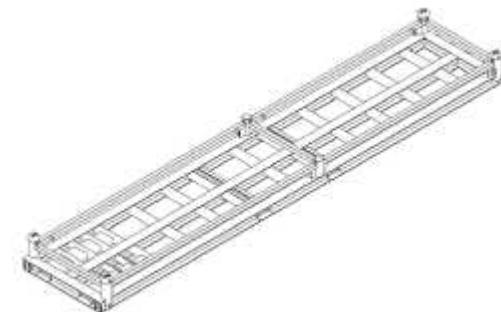
(21) Design Number: **10271/2016**  
(22) Date of Filing Application: **20 January 2016**  
(24) Date from which industrial property rights may have effect: **20 January 2016**  
(54) Product in respect of which the design is registered: **Multi-edge instrument for treatment of soft tissue**  
(51) International Design Classification: **24-02**  
(74) Name(s) of Attorney(s): **Fraser Old & Sohn**  
(71) Name(s) and Address(s) of Applicant(s):  
**Tissue Tools LLC**  
**1495 Alan Wood Rd Ste 201 Conshohocken PA, 19428 United States of America**  
(72) Name(s) of Designer(s): **Mark W Pursel and Francis X Osborne and Sean P MacNeal**  
(45) Registration Date: **01 February 2016**  
(30) Convention priority data:  
(31) Number (32) Date (33) Country  
**29/533,956 23 Jul 2015 UNITED STATES OF AMERICA**  
(56) Related Art Documents: **Not Applicable**  
(57) Statement of Newness and Distinctiveness: **The Statement of Newness and Distinctiveness, for reasons of limited storage in the Designs Office computer, appears as a sheet of the representations and to which cross-reference is hereby made.**



- (21) Design Number: **10272/2016**  
(22) Date of Filing Application: **20 January 2016**  
(24) Date from which industrial property rights may have effect: **12 November 2015**  
(54) Product in respect of which the design is registered: **Monitoring station**  
(51) International Design Classification: **10-04**  
(74) Name(s) of Attorney(s): **Davies Collison Cave**  
(71) Name(s) and Address(s) of Applicant(s):  
**Chrintec, LLC**  
**3333 Fischer Road Easton PA, 18045 United States of America**  
(72) Name(s) of Designer(s): **Gregory R. Chrin II**  
(45) Registration Date: **01 February 2016**  
(62) Divisional of: **366769**  
(56) Related Art Documents: **Not Applicable**  
(57) Statement of Newness and Distinctiveness: **Newness and distinctiveness is claimed in the visual features shown in solid lines in the representations. In considering the extent of the design rights, the broken lines shown in the representations are for illustrative purposes only and do not form part of the design.**



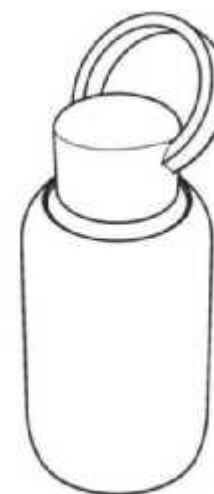
- (21) Design Number: **10273/2016**  
(22) Date of Filing Application: **20 January 2016**  
(24) Date from which industrial property rights may have effect: **20 January 2016**  
(54) Product in respect of which the design is registered: **Platform**  
(51) International Design Classification: **25-04**  
(74) Name(s) of Attorney(s): **Pizzey's Patent and Trade Mark Attorneys Pty Ltd**  
(71) Name(s) and Address(s) of Applicant(s):  
**Sea Box International**  
**17 Isa St Fyshwick ACT 2609 Australia**  
(72) Name(s) of Designer(s): **Thomas Egan and Patrick Egan and Michael Brown**  
(45) Registration Date: **01 February 2016**  
(56) Related Art Documents: **Not Applicable**  
(57) Statement of Newness and Distinctiveness: **The newness and distinctiveness of the design resides in the shape and/or configuration shown in unbroken lines in the accompanying representations.**



(21) Design Number: **10274/2016**  
(22) Date of Filing Application: **20 January 2016**  
(24) Date from which industrial property rights may have effect: **20 January 2016**  
(54) Product in respect of which the design is registered: **Cap**  
(51) International Design Classification: **09-07C**  
(74) Name(s) of Attorney(s): **PHILLIPS ORMONDE FITZPATRICK**  
(71) Name(s) and Address(s) of Applicant(s):  
**Guala Pack S.p.A.**  
**Via Carlo Mussa 266 Castellazzo Bormida Alessandria I-15073 Italy**  
(72) Name(s) of Designer(s): **Stefano Tamarindo**  
(45) Registration Date: **01 February 2016**  
(30) Convention priority data:  
(31) Number (32) Date (33) Country  
**402015000038455 27 Jul 2015 ITALY**  
(56) Related Art Documents: **Not Applicable**  
(57) Statement of Newness and Distinctiveness: **Nil**

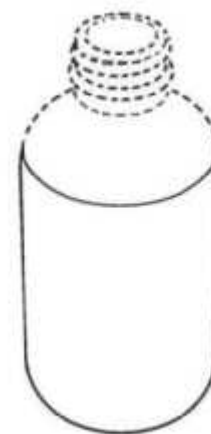


(21) Design Number: **16206/2015**  
(22) Date of Filing Application: **17 November 2015**  
(24) Date from which industrial property rights may have effect: **04 September 2015**  
(54) Product in respect of which the design is registered: **Sleeve with closure for small glass vessel**  
(51) International Design Classification: **07-06A, 09-07A**  
(74) Name(s) of Attorney(s): **Marks & Clerk Australia**  
(71) Name(s) and Address(s) of Applicant(s):  
**Tali Corp.**  
**165 Jessie Street #3 San Francisco California, 94105 United States of America**  
(72) Name(s) of Designer(s): **Tal Winter and William G. Tammen and Thomas E. King**  
(45) Registration Date: **01 February 2016**  
(30) Convention priority data:  
(31) Number (32) Date (33) Country  
**29/519,560 05 Mar 2015 UNITED STATES OF AMERICA**  
(62) Divisional of: **365565**  
(56) Related Art Documents: **Not Applicable**  
(57) Statement of Newness and Distinctiveness: **Newness and distinctiveness resides in the features of shape and configuration of a sleeve with closure for a small glass vessel as illustrated in the accompanying representations where any broken line elements in all views do not form part of the design.**





(21) Design Number: **16207/2015**  
(22) Date of Filing Application: **17 November 2015**  
(24) Date from which industrial property rights may have effect: **04 September 2015**  
(54) Product in respect of which the design is registered: **Sleeve for small glass vessel**  
(51) International Design Classification: **07-06A**  
(74) Name(s) of Attorney(s): **Marks & Clerk Australia**  
(71) Name(s) and Address(s) of Applicant(s):  
**Tali Corp.**  
**165 Jessie Street #3 San Francisco California, 94105 United States of America**  
(72) Name(s) of Designer(s): **Tal Winter and William G. Tammen and Thomas E. King**  
(45) Registration Date: **01 February 2016**  
(30) Convention priority data:  
(31) Number (32) Date (33) Country  
**29/519,560 05 Mar 2015 UNITED STATES OF AMERICA**  
(62) Divisional of: **365565**  
(56) Related Art Documents: **Not Applicable**  
(57) Statement of Newness and Distinctiveness: **Newness and distinctiveness resides in the features of shape and configuration of a sleeve for a small glass vessel as illustrated in the accompanying representations where any broken line elements in all views do not form part of the design.**



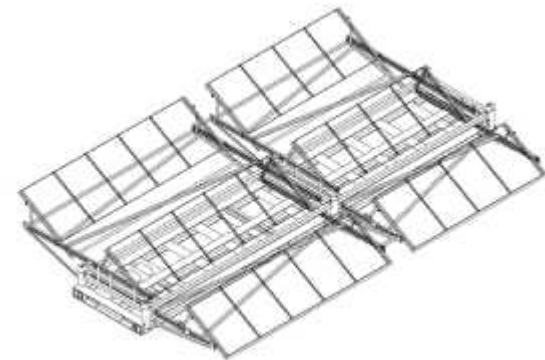
(21) Design Number: **16208/2015**  
(22) Date of Filing Application: **17 November 2015**  
(24) Date from which industrial property rights may have effect: **04 September 2015**  
(54) Product in respect of which the design is registered: **Sleeve with closure for small glass vessel**  
(51) International Design Classification: **07-06A, 09-07A**  
(74) Name(s) of Attorney(s): **Marks & Clerk Australia**  
(71) Name(s) and Address(s) of Applicant(s):  
**Tali Corp.**  
**165 Jessie Street #3 San Francisco California, 94105 United States of America**  
(72) Name(s) of Designer(s): **Tal Winter and William G. Tammen and Thomas E. King**  
(45) Registration Date: **01 February 2016**  
(30) Convention priority data:  
(31) Number (32) Date (33) Country  
**29/519,560 05 Mar 2015 UNITED STATES OF AMERICA**  
(62) Divisional of: **365565**  
(56) Related Art Documents: **Not Applicable**  
(57) Statement of Newness and Distinctiveness: **Newness and distinctiveness resides in the features of shape and configuration of a sleeve with closure for a small glass vessel as illustrated in the accompanying representations where any broken line elements in all views do not form part of the design.**



- (21) Design Number: **17055/2015**  
(22) Date of Filing Application: **23 December 2015**  
(24) Date from which industrial property rights may have effect: **12 October 2015**  
(54) Product in respect of which the design is registered: **Trampoline**  
(51) International Design Classification: **21-02F**  
(74) Name(s) of Attorney(s): **Ahearn Fox**  
(71) Name(s) and Address(s) of Applicant(s):  
**Vuly Property Pty Ltd**  
**1/95 Ingleston Rd Wakerley QLD 4154 Australia**  
(72) Name(s) of Designer(s): **Joe Andon**  
(45) Registration Date: **01 February 2016**  
(62) Divisional of: **366380**  
(56) Related Art Documents: **Not Applicable**  
(57) Statement of Newness and Distinctiveness: **Newness and distinctiveness resides in the shape and configuration of a trampoline as illustrated in the accompanying representations.**



- (21) Design Number: **10275/2016**  
(22) Date of Filing Application: **20 January 2016**  
(24) Date from which industrial property rights may have effect: **20 January 2016**  
(54) Product in respect of which the design is registered: **A platform with a deployable frame**  
(51) International Design Classification: **25-04**  
(74) Name(s) of Attorney(s): **Pizeys Patent and Trade Mark Attorneys Pty Ltd**  
(71) Name(s) and Address(s) of Applicant(s):  
**Sea Box International**  
**17 Isa St Fyshwick ACT 2609 Australia**  
(72) Name(s) of Designer(s): **Thomas Egan and Michael Brown and Patrick Egan**  
(45) Registration Date: **01 February 2016**  
(56) Related Art Documents: **Not Applicable**  
(57) Statement of Newness and Distinctiveness: **The newness and distinctiveness of the design resides in the features of shape and/or configuration shown in unbroken lines in the accompanying representations.**



(21) Design Number: **10276/2016**  
(22) Date of Filing Application: **20 January 2016**  
(24) Date from which industrial property rights may have effect: **20 January 2016**  
(54) Product in respect of which the design is registered: **Bump cap**  
(51) International Design Classification: **02-03**  
(74) Name(s) of Attorney(s): **Freehills Patent Attorneys**  
(71) Name(s) and Address(s) of Applicant(s):



**JSP Limited**  
**Worsham Mill Minster Lovell Witney Oxfordshire OX29 OTA United Kingdom**

(72) Name(s) of Designer(s): **Richard Fleming**

(45) Registration Date: **01 February 2016**

(30) Convention priority data:

(31) Number	(32) Date	(33) Country
<b>002778175</b>	<b>23 Sep 2015</b>	<b>OFFICE FOR HARMONISATION IN THE INTERNAL MARKET (OHIM)</b>

(56) Related Art Documents: **Not Applicable**

(57) Statement of Newness and Distinctiveness: **Newness and distinctiveness resides in the features of shape and configuration of the bump cap, as shown in the accompanying representations.**

(21) Design Number: **10277/2016**  
(22) Date of Filing Application: **20 January 2016**  
(24) Date from which industrial property rights may have effect: **20 January 2016**  
(54) Product in respect of which the design is registered: **Bump cap**  
(51) International Design Classification: **02-03**  
(74) Name(s) of Attorney(s): **Freehills Patent Attorneys**  
(71) Name(s) and Address(s) of Applicant(s):



**JSP Limited**  
**Worsham Mill Minster Lovell Witney Oxfordshire OX29 OTA United Kingdom**

(72) Name(s) of Designer(s): **Richard Fleming**

(45) Registration Date: **01 February 2016**

(30) Convention priority data:

(31) Number	(32) Date	(33) Country
<b>002778175</b>	<b>23 Sep 2015</b>	<b>OFFICE FOR HARMONISATION IN THE INTERNAL MARKET (OHIM)</b>

(56) Related Art Documents: **Not Applicable**

(57) Statement of Newness and Distinctiveness: **Newness and distinctiveness resides in the features of shape and configuration of the bump cap, as shown in the accompanying representations.**

- (21) Design Number: **16524/2015**  
(22) Date of Filing Application: **01 December 2015**  
(24) Date from which industrial property rights may have effect: **03 December 2014**  
(54) Product in respect of which the design is registered: **Frame, vent and rigidizer assembly for patient interface**  
(51) International Design Classification: **24-01**  
(74) Name(s) of Attorney(s): **Halfords IP**  
(71) Name(s) and Address(s) of Applicant(s):  
**ResMed Limited**  
**1 Elizabeth Macarthur Dr Bella Vista NSW 2153 Australia**  
(72) Name(s) of Designer(s): **Alicia Kristianne Wells and Craig David Edwards and Shiva Kumar Shanmuga Sundara and Murray William Lee and Chia Ik Tan and Stewart Joseph Wagner**  
(45) Registration Date: **02 February 2016**  
(62) Divisional of: **365905**  
(56) Related Art Documents: **Not Applicable**  
(57) Statement of Newness and Distinctiveness: **Nil**



- (21) Design Number: **10300/2016**  
(22) Date of Filing Application: **21 January 2016**  
(24) Date from which industrial property rights may have effect: **21 January 2016**  
(54) Product in respect of which the design is registered: **Electric fence insulator**  
(51) International Design Classification: **13-03A**  
(74) Name(s) of Attorney(s):  
(71) Name(s) and Address(s) of Applicant(s):  
**Pakton Developments Pty Ltd**  
**PO BOX 408 Narangba QLD 4504 Australia**  
(72) Name(s) of Designer(s): **Kayleen Joy Thompson**  
(45) Registration Date: **02 February 2016**  
(56) Related Art Documents: **Not Applicable**  
(57) Statement of Newness and Distinctiveness: **The newness and distinctiveness lies in the shape of the part, particularly the long spiral shape with a large opening through the core of the part, and the tapering of the external edge of the spiral. Other distinctive visual features include: (a) the tapered external diameter from the centre outwards, and (b) ridges running the length of the part with a cut out portion in the centre of each ridge. A key distinctive feature of the design is that it may be fitted over a wire by feeding the wire through the outer opening of the spiral until the wire is sitting through the hollow core of the part. This means that this part can be installed to replace a broken insulator without having to cut and reinstall the wire.**



(21) Design Number: **10303/2016**

(22) Date of Filing Application: **21 January 2016**

(24) Date from which industrial property rights may have effect: **21 January 2016**

(54) Product in respect of which the design is registered: **Water-sports equipment**

(51) International Design Classification: **21-02D**

(74) Name(s) of Attorney(s): **Fisher Adams Kelly Callinans**

(71) Name(s) and Address(s) of Applicant(s):

**Wibit Sports GmbH**

**Am Gut Baarking 15 Bocholt 46395 Germany**

(72) Name(s) of Designer(s): **Romann Rademacher and Robert Cirjak**

(45) Registration Date: **02 February 2016**

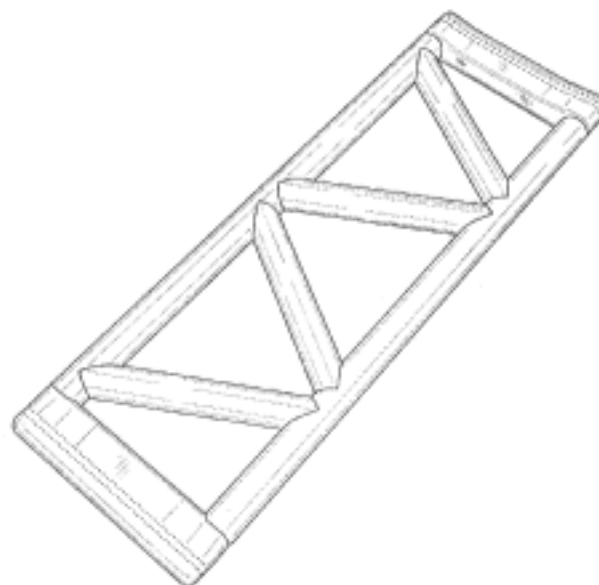
(30) Convention priority data:

(31) Number (32) Date  
**002740175-0007 21 Jul 2015**

(33) Country  
**OFFICE FOR HARMONISATION IN  
THE INTERNAL MARKET (OHIM)**

(56) Related Art Documents: **Not Applicable**

(57) Statement of Newness and Distinctiveness: **Newness and distinctiveness of the design resides in the shape and/or configuration of water-sports equipment as shown in the representations. Particular regard is to be given to the features shown in solid lines. The shading and features shown in broken lines are for context and example only, and should be disregarded for the purpose of assessing newness and distinctiveness.**



(21) Design Number: **10306/2016**

(22) Date of Filing Application: **21 January 2016**

(24) Date from which industrial property rights may have effect: **21 January 2016**

(54) Product in respect of which the design is registered: **Plumbing fitting**

(51) International Design Classification: **23-01A**

(74) Name(s) of Attorney(s): **WADESON**

(71) Name(s) and Address(s) of Applicant(s):

**Icon Plastics Pty Ltd**

**19-21 Hallam Road South Hallam Victoria 3803 Australia**

(72) Name(s) of Designer(s): **Jason Cong**

(45) Registration Date: **02 February 2016**

(56) Related Art Documents: **Not Applicable**

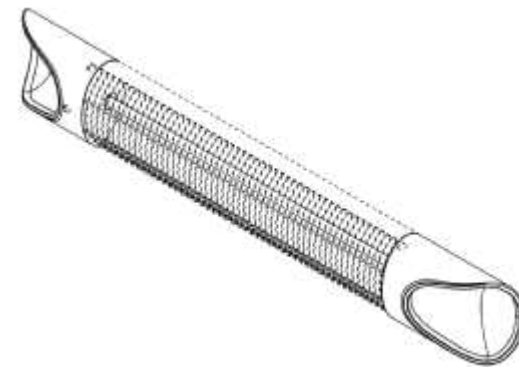
(57) Statement of Newness and Distinctiveness: **Nil**



- (21) Design Number: **10336/2016**  
(22) Date of Filing Application: **22 January 2016**  
(24) Date from which industrial property rights may have effect: **22 January 2016**  
(54) Product in respect of which the design is registered: **Rear door panel protective plate for ford ranger**  
(51) International Design Classification: **12-16B**  
(74) Name(s) of Attorney(s): **WRAYS PTY LTD**  
(71) Name(s) and Address(s) of Applicant(s):  
**Rhino Hide Pty. Ltd.**  
**23 Bushey Rd Wembley Downs WA 6019 Australia**  
(72) Name(s) of Designer(s): **Marc John Berryman**  
(45) Registration Date: **02 February 2016**  
(56) Related Art Documents: **Not Applicable**  
(57) Statement of Newness and Distinctiveness: **Newness and distinctiveness is claimed in the features of shape and/or configuration of a rear door protective plate for a Ford Ranger as illustrated in the accompanying representations.**



- (21) Design Number: **10339/2016**  
(22) Date of Filing Application: **22 January 2016**  
(24) Date from which industrial property rights may have effect: **22 January 2016**  
(54) Product in respect of which the design is registered: **Heater**  
(51) International Design Classification: **23-03A**  
(74) Name(s) of Attorney(s): **Griffith Hack**  
(71) Name(s) and Address(s) of Applicant(s):  
**Brand Developers Ltd**  
**519 - 521 Lake Road Takapuna Auckland, 0622 New Zealand**  
(72) Name(s) of Designer(s): **James Fisher and Cameron Nicholson**  
(45) Registration Date: **02 February 2016**  
(56) Related Art Documents: **Not Applicable**  
(57) Statement of Newness and Distinctiveness: **Newness and distinctiveness resides in the visual features, including the shape and configuration, as applied to a heater as shown in solid outline in the accompanying drawings. When determining whether the design is substantially similar in overall impression to another design, no regard is to be had to those features shown in dotted outline in the accompanying drawings, which features are provided for illustrative purposes only.**



- (21) Design Number: **10340/2016**  
(22) Date of Filing Application: **22 January 2016**  
(24) Date from which industrial property rights may have effect: **22 January 2016**  
(54) Product in respect of which the design is registered: **Rear quarter protective plate for ford ranger**  
(51) International Design Classification: **12-16B, 12-16NES**  
(74) Name(s) of Attorney(s): **WRAYS PTY LTD**  
(71) Name(s) and Address(s) of Applicant(s):  
**Rhino Hide Pty. Ltd.**  
**23 Bushey Rd Wembley Downs WA 6019 Australia**  
(72) Name(s) of Designer(s): **Marc John Berryman**  
(45) Registration Date: **02 February 2016**  
(56) Related Art Documents: **Not Applicable**  
(57) Statement of Newness and Distinctiveness: **Newness and distinctiveness is claimed in the features of shape and/or configuration of a rear quarter protective plate for a Ford Ranger as illustrated in the accompanying representations.**



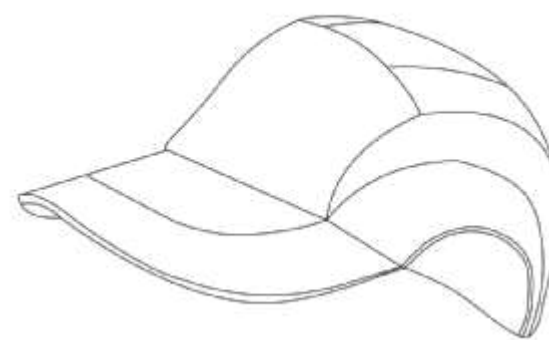
- (21) Design Number: **13767/2015**  
(22) Date of Filing Application: **28 July 2015**  
(24) Date from which industrial property rights may have effect: **28 July 2015**  
(54) Product in respect of which the design is registered: **Rear bumper for an automobile**  
(51) International Design Classification: **12-16C**  
(74) Name(s) of Attorney(s): **Spruson & Ferguson**  
(71) Name(s) and Address(s) of Applicant(s):  
**Toyota Jidosha Kabushiki Kaisha**  
**1, Toyota-cho, Toyota-shi, Aichi-ken 471-8571 Japan**  
(72) Name(s) of Designer(s): **Kengo Matsumoto and Kenji Kido**  
(45) Registration Date: **02 February 2016**  
(56) Related Art Documents: **Not Applicable**  
(57) Statement of Newness and Distinctiveness: **Newness and distinctiveness is claimed in the features of shape and/or configuration of a rear bumper for an automobile as illustrated in the accompanying representations, apart from attachment lugs.**



(21) Design Number: **13773/2015**  
(22) Date of Filing Application: **28 July 2015**  
(24) Date from which industrial property rights may have effect: **28 July 2015**  
(54) Product in respect of which the design is registered: **Front combination lamp for an automobile**  
(51) International Design Classification: **26-06**  
(74) Name(s) of Attorney(s): **Spruson & Ferguson**  
(71) Name(s) and Address(s) of Applicant(s):  
**Toyota Jidosha Kabushiki Kaisha**  
**1, Toyota-cho, Toyota-shi, Aichi-ken 471-8571 Japan**  
(72) Name(s) of Designer(s): **Kengo Matsumoto and Hiroki Katou**  
(45) Registration Date: **02 February 2016**  
(56) Related Art Documents: **Not Applicable**  
(57) Statement of Newness and Distinctiveness: **Newness and distinctiveness is claimed in the features of shape and/or configuration of a front combination lamp for an automobile as illustrated in the accompanying representations, apart from attachment lugs.**



(21) Design Number: **10278/2016**  
(22) Date of Filing Application: **20 January 2016**  
(24) Date from which industrial property rights may have effect: **20 January 2016**  
(54) Product in respect of which the design is registered: **Bump cap**  
(51) International Design Classification: **02-03**  
(74) Name(s) of Attorney(s): **Freehills Patent Attorneys**  
(71) Name(s) and Address(s) of Applicant(s):  
**JSP Limited**  
**Worsham Mill Minster Lovell Witney Oxfordshire OX29 OTA United Kingdom**  
(72) Name(s) of Designer(s): **Stephen John Hare**  
(45) Registration Date: **02 February 2016**  
(30) Convention priority data:  
(31) Number      (32) Date      (33) Country  
**002846436      03 Nov 2015      OFFICE FOR HARMONISATION IN THE INTERNAL MARKET (OHIM)**  
(56) Related Art Documents: **Not Applicable**  
(57) Statement of Newness and Distinctiveness: **Newness and distinctiveness resides in the features of shape and configuration of the bump cap, as shown in the accompanying representations.**





(21) Design Number: **10280/2016**  
(22) Date of Filing Application: **20 January 2016**  
(24) Date from which industrial property rights may have effect: **20 January 2016**  
(54) Product in respect of which the design is registered: **Bump cap liner**  
(51) International Design Classification: **02-03**  
(74) Name(s) of Attorney(s): **Freehills Patent Attorneys**  
(71) Name(s) and Address(s) of Applicant(s):

**JSP Limited**  
**Worsham Mill Minster Lovell Witney Oxfordshire OX29 OTA United Kingdom**

(72) Name(s) of Designer(s): **Mark Williams**

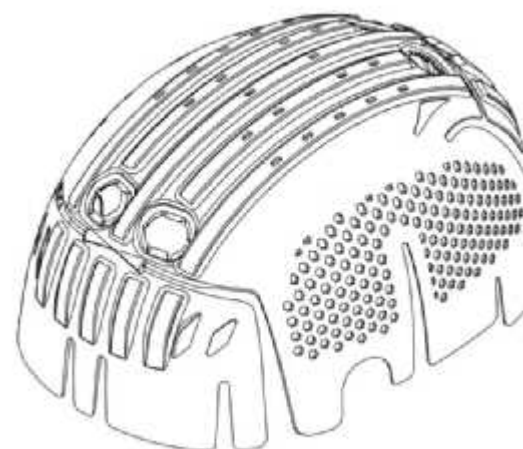
(45) Registration Date: **02 February 2016**

(30) Convention priority data:

(31) Number	(32) Date	(33) Country
<b>002802181</b>	<b>28 Sep 2015</b>	<b>OFFICE FOR HARMONISATION IN THE INTERNAL MARKET (OHIM)</b>

(56) Related Art Documents: **Not Applicable**

(57) Statement of Newness and Distinctiveness: **Newness and distinctiveness resides in the features of shape and configuration of the bump cap liner, as shown in the accompanying representations.**



(21) Design Number: **10282/2016**  
(22) Date of Filing Application: **21 January 2016**  
(24) Date from which industrial property rights may have effect: **21 January 2016**  
(54) Product in respect of which the design is registered: **Bottle**  
(51) International Design Classification: **09-01K**  
(74) Name(s) of Attorney(s): **Shelston IP Pty Ltd.**  
(71) Name(s) and Address(s) of Applicant(s):

**Reckitt Benckiser LLC**  
**Morris Corporate Centre IV 399 Interpace Parkway Parsippany 07054 New Jersey United States of America**

(72) Name(s) of Designer(s): **Randy Bos and Teun Franciscus van Wetten**

(45) Registration Date: **02 February 2016**

(30) Convention priority data:

(31) Number	(32) Date	(33) Country
<b>002750687-0002</b>	<b>06 Aug 2015</b>	<b>OFFICE FOR HARMONISATION IN THE INTERNAL MARKET (OHIM)</b>

(56) Related Art Documents: **Not Applicable**

(57) Statement of Newness and Distinctiveness: **Newness and distinctiveness reside in the features of shape and configuration of a bottle as shown in solid lines in the accompanying representations. The features of the cap shown in broken lines do not form part of the design and can vary.**



(21) Design Number: **10284/2016**  
(22) Date of Filing Application: **21 January 2016**  
(24) Date from which industrial property rights may have effect: **21 January 2016**  
(54) Product in respect of which the design is registered: **Bottle with cap**  
(51) International Design Classification: **09-01K**  
(74) Name(s) of Attorney(s): **Shelston IP Pty Ltd.**  
(71) Name(s) and Address(s) of Applicant(s):  
**Reckitt Benckiser LLC**  
**Morris Corporate Centre IV 399 Interpace Parkway Parsippany 07054**  
**New Jersey United States of America**  
(72) Name(s) of Designer(s): **Randy Bos and Teun Franciscus van Wetten**  
(45) Registration Date: **02 February 2016**  
(30) Convention priority data:  
(31) Number (32) Date (33) Country  
**002750687-0001 06 Aug 2015 OFFICE FOR HARMONISATION IN**  
**THE INTERNAL MARKET (OHIM)**  
(56) Related Art Documents: **Not Applicable**  
(57) Statement of Newness and Distinctiveness: **Nil**



(21) Design Number: **10285/2016**  
(22) Date of Filing Application: **21 January 2016**  
(24) Date from which industrial property rights may have effect: **21 January 2016**  
(54) Product in respect of which the design is registered: **Bottle**  
(51) International Design Classification: **09-01K**  
(74) Name(s) of Attorney(s): **Shelston IP Pty Ltd.**  
(71) Name(s) and Address(s) of Applicant(s):  
**Reckitt Benckiser LLC**  
**Morris Corporate Centre IV 399 Interpace Parkway Parsippany 07054**  
**New Jersey United States of America**  
(72) Name(s) of Designer(s): **Randy Bos and Teun Franciscus van Wetten**  
(45) Registration Date: **02 February 2016**  
(30) Convention priority data:  
(31) Number (32) Date (33) Country  
**002750687-0003 06 Aug 2015 OFFICE FOR HARMONISATION IN**  
**THE INTERNAL MARKET (OHIM)**  
(56) Related Art Documents: **Not Applicable**  
(57) Statement of Newness and Distinctiveness: **Nil**



(21) Design Number: **10305/2016**

(22) Date of Filing Application: **21 January 2016**

(24) Date from which industrial property rights may have effect: **21 January 2016**

(54) Product in respect of which the design is registered: **Water-sports equipment**

(51) International Design Classification: **21-02D**

(74) Name(s) of Attorney(s): **Fisher Adams Kelly Callinans**

(71) Name(s) and Address(s) of Applicant(s):

**Wibit Sports GmbH**

**Am Gut Baarking 15 Bocholt 46395 Germany**

(72) Name(s) of Designer(s): **Romann Rademacher and Robert Cirjak**

(45) Registration Date: **02 February 2016**

(30) Convention priority data:

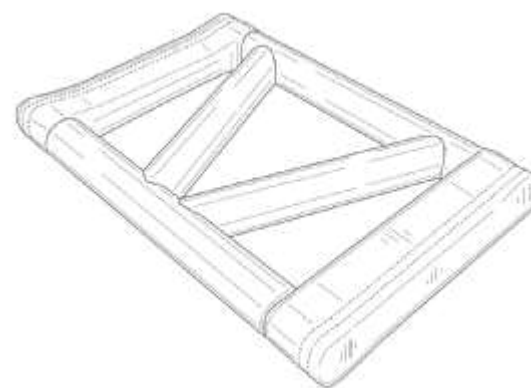
(31) Number

(32) Date

(33) Country

**002740175-0004 21 Jul 2015**

**OFFICE FOR HARMONISATION IN  
THE INTERNAL MARKET (OHIM)**



(56) Related Art Documents: **Not Applicable**

(57) Statement of Newness and Distinctiveness: **Newness and distinctiveness of the design resides in the shape and/or configuration of water-sports equipment as shown in the representations. Particular regard is to be given to the features shown in solid lines. The shading and features shown in broken lines are for context and example only, and should be disregarded for the purpose of assessing newness and distinctiveness.**

(21) Design Number: **12314/2014**

(22) Date of Filing Application: **14 May 2014**

(24) Date from which industrial property rights may have effect: **14 May 2014**

(54) Product in respect of which the design is registered: **A box**

(51) International Design Classification: **09-03M**

(74) Name(s) of Attorney(s):

(71) Name(s) and Address(s) of Applicant(s):

**Robert Pellizzari**

**PO BOX 11 Silverdale NSW 2752 Australia**

(72) Name(s) of Designer(s): **Mordechai Kleiner and Ori Kleiner**

(45) Registration Date: **02 February 2016**

(56) Related Art Documents: **Not Applicable**

(57) Statement of Newness and Distinctiveness: **Vertical creases on both side depth panels that run through the base - 4 x 2 Mirror imaged 90 degree angled creases (scores) at the bottom of the base & Lid.**



(21) Design Number: **15847/2015**

(22) Date of Filing Application: **31 October 2015**

(24) Date from which industrial property rights may have effect: **31 October 2015**

(54) Product in respect of which the design is registered: **Pants**

(51) International Design Classification: **02-02C**

(74) Name(s) of Attorney(s):

(71) Name(s) and Address(s) of Applicant(s):

**Awatef El Abed**

**68 Flinders Rd Georges Hall NSW 2198 Australia**

(72) Name(s) of Designer(s): **Awatef El Abed**

(45) Registration Date: **02 February 2016**

(56) Related Art Documents: **Not Applicable**

(57) Statement of Newness and Distinctiveness: **This design is a design of trade work pants with elastic at the bottom of the pants rather than open straight leg. This represents a safe alternative of pants on the job site that do not touch the ground or drag underneath work boots. The elastic finishes off just above the boots and ensures the pants do not drag and cause trips/falls on the job site whether in construction sites or any other work site. The pants will also have tool hangers on the sides that are not conductive. The pants will also have fluorescent line on each leg to ensure the worker is visible if working at night.**



(21) Design Number: **15957/2015**

(22) Date of Filing Application: **09 November 2015**

(24) Date from which industrial property rights may have effect: **09 November 2015**

(54) Product in respect of which the design is registered: **Detachable foot for a drinking glass**

(51) International Design Classification: **07-01C**

(74) Name(s) of Attorney(s): **MacMillan Trade Marks Attorneys**

(71) Name(s) and Address(s) of Applicant(s):

**1/4 VIN, SARL**

**820 Chemin de la Tour SOLLIES PONT 83210 France**

(72) Name(s) of Designer(s): **Pascal Carvin and Christian Mura**

(45) Registration Date: **02 February 2016**

(30) Convention priority data:

(31) Number

(32) Date

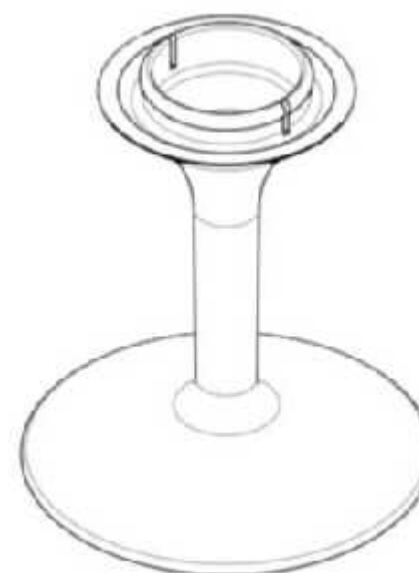
(33) Country

**002713347-0001 04 Jun 2015**

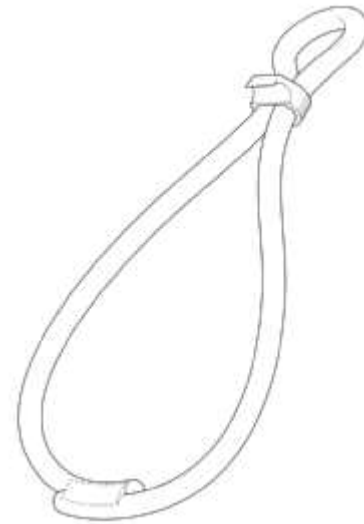
**EUROPEAN PATENT OFFICE (EPO)**

(56) Related Art Documents: **Not Applicable**

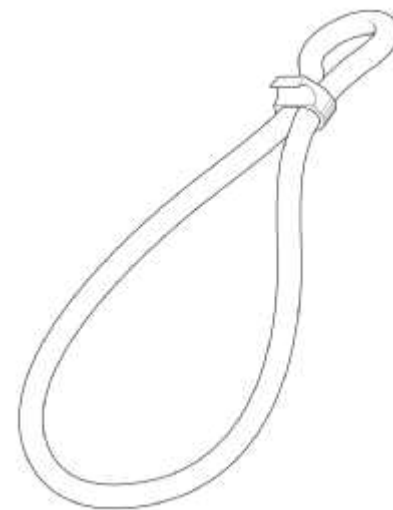
(57) Statement of Newness and Distinctiveness: **Monopoly is claimed in the shape and/or configuration of a foot that connects to the base of a drinking glass as shown in the attached representations.**



- (21) Design Number: **10334/2016**  
(22) Date of Filing Application: **22 January 2016**  
(24) Date from which industrial property rights may have effect: **22 January 2016**  
(54) Product in respect of which the design is registered: **Device for attachment with a structure**  
(51) International Design Classification: **09-06**  
(74) Name(s) of Attorney(s): **Caska IP**  
(71) Name(s) and Address(s) of Applicant(s):  
**IP & IT Pty Ltd**  
**388 Lake Rd Argenton NSW 2284 Australia**  
(72) Name(s) of Designer(s): **Dallas John Marchant**  
(45) Registration Date: **02 February 2016**  
(56) Related Art Documents: **Not Applicable**  
(57) Statement of Newness and Distinctiveness: **Newness and distinctiveness resides in the overall shape and configuration of the visual features as shown in solid lines in the accompanying representations.**



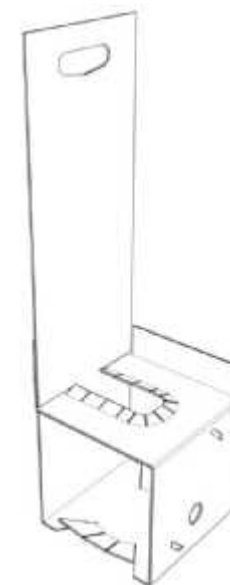
- (21) Design Number: **10335/2016**  
(22) Date of Filing Application: **22 January 2016**  
(24) Date from which industrial property rights may have effect: **22 January 2016**  
(54) Product in respect of which the design is registered: **Device for attachment with a structure**  
(51) International Design Classification: **09-06**  
(74) Name(s) of Attorney(s): **Caska IP**  
(71) Name(s) and Address(s) of Applicant(s):  
**IP & IT Pty Ltd**  
**388 Lake Rd Erina Fair LPO PO BOX 5223 Argenton NSW 2284 Australia**  
(72) Name(s) of Designer(s): **Dallas John Marchant**  
(45) Registration Date: **02 February 2016**  
(56) Related Art Documents: **Not Applicable**  
(57) Statement of Newness and Distinctiveness: **Newness and distinctiveness resides in the overall shape and configuration of the visual features as shown in solid lines in the accompanying representations.**



(21) Design Number: **10345/2016**  
(22) Date of Filing Application: **24 January 2016**  
(24) Date from which industrial property rights may have effect: **09 November 2015**  
(54) Product in respect of which the design is registered: **Drinking glass with a detachable foot**  
(51) International Design Classification: **07-01C**  
(74) Name(s) of Attorney(s): **MacMillan Trade Marks Attorneys**  
(71) Name(s) and Address(s) of Applicant(s):  
**MacMillan Trade Marks Attorneys**  
**L13 200 Queen St Melbourne VIC 3000 Australia**  
(72) Name(s) of Designer(s): **Pascal Carvin and Christian Mura**  
(45) Registration Date: **02 February 2016**  
(30) Convention priority data:  
(31) Number (32) Date (33) Country  
**002713347 04 Jun 2015 EUROPEAN PATENT OFFICE (EPO)**  
(62) Divisional of: **366901**  
(56) Related Art Documents: **Not Applicable**  
(57) Statement of Newness and Distinctiveness: **Monopoly is claimed in the shape and/or configuration of a drinking glass with a cup and foot that can be separated at the base of the glass and top of the foot as shown in the attached representations.**



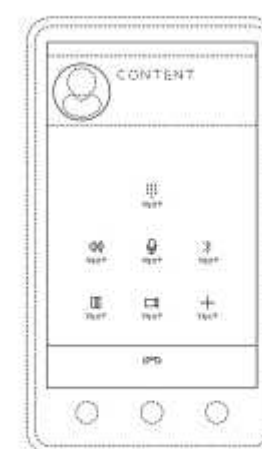
(21) Design Number: **10374/2016**  
(22) Date of Filing Application: **26 January 2016**  
(24) Date from which industrial property rights may have effect: **26 January 2016**  
(54) Product in respect of which the design is registered: **An insert for a box**  
(51) International Design Classification: **09-03NES**  
(74) Name(s) of Attorney(s):  
(71) Name(s) and Address(s) of Applicant(s):  
**Give Plants Limited**  
**32 Sartors Avenue Northcross Auckland 0630 New Zealand**  
(72) Name(s) of Designer(s): **Jerrod Griffith**  
(45) Registration Date: **02 February 2016**  
(30) Convention priority data:  
(31) Number (32) Date (33) Country  
**421052 21 Dec 2015 NEW ZEALAND**  
(56) Related Art Documents: **Not Applicable**  
(57) Statement of Newness and Distinctiveness: **Nil**



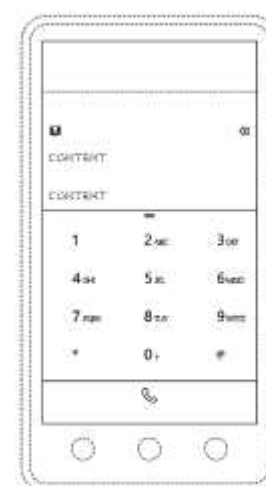
(21) Design Number: **10092/2016**  
(22) Date of Filing Application: **08 January 2016**  
(24) Date from which industrial property rights may have effect: **08 January 2016**  
(54) Product in respect of which the design is registered: **Tyre tread**  
(51) International Design Classification: **12-15A**  
(74) Name(s) of Attorney(s): **Cullens Pty Ltd**  
(71) Name(s) and Address(s) of Applicant(s):  
**Omni United (S) Pte Ltd.**  
**1 Raffles Place #30-03 One Raffles Place Singapore 048616 Singapore**  
(72) Name(s) of Designer(s): **Gajendra Singh Sareen**  
(45) Registration Date: **02 February 2016**  
(30) Convention priority data:  
(31) Number (32) Date (33) Country  
**29/532,848 10 Jul 2015 UNITED STATES OF AMERICA**  
(56) Related Art Documents: **Not Applicable**  
(57) Statement of Newness and Distinctiveness: **Newness and distinctiveness reside in the tread region of a tyre as shown in the accompanying representations. When considering newness and distinctiveness, the features shown in dashed lines are to be given little or no weight.**



(21) Design Number: **10354/2016**  
(22) Date of Filing Application: **25 January 2016**  
(24) Date from which industrial property rights may have effect: **25 January 2016**  
(54) Product in respect of which the design is registered: **Display screen with graphical user interface**  
(51) International Design Classification: **14-02**  
(74) Name(s) of Attorney(s): **Shelston IP Pty Ltd.**  
(71) Name(s) and Address(s) of Applicant(s):  
**Microsoft Corporation**  
**One Microsoft Way Redmond Washington, 98052-5321 United States of America**  
(72) Name(s) of Designer(s): **Sergey Kisselev and Harold Gomez**  
(45) Registration Date: **02 February 2016**  
(30) Convention priority data:  
(31) Number (32) Date (33) Country  
**29/534305 28 Jul 2015 UNITED STATES OF AMERICA**  
(56) Related Art Documents: **Not Applicable**  
(57) Statement of Newness and Distinctiveness: **Newness and distinctiveness reside in the features of pattern and/or ornamentation of a display screen with graphical user interface as illustrated by solid lines in the accompanying representation. The features shown in broken outline, including the text and graphical elements, are for contextual purposes only and do not form part of the design.**

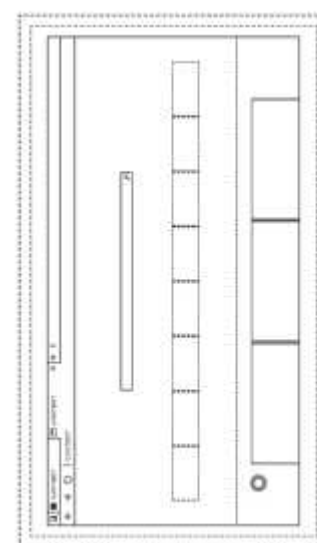


(21) Design Number: **10358/2016**  
(22) Date of Filing Application: **25 January 2016**  
(24) Date from which industrial property rights may have effect: **25 January 2016**  
(54) Product in respect of which the design is registered: **Display screen with graphical user interface**  
(51) International Design Classification: **14-02**  
(74) Name(s) of Attorney(s): **Shelston IP Pty Ltd.**  
(71) Name(s) and Address(s) of Applicant(s):  
**Microsoft Corporation**  
**One Microsoft Way Redmond Washington, 98052-5321 United States of America**  
(72) Name(s) of Designer(s): **Peter Hammerquist**  
(45) Registration Date: **02 February 2016**  
(30) Convention priority data:  
(31) Number (32) Date (33) Country  
**29/534521 28 Jul 2015 UNITED STATES OF AMERICA**



(56) Related Art Documents: **Not Applicable**  
(57) Statement of Newness and Distinctiveness: **Newness and distinctiveness reside in the features of pattern and/or ornamentation of a display screen with graphical user interface as illustrated by solid lines in the accompanying representation. The features shown in broken outline, including the text and graphical elements, are for contextual purposes only and do not form part of the design.**

(21) Design Number: **10359/2016**  
(22) Date of Filing Application: **25 January 2016**  
(24) Date from which industrial property rights may have effect: **25 January 2016**  
(54) Product in respect of which the design is registered: **Display screen with graphical user interface**  
(51) International Design Classification: **14-02**  
(74) Name(s) of Attorney(s): **Shelston IP Pty Ltd.**  
(71) Name(s) and Address(s) of Applicant(s):  
**Microsoft Corporation**  
**One Microsoft Way Redmond Washington, 98052-5321 United States of America**  
(72) Name(s) of Designer(s): **Sergey Kisselev and Andrew M. Pickard**  
(45) Registration Date: **02 February 2016**  
(30) Convention priority data:  
(31) Number (32) Date (33) Country  
**29/534358 28 Jul 2015 UNITED STATES OF AMERICA**



(56) Related Art Documents: **Not Applicable**  
(57) Statement of Newness and Distinctiveness: **Newness and distinctiveness reside in the features of pattern and/or ornamentation of a display screen with graphical user interface as illustrated by solid lines in the accompanying representation. The features shown in broken outline, including the text and graphical elements, are for contextual purposes only and do not form part of the design.**



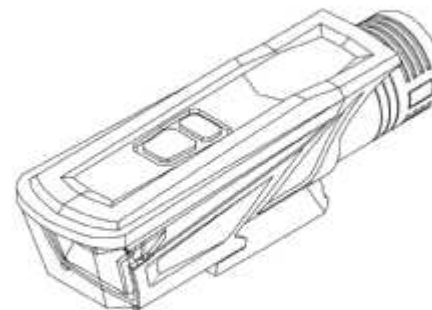
(21) Design Number: **10364/2016**  
(22) Date of Filing Application: **25 January 2016**  
(24) Date from which industrial property rights may have effect: **25 January 2016**  
(54) Product in respect of which the design is registered: **Flashlight**  
(51) International Design Classification: **26-02**  
(74) Name(s) of Attorney(s): **Allens Patent & Trade Mark Attorneys**  
(71) Name(s) and Address(s) of Applicant(s):  
**GENTOS Co., Ltd.**  
**2-9-7 Ikenohata Taito-Ku Tokyo, 110-0008 Japan**  
(72) Name(s) of Designer(s): **Keita Koshiba**  
(45) Registration Date: **02 February 2016**  
(30) Convention priority data:  
(31) Number      (32) Date      (33) Country  
**2015-018378      21 Aug 2015      JAPAN**  
(56) Related Art Documents: **Not Applicable**  
(57) Statement of Newness and Distinctiveness: **Newness and distinctiveness resides in the visual features of shape and/or configuration of a flashlight as illustrated in the accompanying representations.**



(21) Design Number: **10367/2016**  
(22) Date of Filing Application: **25 January 2016**  
(24) Date from which industrial property rights may have effect: **25 January 2016**  
(54) Product in respect of which the design is registered: **Headlamp**  
(51) International Design Classification: **26-02**  
(74) Name(s) of Attorney(s): **Allens Patent & Trade Mark Attorneys**  
(71) Name(s) and Address(s) of Applicant(s):  
**GENTOS Co., Ltd.**  
**2-9-7 Ikenohata Taito-Ku Tokyo, 110-0008 Japan**  
(72) Name(s) of Designer(s): **Keita Koshiba**  
(45) Registration Date: **02 February 2016**  
(30) Convention priority data:  
(31) Number      (32) Date      (33) Country  
**2015-018673      26 Aug 2015      JAPAN**  
(56) Related Art Documents: **Not Applicable**  
(57) Statement of Newness and Distinctiveness: **Newness and distinctiveness resides in the visual features of shape and/or configuration of a headlamp as illustrated in the accompanying representations.**



(21) Design Number: **10366/2016**  
(22) Date of Filing Application: **25 January 2016**  
(24) Date from which industrial property rights may have effect: **25 January 2016**  
(54) Product in respect of which the design is registered: **Bicycle light**  
(51) International Design Classification: **26-02**  
(74) Name(s) of Attorney(s): **Allens Patent & Trade Mark Attorneys**  
(71) Name(s) and Address(s) of Applicant(s):  
**GENTOS Co., Ltd.**  
**2-9-7 Ikenohata Taito-Ku Tokyo, 110-0008 Japan**  
(72) Name(s) of Designer(s): **Keita Koshiba**  
(45) Registration Date: **02 February 2016**  
(30) Convention priority data:  
(31) Number      (32) Date      (33) Country  
**2015-018674      26 Aug 2015      JAPAN**  
(56) Related Art Documents: **Not Applicable**  
(57) Statement of Newness and Distinctiveness: **Newness and distinctiveness resides in the visual features of shape and/or configuration of a bicycle light as illustrated in the accompanying representations.**



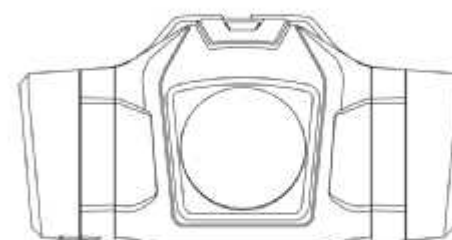
(21) Design Number: **10368/2016**  
(22) Date of Filing Application: **25 January 2016**  
(24) Date from which industrial property rights may have effect: **25 January 2016**  
(54) Product in respect of which the design is registered: **Flashlight**  
(51) International Design Classification: **26-02**  
(74) Name(s) of Attorney(s): **Allens Patent & Trade Mark Attorneys**  
(71) Name(s) and Address(s) of Applicant(s):  
**GENTOS Co., Ltd.**  
**2-9-7 Ikenohata Taito-Ku Tokyo, 110-0008 Japan**  
(72) Name(s) of Designer(s): **Keita Koshiba**  
(45) Registration Date: **02 February 2016**  
(30) Convention priority data:  
(31) Number      (32) Date      (33) Country  
**2015-018377      21 Aug 2015      JAPAN**  
(56) Related Art Documents: **Not Applicable**  
(57) Statement of Newness and Distinctiveness: **Newness and distinctiveness resides in the visual features of shape and/or configuration of a flashlight as illustrated in the accompanying representations.**



(21) Design Number: **10370/2016**  
(22) Date of Filing Application: **25 January 2016**  
(24) Date from which industrial property rights may have effect: **25 January 2016**  
(54) Product in respect of which the design is registered: **Headlamp**  
(51) International Design Classification: **26-02, 26-06**  
(74) Name(s) of Attorney(s): **Allens Patent & Trade Mark Attorneys**  
(71) Name(s) and Address(s) of Applicant(s):  
**GENTOS Co., Ltd.**  
**2-9-7 Ikenohata Taito-Ku Tokyo, 110-0008 Japan**  
(72) Name(s) of Designer(s): **Keita Koshiba**  
(45) Registration Date: **02 February 2016**  
(30) Convention priority data:  
(31) Number (32) Date (33) Country  
**2015-018379 21 Aug 2015 JAPAN**  
(56) Related Art Documents: **Not Applicable**  
(57) Statement of Newness and Distinctiveness: **Newness and distinctiveness resides in the visual features of shape and/or configuration of a headlamp as illustrated in the accompanying representations.**



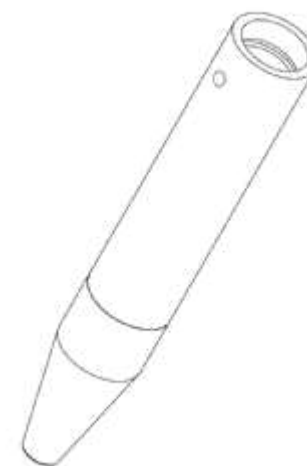
(21) Design Number: **10371/2016**  
(22) Date of Filing Application: **25 January 2016**  
(24) Date from which industrial property rights may have effect: **25 January 2016**  
(54) Product in respect of which the design is registered: **Headlamp**  
(51) International Design Classification: **26-02, 26-06**  
(74) Name(s) of Attorney(s): **Allens Patent & Trade Mark Attorneys**  
(71) Name(s) and Address(s) of Applicant(s):  
**GENTOS Co., Ltd.**  
**2-9-7 Ikenohata Taito-Ku Tokyo, 110-0008 Japan**  
(72) Name(s) of Designer(s): **Keita Koshiba**  
(45) Registration Date: **02 February 2016**  
(30) Convention priority data:  
(31) Number (32) Date (33) Country  
**2015-018380 21 Aug 2015 JAPAN**  
(56) Related Art Documents: **Not Applicable**  
(57) Statement of Newness and Distinctiveness: **Newness and distinctiveness resides in the visual features of shape and/or configuration of a headlamp as illustrated in the accompanying representations.**



- (21) Design Number: **10372/2016**  
(22) Date of Filing Application: **25 January 2016**  
(24) Date from which industrial property rights may have effect: **25 January 2016**  
(54) Product in respect of which the design is registered: **LED light**  
(51) International Design Classification: **26-05E**  
(74) Name(s) of Attorney(s): **Allens Patent & Trade Mark Attorneys**  
(71) Name(s) and Address(s) of Applicant(s):  
**GENTOS Co., Ltd.**  
**2-9-7 Ikenohata Taito-Ku Tokyo, 110-0008 Japan**  
(72) Name(s) of Designer(s): **Keita Koshiba**  
(45) Registration Date: **02 February 2016**  
(30) Convention priority data:  
(31) Number      (32) Date      (33) Country  
**2015-024093      29 Oct 2015      JAPAN**  
(56) Related Art Documents: **Not Applicable**  
(57) Statement of Newness and Distinctiveness: **Newness and distinctiveness resides in the visual features of shape and/or configuration of an LED light as illustrated in the accompanying representations.**



- (21) Design Number: **13686/2015**  
(22) Date of Filing Application: **23 July 2015**  
(24) Date from which industrial property rights may have effect: **23 July 2015**  
(54) Product in respect of which the design is registered: **Mining mark up laser anchor**  
(51) International Design Classification: **08-08B**  
(74) Name(s) of Attorney(s):  
(71) Name(s) and Address(s) of Applicant(s):  
**Jason Wasley**  
**2 Dinroy St Duncraig WA 6023 Australia**  
(72) Name(s) of Designer(s): **Jason Wasley**  
(45) Registration Date: **02 February 2016**  
(56) Related Art Documents: **Not Applicable**  
(57) Statement of Newness and Distinctiveness: **Nil**



- (21) Design Number: **13770/2015**  
(22) Date of Filing Application: **28 July 2015**  
(24) Date from which industrial property rights may have effect: **28 July 2015**  
(54) Product in respect of which the design is registered: **Front bumper for an automobile**  
(51) International Design Classification: **12-16C**  
(74) Name(s) of Attorney(s): **Spruson & Ferguson**  
(71) Name(s) and Address(s) of Applicant(s):  
**Toyota Jidosha Kabushiki Kaisha**  
**1, Toyota-cho, Toyota-shi, Aichi-ken 471-8571 Japan**  
(72) Name(s) of Designer(s): **Kengo Matsumoto and Hirofumi Hokao and Kenji Kido**  
(45) Registration Date: **02 February 2016**  
(56) Related Art Documents: **Not Applicable**  
(57) Statement of Newness and Distinctiveness: **Newness and distinctiveness is claimed in the features of shape and/or configuration of a front bumper for an automobile as illustrated in the accompanying representations, apart from attachment lugs.**



- (21) Design Number: **13772/2015**  
(22) Date of Filing Application: **28 July 2015**  
(24) Date from which industrial property rights may have effect: **28 July 2015**  
(54) Product in respect of which the design is registered: **Instrument panel for an automobile**  
(51) International Design Classification: **12-16NES**  
(74) Name(s) of Attorney(s): **Spruson & Ferguson**  
(71) Name(s) and Address(s) of Applicant(s):  
**Toyota Jidosha Kabushiki Kaisha**  
**1, Toyota-cho, Toyota-shi, Aichi-ken 471-8571 Japan**  
(72) Name(s) of Designer(s): **Shunsuke Tanaka and William Luther Chergosky**  
(45) Registration Date: **02 February 2016**  
(57) Statement of Newness and Distinctiveness: **Newness and distinctiveness is claimed in the features of shape and/or configuration of an instrument panel for an automobile as illustrated in the accompanying representations.**



- (21) Design Number: **13775/2015**  
(22) Date of Filing Application: **28 July 2015**  
(24) Date from which industrial property rights may have effect: **28 July 2015**  
(54) Product in respect of which the design is registered: **Rear combination lamp for an automobile**  
(51) International Design Classification: **26-06**  
(74) Name(s) of Attorney(s): **Spruson & Ferguson**  
(71) Name(s) and Address(s) of Applicant(s):  
**Toyota Jidosha Kabushiki Kaisha**  
**1, Toyota-cho, Toyota-shi, Aichi-ken 471-8571 Japan**  
(72) Name(s) of Designer(s): **Kengo Matsumoto and Noriaki Takemasa**  
(45) Registration Date: **02 February 2016**  
(56) Related Art Documents: **Not Applicable**  
(57) Statement of Newness and Distinctiveness: **Newness and distinctiveness is claimed in the features of shape and/or configuration of a rear combination lamp for an automobile as illustrated in the accompanying representations, apart from attachment lugs.**



- (21) Design Number: **14750/2015**  
(22) Date of Filing Application: **07 September 2015**  
(24) Date from which industrial property rights may have effect: **07 September 2015**  
(54) Product in respect of which the design is registered: **A bed**  
(51) International Design Classification: **06-02**  
(74) Name(s) of Attorney(s): **WATERMARK PATENT AND TRADE MARKS ATTORNEYS**  
(71) Name(s) and Address(s) of Applicant(s):  
**Orion Holdings (Overseas) Limited**  
**13/F Pico Tower 66 Gloucester Road Wan Chai Hong Kong Island Hong Kong**  
(72) Name(s) of Designer(s): **Justin Chui**  
(45) Registration Date: **02 February 2016**  
(56) Related Art Documents: **Not Applicable**  
(57) Statement of Newness and Distinctiveness: **Newness and Distinctiveness reside in features of shape and configuration as applied to a bed, whereby the line drawing representations include bed mattress support slats in phantom outline that do not form part of the design.**



- (21) Design Number: **14752/2015**  
(22) Date of Filing Application: **07 September 2015**  
(24) Date from which industrial property rights may have effect: **07 September 2015**  
(54) Product in respect of which the design is registered: **A bed**  
(51) International Design Classification: **06-02**  
(74) Name(s) of Attorney(s): **WATERMARK PATENT AND TRADE MARKS ATTORNEYS**  
(71) Name(s) and Address(s) of Applicant(s):  
**Orion Holdings (Overseas) Limited**  
**13/F Pico Tower 66 Gloucester Road Wan Chai Hong Kong Island Hong Kong**  
(72) Name(s) of Designer(s): **Justin Chui**  
(45) Registration Date: **02 February 2016**  
(56) Related Art Documents: **Not Applicable**  
(57) Statement of Newness and Distinctiveness: **Newness and Distinctiveness reside in features of shape and configuration as applied to a bed, whereby the line drawing representations include items in phantom outline that do not form part of the design.**



- (21) Design Number: **14755/2015**  
(22) Date of Filing Application: **07 September 2015**  
(24) Date from which industrial property rights may have effect: **07 September 2015**  
(54) Product in respect of which the design is registered: **A bed**  
(51) International Design Classification: **06-02**  
(74) Name(s) of Attorney(s): **WATERMARK PATENT AND TRADE MARKS ATTORNEYS**  
(71) Name(s) and Address(s) of Applicant(s):  
**Orion Holdings (Overseas) Limited**  
**13/F Pico Tower 66 Gloucester Road Wan Chai Hong Kong Island Hong Kong**  
(72) Name(s) of Designer(s): **Justin Chui**  
(45) Registration Date: **02 February 2016**  
(56) Related Art Documents: **Not Applicable**  
(57) Statement of Newness and Distinctiveness: **Newness and Distinctiveness reside in features of shape and configuration as applied to a bed, whereby the slats appearing in phantom outline in the line drawings do not form part of the design.**



- (21) Design Number: **14756/2015**  
(22) Date of Filing Application: **07 September 2015**  
(24) Date from which industrial property rights may have effect: **07 September 2015**  
(54) Product in respect of which the design is registered: **Bunk bed**  
(51) International Design Classification: **06-02**  
(74) Name(s) of Attorney(s): **WATERMARK PATENT AND TRADE MARKS ATTORNEYS**  
(71) Name(s) and Address(s) of Applicant(s):  
**Orion Holdings (Overseas) Limited**  
**13/F Pico Tower 66 Gloucester Road Wan Chai Hong Kong Island Hong Kong**  
(72) Name(s) of Designer(s): **Justin Chui**  
(45) Registration Date: **03 February 2016**  
(56) Related Art Documents: **Not Applicable**  
(57) Statement of Newness and Distinctiveness: **Newness and Distinctiveness reside in features of shape and configuration as applied to a bunk bed as shown in the accompanying representations, whereby the line drawing representations include mattress support slats in phantom outline that do not form part of the design.**

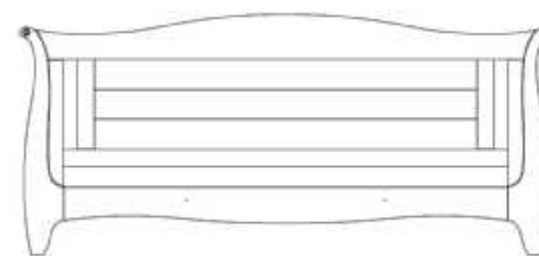


- (21) Design Number: **14757/2015**  
(22) Date of Filing Application: **07 September 2015**  
(24) Date from which industrial property rights may have effect: **07 September 2015**  
(54) Product in respect of which the design is registered: **A bunk bed**  
(51) International Design Classification: **06-02**  
(74) Name(s) of Attorney(s): **WATERMARK PATENT AND TRADE MARKS ATTORNEYS**  
(71) Name(s) and Address(s) of Applicant(s):  
**Orion Holdings (Overseas) Limited**  
**13/F Pico Tower 66 Gloucester Road Wan Chai Hong Kong Island Hong Kong**  
(72) Name(s) of Designer(s): **Justin Chui**  
(45) Registration Date: **03 February 2016**  
(56) Related Art Documents: **Not Applicable**  
(57) Statement of Newness and Distinctiveness: **Newness and Distinctiveness reside in features of shape and configuration as applied to a bunk bed, whereby the slats appearing in phantom outline in the accompanying representations do not form part of the design.**





- (21) Design Number: **14758/2015**  
(22) Date of Filing Application: **07 September 2015**  
(24) Date from which industrial property rights may have effect: **07 September 2015**  
(54) Product in respect of which the design is registered: **A bed**  
(51) International Design Classification: **06-02**  
(74) Name(s) of Attorney(s): **WATERMARK PATENT AND TRADE MARKS ATTORNEYS**  
(71) Name(s) and Address(s) of Applicant(s):  
**Orion Holdings (Overseas) Limited**  
**13/F Pico Tower 66 Gloucester Road Wan Chai Hong Kong Island Hong Kong**  
(72) Name(s) of Designer(s): **Justin Chui**  
(45) Registration Date: **03 February 2016**  
(56) Related Art Documents: **Not Applicable**  
(57) Statement of Newness and Distinctiveness: **Newness and Distinctiveness reside in features of shape and configuration as applied to a bed, whereby the line drawings representations include mattress support slats in phantom outline that do not form part of the design.**



- (21) Design Number: **14759/2015**  
(22) Date of Filing Application: **07 September 2015**  
(24) Date from which industrial property rights may have effect: **07 September 2015**  
(54) Product in respect of which the design is registered: **A wardrobe and a chest of drawers**  
(51) International Design Classification: **06-04C, 06-04F**  
(74) Name(s) of Attorney(s): **WATERMARK PATENT AND TRADE MARKS ATTORNEYS**  
(71) Name(s) and Address(s) of Applicant(s):  
**Orion Holdings (Overseas) Limited**  
**13/F Pico Tower 66 Gloucester Road Wan Chai Hong Kong Island Hong Kong**  
(72) Name(s) of Designer(s): **Justin Chui**  
(45) Registration Date: **03 February 2016**  
(56) Related Art Documents: **Not Applicable**  
(57) Statement of Newness and Distinctiveness: **Newness and distinctiveness reside in features of shape and configuration as applied to an item of furniture, namely clothes cabinets, in particular the curved shape and configuration of width ward sides of clothes wardrobe and dresser cabinets wherein a waisted portion is present above the lower slightly flared bottom of the cabinet which then curves gently outwardly and then inwardly again towards a flat top of the cabinet, as best seen in the front elevation view of the wardrobe and dresser cabinets of the accompanying representations**



- (21) Design Number: **15975/2015**  
(22) Date of Filing Application: **10 November 2015**  
(24) Date from which industrial property rights may have effect: **10 November 2015**  
(54) Product in respect of which the design is registered: **Toilet guard for boys**  
(51) International Design Classification: **23-02C**  
(74) Name(s) of Attorney(s):  
(71) Name(s) and Address(s) of Applicant(s):

**Sharayne Cathryn Marshall**  
**PO BOX 24 Cooyar QLD 4402 Australia**

- (72) Name(s) of Designer(s): **Sharayne Cathryn Marshall**

- (45) Registration Date: **03 February 2016**

- (56) Related Art Documents: **Not Applicable**

- (57) Statement of Newness and Distinctiveness: **There is no product like it on the market to date. Distinctiveness, An Australian invented/ designed, owned & manufactured product made in Queensland. Made from a polymer plastic in a single pour plastic injection mould making it lightweight, portable & transferable between toilets. Front & back surfaces have no; marks, scratches, cuts, dents, holes, joins, seams, limiting the growth of germs & bacteria. Back surface contains production & ordering details. 3 lugs strategically placed ensuring product sits within /on the toilet bowl rim by its self with seat up encouraging good toilet training habits. Assists in preventing urine being sprayed/splashed onto floors/walls over sides/back of toilet by adding extra height to sides/back of toilet bowl & helps direct urine in a downward direction into the bowl water. Comes ready to use not tools required, sits in a arc starting from a 9 o'clock, up to a 12 o'clock, around to a 3 o'clock position when being used & stores flat before/after use.**



- (21) Design Number: **10261/2016**  
(22) Date of Filing Application: **20 January 2016**  
(24) Date from which industrial property rights may have effect: **20 January 2016**  
(54) Product in respect of which the design is registered: **Luminaire**  
(51) International Design Classification: **26-05E**  
(74) Name(s) of Attorney(s): **Spruson & Ferguson**  
(71) Name(s) and Address(s) of Applicant(s):

**Zumtobel Lighting GmbH**  
**Grevenmarschstrasse 74-78, Lemgo 32657 Germany**

- (72) Name(s) of Designer(s): **Lars Krueckeberg and Wolfram Putz and Thomas Willemeit and Felix Goetze**

- (45) Registration Date: **03 February 2016**

- (30) Convention priority data:

(31) Number	(32) Date	(33) Country
<b>002741579</b>	<b>23 Jul 2015</b>	<b>OFFICE FOR HARMONISATION IN THE INTERNAL MARKET (OHIM)</b>

- (56) Related Art Documents: **Not Applicable**

- (57) Statement of Newness and Distinctiveness: **Newness and distinctiveness is claimed in the features of shape and/or configuration of a luminaire as illustrated in the accompanying representations.**



(21) Design Number: **16708/2015**  
(22) Date of Filing Application: **10 December 2015**  
(24) Date from which industrial property rights may have effect: **10 December 2015**  
(54) Product in respect of which the design is registered: **Flowerpot**  
(51) International Design Classification: **11-02B**  
(74) Name(s) of Attorney(s): **Davies Collison Cave**  
(71) Name(s) and Address(s) of Applicant(s):  
**AIRY GreenTech GmbH**  
**Elbchaussee 43 Hamburg 22765 Germany**  
(72) Name(s) of Designer(s): **Aemilios Grohmann**  
(45) Registration Date: **03 February 2016**  
(30) Convention priority data:  
(31) Number (32) Date (33) Country  
**DM/087373 11 Jun 2015 WORLD INTELLECTUAL**  
**PROPERTY ORGANIZATION**  
**(WIPO)**  
(56) Related Art Documents: **Not Applicable**  
(57) Statement of Newness and Distinctiveness: **Nil**



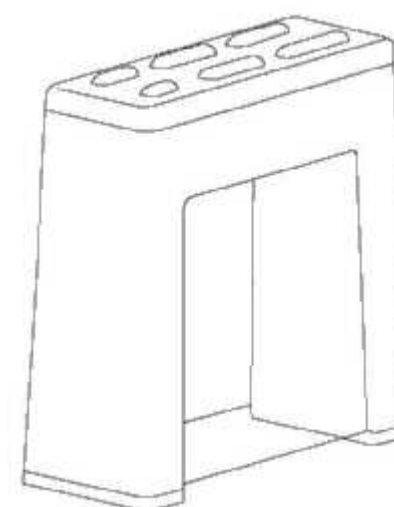
(21) Design Number: **16793/2015**  
(22) Date of Filing Application: **14 December 2015**  
(24) Date from which industrial property rights may have effect: **14 December 2015**  
(54) Product in respect of which the design is registered: **Letter box**  
(51) International Design Classification: **25-03**  
(74) Name(s) of Attorney(s): **Davies Collison Cave**  
(71) Name(s) and Address(s) of Applicant(s):  
**Northcote Pots Australia Pty Ltd**  
**62 Northgate Dr Thomastown VIC 3074 Australia**  
(72) Name(s) of Designer(s): **Simon Hupfeld and James Lomax and John**  
**Wilkinson**  
(45) Registration Date: **03 February 2016**  
(56) Related Art Documents: **Not Applicable**  
(57) Statement of Newness and Distinctiveness: **Newness and distinctiveness**  
**is claimed in the shape and configuration of a letter box as shown in**  
**solid lines in the drawings.**



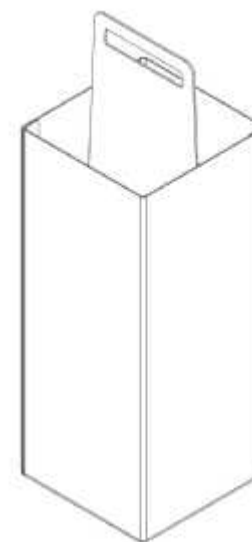
(21) Design Number: **10286/2016**  
(22) Date of Filing Application: **21 January 2016**  
(24) Date from which industrial property rights may have effect: **21 January 2016**  
(54) Product in respect of which the design is registered: **Flash lamp epilator**  
(51) International Design Classification: **28-03NES**  
(74) Name(s) of Attorney(s): **FB Rice**  
(71) Name(s) and Address(s) of Applicant(s):  
**Koninklijke Philips N.V.**  
**High Tech Campus 5 5656 AE Eindhoven The Netherlands**  
(72) Name(s) of Designer(s): **Nathan Gabriele and Anthony Smith**  
(45) Registration Date: **03 February 2016**  
(30) Convention priority data:  
(31) Number (32) Date (33) Country  
**002741470-0001 23 Jul 2015 OFFICE FOR HARMONISATION IN  
THE INTERNAL MARKET (OHIM)**  
(56) Related Art Documents: **Not Applicable**  
(57) Statement of Newness and Distinctiveness: **Newness and distinctiveness  
reside in the features of shape and configuration of the design as shown  
in the representations.**



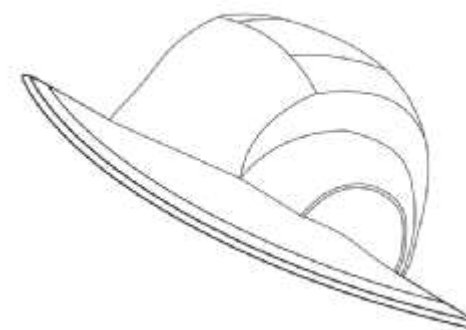
(21) Design Number: **10287/2016**  
(22) Date of Filing Application: **21 January 2016**  
(24) Date from which industrial property rights may have effect: **21 January 2016**  
(54) Product in respect of which the design is registered: **Knife block**  
(51) International Design Classification: **07-99NES**  
(74) Name(s) of Attorney(s):  
(71) Name(s) and Address(s) of Applicant(s):  
**SHELDON AND HAMMOND PTY LIMITED**  
**24 Salisbury Rd Asquith NSW 2077 Australia**  
(72) Name(s) of Designer(s): **Alexander Angus**  
(45) Registration Date: **03 February 2016**  
(56) Related Art Documents: **Not Applicable**  
(57) Statement of Newness and Distinctiveness: **Newness and distinctiveness  
is claimed in the features of the shape and/or configuration of a knife  
block as illustrated in the accompanying representations.**



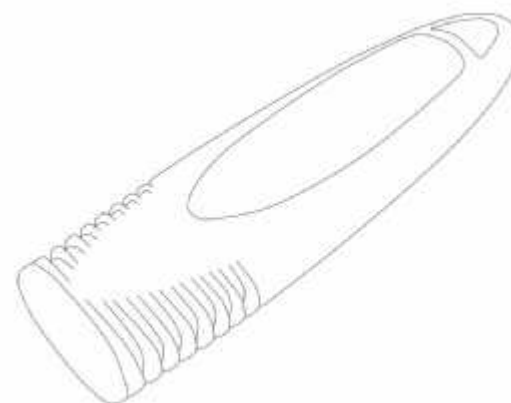
- (21) Design Number: **10289/2016**  
(22) Date of Filing Application: **21 January 2016**  
(24) Date from which industrial property rights may have effect: **21 January 2016**  
(54) Product in respect of which the design is registered: **Umbrella stand**  
(51) International Design Classification: **03-03, 11-02B**  
(74) Name(s) of Attorney(s):  
(71) Name(s) and Address(s) of Applicant(s):  
**DESIGN BY THEM PTY LTD**  
**109 Shepherd St Chippendale NSW 2008 Australia**  
**Seaton McKeon**  
**118 Old Hume Hwy Yerrinbool NSW 2575 Australia**  
(72) Name(s) of Designer(s): **Seaton McKeon and Sarah Gibson and Nicholas Karlovasitis**  
(45) Registration Date: **03 February 2016**  
(56) Related Art Documents: **Not Applicable**  
(57) Statement of Newness and Distinctiveness: **Newness and distinctiveness is claimed in the visual features shown in solid lines in the representations, including the minimal aesthetics of the handle which comes out from the body and provides a shelf for smaller / shorter umbrellas and the body which is void of any visible fixings.**



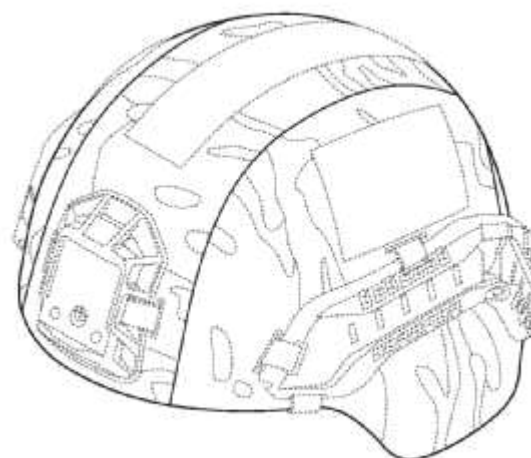
- (21) Design Number: **10279/2016**  
(22) Date of Filing Application: **20 January 2016**  
(24) Date from which industrial property rights may have effect: **20 January 2016**  
(54) Product in respect of which the design is registered: **Bump cap**  
(51) International Design Classification: **02-03**  
(74) Name(s) of Attorney(s): **Freehills Patent Attorneys**  
(71) Name(s) and Address(s) of Applicant(s):  
**JSP Limited**  
**Worsham Mill Minster Lovell Witney Oxfordshire OX29 OTA United Kingdom**  
(72) Name(s) of Designer(s): **Stephen John Hare**  
(45) Registration Date: **08 February 2016**  
(30) Convention priority data:  
(31) Number      (32) Date      (33) Country  
**002846436      03 Nov 2015      OFFICE FOR HARMONISATION IN  
THE INTERNAL MARKET (OHIM)**  
(56) Related Art Documents: **Not Applicable**  
(57) Statement of Newness and Distinctiveness: **Newness and distinctiveness resides in the features of shape and configuration of the bump cap, as shown in the accompanying representations.**



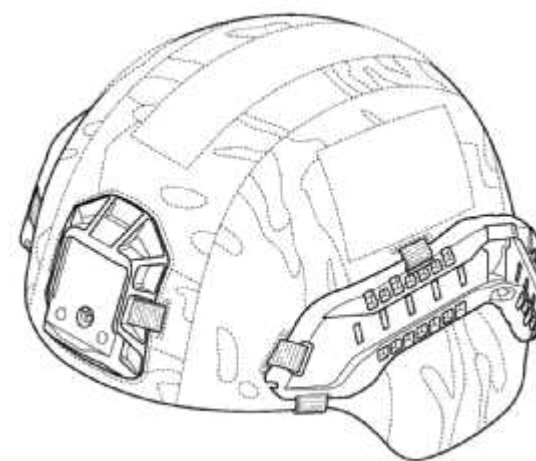
- (21) Design Number: **10293/2016**  
(22) Date of Filing Application: **21 January 2016**  
(24) Date from which industrial property rights may have effect: **21 January 2016**  
(54) Product in respect of which the design is registered: **Handle**  
(51) International Design Classification: **08-06**  
(74) Name(s) of Attorney(s):  
(71) Name(s) and Address(s) of Applicant(s):  
**SHELDON AND HAMMOND PTY LIMITED**  
**24 Salisbury Rd Asquith NSW 2077 Australia**  
(72) Name(s) of Designer(s): **Alexander Angus**  
(45) Registration Date: **08 February 2016**  
(56) Related Art Documents: **Not Applicable**  
(57) Statement of Newness and Distinctiveness: **Newness and distinctiveness is claimed in the features of shape and /or configuration of a handle as illustrated in the accompanying representations.**



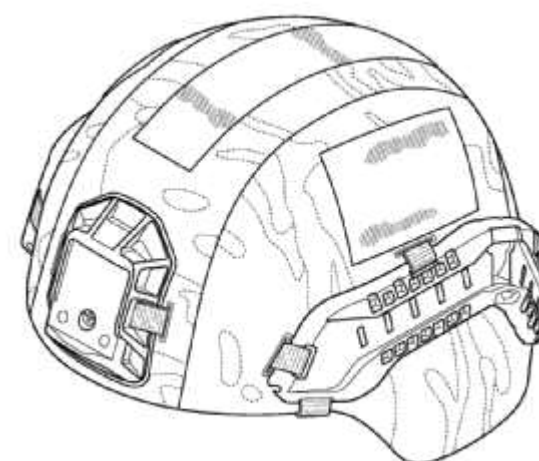
- (21) Design Number: **10295/2016**  
(22) Date of Filing Application: **21 January 2016**  
(24) Date from which industrial property rights may have effect: **21 January 2016**  
(54) Product in respect of which the design is registered: **Helmet cover**  
(51) International Design Classification: **02-03**  
(74) Name(s) of Attorney(s): **Freehills Patent Attorneys**  
(71) Name(s) and Address(s) of Applicant(s):  
**Gentex Corporation**  
**324 Main St Simpson Pennsylvania, 18407 United States of America**  
(72) Name(s) of Designer(s): **Emily Rose Hancock and Matthew Anthony Hanudel**  
(45) Registration Date: **08 February 2016**  
(30) Convention priority data:  
(31) Number      (32) Date      (33) Country  
**29/534965      03 Aug 2015      UNITED STATES OF AMERICA**  
(56) Related Art Documents: **Not Applicable**  
(57) Statement of Newness and Distinctiveness: **Newness and distinctiveness of the design resides in the features of shape and configuration of the helmet cover as shown in solid lines in the accompanying representations.**



(21) Design Number: **10296/2016**  
(22) Date of Filing Application: **21 January 2016**  
(24) Date from which industrial property rights may have effect: **21 January 2016**  
(54) Product in respect of which the design is registered: **Helmet cover**  
(51) International Design Classification: **02-03**  
(74) Name(s) of Attorney(s): **Freehills Patent Attorneys**  
(71) Name(s) and Address(s) of Applicant(s):  
**Gentex Corporation**  
**324 Main St Simpson Pennsylvania, 18407 United States of America**  
(72) Name(s) of Designer(s): **Emily Rose Hancock and Matthew Anthony Hanudel**  
(45) Registration Date: **08 February 2016**  
(30) Convention priority data:  
(31) Number (32) Date (33) Country  
**29/534965 03 Aug 2015 UNITED STATES OF AMERICA**  
(56) Related Art Documents: **Not Applicable**  
(57) Statement of Newness and Distinctiveness: **Newness and distinctiveness of the design resides in the features of shape and configuration of the helmet cover as shown in solid lines in the accompanying representations.**



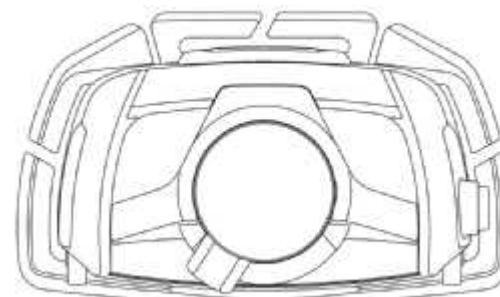
(21) Design Number: **10297/2016**  
(22) Date of Filing Application: **21 January 2016**  
(24) Date from which industrial property rights may have effect: **21 January 2016**  
(54) Product in respect of which the design is registered: **Helmet cover**  
(51) International Design Classification: **02-03**  
(74) Name(s) of Attorney(s): **Freehills Patent Attorneys**  
(71) Name(s) and Address(s) of Applicant(s):  
**Gentex Corporation**  
**324 Main St Simpson Pennsylvania, 18407 United States of America**  
(72) Name(s) of Designer(s): **Emily Rose Hancock and Matthew Anthony Hanudel**  
(45) Registration Date: **08 February 2016**  
(30) Convention priority data:  
(31) Number (32) Date (33) Country  
**29/534965 03 Aug 2015 UNITED STATES OF AMERICA**  
(56) Related Art Documents: **Not Applicable**  
(57) Statement of Newness and Distinctiveness: **Newness and distinctiveness of the design resides in the features of shape and configuration of the helmet cover as shown in solid lines in the accompanying representations.**



(21) Design Number: **10344/2016**  
(22) Date of Filing Application: **24 January 2016**  
(24) Date from which industrial property rights may have effect: **09 November 2015**  
(54) Product in respect of which the design is registered: **Drinking glass with attachable foot**  
(51) International Design Classification: **07-01C**  
(74) Name(s) of Attorney(s): **MacMillan Trade Marks Attorneys**  
(71) Name(s) and Address(s) of Applicant(s):  
**MacMillan Trade Marks Attorneys**  
**L13 200 Queen St Melbourne VIC 3000 Australia**  
(72) Name(s) of Designer(s): **Pascal Carvin and Christian Mura**  
(45) Registration Date: **08 February 2016**  
(30) Convention priority data:  
(31) Number (32) Date (33) Country  
**002713347 04 Jun 2015 EUROPEAN PATENT OFFICE (EPO)**  
(62) Divisional of: **366901**  
(56) Related Art Documents: **Not Applicable**  
(57) Statement of Newness and Distinctiveness: **Monopoly is claimed in the shape and/or configuration of a drinking glass that can be fitted with a foot that connects to the end at the base of the glass as shown in the attached representations.**

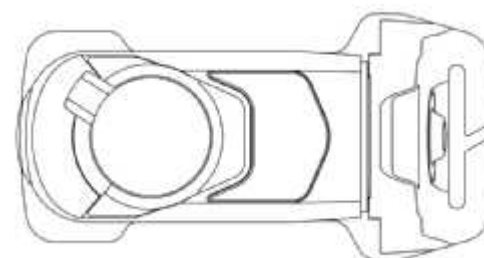


(21) Design Number: **10365/2016**  
(22) Date of Filing Application: **25 January 2016**  
(24) Date from which industrial property rights may have effect: **25 January 2016**  
(54) Product in respect of which the design is registered: **Headlamp**  
(51) International Design Classification: **26-02**  
(74) Name(s) of Attorney(s): **Allens Patent & Trade Mark Attorneys**  
(71) Name(s) and Address(s) of Applicant(s):  
**GENTOS Co., Ltd.**  
**2-9-7 Ikenohata Taito-Ku Tokyo, 110-0008 Japan**  
(72) Name(s) of Designer(s): **Keita Koshiba**  
(45) Registration Date: **08 February 2016**  
(30) Convention priority data:  
(31) Number (32) Date (33) Country  
**2015-016393 23 Jul 2015 JAPAN**  
(56) Related Art Documents: **Not Applicable**  
(57) Statement of Newness and Distinctiveness: **Newness and distinctiveness resides in the visual features of shape and/or configuration of a headlamp as illustrated in the accompanying representations.**

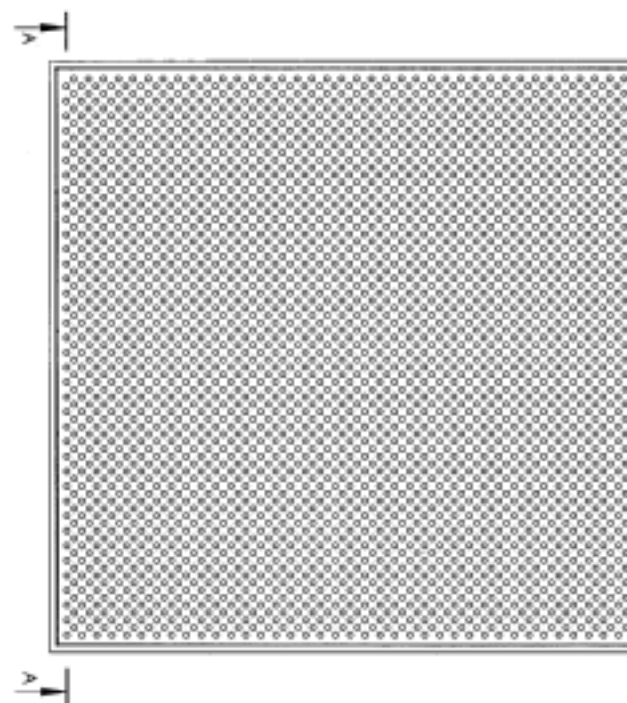




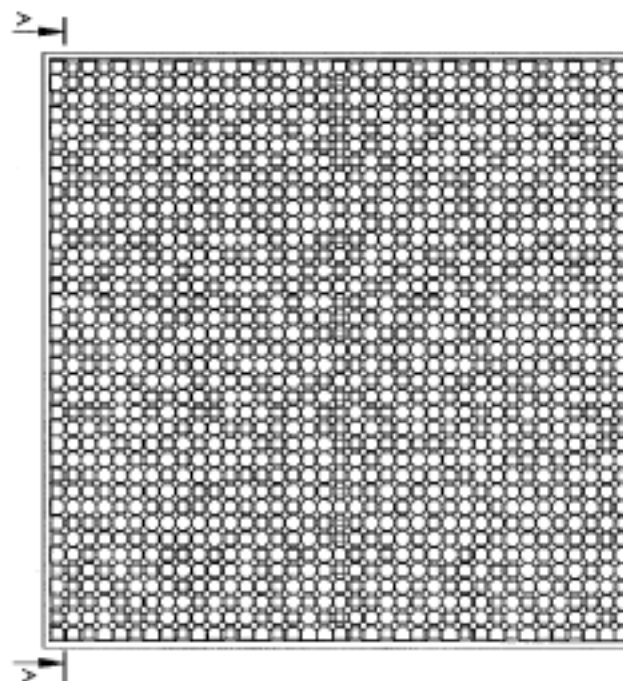
(21) Design Number: **10369/2016**  
(22) Date of Filing Application: **25 January 2016**  
(24) Date from which industrial property rights may have effect: **25 January 2016**  
(54) Product in respect of which the design is registered: **Headlamp**  
(51) International Design Classification: **26-02**  
(74) Name(s) of Attorney(s): **Allens Patent & Trade Mark Attorneys**  
(71) Name(s) and Address(s) of Applicant(s):  
**GENTOS Co., Ltd.**  
**2-9-7 Ikenohata Taito-Ku Tokyo, 110-0008 Japan**  
(72) Name(s) of Designer(s): **Keita Koshiba**  
(45) Registration Date: **08 February 2016**  
(30) Convention priority data:  
(31) Number (32) Date (33) Country  
**2015-016392 23 Jul 2015 JAPAN**  
(56) Related Art Documents: **Not Applicable**  
(57) Statement of Newness and Distinctiveness: **Newness and distinctiveness resides in the visual features of shape and/or configuration of a headlamp as illustrated in the accompanying representations.**



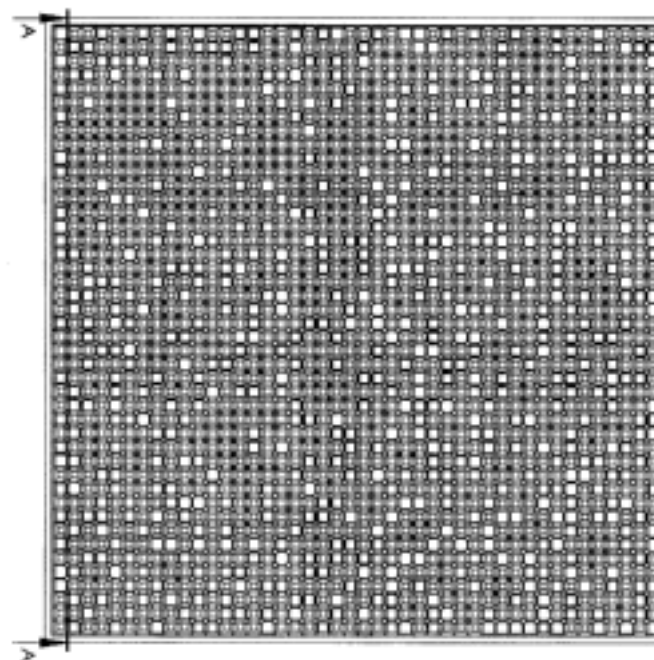
(21) Design Number: **16476/2015**  
(22) Date of Filing Application: **01 December 2015**  
(24) Date from which industrial property rights may have effect: **01 December 2015**  
(54) Product in respect of which the design is registered: **Plaster acoustic ceiling tiles**  
(51) International Design Classification: **25-01D**  
(74) Name(s) of Attorney(s):  
(71) Name(s) and Address(s) of Applicant(s):  
**BAILEY INTERIORS PTY. LIMITED**  
**83-85 Boundary Rd Mortdale NSW 2223 Australia**  
(72) Name(s) of Designer(s): **Roger Bailey**  
(45) Registration Date: **08 February 2016**  
(56) Related Art Documents: **Not Applicable**  
(57) Statement of Newness and Distinctiveness: **Major research and development was carried out on a previous range of standard plaster acoustic tiles. The result of the research has substantially improved the design and performance of these tiles as follows: Modern designs with exceptionally sharp texture definition - possible only with the use of silicone rubber moulds Higher acoustic & sound transmission properties - due to improvements in insulation used Lightweight properties - dimensionally thinner in size**



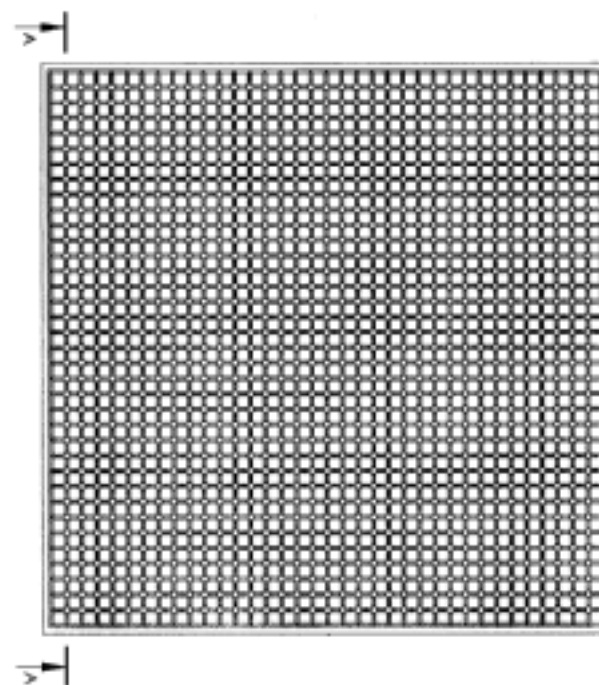
- (21) Design Number: **16477/2015**  
(22) Date of Filing Application: **01 December 2015**  
(24) Date from which industrial property rights may have effect: **01 December 2015**  
(54) Product in respect of which the design is registered: **Plaster acoustic ceiling tiles**  
(51) International Design Classification: **25-01D**  
(74) Name(s) of Attorney(s):  
(71) Name(s) and Address(s) of Applicant(s):  
**BAILEY INTERIORS PTY. LIMITED**  
**83-85 Boundary Rd Mortdale NSW 2223 Australia**  
(72) Name(s) of Designer(s): **Roger Bailey**  
(45) Registration Date: **08 February 2016**  
(56) Related Art Documents: **Not Applicable**  
(57) Statement of Newness and Distinctiveness: **Major research and development was carried out on a previous range of standard plaster acoustic tiles. The result of the research has substantially improved the design and performance of these tiles as follows: Modern designs with exceptionally sharp texture definition - possible only with the use of silicone rubber moulds Higher acoustic & sound transmission properties - due to improvements in insulation used Lightweight properties - dimensionally thinner in size**



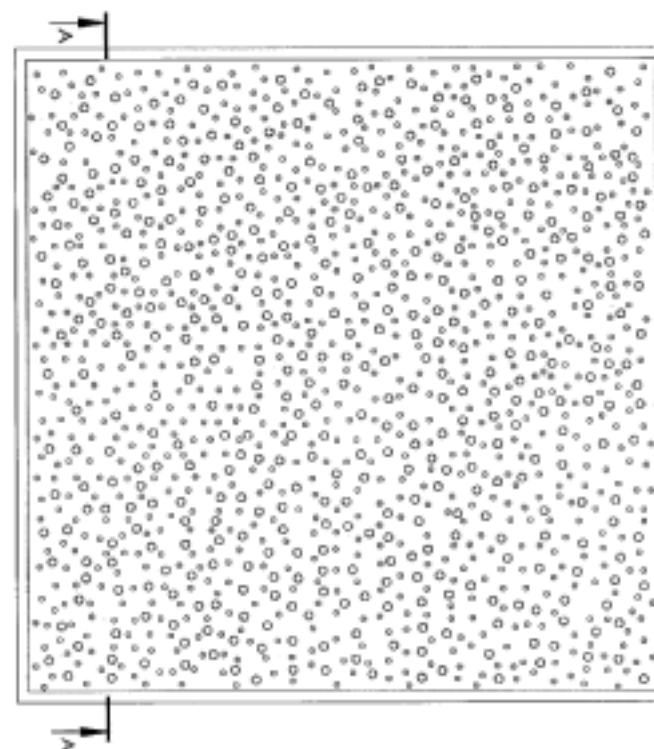
- (21) Design Number: **16478/2015**  
(22) Date of Filing Application: **01 December 2015**  
(24) Date from which industrial property rights may have effect: **01 December 2015**  
(54) Product in respect of which the design is registered: **Plaster acoustic ceiling tiles**  
(51) International Design Classification: **25-01D**  
(74) Name(s) of Attorney(s):  
(71) Name(s) and Address(s) of Applicant(s):  
**BAILEY INTERIORS PTY. LIMITED**  
**83-85 Boundary Rd Mortdale NSW 2223 Australia**  
(72) Name(s) of Designer(s): **Roger Bailey**  
(45) Registration Date: **08 February 2016**  
(56) Related Art Documents: **Not Applicable**  
(57) Statement of Newness and Distinctiveness: **Major research and development was carried out on a previous range of standard plaster acoustic tiles. The result of the research has substantially improved the design and performance of these tiles as follows: Modern designs with exceptionally sharp texture definition - possible only with the use of silicone rubber moulds Higher acoustic & sound transmission properties - due to improvements in insulation used Lightweight properties - dimensionally thinner in size**



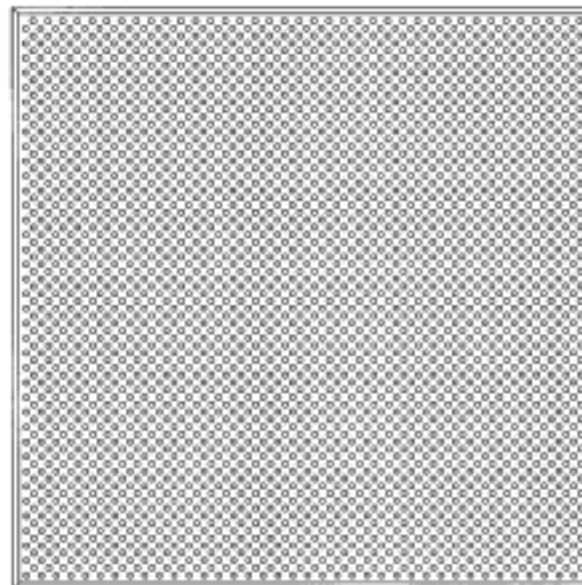
- (21) Design Number: **16479/2015**  
(22) Date of Filing Application: **01 December 2015**  
(24) Date from which industrial property rights may have effect: **01 December 2015**  
(54) Product in respect of which the design is registered: **Plaster acoustic ceiling tiles**  
(51) International Design Classification: **25-01D**  
(74) Name(s) of Attorney(s):  
(71) Name(s) and Address(s) of Applicant(s):  
**BAILEY INTERIORS PTY. LIMITED**  
**83-85 Boundary Rd Mortdale NSW 2223 Australia**  
(72) Name(s) of Designer(s): **Roger Bailey**  
(45) Registration Date: **08 February 2016**  
(56) Related Art Documents: **Not Applicable**  
(57) Statement of Newness and Distinctiveness: **Major research and development was carried out on a previous range of standard plaster acoustic tiles. The result of the research has substantially improved the design and performance of these tiles as follows: Modern designs with exceptionally sharp texture definition - possible only with the use of silicone rubber moulds Higher acoustic & sound transmission properties - due to improvements in insulation used Lightweight properties - dimensionally thinner in size**



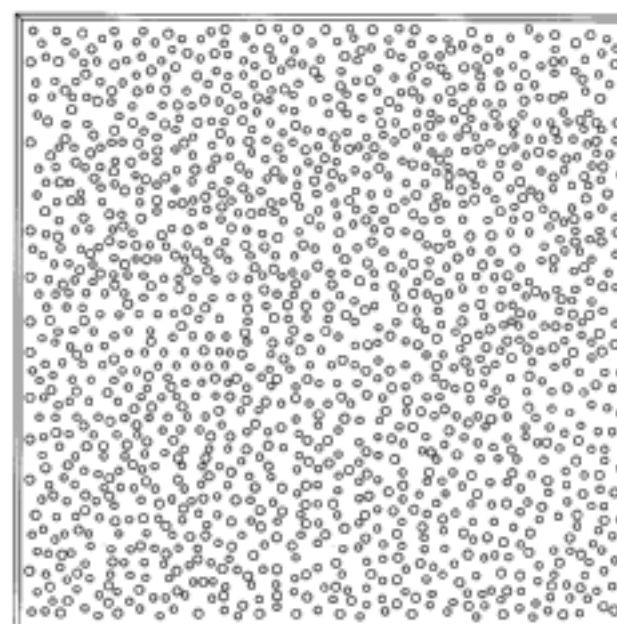
- (21) Design Number: **16480/2015**  
(22) Date of Filing Application: **01 December 2015**  
(24) Date from which industrial property rights may have effect: **01 December 2015**  
(54) Product in respect of which the design is registered: **Plaster acoustic ceiling tiles**  
(51) International Design Classification: **25-01D**  
(74) Name(s) of Attorney(s):  
(71) Name(s) and Address(s) of Applicant(s):  
**BAILEY INTERIORS PTY. LIMITED**  
**83-85 Boundary Rd Mortdale NSW 2223 Australia**  
(72) Name(s) of Designer(s): **Roger Bailey**  
(45) Registration Date: **08 February 2016**  
(56) Related Art Documents: **Not Applicable**  
(57) Statement of Newness and Distinctiveness: **Major research and development was carried out on a previous range of standard plaster acoustic tiles. The result of the research has substantially improved the design and performance of these tiles as follows: Modern designs with exceptionally sharp texture definition - possible only with the use of silicone rubber moulds Higher acoustic & sound transmission properties - due to improvements in insulation used Lightweight properties - dimensionally thinner in size**



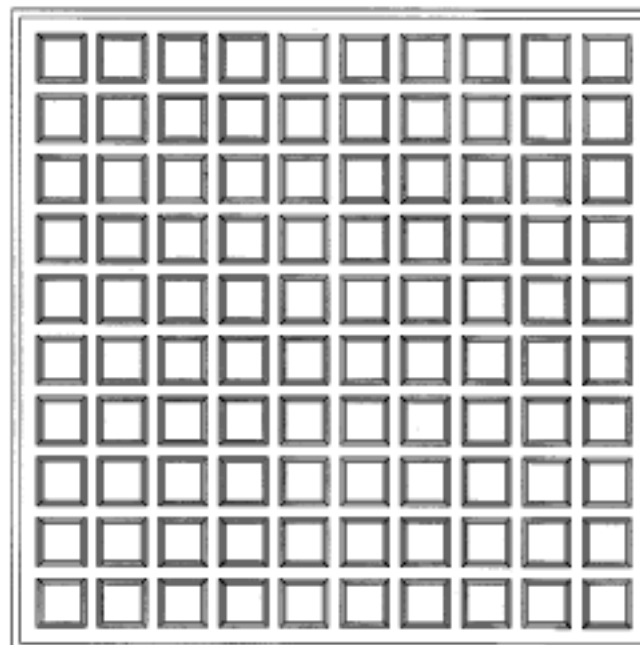
- (21) Design Number: **16481/2015**  
(22) Date of Filing Application: **01 December 2015**  
(24) Date from which industrial property rights may have effect: **01 December 2015**  
(54) Product in respect of which the design is registered: **Plaster acoustic ceiling tiles**  
(51) International Design Classification: **25-01D**  
(74) Name(s) of Attorney(s):  
(71) Name(s) and Address(s) of Applicant(s):  
**BAILEY INTERIORS PTY. LIMITED**  
**83-85 Boundary Rd Mortdale NSW 2223 Australia**  
(72) Name(s) of Designer(s): **Roger Bailey**  
(45) Registration Date: **08 February 2016**  
(56) Related Art Documents: **Not Applicable**  
(57) Statement of Newness and Distinctiveness: **Major research and development was carried out on a previous range of standard plaster acoustic tiles. The result of the research has substantially improved the design and performance of these tiles as follows: Modern designs with exceptionally sharp texture definition - possible only with the use of silicone rubber moulds Higher acoustic & sound transmission properties - due to improvements in insulation used Lightweight properties - dimensionally thinner in size**



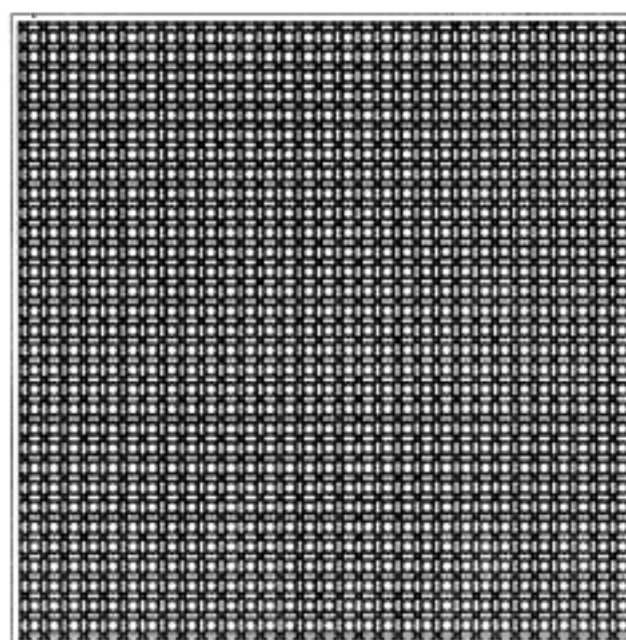
- (21) Design Number: **16482/2015**  
(22) Date of Filing Application: **01 December 2015**  
(24) Date from which industrial property rights may have effect: **01 December 2015**  
(54) Product in respect of which the design is registered: **Plaster acoustic ceiling tiles**  
(51) International Design Classification: **25-01D**  
(74) Name(s) of Attorney(s):  
(71) Name(s) and Address(s) of Applicant(s):  
**BAILEY INTERIORS PTY. LIMITED**  
**83-85 Boundary Rd Mortdale NSW 2223 Australia**  
(72) Name(s) of Designer(s): **Roger Bailey**  
(45) Registration Date: **08 February 2016**  
(56) Related Art Documents: **Not Applicable**  
(57) Statement of Newness and Distinctiveness: **Major research and development was carried out on a previous range of standard plaster acoustic tiles. The result of the research has substantially improved the design and performance of these tiles as follows: Modern designs with exceptionally sharp texture definition - possible only with the use of silicone rubber moulds Higher acoustic & sound transmission properties - due to improvements in insulation used Lightweight properties - dimensionally thinner in size**



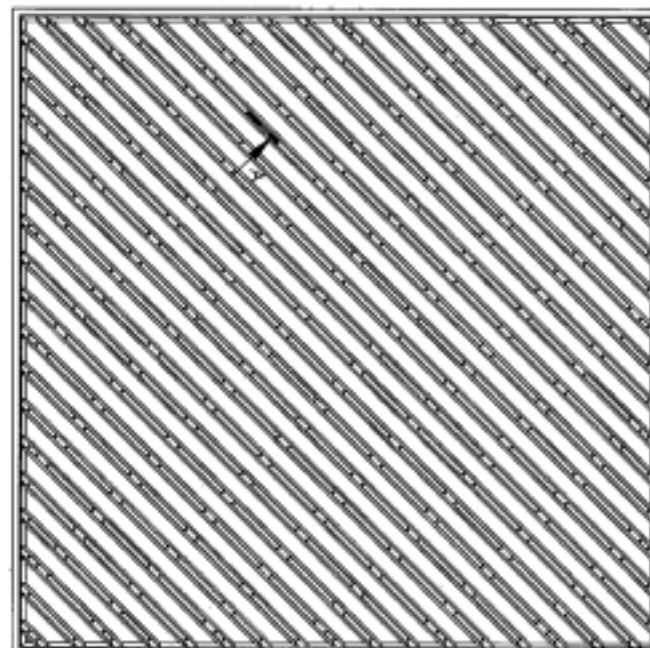
- (21) Design Number: **16483/2015**  
(22) Date of Filing Application: **01 December 2015**  
(24) Date from which industrial property rights may have effect: **01 December 2015**  
(54) Product in respect of which the design is registered: **Plaster acoustic ceiling tiles**  
(51) International Design Classification: **25-01D**  
(74) Name(s) of Attorney(s):  
(71) Name(s) and Address(s) of Applicant(s):  
**BAILEY INTERIORS PTY. LIMITED**  
**83-85 Boundary Rd Mortdale NSW 2223 Australia**  
(72) Name(s) of Designer(s): **Roger Bailey**  
(45) Registration Date: **08 February 2016**  
(56) Related Art Documents: **Not Applicable**  
(57) Statement of Newness and Distinctiveness: **Major research and development was carried out on a previous range of standard plaster acoustic tiles. The result of the research has substantially improved the design and performance of these tiles as follows: Modern designs with exceptionally sharp texture definition - possible only with the use of silicone rubber moulds Higher acoustic & sound transmission properties - due to improvements in insulation used Lightweight properties - dimensionally thinner in size**



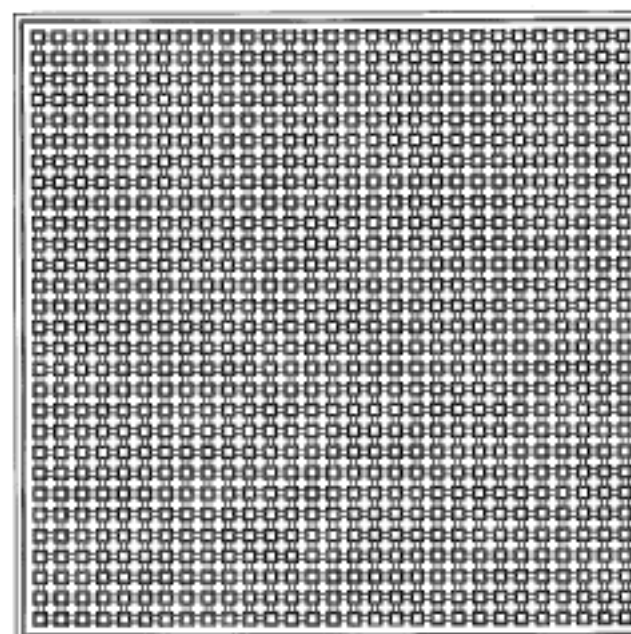
- (21) Design Number: **16484/2015**  
(22) Date of Filing Application: **01 December 2015**  
(24) Date from which industrial property rights may have effect: **01 December 2015**  
(54) Product in respect of which the design is registered: **Plaster acoustic ceiling tiles**  
(51) International Design Classification: **25-01D**  
(74) Name(s) of Attorney(s):  
(71) Name(s) and Address(s) of Applicant(s):  
**BAILEY INTERIORS PTY. LIMITED**  
**83-85 Boundary Rd Mortdale NSW 2223 Australia**  
(72) Name(s) of Designer(s): **Roger Bailey**  
(45) Registration Date: **08 February 2016**  
(56) Related Art Documents: **Not Applicable**  
(57) Statement of Newness and Distinctiveness: **Major research and development was carried out on a previous range of standard plaster acoustic tiles. The result of the research has substantially improved the design and performance of these tiles as follows: Modern designs with exceptionally sharp texture definition - possible only with the use of silicone rubber moulds Higher acoustic & sound transmission properties - due to improvements in insulation used Lightweight properties - dimensionally thinner in size**



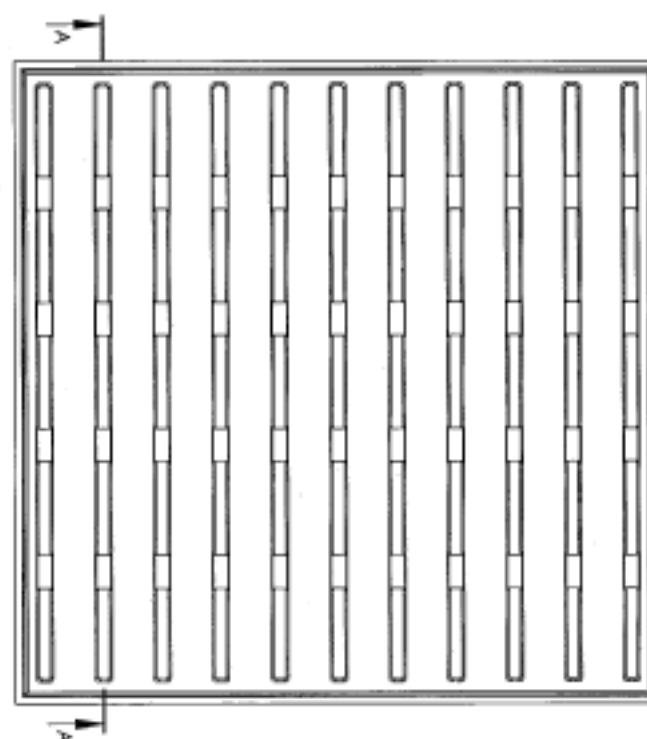
- (21) Design Number: **16485/2015**  
(22) Date of Filing Application: **01 December 2015**  
(24) Date from which industrial property rights may have effect: **01 December 2015**  
(54) Product in respect of which the design is registered: **Plaster acoustic ceiling tiles**  
(51) International Design Classification: **25-01D**  
(74) Name(s) of Attorney(s):  
(71) Name(s) and Address(s) of Applicant(s):  
**BAILEY INTERIORS PTY. LIMITED**  
**83-85 Boundary Rd Mortdale NSW 2223 Australia**  
(72) Name(s) of Designer(s): **Roger Bailey**  
(45) Registration Date: **08 February 2016**  
(56) Related Art Documents: **Not Applicable**  
(57) Statement of Newness and Distinctiveness: **Major research and development was carried out on a previous range of standard plaster acoustic tiles. The result of the research has substantially improved the design and performance of these tiles as follows: Modern designs with exceptionally sharp texture definition - possible only with the use of silicone rubber moulds Higher acoustic & sound transmission properties - due to improvements in insulation used Lightweight properties - dimensionally thinner in size**



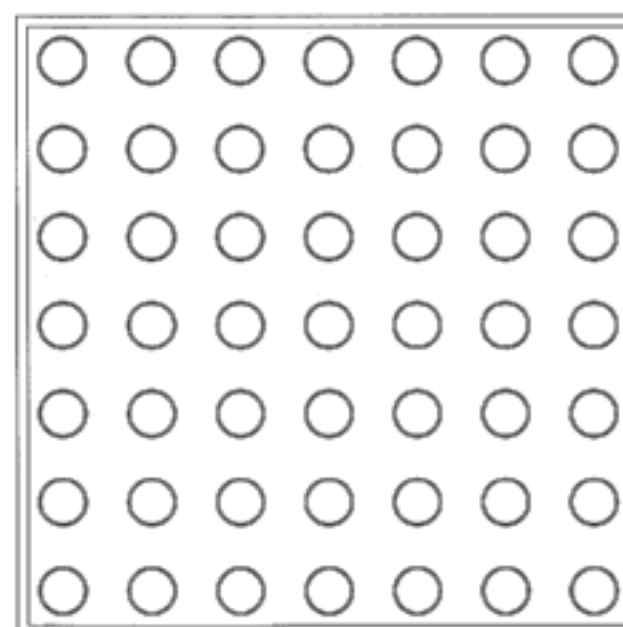
- (21) Design Number: **16486/2015**  
(22) Date of Filing Application: **01 December 2015**  
(24) Date from which industrial property rights may have effect: **01 December 2015**  
(54) Product in respect of which the design is registered: **Plaster acoustic ceiling tiles**  
(51) International Design Classification: **25-01D**  
(74) Name(s) of Attorney(s):  
(71) Name(s) and Address(s) of Applicant(s):  
**BAILEY INTERIORS PTY. LIMITED**  
**83-85 Boundary Rd Mortdale NSW 2223 Australia**  
(72) Name(s) of Designer(s): **Roger Bailey**  
(45) Registration Date: **08 February 2016**  
(56) Related Art Documents: **Not Applicable**  
(57) Statement of Newness and Distinctiveness: **Major research and development was carried out on a previous range of standard plaster acoustic tiles. The result of the research has substantially improved the design and performance of these tiles as follows: Modern designs with exceptionally sharp texture definition - possible only with the use of silicone rubber moulds Higher acoustic & sound transmission properties - due to improvements in insulation used Lightweight properties - dimensionally thinner in size**



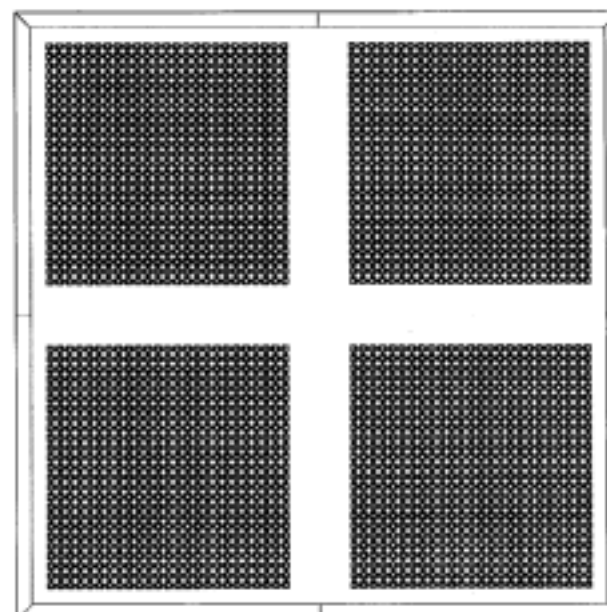
- (21) Design Number: **16487/2015**  
(22) Date of Filing Application: **01 December 2015**  
(24) Date from which industrial property rights may have effect: **01 December 2015**  
(54) Product in respect of which the design is registered: **Plaster acoustic ceiling tiles**  
(51) International Design Classification: **25-01D**  
(74) Name(s) of Attorney(s):  
(71) Name(s) and Address(s) of Applicant(s):  
**BAILEY INTERIORS PTY. LIMITED**  
**83-85 Boundary Rd Mortdale NSW 2223 Australia**  
(72) Name(s) of Designer(s): **Roger Bailey**  
(45) Registration Date: **08 February 2016**  
(56) Related Art Documents: **Not Applicable**  
(57) Statement of Newness and Distinctiveness: **Major research and development was carried out on a previous range of standard plaster acoustic tiles. The result of the research has substantially improved the design and performance of these tiles as follows: Modern designs with exceptionally sharp texture definition - possible only with the use of silicone rubber moulds Higher acoustic & sound transmission properties - due to improvements in insulation used Lightweight properties - dimensionally thinner in size**



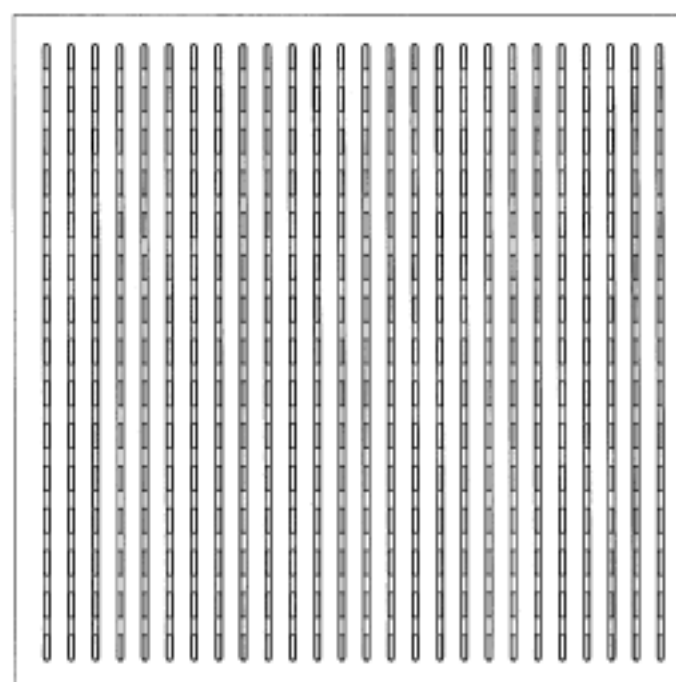
- (21) Design Number: **16488/2015**  
(22) Date of Filing Application: **01 December 2015**  
(24) Date from which industrial property rights may have effect: **01 December 2015**  
(54) Product in respect of which the design is registered: **Plaster acoustic ceiling tiles**  
(51) International Design Classification: **25-01D**  
(74) Name(s) of Attorney(s):  
(71) Name(s) and Address(s) of Applicant(s):  
**BAILEY INTERIORS PTY. LIMITED**  
**83-85 Boundary Rd Mortdale NSW 2223 Australia**  
(72) Name(s) of Designer(s): **Roger Bailey**  
(45) Registration Date: **08 February 2016**  
(56) Related Art Documents: **Not Applicable**  
(57) Statement of Newness and Distinctiveness: **Major research and development was carried out on a previous range of standard plaster acoustic tiles. The result of the research has substantially improved the design and performance of these tiles as follows: Modern designs with exceptionally sharp texture definition - possible only with the use of silicone rubber moulds Higher acoustic & sound transmission properties - due to improvements in insulation used Lightweight properties - dimensionally thinner in size**



- (21) Design Number: **16489/2015**  
(22) Date of Filing Application: **01 December 2015**  
(24) Date from which industrial property rights may have effect: **01 December 2015**  
(54) Product in respect of which the design is registered: **Plaster acoustic ceiling tiles**  
(51) International Design Classification: **25-01D**  
(74) Name(s) of Attorney(s):  
(71) Name(s) and Address(s) of Applicant(s):  
**BAILEY INTERIORS PTY. LIMITED**  
**83-85 Boundary Rd Mortdale NSW 2223 Australia**  
(72) Name(s) of Designer(s): **Roger Bailey**  
(45) Registration Date: **08 February 2016**  
(56) Related Art Documents: **Not Applicable**  
(57) Statement of Newness and Distinctiveness: **Major research and development was carried out on a previous range of standard plaster acoustic tiles. The result of the research has substantially improved the design and performance of these tiles as follows: Modern designs with exceptionally sharp texture definition - possible only with the use of silicone rubber moulds Higher acoustic & sound transmission properties - due to improvements in insulation used Lightweight properties - dimensionally thinner in size**

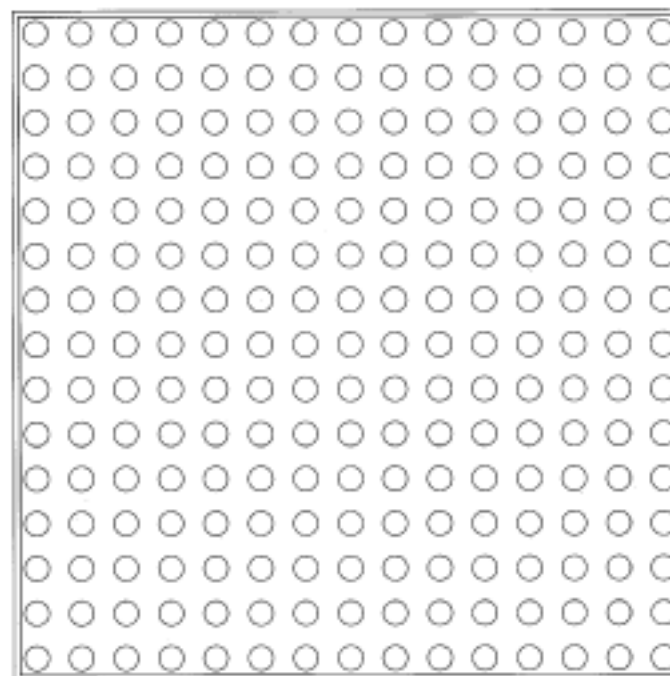


- (21) Design Number: **16490/2015**  
(22) Date of Filing Application: **01 December 2015**  
(24) Date from which industrial property rights may have effect: **01 December 2015**  
(54) Product in respect of which the design is registered: **Plaster acoustic ceiling tiles**  
(51) International Design Classification: **25-01D**  
(74) Name(s) of Attorney(s):  
(71) Name(s) and Address(s) of Applicant(s):  
**BAILEY INTERIORS PTY. LIMITED**  
**83-85 Boundary Rd Mortdale NSW 2223 Australia**  
(72) Name(s) of Designer(s): **Roger Bailey**  
(45) Registration Date: **08 February 2016**  
(56) Related Art Documents: **Not Applicable**  
(57) Statement of Newness and Distinctiveness: **Major research and development was carried out on a previous range of standard plaster acoustic tiles. The result of the research has substantially improved the design and performance of these tiles as follows: Modern designs with exceptionally sharp texture definition - possible only with the use of silicone rubber moulds Higher acoustic & sound transmission properties - due to improvements in insulation used Lightweight properties - dimensionally thinner in size**





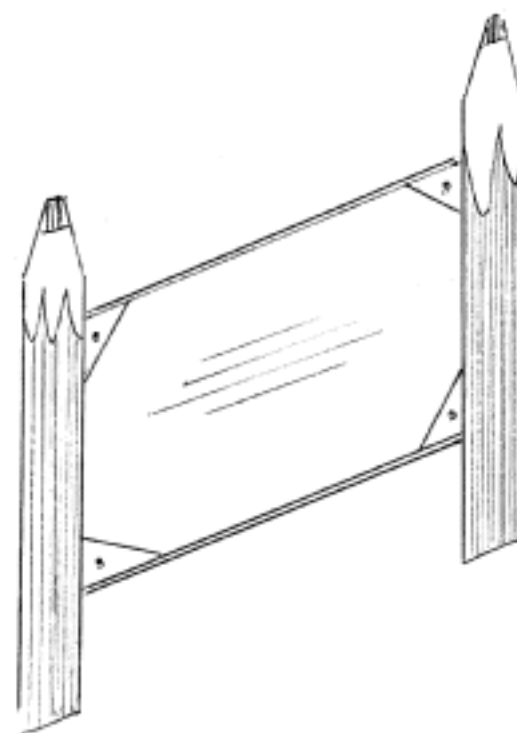
- (21) Design Number: **16491/2015**  
(22) Date of Filing Application: **01 December 2015**  
(24) Date from which industrial property rights may have effect: **01 December 2015**  
(54) Product in respect of which the design is registered: **Plaster acoustic ceiling tiles**  
(51) International Design Classification: **25-01D**  
(74) Name(s) of Attorney(s):  
(71) Name(s) and Address(s) of Applicant(s):  
**BAILEY INTERIORS PTY. LIMITED**  
**83-85 Boundary Rd Mortdale NSW 2223 Australia**  
(72) Name(s) of Designer(s): **Roger Bailey**  
(45) Registration Date: **08 February 2016**  
(56) Related Art Documents: **Not Applicable**  
(57) Statement of Newness and Distinctiveness: **Major research and development was carried out on a previous range of standard plaster acoustic tiles. The result of the research has substantially improved the design and performance of these tiles as follows: Modern designs with exceptionally sharp texture definition - possible only with the use of silicone rubber moulds Higher acoustic & sound transmission properties - due to improvements in insulation used Lightweight properties - dimensionally thinner in size**



- (21) Design Number: **16220/2015**  
(22) Date of Filing Application: **18 November 2015**  
(24) Date from which industrial property rights may have effect: **18 November 2015**  
(54) Product in respect of which the design is registered: **Water cannon**  
(51) International Design Classification: **23-01NES**  
(74) Name(s) of Attorney(s):  
(71) Name(s) and Address(s) of Applicant(s):  
**Haviland Holdings Pty Ltd**  
**35 Parkhurst Dr Knoxfield VIC 3180 Australia**  
(72) Name(s) of Designer(s): **Sean Haviland**  
(45) Registration Date: **09 February 2016**  
(56) Related Art Documents: **Not Applicable**  
(57) Statement of Newness and Distinctiveness: **very low profile worm driven water cannon using 4 piece bolt together swivels designed for 3000kPa through water pressure. Swivels internally using thrust washers and internal O rings for sealing against moisture ingress. Unit is designed for easy and efficient separation / servicing. rotation movement of slew and elevation can be mechanically set using fully adjustable external positioning dowels. Design offers ability to be electrically, hydraulically or manually powered.**



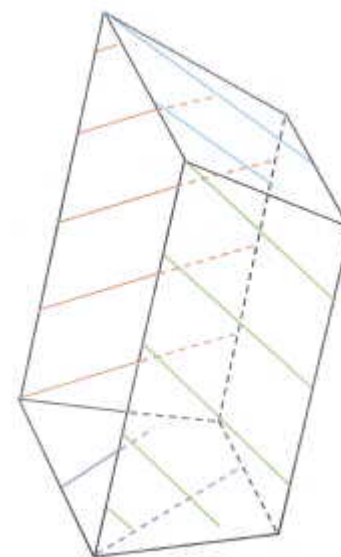
(21) Design Number: **16282/2015**  
(22) Date of Filing Application: **19 November 2015**  
(24) Date from which industrial property rights may have effect: **19 November 2015**  
(54) Product in respect of which the design is registered: **Chalkboard**  
(51) International Design Classification: **19-06**  
(74) Name(s) of Attorney(s):  
(71) Name(s) and Address(s) of Applicant(s):  
**Scott Loveday**  
**3 Slate Rd Golden Grove SA 5125 Australia**  
(72) Name(s) of Designer(s): **Scott Loveday**  
(45) Registration Date: **09 February 2016**  
(56) Related Art Documents: **Not Applicable**  
(57) Statement of Newness and Distinctiveness: **Nil**



(21) Design Number: **16903/2015**  
(22) Date of Filing Application: **15 December 2015**  
(24) Date from which industrial property rights may have effect: **27 November 2014**  
(54) Product in respect of which the design is registered: **Display Screen with Graphical User Interface**  
(51) International Design Classification: **14-02**  
(74) Name(s) of Attorney(s): **Halfords IP**  
(71) Name(s) and Address(s) of Applicant(s):  
**ResMed Limited**  
**1 Elizabeth Macarthur Dr Bella Vista NSW 2153 Australia**  
(72) Name(s) of Designer(s): **Mark Bertinetti and Jose Ignacio Romagnoli and Jamie Graeme Wehbeh**  
(45) Registration Date: **09 February 2016**  
(62) Divisional of: **366046**  
(56) Related Art Documents: **Not Applicable**  
(57) Statement of Newness and Distinctiveness: **Nil**



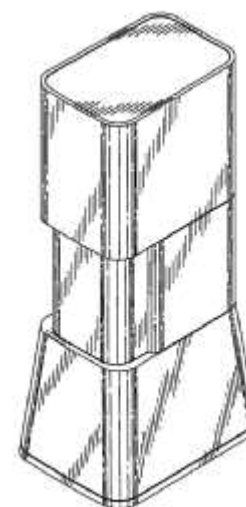
- (21) Design Number: **10069/2016**  
(22) Date of Filing Application: **07 January 2016**  
(24) Date from which industrial property rights may have effect: **07 January 2016**  
(54) Product in respect of which the design is registered: **Conveyor or delivery chute**  
(51) International Design Classification: **12-05**  
(74) Name(s) of Attorney(s):  
(71) Name(s) and Address(s) of Applicant(s):  
**Renfry Ford**  
**PO BOX 390Kwinana Perth WA 6966 Australia**  
(72) Name(s) of Designer(s): **Renfry Ford**  
(45) Registration Date: **09 February 2016**  
(56) Related Art Documents: **Not Applicable**  
(57) Statement of Newness and Distinctiveness: **A conveyor or delivery chute design conceived with the intention of deflecting lump ore or other large material in such a way, that even in a chute of a truly rectangular prism shape, the distance across the gap the material is moving through is increased as it falls, resulting in less ability for ore or other material to get caught up inside the chute. For end chute sections wider at the top, the increased distances created by the opposing twist rails may seek to maintain or increase width as the material is moved by the rails through the narrower bottom section also resulting in less ability for the ore or other material to get caught up inside the chute.**



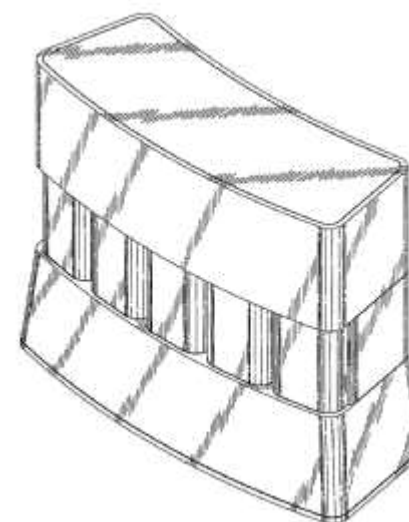
- (21) Design Number: **10312/2016**  
(22) Date of Filing Application: **21 January 2016**  
(24) Date from which industrial property rights may have effect: **21 January 2016**  
(54) Product in respect of which the design is registered: **Infusion pump**  
(51) International Design Classification: **15-02, 24-02**  
(74) Name(s) of Attorney(s):  
(71) Name(s) and Address(s) of Applicant(s):  
**CPIE PHARMACY SERVICES R & D PTY LTD**  
**2 Crittenden Rd Findon SA 5023 Australia**  
(72) Name(s) of Designer(s): **Gabriel Ash and Paul Crockett and Andrew Sluggett and Danny Djurasevich**  
(45) Registration Date: **09 February 2016**  
(56) Related Art Documents: **Not Applicable**  
(57) Statement of Newness and Distinctiveness: **Monopoly is claimed in the shape and/or configuration of an infusion pump as shown in the accompanying representations. In considering the extent of monopoly protection, the infusion lines shown in the representations are to be disregarded.**



(21) Design Number: **10314/2016**  
(22) Date of Filing Application: **22 January 2016**  
(24) Date from which industrial property rights may have effect: **22 January 2016**  
(54) Product in respect of which the design is registered: **Molecular diagnostic system**  
(51) International Design Classification: **24-01**  
(74) Name(s) of Attorney(s): **Spruson & Ferguson**  
(71) Name(s) and Address(s) of Applicant(s):  
**Cepheid**  
**904 Caribbean Drive Sunnyvale CA 94089 United States of America**  
(72) Name(s) of Designer(s): **Ronald Chang and Steven M. Montgomery and Gregory E. Mote**  
(45) Registration Date: **09 February 2016**  
(30) Convention priority data:  
(31) Number (32) Date (33) Country  
**29/534071 24 Jul 2015 UNITED STATES OF AMERICA**  
(56) Related Art Documents: **Not Applicable**  
(57) Statement of Newness and Distinctiveness: **Newness and distinctiveness is claimed in the features of shape and/or configuration of a molecular diagnostic system as illustrated in the accompanying representations.**



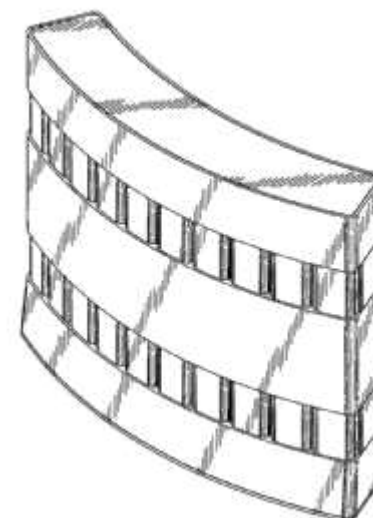
(21) Design Number: **10315/2016**  
(22) Date of Filing Application: **22 January 2016**  
(24) Date from which industrial property rights may have effect: **22 January 2016**  
(54) Product in respect of which the design is registered: **Molecular diagnostic system**  
(51) International Design Classification: **24-01**  
(74) Name(s) of Attorney(s): **Spruson & Ferguson**  
(71) Name(s) and Address(s) of Applicant(s):  
**Cepheid**  
**904 Caribbean Drive Sunnyvale California 94089 United States of America**  
(72) Name(s) of Designer(s): **Ronald Chang and Steven M. Montgomery and Gregory E. Mote**  
(45) Registration Date: **09 February 2016**  
(30) Convention priority data:  
(31) Number (32) Date (33) Country  
**29/534071 24 Jul 2015 UNITED STATES OF AMERICA**  
(56) Related Art Documents: **Not Applicable**  
(57) Statement of Newness and Distinctiveness: **Newness and distinctiveness is claimed in the features of shape and/or configuration of a molecular diagnostic system as illustrated in the accompanying representations.**



- (21) Design Number: **16252/2015**  
(22) Date of Filing Application: **19 November 2015**  
(24) Date from which industrial property rights may have effect: **19 November 2015**  
(54) Product in respect of which the design is registered: **Touch screen kiosk**  
(51) International Design Classification: **14-02**  
(74) Name(s) of Attorney(s):  
(71) Name(s) and Address(s) of Applicant(s):  
**David A Ellsworth**  
**14 Wallers Ct Petrie QLD 4502 Australia**  
(72) Name(s) of Designer(s): **David A Ellsworth**  
(45) Registration Date: **09 February 2016**  
(56) Related Art Documents: **Not Applicable**  
(57) Statement of Newness and Distinctiveness: **Rather than having a solid body for the unit, it has been designed so that it is a C shape and has no prominent front, back or right side. The head section it design so that it is supported from the left side.**



- (21) Design Number: **10316/2016**  
(22) Date of Filing Application: **22 January 2016**  
(24) Date from which industrial property rights may have effect: **22 January 2016**  
(54) Product in respect of which the design is registered: **Molecular diagnostic system**  
(51) International Design Classification: **24-01**  
(74) Name(s) of Attorney(s): **Spruson & Ferguson**  
(71) Name(s) and Address(s) of Applicant(s):  
**Cepheid**  
**904 Caribbean Drive Sunnyvale CA 94089 United States of America**  
(72) Name(s) of Designer(s): **Ronald Chang and Steven M. Montgomery and Gregory E. Mote**  
(45) Registration Date: **09 February 2016**  
(30) Convention priority data:  
(31) Number      (32) Date      (33) Country  
**29/534071      24 Jul 2015      UNITED STATES OF AMERICA**  
(56) Related Art Documents: **Not Applicable**  
(57) Statement of Newness and Distinctiveness: **Newness and distinctiveness is claimed in the features of shape and/or configuration of a molecular diagnostic system as illustrated in the accompanying representations.**



(21) Design Number: **10320/2016**  
(22) Date of Filing Application: **22 January 2016**  
(24) Date from which industrial property rights may have effect: **22 January 2016**  
(54) Product in respect of which the design is registered: **Sheath having oblique tip for endoscope**  
(51) International Design Classification: **24-02**  
(74) Name(s) of Attorney(s): **Griffith Hack**  
(71) Name(s) and Address(s) of Applicant(s):  
**Smith & Nephew, Inc**  
**1450 Brooks Road Memphis TN, 38116 United States of America**  
(72) Name(s) of Designer(s): **Pere Bresco Torras and Maria Degollada Bastos and Juan Carles Mateu Prununosa and Angel Guerra Garcia and Mireille Akilian and Allen An and Nikolai Begg**  
(45) Registration Date: **09 February 2016**  
(30) Convention priority data:  
(31) Number (32) Date (33) Country  
**29/534826 04 Aug 2015 UNITED STATES OF AMERICA**  
(56) Related Art Documents: **Not Applicable**  
(57) Statement of Newness and Distinctiveness: **Newness and distinctiveness resides in the visual features, including the shape and configuration of the product as shown by means of the solid lines of the product shown in the representations. The product may be of any length.**



(21) Design Number: **10321/2016**  
(22) Date of Filing Application: **22 January 2016**  
(24) Date from which industrial property rights may have effect: **22 January 2016**  
(54) Product in respect of which the design is registered: **Endoscope with oblique tip**  
(51) International Design Classification: **24-02**  
(74) Name(s) of Attorney(s): **Griffith Hack**  
(71) Name(s) and Address(s) of Applicant(s):  
**Smith & Nephew, Inc**  
**1450 Brooks Road Memphis TN, 38116 United States of America**  
(72) Name(s) of Designer(s): **Pere Bresco Torras and Maria Degollada Bastos and Juan Carles Mateu Prununosa and Angel Guerra Garcia and Mireille Akilian and Allen An and Nikolai Begg**  
(45) Registration Date: **09 February 2016**  
(30) Convention priority data:  
(31) Number (32) Date (33) Country  
**29/534841 31 Jul 2015 UNITED STATES OF AMERICA**  
(56) Related Art Documents: **Not Applicable**  
(57) Statement of Newness and Distinctiveness: **Newness and distinctiveness resides in the visual features, including the shape and configuration of the product as shown by means of the solid lines in the representations. The product may be of any length.**



(21) Design Number: **14417/2015**  
(22) Date of Filing Application: **25 August 2015**  
(24) Date from which industrial property rights may have effect: **25 August 2015**  
(54) Product in respect of which the design is registered: **Lid and vessel for personal blender**  
(51) International Design Classification: **31-00**  
(74) Name(s) of Attorney(s): **Molins & Co Pty Ltd**  
(71) Name(s) and Address(s) of Applicant(s):  
**Breville Pty Limited**  
**G SE2 170-180 Bourke Rd Alexandria NSW 2015 Australia**  
(72) Name(s) of Designer(s): **Khon Thai**  
(45) Registration Date: **09 February 2016**  
(56) Related Art Documents: **Not Applicable**  
(57) Statement of Newness and Distinctiveness: **Newness is claimed in the features of shape and configuration of the lid and vessel for personal blender as shown in the accompanying representations. Elements shown in dashed lines form no part of the design.**



(21) Design Number: **16760/2015**  
(22) Date of Filing Application: **11 December 2015**  
(24) Date from which industrial property rights may have effect: **11 December 2015**  
(54) Product in respect of which the design is registered: **Headwear accessory**  
(51) International Design Classification: **14-01**  
(74) Name(s) of Attorney(s): **Davies Collison Cave**  
(71) Name(s) and Address(s) of Applicant(s):  
**OAKLEY, INC.**  
**One Icon Foothill Ranch California, 92610 United States of America**  
(72) Name(s) of Designer(s): **George Yoo**  
(45) Registration Date: **09 February 2016**  
(30) Convention priority data:  
(31) Number (32) Date (33) Country  
**29/529885 11 Jun 2015 UNITED STATES OF AMERICA**  
(56) Related Art Documents: **Not Applicable**  
(57) Statement of Newness and Distinctiveness: **Newness and Distinctiveness is claimed in the visual features shown in solid lines in the representations.**



(21) Design Number: **16806/2015**  
(22) Date of Filing Application: **15 December 2015**  
(24) Date from which industrial property rights may have effect: **15 December 2015**  
(54) Product in respect of which the design is registered: **Car cover**  
(51) International Design Classification: **12-16NES**  
(74) Name(s) of Attorney(s):  
(71) Name(s) and Address(s) of Applicant(s):

**Peter James White**  
**PO BOX 941 Redcliffe QLD 4020 Australia**

(72) Name(s) of Designer(s): **Peter James White**

(45) Registration Date: **09 February 2016**

(56) Related Art Documents: **Not Applicable**

(57) Statement of Newness and Distinctiveness: **The design of the car cover is unique for its ability to be quickly secured and cover the car within 30 seconds. The side weights add the ability to through the cover over the top of the car rapidly, whilst suction pads are just pressed to secure front and back. Closing the door on the cover secures it from being stolen. The design has been made so it will fit most makes and models of a Medium/ Large Sedans. Including hatch backs or 5 door sedan. The Velcro strip at the back has two main features which will accommodate cars with the aerials at the rear. The ability to access a rear storage without the need to remove the whole cover. Also it can be turned around for those that have the aerial on the front. Designed to reduce U.V. sunrays and reduce the impact of hale damage and protection of Duco. This also gives privacy when the car has to be left out and a deterrent for the temptation of theft. This design has also been incorporated to be used on a range of and Medium to Large 4WDs.**



(21) Design Number: **16827/2015**  
(22) Date of Filing Application: **15 December 2015**  
(24) Date from which industrial property rights may have effect: **15 December 2015**  
(54) Product in respect of which the design is registered: **Airway device**  
(51) International Design Classification: **24-01**  
(74) Name(s) of Attorney(s): **HODGKINSON McINNES PATENTS**  
(71) Name(s) and Address(s) of Applicant(s):

**Intersurgical AG**  
**Landstr. 11 LI-Vaduz Liechtenstein**

**Muhammed Aslam Nasir**  
**Top Valley Lodge Chaul End Village Caddington Bedfordshire LU1 4AX**  
**United Kingdom**

(72) Name(s) of Designer(s): **Muhammed Aslam Nasir and Jane Elizabeth Kemp and Andrew Neil Miller**

(45) Registration Date: **09 February 2016**

(30) Convention priority data:

(31) Number	(32) Date	(33) Country
<b>002719278</b>	<b>15 Jun 2015</b>	<b>OFFICE FOR HARMONISATION IN THE INTERNAL MARKET (OHIM)</b>

(56) Related Art Documents: **Not Applicable**

(57) Statement of Newness and Distinctiveness: **Newness and distinctiveness resides in the features of shape and configuration of an airway device as shown in the accompanying representations.**

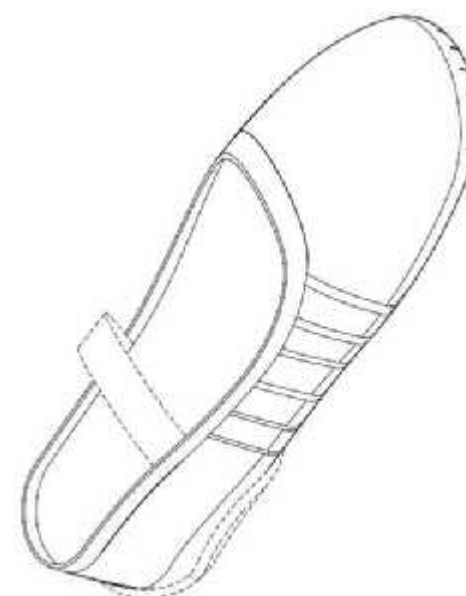




(21) Design Number: **16875/2015**  
(22) Date of Filing Application: **17 December 2015**  
(24) Date from which industrial property rights may have effect: **17 December 2015**  
(54) Product in respect of which the design is registered: **Arrangement of conductors forming antenna coil**  
(51) International Design Classification: **14-99**  
(74) Name(s) of Attorney(s): **Griffith Hack**  
(71) Name(s) and Address(s) of Applicant(s):  
**INSIDE SECURE**  
**Rue de la Carriere de Bachasson CS 70025 Arteprc Bachasson Bat. A**  
**Meyreuil 13590 France**  
(72) Name(s) of Designer(s): **Boiron Ghislain and Jean-Pierre Enguent**  
(45) Registration Date: **09 February 2016**  
(30) Convention priority data:  
(31) Number (32) Date (33) Country  
**002720730-0001 17 Jun 2015 OFFICE FOR HARMONISATION IN**  
**THE INTERNAL MARKET (OHIM)**  
(56) Related Art Documents: **Not Applicable**  
(57) Statement of Newness and Distinctiveness: **Newness and distinctiveness resides in the visual features of the product shown in the representations.**



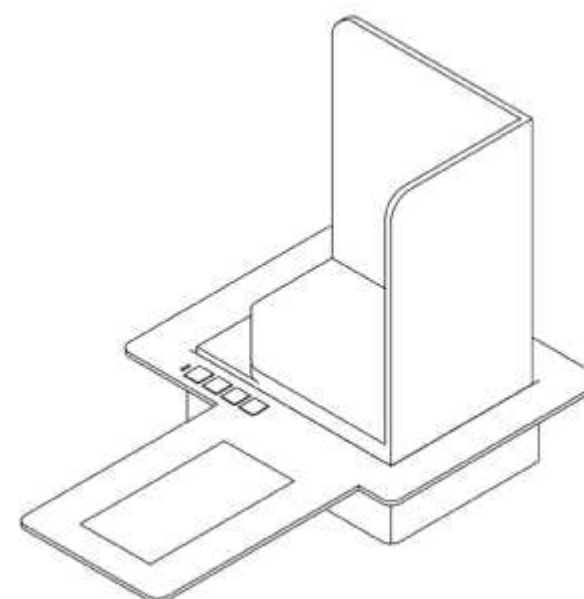
(21) Design Number: **10324/2016**  
(22) Date of Filing Application: **22 January 2016**  
(24) Date from which industrial property rights may have effect: **22 January 2016**  
(54) Product in respect of which the design is registered: **Footwear**  
(51) International Design Classification: **02-04NES**  
(74) Name(s) of Attorney(s): **Gilbert + Tobin Lawyers**  
(71) Name(s) and Address(s) of Applicant(s):  
**J Bloch Pty Ltd**  
**L7/131 York St Sydney NSW 2000 Australia**  
(72) Name(s) of Designer(s): **David Fox**  
(45) Registration Date: **09 February 2016**  
(30) Convention priority data:  
(31) Number (32) Date (33) Country  
**29/534,710 30 Jul 2015 UNITED STATES OF AMERICA**  
(56) Related Art Documents: **Not Applicable**  
(57) Statement of Newness and Distinctiveness: **Nil**



(21) Design Number: **10377/2016**  
(22) Date of Filing Application: **27 January 2016**  
(24) Date from which industrial property rights may have effect: **27 January 2016**  
(54) Product in respect of which the design is registered: **Lighter**  
(51) International Design Classification: **27-05**  
(74) Name(s) of Attorney(s):  
(71) Name(s) and Address(s) of Applicant(s):  
**TRIO BROTHERS TRADING PTY LTD**  
**18 Beal St Meadowbrook QLD 4131 Australia**  
(72) Name(s) of Designer(s): **Jack Qin**  
(45) Registration Date: **09 February 2016**  
(56) Related Art Documents: **Not Applicable**  
(57) Statement of Newness and Distinctiveness: **Unique shape**



(21) Design Number: **10378/2016**  
(22) Date of Filing Application: **27 January 2016**  
(24) Date from which industrial property rights may have effect: **27 January 2016**  
(54) Product in respect of which the design is registered: **Weighing machine**  
(51) International Design Classification: **10-04**  
(74) Name(s) of Attorney(s): **WADESON**  
(71) Name(s) and Address(s) of Applicant(s):  
**Cashmaster International Limited**  
**Innovation Buildings Fairykirk Rd Rosyth KY11 2QQ United Kingdom**  
(72) Name(s) of Designer(s): **William Wright Hamilton and Robert Gordon McKie**  
(45) Registration Date: **09 February 2016**  
(30) Convention priority data:  
(31) Number      (32) Date      (33) Country  
**002744144      28 Jul 2015      OFFICE FOR HARMONISATION IN  
THE INTERNAL MARKET (OHIM)**  
(56) Related Art Documents: **Not Applicable**  
(57) Statement of Newness and Distinctiveness: **Nil**



- (21) Design Number: **10380/2016**  
(22) Date of Filing Application: **27 January 2016**  
(24) Date from which industrial property rights may have effect: **27 January 2016**  
(54) Product in respect of which the design is registered: **Nozzle for cutting/  
gouging metal**  
(51) International Design Classification: **08-05M**  
(74) Name(s) of Attorney(s): **Griffith Hack**  
(71) Name(s) and Address(s) of Applicant(s):  
**Cigweld Pty Ltd**  
**71 Gower St Preston VIC 3072 Australia**  
(72) Name(s) of Designer(s): **Luke Leonard Ostrowski and Tony Pham**  
(45) Registration Date: **09 February 2016**  
(56) Related Art Documents: **Not Applicable**  
(57) Statement of Newness and Distinctiveness: **Newness and distinctiveness  
resides in the shape, configuration and ornamentation, including the  
colouring of the product as shown in presentations.**



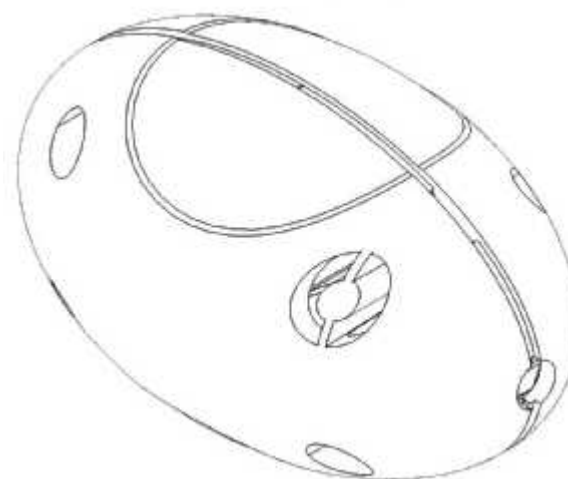
- (21) Design Number: **10381/2016**  
(22) Date of Filing Application: **27 January 2016**  
(24) Date from which industrial property rights may have effect: **27 January 2016**  
(54) Product in respect of which the design is registered: **Nozzle for cutting/  
gouging metal**  
(51) International Design Classification: **08-05M**  
(74) Name(s) of Attorney(s): **Griffith Hack**  
(71) Name(s) and Address(s) of Applicant(s):  
**Cigweld Pty Ltd**  
**71 Gower St Preston VIC 3072 Australia**  
(72) Name(s) of Designer(s): **Luke Leonard Ostrowski and Tony Pham**  
(45) Registration Date: **09 February 2016**  
(56) Related Art Documents: **Not Applicable**  
(57) Statement of Newness and Distinctiveness: **Newness and distinctiveness  
resides in the shape, configuration and ornamentation, including the  
colouring of the product as shown in presentations.**



(21) Design Number: **10382/2016**  
(22) Date of Filing Application: **27 January 2016**  
(24) Date from which industrial property rights may have effect: **27 January 2016**  
(54) Product in respect of which the design is registered: **Nozzle for gouging metal**  
(51) International Design Classification: **08-05M**  
(74) Name(s) of Attorney(s): **Griffith Hack**  
(71) Name(s) and Address(s) of Applicant(s):  
**Cigweld Pty Ltd**  
**71 Gower St Preston VIC 3072 Australia**  
(72) Name(s) of Designer(s): **Luke Leonard Ostrowski and Tony Pham**  
(45) Registration Date: **09 February 2016**  
(56) Related Art Documents: **Not Applicable**  
(57) Statement of Newness and Distinctiveness: **Newness and distinctiveness resides in the shape, configuration and ornamentation, including the colouring of the product as shown in presentations.**



(21) Design Number: **10384/2016**  
(22) Date of Filing Application: **27 January 2016**  
(24) Date from which industrial property rights may have effect: **27 January 2016**  
(54) Product in respect of which the design is registered: **Fencing attachment**  
(51) International Design Classification: **08-08NES**  
(74) Name(s) of Attorney(s): **James & Wells**  
(71) Name(s) and Address(s) of Applicant(s):  
**Gallagher Group Limited**  
**181 Kahikatea Drive Melville Hamilton 3206 New Zealand**  
(72) Name(s) of Designer(s): **Thomas Ritchie**  
(45) Registration Date: **09 February 2016**  
(30) Convention priority data:  
(31) Number (32) Date (33) Country  
**420502 31 Jul 2015 NEW ZEALAND**  
(56) Related Art Documents: **Not Applicable**  
(57) Statement of Newness and Distinctiveness: **This design is to be applied to a Fencing Attachment and the novelty resides in features of shape and configuration of the article, all as shown in the accompanying representations.**



(21) Design Number: **10385/2016**  
(22) Date of Filing Application: **27 January 2016**  
(24) Date from which industrial property rights may have effect: **27 January 2016**  
(54) Product in respect of which the design is registered: **Heating tip for use with acetylene**  
(51) International Design Classification: **08-05M**  
(74) Name(s) of Attorney(s): **Griffith Hack**  
(71) Name(s) and Address(s) of Applicant(s):  
**Cigweld Pty Ltd**  
**71 Gower St Preston VIC 3072 Australia**  
(72) Name(s) of Designer(s): **Luke Leonard Ostrowski and Tony Pham**  
(45) Registration Date: **09 February 2016**  
(56) Related Art Documents: **Not Applicable**  
(57) Statement of Newness and Distinctiveness: **Newness and distinctiveness resides in the shape, configuration and ornamentation, including the colouring of the product as shown in presentations.**



(21) Design Number: **10386/2016**  
(22) Date of Filing Application: **27 January 2016**  
(24) Date from which industrial property rights may have effect: **27 January 2016**  
(54) Product in respect of which the design is registered: **Automotive vent freshener**  
(51) International Design Classification: **28-99**  
(74) Name(s) of Attorney(s): **PETER MAXWELL & ASSOCIATES**  
(71) Name(s) and Address(s) of Applicant(s):  
**Scent2Market Inc.**  
**1 Odell Plaza, Suite 123 Yonkers New York, 10701 United States of America**  
(72) Name(s) of Designer(s): **Daniel M. D'Amico**  
(45) Registration Date: **09 February 2016**  
(30) Convention priority data:  
(31) Number (32) Date (33) Country  
**29/537,014 21 Aug 2015 UNITED STATES OF AMERICA**  
(56) Related Art Documents: **Not Applicable**  
(57) Statement of Newness and Distinctiveness: **Newness and distinctiveness is claimed in the shape and/or configuration of an AUTOMOTIVE VENT FRESHENER.**



- (21) Design Number: **10387/2016**  
(22) Date of Filing Application: **27 January 2016**  
(24) Date from which industrial property rights may have effect: **27 January 2016**  
(54) Product in respect of which the design is registered: **Heating tip for use with LPG.**  
(51) International Design Classification: **08-05M**  
(74) Name(s) of Attorney(s): **Griffith Hack**  
(71) Name(s) and Address(s) of Applicant(s):  
**Cigweld Pty Ltd**  
**71 Gower St Preston VIC 3072 Australia**  
(72) Name(s) of Designer(s): **Luke Leonard Ostrowski and Tony Pham**  
(45) Registration Date: **09 February 2016**  
(56) Related Art Documents: **Not Applicable**  
(57) Statement of Newness and Distinctiveness: **Newness and distinctiveness resides in the shape, configuration and ornamentation, including the colouring of the product as shown in presentations.**



- (21) Design Number: **10388/2016**  
(22) Date of Filing Application: **27 January 2016**  
(24) Date from which industrial property rights may have effect: **27 January 2016**  
(54) Product in respect of which the design is registered: **Heating tip for use with LPG**  
(51) International Design Classification: **08-05M**  
(74) Name(s) of Attorney(s): **Griffith Hack**  
(71) Name(s) and Address(s) of Applicant(s):  
**Cigweld Pty Ltd**  
**71 Gower St Preston VIC 3072 Australia**  
(72) Name(s) of Designer(s): **Luke Leonard Ostrowski and Tony Pham**  
(45) Registration Date: **09 February 2016**  
(56) Related Art Documents: **Not Applicable**  
(57) Statement of Newness and Distinctiveness: **Newness and distinctiveness resides in the shape, configuration and ornamentation, including the colouring of the product as shown in presentations.**



- (21) Design Number: **10394/2016**  
(22) Date of Filing Application: **27 January 2016**  
(24) Date from which industrial property rights may have effect: **27 January 2016**  
(54) Product in respect of which the design is registered: **Sheet of packaging for hygiene articles**  
(51) International Design Classification: **09-03H**  
(74) Name(s) of Attorney(s): **FB Rice**  
(71) Name(s) and Address(s) of Applicant(s):  
**Paul Hartmann AG**  
**Paul-Hartmann-Strasse 12 Heidenheim 89522 Germany**  
(72) Name(s) of Designer(s): **Employees of Serviceplan Design Hamburg GmbH & Co. KG**  
(45) Registration Date: **09 February 2016**  
(56) Related Art Documents: **Not Applicable**  
(57) Statement of Newness and Distinctiveness: **Newness and distinctiveness reside in the visual features of pattern and ornamentation of the design as shown in the representations.**



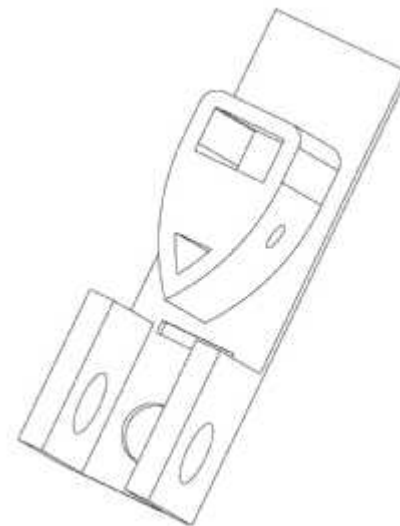
- (21) Design Number: **10395/2016**  
(22) Date of Filing Application: **27 January 2016**  
(24) Date from which industrial property rights may have effect: **27 January 2016**  
(54) Product in respect of which the design is registered: **Sheet of packaging for hygiene articles**  
(51) International Design Classification: **09-03H**  
(74) Name(s) of Attorney(s): **FB Rice**  
(71) Name(s) and Address(s) of Applicant(s):  
**Paul Hartmann AG**  
**Paul-Hartmann-Strasse 12 Heidenheim 89522 Germany**  
(72) Name(s) of Designer(s): **Employees of Serviceplan Design Hamburg GmbH & Co. KG**  
(45) Registration Date: **09 February 2016**  
(56) Related Art Documents: **Not Applicable**  
(57) Statement of Newness and Distinctiveness: **Newness and distinctiveness reside in the visual features of pattern and ornamentation of the design as shown in the representations.**



- (21) Design Number: **10396/2016**  
(22) Date of Filing Application: **27 January 2016**  
(24) Date from which industrial property rights may have effect: **27 January 2016**  
(54) Product in respect of which the design is registered: **Sheet of packaging for hygiene articles**  
(51) International Design Classification: **09-03H**  
(74) Name(s) of Attorney(s): **FB Rice**  
(71) Name(s) and Address(s) of Applicant(s):  
**Paul Hartmann AG**  
**Paul-Hartmann-Strasse 12 Heidenheim 89522 Germany**  
(72) Name(s) of Designer(s): **Employees of Serviceplan Design Hamburg GmbH & Co. KG**  
(45) Registration Date: **09 February 2016**  
(56) Related Art Documents: **Not Applicable**  
(57) Statement of Newness and Distinctiveness: **Newness and distinctiveness reside in the visual features of pattern and ornamentation of the design as shown in the representations.**

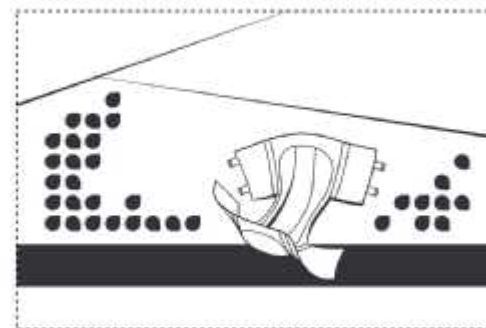


- (21) Design Number: **12716/2015**  
(22) Date of Filing Application: **26 May 2015**  
(24) Date from which industrial property rights may have effect: **26 May 2015**  
(54) Product in respect of which the design is registered: **End stop for a curtain rail**  
(51) International Design Classification: **08-08H**  
(74) Name(s) of Attorney(s):  
(71) Name(s) and Address(s) of Applicant(s):  
**David Croucher**  
**3 Atlanta Rise Ocean Reef WA 6027 Australia**  
(72) Name(s) of Designer(s): **David Croucher**  
(45) Registration Date: **09 February 2016**  
(56) Related Art Documents: **Not Applicable**  
(57) Statement of Newness and Distinctiveness: **Nil**





- (21) Design Number: **10390/2016**  
(22) Date of Filing Application: **27 January 2016**  
(24) Date from which industrial property rights may have effect: **27 January 2016**  
(54) Product in respect of which the design is registered: **Sheet of packaging for hygiene articles**  
(51) International Design Classification: **09-03H**  
(74) Name(s) of Attorney(s): **FB Rice**  
(71) Name(s) and Address(s) of Applicant(s):  
**Paul Hartmann AG**  
**Paul-Hartmann-Strasse 12 Heidenheim 89522 Germany**  
(72) Name(s) of Designer(s): **Employees of Serviceplan Design Hamburg GmbH & Co. KG**  
(45) Registration Date: **09 February 2016**  
(56) Related Art Documents: **Not Applicable**  
(57) Statement of Newness and Distinctiveness: **Newness and distinctiveness reside in the visual features of pattern and ornamentation of the design as shown in the representations.**



- (21) Design Number: **10392/2016**  
(22) Date of Filing Application: **27 January 2016**  
(24) Date from which industrial property rights may have effect: **27 January 2016**  
(54) Product in respect of which the design is registered: **Sheet of packaging for hygiene articles**  
(51) International Design Classification: **09-03H**  
(74) Name(s) of Attorney(s): **FB Rice**  
(71) Name(s) and Address(s) of Applicant(s):  
**Paul Hartmann AG**  
**Paul-Hartmann-Strasse 12 Heidenheim 89522 Germany**  
(72) Name(s) of Designer(s): **Employees of Serviceplan Design Hamburg GmbH & Co. KG**  
(45) Registration Date: **09 February 2016**  
(56) Related Art Documents: **Not Applicable**  
(57) Statement of Newness and Distinctiveness: **Newness and distinctiveness reside in the visual features of pattern and ornamentation of the design as shown in the representations.**



- (21) Design Number: **10397/2016**  
(22) Date of Filing Application: **27 January 2016**  
(24) Date from which industrial property rights may have effect: **27 January 2016**  
(54) Product in respect of which the design is registered: **Sheet of packaging for hygiene articles**  
(51) International Design Classification: **09-03H**  
(74) Name(s) of Attorney(s): **FB Rice**  
(71) Name(s) and Address(s) of Applicant(s):  
**Paul Hartmann AG**  
**Paul-Hartmann-Strasse 12 Heidenheim 89522 Germany**  
(72) Name(s) of Designer(s): **Employees of Serviceplan Design Hamburg GmbH & Co. KG**  
(45) Registration Date: **09 February 2016**  
(56) Related Art Documents: **Not Applicable**  
(57) Statement of Newness and Distinctiveness: **Newness and distinctiveness reside in the visual features of pattern and ornamentation of the design as shown in the representations.**



- (21) Design Number: **10398/2016**  
(22) Date of Filing Application: **27 January 2016**  
(24) Date from which industrial property rights may have effect: **27 January 2016**  
(54) Product in respect of which the design is registered: **Mixer**  
(51) International Design Classification: **31-00**  
(74) Name(s) of Attorney(s): **Shelston IP Pty Ltd.**  
(71) Name(s) and Address(s) of Applicant(s):  
**Arcelik Anonim Sirketi**  
**E5 Ankara Asfalti Uzeri Tuzia Istanbul, 34950 Turkey**  
(72) Name(s) of Designer(s): **Asli Okmen and Nihat Duran and Gizem Durakoglu and Can Onur Vanci and Ozlem Kok**  
(45) Registration Date: **09 February 2016**  
(30) Convention priority data:  

(31) Number	(32) Date	(33) Country
<b>002857250</b>	<b>12 Nov 2015</b>	<b>OFFICE FOR HARMONISATION IN THE INTERNAL MARKET (OHIM)</b>

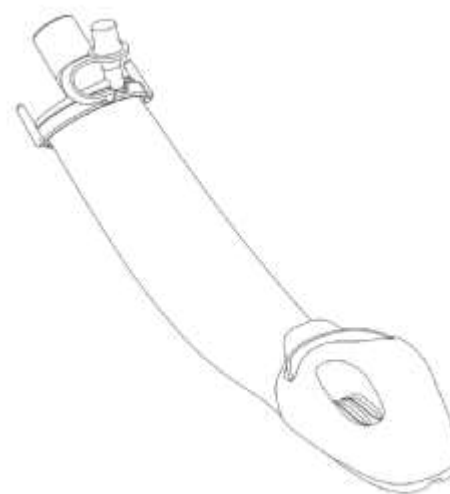
  
(56) Related Art Documents: **Not Applicable**  
(57) Statement of Newness and Distinctiveness: **Newness and distinctiveness reside in the features of shape and/or configuration of a MIXER as illustrated in the accompanying representations.**



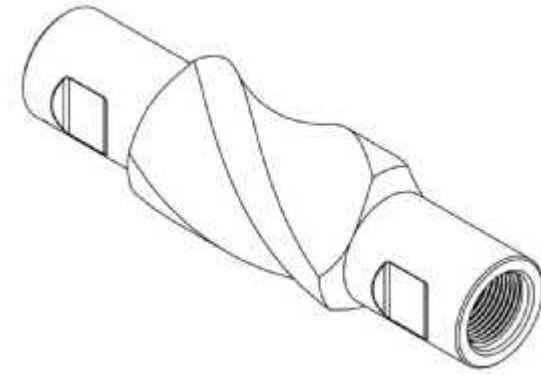
- (21) Design Number: **10399/2016**  
(22) Date of Filing Application: **27 January 2016**  
(24) Date from which industrial property rights may have effect: **27 January 2016**  
(54) Product in respect of which the design is registered: **Sheet of packaging for hygiene articles**  
(51) International Design Classification: **09-03H**  
(74) Name(s) of Attorney(s): **FB Rice**  
(71) Name(s) and Address(s) of Applicant(s):  
**Paul Hartmann AG**  
**Paul-Hartmann-Strasse 12 Heidenheim 89522 Germany**  
(72) Name(s) of Designer(s): **Employees of Serviceplan Design Hamburg GmbH & Co. KG**  
(45) Registration Date: **09 February 2016**  
(56) Related Art Documents: **Not Applicable**  
(57) Statement of Newness and Distinctiveness: **Newness and distinctiveness reside in the visual features of pattern and ornamentation of the design as shown in the representations.**



- (21) Design Number: **10472/2016**  
(22) Date of Filing Application: **29 January 2016**  
(24) Date from which industrial property rights may have effect: **15 December 2015**  
(54) Product in respect of which the design is registered: **Airway device**  
(51) International Design Classification: **24-01**  
(74) Name(s) of Attorney(s): **HODGKINSON McINNES PATENTS**  
(71) Name(s) and Address(s) of Applicant(s):  
**Intersurgical AG**  
**Landstr. 11 Vaduz Liechtenstein**  
**Muhammed Aslam Nasir**  
**Top Valley Lodge Chaul End Village Caddington Bedfordshire LU1 4AX**  
**United Kingdom**  
(72) Name(s) of Designer(s): **Muhammed Aslam Nasir and Jane Elizabeth Kemp and Andrew Neil Miller**  
(45) Registration Date: **09 February 2016**  
(30) Convention priority data:  
(31) Number      (32) Date      (33) Country  
**002719278      15 Jun 2015      OFFICE FOR HARMONISATION IN  
THE INTERNAL MARKET (OHIM)**  
(62) Divisional of: **366973**  
(56) Related Art Documents: **Not Applicable**  
(57) Statement of Newness and Distinctiveness: **Newness and distinctiveness resides in the features of shape and configuration of an airway device as shown in the accompanying representations.**



- (21) Design Number: **10322/2016**  
(22) Date of Filing Application: **22 January 2016**  
(24) Date from which industrial property rights may have effect: **22 January 2016**  
(54) Product in respect of which the design is registered: **Overmoulded rod coupler**  
(51) International Design Classification: **23-01A**  
(74) Name(s) of Attorney(s): **Cullens Pty Ltd**  
(71) Name(s) and Address(s) of Applicant(s):  
**Cobalt Extreme Pty Ltd**  
**207 Logan Rd Woolloongabba QLD 4102 Australia**  
(72) Name(s) of Designer(s): **Arthur Charles Nommensen and David C Nommensen**  
(45) Registration Date: **10 February 2016**  
(56) Related Art Documents: **Not Applicable**  
(57) Statement of Newness and Distinctiveness: **Newness and distinctiveness resides in the features of the overmoulded rod coupler as illustrated in the accompanying representations.**



- (21) Design Number: **10327/2016**  
(22) Date of Filing Application: **22 January 2016**  
(24) Date from which industrial property rights may have effect: **22 January 2016**  
(54) Product in respect of which the design is registered: **Front door panel protective plate for ford ranger**  
(51) International Design Classification: **12-16C**  
(74) Name(s) of Attorney(s): **WRAYS PTY LTD**  
(71) Name(s) and Address(s) of Applicant(s):  
**Rhino Hide Pty. Ltd.**  
**23 Bushey Rd Wembley Downs WA 6019 Australia**  
(72) Name(s) of Designer(s): **Marc John Berryman**  
(45) Registration Date: **10 February 2016**  
(56) Related Art Documents: **Not Applicable**  
(57) Statement of Newness and Distinctiveness: **Newness and distinctiveness is claimed in the features of shape and/or configuration of a front door protective plate for a Ford Ranger as illustrated in the accompanying representations.**



- (21) Design Number: **10329/2016**  
(22) Date of Filing Application: **22 January 2016**  
(24) Date from which industrial property rights may have effect: **22 January 2016**  
(54) Product in respect of which the design is registered: **Front quarter protective plate for ford ranger**  
(51) International Design Classification: **12-16C**  
(74) Name(s) of Attorney(s): **WRAYS PTY LTD**  
(71) Name(s) and Address(s) of Applicant(s):  
**Rhino Hide Pty. Ltd.**  
**23 Bushey Rd Wembley Downs WA 6019 Australia**  
(72) Name(s) of Designer(s): **Marc John Berryman**  
(45) Registration Date: **10 February 2016**  
(56) Related Art Documents: **Not Applicable**  
(57) Statement of Newness and Distinctiveness: **Newness and distinctiveness is claimed in the features of shape and/or configuration of a front quarter panel protective plate for a Ford Ranger as illustrated in the accompanying representations.**



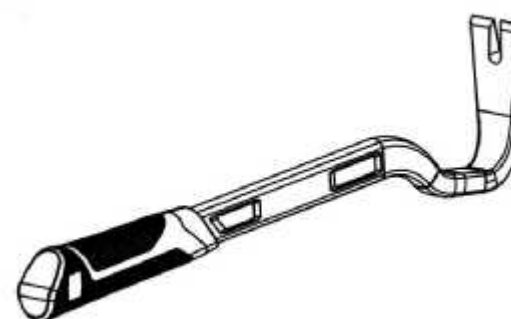
- (21) Design Number: **10330/2016**  
(22) Date of Filing Application: **22 January 2016**  
(24) Date from which industrial property rights may have effect: **22 January 2016**  
(54) Product in respect of which the design is registered: **Heater**  
(51) International Design Classification: **23-03A**  
(74) Name(s) of Attorney(s): **Griffith Hack**  
(71) Name(s) and Address(s) of Applicant(s):  
**Brand Developers Ltd**  
**519 - 521 Lake Road Takapuna Auckland, 0622 New Zealand**  
(72) Name(s) of Designer(s): **James Fisher and Cameron Nicholson**  
(45) Registration Date: **10 February 2016**  
(56) Related Art Documents: **Not Applicable**  
(57) Statement of Newness and Distinctiveness: **Newness and distinctiveness resides in the visual features, including the shape and configuration, as applied to a heater as shown in solid outline in the accompanying drawings. When determining whether the design is substantially similar in overall impression to another design, no regard is to be had to those features shown in dotted outline in the accompanying drawings, which features are provided for illustrative purposes only.**



- (21) Design Number: **10421/2016**  
(22) Date of Filing Application: **28 January 2016**  
(24) Date from which industrial property rights may have effect: **28 January 2016**  
(54) Product in respect of which the design is registered: **A jacket**  
(51) International Design Classification: **02-02NES**  
(74) Name(s) of Attorney(s): **K&L Gates**  
(71) Name(s) and Address(s) of Applicant(s):  
**Textile House Pty Ltd**  
**30 Barrett St Kensington VIC 3031 Australia**  
(72) Name(s) of Designer(s): **Stuart Revill**  
(45) Registration Date: **10 February 2016**  
(56) Related Art Documents: **Not Applicable**  
(57) Statement of Newness and Distinctiveness: **Nil**



- (21) Design Number: **10422/2016**  
(22) Date of Filing Application: **28 January 2016**  
(24) Date from which industrial property rights may have effect: **28 January 2016**  
(54) Product in respect of which the design is registered: **Wrecking bar**  
(51) International Design Classification: **08-05P, 08-05NES**  
(74) Name(s) of Attorney(s): **Griffith Hack**  
(71) Name(s) and Address(s) of Applicant(s):  
**AC (Macao Commercial Offshore) Limited**  
**Units A-C, 26/F Centro Comercial da Praia Grande No. 429 Avenida da**  
**Praia Grande Macau**  
(72) Name(s) of Designer(s): **Wai Yip Siu and Hao Chen and Jun Jun Li**  
(45) Registration Date: **10 February 2016**  
(56) Related Art Documents: **Not Applicable**  
(57) Statement of Newness and Distinctiveness: **Newness and distinctiveness resides in the visual features, including shape and configuration of the product as shown in the accompanying representations.**



(21) Design Number: **10423/2016**

(22) Date of Filing Application: **28 January 2016**

(24) Date from which industrial property rights may have effect: **28 January 2016**

(54) Product in respect of which the design is registered: **Wrecking bar**

(51) International Design Classification: **08-05P, 08-05NES**

(74) Name(s) of Attorney(s): **Griffith Hack**

(71) Name(s) and Address(s) of Applicant(s):

**AC (Macao Commercial Offshore) Limited**  
**Units A-C, 26/F Centro Comercial da Praia Grande No. 429 Avenida da**  
**Praia Grande Macau**

(72) Name(s) of Designer(s): **Wai Yip Sui and Hao Chen and Jun Jun Li**

(45) Registration Date: **10 February 2016**

(56) Related Art Documents: **Not Applicable**

(57) Statement of Newness and Distinctiveness: **Newness and distinctiveness resides in the visual features, including shape and configuration of the product as shown in the accompanying representations.**



(21) Design Number: **10424/2016**

(22) Date of Filing Application: **28 January 2016**

(24) Date from which industrial property rights may have effect: **28 January 2016**

(54) Product in respect of which the design is registered: **Display stand**

(51) International Design Classification: **20-02NES**

(74) Name(s) of Attorney(s): **WRAYS PTY LTD**

(71) Name(s) and Address(s) of Applicant(s):

**Botak Sign Pte Ltd**  
**22 Yio Chu Kang Road #01-34 Highland Centre 545535 Singapore**

(72) Name(s) of Designer(s): **Boon Keng Sim**

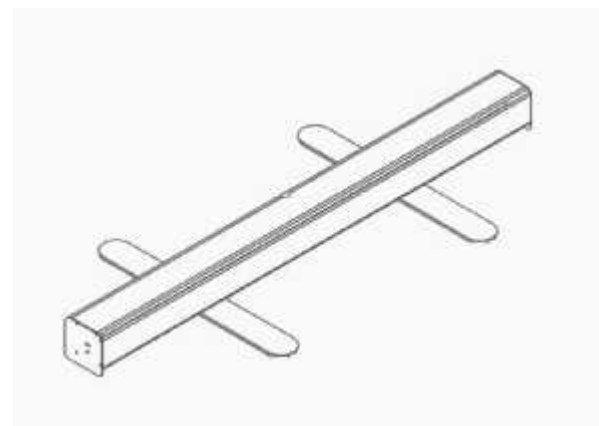
(45) Registration Date: **10 February 2016**

(30) Convention priority data:

(31) Number	(32) Date	(33) Country
<b>30201501554Y</b>	<b>06 Oct 2015</b>	<b>SINGAPORE</b>

(56) Related Art Documents: **Not Applicable**

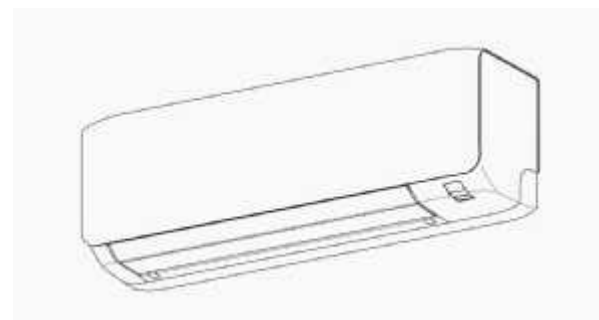
(57) Statement of Newness and Distinctiveness: **Newness and distinctiveness is claimed in the features of shape, configuration, pattern, and/or ornamentation of the Display Stand as shown in the accompanying representations. The features depicted by broken lines are for illustrative purposes only and form no part of the claimed design.**



(21) Design Number: **10427/2016**  
(22) Date of Filing Application: **28 January 2016**  
(24) Date from which industrial property rights may have effect: **28 January 2016**  
(54) Product in respect of which the design is registered: **Washboard for washing machine**  
(51) International Design Classification: **15-05**  
(74) Name(s) of Attorney(s): **WRAYS PTY LTD**  
(71) Name(s) and Address(s) of Applicant(s):  
**Samsung Electronics Co., Ltd**  
**129, Samsung-ro Yeongtong-gu, Suwon-si Gyeonggi-do 443-742**  
**Republic of Korea**  
(72) Name(s) of Designer(s): **Ahjung Joo and Yuna Park and Hayoung Jang**  
(45) Registration Date: **10 February 2016**  
(30) Convention priority data:  
(31) Number (32) Date (33) Country  
**30-2015-0038301 29 Jul 2015 REPUBLIC OF KOREA**  
(56) Related Art Documents: **Not Applicable**  
(57) Statement of Newness and Distinctiveness: **Newness and distinctiveness is claimed in the features of shape, configuration, pattern, and/or ornamentation of the Washboard For Washing Machine as shown in the accompanying representations.**

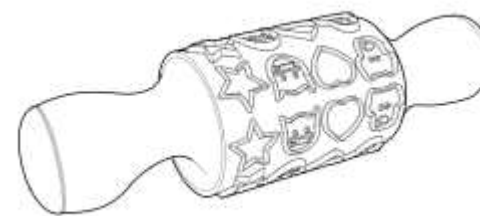


(21) Design Number: **10428/2016**  
(22) Date of Filing Application: **28 January 2016**  
(24) Date from which industrial property rights may have effect: **28 January 2016**  
(54) Product in respect of which the design is registered: **Wall-mounted air conditioner**  
(51) International Design Classification: **23-04**  
(74) Name(s) of Attorney(s): **WRAYS PTY LTD**  
(71) Name(s) and Address(s) of Applicant(s):  
**Mitsubishi Heavy Industries, Ltd.**  
**16-5, Konan 2-chome Minato-ku Tokyo 108-8215 Japan**  
(72) Name(s) of Designer(s): **Yoshinori Nunome and Hironori Mori and Shingo Ito**  
(45) Registration Date: **10 February 2016**  
(30) Convention priority data:  
(31) Number (32) Date (33) Country  
**2015-022527 13 Oct 2015 JAPAN**  
(56) Related Art Documents: **Not Applicable**  
(57) Statement of Newness and Distinctiveness: **Newness and distinctiveness is claimed in the features of shape, configuration, pattern, and/or ornamentation of the Wall-Mounted Air Conditioner as shown in the accompanying representations.**





- (21) Design Number: **10430/2016**  
(22) Date of Filing Application: **28 January 2016**  
(24) Date from which industrial property rights may have effect: **28 January 2016**  
(54) Product in respect of which the design is registered: **Pasta rolling pin**  
(51) International Design Classification: **07-04**  
(74) Name(s) of Attorney(s): **FB Rice**  
(71) Name(s) and Address(s) of Applicant(s):  
**Koninklijke Philips N.V.**  
**High Tech Campus 5 5656 AE Eindhoven The Netherlands**  
(72) Name(s) of Designer(s): **Emma Stina Katarina Sandberg**  
(45) Registration Date: **10 February 2016**  
(30) Convention priority data:  
(31) Number (32) Date (33) Country  
**002744813-0001 29 Jul 2015 OFFICE FOR HARMONISATION IN  
THE INTERNAL MARKET (OHIM)**  
(56) Related Art Documents: **Not Applicable**  
(57) Statement of Newness and Distinctiveness: **Newness and distinctiveness  
reside in the features of pattern and ornamentation of the design as  
shown in the representations.**



- (21) Design Number: **10431/2016**  
(22) Date of Filing Application: **28 January 2016**  
(24) Date from which industrial property rights may have effect: **28 January 2016**  
(54) Product in respect of which the design is registered: **Footwear**  
(51) International Design Classification: **02-04NES**  
(74) Name(s) of Attorney(s): **MMLC Murphy Wang Solicitors**  
(71) Name(s) and Address(s) of Applicant(s):  
**Holster Fashion Pty Ltd**  
**6-55 Gateway Dr Noosaville QLD 4566 Australia**  
(72) Name(s) of Designer(s): **Natalie Jean Miller**  
(45) Registration Date: **10 February 2016**  
(56) Related Art Documents: **Not Applicable**  
(57) Statement of Newness and Distinctiveness: **Newness and distinctiveness  
reside in the shape and configuration of the footwear and components,  
as shown in the accompanying representations.**



(21) Design Number: **10432/2016**  
(22) Date of Filing Application: **28 January 2016**  
(24) Date from which industrial property rights may have effect: **28 January 2016**  
(54) Product in respect of which the design is registered: **Automobile tire**  
(51) International Design Classification: **12-15A**  
(74) Name(s) of Attorney(s): **Shelston IP Pty Ltd.**  
(71) Name(s) and Address(s) of Applicant(s):  
**The Yokohama Rubber Co., Ltd.**  
**36-11, Shimbashi 5-chome Minato-ku Tokyo, 105-8685 Japan**  
(72) Name(s) of Designer(s): **Takahiro Yamakawa**  
(45) Registration Date: **10 February 2016**  
(30) Convention priority data:  
(31) Number      (32) Date      (33) Country  
**2015-017189      31 Jul 2015      JAPAN**

(56) Related Art Documents: **Not Applicable**  
(57) Statement of Newness and Distinctiveness: **Newness and distinctiveness reside in the features of shape and/or configuration of the tread of the Automobile tire as shown in solid lines in the accompanying representations. The features shown in broken lines are included for illustrative purposes only and do not form part of the design. The long and short dash lines illustrate a boundary between features that form part of the design and features that do not form part of the design.**

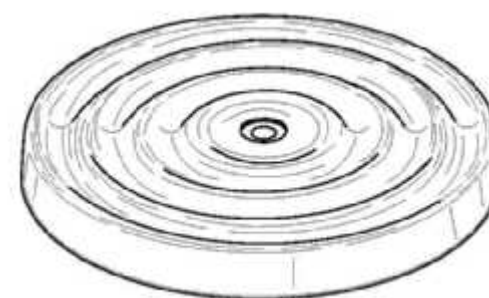


(21) Design Number: **10434/2016**  
(22) Date of Filing Application: **28 January 2016**  
(24) Date from which industrial property rights may have effect: **28 January 2016**  
(54) Product in respect of which the design is registered: **Automobile tire**  
(51) International Design Classification: **12-15A**  
(74) Name(s) of Attorney(s): **Shelston IP Pty Ltd.**  
(71) Name(s) and Address(s) of Applicant(s):  
**The Yokohama Rubber Co., Ltd.**  
**36-11, Shimbashi 5-chome Minato-ku Tokyo, 105-8685 Japan**  
(72) Name(s) of Designer(s): **Takahiro Yamakawa**  
(45) Registration Date: **10 February 2016**  
(30) Convention priority data:  
(31) Number      (32) Date      (33) Country  
**2015-017177      31 Jul 2015      JAPAN**

(56) Related Art Documents: **Not Applicable**  
(57) Statement of Newness and Distinctiveness: **Newness and distinctiveness reside in the features of shape and/or configuration of the tread of the Automobile tire as shown in solid lines in the accompanying representations. The features shown in broken lines are included for illustrative purposes only and do not form part of the design. The long and short dash lines illustrate a boundary between features that form part of the design and features that do not form part of the design.**



- (21) Design Number: **10435/2016**  
(22) Date of Filing Application: **28 January 2016**  
(24) Date from which industrial property rights may have effect: **28 January 2016**  
(54) Product in respect of which the design is registered: **Bench top gripping device**  
(51) International Design Classification: **07-02A**  
(74) Name(s) of Attorney(s): **MORCOM PERNAT**  
(71) Name(s) and Address(s) of Applicant(s):  
**CBD Consolidated LLC**  
**1408 Northland Drive #302 Mendota Heights Minnesota, 55120 Australia**  
(72) Name(s) of Designer(s): **Christopher John Allan and Darren Neil Forbes**  
(45) Registration Date: **10 February 2016**  
(56) Related Art Documents: **Not Applicable**  
(57) Statement of Newness and Distinctiveness: **Newness and distinctiveness reside in the shape and configuration of the bench gripper article as illustrated in the accompanying representations.**



- (21) Design Number: **10436/2016**  
(22) Date of Filing Application: **28 January 2016**  
(24) Date from which industrial property rights may have effect: **28 January 2016**  
(54) Product in respect of which the design is registered: **Automobile tire**  
(51) International Design Classification: **12-15A**  
(74) Name(s) of Attorney(s): **Shelston IP Pty Ltd.**  
(71) Name(s) and Address(s) of Applicant(s):  
**The Yokohama Rubber Co., Ltd.**  
**36-11, Shimbashi 5-chome Minato-ku Tokyo, 105-8685 Japan**  
(72) Name(s) of Designer(s): **Takahiro Yamakawa**  
(45) Registration Date: **10 February 2016**  
(30) Convention priority data:  
(31) Number      (32) Date      (33) Country  
**2015-017176      31 Jul 2015      JAPAN**  
(56) Related Art Documents: **Not Applicable**  
(57) Statement of Newness and Distinctiveness: **Newness and distinctiveness reside in the features of shape and/or configuration of the tread of the Automobile tire as shown in solid lines in the accompanying representations. The features shown in broken lines are included for illustrative purposes only and do not form part of the design. The long and short dash lines illustrate a boundary between features that form part of the design and features that do not form part of the design.**



- (21) Design Number: **10439/2016**  
(22) Date of Filing Application: **28 January 2016**  
(24) Date from which industrial property rights may have effect: **28 January 2016**  
(54) Product in respect of which the design is registered: **Ear defender cup**  
(51) International Design Classification: **02-03**  
(74) Name(s) of Attorney(s): **Freehills Patent Attorneys**  
(71) Name(s) and Address(s) of Applicant(s):  
**JSP Limited**  
**Worsham Mill Minster Lovell Oxfordshire OX29 OTA United Kingdom**  
(72) Name(s) of Designer(s): **David Lee Pratley**  
(45) Registration Date: **10 February 2016**  
(56) Related Art Documents: **Not Applicable**  
(57) Statement of Newness and Distinctiveness: **Newness and distinctiveness of the design resides in the features of shape and configuration of the ear defender cup as shown in the accompanying representations.**



- (21) Design Number: **10442/2016**  
(22) Date of Filing Application: **28 January 2016**  
(24) Date from which industrial property rights may have effect: **28 January 2016**  
(54) Product in respect of which the design is registered: **Rail guide**  
(51) International Design Classification: **15-04**  
(74) Name(s) of Attorney(s): **Freehills Patent Attorneys**  
(71) Name(s) and Address(s) of Applicant(s):  
**Caterpillar Inc.**  
**100 NE Adams Street Peoria Illinois, 61629 United States of America**  
(72) Name(s) of Designer(s): **Jennifer Brooks and Roger Recker**  
(45) Registration Date: **10 February 2016**  
(30) Convention priority data:  
(31) Number      (32) Date      (33) Country  
**29/536151      13 Aug 2015      UNITED STATES OF AMERICA**  
(56) Related Art Documents: **Not Applicable**  
(57) Statement of Newness and Distinctiveness: **Newness and distinctiveness of the design resides in the features of shape and configuration of the rail guide, and in particular the surface contour as shown by grey surface shading in the accompanying representations.**



(21) Design Number: **10443/2016**

(22) Date of Filing Application: **28 January 2016**

(24) Date from which industrial property rights may have effect: **28 January 2016**

(54) Product in respect of which the design is registered: **Aircraft**

(51) International Design Classification: **12-07**

(74) Name(s) of Attorney(s): **Madderns**

(71) Name(s) and Address(s) of Applicant(s):

**Guangzhou Ehang Intelligent Technology Co., Ltd.  
Room 402, 4th Floor, Vice-building No. 11 Aoti Road Tianhe District,  
Guangzhou, Guangdong, 510663 China**

(72) Name(s) of Designer(s): **Hao Du and Zhiyi Li and Chunming Ma**

(45) Registration Date: **10 February 2016**

(30) Convention priority data:

(31) Number	(32) Date	(33) Country
<b>CN 201530558380.6</b>	<b>25 Dec 2015</b>	<b>CHINA</b>

(56) Related Art Documents: **Not Applicable**

(57) Statement of Newness and Distinctiveness: **Newness and distinctiveness is claimed in the shape and/or configuration of an aircraft as depicted in the accompanying representations.**



(21) Design Number: **10420/2016**

(22) Date of Filing Application: **28 January 2016**

(24) Date from which industrial property rights may have effect: **28 January 2016**

(54) Product in respect of which the design is registered: **Table centrepiece in the shape of a flower**

(51) International Design Classification: **11-02NES**

(74) Name(s) of Attorney(s):

(71) Name(s) and Address(s) of Applicant(s):

**Alevtina Oliver  
PO BOX 9254 Deakin ACT 2600 Australia**

(72) Name(s) of Designer(s): **Alevtina Oliver**

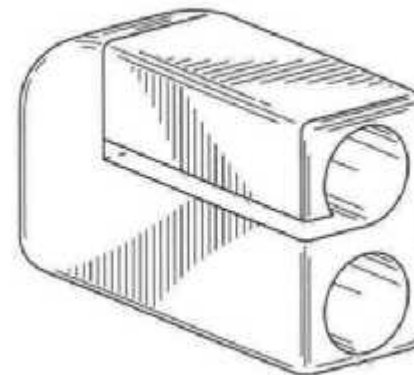
(45) Registration Date: **10 February 2016**

(56) Related Art Documents: **Not Applicable**

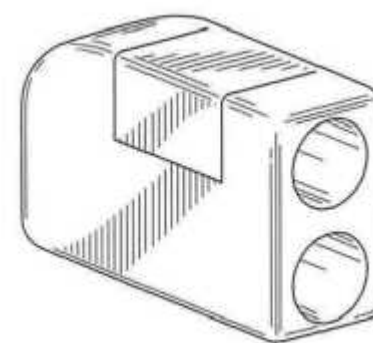
(57) Statement of Newness and Distinctiveness: **Newness & distinctiveness of the design reside in the shape & configuration of the flower which lights up randomly dispersing a glowing effect across the petals of the**



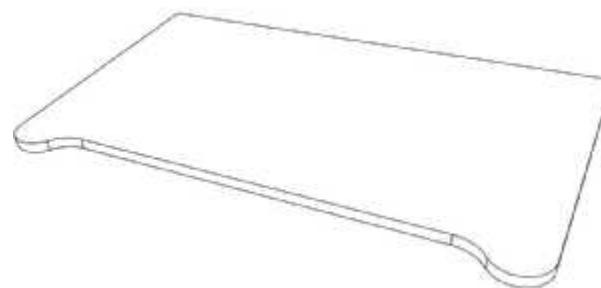
(21) Design Number: **10474/2016**  
(22) Date of Filing Application: **29 January 2016**  
(24) Date from which industrial property rights may have effect: **29 January 2016**  
(54) Product in respect of which the design is registered: **Slider for articles of jewelry**  
(51) International Design Classification: **11-01NES**  
(74) Name(s) of Attorney(s): **Pizzeys Patent and Trade Mark Attorneys Pty Ltd**  
(71) Name(s) and Address(s) of Applicant(s):  
**Alex and Ani, LLC**  
**2000 Chapel View Boulevard Suite 360 Cranston RI, 02920 United States of America**  
(72) Name(s) of Designer(s): **Carolyn A. Rafaelian**  
(45) Registration Date: **10 February 2016**  
(30) Convention priority data:  
(31) Number (32) Date (33) Country  
**29/535565 07 Aug 2015 UNITED STATES OF AMERICA**  
(56) Related Art Documents: **Not Applicable**  
(57) Statement of Newness and Distinctiveness: **Nil**



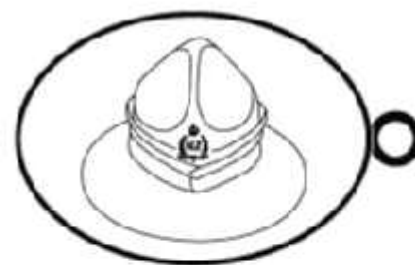
(21) Design Number: **10475/2016**  
(22) Date of Filing Application: **29 January 2016**  
(24) Date from which industrial property rights may have effect: **29 January 2016**  
(54) Product in respect of which the design is registered: **Slider for articles of jewelry**  
(51) International Design Classification: **11-01NES**  
(74) Name(s) of Attorney(s): **Pizzeys Patent and Trade Mark Attorneys Pty Ltd**  
(71) Name(s) and Address(s) of Applicant(s):  
**Alex and Ani, LLC**  
**2000 Chapel View Boulevard Suite 360 Cranston RI, 02920 United States of America**  
(72) Name(s) of Designer(s): **Carolyn A. Rafaelian**  
(45) Registration Date: **10 February 2016**  
(30) Convention priority data:  
(31) Number (32) Date (33) Country  
**29/535565 07 Aug 2015 UNITED STATES OF AMERICA**  
(56) Related Art Documents: **Not Applicable**  
(57) Statement of Newness and Distinctiveness: **Nil**



- (21) Design Number: **10482/2016**  
(22) Date of Filing Application: **31 January 2016**  
(24) Date from which industrial property rights may have effect: **31 January 2016**  
(54) Product in respect of which the design is registered: **Paper pad**  
(51) International Design Classification: **19-06, 19-99**  
(74) Name(s) of Attorney(s):  
(71) Name(s) and Address(s) of Applicant(s):  
**Steven Wilson**  
**PO BOX 364 St Ives NSW 2075 Australia**  
(72) Name(s) of Designer(s): **Steven Wilson**  
(45) Registration Date: **10 February 2016**  
(56) Related Art Documents: **Not Applicable**  
(57) Statement of Newness and Distinctiveness: **Newness and distinctiveness resides in the shape and appearance of the paper pad, as shown in the drawings.**



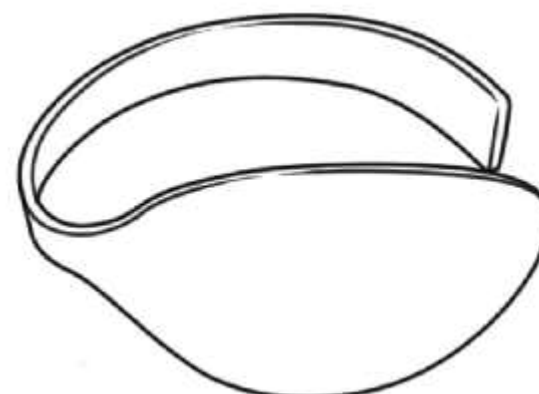
- (21) Design Number: **10486/2016**  
(22) Date of Filing Application: **01 February 2016**  
(24) Date from which industrial property rights may have effect: **01 February 2016**  
(54) Product in respect of which the design is registered: **2 sided key ring**  
(51) International Design Classification: **03-01B**  
(74) Name(s) of Attorney(s):  
(71) Name(s) and Address(s) of Applicant(s):  
**ANZAC DAY COMMEMORATION COMMITTEE (QUEENSLAND) INC**  
**PO BOX 3426 Stafford DC QLD 4053 Australia**  
(72) Name(s) of Designer(s): **Greg Faux**  
(45) Registration Date: **10 February 2016**  
(56) Related Art Documents: **Not Applicable**  
(57) Statement of Newness and Distinctiveness: **The newness and distinctiveness of the design resides in the shape and/or configuration of the Australian and New Zealand military hats as shown in the representation.**



- (21) Design Number: **10487/2016**  
(22) Date of Filing Application: **01 February 2016**  
(24) Date from which industrial property rights may have effect: **01 February 2016**  
(54) Product in respect of which the design is registered: **"Cobbers" badge**  
(51) International Design Classification: **11-03**  
(74) Name(s) of Attorney(s):  
(71) Name(s) and Address(s) of Applicant(s):  
**ANZAC DAY COMMEMORATION COMMITTEE (QUEENSLAND) INC**  
**PO BOX 3426 Stafford DC QLD 4053 Australia**  
(72) Name(s) of Designer(s): **Greg Faux**  
(45) Registration Date: **10 February 2016**  
(56) Related Art Documents: **Not Applicable**  
(57) Statement of Newness and Distinctiveness: **The newness and distinctiveness of the design resides in the shape and/or configuration of the statue "Cobbers" as shown in the representation.**

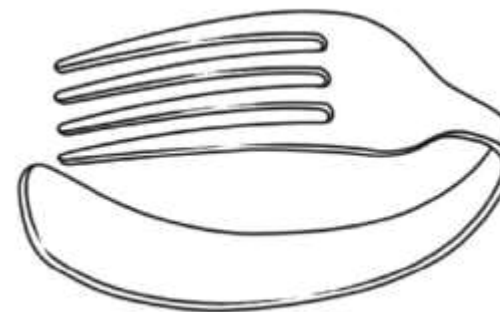


- (21) Design Number: **10488/2016**  
(22) Date of Filing Application: **01 February 2016**  
(24) Date from which industrial property rights may have effect: **01 February 2016**  
(54) Product in respect of which the design is registered: **Bracelet**  
(51) International Design Classification: **11-01C**  
(74) Name(s) of Attorney(s): **Cullens Pty Ltd**  
(71) Name(s) and Address(s) of Applicant(s):  
**Makia S.r.l.**  
**Corso Mediterraneo 114 Torino I-10129 Italy**  
(72) Name(s) of Designer(s): **Flavio Biancardi**  
(45) Registration Date: **10 February 2016**  
(56) Related Art Documents: **Not Applicable**  
(57) Statement of Newness and Distinctiveness: **Newness and distinctiveness reside in the features of shape and configuration of a bracelet as shown in the representations.**





- (21) Design Number: **10489/2016**  
(22) Date of Filing Application: **01 February 2016**  
(24) Date from which industrial property rights may have effect: **01 February 2016**  
(54) Product in respect of which the design is registered: **Bracelet**  
(51) International Design Classification: **11-01C**  
(74) Name(s) of Attorney(s): **Cullens Pty Ltd**  
(71) Name(s) and Address(s) of Applicant(s):  
**Makia S.r.l.**  
**Corso Mediterraneo 114 Torino I-10129 Italy**  
(72) Name(s) of Designer(s): **Flavio Biancardi**  
(45) Registration Date: **10 February 2016**  
(56) Related Art Documents: **Not Applicable**  
(57) Statement of Newness and Distinctiveness: **Newness and distinctiveness reside in the features of shape and configuration of a bracelet as shown in the representations.**



- (21) Design Number: **10402/2016**  
(22) Date of Filing Application: **27 January 2016**  
(24) Date from which industrial property rights may have effect: **27 January 2016**  
(54) Product in respect of which the design is registered: **Blender**  
(51) International Design Classification: **31-00**  
(74) Name(s) of Attorney(s): **Shelston IP Pty Ltd.**  
(71) Name(s) and Address(s) of Applicant(s):  
**Arcelik Anonim Sirketi**  
**E5 Ankara Asfalti Uzeri Tuzia Istanbul, 34950 Turkey**  
(72) Name(s) of Designer(s): **Asli Okmen and Nihat Duran and Gizem Durakoglu and Can Onur Vanci and Ozlem Kok**  
(45) Registration Date: **10 February 2016**  
(30) Convention priority data:  
(31) Number (32) Date (33) Country  
**002857375-0001 12 Nov 2015 OFFICE FOR HARMONISATION IN THE INTERNAL MARKET (OHIM)**  
(56) Related Art Documents: **Not Applicable**  
(57) Statement of Newness and Distinctiveness: **Newness and distinctiveness reside in the features of shape and/or configuration of a BLENDER as illustrated in the accompanying representations.**



- (21) Design Number: **10403/2016**  
(22) Date of Filing Application: **27 January 2016**  
(24) Date from which industrial property rights may have effect: **27 January 2016**  
(54) Product in respect of which the design is registered: **Sheet of packaging for hygiene articles**  
(51) International Design Classification: **09-03H**  
(74) Name(s) of Attorney(s): **FB Rice**  
(71) Name(s) and Address(s) of Applicant(s):  
**Paul Hartmann AG**  
**Paul-Hartmann-Strasse 12 Heidenheim 89522 Germany**  
(72) Name(s) of Designer(s): **Employees of Serviceplan Design Hamburg GmbH & Co. KG**  
(45) Registration Date: **10 February 2016**  
(56) Related Art Documents: **Not Applicable**  
(57) Statement of Newness and Distinctiveness: **Newness and distinctiveness reside in the visual features of pattern and ornamentation of the design as shown in the representations.**



- (21) Design Number: **10405/2016**  
(22) Date of Filing Application: **27 January 2016**  
(24) Date from which industrial property rights may have effect: **27 January 2016**  
(54) Product in respect of which the design is registered: **Blender**  
(51) International Design Classification: **31-00**  
(74) Name(s) of Attorney(s): **Shelston IP Pty Ltd.**  
(71) Name(s) and Address(s) of Applicant(s):  
**Arcelik Anonim Sirketi**  
**E5 Ankara Asfalti Uzeri Tuzia Istanbul, 34950 Turkey**  
(72) Name(s) of Designer(s): **Asli Okmen and Nihat Duran and Gizem Durakoglu and Can Onur Vanci and Ozlem Kok**  
(45) Registration Date: **10 February 2016**  
(30) Convention priority data:  

(31) Number	(32) Date	(33) Country
<b>002 857 433</b>	<b>12 Nov 2015</b>	<b>OFFICE FOR HARMONISATION IN THE INTERNAL MARKET (OHIM)</b>

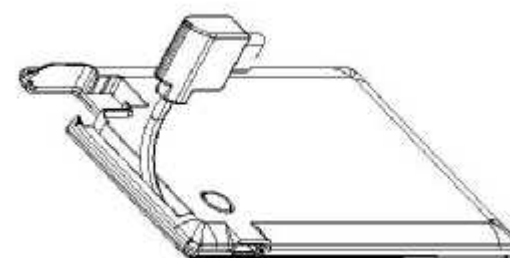
  
(56) Related Art Documents: **Not Applicable**  
(57) Statement of Newness and Distinctiveness: **Newness and distinctiveness reside in the features of shape and/or configuration of a BLENDER as illustrated in the accompanying representations.**



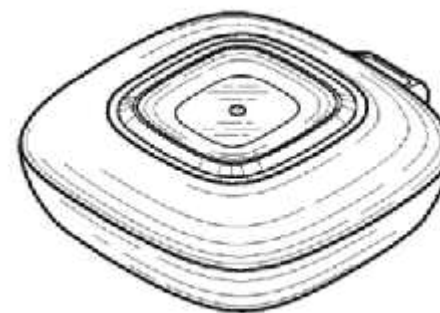
- (21) Design Number: **10406/2016**  
(22) Date of Filing Application: **27 January 2016**  
(24) Date from which industrial property rights may have effect: **27 January 2016**  
(54) Product in respect of which the design is registered: **Electric chopper**  
(51) International Design Classification: **31-00, 07-04**  
(74) Name(s) of Attorney(s): **Shelston IP Pty Ltd.**  
(71) Name(s) and Address(s) of Applicant(s):  
**Arcelik Anonim Sirketi**  
**E5 Ankara Asfalti Uzeri Tuzia Istanbul, 34950 Turkey**  
(72) Name(s) of Designer(s): **Asli Okmen and Nihat Duran and Gizem Durakoglu and Can Onur Vanci and Ozlem Kok**  
(45) Registration Date: **10 February 2016**  
(30) Convention priority data:  
(31) Number (32) Date (33) Country  
**002857409-0001 12 Nov 2015 OFFICE FOR HARMONISATION IN THE INTERNAL MARKET (OHIM)**  
(56) Related Art Documents: **Not Applicable**  
(57) Statement of Newness and Distinctiveness: **Newness and distinctiveness reside in the features of shape and/or configuration of an ELECTRIC CHOPPER as illustrated in the accompanying representations.**



- (21) Design Number: **10408/2016**  
(22) Date of Filing Application: **27 January 2016**  
(24) Date from which industrial property rights may have effect: **27 January 2016**  
(54) Product in respect of which the design is registered: **Portable charger for mobile communications device**  
(51) International Design Classification: **13-02**  
(74) Name(s) of Attorney(s): **PHILLIPS ORMONDE FITZPATRICK**  
(71) Name(s) and Address(s) of Applicant(s):  
**Red White Blue Group Pty Ltd**  
**139/1 Moores Cres Varsity Lakes QLD 4227 Australia**  
(72) Name(s) of Designer(s): **Madeleine Saric**  
(45) Registration Date: **10 February 2016**  
(56) Related Art Documents: **Not Applicable**  
(57) Statement of Newness and Distinctiveness: **Those features of the portable charger for mobile communications device depicted in the representations that are new and distinctive are the shape and/or configuration. The feature shown in broken lines is not part of the design and is to be disregarded when considering the overall impression of the design.**



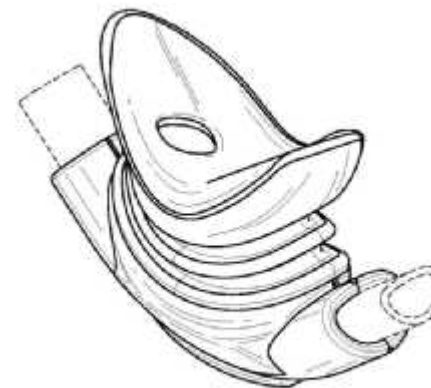
- (21) Design Number: **10410/2016**  
(22) Date of Filing Application: **27 January 2016**  
(24) Date from which industrial property rights may have effect: **27 January 2016**  
(54) Product in respect of which the design is registered: **Intelligent emergency mobile duress device**  
(51) International Design Classification: **24-99**  
(74) Name(s) of Attorney(s): **Cullens Pty Ltd**  
(71) Name(s) and Address(s) of Applicant(s):  
**Inovonics Wireless Corporation**  
**397 S. Taylor Avenue Louisville Colorado, 80027 United States of America**  
(72) Name(s) of Designer(s): **Harry B. Taylor and Todd Stanley and Sean Lewis and Christian Huber and Daryl Burkhard and Carol Markert and Rashid Al-hamoodah and Floyd Nishi and Mark Jarman and Don Commare and Michael Slack and Eric Roth**  
(45) Registration Date: **10 February 2016**  
(30) Convention priority data:  
(31) Number (32) Date (33) Country  
**29/534724 30 Jul 2015 UNITED STATES OF AMERICA**  
(56) Related Art Documents: **Not Applicable**  
(57) Statement of Newness and Distinctiveness: **Newness and distinctiveness reside in the shape and configuration of an intelligent emergency mobile duress device as shown in the accompanying representations. No newness and distinctiveness is claimed in the portions shown in broken line which are for illustrative purposes only and form no part of the claimed design.**



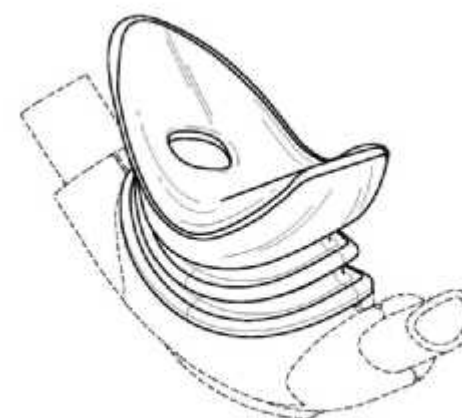
- (21) Design Number: **10413/2016**  
(22) Date of Filing Application: **27 January 2016**  
(24) Date from which industrial property rights may have effect: **27 January 2016**  
(54) Product in respect of which the design is registered: **Automobile tire**  
(51) International Design Classification: **12-15B**  
(74) Name(s) of Attorney(s): **Shelston IP Pty Ltd.**  
(71) Name(s) and Address(s) of Applicant(s):  
**The Yokohama Rubber Co., Ltd.**  
**36-11, Shimbashi 5-chome Minato-ku Tokyo, 105-8685 Japan**  
(72) Name(s) of Designer(s): **Takahiro Yamakawa**  
(45) Registration Date: **10 February 2016**  
(30) Convention priority data:  
(31) Number (32) Date (33) Country  
**2015-017178 31 Jul 2015 JAPAN**  
(56) Related Art Documents: **Not Applicable**  
(57) Statement of Newness and Distinctiveness: **Newness and distinctiveness reside in the features of shape and/or configuration of the tread of the Automobile tire as shown in solid lines in the accompanying representations. The features shown in broken lines are included for illustrative purposes only and do not form part of the design. The long and short dash lines illustrate a boundary between features that form part of the design and features that do not form part of the design.**



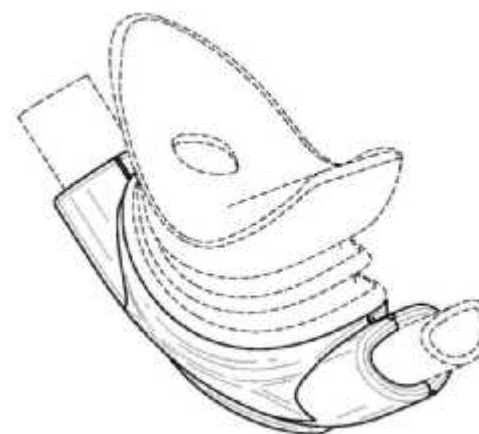
(21) Design Number: **10416/2016**  
(22) Date of Filing Application: **27 January 2016**  
(24) Date from which industrial property rights may have effect: **27 January 2016**  
(54) Product in respect of which the design is registered: **Nasal interface**  
(51) International Design Classification: **24-02**  
(74) Name(s) of Attorney(s): **Pizzeys Patent and Trade Mark Attorneys Pty Ltd**  
(71) Name(s) and Address(s) of Applicant(s):  
**inSleep Technologies, LLC**  
**3265 Meridian Parkway, Suite 114 Weston FL, 33331 United States of America**  
(72) Name(s) of Designer(s): **Martin Baecke and Frank Kuhlemann and Martin W. Kerber and Wayne D. Robens and Nathaniel V. Tran and Michael H. Gusky and Jeffrey Walter Bentzler and Dennis Lynn Schroeder and Stuart Allan Karten and Steven Chance Elliot**  
(45) Registration Date: **10 February 2016**  
(30) Convention priority data:  
(31) Number (32) Date (33) Country  
**29/534,831 31 Jul 2015 UNITED STATES OF AMERICA**  
(56) Related Art Documents: **Not Applicable**  
(57) Statement of Newness and Distinctiveness: **Nil**



(21) Design Number: **10417/2016**  
(22) Date of Filing Application: **27 January 2016**  
(24) Date from which industrial property rights may have effect: **27 January 2016**  
(54) Product in respect of which the design is registered: **Nasal pillow**  
(51) International Design Classification: **24-02**  
(74) Name(s) of Attorney(s): **Pizzeys Patent and Trade Mark Attorneys Pty Ltd**  
(71) Name(s) and Address(s) of Applicant(s):  
**inSleep Technologies, LLC**  
**3265 Meridian Parkway, Suite 114 Weston FL, 33331 United States of America**  
(72) Name(s) of Designer(s): **Martin Baecke and Frank Kuhlemann and Martin W. Kerber and Wayne D. Robens and Nathaniel V. Tran**  
(45) Registration Date: **10 February 2016**  
(30) Convention priority data:  
(31) Number (32) Date (33) Country  
**29/534,837 31 Jul 2015 UNITED STATES OF AMERICA**  
(56) Related Art Documents: **Not Applicable**  
(57) Statement of Newness and Distinctiveness: **Nil**



(21) Design Number: **10418/2016**  
(22) Date of Filing Application: **27 January 2016**  
(24) Date from which industrial property rights may have effect: **27 January 2016**  
(54) Product in respect of which the design is registered: **Nasal interface base**  
(51) International Design Classification: **24-02**  
(74) Name(s) of Attorney(s): **Pizzeys Patent and Trade Mark Attorneys Pty Ltd**  
(71) Name(s) and Address(s) of Applicant(s):  
**inSleep Technologies, LLC**  
**3265 Meridian Parkway, Suite 114 Weston FL, 33331 United States of America**  
(72) Name(s) of Designer(s): **Michael H. Gusky and Martin W. Kerber and Wayne D. Robens and Nathaniel V. Tran and Jeffrey Walter Bentzler and Dennis Lynn Schroeder and Stuart Allan Karten and Steven Chance Elliot**  
(45) Registration Date: **10 February 2016**  
(30) Convention priority data:  
(31) Number (32) Date (33) Country  
**29/534,825 31 Jul 2015 UNITED STATES OF AMERICA**  
(56) Related Art Documents: **Not Applicable**  
(57) Statement of Newness and Distinctiveness: **Nil**



(21) Design Number: **10429/2016**  
(22) Date of Filing Application: **28 January 2016**  
(24) Date from which industrial property rights may have effect: **28 January 2016**  
(54) Product in respect of which the design is registered: **Mounting device**  
(51) International Design Classification: **08-08L**  
(74) Name(s) of Attorney(s): **WRAYS PTY LTD**  
(71) Name(s) and Address(s) of Applicant(s):  
**CUB Pty Ltd**  
**77 Southbank Bvd Southbank VIC 3006 Australia**  
(72) Name(s) of Designer(s): **Karl McIntyre**  
(45) Registration Date: **10 February 2016**  
(56) Related Art Documents: **Not Applicable**  
(57) Statement of Newness and Distinctiveness: **Newness and distinctiveness resides in the visual features of the shape and/or configuration of a mounting device as illustrated in the accompanying representations**



(21) Design Number: **10477/2016**  
(22) Date of Filing Application: **29 January 2016**  
(24) Date from which industrial property rights may have effect: **29 January 2016**  
(54) Product in respect of which the design is registered: **Storage compartment**  
(51) International Design Classification: **09-03NES**  
(74) Name(s) of Attorney(s): **Freehills Patent Attorneys**  
(71) Name(s) and Address(s) of Applicant(s):  
**Pride Mobility Products Corporation**  
**182 Susquehanna Ave Exeter Pennsylvania, 18643 United States of America**  
(72) Name(s) of Designer(s): **Sarah Ruth Elon and Michael R. Vandever and Kip D. Alder**  
(45) Registration Date: **10 February 2016**  
(30) Convention priority data:  
(31) Number (32) Date (33) Country  
**29/535456 06 Aug 2015 UNITED STATES OF AMERICA**  
(56) Related Art Documents: **Not Applicable**  
(57) Statement of Newness and Distinctiveness: **Newness and distinctiveness of the design resides in the features of shape and configuration of the storage compartment as shown in solid outline in the accompanying representations.**



(21) Design Number: **10485/2016**  
(22) Date of Filing Application: **01 February 2016**  
(24) Date from which industrial property rights may have effect: **01 February 2016**  
(54) Product in respect of which the design is registered: **Protective helmet**  
(51) International Design Classification: **02-03**  
(74) Name(s) of Attorney(s): **Freehills Patent Attorneys**  
(71) Name(s) and Address(s) of Applicant(s):  
**JSP Limited**  
**Worsham Mill Minster Lovell Oxfordshire OX29 OTA United Kingdom**  
(72) Name(s) of Designer(s): **Stephen John Hare**  
(45) Registration Date: **10 February 2016**  
(30) Convention priority data:  
(31) Number (32) Date (33) Country  
**002754093-01 13 Aug 2015 OFFICE FOR HARMONISATION IN THE INTERNAL MARKET (OHIM)**  
(56) Related Art Documents: **Not Applicable**  
(57) Statement of Newness and Distinctiveness: **Newness and distinctiveness of the design resides in the shape and/or configuration of the protective helmet as shown in the accompanying representations.**



- (21) Design Number: **10490/2016**  
(22) Date of Filing Application: **01 February 2016**  
(24) Date from which industrial property rights may have effect: **01 February 2016**  
(54) Product in respect of which the design is registered: **Chassis of a racing simulator**  
(51) International Design Classification: **21-03**  
(74) Name(s) of Attorney(s):  
(71) Name(s) and Address(s) of Applicant(s):  
**Kin Hei Marco Fung**  
**3724 Regent St Burnaby V5G 1A1 Canada**  
(72) Name(s) of Designer(s): **Kin Hei Marco Fung**  
(45) Registration Date: **10 February 2016**  
(30) Convention priority data:  
(31) Number (32) Date (33) Country  
**913863801 11 Aug 2015 WORLD INTELLECTUAL**  
**PROPERTY ORGANIZATION**  
**(WIPO)**  
(56) Related Art Documents: **Not Applicable**  
(57) Statement of Newness and Distinctiveness: **The newness and distinctiveness of the design are the overall shape.**



- (21) Design Number: **15404/2015**  
(22) Date of Filing Application: **13 October 2015**  
(24) Date from which industrial property rights may have effect: **13 October 2015**  
(54) Product in respect of which the design is registered: **Wine bottle**  
(51) International Design Classification: **09-01H**  
(74) Name(s) of Attorney(s):  
(71) Name(s) and Address(s) of Applicant(s):  
**MILLON WINES PTY LTD**  
**U2 20-28 Ricketty St Mascot NSW 2020 Australia**  
(72) Name(s) of Designer(s): **Members of the designs team of John Jewell Design Pty Ltd and Employees of Millon Wines Pty Ltd and Mica Australia Pty Ltd**  
(45) Registration Date: **10 February 2016**  
(56) Related Art Documents: **Not Applicable**  
(57) Statement of Newness and Distinctiveness: **We consider this to be unique mainly due to the extent of visual intricacy that is very rarely seen in screen printed designs applied to glass. Furthermore, these designs are not generic images, they have been created directly from our own unique vision and design concepts for this particular brand. We directed the designer every step of the way and consider the design to be our own personal concept.**





(21) Design Number: **16941/2015**  
(22) Date of Filing Application: **21 December 2015**  
(24) Date from which industrial property rights may have effect: **21 December 2015**  
(54) Product in respect of which the design is registered: **Splitting maul**  
(51) International Design Classification: **08-03**  
(74) Name(s) of Attorney(s): **Davies Collison Cave**  
(71) Name(s) and Address(s) of Applicant(s):  
**Fiskars Brands, Inc.**  
**2537 Daniels Street Madison Wisconsin, 53718 United States of America**  
(72) Name(s) of Designer(s): **Aaron Honadel and Steven Stokes and Colin Roberts and Petteri Masalin and Sami Lyytikainen**  
(45) Registration Date: **10 February 2016**  
(30) Convention priority data:  
(31) Number (32) Date (33) Country  
**29/531,279 24 Jun 2015 UNITED STATES OF AMERICA**

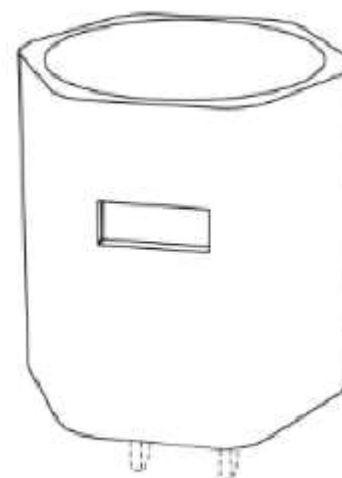


(56) Related Art Documents: **Not Applicable**  
(57) Statement of Newness and Distinctiveness: **Newness and distinctiveness is claimed in the visual features shown in solid lines in the representations. Any portion of the article depicted in broken lines forms no part of the claimed design. Broken lines formed by equal length dashes show unclaimed portions of the design. As shown in Figure 9, the circular features on the grip of the handle are depicted in broken lines. Any illustrated solid lines (or portions thereof) may be converted to broken lines and any illustrated broken lines (or portions thereof) may be converted to solid lines so as to claim or disclaim portions, components, or sub-components of the designs shown. Shading may be added or removed to claim or disclaim the corresponding surfaces.**

(21) Design Number: **16973/2015**  
(22) Date of Filing Application: **22 December 2015**  
(24) Date from which industrial property rights may have effect: **22 December 2015**  
(54) Product in respect of which the design is registered: **Espresso maker**  
(51) International Design Classification: **07-02C**  
(74) Name(s) of Attorney(s): **Davies Collison Cave**  
(71) Name(s) and Address(s) of Applicant(s):  
**WMF Group GmbH**  
**Eberhardstrasse 35 Geislingen/Steige 73312 Germany**  
(72) Name(s) of Designer(s): **Thomas Starczewski**  
(45) Registration Date: **10 February 2016**  
(30) Convention priority data:  
(31) Number (32) Date (33) Country  
**40 2015 100 662.0 17 Jul 2015 GERMANY**  
(56) Related Art Documents: **Not Applicable**  
(57) Statement of Newness and Distinctiveness: **Nil**



(21) Design Number: **16979/2015**  
(22) Date of Filing Application: **22 December 2015**  
(24) Date from which industrial property rights may have effect: **22 December 2015**  
(54) Product in respect of which the design is registered: **Power adapter**  
(51) International Design Classification: **13-03D**  
(74) Name(s) of Attorney(s): **Davies Collison Cave**  
(71) Name(s) and Address(s) of Applicant(s):  
**Shenzhen Royole Technologies Co., Ltd.**  
**A4-1501, Kexing Science Park No.15 Keyuan Rd Science and**  
**Technology Park Nanshan District, Shenzhen Guangdong China**

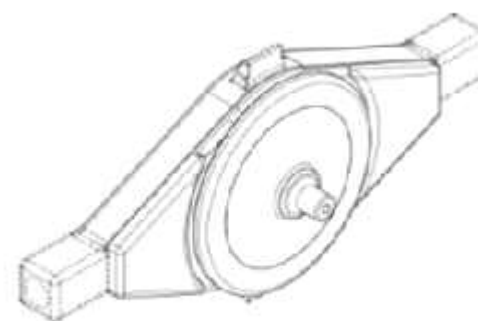


(72) Name(s) of Designer(s): **Xinyuan Xia and Chao Jiang and Zihong Lui**  
(45) Registration Date: **10 February 2016**  
(30) Convention priority data:  
(31) Number (32) Date (33) Country  
**201530262130.8 20 Jul 2015 CHINA**

(56) Related Art Documents: **Not Applicable**

(57) Statement of Newness and Distinctiveness: **Newness and distinctiveness is claimed in the visual features shown in solid lines in the representations. In considering the extent of the design rights, the broken lines shown in the representations are for illustrative purposes only and do not form part of the design.**

(21) Design Number: **17056/2015**  
(22) Date of Filing Application: **23 December 2015**  
(24) Date from which industrial property rights may have effect: **23 December 2015**  
(54) Product in respect of which the design is registered: **Pressure detector for a circulation circuit**  
(51) International Design Classification: **24-99**  
(74) Name(s) of Attorney(s): **Davies Collison Cave**  
(71) Name(s) and Address(s) of Applicant(s):  
**Toray Industries, Inc.**  
**1-1, Nihonbashi-Muromachi 2-chome Chuo-ku Tokyo, 103-8666 Japan**

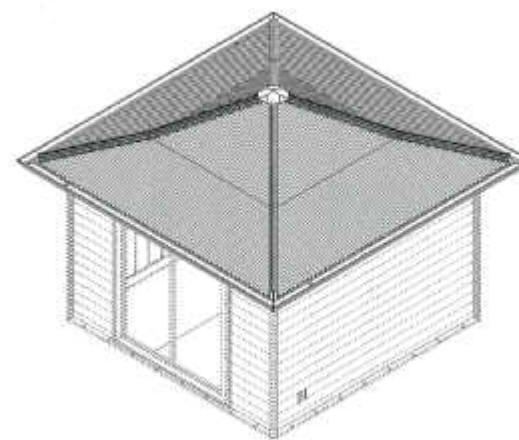


(72) Name(s) of Designer(s): **Kazuyuki Hashimoto and Yumi Oka**  
(45) Registration Date: **10 February 2016**  
(30) Convention priority data:  
(31) Number (32) Date (33) Country  
**2015-014294 29 Jun 2015 JAPAN**

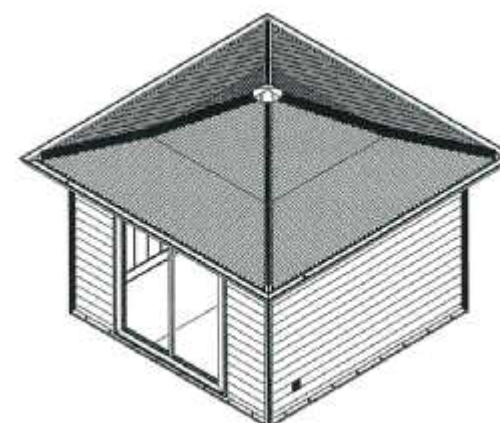
(56) Related Art Documents: **Not Applicable**

(57) Statement of Newness and Distinctiveness: **Newness and distinctiveness is claimed in the visual features shown in solid lines in the representations. The article is a transparent pressure detector that is embedded in an extracorporeal circulation circuit for a blood purification therapy such as dialysis and hemoperfusion. The broken lines having alternating long and short segments define bounds of the claimed design and form no part thereof. Thin lines shown on the surface of the design are lines to express the shape of a three-dimensional surface. In considering the extent of the design rights, the broken lines shown in the representations are for illustrative purposes only and do not form part of the design.**

- (21) Design Number: **10318/2016**  
(22) Date of Filing Application: **22 January 2016**  
(24) Date from which industrial property rights may have effect: **22 January 2016**  
(54) Product in respect of which the design is registered: **Roof for a structure**  
(51) International Design Classification: **25-01G**  
(74) Name(s) of Attorney(s): **AJ Park**  
(71) Name(s) and Address(s) of Applicant(s):  
**EZEE LIVING PRODUCTS LIMITED**  
**37 Paremoremo Road Lucas Heights Auckland 0632 New Zealand**  
(72) Name(s) of Designer(s): **Andrew James Jenkins and Graham James Brewster**  
(45) Registration Date: **10 February 2016**  
(30) Convention priority data:  
(31) Number (32) Date (33) Country  
**420457 23 Jul 2015 NEW ZEALAND**  
(56) Related Art Documents: **Not Applicable**  
(57) Statement of Newness and Distinctiveness: **The design is to be applied to a roof for a structure and the novelty resides in the features of shape and configuration as shown in the accompanying representations, wherein no novelty resides in features shown in dashed lines.**



- (21) Design Number: **10319/2016**  
(22) Date of Filing Application: **22 January 2016**  
(24) Date from which industrial property rights may have effect: **22 January 2016**  
(54) Product in respect of which the design is registered: **Structure**  
(51) International Design Classification: **25-03**  
(74) Name(s) of Attorney(s): **AJ Park**  
(71) Name(s) and Address(s) of Applicant(s):  
**EZEE LIVING PRODUCTS LIMITED**  
**37 Paremoremo Road Lucas Heights Auckland 0632 New Zealand**  
(72) Name(s) of Designer(s): **Andrew James Jenkins and Graham James Brewster**  
(45) Registration Date: **10 February 2016**  
(30) Convention priority data:  
(31) Number (32) Date (33) Country  
**420456 23 Jul 2015 NEW ZEALAND**  
(56) Related Art Documents: **Not Applicable**  
(57) Statement of Newness and Distinctiveness: **The design is to be applied to a structure and the novelty resides in the features of shape and configuration as shown in the accompanying representations, herein no novelty resides in features shown in dashed lines.**



(21) Design Number: **10059/2016**  
(22) Date of Filing Application: **07 January 2016**  
(24) Date from which industrial property rights may have effect: **07 January 2016**  
(54) Product in respect of which the design is registered: **Water Filter Jug**  
(51) International Design Classification: **07-01F**  
(74) Name(s) of Attorney(s): **Griffith Hack**  
(71) Name(s) and Address(s) of Applicant(s):  
**BRITA GMBH**  
**Heinrich-Hertz Strasse 4 TAUNUSSTEIN 65232 Germany**  
(72) Name(s) of Designer(s): **Ulf Plihal**  
(45) Registration Date: **11 February 2016**  
(30) Convention priority data:  
(31) Number (32) Date (33) Country  
**402015100660 17 Jul 2015 GERMANY**  
(56) Related Art Documents: **Not Applicable**  
(57) Statement of Newness and Distinctiveness: **Nil**



(21) Design Number: **10060/2016**  
(22) Date of Filing Application: **07 January 2016**  
(24) Date from which industrial property rights may have effect: **07 January 2016**  
(54) Product in respect of which the design is registered: **Filter for water jug**  
(51) International Design Classification: **07-01F**  
(74) Name(s) of Attorney(s): **Griffith Hack**  
(71) Name(s) and Address(s) of Applicant(s):  
**BRITA GMBH**  
**Heinrich-Hertz Strasse 4 TAUNUSSTEIN 65232 Germany**  
(72) Name(s) of Designer(s): **Ulf Plihal**  
(45) Registration Date: **11 February 2016**  
(30) Convention priority data:  
(31) Number (32) Date (33) Country  
**402015100660 17 Jul 2015 GERMANY**  
(56) Related Art Documents: **Not Applicable**  
(57) Statement of Newness and Distinctiveness: **Nil**



(21) Design Number: **10063/2016**  
(22) Date of Filing Application: **07 January 2016**  
(24) Date from which industrial property rights may have effect: **07 January 2016**  
(54) Product in respect of which the design is registered: **Water filter jug**  
(51) International Design Classification: **07-01F**  
(74) Name(s) of Attorney(s): **Griffith Hack**  
(71) Name(s) and Address(s) of Applicant(s):

**BRITA GMBH**  
**Heinrich-Hertz Strasse 4 TAUNUSSTEIN 65232 Germany**

(72) Name(s) of Designer(s): **Ulf Plihal**  
(45) Registration Date: **11 February 2016**

(30) Convention priority data:

(31) Number	(32) Date	(33) Country
<b>402015100660</b>	<b>17 Jul 2015</b>	<b>GERMANY</b>

(56) Related Art Documents: **Not Applicable**

(57) Statement of Newness and Distinctiveness: **Newness and distinctiveness resides in the visual features of a WATER FILTER JUG as shown in the accompanying representations, namely, the transparent portions of the jug and filter, and the contrasting, opaque lid, handle, filter-base and feet.**



(21) Design Number: **10465/2016**  
(22) Date of Filing Application: **29 January 2016**  
(24) Date from which industrial property rights may have effect: **29 January 2016**  
(54) Product in respect of which the design is registered: **Motorcycle**  
(51) International Design Classification: **12-11**  
(74) Name(s) of Attorney(s): **Fisher Adams Kelly Callinans**  
(71) Name(s) and Address(s) of Applicant(s):

**Vertigo Motors, S.L.**  
**Mercaders 34 - Pol. Ind. Riera de Calde Palau de Plegamans Barcelona**  
**08184 Spain**

(72) Name(s) of Designer(s): **Manuel Jane Santamaria**  
(45) Registration Date: **11 February 2016**

(30) Convention priority data:

(31) Number	(32) Date	(33) Country
<b>2863258-0001</b>	<b>17 Nov 2015</b>	<b>OFFICE FOR HARMONISATION IN THE INTERNAL MARKET (OHIM)</b>

(56) Related Art Documents: **Not Applicable**

(57) Statement of Newness and Distinctiveness: **Newness and distinctiveness of the design resides in the shape and/or configuration of a motorcycle as shown in the representations.**



(21) Design Number: **10470/2016**

(22) Date of Filing Application: **29 January 2016**

(24) Date from which industrial property rights may have effect: **29 January 2016**

(54) Product in respect of which the design is registered: **Chassis for a motorcycle**

(51) International Design Classification: **12-11, 12-16NES**

(74) Name(s) of Attorney(s): **Fisher Adams Kelly Callinans**

(71) Name(s) and Address(s) of Applicant(s):

**Vertigo Motors, S.L.**

**Mercaders 34-Pol. Ind. Riera de Caldes PALAU DE PLEGAMANS  
Barcelona 08184 Spain**

(72) Name(s) of Designer(s): **Manuel Jane Santamaria**

(45) Registration Date: **11 February 2016**

(30) Convention priority data:

(31) Number  
**2863258-0002**

(32) Date  
**17 Nov 2015**

(33) Country  
**OFFICE FOR HARMONISATION IN  
THE INTERNAL MARKET (OHIM)**

(56) Related Art Documents: **Not Applicable**

(57) Statement of Newness and Distinctiveness: **Newness and distinctiveness of the design resides in the shape and/or configuration of a chassis for a motorcycle as shown in the representations.**



(21) Design Number: **10494/2016**

(22) Date of Filing Application: **01 February 2016**

(24) Date from which industrial property rights may have effect: **01 February 2016**

(54) Product in respect of which the design is registered: **Awning**

(51) International Design Classification: **25-02H**

(74) Name(s) of Attorney(s): **Griffith Hack**

(71) Name(s) and Address(s) of Applicant(s):

**FIAMMA S.p.A**

**Via San Rocco 56 Cardano al Campo 21010 Italy**

(72) Name(s) of Designer(s): **John-David Pozzi and Charles Philip Pozzi**

(45) Registration Date: **11 February 2016**

(30) Convention priority data:

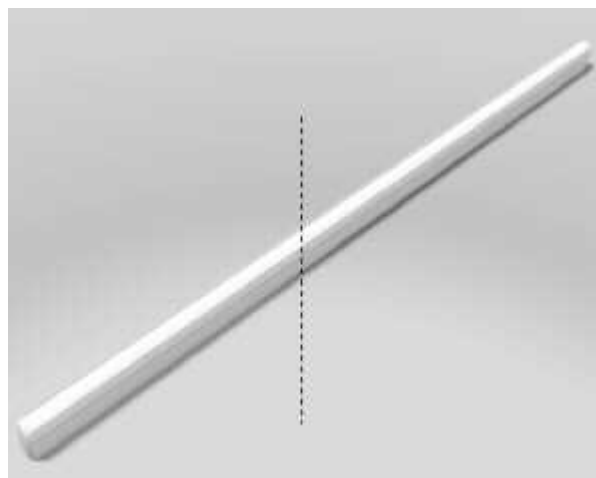
(31) Number  
**002753517-0001**

(32) Date  
**12 Aug 2015**

(33) Country  
**OFFICE FOR HARMONISATION IN  
THE INTERNAL MARKET (OHIM)**

(56) Related Art Documents: **Not Applicable**

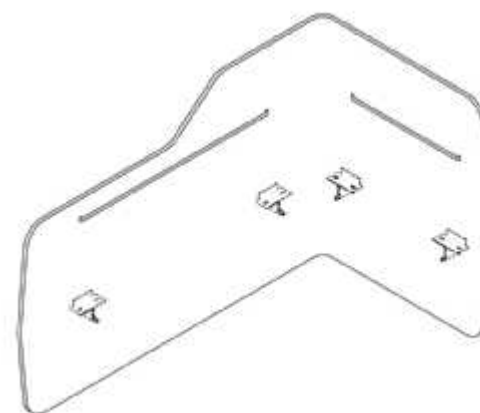
(57) Statement of Newness and Distinctiveness: **Newness and distinctiveness resides in the visual features, including shape and configuration of the product as shown in the representations. The device may be of any length, and the letters and symbols that are shown in figures 5 and 6 are for illustrative purposes. The letters and symbols do not form part of the design.**



- (21) Design Number: **10496/2016**  
(22) Date of Filing Application: **01 February 2016**  
(24) Date from which industrial property rights may have effect: **01 February 2016**  
(54) Product in respect of which the design is registered: **Charger for portable electronic device**  
(51) International Design Classification: **13-02**  
(74) Name(s) of Attorney(s): **Griffith Hack**  
(71) Name(s) and Address(s) of Applicant(s):  
**SAMSUNG ELECTRONICS CO., LTD.**  
**129, Samsung-ro Yeongtong-gu Suwon-si Gyeonggi-do 16677 Republic of Korea**  
(72) Name(s) of Designer(s): **Yongseok Bang and Miri Lee and Jaehyung Hong and Sik Chung**  
(45) Registration Date: **11 February 2016**  
(30) Convention priority data:  
(31) Number (32) Date (33) Country  
**30-2015-0041031 13 Aug 2015 REPUBLIC OF KOREA**  
(56) Related Art Documents: **Not Applicable**  
(57) Statement of Newness and Distinctiveness: **Newness and distinctiveness relates to the visual features of the product including the shape and configuration as shown by means of the solid lines in the drawings. Figure 9 is a reference view and does not form part of the design.**



- (21) Design Number: **10497/2016**  
(22) Date of Filing Application: **01 February 2016**  
(24) Date from which industrial property rights may have effect: **01 February 2016**  
(54) Product in respect of which the design is registered: **A privacy screen**  
(51) International Design Classification: **06-06NES**  
(74) Name(s) of Attorney(s):  
(71) Name(s) and Address(s) of Applicant(s):  
**Thinking Ergonomix Pty Limited**  
**25 Helles Ave Moorebank NSW 2170 Australia**  
(72) Name(s) of Designer(s): **Lowell Mak and Nicholas Newton**  
(45) Registration Date: **11 February 2016**  
(56) Related Art Documents: **Not Applicable**  
(57) Statement of Newness and Distinctiveness: **Newness and distinctiveness is claimed in the shape and configuration of a privacy screen as shown in the representations. The ghost lines do not form part of the design.**



(21) Design Number: **10061/2016**  
(22) Date of Filing Application: **07 January 2016**  
(24) Date from which industrial property rights may have effect: **07 January 2016**  
(54) Product in respect of which the design is registered: **Water filter jug**  
(51) International Design Classification: **07-01F**  
(74) Name(s) of Attorney(s): **Griffith Hack**  
(71) Name(s) and Address(s) of Applicant(s):

**BRITA GMBH**  
**Heinrich-Hertz Strasse 4 TAUNUSSTEIN 65232 Germany**

(72) Name(s) of Designer(s): **Ulf Plihal**  
(45) Registration Date: **11 February 2016**

(30) Convention priority data:

(31) Number	(32) Date	(33) Country
<b>402015100660</b>	<b>17 Jul 2015</b>	<b>GERMANY</b>

(56) Related Art Documents: **Not Applicable**

(57) Statement of Newness and Distinctiveness: **Newness and distinctiveness resides in the visual features of a WATER FILTER JUG as shown in the accompanying representations, namely, the transparent portions of the jug and filter, and the opaque, contrasting red colour of the lid, handle, filter-base and feet.**



(21) Design Number: **10062/2016**  
(22) Date of Filing Application: **07 January 2016**  
(24) Date from which industrial property rights may have effect: **07 January 2016**  
(54) Product in respect of which the design is registered: **Water filter jug**  
(51) International Design Classification: **07-01F**  
(74) Name(s) of Attorney(s): **Griffith Hack**  
(71) Name(s) and Address(s) of Applicant(s):

**BRITA GMBH**  
**Heinrich-Hertz Strasse 4 TAUNUSSTEIN 65232 Germany**

(72) Name(s) of Designer(s): **Ulf Plihal**  
(45) Registration Date: **11 February 2016**

(30) Convention priority data:

(31) Number	(32) Date	(33) Country
<b>402015100660</b>	<b>17 Jul 2015</b>	<b>GERMANY</b>

(56) Related Art Documents: **Not Applicable**

(57) Statement of Newness and Distinctiveness: **Newness and distinctiveness resides in the visual features of a WATER FILTER JUG as shown in the accompanying representations, namely, the transparent portions of the jug and filter, and the contrasting, opaque lid, handle, filter-base and feet.**





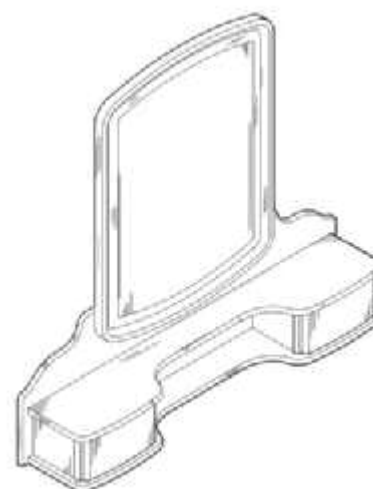
- (21) Design Number: **10498/2016**  
(22) Date of Filing Application: **01 February 2016**  
(24) Date from which industrial property rights may have effect: **01 February 2016**  
(54) Product in respect of which the design is registered: **A drawer**  
(51) International Design Classification: **06-04F**  
(74) Name(s) of Attorney(s): **WATERMARK PATENT AND TRADE MARKS ATTORNEYS**  
(71) Name(s) and Address(s) of Applicant(s):  
**Orion Holdings (Overseas) Limited**  
**13/F Pico Tower 66 Gloucester Road Wan Chai Hong Kong Island Hong Kong**  
(72) Name(s) of Designer(s): **Justin Chui**  
(45) Registration Date: **11 February 2016**  
(56) Related Art Documents: **Not Applicable**  
(57) Statement of Newness and Distinctiveness: **Newness and distinctiveness resides in the visual features of shape and/or configuration of a drawer as shown in the accompanying representations.**



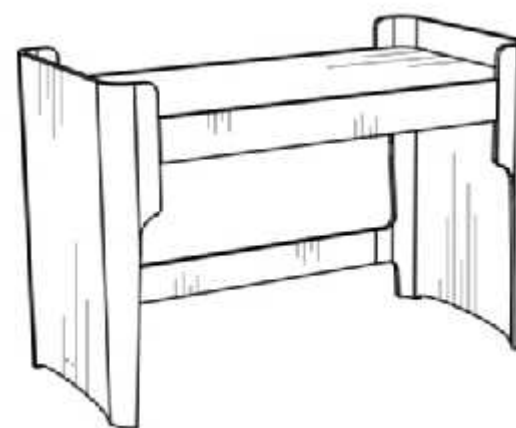
- (21) Design Number: **10499/2016**  
(22) Date of Filing Application: **01 February 2016**  
(24) Date from which industrial property rights may have effect: **01 February 2016**  
(54) Product in respect of which the design is registered: **A wardrobe**  
(51) International Design Classification: **06-04C**  
(74) Name(s) of Attorney(s): **WATERMARK PATENT AND TRADE MARKS ATTORNEYS**  
(71) Name(s) and Address(s) of Applicant(s):  
**Orion Holdings (Overseas) Limited**  
**13/F Pico Tower 66 Gloucester Road Wan Chai Hong Kong Island Hong Kong**  
(72) Name(s) of Designer(s): **Justin Chui**  
(45) Registration Date: **11 February 2016**  
(56) Related Art Documents: **Not Applicable**  
(57) Statement of Newness and Distinctiveness: **Newness and distinctiveness resides in the visual features of shape and/or configuration of a wardrobe as shown in the accompanying representations.**



- (21) Design Number: **10500/2016**  
(22) Date of Filing Application: **01 February 2016**  
(24) Date from which industrial property rights may have effect: **01 February 2016**  
(54) Product in respect of which the design is registered: **A dressing table mirror**  
(51) International Design Classification: **06-06B**  
(74) Name(s) of Attorney(s): **WATERMARK PATENT AND TRADE MARKS ATTORNEYS**  
(71) Name(s) and Address(s) of Applicant(s):  
**Orion Holdings (Overseas) Limited**  
**13/F Pico Tower 66 Gloucester Road Wan Chai Hong Kong Island Hong Kong**  
(72) Name(s) of Designer(s): **Justin Chui**  
(45) Registration Date: **11 February 2016**  
(56) Related Art Documents: **Not Applicable**  
(57) Statement of Newness and Distinctiveness: **Newness and distinctiveness resides in the visual features of shape and/or configuration of a dressing table mirror as shown in the accompanying representations.**



- (21) Design Number: **10501/2016**  
(22) Date of Filing Application: **01 February 2016**  
(24) Date from which industrial property rights may have effect: **01 February 2016**  
(54) Product in respect of which the design is registered: **A desk**  
(51) International Design Classification: **06-03C**  
(74) Name(s) of Attorney(s): **WATERMARK PATENT AND TRADE MARKS ATTORNEYS**  
(71) Name(s) and Address(s) of Applicant(s):  
**Orion Holdings (Overseas) Limited**  
**13/F Pico Tower 66 Gloucester Road Wan Chai Hong Kong Island Hong Kong**  
(72) Name(s) of Designer(s): **Justin Chui**  
(45) Registration Date: **11 February 2016**  
(56) Related Art Documents: **Not Applicable**  
(57) Statement of Newness and Distinctiveness: **Newness and distinctiveness resides in the visual features of shape and/or configuration of a desk as shown in the accompanying representations.**



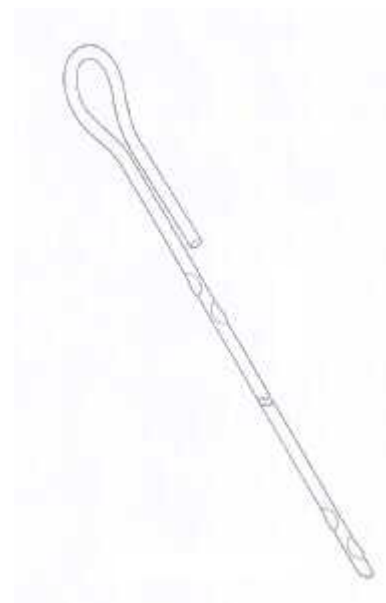
- (21) Design Number: **10504/2016**  
(22) Date of Filing Application: **01 February 2016**  
(24) Date from which industrial property rights may have effect: **01 February 2016**  
(54) Product in respect of which the design is registered: **A drawer**  
(51) International Design Classification: **06-04F**  
(74) Name(s) of Attorney(s): **WATERMARK PATENT AND TRADE MARKS ATTORNEYS**  
(71) Name(s) and Address(s) of Applicant(s):  
**Orion Holdings (Overseas) Limited**  
**13/F Pico Tower 66 Gloucester Road Wan Chai Hong Kong Island Hong Kong**  
(72) Name(s) of Designer(s): **Justin Chui**  
(45) Registration Date: **11 February 2016**  
(56) Related Art Documents: **Not Applicable**  
(57) Statement of Newness and Distinctiveness: **Newness and distinctiveness resides in the visual features of shape and/or configuration of a drawer as shown in the accompanying representations.**



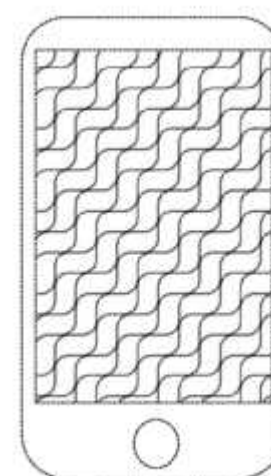
- (21) Design Number: **10505/2016**  
(22) Date of Filing Application: **01 February 2016**  
(24) Date from which industrial property rights may have effect: **01 February 2016**  
(54) Product in respect of which the design is registered: **A wardrobe**  
(51) International Design Classification: **06-04C**  
(74) Name(s) of Attorney(s): **WATERMARK PATENT AND TRADE MARKS ATTORNEYS**  
(71) Name(s) and Address(s) of Applicant(s):  
**Orion Holdings (Overseas) Limited**  
**13/F Pico Tower 66 Gloucester Road Wan Chai Hong Kong Island Hong Kong**  
(72) Name(s) of Designer(s): **Justin Chui**  
(45) Registration Date: **11 February 2016**  
(56) Related Art Documents: **Not Applicable**  
(57) Statement of Newness and Distinctiveness: **Newness and distinctiveness resides in the visual features of shape and/or configuration of a wardrobe as shown in the accompanying representations.**



(21) Design Number: **10508/2016**  
(22) Date of Filing Application: **02 February 2016**  
(24) Date from which industrial property rights may have effect: **02 February 2016**  
(54) Product in respect of which the design is registered: **Grout anchored rock bolt**  
(51) International Design Classification: **08-08NES**  
(74) Name(s) of Attorney(s): **WRAYS PTY LTD**  
(71) Name(s) and Address(s) of Applicant(s):  
**NCM Innovations (Pty) Ltd**  
**109 Adcock Ingram Avenue Aeroton Johannesburg South Africa**  
(72) Name(s) of Designer(s): **Anthony Steyn**  
(45) Registration Date: **11 February 2016**  
(30) Convention priority data:  
(31) Number (32) Date (33) Country  
**F2015/01497 02 Aug 2015 SOUTH AFRICA**  
(56) Related Art Documents: **Not Applicable**  
(57) Statement of Newness and Distinctiveness: **Nil**



(21) Design Number: **10512/2016**  
(22) Date of Filing Application: **02 February 2016**  
(24) Date from which industrial property rights may have effect: **02 February 2016**  
(54) Product in respect of which the design is registered: **Display screen with graphical user interface**  
(51) International Design Classification: **14-02**  
(74) Name(s) of Attorney(s): **Spruson & Ferguson**  
(71) Name(s) and Address(s) of Applicant(s):  
**Uber Technologies, Inc.**  
**1455 Market Street 4th Floor San Francisco California, 94103 United States of America**  
(72) Name(s) of Designer(s): **Catherine Ray**  
(45) Registration Date: **11 February 2016**  
(56) Related Art Documents: **Not Applicable**  
(57) Statement of Newness and Distinctiveness: **Newness and distinctiveness is claimed in those features of pattern and/or ornamentation of a display screen with graphical user interface as illustrated in continuous lines in the accompanying representations.**





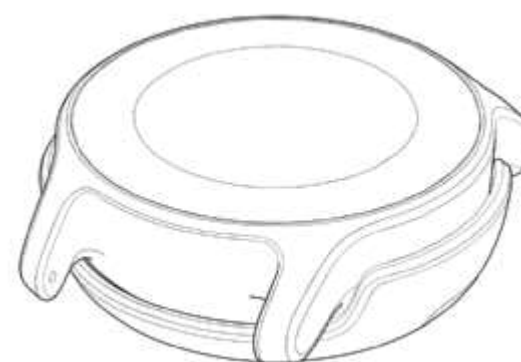
(21) Design Number: **10515/2016**  
(22) Date of Filing Application: **02 February 2016**  
(24) Date from which industrial property rights may have effect: **02 February 2016**  
(54) Product in respect of which the design is registered: **Display for wearable health monitor**  
(51) International Design Classification: **10-04, 13-02**  
(74) Name(s) of Attorney(s): **FB Rice**  
(71) Name(s) and Address(s) of Applicant(s):  
**Koninklijke Philips N.V.**  
**High Tech Campus 5 5656 AE Eindhoven The Netherlands**  
(72) Name(s) of Designer(s): **Jens Peter Kophmann Andersson**  
(45) Registration Date: **11 February 2016**  
(30) Convention priority data:  
(31) Number (32) Date (33) Country  
**002747733-0002 03 Aug 2015 OFFICE FOR HARMONISATION IN THE INTERNAL MARKET (OHIM)**  
(56) Related Art Documents: **Not Applicable**  
(57) Statement of Newness and Distinctiveness: **Newness and distinctiveness reside in the features of shape and configuration of the design as shown in the representations.**



(21) Design Number: **10519/2016**  
(22) Date of Filing Application: **02 February 2016**  
(24) Date from which industrial property rights may have effect: **02 February 2016**  
(54) Product in respect of which the design is registered: **Electrical breast pump**  
(51) International Design Classification: **24-02**  
(74) Name(s) of Attorney(s): **FB Rice**  
(71) Name(s) and Address(s) of Applicant(s):  
**Koninklijke Philips N.V.**  
**High Tech Campus 5 5656 AE Eindhoven The Netherlands**  
(72) Name(s) of Designer(s): **Emma Stina Katarina Sandberg**  
(45) Registration Date: **11 February 2016**  
(30) Convention priority data:  
(31) Number (32) Date (33) Country  
**002747709-0001 03 Aug 2015 OFFICE FOR HARMONISATION IN THE INTERNAL MARKET (OHIM)**  
(56) Related Art Documents: **Not Applicable**  
(57) Statement of Newness and Distinctiveness: **Newness and distinctiveness reside in the features of shape and configuration of the design as shown in the representations.**



(21) Design Number: **10520/2016**  
(22) Date of Filing Application: **02 February 2016**  
(24) Date from which industrial property rights may have effect: **02 February 2016**  
(54) Product in respect of which the design is registered: **Display with charger for wearable health monitor**  
(51) International Design Classification: **10-04, 13-02**  
(74) Name(s) of Attorney(s): **FB Rice**  
(71) Name(s) and Address(s) of Applicant(s):  
**Koninklijke Philips N.V.**  
**High Tech Campus 5 5656 AE Eindhoven The Netherlands**  
(72) Name(s) of Designer(s): **Jens Peter Kophmann Andersson**  
(45) Registration Date: **11 February 2016**  
(30) Convention priority data:  
(31) Number (32) Date (33) Country  
**002747733-0003 03 Aug 2015 OFFICE FOR HARMONISATION IN THE INTERNAL MARKET (OHIM)**  
(56) Related Art Documents: **Not Applicable**  
(57) Statement of Newness and Distinctiveness: **Newness and distinctiveness reside in the features of shape and configuration of the design as shown in the representations.**



(21) Design Number: **10516/2016**  
(22) Date of Filing Application: **02 February 2016**  
(24) Date from which industrial property rights may have effect: **02 February 2016**  
(54) Product in respect of which the design is registered: **Foldably constructed pallet and blanks therefore**  
(51) International Design Classification: **09-08**  
(74) Name(s) of Attorney(s): **IP Gateway Patent & Trade Mark Attorneys Pty Ltd**  
(71) Name(s) and Address(s) of Applicant(s):  
**Green Ox Pallet Technology, LLC**  
**15334 E. Hinsdale Circle, Unit 1-E Centennial Colorado, 80112 United States of America**  
(72) Name(s) of Designer(s): **Gregory D. Van de Mark**  
(45) Registration Date: **11 February 2016**  
(30) Convention priority data:  
(31) Number (32) Date (33) Country  
**29/535,051 03 Aug 2015 UNITED STATES OF AMERICA**  
(56) Related Art Documents: **Not Applicable**  
(57) Statement of Newness and Distinctiveness: **Newness and distinctiveness reside in the shape and/or configuration of the foldably constructed pallet and top and bottom blanks therefore as shown in solid lines in the accompanying representations. The dotted lines as shown on the blanks represent fold lines. The dashed broken lines on the planar surfaces do not represent visual features from which the overall appearance of the product results. The light weight shade lines are used to show that the surface is substantially planar and should not be interpreted as surface ornamentation.**



(21) Design Number: **16994/2015**

(22) Date of Filing Application: **22 December 2015**

(24) Date from which industrial property rights may have effect: **22 December 2015**

(54) Product in respect of which the design is registered: **Cocktail strainer**

(51) International Design Classification: **07-04**

(74) Name(s) of Attorney(s): **Wrays**

(71) Name(s) and Address(s) of Applicant(s):

**Cocktail Kingdom LLC**

**36 West 25th Street 5th Floor New York New York, 10010 United States of America**

(72) Name(s) of Designer(s): **Gregory Alfred Boehm**

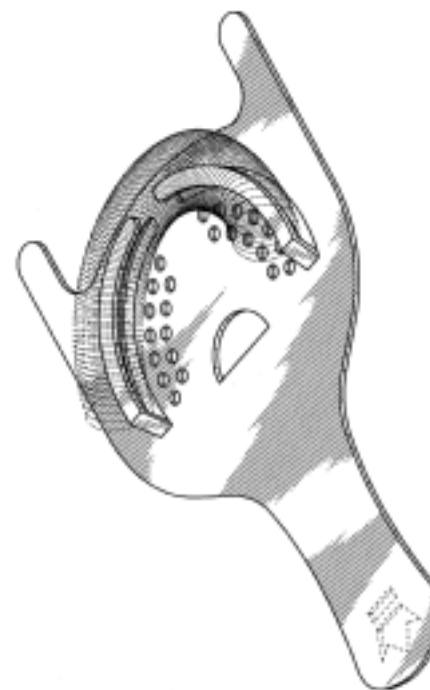
(45) Registration Date: **11 February 2016**

(30) Convention priority data:

(31) Number	(32) Date	(33) Country
<b>29/546,343</b>	<b>20 Nov 2015</b>	<b>UNITED STATES OF AMERICA</b>

(56) Related Art Documents: **Not Applicable**

(57) Statement of Newness and Distinctiveness: **Newness and distinctiveness is claimed in the features of shape, configuration, pattern, and/or ornamentation of the Cocktail Strainer as shown in the accompanying representations. The features depicted by broken lines are for illustrative purposes only and form no part of the claimed design.**



(21) Design Number: **17065/2015**

(22) Date of Filing Application: **23 December 2015**

(24) Date from which industrial property rights may have effect: **23 December 2015**

(54) Product in respect of which the design is registered: **Pressure detector for a circulation circuit**

(51) International Design Classification: **24-99**

(74) Name(s) of Attorney(s): **Davies Collison Cave**

(71) Name(s) and Address(s) of Applicant(s):

**Toray Industries, Inc.**

**1-1, Nihonbashi-Muromachi 2-chome Chuo-ku Tokyo, 103-8666 Japan**

(72) Name(s) of Designer(s): **Kazuyuki Hashimoto and Yumi Oka**

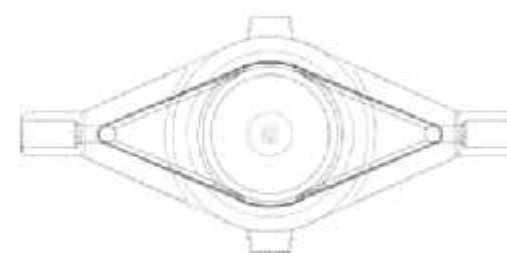
(45) Registration Date: **11 February 2016**

(30) Convention priority data:

(31) Number	(32) Date	(33) Country
<b>2015-014296</b>	<b>29 Jun 2015</b>	<b>JAPAN</b>

(56) Related Art Documents: **Not Applicable**

(57) Statement of Newness and Distinctiveness: **Newness and distinctiveness is claimed in the visual features shown in solid lines in the representations. The article is a transparent pressure detector that is embedded in an extracorporeal circulation circuit for a blood purification therapy such as dialysis and hemoperfusion. Thin lines shown on the surface of the design are lines to express the shape of a three-dimensional surface. In considering the extent of the design rights, the broken lines shown in the representations are for illustrative purposes only and do not form part of the design.**





- (21) Design Number: **10383/2016**  
(22) Date of Filing Application: **27 January 2016**  
(24) Date from which industrial property rights may have effect: **27 January 2016**  
(54) Product in respect of which the design is registered: **Welding tip**  
(51) International Design Classification: **08-05M**  
(74) Name(s) of Attorney(s): **Griffith Hack**  
(71) Name(s) and Address(s) of Applicant(s):  
**Cigweld Pty Ltd**  
**71 Gower St Preston VIC 3072 Australia**  
(72) Name(s) of Designer(s): **Luke Leonard Ostrowski and Tony Pham**  
(45) Registration Date: **11 February 2016**  
(56) Related Art Documents: **Not Applicable**  
(57) Statement of Newness and Distinctiveness: **Newness and distinctiveness resides in the shape, configuration and ornamentation, including the colouring of the product as shown in presentations.**



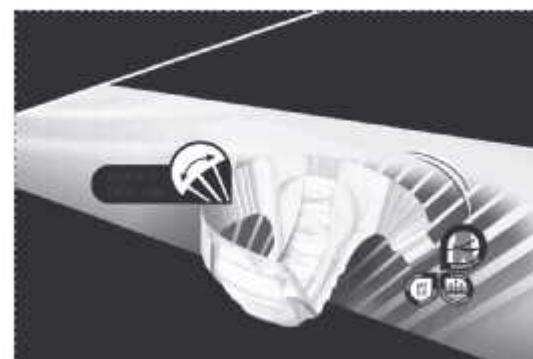
- (21) Design Number: **10389/2016**  
(22) Date of Filing Application: **27 January 2016**  
(24) Date from which industrial property rights may have effect: **27 January 2016**  
(54) Product in respect of which the design is registered: **Sheet of packaging for hygiene articles**  
(51) International Design Classification: **09-03H**  
(74) Name(s) of Attorney(s): **FB Rice**  
(71) Name(s) and Address(s) of Applicant(s):  
**Paul Hartmann AG**  
**Paul-Hartmann-Strasse 12 Heidenheim 89522 Germany**  
(72) Name(s) of Designer(s): **Employees of Serviceplan Design Hamburg GmbH & Co. KG**  
(45) Registration Date: **11 February 2016**  
(56) Related Art Documents: **Not Applicable**  
(57) Statement of Newness and Distinctiveness: **Newness and distinctiveness reside in the visual features of pattern and ornamentation of the design as shown in the representations.**



- (21) Design Number: **10391/2016**  
(22) Date of Filing Application: **27 January 2016**  
(24) Date from which industrial property rights may have effect: **27 January 2016**  
(54) Product in respect of which the design is registered: **Sheet of packaging for hygiene articles**  
(51) International Design Classification: **09-03H**  
(74) Name(s) of Attorney(s): **FB Rice**  
(71) Name(s) and Address(s) of Applicant(s):  
**Paul Hartmann AG**  
**Paul-Hartmann-Strasse 12 Heidenheim 89522 Germany**  
(72) Name(s) of Designer(s): **Employees of Serviceplan Design Hamburg GmbH & Co. KG**  
(45) Registration Date: **11 February 2016**  
(56) Related Art Documents: **Not Applicable**  
(57) Statement of Newness and Distinctiveness: **Newness and distinctiveness reside in the visual features of pattern and ornamentation of the design as shown in the representations.**



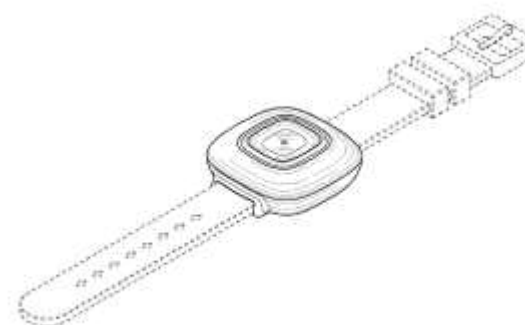
- (21) Design Number: **10393/2016**  
(22) Date of Filing Application: **27 January 2016**  
(24) Date from which industrial property rights may have effect: **27 January 2016**  
(54) Product in respect of which the design is registered: **Sheet of packaging for hygiene articles**  
(51) International Design Classification: **09-03H**  
(74) Name(s) of Attorney(s): **FB Rice**  
(71) Name(s) and Address(s) of Applicant(s):  
**Paul Hartmann AG**  
**Paul-Hartmann-Strasse 12 Heidenheim 89522 Germany**  
(72) Name(s) of Designer(s): **Employees of Serviceplan Design Hamburg GmbH & Co. KG**  
(45) Registration Date: **11 February 2016**  
(56) Related Art Documents: **Not Applicable**  
(57) Statement of Newness and Distinctiveness: **Newness and distinctiveness reside in the visual features of pattern and ornamentation of the design as shown in the representations.**



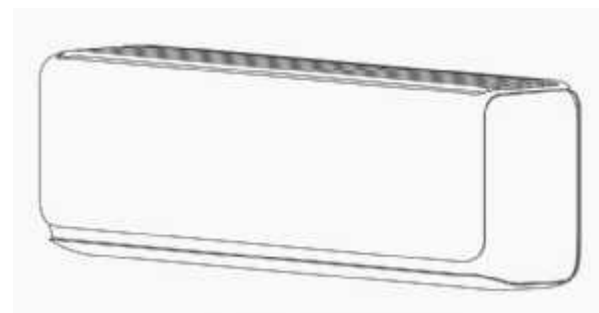
- (21) Design Number: **10400/2016**  
(22) Date of Filing Application: **27 January 2016**  
(24) Date from which industrial property rights may have effect: **27 January 2016**  
(54) Product in respect of which the design is registered: **Sheet of packaging for hygiene articles**  
(51) International Design Classification: **09-03H**  
(74) Name(s) of Attorney(s): **FB Rice**  
(71) Name(s) and Address(s) of Applicant(s):  
**Paul Hartmann AG**  
**Paul-Hartmann-Strasse 12 Heidenheim 89522 Germany**  
(72) Name(s) of Designer(s): **Employees of Serviceplan Design Hamburg GmbH & Co. KG**  
(45) Registration Date: **11 February 2016**  
(56) Related Art Documents: **Not Applicable**  
(57) Statement of Newness and Distinctiveness: **Newness and distinctiveness reside in the visual features of pattern and ornamentation of the design as shown in the representations.**



- (21) Design Number: **10409/2016**  
(22) Date of Filing Application: **27 January 2016**  
(24) Date from which industrial property rights may have effect: **27 January 2016**  
(54) Product in respect of which the design is registered: **Intelligent emergency mobile duress device**  
(51) International Design Classification: **24-99**  
(74) Name(s) of Attorney(s): **Cullens Pty Ltd**  
(71) Name(s) and Address(s) of Applicant(s):  
**Inovonics Wireless Corporation**  
**397 S. Taylor Avenue Louisville Colorado, 80027 United States of America**  
(72) Name(s) of Designer(s): **Harry B. Taylor and Todd Stanley and Sean Lewis and Christian Huber and Daryl Burkhard and Carol Markert and Rashid Al-hamoodah and Floyd Nishi and Mark Jarman and Don Commare and Michael Slack and Eric Roth**  
(45) Registration Date: **11 February 2016**  
(30) Convention priority data:  
(31) Number      (32) Date      (33) Country  
**29/534728      30 Jul 2015      UNITED STATES OF AMERICA**  
(56) Related Art Documents: **Not Applicable**  
(57) Statement of Newness and Distinctiveness: **Newness and distinctiveness reside in the shape and configuration of an intelligent emergency mobile duress device as shown in the accompanying representations. No newness and distinctiveness is claimed in the portions shown in broken line which are for illustrative purposes only and form no part of the claimed design.**



(21) Design Number: **10433/2016**  
(22) Date of Filing Application: **28 January 2016**  
(24) Date from which industrial property rights may have effect: **28 January 2016**  
(54) Product in respect of which the design is registered: **Wall-mounted air conditioner**  
(51) International Design Classification: **23-04**  
(74) Name(s) of Attorney(s): **WRAYS PTY LTD**  
(71) Name(s) and Address(s) of Applicant(s):  
**Mitsubishi Heavy Industries, Ltd.**  
**16-5, Konan 2-chome Minato-ku Tokyo 108-8215 Japan**  
(72) Name(s) of Designer(s): **Kunihiro Higashiura and Kazumi Okamura and Hiroshi Kanbara and Tomomitsu Tamaguchi**  
(45) Registration Date: **11 February 2016**  
(30) Convention priority data:  
(31) Number (32) Date (33) Country  
**2015-022528 13 Oct 2015 JAPAN**  
(56) Related Art Documents: **Not Applicable**  
(57) Statement of Newness and Distinctiveness: **Newness and distinctiveness is claimed in the features of shape, configuration, pattern, and/or ornamentation of the Wall-Mounted Air Conditioner as shown in the accompanying representations.**



(21) Design Number: **10449/2016**  
(22) Date of Filing Application: **28 January 2016**  
(24) Date from which industrial property rights may have effect: **28 January 2016**  
(54) Product in respect of which the design is registered: **Lower hold**  
(51) International Design Classification: **12-99**  
(74) Name(s) of Attorney(s): **Madderns**  
(71) Name(s) and Address(s) of Applicant(s):  
**Guangzhou Ehang Intelligent Technology Co., Ltd.**  
**Room 402, 4th Floor, Vice-building No. 11 Aoti Road Tianhe District,**  
**Guangzhou, Guangdong, 510663 China**  
(72) Name(s) of Designer(s): **Hao Du and Zhiyi Li and Chunming Ma**  
(45) Registration Date: **11 February 2016**  
(30) Convention priority data:  
(31) Number (32) Date (33) Country  
**CN 201530558375.5 25 Dec 2015 CHINA**  
(56) Related Art Documents: **Not Applicable**  
(57) Statement of Newness and Distinctiveness: **Newness and distinctiveness is claimed in the shape and/or configuration of a lower hold as depicted in the accompanying representations.**



(21) Design Number: **10451/2016**

(22) Date of Filing Application: **28 January 2016**

(24) Date from which industrial property rights may have effect: **28 January 2016**

(54) Product in respect of which the design is registered: **Plastic bottle**

(51) International Design Classification: **09-01B**

(74) Name(s) of Attorney(s):

(71) Name(s) and Address(s) of Applicant(s):

**Eagle IP Limited**

**13/F., Bright Way Tower 33 Mong Kok Road Kowloon Kowloon Hong Kong**

(72) Name(s) of Designer(s): **Chak Man Tsui**

(45) Registration Date: **11 February 2016**

(56) Related Art Documents: **Not Applicable**

(57) Statement of Newness and Distinctiveness: **The features of the design for which novelty is claimed are the pattern, ornament, shape or configuration of the article as shown in the representations.**



(21) Design Number: **10455/2016**

(22) Date of Filing Application: **29 January 2016**

(24) Date from which industrial property rights may have effect: **29 January 2016**

(54) Product in respect of which the design is registered: **Cap for bottle**

(51) International Design Classification: **09-07C**

(74) Name(s) of Attorney(s): **Shelston IP Pty Ltd.**

(71) Name(s) and Address(s) of Applicant(s):

**Reckitt Benckiser LLC**

**Morris Corporate Center IV 399 Interpace Parkway Parsippany New Jersey 07054 United States of America**

(72) Name(s) of Designer(s): **Sebastiaan Bruining**

(45) Registration Date: **11 February 2016**

(30) Convention priority data:

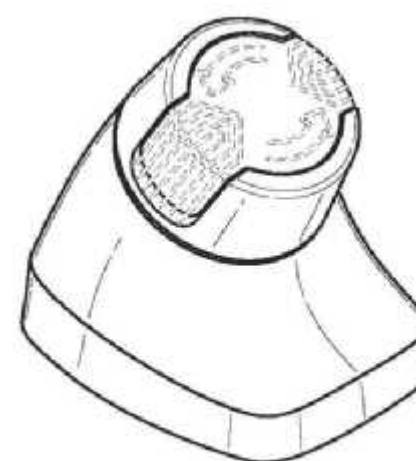
(31) Number  
**002745729**

(32) Date  
**30 Jul 2015**

(33) Country  
**OFFICE FOR HARMONISATION IN THE INTERNAL MARKET (OHIM)**

(56) Related Art Documents: **Not Applicable**

(57) Statement of Newness and Distinctiveness: **Newness and distinctiveness reside in the features of shape and configuration of a cap for bottle as shown in solid lines in the accompanying representations. The features of the cap shown in broken lines do not form part of the design and can vary.**

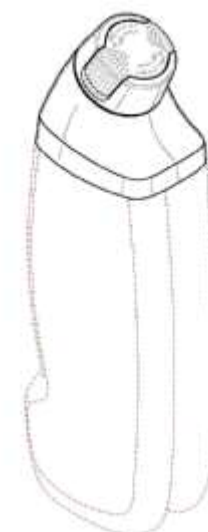


(21) Design Number: **10456/2016**  
(22) Date of Filing Application: **29 January 2016**  
(24) Date from which industrial property rights may have effect: **29 January 2016**  
(54) Product in respect of which the design is registered: **Bottle**  
(51) International Design Classification: **09-01H**  
(74) Name(s) of Attorney(s): **Shelston IP Pty Ltd.**  
(71) Name(s) and Address(s) of Applicant(s):  
**Reckitt Benckiser LLC**  
**Morris Corporate Center IV 399 Interpace Parkway Parsippany New Jersey 07054 United States of America**  
(72) Name(s) of Designer(s): **Sebastiaan Bruining**  
(45) Registration Date: **11 February 2016**  
(30) Convention priority data:  
(31) Number (32) Date (33) Country  
**002745729-0002 30 Jul 2015 OFFICE FOR HARMONISATION IN THE INTERNAL MARKET (OHIM)**



(56) Related Art Documents: **Not Applicable**  
(57) Statement of Newness and Distinctiveness: **Newness and distinctiveness reside in the features of shape and configuration of a bottle as shown in solid lines in the accompanying representations. The features of the bottle cap shown in broken lines do not form part of the design and can vary.**

(21) Design Number: **10457/2016**  
(22) Date of Filing Application: **29 January 2016**  
(24) Date from which industrial property rights may have effect: **29 January 2016**  
(54) Product in respect of which the design is registered: **Cap for bottle**  
(51) International Design Classification: **09-07C**  
(74) Name(s) of Attorney(s): **Shelston IP Pty Ltd.**  
(71) Name(s) and Address(s) of Applicant(s):  
**Reckitt Benckiser LLC**  
**Morris Corporate Center IV 399 Interpace Parkway Parsippany New Jersey 07054 United States of America**  
(72) Name(s) of Designer(s): **Sebastiaan Bruining**  
(45) Registration Date: **11 February 2016**  
(30) Convention priority data:  
(31) Number (32) Date (33) Country  
**002745729-0003 30 Jul 2015 OFFICE FOR HARMONISATION IN THE INTERNAL MARKET (OHIM)**



(56) Related Art Documents: **Not Applicable**  
(57) Statement of Newness and Distinctiveness: **Newness and distinctiveness reside in the features of shape and configuration of a cap for bottle as shown in solid lines in the accompanying representations. The features shown in broken lines do not form part of the design and can vary.**

(21) Design Number: **10444/2016**

(22) Date of Filing Application: **28 January 2016**

(24) Date from which industrial property rights may have effect: **28 January 2016**

(54) Product in respect of which the design is registered: **Landing gear**

(51) International Design Classification: **12-99**

(74) Name(s) of Attorney(s): **Madderns**

(71) Name(s) and Address(s) of Applicant(s):

**Guangzhou Ehang Intelligent Technology Co., Ltd.  
Room 402, 4th Floor, Vice-building No. 11 Aoti Road Tianhe District,  
Guangzhou, Guangdong, 510663 China**

(72) Name(s) of Designer(s): **Hao Du and Zhiyi Li and Chunming Ma**

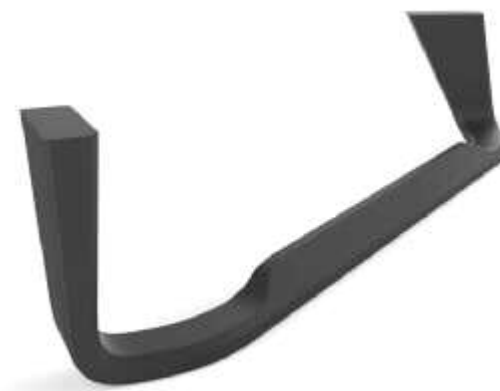
(45) Registration Date: **11 February 2016**

(30) Convention priority data:

(31) Number	(32) Date	(33) Country
<b>CN 201530558372.1</b>	<b>25 Dec 2015</b>	<b>CHINA</b>

(56) Related Art Documents: **Not Applicable**

(57) Statement of Newness and Distinctiveness: **Newness and distinctiveness is claimed in the shape and/or configuration of landing gear as depicted in the accompanying representations.**



(21) Design Number: **10445/2016**

(22) Date of Filing Application: **28 January 2016**

(24) Date from which industrial property rights may have effect: **28 January 2016**

(54) Product in respect of which the design is registered: **Screw propeller**

(51) International Design Classification: **12-99, 12-07**

(74) Name(s) of Attorney(s): **Madderns**

(71) Name(s) and Address(s) of Applicant(s):

**Guangzhou Ehang Intelligent Technology Co., Ltd.  
Room 402, 4th Floor, Vice-building No. 11 Aoti Road Tianhe District,  
Guangzhou, Guangdong, 510663 China**

(72) Name(s) of Designer(s): **Hao Du and Zhiyi Li and Chunming Ma**

(45) Registration Date: **11 February 2016**

(30) Convention priority data:

(31) Number	(32) Date	(33) Country
<b>CN 201530558373.6</b>	<b>25 Dec 2015</b>	<b>CHINA</b>

(56) Related Art Documents: **Not Applicable**

(57) Statement of Newness and Distinctiveness: **Newness and distinctiveness is claimed in the shape and/or configuration of a screw propeller as depicted in the accompanying representations.**



(21) Design Number: **10446/2016**

(22) Date of Filing Application: **28 January 2016**

(24) Date from which industrial property rights may have effect: **28 January 2016**

(54) Product in respect of which the design is registered: **Folding mechanism of machine arm**

(51) International Design Classification: **12-99**

(74) Name(s) of Attorney(s): **Madderns**

(71) Name(s) and Address(s) of Applicant(s):

**Guangzhou Ehang Intelligent Technology Co., Ltd.  
Room 402, 4th Floor, Vice-building No. 11 Aoti Road Tianhe District,  
Guangzhou, Guangdong, 510663 China**

(72) Name(s) of Designer(s): **Hao Du and Zhiyi Li and Chunming Ma**

(45) Registration Date: **11 February 2016**

(30) Convention priority data:

(31) Number	(32) Date	(33) Country
<b>CN 201530558371.7</b>	<b>25 Dec 2015</b>	<b>CHINA</b>

(56) Related Art Documents: **Not Applicable**

(57) Statement of Newness and Distinctiveness: **Newness and distinctiveness is claimed in the shape and/or configuration of a folding mechanism of a machine arm as depicted in the accompanying representations.**



(21) Design Number: **10447/2016**

(22) Date of Filing Application: **28 January 2016**

(24) Date from which industrial property rights may have effect: **28 January 2016**

(54) Product in respect of which the design is registered: **Trunk**

(51) International Design Classification: **12-99**

(74) Name(s) of Attorney(s): **Madderns**

(71) Name(s) and Address(s) of Applicant(s):

**Guangzhou Ehang Intelligent Technology Co., Ltd.  
Room 402, 4th Floor, Vice-building No. 11 Aoti Road Tianhe District,  
Guangzhou, Guangdong, 510663 China**

(72) Name(s) of Designer(s): **Hao Du and Zhiyi Li and Chunming Ma**

(45) Registration Date: **11 February 2016**

(30) Convention priority data:

(31) Number	(32) Date	(33) Country
<b>CN 201530558384.4</b>	<b>25 Dec 2015</b>	<b>CHINA</b>

(56) Related Art Documents: **Not Applicable**

(57) Statement of Newness and Distinctiveness: **Newness and distinctiveness is claimed in the shape and/or configuration of a trunk as depicted in the accompanying representations.**





(21) Design Number: **10448/2016**

(22) Date of Filing Application: **28 January 2016**

(24) Date from which industrial property rights may have effect: **28 January 2016**

(54) Product in respect of which the design is registered: **Electric motor**

(51) International Design Classification: **13-01**

(74) Name(s) of Attorney(s): **Madderns**

(71) Name(s) and Address(s) of Applicant(s):

**Guangzhou Ehang Intelligent Technology Co., Ltd.  
Room 402, 4th Floor, Vice-building No. 11 Aoti Road Tianhe District,  
Guangzhou, Guangdong, 510663 China**

(72) Name(s) of Designer(s): **Hao Du and Zhiyi Li and Chunming Ma**

(45) Registration Date: **11 February 2016**

(30) Convention priority data:

(31) Number	(32) Date	(33) Country
<b>CN 201530558377.4</b>	<b>25 Dec 2015</b>	<b>CHINA</b>

(56) Related Art Documents: **Not Applicable**

(57) Statement of Newness and Distinctiveness: **Newness and distinctiveness is claimed in the shape and/or configuration of an electric motor as depicted in the accompanying representations.**



(21) Design Number: **10476/2016**

(22) Date of Filing Application: **29 January 2016**

(24) Date from which industrial property rights may have effect: **29 January 2016**

(54) Product in respect of which the design is registered: **Storage compartments**

(51) International Design Classification: **06-04B**

(74) Name(s) of Attorney(s): **Freehills Patent Attorneys**

(71) Name(s) and Address(s) of Applicant(s):

**Pride Mobility Products Corporation  
182 Susquehanna Ave Exeter Pennsylvania, 18643 United States of  
America**

(72) Name(s) of Designer(s): **Sarah Ruth Elon and Michael R. Vandever and  
Kip D. Alder**

(45) Registration Date: **11 February 2016**

(30) Convention priority data:

(31) Number	(32) Date	(33) Country
<b>29/535456</b>	<b>06 Aug 2015</b>	<b>UNITED STATES OF AMERICA</b>

(56) Related Art Documents: **Not Applicable**

(57) Statement of Newness and Distinctiveness: **Newness and distinctiveness of the design resides in the features of shape and configuration of the storage compartments as shown in solid outline in the accompanying representations.**



(21) Design Number: **10517/2016**  
(22) Date of Filing Application: **02 February 2016**  
(24) Date from which industrial property rights may have effect: **02 February 2016**  
(54) Product in respect of which the design is registered: **Baby monitor**  
(51) International Design Classification: **14-03A, 10-05**  
(74) Name(s) of Attorney(s): **FB Rice**  
(71) Name(s) and Address(s) of Applicant(s):  
**Koninklijke Philips N.V.**  
**High Tech Campus 5 5656 AE Eindhoven The Netherlands**  
(72) Name(s) of Designer(s): **Georg Johann Hagenauer**  
(45) Registration Date: **11 February 2016**  
(30) Convention priority data:  
(31) Number (32) Date (33) Country  
**002748343-0002 04 Aug 2015 OFFICE FOR HARMONISATION IN  
THE INTERNAL MARKET (OHIM)**  
(56) Related Art Documents: **Not Applicable**  
(57) Statement of Newness and Distinctiveness: **Newness and distinctiveness  
reside in the features of shape and configuration of the design as shown  
in the representations.**



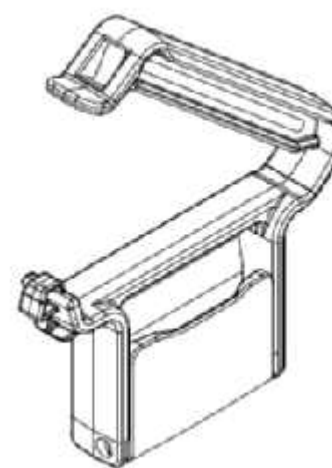
(21) Design Number: **10518/2016**  
(22) Date of Filing Application: **02 February 2016**  
(24) Date from which industrial property rights may have effect: **02 February 2016**  
(54) Product in respect of which the design is registered: **Decorative screen,  
fabric, splashback, wallpaper**  
(51) International Design Classification: **05-06A, 25-01NES, 11-02NES, 05-06NES,  
05-05A**  
(74) Name(s) of Attorney(s):  
(71) Name(s) and Address(s) of Applicant(s):  
**Katherine Ann Brennan**  
**KIF & KATAST PO BOX 1256 Fitzroy North VIC 3068 Australia**  
(72) Name(s) of Designer(s): **Katherine Ann Brennan**  
(45) Registration Date: **11 February 2016**  
(56) Related Art Documents: **Not Applicable**  
(57) Statement of Newness and Distinctiveness: **Nil**



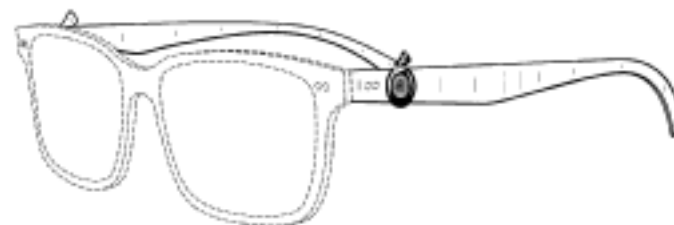
- (21) Design Number: **10458/2016**
- (22) Date of Filing Application: **29 January 2016**
- (24) Date from which industrial property rights may have effect: **29 January 2016**
- (54) Product in respect of which the design is registered: **A powered hand-held spreader**
- (51) International Design Classification: **15-03A**
- (74) Name(s) of Attorney(s): **WATERMARK PATENT AND TRADE MARKS ATTORNEYS**
- (71) Name(s) and Address(s) of Applicant(s):  
**OMS Investments, Inc.**  
**10250 Constellation Boulevard Suite 2800 Los Angeles CA, 90067-6200**  
**United States of America**
- (72) Name(s) of Designer(s): **Paul E. Hsu and Paul M. Havlovitz and Ryan R. Berger and Chris W. Cicenas and Daniel C. Wisniewski and Johannes Hertrich**
- (45) Registration Date: **11 February 2016**
- (30) Convention priority data:
- |                   |                    |                                 |
|-------------------|--------------------|---------------------------------|
| (31) Number       | (32) Date          | (33) Country                    |
| <b>29/536,927</b> | <b>20 Aug 2015</b> | <b>UNITED STATES OF AMERICA</b> |
- (56) Related Art Documents: **Not Applicable**
- (57) Statement of Newness and Distinctiveness: **Newness and distinctiveness resides in the visual features of shape and/or configuration of a powered hand-held spreader as shown in the accompanying representations.**



- (21) Design Number: **10459/2016**
- (22) Date of Filing Application: **29 January 2016**
- (24) Date from which industrial property rights may have effect: **29 January 2016**
- (54) Product in respect of which the design is registered: **A clip**
- (51) International Design Classification: **08-08NES**
- (74) Name(s) of Attorney(s): **PIPERS Melbourne**
- (71) Name(s) and Address(s) of Applicant(s):  
**CARFOLDIO LTD.**  
**13 Hasadna Raanana 4365007 Israel**
- (72) Name(s) of Designer(s): **Jon Sumroy and Tal Presenty and Michael Blumenfeld and Eyal Carmi and Edna Gadon and Frank Schenk and Yoav Tikochinsky**
- (45) Registration Date: **11 February 2016**
- (30) Convention priority data:
- |                 |                    |               |
|-----------------|--------------------|---------------|
| (31) Number     | (32) Date          | (33) Country  |
| <b>IL 57618</b> | <b>11 Nov 2015</b> | <b>ISRAEL</b> |
- (56) Related Art Documents: **Not Applicable**
- (57) Statement of Newness and Distinctiveness: **The design is to be applied to a Clip and the novelty resides in the features of shape and configuration of the Clip as shown in the accompanying representations.**



- (21) Design Number: **10461/2016**  
(22) Date of Filing Application: **29 January 2016**  
(24) Date from which industrial property rights may have effect: **29 January 2016**  
(54) Product in respect of which the design is registered: **Sunglasses**  
(51) International Design Classification: **16-06**  
(74) Name(s) of Attorney(s): **Adams Pluck**  
(71) Name(s) and Address(s) of Applicant(s):  
**Youseff Dandachli**  
**13126 Bayfield Dr Austin TX 78727-3320 United States of America**  
(72) Name(s) of Designer(s): **Youseff Dandachli**  
(45) Registration Date: **11 February 2016**  
(30) Convention priority data:  
(31) Number (32) Date (33) Country  
**29/552940 27 Jan 2016 UNITED STATES OF AMERICA**  
(56) Related Art Documents: **Not Applicable**  
(57) Statement of Newness and Distinctiveness: **Newness and distinctiveness is claimed in the visual features shown in solid lines in the representations. The features shown in broken lines do not form part of the design and are to be disregarded when considering the overall impression of the design.**



- (21) Design Number: **10463/2016**  
(22) Date of Filing Application: **29 January 2016**  
(24) Date from which industrial property rights may have effect: **29 January 2016**  
(54) Product in respect of which the design is registered: **Medical injector**  
(51) International Design Classification: **24-02**  
(74) Name(s) of Attorney(s): **FB Rice**  
(71) Name(s) and Address(s) of Applicant(s):  
**Becton, Dickinson and Company**  
**1 Becton Drive Franklin Lakes New Jersey 07417 United States of America**  
(72) Name(s) of Designer(s): **Daniel Paul Charles Tyce and Malcolm Stanley Boyd and John David Cross and Stuart James King**  
(45) Registration Date: **11 February 2016**  
(30) Convention priority data:  
(31) Number (32) Date (33) Country  
**29/534,644 30 Jul 2015 UNITED STATES OF AMERICA**  
(56) Related Art Documents: **Not Applicable**  
(57) Statement of Newness and Distinctiveness: **Newness and distinctiveness reside in the features of the design as shown in the representations.**



(21) Design Number: **10467/2016**  
(22) Date of Filing Application: **29 January 2016**  
(24) Date from which industrial property rights may have effect: **29 January 2016**  
(54) Product in respect of which the design is registered: **Motorcycle**  
(51) International Design Classification: **12-11**  
(74) Name(s) of Attorney(s): **Fisher Adams Kelly Callinans**  
(71) Name(s) and Address(s) of Applicant(s):  
**Vertigo Motors, S.L.**  
**Mercaders 34-Pol. Ind. Riera de Caldes PALAU DE PLEGAMANS**  
**Barcelona 08184 Spain**  
(72) Name(s) of Designer(s): **Manuel Jane Santamaria**  
(45) Registration Date: **11 February 2016**  
(30) Convention priority data:  
(31) Number (32) Date (33) Country  
**2862375-0001 17 Nov 2015 OFFICE FOR HARMONISATION IN**  
**THE INTERNAL MARKET (OHIM)**  
(56) Related Art Documents: **Not Applicable**  
(57) Statement of Newness and Distinctiveness: **Newness and distinctiveness**  
**of the design resides in the shape and/or configuration of a motorcycle**  
**as shown in the representations.**



(21) Design Number: **10468/2016**  
(22) Date of Filing Application: **29 January 2016**  
(24) Date from which industrial property rights may have effect: **29 January 2016**  
(54) Product in respect of which the design is registered: **Medical injector**  
(51) International Design Classification: **24-02**  
(74) Name(s) of Attorney(s): **FB Rice**  
(71) Name(s) and Address(s) of Applicant(s):  
**Becton, Dickinson and Company**  
**1 Becton Drive Franklin Lakes New Jersey 07417 United States of**  
**America**  
(72) Name(s) of Designer(s): **Daniel Paul Charles Tyce and Malcolm Stanley**  
**Boyd and John David Cross and Stuart James King**  
(45) Registration Date: **11 February 2016**  
(30) Convention priority data:  
(31) Number (32) Date (33) Country  
**29/534641 30 Jul 2015 UNITED STATES OF AMERICA**  
(56) Related Art Documents: **Not Applicable**  
(57) Statement of Newness and Distinctiveness: **Newness and distinctiveness**  
**reside in the features of the design as shown in solid lines in the**  
**representations excluding those features shown in broken lines.**



(21) Design Number: **10469/2016**

(22) Date of Filing Application: **29 January 2016**

(24) Date from which industrial property rights may have effect: **29 January 2016**

(54) Product in respect of which the design is registered: **Golf club head cover**

(51) International Design Classification: **21-02C**

(74) Name(s) of Attorney(s): **Davies Collison Cave**

(71) Name(s) and Address(s) of Applicant(s):

**Karsten Manufacturing Corporation  
2201 West Desert Cove Phoenix Arizona, 85029 United States of America**

(72) Name(s) of Designer(s): **Martin R. Jertson and Xiaojian Chen and Daniel K. Lee**

(45) Registration Date: **11 February 2016**

(30) Convention priority data:

(31) Number	(32) Date	(33) Country
<b>29/534793</b>	<b>31 Jul 2015</b>	<b>UNITED STATES OF AMERICA</b>

(56) Related Art Documents: **Not Applicable**

(57) Statement of Newness and Distinctiveness: **Newness and distinctiveness is claimed in the visual features shown in solid lines in the representations.**



(21) Design Number: **13416/2015**

(22) Date of Filing Application: **06 July 2015**

(24) Date from which industrial property rights may have effect: **06 July 2015**

(54) Product in respect of which the design is registered: **Modular play system**

(51) International Design Classification: **21-01M**

(74) Name(s) of Attorney(s):

(71) Name(s) and Address(s) of Applicant(s):

**Edward John Raine Cotton  
12 William St Botany NSW 2019 Australia**

(72) Name(s) of Designer(s): **Edward John Raine Cotton**

(45) Registration Date: **12 February 2016**

(56) Related Art Documents: **Not Applicable**

(57) Statement of Newness and Distinctiveness: **The new and distinctive features that make up the modular play system are the frames, the panels inside the frames, the shapes of the openable flaps cut into the panels, the clips that hold the panels onto the frames and the clips that connect the frames together.**



- (21) Design Number: **15405/2015**  
(22) Date of Filing Application: **13 October 2015**  
(24) Date from which industrial property rights may have effect: **13 October 2015**  
(54) Product in respect of which the design is registered: **Wine bottle**  
(51) International Design Classification: **09-01H**  
(74) Name(s) of Attorney(s):  
(71) Name(s) and Address(s) of Applicant(s):  
**MILLON WINES PTY LTD**  
**U2 20-28 Ricketty St Mascot NSW 2020 Australia**  
(72) Name(s) of Designer(s): **Members of design team of John Jewell Design Pty Ltd and Employees of Million Wines Pty Ltd and Mica Australia Pty Ltd**  
(45) Registration Date: **12 February 2016**  
(56) Related Art Documents: **Not Applicable**  
(57) Statement of Newness and Distinctiveness: **We consider this to be unique mainly due to the extent of visual intricacy that is very rarely seen in screen printed designs applied to glass. Furthermore, this design is not a generic image, it has been created directly from our own unique vision and design concepts for this particular brand. We directed the designer every step of the way and consider the design to be our own personal concept.**



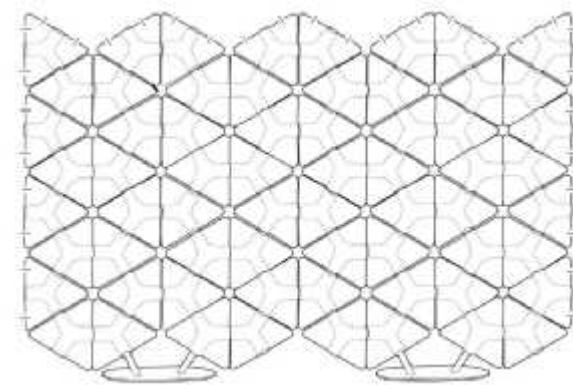
- (21) Design Number: **16223/2015**  
(22) Date of Filing Application: **18 November 2015**  
(24) Date from which industrial property rights may have effect: **18 November 2015**  
(54) Product in respect of which the design is registered: **Panel assembly for modular privacy screen**  
(51) International Design Classification: **06-06NES**  
(74) Name(s) of Attorney(s): **HODGKINSON McINNES PATENTS**  
(71) Name(s) and Address(s) of Applicant(s):  
**Woven Image Pty Limited**  
**37-39 Chard Rd Brookvale NSW 2100 Australia**  
(72) Name(s) of Designer(s): **Benjamin Hubert**  
(45) Registration Date: **12 February 2016**  
(56) Related Art Documents: **Not Applicable**  
(57) Statement of Newness and Distinctiveness: **Newness and distinctiveness is claimed in the shape and configuration of a Panel Assembly for Modular Privacy Screen as shown in the representations**



- (21) Design Number: **16225/2015**  
(22) Date of Filing Application: **18 November 2015**  
(24) Date from which industrial property rights may have effect: **18 November 2015**  
(54) Product in respect of which the design is registered: **Frame assembly for modular privacy screen**  
(51) International Design Classification: **06-06NES**  
(74) Name(s) of Attorney(s): **HODGKINSON McINNES PATENTS**  
(71) Name(s) and Address(s) of Applicant(s):  
**Woven Image Pty Limited**  
**37-39 Chard Rd Brookvale NSW 2100 Australia**  
(72) Name(s) of Designer(s): **Benjamin Hubert**  
(45) Registration Date: **12 February 2016**  
(56) Related Art Documents: **Not Applicable**  
(57) Statement of Newness and Distinctiveness: **Newness and distinctiveness is claimed in the shape and configuration of a Frame Assembly for Modular Privacy Screen as shown in the representations**



- (21) Design Number: **16226/2015**  
(22) Date of Filing Application: **18 November 2015**  
(24) Date from which industrial property rights may have effect: **18 November 2015**  
(54) Product in respect of which the design is registered: **Modular privacy screen**  
(51) International Design Classification: **06-06NES**  
(74) Name(s) of Attorney(s): **HODGKINSON McINNES PATENTS**  
(71) Name(s) and Address(s) of Applicant(s):  
**Woven Image Pty Limited**  
**37-39 Chard Rd Brookvale NSW 2100 Australia**  
(72) Name(s) of Designer(s): **Benjamin Hubert**  
(45) Registration Date: **12 February 2016**  
(56) Related Art Documents: **Not Applicable**  
(57) Statement of Newness and Distinctiveness: **Newness and Distinctiveness is claimed in the shape and configuration of a modular privacy screen as shown in the accompanying representations. The broken lines shown at the edges of the modular privacy screen indicates that the product may be of any length or height. The pattern formed by the panel tiles is repeated throughout the length and width of the modular privacy screen**





(21) Design Number: **16228/2015**  
(22) Date of Filing Application: **18 November 2015**  
(24) Date from which industrial property rights may have effect: **18 November 2015**  
(54) Product in respect of which the design is registered: **Footwear**  
(51) International Design Classification: **02-04NES**  
(74) Name(s) of Attorney(s): **Lord & Company**  
(71) Name(s) and Address(s) of Applicant(s):



**ON CLOUDS GMBH**  
**Seeallee 14, CH-9410 Heiden Switzerland**

(72) Name(s) of Designer(s): **Thilo Alex Brunner**

(45) Registration Date: **12 February 2016**

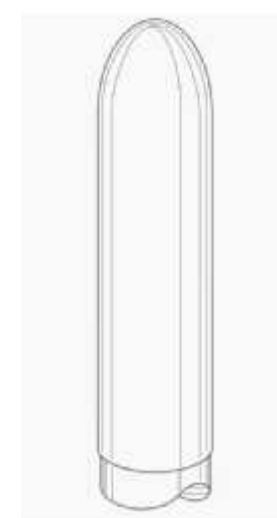
(30) Convention priority data:

(31) Number	(32) Date	(33) Country
<b>DM/086562</b>	<b>20 May 2015</b>	<b>WORLD INTELLECTUAL PROPERTY ORGANIZATION (WIPO)</b>

(56) Related Art Documents: **Not Applicable**

(57) Statement of Newness and Distinctiveness: **The ornamental design for a shoe as shown and described**

(21) Design Number: **10492/2016**  
(22) Date of Filing Application: **01 February 2016**  
(24) Date from which industrial property rights may have effect: **01 February 2016**  
(54) Product in respect of which the design is registered: **Reusable tampon applicator**  
(51) International Design Classification: **24-04**  
(74) Name(s) of Attorney(s): **WRAYS PTY LTD**  
(71) Name(s) and Address(s) of Applicant(s):



**Thinx Inc.**  
**601 West 26th Street Unit 325-2 New York, New York 10001 United States of America**

(72) Name(s) of Designer(s): **Miki Agrawal**

(45) Registration Date: **12 February 2016**

(30) Convention priority data:

(31) Number	(32) Date	(33) Country
<b>29/535,789</b>	<b>10 Aug 2015</b>	<b>UNITED STATES OF AMERICA</b>

(56) Related Art Documents: **Not Applicable**

(57) Statement of Newness and Distinctiveness: **Newness and distinctiveness is claimed in the features of shape, configuration, pattern, and/or ornamentation of the Reusable Tampon Applicator as shown in the accompanying representations. The features depicted by broken lines are for illustrative purposes only and form no part of the claimed design.**