



Australian Government

IP Australia

AUSTRALIAN OFFICIAL JOURNAL

OF

DESIGNS

Did you know a searchable version of this journal is now available online?

It's FREE and EASY to SEARCH.

Find it on our website (www.ipaustralia.gov.au)

by using the "Journals" link on the home page.

This Page Left Intentionally Blank

Contents

General Information & Notices

**Proceedings Under the Designs Act 1906 preserved as a result of the provisions of Chapter 12
Part 2 of the Designs Act 2003**

Extension of Period of Registration of Designs	758
Extensions of Time Granted	758
Registrations Ceased	758
Subsequent Owners Registered	758

Proceedings Under the Designs Act 2003

Applications for Extension of Time Under Section 137	771
Applications Lapsed	769
Applications Lodged	762
Applications Withdrawn	769
Certificate of Examination	773
Extension of Period of Registration of Design	770
Extension of Time Granted Under Section 137	771
Names Registered - Alterations and Amendments	772
Publication and Registration Proceedings	
Designs Registered 367104 to 367315.....	774
Registrations Ceased	770
Subsequent Owners Registered	771

This Page Left Intentionally Blank

For information on the following please see our website www.ipaustralia.gov.au or contact our Customer Service Network on 1300651010

[Editorial enquiries](#)

[Contact information](#)

[Freedom of Information ACT](#)

[Professional Standards Board](#)

[Sales](#)

[Requests for Information under Section 194 \(c\)](#)

[Country Codes](#)

[Trade Mark and Designs Hearing Sessions](#)

[INID \(Internationally agreed Numbers for the Identification of Data\)](#)

“INID” NUMBERS in use on Australian Design Documents

“INID” is an acronym for “Internationally agreed Numbers for the Identification of Data”.

(10) Data concerning the registration/renewal

- (11) Serial number of the registration and/or number of the design document
- (12) Plain language designation of the kind of published document
- (19) Identification, using the two-letter code according to WIPO Standard ST.3, of the authority publishing or registering the industrial design

(20) Data concerning the application

- (21) Serial number of the application
- (22) Date of filing of the application
- (24) Date from which the industrial design right has effect

(30) Data relating to priority under the Paris Convention

- (31) Serial number assigned to the priority application
- (32) Date of filing of the priority application
- (33) Two-letter code, according to WIPO Standard ST.3, identifying the authority with which the priority application was made

(40) Date(s) of making information available to the public

- (45) Date of publication of the registered industrial design by printing or similar process, or making it available to the public by any other means

(50) Miscellaneous Information

- (51) International Classification for Industrial Designs (class and subclass of the Locarno Classification)
- (54) Designation of article(s) or product(s) covered by the industrial design or title of the industrial design
- (55) Reproduction of the industrial design (e.g., drawing, photograph) and explanations relating to the reproduction
- (56) List of prior art documents, if separate from descriptive text
- (57) Description of characteristic features of the industrial design including indication of colours

(60) References to other legally related application(s) and registration(s)

- (62) Serial number(s) and, if available, filing date(s) of application(s), registration(s) or document(s) related by division
- (66) Serial number(s) of the application, or the registration, of the design(s) which is (are) a variant(s) of the present one

(70) Identification of parties concerned with the application or registration

- (71) Name(s) and address(es) of the applicant(s)
- (72) Name(s) of the creator(s) if known to be such
- (74) Name(s) and address(es) of the representative(s)

This Page Left Intentionally Blank

Nil notices for this journal issue.

Proceedings under the Designs Act 1906 preserved as a result of the provisions of Chapter 12 Part 2 of the Designs Act 2003.

This Page Left Intentionally Blank

Applications Lapsed

There were no Applications Lapsed under this section

Extension of Period of Registration of Designs

1st Period (Section 27A(8))

2nd Period (Section 27A(12))

3rd Period (Section 27A(13))

158518

Registrations Ceased

Note: Some of the following Registrations may have been previously advertised as ceased. In this instance, the previous advertisement still prevails.

140002	140141	140143
141339	141340	141358
141361	141362	141427
141430	141431	141463
141464	141465	141466
141492	141513	141592
141603	141609	141674
141860	142129	142595
142636	142658	142659
142828	142865	143389
144044	144045	144046
144047	144048	145165
145429	146040	147722

Extensions of time granted

Applications lodged for extension of time have been granted.

158518 **William M. Firth** An An Extension of time to extend a registration has been granted to 07/02/2016

Subsequent Owners Registered

(The name in parentheses is that of the subsequent owner)

147194	(Aktiebolaget Electrolux) Electrolux Contracting AB
149726	(Reckitt Benckiser Vanish B.V.) Reckitt Benckiser N.V.
151852	(Reckitt Benckiser Vanish B.V.) Reckitt Benckiser N.V.
157343	(Reckitt Benckiser Vanish B.V.) Reckitt Benckiser N.V.

This Page Left Intentionally Blank

Proceedings under the Designs Act 2003.

This Page Left Intentionally Blank

Applications Lodged

Lodgement information is in the following order: **Applicant's Name**; International Classification, Name of Product, Lodgement Date and **Design Number**. If the applicant claims an earlier priority date under an International Convention, the Convention Country and the associated filing date are shown in parentheses before the Lodgement Date. Divisional information will also appear in parentheses before the Lodgement Date.

iCandy World Limited; 06-01E, Infant chair, (EM, 08 Sep 2015) 22 Feb 2016	10949/2016	Asahi Group Holdings, Ltd; 09-01H, Bottle, 25 Feb 2016	11005/2016
Adherium (NZ) Limited; 24-01, A compliance monitor for a medicament inhaler, (NZ, 13 Aug 2015) 12 Feb 2016	10762/2016	ABRAM Corporation; 26-05C, Insert for a lighting equipment casing, (JP, 14 Aug 2015) 15 Feb 2016	10802/2016
Affinity Tool Works, LLC; 12-02, Collapsible tool stand, (US, 04 Feb 2016) 17 Feb 2016	10851/2016	AC (Macao Commercial Offshore) Limited; 15-05, Vacuum cleaner, (CN, 19 Aug 2015) 17 Feb 2016	10850/2016
Affinity Tool Works, LLC; 08-99, Tool stand, (US, 03 Feb 2016) 17 Feb 2016	10848/2016	ASSA ABLOY Australia Pty Limited; 08-09, Furniture plate, 15 Feb 2016	10799/2016
Affinity Tool Works, LLC; 06-03C, Work and storage table, (US, 04 Feb 2016) 17 Feb 2016	10849/2016	AUSPERL PTY LIMITED; 32-03, A series of decreasing circles to symbolise perlit, 18 Feb 2016	10868/2016
Align Technology, Inc.; 14-99, Sleeve for an intraoral scanner, (US, 24 Aug 2015) 24 Feb 2016	10993/2016	AUSTRALIAN FASHION LABELS PTY LTD; 05-05D, A textile print, 16 Feb 2016	10840/2016
Allais, Denis; 21-01F, A scooter that is manufactured, (EM, 27 Jan 2016) 25 Feb 2016	11012/2016	AUSTRALIAN FASHION LABELS PTY LTD; 05-05NES, A textile print, 16 Feb 2016	10841/2016
Alto Packaging Limited; 07-01NES, A container, 18 Feb 2016	10867/2016	BabyBjorn AB; 03-99, Baby carrier, (EM, 09 Sep 2015) 24 Feb 2016	10978/2016
American Greetings Corporation; 19-01, Greeting card, (US, 06 Oct 2015) 12 Feb 2016	10771/2016	Beeton, Benjamin; 32-02, Family trees, 19 Feb 2016	10889/2016
American Greetings Corporation; 19-01, Greeting card, (US, 09 Oct 2015) 12 Feb 2016	10776/2016	Boyer, Campbell Ingram; 06-02, Bed, 18 Feb 2016	10884/2016
American Greetings Corporation; 19-01, Greeting card, (US, 30 Oct 2015) 12 Feb 2016	10773/2016	Bray, MaBelle; 09-05, Multi-compartment resealable storage bag, (US, 15 Jun 2015) (Divisional of 16820/2015) 16 Feb 2016	10826/2016
Apple Inc.; 20-02E, Display structure, (US, 21 Aug 2015) 19 Feb 2016	10897/2016	Bray, MaBelle; 09-05, Multi-compartment resealable storage bag, (US, 15 Jun 2015) (Divisional of 16818/2015) 16 Feb 2016	10825/2016
Apple Inc.; 20-02C, Inset wall display, (US, 21 Aug 2015) 22 Feb 2016	10928/2016	Breville Pty Limited; 31-00, Mixer, 25 Feb 2016	11010/2016
Apple Inc.; 20-02C, Display structure, (US, 21 Aug 2015) 22 Feb 2016	10930/2016	Bromley, Dustyn; 03-01C, 03-01NES, A triathlon bag/carry-all, 19 Feb 2016	10885/2016
Apple Inc.; 20-02C, Display structure, (US, 21 Aug 2015) 22 Feb 2016	10929/2016	Brown & Watson International Pty Ltd; 26-06, Lamp, 12 Feb 2016	10758/2016
Apple Inc.; 20-02C, Inset wall display, (US, 21 Aug 2015) 22 Feb 2016	10927/2016	Brown & Watson International Pty Ltd; 26-06, Lamp, 12 Feb 2016	10759/2016
Ary Pty Ltd; 12-16P, An anchor, 09 Sep 2015	17148/2015	Cambium Medical Technologies LLC; 24-02, Dual chamber dispensing device, (US, 29 May 2015) 27 Nov 2015	10919/2016

Cambium Medical Technologies LLC; 24-02, Frangible connector for a dual chamber dispensing device, (US, 29 May 2015) 27 Nov 2015	10922/2016	DRGB PTY LTD; 25-02C, Decorative fencing panel insert, 19 Feb 2016	10888/2016
Cambium Medical Technologies LLC; 24-02, Frangible connector for a dual chamber dispensing device, (US, 29 May 2015) 27 Nov 2015	10923/2016	DRGB PTY LTD; 25-02C, Decorative fencing panel insert, 19 Feb 2016	10887/2016
Cambium Medical Technologies LLC; 24-02, Frangible connector for a dual chamber dispensing device, (US, 29 May 2015) 27 Nov 2015	10920/2016	Eadie, Mark Ray;McGuigan, Debra; 09-07A, A pouring device, 16 Feb 2016	10847/2016
Cambium Medical Technologies LLC; 24-02, Frangible connector for a dual chamber dispensing device, (US, 29 May 2015) 27 Nov 2015	10921/2016	Eazy Azz Pty Ltd; 07-01B, Oyster tray, 17 Feb 2016	10862/2016
Carlo, Russo Krauss Guisepe; 07-02A, Pizza cooking oven, (EM, 26 Aug 2015) 24 Feb 2016	10979/2016	Emro Products Pty.Ltd.;Roth, Martin; 08-06, Door hinge, 15 Feb 2016	10809/2016
Conair Corporation; 28-03B, Hair styling apparatus, (US, 08 Jan 2016) 25 Feb 2016	11000/2016	ELC Management LLC; 03-01D, 09-01G, Cosmetic jar with cover, (US, 08 Sep 2015) 18 Feb 2016	10874/2016
Connect Precision Pty Ltd; 08-08C, Spring gutter clip with integral spacer, 22 Feb 2016	10953/2016	ESS Engineering Services & Supplies Pty Limited; 12-05, A skirt segment for a conveyor belt, 25 Feb 2016	10997/2016
Continental Reifen Deutschland GmbH; 12-15B, Tyre, (WO, 27 Aug 2015) 15 Feb 2016	10793/2016	First Quality Packaging Solutions, LLC; 09-07B, Cup lid, (US, 02 Sep 2015) 18 Feb 2016	10871/2016
Cool Gear International, LLC; 07-01C, Double-walled container, (US, 26 Aug 2015) 25 Feb 2016	11014/2016	First Quality Packaging Solutions, LLC; 09-07B, Cup lid, (US, 02 Sep 2015) 18 Feb 2016	10873/2016
Cool Gear International, LLC; 09-01H, Bottle, (US, 26 Aug 2015) 25 Feb 2016	11015/2016	Forever New Clothing Pty Ltd; 02-02C, Article of clothing, (Divisional of 13190/2015) 11 Feb 2016	10743/2016
Cooper Tire & Rubber Company; 12-15B, Tire, 12 Feb 2016	10772/2016	Gainsborough Hardware Industries Limited; 08-06, Sliding door furniture, 16 Feb 2016	10823/2016
Copperhead NV; 09-01NES, Bottle, 25 Feb 2016	11009/2016	Gay, Heath Lawrence Doherty; 32-03, Clothing, 15 Feb 2016	10790/2016
Curic, Zdravko;Uni-stek d.o.o.; 03-01NES, Multipurpose container for sanitary products, 16 Feb 2016	10846/2016	Gewirz, Eric J.;Gewirz, Carl S.; 02-03, Lenticular panels for a hat, (Divisional of 16735/2015) 17 Feb 2016	10865/2016
Delta T Corporation; 13-03NES, Switch, (US, 27 Aug 2015) 25 Feb 2016	11006/2016	Gewirz, Carl S.;Gewirz, Eric J.; 02-03, Lenticular panels for a hat, (Divisional of 16735/2015) 17 Feb 2016	10865/2016
Dometic Sweden AB; 12-16NES, Recreational vehicle air-conditioning unit, 12 Feb 2016	10774/2016	Grabber Construction Products, Inc.; 08-08C, Deck clip, (US, 11 Jan 2016) 25 Feb 2016	10996/2016
Dometic Sweden AB; 10-05, Thermostat, (US, 17 Nov 2015) 18 Feb 2016	10870/2016	Grabber Construction Products, Inc.; 08-08C, Deck clip, (US, 11 Jan 2016) 25 Feb 2016	11001/2016
DISCOVER STORYBOARD PTY LTD; 19-06, Toy, 23 Feb 2016	10972/2016	Great Western Malting, DBA Brewcraft USA; 09-01NES, Carboy, (US, 12 Aug 2015) 12 Feb 2016	10784/2016
DREAM INDUSTRIAL PTY. LTD.; 10-04, 24-04, Blood Glucose monitoring apparatus, 23 Feb 2016	10960/2016	Gripple Limited; 08-05NES, Wire joiner, (EM, 28 Aug 2015) 11 Feb 2016	10744/2016
		Gripple Limited; 08-08L, A bracket, (EM, 18 Aug 2015) 12 Feb 2016	10782/2016

Guangzhou Blue Moon Industrial Co., Ltd.; 09-07A, Lipeng Bai, (CN, 28 Aug 2015) 25 Feb 2016	11011/2016	Iconic Fans Pty Ltd; 23-04, Ceiling fan, 25 Feb 2016	10999/2016
GENTOS Co., Ltd.; 26-02, Headlamp, (JP, 19 Jan 2016) 25 Feb 2016	11004/2016	Iconic Fans Pty Ltd; 23-04, Ceiling Fan, 25 Feb 2016	10998/2016
GM Global Technology Operations LLC; 12-08, Vehicle body exterior, (US, 19 Aug 2015) 12 Feb 2016	10749/2016	Industrie IP Pty Limited; 02-02C, A pair of pants, 16 Feb 2016	10842/2016
GM Global Technology Operations LLC; 12-16C, Vehicle nudge bar, (US, 20 Aug 2015) 12 Feb 2016	10750/2016	Industrie IP Pty Limited; 02-02C, A pair of pants, 16 Feb 2016	10845/2016
GOTOP AUSTRALIA PTY LTD; 19-08, A label, 18 Feb 2016	10925/2016	Industrie IP Pty Limited; 02-02C, A pair of pants, 16 Feb 2016	10843/2016
GOTOP AUSTRALIA PTY LTD; 19-08, A label, 18 Feb 2016	10926/2016	Industrie IP Pty Limited; 02-02C, A pair of pants, 16 Feb 2016	10844/2016
GREEN RIDE LTD.; 12-11, 12-16NES, Fairings for motorcycles, (EM, 14 Sep 2015) 23 Feb 2016	10956/2016	Inkjecta Pneumatix Pty Ltd; 19-06, 15-99, Tattoo drive bar, 11 Feb 2016	10746/2016
GREEN RIDE LTD.; 12-11, 12-16NES, Handlebars for cycles or motorcycles, (IL, 14 Sep 2015) 23 Feb 2016	10959/2016	Inkjecta Pneumatix Pty Ltd; 19-06, 15-99, Tattoo drive bar, 11 Feb 2016	10747/2016
GREEN RIDE LTD.; 12-11, 12-16NES, Handlebars for cycles or motorcycles, (IL, 14 Sep 2015) 23 Feb 2016	10958/2016	Intercontinental Great Brands LLC; 01-01, 1) Confection; 2) gum, (US, 24 Aug 2015) 24 Feb 2016	10989/2016
GREEN RIDE LTD.; 12-16A, Wheel caps for a vehicle, (EM, 14 Sep 2015) 23 Feb 2016	10957/2016	Intercontinental Great Brands LLC; 01-01, 1) confection; 2) gum, (US, 24 Aug 2015) 24 Feb 2016	10990/2016
Hanna, Julian; 08-01, 15-03A, A seeding knife point device, 13 Feb 2016	10788/2016	Intercontinental Great Brands LLC; 01-01, 1) confection; 2) gum, (US, 24 Aug 2015) 24 Feb 2016	10991/2016
Herman Miller, Inc.; 06-03B, Table, (US, 25 Sep 2015) 12 Feb 2016	10761/2016	Intercontinental Great Brands LLC; 01-01, 1) Confection; 2) gum, (US, 24 Aug 2015) 24 Feb 2016	10988/2016
Herman Miller, Inc.; 06-03B, Table, (US, 25 Sep 2015) 12 Feb 2016	10757/2016	James Hardie Technology Limited; 25-01NES, Building component edge trim jointer, 15 Feb 2016	10792/2016
Herman Miller, Inc.; 06-03B, Table, (US, 25 Sep 2015) 12 Feb 2016	10755/2016	James Hardie Technology Limited; 25-01G, Cladding element, 16 Feb 2016	10838/2016
Herman Miller, Inc.; 06-03B, Table, (US, 25 Sep 2015) 12 Feb 2016	10760/2016	James Hardie Technology Limited; 25-01G, Cladding element, 16 Feb 2016	10833/2016
Herman Miller, Inc.; 06-03B, Table, (US, 25 Sep 2015) 12 Feb 2016	10756/2016	James Hardie Technology Limited; 25-01G, Cladding element, 16 Feb 2016	10834/2016
Herman Miller, Inc.; 06-03B, Table, (US, 25 Sep 2015) 12 Feb 2016	10754/2016	James Hardie Technology Limited; 25-01G, Cladding element, 16 Feb 2016	10828/2016
Hollister Incorporated; 24-04, Catheter package assembly, (US, 29 May 2015) (Divisional of 16363/2015) 22 Feb 2016	10924/2016	James Hardie Technology Limited; 25-01G, Cladding element, 16 Feb 2016	10835/2016
Honda Motor Co., Ltd.; 12-08, Automobile, 22 Feb 2016	10931/2016	James Hardie Technology Limited; 25-01G, Cladding element, 16 Feb 2016	10832/2016
		James Hardie Technology Limited; 25-01G, Cladding element, 16 Feb 2016	10839/2016
		James Hardie Technology Limited; 25-01G, Cladding element, 16 Feb 2016	10829/2016
		James Hardie Technology Limited; 25-01G, Cladding element, 16 Feb 2016	10830/2016
		James Hardie Technology Limited; 25-01NES, Building component edge trim external corner piece, 15 Feb 2016	10794/2016

James Hardie Technology Limited; 25-01NES, Building component edge trim internal corner piece, 15 Feb 2016	10791/2016	JSP Limited; 02-03, 26-02, Helmet illumination device, (EM, 14 Oct 2015) 24 Feb 2016	10985/2016
James Hardie Technology Limited; 25-01NES, Building component edge trim, 15 Feb 2016	10789/2016	Kimberly-Clark Worldwide, Inc.; 32-02, Label, (US, 02 Sep 2015) 23 Feb 2016	10969/2016
Jemella Group Limited; 28-03B, Hair styling apparatus, (EM, 04 Feb 2016) 25 Feb 2016	11008/2016	Kimberly-Clark Worldwide, Inc.; 32-02, Label, (US, 02 Sep 2015) 23 Feb 2016	10967/2016
Joseph Joseph Limited; 09-09, Kitchen bin, (EP, 17 Aug 2015) 12 Feb 2016	10779/2016	Kimberly-Clark Worldwide, Inc.; 32-02, Label, (US, 02 Sep 2015) 23 Feb 2016	10968/2016
JETS Swimwear Pty Limited; 02-02A, Swimwear garment, 19 Feb 2016	10908/2016	Kimberly-Clark Worldwide, Inc.; 32-02, Label, (US, 02 Sep 2015) 23 Feb 2016	10965/2016
JETS Swimwear Pty Limited; 02-02A, Swimwear garment, 19 Feb 2016	10900/2016	Kimberly-Clark Worldwide, Inc.; 32-02, Label, (US, 02 Sep 2015) 23 Feb 2016	10966/2016
JETS Swimwear Pty Limited; 02-02A, Swimwear garment, 19 Feb 2016	10899/2016	Kimberly-Clark Worldwide, Inc.; 32-02, Label, (US, 02 Sep 2015) 23 Feb 2016	10961/2016
JETS Swimwear Pty Limited; 02-02A, Swimwear garment, 19 Feb 2016	10892/2016	Kimberly-Clark Worldwide, Inc.; 32-03, 32-02, Label, (US, 02 Sep 2015) 23 Feb 2016	10971/2016
JETS Swimwear Pty Limited; 02-02A, Swimwear garment, 19 Feb 2016	10910/2016	Kimberly-Clark Worldwide, Inc.; 32-02, Label, (US, 02 Sep 2015) 23 Feb 2016	10962/2016
JETS Swimwear Pty Limited; 02-02A, Swimwear garment, 19 Feb 2016	10911/2016	Kimberly-Clark Worldwide, Inc.; 32-02, Label, (US, 02 Sep 2015) 23 Feb 2016	10970/2016
JETS Swimwear Pty Limited; 02-02A, Swimwear garment, 19 Feb 2016	10909/2016	Kimberly-Clark Worldwide, Inc.; 32-02, Label, (US, 02 Sep 2015) 23 Feb 2016	10964/2016
JETS Swimwear Pty Limited; 02-02A, Swimwear garment, 19 Feb 2016	10904/2016	Koninklijke Philips N.V.; 07-02N, Fryer, (EM, 25 Aug 2015) 24 Feb 2016	10977/2016
JETS Swimwear Pty Limited; 02-02A, Swimwear garment, 19 Feb 2016	10895/2016	Koninklijke Philips N.V.; 10-04, Thermometer, (EM, 25 Aug 2015) 24 Feb 2016	10976/2016
JETS Swimwear Pty Limited; 02-02A, Swimwear garment, 19 Feb 2016	10896/2016	Koninklijke Philips N.V.; 28-03A, Three head dry shaver, (EM, 17 Aug 2015) 16 Feb 2016	10827/2016
JETS Swimwear Pty Limited; 02-02A, Swimwear garment, 19 Feb 2016	10906/2016	Koninklijke Philips N.V.; 07-02N, Fryer, (EM, 25 Aug 2015) 22 Feb 2016	10918/2016
JETS Swimwear Pty Limited; 02-02A, Swimwear garment, 19 Feb 2016	10893/2016	Kopin Corporation; 16-06, Eyewear viewing device, (US, 04 Sep 2015) 25 Feb 2016	10995/2016
JETS Swimwear Pty Limited; 02-02A, Swimwear garment, 19 Feb 2016	10894/2016	KBIDC Investments, LLC; 23-01NES, Balloon multi-fill system, (US, 21 Aug 2015) 17 Feb 2016	10861/2016
JETS Swimwear Pty Limited; 02-02A, Swimwear garment, 19 Feb 2016	10907/2016	Limited, Simon Langham; 12-11, A wheeled transporter for carrying children, (NZ, 03 Sep 2015) 23 Feb 2016	10963/2016
JETS Swimwear Pty Limited; 02-02A, Swimwear garment, 19 Feb 2016	10905/2016		
JETS Swimwear Pty Limited; 02-02A, Swimwear garment, 19 Feb 2016	10902/2016		
JETS Swimwear Pty Limited; 02-02A, Swimwear garment, 19 Feb 2016	10898/2016		
JETS Swimwear Pty Limited; 02-02A, Swimwear garment, 19 Feb 2016	10901/2016		
JSP Limited; 02-03, 26-02, Helmet illumination device, (EM, 14 Oct 2015) 24 Feb 2016	10984/2016		

Loram Maintenance of Way, Inc.; 25-02NES, A gauge face lubrication bar, (US, 28 Aug 2015) 24 Feb 2016	10981/2016	Norambuena, Rolando; 09-01NES, 26-05B, Lampstand for supporting inline beverage cans, 13 Feb 2016	10787/2016
Loram Maintenance of Way, Inc.; 25-02NES, A gauge face lubrication bar, (US, 28 Aug 2015) 24 Feb 2016	10980/2016	Oakley, Inc.; 16-06, Eyeglass, (US, 29 Oct 2015) 17 Feb 2016	10852/2016
LG Electronics Inc.; 14-03E, Mobile phone, (KR, 12 Aug 2015) 12 Feb 2016	10777/2016	Omni United (S) Pte Ltd.; 12-15A, Tyre tread, (US, 30 Nov 2015) 23 Feb 2016	10974/2016
LINPAC Packaging Limited; 09-03F, Tray, (EM, 17 Aug 2015) 16 Feb 2016	10824/2016	Orchid Valley Creations Pty Ltd; 06-04G, A casket (coffin), 19 Feb 2016	10890/2016
LIONS CLUB OF LUCINDALE INCORPORATED; 02-03, 19-99, 11-05, 02-99, Publications hats stationery flags clothing, 23 Feb 2016	10955/2016	Osmond, Pennee; 30-04, Dog thong, 23 Feb 2016	10975/2016
M & N COMMERCIAL PTY. LTD.; 12-02, Bellboy & other luggage trolley quick remove base, 22 Feb 2016	10935/2016	Oy Halton Group Ltd.; 23-04, Condenser exhaust hood, (US, 21 Aug 2015) 22 Feb 2016	10934/2016
Magi Enterprises Pty Ltd; 02-02NES, Coat, 15 Feb 2016	10808/2016	P B C (SA) Pty Ltd; 22-06, Device for deterring birds, 12 Feb 2016	10748/2016
Makdesi, Nizar; 19-06, Bean shaped writeable/eraseable drawing board, 15 Feb 2016	10822/2016	Pacific Brands Clothing Pty Ltd; 02-02A, Swimsuit, 19 Feb 2016	10891/2016
Manns, Matthew John; 06-13A, A placemat, 25 Feb 2016	11003/2016	Papadatos, Kosta; 08-08A, A clip for a tile levelling system, 17 Feb 2016	10859/2016
Marine Safety Products, LLC; 02-02A, Loose-fitting floatation shirt with inflation components, (US, 17 Aug 2015) 16 Feb 2016	10831/2016	Papadatos, Kosta; 08-08NES, A wedge for a tile levelling system, 17 Feb 2016	10860/2016
Murray, Sarah; 02-01A, Nursing/maternity sports bra, 20 Feb 2016	10917/2016	PositiveG Investments Pty Ltd ATF The PositiveG Trust; 14-02, Display unit, 24 Feb 2016	10992/2016
Masliah, Mark; 32-03, Board game, 24 Feb 2016	10987/2016	PAL ENTERPRISES (AUST) PTY LTD; 12-16NES, Vehicle load restraint cargo net, 15 Feb 2016	10805/2016
McGuigan, Debra;Eadie, Mark Ray; 09-07A, A pouring device, 16 Feb 2016	10847/2016	Rado Uhren AG (Rado Watch Co. Ltd.) (Montres Rado SA); 10-02, A wristwatch, (WO, 03 Sep 2015) 24 Feb 2016	10986/2016
McPherson's Housewares IP Pty Limited; 07-04, Chopping board, 19 Feb 2016	10903/2016	Rauland-Borg Corporation; 26-03, Multi-segmented corridor light, (US, 21 Aug 2015) 20 Feb 2016	10943/2016
Modern Nature Limited; 09-01NES, A Bottle, (EP, 13 Aug 2015) 12 Feb 2016	10770/2016	Rauland-Borg Corporation; 26-03, Multi-segmented corridor light, (US, 21 Aug 2015) 20 Feb 2016	10944/2016
MILWAUKEE ELECTRIC TOOL CORPORATION; 26-02, Spotlight, (Divisional of 16551/2015) 12 Feb 2016	10765/2016	Rauland-Borg Corporation; 26-03, Multi-segmented corridor light, (US, 21 Aug 2015) 20 Feb 2016	10945/2016
MILWAUKEE ELECTRIC TOOL CORPORATION; 13-02, Battery pack adapter, (US, 25 Aug 2015) 25 Feb 2016	10994/2016	Rauland-Borg Corporation; 26-03, Multi-segmented corridor light, (US, 21 Aug 2015) 20 Feb 2016	10940/2016
Neoz Pty Ltd; 26-04, Lamp, 19 Feb 2016	10886/2016	Rauland-Borg Corporation; 26-03, Multi-segmented corridor light, (US, 21 Aug 2015) 20 Feb 2016	10942/2016
Norambuena, Rolando; 09-01NES, 26-05B, Lampstand for supporting inline beverage bottle, 13 Feb 2016	10786/2016		

Rauland-Borg Corporation; 26-03, Multi-segmented corridor light, (US, 21 Aug 2015) 20 Feb 2016	10941/2016	Scolari, Mia Maria; 02-07D, Knitting Needles, 22 Feb 2016	10932/2016
Reckitt Benckiser (Brands) Limited; 07-05NES, Capsule containing washing products, (EM, 17 Aug 2015) 15 Feb 2016	10801/2016	Seafolly Pty Ltd; 02-02A, Swimwear, 19 Aug 2015	10854/2016
Reckitt Benckiser (Brands) Limited; 09-05, Blister package, (EM, 17 Aug 2015) 16 Feb 2016	10837/2016	Seafolly Pty Ltd; 02-02A, Swimwear, 19 Aug 2015	10857/2016
Reckitt Benckiser (Brands) Limited; 09-05, Blister package, (EM, 17 Aug 2015) 16 Feb 2016	10836/2016	Seafolly Pty Ltd; 02-02A, Swimwear, 19 Aug 2015	10855/2016
Reckitt Benckiser (Brands) Limited; 07-05NES, Capsule containing washing products, (EM, 17 Aug 2015) 15 Feb 2016	10804/2016	Seafolly Pty Ltd; 02-02A, Swimwear, 19 Aug 2015	10856/2016
Reckitt Benckiser (Brands) Limited; 07-05NES, Capsule containing washing products, (EM, 17 Aug 2015) 15 Feb 2016	10798/2016	Seafolly Pty Ltd; 02-02A, Swimwear, 19 Aug 2015	10853/2016
Reckitt Benckiser (Brands) Limited; 07-05NES, Capsule containing washing products, (EM, 17 Aug 2015) 15 Feb 2016	10806/2016	Sebastianpillai, Jesurajah; 07-02E, Adjustable Grill BBQ, 18 Feb 2016	10866/2016
Reckitt Benckiser (Brands) Limited; 07-05NES, Capsule containing washing products, (EM, 17 Aug 2015) 15 Feb 2016	10807/2016	Sodastream Industries Ltd.; 31-00, Beverage machine, 12 Feb 2016	10780/2016
Reckitt Benckiser (Brands) Limited; 07-05NES, Capsule containing washing products, (EM, 17 Aug 2015) 15 Feb 2016	10795/2016	St Thomas Clothing Pty Ltd; 07-06A, A cup Holder and blank therefor, 23 Feb 2016	10973/2016
Reckitt Benckiser (Brands) Limited; 07-05NES, Capsule containing washing products, (EM, 17 Aug 2015) 15 Feb 2016	10796/2016	Stuart, Michael Christopher; 08-06, Hinge, 18 Feb 2016	10883/2016
Reckitt Benckiser (Brands) Limited; 07-05NES, Capsule containing washing products, (EM, 17 Aug 2015) 15 Feb 2016	10800/2016	SMART & MAZZOCCA PTY LTD; 32-03, 02-02NES, Beer label, tap decal, tee shirt, 22 Feb 2016	10951/2016
Reckitt Benckiser (Brands) Limited; 07-05NES, Capsule containing washing products, (EM, 17 Aug 2015) 15 Feb 2016	10797/2016	SMART & MAZZOCCA PTY LTD; 32-03, Frosty's bottle back label, 22 Feb 2016	10952/2016
Reid, Wendy Grey; 06-03B, Table, 12 Feb 2016	10785/2016	STARCORP HOLDINGS (NSW) PTY LTD; 12-16A, Wheels for cars including flange and spoke face., 12 Feb 2016	10763/2016
Roka Sports, Inc.; 16-06, 21-02D, Swimming goggles with retroscopic lens angle, (US, 28 Aug 2015) 25 Feb 2016	11007/2016	STARCORP HOLDINGS (NSW) PTY LTD; 12-16A, Wheel for cars including the flange and spoke face, 12 Feb 2016	10764/2016
Roth, Martin;Emro Products Pty.Ltd.; 08-06, Door hinge, 15 Feb 2016	10809/2016	T.G. Eakin Limited; 24-02, Seal for use with ostomy products, (EM, 23 Dec 2015) 25 Feb 2016	11002/2016
REMLAP TRACKING PTY. LTD.; 08-08H, Curtain and Track Hook/Runner, 25 Feb 2016	11013/2016	Takasho Co., Ltd.; 11-02C, Base for a planter, (JP, 27 Aug 2015) 24 Feb 2016	10982/2016
ROCKIN ROOS PTY LTD; 21-01A, Bobble head figurine, 12 Feb 2016	10753/2016	The Food Market Company Pty Ltd; 07-01E, 09-03NES, Container, lid and spoon, 17 Feb 2016	10863/2016
ROOFWASH LIMITED; 09-01A, Plastic jerry can with integrated spray gun handle, (NZ, 19 Feb 2016) 19 Feb 2016	10912/2016	The Gillette Company; 09-01A, Shave preparation container, (US, 18 Aug 2015) 12 Feb 2016	10751/2016
Scent2Market Inc.; 23-04, Air filter freshener, (US, 21 Aug 2015) 15 Feb 2016	10803/2016	The Gillette Company; 09-01A, Shave preparation container, (US, 18 Aug 2015) 12 Feb 2016	10752/2016
		The Trustee for The Baldock Becker Discretionary Fund; 32-03, T-shirts; cups; bags; websites, 18 Feb 2016	10869/2016

The Trustee for THE OPAL MARINE DISCRETIONARY TRUST; 12-06A, New cyclone 21ft ski boat design CAD designed hull, 17 Feb 2016	10864/2016	Wm. Wrigley Jr. Company; 01-01, Strawberry chewing gum, (US, 20 Aug 2015) 22 Feb 2016	10947/2016
Thomas, Michael; 21-02D, Swimming float, (EM, 14 Aug 2015) 12 Feb 2016	10775/2016	Wm. Wrigley Jr. Company; 01-01, Strawberry chewing gum, (US, 20 Aug 2015) 22 Feb 2016	10946/2016
THE BIG TINY CO PTY LTD; 14-99, Laptop computer support, 12 Feb 2016	10778/2016	Wm. Wrigley Jr. Company; 01-01, Strawberry chewing gum, (US, 20 Aug 2015) 22 Feb 2016	10939/2016
TRAVEL BLUE LIMITED; 06-13B, A pillow, (CN, 20 Aug 2015) 20 Feb 2016	10913/2016	Wm. Wrigley Jr. Company; 01-01, Strawberry chewing gum, (US, 20 Aug 2015) 22 Feb 2016	10937/2016
Uni-stek d.o.o.;Curic, Zdravko; 03-01NES, Multipurpose container for sanitary products, 16 Feb 2016	10846/2016	Wm. Wrigley Jr. Company; 01-01, Mint chewing gum, (US, 20 Aug 2015) 18 Feb 2016	10877/2016
Unilever PLC; 09-01C, Jar, (EM, 25 Aug 2015) 18 Feb 2016	10882/2016	Wm. Wrigley Jr. Company; 01-01, Mint chewing gum, (US, 20 Aug 2015) 18 Feb 2016	10875/2016
Unilever PLC; 09-01C, Jar, (EM, 25 Aug 2015) 18 Feb 2016	10880/2016	Wm. Wrigley Jr. Company; 01-01, Mint chewing gum, (US, 20 Aug 2015) 18 Feb 2016	10878/2016
Urbio, Inc.; 03-01D, Container, 22 Feb 2016	10950/2016	Wm. Wrigley Jr. Company; 01-01, Mint chewing gum, (US, 20 Aug 2015) 18 Feb 2016	10876/2016
Urbio, Inc.; 07-05D, Hoop apparatus, (US, 21 Aug 2015) 22 Feb 2016	10933/2016	Wm. Wrigley Jr. Company; 01-01, Mint chewing gum, (US, 20 Aug 2015) 18 Feb 2016	10881/2016
Urbio, Inc.; 06-08, Hanging apparatus, (US, 21 Aug 2015) 22 Feb 2016	10938/2016	Wm. Wrigley Jr. Company; 01-01, Mint chewing gum, (US, 20 Aug 2015) 18 Feb 2016	10879/2016
Vodoke Asia Pacific Limited; 14-03NES, Remote control, (SG, 14 Aug 2015) 12 Feb 2016	10781/2016	Zimmermann Wear Pty Limited; 02-02NES, A top, 15 Feb 2016	10817/2016
Vodoke Asia Pacific Limited; 14-03NES, Multimedia communication equipment, (SG, 14 Aug 2015) 12 Feb 2016	10783/2016	Zimmermann Wear Pty Limited; 02-02C, A playsuit, 15 Feb 2016	10818/2016
W & G Education Pty Ltd; 19-06, A template, 11 Feb 2016	10745/2016	Zimmermann Wear Pty Limited; 02-02C, A dress, 15 Feb 2016	10813/2016
Wenatex Forschung Entwicklung Produktion GmbH; 06-09, Mattress, (EM, 21 Oct 2015) 24 Feb 2016	10983/2016	Zimmermann Wear Pty Limited; 02-02C, A dress, 15 Feb 2016	10814/2016
Wilson, Martyn Stanley; 08-10, Bicycle storage parking rail or rack, 12 Feb 2016	10768/2016	Zimmermann Wear Pty Limited; 02-02C, A dress, 15 Feb 2016	10811/2016
Wilson, Martyn Stanley; 08-10, Bicycle storage parking rail or rack, 12 Feb 2016	10769/2016	Zimmermann Wear Pty Limited; 02-02C, A playsuit, 15 Feb 2016	10819/2016
Wilson, Martyn Stanley; 08-10, Bicycle storage parking rail or rack, 12 Feb 2016	10767/2016	Zimmermann Wear Pty Limited; 02-02C, A dress, 15 Feb 2016	10820/2016
Wm. Wrigley Jr. Company; 01-01, Strawberry chewing gum, (US, 20 Aug 2015) 22 Feb 2016	10936/2016	Zimmermann Wear Pty Limited; 02-02C, A dress, 15 Feb 2016	10815/2016
Wm. Wrigley Jr. Company; 01-01, Strawberry chewing gum, (US, 20 Aug 2015) 22 Feb 2016	10948/2016	Zimmermann Wear Pty Limited; 02-02C, A dress, 15 Feb 2016	10816/2016
		Zimmermann Wear Pty Limited; 02-02NES, A top, 15 Feb 2016	10812/2016
		Zimmermann Wear Pty Limited; 02-02C, A dress, 15 Feb 2016	10810/2016
		Zimmermann Wear Pty Limited; 02-02C, A dress, 15 Feb 2016	10821/2016

Applications Withdrawn

10304 / 2016 (32-03)

Applications Lapsed

14039 / 2015 (02-02C)	15449 / 2015 (02-02A)
15937 / 2015 (05-05NES)	15938 / 2015 (05-05NES)
15939 / 2015 (05-05NES)	15940 / 2015 (05-05NES)
15941 / 2015 (05-05NES)	15954 / 2015 (12-11)
15960 / 2015 (07-01C)	15961 / 2015 (07-01C)
15962 / 2015 (07-01C)	15963 / 2015 (07-01C)
16010 / 2015 (07-02NES)	16036 / 2015 (03-99)
16045 / 2015 (21-01A)	16047 / 2015 (02-02C)
16433 / 2015 (08-99)	16440 / 2015 (08-07)
16442 / 2015 (32-03)	16446 / 2015 (09-05)

Extension of Period of Registration of Designs

331925	332937	333216
333304	334181	334259
335491	335510	335516
335517	335522	335548
335549	335556	335558
335559	335572	335579
335601	335603	335606
335610	335611	335636
335637	335638	335647
335676	335717	335718
335736	335743	335744
335749	335756	335757
335758	335759	335766
335772	335773	335774
335794	335795	335796
335797	335798	335799
335800	335801	335803
335806	335808	335812
335813	335814	335815
335859	335907	335937
335965	335975	335976
335977	336009	336011
336012	336032	336043
336057	336058	336097
336105	336106	336108
336111	336112	336113
336114	336150	336151
336198	336328	336329
336330	336331	336342
336368	336373	336377
336378	336448	336582
336620	336633	336634
336689	336690	336763
336764	336765	336766
336846	336871	338232

Registrations Ceased

306318	306319	306320
307876	307877	307879
307882	307883	307909
307911	307930	307932
307933	307934	307935
307939	307940	307942
307943	307944	307945
308000	308048	308049
308050	308051	308112
308189	308190	308191
308192	308216	308221
308222	308223	308224

308225	308248	308282
308285	308309	308311
308312	308313	308314
308315	308316	308317
308318	308319	308320
308328	308347	308395
308396	308397	308399
308400	308553	308680
308728	308823	308861
308919	309149	309150
309151	309347	309364
309412	309509	309672
309812	310007	310045
310046	310165	310560
310561	310613	310614
310615	311073	311087
311153	312534	316876
316877	316878	332186
332276	332361	332384
332395	332396	332407
332408	332409	332411
332429	332466	332468
332487	332488	332489
332490	332491	332501
332502	332503	332505
332506	332507	332522
332575	332577	332578
332579	332588	332603
332605	332606	332613
332615	332616	332617
332618	332619	332620
332624	332633	332634
332635	332636	332637
332640	332641	332642
332647	332653	332654
332655	332657	332659
332660	332661	332662
332663	332669	332670
332671	332672	332673
332676	332677	332683
332684	332689	332695
332696	332697	332698
332699	332713	332836
332837	332838	332907
332968	332969	333042
333076	333195	333229
333261	333262	333384
333385	333386	333387
333419	333673	333788
333794	334318	334954
335147	335470	335471
335472	335775	335776
336470	336471	336473
336474	336475	336476

336781 336782 336783
 336784 336785 336786
 336789 336790 336791
 336792 336795 336796
 336797 336798 336799
 336801 336802 338610
 349439 360164 361943
 362072 362120 362415

Applications for Extension of time under Section 137

Applications under section 137 for extension of time have been lodged. Objections must be lodged within 1 month from the date of this journal.

15448/2015 **Glud & Marstrand A/S** Address for Service: K&L Gates Level 25 South Tower 525 Collins Street MELBOURNE VIC 3000

Extensions of time granted under Section 137

Applications lodged under section 137 for extension of time have been granted.

331925 **Specified Electrical Process Heating Co. Australia Pty Ltd**

367294 **Nova Springwater Pty Ltd**

15866/2015 **Visy R & D Pty Ltd**

16343/2015 **Reckitt Benckiser N.V.**

16344/2015 **Reckitt Benckiser N.V.**

367359 **Cyclone Tools Pty Ltd**

10232/2016 **Stanley Middle East FZE**

10232/2016 **Stanley Middle East FZE**

10509/2016 **Jack Holden Ltd**

Subsequent Owners Registered

(The name in parentheses is that of the subsequent owner)

339350 (**Reckitt Benckiser Vanish B.V.**) Reckitt Benckiser N.V.
 341012 (**Reckitt Benckiser Vanish B.V.**) Reckitt Benckiser N.V.
 341013 (**Reckitt Benckiser Vanish B.V.**) Reckitt Benckiser N.V.
 341014 (**Reckitt Benckiser Vanish B.V.**) Reckitt Benckiser N.V.
 341015 (**Reckitt Benckiser Vanish B.V.**) Reckitt Benckiser N.V.
 341024 (**Reckitt Benckiser Vanish B.V.**) Reckitt Benckiser N.V.
 341025 (**Reckitt Benckiser Vanish B.V.**) Reckitt Benckiser N.V.
 341026 (**Reckitt Benckiser Vanish B.V.**) Reckitt Benckiser N.V.
 341027 (**Reckitt Benckiser Vanish B.V.**) Reckitt Benckiser N.V.

348842 (**Reckitt Benckiser Vanish B.V.**) Reckitt Benckiser N.V.
 348843 (**Reckitt Benckiser Vanish B.V.**) Reckitt Benckiser N.V.
 348856 (**Reckitt Benckiser Vanish B.V.**) Reckitt Benckiser N.V.
 348857 (**Reckitt Benckiser Vanish B.V.**) Reckitt Benckiser N.V.
 348737 (**Reckitt Benckiser Vanish B.V.**) Reckitt Benckiser N.V.
 348739 (**Reckitt Benckiser Vanish B.V.**) Reckitt Benckiser N.V.
 348740 (**Reckitt Benckiser Vanish B.V.**) Reckitt Benckiser N.V.
 316405 (**Reckitt Benckiser Finish B.V.**) Reckitt Benckiser N.V.
 344248 (**Aktiebolaget Electrolux**) Electrolux Contracting AB
 344249 (**Aktiebolaget Electrolux**) Electrolux Contracting AB
 313019 (**Cree, Inc.**) Ruud Lighting, Inc.
 314972 (**Cree, Inc.**) Ruud Lighting, Inc.
 314711 (**Cree, Inc.**) Ruud Lighting, Inc.
 314710 (**Cree, Inc.**) Ruud Lighting, Inc.
 316776 (**Cree, Inc.**) Ruud Lighting, Inc.
 318229 (**Cree, Inc.**) Ruud Lighting, Inc.
 318228 (**Cree, Inc.**) Ruud Lighting, Inc.
 320757 (**Cree, Inc.**) Ruud Lighting, Inc.
 322781 (**Cree, Inc.**) Ruud Lighting, Inc.
 322780 (**Cree, Inc.**) Ruud Lighting, Inc.
 323128 (**Cree, Inc.**) Ruud Lighting, Inc.
 323721 (**Cree, Inc.**) Ruud Lighting, Inc.
 323722 (**Cree, Inc.**) Ruud Lighting, Inc.
 333320 (**Cree, Inc.**) Ruud Lighting, Inc.
 333285 (**Cree, Inc.**) Ruud Lighting, Inc.
 333448 (**Cree, Inc.**) Ruud Lighting, Inc.
 339353 (**Cree, Inc.**) Ruud Lighting, Inc.
 343143 (**Cree, Inc.**) Ruud Lighting, Inc.
 343144 (**Cree, Inc.**) Ruud Lighting, Inc.
 343392 (**Cree, Inc.**) Ruud Lighting, Inc.
 343390 (**Cree, Inc.**) Ruud Lighting, Inc.
 343391 (**Cree, Inc.**) Ruud Lighting, Inc.
 343393 (**Cree, Inc.**) Ruud Lighting, Inc.
 347538 (**Cree, Inc.**) Ruud Lighting, Inc.
 343267 (**Scarpar Global Limited**) Scarpar Pty Ltd
 343292 (**Scarpar Global Limited**) Scarpar Pty Ltd
 317518 (**Reckitt Benckiser Vanish B.V.**) Reckitt Benckiser N.V.
 317517 (**Reckitt Benckiser Vanish B.V.**) Reckitt Benckiser N.V.
 317516 (**Reckitt Benckiser Vanish B.V.**) Reckitt Benckiser N.V.
 317515 (**Reckitt Benckiser Vanish B.V.**) Reckitt Benckiser N.V.
 319851 (**Reckitt Benckiser Vanish B.V.**) Reckitt Benckiser N.V.
 319852 (**Reckitt Benckiser Vanish B.V.**) Reckitt Benckiser N.V.
 319853 (**Reckitt Benckiser Vanish B.V.**) Reckitt Benckiser N.V.
 319854 (**Reckitt Benckiser Vanish B.V.**) Reckitt Benckiser N.V.
 316003 (**Thane IP Limited**) Thane Direct Company
 334042 (**Allegion (Australia) Pty Ltd**) RMD Industries Pty Ltd
 333848 (**Allegion (Australia) Pty Ltd**) RMD Industries Pty Ltd

- 334046 (**Allegion (Australia) Pty Ltd**) RMD Industries Pty Ltd
- 334047 (**Allegion (Australia) Pty Ltd**) RMD Industries Pty Ltd
- 316387 (**Allegion (Australia) Pty Ltd**) RMD Industries Pty Ltd
- 316386 (**Allegion (Australia) Pty Ltd**) RMD Industries Pty Ltd
- 330886 (**Thane IP Limited**) Thane International, Inc.
- 360761 (**Thane IP Limited**) Thane International, Inc.
- 360762 (**Thane IP Limited**) Thane International, Inc.
- 360747 (**Thane IP Limited**) Thane International, Inc.
- 360763 (**Thane IP Limited**) Thane International, Inc.
- 360748 (**Thane IP Limited**) Thane International, Inc.
- 330914 (**Thane IP Limited**) Thane International, Inc.
- 336003 (**Thane IP Limited**) Thane International, Inc.
- 336004 (**Thane IP Limited**) Thane International, Inc.
- 340778 (**Thane IP Limited**) Thane International, Inc.
- 360749 (**Thane IP Limited**) Thane International, Inc.
- 360750 (**Thane IP Limited**) Thane International, Inc.
- 365431 (**Thane IP Limited**) Thane International, Inc.
- 366045 (**Thane IP Limited**) Thane International, Inc.
- 330791 (**Cyber Technology (WA) Pty Ltd**) Joshua Portlock
- 336555 (**Lion Buyer, LLC**) LensAR, Inc.,
- 336556 (**Lion Buyer, LLC**) LensAR, Inc.,
- 340250 (**Energy Beverages LLC**) The Coca-Cola Company

Names Registered - Alterations and Amendments

(The name in parentheses is that of the subsequent applicant)

- 366313 (**ACN 122 520 307 Pty Ltd**) Gerard Lighting Pty Ltd (Old)
- 341725 (**GENIEGRIPS PTY LTD**) Simglese Pty Ltd
- 364324 (**ACN 122 520 307 Pty Ltd**) Gerard Lighting Pty Ltd

Certificate(s) of Examination

366509

04-02

26/02/2016

Examination of the following Design Registration(s) has been completed. Infringement proceedings may now be commenced.

329976	09-03H	24/02/2016
339547	02-01NES	25/02/2016
352259	10-04	15/02/2016
354566	14-03NES	16/02/2016
357921	12-16C	16/02/2016
358000	12-16C	16/02/2016
361969	03-01B	24/02/2016
362418	24-02	23/02/2016
363491	23-01H	16/02/2016
363674	23-01H	15/02/2016
363941	08-09	26/02/2016
363976	03-01NES	26/02/2016
364943	12-05	15/02/2016
364944	12-16B	15/02/2016
364967	24-02	19/02/2016
364980	12-16B	15/02/2016
365648	07-02E	18/02/2016
365649	07-02E	18/02/2016
365735	08-06	16/02/2016
365739	24-02	16/02/2016
365748	06-01E	23/02/2016
365764	25-01NES	17/02/2016
365777	24-02	16/02/2016
365799	28-03B	19/02/2016
365800	28-03B	19/02/2016
365802	26-02	15/02/2016
365855	28-03B	19/02/2016
365890	23-04	24/02/2016
365891	23-04	24/02/2016
365892	23-04	24/02/2016
365897	31-00	23/02/2016
365910	26-02	15/02/2016
365949	07-05C	16/02/2016
365955	26-02	15/02/2016
365956	23-04	24/02/2016
365964	05-05NES	15/02/2016
365967	07-02K	16/02/2016
365968	07-02K	16/02/2016
365969	05-05D	22/02/2016
365976	25-01A	22/02/2016
365987	05-05D	17/02/2016
365998	05-05NES	17/02/2016
366018	07-06A	19/02/2016
366085	21-01N	17/02/2016
366086	21-01N	17/02/2016
366087	21-01N	17/02/2016
366088	21-01N	17/02/2016
366108	23-04	24/02/2016
366113	05-05B	25/02/2016
366118	04-02	17/02/2016
366119	04-02	17/02/2016
366127	07-06A	22/02/2016
366131	05-05A	18/02/2016
366135	04-02	18/02/2016
366136	04-02	18/02/2016
366203	09-01B	25/02/2016
366377	24-01	25/02/2016
366415	24-01	25/02/2016
366456	06-09	25/02/2016

Publication and Registration Proceedings

Designs Registered

This section provides a concordance between design number and registration number of Designs covered in this journal. It also shows the main class and registration date.

This section covers Registration numbers 367104 to 367315 .

The registration number shown below should be used in all future correspondence.

Design Number	Registration Number	International Classification Code (IDC)	Registration Date	Design Number	Registration Number	International Classification Code (IDC)	Registration Date
12955/2015	367159	08-08L	15/02/2016	16744/2015	367297	21-01N	25/02/2016
13190/2015	367179	02-02C	16/02/2016	16756/2015	367299	21-01N	25/02/2016
13192/2015	367248	04-01	23/02/2016	16758/2015	367254	21-01N	24/02/2016
13926/2015	367199	15-99	17/02/2016	16759/2015	367255	21-01N	24/02/2016
13927/2015	367200	09-02A	17/02/2016	16762/2015	367256	21-01N	24/02/2016
13928/2015	367201	12-05	17/02/2016	16764/2015	367257	21-01N	24/02/2016
13958/2015	367227	12-16NES	19/02/2016	16768/2015	367258	21-01N	24/02/2016
13959/2015	367293	12-16B	25/02/2016	16779/2015	367276	08-05N	24/02/2016
13966/2015	367222	11-99	19/02/2016	16780/2015	367277	28-03NES	24/02/2016
13967/2015	367223	30-02	19/02/2016	16792/2015	367298	08-08K	25/02/2016
14115/2015	367224	09-03M	19/02/2016	16802/2015	367183	08-08NES	16/02/2016
14246/2015	367249	12-05	23/02/2016	16818/2015	367225	09-05	19/02/2016
14483/2015	367251	14-03NES	23/02/2016	16820/2015	367226	09-05	19/02/2016
14939/2015	367215	21-01A	18/02/2016	16842/2015	367261	21-01A	24/02/2016
14954/2015	367285	07-02F	25/02/2016	16844/2015	367300	23-01F	25/02/2016
15620/2015	367294	09-01NES	25/02/2016	16970/2015	367105	09-03F	15/02/2016
15879/2015	367131	13-02	15/02/2016	16971/2015	367202	01-01	17/02/2016
16019/2015	367104	12-15B	15/02/2016	16983/2015	367106	14-02	15/02/2016
16173/2015	367180	02-03	16/02/2016	16990/2015	367177	08-08G	16/02/2016
16205/2015	367173	09-03H	16/02/2016	17105/2015	367203	14-04	17/02/2016
16209/2015	367174	09-04	16/02/2016	10011/2016	367146	08-08L	15/02/2016
16229/2015	367132	02-04NES	15/02/2016	10058/2016	367262	06-13B	24/02/2016
16251/2015	367124	26-04	15/02/2016	10089/2016	367178	27-99	16/02/2016
16268/2015	367309	02-02C	25/02/2016	10101/2016	367184	14-02	16/02/2016
16273/2015	367133	15-02	15/02/2016	10103/2016	367216	02-04NES	18/02/2016
16284/2015	367153	09-03M	15/02/2016	10106/2016	367217	02-04B	18/02/2016
16293/2015	367134	20-02NES	15/02/2016	10107/2016	367228	02-04NES	19/02/2016
16363/2015	367275	24-04	24/02/2016	10111/2016	367229	02-04NES	19/02/2016
16364/2015	367160	02-04NES	15/02/2016	10115/2016	367301	02-04B	25/02/2016
16366/2015	367161	02-04NES	15/02/2016	10132/2016	367218	01-01	18/02/2016
16379/2015	367252	07-02N	23/02/2016	10138/2016	367219	01-01	18/02/2016
16380/2015	367259	07-02N	24/02/2016	10140/2016	367220	02-02C	18/02/2016
16381/2015	367260	07-02N	24/02/2016	10188/2016	367221	14-01	18/02/2016
16382/2015	367295	12-16B	25/02/2016	10204/2016	367263	07-02L	24/02/2016
16410/2015	367125	13-03NES	15/02/2016	10288/2016	367310	12-15D	25/02/2016
16416/2015	367162	09-03M	15/02/2016	10292/2016	367311	12-15D	25/02/2016
16428/2015	367126	09-07NES	15/02/2016	10301/2016	367302	06-03A	25/02/2016
16461/2015	367154	25-01E	15/02/2016	10307/2016	367312	02-02C	25/02/2016
16506/2015	367155	14-02	15/02/2016	10308/2016	367313	02-02C	25/02/2016
16545/2015	367175	14-02	16/02/2016	10309/2016	367314	02-02C	25/02/2016
16551/2015	367192	26-02	17/02/2016	10331/2016	367204	14-02	17/02/2016
16580/2015	367193	23-03NES	17/02/2016	10332/2016	367205	14-02	17/02/2016
16586/2015	367181	09-05	16/02/2016	10333/2016	367206	14-02	17/02/2016
16588/2015	367135	02-01B	15/02/2016	10337/2016	367207	14-02	17/02/2016
16589/2015	367136	19-08	15/02/2016	10338/2016	367230	14-02	19/02/2016
16599/2015	367182	12-16NES	16/02/2016	10341/2016	367231	14-02	19/02/2016
16630/2015	367156	13-03C	15/02/2016	10343/2016	367127	09-01C	15/02/2016
16724/2015	367176	15-03A	16/02/2016	10347/2016	367209	13-03E	18/02/2016
16735/2015	367253	02-03	24/02/2016	10348/2016	367210	13-03E	18/02/2016
16738/2015	367296	21-01N	25/02/2016	10349/2016	367211	13-03E	18/02/2016

Publication and Registration Proceedings - Designs Registered cont'd

Design Number	Registration Number	International Classification Code (IDC)	Registration Date	Design Number	Registration Number	International Classification Code (IDC)	Registration Date
10355/2016	367128	14-02	15/02/2016	10581/2016	367197	09-03NES	17/02/2016
10356/2016	367129	14-02	15/02/2016	10582/2016	367186	09-03NES	16/02/2016
10357/2016	367130	14-02	15/02/2016	10583/2016	367187	16-01	16/02/2016
10376/2016	367278	19-08	24/02/2016	10584/2016	367188	28-03NES	16/02/2016
10450/2016	367107	21-02F	15/02/2016	10585/2016	367198	28-03NES	17/02/2016
10462/2016	367108	24-02	15/02/2016	10586/2016	367189	13-03NES	16/02/2016
10473/2016	367212	07-01B	18/02/2016	10587/2016	367190	13-03NES	16/02/2016
10522/2016	367157	10-05	15/02/2016	10588/2016	367191	13-03NES	16/02/2016
10523/2016	367158	21-02C	15/02/2016	10590/2016	367213	20-03NES	18/02/2016
10524/2016	367163	24-02	16/02/2016	10591/2016	367214	05-05A	18/02/2016
10525/2016	367164	10-02	16/02/2016	10592/2016	367232	05-05NES	19/02/2016
10526/2016	367165	11-01C	16/02/2016	10593/2016	367233	05-05NES	19/02/2016
10527/2016	367166	21-02C	16/02/2016	10594/2016	367303	26-05D	25/02/2016
10528/2016	367147	21-02C	15/02/2016	10597/2016	367234	04-02	19/02/2016
10530/2016	367167	02-03	16/02/2016	10598/2016	367235	04-02	19/02/2016
10531/2016	367168	02-03	16/02/2016	10600/2016	367236	23-02A	19/02/2016
10532/2016	367169	02-03	16/02/2016	10602/2016	367237	24-04	19/02/2016
10533/2016	367148	30-02	15/02/2016	10604/2016	367264	23-04	24/02/2016
10534/2016	367149	30-02	15/02/2016	10605/2016	367238	10-02	19/02/2016
10535/2016	367138	24-04	15/02/2016	10606/2016	367239	10-02	19/02/2016
10536/2016	367139	24-02	15/02/2016	10607/2016	367265	10-02	24/02/2016
10538/2016	367140	07-01G	15/02/2016	10608/2016	367266	10-02	24/02/2016
10539/2016	367240	06-01G	19/02/2016	10609/2016	367267	10-02	24/02/2016
10540/2016	367109	09-03M	15/02/2016	10610/2016	367268	10-02	24/02/2016
10541/2016	367170	09-03L	16/02/2016	10611/2016	367269	08-08G	24/02/2016
10542/2016	367141	09-03M	15/02/2016	10613/2016	367270	08-08G	24/02/2016
10543/2016	367142	24-02	15/02/2016	10615/2016	367271	14-03NES	24/02/2016
10544/2016	367143	24-02	15/02/2016	10617/2016	367272	24-01	24/02/2016
10545/2016	367144	14-03NES	15/02/2016	10618/2016	367304	23-01E	25/02/2016
10546/2016	367145	12-16B	15/02/2016	10619/2016	367273	12-15B	24/02/2016
10547/2016	367150	21-02C	15/02/2016	10620/2016	367241	23-01E	23/02/2016
10548/2016	367151	25-01NES	15/02/2016	10622/2016	367242	21-03	23/02/2016
10549/2016	367152	19-02	15/02/2016	10623/2016	367315	25-03	25/02/2016
10553/2016	367110	21-02C	15/02/2016	10625/2016	367243	13-99	23/02/2016
10554/2016	367111	19-02	15/02/2016	10627/2016	367244	09-09	23/02/2016
10555/2016	367171	07-04	16/02/2016	10628/2016	367245	09-09	23/02/2016
10557/2016	367112	12-15C	15/02/2016	10631/2016	367246	03-01B	23/02/2016
10558/2016	367113	09-03NES	15/02/2016	10632/2016	367247	03-01B	23/02/2016
10559/2016	367137	06-01L	15/02/2016	10634/2016	367274	26-06	24/02/2016
10560/2016	367114	09-07C	15/02/2016	10640/2016	367279	23-02A	24/02/2016
10561/2016	367115	09-07C	15/02/2016	10642/2016	367280	10-01	24/02/2016
10562/2016	367116	07-04	15/02/2016	10643/2016	367281	06-04B	24/02/2016
10563/2016	367117	07-04	15/02/2016	10647/2016	367282	23-04	24/02/2016
10564/2016	367172	20-02NES	16/02/2016	10651/2016	367286	03-01B	25/02/2016
10565/2016	367118	19-06	15/02/2016	10652/2016	367287	28-03D	25/02/2016
10567/2016	367119	09-01NES	15/02/2016	10653/2016	367288	19-06	25/02/2016
10568/2016	367120	08-09	15/02/2016	10655/2016	367289	24-02	25/02/2016
10569/2016	367121	08-09	15/02/2016	10656/2016	367290	15-09	25/02/2016
10570/2016	367122	08-09	15/02/2016	10657/2016	367291	15-09	25/02/2016
10571/2016	367123	20-02NES	15/02/2016	10658/2016	367292	15-09	25/02/2016
10572/2016	367208	02-03	17/02/2016	10660/2016	367305	08-08D	25/02/2016
10573/2016	367185	07-03	16/02/2016	10661/2016	367306	08-08D	25/02/2016
10574/2016	367194	13-99	17/02/2016	10662/2016	367307	09-01NES	25/02/2016
10575/2016	367195	07-03	17/02/2016	10663/2016	367308	09-01NES	25/02/2016
10576/2016	367196	07-03	17/02/2016	10925/2016	367283	19-08	24/02/2016

Publication and Registration Proceedings - Designs Registered cont'd

Design Number	Registration Number	International Classification Code (IDC)	Registration Date
10926/2016	367284	19-08	24/02/2016

Publication and Registration Proceedings

Class Listing of Designs Published or Registered

The following section shows an International Classification Code listing of the Registered or Published Designs covered in this supplement.

Classification	Registration Number	Design Number	Classification	Registration Number	Design Number
01-01	367202	16971/2015	07-04	367117	10563/2016
01-01	367218	10132/2016	07-04	367171	10555/2016
01-01	367219	10138/2016	08-05M	367305	10660/2016
02-01B	367135	16588/2015	08-05M	367306	10661/2016
02-02C	367179	13190/2015	08-05N	367276	16779/2015
02-02C	367220	10140/2016	08-08D	367305	10660/2016
02-02C	367309	16268/2015	08-08D	367306	10661/2016
02-02C	367312	10307/2016	08-08G	367177	16990/2015
02-02C	367313	10308/2016	08-08G	367269	10611/2016
02-02C	367314	10309/2016	08-08G	367270	10613/2016
02-03	367167	10530/2016	08-08K	367298	16792/2015
02-03	367168	10531/2016	08-08L	367146	10011/2016
02-03	367169	10532/2016	08-08L	367159	12955/2015
02-03	367180	16173/2015	08-08NES	367183	16802/2015
02-03	367208	10572/2016	08-09	367120	10568/2016
02-03	367253	16735/2015	08-09	367121	10569/2016
02-04B	367217	10106/2016	08-09	367122	10570/2016
02-04B	367301	10115/2016	09-01C	367127	10343/2016
02-04NES	367132	16229/2015	09-01H	367136	16589/2015
02-04NES	367160	16364/2015	09-01NES	367119	10567/2016
02-04NES	367161	16366/2015	09-01NES	367294	15620/2015
02-04NES	367216	10103/2016	09-01NES	367307	10662/2016
02-04NES	367228	10107/2016	09-01NES	367308	10663/2016
02-04NES	367229	10111/2016	09-02A	367200	13927/2015
03-01B	367177	16990/2015	09-03F	367105	16970/2015
03-01B	367246	10631/2016	09-03H	367173	16205/2015
03-01B	367247	10632/2016	09-03L	367170	10541/2016
03-01B	367286	10651/2016	09-03M	367109	10540/2016
04-01	367248	13192/2015	09-03M	367141	10542/2016
04-02	367138	10535/2016	09-03M	367153	16284/2015
04-02	367234	10597/2016	09-03M	367162	16416/2015
04-02	367235	10598/2016	09-03M	367224	14115/2015
05-05A	367214	10591/2016	09-03NES	367113	10558/2016
05-05NES	367232	10592/2016	09-03NES	367186	10582/2016
05-05NES	367233	10593/2016	09-03NES	367197	10581/2016
06-01G	367240	10539/2016	09-04	367174	16209/2015
06-01L	367137	10559/2016	09-05	367181	16586/2015
06-03A	367302	10301/2016	09-05	367225	16818/2015
06-03B	367302	10301/2016	09-05	367226	16820/2015
06-04B	367281	10643/2016	09-07C	367114	10560/2016
06-13B	367262	10058/2016	09-07C	367115	10561/2016
07-01B	367212	10473/2016	09-07NES	367126	16428/2015
07-01G	367140	10538/2016	09-09	367244	10627/2016
07-01NES	367212	10473/2016	09-09	367245	10628/2016
07-02F	367285	14954/2015	10-01	367280	10642/2016
07-02L	367263	10204/2016	10-02	367164	10525/2016
07-02N	367252	16379/2015	10-02	367238	10605/2016
07-02N	367259	16380/2015	10-02	367239	10606/2016
07-02N	367260	16381/2015	10-02	367265	10607/2016
07-03	367185	10573/2016	10-02	367266	10608/2016
07-03	367195	10575/2016	10-02	367267	10609/2016
07-03	367196	10576/2016	10-02	367268	10610/2016
07-04	367116	10562/2016	10-05	367157	10522/2016

Registration Proceedings - Class Listing of Designs Published or Registered cont'd

Classification	Registration Number	Design Number	Classification	Registration Number	Design Number
10-07	367268	10610/2016	19-06	367288	10653/2016
11-01C	367165	10526/2016	19-08	367136	16589/2015
11-99	367222	13966/2015	19-08	367278	10376/2016
12-05	367201	13928/2015	19-08	367283	10925/2016
12-05	367249	14246/2015	19-08	367284	10926/2016
12-15B	367104	16019/2015	20-02NES	367123	10571/2016
12-15B	367273	10619/2016	20-02NES	367134	16293/2015
12-15C	367112	10557/2016	20-02NES	367172	10564/2016
12-15D	367310	10288/2016	20-03NES	367213	10590/2016
12-15D	367311	10292/2016	21-01A	367215	14939/2015
12-16B	367145	10546/2016	21-01A	367261	16842/2015
12-16B	367293	13959/2015	21-01N	367254	16758/2015
12-16B	367295	16382/2015	21-01N	367255	16759/2015
12-16NES	367145	10546/2016	21-01N	367256	16762/2015
12-16NES	367182	16599/2015	21-01N	367257	16764/2015
12-16NES	367227	13958/2015	21-01N	367258	16768/2015
13-02	367131	15879/2015	21-01N	367296	16738/2015
13-03C	367156	16630/2015	21-01N	367297	16744/2015
13-03E	367209	10347/2016	21-01N	367299	16756/2015
13-03E	367210	10348/2016	21-02C	367110	10553/2016
13-03E	367211	10349/2016	21-02C	367147	10528/2016
13-03NES	367125	16410/2015	21-02C	367150	10547/2016
13-03NES	367156	16630/2015	21-02C	367158	10523/2016
13-03NES	367189	10586/2016	21-02C	367166	10527/2016
13-03NES	367190	10587/2016	21-02F	367107	10450/2016
13-03NES	367191	10588/2016	21-03	367242	10622/2016
13-99	367194	10574/2016	23-01E	367241	10620/2016
13-99	367243	10625/2016	23-01E	367304	10618/2016
14-01	367221	10188/2016	23-01F	367300	16844/2015
14-02	367106	16983/2015	23-02A	367236	10600/2016
14-02	367128	10355/2016	23-02A	367279	10640/2016
14-02	367129	10356/2016	23-03NES	367193	16580/2015
14-02	367130	10357/2016	23-04	367264	10604/2016
14-02	367155	16506/2015	23-04	367282	10647/2016
14-02	367175	16545/2015	24-01	367272	10617/2016
14-02	367184	10101/2016	24-02	367108	10462/2016
14-02	367204	10331/2016	24-02	367139	10536/2016
14-02	367205	10332/2016	24-02	367142	10543/2016
14-02	367206	10333/2016	24-02	367143	10544/2016
14-02	367207	10337/2016	24-02	367163	10524/2016
14-02	367230	10338/2016	24-02	367289	10655/2016
14-02	367231	10341/2016	24-04	367138	10535/2016
14-03NES	367144	10545/2016	24-04	367237	10602/2016
14-03NES	367251	14483/2015	24-04	367275	16363/2015
14-03NES	367271	10615/2016	25-01E	367154	16461/2015
14-04	367203	17105/2015	25-01NES	367151	10548/2016
15-02	367133	16273/2015	25-03	367315	10623/2016
15-03A	367176	16724/2015	26-02	367192	16551/2015
15-09	367290	10656/2016	26-04	367124	16251/2015
15-09	367291	10657/2016	26-05D	367303	10594/2016
15-09	367292	10658/2016	26-06	367274	10634/2016
15-99	367199	13926/2015	27-99	367178	10089/2016
16-01	367187	10583/2016	28-03D	367287	10652/2016
19-02	367111	10554/2016	28-03NES	367188	10584/2016
19-02	367152	10549/2016	28-03NES	367198	10585/2016
19-06	367118	10565/2016	28-03NES	367234	10597/2016

Registration Proceedings - Class Listing of Designs Published or Registered cont'd

Classification	Registration Number	Design Number	Classification	Registration Number	Design Number
28-03NES	367235	10598/2016	30-02	367223	13967/2015
28-03NES	367277	16780/2015			
30-02	367148	10533/2016			
30-02	367149	10534/2016			

(21) Design Number: **16019/2015**
(22) Date of Filing Application: **11 November 2015**
(24) Date from which industrial property rights may have effect: **11 November 2015**
(54) Product in respect of which the design is registered: **Tyre for an automobile**
(51) International Design Classification: **12-15B**
(74) Name(s) of Attorney(s): **Davies Collison Cave**
(71) Name(s) and Address(s) of Applicant(s):
Sumitomo Rubber Industries, Ltd.
6-9, Wakinohama-cho 3-Chome, Chuo-ku_Kobe-shi Hyogo, 651-0072
Japan
(72) Name(s) of Designer(s): **Ryuhei Sanae**
(45) Registration Date: **15 February 2016**
(56) Related Art Documents: **Not Applicable**
(57) Statement of Newness and Distinctiveness: **Nil**



(21) Design Number: **16970/2015**
(22) Date of Filing Application: **21 December 2015**
(24) Date from which industrial property rights may have effect: **21 December 2015**
(54) Product in respect of which the design is registered: **Tray**
(51) International Design Classification: **09-03F**
(74) Name(s) of Attorney(s): **Davies Collison Cave**
(71) Name(s) and Address(s) of Applicant(s):
Cryovac Australia Pty Ltd
90 Keilor Park Dr Tullamarine VIC 3043 Australia
(72) Name(s) of Designer(s): **Prakashan Mavila**
(45) Registration Date: **15 February 2016**
(56) Related Art Documents: **Not Applicable**
(57) Statement of Newness and Distinctiveness: **Nil**



- (21) Design Number: **16983/2015**
(22) Date of Filing Application: **22 December 2015**
(24) Date from which industrial property rights may have effect: **22 December 2015**
(54) Product in respect of which the design is registered: **Multimedia processing terminal**
(51) International Design Classification: **14-02**
(74) Name(s) of Attorney(s): **Davies Collison Cave**
(71) Name(s) and Address(s) of Applicant(s):
Shenzhen Royole Technologies Co., Ltd.
A4-1501, Kexing Science Park No.15 Keyuan Rd Science and
Technology Park Nanshan District, Shenzhen Guangdong China
(72) Name(s) of Designer(s): **Fan Yang and Dan Ni and Zihong Lui and Chao Jiang**
(45) Registration Date: **15 February 2016**
(30) Convention priority data:
(31) Number (32) Date (33) Country
201530263246.3 21 Jul 2015 CHINA
(56) Related Art Documents: **Not Applicable**
(57) Statement of Newness and Distinctiveness: **Newness and distinctiveness is claimed in the visual features shown in solid lines in the representations. In considering the extent of the design rights, the broken lines shown in the representations are for illustrative purposes only and do not form part of the design.**



- (21) Design Number: **10450/2016**
(22) Date of Filing Application: **28 January 2016**
(24) Date from which industrial property rights may have effect: **28 January 2016**
(54) Product in respect of which the design is registered: **Exercise device: exercise apparatus**
(51) International Design Classification: **21-02F**
(74) Name(s) of Attorney(s):
(71) Name(s) and Address(s) of Applicant(s):
Dean Viglione
Wentworth Pnt U 334 23 Savona Dr Wentworth Pnt NSW 2127 Australia
(72) Name(s) of Designer(s): **Dean Viglione**
(45) Registration Date: **15 February 2016**
(56) Related Art Documents: **Not Applicable**
(57) Statement of Newness and Distinctiveness: **The newness and distinctiveness of the design resides in the shape of the roller that has round shaped holes in the roller where the rotating handles are located. furthermore there are also handles located at each end of the roller.**



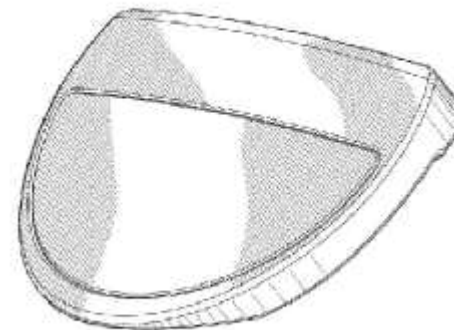
- (21) Design Number: **10462/2016**
(22) Date of Filing Application: **29 January 2016**
(24) Date from which industrial property rights may have effect: **29 January 2016**
(54) Product in respect of which the design is registered: **Medical injector**
(51) International Design Classification: **24-02**
(74) Name(s) of Attorney(s): **FB Rice**
(71) Name(s) and Address(s) of Applicant(s):
Becton, Dickinson and Company
1 Becton Drive Franklin Lakes New Jersey 07417 United States of America
(72) Name(s) of Designer(s): **Daniel Paul Charles Tyce and Malcolm Stanley Boyd and John David Cross and Stuart James King**
(45) Registration Date: **15 February 2016**
(30) Convention priority data:
(31) Number (32) Date (33) Country
29/534,656 30 Jul 2015 UNITED STATES OF AMERICA
(56) Related Art Documents: **Not Applicable**
(57) Statement of Newness and Distinctiveness: **Newness and distinctiveness reside in the features of the design as shown in the representations.**



- (21) Design Number: **10540/2016**
(22) Date of Filing Application: **03 February 2016**
(24) Date from which industrial property rights may have effect: **03 February 2016**
(54) Product in respect of which the design is registered: **A packaging**
(51) International Design Classification: **09-03M**
(74) Name(s) of Attorney(s): **Chrysiliou IP**
(71) Name(s) and Address(s) of Applicant(s):
Shenzhen Royole Technologies Co., Ltd.
A4-1501, Kexing Science Park No 15 Keyuan Road Science and Technology Park Nanshan District, Shenzhen Guangdong China
(72) Name(s) of Designer(s): **Xinyuan Xia**
(45) Registration Date: **15 February 2016**
(30) Convention priority data:
(31) Number (32) Date (33) Country
201530336826.0 02 Sep 2015 CHINA
(56) Related Art Documents: **Not Applicable**
(57) Statement of Newness and Distinctiveness: **The present design is applied to a packaging and the newness and distinctiveness resides in the features of the shape and configuration of the packaging as illustrated in the accompanying drawings. In assessing infringement, the colour and markings on the surface of the packaging do not form part of the design and are to be disregarded.**



- (21) Design Number: **10553/2016**
(22) Date of Filing Application: **03 February 2016**
(24) Date from which industrial property rights may have effect: **03 February 2016**
(54) Product in respect of which the design is registered: **Golf club head with alignment aid**
(51) International Design Classification: **21-02C**
(74) Name(s) of Attorney(s): **Davies Collison Cave**
(71) Name(s) and Address(s) of Applicant(s):
Karsten Manufacturing Corporation
2201 West Desert Cove Phoenix Arizona, 85029 United States of America
(72) Name(s) of Designer(s): **Tony Serrano and Xiaojian Chen**
(45) Registration Date: **15 February 2016**
(30) Convention priority data:
(31) Number (32) Date (33) Country
29/535075 03 Aug 2015 UNITED STATES OF AMERICA
(56) Related Art Documents: **Not Applicable**
(57) Statement of Newness and Distinctiveness: **Newness and distinctiveness is claimed in the visual features shown in solid lines in the representations. In considering the extent of the design rights, the broken lines shown in the representations are for illustrative purposes only and do not form part of the design.**



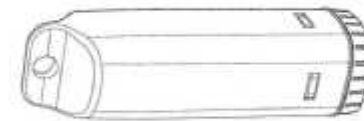
- (21) Design Number: **10554/2016**
(22) Date of Filing Application: **03 February 2016**
(24) Date from which industrial property rights may have effect: **03 February 2016**
(54) Product in respect of which the design is registered: **Desk organiser**
(51) International Design Classification: **19-02**
(74) Name(s) of Attorney(s): **Griffith Hack**
(71) Name(s) and Address(s) of Applicant(s):
ACCO Australia Pty Ltd
L2 8 Lord St Botany NSW 2019 Australia
(72) Name(s) of Designer(s): **Adam Shields**
(45) Registration Date: **15 February 2016**
(56) Related Art Documents: **Not Applicable**
(57) Statement of Newness and Distinctiveness: **Newness and distinctiveness resides in the shape and configuration of an organiser as shown in the figures. The organiser may be coloured, uncoloured, opaque, translucent or transparent.**



- (21) Design Number: **10557/2016**
(22) Date of Filing Application: **03 February 2016**
(24) Date from which industrial property rights may have effect: **03 February 2016**
(54) Product in respect of which the design is registered: **A tyre**
(51) International Design Classification: **12-15C**
(74) Name(s) of Attorney(s): **WATERMARK PATENT AND TRADE MARKS ATTORNEYS**
(71) Name(s) and Address(s) of Applicant(s):
COMPAGNIE GENERALE DES ETABLISSEMENTS MICHELIN
12 cours Sablon CLERMONT-FERRAND 63000 France
Michelin Recherche et Technique SA
Route Louis Braille 10 et 12 Granges-Paccot 1763 Switzerland
(72) Name(s) of Designer(s): **Olivier Spinnler and Olivier Ropars and Cecile Roussel**
(45) Registration Date: **15 February 2016**
(30) Convention priority data:
(31) Number (32) Date (33) Country
2015-04029 21 Aug 2015 FRANCE
(56) Related Art Documents: **Not Applicable**
(57) Statement of Newness and Distinctiveness: **Newness and distinctiveness resides in the appearance of the tread region of the tyre, the remainder of the tyre not forming part of the design.**



- (21) Design Number: **10558/2016**
(22) Date of Filing Application: **03 February 2016**
(24) Date from which industrial property rights may have effect: **03 February 2016**
(54) Product in respect of which the design is registered: **Packaging**
(51) International Design Classification: **09-03NES**
(74) Name(s) of Attorney(s): **PHILLIPS ORMONDE FITZPATRICK**
(71) Name(s) and Address(s) of Applicant(s):
Bordo International Pty. Ltd.
3 Kingston Park Ct Scoresby VIC 3179 Australia
(72) Name(s) of Designer(s): **Simon Andresen**
(45) Registration Date: **15 February 2016**
(56) Related Art Documents: **Not Applicable**
(57) Statement of Newness and Distinctiveness: **Nil**



(21) Design Number: **10560/2016**
(22) Date of Filing Application: **03 February 2016**
(24) Date from which industrial property rights may have effect: **03 February 2016**
(54) Product in respect of which the design is registered: **Cap for container**
(51) International Design Classification: **09-07C**
(74) Name(s) of Attorney(s): **Spruson & Ferguson**
(71) Name(s) and Address(s) of Applicant(s):
Henkel AG & Co. KGaA
Henkelstrasse 67, Dusseldorf 40589 Germany
(72) Name(s) of Designer(s): **Willem Ramon**
(45) Registration Date: **15 February 2016**
(30) Convention priority data:
(31) Number (32) Date (33) Country
002750406 06 Aug 2015 OFFICE FOR HARMONISATION IN
THE INTERNAL MARKET (OHIM)



(56) Related Art Documents: **Not Applicable**
(57) Statement of Newness and Distinctiveness: **Newness and distinctiveness is claimed in the features of shape and/or configuration of a cap for a container as illustrated in the accompanying representations, including a frusto-conical upper portion, a larger diameter frusto-conical middle section and a cylindrical lower portion, an elliptical edge disposed around the circumference of the upper portion and bisecting it along a diagonal path as shown in the left side view and right side view; and a plurality of protrusions arranged in a pattern on the surface of that part of the upper portion of the cap for a container that lies above the elliptical edge.**

(21) Design Number: **10561/2016**
(22) Date of Filing Application: **03 February 2016**
(24) Date from which industrial property rights may have effect: **03 February 2016**
(54) Product in respect of which the design is registered: **Cap for container**
(51) International Design Classification: **09-07C**
(74) Name(s) of Attorney(s): **Spruson & Ferguson**
(71) Name(s) and Address(s) of Applicant(s):
Henkel AG & Co. KGaA
Henkelstrasse 67, Dusseldorf 40589 Germany
(72) Name(s) of Designer(s): **Willem Ramon**
(45) Registration Date: **15 February 2016**
(30) Convention priority data:
(31) Number (32) Date (33) Country
002750406 06 Aug 2015 OFFICE FOR HARMONISATION IN
THE INTERNAL MARKET (OHIM)



(56) Related Art Documents: **Not Applicable**
(57) Statement of Newness and Distinctiveness: **Newness and distinctiveness is claimed in the features of shape and/or configuration of a cap for a container as illustrated in the accompanying representations, including a frusto-conical upper portion, a larger diameter frusto-conical middle section and a cylindrical lower portion, and an elliptical edge disposed around the circumference of the upper portion and bisecting it along a diagonal path as shown in the left side view and right side view.**

(21) Design Number: **10562/2016**

(22) Date of Filing Application: **03 February 2016**

(24) Date from which industrial property rights may have effect: **22 December 2015**

(54) Product in respect of which the design is registered: **Cocktail strainer**

(51) International Design Classification: **07-04**

(74) Name(s) of Attorney(s): **WRAYS PTY LTD**

(71) Name(s) and Address(s) of Applicant(s):

Cocktail Kingdom LLC

36 West 25th Street 5th Floor New York New York, 10010 United States of America

(72) Name(s) of Designer(s): **Gregory Alfred Boehm**

(45) Registration Date: **15 February 2016**

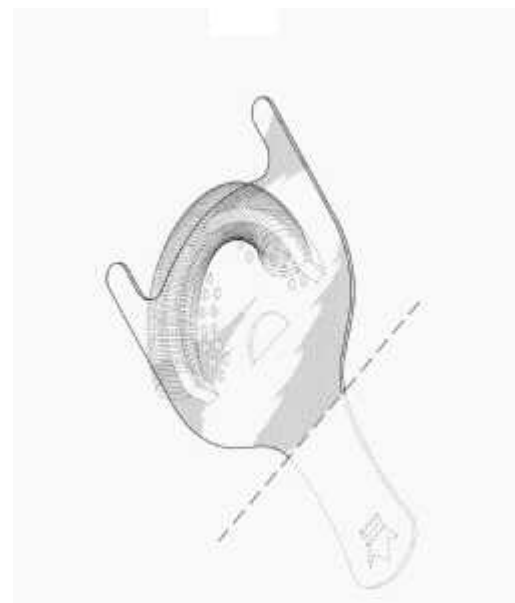
(30) Convention priority data:

(31) Number	(32) Date	(33) Country
29/546,343	20 Nov 2015	UNITED STATES OF AMERICA

(62) Divisional of: **367068**

(56) Related Art Documents: **Not Applicable**

(57) Statement of Newness and Distinctiveness: **Newness and distinctiveness is claimed in the features of shape, configuration, pattern, and/or ornamentation of the Cocktail Strainer as shown in the accompanying representations. The features depicted by broken lines are for illustrative purposes only and form no part of the claimed design.**



(21) Design Number: **10563/2016**

(22) Date of Filing Application: **03 February 2016**

(24) Date from which industrial property rights may have effect: **22 December 2015**

(54) Product in respect of which the design is registered: **Cocktail strainer**

(51) International Design Classification: **07-04**

(74) Name(s) of Attorney(s): **WRAYS PTY LTD**

(71) Name(s) and Address(s) of Applicant(s):

Cocktail Kingdom LLC

36 West 25th Street 5th Floor New York New York, 10010 United States of America

(72) Name(s) of Designer(s): **Gregory Alfred Boehm**

(45) Registration Date: **15 February 2016**

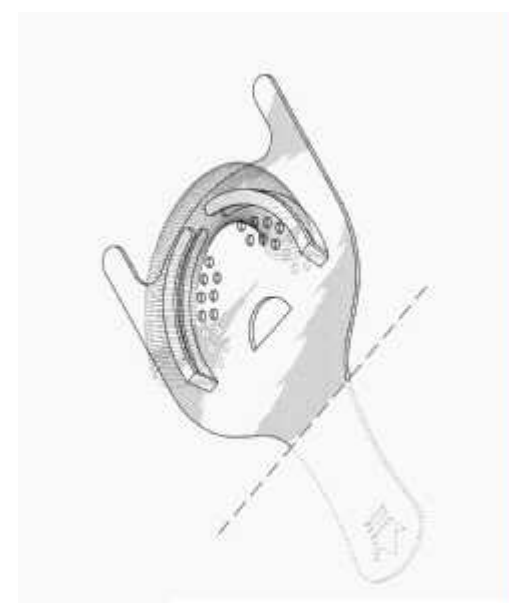
(30) Convention priority data:

(31) Number	(32) Date	(33) Country
29/546,343	20 Nov 2015	UNITED STATES OF AMERICA

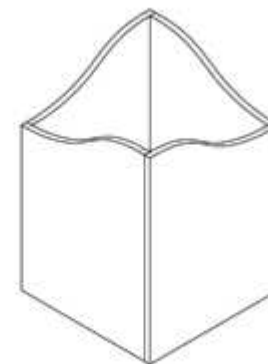
(62) Divisional of: **367068**

(56) Related Art Documents: **Not Applicable**

(57) Statement of Newness and Distinctiveness: **Newness and distinctiveness is claimed in the features of shape, configuration, pattern, and/or ornamentation of the Cocktail Strainer as shown in the accompanying representations. The features depicted by broken lines are for illustrative purposes only and form no part of the claimed design.**



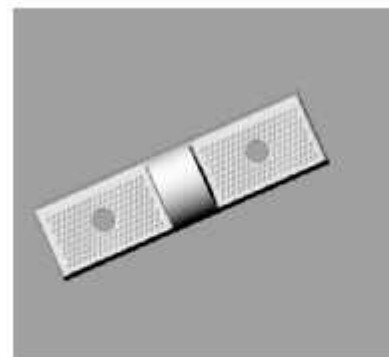
- (21) Design Number: **10565/2016**
(22) Date of Filing Application: **03 February 2016**
(24) Date from which industrial property rights may have effect: **03 February 2016**
(54) Product in respect of which the design is registered: **Pen holder**
(51) International Design Classification: **19-06**
(74) Name(s) of Attorney(s): **Griffith Hack**
(71) Name(s) and Address(s) of Applicant(s):
ACCO Australia Pty Ltd
L2 8 Lord St Botany NSW 2019 Australia
(72) Name(s) of Designer(s): **Adam Shields**
(45) Registration Date: **15 February 2016**
(56) Related Art Documents: **Not Applicable**
(57) Statement of Newness and Distinctiveness: **Newness and distinctiveness resides in the shape and configuration of a pen holder as shown in the figures. The pen holder may be coloured, uncoloured, opaque, translucent or transparent.**



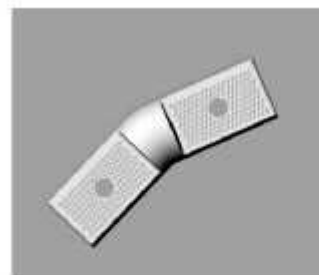
- (21) Design Number: **10567/2016**
(22) Date of Filing Application: **03 February 2016**
(24) Date from which industrial property rights may have effect: **03 February 2016**
(54) Product in respect of which the design is registered: **Bottle**
(51) International Design Classification: **09-01NES**
(74) Name(s) of Attorney(s): **Spruson & Ferguson**
(71) Name(s) and Address(s) of Applicant(s):
Henkel AG & Co. KGaA
Henkelstrasse 67, Dusseldorf 40589 Germany
(72) Name(s) of Designer(s): **Katja Gerhards and Jeroen Canton**
(45) Registration Date: **15 February 2016**
(30) Convention priority data:
(31) Number (32) Date (33) Country
**002750414 06 Aug 2015 OFFICE FOR HARMONISATION IN
THE INTERNAL MARKET (OHIM)**
(56) Related Art Documents: **Not Applicable**
(57) Statement of Newness and Distinctiveness: **Newness and distinctiveness is claimed in the features of shape and/or configuration of a bottle as illustrated in the accompanying representations, including an elongate, slim bottle profile, a curved-in profile of the lower portion of the bottle beneath the handle, the 'peanut' shape of the inside portion of the handle and the elongate curved contour of the front and rear faces of the bottle main body, the curve of which extends through the handle as seen in the perspective, front and rear views of the bottle.**



- (21) Design Number: **10568/2016**
(22) Date of Filing Application: **03 February 2016**
(24) Date from which industrial property rights may have effect: **18 November 2015**
(54) Product in respect of which the design is registered: **Component for a frame assembly**
(51) International Design Classification: **08-09**
(74) Name(s) of Attorney(s): **HODGKINSON McINNES PATENTS**
(71) Name(s) and Address(s) of Applicant(s):
Woven Image Pty Limited
37-39 Chard Rd Brookvale NSW 2100 Australia
(72) Name(s) of Designer(s): **Benjamin Hubert**
(45) Registration Date: **15 February 2016**
(62) Divisional of: **367100**
(56) Related Art Documents: **Not Applicable**
(57) Statement of Newness and Distinctiveness: **Newness and distinctiveness is claimed in the shape and configuration of a Component for a Frame Assembly as shown in the representations**



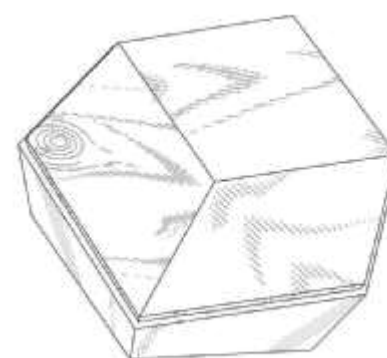
- (21) Design Number: **10569/2016**
(22) Date of Filing Application: **03 February 2016**
(24) Date from which industrial property rights may have effect: **18 November 2015**
(54) Product in respect of which the design is registered: **Component for a Frame Assembly**
(51) International Design Classification: **08-09**
(74) Name(s) of Attorney(s): **HODGKINSON McINNES PATENTS**
(71) Name(s) and Address(s) of Applicant(s):
Woven Image Pty Limited
37-39 Chard Rd Brookvale NSW 2100 Australia
(72) Name(s) of Designer(s): **Benjamin Hubert**
(45) Registration Date: **15 February 2016**
(62) Divisional of: **367100**
(56) Related Art Documents: **Not Applicable**
(57) Statement of Newness and Distinctiveness: **Newness and distinctiveness is claimed in the shape and configuration of a Component for a Frame Assembly as shown in the representations**



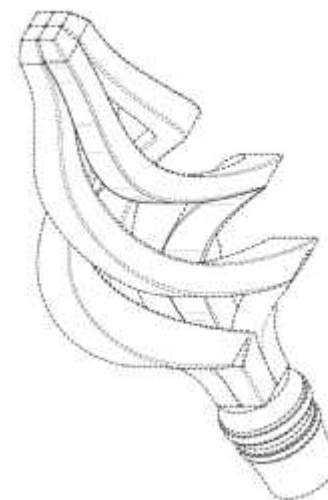
- (21) Design Number: **10570/2016**
(22) Date of Filing Application: **03 February 2016**
(24) Date from which industrial property rights may have effect: **18 November 2015**
(54) Product in respect of which the design is registered: **Component for a Frame Assembly**
(51) International Design Classification: **08-09**
(74) Name(s) of Attorney(s): **HODGKINSON McINNES PATENTS**
(71) Name(s) and Address(s) of Applicant(s):
Woven Image Pty Limited
37-39 Chard Rd Brookvale NSW 2100 Australia
(72) Name(s) of Designer(s): **Benjamin Hubert**
(45) Registration Date: **15 February 2016**
(62) Divisional of: **367100**
(56) Related Art Documents: **Not Applicable**
(57) Statement of Newness and Distinctiveness: **Newness and distinctiveness is claimed in the shape and configuration of a Component for a Frame Assembly as shown in the representations**



- (21) Design Number: **10571/2016**
(22) Date of Filing Application: **03 February 2016**
(24) Date from which industrial property rights may have effect: **21 November 2015**
(54) Product in respect of which the design is registered: **Retail modular fixture**
(51) International Design Classification: **20-02NES**
(74) Name(s) of Attorney(s): **Ascot Martin Registered Patent & Trade Mark Attorneys**
(71) Name(s) and Address(s) of Applicant(s):
Google Inc.
1600 Amphitheatre Parkway Mountain View California 94043 United States of America
(72) Name(s) of Designer(s): **Victoria A. Spielmann and Yaniv Ashkenazy and Adam Kalderon and Adam Zerbib and Vitaly Korsunsky and Yaniv Lupashko**
(45) Registration Date: **15 February 2016**
(62) Divisional of: **367134**
(56) Related Art Documents: **Not Applicable**
(57) Statement of Newness and Distinctiveness: **The features of the Product that are new and distinctive are the features of shape and configuration of the Product, and features visible in the front view of the Product representing wood grain appearance, as shown in the accompanying representations, in which features depicted by broken lines, including such lines representing mobile phones or computer tablets, are only for representing environments of use of the Product and do not form part of the design.**



- (21) Design Number: **16251/2015**
(22) Date of Filing Application: **19 November 2015**
(24) Date from which industrial property rights may have effect: **09 October 2015**
(54) Product in respect of which the design is registered: **Lighting fixture**
(51) International Design Classification: **26-04**
(74) Name(s) of Attorney(s): **Griffith Hack**
(71) Name(s) and Address(s) of Applicant(s):
Hubbell Incorporated
40 Waterview Drive P.O. Box 1000 Shelton, Connecticut, 06484 United States of America
(72) Name(s) of Designer(s): **Robert R. Nankil**
(45) Registration Date: **15 February 2016**
(62) Divisional of: **365574**
(56) Related Art Documents: **Not Applicable**
(57) Statement of Newness and Distinctiveness: **Newness and distinctiveness resides in the visual features, including the shape and configuration of the product as shown by means of solid lines in the representations. The bottom views of the product illustrated in Figures 7, 14, 21, 28, 35, 42, 49, 56, and 63 have been included for illustrative purposes and may be disregarded.**



- (21) Design Number: **16410/2015**
(22) Date of Filing Application: **27 November 2015**
(24) Date from which industrial property rights may have effect: **27 November 2015**
(54) Product in respect of which the design is registered: **Equipment for distribution of electric power**
(51) International Design Classification: **13-03NES**
(74) Name(s) of Attorney(s): **Griffith Hack**
(71) Name(s) and Address(s) of Applicant(s):
ABB Technology AG
Affolternstrasse 44 Zurich 8050 Switzerland
(72) Name(s) of Designer(s): **Juha Hamari and Ilkka Turula and Dan Millner**
(45) Registration Date: **15 February 2016**
(30) Convention priority data:
(31) Number (32) Date (33) Country
002713016 04 Jun 2015 OFFICE FOR HARMONISATION IN THE INTERNAL MARKET (OHIM)
(56) Related Art Documents: **Not Applicable**
(57) Statement of Newness and Distinctiveness: **Newness and distinctiveness resides in the visual features, including the shape and configuration of the product as shown by means of solid lines in the representations.**



(21) Design Number: **16428/2015**
(22) Date of Filing Application: **27 November 2015**
(24) Date from which industrial property rights may have effect: **27 November 2015**
(54) Product in respect of which the design is registered: **Bottle neck finish**
(51) International Design Classification: **09-07NES**
(74) Name(s) of Attorney(s): **Cullens Pty Ltd**
(71) Name(s) and Address(s) of Applicant(s):
Obrist Closures Switzerland GmbH
Romerstrasse 83 Reinach CH- 4153 Switzerland
(72) Name(s) of Designer(s): **Jean-Yves Rognard**
(45) Registration Date: **15 February 2016**
(30) Convention priority data:
(31) Number (32) Date (33) Country
001435481-0001 01 Jun 2015 OFFICE FOR HARMONISATION IN
THE INTERNAL MARKET (OHIM)



(56) Related Art Documents: **Not Applicable**
(57) Statement of Newness and Distinctiveness: **Newness and distinctiveness is claimed in the shape and configuration of the neck finish as shown in the accompanying representations. When considering newness and distinctiveness, the dashed lines are to be disregarded. The dashed lines are also to be disregarded when determining the scope of the monopoly.**

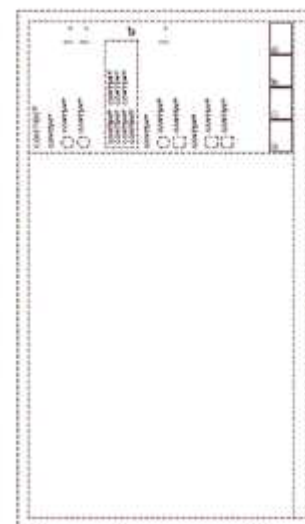
(21) Design Number: **10343/2016**
(22) Date of Filing Application: **22 January 2016**
(24) Date from which industrial property rights may have effect: **22 January 2016**
(54) Product in respect of which the design is registered: **Glass jar**
(51) International Design Classification: **09-01C**
(74) Name(s) of Attorney(s):
(71) Name(s) and Address(s) of Applicant(s):
D.T RANKINE & S.M RANKINE & J.A SEDGWICK & P.J SEDGWICK
3 Larissa St Geebung QLD 4034 Australia
(72) Name(s) of Designer(s): **Peter Sedgwick**
(45) Registration Date: **15 February 2016**
(56) Related Art Documents: **Not Applicable**
(57) Statement of Newness and Distinctiveness: **Distinct design for HoneyWorks.**



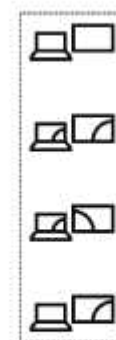
(21) Design Number: **10355/2016**
(22) Date of Filing Application: **25 January 2016**
(24) Date from which industrial property rights may have effect: **25 January 2016**
(54) Product in respect of which the design is registered: **Display screen with icon group**
(51) International Design Classification: **14-02**
(74) Name(s) of Attorney(s): **Shelston IP Pty Ltd.**
(71) Name(s) and Address(s) of Applicant(s):
Microsoft Corporation
One Microsoft Way Redmond Washington, 98052-5321 United States of America
(72) Name(s) of Designer(s): **Peter Hammerquist**
(45) Registration Date: **15 February 2016**
(30) Convention priority data:
(31) Number (32) Date (33) Country
29/534517 29 Jul 2015 UNITED STATES OF AMERICA
(56) Related Art Documents: **Not Applicable**
(57) Statement of Newness and Distinctiveness: **Newness and distinctiveness reside in the pattern and/or ornamentation of a display screen with icon group as illustrated by solid lines in the accompanying representations. The features shown in broken outline, including the text and graphical elements, are for contextual purposes only and do not form part of the design.**



(21) Design Number: **10356/2016**
(22) Date of Filing Application: **25 January 2016**
(24) Date from which industrial property rights may have effect: **25 January 2016**
(54) Product in respect of which the design is registered: **Display screen with icon group**
(51) International Design Classification: **14-02**
(74) Name(s) of Attorney(s): **Shelston IP Pty Ltd.**
(71) Name(s) and Address(s) of Applicant(s):
Microsoft Corporation
One Microsoft Way Redmond Washington, 98052-5321 United States of America
(72) Name(s) of Designer(s): **Conroy Williamson and Harold Gomez**
(45) Registration Date: **15 February 2016**
(30) Convention priority data:
(31) Number (32) Date (33) Country
29/534538 29 Jul 2015 UNITED STATES OF AMERICA
(56) Related Art Documents: **Not Applicable**
(57) Statement of Newness and Distinctiveness: **Newness and distinctiveness reside in the pattern and/or ornamentation of a display screen with icon group as illustrated by solid lines in the accompanying representations. The features shown in broken outline, including the text and graphical elements, are for contextual purposes only and do not form part of the design.**

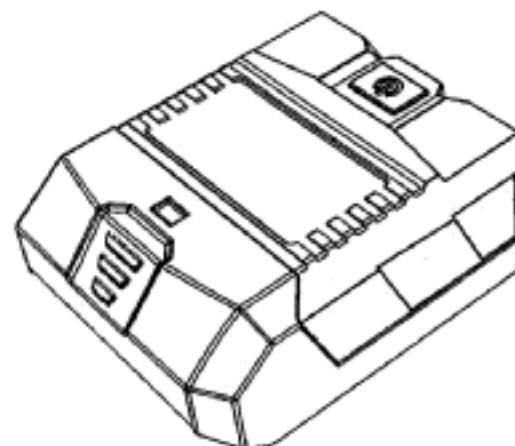


(21) Design Number: **10357/2016**
(22) Date of Filing Application: **25 January 2016**
(24) Date from which industrial property rights may have effect: **25 January 2016**
(54) Product in respect of which the design is registered: **Display screen with icon group**
(51) International Design Classification: **14-02**
(74) Name(s) of Attorney(s): **Shelston IP Pty Ltd.**
(71) Name(s) and Address(s) of Applicant(s):
Microsoft Corporation
One Microsoft Way Redmond Washington, 98052-5321 United States of America
(72) Name(s) of Designer(s): **Evan Amarante Soares and Raymond Alexander Malkiewicz**
(45) Registration Date: **15 February 2016**
(30) Convention priority data:
(31) Number (32) Date (33) Country
29/534473 29 Jul 2015 UNITED STATES OF AMERICA



(56) Related Art Documents: **Not Applicable**
(57) Statement of Newness and Distinctiveness: **Newness and distinctiveness reside in the pattern and/or ornamentation of a display screen with icon group as illustrated by solid lines in the accompanying representations. The features shown in broken outline, including the text and graphical elements, are for contextual purposes only and do not form part of the design.**

(21) Design Number: **15879/2015**
(22) Date of Filing Application: **03 November 2015**
(24) Date from which industrial property rights may have effect: **03 November 2015**
(54) Product in respect of which the design is registered: **USB-charger**
(51) International Design Classification: **13-02**
(74) Name(s) of Attorney(s):
(71) Name(s) and Address(s) of Applicant(s):
Einhell Germany AG
Wiesenweg 22 Landau 94405 Germany
(72) Name(s) of Designer(s): **Shu Fuyu**
(45) Registration Date: **15 February 2016**
(56) Related Art Documents: **Not Applicable**
(57) Statement of Newness and Distinctiveness: **Nil**



(21) Design Number: **16229/2015**
(22) Date of Filing Application: **18 November 2015**
(24) Date from which industrial property rights may have effect: **18 November 2015**
(54) Product in respect of which the design is registered: **Footwear**
(51) International Design Classification: **02-04NES**
(74) Name(s) of Attorney(s): **Lord & Company**
(71) Name(s) and Address(s) of Applicant(s):



ON CLOUDS GMBH
Seeallee 14, CH-9410 Heiden Switzerland

(72) Name(s) of Designer(s): **Thilo Alex Brunner**

(45) Registration Date: **15 February 2016**

(30) Convention priority data:

(31) Number	(32) Date	(33) Country
DM/086561	20 May 2015	WORLD INTELLECTUAL PROPERTY ORGANIZATION (WIPO)

(56) Related Art Documents: **Not Applicable**

(57) Statement of Newness and Distinctiveness: **The ornamental design for a shoe as shown and described**

(21) Design Number: **16273/2015**
(22) Date of Filing Application: **20 November 2015**
(24) Date from which industrial property rights may have effect: **20 November 2015**
(54) Product in respect of which the design is registered: **Diaphragm pump**
(51) International Design Classification: **15-02**
(74) Name(s) of Attorney(s): **Fisher Adams Kelly Callinans**
(71) Name(s) and Address(s) of Applicant(s):

Graco Minnesota Inc.
**88 11th Avenue NE Minneapolis Minnesota 5540-1441 United States of
America**

(72) Name(s) of Designer(s): **Bradley H Hines and Brian W Koehn and Ronald
A Flor and David L Breerer and Todd L Johnson**

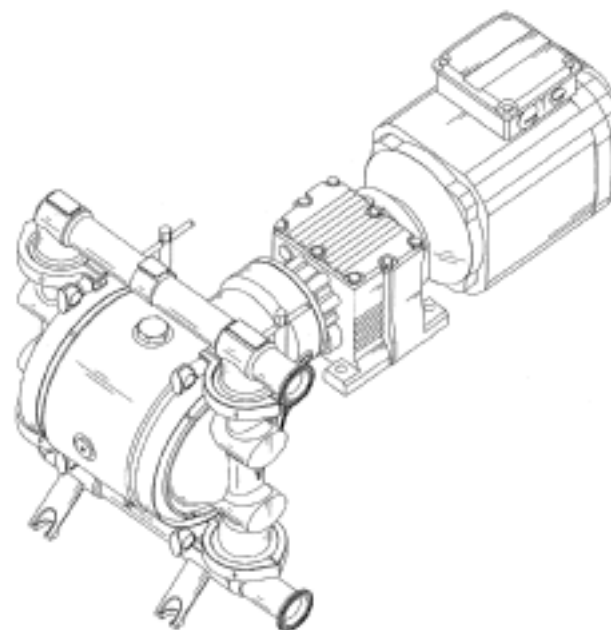
(45) Registration Date: **15 February 2016**

(30) Convention priority data:

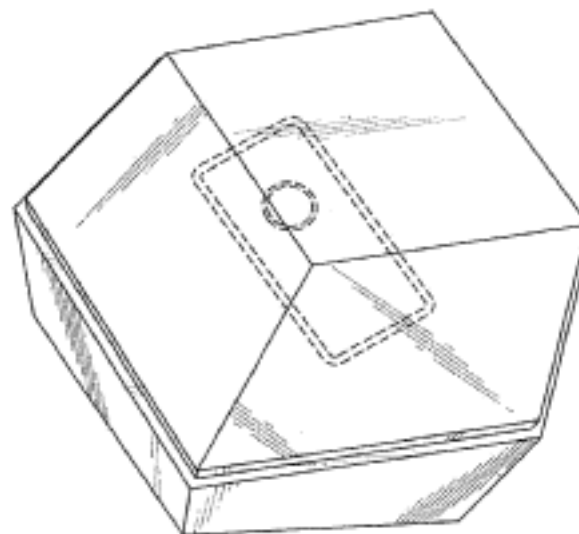
(31) Number	(32) Date	(33) Country
29/537495	26 Aug 2015	UNITED STATES OF AMERICA

(56) Related Art Documents: **Not Applicable**

(57) Statement of Newness and Distinctiveness: **The newness and
distinctiveness of the design resides in the shape and/or configuration
of the diaphragm pump shown in the representations.**



- (21) Design Number: **16293/2015**
(22) Date of Filing Application: **21 November 2015**
(24) Date from which industrial property rights may have effect: **21 November 2015**
(54) Product in respect of which the design is registered: **Retail Modular Fixture**
(51) International Design Classification: **20-02NES**
(74) Name(s) of Attorney(s): **Ascot Martin Registered Patent & Trade Mark Attorneys**
(71) Name(s) and Address(s) of Applicant(s):
Google Inc.
1600 Amphitheatre Parkway Mountain View California 94043 United States of America
(72) Name(s) of Designer(s): **Victoria A. Spielmann and Yaniv Ashkenazy and Adam Kalderon and Adam Zerbib and Vitaly Korsunsky and Taniv Lupashko**
(45) Registration Date: **15 February 2016**
(30) Convention priority data:
(31) Number (32) Date (33) Country
29/527,707 21 May 2015 UNITED STATES OF AMERICA
(56) Related Art Documents: **Not Applicable**



- (57) Statement of Newness and Distinctiveness: **The features of the Product that are new and distinctive are the features of shape and configuration, as shown in the accompanying representations, in which features depicted by broken lines, including such lines representing mobile phones or computer tablets, as well as features representing any wood grain appearance, and also features depicting light rays or light glow, are only for representing environments of use of the Product and do not form part of the design.**

- (21) Design Number: **16588/2015**
(22) Date of Filing Application: **07 December 2015**
(24) Date from which industrial property rights may have effect: **07 December 2015**
(54) Product in respect of which the design is registered: **The design relates to a saree petticoat.**
(51) International Design Classification: **02-01B**
(74) Name(s) of Attorney(s):
(71) Name(s) and Address(s) of Applicant(s):
Asheeka Bhardwaj
PO Box 3174 Warner QLD 4500
(72) Name(s) of Designer(s): **Asheeka Bhardwaj**
(45) Registration Date: **15 February 2016**
(56) Related Art Documents: **Not Applicable**
(57) Statement of Newness and Distinctiveness: **Shapewear has been added to a saree petticoat. So that there is more control and security when a women wears a saree. A saree is a traditional indian garment.**



- (21) Design Number: **16589/2015**
(22) Date of Filing Application: **07 December 2015**
(24) Date from which industrial property rights may have effect: **07 December 2015**
(54) Product in respect of which the design is registered: **Wine bottle with shrink-wrapped label applied.**
(51) International Design Classification: **19-08, 09-01H**
(74) Name(s) of Attorney(s):
(71) Name(s) and Address(s) of Applicant(s):
THE COLLECTIVE WINE COMPANY PTY LTD
U2 20 - 28 Ricketty St Mascot NSW 2020 Australia
(72) Name(s) of Designer(s): **Members of design team of John Jewell Design Pty Ltd and Employees of The Collective Wine Company Pty Ltd and Mica Australia Pty Ltd**
(45) Registration Date: **15 February 2016**
(56) Related Art Documents: **Not Applicable**
(57) Statement of Newness and Distinctiveness: **Design of flamingo and floating feathers on label, shrink-wrapped to bottle. The packaging is distinctive and new. The design elements have not been used on any other known alcoholic beverage.**



- (21) Design Number: **10559/2016**
(22) Date of Filing Application: **03 February 2016**
(24) Date from which industrial property rights may have effect: **03 February 2016**
(54) Product in respect of which the design is registered: **Chairs and dismountable chairs**
(51) International Design Classification: **06-01L**
(74) Name(s) of Attorney(s): **FB Rice**
(71) Name(s) and Address(s) of Applicant(s):
Schutte & Co. Far East Ltd.
Unit 1901 19/F, Skyline Tower 39 Wang Kwong Road Kowloon Bay Hong Kong China
(72) Name(s) of Designer(s): **Maximilian von Kleist**
(45) Registration Date: **15 February 2016**
(30) Convention priority data:
(31) Number (32) Date (33) Country
002916395-0001 18 Dec 2015 OFFICE FOR HARMONISATION IN THE INTERNAL MARKET (OHIM)
(56) Related Art Documents: **Not Applicable**
(57) Statement of Newness and Distinctiveness: **Newness and distinctiveness reside in the features of the design as shown in the representations.**



(21) Design Number: **10535/2016**
(22) Date of Filing Application: **03 February 2016**
(24) Date from which industrial property rights may have effect: **03 February 2016**
(54) Product in respect of which the design is registered: **Head for a tongue cleaner**
(51) International Design Classification: **24-04, 04-02**
(74) Name(s) of Attorney(s): **FB Rice**
(71) Name(s) and Address(s) of Applicant(s):
Filip Sedic
4320 Stevens Creek Blvd Suite 205, San Jose CA, 95129 United States of America
(72) Name(s) of Designer(s): **Filip Sedic**
(45) Registration Date: **15 February 2016**
(30) Convention priority data:
(31) Number (32) Date (33) Country
29/535,198 04 Aug 2015 UNITED STATES OF AMERICA
(56) Related Art Documents: **Not Applicable**
(57) Statement of Newness and Distinctiveness: **Newness and distinctiveness reside in the features of shape and configuration of the product as shown in solid lines in the representations, with the parts shown in dashed lines forming no part of the design and being disclaimed.**



(21) Design Number: **10536/2016**
(22) Date of Filing Application: **03 February 2016**
(24) Date from which industrial property rights may have effect: **03 February 2016**
(54) Product in respect of which the design is registered: **Blood pressure monitor**
(51) International Design Classification: **24-02**
(74) Name(s) of Attorney(s): **FB Rice**
(71) Name(s) and Address(s) of Applicant(s):
Koninklijke Philips N.V.
High Tech Campus 5 5656 AE Eindhoven The Netherlands
(72) Name(s) of Designer(s): **Frank Verbrugge and Guy Anthony Brown**
(45) Registration Date: **15 February 2016**
(30) Convention priority data:
(31) Number (32) Date (33) Country
002747766-0001 03 Aug 2015 OFFICE FOR HARMONISATION IN THE INTERNAL MARKET (OHIM)
(56) Related Art Documents: **Not Applicable**
(57) Statement of Newness and Distinctiveness: **Newness and distinctiveness reside in the features of shape and configuration of the design as shown in the representations.**



(21) Design Number: **10538/2016**
(22) Date of Filing Application: **03 February 2016**
(24) Date from which industrial property rights may have effect: **03 February 2016**
(54) Product in respect of which the design is registered: **Coffeepot of a coffee maker**
(51) International Design Classification: **07-01G**
(74) Name(s) of Attorney(s): **Banki Haddock Fiora**
(71) Name(s) and Address(s) of Applicant(s):
Pi-Design AG
Kantonsstrasse 100 Triengen CH - 6234 Switzerland
(72) Name(s) of Designer(s): **Jorgen Bodum**
(45) Registration Date: **15 February 2016**
(30) Convention priority data:
(31) Number (32) Date (33) Country
DM/087954 20 Aug 2015 WORLD INTELLECTUAL
PROPERTY ORGANIZATION
(WIPO)
(56) Related Art Documents: **Not Applicable**
(57) Statement of Newness and Distinctiveness: **The visual features of the coffee pot of a coffee maker depicted in the representations that are new and distinctive are the shape and/or configuration.**



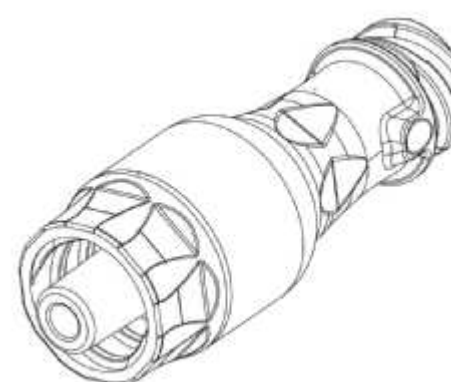
(21) Design Number: **10542/2016**
(22) Date of Filing Application: **03 February 2016**
(24) Date from which industrial property rights may have effect: **03 February 2016**
(54) Product in respect of which the design is registered: **A container**
(51) International Design Classification: **09-03M**
(74) Name(s) of Attorney(s): **AJ Park**
(71) Name(s) and Address(s) of Applicant(s):
WALTEX INDUSTRIES LIMITED
PO BOX 43 Ashurst 4847 New Zealand
(72) Name(s) of Designer(s): **Kevin James Walton**
(45) Registration Date: **15 February 2016**
(30) Convention priority data:
(31) Number (32) Date (33) Country
420503 03 Aug 2015 NEW ZEALAND
(56) Related Art Documents: **Not Applicable**
(57) Statement of Newness and Distinctiveness: **Newness and distinctiveness reside in the features of shape and/or configuration of the container, all as shown in the representations.**



(21) Design Number: **10543/2016**
(22) Date of Filing Application: **03 February 2016**
(24) Date from which industrial property rights may have effect: **03 February 2016**
(54) Product in respect of which the design is registered: **Valved connector for medical lines**
(51) International Design Classification: **24-02**
(74) Name(s) of Attorney(s): **PHILLIPS ORMONDE FITZPATRICK**
(71) Name(s) and Address(s) of Applicant(s):
Industrie Borla S.p.A.
Via G. Di Vittorio, 7bis Moncalieri Torino I-10024 Italy
(72) Name(s) of Designer(s): **Gianni Guala**
(45) Registration Date: **15 February 2016**
(30) Convention priority data:
(31) Number (32) Date (33) Country
002749838-0001 05 Aug 2015 OFFICE FOR HARMONISATION IN THE INTERNAL MARKET (OHIM)
(56) Related Art Documents: **Not Applicable**
(57) Statement of Newness and Distinctiveness: **Nil**



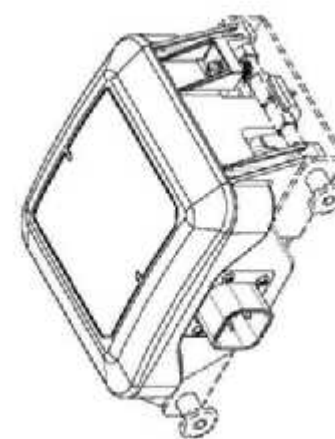
(21) Design Number: **10544/2016**
(22) Date of Filing Application: **03 February 2016**
(24) Date from which industrial property rights may have effect: **03 February 2016**
(54) Product in respect of which the design is registered: **Valved connector for medical lines**
(51) International Design Classification: **24-02**
(74) Name(s) of Attorney(s): **PHILLIPS ORMONDE FITZPATRICK**
(71) Name(s) and Address(s) of Applicant(s):
Industrie Borla S.p.A.
Via G. Di Vittorio, 7bis Moncalieri Torino I-10024 Italy
(72) Name(s) of Designer(s): **Gianni Guala**
(45) Registration Date: **15 February 2016**
(30) Convention priority data:
(31) Number (32) Date (33) Country
002749838-0002 05 Aug 2015 OFFICE FOR HARMONISATION IN THE INTERNAL MARKET (OHIM)
(56) Related Art Documents: **Not Applicable**
(57) Statement of Newness and Distinctiveness: **Nil**



- (21) Design Number: **10545/2016**
(22) Date of Filing Application: **03 February 2016**
(24) Date from which industrial property rights may have effect: **03 February 2016**
(54) Product in respect of which the design is registered: **Communication Device**
(51) International Design Classification: **14-03NES**
(74) Name(s) of Attorney(s): **PHILLIPS ORMONDE FITZPATRICK**
(71) Name(s) and Address(s) of Applicant(s):
Motorola Solutions, Inc.
1303 East Algonquin Road Schaumburg Illinois 60196 United States of America
(72) Name(s) of Designer(s): **Ryan M. Nilsen and Goktug Duman and Simon Franklin and Barbara Millet and Mark C. Palmer and Ban Hin Ooi**
(45) Registration Date: **15 February 2016**
(30) Convention priority data:
(31) Number (32) Date (33) Country
26/535,561 07 Aug 2015 UNITED STATES OF AMERICA
(56) Related Art Documents: **Not Applicable**
(57) Statement of Newness and Distinctiveness: **Those features of the communications device depicted in the representations that are new and distinctive are the shape and/or configuration. The broken lines shown in Figs. 1-8, that are immediately adjacent to the shaded areas, and define unshaded regions, represent the bounds of the design, while all other broken lines are directed to environment and are for illustrative purposes only; the broken lines form no part of the design are to be disregarded when considering the overall impression of the design.**



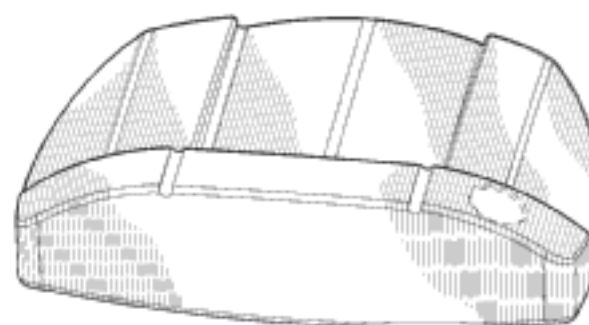
- (21) Design Number: **10546/2016**
(22) Date of Filing Application: **03 February 2016**
(24) Date from which industrial property rights may have effect: **03 February 2016**
(54) Product in respect of which the design is registered: **Roll over sensor**
(51) International Design Classification: **12-16B, 12-16NES**
(74) Name(s) of Attorney(s): **PHILLIPS ORMONDE FITZPATRICK**
(71) Name(s) and Address(s) of Applicant(s):
Redarc Technologies Pty Ltd
PO BOX 469 Morphett Vale SA 5162 Australia
(72) Name(s) of Designer(s): **Timothy Allan Eden and Yaohua Jerry Wang**
(45) Registration Date: **15 February 2016**
(56) Related Art Documents: **Not Applicable**
(57) Statement of Newness and Distinctiveness: **Newness and distinctiveness is claimed in the shape and/or configuration of a roll over sensor as shown in the accompanying representations except that the features shown in broken outline should be disregarded.**



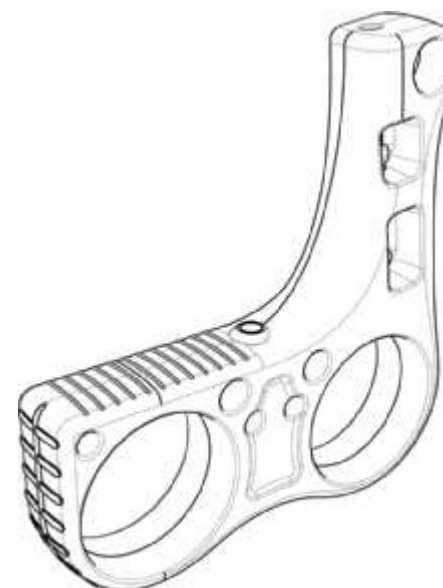
(21) Design Number: **10011/2016**
(22) Date of Filing Application: **05 January 2016**
(24) Date from which industrial property rights may have effect: **05 January 2016**
(54) Product in respect of which the design is registered: **Bracket**
(51) International Design Classification: **08-08L**
(74) Name(s) of Attorney(s):
(71) Name(s) and Address(s) of Applicant(s):
DIY RESOLUTIONS PTY LTD
L 2 20 Council St Hawthorn East VIC 3123 Australia
(72) Name(s) of Designer(s): **Andrew Kellock**
(45) Registration Date: **15 February 2016**
(56) Related Art Documents: **Not Applicable**
(57) Statement of Newness and Distinctiveness: **Nil**



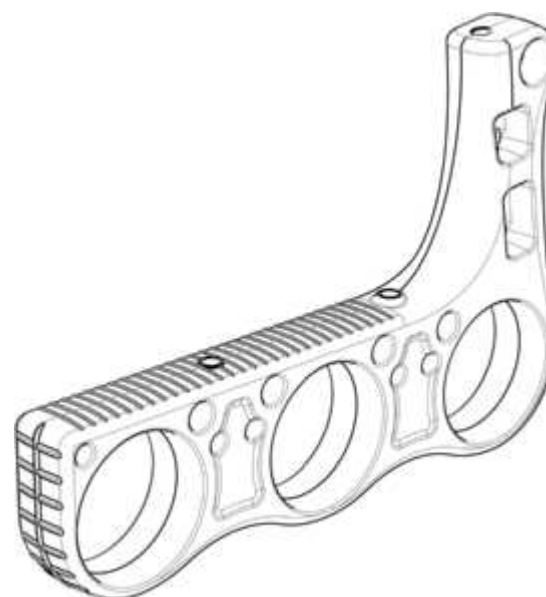
(21) Design Number: **10528/2016**
(22) Date of Filing Application: **02 February 2016**
(24) Date from which industrial property rights may have effect: **02 February 2016**
(54) Product in respect of which the design is registered: **Golf club head with alignment aid**
(51) International Design Classification: **21-02C**
(74) Name(s) of Attorney(s): **Davies Collison Cave**
(71) Name(s) and Address(s) of Applicant(s):
Karsten Manufacturing Corporation
2201 West Desert Cove Phoenix Arizona, 85029 United States of America
(72) Name(s) of Designer(s): **Tony Serrano and David Higdon and Xiaojian Chen**
(45) Registration Date: **15 February 2016**
(30) Convention priority data:
(31) Number (32) Date (33) Country
29/535057 03 Aug 2015 UNITED STATES OF AMERICA
(56) Related Art Documents: **Not Applicable**
(57) Statement of Newness and Distinctiveness: **Newness and distinctiveness is claimed in the visual features shown in solid lines in the representations. In considering the extent of the design rights, the broken lines shown in the representations are for illustrative purposes only and do not form part of the design.**



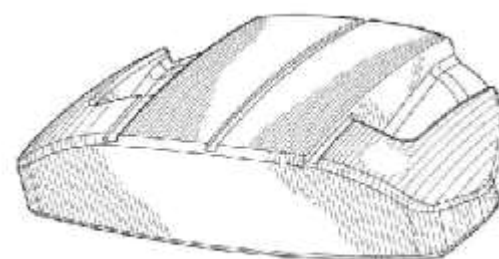
- (21) Design Number: **10533/2016**
(22) Date of Filing Application: **02 February 2016**
(24) Date from which industrial property rights may have effect: **02 February 2016**
(54) Product in respect of which the design is registered: **Fish farming structure**
(51) International Design Classification: **30-02**
(74) Name(s) of Attorney(s):
(71) Name(s) and Address(s) of Applicant(s):
Angus McDonald
PO BOX 5062 Cheltenham East VIC 3192 Australia
(72) Name(s) of Designer(s): **Brendan Mitchell and Michael Mitchell**
(45) Registration Date: **15 February 2016**
(56) Related Art Documents: **Not Applicable**
(57) Statement of Newness and Distinctiveness: **The product is new and distinctive in its shape and appearance, especially in the raised neck region. The features in the raised neck region are new and distinctive and serve the purpose of supporting other components in a new and novel way.**



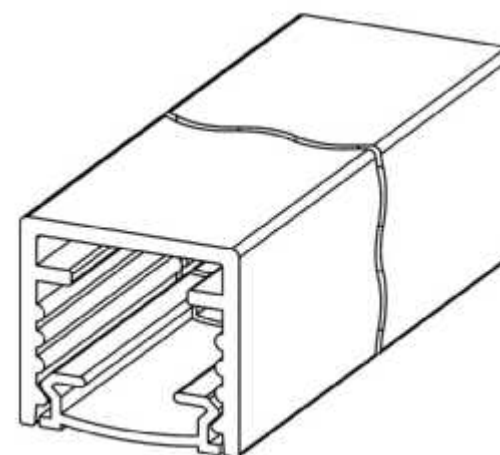
- (21) Design Number: **10534/2016**
(22) Date of Filing Application: **02 February 2016**
(24) Date from which industrial property rights may have effect: **02 February 2016**
(54) Product in respect of which the design is registered: **Fish farming structure**
(51) International Design Classification: **30-02**
(74) Name(s) of Attorney(s):
(71) Name(s) and Address(s) of Applicant(s):
Angus McDonald
PO BOX 5062 Cheltenham East VIC 3192 Australia
(72) Name(s) of Designer(s): **Michael Mitchell and Brendan Mitchell**
(45) Registration Date: **15 February 2016**
(56) Related Art Documents: **Not Applicable**
(57) Statement of Newness and Distinctiveness: **The product is new and distinctive in its shape and appearance, especially in the raised neck region. The features in the raised neck region are new and distinctive and serve the purpose of supporting other components in a new and novel way.**



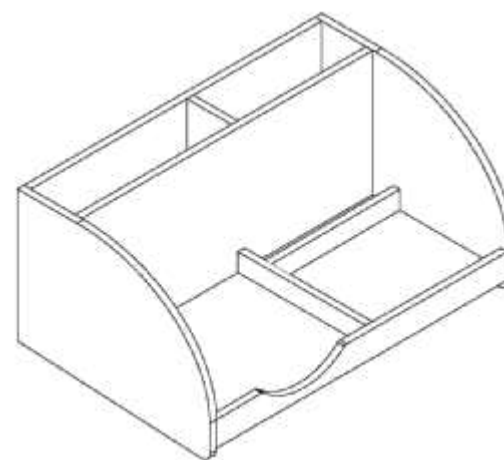
(21) Design Number: **10547/2016**
(22) Date of Filing Application: **03 February 2016**
(24) Date from which industrial property rights may have effect: **03 February 2016**
(54) Product in respect of which the design is registered: **Golf club head with alignment aid**
(51) International Design Classification: **21-02C**
(74) Name(s) of Attorney(s): **Davies Collison Cave**
(71) Name(s) and Address(s) of Applicant(s):
Karsten Manufacturing Corporation
2201 West Desert Cove Phoenix Arizona, 85029 United States of America
(72) Name(s) of Designer(s): **Tony Serrano and Xiaojian Chen**
(45) Registration Date: **15 February 2016**
(30) Convention priority data:
(31) Number (32) Date (33) Country
29/535073 03 Aug 2015 UNITED STATES OF AMERICA
(56) Related Art Documents: **Not Applicable**
(57) Statement of Newness and Distinctiveness: **Newness and distinctiveness is claimed in the visual features shown in solid lines in the representations. In considering the extent of the design rights, the broken lines shown in the representations are for illustrative purposes only and do not form part of the design.**



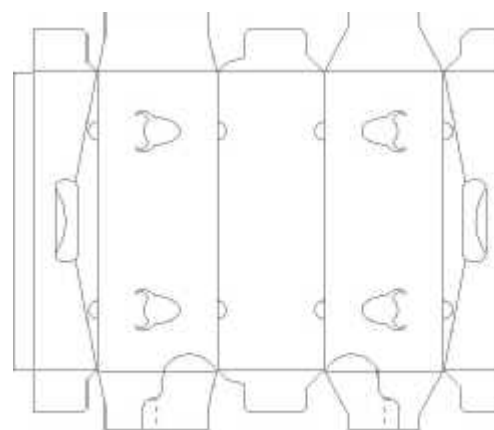
(21) Design Number: **10548/2016**
(22) Date of Filing Application: **03 February 2016**
(24) Date from which industrial property rights may have effect: **03 February 2016**
(54) Product in respect of which the design is registered: **Railing**
(51) International Design Classification: **25-01NES**
(74) Name(s) of Attorney(s):
(71) Name(s) and Address(s) of Applicant(s):
Peak Innovations Inc.
Suite 203-11782 Hammersmith Way Richmond, British Columbia, V7A 5E2 Canada
(72) Name(s) of Designer(s): **Simon Walker and Craig Walker and Charles Young and Hou Jun Fan**
(45) Registration Date: **15 February 2016**
(30) Convention priority data:
(31) Number (32) Date (33) Country
29/535,639 07 Aug 2015 UNITED STATES OF AMERICA
(56) Related Art Documents: **Not Applicable**
(57) Statement of Newness and Distinctiveness: **The shape and configuration of a railing of constant cross section and indefinite length as depicted in the representations, wherein the break shown in the representations indicates the indefinite length of the railing.**



- (21) Design Number: **10549/2016**
(22) Date of Filing Application: **03 February 2016**
(24) Date from which industrial property rights may have effect: **03 February 2016**
(54) Product in respect of which the design is registered: **Desk organiser**
(51) International Design Classification: **19-02**
(74) Name(s) of Attorney(s): **Griffith Hack**
(71) Name(s) and Address(s) of Applicant(s):
ACCO Australia Pty Ltd
L2 8 Lord St Botany NSW 2019 Australia
(72) Name(s) of Designer(s): **Adam Shields**
(45) Registration Date: **15 February 2016**
(56) Related Art Documents: **Not Applicable**
(57) Statement of Newness and Distinctiveness: **Newness and distinctiveness resides in the shape and configuration of an organiser as shown in the figures. The organiser may be coloured, uncoloured, opaque, translucent or transparent.**



- (21) Design Number: **16284/2015**
(22) Date of Filing Application: **20 November 2015**
(24) Date from which industrial property rights may have effect: **20 November 2015**
(54) Product in respect of which the design is registered: **Blank for forming a container**
(51) International Design Classification: **09-03M**
(74) Name(s) of Attorney(s): **Davies Collison Cave**
(71) Name(s) and Address(s) of Applicant(s):
Visy R & D Pty Ltd
L11 2 Southbank Bvd Southbank VIC 3006 Australia
(72) Name(s) of Designer(s): **Sean Meneaud**
(45) Registration Date: **15 February 2016**
(56) Related Art Documents: **Not Applicable**
(57) Statement of Newness and Distinctiveness: **The features of shape and configuration of the blank for forming a container shown in the accompanying representations are considered to be new and distinctive.**



(21) Design Number: **16461/2015**
(22) Date of Filing Application: **01 December 2015**
(24) Date from which industrial property rights may have effect: **01 December 2015**
(54) Product in respect of which the design is registered: **Fence post**
(51) International Design Classification: **25-01E**
(74) Name(s) of Attorney(s): **Davies Collison Cave**
(71) Name(s) and Address(s) of Applicant(s):

Justoy Pty Ltd
13 Russell Rd Mount Thorley NSW 2330 Australia

(72) Name(s) of Designer(s): **Robert Ian Hedley and Drew Keith**

(45) Registration Date: **15 February 2016**

(56) Related Art Documents: **Not Applicable**

(57) Statement of Newness and Distinctiveness: **Newness and Distinctiveness is claimed in the visual features of shape and configuration of the post illustrated in the representations in solid lines. In considering the extent of newness and distinctiveness, the particular placement of the holes (shown in broken lines), which are for attachment of fence wires, should be disregarded.**



(21) Design Number: **16506/2015**
(22) Date of Filing Application: **02 December 2015**
(24) Date from which industrial property rights may have effect: **02 December 2015**
(54) Product in respect of which the design is registered: **A keyboard**
(51) International Design Classification: **14-02**
(74) Name(s) of Attorney(s): **Davies Collison Cave**
(71) Name(s) and Address(s) of Applicant(s):

Sarah Jayne Davies
36 Roeselare Avenue Torpoint Cornwall PL11 2LW United Kingdom

(72) Name(s) of Designer(s): **Sarah Jayne Davies**

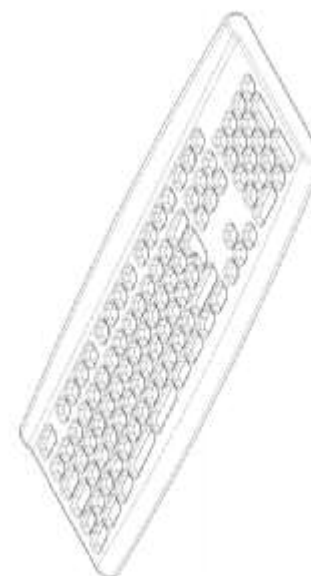
(45) Registration Date: **15 February 2016**

(30) Convention priority data:

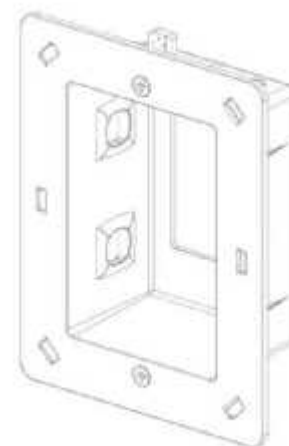
(31) Number	(32) Date	(33) Country
002825307	16 Oct 2015	OFFICE FOR HARMONISATION IN THE INTERNAL MARKET (OHIM)

(56) Related Art Documents: **Not Applicable**

(57) Statement of Newness and Distinctiveness: **Nil**



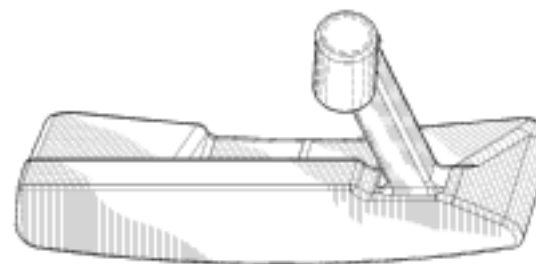
- (21) Design Number: **16630/2015**
(22) Date of Filing Application: **08 December 2015**
(24) Date from which industrial property rights may have effect: **08 December 2015**
(54) Product in respect of which the design is registered: **Electrical outlet box**
(51) International Design Classification: **13-03C, 13-03NES**
(74) Name(s) of Attorney(s): **Davies Collison Cave**
(71) Name(s) and Address(s) of Applicant(s):
Adaptex Pty Ltd
8/26 James St Lidcombe NSW 2141 Australia
(72) Name(s) of Designer(s): **Gary O'Connor**
(45) Registration Date: **15 February 2016**
(56) Related Art Documents: **Not Applicable**
(57) Statement of Newness and Distinctiveness: **Newness and distinctiveness is claimed in the visual features shown in solid lines in the representations (1 to 30) and in the visual features shown in the photographs (31 to 35).**



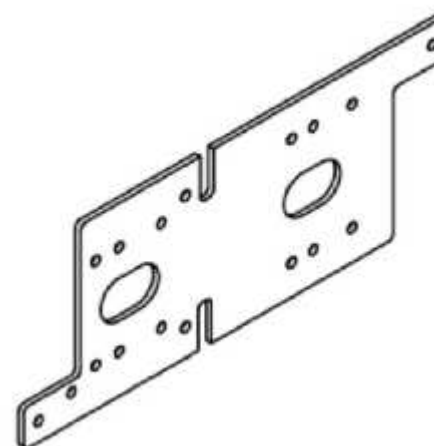
- (21) Design Number: **10522/2016**
(22) Date of Filing Application: **02 February 2016**
(24) Date from which industrial property rights may have effect: **02 February 2016**
(54) Product in respect of which the design is registered: **Baby monitor**
(51) International Design Classification: **10-05**
(74) Name(s) of Attorney(s): **FB Rice**
(71) Name(s) and Address(s) of Applicant(s):
Koninklijke Philips N.V.
High Tech Campus 5 5656 AE Eindhoven The Netherlands
(72) Name(s) of Designer(s): **Georg Johann Hagenauer**
(45) Registration Date: **15 February 2016**
(30) Convention priority data:
(31) Number (32) Date (33) Country
**002748343-0001 04 Aug 2015 OFFICE FOR HARMONISATION IN
THE INTERNAL MARKET (OHIM)**
(56) Related Art Documents: **Not Applicable**
(57) Statement of Newness and Distinctiveness: **Newness and distinctiveness reside in the features of shape and configuration of the design as shown in the representations.**



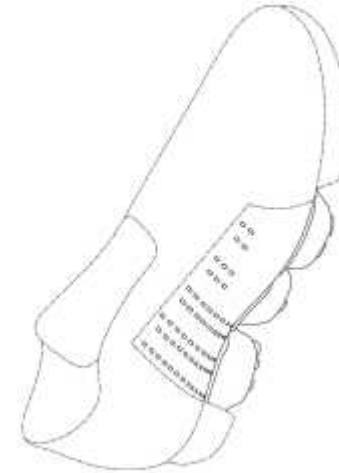
(21) Design Number: **10523/2016**
(22) Date of Filing Application: **02 February 2016**
(24) Date from which industrial property rights may have effect: **02 February 2016**
(54) Product in respect of which the design is registered: **Golf club head with alignment aid**
(51) International Design Classification: **21-02C**
(74) Name(s) of Attorney(s): **Davies Collison Cave**
(71) Name(s) and Address(s) of Applicant(s):
Karsten Manufacturing Corporation
2201 West Desert Cove Phoenix Arizona, 85029 United States of America
(72) Name(s) of Designer(s): **Tony Serrano and David Higdon and Martin Jertson and Cory Bacon**
(45) Registration Date: **15 February 2016**
(30) Convention priority data:
(31) Number (32) Date (33) Country
29/535055 03 Aug 2015 UNITED STATES OF AMERICA
(56) Related Art Documents: **Not Applicable**
(57) Statement of Newness and Distinctiveness: **Newness and distinctiveness is claimed in the visual features shown in solid lines in the representations. In considering the extent of the design rights, the broken lines shown in the representations are for illustrative purposes only and do not form part of the design.**



(21) Design Number: **12955/2015**
(22) Date of Filing Application: **12 June 2015**
(24) Date from which industrial property rights may have effect: **12 June 2015**
(54) Product in respect of which the design is registered: **Blank foldable to form a bracket**
(51) International Design Classification: **08-08L**
(74) Name(s) of Attorney(s): **Davies Collison Cave**
(71) Name(s) and Address(s) of Applicant(s):
Illinois Tool Works Inc.
155 Harlem Ave Glenview IL, 60025-4075 United States of America
(72) Name(s) of Designer(s): **Bernard Kennelly**
(45) Registration Date: **15 February 2016**
(56) Related Art Documents: **Not Applicable**
(57) Statement of Newness and Distinctiveness: **Nil**



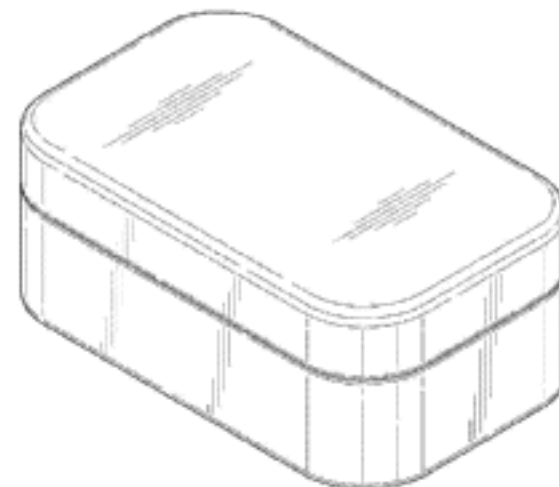
- (21) Design Number: **16364/2015**
(22) Date of Filing Application: **25 November 2015**
(24) Date from which industrial property rights may have effect: **09 September 2015**
(54) Product in respect of which the design is registered: **Shoe**
(51) International Design Classification: **02-04NES**
(74) Name(s) of Attorney(s): **Davies Collison Cave**
(71) Name(s) and Address(s) of Applicant(s):
NIKE Innovate C.V.
One Bowerman Drive Beaverton Oregon 97005-6453 United States of America
(72) Name(s) of Designer(s): **Robert C. Williams Jr and Fidencio Campos and Troy C. Linder**
(45) Registration Date: **15 February 2016**
(62) Divisional of: **365643**
(56) Related Art Documents: **Not Applicable**
(57) Statement of Newness and Distinctiveness: **Newness and distinctiveness is claimed in the visual features shown in the representations excluding the visual features shown in broken lines.**



- (21) Design Number: **16366/2015**
(22) Date of Filing Application: **25 November 2015**
(24) Date from which industrial property rights may have effect: **09 September 2015**
(54) Product in respect of which the design is registered: **Shoe upper**
(51) International Design Classification: **02-04NES**
(74) Name(s) of Attorney(s): **Davies Collison Cave**
(71) Name(s) and Address(s) of Applicant(s):
NIKE Innovate C.V.
One Bowerman Drive Beaverton Oregon, 97005-6453 United States of America
(72) Name(s) of Designer(s): **Robert C. Williams Jr**
(45) Registration Date: **15 February 2016**
(62) Divisional of: **365644**
(56) Related Art Documents: **Not Applicable**
(57) Statement of Newness and Distinctiveness: **Newness and distinctiveness is claimed in the visual features shown in the representations, excluding the visual features shown in broken lines. The sole shown in broken lines in the representations does not form part of the product or design.**



(21) Design Number: **16416/2015**
(22) Date of Filing Application: **27 November 2015**
(24) Date from which industrial property rights may have effect: **27 November 2015**
(54) Product in respect of which the design is registered: **A tin**
(51) International Design Classification: **09-03M**
(74) Name(s) of Attorney(s): **Davies Collison Cave**
(71) Name(s) and Address(s) of Applicant(s):



Unilever PLC
100 Victoria Embankment London EC4Y 0DY United Kingdom
(72) Name(s) of Designer(s): **Emma Follett and Craig Glass and Tina Worboys**
(45) Registration Date: **15 February 2016**
(30) Convention priority data:
(31) Number (32) Date (33) Country
002711762-0001 02 Jun 2015 OFFICE FOR HARMONISATION IN THE INTERNAL MARKET (OHIM)

(56) Related Art Documents: **Not Applicable**
(57) Statement of Newness and Distinctiveness: **Newness and distinctiveness is claimed in the visual features shown in solid lines in the representations including the curve of the four corners and/or the smooth sides of the tin.**

(21) Design Number: **10524/2016**
(22) Date of Filing Application: **02 February 2016**
(24) Date from which industrial property rights may have effect: **02 February 2016**
(54) Product in respect of which the design is registered: **Blood pressure monitor**
(51) International Design Classification: **24-02**
(74) Name(s) of Attorney(s): **FB Rice**
(71) Name(s) and Address(s) of Applicant(s):



Koninklijke Philips N.V.
High Tech Campus 5 5656 AE Eindhoven The Netherlands
(72) Name(s) of Designer(s): **Frank Verbrugge and Guy Anthony Brown**
(45) Registration Date: **16 February 2016**
(30) Convention priority data:
(31) Number (32) Date (33) Country
002749259-0001 05 Aug 2015 OFFICE FOR HARMONISATION IN THE INTERNAL MARKET (OHIM)

(56) Related Art Documents: **Not Applicable**
(57) Statement of Newness and Distinctiveness: **Newness and distinctiveness reside in the features of shape and configuration of the design as shown in the representations.**

(21) Design Number: **10525/2016**
(22) Date of Filing Application: **02 February 2016**
(24) Date from which industrial property rights may have effect: **02 February 2016**
(54) Product in respect of which the design is registered: **Chronograph watch**
(51) International Design Classification: **10-02**
(74) Name(s) of Attorney(s): **PHILLIPS ORMONDE FITZPATRICK**
(71) Name(s) and Address(s) of Applicant(s):

Turlen Holding SA
Rue du Jura 11 Les Breuleux 2345 Switzerland

(72) Name(s) of Designer(s): **Richard Mille**

(45) Registration Date: **16 February 2016**

(30) Convention priority data:

(31) Number	(32) Date	(33) Country
925834401	05 Oct 2015	SWITZERLAND

(56) Related Art Documents: **Not Applicable**

(57) Statement of Newness and Distinctiveness: **Nil**



(21) Design Number: **10526/2016**
(22) Date of Filing Application: **02 February 2016**
(24) Date from which industrial property rights may have effect: **02 February 2016**
(54) Product in respect of which the design is registered: **Hair band bracelet**
(51) International Design Classification: **11-01C**
(74) Name(s) of Attorney(s): **Griffith Hack**
(71) Name(s) and Address(s) of Applicant(s):

Elizabeth A. Dulien
802 W Gibson St Austin TX, 78704 United States of America

(72) Name(s) of Designer(s): **Elizabeth A. Dulien**

(45) Registration Date: **16 February 2016**

(30) Convention priority data:

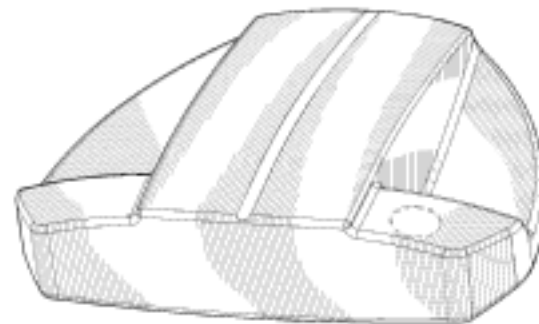
(31) Number	(32) Date	(33) Country
29/538,195	01 Sep 2015	UNITED STATES OF AMERICA

(56) Related Art Documents: **Not Applicable**

(57) Statement of Newness and Distinctiveness: **Nil**



(21) Design Number: **10527/2016**
(22) Date of Filing Application: **02 February 2016**
(24) Date from which industrial property rights may have effect: **02 February 2016**
(54) Product in respect of which the design is registered: **Golf club head with alignment aid**
(51) International Design Classification: **21-02C**
(74) Name(s) of Attorney(s): **Davies Collison Cave**
(71) Name(s) and Address(s) of Applicant(s):
Karsten Manufacturing Corporation
2201 West Desert Cove Phoenix Arizona, 85029 United States of America
(72) Name(s) of Designer(s): **Tony Serrano and David Higdon**
(45) Registration Date: **16 February 2016**
(30) Convention priority data:
(31) Number (32) Date (33) Country
29/535056 03 Aug 2015 UNITED STATES OF AMERICA
(56) Related Art Documents: **Not Applicable**
(57) Statement of Newness and Distinctiveness: **Newness and distinctiveness is claimed in the visual features shown in solid lines in the representations. In considering the extent of the design rights, the broken lines shown in the representations are for illustrative purposes only and do not form part of the design.**



(21) Design Number: **10530/2016**
(22) Date of Filing Application: **02 February 2016**
(24) Date from which industrial property rights may have effect: **16 November 2015**
(54) Product in respect of which the design is registered: **Hat**
(51) International Design Classification: **02-03**
(74) Name(s) of Attorney(s): **Allens Patent & Trade Mark Attorneys**
(71) Name(s) and Address(s) of Applicant(s):
THiik LLC
10 Deerfield Lane Scarsdale New York, 10583 United States of America
(72) Name(s) of Designer(s): **Brooke Danielle Sunness and Bob Robert Sunness and Alex John Moore**
(45) Registration Date: **16 February 2016**
(30) Convention priority data:
(31) Number (32) Date (33) Country
29/526972 14 May 2015 UNITED STATES OF AMERICA
(62) Divisional of: **367180**
(56) Related Art Documents: **Not Applicable**
(57) Statement of Newness and Distinctiveness: **Newness and distinctiveness resides in the visual features of shape and/or configuration of a hat as shown in the accompanying representations.**



(21) Design Number: **10531/2016**
(22) Date of Filing Application: **02 February 2016**
(24) Date from which industrial property rights may have effect: **16 November 2015**
(54) Product in respect of which the design is registered: **Hat**
(51) International Design Classification: **02-03**
(74) Name(s) of Attorney(s): **Allens Patent & Trade Mark Attorneys**
(71) Name(s) and Address(s) of Applicant(s):
THiiK LLC
10 Deerfield Lane Scarsdale New York, 10583 United States of America
(72) Name(s) of Designer(s): **Brooke Danielle Sunness and Bob Robert Sunness and Alex John Moore**
(45) Registration Date: **16 February 2016**
(30) Convention priority data:
(31) Number (32) Date (33) Country
29/526972 14 May 2015 UNITED STATES OF AMERICA
(62) Divisional of: **367180**
(56) Related Art Documents: **Not Applicable**
(57) Statement of Newness and Distinctiveness: **Newness and distinctiveness resides in the visual features of shape and/or configuration of a hat as shown in solid lines in the accompanying representations.**



(21) Design Number: **10532/2016**
(22) Date of Filing Application: **02 February 2016**
(24) Date from which industrial property rights may have effect: **16 November 2015**
(54) Product in respect of which the design is registered: **Hat**
(51) International Design Classification: **02-03**
(74) Name(s) of Attorney(s): **Allens Patent & Trade Mark Attorneys**
(71) Name(s) and Address(s) of Applicant(s):
THiiK LLC
10 Deerfield Lane Scarsdale New York, 10583 United States of America
(72) Name(s) of Designer(s): **Brooke Danielle Sunness and Bob Robert Sunness and Alex John Moore**
(45) Registration Date: **16 February 2016**
(30) Convention priority data:
(31) Number (32) Date (33) Country
29/526972 14 May 2015 UNITED STATES OF AMERICA
(62) Divisional of: **367180**
(56) Related Art Documents: **Not Applicable**
(57) Statement of Newness and Distinctiveness: **Newness and distinctiveness resides in the visual features of shape and/or configuration of a hat as shown in solid lines in the accompanying representations.**

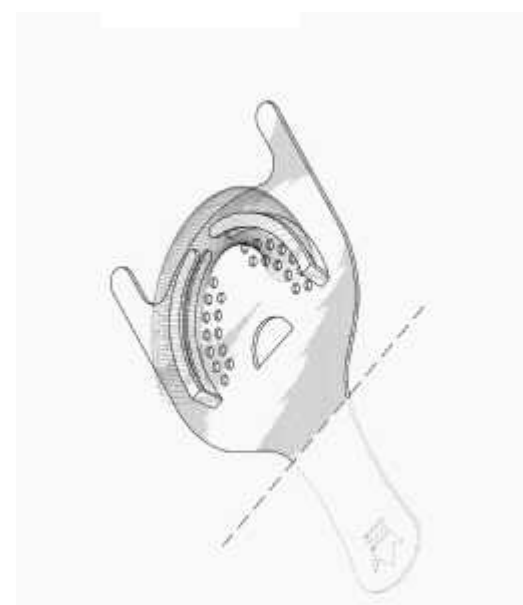


(21) Design Number: **10541/2016**
(22) Date of Filing Application: **03 February 2016**
(24) Date from which industrial property rights may have effect: **03 February 2016**
(54) Product in respect of which the design is registered: **A packaging**
(51) International Design Classification: **09-03L**
(74) Name(s) of Attorney(s): **Chrysiliou IP**
(71) Name(s) and Address(s) of Applicant(s):
Shenzhen Royole Technologies Co., Ltd.
A4-1501, Kexing Science Park No 15 Keyuan Road Science and
Technology Park Nanshan District, Shenzhen Guangdong China



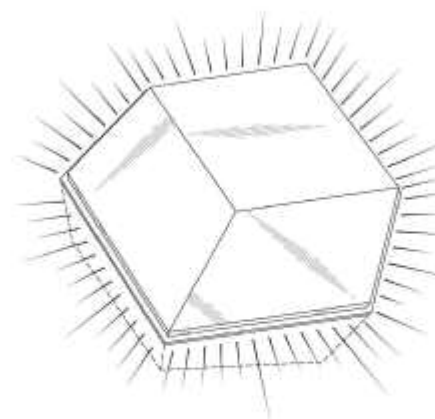
(72) Name(s) of Designer(s): **Xinyuan Xia**
(45) Registration Date: **16 February 2016**
(30) Convention priority data:
(31) Number (32) Date (33) Country
201530337194.X 02 Sep 2015 CHINA
(56) Related Art Documents: **Not Applicable**
(57) Statement of Newness and Distinctiveness: **The present design is applied to a packaging and the newness and distinctiveness resides in the features of the shape and configuration of the packaging as illustrated in the accompanying drawings. In assessing infringement, the colour and markings on the surface of the packaging do not form part of the design and are to be disregarded.**

(21) Design Number: **10555/2016**
(22) Date of Filing Application: **03 February 2016**
(24) Date from which industrial property rights may have effect: **22 December 2015**
(54) Product in respect of which the design is registered: **Cocktail strainer**
(51) International Design Classification: **07-04**
(74) Name(s) of Attorney(s): **WRAYS PTY LTD**
(71) Name(s) and Address(s) of Applicant(s):
Cocktail Kingdom LLC
36 West 25th Street 5th Floor New York New York, 10010 United States
of America

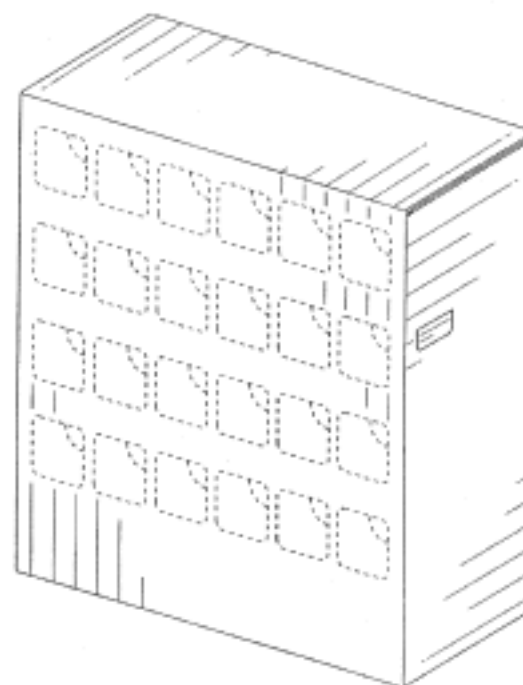


(72) Name(s) of Designer(s): **Gregory Alfred Boehm**
(45) Registration Date: **16 February 2016**
(30) Convention priority data:
(31) Number (32) Date (33) Country
29/546,343 20 Nov 2015 UNITED STATES OF AMERICA
(62) Divisional of: **367068**
(56) Related Art Documents: **Not Applicable**
(57) Statement of Newness and Distinctiveness: **Newness and distinctiveness is claimed in the features of shape, configuration, pattern, and/or ornamentation of the Cocktail Strainer as shown in the accompanying representations. The features depicted by broken lines are for illustrative purposes only and form no part of the claimed design.**

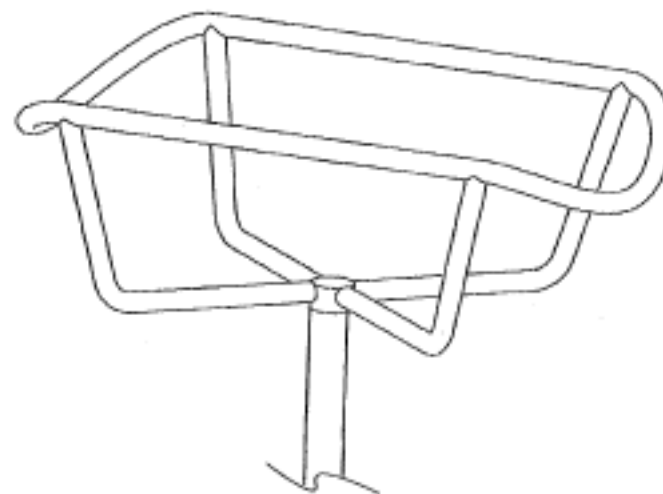
- (21) Design Number: **10564/2016**
(22) Date of Filing Application: **03 February 2016**
(24) Date from which industrial property rights may have effect: **21 November 2015**
(54) Product in respect of which the design is registered: **Light up retail modular fixture**
(51) International Design Classification: **20-02NES**
(74) Name(s) of Attorney(s): **Ascot Martin Registered Patent & Trade Mark Attorneys**
(71) Name(s) and Address(s) of Applicant(s):
Google Inc.
1600 Amphitheatre Parkway Mountain View California 94043 United States of America
(72) Name(s) of Designer(s): **Victoria A. Spielmann and Yaniv Ashkenazy and Adam Kalderon and Adam Zerbib and Vitaly Korsunsky and Yaniv Lupashko**
(45) Registration Date: **16 February 2016**
(62) Divisional of: **367134**
(56) Related Art Documents: **Not Applicable**
(57) Statement of Newness and Distinctiveness: **The features of the Product that are new and distinctive are the features of shape and configuration, as shown in the accompanying representations, in which features depicted by broken lines and features depicting light rays or light glow, are only for representing environments of use of the Product and do not form part of the design.**



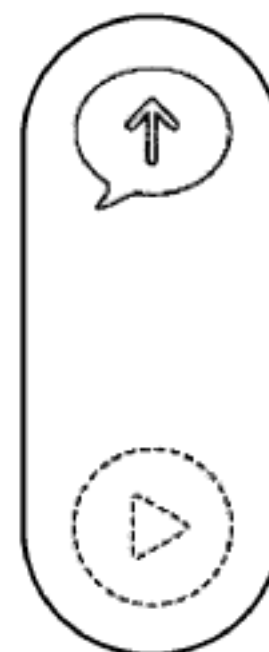
- (21) Design Number: **16205/2015**
(22) Date of Filing Application: **17 November 2015**
(24) Date from which industrial property rights may have effect: **17 November 2015**
(54) Product in respect of which the design is registered: **Packaging insert for an advent calendar and/or beer packaging container**
(51) International Design Classification: **09-03H**
(74) Name(s) of Attorney(s): **Madderns**
(71) Name(s) and Address(s) of Applicant(s):
Craft Beer Importers Canada Inc
Unit 11, 1715, 27 Avenue NE Calgary AB T2E 7E1 Canada
(72) Name(s) of Designer(s): **Janice Vanderwell and Darren Exner and Justin Exner and Jake Hayes**
(45) Registration Date: **16 February 2016**
(30) Convention priority data:
(31) Number (32) Date (33) Country
29/527,891 22 May 2015 UNITED STATES OF AMERICA
(56) Related Art Documents: **Not Applicable**
(57) Statement of Newness and Distinctiveness: **Newness and distinctiveness is claimed in the shape and/or configuration of a packaging insert for an advent calendar and/or beer packaging container as shown in the accompanying Figures. In considering the scope of protection, no regard will be had to the features depicted in broken lines in any of the Figures.**



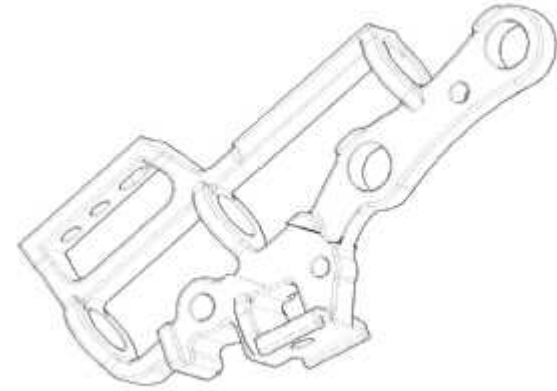
(21) Design Number: **16209/2015**
(22) Date of Filing Application: **17 November 2015**
(24) Date from which industrial property rights may have effect: **17 November 2015**
(54) Product in respect of which the design is registered: **A basket**
(51) International Design Classification: **09-04**
(74) Name(s) of Attorney(s): **Chrysiliou IP**
(71) Name(s) and Address(s) of Applicant(s):
Multigate Medical Products Pty Ltd
27 Llewellyn Ave Villawood NSW 2163 Australia
(72) Name(s) of Designer(s): **Ben Chen**
(45) Registration Date: **16 February 2016**
(56) Related Art Documents: **Not Applicable**
(57) Statement of Newness and Distinctiveness: **The design of the present application is applied to a basket for supporting and receiving receptacles for medical purposes and the newness and distinctiveness resides in the features of the shape and configuration of the basket. In assessing infringement, the pole and wheel base structure are to be disregarded.**



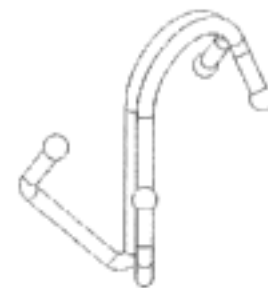
(21) Design Number: **16545/2015**
(22) Date of Filing Application: **03 December 2015**
(24) Date from which industrial property rights may have effect: **03 December 2015**
(54) Product in respect of which the design is registered: **Display screen with graphical user interface**
(51) International Design Classification: **14-02**
(74) Name(s) of Attorney(s): **Freehills Patent Attorneys**
(71) Name(s) and Address(s) of Applicant(s):
Apple Inc.
1 Infinite Loop Cupertino California, 95014 United States of America
(72) Name(s) of Designer(s): **Richard Dellinger and Alan C. Dye and Jonathan P. Ive and Christopher Daryl Soli**
(45) Registration Date: **16 February 2016**
(30) Convention priority data:
(31) Number (32) Date (33) Country
29/529235 04 Jun 2015 UNITED STATES OF AMERICA
(56) Related Art Documents: **Not Applicable**
(57) Statement of Newness and Distinctiveness: **Newness and distinctiveness resides in the features of pattern and/or ornamentation of a display screen as shown in solid line in the partial enlarged front view.**



- (21) Design Number: **16724/2015**
(22) Date of Filing Application: **10 December 2015**
(24) Date from which industrial property rights may have effect: **10 December 2015**
(54) Product in respect of which the design is registered: **Seeding equipment**
(51) International Design Classification: **15-03A**
(74) Name(s) of Attorney(s):
(71) Name(s) and Address(s) of Applicant(s):
Jack Auldist
PO BOX 291 South Fremantle WA 6162 Australia
(72) Name(s) of Designer(s): **Jack Auldist**
(45) Registration Date: **16 February 2016**
(56) Related Art Documents: **Not Applicable**
(57) Statement of Newness and Distinctiveness: **Newness and distinctiveness is claimed in the features of shape and/or configuration of a rear cast arm as illustrated in the accompanying representations.**



- (21) Design Number: **16990/2015**
(22) Date of Filing Application: **22 December 2015**
(24) Date from which industrial property rights may have effect: **22 December 2015**
(54) Product in respect of which the design is registered: **Handbag hanger**
(51) International Design Classification: **08-08G, 03-01B**
(74) Name(s) of Attorney(s): **IP Service International**
(71) Name(s) and Address(s) of Applicant(s):
THH - THE HANDBAG HANGER PTY LTD
U38/ 51 William St Double Bay NSW 2028 Australia
(72) Name(s) of Designer(s): **Michelle Zillman**
(45) Registration Date: **16 February 2016**
(56) Related Art Documents: **Not Applicable**
(57) Statement of Newness and Distinctiveness: **Newness and distinctiveness is claimed in the features of shape and/or configuration of a hanger comprising hooks with round ball finials that can be used to hang multiple handbags.**



- (21) Design Number: **10089/2016**
(22) Date of Filing Application: **08 January 2016**
(24) Date from which industrial property rights may have effect: **10 November 2015**
(54) Product in respect of which the design is registered: **Electronic cigarette**
(51) International Design Classification: **27-99**
(74) Name(s) of Attorney(s): **Fisher Adams Kelly Callinans**
(71) Name(s) and Address(s) of Applicant(s):
PHILIP MORRIS PRODUCTS S.A.
Quai Jeanrenaud 3, Neuchatel 2000 Switzerland
(72) Name(s) of Designer(s): **Yonghai Li and Yonglu Guo**
(45) Registration Date: **16 February 2016**
(62) Divisional of: **366801**
(56) Related Art Documents: **Not Applicable**
(57) Statement of Newness and Distinctiveness: **Newness and distinctiveness are provided by the shape and/or configuration of the design shown in the representations. The features shown in broken lines in the representations are for illustrative purposes only and should not be considered when construing visual features of the design.**



- (21) Design Number: **13190/2015**
(22) Date of Filing Application: **23 June 2015**
(24) Date from which industrial property rights may have effect: **23 June 2015**
(54) Product in respect of which the design is registered: **Article of clothing**
(51) International Design Classification: **02-02C**
(74) Name(s) of Attorney(s): **Allens Patent & Trade Mark Attorneys**
(71) Name(s) and Address(s) of Applicant(s):
Forever New Clothing Pty Ltd
L4 Bldg 8 576 Swan St Richmond VIC 3121 Australia
(72) Name(s) of Designer(s): **Anna Pham**
(45) Registration Date: **16 February 2016**
(56) Related Art Documents: **Not Applicable**
(57) Statement of Newness and Distinctiveness: **Newness and distinctiveness resides in the visual features of shape, configuration, pattern and/or ornamentation of an article of clothing as shown in the accompanying representations.**



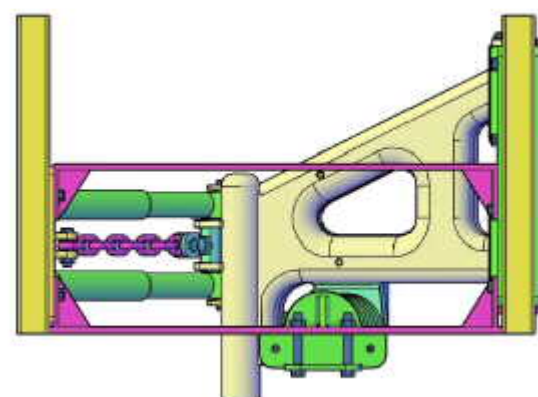
(21) Design Number: **16173/2015**
(22) Date of Filing Application: **16 November 2015**
(24) Date from which industrial property rights may have effect: **16 November 2015**
(54) Product in respect of which the design is registered: **Hat**
(51) International Design Classification: **02-03**
(74) Name(s) of Attorney(s): **Allens Patent & Trade Mark Attorneys**
(71) Name(s) and Address(s) of Applicant(s):
THiiK LLC
10 Deerfield Lane Scarsdale NY, 10583 United States of America
(72) Name(s) of Designer(s): **Brooke Danielle Sunness and Bob Robert Sunness and Alex John Monroe**
(45) Registration Date: **16 February 2016**
(30) Convention priority data:
(31) Number (32) Date (33) Country
29/526,972 14 May 2015 UNITED STATES OF AMERICA
(56) Related Art Documents: **Not Applicable**
(57) Statement of Newness and Distinctiveness: **Newness and distinctiveness resides in the visual features of shape and/or configuration of a hat shown in solid lines in the accompanying representations. The stitching shown in pages 1/20 to 10/20 of the accompanying representations forms part of the design.**



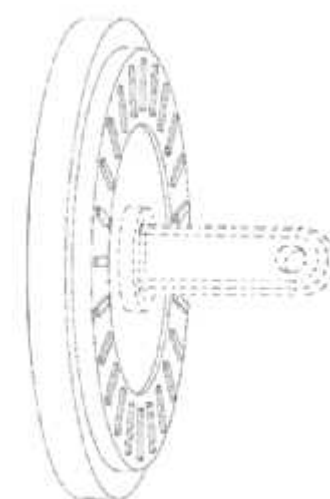
(21) Design Number: **16586/2015**
(22) Date of Filing Application: **07 December 2015**
(24) Date from which industrial property rights may have effect: **07 December 2015**
(54) Product in respect of which the design is registered: **Package for food applications with easy-opening**
(51) International Design Classification: **09-05**
(74) Name(s) of Attorney(s): **Davies Collison Cave**
(71) Name(s) and Address(s) of Applicant(s):
Novaplot Enterprises Ltd
12A Kosti Palama Limassol 3095 Cyprus
(72) Name(s) of Designer(s): **Emmanouil Domazakis**
(45) Registration Date: **16 February 2016**
(30) Convention priority data:
(31) Number (32) Date (33) Country
20150200068 09 Jun 2015 GREECE
(56) Related Art Documents: **Not Applicable**
(57) Statement of Newness and Distinctiveness: **Newness and distinctiveness is claimed in the visual features shown in the representations. A package for snack-sized portions of food comprising a heat-sealed field, which defines the tubular shape to the package, and a free non-sealed surface, which extends adjacent and parallel to the heat-sealed field. The non-sealed surface has a number of tear notches, perpendicular to the heat-sealed field, that allow the opening of the package by a rotational motion. The said heat-sealed surface and the said non-sealed surface are located on the longitudinal axis of said package. The broken lines show portions of the product which form no part of the claimed design.**



(21) Design Number: **16599/2015**
(22) Date of Filing Application: **07 December 2015**
(24) Date from which industrial property rights may have effect: **07 December 2015**
(54) Product in respect of which the design is registered: **Independent suspension for recreational vehicles**
(51) International Design Classification: **12-16NES**
(74) Name(s) of Attorney(s):
(71) Name(s) and Address(s) of Applicant(s):
PIONEER TECH PTY LTD
42 Ellis Park Ave Mulgrave VIC 3170 Australia
(72) Name(s) of Designer(s): **Guohua Han**
(45) Registration Date: **16 February 2016**
(56) Related Art Documents: **Not Applicable**
(57) Statement of Newness and Distinctiveness: **Universal Adjusting Independent Suspension System Model: UAIS-3500 Two key points are realized: 1) Accurate alignment of wheels. 2) Easy and universal adjustment. Unique Design Features: 1. Universal adjustment is realized by spherical shaft system. 2. Pre-adjustment of wheel height is realized by chain adjusting kit. 3. Locking and fine adjustment is realized by scallop hole structure. 5. Both the mounting bracket at front and at rear are made from precision casted steel, not from welded steel structures, so as to ensure the strength of the bracket. Both mounting brackets are of one piece structure, easier for installation. Both mounting brackets can either be bolted or welded underneath chassis, which allows more flexibility for installation. 6. The suspension arm (i.e. A frame) is made by welding two stamped steel plates together to make it strong and heavy duty. 7. There are greasable nipples for spherical universal shaft to guarantee easy & universal adjustment.**



(21) Design Number: **16802/2015**
(22) Date of Filing Application: **15 December 2015**
(24) Date from which industrial property rights may have effect: **15 December 2015**
(54) Product in respect of which the design is registered: **Suction cup**
(51) International Design Classification: **08-08NES**
(74) Name(s) of Attorney(s): **Fisher Adams Kelly Callinans**
(71) Name(s) and Address(s) of Applicant(s):
Taili Household Products Manufacturing Co., Ltd
No. 3, Yidong St. Kanghua Rd. Shiqi District Zhongshan Guangdong,
528400 China
(72) Name(s) of Designer(s): **Zhengbing Shi**
(45) Registration Date: **16 February 2016**
(56) Related Art Documents: **Not Applicable**
(57) Statement of Newness and Distinctiveness: **Newness and distinctiveness are provided by the shape and/or configuration of the design shown in the representations. The features shown in broken lines in the representations are for illustrative purposes only and should not be considered when construing visual features of the design.**



(21) Design Number: **10101/2016**
(22) Date of Filing Application: **11 January 2016**
(24) Date from which industrial property rights may have effect: **11 January 2016**
(54) Product in respect of which the design is registered: **Electronic device**
(51) International Design Classification: **14-02**
(74) Name(s) of Attorney(s): **FB Rice**
(71) Name(s) and Address(s) of Applicant(s):
OpenTV, Inc.
275 Sacramento Street San Francisco California, 94111 United States of America

(72) Name(s) of Designer(s): **Joonyoung Park and Jihyun Park**

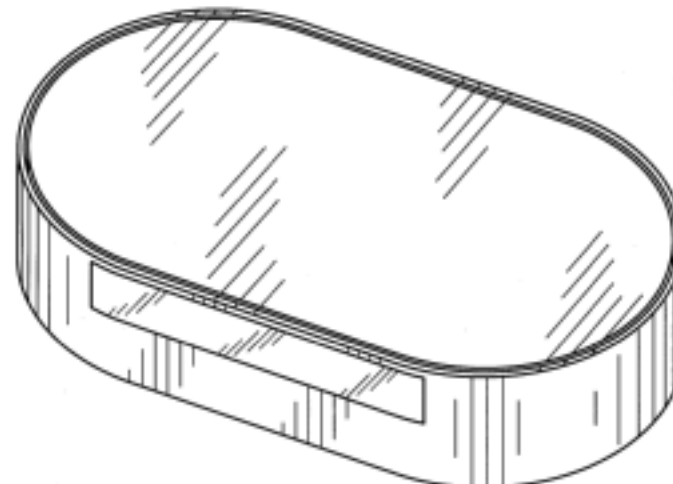
(45) Registration Date: **16 February 2016**

(30) Convention priority data:

(31) Number	(32) Date	(33) Country
29/533,015	13 Jul 2015	UNITED STATES OF AMERICA

(56) Related Art Documents: **Not Applicable**

(57) Statement of Newness and Distinctiveness: **Newness and distinctiveness reside in the features of the design as shown. The features shown in broken lines are provided for reference purposes only and are not to be considered when construing the visual features of the design. The shade lines in the representations show contour and not surface ornamentation.**



(21) Design Number: **10573/2016**
(22) Date of Filing Application: **04 February 2016**
(24) Date from which industrial property rights may have effect: **04 February 2016**
(54) Product in respect of which the design is registered: **A knife**
(51) International Design Classification: **07-03**
(74) Name(s) of Attorney(s): **James & Wells**
(71) Name(s) and Address(s) of Applicant(s):
Ningbo Home-link Plastic Product Manufacture Co., Ltd.
269 Chuanpu Road Jiaochuan Industrial Zone Ningbo Chemical Park
Zhejiang 315207 China

(72) Name(s) of Designer(s): **Xiong Wang**

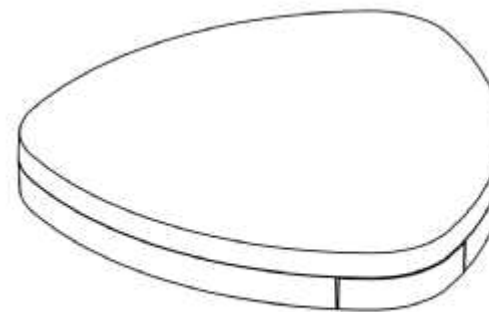
(45) Registration Date: **16 February 2016**

(56) Related Art Documents: **Not Applicable**

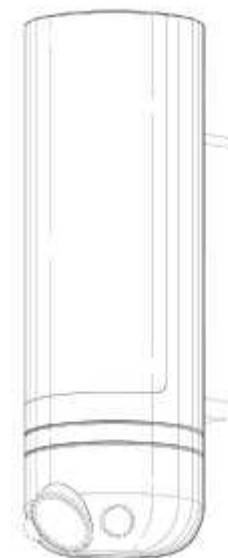
(57) Statement of Newness and Distinctiveness: **This design is to be applied to a knife and the novelty resides in features of the shape and configuration of the article, all as shown in the accompanying representations.**



(21) Design Number: **10582/2016**
(22) Date of Filing Application: **04 February 2016**
(24) Date from which industrial property rights may have effect: **04 February 2016**
(54) Product in respect of which the design is registered: **Package**
(51) International Design Classification: **09-03NES**
(74) Name(s) of Attorney(s): **Cullens Pty Ltd**
(71) Name(s) and Address(s) of Applicant(s):
WALA Heilmittel GmbH
Dorfstrasse 1 Bad Boll 73087 Germany
(72) Name(s) of Designer(s): **Nicola Groening**
(45) Registration Date: **16 February 2016**
(30) Convention priority data:
(31) Number (32) Date (33) Country
002749762-0002 05 Aug 2015 OFFICE FOR HARMONISATION IN
THE INTERNAL MARKET (OHIM)
(56) Related Art Documents: **Not Applicable**
(57) Statement of Newness and Distinctiveness: **The new and distinct features**
are the features of shape and configuration of a package as shown in the
attached representations.



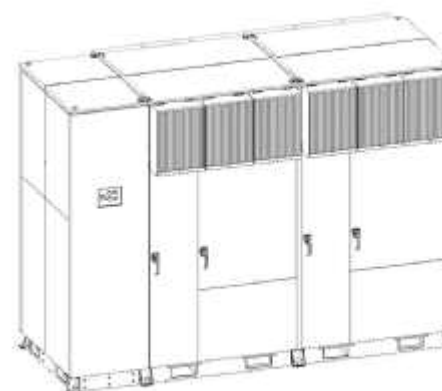
(21) Design Number: **10583/2016**
(22) Date of Filing Application: **04 February 2016**
(24) Date from which industrial property rights may have effect: **04 February 2016**
(54) Product in respect of which the design is registered: **Camera**
(51) International Design Classification: **16-01**
(74) Name(s) of Attorney(s): **Fisher Adams Kelly Callinans**
(71) Name(s) and Address(s) of Applicant(s):
Robert Bosch GmbH
Postfach 30 02 20 Stuttgart 70442 Germany
(72) Name(s) of Designer(s): **Andreas Dimitriadis and Matthias Wieser**
(45) Registration Date: **16 February 2016**
(30) Convention priority data:
(31) Number (32) Date (33) Country
002750125 06 Aug 2015 OFFICE FOR HARMONISATION IN
THE INTERNAL MARKET (OHIM)
(56) Related Art Documents: **Not Applicable**
(57) Statement of Newness and Distinctiveness: **The newness and**
distinctiveness of the design resides in the shape and/or configuration
of the CAMERA shown in the representations.



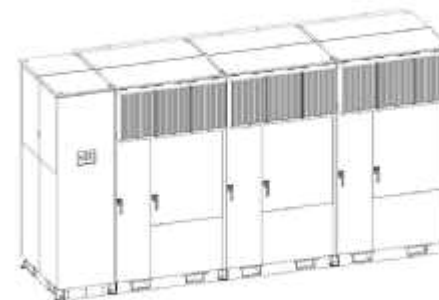
(21) Design Number: **10584/2016**
(22) Date of Filing Application: **04 February 2016**
(24) Date from which industrial property rights may have effect: **04 February 2016**
(54) Product in respect of which the design is registered: **Massage tool**
(51) International Design Classification: **28-03NES**
(74) Name(s) of Attorney(s): **PHILLIPS ORMONDE FITZPATRICK**
(71) Name(s) and Address(s) of Applicant(s):
Rocktape, Inc.
1610 Dell Ave., Suite S Campbell California, 95008 United States of America
(72) Name(s) of Designer(s): **Gregory Van Den Dries and Steven Capobianco and Cullen Maxwell Maroney**
(45) Registration Date: **16 February 2016**
(30) Convention priority data:
(31) Number (32) Date (33) Country
29/552,048 20 Jan 2016 UNITED STATES OF AMERICA
(56) Related Art Documents: **Not Applicable**
(57) Statement of Newness and Distinctiveness: **Nil**



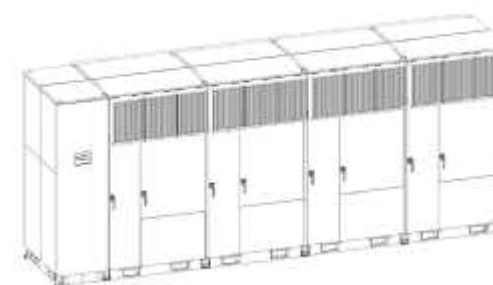
(21) Design Number: **10586/2016**
(22) Date of Filing Application: **04 February 2016**
(24) Date from which industrial property rights may have effect: **27 November 2015**
(54) Product in respect of which the design is registered: **Equipment for distribution of electric power**
(51) International Design Classification: **13-03NES**
(74) Name(s) of Attorney(s): **Griffith Hack**
(71) Name(s) and Address(s) of Applicant(s):
ABB Technology AG
Affolternstrasse 44 Zurich 8050 Switzerland
(72) Name(s) of Designer(s): **Juha Hamari and Ilkka Turula and Dan Millner**
(45) Registration Date: **16 February 2016**
(62) Divisional of: **367125**
(56) Related Art Documents: **Not Applicable**
(57) Statement of Newness and Distinctiveness: **Newness and distinctiveness resides in the visual features, including the shape and configuration of the product as shown by means of solid lines in the representations.**



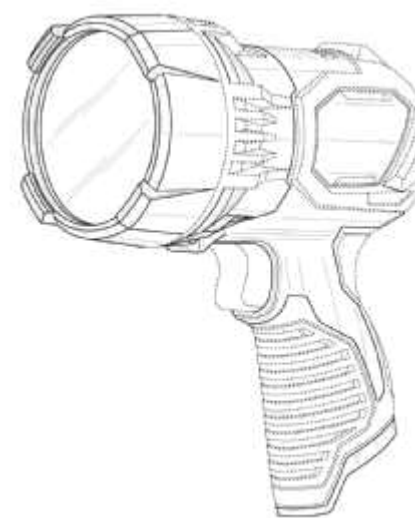
- (21) Design Number: **10587/2016**
(22) Date of Filing Application: **04 February 2016**
(24) Date from which industrial property rights may have effect: **27 November 2015**
(54) Product in respect of which the design is registered: **Equipment for distribution of electric power**
(51) International Design Classification: **13-03NES**
(74) Name(s) of Attorney(s): **Griffith Hack**
(71) Name(s) and Address(s) of Applicant(s):
ABB Technology AG
Affolternstrasse 44 Zurich 8050 Switzerland
(72) Name(s) of Designer(s): **Juha Hamari and Ilkka Turula and Dan Millner**
(45) Registration Date: **16 February 2016**
(62) Divisional of: **367125**
(56) Related Art Documents: **Not Applicable**
(57) Statement of Newness and Distinctiveness: **Newness and distinctiveness resides in the visual features, including the shape and configuration of the product as shown by means of solid lines in the representations.**



- (21) Design Number: **10588/2016**
(22) Date of Filing Application: **04 February 2016**
(24) Date from which industrial property rights may have effect: **27 November 2015**
(54) Product in respect of which the design is registered: **Equipment for distribution of electric power**
(51) International Design Classification: **13-03NES**
(74) Name(s) of Attorney(s): **Griffith Hack**
(71) Name(s) and Address(s) of Applicant(s):
ABB Technology AG
Affolternstrasse 44 Zurich 8050 Switzerland
(72) Name(s) of Designer(s): **Juha Hamari and Ilkka Turula and Dan Millner**
(45) Registration Date: **16 February 2016**
(62) Divisional of: **367125**
(56) Related Art Documents: **Not Applicable**
(57) Statement of Newness and Distinctiveness: **Newness and distinctiveness resides in the visual features, including the shape and configuration of the product as shown by means of solid lines in the representations.**



(21) Design Number: **16551/2015**
(22) Date of Filing Application: **04 December 2015**
(24) Date from which industrial property rights may have effect: **04 December 2015**
(54) Product in respect of which the design is registered: **Spotlight**
(51) International Design Classification: **26-02**
(74) Name(s) of Attorney(s): **Griffith Hack**
(71) Name(s) and Address(s) of Applicant(s):
MILWAUKEE ELECTRIC TOOL CORPORATION
13135 West Lisbon Road Brookfield, Wisconsin, 53005 United States of America
(72) Name(s) of Designer(s): **Siu Kwong Yu and Tin Pak Lee**
(45) Registration Date: **17 February 2016**
(30) Convention priority data:
(31) Number (32) Date (33) Country
29/529,339 05 Jun 2015 UNITED STATES OF AMERICA
(56) Related Art Documents: **Not Applicable**
(57) Statement of Newness and Distinctiveness: **Newness and distinctiveness resides in the visual features, including the shape and configuration of the product as shown by means of solid lines in the representations.**



(21) Design Number: **16580/2015**
(22) Date of Filing Application: **07 December 2015**
(24) Date from which industrial property rights may have effect: **07 December 2015**
(54) Product in respect of which the design is registered: **Outdoor fire pod**
(51) International Design Classification: **23-03NES**
(74) Name(s) of Attorney(s):
(71) Name(s) and Address(s) of Applicant(s):
Kevin Quelch
176 Corunna Rd Stanmore NSW 2048 Australia
Dean Roach
53 Charles St Stanmore NSW 2048 Australia
(72) Name(s) of Designer(s): **Kevin Quelch and Dean Roach**
(45) Registration Date: **17 February 2016**
(56) Related Art Documents: **Not Applicable**
(57) Statement of Newness and Distinctiveness: **The overall elliptical shape of the pod and the organic, elliptical cut outs are unique in the fire pit market. The design allows for the fire pod to securely rest on a custom made stand or suspended from a suitable structure without any specific alterations made to adapt, which we also believe to be unique. The design allows for both timber fire wood to be used, or an eco friendly bio-ethanol insert/burner. The design provides a semi enclosed fire pit area that reduces the risk of timber fire wood (if used) falling to the surrounding surfaces.**



- (21) Design Number: **10574/2016**
(22) Date of Filing Application: **04 February 2016**
(24) Date from which industrial property rights may have effect: **04 February 2016**
(54) Product in respect of which the design is registered: **Inverter**
(51) International Design Classification: **13-99**
(74) Name(s) of Attorney(s): **Griffith Hack**
(71) Name(s) and Address(s) of Applicant(s):
SMA Solar Technology AG
Sonnenallee 1 Niestetal 34266 Germany
(72) Name(s) of Designer(s): **Alexander Benn and Christof Wetzel**
(45) Registration Date: **17 February 2016**
(30) Convention priority data:
(31) Number (32) Date (33) Country
002759258-0002 24 Aug 2015 OFFICE FOR HARMONISATION IN
THE INTERNAL MARKET (OHIM)
(56) Related Art Documents: **Not Applicable**
(57) Statement of Newness and Distinctiveness: **Newness and distinctiveness resides in the visual features, including the shape and configuration of the product shown in the representations.**



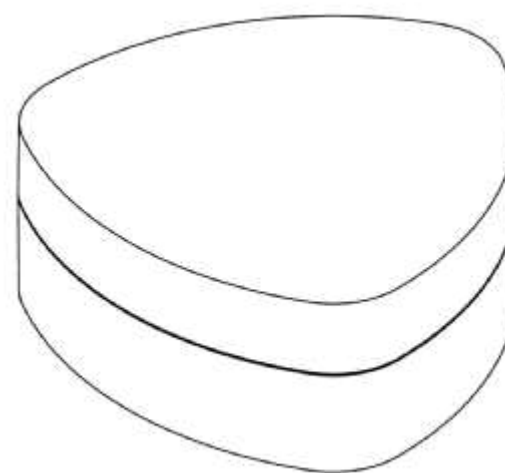
- (21) Design Number: **10575/2016**
(22) Date of Filing Application: **04 February 2016**
(24) Date from which industrial property rights may have effect: **04 February 2016**
(54) Product in respect of which the design is registered: **A fork**
(51) International Design Classification: **07-03**
(74) Name(s) of Attorney(s): **James & Wells**
(71) Name(s) and Address(s) of Applicant(s):
Ningbo Home-link Plastic Product Manufacture Co., Ltd.
269 Chuanpu Road Jiaochuan Industrial Zone Ningbo Chemical Park
Zhejiang 315207 China
(72) Name(s) of Designer(s): **Xiong Wang**
(45) Registration Date: **17 February 2016**
(56) Related Art Documents: **Not Applicable**
(57) Statement of Newness and Distinctiveness: **This design is to be applied to a fork and the novelty resides in features of the shape and configuration of the article, all as shown in the accompanying representations.**



(21) Design Number: **10576/2016**
(22) Date of Filing Application: **04 February 2016**
(24) Date from which industrial property rights may have effect: **04 February 2016**
(54) Product in respect of which the design is registered: **A spoon**
(51) International Design Classification: **07-03**
(74) Name(s) of Attorney(s): **James & Wells**
(71) Name(s) and Address(s) of Applicant(s):
Ningbo Home-link Plastic Product Manufacture Co., Ltd.
269 Chuanpu Road Jiaochuan Industrial Zone Ningbo Chemical Park
Zhejiang 315207 China
(72) Name(s) of Designer(s): **Xiong Wang**
(45) Registration Date: **17 February 2016**
(56) Related Art Documents: **Not Applicable**
(57) Statement of Newness and Distinctiveness: **This design is to be applied to a spoon and the novelty resides in features of the shape and configuration of the article, all as shown in the accompanying representations.**



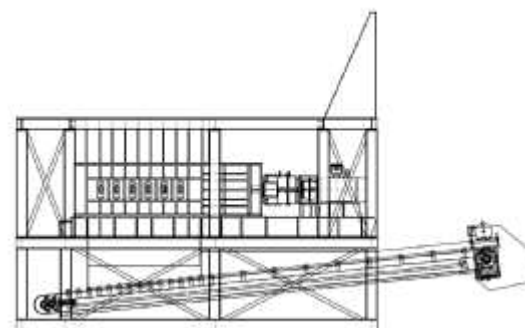
(21) Design Number: **10581/2016**
(22) Date of Filing Application: **04 February 2016**
(24) Date from which industrial property rights may have effect: **04 February 2016**
(54) Product in respect of which the design is registered: **Package**
(51) International Design Classification: **09-03NES**
(74) Name(s) of Attorney(s): **Cullens Pty Ltd**
(71) Name(s) and Address(s) of Applicant(s):
WALA Heilmittel GmbH
Dorfstrasse 1 Bad Boll 73087 Germany
(72) Name(s) of Designer(s): **Nicola Groening**
(45) Registration Date: **17 February 2016**
(30) Convention priority data:
(31) Number (32) Date (33) Country
002749762-0001 05 Aug 2015 OFFICE FOR HARMONISATION IN
THE INTERNAL MARKET (OHIM)
(56) Related Art Documents: **Not Applicable**
(57) Statement of Newness and Distinctiveness: **The new and distinct features are the features of shape and configuration of a package as shown in the attached representations.**



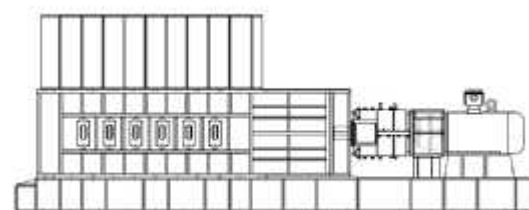
(21) Design Number: **10585/2016**
(22) Date of Filing Application: **04 February 2016**
(24) Date from which industrial property rights may have effect: **04 February 2016**
(54) Product in respect of which the design is registered: **Massage tool**
(51) International Design Classification: **28-03NES**
(74) Name(s) of Attorney(s): **PHILLIPS ORMONDE FITZPATRICK**
(71) Name(s) and Address(s) of Applicant(s):
Rocktape, Inc.
1610 Dell Ave., Suite S Campbell California, 95008 United States of America
(72) Name(s) of Designer(s): **Gregory Van Den Dries and Steven Capobianco and Cullen Maxwell Maroney**
(45) Registration Date: **17 February 2016**
(30) Convention priority data:
(31) Number (32) Date (33) Country
29/552,049 20 Jan 2016 UNITED STATES OF AMERICA
(56) Related Art Documents: **Not Applicable**
(57) Statement of Newness and Distinctiveness: **Nil**



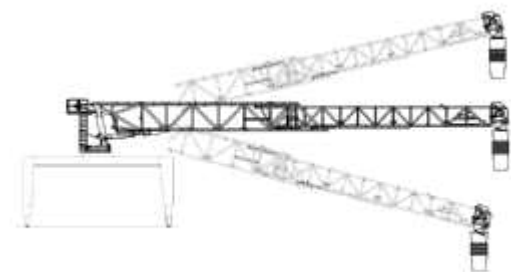
(21) Design Number: **13926/2015**
(22) Date of Filing Application: **03 August 2015**
(24) Date from which industrial property rights may have effect: **03 August 2015**
(54) Product in respect of which the design is registered: **Sizer**
(51) International Design Classification: **15-99**
(74) Name(s) of Attorney(s): **Fisher Adams Kelly Callinans**
(71) Name(s) and Address(s) of Applicant(s):
TBA Industries Pty Ltd
3-7 Steel Street Narangba QLD 4504 Australia
(72) Name(s) of Designer(s): **Graeme Cooney**
(45) Registration Date: **17 February 2016**
(56) Related Art Documents: **Not Applicable**
(57) Statement of Newness and Distinctiveness: **Newness and distinctiveness of the design resides in the shape and/or configuration of a sizer as shown in the representations.**



- (21) Design Number: **13927/2015**
(22) Date of Filing Application: **03 August 2015**
(24) Date from which industrial property rights may have effect: **03 August 2015**
(54) Product in respect of which the design is registered: **Hopper**
(51) International Design Classification: **09-02A**
(74) Name(s) of Attorney(s): **Fisher Adams Kelly Callinans**
(71) Name(s) and Address(s) of Applicant(s):
TBA Industries Pty Ltd
3-7 Steel Street Narangba QLD 4504 Australia
(72) Name(s) of Designer(s): **Graeme Cooney**
(45) Registration Date: **17 February 2016**
(56) Related Art Documents: **Not Applicable**
(57) Statement of Newness and Distinctiveness: **Newness and distinctiveness of the design resides in the shape and/or configuration of a hopper as shown in the representations.**



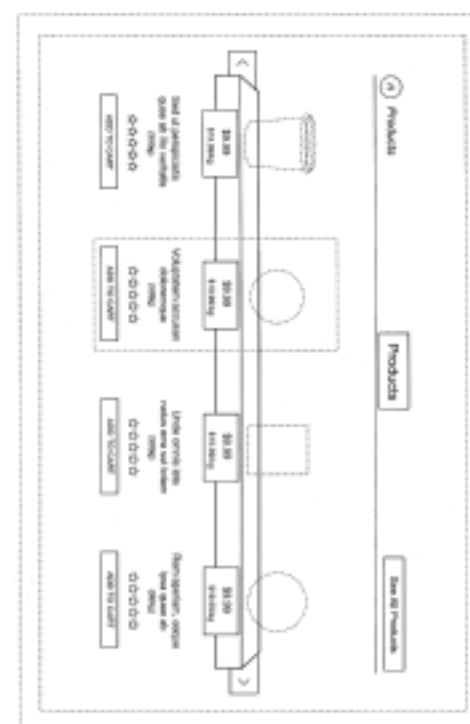
- (21) Design Number: **13928/2015**
(22) Date of Filing Application: **03 August 2015**
(24) Date from which industrial property rights may have effect: **03 August 2015**
(54) Product in respect of which the design is registered: **Ship loader**
(51) International Design Classification: **12-05**
(74) Name(s) of Attorney(s): **Fisher Adams Kelly Callinans**
(71) Name(s) and Address(s) of Applicant(s):
TBA Industries Pty Ltd
3-7 Steel Street Narangba QLD 4504 Australia
(72) Name(s) of Designer(s): **Graeme Cooney**
(45) Registration Date: **17 February 2016**
(56) Related Art Documents: **Not Applicable**
(57) Statement of Newness and Distinctiveness: **Newness and distinctiveness of the design resides in the shape and/or configuration of a ship loader as shown in the representations.**



- (21) Design Number: **16971/2015**
(22) Date of Filing Application: **22 December 2015**
(24) Date from which industrial property rights may have effect: **22 December 2015**
(54) Product in respect of which the design is registered: **Foodstuff**
(51) International Design Classification: **01-01**
(74) Name(s) of Attorney(s): **Davies Collison Cave**
(71) Name(s) and Address(s) of Applicant(s):
Eti Gida San. ve Tic. A.S.
Organize Sanayi Bolgesi 11. Cadde Eskisehir TR
(72) Name(s) of Designer(s): **Firuzhan Kanatli**
(45) Registration Date: **17 February 2016**
(56) Related Art Documents: **Not Applicable**
(57) Statement of Newness and Distinctiveness: **Newness and distinctiveness is claimed in the shape and configuration of the foodstuff shown in the**



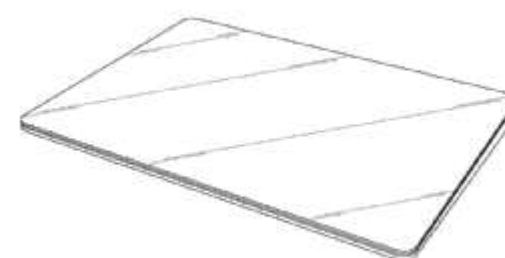
- (21) Design Number: **17105/2015**
(22) Date of Filing Application: **24 December 2015**
(24) Date from which industrial property rights may have effect: **24 December 2015**
(54) Product in respect of which the design is registered: **Display screen with graphical user interface**
(51) International Design Classification: **14-04**
(74) Name(s) of Attorney(s): **Madderns**
(71) Name(s) and Address(s) of Applicant(s):
Beston Global Food Company Limited
72 Sturt St Adelaide SA 5000 Australia
(72) Name(s) of Designer(s): **Mohamed Alaa Aljawhari**
(45) Registration Date: **17 February 2016**
(56) Related Art Documents: **Not Applicable**
(57) Statement of Newness and Distinctiveness: **Newness is claimed in the feature of representation of a shelf in the features of pattern and ornamentation of a display screen with a user interface as shown in the accompanying figure, excluding the features represented by broken lines. The alphabetic and numeric characters are indicative only and are part of the features of pattern and ornamentation of a display screen with a user interface.**



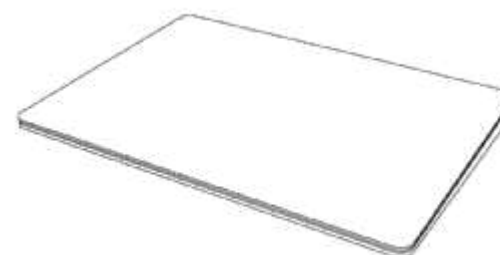
- (21) Design Number: **10331/2016**
(22) Date of Filing Application: **22 January 2016**
(24) Date from which industrial property rights may have effect: **22 January 2016**
(54) Product in respect of which the design is registered: **Electronic device**
(51) International Design Classification: **14-02**
(74) Name(s) of Attorney(s): **Freehills Patent Attorneys**
(71) Name(s) and Address(s) of Applicant(s):
Apple Inc.
1 Infinite Loop Cupertino California, 95014 United States of America
- (72) Name(s) of Designer(s): **Jody Akana and Bartley K Andre and Jeremy Bataillou and Daniel J. Coster and Daniele De Iuliis and M. Evans Hankey and Julian Hoenig and Richard P. Howarth and Jonathan P. Ive and Duncan Robert Kerr and Matthew Dean Rohrbach and Peter Russel-Clarke and Benjamin Andrew Shaffer and Mikael Silvanto and Christopher J. Stringer and Eugene Antony Whang and Rico Zorkendorfer**
- (45) Registration Date: **17 February 2016**
- (30) Convention priority data:
- | | | |
|------------------|--------------------|---------------------------------|
| (31) Number | (32) Date | (33) Country |
| 29/533837 | 22 Jul 2015 | UNITED STATES OF AMERICA |
- (56) Related Art Documents: **Not Applicable**
- (57) Statement of Newness and Distinctiveness: **Newness and distinctiveness of the design resides in the shape of the body of the electronic device shown in solid outline, and in particular, the substantially planar faces forming the body, the wedge shaped side profile, and the angular appearance of the corners of the body in front, back and side profile.**



- (21) Design Number: **10332/2016**
(22) Date of Filing Application: **22 January 2016**
(24) Date from which industrial property rights may have effect: **22 January 2016**
(54) Product in respect of which the design is registered: **Trackpad**
(51) International Design Classification: **14-02**
(74) Name(s) of Attorney(s): **Freehills Patent Attorneys**
(71) Name(s) and Address(s) of Applicant(s):
Apple Inc.
1 Infinite Loop Cupertino California, 95014 United States of America
- (72) Name(s) of Designer(s): **Jody Akana and Bartley K Andre and Jeremy Bataillou and Daniel J. Coster and Daniele De Iuliis and M. Evans Hankey and Julian Hoenig and Richard P. Howarth and Jonathan P. Ive and Duncan Robert Kerr and Matthew Dean Rohrbach and Peter Russel-Clarke and Benjamin Andrew Shaffer and Mikael Silvanto and Christopher J. Stringer and Eugene Antony Whang and Rico Zorkendorfer**
- (45) Registration Date: **17 February 2016**
- (30) Convention priority data:
- | | | |
|------------------|--------------------|---------------------------------|
| (31) Number | (32) Date | (33) Country |
| 29/533841 | 22 Jul 2015 | UNITED STATES OF AMERICA |
- (56) Related Art Documents: **Not Applicable**
- (57) Statement of Newness and Distinctiveness: **Newness and distinctiveness resides in the features of shape and configuration of the trackpad as shown in solid outline, and in particular, the substantially planar faces forming the body, the wedge shaped side profile, and the angular appearance of the corners of the body in front, back and side profile.**



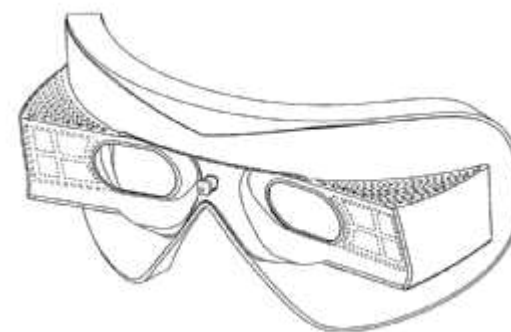
- (21) Design Number: **10333/2016**
(22) Date of Filing Application: **22 January 2016**
(24) Date from which industrial property rights may have effect: **22 January 2016**
(54) Product in respect of which the design is registered: **Trackpad**
(51) International Design Classification: **14-02**
(74) Name(s) of Attorney(s): **Freehills Patent Attorneys**
(71) Name(s) and Address(s) of Applicant(s):
Apple Inc.
1 Infinite Loop Cupertino California, 95014 United States of America
- (72) Name(s) of Designer(s): **Jody Akana and Bartley K Andre and Jeremy Bataillou and Daniel J. Coster and Daniele De Iuliis and M. Evans Hankey and Julian Hoenig and Richard P. Howarth and Jonathan P. Ive and Duncan Robert Kerr and Matthew Dean Rohrbach and Peter Russel-Clarke and Benjamin Andrew Shaffer and Mikael Silvanto and Christopher J. Stringer and Eugene Antony Whang and Rico Zorkendorfer**
- (45) Registration Date: **17 February 2016**
- (30) Convention priority data:
- | | | |
|------------------|--------------------|---------------------------------|
| (31) Number | (32) Date | (33) Country |
| 29/533841 | 22 Jul 2015 | UNITED STATES OF AMERICA |
- (56) Related Art Documents: **Not Applicable**
- (57) Statement of Newness and Distinctiveness: **Newness and distinctiveness resides in the features of shape and configuration of the trackpad as shown in solid outline, and in particular, the substantially planar faces forming the body, the wedge shaped side profile, the angular appearance of the corners of the body in front, back and side profile, the width B relative to height A of the trackpad when viewed from above, as shown in reference to Fig. 9 and the thickness of the base portion D being of similar thickness to the gap labelled C, as shown in reference to Fig. 7.**



- (21) Design Number: **10337/2016**
(22) Date of Filing Application: **22 January 2016**
(24) Date from which industrial property rights may have effect: **22 January 2016**
(54) Product in respect of which the design is registered: **Trackpad**
(51) International Design Classification: **14-02**
(74) Name(s) of Attorney(s): **Freehills Patent Attorneys**
(71) Name(s) and Address(s) of Applicant(s):
Apple Inc.
1 Infinite Loop Cupertino California, 95014 United States of America
- (72) Name(s) of Designer(s): **Jody Akana and Bartley K Andre and Jeremy Bataillou and Daniel J. Coster and Daniele De Iuliis and M. Evans Hankey and Julian Hoenig and Richard P. Howarth and Jonathan P. Ive and Duncan Robert Kerr and Matthew Dean Rohrbach and Peter Russel-Clarke and Benjamin Andrew Shaffer and Mikael Silvanto and Christopher J. Stringer and Eugene Antony Whang and Rico Zorkendorfer**
- (45) Registration Date: **17 February 2016**
- (30) Convention priority data:
- | | | |
|------------------|--------------------|---------------------------------|
| (31) Number | (32) Date | (33) Country |
| 29/533841 | 22 Jul 2015 | UNITED STATES OF AMERICA |
- (56) Related Art Documents: **Not Applicable**
- (57) Statement of Newness and Distinctiveness: **Newness and distinctiveness of the design resides in the features of shape and configuration of the trackpad as shown in the accompanying representations, and in particular, the substantially planar faces forming the body, the wedge shaped side profile, the angular appearance of the corners of the body in front, back and side profile, and the width B relative to height A when viewed above, as shown in reference to Fig. 5, and the shadow created by the gap between the bottom of the side face and an underlying support surface being of a similar thickness to the gap labelled C in reference to Fig. 2.**



(21) Design Number: **10572/2016**
(22) Date of Filing Application: **04 February 2016**
(24) Date from which industrial property rights may have effect: **04 February 2016**
(54) Product in respect of which the design is registered: **An eyeshade**
(51) International Design Classification: **02-03**
(74) Name(s) of Attorney(s): **Chrysiliou IP**
(71) Name(s) and Address(s) of Applicant(s):



Shenzhen Royole Technologies Co., Ltd.
**A4-1501, Kexing Science Park No 15 Keyuan Road Science and
Technology Park Nanshan District, Shenzhen Guangdong China**

(72) Name(s) of Designer(s): **Fan Yang and Linwei Yu and Songling Yang**

(45) Registration Date: **17 February 2016**

(30) Convention priority data:

(31) Number	(32) Date	(33) Country
201530313081.6	19 Aug 2015	CHINA

(56) Related Art Documents: **Not Applicable**

(57) Statement of Newness and Distinctiveness: **The present design is applied to an eyeshade and the newness and distinctiveness resides in the features of the shape and configuration of the eyeshade as illustrated in the accompanying drawings. In assessing infringement, the components shown in broken lines do not form part of the design are to be disregarded.**

(21) Design Number: **10347/2016**
(22) Date of Filing Application: **25 January 2016**
(24) Date from which industrial property rights may have effect: **25 January 2016**
(54) Product in respect of which the design is registered: **Connector plug**
(51) International Design Classification: **13-03E**
(74) Name(s) of Attorney(s):
(71) Name(s) and Address(s) of Applicant(s):



Server Technology, Inc.
1040 Sandhill Rd Reno NV, 89521-3960 United States of America

(72) Name(s) of Designer(s): **Mark Ramsey and James P. Maskaly and Peter Giammona**

(45) Registration Date: **18 February 2016**

(30) Convention priority data:

(31) Number	(32) Date	(33) Country
29/536,459	17 Aug 2015	UNITED STATES OF AMERICA

(56) Related Art Documents: **Not Applicable**

(57) Statement of Newness and Distinctiveness: **The design is to be applied to a connector plug, and the novelty resides in the features of shape and configuration as shown in the accompanying representations. Novelty is disclaimed in the parts marked with dashed lines.**

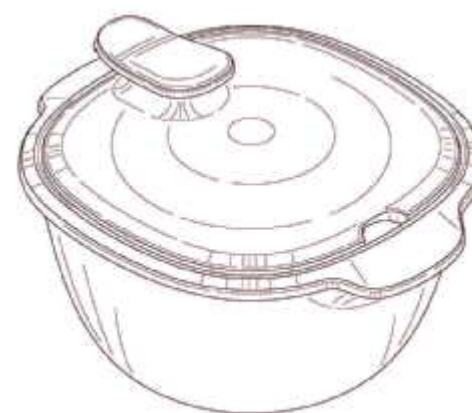
(21) Design Number: **10348/2016**
 (22) Date of Filing Application: **25 January 2016**
 (24) Date from which industrial property rights may have effect: **25 January 2016**
 (54) Product in respect of which the design is registered: **Connector plug**
 (51) International Design Classification: **13-03E**
 (74) Name(s) of Attorney(s):
 (71) Name(s) and Address(s) of Applicant(s):
Server Technology, Inc.
1040 Sandhill Rd Reno NV, 89521-3960 United States of America
 (72) Name(s) of Designer(s): **Mark Ramsey and James P. Maskaly and Peter Giammona**
 (45) Registration Date: **18 February 2016**
 (30) Convention priority data:
 (31) Number (32) Date (33) Country
29/536,459 17 Aug 2015 UNITED STATES OF AMERICA
 (56) Related Art Documents: **Not Applicable**
 (57) Statement of Newness and Distinctiveness: **The design is to be applied to a connector plug, and the novelty resides in features of shape and configuration as shown in the accompanying representations. Novelty is disclaimed in the parts marked with dashed lines.**



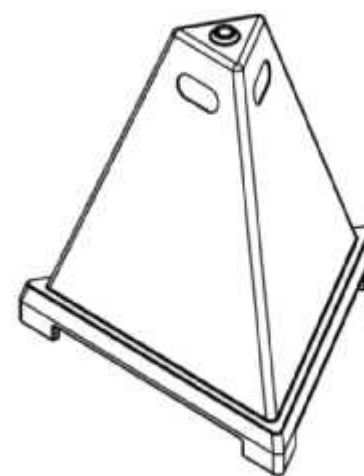
(21) Design Number: **10349/2016**
 (22) Date of Filing Application: **25 January 2016**
 (24) Date from which industrial property rights may have effect: **25 January 2016**
 (54) Product in respect of which the design is registered: **Connector plug**
 (51) International Design Classification: **13-03E**
 (74) Name(s) of Attorney(s):
 (71) Name(s) and Address(s) of Applicant(s):
Server Technology, Inc.
1040 Sandhill Rd Reno NV, 89521-3960 United States of America
 (72) Name(s) of Designer(s): **Mark Ramsey and James P. Maskaly and Peter Giammona**
 (45) Registration Date: **18 February 2016**
 (30) Convention priority data:
 (31) Number (32) Date (33) Country
29/536,459 17 Aug 2015 UNITED STATES OF AMERICA
 (56) Related Art Documents: **Not Applicable**
 (57) Statement of Newness and Distinctiveness: **The design is to be applied to a connector plug, and the novelty resides in the features of shape and configuration as shown in the accompanying representations. Novelty is disclaimed in the parts marked with dashed lines.**



(21) Design Number: **10473/2016**
(22) Date of Filing Application: **29 January 2016**
(24) Date from which industrial property rights may have effect: **29 January 2016**
(54) Product in respect of which the design is registered: **Covered serving container**
(51) International Design Classification: **07-01B, 07-01NES**
(74) Name(s) of Attorney(s): **PHILLIPS ORMONDE FITZPATRICK**
(71) Name(s) and Address(s) of Applicant(s):
Dart Industries Inc.
14901 S. Orange Blossom Trail Orlando Florida, 32837 United States of America
(72) Name(s) of Designer(s): **Judicael Cornu**
(45) Registration Date: **18 February 2016**
(30) Convention priority data:
(31) Number (32) Date (33) Country
29/540,870 29 Sep 2015 UNITED STATES OF AMERICA
(56) Related Art Documents: **Not Applicable**
(57) Statement of Newness and Distinctiveness: **Those features of the covered serving container depicted in the representations that are new and distinctive are the shape and/or configuration.**



(21) Design Number: **10590/2016**
(22) Date of Filing Application: **04 February 2016**
(24) Date from which industrial property rights may have effect: **04 February 2016**
(54) Product in respect of which the design is registered: **Sign**
(51) International Design Classification: **20-03NES**
(74) Name(s) of Attorney(s): **FB Rice**
(71) Name(s) and Address(s) of Applicant(s):
FSP Holdings Pty Ltd
4 Hambledon Hill Rd Singleton NSW 2330 Australia
(72) Name(s) of Designer(s): **Stephan Hewitt**
(45) Registration Date: **18 February 2016**
(56) Related Art Documents: **Not Applicable**
(57) Statement of Newness and Distinctiveness: **Newness and distinctiveness reside in the features of shape and configuration of the product as shown in the representations.**



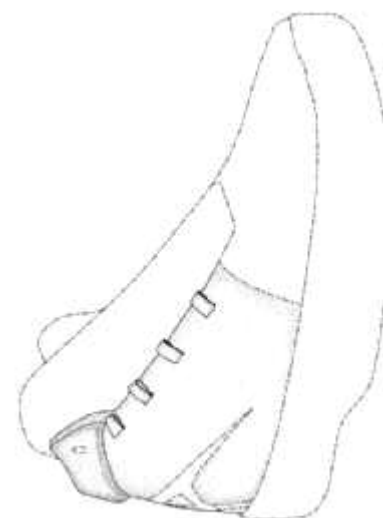
- (21) Design Number: **10591/2016**
(22) Date of Filing Application: **04 February 2016**
(24) Date from which industrial property rights may have effect: **04 February 2016**
(54) Product in respect of which the design is registered: **A textile print**
(51) International Design Classification: **05-05A**
(74) Name(s) of Attorney(s):
(71) Name(s) and Address(s) of Applicant(s):
AUSTRALIAN FASHION LABELS PTY LTD
106 Currie St Adelaide SA 5000 Australia
(72) Name(s) of Designer(s): **Carmen Dugan and Cyd Beard**
(45) Registration Date: **18 February 2016**
(56) Related Art Documents: **Not Applicable**
(57) Statement of Newness and Distinctiveness: **Newness and distinctiveness resides in the features of pattern and ornamentation of a textile print as shown in the accompanying representations. In considering the scope of monopoly, no regard is to be had to colour and the scope of monopoly is not restricted to the particular colour or colours depicted in the accompanying representations.**



- (21) Design Number: **14939/2015**
(22) Date of Filing Application: **18 September 2015**
(24) Date from which industrial property rights may have effect: **18 September 2015**
(54) Product in respect of which the design is registered: **Novelty jellyfish**
(51) International Design Classification: **21-01A**
(74) Name(s) of Attorney(s): **Acumen Intellectual Property**
(71) Name(s) and Address(s) of Applicant(s):
Strategies Unleashed Pty Ltd
57 Snowden Ave Sylvania NSW 2224 Australia
(72) Name(s) of Designer(s): **Ajan Khanna**
(45) Registration Date: **18 February 2016**
(56) Related Art Documents: **Not Applicable**
(57) Statement of Newness and Distinctiveness: **Newness and distinctiveness of a novelty jellyfish as illustrated in the accompanying representations is claimed in the features of at least one of a group comprising: 1. The shape and/or configuration as a whole; 2. The rippled peripheral edge of the head; 3. The shape and/or configuration of the thick tentacles of the Jellyfish; 4. The round shape of the central Heart, and 5. The pattern and ornamentation. The specific colour of the pattern and ornamentation applied to the novelty jellyfish is to be disregarded. The support post shown in some of the representation is not part of the product or the design.**



- (21) Design Number: **10103/2016**
(22) Date of Filing Application: **11 January 2016**
(24) Date from which industrial property rights may have effect: **11 January 2016**
(54) Product in respect of which the design is registered: **Shoe upper**
(51) International Design Classification: **02-04NES**
(74) Name(s) of Attorney(s): **Davies Collison Cave**
(71) Name(s) and Address(s) of Applicant(s):
NIKE Innovate C.V.
One Bowerman Drive Beaverton Oregon, 97005-6453 United States of America
(72) Name(s) of Designer(s): **Tinker L. Hatfield**
(45) Registration Date: **18 February 2016**
(56) Related Art Documents: **Not Applicable**
(57) Statement of Newness and Distinctiveness: **Newness and distinctiveness is claimed in the visual features shown in solid lines in the representations. In considering the extent of the design rights, the broken lines shown in the representations are for illustrative purposes only and do not form part of the design.**



- (21) Design Number: **10106/2016**
(22) Date of Filing Application: **11 January 2016**
(24) Date from which industrial property rights may have effect: **11 January 2016**
(54) Product in respect of which the design is registered: **Shoe outsole**
(51) International Design Classification: **02-04B**
(74) Name(s) of Attorney(s): **Davies Collison Cave**
(71) Name(s) and Address(s) of Applicant(s):
NIKE Innovate C.V.
One Bowerman Drive Beaverton Oregon, 97005-6453 United States of America
(72) Name(s) of Designer(s): **Tinker L. Hatfield**
(45) Registration Date: **18 February 2016**
(56) Related Art Documents: **Not Applicable**
(57) Statement of Newness and Distinctiveness: **Newness and distinctiveness is claimed in the visual features shown in solid lines in the representations. In considering the extent of the design rights, the broken lines shown in the representations are for illustrative purposes only and do not form part of the design.**



- (21) Design Number: **10132/2016**
(22) Date of Filing Application: **12 January 2016**
(24) Date from which industrial property rights may have effect: **12 January 2016**
(54) Product in respect of which the design is registered: **Chocolate**
(51) International Design Classification: **01-01**
(74) Name(s) of Attorney(s): **Davies Collison Cave**
(71) Name(s) and Address(s) of Applicant(s):
Eti Gida San. ve Tic. A.S.
Organize Sanayi Bolgesi 11. Cadde Eskisehir TR
(72) Name(s) of Designer(s): **Gulay Gamze Guven**
(45) Registration Date: **18 February 2016**
(56) Related Art Documents: **Not Applicable**
(57) Statement of Newness and Distinctiveness: **Nil**



- (21) Design Number: **10138/2016**
(22) Date of Filing Application: **12 January 2016**
(24) Date from which industrial property rights may have effect: **12 January 2016**
(54) Product in respect of which the design is registered: **Biscuit**
(51) International Design Classification: **01-01**
(74) Name(s) of Attorney(s): **Davies Collison Cave**
(71) Name(s) and Address(s) of Applicant(s):
Eti Gida San. ve Tic. A.S.
Organize Sanayi Bolgesi 11. Cadde Eskisehir TR
(72) Name(s) of Designer(s): **Gulay Gamze Guven**
(45) Registration Date: **18 February 2016**
(56) Related Art Documents: **Not Applicable**
(57) Statement of Newness and Distinctiveness: **Newness and distinctiveness is claimed in the visual features of a leaf-shaped biscuit as shown in the representations.**



- (21) Design Number: **10140/2016**
(22) Date of Filing Application: **12 January 2016**
(24) Date from which industrial property rights may have effect: **12 January 2016**
(54) Product in respect of which the design is registered: **Baby romper**
(51) International Design Classification: **02-02C**
(74) Name(s) of Attorney(s):
(71) Name(s) and Address(s) of Applicant(s):

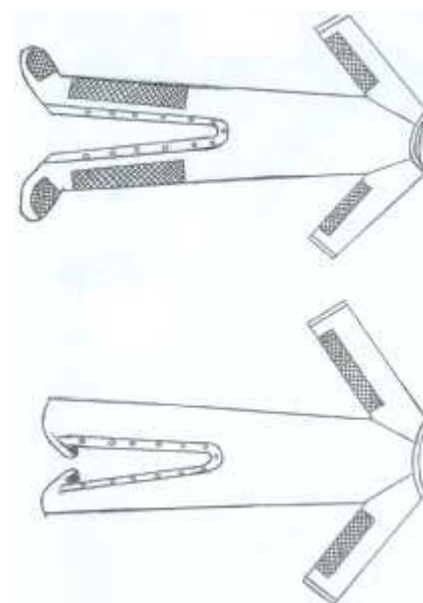
Allison Lee Gately
13 Francis St Port Macquarie NSW 2444 Australia

(72) Name(s) of Designer(s): **Allison Lee Gately**

(45) Registration Date: **18 February 2016**

(56) Related Art Documents: **Not Applicable**

- (57) Statement of Newness and Distinctiveness: * **Non slip suit and slip on patches designed to aid infant & toddler develop muscle tone and confidence in the early stages of crawling. * Non slip fabric patches on the lever points of the body (IE: Forearms shins and top of the feet) Stops infant from slipping. * Baby is able to elevate onto forearms and knees using their own body weight and developing their muscle tone and ligaments safely and confidently for (usually) the first time using these muscles. * Floorboards and tiles are a slippery and overwhelming environment for a infant learning to a typical baby romper or bare skin. * Patches and Patch Suit provide a secure place they will not lose traction, giving baby confidence in developing their core strength and essential life learning skills in a summer or winter.**



- (21) Design Number: **10188/2016**
(22) Date of Filing Application: **14 January 2016**
(24) Date from which industrial property rights may have effect: **14 January 2016**
(54) Product in respect of which the design is registered: **Wearable display device**
(51) International Design Classification: **14-01**
(74) Name(s) of Attorney(s): **Davies Collison Cave**
(71) Name(s) and Address(s) of Applicant(s):

Shenzhen Royole Technologies Co., Ltd.
A4-1501, Kexing Science Park No.15 Keyuan Rd Science and
Technology Park Nanshan District, Shenzhen Guangdong China

(72) Name(s) of Designer(s): **Chao Jiang and Fan Yang and Xinyuan Xia and Songling Yang**

(45) Registration Date: **18 February 2016**

(30) Convention priority data:

(31) Number	(32) Date	(33) Country
201530313082.0	19 Aug 2015	CHINA

(56) Related Art Documents: **Not Applicable**

- (57) Statement of Newness and Distinctiveness: **Newness and distinctiveness is claimed in the visual features shown in solid lines in the representations. In considering the extent of the design rights, the broken lines shown in the representations are for illustrative purposes only and do not form part of the design.**



- (21) Design Number: **13966/2015**
(22) Date of Filing Application: **04 August 2015**
(24) Date from which industrial property rights may have effect: **04 August 2015**
(54) Product in respect of which the design is registered: **Fountain**
(51) International Design Classification: **11-99**
(74) Name(s) of Attorney(s): **Acumen Intellectual Property**
(71) Name(s) and Address(s) of Applicant(s):
Strategies Unleashed Pty Ltd
57 Snowden Ave Sylvania NSW 2224 Australia
(72) Name(s) of Designer(s): **Ajan Khanna**
(45) Registration Date: **19 February 2016**
(56) Related Art Documents: **Not Applicable**
(57) Statement of Newness and Distinctiveness: **Newness and distinctiveness is claimed in the features of shape and/or configuration of a fountain as illustrated in the accompanying representations.**



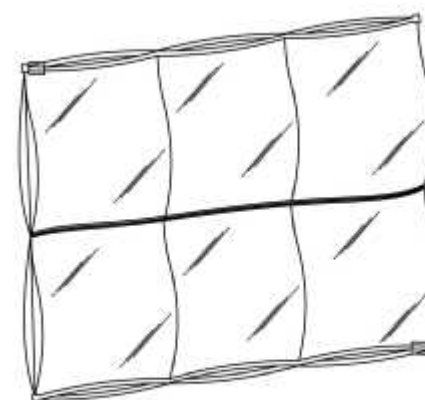
- (21) Design Number: **13967/2015**
(22) Date of Filing Application: **04 August 2015**
(24) Date from which industrial property rights may have effect: **04 August 2015**
(54) Product in respect of which the design is registered: **Apparatus for lighting**
(51) International Design Classification: **30-02**
(74) Name(s) of Attorney(s): **Acumen Intellectual Property**
(71) Name(s) and Address(s) of Applicant(s):
Strategies Unleashed Pty Ltd
57 Snowden Ave Sylvania NSW 2224 Australia
(72) Name(s) of Designer(s): **Ajan Khanna**
(45) Registration Date: **19 February 2016**
(56) Related Art Documents: **Not Applicable**
(57) Statement of Newness and Distinctiveness: **Newness and distinctiveness is claimed in the features of shape and/or configuration of an apparatus for lighting as illustrated the accompanying representations.**



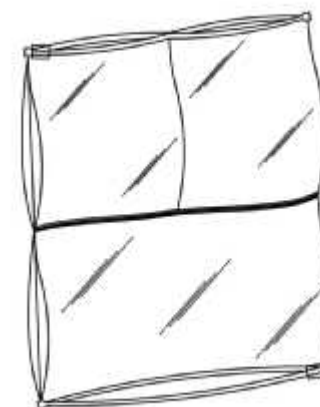
- (21) Design Number: **14115/2015**
(22) Date of Filing Application: **11 August 2015**
(24) Date from which industrial property rights may have effect: **11 August 2015**
(54) Product in respect of which the design is registered: **Packaging with ornamentation**
(51) International Design Classification: **09-03M**
(74) Name(s) of Attorney(s): **Banki Haddock Fiora**
(71) Name(s) and Address(s) of Applicant(s):
Societe des Produits Nestle S.A.
Vevey Canton of Vaud 1800 Switzerland
(72) Name(s) of Designer(s): **Marianne Dubuis**
(45) Registration Date: **19 February 2016**
(56) Related Art Documents: **Not Applicable**
(57) Statement of Newness and Distinctiveness: **The visual features of the packaging depicted in the representation that are new and distinctive are the pattern and/or ornamentation. The pattern and/or ornamentation can be in colour, but is not restricted to a particular colour or colours. The shape and configuration of the packaging shown in broken outline are not part of the design and the position and relative size of the features of pattern and ornamentation in relation to the packaging are illustrative only.**



- (21) Design Number: **16818/2015**
(22) Date of Filing Application: **15 December 2015**
(24) Date from which industrial property rights may have effect: **15 December 2015**
(54) Product in respect of which the design is registered: **Multi-compartment resealable storage bag**
(51) International Design Classification: **09-05**
(74) Name(s) of Attorney(s): **PHILLIPS ORMONDE FITZPATRICK**
(71) Name(s) and Address(s) of Applicant(s):
MaBelle Bray
12930 Ventura Blvd. #604 Studio City California, 91604 United States of America
(72) Name(s) of Designer(s): **MaBelle Bray**
(45) Registration Date: **19 February 2016**
(30) Convention priority data:
(31) Number (32) Date (33) Country
29/530,294 15 Jun 2015 UNITED STATES OF AMERICA
(56) Related Art Documents: **Not Applicable**
(57) Statement of Newness and Distinctiveness: **Nil**



(21) Design Number: **16820/2015**
(22) Date of Filing Application: **15 December 2015**
(24) Date from which industrial property rights may have effect: **15 December 2015**
(54) Product in respect of which the design is registered: **Multi-compartment resealable storage bag**
(51) International Design Classification: **09-05**
(74) Name(s) of Attorney(s): **PHILLIPS ORMONDE FITZPATRICK**
(71) Name(s) and Address(s) of Applicant(s):
MaBelle Bray
12930 Ventura Blvd. #604 Studio City California, 91604 United States of America
(72) Name(s) of Designer(s): **MaBelle Bray**
(45) Registration Date: **19 February 2016**
(30) Convention priority data:
(31) Number (32) Date (33) Country
29/530,291 15 Jun 2015 UNITED STATES OF AMERICA
(56) Related Art Documents: **Not Applicable**
(57) Statement of Newness and Distinctiveness: **Nil**



(21) Design Number: **13958/2015**
(22) Date of Filing Application: **04 August 2015**
(24) Date from which industrial property rights may have effect: **04 August 2015**
(54) Product in respect of which the design is registered: **Left-side and right-side vehicle hood vents**
(51) International Design Classification: **12-16NES**
(74) Name(s) of Attorney(s): **K&L Gates**
(71) Name(s) and Address(s) of Applicant(s):
GM Global Technology Operations LLC
300 Renaissance Centre Detroit Michigan, 48265-3000 United States of America
(72) Name(s) of Designer(s): **Richard Ferlazzo**
(45) Registration Date: **19 February 2016**
(56) Related Art Documents: **Not Applicable**
(57) Statement of Newness and Distinctiveness: **Nil**



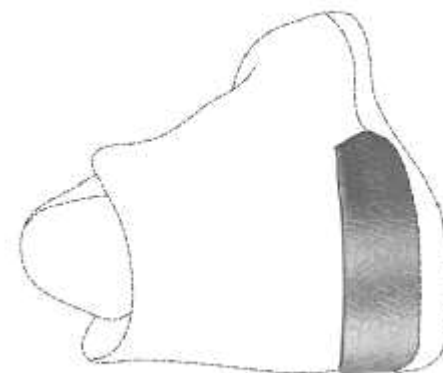
(21) Design Number: **10107/2016**
(22) Date of Filing Application: **11 January 2016**
(24) Date from which industrial property rights may have effect: **11 January 2016**
(54) Product in respect of which the design is registered: **Shoe upper**
(51) International Design Classification: **02-04NES**
(74) Name(s) of Attorney(s): **Davies Collison Cave**
(71) Name(s) and Address(s) of Applicant(s):
NIKE Innovate C.V.
One Bowerman Drive Beaverton Oregon, 97005-6453 United States of America

(72) Name(s) of Designer(s): **Tinker L. Hatfield**
(45) Registration Date: **19 February 2016**
(56) Related Art Documents: **Not Applicable**
(57) Statement of Newness and Distinctiveness: **Newness and distinctiveness is claimed in the visual features shown in solid lines in the representations. In considering the extent of the design rights, the broken lines shown in the representations are for illustrative purposes only and do not form part of the design.**



(21) Design Number: **10111/2016**
(22) Date of Filing Application: **11 January 2016**
(24) Date from which industrial property rights may have effect: **11 January 2016**
(54) Product in respect of which the design is registered: **Shoe midsole**
(51) International Design Classification: **02-04NES**
(74) Name(s) of Attorney(s): **Davies Collison Cave**
(71) Name(s) and Address(s) of Applicant(s):
NIKE Innovate C.V.
One Bowerman Drive Beaverton Oregon, 97005-6453 United States of America

(72) Name(s) of Designer(s): **Tinker L. Hatfield**
(45) Registration Date: **19 February 2016**
(56) Related Art Documents: **Not Applicable**
(57) Statement of Newness and Distinctiveness: **Newness and distinctiveness is claimed in the visual features shown in the representations. In considering the extent of the design rights, the broken lines shown in the representations are for illustrative purposes only and do not form part of the design.**



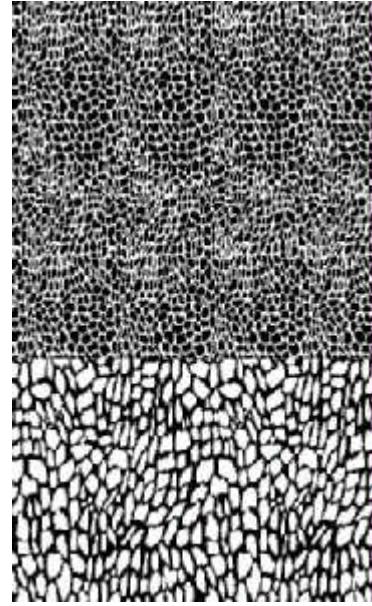
- (21) Design Number: **10338/2016**
(22) Date of Filing Application: **22 January 2016**
(24) Date from which industrial property rights may have effect: **22 January 2016**
(54) Product in respect of which the design is registered: **Electronic device**
(51) International Design Classification: **14-02**
(74) Name(s) of Attorney(s): **Freehills Patent Attorneys**
(71) Name(s) and Address(s) of Applicant(s):
Apple Inc.
1 Infinite Loop Cupertino California, 95014 United States of America
- (72) Name(s) of Designer(s): **Jody Akana and Bartley K Andre and Jeremy Bataillou and Daniel J. Coster and Daniele De Iuliis and M. Evans Hankey and Julian Hoenig and Richard P. Howarth and Jonathan P. Ive and Duncan Robert Kerr and Matthew Dean Rohrbach and Peter Russel-Clarke and Benjamin Andrew Shaffer and Mikael Silvano and Christopher J. Stringer and Eugene Antony Whang and Rico Zorkendorfer**
- (45) Registration Date: **19 February 2016**
- (30) Convention priority data:
- | | | |
|------------------|--------------------|---------------------------------|
| (31) Number | (32) Date | (33) Country |
| 29/533837 | 22 Jul 2015 | UNITED STATES OF AMERICA |
- (56) Related Art Documents: **Not Applicable**
- (57) Statement of Newness and Distinctiveness: **Newness and distinctiveness of the design resides in the shape of the body of the electronic device shown in solid outline, and in particular, the substantially planar faces forming the body, the wedge shaped side profile, and the angular appearance of the corners of the body in front, back and side profile.**



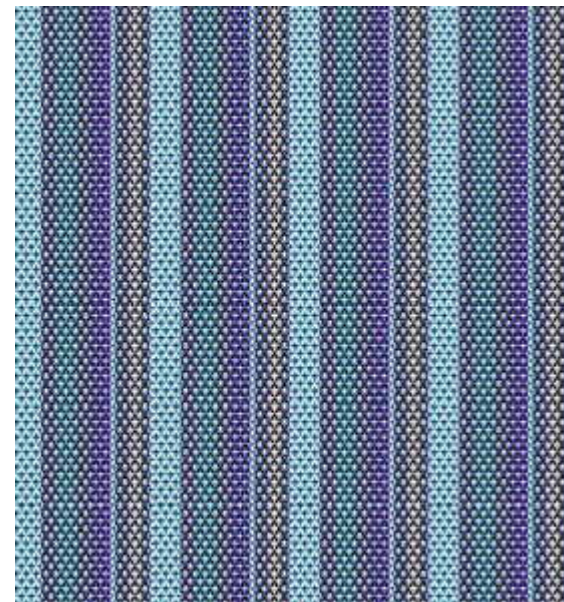
- (21) Design Number: **10341/2016**
(22) Date of Filing Application: **22 January 2016**
(24) Date from which industrial property rights may have effect: **22 January 2016**
(54) Product in respect of which the design is registered: **Electronic device**
(51) International Design Classification: **14-02**
(74) Name(s) of Attorney(s): **Freehills Patent Attorneys**
(71) Name(s) and Address(s) of Applicant(s):
Apple Inc.
1 Infinite Loop Cupertino California, 95014 United States of America
- (72) Name(s) of Designer(s): **Jody Akana and Bartley K Andre and Jeremy Bataillou and Daniel J. Coster and Daniele De Iuliis and M. Evans Hankey and Julian Hoenig and Richard P. Howarth and Jonathan P. Ive and Duncan Robert Kerr and Matthew Dean Rohrbach and Peter Russel-Clarke and Benjamin Andrew Shaffer and Mikael Silvano and Christopher J. Stringer and Eugene Antony Whang and Rico Zorkendorfer**
- (45) Registration Date: **19 February 2016**
- (30) Convention priority data:
- | | | |
|------------------|--------------------|---------------------------------|
| (31) Number | (32) Date | (33) Country |
| 29/533837 | 22 Jul 2015 | UNITED STATES OF AMERICA |
- (56) Related Art Documents: **Not Applicable**
- (57) Statement of Newness and Distinctiveness: **Newness and distinctiveness of the design resides in the shape of the body of the electronic device, and in particular, the substantially planar faces forming the body, the wedge shaped side profile, and the angular appearance of the corners of the body in front, back and side profile.**



- (21) Design Number: **10592/2016**
(22) Date of Filing Application: **04 February 2016**
(24) Date from which industrial property rights may have effect: **04 February 2016**
(54) Product in respect of which the design is registered: **A textile print**
(51) International Design Classification: **05-05NES**
(74) Name(s) of Attorney(s):
(71) Name(s) and Address(s) of Applicant(s):
AUSTRALIAN FASHION LABELS PTY LTD
106 Currie St Adelaide SA 5000 Australia
(72) Name(s) of Designer(s): **Jacklyn Donkers and Jemimah Carey**
(45) Registration Date: **19 February 2016**
(56) Related Art Documents: **Not Applicable**
(57) Statement of Newness and Distinctiveness: **Newness and distinctiveness resides in the features of pattern and ornamentation of a textile print as shown in the accompanying representations. In considering the scope of monopoly, no regard is to be had to colour and the scope of monopoly is not restricted to the particular colour or colours depicted in the accompanying representations.**



- (21) Design Number: **10593/2016**
(22) Date of Filing Application: **04 February 2016**
(24) Date from which industrial property rights may have effect: **04 February 2016**
(54) Product in respect of which the design is registered: **A textile print**
(51) International Design Classification: **05-05NES**
(74) Name(s) of Attorney(s):
(71) Name(s) and Address(s) of Applicant(s):
AUSTRALIAN FASHION LABELS PTY LTD
106 Currie St Adelaide SA 5000 Australia
(72) Name(s) of Designer(s): **Jacklyn Donkers and Jemimah Carey**
(45) Registration Date: **19 February 2016**
(56) Related Art Documents: **Not Applicable**
(57) Statement of Newness and Distinctiveness: **Newness and distinctiveness resides in the features of pattern and ornamentation of a textile print as shown in the accompanying representations. In considering the scope of monopoly, no regard is to be had to colour and the scope of monopoly is not restricted to the particular colour or colours depicted in the accompanying representations.**



(21) Design Number: **10597/2016**
(22) Date of Filing Application: **05 February 2016**
(24) Date from which industrial property rights may have effect: **05 February 2016**
(54) Product in respect of which the design is registered: **Electric toothbrush handle**
(51) International Design Classification: **04-02, 28-03NES**
(74) Name(s) of Attorney(s): **WATERMARK PATENT AND TRADE MARKS ATTORNEYS**
(71) Name(s) and Address(s) of Applicant(s):
Braun GmbH
Frankfurter Strasse 145 Kronberg im Taunus 61476 Germany
(72) Name(s) of Designer(s): **Oliver Greve and Ansgar Hubner and Peter Charles Mason Jr and Jonas Michels and Bianka Becker-Salzsauler and Fritz Schubert and Andrea Schuring and Soren Wasow**
(45) Registration Date: **19 February 2016**
(30) Convention priority data:
(31) Number (32) Date (33) Country
DM/087319 07 Aug 2015 INTERNATIONAL BUREAU (WIPO)
(56) Related Art Documents: **Not Applicable**
(57) Statement of Newness and Distinctiveness: **Nil**



(21) Design Number: **10598/2016**
(22) Date of Filing Application: **05 February 2016**
(24) Date from which industrial property rights may have effect: **05 February 2016**
(54) Product in respect of which the design is registered: **Electric toothbrush handle**
(51) International Design Classification: **04-02, 28-03NES**
(74) Name(s) of Attorney(s): **WATERMARK PATENT AND TRADE MARKS ATTORNEYS**
(71) Name(s) and Address(s) of Applicant(s):
Braun GmbH
Frankfurter Strasse 145 Kronberg im Taunus 61476 Germany
(72) Name(s) of Designer(s): **Oliver Greve and Ansgar Hubner and Peter Charles Mason Jr and Jonas Michels and Bianka Becker-Salzsauler and Fritz Schubert and Andrea Schuring and Soren Wasow**
(45) Registration Date: **19 February 2016**
(30) Convention priority data:
(31) Number (32) Date (33) Country
DM/087319 07 Aug 2015 INTERNATIONAL BUREAU (WIPO)
(56) Related Art Documents: **Not Applicable**
(57) Statement of Newness and Distinctiveness: **Nil**



- (21) Design Number: **10600/2016**
(22) Date of Filing Application: **05 February 2016**
(24) Date from which industrial property rights may have effect: **05 February 2016**
(54) Product in respect of which the design is registered: **Roll dispenser**
(51) International Design Classification: **23-02A**
(74) Name(s) of Attorney(s): **Spruson & Ferguson**
(71) Name(s) and Address(s) of Applicant(s):
Kimberly-Clark Worldwide, Inc.
401 North Lake Street Neenah Wisconsin 54957-0349 United States of America
(72) Name(s) of Designer(s): **SeonMi Ku and Taell Yun and JongSoo Lee and JooHyun Sohn and BoGyeong Jung and BongKyu Song and HyunWoo Choi**
(45) Registration Date: **19 February 2016**
(30) Convention priority data:
(31) Number (32) Date (33) Country
30-2015-43249 27 Aug 2015 REPUBLIC OF KOREA
(56) Related Art Documents: **Not Applicable**
(57) Statement of Newness and Distinctiveness: **Newness and distinctiveness is claimed in the features of shape and/or configuration of a roll dispenser as illustrated in the accompanying representations.**



- (21) Design Number: **10602/2016**
(22) Date of Filing Application: **05 February 2016**
(24) Date from which industrial property rights may have effect: **05 February 2016**
(54) Product in respect of which the design is registered: **Inhaler**
(51) International Design Classification: **24-04**
(74) Name(s) of Attorney(s): **Spruson & Ferguson**
(71) Name(s) and Address(s) of Applicant(s):
Cipla Europe NV
Uitbeidingstraat 80 Antwerp 2600 Belgium
(72) Name(s) of Designer(s): **Frank Pieters and Xerxes Rao**
(45) Registration Date: **19 February 2016**
(30) Convention priority data:
(31) Number (32) Date (33) Country
274275 07 Aug 2015 INDIA
(56) Related Art Documents: **Not Applicable**
(57) Statement of Newness and Distinctiveness: **Newness and distinctiveness is claimed in the features of shape and/or configuration of an inhaler as illustrated in the accompanying representations.**



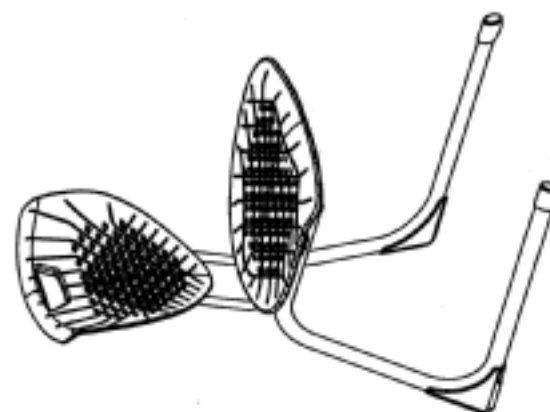
- (21) Design Number: **10605/2016**
(22) Date of Filing Application: **05 February 2016**
(24) Date from which industrial property rights may have effect: **05 February 2016**
(54) Product in respect of which the design is registered: **Smart watch**
(51) International Design Classification: **10-02**
(74) Name(s) of Attorney(s): **Griffith Hack**
(71) Name(s) and Address(s) of Applicant(s):
SAMSUNG ELECTRONICS CO., LTD.
129, Samsung-ro Yeongtong-gu Suwon-si Gyeonggi-do 16677 Republic of Korea
(72) Name(s) of Designer(s): **Yongseok Bang and Miri Lee and In Sik Chung and Jaehyung Hong**
(45) Registration Date: **19 February 2016**
(30) Convention priority data:
(31) Number (32) Date (33) Country
KR 13 Aug 2015 REPUBLIC OF KOREA
30-2015-0041028
(56) Related Art Documents: **Not Applicable**
(57) Statement of Newness and Distinctiveness: **Newness and distinctiveness resides in the visual features, including the shape and configuration of the product shown by means of solid lines in the representations. Figure 9 is a reference view and does not form part of the design.**



- (21) Design Number: **10606/2016**
(22) Date of Filing Application: **05 February 2016**
(24) Date from which industrial property rights may have effect: **05 February 2016**
(54) Product in respect of which the design is registered: **Smart watch**
(51) International Design Classification: **10-02**
(74) Name(s) of Attorney(s): **Griffith Hack**
(71) Name(s) and Address(s) of Applicant(s):
SAMSUNG ELECTRONICS CO., LTD.
129, Samsung-ro Yeongtong-gu Suwon-si Gyeonggi-do 16677 Republic of Korea
(72) Name(s) of Designer(s): **Yongseok Bang and Miri Lee and In Sik Chung and Jaehyung Hong**
(45) Registration Date: **19 February 2016**
(30) Convention priority data:
(31) Number (32) Date (33) Country
KR 13 Aug 2015 REPUBLIC OF KOREA
30-2015-0041029
(56) Related Art Documents: **Not Applicable**
(57) Statement of Newness and Distinctiveness: **Newness and distinctiveness resides in the visual features, including the shape and configuration of the product shown by means of solid lines in the representations. Figures 9 and 10 are reference views and do not form part of the design.**



- (21) Design Number: **10539/2016**
(22) Date of Filing Application: **03 February 2016**
(24) Date from which industrial property rights may have effect: **03 February 2016**
(54) Product in respect of which the design is registered: **Chair**
(51) International Design Classification: **06-01G**
(74) Name(s) of Attorney(s):
(71) Name(s) and Address(s) of Applicant(s):
R.E. BATGER PTY LTD
161 Magowar Rd Girraween NSW 2145 Australia
(72) Name(s) of Designer(s): **Stephen Richards and Trevor Batger and Duncan Jones**
(45) Registration Date: **19 February 2016**
(56) Related Art Documents: **Not Applicable**
(57) Statement of Newness and Distinctiveness: **The newness and distinctiveness of the design resides in the shape of the backrest including the handle and the diamond pattern on the seat and backrest.**



- (21) Design Number: **10620/2016**
(22) Date of Filing Application: **05 February 2016**
(24) Date from which industrial property rights may have effect: **05 February 2016**
(54) Product in respect of which the design is registered: **Water supply inlet manifold**
(51) International Design Classification: **23-01E**
(74) Name(s) of Attorney(s): **Collison & Co**
(71) Name(s) and Address(s) of Applicant(s):
AUTOTHERM PTY LTD
8-10 Orion Rd Direk SA 5110 Australia
(72) Name(s) of Designer(s): **Matthew Burden Smith and Marcus James Jayne and David Brenton Gehlert**
(45) Registration Date: **23 February 2016**
(56) Related Art Documents: **Not Applicable**
(57) Statement of Newness and Distinctiveness: **Nil**



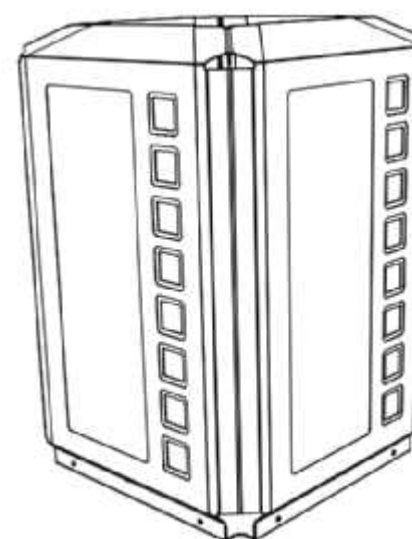
(21) Design Number: **10622/2016**
(22) Date of Filing Application: **06 February 2016**
(24) Date from which industrial property rights may have effect: **06 February 2016**
(54) Product in respect of which the design is registered: **Sports frame**
(51) International Design Classification: **21-03**
(74) Name(s) of Attorney(s): **A.J. Pietras & Co**
(71) Name(s) and Address(s) of Applicant(s):
Paul Crawley
121 Lincoln Ave Fair Lawn NJ, 07410 United States of America
(72) Name(s) of Designer(s): **Paul Crawley**
(45) Registration Date: **23 February 2016**
(30) Convention priority data:
(31) Number (32) Date (33) Country
29/535,438 06 Aug 2015 UNITED STATES OF AMERICA
(56) Related Art Documents: **Not Applicable**
(57) Statement of Newness and Distinctiveness: **The design relates to a sports frame and its newness and distinctiveness is in the features of shape as shown in the accompanying drawings.**



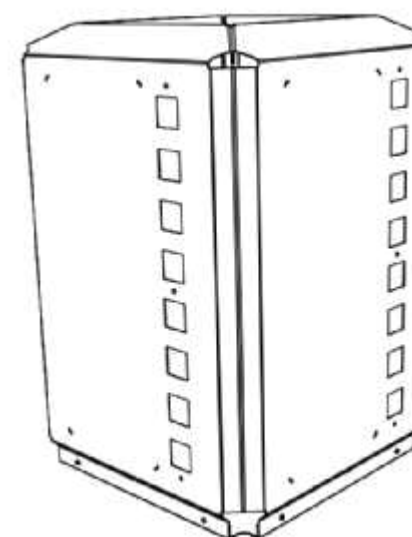
(21) Design Number: **10625/2016**
(22) Date of Filing Application: **08 February 2016**
(24) Date from which industrial property rights may have effect: **08 February 2016**
(54) Product in respect of which the design is registered: **Solar panel**
(51) International Design Classification: **13-99**
(74) Name(s) of Attorney(s):
(71) Name(s) and Address(s) of Applicant(s):
Jonathan Duy Khac Nguyen
115 Hollywood Dr Lansvale NSW 2166 Australia
(72) Name(s) of Designer(s): **Jonathan Duy Khac Nguyen**
(45) Registration Date: **23 February 2016**
(56) Related Art Documents: **Not Applicable**
(57) Statement of Newness and Distinctiveness: **Curved solar panel with curved top and bottom. Curved Cantilevered bracket with a vertical surface for**



- (21) Design Number: **10627/2016**
(22) Date of Filing Application: **08 February 2016**
(24) Date from which industrial property rights may have effect: **08 February 2016**
(54) Product in respect of which the design is registered: **A waste/recycle bin enclosure**
(51) International Design Classification: **09-09**
(74) Name(s) of Attorney(s): **WATERMARK PATENT AND TRADE MARKS ATTORNEYS**
(71) Name(s) and Address(s) of Applicant(s):
Eco Bin (Aust) Pty Ltd
268 Waverley Rd Malvern East VIC 3145 Australia
(72) Name(s) of Designer(s): **Nick Dobson**
(45) Registration Date: **23 February 2016**
(56) Related Art Documents: **Not Applicable**
(57) Statement of Newness and Distinctiveness: **Newness and distinctiveness resides in the visual features of shape and/or configuration of the waste/recycle bin enclosure as shown in the accompanying representations.**



- (21) Design Number: **10628/2016**
(22) Date of Filing Application: **08 February 2016**
(24) Date from which industrial property rights may have effect: **08 February 2016**
(54) Product in respect of which the design is registered: **A waste/recycle bin enclosure**
(51) International Design Classification: **09-09**
(74) Name(s) of Attorney(s): **WATERMARK PATENT AND TRADE MARKS ATTORNEYS**
(71) Name(s) and Address(s) of Applicant(s):
Eco Bin (Aust) Pty Ltd
268 Waverley Rd Malvern East VIC 3145 Australia
(72) Name(s) of Designer(s): **Nick Dobson**
(45) Registration Date: **23 February 2016**
(56) Related Art Documents: **Not Applicable**
(57) Statement of Newness and Distinctiveness: **Newness and distinctiveness resides in the visual features of shape and/or configuration of the waste/recycle bin enclosure as shown in the accompanying representations.**



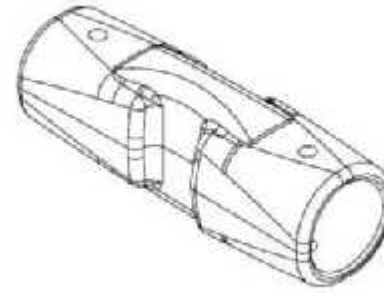
(21) Design Number: **10631/2016**
(22) Date of Filing Application: **08 February 2016**
(24) Date from which industrial property rights may have effect: **08 February 2016**
(54) Product in respect of which the design is registered: **Bag**
(51) International Design Classification: **03-01B**
(74) Name(s) of Attorney(s): **FB Rice**
(71) Name(s) and Address(s) of Applicant(s):
FURLA S.p.A.
Via Bellaria, 3-5 S. LAZZARO DI SAVENA, (BO), I-40068 Italy
(72) Name(s) of Designer(s): **Fabio Fusi**
(45) Registration Date: **23 February 2016**
(30) Convention priority data:
(31) Number (32) Date (33) Country
**002750786-0001 06 Aug 2015 OFFICE FOR HARMONISATION IN
THE INTERNAL MARKET (OHIM)**
(56) Related Art Documents: **Not Applicable**
(57) Statement of Newness and Distinctiveness: **Newness and distinctiveness
reside in the overall appearance of the bag as shown in the
representations.**



(21) Design Number: **10632/2016**
(22) Date of Filing Application: **08 February 2016**
(24) Date from which industrial property rights may have effect: **08 February 2016**
(54) Product in respect of which the design is registered: **Bag**
(51) International Design Classification: **03-01B**
(74) Name(s) of Attorney(s): **FB Rice**
(71) Name(s) and Address(s) of Applicant(s):
FURLA S.p.A.
Via Bellaria, 3-5 S. LAZZARO DI SAVENA (BO) I-40068 Italy
(72) Name(s) of Designer(s): **Fabio Fusi**
(45) Registration Date: **23 February 2016**
(30) Convention priority data:
(31) Number (32) Date (33) Country
**002750786-0002 06 Aug 2015 OFFICE FOR HARMONISATION IN
THE INTERNAL MARKET (OHIM)**
(56) Related Art Documents: **Not Applicable**
(57) Statement of Newness and Distinctiveness: **Newness and distinctiveness
are directed to the overall appearance of the bag shown in the
representations.**



- (21) Design Number: **13192/2015**
(22) Date of Filing Application: **23 June 2015**
(24) Date from which industrial property rights may have effect: **23 June 2015**
(54) Product in respect of which the design is registered: **Ferrule**
(51) International Design Classification: **04-01**
(74) Name(s) of Attorney(s): **Allens Patent & Trade Mark Attorneys**
(71) Name(s) and Address(s) of Applicant(s):
E.D. Oates Pty Ltd
13-21 Maygar BLvd Broadmeadows VIC 3047 Australia
(72) Name(s) of Designer(s): **Frankie Ngan**
(45) Registration Date: **23 February 2016**
(56) Related Art Documents: **Not Applicable**
(57) Statement of Newness and Distinctiveness: **Newness and distinctiveness resides in the visual features of shape and/or configuration of a ferrule as illustrated in the accompanying representations.**



- (21) Design Number: **14246/2015**
(22) Date of Filing Application: **18 August 2015**
(24) Date from which industrial property rights may have effect: **18 August 2015**
(54) Product in respect of which the design is registered: **Gridmesh lifting device**
(51) International Design Classification: **12-05**
(74) Name(s) of Attorney(s):
(71) Name(s) and Address(s) of Applicant(s):
Meshlift Pty Ltd
3/28 Harrison St Rockingham WA 6168 Australia
(72) Name(s) of Designer(s): **Paul Hibbert and Nicholas Hibbert**
(45) Registration Date: **23 February 2016**
(56) Related Art Documents: **Not Applicable**
(57) Statement of Newness and Distinctiveness: **Nil**



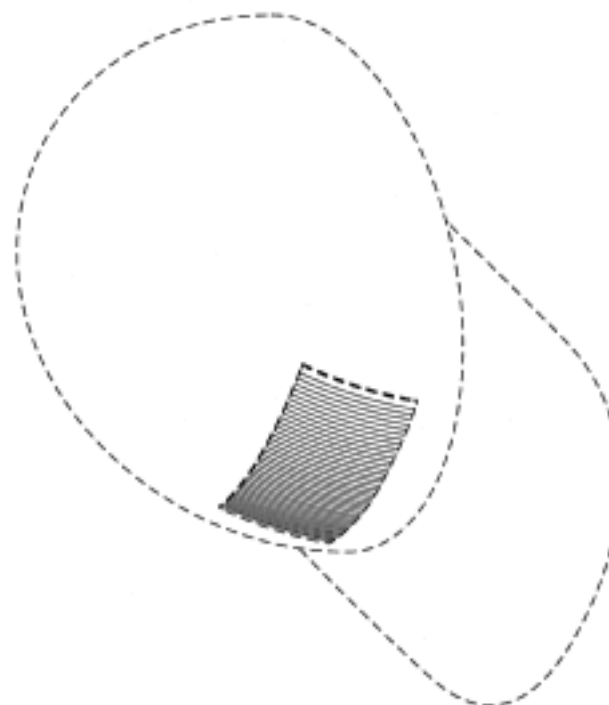
- (21) Design Number: **14483/2015**
(22) Date of Filing Application: **27 August 2015**
(24) Date from which industrial property rights may have effect: **27 August 2015**
(54) Product in respect of which the design is registered: **A control device**
(51) International Design Classification: **14-03NES**
(74) Name(s) of Attorney(s): **Spruson & Ferguson**
(71) Name(s) and Address(s) of Applicant(s):
Zettabeam Pty Ltd
Suite 53, Level 8 301 Castlereagh St Sydney NSW 2000 Australia
(72) Name(s) of Designer(s): **Nathan Burke and Sam Weise and Anson Li**
(45) Registration Date: **23 February 2016**
(56) Related Art Documents: **Not Applicable**
(57) Statement of Newness and Distinctiveness: **Newness and distinctiveness is claimed in the features of shape and/or configuration of a control device as illustrated in the accompanying representations.**



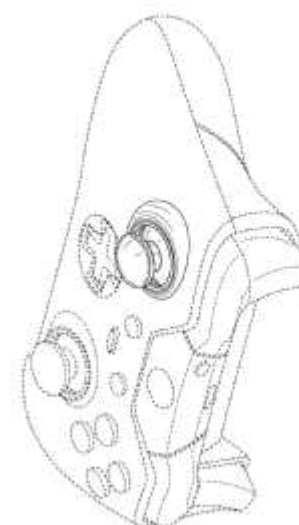
- (21) Design Number: **16379/2015**
(22) Date of Filing Application: **26 November 2015**
(24) Date from which industrial property rights may have effect: **26 November 2015**
(54) Product in respect of which the design is registered: **Electric low fat fryer**
(51) International Design Classification: **07-02N**
(74) Name(s) of Attorney(s): **Spruson & Ferguson**
(71) Name(s) and Address(s) of Applicant(s):
SEB
Selongey 21260 France
(72) Name(s) of Designer(s): **Laurent Dutruel**
(45) Registration Date: **23 February 2016**
(30) Convention priority data:
(31) Number (32) Date (33) Country
002709741-0001 29 May 2015 OFFICE FOR HARMONISATION IN THE INTERNAL MARKET (OHIM)
(56) Related Art Documents: **Not Applicable**
(57) Statement of Newness and Distinctiveness: **Newness and distinctiveness is claimed in the features of shape and/or configuration of an electric low fat fryer as illustrated in the accompanying representations.**



- (21) Design Number: **16735/2015**
(22) Date of Filing Application: **10 December 2015**
(24) Date from which industrial property rights may have effect: **10 December 2015**
(54) Product in respect of which the design is registered: **Lenticular panels for a hat**
(51) International Design Classification: **02-03**
(74) Name(s) of Attorney(s): **Pizzeys Patent and Trade Mark Attorneys Pty Ltd**
(71) Name(s) and Address(s) of Applicant(s):
Eric J. Gewirz
12587 Fair Lakes Circle, Unit 194 Fairfax VA, 22033-3822 United States of America
Carl S. Gewirz
12587 Fair Lakes Circle, Unit 194 Fairfax VA, 22033-3822 United States of America
(72) Name(s) of Designer(s): **Eric J. Gewirz and Carl S. Gewirz**
(45) Registration Date: **24 February 2016**
(56) Related Art Documents: **Not Applicable**
(57) Statement of Newness and Distinctiveness: **Nil**



- (21) Design Number: **16758/2015**
(22) Date of Filing Application: **11 December 2015**
(24) Date from which industrial property rights may have effect: **11 December 2015**
(54) Product in respect of which the design is registered: **Removable controller component**
(51) International Design Classification: **21-01N**
(74) Name(s) of Attorney(s): **Shelston IP Pty Ltd.**
(71) Name(s) and Address(s) of Applicant(s):
Microsoft Corporation
One Microsoft Way Redmond Washington, 98052-5321 United States of America
(72) Name(s) of Designer(s): **Christopher Kujawski and Kenneth Jasinski and Carl J. Ledbetter**
(45) Registration Date: **24 February 2016**
(30) Convention priority data:
(31) Number (32) Date (33) Country
29/530111 12 Jun 2015 UNITED STATES OF AMERICA
(56) Related Art Documents: **Not Applicable**
(57) Statement of Newness and Distinctiveness: **Newness and distinctiveness reside in the features of shape and/or configuration of a removable controller component as illustrated by solid lines in the accompanying representations. The features shown in broken outline and discontinuous lines are for contextual purposes only and do not form part of the design.**



(21) Design Number: **16759/2015**
(22) Date of Filing Application: **11 December 2015**
(24) Date from which industrial property rights may have effect: **11 December 2015**
(54) Product in respect of which the design is registered: **Controller component**
(51) International Design Classification: **21-01N**
(74) Name(s) of Attorney(s): **Shelston IP Pty Ltd.**
(71) Name(s) and Address(s) of Applicant(s):
Microsoft Corporation
One Microsoft Way Redmond Washington, 98052-5321 United States of America

(72) Name(s) of Designer(s): **Christopher Kujawski and Kenneth Jasinski and Carl J Ledbetter**

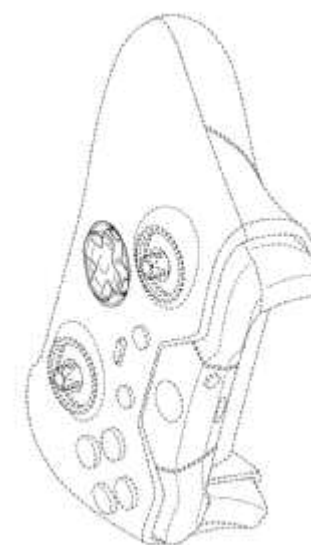
(45) Registration Date: **24 February 2016**

(30) Convention priority data:

(31) Number	(32) Date	(33) Country
29/530122	12 Jun 2015	UNITED STATES OF AMERICA

(56) Related Art Documents: **Not Applicable**

(57) Statement of Newness and Distinctiveness: **Newness and distinctiveness reside in the features of shape and/or configuration of a controller component as illustrated by solid lines in the accompanying representations. The features shown in broken outline and discontinuous lines are for contextual purposes only and do not form part of the design.**



(21) Design Number: **16762/2015**
(22) Date of Filing Application: **11 December 2015**
(24) Date from which industrial property rights may have effect: **11 December 2015**
(54) Product in respect of which the design is registered: **Removable controller component**
(51) International Design Classification: **21-01N**
(74) Name(s) of Attorney(s): **Shelston IP Pty Ltd.**
(71) Name(s) and Address(s) of Applicant(s):
Microsoft Corporation
One Microsoft Way Redmond Washington, 98052-5321 United States of America

(72) Name(s) of Designer(s): **Christopher Kujawski and Kenneth Jasinski and Carl J Ledbetter**

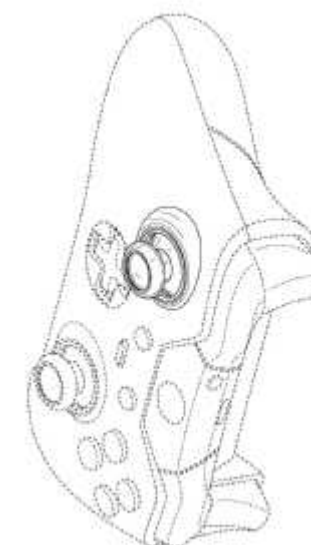
(45) Registration Date: **24 February 2016**

(30) Convention priority data:

(31) Number	(32) Date	(33) Country
29/530108	12 Jun 2015	UNITED STATES OF AMERICA

(56) Related Art Documents: **Not Applicable**

(57) Statement of Newness and Distinctiveness: **Newness and distinctiveness reside in the features of shape and/or configuration of a removable controller component as illustrated by solid lines in the accompanying representations. The features shown in broken outline and discontinuous lines are for contextual purposes only and do not form part of the design.**



(21) Design Number: **16764/2015**
(22) Date of Filing Application: **11 December 2015**
(24) Date from which industrial property rights may have effect: **11 December 2015**
(54) Product in respect of which the design is registered: **Controller component**
(51) International Design Classification: **21-01N**
(74) Name(s) of Attorney(s): **Shelston IP Pty Ltd.**
(71) Name(s) and Address(s) of Applicant(s):
Microsoft Corporation
One Microsoft Way Redmond Washington, 98052-5321 United States of America

(72) Name(s) of Designer(s): **Christopher Kujawski and Kenneth Jasinski and Carl J Ledbetter**

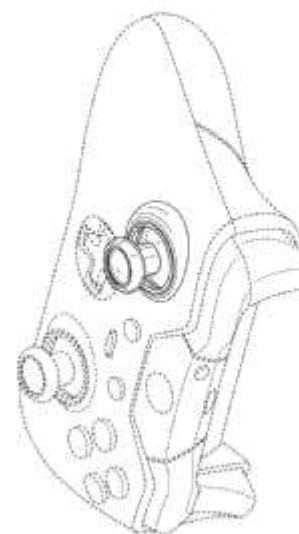
(45) Registration Date: **24 February 2016**

(30) Convention priority data:

(31) Number	(32) Date	(33) Country
29/530112	12 Jun 2015	UNITED STATES OF AMERICA

(56) Related Art Documents: **Not Applicable**

(57) Statement of Newness and Distinctiveness: **Newness and distinctiveness reside in the features of shape and/or configuration of a controller component as illustrated by solid lines in the accompanying representations. The features shown in broken outline and discontinuous lines are for contextual purposes only and do not form part of the design.**



(21) Design Number: **16768/2015**
(22) Date of Filing Application: **11 December 2015**
(24) Date from which industrial property rights may have effect: **11 December 2015**
(54) Product in respect of which the design is registered: **Controller component**
(51) International Design Classification: **21-01N**
(74) Name(s) of Attorney(s): **Shelston IP Pty Ltd.**
(71) Name(s) and Address(s) of Applicant(s):
Microsoft Corporation
One Microsoft Way Redmond Washington, 98052-5321 United States of America

(72) Name(s) of Designer(s): **Christopher Kujawski and Kenneth Jasinski and Carl J Ledbetter**

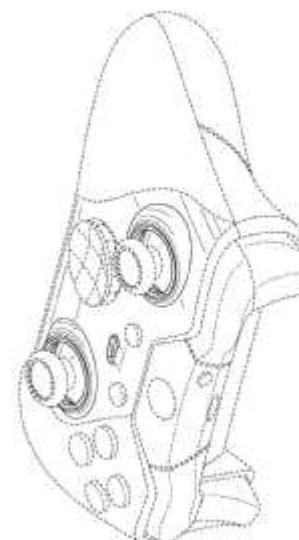
(45) Registration Date: **24 February 2016**

(30) Convention priority data:

(31) Number	(32) Date	(33) Country
29/530243	12 Jun 2015	UNITED STATES OF AMERICA

(56) Related Art Documents: **Not Applicable**

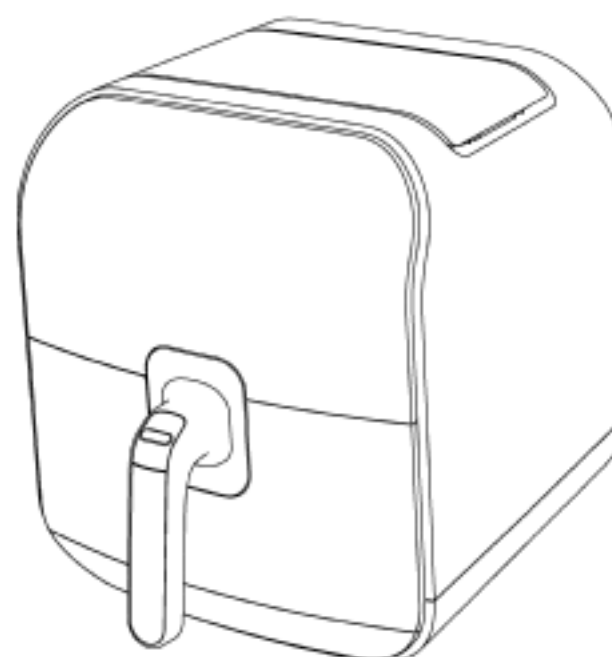
(57) Statement of Newness and Distinctiveness: **Newness and distinctiveness reside in the features of shape and/or configuration of a controller component as illustrated by solid lines in the accompanying representations. The features shown in broken outline and discontinuous lines are for contextual purposes only and do not form part of the design.**



(21) Design Number: **16380/2015**
(22) Date of Filing Application: **26 November 2015**
(24) Date from which industrial property rights may have effect: **26 November 2015**
(54) Product in respect of which the design is registered: **Electric low fat fryer**
(51) International Design Classification: **07-02N**
(74) Name(s) of Attorney(s): **Spruson & Ferguson**
(71) Name(s) and Address(s) of Applicant(s):
SEB
Selongey 21260 France
(72) Name(s) of Designer(s): **Laurent Dutruel**
(45) Registration Date: **24 February 2016**
(30) Convention priority data:
(31) Number (32) Date (33) Country
002709741-0002 29 May 2015 OFFICE FOR HARMONISATION IN
THE INTERNAL MARKET (OHIM)
(56) Related Art Documents: **Not Applicable**
(57) Statement of Newness and Distinctiveness: **Newness and distinctiveness**
is claimed in the features of shape and/or configuration of an electric low
fat fryer as illustrated in the accompanying representations.



(21) Design Number: **16381/2015**
(22) Date of Filing Application: **26 November 2015**
(24) Date from which industrial property rights may have effect: **26 November 2015**
(54) Product in respect of which the design is registered: **Electric low fat fryer**
(51) International Design Classification: **07-02N**
(74) Name(s) of Attorney(s): **Spruson & Ferguson**
(71) Name(s) and Address(s) of Applicant(s):
SEB
Selongey 21260 France
(72) Name(s) of Designer(s): **Laurent Dutruel**
(45) Registration Date: **24 February 2016**
(30) Convention priority data:
(31) Number (32) Date (33) Country
002709741-0003 29 May 2015 OFFICE FOR HARMONISATION IN
THE INTERNAL MARKET (OHIM)
(56) Related Art Documents: **Not Applicable**
(57) Statement of Newness and Distinctiveness: **Newness and distinctiveness**
is claimed in the features of shape and/or configuration of an electric low
fat fryer as illustrated in the accompanying representations.



- (21) Design Number: **16842/2015**
(22) Date of Filing Application: **16 December 2015**
(24) Date from which industrial property rights may have effect: **16 December 2015**
(54) Product in respect of which the design is registered: **Inflatable pool toy**
(51) International Design Classification: **21-01A**
(74) Name(s) of Attorney(s):
(71) Name(s) and Address(s) of Applicant(s):
Giant Equipment Pty Ltd
U2 135 Old South Head Rd Bondi Junction NSW 2022 Australia
(72) Name(s) of Designer(s): **David Mark Hempton**
(45) Registration Date: **24 February 2016**
(56) Related Art Documents: **Not Applicable**
(57) Statement of Newness and Distinctiveness: **This is a Giant Yellow Duck inflatable pool toy. The newness and distinctiveness of the product can be seen in the particular design of the wing graphics, the shape and character of the eyes, and the custom size of the toy - to our knowledge there is no inflatable giant yellow duck toy of the same shape, size or design on the market.**



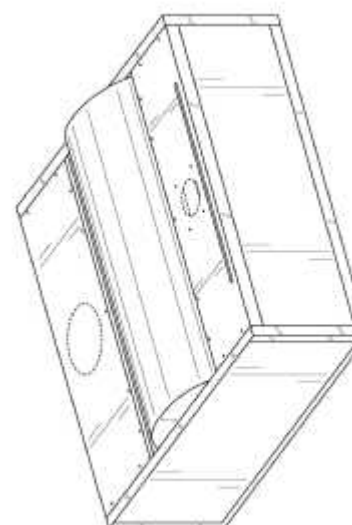
- (21) Design Number: **10058/2016**
(22) Date of Filing Application: **07 January 2016**
(24) Date from which industrial property rights may have effect: **07 January 2016**
(54) Product in respect of which the design is registered: **Doona cover**
(51) International Design Classification: **06-13B**
(74) Name(s) of Attorney(s):
(71) Name(s) and Address(s) of Applicant(s):
Mary-Anne Rome
4 Belmore Rd Balwyn VIC 3103 Australia
(72) Name(s) of Designer(s): **Mary-Anne Rome**
(45) Registration Date: **24 February 2016**
(56) Related Art Documents: **Not Applicable**
(57) Statement of Newness and Distinctiveness: **Doona cover for a Queen or King bed that contains 2 single doonas and can split so one person can have it folded down and the other not, or both can be folded down.**



- (21) Design Number: **10204/2016**
(22) Date of Filing Application: **15 January 2016**
(24) Date from which industrial property rights may have effect: **15 January 2016**
(54) Product in respect of which the design is registered: **Beverage cartridge**
(51) International Design Classification: **07-02L**
(74) Name(s) of Attorney(s): **Davies Collison Cave**
(71) Name(s) and Address(s) of Applicant(s):
E.&J. Gallo Winery
600 Yosemite Boulevard Modesto California, 95354 United States of America
(72) Name(s) of Designer(s): **Kimberly Roberts and Patrick Coyle and Alexander III Coriano and Vivian K. Barad and Thomas Dieter Christian-Overthun and David Jason Wilkins and Anthony Peter Patron and Eben Roy Sargent and Daniel Lawrence Evans**
(45) Registration Date: **24 February 2016**
(30) Convention priority data:
(31) Number (32) Date (33) Country
29/533,263 15 Jul 2015 UNITED STATES OF AMERICA
(56) Related Art Documents: **Not Applicable**
(57) Statement of Newness and Distinctiveness: **Nil**



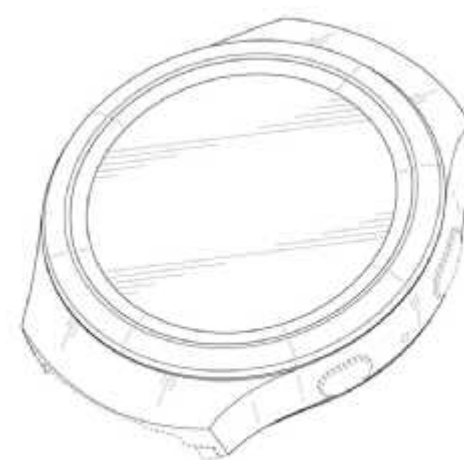
- (21) Design Number: **10604/2016**
(22) Date of Filing Application: **05 February 2016**
(24) Date from which industrial property rights may have effect: **05 February 2016**
(54) Product in respect of which the design is registered: **Condenser exhaust hood**
(51) International Design Classification: **23-04**
(74) Name(s) of Attorney(s): **PHILLIPS ORMONDE FITZPATRICK**
(71) Name(s) and Address(s) of Applicant(s):
Oy Halton Group Ltd.
Esterinportti 2 Helsinki FI-00240 Finland
(72) Name(s) of Designer(s): **Derek W. Schrock and Chou Shen**
(45) Registration Date: **24 February 2016**
(30) Convention priority data:
(31) Number (32) Date (33) Country
29/540,814 28 Sep 2015 UNITED STATES OF AMERICA
(56) Related Art Documents: **Not Applicable**
(57) Statement of Newness and Distinctiveness: **Those features of the condenser exhaust hood depicted in the representations that are new and distinctive are the shape and/or configuration. The features shown in broken lines are not part of the design and are to be disregarded when considering the overall impression of the design.**



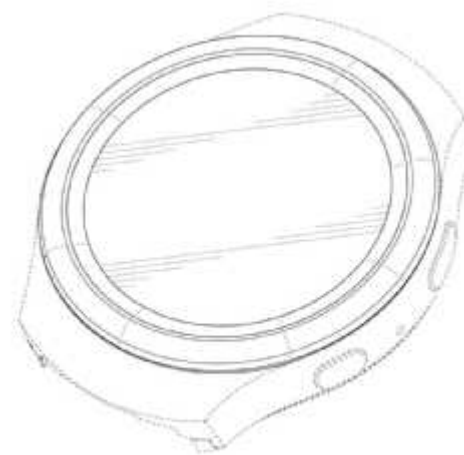
- (21) Design Number: **10607/2016**
(22) Date of Filing Application: **05 February 2016**
(24) Date from which industrial property rights may have effect: **05 February 2016**
(54) Product in respect of which the design is registered: **Smart watch**
(51) International Design Classification: **10-02**
(74) Name(s) of Attorney(s): **Griffith Hack**
(71) Name(s) and Address(s) of Applicant(s):
SAMSUNG ELECTRONICS CO., LTD.
129, Samsung-ro Yeongtong-gu Suwon-si Gyeonggi-do 16677 Republic of Korea
(72) Name(s) of Designer(s): **Yongseok Bang and Miri Lee and In Sik Chung and Jaehyung Hong**
(45) Registration Date: **24 February 2016**
(30) Convention priority data:
(31) Number (32) Date (33) Country
KR 13 Aug 2015 REPUBLIC OF KOREA
30-2015-0041030
(56) Related Art Documents: **Not Applicable**
(57) Statement of Newness and Distinctiveness: **Newness and distinctiveness resides in the visual features, including the shape and configuration of the product shown by means of solid lines in the representations.**



- (21) Design Number: **10608/2016**
(22) Date of Filing Application: **05 February 2016**
(24) Date from which industrial property rights may have effect: **05 February 2016**
(54) Product in respect of which the design is registered: **Smart watch**
(51) International Design Classification: **10-02**
(74) Name(s) of Attorney(s): **Griffith Hack**
(71) Name(s) and Address(s) of Applicant(s):
SAMSUNG ELECTRONICS CO., LTD.
129, Samsung-ro Yeongtong-gu Suwon-si Gyeonggi-do 16677 Republic of Korea
(72) Name(s) of Designer(s): **Yongseok Bang and Miri Lee and In Sik Chung and Jaehyung Hong**
(45) Registration Date: **24 February 2016**
(30) Convention priority data:
(31) Number (32) Date (33) Country
KR 13 Aug 2015 REPUBLIC OF KOREA
30-2015-0041024
(56) Related Art Documents: **Not Applicable**
(57) Statement of Newness and Distinctiveness: **Newness and distinctiveness resides in the visual features, including the shape and configuration of the product shown by means of solid lines in the representations. Figure 9 is a reference view and does not form part of the design.**



- (21) Design Number: **10609/2016**
(22) Date of Filing Application: **05 February 2016**
(24) Date from which industrial property rights may have effect: **05 February 2016**
(54) Product in respect of which the design is registered: **Smart watch**
(51) International Design Classification: **10-02**
(74) Name(s) of Attorney(s): **Griffith Hack**
(71) Name(s) and Address(s) of Applicant(s):
SAMSUNG ELECTRONICS CO., LTD.
129, Samsung-ro Yeongtong-gu Suwon-si Gyeonggi-do 16677 Republic of Korea
(72) Name(s) of Designer(s): **Yongseok Bang and Miri Lee and In Sik Chung and Jaehyung Hong**
(45) Registration Date: **24 February 2016**
(30) Convention priority data:
(31) Number (32) Date (33) Country
KR 13 Aug 2015 REPUBLIC OF KOREA
30-2015-0041027
(56) Related Art Documents: **Not Applicable**
(57) Statement of Newness and Distinctiveness: **Newness and distinctiveness resides in the visual features, including the shape and configuration of the product shown by means of solid lines in the representations.**



- (21) Design Number: **10610/2016**
(22) Date of Filing Application: **05 February 2016**
(24) Date from which industrial property rights may have effect: **05 February 2016**
(54) Product in respect of which the design is registered: **Wrist band for smart watch**
(51) International Design Classification: **10-02, 10-07**
(74) Name(s) of Attorney(s): **Griffith Hack**
(71) Name(s) and Address(s) of Applicant(s):
SAMSUNG ELECTRONICS CO., LTD.
129, Samsung-ro Yeongtong-gu Suwon-si Gyeonggi-do 16677 Republic of Korea
(72) Name(s) of Designer(s): **Yongseok Bang and Miri Lee and In Sik Chung and Jaehyung Hong**
(45) Registration Date: **24 February 2016**
(30) Convention priority data:
(31) Number (32) Date (33) Country
KR 13 Aug 2015 REPUBLIC OF KOREA
30-2015-0041058
(56) Related Art Documents: **Not Applicable**
(57) Statement of Newness and Distinctiveness: **Newness and distinctiveness resides in the visual features, including the shape and configuration of the product shown by means of solid lines in the representations.**



(21) Design Number: **10611/2016**
(22) Date of Filing Application: **05 February 2016**
(24) Date from which industrial property rights may have effect: **05 February 2016**
(54) Product in respect of which the design is registered: **Hanger**
(51) International Design Classification: **08-08G**
(74) Name(s) of Attorney(s): **Adams Pluck**
(71) Name(s) and Address(s) of Applicant(s):

Jodie Royak
8107 Mesa Road Santee CA, 92071 United States of America

(72) Name(s) of Designer(s): **Jodie Royak**

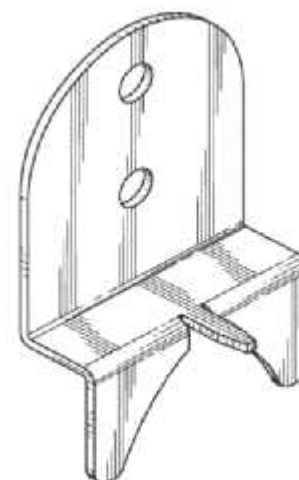
(45) Registration Date: **24 February 2016**

(30) Convention priority data:

(31) Number	(32) Date	(33) Country
29/535,796	10 Aug 2015	UNITED STATES OF AMERICA

(56) Related Art Documents: **Not Applicable**

(57) Statement of Newness and Distinctiveness: **Those features of the hanger depicted in the representations that are new and distinctive are the shape and/or configuration.**



(21) Design Number: **10613/2016**
(22) Date of Filing Application: **05 February 2016**
(24) Date from which industrial property rights may have effect: **05 February 2016**
(54) Product in respect of which the design is registered: **Hanger**
(51) International Design Classification: **08-08G**
(74) Name(s) of Attorney(s): **Adams Pluck**
(71) Name(s) and Address(s) of Applicant(s):

Jodie Royak
8107 Mesa Road Santee CA, 92071 United States of America

(72) Name(s) of Designer(s): **Jodie Royak**

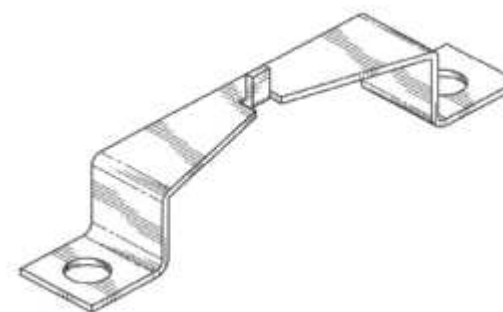
(45) Registration Date: **24 February 2016**

(30) Convention priority data:

(31) Number	(32) Date	(33) Country
29/535,794	10 Aug 2015	UNITED STATES OF AMERICA

(56) Related Art Documents: **Not Applicable**

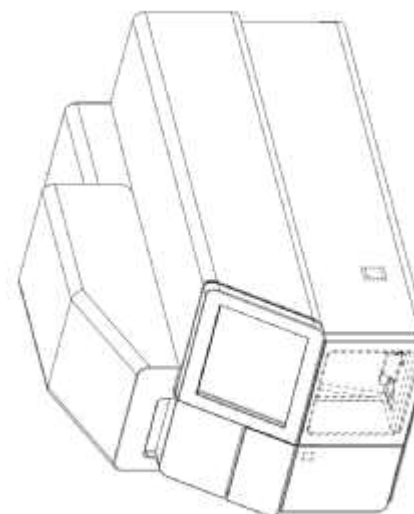
(57) Statement of Newness and Distinctiveness: **Those features of the hanger depicted in the representations that are new and distinctive are the shape and/or configuration.**



(21) Design Number: **10615/2016**
(22) Date of Filing Application: **05 February 2016**
(24) Date from which industrial property rights may have effect: **05 February 2016**
(54) Product in respect of which the design is registered: **Antenna pedestal**
(51) International Design Classification: **14-03NES**
(74) Name(s) of Attorney(s): **Spruson & Ferguson**
(71) Name(s) and Address(s) of Applicant(s):
Tyco Fire & Security GmbH
Victor von Bruns-Strasse 21, Neuhausen am Rheinfall 8212 Switzerland
(72) Name(s) of Designer(s): **Sergio M. Perez and David Robert Noone and**
Monica Alegiani and Walter Piretti
(45) Registration Date: **24 February 2016**
(30) Convention priority data:
(31) Number (32) Date (33) Country
29/535612 07 Aug 2015 UNITED STATES OF AMERICA
(56) Related Art Documents: **Not Applicable**
(57) Statement of Newness and Distinctiveness: **Newness and distinctiveness**
is claimed in the features of shape and/or configuration of an antenna
pedestal as illustrated in the accompanying representations.



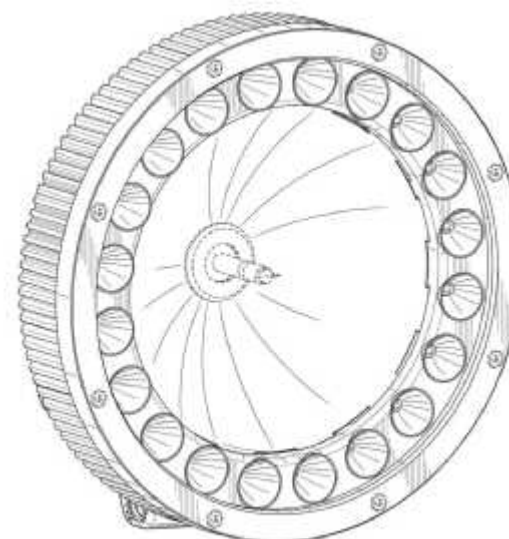
(21) Design Number: **10617/2016**
(22) Date of Filing Application: **05 February 2016**
(24) Date from which industrial property rights may have effect: **05 February 2016**
(54) Product in respect of which the design is registered: **Sample preparation instrument**
(51) International Design Classification: **24-01**
(74) Name(s) of Attorney(s): **Freehills Patent Attorneys**
(71) Name(s) and Address(s) of Applicant(s):
Illumina, Inc.
5200 Illumina Way San Diego California, 92122 United States of America
(72) Name(s) of Designer(s): **Jun Kurihara**
(45) Registration Date: **24 February 2016**
(30) Convention priority data:
(31) Number (32) Date (33) Country
29/535465 06 Aug 2015 UNITED STATES OF AMERICA
(56) Related Art Documents: **Not Applicable**
(57) Statement of Newness and Distinctiveness: **Newness and distinctiveness**
of the design resides in the features of shape and configuration of the
sample preparation instrument shown in solid lines in the accompanying
representations.



(21) Design Number: **10619/2016**
(22) Date of Filing Application: **05 February 2016**
(24) Date from which industrial property rights may have effect: **05 February 2016**
(54) Product in respect of which the design is registered: **Tyre**
(51) International Design Classification: **12-15B**
(74) Name(s) of Attorney(s): **Griffith Hack**
(71) Name(s) and Address(s) of Applicant(s):
Continental Reifen Deutschland GmbH
Vahrenwalder Str. 9 Hannover 30165 Germany
(72) Name(s) of Designer(s): **Ulrich Behr**
(45) Registration Date: **24 February 2016**
(30) Convention priority data:
(31) Number (32) Date (33) Country
DM/087480 27 Aug 2015 WORLD INTELLECTUAL
PROPERTY ORGANIZATION
(WIPO)
(56) Related Art Documents: **Not Applicable**
(57) Statement of Newness and Distinctiveness: **Newness and distinctiveness**
resides in the visual features, including shape, configuration and pattern,
of a tread for a TYRE as shown in the accompanying representations.



(21) Design Number: **10634/2016**
(22) Date of Filing Application: **08 February 2016**
(24) Date from which industrial property rights may have effect: **08 February 2016**
(54) Product in respect of which the design is registered: **Vehicle driving light**
(51) International Design Classification: **26-06**
(74) Name(s) of Attorney(s): **Madderns**
(71) Name(s) and Address(s) of Applicant(s):
Lightforce Australia Pty Ltd.
11 Manton St Hindmarsh SA 5007 Australia
(72) Name(s) of Designer(s): **Raymond L. Dennis and Robert T. Dall**
(45) Registration Date: **24 February 2016**
(30) Convention priority data:
(31) Number (32) Date (33) Country
29/539,797 17 Sep 2015 UNITED STATES OF AMERICA
(56) Related Art Documents: **Not Applicable**
(57) Statement of Newness and Distinctiveness: **Newness and distinctiveness**
resides in the shape and configuration of the VEHICLE DRIVING LIGHT
and the dashed lines form no part of the design.



(21) Design Number: **16363/2015**
(22) Date of Filing Application: **25 November 2015**
(24) Date from which industrial property rights may have effect: **25 November 2015**
(54) Product in respect of which the design is registered: **Catheter package assembly**
(51) International Design Classification: **24-04**
(74) Name(s) of Attorney(s): **Shelston IP Pty Ltd.**
(71) Name(s) and Address(s) of Applicant(s):
Hollister Incorporated
2000 Hollister Drive Libertyville Illinois 60048 United States of America
(72) Name(s) of Designer(s): **David Hannon and Martin McMenamin and Adam J. Foley and Paul C. Fletter and Marine V. Richard**
(45) Registration Date: **24 February 2016**
(30) Convention priority data:
(31) Number (32) Date (33) Country
29/528628 29 May 2015 UNITED STATES OF AMERICA
(56) Related Art Documents: **Not Applicable**
(57) Statement of Newness and Distinctiveness: **Newness and distinctiveness reside in the features of shape and/or configuration of a CATHETER PACKAGE ASSEMBLY as illustrated in solid lines in the accompanying representations. The features shown in broken or discontinuous lines are illustrative only and do not form part of the design**



(21) Design Number: **16779/2015**
(22) Date of Filing Application: **11 December 2015**
(24) Date from which industrial property rights may have effect: **11 December 2015**
(54) Product in respect of which the design is registered: **Quatro body bath massage oil**
(51) International Design Classification: **08-05N**
(74) Name(s) of Attorney(s):
(71) Name(s) and Address(s) of Applicant(s):
THEGOLDMAKERS OF AUSTRALIA PTY LTD
14 Priestley Ave Hoppers Crossing VIC 3029 Australia
(72) Name(s) of Designer(s): **Robert McKerry**
(45) Registration Date: **24 February 2016**
(56) Related Art Documents: **Not Applicable**
(57) Statement of Newness and Distinctiveness: **UNIQUE FLORAL DYNAMIC FLUID GOLD BOW TASSEL BOTTLE AND SHAPE DESIGN PACK**



(21) Design Number: **16780/2015**
(22) Date of Filing Application: **11 December 2015**
(24) Date from which industrial property rights may have effect: **11 December 2015**
(54) Product in respect of which the design is registered: **Gold bath lotion oil**
(51) International Design Classification: **28-03NES**
(74) Name(s) of Attorney(s):
(71) Name(s) and Address(s) of Applicant(s):
THEGOLDMAKERS OF AUSTRALIA PTY LTD
14 Priestley Ave Hoppers Crossing VIC 3029 Australia
(72) Name(s) of Designer(s): **Robert McKerry**
(45) Registration Date: **24 February 2016**
(56) Related Art Documents: **Not Applicable**
(57) Statement of Newness and Distinctiveness: **UNIQUE DYNAMIC FLUID
DESIGN WITH FLORAL, DRESS AND FINISH INCLUDING GOLD**



(21) Design Number: **10376/2016**
(22) Date of Filing Application: **27 January 2016**
(24) Date from which industrial property rights may have effect: **27 January 2016**
(54) Product in respect of which the design is registered: **A label**
(51) International Design Classification: **19-08**
(74) Name(s) of Attorney(s):
(71) Name(s) and Address(s) of Applicant(s):
GOTOP AUSTRALIA PTY LTD
L1 299 Elizabeth St Sydney NSW 2000 Australia
(72) Name(s) of Designer(s): **Martin Kane**
(45) Registration Date: **24 February 2016**
(56) Related Art Documents: **Not Applicable**
(57) Statement of Newness and Distinctiveness: **Unique cow design with sky/
mountain/farm, a fresh/natural style.**



(21) Design Number: **10640/2016**
(22) Date of Filing Application: **09 February 2016**
(24) Date from which industrial property rights may have effect: **09 February 2016**
(54) Product in respect of which the design is registered: **Tissue dispenser**
(51) International Design Classification: **23-02A**
(74) Name(s) of Attorney(s): **Spruson & Ferguson**
(71) Name(s) and Address(s) of Applicant(s):

Kimberly-Clark Worldwide, Inc.
2300 Winchester Road, Neenah Wisconsin, 54956 United States of America

(72) Name(s) of Designer(s): **David W. Kapiloff and Barry P. Markwick**

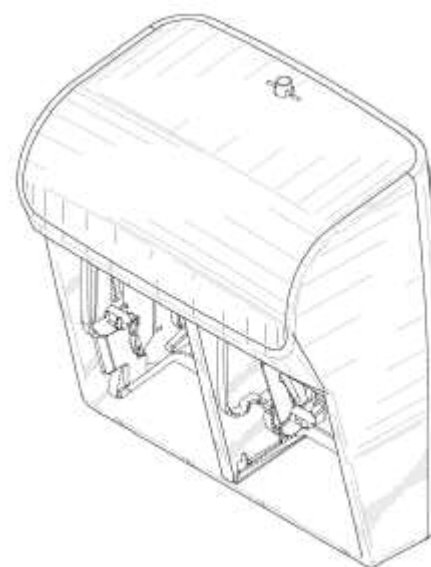
(45) Registration Date: **24 February 2016**

(30) Convention priority data:

(31) Number	(32) Date	(33) Country
29/536134	13 Aug 2015	UNITED STATES OF AMERICA

(56) Related Art Documents: **Not Applicable**

(57) Statement of Newness and Distinctiveness: **Newness and distinctiveness is claimed in those features of shape and/or configuration of a tissue dispenser illustrated in continuous lines in the accompanying representations.**



(21) Design Number: **10642/2016**
(22) Date of Filing Application: **09 February 2016**
(24) Date from which industrial property rights may have effect: **09 February 2016**
(54) Product in respect of which the design is registered: **Countdown clock**
(51) International Design Classification: **10-01**
(74) Name(s) of Attorney(s): **Griffith Hack**
(71) Name(s) and Address(s) of Applicant(s):

Richard Zaldivar
1516 E. Colonial Drive Suite 301 Orlando FL, 32803 United States of America

(72) Name(s) of Designer(s): **Richard Zaldivar**

(45) Registration Date: **24 February 2016**

(30) Convention priority data:

(31) Number	(32) Date	(33) Country
29/542,713	16 Oct 2015	UNITED STATES OF AMERICA

(56) Related Art Documents: **Not Applicable**

(57) Statement of Newness and Distinctiveness: **Newness and distinctiveness resides in the visual features, including the shape and configuration of the product as shown by means of solid lines in the representations. The symbols shown in figure 1 have been included for illustrative purposes and do not form part of the design. The portion shown in dashed lines in figures 3, 4, 6 and 9 illustrate a drinking cup which does not form part of the product.**



(21) Design Number: **10643/2016**
(22) Date of Filing Application: **09 February 2016**
(24) Date from which industrial property rights may have effect: **09 February 2016**
(54) Product in respect of which the design is registered: **Storage unit**
(51) International Design Classification: **06-04B**
(74) Name(s) of Attorney(s): **Griffith Hack**
(71) Name(s) and Address(s) of Applicant(s):

Steelcase Inc.
901 44th Street, S.E. Grand Rapids Michigan, 49508 United States of America

(72) Name(s) of Designer(s): **Alban Moriniere and Laurent Troesch and Karl-Heinz Mueller**

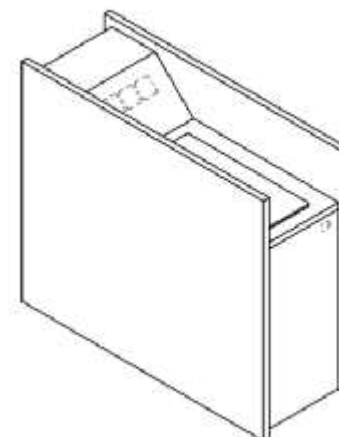
(45) Registration Date: **24 February 2016**

(30) Convention priority data:

(31) Number	(32) Date	(33) Country
002817510-0001	09 Oct 2015	OFFICE FOR HARMONISATION IN THE INTERNAL MARKET (OHIM)

(56) Related Art Documents: **Not Applicable**

(57) Statement of Newness and Distinctiveness: **Newness and distinctiveness resides in the visual features, including the shape and configuration of the product as shown by means of solid lines in the representations.**



(21) Design Number: **10647/2016**
(22) Date of Filing Application: **09 February 2016**
(24) Date from which industrial property rights may have effect: **09 February 2016**
(54) Product in respect of which the design is registered: **Air purifier**
(51) International Design Classification: **23-04**
(74) Name(s) of Attorney(s): **FB Rice**
(71) Name(s) and Address(s) of Applicant(s):

Koninklijke Philips N.V.
High Tech Campus 5 5656 AE Eindhoven Netherlands

(72) Name(s) of Designer(s): **Guo Ning Hu**

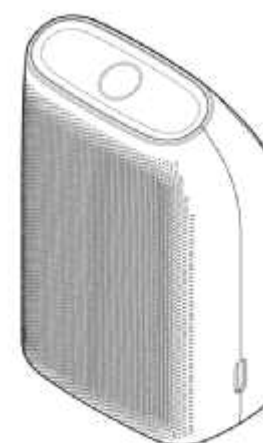
(45) Registration Date: **24 February 2016**

(30) Convention priority data:

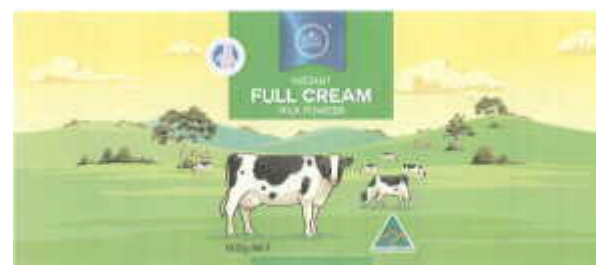
(31) Number	(32) Date	(33) Country
002751818-0001	10 Aug 2015	OFFICE FOR HARMONISATION IN THE INTERNAL MARKET (OHIM)

(56) Related Art Documents: **Not Applicable**

(57) Statement of Newness and Distinctiveness: **Newness and distinctiveness reside in the features of shape and configuration of the design as shown in the representations.**



- (21) Design Number: **10925/2016**
(22) Date of Filing Application: **18 February 2016**
(24) Date from which industrial property rights may have effect: **18 February 2016**
(54) Product in respect of which the design is registered: **A label**
(51) International Design Classification: **19-08**
(74) Name(s) of Attorney(s):
(71) Name(s) and Address(s) of Applicant(s):
GOTOP AUSTRALIA PTY LTD
L1 299 Elizabeth St Sydney NSW 2000 Australia
(72) Name(s) of Designer(s): **Martin Kane**
(45) Registration Date: **24 February 2016**
(56) Related Art Documents: **Not Applicable**
(57) Statement of Newness and Distinctiveness: **unique cow design with sky/
mountain/farm,a fresh/natural style**



- (21) Design Number: **10926/2016**
(22) Date of Filing Application: **18 February 2016**
(24) Date from which industrial property rights may have effect: **18 February 2016**
(54) Product in respect of which the design is registered: **A label**
(51) International Design Classification: **19-08**
(74) Name(s) of Attorney(s):
(71) Name(s) and Address(s) of Applicant(s):
GOTOP AUSTRALIA PTY LTD
L1 299 Elizabeth St Sydney NSW 2000 Australia
(72) Name(s) of Designer(s): **Martin Kane**
(45) Registration Date: **24 February 2016**
(56) Related Art Documents: **Not Applicable**
(57) Statement of Newness and Distinctiveness: **unique cow design with sky/
mountain/farm,a fresh/natural style**



(21) Design Number: **14954/2015**
(22) Date of Filing Application: **21 September 2015**
(24) Date from which industrial property rights may have effect: **21 September 2015**
(54) Product in respect of which the design is registered: **Toaster**
(51) International Design Classification: **07-02F**
(74) Name(s) of Attorney(s): **Molins & Co Pty Ltd**
(71) Name(s) and Address(s) of Applicant(s):
Breville Pty Limited
Ground Floor SE2 170-180 Bourke Rd Alexandria NSW 2015 Australia
(72) Name(s) of Designer(s): **James George Morton**
(45) Registration Date: **25 February 2016**
(56) Related Art Documents: **Not Applicable**
(57) Statement of Newness and Distinctiveness: **Newness is claimed in the features of shape and configuration of the toaster as shown in the accompanying representations.**



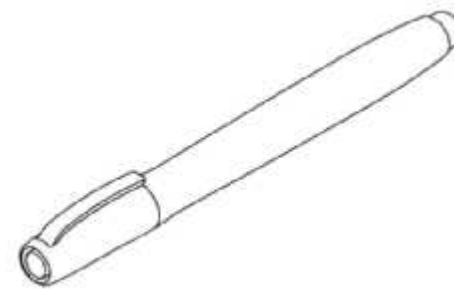
(21) Design Number: **10651/2016**
(22) Date of Filing Application: **10 February 2016**
(24) Date from which industrial property rights may have effect: **10 February 2016**
(54) Product in respect of which the design is registered: **Bag**
(51) International Design Classification: **03-01B**
(74) Name(s) of Attorney(s): **FB Rice**
(71) Name(s) and Address(s) of Applicant(s):
FURLA S.p.A.
Via Bellaria, 3-5 Lazzaro Di Savena (BO) I-40068 Italy
(72) Name(s) of Designer(s): **Fabio Fusi**
(45) Registration Date: **25 February 2016**
(30) Convention priority data:
(31) Number (32) Date (33) Country
002757161-0003 19 Aug 2015 OFFICE FOR HARMONISATION IN THE INTERNAL MARKET (OHIM)
(56) Related Art Documents: **Not Applicable**
(57) Statement of Newness and Distinctiveness: **Newness and distinctiveness reside in the overall appearance of the bag as shown in the representations.**



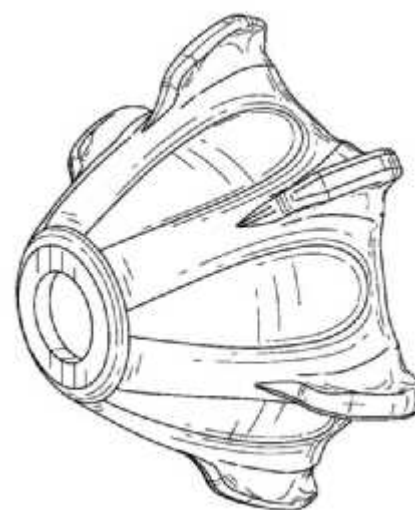
(21) Design Number: **10652/2016**
(22) Date of Filing Application: **10 February 2016**
(24) Date from which industrial property rights may have effect: **10 February 2016**
(54) Product in respect of which the design is registered: **Beard trimmer**
(51) International Design Classification: **28-03D**
(74) Name(s) of Attorney(s): **FB Rice**
(71) Name(s) and Address(s) of Applicant(s):
Koninklijke Philips N.V.
High Tech Campus 5 5656 AE Eindhoven The Netherlands
(72) Name(s) of Designer(s): **Florian Jeremy Fabrice Boulanger**
(45) Registration Date: **25 February 2016**
(30) Convention priority data:
(31) Number (32) Date (33) Country
**002753293-0001 12 Aug 2015 OFFICE FOR HARMONISATION IN
THE INTERNAL MARKET (OHIM)**
(56) Related Art Documents: **Not Applicable**
(57) Statement of Newness and Distinctiveness: **Newness and distinctiveness
reside in the features of shape and configuration of the design as shown
in the representations.**



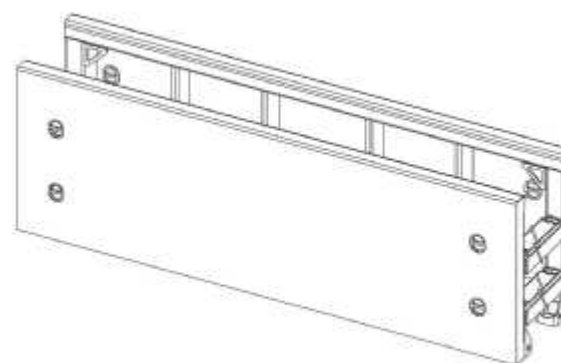
(21) Design Number: **10653/2016**
(22) Date of Filing Application: **10 February 2016**
(24) Date from which industrial property rights may have effect: **10 February 2016**
(54) Product in respect of which the design is registered: **Marking pen**
(51) International Design Classification: **19-06**
(74) Name(s) of Attorney(s): **Madderns**
(71) Name(s) and Address(s) of Applicant(s):
Shachihata Inc.
No. 69 4-chome Amazuka-cho Nishi-ku Nagoya-shi Aichi 451-0021 Japan
(72) Name(s) of Designer(s): **Musashi Kimura**
(45) Registration Date: **25 February 2016**
(30) Convention priority data:
(31) Number (32) Date (33) Country
2015-019112 31 Aug 2015 JAPAN
(56) Related Art Documents: **Not Applicable**
(57) Statement of Newness and Distinctiveness: **Nil**



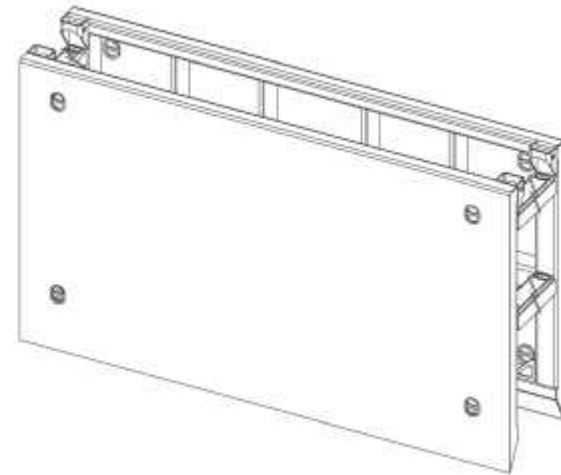
- (21) Design Number: **10655/2016**
(22) Date of Filing Application: **10 February 2016**
(24) Date from which industrial property rights may have effect: **10 February 2016**
(54) Product in respect of which the design is registered: **Grip adapter for debrider blade nosecone**
(51) International Design Classification: **24-02**
(74) Name(s) of Attorney(s): **PHILLIPS ORMONDE FITZPATRICK**
(71) Name(s) and Address(s) of Applicant(s):
Gyrus ACMI, Inc., d.b.a. Olympus Surgical Technologies America
136 Turnpike Road Southborough Massachusetts 01772 United States of America
(72) Name(s) of Designer(s): **Joel A. Willhite**
(45) Registration Date: **25 February 2016**
(30) Convention priority data:
(31) Number (32) Date (33) Country
29/539,811 17 Sep 2015 UNITED STATES OF AMERICA
(56) Related Art Documents: **Not Applicable**
(57) Statement of Newness and Distinctiveness: **Those features of the grip adapter for debrider blade nosecone depicted in the representations that are new and distinctive are the shape and/or configuration. The features shown in broken line are not part of the design and are to be disregarded when considering the overall impression of the design.**



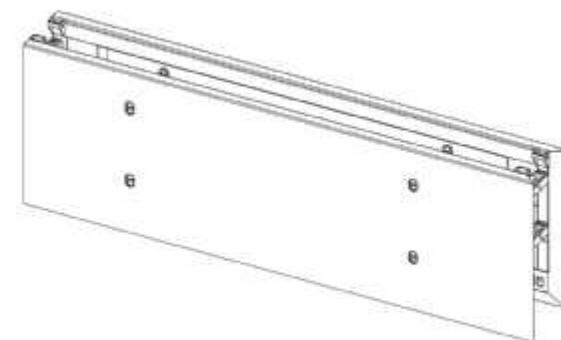
- (21) Design Number: **10656/2016**
(22) Date of Filing Application: **10 February 2016**
(24) Date from which industrial property rights may have effect: **10 February 2016**
(54) Product in respect of which the design is registered: **A trench shield**
(51) International Design Classification: **15-09**
(74) Name(s) of Attorney(s): **AJ Park**
(71) Name(s) and Address(s) of Applicant(s):
REAL STEEL LIMITED
South Pacific Industrial Park 24 Railway Avenue Upper Hutt 5018 New Zealand
(72) Name(s) of Designer(s): **Carl John Leenders**
(45) Registration Date: **25 February 2016**
(56) Related Art Documents: **Not Applicable**
(57) Statement of Newness and Distinctiveness: **Newness and distinctiveness reside in the features of shape and/or configuration of the trench shield, all as shown in the representations. The struts are of indefinite length.**



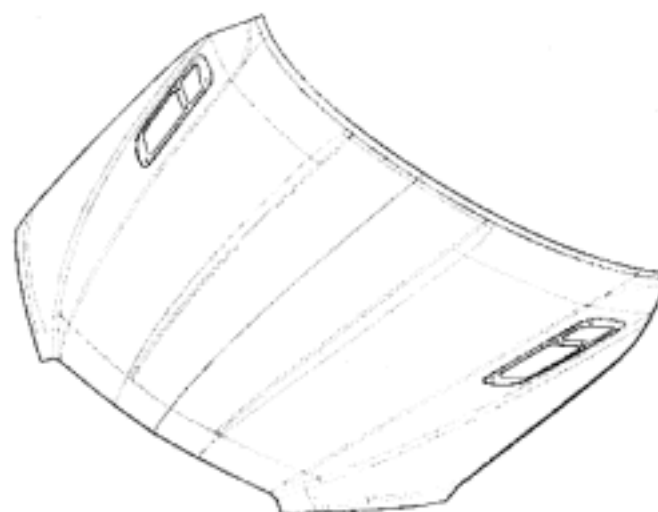
- (21) Design Number: **10657/2016**
(22) Date of Filing Application: **10 February 2016**
(24) Date from which industrial property rights may have effect: **10 February 2016**
(54) Product in respect of which the design is registered: **A trench shield**
(51) International Design Classification: **15-09**
(74) Name(s) of Attorney(s): **AJ Park**
(71) Name(s) and Address(s) of Applicant(s):
REAL STEEL LIMITED
South Pacific Industrial Park 24 Railway Avenue Upper Hutt 5018 New Zealand
(72) Name(s) of Designer(s): **Carl John Leenders**
(45) Registration Date: **25 February 2016**
(56) Related Art Documents: **Not Applicable**
(57) Statement of Newness and Distinctiveness: **Newness and distinctiveness reside in the features of shape and/or configuration of the trench shield, all as shown in the representations. The struts are of indefinite length.**



- (21) Design Number: **10658/2016**
(22) Date of Filing Application: **10 February 2016**
(24) Date from which industrial property rights may have effect: **10 February 2016**
(54) Product in respect of which the design is registered: **A trench shield**
(51) International Design Classification: **15-09**
(74) Name(s) of Attorney(s): **AJ Park**
(71) Name(s) and Address(s) of Applicant(s):
REAL STEEL LIMITED
South Pacific Industrial Park 24 Railway Avenue Upper Hutt 5018 New Zealand
(72) Name(s) of Designer(s): **Carl John Leenders**
(45) Registration Date: **25 February 2016**
(56) Related Art Documents: **Not Applicable**
(57) Statement of Newness and Distinctiveness: **Newness and distinctiveness reside in the features of shape and/or configuration of the trench shield, all as shown in the representations. The struts are of indefinite length.**



- (21) Design Number: **13959/2015**
(22) Date of Filing Application: **04 August 2015**
(24) Date from which industrial property rights may have effect: **04 August 2015**
(54) Product in respect of which the design is registered: **Vehicle hood**
(51) International Design Classification: **12-16B**
(74) Name(s) of Attorney(s): **K&L Gates**
(71) Name(s) and Address(s) of Applicant(s):
GM Global Technology Operations LLC
300 Renaissance Centre Detroit Michigan, 48265-3000 United States of America
(72) Name(s) of Designer(s): **Richard Ferlazzo**
(45) Registration Date: **25 February 2016**
(56) Related Art Documents: **Not Applicable**
(57) Statement of Newness and Distinctiveness: **Nil**



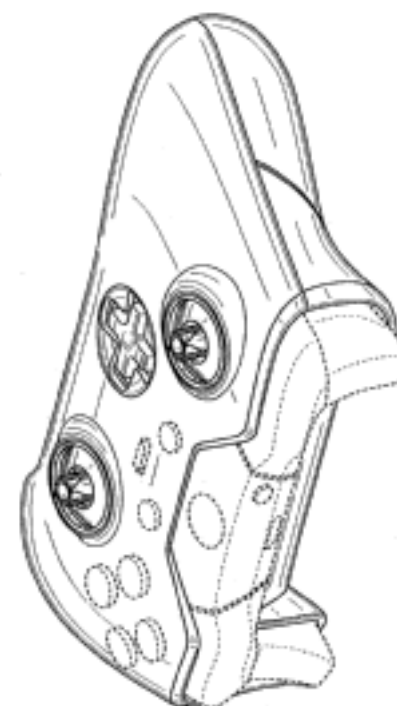
- (21) Design Number: **15620/2015**
(22) Date of Filing Application: **22 October 2015**
(24) Date from which industrial property rights may have effect: **22 October 2015**
(54) Product in respect of which the design is registered: **Water bottle**
(51) International Design Classification: **09-01NES**
(74) Name(s) of Attorney(s):
(71) Name(s) and Address(s) of Applicant(s):
Nova Springwater Pty Ltd
U5 51 York Rd Penrith NSW 2750 Australia
(72) Name(s) of Designer(s): **Nitin Lotliker**
(45) Registration Date: **25 February 2016**
(56) Related Art Documents: **Not Applicable**
(57) Statement of Newness and Distinctiveness: **The bottle is made from a standard clear PET material, but the cross section of the bottle wall is shaped such that it creates a glass concave lens like appearance and this gives a GLASS LIKE LOOK to the bottle and the Concave elements also add rigidity to the bottle which also imparts GLASS LIKE FEEL to the bottle. The overall LOOK and FEEL is GLASS LIKE.**



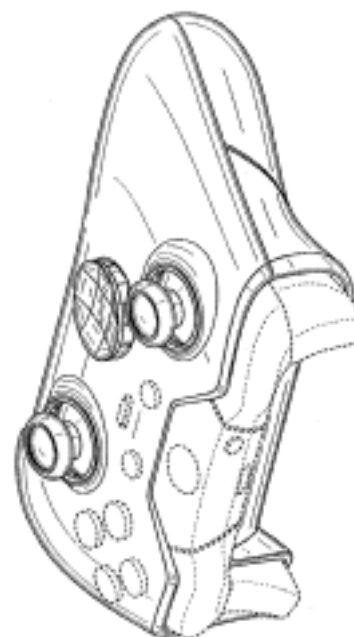
- (21) Design Number: **16382/2015**
(22) Date of Filing Application: **26 November 2015**
(24) Date from which industrial property rights may have effect: **26 November 2015**
(54) Product in respect of which the design is registered: **Vehicle Replacement Window**
(51) International Design Classification: **12-16B**
(74) Name(s) of Attorney(s):
(71) Name(s) and Address(s) of Applicant(s):
Rodney William Marks
PO BOX 574 Rosanna VIC 3084 Australia
(72) Name(s) of Designer(s): **Rodney William Marks**
(45) Registration Date: **25 February 2016**
(56) Related Art Documents: **Not Applicable**
(57) Statement of Newness and Distinctiveness: **Invented and designed by Rodney Marks as there was no product of its kind to purchase off the shelf in Australia or overseas. The EmuWing V3 is distinctive as it replaces the existing side window in many models of four wheel drives. EmuWing V3 opens up like a 'gull wing' giving access to the rear cargo area from the side of the vehicle. No modifications are required to the vehicle and they have been designed for easy installation. They are lockable, secure, waterproof and dustproof. EmuWings V3 are available in Australian Approved Vehicle Safety Glass and Flat Aluminium. Some essential spacers invented and designed by Rodney Marks, are 3D printed by EmuWing and are distinct to EmuWings. Some essential rubber and metal components that are distinct to EmuWings, have been designed by Rodney Marks for EmuWing and exclusively produced for EmuWing by Australian suppliers not available to purchase off the shelf in Australia or Overseas.**



- (21) Design Number: **16738/2015**
(22) Date of Filing Application: **11 December 2015**
(24) Date from which industrial property rights may have effect: **11 December 2015**
(54) Product in respect of which the design is registered: **Controller**
(51) International Design Classification: **21-01N**
(74) Name(s) of Attorney(s): **Shelston IP Pty Ltd.**
(71) Name(s) and Address(s) of Applicant(s):
Microsoft Corporation
One Microsoft Way Redmond Washington, 98052-5321 United States of America
(72) Name(s) of Designer(s): **Christopher Kujawski and Kenneth Jasinski and Carl J. Ledbetter**
(45) Registration Date: **25 February 2016**
(30) Convention priority data:
(31) Number (32) Date (33) Country
29/530098 12 Jun 2015 UNITED STATES OF AMERICA
(56) Related Art Documents: **Not Applicable**
(57) Statement of Newness and Distinctiveness: **Newness and distinctiveness reside in the features of shape and/or configuration of a controller as illustrated by solid lines in the accompanying representations. The features shown in broken outline and discontinuous lines are for contextual purposes only and do not form part of the design.**



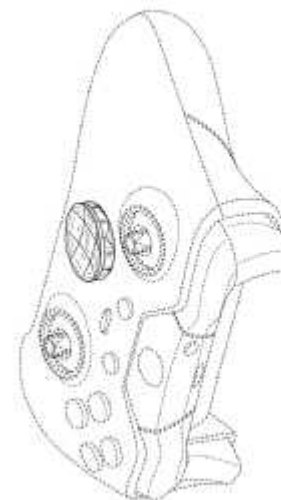
(21) Design Number: **16744/2015**
(22) Date of Filing Application: **11 December 2015**
(24) Date from which industrial property rights may have effect: **11 December 2015**
(54) Product in respect of which the design is registered: **Controller**
(51) International Design Classification: **21-01N**
(74) Name(s) of Attorney(s): **Shelston IP Pty Ltd.**
(71) Name(s) and Address(s) of Applicant(s):
Microsoft Corporation
One Microsoft Way Redmond Washington, 98052-5321 United States of America
(72) Name(s) of Designer(s): **Christopher Kujawski and Kenneth Jasinski and Carl J. Ledbetter**
(45) Registration Date: **25 February 2016**
(30) Convention priority data:
(31) Number (32) Date (33) Country
29/530106 12 Jun 2015 UNITED STATES OF AMERICA
(56) Related Art Documents: **Not Applicable**
(57) Statement of Newness and Distinctiveness: **Newness and distinctiveness reside in the features of shape and/or configuration of a controller as illustrated by solid lines in the accompanying representations. The features shown in broken outline and discontinuous lines are for contextual purposes only and do not form part of the design.**



(21) Design Number: **16792/2015**
(22) Date of Filing Application: **14 December 2015**
(24) Date from which industrial property rights may have effect: **14 December 2015**
(54) Product in respect of which the design is registered: **Fence footing**
(51) International Design Classification: **08-08K**
(74) Name(s) of Attorney(s):
(71) Name(s) and Address(s) of Applicant(s):
Jeff Joseph
U4/331 North Rd Caulfield South VIC 3162 Australia
(72) Name(s) of Designer(s): **Jeff Joseph**
(45) Registration Date: **25 February 2016**
(56) Related Art Documents: **Not Applicable**
(57) Statement of Newness and Distinctiveness: **The product is the base for supporting a temporary fence Distinctiveness panel but differs in appearance by having three holes in a lateral position with the third hole at the back of the block allowing a third pole to be driven into the ground to provide more stability while directly supporting the panel in front of it. It is effective in stopping the fence blowing over.**

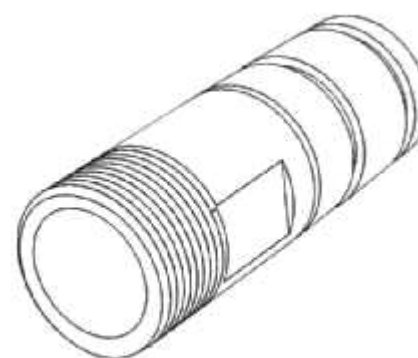


(21) Design Number: **16756/2015**
(22) Date of Filing Application: **11 December 2015**
(24) Date from which industrial property rights may have effect: **11 December 2015**
(54) Product in respect of which the design is registered: **Controller component**
(51) International Design Classification: **21-01N**
(74) Name(s) of Attorney(s): **Shelston IP Pty Ltd.**
(71) Name(s) and Address(s) of Applicant(s):
Microsoft Corporation
One Microsoft Way Redmond Washington, 98052-5321 United States of America
(72) Name(s) of Designer(s): **Christopher Kujawski and Kenneth Jasinski and Carl J. Ledbetter**
(45) Registration Date: **25 February 2016**
(30) Convention priority data:
(31) Number (32) Date (33) Country
29/530102 12 Jun 2015 UNITED STATES OF AMERICA



(56) Related Art Documents: **Not Applicable**
(57) Statement of Newness and Distinctiveness: **Newness and distinctiveness reside in the features of shape and/or configuration of a controller component as illustrated by solid lines in the accompanying representations. The features shown in broken outline and discontinuous lines are for contextual purposes only and do not form part of the design.**

(21) Design Number: **16844/2015**
(22) Date of Filing Application: **16 December 2015**
(24) Date from which industrial property rights may have effect: **16 December 2015**
(54) Product in respect of which the design is registered: **A water tank connector**
(51) International Design Classification: **23-01F**
(74) Name(s) of Attorney(s): **Davies Collison Cave**
(71) Name(s) and Address(s) of Applicant(s):
Inform Energy Pty Ltd
c/o Davies Collison Cave L10/301 Coronation Dr Milton QLD 4064 Australia



(72) Name(s) of Designer(s): **John David Aitken**
(45) Registration Date: **25 February 2016**
(56) Related Art Documents: **Not Applicable**
(57) Statement of Newness and Distinctiveness: **Newness and distinctiveness is claimed in the visual features of the water tank connector as shown in solid lines in the accompanying representations.**

(21) Design Number: **10115/2016**

(22) Date of Filing Application: **11 January 2016**

(24) Date from which industrial property rights may have effect: **11 January 2016**

(54) Product in respect of which the design is registered: **Shoe upper**

(51) International Design Classification: **02-04B**

(74) Name(s) of Attorney(s): **Davies Collison Cave**

(71) Name(s) and Address(s) of Applicant(s):

NIKE Innovate C.V.

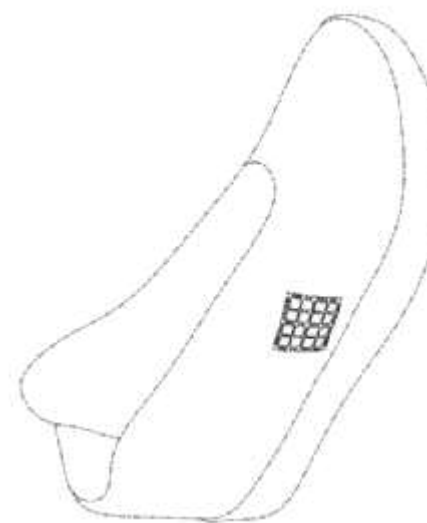
One Bowerman Drive Beaverton Oregon, 97005-6453 United States of America

(72) Name(s) of Designer(s): **Tinker L. Hatfield**

(45) Registration Date: **25 February 2016**

(56) Related Art Documents: **Not Applicable**

(57) Statement of Newness and Distinctiveness: **Newness and distinctiveness is claimed in the visual features shown in solid lines in the representations. In considering the extent of the design rights, the broken lines shown in the representations are for illustrative purposes only and do not form part of the design.**



(21) Design Number: **10301/2016**

(22) Date of Filing Application: **21 January 2016**

(24) Date from which industrial property rights may have effect: **21 January 2016**

(54) Product in respect of which the design is registered: **A table**

(51) International Design Classification: **06-03A, 06-03B**

(74) Name(s) of Attorney(s): **WATERMARK PATENT AND TRADE MARKS ATTORNEYS**

(71) Name(s) and Address(s) of Applicant(s):

Orion Holdings (Overseas) Limited

13/F Pico Tower 66 Gloucester Road Wan Chai Hong Kong Island Hong Kong

(72) Name(s) of Designer(s): **Justin Chui**

(45) Registration Date: **25 February 2016**

(56) Related Art Documents: **Not Applicable**

(57) Statement of Newness and Distinctiveness: **Newness and distinctiveness resides in the visual features of shape and configuration of a table as shown in the accompanying representations.**



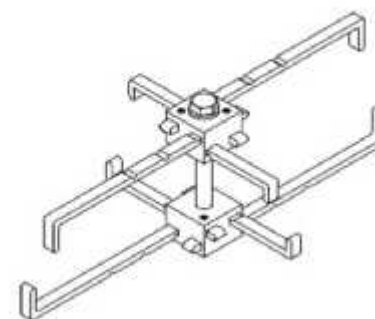
- (21) Design Number: **10594/2016**
(22) Date of Filing Application: **04 February 2016**
(24) Date from which industrial property rights may have effect: **04 February 2016**
(54) Product in respect of which the design is registered: **Lamp shade**
(51) International Design Classification: **26-05D**
(74) Name(s) of Attorney(s):
(71) Name(s) and Address(s) of Applicant(s):
Adrian William Lawson
6 riverview Rd Avalon Beach NSW 2107 Australia
(72) Name(s) of Designer(s): **Adrian William Lawson**
(45) Registration Date: **25 February 2016**
(56) Related Art Documents: **Not Applicable**
(57) Statement of Newness and Distinctiveness: **This product is made from recycled wooden venetian blinds. Each wooden slat has been cut down and shaped in order to fit into plastic slat holder. The plastic slat holder has been designed by Adrian Lawson so that each wooden slat slots into place allowing the optimum amount of light to create a lamp shade that is uniquely beautiful. The slat holders have also been designed to have flexible fingers that allow the purchaser to easily engage the wooden slats. The lamp shade is hung from the ceiling by a compatible cord bracket; the bracket was engineered by Adrian Lawson to fit the slat holder and easily supports the lamp shade. It is made out of plastic and colour co-ordinated to match the slat ring holders. The product will be sold as a flat pack and fully assembled.**



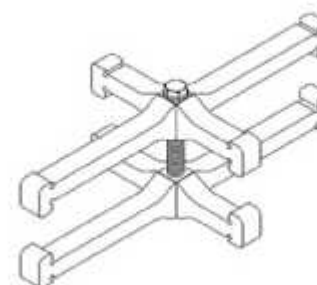
- (21) Design Number: **10618/2016**
(22) Date of Filing Application: **05 February 2016**
(24) Date from which industrial property rights may have effect: **05 February 2016**
(54) Product in respect of which the design is registered: **Water supply inlet manifold**
(51) International Design Classification: **23-01E**
(74) Name(s) of Attorney(s): **Collison & Co**
(71) Name(s) and Address(s) of Applicant(s):
AUTOTHERM PTY LTD
8-10 Orion Rd Direk SA 5110 Australia
(72) Name(s) of Designer(s): **Matthew Burden Smith and Marcus James Jayne and David Brenton Gehlert**
(45) Registration Date: **25 February 2016**
(56) Related Art Documents: **Not Applicable**
(57) Statement of Newness and Distinctiveness: **Nil**



(21) Design Number: **10660/2016**
(22) Date of Filing Application: **10 February 2016**
(24) Date from which industrial property rights may have effect: **10 February 2016**
(54) Product in respect of which the design is registered: **Welding fixture**
(51) International Design Classification: **08-08D, 08-05M**
(74) Name(s) of Attorney(s): **Griffith Hack**
(71) Name(s) and Address(s) of Applicant(s):
Roxtec AB
P.O. Box 540 Karlskrona SE-371 23 Sweden
(72) Name(s) of Designer(s): **Jorgen Landqvist**
(45) Registration Date: **25 February 2016**
(30) Convention priority data:
(31) Number (32) Date (33) Country
002755553-0001 17 Aug 2015 EUROPEAN PATENT OFFICE (EPO)
(56) Related Art Documents: **Not Applicable**
(57) Statement of Newness and Distinctiveness: **Newness and distinctiveness resides in the visual features, including shape and configuration of the product as shown in the accompanying representations.**



(21) Design Number: **10661/2016**
(22) Date of Filing Application: **10 February 2016**
(24) Date from which industrial property rights may have effect: **10 February 2016**
(54) Product in respect of which the design is registered: **Welding fixture**
(51) International Design Classification: **08-08D, 08-05M**
(74) Name(s) of Attorney(s): **Griffith Hack**
(71) Name(s) and Address(s) of Applicant(s):
Roxtec AB
P.O. Box 540 Karlskrona SE-371 23 Sweden
(72) Name(s) of Designer(s): **Jorgen Landqvist**
(45) Registration Date: **25 February 2016**
(30) Convention priority data:
(31) Number (32) Date (33) Country
002755553-0002 17 Aug 2015 EUROPEAN PATENT OFFICE (EPO)
(56) Related Art Documents: **Not Applicable**
(57) Statement of Newness and Distinctiveness: **Newness and distinctiveness resides in the visual features, including shape and configuration of the product as shown in the accompanying representations.**



- (21) Design Number: **10662/2016**
(22) Date of Filing Application: **10 February 2016**
(24) Date from which industrial property rights may have effect: **10 February 2016**
(54) Product in respect of which the design is registered: **Bottle**
(51) International Design Classification: **09-01NES**
(74) Name(s) of Attorney(s): **Spruson & Ferguson**
(71) Name(s) and Address(s) of Applicant(s):
PepsiCo, Inc
700 Anderson Hill Road, Purchase New York, 10577 United States of America
- (72) Name(s) of Designer(s): **Drew Alexander Read Palin and Sean Joseph Huls and Brandon Scott Rhodes and Xavi Cortadellas and Tucker Fort and Laura Sink and Alexander Ian James Wastney and John Lester Ostby and Matthew Schmunk**
- (45) Registration Date: **25 February 2016**
- (30) Convention priority data:
- | | | |
|------------------|--------------------|---------------------------------|
| (31) Number | (32) Date | (33) Country |
| 29/535914 | 11 Aug 2015 | UNITED STATES OF AMERICA |
- (56) Related Art Documents: **Not Applicable**
- (57) Statement of Newness and Distinctiveness: **Newness and distinctiveness is claimed in the features of shape and/or configuration of a bottle as illustrated in the accompanying representations.**



- (21) Design Number: **10663/2016**
(22) Date of Filing Application: **10 February 2016**
(24) Date from which industrial property rights may have effect: **10 February 2016**
(54) Product in respect of which the design is registered: **Bottle**
(51) International Design Classification: **09-01NES**
(74) Name(s) of Attorney(s): **Spruson & Ferguson**
(71) Name(s) and Address(s) of Applicant(s):
PepsiCo, Inc
700 Anderson Hill Road, Purchase New York, 10577 United States of America
- (72) Name(s) of Designer(s): **Drew Alexander Read Palin and Sean Joseph Huls and Brandon Scott Rhodes and Xavi Cortadellas and Tucker Fort and Laura Sink and Alexander Ian James Wastney and John Lester Ostby and Matthew Schmunk**
- (45) Registration Date: **25 February 2016**
- (30) Convention priority data:
- | | | |
|------------------|--------------------|---------------------------------|
| (31) Number | (32) Date | (33) Country |
| 29/535914 | 11 Aug 2015 | UNITED STATES OF AMERICA |
- (56) Related Art Documents: **Not Applicable**
- (57) Statement of Newness and Distinctiveness: **Newness and distinctiveness is claimed in the features of shape and/or configuration of a bottle as illustrated in the accompanying representations.**



- (21) Design Number: **16268/2015**
(22) Date of Filing Application: **19 November 2015**
(24) Date from which industrial property rights may have effect: **19 November 2015**
(54) Product in respect of which the design is registered: **An underwire bodysuit made of polyester and lycra.**
(51) International Design Classification: **02-02C**
(74) Name(s) of Attorney(s):
(71) Name(s) and Address(s) of Applicant(s):
V Sherwood-Leister
9 Head Court Seymour VIC 3660 Australia
C Sherwood
6B Lymn Avenue Athelston SA 5076 9 head Ct Seymour VIC 3660 Australia
(72) Name(s) of Designer(s): **Valerie Sherwood Leister and Christina Sherwood**
(45) Registration Date: **25 February 2016**
(56) Related Art Documents: **Not Applicable**
(57) Statement of Newness and Distinctiveness: **The bodysuit is a new design for mature young girls (from age 11 upwards) to wear under the leotard to provide more coverage over the bust area. The fitted bra that is sewn into the suit will give support and enable girls to feel more confident on stage and during class. This is a definite market as girls are maturing earlier and seeking a comfortable bodysuit that allows flexibility. The bodysuit is also going to be distributed to women of all ages. Selling in Adelaide and Melbourne. Sizes Small 8/10 Med 10/12 Lg. 12/14.**



- (21) Design Number: **10288/2016**
(22) Date of Filing Application: **21 January 2016**
(24) Date from which industrial property rights may have effect: **21 January 2016**
(54) Product in respect of which the design is registered: **Tyre for motorcycle**
(51) International Design Classification: **12-15D**
(74) Name(s) of Attorney(s): **Davies Collison Cave**
(71) Name(s) and Address(s) of Applicant(s):
Sumitomo Rubber Industries, Ltd.
6-9, Wakinoama-cho 3-chome, Chuo-ku Kobe-shi Hyogo, 651-0072 JAPAN
(72) Name(s) of Designer(s): **Masafumi Otani**
(45) Registration Date: **25 February 2016**
(56) Related Art Documents: **Not Applicable**
(57) Statement of Newness and Distinctiveness: **Nil**



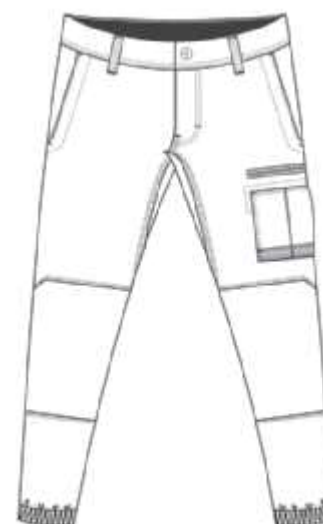
(21) Design Number: **10292/2016**
(22) Date of Filing Application: **21 January 2016**
(24) Date from which industrial property rights may have effect: **21 January 2016**
(54) Product in respect of which the design is registered: **Tyre for motorcycle**
(51) International Design Classification: **12-15D**
(74) Name(s) of Attorney(s): **Davies Collison Cave**
(71) Name(s) and Address(s) of Applicant(s):
Sumitomo Rubber Industries, Ltd.
6-9, Wakinoama-cho 3-Chome, Chuo-ku Kobe-shi Hyogo, 651-0072
Japan
(72) Name(s) of Designer(s): **Masafumi Otani**
(45) Registration Date: **25 February 2016**
(56) Related Art Documents: **Not Applicable**
(57) Statement of Newness and Distinctiveness: **Nil**



(21) Design Number: **10307/2016**
(22) Date of Filing Application: **21 January 2016**
(24) Date from which industrial property rights may have effect: **21 January 2016**
(54) Product in respect of which the design is registered: **A pair of shorts**
(51) International Design Classification: **02-02C**
(74) Name(s) of Attorney(s): **Corrs Chambers Westgarth**
(71) Name(s) and Address(s) of Applicant(s):
Globe International Nominees Pty Ltd
1 Fennell St Port Melbourne VIC 3207 Australia
(72) Name(s) of Designer(s): **Yvonne Berger**
(45) Registration Date: **25 February 2016**
(56) Related Art Documents: **Not Applicable**
(57) Statement of Newness and Distinctiveness: **Nil**



- (21) Design Number: **10308/2016**
(22) Date of Filing Application: **21 January 2016**
(24) Date from which industrial property rights may have effect: **21 January 2016**
(54) Product in respect of which the design is registered: **A pair of pants**
(51) International Design Classification: **02-02C**
(74) Name(s) of Attorney(s): **Corrs Chambers Westgarth**
(71) Name(s) and Address(s) of Applicant(s):
Globe International Nominees Pty Ltd
1 Fennell St Port Melbourne VIC 3207 Australia
(72) Name(s) of Designer(s): **Yvonne Berger**
(45) Registration Date: **25 February 2016**
(56) Related Art Documents: **Not Applicable**
(57) Statement of Newness and Distinctiveness: **Newness and distinctiveness is claimed in the shape, configuration, pattern and ornamentation of the design as depicted in the accompanying representations, including the elasticated hem cuffs.**



- (21) Design Number: **10309/2016**
(22) Date of Filing Application: **21 January 2016**
(24) Date from which industrial property rights may have effect: **21 January 2016**
(54) Product in respect of which the design is registered: **A pair of pants**
(51) International Design Classification: **02-02C**
(74) Name(s) of Attorney(s): **Corrs Chambers Westgarth**
(71) Name(s) and Address(s) of Applicant(s):
Globe International Nominees Pty Ltd
1 Fennell St Port Melbourne VIC 3207 Australia
(72) Name(s) of Designer(s): **Yvonne Berger**
(45) Registration Date: **25 February 2016**
(56) Related Art Documents: **Not Applicable**
(57) Statement of Newness and Distinctiveness: **Nil**



(21) Design Number: **10623/2016**

(22) Date of Filing Application: **06 February 2016**

(24) Date from which industrial property rights may have effect: **06 February 2016**

(54) Product in respect of which the design is registered: **Pool**

(51) International Design Classification: **25-03**

(74) Name(s) of Attorney(s):

(71) Name(s) and Address(s) of Applicant(s):

IP COMM PTY LTD

131 Hammond Dr Clothiers Creek NSW 2484 Australia

(72) Name(s) of Designer(s): **Prof George Potter**

(45) Registration Date: **25 February 2016**

(56) Related Art Documents: **Not Applicable**

(57) Statement of Newness and Distinctiveness: **The generally elliptical shape.**

