



Australian Government

IP Australia

AUSTRALIAN OFFICIAL JOURNAL

OF

DESIGNS

Did you know a searchable version of this journal is now available online?

It's FREE and EASY to SEARCH.

Find it on our website (www.ipaustralia.gov.au)

by using the "Journals" link on the home page.

This Page Left Intentionally Blank

Contents

General Information & Notices

**Proceedings Under the Designs Act 1906 preserved as a result of the provisions of Chapter 12
Part 2 of the Designs Act 2003**

Registrations Ceased 888

Subsequent Owners Registered 888

Proceedings Under the Designs Act 2003

Applications Lapsed 904

Applications Lodged 892

Certificate of Examination 907

Extension of Period of Registration of Design 905

Names Registered - Alterations and Amendments 906

Publication and Registration Proceedings

Designs Registered 367316 to 367715..... 908

Registrations Ceased 905

Subsequent Owners Registered 906

This Page Left Intentionally Blank

For information on the following please see our website www.ipaustralia.gov.au or contact our Customer Service Network on 1300651010

[Editorial enquiries](#)

[Contact information](#)

[Freedom of Information ACT](#)

[Professional Standards Board](#)

[Sales](#)

[Requests for Information under Section 194 \(c\)](#)

[Country Codes](#)

[Trade Mark and Designs Hearing Sessions](#)

[INID \(Internationally agreed Numbers for the Identification of Data\)](#)

“INID” NUMBERS in use on Australian Design Documents

“INID” is an acronym for “Internationally agreed Numbers for the Identification of Data”.

(10) Data concerning the registration/renewal

- (11) Serial number of the registration and/or number of the design document
- (12) Plain language designation of the kind of published document
- (19) Identification, using the two-letter code according to WIPO Standard ST.3, of the authority publishing or registering the industrial design

(20) Data concerning the application

- (21) Serial number of the application
- (22) Date of filing of the application
- (24) Date from which the industrial design right has effect

(30) Data relating to priority under the Paris Convention

- (31) Serial number assigned to the priority application
- (32) Date of filing of the priority application
- (33) Two-letter code, according to WIPO Standard ST.3, identifying the authority with which the priority application was made

(40) Date(s) of making information available to the public

- (45) Date of publication of the registered industrial design by printing or similar process, or making it available to the public by any other means

(50) Miscellaneous Information

- (51) International Classification for Industrial Designs (class and subclass of the Locarno Classification)
- (54) Designation of article(s) or product(s) covered by the industrial design or title of the industrial design
- (55) Reproduction of the industrial design (e.g., drawing, photograph) and explanations relating to the reproduction
- (56) List of prior art documents, if separate from descriptive text
- (57) Description of characteristic features of the industrial design including indication of colours

(60) References to other legally related application(s) and registration(s)

- (62) Serial number(s) and, if available, filing date(s) of application(s), registration(s) or document(s) related by division
- (66) Serial number(s) of the application, or the registration, of the design(s) which is (are) a variant(s) of the present one

(70) Identification of parties concerned with the application or registration

- (71) Name(s) and address(es) of the applicant(s)
- (72) Name(s) of the creator(s) if known to be such
- (74) Name(s) and address(es) of the representative(s)

This Page Left Intentionally Blank

Nil notices for this journal issue.

Proceedings under the Designs Act 1906 preserved as a result of the provisions of Chapter 12 Part 2 of the Designs Act 2003.

This Page Left Intentionally Blank

Applications Lapsed

There were no Applications Lapsed under this section

Registrations Ceased

Note: Some of the following Registrations may have been previously advertised as ceased. In this instance, the previous advertisement still prevails.

140079	140569	141468
141469	141470	141471
141496	141575	141610
141676	141677	141690
141708	141709	141710
141711	141712	141721
141722	141774	141775
141869	142115	142116
142254	142481	143304
143569	145710	151518
151519		

Subsequent Owners Registered

(The name in parentheses is that of the subsequent owner)

153488	(DBJ FURNITURE LIMITED) De Bruin-Judge Furniture Limited
147417	(FRCPA Technology Pty Ltd) James Hardie Technology Limited
146606	(FRCPA Technology Pty Ltd) James Hardie Technology Limited
146386	(FRCPA Technology Pty Ltd) James Hardie Technology Limited
146556	(FRCPA Technology Pty Ltd) James Hardie Technology Limited
146554	(FRCPA Technology Pty Ltd) James Hardie Technology Limited
146555	(FRCPA Technology Pty Ltd) James Hardie Technology Limited
146387	(FRCPA Technology Pty Ltd) James Hardie Technology Limited

This Page Left Intentionally Blank

Proceedings under the Designs Act 2003.

This Page Left Intentionally Blank

Applications Lodged

Lodgement information is in the following order: **Applicant's Name**; International Classification, Name of Product, Lodgement Date and **Design Number**. If the applicant claims an earlier priority date under an International Convention, the Convention Country and the associated filing date are shown in parentheses before the Lodgement Date. Divisional information will also appear in parentheses before the Lodgement Date.

b.box for kids developments Pty Ltd; 02-05, Bib, 02 Mar 2016	11140/2016	Apple Inc.; 13-02, Charger, (US, 04 Sep 2015) 04 Mar 2016	11193/2016
de Guzman, Arnold Moises; 07-06A, Cup sleeve with pocket, (US, 01 Mar 2016) 09 Mar 2016	11281/2016	Apple Inc.; 03-01NES, Case, (US, 08 Sep 2015) 08 Mar 2016	11241/2016
Alto Packaging Limited; 09-03NES, A container, 07 Mar 2016	11218/2016	Apple Inc.; 14-02, Display screen with graphical user interface, (US, 08 Sep 2015) 08 Mar 2016	11245/2016
Alver Pty Ltd; 23-03A, Radiant heater suitable for use outdoors, 29 Feb 2016	11089/2016	Apple Inc.; 03-01NES, Case, (US, 08 Sep 2015) 08 Mar 2016	11243/2016
Alver Pty Ltd; 23-03A, Radiant heater suitable for use outdoors, 29 Feb 2016	11088/2016	Apple Inc.; 03-01NES, Case, (US, 08 Sep 2015) 08 Mar 2016	11242/2016
Ankenbrandt, Bruce Joseph;Talsania, Sameer Kirti;Palin, Drew Alexander Read;Huls, Sean Joseph;Cortadellas, Xavi;Rhodes, Brandon Scott;Marina, Carlos Hernan;Schmunk, Matthew;Ostby, John Lester;Fort, Tucker H.;Zeledon, Joey Miguel;Worden, Morris Elijah IV;Posey, Wayne Allen;Brunella, Eric Jay; 07-01NES, Container, (US, 16 Sep 2015) 14 Mar 2016	11402/2016	Apple Inc.; 14-02, Display screen with graphical user interface, (US, 08 Sep 2015) 08 Mar 2016	11239/2016
Ankenbrandt, Bruce Joseph;Talsania, Sameer Kirti;Palin, Drew Alexander Read;Huls, Sean Joseph;Cortadellas, Xavi;Rhodes, Brandon Scott;Marina, Carlos Hernan;Schmunk, Matthew;Ostby, John Lester;Fort, Tucker H.;Zeledon, Joey Miguel;Worden, Morris Elijah IV;Posey, Wayne Allen;Brunella, Eric Jay; 07-01NES, Container, (US, 16 Sep 2015) 14 Mar 2016	11403/2016	Apple Inc.; 13-02, Charger, (US, 04 Sep 2015) 04 Mar 2016	11194/2016
Ankenbrandt, Bruce Joseph;Talsania, Sameer Kirti;Palin, Drew Alexander Read;Huls, Sean Joseph;Cortadellas, Xavi;Rhodes, Brandon Scott;Marina, Carlos Hernan;Schmunk, Matthew;Ostby, John Lester;Fort, Tucker H.;Zeledon, Joey Miguel;Worden, Morris Elijah IV;Posey, Wayne Allen;Brunella, Eric Jay; 07-01NES, Container, (US, 16 Sep 2015) 14 Mar 2016	11404/2016	Apple Inc.; 03-01NES, Case, (US, 04 Sep 2015) 03 Mar 2016	11180/2016
Ankenbrandt, Bruce Joseph;Talsania, Sameer Kirti;Palin, Drew Alexander Read;Huls, Sean Joseph;Cortadellas, Xavi;Rhodes, Brandon Scott;Marina, Carlos Hernan;Schmunk, Matthew;Ostby, John Lester;Fort, Tucker H.;Zeledon, Joey Miguel;Worden, Morris Elijah IV;Posey, Wayne Allen;Brunella, Eric Jay; 07-01NES, Container, (US, 16 Sep 2015) 14 Mar 2016	11188/2016	Apple Inc.; 14-02, Keyboard, (US, 04 Sep 2015) 03 Mar 2016	11181/2016
Apple Inc.; 14-02, Stylus, (US, 04 Sep 2015) 03 Mar 2016	11320/2016	Apple Inc.; 14-02, Keyboard, (US, 04 Sep 2015) 03 Mar 2016	11182/2016
Apple Inc.; 20-02E, Product display unit, (US, 11 Sep 2015) 10 Mar 2016	11246/2016	Apple Inc.; 14-02, Stylus, (US, 04 Sep 2015) 03 Mar 2016	11183/2016
Apple Inc.; 14-02, Display screen with graphical user interface, (US, 08 Sep 2015) 08 Mar 2016		Apple Inc.; 14-02, Stylus, (US, 04 Sep 2015) 03 Mar 2016	11189/2016
		Apple Inc.; 14-02, Stylus, (US, 04 Sep 2015) 03 Mar 2016	11184/2016
		Apple Inc.; 14-02, Stylus, (US, 04 Sep 2015) 03 Mar 2016	11185/2016
		Apple Inc.; 03-01NES, Cover, (US, 04 Sep 2015) 03 Mar 2016	11176/2016
		Apple Inc.; 03-01NES, Case, (US, 04 Sep 2015) 03 Mar 2016	11179/2016

Apple Inc.; 14-02, Cap for a stylus, (US, 04 Sep 2015) 03 Mar 2016	11187/2016	Bormioli Luigi S.p.A.; 07-01C, A glass, (EM, 08 Sep 2015) 04 Mar 2016	11195/2016
Apple Inc.; 14-02, Stylus, (US, 04 Sep 2015) 03 Mar 2016	11186/2016	Bormioli Luigi S.p.A.; 07-01C, A glass, (EM, 08 Sep 2015) 04 Mar 2016	11197/2016
Apple Inc.; 03-01NES, Cover, (US, 04 Sep 2015) 03 Mar 2016	11175/2016	Bormioli Luigi S.p.A.; 07-01C, A glass, (EM, 08 Sep 2015) 04 Mar 2016	11198/2016
Apple Inc.; 03-01NES, Cover, (US, 04 Sep 2015) 03 Mar 2016	11174/2016	Bormioli Luigi S.p.A.; 07-01C, A glass, (EM, 08 Sep 2015) 04 Mar 2016	11196/2016
Apple Inc.; 03-01NES, Cover, (US, 04 Sep 2015) 03 Mar 2016	11172/2016	Brand Developers Limited; 21-02F, Exercising apparatus, 01 Mar 2016	11130/2016
Apple Inc.; 03-01NES, Cover, (US, 04 Sep 2015) 03 Mar 2016	11173/2016	Breville Pty Limited; 07-02L, Coffee machine, 03 Mar 2016	11167/2016
Apple Inc.; 03-01NES, Cover, (US, 04 Sep 2015) 03 Mar 2016	11173/2016	Breville Pty Limited; 07-02L, Coffee machine, 03 Mar 2016	11168/2016
Apple Inc.; 13-02, Charger, (US, 09 Sep 2015) 01 Mar 2016	11124/2016	Brightwell Dispensers Limited; 15-02, Metering pump, (EM, 11 Sep 2015) 02 Mar 2016	11147/2016
Apple Inc.; 13-02, Charger, (US, 09 Sep 2015) 01 Mar 2016	11123/2016	Brightwell Dispensers Limited; 15-02, Metering pump, (EM, 11 Sep 2015) 02 Mar 2016	11148/2016
Ark Corporation Pty Ltd; 13-03E, A vehicle electrical connector unit, 02 Mar 2016	11152/2016	Bromberger, Thomas Anthony; 09-06, Manual handling straps, 03 Mar 2016	11171/2016
Atmospheric Water Solutions, Inc; 31-00, Atmospheric water generator floor unit, (US, 13 Jan 2016) 10 Mar 2016	11311/2016	Bromberger, John Anthony Neville; 12-05, Manual handling transfer belt, 08 Mar 2016	11254/2016
Automobili Lamborghini S.p.A.; 21-01C, 12-08, Car and toy-car, (EM, 04 Sep 2015) 03 Mar 2016	11156/2016	Bromberger, John Anthony Neville; 12-05, Manual handling transfer belt, 08 Mar 2016	11255/2016
AL-KO International Pty Ltd; 12-16M, Mechanical calliper (straight handle), 01 Mar 2016	11110/2016	Brunella, Eric Jay;Talsania, Sameer Kirti;Palin, Drew Alexander Read;Huls, Sean Joseph;Cortadellas, Xavi;Rhodes, Brandon Scott;Marina, Carlos Hernan;Schmunk, Matthew;Ostby, John Lester;Fort, Tucker H.;Zeledon, Joey Miguel;Worden, Morris Elijah IV;Posey, Wayne Allen;Ankenbrandt, Bruce Joseph; 07-01NES, Container, (US, 16 Sep 2015) 14 Mar 2016	11404/2016
AL-KO International Pty Ltd; 12-16M, Mechanical calliper (L shaped handle), 01 Mar 2016	11113/2016	Brunella, Eric Jay;Talsania, Sameer Kirti;Palin, Drew Alexander Read;Huls, Sean Joseph;Cortadellas, Xavi;Rhodes, Brandon Scott;Marina, Carlos Hernan;Schmunk, Matthew;Ostby, John Lester;Fort, Tucker H.;Zeledon, Joey Miguel;Worden, Morris Elijah IV;Posey, Wayne Allen;Ankenbrandt, Bruce Joseph; 07-01NES, Container, (US, 16 Sep 2015) 14 Mar 2016	11403/2016
ASSA ABLOY Australia Pty Limited; 08-06, Door lever, 03 Mar 2016	11169/2016		
AUSTRALIA HEALTH RESEARCH & DEVELOPMENT GROUP PTY LTD; 28-02, Skin care products, cosmetic products, 08 Mar 2016	11238/2016		
AUSTRALIAN HEALTH INDUSTRY CO.PTY LTD; 09-03M, 32-02, Packaging design for skincare cosmetic syringe, 10 Mar 2016	11333/2016		
Bigg, Stephen William; 11-02B, Products for growing vegetation, 04 Mar 2016	11205/2016		
Bison Group Pty Ltd; 08-07, Locking mechanism for a drawer on a vehicle, 09 Mar 2016	11308/2016		

Brunella, Eric Jay;Talsania, Sameer Kirti;Palin, Drew Alexander Read;Huls, Sean Joseph;Cortadellas, Xavi;Rhodes, Brandon Scott;Marina, Carlos Hernan;Schmunk, Matthew;Ostby, John Lester;Fort, Tucker H.;Zeledon, Joey Miguel;Worden, Morris Elijah IV;Posey, Wayne Allen;Ankenbrandt, Bruce Joseph; 07-01NES, Container, (US, 16 Sep 2015) 14 Mar 2016	11402/2016	Calibre8 Pty Ltd; 15-05, Washboard, 01 Mar 2016	11126/2016
Bushell, Brian Craig; 28-03A, A razor, (US, 13 Nov 2015) 26 Feb 2016	11017/2016	Calibre8 Pty Ltd; 07-05B, Knob for a washboard, 01 Mar 2016	11125/2016
Bushell, Brian Craig; 28-03A, Razor, (US, 13 Nov 2015) 26 Feb 2016	11018/2016	Carter, Will;Carter, William Charles; 32-02, Ngandhi Bala-dhu, 01 Mar 2016	11101/2016
BOGE ELASTMETALL AUSTRALIA PTY LTD; 12-16NES, Control arm for land vehicles, 09 Mar 2016	11287/2016	Carter, William Charles;Carter, Will; 32-02, Ngandhi Bala-dhu, 01 Mar 2016	11101/2016
BOGE ELASTMETALL AUSTRALIA PTY LTD; 12-16NES, Control arm for land vehicles, 09 Mar 2016	11286/2016	Colliver, David Jonathan; 19-06, Pen, 02 Mar 2016	11141/2016
BRINEE HOME SOLUTION LTD; 07-01NES, Food container, 07 Mar 2016	11234/2016	Cortadellas, Xavi;Talsania, Sameer Kirti;Palin, Drew Alexander Read;Huls, Sean Joseph;Rhodes, Brandon Scott;Marina, Carlos Hernan;Schmunk, Matthew;Ostby, John Lester;Fort, Tucker H.;Zeledon, Joey Miguel;Worden, Morris Elijah IV;Posey, Wayne Allen;Brunella, Eric Jay;Ankenbrandt, Bruce Joseph; 07-01NES, Container, (US, 16 Sep 2015) 14 Mar 2016	11403/2016
BRITA GMBH; 09-07C, Lid for bottle, (DE, 17 Sep 2015) 08 Mar 2016	11269/2016	Cortadellas, Xavi;Talsania, Sameer Kirti;Palin, Drew Alexander Read;Huls, Sean Joseph;Rhodes, Brandon Scott;Marina, Carlos Hernan;Schmunk, Matthew;Ostby, John Lester;Fort, Tucker H.;Zeledon, Joey Miguel;Worden, Morris Elijah IV;Posey, Wayne Allen;Brunella, Eric Jay;Ankenbrandt, Bruce Joseph; 07-01NES, Container, (US, 16 Sep 2015) 14 Mar 2016	11404/2016
BRITA GMBH; 07-01F, 23-01G, Filter for water jug, (DE, 22 Sep 2015) 10 Mar 2016	11332/2016	Cortadellas, Xavi;Talsania, Sameer Kirti;Palin, Drew Alexander Read;Huls, Sean Joseph;Rhodes, Brandon Scott;Marina, Carlos Hernan;Schmunk, Matthew;Ostby, John Lester;Fort, Tucker H.;Zeledon, Joey Miguel;Worden, Morris Elijah IV;Posey, Wayne Allen;Brunella, Eric Jay;Ankenbrandt, Bruce Joseph; 07-01NES, Container, (US, 16 Sep 2015) 14 Mar 2016	11402/2016
BRITA GMBH; 07-01F, 23-01G, Filter for water jug, (DE, 22 Sep 2015) 10 Mar 2016	11331/2016	Cross, John Richard;Gallagher, Paul; 15-99, Pneumatic cylinder, 29 Feb 2016	11096/2016
BRITA GMBH; 09-07C, Bottle with lid, (DE, 17 Sep 2015) 08 Mar 2016	11271/2016	CJ CheilJedang Corporation; 07-02NES, Food pressing weight, (KR, 02 Nov 2015) 26 Feb 2016	11031/2016
BRITA GMBH; 09-07C, Bottle with lid, (DE, 17 Sep 2015) 08 Mar 2016	11270/2016	CORPORATE CULTURE AUSTRALIA PTY LTD; 06-03B, Table system, 04 Mar 2016	11216/2016
BROTHER INDUSTRIES, LTD.; 14-02, Ink cartridge, (JP, 02 Sep 2015) 29 Feb 2016	11091/2016	CORPORATE CULTURE AUSTRALIA PTY LTD; 06-03NES, Furniture components, 01 Mar 2016	11134/2016
BROTHER INDUSTRIES, LTD.; 14-02, ink cartridge, (JP, 02 Sep 2015) 29 Feb 2016	11090/2016	Diamond Performance Ltd.; 15-03B, Starter handle, (CA, 11 Sep 2015) 09 Mar 2016	11302/2016
BROTHER INDUSTRIES, LTD.; 14-02, Ink cartridge, (JP, 02 Sep 2015) 29 Feb 2016	11095/2016	Directional Systems Australia Pty Ltd; 20-03C, Post with street sign, 26 Feb 2016	11041/2016
BROTHER INDUSTRIES, LTD.; 14-02, Ink cartridge, (JP, 02 Sep 2015) 29 Feb 2016	11093/2016		
C NOBLE & M NOBLE; 23-02A, Outdoor toilet roll Holder, 02 Mar 2016	11149/2016		

Directional Systems Australia Pty Ltd; 20-03C, Post with street signs, 26 Feb 2016	11042/2016	Evergreen Land Limited; 28-03NES, Sprayer, (EM, 11 Sep 2015) 10 Mar 2016	11325/2016
Dometic Sweden AB; 03-04, 23-04, Fan, (US, 01 Jul 2015) (Divisional of 17134/2015) 08 Mar 2016	11244/2016	ENTEGRIS, Inc; 09-99, Bottom opening container, (US, 31 Aug 2015) 29 Feb 2016	11075/2016
Dometic Sweden AB; 03-04, 23-04, Fan, (US, 01 Jul 2015) (Divisional of 17134/2015) 08 Mar 2016	11251/2016	ERSTEC PTY LTD; 26-05NES, Light fixture, 08 Mar 2016	11266/2016
Dometic Sweden AB; 03-04, 23-04, Fan, (US, 01 Jul 2015) (Divisional of 17134/2015) 08 Mar 2016	11247/2016	ERSTEC PTY LTD; 26-05NES, Light fixture, 08 Mar 2016	11268/2016
Dowel Jones Pty Ltd; 06-01C, Bench, 08 Mar 2016	11275/2016	Filosi, Andreas;Wieth, Franz; 03-01NES, Holder for phones, (DE, 11 Sep 2015) 11 Mar 2016	11348/2016
Dowel Jones Pty Ltd; 06-03B, Table, 08 Mar 2016	11278/2016	Flohr, Jacqui; 08-08M, 08-08NES, 12-11, Scooter rack holder, 01 Mar 2016	11111/2016
Dowel Jones Pty Ltd; 06-01F, Stool, 08 Mar 2016	11277/2016	Forever New Clothing Pty Ltd; 02-02C, Article of clothing, 03 Mar 2016	11160/2016
Dunlop Sports Co. Ltd.; 21-02C, Head for golf club, 29 Feb 2016	11068/2016	Fort, Tucker H.;Talsania, Sameer Kirti;Palin, Drew Alexander Read;Huls, Sean Joseph;Cortadellas, Xavi;Rhodes, Brandon Scott;Marina, Carlos Hernan;Schmunk, Matthew;Ostby, John Lester;Zeledon, Joey Miguel;Worden, Morris Elijah IV;Posey, Wayne Allen;Brunella, Eric Jay;Ankenbrandt, Bruce Joseph; 07-01NES, Container, (US, 16 Sep 2015) 14 Mar 2016	11403/2016
Dunlop Sports Co. Ltd.; 21-02C, Head for golf club, 29 Feb 2016	11069/2016		
Dunlop Sports Co. Ltd.; 21-02C, Head for golf club, 29 Feb 2016	11066/2016		
Dunlop Sports Co. Ltd.; 21-02C, Head for golf club, 29 Feb 2016	11067/2016		
DAVID STUCKEY INVESTMENTS PTY LTD; 08-06, Handle base, 04 Mar 2016	11214/2016	Fort, Tucker H.;Talsania, Sameer Kirti;Palin, Drew Alexander Read;Huls, Sean Joseph;Cortadellas, Xavi;Rhodes, Brandon Scott;Marina, Carlos Hernan;Schmunk, Matthew;Ostby, John Lester;Zeledon, Joey Miguel;Worden, Morris Elijah IV;Posey, Wayne Allen;Brunella, Eric Jay;Ankenbrandt, Bruce Joseph; 07-01NES, Container, (US, 16 Sep 2015) 14 Mar 2016	11404/2016
DAVID STUCKEY INVESTMENTS PTY LTD; 13-03D, Face plate, 07 Mar 2016	11233/2016		
DKB Household UK Limited; 09-07NES, Household lid for a container, (EM, 18 Sep 2015) 01 Mar 2016	11122/2016		
Electrical Home-Aids Pty Ltd; 15-05, A vacuum cleaner, 10 Mar 2016	11314/2016		
Electrical Home-Aids Pty Ltd; 15-05, 08-08NES, A harness for a back pack vacuum cleaner, 10 Mar 2016	11312/2016	Fort, Tucker H.;Talsania, Sameer Kirti;Palin, Drew Alexander Read;Huls, Sean Joseph;Cortadellas, Xavi;Rhodes, Brandon Scott;Marina, Carlos Hernan;Schmunk, Matthew;Ostby, John Lester;Zeledon, Joey Miguel;Worden, Morris Elijah IV;Posey, Wayne Allen;Brunella, Eric Jay;Ankenbrandt, Bruce Joseph; 07-01NES, Container, (US, 16 Sep 2015) 14 Mar 2016	11402/2016
Electrical Home-Aids Pty Ltd; 15-05, 08-08NES, A back pack vacuum cleaner, 10 Mar 2016	11315/2016		
Electrical Home-Aids Pty Ltd; 15-05, A vacuum cleaner, 29 Feb 2016	11085/2016		
Elms, Lee William; 20-02C, Display cabinet, 11 Mar 2016	11345/2016		
Entegris, Inc.; 09-99, Bottom opening container, (US, 03 Nov 2015) 29 Feb 2016	11087/2016	Fort, Tucker H.;Marina, Carlos Hernan;Zeledon, Joey Miguel;Worden, Morris Elijah IV; 07-01NES, Container, (US, 16 Sep 2015) 14 Mar 2016	11400/2016
Ethicon, Inc.; 24-04, End effector for wound closure device, (US, 29 Sep 2015) 01 Mar 2016	11120/2016		
		FCA Italy S.p.A.; 21-01C, 12-08, Car and toy-car, 01 Mar 2016	11102/2016

FCA Italy S.p.A.; 21-01C, 12-08, Car and toy-car, 01 Mar 2016	11103/2016	Hangzhou Chic Intelligent Technology Co., Ltd; 21-02E, Personal transportation vehicle, (CN, 09 Oct 2015) 08 Mar 2016	11267/2016
Gallagher, Paul;Cross, John Richard; 15-99, Pneumatic cylinder, 29 Feb 2016	11096/2016	Hangzhou Chic Intelligent Technology Co., Ltd; 21-02E, Personal transportation vehicle, (CN, 02 Dec 2015) 08 Mar 2016	11258/2016
Golden Circle Limited; 09-01H, Bottle, 08 Mar 2016	11240/2016	Harman International Industries, Incorporated; 14-01, Element of a loudspeaker, (US, 03 Sep 2015) 01 Mar 2016	11127/2016
Golden Circle Limited; 09-01H, Bottle, 09 Mar 2016	11294/2016	Harman International Industries, Incorporated; 14-01, Loudspeaker, (US, 03 Sep 2015) 01 Mar 2016	11128/2016
Graham, Katharine; 10-01, Glass and wood desk clock, 29 Feb 2016	11097/2016	Haysom, Robert; 08-08K, Post clamp, 01 Mar 2016	11132/2016
GE Sleeping Technologies LTD; 24-01, Breathing assisting device, (IL, 31 Aug 2015) 26 Feb 2016	11049/2016	Haysom, Robert; 25-02C, Scissor gate, 01 Mar 2016	11133/2016
GREEN RIDE LTD.; 14-04, Screen displays and icons, (EM, 14 Sep 2015) 29 Feb 2016	11086/2016	Hazell, Lynette; 07-02P, Rectangular cake topper, 01 Mar 2016	11129/2016
Haasse, Willem Hendrick; 08-07, A ratchet, 09 Mar 2016	11299/2016	Hazell, Lynette; 07-02P, Circular cake topper, 01 Mar 2016	11131/2016
Haasse, Willem Hendrick; 08-07, A ratchet, 09 Mar 2016	11301/2016	Helen of Troy Limited; 07-01E, Drinking cup, (US, 09 Sep 2015) 04 Mar 2016	11206/2016
Haasse, Willem Hendrick; 08-07, A ratchet, 09 Mar 2016	11300/2016	Helen of Troy Limited; 07-01E, Drinking cup, (US, 09 Sep 2015) 04 Mar 2016	11200/2016
Haasse, Willem Hendrick; 08-07, A ratchet, 09 Mar 2016	11298/2016	Helen of Troy Limited; 07-01E, Drinking cup, (US, 09 Sep 2015) 04 Mar 2016	11201/2016
Halo Trademarks Limited; 26-05D, Light, (EM, 08 Sep 2015) 04 Mar 2016	11212/2016	Helen of Troy Limited; 07-01E, Drinking cup, (US, 09 Sep 2015) 04 Mar 2016	11199/2016
Halo Trademarks Limited; 06-01G, Chair, (EM, 07 Sep 2015) 04 Mar 2016	11213/2016	Helen of Troy Limited; 07-01E, Drinking cup, (US, 09 Sep 2015) 04 Mar 2016	11210/2016
Hangzhou Chic Intelligent Technology Co., Ltd; 21-02E, Personal transportation vehicle, (CN, 26 Nov 2015) 08 Mar 2016	11248/2016	Helen of Troy Limited; 07-01E, Drinking cup, (US, 09 Sep 2015) 04 Mar 2016	11207/2016
Hangzhou Chic Intelligent Technology Co., Ltd; 21-02E, Personal transportation vehicle, (CN, 09 Oct 2015) 08 Mar 2016	11252/2016	Henkel AG & Co. KGaA; 07-05NES, Packaging for detergents, (EM, 15 Sep 2015) 14 Mar 2016	11411/2016
Hangzhou Chic Intelligent Technology Co., Ltd; 21-02E, Personal transportation vehicle, (CN, 09 Oct 2015) 08 Mar 2016	11253/2016	Henkel AG & Co. KGaA; 07-05NES, Packaging for detergents, (EM, 15 Sep 2015) 14 Mar 2016	11412/2016
Hangzhou Chic Intelligent Technology Co., Ltd; 21-02E, Personal transportation vehicle, (CN, 30 Sep 2015) 08 Mar 2016	11265/2016	Henkel AG & Co. KGaA; 07-05NES, Packaging for detergents, (EM, 15 Sep 2015) 14 Mar 2016	11410/2016
Hangzhou Chic Intelligent Technology Co., Ltd; 21-02E, Personal transportation vehicle, (CN, 26 Nov 2015) 08 Mar 2016	11273/2016	Henkel AG & Co. KGaA; 07-05NES, Packaging for detergents, (EM, 15 Sep 2015) 14 Mar 2016	11407/2016
Hangzhou Chic Intelligent Technology Co., Ltd; 21-02E, Personal transportation vehicle, 08 Mar 2016	11260/2016		

Henkel AG & Co. KGaA; 07-05NES, Packaging for detergents, (EM, 15 Sep 2015) 14 Mar 2016	11413/2016	Icelandic Provisions, Inc.; 07-01NES, Food container, (US, 24 Sep 2015) 08 Mar 2016	11276/2016
Henkel AG & Co. KGaA; 07-05NES, Packaging for detergents, (EM, 15 Sep 2015) 14 Mar 2016	11408/2016	Illinois Tool Works Inc.; 08-08C, Rigging clip, 07 Mar 2016	11224/2016
Henry, Richard Kenneth; 08-08B, Spacer for an apparatus for securing decking, 10 Mar 2016	11321/2016	Illinois Tool Works Inc.; 08-08C, Threaded mount rigging clip and fixed mounting plate rigging clip, 07 Mar 2016	11227/2016
Henry, Richard Kenneth; 08-05NES, Apparatus for securing decking, 10 Mar 2016	11319/2016	Illinois Tool Works Inc.; 08-08C, Eye bolt mounted rigging clip and pivoting mounting plate rigging clip, 07 Mar 2016	11232/2016
Honda Motor Co., Ltd.; 12-11, A rear cowl for a motorcycle, (JP, 10 Sep 2015) 09 Mar 2016	11280/2016	Illinois Tool Works Inc.; 08-08C, Rigging clip, 07 Mar 2016	11230/2016
Honda Motor Co., Ltd.; 26-06, A headlight for a motorcycle, (JP, 10 Sep 2015) 09 Mar 2016	11283/2016	Illinois Tool Works Inc.; 08-08C, Threaded mount rigging clip and fixed mounting plate rigging clip, 07 Mar 2016	11231/2016
Honda Motor Co., Ltd.; 12-11, A middle cowl for a motorcycle, (JP, 10 Sep 2015) 09 Mar 2016	11284/2016	Illinois Tool Works Inc.; 08-08C, Pivoting mount plate rigging clip and eye bolt mounted rigging clip, 07 Mar 2016	11228/2016
Huls, Sean Joseph;Talsania, Sameer Kirti;Palin, Drew Alexander Read;Cortadellas, Xavi;Rhodes, Brandon Scott;Marina, Carlos Hernan;Schmunk, Matthew;Ostby, John Lester;Fort, Tucker H.;Zeledon, Joey Miguel;Worden, Morris Elijah IV;Posey, Wayne Allen;Brunella, Eric Jay;Ankenbrandt, Bruce Joseph; 07-01NES, Container, (US, 16 Sep 2015) 14 Mar 2016	11402/2016	Illinois Tool Works Inc.; 08-08C, Fixed bolt mount rigging clip and fixed plate mount rigging clip, 07 Mar 2016	11229/2016
Huls, Sean Joseph;Talsania, Sameer Kirti;Palin, Drew Alexander Read;Cortadellas, Xavi;Rhodes, Brandon Scott;Marina, Carlos Hernan;Schmunk, Matthew;Ostby, John Lester;Fort, Tucker H.;Zeledon, Joey Miguel;Worden, Morris Elijah IV;Posey, Wayne Allen;Brunella, Eric Jay;Ankenbrandt, Bruce Joseph; 07-01NES, Container, (US, 16 Sep 2015) 14 Mar 2016	11404/2016	Industrie IP Pty Limited; 02-02NES, A hooded jumper, 28 Feb 2016	11058/2016
Huls, Sean Joseph;Talsania, Sameer Kirti;Palin, Drew Alexander Read;Cortadellas, Xavi;Rhodes, Brandon Scott;Marina, Carlos Hernan;Schmunk, Matthew;Ostby, John Lester;Fort, Tucker H.;Zeledon, Joey Miguel;Worden, Morris Elijah IV;Posey, Wayne Allen;Brunella, Eric Jay;Ankenbrandt, Bruce Joseph; 07-01NES, Container, (US, 16 Sep 2015) 14 Mar 2016	11403/2016	Industrie IP Pty Limited; 02-02NES, A jacket, 28 Feb 2016	11057/2016
HDT SPECIAL VEHICLES PTY LTD; 12-16A, Car rim, 01 Mar 2016	11107/2016	Industrie IP Pty Limited; 02-02NES, A pullover jumper, 28 Feb 2016	11050/2016
HDT SPECIAL VEHICLES PTY LTD; 12-16A, Rim, 01 Mar 2016	11108/2016	Industrie IP Pty Limited; 02-02NES, A cardigan, 28 Feb 2016	11051/2016
HOOCH AND HUNTER PTY LTD; 30-02, Dog cage, 26 Feb 2016	11020/2016	Industrie IP Pty Limited; 02-02C, A pair of pants, 28 Feb 2016	11054/2016
		Industrie IP Pty Limited; 02-02C, A pair of pants, 28 Feb 2016	11055/2016
		Industrie IP Pty Limited; 02-02NES, A cardigan, 28 Feb 2016	11052/2016
		Industrie IP Pty Limited; 02-02NES, A jacket, 28 Feb 2016	11064/2016
		Industrie IP Pty Limited; 02-02C, A pair of pants, 28 Feb 2016	11062/2016
		Industrie IP Pty Limited; 02-02C, A pair of pants, 28 Feb 2016	11056/2016
		Industrie IP Pty Limited; 02-02NES, A hooded Jumper, 28 Feb 2016	11053/2016
		Industrie IP Pty Limited; 02-02NES, A jacket, 28 Feb 2016	11065/2016
		Industrie IP Pty Limited; 02-02NES, A jacket, 28 Feb 2016	11063/2016
		Industrie IP Pty Limited; 02-02C, A pair of pants, 28 Feb 2016	11060/2016

Industrie IP Pty Limited; 02-02C, A pair of pants, 28 Feb 2016	11061/2016	Koninklijke Philips N.V.; 26-05C, Lighting fixture, (EM, 26 Aug 2015) 26 Feb 2016	11022/2016
Industrie IP Pty Limited; 02-02NES, A jacket, 28 Feb 2016	11059/2016	Koninklijke Philips N.V.; 26-05C, Lighting fixture, (EM, 26 Aug 2015) 26 Feb 2016	11019/2016
Insta-Edge Pty Ltd; 25-01E, Garden edging, 01 Mar 2016	11105/2016	Kuiper, Anthony; 12-08, Liquid tank, 26 Feb 2016	11030/2016
Intercontinental Great Brands LLC; 01-01, Confection, (US, 09 Sep 2015) 09 Mar 2016	11305/2016	KUKA Home Co, Ltd; 06-01G, Chair, (CN, 08 Sep 2015) 08 Mar 2016	11250/2016
Intercontinental Great Brands LLC; 01-01, Confection, (US, 09 Sep 2015) 09 Mar 2016	11306/2016	Limn, Jeremy Mark; 32-03, My logo shall me put onto a shirt, and jumper soon, 01 Mar 2016	11135/2016
Intercontinental Great Brands LLC; 01-01, Confection, (US, 09 Sep 2015) 09 Mar 2016	11307/2016	Luxmy Furniture Pty Ltd; 06-06E, Furniture construction elements, (Divisional of 17116/2015) 14 Mar 2016	11418/2016
J.S. STAEDTLER GmbH & Co. KG; 09-03M, A package, (EM, 17 Sep 2015) 10 Mar 2016	11322/2016	Luxmy Furniture Pty Ltd; 06-06E, Furniture construction elements, (Divisional of 17116/2015) 14 Mar 2016	11419/2016
J.S. STAEDTLER GmbH & Co. KG; 09-03M, A package, (EM, 17 Sep 2015) 10 Mar 2016	11324/2016	Luxmy Furniture Pty Ltd; 06-06E, Furniture construction elements, (Divisional of 17116/2015) 14 Mar 2016	11420/2016
J.S. STAEDTLER GmbH & Co. KG; 09-03M, A package, (EM, 17 Sep 2015) 10 Mar 2016	11323/2016	LED Technologies Pty Ltd; 13-03D, Connector, 08 Mar 2016	11263/2016
Kim Meller Imports Pty Ltd; 02-04NES, Shoe, 10 Mar 2016	11310/2016	LED Technologies Pty Ltd; 13-03D, Connector, 08 Mar 2016	11264/2016
King, Fiona; 06-04G, Coffin, (NZ, 04 Sep 2015) 01 Mar 2016	11104/2016	LED Technologies Pty Ltd; 13-03D, Connector, 08 Mar 2016	11261/2016
Kompan A/S; 21-02F, Exercise apparatus, (EM, 02 Sep 2015) 02 Mar 2016	11138/2016	LED Technologies Pty Ltd; 13-03D, Connector, 08 Mar 2016	11259/2016
Kompan AS; 21-03, Activity surfacing or portion thereof, 03 Mar 2016	11190/2016	LED Technologies Pty Ltd; 13-03D, Connector, 08 Mar 2016	11257/2016
Koninklijke Philips N.V.; 28-03A, Handle for epilator, (EM, 31 Aug 2015) 29 Feb 2016	11094/2016	LG Electronics Inc.; 15-05, Washing machine, (KR, 10 Sep 2015) 07 Mar 2016	11222/2016
Koninklijke Philips N.V.; 28-03A, Epilator, (EM, 31 Aug 2015) 29 Feb 2016	11092/2016	LG Electronics Inc.; 15-05, Detergent dispenser for washing machine, (KR, 10 Sep 2015) 07 Mar 2016	11223/2016
Koninklijke Philips N.V.; 28-03A, Epilator, (EM, 31 Aug 2015) 26 Feb 2016	11027/2016	LG Electronics Inc.; 15-05, Washing machine, (KR, 03 Sep 2015) 02 Mar 2016	11136/2016
Koninklijke Philips N.V.; 26-05C, Lighting fixture, (EM, 26 Aug 2015) 26 Feb 2016	11023/2016	LG Electronics Inc.; 14-03E, Mobile phone, (KR, 26 Aug 2015) 26 Feb 2016	11016/2016
Koninklijke Philips N.V.; 26-05C, Lighting fixture, (EM, 01 Sep 2015) 26 Feb 2016	11024/2016	LG Electronics Inc.; 15-05, Washing machine, (KR, 03 Sep 2015) 02 Mar 2016	11137/2016
Koninklijke Philips N.V.; 26-05C, Lighting fixture, (EM, 26 Aug 2015) 26 Feb 2016	11021/2016	LG Electronics Inc.; 15-05, Washing machine, (KR, 03 Sep 2015) 02 Mar 2016	11139/2016
		Mandic, Zeljko; 03-99, Baby carrier, 29 Feb 2016	11070/2016

Marina, Carlos Hernan;Fort, Tucker H.;Zeledon, Joey Miguel;Worden, Morris Elijah IV; 07-01NES, Container, (US, 16 Sep 2015) 14 Mar 2016	11400/2016	Mazda Motor Corporation; 12-16C, Bumper for motor vehicle, 11 Mar 2016	11350/2016
Marina, Carlos Hernan;Talsania, Sameer Kirti;Palin, Drew Alexander Read;Huls, Sean Joseph;Cortadellas, Xavi;Rhodes, Brandon Scott;Schmunk, Matthew;Ostby, John Lester;Fort, Tucker H.;Zeledon, Joey Miguel;Worden, Morris Elijah IV;Posey, Wayne Allen;Brunella, Eric Jay;Ankenbrandt, Bruce Joseph; 07-01NES, Container, (US, 16 Sep 2015) 14 Mar 2016	11404/2016	McCafferty, Sean J.; 24-02, Tonometer tip, (US, 10 Sep 2015) 07 Mar 2016	11220/2016
Marina, Carlos Hernan;Talsania, Sameer Kirti;Palin, Drew Alexander Read;Huls, Sean Joseph;Cortadellas, Xavi;Rhodes, Brandon Scott;Schmunk, Matthew;Ostby, John Lester;Fort, Tucker H.;Zeledon, Joey Miguel;Worden, Morris Elijah IV;Posey, Wayne Allen;Brunella, Eric Jay;Ankenbrandt, Bruce Joseph; 07-01NES, Container, (US, 16 Sep 2015) 14 Mar 2016	11403/2016	Melro Distributors Pty Ltd; 02-02C, 02-02NES, Ladies clothing, 08 Mar 2016	11313/2016
Marina, Carlos Hernan;Talsania, Sameer Kirti;Palin, Drew Alexander Read;Huls, Sean Joseph;Cortadellas, Xavi;Rhodes, Brandon Scott;Schmunk, Matthew;Ostby, John Lester;Fort, Tucker H.;Zeledon, Joey Miguel;Worden, Morris Elijah IV;Posey, Wayne Allen;Brunella, Eric Jay;Ankenbrandt, Bruce Joseph; 07-01NES, Container, (US, 16 Sep 2015) 14 Mar 2016	11402/2016	Mont Adventure Equipment Pty Limited; 21-04, 3D footprint for a tent, 08 Mar 2016	11279/2016
Marina, Carlos Hernan;Talsania, Sameer Kirti;Palin, Drew Alexander Read;Huls, Sean Joseph;Cortadellas, Xavi;Rhodes, Brandon Scott;Schmunk, Matthew;Ostby, John Lester;Fort, Tucker H.;Zeledon, Joey Miguel;Worden, Morris Elijah IV;Posey, Wayne Allen;Brunella, Eric Jay;Ankenbrandt, Bruce Joseph; 07-01NES, Container, (US, 16 Sep 2015) 14 Mar 2016	11402/2016	Moritz, Peter Malcolm; 06-01E, Furniture, 08 Mar 2016	11235/2016
Mars, Incorporated; 24-99, Tooth sectioning model, (EM, 04 Sep 2015) 03 Mar 2016	11166/2016	MARION IMPORT PTY LTD; 06-06B, Dressing table, 09 Mar 2016	11309/2016
Mars, Incorporated; 24-99, Tooth sectioning model, (EM, 04 Sep 2015) 03 Mar 2016	11162/2016	MEGA Brands, Inc.; 07-01NES, Container, (US, 03 Sep 2015) 03 Mar 2016	11178/2016
Mars, Incorporated; 24-99, Tooth sectioning model, (EM, 04 Sep 2015) 03 Mar 2016	11163/2016	MEGA Brands, Inc.; 07-01NES, Container, (US, 03 Sep 2015) 03 Mar 2016	11177/2016
Mars, Incorporated; 24-99, Tooth sectioning model, (EM, 04 Sep 2015) 03 Mar 2016	11161/2016	Nicoventures Holdings Limited; 24-04, 28-03NES, Vaporiser docking station, (EM, 15 Sep 2015) 14 Mar 2016	11406/2016
Mars, Incorporated; 24-99, Tooth sectioning model, (EM, 04 Sep 2015) 03 Mar 2016	11164/2016	Nicoventures Holdings Limited; 27-99, Vaporiser with docking station, (EM, 15 Sep 2015) 14 Mar 2016	11405/2016
Mars, Incorporated; 24-99, Tooth sectioning model, (EM, 04 Sep 2015) 03 Mar 2016	11165/2016	Nicoventures Holdings Limited; 24-04, 28-03NES, Vaporiser, (EM, 15 Sep 2015) 14 Mar 2016	11414/2016
Maxwell Stephen, Stephen; 06-02, Child bed design !!, 04 Mar 2016	11209/2016	Nicoventures Holdings Limited; 24-04, 28-03NES, Vaporiser, (EM, 15 Sep 2015) 14 Mar 2016	11409/2016
Mazda Motor Corporation; 12-16C, Bumper for motor vehicle, 11 Mar 2016	11349/2016	Nikolic, Goran;Sioziopoulos, Steven; 07-07A, Freezer block, 14 Mar 2016	11401/2016
		Nissan Jidosha Kabushiki Kaisha; 12-16C, Front bumper for automobile, (JP, 28 Aug 2015) 26 Feb 2016	11046/2016
		Nissan Jidosha Kabushiki Kaisha; 12-16NES, Instrument panel for automobile, (JP, 28 Aug 2015) 26 Feb 2016	11047/2016
		Nissan Jidosha Kabushiki Kaisha; 12-16B, Radiator grill for automobile, (JP, 28 Aug 2015) 26 Feb 2016	11045/2016
		Nissan Jidosha Kabushiki Kaisha; 12-16C, Front bumper for automobile, (JP, 28 Aug 2015) 26 Feb 2016	11044/2016
		Nissan Jidosha Kabushiki Kaisha; 12-16B, Radiator grill for automobile, (JP, 28 Aug 2015) 26 Feb 2016	11043/2016
		Oculus VR, LLC; 14-01, Earbud assembly, (US, 30 Dec 2015) 08 Mar 2016	11262/2016

Oculus VR, LLC; 14-01, Earbud assembly, (US, 30 Dec 2015) 08 Mar 2016	11272/2016	Palin, Drew Alexander Read;Talsania, Sameer Kirti;Huls, Sean Joseph;Cortadellas, Xavi;Rhodes, Brandon Scott;Marina, Carlos Hernan;Schmunk, Matthew;Ostby, John Lester;Fort, Tucker H.;Zeledon, Joey Miguel;Worden, Morris Elijah IV;Posey, Wayne Allen;Brunella, Eric Jay;Ankenbrandt, Bruce Joseph; 07-01NES, Container, (US, 16 Sep 2015) 14 Mar 2016	11403/2016
Omni United (S) Pte Ltd.; 12-15B, Tyre Tread, (US, 29 Feb 2016) 03 Mar 2016	11158/2016		
Omni United (S) Pte Ltd.; 12-15B, Tyre tread, (US, 29 Feb 2016) 04 Mar 2016	11211/2016		
Ostby, John Lester;Talsania, Sameer Kirti;Palin, Drew Alexander Read;Huls, Sean Joseph;Cortadellas, Xavi;Rhodes, Brandon Scott;Marina, Carlos Hernan;Schmunk, Matthew;Fort, Tucker H.;Zeledon, Joey Miguel;Worden, Morris Elijah IV;Posey, Wayne Allen;Brunella, Eric Jay;Ankenbrandt, Bruce Joseph; 07-01NES, Container, (US, 16 Sep 2015) 14 Mar 2016	11403/2016	Pelican Products, Inc.; 03-01A, Case, (US, 31 Aug 2015) 26 Feb 2016	11032/2016
		Pelican Products, Inc.; 03-01A, Case, (US, 31 Aug 2015) 26 Feb 2016	11035/2016
		Pelican Products, Inc.; 03-01A, Case, (US, 31 Aug 2015) 26 Feb 2016	11034/2016
Ostby, John Lester;Talsania, Sameer Kirti;Palin, Drew Alexander Read;Huls, Sean Joseph;Cortadellas, Xavi;Rhodes, Brandon Scott;Marina, Carlos Hernan;Schmunk, Matthew;Fort, Tucker H.;Zeledon, Joey Miguel;Worden, Morris Elijah IV;Posey, Wayne Allen;Brunella, Eric Jay;Ankenbrandt, Bruce Joseph; 07-01NES, Container, (US, 16 Sep 2015) 14 Mar 2016	11404/2016	Pelican Products, Inc.; 03-01A, Case, (US, 31 Aug 2015) 26 Feb 2016	11033/2016
		Pelican Products, Inc.; 03-01A, Case, (US, 31 Aug 2015) 26 Feb 2016	11036/2016
		Pelican Products, Inc.; 03-01A, Case, (US, 31 Aug 2015) 26 Feb 2016	11037/2016
Ostby, John Lester;Talsania, Sameer Kirti;Palin, Drew Alexander Read;Huls, Sean Joseph;Cortadellas, Xavi;Rhodes, Brandon Scott;Marina, Carlos Hernan;Schmunk, Matthew;Fort, Tucker H.;Zeledon, Joey Miguel;Worden, Morris Elijah IV;Posey, Wayne Allen;Brunella, Eric Jay;Ankenbrandt, Bruce Joseph; 07-01NES, Container, (US, 16 Sep 2015) 14 Mar 2016	11402/2016	Petkovic, Aleksandar; 11-02NES, Sculpture, 03 Mar 2016	11157/2016
		Poc Jox Australia Pty Ltd; 02-02NES, A crop top with pockets, 03 Mar 2016	11159/2016
		Polycom, Inc.; 14-03A, Videoconferencing unit, (US, 11 Sep 2015) 09 Mar 2016	11304/2016
Palin, Drew Alexander Read;Talsania, Sameer Kirti;Huls, Sean Joseph;Cortadellas, Xavi;Rhodes, Brandon Scott;Marina, Carlos Hernan;Schmunk, Matthew;Ostby, John Lester;Fort, Tucker H.;Zeledon, Joey Miguel;Worden, Morris Elijah IV;Posey, Wayne Allen;Brunella, Eric Jay;Ankenbrandt, Bruce Joseph; 07-01NES, Container, (US, 16 Sep 2015) 14 Mar 2016	11402/2016	Posey, Wayne Allen;Talsania, Sameer Kirti;Palin, Drew Alexander Read;Huls, Sean Joseph;Cortadellas, Xavi;Rhodes, Brandon Scott;Marina, Carlos Hernan;Schmunk, Matthew;Ostby, John Lester;Fort, Tucker H.;Zeledon, Joey Miguel;Worden, Morris Elijah IV;Brunella, Eric Jay;Ankenbrandt, Bruce Joseph; 07-01NES, Container, (US, 16 Sep 2015) 14 Mar 2016	11402/2016
Palin, Drew Alexander Read;Talsania, Sameer Kirti;Huls, Sean Joseph;Cortadellas, Xavi;Rhodes, Brandon Scott;Marina, Carlos Hernan;Schmunk, Matthew;Ostby, John Lester;Fort, Tucker H.;Zeledon, Joey Miguel;Worden, Morris Elijah IV;Posey, Wayne Allen;Brunella, Eric Jay;Ankenbrandt, Bruce Joseph; 07-01NES, Container, (US, 16 Sep 2015) 14 Mar 2016	11404/2016	Posey, Wayne Allen;Talsania, Sameer Kirti;Palin, Drew Alexander Read;Huls, Sean Joseph;Cortadellas, Xavi;Rhodes, Brandon Scott;Marina, Carlos Hernan;Schmunk, Matthew;Ostby, John Lester;Fort, Tucker H.;Zeledon, Joey Miguel;Worden, Morris Elijah IV;Brunella, Eric Jay;Ankenbrandt, Bruce Joseph; 07-01NES, Container, (US, 16 Sep 2015) 14 Mar 2016	11404/2016

Posey, Wayne Allen;Talsania, Sameer Kirti;Palin, Drew Alexander Read;Huls, Sean Joseph;Cortadellas, Xavi;Rhodes, Brandon Scott;Marina, Carlos Hernan;Schmunk, Matthew;Ostby, John Lester;Fort, Tucker H.;Zeledon, Joey Miguel;Worden, Morris Elijah IV;Brunella, Eric Jay;Ankenbrandt, Bruce Joseph; 07-01NES, Container, (US, 16 Sep 2015) 14 Mar 2016	11403/2016	Royole Corporation; 14-02, Display screen or portion therefore with, (US, 11 Sep 2015) 09 Mar 2016	11290/2016
Psivida US, Inc.; 24-04, Ocular inserter, (US, 22 Oct 2015) 08 Mar 2016	11236/2016	ROCKIN ROOS PTY LTD; 21-01A, Bobble head figurine, 07 Mar 2016	11226/2016
Psivida US, Inc.; 24-04, Ocular inserter, (US, 22 Oct 2015) 08 Mar 2016	11237/2016	Scania CV AB; 12-16A, Rim, (SE, 17 Sep 2015) 09 Mar 2016	11282/2016
R & E Group Pty Ltd;R & E GROUP PTY LTD; 23-03E, Fireplace, 01 Mar 2016	11109/2016	Scania CV AB; 12-16A, Hub cover, (SE, 17 Sep 2015) 09 Mar 2016	11291/2016
R & E GROUP PTY LTD;R & E Group Pty Ltd; 23-03E, Fireplace, 01 Mar 2016	11109/2016	Scania CV AB; 12-16A, Hubcover, (SE, 17 Sep 2015) 09 Mar 2016	11289/2016
Rhodes, Brandon Scott;Talsania, Sameer Kirti;Palin, Drew Alexander Read;Huls, Sean Joseph;Cortadellas, Xavi;Marina, Carlos Hernan;Schmunk, Matthew;Ostby, John Lester;Fort, Tucker H.;Zeledon, Joey Miguel;Worden, Morris Elijah IV;Posey, Wayne Allen;Brunella, Eric Jay;Ankenbrandt, Bruce Joseph; 07-01NES, Container, (US, 16 Sep 2015) 14 Mar 2016	11403/2016	Scania CV AB; 12-16A, Rim, (SE, 17 Sep 2015) 09 Mar 2016	11285/2016
Rhodes, Brandon Scott;Talsania, Sameer Kirti;Palin, Drew Alexander Read;Huls, Sean Joseph;Cortadellas, Xavi;Rhodes, Brandon Scott;Marina, Carlos Hernan;Schmunk, Matthew;Ostby, John Lester;Fort, Tucker H.;Zeledon, Joey Miguel;Worden, Morris Elijah IV;Posey, Wayne Allen;Brunella, Eric Jay;Ankenbrandt, Bruce Joseph; 07-01NES, Container, (US, 16 Sep 2015) 14 Mar 2016	11404/2016	Scania CV AB; 12-16A, Rim, (SE, 17 Sep 2015) 09 Mar 2016	11297/2016
Rhodes, Brandon Scott;Talsania, Sameer Kirti;Palin, Drew Alexander Read;Huls, Sean Joseph;Cortadellas, Xavi;Rhodes, Brandon Scott;Marina, Carlos Hernan;Schmunk, Matthew;Ostby, John Lester;Fort, Tucker H.;Zeledon, Joey Miguel;Worden, Morris Elijah IV;Posey, Wayne Allen;Brunella, Eric Jay;Ankenbrandt, Bruce Joseph; 07-01NES, Container, (US, 16 Sep 2015) 14 Mar 2016	11402/2016	Schmunk, Matthew;Talsania, Sameer Kirti;Palin, Drew Alexander Read;Huls, Sean Joseph;Cortadellas, Xavi;Rhodes, Brandon Scott;Marina, Carlos Hernan;Ostby, John Lester;Fort, Tucker H.;Zeledon, Joey Miguel;Worden, Morris Elijah IV;Posey, Wayne Allen;Brunella, Eric Jay;Ankenbrandt, Bruce Joseph; 07-01NES, Container, (US, 16 Sep 2015) 14 Mar 2016	11402/2016
Rhodes, Brandon Scott;Talsania, Sameer Kirti;Palin, Drew Alexander Read;Huls, Sean Joseph;Cortadellas, Xavi;Rhodes, Brandon Scott;Marina, Carlos Hernan;Schmunk, Matthew;Ostby, John Lester;Fort, Tucker H.;Zeledon, Joey Miguel;Worden, Morris Elijah IV;Posey, Wayne Allen;Brunella, Eric Jay;Ankenbrandt, Bruce Joseph; 07-01NES, Container, (US, 16 Sep 2015) 14 Mar 2016	11404/2016	Schmunk, Matthew;Talsania, Sameer Kirti;Palin, Drew Alexander Read;Huls, Sean Joseph;Cortadellas, Xavi;Rhodes, Brandon Scott;Marina, Carlos Hernan;Ostby, John Lester;Fort, Tucker H.;Zeledon, Joey Miguel;Worden, Morris Elijah IV;Posey, Wayne Allen;Brunella, Eric Jay;Ankenbrandt, Bruce Joseph; 07-01NES, Container, (US, 16 Sep 2015) 14 Mar 2016	11404/2016
Rhodes, Brandon Scott;Talsania, Sameer Kirti;Palin, Drew Alexander Read;Huls, Sean Joseph;Cortadellas, Xavi;Rhodes, Brandon Scott;Marina, Carlos Hernan;Schmunk, Matthew;Ostby, John Lester;Fort, Tucker H.;Zeledon, Joey Miguel;Worden, Morris Elijah IV;Posey, Wayne Allen;Brunella, Eric Jay;Ankenbrandt, Bruce Joseph; 07-01NES, Container, (US, 16 Sep 2015) 14 Mar 2016	11402/2016	Schmunk, Matthew;Talsania, Sameer Kirti;Palin, Drew Alexander Read;Huls, Sean Joseph;Cortadellas, Xavi;Rhodes, Brandon Scott;Marina, Carlos Hernan;Ostby, John Lester;Fort, Tucker H.;Zeledon, Joey Miguel;Worden, Morris Elijah IV;Posey, Wayne Allen;Brunella, Eric Jay;Ankenbrandt, Bruce Joseph; 07-01NES, Container, (US, 16 Sep 2015) 14 Mar 2016	11403/2016
Roberts, Gregory; 08-08B, Socketed screwed cap, 26 Feb 2016	11026/2016	Sioziopoulos, Steven;Nikolic, Goran; 07-07A, Freezer block, 14 Mar 2016	11401/2016
Rowe, Amanda Loralie; 21-02NES, Support, 26 Feb 2016	11048/2016	Skye Group Pty Limited; 02-02A, A bikini top, 01 Mar 2016	11117/2016
Royole Corporation; 14-02, Display screen or portion thereof with, (US, 11 Sep 2015) 09 Mar 2016	11288/2016	Skye Group Pty Limited; 02-02A, A swimsuit, 01 Mar 2016	11119/2016
		Skye Group Pty Limited; 02-02A, A bikini top, 01 Mar 2016	11118/2016

Skye Group Pty Limited; 02-02A, A bikini top, 01 Mar 2016	11115/2016	Talsania, Sameer Kirti;Palin, Drew Alexander Read;Huls, Sean Joseph;Cortadellas, Xavi;Rhodes, Brandon Scott;Marina, Carlos Hernan;Schmunk, Matthew;Ostby, John Lester;Fort, Tucker H.;Zeledon, Joey Miguel;Worden, Morris Elijah IV;Posey, Wayne Allen;Brunella, Eric Jay;Ankenbrandt, Bruce Joseph; 07-01NES, Container, (US, 16 Sep 2015) 14 Mar 2016	11403/2016
Skye Group Pty Limited; 02-02A, A bikini top, 01 Mar 2016	11116/2016		
Skye Group Pty Limited; 02-02A, Swimwear, 01 Mar 2016	11114/2016		
Smilestraw Pty Ltd; 24-04, Dummy/pacifier, 03 Mar 2016	11191/2016		
Smilestraw Pty Ltd; 07-01E, Teat, 03 Mar 2016	11192/2016	Talsania, Sameer Kirti;Palin, Drew Alexander Read;Huls, Sean Joseph;Cortadellas, Xavi;Rhodes, Brandon Scott;Marina, Carlos Hernan;Schmunk, Matthew;Ostby, John Lester;Fort, Tucker H.;Zeledon, Joey Miguel;Worden, Morris Elijah IV;Posey, Wayne Allen;Brunella, Eric Jay;Ankenbrandt, Bruce Joseph; 07-01NES, Container, (US, 16 Sep 2015) 14 Mar 2016	11404/2016
Sony Computer Entertainment Inc.; 14-01, Earphone, (JP, 11 Sep 2015) 08 Mar 2016	11274/2016		
Spaceleft Pty Ltd; 26-05B, Desk light, 26 Feb 2016	11028/2016		
Spaceleft Pty Ltd; 06-01G, Couch, 26 Feb 2016	11029/2016		
Spectrum Brands, Inc.; 04-02, Facial brush, (US, 19 Jan 2016) 29 Feb 2016	11077/2016	Talsania, Sameer Kirti;Palin, Drew Alexander Read;Huls, Sean Joseph;Cortadellas, Xavi;Rhodes, Brandon Scott;Marina, Carlos Hernan;Schmunk, Matthew;Ostby, John Lester;Fort, Tucker H.;Zeledon, Joey Miguel;Worden, Morris Elijah IV;Posey, Wayne Allen;Brunella, Eric Jay;Ankenbrandt, Bruce Joseph; 07-01NES, Container, (US, 16 Sep 2015) 14 Mar 2016	11402/2016
Spectrum Brands, Inc.; 04-02, Body brush, (US, 30 Dec 2015) 29 Feb 2016	11082/2016		
Spectrum Brands, Inc.; 28-03D, Hair clipper, (US, 31 Dec 2015) 29 Feb 2016	11083/2016		
Spectrum Brands, Inc.; 04-02, Body brush, (US, 30 Dec 2015) 29 Feb 2016	11079/2016		
Spectrum Brands, Inc.; 04-02, Facial brush, (US, 19 Jan 2016) 29 Feb 2016	11078/2016	Technogym S.p.A.; 21-02F, Exercise equipment, (EM, 16 Sep 2015) 01 Mar 2016	11106/2016
Spectrum Brands, Inc.; 04-02, Facial brush, (US, 19 Jan 2016) 29 Feb 2016	11080/2016	Telebrands Corp.; 16-02, Light projector, (US, 22 Feb 2016) 14 Mar 2016	11417/2016
Spectrum Brands, Inc.; 28-03B, Hair straightener, (US, 28 Dec 2015) 29 Feb 2016	11084/2016	Tervis Tumbler Company; 07-01C, Insulated drinking tumblers and lids, (US, 08 Sep 2015) 07 Mar 2016	11219/2016
Spectrum Brands, Inc.; 28-03D, Hair clipper, (US, 31 Dec 2015) 29 Feb 2016	11081/2016	Textile House Pty Ltd; 02-02NES, Clothing, 01 Mar 2016	11121/2016
Spectrum Brands, Inc.; 10-05, Personal alarm, (US, 29 Jan 2016) 29 Feb 2016	11076/2016	The Gillette Company; 28-02, 32-03, An ornamental design for cosmetic products, (US, 08 Sep 2015) 08 Mar 2016	11256/2016
SFI Global Pty. Ltd.; 20-02NES, Product display hub, 09 Mar 2016	11292/2016	TomTom International B.V.; 10-02, A personal training device module, (EM, 03 Sep 2015) 03 Mar 2016	11153/2016
SFI Global Pty. Ltd.; 20-02NES, Product display hub, 09 Mar 2016	11293/2016	TomTom International B.V.; 10-02, 10-07, A strap of a watch, (EM, 03 Sep 2015) 03 Mar 2016	11155/2016
SGS Engineering Pty Ltd.; 07-02D, 23-03NES, Fire pit, 04 Mar 2016	11215/2016	TomTom International B.V.; 10-07, A strap of a watch, (EM, 03 Sep 2015) 03 Mar 2016	11154/2016
		Toni Maticevski Pty Ltd; 02-02C, Article of clothing, 02 Mar 2016	11150/2016

Toni Maticevski Pty Ltd; 11-01E, Jewellery, 02 Mar 2016	11151/2016	Westinghouse Air Brake Technologies Corporation; 13-03D, Power connector, (US, 02 Oct 2015) 10 Mar 2016	11330/2016
Toyota Jidosha Kabushiki Kaisha; 26-06, Front combination lamp for an automobile, 10 Mar 2016	11317/2016	Westinghouse Air Brake Technologies Corporation; 13-03D, Power connector, (US, 02 Oct 2015) 10 Mar 2016	11328/2016
Toyota Jidosha Kabushiki Kaisha; 12-16B, Front bumper for an automobile, 10 Mar 2016	11327/2016	Westinghouse Air Brake Technologies Corporation; 13-03D, Power connector, (US, 02 Oct 2015) 10 Mar 2016	11329/2016
Toyota Jidosha Kabushiki Kaisha; 12-08, Front portion for an automobile, 10 Mar 2016	11318/2016	Whirlpool Corporation; 31-00, Food chopper, (US, 11 Feb 2016) 07 Mar 2016	11225/2016
Tybell, Peter William James; 21-02D, Swimming pool rehabilitation/ exercise board, 01 Mar 2016	11112/2016	Wieth, Franz;Filosi, Andreas; 03-01NES, Holder for phones, (DE, 11 Sep 2015) 11 Mar 2016	11348/2016
Unilever PLC; 09-03NES, 32-02, Packaging for ice cream, (EM, 02 Sep 2015) 02 Mar 2016	11142/2016	Worden, Morris Elijah IV;Talsania, Sameer Kirti;Palin, Drew Alexander Read;Huls, Sean Joseph;Cortadellas, Xavi;Rhodes, Brandon Scott;Marina, Carlos Hernan;Schmunk, Matthew;Ostby, John Lester;Fort, Tucker H.;Zeledon, Joey Miguel;Posey, Wayne Allen;Brunella, Eric Jay;Ankenbrandt, Bruce Joseph; 07-01NES, Container, (US, 16 Sep 2015) 14 Mar 2016	11404/2016
Unilever PLC; 07-01F, 23-01G, Pitcher, (EM, 12 Oct 2015) 08 Mar 2016	11249/2016	Worden, Morris Elijah IV;Talsania, Sameer Kirti;Palin, Drew Alexander Read;Huls, Sean Joseph;Cortadellas, Xavi;Rhodes, Brandon Scott;Marina, Carlos Hernan;Schmunk, Matthew;Ostby, John Lester;Fort, Tucker H.;Zeledon, Joey Miguel;Posey, Wayne Allen;Brunella, Eric Jay;Ankenbrandt, Bruce Joseph; 07-01NES, Container, (US, 16 Sep 2015) 14 Mar 2016	11403/2016
Unilever PLC; 09-03NES, 32-02, Packaging for ice cream, (EM, 02 Sep 2015) 02 Mar 2016	11143/2016	Worden, Morris Elijah IV;Marina, Carlos Hernan;Fort, Tucker H.;Zeledon, Joey Miguel; 07-01NES, Container, (US, 16 Sep 2015) 14 Mar 2016	11400/2016
Unilever PLC; 09-03NES, Packaging for ice cream, (EM, 02 Sep 2015) 02 Mar 2016	11146/2016	Worden, Morris Elijah IV;Talsania, Sameer Kirti;Palin, Drew Alexander Read;Huls, Sean Joseph;Cortadellas, Xavi;Rhodes, Brandon Scott;Marina, Carlos Hernan;Schmunk, Matthew;Ostby, John Lester;Fort, Tucker H.;Zeledon, Joey Miguel;Posey, Wayne Allen;Brunella, Eric Jay;Ankenbrandt, Bruce Joseph; 07-01NES, Container, (US, 16 Sep 2015) 14 Mar 2016	11402/2016
Unilever PLC; 09-03NES, 32-02, Packaging for ice cream, (EM, 02 Sep 2015) 02 Mar 2016	11144/2016	Wyborn, Stephanie Jane; 06-09, A pillow, (NZ, 04 Sep 2015) 04 Mar 2016	11208/2016
Unilever PLC; 09-03NES, 32-02, Packaging for ice cream, (EM, 02 Sep 2015) 02 Mar 2016	11145/2016	WATSON MARLOW GMBH; 15-02, Pump, (EM, 09 Sep 2015) 07 Mar 2016	11221/2016
UAM Pty Ltd; 25-99, Reinforcement nail for base of a street light pole, 26 Feb 2016	11038/2016		
UAM Pty Ltd; 25-99, Reinforcement nail for base of a street light pole, 26 Feb 2016	11039/2016		
UAM Pty Ltd; 25-99, Reinforcement nail for base of a street light pole, 26 Feb 2016	11040/2016		
UPANAWAY, LLC; 06-13NES, Baby bath mat, (US, 08 Mar 2016) 14 Mar 2016	11415/2016		
UPANAWAY, LLC; 06-13NES, Baby bat mat, (US, 08 Mar 2016) 14 Mar 2016	11416/2016		
Visy R & D Pty Ltd; 09-03H, Blank for a bottle divider, 11 Mar 2016	11347/2016		
VLI CONVEYORS PTY LIMITED; 12-05, Stub shaft for a conveyor roller, 26 Feb 2016	11025/2016		
Walmsley Developments Pty Ltd; 15-02, Pump, 03 Mar 2016	11170/2016		

Yeti Coolers, LLC; 07-01C, Tumbler, (US, 31 Aug 2015) 29 Feb 2016	11072/2016	Zeledon, Joey Miguel;Talsania, Sameer Kirti;Palin, Drew Alexander Read;Huls, Sean Joseph;Cortadellas, Xavi;Rhodes, Brandon Scott;Marina, Carlos Hernan;Schmunk, Matthew;Ostby, John Lester;Fort, Tucker H.;Worden, Morris Elijah IV;Posey, Wayne Allen;Brunella, Eric Jay;Ankenbrandt, Bruce Joseph; 07-01NES, Container, (US, 16 Sep 2015) 14 Mar 2016	11403/2016
Yeti Coolers, LLC; 07-01C, Cup, (US, 31 Aug 2015) 29 Feb 2016	11073/2016		
Yeti Coolers, LLC; 07-01C, Cup, (US, 31 Aug 2015) 29 Feb 2016	11074/2016		
Yeti Coolers, LLC; 07-01C, Tumbler, (US, 31 Aug 2015) 29 Feb 2016	11071/2016	Zeledon, Joey Miguel;Talsania, Sameer Kirti;Palin, Drew Alexander Read;Huls, Sean Joseph;Cortadellas, Xavi;Rhodes, Brandon Scott;Marina, Carlos Hernan;Schmunk, Matthew;Ostby, John Lester;Fort, Tucker H.;Worden, Morris Elijah IV;Posey, Wayne Allen;Brunella, Eric Jay;Ankenbrandt, Bruce Joseph; 07-01NES, Container, (US, 16 Sep 2015) 14 Mar 2016	11402/2016
Zeledon, Joey Miguel;Talsania, Sameer Kirti;Palin, Drew Alexander Read;Huls, Sean Joseph;Cortadellas, Xavi;Rhodes, Brandon Scott;Marina, Carlos Hernan;Schmunk, Matthew;Ostby, John Lester;Fort, Tucker H.;Worden, Morris Elijah IV;Posey, Wayne Allen;Brunella, Eric Jay;Ankenbrandt, Bruce Joseph; 07-01NES, Container, (US, 16 Sep 2015) 14 Mar 2016	11404/2016	Zeledon, Joey Miguel;Marina, Carlos Hernan;Fort, Tucker H.;Worden, Morris Elijah IV; 07-01NES, Container, (US, 16 Sep 2015) 14 Mar 2016	11400/2016
		2MT Mining Products Pty Ltd; 08-01, Spreader bar end piece, 29 Feb 2016	11099/2016
		2MT Mining Products Pty Ltd; 25-01K, Tube, 29 Feb 2016	11100/2016
		2MT Mining Products Pty Ltd; 08-01, Spreader bar, 29 Feb 2016	11098/2016

Applications Lapsed

15710 / 2015 (21-01NES)	16362 / 2015 (32-03)
16368 / 2015 (07-01NES)	16369 / 2015 (25-03)
16370 / 2015 (07-01NES)	16371 / 2015 (07-01NES)
16661 / 2015 (08-01)	16700 / 2015 (03-01B)
16709 / 2015 (12-16NES)	16722 / 2015 (32-03)
16733 / 2015 (02-04B)	16763 / 2015 (21-01N)
16787 / 2015 (32-02)	

Extension of Period of Registration of Designs

333335	333499	335553
335630	335677	335737
335738	335750	335765
335768	335788	335791
335857	335858	335870
335871	335879	335931
335932	335935	335936
335962	335963	335964
335974	335986	335999
336013	336014	336016
336017	336026	336028
336033	336034	336049
336079	336083	336104
336155	336222	336223
336228	336233	336234
336235	336243	336325
336333	336350	336351
336405	336406	336407
336408	336419	336424
336523	336574	336580
336581	336589	336611
336612	336699	336700
336725	336807	336808
336809	336854	336855
336856	336857	336858
336859	336869	336877
336878	336879	336880
336881	336882	336884
336900	336901	336902
336903	336904	336905
337001	337002	337197
337198	337301	337419
337564	338000	338477
338568	339019	

Registrations Ceased

306518	306520	306521
306554	306709	308001
308002	308003	308004
308005	308006	308019
308020	308022	308074
308077	308082	308083
308084	308087	308116
308118	308148	308149
308150	308158	308159
308160	308196	308197
308198	308199	308200
308201	308202	308203
308204	308242	308244

308245	308246	308286
308322	308323	308324
308326	308404	308405
308593	308594	308595
308614	308615	308633
308634	308635	308636
308697	308698	308699
308700	308701	308702
308703	308704	308705
308706	308707	308708
308709	308710	308711
308712	308715	308716
308729	308730	308731
308732	308733	308735
308802	308803	308804
308805	308806	308807
308808	308809	308825
308830	308831	308832
308833	308862	308863
308881	308882	309370
309731	309732	309876
309932	310226	310483
310524	310525	310526
310527	310538	310616
310617	310618	310619
310712	310714	310757
310783	310784	310785
310796	311028	311116
311118	311188	312516
312533	312535	312536
315786	315787	315788
315789	332591	332592
332599	332625	332691
332701	332703	332715
332716	332717	332718
332723	332728	332729
332730	332732	332737
332749	332765	332766
332767	332776	332777
332778	332779	332780
332781	332797	332798
332802	332810	332811
332812	332814	332816
332817	332833	332839
332846	332852	332858
332859	332860	332861
332862	332875	332876
332877	332878	332879
332880	332882	332883
332884	332885	332899
332908	332909	332911
332912	332953	332962
332963	332970	332971
332972	333009	333043

333152	333161	333162
333185	333186	333187
333271	333272	333352
333389	333390	333435
333598	333599	333716
333717	333826	334063
334141	334142	334320
334321	334900	335258
335259	335303	335396
335524	336225	351104
361819	361820	362228
362300	362310	362969
363053	363171	363398

Subsequent Owners Registered

(The name in parentheses is that of the subsequent owner)

357008	(Who-Rae Australia LLC)	Who-Rae Pty Ltd
357009	(Who-Rae Australia LLC)	Who-Rae Pty Ltd
348747	(Who-Rae Australia LLC)	Who-Rae Pty Ltd
348746	(Who-Rae Australia LLC)	Who-Rae Pty Ltd
356153	(Who-Rae Australia LLC)	Who-Rae Pty Ltd
356136	(Who-Rae Australia LLC)	Who-Rae Pty Ltd
356135	(Who-Rae Australia LLC)	Who-Rae Pty Ltd
356134	(Who-Rae Australia LLC)	Who-Rae Pty Ltd
355673	(Who-Rae Australia LLC)	Who-Rae Pty Ltd
355672	(Who-Rae Australia LLC)	Who-Rae Pty Ltd
355671	(Who-Rae Australia LLC)	Who-Rae Pty Ltd
355670	(Who-Rae Australia LLC)	Who-Rae Pty Ltd
355669	(Who-Rae Australia LLC)	Who-Rae Pty Ltd
355668	(Who-Rae Australia LLC)	Who-Rae Pty Ltd
357013	(Who-Rae Australia LLC)	Who-Rae Pty Ltd
357016	(Who-Rae Australia LLC)	Who-Rae Pty Ltd
357015	(Who-Rae Australia LLC)	Who-Rae Pty Ltd
357018	(Who-Rae Australia LLC)	Who-Rae Pty Ltd
341760	(Apex Group Limited (Company Registration 1587450))	Apex Valves Limited
341756	(Apex Group Limited (Company Registration 1587450))	Apex Valves Limited
357017	(Who-Rae Australia LLC)	Who-Rae
351100	(SkALE Greenwall Pty Limited)	Greenwall Australia Pty Ltd
351817	(SkALE Greenwall Pty Limited)	Greenwall Australia Pty Ltd

Names Registered - Alterations and Amendments

(The name in parentheses is that of the subsequent applicant)

353174	(APART AUDIO N.V.)	AUDIOPROF N.V.
336555	(LENSAR, LLC)	Lion Buyer, LLC
336556	(LENSAR, LLC)	Lion Buyer, LLC

Certificate(s) of Examination

Examination of the following Design Registration(s) has been completed. Infringement proceedings may now be commenced.

306709	23-03B	01/03/2016
350413	15-99	03/03/2016
354230	02-04NES	29/02/2016
361536	09-03F	07/03/2016
362158	09-01G	29/02/2016
362158	09-01G	29/02/2016
362738	09-03M	04/03/2016
363714	25-99	03/03/2016
364241	09-03F	09/03/2016
365555	13-02	29/02/2016
365740	28-03A	15/03/2016
365741	28-03A	15/03/2016
365742	28-03A	15/03/2016
365966	12-16NES	01/03/2016
366071	09-01G	11/03/2016
366144	09-01NES	01/03/2016
366145	09-01NES	01/03/2016
366158	06-03A	01/03/2016
366191	09-01NES	01/03/2016
366216	02-02C	03/03/2016
366244	07-02C	07/03/2016
366482	09-03M	02/03/2016
366483	06-01C	01/03/2016
366498	07-02L	01/03/2016
366555	24-01	09/03/2016
366610	08-08L	09/03/2016
366611	08-08D	15/03/2016
366622	12-16A	11/03/2016
366638	05-05A	03/03/2016
366639	05-05A	03/03/2016
366645	28-03NES	04/03/2016
366670	05-05NES	09/03/2016
366677	05-05NES	09/03/2016
366678	05-05A	09/03/2016
366703	22-05	08/03/2016
366721	07-01F	10/03/2016
366729	19-02	10/03/2016
366730	13-02	09/03/2016
366733	04-02	10/03/2016
366734	04-02	10/03/2016
366740	04-02	10/03/2016
366741	04-02	10/03/2016
366753	04-02	10/03/2016
366754	04-02	15/03/2016
366755	04-02	15/03/2016
366756	04-02	15/03/2016
366836	04-02	15/03/2016
366838	04-02	15/03/2016
367193	23-03NES	01/03/2016

Publication and Registration Proceedings

Designs Registered

This section provides a concordance between design number and registration number of Designs covered in this journal. It also shows the main class and registration date.

This section covers Registration numbers 367316 to 367715 .

The registration number shown below should be used in all future correspondence.

Design Number	Registration Number	International Classification Code (IDC)	Registration Date	Design Number	Registration Number	International Classification Code (IDC)	Registration Date
13835/2015	367568	25-01D	08/03/2016	10269/2016	367692	24-01	11/03/2016
13836/2015	367569	21-01D	08/03/2016	10299/2016	367690	13-03A	11/03/2016
13846/2015	367570	21-01D	08/03/2016	10323/2016	367702	09-07B	15/03/2016
14268/2015	367452	02-02A	02/03/2016	10325/2016	367576	09-08	08/03/2016
15006/2015	367622	23-01K	10/03/2016	10326/2016	367577	09-08	08/03/2016
15084/2015	367685	25-01K	11/03/2016	10328/2016	367703	09-07B	15/03/2016
15085/2015	367676	25-01K	11/03/2016	10373/2016	367468	10-04	02/03/2016
15089/2015	367686	25-01K	11/03/2016	10407/2016	367693	14-02	11/03/2016
15430/2015	367677	12-16A	11/03/2016	10471/2016	367503	26-02	03/03/2016
15431/2015	367678	12-16A	11/03/2016	10481/2016	367320	02-05	29/02/2016
15432/2015	367679	12-16A	11/03/2016	10491/2016	367694	05-05A	11/03/2016
15548/2015	367680	25-01K	11/03/2016	10493/2016	367626	06-13B	10/03/2016
15866/2015	367500	09-03H	03/03/2016	10502/2016	367323	06-04F	29/02/2016
16343/2015	367571	19-08	08/03/2016	10503/2016	367324	06-04C	29/02/2016
16344/2015	367572	19-08	08/03/2016	10537/2016	367691	06-11	11/03/2016
16415/2015	367508	24-02	03/03/2016	10595/2016	367367	07-02NES	01/03/2016
16433/2015	367359	08-99	01/03/2016	10633/2016	367321	26-06	29/02/2016
16467/2015	367467	09-03F	02/03/2016	10639/2016	367615	08-07	09/03/2016
16468/2015	367366	09-03F	01/03/2016	10645/2016	367322	06-04B	29/02/2016
16510/2015	367501	12-16A	03/03/2016	10664/2016	367325	09-01NES	29/02/2016
16511/2015	367502	12-16A	03/03/2016	10666/2016	367326	09-01NES	29/02/2016
16554/2015	367540	28-03B	07/03/2016	10667/2016	367368	09-07A	01/03/2016
16854/2015	367687	25-02B	11/03/2016	10669/2016	367327	09-07A	29/02/2016
16929/2015	367681	03-01NES	11/03/2016	10670/2016	367328	15-04	29/02/2016
16930/2015	367682	03-01NES	11/03/2016	10671/2016	367329	24-04	29/02/2016
16931/2015	367683	03-01NES	11/03/2016	10672/2016	367330	15-04	29/02/2016
16932/2015	367684	03-01NES	11/03/2016	10673/2016	367331	09-01NES	29/02/2016
16935/2015	367688	08-02	11/03/2016	10674/2016	367369	15-04	01/03/2016
16940/2015	367623	08-02	10/03/2016	10678/2016	367332	24-04	29/02/2016
16946/2015	367624	08-02	10/03/2016	10679/2016	367333	06-01F	29/02/2016
16947/2015	367625	08-03	10/03/2016	10680/2016	367334	06-01F	29/02/2016
16952/2015	367695	08-02	15/03/2016	10681/2016	367335	15-09	29/02/2016
16959/2015	367689	08-02	11/03/2016	10682/2016	367336	04-02	29/02/2016
16966/2015	367675	08-02	11/03/2016	10683/2016	367341	04-02	29/02/2016
17134/2015	367696	23-04	15/03/2016	10684/2016	367342	08-08B	29/02/2016
17141/2015	367697	28-03NES	15/03/2016	10685/2016	367343	08-99	29/02/2016
17148/2015	367573	12-16P	08/03/2016	10686/2016	367698	03-01D	15/03/2016
10001/2016	367337	25-02H	29/02/2016	10689/2016	367344	21-03	29/02/2016
10006/2016	367652	14-03D	11/03/2016	10694/2016	367345	24-01	29/02/2016
10015/2016	367316	09-07A	29/02/2016	10698/2016	367370	14-03NES	01/03/2016
10027/2016	367653	16-06	11/03/2016	10699/2016	367346	08-08NES	29/02/2016
10076/2016	367338	07-02N	29/02/2016	10700/2016	367347	03-01B	29/02/2016
10077/2016	367339	07-02N	29/02/2016	10701/2016	367348	05-05A	29/02/2016
10080/2016	367340	07-02N	29/02/2016	10702/2016	367349	05-05B	29/02/2016
10219/2016	367574	02-04B	08/03/2016	10704/2016	367350	24-01	29/02/2016
10221/2016	367575	02-04B	08/03/2016	10705/2016	367351	24-01	29/02/2016
10252/2016	367317	15-02	29/02/2016	10707/2016	367352	03-01B	01/03/2016
10253/2016	367318	15-02	29/02/2016	10708/2016	367353	02-04NES	01/03/2016
10255/2016	367319	15-02	29/02/2016	10709/2016	367354	15-04	01/03/2016
10260/2016	367561	26-04	07/03/2016	10710/2016	367355	15-04	01/03/2016

Publication and Registration Proceedings - Designs Registered cont'd

Design Number	Registration Number	International Classification Code (IDC)	Registration Date	Design Number	Registration Number	International Classification Code (IDC)	Registration Date
10711/2016	367356	15-04	01/03/2016	10774/2016	367405	12-16NES	01/03/2016
10712/2016	367357	03-01A	01/03/2016	10776/2016	367406	19-01	01/03/2016
10713/2016	367358	03-01A	01/03/2016	10777/2016	367418	14-03E	02/03/2016
10714/2016	367360	02-02C	01/03/2016	10778/2016	367407	14-99	01/03/2016
10715/2016	367361	12-16A	01/03/2016	10779/2016	367425	09-09	02/03/2016
10716/2016	367362	12-15B	01/03/2016	10781/2016	367426	14-03NES	02/03/2016
10717/2016	367363	12-15B	01/03/2016	10782/2016	367427	08-08L	02/03/2016
10718/2016	367364	12-15B	01/03/2016	10783/2016	367428	14-03NES	02/03/2016
10719/2016	367365	12-15B	01/03/2016	10784/2016	367429	09-01NES	02/03/2016
10720/2016	367371	07-02K	01/03/2016	10786/2016	367430	09-01NES	02/03/2016
10721/2016	367372	03-01A	01/03/2016	10787/2016	367431	09-01NES	02/03/2016
10722/2016	367373	14-02	01/03/2016	10788/2016	367432	08-01	02/03/2016
10723/2016	367409	09-01NES	02/03/2016	10793/2016	367419	12-15B	02/03/2016
10724/2016	367410	15-04	02/03/2016	10795/2016	367420	07-05NES	02/03/2016
10725/2016	367411	15-04	02/03/2016	10796/2016	367421	07-05NES	02/03/2016
10726/2016	367412	09-01NES	02/03/2016	10797/2016	367422	07-05NES	02/03/2016
10728/2016	367413	09-01H	02/03/2016	10798/2016	367423	07-05NES	02/03/2016
10730/2016	367414	15-04	02/03/2016	10799/2016	367424	08-09	02/03/2016
10731/2016	367415	15-04	02/03/2016	10800/2016	367474	07-05NES	02/03/2016
10732/2016	367416	15-04	02/03/2016	10801/2016	367475	07-05NES	02/03/2016
10734/2016	367374	02-02NES	01/03/2016	10804/2016	367476	07-05NES	02/03/2016
10735/2016	367375	02-02NES	01/03/2016	10806/2016	367477	07-05NES	02/03/2016
10736/2016	367469	02-02NES	02/03/2016	10807/2016	367478	07-05NES	02/03/2016
10738/2016	367376	02-02C	01/03/2016	10808/2016	367479	02-02NES	02/03/2016
10739/2016	367377	02-02C	01/03/2016	10809/2016	367480	08-06	02/03/2016
10740/2016	367378	02-02C	01/03/2016	10810/2016	367481	02-02C	02/03/2016
10741/2016	367379	02-02NES	01/03/2016	10811/2016	367470	02-02C	02/03/2016
10742/2016	367380	02-02C	01/03/2016	10812/2016	367471	02-02NES	02/03/2016
10743/2016	367381	02-02C	01/03/2016	10813/2016	367433	02-02C	02/03/2016
10744/2016	367382	08-05NES	01/03/2016	10814/2016	367434	02-02C	02/03/2016
10745/2016	367383	19-06	01/03/2016	10815/2016	367435	02-02C	02/03/2016
10746/2016	367388	19-06	01/03/2016	10816/2016	367436	02-02C	02/03/2016
10747/2016	367389	19-06	01/03/2016	10817/2016	367437	02-02NES	02/03/2016
10749/2016	367390	12-08	01/03/2016	10818/2016	367472	02-02C	02/03/2016
10750/2016	367391	12-16C	01/03/2016	10819/2016	367438	02-02C	02/03/2016
10751/2016	367392	09-01A	01/03/2016	10820/2016	367439	02-02C	02/03/2016
10752/2016	367393	09-01A	01/03/2016	10821/2016	367440	02-02C	02/03/2016
10753/2016	367384	21-01A	01/03/2016	10823/2016	367482	08-06	02/03/2016
10754/2016	367417	06-03B	02/03/2016	10825/2016	367441	09-05	02/03/2016
10755/2016	367385	06-03B	01/03/2016	10826/2016	367442	09-05	02/03/2016
10756/2016	367386	06-03B	01/03/2016	10827/2016	367408	28-03A	01/03/2016
10757/2016	367387	06-03B	01/03/2016	10831/2016	367443	02-02A	02/03/2016
10760/2016	367394	06-03B	01/03/2016	10842/2016	367460	02-02C	02/03/2016
10761/2016	367395	06-03B	01/03/2016	10843/2016	367461	02-02C	02/03/2016
10762/2016	367396	24-01	01/03/2016	10844/2016	367462	02-02C	02/03/2016
10763/2016	367714	12-16A	15/03/2016	10845/2016	367463	02-02C	02/03/2016
10764/2016	367715	12-16A	15/03/2016	10846/2016	367464	03-01NES	02/03/2016
10765/2016	367397	26-02	01/03/2016	10850/2016	367465	15-05	02/03/2016
10767/2016	367398	08-10	01/03/2016	10853/2016	367453	02-02A	02/03/2016
10768/2016	367399	08-10	01/03/2016	10854/2016	367454	02-02A	02/03/2016
10769/2016	367400	08-10	01/03/2016	10855/2016	367455	02-02A	02/03/2016
10770/2016	367401	09-01NES	01/03/2016	10856/2016	367456	02-02A	02/03/2016
10771/2016	367402	19-01	01/03/2016	10857/2016	367457	02-02A	02/03/2016
10772/2016	367403	12-15B	01/03/2016	10858/2016	367458	02-02A	02/03/2016
10773/2016	367404	19-01	01/03/2016	10859/2016	367473	08-08A	02/03/2016

Publication and Registration Proceedings - Designs Registered cont'd

Design Number	Registration Number	International Classification Code (IDC)	Registration Date	Design Number	Registration Number	International Classification Code (IDC)	Registration Date
10860/2016	367483	08-08NES	02/03/2016	10947/2016	367526	01-01	07/03/2016
10861/2016	367484	23-01NES	02/03/2016	10948/2016	367498	01-01	03/03/2016
10865/2016	367493	02-03	03/03/2016	10949/2016	367499	06-01E	03/03/2016
10866/2016	367494	07-02E	03/03/2016	10953/2016	367459	08-08C	02/03/2016
10871/2016	367578	09-07B	08/03/2016	10956/2016	367527	12-11	07/03/2016
10872/2016	367579	09-07B	08/03/2016	10957/2016	367528	12-16A	07/03/2016
10873/2016	367580	09-07B	08/03/2016	10958/2016	367529	12-11	07/03/2016
10874/2016	367581	03-01D	08/03/2016	10959/2016	367530	12-11	07/03/2016
10875/2016	367596	01-01	08/03/2016	10960/2016	367531	10-04	07/03/2016
10876/2016	367597	01-01	08/03/2016	10961/2016	367532	32-03	07/03/2016
10877/2016	367598	01-01	08/03/2016	10962/2016	367533	32-02	07/03/2016
10878/2016	367599	01-01	08/03/2016	10963/2016	367543	12-11	07/03/2016
10879/2016	367600	01-01	08/03/2016	10964/2016	367546	32-02	07/03/2016
10881/2016	367601	01-01	08/03/2016	10965/2016	367551	32-02	07/03/2016
10884/2016	367485	06-02	02/03/2016	10966/2016	367552	32-02	07/03/2016
10886/2016	367486	26-04	02/03/2016	10967/2016	367553	32-02	07/03/2016
10891/2016	367466	02-02A	02/03/2016	10968/2016	367554	32-02	07/03/2016
10892/2016	367487	02-02A	02/03/2016	10969/2016	367534	32-02	07/03/2016
10893/2016	367488	02-02A	02/03/2016	10970/2016	367535	32-02	07/03/2016
10894/2016	367489	02-02A	02/03/2016	10971/2016	367536	32-02	07/03/2016
10895/2016	367490	02-02A	02/03/2016	10973/2016	367537	07-06A	07/03/2016
10896/2016	367491	02-02A	02/03/2016	10974/2016	367538	12-15A	07/03/2016
10897/2016	367492	20-02E	02/03/2016	10975/2016	367539	30-04	07/03/2016
10898/2016	367444	02-02A	02/03/2016	10976/2016	367541	10-04	07/03/2016
10899/2016	367445	02-02A	02/03/2016	10977/2016	367542	07-02N	07/03/2016
10900/2016	367446	02-02A	02/03/2016	10978/2016	367544	03-99	07/03/2016
10906/2016	367447	02-02A	02/03/2016	10979/2016	367545	07-02A	07/03/2016
10909/2016	367448	02-02A	02/03/2016	10980/2016	367547	12-99	07/03/2016
10910/2016	367449	02-02A	02/03/2016	10981/2016	367548	12-99	07/03/2016
10911/2016	367450	02-02A	02/03/2016	10982/2016	367549	11-02C	07/03/2016
10912/2016	367451	09-01A	02/03/2016	10983/2016	367550	06-09	07/03/2016
10913/2016	367495	06-13B	03/03/2016	10986/2016	367555	10-02	07/03/2016
10918/2016	367496	07-02N	03/03/2016	10988/2016	367556	01-01	07/03/2016
10919/2016	367509	24-02	03/03/2016	10989/2016	367557	01-01	07/03/2016
10920/2016	367510	24-02	03/03/2016	10990/2016	367558	01-01	07/03/2016
10921/2016	367511	24-02	03/03/2016	10991/2016	367559	01-01	07/03/2016
10922/2016	367512	24-02	03/03/2016	10992/2016	367560	14-02	07/03/2016
10923/2016	367513	24-02	03/03/2016	10996/2016	367562	08-08C	07/03/2016
10924/2016	367497	24-04	03/03/2016	10997/2016	367563	12-05	07/03/2016
10927/2016	367504	20-02C	03/03/2016	10998/2016	367564	23-04	07/03/2016
10928/2016	367505	20-02C	03/03/2016	10999/2016	367565	23-04	07/03/2016
10929/2016	367506	20-02C	03/03/2016	11001/2016	367566	08-08C	07/03/2016
10930/2016	367507	20-02C	03/03/2016	11002/2016	367567	24-02	07/03/2016
10931/2016	367521	12-08	07/03/2016	11005/2016	367603	09-01H	08/03/2016
10934/2016	367522	23-04	07/03/2016	11006/2016	367669	13-03NES	11/03/2016
10936/2016	367523	01-01	07/03/2016	11007/2016	367604	16-06	08/03/2016
10937/2016	367524	01-01	07/03/2016	11012/2016	367605	21-01F	08/03/2016
10939/2016	367514	01-01	07/03/2016	11016/2016	367606	14-03E	08/03/2016
10940/2016	367515	26-03	07/03/2016	11017/2016	367607	28-03A	08/03/2016
10941/2016	367516	26-03	07/03/2016	11018/2016	367608	28-03A	08/03/2016
10942/2016	367517	26-03	07/03/2016	11019/2016	367609	26-05C	08/03/2016
10943/2016	367518	26-03	07/03/2016	11020/2016	367670	30-02	11/03/2016
10944/2016	367519	26-03	07/03/2016	11021/2016	367671	26-05C	11/03/2016
10945/2016	367520	26-03	07/03/2016	11022/2016	367610	26-05C	08/03/2016
10946/2016	367525	01-01	07/03/2016	11023/2016	367611	26-05C	08/03/2016

Publication and Registration Proceedings - Designs Registered cont'd

Design Number	Registration Number	International Classification Code (IDC)	Registration Date	Design Number	Registration Number	International Classification Code (IDC)	Registration Date
11024/2016	367612	26-05C	08/03/2016	11071/2016	367644	07-01C	11/03/2016
11025/2016	367672	12-05	11/03/2016	11072/2016	367645	07-01C	11/03/2016
11026/2016	367613	08-08B	08/03/2016	11073/2016	367646	07-01C	11/03/2016
11027/2016	367614	28-03A	08/03/2016	11074/2016	367647	07-01C	11/03/2016
11028/2016	367673	26-05B	11/03/2016	11076/2016	367648	10-05	11/03/2016
11031/2016	367582	07-02NES	08/03/2016	11077/2016	367649	04-02	11/03/2016
11032/2016	367583	03-01A	08/03/2016	11078/2016	367650	04-02	11/03/2016
11033/2016	367584	03-01A	08/03/2016	11079/2016	367651	04-02	11/03/2016
11034/2016	367585	03-01A	08/03/2016	11080/2016	367674	04-02	11/03/2016
11035/2016	367586	03-01A	08/03/2016	11081/2016	367654	28-03D	11/03/2016
11036/2016	367587	03-01A	08/03/2016	11082/2016	367655	04-02	11/03/2016
11037/2016	367588	03-01A	08/03/2016	11083/2016	367656	28-03D	11/03/2016
11038/2016	367589	25-99	08/03/2016	11084/2016	367657	28-03B	11/03/2016
11039/2016	367590	25-99	08/03/2016	11085/2016	367704	15-05	15/03/2016
11040/2016	367591	25-99	08/03/2016	11090/2016	367658	14-02	11/03/2016
11043/2016	367592	12-16B	08/03/2016	11091/2016	367659	14-02	11/03/2016
11044/2016	367593	12-16C	08/03/2016	11092/2016	367660	28-03A	11/03/2016
11045/2016	367594	12-16B	08/03/2016	11093/2016	367661	14-02	11/03/2016
11046/2016	367595	12-16C	08/03/2016	11095/2016	367662	14-02	11/03/2016
11047/2016	367602	12-16NES	08/03/2016	11096/2016	367627	15-99	10/03/2016
11050/2016	367616	02-02NES	09/03/2016	11106/2016	367628	21-02F	10/03/2016
11051/2016	367617	02-02NES	09/03/2016	11109/2016	367705	23-03E	15/03/2016
11052/2016	367618	02-02NES	09/03/2016	11110/2016	367706	12-16M	15/03/2016
11053/2016	367619	02-02NES	09/03/2016	11113/2016	367663	12-16M	11/03/2016
11054/2016	367620	02-02C	09/03/2016	11114/2016	367664	02-02A	11/03/2016
11055/2016	367621	02-02C	09/03/2016	11115/2016	367665	02-02A	11/03/2016
11056/2016	367629	02-02C	11/03/2016	11116/2016	367666	02-02A	11/03/2016
11057/2016	367630	02-02NES	11/03/2016	11117/2016	367667	02-02A	11/03/2016
11058/2016	367631	02-02NES	11/03/2016	11118/2016	367668	02-02A	11/03/2016
11059/2016	367632	02-02NES	11/03/2016	11119/2016	367707	02-02A	15/03/2016
11060/2016	367633	02-02C	11/03/2016	11121/2016	367708	02-02NES	15/03/2016
11061/2016	367634	02-02C	11/03/2016	11122/2016	367709	09-07NES	15/03/2016
11062/2016	367635	02-02C	11/03/2016	11123/2016	367710	13-02	15/03/2016
11063/2016	367636	02-02NES	11/03/2016	11124/2016	367711	13-02	15/03/2016
11064/2016	367637	02-02NES	11/03/2016	11125/2016	367712	07-05B	15/03/2016
11065/2016	367638	02-02NES	11/03/2016	11126/2016	367713	15-05	15/03/2016
11066/2016	367639	21-02C	11/03/2016	11244/2016	367699	03-04	15/03/2016
11067/2016	367640	21-02C	11/03/2016	11247/2016	367700	03-04	15/03/2016
11068/2016	367641	21-02C	11/03/2016	11251/2016	367701	03-04	15/03/2016
11069/2016	367642	21-02C	11/03/2016				
11070/2016	367643	03-99	11/03/2016				

Publication and Registration Proceedings

Class Listing of Designs Published or Registered

The following section shows an International Classification Code listing of the Registered or Published Designs covered in this supplement.

Classification	Registration Number	Design Number	Classification	Registration Number	Design Number
01-01	367498	10948/2016	02-02C	367438	10819/2016
01-01	367514	10939/2016	02-02C	367439	10820/2016
01-01	367523	10936/2016	02-02C	367440	10821/2016
01-01	367524	10937/2016	02-02C	367460	10842/2016
01-01	367525	10946/2016	02-02C	367461	10843/2016
01-01	367526	10947/2016	02-02C	367462	10844/2016
01-01	367556	10988/2016	02-02C	367463	10845/2016
01-01	367557	10989/2016	02-02C	367470	10811/2016
01-01	367558	10990/2016	02-02C	367472	10818/2016
01-01	367559	10991/2016	02-02C	367481	10810/2016
01-01	367596	10875/2016	02-02C	367620	11054/2016
01-01	367597	10876/2016	02-02C	367621	11055/2016
01-01	367598	10877/2016	02-02C	367629	11056/2016
01-01	367599	10878/2016	02-02C	367633	11060/2016
01-01	367600	10879/2016	02-02C	367634	11061/2016
01-01	367601	10881/2016	02-02C	367635	11062/2016
02-02A	367443	10831/2016	02-02NES	367374	10734/2016
02-02A	367444	10898/2016	02-02NES	367375	10735/2016
02-02A	367445	10899/2016	02-02NES	367379	10741/2016
02-02A	367446	10900/2016	02-02NES	367437	10817/2016
02-02A	367447	10906/2016	02-02NES	367469	10736/2016
02-02A	367448	10909/2016	02-02NES	367471	10812/2016
02-02A	367449	10910/2016	02-02NES	367479	10808/2016
02-02A	367450	10911/2016	02-02NES	367616	11050/2016
02-02A	367452	14268/2015	02-02NES	367617	11051/2016
02-02A	367453	10853/2016	02-02NES	367618	11052/2016
02-02A	367454	10854/2016	02-02NES	367619	11053/2016
02-02A	367455	10855/2016	02-02NES	367630	11057/2016
02-02A	367456	10856/2016	02-02NES	367631	11058/2016
02-02A	367457	10857/2016	02-02NES	367632	11059/2016
02-02A	367458	10858/2016	02-02NES	367636	11063/2016
02-02A	367466	10891/2016	02-02NES	367637	11064/2016
02-02A	367487	10892/2016	02-02NES	367638	11065/2016
02-02A	367488	10893/2016	02-02NES	367708	11121/2016
02-02A	367489	10894/2016	02-03	367493	10865/2016
02-02A	367490	10895/2016	02-04B	367574	10219/2016
02-02A	367491	10896/2016	02-04B	367575	10221/2016
02-02A	367664	11114/2016	02-04NES	367353	10708/2016
02-02A	367665	11115/2016	02-05	367320	10481/2016
02-02A	367666	11116/2016	03-01A	367357	10712/2016
02-02A	367667	11117/2016	03-01A	367358	10713/2016
02-02A	367668	11118/2016	03-01A	367372	10721/2016
02-02A	367707	11119/2016	03-01A	367583	11032/2016
02-02C	367360	10714/2016	03-01A	367584	11033/2016
02-02C	367376	10738/2016	03-01A	367585	11034/2016
02-02C	367377	10739/2016	03-01A	367586	11035/2016
02-02C	367378	10740/2016	03-01A	367587	11036/2016
02-02C	367380	10742/2016	03-01A	367588	11037/2016
02-02C	367381	10743/2016	03-01B	367347	10700/2016
02-02C	367433	10813/2016	03-01B	367352	10707/2016
02-02C	367434	10814/2016	03-01D	367581	10874/2016
02-02C	367435	10815/2016	03-01D	367698	10686/2016
02-02C	367436	10816/2016	03-01NES	367464	10846/2016

Registration Proceedings - Class Listing of Designs Published or Registered cont'd

Classification	Registration Number	Design Number	Classification	Registration Number	Design Number
03-01NES	367681	16929/2015	07-05NES	367474	10800/2016
03-01NES	367682	16930/2015	07-05NES	367475	10801/2016
03-01NES	367683	16931/2015	07-05NES	367476	10804/2016
03-01NES	367684	16932/2015	07-05NES	367477	10806/2016
03-04	367699	11244/2016	07-05NES	367478	10807/2016
03-04	367700	11247/2016	07-06A	367537	10973/2016
03-04	367701	11251/2016	08-01	367432	10788/2016
03-99	367544	10978/2016	08-02	367623	16940/2015
03-99	367643	11070/2016	08-02	367624	16946/2015
04-02	367336	10682/2016	08-02	367675	16966/2015
04-02	367341	10683/2016	08-02	367688	16935/2015
04-02	367649	11077/2016	08-02	367689	16959/2015
04-02	367650	11078/2016	08-02	367695	16952/2015
04-02	367651	11079/2016	08-03	367625	16947/2015
04-02	367655	11082/2016	08-05NES	367382	10744/2016
04-02	367674	11080/2016	08-06	367480	10809/2016
05-05A	367348	10701/2016	08-06	367482	10823/2016
05-05A	367694	10491/2016	08-07	367615	10639/2016
05-05B	367349	10702/2016	08-08A	367473	10859/2016
06-01E	367499	10949/2016	08-08B	367342	10684/2016
06-01F	367333	10679/2016	08-08B	367613	11026/2016
06-01F	367334	10680/2016	08-08C	367459	10953/2016
06-02	367485	10884/2016	08-08C	367562	10996/2016
06-03B	367385	10755/2016	08-08C	367566	11001/2016
06-03B	367386	10756/2016	08-08L	367427	10782/2016
06-03B	367387	10757/2016	08-08NES	367346	10699/2016
06-03B	367394	10760/2016	08-08NES	367483	10860/2016
06-03B	367395	10761/2016	08-09	367424	10799/2016
06-03B	367417	10754/2016	08-10	367398	10767/2016
06-04B	367322	10645/2016	08-10	367399	10768/2016
06-04C	367324	10503/2016	08-10	367400	10769/2016
06-04F	367323	10502/2016	08-99	367343	10685/2016
06-09	367550	10983/2016	08-99	367359	16433/2015
06-11	367691	10537/2016	09-01A	367392	10751/2016
06-13B	367495	10913/2016	09-01A	367393	10752/2016
06-13B	367626	10493/2016	09-01A	367451	10912/2016
06-13NES	367626	10493/2016	09-01G	367581	10874/2016
07-01C	367644	11071/2016	09-01H	367413	10728/2016
07-01C	367645	11072/2016	09-01H	367603	11005/2016
07-01C	367646	11073/2016	09-01NES	367325	10664/2016
07-01C	367647	11074/2016	09-01NES	367326	10666/2016
07-02A	367545	10979/2016	09-01NES	367331	10673/2016
07-02E	367494	10866/2016	09-01NES	367401	10770/2016
07-02K	367371	10720/2016	09-01NES	367409	10723/2016
07-02N	367338	10076/2016	09-01NES	367412	10726/2016
07-02N	367339	10077/2016	09-01NES	367429	10784/2016
07-02N	367340	10080/2016	09-01NES	367430	10786/2016
07-02N	367496	10918/2016	09-01NES	367431	10787/2016
07-02N	367542	10977/2016	09-03F	367366	16468/2015
07-02NES	367367	10595/2016	09-03F	367467	16467/2015
07-02NES	367582	11031/2016	09-03H	367500	15866/2015
07-05B	367712	11125/2016	09-03NES	367622	15006/2015
07-05NES	367420	10795/2016	09-05	367441	10825/2016
07-05NES	367421	10796/2016	09-05	367442	10826/2016
07-05NES	367422	10797/2016	09-07A	367316	10015/2016
07-05NES	367423	10798/2016	09-07A	367327	10669/2016

Registration Proceedings - Class Listing of Designs Published or Registered cont'd

Classification	Registration Number	Design Number	Classification	Registration Number	Design Number
09-07A	367368	10667/2016	13-02	367710	11123/2016
09-07B	367578	10871/2016	13-02	367711	11124/2016
09-07B	367579	10872/2016	13-03A	367690	10299/2016
09-07B	367580	10873/2016	13-03NES	367669	11006/2016
09-07B	367702	10323/2016	14-01	367652	10006/2016
09-07B	367703	10328/2016	14-02	367373	10722/2016
09-07NES	367709	11122/2016	14-02	367560	10992/2016
09-08	367576	10325/2016	14-02	367658	11090/2016
09-08	367577	10326/2016	14-02	367659	11091/2016
09-09	367425	10779/2016	14-02	367661	11093/2016
10-02	367555	10986/2016	14-02	367662	11095/2016
10-04	367468	10373/2016	14-02	367693	10407/2016
10-04	367531	10960/2016	14-03D	367652	10006/2016
10-04	367541	10976/2016	14-03E	367418	10777/2016
10-05	367648	11076/2016	14-03E	367606	11016/2016
11-01C	367373	10722/2016	14-03NES	367370	10698/2016
11-02C	367549	10982/2016	14-03NES	367426	10781/2016
12-05	367563	10997/2016	14-03NES	367428	10783/2016
12-05	367672	11025/2016	14-99	367407	10778/2016
12-08	367390	10749/2016	15-02	367317	10252/2016
12-08	367521	10931/2016	15-02	367318	10253/2016
12-11	367527	10956/2016	15-02	367319	10255/2016
12-11	367529	10958/2016	15-03A	367432	10788/2016
12-11	367530	10959/2016	15-04	367328	10670/2016
12-11	367543	10963/2016	15-04	367330	10672/2016
12-15A	367538	10974/2016	15-04	367354	10709/2016
12-15B	367362	10716/2016	15-04	367355	10710/2016
12-15B	367363	10717/2016	15-04	367356	10711/2016
12-15B	367364	10718/2016	15-04	367369	10674/2016
12-15B	367365	10719/2016	15-04	367410	10724/2016
12-15B	367403	10772/2016	15-04	367411	10725/2016
12-15B	367419	10793/2016	15-04	367414	10730/2016
12-16A	367361	10715/2016	15-04	367415	10731/2016
12-16A	367501	16510/2015	15-04	367416	10732/2016
12-16A	367502	16511/2015	15-05	367465	10850/2016
12-16A	367528	10957/2016	15-05	367704	11085/2016
12-16A	367677	15430/2015	15-05	367713	11126/2016
12-16A	367678	15431/2015	15-09	367335	10681/2016
12-16A	367679	15432/2015	15-99	367388	10746/2016
12-16A	367714	10763/2016	15-99	367389	10747/2016
12-16A	367715	10764/2016	15-99	367627	11096/2016
12-16B	367592	11043/2016	16-06	367604	11007/2016
12-16B	367594	11045/2016	16-06	367653	10027/2016
12-16C	367391	10750/2016	19-01	367402	10771/2016
12-16C	367593	11044/2016	19-01	367404	10773/2016
12-16C	367595	11046/2016	19-01	367406	10776/2016
12-16M	367663	11113/2016	19-06	367383	10745/2016
12-16M	367706	11110/2016	19-06	367388	10746/2016
12-16NES	367405	10774/2016	19-06	367389	10747/2016
12-16NES	367527	10956/2016	19-08	367571	16343/2015
12-16NES	367529	10958/2016	19-08	367572	16344/2015
12-16NES	367530	10959/2016	20-02C	367504	10927/2016
12-16NES	367602	11047/2016	20-02C	367505	10928/2016
12-16P	367573	17148/2015	20-02C	367506	10929/2016
12-99	367547	10980/2016	20-02C	367507	10930/2016
12-99	367548	10981/2016	20-02E	367492	10897/2016

Registration Proceedings - Class Listing of Designs Published or Registered cont'd

Classification	Registration Number	Design Number	Classification	Registration Number	Design Number
21-01A	367384	10753/2016	25-99	367590	11039/2016
21-01D	367569	13836/2015	25-99	367591	11040/2016
21-01D	367570	13846/2015	26-02	367397	10765/2016
21-01F	367605	11012/2016	26-02	367503	10471/2016
21-02C	367639	11066/2016	26-03	367515	10940/2016
21-02C	367640	11067/2016	26-03	367516	10941/2016
21-02C	367641	11068/2016	26-03	367517	10942/2016
21-02C	367642	11069/2016	26-03	367518	10943/2016
21-02D	367604	11007/2016	26-03	367519	10944/2016
21-02F	367628	11106/2016	26-03	367520	10945/2016
21-03	367344	10689/2016	26-04	367486	10886/2016
23-01K	367622	15006/2015	26-04	367561	10260/2016
23-01NES	367484	10861/2016	26-05B	367430	10786/2016
23-03E	367705	11109/2016	26-05B	367431	10787/2016
23-04	367522	10934/2016	26-05B	367673	11028/2016
23-04	367564	10998/2016	26-05C	367609	11019/2016
23-04	367565	10999/2016	26-05C	367610	11022/2016
23-04	367696	17134/2015	26-05C	367611	11023/2016
23-04	367699	11244/2016	26-05C	367612	11024/2016
23-04	367700	11247/2016	26-05C	367671	11021/2016
23-04	367701	11251/2016	26-06	367321	10633/2016
24-01	367345	10694/2016	28-03A	367408	10827/2016
24-01	367350	10704/2016	28-03A	367607	11017/2016
24-01	367351	10705/2016	28-03A	367608	11018/2016
24-01	367396	10762/2016	28-03A	367614	11027/2016
24-01	367692	10269/2016	28-03A	367660	11092/2016
24-02	367508	16415/2015	28-03B	367540	16554/2015
24-02	367509	10919/2016	28-03B	367657	11084/2016
24-02	367510	10920/2016	28-03D	367654	11081/2016
24-02	367511	10921/2016	28-03D	367656	11083/2016
24-02	367512	10922/2016	28-03NES	367697	17141/2015
24-02	367513	10923/2016	30-02	367670	11020/2016
24-02	367567	11002/2016	30-04	367539	10975/2016
24-04	367329	10671/2016	32-02	367532	10961/2016
24-04	367332	10678/2016	32-02	367533	10962/2016
24-04	367497	10924/2016	32-02	367534	10969/2016
24-04	367531	10960/2016	32-02	367535	10970/2016
25-01D	367568	13835/2015	32-02	367536	10971/2016
25-01K	367676	15085/2015	32-02	367546	10964/2016
25-01K	367680	15548/2015	32-02	367551	10965/2016
25-01K	367685	15084/2015	32-02	367552	10966/2016
25-01K	367686	15089/2015	32-02	367553	10967/2016
25-01K	367687	16854/2015	32-02	367554	10968/2016
25-02B	367687	16854/2015	32-03	367532	10961/2016
25-02H	367337	10001/2016			
25-99	367589	11038/2016			

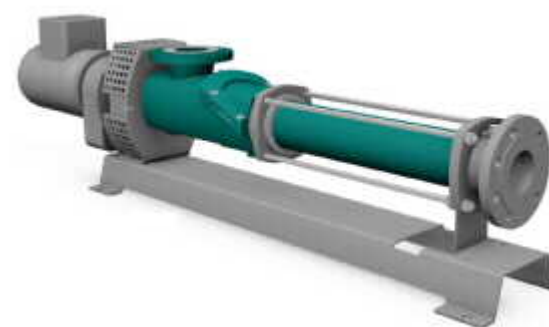
(21) Design Number: **10015/2016**
(22) Date of Filing Application: **05 January 2016**
(24) Date from which industrial property rights may have effect: **05 January 2016**
(54) Product in respect of which the design is registered: **Spray gun cup receptacle**
(51) International Design Classification: **09-07A**
(74) Name(s) of Attorney(s): **Davies Collison Cave**
(71) Name(s) and Address(s) of Applicant(s):
3M Innovative Properties Company
3M Center Saint Paul Minnesota, 55133-3427 United States of America
(72) Name(s) of Designer(s): **Anna M. Hegdahl and Stephen C. P. Joseph and Eric O. Nyaribo and Dominic M. Pitera**
(45) Registration Date: **29 February 2016**
(30) Convention priority data:
(31) Number (32) Date (33) Country
29/532555 08 Jul 2015 UNITED STATES OF AMERICA
(56) Related Art Documents: **Not Applicable**
(57) Statement of Newness and Distinctiveness: **Newness and distinctiveness is claimed in the visual features shown in solid lines in the representations. In considering the extent of the design rights, the broken lines shown in the representations are for illustrative purposes only and do not form part of the design.**



(21) Design Number: **10252/2016**
(22) Date of Filing Application: **19 January 2016**
(24) Date from which industrial property rights may have effect: **27 November 2015**
(54) Product in respect of which the design is registered: **Pump**
(51) International Design Classification: **15-02**
(74) Name(s) of Attorney(s): **Davies Collison Cave**
(71) Name(s) and Address(s) of Applicant(s):
NETZSCH Pumpen & Systeme GmbH
Gebruder-Netzsch-Strasse 19 Selb 95100 Germany
(72) Name(s) of Designer(s): **Mikael Tekneyan and Magdalena Bruning and Michael Suthmann and Philipp Nubl**
(45) Registration Date: **29 February 2016**
(30) Convention priority data:
(31) Number (32) Date (33) Country
002709634-0002 29 May 2015 OFFICE FOR HARMONISATION IN THE INTERNAL MARKET (OHIM)
(62) Divisional of: **366816**
(56) Related Art Documents: **Not Applicable**
(57) Statement of Newness and Distinctiveness: **Nil**



(21) Design Number: **10253/2016**
(22) Date of Filing Application: **19 January 2016**
(24) Date from which industrial property rights may have effect: **27 November 2015**
(54) Product in respect of which the design is registered: **Pump**
(51) International Design Classification: **15-02**
(74) Name(s) of Attorney(s): **Davies Collison Cave**
(71) Name(s) and Address(s) of Applicant(s):
NETZSCH Pumpen & Systeme GmbH
Gebruder-Netzsch-Strasse 19 Selb 95100 Germany
(72) Name(s) of Designer(s): **Mikael Tekneyan and Magdalena Bruning and Michael Suthmann and Philipp Nubl**
(45) Registration Date: **29 February 2016**
(30) Convention priority data:
(31) Number (32) Date (33) Country
002709634-0003 29 May 2015 OFFICE FOR HARMONISATION IN THE INTERNAL MARKET (OHIM)
(62) Divisional of: **366816**
(56) Related Art Documents: **Not Applicable**
(57) Statement of Newness and Distinctiveness: **Nil**



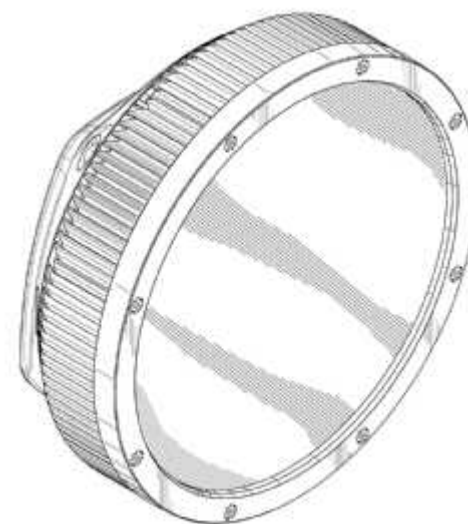
(21) Design Number: **10255/2016**
(22) Date of Filing Application: **19 January 2016**
(24) Date from which industrial property rights may have effect: **27 November 2015**
(54) Product in respect of which the design is registered: **Pump housing**
(51) International Design Classification: **15-02**
(74) Name(s) of Attorney(s): **Davies Collison Cave**
(71) Name(s) and Address(s) of Applicant(s):
NETZSCH Pumpen & Systeme GmbH
Gebruder-Netzsch-Strasse 19 Selb 95100 Germany
(72) Name(s) of Designer(s): **Mikael Tekneyan and Magdalena Bruning and Michael Suthmann and Philipp Nubl**
(45) Registration Date: **29 February 2016**
(30) Convention priority data:
(31) Number (32) Date (33) Country
002709634-0005 29 May 2015 OFFICE FOR HARMONISATION IN THE INTERNAL MARKET (OHIM)
(62) Divisional of: **366816**
(56) Related Art Documents: **Not Applicable**
(57) Statement of Newness and Distinctiveness: **Nil**



- (21) Design Number: **10481/2016**
(22) Date of Filing Application: **31 January 2016**
(24) Date from which industrial property rights may have effect: **31 January 2016**
(54) Product in respect of which the design is registered: **A bib with silicone attachment**
(51) International Design Classification: **02-05**
(74) Name(s) of Attorney(s):
(71) Name(s) and Address(s) of Applicant(s):
Julia Bowden
2420 Glendon Station Collinsville QLD 4804 Australia
(72) Name(s) of Designer(s): **Julia Bowden**
(45) Registration Date: **29 February 2016**
(56) Related Art Documents: **Not Applicable**
(57) Statement of Newness and Distinctiveness: **The product design has a silicone attachment sewn onto a bib. The silicone attachment is a Diamond Shape that can fit into the baby's mouth for chewing. The Diamond outline shape of the silicone attachment is new and distinctive, the diamond shape can vary in size, depending on the size of the bib. The pattern inside the diamond shape is not part of the design. I have searched the market for a similar design but found nothing.**



- (21) Design Number: **10633/2016**
(22) Date of Filing Application: **08 February 2016**
(24) Date from which industrial property rights may have effect: **08 February 2016**
(54) Product in respect of which the design is registered: **Vehicle driving light**
(51) International Design Classification: **26-06**
(74) Name(s) of Attorney(s): **Madderns**
(71) Name(s) and Address(s) of Applicant(s):
Lightforce Australia Pty Ltd.
11 Manton St Hindmarsh SA 5007 Australia
(72) Name(s) of Designer(s): **Raymond L. Dennis and Robert T. Dall**
(45) Registration Date: **29 February 2016**
(30) Convention priority data:
(31) Number (32) Date (33) Country
29/539,797 17 Sep 2015 UNITED STATES OF AMERICA
(56) Related Art Documents: **Not Applicable**
(57) Statement of Newness and Distinctiveness: **Newness and distinctiveness resides in the shape and configuration of the VEHICLE DRIVING LIGHT and the dashed lines form no part of the design.**



(21) Design Number: **10645/2016**

(22) Date of Filing Application: **09 February 2016**

(24) Date from which industrial property rights may have effect: **09 February 2016**

(54) Product in respect of which the design is registered: **Storage unit**

(51) International Design Classification: **06-04B**

(74) Name(s) of Attorney(s): **Griffith Hack**

(71) Name(s) and Address(s) of Applicant(s):

Steelcase Inc.

901, 44th Street, S.E. Grand Rapids Michigan, 49508 United States of America

(72) Name(s) of Designer(s): **Alban Moriniere and Laurent Troesch and Karl-Heinz Mueller**

(45) Registration Date: **29 February 2016**

(30) Convention priority data:

(31) Number

(32) Date

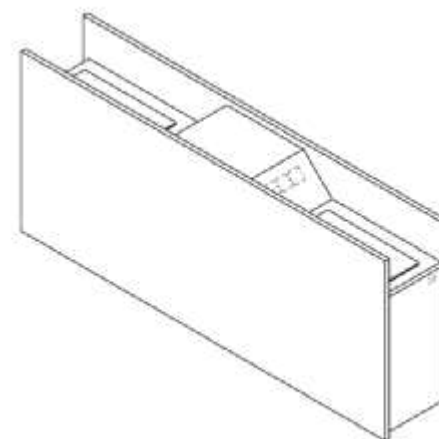
(33) Country

002817510-0002 09 Oct 2015

OFFICE FOR HARMONISATION IN THE INTERNAL MARKET (OHIM)

(56) Related Art Documents: **Not Applicable**

(57) Statement of Newness and Distinctiveness: **Newness and distinctiveness resides in the visual features, including the shape and configuration of the product as shown by means of solid lines in the representations.**



(21) Design Number: **10502/2016**

(22) Date of Filing Application: **01 February 2016**

(24) Date from which industrial property rights may have effect: **01 February 2016**

(54) Product in respect of which the design is registered: **A drawer**

(51) International Design Classification: **06-04F**

(74) Name(s) of Attorney(s): **WATERMARK PATENT AND TRADE MARKS ATTORNEYS**

(71) Name(s) and Address(s) of Applicant(s):

Orion Holdings (Overseas) Limited

13/F Pico Tower 66 Gloucester Road Wan Chai Hong Kong Island Hong Kong

(72) Name(s) of Designer(s): **Justin Chui**

(45) Registration Date: **29 February 2016**

(56) Related Art Documents: **Not Applicable**

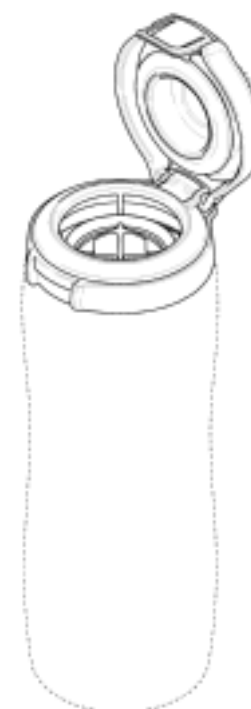
(57) Statement of Newness and Distinctiveness: **Newness and distinctiveness resides in the visual features of shape and/or configuration of a drawer as shown in the accompanying representations.**



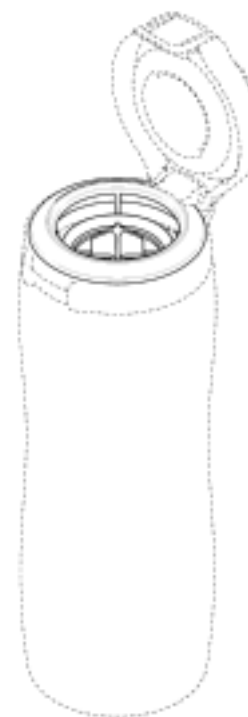
- (21) Design Number: **10503/2016**
(22) Date of Filing Application: **01 February 2016**
(24) Date from which industrial property rights may have effect: **01 February 2016**
(54) Product in respect of which the design is registered: **A wardrobe**
(51) International Design Classification: **06-04C**
(74) Name(s) of Attorney(s): **WATERMARK PATENT AND TRADE MARKS ATTORNEYS**
(71) Name(s) and Address(s) of Applicant(s):
Orion Holdings (Overseas) Limited
13/F Pico Tower 66 Gloucester Road Wan Chai Hong Kong Island Hong Kong
(72) Name(s) of Designer(s): **Justin Chui**
(45) Registration Date: **29 February 2016**
(56) Related Art Documents: **Not Applicable**
(57) Statement of Newness and Distinctiveness: **Newness and distinctiveness resides in the visual features of shape and/or configuration of a wardrobe as shown in the accompanying representations.**



- (21) Design Number: **10664/2016**
(22) Date of Filing Application: **10 February 2016**
(24) Date from which industrial property rights may have effect: **10 February 2016**
(54) Product in respect of which the design is registered: **Bottle**
(51) International Design Classification: **09-01NES**
(74) Name(s) of Attorney(s): **Spruson & Ferguson**
(71) Name(s) and Address(s) of Applicant(s):
PepsiCo, Inc
700 Anderson Hill Road, Purchase New York, 10577 United States of America
(72) Name(s) of Designer(s): **Drew Alexander Read Palin and Sean Joseph Huls and Brandon Scott Rhodes and Xavi Cortadellas and Tucker Fort and Laura Sink and Alexander Ian James Wastney and John Lester Ostby and Matthew Schmunk**
(45) Registration Date: **29 February 2016**
(30) Convention priority data:
(31) Number (32) Date (33) Country
29/535914 11 Aug 2015 UNITED STATES OF AMERICA
(56) Related Art Documents: **Not Applicable**
(57) Statement of Newness and Distinctiveness: **Newness and distinctiveness is claimed in those features of shape and/or configuration of a bottle illustrated in continuous lines in the accompanying representations.**



- (21) Design Number: **10666/2016**
(22) Date of Filing Application: **10 February 2016**
(24) Date from which industrial property rights may have effect: **10 February 2016**
(54) Product in respect of which the design is registered: **Bottle**
(51) International Design Classification: **09-01NES**
(74) Name(s) of Attorney(s): **Spruson & Ferguson**
(71) Name(s) and Address(s) of Applicant(s):
PepsiCo, Inc
700 Anderson Hill Road, Purchase New York, 10577 United States of America
- (72) Name(s) of Designer(s): **Drew Alexander Read Palin and Sean Joseph Huls and Brandon Scott Rhodes and Xavi Cortadellas and Tucker Fort and Laura Sink and Alexander Ian James Wastney and John Lester Ostby and Matthew Schmunk**
- (45) Registration Date: **29 February 2016**
- (30) Convention priority data:
- | | | |
|------------------|--------------------|---------------------------------|
| (31) Number | (32) Date | (33) Country |
| 29/535914 | 11 Aug 2015 | UNITED STATES OF AMERICA |
- (56) Related Art Documents: **Not Applicable**
- (57) Statement of Newness and Distinctiveness: **Newness and distinctiveness is claimed in those features of shape and/or configuration of a bottle illustrated in continuous lines in the accompanying representations.**



- (21) Design Number: **10669/2016**
(22) Date of Filing Application: **10 February 2016**
(24) Date from which industrial property rights may have effect: **10 February 2016**
(54) Product in respect of which the design is registered: **Lid for a drinking cup**
(51) International Design Classification: **09-07A**
(74) Name(s) of Attorney(s): **Griffith Hack**
(71) Name(s) and Address(s) of Applicant(s):
PALM CONSOLIDATED PTY. LTD.
704 South Rd Moorabbin VIC 3189 Australia
- (72) Name(s) of Designer(s): **Robert Wilson**
- (45) Registration Date: **29 February 2016**
- (56) Related Art Documents: **Not Applicable**
- (57) Statement of Newness and Distinctiveness: **Newness and distinctiveness resides in the visual features, including the shape and configuration of the product shown in the representations. Colouring of the product does not form part of the design.**



(21) Design Number: **10670/2016**
(22) Date of Filing Application: **10 February 2016**
(24) Date from which industrial property rights may have effect: **10 February 2016**
(54) Product in respect of which the design is registered: **Tip for a ground engaging machine implement**
(51) International Design Classification: **15-04**
(74) Name(s) of Attorney(s): **IP Gateway Patent & Trade Mark Attorneys Pty Ltd**
(71) Name(s) and Address(s) of Applicant(s):
Caterpillar Inc.
100 NE Adams Street Peoria Illinois, 61629 United States of America
(72) Name(s) of Designer(s): **Mihai Mircea Balan and Douglas Serrurier**
(45) Registration Date: **29 February 2016**
(30) Convention priority data:
(31) Number (32) Date (33) Country
29/536,035 12 Aug 2015 UNITED STATES OF AMERICA
(56) Related Art Documents: **Not Applicable**
(57) Statement of Newness and Distinctiveness: **Newness and distinctiveness reside in the visual features of shape and configuration of the product as shown in the accompanying representations. The greyscale shading in the accompanying representations, which may show shadows and reflections, represents contour, and not surface ornamentation or any particular colour. Surface ornamentation and colour do not form part of the design.**



(21) Design Number: **10671/2016**
(22) Date of Filing Application: **10 February 2016**
(24) Date from which industrial property rights may have effect: **10 February 2016**
(54) Product in respect of which the design is registered: **An absorbent article having a surface design**
(51) International Design Classification: **24-04**
(74) Name(s) of Attorney(s): **Shelston IP Pty Ltd.**
(71) Name(s) and Address(s) of Applicant(s):
Johnson & Johnson Consumer Inc.
199 Grandview Road Skillman New Jersey, 08558 United States of America
(72) Name(s) of Designer(s): **Melinda Brechbuehler**
(45) Registration Date: **29 February 2016**
(30) Convention priority data:
(31) Number (32) Date (33) Country
29/538581 04 Sep 2015 UNITED STATES OF AMERICA
(56) Related Art Documents: **Not Applicable**
(57) Statement of Newness and Distinctiveness: **Newness and distinctiveness reside in the pattern and ornamentation of the bottom (or garment facing) surface of an absorbent article. The shape and configuration of the article as defined by phantom line is displayed for illustrative purposes only and is not considered part of the design.**



(21) Design Number: **10672/2016**
(22) Date of Filing Application: **10 February 2016**
(24) Date from which industrial property rights may have effect: **10 February 2016**
(54) Product in respect of which the design is registered: **Tip for a ground engaging machine implement**
(51) International Design Classification: **15-04**
(74) Name(s) of Attorney(s): **IP Gateway Patent & Trade Mark Attorneys Pty Ltd**
(71) Name(s) and Address(s) of Applicant(s):
Caterpillar Inc.
100 NE Adams Street Peoria Illinois, 61629 United States of America
(72) Name(s) of Designer(s): **Mihai Mircea Balan and Douglas Serrurier**
(45) Registration Date: **29 February 2016**
(30) Convention priority data:
(31) Number (32) Date (33) Country
29/536,029 12 Aug 2015 UNITED STATES OF AMERICA
(56) Related Art Documents: **Not Applicable**
(57) Statement of Newness and Distinctiveness: **Newness and distinctiveness reside in the visual features of shape and configuration of the product as shown in the accompanying representations. The greyscale shading in the accompanying representations, which may show shadows and reflections, represents contour, and not surface ornamentation or any particular colour. Surface ornamentation and colour do not form part of the design.**



(21) Design Number: **10673/2016**
(22) Date of Filing Application: **10 February 2016**
(24) Date from which industrial property rights may have effect: **10 February 2016**
(54) Product in respect of which the design is registered: **Bottle**
(51) International Design Classification: **09-01NES**
(74) Name(s) of Attorney(s): **Spruson & Ferguson**
(71) Name(s) and Address(s) of Applicant(s):
PepsiCo, Inc
700 Anderson Hill Road, Purchase New York, 10577 United States of America
(72) Name(s) of Designer(s): **Drew Alexander Read Palin and Sean Joseph Huls and Brandon Scott Rhodes and Xavi Cortadellas and Tucker Fort and Laura Sink and Alexander Ian James Wastney and John Lester Ostby and Matthew Schmunk**
(45) Registration Date: **29 February 2016**
(30) Convention priority data:
(31) Number (32) Date (33) Country
29/535914 11 Aug 2015 UNITED STATES OF AMERICA
(56) Related Art Documents: **Not Applicable**
(57) Statement of Newness and Distinctiveness: **Newness and distinctiveness is claimed in those features of shape and/or configuration of a bottle illustrated in continuous lines in the accompanying representations.**



(21) Design Number: **10678/2016**
(22) Date of Filing Application: **10 February 2016**
(24) Date from which industrial property rights may have effect: **10 February 2016**
(54) Product in respect of which the design is registered: **Pouch for a sanitary absorbent article**
(51) International Design Classification: **24-04**
(74) Name(s) of Attorney(s): **Shelston IP Pty Ltd.**
(71) Name(s) and Address(s) of Applicant(s):
Johnson & Johnson Consumer Inc.
199 Grandview Road Skillman New Jersey, 08558 United States of America
(72) Name(s) of Designer(s): **Melinda Brechbuehler**
(45) Registration Date: **29 February 2016**
(30) Convention priority data:
(31) Number (32) Date (33) Country
29/538583 04 Sep 2015 UNITED STATES OF AMERICA
(56) Related Art Documents: **Not Applicable**
(57) Statement of Newness and Distinctiveness: **Newness and distinctiveness reside in the visual features of a pouch for a sanitary absorbent article as shown in solid lines. The features shown in phantom line are displayed for illustrative purposes only and are not considered part of the design.**



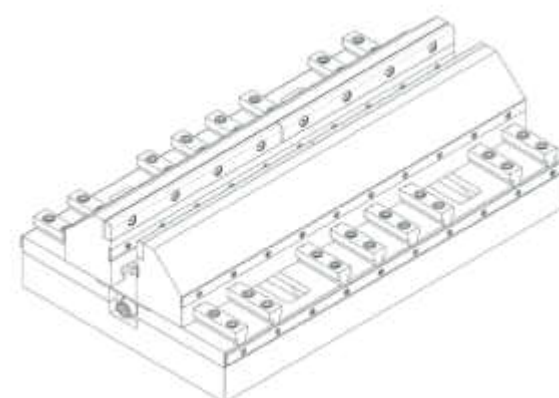
(21) Design Number: **10679/2016**
(22) Date of Filing Application: **10 February 2016**
(24) Date from which industrial property rights may have effect: **10 February 2016**
(54) Product in respect of which the design is registered: **Chair**
(51) International Design Classification: **06-01F**
(74) Name(s) of Attorney(s): **Shelston IP Pty Ltd.**
(71) Name(s) and Address(s) of Applicant(s):
Kristalia S.r.l.
Via A. Durante 28 Prata di Pordenone (PN) 33080 Italy
(72) Name(s) of Designer(s): **Paolo Lucidi and Luca Pevere**
(45) Registration Date: **29 February 2016**
(30) Convention priority data:
(31) Number (32) Date (33) Country
002845842-0002 03 Nov 2015 OFFICE FOR HARMONISATION IN THE INTERNAL MARKET (OHIM)
(56) Related Art Documents: **Not Applicable**
(57) Statement of Newness and Distinctiveness: **Newness and distinctiveness reside in the shape and configuration of the Chair as illustrated in the accompanying drawings.**



(21) Design Number: **10680/2016**
(22) Date of Filing Application: **10 February 2016**
(24) Date from which industrial property rights may have effect: **10 February 2016**
(54) Product in respect of which the design is registered: **Chair**
(51) International Design Classification: **06-01F**
(74) Name(s) of Attorney(s): **Shelston IP Pty Ltd.**
(71) Name(s) and Address(s) of Applicant(s):
Kristalia S.r.l.
Via A. Durante 28 Prata di Pordenone (PN) 33080 Italy
(72) Name(s) of Designer(s): **Paolo Lucidi and Luca Pevere**
(45) Registration Date: **29 February 2016**
(30) Convention priority data:
(31) Number (32) Date (33) Country
**002845842-0001 03 Nov 2015 OFFICE FOR HARMONISATION IN
THE INTERNAL MARKET (OHIM)**
(56) Related Art Documents: **Not Applicable**
(57) Statement of Newness and Distinctiveness: **Newness and distinctiveness
reside in the shape and configuration of the Chair as illustrated in the
accompanying drawings.**



(21) Design Number: **10681/2016**
(22) Date of Filing Application: **10 February 2016**
(24) Date from which industrial property rights may have effect: **10 February 2016**
(54) Product in respect of which the design is registered: **Tool for a press brake**
(51) International Design Classification: **15-09**
(74) Name(s) of Attorney(s): **Churchill Attorneys**
(71) Name(s) and Address(s) of Applicant(s):
Henri Emil Louis Maurice Zermatten
24 Colworth Ave Alan Manor Johannesburg South Africa
(72) Name(s) of Designer(s): **Henri Emil Louis Maurice Zermatten and Dieter
Henri Zermatten**
(45) Registration Date: **29 February 2016**
(30) Convention priority data:
(31) Number (32) Date (33) Country
F2015/01220 14 Aug 2015 SOUTH AFRICA
(56) Related Art Documents: **Not Applicable**
(57) Statement of Newness and Distinctiveness: **The newness and
distinctiveness of the design resides in the shape of the TOOL FOR A
PRESS BRAKE as shown in the accompanying representations.**



(21) Design Number: **10682/2016**

(22) Date of Filing Application: **10 February 2016**

(24) Date from which industrial property rights may have effect: **10 February 2016**

(54) Product in respect of which the design is registered: **Hairbrush**

(51) International Design Classification: **04-02**

(74) Name(s) of Attorney(s): **Madderns**

(71) Name(s) and Address(s) of Applicant(s):

Tangle Teezer Limited

1st and 2nd Floor 205 Stockwell Road London SW9 9SL United Kingdom

(72) Name(s) of Designer(s): **Shaun Pulfrey and Cameron Bruce William Treeby and Julian Lesley Meagher**

(45) Registration Date: **29 February 2016**

(30) Convention priority data:

(31) Number
2752741

(32) Date
11 Aug 2015

(33) Country
**OFFICE FOR HARMONISATION IN
THE INTERNAL MARKET (OHIM)**

(56) Related Art Documents: **Not Applicable**

(57) Statement of Newness and Distinctiveness: **Nil**



(21) Design Number: **10001/2016**

(22) Date of Filing Application: **04 January 2016**

(24) Date from which industrial property rights may have effect: **04 January 2016**

(54) Product in respect of which the design is registered: **Solar shutters**

(51) International Design Classification: **25-02H**

(74) Name(s) of Attorney(s):

(71) Name(s) and Address(s) of Applicant(s):

Mark Jack Lyons

53 George St Dover Heights New South Wales 2030 Australia

(72) Name(s) of Designer(s): **Mark Jack Lyons**

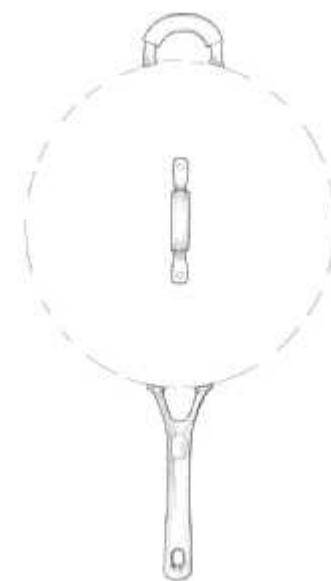
(45) Registration Date: **29 February 2016**

(56) Related Art Documents: **Not Applicable**

(57) Statement of Newness and Distinctiveness: **The Solar Shutter design comprises of Photovoltaic Cells (PV) which are securely attached/fitted to both sides of the individual Solar Shutter Blades, or Blind or Louvre Slats. The Solar Shutter Blades are three dimensional; with hollow and curved blades. The Solar Shutters features Side Supporting Frames. The Side Supporting Frames may have any type of decorative material or design, such as wood or metallic finish. Both ends of each individual Shutter Blade or Blind or Louvre Slat has an End-Cap which fits securely over both ends of each individual Shutter Blade or Blind or Louvre. The End-Caps are designed so that the electrical wiring from the Photovoltaic Cells (PV) on the Shutter Bladess are securely directed through the bearing within the End-Caps to the Electrical Connection Points which are housed within the side Supporting Frame . The side Supporting Frame of the Solar Shutters Unit has an Electrical Control Box attached to it, with a LED display light.**

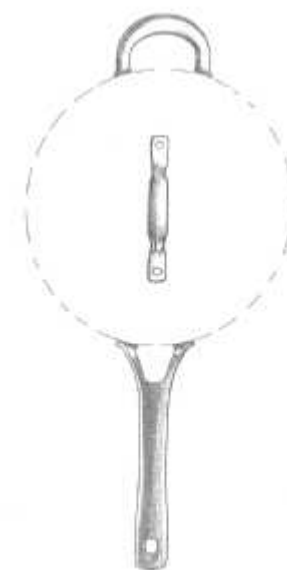


(21) Design Number: **10076/2016**
(22) Date of Filing Application: **08 January 2016**
(24) Date from which industrial property rights may have effect: **08 January 2016**
(54) Product in respect of which the design is registered: **Cookware vessel and lid with decorative fittings**
(51) International Design Classification: **07-02N**
(74) Name(s) of Attorney(s): **PIPERS Melbourne**
(71) Name(s) and Address(s) of Applicant(s):
Meyer Intellectual Properties Limited
382 Kwun Tong Road Kowloon Bay Kowloon Hong Kong
(72) Name(s) of Designer(s): **Philip D Barberi**
(45) Registration Date: **29 February 2016**
(30) Convention priority data:
(31) Number (32) Date (33) Country
29532755 09 Jul 2015 UNITED STATES OF AMERICA



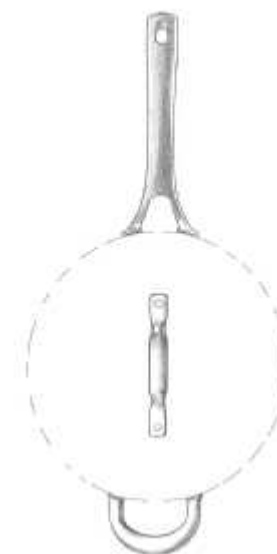
(56) Related Art Documents: **Not Applicable**
(57) Statement of Newness and Distinctiveness: **This design is to be applied to a cookware vessel and lid with decorative fittings, which include an elongated side handle, a short side handle and a lid handle, and the novelty resides in the features of shape, configuration, pattern and ornamentation of the article shown in the accompanying representations, in particular the feature in which each of the handles has a portion with contrasting appearance from the adjacent portion(s). No novelty is claimed for the features shown in broken lines those are for illustrative purposes only and depict the environment of the design.**

(21) Design Number: **10077/2016**
(22) Date of Filing Application: **08 January 2016**
(24) Date from which industrial property rights may have effect: **08 January 2016**
(54) Product in respect of which the design is registered: **Cookware vessel and lid with decorative fittings**
(51) International Design Classification: **07-02N**
(74) Name(s) of Attorney(s): **PIPERS Melbourne**
(71) Name(s) and Address(s) of Applicant(s):
Meyer Intellectual Properties Limited
382 Kwun Tong Road Kowloon Bay Kowloon Hong Kong
(72) Name(s) of Designer(s): **Philip D Barberi**
(45) Registration Date: **29 February 2016**
(30) Convention priority data:
(31) Number (32) Date (33) Country
29532752 09 Jul 2015 UNITED STATES OF AMERICA



(56) Related Art Documents: **Not Applicable**
(57) Statement of Newness and Distinctiveness: **This design is to be applied to a cookware vessel and lid with decorative fittings, which include an elongated side handle, a short side handle and a lid handle, and the novelty resides in the features of shape and configuration of the article shown in the accompanying representations. No novelty is claimed for the features shown in broken lines those are for illustrative purposes only and depict the environment of the design.**

(21) Design Number: **10080/2016**
(22) Date of Filing Application: **08 January 2016**
(24) Date from which industrial property rights may have effect: **08 January 2016**
(54) Product in respect of which the design is registered: **Cookware vessel and lid with decorative fittings**
(51) International Design Classification: **07-02N**
(74) Name(s) of Attorney(s): **PIPERS Melbourne**
(71) Name(s) and Address(s) of Applicant(s):
Meyer Intellectual Properties Limited
382 Kwun Tong Road Kowloon Bay Kowloon Hong Kong
(72) Name(s) of Designer(s): **Philip D Barberi**
(45) Registration Date: **29 February 2016**
(30) Convention priority data:
(31) Number (32) Date (33) Country
29532752 09 Jul 2015 UNITED STATES OF AMERICA



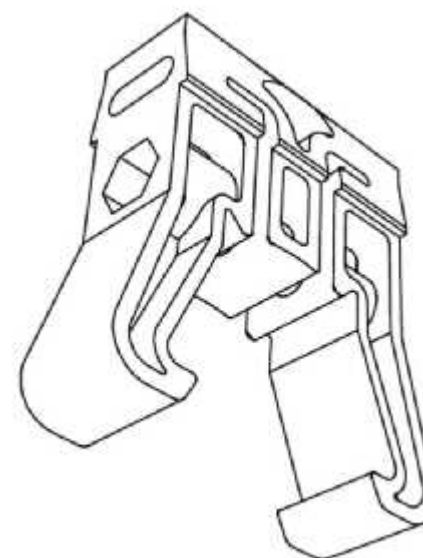
(56) Related Art Documents: **Not Applicable**
(57) Statement of Newness and Distinctiveness: **This design is to be applied to a cookware vessel and lid with decorative fittings, which include an elongated side handle, a short side handle and a lid handle, and the novelty resides in the features of shape, configuration, pattern and ornamentation of the article shown in the accompanying representations, in particular the feature in which each of the handles has a portion with contrasting appearance from the adjacent portion(s). No novelty is claimed for the features shown in broken lines those are for illustrative purposes only and depict the environment of the design.**

(21) Design Number: **10683/2016**
(22) Date of Filing Application: **10 February 2016**
(24) Date from which industrial property rights may have effect: **10 February 2016**
(54) Product in respect of which the design is registered: **Hairbrush**
(51) International Design Classification: **04-02**
(74) Name(s) of Attorney(s): **Madderns**
(71) Name(s) and Address(s) of Applicant(s):
Tangle Teezer Limited
1st and 2nd Floor 205 Stockwell Road London SW9 9SL United Kingdom
(72) Name(s) of Designer(s): **Shaun Pulfrey and Cameron Bruce William Treeby and Julian Lesley Meagher**
(45) Registration Date: **29 February 2016**
(30) Convention priority data:
(31) Number (32) Date (33) Country
2752741 11 Aug 2015 OFFICE FOR HARMONISATION IN THE INTERNAL MARKET (OHIM)

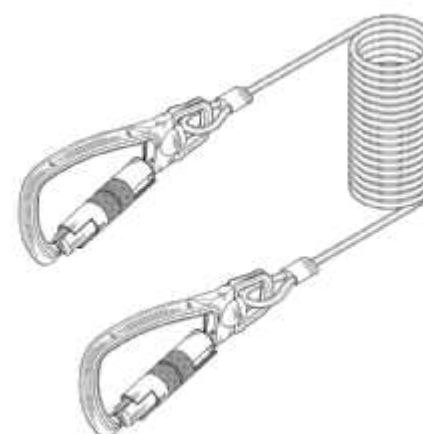


(56) Related Art Documents: **Not Applicable**
(57) Statement of Newness and Distinctiveness: **Nil**

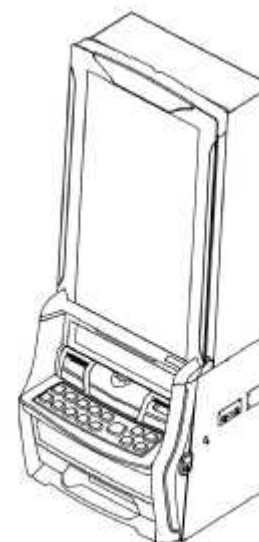
(21) Design Number: **10684/2016**
(22) Date of Filing Application: **11 February 2016**
(24) Date from which industrial property rights may have effect: **11 February 2016**
(54) Product in respect of which the design is registered: **A clip**
(51) International Design Classification: **08-08B**
(74) Name(s) of Attorney(s): **Ellis Terry**
(71) Name(s) and Address(s) of Applicant(s):
Monkey Toe Group Limited
369 Devon Street East Strandon New Plymouth 4312 New Zealand
(72) Name(s) of Designer(s): **Tim Prestidge**
(45) Registration Date: **29 February 2016**
(30) Convention priority data:
(31) Number (32) Date (33) Country
420515 11 Aug 2015 NEW ZEALAND
(56) Related Art Documents: **Not Applicable**
(57) Statement of Newness and Distinctiveness: **Nil**



(21) Design Number: **10685/2016**
(22) Date of Filing Application: **11 February 2016**
(24) Date from which industrial property rights may have effect: **11 February 2016**
(54) Product in respect of which the design is registered: **Fall-off prevention device for objects**
(51) International Design Classification: **08-99**
(74) Name(s) of Attorney(s): **Collison & Co**
(71) Name(s) and Address(s) of Applicant(s):
CASTIP INDUSTRIAL CO., LTD.
6F., No.132, Heping Rd. Luzhou Dist. New Taipei City 24755 Taiwan
(72) Name(s) of Designer(s): **Heng-Fong Huang**
(45) Registration Date: **29 February 2016**
(56) Related Art Documents: **Not Applicable**
(57) Statement of Newness and Distinctiveness: **Nil**



- (21) Design Number: **10689/2016**
(22) Date of Filing Application: **11 February 2016**
(24) Date from which industrial property rights may have effect: **11 February 2016**
(54) Product in respect of which the design is registered: **Gaming machine**
(51) International Design Classification: **21-03**
(74) Name(s) of Attorney(s):
(71) Name(s) and Address(s) of Applicant(s):
Ainsworth Game Technology Limited
10 Holker St Newington NSW 2127 Australia
(72) Name(s) of Designer(s): **Vince Bruzzese and Scott Shelley and Mathew Rice and Ivan Valdes and Rex Abergas**
(45) Registration Date: **29 February 2016**
(56) Related Art Documents: **Not Applicable**
(57) Statement of Newness and Distinctiveness: **The newness and distinctiveness of the design resides in the shape and/or configuration of the gaming machine shown in the representations. When considering the newness and distinctiveness of the design, the broken lines should be disregarded.**



- (21) Design Number: **10694/2016**
(22) Date of Filing Application: **11 February 2016**
(24) Date from which industrial property rights may have effect: **11 February 2016**
(54) Product in respect of which the design is registered: **A compliance monitor for a medicament inhaler**
(51) International Design Classification: **24-01**
(74) Name(s) of Attorney(s):
(71) Name(s) and Address(s) of Applicant(s):
Adherium (NZ) Limited
Level 2 204 Quay Street Auckland Central Auckland 1010 New Zealand
(72) Name(s) of Designer(s): **Garth Campbell Sutherland**
(45) Registration Date: **29 February 2016**
(30) Convention priority data:
(31) Number (32) Date (33) Country
420537 13 Aug 2015 NEW ZEALAND
(56) Related Art Documents: **Not Applicable**
(57) Statement of Newness and Distinctiveness: **The design is to be applied to a Compliance Monitor for a Medicament Inhaler, and the novelty resides in the features of shape and configuration of the article as illustrated in the accompanying representations.**



(21) Design Number: **10699/2016**
(22) Date of Filing Application: **11 February 2016**
(24) Date from which industrial property rights may have effect: **15 December 2015**
(54) Product in respect of which the design is registered: **Suction cup**
(51) International Design Classification: **08-08NES**
(74) Name(s) of Attorney(s): **Fisher Adams Kelly Callinans**
(71) Name(s) and Address(s) of Applicant(s):

Taili Household Products Manufacturing Co., Ltd
No. 3, Yidong St. Kanghua Rd. Shiqi District Zhongshan Guangdong,
528400 China

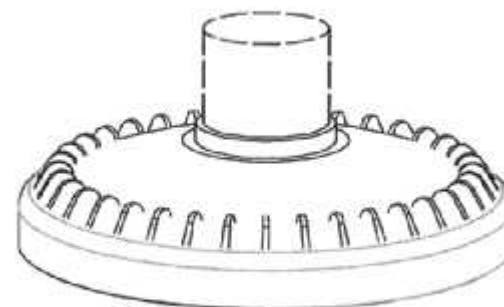
(72) Name(s) of Designer(s): **Zhengbing Shi**

(45) Registration Date: **29 February 2016**

(62) Divisional of: **367183**

(56) Related Art Documents: **Not Applicable**

(57) Statement of Newness and Distinctiveness: **Newness and distinctiveness are provided by the shape and/or configuration of the design shown in the representations. The features shown in broken lines in the representations are for illustrative purposes only and should not be considered when construing visual features of the design.**



(21) Design Number: **10700/2016**
(22) Date of Filing Application: **11 February 2016**
(24) Date from which industrial property rights may have effect: **11 February 2016**
(54) Product in respect of which the design is registered: **Bag**
(51) International Design Classification: **03-01B**
(74) Name(s) of Attorney(s): **FB Rice**
(71) Name(s) and Address(s) of Applicant(s):

FURLA S.p.A.
Via Bellaria, 3-5 S. LAZZARO DI SAVENA (BO) I-40068 Italy

(72) Name(s) of Designer(s): **Fabio Fusi**

(45) Registration Date: **29 February 2016**

(30) Convention priority data:

(31) Number (32) Date
002757161-0001 19 Aug 2015

(33) Country
**OFFICE FOR HARMONISATION IN
THE INTERNAL MARKET (OHIM)**

(56) Related Art Documents: **Not Applicable**

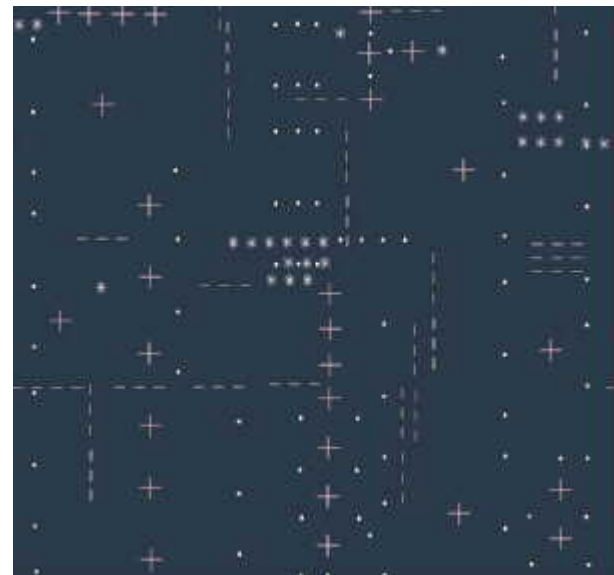
(57) Statement of Newness and Distinctiveness: **Newness and distinctiveness reside in the overall appearance of the bag as shown in the representations.**



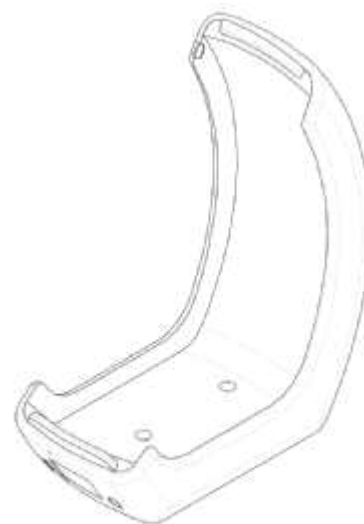
- (21) Design Number: **10701/2016**
(22) Date of Filing Application: **11 February 2016**
(24) Date from which industrial property rights may have effect: **11 February 2016**
(54) Product in respect of which the design is registered: **A textile print**
(51) International Design Classification: **05-05A**
(74) Name(s) of Attorney(s):
(71) Name(s) and Address(s) of Applicant(s):
AUSTRALIAN FASHION LABELS PTY LTD
106 Currie St Adelaide SA 5000 Australia
(72) Name(s) of Designer(s): **Amy Hicks and Zoey Vink**
(45) Registration Date: **29 February 2016**
(56) Related Art Documents: **Not Applicable**
(57) Statement of Newness and Distinctiveness: **Newness and distinctiveness resides in the features of pattern and ornamentation of a textile print as shown in the accompanying representations. In considering the scope of monopoly, no regard is to be had to colour and the scope of monopoly is not restricted to the particular colour or colours depicted in the accompanying representations.**



- (21) Design Number: **10702/2016**
(22) Date of Filing Application: **11 February 2016**
(24) Date from which industrial property rights may have effect: **11 February 2016**
(54) Product in respect of which the design is registered: **A textile print**
(51) International Design Classification: **05-05B**
(74) Name(s) of Attorney(s):
(71) Name(s) and Address(s) of Applicant(s):
AUSTRALIAN FASHION LABELS PTY LTD
106 Currie St Adelaide SA 5000 Australia
(72) Name(s) of Designer(s): **Amy Hicks and Zoey Vink**
(45) Registration Date: **29 February 2016**
(56) Related Art Documents: **Not Applicable**
(57) Statement of Newness and Distinctiveness: **Newness and distinctiveness resides in the features of pattern and ornamentation of a textile print as shown in the accompanying representations. In considering the scope of monopoly, no regard is to be had to colour and the scope of monopoly is not restricted to the particular colour or colours depicted in the accompanying representations.**



- (21) Design Number: **10704/2016**
(22) Date of Filing Application: **11 February 2016**
(24) Date from which industrial property rights may have effect: **11 February 2016**
(54) Product in respect of which the design is registered: **A compliance monitor for a medicament inhaler**
(51) International Design Classification: **24-01**
(74) Name(s) of Attorney(s):
(71) Name(s) and Address(s) of Applicant(s):
Adherium (NZ) Limited
Level 2 204 Quay Street Auckland Central Auckland 1010 New Zealand
(72) Name(s) of Designer(s): **Garth Campbell Sutherland**
(45) Registration Date: **29 February 2016**
(30) Convention priority data:
(31) Number (32) Date (33) Country
420540 13 Aug 2015 NEW ZEALAND
(56) Related Art Documents: **Not Applicable**
(57) Statement of Newness and Distinctiveness: **The design is to be applied to a Compliance Monitor for a Medicament Inhaler, and the novelty resides in the features of shape and configuration of the article as illustrated in the accompanying representations.**



- (21) Design Number: **10705/2016**
(22) Date of Filing Application: **11 February 2016**
(24) Date from which industrial property rights may have effect: **11 February 2016**
(54) Product in respect of which the design is registered: **A compliance monitor for a medicament inhaler.**
(51) International Design Classification: **24-01**
(74) Name(s) of Attorney(s):
(71) Name(s) and Address(s) of Applicant(s):
Adherium (NZ) Limited
Level 2 204 Quay Street Auckland Central Auckland 1010 New Zealand
(72) Name(s) of Designer(s): **Garth Campbell Sutherland**
(45) Registration Date: **29 February 2016**
(56) Related Art Documents: **Not Applicable**
(57) Statement of Newness and Distinctiveness: **The design is to be applied to a Compliance Monitor for a Medicament Inhaler, and the novelty resides in the features of shape and configuration of the article as illustrated in the accompanying representations.**



(21) Design Number: **10707/2016**

(22) Date of Filing Application: **11 February 2016**

(24) Date from which industrial property rights may have effect: **11 February 2016**

(54) Product in respect of which the design is registered: **Bag**

(51) International Design Classification: **03-01B**

(74) Name(s) of Attorney(s): **FB Rice**

(71) Name(s) and Address(s) of Applicant(s):

FURLA S.p.A.

Via Bellaria, 3-5 Lazzaro Di Savena (BO) I-40068 Italy

(72) Name(s) of Designer(s): **Fabio Fusi**

(45) Registration Date: **01 March 2016**

(30) Convention priority data:

(31) Number (32) Date
002757161-0002 19 Aug 2015

(33) Country
**OFFICE FOR HARMONISATION IN
THE INTERNAL MARKET (OHIM)**

(56) Related Art Documents: **Not Applicable**

(57) Statement of Newness and Distinctiveness: **Newness and distinctiveness
reside in the overall appearance of the bag as shown in the
representations.**



(21) Design Number: **10708/2016**

(22) Date of Filing Application: **11 February 2016**

(24) Date from which industrial property rights may have effect: **11 February 2016**

(54) Product in respect of which the design is registered: **Shoe**

(51) International Design Classification: **02-04NES**

(74) Name(s) of Attorney(s): **Shelston IP Pty Ltd.**

(71) Name(s) and Address(s) of Applicant(s):

Winterworth Pty Ltd

U8 143-155 Bonds Rd Riverwood NSW 2210 Australia

(72) Name(s) of Designer(s): **Huameng Du**

(45) Registration Date: **01 March 2016**

(56) Related Art Documents: **Not Applicable**

(57) Statement of Newness and Distinctiveness: **Newness and distinctiveness
reside in the features of shape and/or configuration of a SHOE as
illustrated in the accompanying representations.**



(21) Design Number: **10709/2016**
(22) Date of Filing Application: **11 February 2016**
(24) Date from which industrial property rights may have effect: **11 February 2016**
(54) Product in respect of which the design is registered: **Tip for a ground engaging machine implement**
(51) International Design Classification: **15-04**
(74) Name(s) of Attorney(s): **Freehills Patent Attorneys**
(71) Name(s) and Address(s) of Applicant(s):
Caterpillar Inc.
100 N.E. Adams Street Peoria Illinois, 61629 United States of America
(72) Name(s) of Designer(s): **Mihai Mircea Balan and Douglas Serrurier**
(45) Registration Date: **01 March 2016**
(30) Convention priority data:
(31) Number (32) Date (33) Country
29/536019 12 Aug 2015 UNITED STATES OF AMERICA
(56) Related Art Documents: **Not Applicable**
(57) Statement of Newness and Distinctiveness: **Newness and distinctiveness of the design resides in the features of shape and configuration of the tip as shown in the accompanying representations.**



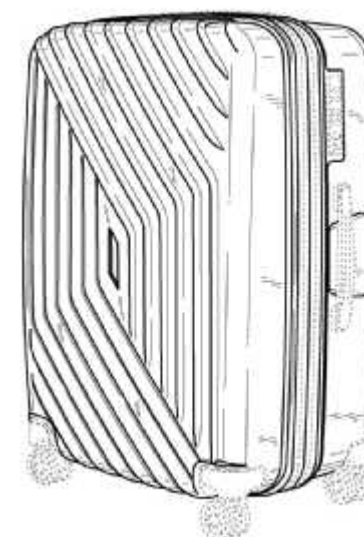
(21) Design Number: **10710/2016**
(22) Date of Filing Application: **11 February 2016**
(24) Date from which industrial property rights may have effect: **11 February 2016**
(54) Product in respect of which the design is registered: **Tip for a ground engaging machine implement**
(51) International Design Classification: **15-04**
(74) Name(s) of Attorney(s): **Freehills Patent Attorneys**
(71) Name(s) and Address(s) of Applicant(s):
Caterpillar Inc.
100 N.E. Adams Street Peoria Illinois, 61629 United States of America
(72) Name(s) of Designer(s): **Mihai Mircea Balan and Douglas Serrurier**
(45) Registration Date: **01 March 2016**
(30) Convention priority data:
(31) Number (32) Date (33) Country
29/536019 12 Aug 2015 UNITED STATES OF AMERICA
(56) Related Art Documents: **Not Applicable**
(57) Statement of Newness and Distinctiveness: **Newness and distinctiveness of the design resides in the features of shape and configuration of the tip as shown in the accompanying representations.**



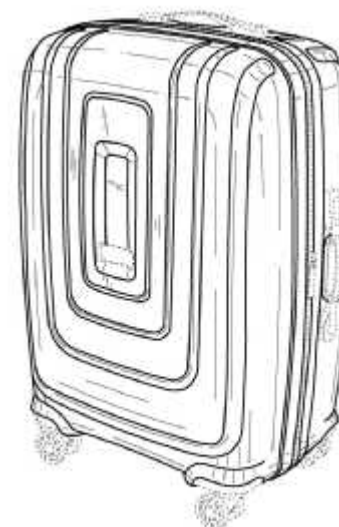
(21) Design Number: **10711/2016**
(22) Date of Filing Application: **11 February 2016**
(24) Date from which industrial property rights may have effect: **11 February 2016**
(54) Product in respect of which the design is registered: **Tip for a ground engaging machine implement**
(51) International Design Classification: **15-04**
(74) Name(s) of Attorney(s): **Freehills Patent Attorneys**
(71) Name(s) and Address(s) of Applicant(s):
Caterpillar Inc.
100 N.E. Adams Street Peoria Illinois, 61629 United States of America
(72) Name(s) of Designer(s): **Mihai Mircea Balan and Douglas Serrurier**
(45) Registration Date: **01 March 2016**
(30) Convention priority data:
(31) Number (32) Date (33) Country
29/536019 12 Aug 2015 UNITED STATES OF AMERICA
(56) Related Art Documents: **Not Applicable**
(57) Statement of Newness and Distinctiveness: **Newness and distinctiveness of the design resides in the features of shape and configuration of the tip as shown in the accompanying representations.**



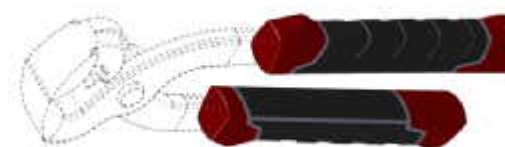
(21) Design Number: **10712/2016**
(22) Date of Filing Application: **11 February 2016**
(24) Date from which industrial property rights may have effect: **11 February 2016**
(54) Product in respect of which the design is registered: **Luggage**
(51) International Design Classification: **03-01A**
(74) Name(s) of Attorney(s): **Griffith Hack**
(71) Name(s) and Address(s) of Applicant(s):
Samsonite IP Holdings S.a r.l.
13-15 Avenue de la Liberte Luxembourg L-1931 Luxembourg
(72) Name(s) of Designer(s): **Camille Odile Baron**
(45) Registration Date: **01 March 2016**
(30) Convention priority data:
(31) Number (32) Date (33) Country
002753830-0001 13 Aug 2015 OFFICE FOR HARMONISATION IN THE INTERNAL MARKET (OHIM)
(56) Related Art Documents: **Not Applicable**
(57) Statement of Newness and Distinctiveness: **The shape and configuration of the parts of the product shown by solid lines in the accompanying representations are new and distinctive.**



- (21) Design Number: **10713/2016**
(22) Date of Filing Application: **11 February 2016**
(24) Date from which industrial property rights may have effect: **11 February 2016**
(54) Product in respect of which the design is registered: **Luggage**
(51) International Design Classification: **03-01A**
(74) Name(s) of Attorney(s): **Griffith Hack**
(71) Name(s) and Address(s) of Applicant(s):
Samsonite IP Holdings S.a r.l.
13-15 Avenue de la Liberte Luxembourg L-1931 Luxembourg
(72) Name(s) of Designer(s): **Camille Odile Baron**
(45) Registration Date: **01 March 2016**
(30) Convention priority data:
(31) Number (32) Date (33) Country
1501838.5M001 19 Aug 2015 HONG KONG
(56) Related Art Documents: **Not Applicable**
(57) Statement of Newness and Distinctiveness: **The shape and configuration of the parts of the product shown by solid lines in the accompanying representations are new and distinctive.**



- (21) Design Number: **16433/2015**
(22) Date of Filing Application: **27 November 2015**
(24) Date from which industrial property rights may have effect: **27 November 2015**
(54) Product in respect of which the design is registered: **Hand grips for: a combination plier; tin snips; welding locking pliers; bent nose circlip pliers; straight nose**
(51) International Design Classification: **08-99**
(74) Name(s) of Attorney(s): **Davies Collison Cave**
(71) Name(s) and Address(s) of Applicant(s):
Cyclone Tools Pty Ltd
317-323 Abbots Rd Dandenong South VIC 3175 Australia
(72) Name(s) of Designer(s): **David Granger and Andy Wana and Tasman James Wallworth and Bryan Hugh Marshall**
(45) Registration Date: **01 March 2016**
(56) Related Art Documents: **Not Applicable**
(57) Statement of Newness and Distinctiveness: **Newness and distinctiveness is claimed in the visual appearance of the respective hand grips as shown in the solid colours in the representations but not in the parts shown in broken lines.**



(19) AU

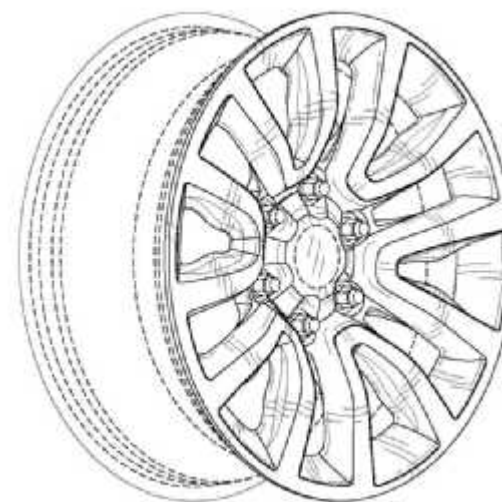
- (21) Design Number: **10714/2016**
- (22) Date of Filing Application: **11 February 2016**
- (24) Date from which industrial property rights may have effect: **11 February 2016**
- (54) Product in respect of which the design is registered: **Article of clothing**
- (51) International Design Classification: **02-02C**
- (74) Name(s) of Attorney(s): **Allens Patent & Trade Mark Attorneys**
- (71) Name(s) and Address(s) of Applicant(s):
Just Group Ltd
658 Church St Richmond VIC 3121 Australia
- (72) Name(s) of Designer(s): **Peter Alexander and Sarah Corneille and Amanda Rizk**
- (45) Registration Date: **01 March 2016**
- (56) Related Art Documents: **Not Applicable**
- (57) Statement of Newness and Distinctiveness: **Newness and distinctiveness resides in the visual features of shape and/or configuration of an article of clothing as shown in the accompanying representations.**



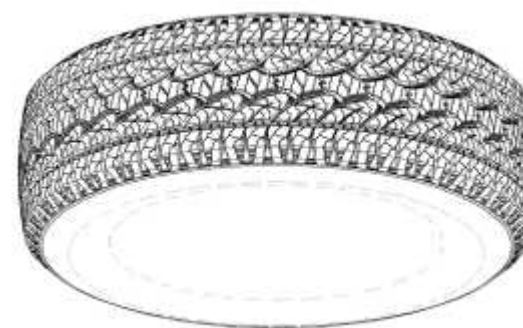
(19) AU

- (21) Design Number: **10715/2016**
- (22) Date of Filing Application: **11 February 2016**
- (24) Date from which industrial property rights may have effect: **11 February 2016**
- (54) Product in respect of which the design is registered: **Vehicle wheel**
- (51) International Design Classification: **12-16A**
- (74) Name(s) of Attorney(s): **PHILLIPS ORMONDE FITZPATRICK**
- (71) Name(s) and Address(s) of Applicant(s):
GM Global Technology Operations LLC
300 GM Renaissance Center Mail Code: 483-C23-B21 Detroit Michigan,
48265-3000 United States of America
- (72) Name(s) of Designer(s): **Richard F. Scheer and Morio Ikeda and Eduardo H. Mine and Lamildson Rolin and Danilo C. Rodrigues**
- (45) Registration Date: **01 March 2016**
- (30) Convention priority data:

(31) Number	(32) Date	(33) Country
29/536,447	17 Aug 2015	UNITED STATES OF AMERICA
- (56) Related Art Documents: **Not Applicable**
- (57) Statement of Newness and Distinctiveness: **Those features of the vehicle wheel depicted in the representations that are new and distinctive are the shape and/or configuration. The features shown in broken lines are not part of the design and are to be disregarded when considering the overall impression of the design.**

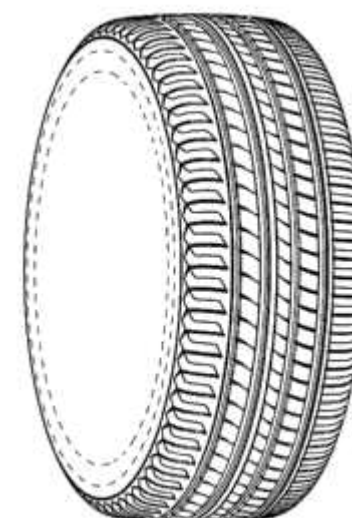


(21) Design Number: **10716/2016**
(22) Date of Filing Application: **11 February 2016**
(24) Date from which industrial property rights may have effect: **11 February 2016**
(54) Product in respect of which the design is registered: **Tire**
(51) International Design Classification: **12-15B**
(74) Name(s) of Attorney(s): **PHILLIPS ORMONDE FITZPATRICK**
(71) Name(s) and Address(s) of Applicant(s):
Cooper Tire & Rubber Company
701 Lima Avenue Findlay Ohio, 45840 United States of America
(72) Name(s) of Designer(s): **Feng Cun Liu**
(45) Registration Date: **01 March 2016**
(30) Convention priority data:
(31) Number (32) Date (33) Country
29/543,048 20 Oct 2015 UNITED STATES OF AMERICA



(56) Related Art Documents: **Not Applicable**
(57) Statement of Newness and Distinctiveness: **Those features of the tire depicted in the representations that are new and distinctive are the shape and/or configuration of the tread of the tire. The broken lines and the region therebetween defining the inner bead and the sidewall depict subject matter that forms no part of the claimed tire tread design, and are included for the purpose of illustrating the full tire and are to be disregarded when considering the overall impression of the design. The tread pattern is understood to repeat throughout the circumference of the tire. The other side view of the tire is the same as the illustrated side view.**

(21) Design Number: **10717/2016**
(22) Date of Filing Application: **11 February 2016**
(24) Date from which industrial property rights may have effect: **11 February 2016**
(54) Product in respect of which the design is registered: **tire**
(51) International Design Classification: **12-15B**
(74) Name(s) of Attorney(s): **PHILLIPS ORMONDE FITZPATRICK**
(71) Name(s) and Address(s) of Applicant(s):
Cooper Tire & Rubber Company
701 Lima Avenue Findlay Ohio, 45840 United States of America
(72) Name(s) of Designer(s): **Jason Q. Fu**
(45) Registration Date: **01 March 2016**
(30) Convention priority data:
(31) Number (32) Date (33) Country
29/540,649 25 Sep 2015 UNITED STATES OF AMERICA



(56) Related Art Documents: **Not Applicable**
(57) Statement of Newness and Distinctiveness: **Those features of the tire depicted in the representations that are new and distinctive are the shape and/or configuration of the tread of the tire. The broken lines and the region defining the inner bead and the sidewall depict subject matter that forms no part of the claimed tire tread design, and are included for the purpose of illustrating the full tire and are to be disregarded when considering the overall impression of the design. The tread pattern is understood to repeat throughout the circumference of the tire.**

(21) Design Number: **10718/2016**
(22) Date of Filing Application: **11 February 2016**
(24) Date from which industrial property rights may have effect: **11 February 2016**
(54) Product in respect of which the design is registered: **Tire**
(51) International Design Classification: **12-15B**
(74) Name(s) of Attorney(s): **PHILLIPS ORMONDE FITZPATRICK**
(71) Name(s) and Address(s) of Applicant(s):
Cooper Tire & Rubber Company
701 Lima Avenue Findlay Ohio, 45840 United States of America
(72) Name(s) of Designer(s): **Patrick J. Bonifas**
(45) Registration Date: **01 March 2016**
(30) Convention priority data:
(31) Number (32) Date (33) Country
29/540,797 28 Sep 2015 UNITED STATES OF AMERICA



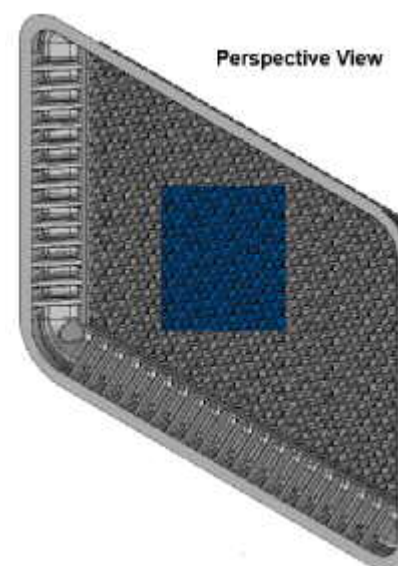
(56) Related Art Documents: **Not Applicable**
(57) Statement of Newness and Distinctiveness: **Those features of the tire depicted in the representations that are new and distinctive are the shape and/or configuration of the tread of the tire. The broken line showings of the sidewall, inner bead, and the peripheral boundary between the tire tread and the sidewall, are included for the purpose of illustrating environment and are to be disregarded when considering the overall impression of the design.**

(21) Design Number: **10719/2016**
(22) Date of Filing Application: **11 February 2016**
(24) Date from which industrial property rights may have effect: **11 February 2016**
(54) Product in respect of which the design is registered: **Tire**
(51) International Design Classification: **12-15B**
(74) Name(s) of Attorney(s): **PHILLIPS ORMONDE FITZPATRICK**
(71) Name(s) and Address(s) of Applicant(s):
Cooper Tire & Rubber Company
701 Lima Avenue Findlay Ohio, 45840 United States of America
(72) Name(s) of Designer(s): **Matthew J. Petr and Ryan Schimmoeller**
(45) Registration Date: **01 March 2016**
(30) Convention priority data:
(31) Number (32) Date (33) Country
29/537,820 28 Aug 2015 UNITED STATES OF AMERICA



(56) Related Art Documents: **Not Applicable**
(57) Statement of Newness and Distinctiveness: **Those features of the tire depicted in the representations that are new and distinctive are the shape and/or configuration of the tread of the tire. The broken lines and the region therebetween defining the inner bead and the sidewall depict subject matter that forms no part of the claimed tire tread design, and are included for the purpose of illustrating the full tire and are to be disregarded when considering the overall impression of the design. The tread pattern is understood to repeat throughout the circumference of the tire. The other side view of the tire is the same as the illustrated side view.**

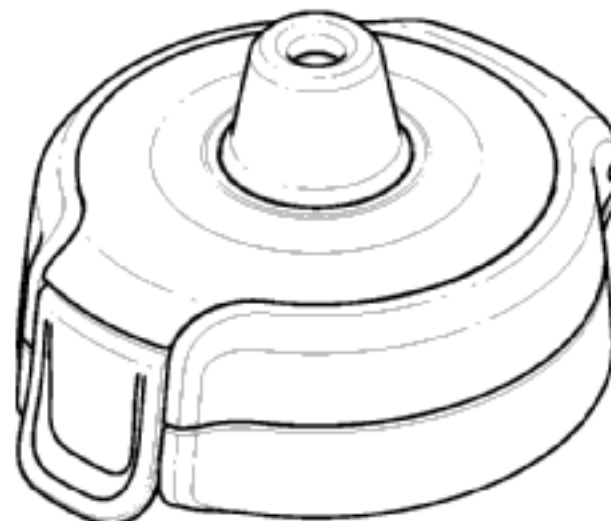
- (21) Design Number: **16468/2015**
(22) Date of Filing Application: **01 December 2015**
(24) Date from which industrial property rights may have effect: **01 December 2015**
(54) Product in respect of which the design is registered: **A tray**
(51) International Design Classification: **09-03F**
(74) Name(s) of Attorney(s): **James & Wells**
(71) Name(s) and Address(s) of Applicant(s):
CUSTOM-PAK PLASTIC PRODUCTS (1997) LIMITED
4 Zelanian Drive East Tamaki Auckland 2013 New Zealand
(72) Name(s) of Designer(s): **David Vujanic**
(45) Registration Date: **01 March 2016**
(30) Convention priority data:
(31) Number (32) Date (33) Country
420870 03 Nov 2015 NEW ZEALAND
(56) Related Art Documents: **Not Applicable**
(57) Statement of Newness and Distinctiveness: **The design is to be applied to A TRAY. Novelty resides in the features of shape and/or configuration of the tray as shown in the highlighted portion. The unhighlighted portion does not form part of the design.**



- (21) Design Number: **10595/2016**
(22) Date of Filing Application: **04 February 2016**
(24) Date from which industrial property rights may have effect: **04 February 2016**
(54) Product in respect of which the design is registered: **A container for making beverages and iced drinks**
(51) International Design Classification: **07-02NES**
(74) Name(s) of Attorney(s):
(71) Name(s) and Address(s) of Applicant(s):
Chill Factor Global Pty Ltd
L2 Tower 2 Chadstone PI 1341 Dandenong Rd Chadstone VIC 3148
Australia
(72) Name(s) of Designer(s): **Jose Antonio Estevan Bautista and Luis Llorens Chanza and Aaron Avila Yenes and Chi Keung Lee**
(45) Registration Date: **01 March 2016**
(56) Related Art Documents: **Not Applicable**
(57) Statement of Newness and Distinctiveness: **Newness and distinctiveness resides in the features of shape and configuration of the container as shown in the representations.**



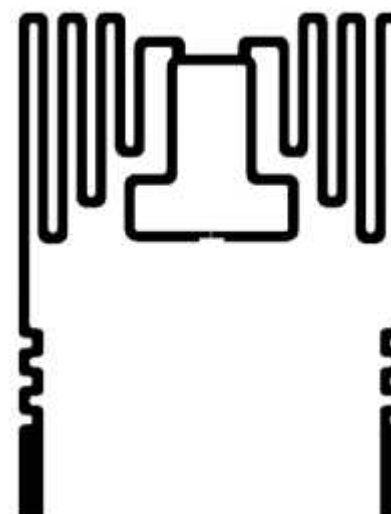
- (21) Design Number: **10667/2016**
(22) Date of Filing Application: **10 February 2016**
(24) Date from which industrial property rights may have effect: **10 February 2016**
(54) Product in respect of which the design is registered: **Cap for a bottle**
(51) International Design Classification: **09-07A**
(74) Name(s) of Attorney(s): **Spruson & Ferguson**
(71) Name(s) and Address(s) of Applicant(s):
PepsiCo, Inc
700 Anderson Hill Road, Purchase New York, 10577 United States of America
(72) Name(s) of Designer(s): **Drew Alexander Read Palin and Sean Joseph Huls and Brandon Scott Rhodes and Xavi Cortadellas and Tucker Fort and Laura Sink and Alexander Ian James Wastney and John Lester Ostby and Matthew Schmunk**
(45) Registration Date: **01 March 2016**
(30) Convention priority data:
(31) Number (32) Date (33) Country
29/535914 11 Aug 2015 UNITED STATES OF AMERICA
(56) Related Art Documents: **Not Applicable**
(57) Statement of Newness and Distinctiveness: **Newness and distinctiveness is claimed in the features of shape and/or configuration of a cap for a bottle as illustrated in the accompanying representations.**



- (21) Design Number: **10674/2016**
(22) Date of Filing Application: **10 February 2016**
(24) Date from which industrial property rights may have effect: **10 February 2016**
(54) Product in respect of which the design is registered: **Tip for a ground engaging machine implement**
(51) International Design Classification: **15-04**
(74) Name(s) of Attorney(s): **IP Gateway Patent & Trade Mark Attorneys Pty Ltd**
(71) Name(s) and Address(s) of Applicant(s):
Caterpillar Inc.
100 NE Adams Street Peoria Illinois, 61629 United States of America
(72) Name(s) of Designer(s): **Mihai Mircea Balan and Douglas Serrurier**
(45) Registration Date: **01 March 2016**
(30) Convention priority data:
(31) Number (32) Date (33) Country
29/536,026 12 Aug 2015 UNITED STATES OF AMERICA
(56) Related Art Documents: **Not Applicable**
(57) Statement of Newness and Distinctiveness: **Newness and distinctiveness reside in the visual features of shape and configuration of the product as shown in the accompanying representations. The greyscale shading in the accompanying representations, which may show shadows and reflections, represents contour, and not surface ornamentation or any particular colour. Surface ornamentation and colour do not form part of the design.**



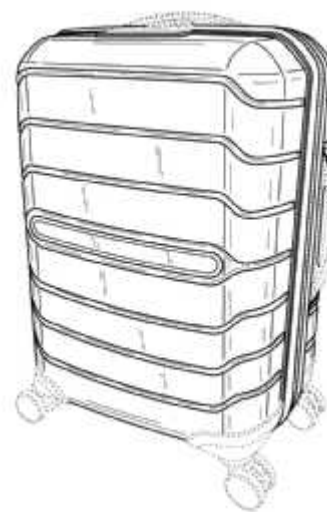
(21) Design Number: **10698/2016**
(22) Date of Filing Application: **11 February 2016**
(24) Date from which industrial property rights may have effect: **11 February 2016**
(54) Product in respect of which the design is registered: **RFID tag inlay**
(51) International Design Classification: **14-03NES**
(74) Name(s) of Attorney(s): **Elliptic Legal & Patent Services**
(71) Name(s) and Address(s) of Applicant(s):
Megabyte Limited
Unit 301-302, 3/F Building 12W No. 12 Science Park West Avenue Hong
Kong Science Park Shatin N.T. Hong Kong
(72) Name(s) of Designer(s): **Chun Sing Matthew Man**
(45) Registration Date: **01 March 2016**
(30) Convention priority data:
(31) Number (32) Date (33) Country
1501817.1 17 Aug 2015 HONG KONG
(56) Related Art Documents: **Not Applicable**
(57) Statement of Newness and Distinctiveness: **Nil**



(21) Design Number: **10720/2016**
(22) Date of Filing Application: **11 February 2016**
(24) Date from which industrial property rights may have effect: **11 February 2016**
(54) Product in respect of which the design is registered: **Kettle**
(51) International Design Classification: **07-02K**
(74) Name(s) of Attorney(s): **PHILLIPS ORMONDE FITZPATRICK**
(71) Name(s) and Address(s) of Applicant(s):
Whirlpool Corporation
2000 North M-63 MD3601 Benton Harbor Michigan, 49022 United States
of America
(72) Name(s) of Designer(s): **Kevin J. Beber and John W. McConnell and**
ZhaoYi Yin and Nancy E. Chandrasekaran
(45) Registration Date: **01 March 2016**
(30) Convention priority data:
(31) Number (32) Date (33) Country
29/551,452 13 Jan 2016 UNITED STATES OF AMERICA
(56) Related Art Documents: **Not Applicable**
(57) Statement of Newness and Distinctiveness: **Those features of the kettle**
depicted in the representations that are new and distinctive are the shape
and/or configuration. The features shown in broken lines are not part
of the design and are to be disregarded when considering the overall
impression of the design.



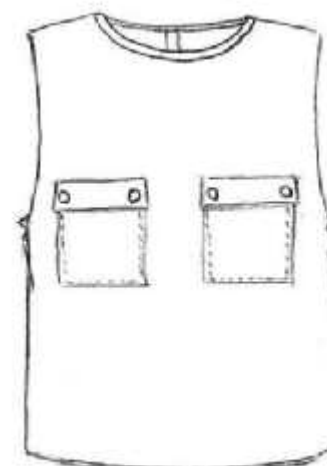
- (21) Design Number: **10721/2016**
(22) Date of Filing Application: **11 February 2016**
(24) Date from which industrial property rights may have effect: **11 February 2016**
(54) Product in respect of which the design is registered: **Luggage**
(51) International Design Classification: **03-01A**
(74) Name(s) of Attorney(s): **Griffith Hack**
(71) Name(s) and Address(s) of Applicant(s):
Samsonite IP Holdings S.a r.l.
13-15 Avenue de la Liberte Luxembourg L-1931 Luxembourg
(72) Name(s) of Designer(s): **Peter John Burns**
(45) Registration Date: **01 March 2016**
(30) Convention priority data:
(31) Number (32) Date (33) Country
1501838.5M002 19 Aug 2015 HONG KONG
(56) Related Art Documents: **Not Applicable**
(57) Statement of Newness and Distinctiveness: **The shape and configuration of the parts of the product shown by solid lines in the accompanying representations are new and distinctive.**



- (21) Design Number: **10722/2016**
(22) Date of Filing Application: **11 February 2016**
(24) Date from which industrial property rights may have effect: **11 February 2016**
(54) Product in respect of which the design is registered: **Wristband**
(51) International Design Classification: **14-02, 11-01C**
(74) Name(s) of Attorney(s): **FB Rice**
(71) Name(s) and Address(s) of Applicant(s):
Razer (Asia-Pacific) Pte. Ltd.
514 Chai Chee Lane #07-05 Singapore 469029 Singapore
(72) Name(s) of Designer(s): **Francois Dominique Claude Laine and Min-Liang Tan and Stephane J Blanchard**
(45) Registration Date: **01 March 2016**
(30) Convention priority data:
(31) Number (32) Date (33) Country
29/536620 18 Aug 2015 UNITED STATES OF AMERICA
(56) Related Art Documents: **Not Applicable**
(57) Statement of Newness and Distinctiveness: **Newness and distinctiveness reside in the features of shape and configuration of the parts of the wristband shown in solid lines in the representations excluding those features shown in broken lines.**



- (21) Design Number: **10734/2016**
(22) Date of Filing Application: **11 February 2016**
(24) Date from which industrial property rights may have effect: **23 June 2015**
(54) Product in respect of which the design is registered: **Article of clothing**
(51) International Design Classification: **02-02NES**
(74) Name(s) of Attorney(s): **Allens Patent & Trade Mark Attorneys**
(71) Name(s) and Address(s) of Applicant(s):
Forever New Clothing Pty Ltd
L4 Building 8 576 Swan St Richmond VIC 3121 Australia
(72) Name(s) of Designer(s): **Octavia Miller**
(45) Registration Date: **01 March 2016**
(62) Divisional of: **367179**
(56) Related Art Documents: **Not Applicable**
(57) Statement of Newness and Distinctiveness: **Newness and distinctiveness resides in the visual features of shape, configuration, pattern and/or ornamentation of an article of clothing as shown in the accompanying representations.**



- (21) Design Number: **10735/2016**
(22) Date of Filing Application: **11 February 2016**
(24) Date from which industrial property rights may have effect: **23 June 2015**
(54) Product in respect of which the design is registered: **Article of clothing**
(51) International Design Classification: **02-02NES**
(74) Name(s) of Attorney(s): **Allens Patent & Trade Mark Attorneys**
(71) Name(s) and Address(s) of Applicant(s):
Forever New Clothing Pty Ltd
L4 Building 8 576 Swan St Richmond VIC 3121 Australia
(72) Name(s) of Designer(s): **Octavia Miller**
(45) Registration Date: **01 March 2016**
(62) Divisional of: **367179**
(56) Related Art Documents: **Not Applicable**
(57) Statement of Newness and Distinctiveness: **Newness and distinctiveness resides in the visual features of shape, configuration, pattern and/or ornamentation of an article of clothing as shown in the accompanying representations.**



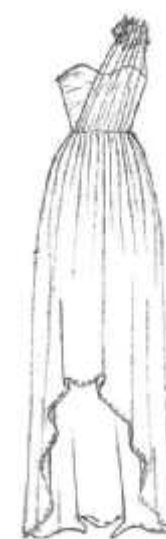
- (21) Design Number: **10738/2016**
(22) Date of Filing Application: **11 February 2016**
(24) Date from which industrial property rights may have effect: **23 June 2015**
(54) Product in respect of which the design is registered: **Article of clothing**
(51) International Design Classification: **02-02C**
(74) Name(s) of Attorney(s): **Allens Patent & Trade Mark Attorneys**
(71) Name(s) and Address(s) of Applicant(s):
Forever New Clothing Pty Ltd
L4 Building 8 576 Swan St Richmond VIC 3121 Australia
(72) Name(s) of Designer(s): **Stephanie Carver**
(45) Registration Date: **01 March 2016**
(62) Divisional of: **367179**
(56) Related Art Documents: **Not Applicable**
(57) Statement of Newness and Distinctiveness: **Newness and distinctiveness resides in the visual features of shape, configuration, pattern and/or ornamentation of an article of clothing as shown in the accompanying representations.**



- (21) Design Number: **10739/2016**
(22) Date of Filing Application: **11 February 2016**
(24) Date from which industrial property rights may have effect: **23 June 2015**
(54) Product in respect of which the design is registered: **Article of clothing**
(51) International Design Classification: **02-02C**
(74) Name(s) of Attorney(s): **Allens Patent & Trade Mark Attorneys**
(71) Name(s) and Address(s) of Applicant(s):
Forever New Clothing Pty Ltd
L4 Building 8 576 Swan St Richmond VIC 3121 Australia
(72) Name(s) of Designer(s): **Anneliese Bridgman**
(45) Registration Date: **01 March 2016**
(62) Divisional of: **367179**
(56) Related Art Documents: **Not Applicable**
(57) Statement of Newness and Distinctiveness: **Newness and distinctiveness resides in the visual features of shape, configuration, pattern and/or ornamentation of an article of clothing as shown in the accompanying representations.**



- (21) Design Number: **10740/2016**
(22) Date of Filing Application: **11 February 2016**
(24) Date from which industrial property rights may have effect: **23 June 2015**
(54) Product in respect of which the design is registered: **Article of clothing**
(51) International Design Classification: **02-02C**
(74) Name(s) of Attorney(s): **Allens Patent & Trade Mark Attorneys**
(71) Name(s) and Address(s) of Applicant(s):
Forever New Clothing Pty Ltd
L4 Building 8 576 Swan St Richmond VIC 3121 Australia
(72) Name(s) of Designer(s): **Stephanie Carver**
(45) Registration Date: **01 March 2016**
(62) Divisional of: **367179**
(56) Related Art Documents: **Not Applicable**
(57) Statement of Newness and Distinctiveness: **Newness and distinctiveness resides in the visual features of shape, configuration, pattern and/or ornamentation of an article of clothing as shown in the accompanying representations.**



- (21) Design Number: **10741/2016**
(22) Date of Filing Application: **11 February 2016**
(24) Date from which industrial property rights may have effect: **23 June 2015**
(54) Product in respect of which the design is registered: **Article of clothing**
(51) International Design Classification: **02-02NES**
(74) Name(s) of Attorney(s): **Allens Patent & Trade Mark Attorneys**
(71) Name(s) and Address(s) of Applicant(s):
Forever New Clothing Pty Ltd
L4 Building 8 576 Swan St Richmond VIC 3121 Australia
(72) Name(s) of Designer(s): **Kirsten Frost**
(45) Registration Date: **01 March 2016**
(62) Divisional of: **367179**
(56) Related Art Documents: **Not Applicable**
(57) Statement of Newness and Distinctiveness: **Newness and distinctiveness resides in the visual features of shape, configuration, pattern and/or ornamentation of an article of clothing as shown in the accompanying representations.**



- (21) Design Number: **10742/2016**
(22) Date of Filing Application: **11 February 2016**
(24) Date from which industrial property rights may have effect: **23 June 2015**
(54) Product in respect of which the design is registered: **Article of clothing**
(51) International Design Classification: **02-02C**
(74) Name(s) of Attorney(s): **Allens Patent & Trade Mark Attorneys**
(71) Name(s) and Address(s) of Applicant(s):
Forever New Clothing Pty Ltd
L4 Building 8 576 Swan St Richmond VIC 3121 Australia
(72) Name(s) of Designer(s): **Jennifer Hall**
(45) Registration Date: **01 March 2016**
(62) Divisional of: **367179**
(56) Related Art Documents: **Not Applicable**
(57) Statement of Newness and Distinctiveness: **Newness and distinctiveness resides in the visual features of shape, configuration, pattern and/or ornamentation of an article of clothing as shown in the accompanying representations.**



- (21) Design Number: **10743/2016**
(22) Date of Filing Application: **11 February 2016**
(24) Date from which industrial property rights may have effect: **23 June 2015**
(54) Product in respect of which the design is registered: **Article of clothing**
(51) International Design Classification: **02-02C**
(74) Name(s) of Attorney(s): **Allens Patent & Trade Mark Attorneys**
(71) Name(s) and Address(s) of Applicant(s):
Forever New Clothing Pty Ltd
L4 Building 8 576 Swan St Richmond VIC 3121 Australia
(72) Name(s) of Designer(s): **Jennifer Hall**
(45) Registration Date: **01 March 2016**
(62) Divisional of: **367179**
(56) Related Art Documents: **Not Applicable**
(57) Statement of Newness and Distinctiveness: **Newness and distinctiveness resides in the visual features of shape, configuration, pattern and/or ornamentation of an article of clothing as shown in the accompanying representations.**



(21) Design Number: **10744/2016**

(22) Date of Filing Application: **11 February 2016**

(24) Date from which industrial property rights may have effect: **11 February 2016**

(54) Product in respect of which the design is registered: **Wire joiner**

(51) International Design Classification: **08-05NES**

(74) Name(s) of Attorney(s): **Cullens Pty Ltd**

(71) Name(s) and Address(s) of Applicant(s):

Gripple Limited

The Old West Gun Works Savile Street East Sheffield S4 7UQ United Kingdom

(72) Name(s) of Designer(s): **Alan Somerfield**

(45) Registration Date: **01 March 2016**

(30) Convention priority data:

(31) Number

(32) Date

(33) Country

002762567-0001 28 Aug 2015

OFFICE FOR HARMONISATION IN THE INTERNAL MARKET (OHIM)

(56) Related Art Documents: **Not Applicable**

(57) Statement of Newness and Distinctiveness: **Nil**



(21) Design Number: **10745/2016**

(22) Date of Filing Application: **11 February 2016**

(24) Date from which industrial property rights may have effect: **11 February 2016**

(54) Product in respect of which the design is registered: **A template**

(51) International Design Classification: **19-06**

(74) Name(s) of Attorney(s): **WADESON**

(71) Name(s) and Address(s) of Applicant(s):

W & G Education Pty Ltd

U1 7-9 Brough St Springvale VIC 3171 Australia

(72) Name(s) of Designer(s): **John Lawton**

(45) Registration Date: **01 March 2016**

(56) Related Art Documents: **Not Applicable**

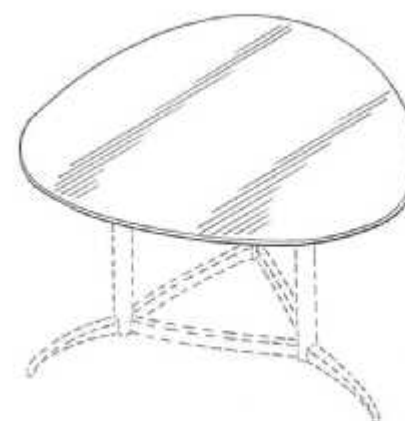
(57) Statement of Newness and Distinctiveness: **Nil**



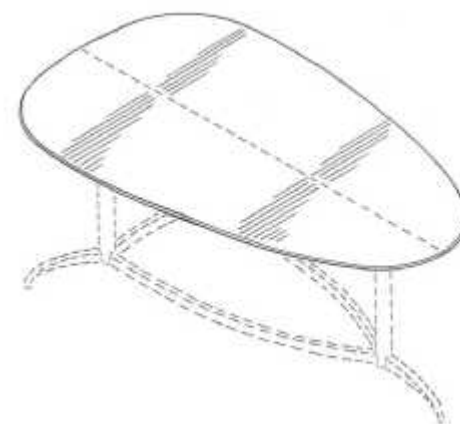
- (21) Design Number: **10753/2016**
(22) Date of Filing Application: **12 February 2016**
(24) Date from which industrial property rights may have effect: **12 February 2016**
(54) Product in respect of which the design is registered: **Bobble head figurine**
(51) International Design Classification: **21-01A**
(74) Name(s) of Attorney(s):
(71) Name(s) and Address(s) of Applicant(s):
ROCKIN ROOS PTY LTD
19 Roden St Keppel Sands QLD 4702 Australia
(72) Name(s) of Designer(s): **Peter Morris and Samantha Morris**
(45) Registration Date: **01 March 2016**
(56) Related Art Documents: **Not Applicable**
(57) Statement of Newness and Distinctiveness: **The newness and distinctiveness of this character includes hair, some human facial features such as closed eyes and smiling mouth with teeth, longer nose and large ears, hands and feet with stiletto shoes, addition of clothing and necklace all of which makes this design unique and not like a traditional drawing of a Kangaroo.**



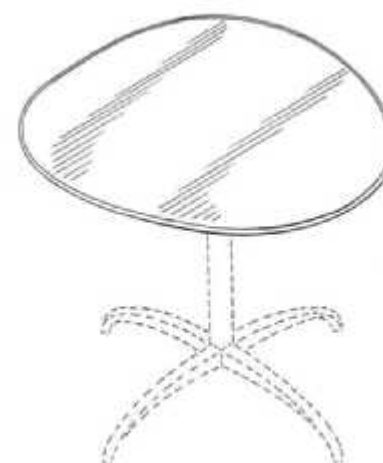
- (21) Design Number: **10755/2016**
(22) Date of Filing Application: **12 February 2016**
(24) Date from which industrial property rights may have effect: **12 February 2016**
(54) Product in respect of which the design is registered: **Table**
(51) International Design Classification: **06-03B**
(74) Name(s) of Attorney(s): **Spruson & Ferguson**
(71) Name(s) and Address(s) of Applicant(s):
Herman Miller, Inc.
855 East Main Street, Zeeland Michigan, 49464 United States of America
(72) Name(s) of Designer(s): **Gianfranco Zaccai and Mark Bates and Alex Broerman and John Costello**
(45) Registration Date: **01 March 2016**
(30) Convention priority data:
(31) Number (32) Date (33) Country
29/540575 25 Sep 2015 UNITED STATES OF AMERICA
(56) Related Art Documents: **Not Applicable**
(57) Statement of Newness and Distinctiveness: **Newness and distinctiveness is claimed in the features of shape and/or configuration of the worksurface of a table as illustrated in continuous lines in the accompanying representations.**



(21) Design Number: **10756/2016**
(22) Date of Filing Application: **12 February 2016**
(24) Date from which industrial property rights may have effect: **12 February 2016**
(54) Product in respect of which the design is registered: **Table**
(51) International Design Classification: **06-03B**
(74) Name(s) of Attorney(s): **Spruson & Ferguson**
(71) Name(s) and Address(s) of Applicant(s):
Herman Miller, Inc.
855 East Main Street, Zeeland Michigan, 49464 United States of America
(72) Name(s) of Designer(s): **Gianfranco Zaccai and Mark Bates and Alex Broerman and John Costello**
(45) Registration Date: **01 March 2016**
(30) Convention priority data:
(31) Number (32) Date (33) Country
29/540575 25 Sep 2015 UNITED STATES OF AMERICA
(56) Related Art Documents: **Not Applicable**
(57) Statement of Newness and Distinctiveness: **Newness and distinctiveness is claimed in the features of shape and/or configuration of the worksurface of a table as illustrated in continuous lines in the accompanying representations.**



(21) Design Number: **10757/2016**
(22) Date of Filing Application: **12 February 2016**
(24) Date from which industrial property rights may have effect: **12 February 2016**
(54) Product in respect of which the design is registered: **Table**
(51) International Design Classification: **06-03B**
(74) Name(s) of Attorney(s): **Spruson & Ferguson**
(71) Name(s) and Address(s) of Applicant(s):
Herman Miller, Inc.
855 East Main Street, Zeeland Michigan, 49464 United States of America
(72) Name(s) of Designer(s): **Gianfranco Zaccai and Mark Bates and Alex Broerman and John Costello**
(45) Registration Date: **01 March 2016**
(30) Convention priority data:
(31) Number (32) Date (33) Country
29/540575 25 Sep 2015 UNITED STATES OF AMERICA
(56) Related Art Documents: **Not Applicable**
(57) Statement of Newness and Distinctiveness: **Newness and distinctiveness is claimed in the features of shape and/or configuration of the worksurface of a table as illustrated in continuous lines in the accompanying representations.**



- (21) Design Number: **10746/2016**
(22) Date of Filing Application: **11 February 2016**
(24) Date from which industrial property rights may have effect: **11 February 2016**
(54) Product in respect of which the design is registered: **Tattoo drive bar**
(51) International Design Classification: **19-06, 15-99**
(74) Name(s) of Attorney(s): **Madderns**
(71) Name(s) and Address(s) of Applicant(s):
Inkjecta Pneumatix Pty Ltd
65-68 Gawler St Mt Barker SA 5251 Australia
(72) Name(s) of Designer(s): **Byron Drechsler**
(45) Registration Date: **01 March 2016**
(56) Related Art Documents: **Not Applicable**
(57) Statement of Newness and Distinctiveness: **Newness and distinctiveness is claimed in the shape and/or configuration of a tattoo drive bar as depicted in the accompanying representations**



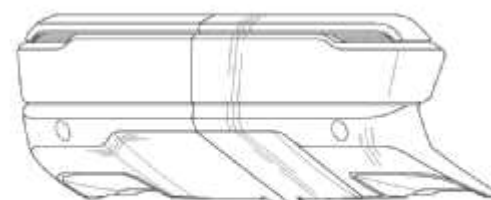
- (21) Design Number: **10747/2016**
(22) Date of Filing Application: **11 February 2016**
(24) Date from which industrial property rights may have effect: **11 February 2016**
(54) Product in respect of which the design is registered: **Tattoo drive bar**
(51) International Design Classification: **19-06, 15-99**
(74) Name(s) of Attorney(s): **Madderns**
(71) Name(s) and Address(s) of Applicant(s):
Inkjecta Pneumatix Pty Ltd
65-68 Gawler St Mt Barker SA 5251 Australia
(72) Name(s) of Designer(s): **Byron Drechsler**
(45) Registration Date: **01 March 2016**
(56) Related Art Documents: **Not Applicable**
(57) Statement of Newness and Distinctiveness: **Newness and distinctiveness is claimed in the shape and/or configuration of a tattoo drive bar as depicted in the accompanying representations**



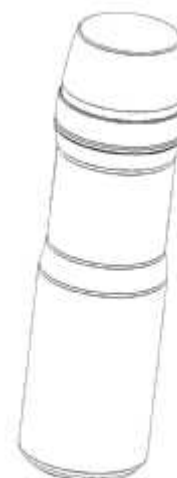
(21) Design Number: **10749/2016**
(22) Date of Filing Application: **12 February 2016**
(24) Date from which industrial property rights may have effect: **12 February 2016**
(54) Product in respect of which the design is registered: **Vehicle body exterior**
(51) International Design Classification: **12-08**
(74) Name(s) of Attorney(s): **PHILLIPS ORMONDE FITZPATRICK**
(71) Name(s) and Address(s) of Applicant(s):
GM Global Technology Operations LLC
300 Renaissance Center P.O. Box 300 Mail Code 482-C23-B21 Detroit
Michigan, 48265-3000 United States of America
(72) Name(s) of Designer(s): **Richard Fulvio Ferlazzo and Peter William Hughes**
and Justin James Thompson
(45) Registration Date: **01 March 2016**
(30) Convention priority data:
(31) Number (32) Date (33) Country
29/536,684 19 Aug 2015 UNITED STATES OF AMERICA
(56) Related Art Documents: **Not Applicable**
(57) Statement of Newness and Distinctiveness: **Those features of the vehicle**
body exterior depicted in the representations that are new and distinctive
are the shape and/or configuration. The features shown in broken lines
are not part of the design and are to be disregarded when considering
the overall impression of the design.



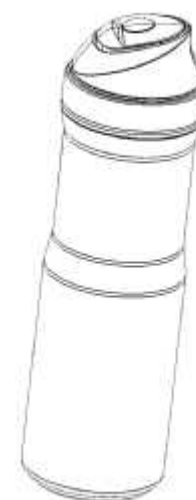
(21) Design Number: **10750/2016**
(22) Date of Filing Application: **12 February 2016**
(24) Date from which industrial property rights may have effect: **12 February 2016**
(54) Product in respect of which the design is registered: **Vehicle nudge bar**
(51) International Design Classification: **12-16C**
(74) Name(s) of Attorney(s): **PHILLIPS ORMONDE FITZPATRICK**
(71) Name(s) and Address(s) of Applicant(s):
GM Global Technology Operations LLC
300 Renaissance Center P.O. Box 300 Mail Code 482-C23-B21 Detroit
Michigan, 48265-3000 United States of America
(72) Name(s) of Designer(s): **Richard F. Scheer and Morio Ikeda and Eduardo**
H. Mine and Lamildson Rolin and Danilo C. Rodrigues and Andre Leal
Fonseca
(45) Registration Date: **01 March 2016**
(30) Convention priority data:
(31) Number (32) Date (33) Country
29/536,880 20 Aug 2015 UNITED STATES OF AMERICA
(56) Related Art Documents: **Not Applicable**
(57) Statement of Newness and Distinctiveness: **Those features of the vehicle**
nudge bar depicted in the representations that are new and distinctive
are the shape and/or configuration. The features shown in broken lines
are not part of the design and are to be disregarded when considering
the overall impression of the design.



(21) Design Number: **10751/2016**
(22) Date of Filing Application: **12 February 2016**
(24) Date from which industrial property rights may have effect: **12 February 2016**
(54) Product in respect of which the design is registered: **Shave preparation container**
(51) International Design Classification: **09-01A**
(74) Name(s) of Attorney(s): **WATERMARK PATENT AND TRADE MARKS ATTORNEYS**
(71) Name(s) and Address(s) of Applicant(s):
The Gillette Company
One Gillette Park Boston Massachusetts, 02127 United States of America
(72) Name(s) of Designer(s): **Amy Dawson Phillips and Daniel Jerome Sims**
(45) Registration Date: **01 March 2016**
(30) Convention priority data:
(31) Number (32) Date (33) Country
29/536,586 18 Aug 2015 UNITED STATES OF AMERICA
(56) Related Art Documents: **Not Applicable**
(57) Statement of Newness and Distinctiveness: **Nil**



(21) Design Number: **10752/2016**
(22) Date of Filing Application: **12 February 2016**
(24) Date from which industrial property rights may have effect: **12 February 2016**
(54) Product in respect of which the design is registered: **Shave preparation container**
(51) International Design Classification: **09-01A**
(74) Name(s) of Attorney(s): **WATERMARK PATENT AND TRADE MARKS ATTORNEYS**
(71) Name(s) and Address(s) of Applicant(s):
The Gillette Company
One Gillette Park Boston Massachusetts, 02127 United States of America
(72) Name(s) of Designer(s): **Amy Dawson Phillips and Daniel Jerome Sims**
(45) Registration Date: **01 March 2016**
(30) Convention priority data:
(31) Number (32) Date (33) Country
29/536,586 18 Aug 2015 UNITED STATES OF AMERICA
(56) Related Art Documents: **Not Applicable**
(57) Statement of Newness and Distinctiveness: **Nil**



(21) Design Number: **10760/2016**
(22) Date of Filing Application: **12 February 2016**
(24) Date from which industrial property rights may have effect: **12 February 2016**
(54) Product in respect of which the design is registered: **Table**
(51) International Design Classification: **06-03B**
(74) Name(s) of Attorney(s): **Spruson & Ferguson**
(71) Name(s) and Address(s) of Applicant(s):
Herman Miller, Inc.
855 East Main Street, Zeeland Michigan, 49464 United States of America
(72) Name(s) of Designer(s): **Gianfranco Zaccai and Mark Bates and Alex Broerman and John Costello**
(45) Registration Date: **01 March 2016**
(30) Convention priority data:
(31) Number (32) Date (33) Country
29/540575 25 Sep 2015 UNITED STATES OF AMERICA
(56) Related Art Documents: **Not Applicable**
(57) Statement of Newness and Distinctiveness: **Newness and distinctiveness is claimed in the features of shape and/or configuration of the worksurface of a table as illustrated in continuous lines in the accompanying representations.**



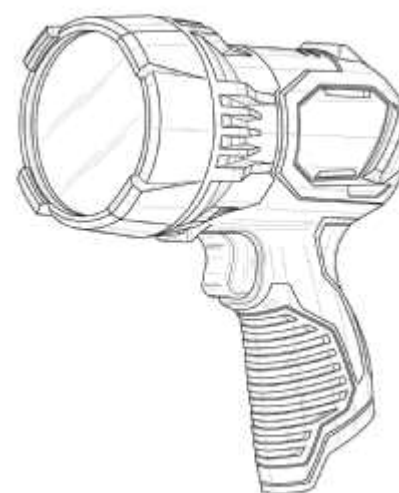
(21) Design Number: **10761/2016**
(22) Date of Filing Application: **12 February 2016**
(24) Date from which industrial property rights may have effect: **12 February 2016**
(54) Product in respect of which the design is registered: **Table**
(51) International Design Classification: **06-03B**
(74) Name(s) of Attorney(s): **Spruson & Ferguson**
(71) Name(s) and Address(s) of Applicant(s):
Herman Miller, Inc.
855 East Main Street, Zeeland Michigan, 49464 United States of America
(72) Name(s) of Designer(s): **Gianfranco Zaccai and Mark Bates and Alex Broerman and John Costello**
(45) Registration Date: **01 March 2016**
(30) Convention priority data:
(31) Number (32) Date (33) Country
29/540575 25 Sep 2015 UNITED STATES OF AMERICA
(56) Related Art Documents: **Not Applicable**
(57) Statement of Newness and Distinctiveness: **Newness and distinctiveness is claimed in the features of shape and/or configuration of the worksurface of a table as illustrated in continuous lines in the accompanying representations.**



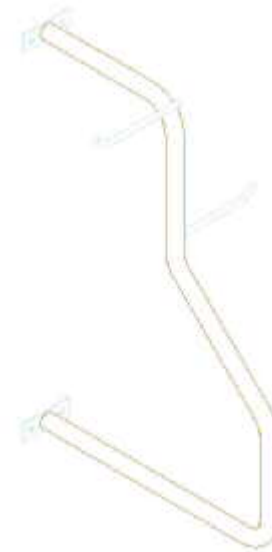
(21) Design Number: **10762/2016**
(22) Date of Filing Application: **12 February 2016**
(24) Date from which industrial property rights may have effect: **12 February 2016**
(54) Product in respect of which the design is registered: **A compliance monitor for a medicament inhaler**
(51) International Design Classification: **24-01**
(74) Name(s) of Attorney(s):
(71) Name(s) and Address(s) of Applicant(s):
Adherium (NZ) Limited
Level 2 204 Quay Street Auckland Central Auckland 1010 New Zealand
(72) Name(s) of Designer(s): **Garth Campbell Sutherland**
(45) Registration Date: **01 March 2016**
(30) Convention priority data:
(31) Number (32) Date (33) Country
420538 13 Aug 2015 NEW ZEALAND
(56) Related Art Documents: **Not Applicable**
(57) Statement of Newness and Distinctiveness: **The design is to be applied to a Compliance Monitor for a Medicament Inhaler, and the novelty resides in the features of shape and configuration of the article as illustrated in the accompanying representations.**



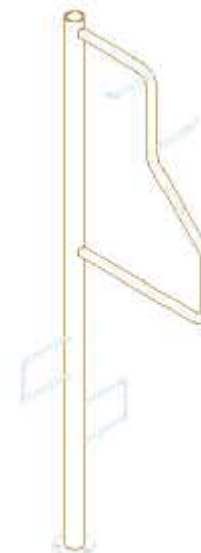
(21) Design Number: **10765/2016**
(22) Date of Filing Application: **12 February 2016**
(24) Date from which industrial property rights may have effect: **04 December 2015**
(54) Product in respect of which the design is registered: **Spotlight**
(51) International Design Classification: **26-02**
(74) Name(s) of Attorney(s): **Griffith Hack**
(71) Name(s) and Address(s) of Applicant(s):
MILWAUKEE ELECTRIC TOOL CORPORATION
13135 West Lisbon Road Brookfield, Wisconsin, 53005 United States of America
(72) Name(s) of Designer(s): **Siu Kwong Yu and Tin Pak Lee**
(45) Registration Date: **01 March 2016**
(62) Divisional of: **367192**
(56) Related Art Documents: **Not Applicable**
(57) Statement of Newness and Distinctiveness: **Newness and distinctiveness resides in the visual features, including the shape and configuration of the product as shown by means of solid lines in the representations.**



- (21) Design Number: **10767/2016**
(22) Date of Filing Application: **12 February 2016**
(24) Date from which industrial property rights may have effect: **12 February 2016**
(54) Product in respect of which the design is registered: **Bicycle storage parking rail or rack**
(51) International Design Classification: **08-10**
(74) Name(s) of Attorney(s):
(71) Name(s) and Address(s) of Applicant(s):
Martyn Stanley Wilson
PO BOX 6346 Silverwater NSW 1811 Australia
(72) Name(s) of Designer(s): **Martyn Stanley Wilson**
(45) Registration Date: **01 March 2016**
(56) Related Art Documents: **Not Applicable**
(57) Statement of Newness and Distinctiveness: **The shape and configuration of the vertical bicycle hanging rail or rack in the representation is claimed as new and distinctive. No claim is made in the shape of the fixing plate portion and the hanging pin both shown in the dotted outline.**

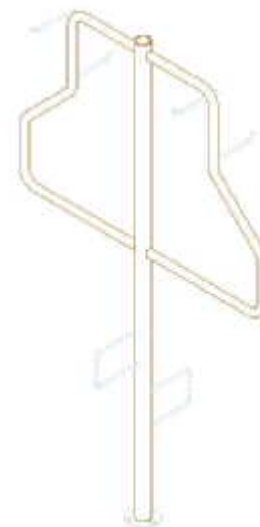


- (21) Design Number: **10768/2016**
(22) Date of Filing Application: **12 February 2016**
(24) Date from which industrial property rights may have effect: **12 February 2016**
(54) Product in respect of which the design is registered: **Bicycle storage parking rail or rack**
(51) International Design Classification: **08-10**
(74) Name(s) of Attorney(s):
(71) Name(s) and Address(s) of Applicant(s):
Martyn Stanley Wilson
PO BOX 6346 Silverwater NSW 1811 Australia
(72) Name(s) of Designer(s): **Martyn Stanley Wilson**
(45) Registration Date: **01 March 2016**
(56) Related Art Documents: **Not Applicable**
(57) Statement of Newness and Distinctiveness: **The shape and configuration of the vertical bicycle hanging rail or rack in the representation is claimed as new and distinctive. No claim is made in the shape of the fixing plate portion and the hanging pin both shown in the dotted outline.**



(19) AU

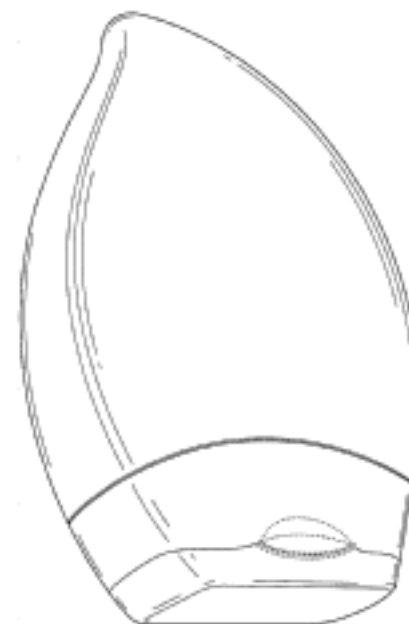
- (21) Design Number: **10769/2016**
- (22) Date of Filing Application: **12 February 2016**
- (24) Date from which industrial property rights may have effect: **12 February 2016**
- (54) Product in respect of which the design is registered: **Bicycle storage parking rail or rack**
- (51) International Design Classification: **08-10**
- (74) Name(s) of Attorney(s):
- (71) Name(s) and Address(s) of Applicant(s):
Martyn Stanley Wilson
PO BOX 6346 Silverwater NSW 1811 Australia
- (72) Name(s) of Designer(s): **Martyn Stanley Wilson**
- (45) Registration Date: **01 March 2016**
- (56) Related Art Documents: **Not Applicable**
- (57) Statement of Newness and Distinctiveness: **The shape and configuration of the vertical bicycle hanging rail or rack in the representation is claimed as new and distinctive. No claim is made in the shape of the fixing plate portion and the hanging pin both shown in the dotted outline.**



(19) AU

- (21) Design Number: **10770/2016**
- (22) Date of Filing Application: **12 February 2016**
- (24) Date from which industrial property rights may have effect: **12 February 2016**
- (54) Product in respect of which the design is registered: **A Bottle**
- (51) International Design Classification: **09-01NES**
- (74) Name(s) of Attorney(s): **Madderns**
- (71) Name(s) and Address(s) of Applicant(s):
Modern Nature Limited
7A Ballymullan Rd Crawfordsburn Bangor Northern Ireland BT19 1JG
United Kingdom
- (72) Name(s) of Designer(s): **Andre Sousa Ferreira and Giles Thomas William Moore**
- (45) Registration Date: **01 March 2016**
- (30) Convention priority data:

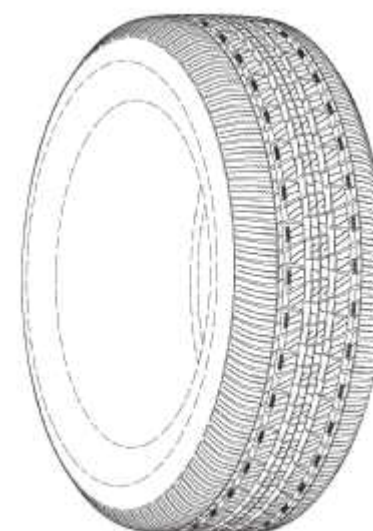
(31) Number	(32) Date	(33) Country
002754473-0001	13 Aug 2015	EUROPEAN PATENT OFFICE (EPO)
- (56) Related Art Documents: **Not Applicable**
- (57) Statement of Newness and Distinctiveness: **Nil**



(21) Design Number: **10771/2016**
(22) Date of Filing Application: **12 February 2016**
(24) Date from which industrial property rights may have effect: **12 February 2016**
(54) Product in respect of which the design is registered: **Greeting card**
(51) International Design Classification: **19-01**
(74) Name(s) of Attorney(s): **Fisher Adams Kelly Callinans**
(71) Name(s) and Address(s) of Applicant(s):
American Greetings Corporation
One American Road Cleveland OH 44144 United States of America
(72) Name(s) of Designer(s): **Annie Deckerd and John Talbot**
(45) Registration Date: **01 March 2016**
(30) Convention priority data:
(31) Number (32) Date (33) Country
29/541,593 06 Oct 2015 UNITED STATES OF AMERICA
(56) Related Art Documents: **Not Applicable**
(57) Statement of Newness and Distinctiveness: **Nil**



(21) Design Number: **10772/2016**
(22) Date of Filing Application: **12 February 2016**
(24) Date from which industrial property rights may have effect: **12 February 2016**
(54) Product in respect of which the design is registered: **Tire**
(51) International Design Classification: **12-15B**
(74) Name(s) of Attorney(s): **PHILLIPS ORMONDE FITZPATRICK**
(71) Name(s) and Address(s) of Applicant(s):
Cooper Tire & Rubber Company
701 Lima Avenue Findlay Ohio, 45840 United States of America
(72) Name(s) of Designer(s): **Chelsea L. Schuessler**
(45) Registration Date: **01 March 2016**
(56) Related Art Documents: **Not Applicable**
(57) Statement of Newness and Distinctiveness: **Those features of the tire depicted in the representations that are new and distinctive are the shape and/or configuration of the tread of the tire. The broken line showings of the sidewall from the inner bead to the tire tread are included for the purpose of illustrating environment and are to be disregarded when considering the overall impression of the design. The tread pattern is understood to repeat throughout the circumference of the tire. The other side of the tire is the same as the views illustrated in Figs. 2 and 3.**



(21) Design Number: **10773/2016**
(22) Date of Filing Application: **12 February 2016**
(24) Date from which industrial property rights may have effect: **12 February 2016**
(54) Product in respect of which the design is registered: **Greeting card**
(51) International Design Classification: **19-01**
(74) Name(s) of Attorney(s): **Fisher Adams Kelly Callinans**
(71) Name(s) and Address(s) of Applicant(s):
American Greetings Corporation
One American Road Cleveland OH 44144 United States of America
(72) Name(s) of Designer(s): **Toby Seadler**
(45) Registration Date: **01 March 2016**
(30) Convention priority data:
(31) Number (32) Date (33) Country
29/544,054 30 Oct 2015 UNITED STATES OF AMERICA
(56) Related Art Documents: **Not Applicable**
(57) Statement of Newness and Distinctiveness: **Nil**



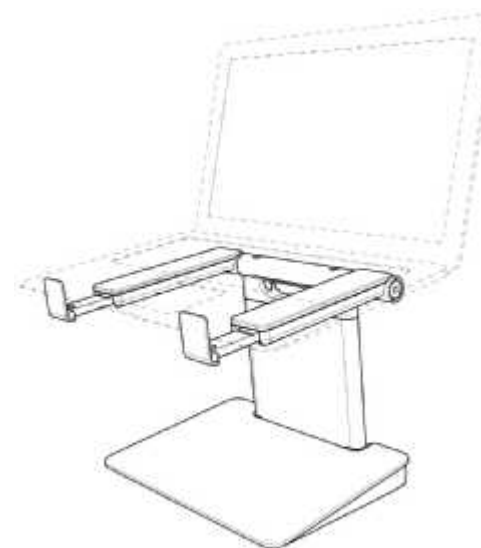
(21) Design Number: **10774/2016**
(22) Date of Filing Application: **12 February 2016**
(24) Date from which industrial property rights may have effect: **12 February 2016**
(54) Product in respect of which the design is registered: **Recreational vehicle air-conditioning unit**
(51) International Design Classification: **12-16NES**
(74) Name(s) of Attorney(s): **Shelston IP Pty Ltd.**
(71) Name(s) and Address(s) of Applicant(s):
Dometic Sweden AB
Hemvarnsgatan 15 SE-17454 Solna Sweden
(72) Name(s) of Designer(s): **Louis Liu and Jarrod Williamson**
(45) Registration Date: **01 March 2016**
(56) Related Art Documents: **Not Applicable**
(57) Statement of Newness and Distinctiveness: **The newness and distinctiveness of the design resides in the shape and/or configuration of the air-conditioning unit for fitting to a recreational vehicle, shown in the accompanying representations.**



(21) Design Number: **10776/2016**
(22) Date of Filing Application: **12 February 2016**
(24) Date from which industrial property rights may have effect: **12 February 2016**
(54) Product in respect of which the design is registered: **Greeting card**
(51) International Design Classification: **19-01**
(74) Name(s) of Attorney(s): **Fisher Adams Kelly Callinans**
(71) Name(s) and Address(s) of Applicant(s):
American Greetings Corporation
One American Road CLEVELAND Ohio, 44144 United States of America
(72) Name(s) of Designer(s): **Anthony Begin and Toby Seadler**
(45) Registration Date: **01 March 2016**
(30) Convention priority data:
(31) Number (32) Date (33) Country
29/541,958 09 Oct 2015 UNITED STATES OF AMERICA
(56) Related Art Documents: **Not Applicable**
(57) Statement of Newness and Distinctiveness: **Nil**



(21) Design Number: **10778/2016**
(22) Date of Filing Application: **12 February 2016**
(24) Date from which industrial property rights may have effect: **12 February 2016**
(54) Product in respect of which the design is registered: **Laptop computer support**
(51) International Design Classification: **14-99**
(74) Name(s) of Attorney(s):
(71) Name(s) and Address(s) of Applicant(s):
THE BIG TINY CO PTY LTD
Unit 8b, 4 Hampden St Paddington NSW 2021 Australia
(72) Name(s) of Designer(s): **Matthew Cramsie**
(45) Registration Date: **01 March 2016**
(56) Related Art Documents: **Not Applicable**
(57) Statement of Newness and Distinctiveness: **The newness and distinctiveness of the design resides in the shape of the foot, column and upper support members of the support as shown in the continuous lines in the accompanying representations. The broken lines represent a typical laptop in use and are not part of the design and are to be disregarded when considering the overall impression of the design.**



(21) Design Number: **10827/2016**
(22) Date of Filing Application: **16 February 2016**
(24) Date from which industrial property rights may have effect: **16 February 2016**
(54) Product in respect of which the design is registered: **Three head dry shaver**
(51) International Design Classification: **28-03A**
(74) Name(s) of Attorney(s): **FB Rice**
(71) Name(s) and Address(s) of Applicant(s):
Koninklijke Philips N.V.
High Tech Campus 5 5656 AE Eindhoven The Netherlands
(72) Name(s) of Designer(s): **Florian Jeremy Fabrice Boulanger**
(45) Registration Date: **01 March 2016**
(30) Convention priority data:
(31) Number (32) Date (33) Country
**002755520-0001 17 Aug 2015 OFFICE FOR HARMONISATION IN
THE INTERNAL MARKET (OHIM)**
(56) Related Art Documents: **Not Applicable**
(57) Statement of Newness and Distinctiveness: **Newness and distinctiveness
reside in the features of shape and configuration of the design as shown
in the representations.**



(21) Design Number: **10723/2016**
(22) Date of Filing Application: **11 February 2016**
(24) Date from which industrial property rights may have effect: **11 February 2016**
(54) Product in respect of which the design is registered: **Container**
(51) International Design Classification: **09-01NES**
(74) Name(s) of Attorney(s): **Griffith Hack**
(71) Name(s) and Address(s) of Applicant(s):
Runway Blue, LLC
250 South 850 East Lehi UT, 84043 United States of America
(72) Name(s) of Designer(s): **Steven M. Sorensen and Kim L. Sorensen and
David O. Meyers**
(45) Registration Date: **02 March 2016**
(30) Convention priority data:
(31) Number (32) Date (33) Country
29/539,279 11 Sep 2015 UNITED STATES OF AMERICA
(56) Related Art Documents: **Not Applicable**
(57) Statement of Newness and Distinctiveness: **The shape and configuration
of the parts of the product shown by solid lines in the accompanying
representations are new and distinctive.**



- (21) Design Number: **10724/2016**
(22) Date of Filing Application: **11 February 2016**
(24) Date from which industrial property rights may have effect: **11 February 2016**
(54) Product in respect of which the design is registered: **Tip for a ground engaging machine implement**
(51) International Design Classification: **15-04**
(74) Name(s) of Attorney(s): **Freehills Patent Attorneys**
(71) Name(s) and Address(s) of Applicant(s):
Caterpillar Inc.
100 N.E. Adams Street Peoria Illinois 61629 United States of America
(72) Name(s) of Designer(s): **Mihai Mircea Balan and Douglas Serrurier**
(45) Registration Date: **02 March 2016**
(30) Convention priority data:
(31) Number (32) Date (33) Country
29/536027 12 Aug 2015 UNITED STATES OF AMERICA
(56) Related Art Documents: **Not Applicable**
(57) Statement of Newness and Distinctiveness: **Newness and distinctiveness of the design resides in the features of shape and configuration of the tip as shown in the accompanying representations.**



- (21) Design Number: **10725/2016**
(22) Date of Filing Application: **11 February 2016**
(24) Date from which industrial property rights may have effect: **11 February 2016**
(54) Product in respect of which the design is registered: **Tip for a ground engaging machine implement**
(51) International Design Classification: **15-04**
(74) Name(s) of Attorney(s): **Freehills Patent Attorneys**
(71) Name(s) and Address(s) of Applicant(s):
Caterpillar Inc.
100 N.E. Adams Street Peoria Illinois 61629 United States of America
(72) Name(s) of Designer(s): **Mihai Mircea Balan and Douglas Serrurier**
(45) Registration Date: **02 March 2016**
(30) Convention priority data:
(31) Number (32) Date (33) Country
29/536027 12 Aug 2015 UNITED STATES OF AMERICA
(56) Related Art Documents: **Not Applicable**
(57) Statement of Newness and Distinctiveness: **Newness and distinctiveness of the design resides in the features of shape and configuration of the tip as shown in the accompanying representations.**



(21) Design Number: **10726/2016**
(22) Date of Filing Application: **11 February 2016**
(24) Date from which industrial property rights may have effect: **11 February 2016**
(54) Product in respect of which the design is registered: **Bottle**
(51) International Design Classification: **09-01NES**
(74) Name(s) of Attorney(s): **FB Rice**
(71) Name(s) and Address(s) of Applicant(s):
SAVERGLASS
3 rue de la Gare Feuquieres 60960 France
(72) Name(s) of Designer(s): **Fraser Reynolds**
(45) Registration Date: **02 March 2016**
(30) Convention priority data:
(31) Number (32) Date (33) Country
**002863837-0001 18 Nov 2015 OFFICE FOR HARMONISATION IN
THE INTERNAL MARKET (OHIM)**



(56) Related Art Documents: **Not Applicable**
(57) Statement of Newness and Distinctiveness: **Newness and distinctiveness reside in the features of the bottle as shown in the representations and in particular in the cone-shaped neck which is tapered from the top to the bottom and is connected with the shoulders through a radial rounding; in the shoulders which are inclined and pass into the body through a peripheral convex round edge; and in the short cylindrical which body merges smoothly with the bottom which has a thin inner base and a central cavity in the form of a truncated cone with a flat top.**

(21) Design Number: **10728/2016**
(22) Date of Filing Application: **11 February 2016**
(24) Date from which industrial property rights may have effect: **11 February 2016**
(54) Product in respect of which the design is registered: **Bottle**
(51) International Design Classification: **09-01H**
(74) Name(s) of Attorney(s): **FB Rice**
(71) Name(s) and Address(s) of Applicant(s):
SAVERGLASS
3 rue de la Gare Feuquieres 60960 France
(72) Name(s) of Designer(s): **Richard Lauret**
(45) Registration Date: **02 March 2016**
(30) Convention priority data:
(31) Number (32) Date (33) Country
**002863829-0001 18 Nov 2015 OFFICE FOR HARMONISATION IN
THE INTERNAL MARKET (OHIM)**



(56) Related Art Documents: **Not Applicable**
(57) Statement of Newness and Distinctiveness: **Newness and distinctiveness reside in the features of the bottle as shown in the representations and in particular in the tapered cone-shaped neck, the diameter of which decreases gradually from its top to its bottom where the neck is connected with the shoulders through a small radius rounding, in the shoulders which are bulged and inclined and merge into the cylindrical body, in that the body merges smoothly with the bottom through a small radius, and in that the bottom has a central cone-shaped cavity with a rounded top.**

(21) Design Number: **10730/2016**
(22) Date of Filing Application: **11 February 2016**
(24) Date from which industrial property rights may have effect: **11 February 2016**
(54) Product in respect of which the design is registered: **Tip for a ground engaging machine implement**
(51) International Design Classification: **15-04**
(74) Name(s) of Attorney(s): **Freehills Patent Attorneys**
(71) Name(s) and Address(s) of Applicant(s):
Caterpillar Inc.
100 N.E. Adams Street Peoria Illinois, 61629 United States of America
(72) Name(s) of Designer(s): **Mihai Mircea Balan and Douglas Serrurier**
(45) Registration Date: **02 March 2016**
(30) Convention priority data:
(31) Number (32) Date (33) Country
29/536030 12 Aug 2015 UNITED STATES OF AMERICA
(56) Related Art Documents: **Not Applicable**
(57) Statement of Newness and Distinctiveness: **Newness and distinctiveness of the design resides in the features of shape and configuration of the tip as shown in the accompanying representations.**



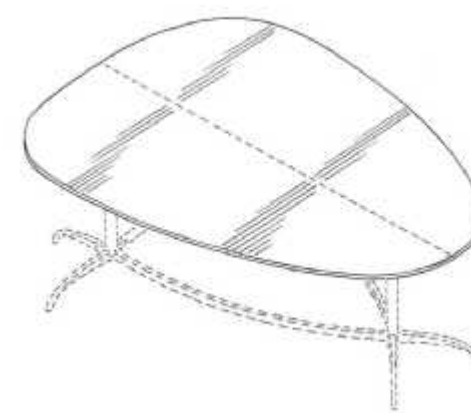
(21) Design Number: **10731/2016**
(22) Date of Filing Application: **11 February 2016**
(24) Date from which industrial property rights may have effect: **11 February 2016**
(54) Product in respect of which the design is registered: **Tip for a ground engaging machine implement**
(51) International Design Classification: **15-04**
(74) Name(s) of Attorney(s): **Freehills Patent Attorneys**
(71) Name(s) and Address(s) of Applicant(s):
Caterpillar Inc.
100 N.E. Adams Street Peoria Illinois, 61629 United States of America
(72) Name(s) of Designer(s): **Mihai Mircea Balan and Douglas Serrurier**
(45) Registration Date: **02 March 2016**
(30) Convention priority data:
(31) Number (32) Date (33) Country
29/536030 12 Aug 2015 UNITED STATES OF AMERICA
(56) Related Art Documents: **Not Applicable**
(57) Statement of Newness and Distinctiveness: **Newness and distinctiveness of the design resides in the features of shape and configuration of the tip as shown in the accompanying representations.**



(21) Design Number: **10732/2016**
(22) Date of Filing Application: **11 February 2016**
(24) Date from which industrial property rights may have effect: **11 February 2016**
(54) Product in respect of which the design is registered: **Tip for a ground engaging machine implement**
(51) International Design Classification: **15-04**
(74) Name(s) of Attorney(s): **Freehills Patent Attorneys**
(71) Name(s) and Address(s) of Applicant(s):
Caterpillar Inc.
100 N.E. Adams Street Peoria Illinois, 61629 United States of America
(72) Name(s) of Designer(s): **Mihai Mircea Balan and Douglas Serrurier**
(45) Registration Date: **02 March 2016**
(30) Convention priority data:
(31) Number (32) Date (33) Country
29/536030 12 Aug 2015 UNITED STATES OF AMERICA
(56) Related Art Documents: **Not Applicable**
(57) Statement of Newness and Distinctiveness: **Newness and distinctiveness of the design resides in the features of shape and configuration of the tip as shown in the accompanying representations.**



(21) Design Number: **10754/2016**
(22) Date of Filing Application: **12 February 2016**
(24) Date from which industrial property rights may have effect: **12 February 2016**
(54) Product in respect of which the design is registered: **Table**
(51) International Design Classification: **06-03B**
(74) Name(s) of Attorney(s): **Spruson & Ferguson**
(71) Name(s) and Address(s) of Applicant(s):
Herman Miller, Inc.
855 East Main Street, Zeeland Michigan, 49464 United States of America
(72) Name(s) of Designer(s): **Gianfranco Zaccai and Mark Bates and Alex Broerman and John Costello**
(45) Registration Date: **02 March 2016**
(30) Convention priority data:
(31) Number (32) Date (33) Country
29/540575 25 Sep 2015 UNITED STATES OF AMERICA
(56) Related Art Documents: **Not Applicable**
(57) Statement of Newness and Distinctiveness: **Newness and distinctiveness is claimed in the features of shape and/or configuration of the worksurface of a table as illustrated in continuous lines in the accompanying representations.**



(21) Design Number: **10777/2016**
(22) Date of Filing Application: **12 February 2016**
(24) Date from which industrial property rights may have effect: **12 February 2016**
(54) Product in respect of which the design is registered: **Mobile phone**
(51) International Design Classification: **14-03E**
(74) Name(s) of Attorney(s): **FB Rice**
(71) Name(s) and Address(s) of Applicant(s):
LG Electronics Inc.
128, Yeoui-daero, Yeongdeungpo-gu, Seoul 150-721 Republic of Korea
(72) Name(s) of Designer(s): **Youngjoo Cho and Youngho Kim and Hyon Kim**
(45) Registration Date: **02 March 2016**
(30) Convention priority data:
(31) Number (32) Date (33) Country
30-2015-0040637 12 Aug 2015 REPUBLIC OF KOREA
(56) Related Art Documents: **Not Applicable**
(57) Statement of Newness and Distinctiveness: **Newness and distinctiveness reside in the features of the design shown in solid lines in the representations, excluding those features shown in broken lines.**



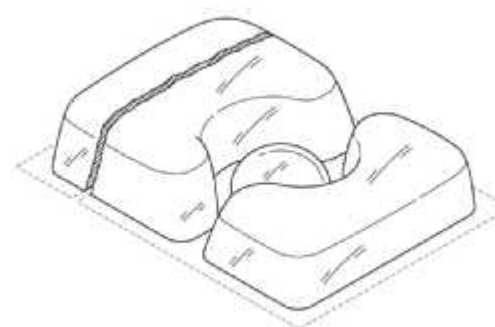
(21) Design Number: **10793/2016**
(22) Date of Filing Application: **15 February 2016**
(24) Date from which industrial property rights may have effect: **15 February 2016**
(54) Product in respect of which the design is registered: **Tyre**
(51) International Design Classification: **12-15B**
(74) Name(s) of Attorney(s): **Griffith Hack**
(71) Name(s) and Address(s) of Applicant(s):
Continental Reifen Deutschland GmbH
Vahrenwalder Str. 9 Hannover 30165 Germany
(72) Name(s) of Designer(s): **Ulrich Behr**
(45) Registration Date: **02 March 2016**
(30) Convention priority data:
(31) Number (32) Date (33) Country
DM/087477 27 Aug 2015 WORLD INTELLECTUAL PROPERTY ORGANIZATION (WIPO)
(56) Related Art Documents: **Not Applicable**
(57) Statement of Newness and Distinctiveness: **Newness and distinctiveness resides in the visual features, including shape, configuration and pattern, of a tread for a TYRE as shown in the accompanying representations.**



- (21) Design Number: **10795/2016**
(22) Date of Filing Application: **15 February 2016**
(24) Date from which industrial property rights may have effect: **15 February 2016**
(54) Product in respect of which the design is registered: **Capsule containing washing products**
(51) International Design Classification: **07-05NES**
(74) Name(s) of Attorney(s): **Shelston IP Pty Ltd.**
(71) Name(s) and Address(s) of Applicant(s):
Reckitt Benckiser (Brands) Limited
103-105 Bath Road Slough Berkshire SL1 3UH United Kingdom
(72) Name(s) of Designer(s): **Caroline Rigobert and Jordi Salvador and Taco Dietvorst**
(45) Registration Date: **02 March 2016**
(30) Convention priority data:
(31) Number (32) Date (33) Country
002756205-0001 17 Aug 2015 OFFICE FOR HARMONISATION IN THE INTERNAL MARKET (OHIM)
(56) Related Art Documents: **Not Applicable**
(57) Statement of Newness and Distinctiveness: **Newness and distinctiveness resides in the features of shape and configuration of a capsule containing washing products as illustrated in the accompanying representations**



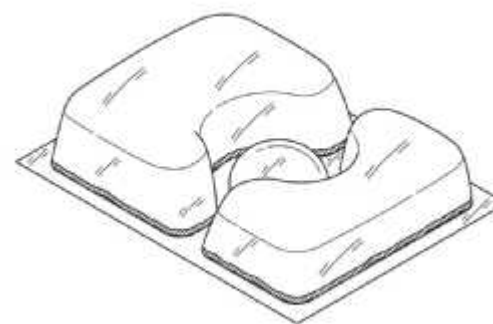
- (21) Design Number: **10796/2016**
(22) Date of Filing Application: **15 February 2016**
(24) Date from which industrial property rights may have effect: **15 February 2016**
(54) Product in respect of which the design is registered: **Capsule containing washing products**
(51) International Design Classification: **07-05NES**
(74) Name(s) of Attorney(s): **Shelston IP Pty Ltd.**
(71) Name(s) and Address(s) of Applicant(s):
Reckitt Benckiser (Brands) Limited
103-105 Bath Road Slough Berkshire SL1 3UH United Kingdom
(72) Name(s) of Designer(s): **Caroline Rigobert and Jordi Salvador and Taco Dietvorst**
(45) Registration Date: **02 March 2016**
(30) Convention priority data:
(31) Number (32) Date (33) Country
002756205-0004 17 Aug 2015 OFFICE FOR HARMONISATION IN THE INTERNAL MARKET (OHIM)
(56) Related Art Documents: **Not Applicable**
(57) Statement of Newness and Distinctiveness: **Newness and distinctiveness resides in the features of shape and configuration of a capsule containing washing products as illustrated in the accompanying representations. The wavy section lines indicate the larger compartment may vary in length in a direction generally perpendicular to these lines.**



- (21) Design Number: **10797/2016**
(22) Date of Filing Application: **15 February 2016**
(24) Date from which industrial property rights may have effect: **15 February 2016**
(54) Product in respect of which the design is registered: **Capsule containing washing products**
(51) International Design Classification: **07-05NES**
(74) Name(s) of Attorney(s): **Shelston IP Pty Ltd.**
(71) Name(s) and Address(s) of Applicant(s):
Reckitt Benckiser (Brands) Limited
103-105 Bath Road Slough Berkshire SL1 3UH United Kingdom
(72) Name(s) of Designer(s): **Caroline Rigobert and Jordi Salvador and Taco Dietvorst**
(45) Registration Date: **02 March 2016**
(30) Convention priority data:
(31) Number (32) Date (33) Country
002756205-0002 17 Aug 2015 OFFICE FOR HARMONISATION IN THE INTERNAL MARKET (OHIM)
(56) Related Art Documents: **Not Applicable**
(57) Statement of Newness and Distinctiveness: **Newness and distinctiveness resides in the features of shape and configuration of a capsule containing washing products as illustrated in solid line in the accompanying representations. The features shown in broken line do not form part of the design.**



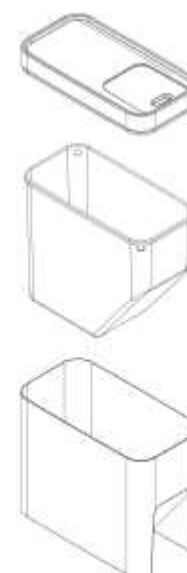
- (21) Design Number: **10798/2016**
(22) Date of Filing Application: **15 February 2016**
(24) Date from which industrial property rights may have effect: **15 February 2016**
(54) Product in respect of which the design is registered: **Capsule containing washing products**
(51) International Design Classification: **07-05NES**
(74) Name(s) of Attorney(s): **Shelston IP Pty Ltd.**
(71) Name(s) and Address(s) of Applicant(s):
Reckitt Benckiser (Brands) Limited
103-105 Bath Road Slough Berkshire SL1 3UH United Kingdom
(72) Name(s) of Designer(s): **Caroline Rigobert and Jordi Salvador and Taco Dietvorst**
(45) Registration Date: **02 March 2016**
(30) Convention priority data:
(31) Number (32) Date (33) Country
002756205-0005 17 Aug 2015 OFFICE FOR HARMONISATION IN THE INTERNAL MARKET (OHIM)
(56) Related Art Documents: **Not Applicable**
(57) Statement of Newness and Distinctiveness: **Newness and distinctiveness resides in the features of shape and configuration of a capsule containing washing products as illustrated in the accompanying representations. The wavy section lines indicate the compartments and may vary in depth in a direction generally perpendicular to these lines.**



(21) Design Number: **10799/2016**
(22) Date of Filing Application: **15 February 2016**
(24) Date from which industrial property rights may have effect: **15 February 2016**
(54) Product in respect of which the design is registered: **Furniture plate**
(51) International Design Classification: **08-09**
(74) Name(s) of Attorney(s): **PHILLIPS ORMONDE FITZPATRICK**
(71) Name(s) and Address(s) of Applicant(s):
ASSA ABLOY Australia Pty Limited
235 Huntingdale Rd Oakleigh VIC 3166 Australia
(72) Name(s) of Designer(s): **Maliia Gabuardi Lopez**
(45) Registration Date: **02 March 2016**
(56) Related Art Documents: **Not Applicable**
(57) Statement of Newness and Distinctiveness: **Those features of the furniture plate depicted in the representations that are new and distinctive are the shape and/or configuration. The features shown in broken lines are not part of the design and are to be disregarded when considering the overall impression of the design.**



(21) Design Number: **10779/2016**
(22) Date of Filing Application: **12 February 2016**
(24) Date from which industrial property rights may have effect: **12 February 2016**
(54) Product in respect of which the design is registered: **Kitchen bin**
(51) International Design Classification: **09-09**
(74) Name(s) of Attorney(s): **Trademark Works**
(71) Name(s) and Address(s) of Applicant(s):
Joseph Joseph Limited
The Grove 30 Great Guildford Street London SE1 OHS United Kingdom
(72) Name(s) of Designer(s): **Tom Lloyd and Luke Pearson**
(45) Registration Date: **02 March 2016**
(30) Convention priority data:
(31) Number (32) Date (33) Country
002756155-0001 17 Aug 2015 EUROPEAN PATENT OFFICE (EPO)
(56) Related Art Documents: **Not Applicable**
(57) Statement of Newness and Distinctiveness: **Nil**



(21) Design Number: **10781/2016**
(22) Date of Filing Application: **12 February 2016**
(24) Date from which industrial property rights may have effect: **12 February 2016**
(54) Product in respect of which the design is registered: **Remote control**
(51) International Design Classification: **14-03NES**
(74) Name(s) of Attorney(s): **Roger Syn & Co. Patent & Trade Mark Attorneys**
(71) Name(s) and Address(s) of Applicant(s):
Vodoke Asia Pacific Limited
Suite 2302-2306, 23rd Floor Great Eagle Centre 23 Harbour Rd Wanchai
Hong Kong

(72) Name(s) of Designer(s): **Kok Meng Michael Toh**

(45) Registration Date: **02 March 2016**

(30) Convention priority data:

(31) Number	(32) Date	(33) Country
30201501375Y	14 Aug 2015	SINGAPORE

(56) Related Art Documents: **Not Applicable**

(57) Statement of Newness and Distinctiveness: **Newness & distinctiveness resides in the shape & configuration of a REMOTE CONTROL as shown in the accompanying drawings. In considering the scope of the registration, the words shown in the front view and front perspective view are to be disregarded.**



(21) Design Number: **10782/2016**
(22) Date of Filing Application: **12 February 2016**
(24) Date from which industrial property rights may have effect: **12 February 2016**
(54) Product in respect of which the design is registered: **A bracket**
(51) International Design Classification: **08-08L**
(74) Name(s) of Attorney(s): **Cullens Pty Ltd**
(71) Name(s) and Address(s) of Applicant(s):
Gripple Limited
The Old West Gun Works Savile Street East Sheffield S4 7UQ United
Kingdom

(72) Name(s) of Designer(s): **Simon Davis**

(45) Registration Date: **02 March 2016**

(30) Convention priority data:

(31) Number	(32) Date	(33) Country
002756593-0001	18 Aug 2015	OFFICE FOR HARMONISATION IN THE INTERNAL MARKET (OHIM)

(56) Related Art Documents: **Not Applicable**

(57) Statement of Newness and Distinctiveness: **Nil**



(21) Design Number: **10783/2016**
(22) Date of Filing Application: **12 February 2016**
(24) Date from which industrial property rights may have effect: **12 February 2016**
(54) Product in respect of which the design is registered: **Multimedia communication equipment**
(51) International Design Classification: **14-03NES**
(74) Name(s) of Attorney(s): **Roger Syn & Co. Patent & Trade Mark Attorneys**
(71) Name(s) and Address(s) of Applicant(s):



Vodoke Asia Pacific Limited
Suite 2302-2306, 23rd Floor Great Eagle Centre 23 Harbour Road
Wanchai Hong Kong

(72) Name(s) of Designer(s): **Kok Meng Michael Toh**

(45) Registration Date: **02 March 2016**

(30) Convention priority data:

(31) Number	(32) Date	(33) Country
30201501374U	14 Aug 2015	SINGAPORE

(56) Related Art Documents: **Not Applicable**

(57) Statement of Newness and Distinctiveness: **Newness & distinctiveness resides in the shape and configuration of a MULTIMEDIA COMMUNICATION EQUIPMENT as shown in the accompanying drawings. In considering the scope of the registration, all the words, and also the trade mark elements in word or logo form, that appear in the drawings are to be disregarded.**

(21) Design Number: **10784/2016**
(22) Date of Filing Application: **12 February 2016**
(24) Date from which industrial property rights may have effect: **12 February 2016**
(54) Product in respect of which the design is registered: **Carboy**
(51) International Design Classification: **09-01NES**
(74) Name(s) of Attorney(s): **Cullens Pty Ltd**
(71) Name(s) and Address(s) of Applicant(s):



Great Western Malting, DBA Brewcraft USA
P.O. Box 1529 Vancouver WA, 98668 United States of America

(72) Name(s) of Designer(s): **Brian Morton and Lawrence Clouser and Jason Rogers**

(45) Registration Date: **02 March 2016**

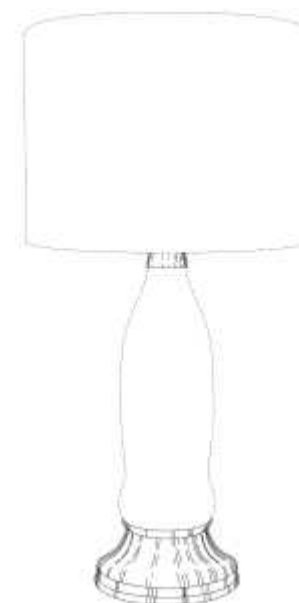
(30) Convention priority data:

(31) Number	(32) Date	(33) Country
29/535,964	12 Aug 2015	UNITED STATES OF AMERICA

(56) Related Art Documents: **Not Applicable**

(57) Statement of Newness and Distinctiveness: **The new and distinct features of shape and configuration of a carboy as shown in the representations.**

- (21) Design Number: **10786/2016**
(22) Date of Filing Application: **13 February 2016**
(24) Date from which industrial property rights may have effect: **13 February 2016**
(54) Product in respect of which the design is registered: **Lampstand for supporting inline beverage bottle**
(51) International Design Classification: **09-01NES, 26-05B**
(74) Name(s) of Attorney(s):
(71) Name(s) and Address(s) of Applicant(s):
Rolando Norambuena
C/- Patentec Patent Attorneys PO BOX A1172 Sydney South NSW 1235
Australia
(72) Name(s) of Designer(s): **Rolando Norambuena**
(45) Registration Date: **02 March 2016**
(56) Related Art Documents: **Not Applicable**
(57) Statement of Newness and Distinctiveness: **Lampstand for supporting inline beverage bottle Newness and distinctiveness is claimed in the features of shape and configuration of the modular lampstand shown in solid lines in the accompanying representations wherein the lampstand comprises the engagement elements for supporting an inline beverage bottle.**



- (21) Design Number: **10787/2016**
(22) Date of Filing Application: **13 February 2016**
(24) Date from which industrial property rights may have effect: **13 February 2016**
(54) Product in respect of which the design is registered: **Lampstand for supporting inline beverage cans**
(51) International Design Classification: **09-01NES, 26-05B**
(74) Name(s) of Attorney(s):
(71) Name(s) and Address(s) of Applicant(s):
Rolando Norambuena
C/- Patentec Patent Attorneys PO BOX A1172 Sydney South NSW 1235
Australia
(72) Name(s) of Designer(s): **Rolando Norambuena**
(45) Registration Date: **02 March 2016**
(56) Related Art Documents: **Not Applicable**
(57) Statement of Newness and Distinctiveness: **Lampstand for supporting inline beverage cans Newness and distinctiveness is claimed in the features of shape and configuration of the modular lampstand shown in solid lines in the accompanying representations wherein the lampstand comprises the engagement elements for supporting inline beverage cans.**



- (21) Design Number: **10788/2016**
(22) Date of Filing Application: **13 February 2016**
(24) Date from which industrial property rights may have effect: **13 February 2016**
(54) Product in respect of which the design is registered: **A seeding knife point device**
(51) International Design Classification: **08-01, 15-03A**
(74) Name(s) of Attorney(s):
(71) Name(s) and Address(s) of Applicant(s):

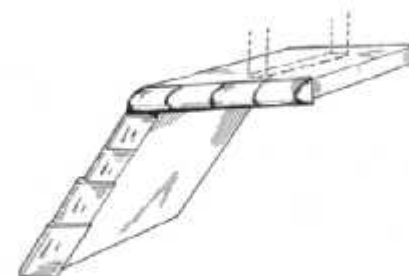
Julian Hanna
C/- Patentec Patent Attorneys PO BOX A1172 Sydney South NSW 1235
Australia

(72) Name(s) of Designer(s): **Julian Hanna**

(45) Registration Date: **02 March 2016**

(56) Related Art Documents: **Not Applicable**

(57) Statement of Newness and Distinctiveness: **Newness and distinctiveness as claimed in the shape and configuration of the seeding knife point device shown in the accompanying representations comprising a substantially horizontal seeding point tilling plate; and a hoe blade projecting downwards from away from a midline of the seeding point tilling plate, wherein, in use the hoe blade is configured for bringing up lower soil from a lower end of the hoe blade towards the seeding point tilling plate; and the seeding point tilling plate is configured for forming a seeding ledge for the introduction of seed thereon by a trailing seed introduction device, the seeding ledge comprising relatively compacted soil and comprising at least some of the lower soil. The leading-edge protective tiles are not necessarily claimed as part of the design.**



- (21) Design Number: **10813/2016**
(22) Date of Filing Application: **15 February 2016**
(24) Date from which industrial property rights may have effect: **15 February 2016**
(54) Product in respect of which the design is registered: **A dress**
(51) International Design Classification: **02-02C**
(74) Name(s) of Attorney(s):
(71) Name(s) and Address(s) of Applicant(s):

Zimmermann Wear Pty Limited
120 Dunning Ave Rosebery NSW 2018 Australia

(72) Name(s) of Designer(s): **Nicole Zimmermann**

(45) Registration Date: **02 March 2016**

(56) Related Art Documents: **Not Applicable**

(57) Statement of Newness and Distinctiveness: **Newness and distinctiveness is claimed in the shape, configuration, pattern and/or ornamentation of the garment depicted in the accompanying representation.**



- (21) Design Number: **10814/2016**
(22) Date of Filing Application: **15 February 2016**
(24) Date from which industrial property rights may have effect: **15 February 2016**
(54) Product in respect of which the design is registered: **A dress**
(51) International Design Classification: **02-02C**
(74) Name(s) of Attorney(s):
(71) Name(s) and Address(s) of Applicant(s):
Zimmermann Wear Pty Limited
120 Dunning Ave Rosebery NSW 2018 Australia
(72) Name(s) of Designer(s): **Nicole Zimmermann**
(45) Registration Date: **02 March 2016**
(56) Related Art Documents: **Not Applicable**
(57) Statement of Newness and Distinctiveness: **Newness and distinctiveness is claimed in the shape, configuration, pattern and/or ornamentation of the garment depicted in the accompanying representation.**



- (21) Design Number: **10815/2016**
(22) Date of Filing Application: **15 February 2016**
(24) Date from which industrial property rights may have effect: **15 February 2016**
(54) Product in respect of which the design is registered: **A dress**
(51) International Design Classification: **02-02C**
(74) Name(s) of Attorney(s):
(71) Name(s) and Address(s) of Applicant(s):
Zimmermann Wear Pty Limited
120 Dunning Ave Rosebery NSW 2018 Australia
(72) Name(s) of Designer(s): **Nicole Zimmermann**
(45) Registration Date: **02 March 2016**
(56) Related Art Documents: **Not Applicable**
(57) Statement of Newness and Distinctiveness: **Newness and distinctiveness is claimed in the shape, configuration, pattern and/or ornamentation of the garment depicted in the accompanying representation and in particular, the plait detail from the neck to each sleeve.**



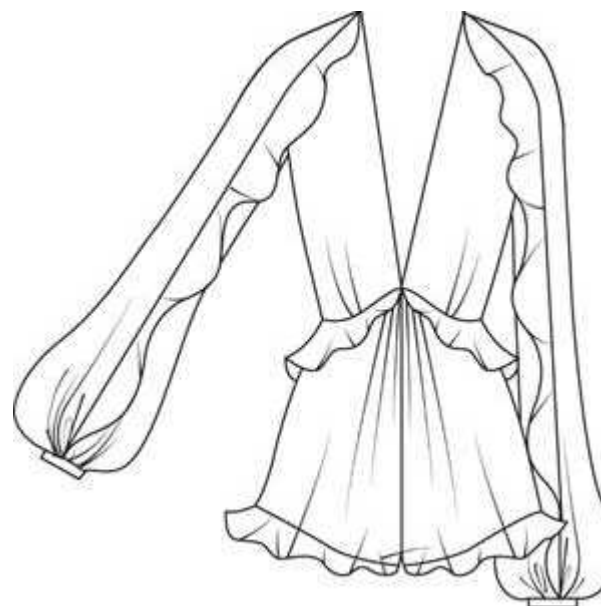
- (21) Design Number: **10816/2016**
(22) Date of Filing Application: **15 February 2016**
(24) Date from which industrial property rights may have effect: **15 February 2016**
(54) Product in respect of which the design is registered: **A playsuit**
(51) International Design Classification: **02-02C**
(74) Name(s) of Attorney(s):
(71) Name(s) and Address(s) of Applicant(s):
Zimmermann Wear Pty Limited
120 Dunning Ave Rosebery NSW 2018 Australia
(72) Name(s) of Designer(s): **Nicole Zimmermann**
(45) Registration Date: **02 March 2016**
(56) Related Art Documents: **Not Applicable**
(57) Statement of Newness and Distinctiveness: **Newness and distinctiveness is claimed in the shape, configuration, pattern and/or ornamentation of the garment depicted in the accompanying representation in particular, the cowl neck and blouson sleeve detail.**



- (21) Design Number: **10817/2016**
(22) Date of Filing Application: **15 February 2016**
(24) Date from which industrial property rights may have effect: **15 February 2016**
(54) Product in respect of which the design is registered: **A top**
(51) International Design Classification: **02-02NES**
(74) Name(s) of Attorney(s):
(71) Name(s) and Address(s) of Applicant(s):
Zimmermann Wear Pty Limited
120 Dunning Ave Rosebery NSW 2018 Australia
(72) Name(s) of Designer(s): **Nicole Zimmermann**
(45) Registration Date: **02 March 2016**
(56) Related Art Documents: **Not Applicable**
(57) Statement of Newness and Distinctiveness: **Newness and distinctiveness is claimed in the shape, configuration, pattern and/or ornamentation of the garment depicted in the accompanying representation in particular, the buckle fastening detail. The differing colours of the front and back garment depicted in the representation should be disregarded.**



- (21) Design Number: **10819/2016**
(22) Date of Filing Application: **15 February 2016**
(24) Date from which industrial property rights may have effect: **15 February 2016**
(54) Product in respect of which the design is registered: **A playsuit**
(51) International Design Classification: **02-02C**
(74) Name(s) of Attorney(s):
(71) Name(s) and Address(s) of Applicant(s):
Zimmermann Wear Pty Limited
120 Dunning Ave Rosebery NSW 2018 Australia
(72) Name(s) of Designer(s): **Nicole Zimmermann**
(45) Registration Date: **02 March 2016**
(56) Related Art Documents: **Not Applicable**
(57) Statement of Newness and Distinctiveness: **Newness and distinctiveness is claimed in the shape, configuration, pattern and/or ornamentation of the garment depicted in the accompanying representation.**



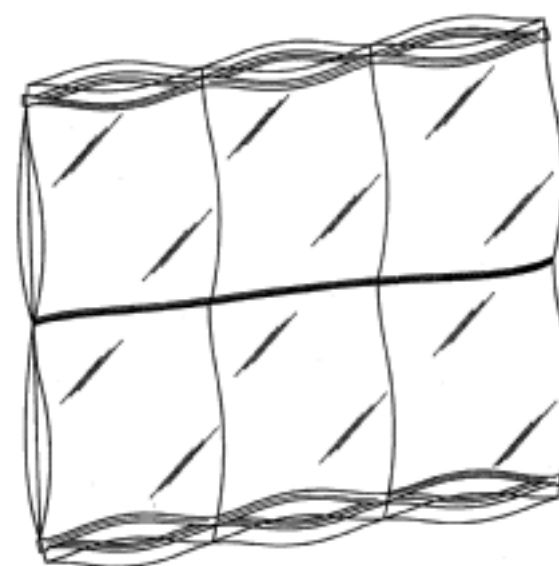
- (21) Design Number: **10820/2016**
(22) Date of Filing Application: **15 February 2016**
(24) Date from which industrial property rights may have effect: **15 February 2016**
(54) Product in respect of which the design is registered: **A dress**
(51) International Design Classification: **02-02C**
(74) Name(s) of Attorney(s):
(71) Name(s) and Address(s) of Applicant(s):
Zimmermann Wear Pty Limited
120 Dunning Ave Rosebery NSW 2018 Australia
(72) Name(s) of Designer(s): **Nicole Zimmermann**
(45) Registration Date: **02 March 2016**
(56) Related Art Documents: **Not Applicable**
(57) Statement of Newness and Distinctiveness: **Newness and distinctiveness is claimed in the shape, configuration, pattern and/or ornamentation of the garment depicted in the accompanying representation.**



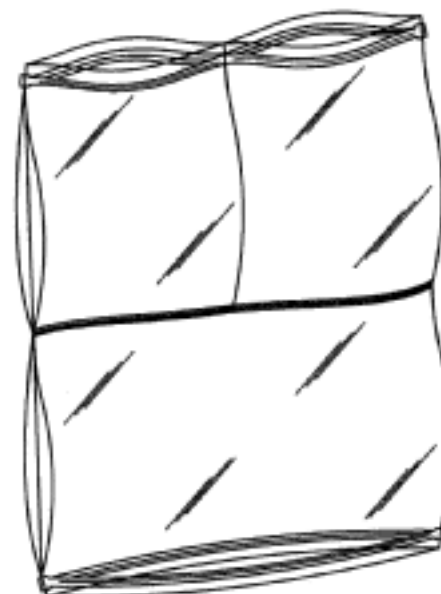
(21) Design Number: **10821/2016**
(22) Date of Filing Application: **15 February 2016**
(24) Date from which industrial property rights may have effect: **15 February 2016**
(54) Product in respect of which the design is registered: **A dress**
(51) International Design Classification: **02-02C**
(74) Name(s) of Attorney(s):
(71) Name(s) and Address(s) of Applicant(s):
Zimmermann Wear Pty Limited
120 Dunning Ave Rosebery NSW 2018 Australia
(72) Name(s) of Designer(s): **Nicole Zimmermann**
(45) Registration Date: **02 March 2016**
(56) Related Art Documents: **Not Applicable**
(57) Statement of Newness and Distinctiveness: **Newness and distinctiveness is claimed in the shape, configuration, pattern and/or ornamentation of the garment depicted in the accompanying representation.**



(21) Design Number: **10825/2016**
(22) Date of Filing Application: **16 February 2016**
(24) Date from which industrial property rights may have effect: **15 December 2015**
(54) Product in respect of which the design is registered: **Multi-compartment resealable storage bag**
(51) International Design Classification: **09-05**
(74) Name(s) of Attorney(s): **PHILLIPS ORMONDE FITZPATRICK**
(71) Name(s) and Address(s) of Applicant(s):
MaBelle Bray
12930 Ventura Blvd. #604 Studio City California, 91604 United States of America
(72) Name(s) of Designer(s): **MaBelle Bray**
(45) Registration Date: **02 March 2016**
(30) Convention priority data:
(31) Number (32) Date (33) Country
29/530,294 15 Jun 2015 UNITED STATES OF AMERICA
(62) Divisional of: **367225**
(56) Related Art Documents: **Not Applicable**
(57) Statement of Newness and Distinctiveness: **Nil**



(21) Design Number: **10826/2016**
(22) Date of Filing Application: **16 February 2016**
(24) Date from which industrial property rights may have effect: **15 December 2015**
(54) Product in respect of which the design is registered: **Multi-compartment resealable storage bag**
(51) International Design Classification: **09-05**
(74) Name(s) of Attorney(s): **PHILLIPS ORMONDE FITZPATRICK**
(71) Name(s) and Address(s) of Applicant(s):
MaBelle Bray
12930 Ventura Blvd. #604 Studio City California, 91604 United States of America
(72) Name(s) of Designer(s): **MaBelle Bray**
(45) Registration Date: **02 March 2016**
(30) Convention priority data:
(31) Number (32) Date (33) Country
29/530,291 15 Jun 2015 UNITED STATES OF AMERICA
(62) Divisional of: **367226**
(56) Related Art Documents: **Not Applicable**
(57) Statement of Newness and Distinctiveness: **Nil**



(21) Design Number: **10831/2016**
(22) Date of Filing Application: **16 February 2016**
(24) Date from which industrial property rights may have effect: **16 February 2016**
(54) Product in respect of which the design is registered: **Loose-fitting floatation shirt with inflation components**
(51) International Design Classification: **02-02A**
(74) Name(s) of Attorney(s): **Spruson & Ferguson**
(71) Name(s) and Address(s) of Applicant(s):
Marine Safety Products, LLC
635 West Michigan St., Orlando Florida, 32805 United States of America
(72) Name(s) of Designer(s): **James Beach-Drummond**
(45) Registration Date: **02 March 2016**
(30) Convention priority data:
(31) Number (32) Date (33) Country
29/536450 17 Aug 2015 UNITED STATES OF AMERICA
(56) Related Art Documents: **Not Applicable**
(57) Statement of Newness and Distinctiveness: **Newness and distinctiveness is claimed in those features of shape and/or configuration of a loose-fitting floatation shirt with inflation components as illustrated in continuous lines in the accompanying representations.**



- (21) Design Number: **10898/2016**
(22) Date of Filing Application: **19 February 2016**
(24) Date from which industrial property rights may have effect: **19 February 2016**
(54) Product in respect of which the design is registered: **Swimwear garment**
(51) International Design Classification: **02-02A**
(74) Name(s) of Attorney(s): **Thomson Geer**
(71) Name(s) and Address(s) of Applicant(s):

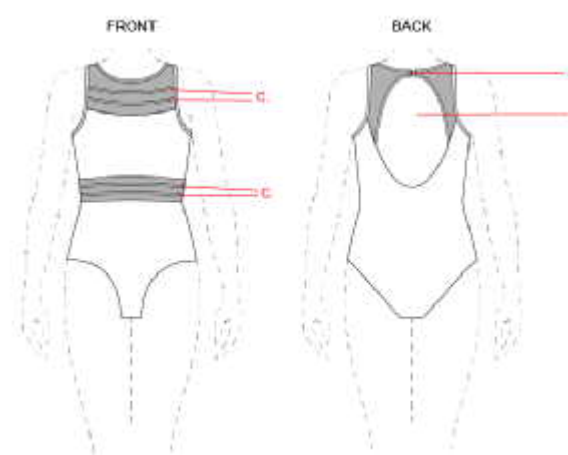
JETS Swimwear Pty Limited
8-18 Bowden St Alexandria NSW 2015 Australia

(72) Name(s) of Designer(s): **Jessika Allen**

(45) Registration Date: **02 March 2016**

(56) Related Art Documents: **Not Applicable**

(57) Statement of Newness and Distinctiveness: **Newness and distinctiveness is claimed in the shape, configuration, pattern and/or ornamentation of the swimwear garment as depicted in the accompanying representations. There is a cut out in the back view marked "B". In considering the newness and distinctiveness of the design the clasp marked "A", is to be disregarded. The lines marked "C" are binding and may be in the same colour or fabric or a contrast colour or fabric. The grey shaded sections represent fabric or mesh of a different colour or design to the balance of the garment. The outline of the wearer, shown in broken lines on the line drawing, forms no part of the design.**



- (21) Design Number: **10899/2016**
(22) Date of Filing Application: **19 February 2016**
(24) Date from which industrial property rights may have effect: **19 February 2016**
(54) Product in respect of which the design is registered: **Swimwear garment**
(51) International Design Classification: **02-02A**
(74) Name(s) of Attorney(s): **Thomson Geer**
(71) Name(s) and Address(s) of Applicant(s):

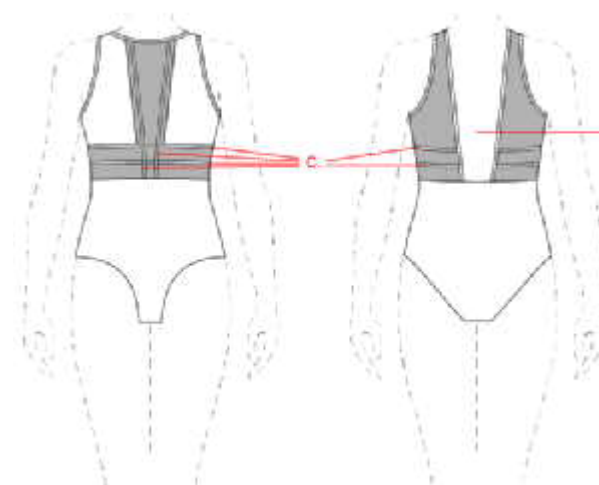
JETS Swimwear Pty Limited
8-18 Bowden St Alexandria NSW 2015 Australia

(72) Name(s) of Designer(s): **Jessika Allen**

(45) Registration Date: **02 March 2016**

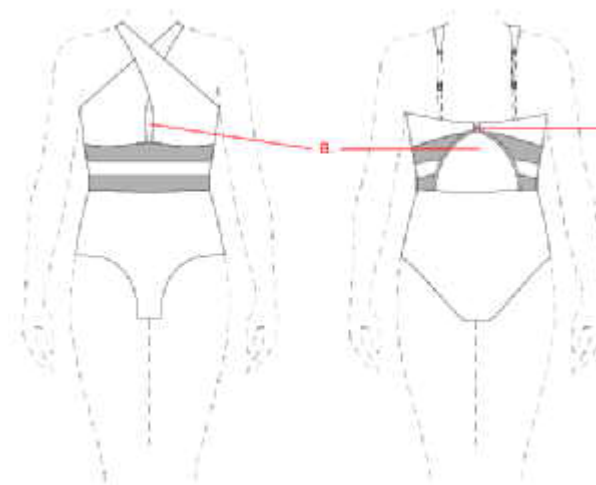
(56) Related Art Documents: **Not Applicable**

(57) Statement of Newness and Distinctiveness: **Newness and distinctiveness is claimed in the shape, configuration, pattern and/or ornamentation of the swimwear garment as depicted in the accompanying representations. There is a cut out in the back view marked "B". The lines marked "C" are binding and may be in the same colour or fabric or a contrast colour or fabric. The grey shaded sections represent fabric or mesh of a different colour or design to the balance of the garment. The outline of the wearer, shown in broken lines on the line drawing, forms no part of the design.**



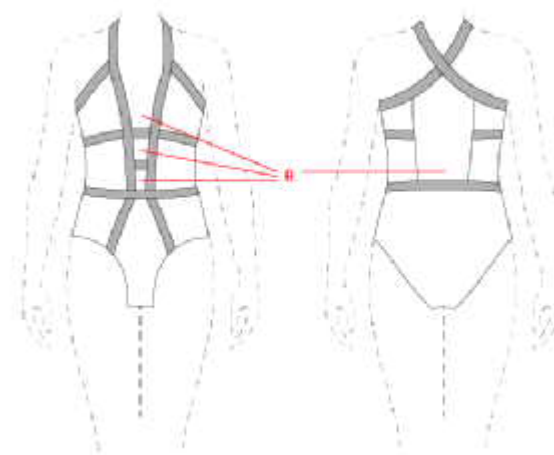
- (21) Design Number: **10900/2016**
(22) Date of Filing Application: **19 February 2016**
(24) Date from which industrial property rights may have effect: **19 February 2016**
(54) Product in respect of which the design is registered: **Swimwear garment**
(51) International Design Classification: **02-02A**
(74) Name(s) of Attorney(s): **Thomson Geer**
(71) Name(s) and Address(s) of Applicant(s):
JETS Swimwear Pty Limited
8-18 Bowden St Alexandria NSW 2015 Australia
(72) Name(s) of Designer(s): **Jessika Allen**
(45) Registration Date: **02 March 2016**
(56) Related Art Documents: **Not Applicable**

(57) Statement of Newness and Distinctiveness: **Newness and distinctiveness is claimed in the shape, configuration, pattern and/or ornamentation of the swimwear garment as depicted in the accompanying representations. There are cut outs in the back view and the front view marked "B". In considering the newness and distinctiveness of the design the clasp marked "A" and the back strap shown in dotted lines in the back view, are all to be disregarded. The grey shaded sections represent fabric or mesh of a different colour or design to the balance of the garment. The outline of the wearer, shown in broken lines on the line drawing, forms no part of the design.**



- (21) Design Number: **10906/2016**
(22) Date of Filing Application: **19 February 2016**
(24) Date from which industrial property rights may have effect: **19 February 2016**
(54) Product in respect of which the design is registered: **Swimwear garment**
(51) International Design Classification: **02-02A**
(74) Name(s) of Attorney(s): **Thomson Geer**
(71) Name(s) and Address(s) of Applicant(s):
JETS Swimwear Pty Limited
8-18 Bowden St Alexandria NSW 2015 Australia
(72) Name(s) of Designer(s): **Jessika Allen**
(45) Registration Date: **02 March 2016**
(56) Related Art Documents: **Not Applicable**

(57) Statement of Newness and Distinctiveness: **Newness and distinctiveness is claimed in the shape, configuration, pattern and/or ornamentation of the swimwear garment as depicted in the accompanying representations. There are cut outs in the back view and the front view marked "B". The grey shaded sections represent fabric or mesh of a different colour or design to the balance of the garment. The outline of the wearer, shown in broken lines on the line drawing, forms no part of the design.**



- (21) Design Number: **10909/2016**
(22) Date of Filing Application: **19 February 2016**
(24) Date from which industrial property rights may have effect: **19 February 2016**
(54) Product in respect of which the design is registered: **Swimwear garment**
(51) International Design Classification: **02-02A**
(74) Name(s) of Attorney(s): **Thomson Geer**
(71) Name(s) and Address(s) of Applicant(s):

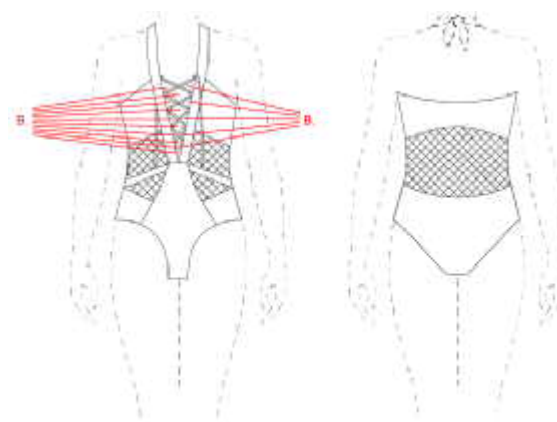
JETS Swimwear Pty Limited
8-18 Bowden St Alexandria NSW 2015 Australia

(72) Name(s) of Designer(s): **Jessika Allen**

(45) Registration Date: **02 March 2016**

(56) Related Art Documents: **Not Applicable**

(57) Statement of Newness and Distinctiveness: **Newness and distinctiveness is claimed in the shape, configuration, pattern and/or ornamentation of the swimwear garment as depicted in the accompanying representations. There are cut outs in the front view marked "B". In considering the newness and distinctiveness of the design the tie, shown in dotted lines in the back view, is to be disregarded. The cross-hatched section represents fabric or mesh of a different colour or design to the balance of the garment. The outline of the wearer, shown in broken lines on the line drawing, forms no part of the design.**



- (21) Design Number: **10910/2016**
(22) Date of Filing Application: **19 February 2016**
(24) Date from which industrial property rights may have effect: **19 February 2016**
(54) Product in respect of which the design is registered: **Swimwear garment**
(51) International Design Classification: **02-02A**
(74) Name(s) of Attorney(s): **Thomson Geer**
(71) Name(s) and Address(s) of Applicant(s):

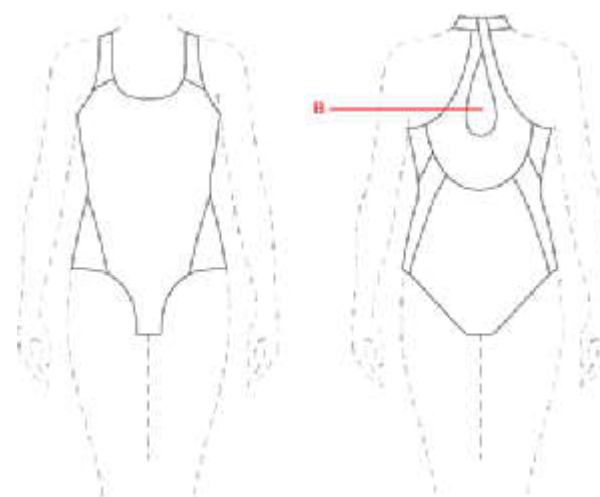
JETS Swimwear Pty Limited
8-18 Bowden St Alexandria NSW 2015 Australia

(72) Name(s) of Designer(s): **Jessika Allen**

(45) Registration Date: **02 March 2016**

(56) Related Art Documents: **Not Applicable**

(57) Statement of Newness and Distinctiveness: **Newness and distinctiveness is claimed in the shape, configuration, pattern and/or ornamentation of the swimwear garment as depicted in the accompanying representations. There are cut outs in the back view marked "B". The outline of the wearer, shown in broken lines on the line drawing, forms no part of the design.**



(21) Design Number: **10911/2016**
(22) Date of Filing Application: **19 February 2016**
(24) Date from which industrial property rights may have effect: **19 February 2016**
(54) Product in respect of which the design is registered: **Swimwear garment**
(51) International Design Classification: **02-02A**
(74) Name(s) of Attorney(s): **Thomson Geer**
(71) Name(s) and Address(s) of Applicant(s):

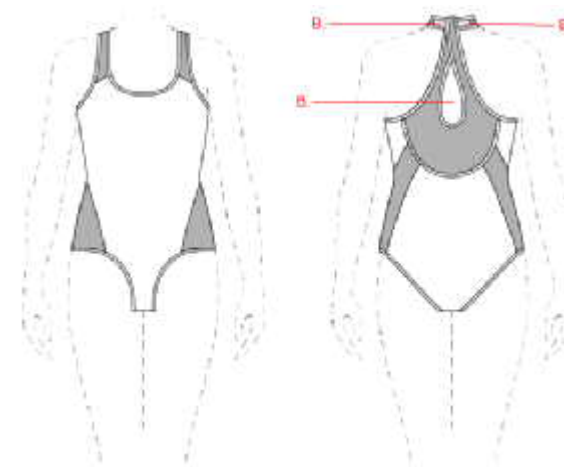
JETS Swimwear Pty Limited
8-18 Bowden St Alexandria NSW 2015 Australia

(72) Name(s) of Designer(s): **Jessika Allen**

(45) Registration Date: **02 March 2016**

(56) Related Art Documents: **Not Applicable**

(57) Statement of Newness and Distinctiveness: **Newness and distinctiveness is claimed in the shape, configuration, pattern and/or ornamentation of the swimwear garment as depicted in the accompanying representations. There are cut outs in the back view marked "B". The grey shaded sections represent fabric or mesh of a different colour or design to the balance of the garment. The outline of the wearer, shown in broken lines on the line drawing, forms no part of the design.**



(21) Design Number: **10912/2016**
(22) Date of Filing Application: **19 February 2016**
(24) Date from which industrial property rights may have effect: **19 February 2016**
(54) Product in respect of which the design is registered: **Plastic jerry can with integrated spray gun handle**
(51) International Design Classification: **09-01A**
(74) Name(s) of Attorney(s):
(71) Name(s) and Address(s) of Applicant(s):

ROOFWASH LIMITED
4a Morrin St Ellerslie 1051 New Zealand

(72) Name(s) of Designer(s): **Andrew John van Lier**

(45) Registration Date: **02 March 2016**

(30) Convention priority data:

(31) Number	(32) Date	(33) Country
421239	19 Feb 2016	NEW ZEALAND

(56) Related Art Documents: **Not Applicable**

(57) Statement of Newness and Distinctiveness: **The design is to be applied to a plastic jerry can and the novelty resides in the features of shape and configuration as shown in the accompanying representations."**



(21) Design Number: **14268/2015**
(22) Date of Filing Application: **19 August 2015**
(24) Date from which industrial property rights may have effect: **19 August 2015**
(54) Product in respect of which the design is registered: **Swimwear**
(51) International Design Classification: **02-02A**
(74) Name(s) of Attorney(s): **K&L Gates**
(71) Name(s) and Address(s) of Applicant(s):
Seafolly Pty Ltd
247 King St Mascot NSW 2020 Australia
(72) Name(s) of Designer(s): **Genelle Walkom**
(45) Registration Date: **02 March 2016**
(56) Related Art Documents: **Not Applicable**
(57) Statement of Newness and Distinctiveness: **Nil**



(21) Design Number: **10853/2016**
(22) Date of Filing Application: **19 August 2015**
(24) Date from which industrial property rights may have effect: **19 August 2015**
(54) Product in respect of which the design is registered: **Swimwear**
(51) International Design Classification: **02-02A**
(74) Name(s) of Attorney(s): **K&L Gates**
(71) Name(s) and Address(s) of Applicant(s):
Seafolly Pty Ltd
247 King St Mascot NSW 2020 Australia
(72) Name(s) of Designer(s): **Genelle Walkom**
(45) Registration Date: **02 March 2016**
(56) Related Art Documents: **Not Applicable**
(57) Statement of Newness and Distinctiveness: **Nil**



(21) Design Number: **10854/2016**
(22) Date of Filing Application: **19 August 2015**
(24) Date from which industrial property rights may have effect: **19 August 2015**
(54) Product in respect of which the design is registered: **Swimwear**
(51) International Design Classification: **02-02A**
(74) Name(s) of Attorney(s): **K&L Gates**
(71) Name(s) and Address(s) of Applicant(s):
Seafolly Pty Ltd
247 King St Mascot NSW 2020 Australia
(72) Name(s) of Designer(s): **Genelle Walkom**
(45) Registration Date: **02 March 2016**
(56) Related Art Documents: **Not Applicable**
(57) Statement of Newness and Distinctiveness: **Nil**



(21) Design Number: **10855/2016**
(22) Date of Filing Application: **19 August 2015**
(24) Date from which industrial property rights may have effect: **19 August 2015**
(54) Product in respect of which the design is registered: **Swimwear**
(51) International Design Classification: **02-02A**
(74) Name(s) of Attorney(s): **K&L Gates**
(71) Name(s) and Address(s) of Applicant(s):
Seafolly Pty Ltd
247 King St Mascot NSW 2020 Australia
(72) Name(s) of Designer(s): **Genelle Walkom**
(45) Registration Date: **02 March 2016**
(56) Related Art Documents: **Not Applicable**
(57) Statement of Newness and Distinctiveness: **Nil**



(21) Design Number: **10856/2016**
(22) Date of Filing Application: **19 August 2015**
(24) Date from which industrial property rights may have effect: **19 August 2015**
(54) Product in respect of which the design is registered: **Swimwear**
(51) International Design Classification: **02-02A**
(74) Name(s) of Attorney(s): **K&L Gates**
(71) Name(s) and Address(s) of Applicant(s):
Seafolly Pty Ltd
247 King St Mascot NSW 2020 Australia
(72) Name(s) of Designer(s): **Genelle Walkom**
(45) Registration Date: **02 March 2016**
(56) Related Art Documents: **Not Applicable**
(57) Statement of Newness and Distinctiveness: **Nil**



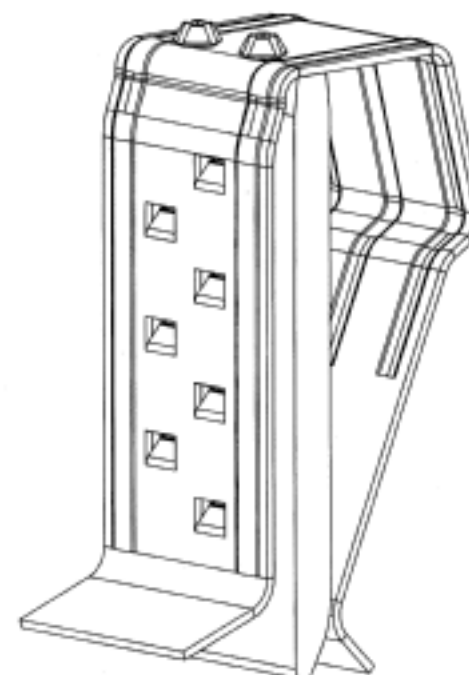
(21) Design Number: **10857/2016**
(22) Date of Filing Application: **19 August 2015**
(24) Date from which industrial property rights may have effect: **19 August 2015**
(54) Product in respect of which the design is registered: **Swimwear**
(51) International Design Classification: **02-02A**
(74) Name(s) of Attorney(s): **K&L Gates**
(71) Name(s) and Address(s) of Applicant(s):
Seafolly Pty Ltd
247 King St Mascot NSW 2020 Australia
(72) Name(s) of Designer(s): **Genelle Walkom**
(45) Registration Date: **02 March 2016**
(56) Related Art Documents: **Not Applicable**
(57) Statement of Newness and Distinctiveness: **Nil**



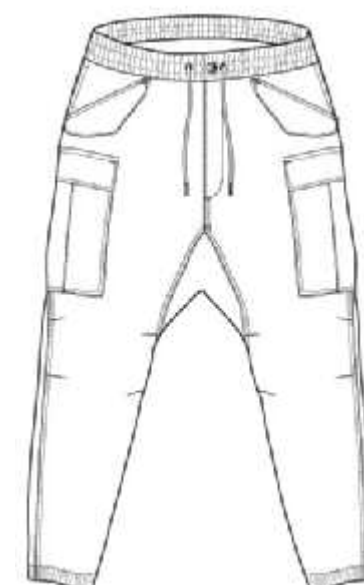
- (21) Design Number: **10858/2016**
(22) Date of Filing Application: **19 August 2015**
(24) Date from which industrial property rights may have effect: **19 August 2015**
(54) Product in respect of which the design is registered: **Swimwear**
(51) International Design Classification: **02-02A**
(74) Name(s) of Attorney(s): **K&L Gates**
(71) Name(s) and Address(s) of Applicant(s):
Seafolly Pty Ltd
247 King St Mascot NSW 2020 Australia
(72) Name(s) of Designer(s): **Genelle Walkom**
(45) Registration Date: **02 March 2016**
(56) Related Art Documents: **Not Applicable**
(57) Statement of Newness and Distinctiveness: **Nil**



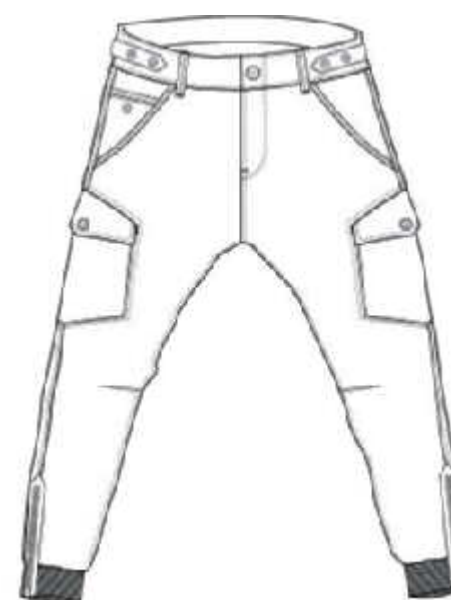
- (21) Design Number: **10953/2016**
(22) Date of Filing Application: **22 February 2016**
(24) Date from which industrial property rights may have effect: **22 February 2016**
(54) Product in respect of which the design is registered: **Spring gutter clip with integral spacer**
(51) International Design Classification: **08-08C**
(74) Name(s) of Attorney(s): **Lesicar Maynard Andrews Pty Ltd**
(71) Name(s) and Address(s) of Applicant(s):
Connect Precision Pty Ltd
85 Rose Tce Wayville SA 5034 Australia
(72) Name(s) of Designer(s): **Paul Addison**
(45) Registration Date: **02 March 2016**
(56) Related Art Documents: **Not Applicable**
(57) Statement of Newness and Distinctiveness: **Newness and distinctiveness reside in the shape and/or configuration of the Spring Gutter Clip with Integral Spacer as shown in the accompanying drawings**



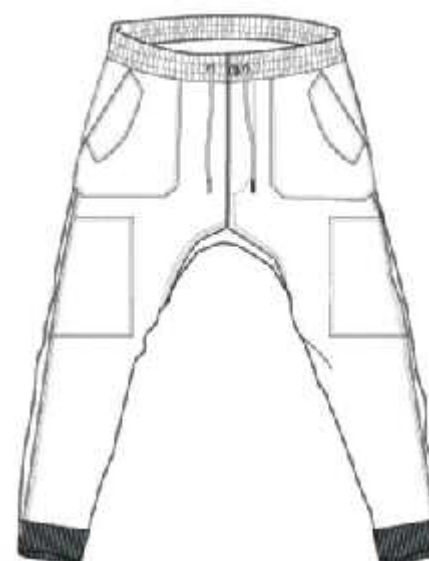
- (21) Design Number: **10842/2016**
(22) Date of Filing Application: **16 February 2016**
(24) Date from which industrial property rights may have effect: **16 February 2016**
(54) Product in respect of which the design is registered: **A pair of pants**
(51) International Design Classification: **02-02C**
(74) Name(s) of Attorney(s):
(71) Name(s) and Address(s) of Applicant(s):
Industrie IP Pty Limited
55 Railway Pde Marrickville NSW 2204 Australia
(72) Name(s) of Designer(s): **Nick Kelly**
(45) Registration Date: **02 March 2016**
(56) Related Art Documents: **Not Applicable**
(57) Statement of Newness and Distinctiveness: **Newness and distinctiveness is claimed in the shape, configuration, pattern and/or ornamentation of the garment depicted in the accompanying representation.**



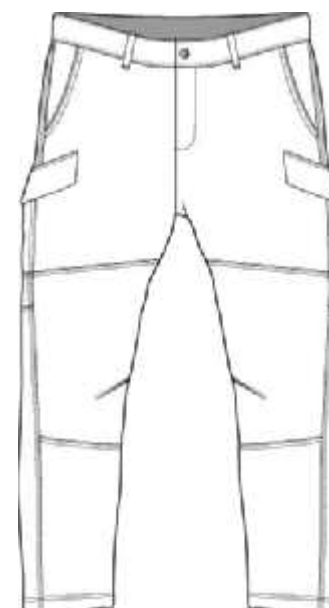
- (21) Design Number: **10843/2016**
(22) Date of Filing Application: **16 February 2016**
(24) Date from which industrial property rights may have effect: **16 February 2016**
(54) Product in respect of which the design is registered: **A pair of pants**
(51) International Design Classification: **02-02C**
(74) Name(s) of Attorney(s):
(71) Name(s) and Address(s) of Applicant(s):
Industrie IP Pty Limited
55 Railway Pde Marrickville NSW 2204 Australia
(72) Name(s) of Designer(s): **Nick Kelly**
(45) Registration Date: **02 March 2016**
(56) Related Art Documents: **Not Applicable**
(57) Statement of Newness and Distinctiveness: **Newness and distinctiveness is claimed in the shape, configuration, pattern and/or ornamentation of the garment depicted in the accompanying representation.**



- (21) Design Number: **10844/2016**
(22) Date of Filing Application: **16 February 2016**
(24) Date from which industrial property rights may have effect: **16 February 2016**
(54) Product in respect of which the design is registered: **A pair of pants**
(51) International Design Classification: **02-02C**
(74) Name(s) of Attorney(s):
(71) Name(s) and Address(s) of Applicant(s):
Industrie IP Pty Limited
55 Railway Pde Marrickville NSW 2204 Australia
(72) Name(s) of Designer(s): **Nick Kelly**
(45) Registration Date: **02 March 2016**
(56) Related Art Documents: **Not Applicable**
(57) Statement of Newness and Distinctiveness: **Newness and distinctiveness is claimed in the shape, configuration, pattern and/or ornamentation of the garment depicted in the accompanying representation.**



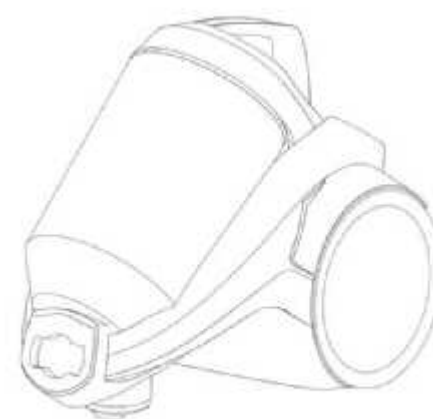
- (21) Design Number: **10845/2016**
(22) Date of Filing Application: **16 February 2016**
(24) Date from which industrial property rights may have effect: **16 February 2016**
(54) Product in respect of which the design is registered: **A pair of pants**
(51) International Design Classification: **02-02C**
(74) Name(s) of Attorney(s):
(71) Name(s) and Address(s) of Applicant(s):
Industrie IP Pty Limited
55 Railway Pde Marrickville NSW 2204 Australia
(72) Name(s) of Designer(s): **Nick Kelly**
(45) Registration Date: **02 March 2016**
(56) Related Art Documents: **Not Applicable**
(57) Statement of Newness and Distinctiveness: **Newness and distinctiveness is claimed in the shape, configuration, pattern and/or ornamentation of the garment depicted in the accompanying representation.**



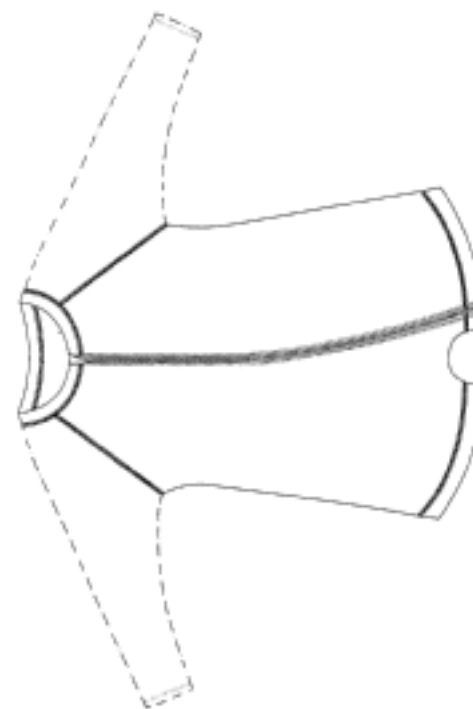
- (21) Design Number: **10846/2016**
(22) Date of Filing Application: **16 February 2016**
(24) Date from which industrial property rights may have effect: **16 February 2016**
(54) Product in respect of which the design is registered: **Multipurpose container for sanitary products**
(51) International Design Classification: **03-01NES**
(74) Name(s) of Attorney(s):
(71) Name(s) and Address(s) of Applicant(s):
Zdravko Curic
54 Moore St Leichhardt NSW 2040 Australia
Uni-stek d.o.o.
Prilesje 8 Zagreb Grad Zagreb, 10000 Croatia
(72) Name(s) of Designer(s): **Zdravko Curic**
(45) Registration Date: **02 March 2016**
(56) Related Art Documents: **Not Applicable**
(57) Statement of Newness and Distinctiveness: **This design refers to a container for feminine hygiene products that has separate compartments intended for different sanitary products (tampons etc.) what other containers do not contain. This container is round and others are generally flat.**



- (21) Design Number: **10850/2016**
(22) Date of Filing Application: **17 February 2016**
(24) Date from which industrial property rights may have effect: **17 February 2016**
(54) Product in respect of which the design is registered: **Vacuum cleaner**
(51) International Design Classification: **15-05**
(74) Name(s) of Attorney(s): **Griffith Hack**
(71) Name(s) and Address(s) of Applicant(s):
AC (Macao Commercial Offshore) Limited
Units A-C, 26/F Centro Comercial da Praia Grande No. 429 Avenida da Praia Grande Macau
(72) Name(s) of Designer(s): **Christopher James Dunbar and Simon Matthew Pougher and Daniel Carter and Francis McGovern and Sophie Nadia Benaissa Hyde and Chloe Alice Scott and Matthew Cuthbert and Kwun Yin Chan**
(45) Registration Date: **02 March 2016**
(30) Convention priority data:
(31) Number (32) Date (33) Country
201530312684.4 19 Aug 2015 CHINA
(56) Related Art Documents: **Not Applicable**
(57) Statement of Newness and Distinctiveness: **Newness and distinctiveness resides in the visual features, including the shape and configuration of the product shown in the representations.**



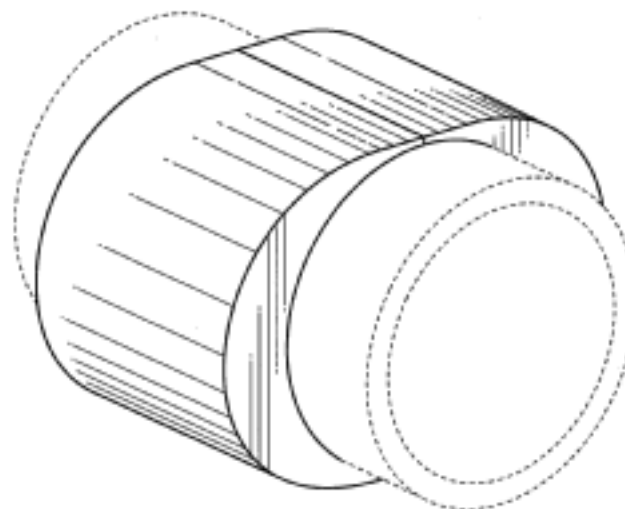
- (21) Design Number: **10891/2016**
(22) Date of Filing Application: **19 February 2016**
(24) Date from which industrial property rights may have effect: **19 February 2016**
(54) Product in respect of which the design is registered: **Swimsuit**
(51) International Design Classification: **02-02A**
(74) Name(s) of Attorney(s): **Freehills Patent Attorneys**
(71) Name(s) and Address(s) of Applicant(s):
Pacific Brands Clothing Pty Ltd
115 Cotham Rd Kew VIC 3101 Australia
(72) Name(s) of Designer(s): **Rebecca Watson**
(45) Registration Date: **02 March 2016**
(56) Related Art Documents: **Not Applicable**
(57) Statement of Newness and Distinctiveness: **Newness and distinctiveness resides in the shape and configuration of the swimsuit incorporating a lengthwise extending opening defined by a zip fastener in the front of the swimsuit, as shown in solid lines in the accompanying representations.**



- (21) Design Number: **16467/2015**
(22) Date of Filing Application: **01 December 2015**
(24) Date from which industrial property rights may have effect: **01 December 2015**
(54) Product in respect of which the design is registered: **A tray**
(51) International Design Classification: **09-03F**
(74) Name(s) of Attorney(s): **James & Wells**
(71) Name(s) and Address(s) of Applicant(s):
CUSTOM-PAK PLASTIC PRODUCTS (1997) LIMITED
4 Zelianian Drive East Tamaki Auckland 2013 New Zealand
(72) Name(s) of Designer(s): **David Vujanic**
(45) Registration Date: **02 March 2016**
(30) Convention priority data:
(31) Number (32) Date (33) Country
420869 03 Nov 2015 NEW ZEALAND
(56) Related Art Documents: **Not Applicable**
(57) Statement of Newness and Distinctiveness: **The design is to be applied to A TRAY. Novelty resides in the features of shape and/or configuration of the tray all as shown in the accompanying drawings.**



- (21) Design Number: **10373/2016**
(22) Date of Filing Application: **25 January 2016**
(24) Date from which industrial property rights may have effect: **25 January 2016**
(54) Product in respect of which the design is registered: **Shell shroud for compact ultrasonic flowmeters**
(51) International Design Classification: **10-04**
(74) Name(s) of Attorney(s): **Pizzeys Patent and Trade Mark Attorneys Pty Ltd**
(71) Name(s) and Address(s) of Applicant(s):
DANIEL MEASUREMENT AND CONTROL, INC.
11100 Brittmoores Park Drive Houston Texas, 77041 United States of America
(72) Name(s) of Designer(s): **Gokulkrishna Seetaramaiah Goli and Padmanabh Jagadish Joshi and Randeep Singh Grewal and Charles Robert Allen**
(45) Registration Date: **02 March 2016**
(30) Convention priority data:
(31) Number (32) Date (33) Country
IN274017 30 Jul 2015 INDIA
(56) Related Art Documents: **Not Applicable**
(57) Statement of Newness and Distinctiveness: **Nil**



- (21) Design Number: **10736/2016**
(22) Date of Filing Application: **11 February 2016**
(24) Date from which industrial property rights may have effect: **23 June 2015**
(54) Product in respect of which the design is registered: **Article of clothing**
(51) International Design Classification: **02-02NES**
(74) Name(s) of Attorney(s): **Allens Patent & Trade Mark Attorneys**
(71) Name(s) and Address(s) of Applicant(s):
Forever New Clothing Pty Ltd
L4 Building 8 576 Swan St Richmond VIC 3121 Australia
(72) Name(s) of Designer(s): **Octavia Miller**
(45) Registration Date: **02 March 2016**
(62) Divisional of: **367179**
(56) Related Art Documents: **Not Applicable**
(57) Statement of Newness and Distinctiveness: **Newness and distinctiveness resides in the visual features of shape, configuration, pattern and/or ornamentation of an article of clothing as shown in the accompanying representations.**



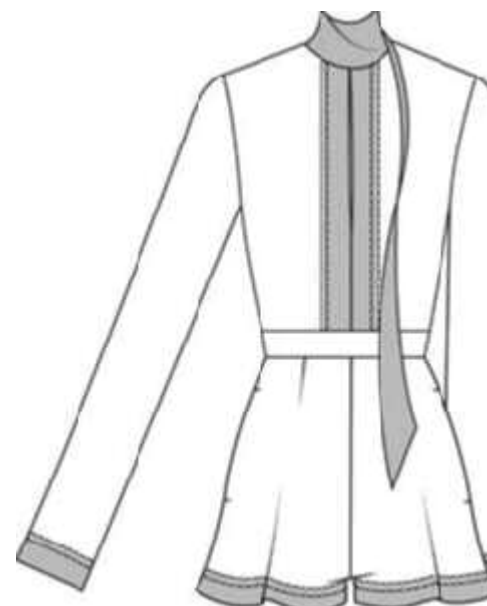
- (21) Design Number: **10811/2016**
(22) Date of Filing Application: **15 February 2016**
(24) Date from which industrial property rights may have effect: **15 February 2016**
(54) Product in respect of which the design is registered: **A dress**
(51) International Design Classification: **02-02C**
(74) Name(s) of Attorney(s):
(71) Name(s) and Address(s) of Applicant(s):
Zimmermann Wear Pty Limited
120 Dunning Ave Rosebery NSW 2018 Australia
(72) Name(s) of Designer(s): **Nicole Zimmermann**
(45) Registration Date: **02 March 2016**
(56) Related Art Documents: **Not Applicable**
(57) Statement of Newness and Distinctiveness: **Newness and distinctiveness is claimed in the shape, configuration, pattern and/or ornamentation of the garment depicted in the accompanying representation and in particular in the roulette tie detail on bodice and sleeve.**



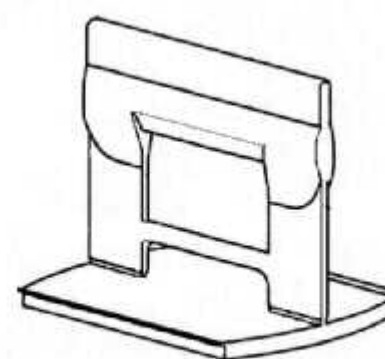
- (21) Design Number: **10812/2016**
(22) Date of Filing Application: **15 February 2016**
(24) Date from which industrial property rights may have effect: **15 February 2016**
(54) Product in respect of which the design is registered: **A top**
(51) International Design Classification: **02-02NES**
(74) Name(s) of Attorney(s):
(71) Name(s) and Address(s) of Applicant(s):
Zimmermann Wear Pty Limited
120 Dunning Ave Rosebery NSW 2018 Australia
(72) Name(s) of Designer(s): **Nicole Zimmermann**
(45) Registration Date: **02 March 2016**
(56) Related Art Documents: **Not Applicable**
(57) Statement of Newness and Distinctiveness: **Newness and distinctiveness is claimed in the shape, configuration, pattern and/or ornamentation of the garment depicted in the accompanying representation and in particular, the sleeve detail.**



- (21) Design Number: **10818/2016**
(22) Date of Filing Application: **15 February 2016**
(24) Date from which industrial property rights may have effect: **15 February 2016**
(54) Product in respect of which the design is registered: **A playsuit**
(51) International Design Classification: **02-02C**
(74) Name(s) of Attorney(s):
(71) Name(s) and Address(s) of Applicant(s):
Zimmermann Wear Pty Limited
120 Dunning Ave Rosebery NSW 2018 Australia
(72) Name(s) of Designer(s): **Nicole Zimmermann**
(45) Registration Date: **02 March 2016**
(56) Related Art Documents: **Not Applicable**
(57) Statement of Newness and Distinctiveness: **Newness and distinctiveness is claimed in the shape, configuration, pattern and/or ornamentation of the garment depicted in the accompanying representation.**



- (21) Design Number: **10859/2016**
(22) Date of Filing Application: **17 February 2016**
(24) Date from which industrial property rights may have effect: **17 February 2016**
(54) Product in respect of which the design is registered: **A clip for a tile levelling system**
(51) International Design Classification: **08-08A**
(74) Name(s) of Attorney(s): **IP Gateway Patent & Trade Mark Attorneys Pty Ltd**
(71) Name(s) and Address(s) of Applicant(s):
Kosta Papadatos
16 Begonia St Daisy Hill QLD 4127 Australia
(72) Name(s) of Designer(s): **Kosta Papadatos**
(45) Registration Date: **02 March 2016**
(56) Related Art Documents: **Not Applicable**
(57) Statement of Newness and Distinctiveness: **Newness and distinctiveness reside in the following visual features of shape and/or configuration of the clip for a tile levelling system as shown in the representations; the upper part of the clip that extends upwardly from rounded sections on the side arms as indicated by A on the perspective view; the lips that extend along each side edge as indicated by B in the side view and the cross member indicated by C. When considering newness and distinctiveness, minimal emphasis should be placed upon the shape and/or configuration of the lower parts of the side arms.**



(21) Design Number: **10800/2016**
(22) Date of Filing Application: **15 February 2016**
(24) Date from which industrial property rights may have effect: **15 February 2016**
(54) Product in respect of which the design is registered: **Capsule containing washing products**
(51) International Design Classification: **07-05NES**
(74) Name(s) of Attorney(s): **Shelston IP Pty Ltd.**
(71) Name(s) and Address(s) of Applicant(s):
Reckitt Benckiser (Brands) Limited
103-105 Bath Road Slough Berkshire SL1 3UH United Kingdom
(72) Name(s) of Designer(s): **Caroline Rigobert and Jordi Salvador and Taco Dietvorst**
(45) Registration Date: **02 March 2016**
(30) Convention priority data:
(31) Number (32) Date (33) Country
002756205-0007 17 Aug 2015 OFFICE FOR HARMONISATION IN THE INTERNAL MARKET (OHIM)
(56) Related Art Documents: **Not Applicable**
(57) Statement of Newness and Distinctiveness: **Newness and distinctiveness resides in the features of shape and configuration of a capsule containing washing products as illustrated in the accompanying representations. The features shown in broken line do not form part of the design.**



(21) Design Number: **10801/2016**
(22) Date of Filing Application: **15 February 2016**
(24) Date from which industrial property rights may have effect: **15 February 2016**
(54) Product in respect of which the design is registered: **Capsule containing washing products**
(51) International Design Classification: **07-05NES**
(74) Name(s) of Attorney(s): **Shelston IP Pty Ltd.**
(71) Name(s) and Address(s) of Applicant(s):
Reckitt Benckiser (Brands) Limited
103-105 Bath Road Slough Berkshire SL1 3UH United Kingdom
(72) Name(s) of Designer(s): **Caroline Rigobert and Jordi Salvador and Taco Dietvorst**
(45) Registration Date: **02 March 2016**
(30) Convention priority data:
(31) Number (32) Date (33) Country
002756205-0018 17 Aug 2015 OFFICE FOR HARMONISATION IN THE INTERNAL MARKET (OHIM)
(56) Related Art Documents: **Not Applicable**
(57) Statement of Newness and Distinctiveness: **Nil**



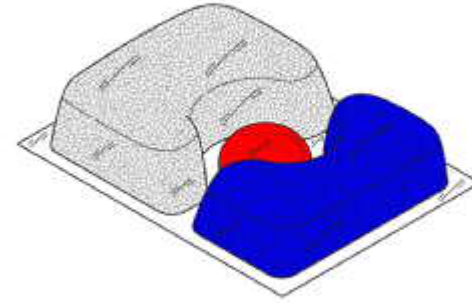
(21) Design Number: **10804/2016**
(22) Date of Filing Application: **15 February 2016**
(24) Date from which industrial property rights may have effect: **15 February 2016**
(54) Product in respect of which the design is registered: **Capsule containing washing products**
(51) International Design Classification: **07-05NES**
(74) Name(s) of Attorney(s): **Shelston IP Pty Ltd.**
(71) Name(s) and Address(s) of Applicant(s):
Reckitt Benckiser (Brands) Limited
103-105 Bath Road Slough Berkshire SL1 3UH United Kingdom
(72) Name(s) of Designer(s): **Caroline Rigobert and Jordi Salvador and Taco Dietvorst**
(45) Registration Date: **02 March 2016**
(30) Convention priority data:
(31) Number (32) Date (33) Country
002756205-0020 17 Aug 2015 OFFICE FOR HARMONISATION IN THE INTERNAL MARKET (OHIM)
(56) Related Art Documents: **Not Applicable**
(57) Statement of Newness and Distinctiveness: **Nil**



(21) Design Number: **10806/2016**
(22) Date of Filing Application: **15 February 2016**
(24) Date from which industrial property rights may have effect: **15 February 2016**
(54) Product in respect of which the design is registered: **Capsule containing washing products**
(51) International Design Classification: **07-05NES**
(74) Name(s) of Attorney(s): **Shelston IP Pty Ltd.**
(71) Name(s) and Address(s) of Applicant(s):
Reckitt Benckiser (Brands) Limited
103-105 Bath Road Slough Berkshire SL1 3UH United Kingdom
(72) Name(s) of Designer(s): **Caroline Rigobert and Jordi Salvador and Taco Dietvorst**
(45) Registration Date: **02 March 2016**
(30) Convention priority data:
(31) Number (32) Date (33) Country
002756205-0027 17 Aug 2015 OFFICE FOR HARMONISATION IN THE INTERNAL MARKET (OHIM)
(56) Related Art Documents: **Not Applicable**
(57) Statement of Newness and Distinctiveness: **Nil**



(21) Design Number: **10807/2016**
(22) Date of Filing Application: **15 February 2016**
(24) Date from which industrial property rights may have effect: **15 February 2016**
(54) Product in respect of which the design is registered: **Capsule containing washing products**
(51) International Design Classification: **07-05NES**
(74) Name(s) of Attorney(s): **Shelston IP Pty Ltd.**
(71) Name(s) and Address(s) of Applicant(s):
Reckitt Benckiser (Brands) Limited
103-105 Bath Road Slough Berkshire SL1 3UH United Kingdom
(72) Name(s) of Designer(s): **Caroline Rigobert and Jordi Salvador and Taco Dietvorst**
(45) Registration Date: **02 March 2016**
(30) Convention priority data:
(31) Number (32) Date (33) Country
002756205-0048 17 Aug 2015 OFFICE FOR HARMONISATION IN THE INTERNAL MARKET (OHIM)
(56) Related Art Documents: **Not Applicable**
(57) Statement of Newness and Distinctiveness: **Nil**



(21) Design Number: **10808/2016**
(22) Date of Filing Application: **15 February 2016**
(24) Date from which industrial property rights may have effect: **15 February 2016**
(54) Product in respect of which the design is registered: **Coat**
(51) International Design Classification: **02-02NES**
(74) Name(s) of Attorney(s): **K&L Gates**
(71) Name(s) and Address(s) of Applicant(s):
Magi Enterprises Pty Ltd
34 Garden St South Yarra VIC 3141 Australia
(72) Name(s) of Designer(s): **Edwina Waters**
(45) Registration Date: **02 March 2016**
(56) Related Art Documents: **Not Applicable**
(57) Statement of Newness and Distinctiveness: **Nil**



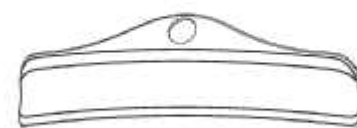
- (21) Design Number: **10809/2016**
(22) Date of Filing Application: **15 February 2016**
(24) Date from which industrial property rights may have effect: **15 February 2016**
(54) Product in respect of which the design is registered: **Door hinge**
(51) International Design Classification: **08-06**
(74) Name(s) of Attorney(s):
(71) Name(s) and Address(s) of Applicant(s):
 Martin Roth
 20 Enterprise St Caloundra QLD 4551 Australia
 Emro Products Pty.Ltd.
 20 Enterprise Street Caloundra Queensland 4551 Australia
(72) Name(s) of Designer(s): **Martin Roth**
(45) Registration Date: **02 March 2016**
(56) Related Art Documents: **Not Applicable**
(57) Statement of Newness and Distinctiveness: **Lift off hinge that is flush fitting, and is not required to be rebated into the door or door jam**



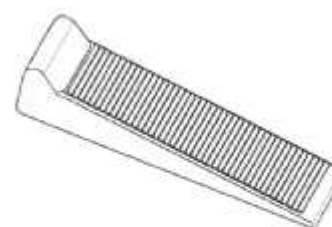
- (21) Design Number: **10810/2016**
(22) Date of Filing Application: **15 February 2016**
(24) Date from which industrial property rights may have effect: **15 February 2016**
(54) Product in respect of which the design is registered: **A dress**
(51) International Design Classification: **02-02C**
(74) Name(s) of Attorney(s):
(71) Name(s) and Address(s) of Applicant(s):
 Zimmermann Wear Pty Limited
 120 Dunning Ave Rosebery NSW 2018 Australia
(72) Name(s) of Designer(s): **Nicole Zimmermann**
(45) Registration Date: **02 March 2016**
(56) Related Art Documents: **Not Applicable**
(57) Statement of Newness and Distinctiveness: **Newness and distinctiveness is claimed in the shape, configuration, pattern and/or ornamentation of the garment depicted in the accompanying representation.**



- (21) Design Number: **10823/2016**
(22) Date of Filing Application: **16 February 2016**
(24) Date from which industrial property rights may have effect: **16 February 2016**
(54) Product in respect of which the design is registered: **Sliding door furniture**
(51) International Design Classification: **08-06**
(74) Name(s) of Attorney(s): **Spruson & Ferguson**
(71) Name(s) and Address(s) of Applicant(s):
Gainsborough Hardware Industries Limited
31-33 Alfred St Blackburn VIC 3130 Australia
(72) Name(s) of Designer(s): **David Greenbury**
(45) Registration Date: **02 March 2016**
(56) Related Art Documents: **Not Applicable**
(57) Statement of Newness and Distinctiveness: **Newness and distinctiveness is claimed in those features of shape and/or configuration of a sliding door furniture as illustrated in continuous lines in the accompanying representations.**



- (21) Design Number: **10860/2016**
(22) Date of Filing Application: **17 February 2016**
(24) Date from which industrial property rights may have effect: **17 February 2016**
(54) Product in respect of which the design is registered: **A wedge for a tile levelling system**
(51) International Design Classification: **08-08NES**
(74) Name(s) of Attorney(s): **IP Gateway Patent & Trade Mark Attorneys Pty Ltd**
(71) Name(s) and Address(s) of Applicant(s):
Kosta Papadatos
16 Begonia St Daisy Hill QLD 4127 Australia
(72) Name(s) of Designer(s): **Kosta Papadatos**
(45) Registration Date: **02 March 2016**
(56) Related Art Documents: **Not Applicable**
(57) Statement of Newness and Distinctiveness: **Newness and distinctiveness reside in the shape and/or configuration of the back portion that extends behind the teeth of the wedge for a tile levelling system as shown in the representations. When considering newness and distinctiveness minimal emphasis is to be placed upon the spacing and/or angle of the teeth as shown on the upper face of the wedge. In the perspective view from left side view, front view and rear view, the lighter lines within the boundary represent lines of curvature and not features of pattern or ornamentation.**



(21) Design Number: **10861/2016**

(22) Date of Filing Application: **17 February 2016**

(24) Date from which industrial property rights may have effect: **17 February 2016**

(54) Product in respect of which the design is registered: **Balloon multi-fill system**

(51) International Design Classification: **23-01NES**

(74) Name(s) of Attorney(s): **Pizzeys Patent and Trade Mark Attorneys Pty Ltd**

(71) Name(s) and Address(s) of Applicant(s):

KBIDC Investments, LLC

12006 Pleasant Panorama View Austin Texas, 78738 United States of America

(72) Name(s) of Designer(s): **Kendall D. Harter**

(45) Registration Date: **02 March 2016**

(30) Convention priority data:

(31) Number

(32) Date

(33) Country

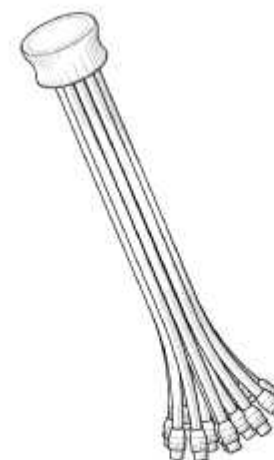
29/537,092

21 Aug 2015

UNITED STATES OF AMERICA

(56) Related Art Documents: **Not Applicable**

(57) Statement of Newness and Distinctiveness: **Nil**



(21) Design Number: **10884/2016**

(22) Date of Filing Application: **18 February 2016**

(24) Date from which industrial property rights may have effect: **18 February 2016**

(54) Product in respect of which the design is registered: **Bed**

(51) International Design Classification: **06-02**

(74) Name(s) of Attorney(s):

(71) Name(s) and Address(s) of Applicant(s):

Campbell Ingram Boyer

56 Boyers Lane Narrawong VIC 3285 Australia

(72) Name(s) of Designer(s): **Campbell Ingram Boyer**

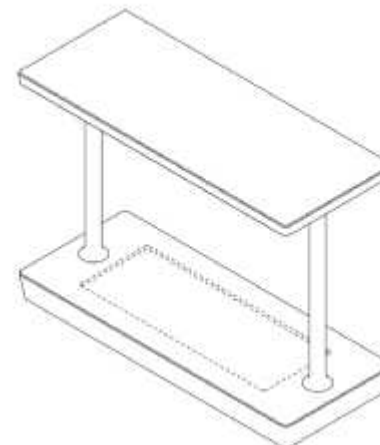
(45) Registration Date: **02 March 2016**

(56) Related Art Documents: **Not Applicable**

(57) Statement of Newness and Distinctiveness: **There are a number of new and distinctive characteristics of this bed design. The longitudinal curved beams intersect with the linear bearers, which are positioned on their edge. The long curved beams have three round legs attached to each. These three components make up the structural base of the bed, with a very slim and minimal frame surrounding the edge of the bed frame, which extends upwards to partially cover up the area reserved for a mattress.**



- (21) Design Number: **10886/2016**
(22) Date of Filing Application: **19 February 2016**
(24) Date from which industrial property rights may have effect: **19 February 2016**
(54) Product in respect of which the design is registered: **Lamp**
(51) International Design Classification: **26-04**
(74) Name(s) of Attorney(s): **FB Rice**
(71) Name(s) and Address(s) of Applicant(s):
Neoz Pty Ltd
20 Tepko Rd Terrey Hills NSW 2084 Australia
(72) Name(s) of Designer(s): **Peter Ellis and Gabriel Tam**
(45) Registration Date: **02 March 2016**
(56) Related Art Documents: **Not Applicable**
(57) Statement of Newness and Distinctiveness: **Newness and distinctiveness reside in those features of shape and/or configuration of the design shown in solid unbroken lines in the accompanying representations.**



- (21) Design Number: **10892/2016**
(22) Date of Filing Application: **19 February 2016**
(24) Date from which industrial property rights may have effect: **19 February 2016**
(54) Product in respect of which the design is registered: **Swimwear garment**
(51) International Design Classification: **02-02A**
(74) Name(s) of Attorney(s): **Thomson Geer**
(71) Name(s) and Address(s) of Applicant(s):
JETS Swimwear Pty Limited
8-18 Bowden St Alexandria NSW 2015 Australia
(72) Name(s) of Designer(s): **Jessika Allen**
(45) Registration Date: **02 March 2016**
(56) Related Art Documents: **Not Applicable**
(57) Statement of Newness and Distinctiveness: **Newness and distinctiveness is claimed in the shape, configuration, pattern and/or ornamentation of the swimwear garment as depicted in the accompanying representations. In considering the newness and distinctiveness of the design the halter neck and tie shown in dotted lines in the back view, is to be disregarded. The grey shaded sections represent fabric or mesh of a different colour or design to the balance of the garment. The outline of the wearer, shown in broken lines on the line drawing, forms no part of the design.**



- (21) Design Number: **10893/2016**
(22) Date of Filing Application: **19 February 2016**
(24) Date from which industrial property rights may have effect: **19 February 2016**
(54) Product in respect of which the design is registered: **Swimwear garment**
(51) International Design Classification: **02-02A**
(74) Name(s) of Attorney(s): **Thomson Geer**
(71) Name(s) and Address(s) of Applicant(s):

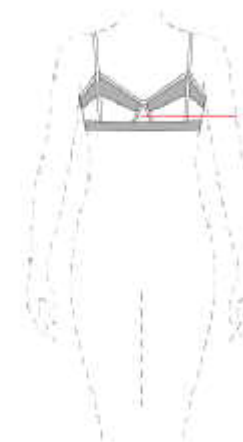
JETS Swimwear Pty Limited
8-18 Bowden St Alexandria NSW 2015 Australia

- (72) Name(s) of Designer(s): **Jessika Allen**

(45) Registration Date: **02 March 2016**

(56) Related Art Documents: **Not Applicable**

- (57) Statement of Newness and Distinctiveness: **Newness and distinctiveness is claimed in the shape, configuration, pattern and/or ornamentation of the swimwear garment as depicted in the accompanying representations. There is a cut out in the front view marked "B". In considering the newness and distinctiveness of the design the clasp marked "A" and the back strap shown in dotted lines in the back view, are all to be disregarded. The grey shaded sections represent fabric or mesh of a different colour or design to the balance of the garment. The outline of the wearer, shown in broken lines on the line drawing, forms no part of the design.**



- (21) Design Number: **10894/2016**
(22) Date of Filing Application: **19 February 2016**
(24) Date from which industrial property rights may have effect: **19 February 2016**
(54) Product in respect of which the design is registered: **Swimwear garment**
(51) International Design Classification: **02-02A**
(74) Name(s) of Attorney(s): **Thomson Geer**
(71) Name(s) and Address(s) of Applicant(s):

JETS Swimwear Pty Limited
8-18 Bowden St Alexandria NSW 2015 Australia

- (72) Name(s) of Designer(s): **Jessika Allen**

(45) Registration Date: **02 March 2016**

(56) Related Art Documents: **Not Applicable**

- (57) Statement of Newness and Distinctiveness: **Newness and distinctiveness is claimed in the shape, configuration, pattern and/or ornamentation of the swimwear garment as depicted in the accompanying representations. There are cut outs in the back view and the front view marked "B". The outline of the wearer, shown in broken lines on the line drawing, forms no part of the design.**



- (21) Design Number: **10895/2016**
(22) Date of Filing Application: **19 February 2016**
(24) Date from which industrial property rights may have effect: **19 February 2016**
(54) Product in respect of which the design is registered: **Swimwear garment**
(51) International Design Classification: **02-02A**
(74) Name(s) of Attorney(s): **Thomson Geer**
(71) Name(s) and Address(s) of Applicant(s):

JETS Swimwear Pty Limited
8-18 Bowden St Alexandria NSW 2015 Australia

- (72) Name(s) of Designer(s): **Jessika Allen**

(45) Registration Date: **02 March 2016**

(56) Related Art Documents: **Not Applicable**

- (57) Statement of Newness and Distinctiveness: **Newness and distinctiveness is claimed in the shape, configuration, pattern and/or ornamentation of the swimwear garment as depicted in the accompanying representations. There are cut outs in the back view and the front view marked "B". Sheer fabric indicated by stripes on the front and back of the garment, overlay solid fabric in that part of garment that is darker under the overlay. The outline of the wearer, shown in broken lines on the line drawing, forms no part of the design.**



- (21) Design Number: **10896/2016**
(22) Date of Filing Application: **19 February 2016**
(24) Date from which industrial property rights may have effect: **19 February 2016**
(54) Product in respect of which the design is registered: **Swimwear garment**
(51) International Design Classification: **02-02A**
(74) Name(s) of Attorney(s): **Thomson Geer**
(71) Name(s) and Address(s) of Applicant(s):

JETS Swimwear Pty Limited
8-18 Bowden St Alexandria NSW 2015 Australia

- (72) Name(s) of Designer(s): **Jessika Allen**

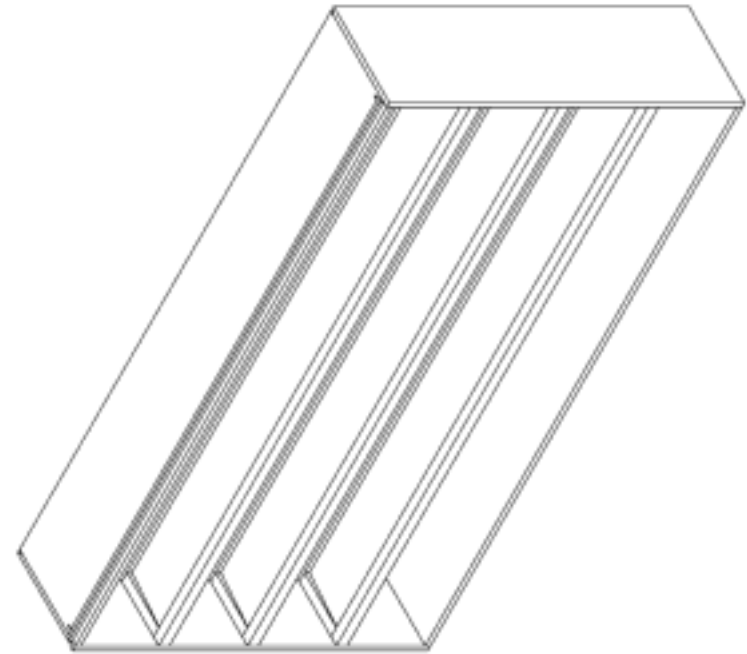
(45) Registration Date: **02 March 2016**

(56) Related Art Documents: **Not Applicable**

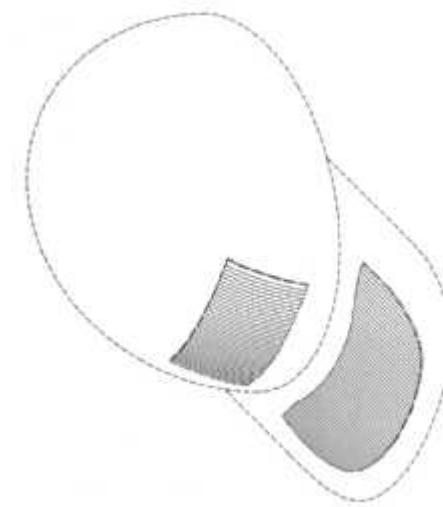
- (57) Statement of Newness and Distinctiveness: **Newness and distinctiveness is claimed in the shape, configuration, pattern and/or ornamentation of the swimwear garment as depicted in the accompanying representations. There are cut outs in the back view and the front view marked "B". The grey shaded sections represent fabric of a different colour or design to the balance of the garment. The hatched section represents mesh fabric. The outline of the wearer, shown in broken lines on the line drawing, forms no part of the design.**



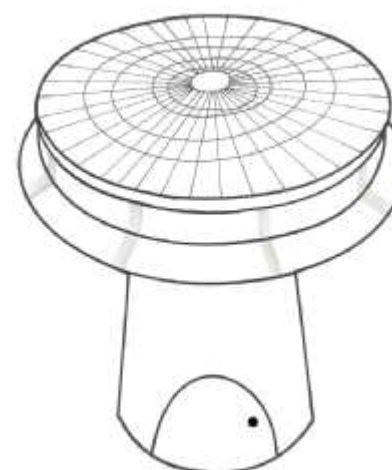
(21) Design Number: **10897/2016**
(22) Date of Filing Application: **19 February 2016**
(24) Date from which industrial property rights may have effect: **19 February 2016**
(54) Product in respect of which the design is registered: **Display structure**
(51) International Design Classification: **20-02E**
(74) Name(s) of Attorney(s): **Freehills Patent Attorneys**
(71) Name(s) and Address(s) of Applicant(s):
Apple Inc.
1 Infinite Loop Cupertino California, 95014 United States of America
(72) Name(s) of Designer(s): **Sam Brown and Casey Feeney and Jean-Marc Gady and Christopher M. Green and Kully Kraig Mandon**
(45) Registration Date: **02 March 2016**
(30) Convention priority data:
(31) Number (32) Date (33) Country
29/537122 21 Aug 2015 UNITED STATES OF AMERICA
(56) Related Art Documents: **Not Applicable**
(57) Statement of Newness and Distinctiveness: **Newness and distinctiveness resides in the features of shape and configuration shown in solid outline in the accompanying representations.**



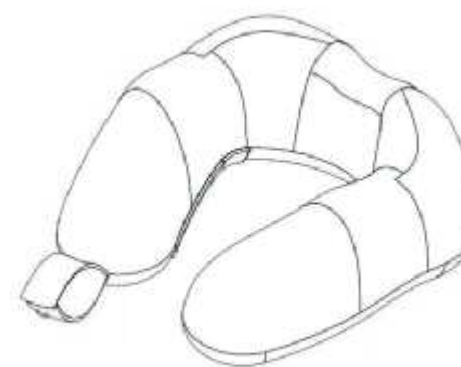
(21) Design Number: **10865/2016**
(22) Date of Filing Application: **17 February 2016**
(24) Date from which industrial property rights may have effect: **10 December 2015**
(54) Product in respect of which the design is registered: **Lenticular panels for a hat**
(51) International Design Classification: **02-03**
(74) Name(s) of Attorney(s): **Pizeys Patent and Trade Mark Attorneys Pty Ltd**
(71) Name(s) and Address(s) of Applicant(s):
Eric J. Gewirz
12587 Fair Lakes Circle, Unit 194 Fairfax VA, 22033-3822 United States of America
Carl S. Gewirz
12587 Fair Lakes Circle, Unit 194 Fairfax VA, 22033-3822 United States of America
(72) Name(s) of Designer(s): **Eric J. Gewirz and Carl S. Gewirz**
(45) Registration Date: **03 March 2016**
(62) Divisional of: **367253**
(56) Related Art Documents: **Not Applicable**
(57) Statement of Newness and Distinctiveness: **Nil**



- (21) Design Number: **10866/2016**
(22) Date of Filing Application: **18 February 2016**
(24) Date from which industrial property rights may have effect: **18 February 2016**
(54) Product in respect of which the design is registered: **Adjustable Grill BBQ**
(51) International Design Classification: **07-02E**
(74) Name(s) of Attorney(s):
(71) Name(s) and Address(s) of Applicant(s):
Jesurajah Sebastampillai
1 ST Marys Road Golders Green London NW11 9UE United Kingdom
(72) Name(s) of Designer(s): **Jesurajah Sebastampillai**
(45) Registration Date: **03 March 2016**
(56) Related Art Documents: **Not Applicable**
(57) Statement of Newness and Distinctiveness: **The claimed Adjustable Grill Barbecue is an easy to adjust grill It can be operated while cooking. Just unscrew the grill for up or screw the grill for down with the help of a fire poker. It is also easy to take out for cleaning and preparing fire. The design consists of the features of shape, configuration and ornamentation of the Adjustable Grill BBQ shown in the drawings. Fig 1 Front view Fig 2 - Plan.**



- (21) Design Number: **10913/2016**
(22) Date of Filing Application: **20 February 2016**
(24) Date from which industrial property rights may have effect: **20 February 2016**
(54) Product in respect of which the design is registered: **A pillow**
(51) International Design Classification: **06-13B**
(74) Name(s) of Attorney(s): **A.J. Pietras & Co**
(71) Name(s) and Address(s) of Applicant(s):
TRAVEL BLUE LIMITED
Magnolia House Spring Villa Park 11 Spring Villa Road Edgware
Middlesex HA8 7EB United Kingdom
(72) Name(s) of Designer(s): **Lidor Yaish and Maya Rodan**
(45) Registration Date: **03 March 2016**
(30) Convention priority data:
(31) Number (32) Date (33) Country
201530314631.6 20 Aug 2015 CHINA
(56) Related Art Documents: **Not Applicable**
(57) Statement of Newness and Distinctiveness: **Novelty resides in the shape and configuration of the pillow as shown in the drawings.**



(21) Design Number: **10918/2016**
(22) Date of Filing Application: **22 February 2016**
(24) Date from which industrial property rights may have effect: **22 February 2016**
(54) Product in respect of which the design is registered: **Fryer**
(51) International Design Classification: **07-02N**
(74) Name(s) of Attorney(s): **FB Rice**
(71) Name(s) and Address(s) of Applicant(s):
Koninklijke Philips N.V.
High Tech Campus 5 5656 AE Eindhoven The Netherlands
(72) Name(s) of Designer(s): **Mingshuo Zhang and Andreas Kowalewski**
(45) Registration Date: **03 March 2016**
(30) Convention priority data:
(31) Number (32) Date (33) Country
**002759811-0001 25 Aug 2015 OFFICE FOR HARMONISATION IN
THE INTERNAL MARKET (OHIM)**
(56) Related Art Documents: **Not Applicable**
(57) Statement of Newness and Distinctiveness: **Newness and distinctiveness
reside in the features of shape and configuration of the design as shown
in the representations.**



(21) Design Number: **10924/2016**
(22) Date of Filing Application: **22 February 2016**
(24) Date from which industrial property rights may have effect: **25 November 2015**
(54) Product in respect of which the design is registered: **Catheter package
assembly**
(51) International Design Classification: **24-04**
(74) Name(s) of Attorney(s): **Shelston IP Pty Ltd.**
(71) Name(s) and Address(s) of Applicant(s):
Hollister Incorporated
2000 Hollister Dr Libertyville Illinois 60048 United States of America
(72) Name(s) of Designer(s): **David Hannon and Martin McMenamin and Adam
J. Foley and Paul C. Fletter and Marine V. Richard**
(45) Registration Date: **03 March 2016**
(30) Convention priority data:
(31) Number (32) Date (33) Country
29/528628 29 May 2015 UNITED STATES OF AMERICA
(62) Divisional of: **367275**
(56) Related Art Documents: **Not Applicable**
(57) Statement of Newness and Distinctiveness: **Newness and distinctiveness
reside in the features of shape and/or configuration of a CATHETER
PACKAGE ASSEMBLY as illustrated in solid lines in the accompanying
ASSEMBLY as illustrated in solid lines in the accompanying
representations. The features shown in broken or discontinuous lines
are illustrative only and do not form part of the design.**



(21) Design Number: **10948/2016**

(22) Date of Filing Application: **22 February 2016**

(24) Date from which industrial property rights may have effect: **22 February 2016**

(54) Product in respect of which the design is registered: **Strawberry chewing gum**

(51) International Design Classification: **01-01**

(74) Name(s) of Attorney(s): **Spruson & Ferguson**

(71) Name(s) and Address(s) of Applicant(s):

Wm. Wrigley Jr. Company

1132 West Blackhawk Street, Chicago Illinois, 60642 United States of America

(72) Name(s) of Designer(s): **Yang Gao**

(45) Registration Date: **03 March 2016**

(30) Convention priority data:

(31) Number	(32) Date	(33) Country
29/536939	20 Aug 2015	UNITED STATES OF AMERICA

(56) Related Art Documents: **Not Applicable**

(57) Statement of Newness and Distinctiveness: **Newness and distinctiveness is claimed in the features of pattern and/or ornamentation of a strawberry chewing gum as illustrated in the accompanying representations, apart from relative length, width and height of the strawberry chewing gum.**



(21) Design Number: **10949/2016**

(22) Date of Filing Application: **22 February 2016**

(24) Date from which industrial property rights may have effect: **22 February 2016**

(54) Product in respect of which the design is registered: **Infant chair**

(51) International Design Classification: **06-01E**

(74) Name(s) of Attorney(s): **Fisher Adams Kelly Callinans**

(71) Name(s) and Address(s) of Applicant(s):

iCandy World Limited

Montgomery Way Stratton Business Park Biggleswade Bedfordshire SG18 8UB United Kingdom

(72) Name(s) of Designer(s): **Paul Walker and Stuart Cole**

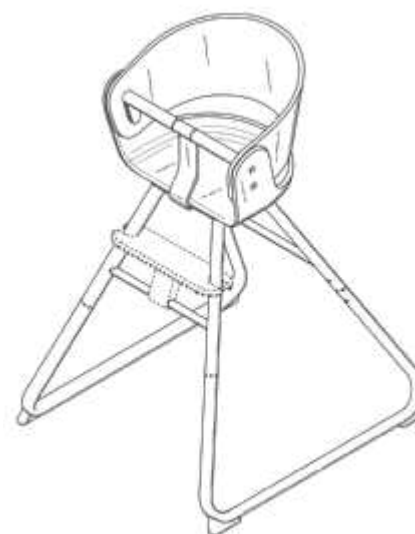
(45) Registration Date: **03 March 2016**

(30) Convention priority data:

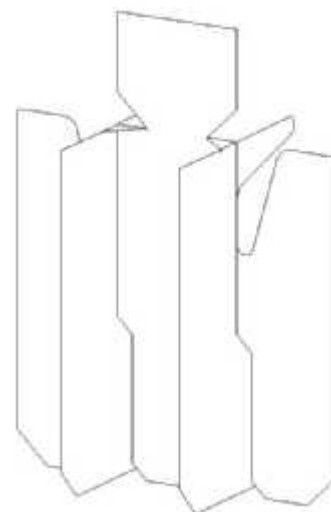
(31) Number	(32) Date	(33) Country
002767921	08 Sep 2015	OFFICE FOR HARMONISATION IN THE INTERNAL MARKET (OHIM)

(56) Related Art Documents: **Not Applicable**

(57) Statement of Newness and Distinctiveness: **Newness and distinctiveness of the design resides in the shape and/or configuration of an infant chair as shown in the representations. Particular regard is to be given to the features shown in solid lines. The shading and features shown in broken lines are for context and example only, and should be disregarded for the purpose of assessing newness and distinctiveness.**



- (21) Design Number: **15866/2015**
(22) Date of Filing Application: **02 November 2015**
(24) Date from which industrial property rights may have effect: **02 November 2015**
(54) Product in respect of which the design is registered: **A blank for a box divider**
(51) International Design Classification: **09-03H**
(74) Name(s) of Attorney(s): **Davies Collison Cave**
(71) Name(s) and Address(s) of Applicant(s):
Visy R & D Pty Ltd
L11 2 Southbank Bvd Southbank VIC 3006 Australia
(72) Name(s) of Designer(s): **Michael Parger and Ivan Zbyrko**
(45) Registration Date: **03 March 2016**
(56) Related Art Documents: **Not Applicable**
(57) Statement of Newness and Distinctiveness: **The features of shape and configuration of the blank for a box divider shown in the accompanying representations are considered to be new and distinctive.**



- (21) Design Number: **16510/2015**
(22) Date of Filing Application: **02 December 2015**
(24) Date from which industrial property rights may have effect: **02 December 2015**
(54) Product in respect of which the design is registered: **Wheel for vehicle**
(51) International Design Classification: **12-16A**
(74) Name(s) of Attorney(s): **Spruson & Ferguson**
(71) Name(s) and Address(s) of Applicant(s):
Daimler AG
Mercedesstrasse 137, Stuttgart D-70327 Germany
(72) Name(s) of Designer(s): **Bernhard Hans and Kai Hilpert**
(45) Registration Date: **03 March 2016**
(30) Convention priority data:
(31) Number (32) Date (33) Country
**002720664-0001 17 Jun 2015 OFFICE FOR HARMONISATION IN
THE INTERNAL MARKET (OHIM)**
(56) Related Art Documents: **Not Applicable**
(57) Statement of Newness and Distinctiveness: **Newness and distinctiveness is claimed in the features of shape and/or configuration of a wheel for vehicle as illustrated in the accompanying representations.**



(21) Design Number: **16511/2015**
(22) Date of Filing Application: **02 December 2015**
(24) Date from which industrial property rights may have effect: **02 December 2015**
(54) Product in respect of which the design is registered: **Wheel for vehicle**
(51) International Design Classification: **12-16A**
(74) Name(s) of Attorney(s): **Spruson & Ferguson**
(71) Name(s) and Address(s) of Applicant(s):



Daimler AG
Mercedesstrasse 137 Stuttgart D-70327 Germany

(72) Name(s) of Designer(s): **Bernhard Hans and Kai Hilpert**

(45) Registration Date: **03 March 2016**

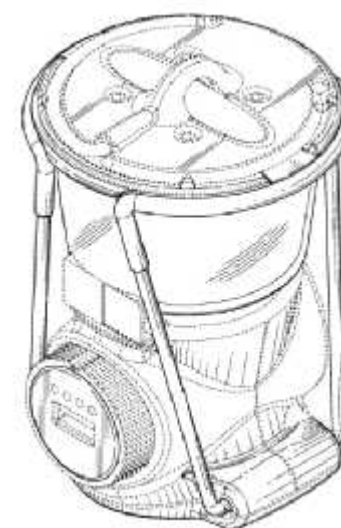
(30) Convention priority data:

(31) Number	(32) Date	(33) Country
002720664-0002	17 Jun 2015	OFFICE FOR HARMONISATION IN THE INTERNAL MARKET (OHIM)

(56) Related Art Documents: **Not Applicable**

(57) Statement of Newness and Distinctiveness: **Newness and distinctiveness is claimed in the features of shape and/or configuration of a wheel for vehicle as illustrated in the accompanying representations.**

(21) Design Number: **10471/2016**
(22) Date of Filing Application: **29 January 2016**
(24) Date from which industrial property rights may have effect: **29 January 2016**
(54) Product in respect of which the design is registered: **Lantern device**
(51) International Design Classification: **26-02**
(74) Name(s) of Attorney(s): **Davies Collison Cave**
(71) Name(s) and Address(s) of Applicant(s):



Goal Zero LLC
675 West 14600 South Bluffdale Utah 84065 United States of America

(72) Name(s) of Designer(s): **Norman L. Krantz and Henry J. Howell and Russel D. Thurgood**

(45) Registration Date: **03 March 2016**

(30) Convention priority data:

(31) Number	(32) Date	(33) Country
29/535,212	04 Aug 2015	UNITED STATES OF AMERICA

(56) Related Art Documents: **Not Applicable**

(57) Statement of Newness and Distinctiveness: **Newness and distinctiveness is claimed in the visual features shown in solid lines in the representations. The broken line showing of the LANTERN DEVICE is for illustrative purposes only and forms no part of the claimed design. Broken lines formed by equal length dashes show unclaimed portions of the design. Broken lines formed of unequal length dashes (i.e. dash-dot) show boundaries between claimed and unclaimed portions of the design. Broken lines having a jagged element show that no particular length of the portion is claimed.**

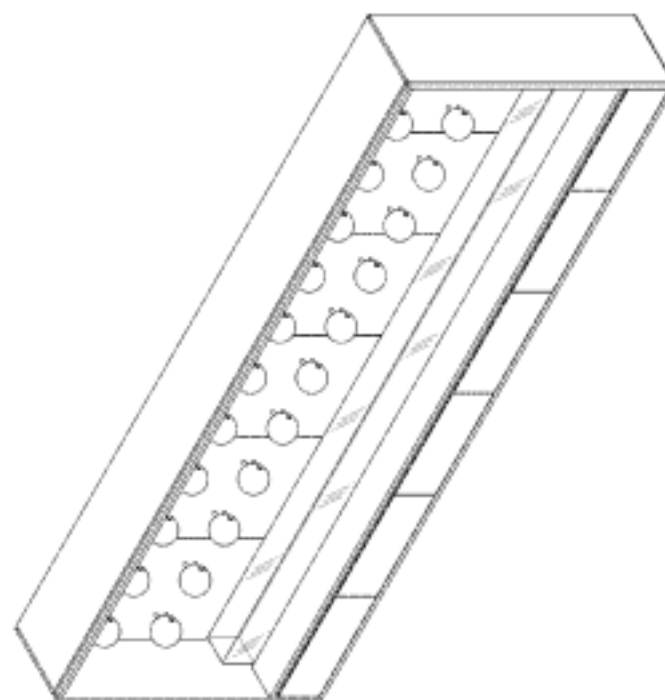
- (21) Design Number: **10927/2016**
(22) Date of Filing Application: **22 February 2016**
(24) Date from which industrial property rights may have effect: **22 February 2016**
(54) Product in respect of which the design is registered: **Inset wall display**
(51) International Design Classification: **20-02C**
(74) Name(s) of Attorney(s): **Freehills Patent Attorneys**
(71) Name(s) and Address(s) of Applicant(s):
Apple Inc.
1 Infinite Loop Cupertino California, 95014 United States of America
(72) Name(s) of Designer(s): **Sam Brown and Casey Feeney and Jean-Marc Gady and Christopher M. Green and Kully Kraig Mandon and David Kahl Peschel and Jonathan P. Siegel and Kevin Fenton Smeds and Stefan Behling and Rafe Bertram and James McGrath and Graham O'brien and Ryan Allen and Maximalian Johnson**
(45) Registration Date: **03 March 2016**
(30) Convention priority data:
(31) Number (32) Date (33) Country
29/537126 21 Aug 2015 UNITED STATES OF AMERICA
(56) Related Art Documents: **Not Applicable**
(57) Statement of Newness and Distinctiveness: **Nil**



- (21) Design Number: **10928/2016**
(22) Date of Filing Application: **22 February 2016**
(24) Date from which industrial property rights may have effect: **22 February 2016**
(54) Product in respect of which the design is registered: **Inset wall display**
(51) International Design Classification: **20-02C**
(74) Name(s) of Attorney(s): **Freehills Patent Attorneys**
(71) Name(s) and Address(s) of Applicant(s):
Apple Inc.
1 Infinite Loop Cupertino California, 95014 United States of America
(72) Name(s) of Designer(s): **Sam Brown and Casey Feeney and Jean-Marc Gady and Christopher M. Green and Kully Kraig Mandon and David Kahl Peschel and Jonathan P. Siegel and Kevin Fenton Smeds and Rafe Bertram and James McGrath and Stefan Behling and Graham O'brien and Ryan Allen and Maximalian Johnson**
(45) Registration Date: **03 March 2016**
(30) Convention priority data:
(31) Number (32) Date (33) Country
29/537126 21 Aug 2015 UNITED STATES OF AMERICA
(56) Related Art Documents: **Not Applicable**
(57) Statement of Newness and Distinctiveness: **Nil**



(21) Design Number: **10929/2016**
(22) Date of Filing Application: **22 February 2016**
(24) Date from which industrial property rights may have effect: **22 February 2016**
(54) Product in respect of which the design is registered: **Display structure**
(51) International Design Classification: **20-02C**
(74) Name(s) of Attorney(s): **Freehills Patent Attorneys**
(71) Name(s) and Address(s) of Applicant(s):
Apple Inc.
1 Infinite Loop Cupertino California, 95014 United States of America
(72) Name(s) of Designer(s): **Sam Brown and Casey Feeney and Jean-Marc Gady and Christopher M. Green and Kully Kraig Mandon and Stefan Behling and Rafe Bertram and James McGrath**
(45) Registration Date: **03 March 2016**
(30) Convention priority data:
(31) Number (32) Date (33) Country
29/537128 21 Aug 2015 UNITED STATES OF AMERICA
(56) Related Art Documents: **Not Applicable**
(57) Statement of Newness and Distinctiveness: **Nil**



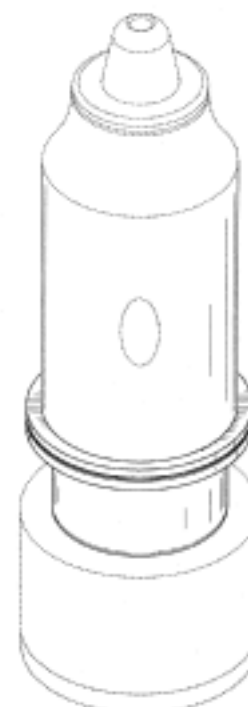
(21) Design Number: **10930/2016**
(22) Date of Filing Application: **22 February 2016**
(24) Date from which industrial property rights may have effect: **22 February 2016**
(54) Product in respect of which the design is registered: **Display structure**
(51) International Design Classification: **20-02C**
(74) Name(s) of Attorney(s): **Freehills Patent Attorneys**
(71) Name(s) and Address(s) of Applicant(s):
Apple Inc.
1 Infinite Loop Cupertino California, 95014 United States of America
(72) Name(s) of Designer(s): **Sam Brown and Casey Feeney and Jean-Marc Gady and Christopher M. Green and Kully Kraig Mandon and Stefan Behling and Rafe Bertram and James McGrath**
(45) Registration Date: **03 March 2016**
(30) Convention priority data:
(31) Number (32) Date (33) Country
29/537128 21 Aug 2015 UNITED STATES OF AMERICA
(56) Related Art Documents: **Not Applicable**
(57) Statement of Newness and Distinctiveness: **Nil**



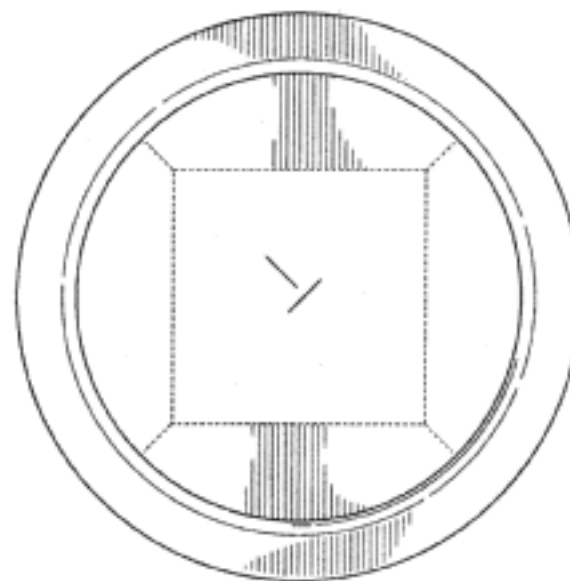
- (21) Design Number: **16415/2015**
(22) Date of Filing Application: **27 November 2015**
(24) Date from which industrial property rights may have effect: **27 November 2015**
(54) Product in respect of which the design is registered: **Dual chamber dispensing device**
(51) International Design Classification: **24-02**
(74) Name(s) of Attorney(s): **Shelston IP Pty Ltd.**
(71) Name(s) and Address(s) of Applicant(s):
Cambium Medical Technologies LLC
2986 Greenwillow Dr., NE Atlanta Georgia, 30345 United States of America
(72) Name(s) of Designer(s): **Ian Copland and Ashley Reavis and Emily Butts and Marisa Casola and Nihir Patel**
(45) Registration Date: **03 March 2016**
(30) Convention priority data:
(31) Number (32) Date (33) Country
29/528581 29 Jun 2015 UNITED STATES OF AMERICA
(56) Related Art Documents: **Not Applicable**
(57) Statement of Newness and Distinctiveness: **Newness and distinctiveness reside in the features of shape and/or configuration of a DUAL CHAMBER DISPENSING DEVICE as illustrated in solid lines in the accompanying representations. The features shown in broken or discontinuous lines are illustrative only and do not form part of the design.**



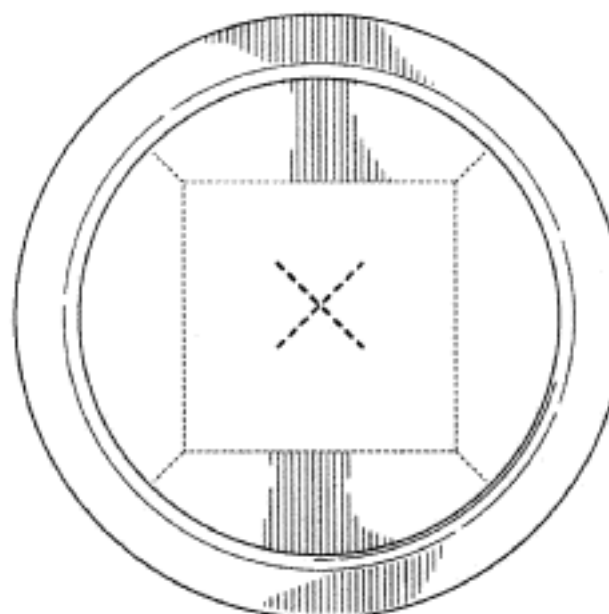
- (21) Design Number: **10919/2016**
(22) Date of Filing Application: **27 November 2015**
(24) Date from which industrial property rights may have effect: **27 November 2015**
(54) Product in respect of which the design is registered: **Dual chamber dispensing device**
(51) International Design Classification: **24-02**
(74) Name(s) of Attorney(s): **Shelston IP Pty Ltd.**
(71) Name(s) and Address(s) of Applicant(s):
Cambium Medical Technologies LLC
2986 Greenwillow Dr., NE Atlanta Georgia, 30345 United States of America
(72) Name(s) of Designer(s): **Ian Copland and Ashley Reavis and Emily Butts and Marisa Casola and Nihir Patel**
(45) Registration Date: **03 March 2016**
(30) Convention priority data:
(31) Number (32) Date (33) Country
29/528,581 29 May 2015 UNITED STATES OF AMERICA
(56) Related Art Documents: **Not Applicable**
(57) Statement of Newness and Distinctiveness: **Newness and distinctiveness reside in the features of shape and/or configuration of a DUAL CHAMBER DISPENSING DEVICE as illustrated in solid lines in the accompanying representations. The features shown in broken or discontinuous lines are illustrative only and do not form part of the design.**



- (21) Design Number: **10920/2016**
(22) Date of Filing Application: **27 November 2015**
(24) Date from which industrial property rights may have effect: **27 November 2015**
(54) Product in respect of which the design is registered: **Frangible connector for a dual chamber dispensing device**
(51) International Design Classification: **24-02**
(74) Name(s) of Attorney(s): **Shelston IP Pty Ltd.**
(71) Name(s) and Address(s) of Applicant(s):
Cambium Medical Technologies LLC
2986 Greenwillow Dr., NE Atlanta Georgia, 30345 United States of America
(72) Name(s) of Designer(s): **Ian Copland and Ashley Reavis and Emily Butts and Marisa Casola and Nihar Patel**
(45) Registration Date: **03 March 2016**
(30) Convention priority data:
(31) Number (32) Date (33) Country
29/528,581 29 May 2015 UNITED STATES OF AMERICA
(56) Related Art Documents: **Not Applicable**
(57) Statement of Newness and Distinctiveness: **Newness and distinctiveness reside in the features of shape and/or configuration of a FRANGIBLE CONNECTOR FOR A DUAL CHAMBER DISPENSING DEVICE as illustrated in solid lines in the accompanying representations. The features shown in broken or discontinuous lines are illustrative only and do not form part of the design.**



- (21) Design Number: **10921/2016**
(22) Date of Filing Application: **27 November 2015**
(24) Date from which industrial property rights may have effect: **27 November 2015**
(54) Product in respect of which the design is registered: **Frangible connector for a dual chamber dispensing device**
(51) International Design Classification: **24-02**
(74) Name(s) of Attorney(s): **Shelston IP Pty Ltd.**
(71) Name(s) and Address(s) of Applicant(s):
Cambium Medical Technologies LLC
2986 Greenwillow Dr., NE Atlanta Georgia, 30345 United States of America
(72) Name(s) of Designer(s): **Ian Copland and Ashley Reavis and Emily Butts and Marisa Casola and Nihar Patel**
(45) Registration Date: **03 March 2016**
(30) Convention priority data:
(31) Number (32) Date (33) Country
29/528,581 29 May 2015 UNITED STATES OF AMERICA
(56) Related Art Documents: **Not Applicable**
(57) Statement of Newness and Distinctiveness: **Newness and distinctiveness reside in the features of shape and/or configuration of a FRANGIBLE CONNECTOR FOR A DUAL CHAMBER DISPENSING DEVICE as illustrated in solid lines in the accompanying representations. The features shown in broken or discontinuous lines are illustrative only and do not form part of the design.**



- (21) Design Number: **10922/2016**
(22) Date of Filing Application: **27 November 2015**
(24) Date from which industrial property rights may have effect: **27 November 2015**
(54) Product in respect of which the design is registered: **Frangible connector for a dual chamber dispensing device**
(51) International Design Classification: **24-02**
(74) Name(s) of Attorney(s): **Shelston IP Pty Ltd.**
(71) Name(s) and Address(s) of Applicant(s):
Cambium Medical Technologies LLC
2986 Greenwillow Dr., NE Atlanta Georgia, 30345 United States of America
(72) Name(s) of Designer(s): **Ian Copland and Ashley Reavis and Emily Butts and Marisa Casola and Nihir Patel**
(45) Registration Date: **03 March 2016**
(30) Convention priority data:
(31) Number (32) Date (33) Country
29/528,581 29 May 2015 UNITED STATES OF AMERICA
(56) Related Art Documents: **Not Applicable**
(57) Statement of Newness and Distinctiveness: **Newness and distinctiveness reside in the features of shape and/or configuration of a FRANGIBLE CONNECTOR FOR A DUAL CHAMBER DISPENSING DEVICE as illustrated in solid lines in the accompanying representations. The features shown in broken or discontinuous lines are illustrative only and do not form part of the design.**

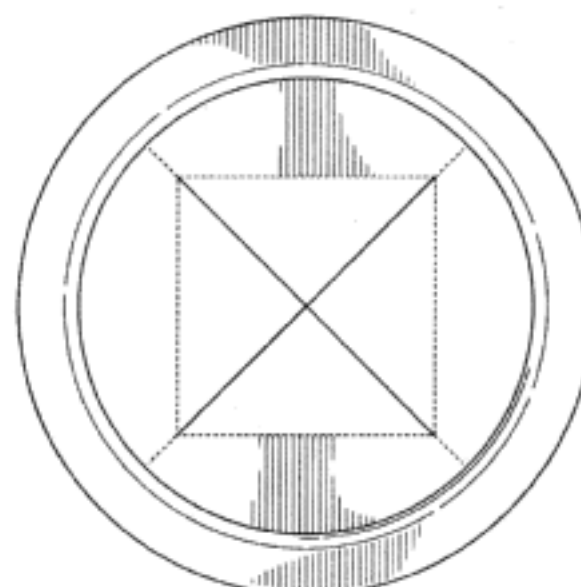


FIG. 33

- (21) Design Number: **10923/2016**
(22) Date of Filing Application: **27 November 2015**
(24) Date from which industrial property rights may have effect: **27 November 2015**
(54) Product in respect of which the design is registered: **Frangible connector for a dual chamber dispensing device**
(51) International Design Classification: **24-02**
(74) Name(s) of Attorney(s): **Shelston IP Pty Ltd.**
(71) Name(s) and Address(s) of Applicant(s):
Cambium Medical Technologies LLC
2986 Greenwillow Dr., NE Atlanta Georgia, 30345 United States of America
(72) Name(s) of Designer(s): **Ian Copland and Ashley Reavis and Emily Butts and Marisa Casola and Nihir Patel**
(45) Registration Date: **03 March 2016**
(30) Convention priority data:
(31) Number (32) Date (33) Country
29/528,581 29 May 2015 UNITED STATES OF AMERICA
(56) Related Art Documents: **Not Applicable**
(57) Statement of Newness and Distinctiveness: **Newness and distinctiveness reside in the features of shape and/or configuration of a FRANGIBLE CONNECTOR FOR A DUAL CHAMBER DISPENSING DEVICE as illustrated in solid lines in the accompanying representations. The features shown in broken or discontinuous lines are illustrative only and do not form part of the design.**

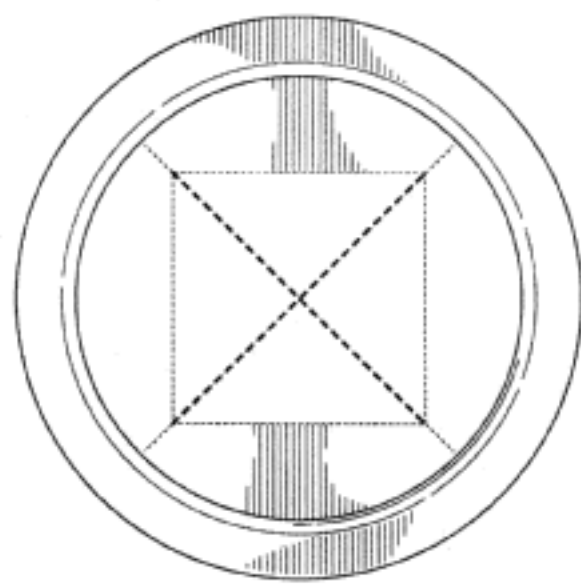


FIG. 34

(21) Design Number: **10939/2016**

(22) Date of Filing Application: **22 February 2016**

(24) Date from which industrial property rights may have effect: **22 February 2016**

(54) Product in respect of which the design is registered: **Strawberry chewing gum**

(51) International Design Classification: **01-01**

(74) Name(s) of Attorney(s): **Spruson & Ferguson**

(71) Name(s) and Address(s) of Applicant(s):

Wm. Wrigley Jr. Company

1132 West Blackhawk Street, Chicago Illinois, 60642 United States of America

(72) Name(s) of Designer(s): **Yang Gao**

(45) Registration Date: **07 March 2016**

(30) Convention priority data:

(31) Number	(32) Date	(33) Country
29/536939	20 Aug 2015	UNITED STATES OF AMERICA

(56) Related Art Documents: **Not Applicable**

(57) Statement of Newness and Distinctiveness: **Newness and distinctiveness is claimed in the features of pattern and/or ornamentation of a strawberry chewing gum as illustrated in the accompanying representations, apart from relative length, width and height of the strawberry chewing gum.**



(21) Design Number: **10940/2016**

(22) Date of Filing Application: **20 February 2016**

(24) Date from which industrial property rights may have effect: **20 February 2016**

(54) Product in respect of which the design is registered: **Multi-segmented corridor light**

(51) International Design Classification: **26-03**

(74) Name(s) of Attorney(s): **Pizzseys Patent and Trade Mark Attorneys Pty Ltd**

(71) Name(s) and Address(s) of Applicant(s):

Rauland-Borg Corporation

1802 West Central Road Mt Prospect IL 60056-2230 United States of America

(72) Name(s) of Designer(s): **Patrick J. McVey and Xinyi Wang**

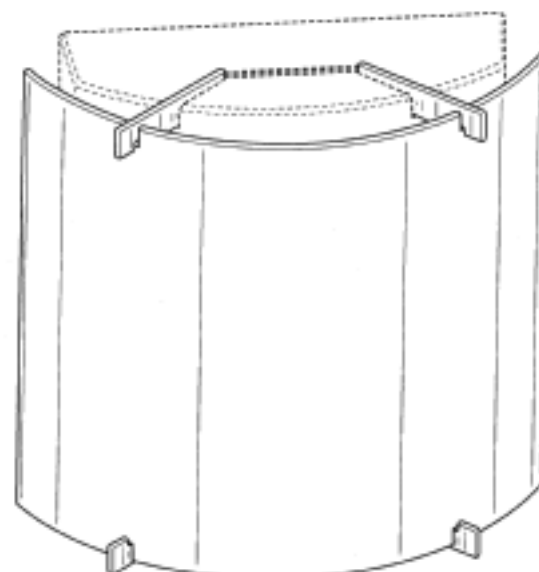
(45) Registration Date: **07 March 2016**

(30) Convention priority data:

(31) Number	(32) Date	(33) Country
29/537,099	21 Aug 2015	UNITED STATES OF AMERICA

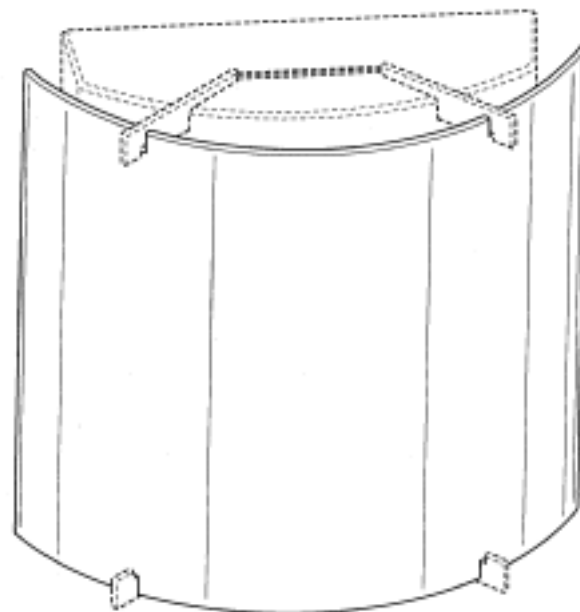
(56) Related Art Documents: **Not Applicable**

(57) Statement of Newness and Distinctiveness: **Nil**



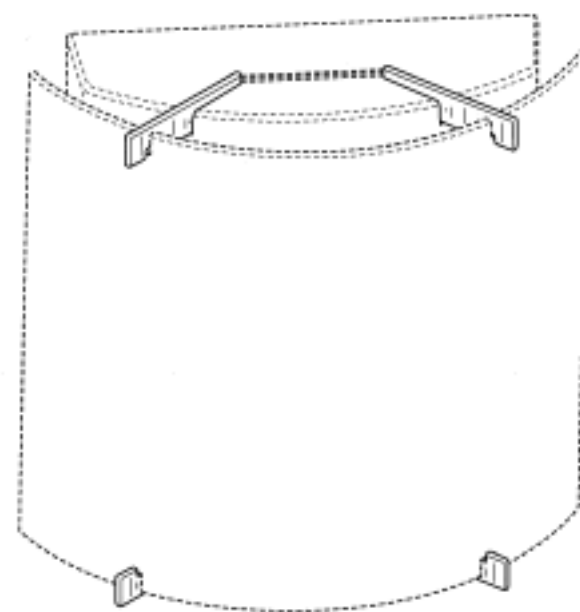
(19) AU

(21) Design Number: **10941/2016**
 (22) Date of Filing Application: **20 February 2016**
 (24) Date from which industrial property rights may have effect: **20 February 2016**
 (54) Product in respect of which the design is registered: **Multi-segmented corridor light**
 (51) International Design Classification: **26-03**
 (74) Name(s) of Attorney(s): **Pizzeys Patent and Trade Mark Attorneys Pty Ltd**
 (71) Name(s) and Address(s) of Applicant(s):
Rauland-Borg Corporation
1802 West Central Road Mt Prospect IL 60056-2230 United States of America
 (72) Name(s) of Designer(s): **Patrick J. McVey and Xinyi Wang**
 (45) Registration Date: **07 March 2016**
 (30) Convention priority data:
 (31) Number (32) Date (33) Country
29/537,099 21 Aug 2015 UNITED STATES OF AMERICA
 (56) Related Art Documents: **Not Applicable**
 (57) Statement of Newness and Distinctiveness: **Nil**

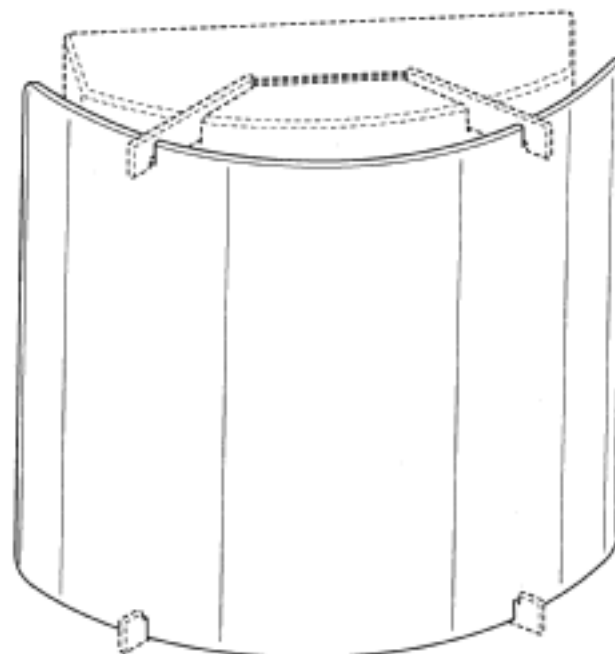


(19) AU

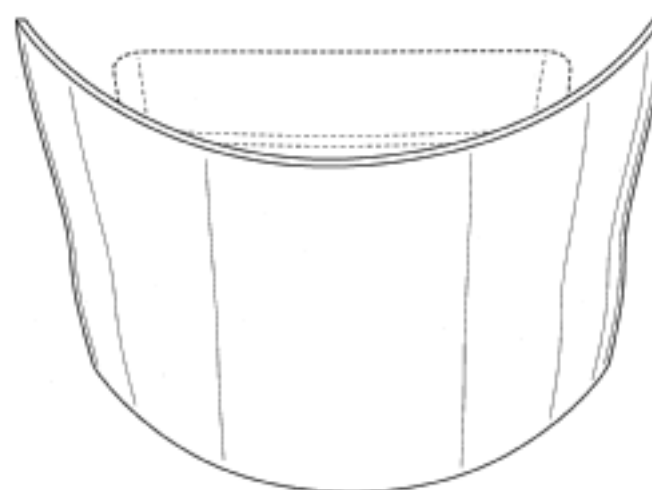
(21) Design Number: **10942/2016**
 (22) Date of Filing Application: **20 February 2016**
 (24) Date from which industrial property rights may have effect: **20 February 2016**
 (54) Product in respect of which the design is registered: **Multi-segmented corridor light**
 (51) International Design Classification: **26-03**
 (74) Name(s) of Attorney(s): **Pizzeys Patent and Trade Mark Attorneys Pty Ltd**
 (71) Name(s) and Address(s) of Applicant(s):
Rauland-Borg Corporation
1802 West Central Road Mt Prospect IL 60056-2230 United States of America
 (72) Name(s) of Designer(s): **Patrick J. McVey and Xinyi Wang**
 (45) Registration Date: **07 March 2016**
 (30) Convention priority data:
 (31) Number (32) Date (33) Country
29/537,099 21 Aug 2015 UNITED STATES OF AMERICA
 (56) Related Art Documents: **Not Applicable**
 (57) Statement of Newness and Distinctiveness: **Nil**



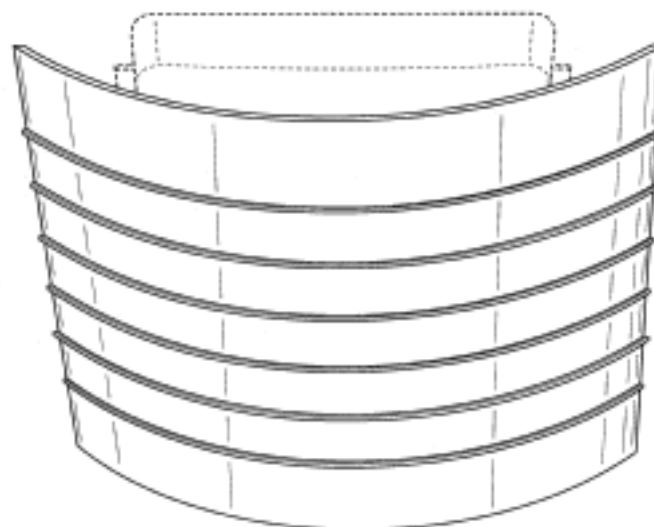
(21) Design Number: **10943/2016**
(22) Date of Filing Application: **20 February 2016**
(24) Date from which industrial property rights may have effect: **20 February 2016**
(54) Product in respect of which the design is registered: **Multi-segmented corridor light**
(51) International Design Classification: **26-03**
(74) Name(s) of Attorney(s): **Pizzeys Patent and Trade Mark Attorneys Pty Ltd**
(71) Name(s) and Address(s) of Applicant(s):
Rauland-Borg Corporation
1802 West Central Road Mt Prospect IL 60056-2230 United States of America
(72) Name(s) of Designer(s): **Patrick J. McVey and Xinyi Wang**
(45) Registration Date: **07 March 2016**
(30) Convention priority data:
(31) Number (32) Date (33) Country
29/537,099 21 Aug 2015 UNITED STATES OF AMERICA
(56) Related Art Documents: **Not Applicable**
(57) Statement of Newness and Distinctiveness: **Nil**



(21) Design Number: **10944/2016**
(22) Date of Filing Application: **20 February 2016**
(24) Date from which industrial property rights may have effect: **20 February 2016**
(54) Product in respect of which the design is registered: **Multi-segmented corridor light**
(51) International Design Classification: **26-03**
(74) Name(s) of Attorney(s): **Pizzeys Patent and Trade Mark Attorneys Pty Ltd**
(71) Name(s) and Address(s) of Applicant(s):
Rauland-Borg Corporation
1802 West Central Road Mt Prospect IL 60056-2230 United States of America
(72) Name(s) of Designer(s): **Patrick J. McVey and Xinyi Wang**
(45) Registration Date: **07 March 2016**
(30) Convention priority data:
(31) Number (32) Date (33) Country
29/537,099 21 Aug 2015 UNITED STATES OF AMERICA
(56) Related Art Documents: **Not Applicable**
(57) Statement of Newness and Distinctiveness: **Nil**



(21) Design Number: **10945/2016**
(22) Date of Filing Application: **20 February 2016**
(24) Date from which industrial property rights may have effect: **20 February 2016**
(54) Product in respect of which the design is registered: **Multi-segmented corridor light**
(51) International Design Classification: **26-03**
(74) Name(s) of Attorney(s): **Pizzeys Patent and Trade Mark Attorneys Pty Ltd**
(71) Name(s) and Address(s) of Applicant(s):
Rauland-Borg Corporation
1802 West Central Road Mt Prospect IL 60056-2230 United States of America
(72) Name(s) of Designer(s): **Patrick J. McVey and Xinyi Wang**
(45) Registration Date: **07 March 2016**
(30) Convention priority data:
(31) Number (32) Date (33) Country
29/537,099 21 Aug 2015 UNITED STATES OF AMERICA
(56) Related Art Documents: **Not Applicable**
(57) Statement of Newness and Distinctiveness: **Nil**



(21) Design Number: **10931/2016**
(22) Date of Filing Application: **22 February 2016**
(24) Date from which industrial property rights may have effect: **22 February 2016**
(54) Product in respect of which the design is registered: **Automobile**
(51) International Design Classification: **12-08**
(74) Name(s) of Attorney(s): **Spruson & Ferguson**
(71) Name(s) and Address(s) of Applicant(s):
Honda Motor Co., Ltd.
1-1, Minami-Aoyama, 2-chome Minato-ku, Tokyo 107-8556 Japan
(72) Name(s) of Designer(s): **Toshinobu Minami**
(45) Registration Date: **07 March 2016**
(56) Related Art Documents: **Not Applicable**
(57) Statement of Newness and Distinctiveness: **Newness and distinctiveness is claimed in the features of shape and/or configuration of an automobile as illustrated in the accompanying representations.**



(21) Design Number: **10934/2016**
(22) Date of Filing Application: **22 February 2016**
(24) Date from which industrial property rights may have effect: **22 February 2016**
(54) Product in respect of which the design is registered: **Condenser exhaust hood**
(51) International Design Classification: **23-04**
(74) Name(s) of Attorney(s): **PHILLIPS ORMONDE FITZPATRICK**
(71) Name(s) and Address(s) of Applicant(s):
Oy Halton Group Ltd.
Esterinportti 2 00240 Helsinki Finland
(72) Name(s) of Designer(s): **Derek W. Schrock and Chou Shen**
(45) Registration Date: **07 March 2016**
(30) Convention priority data:
(31) Number (32) Date (33) Country
29/537,093 21 Aug 2015 UNITED STATES OF AMERICA
(56) Related Art Documents: **Not Applicable**
(57) Statement of Newness and Distinctiveness: **Those features of the condenser exhaust hood depicted in the representations that are new and distinctive are the shape and/or configuration. The features shown in broken lines are not part of the design and are to be disregarded when considering the overall impression of the design.**



(21) Design Number: **10936/2016**
(22) Date of Filing Application: **22 February 2016**
(24) Date from which industrial property rights may have effect: **22 February 2016**
(54) Product in respect of which the design is registered: **Strawberry chewing gum**
(51) International Design Classification: **01-01**
(74) Name(s) of Attorney(s): **Spruson & Ferguson**
(71) Name(s) and Address(s) of Applicant(s):
Wm. Wrigley Jr. Company
1132 West Blackhawk Street, Chicago Illinois, 60642 United States of America
(72) Name(s) of Designer(s): **Yang Gao**
(45) Registration Date: **07 March 2016**
(30) Convention priority data:
(31) Number (32) Date (33) Country
29/536939 20 Aug 2015 UNITED STATES OF AMERICA
(56) Related Art Documents: **Not Applicable**
(57) Statement of Newness and Distinctiveness: **Newness and distinctiveness is claimed in the features of pattern and/or ornamentation of a strawberry chewing gum as illustrated in the accompanying representations, apart from relative length, width and height of the strawberry chewing gum.**



(21) Design Number: **10937/2016**

(22) Date of Filing Application: **22 February 2016**

(24) Date from which industrial property rights may have effect: **22 February 2016**

(54) Product in respect of which the design is registered: **Strawberry chewing gum**

(51) International Design Classification: **01-01**

(74) Name(s) of Attorney(s): **Spruson & Ferguson**

(71) Name(s) and Address(s) of Applicant(s):

Wm. Wrigley Jr. Company

1132 West Blackhawk Street, Chicago Illinois, 60642 United States of America

(72) Name(s) of Designer(s): **Yang Gao**

(45) Registration Date: **07 March 2016**

(30) Convention priority data:

(31) Number

(32) Date

(33) Country

29/536939

20 Aug 2015

UNITED STATES OF AMERICA

(56) Related Art Documents: **Not Applicable**

(57) Statement of Newness and Distinctiveness: **Newness and distinctiveness is claimed in the features of pattern and/or ornamentation of a strawberry chewing gum as illustrated in the accompanying representations, apart from relative length, width and height of the strawberry chewing gum.**



(21) Design Number: **10946/2016**

(22) Date of Filing Application: **22 February 2016**

(24) Date from which industrial property rights may have effect: **22 February 2016**

(54) Product in respect of which the design is registered: **Strawberry chewing gum**

(51) International Design Classification: **01-01**

(74) Name(s) of Attorney(s): **Spruson & Ferguson**

(71) Name(s) and Address(s) of Applicant(s):

Wm. Wrigley Jr. Company

1132 West Blackhawk Street, Chicago Illinois, 60642 United States of America

(72) Name(s) of Designer(s): **Yang Gao**

(45) Registration Date: **07 March 2016**

(30) Convention priority data:

(31) Number

(32) Date

(33) Country

29/536939

20 Aug 2015

UNITED STATES OF AMERICA

(56) Related Art Documents: **Not Applicable**

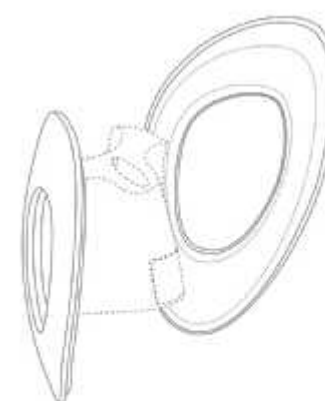
(57) Statement of Newness and Distinctiveness: **Newness and distinctiveness is claimed in the features of pattern and/or ornamentation of a strawberry chewing gum as illustrated in the accompanying representations, apart from relative length, width and height of the strawberry chewing gum.**



(21) Design Number: **10947/2016**
(22) Date of Filing Application: **22 February 2016**
(24) Date from which industrial property rights may have effect: **22 February 2016**
(54) Product in respect of which the design is registered: **Strawberry chewing gum**
(51) International Design Classification: **01-01**
(74) Name(s) of Attorney(s): **Spruson & Ferguson**
(71) Name(s) and Address(s) of Applicant(s):
Wm. Wrigley Jr. Company
1132 West Blackhawk Street, Chicago Illinois, 60642 United States of America
(72) Name(s) of Designer(s): **Yang Gao**
(45) Registration Date: **07 March 2016**
(30) Convention priority data:
(31) Number (32) Date (33) Country
29/536939 20 Aug 2015 UNITED STATES OF AMERICA
(56) Related Art Documents: **Not Applicable**
(57) Statement of Newness and Distinctiveness: **Newness and distinctiveness is claimed in the features of pattern and/or ornamentation of a strawberry chewing gum as illustrated in the accompanying representations, apart from relative length, width and height of the strawberry chewing gum.**



(21) Design Number: **10956/2016**
(22) Date of Filing Application: **23 February 2016**
(24) Date from which industrial property rights may have effect: **23 February 2016**
(54) Product in respect of which the design is registered: **Fairings for motorcycles**
(51) International Design Classification: **12-11, 12-16NES**
(74) Name(s) of Attorney(s): **Collison & Co**
(71) Name(s) and Address(s) of Applicant(s):
GREEN RIDE LTD.
55 Ha Namal Street Haifa 3303215 Israel
(72) Name(s) of Designer(s): **Ori Dadoosh and Ori Yemini**
(45) Registration Date: **07 March 2016**
(30) Convention priority data:
(31) Number (32) Date (33) Country
2772194 14 Sep 2015 OFFICE FOR HARMONISATION IN THE INTERNAL MARKET (OHIM)
(56) Related Art Documents: **Not Applicable**
(57) Statement of Newness and Distinctiveness: **Newness and distinctiveness are claimed in the features of shape and configuration of the fairing for a motorcycles as shown in the accompanying figures. The broken lines in the drawings form no part of the claimed design.**



(21) Design Number: **10957/2016**
(22) Date of Filing Application: **23 February 2016**
(24) Date from which industrial property rights may have effect: **23 February 2016**
(54) Product in respect of which the design is registered: **Wheel caps for a vehicle**
(51) International Design Classification: **12-16A**
(74) Name(s) of Attorney(s): **Collison & Co**
(71) Name(s) and Address(s) of Applicant(s):
GREEN RIDE LTD.
55 Ha Namal Street Haifa 3303215 Israel
(72) Name(s) of Designer(s): **Ori Dadoosh and Ori Yemini**
(45) Registration Date: **07 March 2016**
(30) Convention priority data:
(31) Number (32) Date (33) Country
2772178 14 Sep 2015 OFFICE FOR HARMONISATION IN
THE INTERNAL MARKET (OHIM)
(56) Related Art Documents: **Not Applicable**
(57) Statement of Newness and Distinctiveness: **Nil**



(21) Design Number: **10958/2016**
(22) Date of Filing Application: **23 February 2016**
(24) Date from which industrial property rights may have effect: **23 February 2016**
(54) Product in respect of which the design is registered: **Handlebars for cycles or motorcycles**
(51) International Design Classification: **12-11, 12-16NES**
(74) Name(s) of Attorney(s): **Collison & Co**
(71) Name(s) and Address(s) of Applicant(s):
GREEN RIDE LTD.
55 Ha Namal Street Haifa 3303215 Israel
(72) Name(s) of Designer(s): **Ori Dadoosh and Ori Yemini**
(45) Registration Date: **07 March 2016**
(30) Convention priority data:
(31) Number (32) Date (33) Country
2772269 14 Sep 2015 ISRAEL
(56) Related Art Documents: **Not Applicable**
(57) Statement of Newness and Distinctiveness: **Nil**



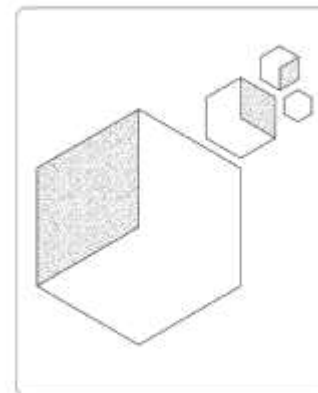
(21) Design Number: **10959/2016**
(22) Date of Filing Application: **23 February 2016**
(24) Date from which industrial property rights may have effect: **23 February 2016**
(54) Product in respect of which the design is registered: **Handlebars for cycles or motorcycles**
(51) International Design Classification: **12-11, 12-16NES**
(74) Name(s) of Attorney(s): **Collison & Co**
(71) Name(s) and Address(s) of Applicant(s):
GREEN RIDE LTD.
55 Ha Namal Street Haifa 3303215 Israel
(72) Name(s) of Designer(s): **Ori Dadoosh and Ori Yemini**
(45) Registration Date: **07 March 2016**
(30) Convention priority data:
(31) Number (32) Date (33) Country
2772244 14 Sep 2015 ISRAEL
(56) Related Art Documents: **Not Applicable**
(57) Statement of Newness and Distinctiveness: **Nil**



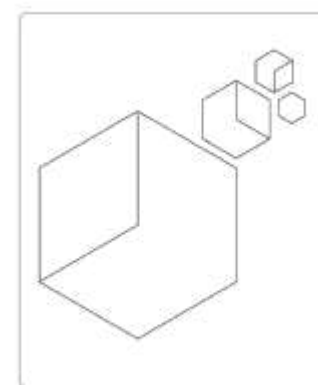
(21) Design Number: **10960/2016**
(22) Date of Filing Application: **23 February 2016**
(24) Date from which industrial property rights may have effect: **23 February 2016**
(54) Product in respect of which the design is registered: **Blood Glucose monitoring apparatus**
(51) International Design Classification: **10-04, 24-04**
(74) Name(s) of Attorney(s):
(71) Name(s) and Address(s) of Applicant(s):
DREAM INDUSTRIAL PTY. LTD.
U2 37 O'Riordan St Alexandria NSW 2015 Australia
(72) Name(s) of Designer(s): **Jin Feng Li**
(45) Registration Date: **07 March 2016**
(56) Related Art Documents: **Not Applicable**
(57) Statement of Newness and Distinctiveness: **Non invasive all in one design blood glucose monitoring apparatus featuring glucose related sensors, rechargeable battery, PCB, Bluetooth (communication with smart phone), ergonomic hand rest and finger clip.**



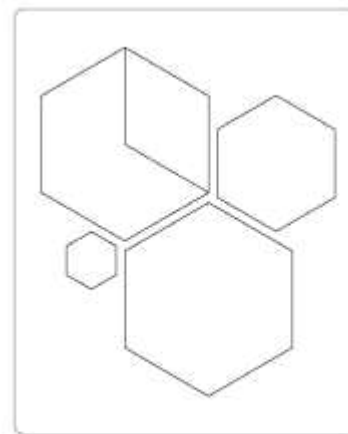
- (21) Design Number: **10961/2016**
(22) Date of Filing Application: **23 February 2016**
(24) Date from which industrial property rights may have effect: **23 February 2016**
(54) Product in respect of which the design is registered: **Label**
(51) International Design Classification: **32-03, 32-02**
(74) Name(s) of Attorney(s): **Spruson & Ferguson**
(71) Name(s) and Address(s) of Applicant(s):
Kimberly-Clark Worldwide, Inc.
2300 Winchester Road, Neenah Wisconsin, 54956 United States of America
(72) Name(s) of Designer(s): **Barry Markwick and Eric Chalko and Siobhan Lonergan and Casey Dunlevie and Lauren Koprowski and Isabel Babcock**
(45) Registration Date: **07 March 2016**
(30) Convention priority data:
(31) Number (32) Date (33) Country
29/538318 02 Sep 2015 UNITED STATES OF AMERICA
(56) Related Art Documents: **Not Applicable**
(57) Statement of Newness and Distinctiveness: **Newness and distinctiveness is claimed in the features of pattern and/or ornamentation of the logo of a label as illustrated in the accompanying representations.**



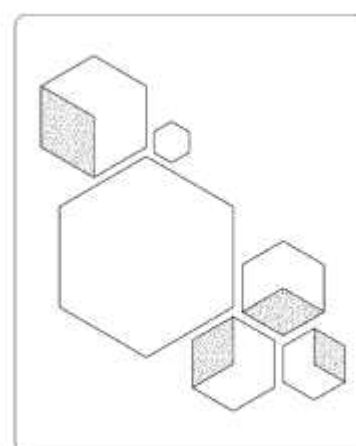
- (21) Design Number: **10962/2016**
(22) Date of Filing Application: **23 February 2016**
(24) Date from which industrial property rights may have effect: **23 February 2016**
(54) Product in respect of which the design is registered: **Label**
(51) International Design Classification: **32-02**
(74) Name(s) of Attorney(s): **Spruson & Ferguson**
(71) Name(s) and Address(s) of Applicant(s):
Kimberly-Clark Worldwide, Inc.
2300 Winchester Road, Neenah Wisconsin, 54956 United States of America
(72) Name(s) of Designer(s): **Barry Markwick and Eric Chalko and Siobhan Lonergan and Casey Dunlevie and Lauren Koprowski and Isabel Babcock**
(45) Registration Date: **07 March 2016**
(30) Convention priority data:
(31) Number (32) Date (33) Country
29/538318 02 Sep 2015 UNITED STATES OF AMERICA
(56) Related Art Documents: **Not Applicable**
(57) Statement of Newness and Distinctiveness: **Newness and distinctiveness is claimed in the features of pattern and/or ornamentation of the logo of a label as illustrated in the accompanying representations.**



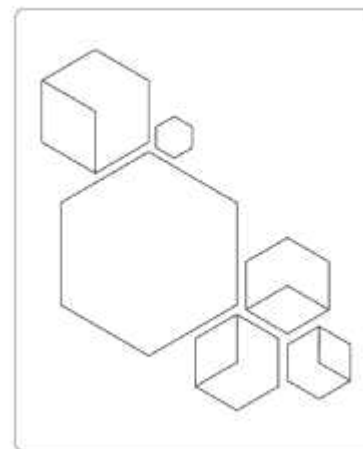
- (21) Design Number: **10969/2016**
(22) Date of Filing Application: **23 February 2016**
(24) Date from which industrial property rights may have effect: **23 February 2016**
(54) Product in respect of which the design is registered: **Label**
(51) International Design Classification: **32-02**
(74) Name(s) of Attorney(s): **Spruson & Ferguson**
(71) Name(s) and Address(s) of Applicant(s):
Kimberly-Clark Worldwide, Inc.
2300 Winchester Road, Neenah, Wisconsin, 54956 United States of America
(72) Name(s) of Designer(s): **Barry Markwick and Eric Chalko and Siobhan Lonergan and Casey Dunlevie and Lauren Koprowski and Isabel Babcock**
(45) Registration Date: **07 March 2016**
(30) Convention priority data:
(31) Number (32) Date (33) Country
29/538318 02 Sep 2015 UNITED STATES OF AMERICA
(56) Related Art Documents: **Not Applicable**
(57) Statement of Newness and Distinctiveness: **Newness and distinctiveness is claimed in the features of pattern and/or ornamentation of the logo of a label as illustrated in the accompanying representation.**



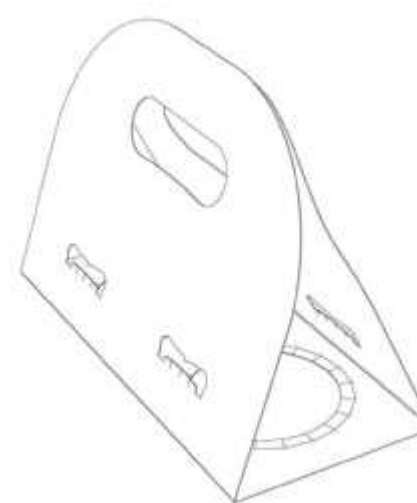
- (21) Design Number: **10970/2016**
(22) Date of Filing Application: **23 February 2016**
(24) Date from which industrial property rights may have effect: **23 February 2016**
(54) Product in respect of which the design is registered: **Label**
(51) International Design Classification: **32-02**
(74) Name(s) of Attorney(s): **Spruson & Ferguson**
(71) Name(s) and Address(s) of Applicant(s):
Kimberly-Clark Worldwide, Inc.
2300 Winchester Road, Neenah, Wisconsin, 54956 United States of America
(72) Name(s) of Designer(s): **Barry Markwick and Eric Chalko and Siobhan Lonergan and Casey Dunlevie and Lauren Koprowski and Isabel Babcock**
(45) Registration Date: **07 March 2016**
(30) Convention priority data:
(31) Number (32) Date (33) Country
29/538318 02 Sep 2015 UNITED STATES OF AMERICA
(56) Related Art Documents: **Not Applicable**
(57) Statement of Newness and Distinctiveness: **Newness and distinctiveness is claimed in the features of pattern and/or ornamentation of the logo of a label as illustrated in the accompanying representations.**



- (21) Design Number: **10971/2016**
(22) Date of Filing Application: **23 February 2016**
(24) Date from which industrial property rights may have effect: **23 February 2016**
(54) Product in respect of which the design is registered: **Label**
(51) International Design Classification: **32-02**
(74) Name(s) of Attorney(s): **Spruson & Ferguson**
(71) Name(s) and Address(s) of Applicant(s):
Kimberly-Clark Worldwide, Inc.
2300 Winchester Road, Neenah, Wisconsin, 54956 United States of America
(72) Name(s) of Designer(s): **Barry Markwick and Eric Chalko and Siobhan Lonergan and Casey Dunlevie and Lauren Koprowski and Isabel Babcock**
(45) Registration Date: **07 March 2016**
(30) Convention priority data:
(31) Number (32) Date (33) Country
29/538318 02 Sep 2015 UNITED STATES OF AMERICA
(56) Related Art Documents: **Not Applicable**
(57) Statement of Newness and Distinctiveness: **Newness and distinctiveness is claimed in the features of pattern and/or ornamentation of the logo of a label as illustrated in the accompanying representations.**



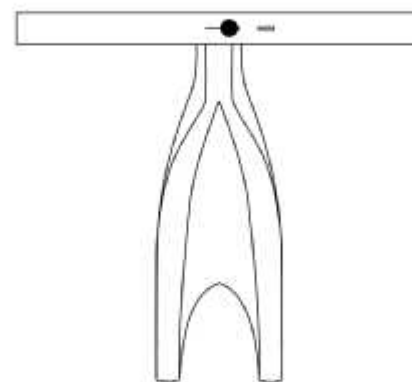
- (21) Design Number: **10973/2016**
(22) Date of Filing Application: **23 February 2016**
(24) Date from which industrial property rights may have effect: **23 February 2016**
(54) Product in respect of which the design is registered: **A cup Holder and blank therefor**
(51) International Design Classification: **07-06A**
(74) Name(s) of Attorney(s): **PHILLIPS ORMONDE FITZPATRICK**
(71) Name(s) and Address(s) of Applicant(s):
St Thomas Clothing Pty Ltd
L 10 369 Royal Pde Parkville VIC 3052 Australia
(72) Name(s) of Designer(s): **Roderic Collins and Hamish Cox and Andrew Eason**
(45) Registration Date: **07 March 2016**
(56) Related Art Documents: **Not Applicable**
(57) Statement of Newness and Distinctiveness: **Nil**



(21) Design Number: **10974/2016**
(22) Date of Filing Application: **23 February 2016**
(24) Date from which industrial property rights may have effect: **23 February 2016**
(54) Product in respect of which the design is registered: **Tyre tread**
(51) International Design Classification: **12-15A**
(74) Name(s) of Attorney(s): **Cullens Pty Ltd**
(71) Name(s) and Address(s) of Applicant(s):
Omni United (S) Pte Ltd.
1 Raffles Place #30-03 One Raffles Place Singapore 048616 Singapore
(72) Name(s) of Designer(s): **Gajendra Singh Sareen**
(45) Registration Date: **07 March 2016**
(30) Convention priority data:
(31) Number (32) Date (33) Country
29/547,006 30 Nov 2015 UNITED STATES OF AMERICA
(56) Related Art Documents: **Not Applicable**
(57) Statement of Newness and Distinctiveness: **Newness and distinctiveness reside in the tread region of a tyre as shown in the accompanying representations. When considering newness and distinctiveness, the features shown in dashed lines are to be given little or no weight.**



(21) Design Number: **10975/2016**
(22) Date of Filing Application: **23 February 2016**
(24) Date from which industrial property rights may have effect: **23 February 2016**
(54) Product in respect of which the design is registered: **Dog thong**
(51) International Design Classification: **30-04**
(74) Name(s) of Attorney(s): **Lesicar Maynard Andrews Pty Ltd**
(71) Name(s) and Address(s) of Applicant(s):
Pennee Osmond
26 Queenscliffe Rd Doubleview WA 6018 Australia
(72) Name(s) of Designer(s): **Pennee Osmond**
(45) Registration Date: **07 March 2016**
(56) Related Art Documents: **Not Applicable**
(57) Statement of Newness and Distinctiveness: **Newness and distinctiveness lie in the shape and/or configuration of the Dog Thong as shown in the accompanying drawings. The Dog Thong is formed into a 3D shape from a blank shown flat in the first drawing.**



(21) Design Number: **16554/2015**
(22) Date of Filing Application: **04 December 2015**
(24) Date from which industrial property rights may have effect: **04 December 2015**
(54) Product in respect of which the design is registered: **Hair styling apparatus**
(51) International Design Classification: **28-03B**
(74) Name(s) of Attorney(s): **WRAYS PTY LTD**
(71) Name(s) and Address(s) of Applicant(s):

Babyliss Faco SPRL
Avenue de l'Independance 25 Wandre 4020 Belgium

(72) Name(s) of Designer(s): **Pierre Julemont**

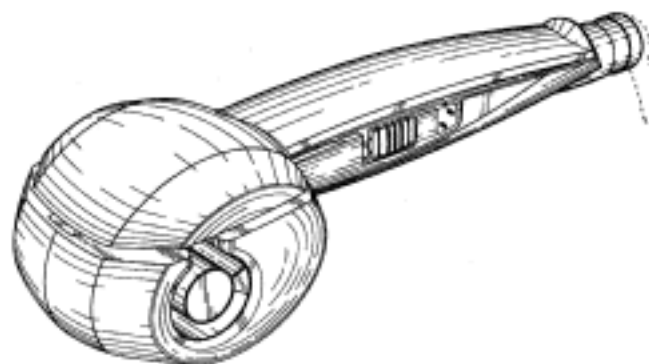
(45) Registration Date: **07 March 2016**

(30) Convention priority data:

(31) Number	(32) Date	(33) Country
29/529,908	11 Jun 2015	UNITED STATES OF AMERICA

(56) Related Art Documents: **Not Applicable**

(57) Statement of Newness and Distinctiveness: **Newness and distinctiveness is claimed in the features of shape, configuration, pattern, and/or ornamentation of the Hair Styling Apparatus as shown in the accompanying representations. The features depicted by broken lines are for illustrative purposes only and form no part of the claimed design.**



(21) Design Number: **10976/2016**
(22) Date of Filing Application: **24 February 2016**
(24) Date from which industrial property rights may have effect: **24 February 2016**
(54) Product in respect of which the design is registered: **Thermometer**
(51) International Design Classification: **10-04**
(74) Name(s) of Attorney(s): **FB Rice**
(71) Name(s) and Address(s) of Applicant(s):

Koninklijke Philips N.V.
High Tech Campus 5 5656 AE Eindhoven The Netherlands

(72) Name(s) of Designer(s): **Frank Verbrugge and Guy Anthony Brown**

(45) Registration Date: **07 March 2016**

(30) Convention priority data:

(31) Number	(32) Date	(33) Country
002759746-0001	25 Aug 2015	OFFICE FOR HARMONISATION IN THE INTERNAL MARKET (OHIM)

(56) Related Art Documents: **Not Applicable**

(57) Statement of Newness and Distinctiveness: **Newness and distinctiveness reside in the features of shape and configuration of the design as shown in the representations.**



(21) Design Number: **10977/2016**

(22) Date of Filing Application: **24 February 2016**

(24) Date from which industrial property rights may have effect: **24 February 2016**

(54) Product in respect of which the design is registered: **Fryer**

(51) International Design Classification: **07-02N**

(74) Name(s) of Attorney(s): **FB Rice**

(71) Name(s) and Address(s) of Applicant(s):

**Koninklijke Philips N.V.
High Tech Campus 5 5656 AE Eindhoven The Netherlands**

(72) Name(s) of Designer(s): **Mingshuo Zhang and Andreas Kowalewski**

(45) Registration Date: **07 March 2016**

(30) Convention priority data:

(31) Number	(32) Date	(33) Country
002759811-0005	25 Aug 2015	OFFICE FOR HARMONISATION IN THE INTERNAL MARKET (OHIM)

(56) Related Art Documents: **Not Applicable**

(57) Statement of Newness and Distinctiveness: **Newness and distinctiveness reside in the features of shape and configuration of the design as shown in the representations.**



(21) Design Number: **10963/2016**

(22) Date of Filing Application: **23 February 2016**

(24) Date from which industrial property rights may have effect: **23 February 2016**

(54) Product in respect of which the design is registered: **A wheeled transporter for carrying children**

(51) International Design Classification: **12-11**

(74) Name(s) of Attorney(s):

(71) Name(s) and Address(s) of Applicant(s):

**Simon Langham Limited
First Floor 2 Woodberry Grove North Finchley London N12 0DR United
kingdom**

(72) Name(s) of Designer(s): **Simon Langham**

(45) Registration Date: **07 March 2016**

(30) Convention priority data:

(31) Number	(32) Date	(33) Country
420613	03 Sep 2015	NEW ZEALAND

(56) Related Art Documents: **Not Applicable**

(57) Statement of Newness and Distinctiveness: **The design is to be applied to a wheeled transporter for carrying children and the novelty resides in the features of shape and configuration as shown in the accompanying representations. The features shown in phantom lines are disclaimed from the design.**



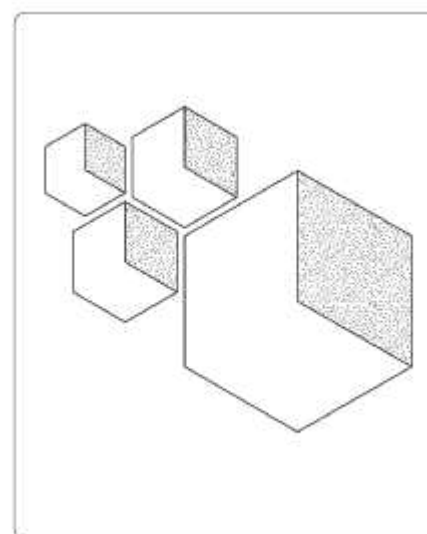
(21) Design Number: **10978/2016**
(22) Date of Filing Application: **24 February 2016**
(24) Date from which industrial property rights may have effect: **24 February 2016**
(54) Product in respect of which the design is registered: **Baby carrier**
(51) International Design Classification: **03-99**
(74) Name(s) of Attorney(s): **Spruson & Ferguson**
(71) Name(s) and Address(s) of Applicant(s):
BabyBjorn AB
Box 913, SOLNA 170 09 Sweden
(72) Name(s) of Designer(s): **Sofia Jacobsson Warfaa and Emelie Heden Edlund**
(45) Registration Date: **07 March 2016**
(30) Convention priority data:
(31) Number (32) Date (33) Country
002769125 09 Sep 2015 OFFICE FOR HARMONISATION IN THE INTERNAL MARKET (OHIM)
(56) Related Art Documents: **Not Applicable**
(57) Statement of Newness and Distinctiveness: **Newness and distinctiveness is claimed in the features of shape and/or configuration of a baby carrier as illustrated in the accompanying representations.**



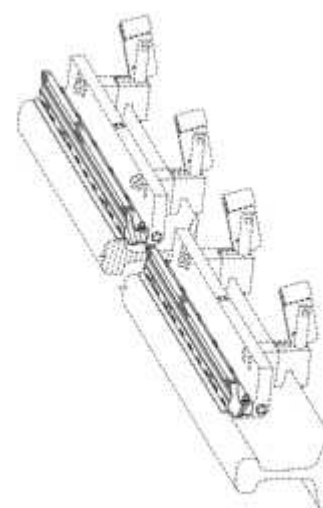
(21) Design Number: **10979/2016**
(22) Date of Filing Application: **24 February 2016**
(24) Date from which industrial property rights may have effect: **24 February 2016**
(54) Product in respect of which the design is registered: **Pizza cooking oven**
(51) International Design Classification: **07-02A**
(74) Name(s) of Attorney(s): **Spruson & Ferguson**
(71) Name(s) and Address(s) of Applicant(s):
Russo Krauss Guiseppe Carlo
Via Gioacchino Toma 5 Napoli 80127 Italy
(72) Name(s) of Designer(s): **Russo Krauss Guiseppe Carlo**
(45) Registration Date: **07 March 2016**
(30) Convention priority data:
(31) Number (32) Date (33) Country
002760660 26 Aug 2015 OFFICE FOR HARMONISATION IN THE INTERNAL MARKET (OHIM)
(56) Related Art Documents: **Not Applicable**
(57) Statement of Newness and Distinctiveness: **Newness and distinctiveness is claimed in the features of shape and/or configuration of a pizza cooking oven as illustrated in the accompanying representations.**



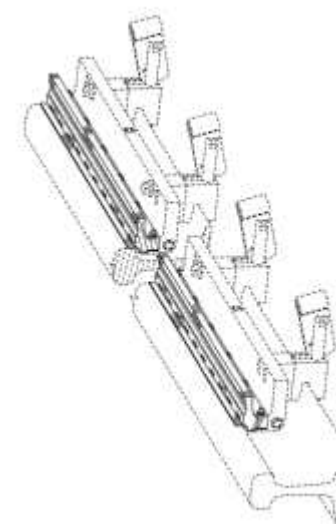
- (21) Design Number: **10964/2016**
(22) Date of Filing Application: **23 February 2016**
(24) Date from which industrial property rights may have effect: **23 February 2016**
(54) Product in respect of which the design is registered: **Label**
(51) International Design Classification: **32-02**
(74) Name(s) of Attorney(s): **Spruson & Ferguson**
(71) Name(s) and Address(s) of Applicant(s):
Kimberly-Clark Worldwide, Inc.
2300 Winchester Road, Neenah Wisconsin, 54956 United States of America
(72) Name(s) of Designer(s): **Barry Markwick and Eric Chalko and Siobhan Lonergan and Casey Dunlevie and Lauren Koprowski and Isabel Babcock**
(45) Registration Date: **07 March 2016**
(30) Convention priority data:
(31) Number (32) Date (33) Country
29/538318 02 Sep 2015 UNITED STATES OF AMERICA
(56) Related Art Documents: **Not Applicable**
(57) Statement of Newness and Distinctiveness: **Newness and distinctiveness is claimed in the features of pattern and/or ornamentation of the logo of a label as illustrated in the accompanying representations.**



- (21) Design Number: **10980/2016**
(22) Date of Filing Application: **24 February 2016**
(24) Date from which industrial property rights may have effect: **24 February 2016**
(54) Product in respect of which the design is registered: **A gauge face lubrication bar**
(51) International Design Classification: **12-99**
(74) Name(s) of Attorney(s): **WATERMARK PATENT AND TRADE MARKS ATTORNEYS**
(71) Name(s) and Address(s) of Applicant(s):
Loram Maintenance of Way, Inc.
3900 Arrowhead Drive HAMEL MN, 55340 United States of America
(72) Name(s) of Designer(s): **Venkat Dyavanapalli**
(45) Registration Date: **07 March 2016**
(30) Convention priority data:
(31) Number (32) Date (33) Country
29/537,819 28 Aug 2015 UNITED STATES OF AMERICA
(56) Related Art Documents: **Not Applicable**
(57) Statement of Newness and Distinctiveness: **Newness and distinctiveness resides in the features of shape and configuration of a gauge face lubrication bar as illustrated in the representations. The design is of indefinite length. The rail and support structure shown in broken lines in the representations are for illustrative purposes only and form no part of the design.**

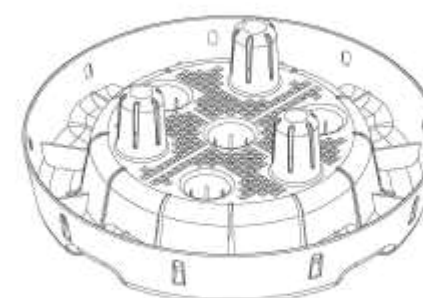


(21) Design Number: **10981/2016**
(22) Date of Filing Application: **24 February 2016**
(24) Date from which industrial property rights may have effect: **24 February 2016**
(54) Product in respect of which the design is registered: **A gauge face lubrication bar**
(51) International Design Classification: **12-99**
(74) Name(s) of Attorney(s): **WATERMARK PATENT AND TRADE MARKS ATTORNEYS**
(71) Name(s) and Address(s) of Applicant(s):
Loram Maintenance of Way, Inc.
3900 Arrowhead Dr Hamel MN, 55340 United States of America
(72) Name(s) of Designer(s): **Venkat Dyavanapalli**
(45) Registration Date: **07 March 2016**
(30) Convention priority data:
(31) Number (32) Date (33) Country
29/537,819 28 Aug 2015 UNITED STATES OF AMERICA



(56) Related Art Documents: **Not Applicable**
(57) Statement of Newness and Distinctiveness: **Newness and distinctiveness resides in the features of shape and configuration of a gauge face lubrication bar as illustrated in the representations. The design is of indefinite length. The rail and support structure shown in broken lines in the representations are for illustrative purposes only and form no part of the design.**

(21) Design Number: **10982/2016**
(22) Date of Filing Application: **24 February 2016**
(24) Date from which industrial property rights may have effect: **24 February 2016**
(54) Product in respect of which the design is registered: **Base for a planter**
(51) International Design Classification: **11-02C**
(74) Name(s) of Attorney(s): **Griffith Hack**
(71) Name(s) and Address(s) of Applicant(s):
Takasho Co., Ltd.
489, Sakai, Kainan-shi Wakayama-ken 642-0024 Japan
(72) Name(s) of Designer(s): **Nobuo Takaoka**
(45) Registration Date: **07 March 2016**
(30) Convention priority data:
(31) Number (32) Date (33) Country
2015-018831 27 Aug 2015 JAPAN

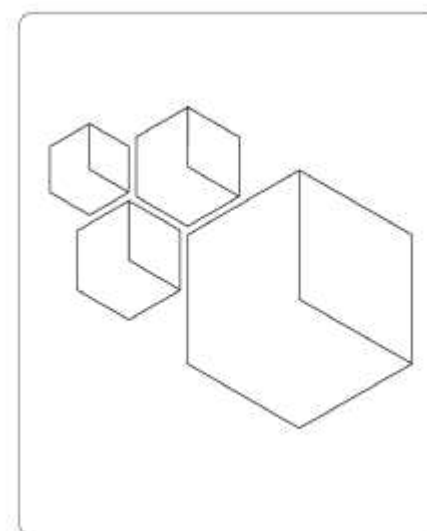


(56) Related Art Documents: **Not Applicable**
(57) Statement of Newness and Distinctiveness: **Newness and distinctiveness resides in the visual features, including the shape and configuration of the product shown by means of solid lines in the representations. The dashed lines represent sidewalls that do not form part of the product and have been included for illustrative purposes only.**

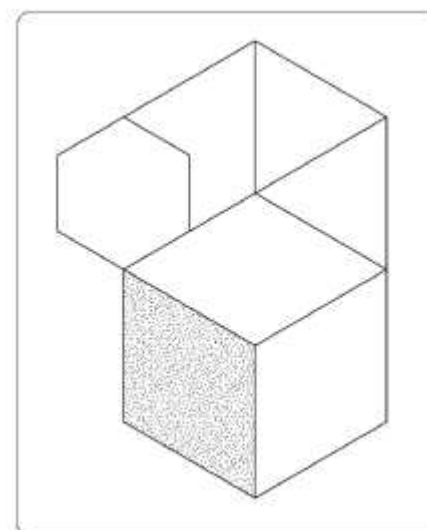
(21) Design Number: **10983/2016**
(22) Date of Filing Application: **24 February 2016**
(24) Date from which industrial property rights may have effect: **24 February 2016**
(54) Product in respect of which the design is registered: **Mattress**
(51) International Design Classification: **06-09**
(74) Name(s) of Attorney(s): **Griffith Hack**
(71) Name(s) and Address(s) of Applicant(s):
Wenatex Forschung Entwicklung Produktion GmbH
Schlossstrasse 49 Braunau am Inn Ranshofen 5282 Austria
(72) Name(s) of Designer(s): **Hans-Gerd Wernicke**
(45) Registration Date: **07 March 2016**
(30) Convention priority data:
(31) Number (32) Date (33) Country
002830406-0001 21 Oct 2015 OFFICE FOR HARMONISATION IN
THE INTERNAL MARKET (OHIM)
(56) Related Art Documents: **Not Applicable**
(57) Statement of Newness and Distinctiveness: **Newness and distinctiveness resides in the visual features, including the shape, configuration, pattern and ornamentation of the product shown in the representations. Figure 5 and 6 are reference views and have been included to the help identify a portion of the pattern and ornamentation.**



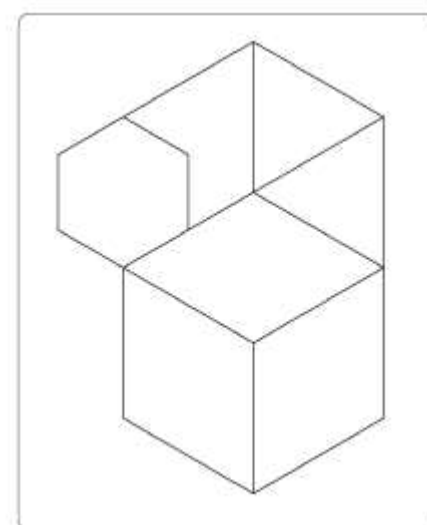
(21) Design Number: **10965/2016**
(22) Date of Filing Application: **23 February 2016**
(24) Date from which industrial property rights may have effect: **23 February 2016**
(54) Product in respect of which the design is registered: **Label**
(51) International Design Classification: **32-02**
(74) Name(s) of Attorney(s): **Spruson & Ferguson**
(71) Name(s) and Address(s) of Applicant(s):
Kimberly-Clark Worldwide, Inc.
2300 Winchester Road, Neenah Wisconsin, 54956 United States of
America
(72) Name(s) of Designer(s): **Barry Markwick and Eric Chalko and Siobhan Lonergan and Casey Dunlevie and Lauren Koprowski and Isabel Babcock**
(45) Registration Date: **07 March 2016**
(30) Convention priority data:
(31) Number (32) Date (33) Country
29/538318 02 Sep 2015 UNITED STATES OF AMERICA
(56) Related Art Documents: **Not Applicable**
(57) Statement of Newness and Distinctiveness: **Newness and distinctiveness is claimed in the features of pattern and/or ornamentation of the logo of a label as illustrated in the accompanying representations.**



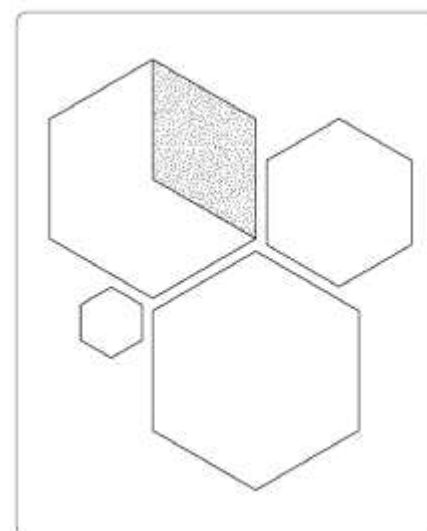
- (21) Design Number: **10966/2016**
(22) Date of Filing Application: **23 February 2016**
(24) Date from which industrial property rights may have effect: **23 February 2016**
(54) Product in respect of which the design is registered: **Label**
(51) International Design Classification: **32-02**
(74) Name(s) of Attorney(s): **Spruson & Ferguson**
(71) Name(s) and Address(s) of Applicant(s):
Kimberly-Clark Worldwide, Inc.
2300 Winchester Road, Neenah Wisconsin, 54956 United States of America
(72) Name(s) of Designer(s): **Barry Markwick and Eric Chalko and Siobhan Lonergan and Casey Dunlevie and Lauren Koprowski and Isabel Babcock**
(45) Registration Date: **07 March 2016**
(30) Convention priority data:
(31) Number (32) Date (33) Country
29/538318 02 Sep 2015 UNITED STATES OF AMERICA
(56) Related Art Documents: **Not Applicable**
(57) Statement of Newness and Distinctiveness: **Newness and distinctiveness is claimed in the features of pattern and/or ornamentation of the logo of a label as illustrated in the accompanying representations.**



- (21) Design Number: **10967/2016**
(22) Date of Filing Application: **23 February 2016**
(24) Date from which industrial property rights may have effect: **23 February 2016**
(54) Product in respect of which the design is registered: **Label**
(51) International Design Classification: **32-02**
(74) Name(s) of Attorney(s): **Spruson & Ferguson**
(71) Name(s) and Address(s) of Applicant(s):
Kimberly-Clark Worldwide, Inc.
2300 Winchester Road, Neenah Wisconsin, 54956 United States of America
(72) Name(s) of Designer(s): **Barry Markwick and Eric Chalko and Siobhan Lonergan and Casey Dunlevie and Lauren Koprowski and Isabel Babcock**
(45) Registration Date: **07 March 2016**
(30) Convention priority data:
(31) Number (32) Date (33) Country
29/538318 02 Sep 2015 UNITED STATES OF AMERICA
(56) Related Art Documents: **Not Applicable**
(57) Statement of Newness and Distinctiveness: **Newness and distinctiveness is claimed in the features of pattern and/or ornamentation of the logo of a label as illustrated in the accompanying representations.**



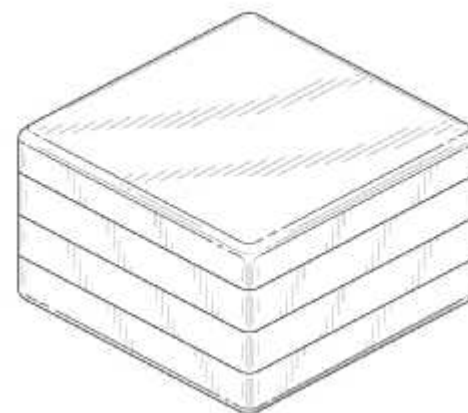
(21) Design Number: **10968/2016**
(22) Date of Filing Application: **23 February 2016**
(24) Date from which industrial property rights may have effect: **23 February 2016**
(54) Product in respect of which the design is registered: **Label**
(51) International Design Classification: **32-02**
(74) Name(s) of Attorney(s): **Spruson & Ferguson**
(71) Name(s) and Address(s) of Applicant(s):
Kimberly-Clark Worldwide, Inc.
2300 Winchester Road, Neenah Wisconsin, 54956 United States of America
(72) Name(s) of Designer(s): **Barry Markwick and Eric Chalko and Siobhan Lonergan and Casey Dunlevie and Lauren Koprowski and Isabel Babcock**
(45) Registration Date: **07 March 2016**
(30) Convention priority data:
(31) Number (32) Date (33) Country
29/538318 02 Sep 2015 UNITED STATES OF AMERICA
(56) Related Art Documents: **Not Applicable**
(57) Statement of Newness and Distinctiveness: **Newness and distinctiveness is claimed in the features of pattern and/or ornamentation of the logo of a label as illustrated in the accompanying representation.**



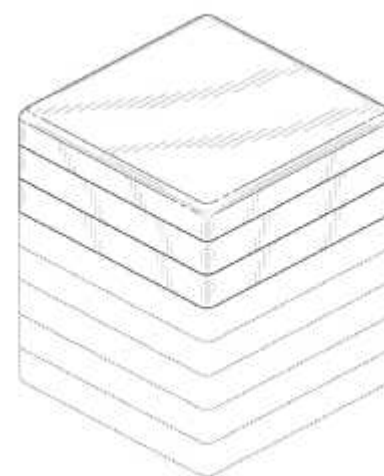
(21) Design Number: **10986/2016**
(22) Date of Filing Application: **24 February 2016**
(24) Date from which industrial property rights may have effect: **24 February 2016**
(54) Product in respect of which the design is registered: **A wristwatch**
(51) International Design Classification: **10-02**
(74) Name(s) of Attorney(s): **WATERMARK PATENT AND TRADE MARKS ATTORNEYS**
(71) Name(s) and Address(s) of Applicant(s):
Rado Uhren AG (Rado Watch Co. Ltd.) (Montres Rado SA)
Bielstrasse 45 Lengnau 2543 Switzerland
(72) Name(s) of Designer(s): **Fabrice Duport**
(45) Registration Date: **07 March 2016**
(30) Convention priority data:
(31) Number (32) Date (33) Country
DM/087446 03 Sep 2015 WORLD INTELLECTUAL PROPERTY ORGANIZATION (WIPO)
(56) Related Art Documents: **Not Applicable**
(57) Statement of Newness and Distinctiveness: **Nil**



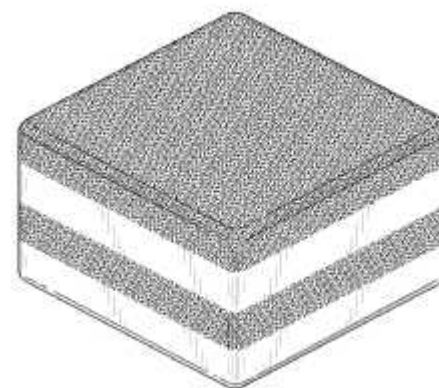
(21) Design Number: **10988/2016**
(22) Date of Filing Application: **24 February 2016**
(24) Date from which industrial property rights may have effect: **24 February 2016**
(54) Product in respect of which the design is registered: **1) Confection; 2) gum**
(51) International Design Classification: **01-01**
(74) Name(s) of Attorney(s): **Griffith Hack**
(71) Name(s) and Address(s) of Applicant(s):
Intercontinental Great Brands LLC
100 Deforest Avenue East Hanover NJ, 07936 United States of America
(72) Name(s) of Designer(s): **Kishor Kabse**
(45) Registration Date: **07 March 2016**
(30) Convention priority data:
(31) Number (32) Date (33) Country
29/537,187 24 Aug 2015 UNITED STATES OF AMERICA
(56) Related Art Documents: **Not Applicable**
(57) Statement of Newness and Distinctiveness: **The shape and configuration of the product (as against the surface shading) shown in the accompanying representations is new and distinctive.**



(21) Design Number: **10989/2016**
(22) Date of Filing Application: **24 February 2016**
(24) Date from which industrial property rights may have effect: **24 February 2016**
(54) Product in respect of which the design is registered: **1) Confection; 2) gum**
(51) International Design Classification: **01-01**
(74) Name(s) of Attorney(s): **Griffith Hack**
(71) Name(s) and Address(s) of Applicant(s):
Intercontinental Great Brands LLC
100 Deforest Avenue East Hanover NJ, 07936 United States of America
(72) Name(s) of Designer(s): **Kishor Kabse**
(45) Registration Date: **07 March 2016**
(30) Convention priority data:
(31) Number (32) Date (33) Country
29/537,187 24 Aug 2015 UNITED STATES OF AMERICA
(56) Related Art Documents: **Not Applicable**
(57) Statement of Newness and Distinctiveness: **The shape and configuration of the parts of the product shown by solid lines (as against the surface shading) in the accompanying representations are new and distinctive.**

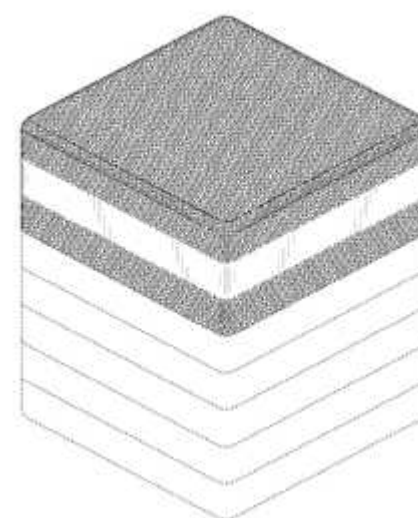


(21) Design Number: **10990/2016**
(22) Date of Filing Application: **24 February 2016**
(24) Date from which industrial property rights may have effect: **24 February 2016**
(54) Product in respect of which the design is registered: **1) confection; 2) gum**
(51) International Design Classification: **01-01**
(74) Name(s) of Attorney(s): **Griffith Hack**
(71) Name(s) and Address(s) of Applicant(s):
Intercontinental Great Brands LLC
100 Deforest Avenue East Hanover NJ, 07936 United States of America



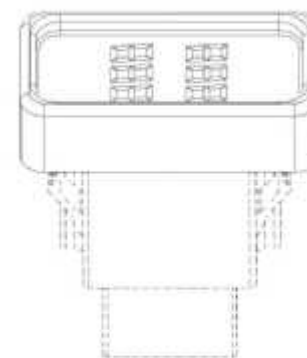
(72) Name(s) of Designer(s): **Kishor Kabse**
(45) Registration Date: **07 March 2016**
(30) Convention priority data:
(31) Number (32) Date (33) Country
29/537,187 24 Aug 2015 UNITED STATES OF AMERICA
(56) Related Art Documents: **Not Applicable**
(57) Statement of Newness and Distinctiveness: **The shape, configuration, pattern and ornamentation of the product (as against the surface shading) shown in the accompanying representations is new and distinctive, noting that the stippled shading in the representations represents contrast in appearance.**

(21) Design Number: **10991/2016**
(22) Date of Filing Application: **24 February 2016**
(24) Date from which industrial property rights may have effect: **24 February 2016**
(54) Product in respect of which the design is registered: **1) confection; 2) gum**
(51) International Design Classification: **01-01**
(74) Name(s) of Attorney(s): **Griffith Hack**
(71) Name(s) and Address(s) of Applicant(s):
Intercontinental Great Brands LLC
100 Deforest Avenue East Hanover NJ, 07936 United States of America



(72) Name(s) of Designer(s): **Kishor Kabse**
(45) Registration Date: **07 March 2016**
(30) Convention priority data:
(31) Number (32) Date (33) Country
29/537,187 24 Aug 2015 UNITED STATES OF AMERICA
(56) Related Art Documents: **Not Applicable**
(57) Statement of Newness and Distinctiveness: **The shape, configuration, pattern and ornamentation of the parts of the product shown by solid lines (as against the surface shading) in the accompanying representations are new and distinctive, noting that the stippled shading in the representations represents contrast in appearance.**

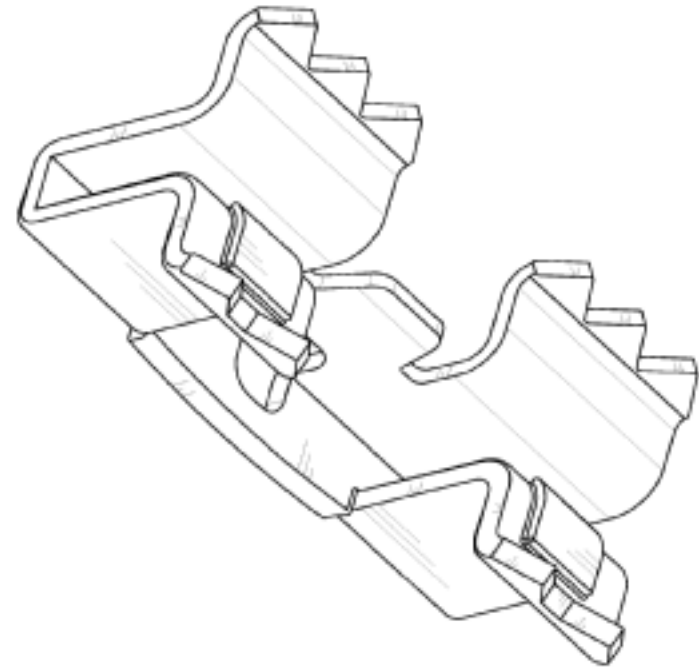
- (21) Design Number: **10992/2016**
(22) Date of Filing Application: **24 February 2016**
(24) Date from which industrial property rights may have effect: **24 February 2016**
(54) Product in respect of which the design is registered: **Display unit**
(51) International Design Classification: **14-02**
(74) Name(s) of Attorney(s): **Baxter Patent Attorneys Pty Ltd**
(71) Name(s) and Address(s) of Applicant(s):
PositiveG Investments Pty Ltd ATF The PositiveG Trust
51 Aberfeldie St Aberfeldie VIC 3040 Australia
(72) Name(s) of Designer(s): **Peter Hill**
(45) Registration Date: **07 March 2016**
(56) Related Art Documents: **Not Applicable**
(57) Statement of Newness and Distinctiveness: **The newness and distinctiveness of the design resides in the shape and/or configuration of a DISPLAY UNIT as shown in the accompanying representations, and irrespective of the shape and/or configuration of the rear features of the DISPLAY UNIT shown in broken lines.**



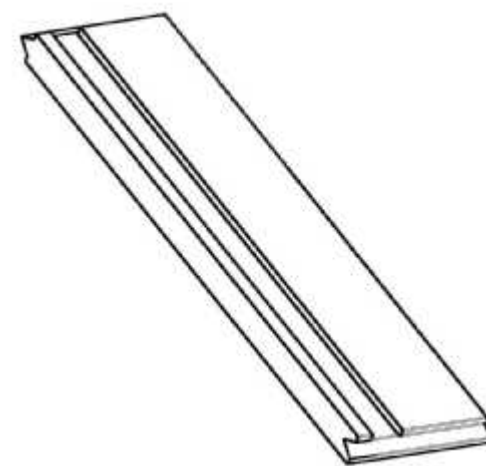
- (21) Design Number: **10260/2016**
(22) Date of Filing Application: **20 January 2016**
(24) Date from which industrial property rights may have effect: **20 January 2016**
(54) Product in respect of which the design is registered: **Commemorative candle**
(51) International Design Classification: **26-04**
(74) Name(s) of Attorney(s):
(71) Name(s) and Address(s) of Applicant(s):
Aundreau Elizabeth Cain
313/4 Beaches Village Crt Agnes Water QLD 4677 Australia
Kylie Nitz
86 Pleasant St Maryborough QLD 4650 Australia
(72) Name(s) of Designer(s): **Aundreau Elizabeth Cain and Kylie Nitz**
(45) Registration Date: **07 March 2016**
(56) Related Art Documents: **Not Applicable**
(57) Statement of Newness and Distinctiveness: **The newness and distinctiveness of the Commemorative Candle resides in the detail and consideration with each aspect of the candle. A unique representation of sacrifices made symbolic of the 3 defence services. The distinctiveness of the Commemorative Candle is demonstrated in the meaning of each aspect of the presentation, detail and care taken in our handmade product. Designed as a keepsake, sold in RSLs across Australia and defence associated establishments. Presented in a Medium Danube clear glass jar with Flat lid. With the following permanent features: Container: Medium Clear Danube Glass Jar with Lid, Wax: 100% Soy Wax, Wick: 100% Cotton Wick, Fragrance: Lavender, Geranium & Ylang Ylang, Rosemary, Eucalyptus, Fir Needle, Exotic Verbena and Cedarwood Essential Oils, Colour: Butterscotch, Name: Lest We Forget, Labelling: The Ode on the rear of the candle, Lid Insert: Wreath of Rosemary. The picture on the front of the candle will change annually or as per Celebration.**



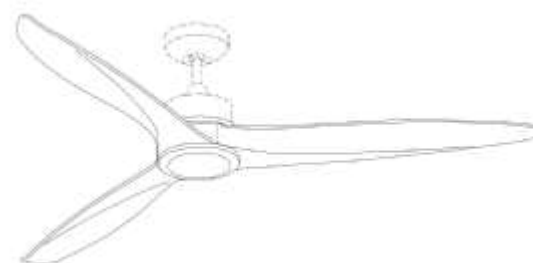
- (21) Design Number: **10996/2016**
(22) Date of Filing Application: **25 February 2016**
(24) Date from which industrial property rights may have effect: **25 February 2016**
(54) Product in respect of which the design is registered: **Deck clip**
(51) International Design Classification: **08-08C**
(74) Name(s) of Attorney(s): **Spruson & Ferguson**
(71) Name(s) and Address(s) of Applicant(s):
Grabber Construction Products, Inc.
5255 West 11000 North Highland Utah, 84003 United States of America
(72) Name(s) of Designer(s): **Scott Marshall and Steven Scott Henderson and Bevan W. Wulfenstein and Li-Nung Kuo**
(45) Registration Date: **07 March 2016**
(30) Convention priority data:
(31) Number (32) Date (33) Country
29/551140 11 Jan 2016 UNITED STATES OF AMERICA
(56) Related Art Documents: **Not Applicable**
(57) Statement of Newness and Distinctiveness: **Newness and distinctiveness is claimed in the features of shape and/or configuration of a deck clip as illustrated in the accompanying representations.**



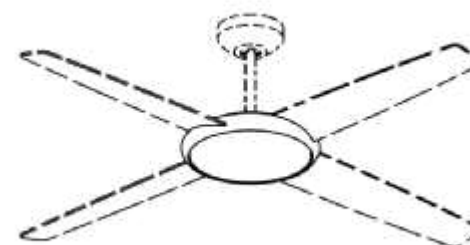
- (21) Design Number: **10997/2016**
(22) Date of Filing Application: **25 February 2016**
(24) Date from which industrial property rights may have effect: **25 February 2016**
(54) Product in respect of which the design is registered: **A skirt segment for a conveyor belt**
(51) International Design Classification: **12-05**
(74) Name(s) of Attorney(s): **Spruson & Ferguson**
(71) Name(s) and Address(s) of Applicant(s):
ESS Engineering Services & Supplies Pty Limited
Lot 6, Traders Way Currumbin QLD 4223 Australia
(72) Name(s) of Designer(s): **Terry Thew**
(45) Registration Date: **07 March 2016**
(56) Related Art Documents: **Not Applicable**
(57) Statement of Newness and Distinctiveness: **Newness and distinctiveness is claimed in the features of shape and/or configuration of a skirt segment for a conveyor belt as illustrated in the accompanying representations.**



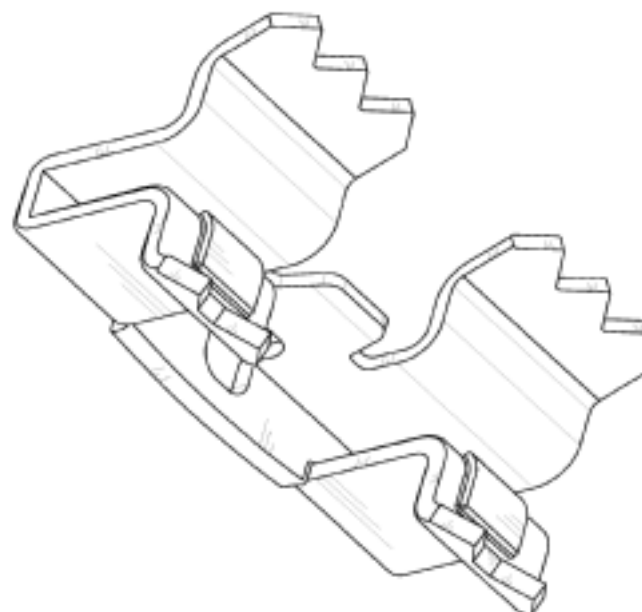
- (21) Design Number: **10998/2016**
(22) Date of Filing Application: **25 February 2016**
(24) Date from which industrial property rights may have effect: **25 February 2016**
(54) Product in respect of which the design is registered: **Ceiling Fan**
(51) International Design Classification: **23-04**
(74) Name(s) of Attorney(s): **Armour IP**
(71) Name(s) and Address(s) of Applicant(s):
Iconic Fans Pty Ltd
PO Box 1851 Canning Vale Dc WA 6970 Australia
(72) Name(s) of Designer(s): **Paul Jones**
(45) Registration Date: **07 March 2016**
(56) Related Art Documents: **Not Applicable**
(57) Statement of Newness and Distinctiveness: **Newness and distinctiveness resides in the shape and configuration of a ceiling fan as depicted in solid lines in the attached representations.**



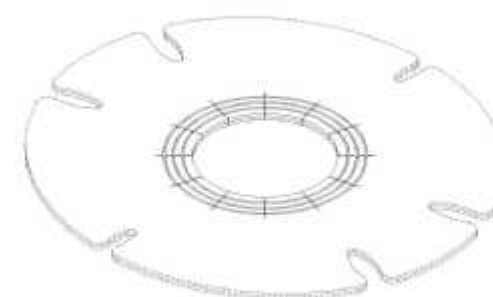
- (21) Design Number: **10999/2016**
(22) Date of Filing Application: **25 February 2016**
(24) Date from which industrial property rights may have effect: **25 February 2016**
(54) Product in respect of which the design is registered: **Ceiling fan**
(51) International Design Classification: **23-04**
(74) Name(s) of Attorney(s): **Armour IP**
(71) Name(s) and Address(s) of Applicant(s):
Iconic Fans Pty Ltd
PO Box 1851 Canning Vale Dc WA 6970 Australia
(72) Name(s) of Designer(s): **Paul Jones**
(45) Registration Date: **07 March 2016**
(56) Related Art Documents: **Not Applicable**
(57) Statement of Newness and Distinctiveness: **Newness and distinctiveness resides in the shape and configuration of a ceiling fan as depicted in solid lines in the attached representations.**



(21) Design Number: **11001/2016**
(22) Date of Filing Application: **25 February 2016**
(24) Date from which industrial property rights may have effect: **25 February 2016**
(54) Product in respect of which the design is registered: **Deck clip**
(51) International Design Classification: **08-08C**
(74) Name(s) of Attorney(s): **Spruson & Ferguson**
(71) Name(s) and Address(s) of Applicant(s):
Grabber Construction Products, Inc.
5255 West 11000 North Highland Utah, 84003 United States of America
(72) Name(s) of Designer(s): **Scott Marshall and Steven Scott Henderson and Bevan W. Wulfenstein and Li-Nung Kuo**
(45) Registration Date: **07 March 2016**
(30) Convention priority data:
(31) Number (32) Date (33) Country
29/551140 11 Jan 2016 UNITED STATES OF AMERICA
(56) Related Art Documents: **Not Applicable**
(57) Statement of Newness and Distinctiveness: **Newness and distinctiveness is claimed in the features of shape and/or configuration of a deck clip as illustrated in the accompanying representations.**



(21) Design Number: **11002/2016**
(22) Date of Filing Application: **25 February 2016**
(24) Date from which industrial property rights may have effect: **25 February 2016**
(54) Product in respect of which the design is registered: **Seal for use with ostomy products**
(51) International Design Classification: **24-02**
(74) Name(s) of Attorney(s): **Shelston IP Pty Ltd.**
(71) Name(s) and Address(s) of Applicant(s):
T.G. Eakin Limited
15 Ballystockart Road Comber Co. Down BT23 5QY United Kingdom
(72) Name(s) of Designer(s): **Benjamin Mahood**
(45) Registration Date: **07 March 2016**
(30) Convention priority data:
(31) Number (32) Date (33) Country
2921494 23 Dec 2015 OFFICE FOR HARMONISATION IN THE INTERNAL MARKET (OHIM)
(56) Related Art Documents: **Not Applicable**
(57) Statement of Newness and Distinctiveness: **Newness and distinctiveness reside in the features of shape and configuration of a seal for use with ostomy products as shown in solid lines in the accompanying representations. The features shown in broken lines do not form part of the design and can vary.**



(21) Design Number: **13835/2015**

(22) Date of Filing Application: **30 July 2015**

(24) Date from which industrial property rights may have effect: **30 July 2015**

(54) Product in respect of which the design is registered: **A building element**

(51) International Design Classification: **25-01D**

(74) Name(s) of Attorney(s): **EAGAR & MARTIN PTY LTD**

(71) Name(s) and Address(s) of Applicant(s):

Knew Pod Systems Pty Ltd

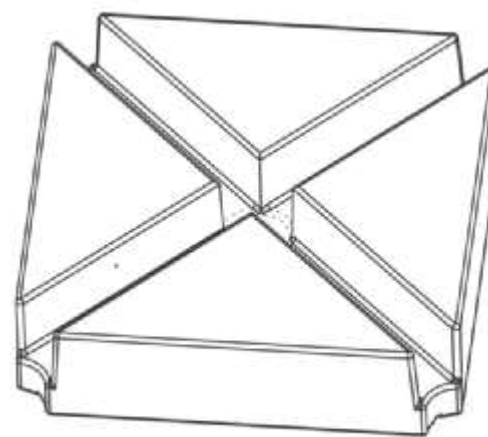
**C/O Depot Accounting Pty Ltd L1 27 James St Fortitude Valley QLD 4006
Australia**

(72) Name(s) of Designer(s): **Kevin Saunders**

(45) Registration Date: **08 March 2016**

(56) Related Art Documents: **Not Applicable**

(57) Statement of Newness and Distinctiveness: **The newness and distinctiveness of the design resides in the shape and/or configuration of the building element as shown in the continuous lines in the accompanying representations. The broken lines are not part of the design and are to be disregarded when considering the overall impression of the design.**



(21) Design Number: **13836/2015**

(22) Date of Filing Application: **30 July 2015**

(24) Date from which industrial property rights may have effect: **30 July 2015**

(54) Product in respect of which the design is registered: **A building element**

(51) International Design Classification: **21-01D**

(74) Name(s) of Attorney(s): **EAGAR & MARTIN PTY LTD**

(71) Name(s) and Address(s) of Applicant(s):

Knew Pod Systems Pty Ltd

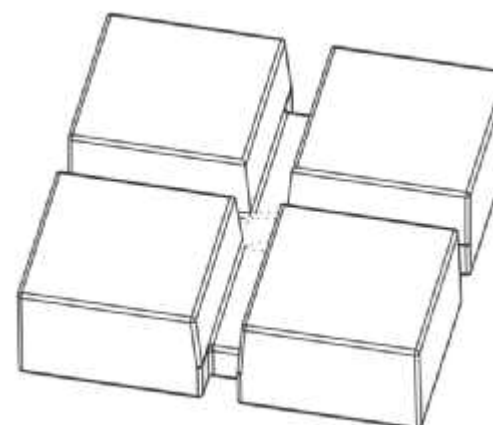
**C/O Depot Accounting Pty Ltd L1 27 James St Fortitude Valley QLD 4006
Australia**

(72) Name(s) of Designer(s): **Kevin Saunders**

(45) Registration Date: **08 March 2016**

(56) Related Art Documents: **Not Applicable**

(57) Statement of Newness and Distinctiveness: **The newness and distinctiveness of the design resides in the shape and/or configuration of the building element as shown in the continuous lines in the accompanying representations. The broken lines are not part of the design and are to be disregarded when considering the overall impression of the design.**



(21) Design Number: **13846/2015**

(22) Date of Filing Application: **30 July 2015**

(24) Date from which industrial property rights may have effect: **30 July 2015**

(54) Product in respect of which the design is registered: **A building element**

(51) International Design Classification: **21-01D**

(74) Name(s) of Attorney(s): **EAGAR & MARTIN PTY LTD**

(71) Name(s) and Address(s) of Applicant(s):

Knew Pod Systems Pty Ltd

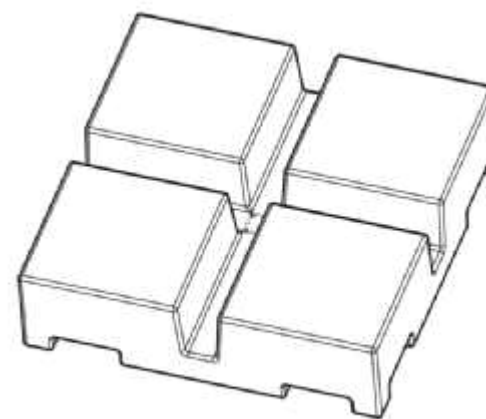
**C/O Depot Accounting Pty Ltd L1 27 James St Fortitude Valley QLD 4060
Australia**

(72) Name(s) of Designer(s): **Kevin Saunders**

(45) Registration Date: **08 March 2016**

(56) Related Art Documents: **Not Applicable**

(57) Statement of Newness and Distinctiveness: **The newness and distinctiveness of the design resides in the shape and/or configuration of the building element as shown in the continuous lines in the accompanying representations. The broken lines are not part of the design and are to be disregarded when considering the overall impression of the design.**



(21) Design Number: **16343/2015**

(22) Date of Filing Application: **23 November 2015**

(24) Date from which industrial property rights may have effect: **23 November 2015**

(54) Product in respect of which the design is registered: **Label for an automatic dishwashing detergent**

(51) International Design Classification: **19-08**

(74) Name(s) of Attorney(s): **Thomson Geer**

(71) Name(s) and Address(s) of Applicant(s):

Reckitt Benckiser N.V.

Siriusdreef 14 2132 WT Hoofddorp The Netherlands

(72) Name(s) of Designer(s): **Lisa Koessler**

(45) Registration Date: **08 March 2016**

(30) Convention priority data:

(31) Number (32) Date
002711622-0003 02 Jun 2015

(33) Country
**OFFICE FOR HARMONISATION IN
THE INTERNAL MARKET (OHIM)**

(56) Related Art Documents: **Not Applicable**

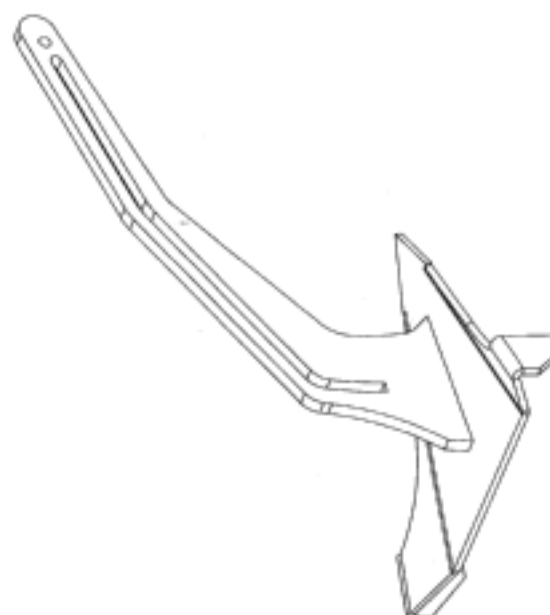
(57) Statement of Newness and Distinctiveness: **Label for an automatic dishwashing detergent**



(21) Design Number: **16344/2015**
(22) Date of Filing Application: **23 November 2015**
(24) Date from which industrial property rights may have effect: **23 November 2015**
(54) Product in respect of which the design is registered: **Label for an automatic dishwashing detergent**
(51) International Design Classification: **19-08**
(74) Name(s) of Attorney(s): **Thomson Geer**
(71) Name(s) and Address(s) of Applicant(s):
Reckitt Benckiser N.V.
Siriusdreef 14 2132 WT Hoofddorp The Netherlands
(72) Name(s) of Designer(s): **Lisa Koessler**
(45) Registration Date: **08 March 2016**
(30) Convention priority data:
(31) Number (32) Date (33) Country
002711622-0007 02 Jun 2015 OFFICE FOR HARMONISATION IN THE INTERNAL MARKET (OHIM)
(56) Related Art Documents: **Not Applicable**
(57) Statement of Newness and Distinctiveness: **Label for an automatic dishwashing detergent**



(21) Design Number: **17148/2015**
(22) Date of Filing Application: **09 September 2015**
(24) Date from which industrial property rights may have effect: **09 September 2015**
(54) Product in respect of which the design is registered: **An anchor**
(51) International Design Classification: **12-16P**
(74) Name(s) of Attorney(s):
(71) Name(s) and Address(s) of Applicant(s):
Ary Pty Ltd
We3 16 Malibu Ct Carrum Downs VIC 3201 Australia
(72) Name(s) of Designer(s): **Malki Allan About Ary**
(45) Registration Date: **08 March 2016**
(56) Related Art Documents: **Not Applicable**
(57) Statement of Newness and Distinctiveness: **The applicant claims that newness and distinctiveness reside in the features of shape and configuration of an anchor, as depicted in the accompanying representations.**



(21) Design Number: **10219/2016**
(22) Date of Filing Application: **15 January 2016**
(24) Date from which industrial property rights may have effect: **15 January 2016**
(54) Product in respect of which the design is registered: **Soles for footwear**
(51) International Design Classification: **02-04B**
(74) Name(s) of Attorney(s): **MMLC Murphy Wang Solicitors**
(71) Name(s) and Address(s) of Applicant(s):
Holster Fashion Pty Ltd
6-55 Gateway Dr Noosaville QLD 4566 Australia
(72) Name(s) of Designer(s): **Natalie Jean Miller**
(45) Registration Date: **08 March 2016**
(30) Convention priority data:
(31) Number (32) Date (33) Country
002738047-0005 16 Jul 2015 EUROPEAN PATENT OFFICE (EPO)
(56) Related Art Documents: **Not Applicable**
(57) Statement of Newness and Distinctiveness: **Newness and distinctiveness reside in the shape and configuration of the footwear and components, as shown in the accompanying representations.**



(21) Design Number: **10221/2016**
(22) Date of Filing Application: **15 January 2016**
(24) Date from which industrial property rights may have effect: **15 January 2016**
(54) Product in respect of which the design is registered: **Soles for footwear**
(51) International Design Classification: **02-04B**
(74) Name(s) of Attorney(s): **MMLC Murphy Wang Solicitors**
(71) Name(s) and Address(s) of Applicant(s):
Holster Fashion Pty Ltd
6-55 Gateway Dr Noosaville QLD 4566 Australia
(72) Name(s) of Designer(s): **Natalie Jean Miller**
(45) Registration Date: **08 March 2016**
(30) Convention priority data:
(31) Number (32) Date (33) Country
002738047-0004 16 Jul 2015 EUROPEAN PATENT OFFICE (EPO)
(56) Related Art Documents: **Not Applicable**
(57) Statement of Newness and Distinctiveness: **Newness and distinctiveness reside in the shape and configuration of the footwear and components, as shown in the accompanying representations.**



- (21) Design Number: **10325/2016**
(22) Date of Filing Application: **22 January 2016**
(24) Date from which industrial property rights may have effect: **22 January 2016**
(54) Product in respect of which the design is registered: **Transport pallet**
(51) International Design Classification: **09-08**
(74) Name(s) of Attorney(s): **Davies Collison Cave**
(71) Name(s) and Address(s) of Applicant(s):
Composite Materials Engineering Pty Ltd
1/37 Hosie Street Bayswater VIC 3152 Australia
(72) Name(s) of Designer(s): **Brian Hughes and Ian Mckern and Mark Turner**
(45) Registration Date: **08 March 2016**
(56) Related Art Documents: **Not Applicable**
(57) Statement of Newness and Distinctiveness: **Newness and distinctiveness is claimed in the features of shape and configuration of the pallet as shown in the representations.**



- (21) Design Number: **10326/2016**
(22) Date of Filing Application: **22 January 2016**
(24) Date from which industrial property rights may have effect: **22 January 2016**
(54) Product in respect of which the design is registered: **Transport pallet**
(51) International Design Classification: **09-08**
(74) Name(s) of Attorney(s): **Davies Collison Cave**
(71) Name(s) and Address(s) of Applicant(s):
Composite Materials Engineering Pty Ltd
1/37 Hosie Street Bayswater VIC 3152 Australia
(72) Name(s) of Designer(s): **Brian Hughes and Ian Mckern and Mark Turner**
(45) Registration Date: **08 March 2016**
(56) Related Art Documents: **Not Applicable**
(57) Statement of Newness and Distinctiveness: **Newness and distinctiveness is claimed in the features of shape and configuration of the three transversely extending support structures of the pallet as shown in the representations, but not in the remainder of the pallet which is capable of variation.**



(21) Design Number: **10871/2016**

(22) Date of Filing Application: **18 February 2016**

(24) Date from which industrial property rights may have effect: **18 February 2016**

(54) Product in respect of which the design is registered: **Cup lid**

(51) International Design Classification: **09-07B**

(74) Name(s) of Attorney(s): **PHILLIPS ORMONDE FITZPATRICK**

(71) Name(s) and Address(s) of Applicant(s):

First Quality Packaging Solutions, LLC
80 Cuttermill Road - Suite 500 Great Neck New York, 11021 United States
of America

(72) Name(s) of Designer(s): **Mark Strachan**

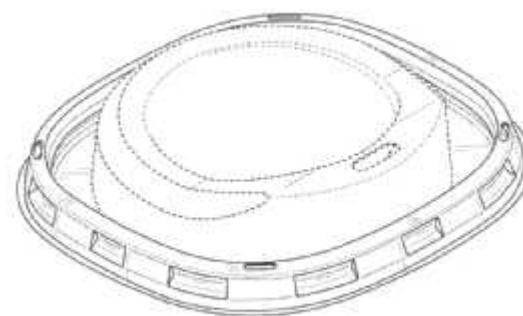
(45) Registration Date: **08 March 2016**

(30) Convention priority data:

(31) Number	(32) Date	(33) Country
29/538,291	02 Sep 2015	UNITED STATES OF AMERICA

(56) Related Art Documents: **Not Applicable**

(57) Statement of Newness and Distinctiveness: **Those features of the cup lid depicted in the representations that are new and distinctive are the shape and/or configuration. The features shown in broken lines are not part of the design and are to be disregarded when considering the overall impression of the design.**



(21) Design Number: **10872/2016**

(22) Date of Filing Application: **18 February 2016**

(24) Date from which industrial property rights may have effect: **18 February 2016**

(54) Product in respect of which the design is registered: **Cup lid**

(51) International Design Classification: **09-07B**

(74) Name(s) of Attorney(s): **PHILLIPS ORMONDE FITZPATRICK**

(71) Name(s) and Address(s) of Applicant(s):

First Quality Packaging Solutions, LLC
80 Cuttermill Road - Suite 500 Great Neck New York, 11021 United States
of America

(72) Name(s) of Designer(s): **Mark Strachan**

(45) Registration Date: **08 March 2016**

(30) Convention priority data:

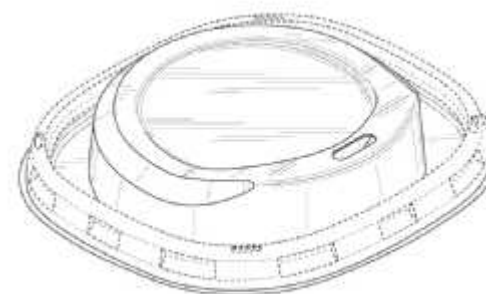
(31) Number	(32) Date	(33) Country
29/538,289	02 Sep 2015	UNITED STATES OF AMERICA

(56) Related Art Documents: **Not Applicable**

(57) Statement of Newness and Distinctiveness: **Those features of the cup lid depicted in the representations that are new and distinctive are the shape and/or configuration.**



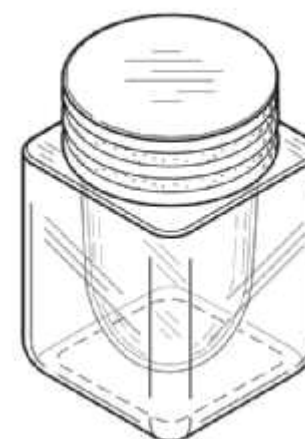
(21) Design Number: **10873/2016**
(22) Date of Filing Application: **18 February 2016**
(24) Date from which industrial property rights may have effect: **18 February 2016**
(54) Product in respect of which the design is registered: **Cup lid**
(51) International Design Classification: **09-07B**
(74) Name(s) of Attorney(s): **PHILLIPS ORMONDE FITZPATRICK**
(71) Name(s) and Address(s) of Applicant(s):
First Quality Packaging Solutions, LLC
80 Cuttermill Road - Suite 500 Great Neck New York, 11021 United States of America



(72) Name(s) of Designer(s): **Mark Strachan**
(45) Registration Date: **08 March 2016**
(30) Convention priority data:
(31) Number (32) Date (33) Country
29/538,295 02 Sep 2015 UNITED STATES OF AMERICA

(56) Related Art Documents: **Not Applicable**
(57) Statement of Newness and Distinctiveness: **Those features of the cup lid depicted in the representations that are new and distinctive are the shape and/or configuration. The features shown in broken lines are not part of the design and are to be disregarded when considering the overall impression of the design.**

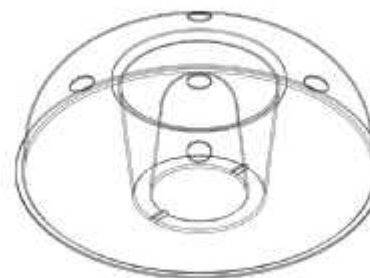
(21) Design Number: **10874/2016**
(22) Date of Filing Application: **18 February 2016**
(24) Date from which industrial property rights may have effect: **18 February 2016**
(54) Product in respect of which the design is registered: **Cosmetic jar with cover**
(51) International Design Classification: **03-01D, 09-01G**
(74) Name(s) of Attorney(s): **PHILLIPS ORMONDE FITZPATRICK**
(71) Name(s) and Address(s) of Applicant(s):
ELC Management LLC
155 Pinelawn Road Suite 345 South Melville New York 11747 United States of America



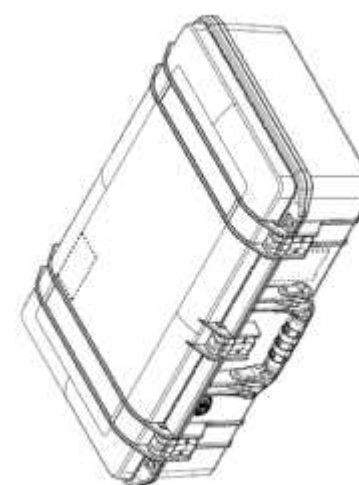
(72) Name(s) of Designer(s): **Laura Otani**
(45) Registration Date: **08 March 2016**
(30) Convention priority data:
(31) Number (32) Date (33) Country
29/538,731 08 Sep 2015 UNITED STATES OF AMERICA

(56) Related Art Documents: **Not Applicable**
(57) Statement of Newness and Distinctiveness: **Those features of the cosmetic jar with cover depicted in the representations that are new and distinctive are the shape and/or configuration. In Figs. 1 and 4, the area inside the broken lines forms no part of the design and is to be disregarded when considering the overall impression of the design. In Figs. 1 and 2, the stippling shown on rings on the cover sides indicates a surface treatment which differs from the surface treatment shown on the flanking rings.**

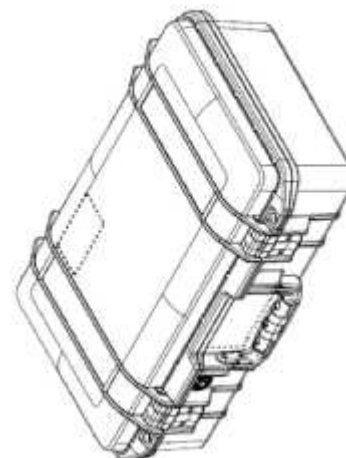
- (21) Design Number: **11031/2016**
(22) Date of Filing Application: **26 February 2016**
(24) Date from which industrial property rights may have effect: **26 February 2016**
(54) Product in respect of which the design is registered: **Food pressing weight**
(51) International Design Classification: **07-02NES**
(74) Name(s) of Attorney(s): **FB Rice**
(71) Name(s) and Address(s) of Applicant(s):
CJ CheilJedang Corporation
(Ssangnim-dong) 330 Dongho-ro, Jung-gu Seoul 04560 Republic of Korea
(72) Name(s) of Designer(s): **Byung Kook Lee and Kwang Soo Park and Gyu Hwan Cha**
(45) Registration Date: **08 March 2016**
(30) Convention priority data:
(31) Number (32) Date (33) Country
30-2015-0055254 02 Nov 2015 REPUBLIC OF KOREA
(56) Related Art Documents: **Not Applicable**
(57) Statement of Newness and Distinctiveness: **Newness and distinctiveness reside in the features of shape and configuration of the design as shown in the representations, regardless of whether the material is transparent or non-transparent.**



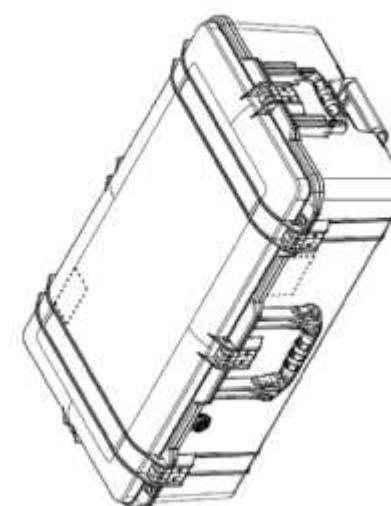
- (21) Design Number: **11032/2016**
(22) Date of Filing Application: **26 February 2016**
(24) Date from which industrial property rights may have effect: **26 February 2016**
(54) Product in respect of which the design is registered: **Case**
(51) International Design Classification: **03-01A**
(74) Name(s) of Attorney(s): **Spruson & Ferguson**
(71) Name(s) and Address(s) of Applicant(s):
Pelican Products, Inc.
23215 Early Avenue, Torrance California, 90505 United States of America
(72) Name(s) of Designer(s): **Daniel Ballou and Dustin Bullock and Joven De La Vega**
(45) Registration Date: **08 March 2016**
(30) Convention priority data:
(31) Number (32) Date (33) Country
29/538034 31 Aug 2015 UNITED STATES OF AMERICA
(56) Related Art Documents: **Not Applicable**
(57) Statement of Newness and Distinctiveness: **Newness and distinctiveness is claimed in those features of shape and/or configuration of a case as illustrated in continuous lines in the accompanying representations.**



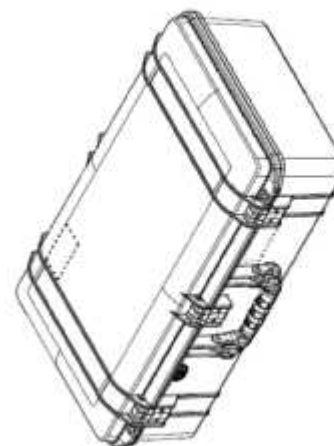
(21) Design Number: **11033/2016**
(22) Date of Filing Application: **26 February 2016**
(24) Date from which industrial property rights may have effect: **26 February 2016**
(54) Product in respect of which the design is registered: **Case**
(51) International Design Classification: **03-01A**
(74) Name(s) of Attorney(s): **Spruson & Ferguson**
(71) Name(s) and Address(s) of Applicant(s):
Pelican Products, Inc.
23215 Early Avenue, Torrance California, 90505 United States of America
(72) Name(s) of Designer(s): **Daniel Ballou and Dustin Bullock and Joven De La Vega**
(45) Registration Date: **08 March 2016**
(30) Convention priority data:
(31) Number (32) Date (33) Country
29/537945 31 Aug 2015 UNITED STATES OF AMERICA
(56) Related Art Documents: **Not Applicable**
(57) Statement of Newness and Distinctiveness: **Newness and distinctiveness is claimed in those features of shape and/or configuration of a case as illustrated in continuous lines in the accompanying representations.**



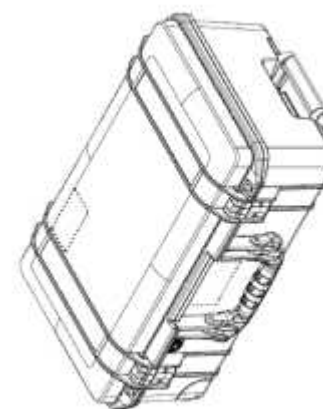
(21) Design Number: **11034/2016**
(22) Date of Filing Application: **26 February 2016**
(24) Date from which industrial property rights may have effect: **26 February 2016**
(54) Product in respect of which the design is registered: **Case**
(51) International Design Classification: **03-01A**
(74) Name(s) of Attorney(s): **Spruson & Ferguson**
(71) Name(s) and Address(s) of Applicant(s):
Pelican Products, Inc.
23215 Early Avenue, Torrance California, 90505 United States of America
(72) Name(s) of Designer(s): **Daniel Ballou and Dustin Bullock and Joven De La Vega**
(45) Registration Date: **08 March 2016**
(30) Convention priority data:
(31) Number (32) Date (33) Country
29/538025 31 Aug 2015 UNITED STATES OF AMERICA
(56) Related Art Documents: **Not Applicable**
(57) Statement of Newness and Distinctiveness: **Newness and distinctiveness is claimed in those features of shape and/or configuration of a case as illustrated in continuous lines in the accompanying representations.**



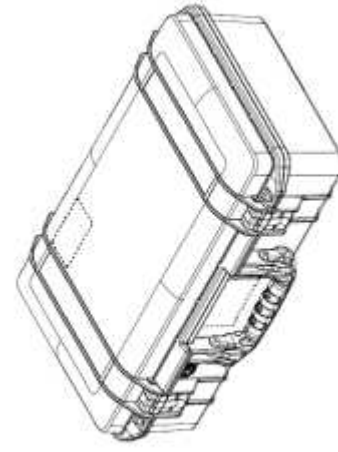
(21) Design Number: **11035/2016**
(22) Date of Filing Application: **26 February 2016**
(24) Date from which industrial property rights may have effect: **26 February 2016**
(54) Product in respect of which the design is registered: **Case**
(51) International Design Classification: **03-01A**
(74) Name(s) of Attorney(s): **Spruson & Ferguson**
(71) Name(s) and Address(s) of Applicant(s):
Pelican Products, Inc.
23215 Early Avenue, Torrance California, 90505 United States of America
(72) Name(s) of Designer(s): **Daniel Ballou and Dustin Bullock and Joven De La Vega**
(45) Registration Date: **08 March 2016**
(30) Convention priority data:
(31) Number (32) Date (33) Country
29/538022 31 Aug 2015 UNITED STATES OF AMERICA
(56) Related Art Documents: **Not Applicable**
(57) Statement of Newness and Distinctiveness: **Newness and distinctiveness is claimed in those features of shape and/or configuration of a case as illustrated in continuous lines in the accompanying representations.**



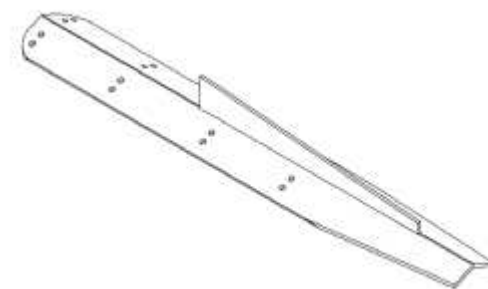
(21) Design Number: **11036/2016**
(22) Date of Filing Application: **26 February 2016**
(24) Date from which industrial property rights may have effect: **26 February 2016**
(54) Product in respect of which the design is registered: **Case**
(51) International Design Classification: **03-01A**
(74) Name(s) of Attorney(s): **Spruson & Ferguson**
(71) Name(s) and Address(s) of Applicant(s):
Pelican Products, Inc.
23215 Early Avenue, Torrance California, 90505 United States of America
(72) Name(s) of Designer(s): **Daniel Ballou and Dustin Bullock and Joven De La Vega**
(45) Registration Date: **08 March 2016**
(30) Convention priority data:
(31) Number (32) Date (33) Country
29/538051 31 Aug 2015 UNITED STATES OF AMERICA
(56) Related Art Documents: **Not Applicable**
(57) Statement of Newness and Distinctiveness: **Newness and distinctiveness is claimed in those features of shape and/or configuration of a case as illustrated in continuous lines in the accompanying representations.**



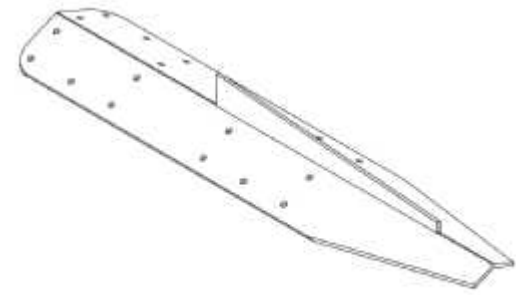
(21) Design Number: **11037/2016**
(22) Date of Filing Application: **26 February 2016**
(24) Date from which industrial property rights may have effect: **26 February 2016**
(54) Product in respect of which the design is registered: **Case**
(51) International Design Classification: **03-01A**
(74) Name(s) of Attorney(s): **Spruson & Ferguson**
(71) Name(s) and Address(s) of Applicant(s):
Pelican Products, Inc.
23215 Early Avenue, Torrance California, 90505 United States of America
(72) Name(s) of Designer(s): **Daniel Ballou and Dustin Bullock and Joven De La Vega**
(45) Registration Date: **08 March 2016**
(30) Convention priority data:
(31) Number (32) Date (33) Country
29/538042 31 Aug 2015 UNITED STATES OF AMERICA
(56) Related Art Documents: **Not Applicable**
(57) Statement of Newness and Distinctiveness: **Newness and distinctiveness is claimed in those features of shape and/or configuration of a case as illustrated in continuous lines in the accompanying representations.**



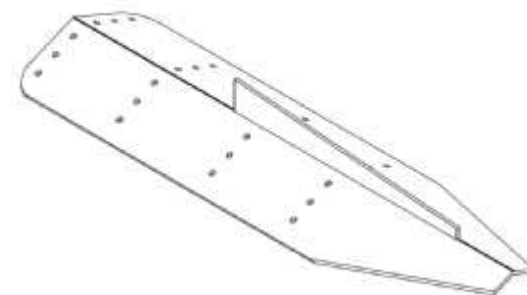
(21) Design Number: **11038/2016**
(22) Date of Filing Application: **26 February 2016**
(24) Date from which industrial property rights may have effect: **26 February 2016**
(54) Product in respect of which the design is registered: **Reinforcement nail for base of a street light pole**
(51) International Design Classification: **25-99**
(74) Name(s) of Attorney(s): **WATERMARK PATENT AND TRADE MARKS ATTORNEYS**
(71) Name(s) and Address(s) of Applicant(s):
UAM Pty Ltd
549 St Kilda Rd Melbourne VIC 3004 Australia
(72) Name(s) of Designer(s): **Richard Janssen and Sandro Dal Ben**
(45) Registration Date: **08 March 2016**
(56) Related Art Documents: **Not Applicable**
(57) Statement of Newness and Distinctiveness: **Nil**



-
- (21) Design Number: **11039/2016**
(22) Date of Filing Application: **26 February 2016**
(24) Date from which industrial property rights may have effect: **26 February 2016**
(54) Product in respect of which the design is registered: **Reinforcement nail for base of a street light pole**
(51) International Design Classification: **25-99**
(74) Name(s) of Attorney(s): **WATERMARK PATENT AND TRADE MARKS ATTORNEYS**
(71) Name(s) and Address(s) of Applicant(s):
UAM Pty Ltd
549 St Kilda Rd Melbourne VIC 3004 Australia
(72) Name(s) of Designer(s): **Richard Janssen and Sandro Dal Ben**
(45) Registration Date: **08 March 2016**
(56) Related Art Documents: **Not Applicable**
(57) Statement of Newness and Distinctiveness: **Nil**



-
- (21) Design Number: **11040/2016**
(22) Date of Filing Application: **26 February 2016**
(24) Date from which industrial property rights may have effect: **26 February 2016**
(54) Product in respect of which the design is registered: **Reinforcement nail for base of a street light pole**
(51) International Design Classification: **25-99**
(74) Name(s) of Attorney(s): **WATERMARK PATENT AND TRADE MARKS ATTORNEYS**
(71) Name(s) and Address(s) of Applicant(s):
UAM Pty Ltd
549 St Kilda Rd Melbourne VIC 3004 Australia
(72) Name(s) of Designer(s): **Richard Janssen and Sandro Dal Ben**
(45) Registration Date: **08 March 2016**
(56) Related Art Documents: **Not Applicable**
(57) Statement of Newness and Distinctiveness: **Nil**



(21) Design Number: **11043/2016**

(22) Date of Filing Application: **26 February 2016**

(24) Date from which industrial property rights may have effect: **26 February 2016**

(54) Product in respect of which the design is registered: **Radiator grill for automobile**

(51) International Design Classification: **12-16B**

(74) Name(s) of Attorney(s): **Griffith Hack**

(71) Name(s) and Address(s) of Applicant(s):

Nissan Jidosha Kabushiki Kaisha
2, Takara-cho, Kanagawa-ku Yokohama-shi, Kanagawa, 221-0023 Japan

(72) Name(s) of Designer(s): **Junichi Sakai and Masaki Aikawa**

(45) Registration Date: **08 March 2016**

(30) Convention priority data:

(31) Number	(32) Date	(33) Country
2015-019031	28 Aug 2015	JAPAN

(56) Related Art Documents: **Not Applicable**

(57) Statement of Newness and Distinctiveness: **Newness and distinctiveness resides in the visual features, including shape and configuration, of the design as shown in the representations.**



(21) Design Number: **11044/2016**

(22) Date of Filing Application: **26 February 2016**

(24) Date from which industrial property rights may have effect: **26 February 2016**

(54) Product in respect of which the design is registered: **Front bumper for automobile**

(51) International Design Classification: **12-16C**

(74) Name(s) of Attorney(s): **Griffith Hack**

(71) Name(s) and Address(s) of Applicant(s):

Nissan Jidosha Kabushiki Kaisha
2, Takara-cho, Kanagawa-ku Yokohama-shi, Kanagawa, 221-0023 Japan

(72) Name(s) of Designer(s): **Junichi Sakai and Masaki Aikawa**

(45) Registration Date: **08 March 2016**

(30) Convention priority data:

(31) Number	(32) Date	(33) Country
2015-019036	28 Aug 2015	JAPAN

(56) Related Art Documents: **Not Applicable**

(57) Statement of Newness and Distinctiveness: **Newness and distinctiveness resides in the visual features, including shape and configuration, of the design as shown in the representations.**



- (21) Design Number: **11045/2016**
(22) Date of Filing Application: **26 February 2016**
(24) Date from which industrial property rights may have effect: **26 February 2016**
(54) Product in respect of which the design is registered: **Radiator grill for automobile**
(51) International Design Classification: **12-16B**
(74) Name(s) of Attorney(s): **Griffith Hack**
(71) Name(s) and Address(s) of Applicant(s):
Nissan Jidosha Kabushiki Kaisha
2, Takara-cho, Kanagawa-ku Yokohama-shi, Kanagawa, 221-0023 Japan
(72) Name(s) of Designer(s): **Genta Oohashi and Koji Wakabayashi and Tooru Yamashita**
(45) Registration Date: **08 March 2016**
(30) Convention priority data:
(31) Number (32) Date (33) Country
2015-019049 28 Aug 2015 JAPAN
(56) Related Art Documents: **Not Applicable**
(57) Statement of Newness and Distinctiveness: **Newness and distinctiveness resides in the visual features, including shape and configuration, of the design as shown in the representations.**



- (21) Design Number: **11046/2016**
(22) Date of Filing Application: **26 February 2016**
(24) Date from which industrial property rights may have effect: **26 February 2016**
(54) Product in respect of which the design is registered: **Front bumper for automobile**
(51) International Design Classification: **12-16C**
(74) Name(s) of Attorney(s): **Griffith Hack**
(71) Name(s) and Address(s) of Applicant(s):
Nissan Jidosha Kabushiki Kaisha
2, Takara-cho, Kanagawa-ku Yokohama-shi, Kanagawa, 221-0023 Japan
(72) Name(s) of Designer(s): **Genta Oohashi and Koji Wakabayashi and Tooru Yamashita**
(45) Registration Date: **08 March 2016**
(30) Convention priority data:
(31) Number (32) Date (33) Country
2015/019050 28 Aug 2015 JAPAN
(56) Related Art Documents: **Not Applicable**
(57) Statement of Newness and Distinctiveness: **Newness and distinctiveness resides in the visual features, including shape and configuration, of the design as shown in the representations.**



(21) Design Number: **10875/2016**
(22) Date of Filing Application: **18 February 2016**
(24) Date from which industrial property rights may have effect: **18 February 2016**
(54) Product in respect of which the design is registered: **Mint chewing gum**
(51) International Design Classification: **01-01**
(74) Name(s) of Attorney(s): **Spruson & Ferguson**
(71) Name(s) and Address(s) of Applicant(s):

Wm. Wrigley Jr. Company
1132 W. Blackhawk Street, Chicago Illinois, 60642 United States of America

(72) Name(s) of Designer(s): **Yang Gao**

(45) Registration Date: **08 March 2016**

(30) Convention priority data:

(31) Number	(32) Date	(33) Country
29/536936	20 Aug 2015	UNITED STATES OF AMERICA

(56) Related Art Documents: **Not Applicable**

(57) Statement of Newness and Distinctiveness: **Newness and distinctiveness is claimed in the features of pattern and/or ornamentation of a mint chewing gum as illustrated in the accompanying representations, apart from the relative length, width and height of the mint chewing gum.**



(21) Design Number: **10876/2016**
(22) Date of Filing Application: **18 February 2016**
(24) Date from which industrial property rights may have effect: **18 February 2016**
(54) Product in respect of which the design is registered: **Mint chewing gum**
(51) International Design Classification: **01-01**
(74) Name(s) of Attorney(s): **Spruson & Ferguson**
(71) Name(s) and Address(s) of Applicant(s):

Wm. Wrigley Jr. Company
1132 W. Blackhawk Street, Chicago Illinois, 60642 United States of America

(72) Name(s) of Designer(s): **Yang Gao**

(45) Registration Date: **08 March 2016**

(30) Convention priority data:

(31) Number	(32) Date	(33) Country
29/536936	20 Aug 2015	UNITED STATES OF AMERICA

(56) Related Art Documents: **Not Applicable**

(57) Statement of Newness and Distinctiveness: **Newness and distinctiveness is claimed in the features of pattern and/or ornamentation of a mint chewing gum as illustrated in the accompanying representations, apart from the relative length, width and height of the mint chewing gum.**



(21) Design Number: **10877/2016**
(22) Date of Filing Application: **18 February 2016**
(24) Date from which industrial property rights may have effect: **18 February 2016**
(54) Product in respect of which the design is registered: **Mint chewing gum**
(51) International Design Classification: **01-01**
(74) Name(s) of Attorney(s): **Spruson & Ferguson**
(71) Name(s) and Address(s) of Applicant(s):



Wm. Wrigley Jr. Company
1132 W. Blackhawk Street, Chicago Illinois, 60642 United States of America

(72) Name(s) of Designer(s): **Yang Gao**
(45) Registration Date: **08 March 2016**
(30) Convention priority data:
(31) Number (32) Date (33) Country
29/536936 20 Aug 2015 UNITED STATES OF AMERICA
(56) Related Art Documents: **Not Applicable**
(57) Statement of Newness and Distinctiveness: **Newness and distinctiveness is claimed in the features of pattern and/or ornamentation of a mint chewing gum as illustrated in the accompanying representations, apart from the relative length, width and height of the mint chewing gum.**

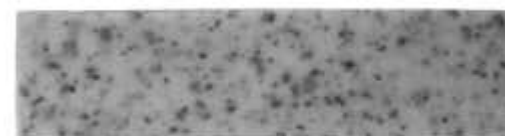
(21) Design Number: **10878/2016**
(22) Date of Filing Application: **18 February 2016**
(24) Date from which industrial property rights may have effect: **18 February 2016**
(54) Product in respect of which the design is registered: **Mint chewing gum**
(51) International Design Classification: **01-01**
(74) Name(s) of Attorney(s): **Spruson & Ferguson**
(71) Name(s) and Address(s) of Applicant(s):



Wm. Wrigley Jr. Company
1132 W. Blackhawk Street, Chicago Illinois, 60642 United States of America

(72) Name(s) of Designer(s): **Yang Gao**
(45) Registration Date: **08 March 2016**
(30) Convention priority data:
(31) Number (32) Date (33) Country
29/536936 20 Aug 2015 UNITED STATES OF AMERICA
(56) Related Art Documents: **Not Applicable**
(57) Statement of Newness and Distinctiveness: **Newness and distinctiveness is claimed in the features of pattern and/or ornamentation of a mint chewing gum as illustrated in the accompanying representations, apart from the relative length, width and height of the mint chewing gum.**

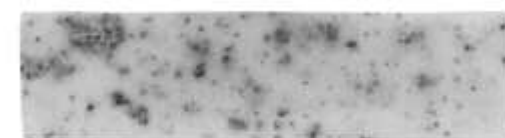
(21) Design Number: **10879/2016**
(22) Date of Filing Application: **18 February 2016**
(24) Date from which industrial property rights may have effect: **18 February 2016**
(54) Product in respect of which the design is registered: **Mint chewing gum**
(51) International Design Classification: **01-01**
(74) Name(s) of Attorney(s): **Spruson & Ferguson**
(71) Name(s) and Address(s) of Applicant(s):



Wm. Wrigley Jr. Company
1132 W. Blackhawk Street, Chicago Illinois, 60642 United States of America

(72) Name(s) of Designer(s): **Yang Gao**
(45) Registration Date: **08 March 2016**
(30) Convention priority data:
(31) Number (32) Date (33) Country
29/536936 20 Aug 2015 UNITED STATES OF AMERICA
(56) Related Art Documents: **Not Applicable**
(57) Statement of Newness and Distinctiveness: **Newness and distinctiveness is claimed in the features of pattern and/or ornamentation of a mint chewing gum as illustrated in the accompanying representations, apart from the relative length, width and height of the mint chewing gum.**

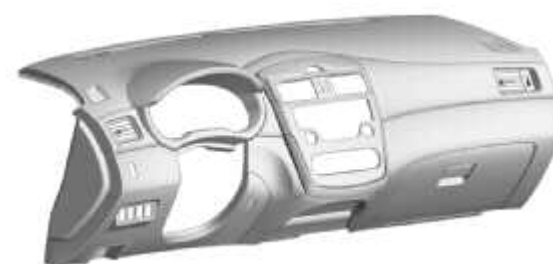
(21) Design Number: **10881/2016**
(22) Date of Filing Application: **18 February 2016**
(24) Date from which industrial property rights may have effect: **18 February 2016**
(54) Product in respect of which the design is registered: **Mint chewing gum**
(51) International Design Classification: **01-01**
(74) Name(s) of Attorney(s): **Spruson & Ferguson**
(71) Name(s) and Address(s) of Applicant(s):



Wm. Wrigley Jr. Company
1132 W. Blackhawk Street, Chicago Illinois, 60642 United States of America

(72) Name(s) of Designer(s): **Yang Gao**
(45) Registration Date: **08 March 2016**
(30) Convention priority data:
(31) Number (32) Date (33) Country
29/536936 20 Aug 2015 UNITED STATES OF AMERICA
(56) Related Art Documents: **Not Applicable**
(57) Statement of Newness and Distinctiveness: **Newness and distinctiveness is claimed in the features of pattern and/or ornamentation of a mint chewing gum as illustrated in the accompanying representations, apart from the relative length, width and height of the mint chewing gum.**

(21) Design Number: **11047/2016**
(22) Date of Filing Application: **26 February 2016**
(24) Date from which industrial property rights may have effect: **26 February 2016**
(54) Product in respect of which the design is registered: **Instrument panel for automobile**
(51) International Design Classification: **12-16NES**
(74) Name(s) of Attorney(s): **Griffith Hack**
(71) Name(s) and Address(s) of Applicant(s):
Nissan Jidosha Kabushiki Kaisha
2, Takara-cho, Kanagawa-ku Yokohama-shi, Kanagawa, 221-0023 Japan
(72) Name(s) of Designer(s): **Tomihisa Igarashi and Isao Hiruma and Mitsukuni Ito**
(45) Registration Date: **08 March 2016**
(30) Convention priority data:
(31) Number (32) Date (33) Country
2015-019055 28 Aug 2015 JAPAN
(56) Related Art Documents: **Not Applicable**
(57) Statement of Newness and Distinctiveness: **Newness and distinctiveness resides in the visual features, including shape and configuration, of the design as shown in the representations.**



(21) Design Number: **11005/2016**
(22) Date of Filing Application: **25 February 2016**
(24) Date from which industrial property rights may have effect: **25 February 2016**
(54) Product in respect of which the design is registered: **Bottle**
(51) International Design Classification: **09-01H**
(74) Name(s) of Attorney(s): **Griffith Hack**
(71) Name(s) and Address(s) of Applicant(s):
Asahi Group Holdings, Ltd
23-1, Azumabashi 1-chome Sumida-ku Tokyo 130-8602 Japan
(72) Name(s) of Designer(s): **Ian A Blair and Anne Wilcox and Grant Davies**
(45) Registration Date: **08 March 2016**
(56) Related Art Documents: **Not Applicable**
(57) Statement of Newness and Distinctiveness: **Nil**



(21) Design Number: **11007/2016**

(22) Date of Filing Application: **25 February 2016**

(24) Date from which industrial property rights may have effect: **25 February 2016**

(54) Product in respect of which the design is registered: **Swimming goggles with retroscopic lens angle**

(51) International Design Classification: **16-06, 21-02D**

(74) Name(s) of Attorney(s): **FB Rice**

(71) Name(s) and Address(s) of Applicant(s):

Roka Sports, Inc.

5646 Milton Street, Ste.540 Dallas Texas, 75206 United States of America

(72) Name(s) of Designer(s): **Robert Canales and Kurt Spencer and Mark Stephens and Nathan Tracy**

(45) Registration Date: **08 March 2016**

(30) Convention priority data:

(31) Number	(32) Date	(33) Country
29/537,862	28 Aug 2015	UNITED STATES OF AMERICA

(56) Related Art Documents: **Not Applicable**

(57) Statement of Newness and Distinctiveness: **Newness and distinctiveness resides in the shape and configuration of the features shown in solid lines in the representations, and in particular the retroscopic angled lenses with contiguous side lenses.**



(21) Design Number: **11012/2016**

(22) Date of Filing Application: **25 February 2016**

(24) Date from which industrial property rights may have effect: **25 February 2016**

(54) Product in respect of which the design is registered: **A scooter that is manufactured**

(51) International Design Classification: **21-01F**

(74) Name(s) of Attorney(s):

(71) Name(s) and Address(s) of Applicant(s):

Denis Allais

6E Kingsview Rd Mount Eden Auckland 1024 New Zealand

(72) Name(s) of Designer(s): **Denis Allais**

(45) Registration Date: **08 March 2016**

(30) Convention priority data:

(31) Number	(32) Date	(33) Country
002961011-0001	27 Jan 2016	OFFICE FOR HARMONISATION IN THE INTERNAL MARKET (OHIM)

(56) Related Art Documents: **Not Applicable**

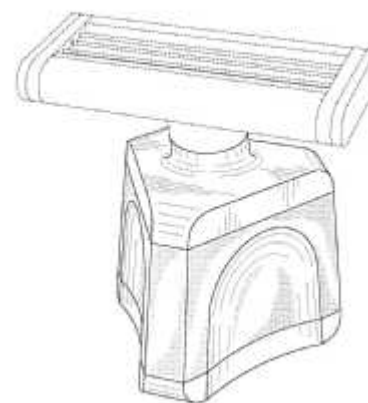
(57) Statement of Newness and Distinctiveness: **The newness and distinctiveness of the design resides in the shape of the deck of the scooter as shown in the continuous lines shown in the accompanying representations. The broken lines are not part of the design and are to be disregarded when considering the overall impression of the design.**



(21) Design Number: **11016/2016**
(22) Date of Filing Application: **26 February 2016**
(24) Date from which industrial property rights may have effect: **26 February 2016**
(54) Product in respect of which the design is registered: **Mobile phone**
(51) International Design Classification: **14-03E**
(74) Name(s) of Attorney(s): **FB Rice**
(71) Name(s) and Address(s) of Applicant(s):
LG Electronics Inc.
128, Yeoui-daero Yeongdeungpo-gu Seoul 150-721 Republic of Korea
(72) Name(s) of Designer(s): **Youngjoo Cho and Youngjoo Kim and Hyoni Kim**
(45) Registration Date: **08 March 2016**
(30) Convention priority data:
(31) Number (32) Date (33) Country
30-2015-0043073 26 Aug 2015 REPUBLIC OF KOREA
(56) Related Art Documents: **Not Applicable**
(57) Statement of Newness and Distinctiveness: **Newness and distinctiveness reside in the features of the design shown in solid lines in the representations, excluding those features shown in broken lines.**



(21) Design Number: **11017/2016**
(22) Date of Filing Application: **26 February 2016**
(24) Date from which industrial property rights may have effect: **26 February 2016**
(54) Product in respect of which the design is registered: **A razor**
(51) International Design Classification: **28-03A**
(74) Name(s) of Attorney(s):
(71) Name(s) and Address(s) of Applicant(s):
Brian Craig Bushell
200 W 26th St Apt 14B New York NY 10001-6751 United States of America
(72) Name(s) of Designer(s): **Brian Craig Bushell**
(45) Registration Date: **08 March 2016**
(30) Convention priority data:
(31) Number (32) Date (33) Country
29/545,505 13 Nov 2015 UNITED STATES OF AMERICA
(56) Related Art Documents: **Not Applicable**
(57) Statement of Newness and Distinctiveness: **The newness and distinctiveness of the design resides in the features of shape and ornamentation of the handle of the razor as shown in the continuous lines in the accompanying representations. The broken lines are not part of the design and are to be disregarded when considering the overall impression of the design.**



(21) Design Number: **11018/2016**
(22) Date of Filing Application: **26 February 2016**
(24) Date from which industrial property rights may have effect: **26 February 2016**
(54) Product in respect of which the design is registered: **Razor**
(51) International Design Classification: **28-03A**
(74) Name(s) of Attorney(s):
(71) Name(s) and Address(s) of Applicant(s):

Brian Craig Bushell
200 W 26th St Apt 14B New York NY 10001-6751 United States of America

(72) Name(s) of Designer(s): **Brian Craig Bushell**

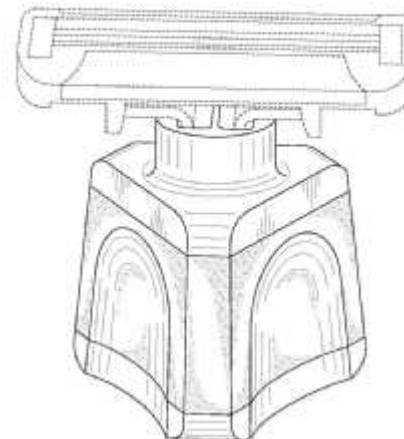
(45) Registration Date: **08 March 2016**

(30) Convention priority data:

(31) Number	(32) Date	(33) Country
29/545,505	13 Nov 2015	UNITED STATES OF AMERICA

(56) Related Art Documents: **Not Applicable**

(57) Statement of Newness and Distinctiveness: **The newness and distinctiveness of the design resides in the features of shape and ornamentation of the handle of the razor as shown in the continuous lines in the accompanying representations. The broken lines are not part of the design and are to be disregarded when considering the overall impression of the design.**



(21) Design Number: **11019/2016**
(22) Date of Filing Application: **26 February 2016**
(24) Date from which industrial property rights may have effect: **26 February 2016**
(54) Product in respect of which the design is registered: **Lighting fixture**
(51) International Design Classification: **26-05C**
(74) Name(s) of Attorney(s): **FB Rice**
(71) Name(s) and Address(s) of Applicant(s):

Koninklijke Philips N.V.
High Tech Campus 5 5656 AE Eindhoven The Netherlands

(72) Name(s) of Designer(s): **Bram Couvreur and Bjorn Devos**

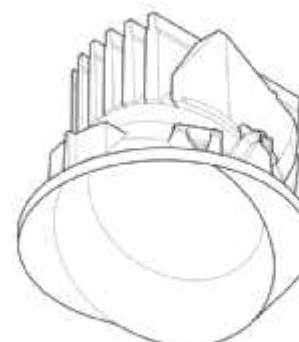
(45) Registration Date: **08 March 2016**

(30) Convention priority data:

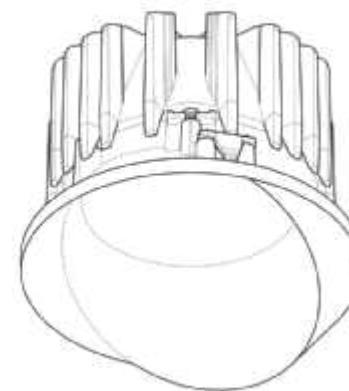
(31) Number	(32) Date	(33) Country
002760520-0001	26 Aug 2015	OFFICE FOR HARMONISATION IN THE INTERNAL MARKET (OHIM)

(56) Related Art Documents: **Not Applicable**

(57) Statement of Newness and Distinctiveness: **Newness and distinctiveness reside in the features of shape and configuration of the design as shown in the representations.**

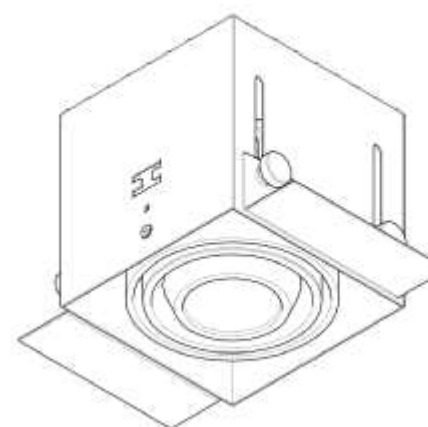


(21) Design Number: **11022/2016**
(22) Date of Filing Application: **26 February 2016**
(24) Date from which industrial property rights may have effect: **26 February 2016**
(54) Product in respect of which the design is registered: **Lighting fixture**
(51) International Design Classification: **26-05C**
(74) Name(s) of Attorney(s): **FB Rice**
(71) Name(s) and Address(s) of Applicant(s):
Koninklijke Philips N.V.
High Tech Campus 5 5656 AE Eindhoven The Netherlands
(72) Name(s) of Designer(s): **Bram Couvreur and Bjorn Devos**
(45) Registration Date: **08 March 2016**
(30) Convention priority data:
(31) Number (32) Date (33) Country
**002760520-0002 26 Aug 2015 OFFICE FOR HARMONISATION IN
THE INTERNAL MARKET (OHIM)**



(56) Related Art Documents: **Not Applicable**
(57) Statement of Newness and Distinctiveness: **Newness and distinctiveness reside in the features of shape and configuration of the design as shown in the representations.**

(21) Design Number: **11023/2016**
(22) Date of Filing Application: **26 February 2016**
(24) Date from which industrial property rights may have effect: **26 February 2016**
(54) Product in respect of which the design is registered: **Lighting fixture**
(51) International Design Classification: **26-05C**
(74) Name(s) of Attorney(s): **FB Rice**
(71) Name(s) and Address(s) of Applicant(s):
Koninklijke Philips N.V.
High Tech Campus 5 5656 AE Eindhoven The Netherlands
(72) Name(s) of Designer(s): **Frederik Andre Martin Vanslambrouck**
(45) Registration Date: **08 March 2016**
(30) Convention priority data:
(31) Number (32) Date (33) Country
**002760520-0003 26 Aug 2015 OFFICE FOR HARMONISATION IN
THE INTERNAL MARKET (OHIM)**



(56) Related Art Documents: **Not Applicable**
(57) Statement of Newness and Distinctiveness: **Newness and distinctiveness reside in the features of shape and configuration of the design as shown in the representations.**

(21) Design Number: **11024/2016**
(22) Date of Filing Application: **26 February 2016**
(24) Date from which industrial property rights may have effect: **26 February 2016**
(54) Product in respect of which the design is registered: **Lighting fixture**
(51) International Design Classification: **26-05C**
(74) Name(s) of Attorney(s): **FB Rice**
(71) Name(s) and Address(s) of Applicant(s):

Koninklijke Philips N.V.
High Tech Campus 5 5656 AE Eindhoven The Netherlands

(72) Name(s) of Designer(s): **Frederik Andre Martin Vanslambrouck**

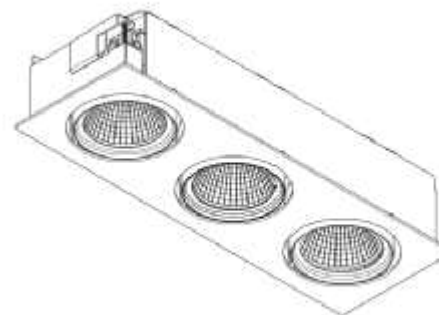
(45) Registration Date: **08 March 2016**

(30) Convention priority data:

(31) Number	(32) Date	(33) Country
002763482-0003	01 Sep 2015	OFFICE FOR HARMONISATION IN THE INTERNAL MARKET (OHIM)

(56) Related Art Documents: **Not Applicable**

(57) Statement of Newness and Distinctiveness: **Newness and distinctiveness reside in the features of shape and configuration of the design as shown in the representations.**



(21) Design Number: **11026/2016**
(22) Date of Filing Application: **26 February 2016**
(24) Date from which industrial property rights may have effect: **26 February 2016**
(54) Product in respect of which the design is registered: **Socketed screwed cap**
(51) International Design Classification: **08-08B**
(74) Name(s) of Attorney(s): **Ahearn Fox**
(71) Name(s) and Address(s) of Applicant(s):

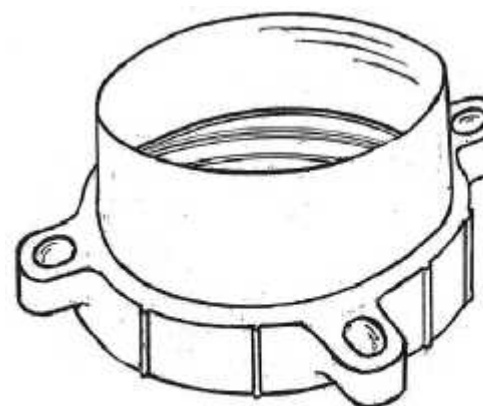
Gregory Roberts
89 Cunning Rd Tanawha QLD 4556 Australia

(72) Name(s) of Designer(s): **Gregory Roberts**

(45) Registration Date: **08 March 2016**

(56) Related Art Documents: **Not Applicable**

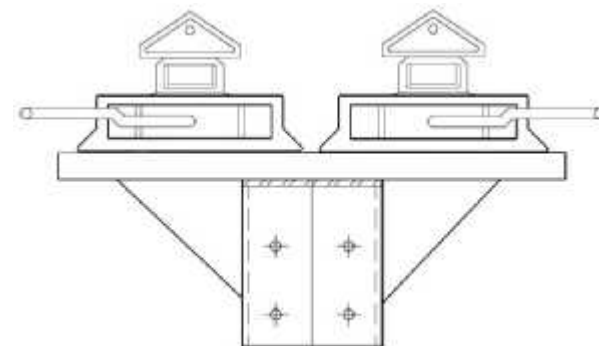
(57) Statement of Newness and Distinctiveness: **Newness and distinctiveness resides in the features of shape and configuration of a socketed screwed cap as shown in the accompanying drawings.**



(21) Design Number: **11027/2016**
(22) Date of Filing Application: **26 February 2016**
(24) Date from which industrial property rights may have effect: **26 February 2016**
(54) Product in respect of which the design is registered: **Epilator**
(51) International Design Classification: **28-03A**
(74) Name(s) of Attorney(s): **FB Rice**
(71) Name(s) and Address(s) of Applicant(s):
Koninklijke Philips N.V.
High Tech Campus 5 5656 AE Eindhoven The Netherlands
(72) Name(s) of Designer(s): **Suzette Van Maanen and Kim Helmbold**
(45) Registration Date: **08 March 2016**
(30) Convention priority data:
(31) Number (32) Date (33) Country
**002763060-0001 31 Aug 2015 OFFICE FOR HARMONISATION IN
THE INTERNAL MARKET (OHIM)**
(56) Related Art Documents: **Not Applicable**
(57) Statement of Newness and Distinctiveness: **Newness and distinctiveness
reside in the features of shape and configuration of the design as shown
in the representations.**



(21) Design Number: **10639/2016**
(22) Date of Filing Application: **09 February 2016**
(24) Date from which industrial property rights may have effect: **09 February 2016**
(54) Product in respect of which the design is registered: **Twist lock double**
(51) International Design Classification: **08-07**
(74) Name(s) of Attorney(s): **Jogias**
(71) Name(s) and Address(s) of Applicant(s):
All Things Containers Group Pty Ltd
28 Carter St Northgate QLD 4013 Australia
(72) Name(s) of Designer(s): **Jason Wendt**
(45) Registration Date: **09 March 2016**
(56) Related Art Documents: **Not Applicable**
(57) Statement of Newness and Distinctiveness: **Nil**



- (21) Design Number: **11050/2016**
(22) Date of Filing Application: **28 February 2016**
(24) Date from which industrial property rights may have effect: **28 February 2016**
(54) Product in respect of which the design is registered: **A pullover jumper**
(51) International Design Classification: **02-02NES**
(74) Name(s) of Attorney(s):
(71) Name(s) and Address(s) of Applicant(s):
Industrie IP Pty Limited
55 Railway Pde Marrickville NSW 2204 Australia
(72) Name(s) of Designer(s): **Nick Kelly**
(45) Registration Date: **09 March 2016**
(56) Related Art Documents: **Not Applicable**
(57) Statement of Newness and Distinctiveness: **Newness and distinctiveness is claimed in the shape, configuration, pattern and/or ornamentation of the garment depicted in the accompanying representation.**



- (21) Design Number: **11051/2016**
(22) Date of Filing Application: **28 February 2016**
(24) Date from which industrial property rights may have effect: **28 February 2016**
(54) Product in respect of which the design is registered: **A cardigan**
(51) International Design Classification: **02-02NES**
(74) Name(s) of Attorney(s):
(71) Name(s) and Address(s) of Applicant(s):
Industrie IP Pty Limited
55 Railway Pde Marrickville NSW 2204 Australia
(72) Name(s) of Designer(s): **Nick Kelly**
(45) Registration Date: **09 March 2016**
(56) Related Art Documents: **Not Applicable**
(57) Statement of Newness and Distinctiveness: **Newness and distinctiveness is claimed in the shape, configuration, pattern and/or ornamentation of the garment depicted in the accompanying representation.**



- (21) Design Number: **11052/2016**
(22) Date of Filing Application: **28 February 2016**
(24) Date from which industrial property rights may have effect: **28 February 2016**
(54) Product in respect of which the design is registered: **A cardigan**
(51) International Design Classification: **02-02NES**
(74) Name(s) of Attorney(s):
(71) Name(s) and Address(s) of Applicant(s):
Industrie IP Pty Limited
55 Railway Pde Marrickville NSW 2204 Australia
(72) Name(s) of Designer(s): **Nick Kelly**
(45) Registration Date: **09 March 2016**
(56) Related Art Documents: **Not Applicable**
(57) Statement of Newness and Distinctiveness: **Newness and distinctiveness is claimed in the shape, configuration, pattern and/or ornamentation of the garment depicted in the accompanying representation.**



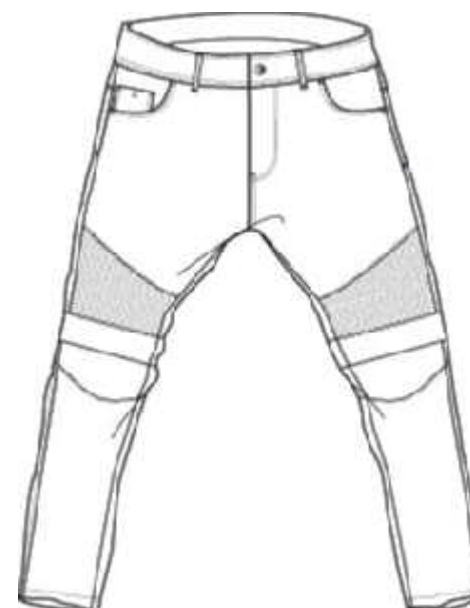
- (21) Design Number: **11053/2016**
(22) Date of Filing Application: **28 February 2016**
(24) Date from which industrial property rights may have effect: **28 February 2016**
(54) Product in respect of which the design is registered: **A hooded Jumper**
(51) International Design Classification: **02-02NES**
(74) Name(s) of Attorney(s):
(71) Name(s) and Address(s) of Applicant(s):
Industrie IP Pty Limited
55 Railway Pde Marrickville NSW 2204 Australia
(72) Name(s) of Designer(s): **Nick Kelly**
(45) Registration Date: **09 March 2016**
(56) Related Art Documents: **Not Applicable**
(57) Statement of Newness and Distinctiveness: **Newness and distinctiveness is claimed in the shape, configuration, pattern and/or ornamentation of the garment depicted in the accompanying representation.**



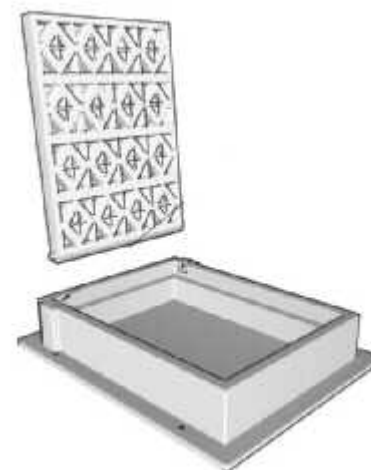
- (21) Design Number: **11054/2016**
(22) Date of Filing Application: **28 February 2016**
(24) Date from which industrial property rights may have effect: **28 February 2016**
(54) Product in respect of which the design is registered: **A pair of pants**
(51) International Design Classification: **02-02C**
(74) Name(s) of Attorney(s):
(71) Name(s) and Address(s) of Applicant(s):
Industrie IP Pty Limited
55 Railway Pde Marrickville NSW 2204 Australia
(72) Name(s) of Designer(s): **Nick Kelly**
(45) Registration Date: **09 March 2016**
(56) Related Art Documents: **Not Applicable**
(57) Statement of Newness and Distinctiveness: **Newness and distinctiveness is claimed in the shape, configuration, pattern and/or ornamentation of the garment depicted in the accompanying representation.**



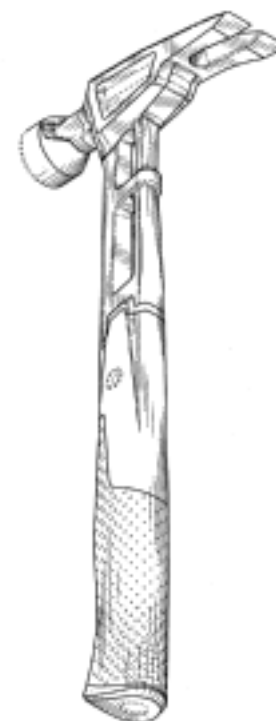
- (21) Design Number: **11055/2016**
(22) Date of Filing Application: **28 February 2016**
(24) Date from which industrial property rights may have effect: **28 February 2016**
(54) Product in respect of which the design is registered: **A pair of pants**
(51) International Design Classification: **02-02C**
(74) Name(s) of Attorney(s):
(71) Name(s) and Address(s) of Applicant(s):
Industrie IP Pty Limited
55 Railway Pde Marrickville NSW 2204 Australia
(72) Name(s) of Designer(s): **Nick Kelly**
(45) Registration Date: **09 March 2016**
(56) Related Art Documents: **Not Applicable**
(57) Statement of Newness and Distinctiveness: **Newness and distinctiveness is claimed in the shape, configuration, pattern and/or ornamentation of the garment depicted in the accompanying representation.**



- (21) Design Number: **15006/2015**
(22) Date of Filing Application: **24 September 2015**
(24) Date from which industrial property rights may have effect: **24 September 2015**
(54) Product in respect of which the design is registered: **Valve box lid assembly**
(51) International Design Classification: **23-01K, 09-03NES**
(74) Name(s) of Attorney(s): **Lord & Company**
(71) Name(s) and Address(s) of Applicant(s):
Stockbrands Co. Pty Ltd
53 Edward St Osborne Park WA, 6017 Australia
(72) Name(s) of Designer(s): **Ron Duyvestein**
(45) Registration Date: **10 March 2016**
(56) Related Art Documents: **Not Applicable**
(57) Statement of Newness and Distinctiveness: **The particular visual features of the design which are new and distinctive are shape.**



- (21) Design Number: **16940/2015**
(22) Date of Filing Application: **21 December 2015**
(24) Date from which industrial property rights may have effect: **21 December 2015**
(54) Product in respect of which the design is registered: **Claw hammer**
(51) International Design Classification: **08-02**
(74) Name(s) of Attorney(s): **Davies Collison Cave**
(71) Name(s) and Address(s) of Applicant(s):
Fiskars Brands, Inc.
2537 Daniels Street Madison Wisconsin, 53718 United States of America
(72) Name(s) of Designer(s): **Aaron Honadel and Steven Stokes and Colin Roberts and Petteri Masalin and Sami Lyytikainen**
(45) Registration Date: **10 March 2016**
(30) Convention priority data:
(31) Number (32) Date (33) Country
29/531,269 24 Jun 2015 UNITED STATES OF AMERICA
(56) Related Art Documents: **Not Applicable**
(57) Statement of Newness and Distinctiveness: **Newness and distinctiveness is claimed in the visual features shown in solid lines in the representations. Any portion of the article depicted in broken lines forms no part of the claimed design. Broken lines formed by equal length dashes show unclaimed portions of the design. As shown in Figure 17, the circular features on the grip of the handle are depicted in broken lines. Any illustrated solid lines (or portions thereof) may be converted to broken lines and any illustrated broken lines (or portions thereof) may be converted to solid lines so as to claim or disclaim portions, components, or sub-components of the designs shown. Shading may be added or removed to claim or disclaim the corresponding surfaces.**



(21) Design Number: **16946/2015**
(22) Date of Filing Application: **21 December 2015**
(24) Date from which industrial property rights may have effect: **21 December 2015**
(54) Product in respect of which the design is registered: **Sledge hammer**
(51) International Design Classification: **08-02**
(74) Name(s) of Attorney(s): **Davies Collison Cave**
(71) Name(s) and Address(s) of Applicant(s):
Fiskars Brands, Inc.
2537 Daniels Street Madison Wisconsin, 53718 United States of America
(72) Name(s) of Designer(s): **Aaron Honadel and Steven Stokes and Colin Roberts and Petteri Masalin and Sami Lyytikainen**
(45) Registration Date: **10 March 2016**
(30) Convention priority data:
(31) Number (32) Date (33) Country
29/531,274 24 Jun 2015 UNITED STATES OF AMERICA
(56) Related Art Documents: **Not Applicable**
(57) Statement of Newness and Distinctiveness: **Newness and distinctiveness is claimed in the visual features shown in solid lines in the representations. Any portion of the article depicted in broken lines forms no part of the claimed design. Broken lines formed by equal length dashes show unclaimed portions of the design. As shown in Figure 17, the circular features on the grip of the handle are depicted in broken lines. Any illustrated solid lines (or portions thereof) may be converted to broken lines and any illustrated broken lines (or portions thereof) may be converted to solid lines so as to claim or disclaim portions, components, or sub-components of the designs shown. Shading may be added or removed to claim or disclaim the corresponding surfaces.**



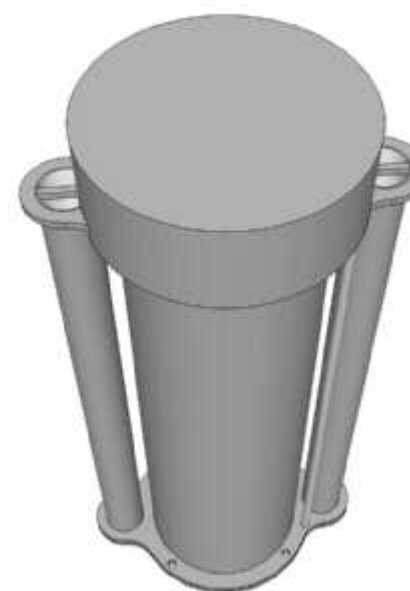
(21) Design Number: **16947/2015**
(22) Date of Filing Application: **21 December 2015**
(24) Date from which industrial property rights may have effect: **21 December 2015**
(54) Product in respect of which the design is registered: **Pick axe**
(51) International Design Classification: **08-03**
(74) Name(s) of Attorney(s): **Davies Collison Cave**
(71) Name(s) and Address(s) of Applicant(s):
Fiskars Brands, Inc.
2537 Daniels Street Madison Wisconsin, 53718 United States of America
(72) Name(s) of Designer(s): **Aaron Honadel and Steven Stokes and Colin Roberts and Petteri Masalin and Sami Lyytikainen**
(45) Registration Date: **10 March 2016**
(30) Convention priority data:
(31) Number (32) Date (33) Country
29/531,282 24 Jun 2015 UNITED STATES OF AMERICA
(56) Related Art Documents: **Not Applicable**
(57) Statement of Newness and Distinctiveness: **Newness and distinctiveness is claimed in the visual features shown in solid lines in the representations. Any portion of the article depicted in broken lines forms no part of the claimed design. Broken lines formed by equal length dashes show unclaimed portions of the design. As shown in Figure 17, the circular features on the grip of the handle are depicted in broken lines. Any illustrated solid lines (or portions thereof) may be converted to broken lines and any illustrated broken lines (or portions thereof) may be converted to solid lines so as to claim or disclaim portions, components, or sub-components of the designs shown. Shading may be added or removed to claim or disclaim the corresponding surfaces.**



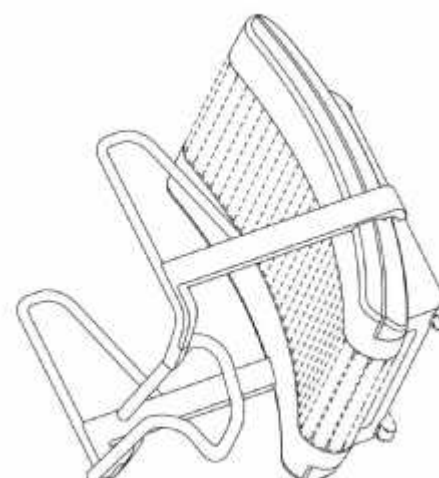
- (21) Design Number: **10493/2016**
(22) Date of Filing Application: **01 February 2016**
(24) Date from which industrial property rights may have effect: **01 February 2016**
(54) Product in respect of which the design is registered: **Swaddle**
(51) International Design Classification: **06-13B, 06-13NES**
(74) Name(s) of Attorney(s): **Davies Collison Cave**
(71) Name(s) and Address(s) of Applicant(s):
Sunny Textile Industries Pty Ltd
U36/110 Bourke Rd Alexandria NSW 2015 Australia
(72) Name(s) of Designer(s): **Pepper Shane**
(45) Registration Date: **10 March 2016**
(56) Related Art Documents: **Not Applicable**
(57) Statement of Newness and Distinctiveness: **Newness & distinctiveness resides in the features of shape and/or configuration of the swaddle as shown in the representations. Newness and distinctiveness also resides in the different appearance of and/or the type of materials of the upper and lower portions of the swaddle.**



- (21) Design Number: **11096/2016**
(22) Date of Filing Application: **29 February 2016**
(24) Date from which industrial property rights may have effect: **29 February 2016**
(54) Product in respect of which the design is registered: **Pneumatic cylinder**
(51) International Design Classification: **15-99**
(74) Name(s) of Attorney(s):
(71) Name(s) and Address(s) of Applicant(s):
John Richard Cross
PO BOX 8123 Sunnybank QLD 4109 Australia
Paul Gallagher
PO BOX 8123 Sunnybank QLD 4109 Australia
(72) Name(s) of Designer(s): **John Richard Cross and Paul Gallagher**
(45) Registration Date: **10 March 2016**
(56) Related Art Documents: **Not Applicable**
(57) Statement of Newness and Distinctiveness: **The newness and distinctiveness of the design resides in the shape of the pneumatic cylinder that incorporates the return spring housing tubes and the air hose housing tube into one single piece. The return spring housing tubes run parallel to the cylinder body. They each include a spring bar retainer at the top section. The air hose housing tube also runs parallel to the return spring housing tubes and the cylinder body. The top of the cylinder houses the air in-out valves and has a lid shaped like a bottle lid cylindrical with a solid top. The top plate and bottom flange hold all the features of the design together the cylinder body, the return spring housing tubes, and the air hose housing tube. This combination of all the parts into one shape make this design very distinctive.**



- (21) Design Number: **11106/2016**
(22) Date of Filing Application: **01 March 2016**
(24) Date from which industrial property rights may have effect: **01 March 2016**
(54) Product in respect of which the design is registered: **Exercise equipment**
(51) International Design Classification: **21-02F**
(74) Name(s) of Attorney(s): **PHILLIPS ORMONDE FITZPATRICK**
(71) Name(s) and Address(s) of Applicant(s):
Technogym S.p.A.
Via Calcinaro, 2861 I-47521 Cesena Forli'-Cesena Italy
(72) Name(s) of Designer(s): **Ivan Lisi and Nerio Alessandri**
(45) Registration Date: **10 March 2016**
(30) Convention priority data:
(31) Number (32) Date (33) Country
**002773812 16 Sep 2015 OFFICE FOR HARMONISATION IN
THE INTERNAL MARKET (OHIM)**
(56) Related Art Documents: **Not Applicable**
(57) Statement of Newness and Distinctiveness: **Those features of the exercise equipment depicted in the representations that are new and distinctive are the shape and/or configuration. The features shown in broken lines are not part of the design and are to be disregarded when considering the overall impression of the design.**



- (21) Design Number: **11056/2016**
(22) Date of Filing Application: **28 February 2016**
(24) Date from which industrial property rights may have effect: **28 February 2016**
(54) Product in respect of which the design is registered: **A pair of pants**
(51) International Design Classification: **02-02C**
(74) Name(s) of Attorney(s):
(71) Name(s) and Address(s) of Applicant(s):
Industrie IP Pty Limited
55 Railway Pde Marrickville NSW 2204 Australia
(72) Name(s) of Designer(s): **Nick Kelly**
(45) Registration Date: **11 March 2016**
(56) Related Art Documents: **Not Applicable**
(57) Statement of Newness and Distinctiveness: **Newness and distinctiveness is claimed in the shape, configuration, pattern and/or ornamentation of the garment depicted in the accompanying representation.**



- (21) Design Number: **11057/2016**
(22) Date of Filing Application: **28 February 2016**
(24) Date from which industrial property rights may have effect: **28 February 2016**
(54) Product in respect of which the design is registered: **A jacket**
(51) International Design Classification: **02-02NES**
(74) Name(s) of Attorney(s):
(71) Name(s) and Address(s) of Applicant(s):
Industrie IP Pty Limited
55 Railway Pde Marrickville NSW 2204 Australia
(72) Name(s) of Designer(s): **Nick Kelly**
(45) Registration Date: **11 March 2016**
(56) Related Art Documents: **Not Applicable**
(57) Statement of Newness and Distinctiveness: **Newness and distinctiveness is claimed in the shape, configuration, pattern and/or ornamentation of the garment depicted in the accompanying representation.**



- (21) Design Number: **11058/2016**
(22) Date of Filing Application: **28 February 2016**
(24) Date from which industrial property rights may have effect: **28 February 2016**
(54) Product in respect of which the design is registered: **A hooded jumper**
(51) International Design Classification: **02-02NES**
(74) Name(s) of Attorney(s):
(71) Name(s) and Address(s) of Applicant(s):
Industrie IP Pty Limited
55 Railway Pde Marrickville NSW 2204 Australia
(72) Name(s) of Designer(s): **Nick Kelly**
(45) Registration Date: **11 March 2016**
(56) Related Art Documents: **Not Applicable**
(57) Statement of Newness and Distinctiveness: **Newness and distinctiveness is claimed in the shape, configuration, pattern and/or ornamentation of the garment depicted in the accompanying representation.**



(21) Design Number: **11059/2016**

(22) Date of Filing Application: **28 February 2016**

(24) Date from which industrial property rights may have effect: **28 February 2016**

(54) Product in respect of which the design is registered: **A jacket**

(51) International Design Classification: **02-02NES**

(74) Name(s) of Attorney(s):

(71) Name(s) and Address(s) of Applicant(s):

Industrie IP Pty Limited

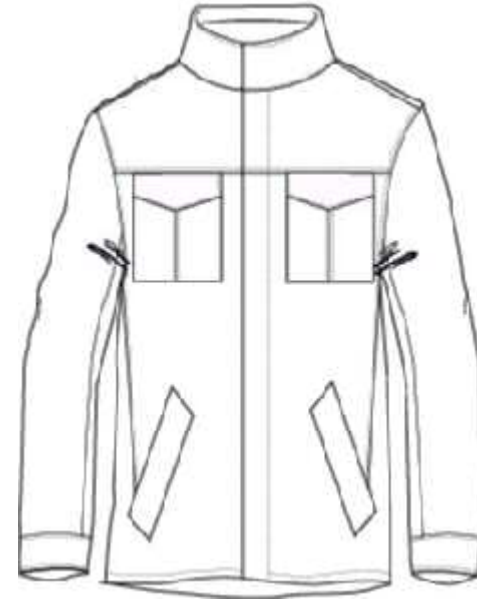
55 Railway Pde Marrickville NSW 2204 Australia

(72) Name(s) of Designer(s): **Nick Kelly**

(45) Registration Date: **11 March 2016**

(56) Related Art Documents: **Not Applicable**

(57) Statement of Newness and Distinctiveness: **Newness and distinctiveness is claimed in the shape, configuration, pattern and/or ornamentation of the garment depicted in the accompanying representation.**



(21) Design Number: **11060/2016**

(22) Date of Filing Application: **28 February 2016**

(24) Date from which industrial property rights may have effect: **28 February 2016**

(54) Product in respect of which the design is registered: **A pair of pants**

(51) International Design Classification: **02-02C**

(74) Name(s) of Attorney(s):

(71) Name(s) and Address(s) of Applicant(s):

Industrie IP Pty Limited

55 Railway Pde Marrickville NSW 2204 Australia

(72) Name(s) of Designer(s): **Nick Kelly**

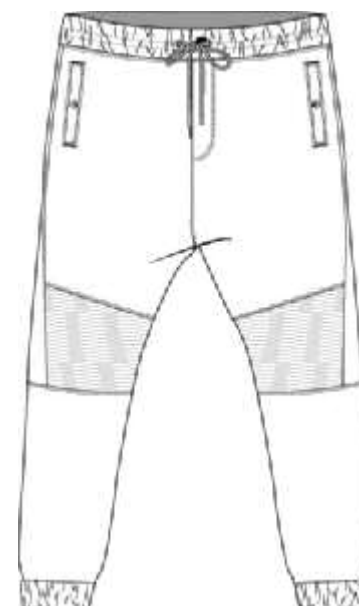
(45) Registration Date: **11 March 2016**

(56) Related Art Documents: **Not Applicable**

(57) Statement of Newness and Distinctiveness: **Newness and distinctiveness is claimed in the shape, configuration, pattern and/or ornamentation of the garment depicted in the accompanying representation.**



- (21) Design Number: **11061/2016**
(22) Date of Filing Application: **28 February 2016**
(24) Date from which industrial property rights may have effect: **28 February 2016**
(54) Product in respect of which the design is registered: **A pair of pants**
(51) International Design Classification: **02-02C**
(74) Name(s) of Attorney(s):
(71) Name(s) and Address(s) of Applicant(s):
Industrie IP Pty Limited
55 Railway Pde Marrickville NSW 2204 Australia
(72) Name(s) of Designer(s): **Nick Kelly**
(45) Registration Date: **11 March 2016**
(56) Related Art Documents: **Not Applicable**
(57) Statement of Newness and Distinctiveness: **Newness and distinctiveness is claimed in the shape, configuration, pattern and/or ornamentation of the garment depicted in the accompanying representation.**



- (21) Design Number: **11062/2016**
(22) Date of Filing Application: **28 February 2016**
(24) Date from which industrial property rights may have effect: **28 February 2016**
(54) Product in respect of which the design is registered: **A pair of pants**
(51) International Design Classification: **02-02C**
(74) Name(s) of Attorney(s):
(71) Name(s) and Address(s) of Applicant(s):
Industrie IP Pty Limited
55 Railway Pde Marrickville NSW 2204 Australia
(72) Name(s) of Designer(s): **Nick Kelly**
(45) Registration Date: **11 March 2016**
(56) Related Art Documents: **Not Applicable**
(57) Statement of Newness and Distinctiveness: **Newness and distinctiveness is claimed in the shape, configuration, pattern and/or ornamentation of the garment depicted in the accompanying representation.**



- (21) Design Number: **11063/2016**
(22) Date of Filing Application: **28 February 2016**
(24) Date from which industrial property rights may have effect: **28 February 2016**
(54) Product in respect of which the design is registered: **A jacket**
(51) International Design Classification: **02-02NES**
(74) Name(s) of Attorney(s):
(71) Name(s) and Address(s) of Applicant(s):
Industrie IP Pty Limited
55 Railway Pde Marrickville NSW 2204 Australia
(72) Name(s) of Designer(s): **Nick Kelly**
(45) Registration Date: **11 March 2016**
(56) Related Art Documents: **Not Applicable**
(57) Statement of Newness and Distinctiveness: **Newness and distinctiveness is claimed in the shape, configuration, pattern and/or ornamentation of the garment depicted in the accompanying representation.**



- (21) Design Number: **11064/2016**
(22) Date of Filing Application: **28 February 2016**
(24) Date from which industrial property rights may have effect: **28 February 2016**
(54) Product in respect of which the design is registered: **A jacket**
(51) International Design Classification: **02-02NES**
(74) Name(s) of Attorney(s):
(71) Name(s) and Address(s) of Applicant(s):
Industrie IP Pty Limited
55 Railway Pde Marrickville NSW 2204 Australia
(72) Name(s) of Designer(s): **Nick Kelly**
(45) Registration Date: **11 March 2016**
(56) Related Art Documents: **Not Applicable**
(57) Statement of Newness and Distinctiveness: **Newness and distinctiveness is claimed in the shape, configuration, pattern and/or ornamentation of the garment depicted in the accompanying representation.**



- (21) Design Number: **11065/2016**
(22) Date of Filing Application: **28 February 2016**
(24) Date from which industrial property rights may have effect: **28 February 2016**
(54) Product in respect of which the design is registered: **A jacket**
(51) International Design Classification: **02-02NES**
(74) Name(s) of Attorney(s):
(71) Name(s) and Address(s) of Applicant(s):
Industrie IP Pty Limited
55 Railway Pde Marrickville NSW 2204 Australia
(72) Name(s) of Designer(s): **Nick Kelly**
(45) Registration Date: **11 March 2016**
(56) Related Art Documents: **Not Applicable**
(57) Statement of Newness and Distinctiveness: **Newness and distinctiveness is claimed in the shape, configuration, pattern and/or ornamentation of the garment depicted in the accompanying representation.**



- (21) Design Number: **11066/2016**
(22) Date of Filing Application: **29 February 2016**
(24) Date from which industrial property rights may have effect: **29 February 2016**
(54) Product in respect of which the design is registered: **Head for golf club**
(51) International Design Classification: **21-02C**
(74) Name(s) of Attorney(s): **Spruson & Ferguson**
(71) Name(s) and Address(s) of Applicant(s):
Dunlop Sports Co. Ltd.
6-9, Wakino-hama-cho 3-chome Chuo-ku, Kobe-shi Hyogo Japan
(72) Name(s) of Designer(s): **Hajime Asatsuma**
(45) Registration Date: **11 March 2016**
(56) Related Art Documents: **Not Applicable**
(57) Statement of Newness and Distinctiveness: **Newness and distinctiveness is claimed in the features of shape and/or configuration of a head for a golf club as illustrated in the accompanying representations.**



- (21) Design Number: **11067/2016**
(22) Date of Filing Application: **29 February 2016**
(24) Date from which industrial property rights may have effect: **29 February 2016**
(54) Product in respect of which the design is registered: **Head for golf club**
(51) International Design Classification: **21-02C**
(74) Name(s) of Attorney(s): **Spruson & Ferguson**
(71) Name(s) and Address(s) of Applicant(s):
Dunlop Sports Co. Ltd.
6-9, Wakinohama-cho 3-chome Chuo-ku, Kobe-shi Hyogo Japan
(72) Name(s) of Designer(s): **Hajime Asatsuma**
(45) Registration Date: **11 March 2016**
(56) Related Art Documents: **Not Applicable**
(57) Statement of Newness and Distinctiveness: **Newness and distinctiveness is claimed in the features of shape and/or configuration of a head for a golf club as illustrated in the accompanying representations.**



- (21) Design Number: **11068/2016**
(22) Date of Filing Application: **29 February 2016**
(24) Date from which industrial property rights may have effect: **29 February 2016**
(54) Product in respect of which the design is registered: **Head for golf club**
(51) International Design Classification: **21-02C**
(74) Name(s) of Attorney(s): **Spruson & Ferguson**
(71) Name(s) and Address(s) of Applicant(s):
Dunlop Sports Co. Ltd.
6-9, Wakinohama-cho 3-chome Chuo-ku, Kobe-shi Hyogo Japan
(72) Name(s) of Designer(s): **Hajime Asatsuma**
(45) Registration Date: **11 March 2016**
(56) Related Art Documents: **Not Applicable**
(57) Statement of Newness and Distinctiveness: **Newness and distinctiveness is claimed in the features of shape and/or configuration of a head for a golf club as illustrated in the accompanying representations.**



- (21) Design Number: **11069/2016**
(22) Date of Filing Application: **29 February 2016**
(24) Date from which industrial property rights may have effect: **29 February 2016**
(54) Product in respect of which the design is registered: **Head for golf club**
(51) International Design Classification: **21-02C**
(74) Name(s) of Attorney(s): **Spruson & Ferguson**
(71) Name(s) and Address(s) of Applicant(s):
Dunlop Sports Co. Ltd.
6-9, Wakinoama-cho 3-chome Chuo-ku, Kobe-shi Hyogo Japan
(72) Name(s) of Designer(s): **Hajime Asatsuma**
(45) Registration Date: **11 March 2016**
(56) Related Art Documents: **Not Applicable**
(57) Statement of Newness and Distinctiveness: **Newness and distinctiveness is claimed in the features of shape and/or configuration of a head for a golf club as illustrated in the accompanying representations.**



- (21) Design Number: **11070/2016**
(22) Date of Filing Application: **29 February 2016**
(24) Date from which industrial property rights may have effect: **29 February 2016**
(54) Product in respect of which the design is registered: **Baby carrier**
(51) International Design Classification: **03-99**
(74) Name(s) of Attorney(s): **WATERMARK PATENT AND TRADE MARKS ATTORNEYS**
(71) Name(s) and Address(s) of Applicant(s):
Zeljko Mandic
29 Kelmar St Cheltenham VIC 3192 Australia
(72) Name(s) of Designer(s): **Zeljko Mandic**
(45) Registration Date: **11 March 2016**
(56) Related Art Documents: **Not Applicable**
(57) Statement of Newness and Distinctiveness: **Newness and distinctiveness resides in the features of shape and configuration of a baby carrier as illustrated in the accompanying representations. The doll shown in the representations, as well as the carrying shackle supporting the baby carrier, are for illustration purposes only and form no part of the design. The pattern and ornamentation of the baby carrier shown in the representations also form no part of the design.**



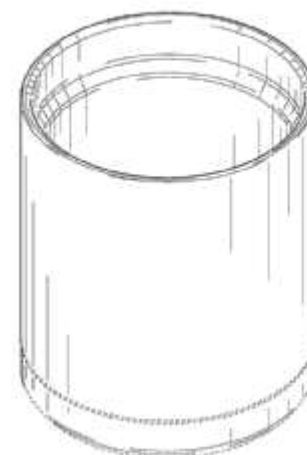
(21) Design Number: **11071/2016**
(22) Date of Filing Application: **29 February 2016**
(24) Date from which industrial property rights may have effect: **29 February 2016**
(54) Product in respect of which the design is registered: **Tumbler**
(51) International Design Classification: **07-01C**
(74) Name(s) of Attorney(s): **Spruson & Ferguson**
(71) Name(s) and Address(s) of Applicant(s):
Yeti Coolers, LLC
5301 Southwest Parkway, Suite 200, Austin Texas, 78735 United States of America
(72) Name(s) of Designer(s): **Roy Joseph Seiders**
(45) Registration Date: **11 March 2016**
(30) Convention priority data:
(31) Number (32) Date (33) Country
29/538064 31 Aug 2015 UNITED STATES OF AMERICA
(56) Related Art Documents: **Not Applicable**
(57) Statement of Newness and Distinctiveness: **Newness and distinctiveness is claimed in those features of shape and/or configuration of a tumbler as illustrated in continuous lines in the accompanying representations.**



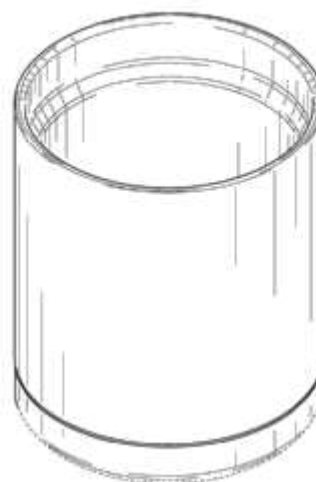
(21) Design Number: **11072/2016**
(22) Date of Filing Application: **29 February 2016**
(24) Date from which industrial property rights may have effect: **29 February 2016**
(54) Product in respect of which the design is registered: **Tumbler**
(51) International Design Classification: **07-01C**
(74) Name(s) of Attorney(s): **Spruson & Ferguson**
(71) Name(s) and Address(s) of Applicant(s):
Yeti Coolers, LLC
5301 Southwest Parkway, Suite 200, Austin Texas, 78735 United States of America
(72) Name(s) of Designer(s): **Roy Joseph Seiders**
(45) Registration Date: **11 March 2016**
(30) Convention priority data:
(31) Number (32) Date (33) Country
29/538068 31 Aug 2015 UNITED STATES OF AMERICA
(56) Related Art Documents: **Not Applicable**
(57) Statement of Newness and Distinctiveness: **Newness and distinctiveness is claimed in those features of shape and/or configuration of a tumbler as illustrated in continuous lines in the accompanying representations.**



(21) Design Number: **11073/2016**
(22) Date of Filing Application: **29 February 2016**
(24) Date from which industrial property rights may have effect: **29 February 2016**
(54) Product in respect of which the design is registered: **Cup**
(51) International Design Classification: **07-01C**
(74) Name(s) of Attorney(s): **Spruson & Ferguson**
(71) Name(s) and Address(s) of Applicant(s):
Yeti Coolers, LLC
5301 Southwest Parkway, Suite 200, Austin Texas, 78735 United States of America
(72) Name(s) of Designer(s): **Roy Joseph Seiders and John Alan Tolman and Steve Nichols**
(45) Registration Date: **11 March 2016**
(30) Convention priority data:
(31) Number (32) Date (33) Country
29/538026 31 Aug 2015 UNITED STATES OF AMERICA
(56) Related Art Documents: **Not Applicable**
(57) Statement of Newness and Distinctiveness: **Newness and distinctiveness is claimed in those features of shape and/or configuration of a cup as illustrated in continuous lines in the accompanying representations.**



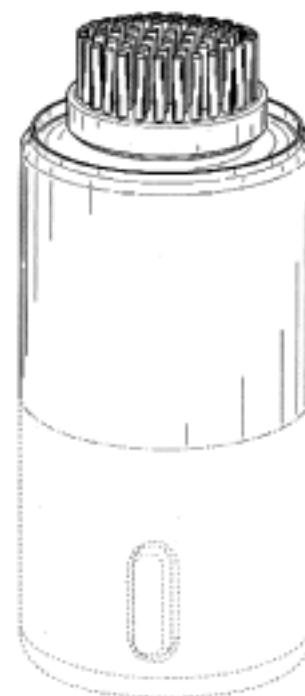
(21) Design Number: **11074/2016**
(22) Date of Filing Application: **29 February 2016**
(24) Date from which industrial property rights may have effect: **29 February 2016**
(54) Product in respect of which the design is registered: **Cup**
(51) International Design Classification: **07-01C**
(74) Name(s) of Attorney(s): **Spruson & Ferguson**
(71) Name(s) and Address(s) of Applicant(s):
Yeti Coolers, LLC
5301 Southwest Parkway, Suite 200, Austin Texas, 78735 United States of America
(72) Name(s) of Designer(s): **Roy Joseph Seiders and John Alan Tolman and Steve Nichols**
(45) Registration Date: **11 March 2016**
(30) Convention priority data:
(31) Number (32) Date (33) Country
29/538024 31 Aug 2015 UNITED STATES OF AMERICA
(56) Related Art Documents: **Not Applicable**
(57) Statement of Newness and Distinctiveness: **Newness and distinctiveness is claimed in those features of shape and/or configuration of a cup as illustrated in continuous lines in the accompanying representations.**



(21) Design Number: **11076/2016**
(22) Date of Filing Application: **29 February 2016**
(24) Date from which industrial property rights may have effect: **29 February 2016**
(54) Product in respect of which the design is registered: **Personal alarm**
(51) International Design Classification: **10-05**
(74) Name(s) of Attorney(s): **FB Rice**
(71) Name(s) and Address(s) of Applicant(s):
Spectrum Brands, Inc.
3001 Deming Way Middleton, WI, 53562 United States of America
(72) Name(s) of Designer(s): **Seung Il Kim and Bryan Keith Dandridge**
(45) Registration Date: **11 March 2016**
(30) Convention priority data:
(31) Number (32) Date (33) Country
29/553,311 29 Jan 2016 UNITED STATES OF AMERICA
(56) Related Art Documents: **Not Applicable**
(57) Statement of Newness and Distinctiveness: **Newness and distinctiveness reside in the features of the design as shown. The features shown in broken lines are provided for reference purposes only and are not to be considered when construing the visual features of the design. The shade lines in the representations show contour and not surface ornamentation.**



(21) Design Number: **11077/2016**
(22) Date of Filing Application: **29 February 2016**
(24) Date from which industrial property rights may have effect: **29 February 2016**
(54) Product in respect of which the design is registered: **Facial brush**
(51) International Design Classification: **04-02**
(74) Name(s) of Attorney(s): **FB Rice**
(71) Name(s) and Address(s) of Applicant(s):
Spectrum Brands, Inc.
3001 Deming Way Middleton, WI, 53562 United States of America
(72) Name(s) of Designer(s): **David H. Roland**
(45) Registration Date: **11 March 2016**
(30) Convention priority data:
(31) Number (32) Date (33) Country
29/551,937 19 Jan 2016 UNITED STATES OF AMERICA
(56) Related Art Documents: **Not Applicable**
(57) Statement of Newness and Distinctiveness: **Newness and distinctiveness reside in the features of the design as shown. The features shown in broken lines are provided for reference purposes only and are not to be considered when construing the visual features of the design. The shade lines in the representations show contour and not surface ornamentation.**



(21) Design Number: **11078/2016**
(22) Date of Filing Application: **29 February 2016**
(24) Date from which industrial property rights may have effect: **29 February 2016**
(54) Product in respect of which the design is registered: **Facial brush**
(51) International Design Classification: **04-02**
(74) Name(s) of Attorney(s): **FB Rice**
(71) Name(s) and Address(s) of Applicant(s):

Spectrum Brands, Inc.
3001 Deming Way Middleton, WI, 53562 United States of America

(72) Name(s) of Designer(s): **David H. Roland**

(45) Registration Date: **11 March 2016**

(30) Convention priority data:

(31) Number	(32) Date	(33) Country
29/551,925	19 Jan 2016	UNITED STATES OF AMERICA

(56) Related Art Documents: **Not Applicable**

(57) Statement of Newness and Distinctiveness: **Newness and distinctiveness reside in the features of the design as shown. The features shown in broken lines are provided for reference purposes only and are not to be considered when construing the visual features of the design. The shade lines in the representations show contour and not surface ornamentation.**



(21) Design Number: **11079/2016**
(22) Date of Filing Application: **29 February 2016**
(24) Date from which industrial property rights may have effect: **29 February 2016**
(54) Product in respect of which the design is registered: **Body brush**
(51) International Design Classification: **04-02**
(74) Name(s) of Attorney(s): **FB Rice**
(71) Name(s) and Address(s) of Applicant(s):

Spectrum Brands, Inc.
3001 Deming Way Middleton, WI, 53562 United States of America

(72) Name(s) of Designer(s): **Bryan Keith Dandridge and Seung Il Kim**

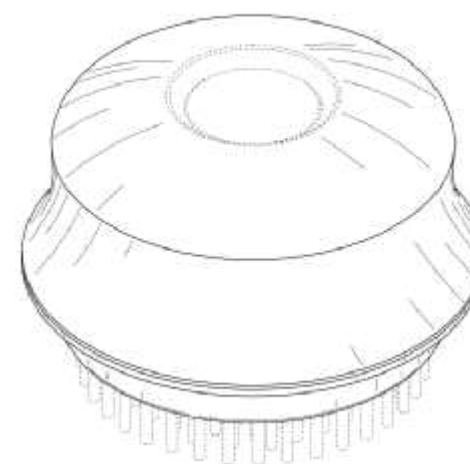
(45) Registration Date: **11 March 2016**

(30) Convention priority data:

(31) Number	(32) Date	(33) Country
29/550,122	30 Dec 2015	UNITED STATES OF AMERICA

(56) Related Art Documents: **Not Applicable**

(57) Statement of Newness and Distinctiveness: **Newness and distinctiveness reside in the features of the design as shown. The features shown in broken lines are provided for reference purposes only and are not to be considered when construing the visual features of the design. The shade lines in the representations show contour and not surface ornamentation.**



(21) Design Number: **10006/2016**

(22) Date of Filing Application: **04 January 2016**

(24) Date from which industrial property rights may have effect: **04 January 2016**

(54) Product in respect of which the design is registered: **Radio receivers**

(51) International Design Classification: **14-03D, 14-01**

(74) Name(s) of Attorney(s): **Davies Collison Cave**

(71) Name(s) and Address(s) of Applicant(s):

The Stanley Works Israel Ltd.

19 Ha'Melacha Street New Industrial Zone Rosh Ha'ayin 48091 Israel

(72) Name(s) of Designer(s): **Elad Hay Shitrit and Yosi Sabbag**

(45) Registration Date: **11 March 2016**

(30) Convention priority data:

(31) Number

(32) Date

(33) Country

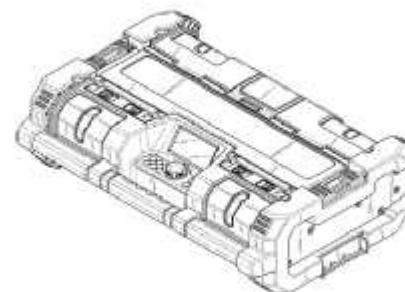
EM002728592

30 Jun 2015

**OFFICE FOR HARMONISATION IN
THE INTERNAL MARKET (OHIM)**

(56) Related Art Documents: **Not Applicable**

(57) Statement of Newness and Distinctiveness: **Nil**



(21) Design Number: **10027/2016**

(22) Date of Filing Application: **06 January 2016**

(24) Date from which industrial property rights may have effect: **06 January 2016**

(54) Product in respect of which the design is registered: **Goggle**

(51) International Design Classification: **16-06**

(74) Name(s) of Attorney(s): **Davies Collison Cave**

(71) Name(s) and Address(s) of Applicant(s):

Oakley, Inc.

One Icon Foothill Ranch California, 92610 United States of America

(72) Name(s) of Designer(s): **Daniel Soo Chae**

(45) Registration Date: **11 March 2016**

(30) Convention priority data:

(31) Number

(32) Date

(33) Country

29/539,636

16 Sep 2015

UNITED STATES OF AMERICA

(56) Related Art Documents: **Not Applicable**

(57) Statement of Newness and Distinctiveness: **Newness and distinctiveness is claimed in the visual features shown in solid lines in the representations.**



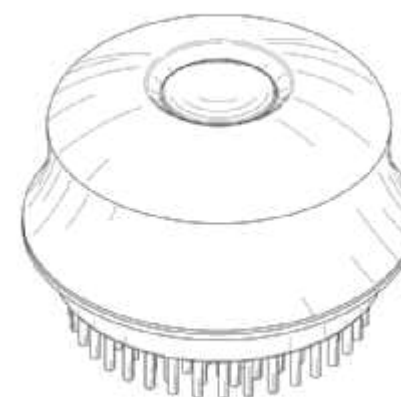
(21) Design Number: **11081/2016**
(22) Date of Filing Application: **29 February 2016**
(24) Date from which industrial property rights may have effect: **29 February 2016**
(54) Product in respect of which the design is registered: **Hair clipper**
(51) International Design Classification: **28-03D**
(74) Name(s) of Attorney(s): **FB Rice**
(71) Name(s) and Address(s) of Applicant(s):



Spectrum Brands, Inc.
3001 Deming Way Middleton, WI, 53562 United States of America
(72) Name(s) of Designer(s): **Alexander I. Rosandick and Daniel Teteak**
(45) Registration Date: **11 March 2016**
(30) Convention priority data:
(31) Number (32) Date (33) Country
29/550,257 31 Dec 2015 UNITED STATES OF AMERICA

(56) Related Art Documents: **Not Applicable**
(57) Statement of Newness and Distinctiveness: **Newness and distinctiveness reside in the features of the design as shown. The features shown in broken lines are provided for reference purposes only and are not to be considered when construing the visual features of the design. The shade lines in the representations show contour and not surface ornamentation.**

(21) Design Number: **11082/2016**
(22) Date of Filing Application: **29 February 2016**
(24) Date from which industrial property rights may have effect: **29 February 2016**
(54) Product in respect of which the design is registered: **Body brush**
(51) International Design Classification: **04-02**
(74) Name(s) of Attorney(s): **FB Rice**
(71) Name(s) and Address(s) of Applicant(s):



Spectrum Brands, Inc.
3001 Deming Way Middleton, WI, 53562 United States of America
(72) Name(s) of Designer(s): **Bryan Keith Dandridge and Seung Il Kim**
(45) Registration Date: **11 March 2016**
(30) Convention priority data:
(31) Number (32) Date (33) Country
29/550,097 30 Dec 2015 UNITED STATES OF AMERICA

(56) Related Art Documents: **Not Applicable**
(57) Statement of Newness and Distinctiveness: **Newness and distinctiveness reside in the features of the design as shown. The features shown in broken lines are provided for reference purposes only and are not to be considered when construing the visual features of the design. The shade lines in the representations show contour and not surface ornamentation.**

(21) Design Number: **11083/2016**
(22) Date of Filing Application: **29 February 2016**
(24) Date from which industrial property rights may have effect: **29 February 2016**
(54) Product in respect of which the design is registered: **Hair clipper**
(51) International Design Classification: **28-03D**
(74) Name(s) of Attorney(s): **FB Rice**
(71) Name(s) and Address(s) of Applicant(s):

Spectrum Brands, Inc.
3001 Deming Way Middleton, WI, 53562 United States of America

(72) Name(s) of Designer(s): **Alexander I. Rosandick and Daniel Teteak**

(45) Registration Date: **11 March 2016**

(30) Convention priority data:

(31) Number	(32) Date	(33) Country
29/550,252	31 Dec 2015	UNITED STATES OF AMERICA

(56) Related Art Documents: **Not Applicable**

(57) Statement of Newness and Distinctiveness: **Newness and distinctiveness reside in the features of the design as shown. The features shown in broken lines are provided for reference purposes only and are not to be considered when construing the visual features of the design. The shade lines in the representations show contour and not surface ornamentation.**



(21) Design Number: **11084/2016**
(22) Date of Filing Application: **29 February 2016**
(24) Date from which industrial property rights may have effect: **29 February 2016**
(54) Product in respect of which the design is registered: **Hair straightener**
(51) International Design Classification: **28-03B**
(74) Name(s) of Attorney(s): **FB Rice**
(71) Name(s) and Address(s) of Applicant(s):

Spectrum Brands, Inc.
3001 Deming Way Middleton, WI, 53562 United States of America

(72) Name(s) of Designer(s): **Seung Il Kim**

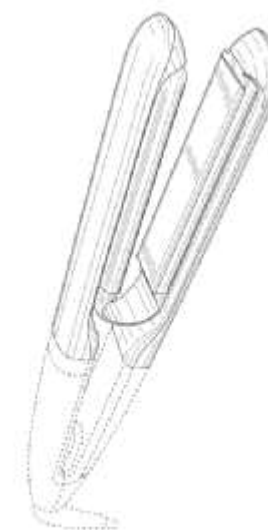
(45) Registration Date: **11 March 2016**

(30) Convention priority data:

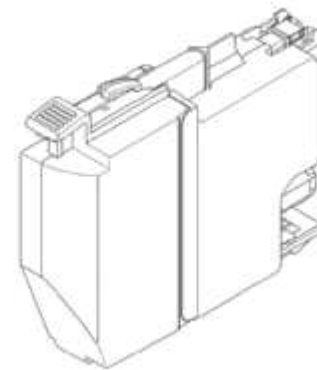
(31) Number	(32) Date	(33) Country
29/549,789	28 Dec 2015	UNITED STATES OF AMERICA

(56) Related Art Documents: **Not Applicable**

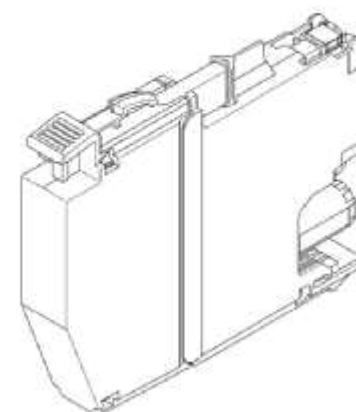
(57) Statement of Newness and Distinctiveness: **Newness and distinctiveness reside in the features of the design as shown. The features shown in broken lines are provided for reference purposes only and are not to be considered when construing the visual features of the design. The shade lines in the representations show contour and not surface ornamentation.**



(21) Design Number: **11090/2016**
(22) Date of Filing Application: **29 February 2016**
(24) Date from which industrial property rights may have effect: **29 February 2016**
(54) Product in respect of which the design is registered: **ink cartridge**
(51) International Design Classification: **14-02**
(74) Name(s) of Attorney(s): **Collison & Co**
(71) Name(s) and Address(s) of Applicant(s):
BROTHER INDUSTRIES, LTD.
15-1 Naeshiro-cho Mizuho-ku Nagoya-shi Aichi-ken 467-8561 Japan
(72) Name(s) of Designer(s): **Naoya Okazaki**
(45) Registration Date: **11 March 2016**
(30) Convention priority data:
(31) Number (32) Date (33) Country
2015-019437 02 Sep 2015 JAPAN
(56) Related Art Documents: **Not Applicable**
(57) Statement of Newness and Distinctiveness: **Nil**



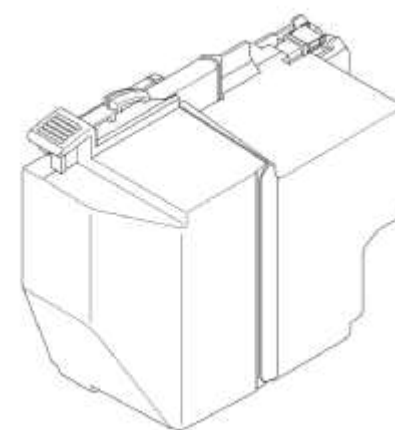
(21) Design Number: **11091/2016**
(22) Date of Filing Application: **29 February 2016**
(24) Date from which industrial property rights may have effect: **29 February 2016**
(54) Product in respect of which the design is registered: **Ink cartridge**
(51) International Design Classification: **14-02**
(74) Name(s) of Attorney(s): **Collison & Co**
(71) Name(s) and Address(s) of Applicant(s):
BROTHER INDUSTRIES, LTD.
15-1 Naeshiro-cho Mizuho-ku Nagoya-shi Aichi-ken 467-8561 Japan
(72) Name(s) of Designer(s): **Naoya Okazaki**
(45) Registration Date: **11 March 2016**
(30) Convention priority data:
(31) Number (32) Date (33) Country
2015-019438 02 Sep 2015 JAPAN
(56) Related Art Documents: **Not Applicable**
(57) Statement of Newness and Distinctiveness: **Nil**



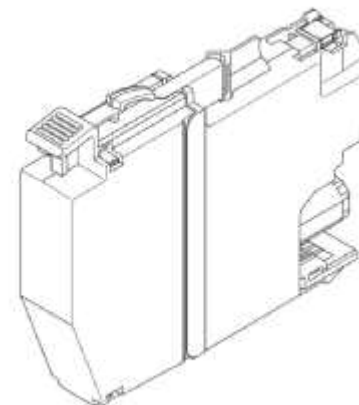
- (21) Design Number: **11092/2016**
(22) Date of Filing Application: **29 February 2016**
(24) Date from which industrial property rights may have effect: **29 February 2016**
(54) Product in respect of which the design is registered: **Epilator**
(51) International Design Classification: **28-03A**
(74) Name(s) of Attorney(s): **FB Rice**
(71) Name(s) and Address(s) of Applicant(s):
Koninklijke Philips N.V.
High Tech Campus 5 5656 AE Eindhoven The Netherlands
(72) Name(s) of Designer(s): **Suzette Van Maanen and Kim Helmbold**
(45) Registration Date: **11 March 2016**
(30) Convention priority data:
(31) Number (32) Date (33) Country
**002763060-0002 31 Aug 2015 OFFICE FOR HARMONISATION IN
THE INTERNAL MARKET (OHIM)**
(56) Related Art Documents: **Not Applicable**
(57) Statement of Newness and Distinctiveness: **Newness and distinctiveness
reside in the features of shape and configuration of the design as shown
in the representations.**



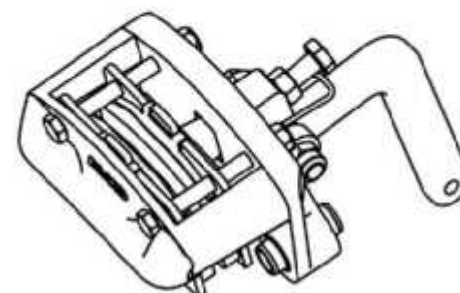
- (21) Design Number: **11093/2016**
(22) Date of Filing Application: **29 February 2016**
(24) Date from which industrial property rights may have effect: **29 February 2016**
(54) Product in respect of which the design is registered: **Ink cartridge**
(51) International Design Classification: **14-02**
(74) Name(s) of Attorney(s): **Collison & Co**
(71) Name(s) and Address(s) of Applicant(s):
BROTHER INDUSTRIES, LTD.
15-1 Naeshiro-cho Mizuho-ku Nagoya-shi Aichi-ken 467-8561 Japan
(72) Name(s) of Designer(s): **Naoya Okazaki**
(45) Registration Date: **11 March 2016**
(30) Convention priority data:
(31) Number (32) Date (33) Country
2015-019439 02 Sep 2015 JAPAN
(56) Related Art Documents: **Not Applicable**
(57) Statement of Newness and Distinctiveness: **Nil**



(21) Design Number: **11095/2016**
(22) Date of Filing Application: **29 February 2016**
(24) Date from which industrial property rights may have effect: **29 February 2016**
(54) Product in respect of which the design is registered: **Ink cartridge**
(51) International Design Classification: **14-02**
(74) Name(s) of Attorney(s): **Collison & Co**
(71) Name(s) and Address(s) of Applicant(s):
BROTHER INDUSTRIES, LTD.
15-1 Naeshiro-cho Mizuho-ku Nagoya-shi Aichi-ken 467-8561 Japan
(72) Name(s) of Designer(s): **Naoya Okazaki**
(45) Registration Date: **11 March 2016**
(30) Convention priority data:
(31) Number (32) Date (33) Country
2015-019440 02 Sep 2015 JAPAN
(56) Related Art Documents: **Not Applicable**
(57) Statement of Newness and Distinctiveness: **Nil**



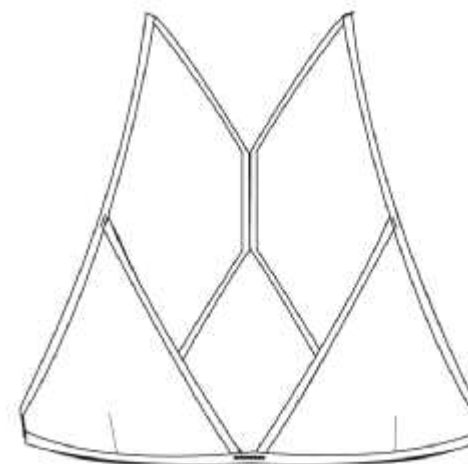
(21) Design Number: **11113/2016**
(22) Date of Filing Application: **01 March 2016**
(24) Date from which industrial property rights may have effect: **01 March 2016**
(54) Product in respect of which the design is registered: **Mechanical calliper (L shaped handle)**
(51) International Design Classification: **12-16M**
(74) Name(s) of Attorney(s): **Baxter Patent Attorneys Pty Ltd**
(71) Name(s) and Address(s) of Applicant(s):
AL-KO International Pty Ltd
67-91 Nathan Rd Dandenong South VIC 3175 Australia
(72) Name(s) of Designer(s): **Robert C Funder**
(45) Registration Date: **11 March 2016**
(56) Related Art Documents: **Not Applicable**
(57) Statement of Newness and Distinctiveness: **Nil**



- (21) Design Number: **11114/2016**
(22) Date of Filing Application: **01 March 2016**
(24) Date from which industrial property rights may have effect: **01 March 2016**
(54) Product in respect of which the design is registered: **Swimwear**
(51) International Design Classification: **02-02A**
(74) Name(s) of Attorney(s):
(71) Name(s) and Address(s) of Applicant(s):
Skye Group Pty Limited
18 Forrester St Kingsgrove NSW 2208 Australia
(72) Name(s) of Designer(s): **Angelique Delaney**
(45) Registration Date: **11 March 2016**
(56) Related Art Documents: **Not Applicable**
(57) Statement of Newness and Distinctiveness: **Newness and distinctiveness is claimed in the shape, configuration, pattern and/or ornamentation of the garment depicted in the accompanying representation.**



- (21) Design Number: **11115/2016**
(22) Date of Filing Application: **01 March 2016**
(24) Date from which industrial property rights may have effect: **01 March 2016**
(54) Product in respect of which the design is registered: **A bikini top**
(51) International Design Classification: **02-02A**
(74) Name(s) of Attorney(s):
(71) Name(s) and Address(s) of Applicant(s):
Skye Group Pty Limited
18 Forrester St Kingsgrove NSW 2208 Australia
(72) Name(s) of Designer(s): **Angelique Delaney**
(45) Registration Date: **11 March 2016**
(56) Related Art Documents: **Not Applicable**
(57) Statement of Newness and Distinctiveness: **Newness and distinctiveness is claimed in the shape, configuration, pattern and/or ornamentation of the garment depicted in the accompanying representation.**



(21) Design Number: **11116/2016**

(22) Date of Filing Application: **01 March 2016**

(24) Date from which industrial property rights may have effect: **01 March 2016**

(54) Product in respect of which the design is registered: **A bikini top**

(51) International Design Classification: **02-02A**

(74) Name(s) of Attorney(s):

(71) Name(s) and Address(s) of Applicant(s):

Skye Group Pty Limited

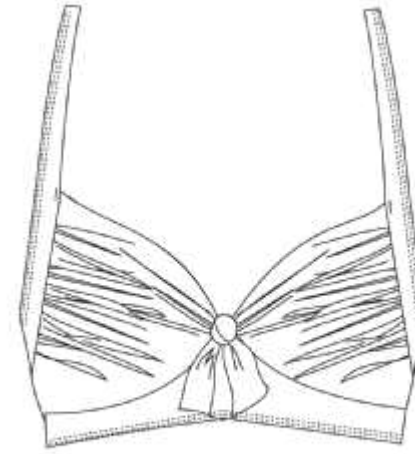
18 Forrester St Kingsgrove NSW 2208 Australia

(72) Name(s) of Designer(s): **Angelique Delaney**

(45) Registration Date: **11 March 2016**

(56) Related Art Documents: **Not Applicable**

(57) Statement of Newness and Distinctiveness: **Newness and distinctiveness is claimed in the shape, configuration, pattern and/or ornamentation of the garment depicted in the accompanying representation.**



(21) Design Number: **11117/2016**

(22) Date of Filing Application: **01 March 2016**

(24) Date from which industrial property rights may have effect: **01 March 2016**

(54) Product in respect of which the design is registered: **A bikini top**

(51) International Design Classification: **02-02A**

(74) Name(s) of Attorney(s):

(71) Name(s) and Address(s) of Applicant(s):

Skye Group Pty Limited

18 Forrester St Kingsgrove NSW 2208 Australia

(72) Name(s) of Designer(s): **Angelique Delaney**

(45) Registration Date: **11 March 2016**

(56) Related Art Documents: **Not Applicable**

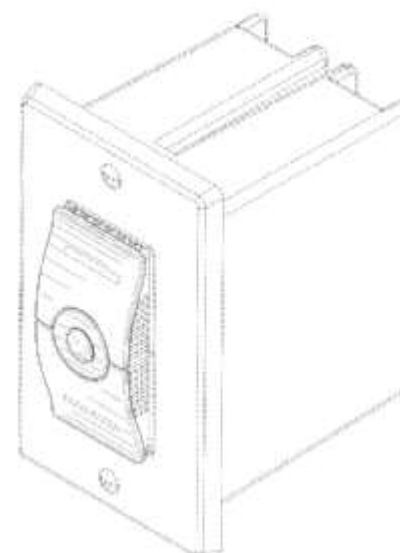
(57) Statement of Newness and Distinctiveness: **Newness and distinctiveness is claimed in the shape, configuration, pattern and/or ornamentation of the garment depicted in the accompanying representation.**



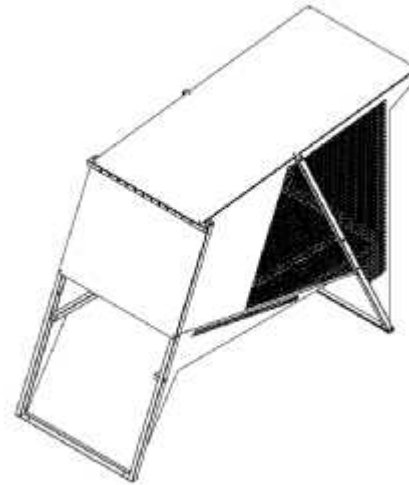
- (21) Design Number: **11118/2016**
(22) Date of Filing Application: **01 March 2016**
(24) Date from which industrial property rights may have effect: **01 March 2016**
(54) Product in respect of which the design is registered: **A bikini top**
(51) International Design Classification: **02-02A**
(74) Name(s) of Attorney(s):
(71) Name(s) and Address(s) of Applicant(s):
Skye Group Pty Limited
18 Forrester St Kingsgrove NSW 2208 Australia
(72) Name(s) of Designer(s): **Angelique Delaney**
(45) Registration Date: **11 March 2016**
(56) Related Art Documents: **Not Applicable**
(57) Statement of Newness and Distinctiveness: **Newness and distinctiveness is claimed in the shape, configuration, pattern and/or ornamentation of the garment depicted in the accompanying representation and in particular its ability to be worn in 11 different ways.**



- (21) Design Number: **11006/2016**
(22) Date of Filing Application: **25 February 2016**
(24) Date from which industrial property rights may have effect: **25 February 2016**
(54) Product in respect of which the design is registered: **Switch**
(51) International Design Classification: **13-03NES**
(74) Name(s) of Attorney(s): **Macpherson + Kelley**
(71) Name(s) and Address(s) of Applicant(s):
Delta T Corporation
2348 Innovation Drive Lexington Kentucky, 40511 United States of America
(72) Name(s) of Designer(s): **Richard Oleson and Erik Turocy**
(45) Registration Date: **11 March 2016**
(30) Convention priority data:
(31) Number (32) Date (33) Country
29/537,610 27 Aug 2015 UNITED STATES OF AMERICA
(56) Related Art Documents: **Not Applicable**
(57) Statement of Newness and Distinctiveness: **Newness and distinctiveness resides in the features of shape and/or configuration of a switch as illustrated in the continuous lines in the accompanying representations.**



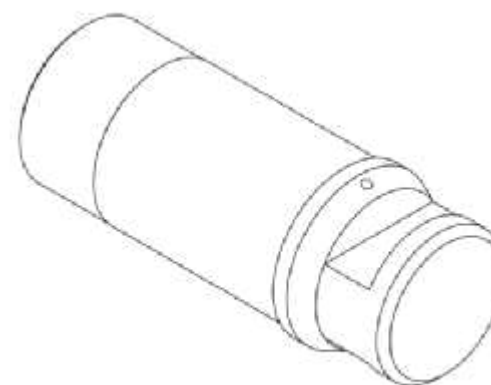
- (21) Design Number: **11020/2016**
(22) Date of Filing Application: **26 February 2016**
(24) Date from which industrial property rights may have effect: **26 February 2016**
(54) Product in respect of which the design is registered: **Dog cage**
(51) International Design Classification: **30-02**
(74) Name(s) of Attorney(s):
(71) Name(s) and Address(s) of Applicant(s):
HOOCH AND HUNTER PTY LTD
PO Box 2666 New Farm QLD 4005 Australia
(72) Name(s) of Designer(s): **David O'Driscoll and Trent Carter and Nathan Moffat**
(45) Registration Date: **11 March 2016**
(56) Related Art Documents: **Not Applicable**
(57) Statement of Newness and Distinctiveness: **Newness and distinctiveness is claimed in the features of shape and configuration of the Dog Cage as shown in the accompanying representations**



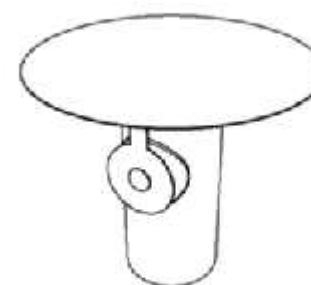
- (21) Design Number: **11021/2016**
(22) Date of Filing Application: **26 February 2016**
(24) Date from which industrial property rights may have effect: **26 February 2016**
(54) Product in respect of which the design is registered: **Lighting fixture**
(51) International Design Classification: **26-05C**
(74) Name(s) of Attorney(s): **FB Rice**
(71) Name(s) and Address(s) of Applicant(s):
Koninklijke Philips N.V.
High Tech Campus 5 5656 AE Eindhoven The Netherlands
(72) Name(s) of Designer(s): **Jeffrey Huyghe**
(45) Registration Date: **11 March 2016**
(30) Convention priority data:
(31) Number (32) Date (33) Country
**002760520-0005 26 Aug 2015 OFFICE FOR HARMONISATION IN
THE INTERNAL MARKET (OHIM)**
(56) Related Art Documents: **Not Applicable**
(57) Statement of Newness and Distinctiveness: **Newness and distinctiveness reside in the features of shape and configuration of the design as shown in the representations.**



- (21) Design Number: **11025/2016**
(22) Date of Filing Application: **26 February 2016**
(24) Date from which industrial property rights may have effect: **26 February 2016**
(54) Product in respect of which the design is registered: **Stub shaft for a conveyor roller**
(51) International Design Classification: **12-05**
(74) Name(s) of Attorney(s): **Caska IP**
(71) Name(s) and Address(s) of Applicant(s):
VLI CONVEYORS PTY LIMITED
8 Balook Dr Beresfield NSW 2322 Australia
(72) Name(s) of Designer(s): **Gregory David Powell and Timothy Glenn Watson and Santhosh Chandrasekar Ramankoppa**
(45) Registration Date: **11 March 2016**
(56) Related Art Documents: **Not Applicable**
(57) Statement of Newness and Distinctiveness: **Newness and distinctiveness resides in the overall shape and configuration of the visual features as shown in solid lines in the accompanying representations**



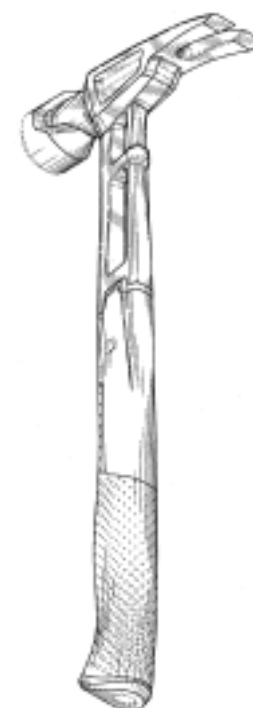
- (21) Design Number: **11028/2016**
(22) Date of Filing Application: **26 February 2016**
(24) Date from which industrial property rights may have effect: **26 February 2016**
(54) Product in respect of which the design is registered: **Desk light**
(51) International Design Classification: **26-05B**
(74) Name(s) of Attorney(s):
(71) Name(s) and Address(s) of Applicant(s):
Spaceleft Pty Ltd
U2/15-19 Anthony St Melbourne VIC 3000 Australia
(72) Name(s) of Designer(s): **Ross Gardam**
(45) Registration Date: **11 March 2016**
(56) Related Art Documents: **Not Applicable**
(57) Statement of Newness and Distinctiveness: **The overall shape of the base in combination with the disk reflecting the light is unique and distinctive. The disk can rotate around the body, giving it distinctly different appearances in each position.**



(21) Design Number: **11080/2016**
(22) Date of Filing Application: **29 February 2016**
(24) Date from which industrial property rights may have effect: **29 February 2016**
(54) Product in respect of which the design is registered: **Facial brush**
(51) International Design Classification: **04-02**
(74) Name(s) of Attorney(s): **FB Rice**
(71) Name(s) and Address(s) of Applicant(s):
Spectrum Brands, Inc.
3001 Deming Way Middleton, WI, 53562 United States of America
(72) Name(s) of Designer(s): **David H. Roland**
(45) Registration Date: **11 March 2016**
(30) Convention priority data:
(31) Number (32) Date (33) Country
29/551,921 19 Jan 2016 UNITED STATES OF AMERICA
(56) Related Art Documents: **Not Applicable**
(57) Statement of Newness and Distinctiveness: **Newness and distinctiveness reside in the features of the design as shown. The features shown in broken lines are provided for reference purposes only and are not to be considered when construing the visual features of the design. The shade lines in the representations show contour and not surface ornamentation.**



(21) Design Number: **16966/2015**
(22) Date of Filing Application: **21 December 2015**
(24) Date from which industrial property rights may have effect: **21 December 2015**
(54) Product in respect of which the design is registered: **Claw hammer**
(51) International Design Classification: **08-02**
(74) Name(s) of Attorney(s): **Davies Collison Cave**
(71) Name(s) and Address(s) of Applicant(s):
Fiskars Brands, Inc.
2537 Daniels Street Madison Wisconsin, 53718 United States of America
(72) Name(s) of Designer(s): **Aaron Honadel and Steven Stokes and Colin Roberts and Petteri Masalin and Sami Lyytikainen**
(45) Registration Date: **11 March 2016**
(30) Convention priority data:
(31) Number (32) Date (33) Country
29/531,267 24 Jun 2015 UNITED STATES OF AMERICA
(56) Related Art Documents: **Not Applicable**
(57) Statement of Newness and Distinctiveness: **Newness and distinctiveness is claimed in the visual features shown in solid lines in the representations. Any portion of the article depicted in broken lines forms no part of the claimed design. Broken lines formed by equal length dashes show unclaimed portions of the design. As shown in Figure 25, the circular features on the grip of the handle are depicted in broken lines. Any illustrated solid lines (or portions thereof) may be converted to broken lines and any illustrated broken lines (or portions thereof) may be converted to solid lines so as to claim or disclaim portions, components, or sub-components of the designs shown. Shading may be added or removed to claim or disclaim the corresponding surfaces.**



- (21) Design Number: **15085/2015**
(22) Date of Filing Application: **29 September 2015**
(24) Date from which industrial property rights may have effect: **29 September 2015**
(54) Product in respect of which the design is registered: **An extrusion**
(51) International Design Classification: **25-01K**
(74) Name(s) of Attorney(s): **Smooenburg Patent & Trade Mark Attorneys**
(71) Name(s) and Address(s) of Applicant(s):
Sergio Valentino
81 Ashley Rd Yarrambat VIC 3091 Australia
(72) Name(s) of Designer(s): **Sergio Valentino**
(45) Registration Date: **11 March 2016**
(56) Related Art Documents: **Not Applicable**
(57) Statement of Newness and Distinctiveness: **Newness and distinctiveness resides in the features of shape and/or configuration of an extrusion of indefinite length as shown in the accompanying representations.**



- (21) Design Number: **15430/2015**
(22) Date of Filing Application: **14 October 2015**
(24) Date from which industrial property rights may have effect: **14 October 2015**
(54) Product in respect of which the design is registered: **Wheel for vehicle**
(51) International Design Classification: **12-16A**
(74) Name(s) of Attorney(s): **Spruson & Ferguson**
(71) Name(s) and Address(s) of Applicant(s):
Daimler AG
Mercedesstrasse 137, Stuttgart D-70327 Germany
(72) Name(s) of Designer(s): **Dalibor Vidojkovic and Bernhard Hans**
(45) Registration Date: **11 March 2016**
(56) Related Art Documents: **Not Applicable**
(57) Statement of Newness and Distinctiveness: **Newness and distinctiveness is claimed in the features of shape and/or configuration of a wheel for vehicle as illustrated in the accompanying representations.**



- (21) Design Number: **15431/2015**
(22) Date of Filing Application: **14 October 2015**
(24) Date from which industrial property rights may have effect: **14 October 2015**
(54) Product in respect of which the design is registered: **Wheel for vehicle**
(51) International Design Classification: **12-16A**
(74) Name(s) of Attorney(s): **Spruson & Ferguson**
(71) Name(s) and Address(s) of Applicant(s):
Daimler AG
Mercedesstrasse 137, Stuttgart D-70327 Germany
(72) Name(s) of Designer(s): **Dalibor Vidojkovic and Bernhard Hans**
(45) Registration Date: **11 March 2016**
(56) Related Art Documents: **Not Applicable**
(57) Statement of Newness and Distinctiveness: **Newness and distinctiveness is claimed in the features of shape and/or configuration of a wheel for vehicle as illustrated in the accompanying representations.**



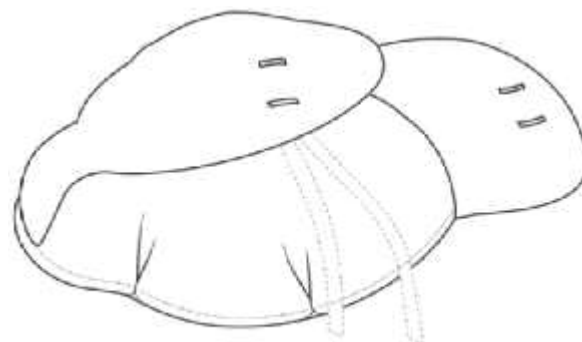
- (21) Design Number: **15432/2015**
(22) Date of Filing Application: **14 October 2015**
(24) Date from which industrial property rights may have effect: **14 October 2015**
(54) Product in respect of which the design is registered: **Wheel for vehicle**
(51) International Design Classification: **12-16A**
(74) Name(s) of Attorney(s): **Spruson & Ferguson**
(71) Name(s) and Address(s) of Applicant(s):
Daimler AG
Mercedesstrasse 137, Stuttgart D-70327 Germany
(72) Name(s) of Designer(s): **Edgar Chu and Bernhard Hans**
(45) Registration Date: **11 March 2016**
(56) Related Art Documents: **Not Applicable**
(57) Statement of Newness and Distinctiveness: **Newness and distinctiveness is claimed in the features of shape and/or configuration of a wheel for vehicle as illustrated in the accompanying representations.**



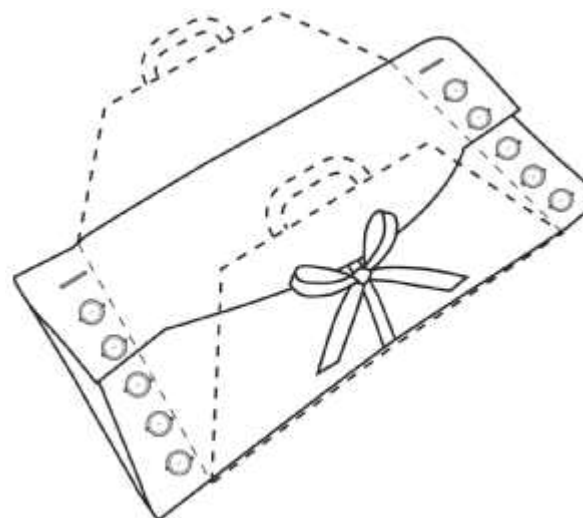
- (21) Design Number: **15548/2015**
(22) Date of Filing Application: **20 October 2015**
(24) Date from which industrial property rights may have effect: **20 October 2015**
(54) Product in respect of which the design is registered: **An extrusion**
(51) International Design Classification: **25-01K**
(74) Name(s) of Attorney(s): **Smooenburg Patent & Trade Mark Attorneys**
(71) Name(s) and Address(s) of Applicant(s):
Valentino Sergio
81 Ashley Rd Yarrambat VIC 3091 Australia
(72) Name(s) of Designer(s): **Valentino Sergio**
(45) Registration Date: **11 March 2016**
(56) Related Art Documents: **Not Applicable**
(57) Statement of Newness and Distinctiveness: **Newness and distinctiveness resides in the features of shape and/or configuration of an extrusion as shown in the accompanying representations.**



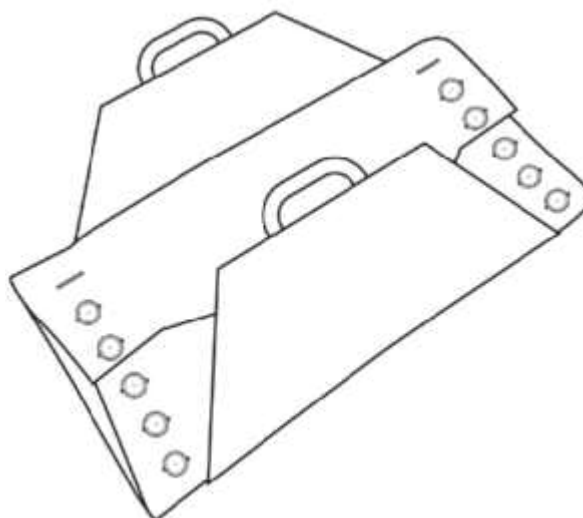
- (21) Design Number: **16929/2015**
(22) Date of Filing Application: **18 December 2015**
(24) Date from which industrial property rights may have effect: **18 December 2015**
(54) Product in respect of which the design is registered: **Pet burial or cremation bag**
(51) International Design Classification: **03-01NES**
(74) Name(s) of Attorney(s): **IP Sentinels Patent and Trademark Attorneys**
(71) Name(s) and Address(s) of Applicant(s):
Sweet Goodbye Pty Ltd
77 Naturaliste Tce Dunsborough WA 6281 Australia
(72) Name(s) of Designer(s): **Natalie Venosi**
(45) Registration Date: **11 March 2016**
(56) Related Art Documents: **Not Applicable**
(57) Statement of Newness and Distinctiveness: **The features of shape and/or configuration are claimed to be new and distinctive. The fastening portion shown in dashed lines is disclaimed.**



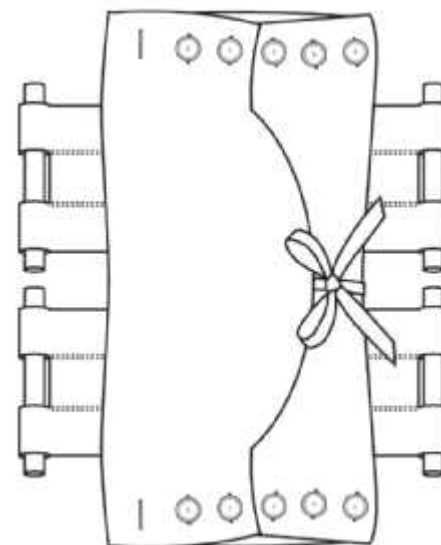
- (21) Design Number: **16930/2015**
(22) Date of Filing Application: **18 December 2015**
(24) Date from which industrial property rights may have effect: **18 December 2015**
(54) Product in respect of which the design is registered: **Pet burial or cremation bag**
(51) International Design Classification: **03-01NES**
(74) Name(s) of Attorney(s): **IP Sentinels Patent and Trademark Attorneys**
(71) Name(s) and Address(s) of Applicant(s):
Sweet Goodbye Pty Ltd
77 Naturaliste Tce Dunsborough WA 6281 Australia
(72) Name(s) of Designer(s): **Natalie Venosi**
(45) Registration Date: **11 March 2016**
(56) Related Art Documents: **Not Applicable**
(57) Statement of Newness and Distinctiveness: **The features of shape and/or configuration are claimed to be new and distinctive. The presence of, and the shape and configuration of the cradle portion, if attached, shown in dashed lines is disclaimed.**



- (21) Design Number: **16931/2015**
(22) Date of Filing Application: **18 December 2015**
(24) Date from which industrial property rights may have effect: **18 December 2015**
(54) Product in respect of which the design is registered: **Pet burial or cremation bag**
(51) International Design Classification: **03-01NES**
(74) Name(s) of Attorney(s): **IP Sentinels Patent and Trademark Attorneys**
(71) Name(s) and Address(s) of Applicant(s):
Sweet Goodbye Pty Ltd
77 Naturaliste Tce Dunsborough WA 6281 Australia
(72) Name(s) of Designer(s): **Natalie Venosi**
(45) Registration Date: **11 March 2016**
(56) Related Art Documents: **Not Applicable**
(57) Statement of Newness and Distinctiveness: **Nil**



- (21) Design Number: **16932/2015**
(22) Date of Filing Application: **18 December 2015**
(24) Date from which industrial property rights may have effect: **18 December 2015**
(54) Product in respect of which the design is registered: **Pet burial or cremation bag**
(51) International Design Classification: **03-01NES**
(74) Name(s) of Attorney(s): **IP Sentinels Patent and Trademark Attorneys**
(71) Name(s) and Address(s) of Applicant(s):
Sweet Goodbye Pty Ltd
77 Naturaliste Tce Dunsborough WA 6281 Australia
(72) Name(s) of Designer(s): **Natalie Venosi**
(45) Registration Date: **11 March 2016**
(56) Related Art Documents: **Not Applicable**
(57) Statement of Newness and Distinctiveness: **Nil**



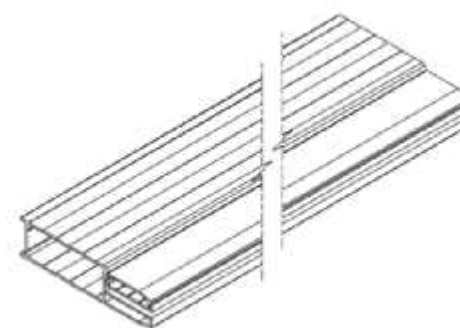
- (21) Design Number: **15084/2015**
(22) Date of Filing Application: **29 September 2015**
(24) Date from which industrial property rights may have effect: **29 September 2015**
(54) Product in respect of which the design is registered: **An extrusion**
(51) International Design Classification: **25-01K**
(74) Name(s) of Attorney(s): **Smootenburg Patent & Trade Mark Attorneys**
(71) Name(s) and Address(s) of Applicant(s):
Sergio Valentino
81 Ashley Rd Yarrambat VIC 3091 Australia
(72) Name(s) of Designer(s): **Sergio Valentino**
(45) Registration Date: **11 March 2016**
(56) Related Art Documents: **Not Applicable**
(57) Statement of Newness and Distinctiveness: **Newness and distinctiveness resides in the features of shape and/or configuration of an extrusion of indefinite length as shown in the accompanying representations.**



- (21) Design Number: **15089/2015**
(22) Date of Filing Application: **30 September 2015**
(24) Date from which industrial property rights may have effect: **30 September 2015**
(54) Product in respect of which the design is registered: **An extrusion**
(51) International Design Classification: **25-01K**
(74) Name(s) of Attorney(s): **Smooenburg Patent & Trade Mark Attorneys**
(71) Name(s) and Address(s) of Applicant(s):
Sergio Valentino
81 Ashley Rd Yarrambat VIC, 3091 Australia
(72) Name(s) of Designer(s): **Sergio Valentino**
(45) Registration Date: **11 March 2016**
(56) Related Art Documents: **Not Applicable**
(57) Statement of Newness and Distinctiveness: **Newness and distinctiveness resides in the features of shape and/or configuration of an extrusion of indefinite length as shown in the accompanying representations.**



- (21) Design Number: **16854/2015**
(22) Date of Filing Application: **17 December 2015**
(24) Date from which industrial property rights may have effect: **17 December 2015**
(54) Product in respect of which the design is registered: **Aluminium security door frame**
(51) International Design Classification: **25-02B, 25-01K**
(74) Name(s) of Attorney(s):
(71) Name(s) and Address(s) of Applicant(s):
Dinh Quan Chang
6/167 Westall Rd Clayton Sth Vic 3169 Australia
(72) Name(s) of Designer(s): **Quan Chang**
(45) Registration Date: **11 March 2016**
(56) Related Art Documents: **Not Applicable**
(57) Statement of Newness and Distinctiveness: **Can use for different thickness of security mesh up to 3.2mm thickness.**



(21) Design Number: **16935/2015**
(22) Date of Filing Application: **21 December 2015**
(24) Date from which industrial property rights may have effect: **21 December 2015**
(54) Product in respect of which the design is registered: **Claw hammer**
(51) International Design Classification: **08-02**
(74) Name(s) of Attorney(s): **Davies Collison Cave**
(71) Name(s) and Address(s) of Applicant(s):

Fiskars Brands, Inc.
2537 Daniels Street Madison 53718-6772 United States of America

(72) Name(s) of Designer(s): **Aaron Honadel and Steven Stokes and Colin Roberts and Petteri Masalin and Sami Lyytikainen**

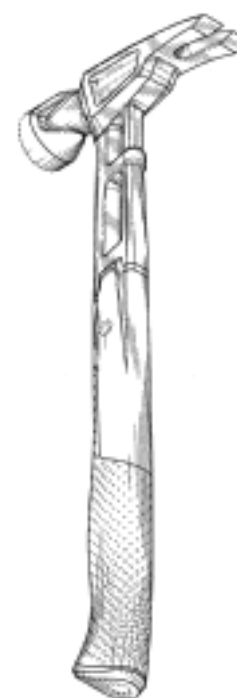
(45) Registration Date: **11 March 2016**

(30) Convention priority data:

(31) Number	(32) Date	(33) Country
29/531,260	24 Jun 2015	UNITED STATES OF AMERICA

(56) Related Art Documents: **Not Applicable**

(57) Statement of Newness and Distinctiveness: **Newness and distinctiveness is claimed in the visual features shown in solid lines in the representations. Any portion of the article depicted in broken lines forms no part of the claimed design. As shown in Figure 17, the circular features on the grip of the handle are depicted in broken lines. While the accompanying drawings illustrate one or more exemplary embodiments, it should be understood that according to other exemplary embodiments that should be considered to be within the possession of the inventors of the present application at the time this application is being filed, it is contemplated that any illustrated solid lines (or portions thereof) may be converted to broken lines and that any illustrated broken lines (or portions thereof) may be converted to solid lines so as to claim or disclaim portions, components, or sub-components of the designs shown. It is further contemplated that shading may be added or removed to claim or disclaim the corresponding surfaces.**



(21) Design Number: **16959/2015**
(22) Date of Filing Application: **21 December 2015**
(24) Date from which industrial property rights may have effect: **21 December 2015**
(54) Product in respect of which the design is registered: **Claw hammer**
(51) International Design Classification: **08-02**
(74) Name(s) of Attorney(s): **Davies Collison Cave**
(71) Name(s) and Address(s) of Applicant(s):

Fiskars Brands, Inc.
2537 Daniels Street Madison Wisconsin, 53718 United States of America

(72) Name(s) of Designer(s): **Aaron Honadel and Steven Stokes and Colin Roberts and Petteri Masalin and Sami Lyytikainen**

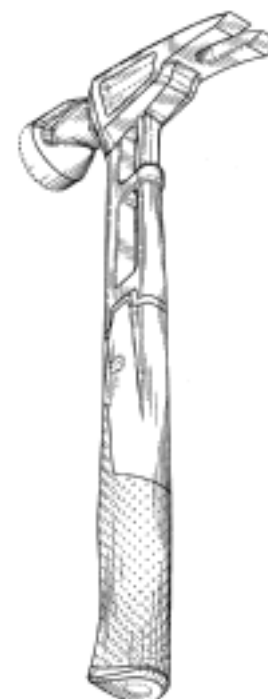
(45) Registration Date: **11 March 2016**

(30) Convention priority data:

(31) Number	(32) Date	(33) Country
29/531,265	24 Jun 2015	UNITED STATES OF AMERICA

(56) Related Art Documents: **Not Applicable**

(57) Statement of Newness and Distinctiveness: **Newness and distinctiveness is claimed in the visual features shown in solid lines in the representations. Any portion of the article depicted in broken lines forms no part of the claimed design. Broken lines formed by equal length dashes show unclaimed portions of the design. As shown in Figure 17, the circular features on the grip of the handle are depicted in broken lines. Any illustrated solid lines (or portions thereof) may be converted to broken lines and any illustrated broken lines (or portions thereof) may be converted to solid lines so as to claim or disclaim portions, components, or sub-components of the designs shown. Shading may be added or removed to claim or disclaim the corresponding surfaces.**



(21) Design Number: **10299/2016**

(22) Date of Filing Application: **21 January 2016**

(24) Date from which industrial property rights may have effect: **21 January 2016**

(54) Product in respect of which the design is registered: **Electric fence insulator**

(51) International Design Classification: **13-03A**

(74) Name(s) of Attorney(s):

(71) Name(s) and Address(s) of Applicant(s):

Pakton Developments Pty Ltd
PO BOX 408 Narangba QLD 4504 Australia

(72) Name(s) of Designer(s): **Benjamin James Thompson**

(45) Registration Date: **11 March 2016**

(56) Related Art Documents: **Not Applicable**

(57) Statement of Newness and Distinctiveness: **The newness and distinctiveness lies in the shape of the part which allowing the assembly of two identical parts. Other distinctive visual features include: (a) the tapered external diameter from the centre outwards, (b) ridges running the length of the part with a cut out portion in the centre of each ridge, and (c) a hollow under each ridge. Assembly is in two identical parts which slide together in a way that allows a fence wire to fit through the hole left in the centre of the assembly. This key design feature is distinctive in that it allows the insulator to be fit onto wires that are already installed. This means that a broken insulator can be replaced without the need to cut and reinstall the wire.**



(21) Design Number: **10537/2016**

(22) Date of Filing Application: **03 February 2016**

(24) Date from which industrial property rights may have effect: **03 February 2016**

(54) Product in respect of which the design is registered: **Weedmat**

(51) International Design Classification: **06-11**

(74) Name(s) of Attorney(s):

(71) Name(s) and Address(s) of Applicant(s):

Desmond Wade Bankier
50 Green Mist Cres Botanic Ridge VIC 3977 Australia

(72) Name(s) of Designer(s): **Desmond Wade Bankier**

(45) Registration Date: **11 March 2016**

(56) Related Art Documents: **Not Applicable**

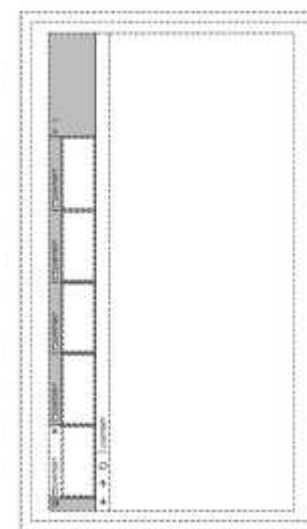
(57) Statement of Newness and Distinctiveness: **Unique extra Needle Punch Layer added to woven polypropylene weedmat to aid moisture retention in soil.**



(21) Design Number: **10269/2016**
(22) Date of Filing Application: **20 January 2016**
(24) Date from which industrial property rights may have effect: **20 January 2016**
(54) Product in respect of which the design is registered: **Medical ultrasound equipment**
(51) International Design Classification: **24-01**
(74) Name(s) of Attorney(s): **WATERMARK PATENT AND TRADE MARKS ATTORNEYS**
(71) Name(s) and Address(s) of Applicant(s):
Melmak GmbH
Gewerbegebiet 16 Raisting 82399 Germany
(72) Name(s) of Designer(s): **Klaus Hagenmeyer**
(45) Registration Date: **11 March 2016**
(30) Convention priority data:
(31) Number (32) Date (33) Country
002758532-0001 21 Aug 2015 OFFICE FOR HARMONISATION IN THE INTERNAL MARKET (OHIM)
(56) Related Art Documents: **Not Applicable**
(57) Statement of Newness and Distinctiveness: **Nil**



(21) Design Number: **10407/2016**
(22) Date of Filing Application: **27 January 2016**
(24) Date from which industrial property rights may have effect: **27 January 2016**
(54) Product in respect of which the design is registered: **Display screen with graphical user interface**
(51) International Design Classification: **14-02**
(74) Name(s) of Attorney(s): **Shelston IP Pty Ltd.**
(71) Name(s) and Address(s) of Applicant(s):
Microsoft Corporation
One Microsoft Way Redmond Washington, 98052-5321 United States of America
(72) Name(s) of Designer(s): **Sergey Kisselev and Andrew M. Pickard**
(45) Registration Date: **11 March 2016**
(30) Convention priority data:
(31) Number (32) Date (33) Country
29/534464 29 Jul 2015 UNITED STATES OF AMERICA
(56) Related Art Documents: **Not Applicable**
(57) Statement of Newness and Distinctiveness: **Newness and distinctiveness reside in the features of pattern and/or ornamentation of a display screen with graphical user interface, including the contrast in shading, as illustrated by solid lines in the accompanying representation. The contrast in shading in the figures represent a contrast in appearance only and does not represent any particular colour, material, texture or finish. The features shown in broken outline, including the text and graphical elements, are for contextual purposes only and do not form part of the design.**



- (21) Design Number: **10491/2016**
(22) Date of Filing Application: **01 February 2016**
(24) Date from which industrial property rights may have effect: **01 February 2016**
(54) Product in respect of which the design is registered: **Gift wrapping kit**
(51) International Design Classification: **05-05A**
(74) Name(s) of Attorney(s):
(71) Name(s) and Address(s) of Applicant(s):

Belinda Anne Hodder
223 Albert St Maryborough QLD 4650 Australia

(72) Name(s) of Designer(s): **Belinda Anne Hodder**

(45) Registration Date: **11 March 2016**

(56) Related Art Documents: **Not Applicable**

(57) Statement of Newness and Distinctiveness: **My product is a gift wrapping kit which consists of five items packaged together and sold as one unit. It contains: 1. A reusable cotton cloth available in a variety of printed fabrics and sizes that can be used for gift wrapping 2. A ribbon 3. A wooden blackboard gift tag with a peg attached to the back 4. An A4 sheet of paper with a message from Earth Wrapping and instructions on how to use the wrapping cloth and ribbon 5. A drawstring cloth carry pouch made of the same fabric as the wrapping cloth and ribbon in the set, with an Earth Wrapping label on it. The wrapping cloth, ribbon, gift tag and instruction sheet come packaged inside the draw string carry pouch, making these five items into one complete set.**



- (21) Design Number: **16952/2015**
(22) Date of Filing Application: **21 December 2015**
(24) Date from which industrial property rights may have effect: **21 December 2015**
(54) Product in respect of which the design is registered: **Club hammer**
(51) International Design Classification: **08-02**
(74) Name(s) of Attorney(s): **Davies Collison Cave**
(71) Name(s) and Address(s) of Applicant(s):

Fiskars Brands, Inc.
2537 Daniels Street Madison Wisconsin, 53718 United States of America

(72) Name(s) of Designer(s): **Aaron Honadel and Steven Stokes and Colin Roberts and Petteri Masalin and Sami Lyytikainen**

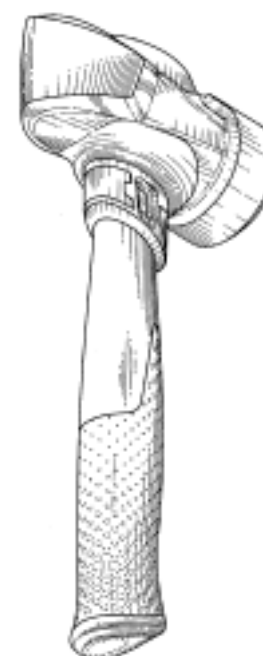
(45) Registration Date: **15 March 2016**

(30) Convention priority data:

(31) Number	(32) Date	(33) Country
29/531,276	24 Jun 2015	UNITED STATES OF AMERICA

(56) Related Art Documents: **Not Applicable**

(57) Statement of Newness and Distinctiveness: **Newness and distinctiveness is claimed in the visual features shown in solid lines in the representations. Any portion of the article depicted in broken lines forms no part of the claimed design. Broken lines formed by equal length dashes show unclaimed portions of the design. As shown in Figure 25, the circular features on the grip of the handle are depicted in broken lines. Any illustrated solid lines (or portions thereof) may be converted to broken lines and any illustrated broken lines (or portions thereof) may be converted to solid lines so as to claim or disclaim portions, components, or sub-components of the designs shown. Shading may be added or removed to claim or disclaim the corresponding surfaces.**



(21) Design Number: **17134/2015**
(22) Date of Filing Application: **30 December 2015**
(24) Date from which industrial property rights may have effect: **30 December 2015**
(54) Product in respect of which the design is registered: **Fan**
(51) International Design Classification: **23-04**
(74) Name(s) of Attorney(s): **Shelston IP Pty Ltd.**
(71) Name(s) and Address(s) of Applicant(s):

Dometic Sweden AB
Hemvarnsgatan 15 Solna SE-174 54 Sweden

(72) Name(s) of Designer(s): **James Allard and Mark L. Smith and Sunkara Hari**

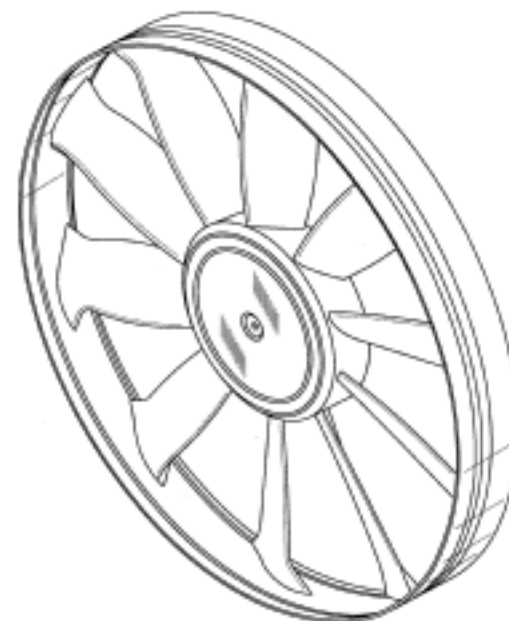
(45) Registration Date: **15 March 2016**

(30) Convention priority data:

(31) Number	(32) Date	(33) Country
29/532130	01 Jul 2015	UNITED STATES OF AMERICA

(56) Related Art Documents: **Not Applicable**

(57) Statement of Newness and Distinctiveness: **Newness and distinctiveness reside in the features of shape and/or configuration of a fan as illustrated in solid lines in the accompanying representations. The features shown in broken or discontinuous lines are illustrative only and do not form part of the design.**



(21) Design Number: **17141/2015**
(22) Date of Filing Application: **30 December 2015**
(24) Date from which industrial property rights may have effect: **30 December 2015**
(54) Product in respect of which the design is registered: **Rejuvenating massage device**
(51) International Design Classification: **28-03NES**
(74) Name(s) of Attorney(s): **FB Rice**
(71) Name(s) and Address(s) of Applicant(s):

Joylux, Inc.
1126 34th Avenue Suite 309 Seattle, Washington, 98122 United States of America

(72) Name(s) of Designer(s): **Colette Courtion and Nicolas Loebel and Roger Anderson and Kevin Bailey and Matthew Bailey and Yana Klimava**

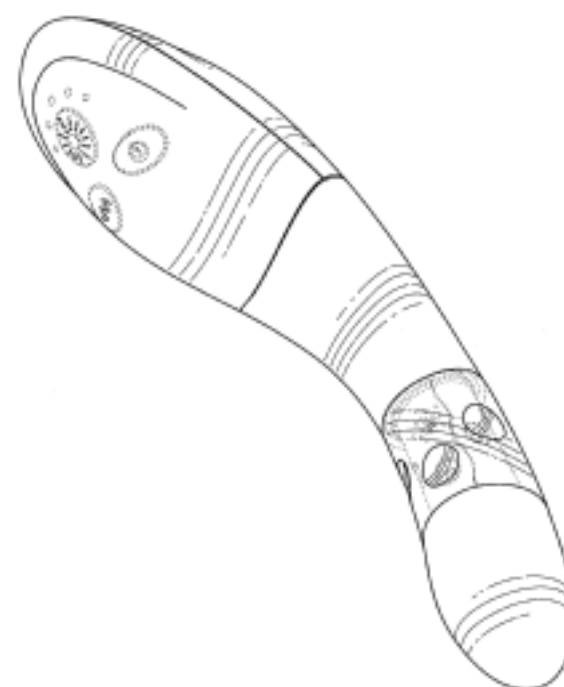
(45) Registration Date: **15 March 2016**

(30) Convention priority data:

(31) Number	(32) Date	(33) Country
29/532142	01 Jul 2015	UNITED STATES OF AMERICA

(56) Related Art Documents: **Not Applicable**

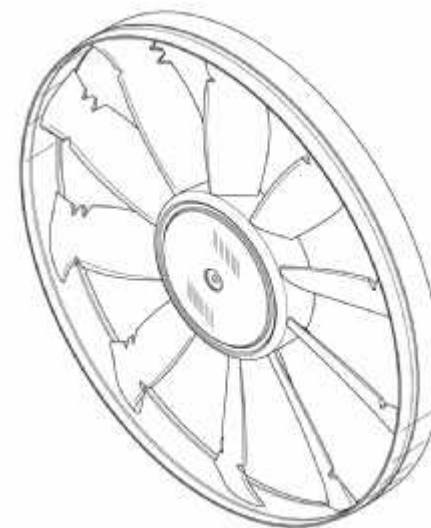
(57) Statement of Newness and Distinctiveness: **Newness and distinctiveness reside in the features of shape and configuration of the design shown in solid lines in the representations, excluding those features shown in dashed lines.**



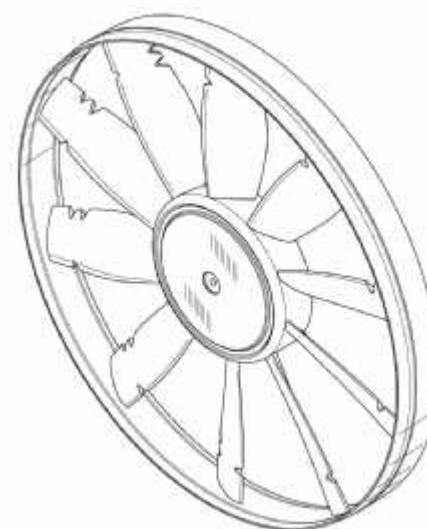
(21) Design Number: **10686/2016**
(22) Date of Filing Application: **11 February 2016**
(24) Date from which industrial property rights may have effect: **11 February 2016**
(54) Product in respect of which the design is registered: **Tool pouch**
(51) International Design Classification: **03-01D**
(74) Name(s) of Attorney(s): **Collison & Co**
(71) Name(s) and Address(s) of Applicant(s):
CASTIP INDUSTRIAL CO., LTD.
6F., No.132, Heping Rd. Luzhou Dist. New Taipei City 24755 Taiwan
(72) Name(s) of Designer(s): **Heng-Fong Huang**
(45) Registration Date: **15 March 2016**
(56) Related Art Documents: **Not Applicable**
(57) Statement of Newness and Distinctiveness: **Nil**



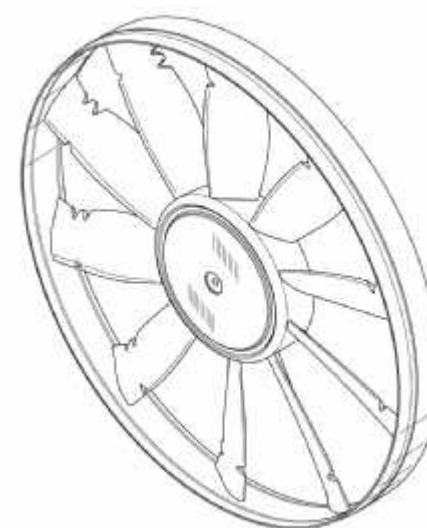
(21) Design Number: **11244/2016**
(22) Date of Filing Application: **08 March 2016**
(24) Date from which industrial property rights may have effect: **30 December 2015**
(54) Product in respect of which the design is registered: **Fan**
(51) International Design Classification: **03-04, 23-04**
(74) Name(s) of Attorney(s): **Shelston IP Pty Ltd.**
(71) Name(s) and Address(s) of Applicant(s):
Dometic Sweden AB
Hemvarnsgatan 15 Solna SE-174 54 Sweden
(72) Name(s) of Designer(s): **James Allard and Mark L. Smith and Sunkara Hari**
(45) Registration Date: **15 March 2016**
(30) Convention priority data:
(31) Number (32) Date (33) Country
29/532130 01 Jul 2015 UNITED STATES OF AMERICA
(62) Divisional of: **367696**
(56) Related Art Documents: **Not Applicable**
(57) Statement of Newness and Distinctiveness: **Newness and distinctiveness reside in the features of shape and/or configuration of a FAN as illustrated in solid lines in the accompanying representations. The features shown in broken or discontinuous lines are illustrative only and do not form part of the design.**



(21) Design Number: **11247/2016**
(22) Date of Filing Application: **08 March 2016**
(24) Date from which industrial property rights may have effect: **30 December 2015**
(54) Product in respect of which the design is registered: **Fan**
(51) International Design Classification: **03-04, 23-04**
(74) Name(s) of Attorney(s): **Shelston IP Pty Ltd.**
(71) Name(s) and Address(s) of Applicant(s):
Dometic Sweden AB
Hemvarnsgatan 15 Solna SE-174 54 Sweden
(72) Name(s) of Designer(s): **James Allard and Mark L. Smith and Sunkara Hari**
(45) Registration Date: **15 March 2016**
(30) Convention priority data:
(31) Number (32) Date (33) Country
29/532130 01 Jul 2015 UNITED STATES OF AMERICA
(62) Divisional of: **367696**
(56) Related Art Documents: **Not Applicable**
(57) Statement of Newness and Distinctiveness: **Newness and distinctiveness reside in the features of shape and/or configuration of a FAN as illustrated in solid lines in the accompanying representations. The features shown in broken or discontinuous lines are illustrative only and do not form part of the design.**



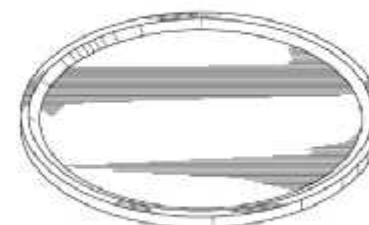
(21) Design Number: **11251/2016**
(22) Date of Filing Application: **08 March 2016**
(24) Date from which industrial property rights may have effect: **30 December 2015**
(54) Product in respect of which the design is registered: **Fan**
(51) International Design Classification: **03-04, 23-04**
(74) Name(s) of Attorney(s): **Shelston IP Pty Ltd.**
(71) Name(s) and Address(s) of Applicant(s):
Dometic Sweden AB
Hemvarnsgatan 15 Solna SE-174 54 Sweden
(72) Name(s) of Designer(s): **James Allard and Mark L. Smith and Sunkara Hari**
(45) Registration Date: **15 March 2016**
(30) Convention priority data:
(31) Number (32) Date (33) Country
29/532130 01 Jul 2015 UNITED STATES OF AMERICA
(62) Divisional of: **367696**
(56) Related Art Documents: **Not Applicable**
(57) Statement of Newness and Distinctiveness: **Newness and distinctiveness reside in the features of shape and/or configuration of a FAN as illustrated in solid lines in the accompanying representations. The features shown in broken or discontinuous lines are illustrative only and do not form part of the design.**



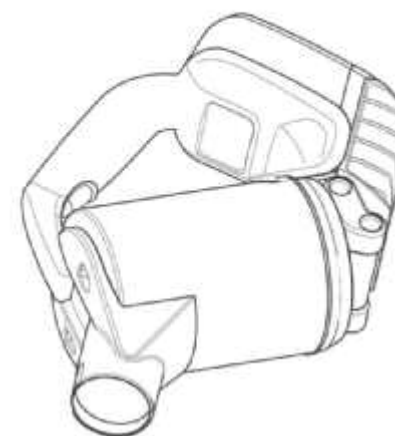
(21) Design Number: **10323/2016**
(22) Date of Filing Application: **22 January 2016**
(24) Date from which industrial property rights may have effect: **22 January 2016**
(54) Product in respect of which the design is registered: **Beverage cap liner**
(51) International Design Classification: **09-07B**
(74) Name(s) of Attorney(s): **Davies Collison Cave**
(71) Name(s) and Address(s) of Applicant(s):
G3 Enterprises, Inc.
502 E. Whitmore Avenue Modesto California, 95358 United States of America
(72) Name(s) of Designer(s): **Miriam Torrison and John Cunningham and Scott DeJong**
(45) Registration Date: **15 March 2016**
(30) Convention priority data:
(31) Number (32) Date (33) Country
29/534,077 24 Jul 2015 UNITED STATES OF AMERICA
(56) Related Art Documents: **Not Applicable**
(57) Statement of Newness and Distinctiveness: **Nil**



(21) Design Number: **10328/2016**
(22) Date of Filing Application: **22 January 2016**
(24) Date from which industrial property rights may have effect: **22 January 2016**
(54) Product in respect of which the design is registered: **Beverage cap liner**
(51) International Design Classification: **09-07B**
(74) Name(s) of Attorney(s): **Davies Collison Cave**
(71) Name(s) and Address(s) of Applicant(s):
G3 Enterprises, Inc.
502 E. Whitmore Avenue Modesto California, 95358 United States of America
(72) Name(s) of Designer(s): **Miriam Torrison and John Cunningham and Scott DeJong**
(45) Registration Date: **15 March 2016**
(30) Convention priority data:
(31) Number (32) Date (33) Country
29/534,081 24 Jul 2015 UNITED STATES OF AMERICA
(56) Related Art Documents: **Not Applicable**
(57) Statement of Newness and Distinctiveness: **Nil**



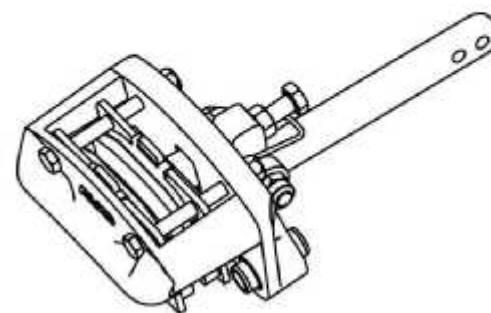
- (21) Design Number: **11085/2016**
(22) Date of Filing Application: **29 February 2016**
(24) Date from which industrial property rights may have effect: **29 February 2016**
(54) Product in respect of which the design is registered: **A vacuum cleaner**
(51) International Design Classification: **15-05**
(74) Name(s) of Attorney(s): **Spruson & Ferguson**
(71) Name(s) and Address(s) of Applicant(s):
Electrical Home-Aids Pty Ltd
L1 Bld 2 Brandon Business Park 530 Springvale Rd Glen Waverley VIC
3150 Australia
(72) Name(s) of Designer(s): **Shanon Matthew Martin and David Kim Scott**
(45) Registration Date: **15 March 2016**
(56) Related Art Documents: **Not Applicable**
(57) Statement of Newness and Distinctiveness: **Newness and distinctiveness is claimed in the features of shape and/or configuration of a vacuum cleaner as illustrated in the accompanying representations.**



- (21) Design Number: **11109/2016**
(22) Date of Filing Application: **01 March 2016**
(24) Date from which industrial property rights may have effect: **01 March 2016**
(54) Product in respect of which the design is registered: **Fireplace**
(51) International Design Classification: **23-03E**
(74) Name(s) of Attorney(s):
(71) Name(s) and Address(s) of Applicant(s):
R & E Group Pty Ltd
5 Maeve Ave Kellyville NSW 2155 Australia
R & E GROUP PTY LTD
U37/8 Victoria Ave Castle Hill NSW 2154 Australia
(72) Name(s) of Designer(s): **Elsa Fang**
(45) Registration Date: **15 March 2016**
(56) Related Art Documents: **Not Applicable**
(57) Statement of Newness and Distinctiveness: **Large rectangular stainless steel wall mounted ethanol fireplace. It comes with a front tempered glass panel. The burner is constructed from stainless steel.**



(21) Design Number: **11110/2016**
(22) Date of Filing Application: **01 March 2016**
(24) Date from which industrial property rights may have effect: **01 March 2016**
(54) Product in respect of which the design is registered: **Mechanical calliper (straight handle)**
(51) International Design Classification: **12-16M**
(74) Name(s) of Attorney(s): **Baxter Patent Attorneys Pty Ltd**
(71) Name(s) and Address(s) of Applicant(s):
AL-KO International Pty Ltd
67-91 Nathan Rd Dandenong South VIC 3175 Australia
(72) Name(s) of Designer(s): **Robert C Funder**
(45) Registration Date: **15 March 2016**
(56) Related Art Documents: **Not Applicable**
(57) Statement of Newness and Distinctiveness: **Nil**



(21) Design Number: **11119/2016**
(22) Date of Filing Application: **01 March 2016**
(24) Date from which industrial property rights may have effect: **01 March 2016**
(54) Product in respect of which the design is registered: **A swimsuit**
(51) International Design Classification: **02-02A**
(74) Name(s) of Attorney(s):
(71) Name(s) and Address(s) of Applicant(s):
Skye Group Pty Limited
18 Forrester St Kingsgrove NSW 2208 Australia
(72) Name(s) of Designer(s): **Angelique Delaney**
(45) Registration Date: **15 March 2016**
(56) Related Art Documents: **Not Applicable**
(57) Statement of Newness and Distinctiveness: **Newness and distinctiveness is claimed in the shape, configuration, pattern and/or ornamentation of the garment depicted in the accompanying representation.**



- (21) Design Number: **11121/2016**
(22) Date of Filing Application: **01 March 2016**
(24) Date from which industrial property rights may have effect: **01 March 2016**
(54) Product in respect of which the design is registered: **Clothing**
(51) International Design Classification: **02-02NES**
(74) Name(s) of Attorney(s): **K&L Gates**
(71) Name(s) and Address(s) of Applicant(s):



Textile House Pty Ltd
U203/25 Gipps St Collingwood VIC 3066 Australia

- (72) Name(s) of Designer(s): **Catriona Dolphin**
(45) Registration Date: **15 March 2016**
(56) Related Art Documents: **Not Applicable**
(57) Statement of Newness and Distinctiveness: **Newness and distinctiveness is claimed in the shape and configuration of the panel incorporated into the bottom of the inside of the back of the garment featuring two strips of material, which can be shaped and fastened into loops (as depicted in the representations by the solid lines and dashes). Newness and distinctiveness is not claimed in the remainder of the jacket (as depicted in the representations by the dotted lines) and the remainder of the jacket should be disregarded.**

- (21) Design Number: **11122/2016**
(22) Date of Filing Application: **01 March 2016**
(24) Date from which industrial property rights may have effect: **01 March 2016**
(54) Product in respect of which the design is registered: **Household lid for a container**
(51) International Design Classification: **09-07NES**
(74) Name(s) of Attorney(s): **Spruson & Ferguson**
(71) Name(s) and Address(s) of Applicant(s):



DKB Household UK Limited
Bridge House Eelmoor Road Farnborough Hampshire GU14 7UE United Kingdom

- (72) Name(s) of Designer(s): **Jason Yap and Oliver Breit**
(45) Registration Date: **15 March 2016**
(30) Convention priority data:
(31) Number (32) Date (33) Country
002775528-0001 18 Sep 2015 OFFICE FOR HARMONISATION IN THE INTERNAL MARKET (OHIM)

- (56) Related Art Documents: **Not Applicable**
(57) Statement of Newness and Distinctiveness: **Newness and distinctiveness is claimed in those features of shape and/or configuration of a household lid for a container as illustrated in continuous lines in the accompanying representations.**

- (21) Design Number: **11123/2016**
(22) Date of Filing Application: **01 March 2016**
(24) Date from which industrial property rights may have effect: **01 March 2016**
(54) Product in respect of which the design is registered: **Charger**
(51) International Design Classification: **13-02**
(74) Name(s) of Attorney(s): **Freehills Patent Attorneys**
(71) Name(s) and Address(s) of Applicant(s):
Apple Inc.
1 Infinite Loop Cupertino California, 95014 United States of America
(72) Name(s) of Designer(s): **Jody Akana and Molly Anderson and Bartley K. Andre and Shota Aoyagi and Anthony Michael Ashcroft and Jeremy Bataillou and Daniel J. Coster and Daniele De Iuliis and M. Evans Hankey and Julian Hoenig and Richard P. Howarth and Jonathan P. Ive and Duncan Robert Kerr and Matthew Dean Rohrbach and Peter Russell-Clarke and Benjamin Andrew Shaffer and Mikael Silvano and Christopher J. Stinger and Eugene Anthony Whang and Rico Zorkendorfer**
(45) Registration Date: **15 March 2016**
(30) Convention priority data:
(31) Number (32) Date (33) Country
29/538856 09 Sep 2015 UNITED STATES OF AMERICA
(56) Related Art Documents: **Not Applicable**
(57) Statement of Newness and Distinctiveness: **Newness and distinctiveness is claimed in the features of shape and/or configuration of the charger, as shown in solid outline in the accompanying representations**



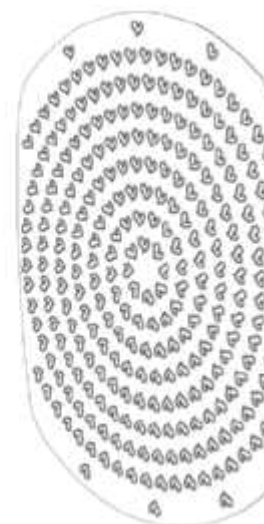
- (21) Design Number: **11124/2016**
(22) Date of Filing Application: **01 March 2016**
(24) Date from which industrial property rights may have effect: **01 March 2016**
(54) Product in respect of which the design is registered: **Charger**
(51) International Design Classification: **13-02**
(74) Name(s) of Attorney(s): **Freehills Patent Attorneys**
(71) Name(s) and Address(s) of Applicant(s):
Apple Inc.
1 Infinite Loop Cupertino California, 95014 United States of America
(72) Name(s) of Designer(s): **Jody Akana and Molly Anderson and Bartley K. Andre and Shota Aoyagi and Anthony Michael Ashcroft and Jeremy Bataillou and Daniel J. Coster and Daniele De Iuliis and M. Evans Hankey and Julian Hoenig and Richard P. Howarth and Jonathan P. Ive and Duncan Robert Kerr and Matthew Dean Rohrbach and Peter Russell-Clarke and Benjamin Andrew Shaffer and Mikael Silvano and Christopher J. Stringer and Eugene Anthony Whang and Rico Zorkendorfer**
(45) Registration Date: **15 March 2016**
(30) Convention priority data:
(31) Number (32) Date (33) Country
29/538856 09 Sep 2015 UNITED STATES OF AMERICA
(56) Related Art Documents: **Not Applicable**
(57) Statement of Newness and Distinctiveness: **Newness and distinctiveness is claimed in the features of shape and/or configuration of the charger, as shown in the accompanying representations.**



- (21) Design Number: **11125/2016**
(22) Date of Filing Application: **01 March 2016**
(24) Date from which industrial property rights may have effect: **01 March 2016**
(54) Product in respect of which the design is registered: **Knob for a washboard**
(51) International Design Classification: **07-05B**
(74) Name(s) of Attorney(s):
(71) Name(s) and Address(s) of Applicant(s):
Calibre8 Pty Ltd
8/16 Abinger St Richmond VIC 3121 Australia
(72) Name(s) of Designer(s): **Ashley Martin Newland and Nick Dobson**
(45) Registration Date: **15 March 2016**
(56) Related Art Documents: **Not Applicable**
(57) Statement of Newness and Distinctiveness: **Newness and distinctiveness resides in the visual features, including the shape and configuration of the product shown in the representations.**



- (21) Design Number: **11126/2016**
(22) Date of Filing Application: **01 March 2016**
(24) Date from which industrial property rights may have effect: **01 March 2016**
(54) Product in respect of which the design is registered: **Washboard**
(51) International Design Classification: **15-05**
(74) Name(s) of Attorney(s):
(71) Name(s) and Address(s) of Applicant(s):
Calibre8 Pty Ltd
8/16 Abinger St Richmond VIC 3121 Australia
(72) Name(s) of Designer(s): **Nick Dobson and Ashley Martin Newland**
(45) Registration Date: **15 March 2016**
(56) Related Art Documents: **Not Applicable**
(57) Statement of Newness and Distinctiveness: **Newness and distinctiveness resides in the visual features, including the shape and configuration of the product shown in the representations.**



- (21) Design Number: **10763/2016**
(22) Date of Filing Application: **12 February 2016**
(24) Date from which industrial property rights may have effect: **12 February 2016**
(54) Product in respect of which the design is registered: **Wheels for cars including flange and spoke face.**
(51) International Design Classification: **12-16A**
(74) Name(s) of Attorney(s):
(71) Name(s) and Address(s) of Applicant(s):
STARCORP HOLDINGS (NSW) PTY LTD
SE5 578-580 RAILWAY PARADE HURSTVILLE NSW 2220 Australia
(72) Name(s) of Designer(s): **Houssam Taleb**
(45) Registration Date: **15 March 2016**
(56) Related Art Documents: **Not Applicable**
(57) Statement of Newness and Distinctiveness: **The design contains distinct features including the curve, shape, thickness, depth and width of the spoke face and insert, flange, the inside barrel and outer rim lip of the wheel. The combination of these features provide a unique and new wheel design for cars.**



- (21) Design Number: **10764/2016**
(22) Date of Filing Application: **12 February 2016**
(24) Date from which industrial property rights may have effect: **12 February 2016**
(54) Product in respect of which the design is registered: **Wheel for cars including the flange and spoke face**
(51) International Design Classification: **12-16A**
(74) Name(s) of Attorney(s):
(71) Name(s) and Address(s) of Applicant(s):
STARCORP HOLDINGS (NSW) PTY LTD
SE5 578-580 RAILWAY PARADE HURSTVILLE NSW 2220 Australia
(72) Name(s) of Designer(s): **Houssam Taleb**
(45) Registration Date: **15 March 2016**
(56) Related Art Documents: **Not Applicable**
(57) Statement of Newness and Distinctiveness: **The design contains distinct features including the curve, shape, thickness, depth and width of the spoke face, the flange, the inside barrel and the outer rim lip of the wheel. The combination of these features provide a unique and new wheel design for cars.**

