



Australian Government

IP Australia

AUSTRALIAN OFFICIAL JOURNAL

OF

DESIGNS

Did you know a searchable version of this journal is now available online?

It's FREE and EASY to SEARCH.

Find it on our website (www.ipaustralia.gov.au)

by using the "Journals" link on the home page.

This Page Left Intentionally Blank

Contents

General Information & Notices

Proceedings Under the Designs Act 1906 preserved as a result of the provisions of Chapter 12 Part 2 of the Designs Act 2003

Extensions of Time Granted 1118

Registrations Ceased 1118

Proceedings Under the Designs Act 2003

Applications for Extension of Time Under Section 137 1134

Applications Assigned 1134

Applications Lapsed 1132

Applications Lodged 1122

Applications Withdrawn 1132

Certificate of Examination 1136

Extension of Period of Registration of Design 1133

Extension of Time Granted Under Section 137 1134

Names Registered - Alterations and Amendments 1135

Publication and Registration Proceedings

 Designs Registered 367716 to 367887..... 1137

Registrations Ceased 1133

Revocation of Design Registrations 1133

Subsequent Owners Registered 1134

This Page Left Intentionally Blank

For information on the following please see our website www.ipaustralia.gov.au or contact our Customer Service Network on 1300651010

[Editorial enquiries](#)

[Contact information](#)

[Freedom of Information ACT](#)

[Professional Standards Board](#)

[Sales](#)

[Requests for Information under Section 194 \(c\)](#)

[Country Codes](#)

[Trade Mark and Designs Hearing Sessions](#)

[INID \(Internationally agreed Numbers for the Identification of Data\)](#)

“INID” NUMBERS in use on Australian Design Documents

“INID” is an acronym for “Internationally agreed Numbers for the Identification of Data”.

(10) Data concerning the registration/renewal

- (11) Serial number of the registration and/or number of the design document
- (12) Plain language designation of the kind of published document
- (19) Identification, using the two-letter code according to WIPO Standard ST.3, of the authority publishing or registering the industrial design

(20) Data concerning the application

- (21) Serial number of the application
- (22) Date of filing of the application
- (24) Date from which the industrial design right has effect

(30) Data relating to priority under the Paris Convention

- (31) Serial number assigned to the priority application
- (32) Date of filing of the priority application
- (33) Two-letter code, according to WIPO Standard ST.3, identifying the authority with which the priority application was made

(40) Date(s) of making information available to the public

- (45) Date of publication of the registered industrial design by printing or similar process, or making it available to the public by any other means

(50) Miscellaneous Information

- (51) International Classification for Industrial Designs (class and subclass of the Locarno Classification)
- (54) Designation of article(s) or product(s) covered by the industrial design or title of the industrial design
- (55) Reproduction of the industrial design (e.g., drawing, photograph) and explanations relating to the reproduction
- (56) List of prior art documents, if separate from descriptive text
- (57) Description of characteristic features of the industrial design including indication of colours

(60) References to other legally related application(s) and registration(s)

- (62) Serial number(s) and, if available, filing date(s) of application(s), registration(s) or document(s) related by division
- (66) Serial number(s) of the application, or the registration, of the design(s) which is (are) a variant(s) of the present one

(70) Identification of parties concerned with the application or registration

- (71) Name(s) and address(es) of the applicant(s)
- (72) Name(s) of the creator(s) if known to be such
- (74) Name(s) and address(es) of the representative(s)

This Page Left Intentionally Blank

OFFICIAL NOTICE

Important changes for designs customers

From **Tuesday 29 March 2016** the following changes will occur for designs customers.

- ***Removal of PDF Journal for Designs***

This change aligns with our commitment to invest in our electronic channels and improve the timeliness of making publication information available for our customers.

You will be able to search design publications on the Electronic Journal for Designs (EJD).

To assist with this transition see our EJD User Guide to help you search for information on the EJD.

Frequency of publication

The EJD will now become the single source of truth for designs publications and will be updated fortnightly (as is current practice).

- ***Changes to the Electronic Journal for Designs***

We will no longer be publishing advertisements of designs that have been renewed (currently published under 'Extensions of Period of Registration'). Customers who renew their designs will still receive a notice of renewal and the *In Force* date will be updated in ADDS.

- ***One number for designs***

Designs will only be allocated with one design number; they will no longer be issued with a registration number. The format of this number is the same as the current Design application number (201612345). Designs registered prior to the

release date, will still be searchable and have both numbers attributed to their designs registration/application.

- **Changes to Australian Designs Database Searching (ADDS)**

Post Registration Amendment Notices

Complete details of these changes will no longer be displayed in ADDS (there is no legislative requirement to publish complete details). Instead, ADDS will display 'A proposed change to the statement of newness and distinctiveness was published in the Journal on date XX'.

Note: You will still be able to access complete information regarding the amendments in the Electronic Journal for Designs (EJD).

Extension of Time (EOT) Notices

Minimal but key information regarding extensions of time will continue to be displayed in ADDS. Complete details of the extension of time will be published in the EJD.

If you require further assistance please email eservices@ipaaustralia.gov.au.

Proceedings under the Designs Act 1906 preserved as a result of the provisions of Chapter 12 Part 2 of the Designs Act 2003.

This Page Left Intentionally Blank

Applications Lapsed

There were no Applications Lapsed under this section

Registrations Ceased

Note: Some of the following Registrations may have been previously advertised as ceased. In this instance, the previous advertisement still prevails.

137424	140082	140202
140467	140519	140540
140683	141495	141515
141614	141629	141692
141694	141725	141729
141730	141755	141811
141812	141881	142018
142105	142117	142118
142187	142216	142234
142315	142336	142561
142562	142688	142787
142788	142807	143573
143574	144339	144593
144910	145426	145508
145509	145544	145545
145603	145604	145709
145926	145972	146113
146232		

Extensions of time granted

Applications lodged for extension of time have been granted.

150671 **Claude Outdoor Pty Limited** An An Extension of time to extend a registration has been granted to 01/04/2014

This Page Left Intentionally Blank

Proceedings under the Designs Act 2003.

This Page Left Intentionally Blank

Applications Lodged

Lodgement information is in the following order: **Applicant's Name**; International Classification, Name of Product, Lodgement Date and **Design Number**. If the applicant claims an earlier priority date under an International Convention, the Convention Country and the associated filing date are shown in parentheses before the Lodgement Date. Divisional information will also appear in parentheses before the Lodgement Date.

iTech Industry Pty Ltd; 13-03D, Power point, 11 Mar 2016	11351/2016	Avigilon Corporation; 16-05, Shade for a camera, (US, 21 Sep 2015) 21 Mar 2016	11586/2016
iTech Industry Pty Ltd; 13-03D, Switch, 11 Mar 2016	11353/2016	AC (Macao Commercial Offshore) Limited; 15-05, Vacuum cleaner, (CN, 17 Sep 2015) 15 Mar 2016	11423/2016
Adams, Dominique; 02-02NES, T-shirt, sweater, 17 Mar 2016	11535/2016	AMEO Sports Gmbh; 21-02D, A snorkel, (EM, 29 Jun 2015) (Divisional of 17142/2015) 14 Mar 2016	11625/2016
AirPhysio Pty Ltd; 24-01, A cap for a breathing apparatus, 24 Mar 2016	11694/2016	AMEO Sports Gmbh; 21-01D, A snorkel, (EM, 29 Jun 2015) (Divisional of 17142/2015) 14 Mar 2016	11623/2016
AirPhysio Pty Ltd; 24-01, A cone for a breathing apparatus, 24 Mar 2016	11700/2016	AMEO Sports Gmbh; 21-02D, A snorkel, (EM, 29 Jun 2015) (Divisional of 17142/2015) 14 Mar 2016	11624/2016
AirPhysio Pty Ltd; 24-01, A base for a breathing apparatus, 24 Mar 2016	11698/2016	ANEST IWATA Corporation; 08-05L, Spray gun, (JP, 15 Sep 2015) 15 Mar 2016	11427/2016
Alcoa, Inc.; 12-16A, Wheel, (US, 30 Sep 2015) 21 Mar 2016	11575/2016	ANEST IWATA Corporation; 08-05L, Spray gun, (JP, 16 Sep 2015) 15 Mar 2016	11428/2016
Alexander Binzel Schweisstechnik GmbH & Co. KG; 23-01A, Connection housing, 14 Mar 2016	11388/2016	ANEST IWATA Corporation; 08-05L, Hand-guard for spray gun, (JP, 15 Sep 2015) 15 Mar 2016	11429/2016
Alexander Binzel Schweisstechnik GmbH & Co. KG; 08-05M, Grip, 14 Mar 2016	11390/2016	ASSA ABLOY Australia Pty Limited; 08-09, Chain winder, 16 Mar 2016	11506/2016
Alexander Binzel Schweisstechnik GmbH & Co. KG; 23-01A, Connection housing, 14 Mar 2016	11389/2016	AXA UGG PTY. LTD.; 02-04B, Sole, 17 Mar 2016	11516/2016
Alpargatas S.A.; 02-04NES, Shoes; Sandals, (EM, 23 Mar 2016) 24 Mar 2016	11695/2016	Bain, Ross; 08-99, Line tying apparatus, 21 Mar 2016	11610/2016
Antelco Pty Ltd; 23-01B, Elbow fitting, 21 Mar 2016	11585/2016	Bain, Ross; 08-99, Line tying apparatus, 21 Mar 2016	11609/2016
Archer, Virgil Lee; 09-01NES, Water bottle, (US, 15 Dec 2015) 18 Mar 2016	11551/2016	Barrier Reef Pools Pty Ltd; 25-03, Swimming pool, 24 Mar 2016	11690/2016
Avigilon Corporation; 16-05, Box enclosure for a camera, (US, 21 Sep 2015) 21 Mar 2016	11597/2016	Beaute Prestige International; 09-01G, Flask, (EM, 21 Sep 2015) 18 Mar 2016	11545/2016
Avigilon Corporation; 16-05, Top-mounted enclosure for a camera, (US, 21 Sep 2015) 21 Mar 2016	11592/2016	Beaute Prestige International; 09-01G, Flask, (EM, 21 Sep 2015) 18 Mar 2016	11546/2016
Avigilon Corporation; 16-05, Enclosure for a camera, (US, 21 Sep 2015) 21 Mar 2016	11593/2016	Brand Developers Limited; 07-99B, Hot water bottle cover, 24 Mar 2016	11705/2016
Avigilon Corporation; 13-03C, Junction box, (US, 21 Sep 2015) 21 Mar 2016	11588/2016	British American Tobacco (Investments) Limited; 27-06, 27-01, Tobacco and smoker's article, (EP, 21 Sep 2015) 15 Mar 2016	11433/2016
Avigilon Corporation; 16-05, Wall-mounted enclosure for a camera, (US, 21 Sep 2015) 21 Mar 2016	11587/2016		

Broen, Martin Eduardo;Lim, Stephen;Stolarz, Christian;Lucas, David Jennings;Primo, Salvatore Michael; 15-07, Cooler, (US, 17 Sep 2015) 17 Mar 2016	11517/2016	Bushnell Inc.; 02-03, Helmet, (CH, 09 Nov 2015) 11 Mar 2016	11358/2016
Broen, Martin Eduardo;Lim, Stephen;Stolarz, Christian;Lucas, David Jennings;Primo, Salvatore Michael; 15-07, Cooler, (US, 17 Sep 2015) 17 Mar 2016	11519/2016	BUSINESS LIGHTING SOLUTIONS LIMITED; 26-05A, Light fitting, (NZ, 18 Sep 2015) 16 Mar 2016	11460/2016
Broen, Martin Eduardo;Lim, Stephen;Stolarz, Christian;Lucas, David Jennings;Primo, Salvatore Michael; 15-07, Cooler, (US, 17 Sep 2015) 17 Mar 2016	11515/2016	Capilla, Sofia Majan;Seum, Michael T.;Cirulli, Pasquale;Scamporlino, Mauro;Franzen, Martin Ivar; 15-07, Dispenser, (US, 17 Sep 2015) 17 Mar 2016	11518/2016
Broen, Martin Eduardo;Lim, Stephen;Stolarz, Christian;Lucas, David Jennings;Primo, Salvatore Michael; 15-07, Cooler, (US, 17 Sep 2015) 17 Mar 2016	11563/2016	Cashmaster International Limited; 10-04, Weighing machine, (EM, 23 Sep 2015) 17 Mar 2016	11512/2016
Bromberger, John Anthony Neville; 29-02, Restraint belt, 18 Mar 2016	11674/2016	Castano, Horacio; 20-02C, Table display for underwear, 16 Mar 2016	11461/2016
Bromberger, John Anthony Neville; 06-09, Leg support, 23 Mar 2016	11471/2016	Chon, Alvin Ho Wei;EquiVolt M Pte Ltd; 15-99, Plunger earth receptacle, (SG, 23 Sep 2015) 23 Mar 2016	11621/2016
Bromberger, John Anthony Neville; 12-05, Manual handling transfer belt, 16 Mar 2016	11462/2016	Cirulli, Pasquale;Seum, Michael T.;Scamporlino, Mauro;Franzen, Martin Ivar;Capilla, Sofia Majan; 15-07, Dispenser, (US, 17 Sep 2015) 17 Mar 2016	11518/2016
Bulgari S.p.A.; 09-01G, Perfume bottle, (WO, 16 Sep 2015) 16 Mar 2016	11359/2016	CogENT Therapeutics, LLC; 24-04, Nasal cavity delivery device, (US, 24 Sep 2015) 21 Mar 2016	11577/2016
Bushnell Inc.; 02-03, Helmet, (CH, 09 Nov 2015) 11 Mar 2016	11367/2016	CogENT Therapeutics, LLC; 24-04, Nasal cavity delivery device, (US, 24 Sep 2015) 21 Mar 2016	11579/2016
Bushnell Inc.; 02-03, Helmet cover, (CH, 09 Nov 2015) 11 Mar 2016	11365/2016	CogENT Therapeutics, LLC; 24-04, Nasal cavity delivery device, (US, 24 Sep 2015) 21 Mar 2016	11580/2016
Bushnell Inc.; 02-03, Helmet, (CH, 09 Nov 2015) 11 Mar 2016	11366/2016	CogENT Therapeutics, LLC; 24-04, Nasal cavity delivery device, (US, 24 Sep 2015) 21 Mar 2016	11578/2016
Bushnell Inc.; 02-03, Helemt, (CH, 09 Nov 2015) 11 Mar 2016	11361/2016	CogENT Therapeutics, LLC; 24-04, Nasal cavity delivery device, (US, 24 Sep 2015) 21 Mar 2016	11578/2016
Bushnell Inc.; 02-03, Helmet, (CH, 09 Nov 2015) 11 Mar 2016	11362/2016	Combustion and Energy S.r.l.; 10-07, Signal lamp part, (EM, 06 Oct 2015) 24 Mar 2016	11680/2016
Bushnell Inc.; 02-03, Helmet, (CH, 09 Nov 2015) 11 Mar 2016	11360/2016	Cooper Tire & Rubber Company; 12-15C, Tire, (US, 25 Sep 2015) 23 Mar 2016	11646/2016
Bushnell Inc.; 02-03, Visor suitable for a helmet, (CH, 09 Nov 2015) 11 Mar 2016	11363/2016	CROWN EQUIPMENT CORPORATION; 12-16NES, Battery cover for a lift truck, (US, 28 Sep 2015) 23 Mar 2016	11618/2016
Bushnell Inc.; 02-03, Helmet, (CH, 09 Nov 2015) 11 Mar 2016	11364/2016	CROWN EQUIPMENT CORPORATION; 12-16NES, Display housing for a lift truck, (US, 28 Sep 2015) 23 Mar 2016	11619/2016
Bushnell Inc.; 02-03, Helmet, (CH, 09 Nov 2015) 11 Mar 2016		CROWN EQUIPMENT CORPORATION; 12-16NES, Battery cover for a lift truck, (US, 28 Sep 2015) 23 Mar 2016	11622/2016
Bushnell Inc.; 02-03, Helmet Cover, (CH, 09 Nov 2015) 11 Mar 2016		Dias Aluminium Products Pty.Ltd.; 25-01K, Head/sill, 15 Mar 2016	11496/2016

Donnellan, Kellie; 02-02C, Baby and child garment, 18 Mar 2016	11549/2016	Finlay, Patrick J;Scanlon, Christopher;Keen, Robert;Gannon, Dwayne;Kumar, Pankaj;Han, Peidong;Stelzer, James Michael; 09-01NES, Bottle, (US, 14 Sep 2015) 14 Mar 2016	11398/2016
Dorma Deutschland GmbH; 08-07, Door closer, (EM, 29 Sep 2015) 23 Mar 2016	11648/2016	Fisher Adams Kelly Callinans; 07-02F, Toaster, (EP, 22 Jun 2015) (Divisional of 17002/2015) 11 Mar 2016	11375/2016
Dorma Deutschland GmbH; 08-99, Sliding rail for walls, (EM, 23 Sep 2015) 23 Mar 2016	11650/2016	Follica, Inc.; 24-04, Needling device, adaptor and charging station, (US, 27 Sep 2015) 16 Mar 2016	11487/2016
Dorma Deutschland GmbH; 08-07, Door closer, (EM, 23 Sep 2015) 23 Mar 2016	11651/2016	Follica, Inc.; 24-04, Drug applicator, massage head and charging station, (US, 27 Sep 2015) 16 Mar 2016	11489/2016
Dorma Deutschland GmbH; 08-07, Door closer, (EM, 29 Sep 2015) 23 Mar 2016	11649/2016	Fort, Tucker H.;Marina, Carlos Hernan;Zeledon, Joey Miguel;Worden, Morris Elijah IV; 09-03NES, 07-01NES, Container, (US, 16 Sep 2015) 14 Mar 2016	11399/2016
Dorma Deutschland GmbH; 08-07, Door closer with sliding rails for walls, (EM, 23 Sep 2015) 23 Mar 2016	11647/2016	Franzen, Martin Ivar;Seum, Michael T.;Cirulli, Pasquale;Scamporlino, Mauro;Capilla, Sofia Majan; 15-07, Dispenser, (US, 17 Sep 2015) 17 Mar 2016	11518/2016
Dr. Py Institute PLC;Py, Daniel; 09-03L, Septum, (US, 15 Sep 2015) 15 Mar 2016	11437/2016	French, James;French, David; 12-06NES, Marine vehicle part, 17 Mar 2016	11541/2016
DuluxGroup (Australia Pty Ltd); 09-01NES, Bottle, 11 Mar 2016	11377/2016	French, David;French, James; 12-06NES, Marine vehicle part, 17 Mar 2016	11541/2016
DuluxGroup (Australia) Pty Ltd; 09-01NES, Bottle, 11 Mar 2016	11379/2016	French, James;French, David; 12-06NES, Marine vehicle parts, 17 Mar 2016	11540/2016
DuluxGroup (Australia) Pty Ltd; 09-01NES, Bottle, 11 Mar 2016	11378/2016	French, James;French, David; 12-06NES, Marine vehicle part, 17 Mar 2016	11542/2016
DAVID STUCKEY INVESTMENTS PTY LTD; 08-06, Handle, 11 Mar 2016	11352/2016	French, David;French, James; 12-06NES, Marine vehicle part, 17 Mar 2016	11542/2016
DMC Industries Pty Ltd; 21-02D, Flipper, 17 Mar 2016	11543/2016	French, David;French, James; 12-06NES, Marine vehicle parts, 17 Mar 2016	11540/2016
E & J Gallo Winery; 07-02C, Beverage cartridge and press assembly, (Divisional of 10209/2016) 15 Mar 2016	11439/2016	Funtastic Limited; 07-02N, A cooking vessel, 21 Mar 2016	11603/2016
Easey, Graeme; 23-04, Air pipe system, 24 Mar 2016	11681/2016	FISHER & PAYKEL HEALTHCARE LIMITED; 24-02, Headgear, (US, 25 Sep 2015) 16 Mar 2016	11472/2016
Engee Pty Limited; 25-02C, Grab bar, 15 Mar 2016	11444/2016	FISHER & PAYKEL HEALTHCARE LIMITED; 24-02, Face mask frame, (US, 25 Sep 2015) 16 Mar 2016	11467/2016
EquiVolt M Pte Ltd;Chon, Alvin Ho Wei; 15-99, Plunger earth receptacle, (SG, 23 Sep 2015) 23 Mar 2016	11621/2016	FISHER & PAYKEL HEALTHCARE LIMITED; 24-02, Face mask cushion, (US, 25 Sep 2015) 16 Mar 2016	11468/2016
Ergotron, Inc.; 08-08NES, Portable electronic mounting device, (US, 05 Oct 2015) 23 Mar 2016	11652/2016		
EJ Australia Pty Ltd; 25-02G, A Grate, 21 Mar 2016	11589/2016		
EROSION CONTROL SYSTEMS PTY LTD; 23-02B, A concrete terrace / revetment wall module, 16 Mar 2016	11507/2016		
Feeney, Natalie; 26-01, Candle holder/urn, 15 Mar 2016	11459/2016		
Fetch TV Pty Limited; 14-03NES, Remote control, 17 Mar 2016	11514/2016		

FISHER & PAYKEL HEALTHCARE LIMITED; 24-02, Face mask cushion, (US, 25 Sep 2015) 16 Mar 2016	11477/2016	General Electric Company; 14-02, Intermodal terminal user interface, (US, 18 Sep 2015) 18 Mar 2016	11559/2016
FISHER & PAYKEL HEALTHCARE LIMITED; 24-02, Face mask vent diffuser, (US, 25 Sep 2015) 16 Mar 2016	11474/2016	Ghost Racks Pty Ltd; 12-16K, A sports board stand, 14 Mar 2016	11397/2016
FISHER & PAYKEL HEALTHCARE LIMITED; 24-02, Face mask, (US, 25 Sep 2015) 16 Mar 2016	11470/2016	Ghost Racks Pty Ltd; 12-16K, A sports board rack, 14 Mar 2016	11396/2016
FISHER & PAYKEL HEALTHCARE LIMITED; 24-02, Face mask cushion, (US, 25 Sep 2015) 16 Mar 2016	11469/2016	Ghost Racks Pty Ltd; 12-16K, A sports board rack, 14 Mar 2016	11395/2016
FISHER & PAYKEL HEALTHCARE LIMITED; 24-02, Face mask swivel connector, (US, 25 Sep 2015) 16 Mar 2016	11478/2016	Glue Together AB; 08-07, Door lock, (EM, 16 Sep 2015) 15 Mar 2016	11422/2016
FISHER & PAYKEL HEALTHCARE LIMITED; 24-02, Face mask frame, (US, 25 Sep 2015) 16 Mar 2016	11476/2016	Green Ox Pallet Technology, LLC; 09-08, Foldably constructed pallet and blanks therefore, (US, 05 Oct 2015) 23 Mar 2016	11671/2016
FISHER & PAYKEL HEALTHCARE LIMITED; 24-02, Face mask swivel connector, (US, 25 Sep 2015) 16 Mar 2016	11475/2016	Grice, Melanie Kate; 06-11, Play mat, 15 Mar 2016	11421/2016
FISHER & PAYKEL HEALTHCARE LIMITED; 24-02, Face mask cushion and frame, (US, 25 Sep 2015) 16 Mar 2016	11466/2016	Guangzhou T.K. Medical Instrument Co., Ltd.; 24-02, Trocar, (CN, 10 Dec 2015) 21 Mar 2016	11581/2016
FISHER & PAYKEL HEALTHCARE LIMITED; 24-02, Headgear, (US, 25 Sep 2015) 16 Mar 2016	11473/2016	Guttenbeil, Awen; 02-02NES, Masked cape, 18 Mar 2016	11548/2016
FURLA S.p.A.; 03-01B, Bag, (EM, 24 Sep 2015) 23 Mar 2016	11630/2016	GREE ELECTRIC APPLIANCES, INC. OF ZHUHAI; 23-04, Air conditioner, (CN, 16 Sep 2015) 15 Mar 2016	11432/2016
FURLA S.p.A.; 03-01B, Bag, (EM, 24 Sep 2015) 23 Mar 2016	11632/2016	Han, Peidong;Finlay, Patrick J;Scanlon, Christopher;Keen, Robert;Gannon, Dwayne;Kumar, Pankaj;Stelzer, James Michael; 09-01NES, Bottle, (US, 14 Sep 2015) 14 Mar 2016	11398/2016
Gamblit Gaming, LLC; 14-02, Interactive device for a user, (Divisional of 10131/2016) 23 Mar 2016	11628/2016	Hubbell Incorporated; 26-05NES, Luminaire, (Divisional of 10123/2016) 21 Mar 2016	11572/2016
Gamblit Gaming, LLC; 14-02, Interactive device for a user, (Divisional of 10131/2016) 23 Mar 2016	11631/2016	Hubbell Incorporated; 26-03, 25-02NES, Illuminating bollard, (Divisional of 10005/2016) 18 Mar 2016	11552/2016
Gamblit Gaming, LLC; 14-02, Interactive device for a user, (Divisional of 10131/2016) 23 Mar 2016	11629/2016	Huhtamaki Henderson Limited; 09-07B, A beverage lid, 17 Mar 2016	11513/2016
Gannon, Dwayne;Finlay, Patrick J;Scanlon, Christopher;Keen, Robert;Kumar, Pankaj;Han, Peidong;Stelzer, James Michael; 09-01NES, Bottle, (US, 14 Sep 2015) 14 Mar 2016	11398/2016	Human, Incorporated; 14-01, Wearable electronic device for the ear, (US, 18 Sep 2015) 17 Mar 2016	11511/2016
		Hutzler Manufacturing Co., Inc.; 07-04, Egg yolk separator, (US, 29 Feb 2016) 24 Mar 2016	11685/2016
		Hutzler Manufacturing Co., Inc.; 09-03NES, Container, (US, 29 Feb 2016) 24 Mar 2016	11688/2016
		Identity Games International B.V.; 21-01N, Electronic games apparatus, (EP, 27 Jan 2016) 21 Mar 2016	11567/2016

Intelligent Locker Systems Pty Ltd; 15-07, 06-04NES, Computerized accessed freezer storage lockers, 24 Mar 2016	11692/2016	JETS Swimwear Pty Limited; 02-02A, Swimwear garment, 15 Mar 2016	11449/2016
Intelligent Locker Systems Pty Ltd; 06-04B, Barcode accessed click & collect storage lockers, 24 Mar 2016	11689/2016	JETS Swimwear Pty Limited; 02-02A, Swimwear garment, 15 Mar 2016	11451/2016
International Refills Company Ltd; 23-02NES, Diaper pail cassette, 24 Mar 2016	11704/2016	JETS Swimwear Pty Limited; 02-02A, Swimwear garment, 15 Mar 2016	11452/2016
Ironclad Performance Wear Corp.; 02-06, Glove, (US, 25 Sep 2015) 17 Mar 2016	11530/2016	JETS Swimwear Pty Limited; 02-02A, Swimwear garment, 15 Mar 2016	11448/2016
Ironclad Performance Wear Corp.; VIBRAM S.p.A.; 02-06, Glove, (US, 25 Sep 2015) 17 Mar 2016	11524/2016	JETS Swimwear Pty Limited; 02-02A, Swimwear garment, 15 Mar 2016	11453/2016
Ironclad Performance Wear Corp.; VIBRAM S.p.A.; 02-06, Glove, (US, 25 Sep 2015) 17 Mar 2016	11522/2016	JETS Swimwear Pty Limited; 02-02A, Swimwear garment, 15 Mar 2016	11457/2016
Ironclad Performance Wear Corp.; VIBRAM S.p.A.; 02-06, Glove, (US, 25 Sep 2015) 17 Mar 2016	11523/2016	JETS Swimwear Pty Limited; 02-02A, Swimwear garment, 15 Mar 2016	11454/2016
Ironclad Performance Wear Corp.; 02-06, Glove, (US, 25 Sep 2015) 17 Mar 2016	11529/2016	JETS Swimwear Pty Limited; 02-02A, Swimwear garment, 15 Mar 2016	11447/2016
Ironclad Performance Wear Corp.; VIBRAM S.p.A.; 02-06, Glove, (US, 25 Sep 2015) 17 Mar 2016	11523/2016	JETS Swimwear Pty Limited; 02-02A, Swimwear garment, 15 Mar 2016	11455/2016
Ironclad Performance Wear Corp.; 02-06, Glove, (US, 25 Sep 2015) 17 Mar 2016	11529/2016	JETS Swimwear Pty Limited; 02-02A, Swimwear garment, 15 Mar 2016	11456/2016
Ironclad Performance Wear Corp.; VIBRAM S.p.A.; 02-06, Glove, (US, 25 Sep 2015) 17 Mar 2016	11521/2016	JORGENSON-WATTS IP PTY LTD; 25-01K, Doors, 13 Mar 2016	11386/2016
Ironclad Performance Wear Corp.; 02-06, Glove, (US, 25 Sep 2015) 17 Mar 2016	11527/2016	Karsten Manufacturing Corporation; 21-02C, Golf club head, (US, 22 Sep 2015) 21 Mar 2016	11600/2016
Ironclad Performance Wear Corp.; 02-06, Glove, (US, 25 Sep 2015) 17 Mar 2016	11528/2016	Karsten Manufacturing Corporation; 21-02C, Golf club head, (US, 22 Sep 2015) 21 Mar 2016	11591/2016
Ironclad Performance Wear Corp.; 02-06, Glove, (US, 25 Sep 2015) 17 Mar 2016	11526/2016	Karsten Manufacturing Corporation; 21-02C, Golf club head, (US, 22 Sep 2015) 21 Mar 2016	11594/2016
Ironclad Performance Wear Corp.; 02-06, Glove, (US, 25 Sep 2015) 17 Mar 2016	11525/2016	Karsten Manufacturing Corporation; 21-02C, Golf club head, (US, 22 Sep 2015) 21 Mar 2016	11599/2016
Ironclad Performance Wear Corp.; VIBRAM S.p.A.; 02-06, Glove, (US, 25 Sep 2015) 17 Mar 2016	11520/2016	Karsten Manufacturing Corporation; 21-02C, Golf club head, (US, 22 Sep 2015) 21 Mar 2016	11598/2016
IDC Solutions Pty Ltd; 08-08NES, A fastener, 11 Mar 2016	11370/2016	Karsten Manufacturing Corporation; 21-02C, Golf club head, (US, 22 Sep 2015) 21 Mar 2016	11596/2016
Jones, Alan Lindsay; 21-02D, Surfboards, 15 Mar 2016	11498/2016	Keen, Robert;Finlay, Patrick J;Scanlon, Christopher;Gannon, Dwayne;Kumar, Pankaj;Han, Peidong;Stelzer, James Michael; 09-01NES, Bottle, (US, 14 Sep 2015) 14 Mar 2016	11398/2016
Joseph, Elise Rachel Rassaby; 07-01NES, A plate, 21 Mar 2016	11602/2016	Kimberly-Clark Worldwide, Inc.; 05-06NES, Paper product, (US, 25 Sep 2015) 21 Mar 2016	11571/2016
JETS Swimwear Pty Limited; 02-02A, Swimwear garment, 15 Mar 2016	11446/2016		

Kumar, Pankaj;Finlay, Patrick J;Scanlon, Christopher;Keen, Robert;Gannon, Dwayne;Han, Peidong;Stelzer, James Michael; 09-01NES, Bottle, (US, 14 Sep 2015) 14 Mar 2016	11398/2016	LIVINGSTONE INTERNATIONAL PTY. LIMITED; 02-03, Disposable non woven space caps/hood, 17 Mar 2016	11539/2016
Leijen Pty Ltd;Patpaul Pty Ltd; 08-09, Door post assembly, 16 Mar 2016	11464/2016	M DE JONG & M.C VAN LUYKEN; 02-05, Adult bib made of fabric materials, 22 Mar 2016	11616/2016
Lim, Stephen;Broen, Martin Eduardo;Stolarz, Christian;Lucas, David Jennings;Primo, Salvatore Michael; 15-07, Cooler, (US, 17 Sep 2015) 17 Mar 2016	11515/2016	M DE JONG & M.C VAN LUYKEN; 02-05, Adult bib made of fabric materials, 22 Mar 2016	11617/2016
Lim, Stephen;Broen, Martin Eduardo;Stolarz, Christian;Lucas, David Jennings;Primo, Salvatore Michael; 15-07, Cooler, (US, 17 Sep 2015) 17 Mar 2016	11517/2016	M DE JONG & M.C VAN LUYKEN; 02-05, Adult bib made of fabric materials., 22 Mar 2016	11615/2016
Lim, Stephen;Broen, Martin Eduardo;Stolarz, Christian;Lucas, David Jennings;Primo, Salvatore Michael; 15-07, Cooler, (US, 17 Sep 2015) 17 Mar 2016	11519/2016	Marina, Carlos Hernan;Fort, Tucker H.;Zeledon, Joey Miguel;Worden, Morris Elijah IV; 09-03NES, 07-01NES, Container, (US, 16 Sep 2015) 14 Mar 2016	11399/2016
Lim, Stephen;Broen, Martin Eduardo;Stolarz, Christian;Lucas, David Jennings;Primo, Salvatore Michael; 15-07, Cooler, (US, 17 Sep 2015) 17 Mar 2016	11519/2016	Matthews, Jeremy; 11-05, Golden wattle flag, 8 point version, 07 Mar 2016	10954/2016
Lorna Jane Pty Ltd; 02-02NES, Clothing, 15 Mar 2016	11550/2016	Medisca Pharmaceutique Inc.; 09-01NES, 28-03NES, Dispensing container, (Divisional of 10004/2016) 16 Mar 2016	11488/2016
Lucas, David Jennings;Broen, Martin Eduardo;Lim, Stephen;Stolarz, Christian;Primo, Salvatore Michael; 15-07, Cooler, (US, 17 Sep 2015) 17 Mar 2016	11519/2016	Mitchell, Brendan; 22-05, Aquaculture support structure, 11 Mar 2016	11380/2016
Lucas, Rebecca A.; 03-01B, Tote bag, (US, 25 Sep 2015) 24 Mar 2016	11691/2016	Moss, Craig Justin; 08-99, Loop, 21 Mar 2016	11606/2016
Lucas, David Jennings;Broen, Martin Eduardo;Lim, Stephen;Stolarz, Christian;Primo, Salvatore Michael; 15-07, Cooler, (US, 17 Sep 2015) 17 Mar 2016	11517/2016	Moss, Craig Justin; 08-99, Pivot, 21 Mar 2016	11608/2016
Lucas, David Jennings;Broen, Martin Eduardo;Lim, Stephen;Stolarz, Christian;Primo, Salvatore Michael; 15-07, Cooler, (US, 17 Sep 2015) 17 Mar 2016	11517/2016	Moss, Craig Justin; 08-99, Pin, 21 Mar 2016	11607/2016
Lucas, David Jennings;Broen, Martin Eduardo;Lim, Stephen;Stolarz, Christian;Primo, Salvatore Michael; 15-07, Cooler, (US, 17 Sep 2015) 17 Mar 2016	11515/2016	Moss, Craig Justin; 08-99, Connector, 21 Mar 2016	11604/2016
Lucas, David Jennings;Broen, Martin Eduardo;Lim, Stephen;Stolarz, Christian;Primo, Salvatore Michael; 15-07, Cooler, (US, 17 Sep 2015) 17 Mar 2016	11515/2016	Moss, Craig Justin; 08-08NES, Clip, 21 Mar 2016	11605/2016
Lume Cube, Inc.; 26-03, Compact external light, (US, 17 Sep 2015) 16 Mar 2016	11463/2016	Motorola Solutions, Inc.; 14-02, 14-03E, Communication device, (US, 01 Oct 2015) 21 Mar 2016	11584/2016
Luxmy Furniture Pty Ltd; 06-06E, Furniture construction elements, (Divisional of 17116/2015) 11 Mar 2016	11382/2016	Motorola Solutions, Inc.; 14-03E, 14-02, Communication device, (US, 01 Oct 2015) 21 Mar 2016	11582/2016
LG Electronics Inc.; 15-05, Washing machine, (KR, 15 Jul 2015) 15 Jan 2016	11672/2016	Muck Truck UK Limited; 12-02, Wheelbarrow, (GB, 02 Feb 2016) 21 Mar 2016	11568/2016
LG Electronics Inc.; 15-05, Washing machine, (KR, 15 Jul 2015) 23 Mar 2016	11673/2016	MITSUBISHI ELECTRIC CORPORATION; 15-05, Hand dryer, (JP, 17 Sep 2015) 17 Mar 2016	11534/2016
		MITSUBISHI ELECTRIC CORPORATION; 15-05, Hand dryer, (JP, 17 Sep 2015) 17 Mar 2016	11533/2016
		National Plastics & Rubber Pty Ltd; 25-01A, 25-02A, A stackable block, 15 Mar 2016	11458/2016

Neville, John Anthony; 21-02NES, Hip protector pads, 16 Mar 2016	11508/2016	Orthopedic Surgical Supplies, LLC; 24-99, Thumb ring, (US, 24 Sep 2015) 24 Mar 2016	11678/2016
New Zealand Box Limited; 09-03G, Frame for compost bin, 23 Mar 2016	11620/2016	Ozzy Tyres Holdings Pty Ltd; 12-16A, Wheel, 17 Mar 2016	11537/2016
New Zealand Box Limited; 09-03G, Compost bin module, 23 Mar 2016	11626/2016	Ozzy Tyres Holdings Pty Ltd; 12-16A, Wheel, 17 Mar 2016	11531/2016
New Zealand Box Limited; 25-01K, Extrusion, 23 Mar 2016	11627/2016	Ozzy Tyres Holdings Pty Ltd; 12-16A, Wheel, 17 Mar 2016	11538/2016
Nicoventures Holdings Limited; 27-99, Electronic cigarette, (EM, 11 Sep 2015) 11 Mar 2016	11355/2016	Patpaul Pty Ltd;Leijen Pty Ltd; 08-09, Door post assembly, 16 Mar 2016	11464/2016
Nicoventures Holdings Limited; 27-99, Electronic cigarette, (EM, 11 Sep 2015) 11 Mar 2016	11369/2016	Pi-Design AG; 07-01D, A travel mug, (WO, 07 Oct 2015) 15 Mar 2016	11425/2016
Nicoventures Holdings Limited; 27-99, Electronic cigarette, (EM, 11 Sep 2015) 11 Mar 2016	11372/2016	Pi-Design AG; 07-01D, A travel mug, (WO, 07 Oct 2015) 15 Mar 2016	11424/2016
Nicoventures Holdings Limited; 27-99, Electronic cigarette, (EM, 11 Sep 2015) 11 Mar 2016	11354/2016	Porta-Gym Limited; 21-02F, Gymnasium apparatus, (EM, 11 Sep 2015) 11 Mar 2016	11371/2016
Nissan Jidosha Kabushiki Kaisha; 12-16NES, Instrument panel for automobile, (JP, 17 Sep 2015) 15 Mar 2016	11441/2016	Premier Technologies Ltd; 13-02, DC charger, (HK, 05 Oct 2015) 18 Mar 2016	11564/2016
Nissan Jidosha Kabushiki Kaisha; 12-16C, Front bumper for automobile, (JP, 17 Sep 2015) 15 Mar 2016	11442/2016	Pressform Engineering Pty Ltd; 12-16P, Anchor, 23 Mar 2016	11675/2016
Nissan Jidosha Kabushiki Kaisha; 12-16C, Front bumper for automobile, (JP, 17 Sep 2015) 15 Mar 2016	11440/2016	Primo, Salvatore Michael;Broen, Martin Eduardo;Lim, Stephen;Stolarz, Christian;Lucas, David Jennings; 15-07, Cooler, (US, 17 Sep 2015) 17 Mar 2016	11519/2016
Noon, Raymond; 23-01B, Plastic piping, 13 Mar 2016	11385/2016	Primo, Salvatore Michael;Broen, Martin Eduardo;Lim, Stephen;Stolarz, Christian;Lucas, David Jennings; 15-07, Cooler, (US, 17 Sep 2015) 17 Mar 2016	11517/2016
Nordco Inc.; 15-09, Tamper tool, 16 Mar 2016	11503/2016	Primo, Salvatore Michael;Broen, Martin Eduardo;Lim, Stephen;Stolarz, Christian;Lucas, David Jennings; 15-07, Cooler, (US, 17 Sep 2015) 17 Mar 2016	11515/2016
NINGBO MENTORIEND INTERNATIONAL TRADING CO., LTD.; 06-01NES, Wooden hammock, 16 Mar 2016	11509/2016	Puratap Pty Ltd; 09-07A, Bottle lid, 11 Mar 2016	11381/2016
NT Beverages Group Pty Ltd; 09-01H, A bottle, (CN, 18 Dec 2015) 23 Mar 2016	11641/2016	Py, Daniel;Dr. Py Institute PLC; 09-03L, Septum, (US, 15 Sep 2015) 15 Mar 2016	11437/2016
NT Beverages Group Pty Ltd; 09-01H, A bottle, (CN, 18 Dec 2015) 23 Mar 2016	11645/2016	Reid, Gary; 12-16B, Caravan air deflector, 17 Mar 2016	11544/2016
NT Beverages Group Pty Ltd; 09-01H, A bottle, (CN, 18 Dec 2015) 23 Mar 2016	11638/2016	Revolutionary Medical Devices, Inc.; 06-13B, Surgical drape, (US, 28 Sep 2015) 21 Mar 2016	11573/2016
NT Beverages Group Pty Ltd; 09-01H, A bottle, (CN, 18 Dec 2015) 23 Mar 2016	11636/2016	Reynolds, Madeline; 07-06D, Bottle openers, 24 Mar 2016	11684/2016
NZ Tube Mills Ltd; 25-02NES, A connector for a post, 11 Mar 2016	11368/2016	Rhino Rack Australia Pty Limited; 08-10, 08-08NES, Bicycle axle adaptor for a vehicle bicycle carrier, 24 Mar 2016	11682/2016
Orthopedic Surgical Supplies, LLC; 24-99, Thumb ring, (US, 24 Sep 2015) 24 Mar 2016	11679/2016		

RV COMPONENT DESIGN PTY LTD; 12-10, Trailers, 11 Mar 2016	11373/2016	Seum, Michael T.;Cirulli, Pasquale;Scamporlino, Mauro;Franzen, Martin Ivar;Capilla, Sofia Majan; 15-07, Dispenser, (US, 17 Sep 2015) 17 Mar 2016	11518/2016
S. C. Johnson & Son, Inc.; 09-01H, Container with base, (US, 21 Sep 2015) 18 Mar 2016	11556/2016	SimClean Holdings Pty Limited; 23-02A, A hanging tissue dispenser, 11 Mar 2016	11356/2016
S. C. Johnson & Son, Inc.; 09-01A, Container with cap and base, (US, 21 Sep 2015) 21 Mar 2016	11569/2016	Skye Group Pty Limited; 02-02A, Swimwear, 20 Mar 2016	11566/2016
S. C. Johnson & Son, Inc.; 09-01A, Container with cap and base, (US, 21 Sep 2015) 21 Mar 2016	11570/2016	SpectraLink Corporation; 14-03E, Handset, (US, 09 Jul 2015) (Divisional of 10078/2016) 18 Mar 2016	11547/2016
S. C. Johnson & Son, Inc.; 09-01H, Container, (US, 21 Sep 2015) 18 Mar 2016	11557/2016	Spenco Medical Corporation; 02-04NES, Sandal, (US, 25 Sep 2015) 24 Mar 2016	11702/2016
S. C. Johnson & Son, Inc.; 09-01NES, Container with base, (US, 21 Sep 2015) 18 Mar 2016	11560/2016	Spenco Medical Corporation; 02-04NES, Sandal, (US, 25 Sep 2015) 24 Mar 2016	11703/2016
S. C. Johnson & Son, Inc.; 09-07A, Overcap, (US, 21 Sep 2015) 18 Mar 2016	11554/2016	Stelzer, James Michael;Finlay, Patrick J;Scanlon, Christopher;Keen, Robert;Gannon, Dwayne;Kumar, Pankaj;Han, Peidong; 09-01NES, Bottle, (US, 14 Sep 2015) 14 Mar 2016	11398/2016
S. C. Johnson & Son, Inc.; 09-07A, Overcap, (US, 21 Sep 2015) 18 Mar 2016	11555/2016	Stolarz, Christian;Broen, Martin Eduardo;Lim, Stephen;Lucas, David Jennings;Primo, Salvatore Michael; 15-07, Cooler, (US, 17 Sep 2015) 17 Mar 2016	11515/2016
S. C. Johnson & Son, Inc.; 09-01K, Container, (US, 21 Sep 2015) 18 Mar 2016	11561/2016	Stolarz, Christian;Broen, Martin Eduardo;Lim, Stephen;Lucas, David Jennings;Primo, Salvatore Michael; 15-07, Cooler, (US, 17 Sep 2015) 17 Mar 2016	11517/2016
Sandleford Holdings Pty Ltd; 25-03, A letterbox, 22 Mar 2016	11611/2016	Stolarz, Christian;Broen, Martin Eduardo;Lim, Stephen;Lucas, David Jennings;Primo, Salvatore Michael; 15-07, Cooler, (US, 17 Sep 2015) 17 Mar 2016	11519/2016
Sandleford Holdings Pty Ltd; 25-03, A letterbox, 22 Mar 2016	11612/2016	Superior Engineering (QLD) Pty Ltd; 12-16NES, Automotive suspension bump stop assembly, 15 Mar 2016	11435/2016
Savant Systems, LLC; 14-03NES, Controller for home automation, (US, 02 Oct 2015) 24 Mar 2016	11676/2016	SMA Solar Technology AG; 13-02, Inverter, (EM, 13 Oct 2015) 24 Mar 2016	11683/2016
Savant Systems, LLC; 14-03NES, Remote control, (US, 02 Oct 2015) 24 Mar 2016	11677/2016	SMA Solar Technology AG; 13-03NES, Inverter, (EM, 13 Oct 2015) 24 Mar 2016	11697/2016
Scamporlino, Mauro;Seum, Michael T.;Cirulli, Pasquale;Franzen, Martin Ivar;Capilla, Sofia Majan; 15-07, Dispenser, (US, 17 Sep 2015) 17 Mar 2016	11518/2016	SMART & MAZZOCCA PTY LTD; 19-08, Beer bottle label, can label, tap decal,tee shirt., 22 Mar 2016	11613/2016
Scania CV AB; 12-16A, Rim, (SE, 17 Sep 2015) 09 Mar 2016	11303/2016	Taylor Made Group, LLC; 21-02NES, Punching bag, (US, 16 Oct 2015) 18 Mar 2016	11558/2016
Scanlon, Christopher;Finlay, Patrick J;Keen, Robert;Gannon, Dwayne;Kumar, Pankaj;Han, Peidong;Stelzer, James Michael; 09-01NES, Bottle, (US, 14 Sep 2015) 14 Mar 2016	11398/2016	Tech 21 Licensing Limited; 14-02, Cover for electronic device, (EM, 24 Sep 2015) 24 Mar 2016	11701/2016
Schreder S.A.; 26-03, Outdoor lighting fixture, (EM, 14 Oct 2015) 11 Mar 2016	11374/2016		
Sensor Pty Ltd; 22-02, Shape, 22 Mar 2016	11614/2016		

The trustee for EBelle Trust; 06-02, Baby cot, 16 Mar 2016	11465/2016	The Gillette Company; 09-05, Blister package, (WO, 30 Sep 2015) 23 Mar 2016	11655/2016
The Gillette Company; 09-05, Blister package, (WO, 30 Sep 2015) 23 Mar 2016	11670/2016	The Procter & Gamble Company; 09-01A, An air freshener housing, (US, 16 Sep 2015) 16 Mar 2016	11493/2016
The Gillette Company; 09-05, Blister package, (WO, 30 Sep 2015) 23 Mar 2016	11669/2016	The Procter & Gamble Company; 28-99, Air freshener device, (US, 25 Sep 2015) 24 Mar 2016	11696/2016
The Gillette Company; 09-05, Blister package, (WO, 30 Sep 2015) 23 Mar 2016	11659/2016	The Procter & Gamble Company; 09-01A, An air freshener housing, (US, 16 Sep 2015) 16 Mar 2016	11494/2016
The Gillette Company; 09-05, Blister package, (WO, 30 Sep 2015) 23 Mar 2016	11665/2016	The Procter & Gamble Company; 09-01A, A cartridge, (US, 16 Sep 2015) 16 Mar 2016	11482/2016
The Gillette Company; 09-05, Blister package, (WO, 30 Sep 2015) 23 Mar 2016	11657/2016	The Procter & Gamble Company; 09-01A, A cartridge, (US, 16 Sep 2015) 16 Mar 2016	11484/2016
The Gillette Company; 09-05, Blister package, (WO, 30 Sep 2015) 23 Mar 2016	11658/2016	The Procter & Gamble Company; 09-01A, A cartridge, (US, 16 Sep 2015) 16 Mar 2016	11485/2016
The Gillette Company; 09-05, Blister package, (WO, 30 Sep 2015) 23 Mar 2016	11656/2016	The Procter & Gamble Company; 09-01A, A cartridge, (US, 16 Sep 2015) 16 Mar 2016	11483/2016
The Gillette Company; 09-05, Blister package, (WO, 30 Sep 2015) 23 Mar 2016	11664/2016	The Procter & Gamble Company; 09-01A, A cartridge, (US, 16 Sep 2015) 16 Mar 2016	11479/2016
The Gillette Company; 09-05, Blister package, (WO, 30 Sep 2015) 23 Mar 2016	11662/2016	The Procter & Gamble Company; 09-01A, A cartridge, (US, 16 Sep 2015) 16 Mar 2016	11480/2016
The Gillette Company; 09-05, Blister package, (WO, 30 Sep 2015) 23 Mar 2016	11663/2016	The Procter & Gamble Company; 09-01A, A cartridge, (US, 16 Sep 2015) 16 Mar 2016	11481/2016
The Gillette Company; 09-05, Blister package, (WO, 30 Sep 2015) 23 Mar 2016	11660/2016	The Procter & Gamble Company; 09-01A, An air freshener housing, (US, 16 Sep 2015) 16 Mar 2016	11491/2016
The Gillette Company; 09-05, Blister package, (WO, 30 Sep 2015) 23 Mar 2016	11667/2016	The Procter & Gamble Company; 09-01A, An air freshener housing, (US, 16 Sep 2015) 16 Mar 2016	11495/2016
The Gillette Company; 09-05, Blister package, (WO, 30 Sep 2015) 23 Mar 2016	11654/2016	The Procter & Gamble Company; 09-01A, An air freshener housing, (US, 16 Sep 2015) 16 Mar 2016	11492/2016
The Gillette Company; 09-05, Blister package, (WO, 30 Sep 2015) 23 Mar 2016	11653/2016	The Procter & Gamble Company; 09-01A, An air freshener housing, (US, 16 Sep 2015) 16 Mar 2016	11490/2016
The Gillette Company; 09-05, Blister package, (WO, 30 Sep 2015) 23 Mar 2016	11668/2016	The Procter & Gamble Company; 09-01A, A cartridge, (US, 16 Sep 2015) 16 Mar 2016	11486/2016
The Gillette Company; 09-05, Blister package, (WO, 30 Sep 2015) 23 Mar 2016	11666/2016	The Sy-Klone Company; 23-04, Filter cartridge for air cleaner, (Divisional of 10192/2016) 16 Mar 2016	11499/2016
The Gillette Company; 09-05, Blister package, (WO, 30 Sep 2015) 23 Mar 2016	11661/2016	The Sy-Klone Company; 23-04, Filter cartridge for air cleaner, (Divisional of 10195/2016) 17 Mar 2016	11510/2016

The Sy-Klone Company; 23-04, Filter cartridge for air cleaner, 16 Mar 2016	11505/2016	Uber Technologies, Inc.; 14-04, Computer device display screen, (US, 17 Jul 2015) (Divisional of 10208/2016) 24 Mar 2016	11686/2016
The Trustee for Mums and Kids Enterprises Unit Trust; 06-09, Padded sleeping mat with sheet and blanket, 14 Mar 2016	11387/2016	Uber Technologies, Inc.; 14-04, Computer device display screen, (US, 17 Jul 2015) (Divisional of 10208/2016) 24 Mar 2016	11687/2016
The Trustee for PETRIDIS FAMILY TRUST; 32-03, Logo, 16 Mar 2016	11497/2016	Van Cleef & Arpels SA; 11-01C, Bracelet, (IB, 28 Sep 2015) 23 Mar 2016	11634/2016
The Trustee for Rakumba Trust; 26-99, A light, 24 Mar 2016	11693/2016	Van Cleef & Arpels SA; 11-01E, Necklace, (IB, 28 Sep 2015) 23 Mar 2016	11635/2016
Therm-oz Showers Pty Ltd; 23-01NES, Converter, 12 Mar 2016	11383/2016	Vehicle Development Corporation Pty Ltd; 12-16NES, Instrument cluster surround cover, 15 Mar 2016	11434/2016
Therm-oz Showers Pty Ltd; 23-01NES, Recessed Converter, 12 Mar 2016	11384/2016	Vehicle Development Corporation Pty Ltd; 12-16NES, Steering column lower panel, 17 Mar 2016	11536/2016
Thermos L.L.C.; 07-01NES, Dual chamber food jar, (US, 21 Oct 2015) 18 Mar 2016	11562/2016	Vehicle Development Corporation Pty Ltd; 12-16NES, Steering Column Lower Panel, 15 Mar 2016	11436/2016
Todd, Leigh Robert; 08-06, Door hinge insert, 11 Mar 2016	11376/2016	Vehicle Development Corporation Pty Ltd; 12-16NES, Vehicle firewall panel, 15 Mar 2016	11445/2016
Traeger Pellet Grills, LLC; 07-02E, Grill internal chimney, (US, 17 Sep 2015) 17 Mar 2016	11532/2016	Vehicle Development Corporation Pty Ltd; 12-16NES, Front passenger airbag panel, 15 Mar 2016	11430/2016
Traeger Pellet Grills, LLC; 07-02E, Hinged grill lid, (US, 17 Sep 2015) 14 Mar 2016	11394/2016	Vehicle Development Corporation Pty Ltd; 12-16NES, Instrument panel support beam, 15 Mar 2016	11431/2016
Traeger Pellet Grills, LLC; 07-02E, Grill internal chimney, (US, 17 Sep 2015) 16 Mar 2016	11501/2016	Vehicle Development Corporation Pty Ltd; 12-16NES, Right hand drive instrument panel, 15 Mar 2016	11438/2016
Traeger Pellet Grills, LLC; 07-02NES, Grill shelf with modular components, (US, 17 Sep 2015) 16 Mar 2016	11500/2016	Vehicle Development Corporation Pty Ltd; 12-16B, HVAC Body Case, 15 Mar 2016	11443/2016
Traeger Pellet Grills, LLC; 07-02E, Three-Tiered Grill Rack System, (US, 17 Sep 2015) 16 Mar 2016	11504/2016	Visy R & D Pty Ltd; 09-03M, Blank for forming a container, 18 Mar 2016	11553/2016
Traeger Pellet Grills, LLC; 07-02E, Grill leg and grill leg assembly, 16 Mar 2016	11502/2016	VIBRAM S.p.A.;Ironclad Performance Wear Corp.; 02-06, Glove, (US, 25 Sep 2015) 17 Mar 2016	11523/2016
Traeger Pellet Grills, LLC; 07-02E, Grill with enlongate, oval provile, (US, 17 Sep 2015) 14 Mar 2016	11392/2016	VIBRAM S.p.A.;Ironclad Performance Wear Corp.; 02-06, Glove, (US, 25 Sep 2015) 17 Mar 2016	11524/2016
Traeger Pellet Grills, LLC; 08-06, 07-02N, Grill handle towel bar assembly, (US, 17 Sep 2015) 14 Mar 2016	11391/2016	VIBRAM S.p.A.;Ironclad Performance Wear Corp.; 02-06, Glove, (US, 25 Sep 2015) 17 Mar 2016	11520/2016
Traeger Pellet Grills, LLC; 07-02E, Hinged grill lid, (US, 17 Sep 2015) 14 Mar 2016	11393/2016	VIBRAM S.p.A.;Ironclad Performance Wear Corp.; 02-06, Glove, (US, 25 Sep 2015) 17 Mar 2016	11522/2016
TrainingMask L.L.C.; 24-04, Resistance breathing decice, (US, 03 Mar 2016) 18 Mar 2016	11565/2016		
Truth Hardware Corporation; 08-06, Cover and handle for window lock, (US, 23 Sep 2015) 21 Mar 2016	11574/2016		

VIBRAM S.p.A.;Ironclad Performance Wear Corp.; 02-06, Glove, (US, 25 Sep 2015) 17 Mar 2016	11521/2016	Zhang, Crystal; 32-02, Sea salt products, 21 Mar 2016	11595/2016
VIP Plastic Packaging Pty Ltd; 24-02, A vial with cap, 21 Mar 2016	11601/2016	Zumtobel Lighting GmbH; 26-04, Luminaire, (EM, 24 Sep 2015) 23 Mar 2016	11639/2016
W & D McCulloch Ltd; 15-04, Rail Transposing Machine, (US, 15 Sep 2015) 15 Mar 2016	11426/2016	Zumtobel Lighting GmbH; 26-04, Luminaire, (EM, 24 Sep 2015) 23 Mar 2016	11644/2016
Waddington, Neil;WADDINGTON EDUCATIONAL RESOURCES PTY. LTD.; 11-05, New Australian flag, 21 Mar 2016	11576/2016	Zumtobel Lighting GmbH; 26-04, Luminaire, (EM, 24 Sep 2015) 23 Mar 2016	11643/2016
Worden, Morris Elijah IV;Marina, Carlos Hernan;Fort, Tucker H.;Zeledon, Joey Miguel; 09-03NES, 07-01NES, Container, (US, 16 Sep 2015) 14 Mar 2016	11399/2016	Zumtobel Lighting GmbH; 26-04, Luminaire, (EM, 24 Sep 2015) 23 Mar 2016	11642/2016
WADDINGTON EDUCATIONAL RESOURCES PTY. LTD.;Waddington, Neil; 11-05, New Australian flag, 21 Mar 2016	11576/2016	Zumtobel Lighting GmbH; 26-04, Luminaire, (EM, 24 Sep 2015) 23 Mar 2016	11640/2016
Zeledon, Joey Miguel;Marina, Carlos Hernan;Fort, Tucker H.;Worden, Morris Elijah IV; 09-03NES, 07-01NES, Container, (US, 16 Sep 2015) 14 Mar 2016	11399/2016	Zumtobel Lighting GmbH; 26-04, Luminaire, (EM, 24 Sep 2015) 23 Mar 2016	11637/2016
		3M Innovative Properties Company; 29-02, Respirator, (RU, 30 Sep 2015) 23 Mar 2016	11633/2016

Applications Withdrawn

14704 / 2015 (32-03)

Applications Lapsed

13425 / 2015 (06-01C)	13427 / 2015 (06-01NES)
13428 / 2015 (06-01C)	13429 / 2015 (06-01C)
14629 / 2015 (02-02NES)	14648 / 2015 (11-02B)
14770 / 2015 (02-99)	14857 / 2015 (32-02)
14900 / 2015 (13-02)	15481 / 2015 (08-06)
16901 / 2015 (23-01A)	16972 / 2015 (12-16NES)
17004 / 2015 (11-01K)	17132 / 2015 (23-02A)
17146 / 2015 (08-03)	10023 / 2016 (08-07)
10164 / 2016 (32-03)	10175 / 2016 (05-02)
10176 / 2016 (05-05A)	10177 / 2016 (05-02)

Extension of Period of Registration of Designs

335959	335961	335970
335985	336002	336018
336060	336084	336085
336086	336089	336098
336107	336110	336154
336158	336173	336182
336183	336184	336200
336227	336340	336344
336388	336415	336451
336462	336463	336464
336465	336466	336467
336468	336469	336484
336485	336502	336505
336507	336508	336509
336524	336535	336536
336537	336553	336583
336585	336590	336607
336608	336614	336622
336631	336644	336659
336660	336679	336680
336681	336686	336691
336692	336693	336694
336695	336696	336721
336722	336723	336732
336733	336734	336735
336746	336750	336752
336756	336757	336758
336813	336814	336815
336816	336821	336822
336836	336837	336860
336886	336933	336934
336935	336936	336937
336940	336941	336942
337014	337023	337024
337027	337078	337079
337100	337101	337102
337104	337164	337165
337166	337179	337220
337221	337247	337297
337326	337424	337466
337508	337565	337577
337650	337663	337890
337973	337979	338055
338061	338062	338064
338067	338068	338070
338096	338342	338366
338369	338389	338390
338405	338440	338520
338656	338697	338698
338739	338984	338985
339162	339163	339164

339237	339633	339667
339668	339669	339692
339693	339694	339695
339758	340418	341168
341291	341743	342263
342737	342779	344287
345179	345902	360231
360232	360639	361567
361599		

Revocation of Design Registrations

The following Design Registration(s) have been revoked and are taken never to have been registered:

351553 28-03B

Registrations Ceased

306523	306524	306525
306602	306619	306620
306621	306622	306623
306624	306625	306626
306627	306628	306629
306637	306638	306639
306640	306641	306642
307333	307334	307335
307545	307849	307850
307851	307852	307853
308086	308090	308119
308124	308127	308128
308131	308136	308137
308138	308139	308140
308162	308249	308253
308254	308255	308257
308329	308330	308334
308335	308336	308337
308514	308596	308598
308601	308654	308681
308683	308736	308737
308810	308834	308836
308837	308838	308868
308942	308943	308944
308945	308946	308947
308948	308967	308968
309125	309153	309469
309511	309512	309813
309814	309852	310228
310362	310441	310455
310456	310876	310877
310988	310991	310994
310995	310996	312407

312408	312409	312410
313608	315785	329975
332849	332850	332851
332863	332887	332931
332941	332942	332943
332944	332975	332984
332985	332986	332987
332995	332996	332997
332998	332999	333020
333021	333031	333032
333033	333034	333035
333038	333039	333045
333049	333050	333057
333058	333059	333060
333061	333062	333065
333066	333067	333086
333090	333091	333097
333098	333125	333126
333127	333129	333130
333132	333150	333158
333160	333164	333188
333191	333192	333197
333217	333242	333244
333273	333310	333557
333737	333745	333746
333754	333755	333756
333757	333758	333759
333827	333989	334084
334085	334086	334112
334342	334423	335379
335380	346398	356842
360207	360853	363082
363639		

Applications for Extension of time under Section 137

Applications under section 137 for extension of time have been lodged. Objections must be lodged within 1 month from the date of this journal.

15085/2012 **Scott William Smiles** Address for Service: Baxter Patent Attorneys Pty Ltd Suite 2, Level 3A 1 Bligh St SYDNEY NSW 2000

Extensions of time granted under Section 137

Applications lodged under section 137 for extension of time have been granted.

- 367842 **Anki, Inc.**
- 367843 **Australian Age of Dinosaurs Limited**
- 367863 **Cequent Performance Products, Inc.**
- 367878 **Hubbell Incorporated**

- 10283/2016 **Simply Works Limited**
- 11177/2016 **MEGA Brands, Inc.**
- 11178/2016 **MEGA Brands, Inc.**

Applications Assigned

(The name in parentheses is that of the subsequent applicant)

- 14959/2015 (**The Safety Helmet Company Pty Ltd**) Aussie Electrical Pty Limited

Subsequent Owners Registered

(The name in parentheses is that of the subsequent owner)

- 323772 (**De Bruin-Judge Furniture Limited**) Wim Jan De Bruin
- 334571 (**Ecrotek Limited**) Hunter Reilly Limited
- 337270 (**Konecranes Global Corporation**) Konecranes Plc
- 337485 (**Konecranes Global Corporation**) Konecranes Plc
- 358240 (**Konecranes Global Corporation**) Konecranes Plc
- 358241 (**Konecranes Global Corporation**) Konecranes Plc
- 358242 (**Konecranes Global Corporation**) Konecranes Plc
- 358243 (**Konecranes Global Corporation**) Konecranes Plc
- 358922 (**Konecranes Global Corporation**) Konecranes Plc
- 323772 (**DBJ FURNITURE LIMITED**) De Bruin-Judge Furniture Limited
- 356306 (**DOUG ANDREWS HOLDINGS LIMITED**) Doug Andrews Heating & Ventilation Limited
- 356307 (**DOUG ANDREWS HOLDINGS LIMITED**) Doug Andrews Heating & Ventilation Limited
- 361266 (**Duracell U.S. Operations, Inc.**) The Procter & Gamble Company
- 361767 (**Duracell U.S. Operations, Inc.**) The Procter & Gamble Company
- 361337 (**CHASE ON DEVELOPMENT LIMITED**) Farm Chalk Investment Limited
- 363402 (**Elgee Industries Pty Ltd**) RMD Industries Pty Ltd
- 363869 (**Justin Peter Brown**) Office Portfolio Pty Ltd
- 358552 (**Covidien LP**) RF Surgical Systems LLC
- 365421 (**Covidien LP**) RF Surgical Systems LLC
- 365556 (**Covidien LP**) RF Surgical Systems LLC
- 333838 (**LIC VENTURES NO. 2 PTY LIMITED**) Jock M. Roberts
- 333839 (**LIC VENTURES NO. 2 PTY LIMITED**) Jock M. Roberts
- 312769 (**LIC VENTURES NO. 2 PTY LIMITED**) Jock M. Roberts
- 349734 (**Butler Concepts Limited**) Fumacare Limited;Paul Francis Zwaan;Michael Freeman;Patricia Margaret Butler;Raymond Thomas Butler
- 353086 (**Butler Concepts Limited**) Fumacare Limited;Raymond Thomas Butler;Patricia Margaret Butler;Paul Francis Zwaan;Michael Freeman
- 360369 (**Butler Concepts Limited**) Fumacare Limited
- 360352 (**Butler Concepts Limited**) Fumacare Limited
- 314692 (**Staedtler Mars GmbH & Co KG**) J S Staedtler GmbH & Co KG
- 364700 (**Staedtler Mars GmbH & Co KG**) J.S. STAEDTLER GmbH & Co. KG
- 364701 (**Staedtler Mars GmbH & Co KG**) J.S. STAEDTLER GmbH & Co. KG
- 337663 (**CAPBRAN HOLDINGS, LLC**) Baby Bullet, LLC

347144 (**Nu-Lite Illuminated Signs Pty Limited**) Charles Berelowitz
 347005 (**Nu-Lite Illuminated Signs Pty Limited**) Charles Berelowitz
 346735 (**Nu-Lite Illuminated Signs Pty Limited**) Charles Berelowitz
 363404 (**LifePoint International Pty Limited**) Paul David Barwick;Andrew John Pascoe
 363405 (**LifePoint International Pty Limited**) Paul David Barwick;Andrew John Pascoe
 363406 (**LifePoint International Pty Limited**) Paul David Barwick;Andrew John Pascoe
 363882 (**Misfit, Inc.**) Timothy Golnik;Diana Chang;Joshua David Banko
 364011 (**Misfit, Inc.**) Timothy Golnik;Diana Chang;Joshua David Banko
 364012 (**Misfit, Inc.**) Timothy Golnik;Diana Chang;Joshua David Banko
 364013 (**Misfit, Inc.**) Timothy Golnik;Diana Chang;Joshua David Blanko
 364311 (**Misfit, Inc.**) Timothy Golnik;Diana Chang;Joshua David Banko
 364768 (**Coates Technology Labs Pty Limited**) Coates Signco Pty Limited
 364769 (**Coates Technology Labs Pty Limited**) Coates Signco Pty Limited
 330150 (**Wolverine Outdoors, Inc.,**) Wolverine World Wide, Inc.
 328546 (**Wolverine Outdoors, Inc.,**) Wolverine World Wide, Inc.
 326356 (**Wolverine Outdoors, Inc.,**) Wolverine World Wide, Inc.
 326350 (**Wolverine Outdoors, Inc.,**) Wolverine World Wide, Inc.
 326349 (**Wolverine Outdoors, Inc.,**) Wolverine World Wide, Inc.
 326348 (**Wolverine Outdoors, Inc.,**) Wolverine World Wide, Inc.
 326347 (**Wolverine Outdoors, Inc.,**) Wolverine World Wide, Inc.
 326332 (**Wolverine Outdoors, Inc.,**) Wolverine World Wide, Inc.
 326326 (**Wolverine Outdoors, Inc.,**) Wolverine World Wide, Inc.
 318428 (**Wolverine Outdoors, Inc.,**) Wolverine World Wide, Inc.
 318427 (**Wolverine Outdoors, Inc.,**) Wolverine World Wide, Inc.
 318426 (**Wolverine Outdoors, Inc.,**) Wolverine World Wide, Inc.
 318425 (**Wolverine Outdoors, Inc.,**) Wolverine World Wide, Inc.
 318423 (**Wolverine Outdoors, Inc.,**) Wolverine World Wide, Inc.
 318343 (**Wolverine Outdoors, Inc.,**) Wolverine World Wide, Inc.
 318337 (**Wolverine Outdoors, Inc.,**) Wolverine World Wide, Inc.
 315234 (**Wolverine Outdoors, Inc.,**) Wolverine World Wide, Inc.
 315230 (**Wolverine Outdoors, Inc.,**) Wolverine World Wide, Inc.
 315228 (**Wolverine Outdoors, Inc.,**) Wolverine World Wide, Inc.
 315223 (**Wolverine Outdoors, Inc.,**) Wolverine World Wide, Inc.

315222 (**Wolverine Outdoors, Inc.,**) Wolverine World Wide, Inc.
 315220 (**Wolverine Outdoors, Inc.,**) Wolverine World Wide, Inc.
 312670 (**Wolverine Outdoors, Inc.,**) Wolverine World Wide, Inc.
 312646 (**Wolverine Outdoors, Inc.,**) Wolverine World Wide, Inc.
 312397 (**Wolverine Outdoors, Inc.,**) Wolverine World Wide, Inc.
 312393 (**Wolverine Outdoors, Inc.,**) Wolverine World Wide, Inc.
 312292 (**Wolverine Outdoors, Inc.,**) Wolverine World Wide, Inc.
 312287 (**Wolverine Outdoors, Inc.,**) Wolverine World Wide, Inc.
 312284 (**Wolverine Outdoors, Inc.,**) Wolverine World Wide, Inc.
 312170 (**Wolverine Outdoors, Inc.,**) Wolverine World Wide, Inc.
 312155 (**Wolverine Outdoors, Inc.,**) Wolverine World Wide, Inc.
 309420 (**Wolverine Outdoors, Inc.,**) Wolverine World Wide, Inc.
 329005 (**HBG IP Holdings Pty Ltd**) INFA-SECURE Pty Ltd
 329006 (**HBG IP Holdings Pty Ltd**) INFA-SECURE Pty Ltd

Names Registered - Alterations and Amendments

(The name in parentheses is that of the subsequent applicant)

366663 (**James Paul Cherneski**) TruSox, LLC.
 360245 (**MGTS SA**) NGTS S.A.
 358552 (**RF Surgical Systems LLC**) RF Surgical Systems, Inc.
 365421 (**RF Surgical Systems LLC**) RF Surgical Systems, Inc.
 365556 (**RF Surgical Systems LLC**) RF Surgical Systems, Inc.
 336543 (**BICYCLE NETWORK INCORPORATED**) Bicycle Victoria Incorporated
 327204 (**BICYCLE NETWORK INCORPORATED**) Bicycle Victoria Incorporated
 364502 (**Misfit, Inc.**) Misfit Wearables Corporation
 364000 (**Misfit, Inc.**) Misfit Wearables Corporation
 363999 (**Misfit, Inc.**) Misfit Wearables Corporation
 366614 (**Peter Hooker;Christine Kininmonth**) Fertile Mind Pty Ltd
 333838 (**BEACON AUTOMATION PTY LIMITED**) LIC VENTURES NO. 2 PTY LIMITED
 333839 (**BEACON AUTOMATION PTY LIMITED**) LIC VENTURES NO. 2 PTY LIMITED
 312769 (**BEACON AUTOMATION PTY LIMITED**) LIC VENTURES NO. 2 PTY LIMITED

Certificate(s) of Examination

Examination of the following Design Registration(s) has been completed. Infringement proceedings may now be commenced.

306602	06-01F	12/05/2011
349239	14-03A	24/03/2016
357559	07-02P	21/03/2016
358212	14-03A	23/03/2016
363574	26-06	23/03/2016
363576	26-06	23/03/2016
366084	28-01	21/03/2016
366102	12-16NES	18/03/2016
366105	05-05A	21/03/2016
366137	28-03NES	23/03/2016
366138	28-03NES	23/03/2016
366159	13-02	15/03/2016
366330	09-03M	24/03/2016
366331	09-03M	24/03/2016
366574	28-03NES	12/05/2011
366581	02-02C	21/03/2016
366582	02-02C	21/03/2016
366690	16-05	21/03/2016
366691	16-05	23/03/2016
366692	16-05	21/03/2016
366693	16-05	23/03/2016
366757	12-05	24/03/2016
366819	28-03NES	18/03/2016
366829	28-03NES	15/03/2016
366831	04-02	17/03/2016
366832	04-02	17/03/2016
366835	08-03	21/03/2016
366847	04-02	17/03/2016
366878	07-06A	24/03/2016
366901	07-06A	21/03/2016

Publication and Registration Proceedings

Designs Registered

This section provides a concordance between design number and registration number of Designs covered in this journal. It also shows the main class and registration date.

This section covers Registration numbers 367716 to 367887 .

The registration number shown below should be used in all future correspondence.

Design Number	Registration Number	International Classification Code (IDC)	Registration Date	Design Number	Registration Number	International Classification Code (IDC)	Registration Date
13127/2015	367840	28-03B	23/03/2016	10254/2016	367811	15-02	22/03/2016
13128/2015	367860	28-03B	23/03/2016	10290/2016	367879	25-01G	24/03/2016
13138/2015	367861	28-03B	23/03/2016	10291/2016	367858	25-01G	23/03/2016
13139/2015	367862	28-03B	23/03/2016	10294/2016	367770	05-03	18/03/2016
14174/2015	367785	25-01NES	18/03/2016	10310/2016	367812	11-02B	22/03/2016
14914/2015	367809	10-06	22/03/2016	10311/2016	367813	11-02B	22/03/2016
14915/2015	367841	10-06	23/03/2016	10342/2016	367868	15-99	23/03/2016
15281/2015	367810	07-02F	22/03/2016	10350/2016	367814	03-01A	22/03/2016
15518/2015	367842	23-01A	23/03/2016	10351/2016	367847	14-02	23/03/2016
16045/2015	367843	21-01A	23/03/2016	10352/2016	367848	14-02	23/03/2016
16534/2015	367716	24-01	15/03/2016	10353/2016	367859	14-02	23/03/2016
16902/2015	367759	19-06	17/03/2016	10419/2016	367869	09-07C	23/03/2016
16917/2015	367863	12-05	23/03/2016	10425/2016	367800	05-05NES	22/03/2016
16950/2015	367760	08-08L	17/03/2016	10437/2016	367881	24-02	24/03/2016
16960/2015	367761	07-02F	17/03/2016	10460/2016	367815	02-07A	22/03/2016
16961/2015	367762	07-02K	17/03/2016	10484/2016	367870	28-03B	23/03/2016
16962/2015	367763	07-02F	17/03/2016	10506/2016	367771	12-15C	18/03/2016
16963/2015	367764	07-02K	17/03/2016	10507/2016	367772	12-15B	18/03/2016
16986/2015	367838	12-15C	22/03/2016	10509/2016	367849	07-04	23/03/2016
17002/2015	367839	07-02F	22/03/2016	10521/2016	367835	09-01NES	22/03/2016
17025/2015	367765	20-02NES	17/03/2016	10566/2016	367850	15-09	23/03/2016
17027/2015	367766	20-02NES	17/03/2016	10614/2016	367816	09-03NES	22/03/2016
17110/2015	367844	09-02A	23/03/2016	10621/2016	367851	25-02NES	23/03/2016
17116/2015	367831	06-06E	22/03/2016	10659/2016	367882	09-05	24/03/2016
17142/2015	367845	21-02D	23/03/2016	10675/2016	367817	09-03K	22/03/2016
10004/2016	367876	09-01NES	23/03/2016	10703/2016	367818	07-06NES	22/03/2016
10005/2016	367877	26-03	23/03/2016	10706/2016	367871	07-04	23/03/2016
10050/2016	367853	12-10	23/03/2016	10733/2016	367773	19-06	18/03/2016
10051/2016	367854	12-10	23/03/2016	10737/2016	367777	02-02C	18/03/2016
10078/2016	367864	14-03E	23/03/2016	10748/2016	367720	22-06	15/03/2016
10081/2016	367866	02-01NES	23/03/2016	10775/2016	367883	21-02D	24/03/2016
10085/2016	367767	02-01NES	17/03/2016	10805/2016	367836	12-16NES	22/03/2016
10096/2016	367717	13-03B	15/03/2016	10890/2016	367721	06-04G	15/03/2016
10123/2016	367878	26-05NES	24/03/2016	10917/2016	367872	02-01A	23/03/2016
10131/2016	367855	14-02	23/03/2016	11009/2016	367774	09-01NES	18/03/2016
10149/2016	367865	28-03B	23/03/2016	11013/2016	367873	08-08H	23/03/2016
10153/2016	367880	28-03B	24/03/2016	11030/2016	367874	12-08	23/03/2016
10160/2016	367856	06-02	23/03/2016	11094/2016	367722	28-03A	15/03/2016
10179/2016	367857	09-03D	23/03/2016	11102/2016	367884	21-01C	24/03/2016
10182/2016	367846	09-03D	23/03/2016	11103/2016	367885	21-01C	24/03/2016
10186/2016	367768	20-02E	17/03/2016	11104/2016	367886	06-04G	24/03/2016
10192/2016	367832	23-04	22/03/2016	11128/2016	367792	14-01	18/03/2016
10195/2016	367833	23-04	22/03/2016	11129/2016	367793	07-02P	18/03/2016
10196/2016	367834	23-04	22/03/2016	11130/2016	367794	21-02F	18/03/2016
10209/2016	367837	07-02L	22/03/2016	11131/2016	367795	07-02P	18/03/2016
10211/2016	367769	26-02	17/03/2016	11132/2016	367796	08-08K	18/03/2016
10220/2016	367718	26-02	15/03/2016	11133/2016	367797	25-02C	18/03/2016
10233/2016	367719	08-05N	15/03/2016	11136/2016	367798	15-05	18/03/2016
10239/2016	367799	08-05N	22/03/2016	11137/2016	367801	15-05	22/03/2016
10241/2016	367867	25-99	23/03/2016	11138/2016	367802	21-02F	22/03/2016

Publication and Registration Proceedings - Designs Registered cont'd

Design Number	Registration Number	International Classification Code (IDC)	Registration Date	Design Number	Registration Number	International Classification Code (IDC)	Registration Date
11139/2016	367803	15-05	22/03/2016	11194/2016	367738	13-02	16/03/2016
11141/2016	367804	19-06	22/03/2016	11195/2016	367739	07-01C	16/03/2016
11147/2016	367805	15-02	22/03/2016	11196/2016	367740	07-01C	16/03/2016
11148/2016	367806	15-02	22/03/2016	11197/2016	367741	07-01C	16/03/2016
11152/2016	367723	13-03E	16/03/2016	11198/2016	367742	07-01C	16/03/2016
11153/2016	367724	10-02	16/03/2016	11199/2016	367743	07-01E	16/03/2016
11154/2016	367725	10-07	16/03/2016	11200/2016	367744	07-01E	16/03/2016
11155/2016	367726	10-02	16/03/2016	11201/2016	367745	07-01E	16/03/2016
11156/2016	367727	21-01C	16/03/2016	11206/2016	367746	07-01E	16/03/2016
11158/2016	367728	12-15B	16/03/2016	11207/2016	367747	07-01E	16/03/2016
11159/2016	367729	02-02NES	16/03/2016	11208/2016	367752	06-09	17/03/2016
11161/2016	367730	24-99	16/03/2016	11210/2016	367753	07-01E	17/03/2016
11162/2016	367731	24-99	16/03/2016	11211/2016	367754	12-15B	17/03/2016
11163/2016	367824	24-99	22/03/2016	11212/2016	367755	26-05D	17/03/2016
11164/2016	367732	24-99	16/03/2016	11213/2016	367756	06-01G	17/03/2016
11165/2016	367733	24-99	16/03/2016	11216/2016	367757	06-03B	17/03/2016
11166/2016	367734	24-99	16/03/2016	11220/2016	367758	24-02	17/03/2016
11169/2016	367775	08-06	18/03/2016	11221/2016	367748	15-02	16/03/2016
11170/2016	367776	15-02	18/03/2016	11222/2016	367749	15-05	16/03/2016
11172/2016	367778	03-01NES	18/03/2016	11223/2016	367750	15-05	16/03/2016
11173/2016	367825	03-01NES	22/03/2016	11225/2016	367887	31-00	24/03/2016
11174/2016	367779	03-01NES	18/03/2016	11226/2016	367751	21-01A	16/03/2016
11175/2016	367780	03-01NES	18/03/2016	11236/2016	367808	24-01	22/03/2016
11176/2016	367781	03-01NES	18/03/2016	11237/2016	367826	24-01	22/03/2016
11179/2016	367782	03-01NES	18/03/2016	11239/2016	367827	14-02	22/03/2016
11180/2016	367783	03-01NES	18/03/2016	11240/2016	367828	09-01H	22/03/2016
11181/2016	367784	14-02	18/03/2016	11241/2016	367829	03-01NES	22/03/2016
11182/2016	367786	14-02	18/03/2016	11242/2016	367830	03-01NES	22/03/2016
11183/2016	367787	14-02	18/03/2016	11243/2016	367819	03-01NES	22/03/2016
11184/2016	367788	14-02	18/03/2016	11246/2016	367820	14-02	22/03/2016
11185/2016	367789	14-02	18/03/2016	11248/2016	367821	21-02E	22/03/2016
11187/2016	367790	14-02	18/03/2016	11252/2016	367822	21-02E	22/03/2016
11188/2016	367807	14-02	22/03/2016	11253/2016	367823	21-02E	22/03/2016
11189/2016	367791	14-02	18/03/2016	11270/2016	367875	07-01F	23/03/2016
11191/2016	367735	24-04	16/03/2016	11271/2016	367852	07-01F	23/03/2016
11192/2016	367736	07-01E	16/03/2016				
11193/2016	367737	13-02	16/03/2016				

Publication and Registration Proceedings

Class Listing of Designs Published or Registered

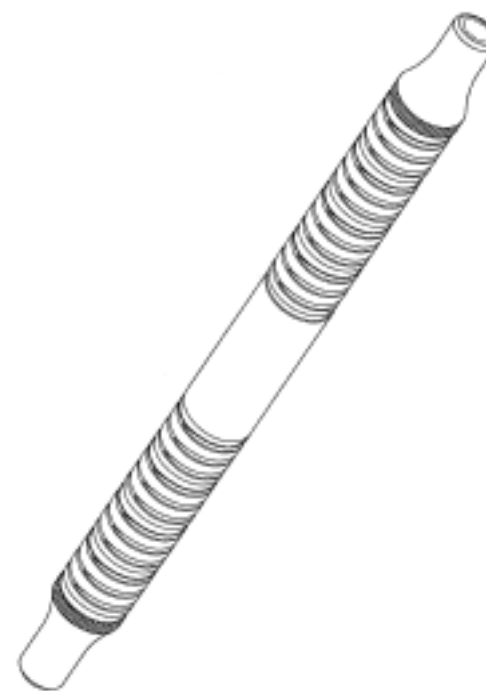
The following section shows an International Classification Code listing of the Registered or Published Designs covered in this supplement.

Classification	Registration Number	Design Number	Classification	Registration Number	Design Number
02-01A	367872	10917/2016	07-06NES	367818	10703/2016
02-01NES	367767	10085/2016	08-05N	367719	10233/2016
02-01NES	367866	10081/2016	08-05N	367799	10239/2016
02-02C	367767	10085/2016	08-06	367775	11169/2016
02-02C	367777	10737/2016	08-08H	367873	11013/2016
02-02C	367866	10081/2016	08-08K	367796	11132/2016
02-02NES	367729	11159/2016	08-08L	367760	16950/2015
02-07A	367815	10460/2016	09-01H	367828	11240/2016
02-07NES	367770	10294/2016	09-01NES	367774	11009/2016
03-01A	367814	10350/2016	09-01NES	367835	10521/2016
03-01NES	367778	11172/2016	09-01NES	367852	11271/2016
03-01NES	367779	11174/2016	09-01NES	367875	11270/2016
03-01NES	367780	11175/2016	09-01NES	367876	10004/2016
03-01NES	367781	11176/2016	09-02A	367844	17110/2015
03-01NES	367782	11179/2016	09-03D	367846	10182/2016
03-01NES	367783	11180/2016	09-03D	367857	10179/2016
03-01NES	367819	11243/2016	09-03K	367817	10675/2016
03-01NES	367825	11173/2016	09-03NES	367816	10614/2016
03-01NES	367829	11241/2016	09-05	367882	10659/2016
03-01NES	367830	11242/2016	09-07C	367869	10419/2016
05-03	367770	10294/2016	10-02	367724	11153/2016
05-05NES	367800	10425/2016	10-02	367726	11155/2016
06-01G	367756	11213/2016	10-06	367809	14914/2015
06-02	367856	10160/2016	10-06	367841	14915/2015
06-03B	367757	11216/2016	10-07	367725	11154/2016
06-04G	367721	10890/2016	10-07	367726	11155/2016
06-04G	367886	11104/2016	11-02B	367812	10310/2016
06-06E	367831	17116/2015	11-02B	367813	10311/2016
06-09	367752	11208/2016	11-03	367770	10294/2016
07-01C	367739	11195/2016	12-05	367863	16917/2015
07-01C	367740	11196/2016	12-08	367727	11156/2016
07-01C	367741	11197/2016	12-08	367874	11030/2016
07-01C	367742	11198/2016	12-08	367884	11102/2016
07-01E	367736	11192/2016	12-08	367885	11103/2016
07-01E	367743	11199/2016	12-10	367853	10050/2016
07-01E	367744	11200/2016	12-10	367854	10051/2016
07-01E	367745	11201/2016	12-15B	367728	11158/2016
07-01E	367746	11206/2016	12-15B	367754	11211/2016
07-01E	367747	11207/2016	12-15B	367772	10507/2016
07-01E	367753	11210/2016	12-15C	367771	10506/2016
07-01F	367852	11271/2016	12-15C	367838	16986/2015
07-01F	367875	11270/2016	12-16NES	367836	10805/2016
07-02F	367761	16960/2015	13-02	367737	11193/2016
07-02F	367763	16962/2015	13-02	367738	11194/2016
07-02F	367810	15281/2015	13-03B	367717	10096/2016
07-02F	367839	17002/2015	13-03E	367723	11152/2016
07-02K	367762	16961/2015	14-01	367792	11128/2016
07-02K	367764	16963/2015	14-02	367784	11181/2016
07-02L	367837	10209/2016	14-02	367786	11182/2016
07-02P	367793	11129/2016	14-02	367787	11183/2016
07-02P	367795	11131/2016	14-02	367788	11184/2016
07-04	367849	10509/2016	14-02	367789	11185/2016
07-04	367871	10706/2016	14-02	367790	11187/2016

Registration Proceedings - Class Listing of Designs Published or Registered cont'd

Classification	Registration Number	Design Number	Classification	Registration Number	Design Number
14-02	367791	11189/2016	23-01A	367842	15518/2015
14-02	367807	11188/2016	23-04	367832	10192/2016
14-02	367820	11246/2016	23-04	367833	10195/2016
14-02	367827	11239/2016	23-04	367834	10196/2016
14-02	367847	10351/2016	24-01	367716	16534/2015
14-02	367848	10352/2016	24-01	367808	11236/2016
14-02	367855	10131/2016	24-01	367826	11237/2016
14-02	367859	10353/2016	24-02	367758	11220/2016
14-03E	367864	10078/2016	24-02	367881	10437/2016
15-02	367748	11221/2016	24-04	367735	11191/2016
15-02	367776	11170/2016	24-99	367730	11161/2016
15-02	367805	11147/2016	24-99	367731	11162/2016
15-02	367806	11148/2016	24-99	367732	11164/2016
15-02	367811	10254/2016	24-99	367733	11165/2016
15-05	367749	11222/2016	24-99	367734	11166/2016
15-05	367750	11223/2016	24-99	367824	11163/2016
15-05	367798	11136/2016	24-99	367876	10004/2016
15-05	367801	11137/2016	25-01G	367858	10291/2016
15-05	367803	11139/2016	25-01G	367879	10290/2016
15-09	367850	10566/2016	25-01NES	367785	14174/2015
15-99	367868	10342/2016	25-02C	367797	11133/2016
19-06	367759	16902/2015	25-02NES	367851	10621/2016
19-06	367773	10733/2016	25-99	367867	10241/2016
19-06	367804	11141/2016	26-02	367718	10220/2016
20-02E	367768	10186/2016	26-02	367769	10211/2016
20-02NES	367765	17025/2015	26-03	367877	10005/2016
20-02NES	367766	17027/2015	26-05D	367755	11212/2016
21-01A	367751	11226/2016	26-05NES	367878	10123/2016
21-01A	367843	16045/2015	28-03A	367722	11094/2016
21-01C	367727	11156/2016	28-03B	367840	13127/2015
21-01C	367884	11102/2016	28-03B	367860	13128/2015
21-01C	367885	11103/2016	28-03B	367861	13138/2015
21-02D	367845	17142/2015	28-03B	367862	13139/2015
21-02D	367883	10775/2016	28-03B	367865	10149/2016
21-02E	367821	11248/2016	28-03B	367870	10484/2016
21-02E	367822	11252/2016	28-03B	367880	10153/2016
21-02E	367823	11253/2016	28-03NES	367876	10004/2016
21-02F	367794	11130/2016	31-00	367887	11225/2016
21-02F	367802	11138/2016			
22-06	367720	10748/2016			

(21) Design Number: **16534/2015**
(22) Date of Filing Application: **03 December 2015**
(24) Date from which industrial property rights may have effect: **03 December 2015**
(54) Product in respect of which the design is registered: **Handle for surgical and dental tool**
(51) International Design Classification: **24-01**
(74) Name(s) of Attorney(s): **Spruson & Ferguson**
(71) Name(s) and Address(s) of Applicant(s):
Premier Dental Products Company
1710 Romano Drive, Plymouth Meeting Pennsylvania, 19462 United States of America
(72) Name(s) of Designer(s): **William A. McHale and Masood Khan**
(45) Registration Date: **15 March 2016**
(30) Convention priority data:
(31) Number (32) Date (33) Country
29/529102 03 Jun 2015 UNITED STATES OF AMERICA
(56) Related Art Documents: **Not Applicable**
(57) Statement of Newness and Distinctiveness: **Newness and distinctiveness is claimed in those features of shape and/or configuration of a handle for surgical and dental tool as illustrated in continuous lines in the accompanying representations, in which instruments attached to the handle shown in broken lines do not contribute to the new and distinctive features.**



(21) Design Number: **10096/2016**
(22) Date of Filing Application: **09 January 2016**
(24) Date from which industrial property rights may have effect: **09 January 2016**
(54) Product in respect of which the design is registered: **Battery terminal**
(51) International Design Classification: **13-03B**
(74) Name(s) of Attorney(s):
(71) Name(s) and Address(s) of Applicant(s):
AMELEC AUSTRALIA PTY LTD
16 Parkinson Lane Kardinya WA 6163 Australia
(72) Name(s) of Designer(s): **Michael Brand**
(45) Registration Date: **15 March 2016**
(56) Related Art Documents: **Not Applicable**
(57) Statement of Newness and Distinctiveness: **The Model A Battery Lug design is a departure from the traditional automotive terminal lug design in three distinctive ways: 1. Rather than a single threaded stud for attaching the terminated battery cable the design consists of two threaded studs allowing for installation of additional battery cables without stacking or piggy backing any connections. 2. A separate, tapered battery post adaptor is incorporated in the design. The post may or may not be utilised in the application but is essential to the design concept. It allows connection of the OEMs strap type battery terminal without modification, thus retaining the vehicles originality. 3. An insulated cover is integral to the design for protection and safety. The polymer cover allows rotation of the terminated cable lug through 180# orientation without interference and provides short circuit protection from the top and sides of the lug against any conductive object.**



(21) Design Number: **10220/2016**

(22) Date of Filing Application: **15 January 2016**

(24) Date from which industrial property rights may have effect: **15 January 2016**

(54) Product in respect of which the design is registered: **Lamp**

(51) International Design Classification: **26-02**

(74) Name(s) of Attorney(s): **Davies Collison Cave**

(71) Name(s) and Address(s) of Applicant(s):

Stanley Middle East FZE

**P.O. Box 262375 Plot No. S10707 & S10708 Jebel Ali Freezone South
Jebel Ali Dubai United Arab Emirates**

(72) Name(s) of Designer(s): **Axel Lehovetzki**

(45) Registration Date: **15 March 2016**

(30) Convention priority data:

(31) Number

(32) Date

(33) Country

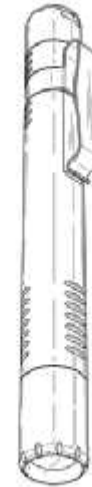
002738203-002

16 Jul 2015

**OFFICE FOR HARMONISATION IN
THE INTERNAL MARKET (OHIM)**

(56) Related Art Documents: **Not Applicable**

(57) Statement of Newness and Distinctiveness: **Nil**



(21) Design Number: **10233/2016**

(22) Date of Filing Application: **18 January 2016**

(24) Date from which industrial property rights may have effect: **18 January 2016**

(54) Product in respect of which the design is registered: **Sanding tool**

(51) International Design Classification: **08-05N**

(74) Name(s) of Attorney(s): **Davies Collison Cave**

(71) Name(s) and Address(s) of Applicant(s):

Stanley Middle East FZE

**P.O. Box 262375 Plot No. S10707 & S10708 Jebel Ali Freezone South
Jebel Ali Dubai United Arab Emirates**

(72) Name(s) of Designer(s): **Axel Lehovetzki and Julian Bignon-Zillhardt**

(45) Registration Date: **15 March 2016**

(30) Convention priority data:

(31) Number

(32) Date

(33) Country

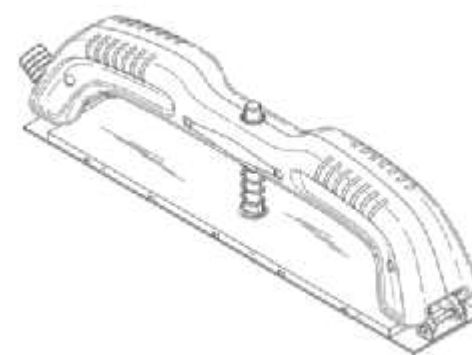
002738278-0001

16 Jul 2015

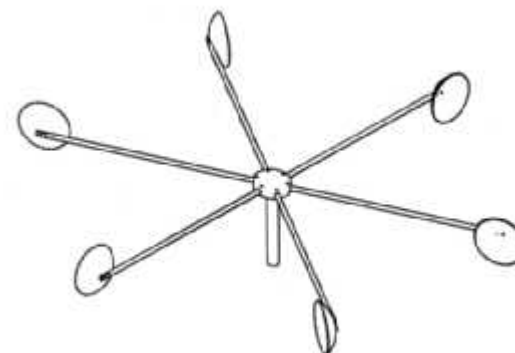
**OFFICE FOR HARMONISATION IN
THE INTERNAL MARKET (OHIM)**

(56) Related Art Documents: **Not Applicable**

(57) Statement of Newness and Distinctiveness: **Nil**



- (21) Design Number: **10748/2016**
(22) Date of Filing Application: **12 February 2016**
(24) Date from which industrial property rights may have effect: **12 February 2016**
(54) Product in respect of which the design is registered: **Device for deterring birds**
(51) International Design Classification: **22-06**
(74) Name(s) of Attorney(s): **Davies Collison Cave**
(71) Name(s) and Address(s) of Applicant(s):
P B C (SA) Pty Ltd
10 White Ave Athol Park SA 5012 Australia
(72) Name(s) of Designer(s): **Colin Cross**
(45) Registration Date: **15 March 2016**
(56) Related Art Documents: **Not Applicable**
(57) Statement of Newness and Distinctiveness: **Novelty and distinctiveness is claimed in the features of shape and configuration of a device for deterring birds having arms with cup-shaped vanes as shown in the representations**



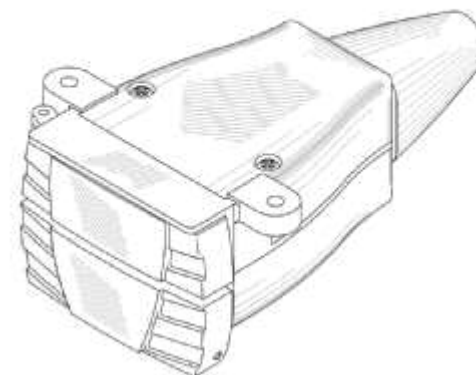
- (21) Design Number: **10890/2016**
(22) Date of Filing Application: **19 February 2016**
(24) Date from which industrial property rights may have effect: **19 February 2016**
(54) Product in respect of which the design is registered: **A casket (coffin)**
(51) International Design Classification: **06-04G**
(74) Name(s) of Attorney(s): **WATERMARK PATENT AND TRADE MARKS ATTORNEYS**
(71) Name(s) and Address(s) of Applicant(s):
Orchid Valley Creations Pty Ltd
RMB 440 Shamrock Rd Kojonup WA 6395 Australia
(72) Name(s) of Designer(s): **Sam Good**
(45) Registration Date: **15 March 2016**
(56) Related Art Documents: **Not Applicable**
(57) Statement of Newness and Distinctiveness: **Newness and distinctiveness are claimed in the visual features of a casket (coffin) formed of folded precut blanks comprising a base, a top and a central insert mounted between the base and top, as represented in the accompanying images. Imagery and wording on the outer face of the base and top do not form part of the design and are to be disregarded.**



- (21) Design Number: **11094/2016**
(22) Date of Filing Application: **29 February 2016**
(24) Date from which industrial property rights may have effect: **29 February 2016**
(54) Product in respect of which the design is registered: **Handle for epilator**
(51) International Design Classification: **28-03A**
(74) Name(s) of Attorney(s): **FB Rice**
(71) Name(s) and Address(s) of Applicant(s):
Koninklijke Philips N.V.
High Tech Campus 5 5656 AE Eindhoven The Netherlands
(72) Name(s) of Designer(s): **Suzette Van Maanen and Kim Helmbold**
(45) Registration Date: **15 March 2016**
(30) Convention priority data:
(31) Number (32) Date (33) Country
**002763060-0003 31 Aug 2015 OFFICE FOR HARMONISATION IN
THE INTERNAL MARKET (OHIM)**
(56) Related Art Documents: **Not Applicable**
(57) Statement of Newness and Distinctiveness: **Newness and distinctiveness
reside in the features of shape and configuration of the design as shown
in the representations.**



- (21) Design Number: **11152/2016**
(22) Date of Filing Application: **02 March 2016**
(24) Date from which industrial property rights may have effect: **02 March 2016**
(54) Product in respect of which the design is registered: **A vehicle electrical
connector unit**
(51) International Design Classification: **13-03E**
(74) Name(s) of Attorney(s): **Allens Patent & Trade Mark Attorneys**
(71) Name(s) and Address(s) of Applicant(s):
Ark Corporation Pty Ltd
8 Smoothy PI Arndell Park NSW 2148 Australia
(72) Name(s) of Designer(s): **Richard Arakelian and Andrew Reade**
(45) Registration Date: **16 March 2016**
(56) Related Art Documents: **Not Applicable**
(57) Statement of Newness and Distinctiveness: **Newness and distinctiveness
is claimed in the features of shape and configuration of the vehicle
electrical connector unit shown in the attached representations. In
considering the scope of the monopoly claimed, no regard is to be had
to the shading, which is provided only for clarity of representation.**



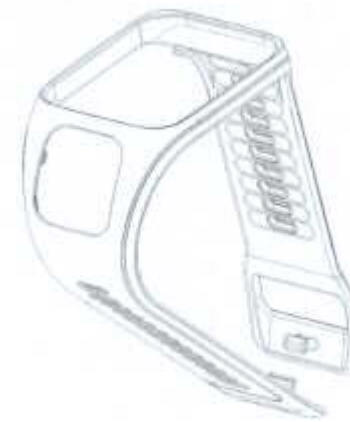
- (21) Design Number: **11153/2016**
(22) Date of Filing Application: **03 March 2016**
(24) Date from which industrial property rights may have effect: **03 March 2016**
(54) Product in respect of which the design is registered: **A personal training device module**
(51) International Design Classification: **10-02**
(74) Name(s) of Attorney(s): **Spruson & Ferguson**
(71) Name(s) and Address(s) of Applicant(s):
TomTom International B.V.
De Ruijterkade 154, Amsterdam 1011 AC The Netherlands
(72) Name(s) of Designer(s): **Stephen Bayley and Martin Riddiford and Jonathan Chan**
(45) Registration Date: **16 March 2016**
(30) Convention priority data:
(31) Number (32) Date (33) Country
002765933 03 Sep 2015 OFFICE FOR HARMONISATION IN THE INTERNAL MARKET (OHIM)
(56) Related Art Documents: **Not Applicable**
(57) Statement of Newness and Distinctiveness: **Newness and distinctiveness is claimed in the features of shape and/or configuration of a personal training device module as illustrated in the accompanying representations.**



- (21) Design Number: **11154/2016**
(22) Date of Filing Application: **03 March 2016**
(24) Date from which industrial property rights may have effect: **03 March 2016**
(54) Product in respect of which the design is registered: **A strap of a watch**
(51) International Design Classification: **10-07**
(74) Name(s) of Attorney(s): **Spruson & Ferguson**
(71) Name(s) and Address(s) of Applicant(s):
TomTom International B.V.
De Ruijterkade 154, Amsterdam 1011 AC The Netherlands
(72) Name(s) of Designer(s): **Stephen Bayley and Martin Riddiford and Jonathan Chan**
(45) Registration Date: **16 March 2016**
(30) Convention priority data:
(31) Number (32) Date (33) Country
002765933 03 Sep 2015 OFFICE FOR HARMONISATION IN THE INTERNAL MARKET (OHIM)
(56) Related Art Documents: **Not Applicable**
(57) Statement of Newness and Distinctiveness: **Newness and distinctiveness is claimed in the features of shape and/or configuration of a strap of a watch as illustrated in the accompanying representations.**



(21) Design Number: **11155/2016**
(22) Date of Filing Application: **03 March 2016**
(24) Date from which industrial property rights may have effect: **03 March 2016**
(54) Product in respect of which the design is registered: **A strap of a watch**
(51) International Design Classification: **10-02, 10-07**
(74) Name(s) of Attorney(s): **Spruson & Ferguson**
(71) Name(s) and Address(s) of Applicant(s):
TomTom International B.V.
De Ruijterkade 154, Amsterdam 1011 AC The Netherlands
(72) Name(s) of Designer(s): **Stephen Bayley and Martin Riddiford and Jonathan Chan**
(45) Registration Date: **16 March 2016**
(30) Convention priority data:
(31) Number (32) Date (33) Country
002765933 03 Sep 2015 OFFICE FOR HARMONISATION IN THE INTERNAL MARKET (OHIM)
(56) Related Art Documents: **Not Applicable**
(57) Statement of Newness and Distinctiveness: **Newness and distinctiveness is claimed in the features of shape and/or configuration of a strap of a watch as illustrated in the accompanying representations.**



(21) Design Number: **11156/2016**
(22) Date of Filing Application: **03 March 2016**
(24) Date from which industrial property rights may have effect: **03 March 2016**
(54) Product in respect of which the design is registered: **Car and toy-car**
(51) International Design Classification: **21-01C, 12-08**
(74) Name(s) of Attorney(s): **PHILLIPS ORMONDE FITZPATRICK**
(71) Name(s) and Address(s) of Applicant(s):
Automobili Lamborghini S.p.A.
via Modena, 12 40019 Sant' Agata Bolognese (BO) Italy
(72) Name(s) of Designer(s): **Filippo Perini**
(45) Registration Date: **16 March 2016**
(30) Convention priority data:
(31) Number (32) Date (33) Country
002766444 04 Sep 2015 OFFICE FOR HARMONISATION IN THE INTERNAL MARKET (OHIM)
(56) Related Art Documents: **Not Applicable**
(57) Statement of Newness and Distinctiveness: **Nil**



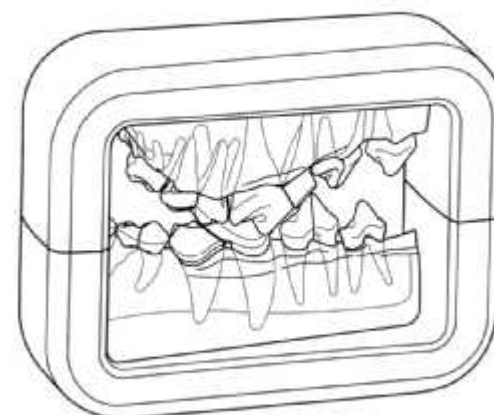
(21) Design Number: **11158/2016**
(22) Date of Filing Application: **03 March 2016**
(24) Date from which industrial property rights may have effect: **03 March 2016**
(54) Product in respect of which the design is registered: **Tyre Tread**
(51) International Design Classification: **12-15B**
(74) Name(s) of Attorney(s): **Cullens Pty Ltd**
(71) Name(s) and Address(s) of Applicant(s):
Omni United (S) Pte Ltd.
1 Raffles Place #30-03 One Raffles Place Singapore 048616 Singapore
(72) Name(s) of Designer(s): **Gajendra Singh Sareen**
(45) Registration Date: **16 March 2016**
(30) Convention priority data:
(31) Number (32) Date (33) Country
29/556,196 29 Feb 2016 UNITED STATES OF AMERICA
(56) Related Art Documents: **Not Applicable**
(57) Statement of Newness and Distinctiveness: **Newness and distinctiveness reside in the tread region of a tyre as shown in the accompanying representations. When considering newness and distinctiveness, the features shown in dashed lines are to be given little or no weight.**



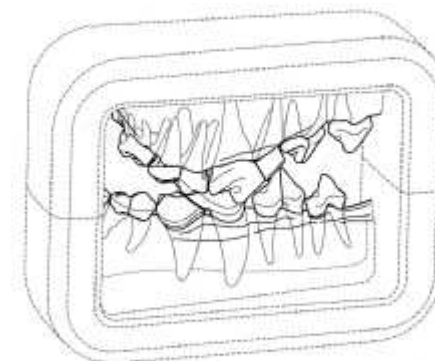
(21) Design Number: **11159/2016**
(22) Date of Filing Application: **03 March 2016**
(24) Date from which industrial property rights may have effect: **03 March 2016**
(54) Product in respect of which the design is registered: **A crop top with pockets**
(51) International Design Classification: **02-02NES**
(74) Name(s) of Attorney(s): **Allens Patent & Trade Mark Attorneys**
(71) Name(s) and Address(s) of Applicant(s):
Poc Jox Australia Pty Ltd
U706/2 Huntley St Alexandria NSW 2015 Australia
(72) Name(s) of Designer(s): **Matthew Chapman**
(45) Registration Date: **16 March 2016**
(56) Related Art Documents: **Not Applicable**
(57) Statement of Newness and Distinctiveness: **Newness and distinctiveness is claimed in the features of shape and configuration of the pockets in the crop top shown in the attached representations. Shading shown is for clarity of representation only and is to be disregarded in any assessment of the scope of the monopoly.**



(21) Design Number: **11161/2016**
(22) Date of Filing Application: **03 March 2016**
(24) Date from which industrial property rights may have effect: **03 March 2016**
(54) Product in respect of which the design is registered: **Tooth sectioning model**
(51) International Design Classification: **24-99**
(74) Name(s) of Attorney(s): **WATERMARK PATENT AND TRADE MARKS ATTORNEYS**
(71) Name(s) and Address(s) of Applicant(s):
Mars, Incorporated
6885 Elm Street McLean Virginia, 22101 United States of America
(72) Name(s) of Designer(s): **Marie Louise Bennett and David Wylie and John Geoffrey Andrew Robinson**
(45) Registration Date: **16 March 2016**
(30) Convention priority data:
(31) Number (32) Date (33) Country
002766790 04 Sep 2015 OFFICE FOR HARMONISATION IN THE INTERNAL MARKET (OHIM)
(56) Related Art Documents: **Not Applicable**
(57) Statement of Newness and Distinctiveness: **Newness and distinctiveness resides in the features of shape and/or configuration of the tooth sectioning model shown in solid lines (excluding those features shown in broken lines).**



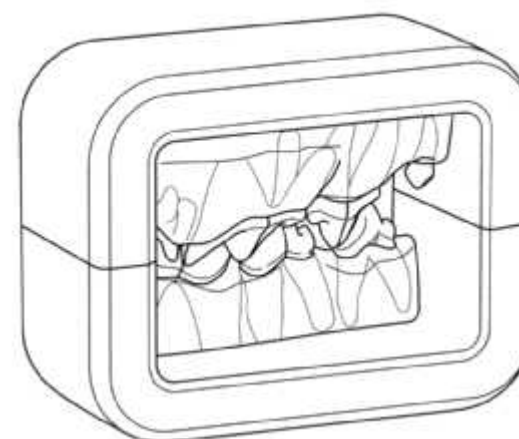
(21) Design Number: **11162/2016**
(22) Date of Filing Application: **03 March 2016**
(24) Date from which industrial property rights may have effect: **03 March 2016**
(54) Product in respect of which the design is registered: **Tooth sectioning model**
(51) International Design Classification: **24-99**
(74) Name(s) of Attorney(s): **WATERMARK PATENT AND TRADE MARKS ATTORNEYS**
(71) Name(s) and Address(s) of Applicant(s):
Mars, Incorporated
6885 Elm Street McLean VA, 22101 United States of America
(72) Name(s) of Designer(s): **Marie Louise Bennett**
(45) Registration Date: **16 March 2016**
(30) Convention priority data:
(31) Number (32) Date (33) Country
002766790 04 Sep 2015 OFFICE FOR HARMONISATION IN THE INTERNAL MARKET (OHIM)
(56) Related Art Documents: **Not Applicable**
(57) Statement of Newness and Distinctiveness: **Newness and distinctiveness resides in the features of shape and/or configuration of the tooth sectioning model shown in solid lines (excluding those features shown in broken lines).**



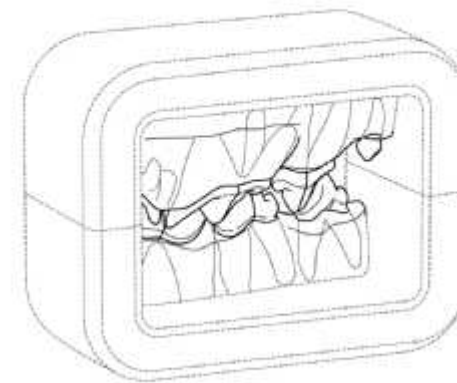
(21) Design Number: **11164/2016**
(22) Date of Filing Application: **03 March 2016**
(24) Date from which industrial property rights may have effect: **03 March 2016**
(54) Product in respect of which the design is registered: **Tooth sectioning model**
(51) International Design Classification: **24-99**
(74) Name(s) of Attorney(s): **WATERMARK PATENT AND TRADE MARKS ATTORNEYS**
(71) Name(s) and Address(s) of Applicant(s):
Mars, Incorporated
6885 Elm Street McLean VA, 22101 United States of America
(72) Name(s) of Designer(s): **Marie Louise Bennett and David Wylie and John Geoffrey Andrew Robinson**
(45) Registration Date: **16 March 2016**
(30) Convention priority data:
(31) Number (32) Date (33) Country
002766790 04 Sep 2015 OFFICE FOR HARMONISATION IN THE INTERNAL MARKET (OHIM)
(56) Related Art Documents: **Not Applicable**
(57) Statement of Newness and Distinctiveness: **Nil**



(21) Design Number: **11165/2016**
(22) Date of Filing Application: **03 March 2016**
(24) Date from which industrial property rights may have effect: **03 March 2016**
(54) Product in respect of which the design is registered: **Tooth sectioning model**
(51) International Design Classification: **24-99**
(74) Name(s) of Attorney(s): **WATERMARK PATENT AND TRADE MARKS ATTORNEYS**
(71) Name(s) and Address(s) of Applicant(s):
Mars, Incorporated
6885 Elm Street McLean Virginia, 22101 United States of America
(72) Name(s) of Designer(s): **Marie Louise Bennett and David Wylie and John Geoffrey Andrew Robinson**
(45) Registration Date: **16 March 2016**
(30) Convention priority data:
(31) Number (32) Date (33) Country
002766790 04 Sep 2015 OFFICE FOR HARMONISATION IN THE INTERNAL MARKET (OHIM)
(56) Related Art Documents: **Not Applicable**
(57) Statement of Newness and Distinctiveness: **Newness and distinctiveness resides in the features of shape and/or configuration of the tooth sectioning model shown in solid lines (excluding those features shown in broken lines).**



(21) Design Number: **11166/2016**
(22) Date of Filing Application: **03 March 2016**
(24) Date from which industrial property rights may have effect: **03 March 2016**
(54) Product in respect of which the design is registered: **Tooth sectioning model**
(51) International Design Classification: **24-99**
(74) Name(s) of Attorney(s): **WATERMARK PATENT AND TRADE MARKS ATTORNEYS**
(71) Name(s) and Address(s) of Applicant(s):
Mars, Incorporated
6885 Elm Street McLean VA, 22101 United States of America
(72) Name(s) of Designer(s): **Marie Louise Bennett and David Wylie and John Geoffrey Andrew Robinson**
(45) Registration Date: **16 March 2016**
(30) Convention priority data:
(31) Number (32) Date (33) Country
002766790 04 Sep 2015 OFFICE FOR HARMONISATION IN THE INTERNAL MARKET (OHIM)
(56) Related Art Documents: **Not Applicable**
(57) Statement of Newness and Distinctiveness: **Newness and distinctiveness resides in the features of shape and/or configuration of the tooth sectioning model shown in solid lines (excluding those features shown in broken lines).**



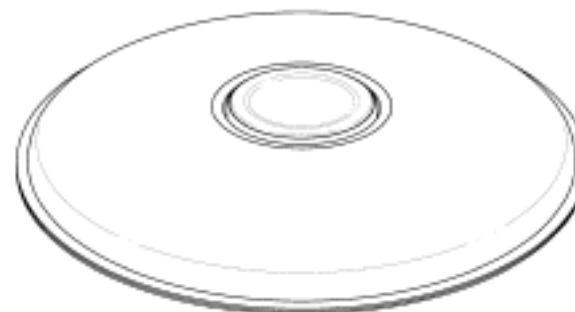
(21) Design Number: **11191/2016**
(22) Date of Filing Application: **03 March 2016**
(24) Date from which industrial property rights may have effect: **03 March 2016**
(54) Product in respect of which the design is registered: **Dummy/pacifier**
(51) International Design Classification: **24-04**
(74) Name(s) of Attorney(s): **Griffith Hack**
(71) Name(s) and Address(s) of Applicant(s):
Smilestraw Pty Ltd
PO BOX 8368 Armadale VIC 3143 Australia
(72) Name(s) of Designer(s): **Julia Wilson and Jon Seddon and Maggie Ho**
(45) Registration Date: **16 March 2016**
(56) Related Art Documents: **Not Applicable**
(57) Statement of Newness and Distinctiveness: **The shape and configuration of the parts of the product shown by solid lines in the accompanying representations are new and distinctive.**



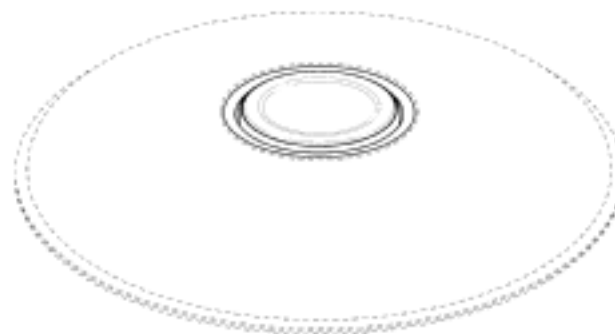
- (21) Design Number: **11192/2016**
(22) Date of Filing Application: **03 March 2016**
(24) Date from which industrial property rights may have effect: **03 March 2016**
(54) Product in respect of which the design is registered: **Teat**
(51) International Design Classification: **07-01E**
(74) Name(s) of Attorney(s): **Griffith Hack**
(71) Name(s) and Address(s) of Applicant(s):
Smilestraw Pty Ltd
PO BOX 8368 Armadale VIC 3143 Australia
(72) Name(s) of Designer(s): **Julia Wilson**
(45) Registration Date: **16 March 2016**
(56) Related Art Documents: **Not Applicable**
(57) Statement of Newness and Distinctiveness: **The shape and configuration of the parts of the product shown by solid lines in the accompanying representations are new and distinctive.**



- (21) Design Number: **11193/2016**
(22) Date of Filing Application: **04 March 2016**
(24) Date from which industrial property rights may have effect: **04 March 2016**
(54) Product in respect of which the design is registered: **Charger**
(51) International Design Classification: **13-02**
(74) Name(s) of Attorney(s): **Freehills Patent Attorneys**
(71) Name(s) and Address(s) of Applicant(s):
Apple Inc.
1 Infinite Loop Cupertino California, 95014 United States of America
(72) Name(s) of Designer(s): **Jody Akana and Molly Anderson and Bartley K. Andre and Shota Aoyagi and Anthony Michael Ashcroft and Jeremy Bataillou and Daniel J. Coster and Daniele De Iuliis and M. Evans Hankey and Julian Hoenig and Richard P. Howarth and Jonathan P. Ive and Duncan Robert Kerr and Marc A. Newson and Matthew Dean Rohrbach and Peter Russell-Clarke and Benjamin Andrew Shaffer and Mikael Silvano and Christopher J. Stringer and Clement Tissandier and Eugene Antony Whang and Rico Zorkendorfer**
(45) Registration Date: **16 March 2016**
(30) Convention priority data:
(31) Number (32) Date (33) Country
29/538659 04 Sep 2015 UNITED STATES OF AMERICA
(56) Related Art Documents: **Not Applicable**
(57) Statement of Newness and Distinctiveness: **Newness and distinctiveness resides in the features of shape and configuration shown in the accompanying representations.**



- (21) Design Number: **11194/2016**
(22) Date of Filing Application: **04 March 2016**
(24) Date from which industrial property rights may have effect: **04 March 2016**
(54) Product in respect of which the design is registered: **Charger**
(51) International Design Classification: **13-02**
(74) Name(s) of Attorney(s): **Freehills Patent Attorneys**
(71) Name(s) and Address(s) of Applicant(s):
Apple Inc.
1 Infinite Loop Cupertino California, 95014 United States of America
(72) Name(s) of Designer(s): **Jody Akana and Molly Anderson and Bartley K. Andre and Shota Aoyagi and Anthony Michael Ashcroft and Jeremy Bataillou and Daniel J. Coster and Daniele De Iuliis and M. Evans Hankey and Julian Hoenig and Richard P. Howarth and Jonathan P. Ive and Duncan Robert Kerr and Marc A. Newson and Matthew Dean Rohrbach and Peter Russell-Clarke and Benjamin Andrew Shaffer and Mikael Silvano and Christopher J. Stringer and Clement Tissandier and Eugene Antony Whang and Rico Zorkendorfer**
(45) Registration Date: **16 March 2016**
(30) Convention priority data:
(31) Number (32) Date (33) Country
29/538659 04 Sep 2015 UNITED STATES OF AMERICA
(56) Related Art Documents: **Not Applicable**
(57) Statement of Newness and Distinctiveness: **Newness and distinctiveness resides in the features of shape and configuration shown in solid lines in the accompanying representations.**



- (21) Design Number: **11195/2016**
(22) Date of Filing Application: **04 March 2016**
(24) Date from which industrial property rights may have effect: **04 March 2016**
(54) Product in respect of which the design is registered: **A glass**
(51) International Design Classification: **07-01C**
(74) Name(s) of Attorney(s): **WATERMARK PATENT AND TRADE MARKS ATTORNEYS**
(71) Name(s) and Address(s) of Applicant(s):
Bormioli Luigi S.p.A.
Viale Europa, 72/A PARMA 43122 Italy
(72) Name(s) of Designer(s): **Vincenzo Di Giuseppantonio**
(45) Registration Date: **16 March 2016**
(30) Convention priority data:
(31) Number (32) Date (33) Country
002768077 08 Sep 2015 OFFICE FOR HARMONISATION IN THE INTERNAL MARKET (OHIM)
(56) Related Art Documents: **Not Applicable**
(57) Statement of Newness and Distinctiveness: **Nil**



(21) Design Number: **11196/2016**
(22) Date of Filing Application: **04 March 2016**
(24) Date from which industrial property rights may have effect: **04 March 2016**
(54) Product in respect of which the design is registered: **A glass**
(51) International Design Classification: **07-01C**
(74) Name(s) of Attorney(s): **WATERMARK PATENT AND TRADE MARKS ATTORNEYS**
(71) Name(s) and Address(s) of Applicant(s):
Bormioli Luigi S.p.A.
Viale Europa, 72/A PARMA 43122 Italy
(72) Name(s) of Designer(s): **Vincenzo Di Giuseppantonio**
(45) Registration Date: **16 March 2016**
(30) Convention priority data:
(31) Number (32) Date (33) Country
002768077 08 Sep 2015 OFFICE FOR HARMONISATION IN THE INTERNAL MARKET (OHIM)
(56) Related Art Documents: **Not Applicable**
(57) Statement of Newness and Distinctiveness: **Nil**



(21) Design Number: **11197/2016**
(22) Date of Filing Application: **04 March 2016**
(24) Date from which industrial property rights may have effect: **04 March 2016**
(54) Product in respect of which the design is registered: **A glass**
(51) International Design Classification: **07-01C**
(74) Name(s) of Attorney(s): **WATERMARK PATENT AND TRADE MARKS ATTORNEYS**
(71) Name(s) and Address(s) of Applicant(s):
Bormioli Luigi S.p.A.
Viale Europa, 72/A PARMA 43122 Italy
(72) Name(s) of Designer(s): **Vincenzo Di Giuseppantonio**
(45) Registration Date: **16 March 2016**
(30) Convention priority data:
(31) Number (32) Date (33) Country
002768077 08 Sep 2015 OFFICE FOR HARMONISATION IN THE INTERNAL MARKET (OHIM)
(56) Related Art Documents: **Not Applicable**
(57) Statement of Newness and Distinctiveness: **Nil**



(21) Design Number: **11198/2016**
(22) Date of Filing Application: **04 March 2016**
(24) Date from which industrial property rights may have effect: **04 March 2016**
(54) Product in respect of which the design is registered: **A glass**
(51) International Design Classification: **07-01C**
(74) Name(s) of Attorney(s): **WATERMARK PATENT AND TRADE MARKS ATTORNEYS**
(71) Name(s) and Address(s) of Applicant(s):
Bormioli Luigi S.p.A.
Viale Europa, 72/A PARMA 43122 Italy
(72) Name(s) of Designer(s): **Vincenzo Di Giuseppantonio**
(45) Registration Date: **16 March 2016**
(30) Convention priority data:
(31) Number (32) Date (33) Country
002768077 08 Sep 2015 OFFICE FOR HARMONISATION IN THE INTERNAL MARKET (OHIM)
(56) Related Art Documents: **Not Applicable**
(57) Statement of Newness and Distinctiveness: **Nil**



(21) Design Number: **11199/2016**
(22) Date of Filing Application: **04 March 2016**
(24) Date from which industrial property rights may have effect: **04 March 2016**
(54) Product in respect of which the design is registered: **Drinking cup**
(51) International Design Classification: **07-01E**
(74) Name(s) of Attorney(s): **Caska IP**
(71) Name(s) and Address(s) of Applicant(s):
Helen of Troy Limited
The Phoenix Centre George Street Belleville St. Michael Barbados
(72) Name(s) of Designer(s): **Reid Schlegel and John Traub**
(45) Registration Date: **16 March 2016**
(30) Convention priority data:
(31) Number (32) Date (33) Country
29/538944 09 Sep 2015 UNITED STATES OF AMERICA
(56) Related Art Documents: **Not Applicable**
(57) Statement of Newness and Distinctiveness: **Newness and Distinctiveness resides in the features of shape and configuration of a Drinking Cup as illustrated in the accompanying representations.**



(21) Design Number: **11200/2016**
(22) Date of Filing Application: **04 March 2016**
(24) Date from which industrial property rights may have effect: **04 March 2016**
(54) Product in respect of which the design is registered: **Drinking cup**
(51) International Design Classification: **07-01E**
(74) Name(s) of Attorney(s): **Caska IP**
(71) Name(s) and Address(s) of Applicant(s):
Helen of Troy Limited
The Phoenix Centre George Street Belleville St. Michael Barbados
(72) Name(s) of Designer(s): **Reid Schlegel and John Traub**
(45) Registration Date: **16 March 2016**
(30) Convention priority data:
(31) Number (32) Date (33) Country
29/538944 09 Sep 2015 UNITED STATES OF AMERICA
(56) Related Art Documents: **Not Applicable**
(57) Statement of Newness and Distinctiveness: **Newness and Distinctiveness resides in the features of shape and configuration of a Drinking Cup as illustrated in the accompanying representations.**



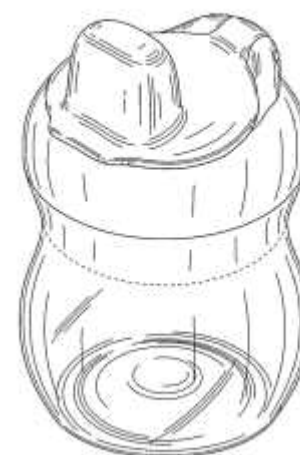
(21) Design Number: **11201/2016**
(22) Date of Filing Application: **04 March 2016**
(24) Date from which industrial property rights may have effect: **04 March 2016**
(54) Product in respect of which the design is registered: **Drinking cup**
(51) International Design Classification: **07-01E**
(74) Name(s) of Attorney(s): **Caska IP**
(71) Name(s) and Address(s) of Applicant(s):
Helen of Troy Limited
The Phoenix Centre George Street Belleville St. Michael Barbados
(72) Name(s) of Designer(s): **Reid Schlegel and John Traub**
(45) Registration Date: **16 March 2016**
(30) Convention priority data:
(31) Number (32) Date (33) Country
29/538944 09 Sep 2015 UNITED STATES OF AMERICA
(56) Related Art Documents: **Not Applicable**
(57) Statement of Newness and Distinctiveness: **Newness and Distinctiveness resides in the features of shape and configuration of a Drinking Cup as illustrated in the accompanying representations.**



(21) Design Number: **11206/2016**
(22) Date of Filing Application: **04 March 2016**
(24) Date from which industrial property rights may have effect: **04 March 2016**
(54) Product in respect of which the design is registered: **Drinking cup**
(51) International Design Classification: **07-01E**
(74) Name(s) of Attorney(s): **Caska IP**
(71) Name(s) and Address(s) of Applicant(s):
Helen of Troy Limited
The Phoenix Centre George Street Belleville St. Michael Barbados
(72) Name(s) of Designer(s): **Reid Schlegel and John Traub**
(45) Registration Date: **16 March 2016**
(30) Convention priority data:
(31) Number (32) Date (33) Country
29/538932 09 Sep 2015 UNITED STATES OF AMERICA
(56) Related Art Documents: **Not Applicable**
(57) Statement of Newness and Distinctiveness: **Newness and Distinctiveness resides in the features of shape and configuration of a Drinking Cup as illustrated in the accompanying representations where any broken line elements in all views do not form part of the design.**



(21) Design Number: **11207/2016**
(22) Date of Filing Application: **04 March 2016**
(24) Date from which industrial property rights may have effect: **04 March 2016**
(54) Product in respect of which the design is registered: **Drinking cup**
(51) International Design Classification: **07-01E**
(74) Name(s) of Attorney(s): **Caska IP**
(71) Name(s) and Address(s) of Applicant(s):
Helen of Troy Limited
The Phoenix Centre George Street Belleville St. Michael Barbados
(72) Name(s) of Designer(s): **Reid Schlegel and John Traub**
(45) Registration Date: **16 March 2016**
(30) Convention priority data:
(31) Number (32) Date (33) Country
29/538932 09 Sep 2015 UNITED STATES OF AMERICA
(56) Related Art Documents: **Not Applicable**
(57) Statement of Newness and Distinctiveness: **Newness and Distinctiveness resides in the features of shape and configuration of a Drinking Cup as illustrated in the accompanying representations where any broken line elements in all views do not form part of the design.**



(21) Design Number: **11221/2016**
(22) Date of Filing Application: **07 March 2016**
(24) Date from which industrial property rights may have effect: **07 March 2016**
(54) Product in respect of which the design is registered: **Pump**
(51) International Design Classification: **15-02**
(74) Name(s) of Attorney(s): **AJ Park**
(71) Name(s) and Address(s) of Applicant(s):

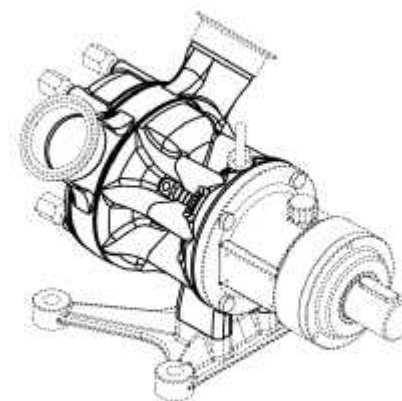
WATSON MARLOW GMBH
MasoSine Division Steinbeisstrasse 3 Ilsfeld 74360 Germany

(72) Name(s) of Designer(s): **Peter Theiss**

(45) Registration Date: **16 March 2016**

(30) Convention priority data:

(31) Number	(32) Date	(33) Country
002769489	09 Sep 2015	OFFICE FOR HARMONISATION IN THE INTERNAL MARKET (OHIM)



(56) Related Art Documents: **Not Applicable**

(57) Statement of Newness and Distinctiveness: **Newness and distinctiveness reside in the features of shape and/or configuration of the pump, as shown in the representations. The features shown in broken lines are shown for illustrative purposes only and are to be disregarded when considering the overall impression of the design.**

(21) Design Number: **11222/2016**
(22) Date of Filing Application: **07 March 2016**
(24) Date from which industrial property rights may have effect: **07 March 2016**
(54) Product in respect of which the design is registered: **Washing machine**
(51) International Design Classification: **15-05**
(74) Name(s) of Attorney(s): **FB Rice**
(71) Name(s) and Address(s) of Applicant(s):

LG Electronics Inc.
128, Yeoui-daero, Yeongdeungpo-gu, Seoul 150-721 Republic of Korea

(72) Name(s) of Designer(s): **Youngsoo Ha and Taewoo Yoo and Eunyoung Chee and Jeaseok Seong**

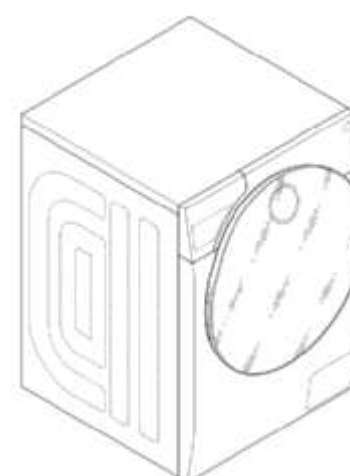
(45) Registration Date: **16 March 2016**

(30) Convention priority data:

(31) Number	(32) Date	(33) Country
30-2015-0046161	10 Sep 2015	REPUBLIC OF KOREA

(56) Related Art Documents: **Not Applicable**

(57) Statement of Newness and Distinctiveness: **Newness and distinctiveness reside in the features of shape and configuration of the design as shown in solid lines in the representations excluding those features shown in broken lines.**



- (21) Design Number: **11223/2016**
(22) Date of Filing Application: **07 March 2016**
(24) Date from which industrial property rights may have effect: **07 March 2016**
(54) Product in respect of which the design is registered: **Detergent dispenser for washing machine**
(51) International Design Classification: **15-05**
(74) Name(s) of Attorney(s): **FB Rice**
(71) Name(s) and Address(s) of Applicant(s):
LG Electronics Inc.
128, Yeoui-daero, Yeongdeungpo-gu, Seoul 150-721 Republic of Korea
(72) Name(s) of Designer(s): **Youngsoo Ha and Taewoo Yoo and Eunyoung Chee and Jeaseok Seong**
(45) Registration Date: **16 March 2016**
(30) Convention priority data:
(31) Number (32) Date (33) Country
30-2015-0046163 10 Sep 2015 REPUBLIC OF KOREA
(56) Related Art Documents: **Not Applicable**
(57) Statement of Newness and Distinctiveness: **Newness and distinctiveness reside in the features of shape and configuration of the design as shown in the representations.**



- (21) Design Number: **11226/2016**
(22) Date of Filing Application: **07 March 2016**
(24) Date from which industrial property rights may have effect: **07 March 2016**
(54) Product in respect of which the design is registered: **Bobble head figurine**
(51) International Design Classification: **21-01A**
(74) Name(s) of Attorney(s):
(71) Name(s) and Address(s) of Applicant(s):
ROCKIN ROOS PTY LTD
19 Roden St Keppel Sands QLD 4702 Australia
(72) Name(s) of Designer(s): **Peter Morris and Samantha Morris**
(45) Registration Date: **16 March 2016**
(56) Related Art Documents: **Not Applicable**
(57) Statement of Newness and Distinctiveness: **The newness and distinctiveness of this character includes wider and larger eyes, a longer and broader nose, longer ears, wide smile showing human like facial features and hands instead of claws unlike a traditional style kangaroo. This character has the addition of clothing consisting of gum boots, a pick, head protection and lamp, overalls and gloves. The wide stance with a broader longer tail allow the character to stand solidly and move.**



(21) Design Number: **11208/2016**
(22) Date of Filing Application: **04 March 2016**
(24) Date from which industrial property rights may have effect: **04 March 2016**
(54) Product in respect of which the design is registered: **A pillow**
(51) International Design Classification: **06-09**
(74) Name(s) of Attorney(s): **Baldwins**
(71) Name(s) and Address(s) of Applicant(s):

Stephanie Jane Wyborn
6 Rota Place Parnell Auckland 1052 New Zealand

(72) Name(s) of Designer(s): **Stephanie Jane Wyborn**

(45) Registration Date: **17 March 2016**

(30) Convention priority data:

(31) Number	(32) Date	(33) Country
420625	04 Sep 2015	NEW ZEALAND

(56) Related Art Documents: **Not Applicable**

(57) Statement of Newness and Distinctiveness: **Novelty resides in the features of shape and configuration of a pillow all as shown in the accompanying representations.**



(21) Design Number: **11210/2016**
(22) Date of Filing Application: **04 March 2016**
(24) Date from which industrial property rights may have effect: **04 March 2016**
(54) Product in respect of which the design is registered: **Drinking cup**
(51) International Design Classification: **07-01E**
(74) Name(s) of Attorney(s): **Caska IP**
(71) Name(s) and Address(s) of Applicant(s):

Helen of Troy Limited
The Phoenix Centre George Street Belleville St. Michael Barbados

(72) Name(s) of Designer(s): **Reid Schlegel and John Traub and Alex Wastney**

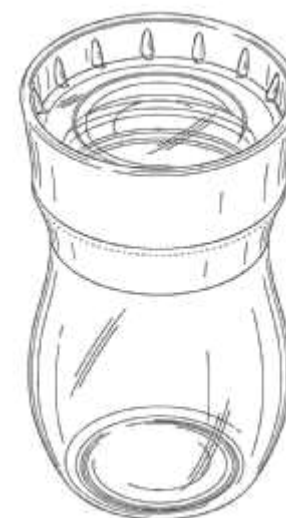
(45) Registration Date: **17 March 2016**

(30) Convention priority data:

(31) Number	(32) Date	(33) Country
29/538914	09 Sep 2015	UNITED STATES OF AMERICA

(56) Related Art Documents: **Not Applicable**

(57) Statement of Newness and Distinctiveness: **Newness and Distinctiveness resides in the features of shape and configuration of a Drinking Cup as illustrated in the accompanying representations where any broken line elements in all views do not form part of the design.**



(21) Design Number: **11211/2016**
(22) Date of Filing Application: **04 March 2016**
(24) Date from which industrial property rights may have effect: **04 March 2016**
(54) Product in respect of which the design is registered: **Tyre tread**
(51) International Design Classification: **12-15B**
(74) Name(s) of Attorney(s): **Cullens Pty Ltd**
(71) Name(s) and Address(s) of Applicant(s):
Omni United (S) Pte Ltd.
1 Raffles Place #30-03 One Raffles Place Singapore 048616 Singapore
(72) Name(s) of Designer(s): **Gajendra Singh Sareen**
(45) Registration Date: **17 March 2016**
(30) Convention priority data:
(31) Number (32) Date (33) Country
29/556,200 29 Feb 2016 UNITED STATES OF AMERICA
(56) Related Art Documents: **Not Applicable**
(57) Statement of Newness and Distinctiveness: **Newness and distinctiveness reside in the tread region of a tyre as shown in the accompanying representations. When considering newness and distinctiveness, the features shown in dashed lines are to be given little or no weight.**



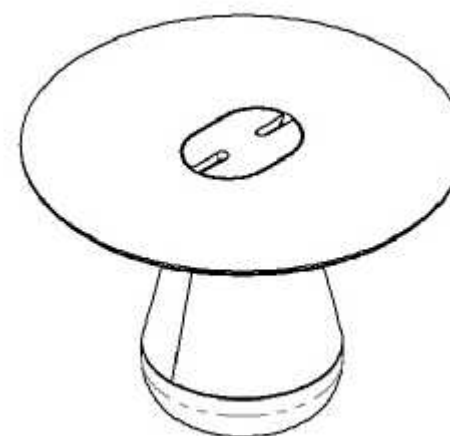
(21) Design Number: **11212/2016**
(22) Date of Filing Application: **04 March 2016**
(24) Date from which industrial property rights may have effect: **04 March 2016**
(54) Product in respect of which the design is registered: **Light**
(51) International Design Classification: **26-05D**
(74) Name(s) of Attorney(s): **Ashurst Australia**
(71) Name(s) and Address(s) of Applicant(s):
Halo Trademarks Limited
17/F One Island South 2 Heung Yip Road Wong Chuk Hang Hong Kong
(72) Name(s) of Designer(s): **Bastien Taillard**
(45) Registration Date: **17 March 2016**
(30) Convention priority data:
(31) Number (32) Date (33) Country
002768382-0006 08 Sep 2015 OFFICE FOR HARMONISATION IN THE INTERNAL MARKET (OHIM)
(56) Related Art Documents: **Not Applicable**
(57) Statement of Newness and Distinctiveness: **Nil**



(21) Design Number: **11213/2016**
(22) Date of Filing Application: **04 March 2016**
(24) Date from which industrial property rights may have effect: **04 March 2016**
(54) Product in respect of which the design is registered: **Chair**
(51) International Design Classification: **06-01G**
(74) Name(s) of Attorney(s): **Ashurst Australia**
(71) Name(s) and Address(s) of Applicant(s):
Halo Trademarks Limited
17/F One Island South 2 Heung Yip Road Wong ChuK Hang Hong Kong
(72) Name(s) of Designer(s): **Bastien Taillard**
(45) Registration Date: **17 March 2016**
(30) Convention priority data:
(31) Number (32) Date (33) Country
**002767673-0007 07 Sep 2015 OFFICE FOR HARMONISATION IN
THE INTERNAL MARKET (OHIM)**
(56) Related Art Documents: **Not Applicable**
(57) Statement of Newness and Distinctiveness: **Nil**



(21) Design Number: **11216/2016**
(22) Date of Filing Application: **23 December 2015**
(24) Date from which industrial property rights may have effect: **23 December 2015**
(54) Product in respect of which the design is registered: **Table system**
(51) International Design Classification: **06-03B**
(74) Name(s) of Attorney(s):
(71) Name(s) and Address(s) of Applicant(s):
CORPORATE CULTURE AUSTRALIA PTY LTD
21-23 Levey St Chippendale NSW 2008 Australia
(72) Name(s) of Designer(s): **Gavin Harris**
(45) Registration Date: **17 March 2016**
(56) Related Art Documents: **Not Applicable**
(57) Statement of Newness and Distinctiveness: **The Bulbo Table is a modular table system. The components can be arranged to assemble several different heights of tables from the same components. With a common base, the various configurations are designed to sit directly above a floor box, allowing all cables to be hidden in the pedestal, and easily accessed if maintenance or technology upgrades are required in the future. The table configuration can be re-assembled with 1 tool by the end user to create other table configurations using the same main components. The table base is designed to conceal a wide range of floor boxes, to remove visible cabling as much as possible. The table top lid over the table box is designed to be both a handle, and a cable outlet to cover both rectangular and square table boxes.**



(21) Design Number: **11220/2016**
(22) Date of Filing Application: **07 March 2016**
(24) Date from which industrial property rights may have effect: **07 March 2016**
(54) Product in respect of which the design is registered: **Tonometer tip**
(51) International Design Classification: **24-02**
(74) Name(s) of Attorney(s): **Marks & Clerk Australia**
(71) Name(s) and Address(s) of Applicant(s):
Sean J. McCafferty
5971 E. Jakemp Trail Tucson Arizona, 85747 United States of America
(72) Name(s) of Designer(s): **Sean J. McCafferty**
(45) Registration Date: **17 March 2016**
(30) Convention priority data:
(31) Number (32) Date (33) Country
29/539,108 10 Sep 2015 UNITED STATES OF AMERICA
(56) Related Art Documents: **Not Applicable**
(57) Statement of Newness and Distinctiveness: **Newness and distinctiveness resides in the features of shape and configuration of a tonometer tip as illustrated in the accompanying representations where the broken line elements in all views do not form part of the design.**



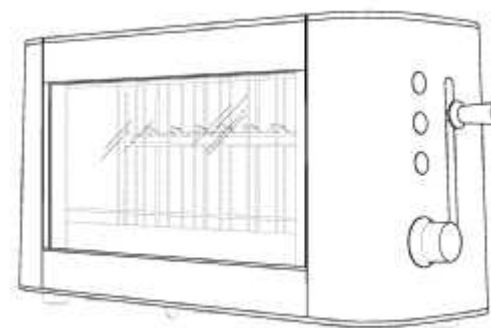
(21) Design Number: **16902/2015**
(22) Date of Filing Application: **18 December 2015**
(24) Date from which industrial property rights may have effect: **18 December 2015**
(54) Product in respect of which the design is registered: **Pen**
(51) International Design Classification: **19-06**
(74) Name(s) of Attorney(s): **McCullough Robertson Lawyers**
(71) Name(s) and Address(s) of Applicant(s):
Tuapeka Gold Print Limited
10 Ross Place LAWRENCE 9532 New Zealand
(72) Name(s) of Designer(s): **Hangzhou Vigor Imp & Exp Co. Limited.**
(45) Registration Date: **17 March 2016**
(30) Convention priority data:
(31) Number (32) Date (33) Country
420880 10 Nov 2015 NEW ZEALAND
(56) Related Art Documents: **Not Applicable**
(57) Statement of Newness and Distinctiveness: **The design is to be applied to a pen and the novelty of the design resides in the features of shape and/or configuration, and pattern and/or ornamentation of the article as shown in the accompanying representations.**



(21) Design Number: **16950/2015**
(22) Date of Filing Application: **21 December 2015**
(24) Date from which industrial property rights may have effect: **21 December 2015**
(54) Product in respect of which the design is registered: **Adjustable rebate bracket**
(51) International Design Classification: **08-08L**
(74) Name(s) of Attorney(s):
(71) Name(s) and Address(s) of Applicant(s):
A G PULIE PTY LTD
PO BOX 309 Granville NSW 2142 Australia
(72) Name(s) of Designer(s): **Albert Pulie**
(45) Registration Date: **17 March 2016**
(56) Related Art Documents: **Not Applicable**
(57) Statement of Newness and Distinctiveness: **This bracket allows the contractor to adjust the width of the rebate on a house slab to suit the builders/design specifications. Its is predrilled/for settings at 85, 125, 205 and 250mm. Additional settings can be added by drilling the bracket with new holes.**



(21) Design Number: **16960/2015**
(22) Date of Filing Application: **21 December 2015**
(24) Date from which industrial property rights may have effect: **21 December 2015**
(54) Product in respect of which the design is registered: **Toaster**
(51) International Design Classification: **07-02F**
(74) Name(s) of Attorney(s): **Griffith Hack**
(71) Name(s) and Address(s) of Applicant(s):
KENWOOD LIMITED
1 Kenwood Business Park New Lane Havant Hampshire PO9 2NH United Kingdom
(72) Name(s) of Designer(s): **Nick Brook and Darren Mullen**
(45) Registration Date: **17 March 2016**
(30) Convention priority data:
(31) Number (32) Date (33) Country
002807461 02 Oct 2015 OFFICE FOR HARMONISATION IN THE INTERNAL MARKET (OHIM)
(56) Related Art Documents: **Not Applicable**
(57) Statement of Newness and Distinctiveness: **Newness and distinctiveness resides in the visual features, including shape and configuration, of a TOASTER as shown in solid outline in the accompanying drawings. When determining whether the design is substantially similar in overall impression to another design, no regard is to be had to those features shown in the dotted outline in the accompanying drawings, which features are provided for illustrative purposes only.**



(21) Design Number: **16961/2015**

(22) Date of Filing Application: **21 December 2015**

(24) Date from which industrial property rights may have effect: **21 December 2015**

(54) Product in respect of which the design is registered: **Kettle**

(51) International Design Classification: **07-02K**

(74) Name(s) of Attorney(s): **Griffith Hack**

(71) Name(s) and Address(s) of Applicant(s):

KENWOOD LIMITED

1 Kenwood Business Park New Lane Havant Hampshire PO9 2NH United Kingdom

(72) Name(s) of Designer(s): **Darren Mullen**

(45) Registration Date: **17 March 2016**

(30) Convention priority data:

(31) Number
002807461

(32) Date
02 Oct 2015

(33) Country
**OFFICE FOR HARMONISATION IN
THE INTERNAL MARKET (OHIM)**

(56) Related Art Documents: **Not Applicable**

(57) Statement of Newness and Distinctiveness: **Newness and distinctiveness resides in the visual features, including shape and configuration, of a KETTLE as shown in solid outline in the accompanying drawings. When determining whether the design is substantially similar in overall impression to another design, no regard is to be had to those features shown in the dotted outline in the accompanying drawings, which features are provided for illustrative purposes only.**



(21) Design Number: **16962/2015**

(22) Date of Filing Application: **21 December 2015**

(24) Date from which industrial property rights may have effect: **21 December 2015**

(54) Product in respect of which the design is registered: **Toaster**

(51) International Design Classification: **07-02F**

(74) Name(s) of Attorney(s): **Griffith Hack**

(71) Name(s) and Address(s) of Applicant(s):

KENWOOD LIMITED

1 Kenwood Business Park New Lane Havant Hampshire PO9 2NH United Kingdom

(72) Name(s) of Designer(s): **Nick Brook**

(45) Registration Date: **17 March 2016**

(30) Convention priority data:

(31) Number
002807461

(32) Date
02 Oct 2015

(33) Country
**OFFICE FOR HARMONISATION IN
THE INTERNAL MARKET (OHIM)**

(56) Related Art Documents: **Not Applicable**

(57) Statement of Newness and Distinctiveness: **Newness and distinctiveness resides in the visual features, including shape and configuration, of a TOASTER as shown in solid outline in the accompanying drawings. When determining whether the design is substantially similar in overall impression to another design, no regard is to be had to those features shown in the dotted outline in the accompanying drawings, which features are provided for illustrative purposes only.**



(21) Design Number: **16963/2015**

(22) Date of Filing Application: **21 December 2015**

(24) Date from which industrial property rights may have effect: **21 December 2015**

(54) Product in respect of which the design is registered: **Kettle**

(51) International Design Classification: **07-02K**

(74) Name(s) of Attorney(s): **Griffith Hack**

(71) Name(s) and Address(s) of Applicant(s):

KENWOOD LIMITED

1 Kenwood Business Park New Lane Havant Hampshire PO9 2NH United Kingdom

(72) Name(s) of Designer(s): **Nick Brook**

(45) Registration Date: **17 March 2016**

(30) Convention priority data:

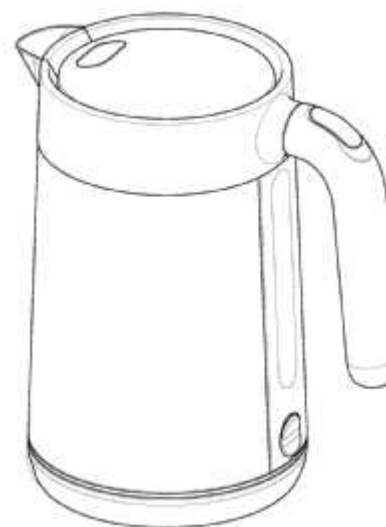
(31) Number
002807461

(32) Date
02 Oct 2015

(33) Country
**OFFICE FOR HARMONISATION IN
THE INTERNAL MARKET (OHIM)**

(56) Related Art Documents: **Not Applicable**

(57) Statement of Newness and Distinctiveness: **Newness and distinctiveness resides in the visual features, including shape and configuration, of a KETTLE as shown in solid outline in the accompanying drawings. When determining whether the design is substantially similar in overall impression to another design, no regard is to be had to those features shown in the dotted outline in the accompanying drawings, which features are provided for illustrative purposes only.**



(21) Design Number: **17025/2015**

(22) Date of Filing Application: **23 December 2015**

(24) Date from which industrial property rights may have effect: **23 December 2015**

(54) Product in respect of which the design is registered: **Product display hub**

(51) International Design Classification: **20-02NES**

(74) Name(s) of Attorney(s): **Davies Collison Cave**

(71) Name(s) and Address(s) of Applicant(s):

SFI Global Pty. Ltd.

Unit G5, 421-439 Grieve Pde Altona North VIC 3025 Australia

(72) Name(s) of Designer(s): **John Farragher and Kevin John Hardie**

(45) Registration Date: **17 March 2016**

(56) Related Art Documents: **Not Applicable**

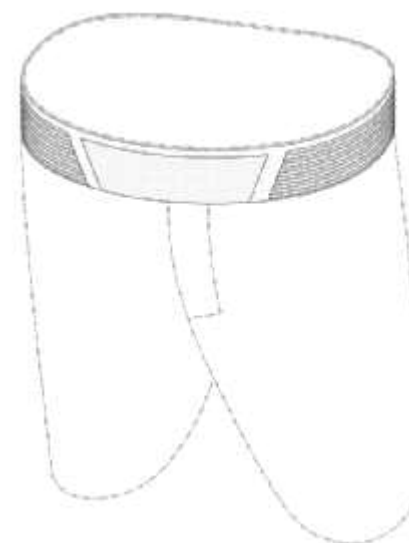
(57) Statement of Newness and Distinctiveness: **Newness and distinctiveness is claimed in the shape and configuration of the product display hub as shown in the representations but not in the scratched areas shown on the cover plate and marked "X" in Figure 5.**



(21) Design Number: **17027/2015**
(22) Date of Filing Application: **23 December 2015**
(24) Date from which industrial property rights may have effect: **23 December 2015**
(54) Product in respect of which the design is registered: **Product display hub**
(51) International Design Classification: **20-02NES**
(74) Name(s) of Attorney(s): **Davies Collison Cave**
(71) Name(s) and Address(s) of Applicant(s):
SFI Global Pty. Ltd.
Unit G5, 421-439 Grieve Pde Altona North VIC 3025 Australia
(72) Name(s) of Designer(s): **John Farragher and Kevin John Hardie**
(45) Registration Date: **17 March 2016**
(56) Related Art Documents: **Not Applicable**
(57) Statement of Newness and Distinctiveness: **Newness and distinctiveness is claimed in the shape and configuration of the product display hub as shown in the representations but not in the scratched area shown on the cover plate and marked "X" in Figure 5.**



(21) Design Number: **10085/2016**
(22) Date of Filing Application: **08 January 2016**
(24) Date from which industrial property rights may have effect: **08 January 2016**
(54) Product in respect of which the design is registered: **Shorts**
(51) International Design Classification: **02-01NES, 02-02C**
(74) Name(s) of Attorney(s): **Davies Collison Cave**
(71) Name(s) and Address(s) of Applicant(s):
NIKE Innovate C.V.
One Bowerman Drive Beaverton Oregon, 97005-6453 United States of America
(72) Name(s) of Designer(s): **Bruce Y. Moore**
(45) Registration Date: **17 March 2016**
(30) Convention priority data:
(31) Number (32) Date (33) Country
29/532,802 10 Jul 2015 UNITED STATES OF AMERICA
(56) Related Art Documents: **Not Applicable**
(57) Statement of Newness and Distinctiveness: **Newness and distinctiveness is claimed in the visual features shown in solid lines in the representations. The broken lines immediately adjacent to the shaded area represent unclaimed boundaries of the design. The unshaded regions, demarcated by broken lines, represent unclaimed portions of the shorts and form no part of the claimed design. The broken lines showing the remainder of the shorts are for environmental purposes only and form no part of the claimed design. The contrast shading represents a contrast in appearance only and does not represent any particular color, material, texture or finish.**



- (21) Design Number: **10294/2016**
(22) Date of Filing Application: **21 January 2016**
(24) Date from which industrial property rights may have effect: **21 January 2016**
(54) Product in respect of which the design is registered: **Heat adhesive embroidered patches**
(51) International Design Classification: **05-03, 11-03, 02-07NES**
(74) Name(s) of Attorney(s):
(71) Name(s) and Address(s) of Applicant(s):
Montigra Enterprises Pty
4/11 Berry St Yarraville VIC 3013 Australia
(72) Name(s) of Designer(s): **Jack J. Allwood and Kyle Jarratt**
(45) Registration Date: **18 March 2016**
(56) Related Art Documents: **Not Applicable**
(57) Statement of Newness and Distinctiveness: **Provides identification and orientation of bed sheets. Enabling quick installation of sheets on a bed and identification of sheets when folded in storage. Designed with tactile sensation and high contrast to aid the visually impaired.**



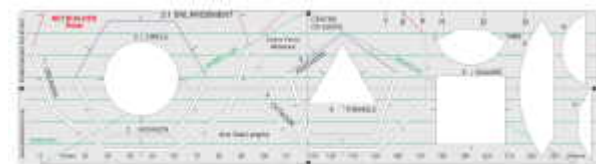
- (21) Design Number: **10506/2016**
(22) Date of Filing Application: **01 February 2016**
(24) Date from which industrial property rights may have effect: **01 February 2016**
(54) Product in respect of which the design is registered: **Tire (MT)**
(51) International Design Classification: **12-15C**
(74) Name(s) of Attorney(s):
(71) Name(s) and Address(s) of Applicant(s):
Qingdao Sentury Tire Co., Ltd
No. 5 Tianshan 3 Road,Daxin Town,Jimo Qingdao China
(72) Name(s) of Designer(s): **Wen Sun and Yixin Zhang and Jingjing Liu and Xueyi Wang**
(45) Registration Date: **18 March 2016**
(56) Related Art Documents: **Not Applicable**
(57) Statement of Newness and Distinctiveness: **Nil**



(21) Design Number: **10507/2016**
(22) Date of Filing Application: **01 February 2016**
(24) Date from which industrial property rights may have effect: **01 February 2016**
(54) Product in respect of which the design is registered: **Tire (HT)**
(51) International Design Classification: **12-15B**
(74) Name(s) of Attorney(s):
(71) Name(s) and Address(s) of Applicant(s):
Qingdao Sentury Tire Co., Ltd
No. 5 Tianshan 3 Road,Daxin Town,Jimo Qingdao China
(72) Name(s) of Designer(s): **Wen Sun and Hairong Fu and Jingjing Liu and Xueyi Wang**
(45) Registration Date: **18 March 2016**
(56) Related Art Documents: **Not Applicable**
(57) Statement of Newness and Distinctiveness: **Nil**



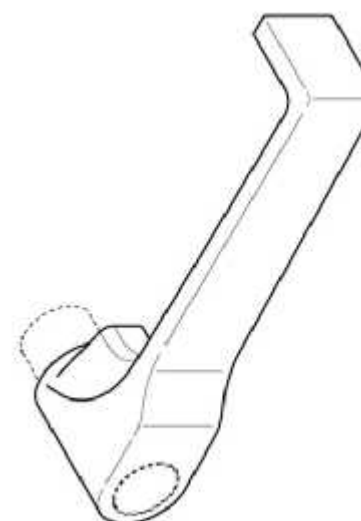
(21) Design Number: **10733/2016**
(22) Date of Filing Application: **11 February 2016**
(24) Date from which industrial property rights may have effect: **11 February 2016**
(54) Product in respect of which the design is registered: **A template**
(51) International Design Classification: **19-06**
(74) Name(s) of Attorney(s): **WADESON**
(71) Name(s) and Address(s) of Applicant(s):
W & G Education Pty Ltd
U1 7-9 Brough St Springvale VIC 3171 Australia
(72) Name(s) of Designer(s): **John Lawton**
(45) Registration Date: **18 March 2016**
(56) Related Art Documents: **Not Applicable**
(57) Statement of Newness and Distinctiveness: **Nil**



- (21) Design Number: **11009/2016**
(22) Date of Filing Application: **25 February 2016**
(24) Date from which industrial property rights may have effect: **25 February 2016**
(54) Product in respect of which the design is registered: **Bottle**
(51) International Design Classification: **09-01NES**
(74) Name(s) of Attorney(s): **Spruson & Ferguson**
(71) Name(s) and Address(s) of Applicant(s):
Copperhead NV
Rekkemstraat 58, Menen 8930 Belgium
(72) Name(s) of Designer(s): **Yvan Vindevogel**
(45) Registration Date: **18 March 2016**
(56) Related Art Documents: **Not Applicable**
(57) Statement of Newness and Distinctiveness: **Newness and distinctiveness is claimed in the features of shape and/or configuration and/or pattern and/or ornamentation of a bottle as illustrated in the accompanying representations.**



- (21) Design Number: **11169/2016**
(22) Date of Filing Application: **03 March 2016**
(24) Date from which industrial property rights may have effect: **03 March 2016**
(54) Product in respect of which the design is registered: **Door lever**
(51) International Design Classification: **08-06**
(74) Name(s) of Attorney(s): **PHILLIPS ORMONDE FITZPATRICK**
(71) Name(s) and Address(s) of Applicant(s):
ASSA ABLOY Australia Pty Limited
235 Huntingdale Rd Oakleigh VIC 3166 Australia
(72) Name(s) of Designer(s): **Craig Anthony Caspersz**
(45) Registration Date: **18 March 2016**
(56) Related Art Documents: **Not Applicable**
(57) Statement of Newness and Distinctiveness: **Those features of the door lever depicted in the representations that are new and distinctive are the shape and/or configuration. The features shown in broken line are not part of the design and are to be disregarded when considering the overall impression of the design.**



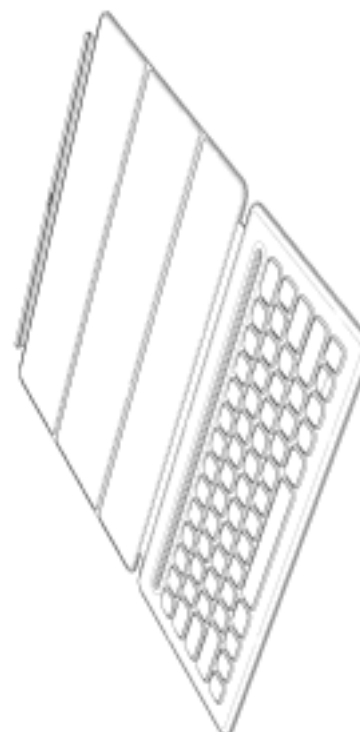
- (21) Design Number: **11170/2016**
(22) Date of Filing Application: **03 March 2016**
(24) Date from which industrial property rights may have effect: **03 March 2016**
(54) Product in respect of which the design is registered: **Pump**
(51) International Design Classification: **15-02**
(74) Name(s) of Attorney(s): **PHILLIPS ORMONDE FITZPATRICK**
(71) Name(s) and Address(s) of Applicant(s):
Walmsley Developments Pty Ltd
U113/45 Gilby Rd Mount Waverley VIC 3149 Australia
(72) Name(s) of Designer(s): **Byron Walmsley and Albert Walmsley and Roland Walmsley**
(45) Registration Date: **18 March 2016**
(56) Related Art Documents: **Not Applicable**
(57) Statement of Newness and Distinctiveness: **The newness and distinctiveness of the design resides in the shape and/or configuration of the pump shown in the representations.**



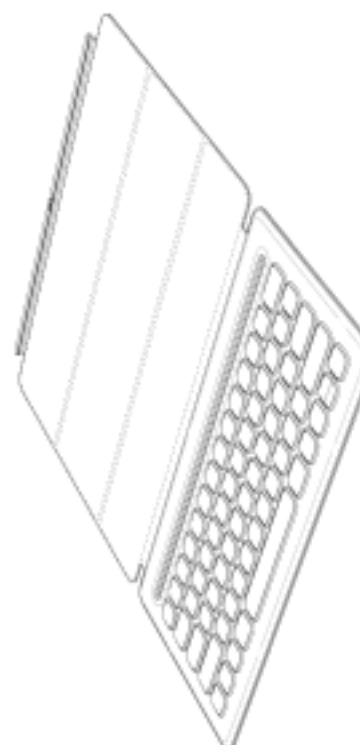
- (21) Design Number: **10737/2016**
(22) Date of Filing Application: **11 February 2016**
(24) Date from which industrial property rights may have effect: **23 June 2015**
(54) Product in respect of which the design is registered: **Article of clothing**
(51) International Design Classification: **02-02C**
(74) Name(s) of Attorney(s): **Allens Patent & Trade Mark Attorneys**
(71) Name(s) and Address(s) of Applicant(s):
Forever New Clothing Pty Ltd
L4 Building 8 576 Swan St Richmond VIC 3121 Australia
(72) Name(s) of Designer(s): **Teagan McLeod**
(45) Registration Date: **18 March 2016**
(62) Divisional of: **367179**
(56) Related Art Documents: **Not Applicable**
(57) Statement of Newness and Distinctiveness: **Newness and distinctiveness resides in the visual features of shape, configuration, pattern and/or ornamentation of an article of clothing as shown in the accompanying representations.**



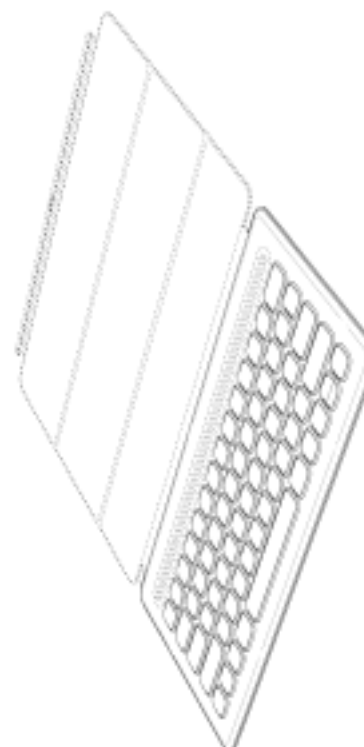
- (21) Design Number: **11172/2016**
(22) Date of Filing Application: **03 March 2016**
(24) Date from which industrial property rights may have effect: **03 March 2016**
(54) Product in respect of which the design is registered: **Cover**
(51) International Design Classification: **03-01NES**
(74) Name(s) of Attorney(s): **Freehills Patent Attorneys**
(71) Name(s) and Address(s) of Applicant(s):
Apple Inc.
1 Infinite Loop Cupertino California, 95014 United States of America
(72) Name(s) of Designer(s): **Jody Akana and Molly Anderson and Bartley K. Andre and Shota Aoyagi and Anthony Michael Ashcroft and Jeremy Bataillou and Daniel J. Coster and Daniele De Iuliis and M. Evans Hankey and Julian Hoenig and Richard P. Howarth and Jonathan P. Ive and Duncan Robert Kerr and Matthew Dean Rohrbach and Peter Russell-Clarke and Benjamin Andrew Shaffer and Mikael Silvanto and Christopher J. Stringer and Eugene Antony Whang and Rico Zorkendorfer**
(45) Registration Date: **18 March 2016**
(30) Convention priority data:
(31) Number (32) Date (33) Country
29/538661 04 Sep 2015 UNITED STATES OF AMERICA
(56) Related Art Documents: **Not Applicable**
(57) Statement of Newness and Distinctiveness: **Newness and distinctiveness is claimed in the features of shape and configuration shown in solid line in the accompanying figures.**



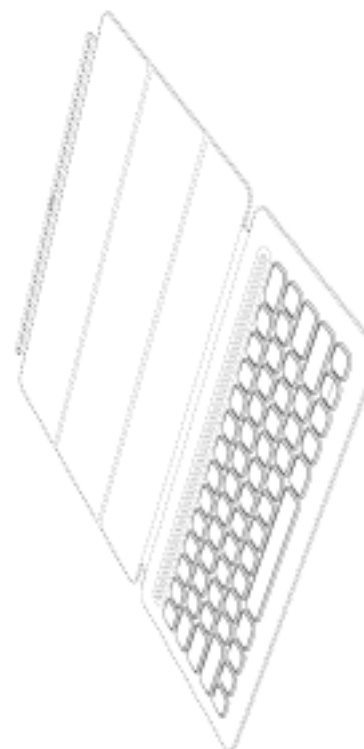
- (21) Design Number: **11174/2016**
(22) Date of Filing Application: **03 March 2016**
(24) Date from which industrial property rights may have effect: **03 March 2016**
(54) Product in respect of which the design is registered: **Cover**
(51) International Design Classification: **03-01NES**
(74) Name(s) of Attorney(s): **Freehills Patent Attorneys**
(71) Name(s) and Address(s) of Applicant(s):
Apple Inc.
1 Infinite Loop Cupertino California, 95014 United States of America
(72) Name(s) of Designer(s): **Jody Akana and Molly Anderson and Bartley K. Andre and Shota Aoyagi and Anthony Michael Ashcroft and Jeremy Bataillou and Daniel J. Coster and Daniele De Iuliis and M. Evans Hankey and Julian Hoenig and Richard P. Howarth and Jonathan P. Ive and Duncan Robert Kerr and Matthew Dean Rohrbach and Peter Russell-Clarke and Benjamin Andrew Shaffer and Mikael Silvanto and Christopher J. Stringer and Eugene Antony Whang and Rico Zorkendorfer**
(45) Registration Date: **18 March 2016**
(30) Convention priority data:
(31) Number (32) Date (33) Country
29/538661 04 Sep 2015 UNITED STATES OF AMERICA
(56) Related Art Documents: **Not Applicable**
(57) Statement of Newness and Distinctiveness: **Newness and distinctiveness is claimed in the features of shape and configuration shown in solid line in the accompanying figures.**



- (21) Design Number: **11175/2016**
- (22) Date of Filing Application: **03 March 2016**
- (24) Date from which industrial property rights may have effect: **03 March 2016**
- (54) Product in respect of which the design is registered: **Cover**
- (51) International Design Classification: **03-01NES**
- (74) Name(s) of Attorney(s): **Freehills Patent Attorneys**
- (71) Name(s) and Address(s) of Applicant(s):
Apple Inc.
1 Infinite Loop Cupertino California, 95014 United States of America
- (72) Name(s) of Designer(s): **Jody Akana and Molly Anderson and Bartley K. Andre and Shota Aoyagi and Anthony Michael Ashcroft and Jeremy Bataillou and Daniel J. Coster and Daniele De Iuliis and M. Evans Hankey and Julian Hoenig and Richard P. Howarth and Jonathan P. Ive and Duncan Robert Kerr and Matthew Dean Rohrbach and Peter Russell-Clarke and Benjamin Andrew Shaffer and Mikael Silvanto and Christopher J. Stringer and Eugene Antony Whang and Rico Zorkendorfer**
- (45) Registration Date: **18 March 2016**
- (30) Convention priority data:
- | | | |
|------------------|--------------------|---------------------------------|
| (31) Number | (32) Date | (33) Country |
| 29/538661 | 04 Sep 2015 | UNITED STATES OF AMERICA |
- (56) Related Art Documents: **Not Applicable**
- (57) Statement of Newness and Distinctiveness: **Newness and distinctiveness is claimed in the features of shape and configuration shown in solid line in the accompanying figures.**



- (21) Design Number: **11176/2016**
- (22) Date of Filing Application: **03 March 2016**
- (24) Date from which industrial property rights may have effect: **03 March 2016**
- (54) Product in respect of which the design is registered: **Cover**
- (51) International Design Classification: **03-01NES**
- (74) Name(s) of Attorney(s): **Freehills Patent Attorneys**
- (71) Name(s) and Address(s) of Applicant(s):
Apple Inc.
1 Infinite Loop Cupertino California, 95014 United States of America
- (72) Name(s) of Designer(s): **Jody Akana and Molly Anderson and Bartley K. Andre and Shota Aoyagi and Anthony Michael Ashcroft and Jeremy Bataillou and Daniel J. Coster and Daniele De Iuliis and M. Evans Hankey and Julian Hoenig and Richard P. Howarth and Jonathan P. Ive and Duncan Robert Kerr and Matthew Dean Rohrbach and Peter Russell-Clarke and Benjamin Andrew Shaffer and Mikael Silvanto and Christopher J. Stringer and Eugene Antony Whang and Rico Zorkendorfer**
- (45) Registration Date: **18 March 2016**
- (30) Convention priority data:
- | | | |
|------------------|--------------------|---------------------------------|
| (31) Number | (32) Date | (33) Country |
| 29/538661 | 04 Sep 2015 | UNITED STATES OF AMERICA |
- (56) Related Art Documents: **Not Applicable**
- (57) Statement of Newness and Distinctiveness: **Newness and distinctiveness is claimed in the features of shape and configuration shown in solid line in the accompanying figures.**



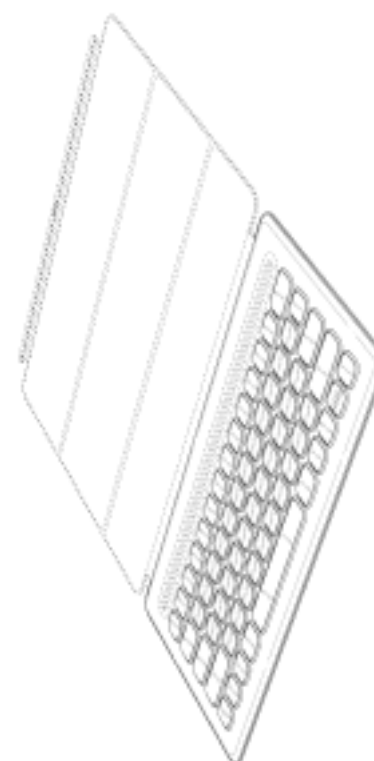
- (21) Design Number: **11179/2016**
(22) Date of Filing Application: **03 March 2016**
(24) Date from which industrial property rights may have effect: **03 March 2016**
(54) Product in respect of which the design is registered: **Case**
(51) International Design Classification: **03-01NES**
(74) Name(s) of Attorney(s): **Freehills Patent Attorneys**
(71) Name(s) and Address(s) of Applicant(s):
Apple Inc.
1 Infinite Loop Cupertino California, 95014 United States of America
(72) Name(s) of Designer(s): **Jody Akana and Molly Anderson and Bartley K. Andre and Shota Aoyagi and Anthony Michael Ashcroft and Jeremy Bataillou and Daniel J. Coster and Daniele De Iuliis and M. Evans Hankey and Julian Hoenig and Richard P. Howarth and Jonathan P. Ive and Duncan Robert Kerr and Matthew Dean Rohrbach and Peter Russell-Clarke and Benjamin Andrew Shaffer and Mikael Silvano and Christopher J. Stringer and Eugene Antony Whang and Rico Zorkendorfer**
(45) Registration Date: **18 March 2016**
(30) Convention priority data:
(31) Number (32) Date (33) Country
29/538665 04 Sep 2015 UNITED STATES OF AMERICA
(56) Related Art Documents: **Not Applicable**
(57) Statement of Newness and Distinctiveness: **Newness and distinctiveness is claimed in the features of shape and configuration shown in the accompanying figures.**



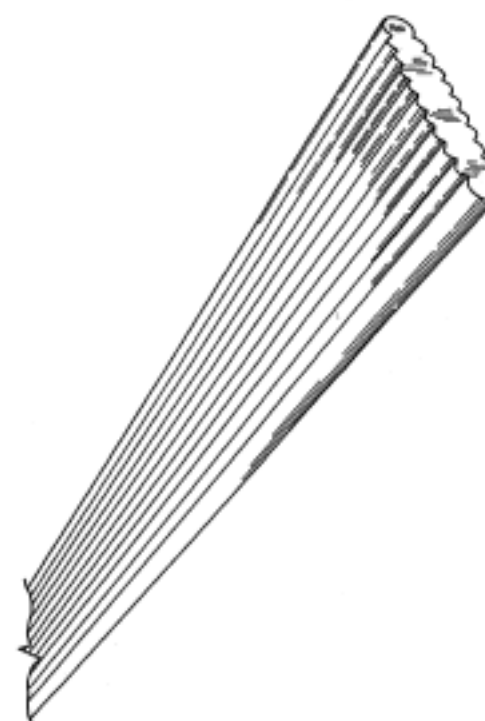
- (21) Design Number: **11180/2016**
(22) Date of Filing Application: **03 March 2016**
(24) Date from which industrial property rights may have effect: **03 March 2016**
(54) Product in respect of which the design is registered: **Case**
(51) International Design Classification: **03-01NES**
(74) Name(s) of Attorney(s): **Freehills Patent Attorneys**
(71) Name(s) and Address(s) of Applicant(s):
Apple Inc.
1 Infinite Loop Cupertino California, 95014 United States of America
(72) Name(s) of Designer(s): **Jody Akana and Molly Anderson and Bartley K. Andre and Shota Aoyagi and Anthony Michael Ashcroft and Jeremy Bataillou and Daniel J. Coster and Daniele De Iuliis and M. Evans Hankey and Julian Hoenig and Richard P. Howarth and Jonathan P. Ive and Duncan Robert Kerr and Matthew Dean Rohrbach and Peter Russell-Clarke and Benjamin Andrew Shaffer and Mikael Silvano and Christopher J. Stringer and Eugene Antony Whang and Rico Zorkendorfer**
(45) Registration Date: **18 March 2016**
(30) Convention priority data:
(31) Number (32) Date (33) Country
29/538665 04 Sep 2015 UNITED STATES OF AMERICA
(56) Related Art Documents: **Not Applicable**
(57) Statement of Newness and Distinctiveness: **Newness and distinctiveness is claimed in the features of shape and configuration shown in solid lines in the accompanying figures.**



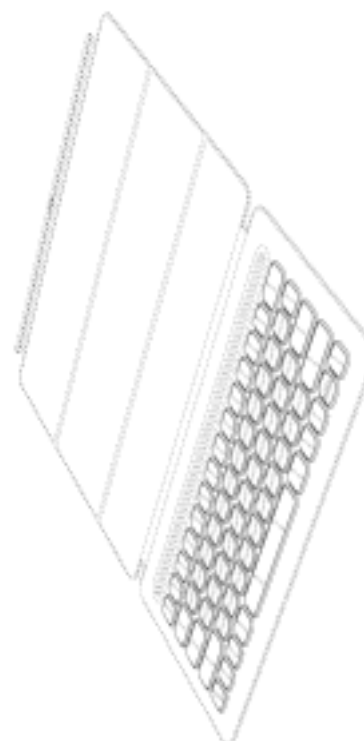
- (21) Design Number: **11181/2016**
(22) Date of Filing Application: **03 March 2016**
(24) Date from which industrial property rights may have effect: **03 March 2016**
(54) Product in respect of which the design is registered: **Keyboard**
(51) International Design Classification: **14-02**
(74) Name(s) of Attorney(s): **Freehills Patent Attorneys**
(71) Name(s) and Address(s) of Applicant(s):
Apple Inc.
1 Infinite Loop Cupertino California, 95014 United States of America
(72) Name(s) of Designer(s): **Jody Akana and Molly Anderson and Bartley K. Andre and Shota Aoyagi and Anthony Michael Ashcroft and Jeremy Bataillou and Daniel J. Coster and Daniele De Iuliis and M. Evans Hankey and Julian Hoenig and Richard P. Howarth and Jonathan P. Ive and Duncan Robert Kerr and Matthew Dean Rohrbach and Peter Russell-Clarke and Benjamin Andrew Shaffer and Mikael Silvanto and Christopher J. Stringer and Eugene Antony Whang and Rico Zorkendorfer**
(45) Registration Date: **18 March 2016**
(30) Convention priority data:
(31) Number (32) Date (33) Country
29/538664 04 Sep 2015 UNITED STATES OF AMERICA
(56) Related Art Documents: **Not Applicable**
(57) Statement of Newness and Distinctiveness: **Newness and distinctiveness is claimed in the features of shape and configuration shown in solid line the accompanying figures.**



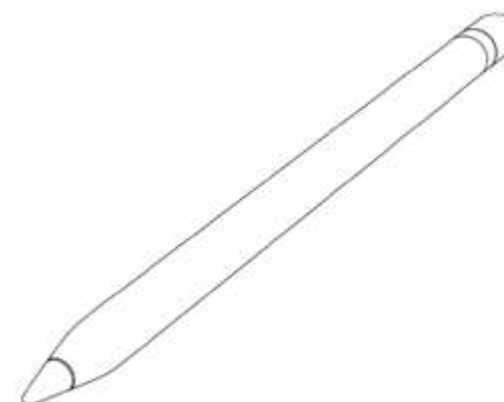
- (21) Design Number: **14174/2015**
(22) Date of Filing Application: **14 August 2015**
(24) Date from which industrial property rights may have effect: **14 August 2015**
(54) Product in respect of which the design is registered: **Tongue strip for tongue and groove connections**
(51) International Design Classification: **25-01NES**
(74) Name(s) of Attorney(s): **Intellepro Patent & Trade Mark Attorneys**
(71) Name(s) and Address(s) of Applicant(s):
Guido Bloch
53 Halland Terrace Camp Hill Queensland 4152 Australia
(72) Name(s) of Designer(s): **Guido Bloch**
(45) Registration Date: **18 March 2016**
(56) Related Art Documents: **Not Applicable**
(57) Statement of Newness and Distinctiveness: **Newness and distinctiveness resides in the shape and configuration of a tongue strip for tongue and groove connections as illustrated in the representations. When considering the scope of monopoly protection the scale of the drawings which are enlarged at a ratio of 6:1 is to be disregarded.**



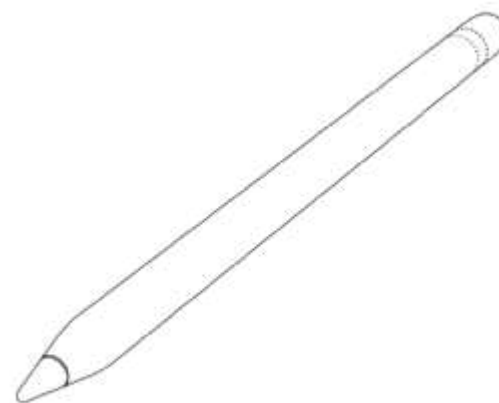
- (21) Design Number: **11182/2016**
(22) Date of Filing Application: **03 March 2016**
(24) Date from which industrial property rights may have effect: **03 March 2016**
(54) Product in respect of which the design is registered: **Keyboard**
(51) International Design Classification: **14-02**
(74) Name(s) of Attorney(s): **Freehills Patent Attorneys**
(71) Name(s) and Address(s) of Applicant(s):
Apple Inc.
1 Infinite Loop Cupertino California, 95014 United States of America
(72) Name(s) of Designer(s): **Jody Akana and Molly Anderson and Bartley K. Andre and Shota Aoyagi and Anthony Michael Ashcroft and Jeremy Bataillou and Daniel J. Coster and Daniele De Iuliis and M. Evans Hankey and Julian Hoenig and Richard P. Howarth and Jonathan P. Ive and Duncan Robert Kerr and Matthew Dean Rohrbach and Peter Russell-Clarke and Benjamin Andrew Shaffer and Mikael Silvano and Christopher J. Stringer and Eugene Antony Whang and Rico Zorkendorfer**
(45) Registration Date: **18 March 2016**
(30) Convention priority data:
(31) Number (32) Date (33) Country
29/538664 04 Sep 2015 UNITED STATES OF AMERICA
(56) Related Art Documents: **Not Applicable**
(57) Statement of Newness and Distinctiveness: **Newness and distinctiveness is claimed in the features of shape and configuration shown in solid line the accompanying figures.**



- (21) Design Number: **11183/2016**
(22) Date of Filing Application: **03 March 2016**
(24) Date from which industrial property rights may have effect: **03 March 2016**
(54) Product in respect of which the design is registered: **Stylus**
(51) International Design Classification: **14-02**
(74) Name(s) of Attorney(s): **Freehills Patent Attorneys**
(71) Name(s) and Address(s) of Applicant(s):
Apple Inc.
1 Infinite Loop Cupertino California, 95014 United States of America
(72) Name(s) of Designer(s): **Jody Akana and Molly Anderson and Bartley K. Andre and Shota Aoyagi and Anthony Michael Ashcroft and Jeremy Bataillou and Daniel J. Coster and Daniele De Iuliis and M. Evans Hankey and Julian Hoenig and Richard P. Howarth and Jonathan P. Ive and Duncan Robert Kerr and Matthew Dean Rohrbach and Peter Russell-Clarke and Benjamin Andrew Shaffer and Mikael Silvano and Christopher J. Stringer and Eugene Antony Whang and Rico Zorkendorfer**
(45) Registration Date: **18 March 2016**
(30) Convention priority data:
(31) Number (32) Date (33) Country
29/538660 04 Sep 2015 UNITED STATES OF AMERICA
(56) Related Art Documents: **Not Applicable**
(57) Statement of Newness and Distinctiveness: **Newness and distinctiveness is claimed in the features of shape and configuration as shown in the accompanying representations.**



- (21) Design Number: **11184/2016**
(22) Date of Filing Application: **03 March 2016**
(24) Date from which industrial property rights may have effect: **03 March 2016**
(54) Product in respect of which the design is registered: **Stylus**
(51) International Design Classification: **14-02**
(74) Name(s) of Attorney(s): **Freehills Patent Attorneys**
(71) Name(s) and Address(s) of Applicant(s):
Apple Inc.
1 Infinite Loop Cupertino California, 95014 United States of America
(72) Name(s) of Designer(s): **Jody Akana and Molly Anderson and Bartley K. Andre and Shota Aoyagi and Anthony Michael Ashcroft and Jeremy Bataillou and Daniel J. Coster and Daniele De Iuliis and M. Evans Hankey and Julian Hoenig and Richard P. Howarth and Jonathan P. Ive and Duncan Robert Kerr and Matthew Dean Rohrbach and Peter Russell-Clarke and Benjamin Andrew Shaffer and Mikael Silvanto and Christopher J. Stringer and Eugene Antony Whang and Rico Zorkendorfer**
(45) Registration Date: **18 March 2016**
(30) Convention priority data:
(31) Number (32) Date (33) Country
29/538660 04 Sep 2015 UNITED STATES OF AMERICA
(56) Related Art Documents: **Not Applicable**
(57) Statement of Newness and Distinctiveness: **Newness and distinctiveness is claimed in the features of shape and configuration as shown in solid lines in the accompanying representations.**



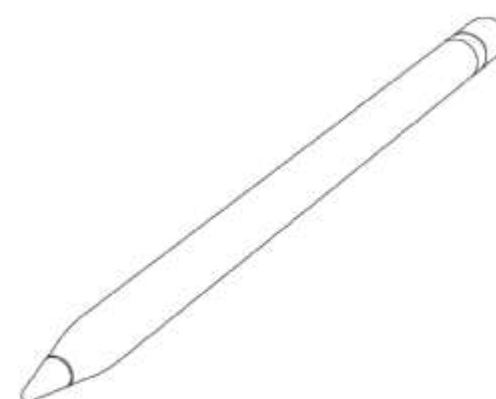
- (21) Design Number: **11185/2016**
(22) Date of Filing Application: **03 March 2016**
(24) Date from which industrial property rights may have effect: **03 March 2016**
(54) Product in respect of which the design is registered: **Stylus**
(51) International Design Classification: **14-02**
(74) Name(s) of Attorney(s): **Freehills Patent Attorneys**
(71) Name(s) and Address(s) of Applicant(s):
Apple Inc.
1 Infinite Loop Cupertino California, 95014 United States of America
(72) Name(s) of Designer(s): **Jody Akana and Molly Anderson and Bartley K. Andre and Shota Aoyagi and Anthony Michael Ashcroft and Jeremy Bataillou and Daniel J. Coster and Daniele De Iuliis and M. Evans Hankey and Julian Hoenig and Richard P. Howarth and Jonathan P. Ive and Duncan Robert Kerr and Matthew Dean Rohrbach and Peter Russell-Clarke and Benjamin Andrew Shaffer and Mikael Silvanto and Christopher J. Stringer and Eugene Antony Whang and Rico Zorkendorfer**
(45) Registration Date: **18 March 2016**
(30) Convention priority data:
(31) Number (32) Date (33) Country
29/538660 04 Sep 2015 UNITED STATES OF AMERICA
(56) Related Art Documents: **Not Applicable**
(57) Statement of Newness and Distinctiveness: **Newness and distinctiveness is claimed in the features of shape and configuration as shown in the accompanying representations.**



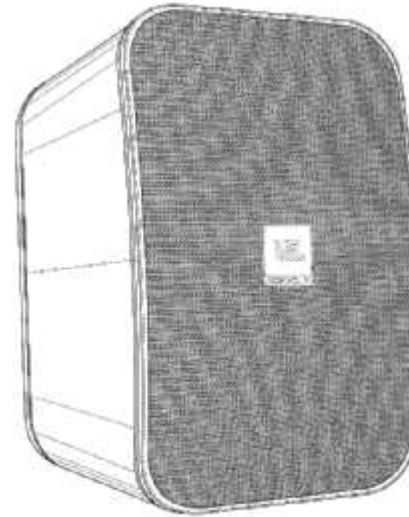
- (21) Design Number: **11187/2016**
(22) Date of Filing Application: **03 March 2016**
(24) Date from which industrial property rights may have effect: **03 March 2016**
(54) Product in respect of which the design is registered: **Cap for a stylus**
(51) International Design Classification: **14-02**
(74) Name(s) of Attorney(s): **Freehills Patent Attorneys**
(71) Name(s) and Address(s) of Applicant(s):
Apple Inc.
1 Infinite Loop Cupertino California, 95014 United States of America
(72) Name(s) of Designer(s): **Jody Akana and Molly Anderson and Bartley K. Andre and Shota Aoyagi and Anthony Michael Ashcroft and Jeremy Bataillou and Daniel J. Coster and M. Evans Hankey and Julian Hoenig and Richard P. Howarth and Jonathan P. Ive and Duncan Robert Kerr and Matthew Dean Rohrbach and Peter Russell-Clarke and Benjamin Andrew Shaffer and Mikael Silvanto and Christopher J. Stringer and Eugene Anthony Whang and Rico Zorkendorfer and Daniele De Iuliis**
(45) Registration Date: **18 March 2016**
(30) Convention priority data:
(31) Number (32) Date (33) Country
29/538660 04 Sep 2015 UNITED STATES OF AMERICA
(56) Related Art Documents: **Not Applicable**
(57) Statement of Newness and Distinctiveness: **Newness and distinctiveness is claimed in the features of shape and configuration as shown in the accompanying representations.**



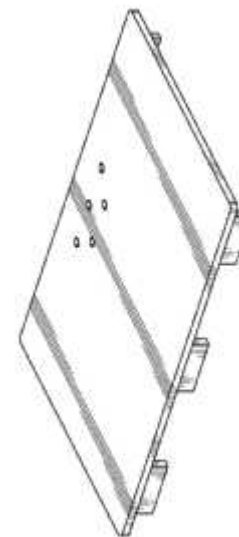
- (21) Design Number: **11189/2016**
(22) Date of Filing Application: **03 March 2016**
(24) Date from which industrial property rights may have effect: **03 March 2016**
(54) Product in respect of which the design is registered: **Stylus**
(51) International Design Classification: **14-02**
(74) Name(s) of Attorney(s): **Freehills Patent Attorneys**
(71) Name(s) and Address(s) of Applicant(s):
Apple Inc.
1 Infinite Loop Cupertino California, 95014 United States of America
(72) Name(s) of Designer(s): **Jody Akana and Molly Anderson and Bartley K. Andre and Anthony Michael Ashcroft and Jeremy Bataillou and Daniel J. Coster and Daniele De Iuliis and M. Evans Hankey and Julian Hoenig and Jonathan P. Ive and Duncan Robert Kerr and Matthew Dean Rohrbach and Peter Russell-Clarke and Benjamin Andrew Shaffer and Mikael Silvanto and Christopher J. Stringer and Eugene Anthony Whang and Rico Zorkendorfer and Richard P. Howarth and Shota Aoyagi**
(45) Registration Date: **18 March 2016**
(30) Convention priority data:
(31) Number (32) Date (33) Country
29/538663 04 Sep 2015 UNITED STATES OF AMERICA
(56) Related Art Documents: **Not Applicable**
(57) Statement of Newness and Distinctiveness: **Newness and distinctiveness is claimed in the features of shape and configuration as shown in the accompanying representations.**



(21) Design Number: **11128/2016**
(22) Date of Filing Application: **01 March 2016**
(24) Date from which industrial property rights may have effect: **01 March 2016**
(54) Product in respect of which the design is registered: **Loudspeaker**
(51) International Design Classification: **14-01**
(74) Name(s) of Attorney(s): **Banki Haddock Fiora**
(71) Name(s) and Address(s) of Applicant(s):
Harman International Industries, Incorporated
8500 Balboa Blvd Northridge CA, 91329 United States of America
(72) Name(s) of Designer(s): **Fred Tubis and An Duc Nguyen**
(45) Registration Date: **18 March 2016**
(30) Convention priority data:
(31) Number (32) Date (33) Country
29/538502 03 Sep 2015 UNITED STATES OF AMERICA
(56) Related Art Documents: **Not Applicable**
(57) Statement of Newness and Distinctiveness: **Nil**



(21) Design Number: **11129/2016**
(22) Date of Filing Application: **01 March 2016**
(24) Date from which industrial property rights may have effect: **01 March 2016**
(54) Product in respect of which the design is registered: **Rectangular cake topper**
(51) International Design Classification: **07-02P**
(74) Name(s) of Attorney(s): **Davies Collison Cave**
(71) Name(s) and Address(s) of Applicant(s):
Lynette Hazell
80 Fragar Rd Penrith NSW 2750 Australia
(72) Name(s) of Designer(s): **Lynette Hazell**
(45) Registration Date: **18 March 2016**
(56) Related Art Documents: **Not Applicable**
(57) Statement of Newness and Distinctiveness: **Nil**



(21) Design Number: **11130/2016**

(22) Date of Filing Application: **01 March 2016**

(24) Date from which industrial property rights may have effect: **01 March 2016**

(54) Product in respect of which the design is registered: **Exercising apparatus**

(51) International Design Classification: **21-02F**

(74) Name(s) of Attorney(s): **Griffith Hack**

(71) Name(s) and Address(s) of Applicant(s):

Brand Developers Limited

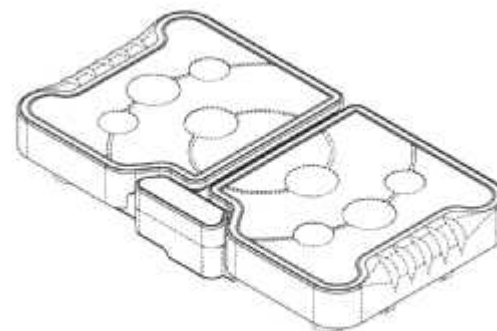
Levels 1-3 519 - 521 Lake Road Takapuna, Auckland 0622 New Zealand

(72) Name(s) of Designer(s): **Cameron Nicholson and Brendon Tait**

(45) Registration Date: **18 March 2016**

(56) Related Art Documents: **Not Applicable**

(57) Statement of Newness and Distinctiveness: **Newness and distinctiveness resides in the visual features, including the shape and configuration, as applied to an exercising apparatus as shown in solid outline in the accompanying drawings. When determining whether the design is substantially similar in overall impression to another design, no regard is to be had to those features shown in dotted outline in the accompanying drawings, which features are provided for illustrative purposes only.**



(21) Design Number: **11131/2016**

(22) Date of Filing Application: **01 March 2016**

(24) Date from which industrial property rights may have effect: **01 March 2016**

(54) Product in respect of which the design is registered: **Circular cake topper**

(51) International Design Classification: **07-02P**

(74) Name(s) of Attorney(s): **Davies Collison Cave**

(71) Name(s) and Address(s) of Applicant(s):

Lynette Hazell

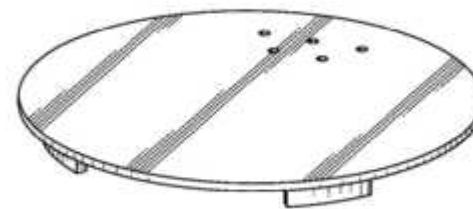
80 Fragar Rd Penrith NSW 2750 Australia

(72) Name(s) of Designer(s): **Lynette Hazell**

(45) Registration Date: **18 March 2016**

(56) Related Art Documents: **Not Applicable**

(57) Statement of Newness and Distinctiveness: **Nil**



- (21) Design Number: **11132/2016**
(22) Date of Filing Application: **01 March 2016**
(24) Date from which industrial property rights may have effect: **01 March 2016**
(54) Product in respect of which the design is registered: **Post clamp**
(51) International Design Classification: **08-08K**
(74) Name(s) of Attorney(s): **Collison & Co**
(71) Name(s) and Address(s) of Applicant(s):

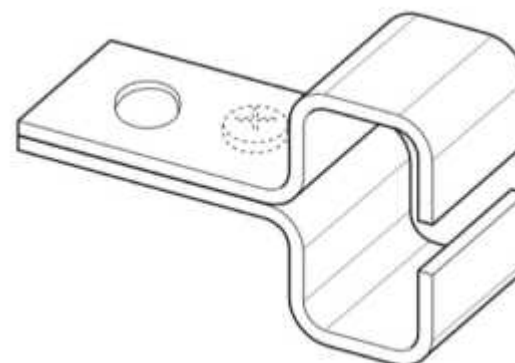
Robert Haysom
31 Duffield St Gawler East SA 5118 Australia

(72) Name(s) of Designer(s): **Robert Haysom**

(45) Registration Date: **18 March 2016**

(56) Related Art Documents: **Not Applicable**

(57) Statement of Newness and Distinctiveness: **Newness and distinctiveness are claimed in the features of shape and/or configuration of the post clamp as shown in the attached representations. The broken lines in the drawings and the text in the representations are for illustrative purposes only and form no part of the claimed design.**



- (21) Design Number: **11133/2016**
(22) Date of Filing Application: **01 March 2016**
(24) Date from which industrial property rights may have effect: **01 March 2016**
(54) Product in respect of which the design is registered: **Scissor gate**
(51) International Design Classification: **25-02C**
(74) Name(s) of Attorney(s): **Collison & Co**
(71) Name(s) and Address(s) of Applicant(s):

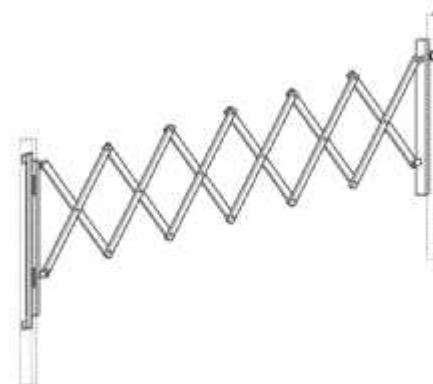
Robert Haysom
31 Duffield St Gawler East SA 5118 Australia

(72) Name(s) of Designer(s): **Robert Haysom**

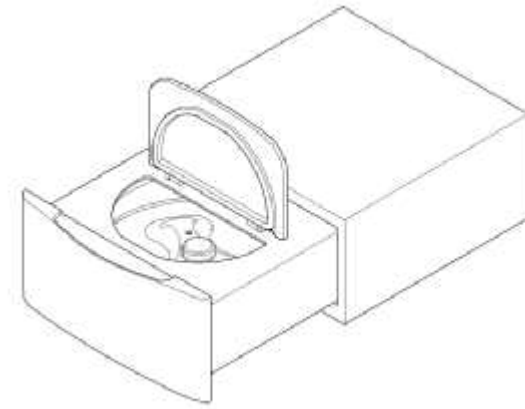
(45) Registration Date: **18 March 2016**

(56) Related Art Documents: **Not Applicable**

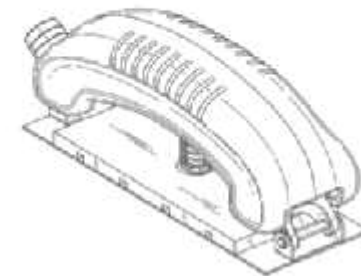
(57) Statement of Newness and Distinctiveness: **Newness and distinctiveness are claimed in the features of shape and/or configuration of the scissor gate as shown in the attached representations. The broken lines in the drawings and the text in the representations are for illustrative purposes only and form no part of the claimed design.**



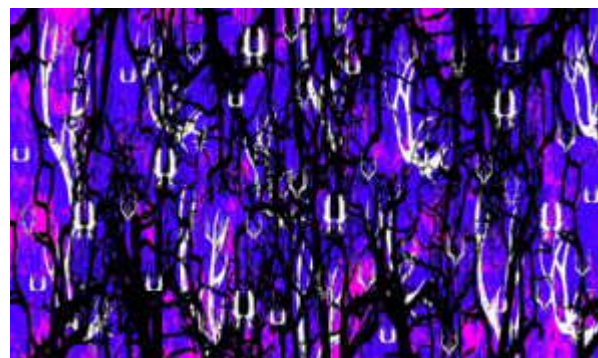
(21) Design Number: **11136/2016**
(22) Date of Filing Application: **02 March 2016**
(24) Date from which industrial property rights may have effect: **02 March 2016**
(54) Product in respect of which the design is registered: **Washing machine**
(51) International Design Classification: **15-05**
(74) Name(s) of Attorney(s): **FB Rice**
(71) Name(s) and Address(s) of Applicant(s):
LG Electronics Inc.
128, Yeoui-daero, Yeongdeungpo-gu, Seoul 150-721 Republic of Korea
(72) Name(s) of Designer(s): **Junghwan Lee and Kyungah Lee and Yeji Um and Hyewon Kim and Jeaseok Seong**
(45) Registration Date: **18 March 2016**
(30) Convention priority data:
(31) Number (32) Date (33) Country
30-2015-0044477 03 Sep 2015 REPUBLIC OF KOREA
(56) Related Art Documents: **Not Applicable**
(57) Statement of Newness and Distinctiveness: **Newness and distinctiveness reside in the features of shape and configuration of the design as shown in the representations.**



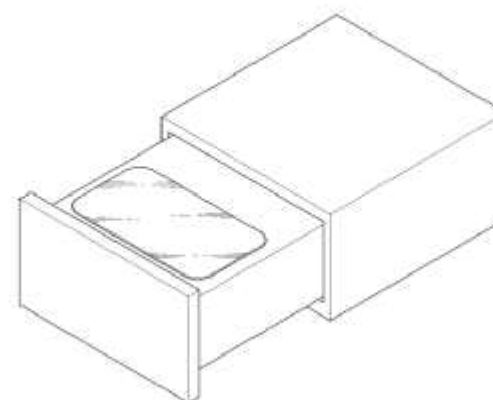
(21) Design Number: **10239/2016**
(22) Date of Filing Application: **18 January 2016**
(24) Date from which industrial property rights may have effect: **18 January 2016**
(54) Product in respect of which the design is registered: **Sanding tool**
(51) International Design Classification: **08-05N**
(74) Name(s) of Attorney(s): **Davies Collison Cave**
(71) Name(s) and Address(s) of Applicant(s):
Stanley Middle East FZE
P.O. Box 262375 Plot No. S10707 & S10708 Jebel Ali Freezone South
Jebel Ali Dubai United Arab Emirates
(72) Name(s) of Designer(s): **Axel Lehovetzki and Julian Bignon-Zillhardt**
(45) Registration Date: **22 March 2016**
(30) Convention priority data:
(31) Number (32) Date (33) Country
002738245-0001 16 Jul 2015 OFFICE FOR HARMONISATION IN THE INTERNAL MARKET (OHIM)
(56) Related Art Documents: **Not Applicable**
(57) Statement of Newness and Distinctiveness: **Nil**



- (21) Design Number: **10425/2016**
(22) Date of Filing Application: **28 January 2016**
(24) Date from which industrial property rights may have effect: **28 January 2016**
(54) Product in respect of which the design is registered: **A textile print**
(51) International Design Classification: **05-05NES**
(74) Name(s) of Attorney(s): **Cullens Pty Ltd**
(71) Name(s) and Address(s) of Applicant(s):
Aaron Knowles
32 Buliti St Hope Island QLD 4212 Australia
(72) Name(s) of Designer(s): **Aaron Knowles**
(45) Registration Date: **22 March 2016**
(56) Related Art Documents: **Not Applicable**
(57) Statement of Newness and Distinctiveness: **Newness and Distinctiveness is claimed in the camouflage pattern for fabric as shown in the representation**



- (21) Design Number: **11137/2016**
(22) Date of Filing Application: **02 March 2016**
(24) Date from which industrial property rights may have effect: **02 March 2016**
(54) Product in respect of which the design is registered: **Washing machine**
(51) International Design Classification: **15-05**
(74) Name(s) of Attorney(s): **FB Rice**
(71) Name(s) and Address(s) of Applicant(s):
LG Electronics Inc.
128, Yeoui-daero Yeongdeungpo-gu Seoul 150-721 Republic of Korea
(72) Name(s) of Designer(s): **Youngsoo Ha and Taewoo Yoo and Eunyoung Chee and Jeaseok Seong**
(45) Registration Date: **22 March 2016**
(30) Convention priority data:
(31) Number (32) Date (33) Country
30-2015-0044480 03 Sep 2015 REPUBLIC OF KOREA
(56) Related Art Documents: **Not Applicable**
(57) Statement of Newness and Distinctiveness: **Newness and distinctiveness reside in the features of shape and configuration of the design as shown in the representations.**



(21) Design Number: **11138/2016**

(22) Date of Filing Application: **02 March 2016**

(24) Date from which industrial property rights may have effect: **02 March 2016**

(54) Product in respect of which the design is registered: **Exercise apparatus**

(51) International Design Classification: **21-02F**

(74) Name(s) of Attorney(s): **Griffith Hack**

(71) Name(s) and Address(s) of Applicant(s):

Kompan A/S

C.F. Tietgens Boulevard 32C 5220 Odense S0 Denmark

(72) Name(s) of Designer(s): **Nikolaj Maj Bentsen and Martin Norgaard Johansen**

(45) Registration Date: **22 March 2016**

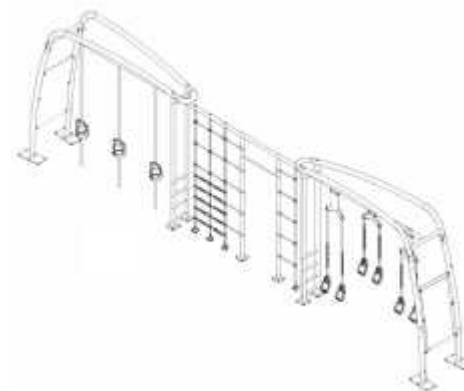
(30) Convention priority data:

(31) Number (32) Date
002764803-0003 02 Sep 2015

(33) Country
**OFFICE FOR HARMONISATION IN
THE INTERNAL MARKET (OHIM)**

(56) Related Art Documents: **Not Applicable**

(57) Statement of Newness and Distinctiveness: **Newness and distinctiveness resides in the visual features including shape and configuration of the product shown in the accompanying representations.**



(21) Design Number: **11139/2016**

(22) Date of Filing Application: **02 March 2016**

(24) Date from which industrial property rights may have effect: **02 March 2016**

(54) Product in respect of which the design is registered: **Washing machine**

(51) International Design Classification: **15-05**

(74) Name(s) of Attorney(s): **FB Rice**

(71) Name(s) and Address(s) of Applicant(s):

LG Electronics Inc.

128, Yeoui-daero Yeongdeungpo-gu Seoul 150-721 Republic of Korea

(72) Name(s) of Designer(s): **Junghwan Lee and Kyungah Lee and Yeji Um and Hyewon Kim and Jeaseok Seong**

(45) Registration Date: **22 March 2016**

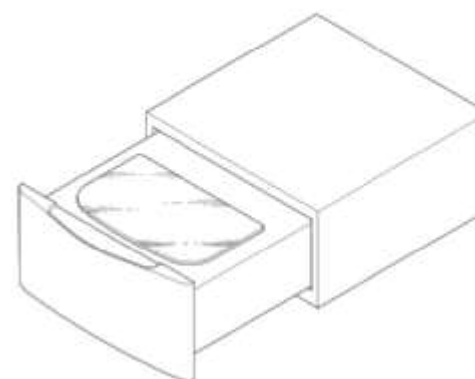
(30) Convention priority data:

(31) Number (32) Date
30-2015-0044481 03 Sep 2015

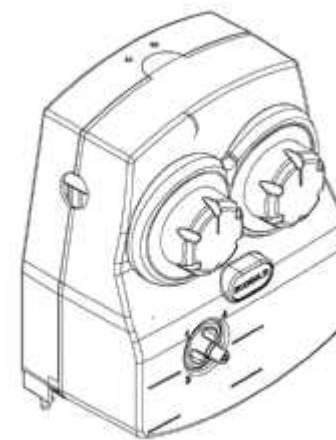
(33) Country
REPUBLIC OF KOREA

(56) Related Art Documents: **Not Applicable**

(57) Statement of Newness and Distinctiveness: **Newness and distinctiveness reside in the features of shape and configuration of the design as shown in the representations.**



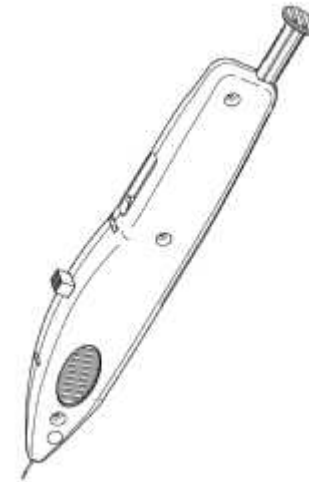
(21) Design Number: **11148/2016**
(22) Date of Filing Application: **02 March 2016**
(24) Date from which industrial property rights may have effect: **02 March 2016**
(54) Product in respect of which the design is registered: **Metering pump**
(51) International Design Classification: **15-02**
(74) Name(s) of Attorney(s): **Spruson & Ferguson**
(71) Name(s) and Address(s) of Applicant(s):
Brightwell Dispensers Limited
Brightwell Industrial Estate Ferryfield, Norton Road, Newhaven East
Sussex, BN9 0JF United Kingdom
(72) Name(s) of Designer(s): **James Rowland**
(45) Registration Date: **22 March 2016**
(30) Convention priority data:
(31) Number (32) Date (33) Country
2771253-0002 11 Sep 2015 OFFICE FOR HARMONISATION IN
THE INTERNAL MARKET (OHIM)
(56) Related Art Documents: **Not Applicable**
(57) Statement of Newness and Distinctiveness: **Newness and distinctiveness**
is claimed in the features of shape and/or configuration of a metering
pump as illustrated in the accompanying representations.



(21) Design Number: **11188/2016**
(22) Date of Filing Application: **03 March 2016**
(24) Date from which industrial property rights may have effect: **03 March 2016**
(54) Product in respect of which the design is registered: **Stylus**
(51) International Design Classification: **14-02**
(74) Name(s) of Attorney(s): **Freehills Patent Attorneys**
(71) Name(s) and Address(s) of Applicant(s):
Apple Inc.
1 Infinite Loop Cupertino California, 95014 United States of America
(72) Name(s) of Designer(s): **Jody Akana and Molly Anderson and Bartley K.**
Andre and Shota Aoyagi and Anthony Michael Ashcroft and Jeremy
Bataillou and Daniel J. Coster and Daniele De Iuliis and M. Evans
Hankey and Julian Hoenig and Richard P. Howarth and Jonathan
P. Ive and Duncan Robert Kerr and Matthew Dean Rohrbach and
Peter Russell-Clarke and Benjamin Andrew Shaffer and Mikael Silvanto
and Christopher J. Stinger and Eugene Anthony Whang and Rico
Zorkendorfer
(45) Registration Date: **22 March 2016**
(30) Convention priority data:
(31) Number (32) Date (33) Country
29/538660 04 Sep 2015 UNITED STATES OF AMERICA
(56) Related Art Documents: **Not Applicable**
(57) Statement of Newness and Distinctiveness: **Newness and distinctiveness**
is claimed in the features of shape and configuration as shown in the
accompanying representations.



(21) Design Number: **11236/2016**
(22) Date of Filing Application: **08 March 2016**
(24) Date from which industrial property rights may have effect: **08 March 2016**
(54) Product in respect of which the design is registered: **Ocular inserter**
(51) International Design Classification: **24-01**
(74) Name(s) of Attorney(s): **Shelston IP Pty Ltd.**
(71) Name(s) and Address(s) of Applicant(s):
Psivida US, Inc.
400 Pleasant Street Watertown Massachusetts, 02472 United States of America
(72) Name(s) of Designer(s): **Martin Nazzaro and Josh York and Ron LeBlanc**
(45) Registration Date: **22 March 2016**
(30) Convention priority data:
(31) Number (32) Date (33) Country
29/543267 22 Oct 2015 UNITED STATES OF AMERICA
(56) Related Art Documents: **Not Applicable**
(57) Statement of Newness and Distinctiveness: **Newness and distinctiveness resides in the features of shape and configuration of the main body portion of an ocular inserter as illustrated in the accompanying representations. The detailed design of the various buttons, plunger, grooves, detents and screws do not form part of the present design and can be varied or omitted.**



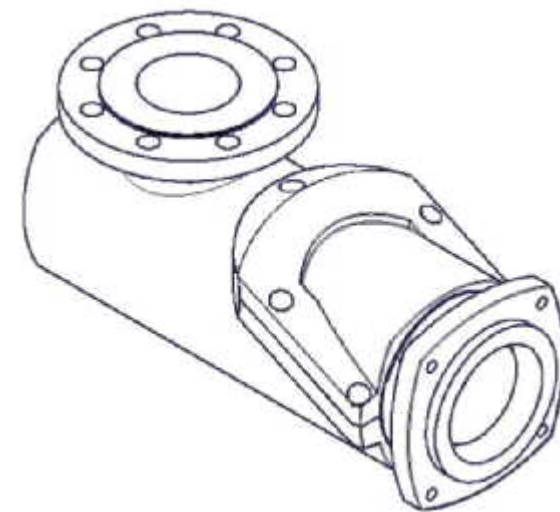
(21) Design Number: **14914/2015**
(22) Date of Filing Application: **17 September 2015**
(24) Date from which industrial property rights may have effect: **17 September 2015**
(54) Product in respect of which the design is registered: **Bicycle path bumper**
(51) International Design Classification: **10-06**
(74) Name(s) of Attorney(s): **Lord & Company**
(71) Name(s) and Address(s) of Applicant(s):
Stockbrands Co. Pty Ltd
53 Edward St Osborne Park WA 6017 Australia
(72) Name(s) of Designer(s): **John Forehan**
(45) Registration Date: **22 March 2016**
(56) Related Art Documents: **Not Applicable**
(57) Statement of Newness and Distinctiveness: **Nil**



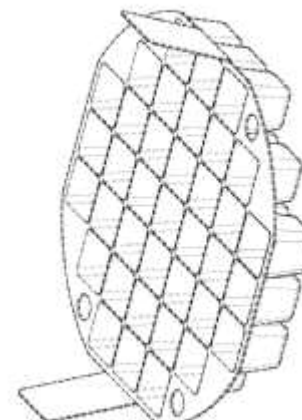
- (21) Design Number: **15281/2015**
(22) Date of Filing Application: **08 October 2015**
(24) Date from which industrial property rights may have effect: **08 October 2015**
(54) Product in respect of which the design is registered: **Toaster**
(51) International Design Classification: **07-02F**
(74) Name(s) of Attorney(s): **Molins & Co Pty Ltd**
(71) Name(s) and Address(s) of Applicant(s):
Breville Pty Limited
Ground Floor Se 2 170-180 Bourke Rd Alexandria NSW 2015 Australia
(72) Name(s) of Designer(s): **James George Morton**
(45) Registration Date: **22 March 2016**
(56) Related Art Documents: **Not Applicable**
(57) Statement of Newness and Distinctiveness: **Newness is claimed in the features of shape and configuration of the toaster as shown in the accompanying representations. The bottom view plan is not claimed as part of the design.**



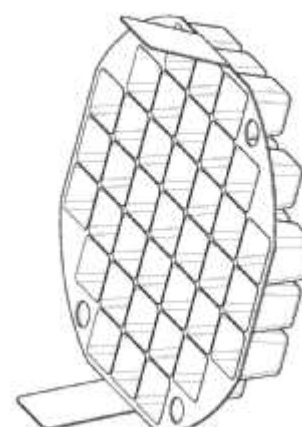
- (21) Design Number: **10254/2016**
(22) Date of Filing Application: **19 January 2016**
(24) Date from which industrial property rights may have effect: **27 November 2015**
(54) Product in respect of which the design is registered: **Pump housing**
(51) International Design Classification: **15-02**
(74) Name(s) of Attorney(s): **Davies Collison Cave**
(71) Name(s) and Address(s) of Applicant(s):
NETZSCH Pumpen & Systeme GmbH
Gebruder-Netzsch-Strasse 19 Selb 95100 Germany
(72) Name(s) of Designer(s): **Mikael Tekneyan and Magdalena Bruning and Michael Suthmann and Philipp Nubl**
(45) Registration Date: **22 March 2016**
(30) Convention priority data:
(31) Number (32) Date (33) Country
002709634-0004 29 May 2015 OFFICE FOR HARMONISATION IN THE INTERNAL MARKET (OHIM)
(62) Divisional of: **366816**
(56) Related Art Documents: **Not Applicable**
(57) Statement of Newness and Distinctiveness: **Nil**



- (21) Design Number: **10310/2016**
(22) Date of Filing Application: **21 January 2016**
(24) Date from which industrial property rights may have effect: **21 January 2016**
(54) Product in respect of which the design is registered: **A tray insert**
(51) International Design Classification: **11-02B**
(74) Name(s) of Attorney(s): **Davies Collison Cave**
(71) Name(s) and Address(s) of Applicant(s):
Goldfields Collections Pty Ltd
C/- 461 Heatherton Rd Clayton South VIC 3169 Australia
(72) Name(s) of Designer(s): **Nico van Rooijen**
(45) Registration Date: **22 March 2016**
(56) Related Art Documents: **Not Applicable**
(57) Statement of Newness and Distinctiveness: **Newness and distinctiveness are claimed in the visual features of shape and configuration of a tray insert having an indefinite number and configuration of cells, as shown in solid lines in the drawings. The features shown in broken lines are capable of variation and do not form part of the claimed design.**



- (21) Design Number: **10311/2016**
(22) Date of Filing Application: **21 January 2016**
(24) Date from which industrial property rights may have effect: **21 January 2016**
(54) Product in respect of which the design is registered: **A tray insert**
(51) International Design Classification: **11-02B**
(74) Name(s) of Attorney(s): **Davies Collison Cave**
(71) Name(s) and Address(s) of Applicant(s):
Goldfields Collections Pty Ltd
C/- 461 Heatherton Rd Clayton South VIC 3169 Australia
(72) Name(s) of Designer(s): **Nico van Rooijen**
(45) Registration Date: **22 March 2016**
(56) Related Art Documents: **Not Applicable**
(57) Statement of Newness and Distinctiveness: **Newness and distinctiveness are claimed in the visual features of shape and configuration of a tray insert for plants as shown in solid lines in the drawings.**



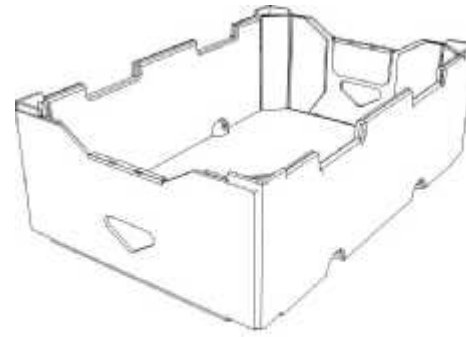
(21) Design Number: **10350/2016**
(22) Date of Filing Application: **25 January 2016**
(24) Date from which industrial property rights may have effect: **25 January 2016**
(54) Product in respect of which the design is registered: **Rucksack**
(51) International Design Classification: **03-01A**
(74) Name(s) of Attorney(s): **Davies Collison Cave**
(71) Name(s) and Address(s) of Applicant(s):
Hermes Sellier (Societe Par Actions Simpliffee)
24 Rue du Faubourg Saint Honore Paris 75008 France
(72) Name(s) of Designer(s): **Pierre-Alexis Dumas**
(45) Registration Date: **22 March 2016**
(30) Convention priority data:
(31) Number (32) Date (33) Country
**924626901 29 Sep 2015 WORLD INTELLECTUAL
PROPERTY ORGANIZATION
(WIPO)**
(56) Related Art Documents: **Not Applicable**
(57) Statement of Newness and Distinctiveness: **Nil**



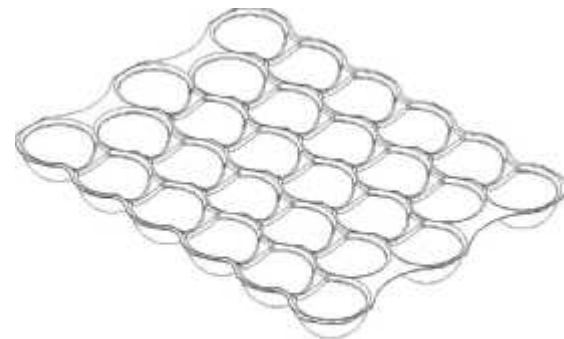
(21) Design Number: **10460/2016**
(22) Date of Filing Application: **29 January 2016**
(24) Date from which industrial property rights may have effect: **29 January 2016**
(54) Product in respect of which the design is registered: **Hinged button cover**
(51) International Design Classification: **02-07A**
(74) Name(s) of Attorney(s): **Davies Collison Cave**
(71) Name(s) and Address(s) of Applicant(s):
Danny Tang
**18351 Colima Road #2808 Rowland Heights California, 91748 United
States Of America**
(72) Name(s) of Designer(s): **Danny Tang**
(45) Registration Date: **22 March 2016**
(30) Convention priority data:
(31) Number (32) Date (33) Country
29/534,713 30 Jul 2015 UNITED STATES OF AMERICA
(56) Related Art Documents: **Not Applicable**
(57) Statement of Newness and Distinctiveness: **Newness and distinctiveness is
claimed in the visual features shown in solid lines in the representations.
In considering the extent of the design rights, the broken lines shown
in the representations are for illustrative purposes only and do not form
part of the design.**



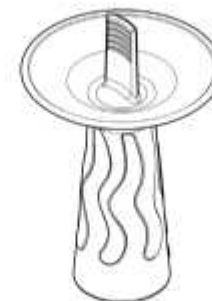
- (21) Design Number: **10614/2016**
(22) Date of Filing Application: **05 February 2016**
(24) Date from which industrial property rights may have effect: **05 February 2016**
(54) Product in respect of which the design is registered: **Blank for forming a container**
(51) International Design Classification: **09-03NES**
(74) Name(s) of Attorney(s): **Davies Collison Cave**
(71) Name(s) and Address(s) of Applicant(s):
Visy R & D Pty Ltd
L11 2 Southbank Bvd Southbank VIC 3006 Australia
(72) Name(s) of Designer(s): **Barry Glenn Campagnolo**
(45) Registration Date: **22 March 2016**
(56) Related Art Documents: **Not Applicable**
(57) Statement of Newness and Distinctiveness: **The features of shape and configuration of the blank for forming a container shown in the accompanying representations are considered to be new and distinctive.**



- (21) Design Number: **10675/2016**
(22) Date of Filing Application: **10 February 2016**
(24) Date from which industrial property rights may have effect: **10 February 2016**
(54) Product in respect of which the design is registered: **Box tray**
(51) International Design Classification: **09-03K**
(74) Name(s) of Attorney(s): **Davies Collison Cave**
(71) Name(s) and Address(s) of Applicant(s):
Visy R & D Pty Ltd
L11 2 Southbank Bvd Southbank VIC 3006 Australia
(72) Name(s) of Designer(s): **Piotr Bankowski**
(45) Registration Date: **22 March 2016**
(56) Related Art Documents: **Not Applicable**
(57) Statement of Newness and Distinctiveness: **The features of shape and configuration of the box tray shown in the accompanying representations are considered to be new and distinctive. In particular, curved sections "A" are considered to be new and distinctive.**



- (21) Design Number: **10703/2016**
(22) Date of Filing Application: **11 February 2016**
(24) Date from which industrial property rights may have effect: **11 February 2016**
(54) Product in respect of which the design is registered: **Holder for an iced confection**
(51) International Design Classification: **07-06NES**
(74) Name(s) of Attorney(s): **Fisher Adams Kelly Callinans**
(71) Name(s) and Address(s) of Applicant(s):
The Decor Corporation Pty. Ltd.
1314 Ferntree Gully Rd Scoresby VIC, 3179 Australia
(72) Name(s) of Designer(s): **Ryan Owen**
(45) Registration Date: **22 March 2016**
(56) Related Art Documents: **Not Applicable**
(57) Statement of Newness and Distinctiveness: **Newness and distinctiveness resides in the features of shape, configuration, pattern and/or ornamentation as applied to a HOLDER FOR AN ICED CONFECTION as shown in the accompanying representations.**



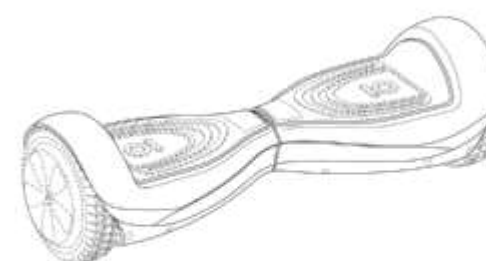
- (21) Design Number: **11243/2016**
(22) Date of Filing Application: **08 March 2016**
(24) Date from which industrial property rights may have effect: **08 March 2016**
(54) Product in respect of which the design is registered: **Case**
(51) International Design Classification: **03-01NES**
(74) Name(s) of Attorney(s): **Freehills Patent Attorneys**
(71) Name(s) and Address(s) of Applicant(s):
Apple Inc.
1 Infinite Loop Cupertino California, 95014 United States of America
(72) Name(s) of Designer(s): **Jody Akana and Molly Anderson and Bartley K. Andre and Shota Aoyagi and Anthony Michael Ashcroft and Jeremy Bataillou and Daniel J. Coster and Daniele De Iuliis and M. Evans Hankey and Julian Hoenig and Richard P. Howarth and Jonathan P. Ive and Duncan Robert Kerr and Matthew Dean Rohrbach and Peter Russell-Clarke and Benjamin Andrew Shaffer and Mikael Silvano and Christopher J. Stringer and Eugene Antony Whang and Rico Zorkendorfer**
(45) Registration Date: **22 March 2016**
(30) Convention priority data:
(31) Number (32) Date (33) Country
29/538816 08 Sep 2015 UNITED STATES OF AMERICA
(56) Related Art Documents: **Not Applicable**
(57) Statement of Newness and Distinctiveness: **Newness and distinctiveness is claimed in the features of shape and configuration shown in solid lines in the accompanying figures.**



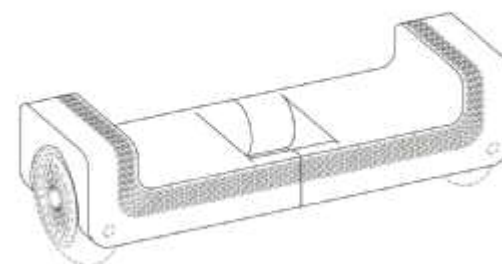
- (21) Design Number: **11246/2016**
(22) Date of Filing Application: **08 March 2016**
(24) Date from which industrial property rights may have effect: **08 March 2016**
(54) Product in respect of which the design is registered: **Display screen with graphical user interface**
(51) International Design Classification: **14-02**
(74) Name(s) of Attorney(s): **Freehills Patent Attorneys**
(71) Name(s) and Address(s) of Applicant(s):
Apple Inc.
1 Infinite Loop Cupertino California, 95014 United States of America
(72) Name(s) of Designer(s): **Freddy Anzures and Greg Apodaca and Sebastian Johannes Bauer and Jonathan Dascola and Alan C. Dye and Christopher Foss and Jonathan P. Ive and Kenneth Kocienda and Lauren Kim Trottier and Wan Si Wan and Giancarlo Yerkes**
(45) Registration Date: **22 March 2016**
(30) Convention priority data:
(31) Number (32) Date (33) Country
29/538798 08 Sep 2015 UNITED STATES OF AMERICA
(56) Related Art Documents: **Not Applicable**
(57) Statement of Newness and Distinctiveness: **Newness and distinctiveness is claimed in the features of ornamentation as shown in the accompanying representation and including the contrasting appearance. Newness and distinctiveness is not claimed in the features shown in broken lines.**



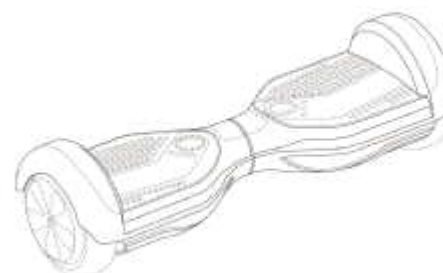
- (21) Design Number: **11248/2016**
(22) Date of Filing Application: **08 March 2016**
(24) Date from which industrial property rights may have effect: **08 March 2016**
(54) Product in respect of which the design is registered: **Personal transportation vehicle**
(51) International Design Classification: **21-02E**
(74) Name(s) of Attorney(s): **Shelston IP Pty Ltd.**
(71) Name(s) and Address(s) of Applicant(s):
Hangzhou Chic Intelligent Technology Co., Ltd
No.6 Building, 3rd Floor Liangzhu University Keji Garden Liangzhu Street, Yuhang District Hangzhou City Zhejiang Province, 310000 China
(72) Name(s) of Designer(s): **Jiawei Ying**
(45) Registration Date: **22 March 2016**
(30) Convention priority data:
(31) Number (32) Date (33) Country
201530481979.4 26 Nov 2015 CHINA
(56) Related Art Documents: **Not Applicable**
(57) Statement of Newness and Distinctiveness: **Newness and distinctiveness reside in the features of shape and/or configuration of a PERSONAL TRANSPORTATION VEHICLE as illustrated in solid lines in the accompanying representations. The features shown in broken or discontinuous lines are illustrative only and do not form part of the design.**



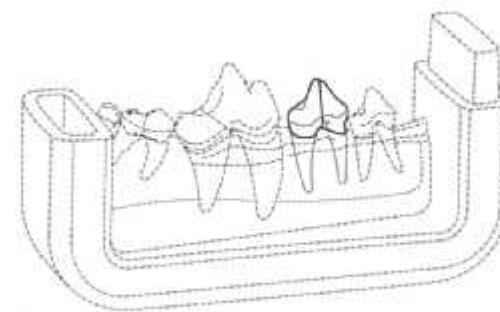
- (21) Design Number: **11252/2016**
(22) Date of Filing Application: **08 March 2016**
(24) Date from which industrial property rights may have effect: **08 March 2016**
(54) Product in respect of which the design is registered: **Personal transportation vehicle**
(51) International Design Classification: **21-02E**
(74) Name(s) of Attorney(s): **Shelston IP Pty Ltd.**
(71) Name(s) and Address(s) of Applicant(s):
Hangzhou Chic Intelligent Technology Co., Ltd
No.6 Building, 3rd Floor Liangzhu University Keji Garden Liangzhu
Street, Yuhang District Hangzhou City Zhejiang Province, 310000 China
(72) Name(s) of Designer(s): **Jiawei Ying**
(45) Registration Date: **22 March 2016**
(30) Convention priority data:
(31) Number (32) Date (33) Country
201530389509.5 09 Oct 2015 CHINA
(56) Related Art Documents: **Not Applicable**
(57) Statement of Newness and Distinctiveness: **Newness and distinctiveness reside in the features of shape and/or configuration of a PERSONAL TRANSPORTATION VEHICLE as illustrated in solid lines in the accompanying representations. The features shown in broken or discontinuous lines are illustrative only and do not form part of the design.**



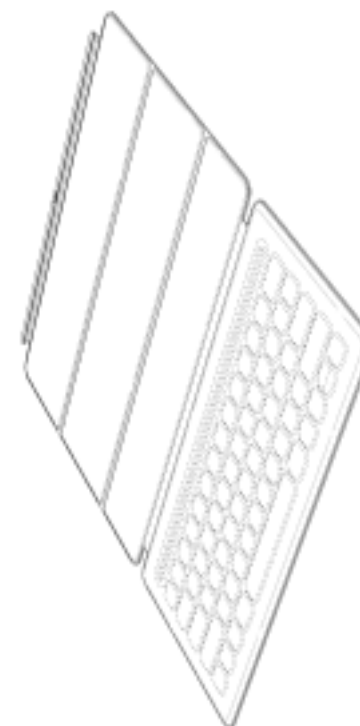
- (21) Design Number: **11253/2016**
(22) Date of Filing Application: **08 March 2016**
(24) Date from which industrial property rights may have effect: **08 March 2016**
(54) Product in respect of which the design is registered: **Personal transportation vehicle**
(51) International Design Classification: **21-02E**
(74) Name(s) of Attorney(s): **Shelston IP Pty Ltd.**
(71) Name(s) and Address(s) of Applicant(s):
Hangzhou Chic Intelligent Technology Co., Ltd
No.6 Building, 3rd Floor Liangzhu University Keji Garden Liangzhu
Street, Yuhang District Hangzhou City Zhejiang Province, 310000 China
(72) Name(s) of Designer(s): **Jiawei Ying**
(45) Registration Date: **22 March 2016**
(30) Convention priority data:
(31) Number (32) Date (33) Country
201530389352.6 09 Oct 2015 CHINA
(56) Related Art Documents: **Not Applicable**
(57) Statement of Newness and Distinctiveness: **Newness and distinctiveness reside in the features of shape and/or configuration of a PERSONAL TRANSPORTATION VEHICLE as illustrated in solid lines in the accompanying representations. The features shown in broken or discontinuous lines are illustrative only and do not form part of the design.**



- (21) Design Number: **11163/2016**
(22) Date of Filing Application: **03 March 2016**
(24) Date from which industrial property rights may have effect: **03 March 2016**
(54) Product in respect of which the design is registered: **Tooth sectioning model**
(51) International Design Classification: **24-99**
(74) Name(s) of Attorney(s): **WATERMARK PATENT AND TRADE MARKS ATTORNEYS**
(71) Name(s) and Address(s) of Applicant(s):
Mars, Incorporated
6885 Elm Street McLean Virginia, 22101 United States of America
(72) Name(s) of Designer(s): **Marie Louise Bennett and David Wylie and John Geoffrey Andrew Robinson**
(45) Registration Date: **22 March 2016**
(30) Convention priority data:
(31) Number (32) Date (33) Country
002766790 04 Sep 2015 OFFICE FOR HARMONISATION IN THE INTERNAL MARKET (OHIM)
(56) Related Art Documents: **Not Applicable**
(57) Statement of Newness and Distinctiveness: **Newness and distinctiveness resides in the features of shape and/or configuration of the tooth sectioning model shown in solid lines (excluding those features shown in broken lines).**



- (21) Design Number: **11173/2016**
(22) Date of Filing Application: **03 March 2016**
(24) Date from which industrial property rights may have effect: **03 March 2016**
(54) Product in respect of which the design is registered: **Cover**
(51) International Design Classification: **03-01NES**
(74) Name(s) of Attorney(s): **Freehills Patent Attorneys**
(71) Name(s) and Address(s) of Applicant(s):
Apple Inc.
1 Infinite Loop Cupertino California, 95014 United States of America
(72) Name(s) of Designer(s): **Jody Akana and Molly Anderson and Bartley K. Andre and Shota Aoyagi and Anthony Michael Ashcroft and Jeremy Bataillou and Daniel J. Coster and Daniele De Iuliis and M. Evans Hankey and Julian Hoenig and Richard P. Howarth and Jonathan P. Ive and Duncan Robert Kerr and Matthew Dean Rohrbach and Peter Russell-Clarke and Benjamin Andrew Shaffer and Mikael Silvano and Christopher J. Stringer and Eugene Antony Whang and Rico Zorkendorfer**
(45) Registration Date: **22 March 2016**
(30) Convention priority data:
(31) Number (32) Date (33) Country
29/538661 04 Sep 2015 UNITED STATES OF AMERICA
(56) Related Art Documents: **Not Applicable**
(57) Statement of Newness and Distinctiveness: **Newness and distinctiveness is claimed in the features of shape and configuration shown in solid line in the accompanying figures.**



(21) Design Number: **11237/2016**

(22) Date of Filing Application: **08 March 2016**

(24) Date from which industrial property rights may have effect: **08 March 2016**

(54) Product in respect of which the design is registered: **Ocular inserter**

(51) International Design Classification: **24-01**

(74) Name(s) of Attorney(s): **Shelston IP Pty Ltd.**

(71) Name(s) and Address(s) of Applicant(s):

Psivida US, Inc.

400 Pleasant Street Watertown Massachusetts, 02472 United States of America

(72) Name(s) of Designer(s): **Martin Nazzaro and Josh York and Ron LeBlanc**

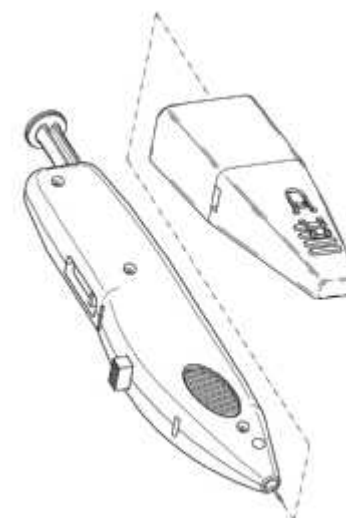
(45) Registration Date: **22 March 2016**

(30) Convention priority data:

(31) Number	(32) Date	(33) Country
29/543267	22 Oct 2015	UNITED STATES OF AMERICA

(56) Related Art Documents: **Not Applicable**

(57) Statement of Newness and Distinctiveness: **Newness and distinctiveness resides in the general features of shape and configuration an ocular inserter with cap as illustrated in the accompanying representations. The detailed design of the various buttons, plunger, grooves, detents and screws on the inserter and/or the cap do not form part of the present design and can be varied or omitted.**



(21) Design Number: **11239/2016**

(22) Date of Filing Application: **08 March 2016**

(24) Date from which industrial property rights may have effect: **08 March 2016**

(54) Product in respect of which the design is registered: **Display screen with graphical user interface**

(51) International Design Classification: **14-02**

(74) Name(s) of Attorney(s): **Freehills Patent Attorneys**

(71) Name(s) and Address(s) of Applicant(s):

Apple Inc.

1 Infinite Loop Cupertino California, 95014 United States of America

(72) Name(s) of Designer(s): **Marcos Alonso Ruiz and Graham Clarke and Alan C. Dye and Jonathan P. Ive and Henrique Penha**

(45) Registration Date: **22 March 2016**

(30) Convention priority data:

(31) Number	(32) Date	(33) Country
29/538832	08 Sep 2015	UNITED STATES OF AMERICA

(56) Related Art Documents: **Not Applicable**

(57) Statement of Newness and Distinctiveness: **Newness and distinctiveness is claimed in the features of pattern and ornamentation, including the contrasting appearance, as shown in the accompanying representation and as set out in the accompanying figure description. Newness and distinctiveness is not claimed in the features shown in broken lines.**



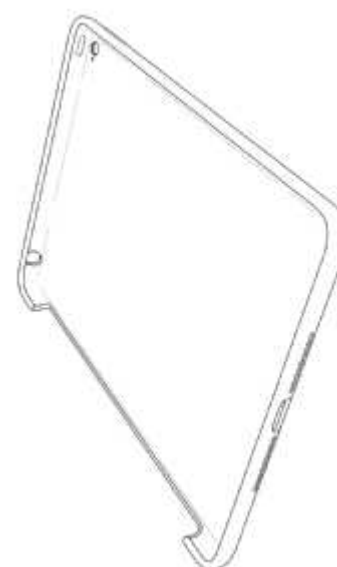
- (21) Design Number: **11240/2016**
(22) Date of Filing Application: **08 March 2016**
(24) Date from which industrial property rights may have effect: **08 March 2016**
(54) Product in respect of which the design is registered: **Bottle**
(51) International Design Classification: **09-01H**
(74) Name(s) of Attorney(s): **Dark IP**
(71) Name(s) and Address(s) of Applicant(s):
Golden Circle Limited
260 Earnshaw Rd Northgate QLD 4013 Australia
(72) Name(s) of Designer(s): **Michael Joseph Grima and Troy Nyssen and Bryan Terry**
(45) Registration Date: **22 March 2016**
(56) Related Art Documents: **Not Applicable**
(57) Statement of Newness and Distinctiveness: **Nil**



- (21) Design Number: **11241/2016**
(22) Date of Filing Application: **08 March 2016**
(24) Date from which industrial property rights may have effect: **08 March 2016**
(54) Product in respect of which the design is registered: **Case**
(51) International Design Classification: **03-01NES**
(74) Name(s) of Attorney(s): **Freehills Patent Attorneys**
(71) Name(s) and Address(s) of Applicant(s):
Apple Inc.
1 Infinite Loop Cupertino California, 95014 United States of America
(72) Name(s) of Designer(s): **Jody Akana and Molly Anderson and Bartley K. Andre and Shota Aoyagi and Anthony Michael Ashcroft and Jeremy Bataillou and Daniel J. Coster and Daniele De Iuliis and M. Evans Hankey and Julian Hoenig and Richard P. Howarth and Jonathan P. Ive and Duncan Robert Kerr and Matthew Dean Rohrbach and Peter Russell-Clarke and Benjamin Andrew Shaffer and Mikael Silvano and Christopher J. Stringer and Eugene Antony Whang and Rico Zorkendorfer**
(45) Registration Date: **22 March 2016**
(30) Convention priority data:
(31) Number (32) Date (33) Country
29/538751 08 Sep 2015 UNITED STATES OF AMERICA
(56) Related Art Documents: **Not Applicable**
(57) Statement of Newness and Distinctiveness: **Newness and distinctiveness is claimed in the features of shape and configuration shown in the accompanying figures.**



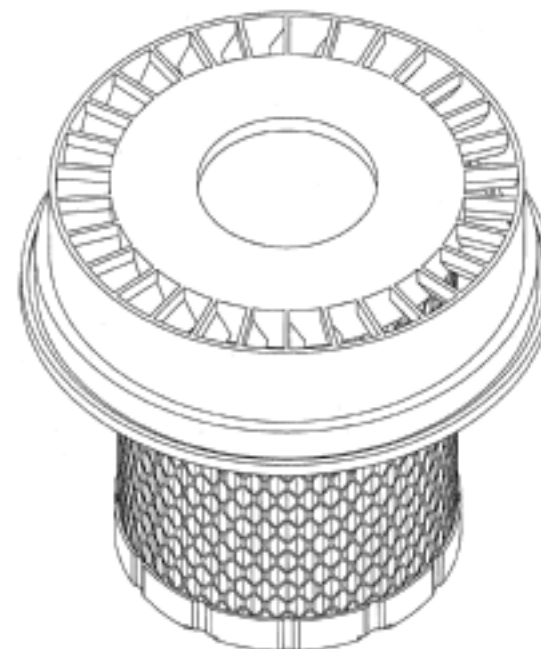
- (21) Design Number: **11242/2016**
(22) Date of Filing Application: **08 March 2016**
(24) Date from which industrial property rights may have effect: **08 March 2016**
(54) Product in respect of which the design is registered: **Case**
(51) International Design Classification: **03-01NES**
(74) Name(s) of Attorney(s): **Freehills Patent Attorneys**
(71) Name(s) and Address(s) of Applicant(s):
Apple Inc.
1 Infinite Loop Cupertino California, 95014 United States of America
(72) Name(s) of Designer(s): **Jody Akana and Molly Anderson and Bartley K. Andre and Shota Aoyagi and Anthony Michael Ashcroft and Jeremy Bataillou and Daniel J. Coster and Daniele De Iuliis and M. Evans Hankey and Julian Hoenig and Richard P. Howarth and Jonathan P. Ive and Duncan Robert Kerr and Matthew Dean Rohrbach and Peter Russell-Clarke and Benjamin Andrew Shaffer and Mikael Silvanto and Christopher J. Stringer and Eugene Antony Whang and Rico Zorkendorfer**
(45) Registration Date: **22 March 2016**
(30) Convention priority data:
(31) Number (32) Date (33) Country
29/538751 08 Sep 2015 UNITED STATES OF AMERICA
(56) Related Art Documents: **Not Applicable**
(57) Statement of Newness and Distinctiveness: **Newness and distinctiveness is claimed in the features of shape and configuration shown in the accompanying figures.**



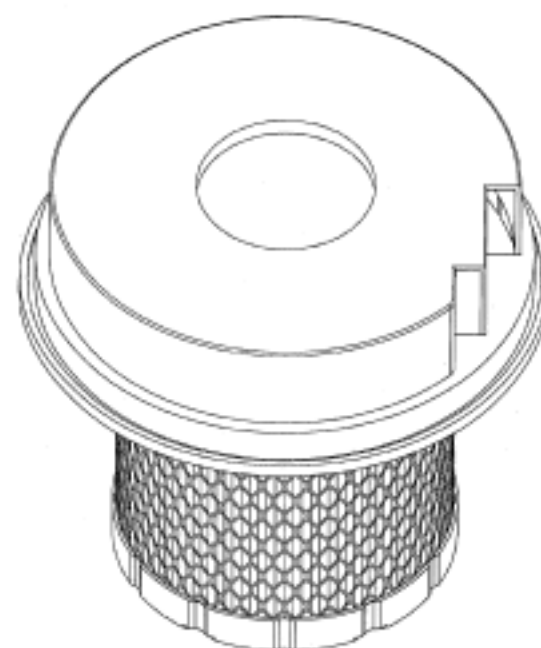
- (21) Design Number: **17116/2015**
(22) Date of Filing Application: **24 December 2015**
(24) Date from which industrial property rights may have effect: **24 December 2015**
(54) Product in respect of which the design is registered: **Furniture construction elements**
(51) International Design Classification: **06-06E**
(74) Name(s) of Attorney(s):
(71) Name(s) and Address(s) of Applicant(s):
Luxmy Furniture Pty Ltd
E2/11-15 Moxon Rd Punchbowl NSW 2196 Australia
(72) Name(s) of Designer(s): **Sudhindra Rao**
(45) Registration Date: **22 March 2016**
(56) Related Art Documents: **Not Applicable**
(57) Statement of Newness and Distinctiveness: **Newness and distinctiveness reside in the shape and configuration of the connecting elements to be used in the construction of furniture, and tables in particular.**



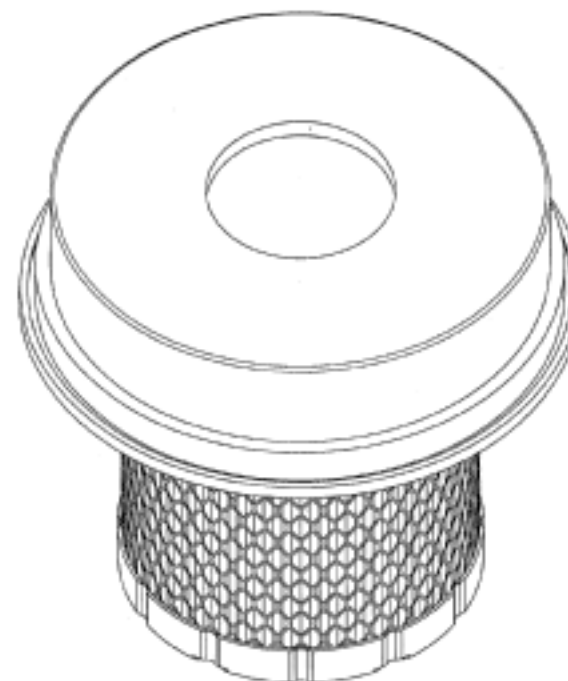
(21) Design Number: **10192/2016**
(22) Date of Filing Application: **14 January 2016**
(24) Date from which industrial property rights may have effect: **14 January 2016**
(54) Product in respect of which the design is registered: **Filter cartridge for air cleaner**
(51) International Design Classification: **23-04**
(74) Name(s) of Attorney(s): **Davies Collison Cave**
(71) Name(s) and Address(s) of Applicant(s):
The Sy-Klone Company
4390 Imeson Road Jacksonville Florida, 32219 United States of America
(72) Name(s) of Designer(s): **James Moredock and Eric Ehrenberg**
(45) Registration Date: **22 March 2016**
(30) Convention priority data:
(31) Number (32) Date (33) Country
29/533,091 14 Jul 2015 UNITED STATES OF AMERICA
(56) Related Art Documents: **Not Applicable**
(57) Statement of Newness and Distinctiveness: **Nil**



(21) Design Number: **10195/2016**
(22) Date of Filing Application: **14 January 2016**
(24) Date from which industrial property rights may have effect: **14 January 2016**
(54) Product in respect of which the design is registered: **Filter cartridge for air cleaner**
(51) International Design Classification: **23-04**
(74) Name(s) of Attorney(s): **Davies Collison Cave**
(71) Name(s) and Address(s) of Applicant(s):
The Sy-Klone Company
4390 Imeson Road Jacksonville Florida, 32219 United States of America
(72) Name(s) of Designer(s): **James G. Moredock and Eric L. Ehrenberg**
(45) Registration Date: **22 March 2016**
(30) Convention priority data:
(31) Number (32) Date (33) Country
29/533,125 14 Jul 2015 UNITED STATES OF AMERICA
(56) Related Art Documents: **Not Applicable**
(57) Statement of Newness and Distinctiveness: **Nil**



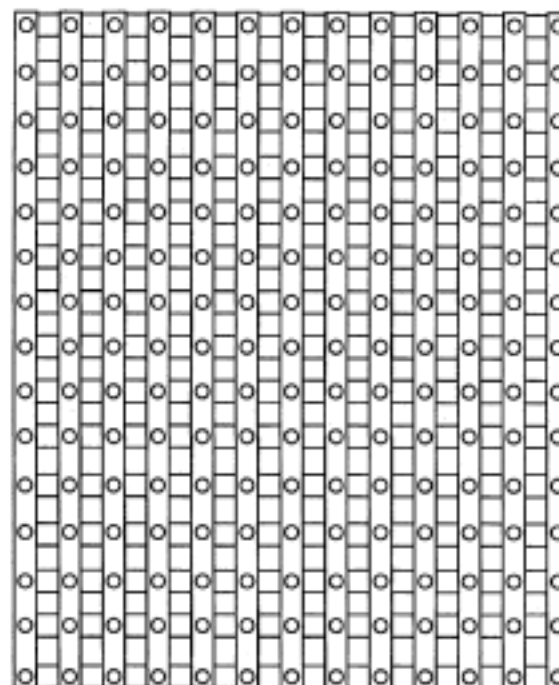
(21) Design Number: **10196/2016**
(22) Date of Filing Application: **14 January 2016**
(24) Date from which industrial property rights may have effect: **14 January 2016**
(54) Product in respect of which the design is registered: **Filter cartridge for air cleaner**
(51) International Design Classification: **23-04**
(74) Name(s) of Attorney(s): **Davies Collison Cave**
(71) Name(s) and Address(s) of Applicant(s):
The Sy-Klone Company
4390 Imeson Road Jacksonville Florida, 32219 United States of America
(72) Name(s) of Designer(s): **James Moredock and Eric Ehrenberg**
(45) Registration Date: **22 March 2016**
(30) Convention priority data:
(31) Number (32) Date (33) Country
29/533,123 14 Jul 2015 UNITED STATES OF AMERICA
(56) Related Art Documents: **Not Applicable**
(57) Statement of Newness and Distinctiveness: **Nil**



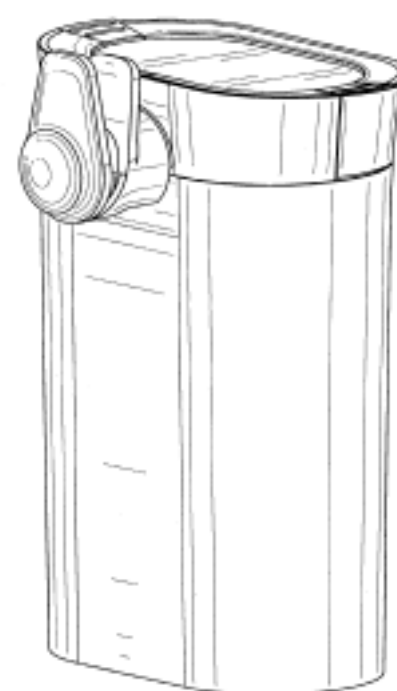
(21) Design Number: **10521/2016**
(22) Date of Filing Application: **02 February 2016**
(24) Date from which industrial property rights may have effect: **02 February 2016**
(54) Product in respect of which the design is registered: **Water bottle**
(51) International Design Classification: **09-01NES**
(74) Name(s) of Attorney(s):
(71) Name(s) and Address(s) of Applicant(s):
Suis Retail Pty Ltd
9 Newman Ave Carnegie VIC 3163 Australia
(72) Name(s) of Designer(s): **Andy Huang and Sean Huang and Jiamei Cui**
(45) Registration Date: **22 March 2016**
(56) Related Art Documents: **Not Applicable**
(57) Statement of Newness and Distinctiveness: **A slimline water bottle with a metallic finished lid and a biconcave base which is formed by a solid ring of glass and which when viewed from the underneath is doughnut shaped.**



- (21) Design Number: **10805/2016**
(22) Date of Filing Application: **15 February 2016**
(24) Date from which industrial property rights may have effect: **15 February 2016**
(54) Product in respect of which the design is registered: **Vehicle load restraint cargo net**
(51) International Design Classification: **12-16NES**
(74) Name(s) of Attorney(s):
(71) Name(s) and Address(s) of Applicant(s):
PAL ENTERPRISES (AUST) PTY LTD
36 Coralvine Gra Stirling WA 6021 Australia
(72) Name(s) of Designer(s): **Willem Hendrick Haasse**
(45) Registration Date: **22 March 2016**
(56) Related Art Documents: **Not Applicable**
(57) Statement of Newness and Distinctiveness: **Newness and distinctiveness are claimed in the visual features of shape and configuration of a Cargo Net being grommeted at all crossing points of overlapping webbing straps as show in the accompanying representation. Additional design to existing Design registration number 365341.**



- (21) Design Number: **10209/2016**
(22) Date of Filing Application: **15 January 2016**
(24) Date from which industrial property rights may have effect: **15 January 2016**
(54) Product in respect of which the design is registered: **Beverage cartridge and press assembly**
(51) International Design Classification: **07-02L**
(74) Name(s) of Attorney(s): **Davies Collison Cave**
(71) Name(s) and Address(s) of Applicant(s):
E.&J. Gallo Winery
600 Yosemite Boulevard Modesto California, 95354 United States of America
(72) Name(s) of Designer(s): **Kimberly Roberts and Patrick Coyle and Alexander III Coriano and Vivian K. Barad and Thomas Dieter Christian-Overthun and David Jason Wilkins and Anthony Peter Patron and Eben Roy Sargent and Daniel Lawrence Evans**
(45) Registration Date: **22 March 2016**
(30) Convention priority data:
(31) Number (32) Date (33) Country
29/533,270 15 Jul 2015 UNITED STATES OF AMERICA
(56) Related Art Documents: **Not Applicable**
(57) Statement of Newness and Distinctiveness: **Nil**



(21) Design Number: **16986/2015**
(22) Date of Filing Application: **22 December 2015**
(24) Date from which industrial property rights may have effect: **22 December 2015**
(54) Product in respect of which the design is registered: **Tire**
(51) International Design Classification: **12-15C**
(74) Name(s) of Attorney(s): **PHILLIPS ORMONDE FITZPATRICK**
(71) Name(s) and Address(s) of Applicant(s):

Cooper Tire & Rubber Company
701 Lima Avenue Findlay Ohio, 45840 United States of America

(72) Name(s) of Designer(s): **Jeremy J. Jacobs**

(45) Registration Date: **22 March 2016**

(30) Convention priority data:

(31) Number	(32) Date	(33) Country
29/533,955	23 Jul 2015	UNITED STATES OF AMERICA

(56) Related Art Documents: **Not Applicable**

(57) Statement of Newness and Distinctiveness: **Those features of the tire depicted in the representations that are new and distinctive are the shape and/or configuration of the tread of the tire. The broken lines showings of the sidewall from the inner bead to the tire tread are included for the purpose of illustrating environment and are to be disregarded when considering the overall impression of the design. The tread pattern is understood to repeat throughout the circumference of the tire. The other side of the tire view is the same view as illustrated in Fig.3.**



(21) Design Number: **17002/2015**
(22) Date of Filing Application: **22 December 2015**
(24) Date from which industrial property rights may have effect: **22 December 2015**
(54) Product in respect of which the design is registered: **Toaster**
(51) International Design Classification: **07-02F**
(74) Name(s) of Attorney(s): **Fisher Adams Kelly Callinans**
(71) Name(s) and Address(s) of Applicant(s):

Leslie Gort-Barten
County Oak Way Crawley West Sussex RH11 7ST United Kingdom

Alex Gort-Barten
County Oak Way Crawley West Sussex RH11 7ST United Kingdom

(72) Name(s) of Designer(s): **Leslie Gort-Barten and Alex Gort-Barten**

(45) Registration Date: **22 March 2016**

(30) Convention priority data:

(31) Number	(32) Date	(33) Country
EU 2723841	22 Jun 2015	EUROPEAN PATENT OFFICE (EPO)

(56) Related Art Documents: **Not Applicable**

(57) Statement of Newness and Distinctiveness: **Newness and distinctiveness of the design resides in the shape and/or configuration of a TOASTER as shown in the representations.**



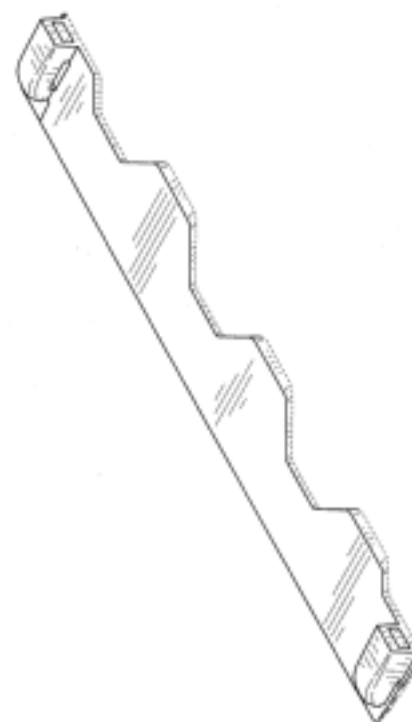
(21) Design Number: **13127/2015**
(22) Date of Filing Application: **22 June 2015**
(24) Date from which industrial property rights may have effect: **22 June 2015**
(54) Product in respect of which the design is registered: **Hair iron**
(51) International Design Classification: **28-03B**
(74) Name(s) of Attorney(s): **Davies Collison Cave**
(71) Name(s) and Address(s) of Applicant(s):
Jemella Group Limited
Bridgewater Place, Water Lane Leeds LS11 5BZ United Kingdom
(72) Name(s) of Designer(s): **Dan Brady and Stephen Anthony Sayers and Marcus Atkin**
(45) Registration Date: **23 March 2016**
(30) Convention priority data:
(31) Number (32) Date (33) Country
002706010-0001 22 May 2015 OFFICE FOR HARMONISATION IN THE INTERNAL MARKET (OHIM)
(56) Related Art Documents: **Not Applicable**
(57) Statement of Newness and Distinctiveness: **Nil**



(21) Design Number: **14915/2015**
(22) Date of Filing Application: **17 September 2015**
(24) Date from which industrial property rights may have effect: **17 September 2015**
(54) Product in respect of which the design is registered: **Bicycle path bumper**
(51) International Design Classification: **10-06**
(74) Name(s) of Attorney(s): **Lord & Company**
(71) Name(s) and Address(s) of Applicant(s):
Stockbrands Co. Pty Ltd
53 Edward St Osborne Park WA 6017 Australia
(72) Name(s) of Designer(s): **John Forehan**
(45) Registration Date: **23 March 2016**
(56) Related Art Documents: **Not Applicable**
(57) Statement of Newness and Distinctiveness: **Nil**



- (21) Design Number: **15518/2015**
(22) Date of Filing Application: **19 October 2015**
(24) Date from which industrial property rights may have effect: **06 August 2015**
(54) Product in respect of which the design is registered: **Coupling member**
(51) International Design Classification: **23-01A**
(74) Name(s) of Attorney(s): **FB Rice**
(71) Name(s) and Address(s) of Applicant(s):
Anki, Inc.
55 Second Street 15th Floor San Francisco California, 94105 United States of America
(72) Name(s) of Designer(s): **Charles Fiebig and Hanns Tappeiner**
(45) Registration Date: **23 March 2016**
(62) Divisional of: **365577**
(56) Related Art Documents: **Not Applicable**
(57) Statement of Newness and Distinctiveness: **Newness and distinctiveness reside in the visual features of the product shown in solid lines in the representations, excluding the features shown in dashed lines which are disclaimed. The dot-dashed lines represent boundary lines and also form no part of the design and are also disclaimed.**



- (21) Design Number: **16045/2015**
(22) Date of Filing Application: **12 November 2015**
(24) Date from which industrial property rights may have effect: **12 November 2015**
(54) Product in respect of which the design is registered: **Plastic dinosaur toy**
(51) International Design Classification: **21-01A**
(74) Name(s) of Attorney(s):
(71) Name(s) and Address(s) of Applicant(s):
Australian Age of Dinosaurs Limited
Lot 1 Dinosaur Dr PO BOX 408 Winton QLD 4735 Australia
(72) Name(s) of Designer(s): **Travis Tischler**
(45) Registration Date: **23 March 2016**
(56) Related Art Documents: **Not Applicable**
(57) Statement of Newness and Distinctiveness: **The newness and distinctiveness of the design resides in its representation of the holotype specimen of Australovenator wintonensis, the most complete carnivorous dinosaur in Australia. The dinosaur toy has been graphically defined like no other, with a well-defined upper-body, large claws and ridge along its back that extends along its tail. Veins, muscles and textured scales over the entire animal make it a completely new plastic dinosaur toy. The colour of the dinosaur blends in with the Museum's own rustic, natural background of earthy yellow and black spots with a white strip along its sides.**



(21) Design Number: **17110/2015**
(22) Date of Filing Application: **29 December 2015**
(24) Date from which industrial property rights may have effect: **29 December 2015**
(54) Product in respect of which the design is registered: **A container**
(51) International Design Classification: **09-02A**
(74) Name(s) of Attorney(s): **Baldwins**
(71) Name(s) and Address(s) of Applicant(s):
Foodcap International Limited
11 Hargreaves Street Victoria Park Auckland Central 1011 New Zealand
(72) Name(s) of Designer(s): **Julian Beavis**
(45) Registration Date: **23 March 2016**
(30) Convention priority data:
(31) Number (32) Date (33) Country
420384 29 Jun 2015 NEW ZEALAND
(56) Related Art Documents: **Not Applicable**
(57) Statement of Newness and Distinctiveness: **Newness and Distinctiveness resides in the features of shape and configuration of a container as shown in the accompanying drawings.**



(21) Design Number: **17142/2015**
(22) Date of Filing Application: **24 December 2015**
(24) Date from which industrial property rights may have effect: **24 December 2015**
(54) Product in respect of which the design is registered: **A snorkel**
(51) International Design Classification: **21-02D**
(74) Name(s) of Attorney(s): **Cullens Pty Ltd**
(71) Name(s) and Address(s) of Applicant(s):
AMEO Sports GmbH
Fitchenweg 1a 82319 Stanberg Germany
(72) Name(s) of Designer(s): **Matthias Ocklenburg and Andreas Neugebauer and Reinhard Misterek and Jan Von Hofacker**
(45) Registration Date: **23 March 2016**
(30) Convention priority data:
(31) Number (32) Date (33) Country
002728261-0001 29 Jun 2015 OFFICE FOR HARMONISATION IN THE INTERNAL MARKET (OHIM)
(56) Related Art Documents: **Not Applicable**
(57) Statement of Newness and Distinctiveness: **Nil**



- (21) Design Number: **10182/2016**
(22) Date of Filing Application: **13 January 2016**
(24) Date from which industrial property rights may have effect: **13 January 2016**
(54) Product in respect of which the design is registered: **Egg packaging**
(51) International Design Classification: **09-03D**
(74) Name(s) of Attorney(s):
(71) Name(s) and Address(s) of Applicant(s):



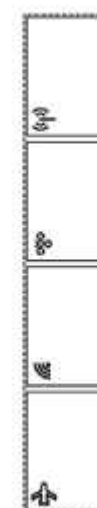
Sherry Group Pty Ltd
82 Newton Rd Wetherill Park NSW 2164 Australia

- (72) Name(s) of Designer(s): **Michael Xerri**
(45) Registration Date: **23 March 2016**
(56) Related Art Documents: **Not Applicable**
(57) Statement of Newness and Distinctiveness: **The newness and distinctiveness of the design resides in the features of shape and configuration of the region of the egg packaging within the notional rectangular cuboid enclosing the three face sides A, B, C, which are shown in the views of the accompanying drawings, and which may be applied to egg packaging. Gridlines shown in the accompanying drawings do not form part of the design.**

- (21) Design Number: **10351/2016**
(22) Date of Filing Application: **25 January 2016**
(24) Date from which industrial property rights may have effect: **25 January 2016**
(54) Product in respect of which the design is registered: **Display screen with icon group**
(51) International Design Classification: **14-02**
(74) Name(s) of Attorney(s): **Shelston IP Pty Ltd.**
(71) Name(s) and Address(s) of Applicant(s):

Microsoft Corporation
One Microsoft Way Redmond Washington, 98052-5321 United States of America

- (72) Name(s) of Designer(s): **Harold Gomez**
(45) Registration Date: **23 March 2016**
(30) Convention priority data:
(31) Number (32) Date (33) Country
29/534183 27 Jul 2015 UNITED STATES OF AMERICA



- (56) Related Art Documents: **Not Applicable**
(57) Statement of Newness and Distinctiveness: **Newness and distinctiveness reside in the pattern and/or ornamentation of a display screen with icon group as illustrated by solid lines in the accompanying representation. The features shown in broken outline, including the text and graphical elements, are for contextual purposes only and do not form part of the design.**

(21) Design Number: **10352/2016**
(22) Date of Filing Application: **25 January 2016**
(24) Date from which industrial property rights may have effect: **25 January 2016**
(54) Product in respect of which the design is registered: **Display screen with graphical user interface**
(51) International Design Classification: **14-02**
(74) Name(s) of Attorney(s): **Shelston IP Pty Ltd.**
(71) Name(s) and Address(s) of Applicant(s):
Microsoft Corporation
One Microsoft Way Redmond Washington, 98052-5321 United States of America

(72) Name(s) of Designer(s): **Sergey Kisselev and Andrew M. Pickard**

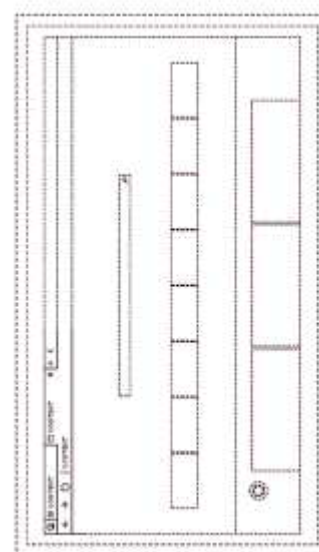
(45) Registration Date: **23 March 2016**

(30) Convention priority data:

(31) Number	(32) Date	(33) Country
29/534462	29 Jul 2015	UNITED STATES OF AMERICA

(56) Related Art Documents: **Not Applicable**

(57) Statement of Newness and Distinctiveness: **Newness and distinctiveness reside in the features of pattern and/or ornamentation of a display screen with graphical user interface as illustrated by solid lines in the accompanying representations. The features shown in broken outline, including the text and graphical elements, are for contextual purposes only and do not form part of the design.**



(21) Design Number: **10509/2016**
(22) Date of Filing Application: **30 January 2016**
(24) Date from which industrial property rights may have effect: **30 January 2016**
(54) Product in respect of which the design is registered: **Corer**
(51) International Design Classification: **07-04**
(74) Name(s) of Attorney(s): **IP Sentinels Patent and Trademark Attorneys**
(71) Name(s) and Address(s) of Applicant(s):
Jack Holden Ltd
12 The Woodleys Kings Heath Birmingham B14 4AU United Kingdom

(72) Name(s) of Designer(s): **Alison Christoforidou**

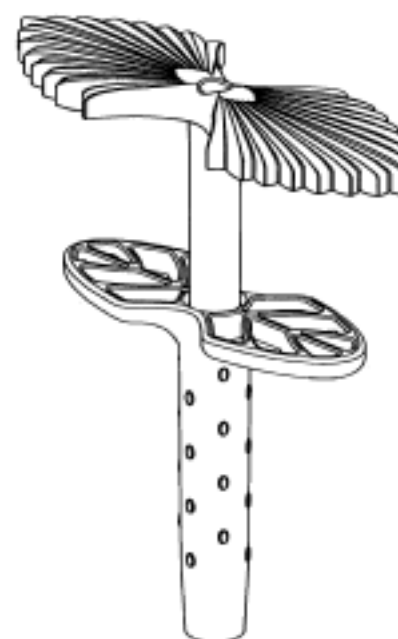
(45) Registration Date: **23 March 2016**

(30) Convention priority data:

(31) Number	(32) Date	(33) Country
002745372-0001	29 Jul 2015	OFFICE FOR HARMONISATION IN THE INTERNAL MARKET (OHIM)

(56) Related Art Documents: **Not Applicable**

(57) Statement of Newness and Distinctiveness: **Nil**

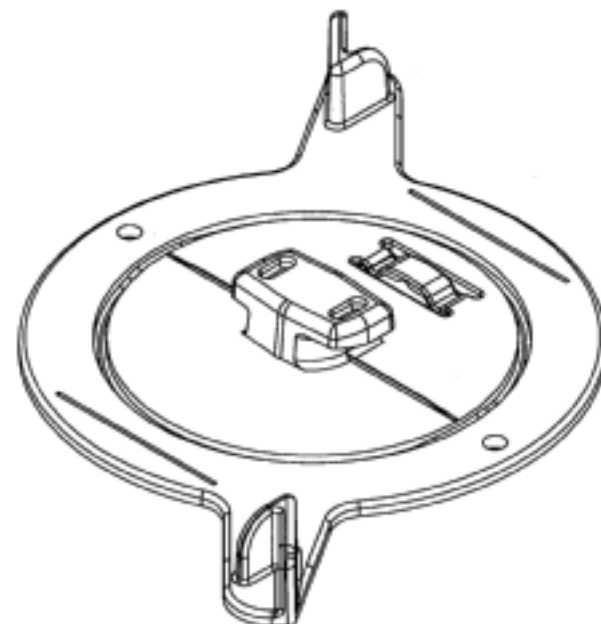


(21) Design Number: **10566/2016**
(22) Date of Filing Application: **03 February 2016**
(24) Date from which industrial property rights may have effect: **03 February 2016**
(54) Product in respect of which the design is registered: **Tamper tool**
(51) International Design Classification: **15-09**
(74) Name(s) of Attorney(s): **Cullens Pty Ltd**
(71) Name(s) and Address(s) of Applicant(s):
Nordco Inc.
245 West Forest Hill Avenue Oak Creek Wisconsin, 53154 United States of America

(72) Name(s) of Designer(s): **Daniel Mark Henke**
(45) Registration Date: **23 March 2016**
(30) Convention priority data:
(31) Number (32) Date (33) Country
29/535330 05 Aug 2015 UNITED STATES OF AMERICA
(56) Related Art Documents: **Not Applicable**
(57) Statement of Newness and Distinctiveness: **The new and distinct features are the features of shape and configuration of a tamper tool as shown in the attached representations.**



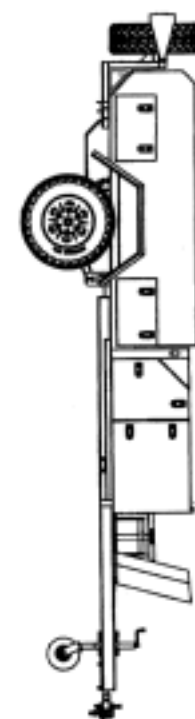
(21) Design Number: **10621/2016**
(22) Date of Filing Application: **05 February 2016**
(24) Date from which industrial property rights may have effect: **05 February 2016**
(54) Product in respect of which the design is registered: **Pedestal adaptor**
(51) International Design Classification: **25-02NES**
(74) Name(s) of Attorney(s): **FB Rice**
(71) Name(s) and Address(s) of Applicant(s):
Elmich Pte Ltd
15 Joan Road Singapore 298899 Singapore
(72) Name(s) of Designer(s): **Alan Sian Ghee Lee and Henry Greaves**
(45) Registration Date: **23 March 2016**
(56) Related Art Documents: **Not Applicable**
(57) Statement of Newness and Distinctiveness: **Newness and distinctiveness reside in the features of the design shown in solid lines in the representations excluding those features shown in broken lines.**



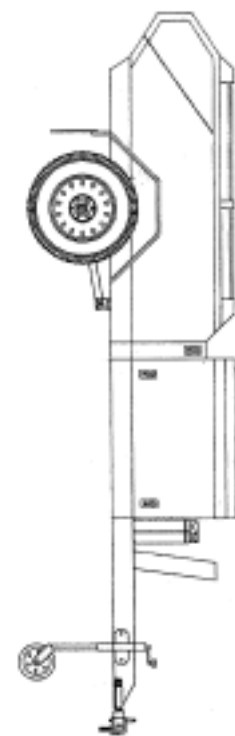
(21) Design Number: **11271/2016**
(22) Date of Filing Application: **08 March 2016**
(24) Date from which industrial property rights may have effect: **08 March 2016**
(54) Product in respect of which the design is registered: **Bottle with lid**
(51) International Design Classification: **07-01F, 09-01NES**
(74) Name(s) of Attorney(s): **Griffith Hack**
(71) Name(s) and Address(s) of Applicant(s):
BRITA GMBH
Heinrich-Hertz Strasse 4 TAUNUSSTEIN 65232 Germany
(72) Name(s) of Designer(s): **Christian Rummel and Tim Storti**
(45) Registration Date: **23 March 2016**
(30) Convention priority data:
(31) Number (32) Date (33) Country
40 2015 001 514 17 Sep 2015 GERMANY
(56) Related Art Documents: **Not Applicable**
(57) Statement of Newness and Distinctiveness: **Newness and distinctiveness resides in the visual features of a BOTTLE WITH LID as shown in the accompanying representations, namely, the translucent bottle, and the contrasting, opaque lid, as well as the differentially rendered portions of the lid.**



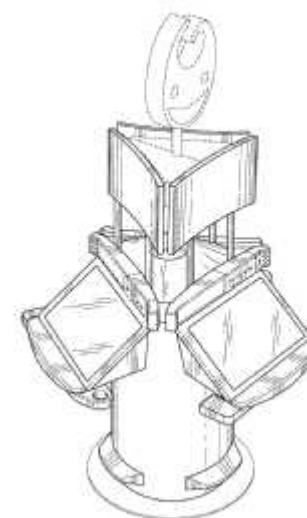
(21) Design Number: **10050/2016**
(22) Date of Filing Application: **06 January 2016**
(24) Date from which industrial property rights may have effect: **06 January 2016**
(54) Product in respect of which the design is registered: **Design of camper trailer**
(51) International Design Classification: **12-10**
(74) Name(s) of Attorney(s):
(71) Name(s) and Address(s) of Applicant(s):
N BURTON & P BURTON
PO BOX 5177 Brendale BC QLD 4500 Australia
(72) Name(s) of Designer(s): **Paul Burton**
(45) Registration Date: **23 March 2016**
(56) Related Art Documents: **Not Applicable**
(57) Statement of Newness and Distinctiveness: **New design 2016.**



(21) Design Number: **10051/2016**
(22) Date of Filing Application: **06 January 2016**
(24) Date from which industrial property rights may have effect: **06 January 2016**
(54) Product in respect of which the design is registered: **Design of camper trailer**
(51) International Design Classification: **12-10**
(74) Name(s) of Attorney(s):
(71) Name(s) and Address(s) of Applicant(s):
N BURTON & P BURTON
PO BOX 5177 Brendale BC QLD 4500 Australia
(72) Name(s) of Designer(s): **Paul Burton**
(45) Registration Date: **23 March 2016**
(56) Related Art Documents: **Not Applicable**
(57) Statement of Newness and Distinctiveness: **New 2016 rear hard floor camper.**



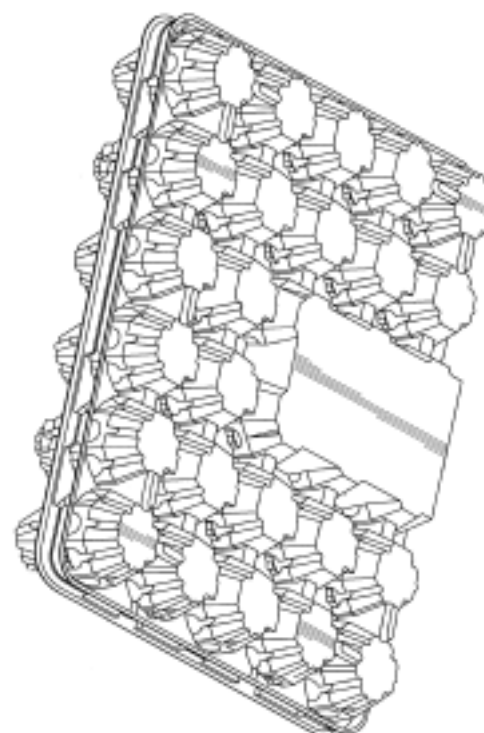
(21) Design Number: **10131/2016**
(22) Date of Filing Application: **12 January 2016**
(24) Date from which industrial property rights may have effect: **12 January 2016**
(54) Product in respect of which the design is registered: **Interactive device for a user**
(51) International Design Classification: **14-02**
(74) Name(s) of Attorney(s): **Griffith Hack**
(71) Name(s) and Address(s) of Applicant(s):
Gamblit Gaming, LLC
700 N. Central Blvd. 7th Floor Glendale CA, 91203 United States of America
(72) Name(s) of Designer(s): **Milton Sharp and Wayne Loynes and Eric Meyerhofer**
(45) Registration Date: **23 March 2016**
(30) Convention priority data:
(31) Number (32) Date (33) Country
29/534,734 30 Jul 2015 UNITED STATES OF AMERICA
(56) Related Art Documents: **Not Applicable**
(57) Statement of Newness and Distinctiveness: **Nil design shown in solid lines in the representations excluding those features in broken lines.**



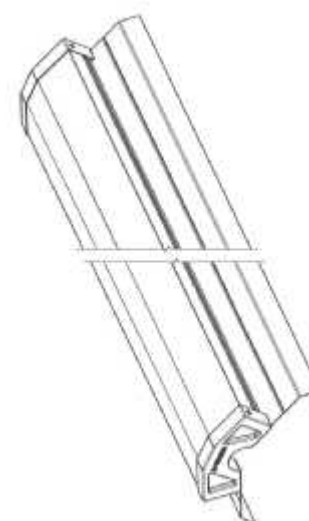
- (21) Design Number: **10160/2016**
(22) Date of Filing Application: **13 January 2016**
(24) Date from which industrial property rights may have effect: **13 January 2016**
(54) Product in respect of which the design is registered: **Bed**
(51) International Design Classification: **06-02**
(74) Name(s) of Attorney(s): **WATERMARK PATENT AND TRADE MARKS ATTORNEYS**
(71) Name(s) and Address(s) of Applicant(s):
Orion Holdings (Overseas) Limited
13/F Pico Tower 66 Gloucester Road Wan Chai Hong Kong Island Hong Kong
(72) Name(s) of Designer(s): **Justin Chui**
(45) Registration Date: **23 March 2016**
(56) Related Art Documents: **Not Applicable**
(57) Statement of Newness and Distinctiveness: **Newness and distinctiveness reside in the features of shape and configuration as applied to a bed wherein the slates for supporting a mattress on the bed frame illustrated in phantom outline do not form part of the design.**



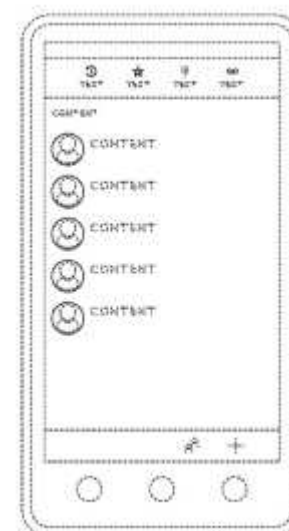
- (21) Design Number: **10179/2016**
(22) Date of Filing Application: **13 January 2016**
(24) Date from which industrial property rights may have effect: **13 January 2016**
(54) Product in respect of which the design is registered: **Egg packaging**
(51) International Design Classification: **09-03D**
(74) Name(s) of Attorney(s):
(71) Name(s) and Address(s) of Applicant(s):
Sherry Group Pty Ltd
182 Newton Rd Wetherill Park NSW 2164 Australia
(72) Name(s) of Designer(s): **Michael Xerri**
(45) Registration Date: **23 March 2016**
(56) Related Art Documents: **Not Applicable**
(57) Statement of Newness and Distinctiveness: **The newness and distinctiveness of the design resides in the features of shape and configuration of the egg packaging as shown in the accompanying drawings. The gridlines are to be excluded from the present monopoly.**



- (21) Design Number: **10291/2016**
(22) Date of Filing Application: **21 January 2016**
(24) Date from which industrial property rights may have effect: **21 January 2016**
(54) Product in respect of which the design is registered: **A ridge vent**
(51) International Design Classification: **25-01G**
(74) Name(s) of Attorney(s): **PHILLIPS ORMONDE FITZPATRICK**
(71) Name(s) and Address(s) of Applicant(s):
Stratco (Australia) Pty Limited
125 Cavan Rd Gepps Cross SA 5094 Australia
(72) Name(s) of Designer(s): **Michael Craig Lowe and Duane Todd Degruchy**
(45) Registration Date: **23 March 2016**
(56) Related Art Documents: **Not Applicable**
(57) Statement of Newness and Distinctiveness: **Newness and distinctiveness is claimed in the shape and configuration of the ridge vent shown in the accompanying representations. The length dimension of the ridge vent is to be disregarded when considering the design as indicated by the broken lines in the top, side and bottom views of the ridge vent as shown in the representations. The indicia marked on the end cap of the ridge vent as shown in the isometric and end views does not form part of the design and should be disregarded.**



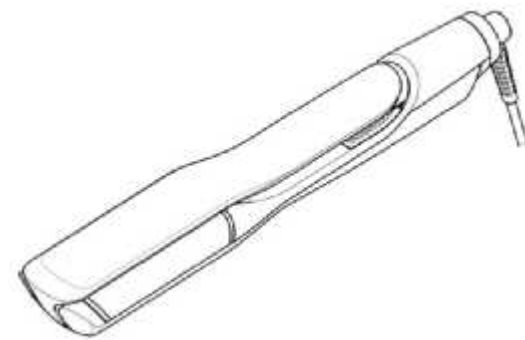
- (21) Design Number: **10353/2016**
(22) Date of Filing Application: **25 January 2016**
(24) Date from which industrial property rights may have effect: **25 January 2016**
(54) Product in respect of which the design is registered: **Display screen with graphical user interface**
(51) International Design Classification: **14-02**
(74) Name(s) of Attorney(s): **Shelston IP Pty Ltd.**
(71) Name(s) and Address(s) of Applicant(s):
Microsoft Corporation
One Microsoft Way Redmond Washington, 98052-5321 United States of America
(72) Name(s) of Designer(s): **Sergey Kisselev and Harold Gomez**
(45) Registration Date: **23 March 2016**
(30) Convention priority data:
(31) Number (32) Date (33) Country
29/534310 28 Jul 2015 UNITED STATES OF AMERICA
(56) Related Art Documents: **Not Applicable**
(57) Statement of Newness and Distinctiveness: **Newness and distinctiveness reside in the features of pattern and/or ornamentation of a display screen with graphical user interface as illustrated by solid lines in the accompanying representation. The features shown in broken outline, including the text and graphical elements, are for contextual purposes only and do not form part of the design.**



(21) Design Number: **13128/2015**
(22) Date of Filing Application: **22 June 2015**
(24) Date from which industrial property rights may have effect: **22 June 2015**
(54) Product in respect of which the design is registered: **Hair iron**
(51) International Design Classification: **28-03B**
(74) Name(s) of Attorney(s): **Davies Collison Cave**
(71) Name(s) and Address(s) of Applicant(s):
Jemella Group Limited
Bridgewater Place, Water Lane Leeds LS11 5BZ United Kingdom
(72) Name(s) of Designer(s): **Dan Brady and Stephen Anthony Sayers and Marcus Atkin**
(45) Registration Date: **23 March 2016**
(30) Convention priority data:
(31) Number (32) Date (33) Country
002706010-0002 22 May 2015 OFFICE FOR HARMONISATION IN THE INTERNAL MARKET (OHIM)
(56) Related Art Documents: **Not Applicable**
(57) Statement of Newness and Distinctiveness: **Nil**



(21) Design Number: **13138/2015**
(22) Date of Filing Application: **22 June 2015**
(24) Date from which industrial property rights may have effect: **22 June 2015**
(54) Product in respect of which the design is registered: **Hair iron**
(51) International Design Classification: **28-03B**
(74) Name(s) of Attorney(s): **Davies Collison Cave**
(71) Name(s) and Address(s) of Applicant(s):
Jemella Group Limited
Bridgewater Place, Water Lane Leeds LS11 5BZ United Kingdom
(72) Name(s) of Designer(s): **Dan Brady and Stephen Anthony Sayers and Marcus Atkin**
(45) Registration Date: **23 March 2016**
(30) Convention priority data:
(31) Number (32) Date (33) Country
002706010-0003 22 May 2015 OFFICE FOR HARMONISATION IN THE INTERNAL MARKET (OHIM)
(56) Related Art Documents: **Not Applicable**
(57) Statement of Newness and Distinctiveness: **Nil**



(21) Design Number: **13139/2015**

(22) Date of Filing Application: **22 June 2015**

(24) Date from which industrial property rights may have effect: **22 June 2015**

(54) Product in respect of which the design is registered: **Hair iron**

(51) International Design Classification: **28-03B**

(74) Name(s) of Attorney(s): **Davies Collison Cave**

(71) Name(s) and Address(s) of Applicant(s):

Jemella Group Limited

Bridgewater Place, Water Lane Leeds LS11 5BZ United Kingdom

(72) Name(s) of Designer(s): **Dan Brady and Stephen Anthony Sayers and Marcus Atkin**

(45) Registration Date: **23 March 2016**

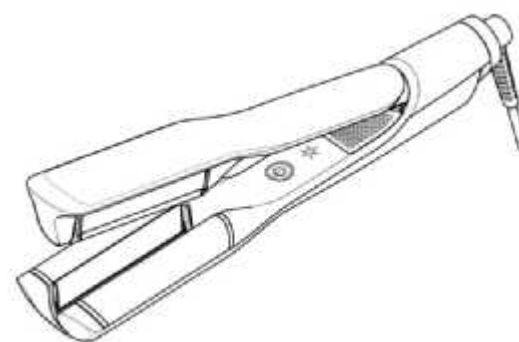
(30) Convention priority data:

(31) Number (32) Date
002706010-0004 22 May 2015

(33) Country
**OFFICE FOR HARMONISATION IN
THE INTERNAL MARKET (OHIM)**

(56) Related Art Documents: **Not Applicable**

(57) Statement of Newness and Distinctiveness: **Nil**



(21) Design Number: **16917/2015**

(22) Date of Filing Application: **18 December 2015**

(24) Date from which industrial property rights may have effect: **18 December 2015**

(54) Product in respect of which the design is registered: **Large powered jack**

(51) International Design Classification: **12-05**

(74) Name(s) of Attorney(s): **PETER MAXWELL & ASSOCIATES**

(71) Name(s) and Address(s) of Applicant(s):

Cequent Performance Products, Inc.

47912 Halyard Drive, Suite 100 Plymouth MI 48170 United States of America

(72) Name(s) of Designer(s): **Erik Alanko and Gregory T Goetsch**

(45) Registration Date: **23 March 2016**

(30) Convention priority data:

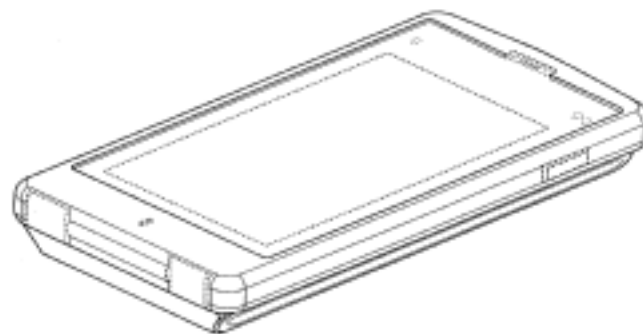
(31) Number (32) Date (33) Country
29/530,686 18 Jun 2015 UNITED STATES OF AMERICA

(56) Related Art Documents: **Not Applicable**

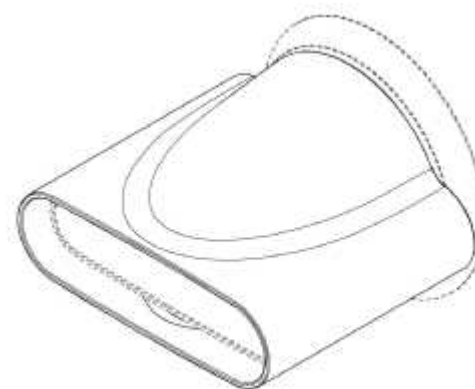
(57) Statement of Newness and Distinctiveness: **Newness and distinctiveness is claimed in the shape and/or configuration of a LARGE POWERED JACK.**



- (21) Design Number: **10078/2016**
(22) Date of Filing Application: **08 January 2016**
(24) Date from which industrial property rights may have effect: **08 January 2016**
(54) Product in respect of which the design is registered: **Handset**
(51) International Design Classification: **14-03E**
(74) Name(s) of Attorney(s): **Fisher Adams Kelly Callinans**
(71) Name(s) and Address(s) of Applicant(s):
Spectralink Corporation
2560 55th Street Boulder Colorado 80301 CO, 80301 United States of America
(72) Name(s) of Designer(s): **Keith Amann and Jeffrey D. Kelm and William R. Brennan**
(45) Registration Date: **23 March 2016**
(30) Convention priority data:
(31) Number (32) Date (33) Country
29/532,656 09 Jul 2015 UNITED STATES OF AMERICA
(56) Related Art Documents: **Not Applicable**
(57) Statement of Newness and Distinctiveness: **Newness and distinctiveness is claimed in the visual features shown in solid lines in the representations.**



- (21) Design Number: **10149/2016**
(22) Date of Filing Application: **13 January 2016**
(24) Date from which industrial property rights may have effect: **13 January 2016**
(54) Product in respect of which the design is registered: **Accessory for hairdryer**
(51) International Design Classification: **28-03B**
(74) Name(s) of Attorney(s): **Shelston IP Pty Ltd.**
(71) Name(s) and Address(s) of Applicant(s):
Dyson Technology Limited
Tetbury Hill Malmesbury Wiltshire SN16 0RP United Kingdom
(72) Name(s) of Designer(s): **Philip Jonathan Stephens and Boris Zukina and Christopher John Tyler and Andrea Ee-Va Lim and Adam James Bates and Alexander Stuart Knox**
(45) Registration Date: **23 March 2016**
(30) Convention priority data:
(31) Number (32) Date (33) Country
001437065-0002 13 Jul 2015 OFFICE FOR HARMONISATION IN THE INTERNAL MARKET (OHIM)
(56) Related Art Documents: **Not Applicable**
(57) Statement of Newness and Distinctiveness: **Newness and distinctiveness reside in the features of shape and/or configuration of the outer sleeve surrounding the main body of an ACCESSORY FOR HAIRDRYER as illustrated in solid lines in the accompanying representations. The features shown in discontinuous lines are illustrative only and do not form part of the design.**



(21) Design Number: **10081/2016**

(22) Date of Filing Application: **08 January 2016**

(24) Date from which industrial property rights may have effect: **08 January 2016**

(54) Product in respect of which the design is registered: **Shorts**

(51) International Design Classification: **02-01NES, 02-02C**

(74) Name(s) of Attorney(s): **Davies Collison Cave**

(71) Name(s) and Address(s) of Applicant(s):

NIKE Innovate C.V.

One Bowerman Drive Beaverton Oregon, 97005-6453 United States of America

(72) Name(s) of Designer(s): **Bruce Y. Moore**

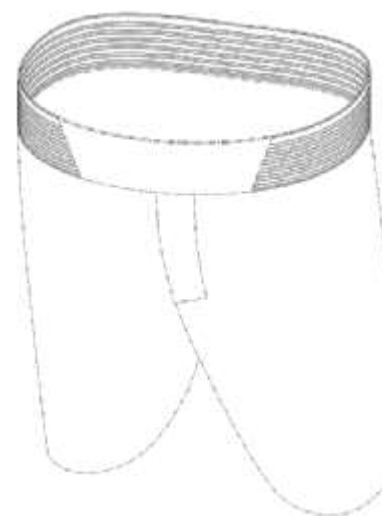
(45) Registration Date: **23 March 2016**

(30) Convention priority data:

(31) Number	(32) Date	(33) Country
29/532,807	10 Jul 2015	UNITED STATES OF AMERICA

(56) Related Art Documents: **Not Applicable**

(57) Statement of Newness and Distinctiveness: **Newness and distinctiveness is claimed in the visual features shown in solid lines in the representations. The broken lines immediately adjacent to the shaded area represent unclaimed boundaries of the design. The unshaded regions, demarcated by broken lines, represent unclaimed portions of the shorts and form no part of the claimed design. The broken lines showing the remainder of the shorts are for environmental purposes only and form no part of the claimed design. The contrast shading represents a contrast in appearance only and does not represent any particular color, material, texture or finish.**



(21) Design Number: **10241/2016**

(22) Date of Filing Application: **18 January 2016**

(24) Date from which industrial property rights may have effect: **18 January 2016**

(54) Product in respect of which the design is registered: **Lightweight freestanding telescopic building prop**

(51) International Design Classification: **25-99**

(74) Name(s) of Attorney(s):

(71) Name(s) and Address(s) of Applicant(s):

DALANCO PTY LTD

11 Birubi Ave Pymble NSW 2073 Australia

(72) Name(s) of Designer(s): **David Charles Everett**

(45) Registration Date: **23 March 2016**

(56) Related Art Documents: **Not Applicable**

(57) Statement of Newness and Distinctiveness: **Lightweight Prop designed to free stand and hold up materials. Easy to use D Handle adjusting nut and can be dismantled for easy freight and transport.**



- (21) Design Number: **10342/2016**
(22) Date of Filing Application: **22 January 2016**
(24) Date from which industrial property rights may have effect: **22 January 2016**
(54) Product in respect of which the design is registered: **Tooth segment for sizing equipment**
(51) International Design Classification: **15-99**
(74) Name(s) of Attorney(s): **Cullens Pty Ltd**
(71) Name(s) and Address(s) of Applicant(s):
Muddie's Holdings Pty Ltd
90 Kanes Rd Gargett QLD 4741 Australia
(72) Name(s) of Designer(s): **Douglas Paul**
(45) Registration Date: **23 March 2016**
(56) Related Art Documents: **Not Applicable**
(57) Statement of Newness and Distinctiveness: **Newness and distinctiveness is claimed in the shape and/or configuration of a tooth segment for sizing equipment as shown in the accompanying representations.**



- (21) Design Number: **10419/2016**
(22) Date of Filing Application: **28 January 2016**
(24) Date from which industrial property rights may have effect: **28 January 2016**
(54) Product in respect of which the design is registered: **Wine serving and preservation device**
(51) International Design Classification: **09-07C**
(74) Name(s) of Attorney(s):
(71) Name(s) and Address(s) of Applicant(s):
Terence Shuibiu Wong
51 Norfolk St Killara NSW 2071 Australia
(72) Name(s) of Designer(s): **Terence Shuibiu Wong**
(45) Registration Date: **23 March 2016**
(56) Related Art Documents: **Not Applicable**
(57) Statement of Newness and Distinctiveness: **The newness and distinctiveness of the design resides in the usage of argon gas not only to preserve wine quality and the device allows pouring of wine and storage of a wine bottle in a horizontal position without any leakage. The broken yellow lines are not part of the design and are to be disregarded when considering the overall impression of the design.**



- (21) Design Number: **10484/2016**
(22) Date of Filing Application: **01 February 2016**
(24) Date from which industrial property rights may have effect: **01 February 2016**
(54) Product in respect of which the design is registered: **Heated hair straightening brush**
(51) International Design Classification: **28-03B**
(74) Name(s) of Attorney(s): **Davies Collison Cave**
(71) Name(s) and Address(s) of Applicant(s):
Ontel Products Corporation
21 Law Drive Fairfield New Jersey 07004 United States of America
(72) Name(s) of Designer(s): **Ross Exley**
(45) Registration Date: **23 March 2016**
(30) Convention priority data:
(31) Number (32) Date (33) Country
29/505,624 23 Dec 2015 UNITED STATES OF AMERICA
(56) Related Art Documents: **Not Applicable**
(57) Statement of Newness and Distinctiveness: **Newness and distinctiveness is claimed in the visual features shown in solid lines in the representations. The broken lines shown in the drawings are included for the purpose of illustrating environmental structure and form no part of the claimed design.**



- (21) Design Number: **10706/2016**
(22) Date of Filing Application: **11 February 2016**
(24) Date from which industrial property rights may have effect: **11 February 2016**
(54) Product in respect of which the design is registered: **Iced confection maker**
(51) International Design Classification: **07-04**
(74) Name(s) of Attorney(s): **Fisher Adams Kelly Callinans**
(71) Name(s) and Address(s) of Applicant(s):
The Decor Corporation Pty. Ltd.
1314 Ferntree Gully Rd Scoresby VIC, 3179 Australia
(72) Name(s) of Designer(s): **Ryan Owen**
(45) Registration Date: **23 March 2016**
(56) Related Art Documents: **Not Applicable**
(57) Statement of Newness and Distinctiveness: **Newness and distinctiveness resides in the features of shape, configuration, pattern and/or ornamentation as applied to an ICED CONFECTION MAKER as shown in the accompanying representations.**



- (21) Design Number: **10917/2016**
(22) Date of Filing Application: **20 February 2016**
(24) Date from which industrial property rights may have effect: **20 February 2016**
(54) Product in respect of which the design is registered: **Nursing/maternity sports bra**
(51) International Design Classification: **02-01A**
(74) Name(s) of Attorney(s):
(71) Name(s) and Address(s) of Applicant(s):
Sarah Marray
217 McKinley St Moora WA 6510 Australia
(72) Name(s) of Designer(s): **Amanda Townsend**
(45) Registration Date: **23 March 2016**
(56) Related Art Documents: **Not Applicable**
(57) Statement of Newness and Distinctiveness: **A new design of the nursing sports bra for breastfeeding mothers allowing high impact activity. The Bra uses a low designed flex-wire which maintains shape and adds support to the bra and also allows the cup to roll down for feeding baby without the wire effecting/restricting the feeding capabilities or ruining the wire component of the structure. Unique stitching has been used to maintain the position of the wire throughout the life of the bra. The two layer back gore is a distinctive design and provides easy conversion from straight strap to action back and the double layer of back support, also provides a full circumference of support, with a balanced distribution of pressure for high impact classification.**



- (21) Design Number: **11013/2016**
(22) Date of Filing Application: **25 February 2016**
(24) Date from which industrial property rights may have effect: **25 February 2016**
(54) Product in respect of which the design is registered: **Curtain and Track Hook/Runner**
(51) International Design Classification: **08-08H**
(74) Name(s) of Attorney(s):
(71) Name(s) and Address(s) of Applicant(s):
REMLAP TRACKING PTY. LTD.
516-518 Grand Junction Rd Northfield SA 5085 Australia
(72) Name(s) of Designer(s): **Clinton Wayne Palmer**
(45) Registration Date: **23 March 2016**
(56) Related Art Documents: **Not Applicable**
(57) Statement of Newness and Distinctiveness: **This Curtain Hook is distinctive in the way it hooks into the curtain as a Hook and also becomes the Curtain Track Runner. It is a ONE PIECE design that is manufactured in such a way as to allow the Curtain to Stack Back to a minimum, less than any other system on the market. The lower section hooks into the Curtain and the top section hooks into the Track and becomes the Curtain Track Runner Can be manufactured for both Right and Left hand use.**



- (21) Design Number: **11030/2016**
(22) Date of Filing Application: **26 February 2016**
(24) Date from which industrial property rights may have effect: **26 February 2016**
(54) Product in respect of which the design is registered: **Liquid tank**
(51) International Design Classification: **12-08**
(74) Name(s) of Attorney(s):
(71) Name(s) and Address(s) of Applicant(s):

Anthony Kuiper
PO BOX 438 Gumeracha SA 5233 Australia

- (72) Name(s) of Designer(s): **Anthony Kuiper**

(45) Registration Date: **23 March 2016**

(56) Related Art Documents: **Not Applicable**

- (57) Statement of Newness and Distinctiveness: **Tank has been designed to focus the liquid centre of gravity over the centrelines of typical light vehicle such as tray top utility. As water level drops it narrows to the lateral centre and ideal centre of this type of vehicle. Angle sides minimise water movement changing the centre of gravity to the edges of the vehicle reducing roll over**



- (21) Design Number: **11270/2016**
(22) Date of Filing Application: **08 March 2016**
(24) Date from which industrial property rights may have effect: **08 March 2016**
(54) Product in respect of which the design is registered: **Bottle with lid**
(51) International Design Classification: **07-01F, 09-01NES**
(74) Name(s) of Attorney(s): **Griffith Hack**
(71) Name(s) and Address(s) of Applicant(s):

BRITA GMBH
Heinrich-Hertz Strasse 4 TAUNUSSTEIN 65232 Germany

- (72) Name(s) of Designer(s): **Christian Rummel and Tim Storti**

(45) Registration Date: **23 March 2016**

(30) Convention priority data:

(31) Number	(32) Date	(33) Country
40 2015 001 514	17 Sep 2015	GERMANY

(56) Related Art Documents: **Not Applicable**

- (57) Statement of Newness and Distinctiveness: **Newness and distinctiveness resides in the visual features of a BOTTLE WITH LID as shown in the accompanying representations, namely, the translucent bottle, and the contrasting, opaque lid, as well as the differentially rendered portions of the lid.**



- (21) Design Number: **10004/2016**
(22) Date of Filing Application: **04 January 2016**
(24) Date from which industrial property rights may have effect: **04 January 2016**
(54) Product in respect of which the design is registered: **Dispensing container**
(51) International Design Classification: **09-01NES, 28-03NES, 24-99**
(74) Name(s) of Attorney(s): **Davies Collison Cave**
(71) Name(s) and Address(s) of Applicant(s):

Medisca Pharmaceutique Inc.
6090, boulevard Henri-Bourassa Ouest Montreal Quebec, H4R 3A6
Canada

- (72) Name(s) of Designer(s): **Sarah Nyat Peng Wong and Panagiota Danopoulos and Yu-Sub Kim**

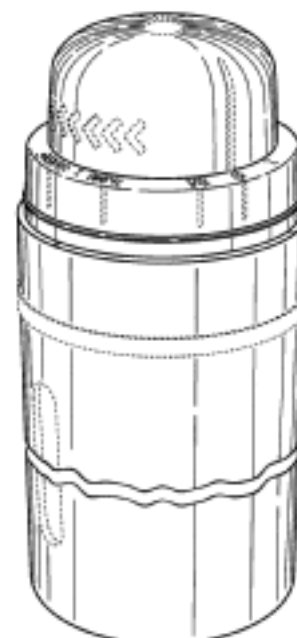
(45) Registration Date: **23 March 2016**

(30) Convention priority data:

(31) Number	(32) Date	(33) Country
164,846	09 Oct 2015	CANADA

(56) Related Art Documents: **Not Applicable**

- (57) Statement of Newness and Distinctiveness: **Newness and distinctiveness is claimed in the visual features shown in solid lines in the representations. The design is the features of shape, ornament and configuration of the entire dispensing container of indefinite length as shown in the drawings. In considering the extent of the design rights, the broken lines shown in the representations are for illustrative purposes only and do not form part of the design.**



- (21) Design Number: **10005/2016**
(22) Date of Filing Application: **04 January 2016**
(24) Date from which industrial property rights may have effect: **14 October 2015**
(54) Product in respect of which the design is registered: **Illuminating bollard**
(51) International Design Classification: **26-03**
(74) Name(s) of Attorney(s): **Griffith Hack**
(71) Name(s) and Address(s) of Applicant(s):

Hubbell Incorporated
40 Waterview Drive P.O. Box 1000 Shelton, CT, 06484 United States of
America

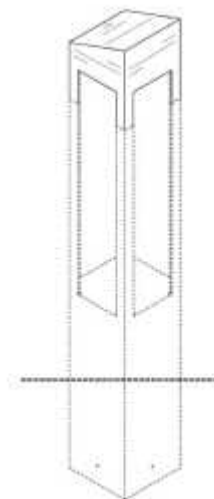
(72) Name(s) of Designer(s): **Armin Ahrari**

(45) Registration Date: **23 March 2016**

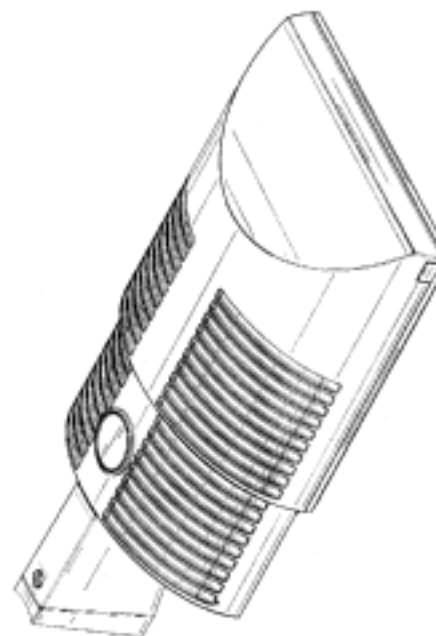
(62) Divisional of: **366349**

(56) Related Art Documents: **Not Applicable**

- (57) Statement of Newness and Distinctiveness: **Newness and distinctiveness resides in the shape and configuration of the product as shown by means of solid lines in the accompanying representations. As shown in the drawings, the product may be of any height.**



- (21) Design Number: **10123/2016**
(22) Date of Filing Application: **11 January 2016**
(24) Date from which industrial property rights may have effect: **19 October 2015**
(54) Product in respect of which the design is registered: **Luminaire**
(51) International Design Classification: **26-05NES**
(74) Name(s) of Attorney(s): **Griffith Hack**
(71) Name(s) and Address(s) of Applicant(s):
Hubbell Incorporated
40 Waterview Drive P.O. Box 1000 Shelton, Connecticut, 06484 United States of America
(72) Name(s) of Designer(s): **Dean B. Dal Ponte and Michael S. Neuer and Syed A. Raza and Gerald E. Taaffe III**
(45) Registration Date: **24 March 2016**
(62) Divisional of: **366399**
(56) Related Art Documents: **Not Applicable**
(57) Statement of Newness and Distinctiveness: **Newness and distinctiveness resides in the shape and configuration of the product as shown by means of the solid lines in the accompanying representations. Figures 7, 8 and 9 are reference views and do not form part of the design.**



- (21) Design Number: **10290/2016**
(22) Date of Filing Application: **21 January 2016**
(24) Date from which industrial property rights may have effect: **21 January 2016**
(54) Product in respect of which the design is registered: **A ridge vent**
(51) International Design Classification: **25-01G**
(74) Name(s) of Attorney(s): **PHILLIPS ORMONDE FITZPATRICK**
(71) Name(s) and Address(s) of Applicant(s):
Stratco (Australia) Pty Limited
125 Cavan Rd Gepps Cross SA 5094 Australia
(72) Name(s) of Designer(s): **Michael Craig Lowe and Duane Todd Degruchy**
(45) Registration Date: **24 March 2016**
(56) Related Art Documents: **Not Applicable**
(57) Statement of Newness and Distinctiveness: **Newness and distinctiveness is claimed in the shape and configuration of the ridge vent shown in the accompanying representations. The length dimension of the ridge vent is to be disregarded when considering the design as indicated by the broken lines in the top, side and bottom views of the ridge vent as shown in the representations. The indicia marked on the end cap of the ridge vent as shown in the isometric and end views does not form part of the design and should be disregarded.**



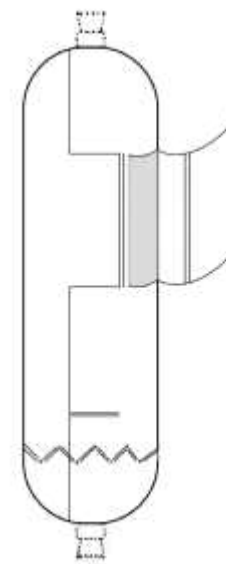
- (21) Design Number: **10153/2016**
(22) Date of Filing Application: **13 January 2016**
(24) Date from which industrial property rights may have effect: **13 January 2016**
(54) Product in respect of which the design is registered: **Accessory for hairdryer**
(51) International Design Classification: **28-03B**
(74) Name(s) of Attorney(s): **Shelston IP Pty Ltd.**
(71) Name(s) and Address(s) of Applicant(s):
Dyson Technology Limited
Tetbury Hill Malmesbury Wiltshire SN16 0RP United Kingdom
(72) Name(s) of Designer(s): **Philip Jonathan Stephens and Boris Zukina and Christopher John Tyler and Andrea Ee-Va Lim and Adam James Bates and Alexander Stuart Knox**
(45) Registration Date: **24 March 2016**
(30) Convention priority data:
(31) Number (32) Date (33) Country
001437065-0001 13 Jul 2015 OFFICE FOR HARMONISATION IN THE INTERNAL MARKET (OHIM)
(56) Related Art Documents: **Not Applicable**
(57) Statement of Newness and Distinctiveness: **Newness and distinctiveness reside in the features of shape and/or configuration of the outer sleeve surrounding the main body of an ACCESSORY FOR HAIRDRYER as illustrated in the accompanying representations.**



- (21) Design Number: **10437/2016**
(22) Date of Filing Application: **28 January 2016**
(24) Date from which industrial property rights may have effect: **03 December 2015**
(54) Product in respect of which the design is registered: **Handle for surgical and dental tool**
(51) International Design Classification: **24-02**
(74) Name(s) of Attorney(s): **Spruson & Ferguson**
(71) Name(s) and Address(s) of Applicant(s):
Premier Dental Products Company
1710 Romano Drive, Plymouth Meeting Pennsylvania, 19462 United States of America
(72) Name(s) of Designer(s): **William A. McHale and Masood Khan**
(45) Registration Date: **24 March 2016**
(62) Divisional of: **367716**
(56) Related Art Documents: **Not Applicable**
(57) Statement of Newness and Distinctiveness: **Newness and distinctiveness is claimed in those features of shape and/or configuration of a handle for surgical and dental tool as illustrated in continuous lines in the accompanying representations, in which instruments attached to the handle shown in broken lines do not contribute to the new and distinctive features.**



- (21) Design Number: **10659/2016**
(22) Date of Filing Application: **10 February 2016**
(24) Date from which industrial property rights may have effect: **07 December 2015**
(54) Product in respect of which the design is registered: **Package for food applications with easy-opening**
(51) International Design Classification: **09-05**
(74) Name(s) of Attorney(s): **Davies Collison Cave**
(71) Name(s) and Address(s) of Applicant(s):
Novaplot Enterprises Ltd
12A Kosti Palama Limassol 3095 Cyprus
(72) Name(s) of Designer(s): **Emmanouil Domazakis**
(45) Registration Date: **24 March 2016**
(62) Divisional of: **367181**
(56) Related Art Documents: **Not Applicable**
(57) Statement of Newness and Distinctiveness: **Newness and distinctiveness is claimed in the visual features shown in the representations. A package of indefinite length for snack-sized portions of food comprising a heat-sealed field, which defines the tubular shape to the package, and a free non-sealed surface, which extends adjacent and parallel to the heat-sealed field. The non-sealed surface has a number of tear notches, perpendicular to the heat-sealed field, that allow the opening of the package by a rotational motion. The said heat-sealed surface and the said non-sealed surface are located on the longitudinal axis of said package. The broken lines show portions of the product which form no part of the claimed design. The dashed-dotted lines show indefinite length of the product.**



- (21) Design Number: **10775/2016**
(22) Date of Filing Application: **12 February 2016**
(24) Date from which industrial property rights may have effect: **12 February 2016**
(54) Product in respect of which the design is registered: **Swimming float**
(51) International Design Classification: **21-02D**
(74) Name(s) of Attorney(s): **Davies Collison Cave**
(71) Name(s) and Address(s) of Applicant(s):
Michael Thomas
126 Valley Rd Heaton Mersey Stockport Cheshire SK4 2DB United Kingdom
(72) Name(s) of Designer(s): **Michael Thomas**
(45) Registration Date: **24 March 2016**
(30) Convention priority data:
(31) Number (32) Date (33) Country
002755413-0001 14 Aug 2015 OFFICE FOR HARMONISATION IN THE INTERNAL MARKET (OHIM)
(56) Related Art Documents: **Not Applicable**
(57) Statement of Newness and Distinctiveness: **Newness and distinctiveness is claimed in the visual features of shape and configuration of the article shown in the representations, noting that the bold lines are only provided to indicate the shape and contouring of the article.**



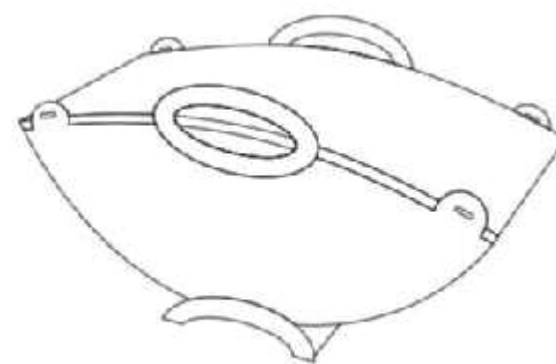
- (21) Design Number: **11102/2016**
(22) Date of Filing Application: **01 March 2016**
(24) Date from which industrial property rights may have effect: **01 March 2016**
(54) Product in respect of which the design is registered: **Car and toy-car**
(51) International Design Classification: **21-01C, 12-08**
(74) Name(s) of Attorney(s): **PHILLIPS ORMONDE FITZPATRICK**
(71) Name(s) and Address(s) of Applicant(s):
FCA Italy S.p.A.
Corso Giovanni Agnelli 200 Torino I-10135 Italy
(72) Name(s) of Designer(s): **Roberto Giolito**
(45) Registration Date: **24 March 2016**
(56) Related Art Documents: **Not Applicable**
(57) Statement of Newness and Distinctiveness: **Those features of the car and toy-car depicted in the representations that are new and distinctive are the shape and/or configuration. The tyres and wheels of the car and toy-car are not part of the design and are to be disregarded when considering the overall impression of the design.**



- (21) Design Number: **11103/2016**
(22) Date of Filing Application: **01 March 2016**
(24) Date from which industrial property rights may have effect: **01 March 2016**
(54) Product in respect of which the design is registered: **Car and toy-car**
(51) International Design Classification: **21-01C, 12-08**
(74) Name(s) of Attorney(s): **PHILLIPS ORMONDE FITZPATRICK**
(71) Name(s) and Address(s) of Applicant(s):
FCA Italy S.p.A.
Corso Giovanni Agnelli 200 Torino I-10135 Italy
(72) Name(s) of Designer(s): **Roberto Giolito**
(45) Registration Date: **24 March 2016**
(56) Related Art Documents: **Not Applicable**
(57) Statement of Newness and Distinctiveness: **Those features of the car and toy-car depicted in the representations that are new and distinctive are the shape and/or configuration. The tyres and wheels of the car and toy-car are not part of the design and are to be disregarded when considering the overall impression of the design.**



(21) Design Number: **11104/2016**
(22) Date of Filing Application: **01 March 2016**
(24) Date from which industrial property rights may have effect: **01 March 2016**
(54) Product in respect of which the design is registered: **Coffin with stand**
(51) International Design Classification: **06-04G**
(74) Name(s) of Attorney(s):
(71) Name(s) and Address(s) of Applicant(s):



Fiona King
39 Awarua Street Ngaio Wellington 6012 New Zealand

(72) Name(s) of Designer(s): **Fiona King**

(45) Registration Date: **24 March 2016**

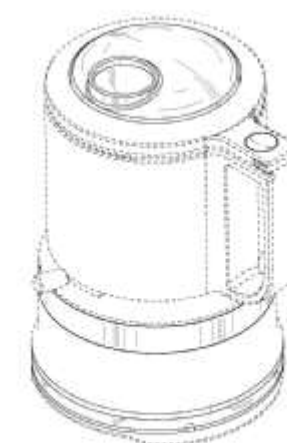
(30) Convention priority data:

(31) Number	(32) Date	(33) Country
420622	04 Sep 2015	NEW ZEALAND

(56) Related Art Documents: **Not Applicable**

(57) Statement of Newness and Distinctiveness: **Nil**

(21) Design Number: **11225/2016**
(22) Date of Filing Application: **07 March 2016**
(24) Date from which industrial property rights may have effect: **07 March 2016**
(54) Product in respect of which the design is registered: **Food chopper**
(51) International Design Classification: **31-00**
(74) Name(s) of Attorney(s): **PHILLIPS ORMONDE FITZPATRICK**
(71) Name(s) and Address(s) of Applicant(s):



Whirlpool Corporation
2000 North M-63 MD3601 Benton Harbor Michigan 49022 United States of America

(72) Name(s) of Designer(s): **David J. Gushwa and John W. McConnell and Joel Graham Van Faasen**

(45) Registration Date: **24 March 2016**

(30) Convention priority data:

(31) Number	(32) Date	(33) Country
29/554,424	11 Feb 2016	UNITED STATES OF AMERICA

(56) Related Art Documents: **Not Applicable**

(57) Statement of Newness and Distinctiveness: **Those features of the food chopper depicted in the representations that are new and distinctive are the shape and/or configuration. The features shown in broken lines are not part of the design and are to be disregarded when considering the overall impression of the design.**